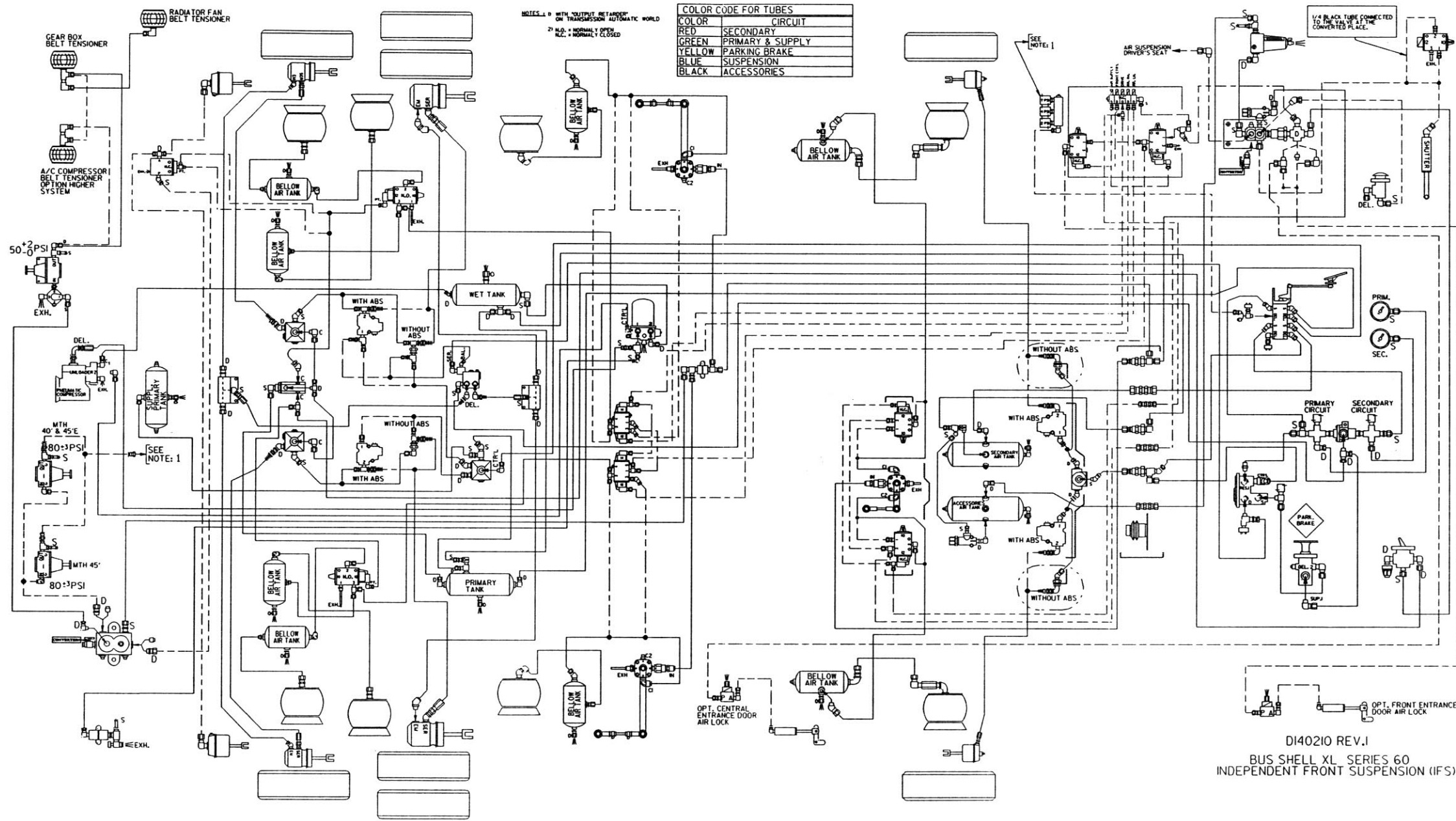


COLOR	CIRCUIT
RED	SECONDARY
GREEN	PRIMARY & SUPPLY
YELLOW	PARKING BRAKE
BLUE	SUSPENSION
BLACK	ACCESSORIES

NOTES: 1. WITH "OUTPUT RETARDER" ON TRANSMISSION AUTOMATIC WORLD  
 2. N.C. = NORMAL OPEN  
 N.C. = NORMALLY CLOSED

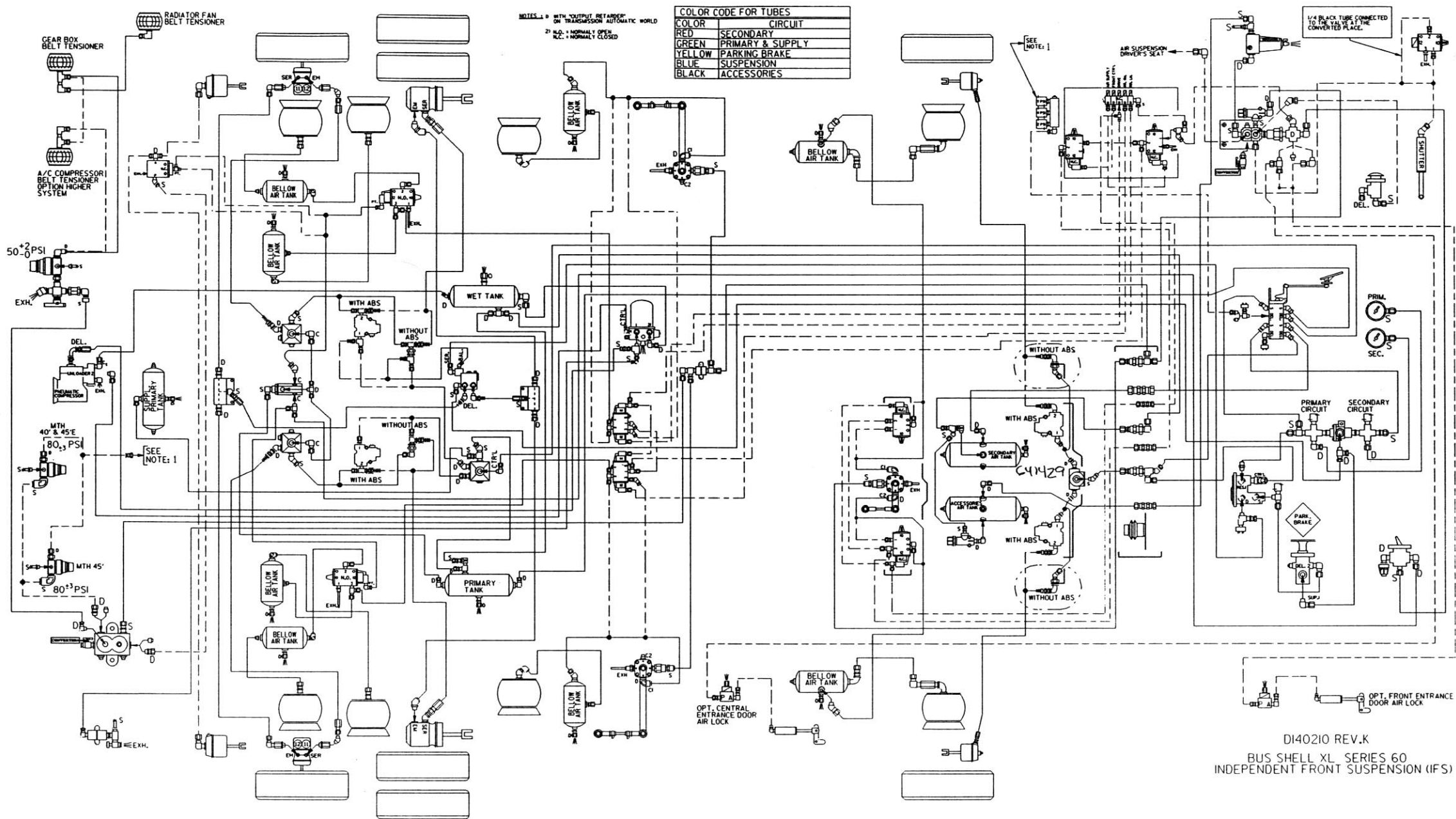
D140210 REV.H  
 BUS SHELL XL SERIES 60  
 INDEPENDENT FRONT SUSPENSION (IFS)



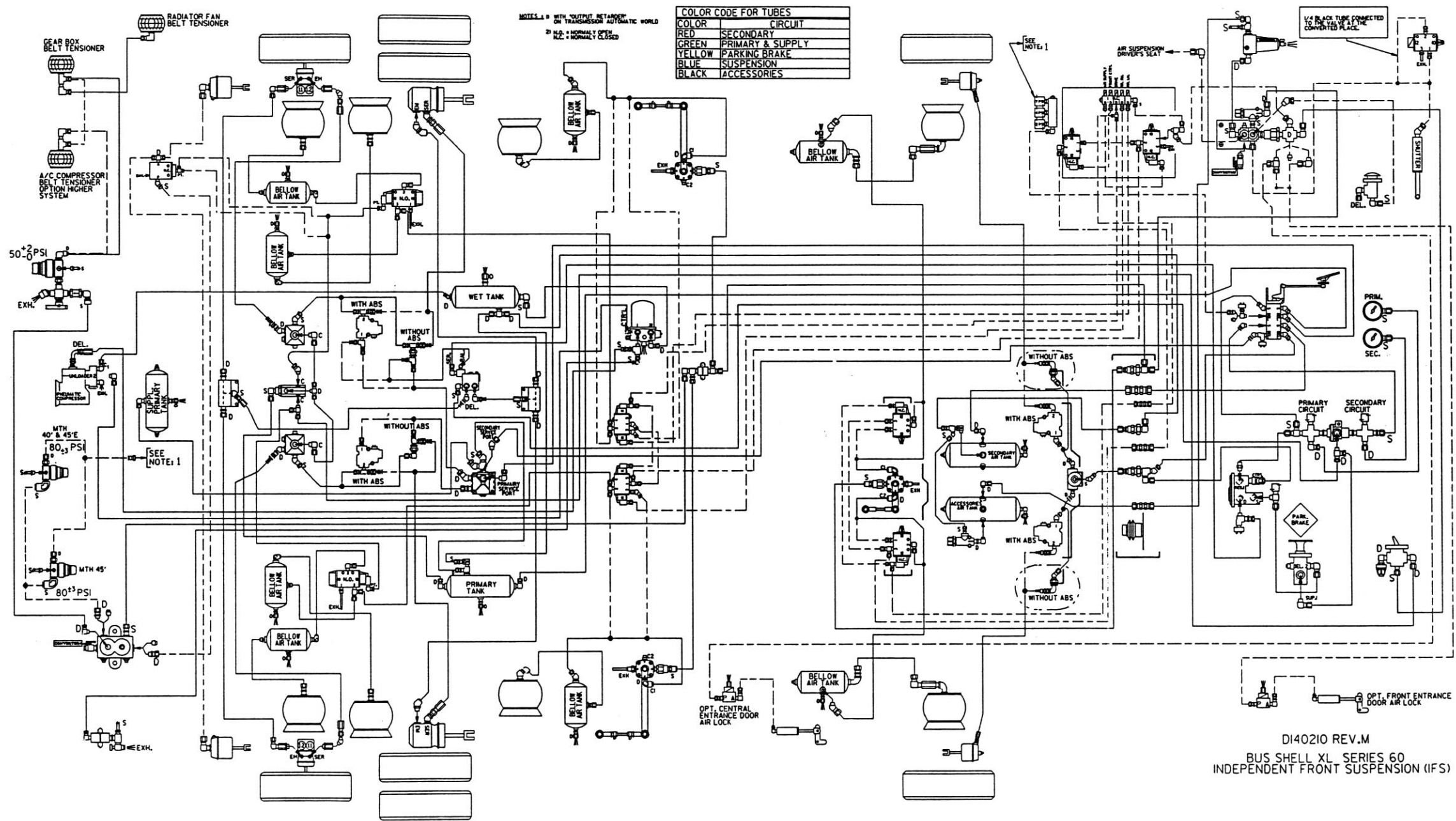
NOTES: 0 WITH QUALITY RETARDER ON TRANSMISSION AUTOMATIC WORLD  
 21 N.O. = NORMAL OPEN  
 N.C. = NORMAL CLOSED

COLOR CODE FOR TUBES	
COLOR	CIRCUIT
RED	SECONDARY
GREEN	PRIMARY & SUPPLY
YELLOW	PARKING BRAKE
BLUE	SUSPENSION
BLACK	ACCESSORIES

DI40210 REV.1  
 BUS SHELL XL SERIES 60  
 INDEPENDENT FRONT SUSPENSION (IFS)



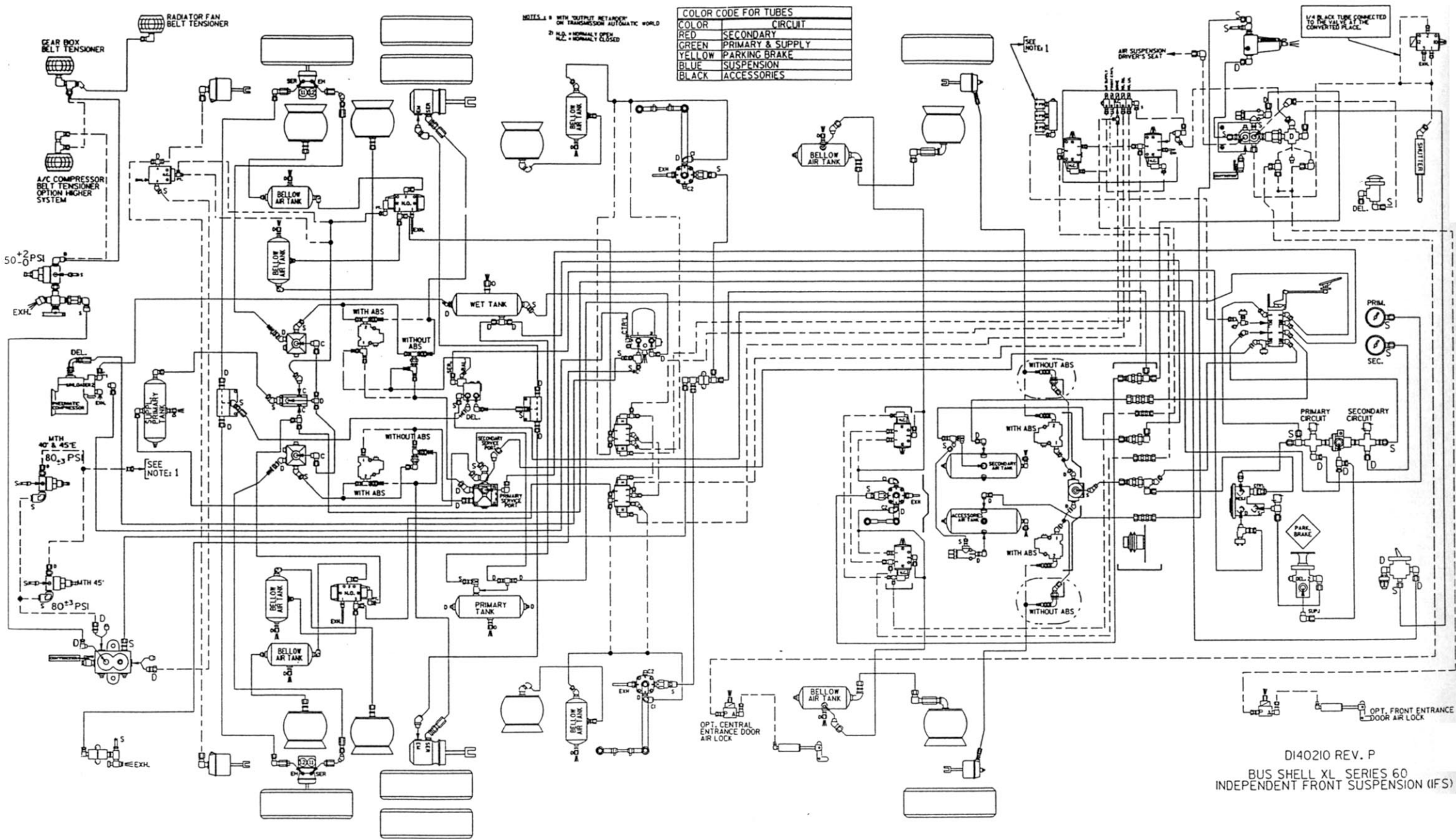
DI40210 REV.K  
 BUS SHELL XL SERIES 60  
 INDEPENDENT FRONT SUSPENSION (IFS)



NOTES: 1. 0 WITH 'OUTPUT RETARDER' ON TRANSMISSION AUTOMATIC WORLD  
 2. N.O. = NORMALLY OPEN  
 N.C. = NORMALLY CLOSED

COLOR CODE FOR TUBES	
COLOR	CIRCUIT
RED	SECONDARY
GREEN	PRIMARY & SUPPLY
YELLOW	PARKING BRAKE
BLUE	SUSPENSION
BLACK	ACCESSORIES

DI40210 REV.M  
 BUS SHELL XL SERIES 60  
 INDEPENDENT FRONT SUSPENSION (IFS)



NOTE: 1 WITH OUTPUT RELAY OF TRANSMISSION AUTOMATIC WORLD  
 2 N.O. = NORMAL OPEN  
 N.C. = NORMAL CLOSED

COLOR	CIRCUIT
RED	SECONDARY
GREEN	PRIMARY & SUPPLY
YELLOW	PARKING BRAKE
BLUE	SUSPENSION
BLACK	ACCESSORIES

D140210 REV. P  
 BUS SHELL XL SERIES 60  
 INDEPENDENT FRONT SUSPENSION (IFS)