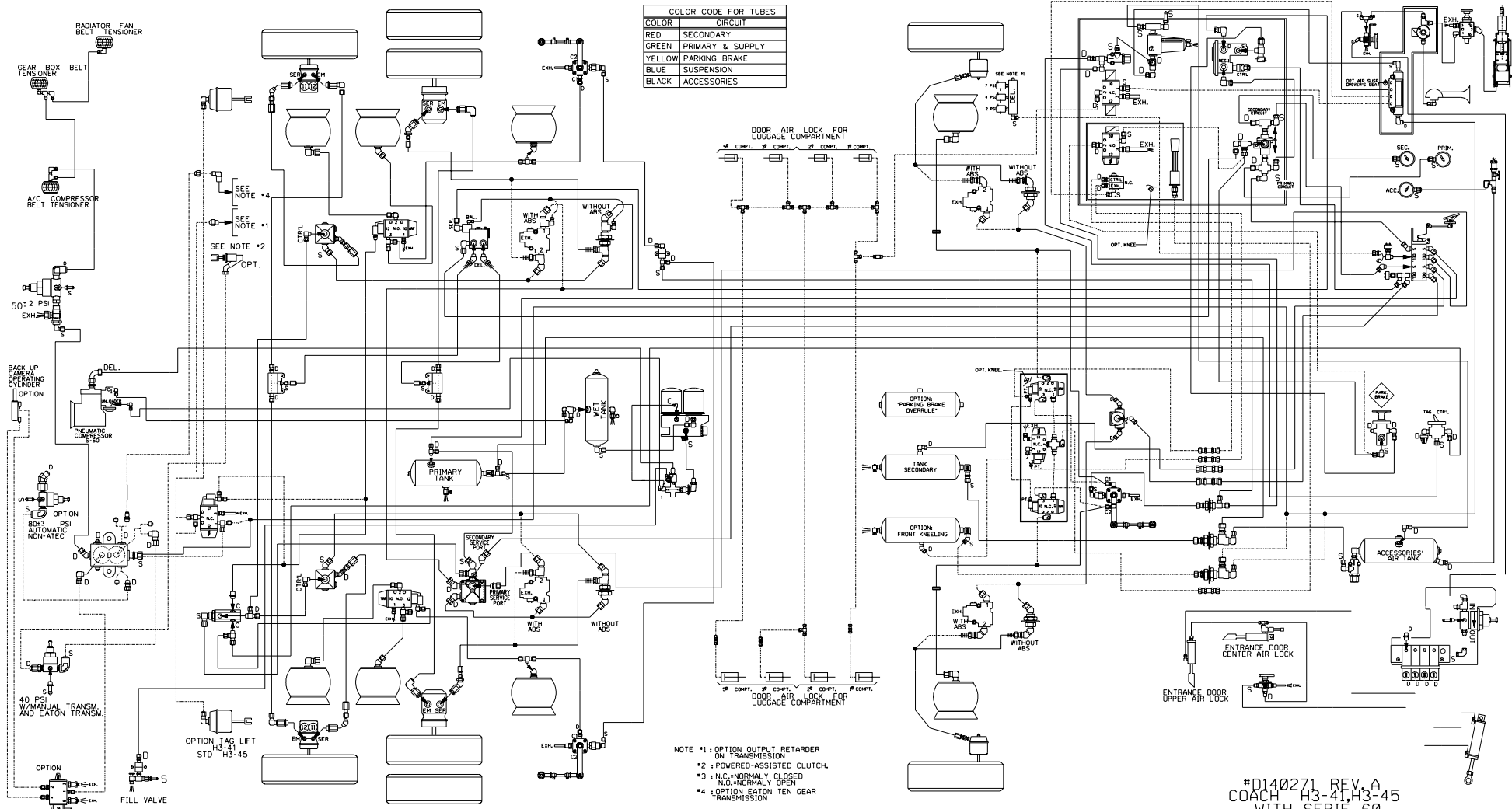


COLOR CODE FOR TUBES	
COLOR	CIRCUIT
RED	SECONDARY
GREEN	PRIMARY & SUPPLY
YELLOW	PARKING BRAKE
BLUE	SUSPENSION
BLACK	ACCESSORIES



NOTE #1 : OPTION OUTPUT RETARDER ON TRANSMISSION  
 #2 : POWERED-ASSISTED CLUTCH.  
 #3 : N.C.-NORMALLY CLOSED N.O.-NORMALLY OPEN  
 #4 : OPTION EATON TEN GEAR TRANSMISSION

#D140271 REV. A  
 COACH H3-41, H3-45  
 WITH SERIE 60  
 PWT TWIN AIR DRYER