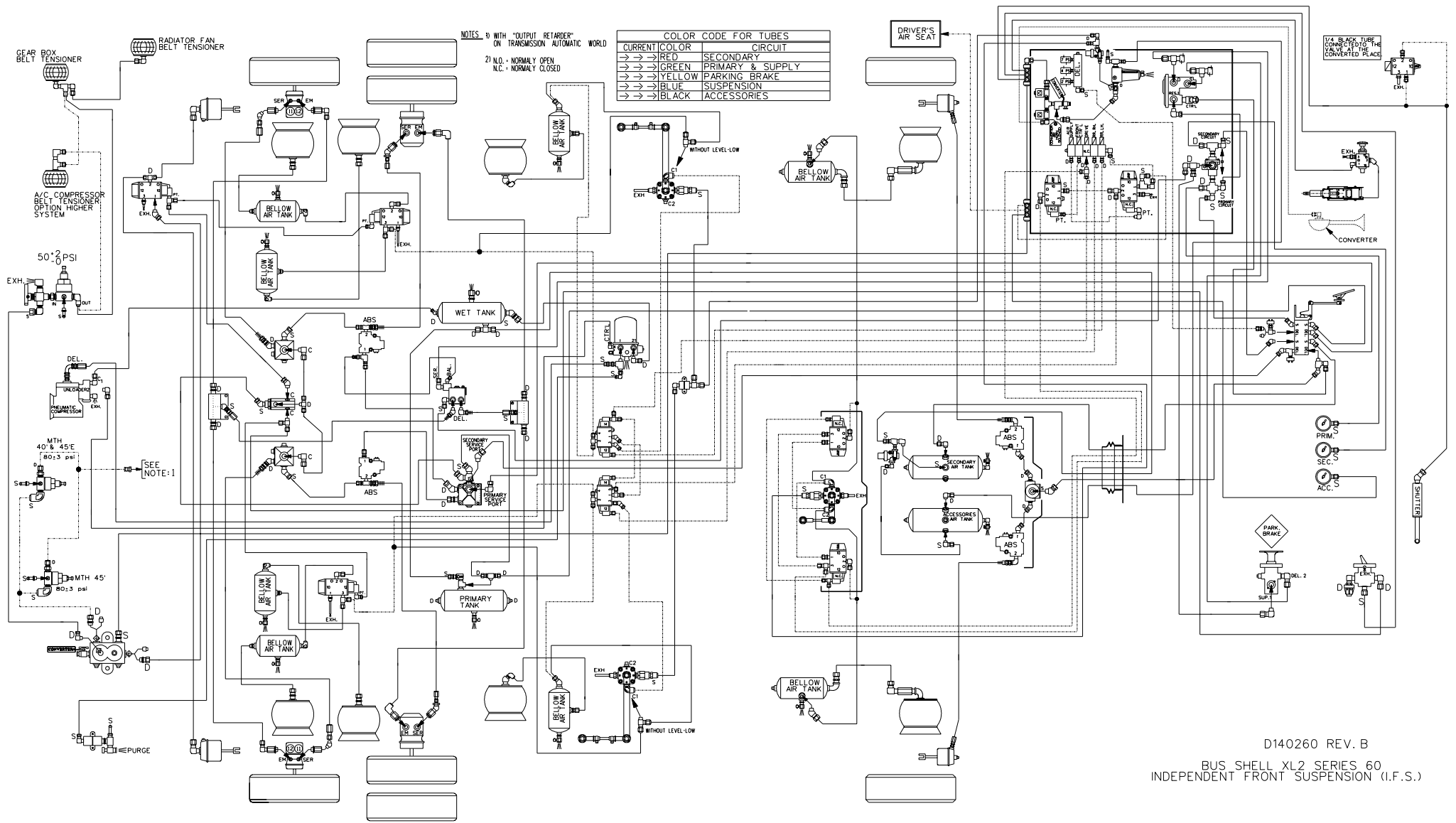


NOTES: 1) WITH "OUTPUT RETARDER" ON TRANSMISSION AUTOMATIC WORLD
 2) N.O. - NORMALLY OPEN
 N.C. - NORMALLY CLOSED

CURRENT COLOR	SECONDARY CIRCUIT
→ → → RED	PRIMARY & SUPPLY
→ → → GREEN	PARKING BRAKE
→ → → YELLOW	SUSPENSION
→ → → BLUE	ACCESSORIES

D140260 REV. A
 BUS SHELL XL2 SERIES 60
 INDEPENDENT FRONT SUSPENSION (I.F.S.)

PROTOTYPE VEHICLE : *W-6451
 PRELIMINARY VEHICLE NO.1 : *Y-6856
 PRELIMINARY VEHICLE NO.2 : *Y-6924



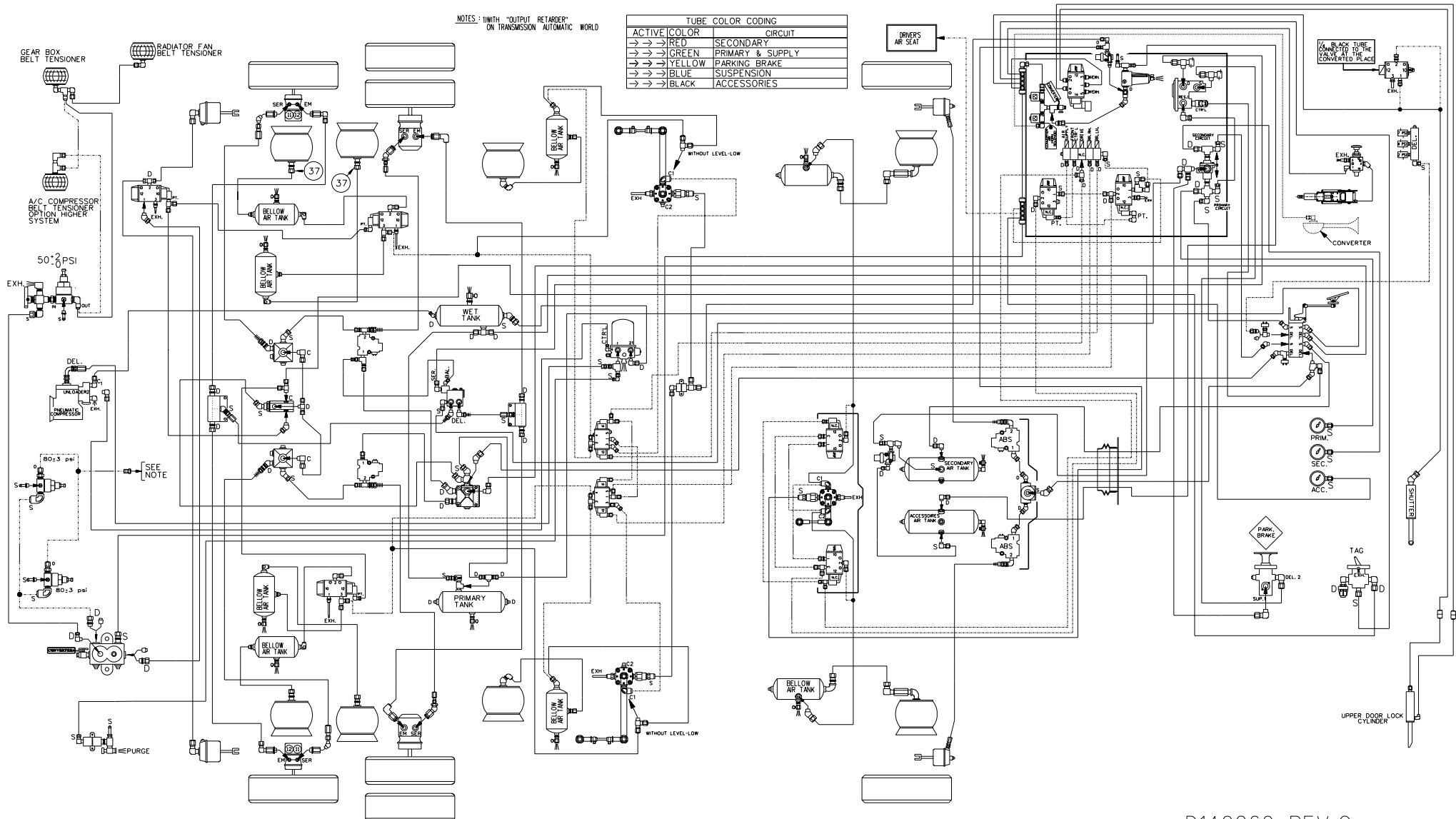
NOTES: 1) WITH "OUTPUT RETARDER"
ON TRANSMISSION - AUTOMATIC WORLD
2) N.O. - NORMALLY OPEN
N.C. - NORMALLY CLOSED

COLOR CODE FOR TUBES	
CURRENT COLOR	SECONDARY CIRCUIT
→ RED	→ PRIMARY & SUPPLY
→ GREEN	→ PARKING BRAKE
→ YELLOW	→ SUSPENSION
→ BLUE	→ ACCESSORIES

1/4" BLACK TUBE
CONNECTED TO THE
CONVERTED PEACE

D140260 REV. B

BUS_SHELL_XL2 SERIES 60
INDEPENDENT FRONT SUSPENSION (I.F.S.)



NOTES : WITH "OUTPUT RETARDER"
ON TRANSMISSION AUTOMATIC WORLD

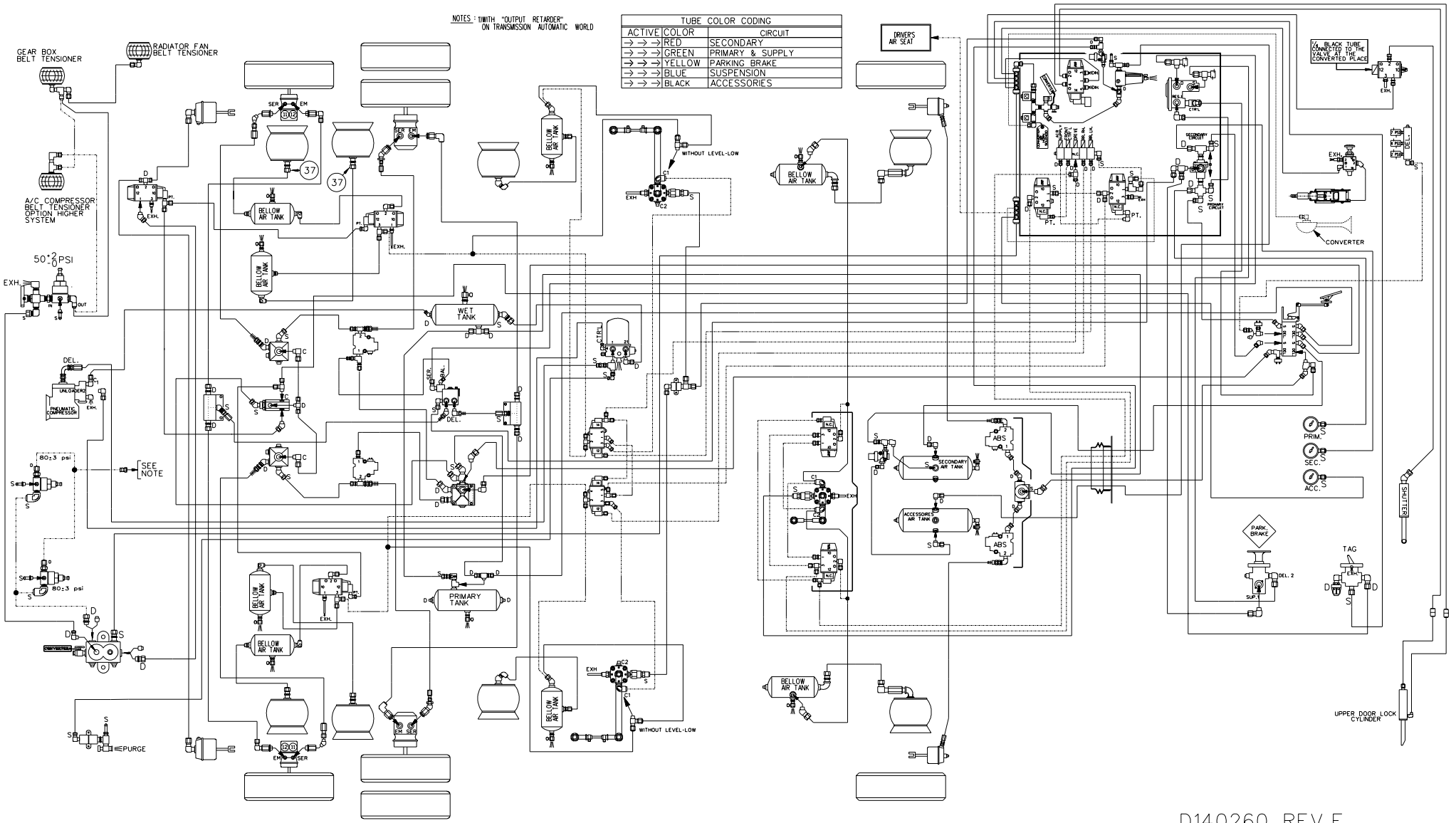
ACTIVE COLOR	SECONDARY CIRCUIT
→→→ RED	→→→ SECONDARY
→→→ GREEN	→→→ PRIMARY & SUPPLY
→→→ YELLOW	→→→ PARKING BRAKE
→→→ BLUE	→→→ SUSPENSION
→→→ BLACK	→→→ ACCESSORIES

BLACK TUBE
CONNECTED TO THE
VALVE AT THE
CONVERTED PLACE

D140260 REV.C

BUS SHELL XL2 SERIES 60
INDEPENDENT FRONT SUSPENSION (I.F.S.)

DATE: 01/2000



NOTES: WITH "OUTPUT DELAYER" ON TRANSMISSION AUTOMATIC WORLD

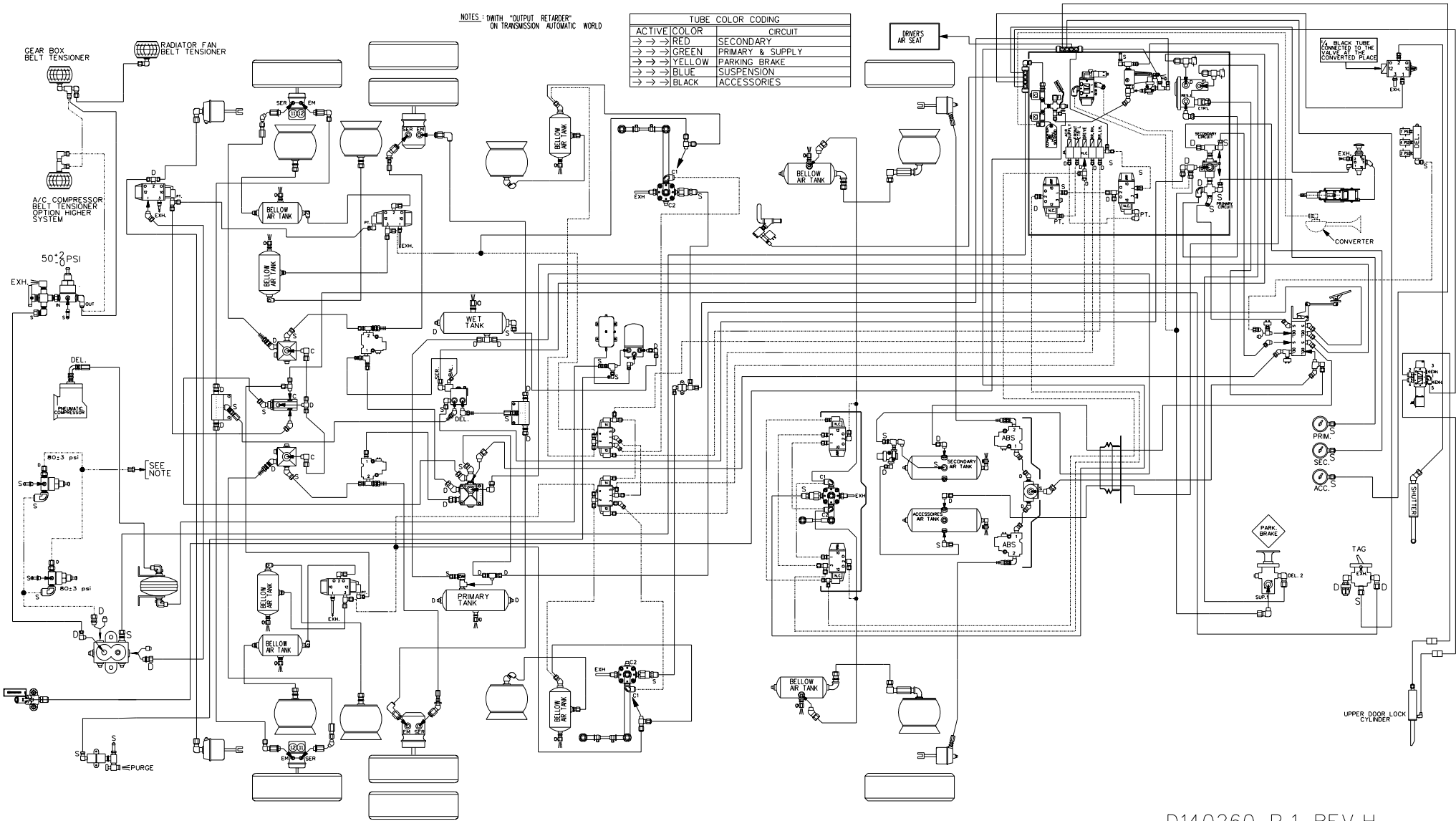
TUBE COLOR CODING	
ACTIVE COLOR	CIRCUIT
→ → → RED	SECONDARY
→ → → GREEN	PRIMARY & SUPPLY
→ → → YELLOW	PARKING BRAKE
→ → → BLUE	SUSPENSION
→ → → BLACK	ACCESSORIES

DATE: 04/2001

D140260 REV.F
 BUS SHELL XL2 SERIES 60
 INDEPENDENT FRONT SUSPENSION (I.F.S.)

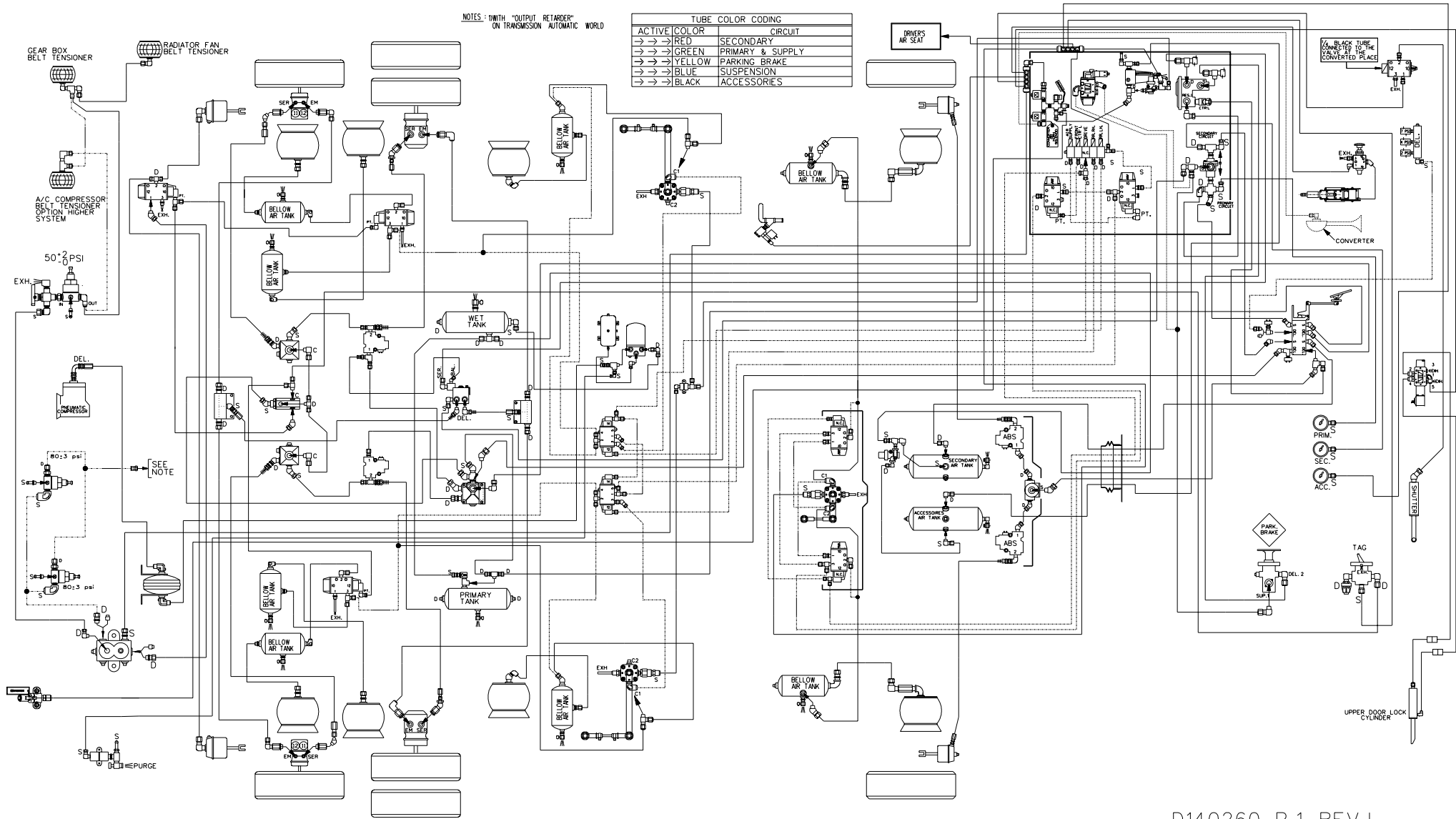
NOTES: D WITH "OUTPUT RETARDER"
ON TRANSMISSION AUTOMATIC WORLD

TUBE COLOR CODING		
ACTIVE COLOR	COLOR	CIRCUIT
→ →	RED	SECONDARY
→ →	GREEN	PRIMARY & SUPPLY
→ →	YELLOW	PARKING BRAKE
→ →	BLUE	SUSPENSION
→ →	BLACK	ACCESSORIES



DATE: 11/2001

D140260 P.1 REV.H
 BUS SHELL XL2 SERIES 60
 INDEPENDENT FRONT SUSPENSION (I.F.S.)



NOTES: WITH "OUTPUT RETARDER"
ON TRANSMISSION AUTOMATIC WORLD

TUBE COLOR CODING	
ACTIVE COLOR	CIRCUIT
→ → → RED	SECONDARY
→ → → GREEN	PRIMARY & SUPPLY
→ → → YELLOW	PARKING BRAKE
→ → → BLUE	SUSPENSION
→ → → BLACK	ACCESSORIES

BLACK TUBE
CONNECTED TO THE
CONVERTER AS
CONVERTED BLACK

CONVERTER

PRIM. S
SEC. S
ACC. S

PARK
BRAKE

TAG

EXH. S
S

UPPER DOOR LOCK
CYLINDER

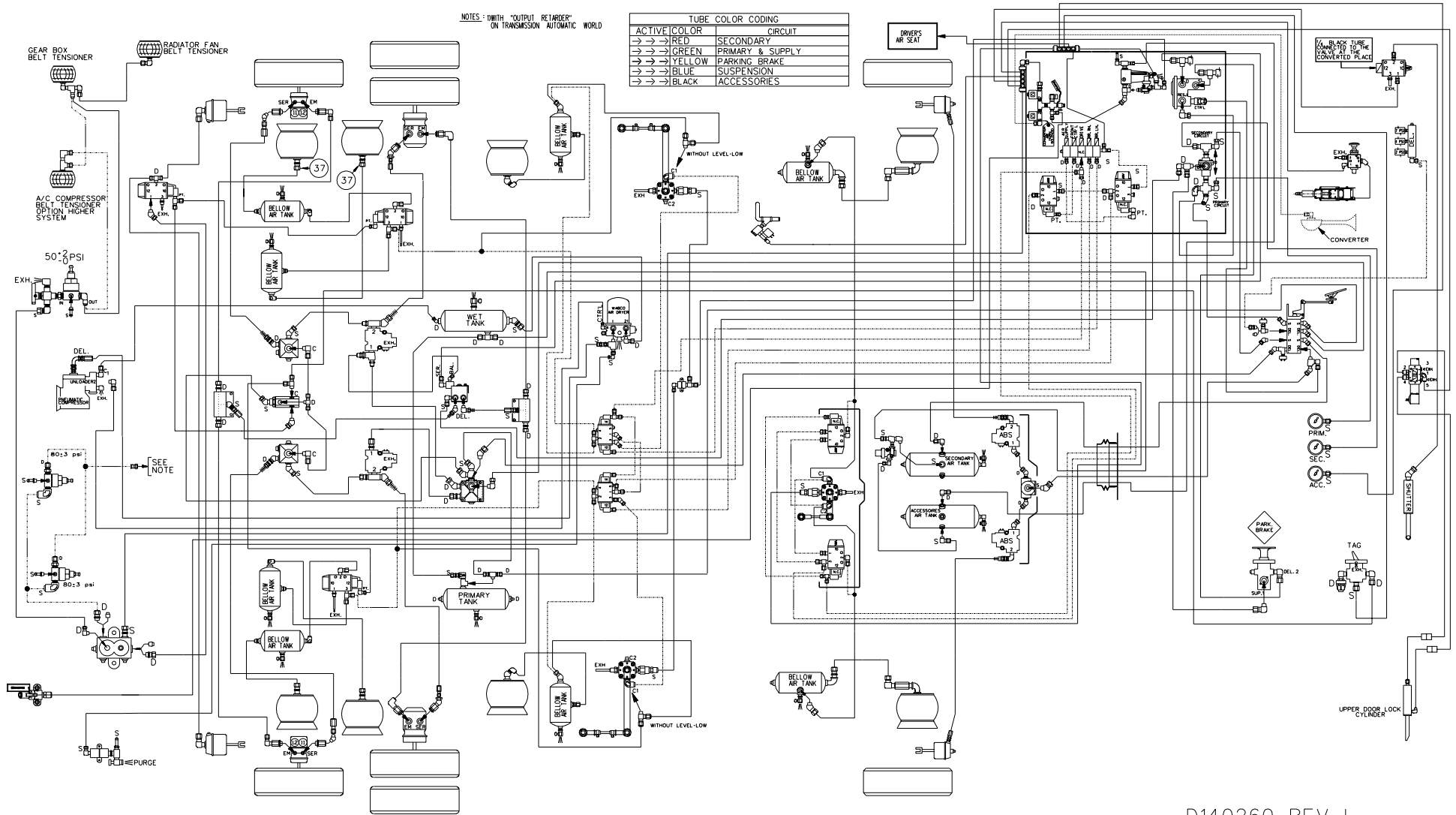
D140260 P.1 REV.1

BUS SHELL XL2 SERIES 60
INDEPENDENT FRONT SUSPENSION (I.F.S.)

DATE: 11/2001

NOTES : WITH "OUTPUT RETARDER"
ON TRANSMISSION AUTOMATIC WORLD

ACTIVE COLOR	CIRCUIT
→ → RED	SECONDARY
→ → GREEN	PRIMARY & SUPPLY
→ → YELLOW	PARKING BRAKE
→ → BLUE	SUSPENSION
→ → BLACK	ACCESSORIES



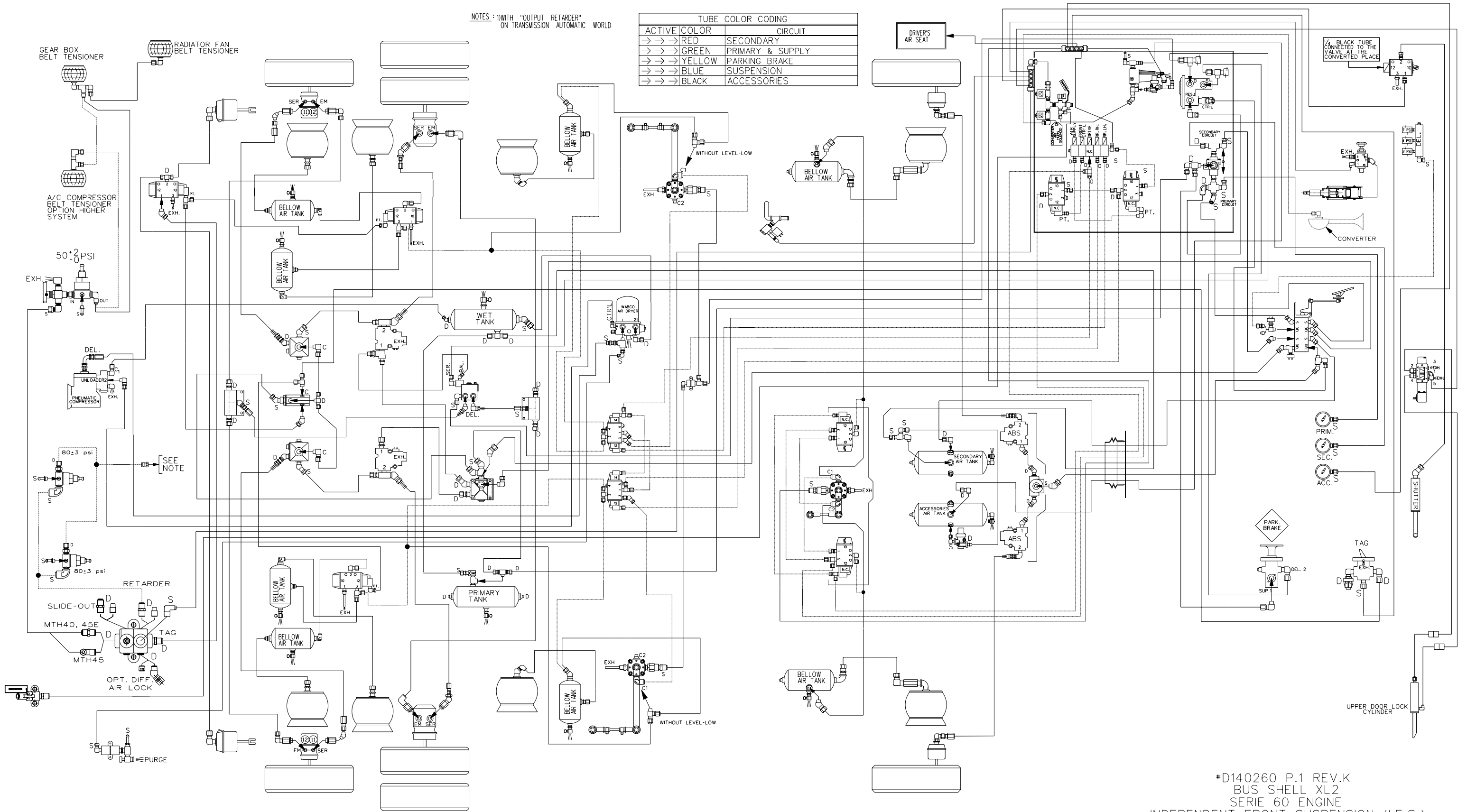
D140260 REV.J

BUS SHELL XL2 SERIES 60
INDEPENDENT FRONT SUSPENSION (I.F.S.)

DATE: 05/2002

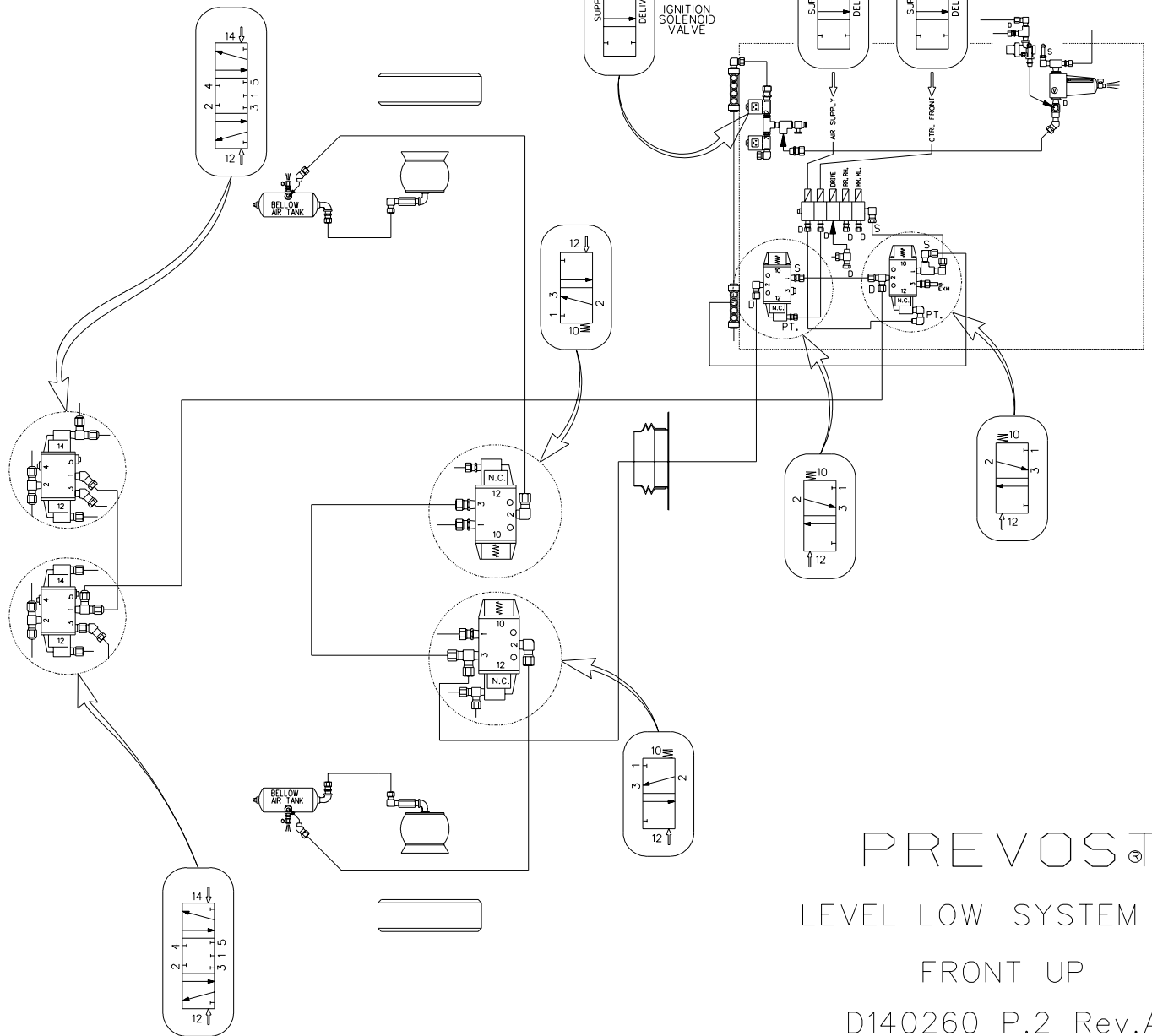
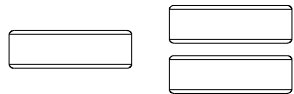
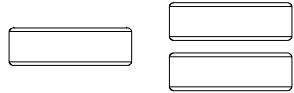
NOTES : 1) WITH "OUTPUT RETARDER"
ON TRANSMISSION AUTOMATIC WORLD

ACTIVE	COLOR	CIRCUIT
→ →	RED	SECONDARY
→ →	GREEN	PRIMARY & SUPPLY
→ →	YELLOW	PARKING BRAKE
→ →	BLUE	SUSPENSION
→ →	BLACK	ACCESSORIES



DATE: 2003-01

#D140260 P.1 REV.K
BUS SHELL XL2
SERIE 60 ENGINE
INDEPENDENT FRONT SUSPENSION (I.F.S.)

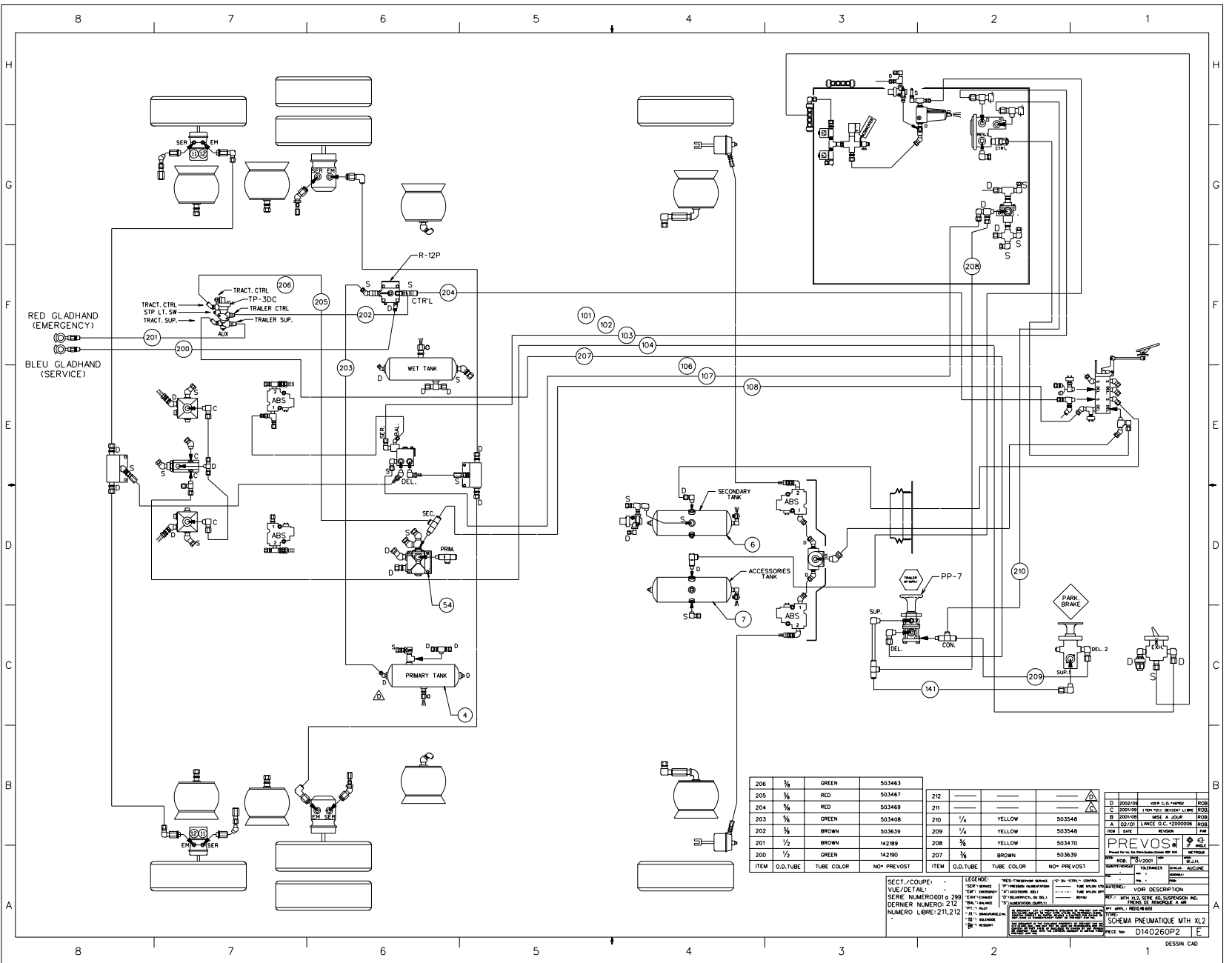


PREVOST®

LEVEL LOW SYSTEM XL2

FRONT UP

D140260 P.2 Rev.A



206	3/8	GREEN	503463	212	1		
205	3/8	RED	503467	211	1		
204	3/8	RED	503469	210	1/4	YELLOW	503548
203	3/8	GREEN	503408	209	1/4	YELLOW	503548
202	3/8	BROWN	503639	208	3/8	BROWN	503470
201	1/2	BROWN	42289	207	3/8	BROWN	503639
200	1/2	GREEN	42390	207	1/2	GREEN	503639

SECT./COUPE: -
 VUE/DETAIL: -
 SERIE NUMERO: 001 299
 SERIE NUMERO: 212
 NUMERO LIBRE: 211,212

ITEM	O.D. TUBE	TUBE COLOR	NOM. PREVOST	ITEM	O.D. TUBE	TUBE COLOR	NOM. PREVOST

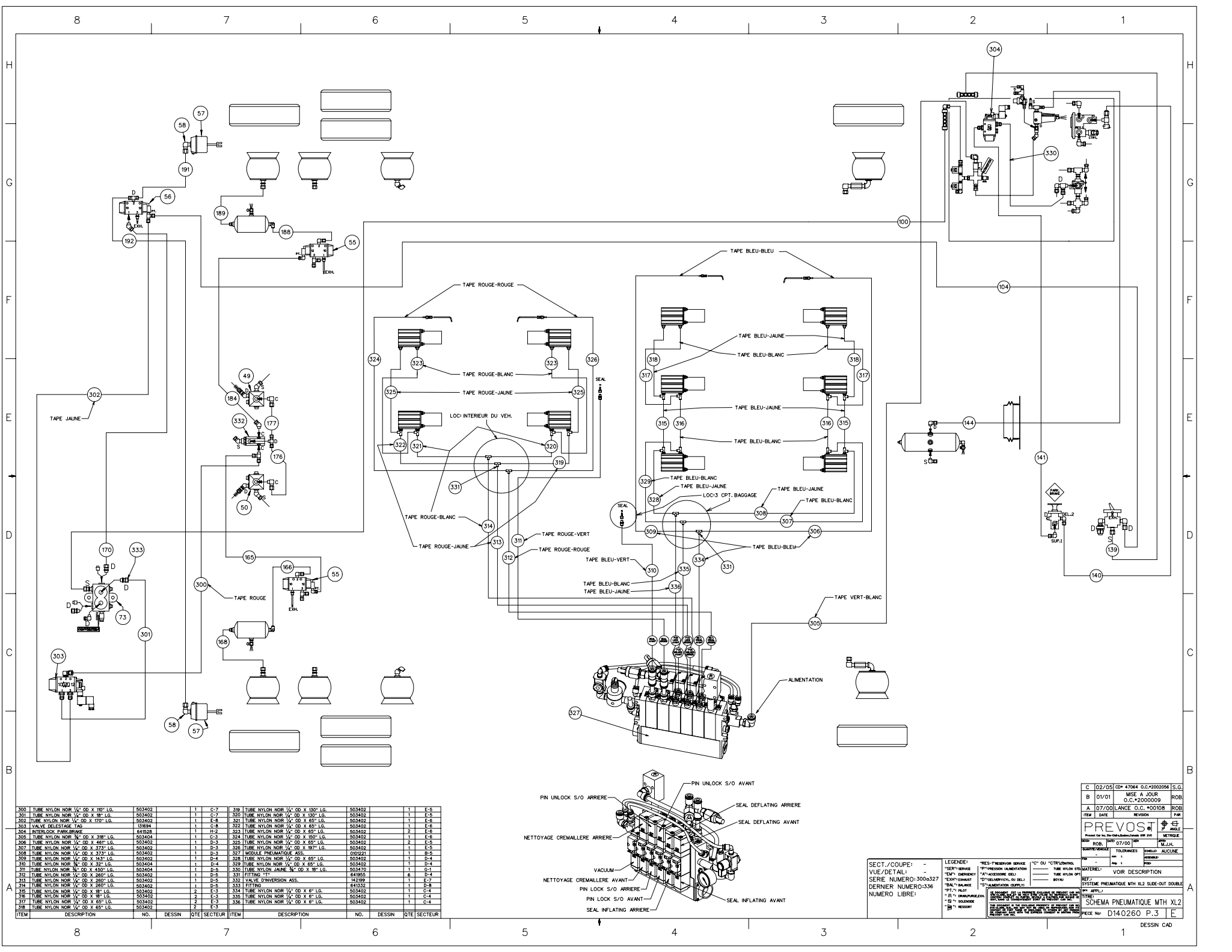
LEGENDA:
 [Symbol] - [Description]
 [Symbol] - [Description]
 [Symbol] - [Description]
 [Symbol] - [Description]
 [Symbol] - [Description]
 [Symbol] - [Description]
 [Symbol] - [Description]

D 2002/04
 C 2000/04
 B 2000/04
 A 02/01

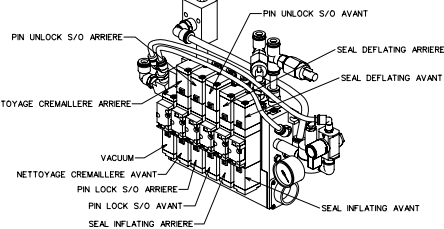
PREVOST
 18/2001

REF: MTH XL2 SERIE 60 SUSPENSION IND.
 REF: MTH XL2 SERIE 60 SUSPENSION IND.

SCHEMA PNEUMATIQUE MTH XL2
 Dessin n° D14 02 60 P2



ITEM	DESCRIPTION	NO.	DESSIN	QTE	SECTEUR	ITEM	DESCRIPTION	NO.	DESSIN	QTE	SECTEUR
300	TUBE NYLON NOIR 1/4" OD X 10" LG.	503402		1	C-7	319	TUBE NYLON NOIR 1/4" OD X 130" LG.	503402		1	E-5
301	TUBE NYLON NOIR 1/4" OD X 38" LG.	503402		1	C-7	320	TUBE NYLON NOIR 1/4" OD X 130" LG.	503402		1	E-5
302	TUBE NYLON NOIR 1/4" OD X 170" LG.	503402		1	E-8	321	TUBE NYLON NOIR 1/4" OD X 85" LG.	503402		1	E-6
303	VALVE DELESTAGE TAG	338994		1	C-8	322	TUBE NYLON NOIR 1/4" OD X 85" LG.	503402		1	E-6
304	INTERLOCK PARRA-RENE	443528		1	H-2	323	TUBE NYLON NOIR 1/4" OD X 85" LG.	503402		2	E-6
305	TUBE NYLON NOIR 3/4" OD X 38" LG.	503404		1	C-3	324	TUBE NYLON NOIR 1/4" OD X 150" LG.	503402		1	E-5
306	TUBE NYLON NOIR 1/4" OD X 448" LG.	503402		1	D-3	325	TUBE NYLON NOIR 1/4" OD X 85" LG.	503402		2	E-5
307	TUBE NYLON NOIR 1/4" OD X 373" LG.	503402		1	E-3	326	TUBE NYLON NOIR 1/4" OD X 97" LG.	503402		1	E-5
308	TUBE NYLON NOIR 1/4" OD X 373" LG.	503402		1	D-3	327	MODULE PNEUMATIQUE ASS.	000291		1	D-5
309	TUBE NYLON NOIR 1/4" OD X 454" LG.	503402		1	D-4	328	TUBE NYLON NOIR 1/4" OD X 85" LG.	503402		1	D-4
310	TUBE NYLON NOIR 3/8" OD X 32" LG.	503404		1	D-4	329	TUBE NYLON NOIR 1/4" OD X 85" LG.	503402		1	D-4
311	TUBE NYLON NOIR 3/4" OD X 450" LG.	503404		1	D-5	330	TUBE NYLON JAUNE 3/4" OD X 98" LG.	503470		1	C-1
312	TUBE NYLON NOIR 1/4" OD X 280" LG.	503402		1	D-5	331	FITTING "T"	443955		6	D-4
313	TUBE NYLON NOIR 1/4" OD X 280" LG.	503402		1	D-5	332	VALVE DIMENSION ASS.	141099		1	E-7
314	TUBE NYLON NOIR 1/4" OD X 280" LG.	503402		1	D-5	333	FITTING	443352		1	D-8
315	TUBE NYLON NOIR 1/4" OD X 38" LG.	503402		2	E-3	334	TUBE NYLON NOIR 1/4" OD X 6" LG.	503402		1	C-4
316	TUBE NYLON NOIR 1/4" OD X 85" LG.	503402		2	E-3	335	TUBE NYLON NOIR 1/4" OD X 6" LG.	503402		1	C-4
317	TUBE NYLON NOIR 1/4" OD X 85" LG.	503402		2	E-3	336	TUBE NYLON NOIR 1/4" OD X 6" LG.	503402		1	C-4
318	TUBE NYLON NOIR 1/4" OD X 85" LG.	503402		2	E-3						



SECT./COUPE: -
 VUE/DETAIL: -
 SERIE NUMERO:300a327
 DERNIER NUMERO:336
 NUMERO LIBRE:

LEGENDE:
 - RES-PNEUMATIQUE SERVICE
 - RES-PNEUMATIQUE ALIMENTATION
 - RES-PNEUMATIQUE SECURITE
 - RES-PNEUMATIQUE DE SECURITE
 - RES-PNEUMATIQUE DE SECURITE
 - RES-PNEUMATIQUE DE SECURITE

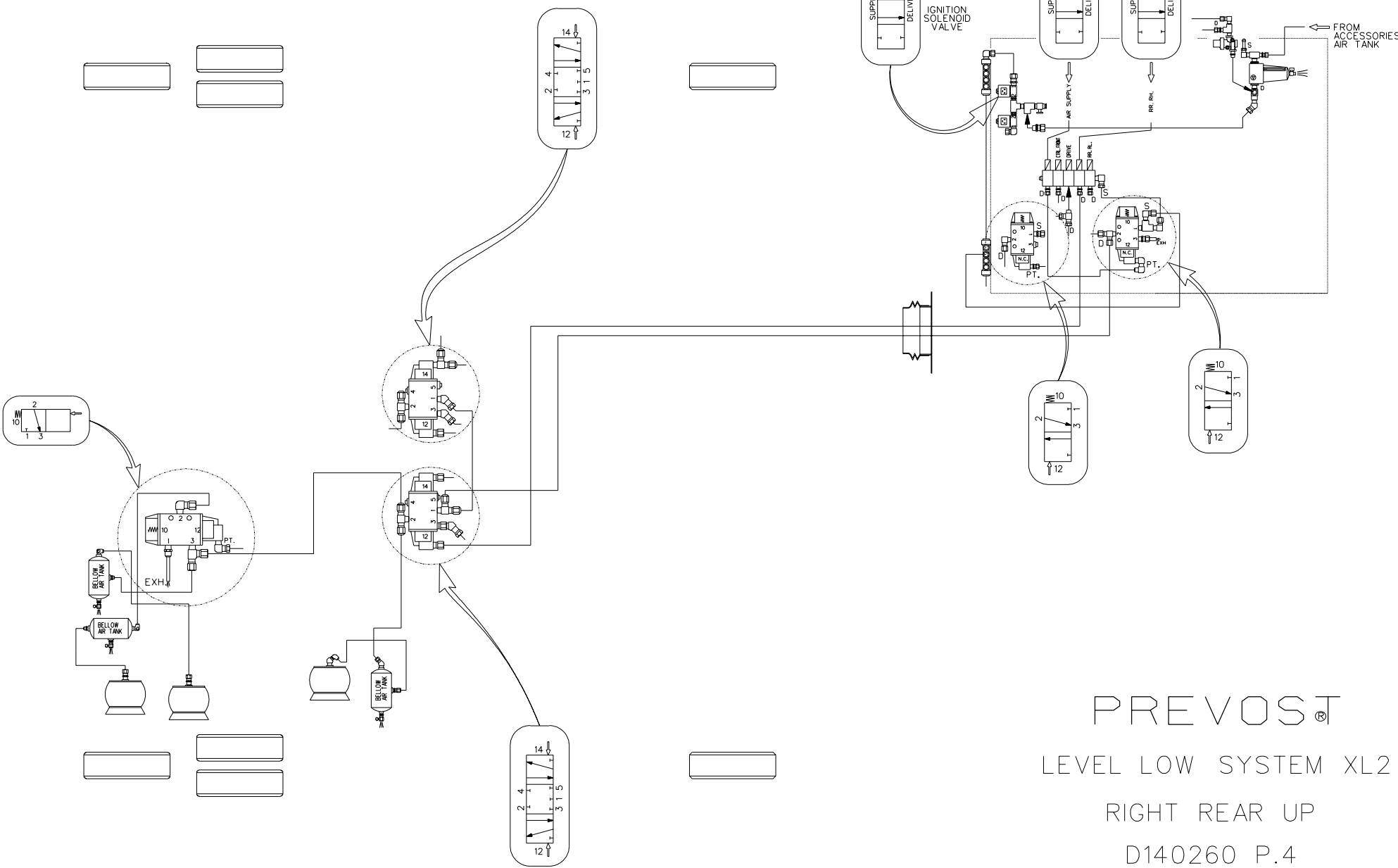
REVISIONS

NO.	DATE	REVISION	PAR
1	07/00	01	M.J.H.

VOIR DESCRIPTION

SCHEMA PNEUMATIQUE MTH XL2

DESSIN CAD



PREVOST®

LEVEL LOW SYSTEM XL2

RIGHT REAR UP

D140260 P.4