



# X3 - 45



REV.	DATE	O.C.	EFF.	DESCRIPTION	PAGE(S)	BY	CK.	APPR.
00	22/9/2010	2010001	B-5002	EPA 2010	1.1, 10.1, 11.1, 11.1SP1, 12.1, 12.2, 13.1, 14.1, 14.2, 15.1, 15.2, 16.1, 16., 16., 17.1, 18.1, 18.2, 18.3, 18.4, 19.1, 2.1, 20.1, 21.1, 22.1, 23.1, 24.1, 25.1, 25.2, 26.1, 26.2, 26.3, 26.4, 26.4SP1., 26.5, 27.1, 27.1SP1, 28.1, 29.1, 3.1, 3.2, 3.3, 30.1, 31.1, 32.1, 33.1, 33.2, 34.1, 35.2, 35.3, 35.6, 35.7, 36.1, 37.1, 38.1, 39.1, 4.1, 40.1, 40.1sp1, 41.1, 5.1, 6.1, 6.2, 7.1, 8.1, 9.1, 9.2, E, F, G, H, J, K, L, 0,	YDUC	CLEM	CLEM
01	10/11/2010	2010001	B-5002	remove entrance door unlock sensor	0,29.1	MPOU	CLEM	CLEM
02	2010-11-23	2010004	B-5002	Relocation Inverter and battery charger	0, 2.1, 17.1, 40.1,C1	YDUC	CLEM	CLEM
2-1	31/03/2011	2010039	5036	Yaw sensor	C1,0	SBEL	CLEM	CLEM
03	2011-03-21	2011001	B-5040	Harness preparation for Commuter	0, A, C1, 2,1, 3,1, 3,2, 3,3, 4,1, 5,1, 6,2, 7,1, 10,1, 12,1, 14,1, 15,1, 15,2, 18,4, 19,1, 20,1, 22,1, 22,2, 23,1, 24,1, 26,1, 26,3, 28,1, 29,1, 30,2, 31,1, 32,1 32,2, 33,1, 33,2, 34,1, 36,1, 37,2, 38,1 41.1	SDES	CLEM	CLEM
04	2011-06-22	2008110	C-5125	Commuter Preliminary veh C-5053 and C-5102	0,A,B,C1,E,F,G,H,J,K,L,1,1C,2,1,3,1 3,2,5,1,7,1,10,1,11,1C,18,1,18,4C,19,1 22,2,22,2C,23,1,23,2C,24,2C,25,2,26,1 28,1C,29,1,30,1,32,2,33,1,35,8C,36,1 37,1,38,1,43,1C	SDES	CLEM	CLEM
05	2011-07-11	2008110	C-5125	Commuter General Update	0,A,C1,D, K, L, 3.3, 4.1, 14.1, 16.2, 18.2,18.4, 22.1, 22.2, 26.4, 28.1C, 30.3, 35.8C, 38.1, 40.1	ELAN	CLEM	CLEM
5-1	2011-07-15	2010119	C-5093	C1 UPDATED	C1, 0	SBEL	CLEM	CLEM
5-2	2011-07-19	2011053	C-5134	C1 UPDATED	C1, 0	SBEL	CLEM	CLEM



# X3 - 45



REV.	DATE	O.C.	EFF.	DESCRIPTION	PAGE(S)	BY	CK.	APPR.
06	2011-08-25	2011106	C-5170	Kneeling level sensor	32.1, C1, 0	MPOU	CLEM	CLEM
07	2011-09-13	2008110	C-5125	Commuter General Update	0,22.2,22.2C,29.1,34.1,35.8C,36.1	SDES	CLEM	CLEM
08	2011-12-22	2011057 2011107 2011139 2008110	C-5275	New TGW New Pwr and Ground ACM and New gnd on DPF Temp Sensor FJB Standardization Commuter General Update General Update	37.1 C1,2.1,3.1,3.2,3.3,4.1,5.1,14.1,14.2 C1,10.1 0,A,C3,K,1.1C,6.1,7.1,18.2,28.1C 0,A,E,G,6.2,18.4,26.5,29.1,32.1,36.1	SDES	CLEM	CLEM
09	2012-02-13	2008110	C-5125	Commuter General Update	0,C3,1.1C,7.1,28.1C,36.1	SDES	CLEM	CLEM
10	22-03-2012	2012020	C-5300	2012_R1 ESP STD, WIRES NETWORK	A, 5.1, 6.1, 7.1, 8.1, 10.1, 13.1, 14.1, 14.2,16.1, 37.1, 39.1, 41.1, 0, C1, C3, E.	S.B	C.L	C.L
11	27-03-2012	2012030	C-5380	2012-R2 Interior led lighting Update	A,0, 2.1, 20.1, 23.1, 24.1, 36.1, C1 end for 21.1 16.1	MPOU	CLEM	CLEM
12	06-09-2012	Gen. Rev. 2012066	C-5390	Cantrak can update C58 replaced	0, C1, 6.2 18.2, 26.2	MPOU	CLEM	CLEM
13	05-10-2012	2008110		Commuter update	35.8C	SBEL	CLEM	CLEM
14	19-12-2012	2008110		Commuter update	0, 35.8C	SBEL	CLEM	CLEM
15	12-05-2014	NA		Pages update	0, 3.2	SBEL	CLEM	CLEM
16	2016-03-15	NA		Pages update	0, 12.1	MPOU	CLEM	CLEM

# WIRING DIAGRAM PAGES LIST

## Information pages

Multiplex output list	B1
Multiplex input list	B2
Multiplex error messages list	B3
Arrangement - Harness	C1
Sound System	C2
Can Configuration	C3
Circuit Number Listing	E
Circuit Breaker code	F
Connectors code	G
Diode Number Code	H
Resistors Number Code	J
Fuses Code	L
Relay Code	K

<b>A</b>	
Abs	16.1 - 16.2
Air Dryer	37.1

<b>B</b>	
Back-up Camera	28.1
Back-up lights & Alarm	26.3
Battery & Equalizer	1.1
Battery Charger	17.1
Brake Pedal Sensor	12.1

<b>C</b>	
Charging System	3.2
Cigar Lighter	30.1
Clearance Lights Rear & Front	26.1 - 26.2
Cluster	10.1
Cornering Lights (Optional)	26.5
Cruise Control	14.1
Cruise Control Adaptative	16.2

<b>D</b>	
Dash Lights	19.1
Destination Sign	28.1
Digital Clock	28.1
Direct Lighting	24.1
Docking Lights (Optional)	26.5
Driver's Light & Backlight	19.1
Driver's Power Window	30.1

<b>E</b>	
Emergency & Aisle Lights	20.1
Engine Brake	14.1
Engine ECM	14.1
Engine Start	3.2
Engine Override	14.1
Entrance Door & Lights	29.1

<b>F</b>	
Fast Idle	14.1
Fire Alarm	38.1
Fire Suppression System	38.1
Flashers	26.1 - 26.2
Fog Lights	26.5
Fuel Gauge	10.1
Fuel water Filter	13.1

<b>G</b>	
Galley & 120VAC Outlet	40.1
Grounds	2.1
<b>H</b>	
Hat Rack Lighting	21.1
Hazard	26.1
Head Lights	26.1
Hill Start Assist	15.2
Horn Air	9.2
Horn Electric	9.1
Hostess Chime	22.1
Hvac Defroster	18.1
Hvac Passenger	18.2

<b>I</b>	
Indirect lighting	23.1
<b>K</b>	
Kneeling system	32.1

<b>L</b>	
Lavatory	11.1
Low Buoy	32.1
Luggage Door Lock/Unlock	33.1 - 33.2

<b>M</b>	
Main Distribution Ignition & Batt.	3.1
Main Distribution Wake-Up	3.3
Marker Lights	26.1 - 26.2
Mirror Ramco	31.1
Multiplexing Power	7.1
Multiplexing Network	6.1

<b>N</b>	
Networks J1939 & 1587	3.1

<b>P</b>	
Parcel Rack A/C system	18.3
Park Brake Sensor	12.1
Park Brake Trailer Sensor	12.1
Parking Brake Release Switch	32.1
Pneumatic Cut-Out Acc.	9.1
Power Distribution FJB	4.1
Power Distribution RJB	5.1
Power Outlet	30.1

<b>R</b>	
Radiator Fan Clutch	14.1
Reading Lamp	22.1
Retarder	12.1 - 15.1

<b>S</b>	
Sound System	35.6
Sound System --- Speaker	35.2
Sound System --- Video Dist.	35.3
Sound System --- Seat Audio	35.7
Spare Wires	8.1
Stop Lights	26.2
Steering Control ZF	37.1
Steering Wheel Control	41.1
Sun Visor	41.1

<b>T</b>	
Tag Automatic Unload system	32.1
Tail & Licence Lights	26.2
Tire Press. Monitoring Sys	39.1
Trailer Package	26.4
Trailer Park Brake	12.2
Transmission ECU	15.1 - 15.2

<b>U</b>	
Under Floor Lighting	25.1 - 25.2
Upper Defrost	18.4
Urea System	14.2

<b>V</b>	
Volvo Link	37.1

<b>W</b>	
Watch Your step	29.1
Water Pre-Heater	17.1
Wheelchair Lift Ricon	36.1
Window Ajar	27.1
Wiper & Washer	34.1

# WIRING DIAGRAM PAGES LIST

Information pages		E	M	U
Multiplex output list	B1	Emergency and Aisle lights	20.1	Main Distribution Ignition & Batt. 3.1
Multiplex input list	B2	Engine brake and Retarder	12.1	Main Distribution Wake-Up 3.3
Multiplex error messages list	B3	Engine Start	3.2	Marker Lights 26.1,26.2
Arrangement - Harness	C1	Engine ECM	14.1	Mirror Ramco 31.1
Sound System	C2	Engine Override	14.1	Multiplexing Power 7.1
Can Configuration	C3	Entrance door & Lights	29.1	Multiplexing Network 6.1
Glossary	D	Ether Start	13.1	Watch your step 29.1
Circuit Number Listing	E			Wheelchair Lift Ricon 36.1
Circuit Breaker code	F	<b>F</b>		Parcel Rack A/C system 18.2
Connectors code	G	Fast Idle	14.1	Park Brake Sensor 12.1
Diode Number Code	H	Fire Alarm	9.1	Park Brake Trailer Sensor 12.1
Resistors Number Code	J	Flashers	26.1,26.2	Parking Brake Release Switch 32.1
Fuses Code	L	Fog lights	26.3	Power Distribution FJB 4.1
Relay Code	K	Fuel Gauge	10.1	Power Distribution RJB 5.1
		Fuel Prime Pump	13.1	Power Outlet 30.2
<b>A</b>		Fuel water Filter	13.1	Prime Pump 13.1
Abs	16.1,16.2	Fire Suppression System	38.1	Pneumatic Cut-Out Acc. 9.1
Air Dryer (Optional)	38.1sp1			
		<b>G</b>		<b>R</b>
<b>B</b>		Grounds	2.1	Radiator Fan Clutch 13.1
Back-up Camera	28.1	Galley	40.1	Reading Lamp 22.1,22.2
Back-up lights and alarm	26.3			
Battery and Equalizer	1.1	<b>H</b>		<b>S</b>
Battery Charger	17.1	Hat Rack Lighting	21.1	Service Brake Relay 12.1
Brake Pedal Sensor	12.1	Hazard	26.1	Sound System 35.0-35.6
		Head Lights	26.1	Spare Wires 8.1
<b>C</b>		Horn	9.1	Stop lights 26.2
Charging System	3.2	Hostess Chime	22.1	Sun Visor 30.1
Cigar lighter	30.1	Hvac Defroster	18.1	Steering Control ZF 37.2
Clearance lights rear & front	26.1,26.2	Hvac Passenger	18.2	Steering Wheel Control 41.1
Cluster	10.1			Steering Wheel Controls 41.1
Cornering Lights (Optional)	26.3	<b>I</b>		
Cruise control	14.1	Indirect lighting	23.1	
				<b>T</b>
<b>D</b>		<b>K</b>		Tag Automatic unload system 32.1
Dash Lights	19.1	Kneeling system	32.1	Tail and Licence Lights 26.2
Destination Sign	28.1			Test Switch 9.1
Direct Lighting	24.1	<b>L</b>		Transmission ECU 15.1-15.2
Docking Lights (Optional)	26.3	Lavatory	11.1	Trailer Package 26.4
Driver's Light and Backlight	19.1	Low Buoy	32.1	TPMS 39.1
Driver's Power Window	30.1	Luggage Door Lock/Unlock	33.1, 33.2	Tire Press. Monitoring Sys 39.1
Digital Clock	28.1			

# WIRING DIAGRAM PAGES LIST

Information pages		E		M		U	
Multiplex output list	B1	Emergency and Aisle lights	20.1	Main Distribution Ignition & Batt.	3.1	Under Floor Lighting	25.1
Multiplex input list	B2	Engine brake and Retarder	12.1	Main Distribution Wake-Up	3.3	Upper Defrost	18,4C
Multiplex error messages list	B3	Engine Start	3.2	Marker Lights	26.1,26.2		
Arrangement - Harness	C1	Engine ECM & Override	14.1	Mirror Ramco	31.1	V	
Sound System	C2	Entrance door & Lights	29.1	Multiplexing Power	7.1	Volvo Link (TWG)	37.1
Can Configuration	C3	ESP Stability System	16.2	Multiplexing Network	6.1		
Glossary	D			Motorola	35,8C		
Circuit Number Listing	E	F				W	
Circuit Breaker code	F	Fast Idle	14.1	P		Wheelchair Lift Ricon	36.1
Connectors code	G	Fire Alarm	9.1	Parcel Rack A/C system	18.2	Window Ajar	27.1
Diode Number Code	H	Flashers	26.1,26.2	Park Brake Sensor	12.1	Wiper & Washer	34.1
Resistors Number Code	J	Fog lights	26.5	Park Brake Trailer Sensor	12.1	Water Pre-Heater	17.1
Fuses Code	L	Fuel Gauge	10.1	Parking Brake Release Switch	32.1		
Relay Code	K	Fuel water Filter	13.1	Power Distribution FJB	4.1		
		Fire Supp. System (AFSS)	38.1	Power Distribution RJB	5.1		
A				Power Outlet 120VAC	40.1		
Anti-lock braking sys. (ABS)	16.1	G		Pneumatic Acc. Cut-Out	9.1		
Air Dryer (Optional)	37.1	Grounds	2.1				
		Galley	40.1				
B				R			
Back-up Camera	28.1	H		Radiator Fan Clutch	13.1		
Back-up lights and alarm	26.3	Hat Rack Lighting	21.1	Reading Lamps	22.2, 22.2C		
Battery and Equalizer	1,1 1,1C	Hazard	26.1				
Battery Charger	17.1	Head Lights	26.1	S			
Brake Pedal Sensor	12.1	Horn	9.1	Service Brake Relay	12.1		
		Hostess Chime	22.1	Sound System	35.0-35.6		
C		Hvac Defroster	18.1	Spare Wires	8.1		
Cadec	42,1Sp1	Hvac Passenger	18.2	Stop lights	26.2		
Camera Ready	43,1C			Sun Visor	41.1		
Charging System	3.2	I		Steering Control ZF	37.2		
Cigar lighter	30.1	Indirect lighting	23,1 23,1	Steering Multifonctions	41.1		
Clearance lights rear & front	26.1,26.2	Indirect lighting Led	23,2C				
Cluster	10.1	IVN	35,8C	T			
Cornering Lights (Optional)	26.5			Tag Automatic unload system	32.1		
Cruise control	14.1	K		Tail and Licence Lights	26.2		
		Kneeling System	32.1	Test Switch	9.1		
D				Transmission ECU	15.1-15.2		
Dash Lights	19.1	L		Trailer Package	26.4		
Destination Sign	28,1 28,1C	Lavatory	11,1 11,1C	Tire Press. Mon. Sys. (TPMS)	39.1		
Direct Lighting	24,1 24,2C	Low Buoy	32.1				
Driver's Light and Backlight	19.1	Luggage Light	25.2				
Driver's Window & Seat	30.1, 30.3	Luggage Door Lock/Unlock	33.1, 33.2				
Digital Clock	28.1	Light Weight Indicator	32.2				

# WIRING DIAGRAM PAGES LIST

Information pages		E		M		U	
Multiplex output list	B1	Emergency and Aisle lights	20.1	Main Distribution Ignition & Batt.	3.1	Under Floor Lighting	25.1
Multiplex input list	B2	Engine brake and Retarder	12.1	Main Distribution Wake-Up	3.3	Upper Defrost	18,4C
Multiplex error messages list	B3	Engine Start	3.2	Marker Lights	26.1,26.2		
Arrangement - Harness	C1	Engine ECM & Override	14.1	Mirror Ramco	31.1	V	
Sound System	C2	Entrance door & Lights	29.1	Multiplexing Power	7.1	Volvo Link (TWG)	37.1
Can Configuration	C3	ESP Stability System	16.1	Multiplexing Network	6.1		
Glossary	D			Motorola	35,8C		
Circuit Number Listing	E	F				W	
Circuit Breaker code	F	Fast Idle	14.1	P		Wheelchair Lift Ricon	36.1
Connectors code	G	Fire Alarm	9.1	Parcel Rack A/C system	18.2	Window Ajar	27.1
Diode Number Code	H	Flashers	26.1,26.2	Park Brake Sensor	12.1	Wiper & Washer	34.1
Resistors Number Code	J	Fog lights	26.5	Park Brake Trailer Sensor	12.1	Water Pre-Heater	17.1
Fuses Code	L	Fuel Gauge	10.1	Parking Brake Release Switch	32.1		
Relay Code	K	Fuel water Filter	13.1	Power Distribution FJB	4.1		
		Fire Supp. System (AFSS)	38.1	Power Distribution RJB	5.1		
A				Power Outlet 120VAC	40.1		
Adaptive Cruise Ctrl Radar	41.1	G		Pneumatic Acc. Cut-Out	9.1		
Air Dryer (Optional)	37.1	Grounds	2.1				
		Galley	40.1				
B				R			
Back-up Camera	28.1	H		Radiator Fan Clutch	13.1		
Back-up lights and alarm	26.3	Hat Rack Lighting	21.1	Reading Lamps	22.2, 22.2C		
Battery and Equalizer	1,1 1,1C	Hazard	26.1				
Battery Charger	17.1	Head Lights	26.1	S			
Brake Pedal Sensor	12.1	Horn	9.1	Service Brake Relay	12.1		
		Hostess Chime	22.1	Sound System	35.0-35.6		
C		Hvac Defroster	18.1	Spare Wires	8.1		
Cadec	42,1Sp1	Hvac Passenger	18.2	Stop lights	26.2		
Camera Ready	43,1C			Sun Visor	41.1		
Charging System	3.2	I		Steering Control ZF	37.2		
Cigar lighter	30.1	Indirect lighting	23,1 23,1	Steering Multifonctions	41.1		
Clearance lights rear & front	26.1,26.2	Indirect lighting Led	23,2C				
Cluster	10.1	IVN	35,8C	T			
Cornering Lights (Optional)	26.5			Tag Automatic unload system	32.1		
Cruise control	14.1	K		Tail and Licence Lights	26.2		
		Kneeling System	32.1	Test Switch	9.1		
D				Transmission ECU	15.1-15.2		
Dash Lights	19.1	L		Trailer Package	26.4		
Destination Sign	28,1 28,1C	Lavatory	11,1 11,1C	Tire Press. Mon. Sys. (TPMS)	39.1		
Direct Lighting	24,1 24,2C	Low Buoy	32.1				
Driver's Light and Backlight	19.1	Luggage Light	25.2				
Driver's Window & Seat	30.1, 30.3	Luggage Door Lock/Unlock	33.1, 33.2				
Digital Clock	28.1	Light Weight Indicator	32.2				

# WIRING DIAGRAM PAGES LIST

Information pages		E		M		U	
Multiplex output list	B1	Emergency and Aisle lights	20.1	Main Distribution Ignition & Batt.	3.1	Under Floor Lighting	25.1
Multiplex input list	B2	Engine brake and Retarder	12.1	Main Distribution Wake-Up	3.3	Upper Defrost	18,4C
Multiplex error messages list	B3	Engine Start	3.2	Marker Lights	26.1,26.2		
Arrangement - Harness	C1	Engine ECM & Override	14.1	Mirror Ramco	31.1	V	
Sound System	C2	Entrance door & Lights	29.1	Multiplexing Power	7.1	Volvo Link (TWG)	37.1
Can Configuration	C3	ESP Stability System	16.1	Multiplexing Network	6.1		
Glossary	D			Motorola	35,8C		
Circuit Number Listing	E	F				W	
Circuit Breaker code	F	Fast Idle	14.1	P		Wheelchair Lift Ricon	36.1
Connectors code	G	Fire Alarm	9.1	Parcel Rack A/C system	18.2	Window Ajar	27.1
Diode Number Code	H	Flashers	26.1,26.2	Park Brake Sensor	12.1	Wiper & Washer	34.1
Resistors Number Code	J	Fog lights	26.5	Park Brake Trailer Sensor	12.1	Water Pre-Heater	17.1
Fuses Code	L	Fuel Gauge	10.1	Parking Brake Release Switch	32.1		
Relay Code	K	Fuel water Filter	13.1	Power Distribution FJB	4.1		
		Fire Supp. System (AFSS)	38.1	Power Distribution RJB	5.1		
A				Power Outlet 120VAC	40.1		
Adaptive Cruise Ctrl Radar	41.1	G		Pneumatic Acc. Cut-Out	9.1		
Air Dryer (Optional)	37.1	Grounds	2.1				
		Galley	40.1				
B				R			
Back-up Camera	28.1	H		Radiator Fan Clutch	13.1		
Back-up lights and alarm	26.3	Hazard	26.1	Reading Lamps	22.2, 22.2C		
Battery and Equalizer	1,1	Head Lights	26.1				
Battery Charger	17.1	Horn	9.1	S			
Brake Pedal Sensor	12.1	Hostess Chime	22.1	Service Brake Relay	12.1		
		Hvac Defroster	18.1	Sound System	35.0-35.6		
C		Hvac Passenger	18.2	Spare Wires	8.1		
Cadec	42,1Sp1			Stop lights	26.2		
Camera Ready	43,1C			Sun Visor	41.1		
Charging System	3.2	I		Steering Control ZF	37.2		
Cigar lighter	30.1	Indirect led lighting	23,1	Steering Multifonctions	41.1		
Clearance lights rear & front	26.1,26.2						
Cluster	10.1	IVN	35,8C	T			
Cornering Lights (Optional)	26.5			Tag Automatic unload system	32.1		
Cruise control	14.1	K		Tail and Licence Lights	26.2		
		Kneeling System	32.1	Test Switch	9.1		
D				Transmission ECU	15.1-15.2		
Dash Lights	19.1	L		Trailer Package	26.4		
Destination Sign	28,1 28,1C	Lavatory	11,1 11,1C	Tire Press. Mon. Sys. (TPMS)	39.1		
Direct led Lighting	24.1	Low Buoy	32.1				
Driver's Light and Backlight	19.1	Luggage Light	25.2				
Driver's Window & Seat	30.1, 30.3	Luggage Door Lock/Unlock	33.1, 33.2				
Digital Clock	28.1	Light Weight Indicator	32.2				

# MULTIPLEX OUTPUT LIST

O\_xx... = Physical Output Pin ; I\_xx... = Physical Input Pin ; D\_xx... = CAN Network Signal from the HVAC control Head ; B\_xx... = Multiplex system global Network Variable

Module.Pin#	Signal name	Description	Page	Connected devices	Input involved		
A36.JA:13	O_EngineRun	Engine Run Signal	3.2		B_EngineRun	.	
					B_OneAltCharging	.	
					D_OnOffDrvSw	.	
					I_AccKeySw	A36.JB:6	3.2
					I_BatMonMod53	A53.J1:24	6.1
					I_BatMonMod54	A54.J1:24	6.1
					I_FrStrtEnSw	A53.J1:9	3.2
					I_IgnKeySw	A36.JB:2	3.2
					I_RrStrtEnSw	A53.J1:10	3.2
					A36.JA:15	O_WakeUp	WakeUp Relay
I_EntDorOpSw	A36.JB:15	29.1					
I_FireSensorA36	A36.JB:5	38.1					
I_FrStrtEnSw	A53.J1:9	3.2					
I_HazardSw	A36.JB:4	26.1					
I_IgnKeySw	A36.JB:2	3.2					
I_NeutralSe	A50.J1:11	3.2					
I_ParkBrSe	A36.JB:9	12.1					
I_RrCutOutSw	A36.JB:21	3.2					
I_RrStrtEnSw	A53.J1:10	3.2					
I_WCLLoDorSe	A53.J1:12	36.1					
I_WCLPlungSw	A49.J1:4	36.1					
I_WCLSmallLowDor	A49.J1:17	36.1					
I_WclSw	A42.J1:6	36.1					
A36.JA:24	O_CutOutRel	Emergency CutOut Relay	3.2	R21:+	I_FireExt2ndAlm	A44.J1:10	38.1
A41.J1:12	O_HillStSolNeg		32.1	So16:1	I_IgnKeySw	A36.JB:2	3.2
					I_BrkLtSeFrSig	A36.JB:13	12.1
					I_BrkLtSeRrSig	A51.J1:10	12.1
					I_IdleValidSw	A45.J1:11	15.2
					I_ParkBrSe	A36.JB:9	12.1
A41.J1:13	O_NextStopSign		22.2C		I_ChimeWcl	A52.J1:10	22.2
					I_EntDorClInSw	A36.JB:10	29.1
					I_IgnKeySw	A36.JB:2	3.2
					I_NextStop	A42.J1:9	22.2C
A41.J1:14	O_KneeDwSol	Kneeling Down Solenoid	32.1	So16:2	I_EntDorClSe	A47.J1:10	29.1
					I_IgnKeySw	A36.JB:2	3.2
					I_KneeDwSw	A41.J1:7	32.1
					I_KneeLevelSe	A46.J1:13	32.1
					I_KneeUpSw	A41.J1:6	32.1
					I_NeutralSe	A50.J1:11	3.2
					I_ParkBrSe	A36.JB:9	12.1
					I_WCLLoDorSe	A53.J1:12	36.1
I_WCLSmallLowDor	A49.J1:17	36.1					



# MULTIPLEX OUTPUT LIST

O\_xx... = Physical Output Pin ; I\_xx... = Physical Input Pin ; D\_xx... = CAN Network Signal from the HVAC control Head ; B\_xx... = Multiplex system global Network Variable

Module.Pin#	Signal name	Description	Page	Connected devices	Input involved		
A41.J1:14	O_KneeDwSol	Kneeling Down Solenoid	32.1	So16:2	I_WclSw	A42.J1:6	36.1
A41.J1:16	O_ReHiBoySolRtn	Rear Hi Buoy Solenoid Return	32.1	So14:1	I_IgnKeySw	A36.JB:2	3.2
					I_KneeLevelSe	A46.J1:13	32.1
					I_KneeUpSw	A41.J1:6	32.1
A42.J1:11	O_BrakeApply		12.1	So55.A:2	I_AuxByPassSw	A42.J1:10	12.1
					I_BrakIntrlk	A45.J1:13	12.1
					I_BrakPresDriver	A45.J1:14	12.1
					I_EntDorClInSw	A36.JB:10	29.1
					I_EntDorClOutSw	A36.JB:17	29.1
					I_EntDorClSe	A47.J1:10	29.1
					I_EntDorOpSw	A36.JB:15	29.1
					I_IgnKeySw	A36.JB:2	3.2
					I_IntDorOpSw	A41.J1:9	29.1
					I_MasterSwIntlk	A36.JB:16	29.1
					I_ParkBrSe	A36.JB:9	12.1
A42.J1:12	O_ParkBrSolNeg	Park Brake Solenoid Return	32.1		I_IgnKeySw	A36.JB:2	3.2
A42.J1:15	O_BrakeApplyNeg		15.2		I_AuxByPassSw	A42.J1:10	12.1
					I_BrakIntrlk	A45.J1:13	12.1
					I_BrakPresDriver	A45.J1:14	12.1
					I_EntDorClInSw	A36.JB:10	29.1
					I_EntDorClOutSw	A36.JB:17	29.1
					I_EntDorClSe	A47.J1:10	29.1
					I_EntDorOpSw	A36.JB:15	29.1
					I_IgnKeySw	A36.JB:2	3.2
					I_IntDorOpSw	A41.J1:9	29.1
					I_MasterSwIntlk	A36.JB:16	29.1
					I_ParkBrSe	A36.JB:9	12.1
A43.J1:11	O_Gong_NextStop		22.2C		I_ChimeWcl	A52.J1:10	22.2
					I_IgnKeySw	A36.JB:2	3.2
					I_NextStop	A42.J1:9	22.2C
A43.J1:13	O_HornSol	Electric Horn	9.2	L1A:1	I_HornSelectSw	A43.J1:7	9.2
					I_HornSw	A45.J1:10	9.1
A43.J1:15	O_Alt	Alternator	10.1	A14A.C:7	B_EngineRun	.	
					B_OneAltCharging	.	
					I_Alt1Voltage	A49.J1:8	3.2
					I_IgnKeySw	A36.JB:2	3.2
A43.J1:16	O_BrkRedCompat	Brake Redundant Compatible	41.1		I_BrkLtSeFrSig	A36.JB:13	12.1
					I_BrkLtSeRrSig	A51.J1:10	12.1
A43.J1:30	O_StepLed		29.1	L20A:1	I_EntDorClSe	A47.J1:10	29.1
A44.J1:1	O_DashTrapPMo	Dash Trap Motor	18.1	Mo3:1	D_AirFlapBit0	.	
					D_AirFlapBit1	.	
					D_AirFlapBit2	.	
					I_IgnKeySw	A36.JB:2	3.2

# MULTIPLEX OUTPUT LIST

O\_xx... = Physical Output Pin ; I\_xx... = Physical Input Pin ; D\_xx... = CAN Network Signal from the HVAC control Head ; B\_xx.. = Multiplex system global Network Variable

Module.Pin#	Signal name	Description	Page	Connected devices	Input involved		
A44.J1:2	O_DashTrapNMo	Dash Trap Motor Return	18.1	Mo3:3	D_AirFlapBit0	.	
					D_AirFlapBit1	.	
					D_AirFlapBit2	.	
					I_IgnKeySw	A36.JB:2	3.2
A44.J1:20	O_BackUpMon	Backup Monitor Signal	28.1		B_BatterySaver	.	
					B_EngineRun	.	
					B_OneAltCharging	.	
					B_TstModHvac	.	
					B_TstModHvacNext	.	
A44.J1:3	O_DriverLtLb	Driver Light Bulb	19.1	L16:1	B_BatterySaver	.	
					B_EngineRun	.	
					B_OneAltCharging	.	
					I_AccKeySw	A36.JB:6	3.2
					I_DrvLtSw	A55.J1:5	19.1
					I_IgnKeySw	A36.JB:2	3.2
A44.J1:4	O_EnDoorSwLb		29.1		I_HdLtPos1Sw	A43.J1:4	26.1
A44.J1:5	O_EntDorLtLb	Entrance Door Light Bulb	29.1	L17:1	B_BatterySaver	.	
					B_EngineRun	.	
					B_OneAltCharging	.	
					I_EntDorCISe	A47.J1:10	29.1
A44.J1:6	O_HillStartSol	Hill Start Assist	15.2		I_BrkLtSeFrSig	A36.JB:13	12.1
					I_BrkLtSeRrSig	A51.J1:10	12.1
					I_IdleValidSw	A45.J1:11	15.2
					I_IgnKeySw	A36.JB:2	3.2
					I_ParkBrSe	A36.JB:9	12.1
A44.J1:7	O_DashBackLit	Dash BackLighting	19.1	Pot1.C:1	I_HdLtPos1Sw	A43.J1:4	26.1
A44.J1:8	O_FrClearLb	Front Clearance Lights Bulb	26.1		B_BatterySaver	.	
					B_EngineRun	.	
					B_OneAltCharging	.	
					B_TstModExtLight	.	
					I_FogLightSw	A55.J1:6	26.5
					I_HdLtPos1Sw	A43.J1:4	26.1
					I_HdLtPos2SwLH	A45.J1:12	26.1
					I_ParkBrSe	A36.JB:9	12.1
A45.J1:1	O_FootTrpPSol	Foot Trap Solenoid	18.1	Mo4:A	D_AirFlapBit0	.	
					D_AirFlapBit1	.	
					D_AirFlapBit2	.	
					I_IgnKeySw	A36.JB:2	3.2
A45.J1:2	O_FootTrpNSol	Foot Trap Solenoid	18.1	Mo4:B	D_AirFlapBit0	.	
					D_AirFlapBit1	.	
					D_AirFlapBit2	.	
					I_IgnKeySw	A36.JB:2	3.2
A45.J1:20	O_HornElectric	Horn Electric	9.1		I_FireExt1stAl	A36.JB:23	38.1

# MULTIPLEX OUTPUT LIST

O\_xx... = Physical Output Pin ; I\_xx... = Physical Input Pin ; D\_xx... = CAN Network Signal from the HVAC control Head ; B\_xx... = Multiplex system global Network Variable

Module.Pin#	Signal name	Description	Page	Connected devices	Input involved		
A45.J1:20	O_HornElectric	Horn Electric	9.1		I_FireExt2ndAlm	A44.J1:10	38.1
					I_FireSensorA36	A36.JB:5	38.1
					I_HornSelectSw	A43.J1:7	9.2
					I_HornSw	A45.J1:10	9.1
					I_IgnKeySw	A36.JB:2	3.2
A45.J1:21	O_LHFrMkrLb	Left Hand Front Markers Light Bulb	26.1		B_BatterySaver	.	
					B_EngineRun	.	
					B_OneAltCharging	.	
					B_TstModExtLight	.	
					I_FogLightSw	A55.J1:6	26.5
					I_HdLtPos1Sw	A43.J1:4	26.1
					I_HdLtPos2SwLH	A45.J1:12	26.1
I_ParkBrSe	A36.JB:9	12.1					
A45.J1:3	O_LHFrFlshLb	Left Hand Front Flasher Light Bulb	26.1		B_BatterySaver	.	
					B_EngineRun	.	
					B_OneAltCharging	.	
					B_TstModExtLight	.	
					B_TstModHvac	.	
					B_TstModHvacNext	.	
					I_HazardSw	A36.JB:4	26.1
					I_LHFFlshSw	A45.J1:9	26.1
I_LHFFlshSwRrSig	A51.J1:9	26.2					
I_RHFFlshSwRrSig	A51.J1:12	26.2					
A45.J1:4	O_LHFogLb	Left Hand Fog Light Bulb	26.5	L95:A	B_BatterySaver	.	
					B_EngineRun	.	
					B_OneAltCharging	.	
					B_TstModExtLight	.	
					I_FogLightSw	A55.J1:6	26.5
					I_HdLthiLowBmSw	A43.J1:8	26.1
					I_HdLtPos2SwLH	A45.J1:12	26.1
I_ParkBrSe	A36.JB:9	12.1					
A45.J1:5	O_LHCornerLmpX3		26.5	L97.B:1	B_BatterySaver	.	
					B_EngineRun	.	
					B_OneAltCharging	.	
					B_TstModExtLight	.	
					I_CorneringLtSw	A55.J1:8	26.5
					I_LHFFlshSw	A45.J1:9	26.1
I_ParkBrSe	A36.JB:9	12.1					
A45.J1:6	O_LHHiBmLb	Left Hand Hi Beam Light Bulb	26.1	L60B:1	B_BatterySaver	.	
					B_EngineRun	.	
					B_OneAltCharging	.	
					B_TstModExtLight	.	
					I_HdLtPos2SwLH	A45.J1:12	26.1

# MULTIPLEX OUTPUT LIST

O\_xx... = Physical Output Pin ; I\_xx... = Physical Input Pin ; D\_xx... = CAN Network Signal from the HVAC control Head ; B\_xx... = Multiplex system global Network Variable

Module.Pin#	Signal name	Description	Page	Connected devices	Input involved		
A45.J1:6	O_LHHiBmLb	Left Hand Hi Beam Light Bulb	26.1	L60B:1	I_ParkBrSe	A36.JB:9	12.1
A45.J1:7	O_LHLwBmLb	Left Hand Low Beam Light Bulb	26.1	L60:1	B_BatterySaver	.	
					B_EngineRun	.	
					B_OneAltCharging	.	
					B_TstModExtLight	.	
					I_HdLtPos2SwLH	A45.J1:12	26.1
					I_ParkBrSe	A36.JB:9	12.1
A46.J1:1	O_UpDefHeater1	Upper Defroster Heater #1	18.4	Mo5:3	B_BatterySaver	.	
					B_EngineRun	.	
					B_OneAltCharging	.	
					D_AmbTempLSB	.	
					D_AmbTempMSB	.	
					D_OnOffDrvSw	.	
A46.J1:2	O_UpDefHeater2	Upper Defroster Heater #2	18.4	Mo5:2	B_BatterySaver	.	
					B_EngineRun	.	
					B_OneAltCharging	.	
					D_AmbTempLSB	.	
					D_AmbTempMSB	.	
					D_OnOffDrvSw	.	
A46.J1:21	O_HeadLmpWsh		34.1		I_HeadLmpWshSw	A55.J1:19	34.1
A46.J1:3	O_LwWshPmp	Lower Wiper Washer Pump	34.1		B_BatterySaver	.	
					B_EngineRun	.	
					B_OneAltCharging	.	
					I_LwWshSwRetro	A46.J1:9	34.1
A46.J1:4	O_AisleLb	Aisle and Emergency Lamps	20.1		B_EngineRun	.	
					B_LowVoltage	.	
					B_OneAltCharging	.	
					I_HdLtPos1Sw	A43.J1:4	26.1
A46.J1:5	O_DrvRfgSol	Driver refrigerent solenoid	18.1		B_BatterySaver	.	
					B_EngineRun	.	
					B_OneAltCharging	.	
					B_TstModHvac	.	
					D_AmbTempLSB	.	
					D_AmbTempMSB	.	
					D_OnOffDrvSw	.	
					I_AcPresHiSse	A52.J1:13	18.2
					I_AcPresLoSse	A52.J1:14	18.2
A46.J1:6	O_DrvHeatSol	Driver Heat Solenoid	18.1	So8:1	B_BatterySaver	.	
					B_EngineRun	.	
					B_OneAltCharging	.	
					B_TstModHvac	.	
					D_AirFlapBit0	.	
					D_AirFlapBit1	.	

# MULTIPLEX OUTPUT LIST

O\_xx... = Physical Output Pin ; I\_xx... = Physical Input Pin ; D\_xx... = CAN Network Signal from the HVAC control Head ; B\_xx... = Multiplex system global Network Variable

Module.Pin#	Signal name	Description	Page	Connected devices	Input involved		
A46.J1:6	O_DrvHeatSol	Driver Heat Solenoid	18.1	So8:1	D_AirFlapBit2	.	
					D_AmbTempLSB	.	
					D_AmbTempMSB	.	
					D_DriverSetPts	.	
					D_DrvFnSpdBit0	.	
					D_DrvFnSpdBit1	.	
					D_DrvFnSpdBit2	.	
					D_OnOffDrvSw	.	
					D_OnOffPassSw	.	
					D_PassSetPts	.	
					I_BatMonMod46	A46.J1:24	6.1
					I_BatMonMod54	A54.J1:24	6.1
					I_DrvTempSe	A55.J1:1	18.1
A46.J1:7	O_IVN_WCL		18.4		I_FireExt1stAl	A36.JB:23	38.1
					I_FireExt2ndAlm	A44.J1:10	38.1
					I_FireSensorA36	A36.JB:5	38.1
					I_NeutralSe	A50.J1:11	3.2
					I_ParkBrSe	A36.JB:9	12.1
A47.J1:1	O_DrvDefFanMo	Driver Defroster Fan Motor	18.1	A24.B:B	I_WCLPlungSw	A49.J1:4	36.1
					I_WclSw	A42.J1:6	36.1
					B_BatterySaver	.	
					B_EngineRun	.	
					B_OneAltCharging	.	
A47.J1:20	O_UdrFlrLb	Under Floor Light Bulb	25.2		D_DrvFnSpdBit0	.	
					D_DrvFnSpdBit1	.	
					D_DrvFnSpdBit2	.	
					D_OnOffDrvSw	.	
					I_BatMonMod47	A47.J1:24	6.1
A47.J1:3	O_LwWipSpd1	Lower Wiper Speed 1	34.1	R23:86	I_IgnKeySw	A36.JB:2	3.2
					B_BatterySaver	.	
					B_EngineRun	.	
					B_OneAltCharging	.	
					I_LwWipIntSwRetr	A42.J1:8	34.1
A47.J1:4	O_DrvRecTrap	Driver Recycle Trap	18.1		I_LwWshSwRetro	A46.J1:9	34.1
					B_BatterySaver	.	
					B_EngineRun	.	
					B_OneAltCharging	.	
					B_TstModHvac	.	
					D_RecSw	.	

# MULTIPLEX OUTPUT LIST

O\_xx... = Physical Output Pin ; I\_xx... = Physical Input Pin ; D\_xx... = CAN Network Signal from the HVAC control Head ; B\_xx... = Multiplex system global Network Variable

Module.Pin#	Signal name	Description	Page	Connected devices	Input involved		
A47.J1:4	O_DrvRecTrap	Driver Recycle Trap	18.1		I_BrakIntrlk	A45.J1:13	12.1
					I_EntDorClnSw	A36.JB:10	29.1
					I_EntDorCLOutSw	A36.JB:17	29.1
					I_EntDorCISe	A47.J1:10	29.1
					I_EntDorOpSw	A36.JB:15	29.1
					I_IntDorOpSw	A41.J1:9	29.1
					I_MasterSwIntlk	A36.JB:16	29.1
A47.J1:5	O_EntDorStpLb	Entrance Door Step Light Bulb	29.1		I_EntDorCISe	A47.J1:10	29.1
A47.J1:6	O_EntDorCIsol	Entrance Door Close Solenoid Valve	29.1	So6:2	I_BrakIntrlk	A45.J1:13	12.1
					I_EntDorClnSw	A36.JB:10	29.1
					I_EntDorCLOutSw	A36.JB:17	29.1
					I_EntDorCISe	A47.J1:10	29.1
					I_EntDorOpSw	A36.JB:15	29.1
					I_IgnKeySw	A36.JB:2	3.2
					I_IntDorOpSw	A41.J1:9	29.1
					I_MasterSwIntlk	A36.JB:16	29.1
					I_ParkBrSe	A36.JB:9	12.1
A47.J1:7	O_EntDorOpSol	Entrance Door Open Solenoid Valve	29.1		I_BrakIntrlk	A45.J1:13	12.1
					I_EntDorClnSw	A36.JB:10	29.1
					I_EntDorCLOutSw	A36.JB:17	29.1
					I_EntDorCISe	A47.J1:10	29.1
					I_EntDorOpSw	A36.JB:15	29.1
					I_IgnKeySw	A36.JB:2	3.2
					I_IntDorOpSw	A41.J1:9	29.1
					I_MasterSwIntlk	A36.JB:16	29.1
					I_ParkBrSe	A36.JB:9	12.1
A47.J1:8	O_EntDorULkSo	Entrance Door UnLock Solenoid Valve	29.1		I_BrakIntrlk	A45.J1:13	12.1
					I_EntDorClnSw	A36.JB:10	29.1
					I_EntDorCLOutSw	A36.JB:17	29.1
					I_EntDorCISe	A47.J1:10	29.1
					I_EntDorOpSw	A36.JB:15	29.1
					I_IgnKeySw	A36.JB:2	3.2
					I_IntDorOpSw	A41.J1:9	29.1
					I_MasterSwIntlk	A36.JB:16	29.1
					I_ParkBrSe	A36.JB:9	12.1
A48.J1:20	O_RHFrSidFlshLb	RH Front Side Flasher L-Bulb	26.1	L64:1	B_BatterySaver	.	
					B_EngineRun	.	
					B_OneAltCharging	.	
					B_TstModExtLight	.	
					B_TstModHvac	.	
					B_TstModHvacNext	.	
					I_EntDorCISe	A47.J1:10	29.1
					I_HazardSw	A36.JB:4	26.1

# MULTIPLEX OUTPUT LIST

O\_xx... = Physical Output Pin ; I\_xx... = Physical Input Pin ; D\_xx... = CAN Network Signal from the HVAC control Head ; B\_xx... = Multiplex system global Network Variable

Module.Pin#	Signal name	Description	Page	Connected devices	Input involved		
A48.J1:20	O_RHFrSidFishLb	RH Front Side Flasher L-Bulb	26.1	L64:1	I_KneeDwSw	A41.J1:7	32.1
					I_KneeLevelSe	A46.J1:13	32.1
					I_KneeUpSw	A41.J1:6	32.1
					I_LHFishSwRrSig	A51.J1:9	26.2
					I_NeutralSe	A50.J1:11	3.2
					I_RHFlashSw	A48.J1:12	26.1
					I_RHFlashSwRrSig	A51.J1:12	26.2
					I_WCLLoDorSe	A53.J1:12	36.1
					I_WCLSmallLowDor	A49.J1:17	36.1
					I_WclSw	A42.J1:6	36.1
A48.J1:3	O_RHHiBeamLb	Right Hand Hi Beam Light Bulb	26.1	L59B:1	B_BatterySaver	.	
					B_EngineRun	.	
					B_OneAltCharging	.	
					B_TstModExtLight	.	
					I_HdLtPos2SwLH	A45.J1:12	26.1
					I_ParkBrSe	A36.JB:9	12.1
A48.J1:4	O_RHLwBeamLb	Right Hand Low Beam Light Bulb	26.1	L59:1	B_BatterySaver	.	
					B_EngineRun	.	
					B_OneAltCharging	.	
					B_TstModExtLight	.	
					I_HdLtPos2SwRH	A48.J1:10	26.1
					I_ParkBrSe	A36.JB:9	12.1
A48.J1:5	O_RHCornerLmpX3		26.5	L98.B:1	B_BatterySaver	.	
					B_EngineRun	.	
					B_OneAltCharging	.	
					B_TstModExtLight	.	
					I_CorneringLtSw	A55.J1:8	26.5
					I_ParkBrSe	A36.JB:9	12.1
A48.J1:6	O_RHFrFishLb	Right Hand Front Flasher Light Bulb	26.1		B_BatterySaver	.	
					B_EngineRun	.	
					B_OneAltCharging	.	
					B_TstModExtLight	.	
					B_TstModHvac	.	
					B_TstModHvacNext	.	
					I_HazardSw	A36.JB:4	26.1
					I_LHFishSwRrSig	A51.J1:9	26.2
					I_RHFlashSw	A48.J1:12	26.1
					I_RHFlashSwRrSig	A51.J1:12	26.2
A48.J1:7	O_RHFrMrkLb	Right Hand Front Markers Light Bulb	26.1		B_BatterySaver	.	
					B_EngineRun	.	
					B_OneAltCharging	.	
					B_TstModExtLight	.	

# MULTIPLEX OUTPUT LIST

O\_xx... = Physical Output Pin ; I\_xx... = Physical Input Pin ; D\_xx... = CAN Network Signal from the HVAC control Head ; B\_xx... = Multiplex system global Network Variable

Module.Pin#	Signal name	Description	Page	Connected devices	Input involved		
A48.J1:7	O_RHFrMrkLb	Right Hand Front Markers Light Bulb	26.1		I_FogLightSw	A55.J1:6	26.5
					I_HdLtPos1Sw	A43.J1:4	26.1
					I_HdLtPos2SwLH	A45.J1:12	26.1
					I_ParkBrSe	A36.JB:9	12.1
A48.J1:8	O_RHFogLb	Right Hand Fog Light	26.5	L96:A	B_BatterySaver	.	
					B_EngineRun	.	
					B_OneAltCharging	.	
					B_TstModExtLight	.	
					I_FogLightSw	A55.J1:6	26.5
					I_HdLTHiLowBmSw	A43.J1:8	26.1
					I_HdLtPos2SwLH	A45.J1:12	26.1
I_ParkBrSe	A36.JB:9	12.1					
A49.J1:11	O_DirLtsRel	Interior Light Direct relay	24.1	R6:86	B_EngineRun	.	
					B_LowVoltage	.	
					B_OneAltCharging	.	
					I_AccKeySw	A36.JB:6	3.2
					I_IgnKeySw	A36.JB:2	3.2
A49.J1:12	O_IndirLtsRel	Interior Lights Indirect Relay	23.1	R13:86	B_EngineRun	.	
					B_LowVoltage	.	
					B_OneAltCharging	.	
					I_AccKeySw	A36.JB:6	3.2
					I_IgnKeySw	A36.JB:2	3.2
A49.J1:13	O_EmergencyLt	Emergency Lights	20.1	R15:86	B_EngineRun	.	
					B_LowVoltage	.	
					B_OneAltCharging	.	
					I_HdLtPos1Sw	A43.J1:4	26.1
A49.J1:14	O_RetardEna	Retarder Enable	12.1		I_IgnKeySw	A36.JB:2	3.2
					I_RetarderSel	A55.J1:10	12.1
A49.J1:15	O_ReadLtsRel	Passenger Reading Light Relay	22.1	R14:86	B_EngineRun	.	
					B_LowVoltage	.	
					B_OneAltCharging	.	
					I_AccKeySw	A36.JB:6	3.2
					I_IgnKeySw	A36.JB:2	3.2
A49.J1:16	O_CndSpd2Rel	Condensor Fan Speed 2 Relay	18.2		B_BatterySaver	.	
					B_EngineRun	.	
					B_LowVoltage	.	
					B_OneAltCharging	.	
					B_TstModHvac	.	
					D_AmbTempLSB	.	
					D_AmbTempMSB	.	
					D_OnOffPassSw	.	
					D_PassSetPts	.	



# MULTIPLEX OUTPUT LIST

O\_xx... = Physical Output Pin ; I\_xx... = Physical Input Pin ; D\_xx... = CAN Network Signal from the HVAC control Head ; B\_xx... = Multiplex system global Network Variable

Module.Pin#	Signal name	Description	Page	Connected devices	Input involved		
A49.J1:16	O_CndSpd2Rel	Condensor Fan Speed 2 Relay	18.2		I_AcPresHiSse	A52.J1:13	18.2
					I_AcPresLoSse	A52.J1:14	18.2
					I_BatMonMod53	A53.J1:24	6.1
					I_FireExt1stAl	A36.JB:23	38.1
					I_FireExt2ndAlm	A44.J1:10	38.1
					I_FireSensorA36	A36.JB:5	38.1
A49.J1:30	O_TagAxlValve	Tag Axle Valve	32.1		I_IgnKeySw	A36.JB:2	3.2
					I_TagPitManSW	A43.J1:6	32.1
					I_TgAxlSw	A43.J1:19	32.1
A50.J1:1	O_WCLSDoorLb		36.1		I_ParkBrSe	A36.JB:9	12.1
A50.J1:2	O_TransInhibit	Transmission Inhibit	15.1	A1:1	I_WCLPlungSw	A49.J1:4	36.1
					I_BrkLtSeFrSig	A36.JB:13	12.1
					I_BrkLtSeRrSig	A51.J1:10	12.1
					I_NeutralSe	A50.J1:11	3.2
					I_ParkBrSe	A36.JB:9	12.1
					I_WCLLoDorSe	A53.J1:12	36.1
					I_WCLPlungSw	A49.J1:4	36.1
					I_WCLSmallLowDor	A49.J1:17	36.1
A50.J1:20	O_BackUpAlrm		26.3	L187:A	I_WclSw	A42.J1:6	36.1
					B_BatterySaver	.	
					B_EngineRun	.	
					B_OneAltCharging	.	
					B_TestSwBuz2	.	
					B_TestSwBuzzer	.	
					B_TstModExtLight	.	
					B_TstModHvac	.	
					B_TstModHvacNext	.	
					B_TstSwBuz3	.	
					D_NextWheel	.	
					I_BackUpAlCancel	A55.J1:20	26.3
					I_RrStrtEnSw	A53.J1:10	3.2
A50.J1:21	O_BackUpLt		26.3		B_BatterySaver	.	
					B_EngineRun	.	
					B_OneAltCharging	.	
					B_TstModHvac	.	
					B_TstModHvacNext	.	
A50.J1:4	O_ReClearLb	Rear Clearance Light Bulb	26.2		B_BatterySaver	.	
					B_EngineRun	.	
					B_OneAltCharging	.	
					B_TstModExtLight	.	
					I_FogLightSw	A55.J1:6	26.5
					I_HdLtPos1Sw	A43.J1:4	26.1
I_HdLtPos2SwLH	A45.J1:12	26.1					

# MULTIPLEX OUTPUT LIST

O\_xx... = Physical Output Pin ; I\_xx... = Physical Input Pin ; D\_xx... = CAN Network Signal from the HVAC control Head ; B\_xx... = Multiplex system global Network Variable

Module.Pin#	Signal name	Description	Page	Connected devices	Input involved		
A50.J1:4	O_ReClearLb	Rear Clearance Light Bulb	26.2		I_ParkBrSe	A36.JB:9	12.1
A50.J1:5	O_LHCtrFlshLb	Water Filter Indicator Warning	26.2	L70:1	B_BatterySaver	.	
					B_EngineRun	.	
					B_OneAltCharging	.	
					B_TstModExtLight	.	
					B_TstModHvac	.	
					B_TstModHvacNext	.	
					I_HazardSw	A36.JB:4	26.1
					I_LHFishSwRrSig	A51.J1:9	26.2
					I_RHFishSwRrSig	A51.J1:12	26.2
A50.J1:6	O_BrLtLowerLb		12.1		B_BatterySaver	.	
					B_EngineRun	.	
					B_OneAltCharging	.	
					B_TstModExtLight	.	
					I_BrkLtSeFrSig	A36.JB:13	12.1
					I_BrkLtSeRrSig	A51.J1:10	12.1
					I_EngBrOnSe	A42.J1:18	
					I_IgnKeySw	A36.JB:2	3.2
					I_RetdrSig	A50.J1:12	12.1
A50.J1:7	O_RHCtrFlshLb	Wheel Chair Lift Warning Indicator	26.2	L68:1	B_BatterySaver	.	
					B_EngineRun	.	
					B_OneAltCharging	.	
					B_TstModExtLight	.	
					B_TstModHvac	.	
					B_TstModHvacNext	.	
					I_HazardSw	A36.JB:4	26.1
					I_LHFishSwRrSig	A51.J1:9	26.2
					I_RHFishSwRrSig	A51.J1:12	26.2
A50.J1:8	O_CtrSdMrkLb	Tag Axle Warning Indicator	26.2	L67:1	B_BatterySaver	.	
					B_EngineRun	.	
					B_OneAltCharging	.	
					B_TstModExtLight	.	
					I_FogLightSw	A55.J1:6	26.5
					I_HdLtPos1Sw	A43.J1:4	26.1
					I_HdLtPos2SwLH	A45.J1:12	26.1
					I_ParkBrSe	A36.JB:9	12.1
A51.J1:1	O_SerBrkTrans	Servise Brake Signal For	15.1	A1:62	I_BrkLtSeFrSig	A36.JB:13	12.1
A51.J1:21	O_LHReFlshLb	Left Hand Rear Flasher Light Bulb	26.2		B_BatterySaver	.	
					B_EngineRun	.	
					B_OneAltCharging	.	
					B_TstModExtLight	.	
					B_TstModHvac	.	
					B_TstModHvacNext	.	

# MULTIPLEX OUTPUT LIST

O\_xx... = Physical Output Pin ; I\_xx... = Physical Input Pin ; D\_xx... = CAN Network Signal from the HVAC control Head ; B\_xx... = Multiplex system global Network Variable

Module.Pin#	Signal name	Description	Page	Connected devices	Input involved		
A51.J1:21	O_LHReFishLb	Left Hand Rear Flasher Light Bulb	26.2		I_HazardSw	A36.JB:4	26.1
					I_LHFishSwRrSig	A51.J1:9	26.2
					I_RHFishSwRrSig	A51.J1:12	26.2
A51.J1:3	O_RHReFishLb	Right Hand Rear Flasher Light Bulb	26.2	L73:3	B_BatterySaver	.	
					B_EngineRun	.	
					B_OneAltCharging	.	
					B_TstModExtLight	.	
					B_TstModHvac	.	
					B_TstModHvacNext	.	
					I_HazardSw	A36.JB:4	26.1
					I_LHFishSwRrSig	A51.J1:9	26.2
					I_RHFishSwRrSig	A51.J1:12	26.2
A51.J1:6	O_BrLtUpperLb		26.2		B_BatterySaver	.	
					B_EngineRun	.	
					B_OneAltCharging	.	
					B_TstModExtLight	.	
					I_BrkLtSeFrSig	A36.JB:13	12.1
					I_BrkLtSeRrSig	A51.J1:10	12.1
A51.J1:7	O_CyclopeLt	Cyclope Brake Light	26.2		B_BatterySaver	.	
					B_EngineRun	.	
					B_OneAltCharging	.	
					B_TstModExtLight	.	
					I_BrkLtSeFrSig	A36.JB:13	12.1
					I_BrkLtSeRrSig	A51.J1:10	12.1
A51.J1:8	O_ReTailMkLb	Rear Tail Markers Light Bulb	26.2		B_BatterySaver	.	
					B_EngineRun	.	
					B_OneAltCharging	.	
					B_TstModExtLight	.	
					I_FogLightSw	A55.J1:6	26.5
					I_HdLtPos1Sw	A43.J1:4	26.1
					I_HdLtPos2SwLH	A45.J1:12	26.1
					I_ParkBrSe	A36.JB:9	12.1
A52.J1:1	O_EngFanSpd1	Engine Fan Radiator Speed 1	14.1		B_BatterySaver	.	
					B_EngineRun	.	
					B_OneAltCharging	.	
					B_TstModHvac	.	
					D_AmbTempLSB	.	
					D_AmbTempMSB	.	
					D_RadFanSpd1	.	
					D_StopTestMode	.	
					I_AcPresHiSse	A52.J1:13	18.2
					I_Alt2Voltage	A49.J1:9	3.2
					I_FireExt1stAl	A36.JB:23	38.1

# MULTIPLEX OUTPUT LIST

O\_xx... = Physical Output Pin ; I\_xx... = Physical Input Pin ; D\_xx... = CAN Network Signal from the HVAC control Head ; B\_xx.. = Multiplex system global Network Variable

Module.Pin#	Signal name	Description	Page	Connected devices	Input involved		
A52.J1:1	O_EngFanSpd1	Engine Fan Radiator Speed 1	14.1		I_FireExt2ndAlm	A44.J1:10	38.1
					I_FireSensorA36	A36.JB:5	38.1
					I_FrStrtEnSw	A53.J1:9	3.2
					I_IdleValidSw	A45.J1:11	15.2
					I_IgnKeySw	A36.JB:2	3.2
					I_ParkBrSe	A36.JB:9	12.1
					I_PRRackFanSw	A41.J1:20	18.2
					I_RrStrtEnSw	A53.J1:10	3.2
A52.J1:2	O_EngFanSpd2	Engine Fan Radiator Speed 2	14.1		B_BatterySaver	.	
					B_EngineRun	.	
					B_OneAltCharging	.	
					B_TstModHvac	.	
					D_AmbTempLSB	.	
					D_AmbTempMSB	.	
					D_RadFanSpd2	.	
					D_StopTestMode	.	
					I_AcPresHiSse	A52.J1:13	18.2
					I_Alt2Voltage	A49.J1:9	3.2
					I_FireExt1stAl	A36.JB:23	38.1
					I_FireExt2ndAlm	A44.J1:10	38.1
					I_FireSensorA36	A36.JB:5	38.1
					I_IdleValidSw	A45.J1:11	15.2
					I_IgnKeySw	A36.JB:2	3.2
					I_ParkBrSe	A36.JB:9	12.1
I_PRRackFan2ndSpd	A54.J1:12	18.3					
I_PRRackFanSw	A41.J1:20	18.2					
A52.J1:20	O_AcCluSol	Hvac AC Clutch Solenoid	18.2		B_BatterySaver	.	
					B_EngineRun	.	
					B_OneAltCharging	.	
					B_TstModHvac	.	
					I_AcPresHiSse	A52.J1:13	18.2
					I_AcPresLoSse	A52.J1:14	18.2
A52.J1:21	O_AcUnldRH	Hvac Right Hand Cylinder Unloader	18.2		B_BatterySaver	.	
					B_EngineRun	.	
					B_OneAltCharging	.	
					B_TstModHvac	.	
					D_AmbTempLSB	.	
					D_AmbTempMSB	.	
					D_PassSetPts	.	
					I_AcPresHiSse	A52.J1:13	18.2
					I_AcPresLoSse	A52.J1:14	18.2
					A52.J1:4	O_LavFanMo	Lavatory Fan Motor
B_EngineRun	.						

#

# MULTIPLEX OUTPUT LIST

O\_xx... = Physical Output Pin ; I\_xx... = Physical Input Pin ; D\_xx... = CAN Network Signal from the HVAC control Head ; B\_xx... = Multiplex system global Network Variable

Module.Pin#	Signal name	Description	Page	Connected devices	Input involved
A52.J1:4	O_LavFanMo	Lavatory Fan Motor	11.1		B_OneAltCharging . B_TstModHvac . I_BatMonMod52 A52.J1:24 6.1
A52.J1:5	O_EngCmptLb	Engine Compartment Light Bulb	25.1		I_EngCmptLtSw A52.J1:11 I_EngDoorSe A49.J1:2 25.1
A52.J1:6	O_OilSeparator		37.1	L350A:A	B_BatterySaver . B_EngineRun . B_OneAltCharging . B_TstModExtLight . I_BrkLtSeFrSig A36.JB:13 12.1 I_BrkLtSeRrSig A51.J1:10 12.1 I_EngBrOnSe A42.J1:18 I_IgnKeySw A36.JB:2 3.2 I_RetdrSig A50.J1:12 12.1
A52.J1:8	O_AcUnldLH	Hvac Left Hand Cylinder Unloader	18.2		B_BatterySaver . B_EngineRun . B_OneAltCharging . B_TstModHvac . D_AmbTempLSB . D_AmbTempMSB . D_PassSetPts . I_AcPresHiSse A52.J1:13 18.2 I_AcPresLoSse A52.J1:14 18.2
A53.J1:1	O_ReadLtTestSw		22.1		I_ReadLtTestSw A42.J1:19 22.2C
A53.J1:2	O_EvaSpd2Pilot	Evaporator Fan Speed 2	18.2	TermMo9	B_BatterySaver . B_EngineRun . B_LowVoltage . B_OneAltCharging . B_TstModHvac . D_AmbTempLSB . D_AmbTempMSB . D_OnOffPassSw . D_PassSetPts . I_AcPresHiSse A52.J1:13 18.2 I_AcPresLoSse A52.J1:14 18.2 I_BatMonMod54 A54.J1:24 6.1 I_FireExt1stAl A36.JB:23 38.1 I_FireExt2ndAlm A44.J1:10 38.1 I_FireSensorA36 A36.JB:5 38.1
A53.J1:20	O_PrackACClch		18.3		B_BatterySaver . B_EngineRun . B_OneAltCharging . B_TstModHvac .

# MULTIPLEX OUTPUT LIST

O\_xx... = Physical Output Pin ; I\_xx... = Physical Input Pin ; D\_xx... = CAN Network Signal from the HVAC control Head ; B\_xx.. = Multiplex system global Network Variable

Module.Pin#	Signal name	Description	Page	Connected devices	Input involved		
A53.J1:20	O_PrackACClch		18.3		D_AmbTempLSB	.	
					D_AmbTempMSB	.	
					I_PRackFanSw	A41.J1:20	18.2
					I_PrackLowPre	A54.J1:11	18.3
A53.J1:5	O_WCLOn	Wheel Chair Lift Enabled	36.1		I_NeutralSe	A50.J1:11	3.2
					I_ParkBrSe	A36.JB:9	12.1
					I_WCLLoDorSe	A53.J1:12	36.1
					I_WCLSmallLowDor	A49.J1:17	36.1
					I_WclSw	A42.J1:6	36.1
A53.J1:6	O_StarterRel	Starter Relay	3.2		B_BatterySaver	.	
					B_EngineRun	.	
					B_OneAltCharging	.	
					B_TstModHvac	.	
					I_FrStrtEnSw	A53.J1:9	3.2
					I_NeutralSe	A50.J1:11	3.2
					I_RrStrtEnSw	A53.J1:10	3.2
A53.J1:7	O_WCLUpDoorSig	WCL Upper Door Open Signal For TWU	36.1		I_ParkBrSe	A36.JB:9	12.1
					I_WCLPlungSw	A49.J1:4	36.1
A54.J1:1	O_LHPRckFan	Left Hand Parcel Rack Fan	18.3		B_BatterySaver	.	
					B_EngineRun	.	
					B_OneAltCharging	.	
					B_TstModHvac	.	
					I_PRackFanSw	A41.J1:20	18.2
A54.J1:2	O_RHPRckFan	Right Hand Parcel Rack Fan	18.3		B_BatterySaver	.	
					B_EngineRun	.	
					B_OneAltCharging	.	
					B_TstModHvac	.	
					I_PRackFanSw	A41.J1:20	18.2
A54.J1:20	O_ACRecPass	A/C Pass. Gaz Cylinder Recycle	18.2	L205:1	B_BatterySaver	.	
					B_EngineRun	.	
					B_OneAltCharging	.	
					B_TstModHvac	.	
					D_RecSw	.	
					I_BrakIntrk	A45.J1:13	12.1
					I_EntDorClnSw	A36.JB:10	29.1
					I_EntDorClnOutSw	A36.JB:17	29.1
					I_EntDorCISE	A47.J1:10	29.1
					I_EntDorOpSw	A36.JB:15	29.1
					I_IntDorOpSw	A41.J1:9	29.1
					I_MasterSwIntlk	A36.JB:16	29.1
					A54.J1:21	O_PassOnOff	Output HVAC Passenger ON/OFF
B_EngineRun	.						
B_OneAltCharging	.						

# MULTIPLEX OUTPUT LIST

O\_xx... = Physical Output Pin ; I\_xx... = Physical Input Pin ; D\_xx... = CAN Network Signal from the HVAC control Head ; B\_xx.. = Multiplex system global Network Variable

Module.Pin#	Signal name	Description	Page	Connected devices	Input involved
A54.J1:21	O_PassOnOff	Output HVAC Passenger ON/OFF	18.2	R26:85	B_TstModHvac . I_BatMonMod54 A54.J1:24 6.1
A54.J1:3	O_PasRfgSol	Passenger Refrigerent Solenoid	18.2	D11:A	B_BatterySaver . B_EngineRun . B_LowVoltage . B_OneAltCharging . B_TstModHvac . D_AmbTempLSB . D_AmbTempMSB . D_OnOffPassSw . D_PassSetPts . I_BatMonMod54 A54.J1:24 6.1 I_FireExt1stAlm A36.JB:23 38.1 I_FireExt2ndAlm A44.J1:10 38.1 I_FireSensorA36 A36.JB:5 38.1
A54.J1:4	O_ACWaterPmp	Hvac Water Pump	18.2	D9:A	B_BatterySaver . B_EngineRun . B_OneAltCharging . B_TstModHvac . D_AmbTempLSB . D_AmbTempMSB . D_DrvFnSpdBit0 . D_DrvFnSpdBit1 . D_DrvFnSpdBit2 . D_HvacPump . D_OnOffPassSw . D_PassSetPts . D_StopTestMode . I_BatMonMod54 A54.J1:24 6.1 I_FireExt1stAlm A36.JB:23 38.1 I_FireExt2ndAlm A44.J1:10 38.1 I_FireSensorA36 A36.JB:5 38.1 I_IgnKeySw A36.JB:2 3.2
A54.J1:5	O_CndSpd1Rel	Condensor Fan Speed 1 Relay	18.2	R10:2	B_BatterySaver . B_EngineRun . B_LowVoltage . B_OneAltCharging . B_TstModHvac . D_AmbTempLSB . D_AmbTempMSB . D_OnOffPassSw . D_PassSetPts . I_AcPresHiSse A52.J1:13 18.2





# MULTIPLEX INPUT LIST

O\_xx... = Physical Output Pin ; I\_xx... = Physical Input Pin ; D\_xx... = CAN Network Signal from the HVAC control Head ; B\_xx... = Multiplex system global Network Variable

Module.Pin#	Signal name	Description	Page	Connected devices
A36.JB:10	I_EntDorCInSw	Entrance Door Close Inside Switch	29.1	Sw32:3
A36.JB:13	I_BrkLtSeFrSig	Brake Lights Sensor	12.1	
A36.JB:15	I_EntDorOpSw	Entrance Door Open Switch	29.1	
A36.JB:16	I_MasterSwIntk		29.1	Sw140:B
A36.JB:17	I_EntDorCOutSw	Entrance Door Close Outside Switch	29.1	Sw34:1
A36.JB:2	I_IgnKeySw	Ignition Key switch	3.2	
A36.JB:21	I_RrCutOutSw	Rear Junction Box CutOut Switch	3.2	
A36.JB:22	I_FrEngStaSw	Front Engine Start Switch	3.2	
A36.JB:23	I_FireExt1stAl		38.1	
A36.JB:4	I_HazardSw	Hazard Switch	26.1	Sw4:3
A36.JB:5	I_FireSensorA36	Fire Sensor On A36	38.1	
A36.JB:6	I_AccKeySw	Accessories Key switch	3.2	
A36.JB:9	I_ParkBrSe	Parking Brake Sensor	12.1	
A41.J1:10	I_ReadLtsSw	Passenger Reading lights Switch	22.1	Sw26:3
A41.J1:20	I_PRAckFanSw		18.2	Sw27:3
A41.J1:6	I_KneeUpSw	Kneeling Up Switch	32.1	
A41.J1:7	I_KneeDwSw	Kneeling Down Switch	32.1	
A41.J1:9	I_IntDorOpSw	Entrance Door Open Switch	29.1	Sw33:3
A42.J1:10	I_AuxByPassSw		12.1	Sw142:5B
A42.J1:18	I_EngBrOnSe	Engine Brake ACTIVE Sensor		
A42.J1:19	I_ReadLtTestSw		22.2C	Sw5:3
A42.J1:3	I_WdoOpenSe	Passenger Window Open Sensor	27.1	
A42.J1:6	I_WclSw	Wheel Chair Lift Dash Switch	36.1	Sw20:3
A42.J1:7	I_PrkBrkRelSw	Park Brake Release Switch	32.1	
A42.J1:8	I_LwWipIntSwRetr	Lower Wiper Intermitant Switch	34.1	Sw1.C258:7
A42.J1:9	I_NextStop		22.2C	
A43.J1:17	I_FJBLtSw	Front Junction Box Door Open	25.1	
A43.J1:19	I_TgAxISw	Tag Axle Switch	32.1	Sw64.B:1
A43.J1:4	I_HdLtPos1Sw	Head Light Switch Position Markers	26.1	
A43.J1:6	I_TagPitManSW	Tag Automatic Unload PitMan Sw	32.1	Sw125.B:1
A43.J1:7	I_HornSelectSw	Horn Select switch	9.2	Sw63A:3
A43.J1:8	I_HdLthiLowBmSw	Head Lights High and Low Beam Switch	26.1	
A44.J1:10	I_FireExt2ndAlm		38.1	A130:11
A45.J1:10	I_HornSw	Horn Switch	9.1	
A45.J1:11	I_IdleValidSw	Idle Validation Switch	15.2	
A45.J1:12	I_HdLtPos2SwLH	Head Light Switch Beam Position 2 LH	26.1	
A45.J1:13	I_BrakIntrlk		12.1	Se78:C
A45.J1:14	I_BrakPresDriver		12.1	Se77:C
A45.J1:9	I_LHFishSw	Left Hand Flasher Switch	26.1	
A46.J1:13	I_KneeLevelSe		32.1	Se79:4
A46.J1:24	I_BatMonMod46		6.1	A46.J1:26
A46.J1:9	I_LwWshSwRetro	Lower Wiper Washer Switch	34.1	
A47.J1:10	I_EntDorCISE	Entrance Door Close Sensor	29.1	Se17:1

# MULTIPLEX INPUT LIST

O\_xx... = Physical Output Pin ; I\_xx... = Physical Input Pin ; D\_xx... = CAN Network Signal from the HVAC control Head ; B\_xx... = Multiplex system global Network Variable

Module.Pin#	Signal name	Description	Page	Connected devices
A47.J1:24	I_BatMonMod47		6.1	A47.J1:27
A48.J1:10	I_HdLtPos2SwRH	Head Light Switch Beam Position 2 RH	26.1	
A48.J1:12	I_RHFshSw	Right Hand Flasher Switch	26.1	
A49.J1:1	I_WCLDoorLtch	WCL Door firts latch detection door open	36.1	Sw94.B:1
A49.J1:17	I_WCLSmallLowDor	Wheel Chair Lift Small Low Door	36.1	
A49.J1:18	I_WCLInstalSig	WCL Cassette installation detection	36.1	
A49.J1:2	I_EngDoorSe	Engine Door Sensor	25.1	
A49.J1:20	I_WtrFiltSe	Water Filter Sensor	13.1	
A49.J1:4	I_WCLPlungSw	WCL Sliding door open detection	36.1	
A49.J1:8	I_Alt1Voltage		3.2	Alt1D.C:2
A49.J1:9	I_Alt2Voltage		3.2	Alt2D.C:2
A50.J1:11	I_NeutralSe	Neutral Signal Sensor	3.2	
A50.J1:12	I_RetdrSig	Retarder Signal	12.1	
A51.J1:10	I_BrkLtSeRrSig	Brake Lights Sensor	12.1	
A51.J1:12	I_RHFshSwRrSig	RH FlasherSwitch Rear Signal	26.2	
A51.J1:24	I_BatMonMod51			
A51.J1:9	I_LHFshSwRrSig	LH FlasherSwitch Rear Signal	26.2	
A52.J1:10	I_ChimeWcl		22.2	Sw31:F, Sw31:F
A52.J1:11	I_EngCmptLtSw	Engine Compartment Light Switch		
A52.J1:13	I_AcPresHiSse	Ac Pressure High Side Sensor	18.2	Se23:C
A52.J1:14	I_AcPresLoSse	Ac Pressure Low Side Sensor	18.2	Se24:C
A52.J1:24	I_BatMonMod52		6.1	A52.J1:25
A53.J1:10	I_RrStrtEnSw	Rear Start Enable Switch	3.2	
A53.J1:11	I_EngStaRrSw	Engine Start Rear Switch	3.2	Sw59:B
A53.J1:12	I_WCLLoDorSe	Wheel Chair Lift Lower Door Sensor	36.1	
A53.J1:24	I_BatMonMod53		6.1	A53.J1:26
A53.J1:9	I_FrStrtEnSw	Front Start Enable Switch	3.2	Sw58:3
A54.J1:11	I_PrackLowPre	ParcelRack A/C Low Press	18.3	Se48:B
A54.J1:12	I_PrackFan2ndSpd	Parcel Rack 2nd Speed Pressure	18.3	
A54.J1:24	I_BatMonMod54		6.1	A54.J1:29
A54.J1:9	I_LuggDoorSw	Luggage Door Switch	25.2	
A55.J1:1	I_DrvTempSe	Driver Temperature sensor	18.1	Se21:2
A55.J1:10	I_RetarderSel	Retarder Selected	12.1	Sw16:3
A55.J1:19	I_HeadLmpWshSw		34.1	Sw6:4
A55.J1:20	I_BackUpAlCancel		26.3	Sw103:3
A55.J1:5	I_DrvLtSw	Driver Light Switch	19.1	Sw24:3
A55.J1:6	I_FogLightSw	Fog Lights Switch	26.5	Sw3:3
A55.J1:8	I_CorneringLtSw	Cornering Light Switch	26.5	Sw100A:3

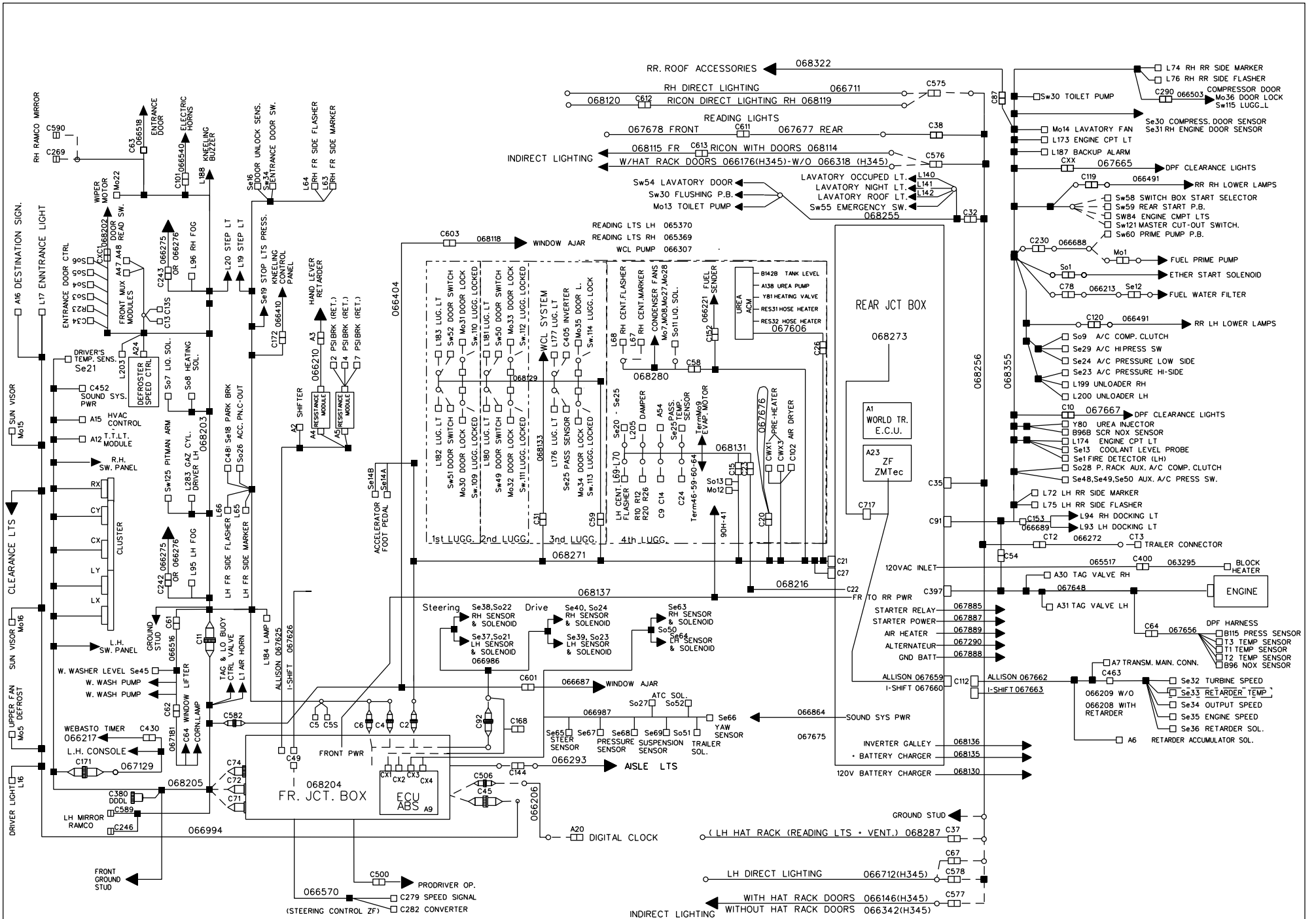
# MULTIPLEX ERROR MESSAGES LIST

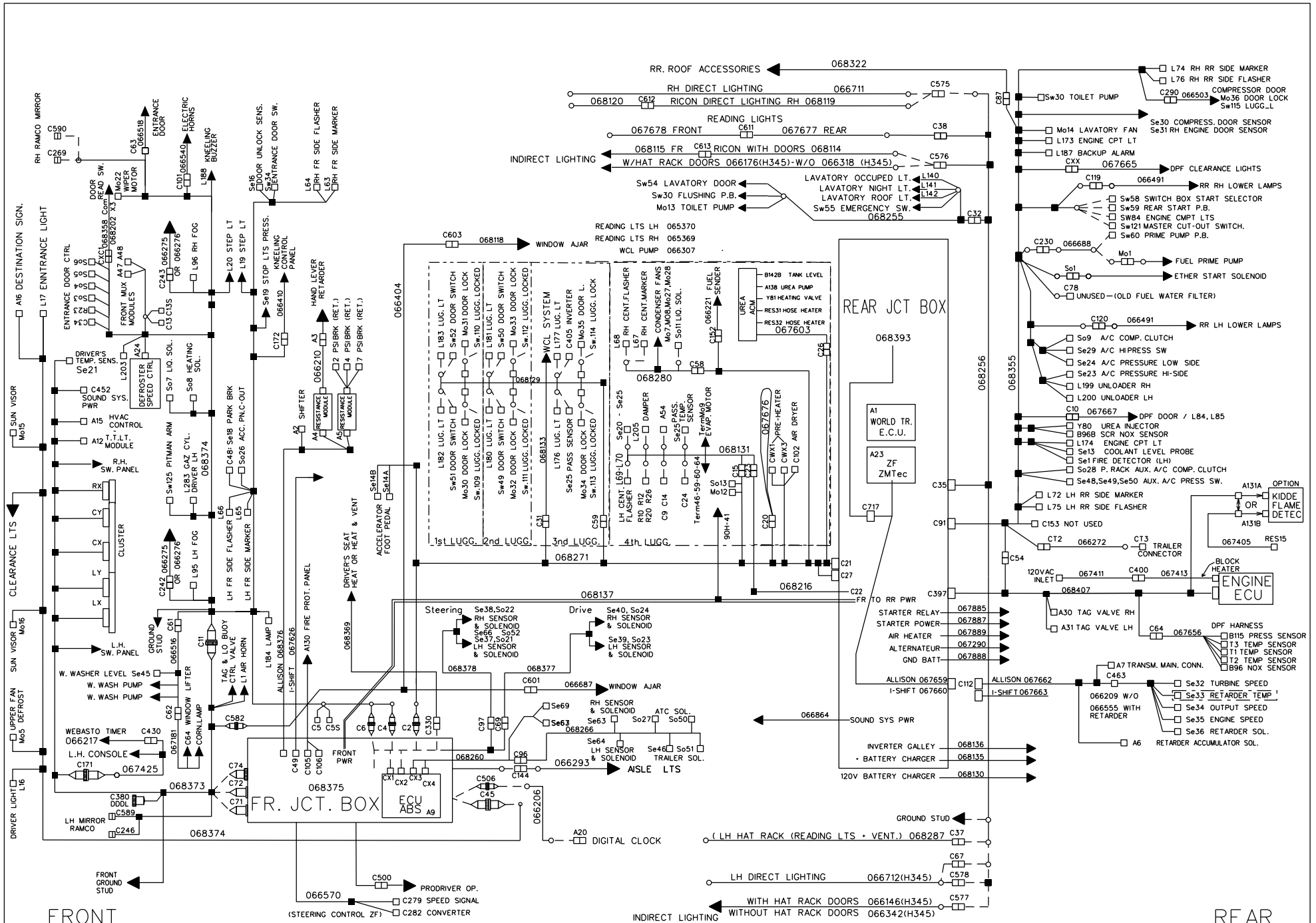
FMI 3 = Shorted High ; FMI 4 = Shorted Low ; FMI 5 = Open Circuit ; FMI 6 = Current above Normal

Cluster message	SID/PSID	FMI	Module.Pin#	Page	Cluster message	SID/PSID	FMI	Module.Pin#	Page
A/C Clutch	PSID #4	3, 4, 5, 6	A52.J1:20	18.2	Flash RH Sw	PSID #133	3, 4	A48.J1:12	26.1
A/C Pres HiSd	PSID #12	3, 4	A52.J1:13	18.2	Flasher LH	PSID #130	3, 4	A45.J1:9	26.1
A/C Pres LoSd	PSID #13	3, 4	A52.J1:14	18.2	Fog's Lights LH	PSID #134	3, 4, 5, 6	A45.J1:4	26.5
Aux Bypass Sw	SID #69	3, 4	A42.J1:10	12.1	Fog's lights RH	PSID #136	3, 4, 5, 6	A48.J1:8	26.5
Battery Equalizer	SID #61	3, 4	A45.J1:12	26.1	Foot trap	PSID #37	3, 4, 6	A45.J1:2	18.1
Brake Interlock Sol	SID #76	3, 4, 5, 6	A42.J1:11	12.1	FR Clearance lights	PSID #137	3, 4, 5, 6	A44.J1:8	26.1
Brake Pres Driver	SID #73	3, 4	A45.J1:14	12.1	Fr Fish-Mkr LH	PSID #128	3, 4, 6	A45.J1:3	26.1
Brake Pres Intrlk	SID #74	3, 4	A45.J1:13	12.1	Fr Side Fish	PSID #10	3, 4, 6	A48.J1:20	26.1
Brk Lts Sens	PSID #119	3, 4	A36.JB:13	12.1	Fr Start Sw	PSID #58	3, 4	A36.JB:22	3.2
Ceiling Door Lt	PSID #108	3, 4, 5, 6	A44.J1:5	29.1	Front Flash RH	PSID #126	3, 4, 6	A48.J1:6	26.1
Center Flash LH	PSID #124	3, 4, 6	A50.J1:5	26.2	FrontMkr Lts LH	PSID #148	3, 4, 5, 6	A45.J1:21	26.1
Center Flash RH	PSID #125	3, 4, 6	A50.J1:7	26.2	FrontMkr Lts RH	PSID #149	3, 4, 5, 6	A48.J1:7	26.1
Center Mkr	PSID #27	3, 4, 5, 6	A50.J1:8	26.2	FrStart Enable Sw	PSID #56	3, 4	A53.J1:9	3.2
Cond Rly spd1	PSID #41	3, 4, 5, 6	A54.J1:5	18.2	Fuel Filt Sens	PSID #81	3, 4	A49.J1:20	13.1
Cond Rly spd2	PSID #42	3, 4, 6	A49.J1:16	18.2	Hazard Switch	PSID #138	3, 4	A36.JB:4	26.1
Cornering Dash	PSID #200	3, 4	A55.J1:8	26.5	HdLamp Wsh Pmp	SID #48	3, 4, 5, 6	A46.J1:21	34.1
Cyclope Lt	PSID #116	3, 4, 6	A51.J1:7	26.2	Head Lights Pos1	PSID #143	3, 4	A43.J1:4	26.1
Direct Lts Relay	PSID #102	3, 4, 5, 6	A49.J1:11	24.1	Hi Low Beam	SID #62	3, 4	A43.J1:8	26.1
Driver Def Fan	PSID #180	3, 4, 5, 6	A47.J1:1	18.1	High Beam LH	PSID #141	3, 4, 5, 6	A45.J1:6	26.1
Driver heat Sol	PSID #16	3, 4, 5, 6	A46.J1:6	18.1	High Beam RH	PSID #145	3, 4, 5, 6	A48.J1:3	26.1
Driver Light Sw	PSID #104	3, 4, 5, 6	A44.J1:3	19.1	Hill Start Ass	PSID #5	6	A44.J1:6	15.2
Driver Light Sw	SID #67	3, 4	A55.J1:5	19.1	Horn	PSID #83	3, 4, 5, 6	A45.J1:20	9.1
Driver Rfg Sol	PSID #29	3, 4, 5, 6	A46.J1:5	18.1	Indir Lts Rly	PSID #110	3, 4, 5, 6	A49.J1:12	23.1
Driver Sensor	PSID #28	3, 4, 5	A55.J1:1	18.1	Knee down Sol	PSID #89	3, 4, 5, 6	A41.J1:14	32.1
Drv air Trap	SID #64	3, 4, 6	A44.J1:2	18.1	Knee Down Sw	PSID #93	3, 4	A41.J1:7	32.1
Drv Rec Cylind	PSID #30	3, 4, 5, 6	A47.J1:4	18.1	Knee Up Sw	PSID #94	3, 4	A41.J1:6	32.1
Elec.Horn SW61	PSID #82	3, 4	A45.J1:10	9.1	Kneeling Level Se	SID #81	3, 4	A46.J1:13	32.1
Emergency Lt R15	SID #47	3, 4, 5, 6	A49.J1:13	20.1	Lavatory Fan4	PSID #98	4, 5, 6	A52.J1:4	11.1
Emergency Relay	PSID #44	3, 4, 5, 6	A36.JA:24	3.2	LH Corner Lts	PSID #120	3, 4, 5, 6	A45.J1:5	26.5
Emgy & AisleLts	PSID #101	3, 4, 6	A46.J1:4	20.1	Low Beam LH	PSID #142	3, 4, 6	A45.J1:7	26.1
Eng Brk Active	PSID #45	3, 4	A42.J1:18		Low Beam RH	PSID #146	3, 4, 6	A48.J1:4	26.1
Eng Cmpt Sw	PSID #107	3, 4	A52.J1:11		Lower Stop Lamps	PSID #153	3, 4, 6	A50.J1:6	12.1
Engine Door Se	PSID #6	3, 4	A49.J1:2	25.1	Lower Washer pmp	PSID #181	4, 5, 6	A46.J1:3	34.1
Engine Fan Spd1	PSID #53	3, 4, 5, 6	A52.J1:1	14.1	Master Interlock Sw	SID #71	3, 4	A36.JB:16	29.1
Engine Fan Spd2	PSID #54	3, 4, 5, 6	A52.J1:2	14.1	Next Stop Sign	SID #80	3, 4, 6	A41.J1:13	22.2C
Ent Close Out	PSID #70	3, 4	A36.JB:17	29.1	Next Stop Sw	SID #70	3, 4	A42.J1:9	22.2C
Ent close Sens	PSID #63	3, 4	A47.J1:10	29.1	Next Stop Wcl	SID #72	3, 4	A52.J1:10	22.2
Ent Close Sol	PSID #65	3, 4, 5, 6	A47.J1:6	29.1	Oil Separator	SID #75	3, 4, 5, 6	A52.J1:6	37.1
Ent Door Close	PSID #64	3, 4	A36.JB:10	29.1	Open Door Sw	SID #78	3, 4, 5, 6	A44.J1:4	29.1
Ent open out	PSID #71	3, 4	A36.JB:15	29.1	P Rack Fan	PSID #19	4, 5, 6	A54.J1:1	18.3
Ent Open Sol	PSID #67	3, 4, 5, 6	A47.J1:7	29.1	P Rack Fan	PSID #20	4, 5, 6	A54.J1:2	18.3
Ent Unlk Sol	PSID #72	3, 4, 5, 6	A47.J1:8	29.1	P Rack Fan	PSID #21	3, 4	A41.J1:20	18.2
Evap Motor Rly	PSID #77	3, 4, 5, 6	A54.J1:7	18.2	P Rack Rfg	PSID #22	3, 4, 5, 6	A53.J1:20	18.3









FRONT

REAR

**PREVOST**

WIRING DIAGRAM

NO:

D061150

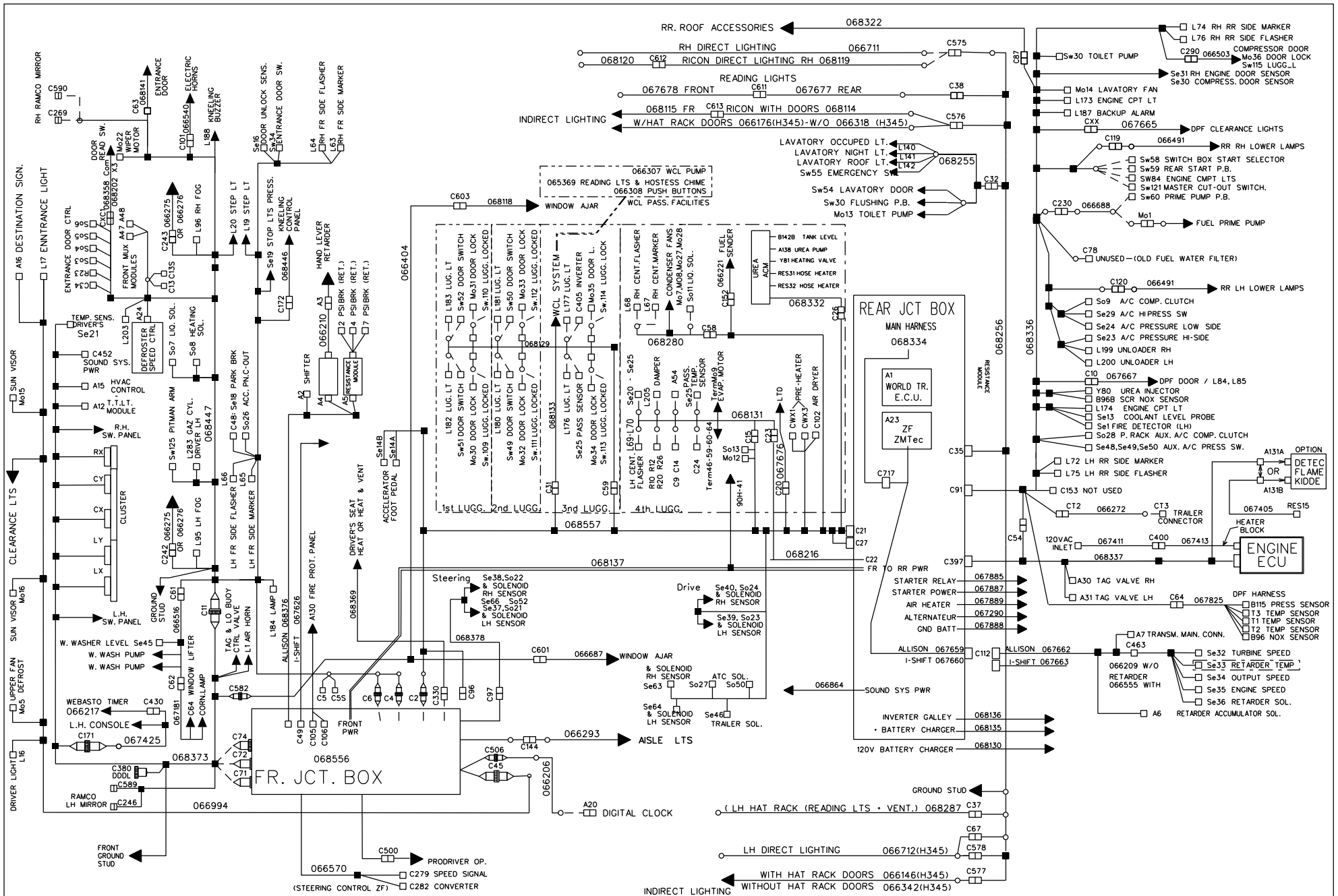
PAGE:

C1

REVISION  
05







FRONT

REAR

**PREVOST**

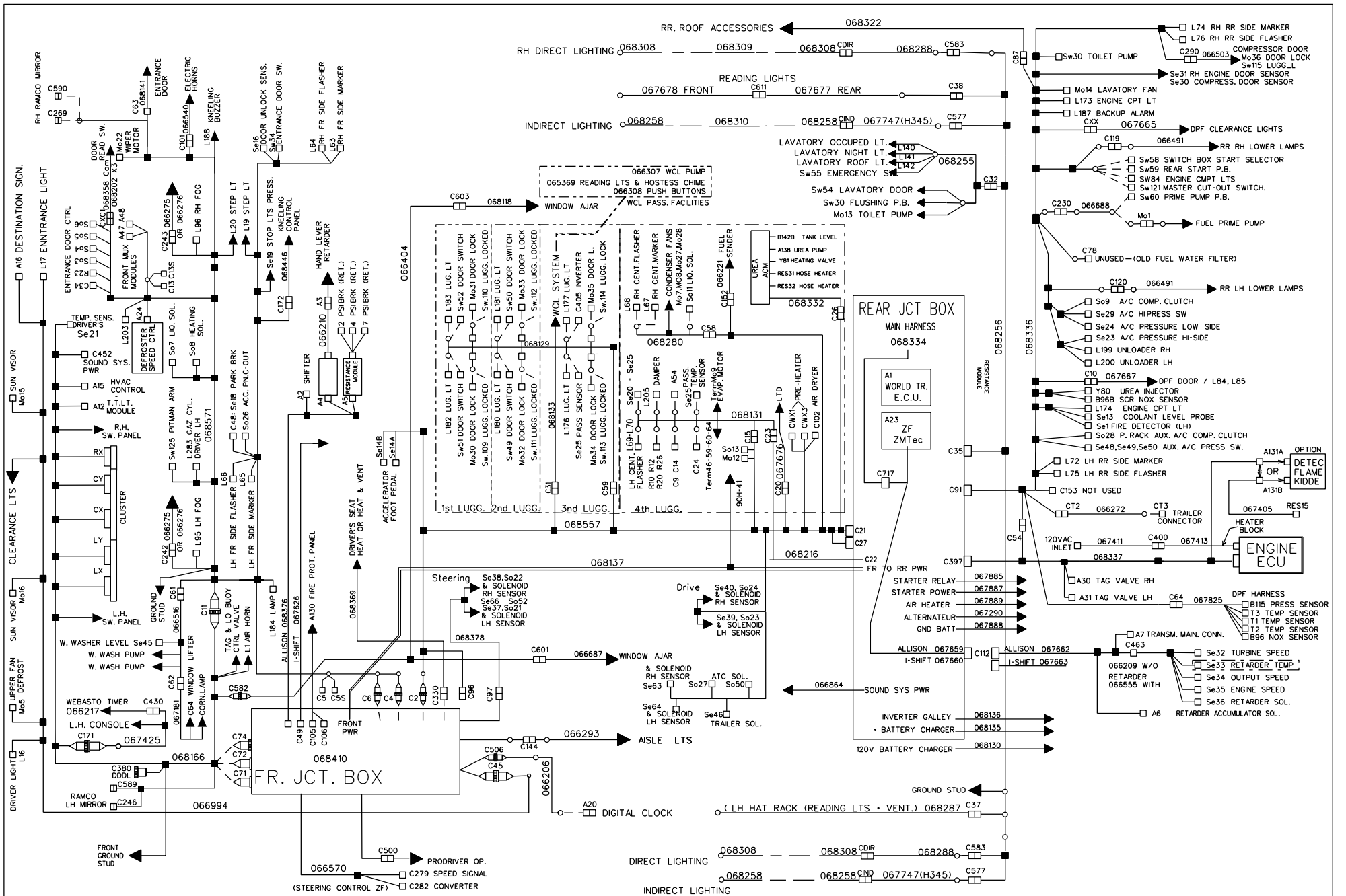
WIRING DIAGRAM

NO:

D061150

PAGE: C1

REVISION  
10



FRONT

REAR

PREVOST

WIRING DIAGRAM

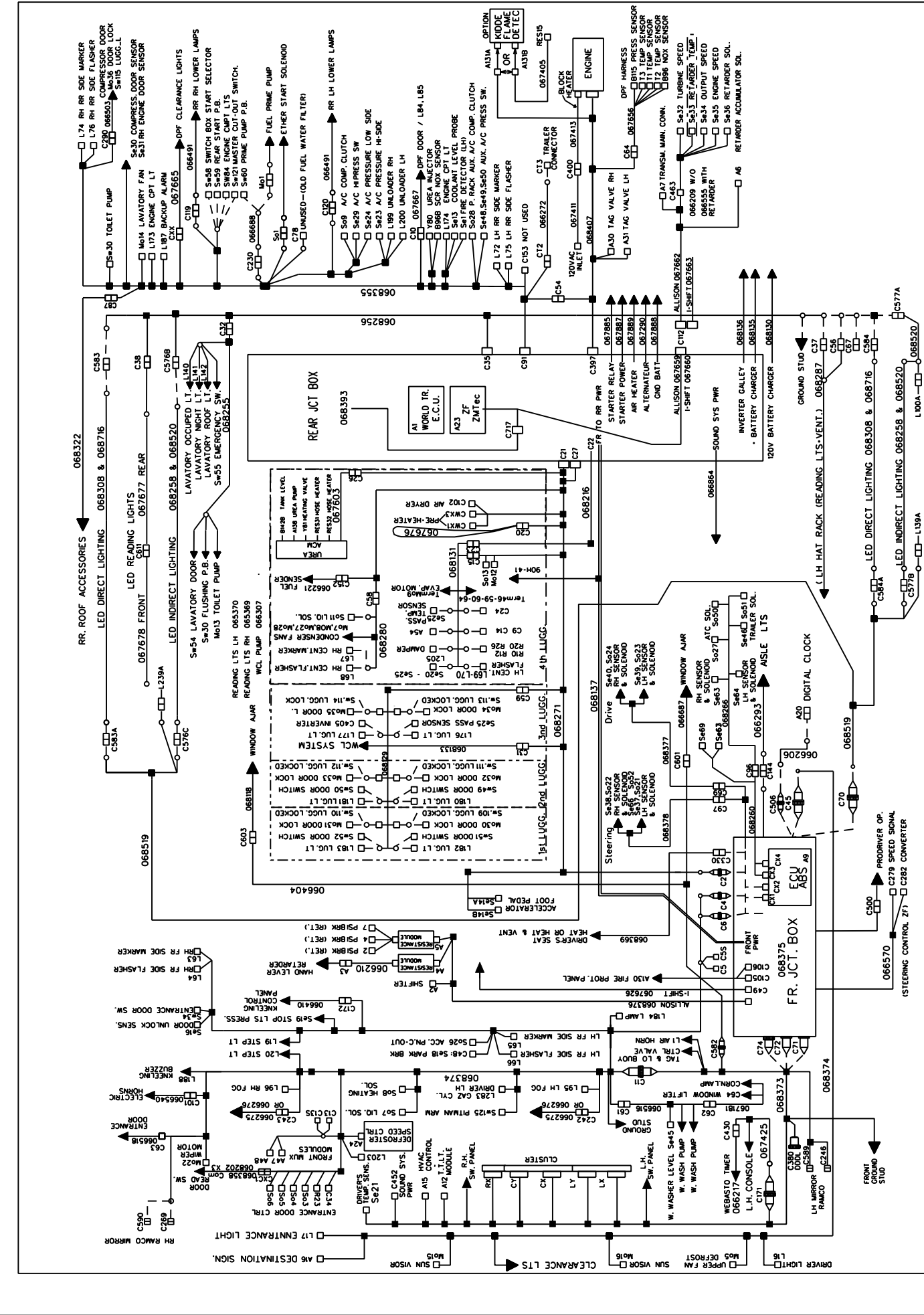
NO:

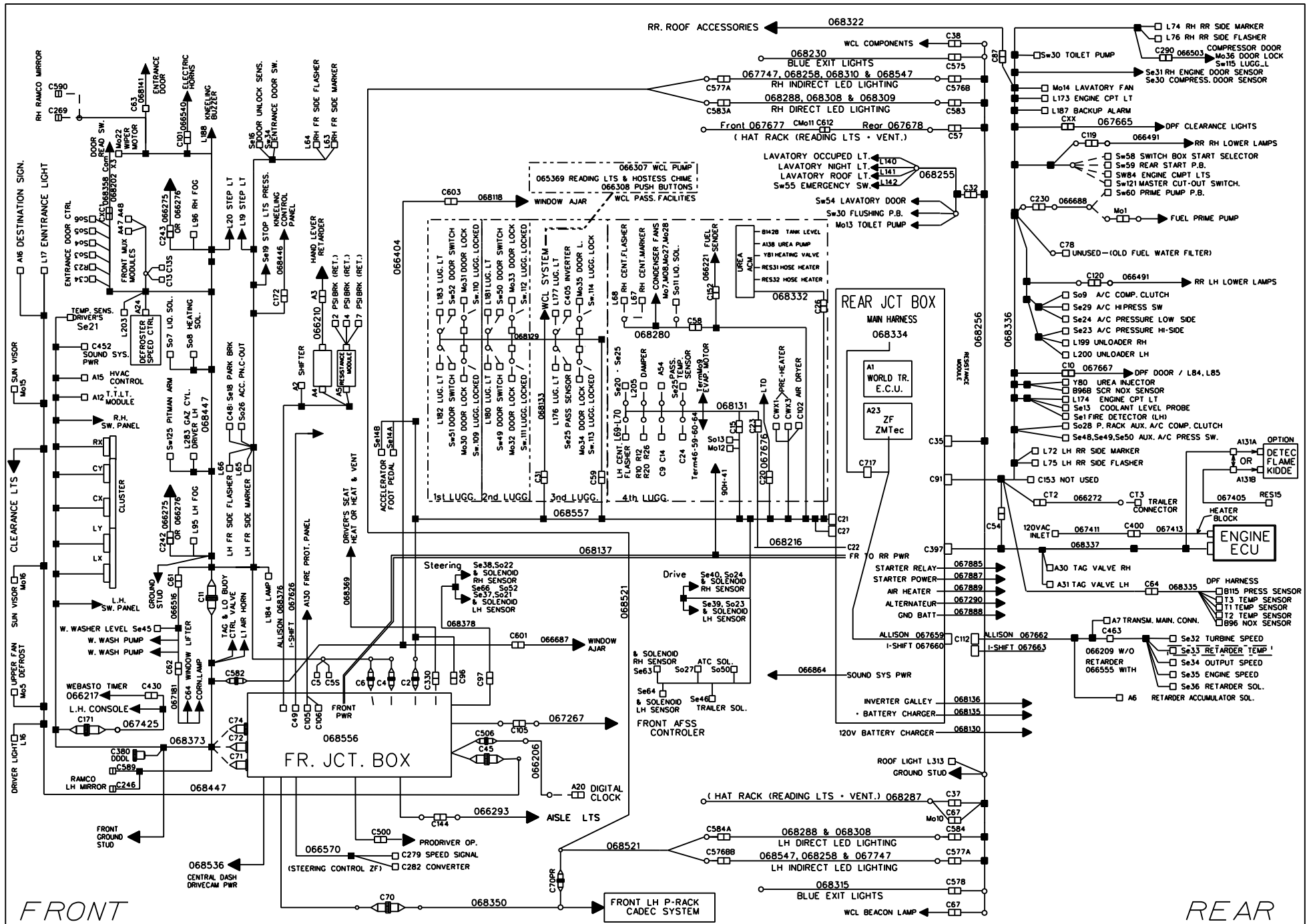
D061150

PAGE: C1

REVISION  
11







FRONT

REAR

**PREVOST**

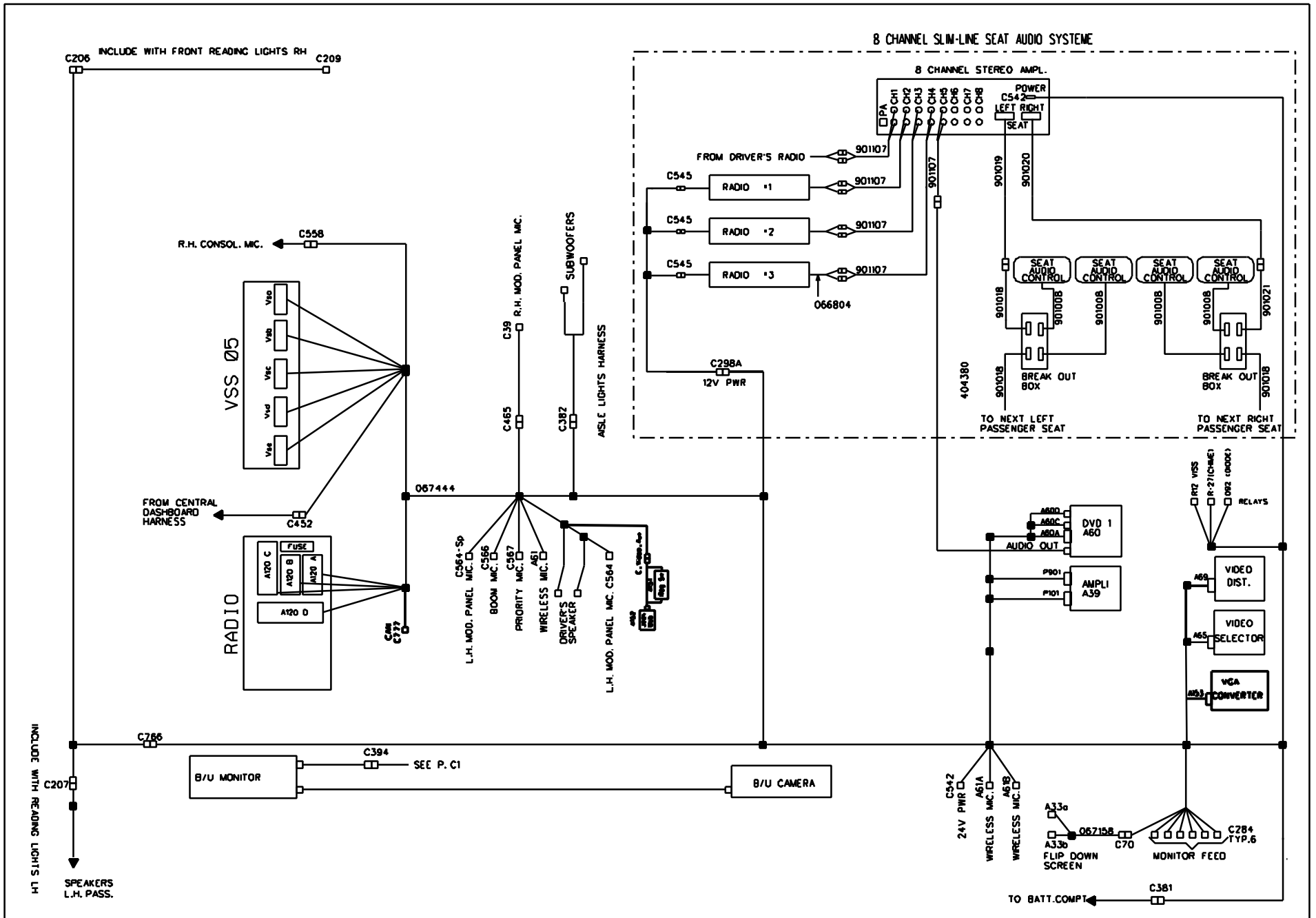
WIRING DIAGRAM

NO: D061150

PAGE: C1SP2

REVISION  
00





**PREVOST**

**WIRING DIAGRAM**

NO: D061150

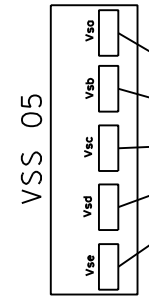
PAGE: C2

REVISION 0

C206 INCLUDE WITH FRONT READING LIGHTS RH C209

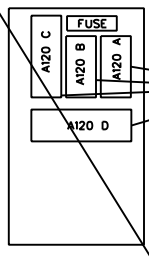
FOR CADEC SYSTEM  
REFER TO PAGE 42.1SP1

R.H. CONSOL. MIC. ← C558

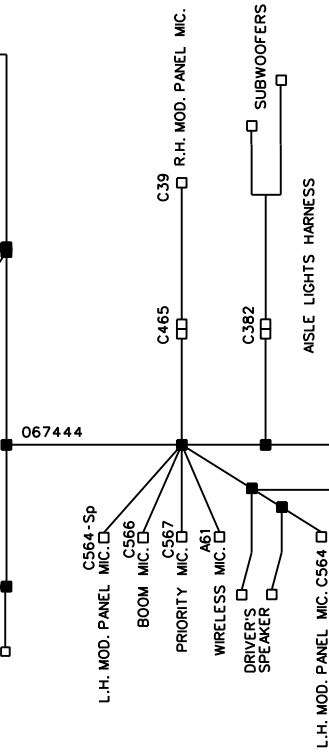


FROM CENTRAL DASHBOARD HARNESS ← C452

RADIO

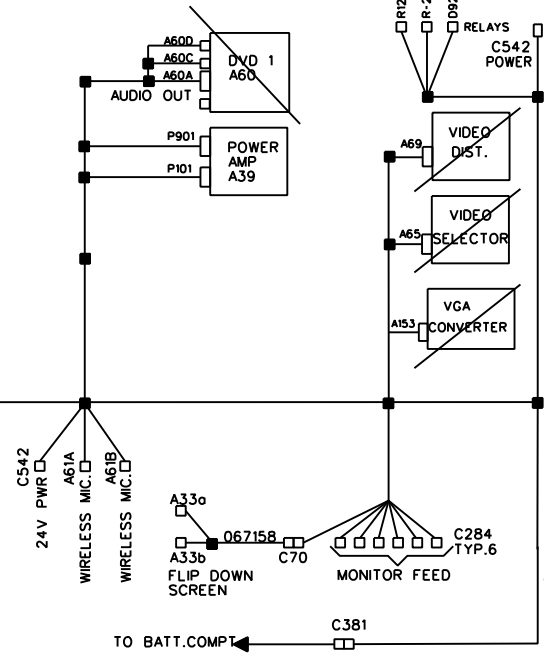
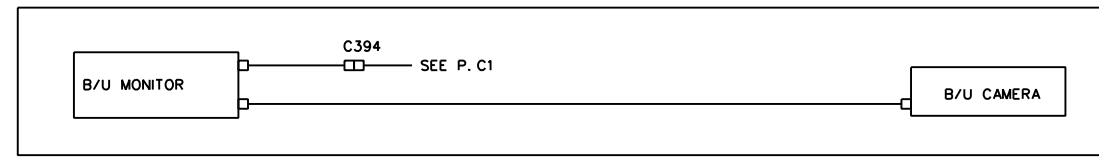


CAN C777



C298A  
12V PWR

INCLUDE WITH READING LIGHTS LH  
C207  
SPEAKERS L.H. PASS.





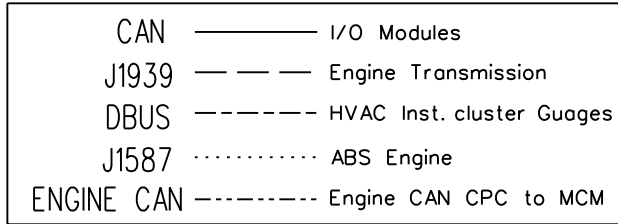
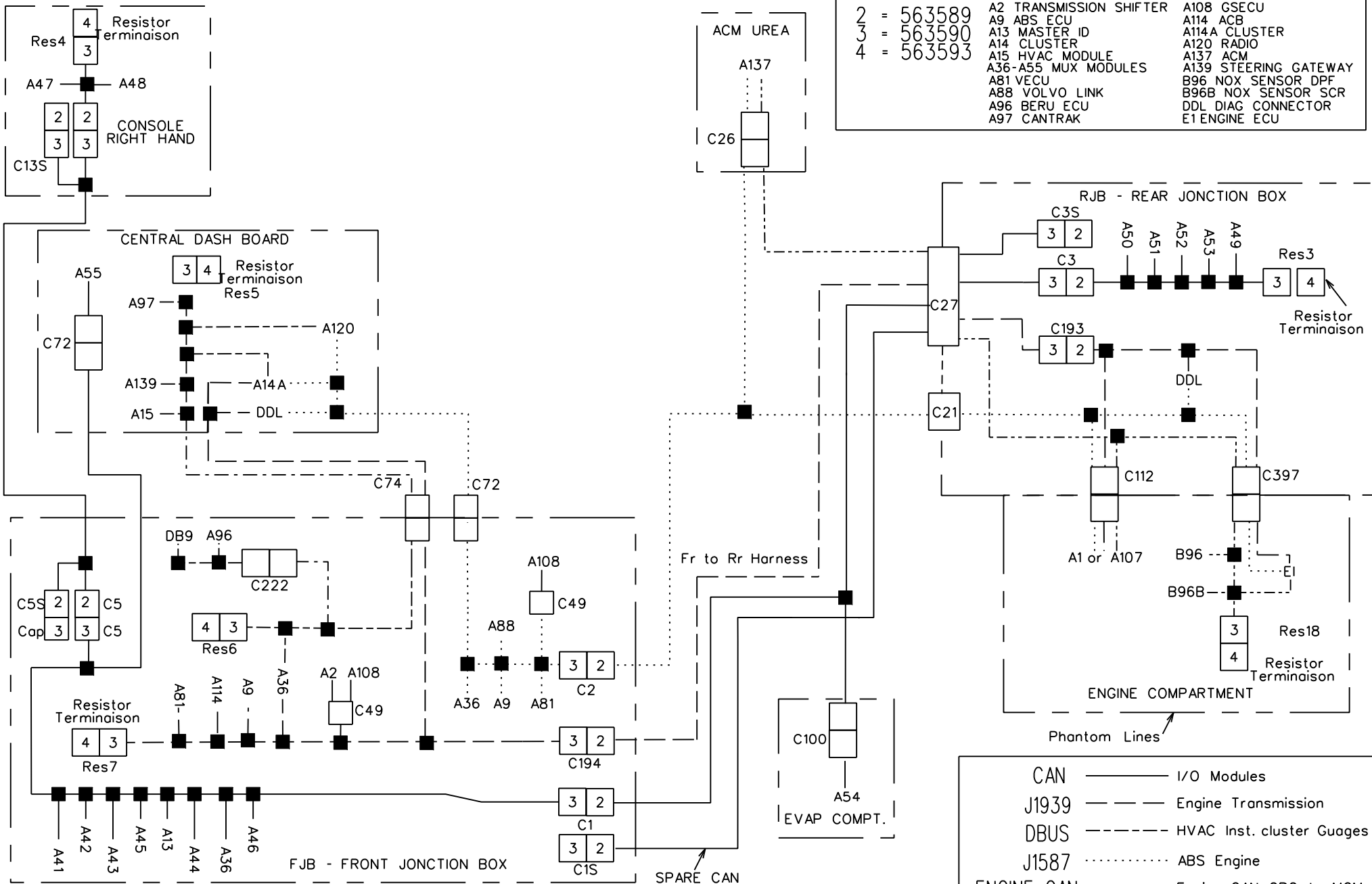
# NETWORKS LAYOUT SCHEMATIC

## CONNECTORS

2 = 563589  
3 = 563590  
4 = 563593

## LEGEND

A1 ALLISON TRANS ECU	A107 TECU
A2 TRANSMISSION SHIFTER	A108 GSECU
A9 ABS ECU	A114 ACB
A13 MASTER ID	A114A CLUSTER
A14 CLUSTER	A120 RADIO
A15 HVAC MODULE	A137 ACM
A36-A55 MUX MODULES	A139 STEERING GATEWAY
A81 VECU	B96 NOX SENSOR DPF
A88 VOLVO LINK	B96B NOX SENSOR SCR
A96 BERU ECU	DDL DIAG CONNECTOR
A97 CANTRAK	E1 ENGINE ECU

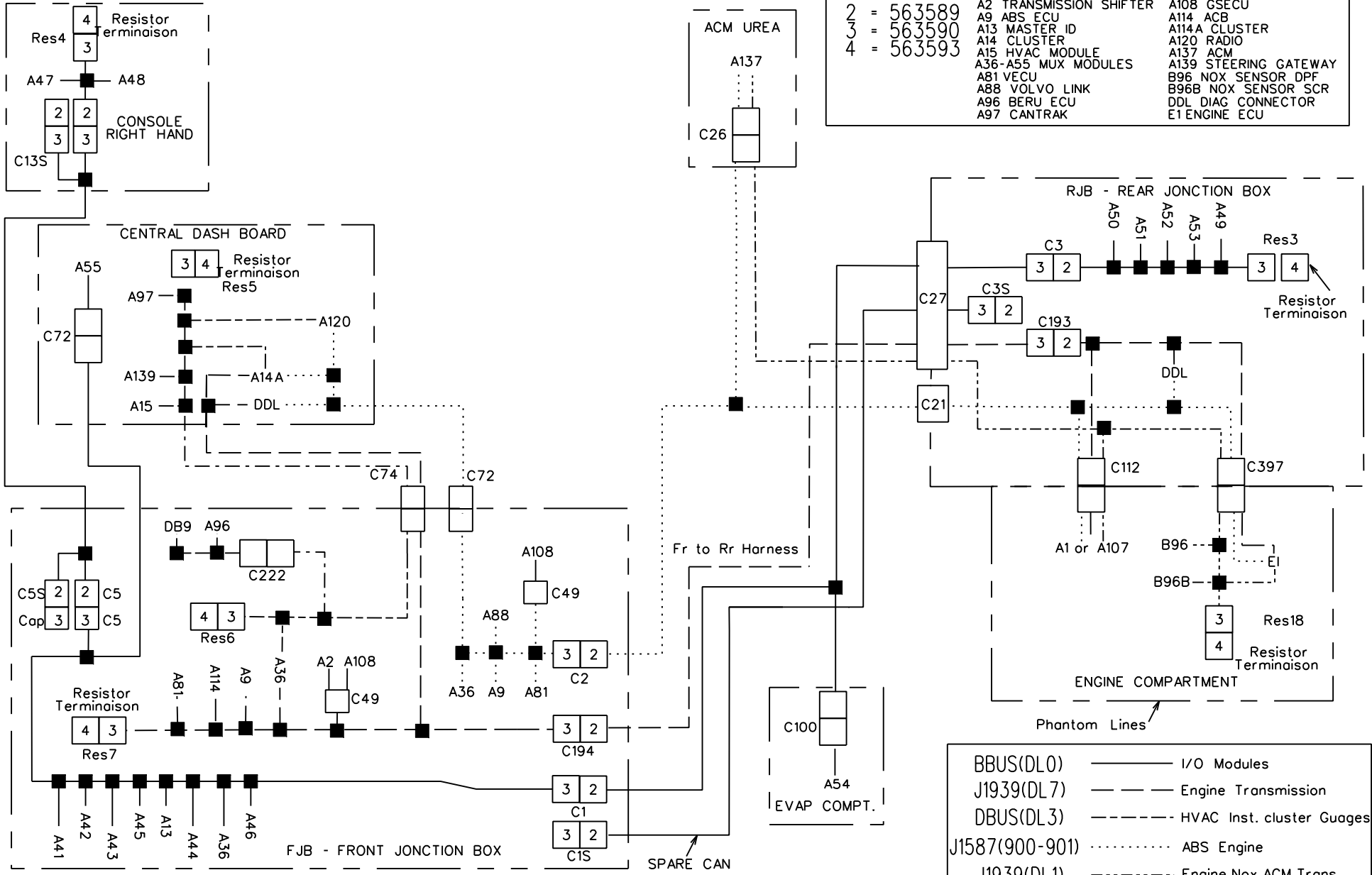


FRONT

REAR

# NETWORKS LAYOUT SCHEMATIC

CONNECTORS		LEGEND			
2	= 563589	A1	ALLISON TRANS ECU	A107	TECU
3	= 563590	A2	TRANSMISSION SHIFTER	A108	GSECU
4	= 563593	A9	ABS ECU	A114	ACB
		A13	MASTER ID	A114A	CLUSTER
		A14	CLUSTER	A120	RADIO
		A15	HVAC MODULE	A137	ACM
		A36-A55	MUX MODULES	A139	STEERING GATEWAY
		A81	VECU	B96	NOX SENSOR DPF
		A88	VOLVO LINK	B96B	NOX SENSOR SCR
		A96	BERU ECU	DDL	DIAG CONNECTOR
		A97	CANTRAK	E1	ENGINE ECU



BBUS(DL0)	—————	I/O Modules
J1939(DL7)	- - - - -	Engine Transmission
DBUS(DL3)	- - - - -	HVAC Inst. cluster Guages
J1587(900-901)	.....	ABS Engine
J1939(DL1)	- - - - -	Engine, Nox, ACM, Trans

FRONT

REAR

# GLOSSARY

Abbreviation	Description	Abbreviation	Description
A	Electronic Module	T24VDF1	Terminal 24 Volt Direct Front #1
Alt	Alternator	T24VDR1	Terminal 24 Volt Direct Rear #1
Batt	Battery	T24VIF1	Terminal 24 Volt Ignition Front #1
C	Connector	T24VIR1	Terminal 24 Volt Ignition Rear #1
Can	Multiplex Network	Tab	Use for Spare wire
CB	Circuit Breaker	Term	Terminal
CECM	Multiplex Module Master	TGndF	Terminal Ground Front cmpt
Circuit ID	Circuit Number	TGndR	Terminal Ground Rear cmpt
Cond	Condensor	TTLT	TellTale Lights Module
D	Diode	VECF#	Veh. Electrical Center Front cmpt Conn number
Evap	Evaporator	VECR#	Veh. Electrical Center Rear cmpt Conn number
F	Fuse		
Fr	Front		
Hvac	Heat and A/C Controller		
I/O A	Multiplex Module Low Power		
I/O B	Multiplex Module High Power		
J1587	Drive Train Information Network		
J1939	Drive Train Control Network		
L	Lamp or Load		
Master ID	Multiplex Module Downloader		
Mo	Motor		
Pot	Potentiometer		
R	Relay		
Res	Resistor		
Rly	Relay		
Rr	Rear		
Se	Sensor		
So	Solenoid		
Spk	Speaker		
Sw	Switch		
T12VDF1	Terminal 12 Volt Direct Front #1		
T12VDR1	Terminal 12 Volt Direct Rear #1		
T12VIF1	Terminal 12 Volt Ignition Front #1		
T12VIR1	Terminal 12 Volt Ignition Rear #1		

# CIRCUITS LIST

CircuitID	Description	CircuitID	Description	CircuitID	Description
0	WCLRemoteCtrl	9A	EngineDoorOpenSig	00A	GndKneeling
2	DoorUnlockSig	9A	EngineDoorOpenSig	00A	GndSw1
2B	CondensorLow	9A	EngineDoorOpenSig	00A	ElectronicGnd
2B	CondensorLow	9B	EngineCmpt.Lt	00A	GndSw4
2B	CondensorLow	9B	EngineCmpt.Lt	00A	GndSw2
2B	CondensorLow	9B	EngineCmpt.Lt	00A	GndSw24
2B	CondensorLow	9B	EngineCmpt.Lt	00A	GndCluster
2B	CondensorLow	9B	EngineCmpt.Lt	00A	GndBrakeSensor
2B	CondensorLow	9C	PwrtoModuleA50	00A	GndSw21
2B	CondensorLow	9C	PwrtoModuleA50	00A	Gnd_DDDL_DASH
3	DoorLatchSig	0A	EvaporatorMain	00A	ElectronicGnd
4A	SOUND_SYSTEM	00A	GndElectronic	00A	ElectronicGnd
4A	SOUND_SYSTEM	00A	Gndtodash	00A	ElectronicGnd
4A	HostessChimeSig	00A	GndEntranceDoor	00A	GndSw11
4A	WitnessGnd	00A	GndEntranceDoor	00A	GndCluster
4A	HostessChimeSig	00A	GndEntranceDoor	00A	GndSw24
4A	SOUND_SYSTEM	00A	GndEntranceDoor	00A	GndSw24
4C	HostessChimeSig	00A	GndEntranceDoor	00A	GndSw24
4c	wcl_extra_switch	00A	GndSw18	00A	GndSw24
4c	wcl_extra_switch	00A	GndSw18	00A	GndSw24
4c	wcl_extra_switch	00A	GndSw18	00A	ElectronicGnd
4c	wclextraswitch	00A	GndSw18	00A	TestSwitch
4c	wclextraswitch	00A	GndSw18	00A	TestSwitch
4c	wcl_extra_switch	00A	GndEng.Start	00A	ElectronicGnd
5	EmergandAisleLampsPwr	00A	Gnd_Sw_17	00A	ElectronicGnd
5A	UpperDefrostfan	00A	Gndsw6	00A	ElectronicGnd
5A	UpperDefrostfan	00A	GndtoPitmansw	00A	GndSw4
5B	UpperDefrostfan	00A	GndSignal	00A	GndSw1
5B	UpperDefrostfan	00A	ElectronicGnd	00A	GndSw2
5C	UpperDefrostfan	00A	ElectronicGnd	00A	GndSw2
5C	UpperDefrostfan	00A	GndSw21	00A	GndSw2
5C	UpperDefrostfan	00A	TestSwitch	00A	GndSw2
5C	UpperDefrostfan	00A	GndBrakeSensor	00A	GndSw4
5WE	Power5V_weight	00A	GndWindowAjar	00A	GndSw1
5WE	Power5V_weight	00A	GndTagSw64	00A	ElectronicGnd
6	GndWitnessSw24	00A	gndSw27	00A	ElectronicGnd
7	GndDriverSensor	00A	GndSw12	00A	ElectronicGnd
8	GndParkBrakeSol	00A	GndLowBuoySw43	00A	ElectronicGnd
8	GndParkBrakeSol	00A	GndSw38	00A	ElectronicGnd
8	GndParkBrakeSol	00A	GndSw16	00A	ElectronicGnd
9	EngCmpt.LtsSwitch	00A	GndSw25	00A	ElectronicGnd
9	EngCmpt.LtsSwitch	00A	GndSw26	00A	ElectronicGnd

# CIRCUITS LIST

CircuitID	Description	CircuitID	Description	CircuitID	Description
00A	GndKneeling	00A	GndSw12	00B	GndEng.Start
00A	GndKneeling	00A	GndSw12	00B	GndEng.Start
00A	GndKneeling	00A	escapeHachSensor	00B	GndTransAlisson
00A	PressureSwSignal	00A	escapeHachSensor	00B	ElectronicGnd
00A	GndSw10	00A	escapeHachSensor	00B	ElectronicGnd
00A	GndSw10	00A	escapeHachSensor	00B	WCLGnd
00A	GndSw10	00A	escapeHachSensor	00B	gndDirectLightsRly
00A	GndSw10	00A	escapeHachSensor	00B	GndIndirectLight
00A	ElectronicGnd	00A	escapeHachSensor	00B	GndR14
00A	ElectronicGnd	00A	GndWindowAjar	00B	GndEngineDoorSe
00A	electronicgnd	00A	GndWindowAjar	00B	Gnd_DDDL_RJB
00A	Gndsw6	00A	GndWindowAjar	00B	Gnd_AFSS
00A	Electronicgnd	00A	GndWindowAjar	00B	GndEngineDoorSe
00A	GndSw21	00A	GndWindowAjar	00B	Electronic_gnd
00A	GndSw21	00A	GndWindowAjar	00B	GndTransAlisson
00A	GndSw21	00A	GndWindowAjar	00B	ElectronicGndofMuxModules
00A	WitnessGndSW21	00A	GndWindowAjar	00B	Gnd
00A	GndSw21	00A	GndWindowAjar	0BB	SensorGnd
00A	GndSw16	00A	GndWindowAjar	0BB	FuelGaugeGnd
00A	GndSw16	00A	GndWindowAjar	0BB	SensorGnd
00A	GndSw16	00A	GndWindowAjar	0C	GndStarter
00A	GndSw16	00A	GndWindowAjar	0CE	Gnd
00A	GndBrakeSensor	00A	GndWindowAjar	0CE	Gnd_to_A47_A48
00A	GndSw29	00A	GndWindowAjar	0CE	Gnd_to_A47_A48
00A	GndSw29	00A	WCLGnd	0CE	Front_Electronic_Gnd
00A	GndSw29	00A	WCLGnd	0CE	GndDoorReedSw
00A	GndSw26	00A	WCLGnd	0CE	GndDoorUnlockSE
00A	GndSw26	00A	WCLGnd	0CE	Front_Electronic_Gnd
00A	GndSw26	00A	GndSw11	0CG	Batteries_Chassis_Gnd
00A	GndSw26	00A	GndSw11	0EV1	CondensorGnd
00A	GndSw29	00A	ElectronicGnd	0EV2	GndFlashersandMarkersCenter
00A	GndSw25	00A	GndElectronic	0EV2	GndHvac
00A	GndSw25	00A	ElectronicGnd	0EV2	GndFlashersandMarkersCenter
00A	GndSw25	00A	GndSw14	0EV2	GndFlashersandMarkersCenter
00A	GndSw25	00A	GndSw14	0EV3	gnd
00A	GndSw38	00A	FastIdleGndEnable	0EV3	ChassisGnd
00A	GndSw38	00A	GndSw14	0EV3	Evap_Compt_Gnd
00A	gndSw27	00A	GndSw14	0EV3	GndFlashersandMarkersCenter
00A	gndSw27	00A	GndSw14	0EV3	Evap_Compt_Gnd
00A	gndSw27	00A	FireAlarm_Detector	0EV3	GndRlyR20
00A	gndSw27	0B	EngineChassisGnd	0EV3	GndHvac
00A	GndSw124	00B	ElectronicGndofMuxModules	0EV3	ChassisGnd

# CIRCUITS LIST

CircuitID	Description	CircuitID	Description	CircuitID	Description
0EV3	GndHvac	0Lav4	GndAisleLampsLH	0RB6	RJB_Chassis_Gnd
0F	FJBDoorOpenSig	0PR1	GndDestinationSign	0RB6	TrailerLightsPackage
0FA1	GndofAccessoires	0PR1	GndKneeling	0RB6	LavatoryGnd
0FA4	GndPwrOutlet	0PR2	Gnd_Fr_Clearance_Lts	0RB6	TrailerLightsPackage
0FA4	GndHorn	0PR2	GndFrontClearanceLts	0RB6	GndHillStartAssist
0FB1	GndMirrors	0PR3	UpperDefrosterGnd	0RB7	GndToEcm
0FB1	GndWindshieldWasherPump	0R	GndPrimePump	0RC2	GndDriverCylinder
0FB1	GndKneeling	0RA2	GndR1-R3	0RC3	GndR23
0FB2	GndDriverWdo	0RA2	AuxComp.ChassisGnd	0RC3	GndLowerWiperMotor
0FB2	GndPre-HeatTimer	0RA2	GndLavatory	0RC3	GndFogandCorneringLtsRH
0FB3	TiremonitoringGnd	0RA2	GndEngineCmpt.Lts	0RC3	GndLowerWiperMotor
0FB3	ChassisGnd	0RA2	GndWake-upRly	0RC4	GndEntranceLights
0FB3	GndAisleLamps	0RA2	GndUnloader	0RC4	GndEnt.DoorSol.
0FB3	GndWake-upRly	0RA2	GndUnloader	0RC4	GndEntranceLights
0FC1	Lugg_Door_Gnd	0RA2	GndPrimePump	0V	LuggageDoorOpenSig
0FC1	Lugg_Relays_Gnd	0RA2	GndDockingLights	0VE	GndEqualizer
0FC1	Lugg_Door_Gnd	0RA2	GndFuelFilter	0W	WCLGnd
0FC1	GndFogsandCorneringLH	0RA2	RJB_Gnd	0W	WCLGnd
0FC1	GndFlashersandMarkers	0RA2	GndUnloader	0WC	WCLRemoteCtrl
0FC4	ElectricalHorn	0RA2	RJB_Gnd	0WC	WCLGnd
0FE	Gnd_Fire_Exting	0RA2	ChassiGnd	0WE	GND_weight
0FE	Gnd_AFSS	0RA2	GndDockingLights	0Y	GndSignal
0FE	Gnd	0RA2	GndDockingLights	0Y	GndChassistoABSModule
0G	gndIO-BA54	0RA2	GndEngineCmpt.Lts	0lav	wclextraswitch
0G	Refrigerator_Option	0RA2	GndWake-upRly	10	LuggageCmpt.LtsPwr
0H	GroundCoolantSensor	0RA2	GndUnloader	10A	LuggageCmpt.LtsPwr
0H	CoolantLevelGround	0RA2	AuxComp.ChassisGnd	10R	LuggageDoorOpenSig
00IS	Gnd_IShift	0RA3	GndR1-R3	11	DestinationSignPwr
0Lav	LavatoryGnd	0RB3	ChassisGnd	12A	12VDtoR3
0Lav	GndReadingLamps	0RB3	GndRearClearanceLts	12Ecu	12vEngineEcu
0Lav	GndEmergencyLampsRH	0RB3	GndMarkersandStopLts	12H	Dest_Sign
0Lav	GndIndirectLight	0RB3	GndPre-Heat	12VA	12vEqualizer
0Lav	LavatoryGnd	0RB3	RJB_Chassis_Gnd	12VD	12VD_Battery
0Lav	GndReadingLamps	0RB3	GndHillStart	12VD1	12VDFrontWake-up
0Lav	wcl_extra_switch	0RB3	ChassisGnd	12VD2	12VD_CPC
0Lav	GndReadingLamps	0RB3	GndMarkersandStopLts	12VD3	12vRearwake-up
0Lav	GndIndirectLight	0RB3	ChassisGnd	12VD4	12vEngineEcu
0Lav	GndEmergencyLampsRH	0RB3	DPF_Door	12VD4	12VDWitnessPwrSw4
0Lav	LavatoryGnd	0RB3	GndMarkersandStopLts	12VD4	12VDdash
0Lav1	GndDirectLights	0RB3	GndRearClearanceLts	12VD4	12VDdash
0Lav2	PRackChassisGnd	0RB4	AirdryerGnd	12VD4	12vDDDR
0Lav2	PRackGndWCL	0RB5	GndPre-Heat	12VD4	12VD

# CIRCUITS LIST

CircuitID	Description	CircuitID	Description	CircuitID	Description
12VDF	12VDtoFrontVec	21AA	TrailerLightsPackage	24VD10	PwrGSECU
12VECU	12VD_CPC	21B	CorneringLtsLH	24VDCH	BattCharger
12VI	12VltoCB10	21C	Clearancelts	24VDCust	24VDCustomer
12VI1	12VlofA44	21C	FlashersRearRH	24VI	24VI
12VI3	PwrOutletDrawer	21D	Clearancelts	24VI	HatRackLampsPwr
12VI3	PwrOutletDrawer	22	HazardSwSig	24VI	EmergencyLampsPwr
12VI4	PwrOutletandCigarLighter	23	FlasherRHSig	24VI1	24VltoRearVec
12VI5	12VltoVECR	23A	FlasherCenterRH	24VI2	24VltoSw1
12VI6	PwrtoModuleA50	23AA	FrontFlasherRHSide	24VI4	SunVisorsPwr
12VI7	Lugg_Door_Lock	23AA	FlashersRearRH	24VI5	24VILogic
12VI8	Lugg_Door_Lock	23AA	TrailerLightsPackage	24VI5	24VlofMuxmodules
12VI9	TiremonitoringPwr	23AA	FlashersRearRH	24VI5	ReadingLampPwr
12VI9	TrailerLghtsPackage	23B	CorneringLtsRH	24VI6	PwrtoDefrostUnit
12VI9	TiremonitoringPwr	23C	Clearancelts	24VI7	LowerWiperPwr
12VI10	MirrorPwr	23C	FlashersRearLH	24VI8	24VltoMux
12VICust	12VICustomer	23D	Clearancelts	24VI9	24VltoA54
12VIF	12VltoFrontVec	24A	Booster_Block	24VI10	24VI
12VIF19	12vDDDR	24CO	PwrtoExcitationResistor	24VI10	HatRackLampsPwr
12VIZF	ZFsterringControl	24CO	24COtoSw58	24VI13	Volvo_Link
12W	DoorUnlockSol	24D	24DtoCB6	24VIA	Cut-outPneumaticAcc
12WA	DoorFullOpenSig	2.40E+03	24VltoCB1	24VICust	24VICustomer
12WUp1	12VWUptoA48	24IZ	24VotIgnition	24VIF	24VltoFrontVEC
12WUp1	12WUpFront	24VA	24vEquilizer	24VIS	24VII_Shift
12WUp2	12WUptoDash	24VB	24VEnginePreheater	24VIS	12VlgnlShift
12WUp2	12WUpRear	24VB1	24VEnginePreheater	24WC	WCL24VDPower
12WUp5	PwrtoModuleA51	24VB2	24VEnginePreheater	24WUp1	24WUp_To_A47_A48
12WUp5	DDDL_RJB_Pwr	24VD	24VD Battery	24Wup1	For_Master_ID
12WUp5	PwrtoModuleA51	24VD1	24VDtoRearVec	24Wup1	24WUp_Front
13	SignalToPre-heatrelay	24VD1	24VD	24Wup1	12WUpFront
14A	FlushingPumpSig	24VD1	24VD1_Water_Preheater	24Wup1	24WUp_Front
15A	Flushing_pump	24VD1	24VDDriverLiq	24Wup1	For_Master_ID
16	Speed_Signal	24VD1	24VDtoPre-HeatTimer	24Wup1	24WUp_Front
16B	PwrofSpeedSensor	24VD1	24FPS	24Wup1	12WUpFront
18	Wip.WasherLevel	24VD2	24VDEng.StartSw83	25	EngineRunSignal
18	HeadlampWasherLevel	24VD3	24VDofCECM	25A1	ExcitationSignal
18	Wip.WasherLevel	24VD3	24VDtoRearVec	25A2	ExcitationSignal
20	Airdryer	24VD3	24VDtooutsideDoorSw	25A4	BatteryNotChargingSig
21	FlasherLHSig	24VD4	24VDFrontWake-up	26	DriverWdoPwr
21A	FrontFlasher	24VD5	24VDtoPre-Heat	26	DriverWdoPwr
21A	FlashercenterLHSig	24VD5	PwrtoExcitationResistor	26A	DriverWdo
21AA	FlashersRearLH	24VD7	PassandPRackPwr	27A	EmergencySwSig
21AA	TrailerLghtsPackage	24VD8B	UreaPowerACM	29	TagAxleValveSig

# CIRCUITS LIST

CircuitID	Description	CircuitID	Description	CircuitID	Description
31	UnloaderRH	47A	DoorOpenSignal	65A	FootDamper
31B	WiperParkPwr	48A	DoorOpenSol	65D	DriverCylinder
32A	TrailerLightsPackage	49	DoorCloseSignal	65P	Pass.Cylinder
32A	BackupLtandalarm	49A	DoorCloseSol	66	MarkersSigSw2
32A	TrailerLightsPackage	49A	DoorInsideSwCloseSig	67	EvaporatorPwr
32D	ReversesigtoBUpMonitor	50	WitnessGndSig	67A	Condensor1stSpdSig
33	UnloaderLH	50	DriverHeatValve	68	DashDamper
34	ParkBrakeReleaseSignal	51	WitnessGnd	68	DashDamper
35	Ceilingentrancelight	52	RJB_Spare52	68A	DashDamper
35	EntranceDoorLights	52A	ElectricalHorn	69	ElectricalHorn
38	DirectLights	53	LowerWip1stSpd	69A	HornSignal
38AA	DirectLightsRHRicon	53B	Horn	70A	HatRackLighting
38AA	DirectLightsRH	53B	LowerWip2ndSpd	70A	GndHatRackLamps
38AA	DirectLightsRHRicon	53C	LowerWip.IntSig	70B	HatRackLighting
38AA	DirectLightsRH	53D	Washer_ctrl	70B	GndHatRackLamps
38BB	DirectLightsLH	53E	LowerWiper1stSpd	70C	HatRackLighting
38C	DirectLightSwSig	53F	LowerWasherPump	70C	HatRackLighting
38C	DirectLightsPwr	53G	LowerWip1stSpd	70C	HatRackLighting
39	DriverLtSwSig	53H	LowerWip.IntSig	70C	GndHatRackLamps
39D	DriverLt	53H	LowerWiper	70C	GndHatRackLamps
40	WitnessGnd	54	TestSwitch	70D	HatRackLighting
41	24VCondensor	55	Lugg_Door_Lock_Signal	70D	GndHatRackLamps
41A	CondensorPwr	57A	WaterPump	70E	GndHatRackLamps
41A1	CondensorPwr	57G	Pre-HeatWebasto	70E	HatRackLighting
41B	CondensorPwr	57GA	Pre-HeattoWtrPmpRly	70F	GndHatRackLamps
41Pwm	CondensorLow	57H	Pre-HeattoWtrPmpRly	70F	HatRackLighting
42A	CondensorPwr	57L	Hi-Beam	70G	GndHatRackLamps
42B	CondensorPwr	57R	HighBeamRH	70G	HatRackLighting
43	WCL	57Rtn	SignalRtnHeadLtsLH	70H	GndHatRackLamps
43	PRackRH	58L	LowBeam	70H	HatRackLighting
43F	WitnessGndSw27	58R	LowBeamRH	70J	GndHatRackLamps
43G	Parcel_Rack_Vent	58Rtn	HeadLampRHRtn	71A	DockingLtsLH
44	P-RackLHFan	59	Hi/LowBeamSignal	72A	DockingLtsRH
45	UpperFanSig	59	Hi/LowBeamSignal	73	wclextraswitch
45	Pre-HeatSigRly	60	FogsLtsSwSig	73	wcl_extra_switch
45A	PassengerHeatSig	61	HeadLtsSig	73	HostessChimePwr
46	FrontFlasherRh	62B	LavatoryLts	73	wcl_extra_switch
46	MarkersLightsRear	63	Clearancelts	73	wclextraswitch
46	TrailerLightsPackage	63A	FrontClearancelts	73	HostessChimePwr
46	MarkersLightsRear	63B	Clearancelts	73	LavatoryPwr
46	MarkersCenter	63C	CtrlHeadBacklight	73A	RearOccupiedSig
46A	FrontMarkers	64	EmergencyLampsSig	74	ReadingLampSig



# CIRCUITS LIST

CircuitID	Description	CircuitID	Description	CircuitID	Description
74A	wcl_extra_switch	85BB	Ign-AccSignal	107	PwrI_Shift
74A	ReadingLampsRH	85C	PositionNormalSw58	108	Pwr_Trans_IShift
74A	wcl_extra_switch	85D	RearStartPwr	109	Cmd_Ground
74A	Reading_Lamp_RH	85E	RearStartSignal	110	PwrI_Shift
74A	wclextraswitch	85F	EgnineStartPwrSw58	111	Transmission
74A	ReadingLampsRH	85G	Ign-AccSignal	114	DriverLt
74AB	Reading_Lamp_RH	85X	24VIgn	114A	Backlight
74B	ReadingLampsLH	85Y	ABSBusTTLT	115	CoolantLevelSignal
74C	ReadingLamp	85Z	ABS_Trailer_Sig	115A	WitnessPwrSw21
74D	ReadingLamps	86	DefrostunitSpd	115W	CheckTransSig
75	wclextraswitch	86	PassengerTemp	116	DriverLiq
75	wcl_extra_switch	86ARtn	EntranceCeilingLtGnd	116	24VDDriverLiq
75	wclextraswitch	86BRtn	Gnd	116	DriverLiq
75	ReadingLampsRH	86Rtn	GndDefrostUnit	116	Transmission
75A	ReadingLampsLH	87	GndSignal	122	DigitalClock
76	FuelLevelSig	88	TransducerPwr	123	123_Fire_Alarme_Signal
76C	FuelGaugeWrn	89	DriverSensorSig	124	FireAlarm_Detector
76P	PrimePumpSig	90H	Evap_Rly_Power	124	123_Fire_Alarme_Signal
77	TransducerHi-Side	90H1	EvaporatorMain	124A	ShifterSignal
77B	PassandPRackLiquidValve	91	ParkBrakeSig	124A	Transmission
77BA	A/CClutch	91B	WitnessSigSw14	124A	Transmission
77C	PassengerPRackLiquidValve	92	TrailerParkBrakeSig	124A	ShifterSignal
78	StopLightSensorSig	93	TranducerLow-Side	125	RetarderActiveLamp
78	AuxA/CClutch	94	PrimePumpPwr	126A	KneelingUpSwSig
78BA	AuxA/CClutch	95A	DockingLTswSig	126B	KneelingDownSwSig
79	Gnd_Service_Brake	96A	CorneringLTswSig	126C	ProximitySwSig
79A	StopLightSensorSig	99	Sw20Gnd	126D	ProximitySwPwr
80	BrakeRedundant	00A1	GndElectronic	126E	PressureSwSignal
81	HeadLtCallSw1	0B1	GndEnginePreheater	126F	KneelingDownSol
82A	CyclopeSignal	0V2	LuggageDoorOpenSig	126G	KneelingUpSol
82Low	StopRearLowerLamp	0Y2	GndChassisABSSol	126H	KneelingCtrl.Sol
82Up	TrailerLghtsPackage	0Y3	GndChassisABSSol	126J	KneelingHi-BuoySol
82Up	StopRearUpperLamps	100	IndirectLight	126JR	GndKneeling
82Up	TrailerLghtsPackage	100A	IndirectLight	126P	KneelingBuzzer
83	24vAccessories	100B	IndirectLightLH	127	Pre-HeatSignal
84	StartSigSw83	100C	IndirectLightsSig	127D	ChargerRlyGndSig
84A	StartSigSw83	100D	IndirectLightPwr	128	Pre-HeatStatus
84B	StartSigSw83	101	R1toStarter	128B	Pre-HeatTTLT
85	24VIgnition	102A	Alternator	131	Evaporator2ndSpd
85A	Ign-AccSignal	103	LowBuoySig	131	Transmission
85A	24vAccessories	104	PwrI_Shift	132	IndirectLights
85B	Wake-upSig	105	FogLtsLH	133	Transmission

# CIRCUITS LIST

CircuitID	Description	CircuitID	Description	CircuitID	Description
136	Transmission	151A	GndToEcm	174	Transmission
136A	TransmissionPwr	151B	GNDECM	175	Transmission
136A	TransmissionPwr	151C	GndToEcm	176	Transmission
136AA	ShifterSignal	151D	GndToEcm	177	Transmission
137	Transmission	151D	GndToEcm	180	Transmission
137A	MirrorPwrSig	152	Transmission	181	OutsideSensor
137A	Mirrors	152	ABS Rear Atc Solenoid	185	TransmissionInhibitSig
137A	MirrorPwrSig	154	Transmission	188	AutomaticTagUnload
137B	Mirrors	155	Transmission	197	FuelFilterSig
137C	Mirrors	156A	12VltoABS	201	headlampwashersignal
137D	Mirrors	157D	ATCSignal	202	Headlampwasherpump
137E	Mirrors	159	Transmission	225	LavatoryFan
137F	Mirrors	160	TagSignal	231	NeutralSig
137H	Mirrors	160	Transmission	231A	StarterRelay
137J	Mirrors	163	Retarder_Sig	240A	PowertoEcm
137K	Mirrors	163A	RetarderSig	240B	ECMPower
137L	Mirrors	163B	Retarder_Sig	241A	PowertoEcm
137M	Mirrors	164	HandLevelSig	241B	ECMPower
137N	Mirrors	166	WitnessSigSw16	241C	WIF_Heater
137P	Mirrors	167	Aux.A/CLowPressSig	254	Fribo
138	ABSSensor	168	Aux.A/CHighPressSig	260	escape_Hatch_sensor
138A	ABSSensor	170	LuggageLock_UnlockSig	260	WindowAjarSig
139	ABSSolenoid	170A	Lugg_Door_Lock	290	GndFanClutch
139	Transmission	170B	Lugg_Door_Lock	291	FanClutch
140	ABSSolenoid	170D	Lugg_Door_Lock	292	FanClutch
140	Transmission	170E	Lugg_Door_Lock	300	WCLTopLightSliding
141	ABSSolenoid	170F	Lugg_Door_Lock	301	WheelChairLiftSwitch
142	ABSSolenoid	170G	Lugg_Door_Lock	302	WCLRicon
143	ABSSensor	170H	Lugg_Door_Lock_Signal	302A	WCLSlidingdoorSig
143A	ABSSensor	170L	LuggageLock_UnlockSig	303	WCL
144	ABSSensor	170M	LuggageLock_UnlockSig	304	WheelChairLift
144A	ABSSensor	170N	LuggageLock_UnlockSig	305	ParkBrakeSol
145	ABSSolenoid	170P	LuggageLock_UnlockSig	305A	WCLUpperDoorSignal
146	ABSSolenoid	170R	LuggageLock_UnlockSig	306	WCLTopLights
147	ABSSolenoid	170S	ElectronicGnd	306	WCLTopLights
148	Transmission	170T	Lugg_Unlock_Sw	307	WCL
149	ABSSensor	170V	LuggageLock_UnlockSig	308	WCL
149	Transmission	170W	LuggageLock_UnlockSig	311	WCL
149A	ABSSensor	170X	LuggageLock_UnlockSig	313	WCL
150	Transmission	170Y	Lugg_Door_Lock	314	WCL_Se62
151	GndtoEcm	170Z	Lugg_Door_Lock	341	Pwr_AFSS_Sys
151	Transmission	171	LuggageUnlockSwSig	342	See_H3_Design

# CIRCUITS LIST

CircuitID	Description	CircuitID	Description	CircuitID	Description
343A	See_H3_Design	522	UreaSystem	910	L_SPEAKER_HARNESS
344	ExtinguisherSignal	523	UreaSystem	911	EmergencyCutoutRlySignal
345	See_H3_Design	524B	IdleValidationSig	916	5VSensorPwr
346	PowerSensors	524B	IdleValidationSig	952	GndSensorRtn
347	Fire_Detect_Alarme	524C	IdleValidationSig	953	GNDPCPC
348	See_H3_Design	524C	IdleValidationSig	953	DecelSignal
351	EngineShout-downSignal	525	UreaSystem	953	GndEcm
352	OverrideSignal	526	DPFVolvo	979	EngineBrakeA
352	See_H3_Design	527	UreaSystem	A4A	Retarder
364	Trans.RearAirBrake	528	UreaSystem	A4B	Retarder
364	Trans.RearAirBrake	530	UreaSystem	A4C	Retarder
365	Trans.RearAirBrake	532	UreaSystem	A4D	Retarder
365	Trans.RearAirBrake	541	CruiseSetSig	A4E	Retarder
366	Trans.RearAirBrake	544	CruiseOn_OffSignal	A4F	Retarder
367	Trans.RearAirBrake	544A	CruiseOn-OffLed	A4G	Retarder
368	AccAirPressureSig	545	CruiseResumeSig	A4H	Retarder
369	AccAirPressureSig	583	EngineBrakeB	B1A	DirectLighting
417	ThrottlePositionSignal	600	ABSSensor	B1B	DirectLighting
439	TransmissionIgnition	600A	ABSSensor	B2A	DirectLighting
500	Gnd/Supply_Detroit/Volvo	601	ABSSensor	B2B	DirectLighting
501	Control_Ground_Relay	601A	ABSSensor	B3A	DirectLighting
502	IVSOut	602	ABSSteering&Yawsensor	B3B	DirectLighting
505	DPFVolvo	603	ABSSteering&Yawsensor	B4A	DirectLighting
505	UreaSystem	604	ABSSteering&Yawsensor	B4B	DirectLighting
506	DPFVolvo	605	ABSSteering&Yawsensor	B5A	DirectLighting
506	UreaSystem	606	ABSPressuresensor	B5B	DirectLighting
507	UreaSystem	607	ABSPressuresensor	B6A	DirectLighting
507	DPFVolvo	608	ABSPressuresensor	B6B	DirectLighting
510	FastIdleSignal	609	ABSPressuresensor	B7A	DirectLighting
511	UreaSystem	609	ABSPressuresensor	B7B	DirectLighting
511	DPFVolvo	610	ABSPressuresensor	BLACK	120VACOUTLET
512	DPFVolvo	611	AbsTagSolenoid	BLACK	120v5pass
512	UreaSystem	612	AbsTagSolenoid	BikRR	TiremonitoringGnd
513	UreaSystem	613	AbsTagSolenoid	BRef1	SensorGnd
513	DPFVolvo	614	ABSSteeringSolenoid	Bref2	PassengerSensor
515	GroundPreheaterRelay	614A	ABSSteeringSolenoid	CAN2-H	EngineCan2
516	DPFVolvo	615	ABStrailersolenoid	CAN2-L	EngineCan2
516	UreaSystem	616	ABStrailersolenoid	CanH	CanHSignal
517	UreaSystem	617	ABStrailersolenoid	CanH1	SparesFr-to-RearHarness
518	UreaSystem	618	Hill_Start_Assist_Sig	CanH2	SpareCan
519	UreaSystem	618A	HillStartAssist	CanL	CanLSignal
520	UreaSystem	900	J1587+	CanL1	SparesFr-to-RearHarness

# CIRCUITS LIST

CircuitID	Description	CircuitID	Description	CircuitID	Description
Cd	ComputerSignals	N26	A53Address	sp52	
Cd1	ComputerSignals	N27	A54Address	SpareLock_Unlock	SpareLock_UnlockHarn
Chgr	Battery_Charger_Gnd	N28	A54Address	spare1	SpareLock_UnlockHarn
Cts	ComputerSignals	N29	A36Address	spare2	SpareLock_UnlockHarn
DBusH	DBus	N30	A55address	spare4	SparesEvap.Harness
DBusL	DBusSignal	N31	A55address	spare5	SparesEvap.Harness
FAKE	L_SPEAKER_HARNESS	OFB3	TiremonitoringGnd	spare6	SparesCondHarness
FAKE1	R_SPEAKER_HARNESS	OP2	Inverter_Gnd	spare7	SparesCondHarness
fuilf	fake	PP1	for_inverter	spare8	SparesEvap.Harness
GndA	ComputerSignals	R1A	DirectLighting	spare9	SparesEvap.Harness
GREEN	120VACOUTLET	R2A	DirectLighting	spare10	SparesInteriorLtsHarness
HOSTESS	SOUND_SYSTEM	R2B	DirectLighting	spare11	SparesInteriorLtsHarness
J1939H	J1939H	RedFR	Tiremonitoring12v	spare12	SparesInteriorHarness
J1939L	J1939L	RedRL	Tiremonitoring12v	spare13	SparesInteriorHarness
LF+	L_SPEAKER_HARNESS	RedRR	Tiremonitoring12v	spare14	SparesInteriorHarness
LF-	L_SPEAKER_HARNESS	Ref1	gndsensor	spare15	SparesInteriorHarness
LR+	FR_SPEAKER_HARNESS_	RF+	L_SPEAKER_HARNESS	spare16	SparesInteriorHarness
LR-	FR_SPEAKER_HARNESS_	RF-	L_SPEAKER_HARNESS	spare17	SparesFr-to-RearHarness
N1	A41Address	RR+	FR_SPEAKER_HARNESS_	spare18	SparesFr-to-RearHarness
N2	A41Address	RR-	FR_SPEAKER_HARNESS_	spare19	SparesFr-to-RearHarness
N3	A42Address	Rts	ComputerSignals	spare20	SparesClearanceLts
N4	A42Address	RX	DataTireMon	spare21	SparesClearanceLts
N5	A43Address	RxD	ComputerSignals	spare22	SparesClearanceLts
N6	A43Address	SH1	I_ShiftGearLevelSignal	spare23	SparesClearanceLts
N7	A44Address	SH2	I_ShiftGearLevelSignal	spare24	SparesClearanceLts
N8	A44Address	SH3	I_ShiftGearLevelSignal	spare25	SparesClearanceLts
N9	A45Address	SH4	I_ShiftGearLevelSignal	spare28	SparesFrontHarness
N10	A45Address	SH5	I_ShiftGearLevelSignal	spare29	SparesFrontHarness
N11	A46Address	SH6	I_ShiftGearLevelSignal	spare30	SparesFrontHarness
N12	A46Address	SH7	I_ShiftGearLevelSignal	spare31	SparesFrontHarness
N13	A47Address	SH8	I_ShiftGearLevelSignal	spare32	SparesFrontHarness
N14	A47Address	SIGNAL	signal_weight	spare33	SparesFrontHarness
N15	A48Address	SL13	L_SPEAKER_HARNESS	spare34	SparesFrontHarness
N16	A48Address	SL24	L_SPEAKER_HARNESS	spare35	SparesFrontHarness
N17	A49Address	SL35	L_SPEAKER_HARNESS	spare39	SparesDash
N18	A49Address	SL46	L_SPEAKER_HARNESS	spare40	SparesDash
N19	A50Address	SL57	L_SPEAKER_HARNESS	spare41	SparesDash
N20	A50Address	SL68	L_SPEAKER_HARNESS	spare42	SparesDash
N21	A51Address	SL1012	L_SPEAKER_HARNESS	spare43	SparesDash
N22	A51Address	SL1113	L_SPEAKER_HARNESS	spare44	SparesDash
N23	A52Address	SL1214	L_SPEAKER_HARNESS	spare45	SpareEvapCmpt.
N24	A52Address	SL1315	L_SPEAKER_HARNESS	spare46	SpareEvapCmpt.

# CIRCUITS LIST

CircuitID	Description	CircuitID	Description	CircuitID	Description
spare51	SparesEngineCradle	Y1B	DirectLighting		
spare52	SparesEngineCradle	Y2A	DirectLighting		
spare53	SparesEngineCradle	Y2B	DirectLighting		
spare54	SparesEngineCradle	Y3A	DirectLighting		
spare62	spareABSHarness	Y3B	DirectLighting		
spare64	Spare_Transmission	Y4A	DirectLighting		
spare65	Spare_Transmission	Y4B	DirectLighting		
spare70	spare	Y5A	DirectLighting		
spare71	spare	Y5B	DirectLighting		
spare72	spare	Y6A	DirectLighting		
spare73	spare	Y6B	DirectLighting		
spare74	spare	Y7A	DirectLighting		
spare75	spare	Y7B	DirectLighting		
spare76	spare				
SR13	FR_SPEAKER_HARNESS_				
SR24	FR_SPEAKER_HARNESS_				
SR35	FR_SPEAKER_HARNESS_				
SR46	FR_SPEAKER_HARNESS_				
SR57	FR_SPEAKER_HARNESS_				
SR68	FR_SPEAKER_HARNESS_				
SR911	R_SPEAKER_HARNESS_WCL				
SR911	FR_SPEAKER_HARNESS_				
SR1012	R_SPEAKER_HARNESS_WCL				
SR1113	R_SPEAKER_HARNESS_WCL				
SR1214	R_SPEAKER_HARNESS_WCL				
SR1315	R_SPEAKER_HARNESS_WCL				
SR1416	R_SPEAKER_HARNESS_WCL				
Sub1+	SUBWOOFER				
Sub1-	SUBWOOFER				
Sub2+	SUBWOOFER				
Sub2-	SUBWOOFER				
TX	DataTireMon				
TxD	ComputerSignals				
WC2	WCLRemoteCtrl				
WC3	WCLRemoteCtrl				
WC4	WCLRemoteCtrl				
WC6	WCLRemoteCtrl				
WC7	WCLRemoteCtrl				
WHITE	120VACOUTLET				
WhtFR	Tiremonitoringdata				
WhtRL	Tiremonitoringdata				
WhtRR	Tiremonitoringdata				

# CIRCUITS LIST

CircuitID	Description	CircuitID	Description	CircuitID	Description
0	WCLRemoteCtrl	0FB2	GndDriverWdo	0WC	WCLRemoteCtrl
0	GroundIVNandMotorola	0FB3	GndMasterID	0WE	GND_weight
1	CommuterOption	0FC!	IndirectLightsGnd	0WR	GND_weight
2	JumperSpeaker	0FC1	Lugg_Door_Gnd	0Y	GndSignal
2A		0FC2	DirectLightSwSig	0lav	wclextraswitch
2B	CondensorLow	0FC3	GndSw25	10	LuggageCmpt.LtsPwr
2mph	PowerEntranceDoor	0FC4	ElectricalHorn	10A	LuggageCmpt.LtsPwr
3	DoorLatchSig	0FDS	Driver_seat_optional	10R	LuggageDoorOpenSig
4A	HostessChimeSig	0FE	Gnd_AFSS	11	DestinationSignPwr
4C	HostessChimeSig	0G	gndIO-BA54	12A	12VtoR3
4c	wcl_extra_switch	0GF1	Refrigerator_Option	12Ecu	12vEngineEcu
4CWcl	HostessChimeSig	0H	GroundCoolantSensor	12H	Dest_Sign
5	EmergandAisleLampsPwr	0OIS	Gnd_IShift	12ISH	Pwrl_Shift
5A	UpperDefrostfan	0LAV	IndirectLightsGnd	12SS	12VDirect
5B	UpperDefrostfan	0Lav	GndReadingLamps	12SS1	12VMotorola
5BPI	BrakeInterlock	0LAV1	IndirectLightsPwr	12SS2	12VMotorola
5C	UpperDefrostfan	0Lav1	GndDirectLights	12VA	12vEqualizer
5vKnee	KneelingLevel	0Lav2	PRackChassisGnd	12VD	12VD_Battery
5WE	Power5V_weight	0Lav4	GndAisleLampsLH	12VD1	12VDFrontWake-up
5WR	Power5V_weight	0PR1	GndDestinationSign	12VD3	12vRearwake-up
6	GndWitnessSw24	0PR2	Gnd_Fr_Clearance_Lts	12VD4	12vEngineEcu
7	GndDriverSensor	0PR3	UpperDefrosterGnd	12VDCust	12VD Castomer
8	GndParkBrakeSol	0RA2	GndR1-R3	12VDF	12VDtoFrontVec
9A	EngineDoorOpenSig	0RA3	DiodetoR1	12VDG	12VDGLI
9B	EngineCmpt.Lt	0RB3	Gnd_Fire_Extng	12VDG1	12vFuseBox3
0A	EvaporatorMain	0RB5	GndPre-Heat	12VDG1A	12vGLI
00A	GndElectronic	0RB6	RJB_Chassis_Gnd	12VDG2	12vFuseBox3
0B	EngineChassisGnd	0RB7	GndToEcm	12VDG3	12vFuseBox3
00B	ElectronicGndofMuxModules	0RB8	GndtoACM	12VDG4	12vFuseBox3
0BB	SensorGnd	0RB8A	GndtoACM	12VI	12VIttoCB10
0BF	GND_Preheater_Fuel_Filter	0RB8B	GND_to_ACM	12VI1	12VlofA44
0BPI	BrakeInterlock	0RC2	GndDefrostUnit	12VI2	Preheater_Fuel_Filter_PWR
0C	GndStarter	0RC3	GndR23	12VI3	PwrOutletDrawer
0CE	Gnd	0RC4	GndEntranceLights	12VI4	PwrOutletandCigarLighter
0CG	Batteries_Chassis_Gnd	0SA1	ChassisGnd	12VI5	12VtoVECR
0EV1	CondensorGnd	0SB	GndSeatBelt	12VI6	PwrtoModuleA50
0EV2	GndFlashersandMarkersCenter	0SB1	SeatBeltSig	12VI7	Lugg_Door_Lock
0EV3	gnd	0SS	ChassisGND	12VI8	Lugg_Door_Lock
0F	FJBDoorOpenSig	0SS2W	wifi_gnd	12VI9	TiremonitoringPwr
0FA1	GndofAccessoires	0V	LuggageDoorOpenSig	12VI10	MirrorPwr
0FA4	GndPwrOutlet	0VE	GndEqualizer	12VICust	12VICustomer
0FB1	ChassisGnd	0W	WCLGnd		

# CIRCUITS LIST

CircuitID	Description	CircuitID	Description	CircuitID	Description
12VIF	12VtoFrontVec	24EE2	24VI_To_CB	24VIA	Cut-outPneumaticAcc
12VIF19	PowerOBDconn	24ISH	12VIgnShift	24VICust	24VICustomer
12VIG	12VIGLI	24IZ	24VII_Shift	24VIDVR	DVR
12VIG1	12vFuseBox4	24SS	24VIgnition	24VIF	24VtoFrontVEC
12VIG1A	12vGLI	24VA	24vEquilizer	24VIH1	Cut-outPneumaticAcc
12VIG2	12vFuseBox4	24VB	24VEnginePreheater	24VIS	12VIgnShift
12VIG3	12vFuseBox4	24VB1	24VEnginePreheater	24WC	WCL24VDPower
12VIG4	12VIGLI	24VB2	24VEnginePreheater	24WUp1	24WUp_To_A47_A48
12VIG5	12VIGLI	24VD	24VDEng.Start	24Wup1	24WUp_Front
12VIZF	ZFsterringControl	24VD1	24VDtoRearVec	24Wup76	24WUpFront
12W	DoorUnlockSol	24VD2	24VDEng.StartSw83	24WupSS	24WUpFront
12WA	DoorFullOpenSig	24VD3	24VDofCECM	25	EngineRunSignal
12WUp1	12VWUptoA48	24VD4	24VDFrontWake-up	25A1	ExcitationSignal
12Wup1	12WUpFront	24VD5	24VDtoPre-Heat	25A2	ExcitationSignal
12Wup1a	12WUpFront	24VD5A	24VDtoPre-Heat	25A4	BatteryNotChargingSig
12Wup2	12WUptoDash	24VD6	24VDPre-Heat	26	DriverWindoPwr
12Wup5	PwrtoModuleA51	24VD7	PassandPRackPwr	26A	DriverWdo
12Wup5	12Wup	24VD8	UreaPowerACM	26B	DriverWdo
13	SignalToPre-heatrelay	24VD8A	UreaPowerACM	27A	EmergencySwSig
14A	FlushingPumpSig	24VD8B	UreaPowerACM	29	TagAxleValveSig
15A	Flushing_pump	24VD10	Volvo_Link	30	GndTransducer
16	Speed_Signal	24VDCH	BattCharger	31	UnloaderRH
16B	PwrofSensorSpd	24VDCust	24VDCustomer	31B	WiperParkPwr
17	ReadingLampTest	24VDR4	AFSS	32A	TrailerLightsPackage
18	Wip.WasherLevel	24VDS	Driver_Seat_Power	32AA	BackupLtandalarm
20	Airdryer	24VFB	CommuterOption	32D	ReversesigtoBUpMonitor
21	FlasherLHSig	24VI	24VI	33	UnloaderLH
21A	FrontFlasher	24VI1	24VltoRearVec	34	ParkBrakeReleaseValve
21AA	FlashersRearLH	24VI2	24VltoSw1	35	EntranceDoorLights
21B	CorneringLtsLH	24VI4	SunVisor	35A	EntranceDoorLights
21C	ClearanceLts	24VI5	24VILogic	38	DirectLights
21D	ClearanceLts	24VI6	PwrtoDefrostUnit	38A	DirectLights
22	HazardSwSig	24VI7	LowerWiperPwr	38AA	Direct_Light_RH
23	FlasherRHSig	24VI8	24VltoMux	38BB	IndirectLightsPwr
23A	FrontFlasherRH	24VI9	24VltoA54	38C	Direct_Light
23AA	FrontFlasherRH	24VI9A	24VltoA54	39	DriverLtSwSig
23B	CorneringLtsRH	24VI9B	24VltoA54	39D	DriverLt
23C	ClearanceLts	24VI10	HatRackLampsPwr	40	WitnessGnd
23D	ClearanceLts	24VI12	Hat_Rack_Lamps_PWR	41	24VCondensor
24A	Booster_Block	24VI13	Volvo_Link	41A	CondensorPwr
24CO	PwrtoExcitationResistor	24VI14	CommuterOption	41A1	CondensorPwr
24D	24DtoCB6	24VI15	CommuterOption	41B	CondensorPwr
24EE1	24VD_Battery	24VI16	CommuterOption		

# CIRCUITS LIST

CircuitID	Description	CircuitID	Description	CircuitID	Description
41Pwm	CondensorLow	59	Hi/LowBeamSignal	75A	ReadingLampsLH
42A1	CondensorPwr	60	FogsLtsSwSig	76	FuelLevelSig
42B	CondensorPwr	61	HeadLtsSig	76C	FuelGaugeWrn
43	PRackRH	62B	LavatoryLts	77	TransducerHi-Side
43F	WitnessGndSw27	63	ClearanceLts	77B	PassandPRackLiquidValve
43G	Parcel_Rack_Vent	63A	FrontClearanceLts	77BA	A/CClutch
44	P-RackLHFan	63B	ClearanceLts	77C	PassandPRackLiquidValve
45	Pre-HeatSigRly	64	EmergencyLampsSig	78	StopLightSensorSig
45A	PassengerHeatSig	64A	Blinker	78BA	Aux_Air_Cond
46	FrontFlasherRh	65	FootDamper	79	Gnd_Service_Brake
46A	FrontMarkers	65A	FootDamper	79A	StopLightSensorSig
46B	MarkersCenter	65D	DriverCylinder	80	BrakeRedundant
47	DoorOpenSignal	65P	Pass.Cylinder	81	HeadLtCallSw1
47A	DoorOpenSignal	66	MarkersSigSw2	82A	CyclopeSignal
48A	DoorOpenSol	67	EvaporatorPwr	82Low	StopRearLowerLamp
49	DoorCloseSignal	67A	Condensor1stSpdSig	82Up	TrailerLightsPackage
49A	DoorInsideSwCloseSig	68	DashDamper	83	24vAccessories
50	DriverHeatValve	68A	DashDamper	84	StartSigSw83
51	WitnessGnd	69	ElectricalHorn	84A	StartSigSw83
52	RJB_Spare52	69A	HornSignal	84B	StartSigSw83
52A	ElectricalHorn	70A	HatRackLighting	85	24VIgnition
53	LowerWip1stSpd	70B	HatRackLighting	85A	Ign-AccSignal
53B	LowerWip2ndSpd	70C	HatRackLighting	85B	Wake-upSig
53C	LowerWip.IntSig	70D	HatRackLighting	85BB	Ign-AccSignal
53D	Washer_ctrl	70E	HatRackLighting	85C	PositionNormalSw58
53E	LowerWiper1stSpd	70F	HatRackLighting	85D	RearStartPwr
53F	LowerWasherPump	70G	HatRackLighting	85E	RearStartSignal
53G	LowerWip1stSpd	70H	GndHatRackLamps	85F	EgnineStartPwr
53H	LowerWip.IntSig	70J	GndHatRackLamps	85G	DiodetoR1
53J	Washer_ctrl	72B	SunVisor	85X	24VIgn
55	Lugg_Door_Lock_Signal	72C	SunVisor	85Z	ABS_Trailer_Sig
57A	WaterPump	73	HostessChimePwr	86	DefrostunitSpd
57G	Pre-HeatWebasto	73A	RearOccupiedSig	86ARtn	EntranceCeilingLtGnd
57GA	Pre-HeattoWtrPmpRly	73B	RearOccupiedSig	86BRtn	Gnd
57H	Pre-HeattoWtrPmpRly	74	ReadingLamps	87	GndSignal
57L	Hi-Beam	74A	ReadingLampsRH	88	TransducerPwr
57R	HighBeamRH	74AB	Reading_Lamp_RH	89	DriverSensorSig
57Rtn	GndLowBeam	74B	ReadingLampsLH	90H	Evap_Rly_Power
58L	LowBeam	74C	ReadingLamp	90H1	EvaporatorMain
58R	LowBeam	74D	Reading_Lamp_Pwr	91	ParkBrakeSig
58Rtn	RetarderOffLight	75	wcl_extra_switch	91B	WitnessSigSw14



# CIRCUITS LIST

CircuitID	Description	CircuitID	Description	CircuitID	Description
92	TrailerParkBrakeSig	119	Transmission	138	ABSSensor
93	TranducerLow-Side	120	Transmission	138A	ABSSensor
95A	DockingLTswSig	122	DigitalClock	139	ABSSolenoid
96A	CorneringLTswSig	123	123_Fire_Alarme_Signal	140	ABSSolenoid
98	BackupAlarmCancel	124	FireAlarm_Detector	141	ABSSolenoid
99	Sw20Gnd	124A	ShifterSignal	142	ABSSolenoid
00A1	GndElectronic	125	RetarderActiveLamp	143	ABSSensor
0B1	GndEnginePreheater	126A	KneelingUpSwSig	143A	ABSSensor
0I1	CommuterOption	126B	KneelingDownSwSig	144	ABSSensor
0I2	CommuterOption	126F	KneelingDownSol	144A	ABSSensor
0I3	CommuterOption	126G	KneelingUpSol	145	ABSSolenoid
0P2	Inverter_Gnd	126H	KneelingCtrl.Sol	146	ABSSolenoid
0V2	LuggageDoorOpenSig	126J	KneelingHi-BuoySol	146A	PwrtoModuleA50
0V3	LuggageDoorOpenSig	126JR	GndKneeling	147	ABSSolenoid
0Y2	GndChassisABSSol	126P	KneelingBuzzer	148	ABSSolenoid
0Y3	GndChassisABSSol	127	Pre-HeatSignal	149	ABSSensor
100	IndirectLight	127D	ChargerRlyGndSig	149A	ABSSensor
100A	IndirectLight	128	Pre-HeatStatus	150	Transmission
100B	IndirectLightLH	128B	Pre-HeatTTLT	151	GndtoEcm
100C	IndirectLightsSig	129	SunVisor	151A	GNDECM
100D	IndirectLight	130	SunVisor	151B	GNDECM
101	R1toStarter	131	Evaporator2ndSpd	151C	GNDECM
101A	StarterCtr	132	IndirectLights	152	ABSRearAtcSolenoid
101B	StarterCtr	133	Transmission	153	12VtoACC
102A	Alternator	135	Transmission	154	Transmission
103	LowBuoySig	135A	HandLevelSig	155	Transmission
104	PwrI_Shift	136	Transmission	156A	12VtoABS
105	FogLtsLH	136A	TransmissionPwr	157D	ATCSignal
106	FogLtRH	136AA	ShifterSignal	159	Transmission
107	PwrI_Shift	137	Transmission	160	TagSignal
108	PwrI_Shift	137A	MirrorPwrSig	163	Retarder_Sig
109	Cmd_Ground	137B	Mirrors	163A	RetarderSig
110	PwrI_Shift	137C	Mirrors	163B	Retarder_Sig
111	Transmission	137D	Mirrors	164	HandLevelSig
114	DriverLt	137E	Mirrors	166	WitnessSigSw16
114A	Backlight	137F	Mirrors	167	Aux.A/CLowPressSig
114AA	Backlight	137H	Mirrors	168	Aux.A/CHighPressSig
115	Transmission	137J	Mirrors	170	LuggageLock_UnlockSig
115A	WitnessPwr	137K	Mirrors	170A	Lugg_Door_Lock
115W	CheckTransSig	137L	Mirrors	170B	Lugg_Door_Lock
116	DriverLiq	137M	Mirrors	170D	Lugg_Door_Lock
116A	DriverLiq	137N	Mirrors	170E	Lugg_Door_Lock
118	Transmission	137P	Mirrors		

# CIRCUITS LIST

CircuitID	Description	CircuitID	Description	CircuitID	Description
170F	Lugg_Door_Lock	303	WCLRicon	506	UreaSystem
170G	Lugg_Door_Lock	304	WheelChairLift	507	DeltaPSignals
170H	Lugg_Door_Lock_Signal	304A	WheelChairLift	510	FastIdleSignal
170Q	LuggageLock_UnlockSig	305	ParkBrakeSol	511	DPFVolvo
170R	LuggageLock_UnlockSig	305A	WCLUpperDoorSignal	512	DPFVolvo
170S	ElectronicGnd	306	WCLTopLights	513	DPFVolvo
170T	LuggageLock_UnlockSig	307	WCL	515	GroundPreheaterRelay
170U	LuggageLock_UnlockSig	308	WCL	516	DPFVolvo
170V	LuggageLock_UnlockSig	309	WCL	517	UreaSystem
170W	LuggageLock_UnlockSig	311	WCL	518	UreaSystem
170X	LuggageLock_UnlockSig	313	WCL	519	UreaSystem
170Y	Lugg_Door_Lock	314	WCL_Se62	520	UreaSystem
170Z	Lugg_Door_Lock	341	Pwr_AFSS_Sys	521	UreaSystem
171	LuggageUnlockSwSig	342	AFSS_Panel_Gnd	522	UreaSystem
174	Transmission	343	Fire-EngineStopTTL	523	UreaSystem
175	Transmission	343A	See_H3_Design	524C	IdleValidationSig
176	Transmission	344	ExtinguisherSignal	525	UreaSystem
177	Transmission	345	See_H3_Design	526	UreaSystem
180	Transmission	346	PowerSensors	526A	UreaSystem
181	PassengerSensor	347	Fire_Detect_Alarme	526B	DPFVolvo
185	TransmissionInhibitSig	348	See_H3_Design	526C	UreaSystem
188	AutomaticTagUnload	351	EngineShout-downSignal	526D	UreaSystem
197	FuelFilterSig	352	OverrideSignal	527	UreaSystem
201	headlampwashersignal	360	ClusterCtr	528	UreaSystem
202	Headlampwasherpump	361	ClusterCtr	530	UreaSystem
225	LavatoryFan	362	ClusterCtr	531	UreaSystem
231	NeutralSig	363	ClusterCtr	532	UreaSystem
231A	StarterRelay	364	Trans.RearAirBrake	541	CruiseSetSig
240A	ECMPOWER	365	Trans.RearAirBrake	544	CruiseOn_OffSignal
240B	CPC_Supply	366	Trans.RearAirBrake	544A	CruiseOn-OffLed
241A	ECMPOWER	367	Trans.RearAirBrake	545	CruiseResumeSig
241B	24Voltignition	368	AccAirPressureSig	583	EngineBrakeB
241C	WIF_Heater	369	AccAirPressureSig	600	ABSSensor
254	Frigo	403	CadecSw	600A	ABSSensor
260	WindowAjarSig	404	CadecSw	601	ABSSensor
290	GndFanClutch	417	ThrottlePositionSignal	601A	ABSSensor
290A	GndFanClutch	439	12VtoABS	602	ABSSteering&Yawsensor
291	FanClutch	439G	Gateway	603	ABSSteering&Yawsensor
292	FanClutch	500	12VPwrIdleValid	604	ABSSteering&Yawsensor
300	WCLTopLightSliding	501	SupplyControl	605	ABSSteering&Yawsensor
301	WheelChairLiftSwitch	502	IVSOut	606	ABSPressuresensor
302	WCLRicon	503	WheelChairLift	607	ABSPressuresensor
302A	WCLSlidingdoorSig	505	UreaSystem	608	ABSPressuresensor

# CIRCUITS LIST

CircuitID	Description	CircuitID	Description	CircuitID	Description
610	ABSPressuresensor	BrkNeg	HillStartAssist	down	ClusterCtr
611	AbsTagSolenoid	BRKP	BrakeInterlock	escape	ClusterCtr
612	AbsTagSolenoid	Brown	CommuterOption	Ethernet	CameraInterfaceBox
613	AbsTagSolenoid	Bwn_DrCam	Ign_DriveCam	EVENT	CameraInterfaceBox
614	ABSSteeringSolenoid	CAM1	CameraInterfaceBox	FAKE	L_SPEAKER_HARNESS
614A	ABSSteeringSolenoid	CAM2	CameraInterfaceBox	FAKE1	R_SPEAKER_HARNESS
618	Hill_Start_Assist_Sig	CAM3	CameraInterfaceBox	fuilf	fake
618Rtn	HillStartAssist	CAM4	CameraInterfaceBox	GndA	ComputerSignals
900	J1587	CAM5	CameraInterfaceBox	GndDVR	GroundIVNandMotorola
901	J1587	CAM6	CameraInterfaceBox	GndG	GndCadece
910	L_SPEAKER_HARNESS	CAM7	CameraInterfaceBox	GndG1	GndCadece
911	EmergencyCutoutRlySignal	CAM9	CameraInterfaceBox	GndIVN	Chime
916	5VSensorPwr	CAM10	CameraInterfaceBox	GREEN	120VAC_OUTLET
952	GndSensorRtn	CAN1-HI	GatewayCan2	Green	PwrBatteryCharger
953	GNDPCPC	CAN1-LO	GatewayCan2	HOSTESS	SOUND_SYSTEM
979	EngineBrakeA	CAN2-H	EngineCan2	INTER	Battery_Jumper
A4A	Retarder	CAN2-L	EngineCan2	INTLK	BrakeInterlock
A4B	Retarder	Can2H	SparesFr-to-RearHarness	J2	CommuterOption
A4C	Retarder	Can2L	SparesFr-to-RearHarness	KneeLevel	KneelingLevel
A4D	Retarder	CanH2	SpareCan	KneeRef	KneelingLevel
A4E	Retarder	CanL2	SpareCan	LF+	L_SPEAKER_HARNESS
A4F	Retarder	Cd1	ComputerSignals	LF-	L_SPEAKER_HARNESS
A4G	Retarder	Chgr	Battery_Charger_Gnd	LIN	Gaateway
A4H	Retarder	Chime	Chime	LR+	R_SPEAKER_HARNESS_WCL
ANT1	CameraInterfaceBox	COM	GndDestinationSign	LR-	FR_SPEAKER_HARNESS_
ANT2	CameraInterfaceBox	CTS	MCMDData	Master	MasterInterlockBypass
ANT3	CameraInterfaceBox	Cts	ComputerSignals	MICRO	CameraInterfaceBox
AuxBP	BrakeAuxBypass	DATA+	GndDestinationSign	MOTION	CameraInterfaceBox
AXLE	LoadMonitor	DBusH	DBusSignal	Motorola	TriggerMotorola
BB2H	Can2	DBusL	DBusSignal	N1	A41Adress
BB2L	Can2	DL0	SparesCanFrontHarness	N2	A41Adress
BK	CommuterOption	DL1H	J1939	N3	A42Adress
BLACK	120VAC_OUTLET	DL1L	J1939	N4	A42Adress
Black	PwrBatteryCharger	DL2H	BB2	N5	A43Adress
BIkFR	TiremonitoringGnd	DL2L	BB2	N6	A43Adress
BIkRL	TiremonitoringGnd	DL3H	DBus	N7	A44Adress
BIkRR	TiremonitoringGnd	DL3L	DBus	N8	A44Adress
BIk_DrCam	Gnd_DriveCam	DL7H	EngineCan2	N9	A45Adress
Blue	CommuterOption	DL7L	EngineCan2	N10	A45Adress
BRef1	SensorGnd	DL9H	EngineCan2	N11	A46Adress
Bref2	PassengerSensor	DL9L	EngineCan2	N12	A46Adress
BrkAux	BrakeAuxBypass	DLOH	SparesFr-to-RearHarness	N13	A47Adress
		DLOL	SparesFr-to-RearHarness	N14	A47Adress

# CIRCUITS LIST

CircuitID	Description	CircuitID	Description	CircuitID	Description
N15	A48Address	SH1	I_ShiftGearLevelSignal	spare25	SparesClearanceLts
N16	A48Address	SH2	I_ShiftGearLevelSignal	spare28	SparesFrontHarness
N17	A49Address	SH3	I_ShiftGearLevelSignal	spare29	SparesFrontHarness
N18	A49Address	SH4	I_ShiftGearLevelSignal	spare30	SparesFrontHarness
N19	A50Address	SH5	I_ShiftGearLevelSignal	spare31	SparesFrontHarness
N20	A50Address	SH6	I_ShiftGearLevelSignal	spare32	SparesFrontHarness
N21	A51Address	SH7	I_ShiftGearLevelSignal	spare33	SparesFrontHarness
N22	A51Address	SH8	I_ShiftGearLevelSignal	spare34	SparesFrontHarness
N23	A52Address	SHD	CommuterOption	spare35	SparesFrontHarness
N24	A52Address	SHIELD	GndDestinationSign	spare39	SparesDash
N25	A53Address	Shield	CommuterOption	spare40	SparesDash
N26	A53Address	SIGNAL	signal_weight	spare41	SparesDash
N27	A54Address	SilentAlarm+	SilentAlarm	spare42	SparesDash
N28	A54Address	SilentAlarm-	SilentAlarm	spare43	SparesDash
N29	A36Address	SL13	L_SPEAKER_HARNESS	spare44	SparesDash
N30	A55address	SL24	L_SPEAKER_HARNESS	spare51	SparesEngineCradle
N31	A55address	SL35	L_SPEAKER_HARNESS	spare52	SparesEngineCradle
NEG	GndDestinationSign	SL46	L_SPEAKER_HARNESS	spare53	SparesEngineCradle
OFB1	GndMirror	SL57	L_SPEAKER_HARNESS	spare54	SparesEngineCradle
OFB3	TiremonitoringGnd	SL68	L_SPEAKER_HARNESS	spare62	spareABSHarness
OilSep	OilSeparatorCtr	SL1012	L_SPEAKER_HARNESS	spare64	Spare_Transmission
OP2	Inverter_Gnd	SL1113	L_SPEAKER_HARNESS	spare65	Spare_Transmission
Out+	Speaker	SL1214	L_SPEAKER_HARNESS	spare72	spare
Out-	Speaker	SL1315	L_SPEAKER_HARNESS	spare73	spare
POS	GndDestinationSign	SL1416	L_SPEAKER_HARNESS	SpeakEasy	TriggerMotorola
PP1	InverterPwr	sp52	Pre-HeatSignal	SpkDriver+	Speaker
RED	CommuterOption	spare1	spare	SpkDriver-	Speaker
RedFR	Tiremonitoring12v	spare10	SparesInteriorLtsHarness	SpkIn+	Speaker
RedRL	Tiremonitoring12v	spare11	SparesInteriorLtsHarness	SpkIn-	Speaker
RedRR	Tiremonitoring12v	spare12	SparesInteriorHarness	SpkIVN+	Speaker
Red_DrCam	Batt_DriveCam	spare13	SparesInteriorHarness	SpkIVN-	Speaker
Ref1	gndsensor	spare14	SparesInteriorHarness	SpkOut+	Speaker
RetOff	RetarderOffLight	spare15	SparesInteriorHarness	SpkOut-	Speaker
RF+	L_SPEAKER_HARNESS	spare16	SparesInteriorHarness	SpkPA+	Speaker
RF-	L_SPEAKER_HARNESS	spare17	SparesFr-to-RearHarness	SpkPA-	Speaker
RR+	FR_SPEAKER_HARNESS_	spare18	SparesFr-to-RearHarness	SR13	FR_SPEAKER_HARNESS_
RR-	FR_SPEAKER_HARNESS_	spare19	SparesFr-to-RearHarness	SR24	FR_SPEAKER_HARNESS_
RTS	MCMDData	spare20	SparesClearanceLts	SR35	FR_SPEAKER_HARNESS_
Rts	ComputerSignals	spare21	SparesClearanceLts	SR46	FR_SPEAKER_HARNESS_
RX	DataTireMon	spare22	SparesClearanceLts	SR57	FR_SPEAKER_HARNESS_
RxD	ComputerSignals	spare23	SparesClearanceLts	SR68	FR_SPEAKER_HARNESS_
RxTx	MCMDData	spare24	SparesClearanceLts	SR911	R_SPEAKER_HARNESS_WCL
select	ClusterCtr				







# CONNECTORS LIST

No	Location	Part #	Gender	No	Location	Part #	Gender
<Invalid>	Parcel_Rack_RH	561550	male	A36.JC		562957	male
<Invalid>	Parcel_Rack_RH	561667	female	A41.J1	FJB	562767	male
<Invalid>_0_1	Parcel_Rack_LH	561515	male	A41.J2	FJB	563132	male
<Invalid>_0_1	Parcel_Rack_LH	561552	female	A41.J3	FJB	562957	male
<Invalid>_0_2		563226	male	A42.J1	FJB	562767	male
<Invalid>_0_2		563613	female	A42.J2	FJB	563132	male
<Invalid>_0_3		563226	male	A42.J3	FJB	562957	male
<Invalid>_0_3		563613	female	A43.J1	FJB	562767	male
A1		563975	male	A43.J2	FJB	563132	male
A2		563984	male	A43.J3	FJB	562957	male
A3	Dash	562363	male	A44.J1	FJB	563133	male
A4.A	Service_Cmpt	562428	female	A44.J2	FJB	563132	male
A4.B	Service_Cmpt	561188	female	A44.J3	FJB	562957	male
A5	Service_Cmpt	562428	female	A45.J1	FJB	563133	male
A6		562427	male	A45.J2	FJB	563132	male
A7		563979	male	A45.J3	FJB	562957	male
A9.Cx1		564041	female	A46.J1	FJB	563133	male
A9.Cx2		563678	male	A46.J2	FJB	563132	male
A9.Cx3		564037	female	A46.J3	FJB	562957	male
A9.Cx4		564038	female	A47.J1	RH_Console	563133	male
A10.X1	Engine_Cmpt	563135	male	A47.J2	RH_Console	563132	male
A10.X3	Engine_Cmpt	563134	female	A47.J3	RH_Console	562957	male
A11	LH_Console	563142	male	A48.J1	RH_Console	563133	male
A13.J1	FJB	562794	male	A48.J2	RH_Console	563132	male
A13.J2	FJB	562650	male	A48.J3	RH_Console	562957	male
A14A.A		562766	male	A49.J1	RJB	562767	male
A14A.B		562767	male	A49.J2	RJB	563132	male
A14A.C		562765	male	A49.J3	RJB	562957	male
A15	Dash	562464	male	A50.J1	RJB	563133	male
A16	Front_Roof	561637	male	A50.J2	RJB	563132	male
A17	RJB	561932	male	A50.J3	RJB	562957	male
A18	FJB	562794	male	A51.J1	RJB	563133	male
A18.J2	FJB	562650	male	A51.J2	RJB	563132	male
A19	LH_Console	562878	female	A51.J3	RJB	562957	male
A20	Parcel_Rack_LH	561477	female	A52.J1	RJB	563133	male
A24	RH_Console	561889	female	A52.J2	RJB	563132	male
A24.A	RH_Console	561890	male	A52.J3	RJB	562957	male
A24.B	RH_Console	561566	female	A53.J1	RJB	563133	male
A27	Service_Cmpt	562929	male	A53.J2	RJB	563132	male
A28	Service_Cmpt	562928	male	A53.J3	RJB	562957	male
A29		562464	male	A54.J1	Evap_Cmpt	563133	male
A36.JA		562767	male	A54.J2	Evap_Cmpt	563132	male



# CONNECTORS LIST

No	Location	Part #	Gender	No	Location	Part #	Gender
A55.J1		562767	male	C1S	FJB	563590	female
A55.J2		563132	male	C2	Service_Cmpt	563580	male
A55.J3		562957	male	C2	Service_Cmpt	563581	female
A81.JA		562767	male	C2A		563580	male
A81.JB		562765	male	C2A		563581	female
A81.JC		562957	male	C3	RJB	563589	male
A84		562583	female	C3	RJB	563590	female
A85.A		561636	female	C3S	RJB	563593	male
A85.B		562581	male	C3S	RJB	563590	female
A86		562477	male	C4	FJB	563580	male
A87		562477	male	C4	FJB	563581	female
A88		562767	male	C5	FJB	563589	male
A96		564073	female	C5	FJB	563590	female
A97		563226	male	C5S	FJB	563589	male
A100		563758	female	C5S	FJB	563590	female
A101		563758	female	C6	FJB	563582	male
A102		563758	female	C6	FJB	563583	female
A103		562070	female	C9	RJB	561986	male
A107		20393942	female	C9	RJB	561987	female
A108		562766	male	C10		562477	male
A109A		564141	male	C10		562479	female
A130		563226	male	C11	Service_Cmpt	563580	male
A131.A		561782	male	C11	Service_Cmpt	563581	female
A131.B		561781	female	C12		562581	male
A137		563782	male	C12		562583	female
A138		563787	male	C13S	RH_Console	563589	male
A139		564501	male	C13S	RH_Console	563590	female
Alt1D.A		563746	female	C13_plug	RH_Console	563589	male
Alt1D.B		560815	female	C13_socket	RH_Console	563590	female
Alt1D.C		564469	female	C14	RJB	561986	male
Alt2D.A		563746	female	C14	RJB	561987	female
Alt2D.B		560815	female	C15	RJB	563580	male
Alt2D.C		564469	female	C15	RJB	563581	female
B85		563815	male	C16		561577	male
B96		563821	male	C16		561605	female
B96B		563823	male	C17	RJB	561986	male
B97		563816	male	C17	RJB	561987	female
B98		563817	male	C18	FJB	561986	male
B115		563818	female	C18	FJB	561987	female
B142B		563793	male	C19	RJB	561986	male
C1	FJB	563589	male	C19	RJB	561987	female
C1	FJB	563590	female	C20		562283	male

# CONNECTORS LIST

No	Location	Part #	Gender	No	Location	Part #	Gender
C20A		562485	male	C48	Service_Cmpt	561566	female
C20A		562486	female	C49		562005	male
C20B		562485	male	C49		561714	female
C20B		562486	female	C50	Engine_Cmpt	561932	male
C21		562285	male	C50	Engine_Cmpt	560933	female
C21		562282	female	C54		563580	male
C22		561847	male	C54		563581	female
C22		561862	female	C55	Evap_Cmpt	561577	male
C23		561847	male	C55	Evap_Cmpt	561605	female
C23		561862	female	C56	Parcel_Rack_LH	562557	male
C24_plug	Evap_Cmpt	561690	male	C56	Parcel_Rack_LH	562558	female
C24_socket	Evap_Cmpt	561566	female	C57	Parcel_Rack_RH	562557	male
C25		561550	male	C57	Parcel_Rack_RH	562558	female
C25		561667	female	C58	RJB	561640	male
C26		563580	male	C58	RJB	561639	female
C26		563581	female	C59	RJB	561643	male
C26		562284	male	C59	RJB	561642	female
C27		562281	female	C60	RJB	561986	male
C29	4rd_Lugg_Cmpt	563651	male	C60	RJB	561987	female
C29	4rd_Lugg_Cmpt	563652	female	C61	Fr_Service_Door	561669	male
C30	4rd_Lugg_Cmpt	561710	male	C61	Fr_Service_Door	561670	female
C30	4rd_Lugg_Cmpt	561709	female	C62	Fr_Service_Door	562566	male
C31	RJB	561669	male	C62	Fr_Service_Door	562565	female
C31	RJB	561670	female	C63	Entrance_Door	562477	male
C34	RH_Console	561986	male	C63	Entrance_Door	562479	female
C34	RH_Console	561987	female	C64		563580	male
C35	RJB	562284	male	C64		563581	female
C35	RJB	562281	female	C66	Engine_Cmpt	561577	male
C36		561986	male	C66	Engine_Cmpt	561605	female
C36		561987	female	C67	Parcel_Rack_LH	561247	male
C37	Parcel_Rack_LH	562557	male	C67	Parcel_Rack_LH	561248	female
C37	Parcel_Rack_LH	562558	female	C69		561583	male
C38	Parcel_Rack_RH	561643	male	C69		561585	female
C38	Parcel_Rack_RH	561642	female	C71	FJB	561646	male
C40	Dash	562485	male	C71	FJB	561645	female
C40	Dash	562486	female	C72	FJB	561646	male
C41	RJB	561782	male	C72	FJB	561645	female
C41	RJB	561781	female	C74	FJB	561645	female
C44_plug	FJB	561577	male	C74	FJB	561646	male
C44_socket	FJB	561605	female	C75_plug	Parcel_Rack_RH	562557	male
C45	FJB	561643	male	C75_socket	Parcel_Rack_RH	562558	female
C45	FJB	561642	female	C78	Engine_Cmpt	561690	male

# CONNECTORS LIST

No	Location	Part #	Gender	No	Location	Part #	Gender
C81	1st_Lugg_Cmpt	562477	male	C153	Rear_Axle_Cmpt	561610	female
C81	1st_Lugg_Cmpt	562479	female	C170		561637	male
C82	1st_Lugg_Cmpt	562477	male	C170		561636	female
C82	1st_Lugg_Cmpt	562479	female	C171	LH_Console	561646	male
C83	2nd_Lugg_Cmpt	562477	male	C171	LH_Console	561645	female
C83	2nd_Lugg_Cmpt	562479	female	C172	Service_Cmpt	561640	male
C84	2nd_Lugg_Cmpt	562477	male	C172	Service_Cmpt	561638	female
C84	2nd_Lugg_Cmpt	562479	female	C193		563589	male
C85	4rd_Lugg_Cmpt	562477	male	C193		563590	female
C85	2nd_Lugg_Cmpt	562479	female	C194		563589	male
C86	4rd_Lugg_Cmpt	562581	male	C194		563590	female
C86	4rd_Lugg_Cmpt	562583	female	C206		562503	male
C87	Engine_Cmpt	561247	male	C206		562507	female
C87	Engine_Cmpt	561248	female	C207		562503	male
C91	RJB	562285	male	C207		562507	female
C91	RJB	562282	female	C209_plug		562503	male
C92		561734	male	C209_socket		562507	female
C92		561735	female	C213	Parcel_Rack_LH	561515	male
C96		561643	male	C213	Parcel_Rack_LH	561552	female
C96		561642	female	C222	FJB	562477	male
C97		561583	male	C222		562479	female
C97		561585	female	C223	FJB	563227	male
C100		563589	male	C223	FJB	563614	female
C100		563590	female	C224	FJB	561637	male
C100S		563589	male	C224	FJB	561636	female
C100S		563590	female	C225	FJB	562650	male
C101	Service_Cmpt	561690	male	C225	FJB	562649	female
C101	Service_Cmpt	561566	female	C230	Engine_Cmpt	562485	male
C103		562485	male	C230	Engine_Cmpt	562486	female
C103		562486	female	C242	Service_Cmpt	562789	male
C105		562581	male	C242	Service_Cmpt	565131	female
C105		562583	female	C243	Service_Cmpt	562789	male
C106_plug		562581	male	C243	Service_Cmpt	565131	female
C106_socket		562583	female	C246	Service_Cmpt	563090	male
C112		562284	male	C246	Service_Cmpt	563091	female
C112		562281	female	C269	RHConsole	563090	male
C119	Rear_Engine_Door	561607	male	C269	RHConsole	563091	female
C119	Rear_Engine_Door	561606	female	C279	Service_Cmpt	562477	male
C120	Rear_Engine_Door	561607	male	C279	Service_Cmpt	562479	female
C120	Rear_Engine_Door	561606	female	C290	Rear_Vehicle	562477	male
C144	RJB	560852	male	C290	Rear_Vehicle	562479	female
C144	RJB	560851	female	C300		563618	male

# CONNECTORS LIST

No	Location	Part #	Gender	No	Location	Part #	Gender
C328	Lavatory	561247	male	C615		563040	female
C328	Lavatory	561248	female	C617		563801	male
C380	Dash	563180	male	C617		563800	female
C380	Dash	563347	female	C618		563801	male
C381		561847	male	C618		563800	female
C381		561862	female	C717	RJB	561646	male
C382		561580	male	C717	RJB	561645	female
C382		561582	female	C777		562477	male
C397	RJB	562285	male	C777		562479	female
C397	RJB	562282	female	CCust		562477	male
C426	Engine_Cmpt	561782	male	CCust		562479	female
C426	Engine_Cmpt	561781	female	CL1		562485	male
C430	LH_Console	562363	male	CL1		562486	female
C430	LH_Console	561188	female	CP1		561782	male
C452		561580	male	CP1		561781	female
C452		561582	female	CP2		561782	male
C463	Rear_Axle_Cmpt	562570	female	CP2		561781	female
C463	Rear_Axle_Cmpt	562571	male	CPL1		561782	male
C464	RJB	563180	male	CPL1		561781	female
C464	RJB	563347	female	CPL2		561782	male
C506	FJB	561687	male	CPL2		561781	female
C506	FJB	561685	female	CSX1	Engine_Cmpt	563135	male
C575	Parcel_Rack_RH	562503	male	CSX1	Engine_Cmpt	563134	female
C575	Parcel_Rack_RH	562507	female	CSX3	Engine_Cmpt	563135	male
C576	Parcel_Rack_RH	561550	male	CSX3	Engine_Cmpt	563134	female
C576	Parcel_Rack_RH	561667	female	CT2	Engine_Cmpt	563226	male
C577	Parcel_Rack_LH	561550	male	CT2	Engine_Cmpt	563613	female
C577	Parcel_Rack_LH	561667	female	CT3	Rear_Vehicle	563224	male
C578	Parcel_Rack_LH	562503	male	EI		563739	male
C578	Parcel_Rack_LH	562507	female	L1A		564045	female
C582	FJB	561690	female	L3.A	Parcel_Rack_RH	562758	male
C582	FJB	561566	female	L3.B	Parcel_Rack_RH	562759	male
C601	LHRoofWinAjar	561476	male	L4.A	Parcel_Rack_RH	562758	male
C601	LHRoofWinAjar	561477	female	L4.B	Parcel_Rack_RH	562759	male
C603	RHRoofWinAjar	561476	male	L5.A	Parcel_Rack_RH	562758	male
C603	RHRoofWinAjar	561477	female	L5.B	Parcel_Rack_RH	562759	male
C611_plug	Parcel_Rack_RH	562557	male	L6.A	Parcel_Rack_RH	562758	male
C611_socket	Parcel_Rack_RH	562558	female	L6.B	Parcel_Rack_RH	562759	male
C612_plug	Parcel_Rack_RH	562555	male	L7.A	Parcel_Rack_RH	562758	male
C612_socket	Parcel_Rack_RH	562556	female	L7.B	Parcel_Rack_RH	562759	male
C614		563071	male	L8.A	Parcel_Rack_RH	562758	male
C614		563040	female	L8.B	Parcel_Rack_RH	562759	male

# CONNECTORS LIST

No	Location	Part #	Gender	No	Location	Part #	Gender
L9.B	Parcel_Rack_LH	562759	male	L36	Parcel_Rack_LH	560898	male
L10.A	Parcel_Rack_LH	562758	male	L37	Parcel_Rack_LH	560898	male
L10.B	Parcel_Rack_LH	562759	male	L38	Parcel_Rack_LH	560898	male
L11.A	Parcel_Rack_LH	562758	male	L39	Parcel_Rack_LH	560898	male
L11.B	Parcel_Rack_LH	562759	male	L40	Parcel_Rack_RH	560898	male
L12.A	Parcel_Rack_LH	562758	male	L41	Parcel_Rack_RH	560898	male
L12.B	Parcel_Rack_LH	562759	male	L42	Parcel_Rack_RH	560898	male
L13.A	Parcel_Rack_LH	562758	male	L43	Parcel_Rack_RH	560898	male
L13.B	Parcel_Rack_LH	562759	male	L44	Parcel_Rack_RH	560898	male
L14.A	Parcel_Rack_LH	562758	male	L45	Parcel_Rack_RH	560898	male
L14.B	Parcel_Rack_LH	562759	male	L46	Parcel_Rack_RH	560898	male
L15.A	Parcel_Rack_LH	562758	male	L47	Parcel_Rack_RH	560898	male
L15.B	Parcel_Rack_LH	562759	male	L48	Parcel_Rack_RH	560898	male
L16	Front_Roof	562803	male	L49	Parcel_Rack_RH	560898	male
L17	Front_Roof	562803	male	L50	Parcel_Rack_RH	560898	male
L18.A		561626	female	L51	Parcel_Rack_RH	560898	male
L18.B		561626	female	L52		560898	male
L19.A		561626	female	L53	Passenger_Area	560898	male
L19.B		561626	female	L54	Passenger_Area	560898	male
L20.A		561626	female	L55	Passenger_Area	560898	male
L20.B		561626	female	L56	Passenger_Area	560898	male
L21.A	Front_Roof	561608	female	L57	Passenger_Area	560898	male
L21.B	Front_Roof	562286	male	L58	Passenger_Area	560898	male
L22.A	Front_Roof	561608	female	L59.A	Outside_Front_RH	562623	male
L22.B	Front_Roof	562286	male	L59.B	Outside_Front_RH	562623	male
L23.A	Front_Roof	561608	female	L60.A	Outside_Front_LH	562623	male
L23.B	Front_Roof	562286	male	L60.B	Outside_Front_LH	562623	male
L24.A	Front_Roof	561608	female	L61	Outside_Front_RH	562601	male
L24.B	Front_Roof	562286	male	L62	Outside_Front_LH	562601	male
L25.A	Front_Roof	561608	female	L63	Outside_Front_RH	562155	male
L25.B	Front_Roof	562286	male	L64	Outside_Front_RH	562155	male
L26.A	Front_Roof	561608	female	L65	Outside_Front_LH	562155	male
L26.B	Front_Roof	562286	male	L66	Outside_Front_LH	562155	male
L27.A	Front_Roof	561608	female	L67	4rd_Lugg_Cmpt	562155	male
L27.B	Front_Roof	562286	male	L68	4rd_Lugg_Cmpt	562155	male
L28	Parcel_Rack_LH	560898	male	L69	4rd_Lugg_Cmpt	562155	male
L29	Parcel_Rack_LH	560898	male	L70	4rd_Lugg_Cmpt	562155	male
L30	Parcel_Rack_LH	560898	male	L71	Rear_Engine_Door	562601	male
L31	Parcel_Rack_LH	560898	male	L72	Rear_Vehicle	562155	male
L32	Parcel_Rack_LH	560898	male	L73	Rear_Vehicle	562601	male
L33	Parcel_Rack_LH	560898	male	L74	Rear_Vehicle	562155	male
L34	Parcel_Rack_LH	560898	male	L75	Rear_Vehicle	562155	male

# CONNECTORS LIST

No	Location	Part #	Gender	No	Location	Part #	Gender
L77	Rear_Engine_Door	562601	male	L109	Parcel_Rack_LH	560898	male
L78	Rear_Engine_Door	562601	male	L110	Parcel_Rack_LH	560898	male
L79	Rear_Engine_Door	562601	male	L111	Parcel_Rack_LH	560898	male
L81.A	Rear_Vehicle	562835	female	L112	Parcel_Rack_LH	560898	male
L81.B	Rear_Vehicle	562834	male	L113	Parcel_Rack_RH	560898	male
L82	Rear_Engine_Door	562348	female	L114	Parcel_Rack_RH	560898	male
L83	Rear_Engine_Door	562348	female	L115	Parcel_Rack_RH	560898	male
L84.A	Rear_Roof	561608	female	L116	Parcel_Rack_RH	560898	male
L84.B	Rear_Roof	562286	male	L117	Parcel_Rack_RH	560898	male
L85.A	Rear_Roof	561608	female	L118	Parcel_Rack_RH	560898	male
L85.B	Rear_Roof	562286	male	L119	Parcel_Rack_RH	560898	male
L86.A	Rear_Roof	561608	female	L120	Parcel_Rack_RH	560898	male
L86.B	Rear_Roof	562286	male	L121	Parcel_Rack_RH	560898	male
L87.A	Rear_Roof	561608	female	L122	Parcel_Rack_RH	560898	male
L87.B	Rear_Roof	562286	male	L123	Parcel_Rack_RH	560898	male
L88.A	Rear_Roof	561608	female	L124	Parcel_Rack_RH	560898	male
L88.B	Rear_Roof	562286	male	L125	Parcel_Rack_RH	560898	male
L89.A	Rear_Roof	561608	female	L126	Parcel_Rack_RH	560898	male
L89.B	Rear_Roof	562286	male	L127	Parcel_Rack_RH	562758	male
L90.A	Rear_Roof	561608	female	L128	Parcel_Rack_RH	562758	male
L90.B	Rear_Roof	562286	male	L129	Parcel_Rack_RH	562758	male
L91	Rear_Engine_Door	562755	male	L130	Parcel_Rack_RH	562758	male
L92	Rear_Engine_Door	562755	male	L131	Parcel_Rack_RH	562758	male
L93.A	Rear_Axle_Cmpt	563069	female	L132	Parcel_Rack_RH	562758	male
L93.B	Rear_Axle_Cmpt	563069	female	L134	Parcel_Rack_LH	562758	male
L94.A	Rear_Axle_Cmpt	563069	female	L135	Parcel_Rack_LH	562758	male
L94.B	Rear_Axle_Cmpt	563069	female	L136	Parcel_Rack_LH	562758	male
L95	Outside_Front_LH	562902	female	L137	Parcel_Rack_LH	562758	male
L96	Outside_Front_RH	562902	female	L138	Parcel_Rack_LH	562758	male
L97.A	Outside_Front_LH	563069	female	L139	Parcel_Rack_LH	562758	male
L97.B	Outside_Front_LH	563069	female	L140	Lavatory	561247	male
L98.A	Entrance_Door	563069	female	L141	Lavatory	560898	male
L98.B	Outside_Front_RH	563069	female	L142	Lavatory	562803	male
L99	Parcel_Rack_LH	560898	male	L142A	Lavatory	562803	male
L100	Parcel_Rack_LH	560898	male	L144.A	Parcel_Rack_LH	562756	male
L101	Parcel_Rack_LH	560898	male	L145.A	Parcel_Rack_LH	562756	male
L102	Parcel_Rack_LH	560898	male	L146.A	Parcel_Rack_LH	562756	male
L103	Parcel_Rack_LH	560898	male	L147.A	Parcel_Rack_LH	562756	male
L104	Parcel_Rack_LH	560898	male	L148.A	Parcel_Rack_LH	562756	male
L105	Parcel_Rack_LH	560898	male	L149.A	Parcel_Rack_LH	562756	male
L106	Parcel_Rack_LH	560898	male	L150.A	Parcel_Rack_LH	562756	male
L107	Parcel_Rack_LH	560898	male	L151.A	Parcel_Rack_LH	562756	male

# CONNECTORS LIST

No	Location	Part #	Gender	No	Location	Part #	Gender
L153.A	Parcel_Rack_LH	562756	male	L200	Engine_Cmpt	562471	male
L154.A	Parcel_Rack_LH	562756	male	L203	RH_Console	561690	male
L155.A	Parcel_Rack_LH	562756	male	L205	Engine_Cmpt	562485	male
L156.A	Parcel_Rack_LH	562756	male	L206	Parcel_Rack_RH	562803	male
L157.A	Parcel_Rack_LH	562756	male	L207.A	4rd_Lugg_Cmpt	561699	female
L158.A	Parcel_Rack_LH	562756	male	L207.B	*opt*	561699	female
L159.A	Parcel_Rack_RH	562756	male	L207.C	*opt*	561701	female
L160.A	Parcel_Rack_RH	562756	male	L207.D	*opt*	561699	female
L161.A	Parcel_Rack_RH	562756	male	L207.E	*opt*	561701	female
L162.A	Parcel_Rack_RH	562756	male	L207.F	*opt*	561699	female
L163.A	Parcel_Rack_RH	562756	male	L207.G	*opt*	561699	female
L164.A	Parcel_Rack_RH	562756	male	L207.H	*opt*	560926	female
L165.A	Parcel_Rack_RH	562756	male	L207.I	*opt*	560926	female
L166.A	Parcel_Rack_RH	562756	male	L213.A	Parcel_Rack_RH	561248	female
L167.A	Parcel_Rack_RH	562756	male	L213.B	Parcel_Rack_RH	561248	female
L168.A	Parcel_Rack_RH	562756	male	L214.A	Parcel_Rack_RH	561248	female
L169.A	Parcel_Rack_RH	562756	male	L214.B	Parcel_Rack_RH	561248	female
L170.A	Parcel_Rack_RH	562756	male	L215.A	Parcel_Rack_RH	561248	female
L171.A	Parcel_Rack_RH	562756	male	L215.B	Parcel_Rack_RH	561248	female
L172.A	Parcel_Rack_RH	562756	male	L216.A	Parcel_Rack_RH	561248	female
L173		563590	female	L216.B	Parcel_Rack_RH	561248	female
L174		563590	female	L217.A	Parcel_Rack_RH	561248	female
L176	4rd_Lugg_Cmpt	561247	male	L217.B	Parcel_Rack_RH	561248	female
L177	4rd_Lugg_Cmpt	561247	male	L218.A	Outside_Front_RH	561248	female
L180	2nd_Lugg_Cmpt	561247	male	L218.B	Parcel_Rack_RH	561248	female
L181	2nd_Lugg_Cmpt	561247	male	L219.A	Parcel_Rack_LH	561248	female
L182	1st_Lugg_Cmpt	561247	male	L219.B	Parcel_Rack_LH	561248	female
L183	1st_Lugg_Cmpt	561247	male	L220.A	Parcel_Rack_LH	561248	female
L184	Service_Cmpt	561247	male	L220.B	Parcel_Rack_LH	561248	female
L185.A		562651	female	L221.A	Parcel_Rack_LH	561248	female
L185.B		562290	female	L221.B	Parcel_Rack_LH	561248	female
L187	Engine_Cmpt	561690	male	L222.A	Parcel_Rack_LH	561248	female
L188	Service_Cmpt	562486	female	L222.B	Parcel_Rack_LH	561248	female
L189	Outside_Front_RH	562069	male	L223.A	Parcel_Rack_LH	561248	female
L190	Outside_Front_LH	562069	male	L223.B	Parcel_Rack_LH	561248	female
L192	Parcel_Rack_LH	560898	male	L224.A	Parcel_Rack_LH	561248	female
L193.A	Dash	560488	female	L224.B	Parcel_Rack_LH	561248	female
L193.B	Dash	560488	female	L225.A	Parcel_Rack_LH	561248	female
L194.A	Dash	562019	female	L225.B	Parcel_Rack_LH	561248	female
L194.B	Dash	560488	female	L226	Parcel_Rack_RH	562758	male
L195.A	Dash	560488	female	L227	Parcel_Rack_RH	562758	male
L195.B	Dash	560488	female	L228	Parcel_Rack_RH	562758	male

# CONNECTORS LIST

No	Location	Part #	Gender	No	Location	Part #	Gender
L230	Parcel_Rack_RH	562758	male	L263	Parcel_Rack_RH	560898	male
L231	Parcel_Rack_RH	562758	male	L264	Parcel_Rack_RH	560898	male
L232.A	Parcel_Rack_RH	562758	male	L265.A	Parcel_Rack_RH	561248	female
L232.B	Parcel_Rack_RH	562759	male	L265.B	Parcel_Rack_RH	561248	female
L233.A	Parcel_Rack_RH	562758	male	L266	Parcel_Rack_RH	560898	male
L233.B	Parcel_Rack_RH	562759	male	L267	Parcel_Rack_RH	560898	male
L234.A	Parcel_Rack_RH	562758	male	L268	Parcel_Rack_RH	560898	male
L234.B	Parcel_Rack_RH	562759	male	L269	Parcel_Rack_RH	560898	male
L235.A	Parcel_Rack_RH	562758	male	L270	Parcel_Rack_RH	560898	male
L235.B	Parcel_Rack_RH	562759	male	L271	Parcel_Rack_RH	560898	male
L236.A	Parcel_Rack_RH	562758	male	L272	Parcel_Rack_RH	560898	male
L236.B	Parcel_Rack_RH	562759	male	L273	Parcel_Rack_RH	560898	male
L238.A	Parcel_Rack_RH	561248	female	L274	Parcel_Rack_RH	560898	male
L238.B	Parcel_Rack_RH	561248	female	L275	Parcel_Rack_RH	560898	male
L239.A	Parcel_Rack_RH	561248	female	L276	Parcel_Rack_RH	560898	male
L239.B	Parcel_Rack_RH	561248	female	L277	Parcel_Rack_RH	560898	male
L240.A	Parcel_Rack_RH	561248	female	L278	Parcel_Rack_RH	560898	male
L240.B	Parcel_Rack_RH	561248	female	L279	Parcel_Rack_RH	560898	male
L241.A	Parcel_Rack_RH	561248	female	L280	Parcel_Rack_RH	560898	male
L241.B	Parcel_Rack_RH	561248	female	L281	Parcel_Rack_RH	560898	male
L242.A	Parcel_Rack_RH	561248	female	L282		561690	male
L242.B	Parcel_Rack_RH	561248	female	L283	Service_Cmpt	562485	male
L244.A	Parcel_Rack_RH	562756	male	L285.A	Rear_Vehicle	562835	female
L245.A	Parcel_Rack_RH	562756	male	L285.B	Rear_Vehicle	562834	male
L246.A	Parcel_Rack_RH	562756	male	L286.A	Rear_Vehicle	562835	female
L247.A	Parcel_Rack_RH	562756	male	L286.B	Rear_Vehicle	562834	male
L248.A	Parcel_Rack_RH	562756	male	L290.A	Parcel_Rack_RH	561248	female
L248.B		562505	female	L290.B	Parcel_Rack_RH	561248	female
L249.A	Parcel_Rack_RH	562756	male	L291.A	Parcel_Rack_RH	561248	female
L249.B		562505	female	L291.B	Parcel_Rack_RH	561248	female
L250.A	Parcel_Rack_RH	562756	male	L292.A	Parcel_Rack_RH	562756	male
L251.A	Parcel_Rack_RH	562756	male	L292.B		562505	female
L252.A	Parcel_Rack_RH	562756	male	L298		563590	female
L253.A	Parcel_Rack_RH	562756	male	L313		562549	male
L254.A	Parcel_Rack_RH	562756	male	L350		562350	male
L255.A	Parcel_Rack_RH	562756	male	Mo1	Engine_Cmpt	561690	female
L256.A	Parcel_Rack_RH	562756	male	Mo2	Engine_Cmpt	561782	male
L257.A	Parcel_Rack_RH	562756	male	Mo3	Dash	561667	female
L258	Parcel_Rack_RH	560898	male	Mo4	Dash	562076	male
L259	Parcel_Rack_RH	560898	male	Mo5	Front_Roof	561515	male
L260	Parcel_Rack_RH	560898	male	Mo7		563691	male
L261	Parcel_Rack_RH	560898	male	Mo8		563691	male



# CONNECTORS LIST

No	Location	Part #	Gender	No	Location	Part #	Gender
Mo10.B	Parcel_Rack_LH	561247	male	P20		561782	male
Mo11.A	Parcel_Rack_RH	561515	male	P21		561782	male
Mo11.B	Parcel_Rack_RH	561247	male	PI1		561782	male
Mo12	Engine_Cmpt	561690	male	PI2		561782	male
Mo13	Engine_Cmpt	561690	female	PI3		561782	male
Mo14	Lavatory	561690	male	PI4		561782	male
Mo15		560900	female	PI5		561782	male
Mo16		560900	female	PI6		561782	male
Mo17	RH_Console	563626	male	PI7		561782	male
Mo19	Fr_Service_Door	562474	male	PI8		561782	male
Mo20	Fr_Service_Door	562474	male	PI9		561782	male
Mo22	RH_Console	561186	male	PI10		561782	male
Mo24	RH_Console	562348	female	PI11		561782	male
Mo25	RH_Console	562348	female	PI12		561782	male
Mo27		563691	male	PI13		561782	male
Mo28		563691	male	PI14		561782	male
Mo30		564161	male	PI15		561782	male
Mo31		564161	male	PI16		561782	male
Mo32		564161	male	PI17		561782	male
Mo33		564161	male	PI18		561782	male
Mo34		564161	male	PI19		561782	male
Mo35		564161	male	PI20		561782	male
Mo36		564161	male	PI21		561782	male
Mo54	Service_Cmpt	562474	male	PI22		561782	male
P1		561782	male	PI23		561782	male
P2		561782	male	PI24		561782	male
P3		561782	male	PI25		561782	male
P4		561782	male	PI26		561782	male
P5		561782	male	PI27		561782	male
P6		561782	male	Pot1.A	Dash	560488	female
P7		561782	male	Pot1.B	Dash	560488	female
P8		561782	male	Pot1.C	Dash	560488	female
P9		561782	male	R3	RJB	563409	male
P10		561782	male	R4		561183	male
P11		561782	male	R5		561183	male
P12		561782	male	R6		561183	male
P13		561782	male	R08		563590	female
P14		561782	male	R10	Evap_Cmpt	563409	male
P15		561782	male	R11	RJB	561183	male
P16		561782	male	R12	Evap_Cmpt	563409	male
P17		561782	male	R13		561183	male
P18		561782	male	R14	RJB	562367	male

# CONNECTORS LIST

No	Location	Part #	Gender	No	Location	Part #	Gender
R17	RJB	562367	male	Se16	Entrance_Door	561566	female
R18	FJB	562367	male	Se17	RH_Console	560900	female
R19	FJB	562367	male	Se18.A	Service_Cmpt	560815	female
R20		561183	male	Se18.B	Service_Cmpt	560815	female
R21		561183	male	Se19		563677	male
R22	FJB_VECF	561183	male	Se19A		563677	male
R23	RH_Console	561183	male	Se20		562426	male
R25	RJB	561183	male	Se20A		563236	female
R26	Cond_Cmpt	561183	male	Se20B		562426	male
R27	Parcel_Rack_LH	561183	male	Se21	Dash	561248	female
R29		563409	male	Se23	Engine_Cmpt	563159	male
R30	RJB	561183	male	Se24	Engine_Cmpt	563159	male
R31	RJB	561183	male	Se25	Passenger_Area	561248	female
R32	RJB	561183	male	Se26	Service_Cmpt	561690	female
R33	RJB	561183	male	Se27	Front_Axle_Cmpt	561111	female
R34		562367	male	Se29	Engine_Cmpt	561566	female
R39		561183	male	Se30		562877	female
R40		561183	male	Se31	Engine_Cmpt	561690	male
R41		561183	male	Se32	Rear_Axle_Cmpt	563057	male
R42		561183	male	Se33	Rear_Axle_Cmpt	562856	male
R43		561183	male	Se34	Rear_Axle_Cmpt	563057	male
Res3.A		563590	female	Se35	Rear_Axle_Cmpt	563057	male
Res4		563590	female	Se36	Rear_Axle_Cmpt	563629	female
Res5		563590	female	Se37		641132	female
Res6		563590	female	Se38		641132	female
Res7		563590	female	Se39		641132	female
Res15		561782	male	Se40		641132	female
Res31		563795	female	Se45	Service_Cmpt	562426	male
Res32		563796	female	Se46	Rear_Axle_Cmpt	562348	female
Se4	Window_RH	561477	female	Se48	Engine_Cmpt	561690	male
Se5	Window_RH	561477	female	Se49	Engine_Cmpt	561690	male
Se6	Window_RH	561477	female	Se50	Engine_Cmpt	561566	female
Se7	Window_LH	561477	female	Se53		563159	female
Se8	Window_LH	561477	female	Se54		563159	female
Se9	Window_LH	561477	female	Se55		563159	female
Se11.A		564460	female	Se60	Service_Cmpt	563409	male
Se11.B		564460	female	Se62	WCL_System	561690	male
Se11.C		564460	female	Se63		641132	female
Se12	Engine_Cmpt	561690	female	Se64		641132	female
Se13		562350	male	Se65		564042	female
Se14.A		561782	male	Se66		564039	female
Se14.B		561781	female	Se67		563159	female

# CONNECTORS LIST

No	Location	Part #	Gender	No	Location	Part #	Gender
Se69		563159	female	Spk6_R		563994	male
Se74		563340	male	Spk7_L		563994	male
Se75		563159	female	Spk7_R		563994	male
So3	RH_Console	641385	male	Spk8_L		563994	male
So4	RH_Console	641385	male	Spk8_R		563994	male
So5	RH_Console	641385	male	Spk9_L		563994	male
So6	RH_Console	641385	male	Spk9_R		563994	male
So7	Service_Cmpt	561566	female	Spk10_L		563994	male
So8		563204	female	Spk10_R		563994	male
So9	Engine_Cmpt	561566	female	Spk11_L		563994	male
So11	Cond_Cmpt	561566	female	Spk11_R		563994	male
So13	Evap_Cmpt	563204	female	Spk12_L		563994	male
So14	Service_Cmpt	641385	male	Spk12_R		563994	male
So15	Service_Cmpt	641385	male	Spk13_L		563994	male
So16	Service_Cmpt	641385	male	Spk13_R		563994	male
So17	Service_Cmpt	641385	male	Spk14_L		563994	male
So20	Service_Cmpt	641385	male	Spk14_R		563994	male
So21		564046	female	Spk15_L		563994	male
So22		564046	female	Spk15_R		563994	male
So23		564046	female	Spk16_L		563994	male
So24		564046	female	Spk16_R		563994	male
So26		562848	male	Sub1.A		564004	female
So27		564045	female	Sub2.A		564004	female
So28	Engine_Cmpt	561690	male	Sw1.C258	Driver_Area	561188	female
So33		563324	female	Sw1.C259	Driver_Area	561186	male
So50		564046	female	Sw2	Dash	562763	male
So51		564046	female	Sw3		562763	male
So52		564045	female	Sw4		562763	male
So53		641385	male	Sw6	Dash	562763	male
So54		564045	female	Sw10A		562763	male
spBar1		564135	male	Sw11A		562763	male
spBar2		564135	male	Sw12		562763	male
Spk1_L		563994	male	Sw13	Dash	562763	male
Spk1_R		563994	male	Sw14		562763	male
Spk2_L		563994	male	Sw16		562763	male
Spk2_R		563994	male	Sw17		562763	male
Spk3_L		563994	male	Sw18A		562763	male
Spk3_R		563994	male	Sw20		562763	male
Spk4_L		563994	male	Sw21		562763	male
Spk4_R		563994	male	Sw24		562763	male
Spk5_L		563994	male	Sw25	Dash	562763	male
Spk5_R		563994	male	Sw26		562763	male

# CONNECTORS LIST

No	Location	Part #	Gender	No	Location	Part #	Gender
Sw29		562763	male	Sw68	Parcel_Rack_LH	562651	female
Sw30	Engine_Cmpt	561566	female	Sw69	Parcel_Rack_LH	562651	female
Sw31		563543	male	Sw70	Parcel_Rack_LH	562651	female
Sw32	Dash	561477	female	Sw71	Parcel_Rack_LH	562651	female
Sw33	Dash	561476	male	Sw72	Parcel_Rack_LH	562651	female
Sw34	Outside_Front_RH	562477	male	Sw73	Parcel_Rack_RH	562651	female
Sw35		562763	male	Sw74	Parcel_Rack_RH	562651	female
Sw38	LH_Console	562763	male	Sw75	Parcel_Rack_RH	562651	female
Sw40	LH_Console	561690	male	Sw76	Parcel_Rack_RH	562651	female
Sw41	LH_Console	562749	male	Sw77	Parcel_Rack_RH	562651	female
Sw42	*opt*	561636	female	Sw78	Parcel_Rack_RH	562651	female
Sw43		561690	male	Sw79	Parcel_Rack_RH	562651	female
Sw44	Service_Cmpt	562403	female	Sw80	Parcel_Rack_RH	562651	female
Sw44.B		562403	female	Sw82		561566	female
Sw45		562403	female	Sw83.A	Dash	560082	female
Sw45.B		562403	female	Sw83.B	Dash	560815	female
Sw46.A		562403	female	Sw83.C	Dash	560082	female
Sw46.B		562403	female	Sw83.D	Dash	560815	female
Sw49.A		562403	female	Sw84		561566	female
Sw49.B		562403	female	Sw85	LH_Console	562749	male
Sw50.A		562403	female	Sw86	Parcel_Rack_RH	562651	female
Sw50.B		562403	female	Sw87	Parcel_Rack_RH	562651	female
Sw51.A		562403	female	Sw88	Parcel_Rack_RH	562651	female
Sw51.B		562403	female	Sw89	Parcel_Rack_RH	562651	female
Sw52		562403	female	Sw90	Parcel_Rack_RH	562651	female
Sw52.B		562403	female	Sw91	Parcel_Rack_RH	562651	female
Sw53	Parcel_Rack_LH	562651	female	Sw92	Parcel_Rack_RH	562651	female
Sw54.A		562835	female	Sw93	Parcel_Rack_RH	562651	female
Sw54.B		562834	male	Sw94.A		562403	female
Sw55.A		560488	female	Sw94.B		562403	female
Sw55.B		560488	female	Sw95.A		562615	female
Sw56.A		560488	female	Sw95.B		562615	female
Sw56.B		560488	female	Sw96.A		562615	female
Sw57		563543	male	Sw96.B		562615	female
Sw58	Engine_Cmpt	562581	male	Sw97.A	WCL_System	561626	female
Sw59		561566	female	Sw97.B	WCL_System	561626	female
Sw60		561566	female	Sw98.A	WCL_System	561626	female
Sw63A		562763	male	Sw98.B	WCL_System	561626	female
Sw64.A	Service_Cmpt	560815	female	Sw100A		562763	male
Sw64.B	Service_Cmpt	560815	female	Sw109.A		560079	female
Sw65	Parcel_Rack_LH	562651	female	Sw109.B		560079	female
Sw66	Parcel_Rack_LH	562651	female	Sw110.A		560079	female



# CONNECTORS LIST

No	Location	Part #	Gender	No	Location	Part #	Gender
*opt*			outofrange.	A34.D	Parcel_Rack	901110	male
*opt*			outofrange.	A34.E	Parcel_Rack	901110	male
*opt*			outofrange.	A34.F	Parcel_Rack	901283	female
*opt*			outofrange.	A36.JA	FJB	562767	male
*opt*			outofrange.	A36.JB	FJB	562765	male
*opt*			outofrange.	A36.JC	FJB	562957	male
A1	RJB	563975	male	A37	Driver_Area	561643	male
A2	FJB	563984	male	A38	Driver_Foot_Area	561566	female
A3	Dash	562363	male	A41.J1	FJB	562767	male
A4.A	Service_Cmpt	562428	female	A41.J2	FJB	563132	male
A4.B	Service_Cmpt	561188	female	A41.J3	FJB	562957	male
A5	Service_Cmpt	562428	female	A42.J1	FJB	562767	male
A6	Engine_Cmpt	562427	male	A42.J2	FJB	563132	male
A7	Rear_Axle_Cmpt	563979	male	A42.J3	FJB	562957	male
A9.Cx1	FJB	564041	female	A43.J1	FJB	562767	male
A9.Cx2	FJB	563678	male	A43.J2	FJB	563132	male
A9.Cx3	FJB	564037	female	A43.J3	FJB	562957	male
A9.Cx4	FJB	564038	female	A44.J1	FJB	563133	male
A10.X1	Engine_Cmpt	563135	male	A44.J2	FJB	563132	male
A10.X3	Engine_Cmpt	563134	female	A44.J3	FJB	562957	male
A11	LH_Console	563142	male	A45.J1	FJB	563133	male
A14A.A	Dash	562766	male	A45.J2	FJB	563132	male
A14A.B	Dash	562767	male	A45.J3	FJB	562957	male
A14A.C	Dash	562765	male	A46.J1	FJB	563133	male
A15	Dash	562464	male	A46.J2	FJB	563132	male
A16	Front_Roof	561637	male	A46.J3	FJB	562957	male
A17	RJB	561932	male	A47.J1	RH_Console	563133	male
A18	FJB	562794	male	A47.J2	RH_Console	563132	male
A18.J2	FJB	562650	male	A47.J3	RH_Console	562957	male
A19	LH_Console	562878	female	A48.J1	RH_Console	563133	male
A20	Parcel_Rack_LH	561477	female	A48.J2	RH_Console	563132	male
A24	RH_Console	561889	female	A48.J3	RH_Console	562957	male
A24.A	RH_Console	561890	male	A49.J1	RJB	562767	male
A24.B	RH_Console	561566	female	A49.J2	RJB	563132	male
A27	Service_Cmpt	562929	male	A49.J3	RJB	562957	male
A28	Service_Cmpt	562928	male	A50.J1	RJB	563133	male
A29	Dash	562464	male	A50.J2	RJB	563132	male
A32.A		564221	male	A50.J3	RJB	562957	male
A32.B		564518	male	A51.J1	RJB	563133	male
A34	Parcel_Rack	562465	male	A51.J2	RJB	563132	male
A34.A	Parcel_Rack	901110	male	A51.J3	RJB	562957	male
A34.B	Parcel_Rack	901110	male	A52.J1	RJB	563133	male

# CONNECTORS LIST

No	Location	Part #	Gender	No	Location	Part #	Gender
A52.J3	RJB	562957	male	Alt2D.B	Engine_Cmpt	560815	female
A53.J1	RJB	563133	male	Alt2D.C	Engine_Cmpt	564469	female
A53.J2	RJB	563132	male	ANT1	Front_Roof	561476	male
A53.J3	RJB	562957	male	ANT1	Front_Roof	561477	female
A54.J1	Evap_Cmpt	563133	male	ANT2	Front_Roof	561476	male
A54.J2	Evap_Cmpt	563132	male	ANT2	Front_Roof	561477	female
A54.J3	Evap_Cmpt	562957	male	ANT3	Front_Roof	561476	male
A55.J1	Dash	562767	male	ANT3	Front_Roof	561477	female
A55.J2	Dash	563132	male	B		561690	male
A55.J3	Dash	562957	male	B		561566	female
A81.JA	FJB	562767	male	B85	Engine_Cmpt	563815	male
A81.JB	FJB	562765	male	B96	Engine_Cmpt	563821	male
A81.JC	FJB	562957	male	B96B	Engine_Cmpt	563823	male
A83	FJB	564205	male	B97	Engine_Cmpt	563816	male
A96	FJB	564073	female	B98	Engine_Cmpt	563817	male
A97	Dash	563226	male	B115	Engine_Cmpt	563818	female
A98		561550	male	B115A		564226	male
A100	Front_Axle_Cmpt	563758	female	B142B		563793	male
A101	Rear_RH_Axle_Cmpt	563758	female	C1	FJB	563589	male
A102	Rear_RH_Axle_Cmpt	563758	female	C1	FJB	563590	female
A103	Dash	562070	female	C1S	FJB	563589	male
A104	Dash	561606	female	C1S	FJB	563590	female
A107		20393942	female	C2	Service_Cmpt	563580	male
A108	RJB	562766	male	C2	Service_Cmpt	563581	female
A109A	FJB	564141	male	C2A	FJB	563580	male
A114	Service_Cmpt	563850	male	C2A	FJB	563581	female
A130	Driver_Area	563226	male	C3S	RJB	563593	male
A131.A	Engine_Cmpt	561782	male	C3S	RJB	563590	female
A131.B	Engine_Cmpt	561781	female	C3_plug	RJB	563589	male
A132.A		561782	male	C3_socket	RJB	563590	female
A132.B		561551	female	C4	FJB	563580	male
A133	Front_Ceiling_LH	561848	male	C4	FJB	563581	female
A134.A		562649	female	C5	FJB	563589	male
A134.B		562550	female	C5	FJB	563590	female
A134.C		562011	male	C5S	FJB	563589	male
A137	Cond_Cmpt	563782	male	C5S	FJB	563590	female
A137A		20429843	male	C6	FJB	563582	male
A138	Cond_Cmpt	563787	male	C6	FJB	563583	female
A139	Dash	564501	male	C7	Service_Cmpt	562566	male
Alt1D.A	Engine_Cmpt	563746	female	C7	Service_Cmpt	562565	female
Alt1D.B	Engine_Cmpt	560815	female	C8	FJB	563227	male
Alt1D.C	Engine_Cmpt	564469	female	C8	FJB	563614	female

# CONNECTORS LIST

No	Location	Part #	Gender	No	Location	Part #	Gender
C9	RJB	561987	female	C29	4rd_Lugg_Cmpt	563651	male
C10	Engine_Cmpt	562477	male	C29	3rd_Lugg_Cmpt	563652	female
C10	Engine_Cmpt	562479	female	C30	3rd_Lugg_Cmpt	561710	male
C11	Service_Cmpt	563580	male	C30	3rd_Lugg_Cmpt	561709	female
C11	Service_Cmpt	563581	female	C31	3rdLugg_Cmpt	561734	male
C12	Engine_Cmpt	562581	male	C31	3rdLugg_Cmpt	561735	female
C12	Engine_Cmpt	562583	female	C32	lavatory	561734	male
C13S	RH_Console	563589	male	C32	Lavatory	561735	female
C13S	RH_Console	563590	female	C34	RH_Console	561986	male
C13_plug	RH_Console	563589	male	C34	RH_Console	561987	female
C13_socket	RH_Console	563590	female	C35	RJB	562284	male
C14	RJB	561986	male	C35	RJB	562281	female
C14	RJB	561987	female	C36	FJB	561986	male
C15	Evap_Cmpt	563580	male	C36	FJB	561987	female
C15	Evap_Cmpt	563581	female	C37	Parcel_Rack_LH	562557	male
C16	RJB	561577	male	C37	Parcel_Rack_LH	562558	female
C16	RJB	561605	female	C38	Parcel_Rack_LH	561643	male
C17	RJB	561986	male	C38	Parcel_Rack_LH	561642	female
C17	RJB	561987	female	C40	Dash	562485	male
C18	FJB	561986	male	C40	Dash	562486	female
C18	FJB	561987	female	C41	RJB	561782	male
C19	RJB	561986	male	C41	RJB	561781	female
C19	RJB	561987	female	C42	FJB	561668	male
C20A	Evap_Cmpt	562485	male	C42	FJB	561551	female
C20A	Evap_Cmpt	562486	female	C44_plug	FJB	561577	male
C20B	Evap_Cmpt	562485	male	C44_socket	FJB	561605	female
C20B	Evap_Cmpt	562486	female	C45	FJB	561643	male
C21	RJB	562285	male	C45	FJB	561642	female
C21	RJB	562282	female	C46		562549	male
C22	RJB	561847	male	C46		562550	female
C22	RJB	561862	female	C48	Service_Cmpt	561690	male
C23	Evap_Cmpt	561847	male	C48	Service_Cmpt	561566	female
C23	Evap_Cmpt	561862	female	C49	FJB	562005	male
C24_plug	Evap_Cmpt	561690	male	C49	FJB	561714	female
C24_socket	Evap_Cmpt	561566	female	C50	Engine_Cmpt	561932	male
C25	Parcel_Rack_LH	561550	male	C50	Engine_Cmpt	560933	female
C25	Parcel_Rack_LH	561667	female	C54	Engine_Cmpt	563580	male
C25A	Parcel_Rack_LH	561550	male	C54	Engine_Cmpt	563581	female
C25A	Parcel_Rack_LH	561667	female	C55	Evap_Cmpt	561577	male
C26	Cond_Cmpt	563580	male	C55	Evap_Cmpt	561605	female
C26	Cond_Cmpt	563581	female	C56	Parcel_Rack_LH	562557	male
C27	RJB	562284	male	C56	Parcel_Rack_LH	562558	female



# CONNECTORS LIST

No	Location	Part #	Gender	No	Location	Part #	Gender
C57	Parcel_Rack_RH	561987	female	C79	FJB	560898	male
C58	Cond_Cmpt	563226	male	C79	FJB	560900	female
C58	Cond_Cmpt	563613	female	C79A	FJB	560898	male
C59	RJB	561643	male	C79A	FJB	560900	female
C59	RJB	561642	female	C80	FJB	560898	male
C60	RJB	561986	male	C80	FJB	560900	female
C60	RJB	561987	female	C80A	FJB	560898	male
C61	Fr_Service_Door	561669	male	C80A	FJB	560900	female
C61	Fr_Service_Door	561670	female	C80B	FJB	560898	male
C62	Fr_Service_Door	562566	male	C80B	FJB	560900	female
C62	Fr_Service_Door	562565	female	C81	1st_Lugg_Cmpt	562477	male
C63	Entrance_Door	562477	male	C81	1st_Lugg_Cmpt	562479	female
C63	Entrance_Door	562479	female	C82	1st_Lugg_Cmpt	562477	male
C64	Engine_Cmpt	563580	male	C82	1st_Lugg_Cmpt	562479	female
C64	Engine_Cmpt	563581	female	C83	2nd_Lugg_Cmpt	562477	male
C65	Service_Cmpt	562485	male	C83	2nd_Lugg_Cmpt	562479	female
C65	Service_Cmpt	562486	female	C84	2nd_Lugg_Cmpt	562477	male
C66_plug	Evap_Cmpt	561577	male	C84	2nd_Lugg_Cmpt	562479	female
C66_socket	Evap_Cmpt	561605	female	C85	4rd_Lugg_Cmpt	562477	male
C67	Parcel_Rack_LH	561247	male	C85	2nd_Lugg_Cmpt	562479	female
C67	Parcel_Rack_LH	561248	female	C86	4rd_Lugg_Cmpt	562581	male
C68	Parcel_Rack_LH	561643	male	C86	4rd_Lugg_Cmpt	562583	female
C68	Parcel_Rack_LH	561642	female	C87	Engine_Cmpt	562485	male
C69	FJB	561583	male	C87	Engine_Cmpt	562486	female
C69	FJB	561585	female	C88	FJB	562485	male
C70	FJB	561646	male	C88	FJB	562486	female
C70	FJB	561645	female	C91	RJB	562285	male
C71	FJB	561646	male	C91	RJB	562282	female
C71	FJB	561645	female	C92	FJB	561986	male
C72	FJB	561646	male	C92	FJB	561987	female
C72	FJB	561645	female	C96	FJB	561643	male
C73		561646	male	C96	FJB	561642	female
C73		561645	female	C97	FJB	561640	male
C74	FJB	561645	female	C97	FJB	561639	female
C74	FJB	561646	male	C100	Evap_Cmpt	563589	male
C75_plug	Parcel_Rack_RH	562557	male	C100	Evap_Cmpt	563590	female
C75_socket	Parcel_Rack_RH	562558	female	C100S	Evap_Cmpt	563589	male
C76	Parcel_Rack	561577	male	C100S	Evap_Cmpt	563590	female
C76	Parcel_Rack	561605	female	C101	Service_Cmpt	561690	male
C77	FJB	561577	male	C101	Service_Cmpt	561566	female
C77	FJB	561605	female	C103_plug	FJB	562485	male
C78	Engine_Cmpt	561690	male	C103_socket	FJB	562486	female

# CONNECTORS LIST

No	Location	Part #	Gender	No	Location	Part #	Gender
C105_socket	FJB	562583	female	C225	FJB	562650	male
C106_plug	FJB	562581	male	C225	FJB	562649	female
C106_socket	FJB	562583	female	C226	FJB	562650	male
C112	RJB	562284	male	C226	FJB	562649	female
C112	RJB	562281	female	C242	Service_Cmpt	562789	male
C119	Rear_Engine_Door	561607	male	C242	Service_Cmpt	565131	female
C119	Rear_Engine_Door	561606	female	C243	Service_Cmpt	562789	male
C120	Rear_Engine_Door	561607	male	C243	Service_Cmpt	565131	female
C120	Rear_Engine_Door	561606	female	C246	Mirror_LH	564512	male
C144	RJB	560852	male	C246	Mirror_LH	564513	female
C144	RJB	560851	female	C250	Parcel_Rack	564208	male
C152	Cond_Cmpt	561611	male	C251	Driver_Area	562549	male
C152	Cond_Cmpt	561610	female	C251	Driver_Area	562550	female
C170	LH_Console	561637	male	C269	Mirror_RH	564512	male
C170	LH_Console	561636	female	C269	Mirror_RH	564513	female
C171	LH_Console	561646	male	C270	Mirror_RH	564512	male
C171	LH_Console	561645	female	C270	Mirror_RH	564513	female
C172	Service_Cmpt	561640	male	C279	Service_Cmpt	562477	male
C172	Service_Cmpt	561638	female	C279	Service_Cmpt	562479	female
C193_plug	RJB	563589	male	C280	Parcel_Rack	562549	male
C193_socket	RJB	563590	female	C280	Parcel_Rack	562550	female
C194	FJB	563589	male	C290	Rear_Vehicle	562477	male
C194	FJB	563590	female	C290	Rear_Vehicle	562479	female
C206	Parcel_Rack_RH	562503	male	C330	FJB	561690	male
C206	Parcel_Rack_RH	562507	female	C330	FJB	561566	female
C206A	Parcel_Rack_RH	562503	male	C333_plug	Dash	560898	male
C206A	Parcel_Rack_RH	562507	female	C333_socket	Dash	560900	female
C207	Parcel_Rack_LH	562503	male	C380	Dash	563180	male
C207	Parcel_Rack_LH	562507	female	C380	Dash	563347	female
C207A	Parcel_Rack_LH	562503	male	C380A		564222	male
C207A	Parcel_Rack_LH	562507	female	C380A		564224	female
C209_plug	Parcel_Rack_RH	562503	male	C381	Parcel_Rack	561847	male
C209_socket	Parcel_Rack_RH	562507	female	C381	Parcel_Rack	561862	female
C212	Parcel_Rack_LH	561515	male	C382	Under_Seat	561580	male
C212	Parcel_Rack_LH	561552	female	C382	Under_Seat	561582	female
C213	Parcel_Rack_LH	561515	male	C397	RJB	562285	male
C213	Parcel_Rack_LH	561552	female	C397	RJB	562282	female
C222	FJB	562477	male	C400		561782	male
C222	FJB	562479	female	C400		561781	female
C223	FJB	563227	male	C426	Engine_Cmpt	561611	male
C223	FJB	563614	female	C426	Engine_Cmpt	561610	female
C224	FJB	561637	male	C430	LH_Console	562363	male

# CONNECTORS LIST

No	Location	Part #	Gender	No	Location	Part #	Gender
C452	Dash	561580	male	C584AA		560908	female
C452	Dash	561582	female	C601	LHRoofWinAjar	561476	male
C463	Rear_Axle_Cmpt	562570	female	C601	LHRoofWinAjar	561477	female
C463	Rear_Axle_Cmpt	562571	male	C603	RHRoofWinAjar	561476	male
C464	RJB	563180	male	C603	RHRoofWinAjar	561477	female
C464	RJB	563347	female	C611_plug	Parcel_Rack_RH	562557	male
C464A		564222	male	C611_socket	Parcel_Rack_RH	562558	female
C464A		564224	female	C612_plug	Parcel_Rack_RH	562555	male
C506	FJB	561687	male	C612_socket	Parcel_Rack_RH	562556	female
C506	FJB	561685	female	C613_plug	Parcel_Rack_RH	561550	male
C575	Parcel_Rack_RH	562503	male	C613_socket	Parcel_Rack_RH	561667	female
C575	Parcel_Rack_RH	562507	female	C614	Passenger_Area	563071	male
C576	Parcel_Rack_RH	561550	male	C614	Passenger_Area	563040	female
C576	Parcel_Rack_RH	561667	female	C615	Passenger_Area	563071	male
C576B	Parcel_Rack_RH	562006	male	C615	Passenger_Area	563040	female
C576B	Parcel_Rack_RH	560908	female	C617	Mirror_LH	563801	male
C576C	Parcel_Rack_RH	562006	male	C617	Mirror_LH	563800	female
C576C	Parcel_Rack_RH	560908	female	C618	Mirror_RH	563801	male
C576CC		562006	male	C618	Mirror_RH	563800	female
C576CC		560908	female	C717	RJB	561646	male
C577	Parcel_Rack_LH	561550	male	C717	RJB	561645	female
C577	Parcel_Rack_LH	561667	female	C777	Dash	562477	male
C577A	Parcel_Rack	562006	male	C777	Dash	562479	female
C577A	Parcel_Rack	560908	female	CA	Parcel_Rack_LH	561637	male
C577B	Parcel_Rack	562006	male	CA	Parcel_Rack_LH	561635	female
C577B	Parcel_Rack	560908	female	CCAM1	Front_Roof_Int	561476	male
C577BB		562006	male	CCAM1	Front_Roof_Int	561477	female
C577BB		560908	female	CCAM2	Front_Roof_Int	561476	male
C578	Parcel_Rack_LH	562503	male	CCAM2	Front_Roof_Int	561477	female
C578	Parcel_Rack_LH	562507	female	CCAM3	Front_Roof_Int	561476	male
C582	FJB	561690	female	CCAM3	Front_Roof_Int	561477	female
C582	FJB	561566	female	CCAM4	Midium_Roof_Int	561476	male
C583	Parcel_Rack_RH	562006	male	CCAM4	Midium_Roof_Int	561477	female
C583	Parcel_Rack_RH	560908	female	CCAM5	Midium_Roof_Int	561476	male
C583A	Parcel_Rack_RH	562006	male	CCAM5	Midium_Roof_Int	561477	female
C583A	Parcel_Rack_RH	560908	female	CCAM6	Midium_Roof_Int	561476	male
C583AA		562006	male	CCAM6	Midium_Roof_Int	561477	female
C583AA		560908	female	CCAM7	Rr_Roof_Int	561476	male
C584	Parcel_Rack_LH	562006	male	CCAM7	Rr_Roof_Int	561477	female
C584	Parcel_Rack_LH	560908	female	CCAM9	Front_Roof_Int	561476	male
C584A	Parcel_Rack_LH	562006	male	CCAM9	Front_Roof_Int	561477	female
C584A	Parcel_Rack_LH	560908	female	CCAM10	Rr_Roof_Int	561476	male

# CONNECTORS LIST

No	Location	Part #	Gender	No	Location	Part #	Gender
CCust	Parcel_Rack_Fr_WCL	562477	male	CP5	Passenger_Area	561782	male
CCust	RJB	562479	female	CP5	Passenger_Area	561781	female
CDIR-1	Parcel_Rack_Fr_WCL	562006	male	CR1	RJB	561247	male
CDIR-1	Parcel_Rack_Fr_WCL	560908	female	CR1	RJB	561248	female
CDIR-2	Parcel_Rack_Fr_WCL	562006	male	CSe79	Service_Cmpt	561782	male
CDIR-2	Parcel_Rack_Fr_WCL	560908	female	CSe79	Service_Cmpt	561781	female
CDIRWC-1	Parcel_Rack_Rr_WCL	562006	male	CSe80	RJB	561782	male
CDIRWC-1	Parcel_Rack_Rr_WCL	560908	female	CSe80	RJB	561781	female
CDIRWC-2	Parcel_Rack_Rr_WCL	562006	male	CSw153	Service_Cmpt	561690	male
CDIRWC-2	Parcel_Rack_Rr_WCL	560908	female	CSw153	Service_Cmpt	561566	female
CDVR	Parcel_Rack_RH	562555	male	CSX1	Engine_Cmpt	563135	male
CDVR	Parcel_Rack_RH	562556	female	CSX1	Engine_Cmpt	563134	female
CDVR1	Parcel_Rack_RH	561986	male	CSX3	Engine_Cmpt	563135	male
CDVR1	Parcel_Rack_RH	561987	female	CSX3	Engine_Cmpt	563134	female
CDVR2	Parcel_Rack_RH	561713	male	CT2	Engine_Cmpt	563226	male
CDVR2	Parcel_Rack_RH	561714	female	CT2	Engine_Cmpt	563613	female
CEVENT	RH_Console	561637	male	CT3	Rear_Vehicle	563224	male
CEVENT	RH_Console	561635	female	CVIP		561577	male
CIND-1	Parcel_Rack_LH	562006	male	CVIP		561605	female
CIND-1	Parcel_Rack_LH	560908	female	CXC1	Service_Cmpt	562477	male
CIND-2	Parcel_Rack_LH	562006	male	CXC1	Service_Cmpt	562479	female
CIND-2	Parcel_Rack_LH	560908	female	C_4CWcl_plug	Parcel_Rack_LH	561626	female
CINDWC-1	Parcel_Rack_LH	562006	male	C_4CWcl_socket	Parcel_Rack_LH	561904	female
CINDWC-1	Parcel_Rack_LH	560908	female	C_ALT1		562477	male
CINDWC-2	Parcel_Rack_LH	562006	male	C_ALT1		562479	female
CINDWC-2	Parcel_Rack_LH	560908	female	C_ALT2		562477	male
CL1	Service_Cmpt	562485	male	C_ALT2		562479	female
CL1	Service_Cmpt	562486	female	C_Foot	Driver_Area	563347	male
CMIC	Center_Front	561476	male	C_Foot	Driver_Area	563180	female
CMIC	Center_Front	561477	female	EI	Engine_Cmpt	563739	male
CMo5	Parcel_Rack_LH	561515	male	EIA		563739	male
CMo5	Parcel_Rack_LH	561552	female	FUSE_BOX_1.A	Parcel_Rack	562610	male
CMOT	Center_Front	561476	male	FUSE_BOX_1.B	Parcel_Rack	562610	male
CMOT	Center_Front	561477	female	FUSE_BOX_2.A	Parcel_Rack	562610	male
Common	Parcel_Rack_RH	560898	male	FUSE_BOX_2.B	Parcel_Rack	562610	male
CP1	Passenger_Area	561782	male	FUSE_BOX_3.A	Parcel_Rack	562610	male
CP1	Passenger_Area	561781	female	FUSE_BOX_3.B	Parcel_Rack	562610	male
CP2	Passenger_Area	561782	male	FUSE_BOX_4.A	Parcel_Rack	562610	male
CP2	Passenger_Area	561781	female	FUSE_BOX_4.B	Parcel_Rack	562610	male
CP3	Passenger_Area	561782	male	FUSE_BOX_5.A	Parcel_Rack	562610	male
CP3	Passenger_Area	561781	female	FUSE_BOX_5.B	Parcel_Rack	562610	male
CP4	Passenger_Area	561782	male	L1A	Engine_Cmpt	564045	female

# CONNECTORS LIST

No	Location	Part #	Gender	No	Location	Part #	Gender
L3.B	Parcel_Rack_RH	562759	male	L26.A	Front_Roof	561608	female
L4.A	Parcel_Rack_RH	562758	male	L26.B	Front_Roof	562286	male
L4.B	Parcel_Rack_RH	562759	male	L27.A	Front_Roof	561608	female
L5.A	Parcel_Rack_RH	562758	male	L27.B	Front_Roof	562286	male
L5.B	Parcel_Rack_RH	562759	male	L28	Parcel_Rack_LH	560898	male
L6.A	Parcel_Rack_RH	562758	male	L29	Parcel_Rack_LH	560898	male
L6.B	Parcel_Rack_RH	562759	male	L30	Parcel_Rack_LH	560898	male
L7.A	Parcel_Rack_RH	562758	male	L31	Parcel_Rack_LH	560898	male
L7.B	Parcel_Rack_RH	562759	male	L32	Parcel_Rack_LH	560898	male
L8.A	Parcel_Rack_RH	562758	male	L33	Parcel_Rack_LH	560898	male
L8.B	Parcel_Rack_RH	562759	male	L34	Parcel_Rack_LH	560898	male
L9.A	Parcel_Rack_LH	562758	male	L35	Parcel_Rack_LH	560898	male
L9.B	Parcel_Rack_LH	562759	male	L36	Parcel_Rack_LH	560898	male
L10.A	Parcel_Rack_LH	562758	male	L37	Parcel_Rack_LH	560898	male
L10.B	Parcel_Rack_LH	562759	male	L38	Parcel_Rack_LH	560898	male
L11.A	Parcel_Rack_LH	562758	male	L39	Parcel_Rack_LH	560898	male
L11.B	Parcel_Rack_LH	562759	male	L40	Parcel_Rack_RH	560898	male
L12.A	Parcel_Rack_LH	562758	male	L41	Parcel_Rack_RH	560898	male
L12.B	Parcel_Rack_LH	562759	male	L42	Parcel_Rack_RH	560898	male
L13.A	Parcel_Rack_LH	562758	male	L43	Parcel_Rack_RH	560898	male
L13.B	Parcel_Rack_LH	562759	male	L44	Parcel_Rack_RH	560898	male
L14.A	Parcel_Rack_LH	562758	male	L45	Parcel_Rack_RH	560898	male
L14.B	Parcel_Rack_LH	562759	male	L46	Parcel_Rack_RH	560898	male
L15.A	Parcel_Rack_LH	562758	male	L47	Parcel_Rack_RH	560898	male
L15.B	Parcel_Rack_LH	562759	male	L48	Parcel_Rack_RH	560898	male
L15A.A		560908	female	L49	Parcel_Rack_RH	560898	male
L15A.B		560908	female	L50	Parcel_Rack_RH	560898	male
L16	Front_Roof	562803	male	L51	Parcel_Rack_RH	560898	male
L17	Front_Roof	562803	male	L52	Passenger_Area	560898	male
L18	Entrance_Door	562549	male	L53	Passenger_Area	560898	male
L19		562549	male	L54	Passenger_Area	560898	male
L20		562549	male	L55	Passenger_Area	560898	male
L20A	Entrance_Door_Step	562549	male	L56	Passenger_Area	560898	male
L21.A	Front_Roof	561608	female	L57	Passenger_Area	560898	male
L21.B	Front_Roof	562286	male	L58	Passenger_Area	560898	male
L22.A	Front_Roof	561608	female	L59	Out_Side_Front_RH	562623	male
L22.B	Front_Roof	562286	male	L59A	Out_Side_Front_RH	562485	male
L23.A	Front_Roof	561608	female	L59B	Out_Side_Front_RH	562623	male
L23.B	Front_Roof	562286	male	L60	Out_Side_Front_LH	562623	male
L24.A	Front_Roof	561608	female	L60A	Out_Side_Front_LH	562485	male
L24.B	Front_Roof	562286	male	L60B	Out_Side_Front_LH	562623	male
L25.A	Front_Roof	561608	female	L61	Out_Side_Front_RH	562601	male

# CONNECTORS LIST

No	Location	Part #	Gender	No	Location	Part #	Gender
L63	Front_Side_LH	562155	male	L99	Parcel_Rack_LH	560898	male
L64	Outside_Front_RH	562155	male	L100	Parcel_Rack_LH	560898	male
L65	Outside_Front_LH	562155	male	L100A		560898	male
L66	Out_Side_Front_LH	562155	male	L101	Parcel_Rack_LH	560898	male
L67	4rd_Lugg_Cmpt	562155	male	L102	Parcel_Rack_LH	560898	male
L68	4rd_Lugg_Cmpt	562155	male	L103	Parcel_Rack_LH	560898	male
L69	4rd_Lugg_Cmpt	562155	male	L104	Parcel_Rack_LH	560898	male
L70	4rd_Lugg_Cmpt	562155	male	L105	Parcel_Rack_LH	560898	male
L71	Rear_Engine_Door	562601	male	L106	Parcel_Rack_LH	560898	male
L72	Rear_Vehicle	562155	male	L107	Parcel_Rack_LH	560898	male
L73	Rear_Vehicle	562601	male	L108	Parcel_Rack_LH	560898	male
L74	Rear_Vehicle	562155	male	L109	Parcel_Rack_LH	560898	male
L75	Rear_Vehicle	562155	male	L110	Parcel_Rack_LH	560898	male
L76	Rear_Engine_Door	562155	male	L111	Parcel_Rack_LH	560898	male
L77	Rear_Engine_Door	562601	male	L112	Parcel_Rack_LH	560898	male
L78	Rear_Engine_Door	562601	male	L113	Parcel_Rack_RH	560898	male
L79	Rear_Engine_Door	562601	male	L114	Parcel_Rack_RH	560898	male
L81.A	Rear_Vehicle	562835	female	L115	Parcel_Rack_RH	560898	male
L81.B	Rear_Vehicle	562834	male	L116	Parcel_Rack_RH	560898	male
L82	Rear_Engine_Door	562348	female	L117	Parcel_Rack_RH	560898	male
L83	Rear_Engine_Door	562348	female	L119	Parcel_Rack_RH	560898	male
L84.A	Rear_Roof	561608	female	L120	Parcel_Rack_RH	560898	male
L84.B	Rear_Roof	562286	male	L121	Parcel_Rack_RH	560898	male
L85.A	Rear_Roof	561608	female	L122	Parcel_Rack_RH	560898	male
L85.B	Rear_Roof	562286	male	L123	Parcel_Rack_RH	560898	male
L86.A	Rear_Roof	561608	female	L124	Parcel_Rack_RH	560898	male
L86.B	Rear_Roof	562286	male	L125	Parcel_Rack_RH	560898	male
L87.A	Rear_Roof	561608	female	L126	Parcel_Rack_RH	560898	male
L87.B	Rear_Roof	562286	male	L127	Parcel_Rack_RH	562758	male
L88.A	Rear_Roof	561608	female	L128	Parcel_Rack_RH	562758	male
L88.B	Rear_Roof	562286	male	L129	Parcel_Rack_RH	562758	male
L89.A	Rear_Roof	561608	female	L130	Parcel_Rack_RH	562758	male
L89.B	Rear_Roof	562286	male	L131	Parcel_Rack_RH	562758	male
L90.A	Rear_Roof	561608	female	L132	Parcel_Rack_RH	562758	male
L90.B	Rear_Roof	562286	male	L134	Parcel_Rack_LH	562758	male
L91	Rear_Engine_Door	562755	male	L135	Parcel_Rack_LH	562758	male
L92	Rear_Engine_Door	562755	male	L136	Parcel_Rack_LH	562758	male
L95	Outside_Front_LH	562902	female	L137	Parcel_Rack_LH	562758	male
L96	Outside_Front_RH	562902	female	L138	Parcel_Rack_LH	562758	male
L97.A	Outside_Front_LH	563069	female	L138B.A	Parcel_Rack_LH	562651	female
L97.B	Outside_Front_LH	563069	female	L138BB		562651	female
L98.A	Entrance_Door	563069	female	L139	Parcel_Rack_LH	562758	male

# CONNECTORS LIST

No	Location	Part #	Gender	No	Location	Part #	Gender
L139AA		560898	male	L166.A	Parcel_Rack_RH	562756	male
L139B.A	Parcel_Rack_LH	562651	female	L167.A	Parcel_Rack_RH	562756	male
L139BB		562651	female	L168.A	Parcel_Rack_RH	562756	male
L140	Lavatory	561247	male	L169.A	Parcel_Rack_RH	562756	male
L142	Lavatory	562803	male	L170.A	Parcel_Rack_RH	562756	male
L142A	Lavatory	562803	male	L171.A	Parcel_Rack_RH	562756	male
L144.A	Parcel_Rack_LH	562756	male	L172.A	Parcel_Rack_RH	562756	male
L144.B	Parcel_Rack_LH	562505	female	L173	Engine_Cmpt	563590	female
L145.A	Parcel_Rack_LH	562756	male	L174	Engine_Cmpt	563590	female
L145.B	Parcel_Rack_LH	562505	female	L176	3rd_Lugg_Cmpt	561247	male
L146.A	Parcel_Rack_LH	562756	male	L177	3rd_Lugg_Cmpt	561247	male
L146.B	Parcel_Rack_LH	562505	female	L180	2nd_Lugg_Cmpt	561247	male
L147.A	Parcel_Rack_LH	562756	male	L181	2nd_Lugg_Cmpt	561247	male
L147.B	Parcel_Rack_LH	562505	female	L182	1st_Lugg_Cmpt	561247	male
L148.A	Parcel_Rack_LH	562756	male	L183	1st_Lugg_Cmpt	561247	male
L148.B	Parcel_Rack_LH	562505	female	L184	Service_Cmpt	561247	male
L149.A	Parcel_Rack_LH	562756	male	L185.A	Service_Cmpt	562651	female
L149.B	Parcel_Rack_LH	562505	female	L185.B	Service_Cmpt	562290	female
L150.A	Parcel_Rack_LH	562756	male	L187	Engine_Cmpt	561690	male
L150.B	Parcel_Rack_LH	562505	female	L188	Service_Cmpt	562486	female
L151.A	Parcel_Rack_LH	562756	male	L192	Parcel_Rack_LH	560898	male
L151.B	Parcel_Rack_LH	562505	female	L193.A	Dash	560488	female
L152.A	Parcel_Rack_LH	562756	male	L193.B	Dash	560488	female
L152.B	Parcel_Rack_LH	562505	female	L194.A	Dash	562019	female
L153.A	Parcel_Rack_LH	562756	male	L194.B	Dash	560488	female
L153.B	Parcel_Rack_LH	562505	female	L195.A	Dash	560488	female
L154.A	Parcel_Rack_LH	562756	male	L195.B	Dash	560488	female
L154.B	Parcel_Rack_LH	562505	female	L199	Engine_Cmpt	562471	male
L155.A	Parcel_Rack_LH	562756	male	L200	Engine_Cmpt	562471	male
L155.B	Parcel_Rack_LH	562505	female	L203	RH_Console	561690	male
L156.A	Parcel_Rack_LH	562756	male	L204	Parcel_Rack_RH	562803	male
L156.B	Parcel_Rack_LH	562505	female	L205	Engine_Cmpt	562485	male
L157.A	Parcel_Rack_LH	562756	male	L206	Parcel_Rack_RH	562803	male
L157.B	Parcel_Rack_LH	562505	female	L207.A	3rd_Lugg_Cmpt	561699	female
L158.A	Parcel_Rack_LH	562756	male	L207.B	3rd_Lugg_Cmpt	561699	female
L158.B	Parcel_Rack_LH	562505	female	L207.C	3rd_Lugg_Cmpt	561701	female
L159.A	Parcel_Rack_RH	562756	male	L207.D	3rd_Lugg_Cmpt	561699	female
L160.A	Parcel_Rack_RH	562756	male	L207.E	3rd_Lugg_Cmpt	561701	female
L161.A	Parcel_Rack_RH	562756	male	L207.F	3rd_Lugg_Cmpt	561699	female
L162.A	Parcel_Rack_RH	562756	male	L207.G	3rd_Lugg_Cmpt	561699	female
L163.A	Parcel_Rack_RH	562756	male	L207.H	3rd_Lugg_Cmpt	560926	female
L164.A	Parcel_Rack_RH	562756	male	L207.I	3rd_Lugg_Cmpt	560926	female

# CONNECTORS LIST

No	Location	Part #	Gender	No	Location	Part #	Gender
L213.B	Parcel_Rack_RH	561248	female	L236.B	Parcel_Rack_RH	562759	male
L214.A	Parcel_Rack_RH	561248	female	L237.A	Parcel_Rack_RH	562758	male
L214.B	Parcel_Rack_RH	561248	female	L237.B	Parcel_Rack_RH	562759	male
L215.A	Parcel_Rack_RH	561248	female	L238.A	Parcel_Rack_RH	561248	female
L215.B	Parcel_Rack_RH	561248	female	L238.B	Parcel_Rack_RH	561248	female
L216.A	Parcel_Rack_RH	561248	female	L238A.A		560908	female
L216.B	Parcel_Rack_RH	561248	female	L238A.B		560908	female
L217.A	Parcel_Rack_RH	561248	female	L239.A	Parcel_Rack_RH	561248	female
L217.B	Parcel_Rack_RH	561248	female	L239.B	Parcel_Rack_RH	561248	female
L218.A	Outside_Front_RH	561248	female	L239A.A	Parcel_Rack_LH	560898	male
L218.B	Parcel_Rack_RH	561248	female	L239AA		560898	male
L219.A	Parcel_Rack_LH	561248	female	L239B.A	Parcel_Rack_LH	562651	female
L219.B	Parcel_Rack_LH	561248	female	L239BB		562651	female
L220.A	Parcel_Rack_LH	561248	female	L240.A	Parcel_Rack_RH	561248	female
L220.B	Parcel_Rack_LH	561248	female	L240.B	Parcel_Rack_RH	561248	female
L221.A	Parcel_Rack_LH	561248	female	L241.A	Parcel_Rack_RH	561248	female
L221.B	Parcel_Rack_LH	561248	female	L241.B	Parcel_Rack_RH	561248	female
L222.A	Parcel_Rack_LH	561248	female	L242.A	Parcel_Rack_RH	561248	female
L222.B	Parcel_Rack_LH	561248	female	L242.B	Parcel_Rack_RH	561248	female
L223.A	Parcel_Rack_LH	561248	female	L244.A	Parcel_Rack_RH	562756	male
L223.B	Parcel_Rack_LH	561248	female	L245.A	Parcel_Rack_RH	562756	male
L224.A	Parcel_Rack_LH	561248	female	L246.A	Parcel_Rack_RH	562756	male
L224.B	Parcel_Rack_LH	561248	female	L247.A	Parcel_Rack_RH	562756	male
L225.A	Parcel_Rack_LH	561248	female	L248.A	Parcel_Rack_RH	562756	male
L225.B	Parcel_Rack_LH	561248	female	L248.B	Parcel_Rack_RH	562505	female
L227	Parcel_Rack_RH	562758	male	L249.A	Parcel_Rack_RH	562756	male
L228	Parcel_Rack_RH	562758	male	L249.B	Parcel_Rack_RH	562505	female
L229	Parcel_Rack_RH	562758	male	L250.A	Parcel_Rack_RH	562756	male
L230	Parcel_Rack_RH	562758	male	L250.B	Parcel_Rack_RH	562505	female
L231	Parcel_Rack_RH	562758	male	L251.A	Parcel_Rack_RH	562756	male
L232.A	Parcel_Rack_RH	562758	male	L252.A	Parcel_Rack_RH	562756	male
L232.B	Parcel_Rack_RH	562759	male	L253.A	Parcel_Rack_RH	562756	male
L232B.A	Parcel_Rack_RH	562651	female	L254.A	Parcel_Rack_RH	562756	male
L232BB		562651	female	L255.A	Parcel_Rack_RH	562756	male
L233.A	Parcel_Rack_RH	562758	male	L256.A	Parcel_Rack_RH	562756	male
L233.B	Parcel_Rack_RH	562759	male	L257.A	Parcel_Rack_RH	562756	male
L233A.A		560908	female	L258	Parcel_Rack_RH	560898	male
L233A.B		560908	female	L259	Parcel_Rack_RH	560898	male
L234.A	Parcel_Rack_RH	562758	male	L260	Parcel_Rack_RH	560898	male
L234.B	Parcel_Rack_RH	562759	male	L261	Parcel_Rack_RH	560898	male
L235.A	Parcel_Rack_RH	562758	male	L262	Parcel_Rack_RH	560898	male
L235.B	Parcel_Rack_RH	562759	male	L263	Parcel_Rack_RH	560898	male



# CONNECTORS LIST

No	Location	Part #	Gender	No	Location	Part #	Gender
L265.A	Parcel_Rack_RH	561248	female	Mo10.A	Parcel_Rack_LH	561515	male
L265.B	Parcel_Rack_RH	561248	female	Mo10.B	Parcel_Rack_LH	561247	male
L266	Parcel_Rack_RH	560898	male	Mo11.A	Parcel_Rack_RH	561515	male
L267	Parcel_Rack_RH	560898	male	Mo11.B	Parcel_Rack_RH	561247	male
L268	Parcel_Rack_RH	560898	male	Mo12	Engine_Cmpt	561690	male
L269	Parcel_Rack_RH	560898	male	Mo13	Engine_Cmpt	561690	female
L270	Parcel_Rack_RH	560898	male	Mo14	Engine_Cmpt	561566	female
L272	Parcel_Rack_RH	560898	male	Mo15	Front_Ceiling	560900	female
L272B.A	Parcel_Rack_RH	560898	male	Mo16	Front_Ceiling	560900	female
L272C	Parcel_Rack_RH	560898	male	Mo17	RH_Console	563626	male
L273	Parcel_Rack_RH	560898	male	Mo19	Fr_Service_Door	562474	male
L274	Parcel_Rack_RH	560898	male	Mo20	Fr_Service_Door	562474	male
L275	Parcel_Rack_RH	560898	male	Mo22	RH_Console	561186	male
L276	Parcel_Rack_RH	560898	male	Mo24	RH_Console	562348	female
L277	Parcel_Rack_RH	560898	male	Mo25	RH_Console	562348	female
L278	Parcel_Rack_RH	560898	male	Mo27	Cond_Cmpt	563691	male
L279	Parcel_Rack_RH	560898	male	Mo28	Cond_Cmpt	563691	male
L280	Parcel_Rack_RH	560898	male	Mo30	Compr_Door	564161	male
L281	Parcel_Rack_RH	560898	male	Mo35	3rd_Lugg_Door	564161	male
L282	Engine_Cmpt	561690	male	Mo54	Service_Cmpt	562474	male
L282A	Engine_Cmpt	561690	male	PF1	Passenger_Area	561782	male
L283	Service_Cmpt	562485	male	PF1	Passenger_Area	561781	female
L285.A	Rear_Vehicle	562835	female	PLUG1	Behind_Lavatory	561932	male
L285.B	Rear_Vehicle	562834	male	PLUG1	Behind_Lavatory	560933	female
L286.A	Rear_Vehicle	562835	female	PLUG2	Behind_Lavatory	561932	male
L286.B	Rear_Vehicle	562834	male	PLUG2	Behind_Lavatory	560933	female
L291.A	Parcel_Rack_RH	561248	female	PR1	Passenger_Area	561782	male
L291.B	Parcel_Rack_RH	561248	female	PR1	Passenger_Area	561781	female
L292.A	Parcel_Rack_RH	562756	male	P_In1	Passenger_Area	561782	male
L292.B	Parcel_Rack_RH	562505	female	P_In1	Passenger_Area	561781	female
L296		561248	female	P_Out1	Passenger_Area	561782	male
L298	Engine_Cmpt	563590	female	P_Out1	Passenger_Area	561781	female
L299	Engine_Cmpt	563590	female	P_Out2	Passenger_Area	561782	male
L301	Out_Side_Front_RH	560898	male	P_Out2	Passenger_Area	561781	female
L310	Front_Roof	560898	male	P_Out3	Passenger_Area	561782	male
L313	Rr_Roof	562549	male	P_Out3	Passenger_Area	561781	female
L350	Rr_Axle_Cmpt	562251	male	Pot1.A	Dash	560488	female
L350A	Rr_Axle_Cmpt	561690	male	Pot1.B	Dash	560488	female
Mo3	Dash	561667	female	Pot1.C	Dash	560488	female
Mo4	Dash	562076	male	R-12VISS	Parcel_Rack_LH	564496	male
Mo5	Front_Roof	561515	male	R2	RJB	563409	male
Mo7	Cond_Cmpt	563691	male	R3	RJB	563409	male

# CONNECTORS LIST

No	Location	Part #	Gender	No	Location	Part #	Gender
R5		564496	male	Se8	Window_LH	561477	female
R6	RJB	564496	male	Se9	Window_LH	561477	female
R10	Evap_Cmpt	563409	male	Se11.A	Cond_Cmpt	564460	female
R12	Evap_Cmpt	563409	male	Se11.B	Cond_Cmpt	564460	female
R13	RJB	564496	male	Se11.C	Cond_Cmpt	564460	female
R14		564210	male	Se12	Engine_Cmpt	561690	female
R15	RJB	564496	male	Se13	Engine_Cmpt	562350	male
R17		564210	male	Se14.A	Driver_Area	561782	male
R18		564210	male	Se14.B	Driver_Area	561781	female
R19		564210	male	Se15	RH_Console	560898	male
R20	RJB	564496	male	Se17	RH_Console	560900	female
R23	RH_Console	564496	male	Se18.A	Service_Cmpt	560815	female
R26	Evap_Cmpt	564496	male	Se18.B	Service_Cmpt	560815	female
R29	RJB	563409	male	Se19	Service_Cmpt	563677	male
R30	RJB	564496	male	Se19A	Service_Cmpt	563677	male
R31	RJB	564496	male	Se20	Evap_Cmpt	562426	male
R32	RJB	564496	male	Se20B		562426	male
R33	RJB	564496	male	Se21	Dash	561248	female
R34		564210	male	Se23	Engine_Cmpt	563159	male
R39	FJB	564496	male	Se24	Engine_Cmpt	563159	male
R40	RJB	564496	male	Se25	Passenger_Area	561248	female
R41	FJB	564496	male	Se29	Engine_Cmpt	561566	female
R42	FJB	564496	male	Se30	Engine_Door	562877	female
R43	FJB	564496	male	Se31	Compr_Door	562877	female
R44		564496	male	Se32	Rear_Axle_Cmpt	563057	male
R47		564496	male	Se33	Rear_Axle_Cmpt	562856	male
Res3.A	RJB	563590	female	Se34	Rear_Axle_Cmpt	563057	male
Res4	FJB	563590	female	Se35	Rear_Axle_Cmpt	563057	male
Res6	FJB	563590	female	Se36	Rear_Axle_Cmpt	563629	female
Res7	FJB	563590	female	Se37	Front_Axle_LH	641132	female
Res15	Engine_Cmpt	561782	male	Se38	Front_Axle_RH	641132	female
Res18	Engine_Cmpt	563590	female	Se39	Rear_Axle_LH	641132	female
Res19	Parcel_Rack_LH	563590	female	Se40	Rear_Axle_LH	641132	female
Res20	Parcel_Rack_LH	563590	female	Se45.A		563409	male
Res31		562350	male	Se46	Rear_Axle_Cmpt	562348	female
Res32		563764	female	Se48	Engine_Cmpt	561690	male
Res37.A	Parcel_Rack_LH	561690	male	Se49	Engine_Cmpt	561566	female
Res37.B	Parcel_Rack_LH	561690	male	Se50	Engine_Cmpt	561566	female
Res53.A		563590	female	Se53	Service_Cmpt	563159	female
Se4	Window_RH	561477	female	Se54	Service_Cmpt	563159	female
Se5	Window_RH	561477	female	Se55	Service_Cmpt	563159	female
Se6	Window_RH	561477	female	Se60	Service_Cmpt	563409	male

# CONNECTORS LIST

No	Location	Part #	Gender	No	Location	Part #	Gender
Se63	Rear_Axle_RH	641132	female	spBar2	Engine_Cmpt	564135	male
Se64	Rear_Axle_LH	641132	female	spBar4		564135	male
Se65	steering_Columb	564042	female	spBar5		564135	male
Se66	Front_Drive_Axle	564039	female	spBar7		564135	male
Se67	Service_Cmpt	563159	female	spBar9		564135	male
Se69	Service_Cmpt	563159	female	Spk1_L	Parcel_Rack_LH	563994	male
Se74	Rear_Axle_Cmpt	563340	male	Spk1_R	Parcel_Rack_RH	563994	male
Se75	Service_Cmpt	563159	female	Spk2_L	Parcel_Rack_LH	563994	male
Se77	Service_Cmpt	563159	female	Spk2_R	Parcel_Rack_RH	563994	male
Se78	Service_Cmpt	563159	female	Spk3_L	Parcel_Rack_LH	563994	male
Se79	Front_Axle	563340	male	Spk3_R	Parcel_Rack_RH	563994	male
Se80	Rear_Axle	563159	female	Spk4_L	Parcel_Rack_LH	563994	male
Se100		562479	female	Spk4_R	Parcel_Rack_RH	563994	male
So3	RH_Console	641385	male	Spk5_L	Parcel_Rack_LH	563994	male
So4	RH_Console	641385	male	Spk5_R	Parcel_Rack_RH	563994	male
So5	RH_Console	641385	male	Spk6_L	Parcel_Rack_LH	563994	male
So6	RH_Console	641385	male	Spk6_R	Parcel_Rack_RH	563994	male
So7	Service_Cmpt	561566	female	Spk7_L	Parcel_Rack_LH	563994	male
So8	Service_Cmpt	563204	female	Spk7_R	Parcel_Rack_RH	563994	male
So9	Engine_Cmpt	561566	female	Spk8_L	Parcel_Rack_LH	563994	male
So11	Cond_Cmpt	561566	female	Spk8_R	Parcel_Rack_RH	563994	male
So13	Evap_Cmpt	563204	female	Spk9_L	Parcel_Rack_LH	563994	male
So14	Service_Cmpt	641385	male	Spk9_R	Parcel_Rack_RH	563994	male
So15	Service_Cmpt	641385	male	Spk10_L	Parcel_Rack_LH	563994	male
So16	Service_Cmpt	641385	male	Spk10_R	Parcel_Rack_RH	563994	male
So17	Service_Cmpt	641385	male	Spk11_L	Parcel_Rack_LH	563994	male
So20	Service_Cmpt	641385	male	Spk11_R	Parcel_Rack_RH	563994	male
So21	Front_Axle_Cmpt	564046	female	Spk12_L	Parcel_Rack_LH	563994	male
So22	Front_Axle_Cmpt	564046	female	Spk12_R	Parcel_Rack_RH	563994	male
So23	Rear_Axle_Cmpt	564046	female	Spk13_L	Parcel_Rack_LH	563994	male
So24	Rear_Axle_Cmpt	564046	female	Spk13_R	Parcel_Rack_RH	563994	male
So26	Service_Cmpt	562848	male	Spk14_L	Parcel_Rack_LH	563994	male
So27	Rear_Axle_Cmpt	564045	female	Spk14_R	Parcel_Rack_RH	563994	male
So28	Engine_Cmpt	561690	male	Spk15_L	Parcel_Rack_LH	563994	male
So50	Rear_Axle_Cmpt	564046	female	Spk15_R	Parcel_Rack_RH	563994	male
So51	Rear_Axle_Cmpt	564046	female	Spk16_L	Parcel_Rack_LH	563994	male
So52	Front_Axle_Cmpt	564045	female	Spk16_R	Parcel_Rack_RH	563994	male
So53	Rear_Axle_Cmpt	641385	male	Spk22	Driver_Area	563994	male
So54	Rear_Axle_Cmpt	564045	female	Spk23	Door_Inside	563994	male
So55.A		562848	male	Spk24	Driver_Area	563994	male
So56	Rear_Axle_Cmpt	562350	male	Sub1.A	Passenger_Area	564004	female
So57	Engine_Cmpt	562350	male	Sub2.A	Passenger_Area	564004	female

# CONNECTORS LIST

No	Location	Part #	Gender	No	Location	Part #	Gender
Sw1.C259	Driver_Area	561186	male	Sw52	1st_Lugg_Cmpt	562403	female
Sw2	Dash	562763	male	Sw52.B	1st_Lugg_Cmpt	562403	female
Sw3	Dash	562763	male	Sw53	Parcel_Rack_LH	562651	female
Sw4	Dash	562763	male	Sw53A		562651	female
Sw5	Dash	562763	male	Sw54.A	Lavatory	562835	female
Sw6	Dash	562763	male	Sw54.B	Lavatory	562834	male
Sw10A	LH_Console	562763	male	Sw55.A	Lavatory	560488	female
Sw11A	LH_Console	562763	male	Sw55.B	Lavatory	560488	female
Sw12	Dash	562763	male	Sw56.A	Lavatory	560488	female
Sw14	Dash	562763	male	Sw56.B	Lavatory	560488	female
Sw16	Dash	562763	male	Sw57	WCL_Door	563543	male
Sw17	Dash	562763	male	Sw58	Engine_Cmpt	562581	male
Sw18A	LH_Console	562763	male	Sw59	Engine_Cmpt	562348	female
Sw20	Dash	562763	male	Sw63A	LH_Console	562763	male
Sw21	Dash	562763	male	Sw64.A	Service_Cmpt	560815	female
Sw24	Dash	562763	male	Sw64.B	Service_Cmpt	560815	female
Sw25	Dash	562763	male	Sw65	Parcel_Rack_LH	562651	female
Sw26	Dash	562763	male	Sw66	Parcel_Rack_LH	562651	female
Sw27	Dash	562763	male	Sw67	Parcel_Rack_LH	562651	female
Sw29	Dash	562763	male	Sw68	Parcel_Rack_LH	562651	female
Sw30	RJB	562348	female	Sw69	Parcel_Rack_LH	562651	female
Sw31		563543	male	Sw70	Parcel_Rack_LH	562651	female
Sw32	Dash	561477	female	Sw71	Parcel_Rack_LH	562651	female
Sw33	Dash	561476	male	Sw72	Parcel_Rack_LH	562651	female
Sw34	Outside_Front_RH	562477	male	Sw73	Parcel_Rack_RH	562651	female
Sw35	LH_Console	562763	male	Sw74	Parcel_Rack_RH	562651	female
Sw38	LH_Console	562763	male	Sw75	Parcel_Rack_RH	562651	female
Sw40	LH_Console	561690	male	Sw76	Parcel_Rack_RH	562651	female
Sw41	LH_Console	562749	male	Sw77	Parcel_Rack_RH	562651	female
Sw42	Lugg_Cmpt	561636	female	Sw78	Parcel_Rack_RH	562651	female
Sw43	LH_Console	561690	male	Sw79	Parcel_Rack_RH	562651	female
Sw44	Service_Cmpt	562403	female	Sw80	Parcel_Rack_RH	562651	female
Sw44.B	Service_Cmpt	562403	female	Sw81.A	Dash	562905	male
Sw45	3rd_Lugg_Cmpt	562403	female	Sw81.B	Dash	562905	male
Sw45.B	3rd_Lugg_Cmpt	562403	female	Sw82		562479	female
Sw46.A	3rd_Lugg_Cmpt	562403	female	Sw83.A	Dash	560082	female
Sw46.B	3rd_Lugg_Cmpt	562403	female	Sw83.B	Dash	560815	female
Sw49.A	2nd_Lugg_Cmpt	562403	female	Sw83.C	Dash	560082	female
Sw49.B	2nd_Lugg_Cmpt	562403	female	Sw83.D	Dash	560815	female
Sw50.A	2nd_Lugg_Cmpt	562403	female	Sw85	LH_Console	562749	male
Sw50.B	2nd_Lugg_Cmpt	562403	female	Sw86	Parcel_Rack_RH	562651	female
Sw51.A	1st_Lugg_Cmpt	562403	female	Sw87	Parcel_Rack_RH	562651	female

# CONNECTORS LIST

No	Location	Part #	Gender	No	Location	Part #	Gender
Sw89	Parcel_Rack_RH	562651	female	sym553_136.B	Compr_Door	561701	female
Sw90	Parcel_Rack_RH	562651	female	sym553_136.C	Compr_Door	561701	female
Sw91	Parcel_Rack_RH	562651	female	T1		563817	N/A
Sw92	Parcel_Rack_RH	562651	female	T1		563830	N/A
Sw94.A	WCL_Door	562403	female	T2		563816	N/A
Sw94.B	WCL_Door	562403	female	T2		563831	N/A
Sw96.A	WCL_Door	562615	female	T3		563815	N/A
Sw96.B	WCL_Door	562615	female	T3		563832	N/A
Sw97.A	WCL_System	561626	female	Tab27	WCLHotessChimeSw	*opt*	N/A
Sw97.B	WCL_System	561626	female	Tab28	WCLSlidingDoor	*opt*	N/A
Sw98.A	WCL_System	561626	female	tab69.A	Parcel_Rack_RH	562651	N/A
Sw98.B	WCL_System	561626	female	tab70	Parcel_Rack_RH	562651	N/A
Sw100A	Dash	562763	male	Term254		562101	N/A
Sw102		561566	female	VECF1	FJB	563186	male
Sw103	LH_Console	562763	male	VECF2	FJB	563183	male
Sw105	FJB	563590	female	VECF3	FJB	563185	male
Sw106	FJB	562763	male	VECF4	FJB	563182	male
Sw109.A	1st_Lugg_LH	560079	female	VECF9	FJB	563448	male
Sw109.B	1st_Lugg_LH	560079	female	VECF10	FJB	563181	male
Sw110.A	1st_Lugg_RH	560079	female	VECF11	FJB	563184	male
Sw110.B	1st_Lugg_RH	560079	female	VECF12	FJB	563187	male
Sw114.A	3rd_Lugg_RH	560079	female	VECR1	RJB	563186	male
Sw114.B	3rd_Lugg_RH	560079	female	Vecr1		563186	male
Sw115.A	Compr_Door	560079	female	VECR2	RJB	563183	male
Sw115.B	Compr_Door	560079	female	Vecr2		563183	male
Sw125.A	Service_Cmpt	561457	female	VECR3	RJB	563185	male
Sw125.B	Service_Cmpt	561457	female	Vecr3		563185	male
Sw135.A	WCL_Sust	562119	female	VECR4	RJB	563182	male
Sw135.B	WCL_Sust	562119	female	VECR9	RJB	563448	male
Sw137	Dash	562763	male	Vecr9		563448	male
Sw138	Driver_Area	561690	male	VECR10	RJB	563181	male
Sw139	Dash	561690	male	Vecr10		563181	male
Sw140	Dash	561566	female	VECR11	RJB	563184	male
Sw141	Driver_Area	561690	male	VECR12	RJB	563187	male
Sw142		562763	male	Y80	Engine_Cmpt	563789	male
Sw143		561690	male	Y81	Cond_Cmpt	563793	male
Sw144	Driver_Area	561690	male				
Sw150.A	Driver_Area	560081	female				
Sw150.B	Driver_Area	560081	female				
Sw152	Driver_Area	562471	male				
Sw313.A	Lavatory	562615	female				
Sw313.B	Lavatory	562615	female				















# FUSES LIST

No	Location	Part #	Function	Rating	Page
F1	FuseBoxFJB	563279	CecmPower	3amp	4.1
F2	FuseBoxFJB	563279	FrontStartMainSwitch	3amp	4.1
F3	FuseBoxFJB	563279	EnginePre-HeatH.W.+DrvLiq.Vlv	3amp	4.1
F4	FuseBoxFJB	563280	*opt*	5Amp	4.1
F5	FuseBoxFJB	563165	24vtoWUp	30amp	4.1
F6	FuseBoxFJB	563005	Customer24VD	7.5amp	4.1
F7	FuseBoxFJB	563279	SpareFuse	3amp	4.1
F8	FuseBoxFJB	563279	AirHorn	3amp	4.1
F9	FuseBoxFJB	563284	SpareFuse	15amp	4.1
F10	FuseBoxFJB	563279	SpareFuse	3amp	4.1
F11	FuseBoxFJB	563279	SunVisor	3amp	4.1
F12	FuseBoxFJB	563282	PwrMuxModule	20amp	4.1
F13	FuseBoxFJB	563282	PwrMuxModule	20amp	4.1
F14	FuseBoxFJB	563284	Customer24VI	15amp	4.1
F15	FuseBoxFJB	563004	EngineBrakeRelay	2Amp	4.1
F16	FuseBoxFJB	563153	DefrosterUnit	25Amp	4.1
F17	FuseBoxFJB	563280	SpareFuse	5Amp	4.1
F18	FuseBoxFJB	563284	SpareFuse	15amp	4.1
F19	FuseBoxFJB	563279	Prodriver	3amp	4.1
F20	FuseBoxFJB	563279	WitnessRedLed	7.5amp	4.1
F21	FuseBoxFJB	563282	PwrMuxA44	20amp	4.1
F22	FuseBoxFJB	563279	SteeringCtrl	3amp	4.1
F23	FuseBoxFJB	563284	ABS	30amp	4.1
F24	FuseBoxFJB	563005	Mirror	7.5amp	4.1
F25	FuseBoxFJB	563280	BackupCamera	5Amp	4.1
F26	FuseBoxFJB	563279	SmartTireOption	3amp	4.1
F27	FuseBoxFJB	563284	Customer_12VI	15amp	4.1
F28	FuseBoxFJB	563282	DriverWindow	20amp	4.1
F29	FuseBoxFJB	563279	ClusterandDDDR	3amp	4.1
F30	FuseBoxFJB	563284	PwrOutletandCigarLighter	15amp	4.1
F31	FuseBoxFJB	563279	SpareFuse	3amp	4.1
F32	FuseBoxFJB	563282	SpareFuse	20amp	4.1
F33	FuseBoxFJB	563165	12VDtoWakeUp	30amp	4.1
F34	FuseBoxFJB	563165	12VDtoWakeUp	30amp	4.1
F35	FuseBoxFJB	563283	12vPwrOutlet	10amp	4.1
F36	FuseBoxFJB	563279	PwrHvacandTTItModule	3amp	4.1
F37	FuseBoxFJB	563283	SpareFuse	10amp	4.1
F38	FuseBoxFJB	563283	SpareFuse	10amp	4.1
F39	FuseBoxFJB	563283	SpareFuse	10amp	4.1
F40	FuseBoxFJB	563283	SpareFuse	10amp	4.1
F41	FuseBoxFJB	563283	SpareFuse	10amp	4.1
F43	R.IR	560893	Evap_Start_Pre_Heater_Option	3Amp	18.2

# FUSES LIST

No	Location	Part #	Function	Rating	Page
F45	FJB	560599	FireProtectionSys.	5Amp	3.3
F50	FuseBoxRJB	563284	EnginePre-Heat	15amp	5.1
F51	FuseBoxRJB	563153	EnginePre-Heat	25Amp	5.1
F52	FuseBoxRJB	563284	SpareFuse	15amp	5.1
F53	FuseBoxRJB	563284	PwrMuxA54	15amp	5.1
F54	FuseBoxRJB	563284	Custumer	15amp	5.1
F55	FuseBoxRJB	563283	EmergencyLts	10amp	5.1
F56	FuseBoxRJB	563283	IndirectLightingLH	20amp	5.1
F57	FuseBoxRJB	563283	IndirectLightingRH	10amp	5.1
F58	FuseBoxRJB	563283	DirectLightingLH	20amp	5.1
F59	FuseBoxRJB	563283	DirectLightingRH	10amp	5.1
F60	FuseBoxRJB	563283	ReadingLampRH	10amp	5.1
F61	FuseBoxRJB	563283	ReadingLampLH	10amp	5.1
F62	FuseBoxRJB	563283	LavatoryNightLight	10amp	5.1
F63	FuseBoxRJB	563283	EnginePre-Heat	10amp	5.1
F64	FuseBoxRJB	563283	GalleyOption	10amp	5.1
F65	FuseBoxRJB	563165	PwrMuxModuleRJB	30amp	5.1
F66	FuseBoxRJB	563279	RadiatorFanClutch	3amp	5.1
F67	FuseBoxRJB	563153	SpareFuse	25Amp	5.1
F68	FuseBoxRJB	563153	SpareFuse	25Amp	5.1
F69	FuseBoxRJB	563005	HatRackLightingLHandRH	3amp	5.1
F70	FuseBoxRJB	563005	Custumer24VI	7.5amp	5.1
F71	FuseBoxRJB	563284	SpareFuse	15amp	5.1
F72	FuseBoxRJB	563153	PwrMuxA50	25Amp	5.1
F73	FuseBoxRJB	563282	Trailer_Option	20amp	5.1
F74	FuseBoxRJB	563283	EcuEngineIgnition	10amp	5.1
F75	FuseBoxRJB	563283	EcuTransmissionIgn	10amp	5.1
F76	FuseBoxRJB	563283	Custumer	10amp	5.1
F77	FuseBoxRJB	563283	EcuTransmissionWakeUp	10amp	5.1
F78	FuseBoxRJB	563284	EcuEngineWakeUp	15amp	5.1
F79	FuseBoxRJB	563284	EcuEngineWakeUp	15amp	5.1
F80	FuseBoxRJB	563284	PwrMuxA51	15amp	5.1
F81	FuseBoxRJB	563004	PwrOfRearSwitchBox	2Amp	5.1
F83	FuseBoxFJB	563005	SoundSystem	10amp	4.1
F84	FuseBoxFJB	563284	Customer	15amp	4.1
F85	FuseBoxRJB	563283	ZFTransmIgn	10amp	5.1
F86	FuseBoxRJB	563283	SpareFuse	10amp	5.1
F89	FuseBoxRJB	563284	SpareFuse	20amp	5.1
F90	FuseBoxRJB	563284	TagSystemControl	25amp	5.1
F91	FuseBoxRJB	563284	SpareFuse	15amp	5.1
F96	FuseBoxRJB	563284	*opt*	20amp	5.1
F98	FuseBoxR.IB	563284	*opt*	15amp	5.1



# FUSES LIST

No	Location	Part #	Function	Rating	Page
F1	FuseBoxFJB	563279	CecmPower	3amp	4.1
F2	FuseBoxFJB	563279	FrontStartMainSwitch	3amp	4.1
F3	FuseBoxFJB	563279	EnginePre-HeatH.W.+DrvLiq.Vlv	3amp	4.1
F4	FuseBoxFJB	563280	*opt*	5Amp	4.1
F5	FuseBoxFJB	563165	24vtoWUp	30amp	4.1
F6	FuseBoxFJB	563005	Customer24VD	7.5amp	4.1
F7	FuseBoxFJB	563279	SpareFuse	3amp	4.1
F8	FuseBoxFJB	563279	AirHorn	3amp	4.1
F9	FuseBoxFJB	563284	SpareFuse	15amp	4.1
F10	FuseBoxFJB	563279	SpareFuse	3amp	4.1
F11	FuseBoxFJB	563279	SunVisor	3amp	4.1
F12	FuseBoxFJB	563282	PwrMuxModule	20amp	4.1
F13	FuseBoxFJB	563282	PwrMuxModule	20amp	4.1
F14	FuseBoxFJB	563284	Customer24VI	15amp	4.1
F15	FuseBoxFJB	563004	EngineBrakeRelay	2Amp	4.1
F16	FuseBoxFJB	563153	DefrosterUnit	25Amp	4.1
F17	FuseBoxFJB	563280	SpareFuse	5Amp	4.1
F18	FuseBoxFJB	563284	SpareFuse	15amp	4.1
F19	FuseBoxFJB	563279	Prodriver	3amp	4.1
F20	FuseBoxFJB	563279	WitnessRedLed	7.5amp	4.1
F21	FuseBoxFJB	563282	PwrMuxA44	20amp	4.1
F22	FuseBoxFJB	563279	SteeringCtrl	3amp	4.1
F23	FuseBoxFJB	563284	ABS	30amp	4.1
F24	FuseBoxFJB	563005	Mirror	7.5amp	4.1
F25	FuseBoxFJB	563280	BackupCamera	5Amp	4.1
F26	FuseBoxFJB	563279	SmartTireOption	3amp	4.1
F27	FuseBoxFJB	563284	Customer_12VI	15amp	4.1
F28	FuseBoxFJB	563282	DriverWindow	20amp	4.1
F29	FuseBoxFJB	563279	ClusterandDDDR	3amp	4.1
F30	FuseBoxFJB	563284	PwrOutletandCigarLighter	15amp	4.1
F31	FuseBoxFJB	563279	SpareFuse	3amp	4.1
F32	FuseBoxFJB	563282	SpareFuse	20amp	4.1
F33	FuseBoxFJB	563165	12VDtoWakeUp	30amp	4.1
F34	FuseBoxFJB	563165	12VDtoWakeUp	30amp	4.1
F35	FuseBoxFJB	563283	12vPwrOutlet	10amp	4.1
F36	FuseBoxFJB	563279	PwrHvacandTTItModule	3amp	4.1
F37	FuseBoxFJB	563283	SpareFuse	10amp	4.1
F38	FuseBoxFJB	563283	SpareFuse	10amp	4.1
F39	FuseBoxFJB	563283	ElectricalDriversSeat_OR_R4_Preheater	10amp	4.1
F40	FuseBoxFJB	563284	SpareFuse	15amp	4.1
F41	FuseBoxFJB	563283	SpareFuse	10amp	4.1
F43	RJB	560893	Evap_Start_Pre_Heater_Option	3Amp	18.2
F44	FJB	560599	FuseDestinationSign	5Amp	3.3

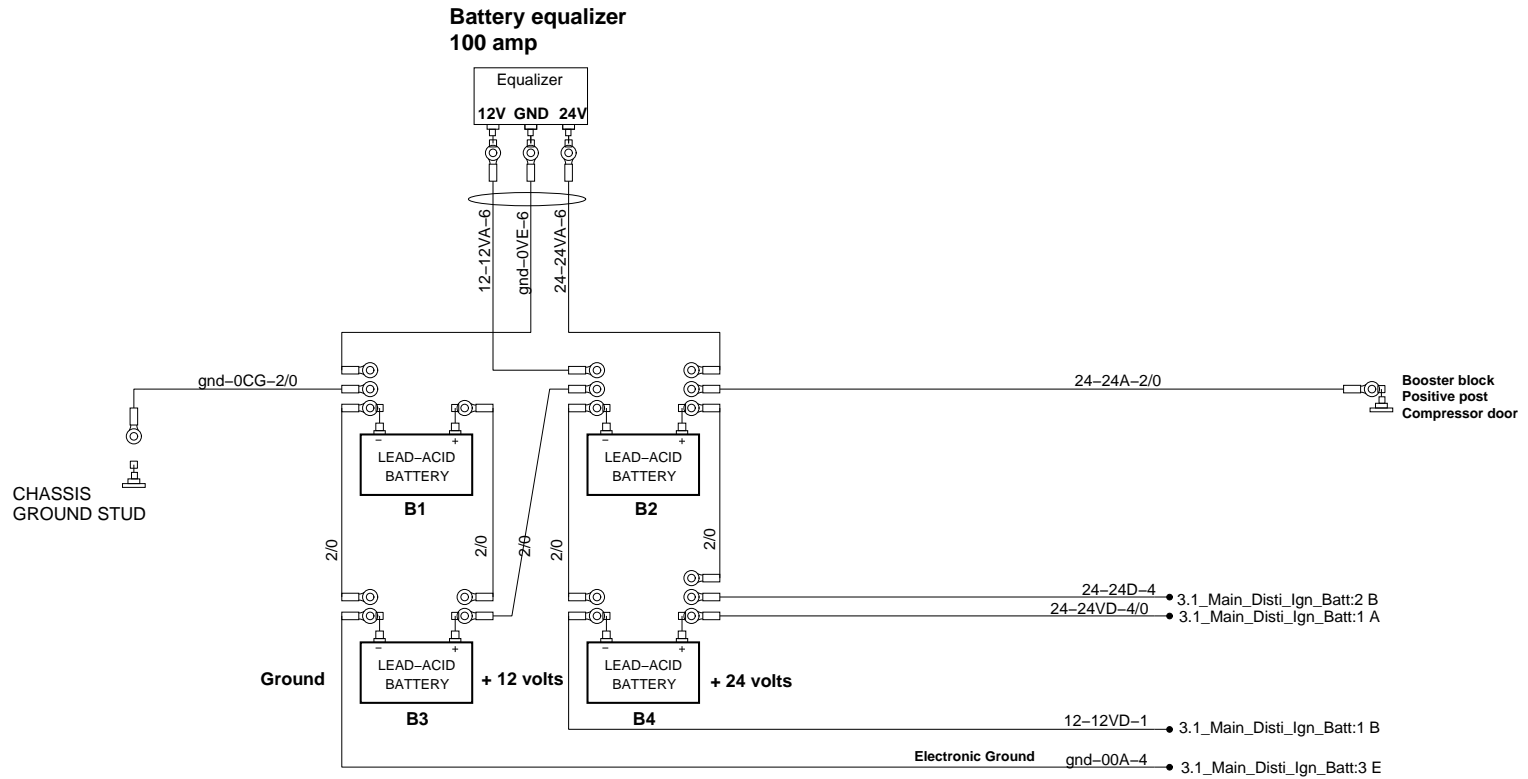
# FUSES LIST

No	Location	Part #	Function	Rating	Page
F45	FJB	560599	FireProtectionSys.	5Amp	3.3
F50	FuseBoxRJB	563284	PreHeater	15amp	5.1
F51	FuseBoxRJB	563153	PreHeater	25Amp	5.1
F52	FuseBoxRJB	563284	Spare	15amp	5.1
F53	FuseBoxRJB	563284	HVAVPass	15amp	5.1
F54	FuseBoxRJB	563284	24VDCustomer	15amp	5.1
F65	FuseBoxRJB	563165	*opt*	30amp	5.1
F67	FuseBoxRJB	563153	MuxPower	25Amp	5.1
F68	FuseBoxRJB	563153	MuxPower	25Amp	5.1
F69	FuseBoxRJB	563005	Spare	3amp	5.1
F70	FuseBoxRJB	563005	24VICustomer	7.5amp	5.1
F71	FuseBoxRJB	563284	IntLights	15amp	5.1
F72	FuseBoxRJB	563153	MuxPower	25Amp	5.1
F78	FuseBoxRJB	563284	Spare	15amp	5.1
F79	FuseBoxRJB	563284	Spare	15amp	5.1
F80	FuseBoxRJB	563284	MuxPower	15amp	5.1
F81	FuseBoxRJB	563004	EngineStart	2Amp	5.1
F83	FuseBoxFJB	563005	SoundSystem	10amp	4.1
F84	FuseBoxFJB	563284	Customer	15amp	4.1
F85	FuseBoxRJB	563283	TranslShift	10amp	5.1
F86	FuseBoxRJB	563283	VolvoLink	10amp	5.1
F89	FuseBoxRJB	563284	Spare	20amp	5.1
F90	FuseBoxRJB	563282	VolvoUrea	20amp	5.1
F91	FuseBoxRJB	563282	Engine	20amp	5.1
F96	FuseBoxRJB	563284	VolvoUrea	20amp	5.1
F98	FuseBoxRJB	563284	Alternator	15amp	5.1
F99	FuseBoxRJB	563165	Engine	30amp	5.1
F100		*opt*	*opt*		35.9Csp1
F104	FuseBoxFJB	563284	Spare	15amp	4.1
F105	FuseBoxFJB	563282	Spare	20amp	4.1
F106	FJB	562407	FlipScreen	5Amp	3.3
F107	FJB	560599	WupFJBRelay	5Amp	3.3
F108	FJB	560599	WupEntranceDoor	5Amp	3.3
F109	RJB	562597	EnginePreheater	150A	14.1
F110	FJB	562407	WupMuxPower	5Amp	3.3
F127	FJB	562222	Wifi	5Amp	4.1
F111_2_172	Parcel_Rack_LH	563283	Cadec	10amp	42.1
F112_2_172	Parcel_Rack_LH	563283	Cadec	10amp	42.1
F113_2_172	Parcel_Rack_LH	563283	Cadec	10amp	42.1
F114_2_172	Parcel_Rack_LH	563283	Cadec	10amp	42.1
F116_2_172	Parcel_Rack_LH	563283	Cadec	10amp	42.1
F116_3_172	Parcel_Rack_LH	563283	Cadec	10amp	42.1
F117_2_172	Parcel_Rack_LH	563283	Cadec	10amp	42.1

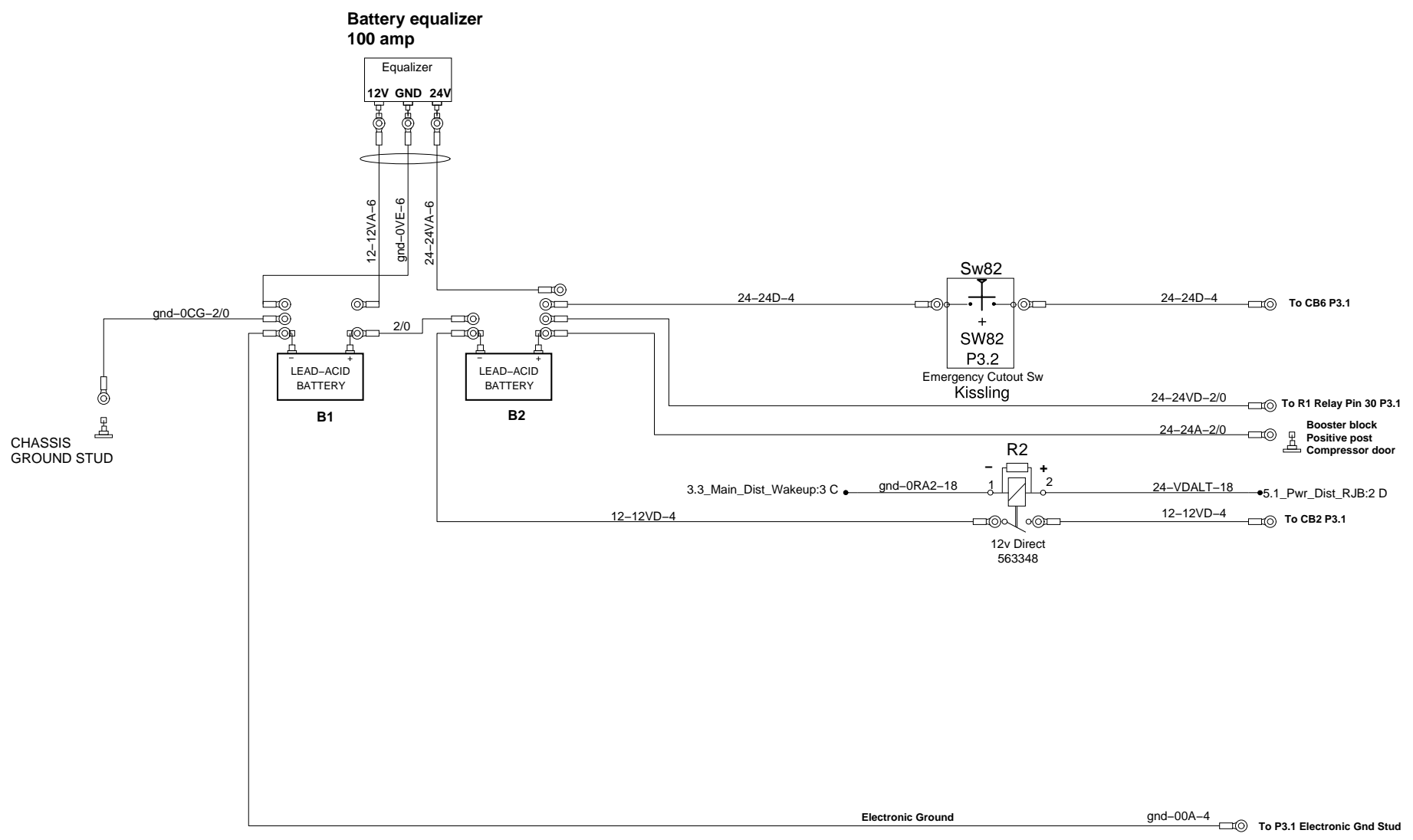




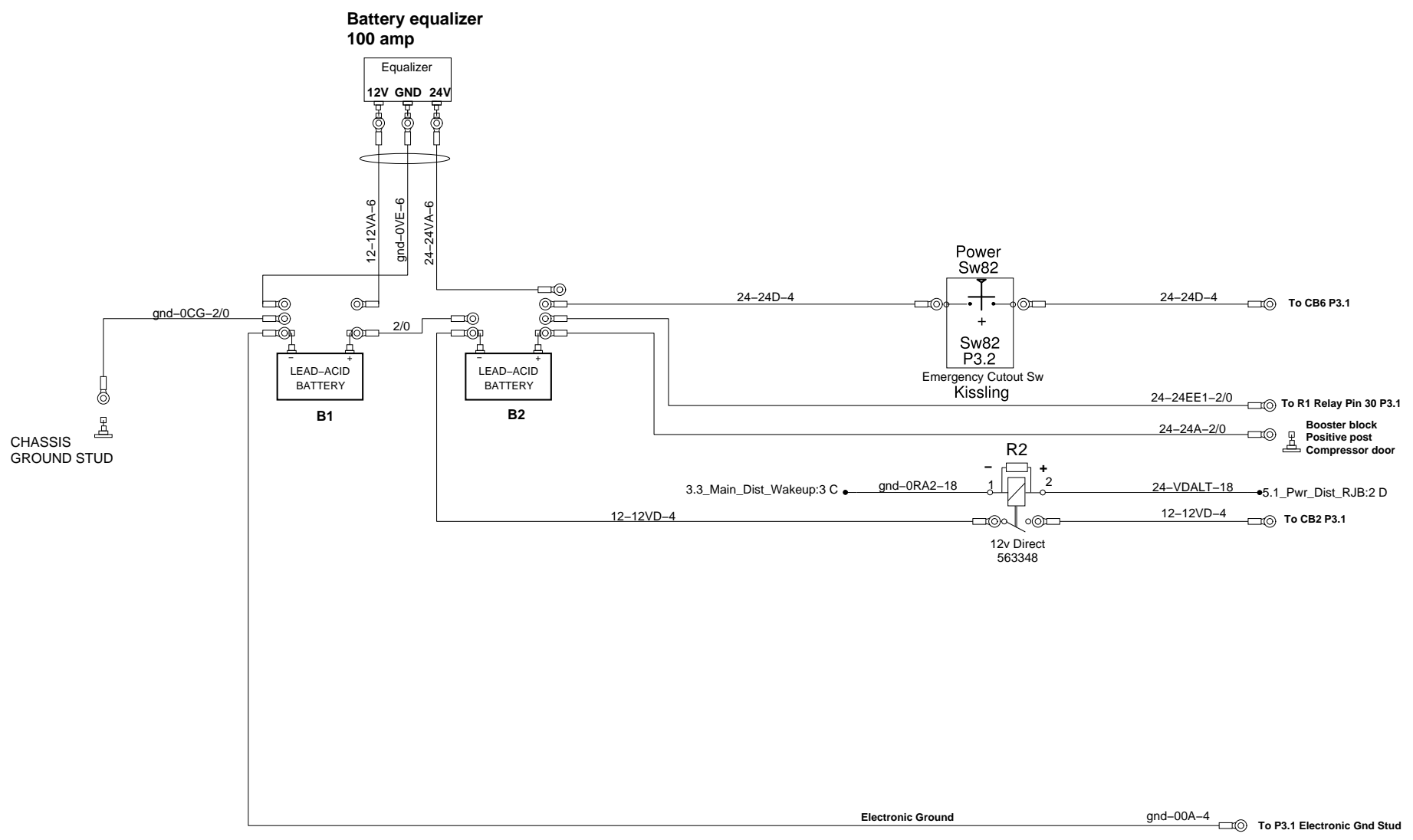
# BATTERIES



# 8D BATTERIES

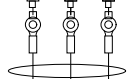
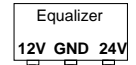


# 8D BATTERIES

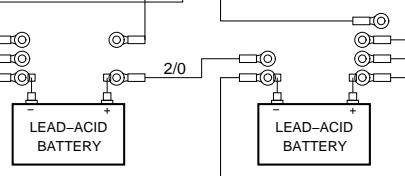


# 8D BATTERIES

**Battery equalizer  
100 amp**



12-12VA-6  
gnd-0VE-6  
24-24VA-6

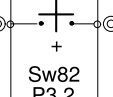


gnd-0CG-2/0

2/0

24-24D-4

Power Sw82



24-24D-4

To CB6 P3.1

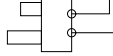
24-24EE1-2/0

To R1 Relay Pin 30 P3.1

24-24A-2/0

Booster plug RJB  
Compressor door

Julian



3.3\_Main\_Dist\_Wakeup:3 C

gnd-0RA2-18



24-VDALT-18

5.1\_Pwr\_Dist\_RJB:2 D

12-12VD-4

12-12VD-4

To CB2 P3.1

12v Direct  
563348

Electronic Ground

gnd-00A-4

To P3.1 Electronic Gnd Stud

0

1

2

3

4

# AIR EXHAUST FAN

A

A

B

B

C

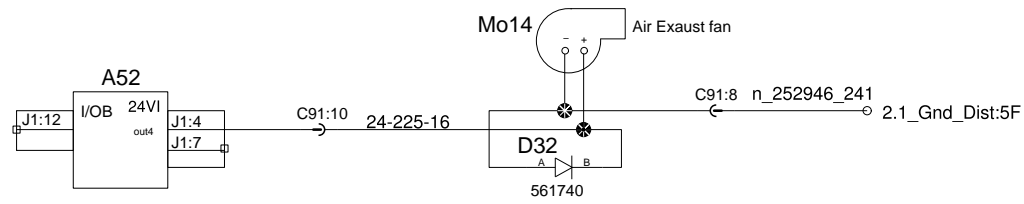
C

D

D

E

E



0

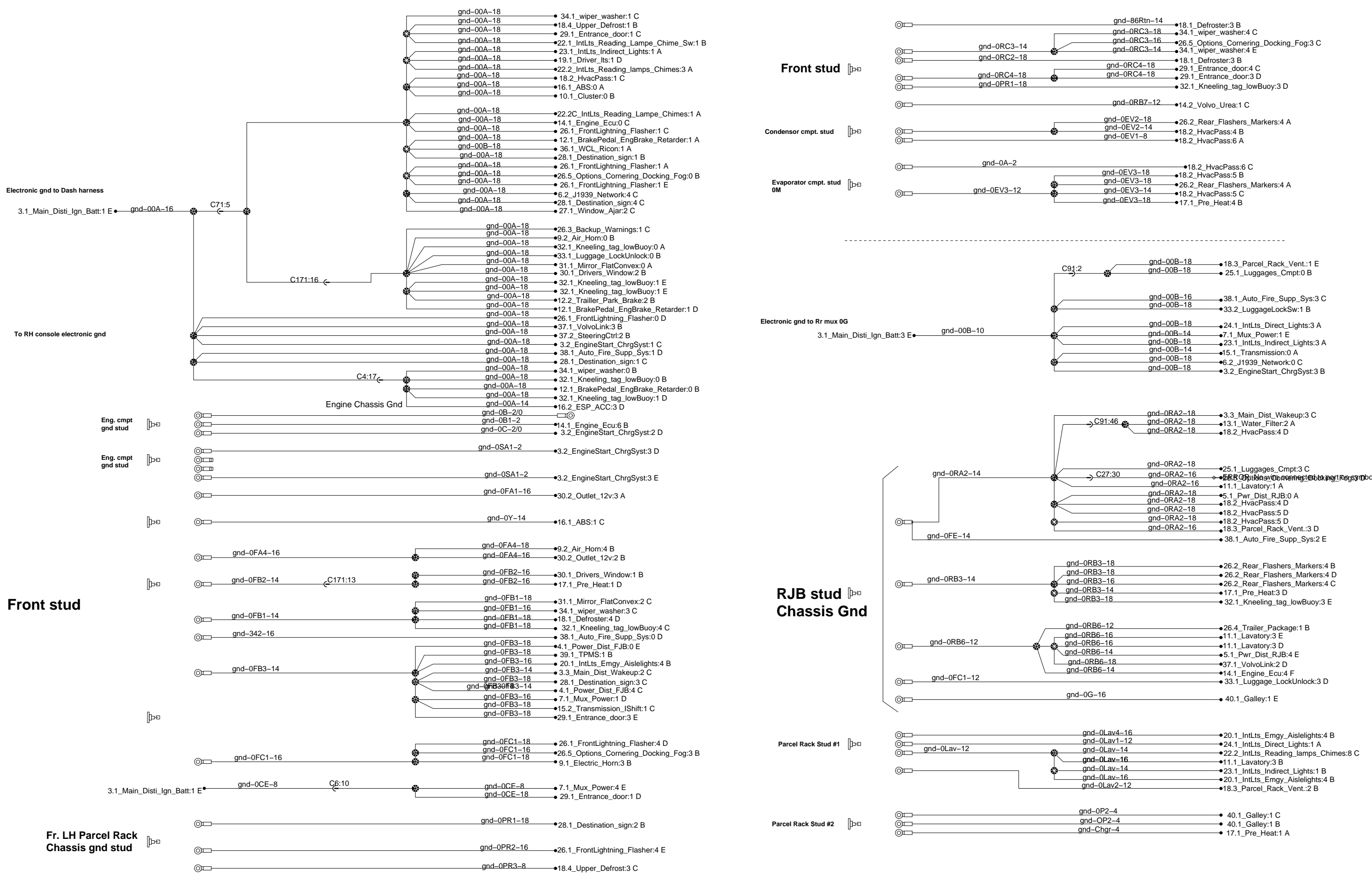
1

2

3

4

# Ground Distribution



Rev:02

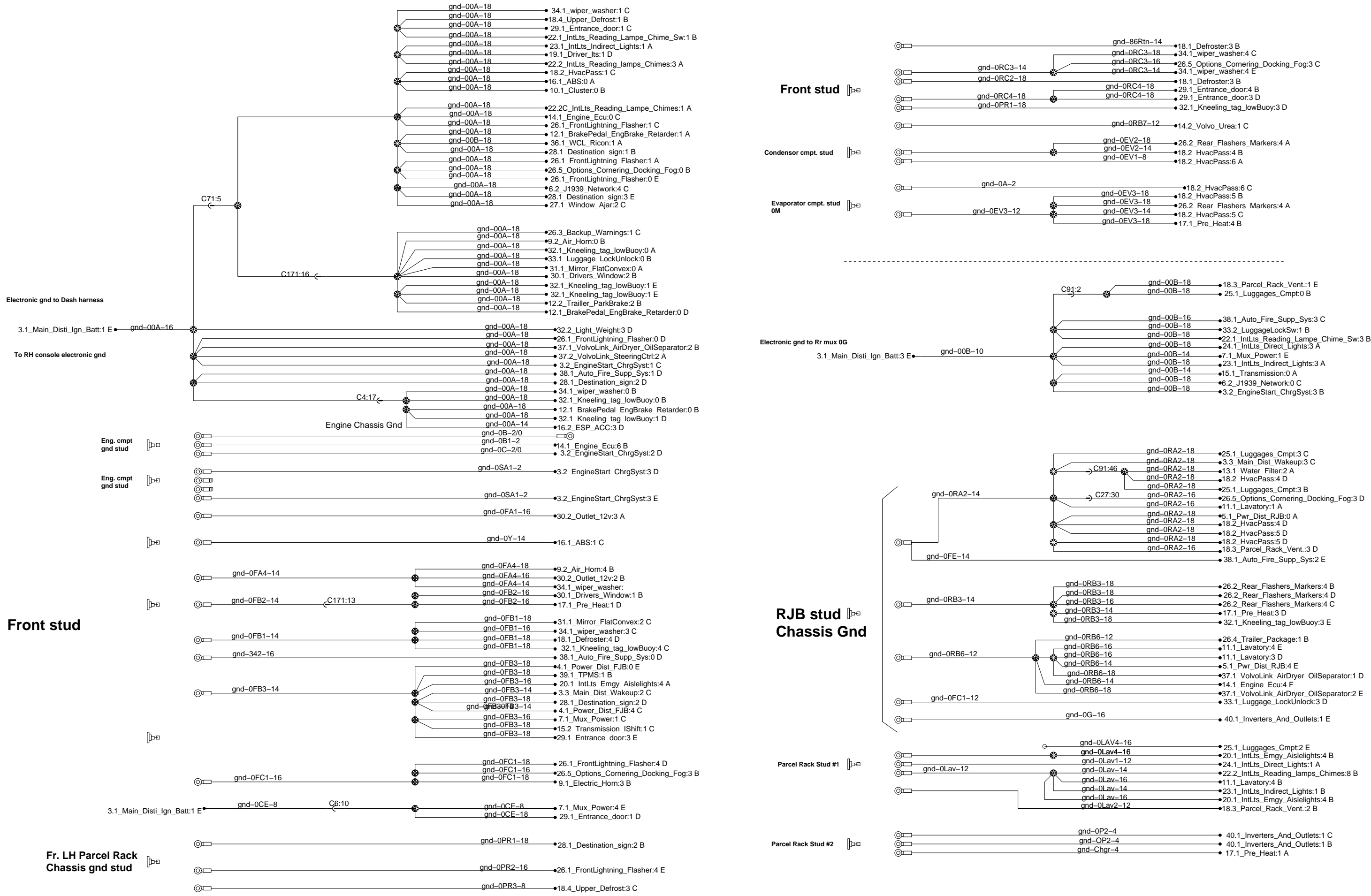
Page:2.1

No:D061150

WIRING DIAGRAM

PREVOST®

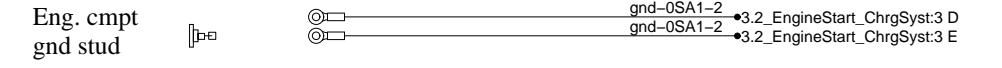
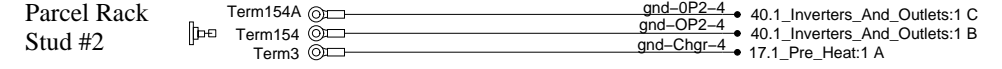
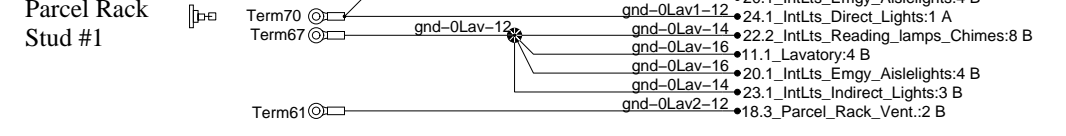
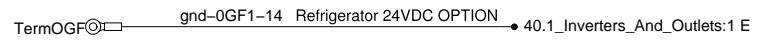
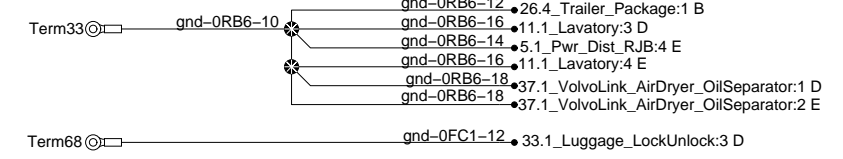
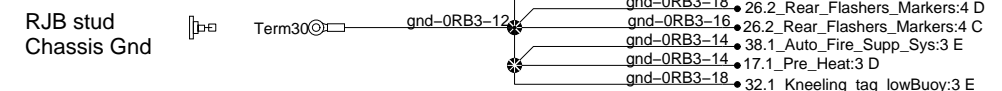
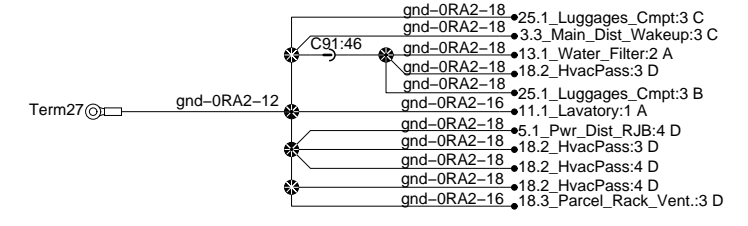
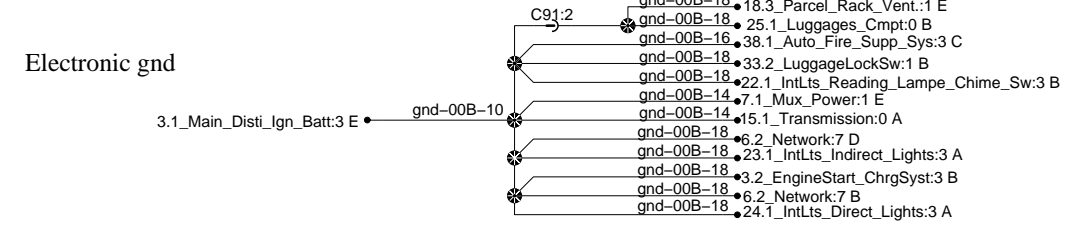
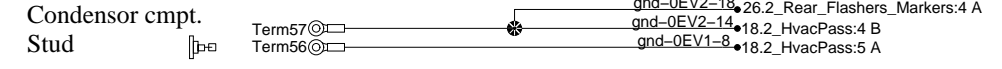
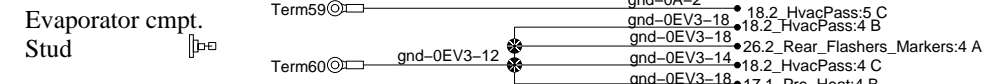
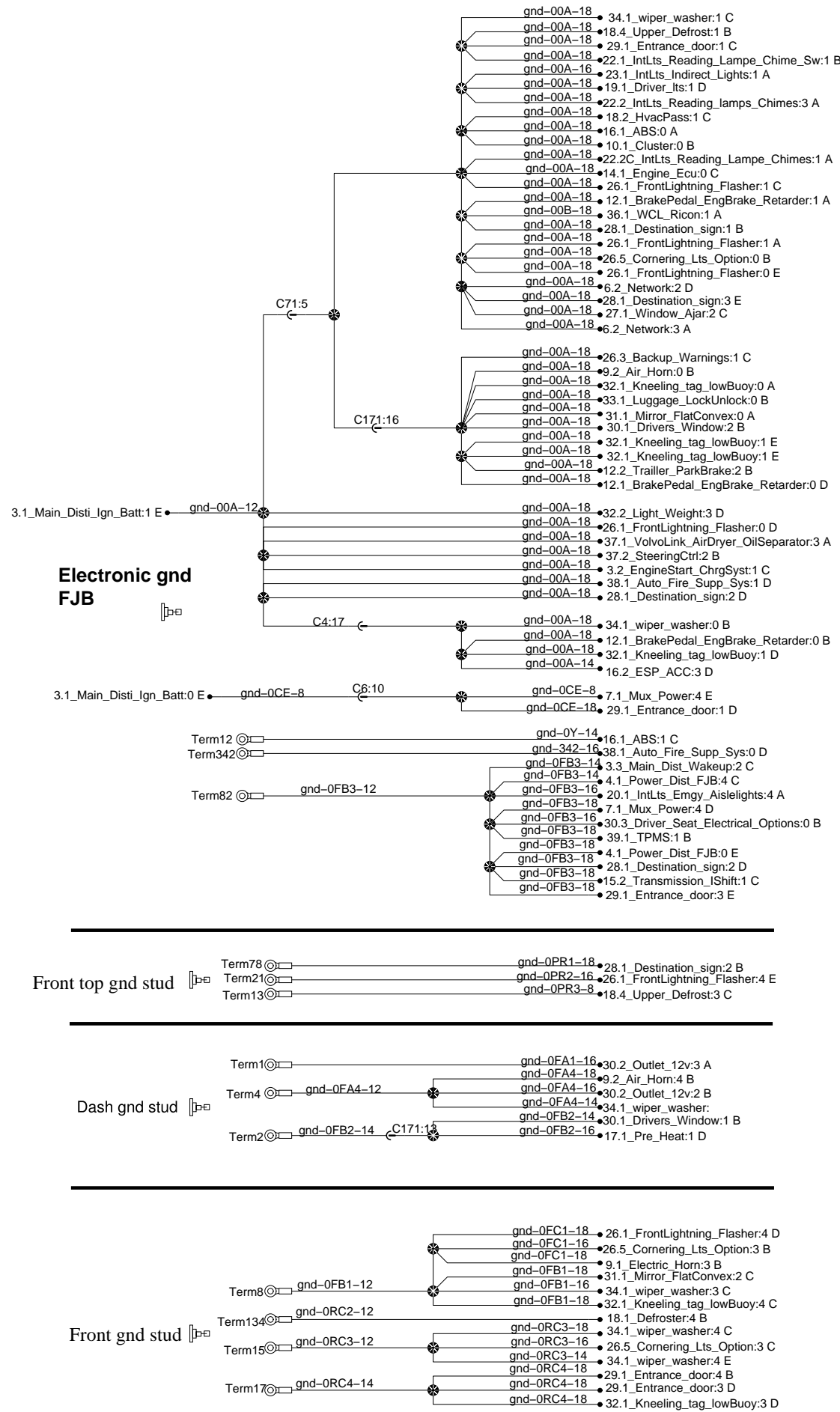
# Ground Distribution



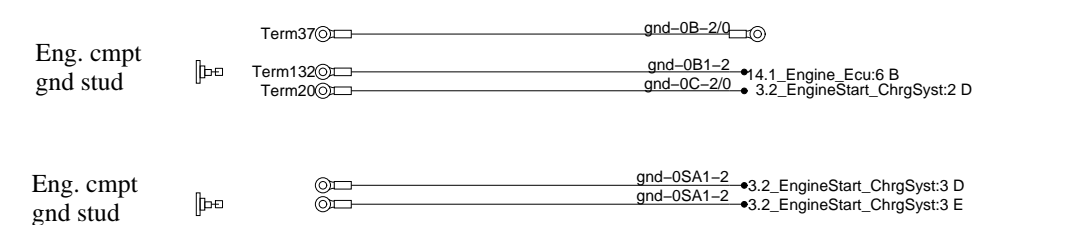
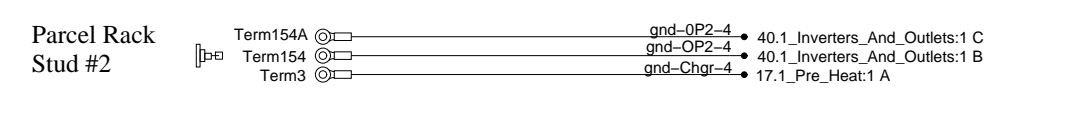
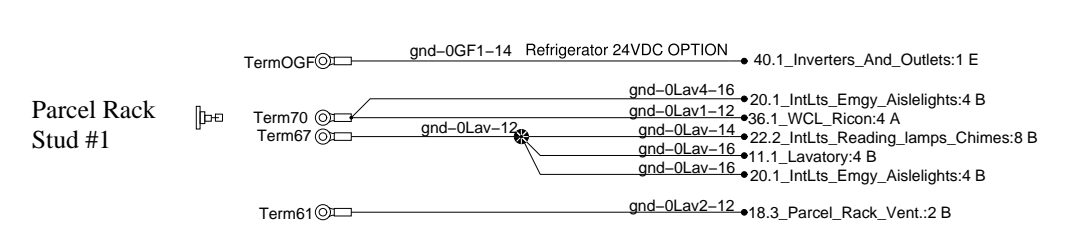
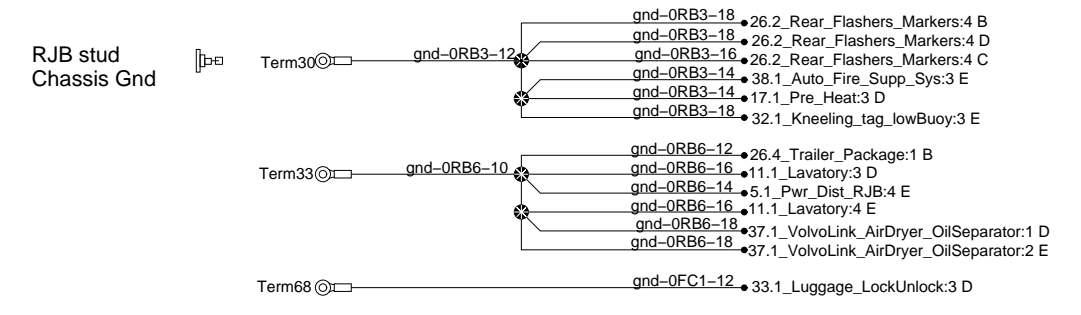
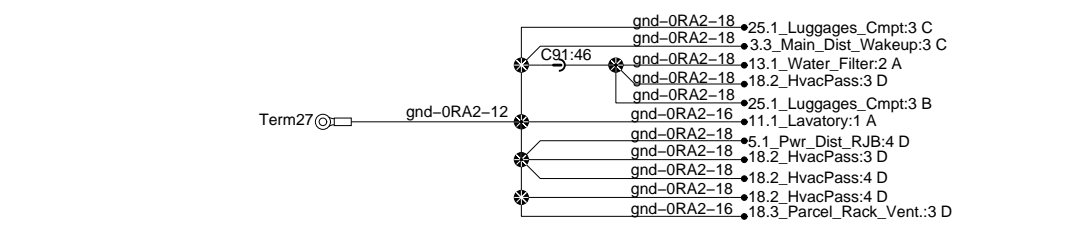
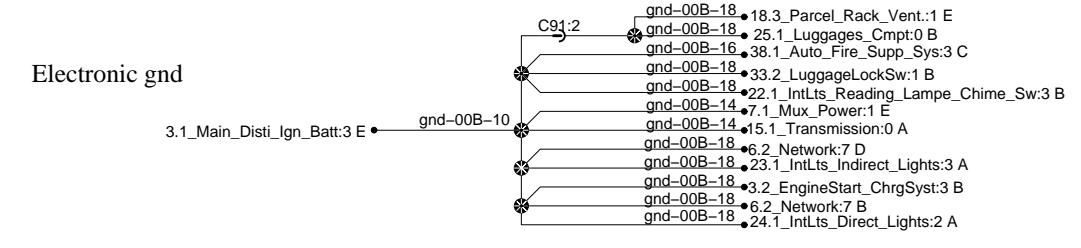
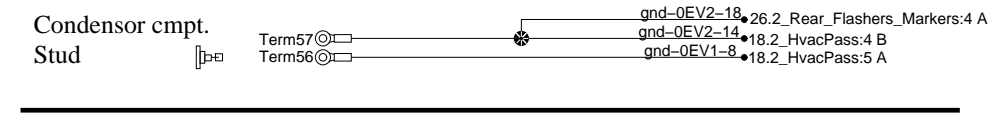
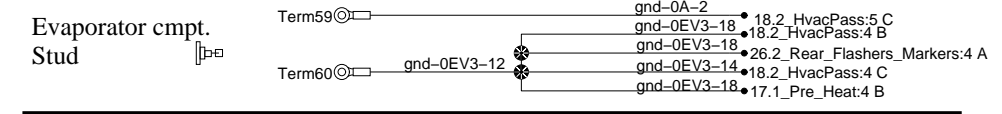
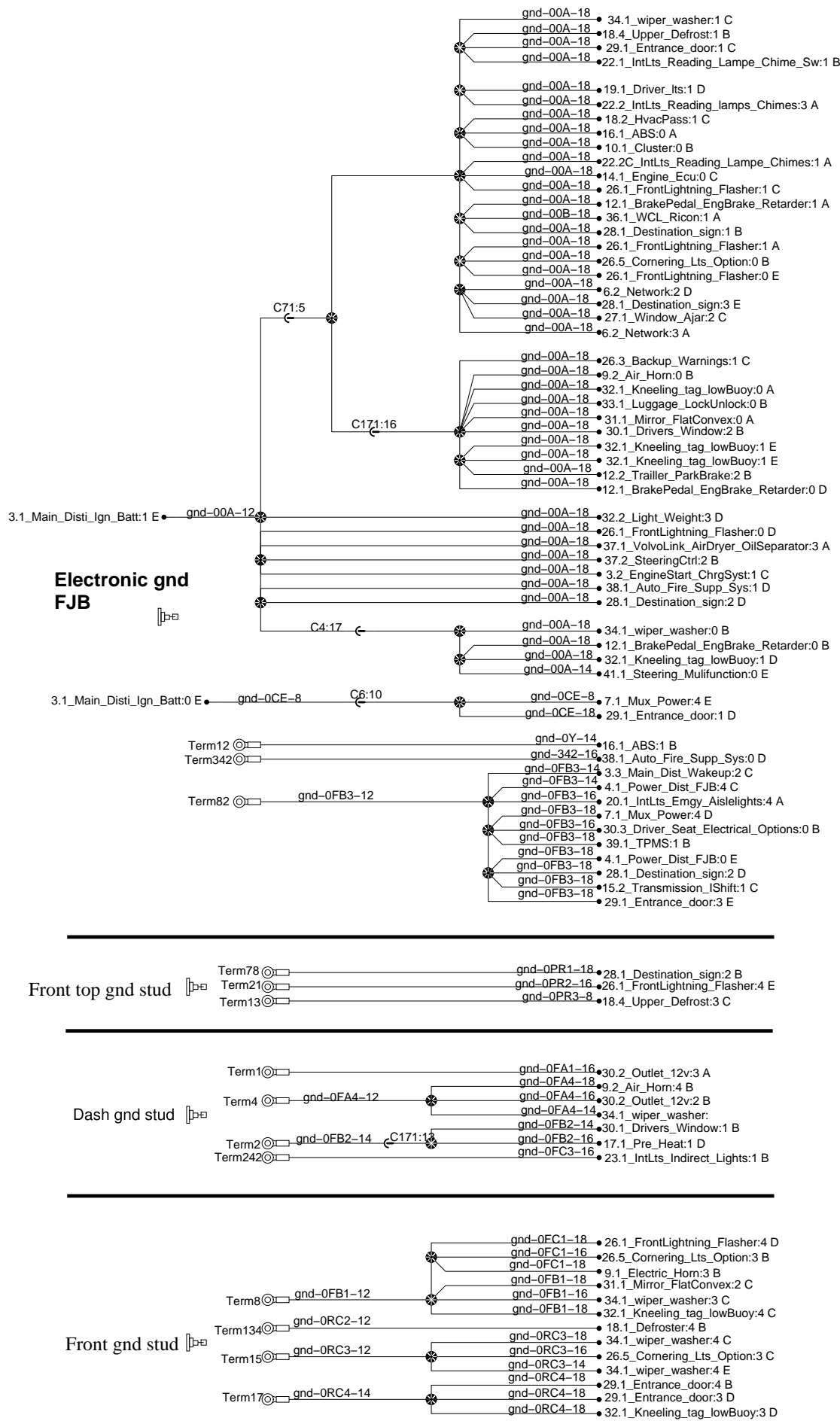




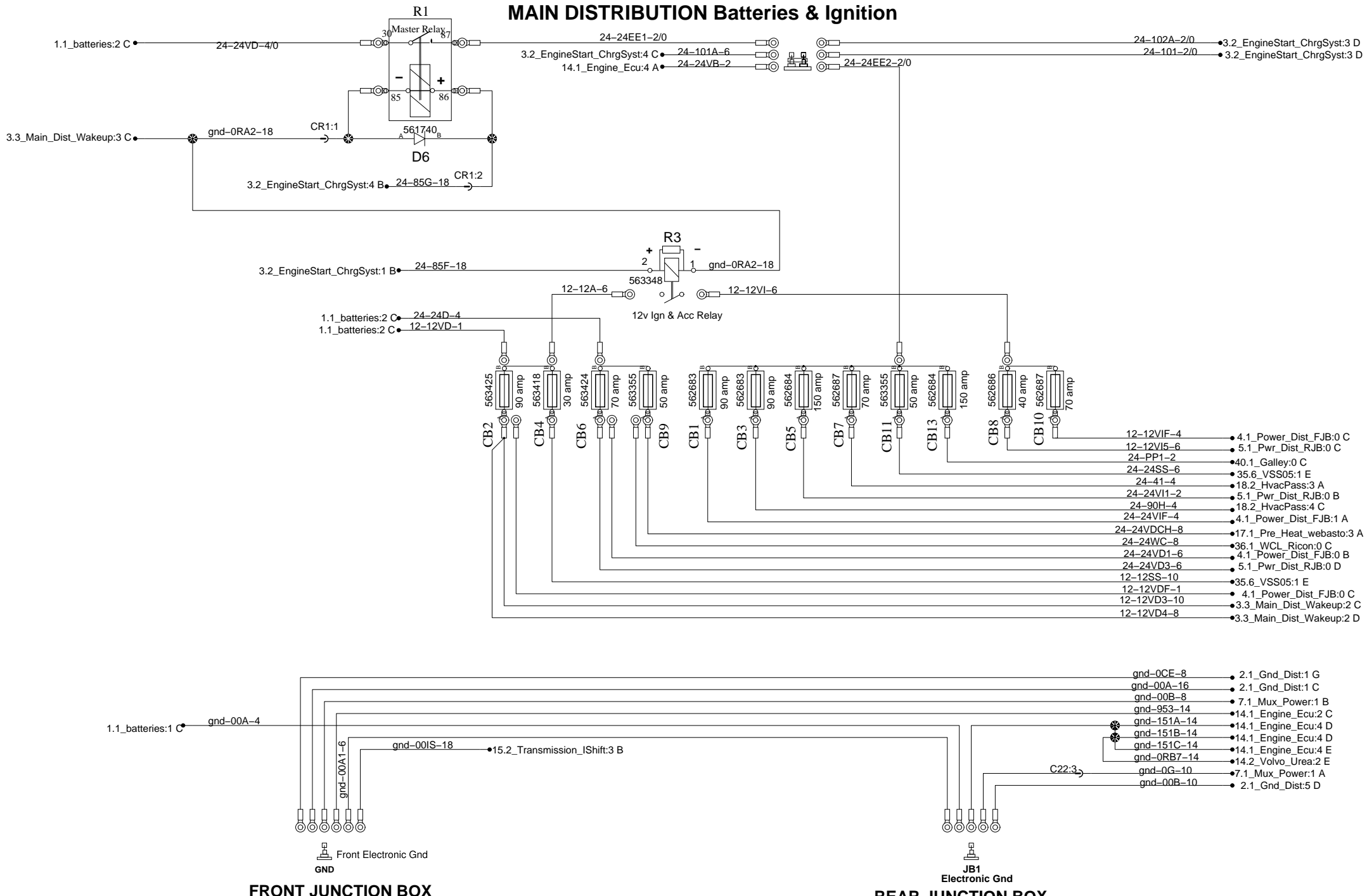
# Ground Distribution



# Ground Distribution



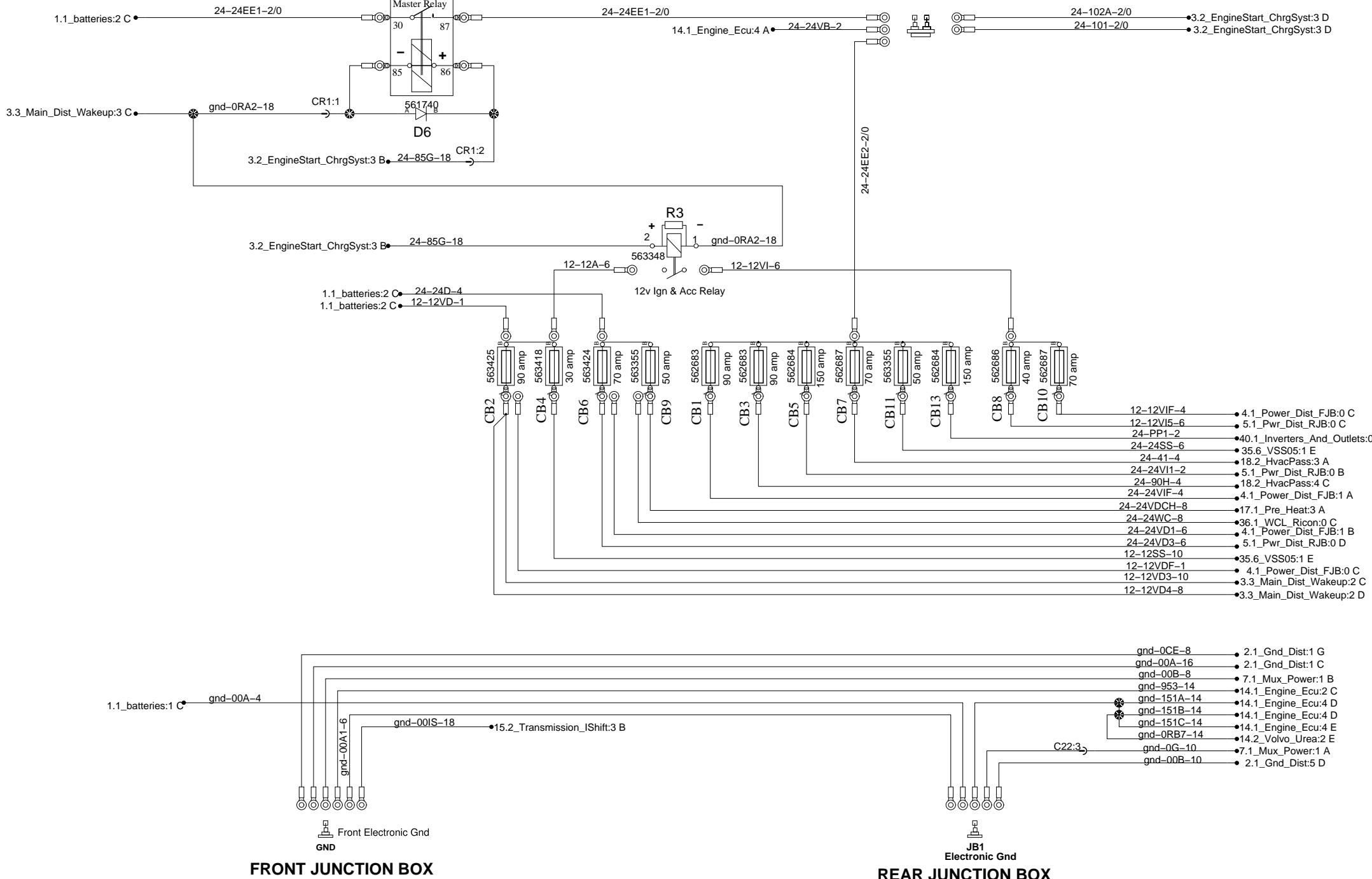
# MAIN DISTRIBUTION Batteries & Ignition



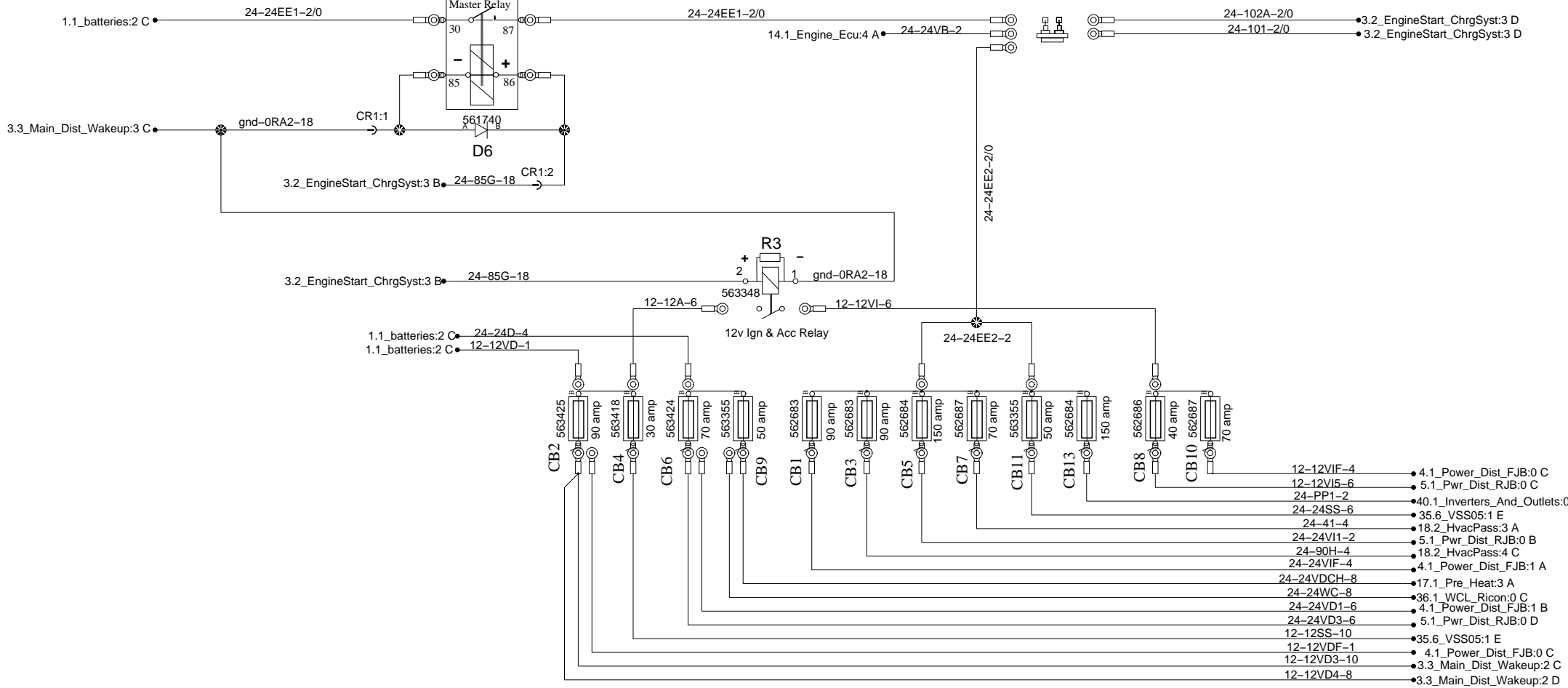
FRONT JUNCTION BOX

REAR JUNCTION BOX

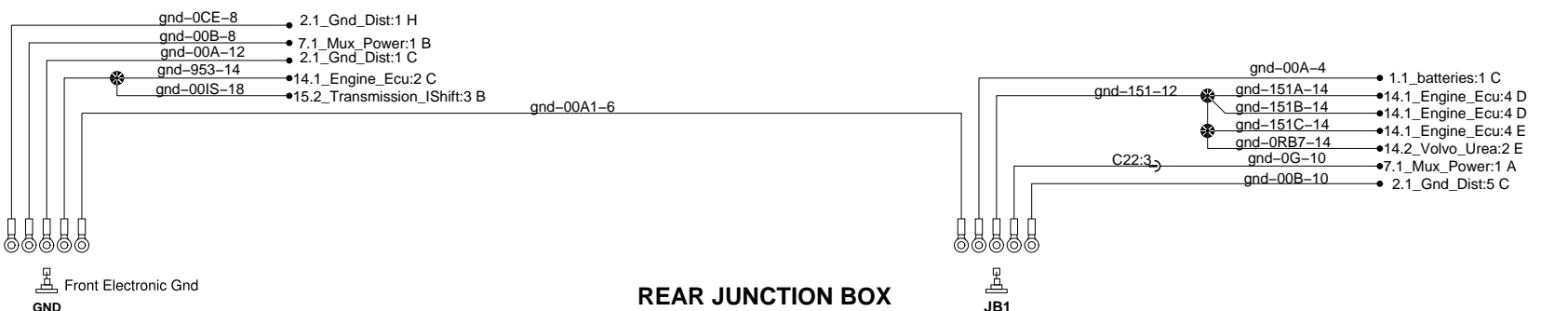
# MAIN DISTRIBUTION Batteries & Ignition



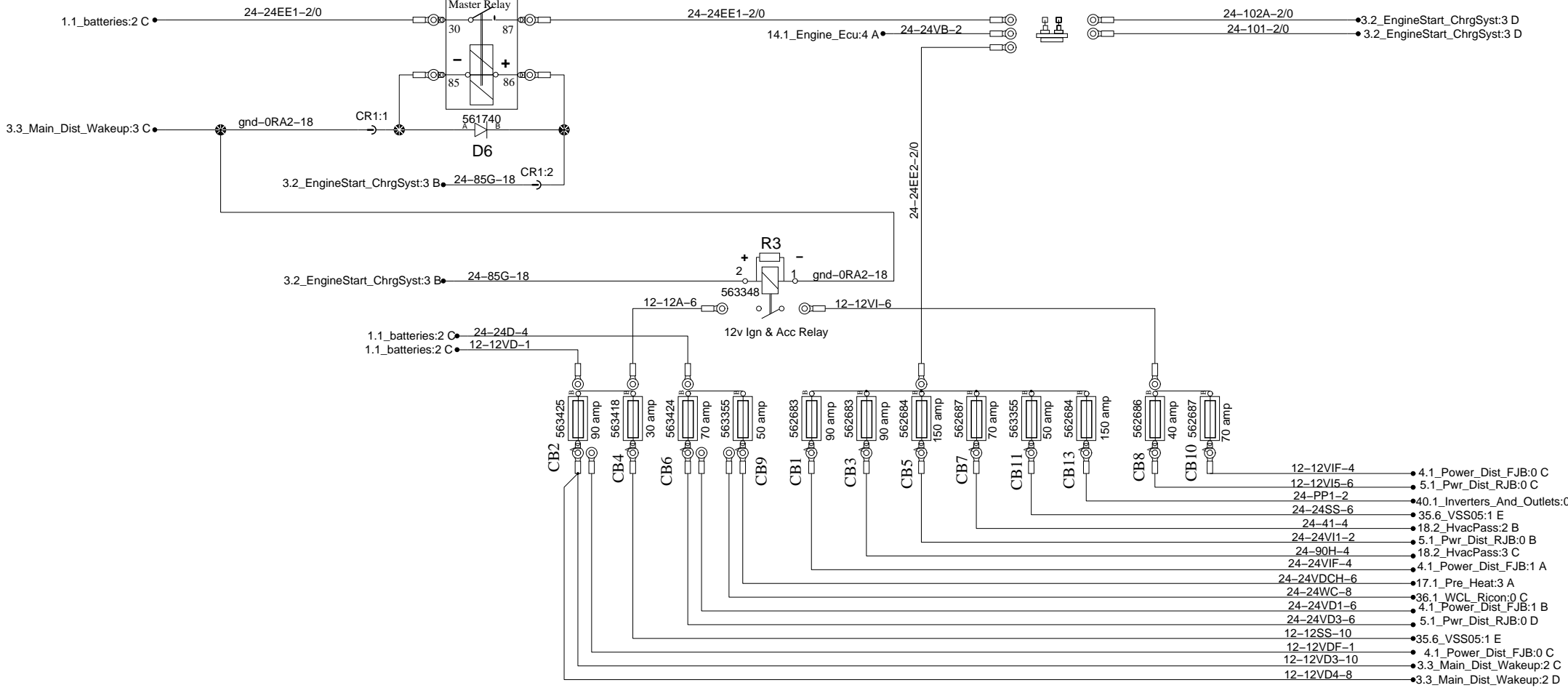
# MAIN DISTRIBUTION Batteries & Ignition



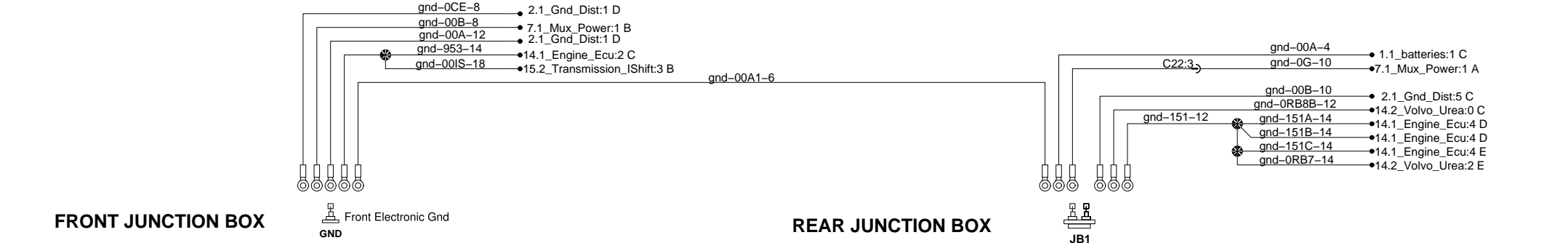
# Electronic Gnd



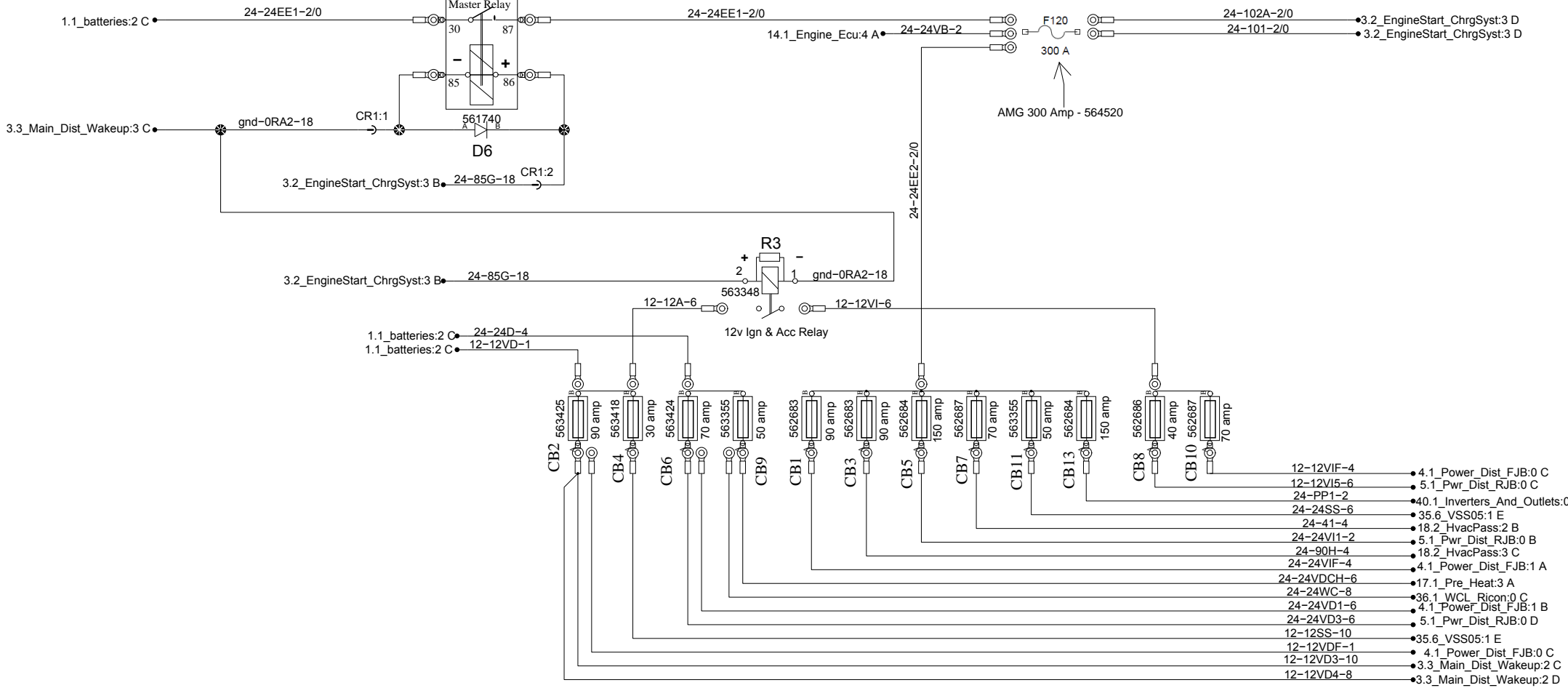
# MAIN DISTRIBUTION Batteries & Ignition



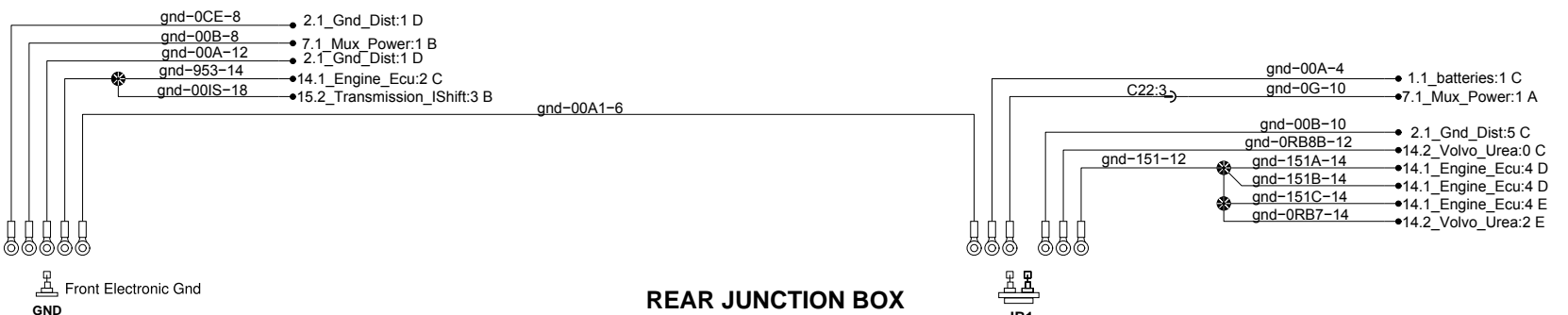
# Electronic Gnd



# MAIN DISTRIBUTION Batteries & Ignition



# Electronic Gnd



FRONT JUNCTION BOX

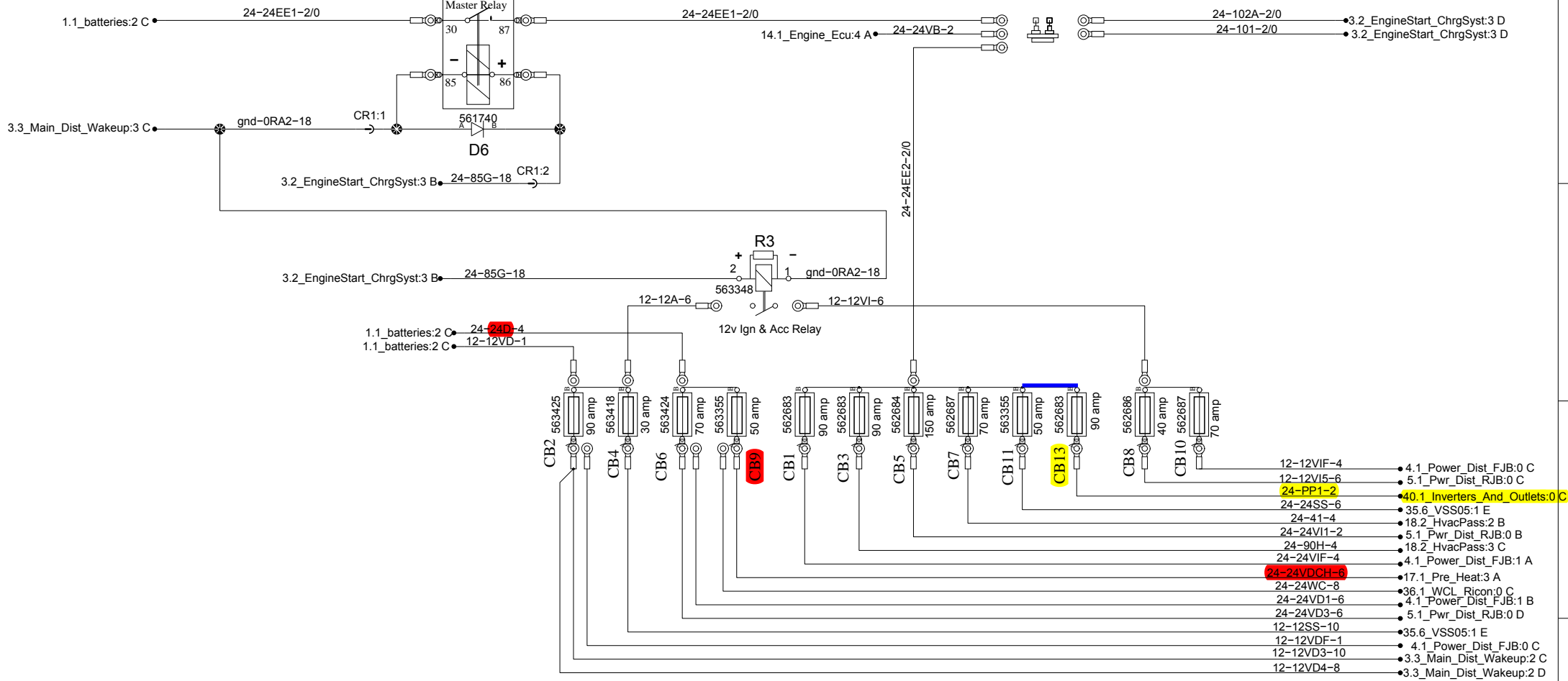
Front Electronic Gnd  
GND

REAR JUNCTION BOX

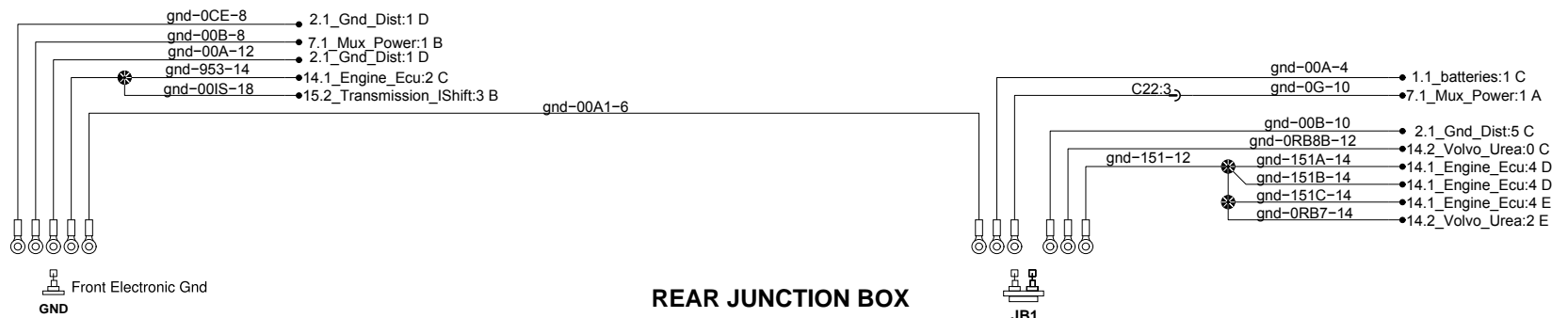
JB1



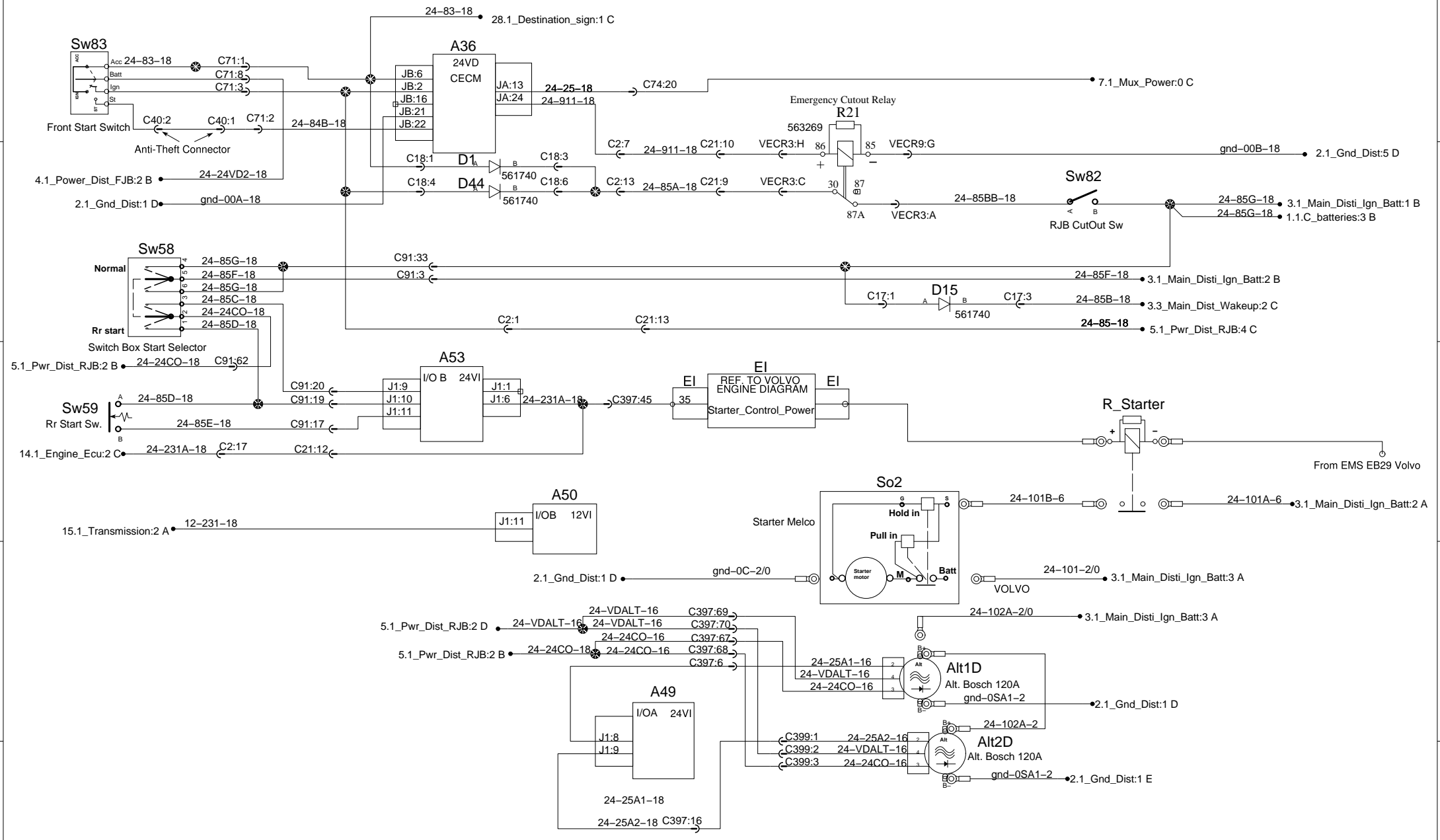
# MAIN DISTRIBUTION Batteries & Ignition



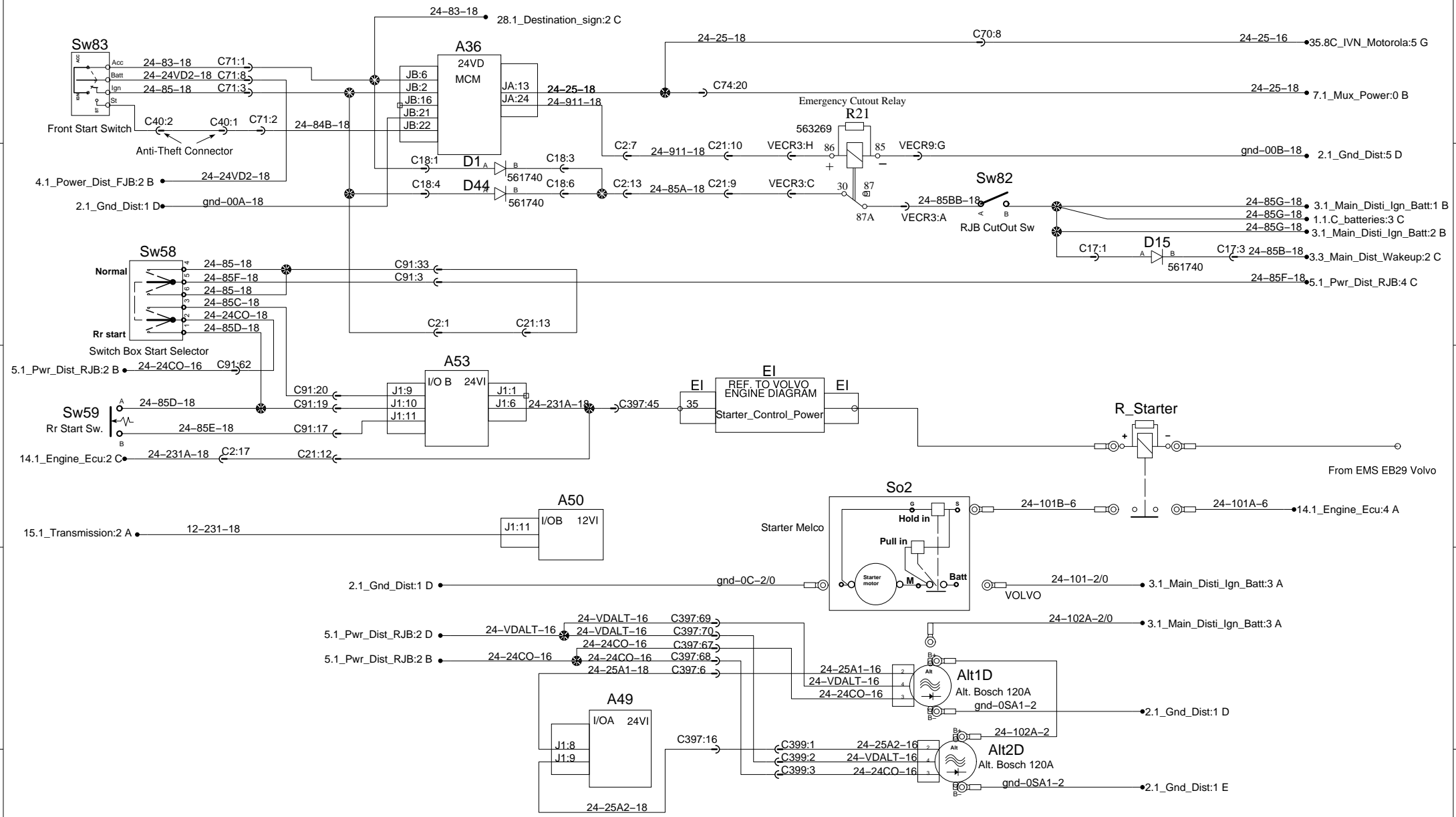
# Electronic Gnd



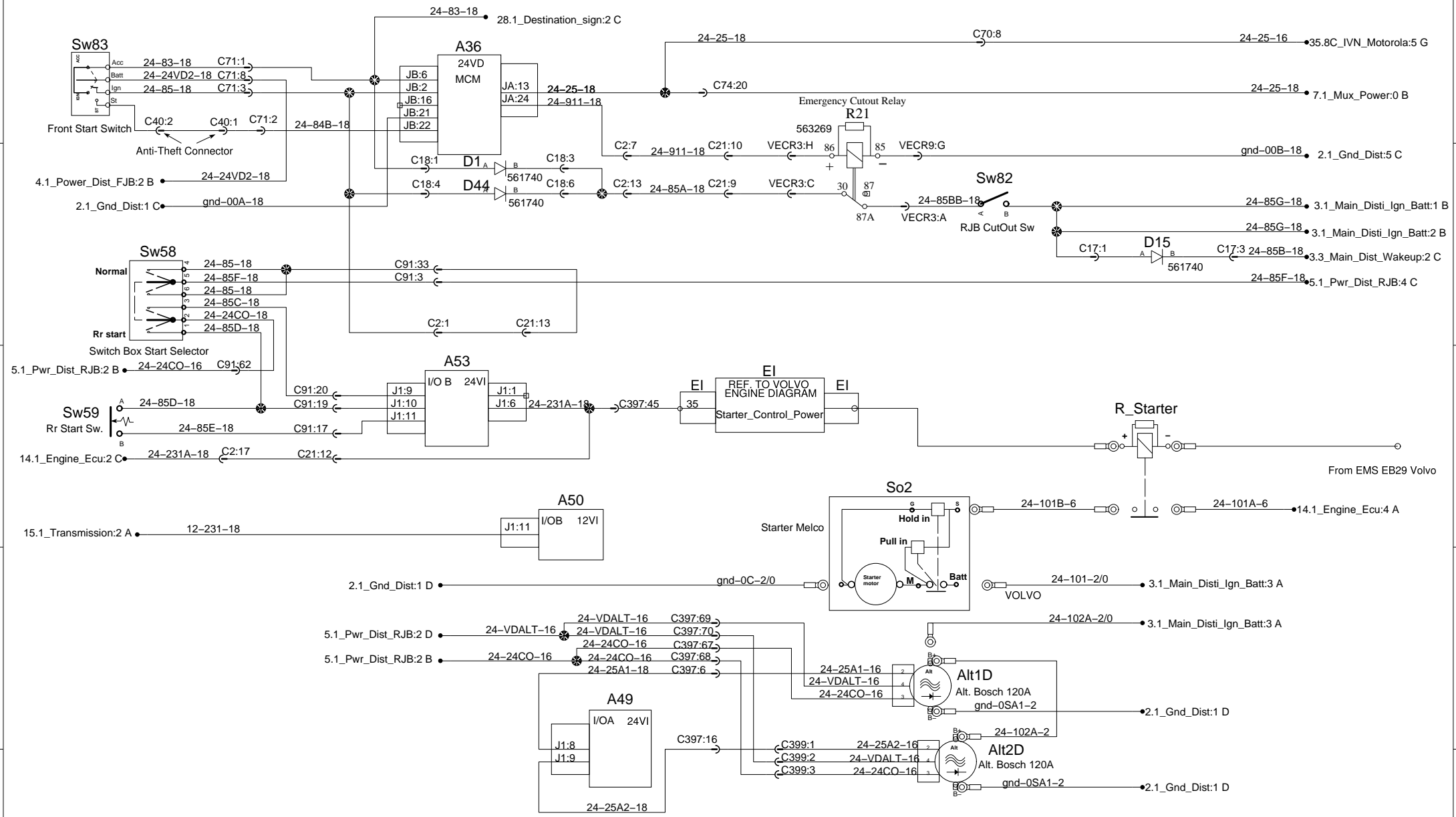
# Engine Start and Charging system



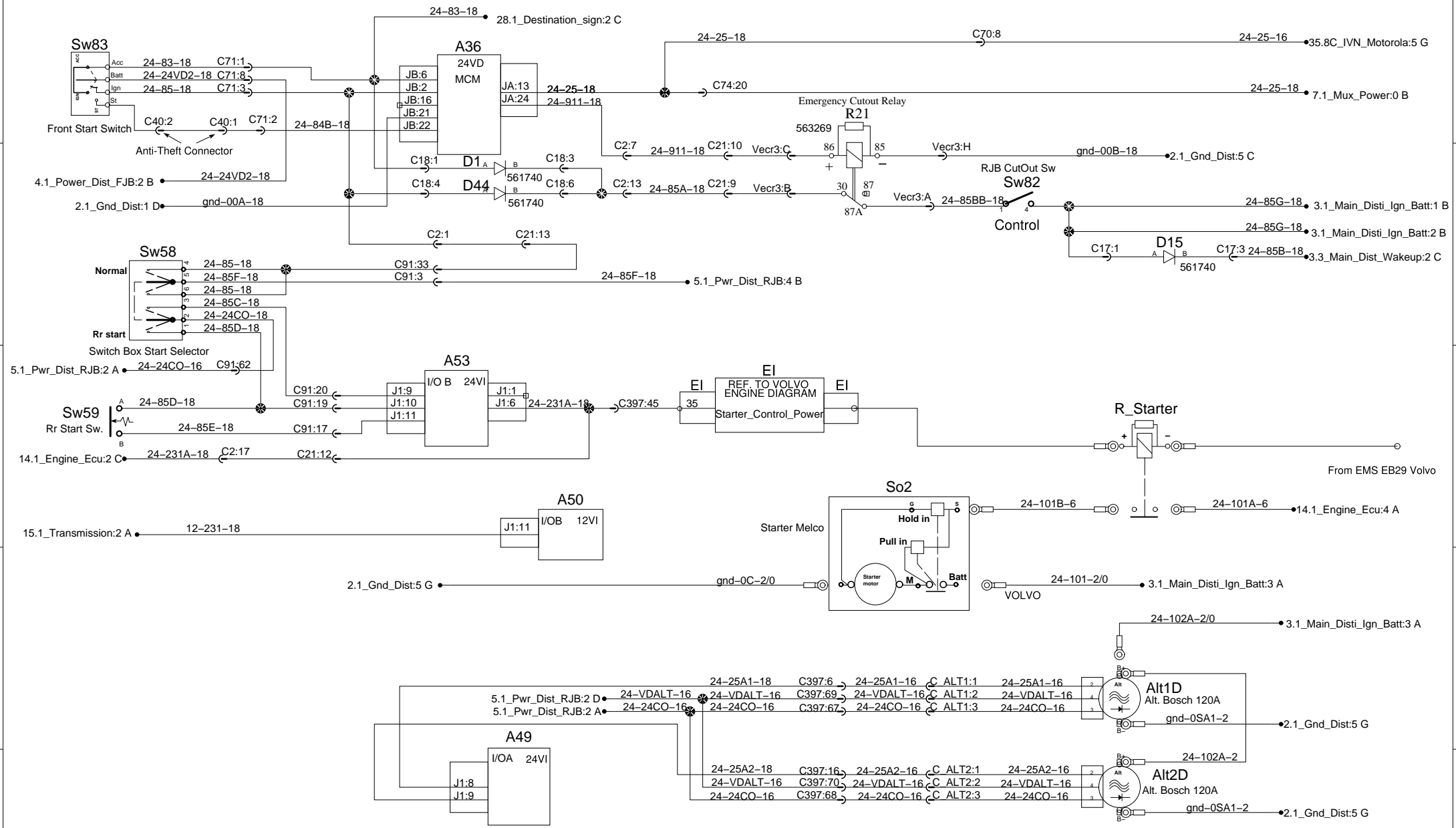
# Engine Start and Charging system



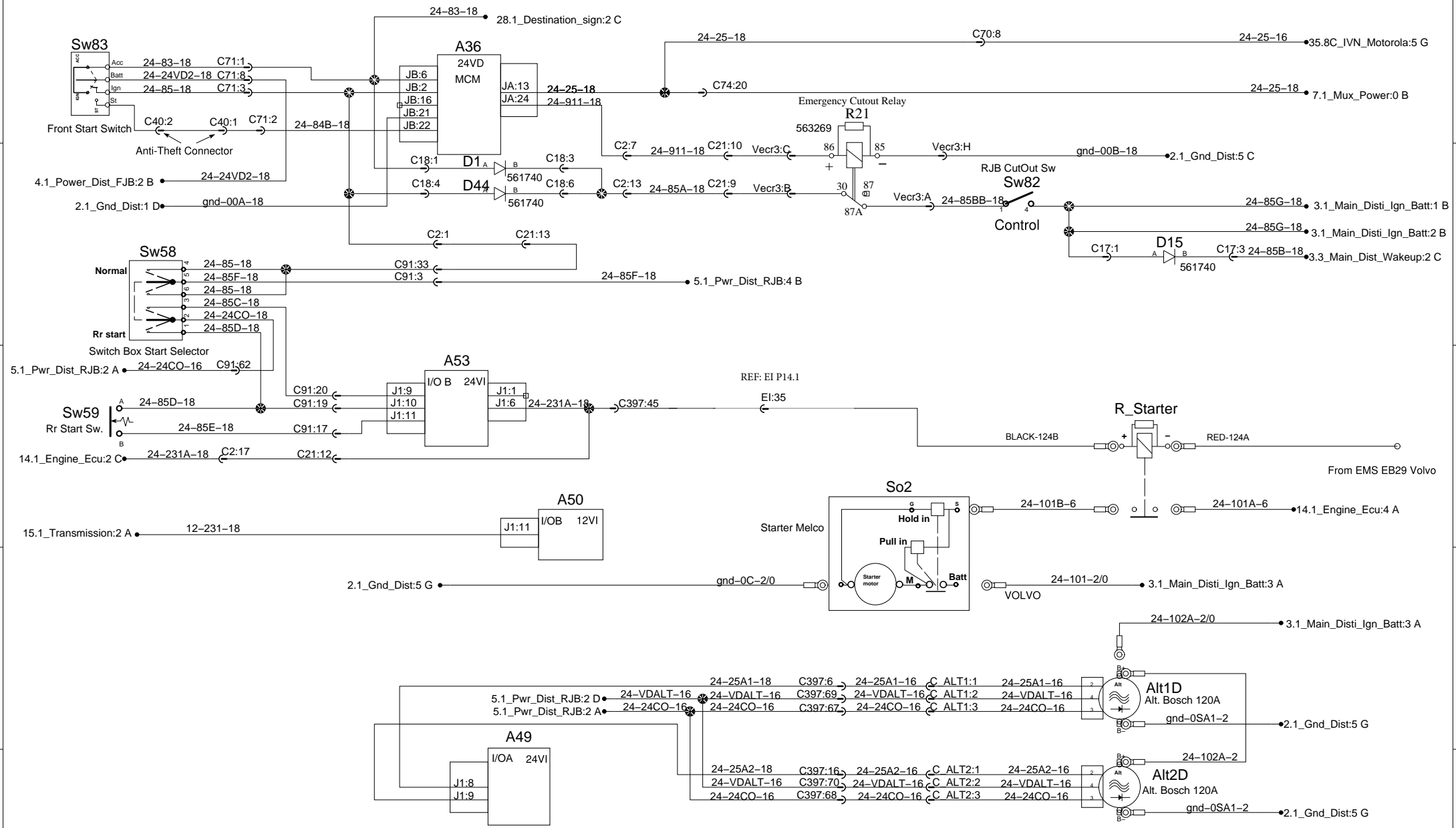
# Engine Start and Charging system



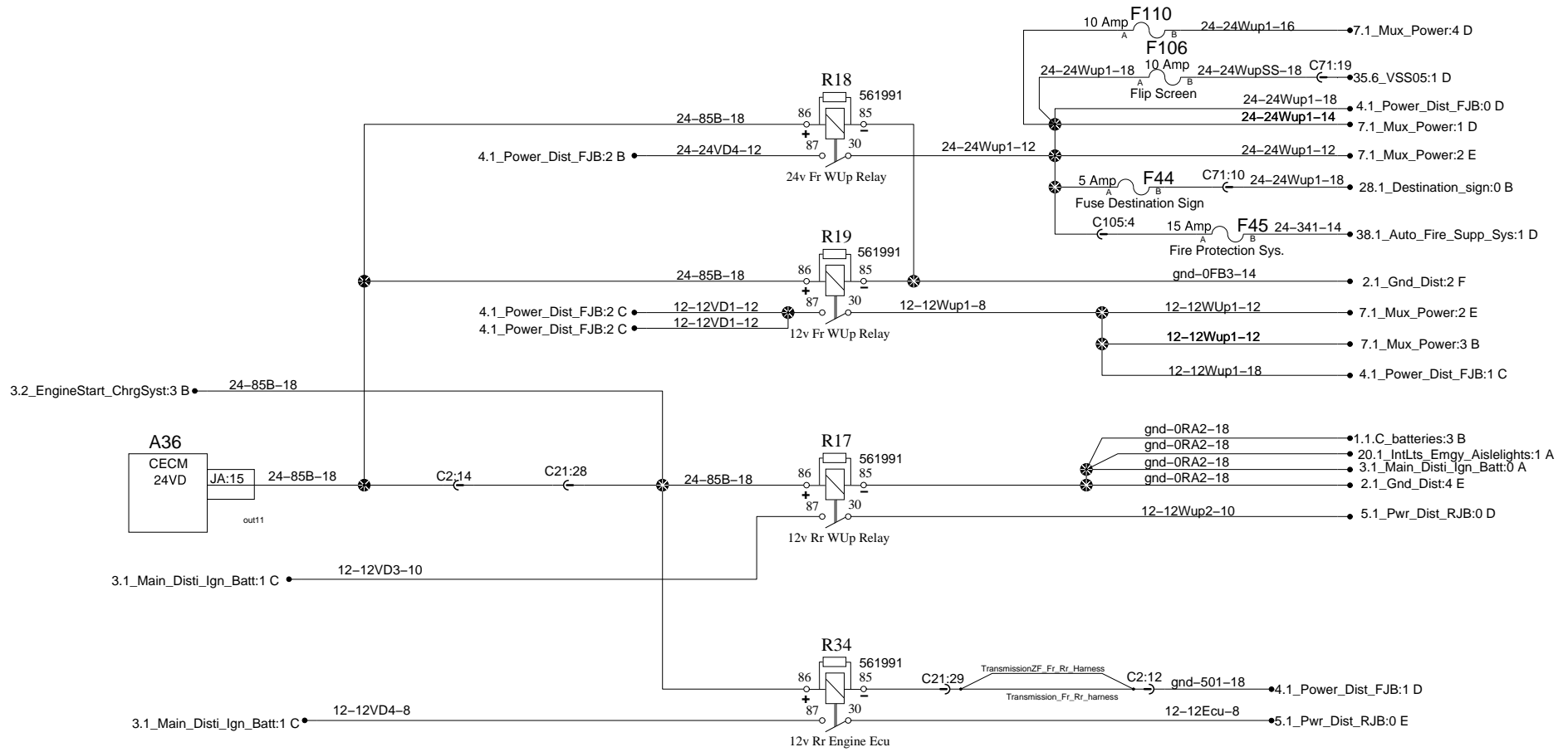
# Engine Start and Charging system



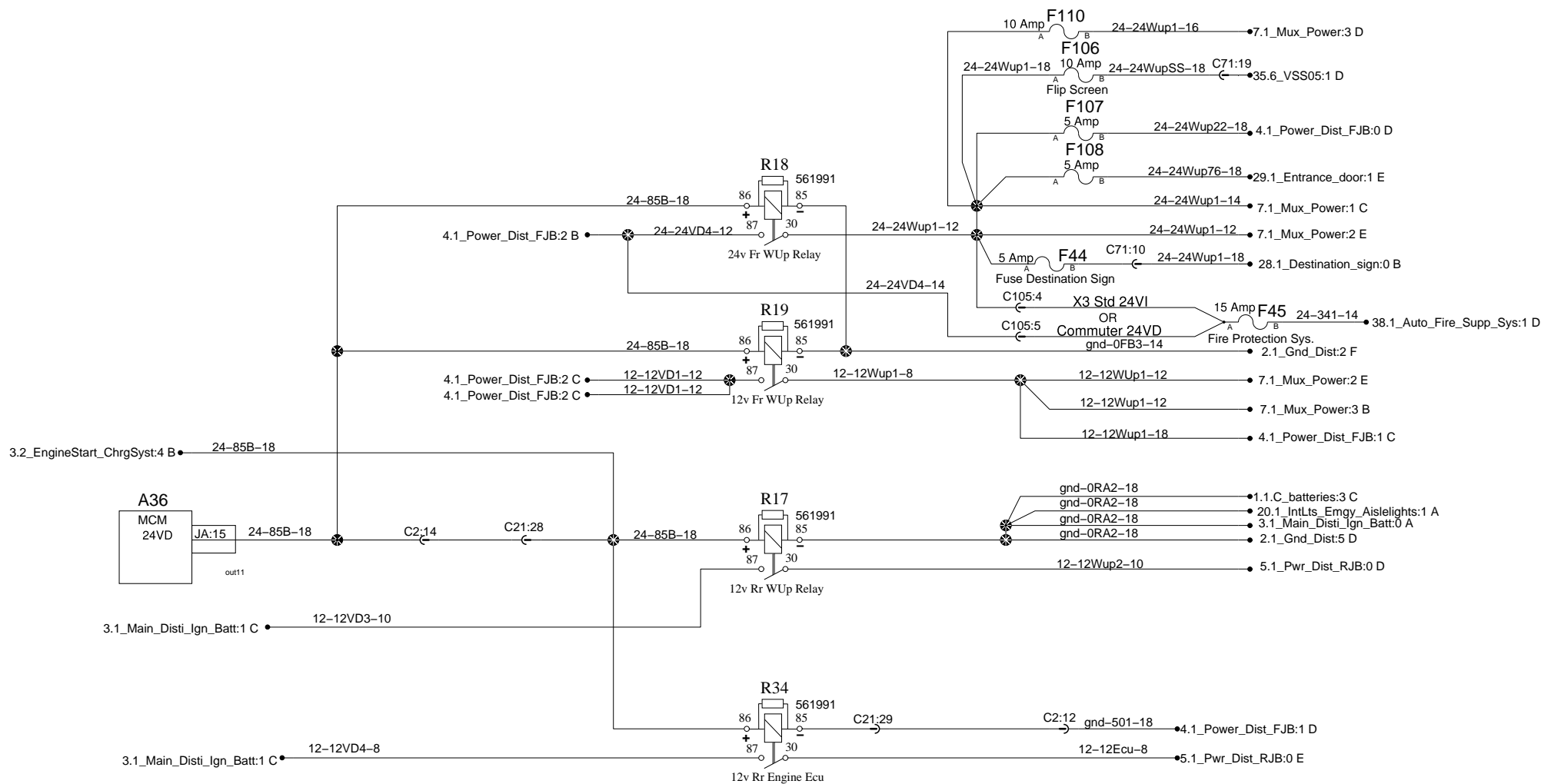
# Engine Start and Charging system



# MAIN DISTRIBUTION Wake-Up

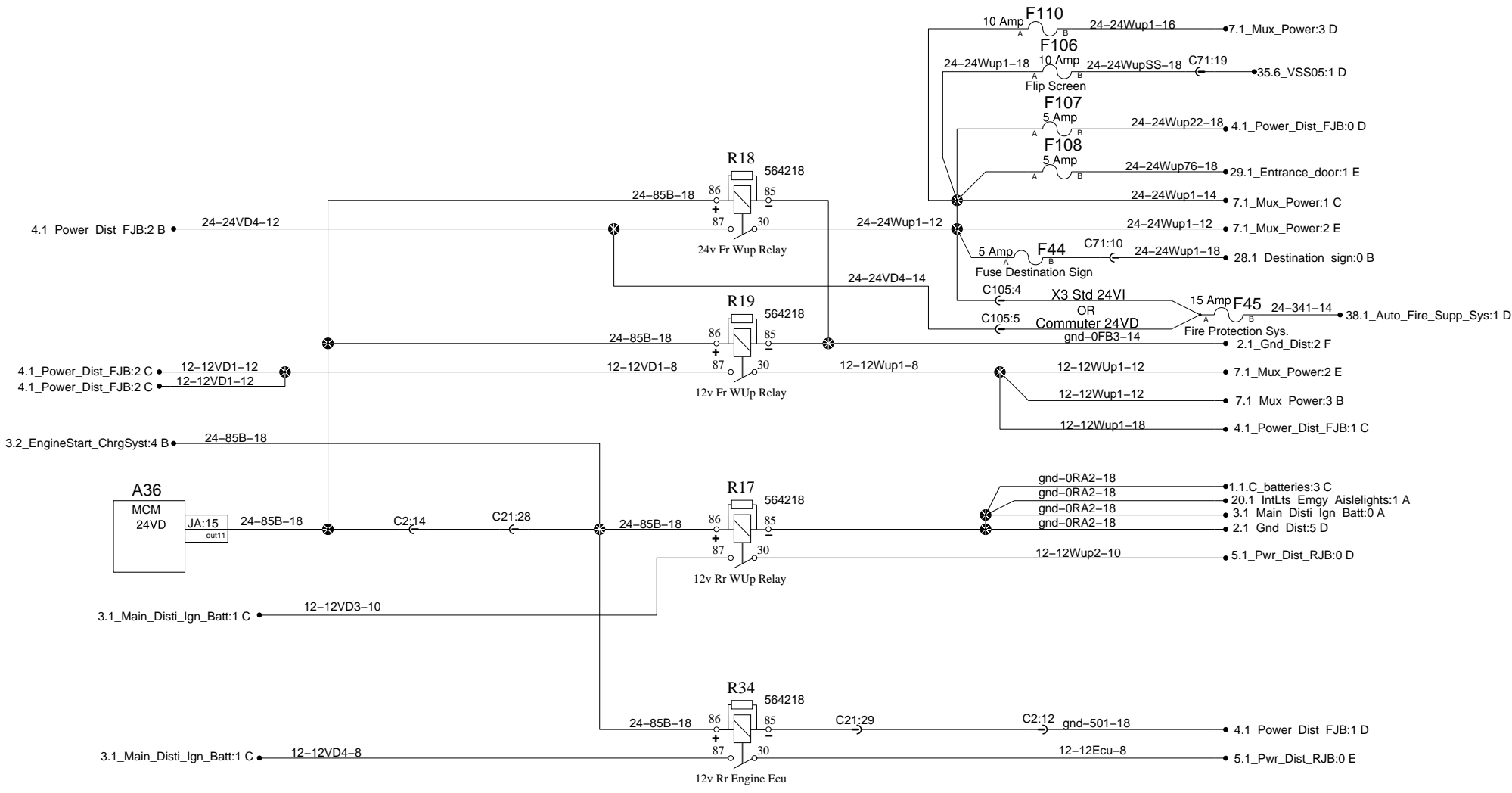


# MAIN DISTRIBUTION Wake-Up

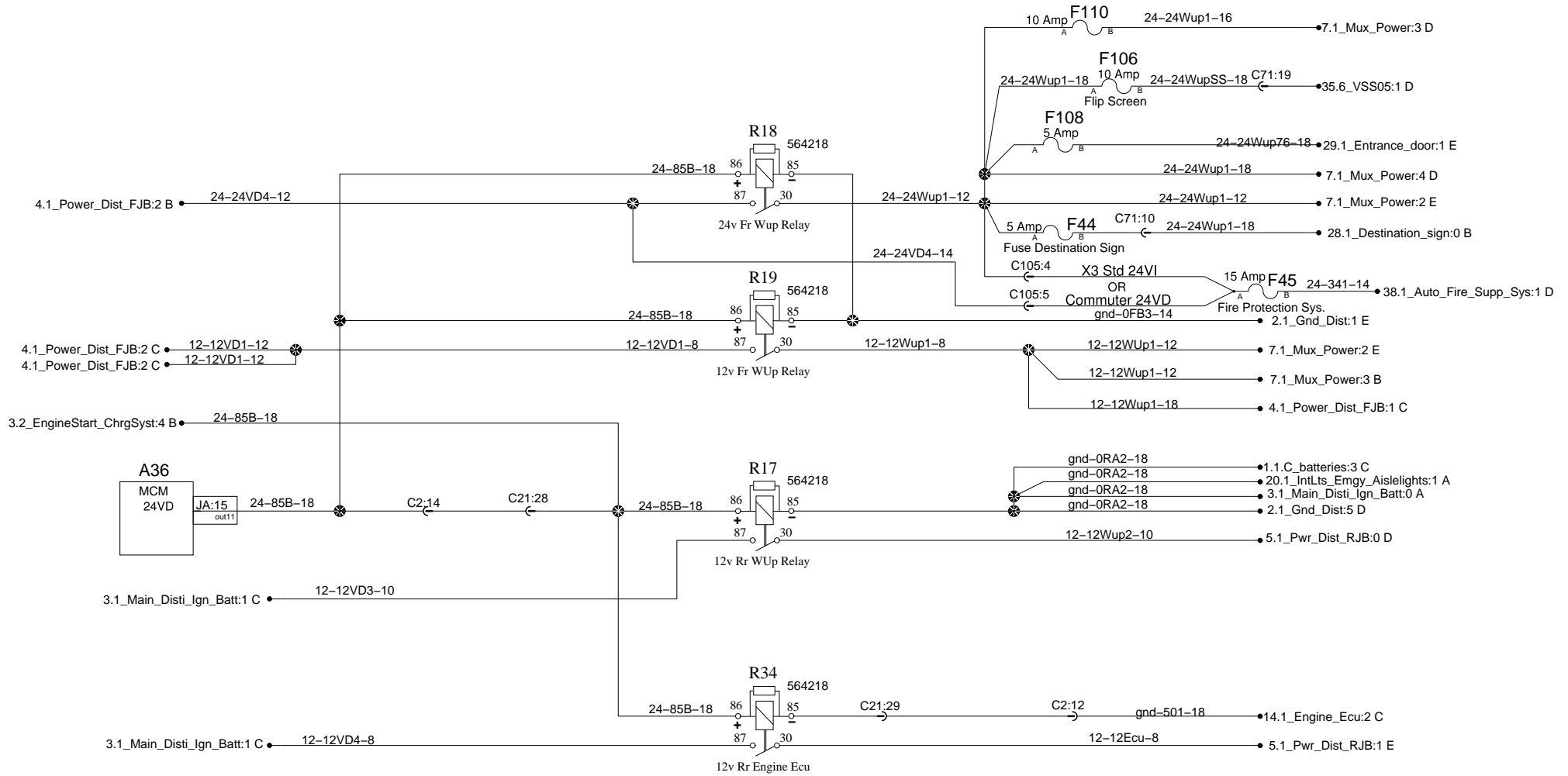




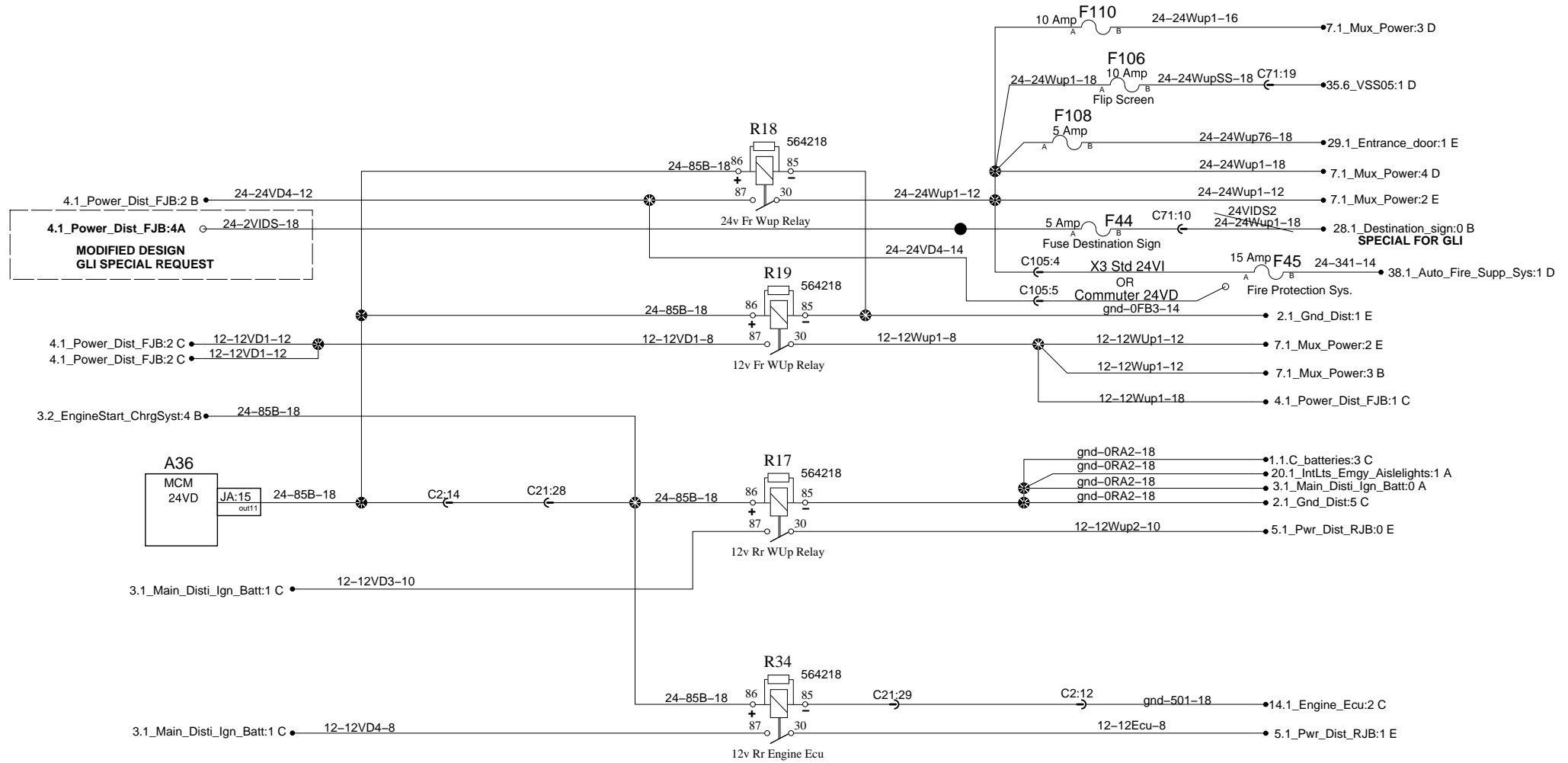
# MAIN DISTRIBUTION Wake-Up



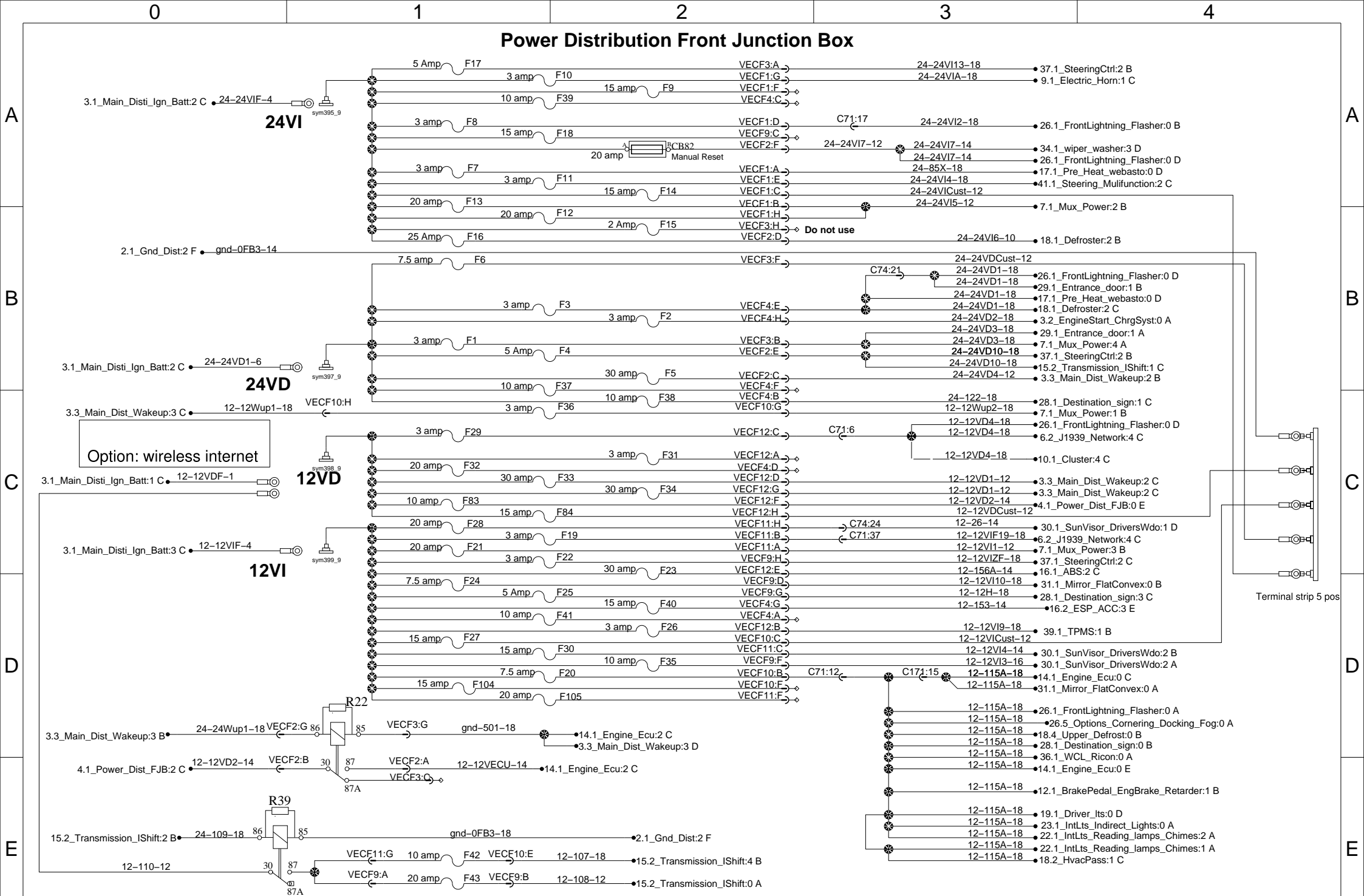
# MAIN DISTRIBUTION Wake-Up



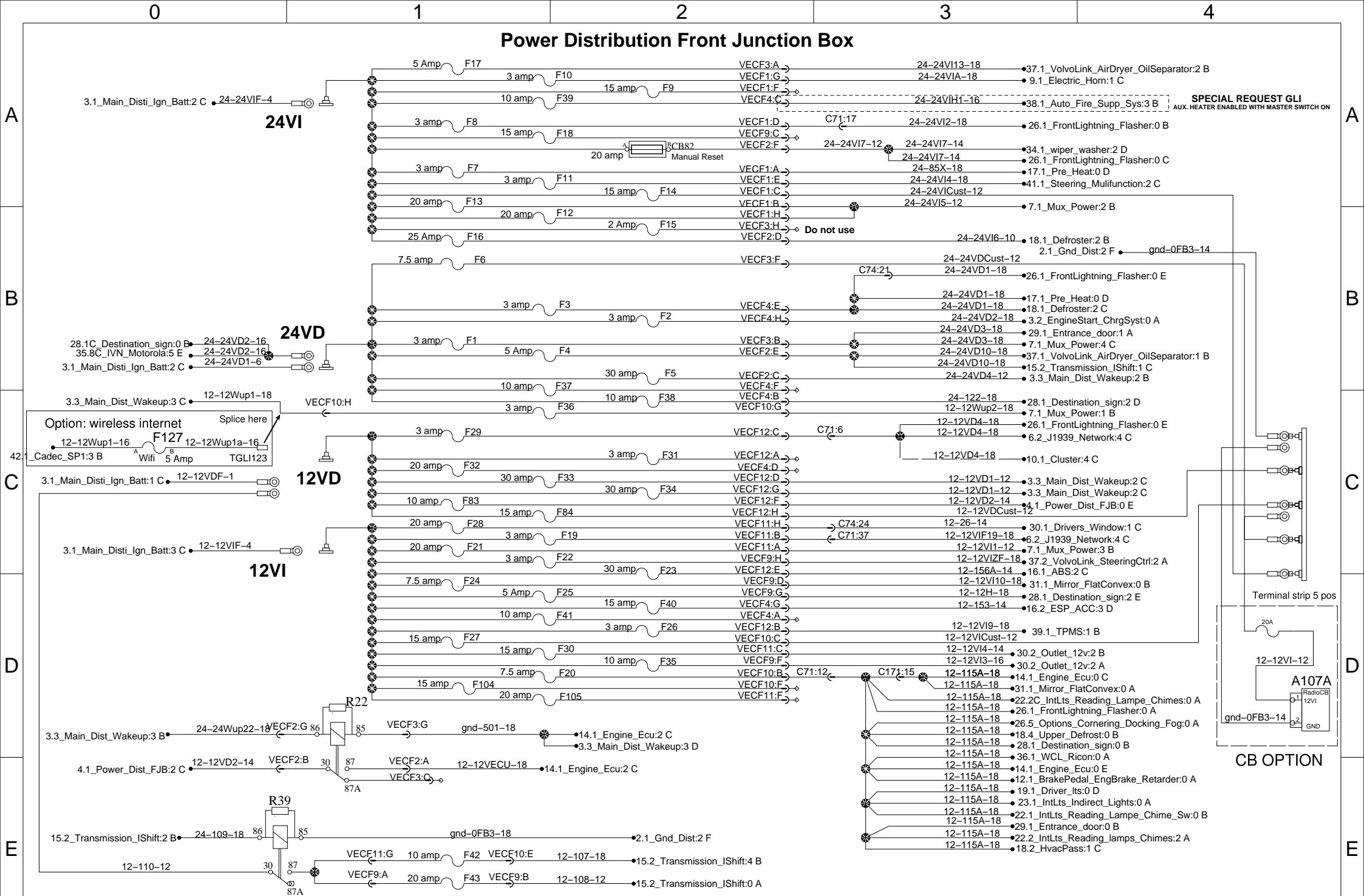
# MAIN DISTRIBUTION Wake-Up



# Power Distribution Front Junction Box



# Power Distribution Front Junction Box



# Power Distribution Front Junction Box

A

B

C

D

E

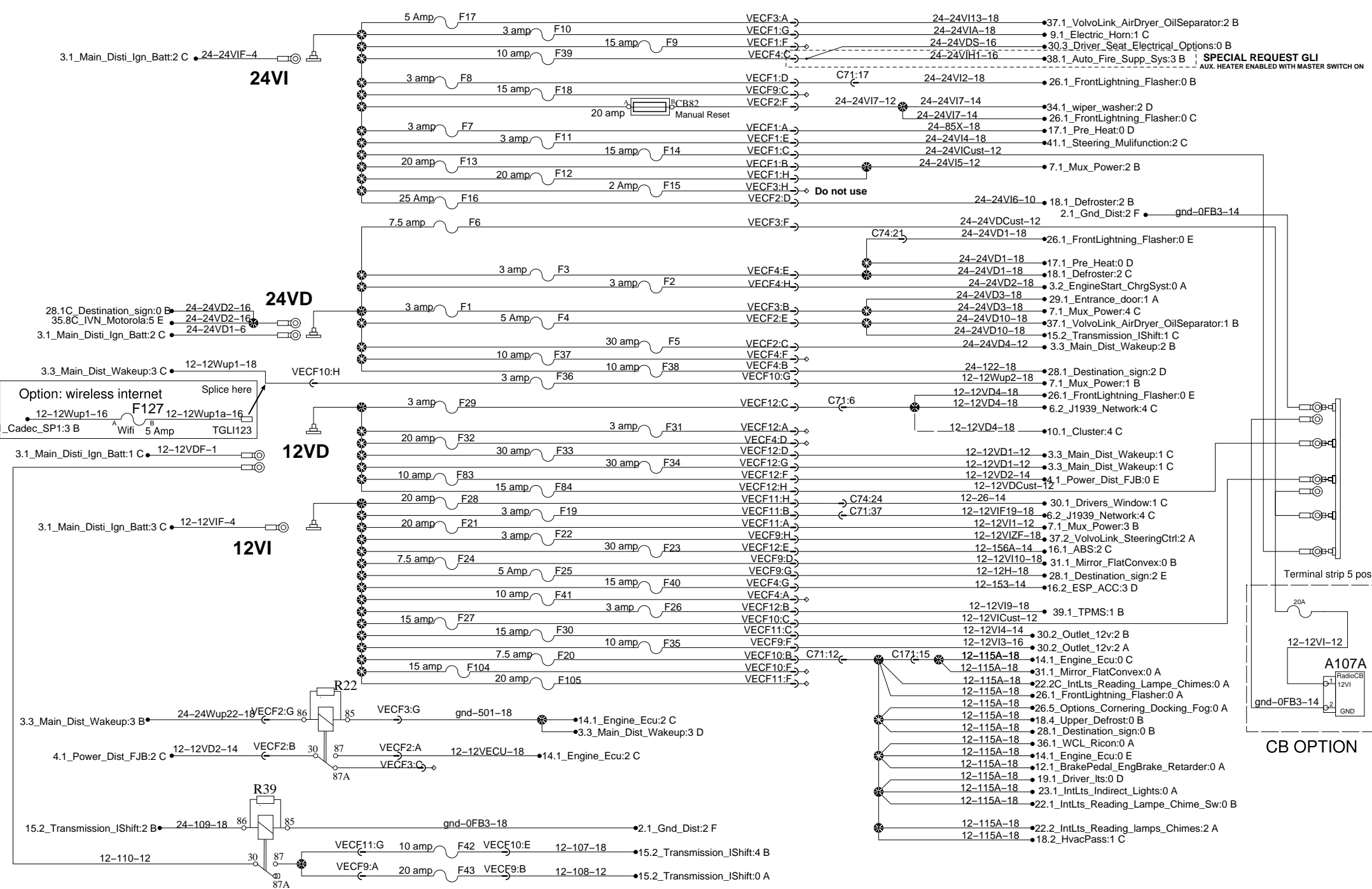
A

B

C

D

E



0

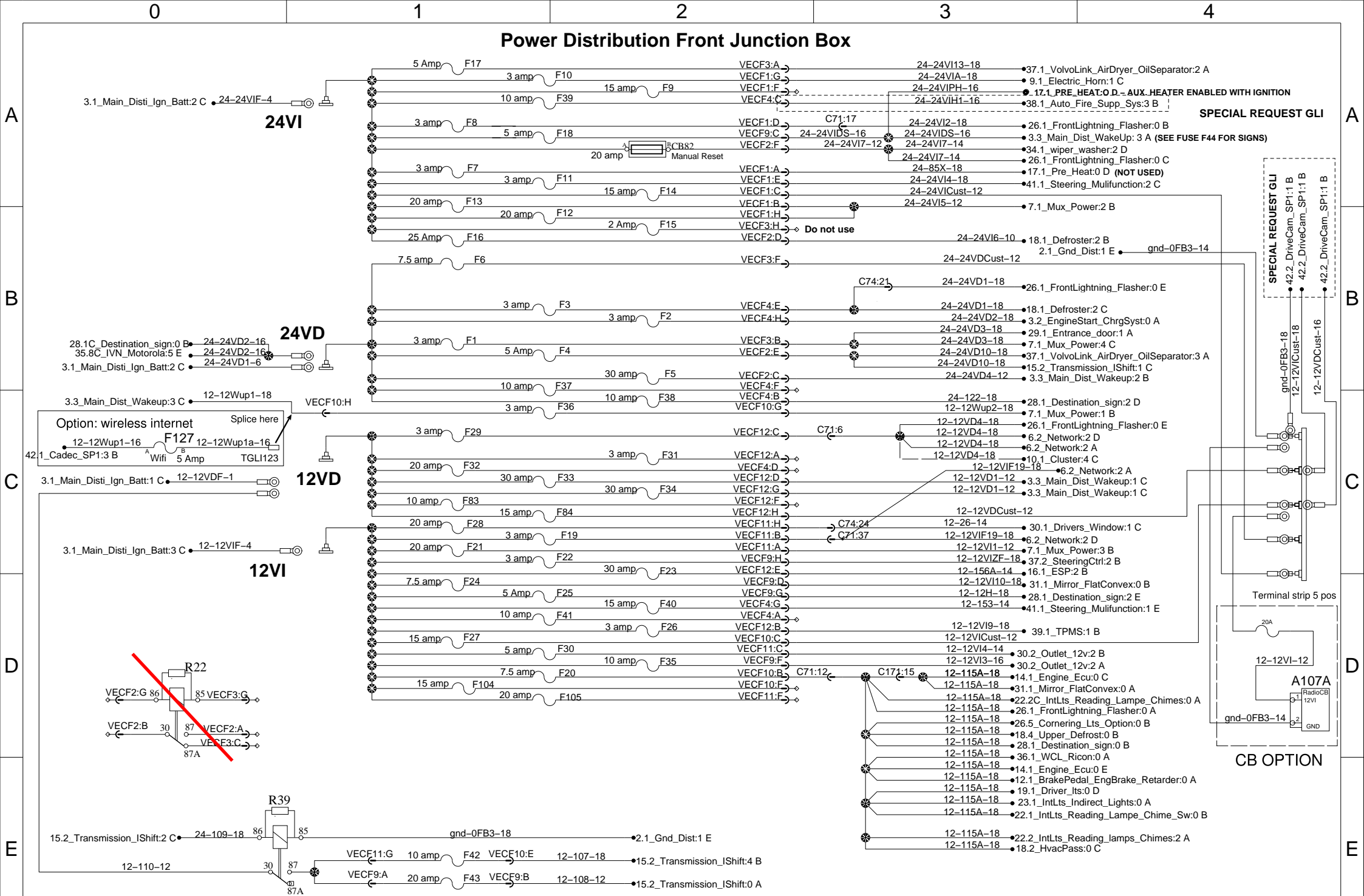
1

2

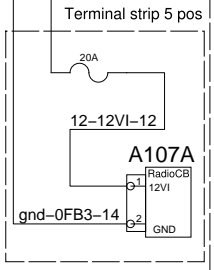
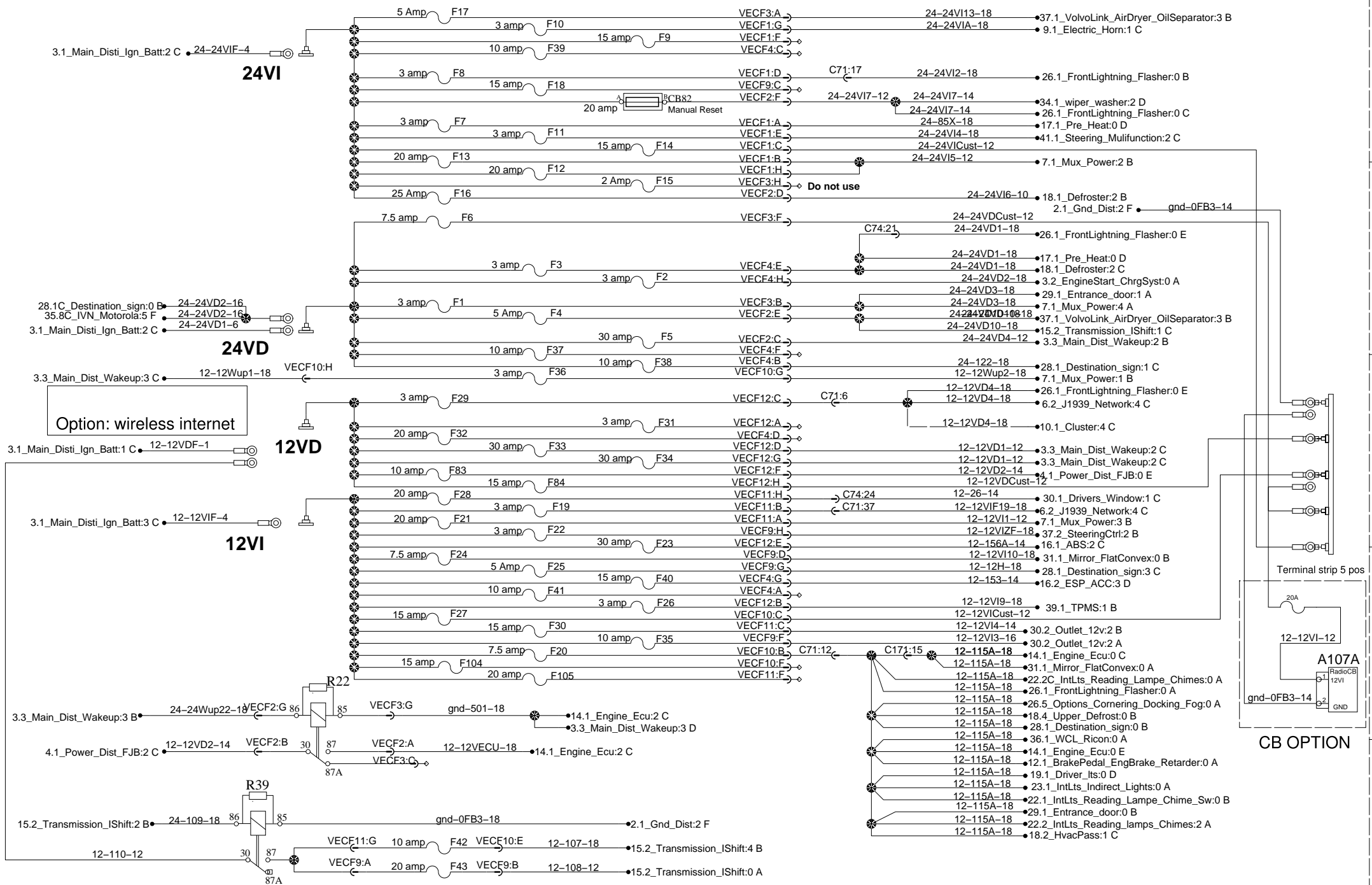
3

4

# Power Distribution Front Junction Box

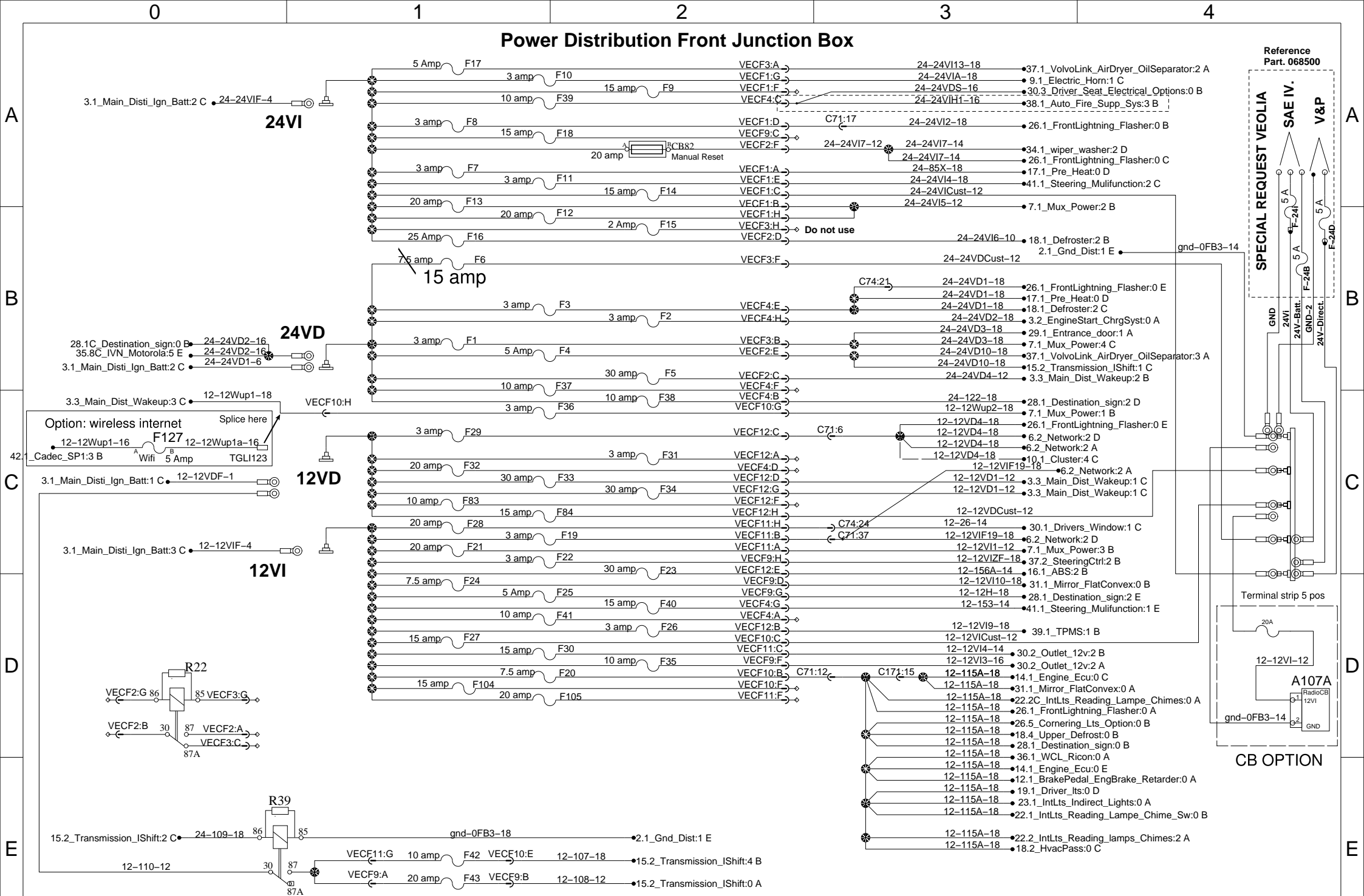


# Power Distribution Front Junction Box

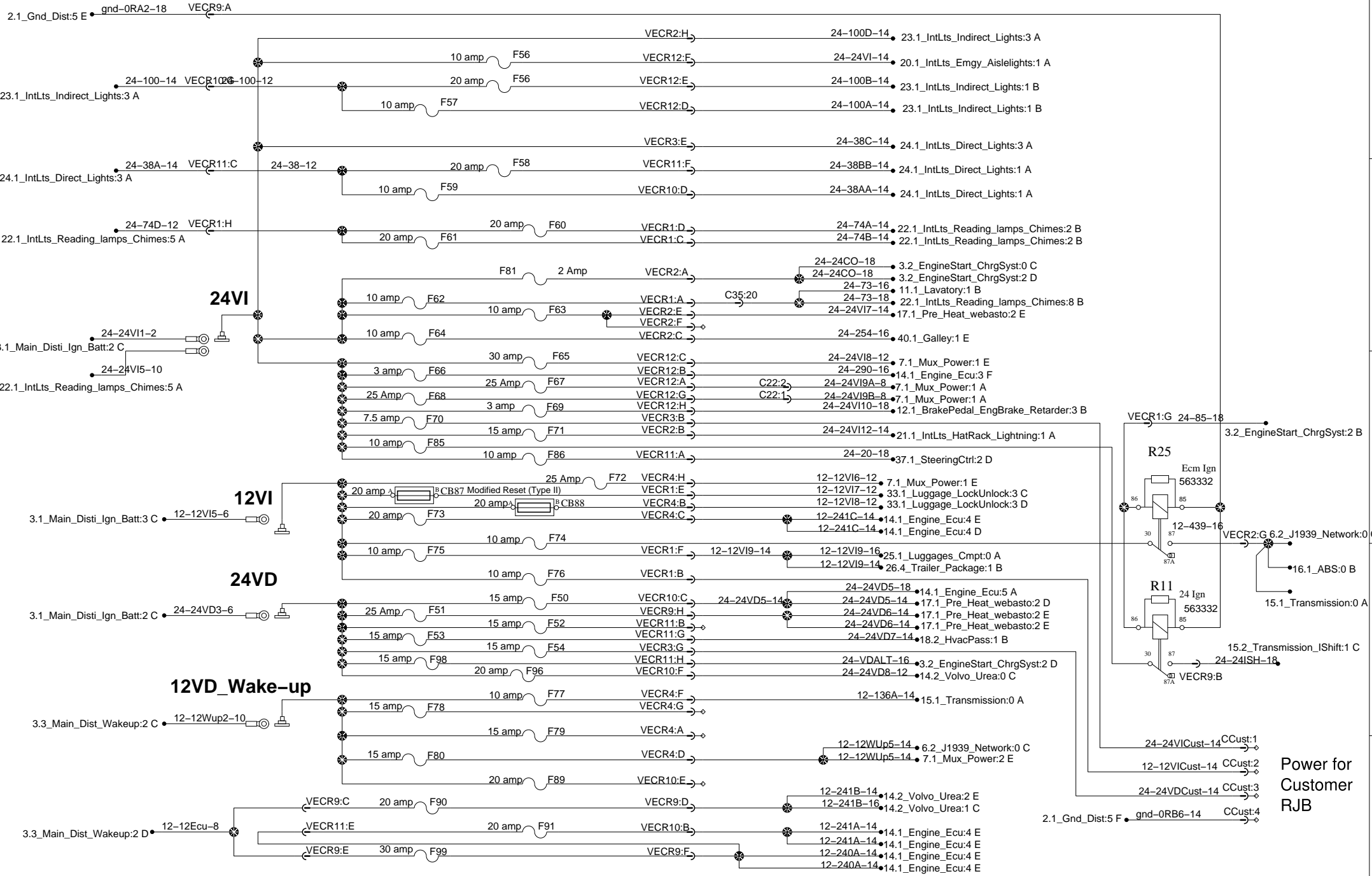




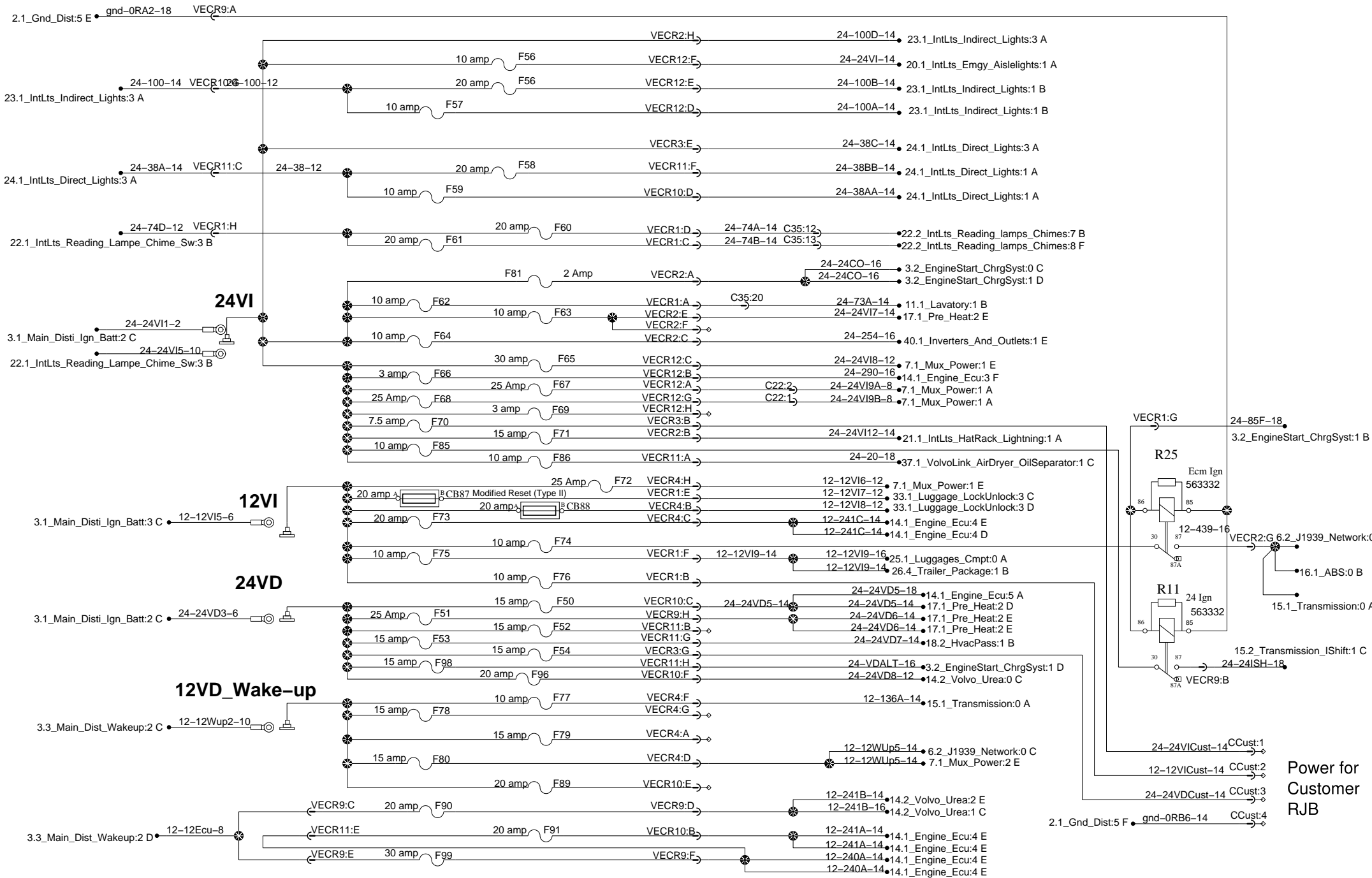
# Power Distribution Front Junction Box



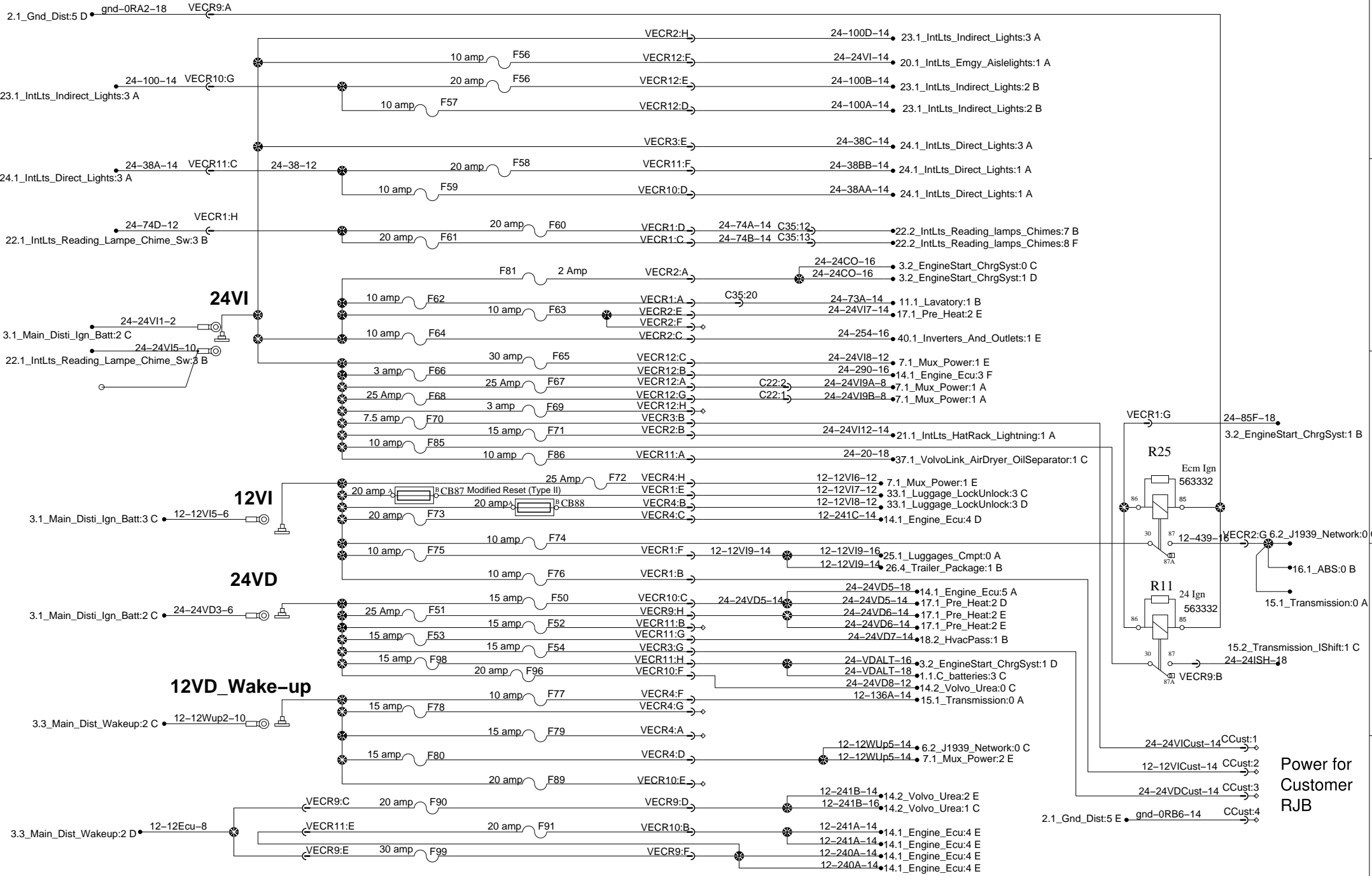
# Power distribution Rear Junction box



# Power distribution Rear Junction box



# Power distribution Rear Junction box



Power for Customer RJB

# Power distribution Rear Junction box

A

A

B

B

C

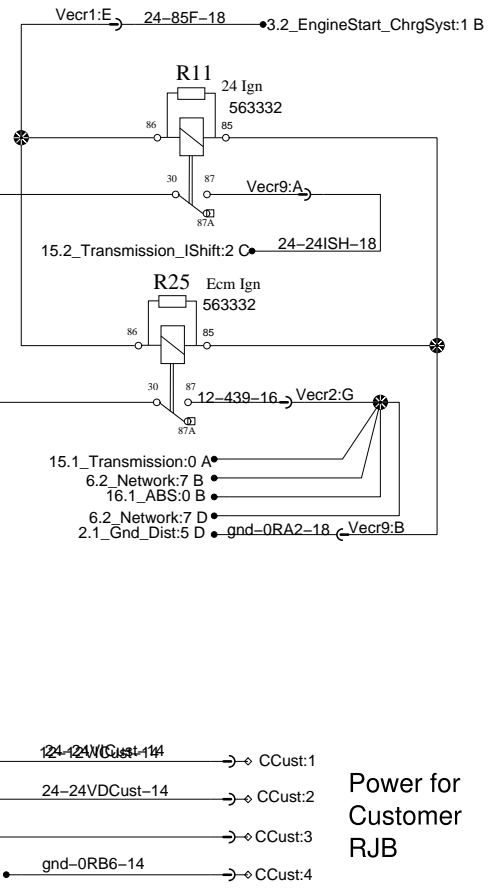
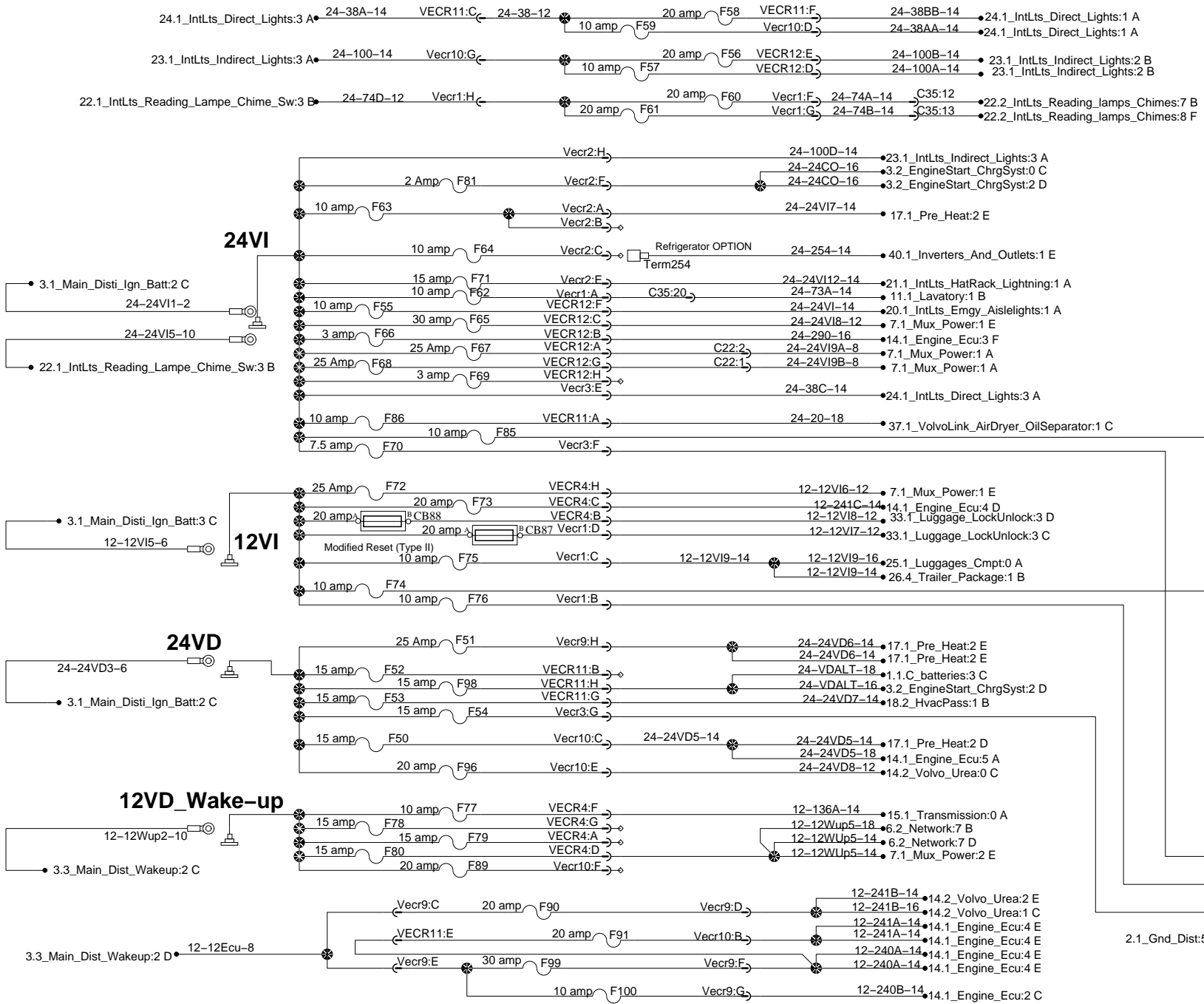
C

D

D

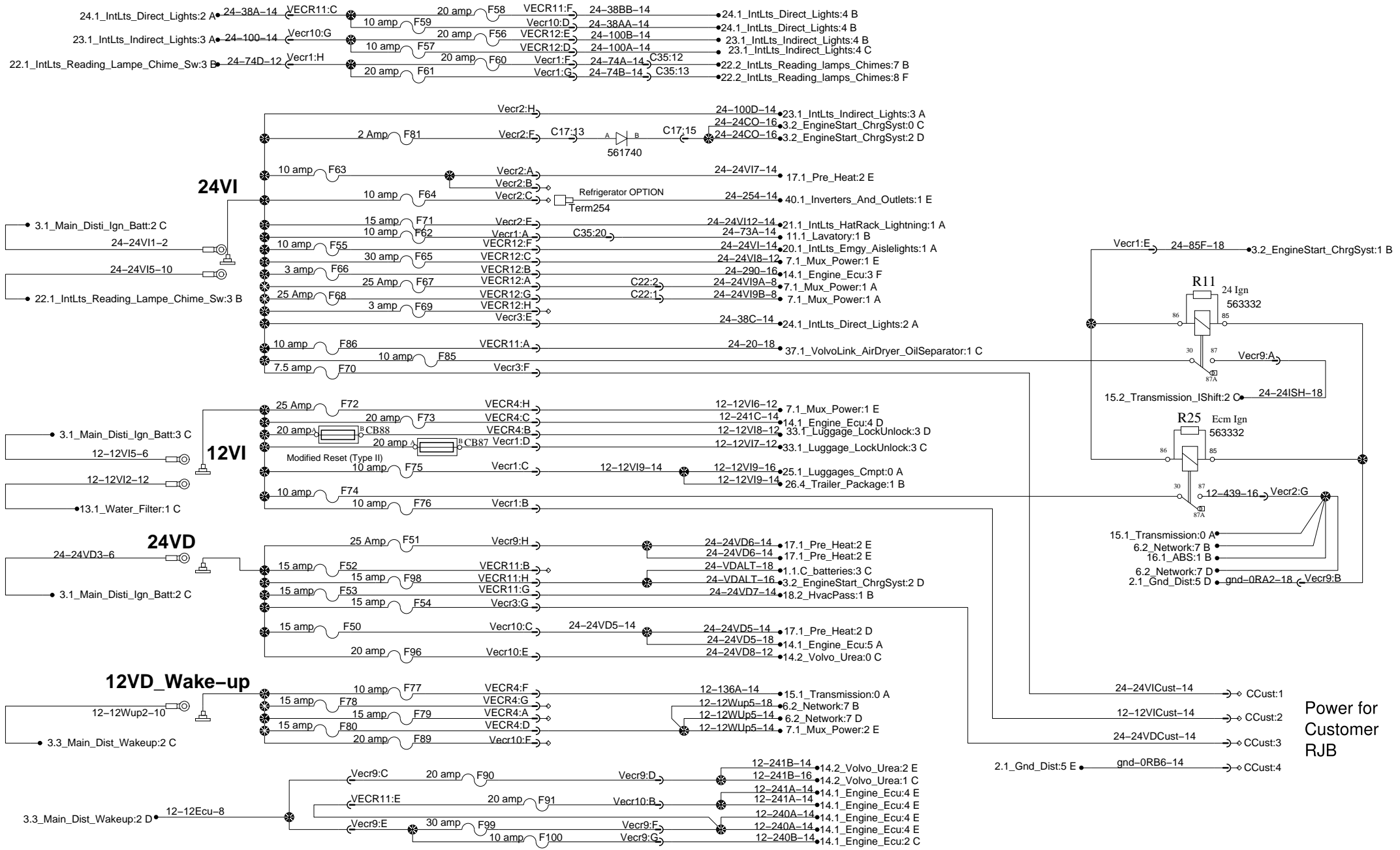
E

E

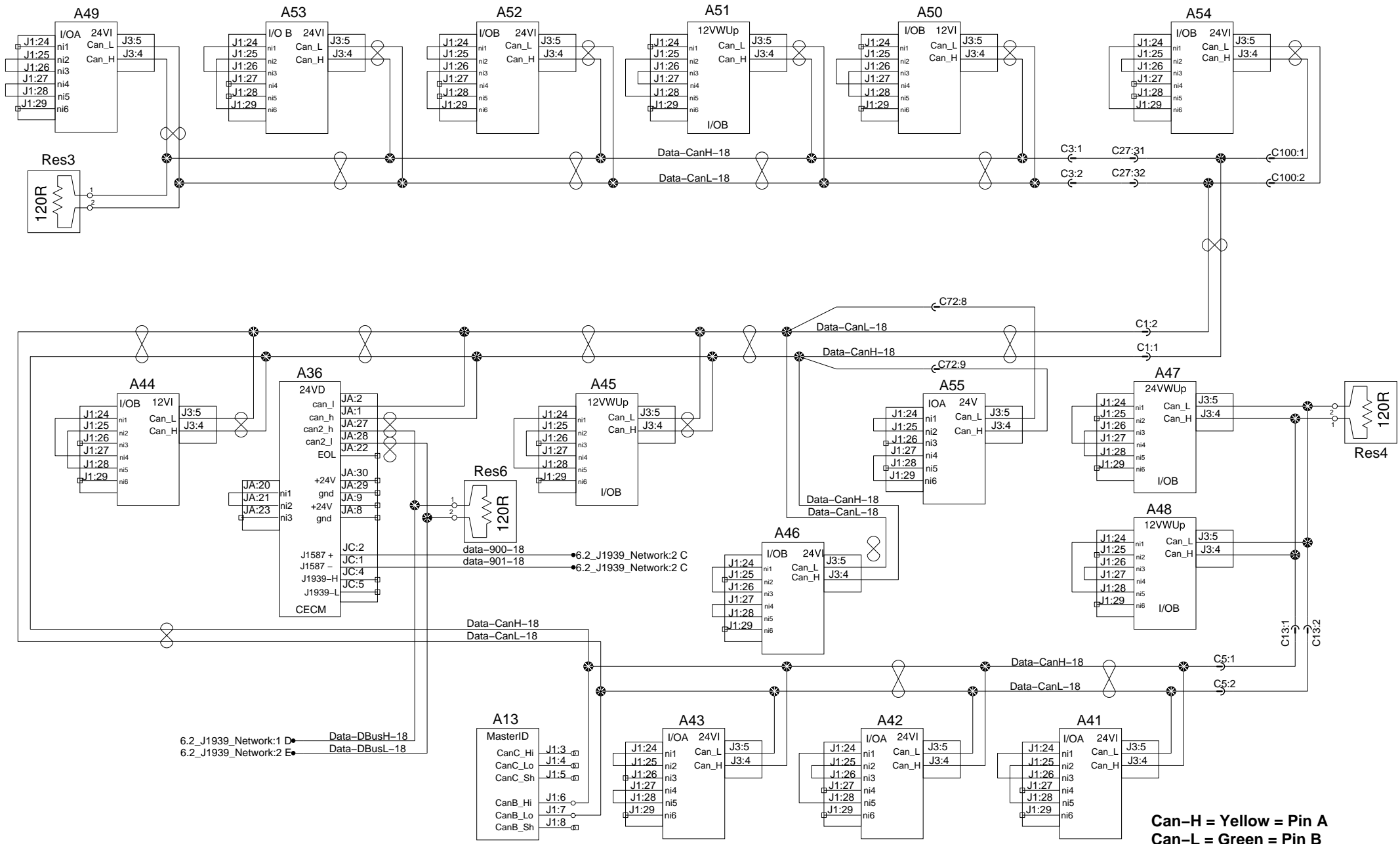


Power for Customer RJB

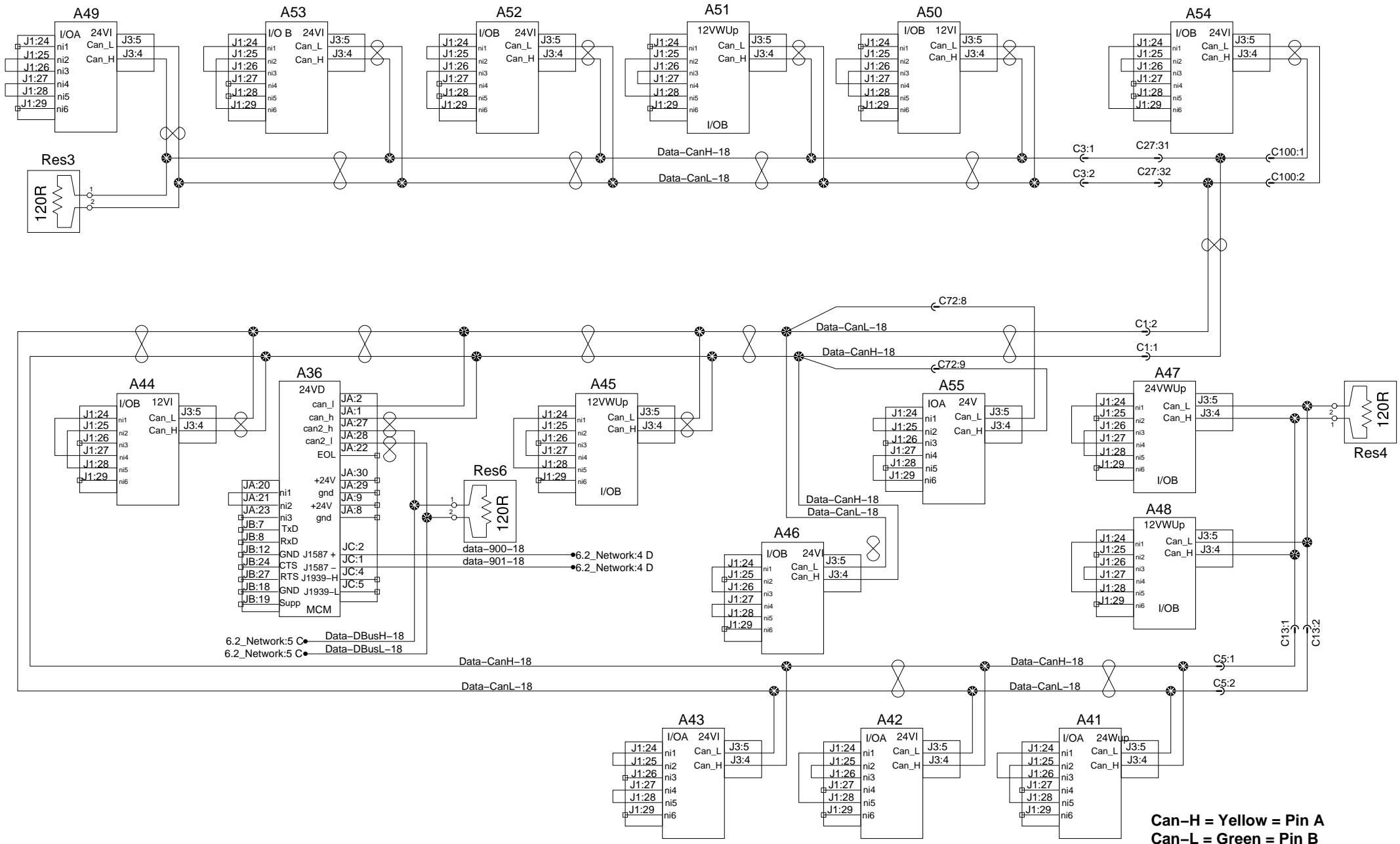
# Power distribution Rear Junction box



# Multiplex Can, J1587 Network and Addressing

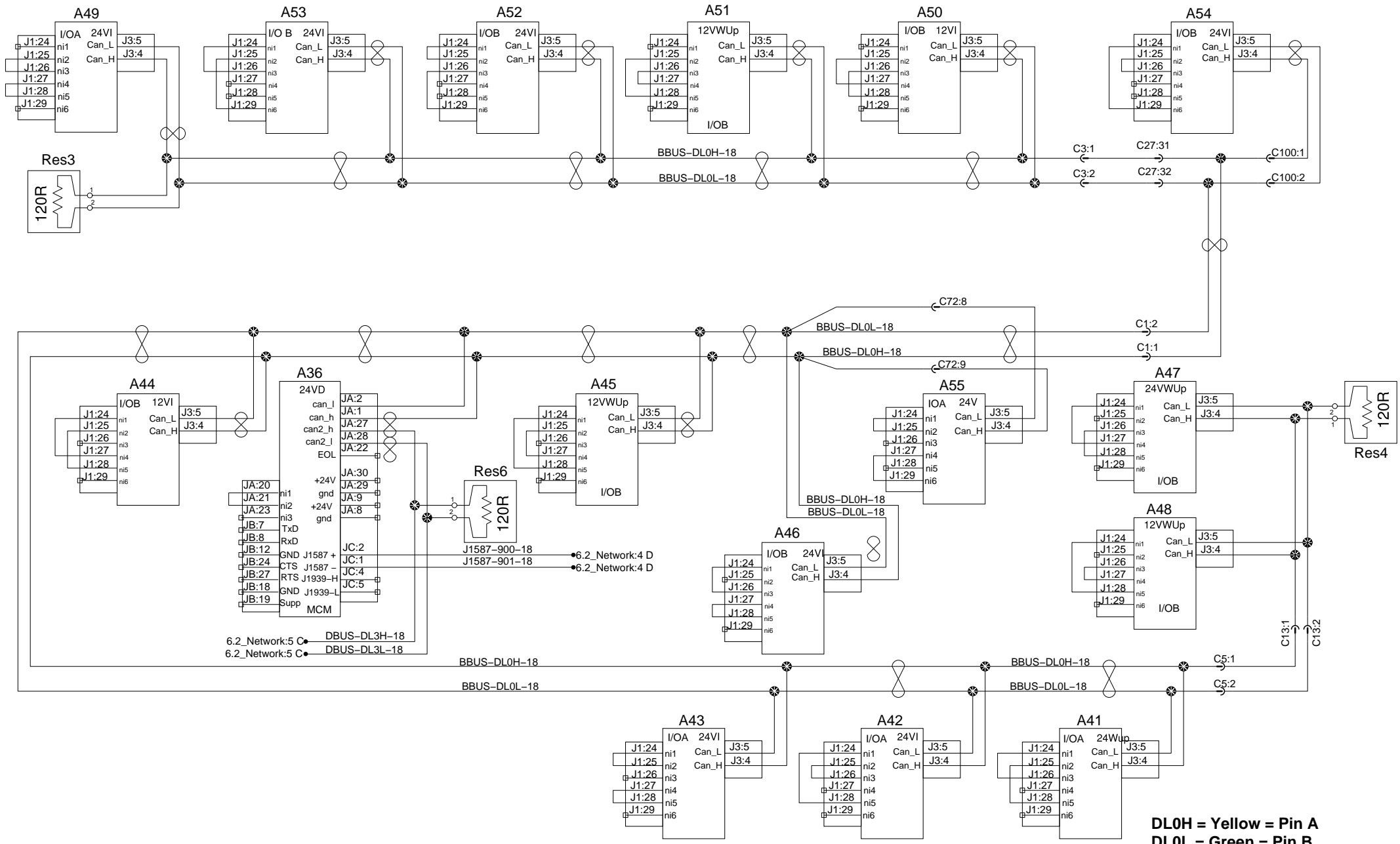


# Multiplex Can, J1587 Network and Addressing



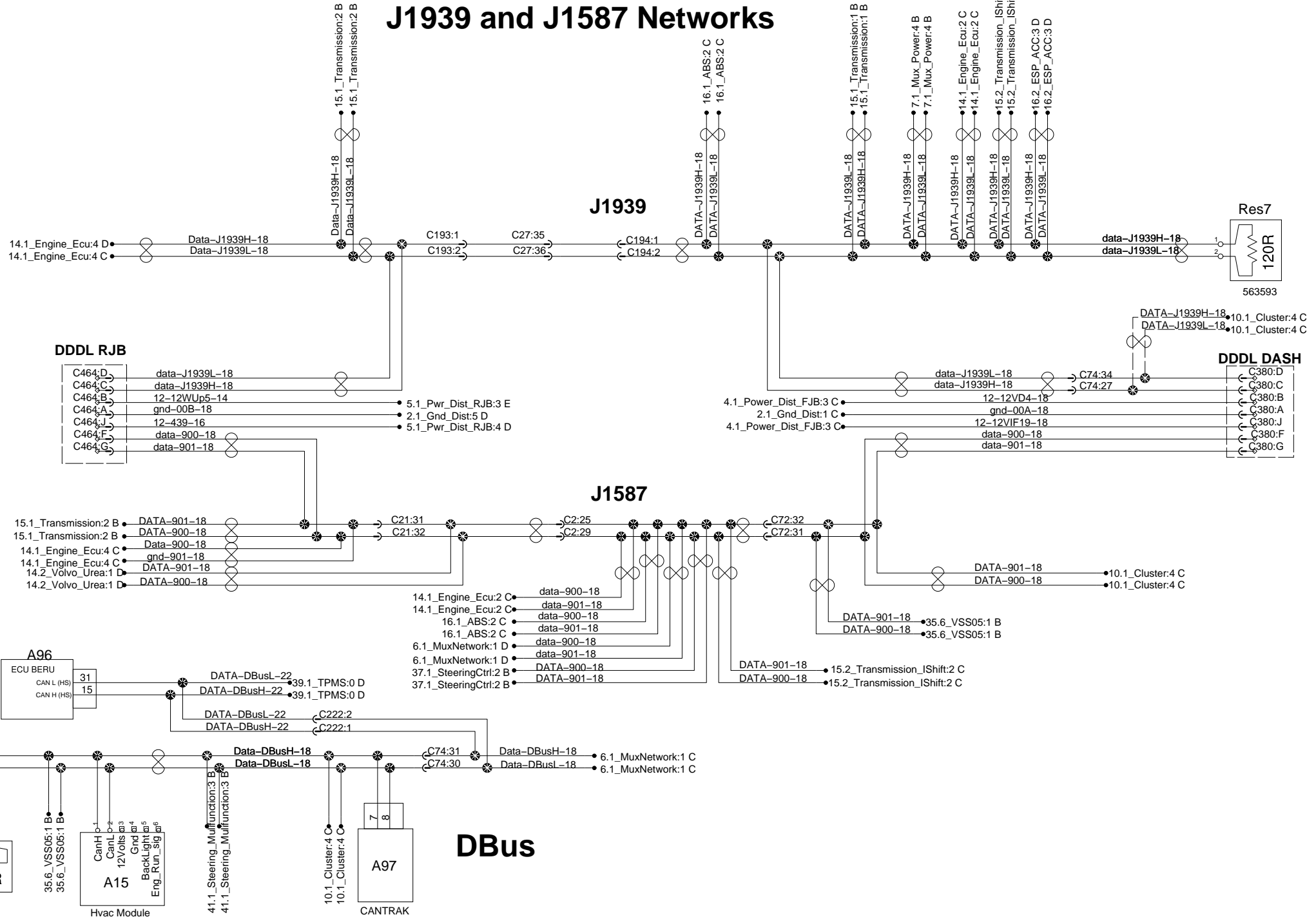


# Multiplex Can, J1587 Network and Addressing

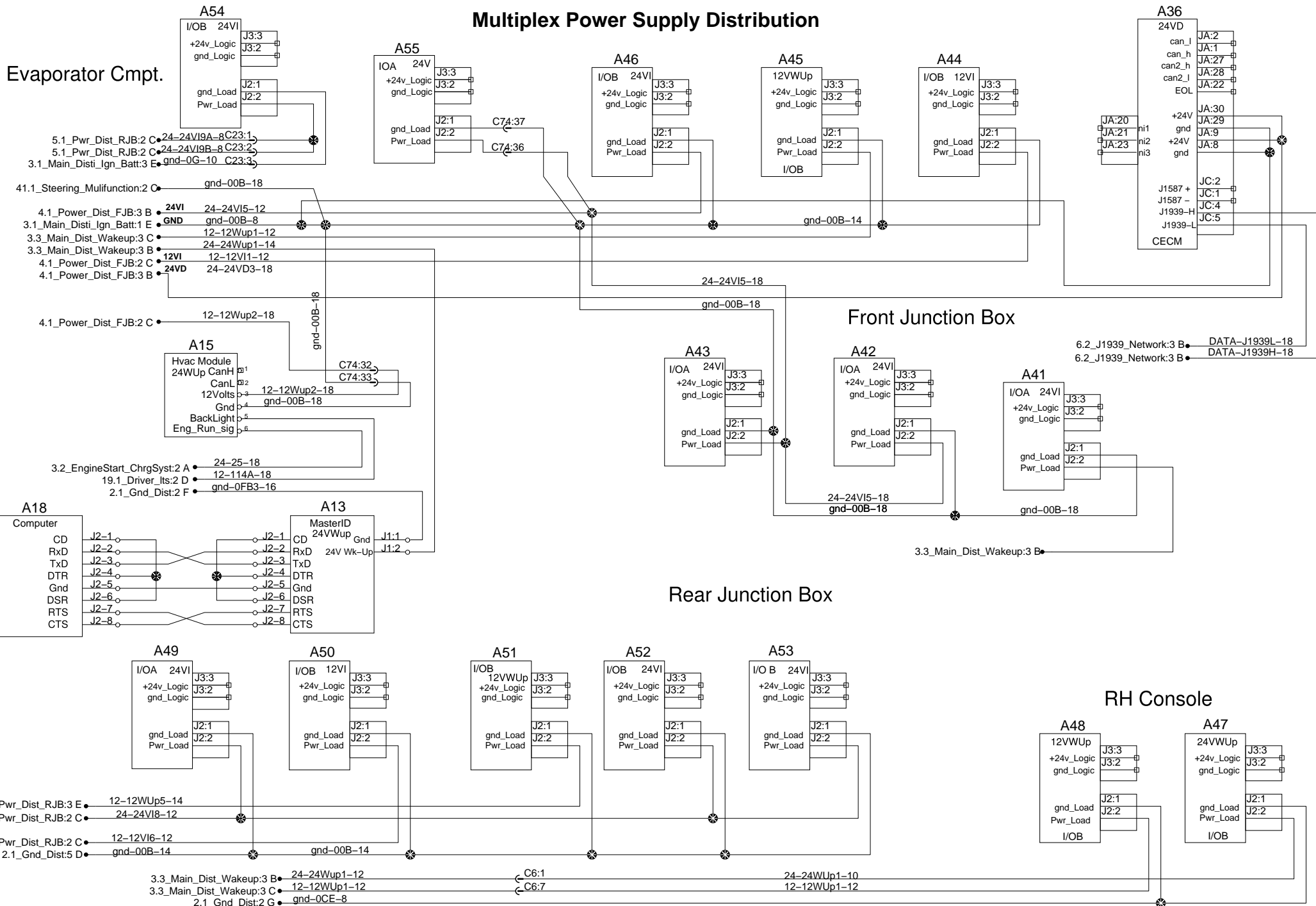


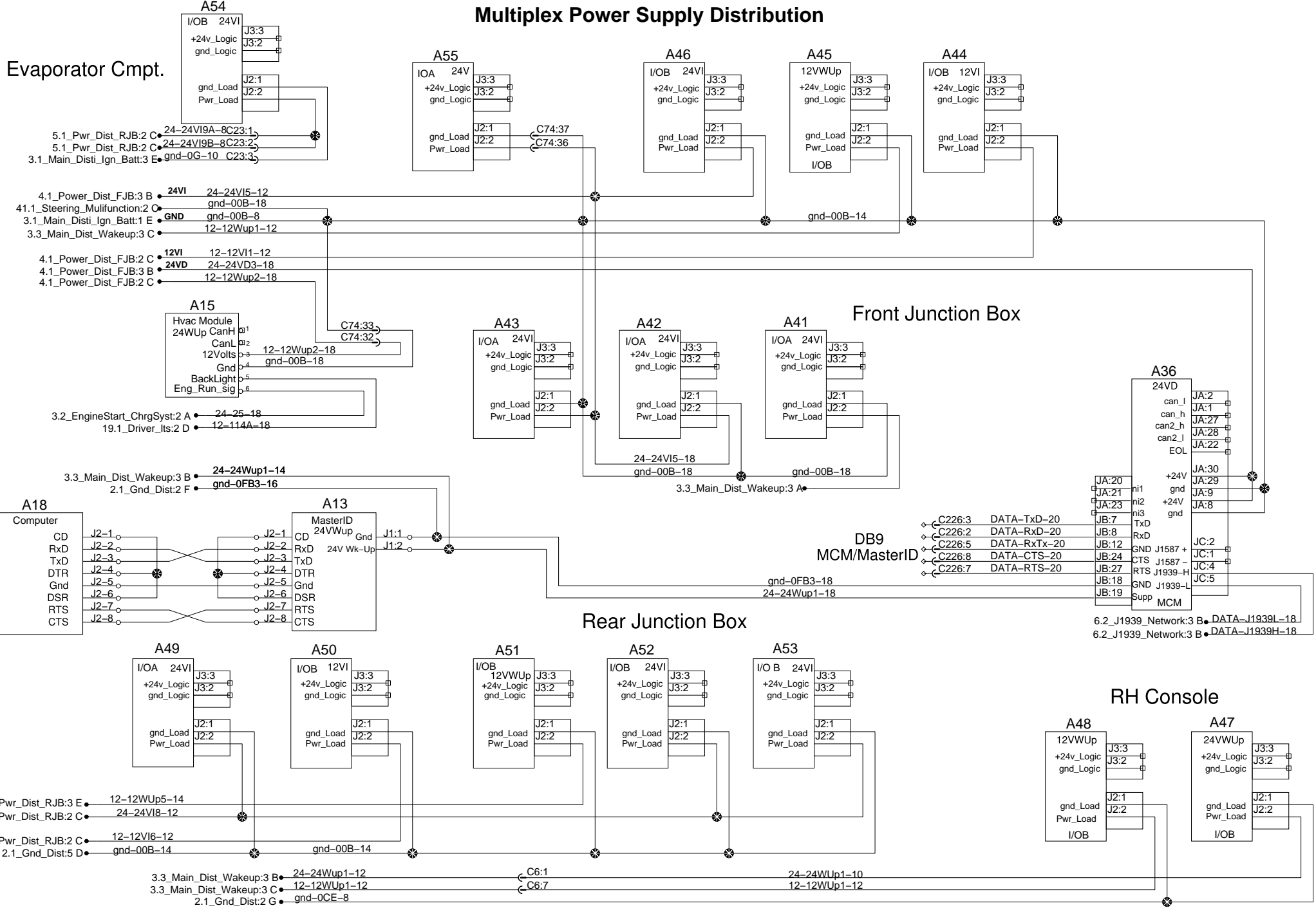
DL0H = Yellow = Pin A  
DL0L = Green = Pin B

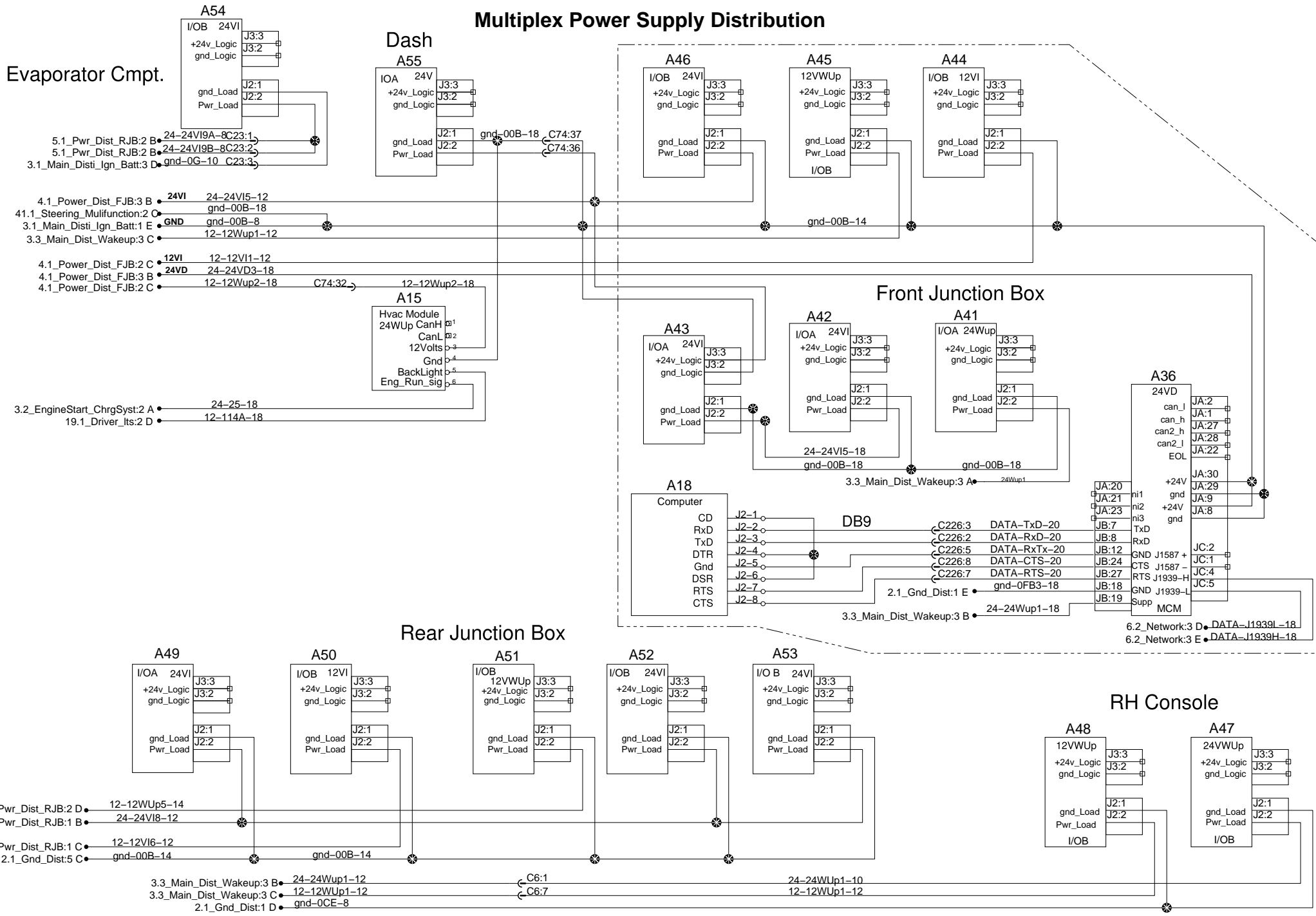
# J1939 and J1587 Networks

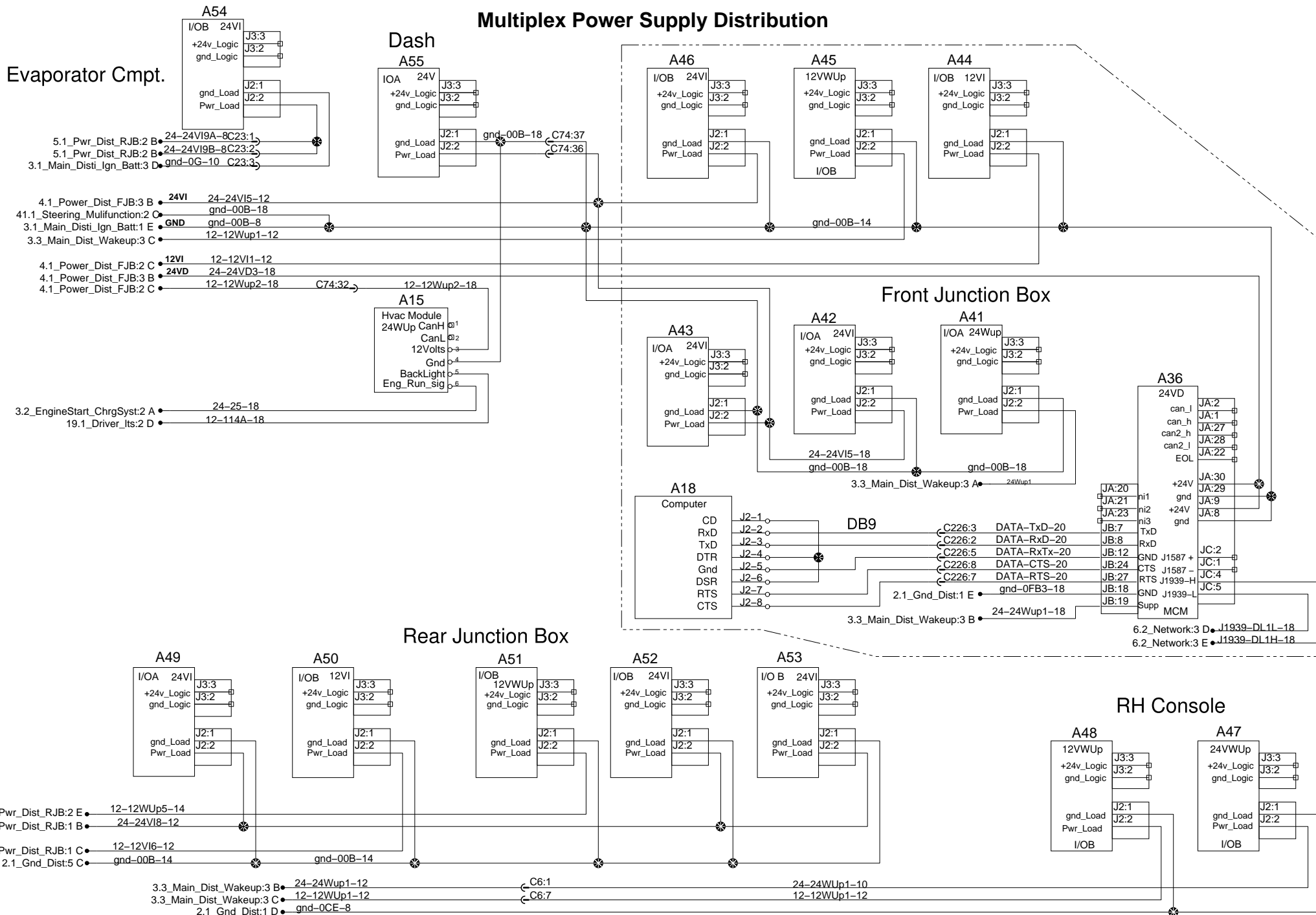




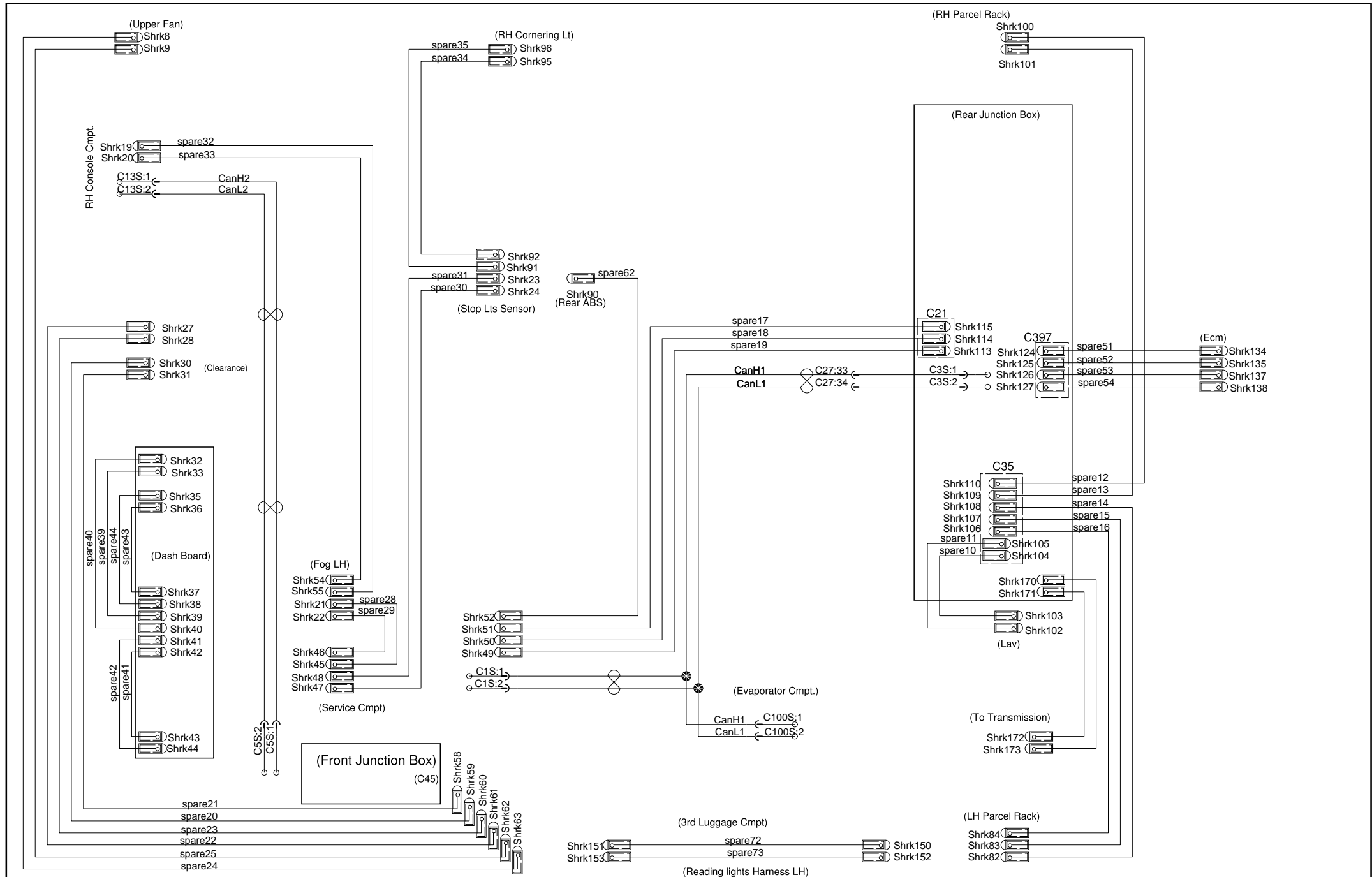






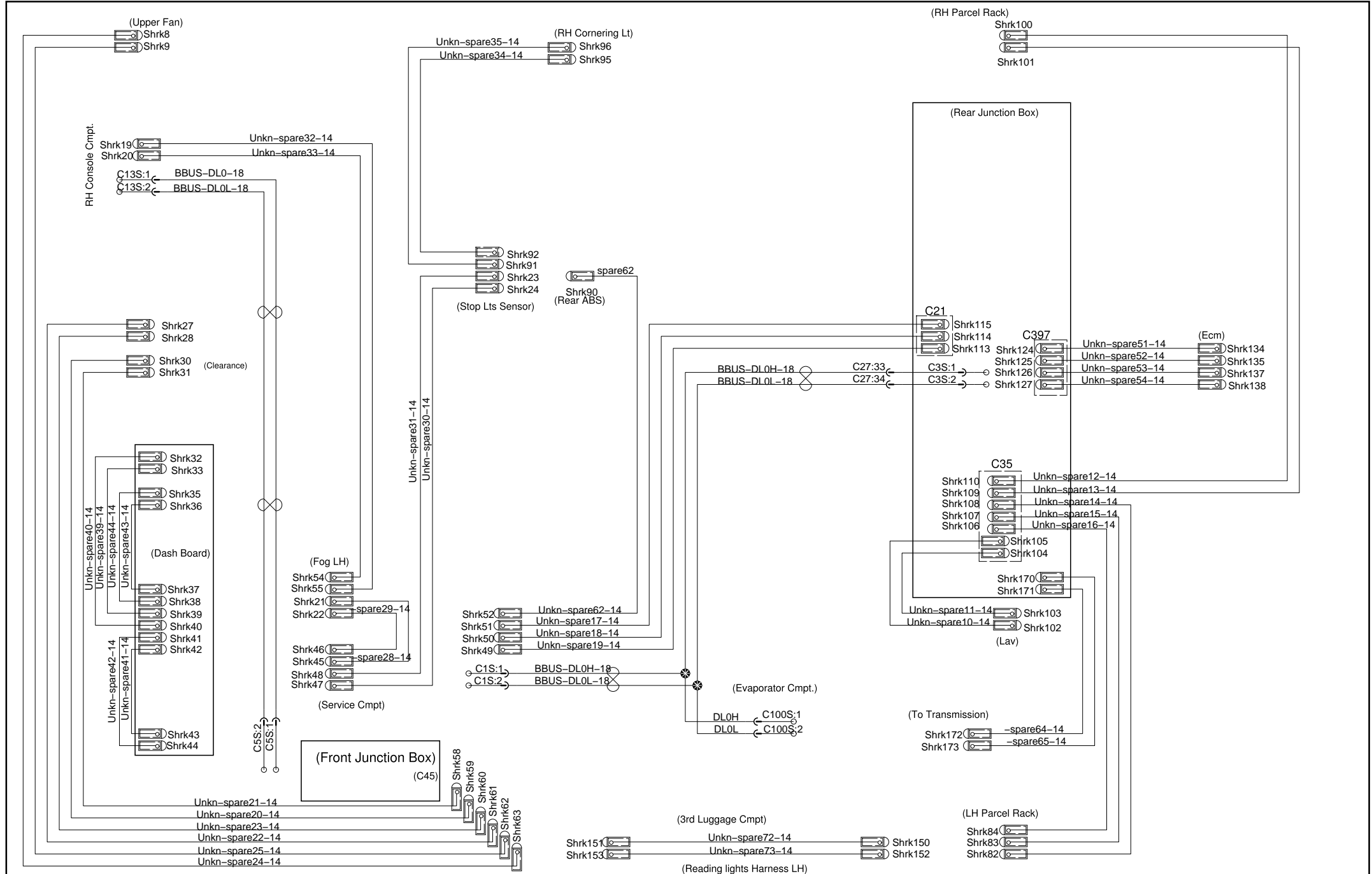


# Spare Wires

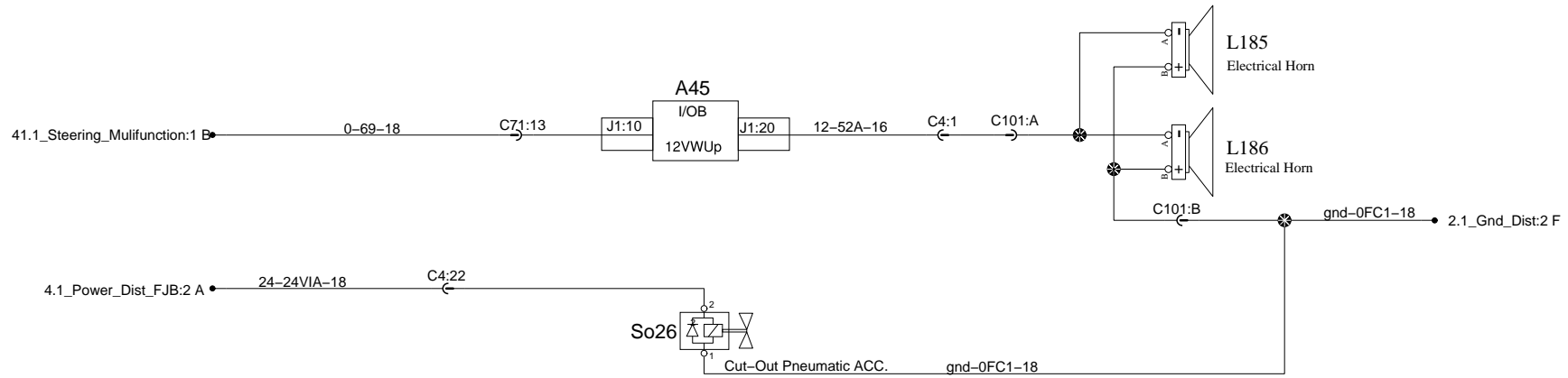




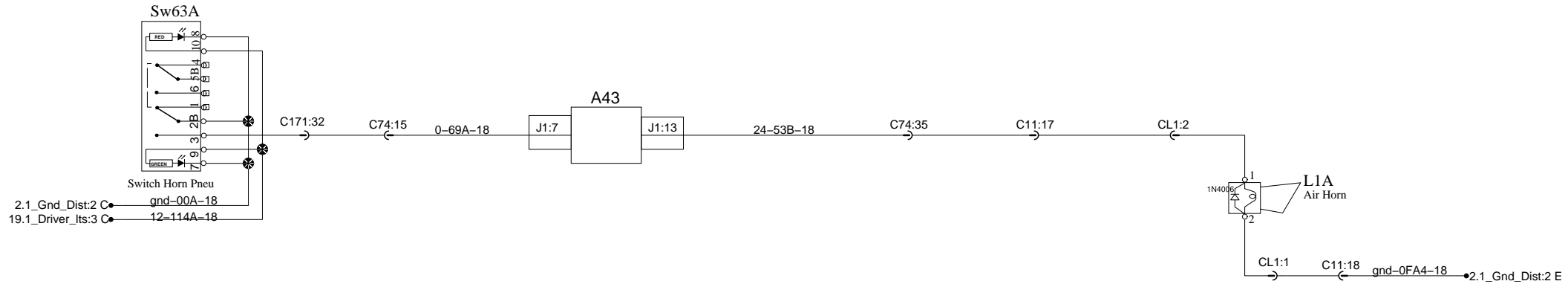
# Spare Wires



# Electric Horn



# Air Horn



# Cluster

COMMUTER ONLY  
Sw81

19.1\_Driver\_Its:2 C  
12-114A-18  
Res10

2.1\_Gnd\_Dist:2 B  
41.1\_Steering\_Mulfunction:3 B

A36

CECM  
24VD

JA:14	12-360-18	C36:1	1.2k	Res33	C36:3	C71:18
JA:12	12-361-18	C36:4	1.2k	Res34	C36:6	C71:28
JA:16	12-362-18	C36:7	1.2k	Res35	C36:9	C74:14
JA:18	12-363-18	C36:10	1.2k	Res36	C36:12	C74:19

6.2\_J1939\_Network:4 C  
6.2\_J1939\_Network:4 C  
6.2\_J1939\_Network:1 D  
6.2\_J1939\_Network:1 E  
6.2\_J1939\_Network:3 C  
6.2\_J1939\_Network:3 C

A43  
I/OA 24VI  
J1:15

16.1\_ABS:3 C  
16.1\_ABS:2 C  
16.1\_ABS:2 C  
14.1\_Engine\_Ecu:6 A  
34.1\_wiper\_washer:1 B

Se11  
Fuel Sender  
Gnd  
Sig  
Wrm

Se55  
5v  
gnd  
out

Se53  
5v  
gnd  
out

Se54  
5v  
gnd  
out

Outside Sensor  
Se20  
T°

C152:A C2:34 C72:17  
C152:B C2:9 C74:18  
C152:D C2:22 C72:26

ANA-76-18  
0-76C-18  
12-439-18  
12-439-18  
12-439-18  
12-select-18  
12-escape-18  
12-up-18  
12-down-18  
DATA-J1939H-18  
DATA-J1939L-18  
DATA-DBusH-18  
DATA-DBusL-18  
DATA-900-18  
DATA-901-18

C11:26  
C11:25  
C11:23  
C11:24  
C11:20  
C11:21  
C11:19  
C11:22  
C2A:18  
C2A:17  
C72:14 ANA-181-18  
C72:15 ANA-Bref2-18

0-157D-18  
0-85Z-18  
0-85Y-18  
C72:13  
C72:33  
C72:28  
C72:34  
0-25A4-18  
0-515-18  
0-18-18

A14A

A-1	12V_bat
A-3	12V_Ign
A-2	Gnd
A-9	Main-Open
A-12	Sensor_Gnd
A-4	Select
A-5	Escape
A-6	Up
A-7	Down
A-15	J1939+
A-16	J1939-
A-10	A_Can3
A-22	B_Can3
A-17	J1708+
A-18	J1708-
A-21	AudL_Haz
B-3	Fuel_Level
B-2	Acc_Press
B-18	Pwr_Acc_Press
B20	Pwr_FrBrk_Air
B-13	FrBrk_Air_Psi
B-21	Pwr_RrBrk_Air
B-14	Rr_Brk_Air_Psi
B-25	5V_Supply
B-9	Outdoor_temp
B-1	Redun_Gnd
C-4	ATC
C-2	Abs_Trailer
C-3	Abs_Bus
C-11	Diff_Lock_VIP
C-7	Batt_Charge
C-12	Eng_PHeat
C-19	Seat_Belt
C-29	Wash_Liq_Lev
C-16	Low_Fuel_Warn

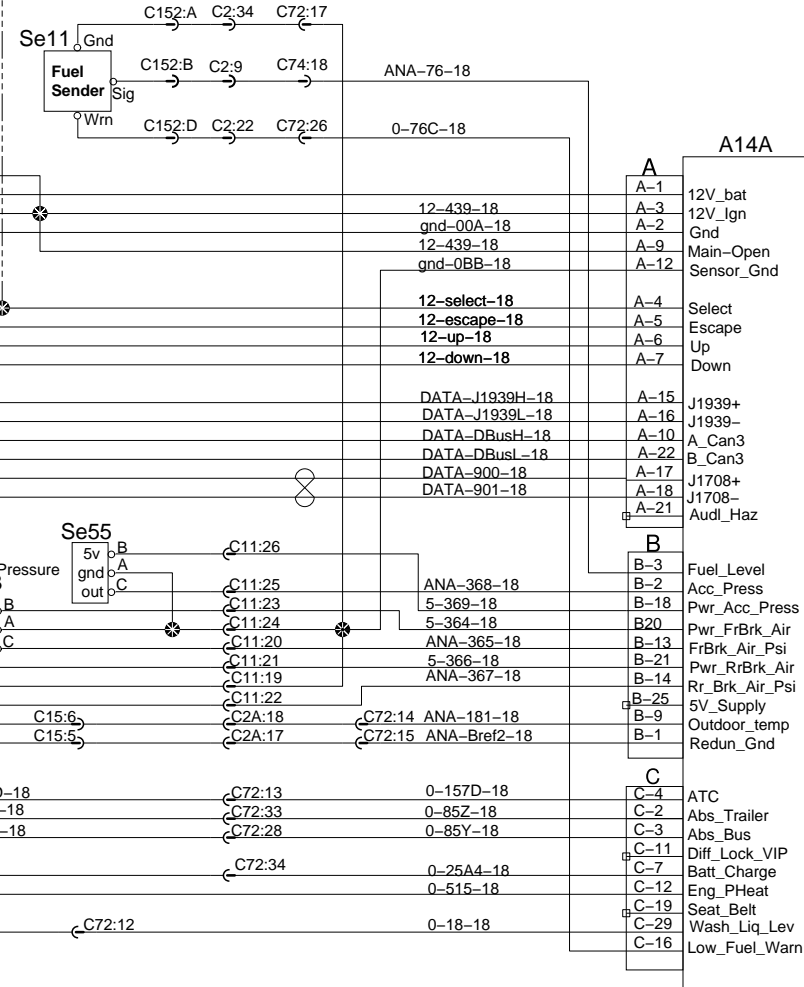
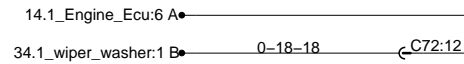
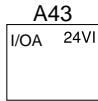
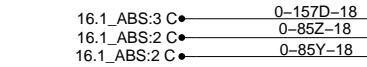
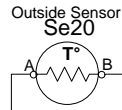
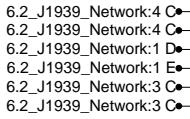
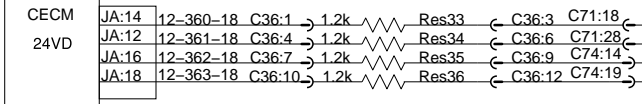
# Cluster

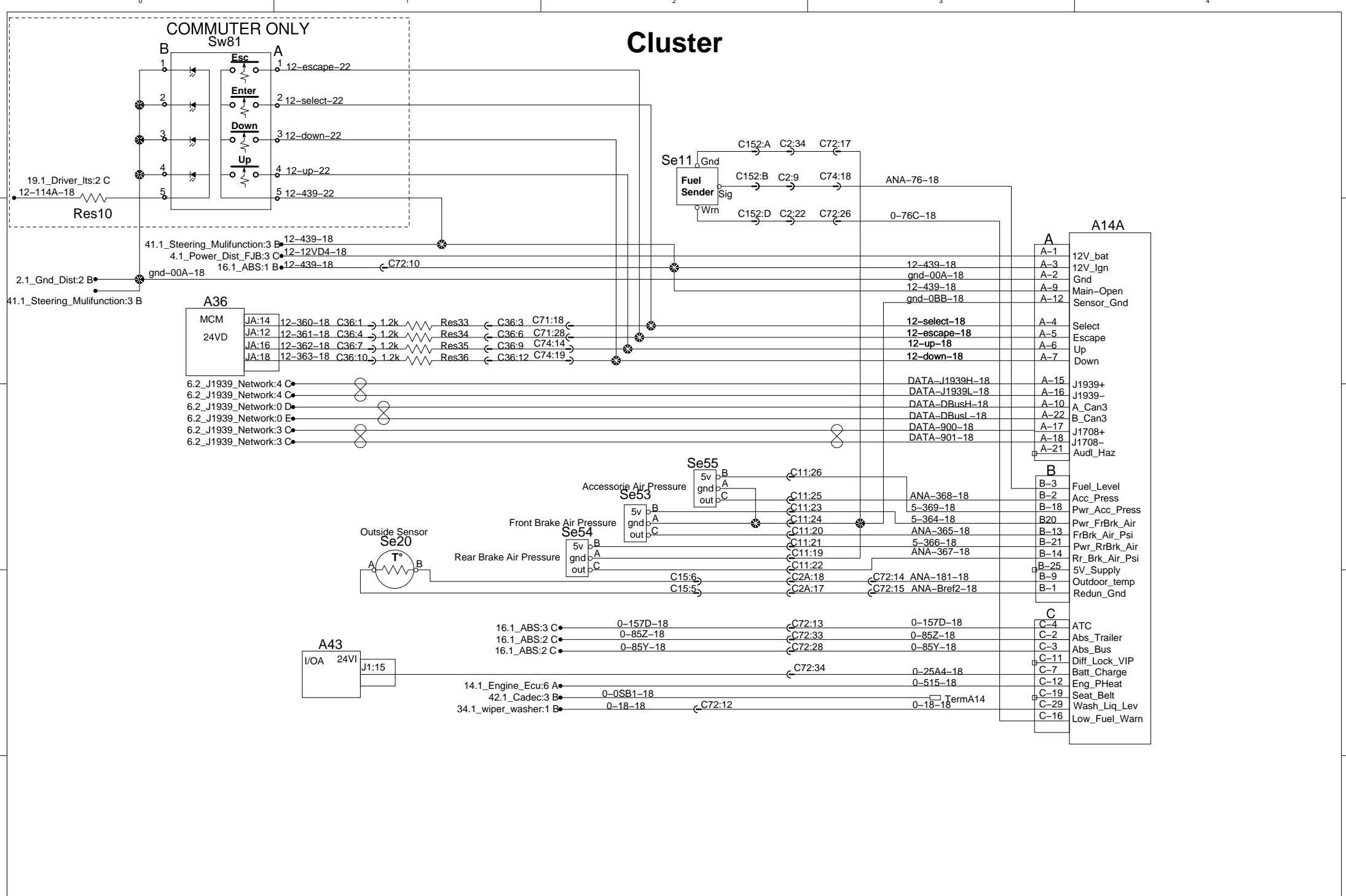
COMMUTER ONLY  
Sw81

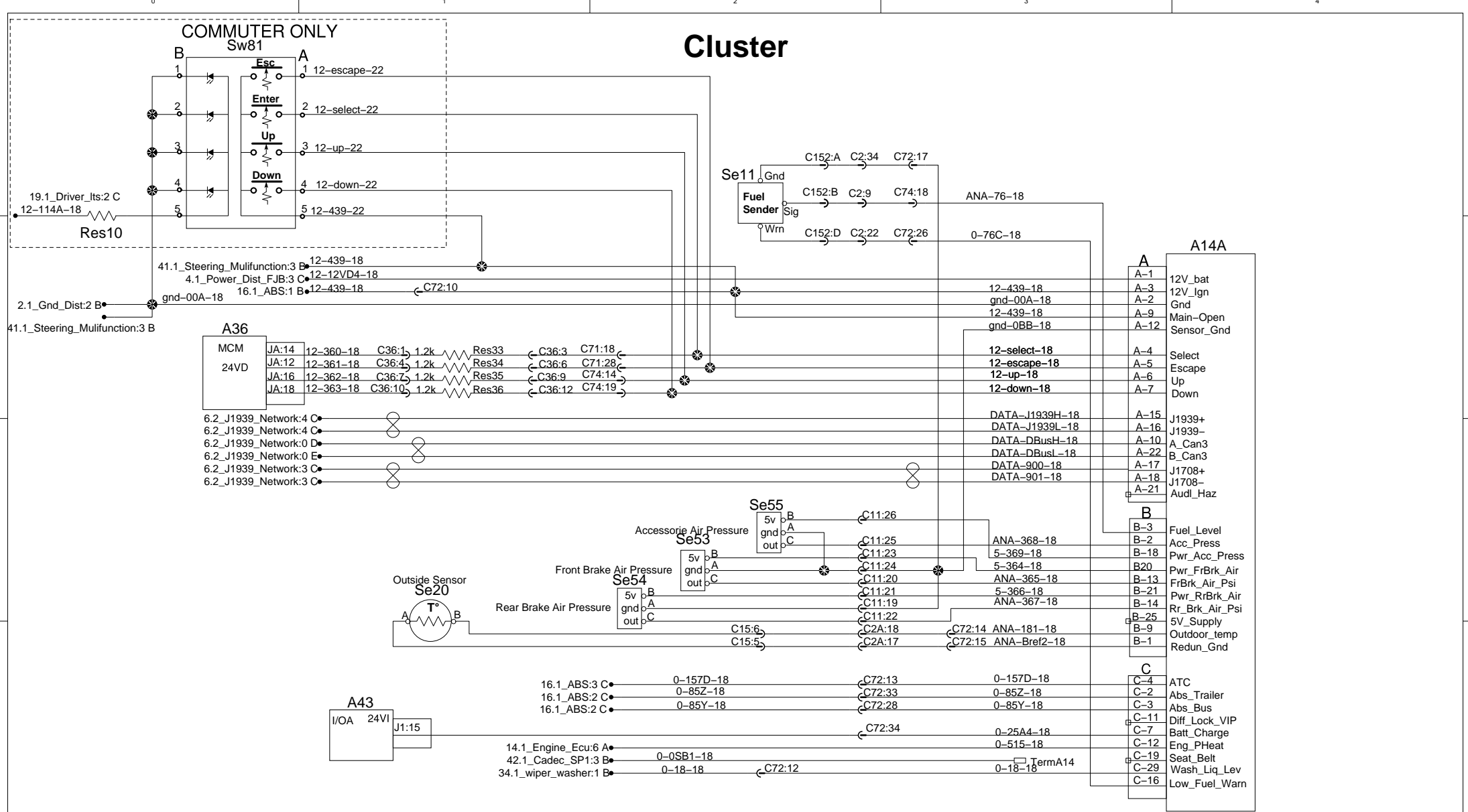
19.1\_Driver\_Its:2 C  
12-114A-18  
Res10

2.1\_Gnd\_Dist:2 B  
41.1\_Steering\_Mulfunction:3 B  
gnd-00A-18  
16.1\_ABS:1 B  
12-439-18  
12-12VD4-18  
12-439-18  
C72:10

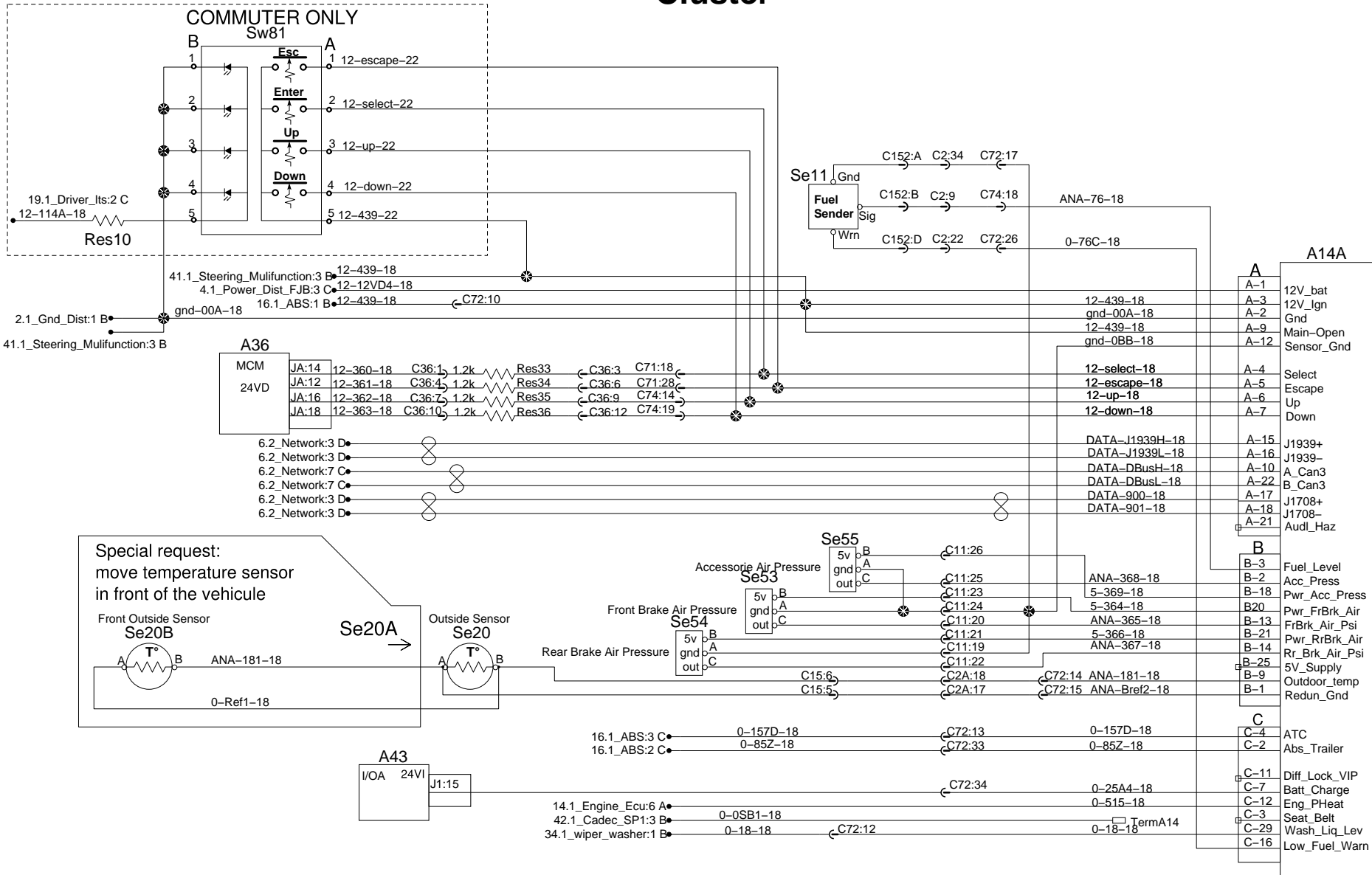
A36





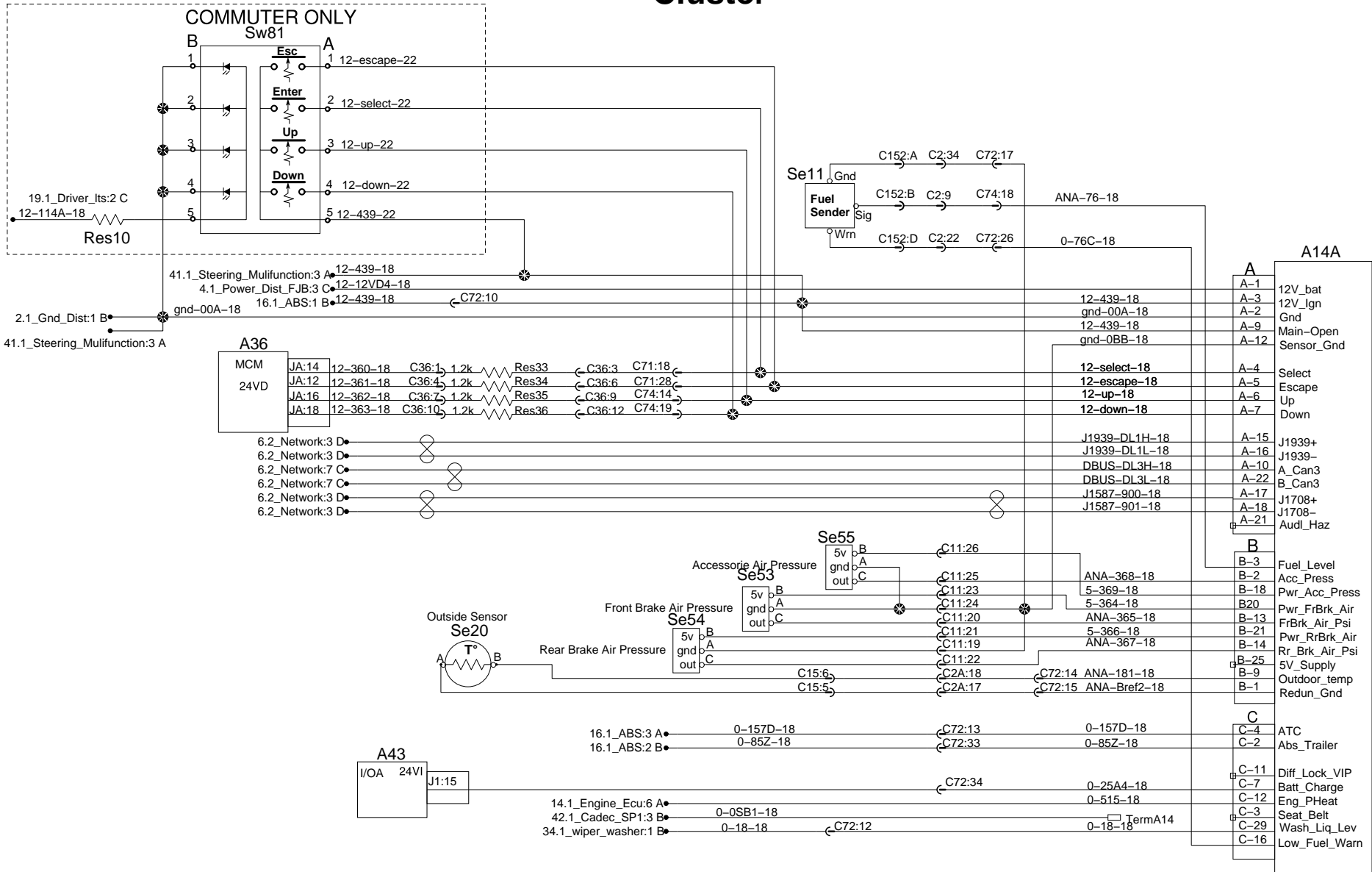


# Cluster

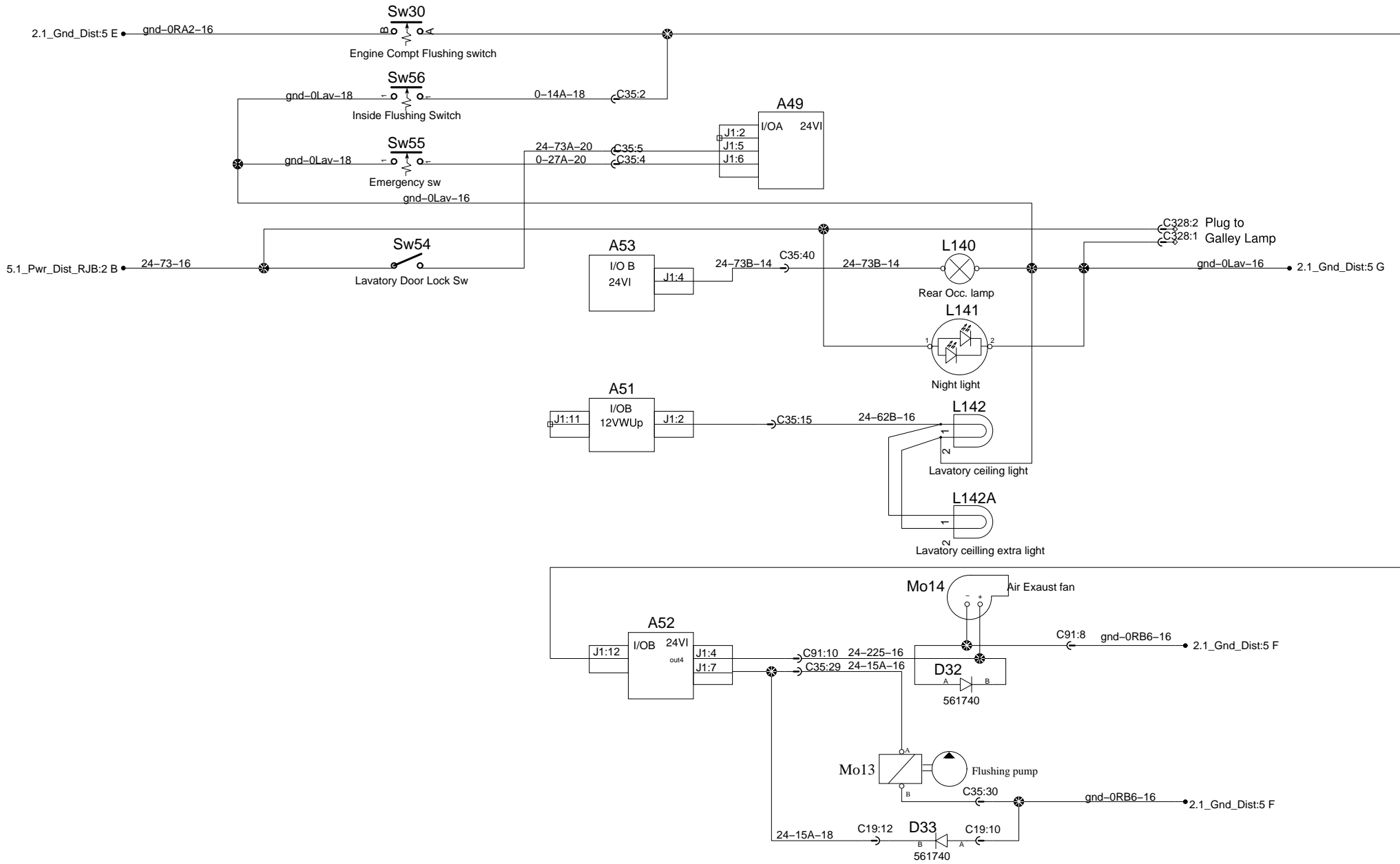




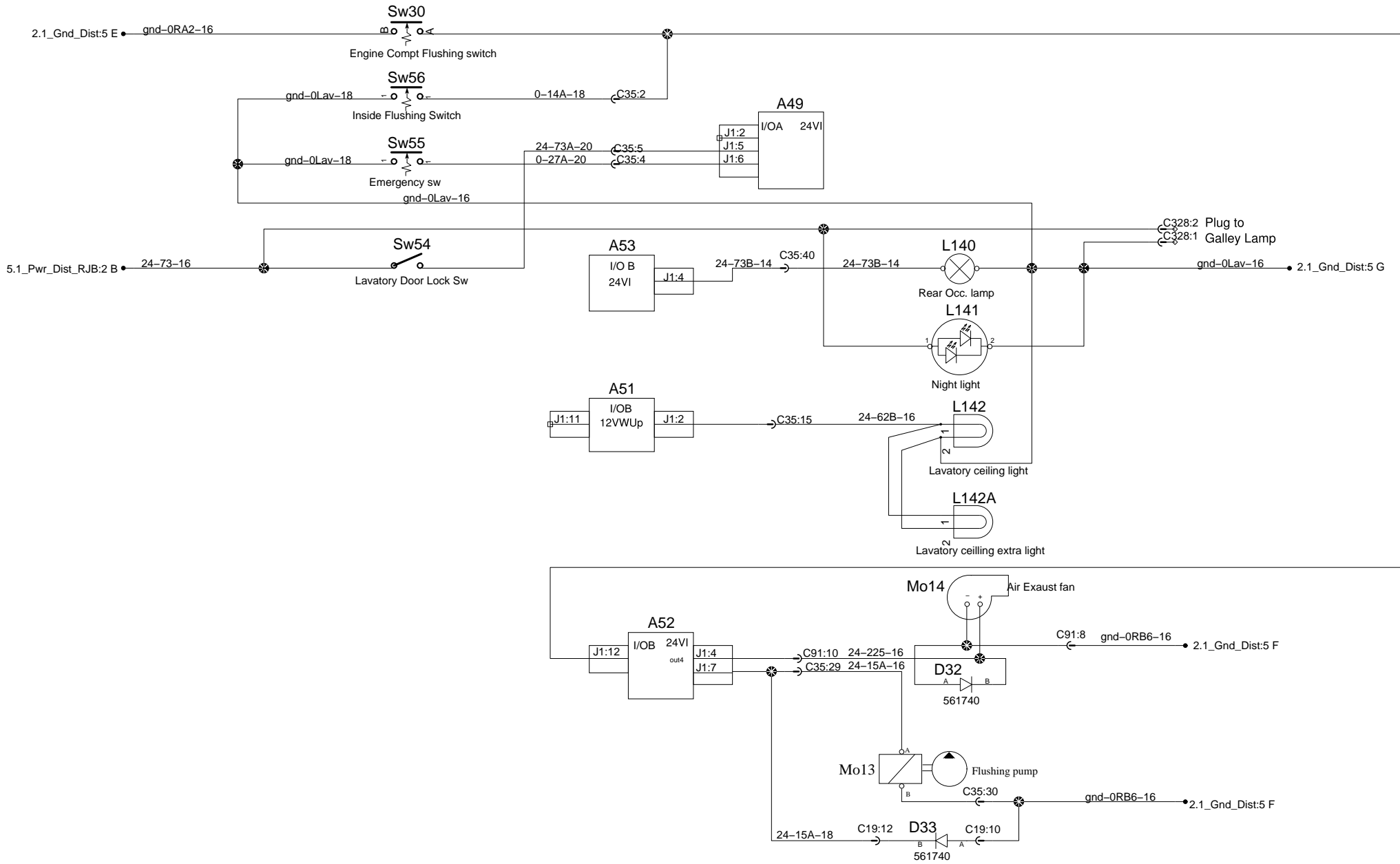
# Cluster



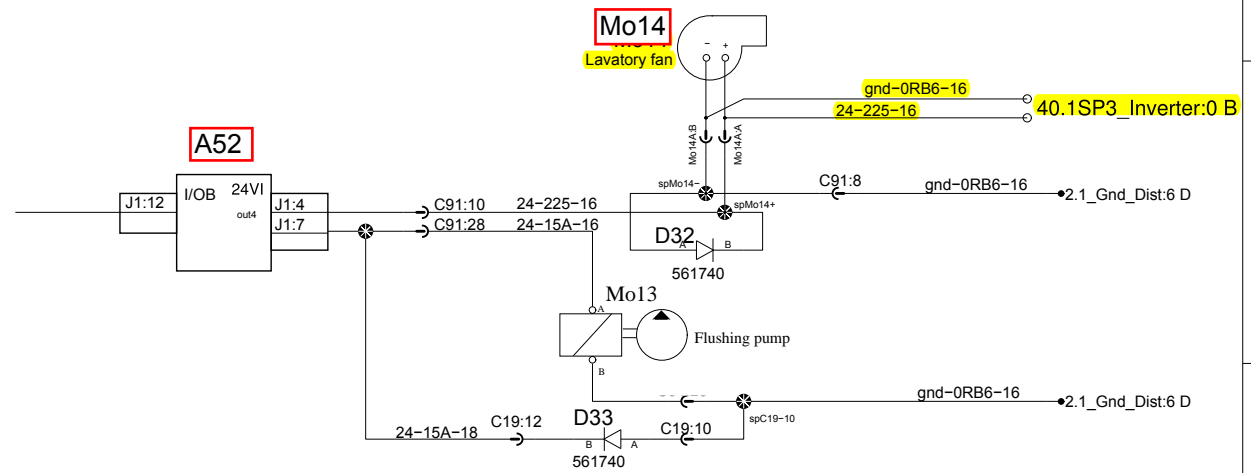
# Lavatory and No Smoking Sign



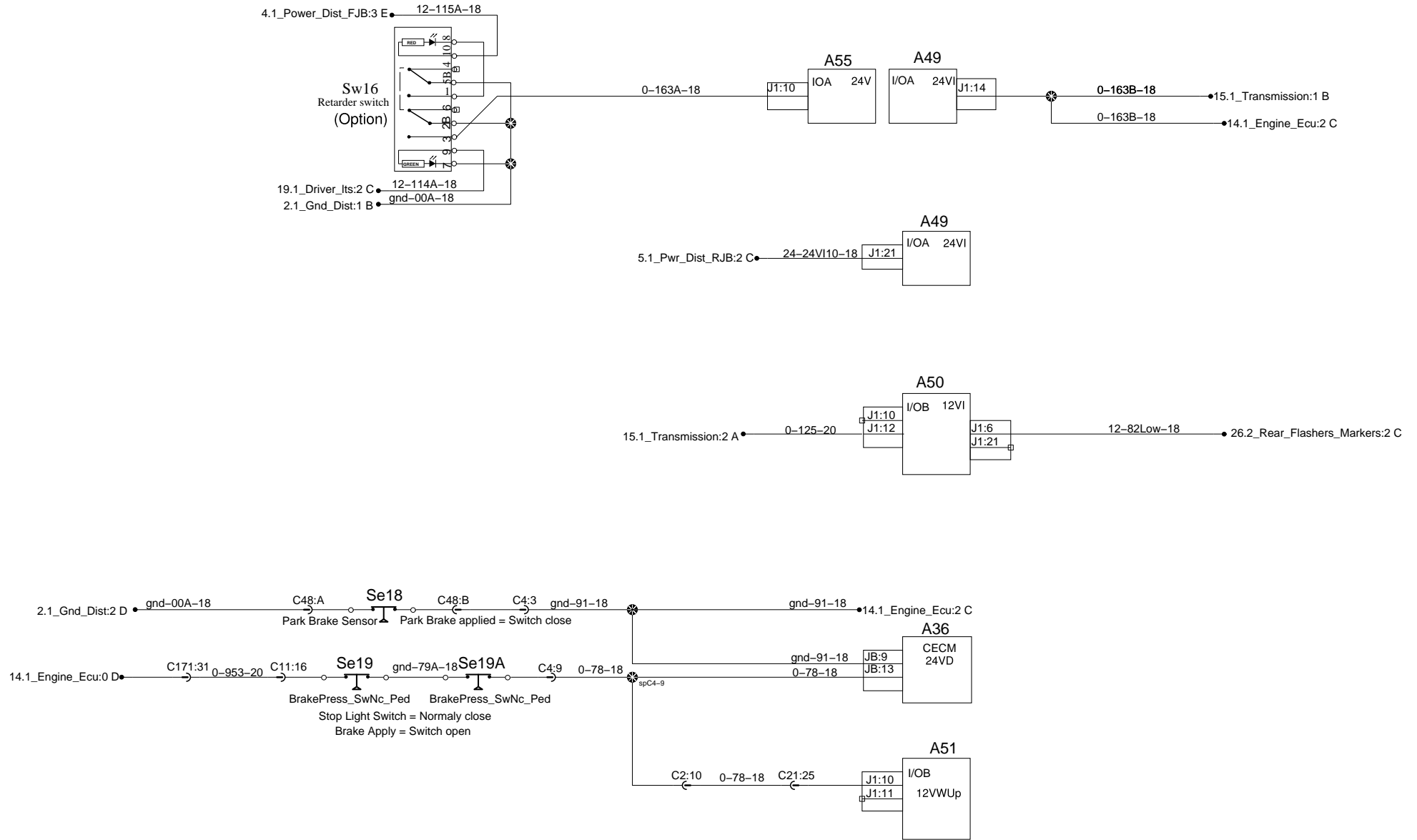
# Lavatory and No Smoking Sign



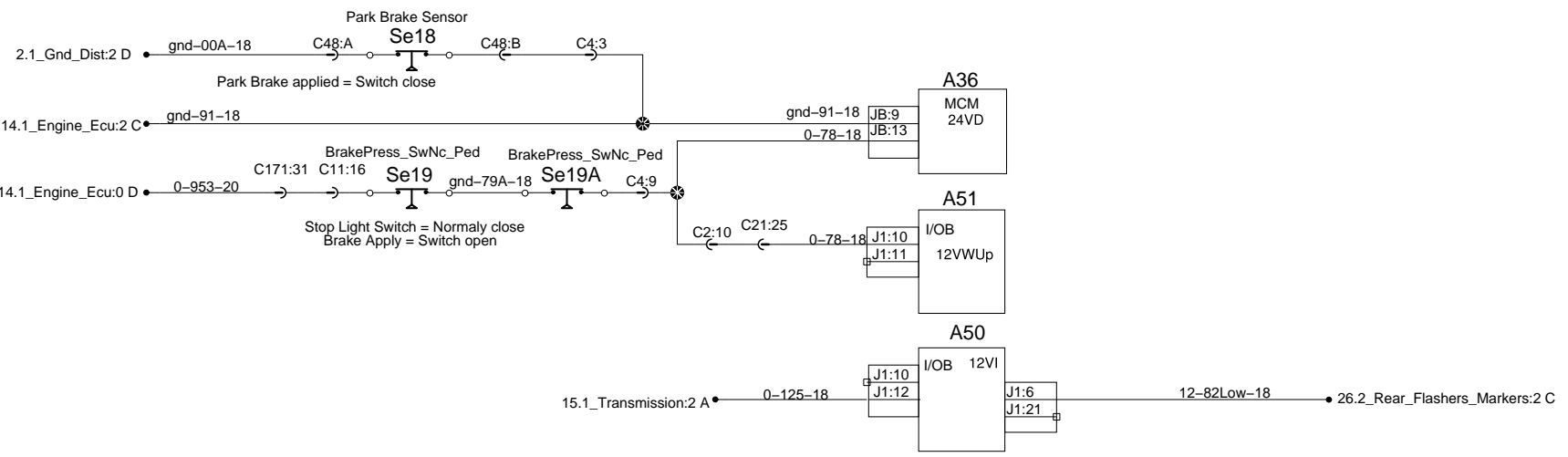
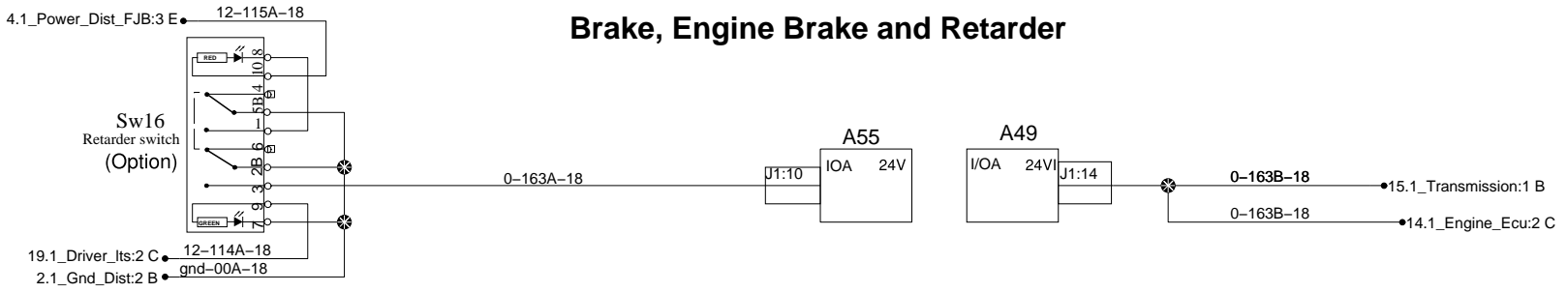
# Lavatory and No Smoking Sign



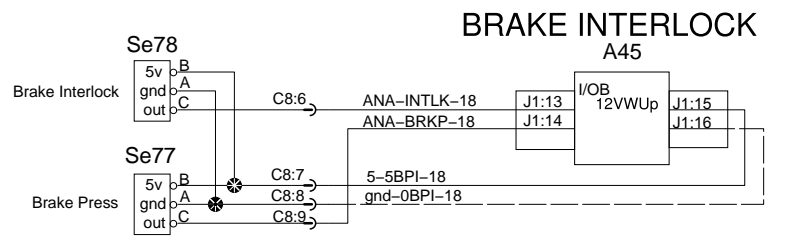
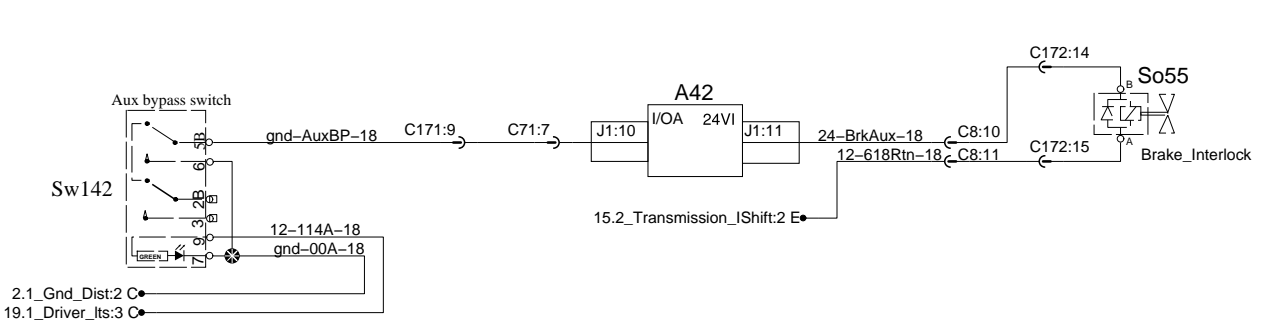
# Brake, Engine Brake and Retarder



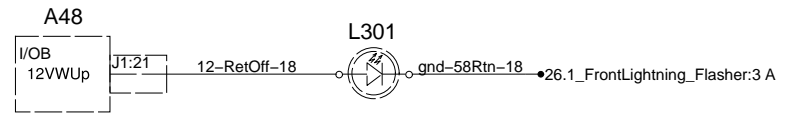
# Brake, Engine Brake and Retarder



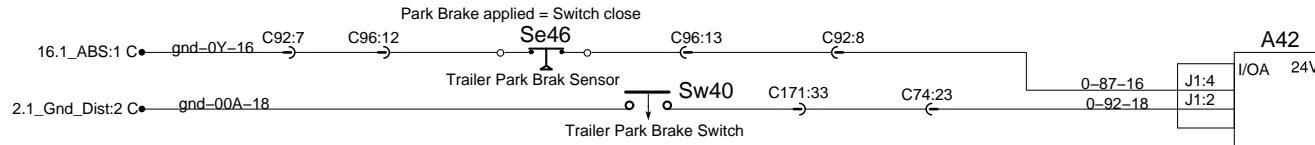
## COMMUTER ONLY



## RETARDER OFF LIGHT



# Trailer Park Brake



0

1

2

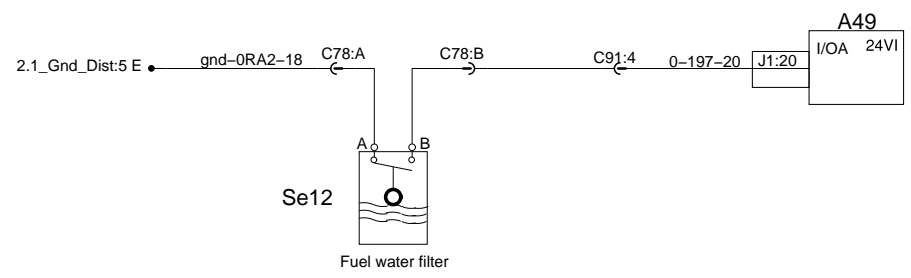
3

4

A

A

# Water Filter



B

B

C

C

D

D

E

E

0

1

2

3

4



0

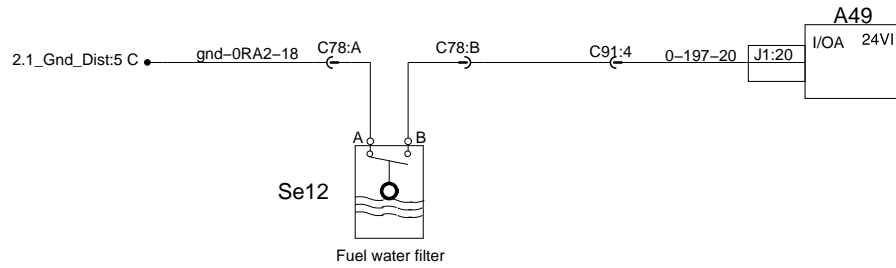
1

2

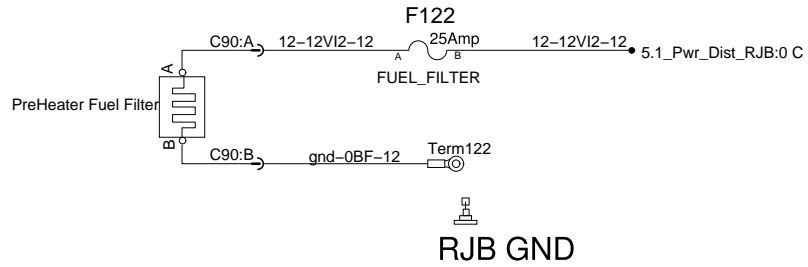
3

4

### Water Filter



### Preheater Fuel Filter



0

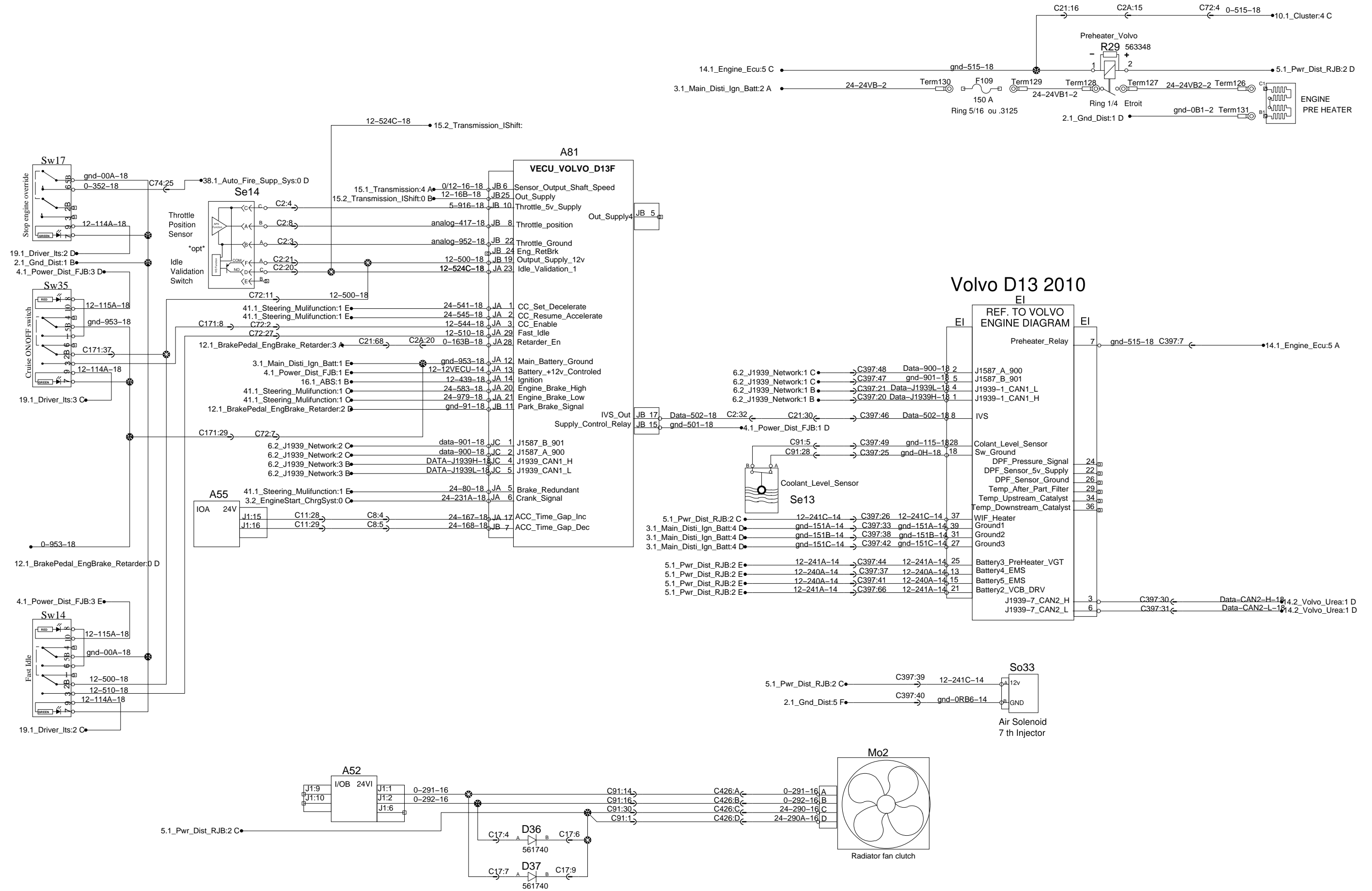
1

2

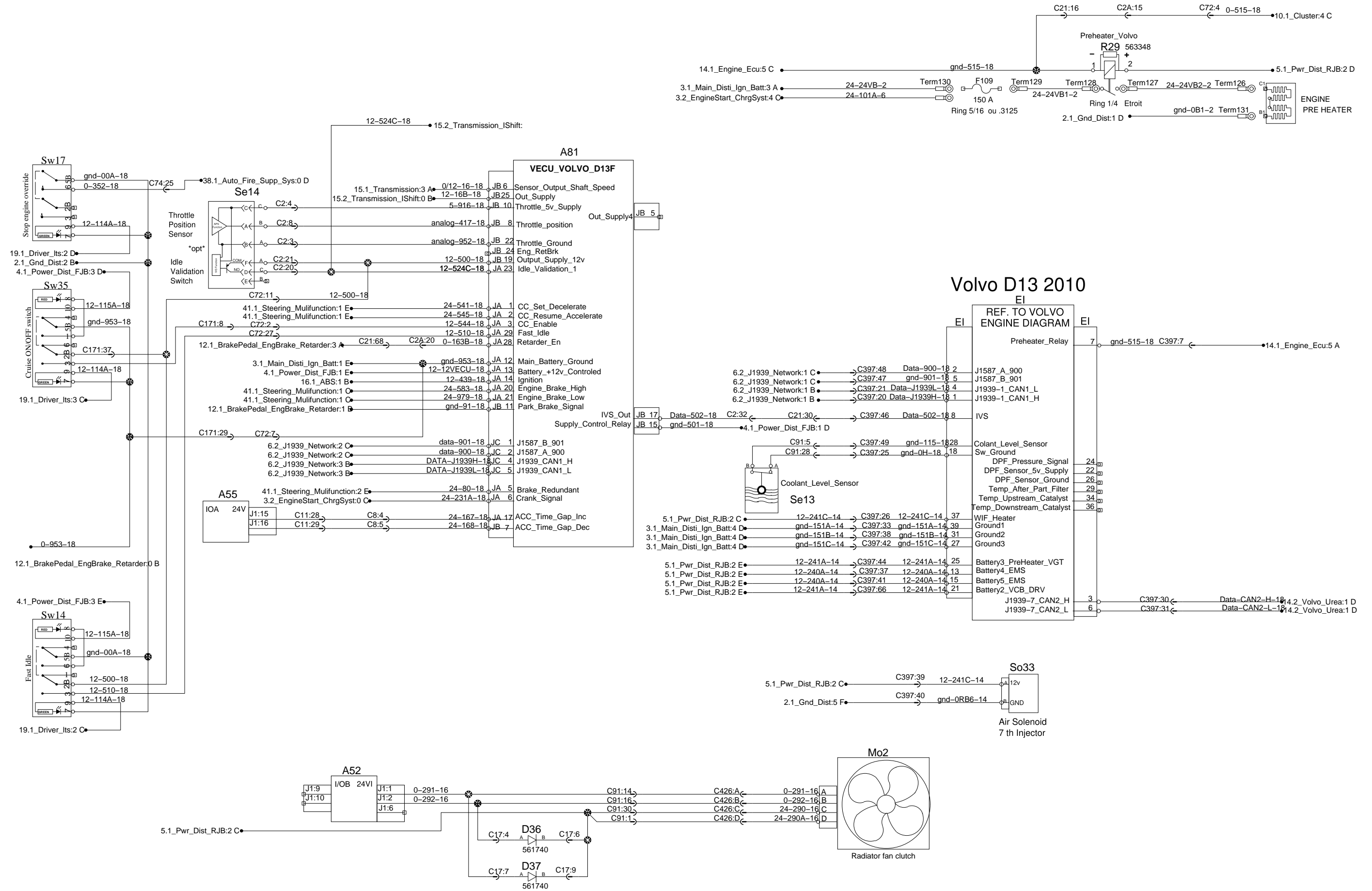
3

4

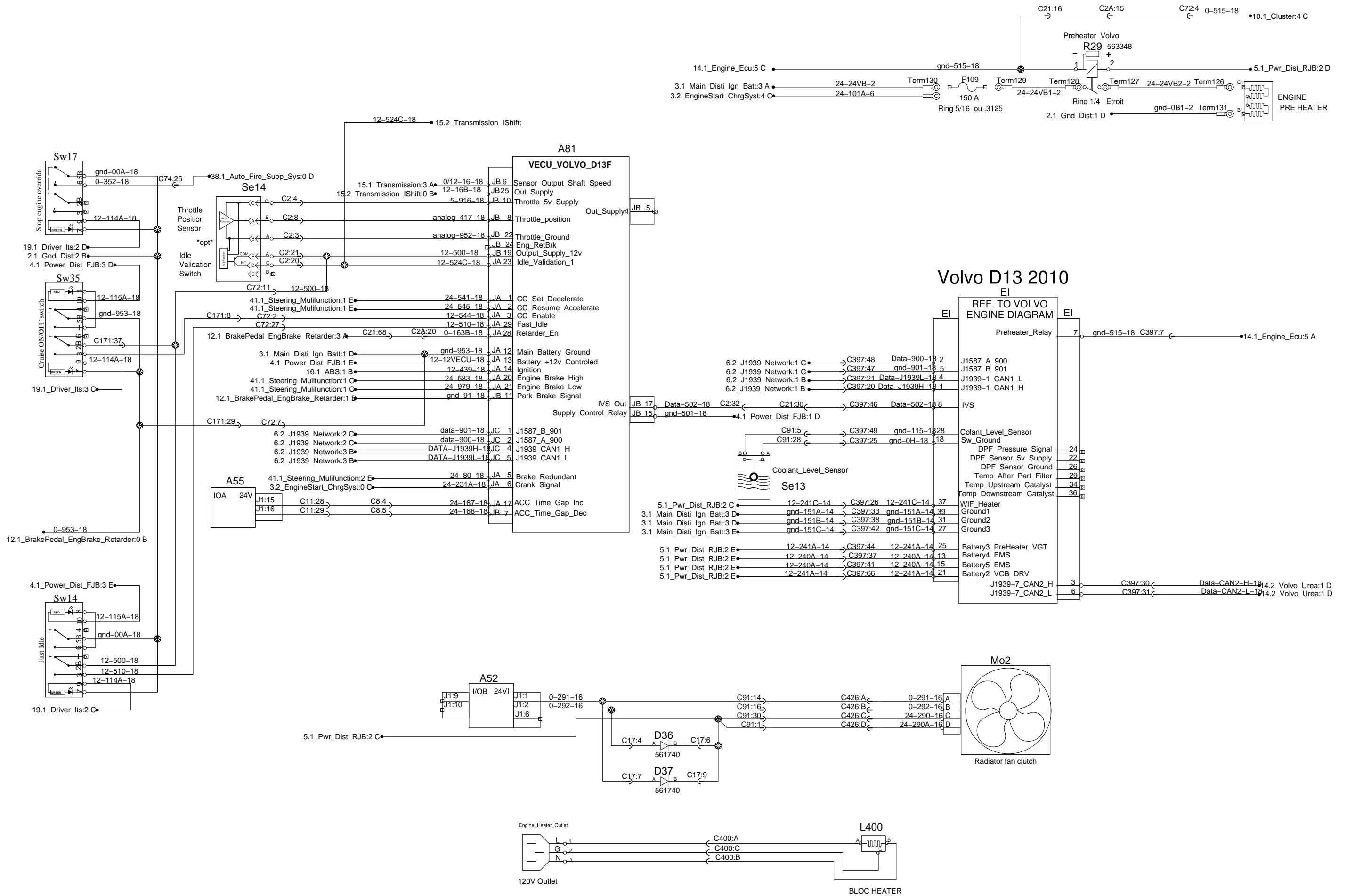
# Engine ECU Volvo



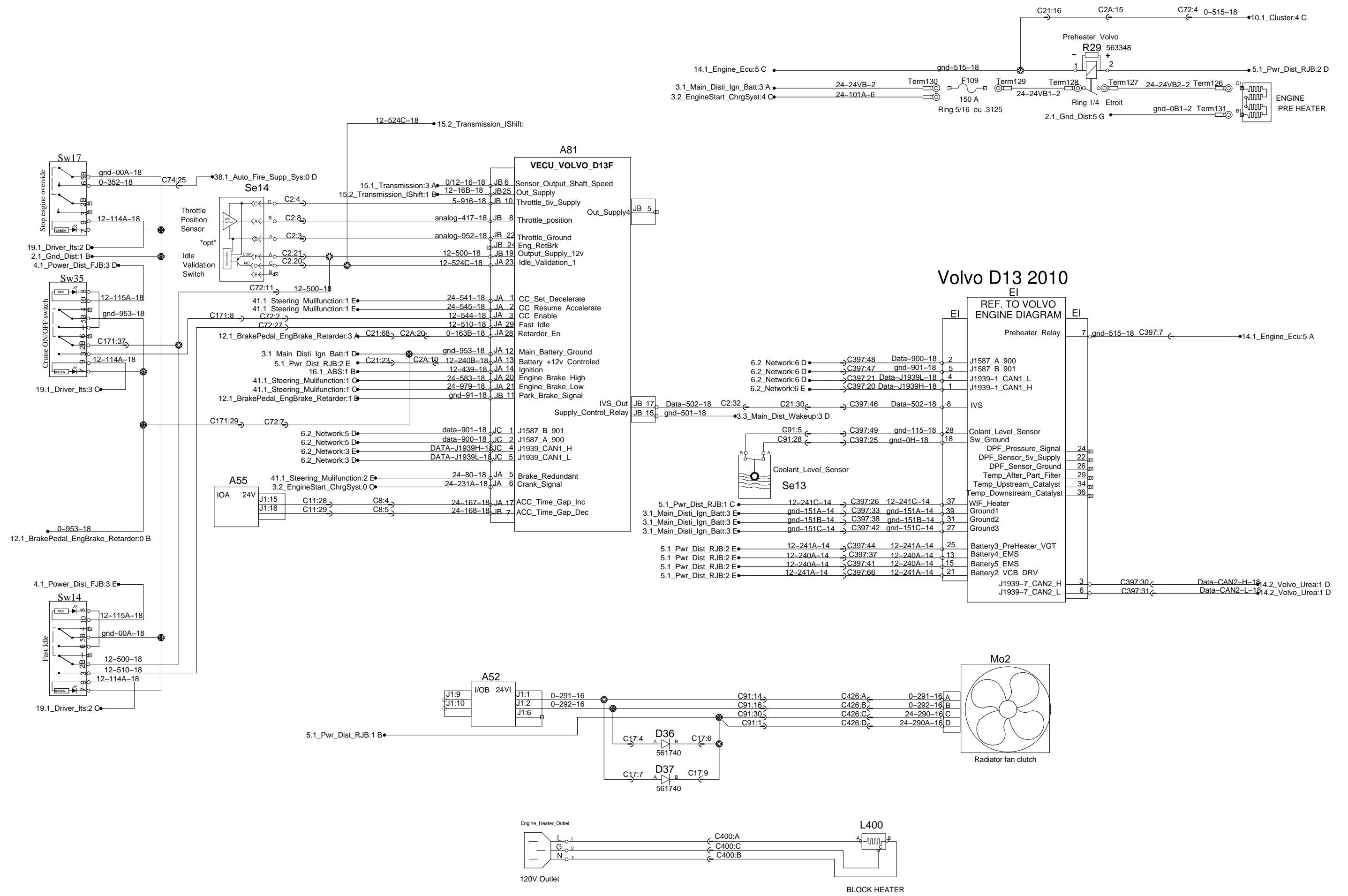
# Engine ECU Volvo



# Engine ECU Volvo

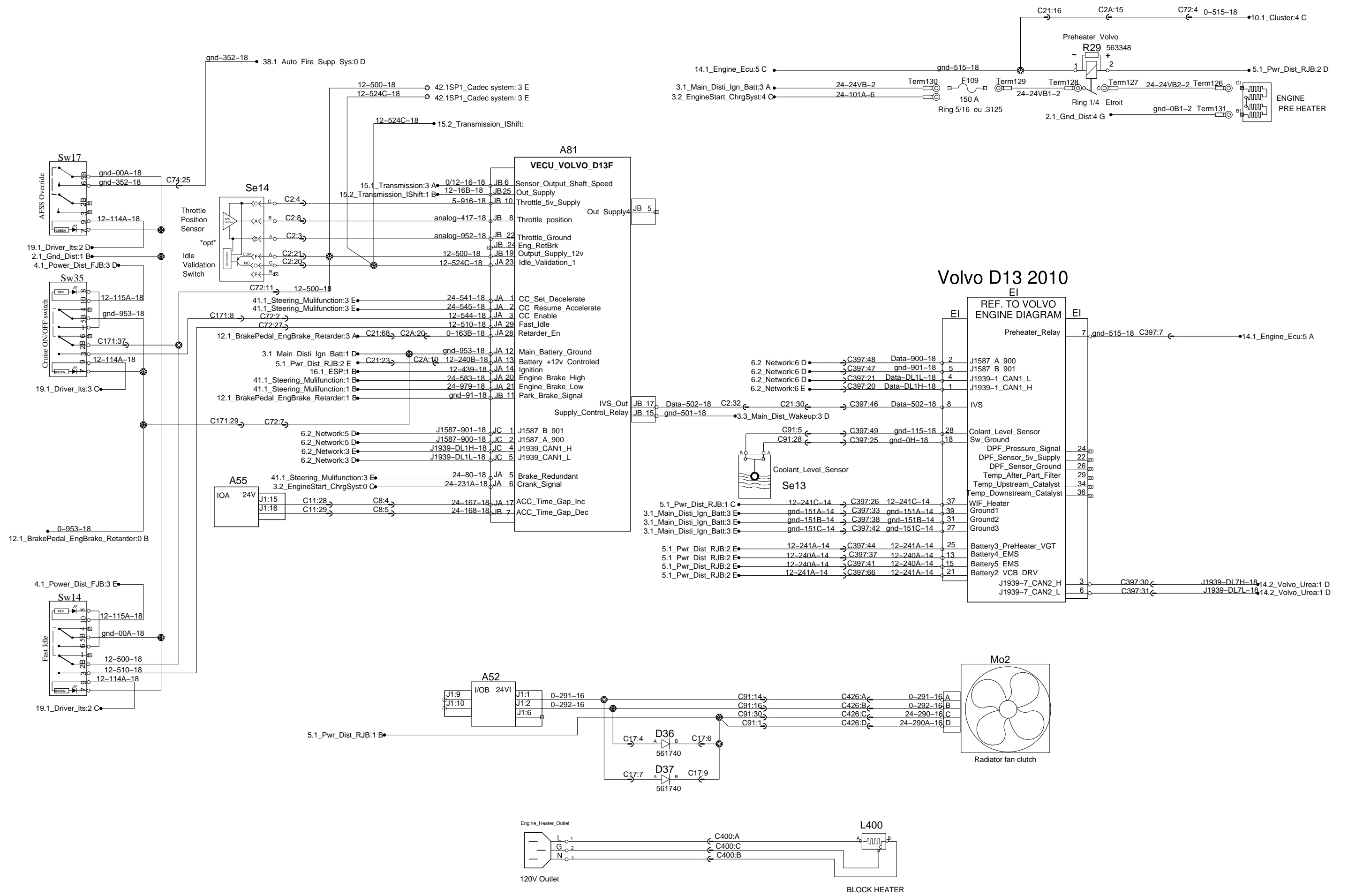


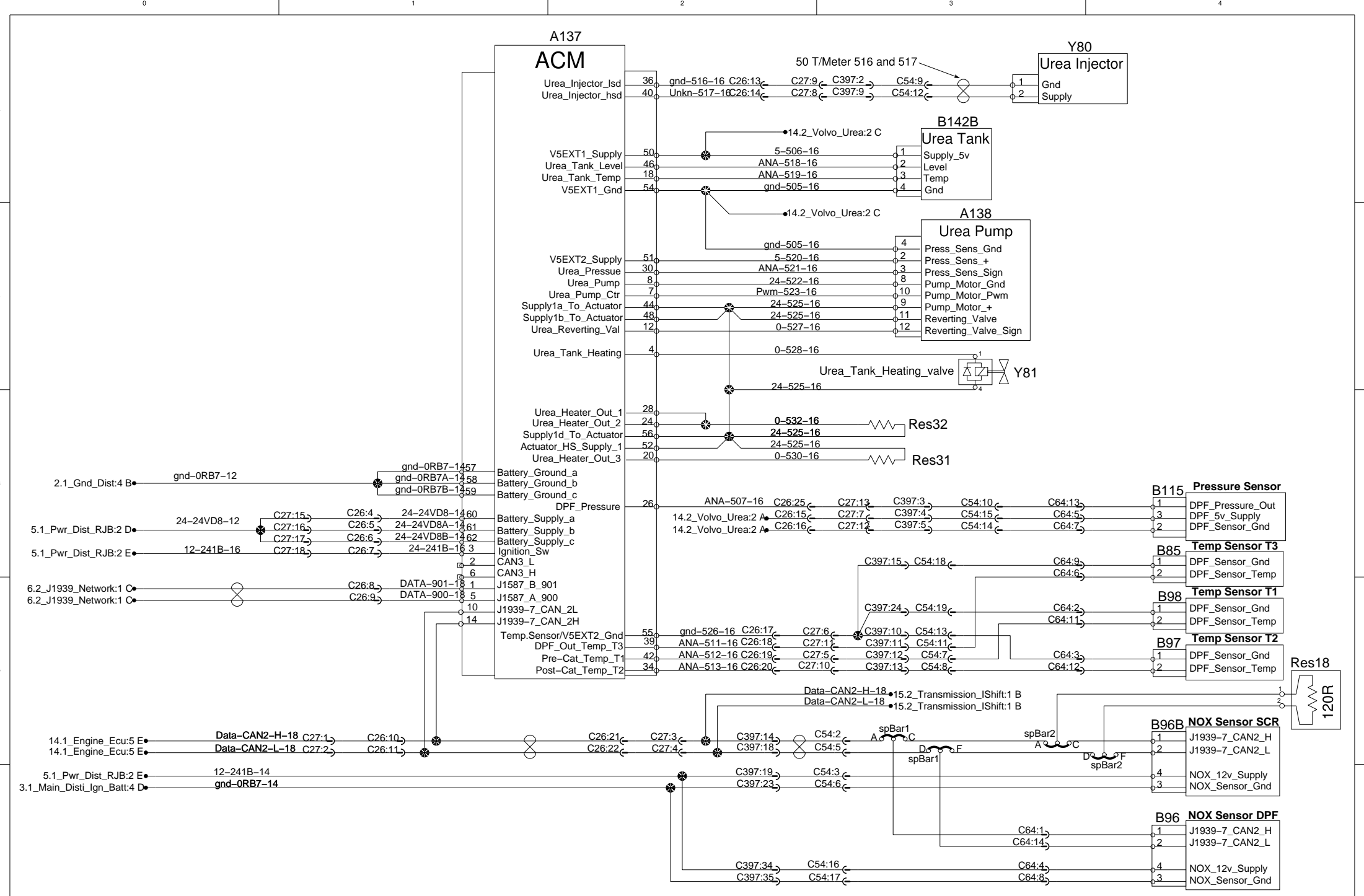
# Engine ECU Volvo



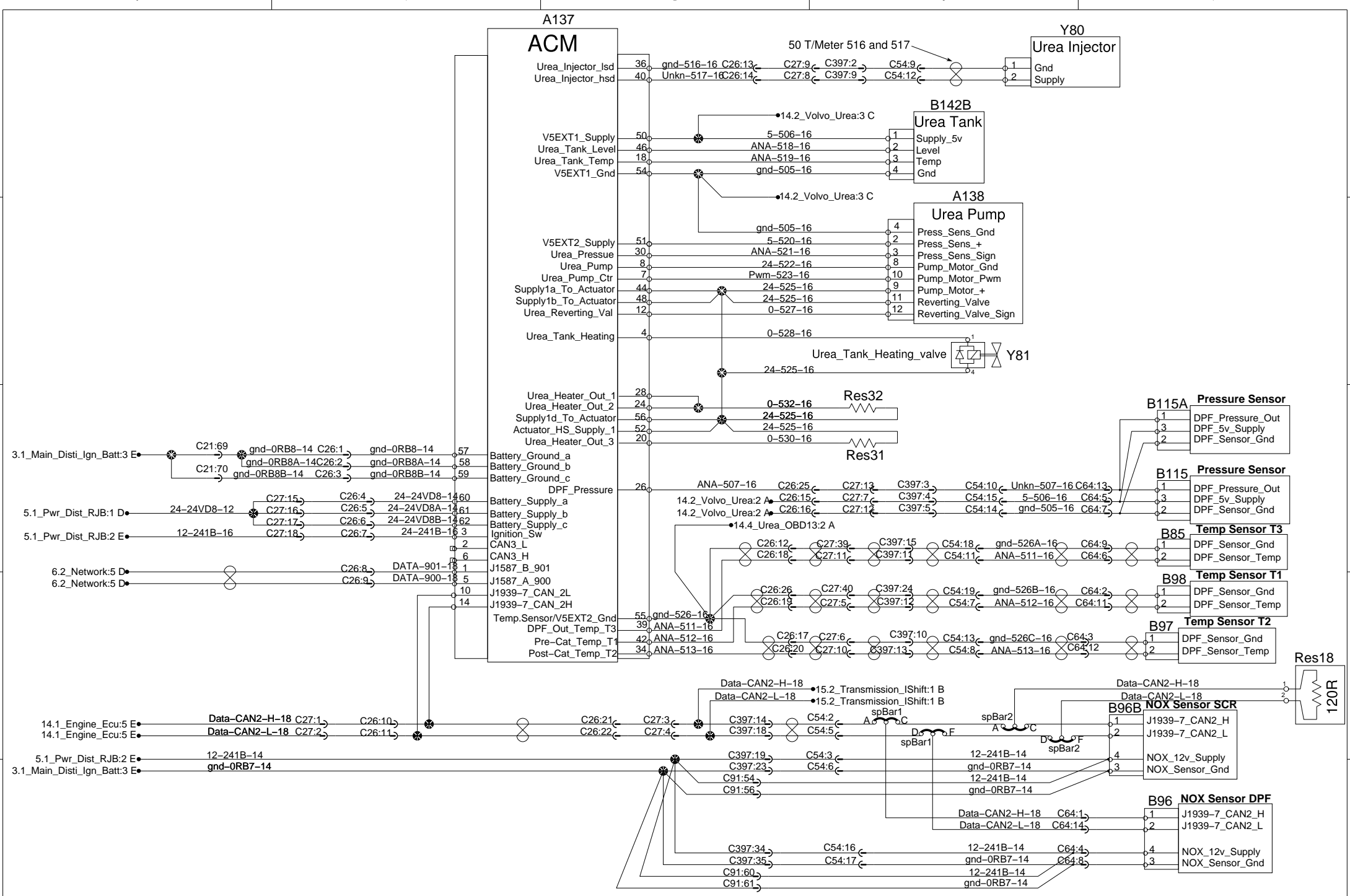


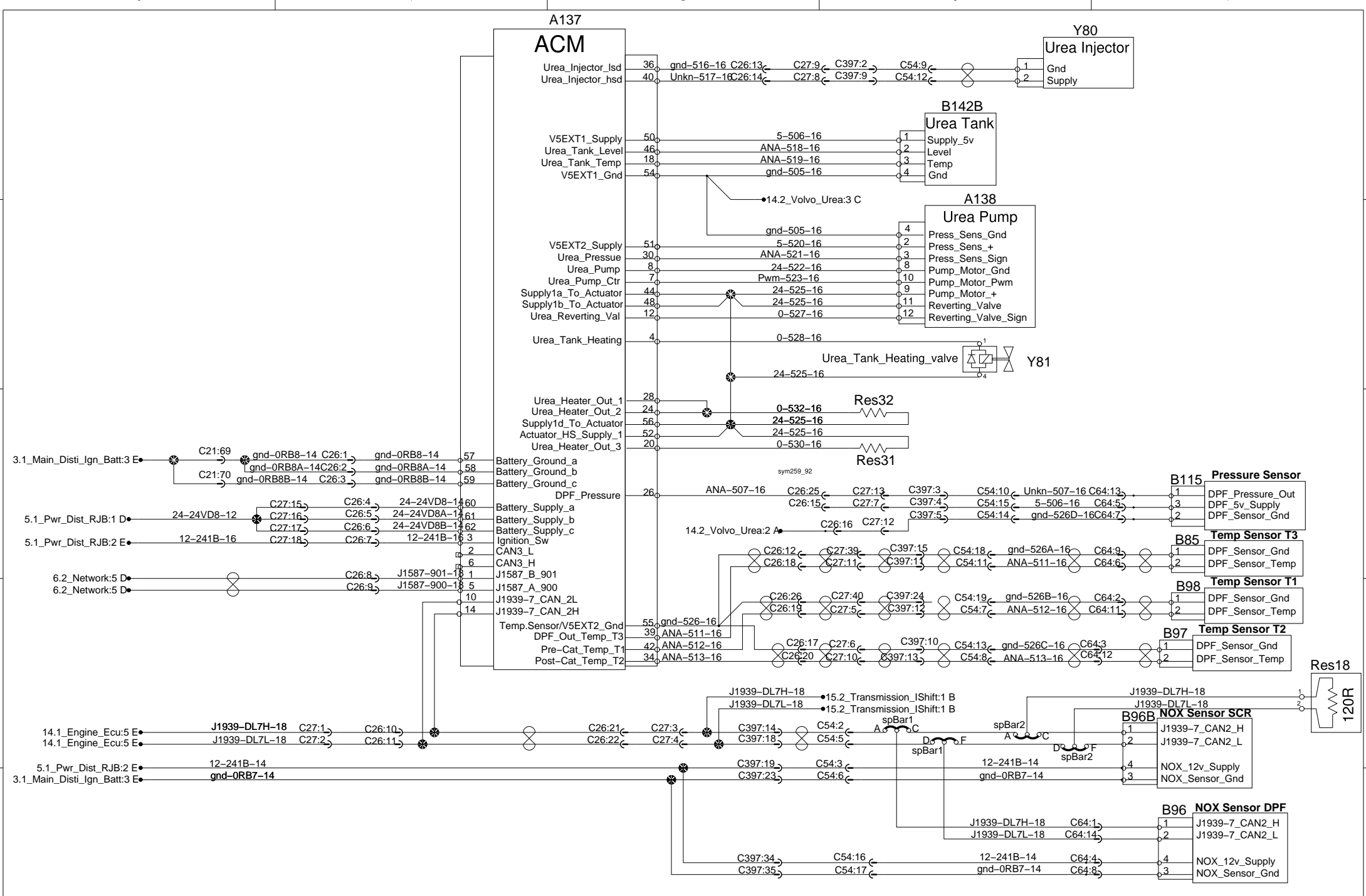
# Engine ECU Volvo



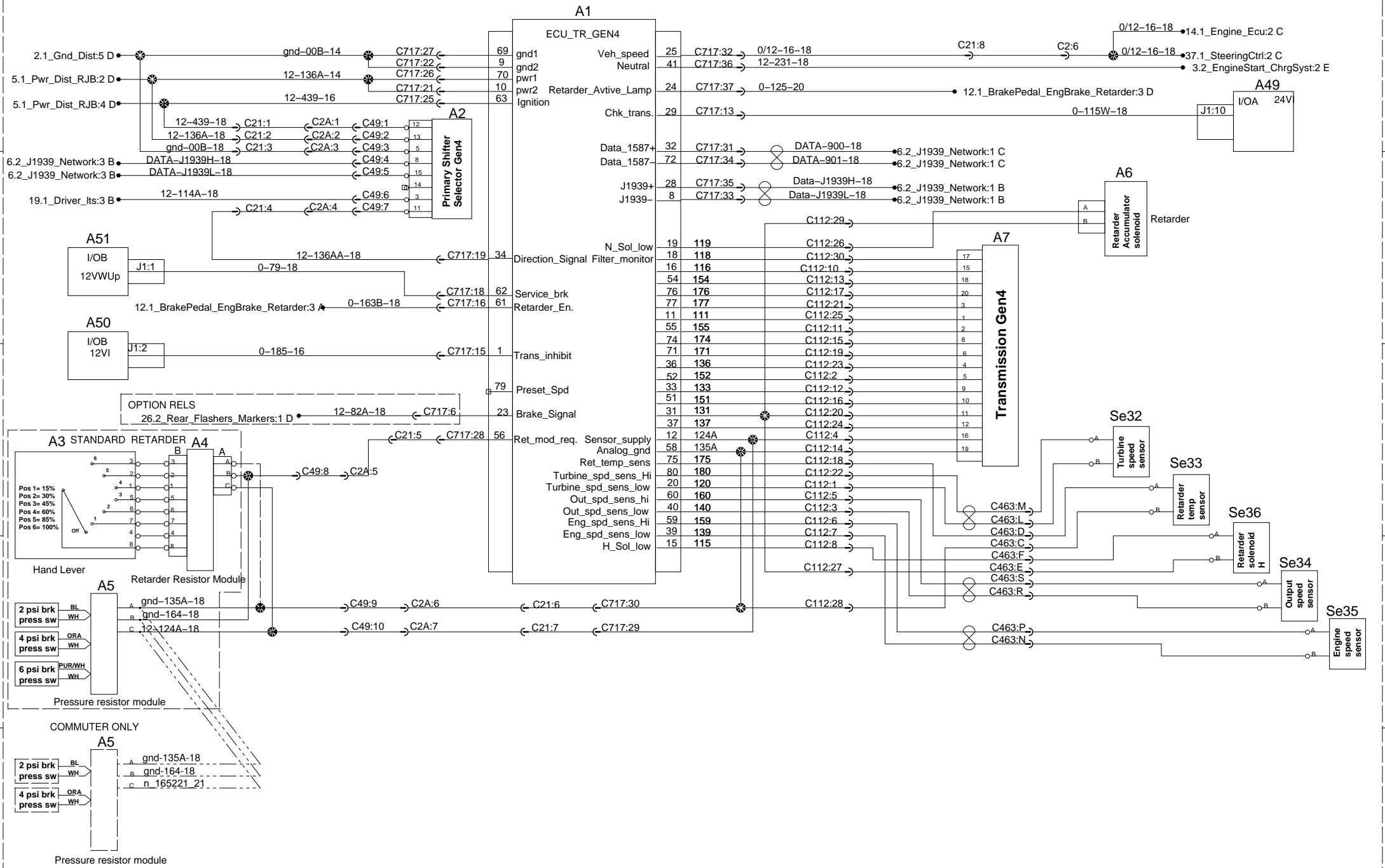




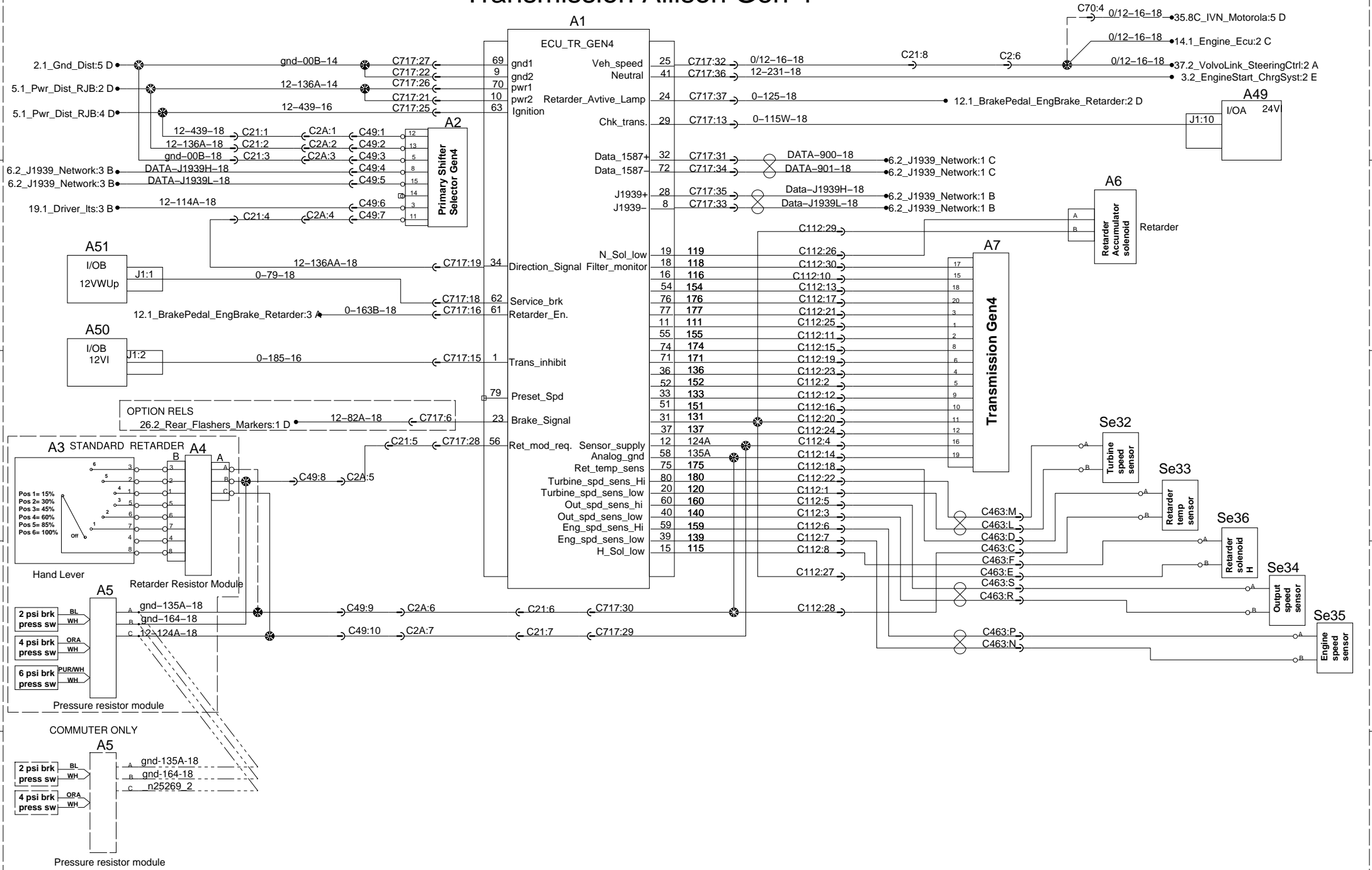




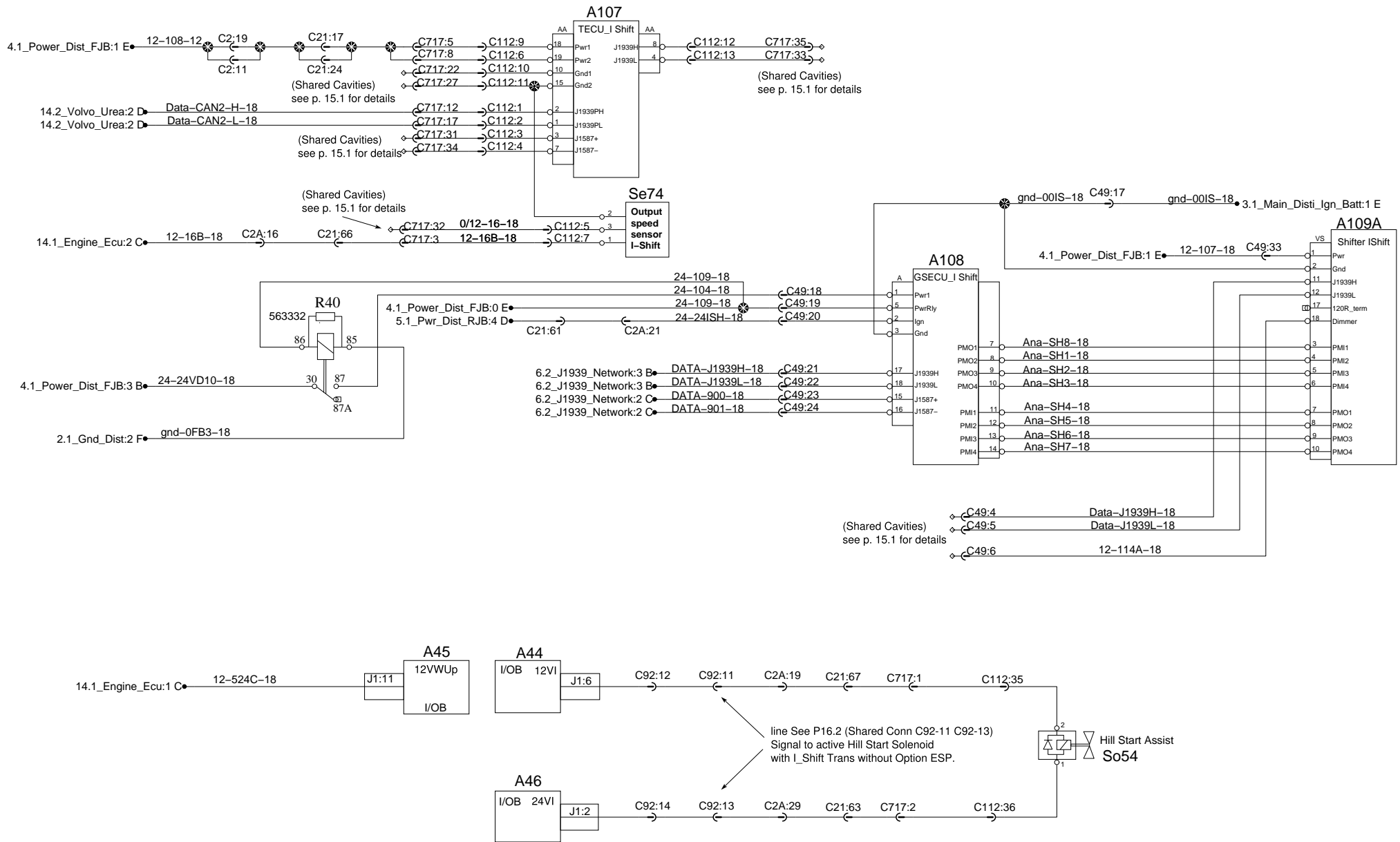
# Transmission Allison Gen 4



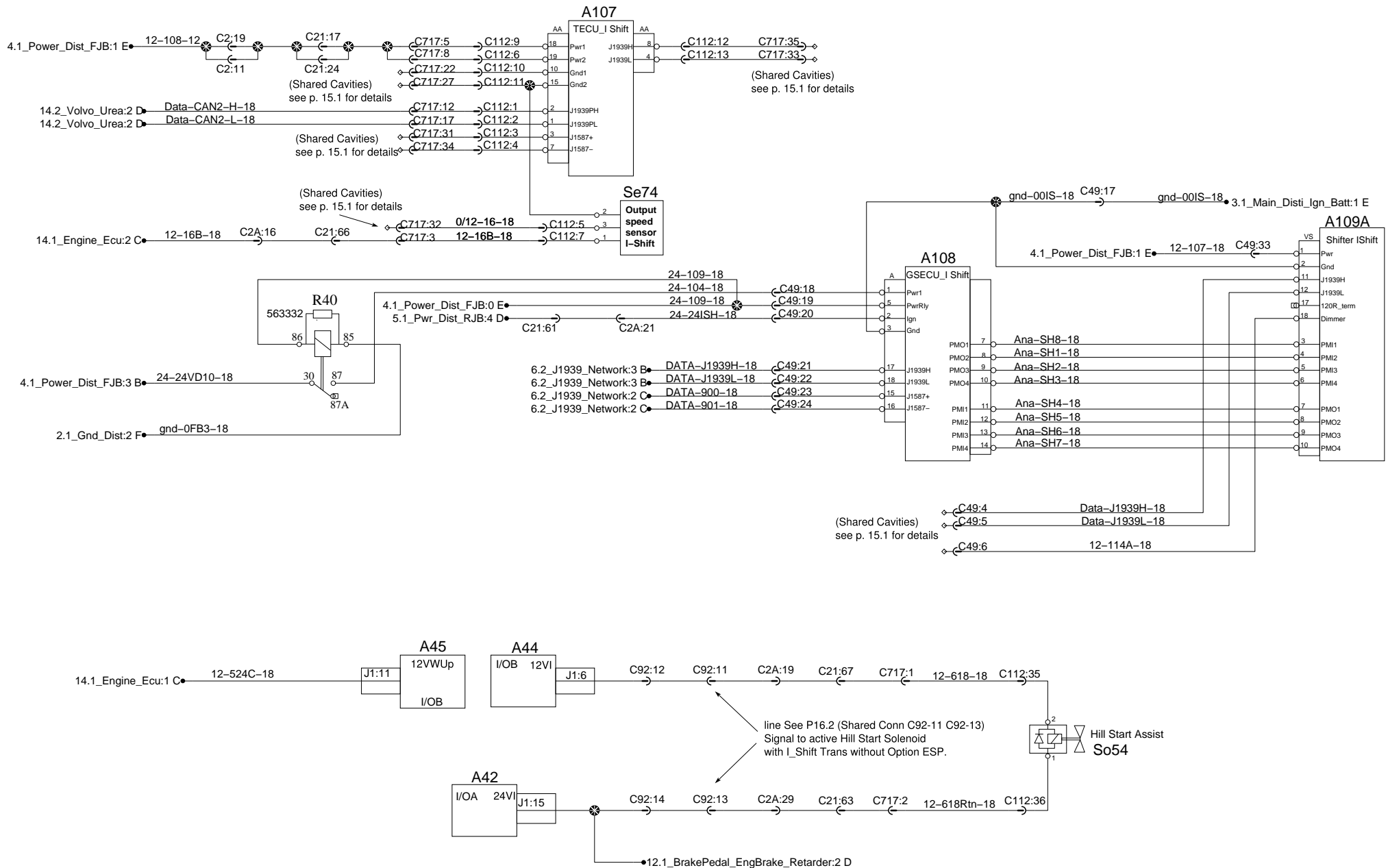
# Transmission Allison Gen 4



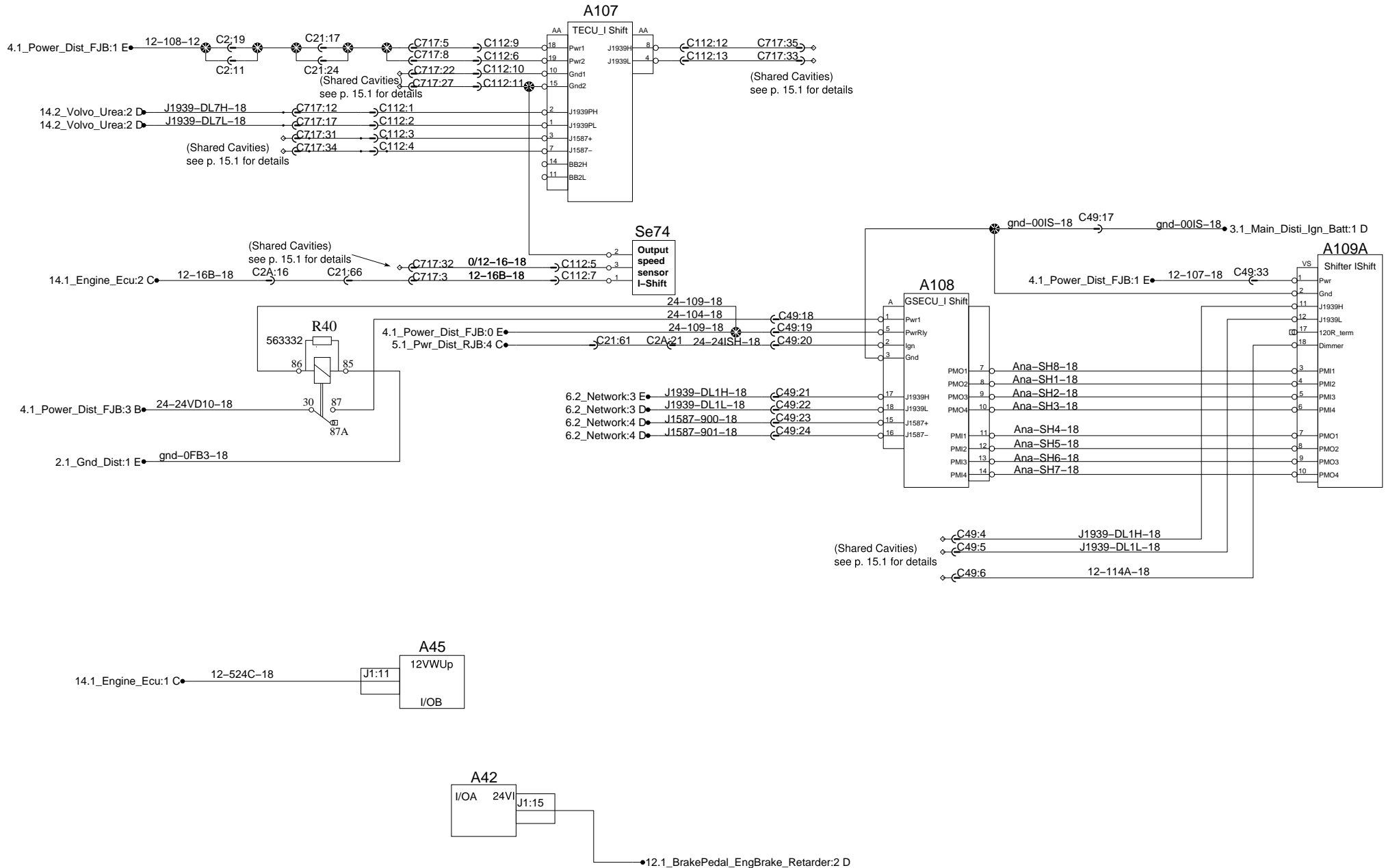
# Transmission I\_Shift



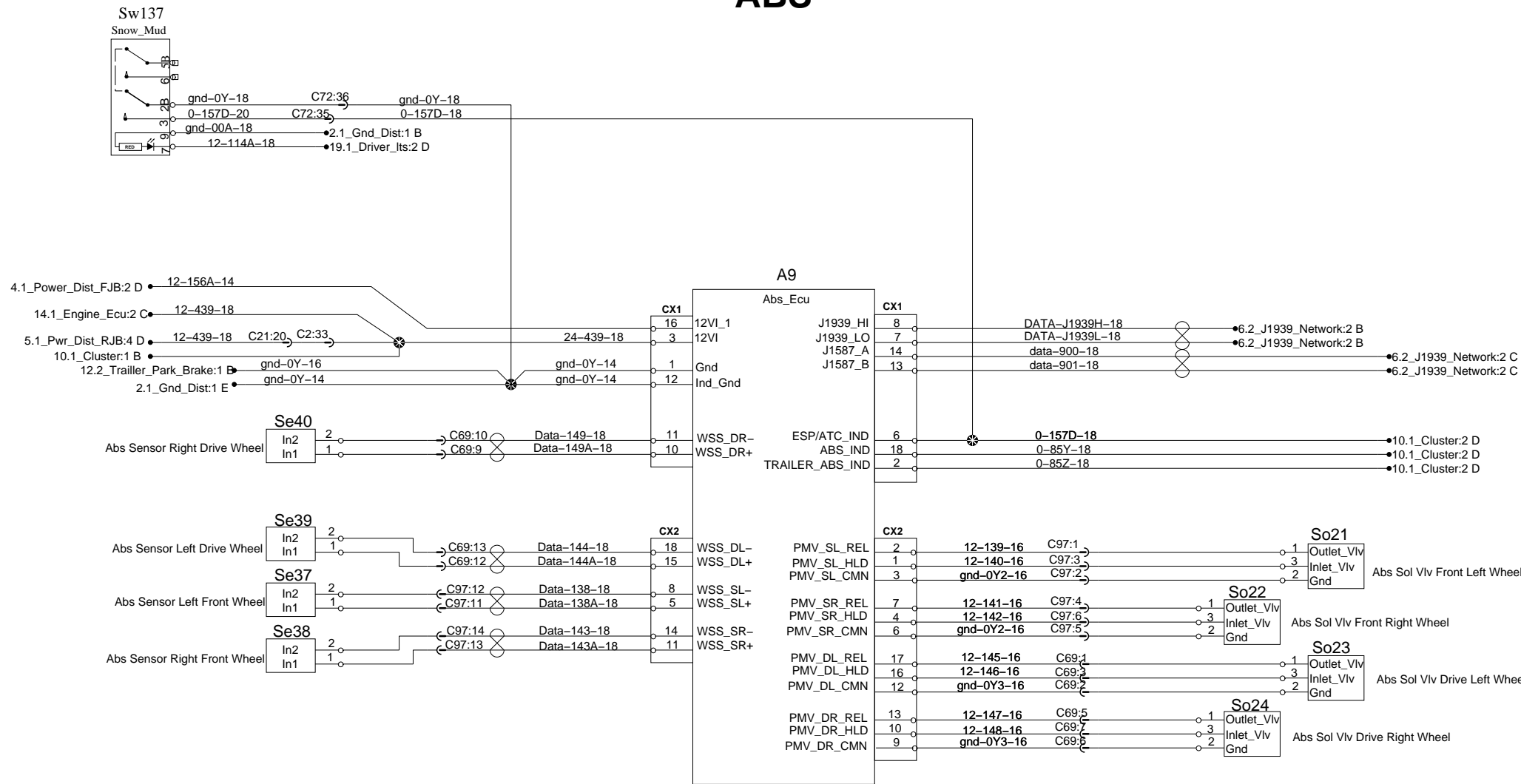
# Transmission I\_Shift



# Transmission I\_Shift



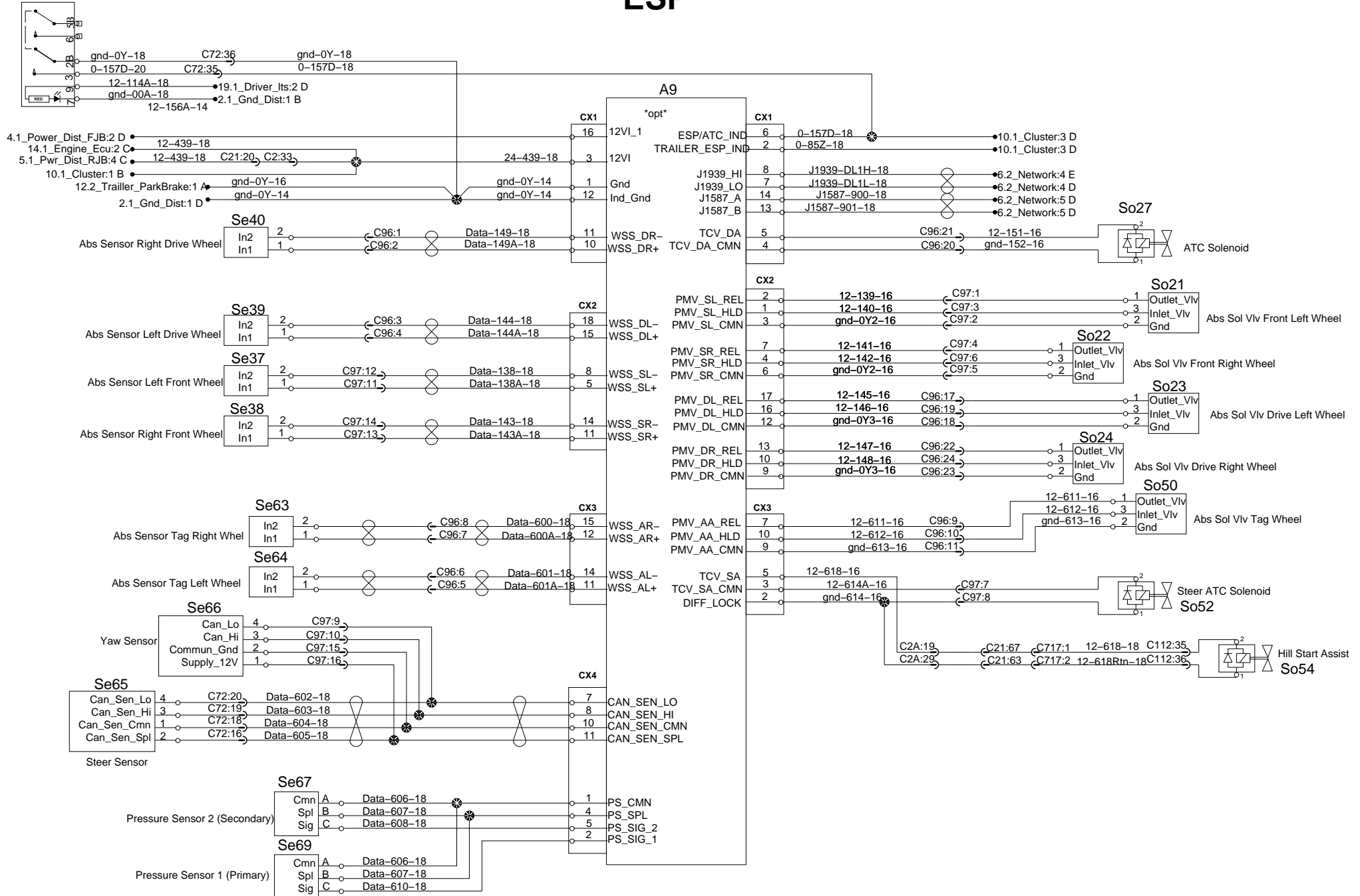
# ABS





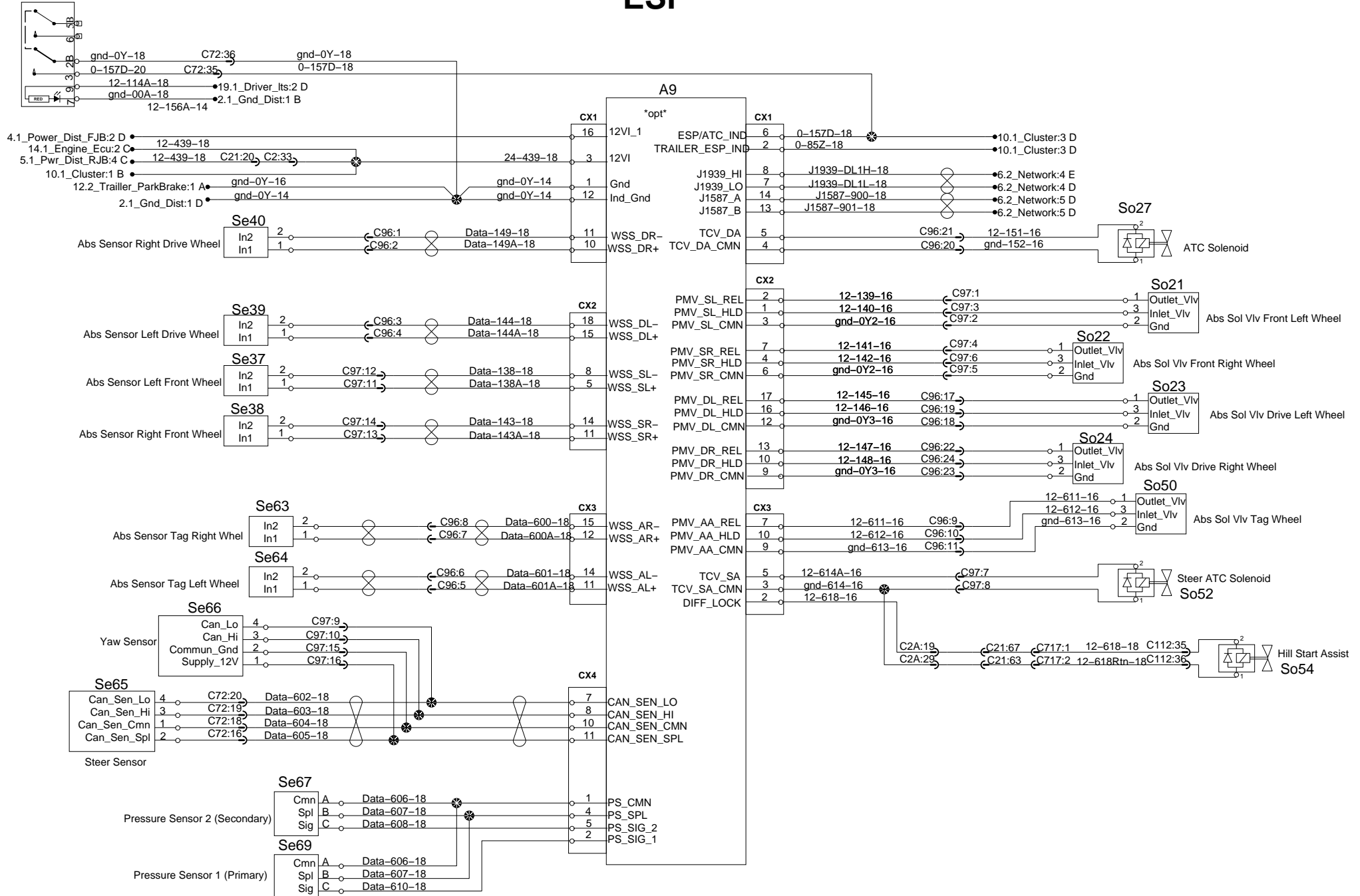
# ESP

Sw137  
Snow\_Mud



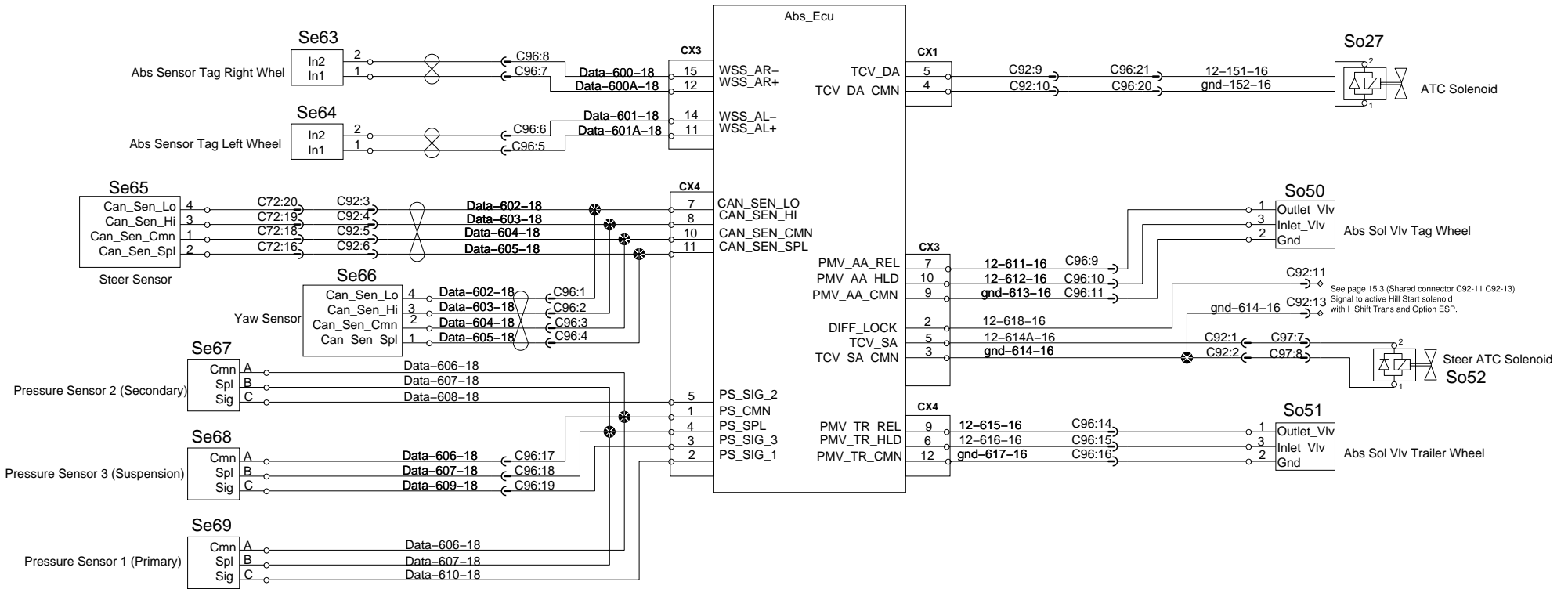
# ESP

Sw137  
Snow\_Mud



# ABS ESP

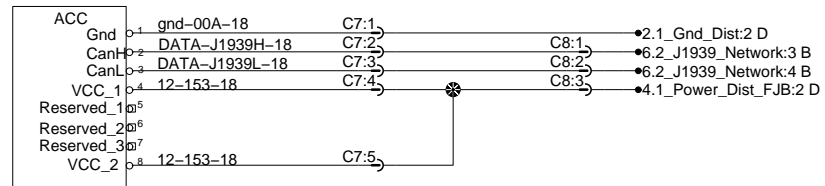
A9



See page 15.3 (Shared connector C92-11 C92-13)  
Signal to activate Hill Start solenoid  
with L\_Shift Trans and Option ESP.

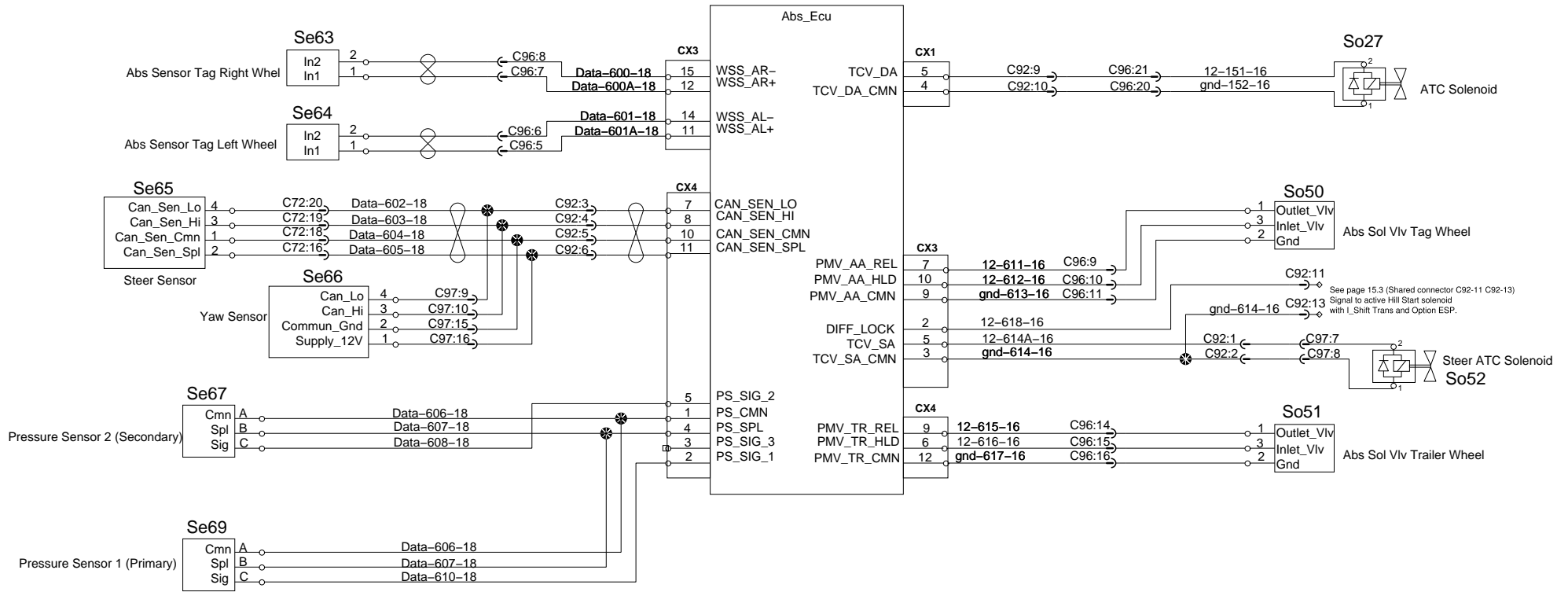
# Adaptive Cruise Control Radar

A114



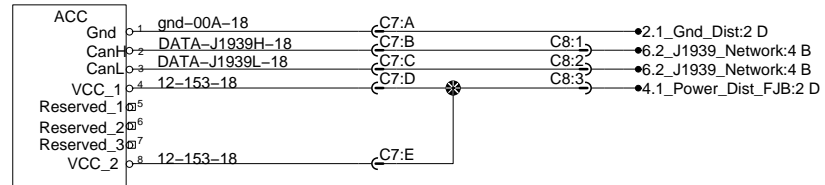
# ABS ESP

A9

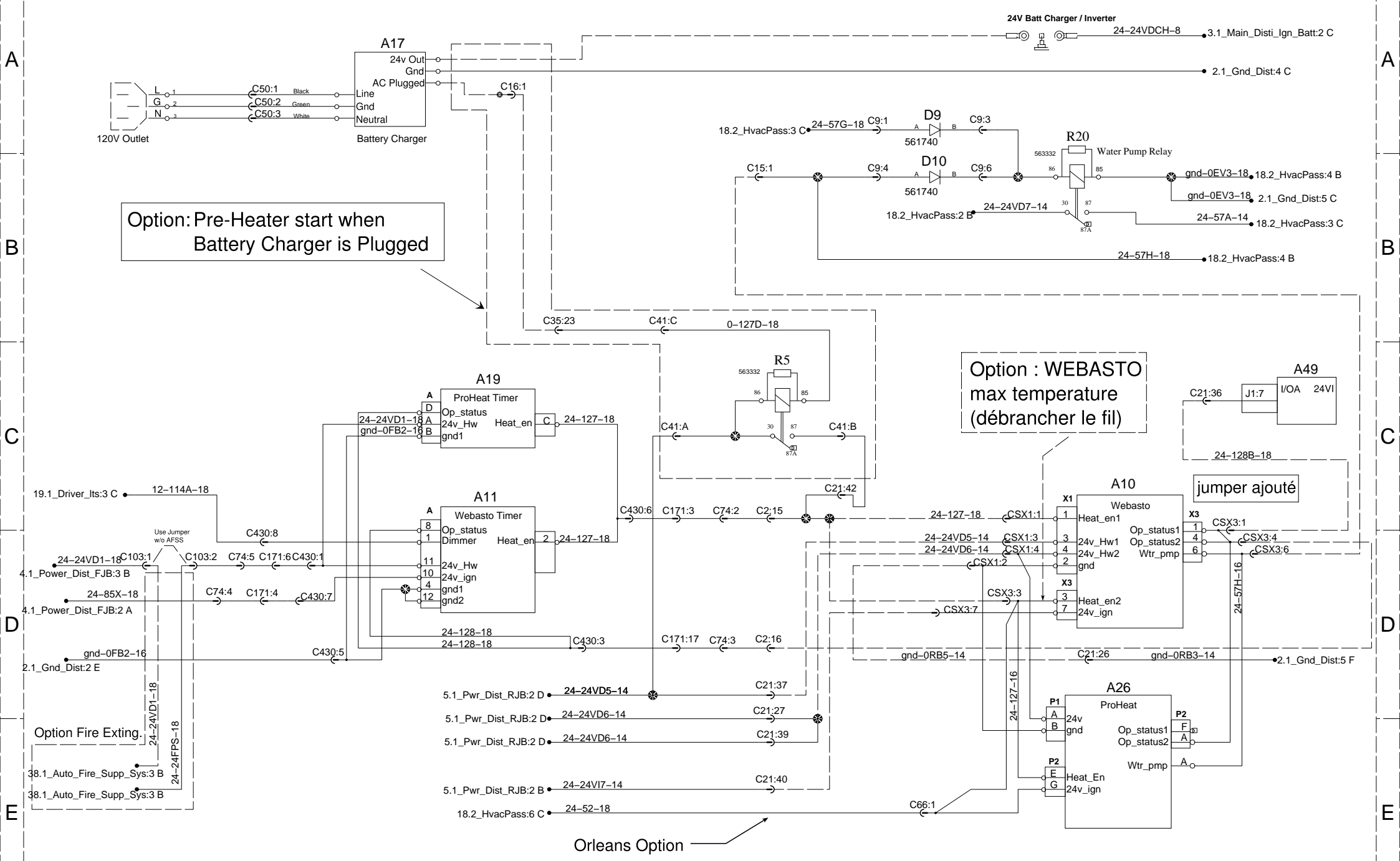


# Adaptive Cruise Control Radar

A114



# Water PreHeater (Webasto or Pro-Heat)



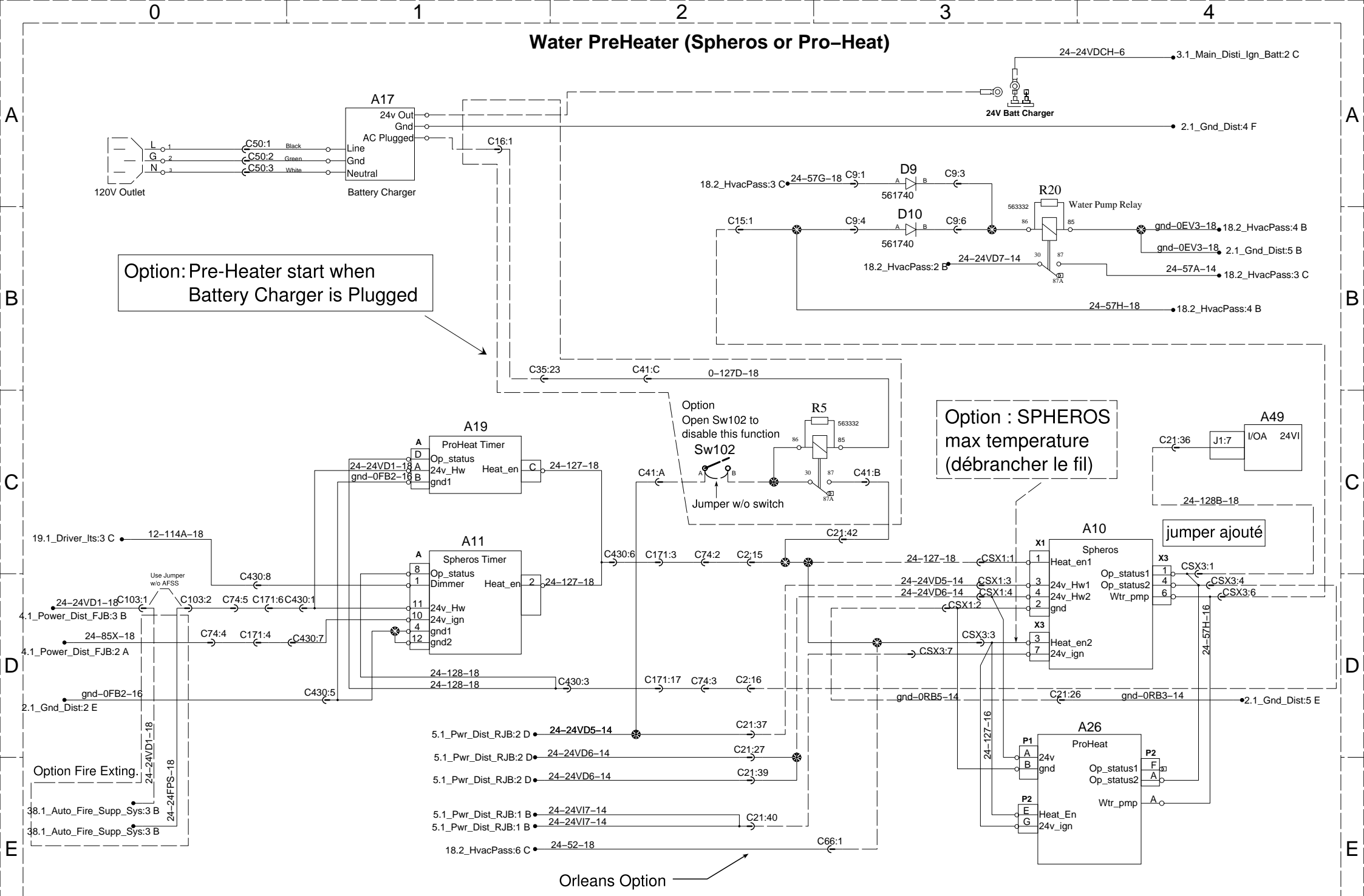
Option: Pre-Heater start when Battery Charger is Plugged

Option : WEBASTO max temperature (débrancher le fil)

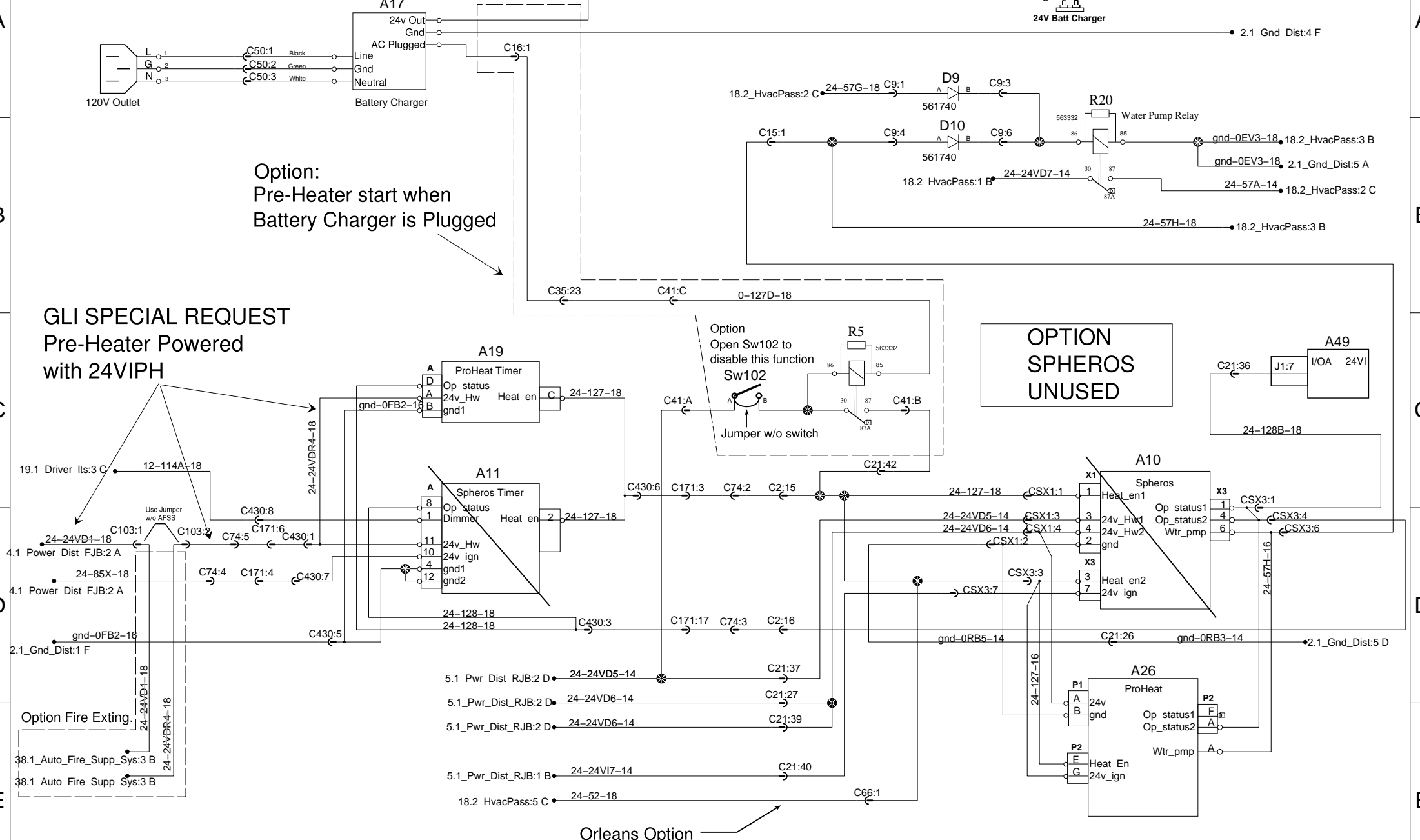
jumper ajouté

Orleans Option

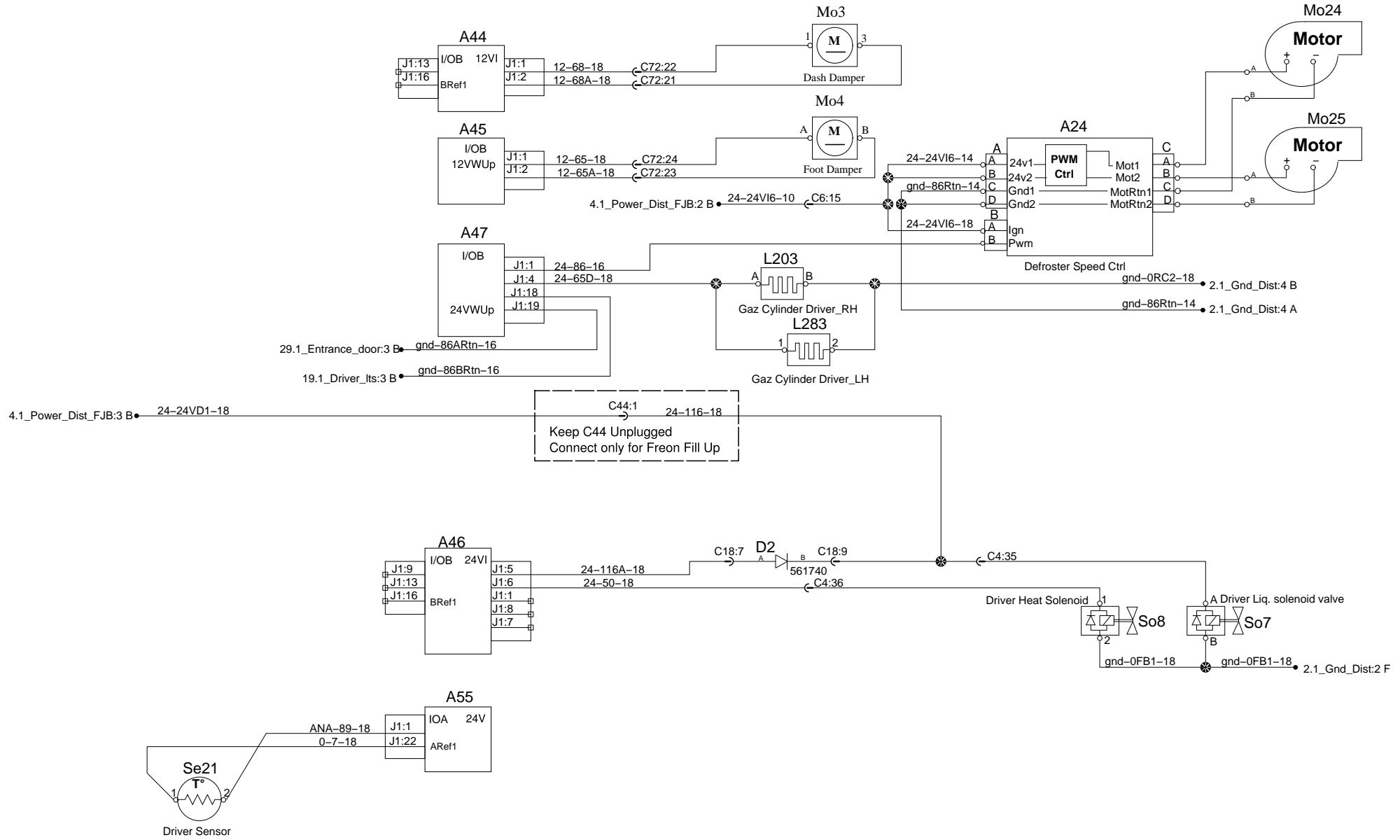
# Water PreHeater (Spheros or Pro-Heat)



# Water PreHeater (Spheros or Pro-Heat)

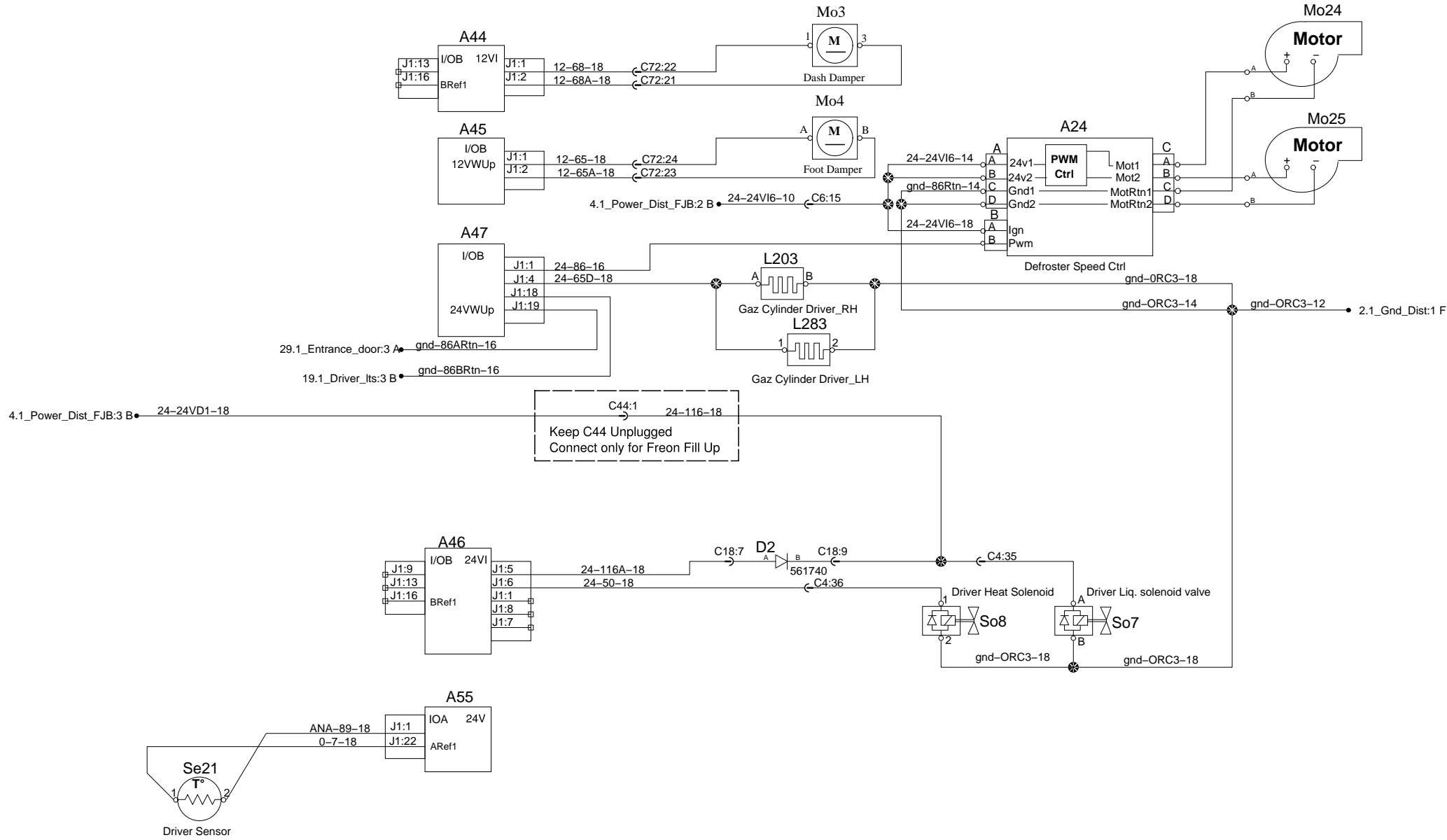


# Hvac\_Defroster

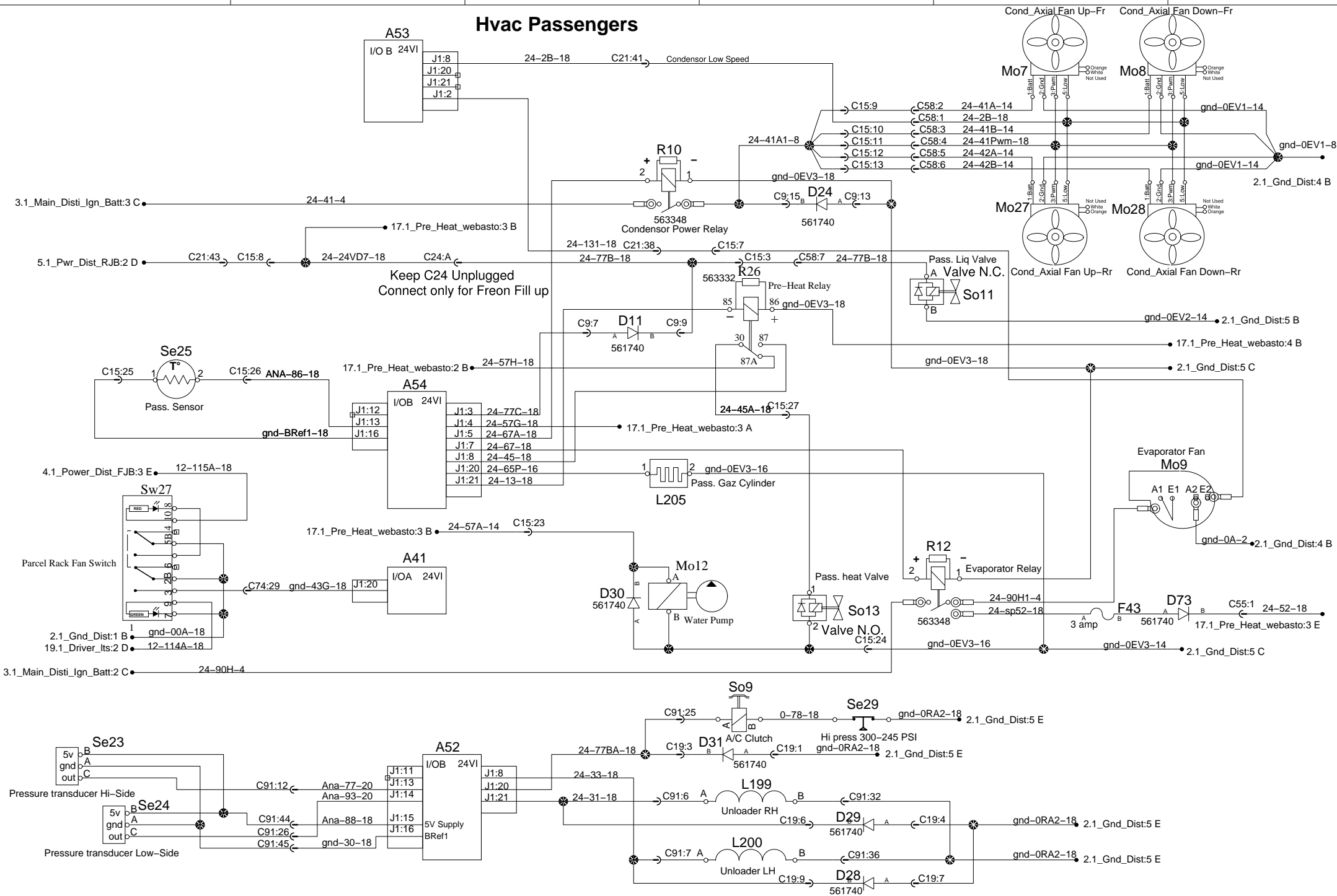




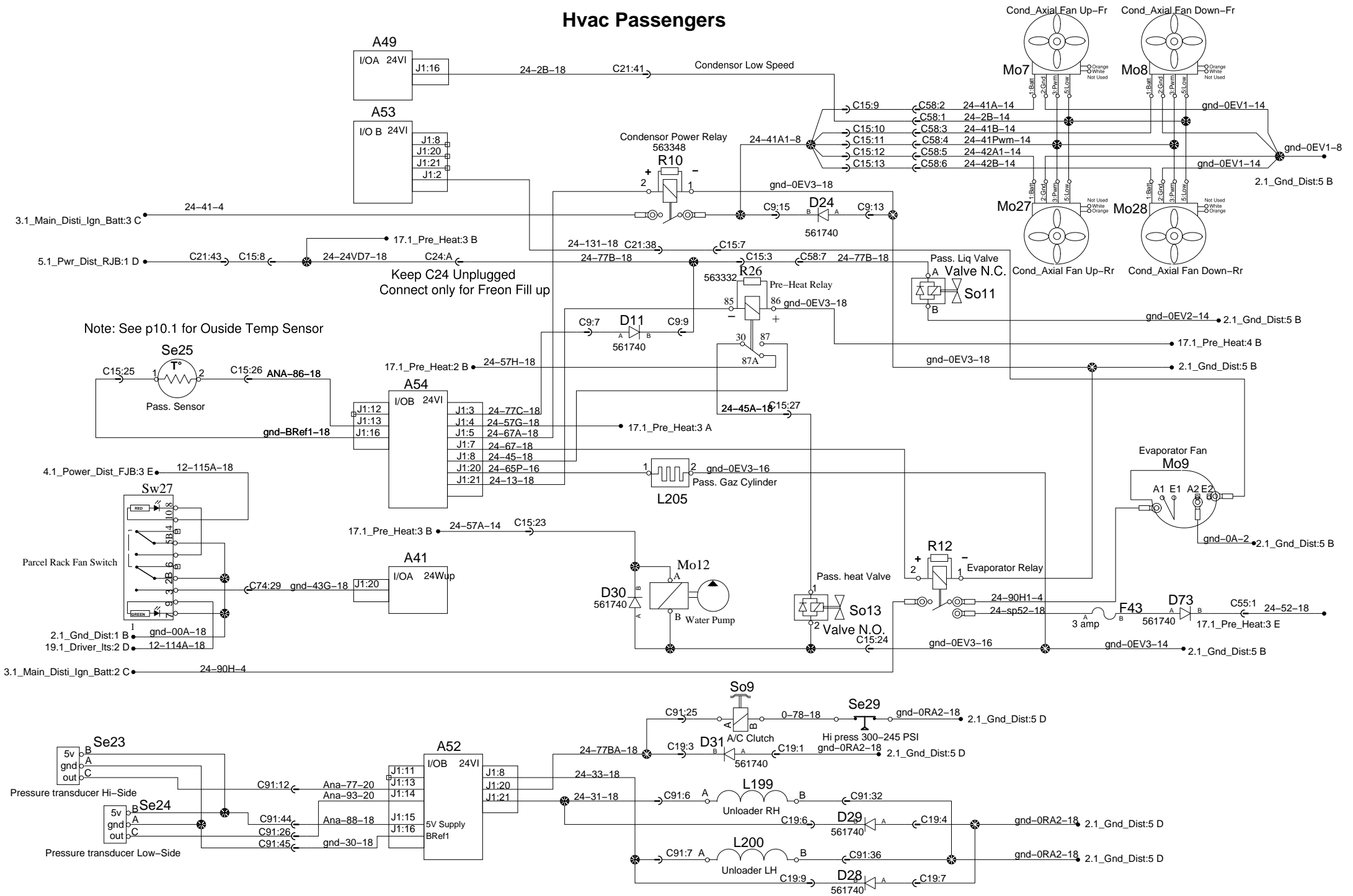
# Hvac\_Defroster



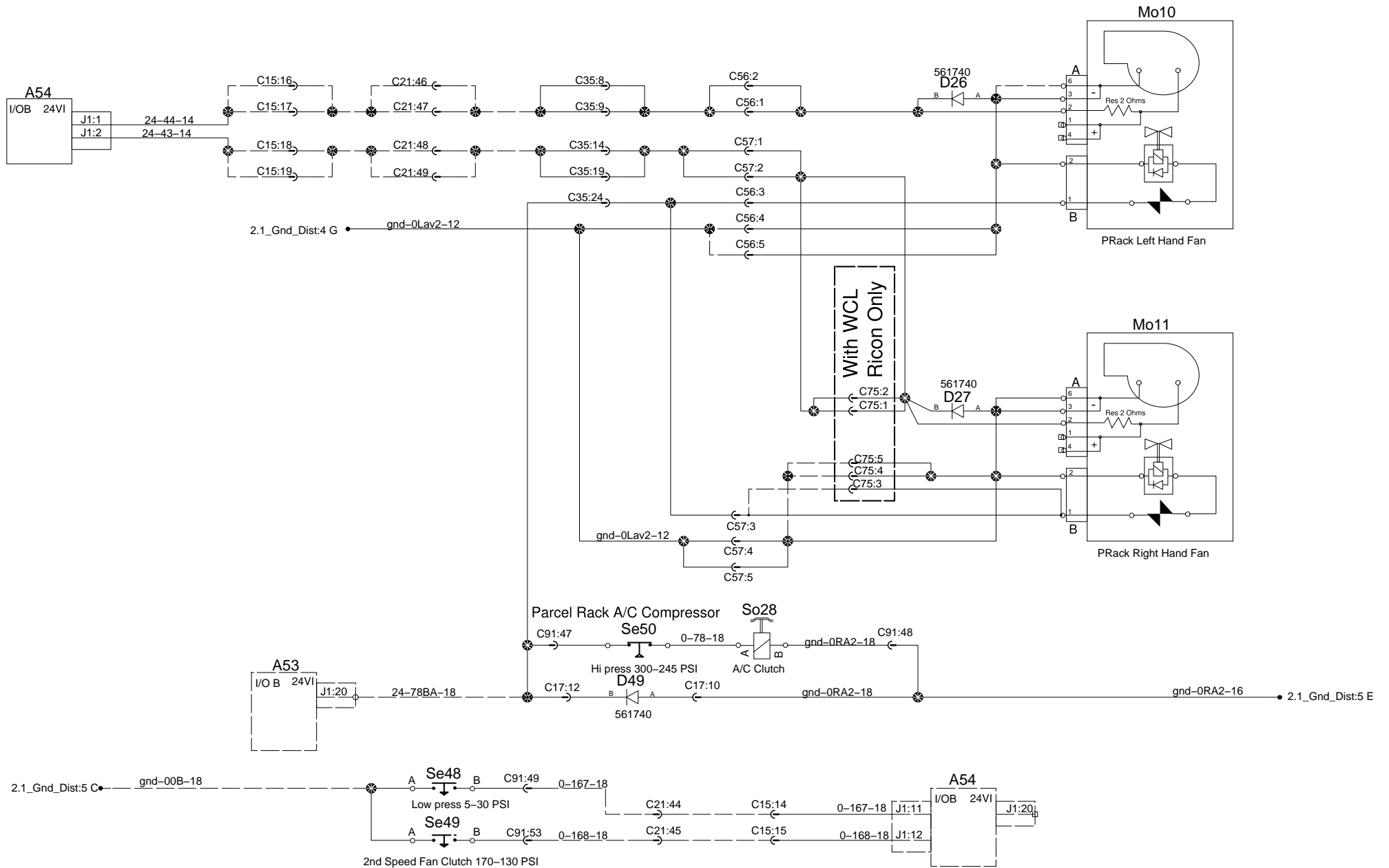
# Hvac Passengers



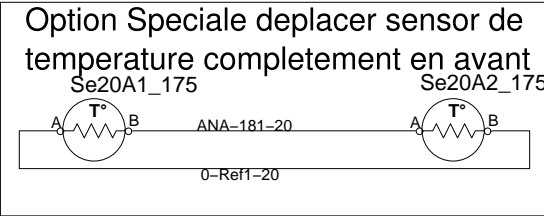
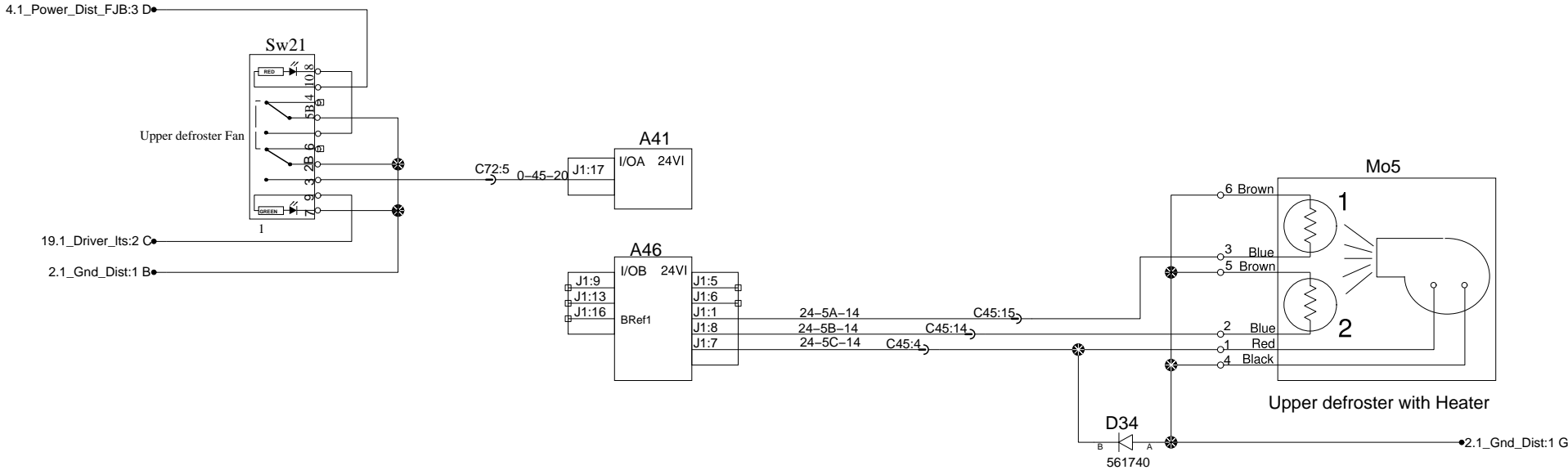
# Hvac Passengers



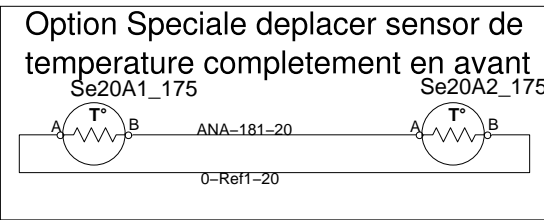
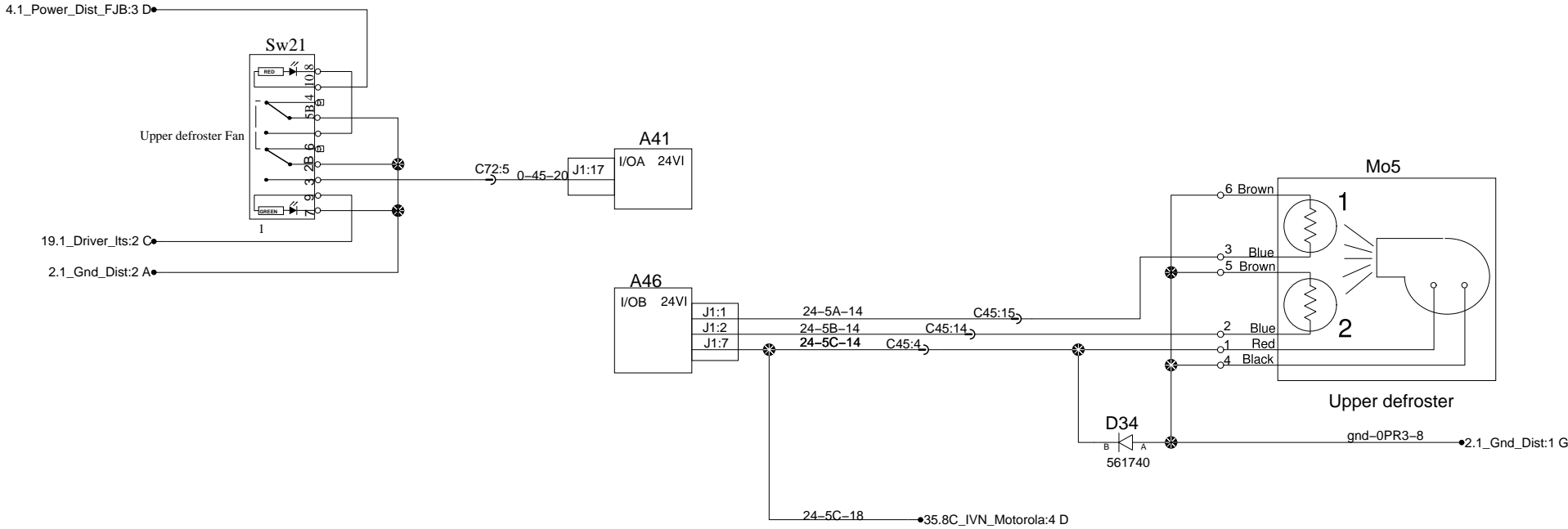
# Parcel Rack A/C System



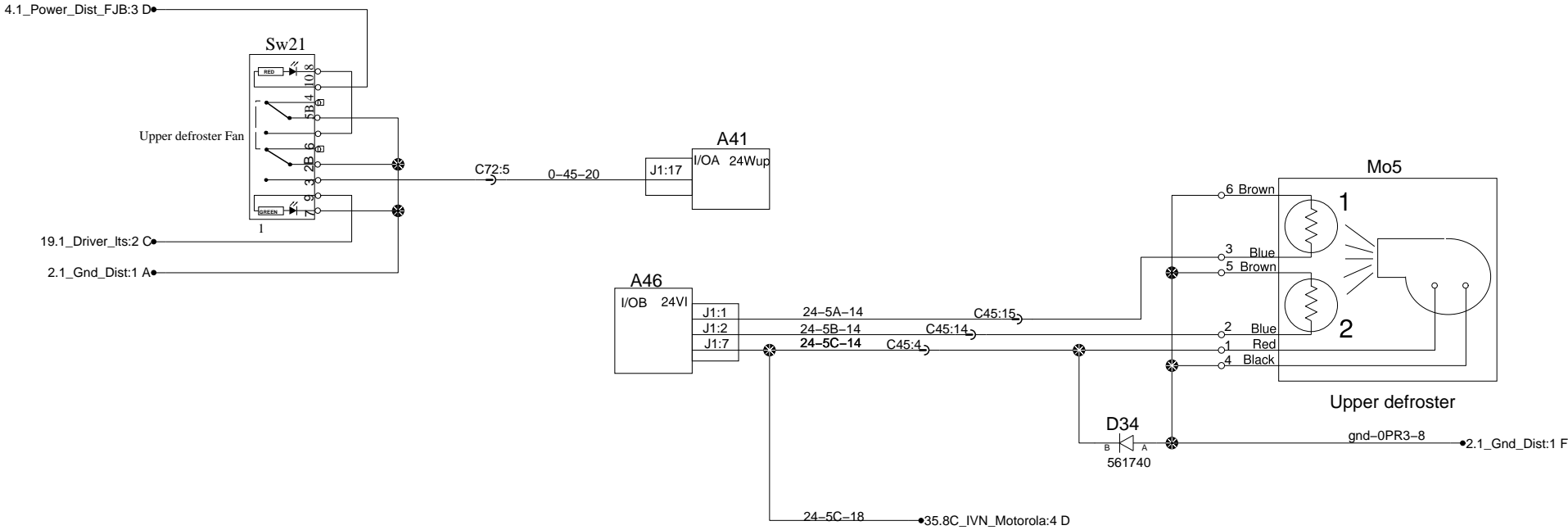
# Upper Defrost



# Upper Defrost



# Upper Defrost



0

1

2

3

4

# Upper Defrost

A

A

B

B

C

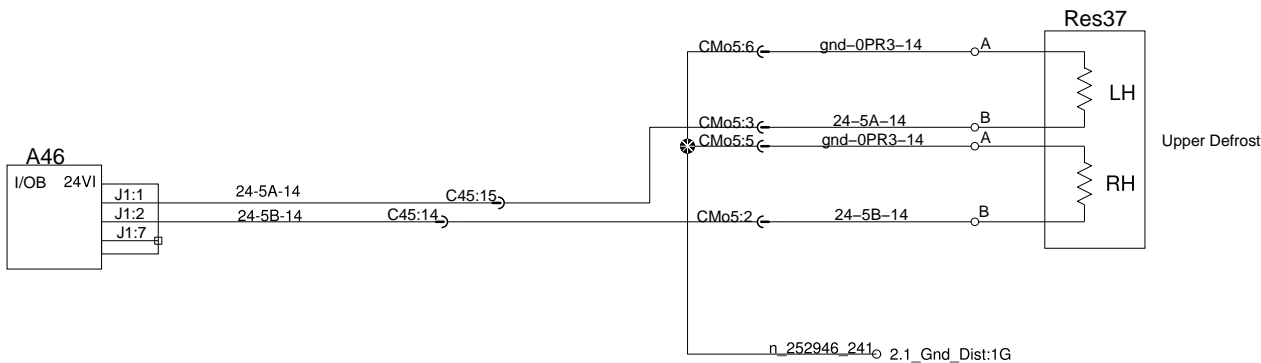
C

D

D

E

E



0

1

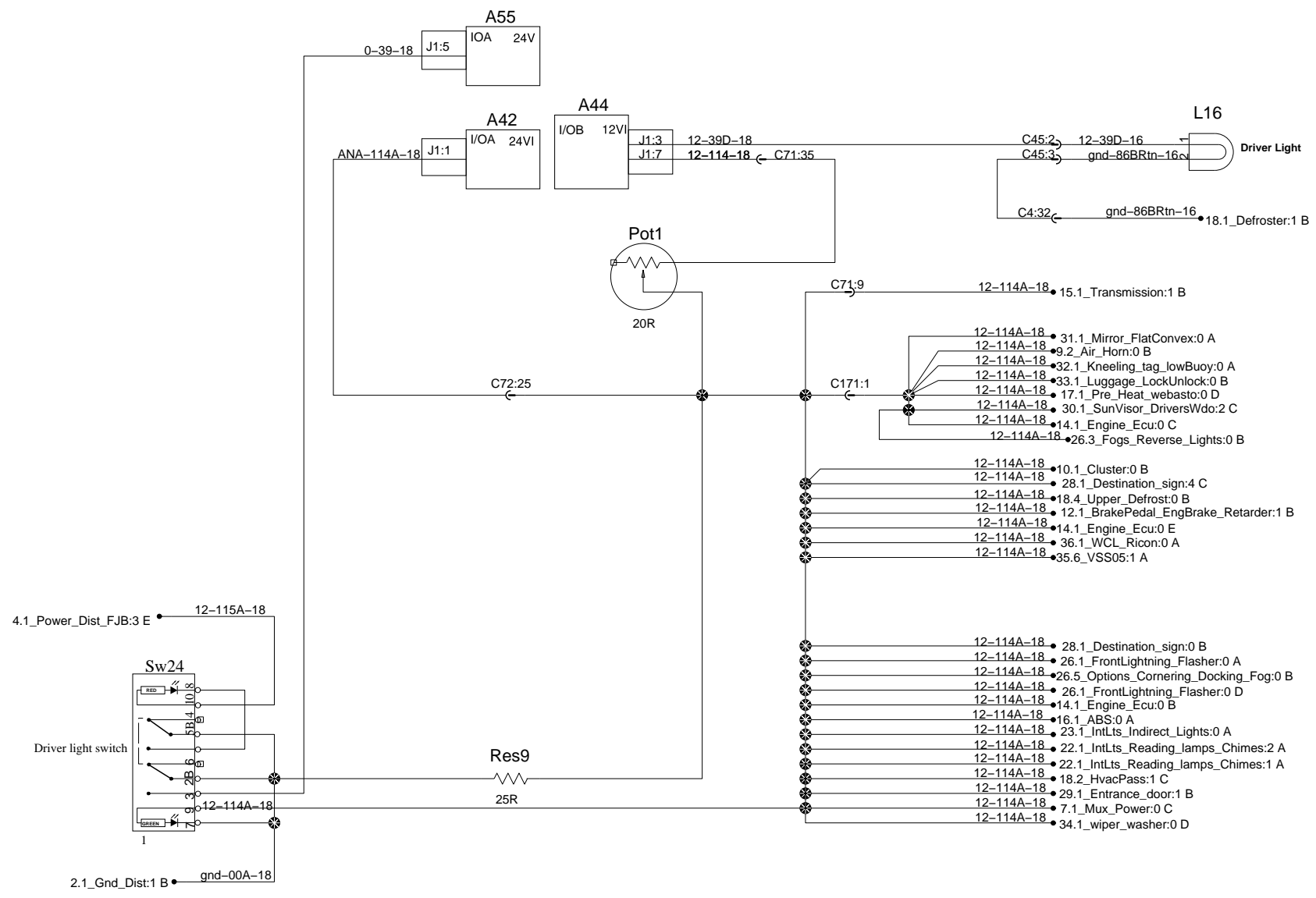
2

3

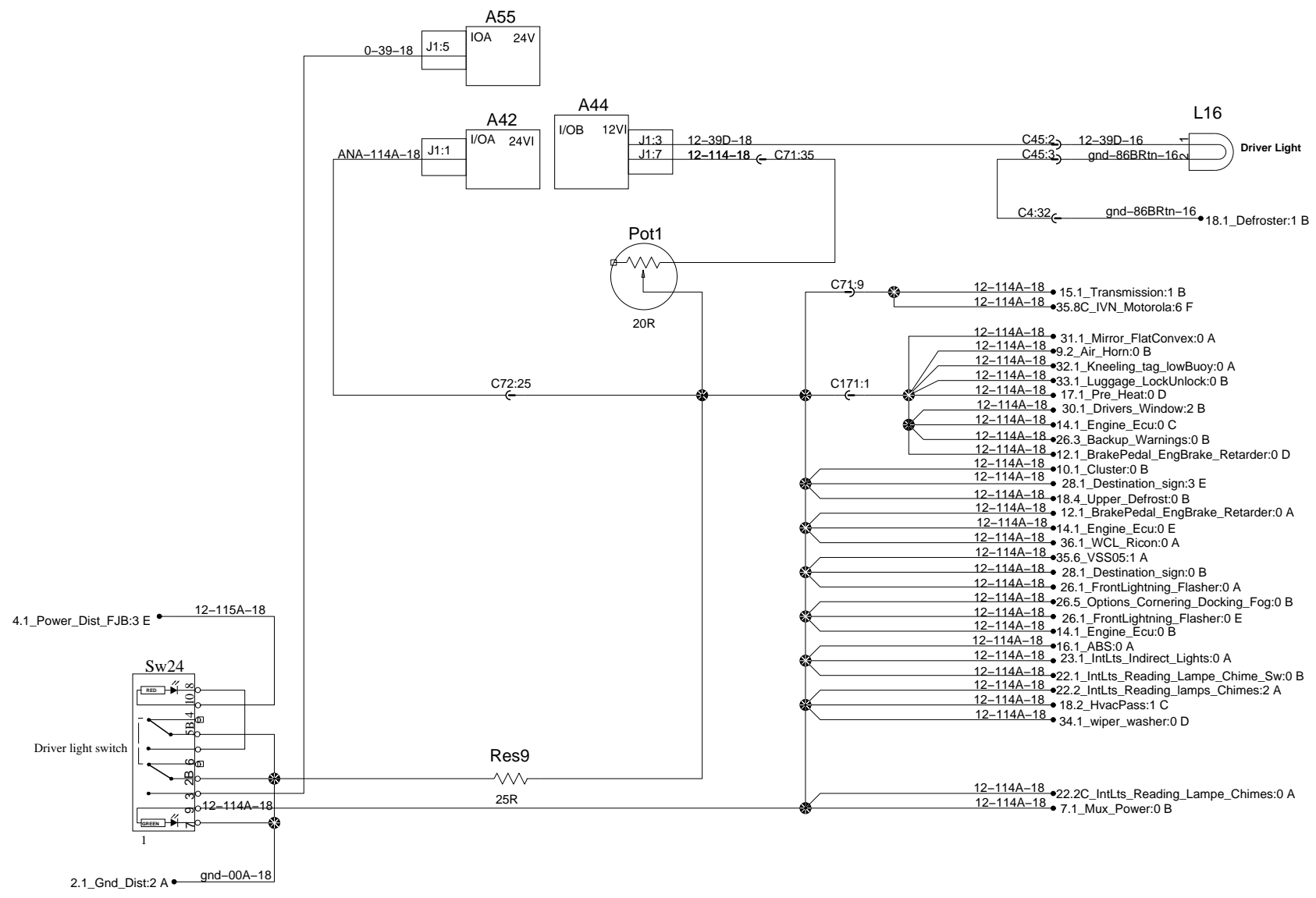
4



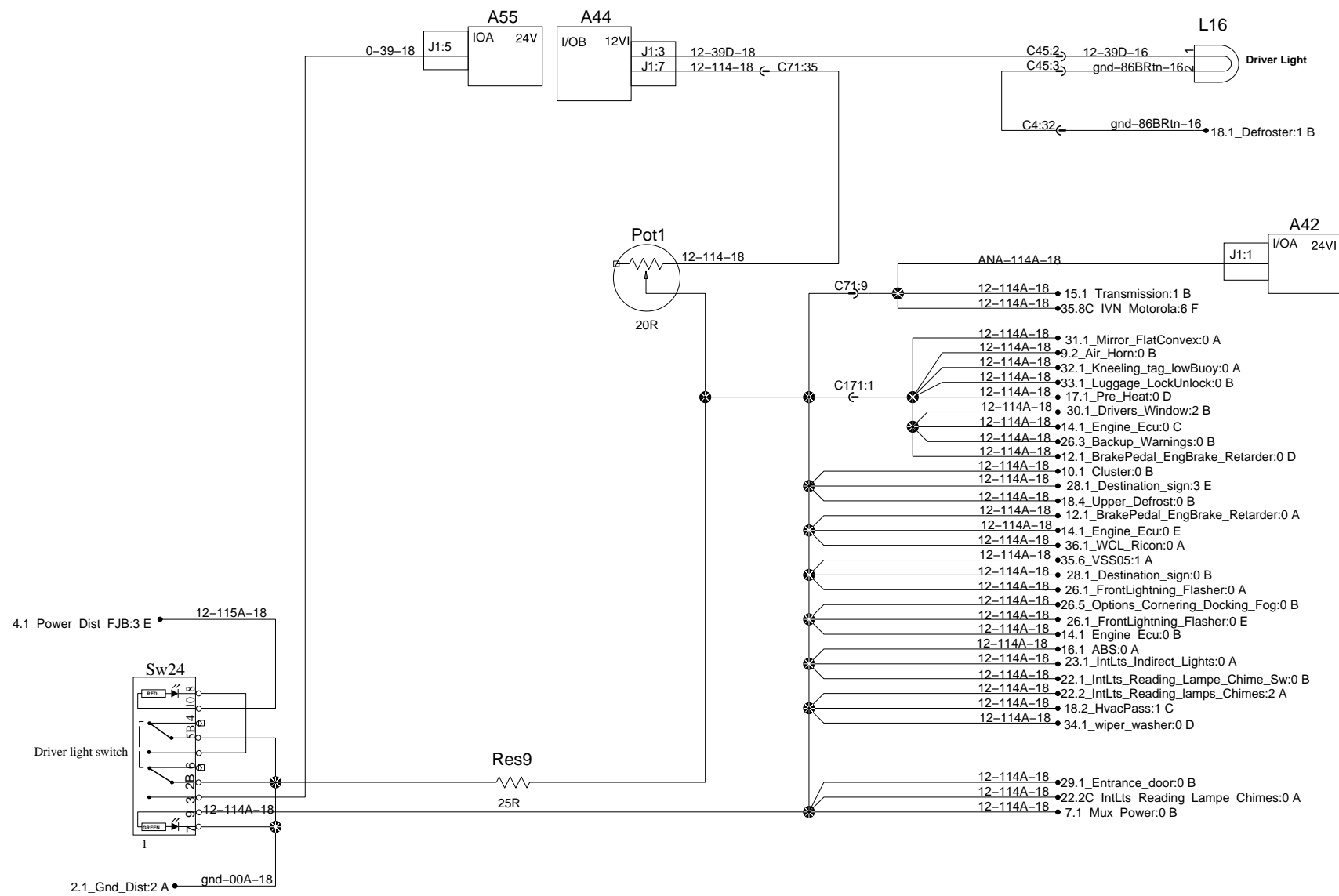
# Driver lights



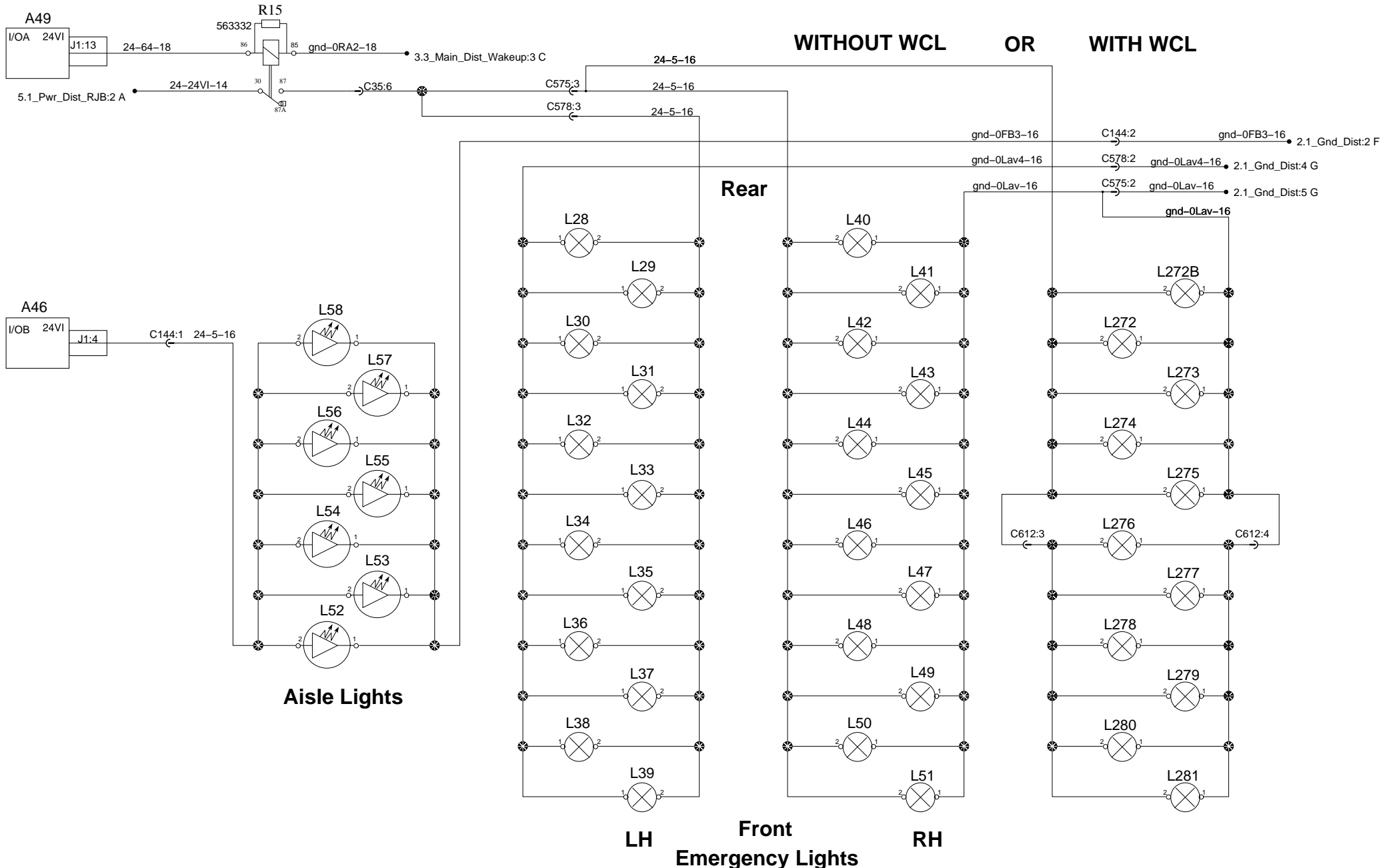
# Driver lights



# Driver lights

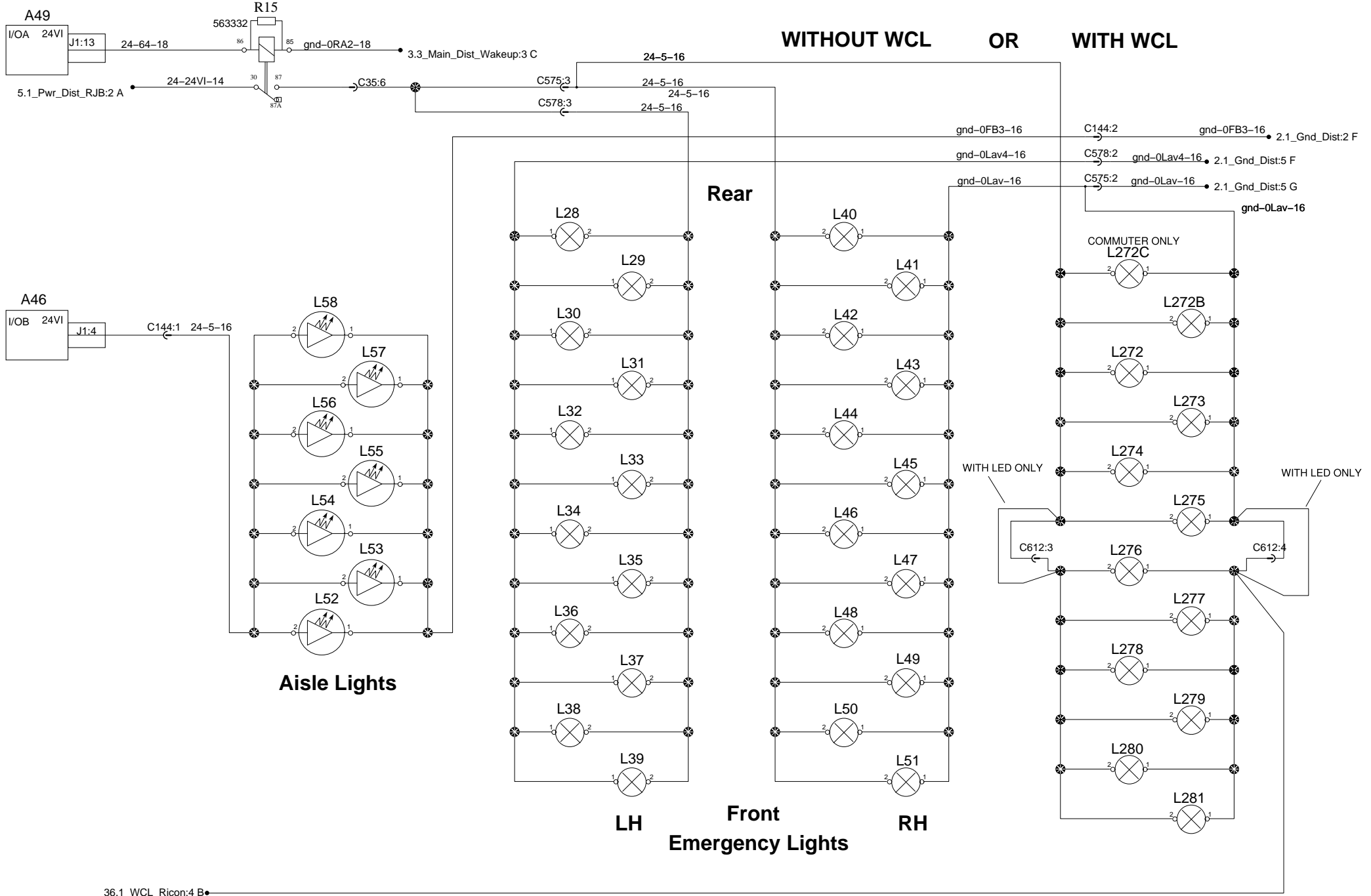


# Emergency & Aisle lights



# Emergency & Aisle lights

WITHOUT WCL OR WITH WCL

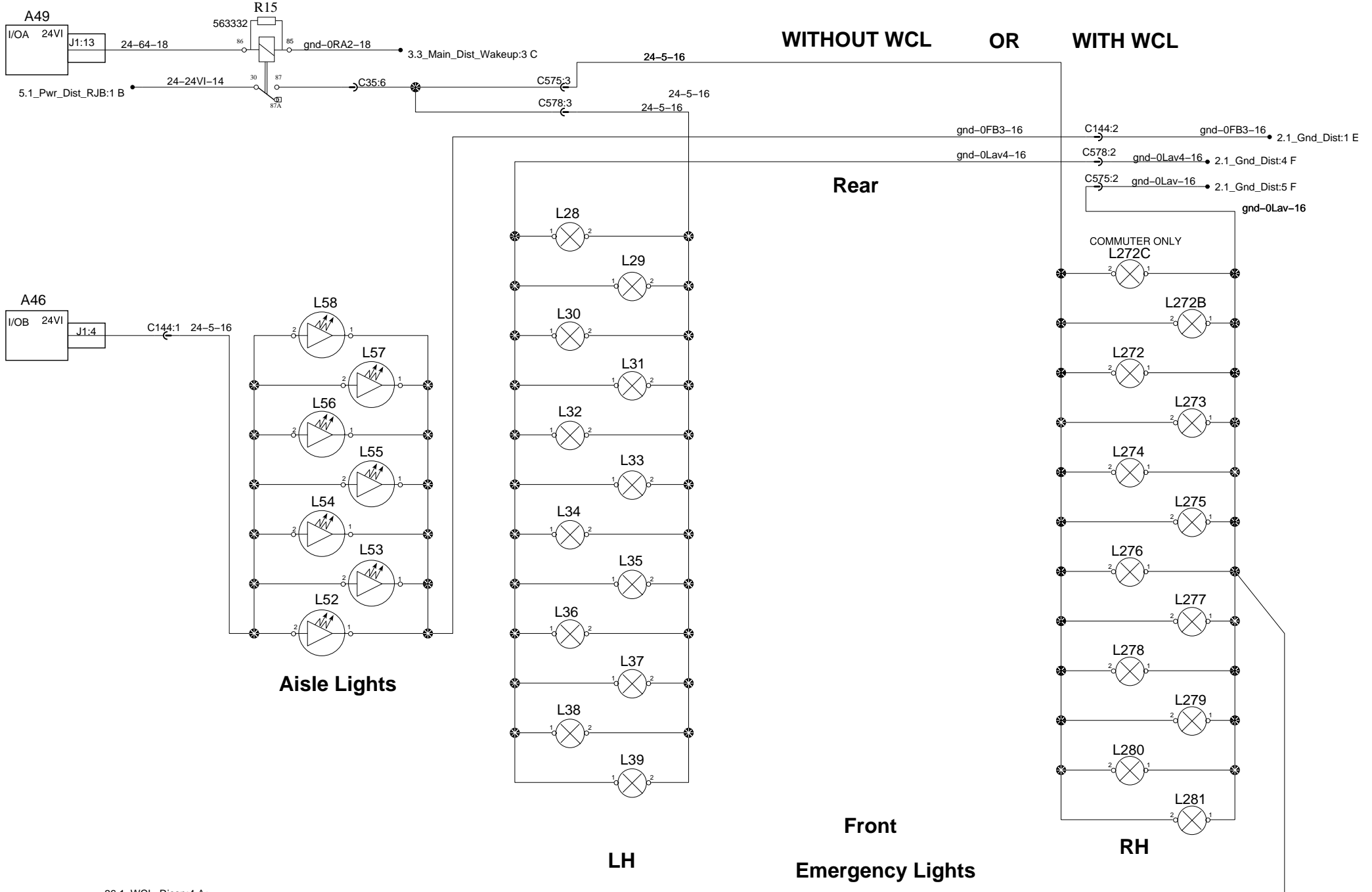


# Emergency & Aisle lights

WITHOUT WCL

OR

WITH WCL



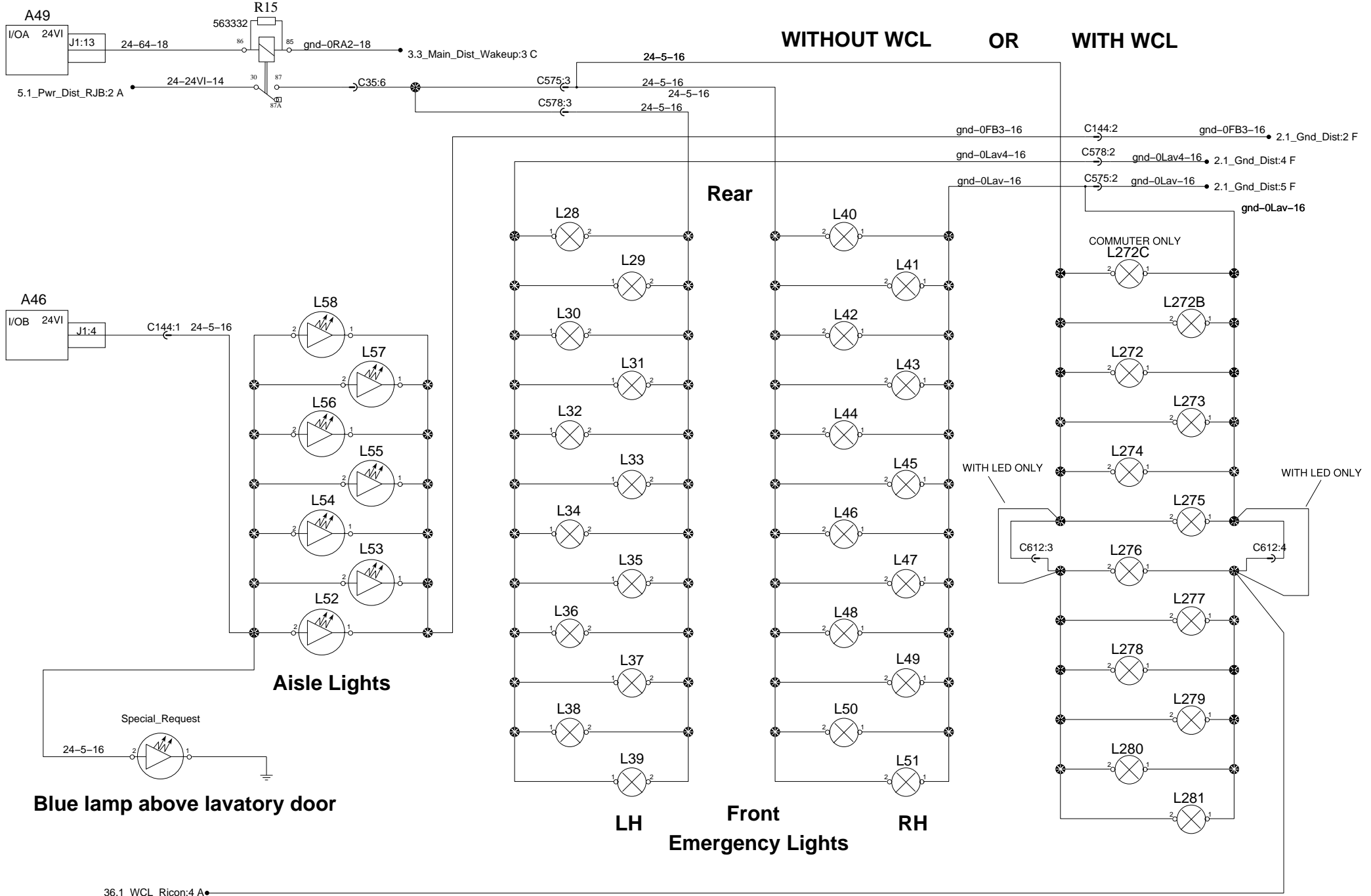
36.1\_WCL\_Ricon:4 A

# Emergency & Aisle lights

WITHOUT WCL

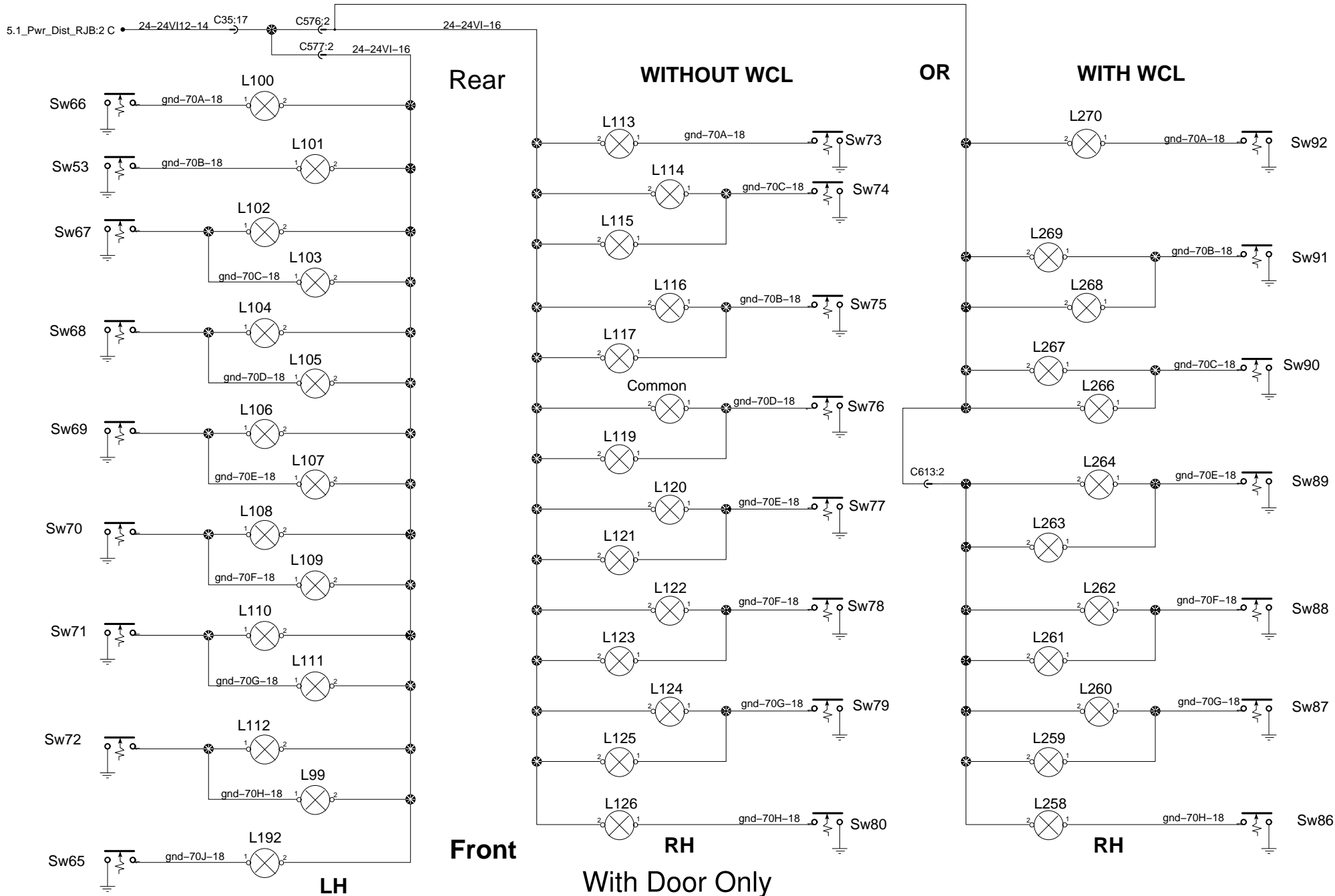
OR

WITH WCL



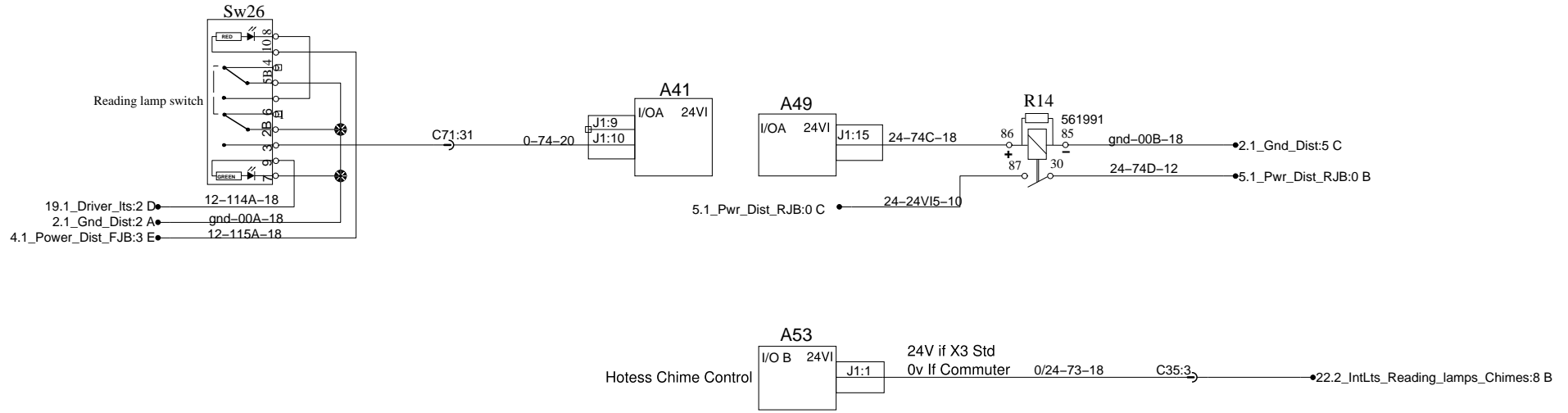
36.1\_WCL\_Ricon:4 A

# Hat Rack Lighting

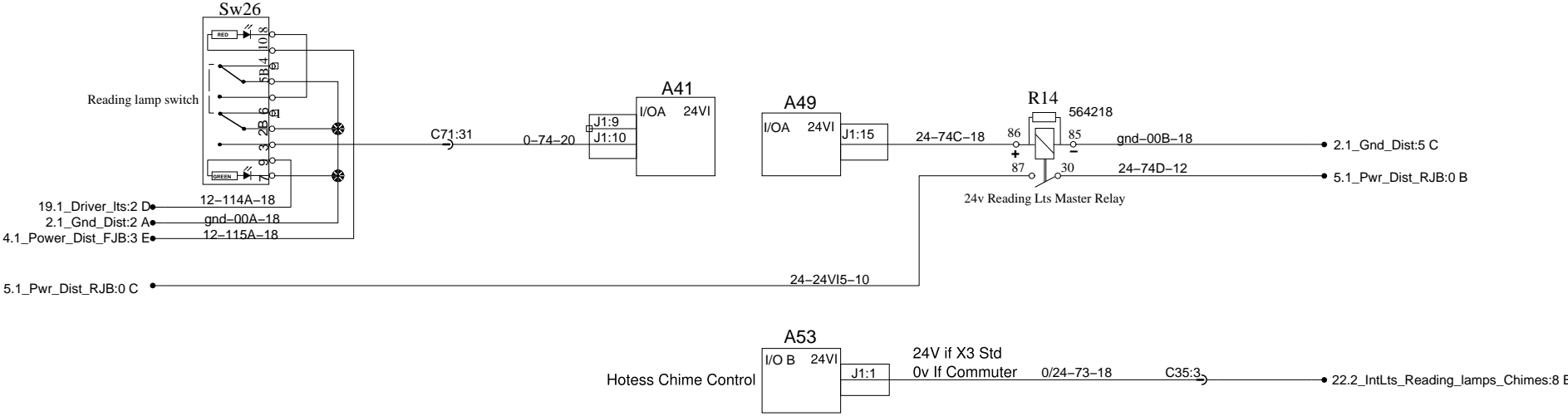




# Reading lamp and Hotess Chime Control

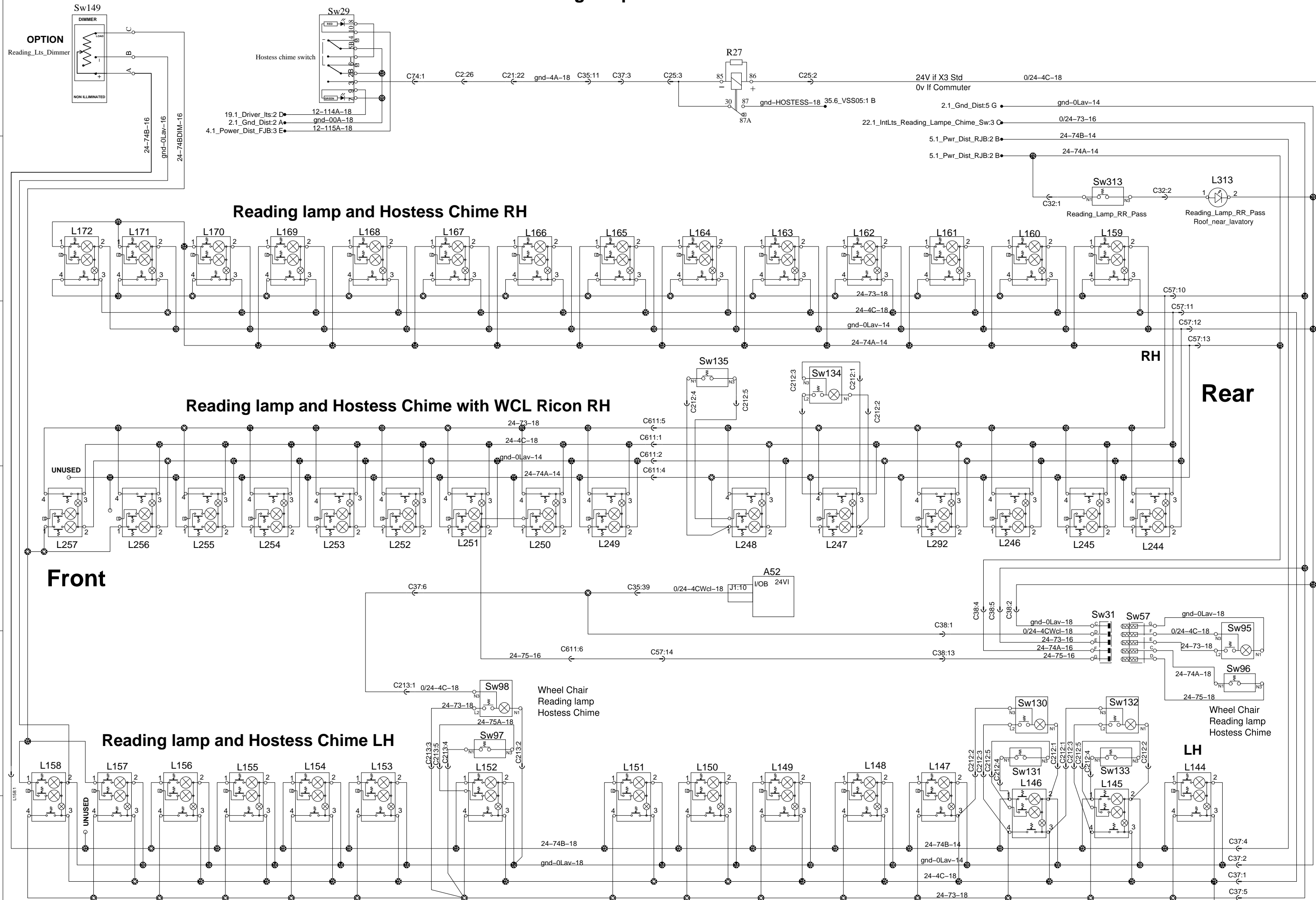


# Reading lamp and Hotess Chime Control

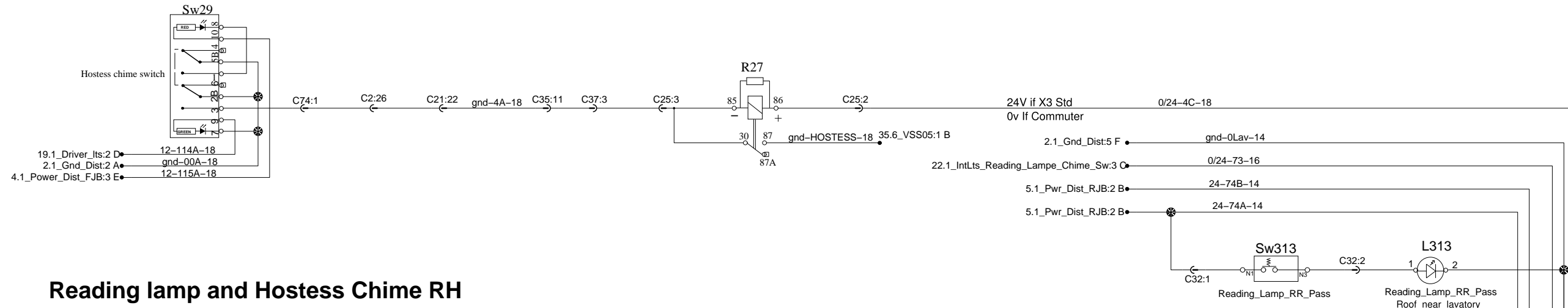




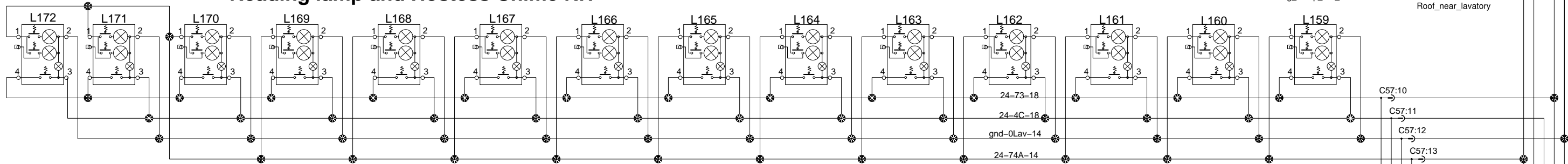
# Reading lamp and Hostess chime



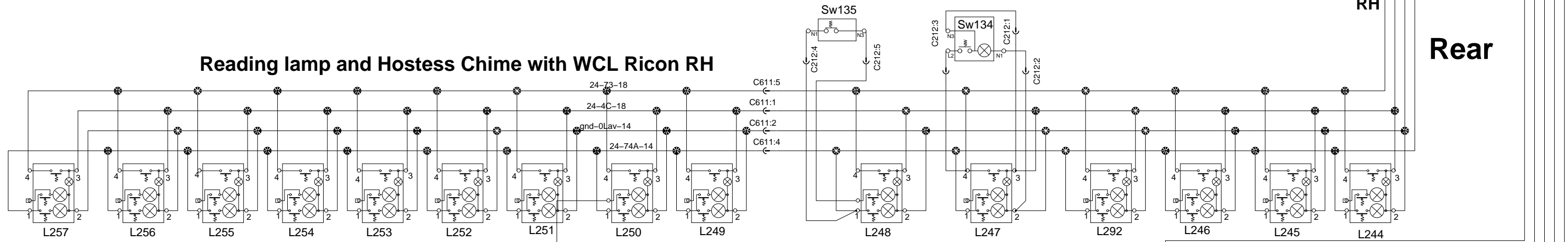
# Reading lamp and Hostess chime



## Reading lamp and Hostess Chime RH

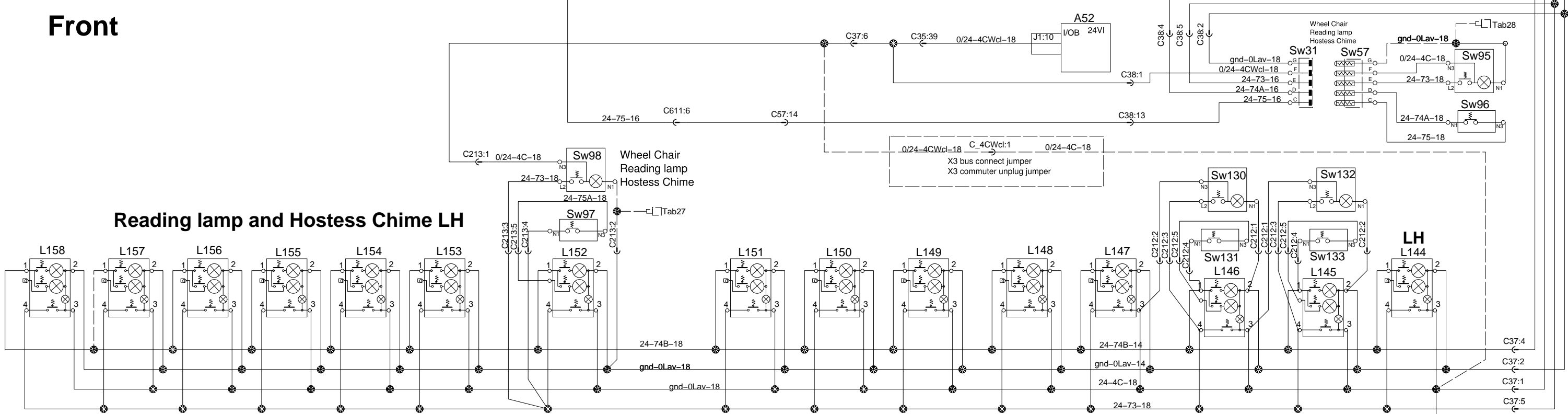


## Reading lamp and Hostess Chime with WCL Ricon RH

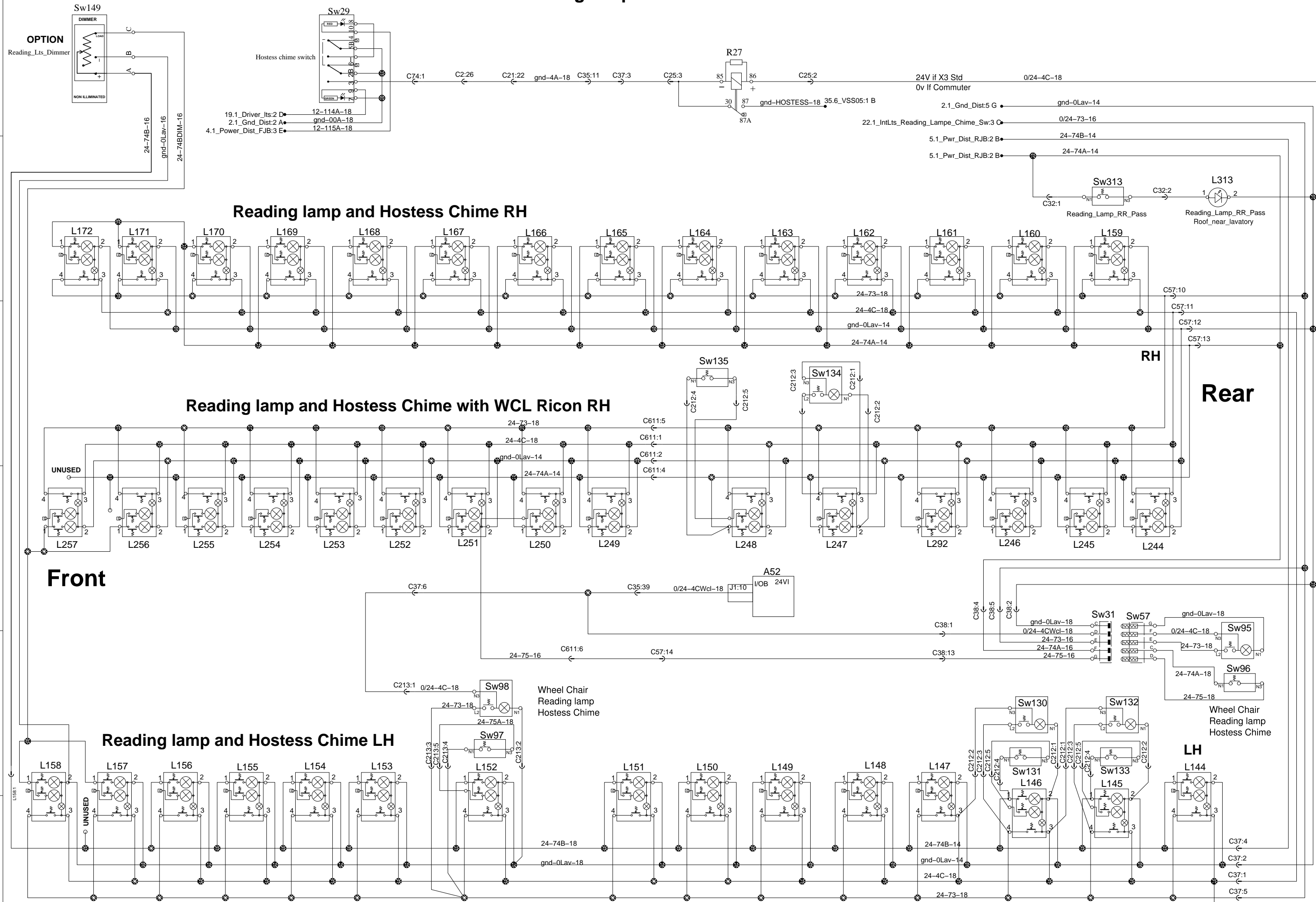


Front

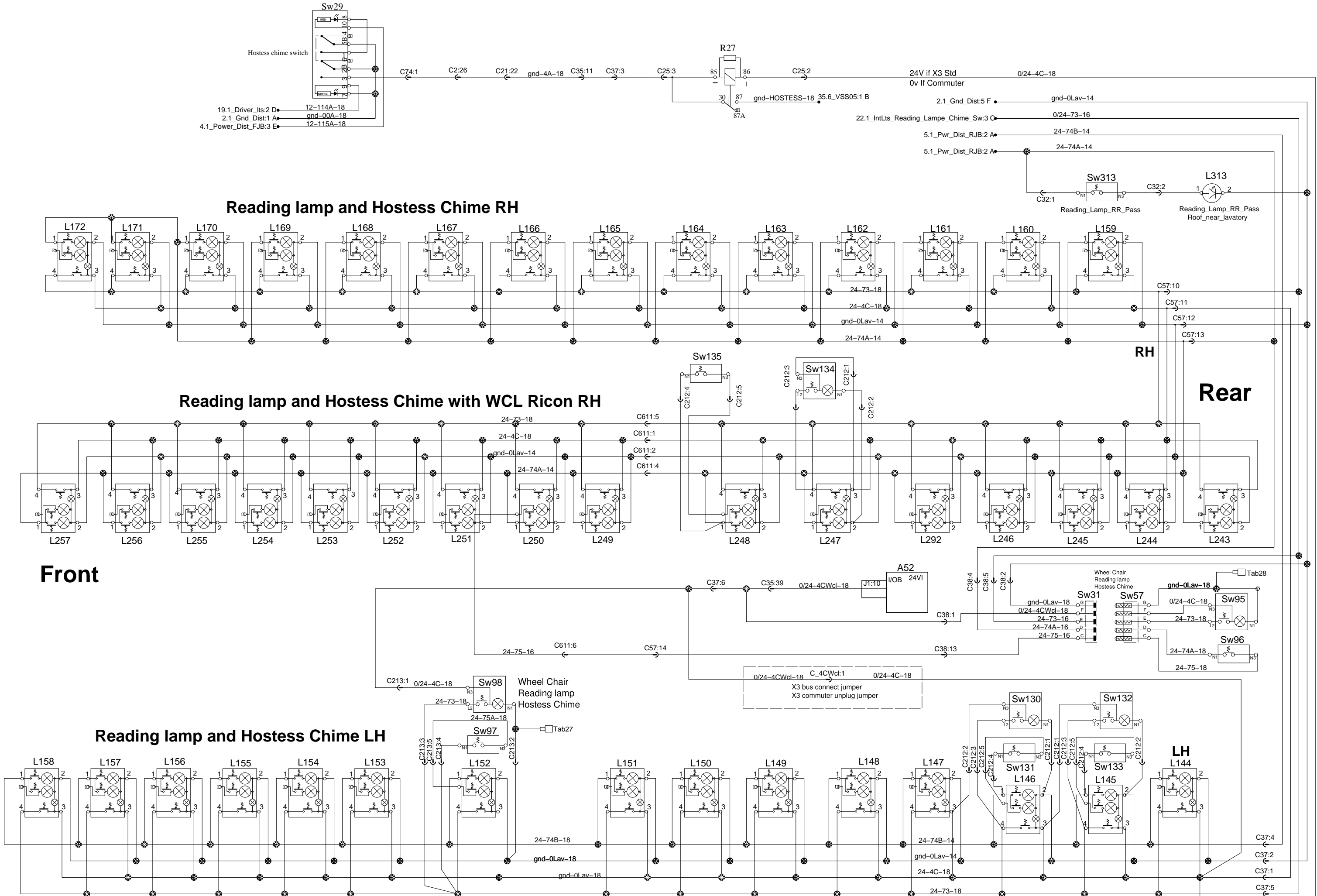
## Reading lamp and Hostess Chime LH



# Reading lamp and Hostess chime



# Reading lamp and Hostess chime



## Reading lamp and Hostess Chime RH

## Reading lamp and Hostess Chime with WCL Ricon RH

## Reading lamp and Hostess Chime LH

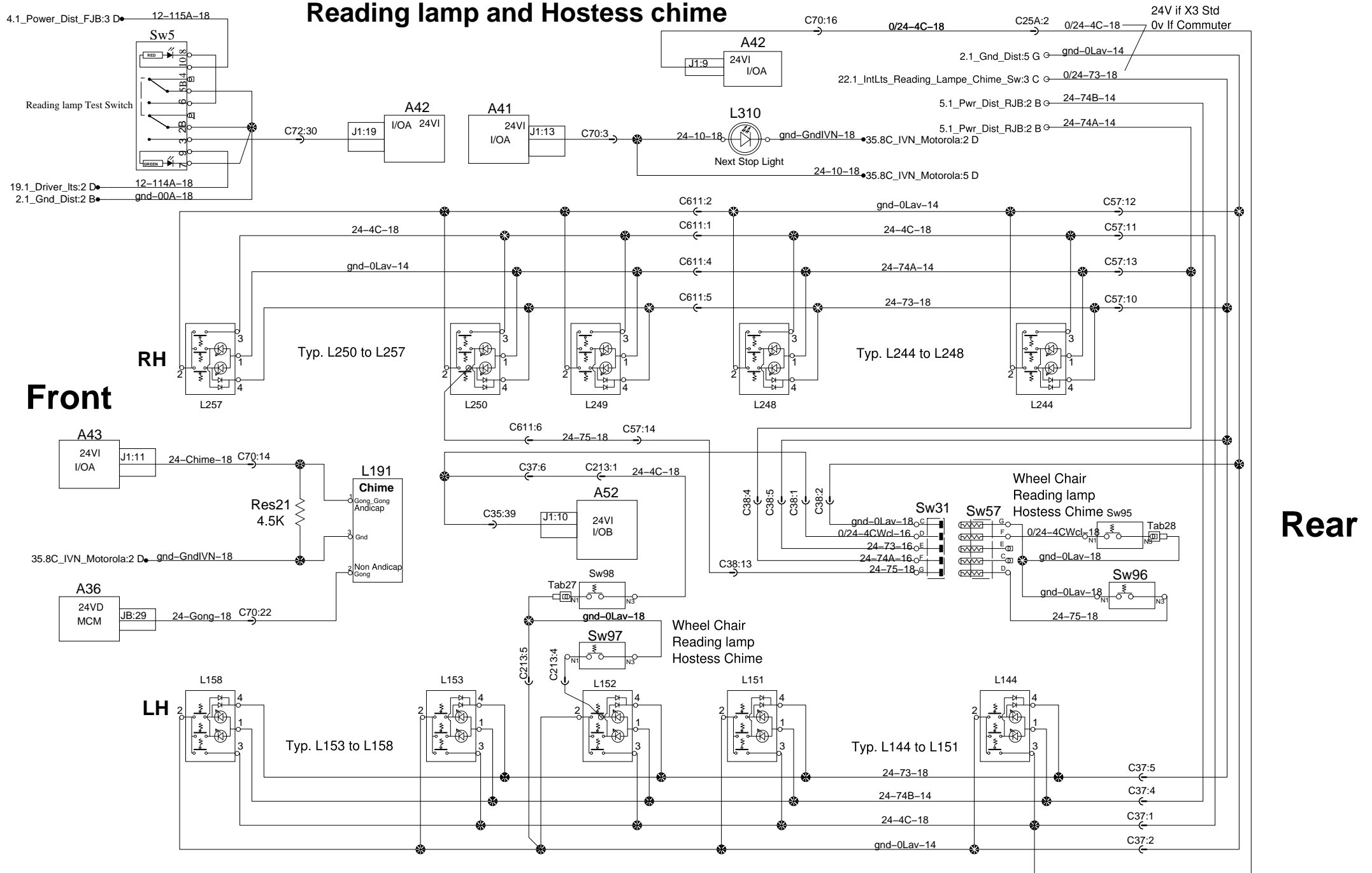
Front

RH

Rear

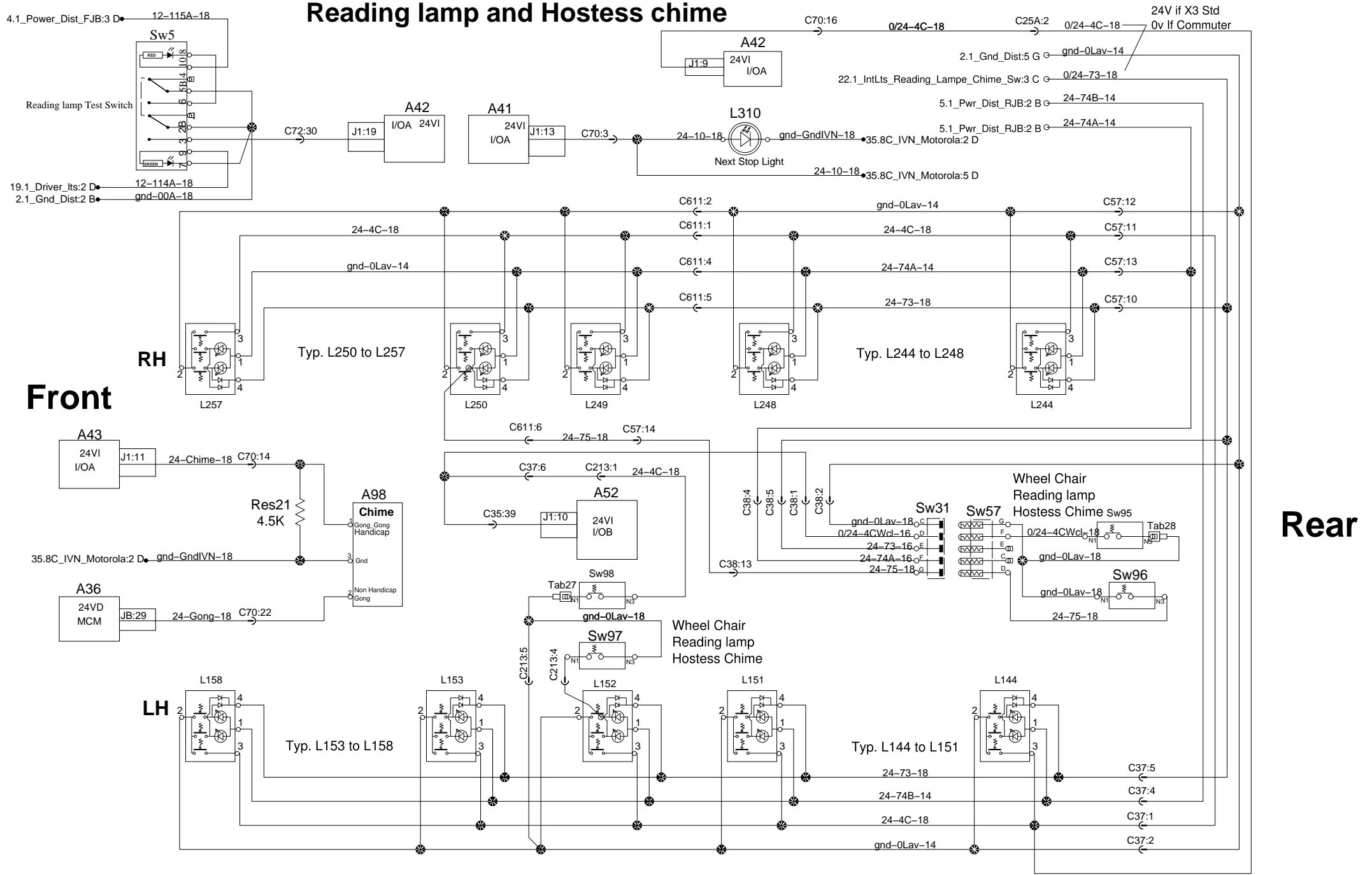
LH

# Reading lamp and Hostess chime

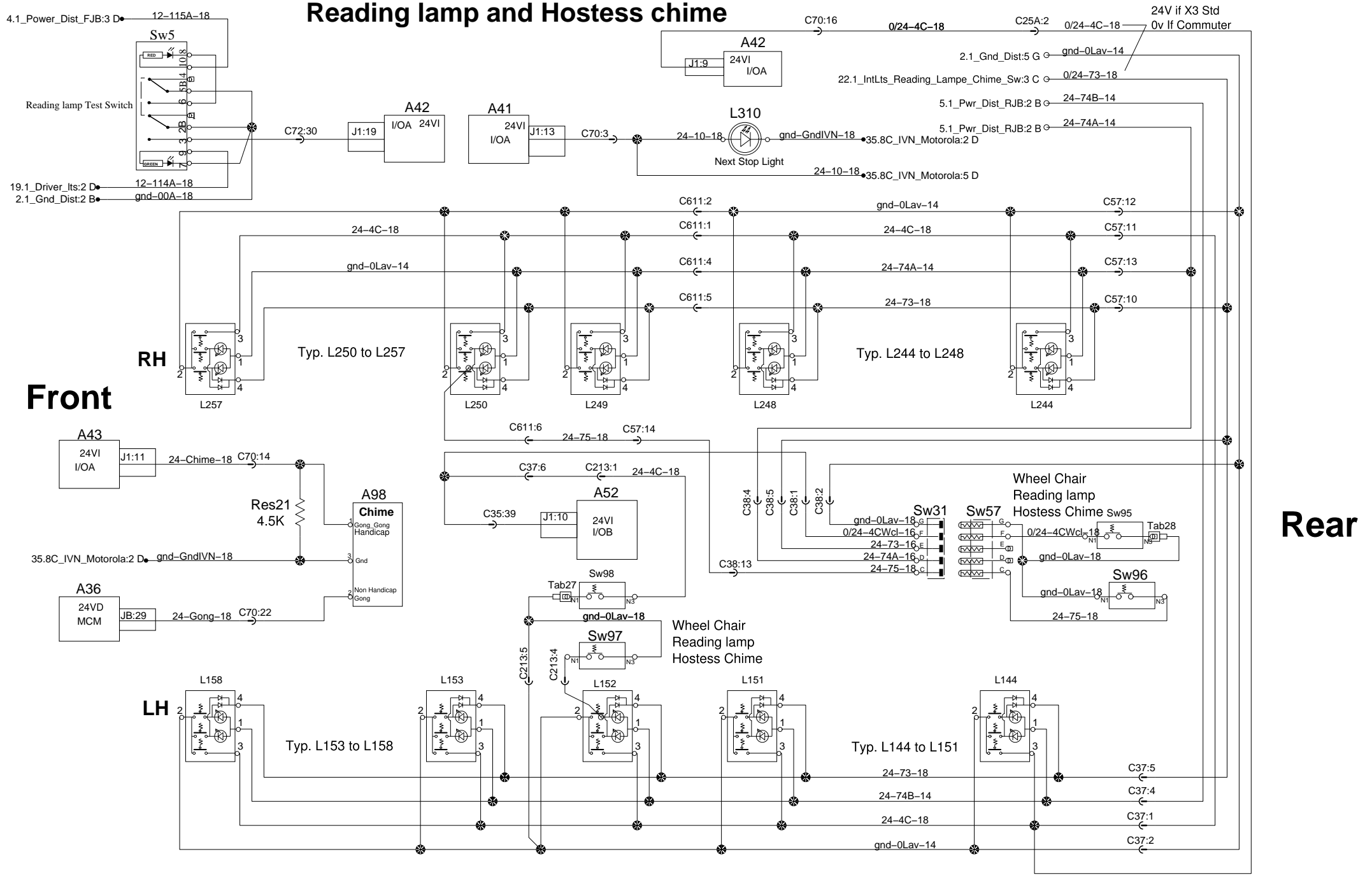




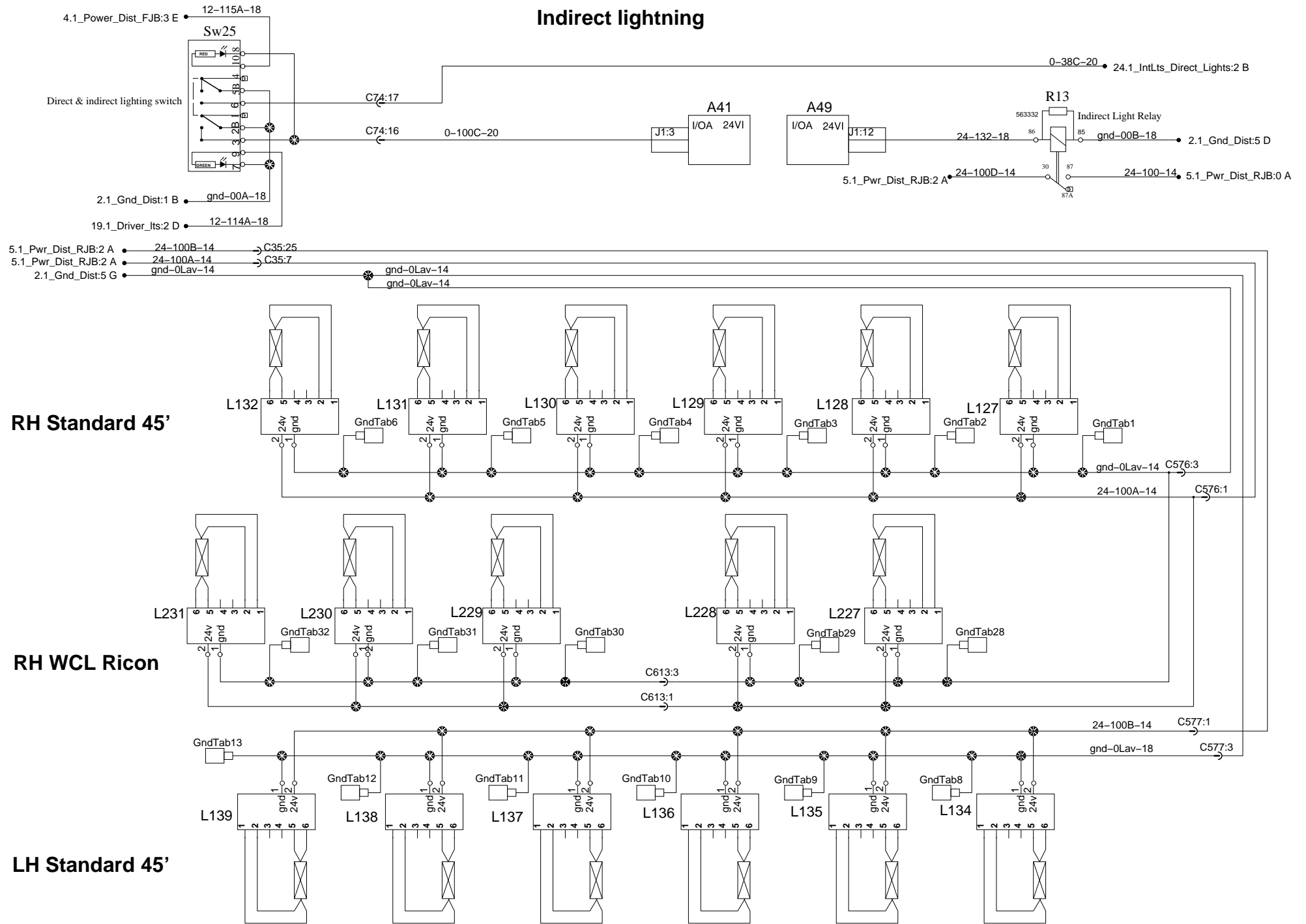
# Reading lamp and Hostess chime



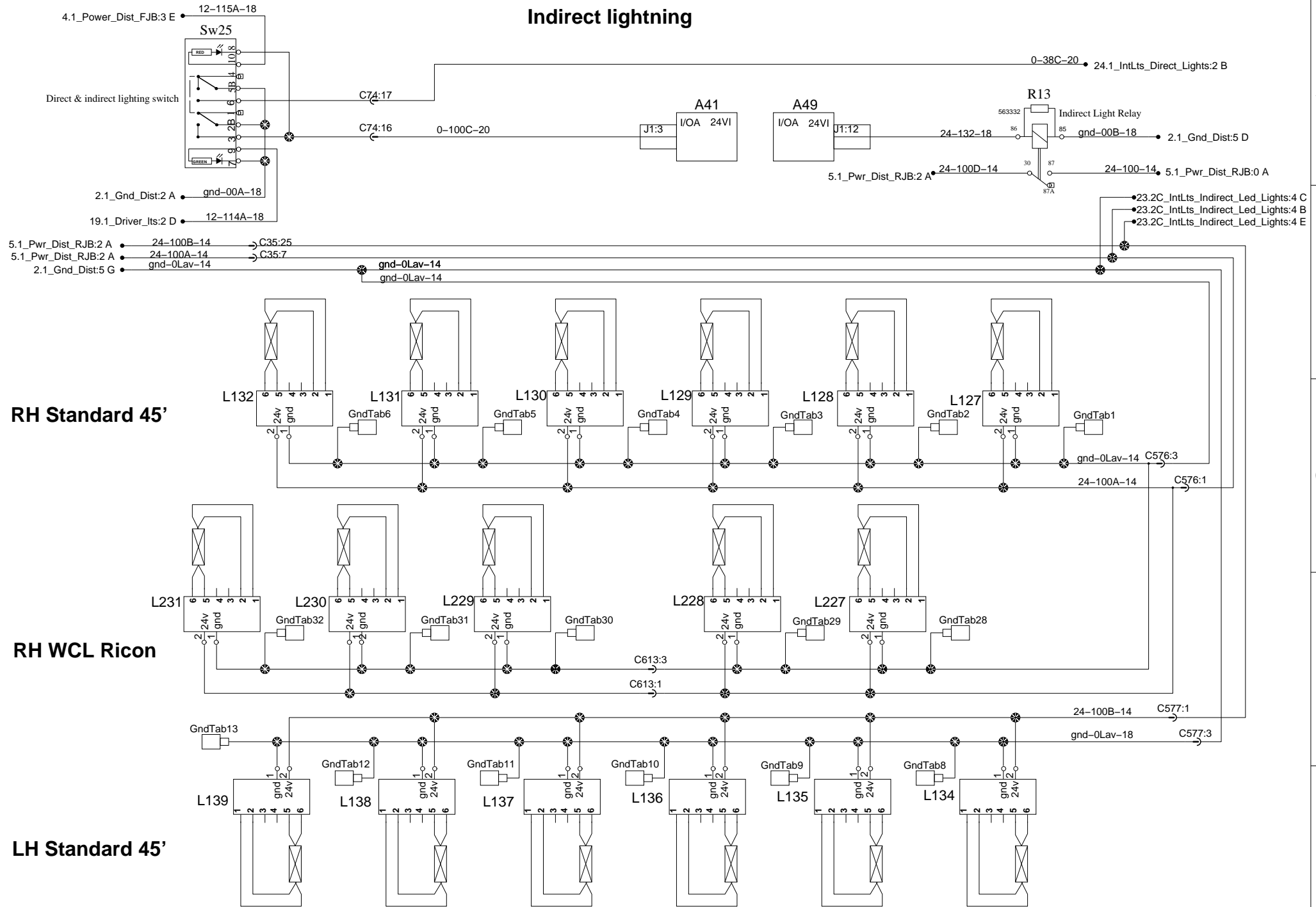
# Reading lamp and Hostess chime



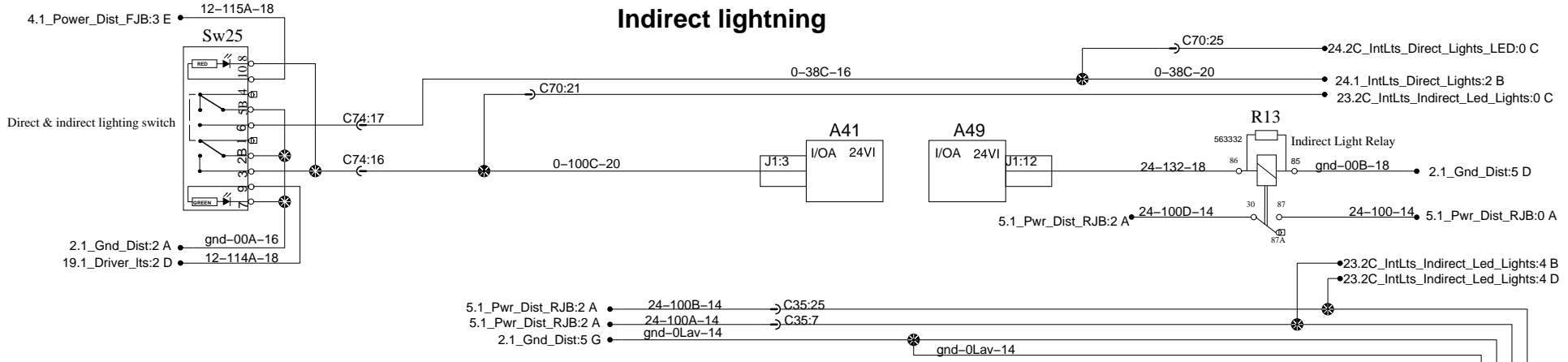
# Indirect lighting



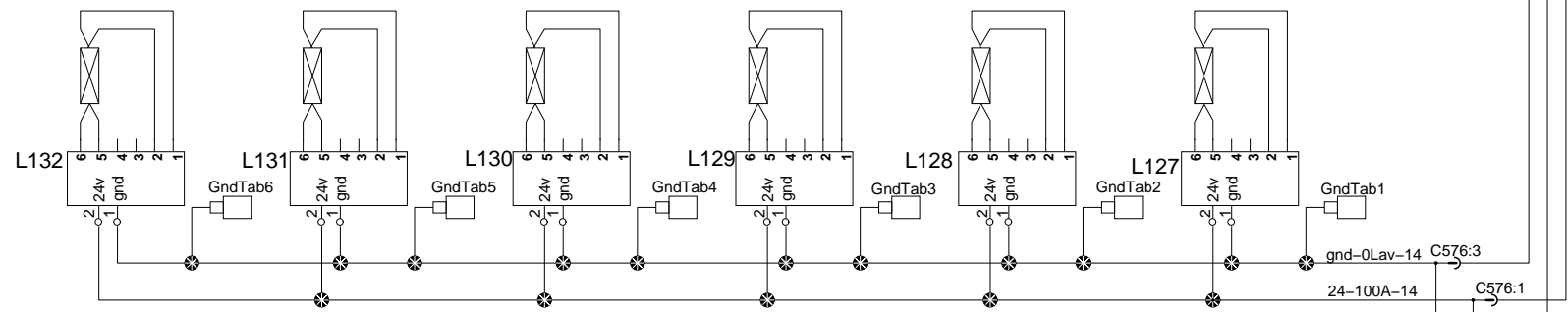
# Indirect lighting



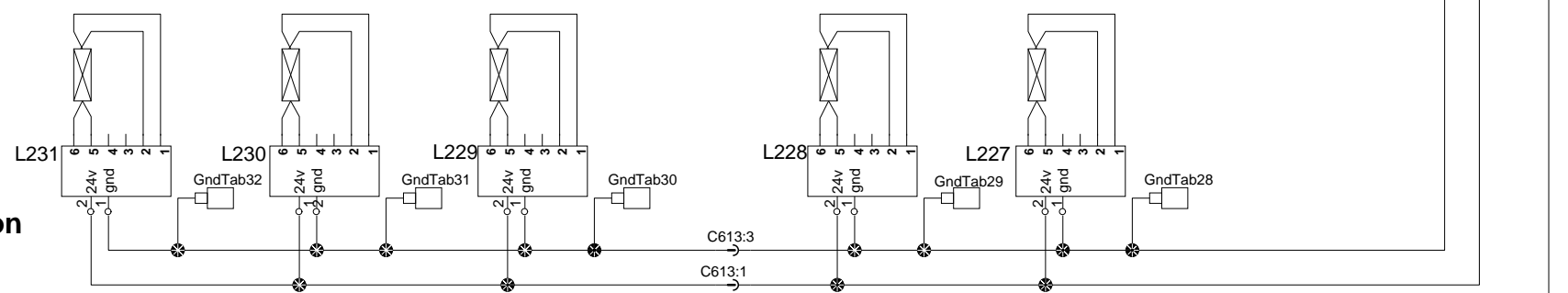
### Indirect lighting



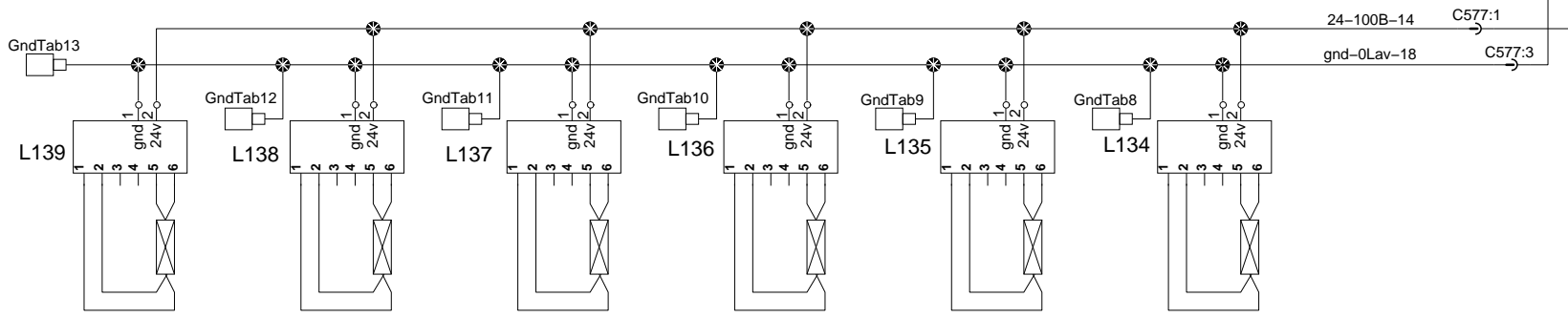
### RH Standard 45'



### RH WCL Ricon



### LH Standard 45'

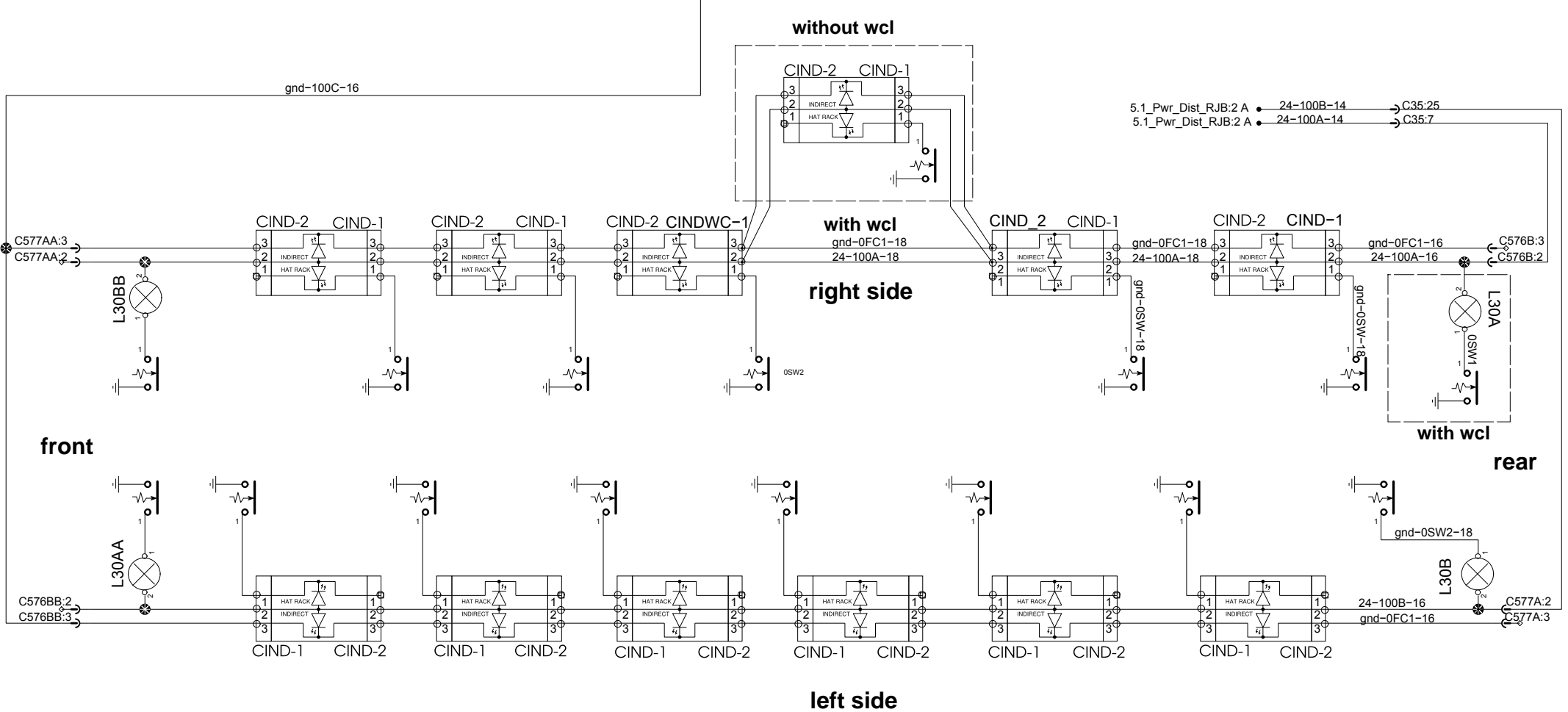
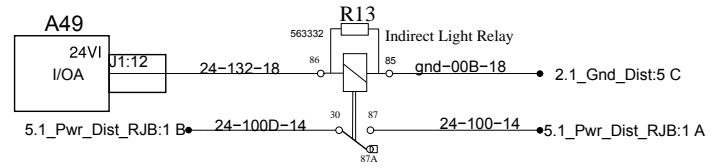
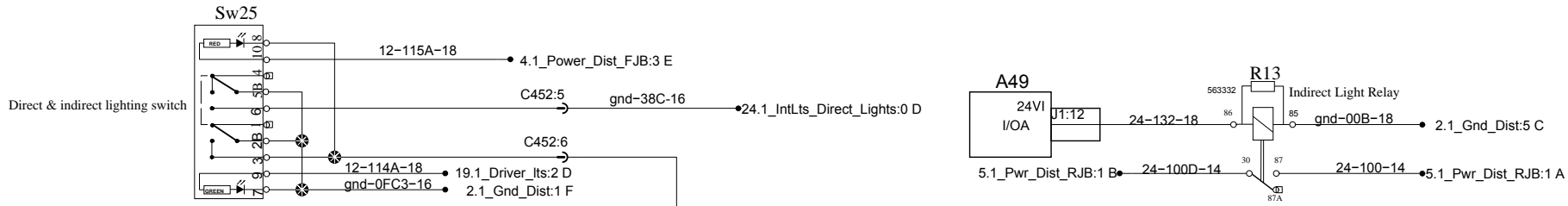






separer gnd de la sw et du contact des leds

### Indirect and hat rack lighting

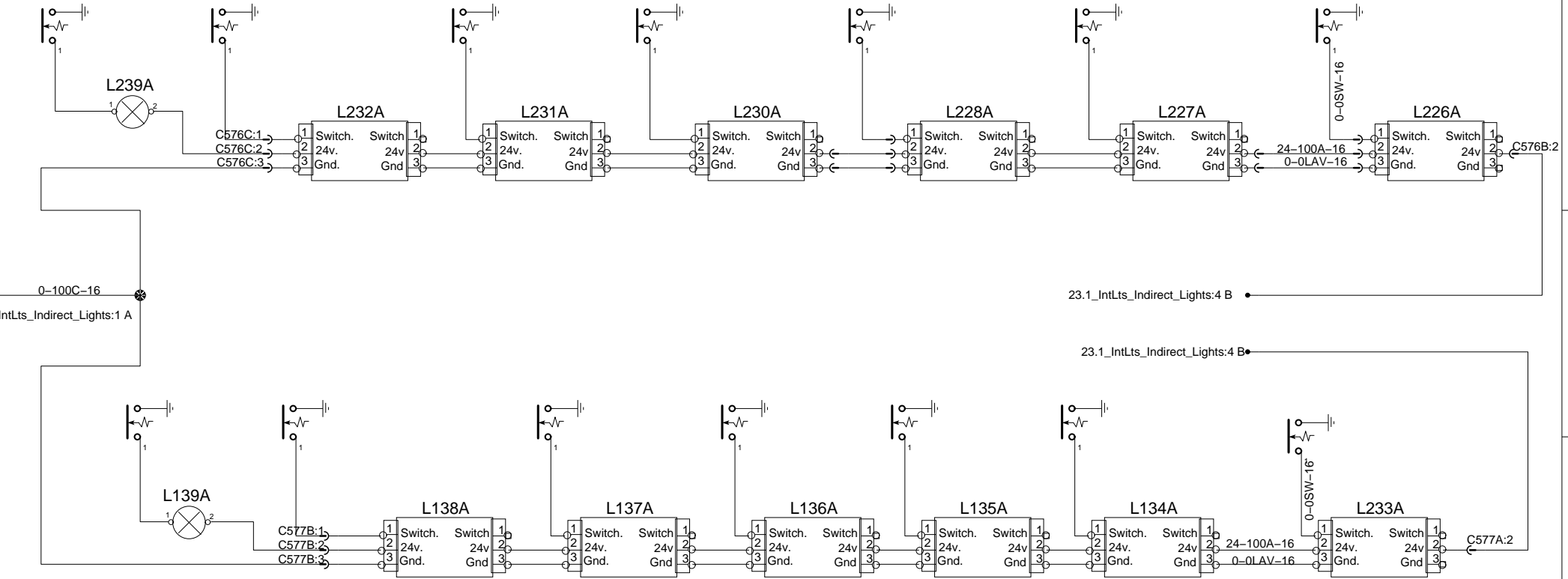




# INDIRECT LIGHTING LED AND HAT RACK

**RH Standard 45'**

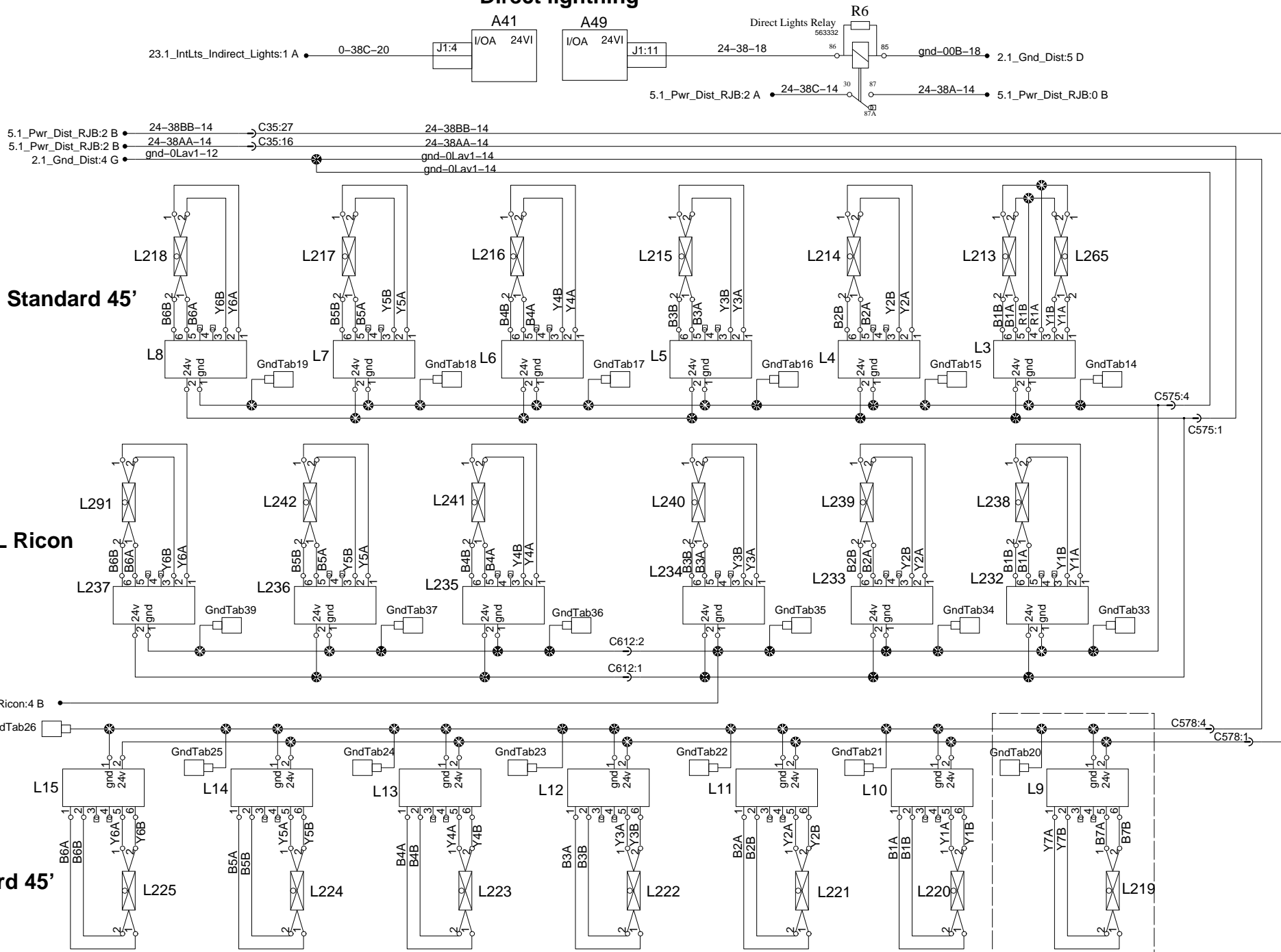
**RH WCL Ricon**



**LH Standard 45'**

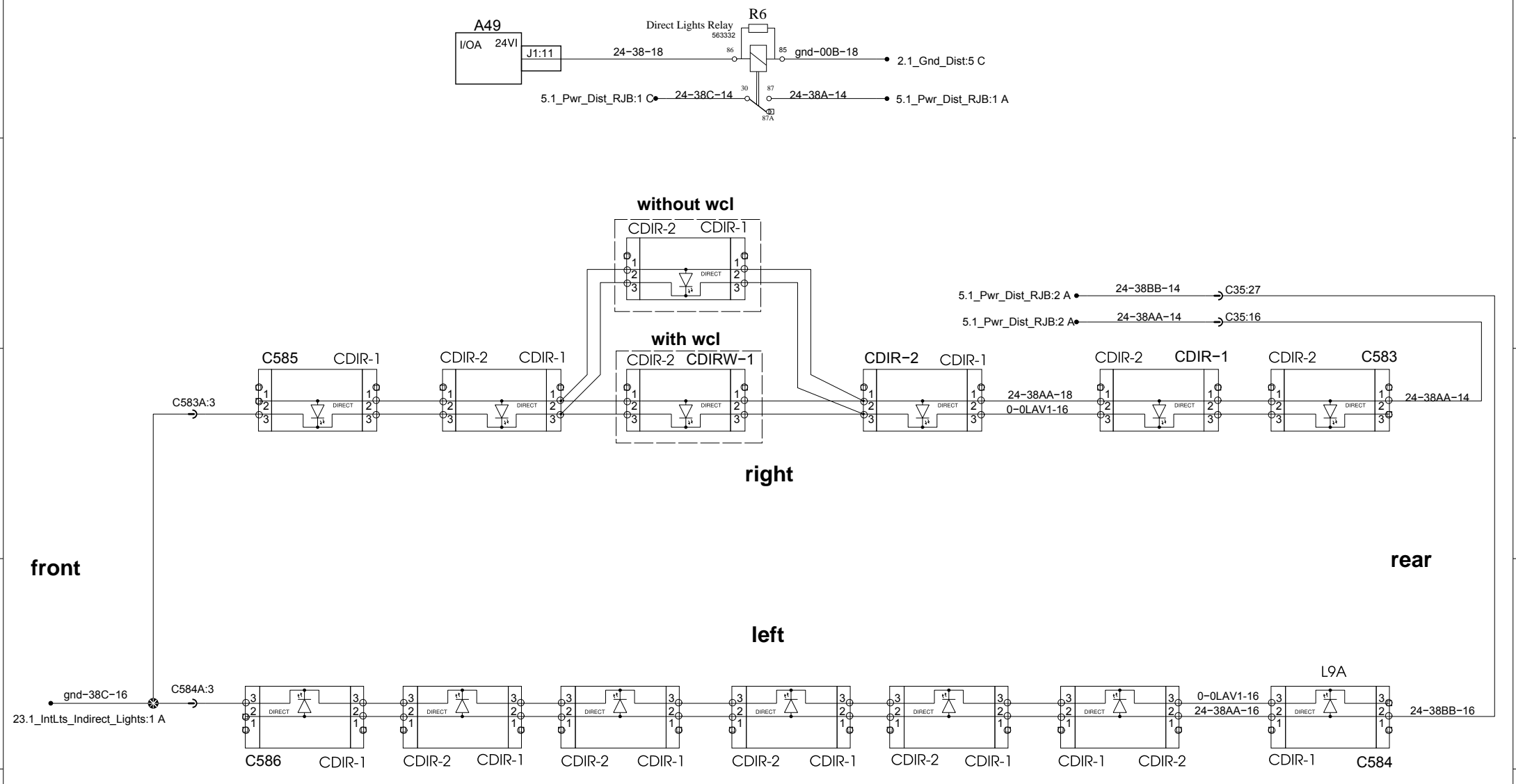


# Direct lighting





# Direct lightning



0

1

2

3

4

A

A

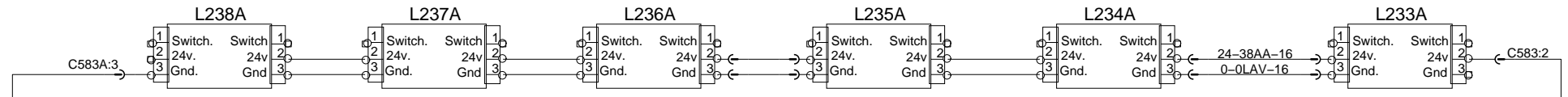
### Direct lightning

### RH Standard 45'

### RH WCL Ricon

B

B



C

C

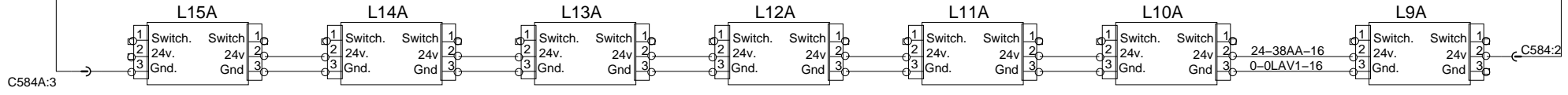
24.1\_IntLts\_Direct\_Lights:4 A ● 24-38AA-16

24.1\_IntLts\_Direct\_Lights:4 A ● 24-38BB-16

D

D

### LH Standard 45'



E

E

0

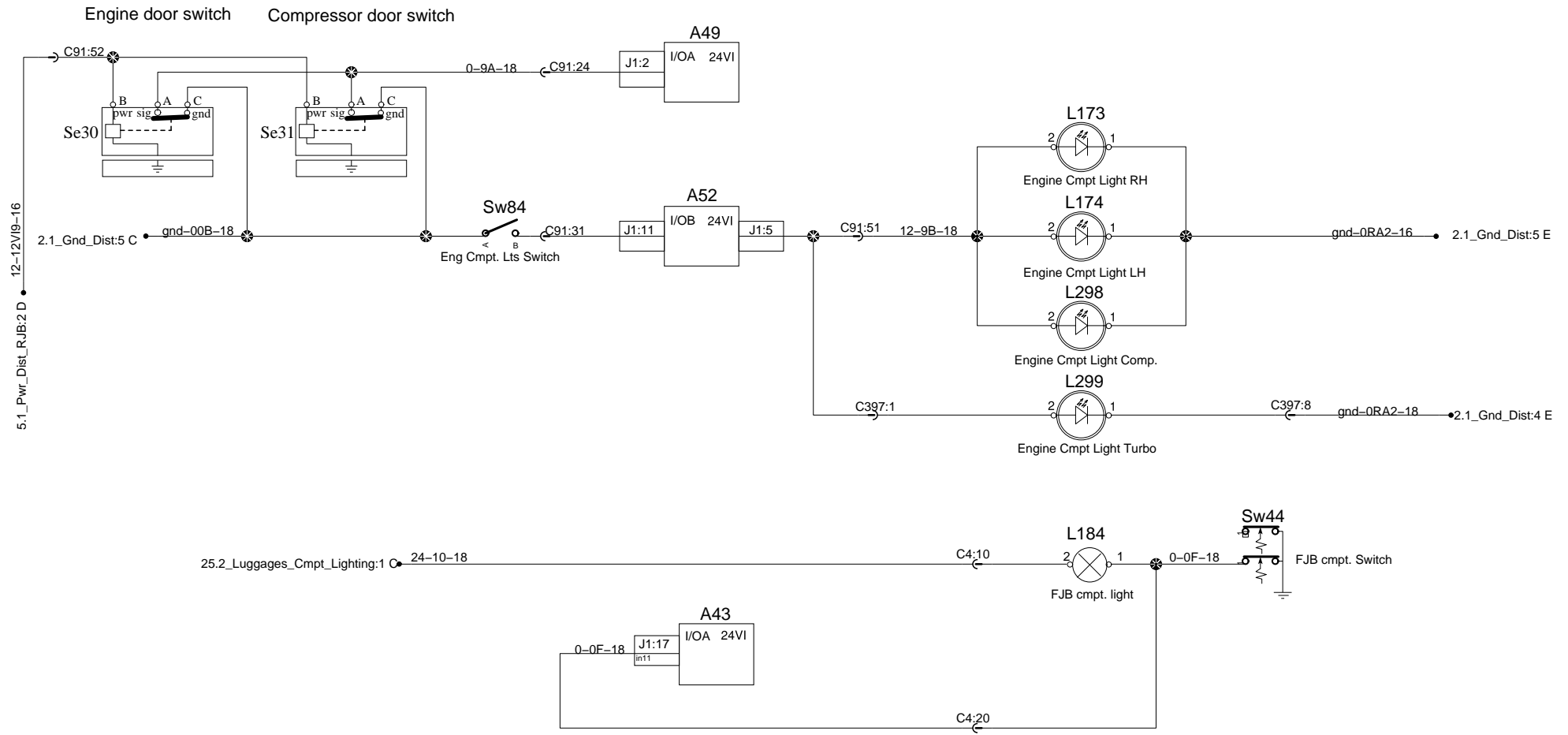
1

2

3

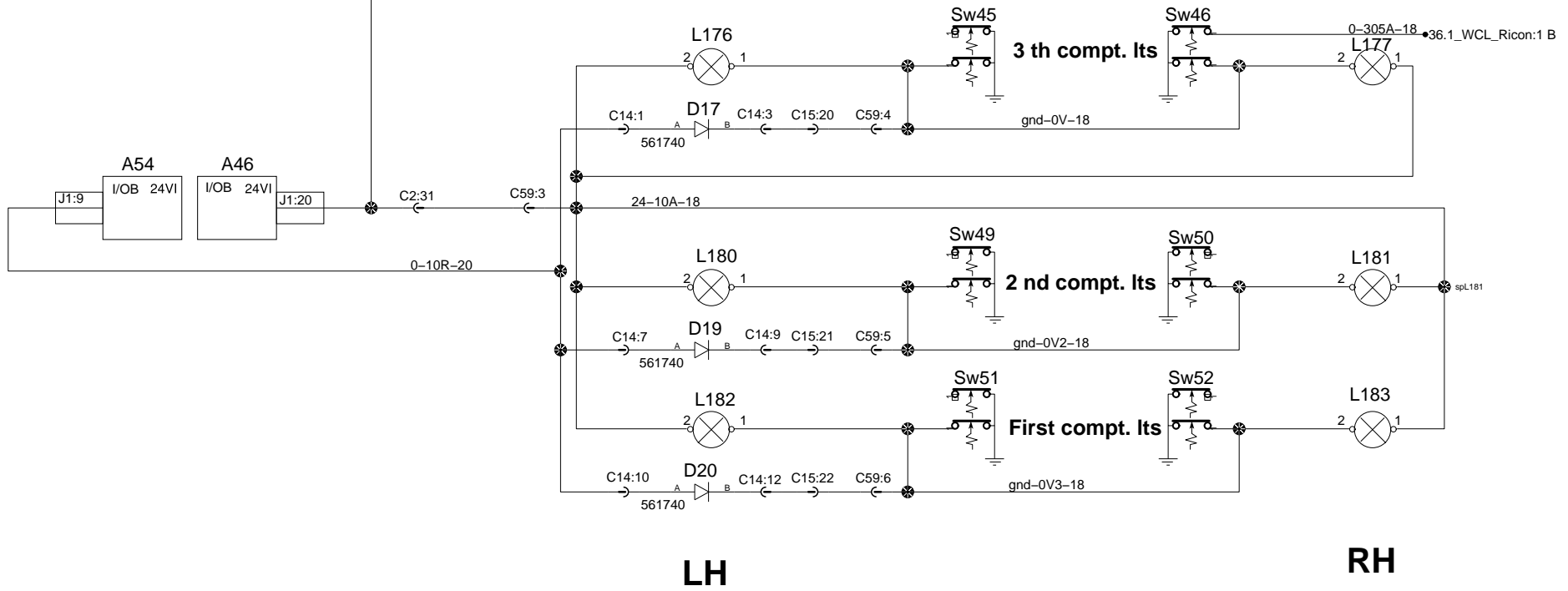
4

# FJB and Engine compt. Lighting



# Luggages compartment lighting

25.1\_Luggages\_Cmpt:3 C 24-10-18

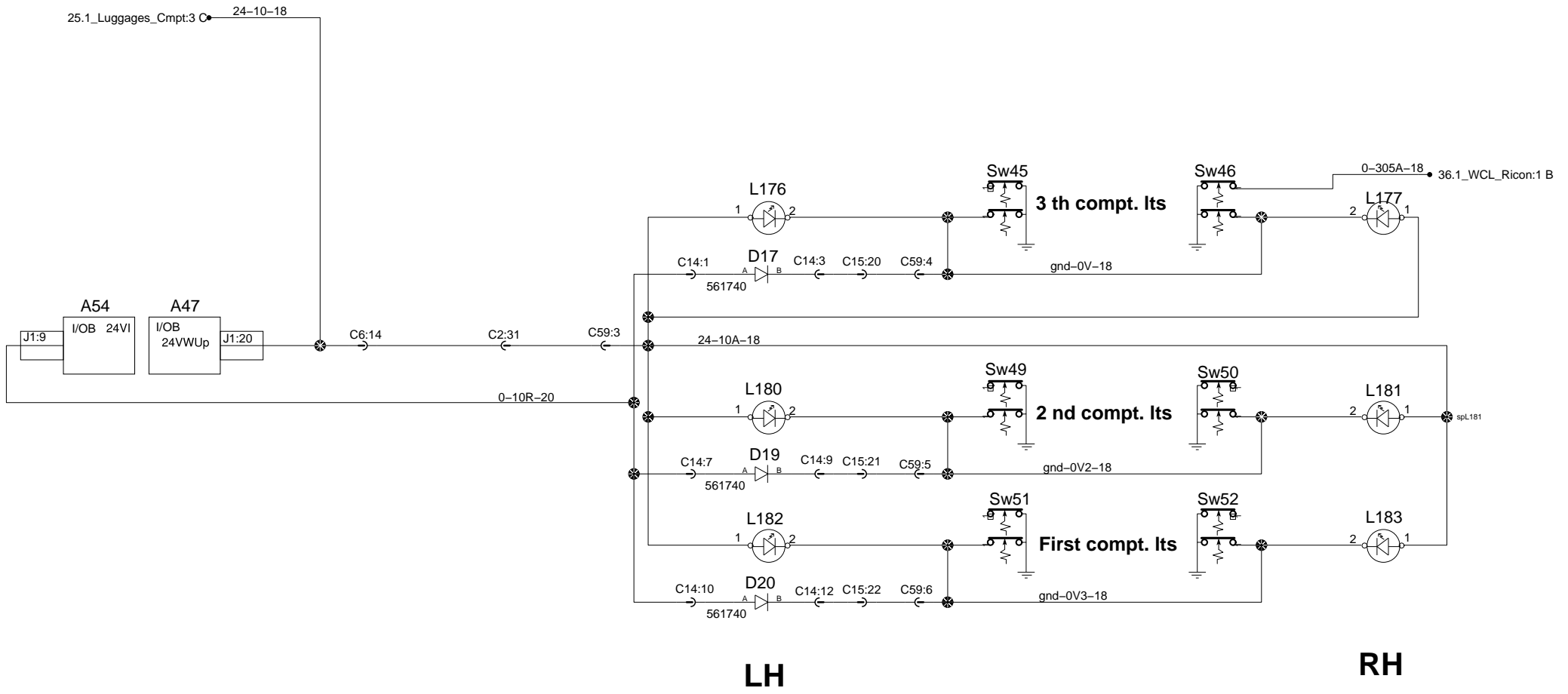


LH

RH



# Luggages compartment lighting

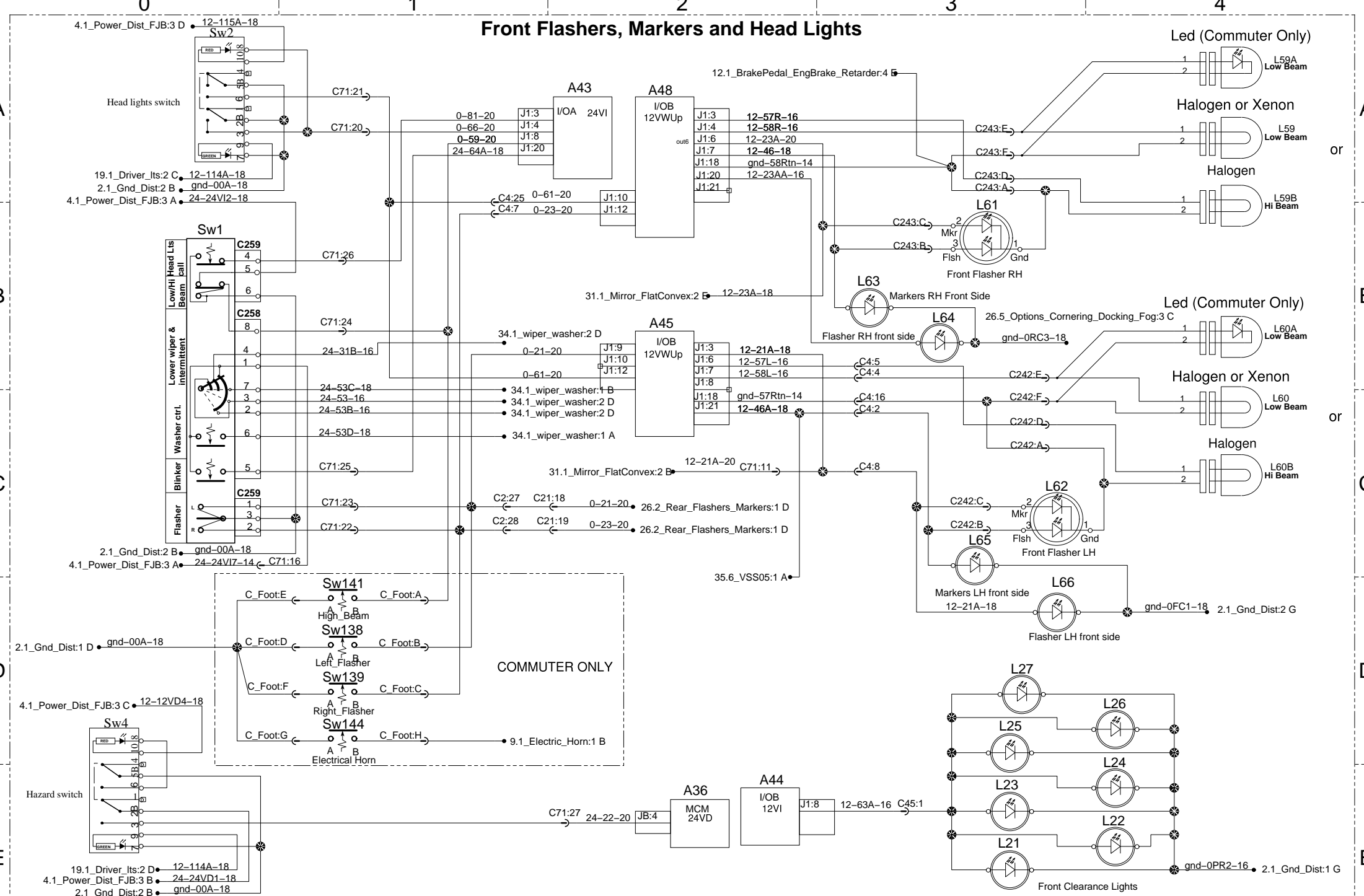


LH

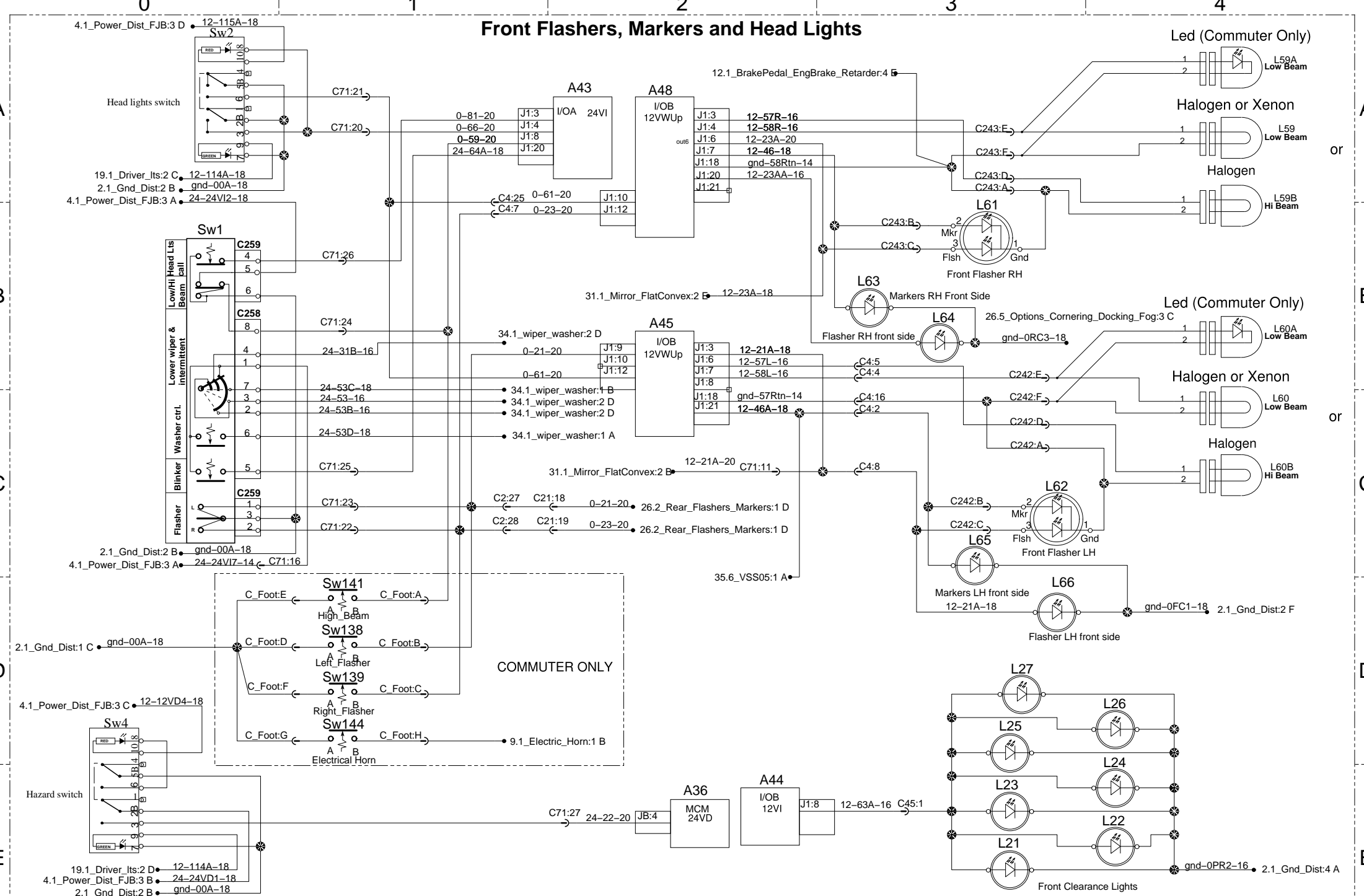
RH



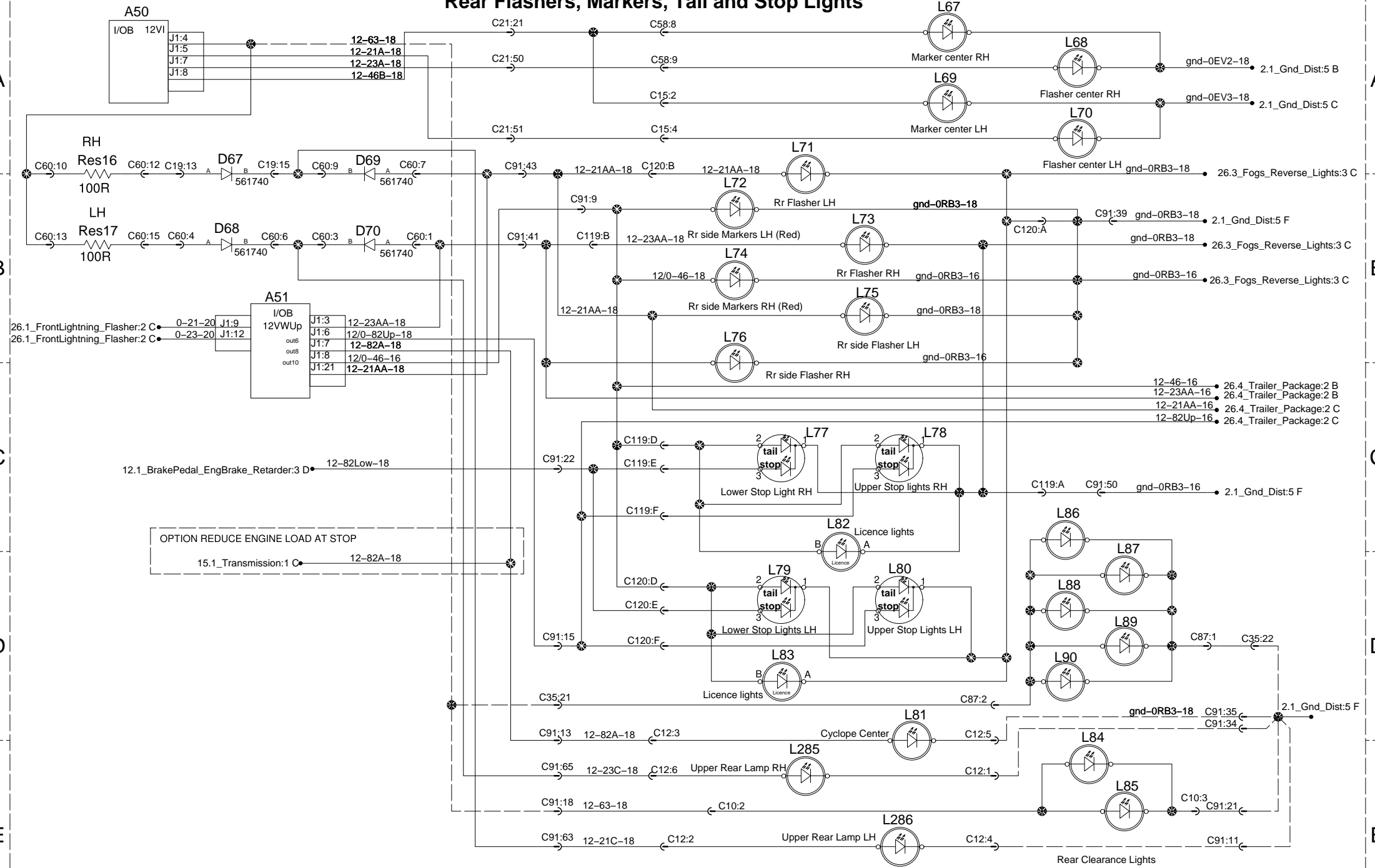
# Front Flashers, Markers and Head Lights



# Front Flashers, Markers and Head Lights

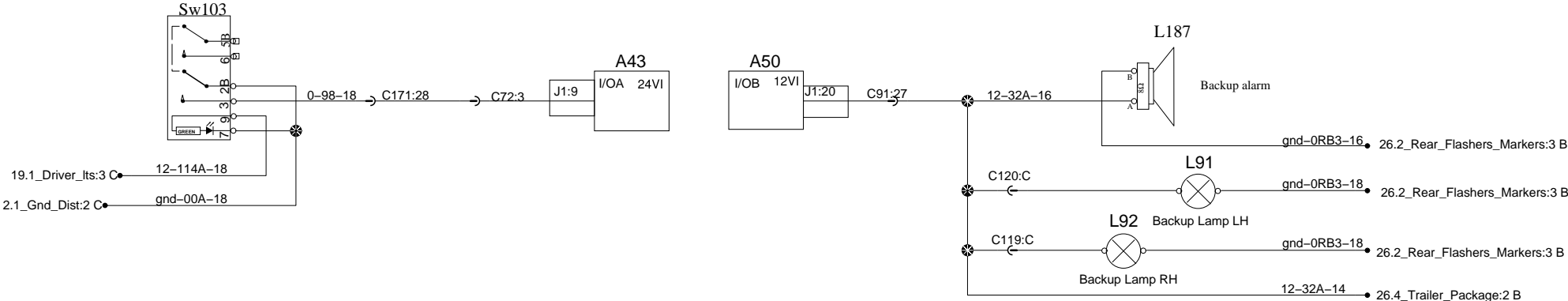


# Rear Flashers, Markers, Tail and Stop Lights



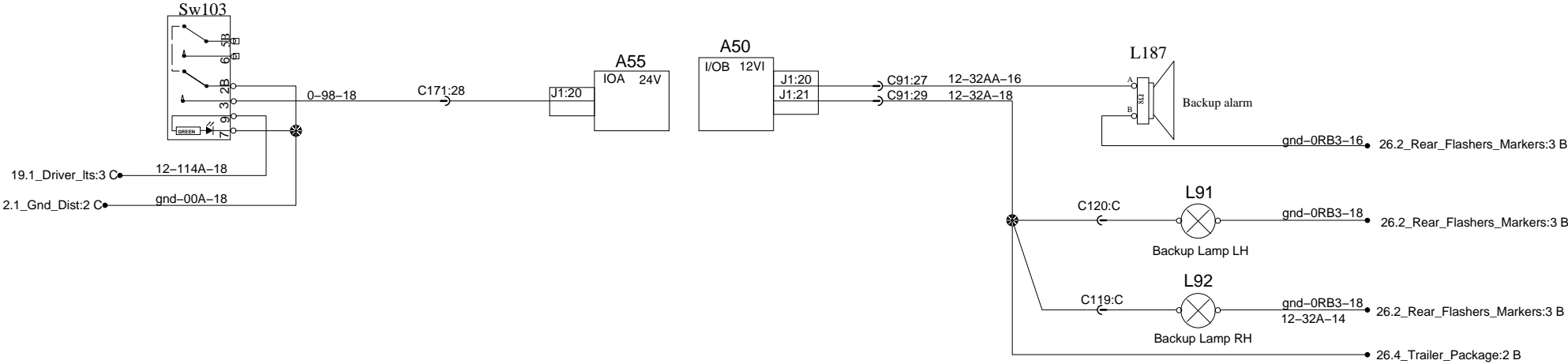
# Backup warnings

Backup Alarms Cancel  
Commuter only

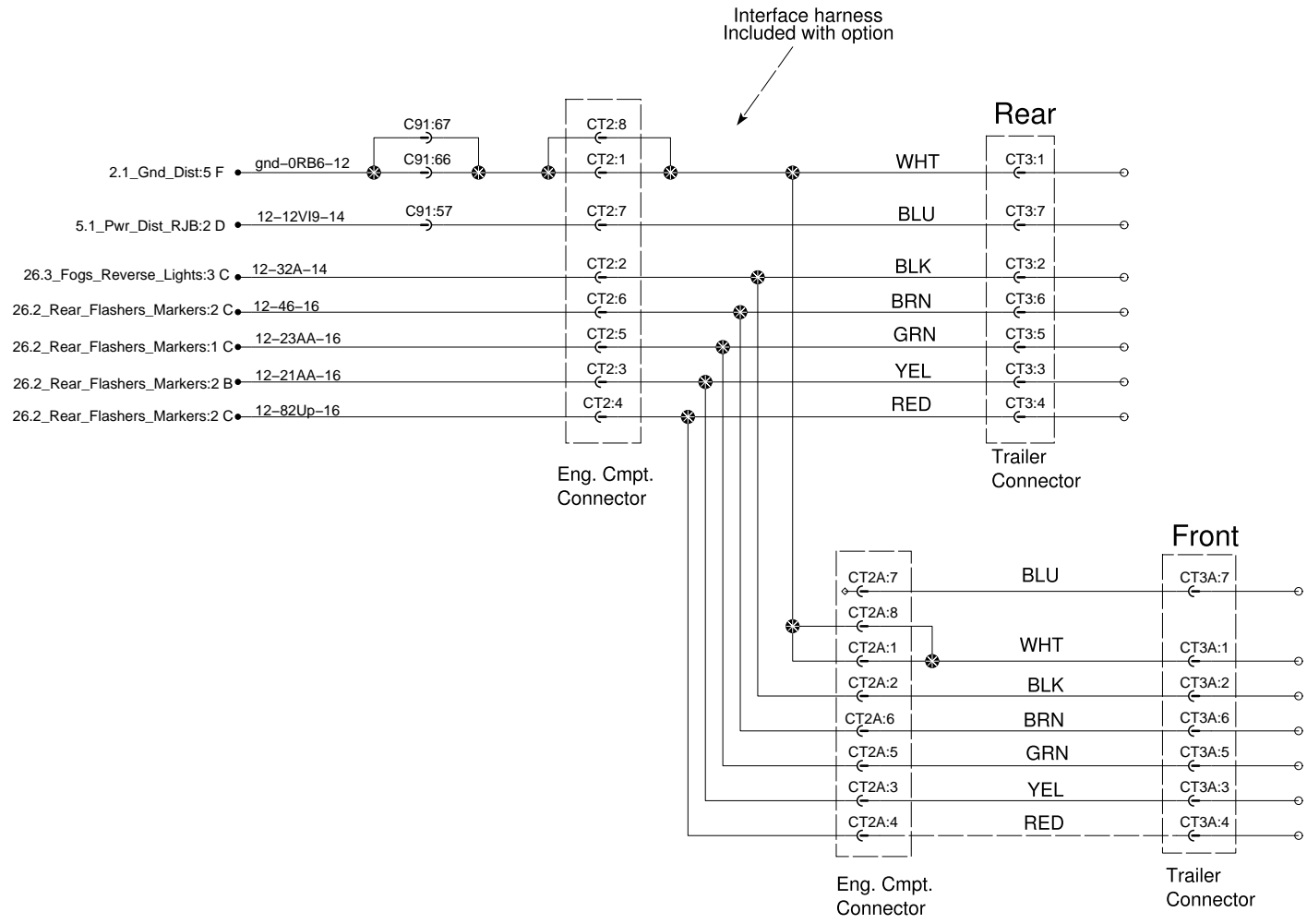


# Backup warnings

Backup Alarms Cancel  
Commuter only

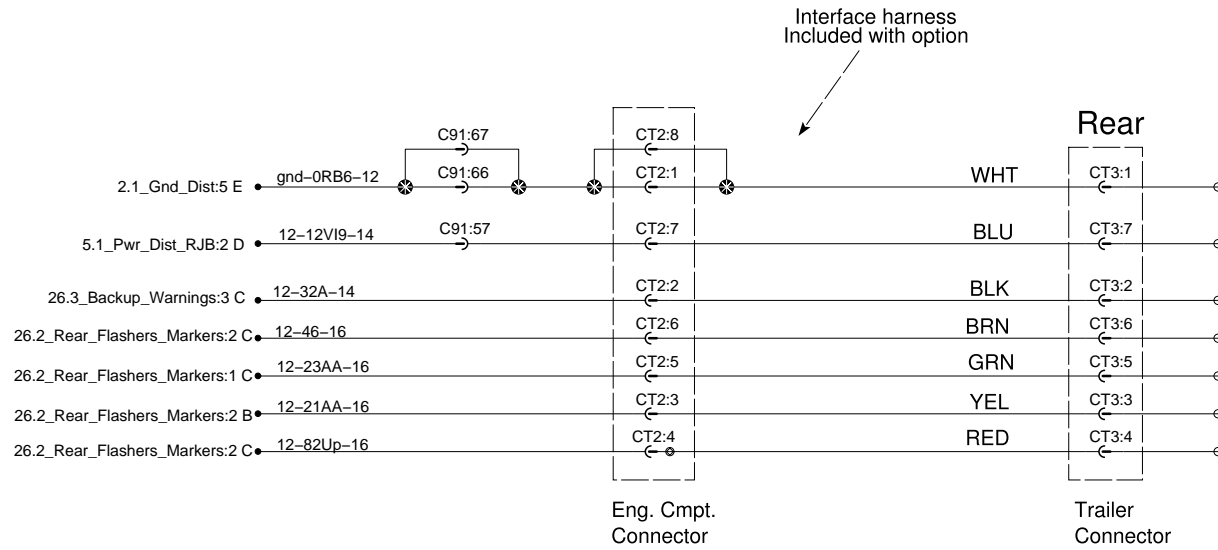


# Trailer Interface

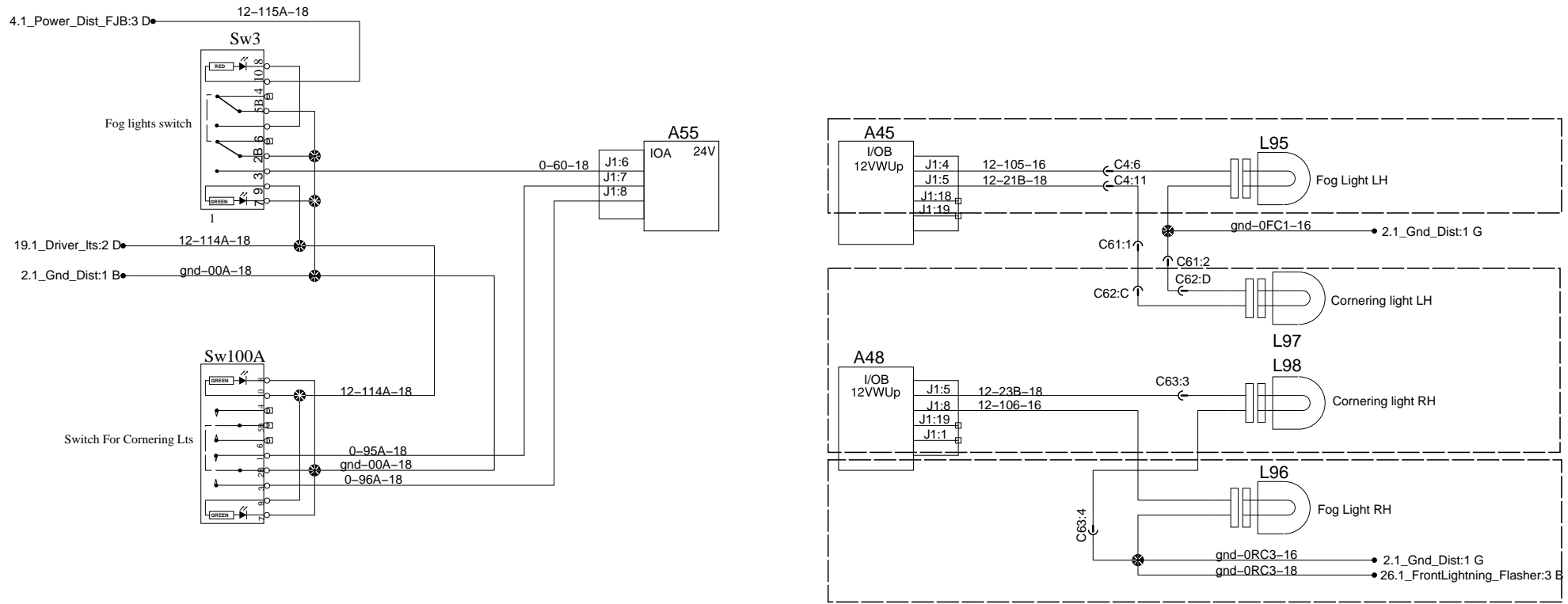




# Trailer Interface



# CORNERING AND FOG LIGHTS (OPTION)



0

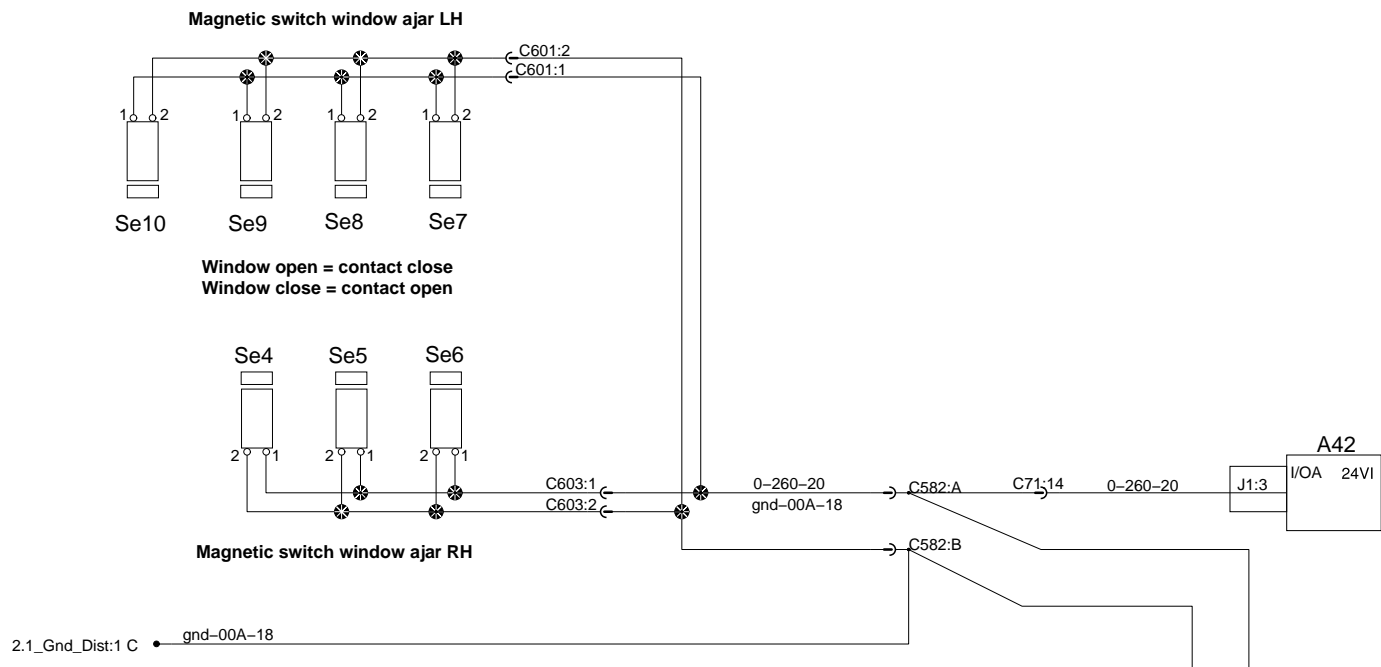
1

2

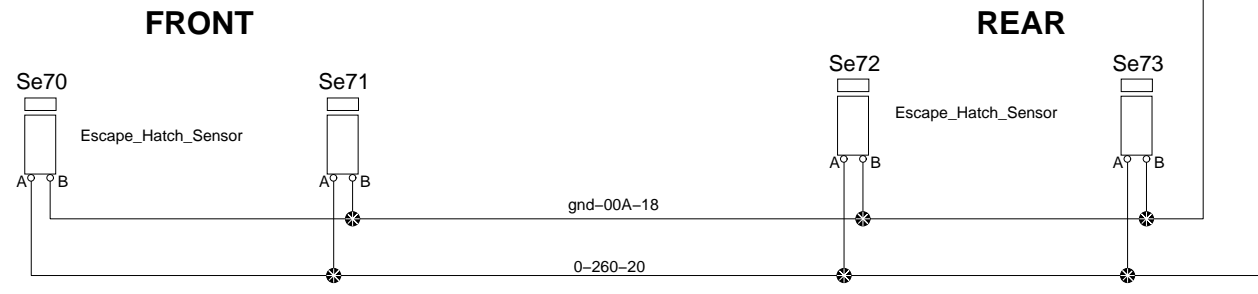
3

4

### Window Ajar



### ESCAPE HATCH OPTIONNAL



0

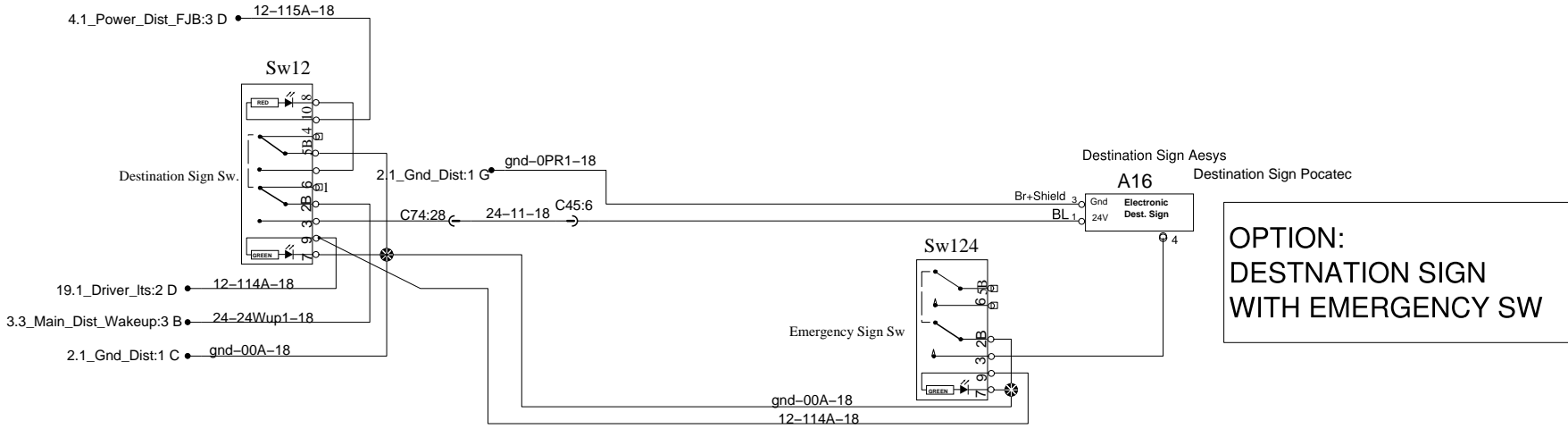
1

2

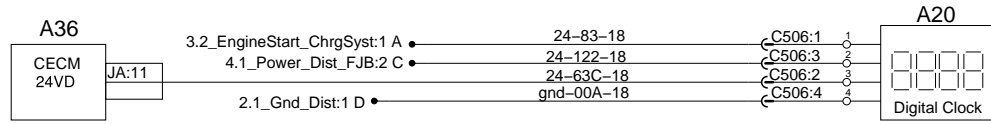
3

4

# Electronic Destination Sign

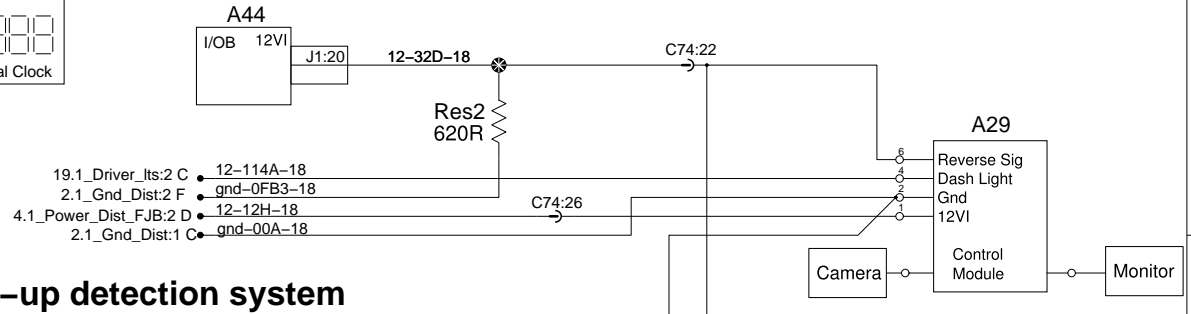


## Digital Clock

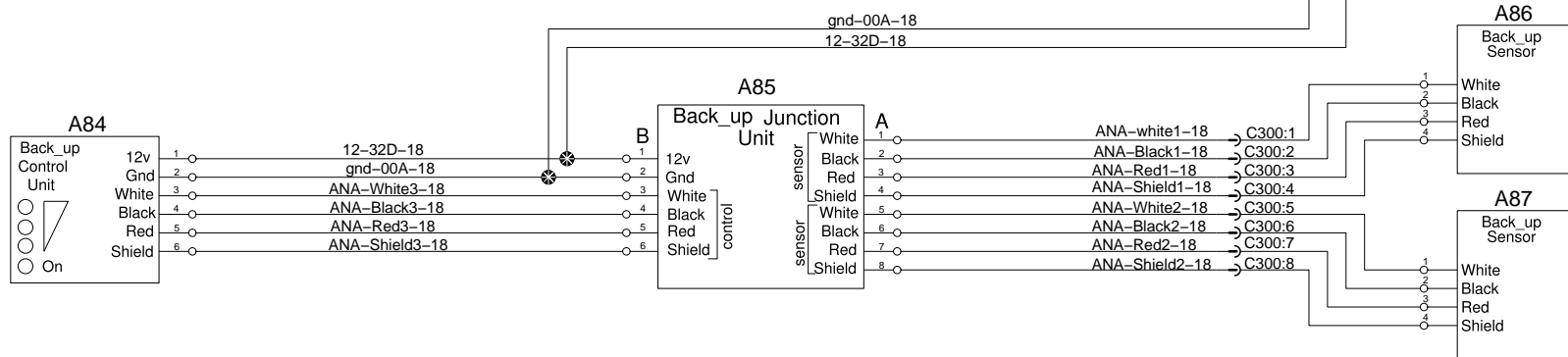


## Back-up Camera (GPS)

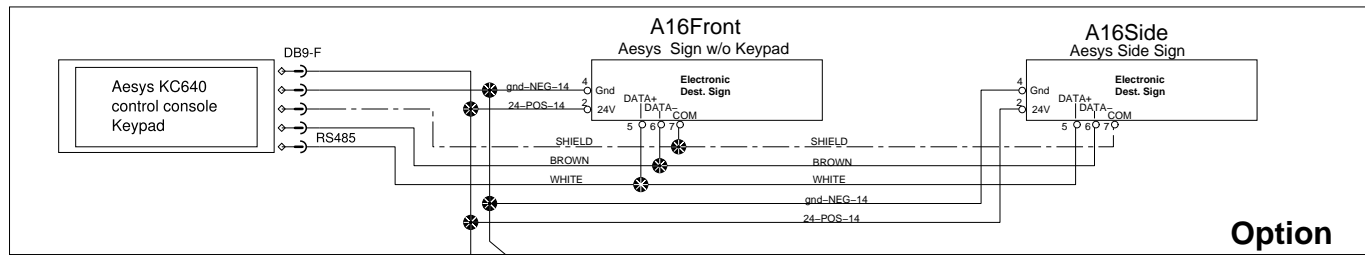
Navigator Option



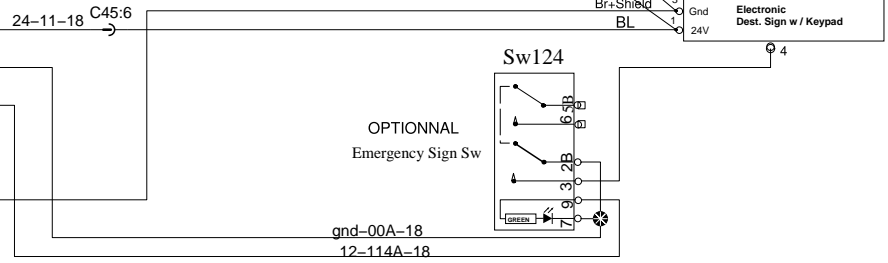
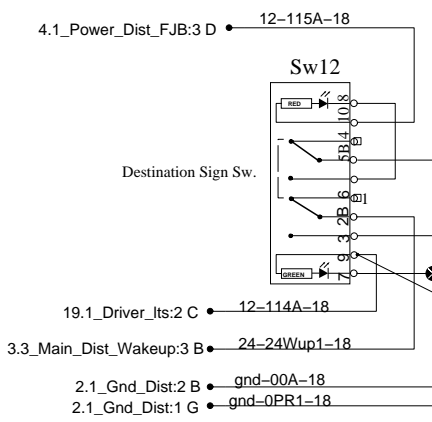
## Back-up detection system



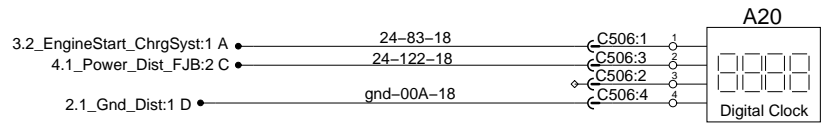
# Electronic Destination Sign



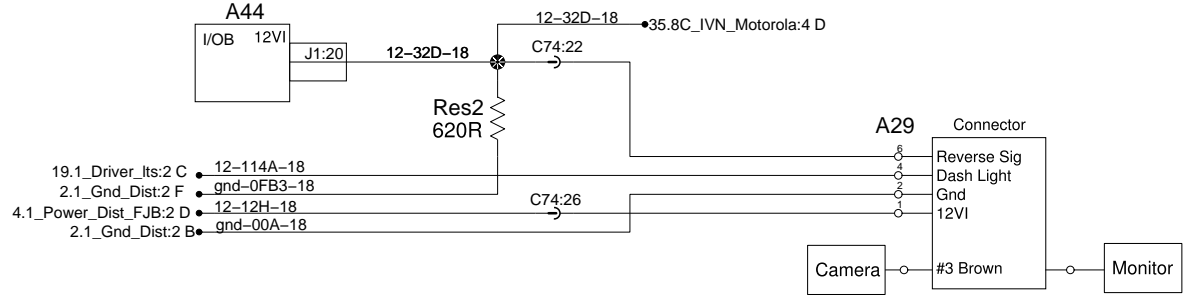
Option



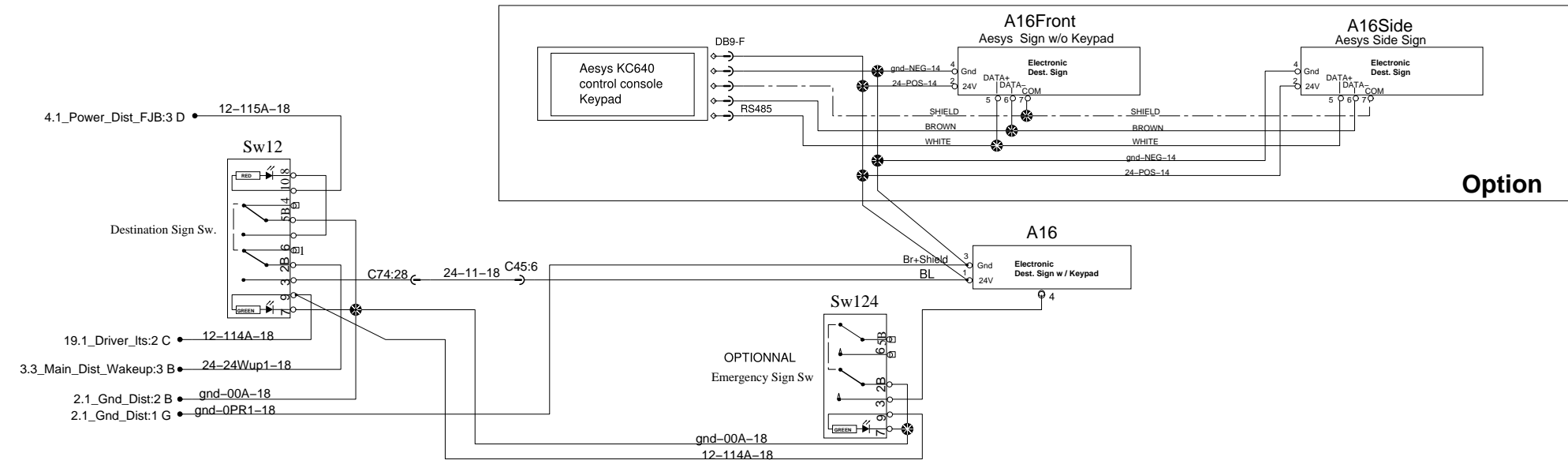
# Digital Clock



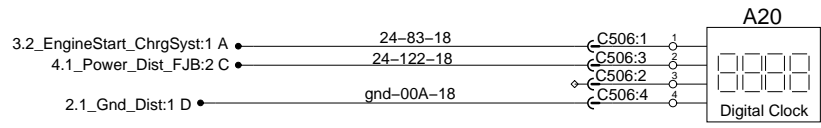
# Back-up Camera



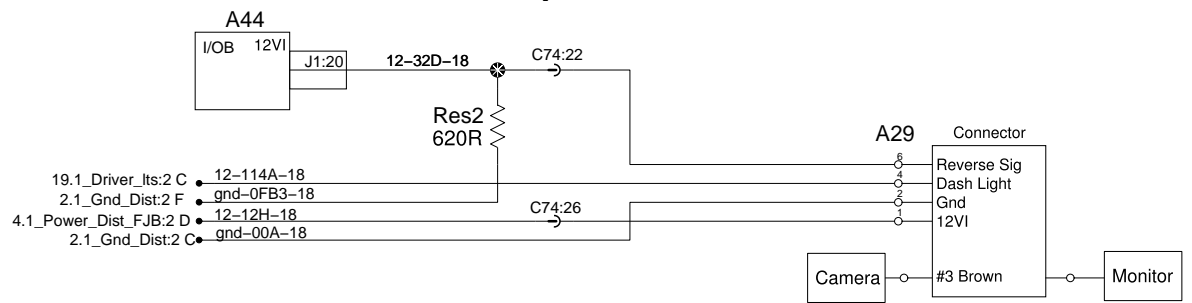
# Electronic Destination Sign



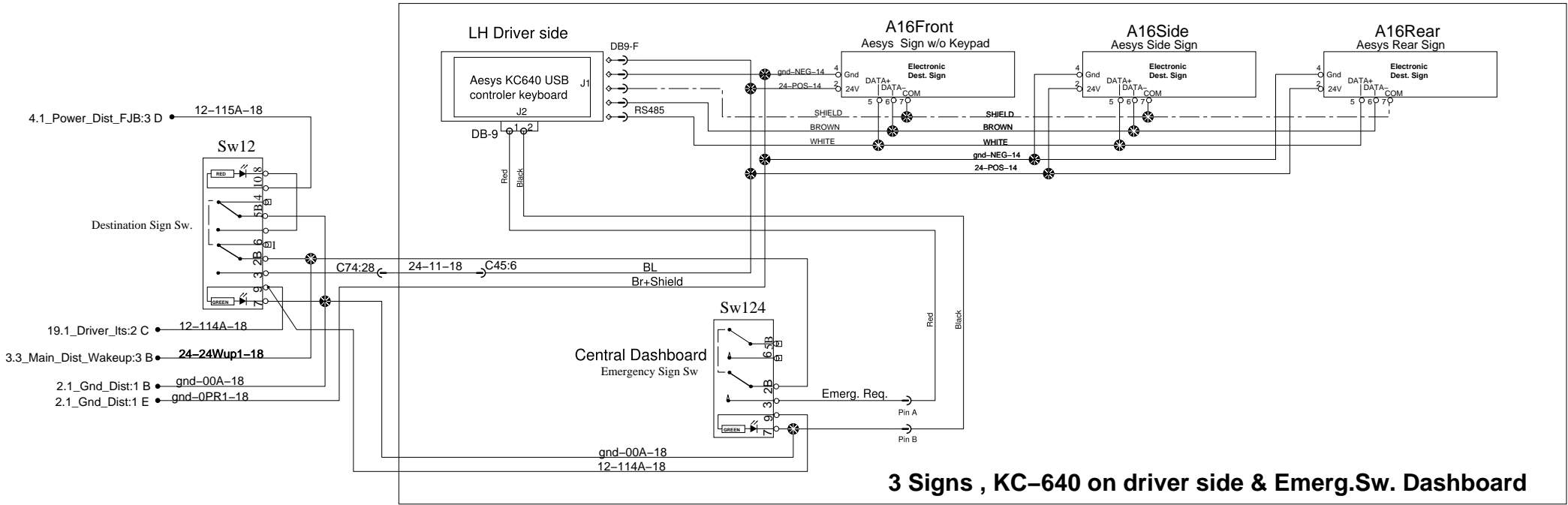
# Digital Clock



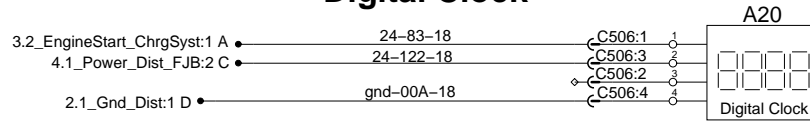
# Back-up Camera



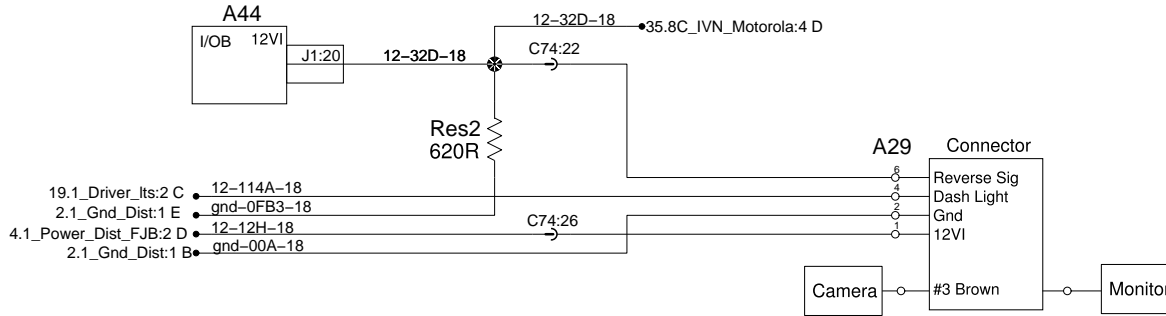
# Electronic Destination Sign



## Digital Clock



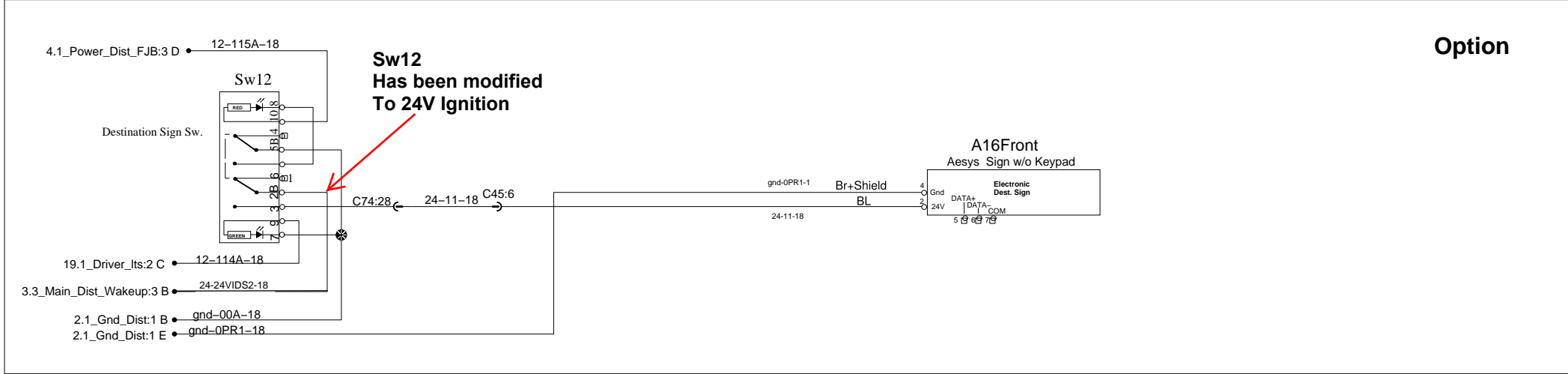
## Back-up Camera



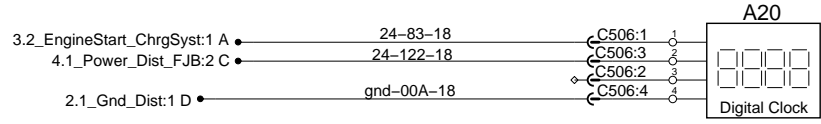
# Electronic Destination Sign

Option

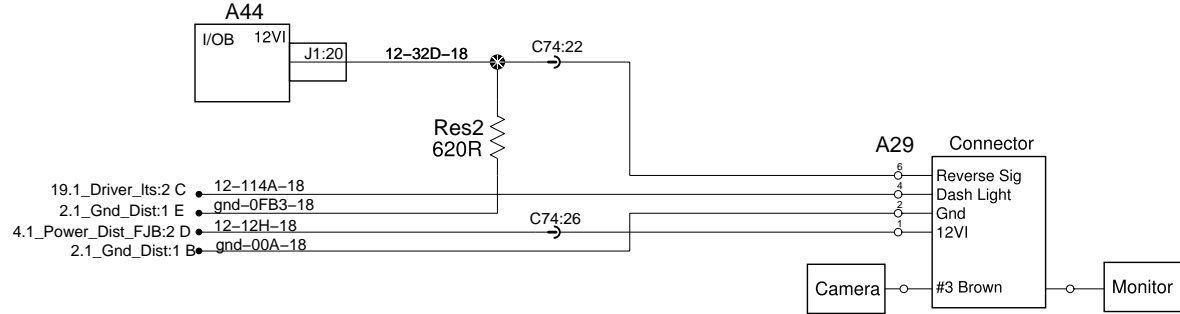
**Sw12  
Has been modified  
To 24V Ignition**



## Digital Clock

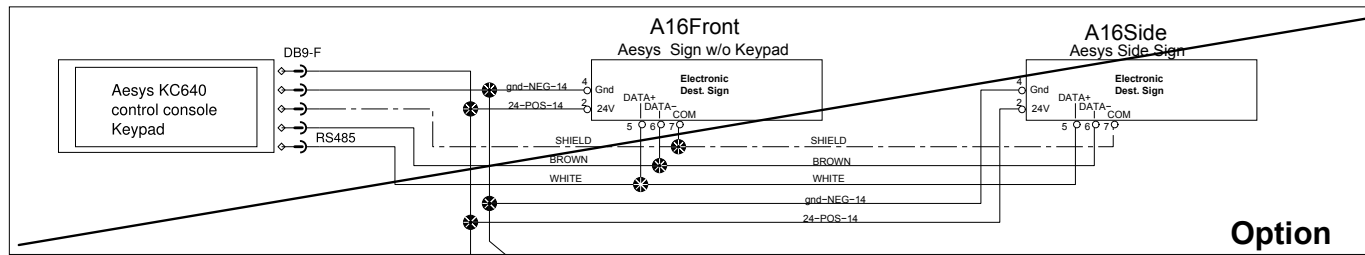


## Back-up Camera



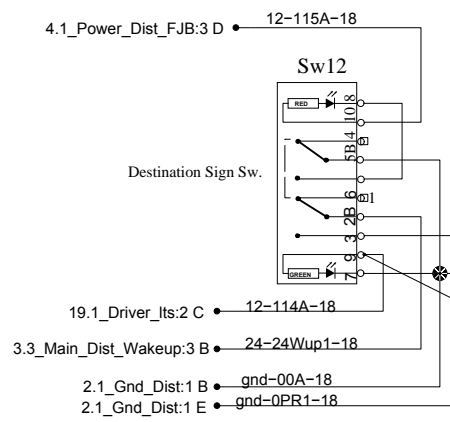


# Electronic Destination Sign

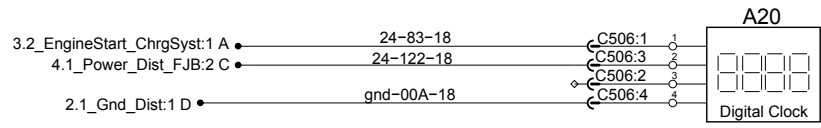


Option

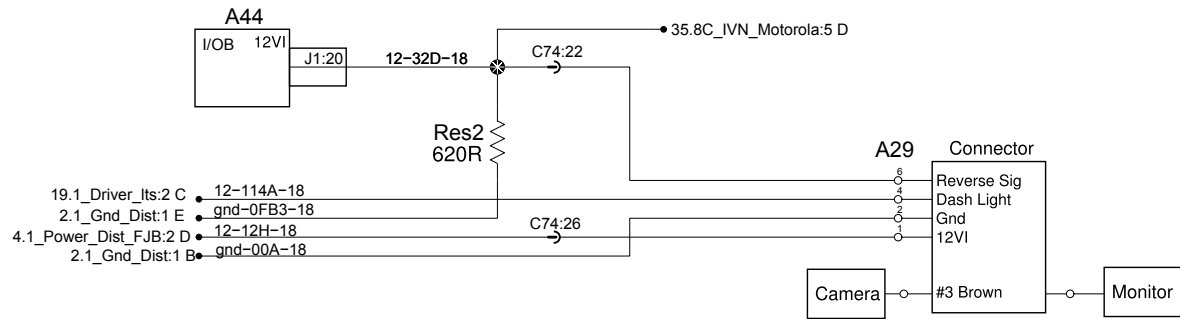
**MODIFIED POWER HARNESS FOR A16 DEST. SIGN  
PLEASE REFER TO P28.1 SP5**



# Digital Clock

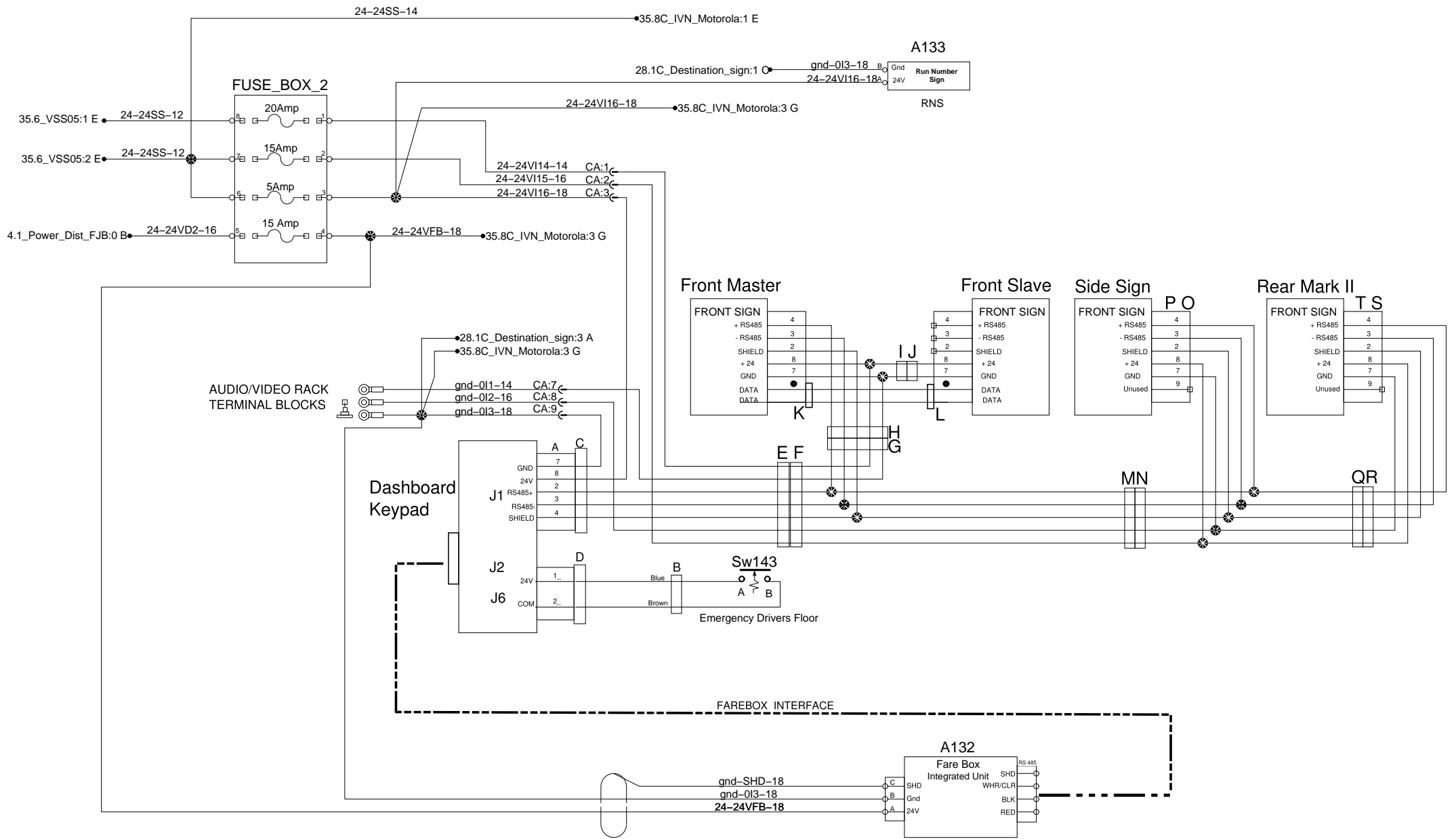


# Back-up Camera

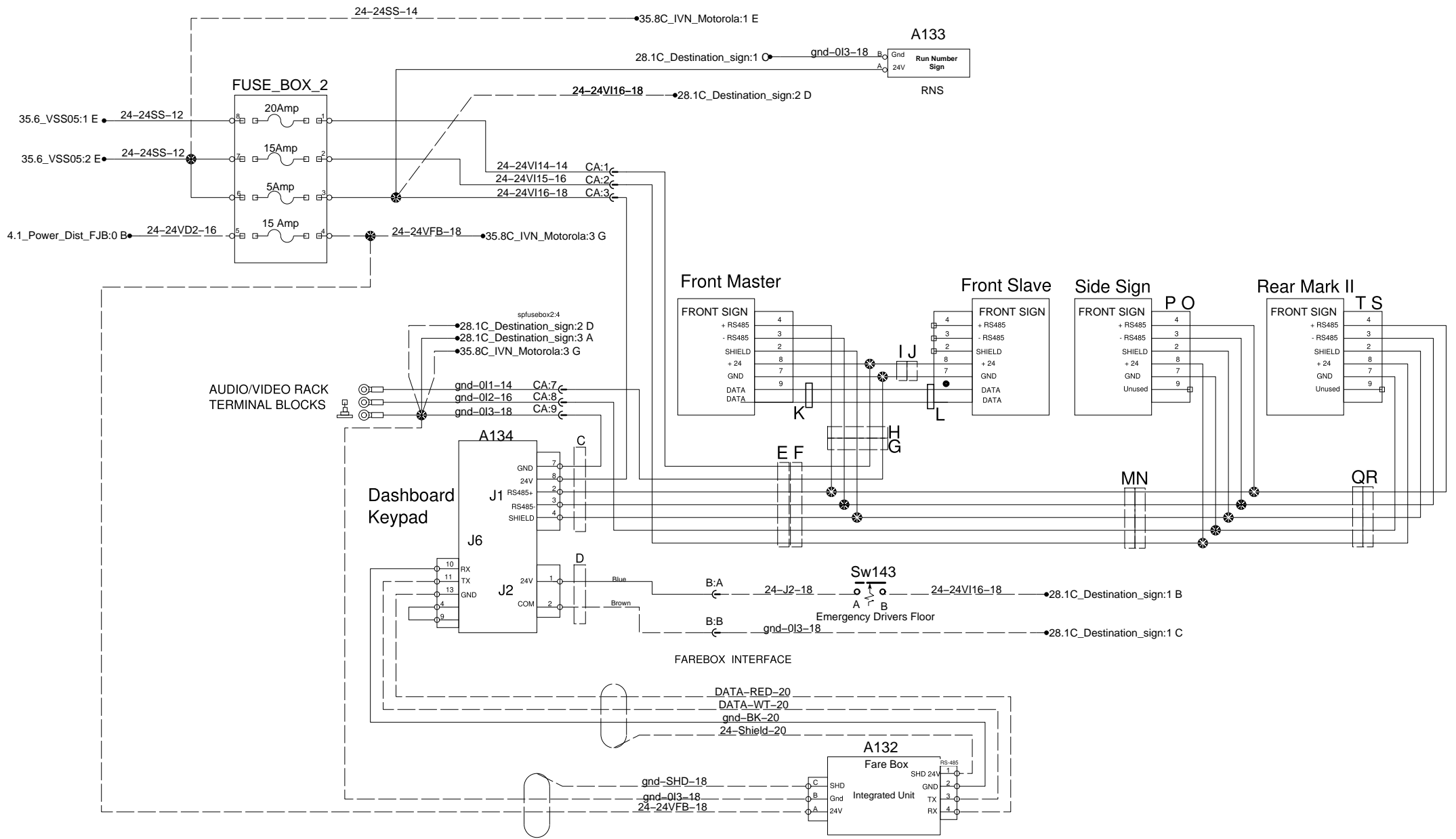




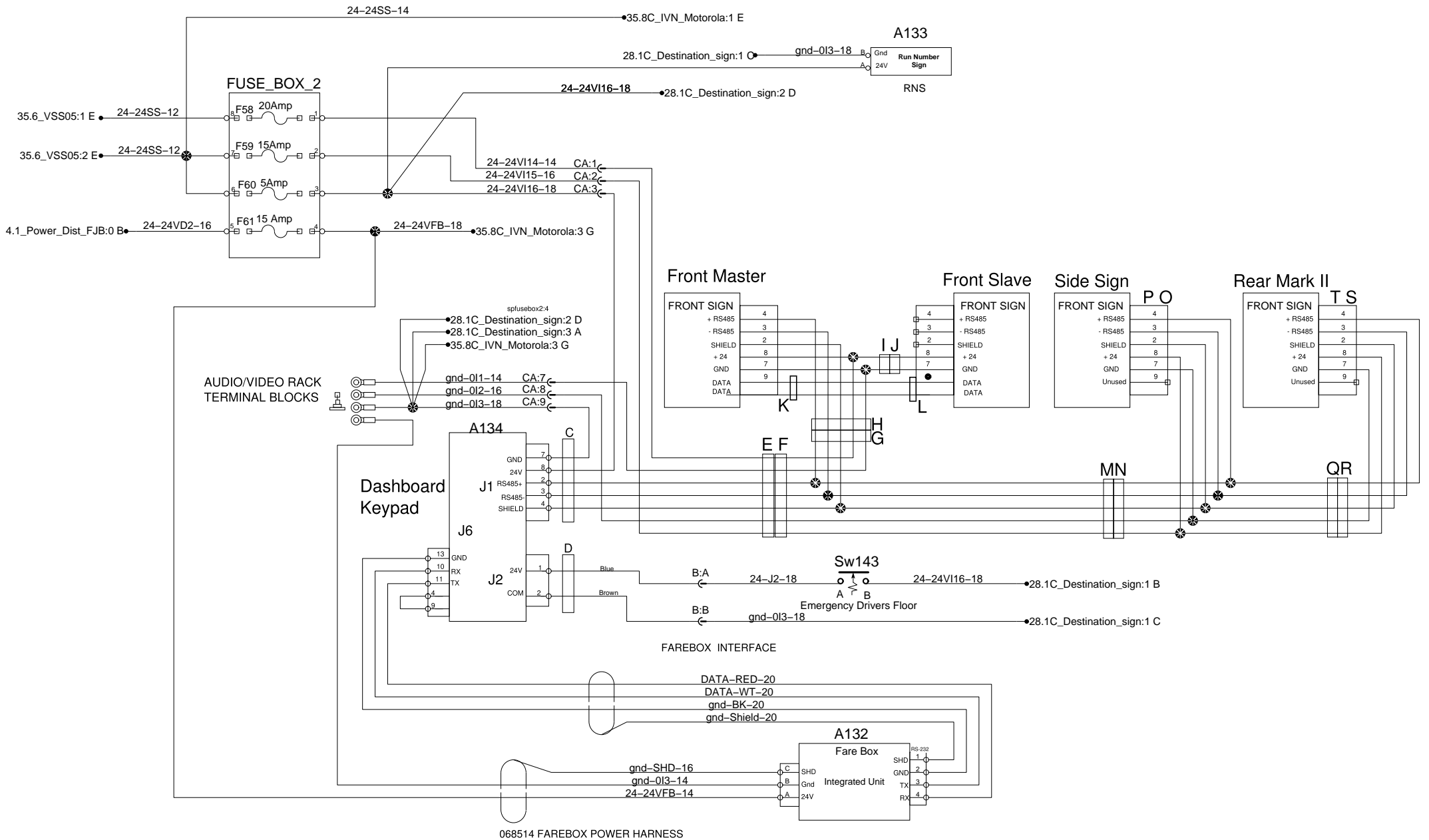
# Destination Sign and Farebox



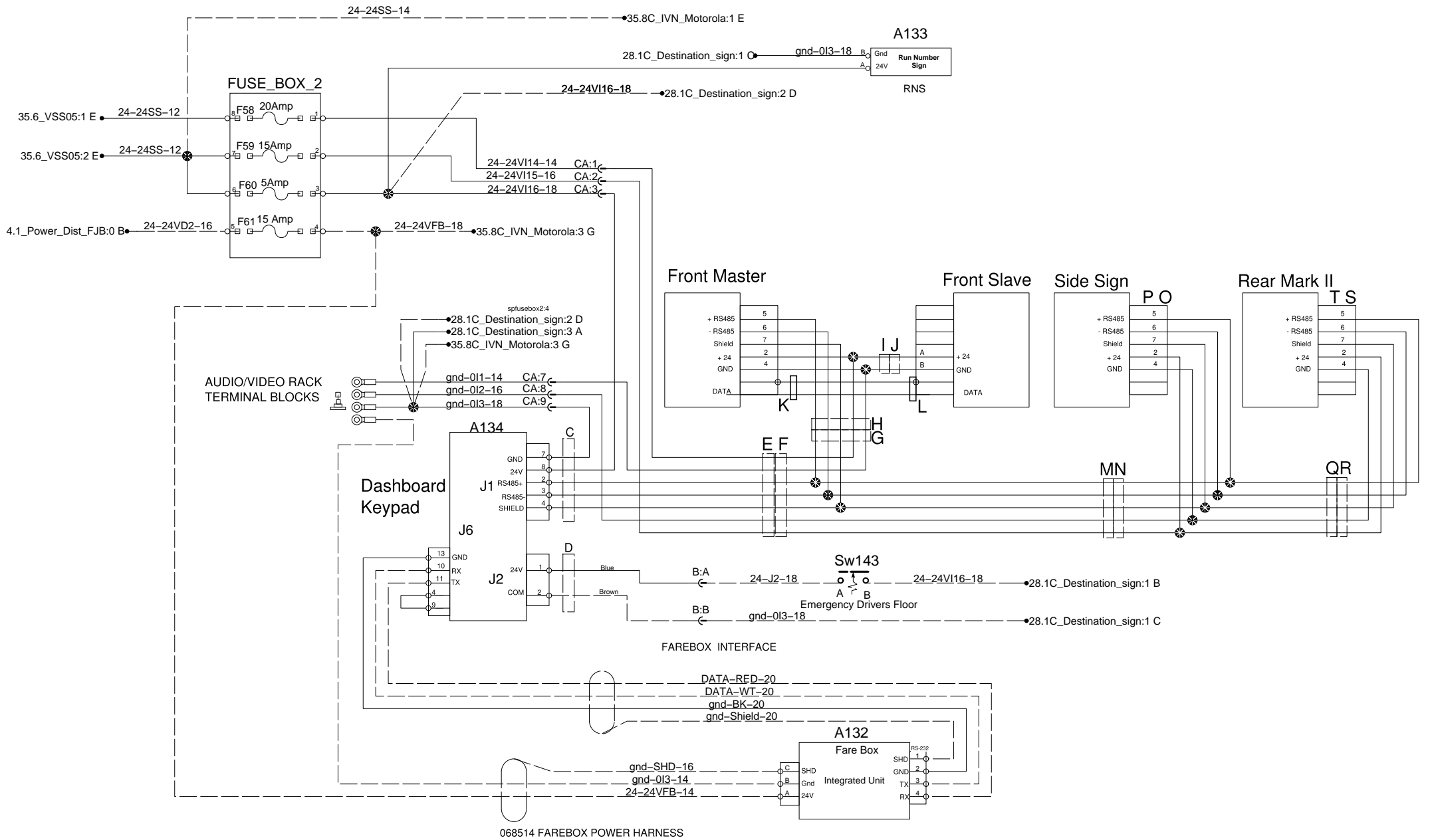
# Destination Sign and Farebox



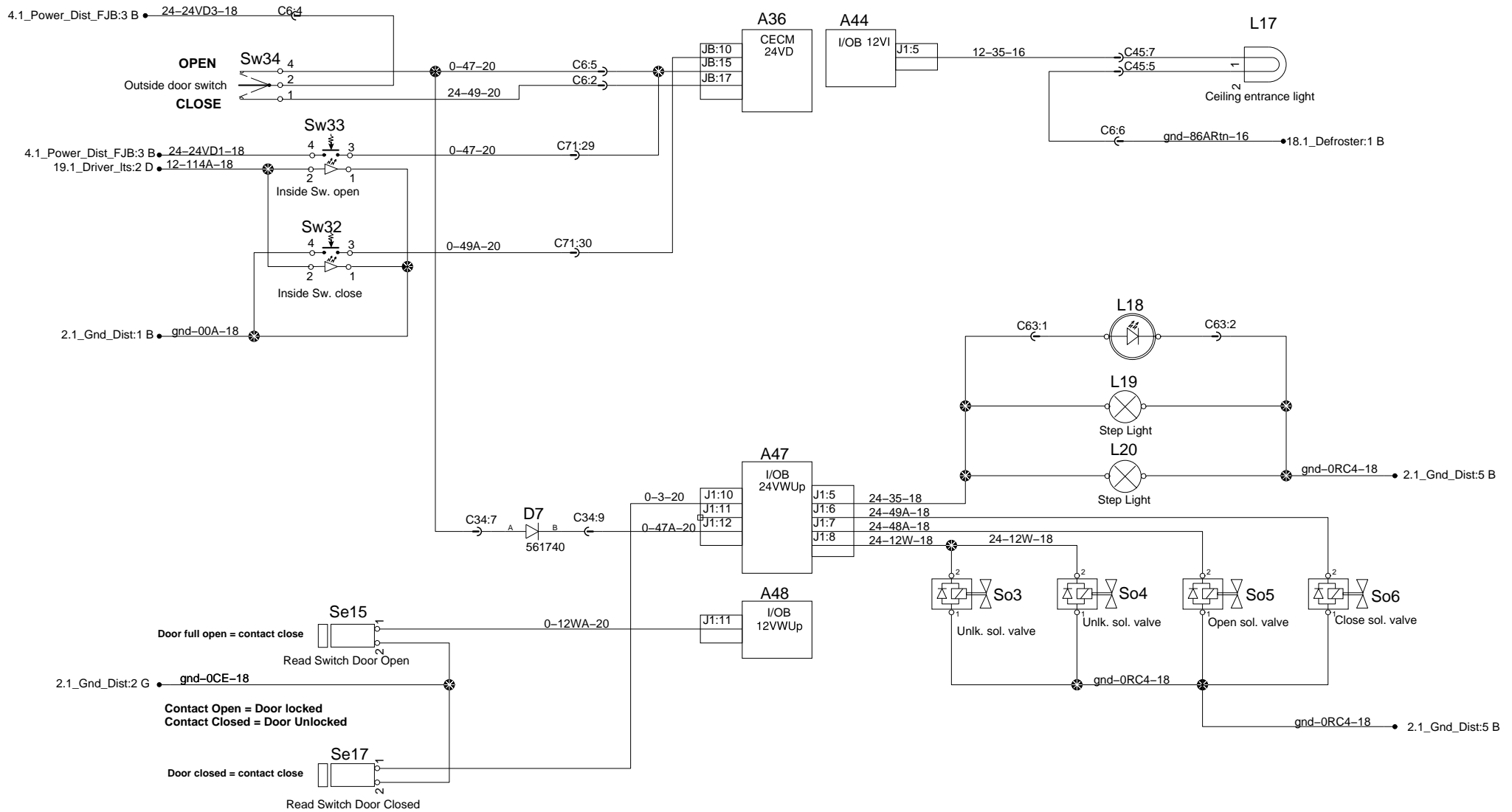
# Destination Sign and Farebox



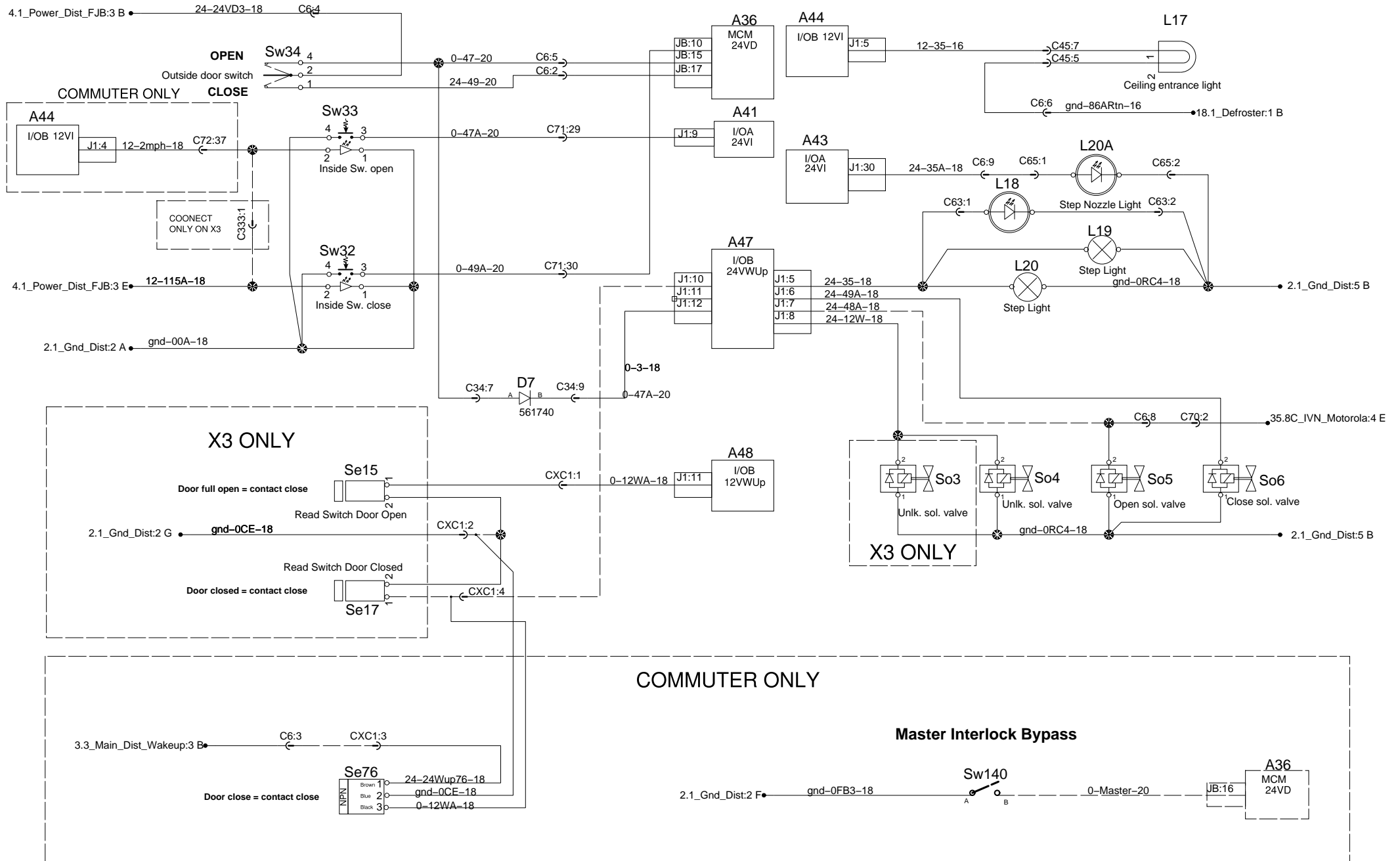
# Destination Sign and Farebox



# Entrance door



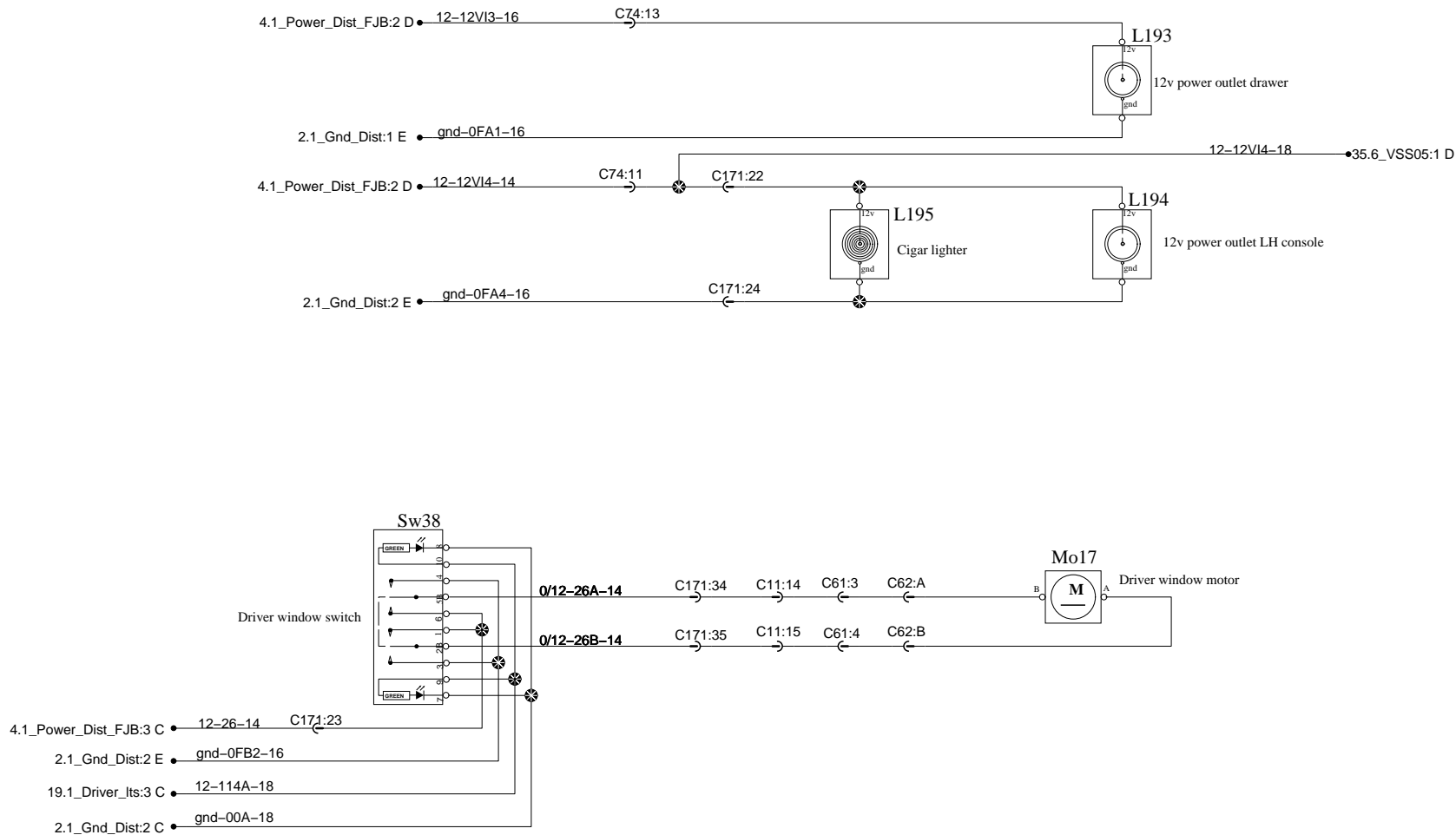
# Entrance door



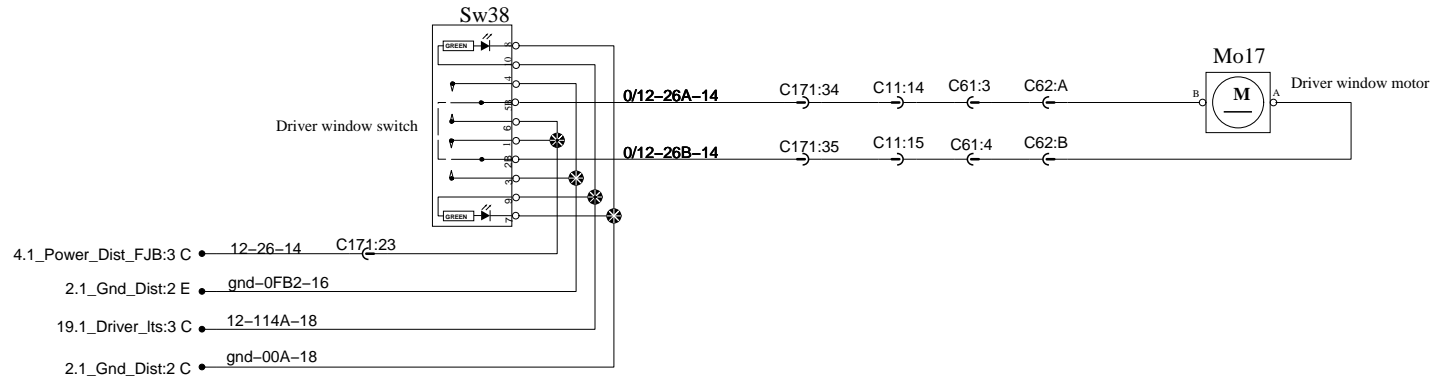




# Sun Visor, Driver Window and 12V Outlet



# Driver Window



0

1

2

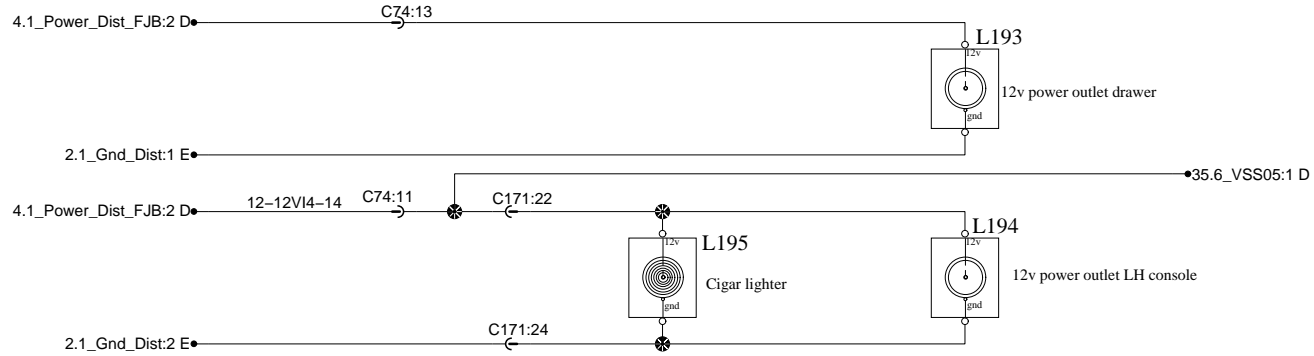
3

4

# 12V Outlet

A

A



B

B

C

C

D

D

E

E

0

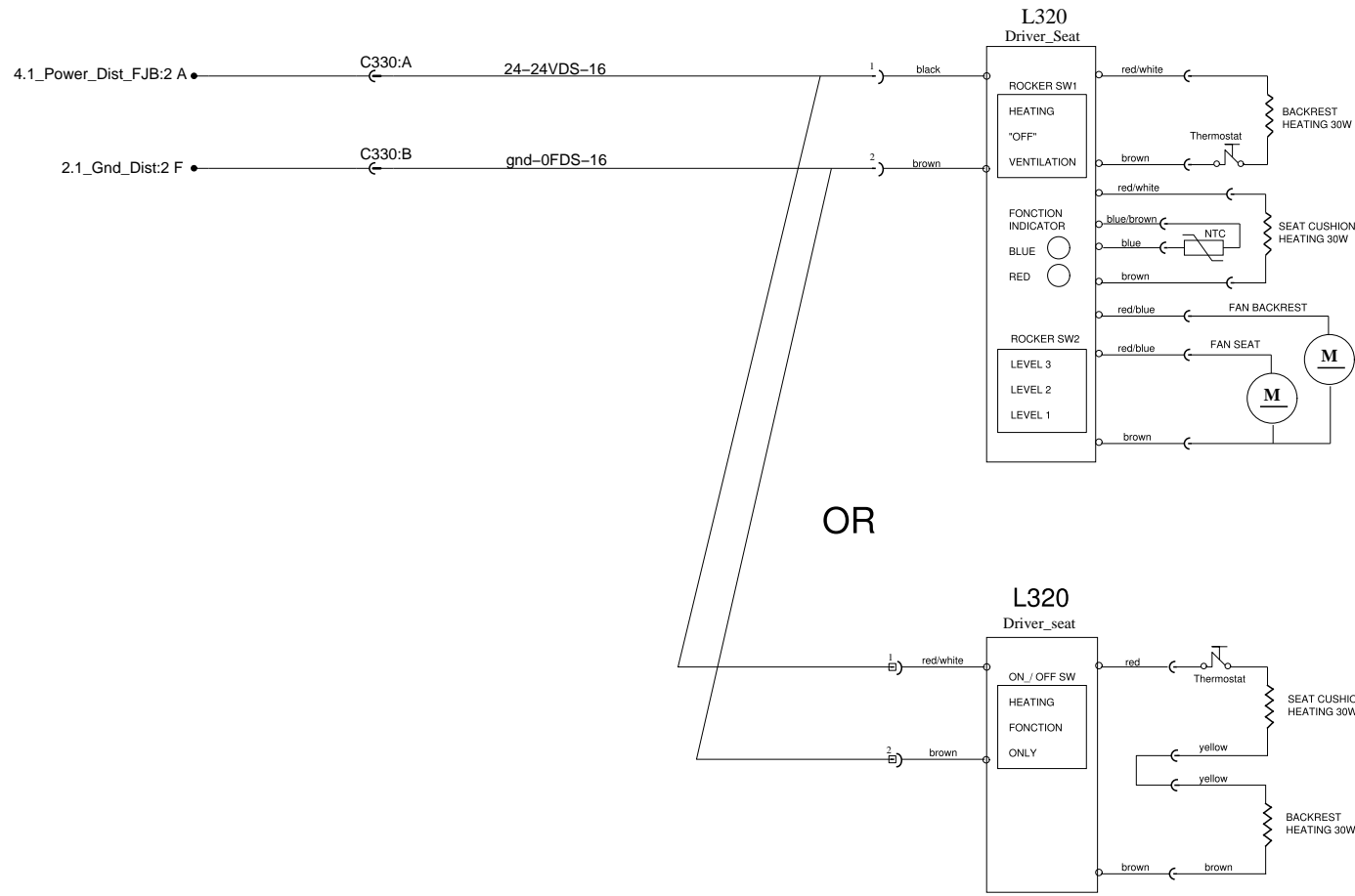
1

2

3

4

DRIVER SEAT: ELECTRICAL OPTIONS

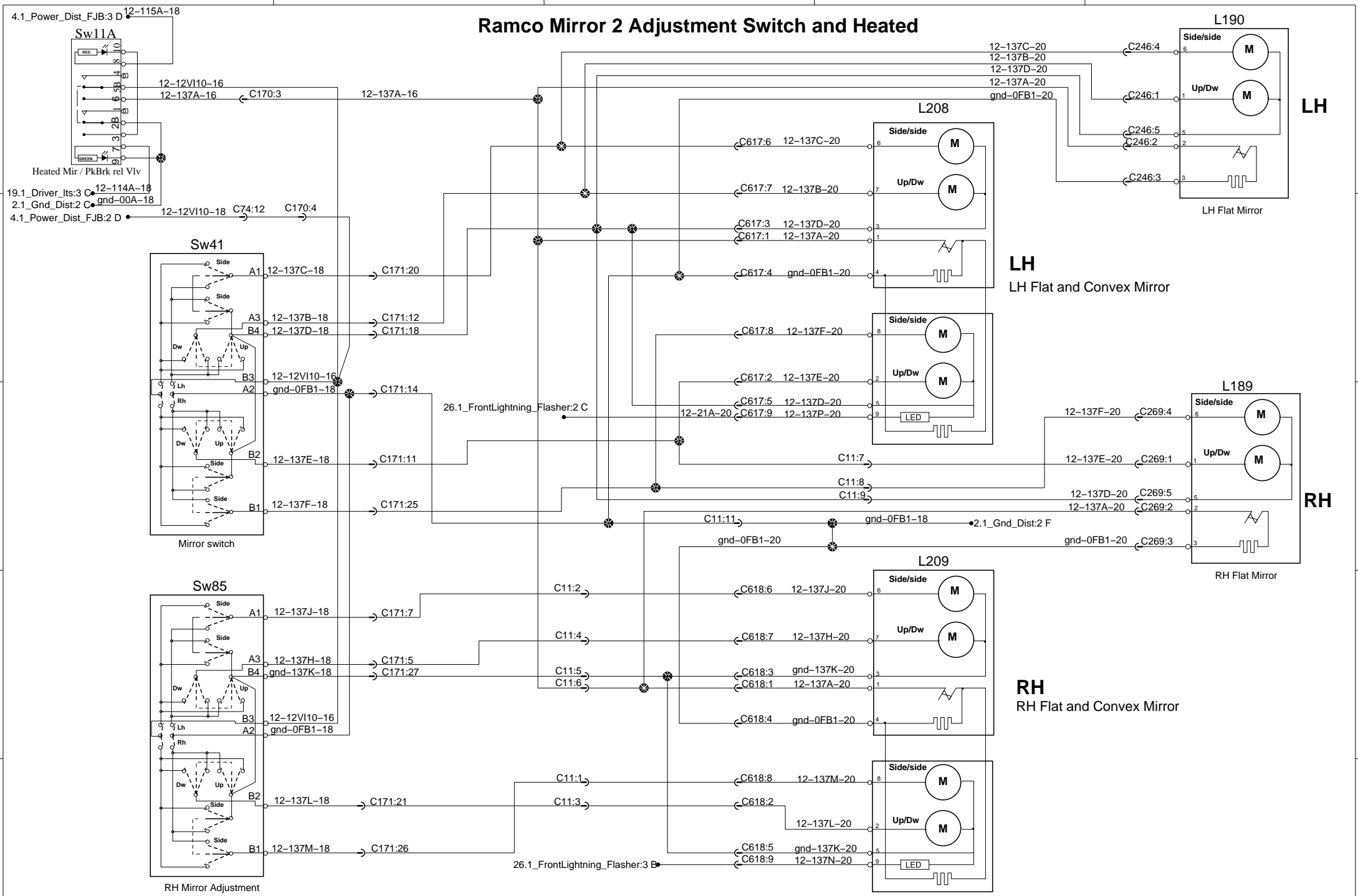


HEATING AND VENTILATION

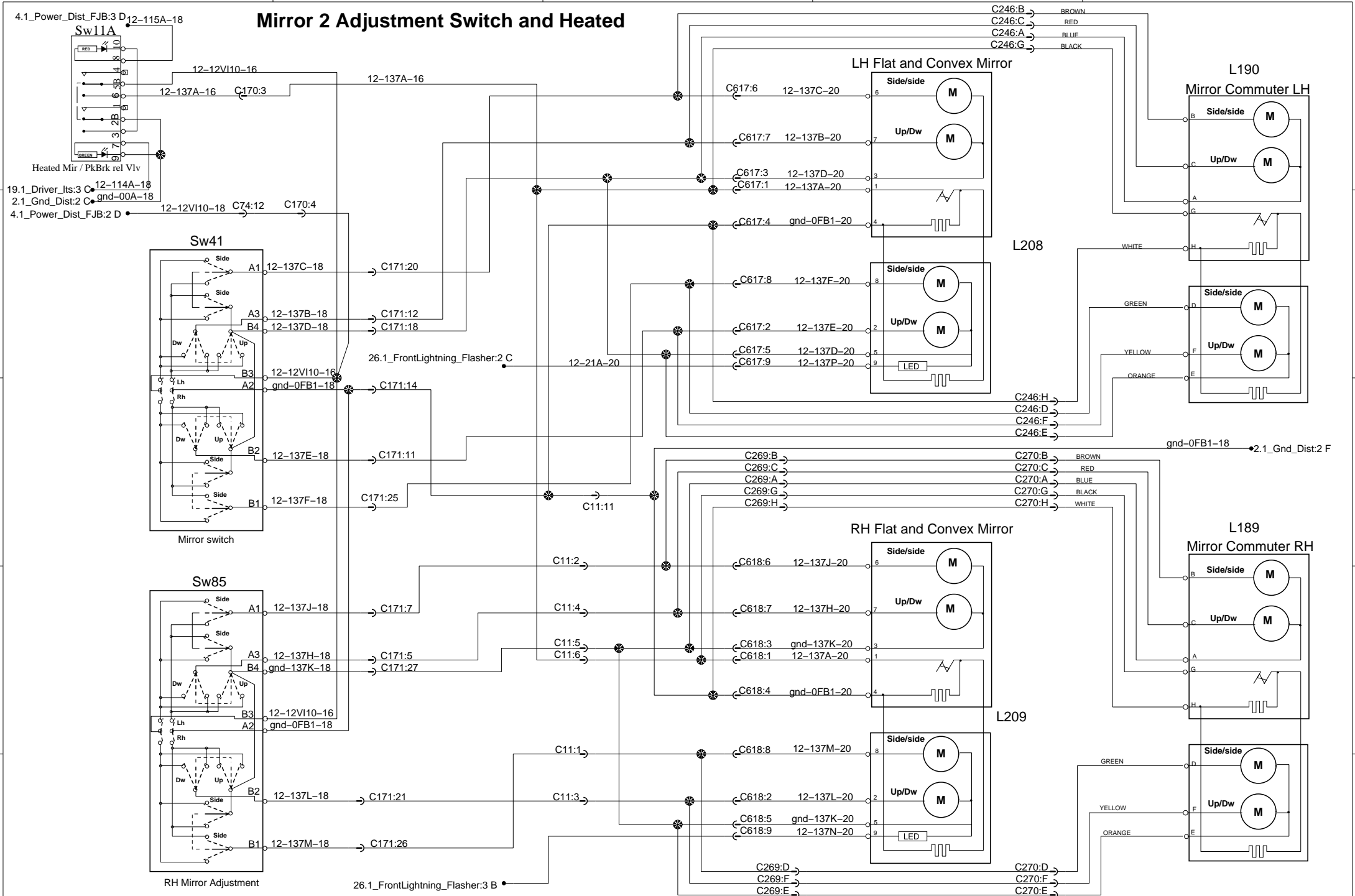
HEATING ELEMENTS ONLY

OR

# Ramco Mirror 2 Adjustment Switch and Heated



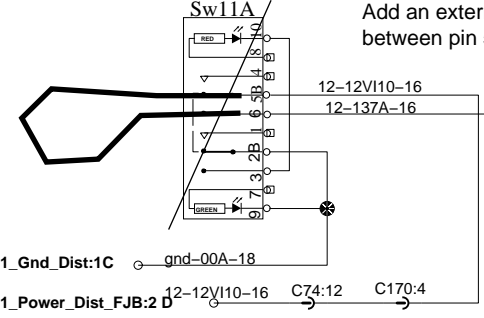
# Mirror 2 Adjustment Switch and Heated



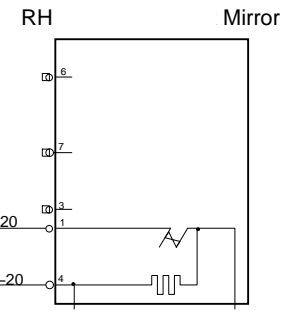
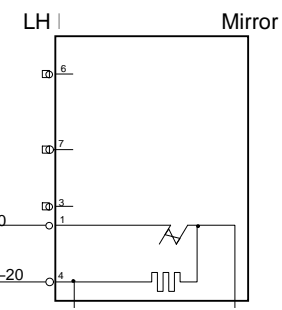
### Mirrors w/heated element only

Heated Mir / PkBrk rel Vlv

Without Sw11A  
Add an external jumper  
between pin 5B & 6



MIRROR ELECTRIC HEATERS ARE  
POWERED DIRECT FROM 12VI10  
SEE FRONT JCT COMPT FUSE BOX



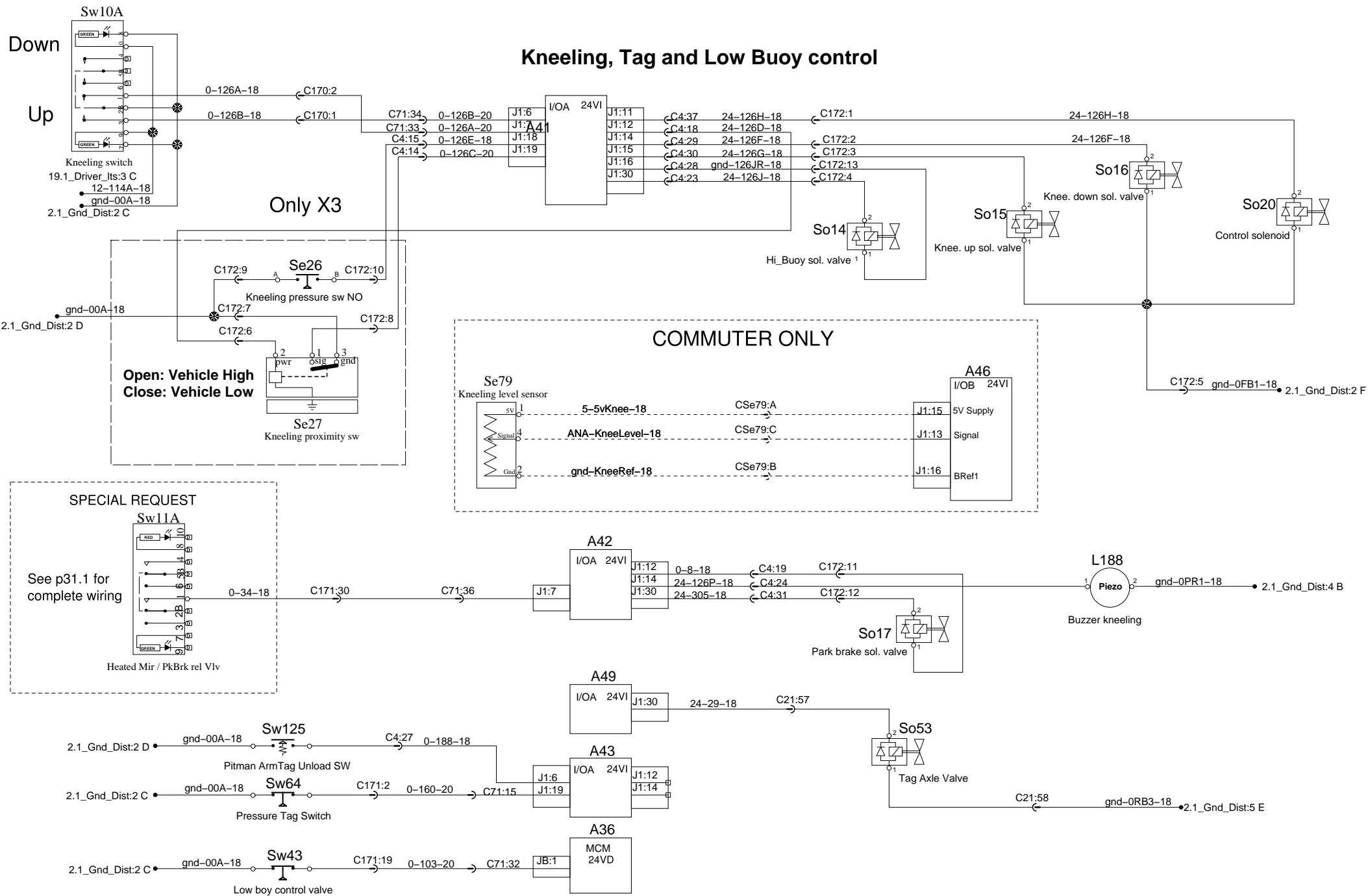
gnd-0FB1-18 2.1\_Gnd\_Dist:2 F

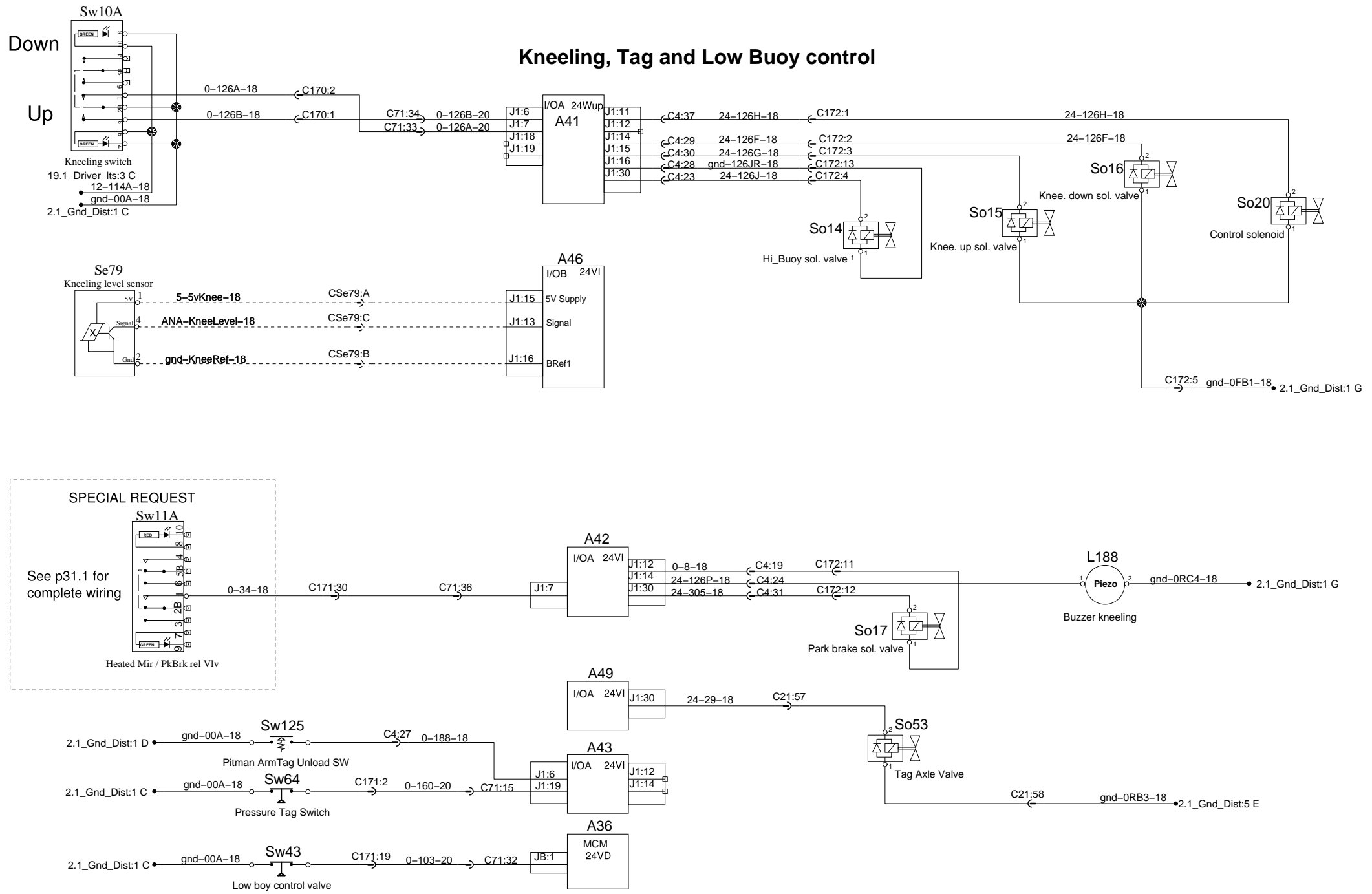
C11:11

C11:6



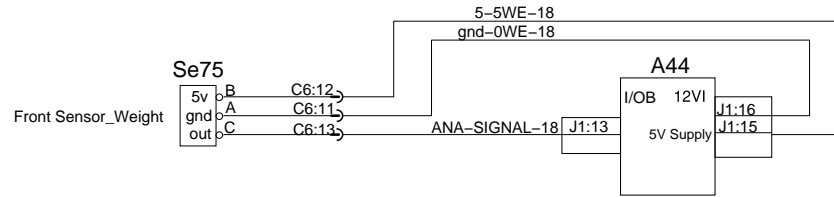




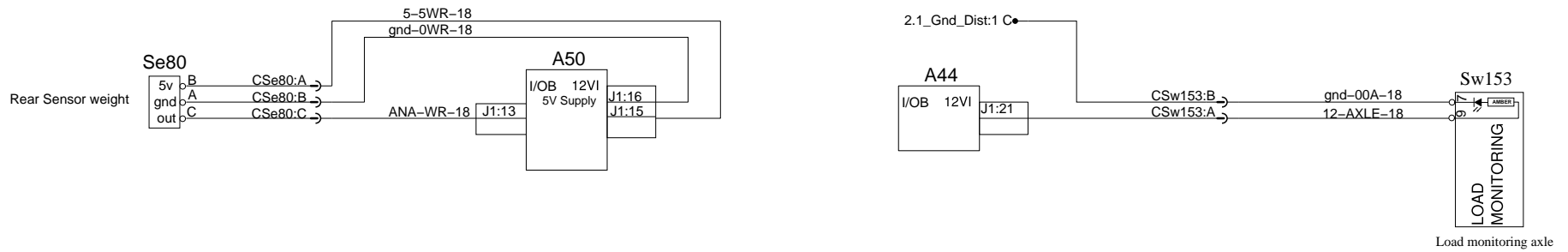


# Indicator Light Weight

## Front axle



## Rear axle



0

1

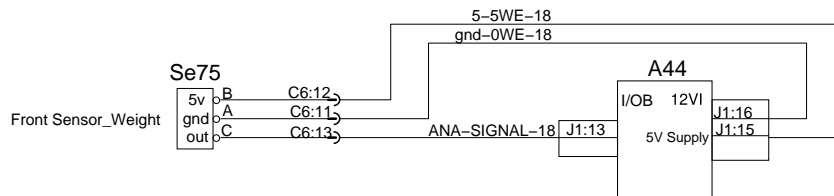
2

3

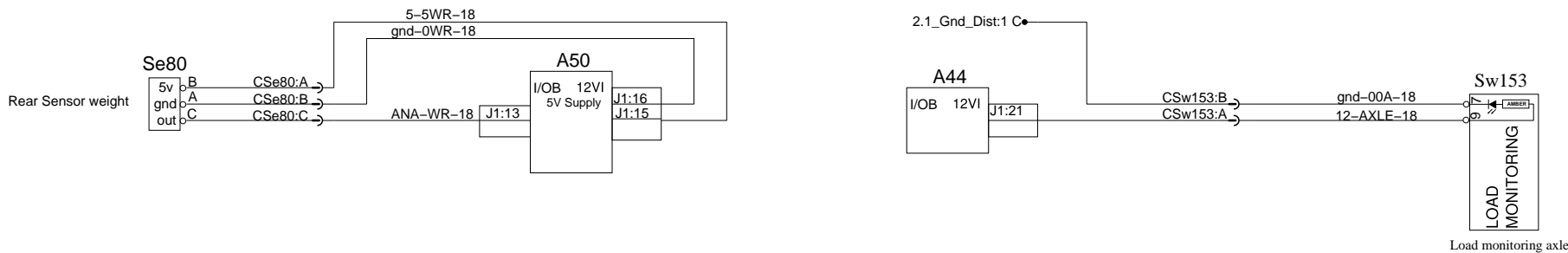
4

# Indicator Light Weight

## Front axle



## Rear axle



0

1

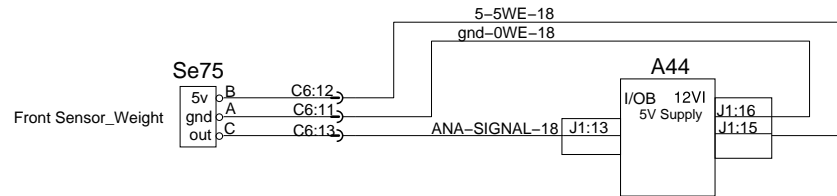
2

3

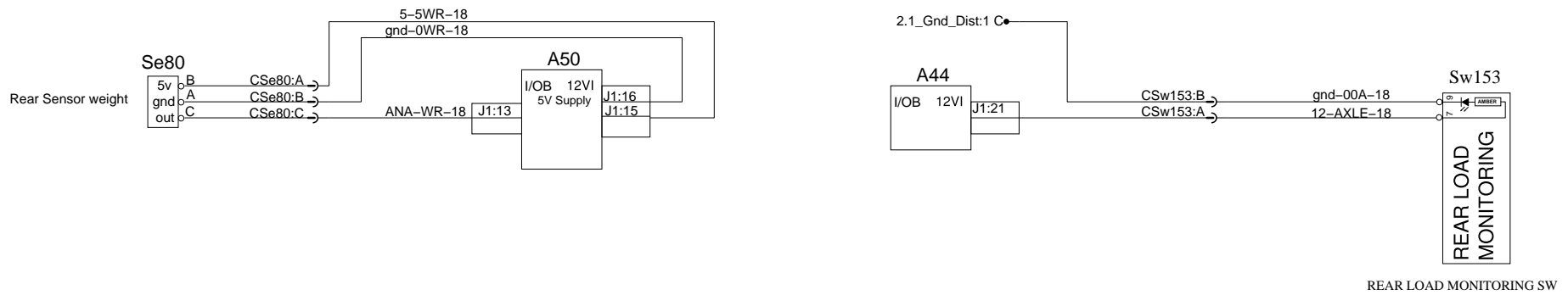
4

# Indicator Light Weight

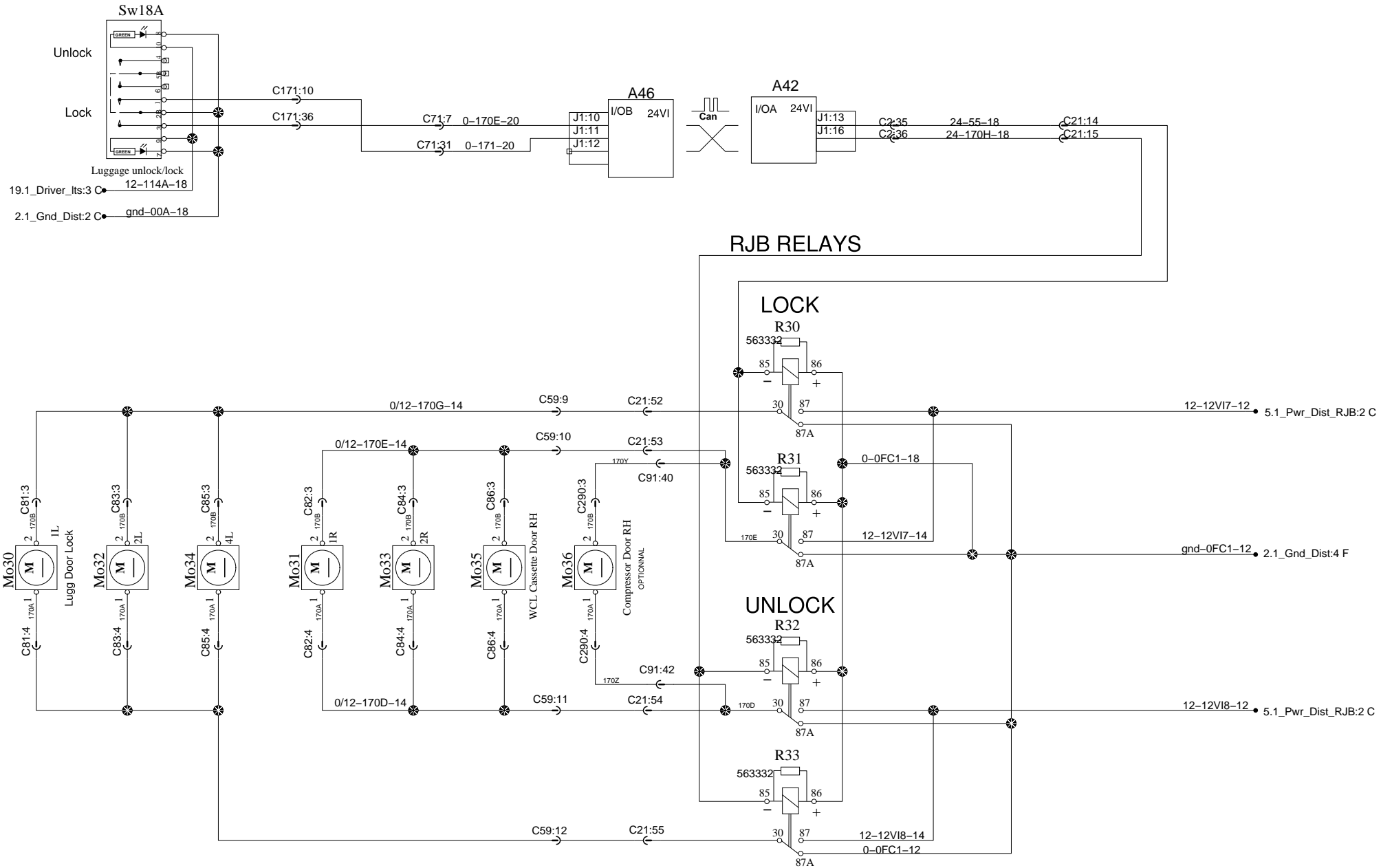
## Front axle



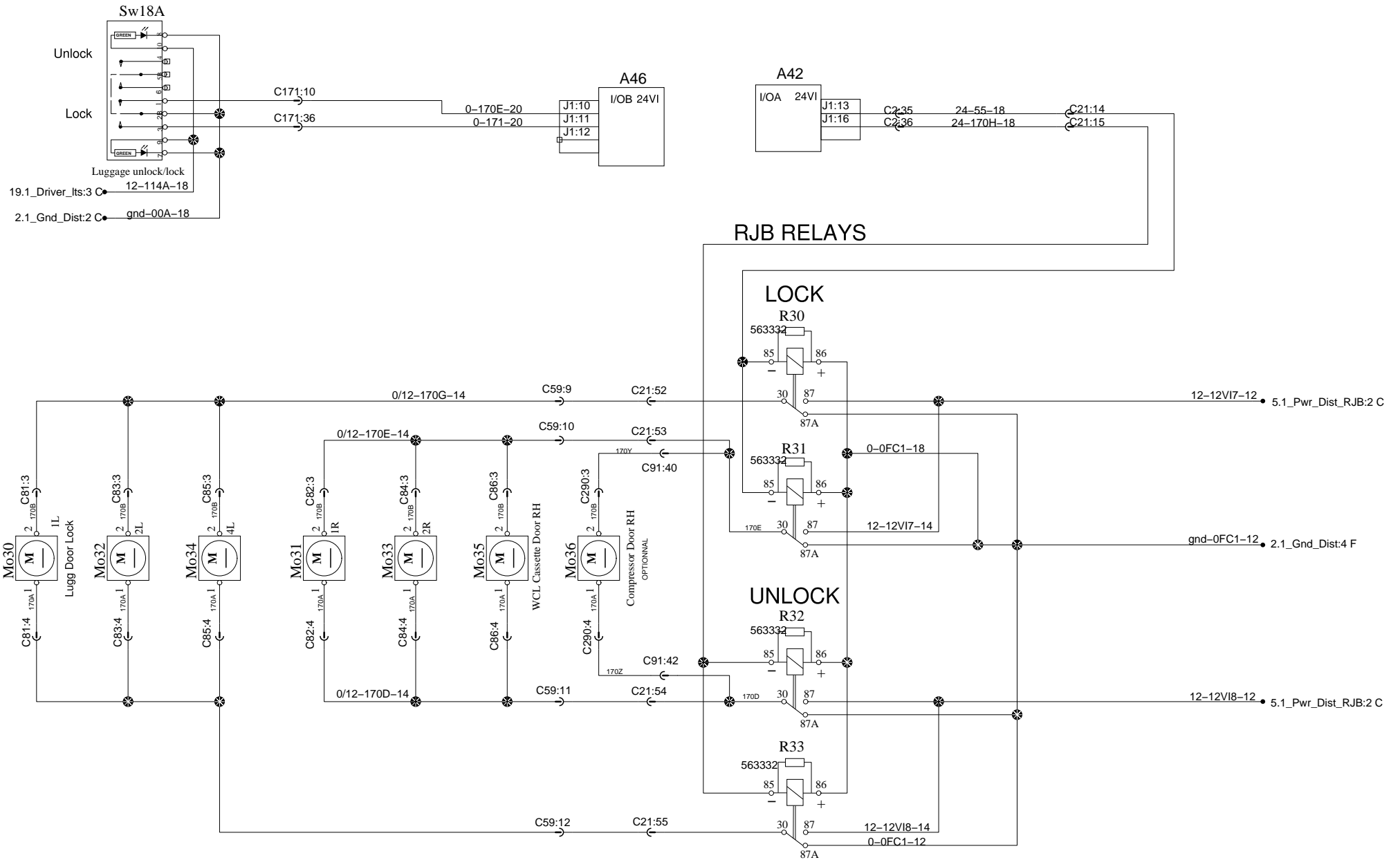
## Rear axle



# Luggage door Lock/Unlock

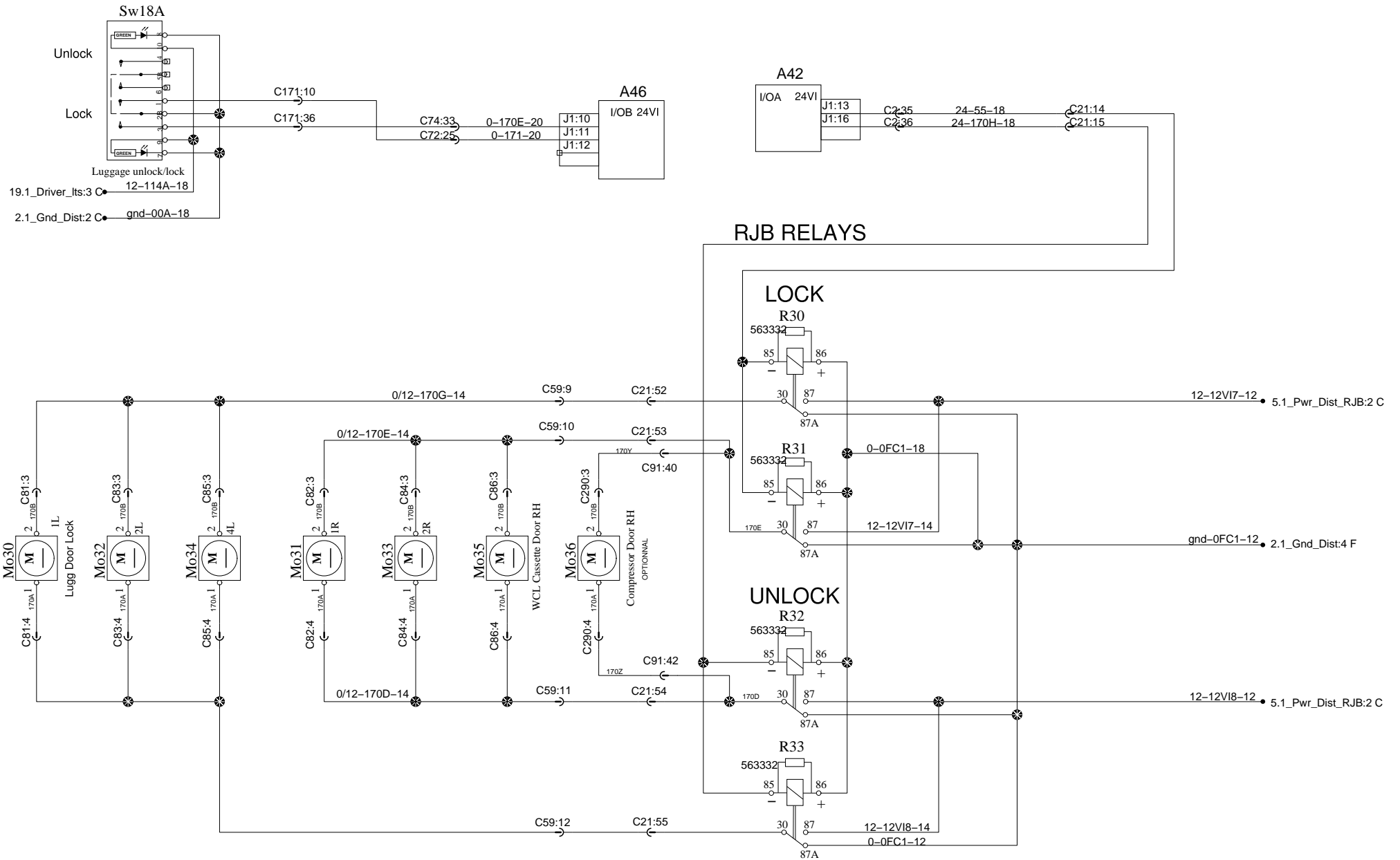


# Luggage door Lock/Unlock

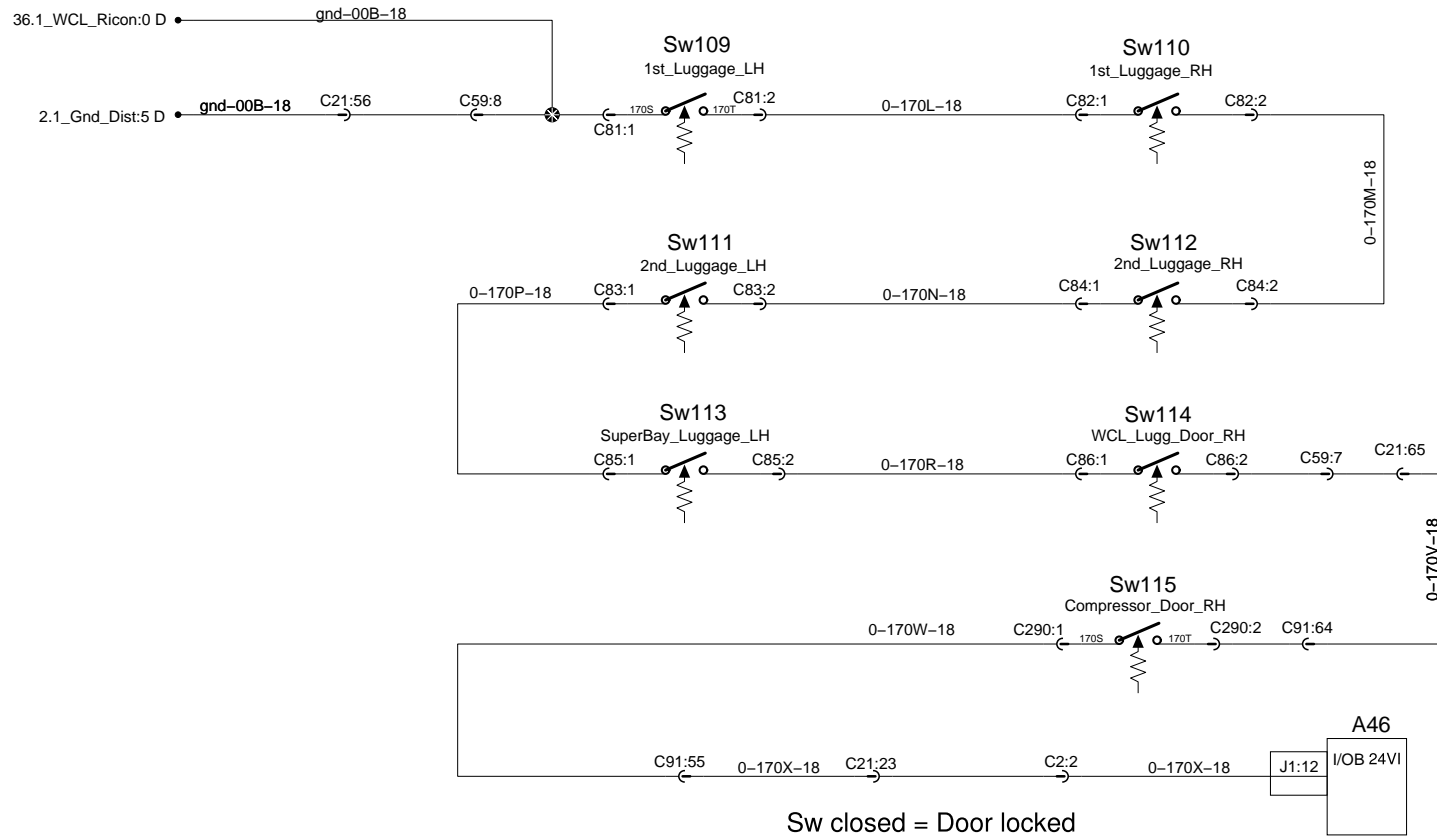




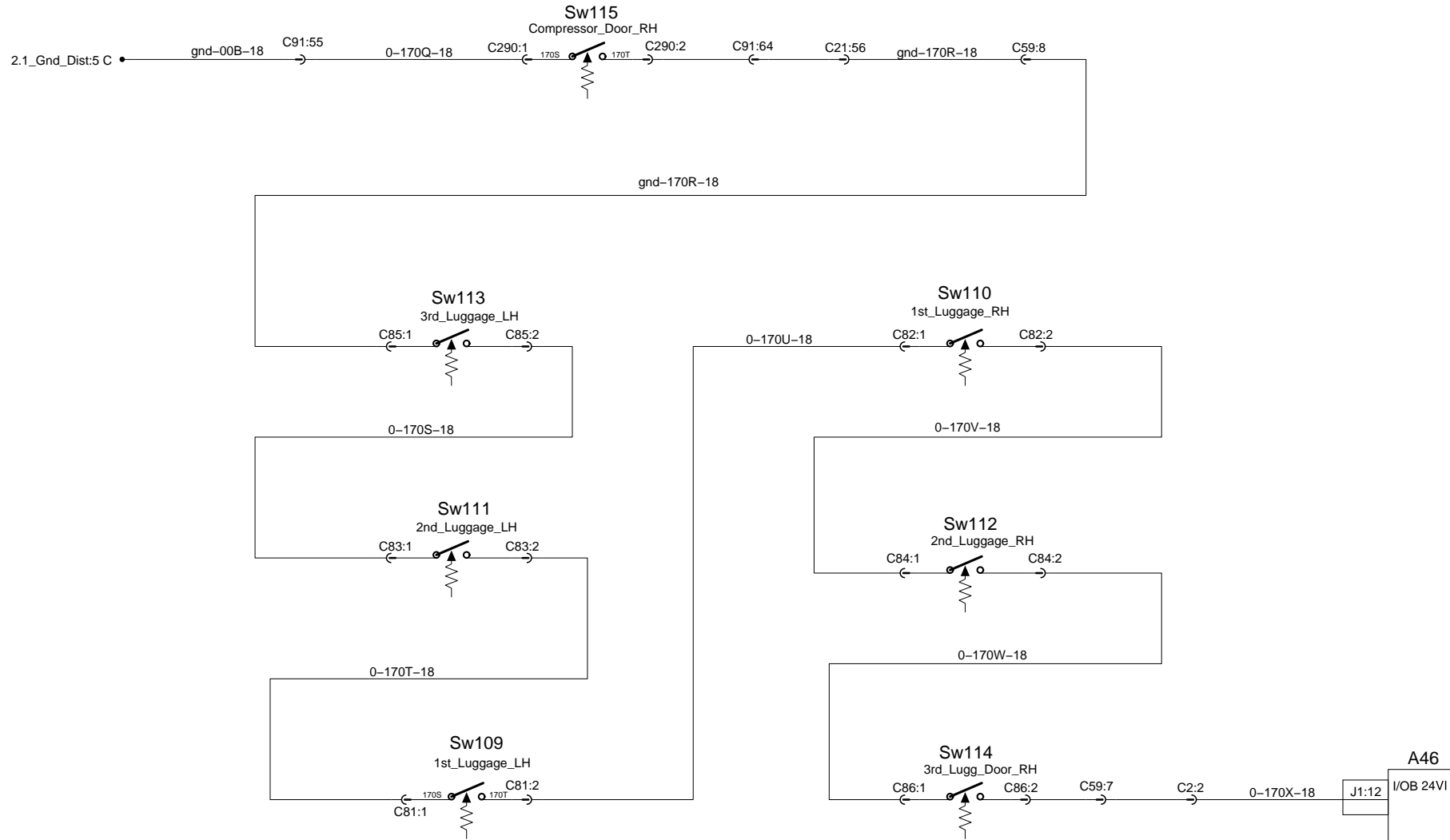
# Luggage door Lock/Unlock



# Luggage door lock switches

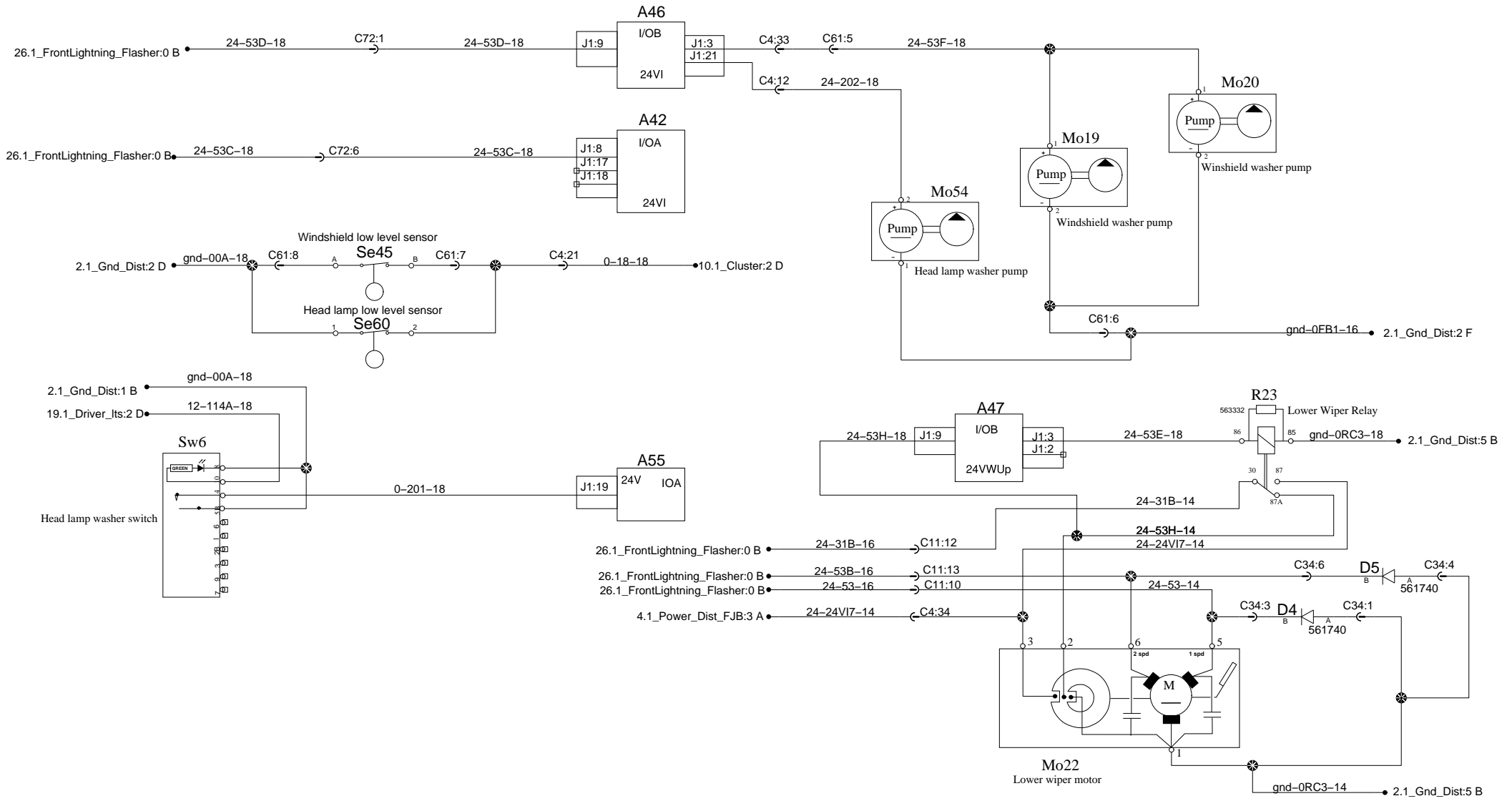


# Luggage door lock switches

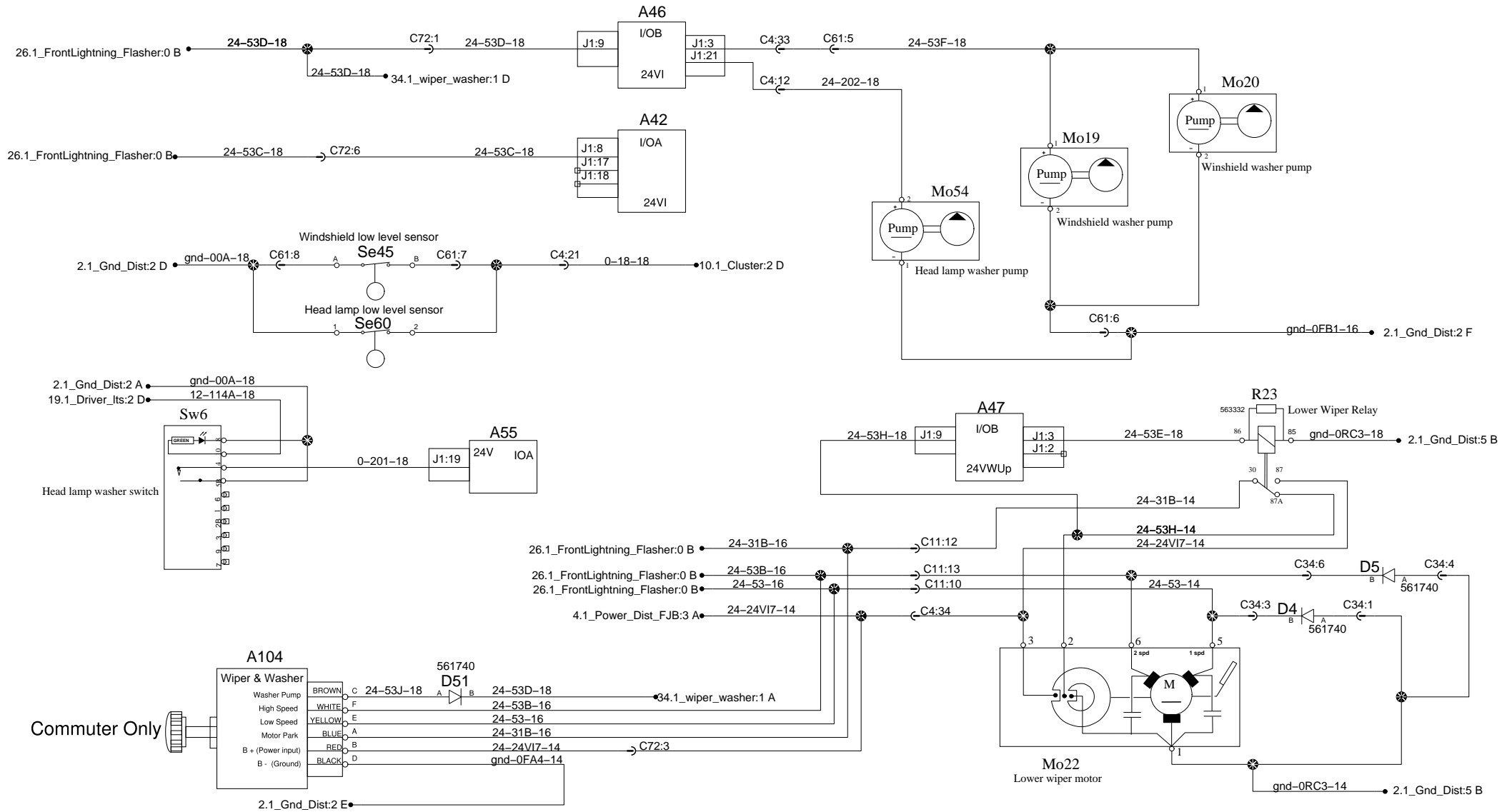


Sw closed = Door locked

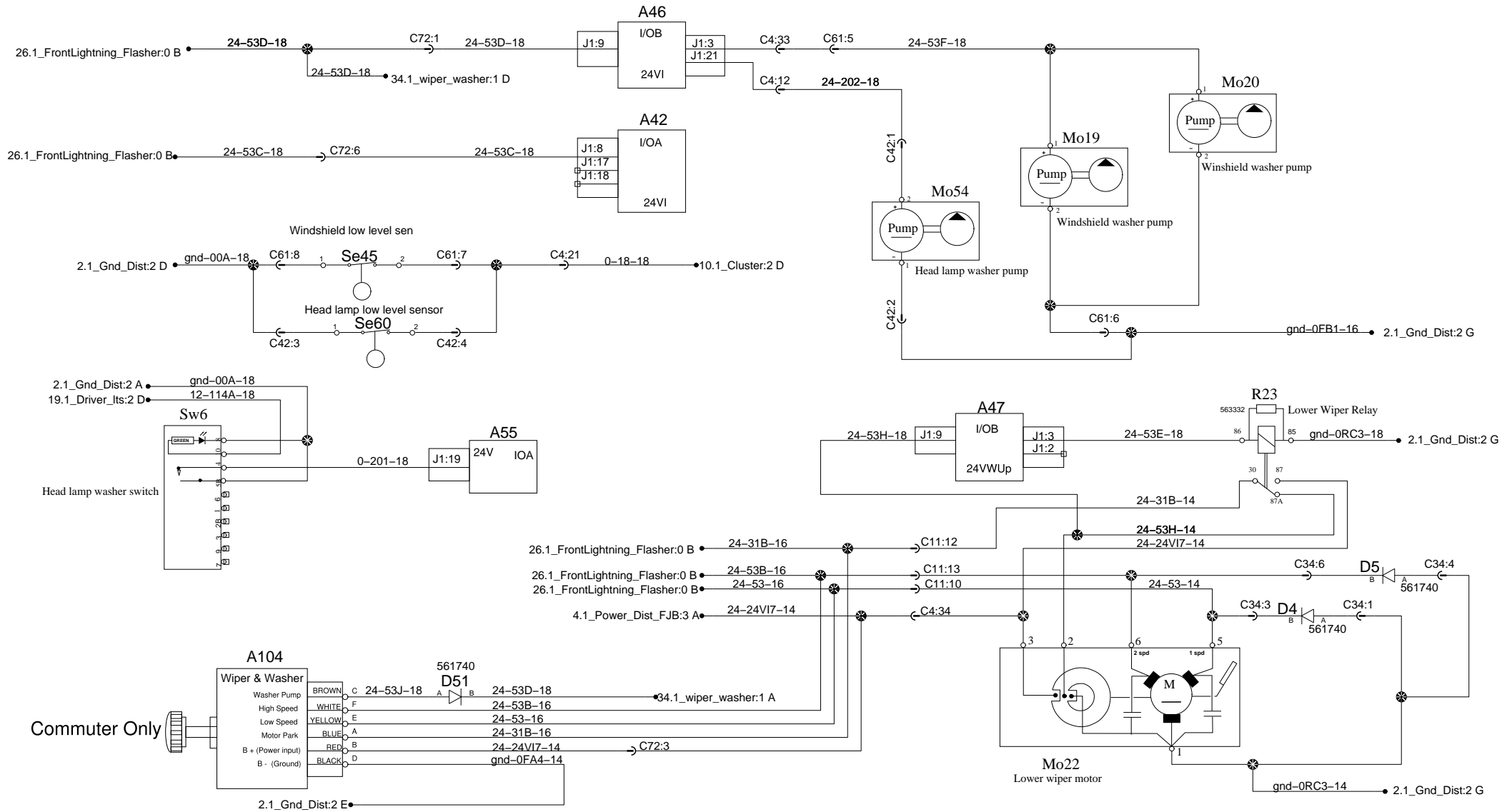
# Wiper and washer



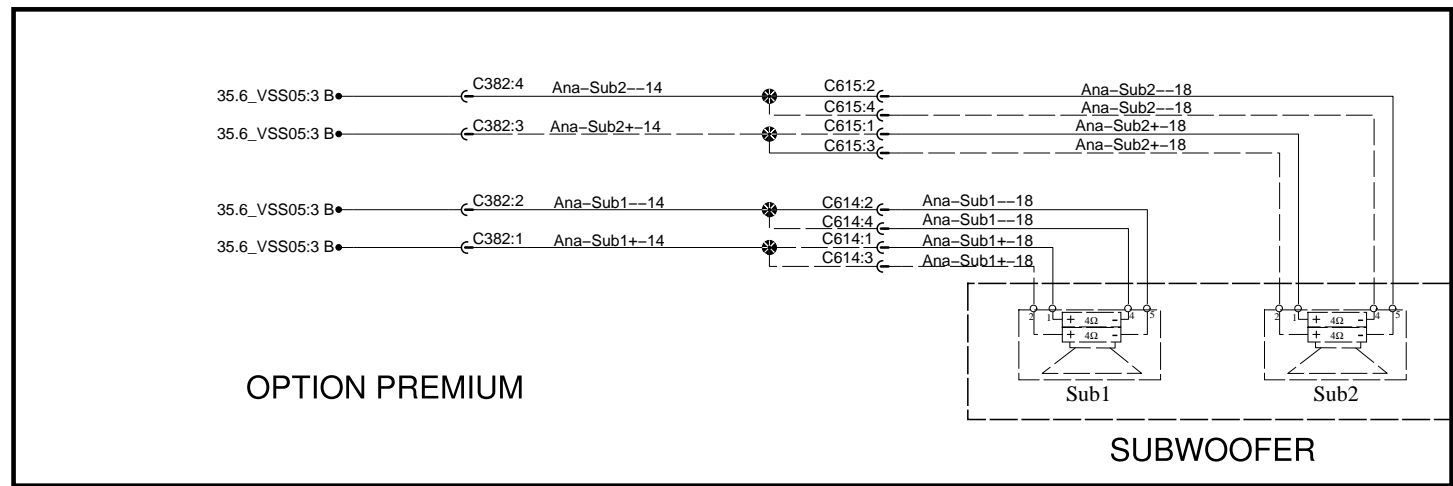
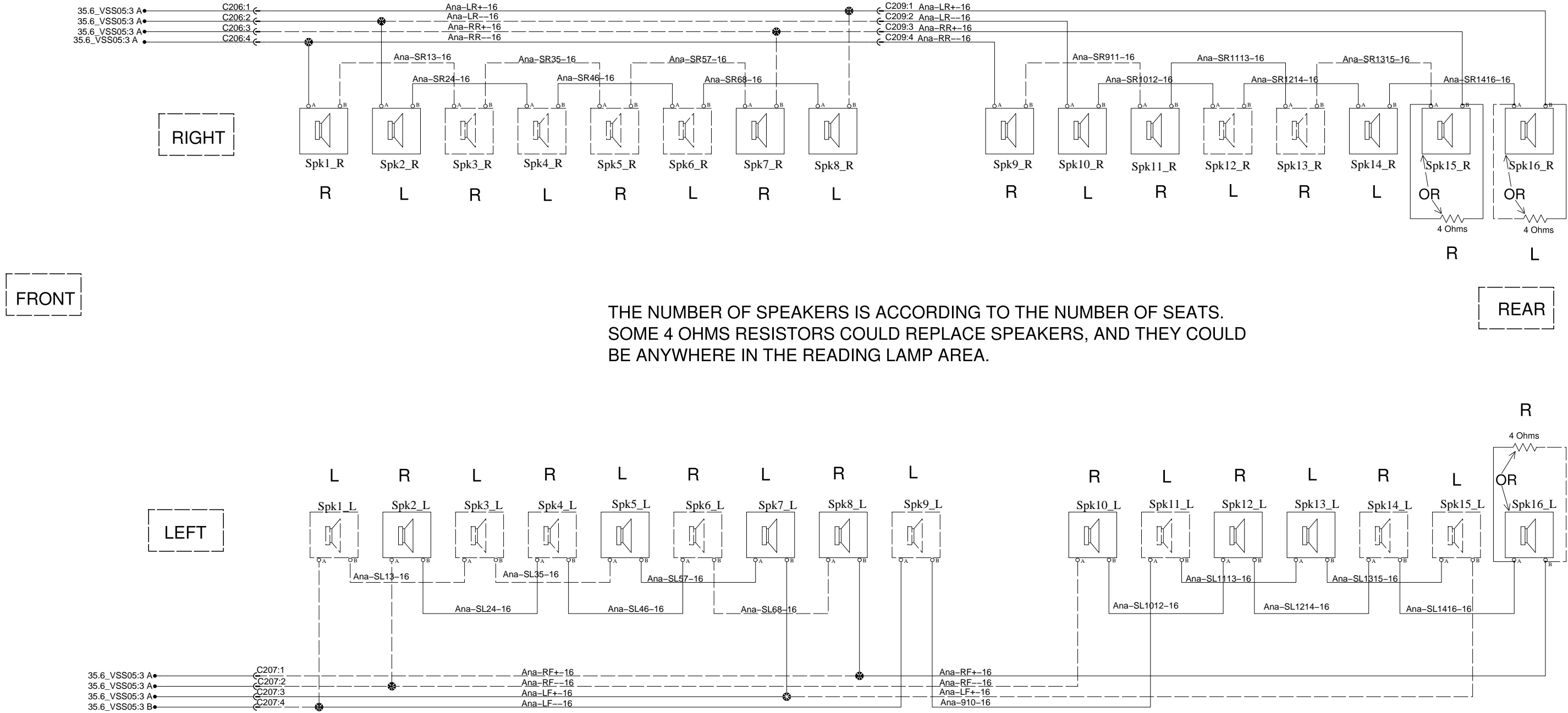
# Wiper and washer



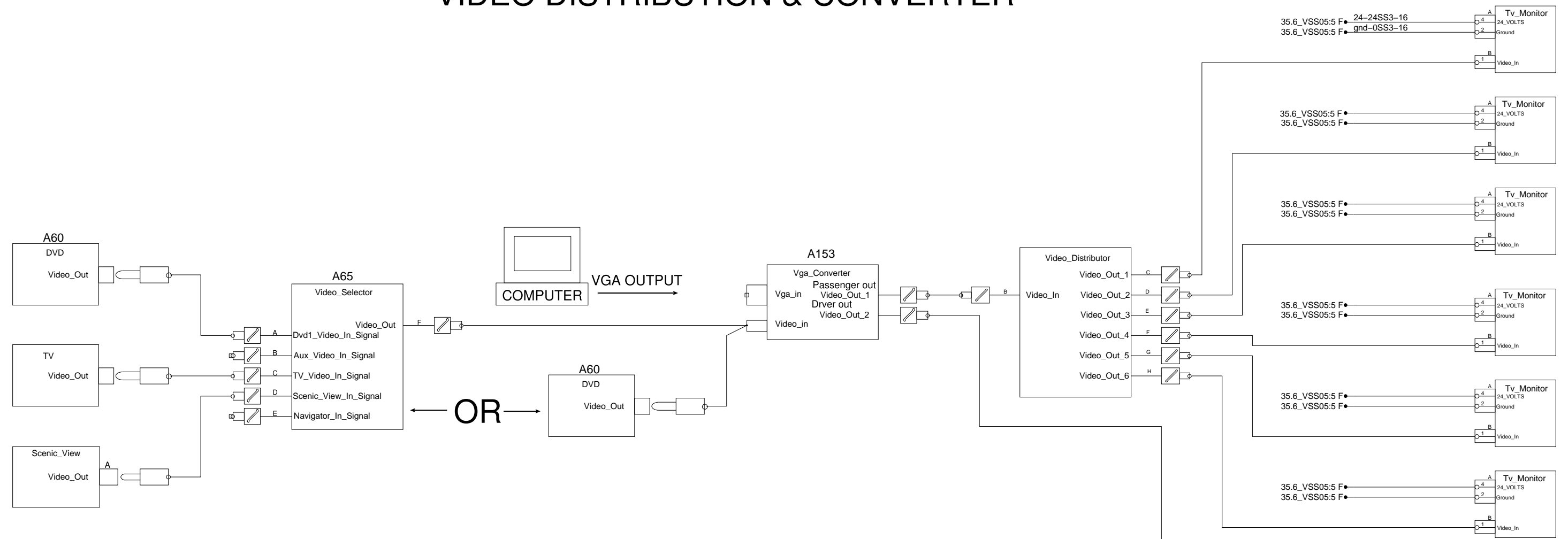
# Wiper and washer



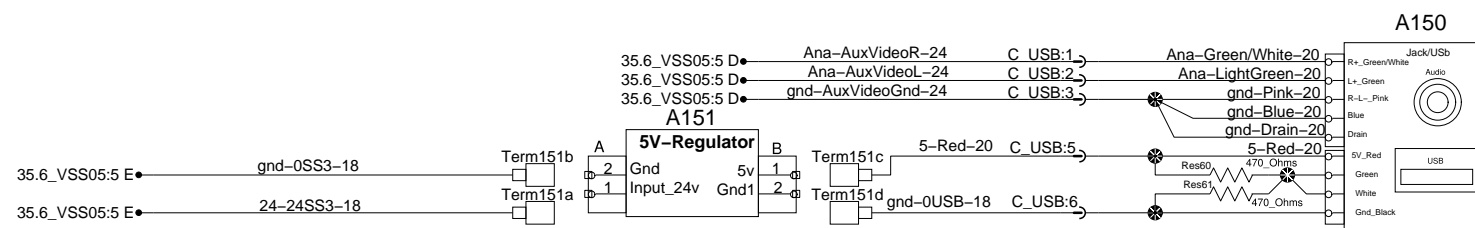
# SPEAKERS ARRANGENT (DELTA CONFIGURATION)



# VIDEO DISTRIBUTION & CONVERTER

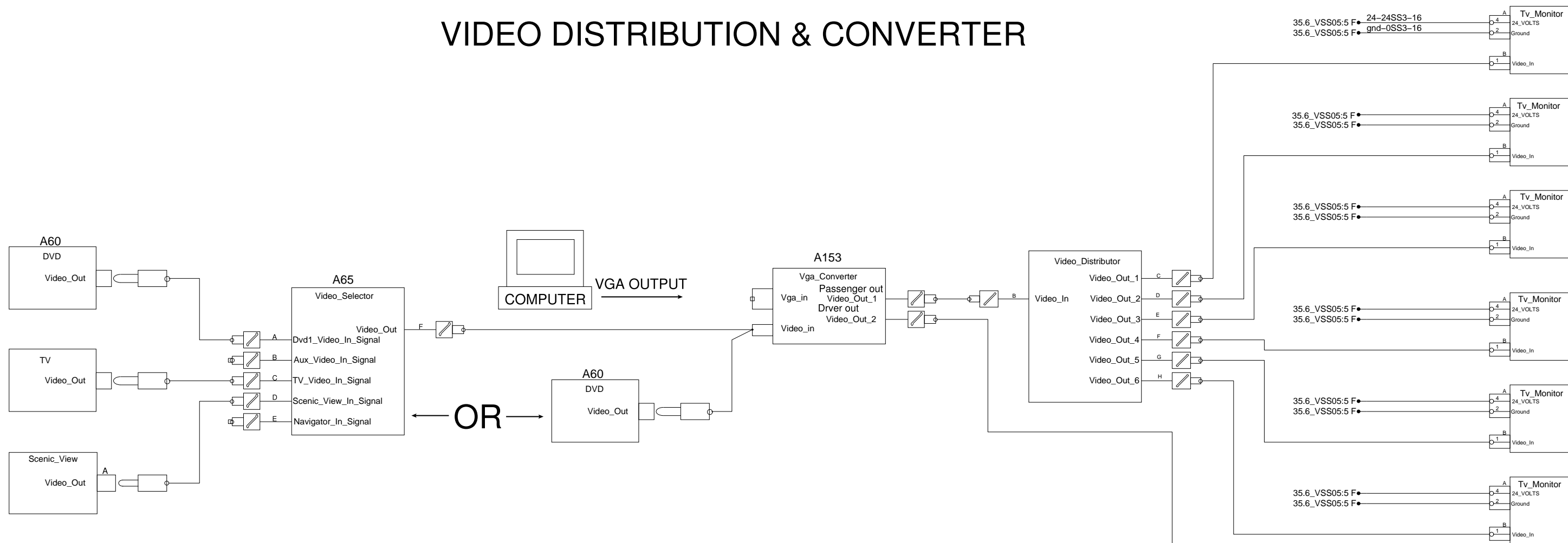


# 5 VDC REGULATOR & AUDIO INPUT

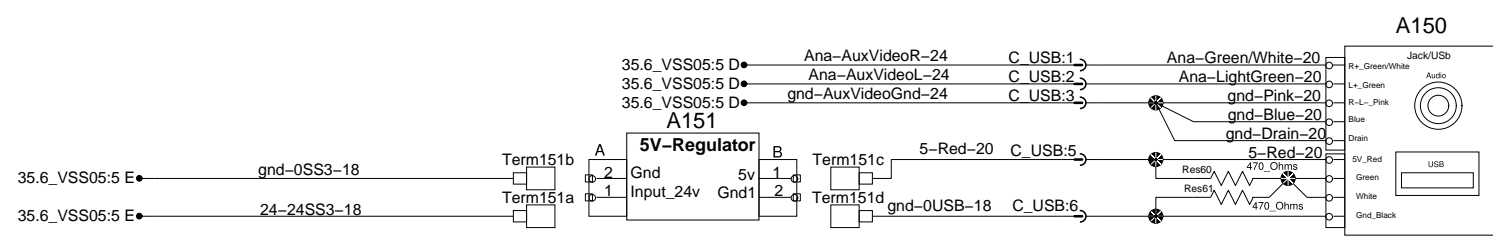




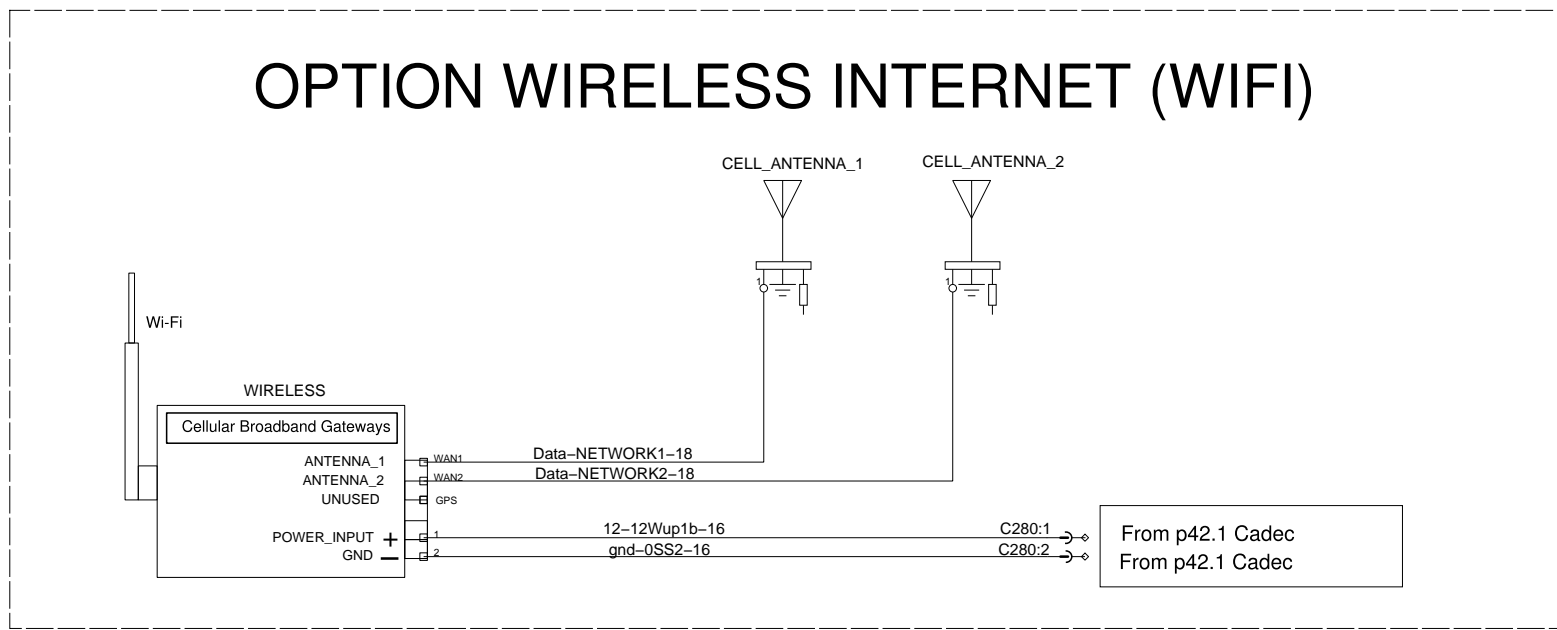
# VIDEO DISTRIBUTION & CONVERTER



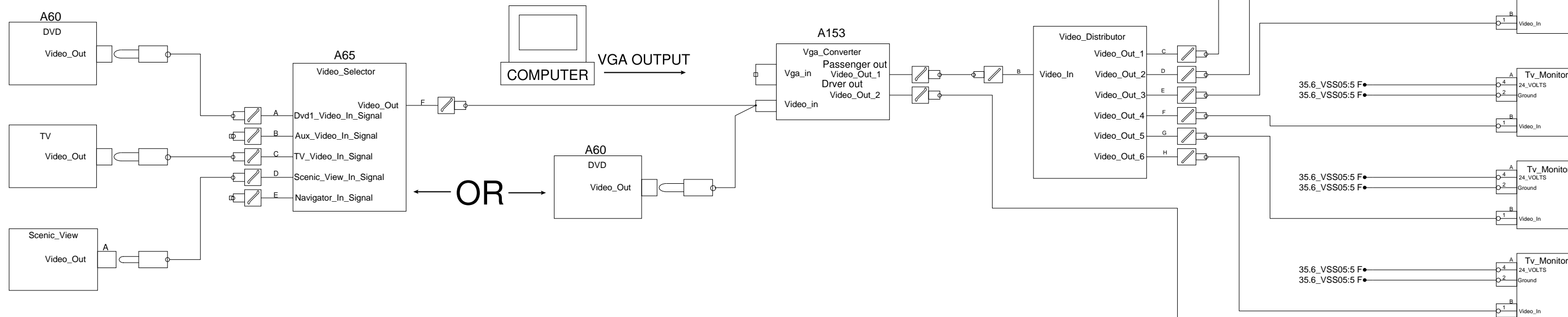
# 5 VDC REGULATOR & AUDIO INPUT



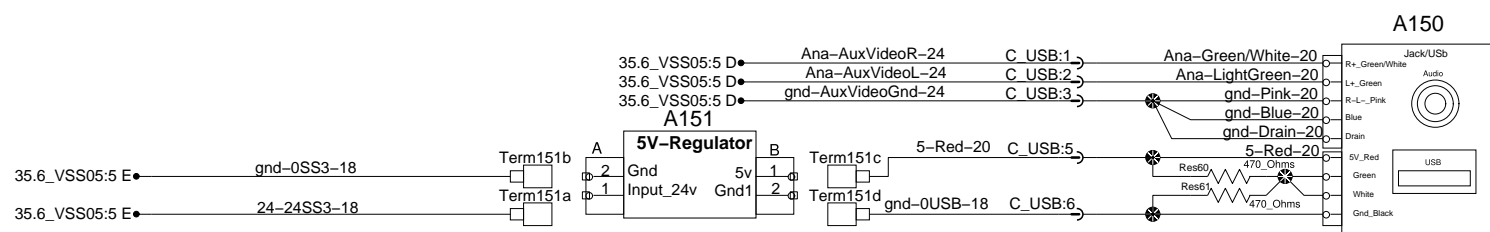
# OPTION WIRELESS INTERNET (WIFI)



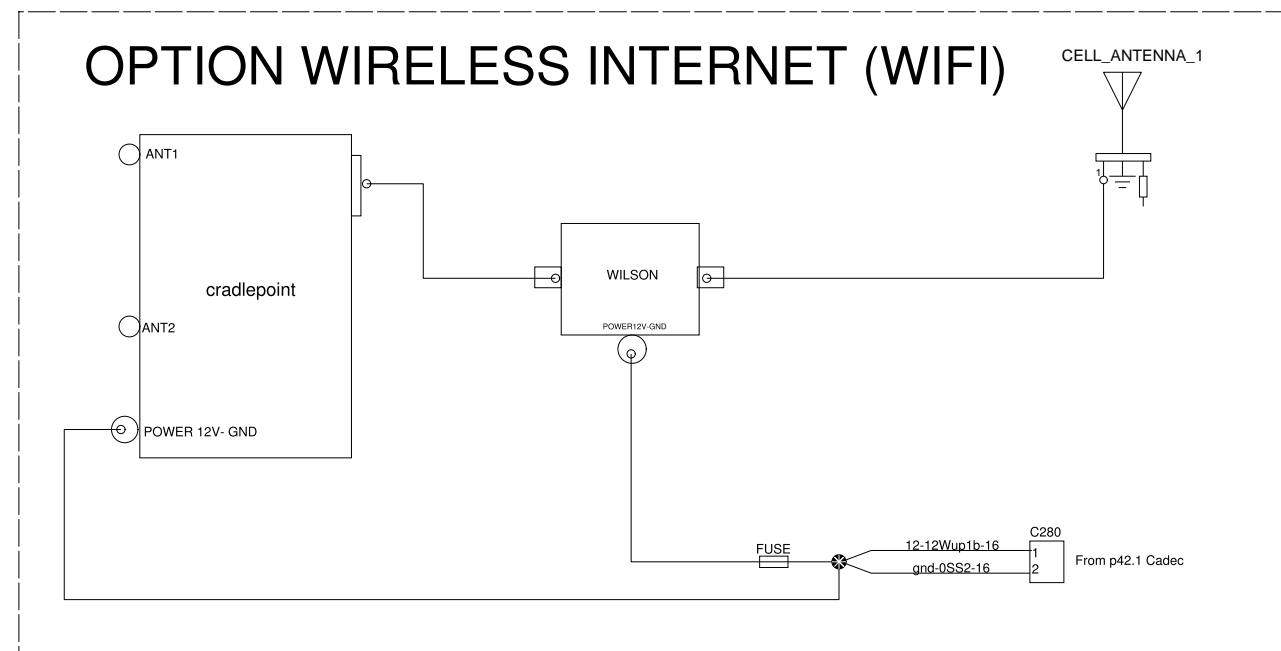
# VIDEO DISTRIBUTION & CONVERTER



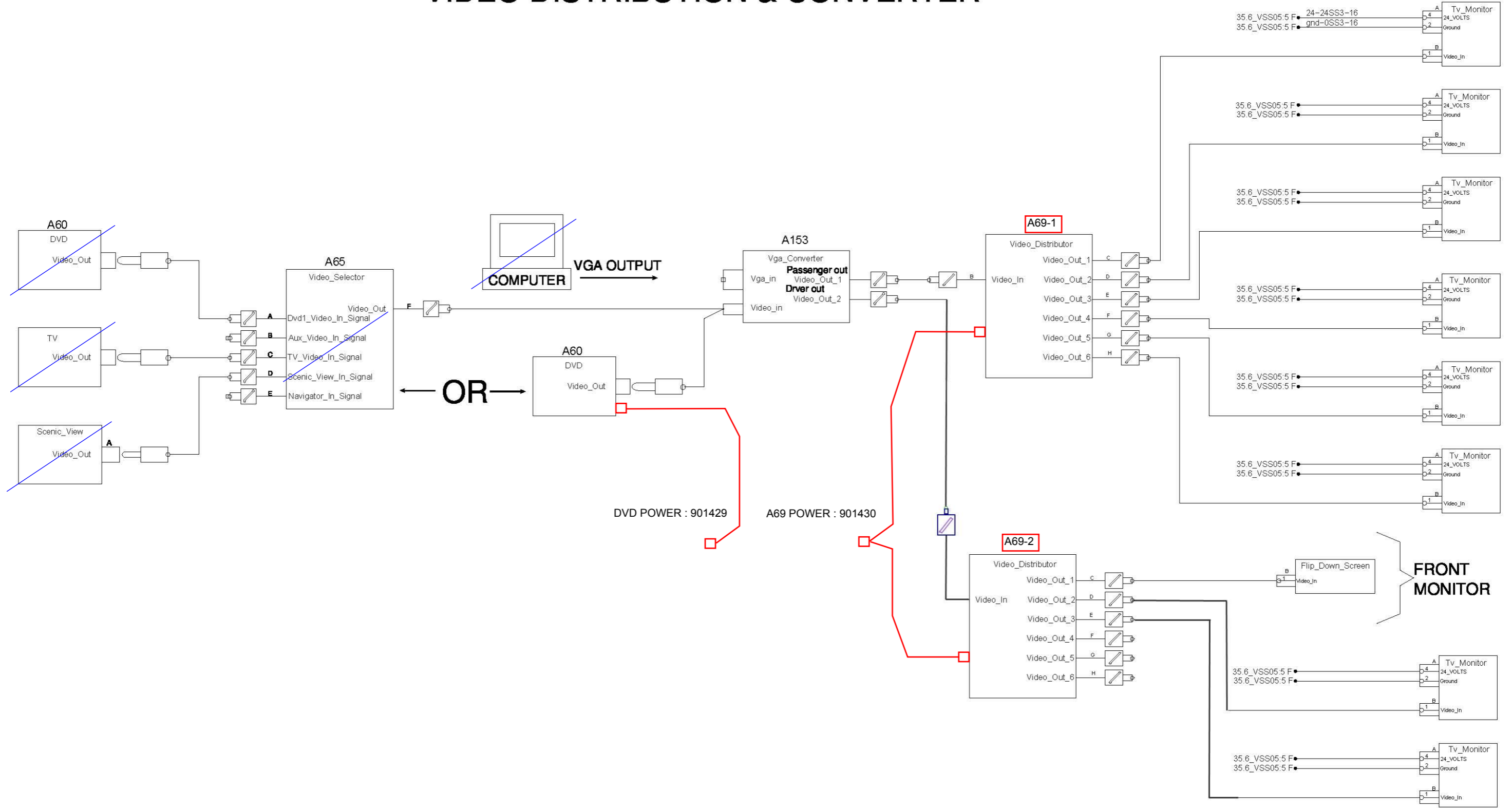
# 5 VDC REGULATOR & AUDIO INPUT

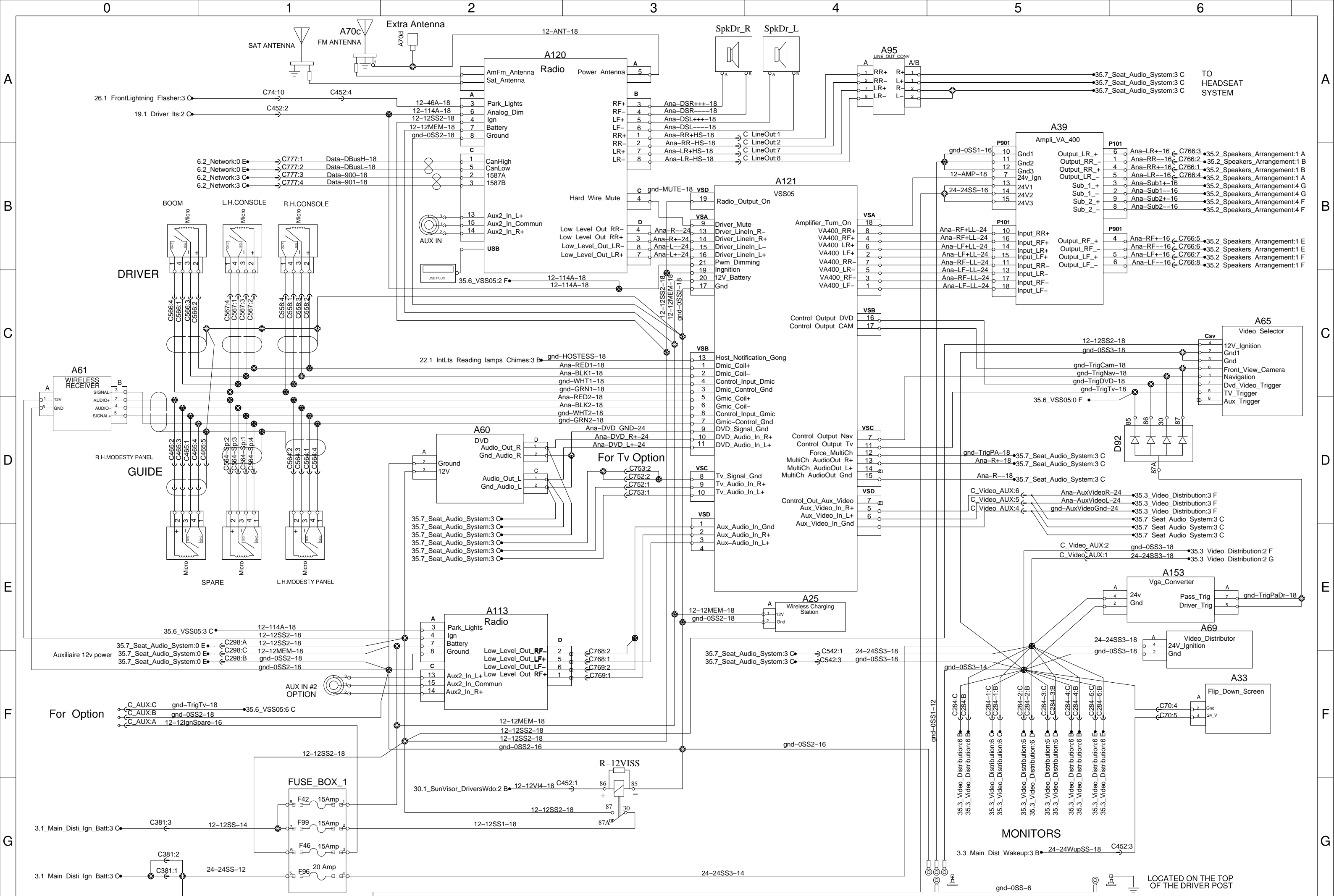


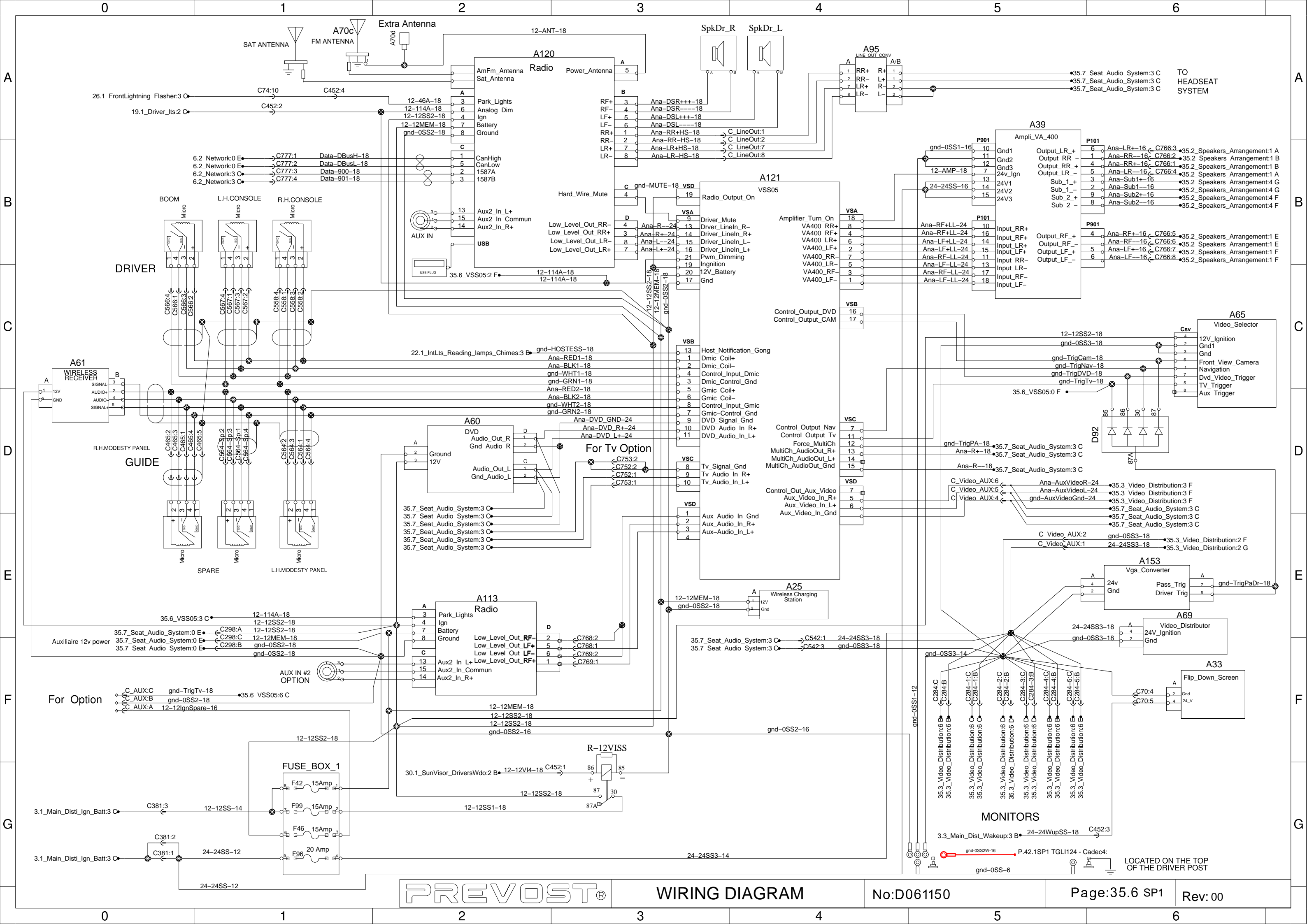
# OPTION WIRELESS INTERNET (WIFI)



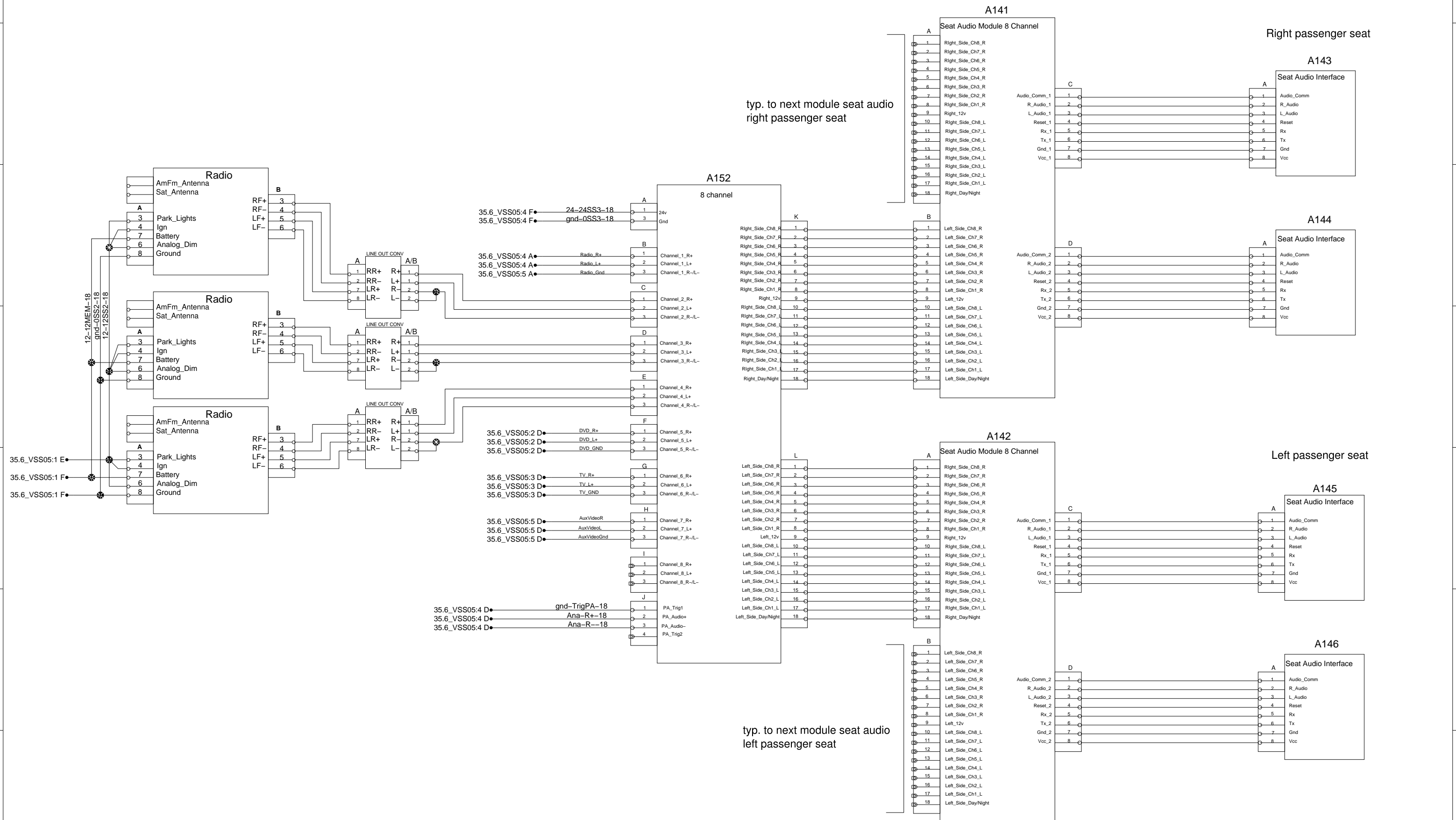
# VIDEO DISTRIBUTION & CONVERTER





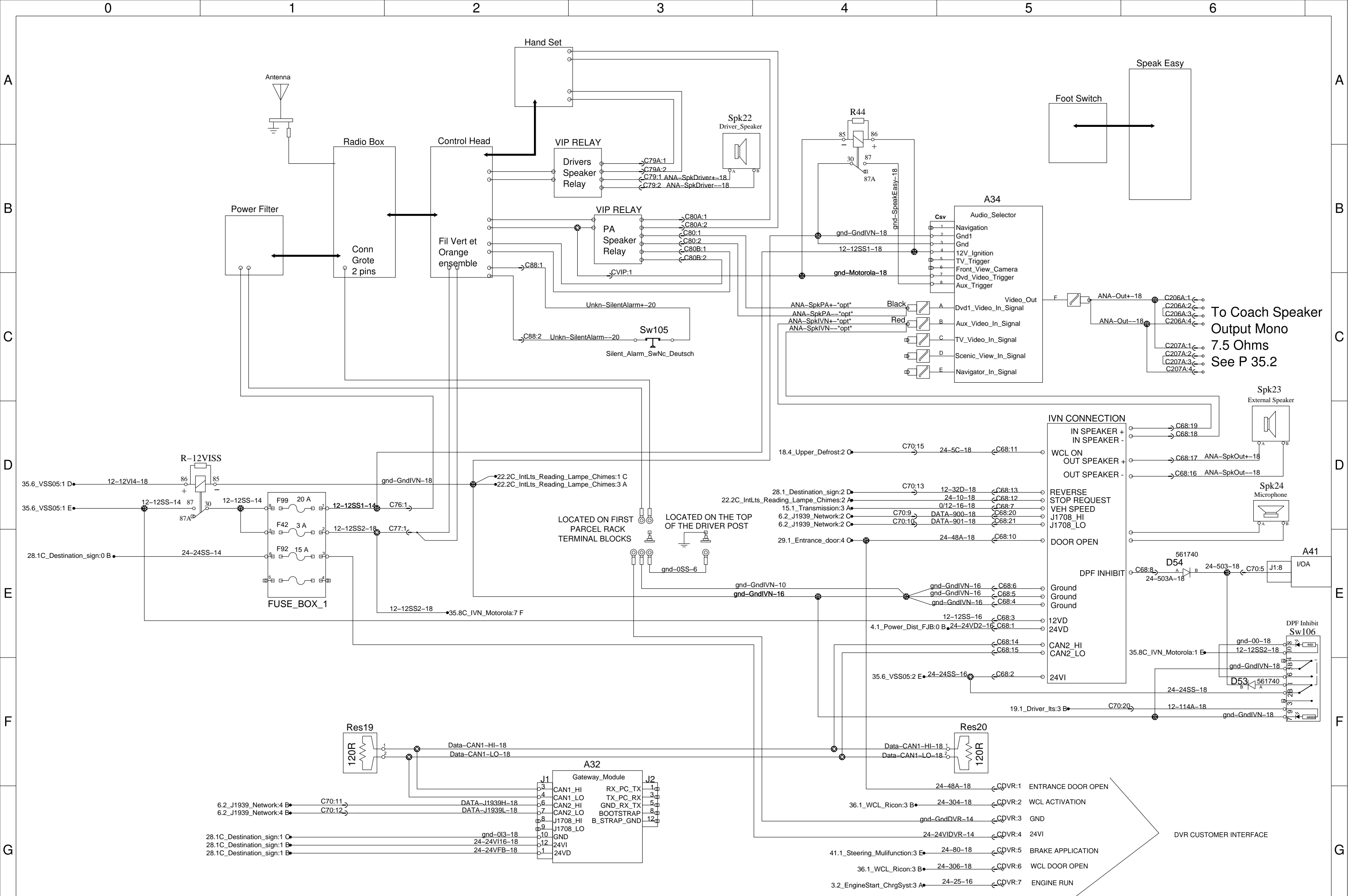


# 8 CHANNEL SEAT AUDIO SYSTEM



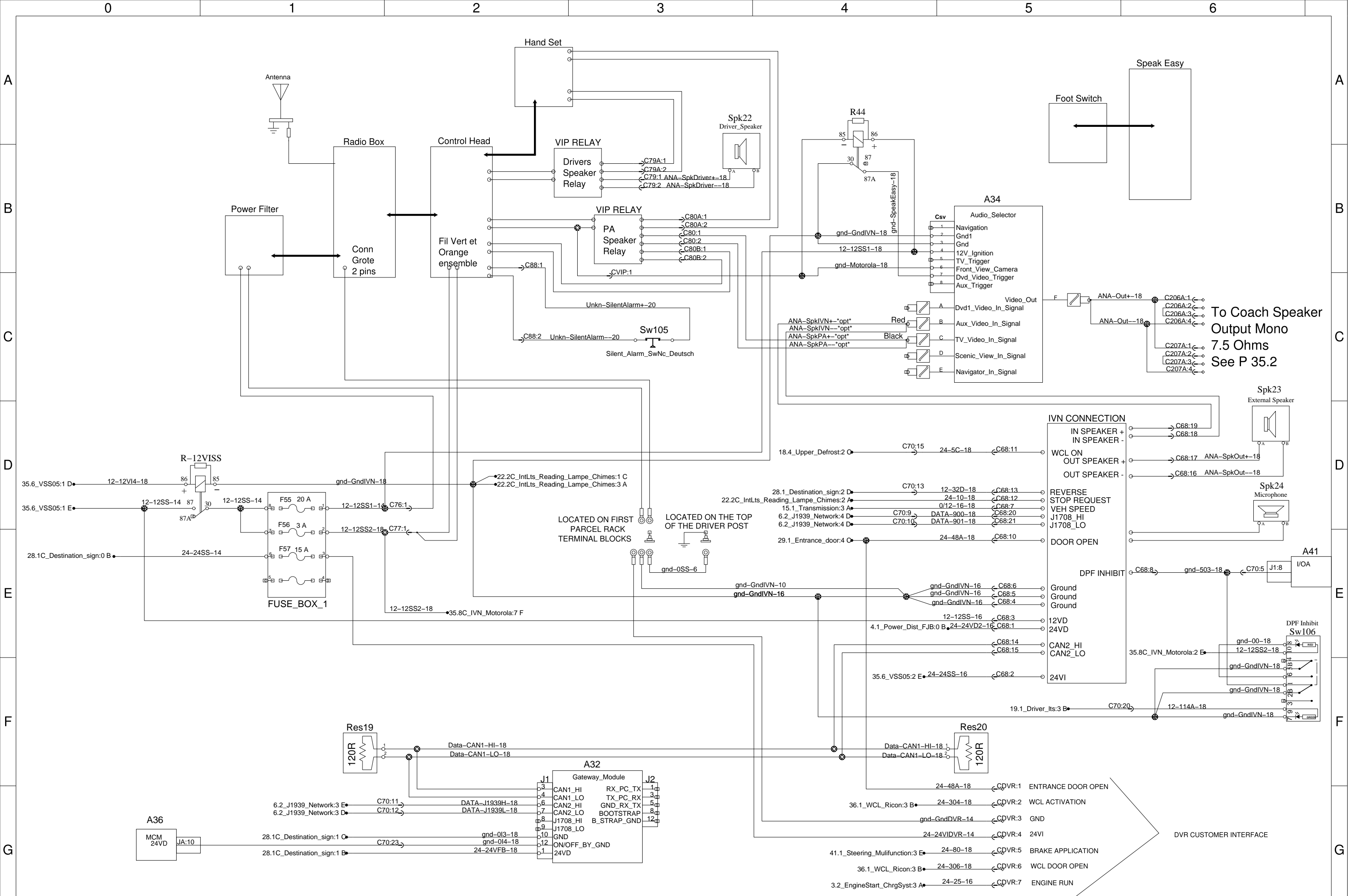
typ. to next module seat audio right passenger seat

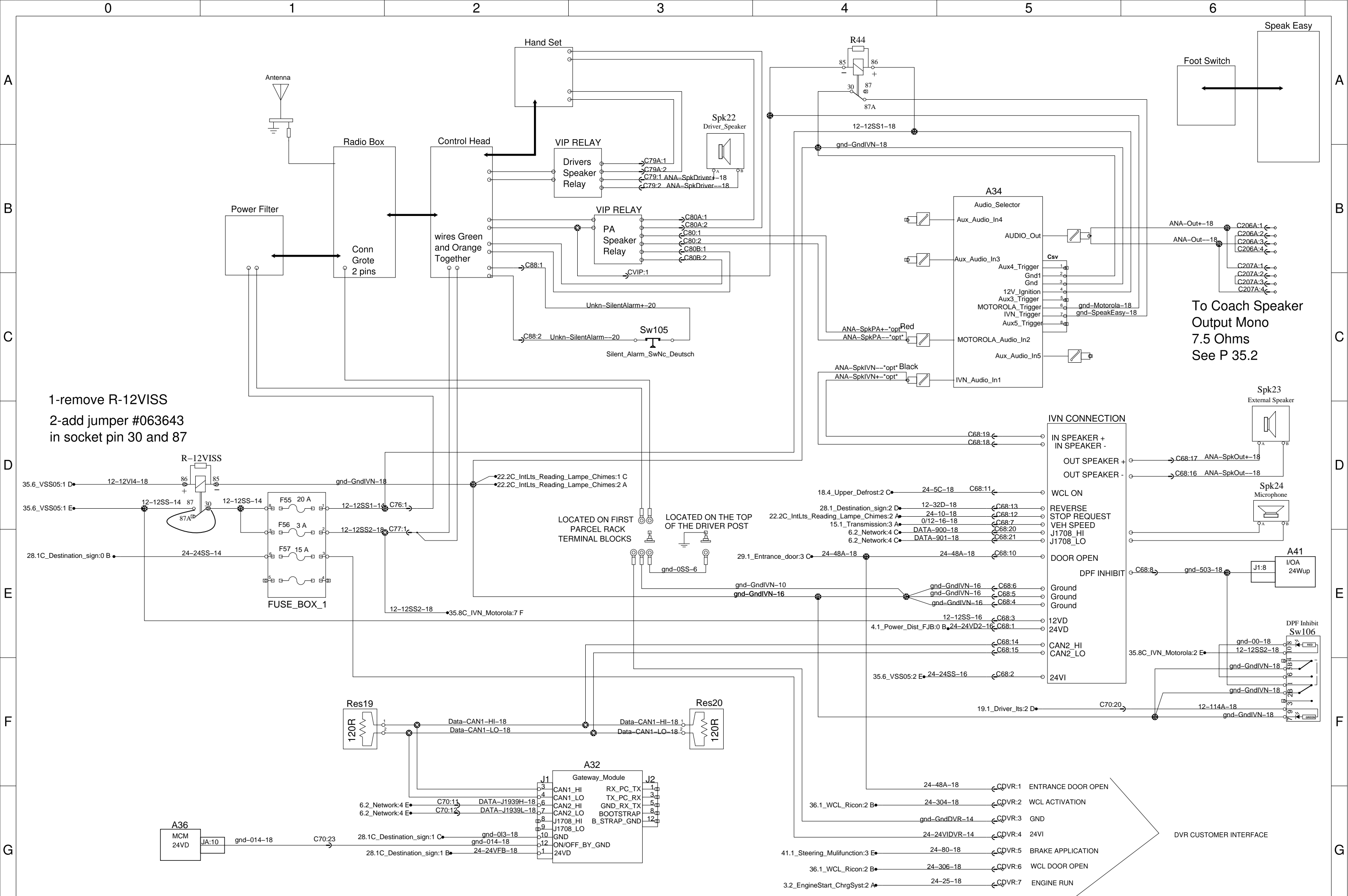
typ. to next module seat audio left passenger seat

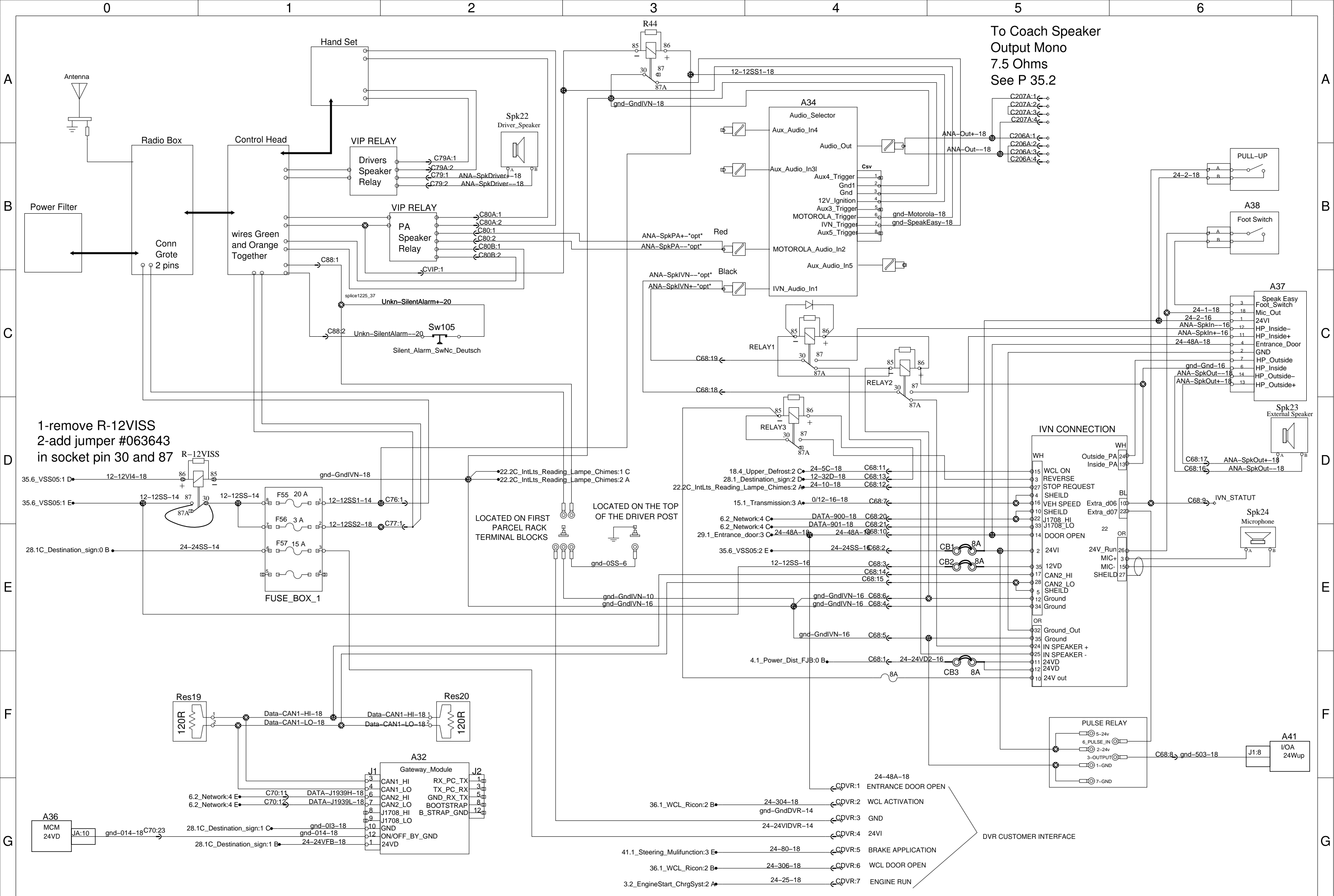






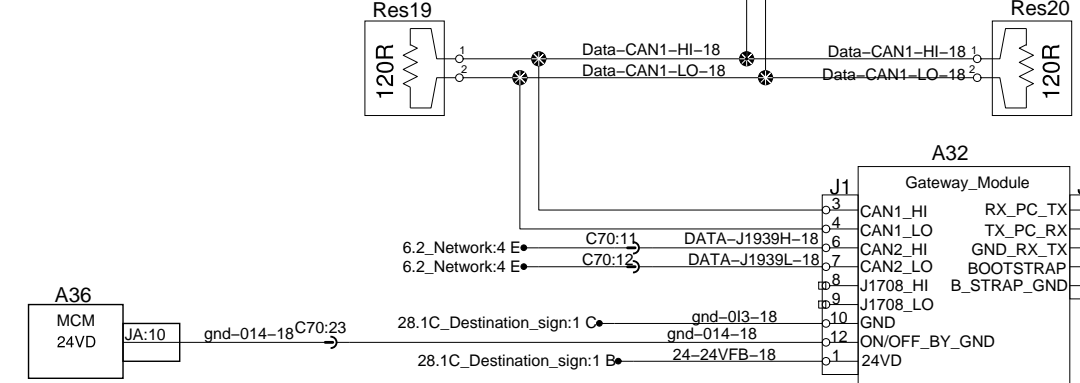






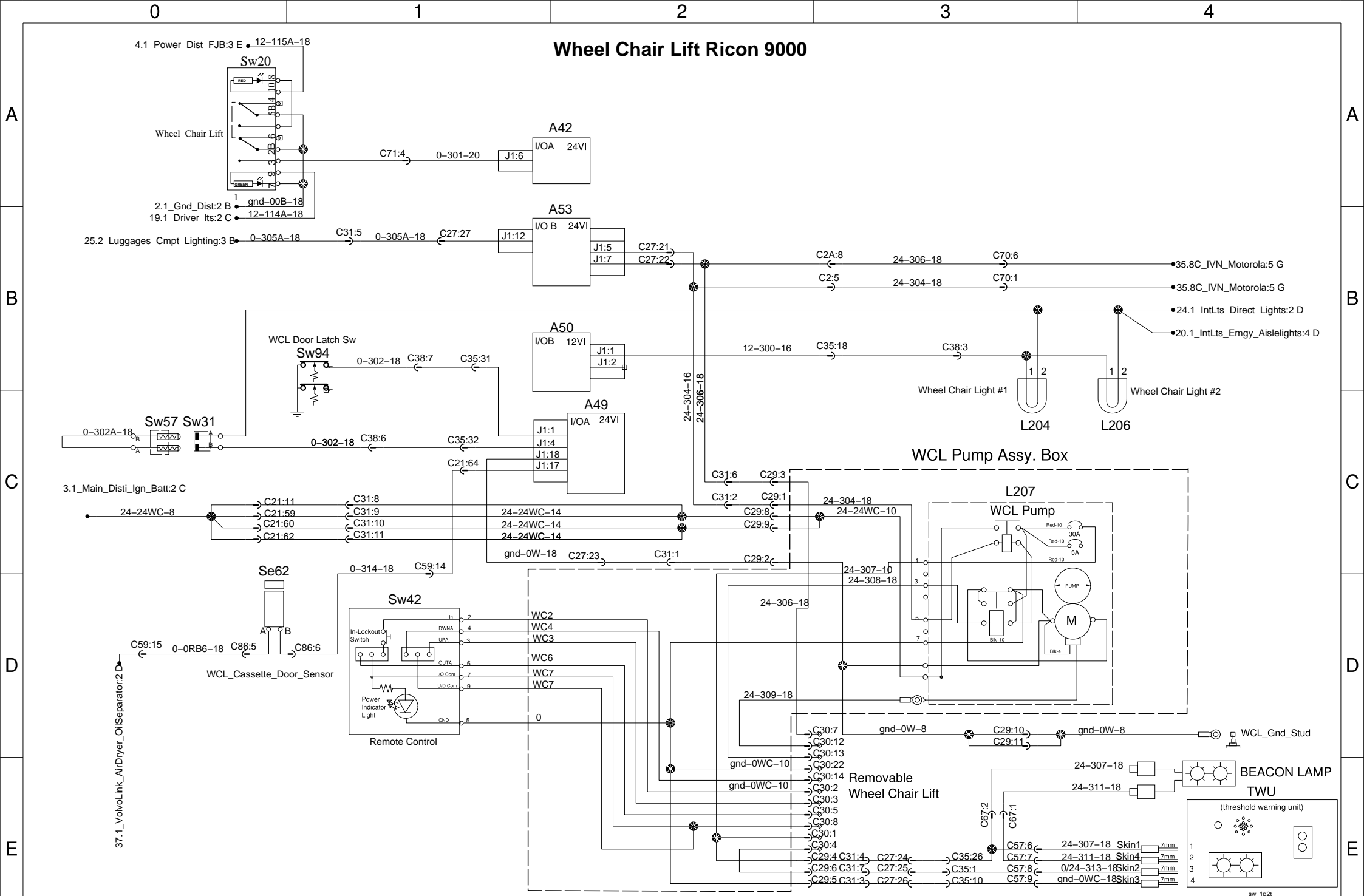
1-remove R-12VISS  
 2-add jumper #063643  
 in socket pin 30 and 87

To Coach Speaker  
 Output Mono  
 7.5 Ohms  
 See P 35.2



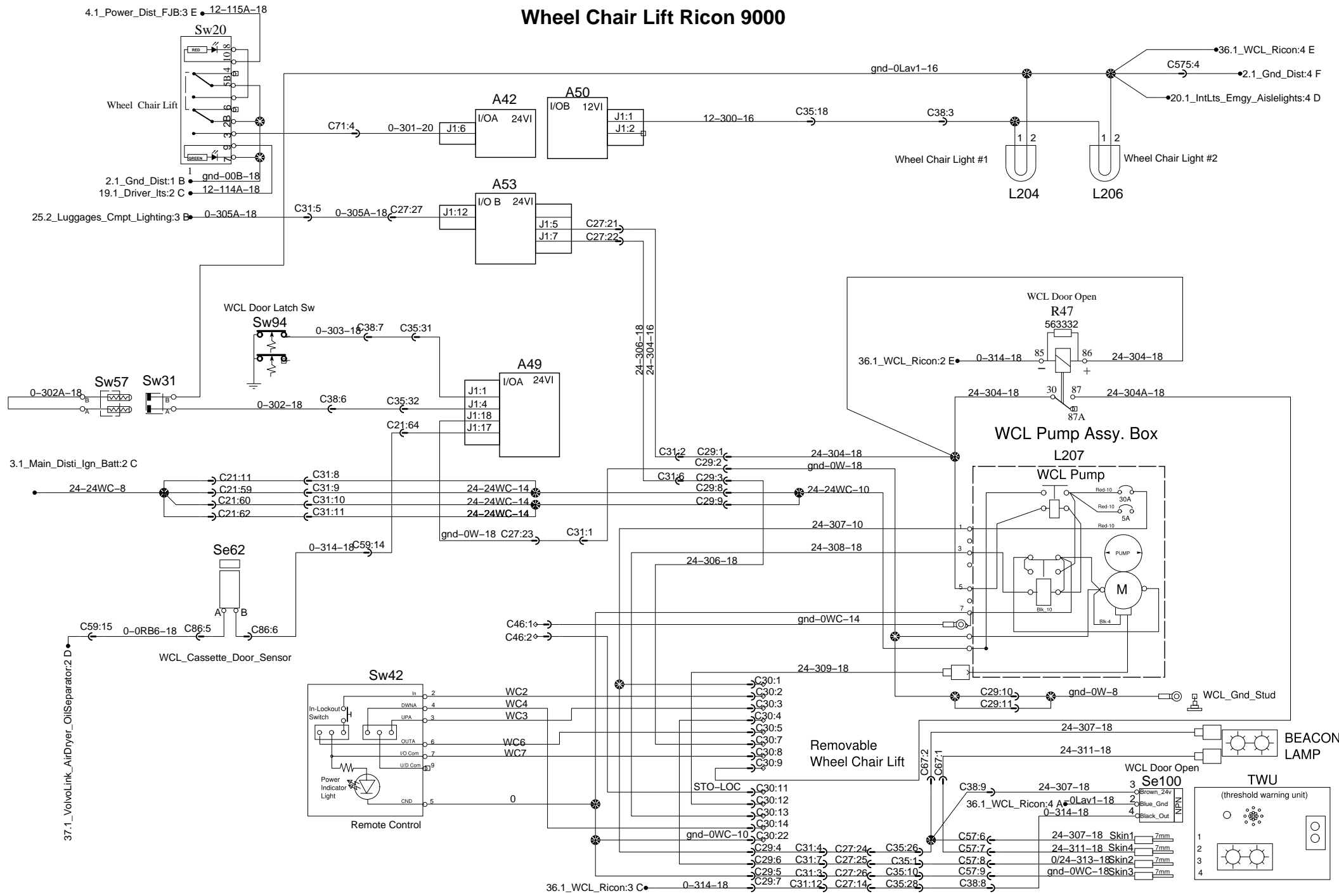
- 36.1\_WCL\_Ricon:2 B → CDVR:1 ENTRANCE DOOR OPEN
- 36.1\_WCL\_Ricon:2 B → CDVR:2 WCL ACTIVATION
- 24-24VIDVR-14 → CDVR:3 GND
- 24-24VD-16 → CDVR:4 24VI
- 41.1\_Steering\_Multifunction:3 E → CDVR:5 BRAKE APPLICATION
- 36.1\_WCL\_Ricon:2 B → CDVR:6 WCL DOOR OPEN
- 3.2\_EngineStart\_ChrgSys:2 A → CDVR:7 ENGINE RUN

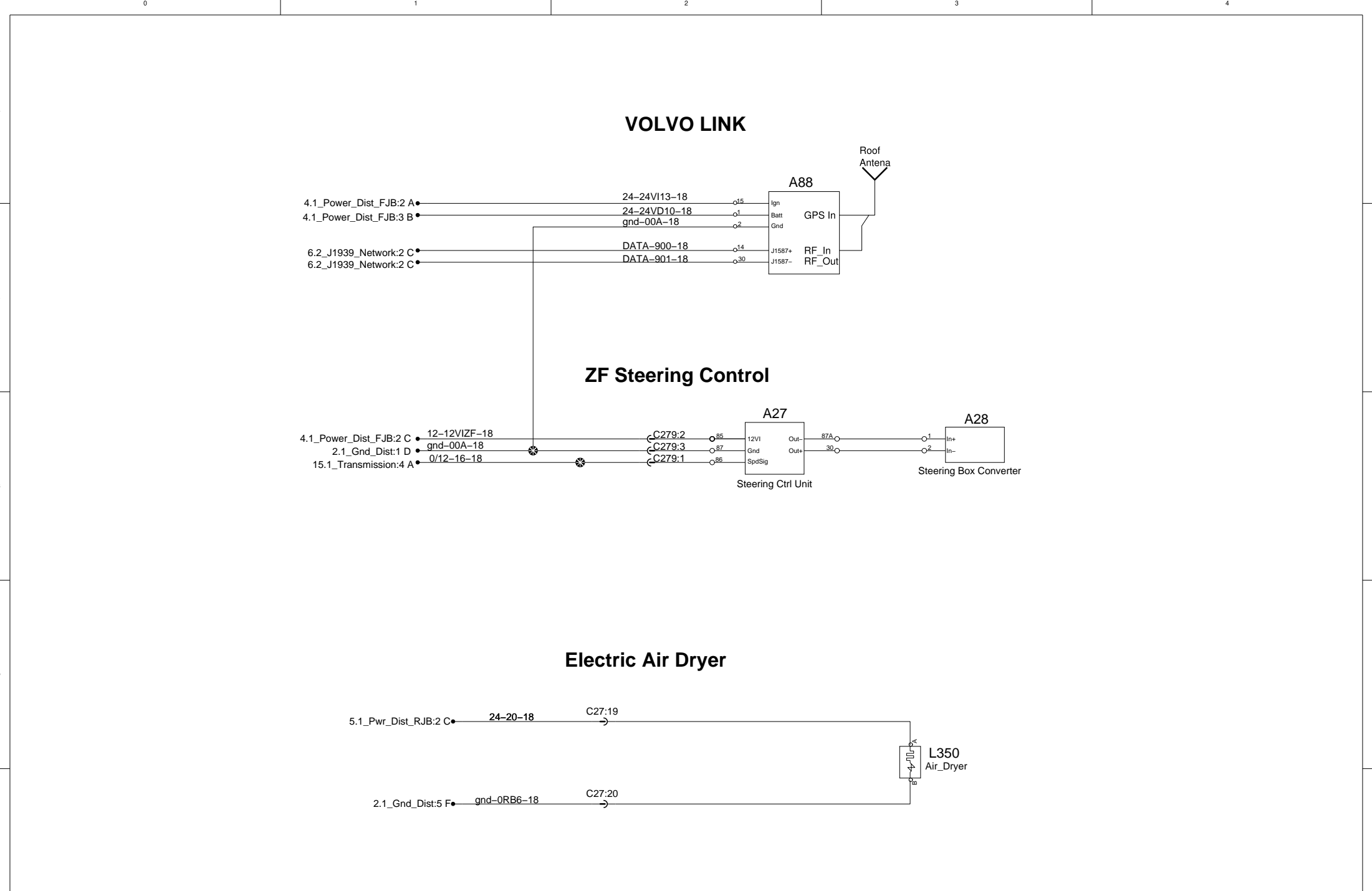






# Wheel Chair Lift Ricon 9000







0

1

2

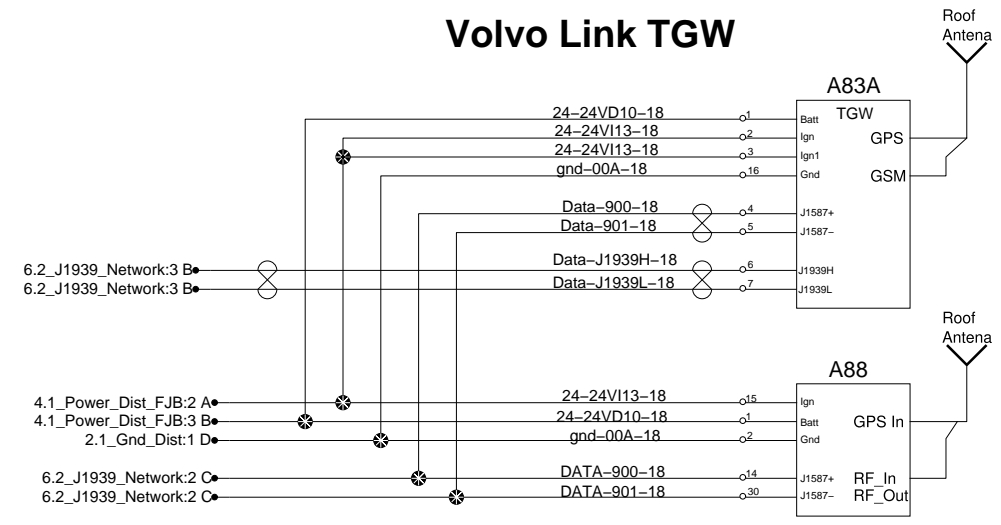
3

4

A

A

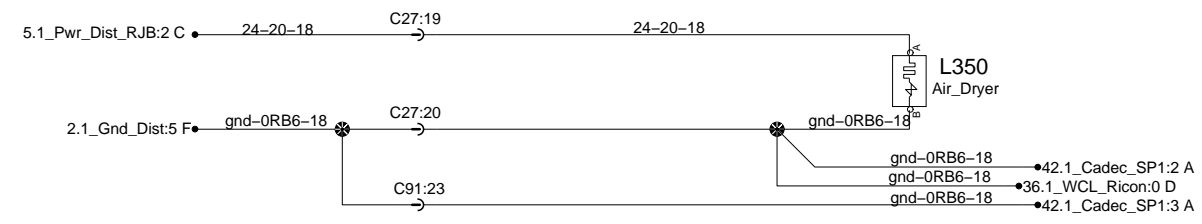
### Volvo Link TGW



B

B

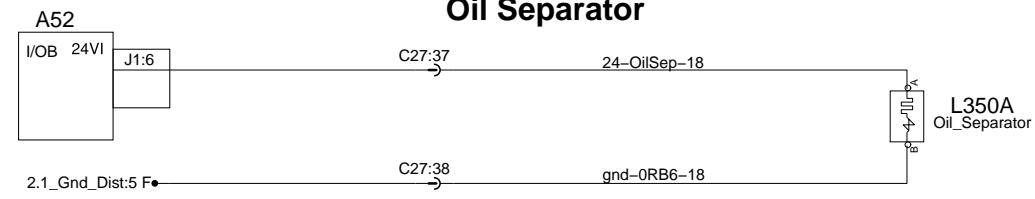
### Electric Air Dryer



C

C

### Oil Separator



D

D

E

E

0

1

2

3

4

0

1

2

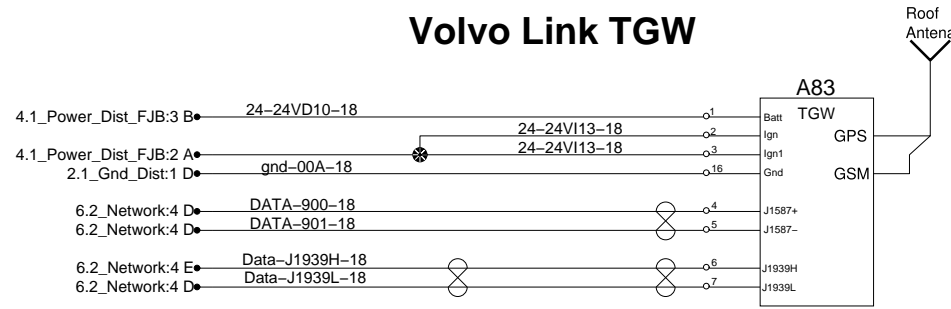
3

4

A

A

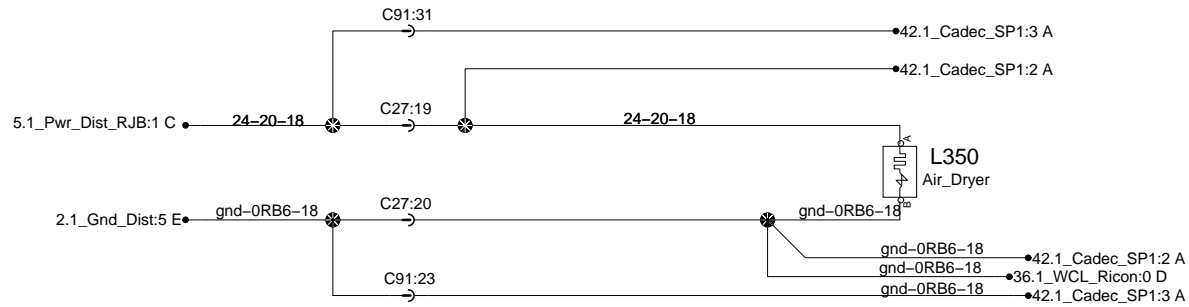
### Volvo Link TGW



B

B

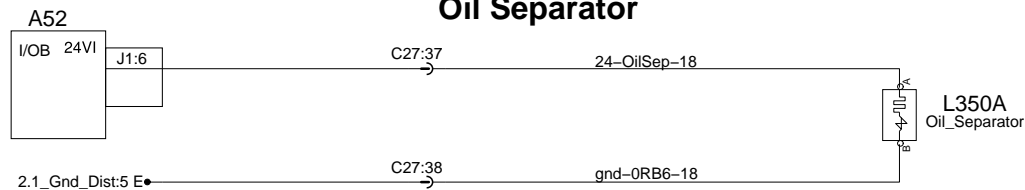
### Electric Air Dryer



C

C

### Oil Separator



D

D

E

E

0

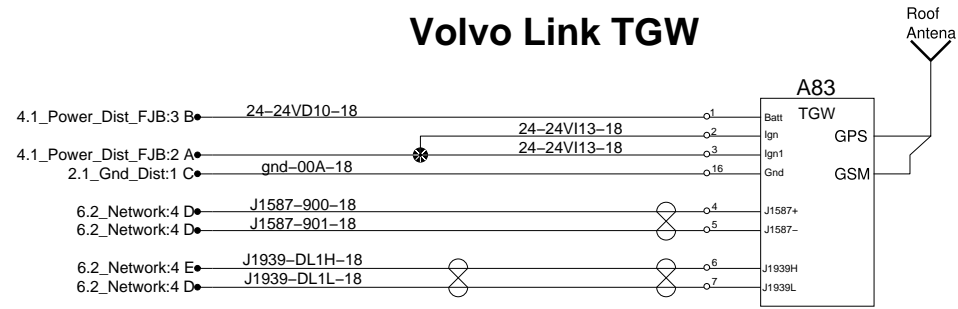
1

2

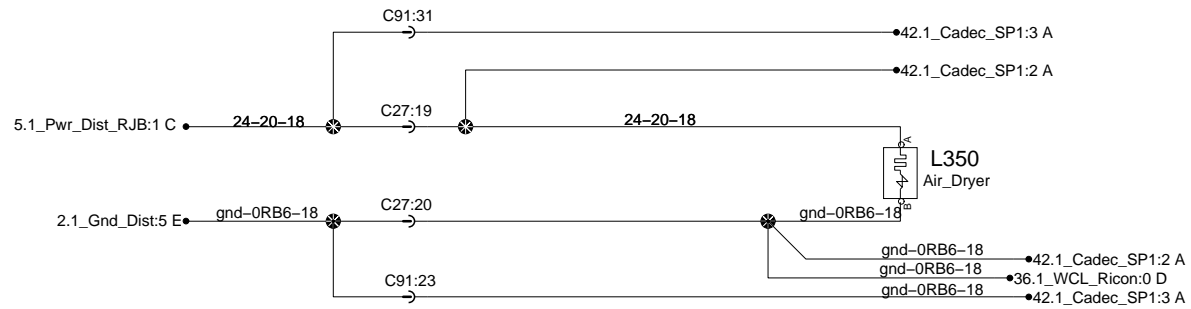
3

4

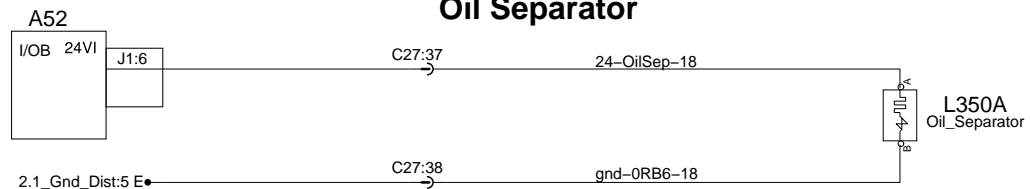
## Volvo Link TGW



## Electric Air Dryer



## Oil Separator



0

1

2

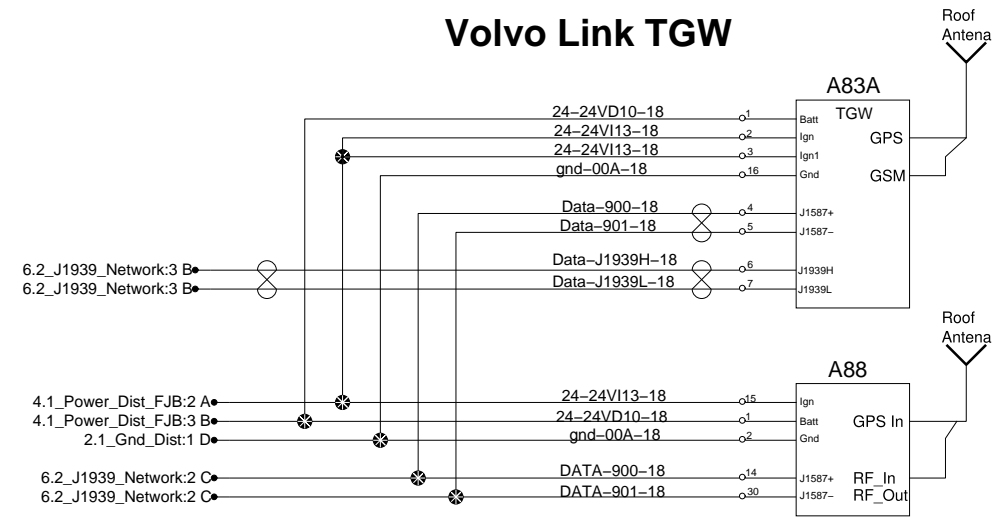
3

4

A

A

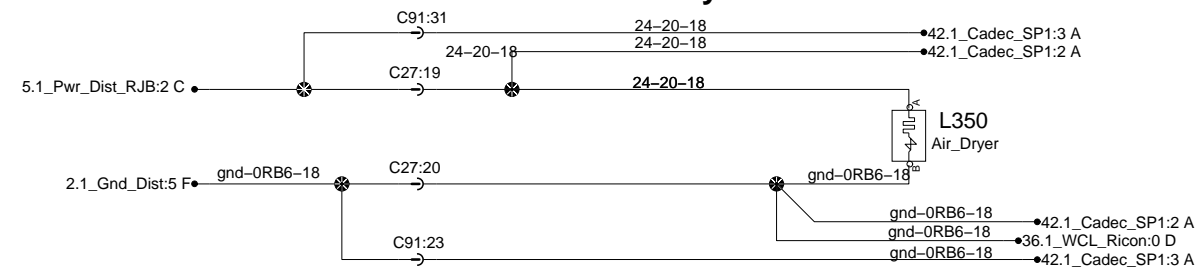
### Volvo Link TGW



B

B

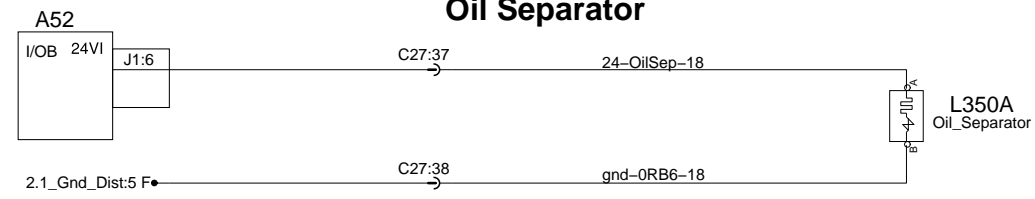
### Electric Air Dryer



C

C

### Oil Separator



D

D

E

E

0

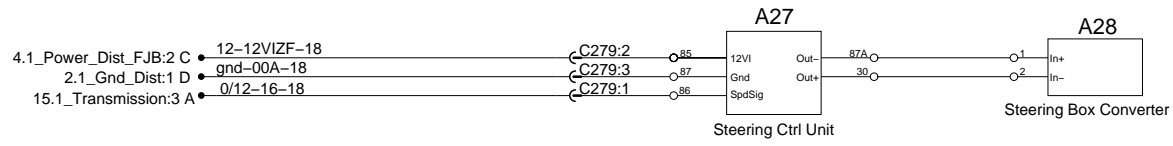
1

2

3

4

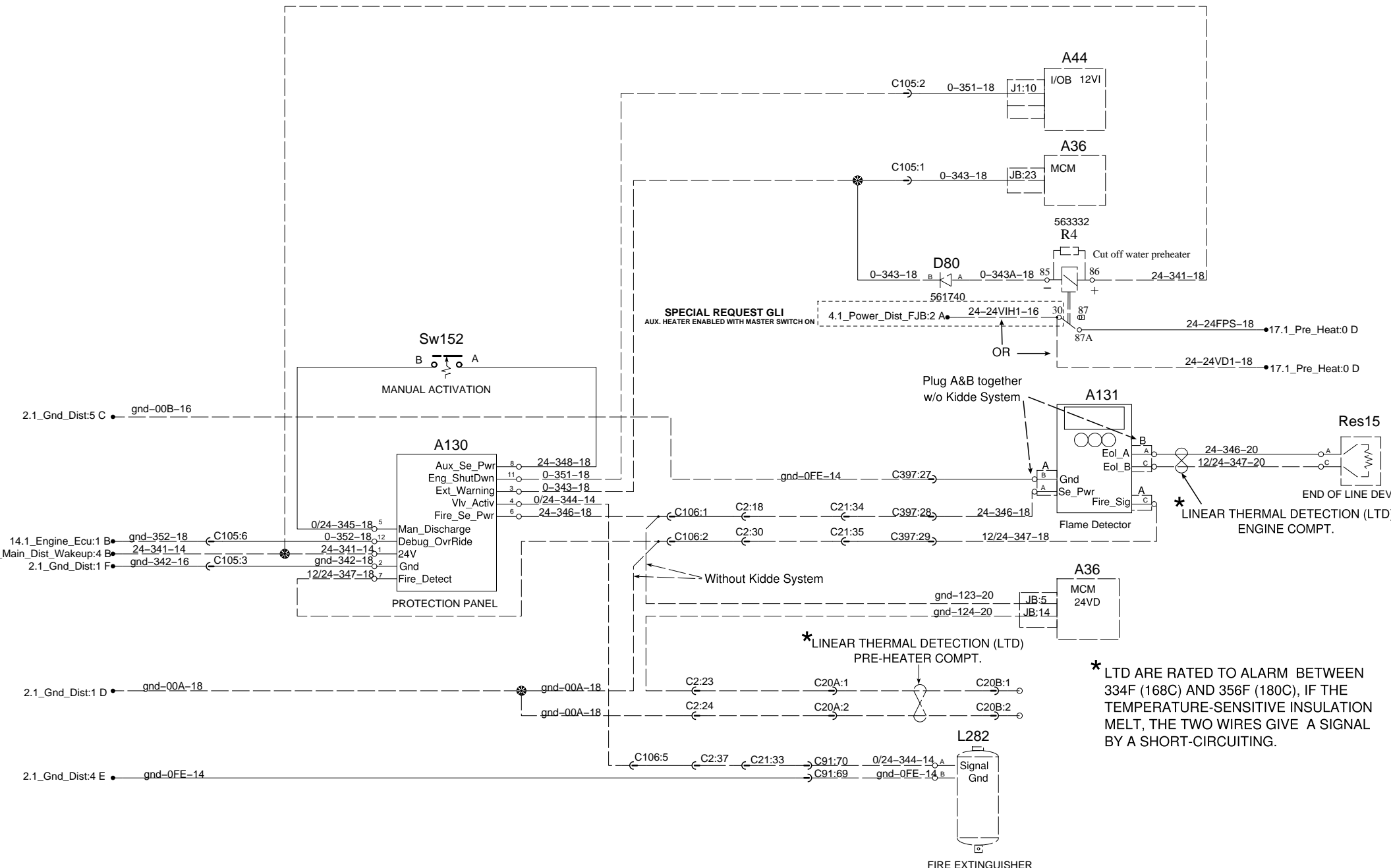
# ZF Steering Control







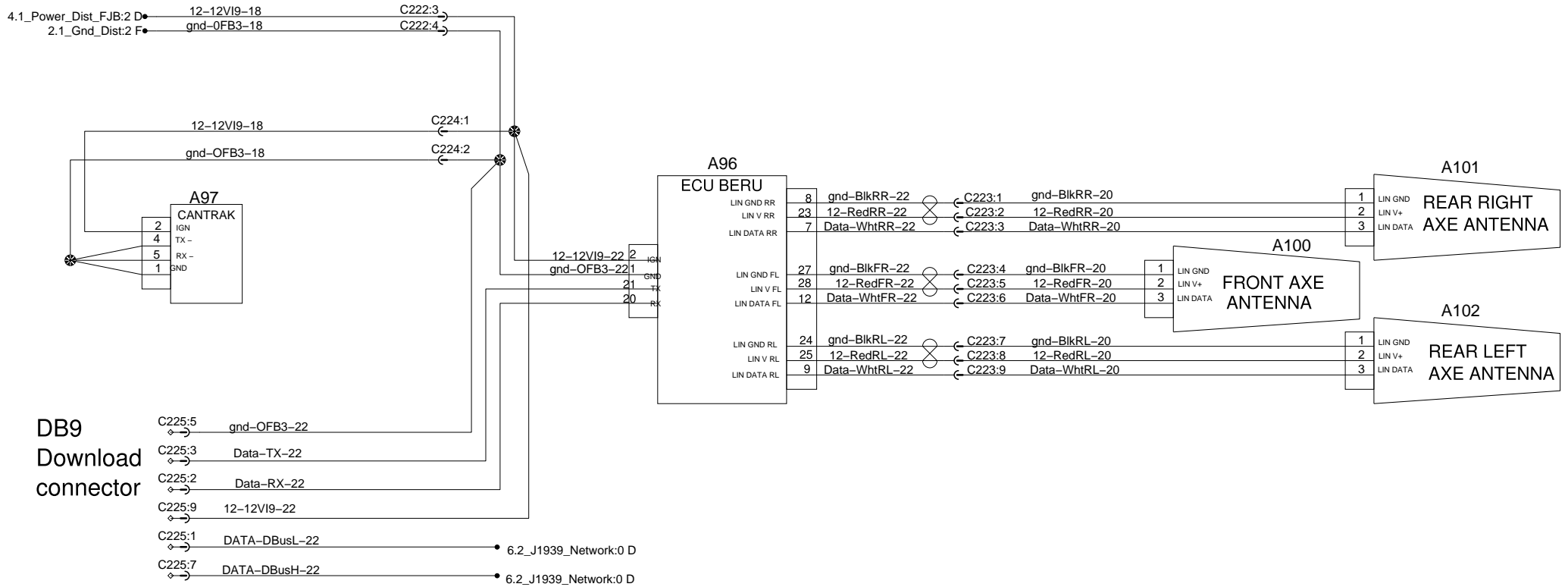
# Automatic Fire Suppression System



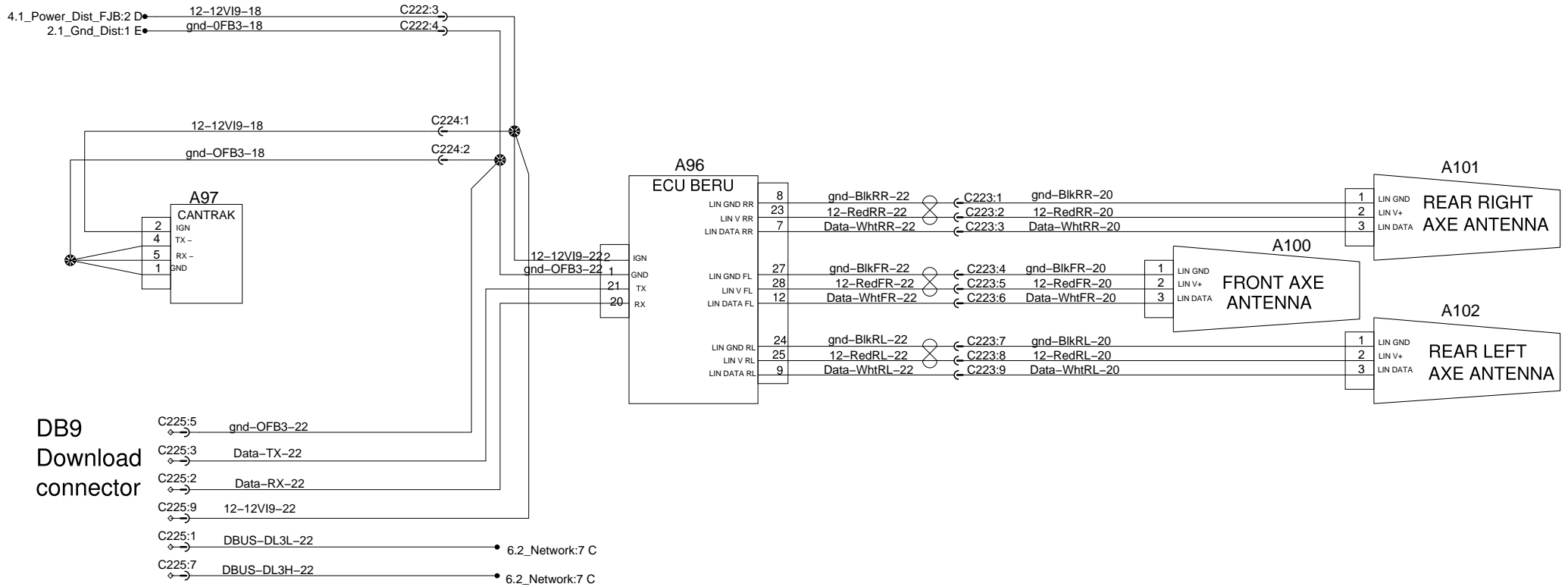




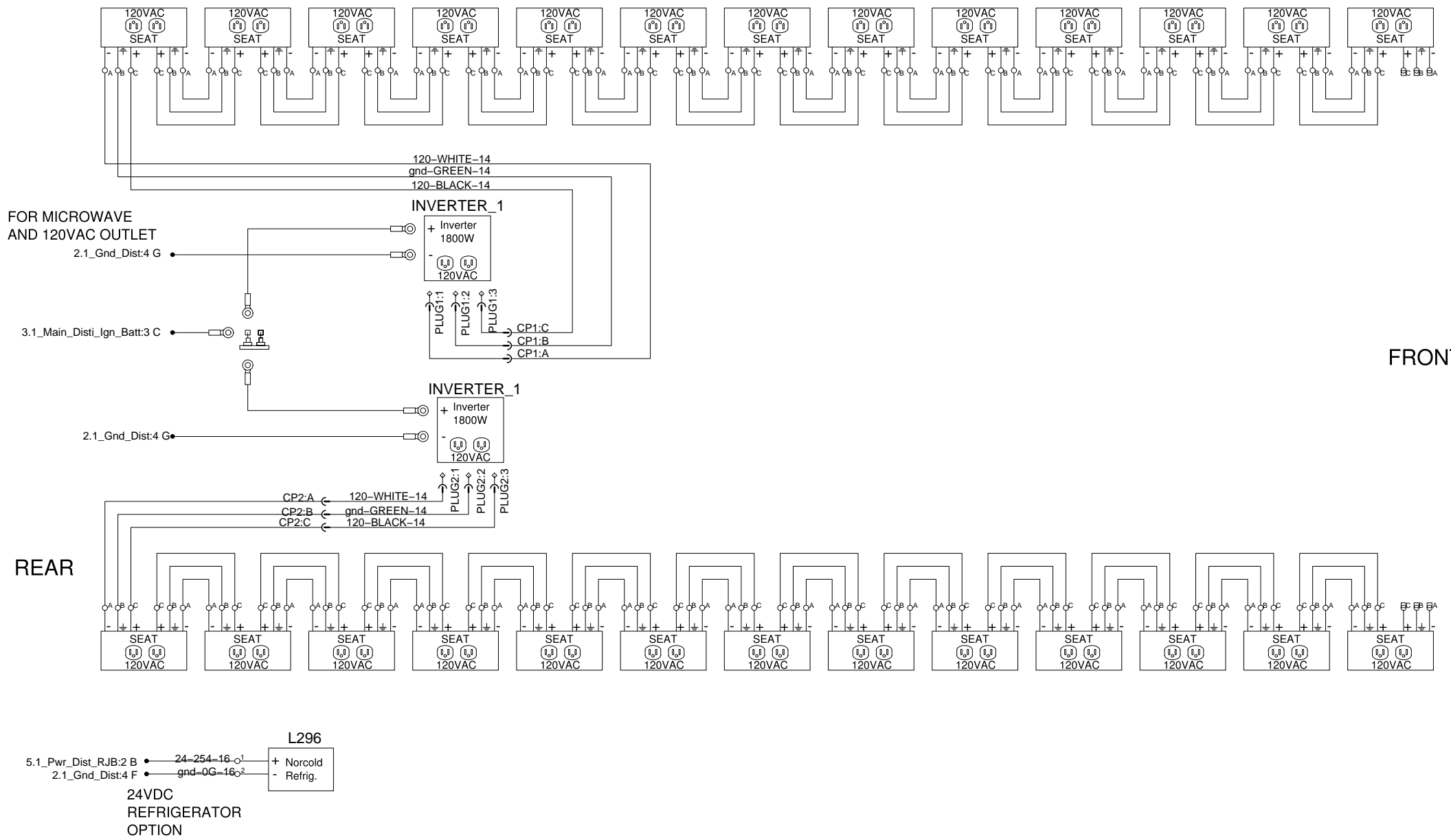
# Tire Pressure Monitoring System



# Tire Pressure Monitoring System

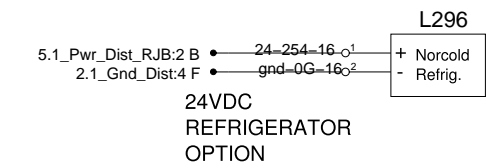


# GALLEY AND 120VAC OUTLET



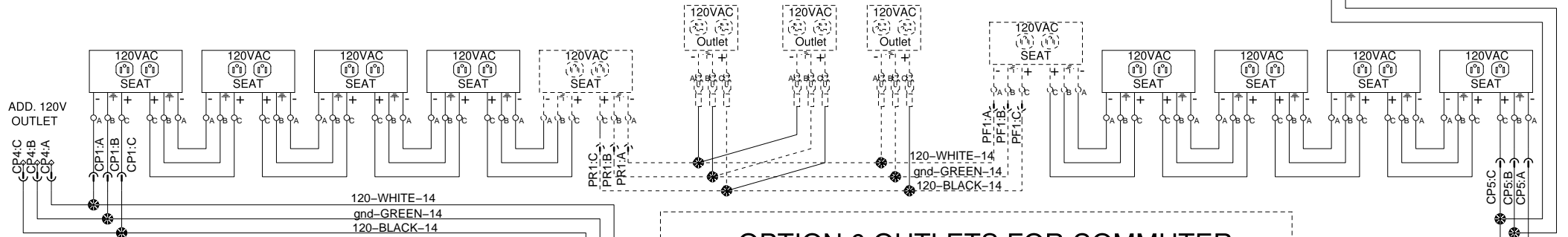
FRONT

REAR



# INVERTERE AND 120VAC OUTLETS

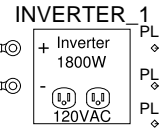
ADD. 120V OUTLET



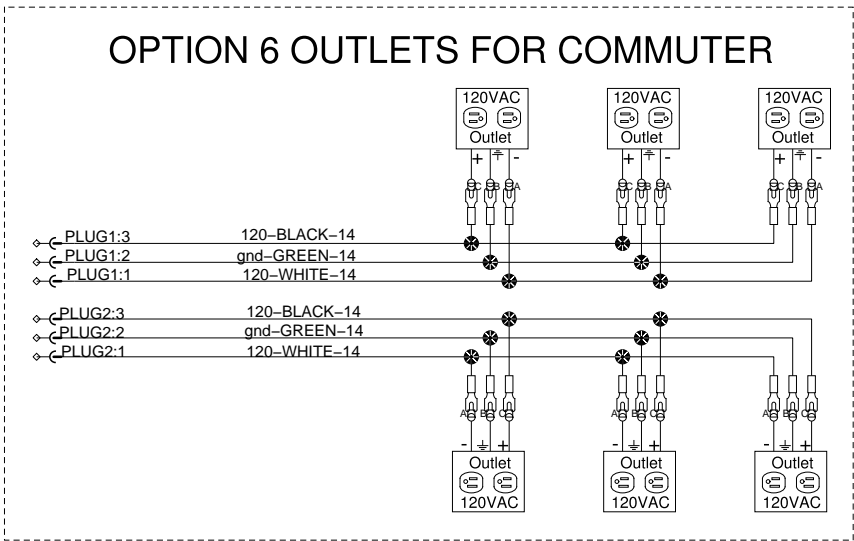
REAR

2.1\_Gnd\_Dist:4 F

3.1\_Main\_Disti\_Ign\_Batt:3 C

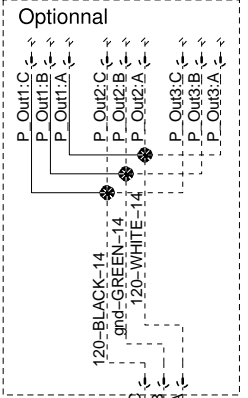


## OPTION 6 OUTLETS FOR COMMUTER

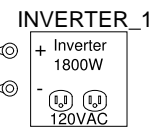


FRONT

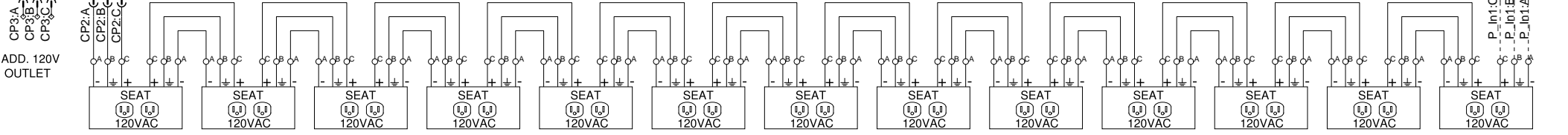
Modesty Panel



2.1\_Gnd\_Dist:4 F



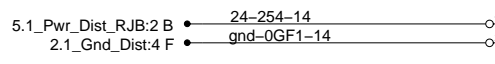
120-WHITE-14  
gnd-GREEN-14  
120-BLACK-14



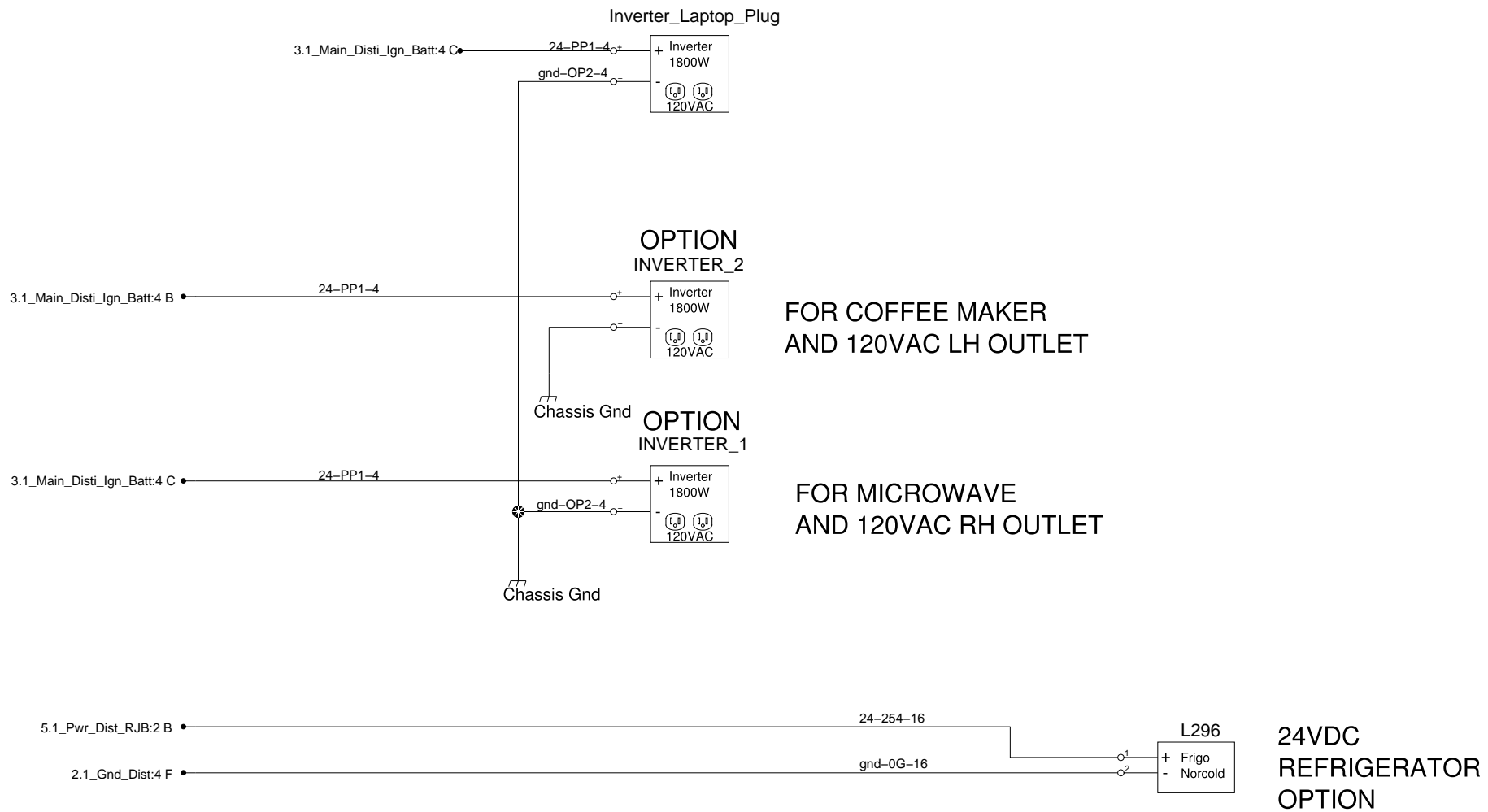
ADD. 120V OUTLET

OPTION L296

24VDC REFRIGERATOR

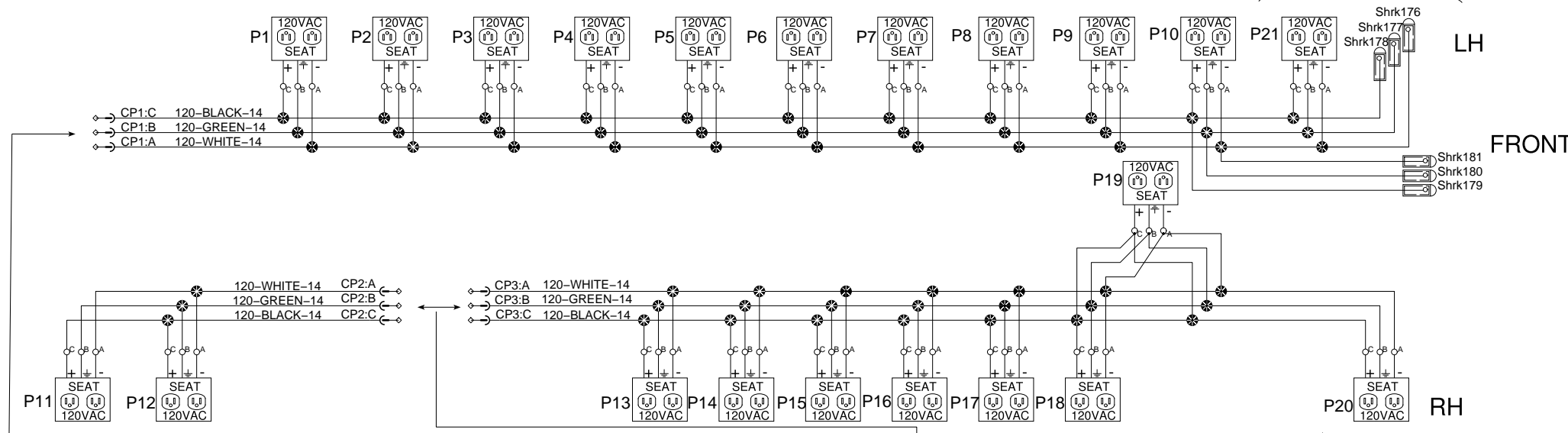


# GALLEY

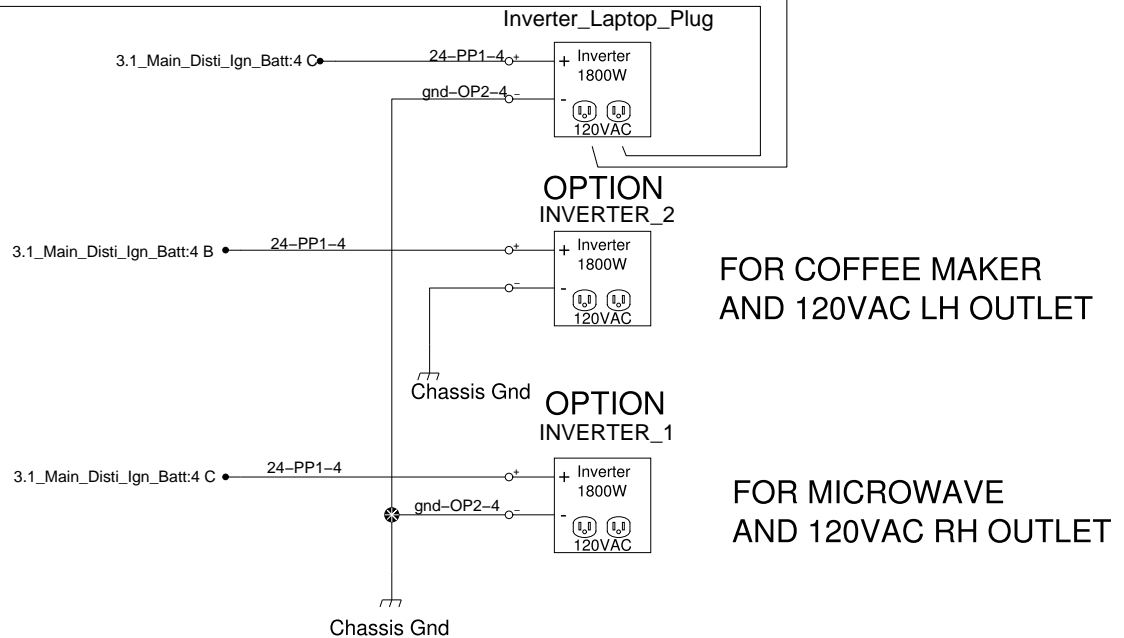


# GALLEY AND 120VAC OUTLET

P21De plus pour 55 PASS

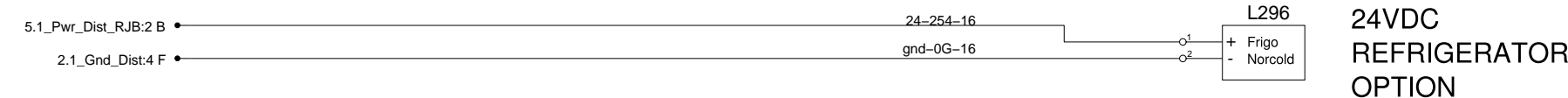


P20 de plus pour 55 Pass

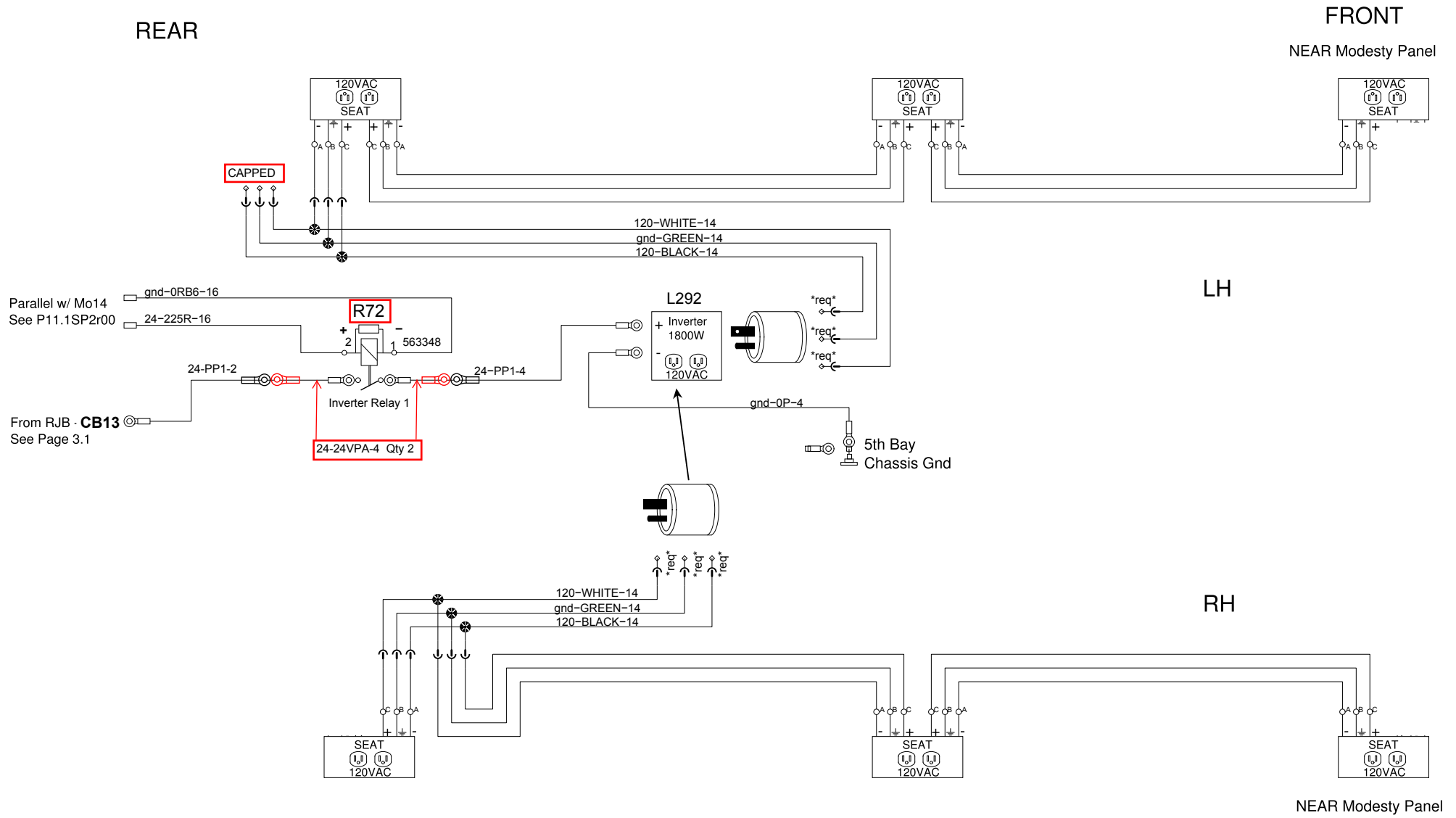


FOR COFFEE MAKER  
AND 120VAC LH OUTLET

FOR MICROWAVE  
AND 120VAC RH OUTLET



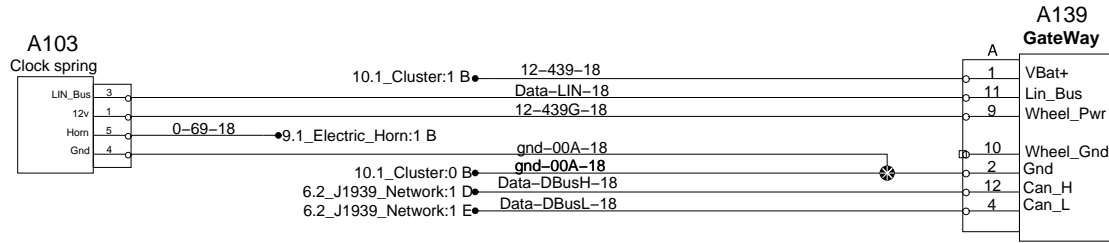
# INVERTERS & 120VAC OUTLETS



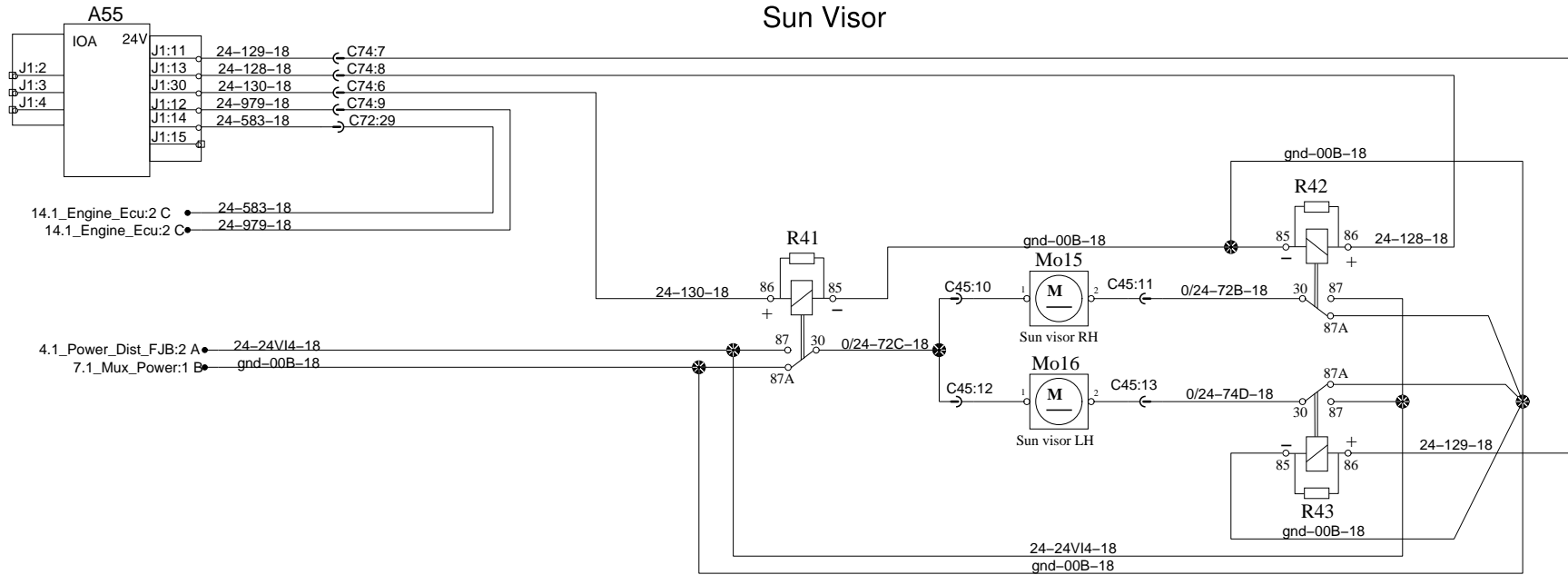




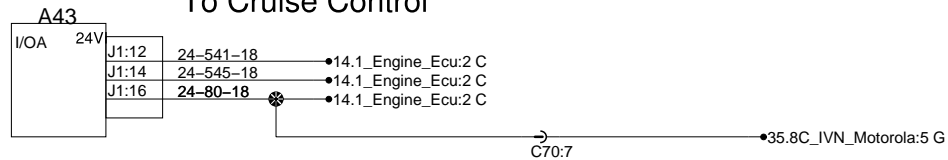
# Steering Multifunctions



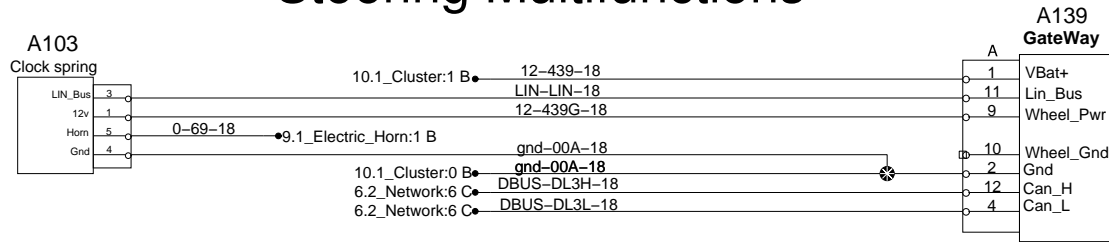
## Sun Visor



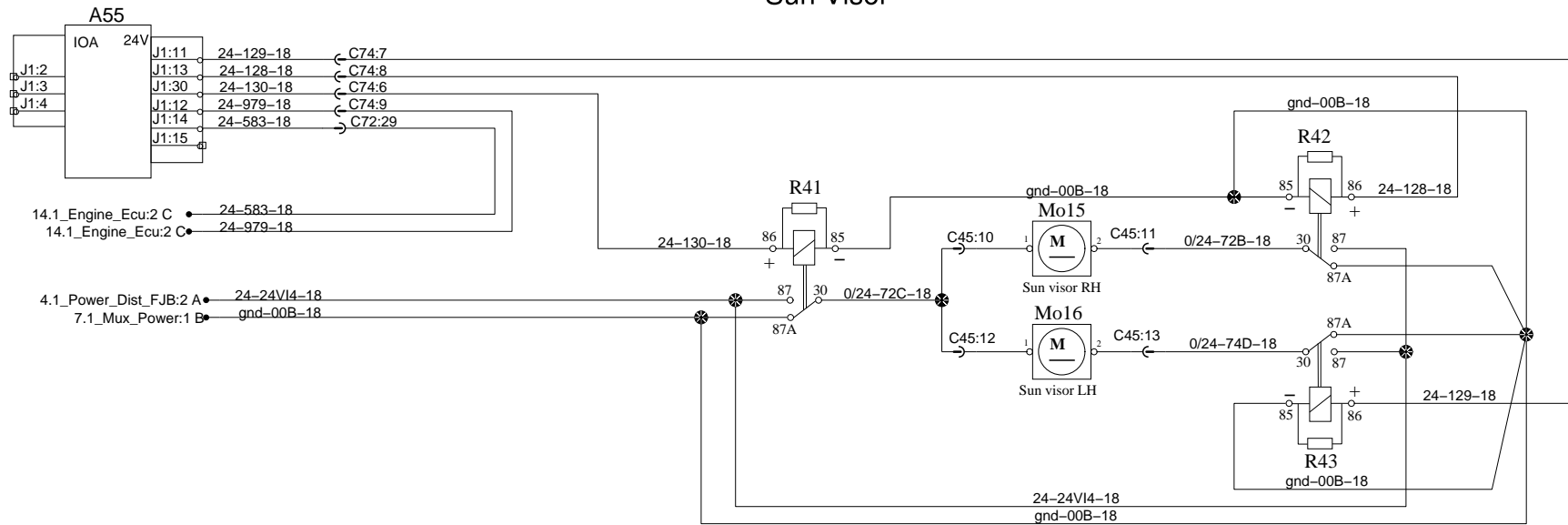
## To Cruise Control



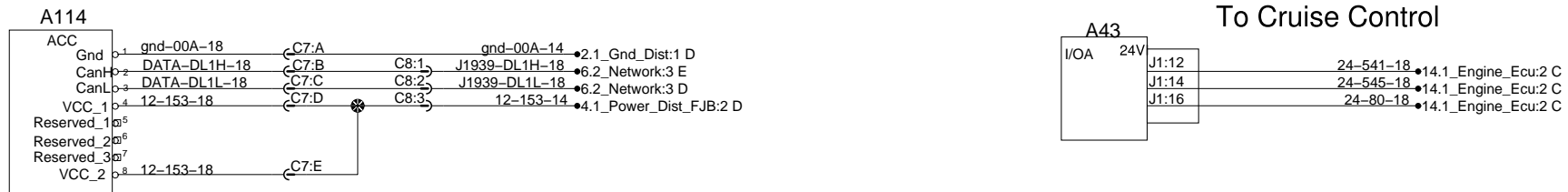
# Steering Multifunctions



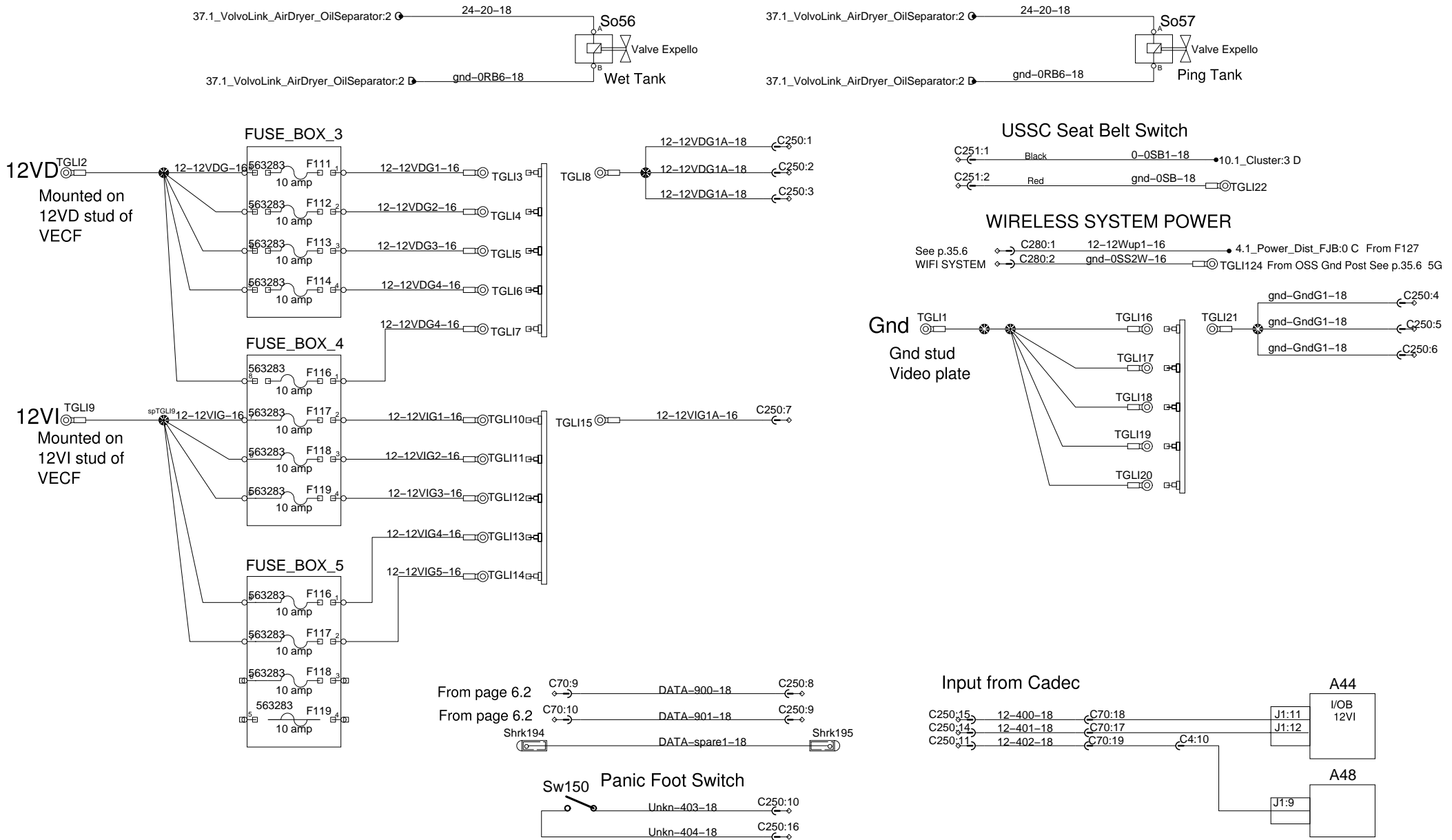
# Sun Visor



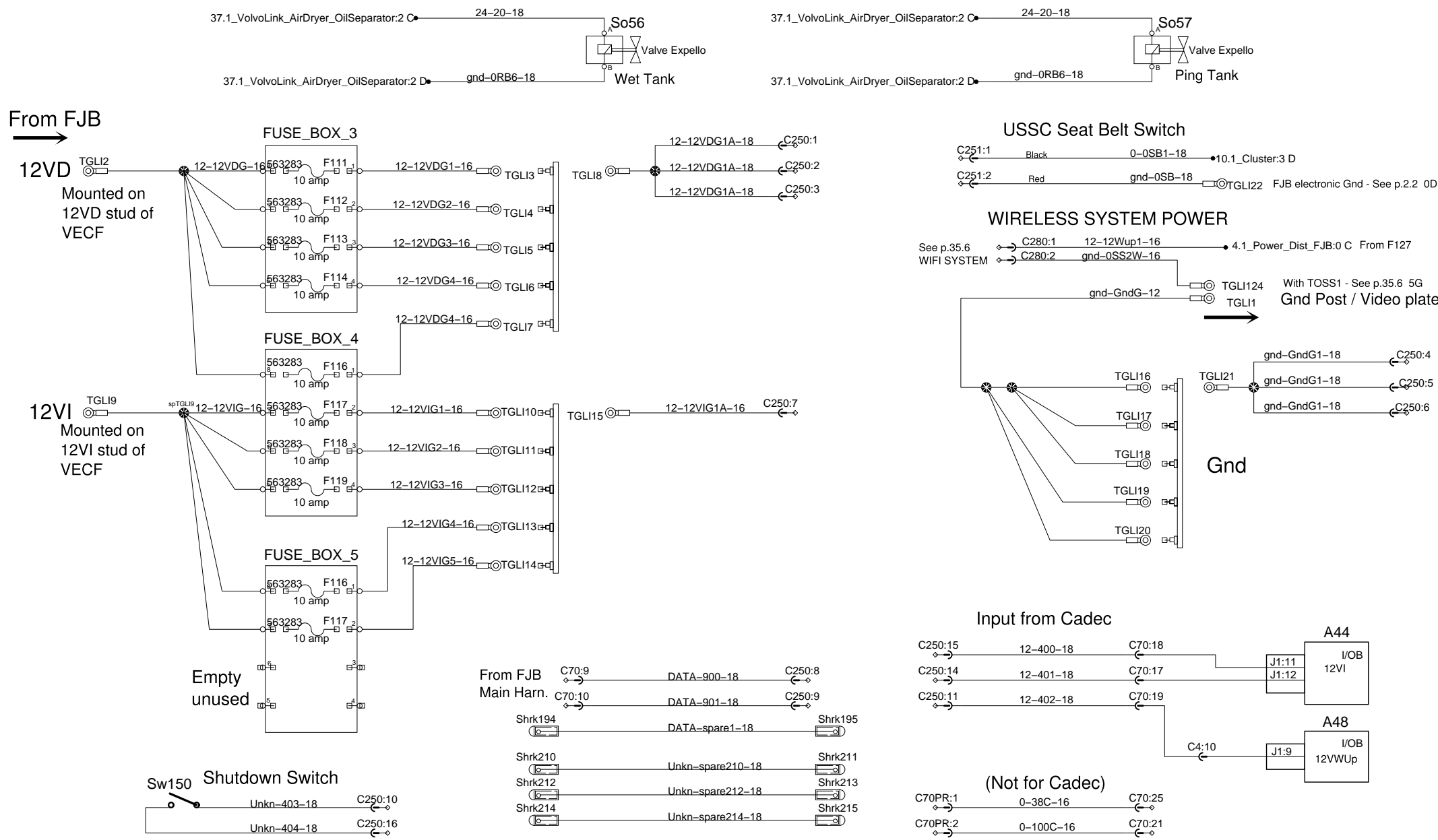
# Adaptive Cruise Control Radar



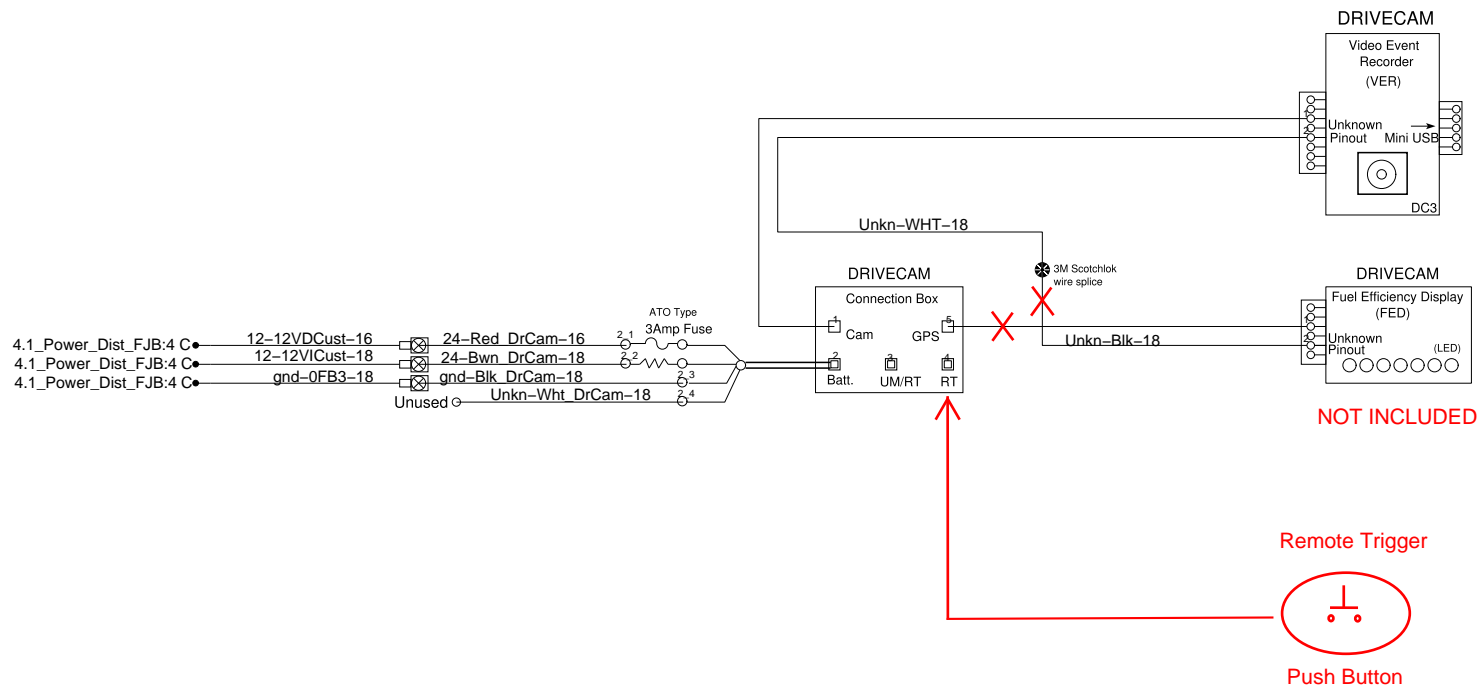
# Cadec and Seat Belt Alarm



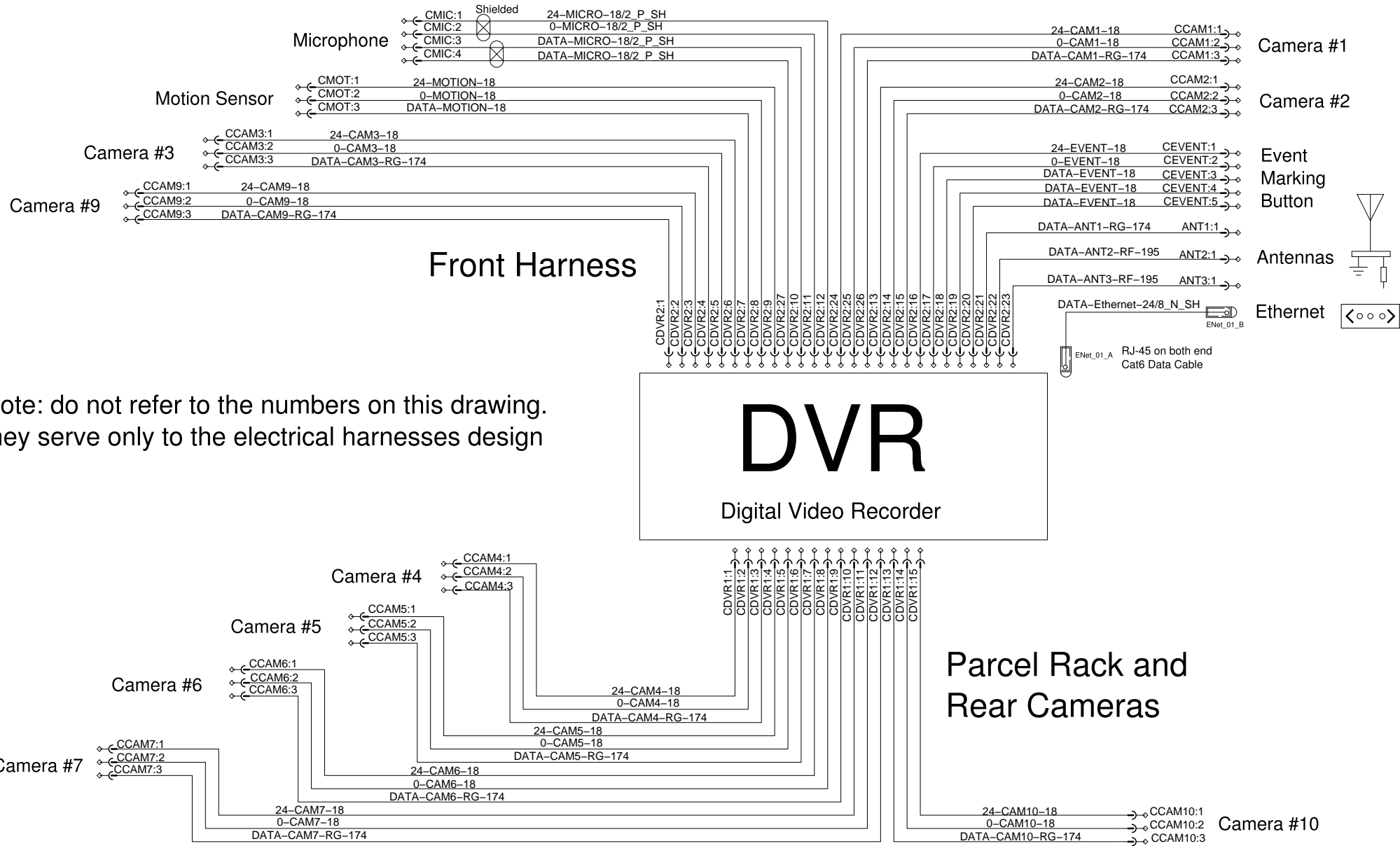
# Cadec and Seat Belt Alarm



# GLI SPECIAL REQUEST DRIVECAM FUEL EFFICIENCY DISPLAY



# CAMERA READY OPTION



Note: do not refer to the numbers on this drawing. they serve only to the electrical harnesses design

# SNOW CHAINS

