

--

--

NO:

EFF. W/ OC#	PRIOR TO / OC#
-------------	----------------

DR.

DATE:

EFF. W/ VEH.#	PRIOR TO / VEH.#
---------------	------------------

CK.

APPR.

--

--

--

--

WIRING DIAGRAM INDEX

A A/C, HEAT & VENT. SYSTEM Page: 13.1 AIR DRYER Page: 8.1 ALARM & SIGNAL Page: 7.2 ABS Page: 21.1 ARRANGEMENT - CABLE Page: B ARRANGEMENT - HARNESS Page: C ARRANGEMENT - SPARE WIRE Page: D	E ENGINE BLOCK HEATER Page: 12.1 ENGINE BRAKE SYSTEM Page: 19.1 ENGINE CONTROL Page: 4.1 ENTRANCE DOOR SEDAN Page: 16.1 ETHER COLD START Page: 8.1 EXTERIOR LIGHTING Page: 9.1	R RETARDER - WORLD TRANSM. Page: 19.1 S SPEED SWITCH (MANUAL TRANS.) 15.1 SOUND & VIDEO SYSTEM Page: 20.1 SPEAKER PASSENGER Page: 20.2 SPEEDOMETER Page: 7.1 SUN VISOR Page: 14.1
B BACK-UP ALARM Page: 9.3 BACK-UP MONITOR Page: 27.1 BATTERY CHARGER Page: 11.4 BATTERY STANDARD AND 8D Page: 1.2	F FAN-CLUTCH RADIATOR Page: 8.1 FAST IDLE - DDEC Page: 5.1 FIRE DETECTOR Page: 7.2 FRONT DESTINATION SIGN Page: 17.1 FRONT CAMERA Page: 20.6 FUEL WATER FILTER Page: 8.1 FUEL PRIME PUMP Page: 12.1	T TELL TALE LIGHT MODULES Page 28.1 TRANSMISSION - MANUAL Page: 15.1 TRANSMISSION - WORLD Page: 6.1 TRANSMISSION - EATON Page: 6.3 TACHYMETER Page: 7.1
C CLUSTER Page: 7.1 CHARGING SYSTEM Page: 4.2 CIGAR LIGHTER Page: 14.1 CODE - CIRCUIT NUMBER Page: E CODE - CIRCUIT BREAKER Page: F CODE - CONNECTOR Page: G CODE - DIODE Page: H CODE - RELAY Page: I CODE - RESISTOR Page: J CODE - WIRING KEY Page: K CODE - FUSE Page: L CODE - MODULE Page: M CRUISE CONTROL - DDEC Page: 5.1 CB OPTION Page: 20.5	G GALLEY ACCESSORIES Page: 23.1 GROUND SYSTEM Page: 3.1 H HIGH BUOY Page: 18.1 HOTESS CHIME Page: 12.1 I INTERIOR LIGHTING Page: 11.1 INTERCOM Page: 27.1 K KNEELING SYSTEM Page: 18.1 L LAVATORY Page: 17.1 LOW BUOY Page: 18.1 LUGGAGE DOOR LOCK Page: 19.1	W WATER HEATER PRE-HEAT Page: 26.1 WATER TANK HEATER LAVATORY Page: 12.1 WHEEL CHAIR LIFT - RICON 9000 Page: 25.2 WHEEL CHAIR LIFT - STEW. & STEV. Page: 25.1 WINDOW AJAR Page: 7.2 WINDSHIELD (UP) FAN DEFROSTOR Page: 22.1 WINDSHIELD (UP) HEATED Page: 22.1 WIPER & WASHER Page: 10.1
D DDEC III & IV Page: 5.1 DIGITAL CLOCK Page: 14.1 DISTRIBUTION 12V, 24V Page: 1.1 DISTRIB. 12V DISC., IGN & HOT WIRE Page: 2.1 DRIVER'S WINDOW LIFTER Page: 14.1	M MIRROR-REAR VIEW Page: 24.1 P PARKING BRAKE SWITCH Page: 8.1 POWER 12V OUTLET Page: 14.1 PRODRIVER Page: 8.1	

WIRING DIAGRAM INDEX

A A/C, HEAT & VENT. SYSTEM AIR DRYER ALARM & SIGNAL ABS ARRANGEMENT - CABLE ARRANGEMENT - HARNESS ARRANGEMENT - SPARE WIRE	Page: Page: Page: Page: Page: Page:	13.1 8.1 7.2 21.1 B C D	E ENGINE BLOCK HEATER ENGINE BRAKE SYSTEM ENGINE CONTROL ENTRANCE DOOR SEDAN ETHER COLD START EXTERIOR LIGHTING	Page: Page: Page: Page: Page: Page:	12.1 19.1 4.1 16.1 8.1 9.1	POWER 12V OUTLET PRODRIVER R RETARDER - WORLD TRANSM. S SPEED SWITCH (MANUAL TRANS.) SOUND & VIDEO SYSTEM SPEAKER PASSENGER SPEEDOMETER SUN VISOR	Page: Page: Page: Page: Page: Page:	14.1 8.1 19.1 15.1 20.1 20.2 7.1 14.1
B BACK-UP ALARM BACK-UP MONITOR BATTERY CHARGER BATTERY STANDARD AND 8D	Page: Page: Page: Page:	9.3 27.1 11.4 1.2	F FAN-CLUTCH RADIATOR FAST IDLE - DDEC FIRE DETECTOR FRONT DESTINATION SIGN FRONT CAMERA FUEL FILTER WATER DETECTOR FUEL FILTER HEATER FUEL PRIME PUMP	Page: Page: Page: Page: Page: Page: Page:	8.1 5.1 7.2 17.1 20.6 8.1 8.2 12.1	T TELL TALE LIGHT MODULES TRANSMISSION - MANUAL TRANSMISSION - WORLD TRANSMISSION - EATON TACHYMETER	Page: Page: Page: Page: Page:	28.1 15.1 6.1 6.3 7.1
C CLUSTER CHARGING SYSTEM CIGAR LIGHTER CODE - CIRCUIT NUMBER CODE - CIRCUIT BREAKER CODE - CONNECTOR CODE - DIODE CODE - RELAY CODE - RESISTOR CODE - WIRING KEY CODE - FUSE CODE - MODULE CRUISE CONTROL - DDEC CB OPTION	Page: Page: Page: Page: Page: Page: Page: Page: Page: Page: Page: Page: Page:	7.1 4.2 14.1 E F G H I J K L M 5.1 20.5	G GALLEY ACCESSORIES GROUND SYSTEM H HIGH BUOY HOTESS CHIME I INTERIOR LIGHTING INTERCOM K KNEELING SYSTEM L LAVATORY LOW BUOY LUGGAGE DOOR LOCK	Page: Page: Page: Page: Page: Page: Page: Page: Page: Page: Page: Page: Page:	23.1 3.1 18.1 12.1 11.1 27.1 18.1 17.1 18.1 19.1	W WATER HEATER PRE-HEAT WATER TANK HEATER LAVATORY WHEEL CHAIR LIFT - RICON 9000 WHEEL CHAIR LIFT - STEW. & STEV. WINDOW AJAR WINDSHIELD (UP) FAN DEFROSTOR WINDSHIELD (UP) HEATED WIPER & WASHER	Page: Page: Page: Page: Page: Page: Page: Page: Page:	26.1 12.1 25.2 25.1 7.2 22.1 22.1 10.1
D DDEC III & IV DIGITAL CLOCK DISTRIBUTION 12V, 24V DISTRIB. 12V DISC., IGN & HOT WIRE DRIVER'S WINDOW LIFTER	Page: Page: Page: Page: Page:	5.1 14.1 1.1 2.1 14.1	M MIRROR-REAR VIEW P PARKING BRAKE SWITCH	Page: Page: Page: Page:	24.1 8.1			

WIRING DIAGRAM INDEX

A A/C, HEAT & VENT. SYSTEM Page: 13.1 AIR DRYER Page: 8.1 ALARM & SIGNAL Page: 7.2 ABS Page: 21.1 ARRANGEMENT - CABLE Page: B ARRANGEMENT - HARNESS Page: C1,C2 ARRANGEMENT - SPARE WIRE Page: D	E ENGINE BLOCK HEATER Page: 12.1 ENGINE BRAKE SYSTEM Page: 19.1 ENGINE CONTROL Page: 4.1 ENTRANCE DOOR SEDAN Page: 16.1 ETHER COLD START Page: 8.1 EXTERIOR LIGHTING Page: 9.1	POWER 12V OUTLET Page: 14.1 PRODRIVER Page: 8.1 R RETARDER - WORLD TRANSM. Page: 19.1 S SEAT AUDIO SYSTEM Page: 20.7 SPEED SWITCH (MANUAL TRANS.) 15.1 SOUND & VIDEO SYSTEM Page: 20.1 SPEAKER PASSENGER Page: 20.2 SPEEDOMETER Page: 7.1 SUN VISOR Page: 14.1
B BACK-UP ALARM Page: 9.3 BACK-UP MONITOR Page: 27.1 BATTERY CHARGER Page: 11.4 BATTERY STANDARD AND 8D Page: 1.2	F FAN-CLUTCH RADIATOR Page: 8.1 FAST IDLE - DDEC Page: 5.1 FIRE DETECTOR Page: 7.2 FRONT DESTINATION SIGN Page: 17.1 FRONT CAMERA Page: 20.6 FUEL FILTER WATER DETECTOR Page: 8.1 FUEL FILTER HEATER Page: 8.2 FUEL PRIME PUMP Page: 12.1	T TELL TALE LIGHT MODULES Page: 28.1 TRANSMISSION - MANUAL Page: 15.1 TRANSMISSION - WORLD Page: 6.1 TRANSMISSION - EATON Page: 6.3 TACHYMETER Page: 7.1
C CLUSTER Page: 7.1 CHARGING SYSTEM Page: 4.2 CIGAR LIGHTER Page: 14.1 CODE - CIRCUIT NUMBER Page: E CODE - CIRCUIT BREAKER Page: F CODE - CONNECTOR Page: G CODE - DIODE Page: H CODE - RELAY Page: I CODE - RESISTOR Page: J CODE - WIRING KEY Page: K CODE - FUSE Page: L CODE - MODULE Page: M CRUISE CONTROL - DDEC Page: 5.1 CB OPTION Page: 20.5	G GALLEY ACCESSORIES Page: 23.1 GROUND SYSTEM Page: 3.1 H HIGH BUOY Page: 18.1 HOTESS CHIME Page: 12.1 I INTERIOR LIGHTING Page: 11.1 INTERCOM Page: 27.1 K KNEELING SYSTEM Page: 18.1 L LAVATORY Page: 17.1 LOW BUOY Page: 18.1 LUGGAGE DOOR LOCK Page: 19.1	W WATER HEATER PRE-HEAT Page: 26.1 WHEEL CHAIR LIFT - RICON 9000 Page: 25.2 WHEEL CHAIR LIFT - STEW. & STEV. Page: 25.1 WINDOW AJAR Page: 7.2 WINDSHIELD (UP) FAN DEFROSTOR Page: 22.1 WINDSHIELD (UP) HEATED Page: 22.1 WIPER & WASHER Page: 10.1
D DDEC III & IV Page: 5.1 DIGITAL CLOCK Page: 14.1 DISTRIBUTION 12V, 24V Page: 1.1 DISTRIB. 12V DISC., IGN & HOT WIRE Page: 2.1 DRIVER'S WINDOW LIFTER Page: 14.1	M MIRROR-REAR VIEW Page: 24.1 P PARKING BRAKE SWITCH Page: 8.1	

WIRING DIAGRAM INDEX

A A/C, HEAT & VENT. SYSTEM Page: 13.1 AIR DRYER Page: 8.1 ALARM & SIGNAL Page: 7.2 ABS Page: 21.1 ARRANGEMENT - CABLE Page: B ARRANGEMENT - HARNESS Page: C1,C2 ARRANGEMENT - SPARE WIRE Page: D	E ENGINE BLOCK HEATER Page: 12.1 ENGINE BRAKE SYSTEM Page: 19.1 ENGINE CONTROL Page: 4.1 ENTRANCE DOOR SEDAN Page: 16.1 ETHER COLD START Page: 8.1 EXTERIOR LIGHTING Page: 9.1	POWER 12V OUTLET Page: 14.1 PRODRIVER Page: 8.1 R RETARDER - WORLD TRANSM. Page: 19.1 S SEAT AUDIO SYSTEM Page: 20.7 SPEED SWITCH (MANUAL TRANS.) 15.1 SOUND & VIDEO SYSTEM Page: 20.1 SPEAKER PASSENGER Page: 20.2 SPEEDOMETER Page: 7.1 STEERING CONTROL Page: 15.1 SUN VISOR Page: 14.1
B BACK-UP ALARM Page: 9.3 BACK-UP MONITOR Page: 27.1 BATTERY CHARGER Page: 11.4 BATTERY STANDARD AND 8D Page: 1.2	F FAN-CLUTCH RADIATOR Page: 8.1 FAST IDLE - DDEC Page: 5.1 FIRE DETECTOR Page: 7.2 FRONT DESTINATION SIGN Page: 17.1 FRONT CAMERA Page: 20.6 FUEL FILTER WATER DETECTOR Page: 8.1 FUEL FILTER HEATER Page: 8.2 FUEL PRIME PUMP Page: 12.1	T TELL TALE LIGHT MODULES Page: 28.1 TRANSMISSION - MANUAL Page: 15.1 TRANSMISSION - WORLD Page: 6.1 TRANSMISSION - EATON Page: 6.3 TACHYMETER Page: 7.1
C CLUSTER Page: 7.1 CHARGING SYSTEM Page: 4.2 CIGAR LIGHTER Page: 14.1 CODE - CIRCUIT NUMBER Page: E CODE - CIRCUIT BREAKER Page: F CODE - CONNECTOR Page: G CODE - DIODE Page: H CODE - RELAY Page: I CODE - RESISTOR Page: J CODE - WIRING KEY Page: K CODE - FUSE Page: L CODE - MODULE Page: M CRUISE CONTROL - DDEC Page: 5.1 CB OPTION Page: 20.5	G GALLEY ACCESSORIES Page: 23.1 GROUND SYSTEM Page: 3.1 H HIGH BUOY Page: 18.1 HOTESS CHIME Page: 12.1 I INTERIOR LIGHTING Page: 11.1 INTERCOM Page: 27.1 K KNEELING SYSTEM Page: 18.1 L LAVATORY Page: 17.1 LOW BUOY Page: 18.1 LUGGAGE DOOR LOCK Page: 19.1	W WATER HEATER PRE-HEAT Page: 26.1 WHEEL CHAIR LIFT - RICON 9000 Page: 25.2 WHEEL CHAIR LIFT - STEW. & STEV. Page: 25.1 WINDOW AJAR Page: 7.2 WINDSHIELD (UP) FAN DEFROSTOR Page: 22.1 WINDSHIELD (UP) HEATED Page: 22.1 WIPER & WASHER Page: 10.1
D DDEC III & IV Page: 5.1 DIGITAL CLOCK Page: 14.1 DISTRIBUTION 12V, 24V Page: 1.1 DISTRIB. 12V DISC., IGN & HOT WIRE Page: 2.1 DRIVER'S WINDOW LIFTER Page: 14.1	M MIRROR-REAR VIEW Page: 24.1 P PARKING BRAKE SWITCH Page: 8.1	

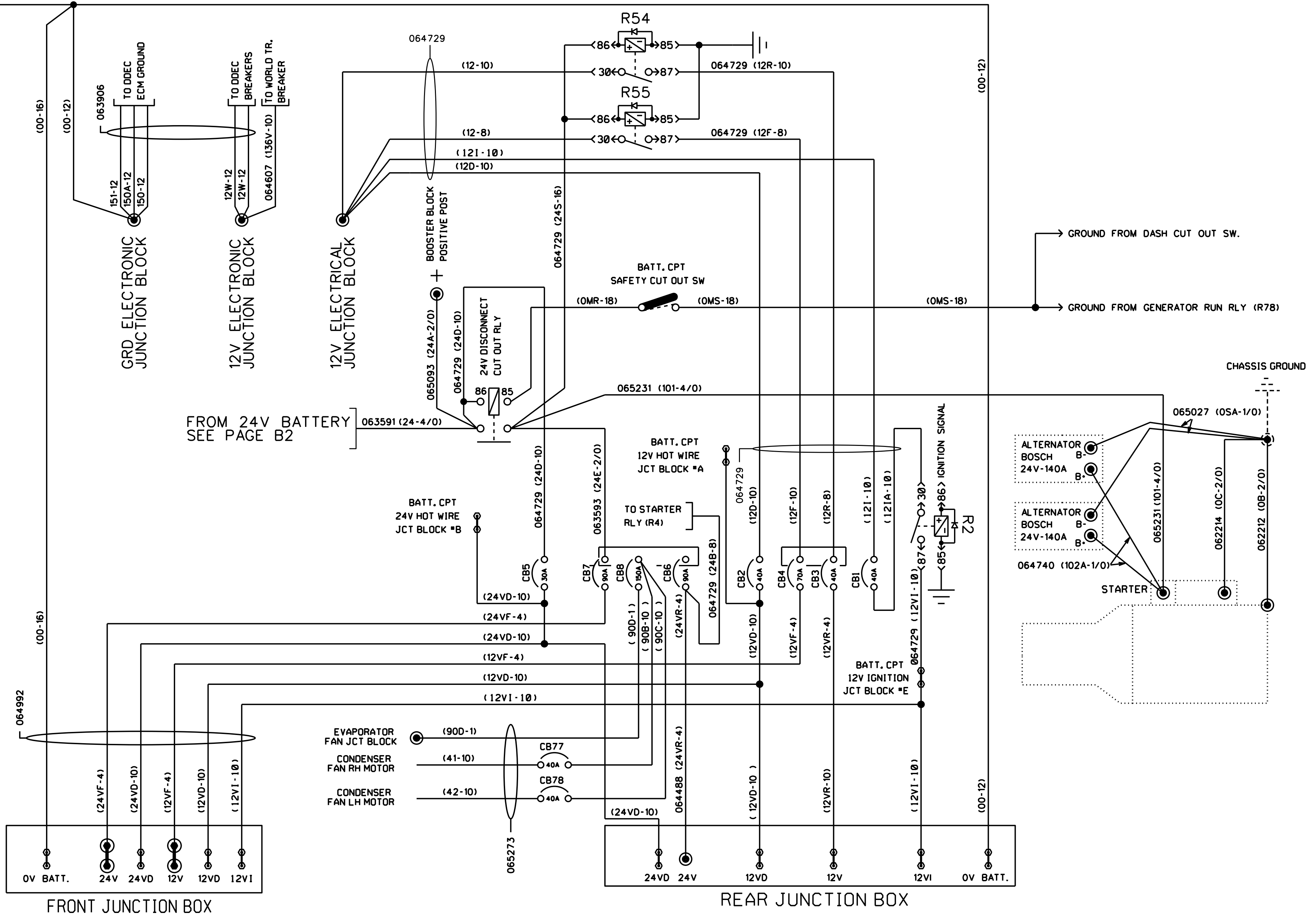
WIRING DIAGRAM INDEX

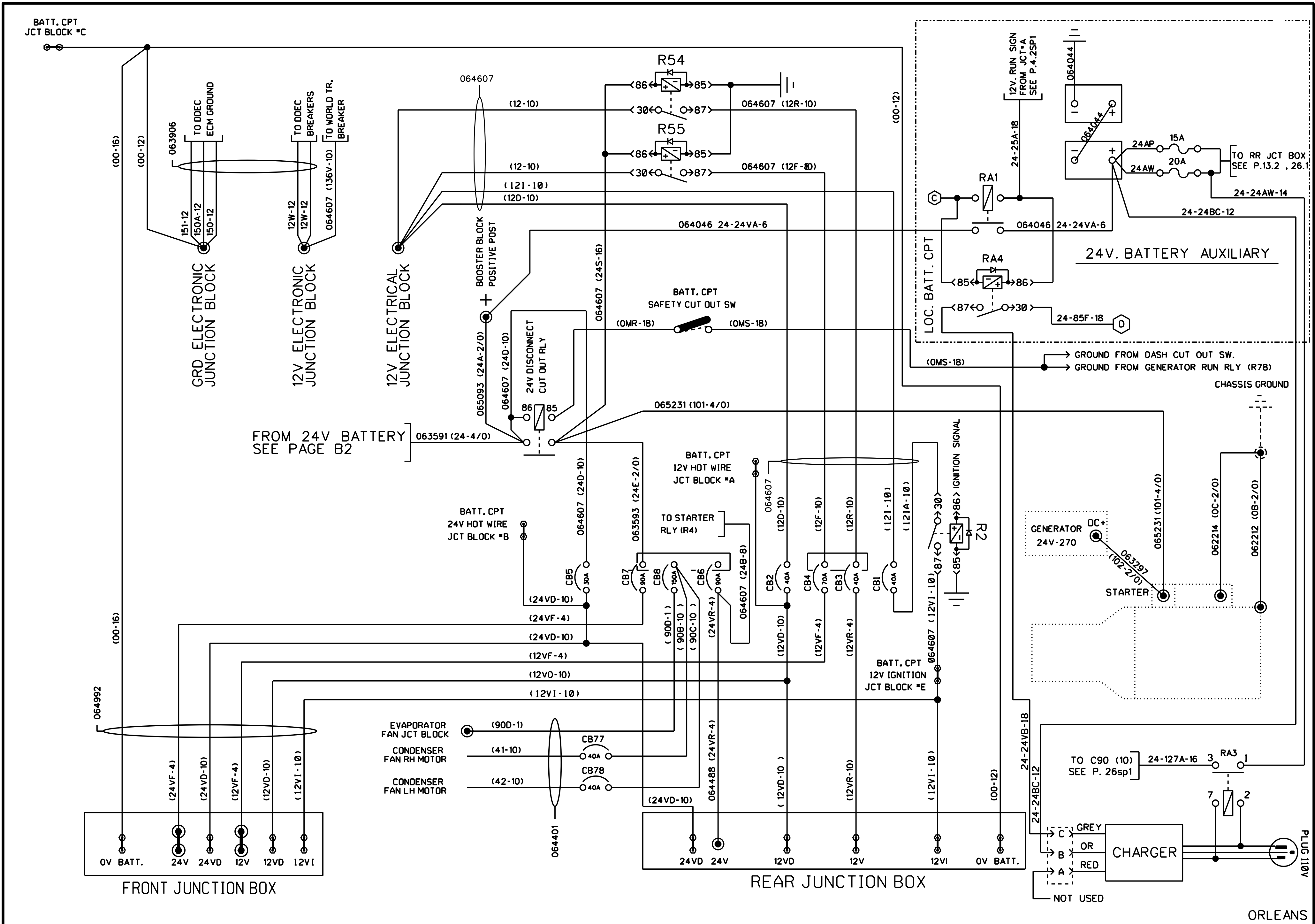
A A/C, HEAT & VENT. SYSTEM Page: 13.1 ALARM & SIGNAL Page: 7.2 ABS Page: 21.1 ARRANGEMENT - CABLE Page: B ARRANGEMENT - HARNESS Page: C1,C2 ARRANGEMENT - SPARE WIRE Page: D	E ENGINE BLOCK HEATER Page: 12.1 ENGINE BRAKE SYSTEM Page: 19.1 ENGINE CONTROL Page: 4.1 ENTRANCE DOOR SEDAN Page: 16.1 ETHER COLD START Page: 8.1 EXTERIOR LIGHTING Page: 9.1	P PARKING BRAKE SWITCH Page: 8.1 POWER 12V OUTLET Page: 14.1 PRODRIVER Page: 8.1 R RETARDER - WORLD TRANSM. Page: 19.1 S SEAT AUDIO SYSTEM Page: 20.7 SPEED SWITCH (MANUAL TRANS.) 15.1 SOUND & VIDEO SYSTEM Page: 20.1 SPEAKER PASSENGER Page: 20.2 SPEEDOMETER Page: 7.1 STEERING CONTROL Page: 15.1 SUN VISOR Page: 14.1
B BACK-UP ALARM Page: 9.3 BACK-UP MONITOR Page: 27.1 BATTERY CHARGER Page: 11.4 BATTERY STANDARD AND 8D Page: 1.2	F FAN-CLUTCH RADIATOR Page: 8.1 FAST IDLE - DDEC Page: 5.1 FIRE DETECTOR Page: 7.2 FRONT DESTINATION SIGN Page: 17.1 FRONT CAMERA Page: 20.6 FUEL FILTER WATER DETECTOR Page: 8.1 FUEL FILTER HEATER Page: 8.2 FUEL PRIME PUMP Page: 12.1	T TELL TALE LIGHT MODULES Page: 28.1 TRANSMISSION - MANUAL Page: 15.1 TRANSMISSION - WORLD Page: 6.1 TRANSMISSION - EATON Page: 6.3 TACHYMETER Page: 7.1 W WATER HEATER PRE-HEAT Page: 26.1 WHEEL CHAIR LIFT - RICON 9000 Page: 25.2 WHEEL CHAIR LIFT - STEW. & STEV. Page: 25.1 WINDOW AJAR Page: 7.2 WINDSHIELD (UP) FAN DEFROSTOR Page: 22.1 WINDSHIELD (UP) HEATED Page: 22.1 WIPER & WASHER Page: 10.1
C CLUSTER Page: 7.1 CHARGING SYSTEM Page: 4.2 CIGAR LIGHTER Page: 14.1 CODE - CIRCUIT NUMBER Page: E CODE - CIRCUIT BREAKER Page: F CODE - CONNECTOR Page: G CODE - DIODE Page: H CODE - RELAY Page: I CODE - RESISTOR Page: J CODE - WIRING KEY Page: K CODE - FUSE Page: L CODE - MODULE Page: M CRUISE CONTROL - DDEC Page: 5.1 CB OPTION Page: 20.5	G GALLEY ACCESSORIES Page: 23.1 GROUND SYSTEM Page: 3.1 H HIGH BUOY Page: 18.1 HOTESS CHIME Page: 12.1 I INTERIOR LIGHTING Page: 11.1 INTERCOM Page: 27.1 K KNEELING SYSTEM Page: 18.1 L LAVATORY Page: 17.1 LOW BUOY Page: 18.1 LUGGAGE DOOR LOCK Page: 19.1	
D DDEC III & IV Page: 5.1 DIGITAL CLOCK Page: 14.1 DISTRIBUTION 12V, 24V Page: 1.1 DISTRIB. 12V DISC., IGN & HOT WIRE Page: 2.1 DRIVER'S WINDOW LIFTER Page: 14.1	M MIRROR-REAR VIEW Page: 24.1	

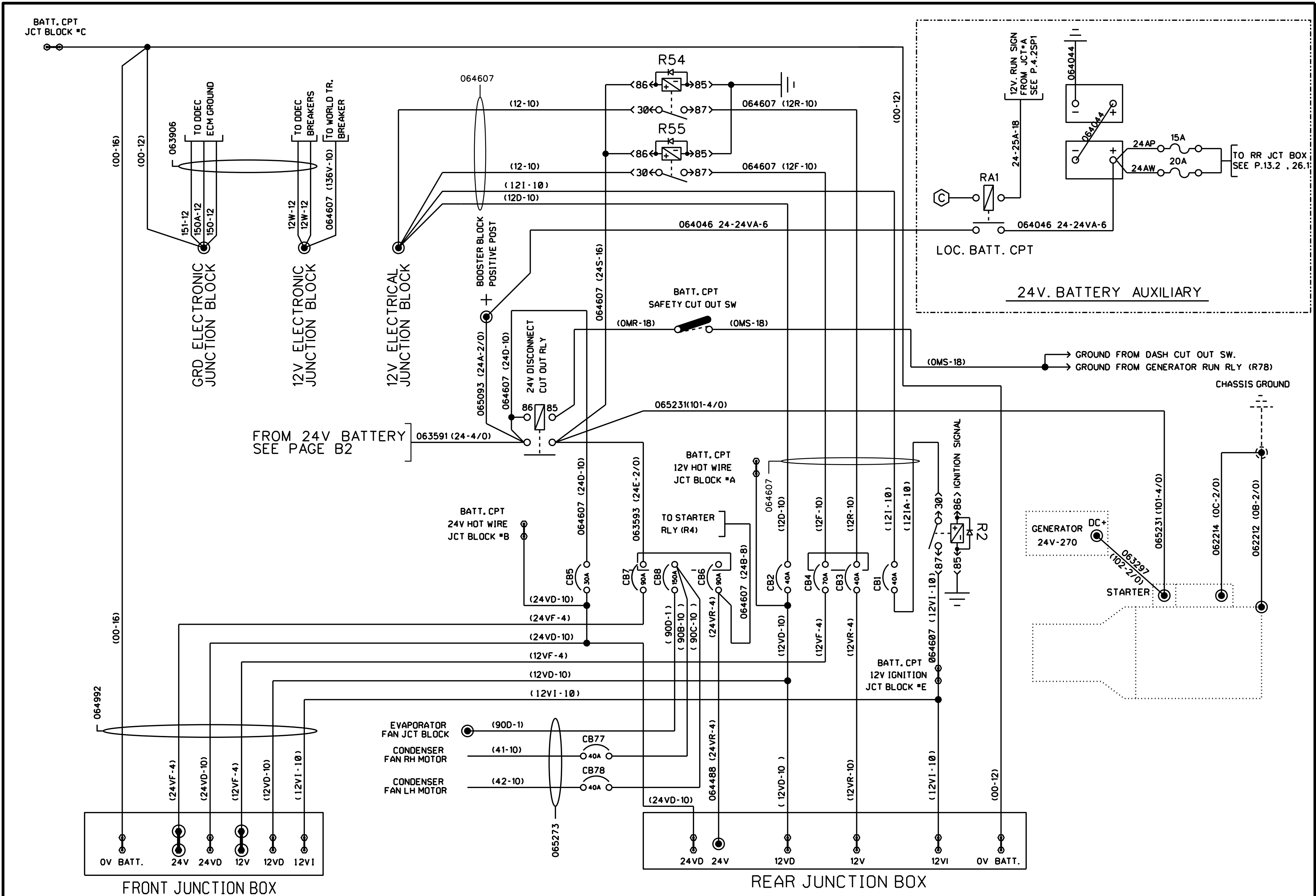
WIRING DIAGRAM INDEX

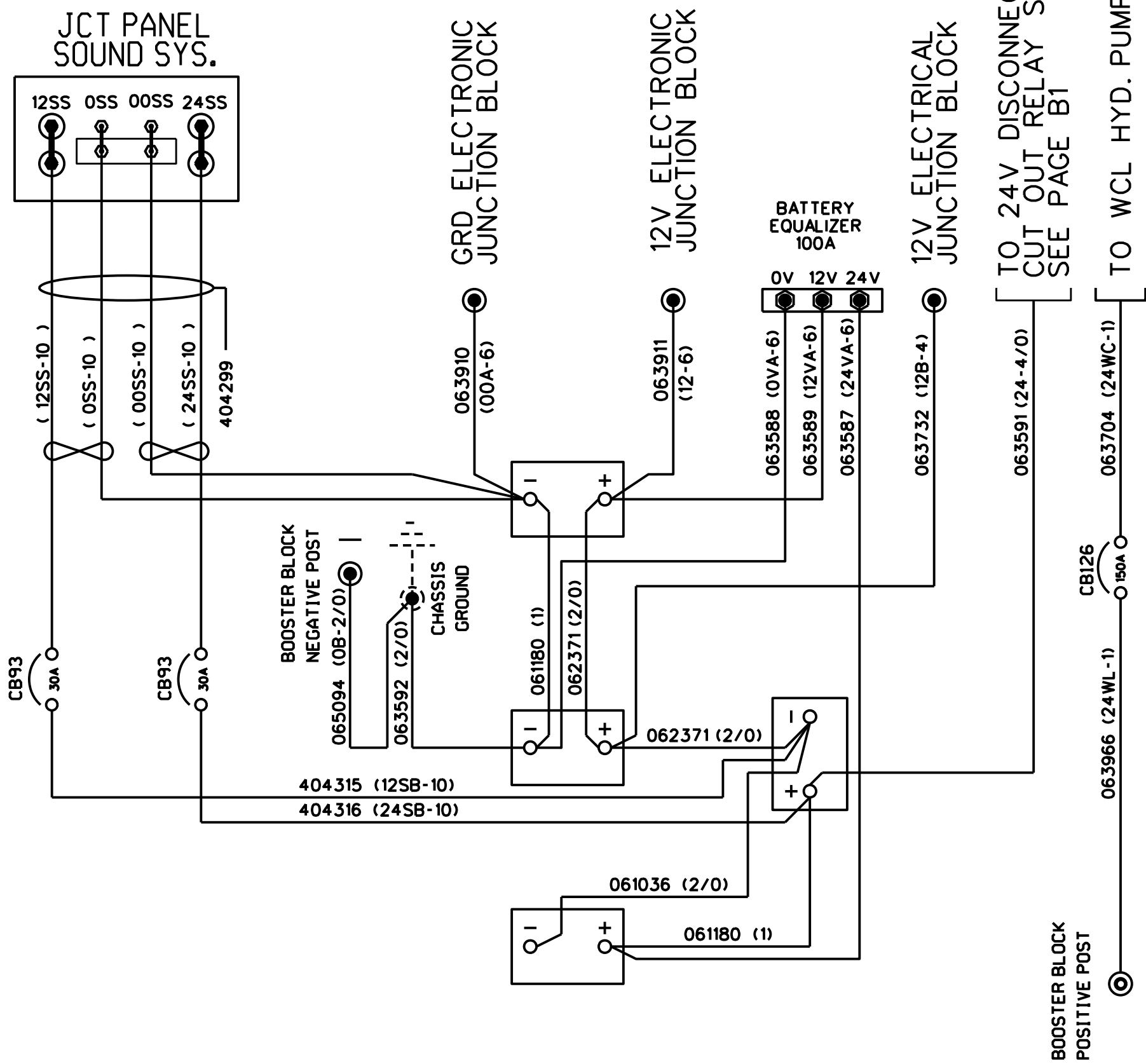
A A/C, HEAT & VENT. SYSTEM Page: 13.1 ALARM & SIGNAL Page: 7.2 ABS Page: 21.1 ARRANGEMENT - CABLE Page: B ARRANGEMENT - HARNESS Page: C1,C2 ARRANGEMENT - SPARE WIRE Page: D	E ENGINE BLOCK HEATER Page: 12.1 ENGINE BRAKE SYSTEM Page: 19.1 ENGINE CONTROL Page: 4.1 ENTRANCE DOOR SEDAN Page: 16.1 ETHER COLD START Page: 8.1 EXTERIOR LIGHTING Page: 9.1	P PARKING BRAKE SWITCH Page: 8.1 POWER 12V OUTLET Page: 14.1 PRODRIVER Page: 8.1
B BACK-UP ALARM Page: 9.3 BACK-UP MONITOR Page: 27.1 BATTERY CHARGER Page: 11.4 BATTERY STANDARD AND 8D Page: 1.2	F FAN-CLUTCH RADIATOR Page: 8.1 FAST IDLE - DDEC Page: 5.1 FIRE DETECTOR Page: 7.2 FRONT DESTINATION SIGN Page: 17.1 FRONT CAMERA Page: 20.6 FUEL FILTER WATER DETECTOR Page: 8.1 FUEL FILTER HEATER Page: 8.2 FUEL PRIME PUMP Page: 12.1	R RETARDER - WORLD TRANSM. Page: 19.1 S SEAT AUDIO SYSTEM Page: 20.7 SPEED SWITCH (MANUAL TRANS.) 15.1 SOUND & VIDEO SYSTEM Page: 20.1 SPEAKER PASSENGER Page: 20.2 SPEEDOMETER Page: 7.1 STEERING CONTROL Page: 15.1 SUN VISOR Page: 14.1
C CLUSTER Page: 7.1 CHARGING SYSTEM Page: 4.2 CIGAR LIGHTER Page: 14.1 CODE - CIRCUIT NUMBER Page: E CODE - CIRCUIT BREAKER Page: F CODE - CONNECTOR Page: G CODE - DIODE Page: H CODE - RELAY Page: I CODE - RESISTOR Page: J CODE - WIRING KEY Page: K CODE - FUSE Page: L CODE - MODULE Page: M CRUISE CONTROL - DDEC Page: 5.1 CB OPTION Page: 20.5	G GALLEY ACCESSORIES Page: 23.1 GROUND SYSTEM Page: 3.1 H HIGH BUOY Page: 18.1 HOTESS CHIME Page: 12.1 I INTERIOR LIGHTING Page: 11.1 INTERCOM Page: 27.1 K KNEELING SYSTEM Page: 18.1 L LAVATORY Page: 17.1 LOW BUOY Page: 18.1 LUGGAGE DOOR LOCK Page: 19.1	T TELL TALE LIGHT MODULES Page 28.1 TRANSMISSION - MANUAL Page: 15.1 TRANSMISSION - WORLD Page: 6.1 TRANSMISSION – EATON Page: 6.3 TACHYMETER Page: 7.1 W WATER HEATER PRE-HEAT Page: 26.1 WHEEL CHAIR LIFT - RICON 9000 Page: 25.2 WHEEL CHAIR LIFT - STEW. & STEV. Page: 25.1 WINDOW AJAR Page: 7.2 WINDSHIELD (UP) FAN DEFROSTOR Page: 22.1 WIPER & WASHER Page: 10.1
D DDEC III & IV Page: 5.1 DIGITAL CLOCK Page: 14.1 DISTRIBUTION 12V, 24V Page: 1.1 DISTRIB. 12V DISC., IGN & HOT WIRE Page: 2.1 DRIVER'S WINDOW LIFTER Page: 14.1	M MIRROR-REAR VIEW Page: 24.1	

BATT. CPT
JCT BLOCK #C

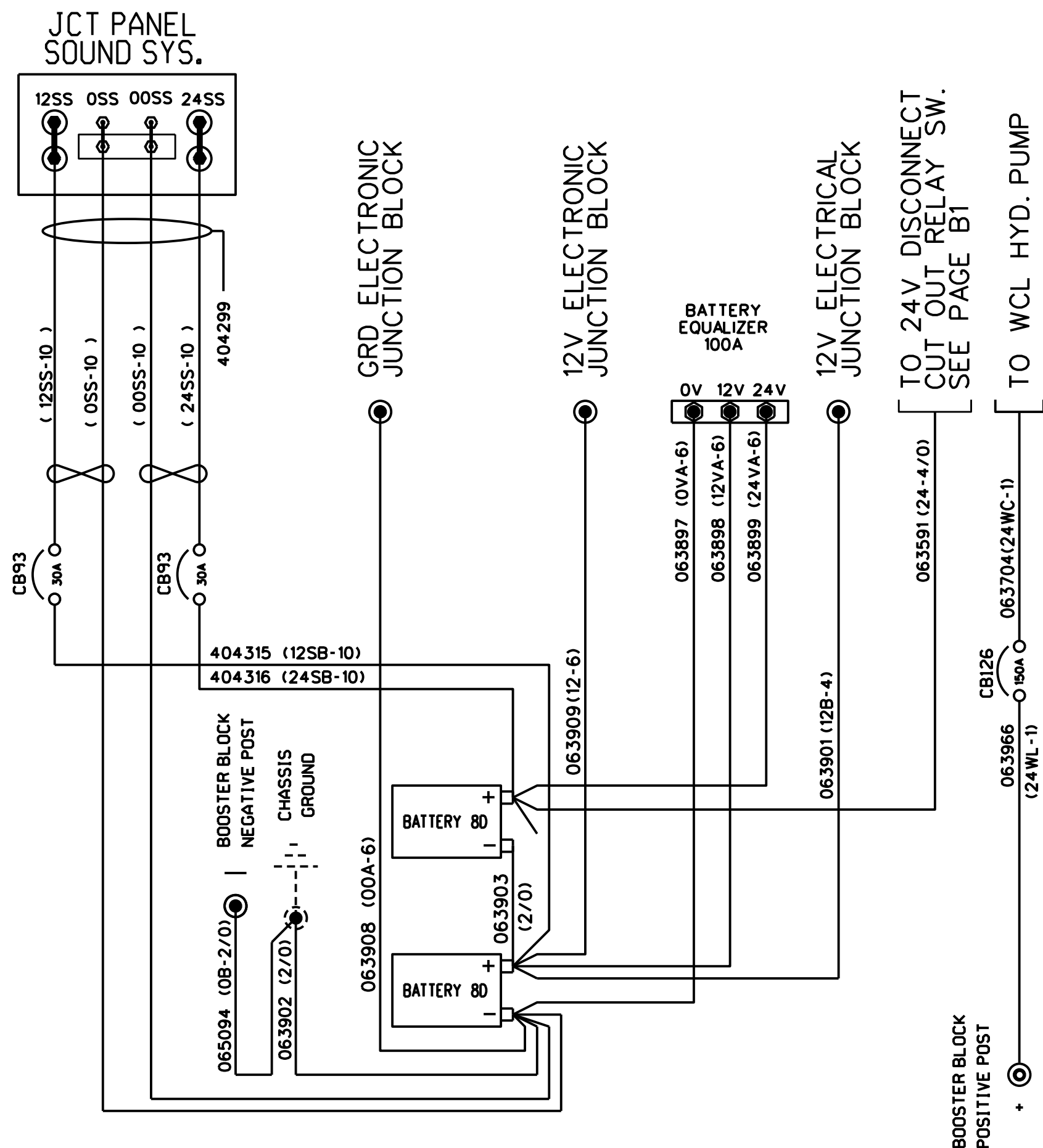




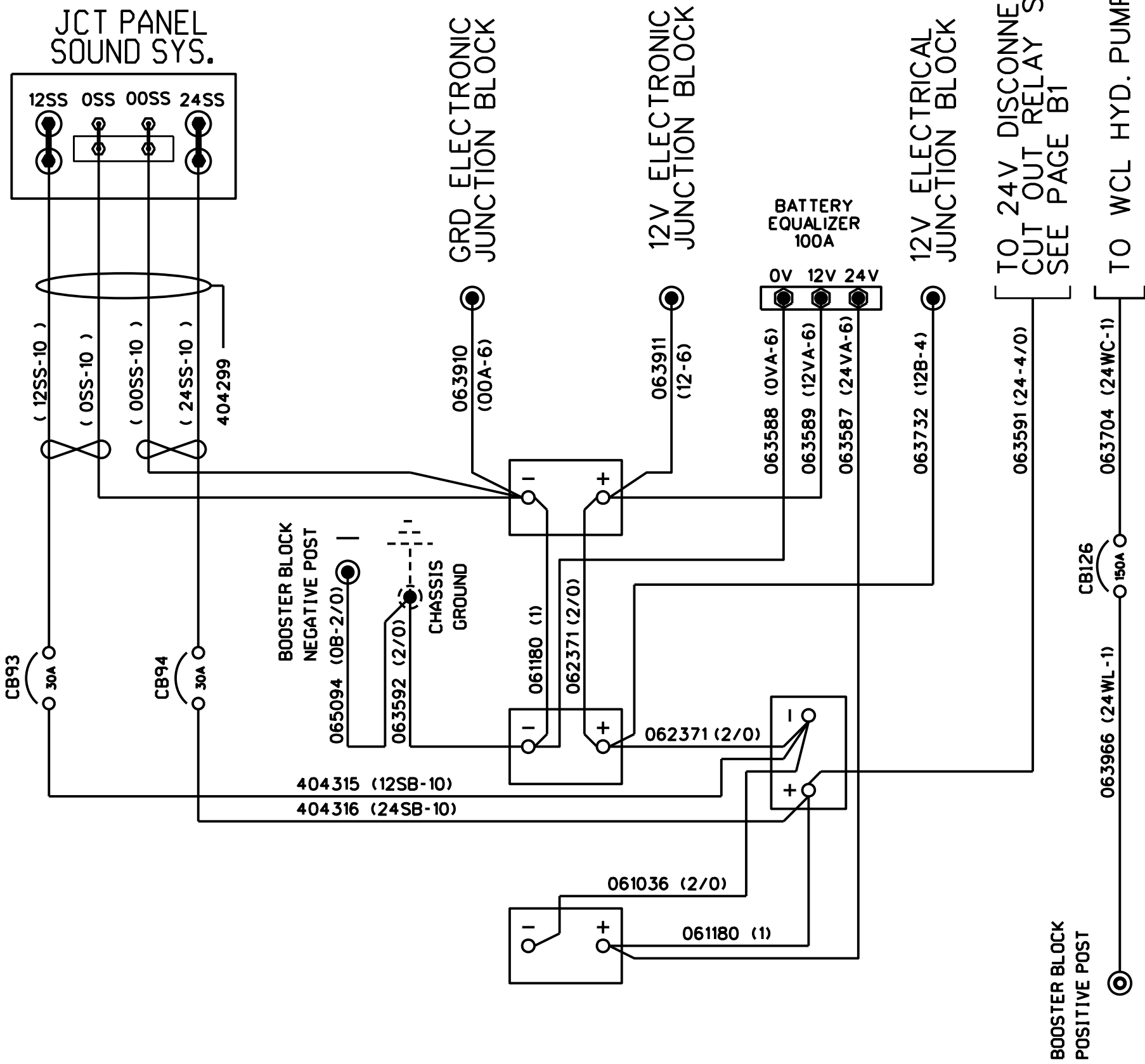




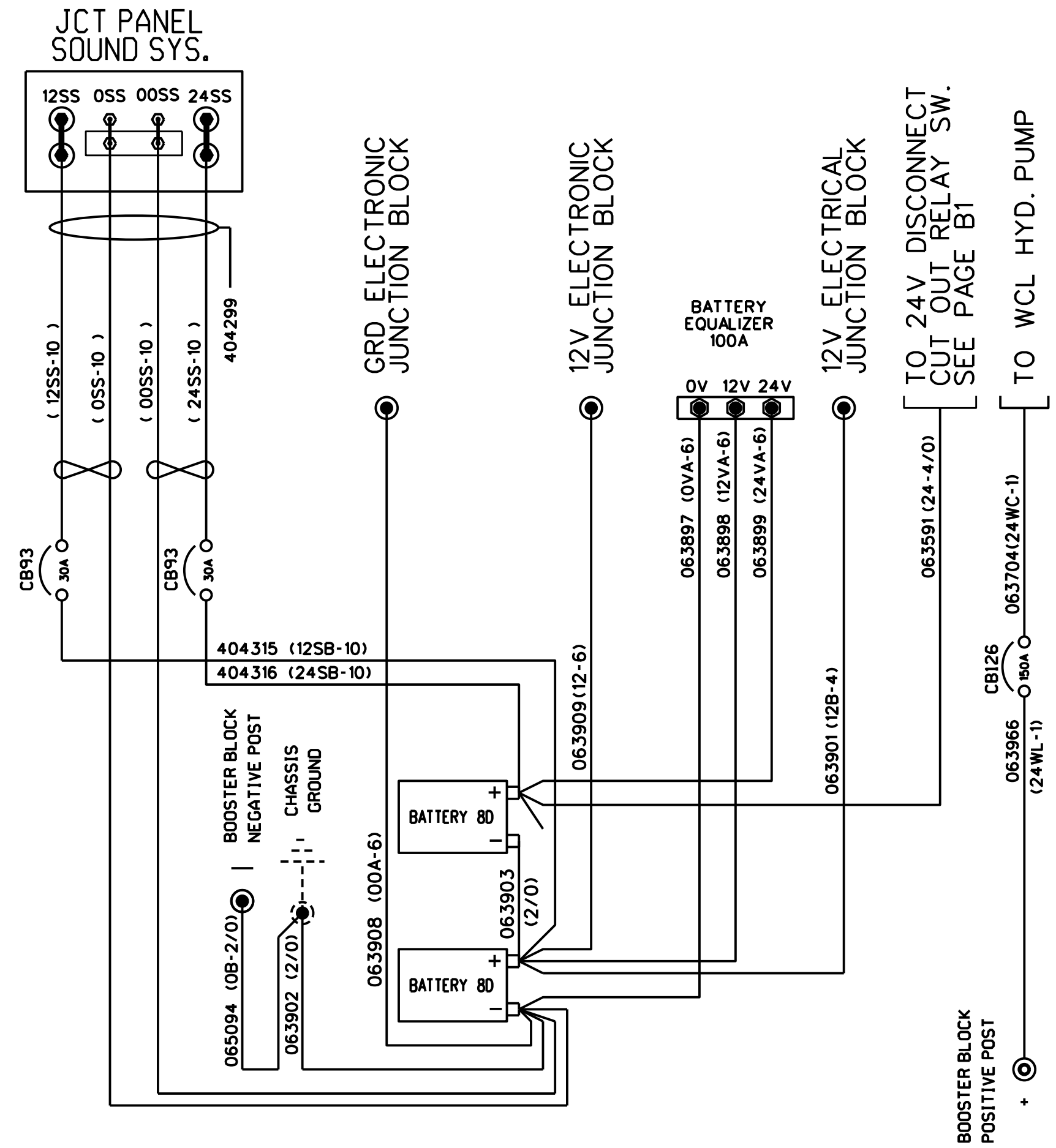
STANDARD BATTERIES



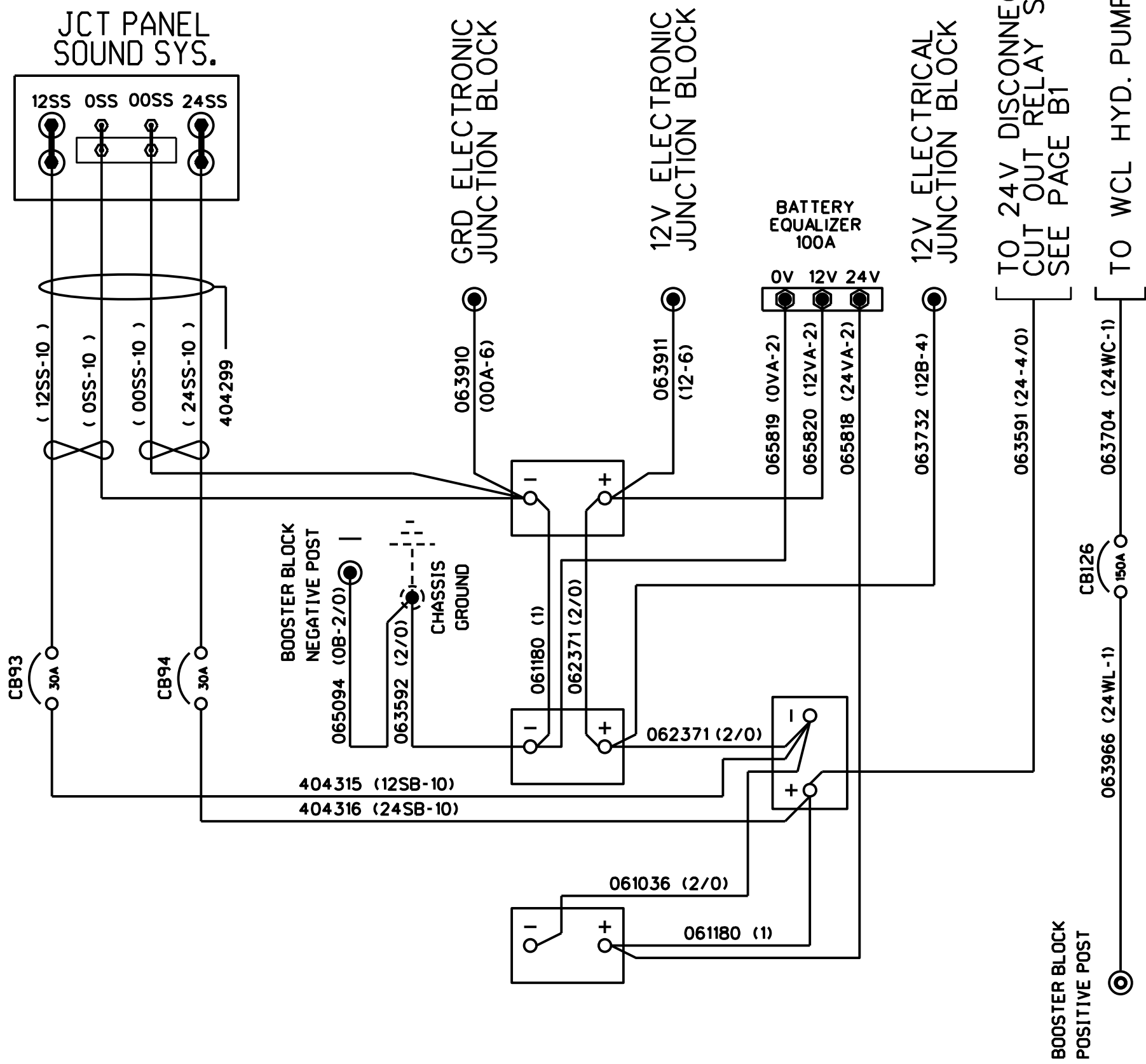
8D BATTERIES



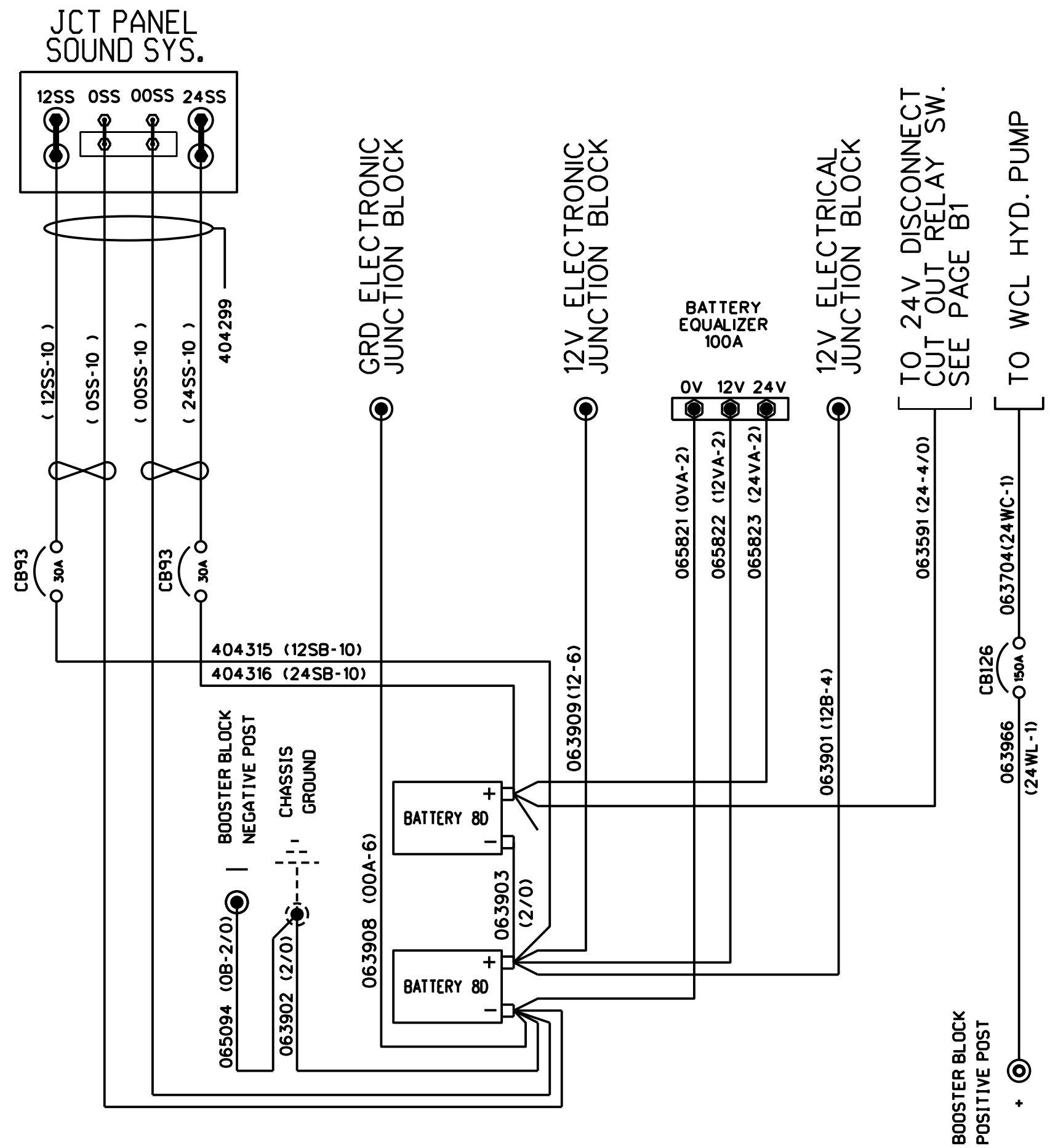
STANDARD BATTERIES



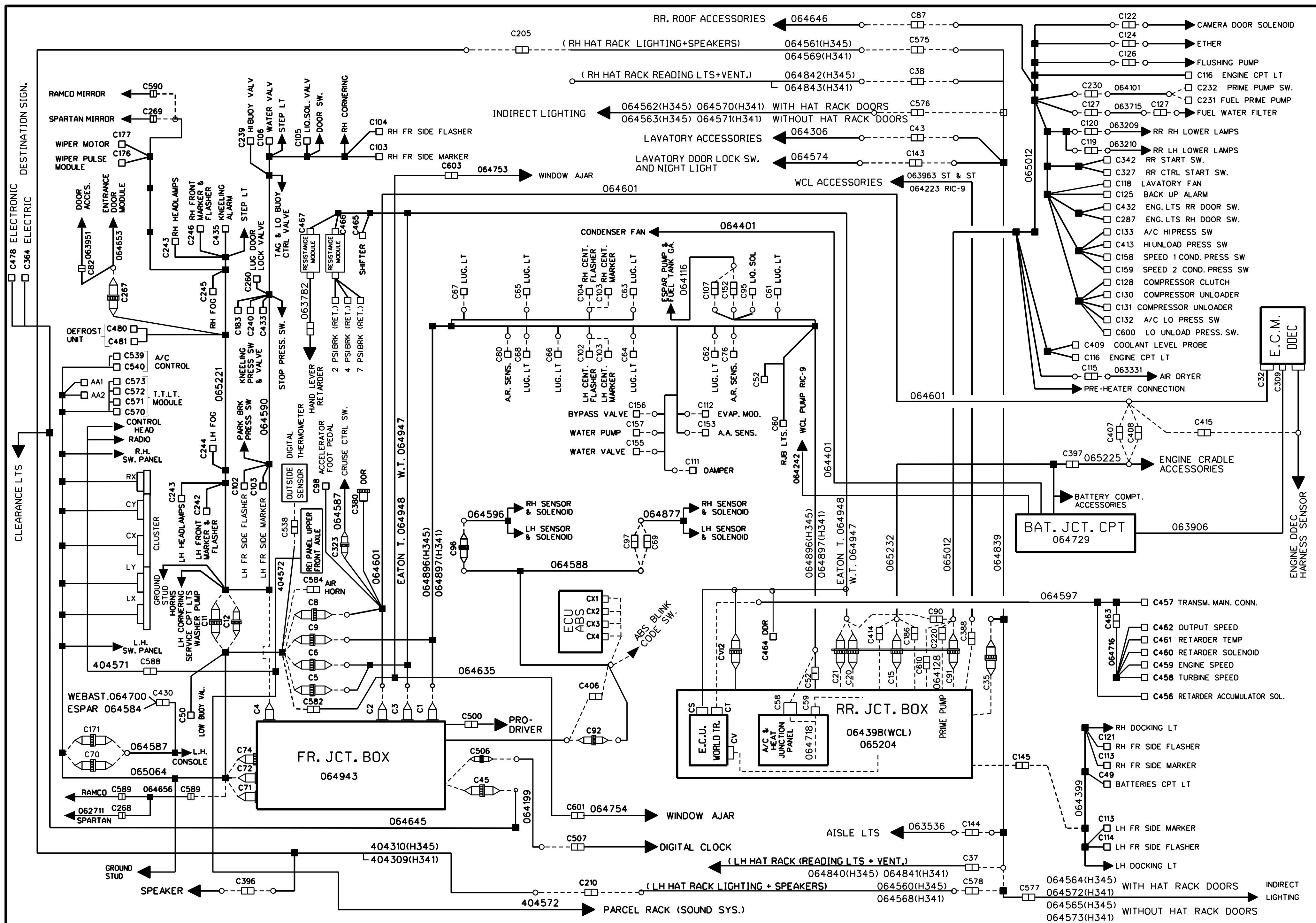
8D BATTERIES

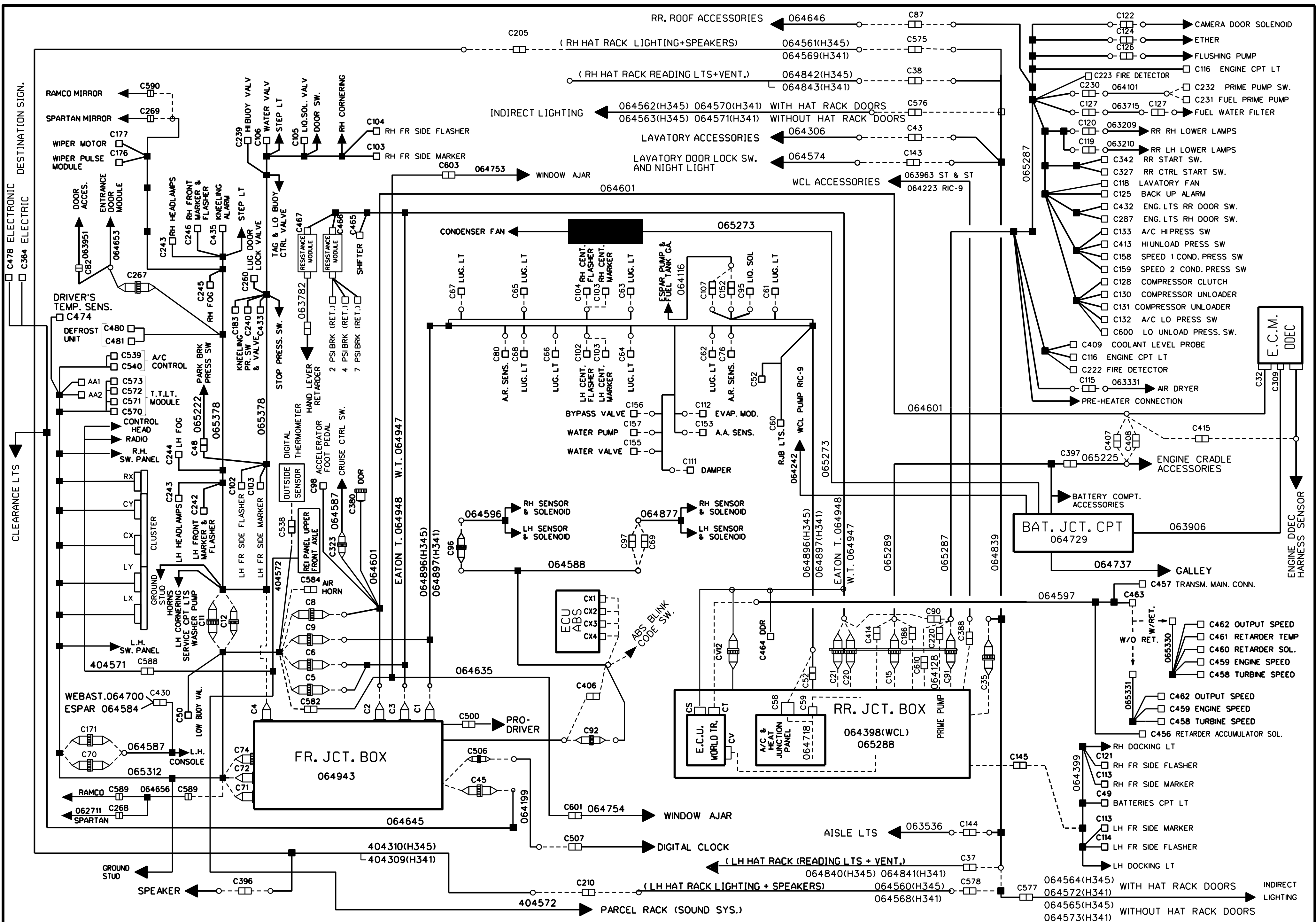


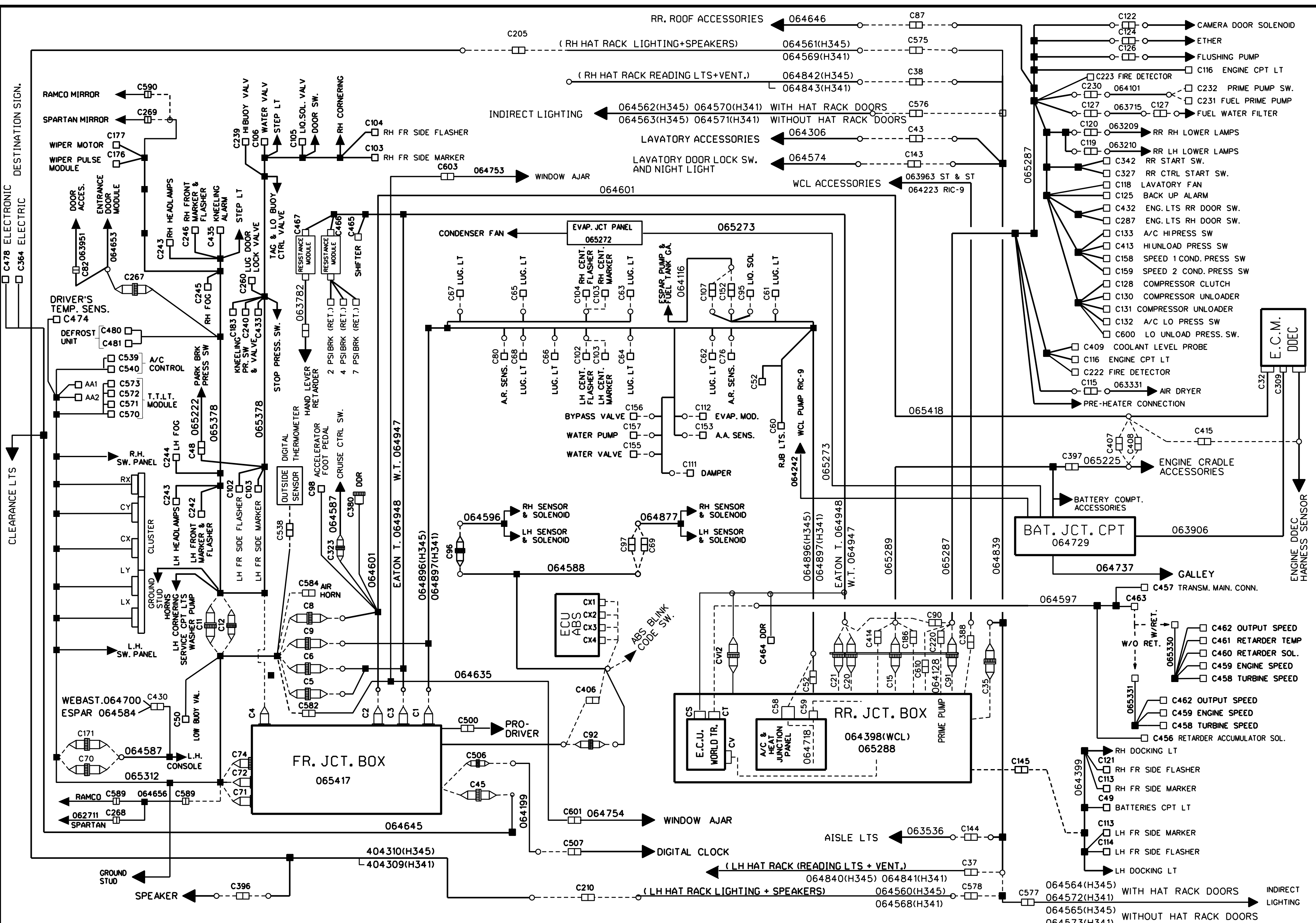
STANDARD BATTERIES

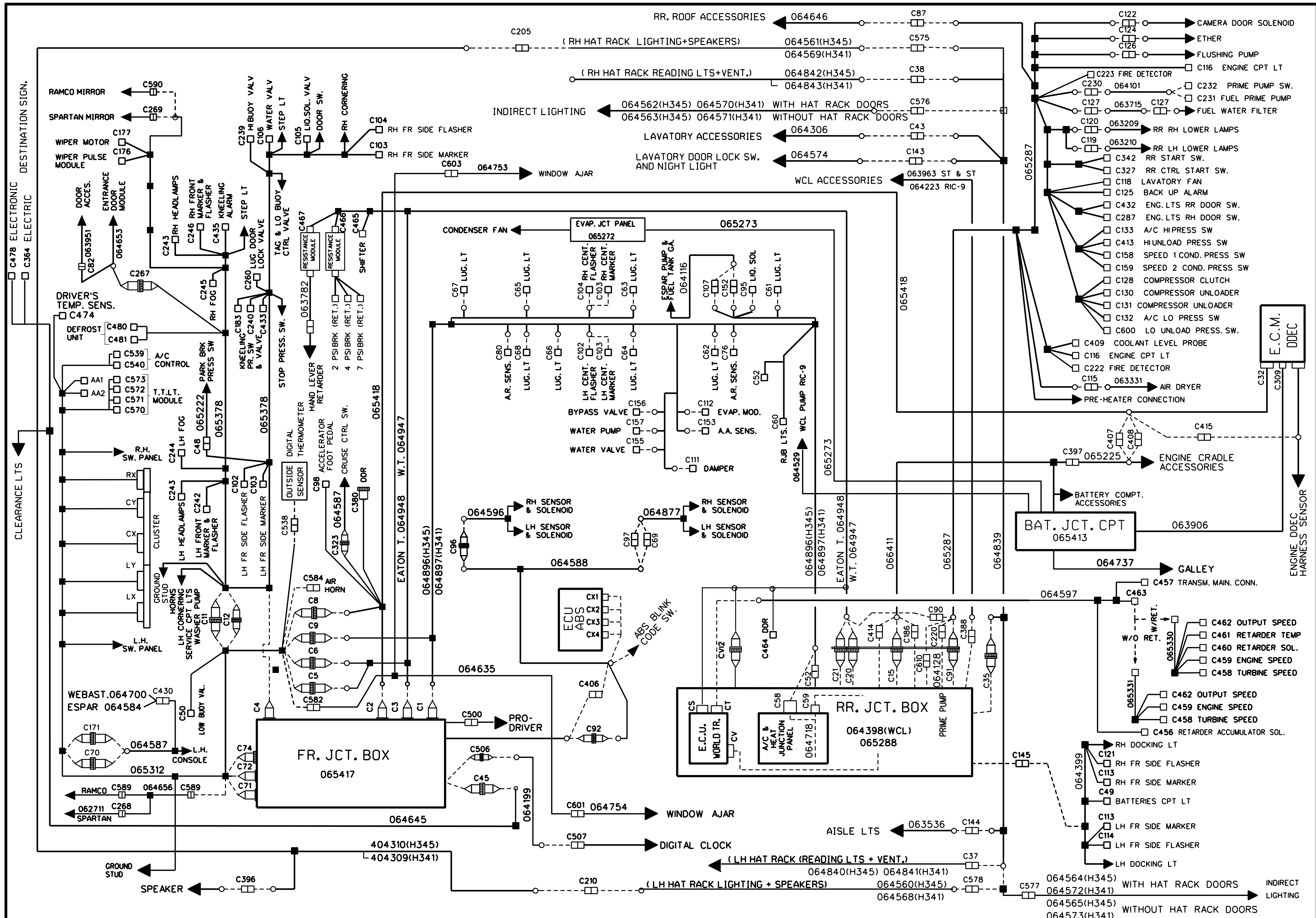


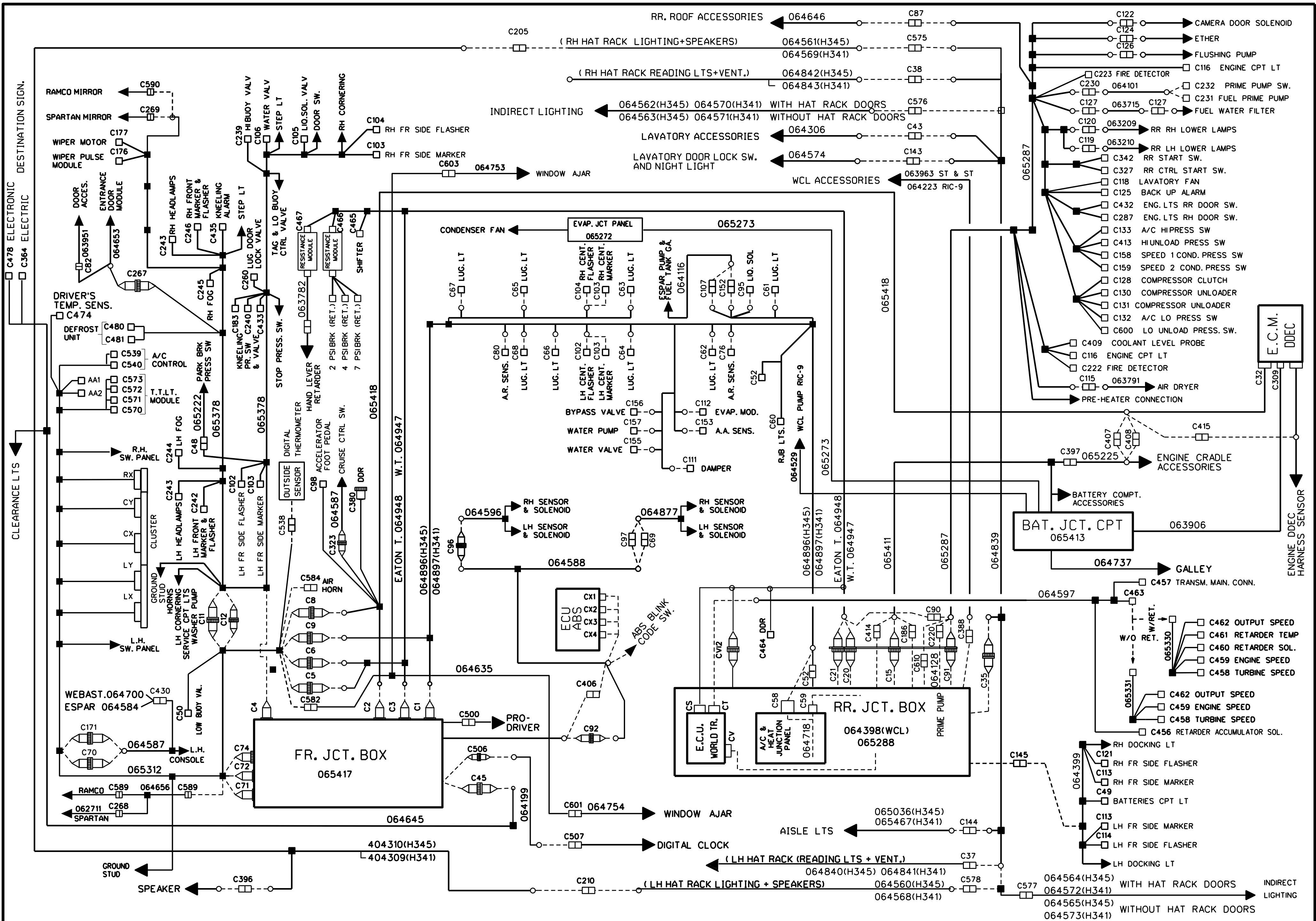
8D BATTERIES

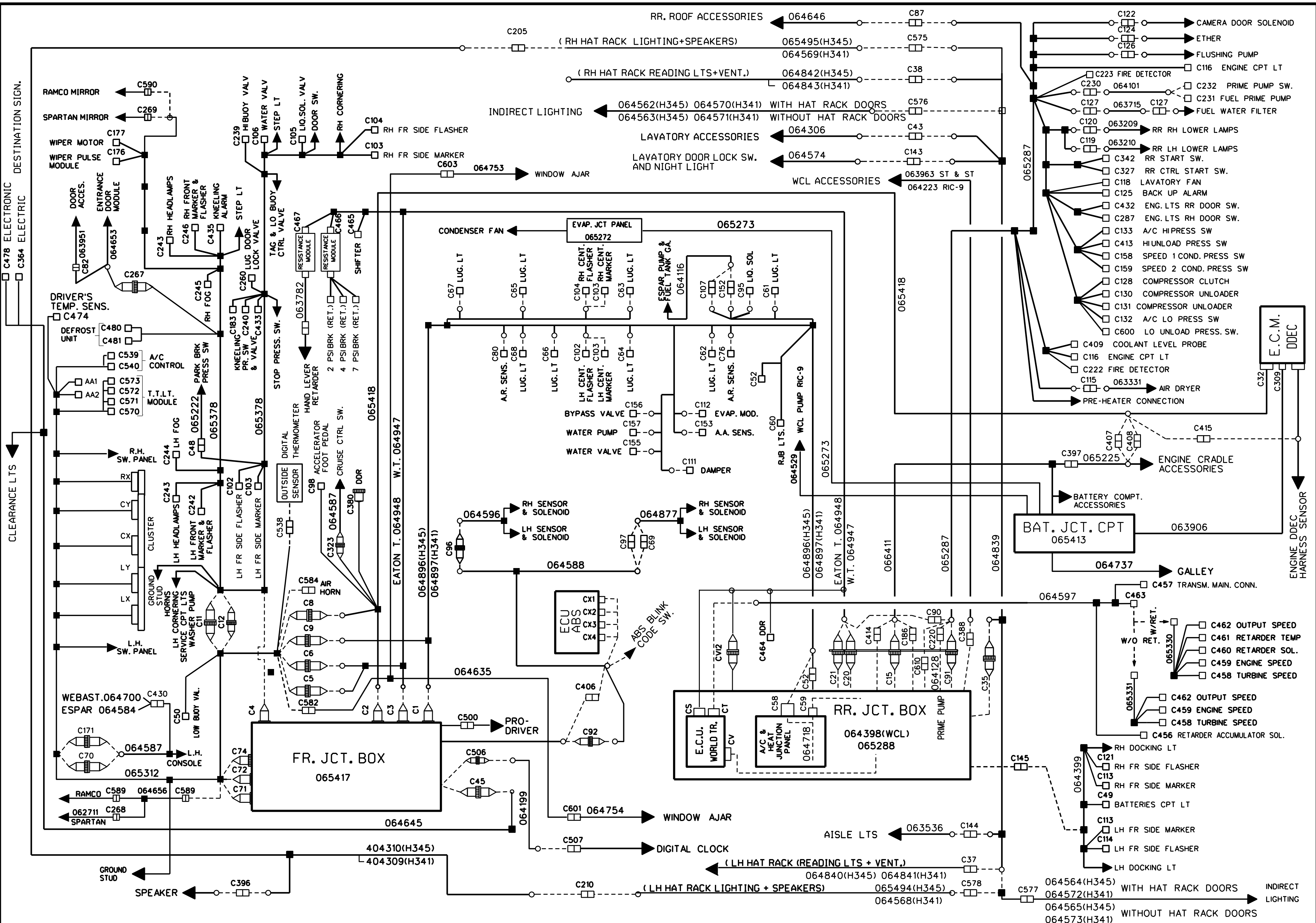


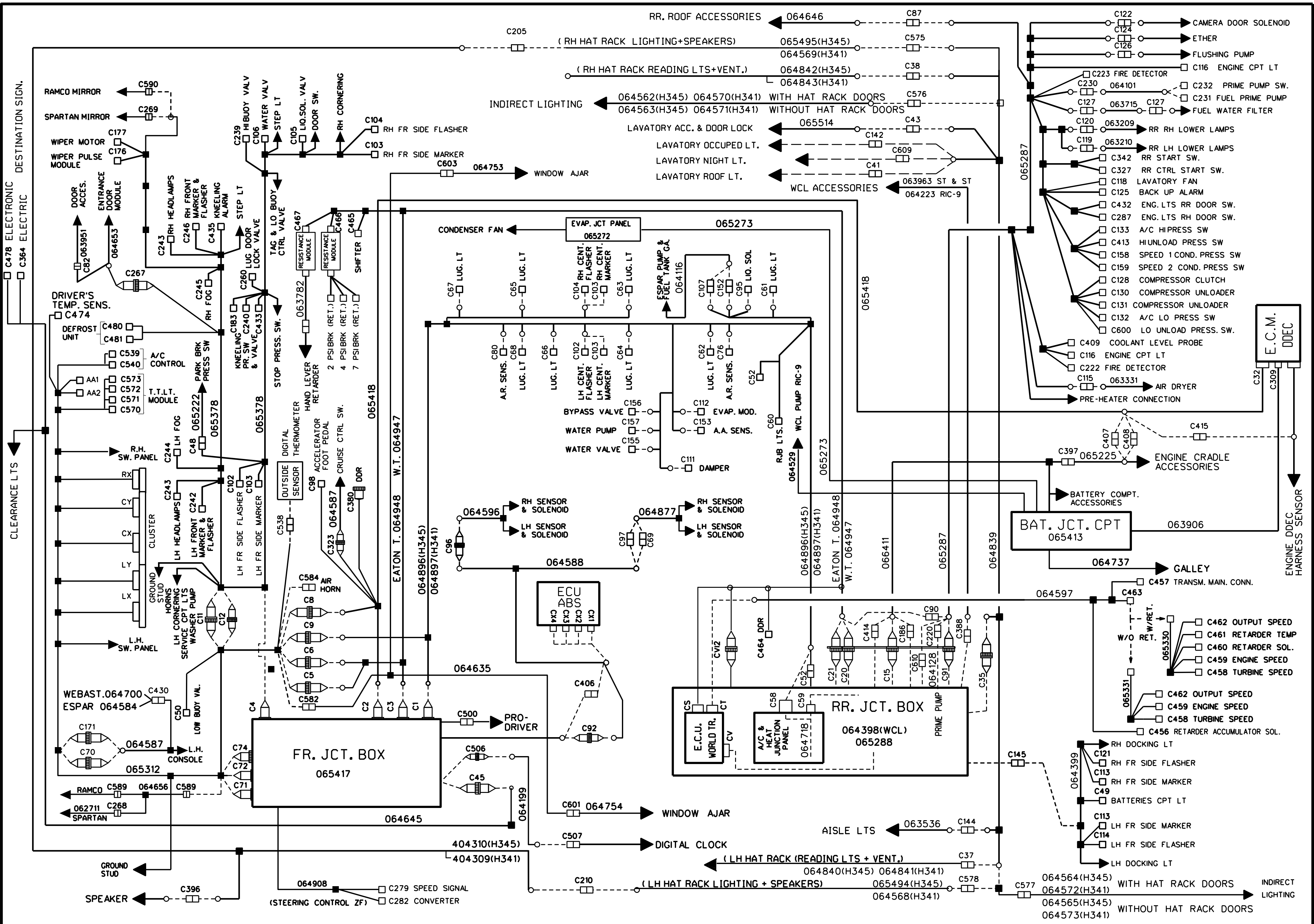


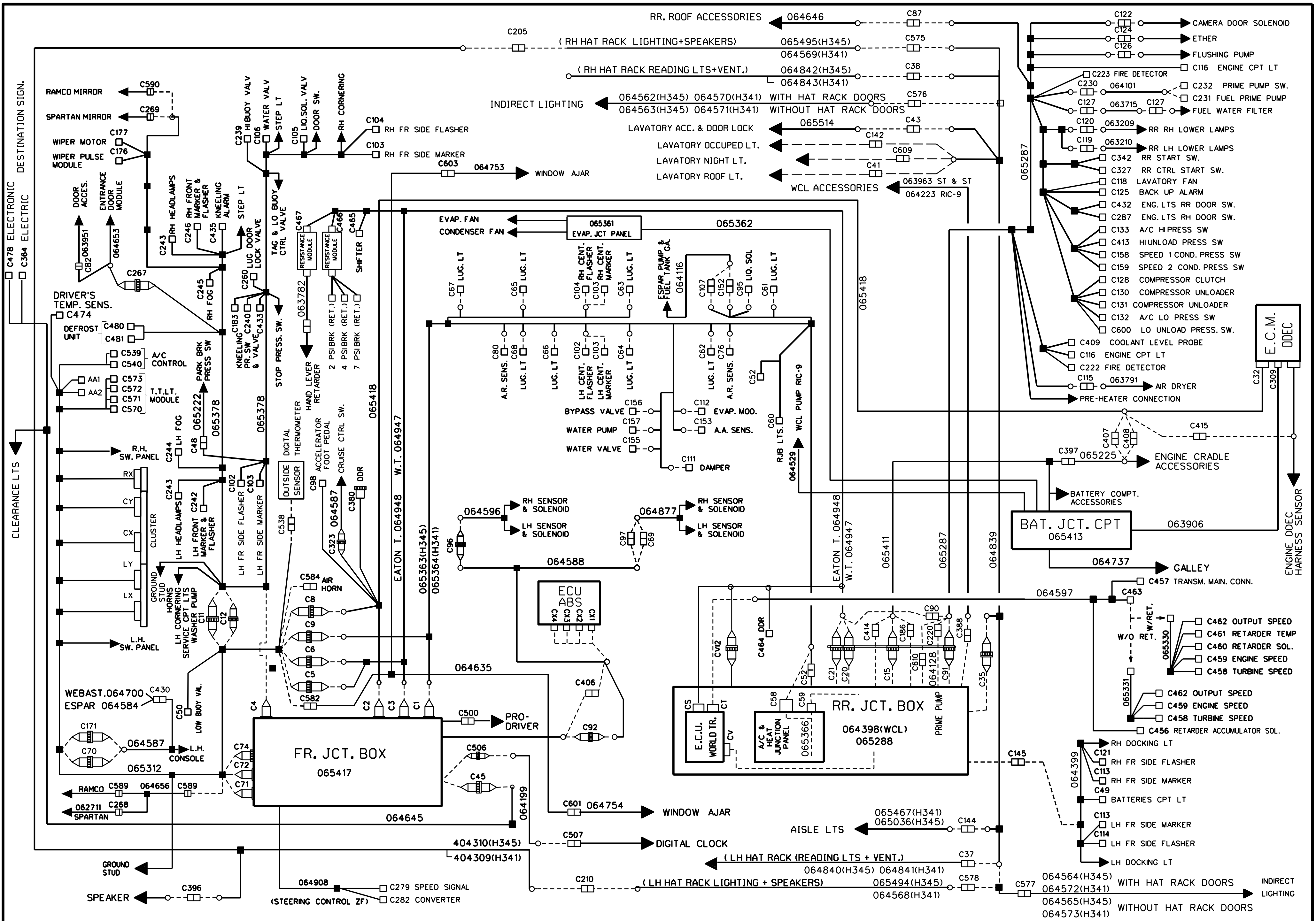


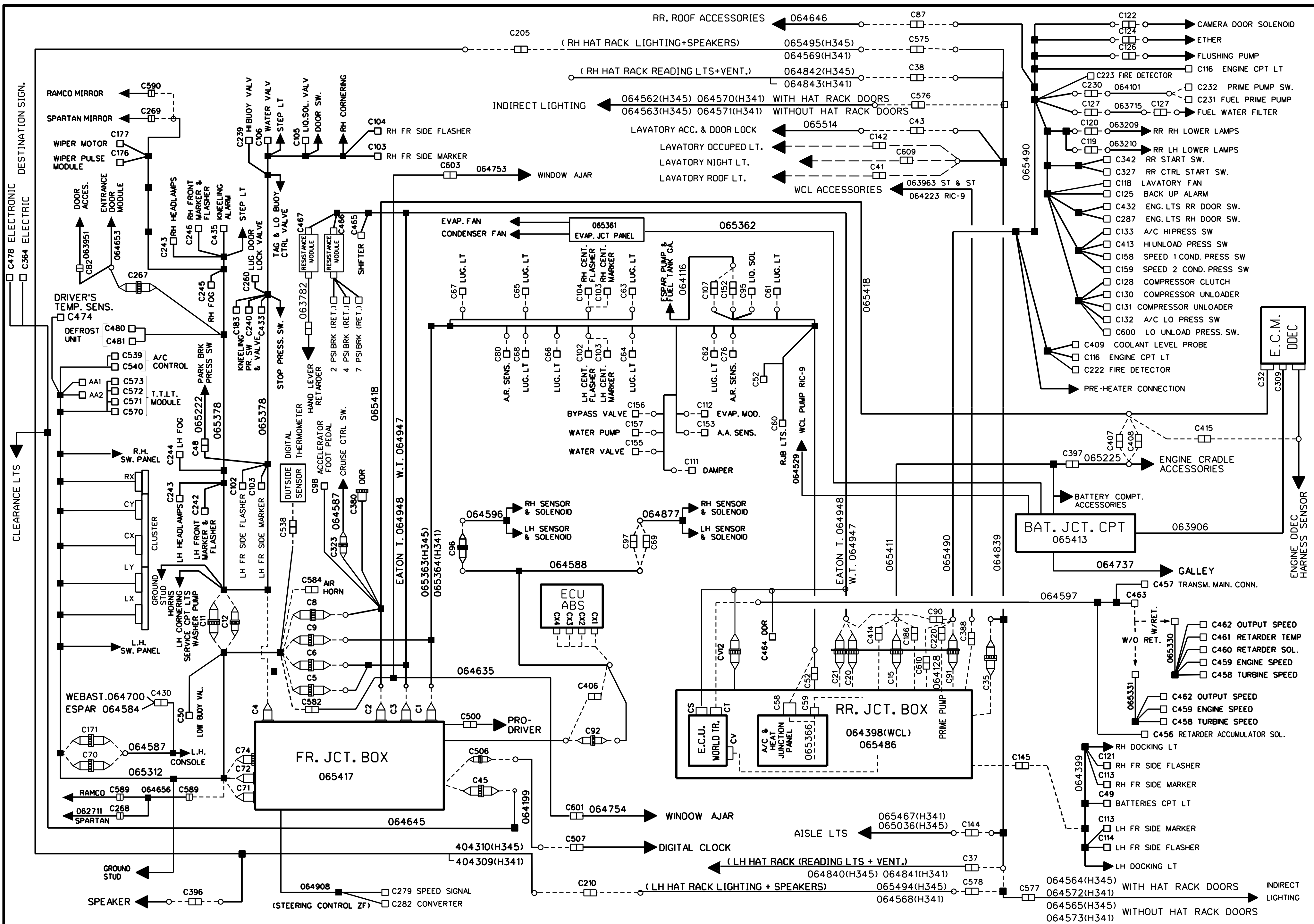


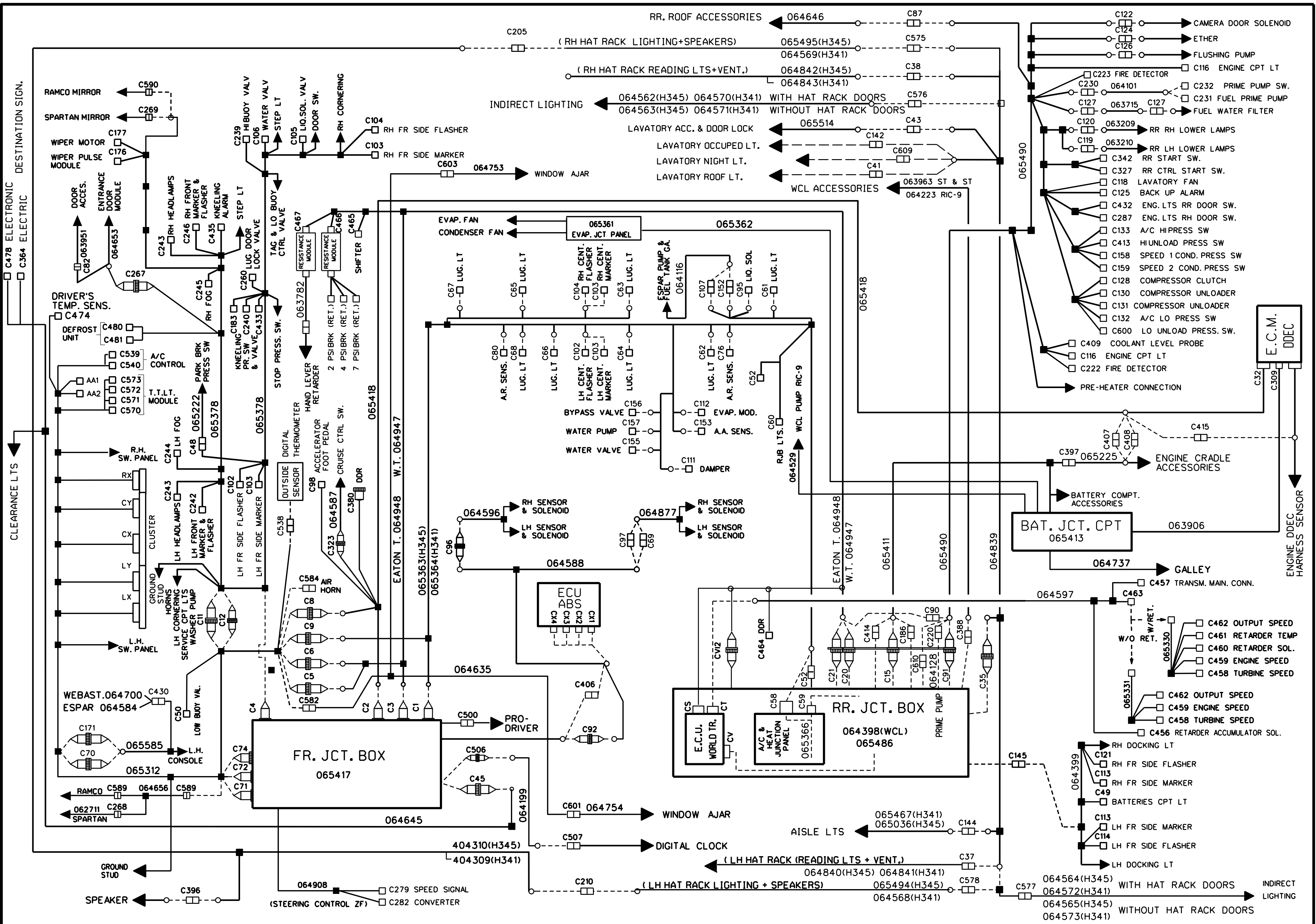


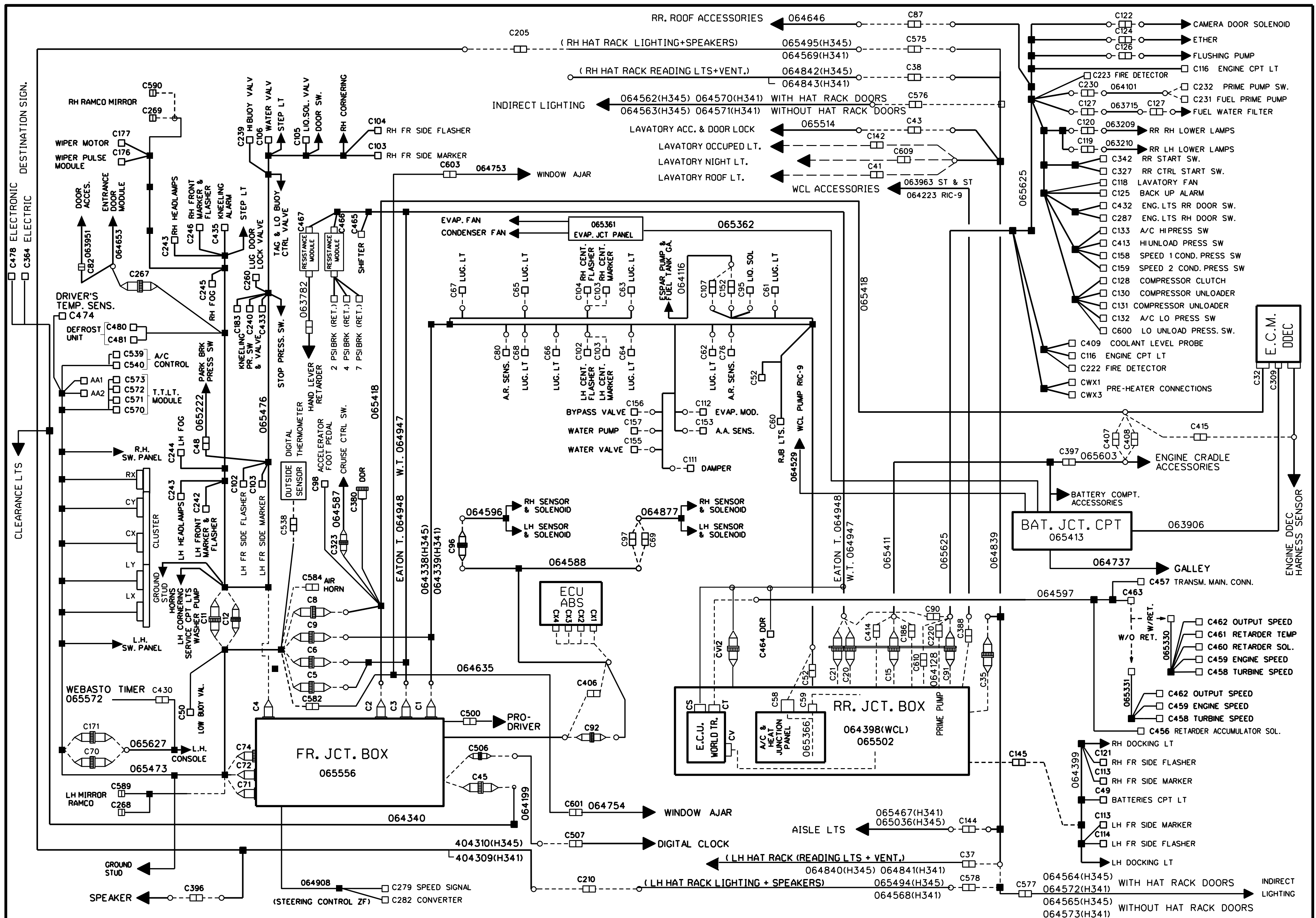


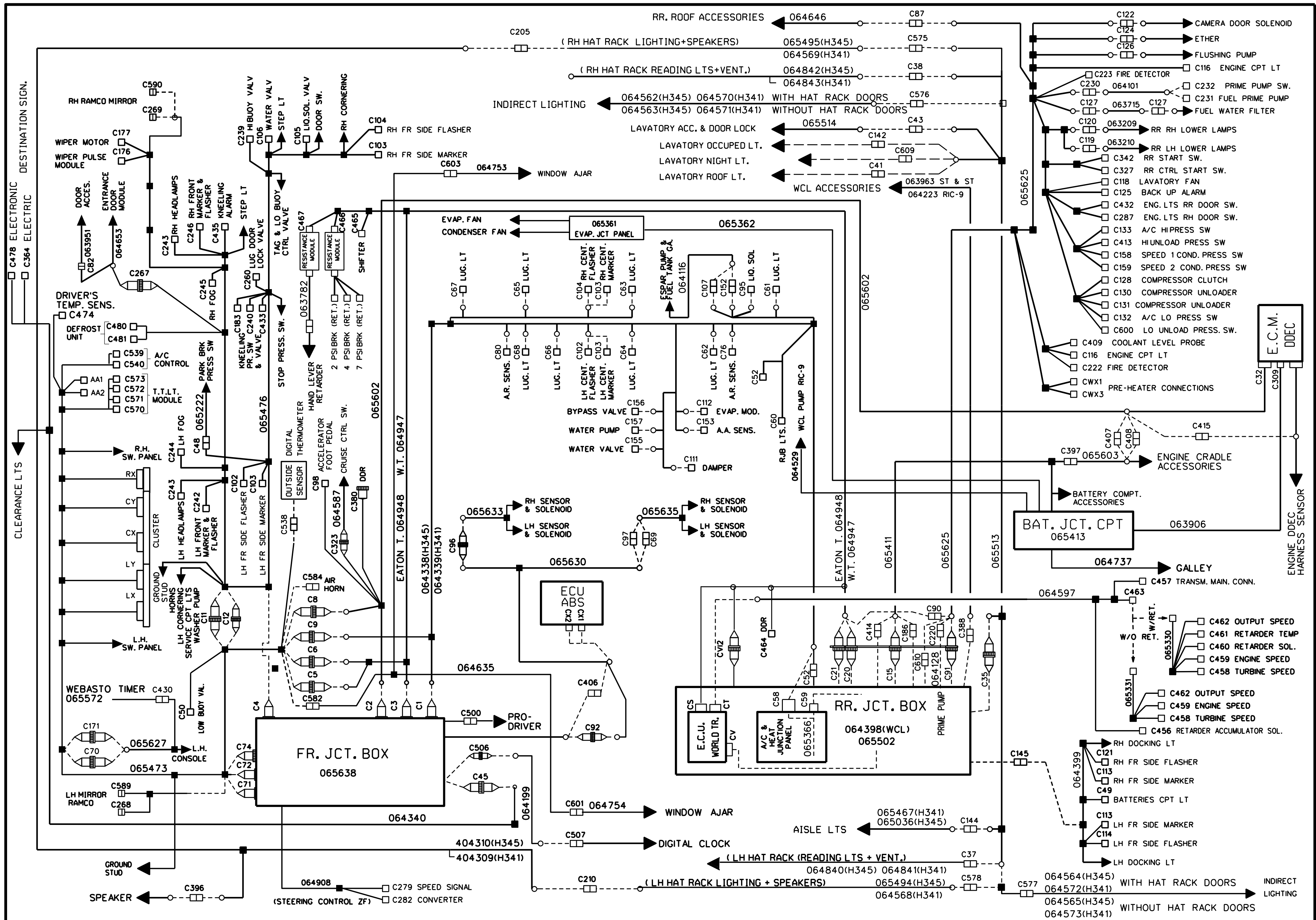


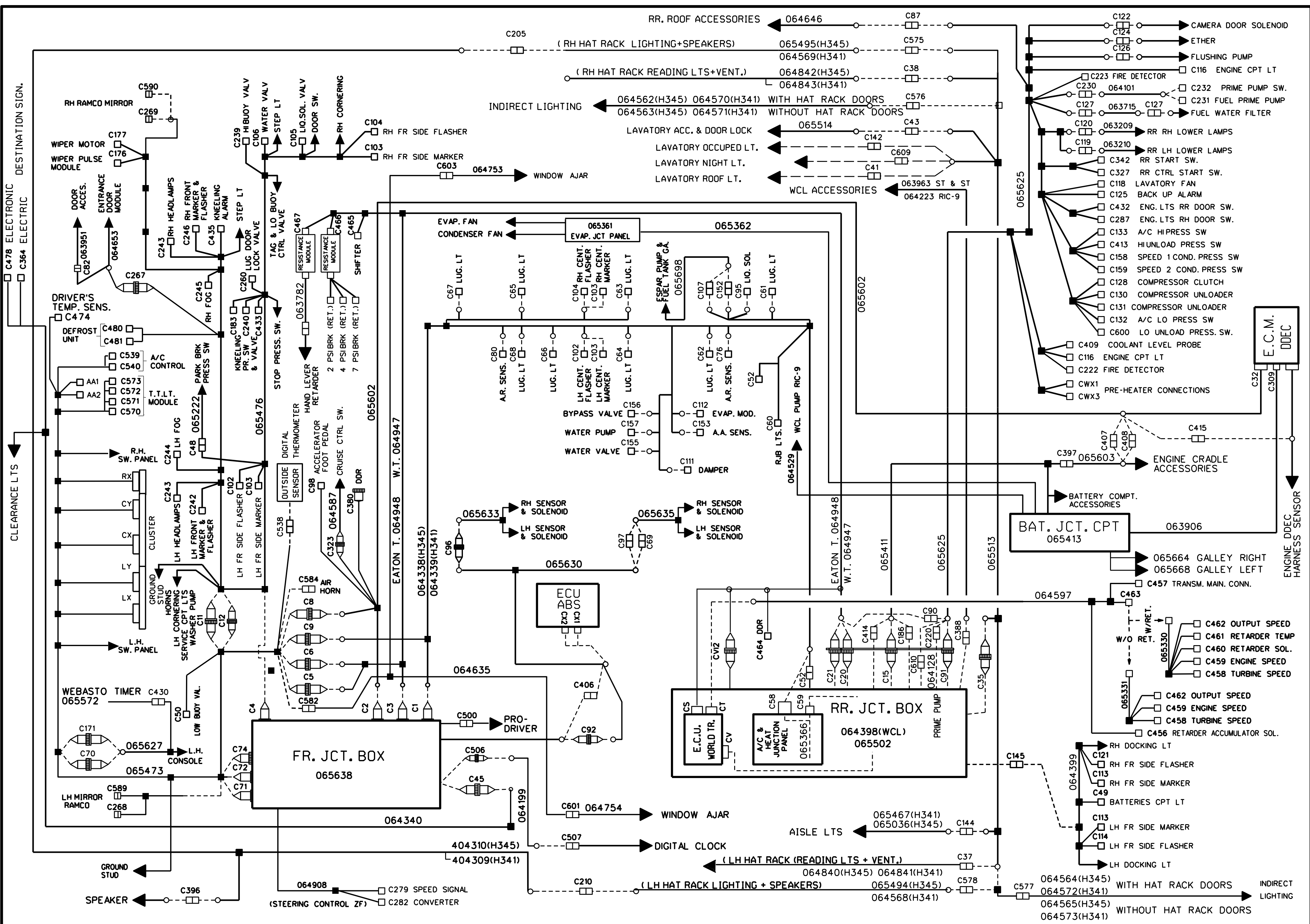


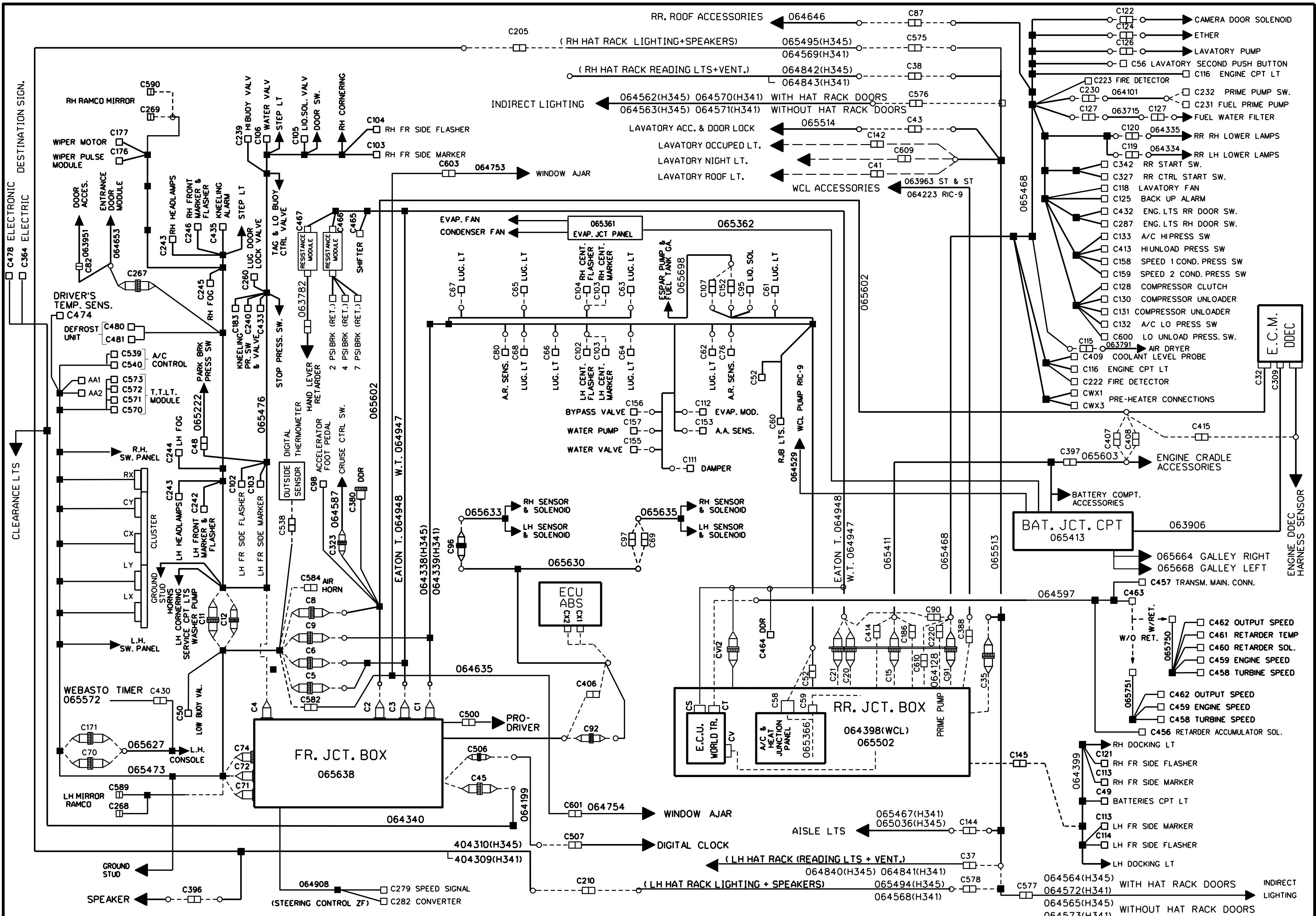


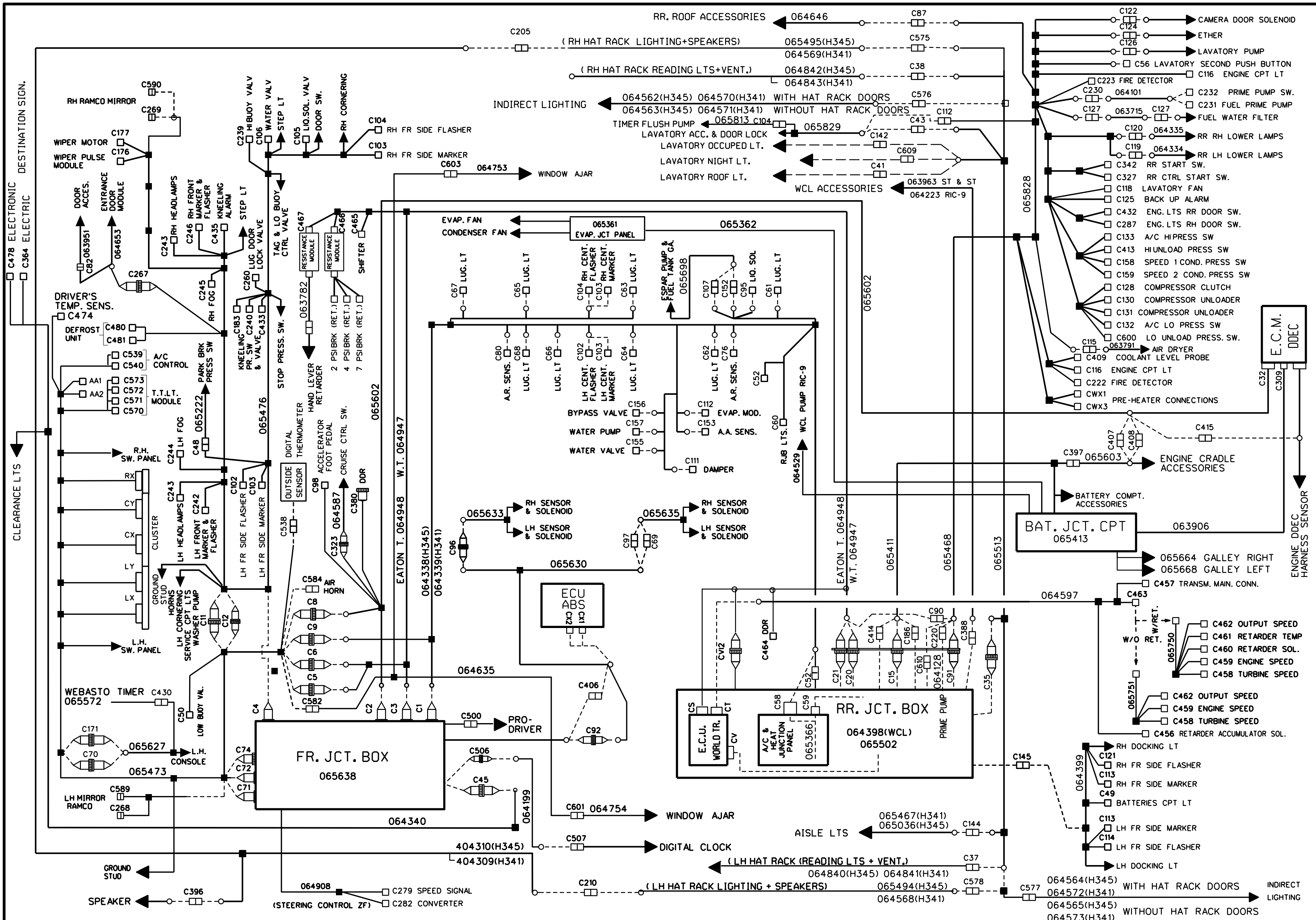


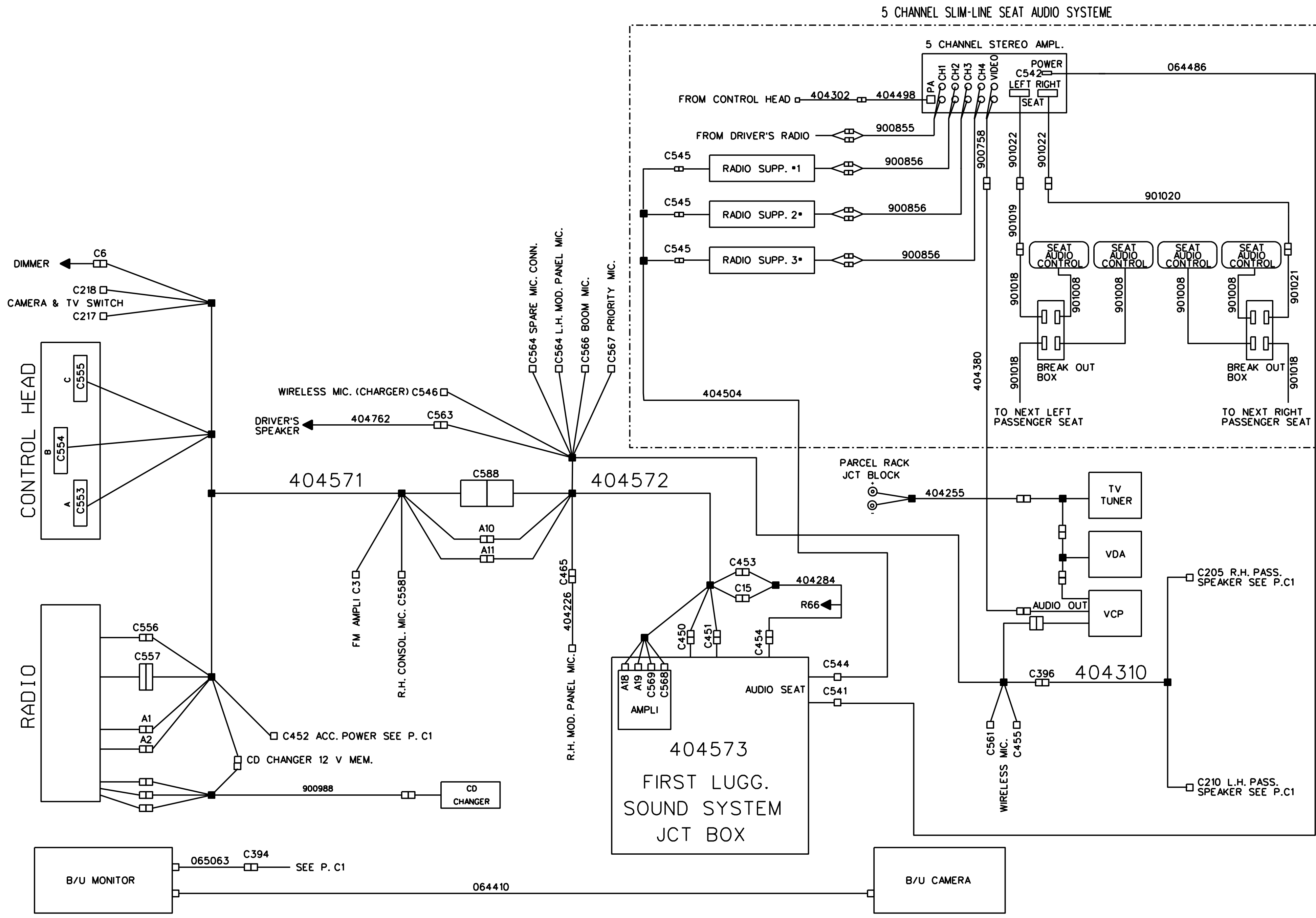




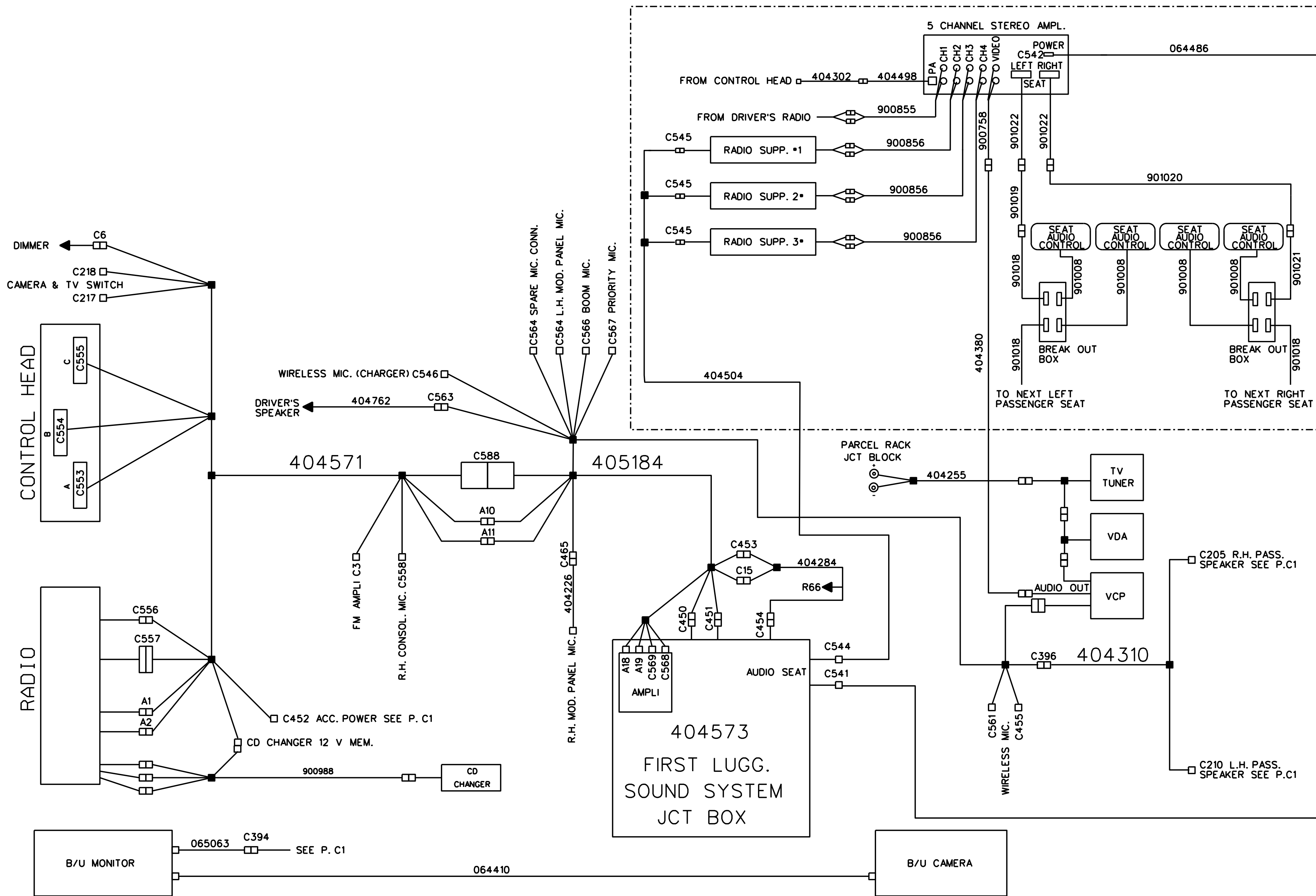




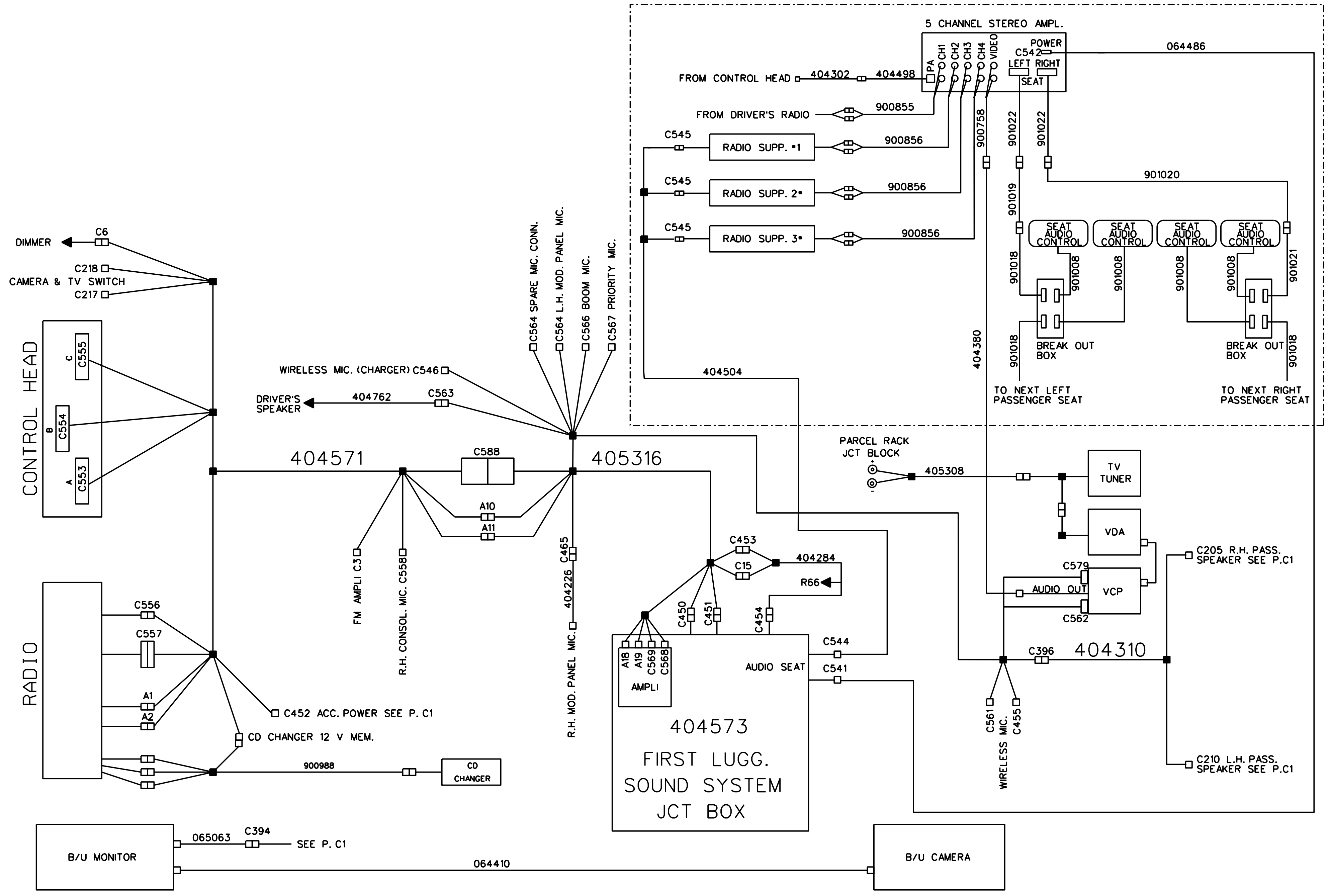


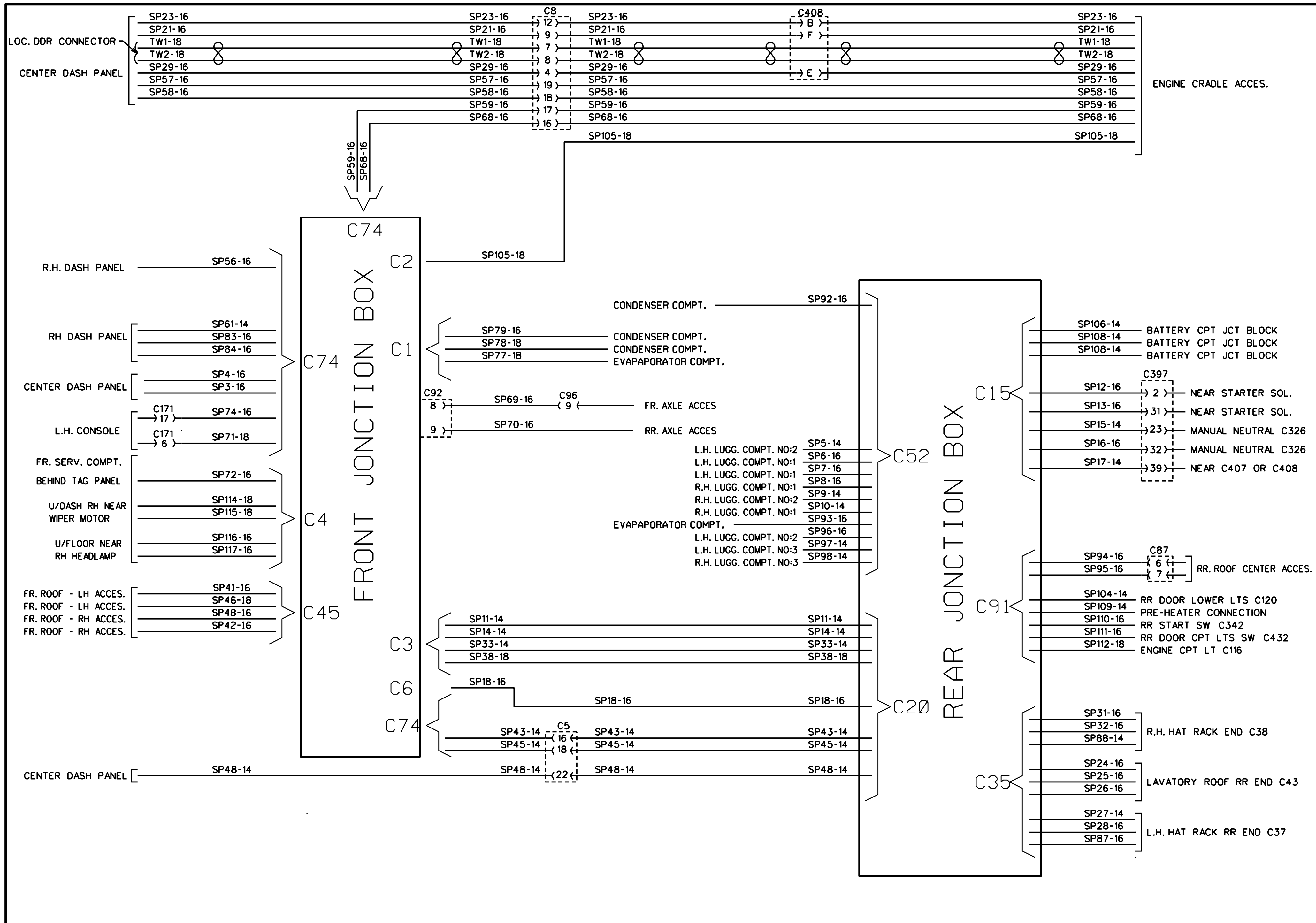


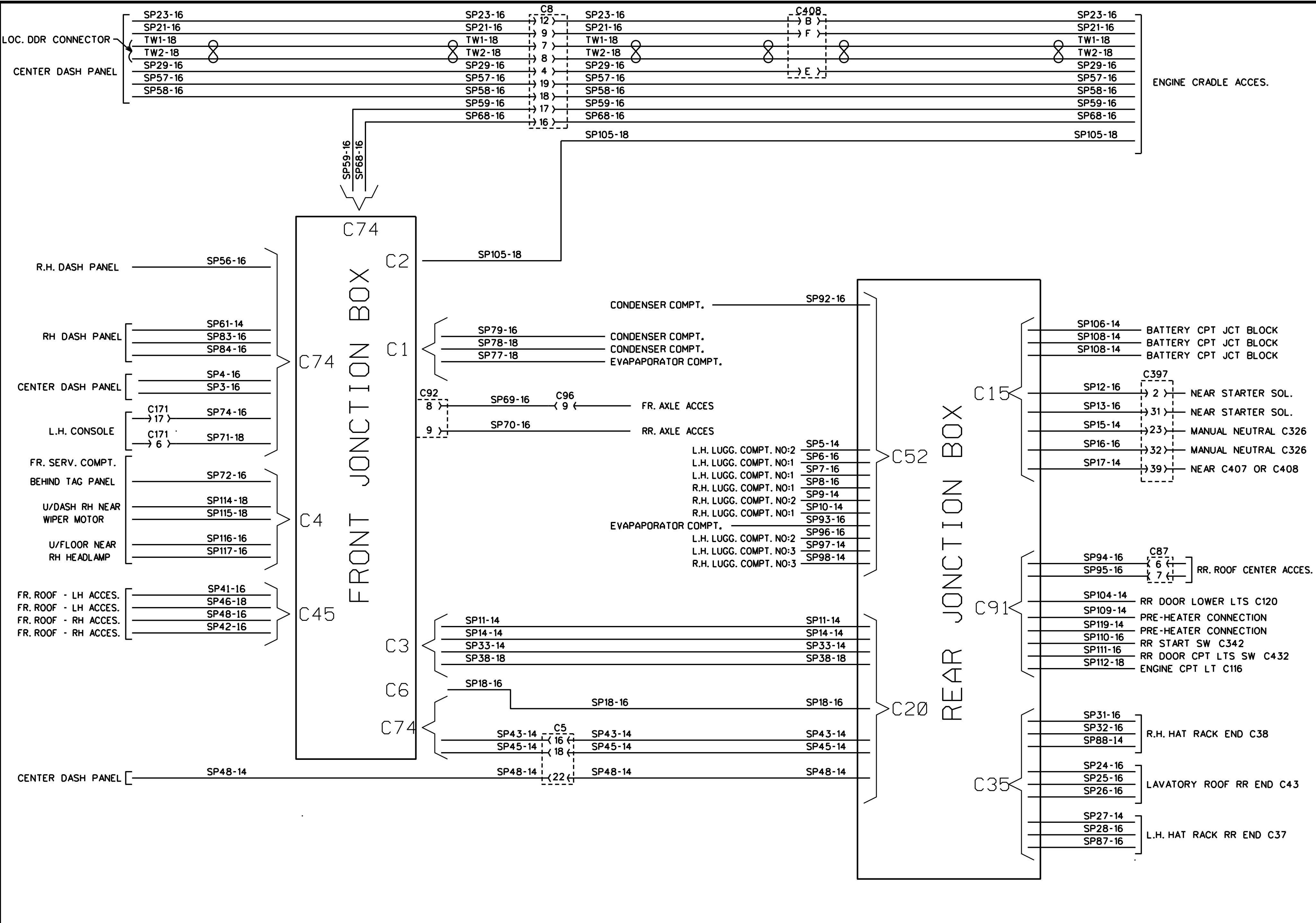
5 CHANNEL SLIM-LINE SEAT AUDIO SYSTEME



5 CHANNEL SLIM-LINE SEAT AUDIO SYSTEME







CIRCUIT NUMBER CODE

No.	DESCRIPTION	No.	DESCRIPTION	No.	DESCRIPTION	No.	DESCRIPTION
B A	INTERIOR LTS-110V FLUORESCENT	S P 15	SPARE-RJB TO ENGINE	S P 115	SPARE-FJB TO U/DASH WIPER	0 M	FS - ELECTRICAL MOTOR GRD
B B	INTERIOR LTS-110V FLUORESCENT	S P 16	SPARE-RJB TO ENGINE	S P 116	SPARE-FJB TO U/DASH FLOOR	0 M3	FS - ELECTRICAL MOTOR GRD
D 1	SOUND SYSTEM-FR RH SPEAKER	S P 17	SPARE-RJB TO ENGINE	S P 117	SPARE-FJB TO U/DASH FLOOR	0 M4	FS - ELECTRICAL MOTOR GRD
D 2	SOUND SYSTEM-FR RH SPEAKER	S P 18	SPARE-FJB TO RJB	W C	A/C & HEAT SYST-EVAP CTR SIGN	0 M5	FS - ELECTRICAL MOTOR GRD
D 3	SOUND SYSTEM-RR RH SPEAKER	S P 24	SPARE-RJB TO LAVATORY ROOF	Y C	INTERIOR LTS-110V FLUORESCENT	0 M6	FS - FJB GRD
D 4	SOUND SYSTEM-RR RH SPEAKER	S P 25	SPARE-RJB TO LAVATORY ROOF	Y D	INTERIOR LTS-110V FLUORESCENT	0 M7	FS - ELECTRICAL MOTOR GRD
D 5	SOUND SYSTEM-RR RH SPEAKER	S P 26	SPARE-RJB TO LAVATORY ROOF	0	BC - BAT. CPT CHASSIS GRD	0 M	RS - ENGINE CPT ACCES. GRD
D 6	SOUND SYSTEM-RR RH SPEAKER	S P 27	SPARE-RJB TO LH HAT RACK	0	CONDENSER CPT GRD	0 MR	24V DISC. SW. RLY GRD SIGNAL
D 7	SOUND SYSTEM-RR RH SPEAKER	S P 28	SPARE-RJB TO LH HAT RACK	0	RS - RR JCT BOX RLY GRD	0 MS	24V DISC. SW. RLY GRD SIGNAL
D 8	SOUND SYSTEM-RR RH SPEAKER	S P 31	SPARE-RJB TO RH HAT RACK	0	GALLEY GRD	0 N	RS - ENGINE CPT ACCES. GRD
D 3 4	SOUND SYSTEM-RR RH SPEAKER	S P 32	SPARE-RJB TO RH HAT RACK	0 A	BC - SHIELD GRD	0 P	RS - ENGINE CPT ACCES. GRD
D 6 7	SOUND SYSTEM-RR RH SPEAKER	S P 33	SPARE-FJB TO RJB	0 A	RS - RR JCT BOX RLY GRD	0 R	FS - SOUND SYS. JCT PANEL GRD
G 1	SOUND SYSTEM-RR RH SPEAKER	S P 38	SPARE-FJB TO RJB	0 A	FRS - FR ROOF ACCES. GRD	0 R	RS - FJB GRD
G 2	SOUND SYSTEM-FR LH SPEAKER	S P 43	SPARE-FJB TO RJB	0 A	RS - LUG. CPT ACCES. GRD	0 R	RS - ENGINE CPT ACCES. GRD
G 3	SOUND SYSTEM-FR LH SPEAKER	S P 45	SPARE-FJB TO RJB	0 A A	RS - VOLTAGE REGULATOR GRD	0 R E	RADIO & CTRL HEAD CHASSIS GRD
G 4	SOUND SYSTEM-RR LH SPEAKER	S P 46	SPARE-RJB TO LH FR ROOF	0 B	EC - ENGINE GRD	0 R H	RS - RR END LAMPS RH GRD
G 5	SOUND SYSTEM-RR LH SPEAKER	S P 48	SPARE-RJB TO DASH CENTER PANEL	0 B	FRS - FR ROOF HEAT WIND GRD	0 S	12 VOLT RUN - GND RELAY
G 6	SOUND SYSTEM-RR LH SPEAKER	S P 56	SPARE-ENGINE TO RH SW PANEL	0 B	RS - LUG. CPT ACCES. GRD	0 S A	EC-BOSCH ALT. GROUND
G 7	SOUND SYSTEM-RR LH SPEAKER	S P 57	SPARE-DASH CENTER PANEL TO ENG.	0 B E	RJB - BAT. EQUAL. BAT GRD	0 S 2	SOUND SYSTEM RADIO GRD
G 8	SOUND SYSTEM-RR LH SPEAKER	S P 58	SPARE-DASH CENTER PANEL TO ENG.	0 C	EC - STARTER MOTOR GRD	0 S 3	SOUND SYSTEM VIDEO GRD
G 3 4	SOUND SYSTEM-RR LH SPEAKER	S P 59	SPARE-FJB TO ENGINE	0 C	FS - SERV. CPT ACCES. GRD	0 S S	SOUNDS SYSTEM BATT. GRD
G 6 7	SOUND SYSTEM-RR LH SPEAKER	S P 61	SPARE-FJB TO DASH RH PANEL	0 C	BC - FAN CONDENSER GRD	0 T	FS - DASH ACCES. GRD
L 1 A	INTERIOR LTS-110V FLUORESCENT	S P 68	SPARE-FJB TO ENGINE	0 C R	24V DISC. SW. RLY GRD SIGNAL	0 T 1	FS - DASH ACCES. GRD
L 1 B	INTERIOR LTS-110V FLUORESCENT	S P 69	SPARE-FJB TO FR AXLE	0 C S	24V DISC. SW. RLY GRD SIGNAL	0 T 2	FS - DASH ACCES. GRD
L 2 A	INTERIOR LTS-110V FLUORESCENT	S P 70	SPARE-FJB TO FR AXLE	0 C 1	FS - SERV. CPT ACCES. GRD	0 T 3	FS - DASH ACCES. GRD
L 2 B	INTERIOR LTS-110V FLUORESCENT	S P 71	SPARE-FJB TO RH SW PANEL	0 C 2	FS - SERV. CPT ACCES. GRD	0 T 4	FS - DASH ACCES. GRD
L 8	ENG. BLK & WATER TANK-HEATER	S P 72	SPARE-FJB TO FR SERV CPT	0 C 3	FS - SERV. CPT ACCES. GRD	0 V	RR JCT BOX CPT GRD STUD
L 9	ENG. BLK & WATER TANK-HEATER	S P 74	SPARE-FJB TO LH CONSOLE	0 C 4	FS - FJB CPT ACCES. GRD	0 V A	BATTERY TO EQUALISER 0V
L 0	110V RECEPTACLE- 110V FLUOR.	S P 77	SPARE-FJB TO EVAPORATOR CPT	0 D	BC - FAN CONDENSER GRD	0 W	FS - WT GND & SHIELD
L 1	110V RECEPTACLE- 110V FLUOR.	S P 78	SPARE-FJB TO CONDENSER CPT	0 D	RS - HAT RACK ACCES. LH GRD	0 W	RS - RR JCT BOX (WCL) GRD
L 2	110V RECEPTACLE- 110V FLUOR.	S P 79	SPARE-FJB TO CONDENSER CPT	0 D F	RS - RR SIDE FLASH & MARK GRD	0 W C	RS - RR JCT BOX GRD (WCL)
R A	INTERIOR LTS-110V FLUORESCENT	S P 87	SPARE-RJB TO LH HAT RACK	0 D R	RS - RJB DOCKING LT RESISTORS	0 X	RS - RR JCT BOX GRD
R B	INTERIOR LTS-110V FLUORESCENT	S P 88	SPARE-RJB TO RH HAT RACK	0 E	RS - HAT RACK ACCES. LH GRD	0 Y	ABS FR JCT BOX CPT GRD STUD
S H 1	SHIELD CHASSIS GRD	S P 92	SPARE-RJB TO CONDENSER CPT	0 E A	EATON TRANSMISSION GRD	0 Y	RR JCT BOX GRD
S H 2	SHIELD CHASSIS GRD	S P 93	SPARE-RJB TO EVAPORATOR CPT	0 F	RS - HAT RACK ACCES. RH GRD	0 Y 1	ABS FR JCT BOX CPT GRD STUD
S H 3	SHIELD CHASSIS GRD	S P 94	SPARE-RJB TO RR ROOF	0 G	RS - HAT RACK ACCES. RH GRD	0 Z	RR JCT BOX CPT GRD STUD
S H 4	SHIELD CHASSIS GRD	S P 95	SPARE-RJB TO FR AXLE	0 H	RS - LAVATORY ACCES. GRD	0 0	FJB & RJB BATT. GRD
S P 2	SPARE-FJB TO FR SERV CPT	S P 96	SPARE-RJB TO LUGG CPT #2	0 J	FS - LH CONSOLE SW GRD	0 0 A	FBG - T.T.LT. MODULES BATT. GRD
S P 3	SPARE-FJB TO CENTER DASH	S P 97	SPARE-RJB TO LUGG CPT #3	0 J	RS - RR ROOF ACCES. GRD	0 0 Y	FS - ABS MODULLE BATT. GRD
S P 4	SPARE-FJB TO CENTER DASH	S P 98	SPARE-RJB TO LUGG CPT #3	0 K	RS - RR ROOF ACCES. GRD	0 0 S S	SOUND SYSTEM BATT. GRD
S P 5	SPARE-RJB TO LUGG CPT #2	S P 104	SPARE-RJB TO ENGINE CPT	0 K	RS - RJB A/C JCT PANEL GRD	1	TACHO SYSTEM - RPM SIGNAL +
S P 6	SPARE-RJB TO LUGG CPT #1	S P 105	SPARE-FJB TO ENGINE	0 L	FS - FR SERVICE CPT LTS GRD	2 A	A/C & HEAT SYSTEM-COOL 1 SIGN
S P 7	SPARE-RJB TO LUGG CPT #1	S P 106	SPARE-RJB TO BATT. CPT.	0 L 1	FS - FR SERVICE CPT LTS GRD	2 B	A/C & HEAT SYSTEM-COOL SIGN
S P 8	SPARE-RJB TO LUGG CPT #1	S P 107	SPARE-RJB TO BATT. CPT.	0 L 2	FS - FR SERVICE CPT LTS GRD	2 B B	A/C & HEAT SYSTEM-COOL SIGN
S P 9	SPARE-RJB TO LUGG CPT #2	S P 108	SPARE-RJB TO BATT. CPT.	0 L 3	FS - FJB GRD	2 H	A/C & HEAT SYSTEM-HI PRESS SW
S P 10	SPARE-RJB TO LUGG CPT #1	S P 109	SPARE-RJB TO ENGINE CPT.	0 L 4	FS - FJB GRD	2 H L	A/C & HEAT SYSTEM-LO & HI PRESS SW
S P 11	SPARE-FJB TO RJB	S P 110	SPARE-RJB TO ENGINE CPT.	0 L 5	FS - CIGAR LIGHTER	2 L	A/C & HEAT SYSTEM-LO PRESS SW
S P 12	SPARE-RJB TO ENGINE	S P 111	SPARE-RJB TO ENGINE CPT.	0 L	RS - ENGINE CPT ACCES. GRD	4	HOSTESS & PASSENGER CHIME
S P 13	SPARE-RJB TO ENGINE	S P 112	SPARE-RJB TO ENGINE CPT.	0 L	ENTRANCE DOOR (SEDAN) GRD	4 A	HOSTESS & PASSENGER CHIME
S P 14	SPARE-FJB TO RJB	S P 114	SPARE-FJB TO U/DASH WIPER	0 L H	RS - RR END LAMPS LH GRD	4 B	PASSENGER CHIME

CIRCUIT NUMBER CODE

No.	DESCRIPTION	No.	DESCRIPTION	No.	DESCRIPTION	No.	DESCRIPTION
4 C	HOSTESS CHIME	12 G	FR JCT BOX 12V DISC SW	21 K	EXTERIOR LTS-CORNERING	24 SS	SOUND SYSTEM 24V FEEDING
5	INTERIOR LTS-AISLE & EMERG. EXIT	12 H	12 V IGNITION D.T.RUN LIGHT	21 N	EXTERIOR LTS-CORNERING LH	24 R	24 VOLTS FRONT CAMERA SW.
5	UPPER WINDSHIELD DEFROSTER	12 J	FR JCT BOX 12V DISC SW	21 P	EXTERIOR LTS-CORNERING LH	24 V2	RR JCT BOX 24V DISC SW
5 D	UPPER WINDSHIELD DEFROSTER	12 I	12V IGNITION DISTRIBUTION	23	EXTERIOR LTS-DIRECTIONNAL RH	24 V3	RR JCT BOX 24V DISC SW
5 E	UPPER WINDSHIELD DEFROSTER	12 I	RR JCT BOX 12V IGNITION	23	EXTERIOR LTS-DIRECTIONNAL RH	24 V4	RR JCT BOX 24V DISC SW
5 N	INTERIOR LTS-EMERGENCY EXIT	12 K	12 VOLT IGN. TTLT & HVAC MODULE	23 A	EXTERIOR LTS-DIRECTIONNAL RH	24 V5	RR JCT BOX 24V DISC SW
5 NC	SPEED SIGNAL LOWER 5MPH	12 IA	12V IGNITION DISTRIBUTION	23 B	EXTERIOR LTS-DIRECTIONNAL RH	24 VD	24V HOT WIRE DISTRIBUTION
5 NO	SPEED SIGNAL HIGHER 5MPH	12 IA	FR JCT BOX 12V IGNITION	23 C	EXTERIOR LTS-CORNERING RH	24 VF	BAT CPT 24V SW TO FJB & IC
6	INTERIOR LTS-AISLE	12 IB	FR JCT BOX 12V IGNITION	23 N	EXTERIOR LTS-CORNERING RH	24 VA	BATTERY TO EQUALIZER 24V
7 B	ENTRANCE DOOR (SEDAN)	12 IF	FR JCT BOX 12V IGNITION	23 P	EXTERIOR LTS-CORNERING RH	24 VI	RR JCT BOX 24V IGNITION
7 D	ENTRANCE DOOR (SEDAN)	12 LX	CLUSTER (12V HOT WIRE)	24	BAT CPT 24V BATTERY	24 VR	BAT CPT 24V DISC SW TO RJB
7 DA	ENTRANCE DOOR (SEDAN)	12 P	LH CONSOLE POWER OUTLET	24	FR JCT BOX 24V DISC SW	24 W	RR JCT BOX 24V DISC SW (WCL)
9	INTERIOR LTS-ENGINE CPT	12 R	BAT CPT 12V DISC RLY TO RJB	24 A	BOOSTER BLOCK 24V DISC SW	24 WC	BATT.CPT TO HYD. PUMP (WCL)
9 A	INTERIOR LTS-ENGINE CPT	12 R	MEMORY BATTERY RADIO	24 A	FR JCT BOX 24V DISC SW	24 WL	24V BATTERY-HYD. PUMP (WCL)
9 B	INTERIOR LTS-ENGINE CPT	12 S	SOUND SYSTEM 12V RADIO	24 A	RR JCT BOX 24V DISC SW	25 A1	PRE-EXITATION ALT. BOSCH #1
9 E	INTERIOR LTS-FR SERVICE CPT	12 S1	SOUND SYSTEM 12V RADIO	24 B	24V STARTER RLY FEEDING	25 A2	PRE-EXITATION ALT. BOSCH #2
9 F	INTERIOR LTS-FR SERVICE CPT	12 S2	SOUND SYSTEM 12V RADIO	24 B	FR JCT BOX 24V DISC SW	25 A	T.T. LT. ALTERNATOR #1
10	INTERIOR LTS-LUGGAGE CPT	12 SB	SOUND SYSTEM 12V FEEDING	24 B	RR JCT BOX 24V DISC SW	25 B	12 VOLTS IGN. ALT. SIGNAL MODULE
10 A	INTERIOR LTS-LUGGAGE CPT	12 SS	SOUND SYSTEM 12V FEEDING	24 BC	24 VOLT BATT. CHARGER	25 D	12 V. ENGINE RUN / HVAC SYSTEM
10 B	INTERIOR LTS-LUGGAGE CPT	12 VA	BATTERY TO EQUALIZER 12V	24 BE	RJB CPT-BAT EQ MONITOR HOT WIRE	25 F	12 VOLT IGN. DISTRIBUTION
10 D	INTERIOR LTS-LUGGAGE CPT	12 VD	12V HOT WIRE DISTRIBUTION	24 C	FR JCT BOX 24V DISC SW	25 H	24 VOLT IGN. ALT. BOSCH
10 F	INTERIOR LTS-LUGGAGE CPT	12 VF	BAT CPT 12V FJB & IC	24 C	RR JCT BOX 24V DISC SW	25 K	T.T. LT. ALTERNATOR #2
10 H	INTERIOR LTS-LUGGAGE CPT	12 VI	12V IGNITION DISTRIBUTION	24 D	BAT CPT 24V HOT WIRE	26 A	CIGAR LIGHTER
10 K	INTERIOR LTS-LUGGAGE CPT	12 VR	BAT CPT 12V DISC RLY TO RJB	24 D	FR JCT BOX 24V HOT WIRE	26	DRIVER'S WINDOW LIFTER
10 R	INTERIOR LTS-LUGGAGE DOOR AJAR	12 W	12V BATTERY DDEC III	24 D	RR JCT BOX 24V HOT WIRE	26 B	DRIVER'S WINDOW LIFTER
11	FR DESTINATION SIGN	12 W	ENTRANCE DOOR (SEDAN)	24 DA	A/C JCT BOX 24V HOT WIRE	26 C	DRIVER'S WINDOW LIFTER
11 A	FR DESTINATION SIGN	12 WA	ENTRANCE DOOR (SEDAN)	24 E	BAT CPT 24V DISC SW	27	LAVATORY-EMERGENCY SONALERT
11 B	FR DESTINATION SIGN	12 X	FR JCT BOX 12V DISC SW	24 E	FR JCT BOX 24V DISC SW	28 A	A/C & HEAT SYSTEM-HI PRESSURE
11 C	FR DESTINATION SIGN	12 X2	FR JCT BOX 12V DISC SW	24 E	RR JCT BOX 24V DISC SW	29	A/C & HEAT SYSTEM-DRIVER'S HTR
11 D	FR DESTINATION SIGN	12 Y	FR JCT BOX 12V DISC SW	24 F	FR JCT BOX 24V DISC SW	29 A	A/C & HEAT SYSTEM-DRIVER'S HTR
11 E	FR DESTINATION SIGN	13 A	ALARM & SIGNAL-LO AIR PRIM.	24 F	RR JCT BOX 24V DISC SW	29 B	A/C & HEAT SYSTEM-DRIVER'S HTR
11 K	FR DESTINATION SIGN	13 B	ALARM & SIGNAL-LO AIR SEC.	24 G	FR JCT BOX 24V DISC SW	29 H	HVAC DASH MODULE
12	12V BAT ELECTRICAL JCT BLOCK	14	LAVATORY-FLUSHING PUMP	24 G	RR JCT BOX 24V DISC SW	30 A	GALLEY
12	BAT CPT 12V BATTERY	14 A	LAVATORY-FLUSHING PUMP	24 H	FR JCT BOX 24V DISC SW	31 A	A/C & HEAT SYSTEM-UNLOADER
12 A	FR JCT BOX 12V DISC SW	15	EXTERIOR LTS-MULTI FUNC LEVEL	24 H	RR JCT BOX 24V DISC SW	31 B	A/C & HEAT SYSTEM-UNLOADER
12 A	RR JCT BOX 12V DISC SW	15 A	WIPER & WASHER UPPER WINDSHIELD	24 I	FR JCT BOX 24V IGNITION	31 B	WIPER & WASHER SYSTEM
12 B	12V BAT ELECTRICAL JCT BLOCK	16	SPEED - SIGNAL +	24 I	RR JCT BOX 24V IGNITION	31 C	WIPER & WASHER SYSTEM
12 B	RR JCT BOX 12V DISC SW	16 A	SPEED - SIGNAL +	24 IA	FR JCT BOX 24V IGNITION	31 D	WIPER & WASHER SYSTEM
12 B	FR JCT BOX 12V DISC SW	16 T	SPEED - SIGNAL +	24 IA	RR JCT BOX 24V IGNITION	31 E	WIPER & WASHER SYSTEM
12 BE	BAT. EQUALIZER MONITOR	17	EXTERIOR LTS-FLASHER UNIT	24 IB	FR JCT BOX 24V IGNITION	31 J	WIPER & WASHER SYSTEM
12 C	FR JCT BOX 12V DISC SW	17 A	EXTERIOR LTS-FLASHER UNIT	24 IB	RR JCT BOX 24V IGNITION	31 X	WIPER & WASHER SYSTEM
12 C	RR JCT BOX 12V HOT WIRE	19	DIFFERENTIAL OIL TEMP	24 IC	FR JCT BOX 24V IGNITION	32	EXTERIOR LTS-BACK-UP
12 CE	RR JCT BOX 12V HOT WIRE	20	SPEED - SIGNAL -	24 IF	FJB 24VOLT IGNITION	32 B	EXTERIOR LTS-BACK-UP
12 D	BAT CPT 12V BATTERY	20 T	SPEED - SIGNAL -	24 P	FR JCT BOX 24V DISC SW	32 C	BACK-UP PWR & SIGNAL
12 DT	TTLT MODULE	20 W	SPEED - SIGNAL -	24 S	24V DISC SW RLY SIGNAL	32 D	BACK-UP ALARM
12 E	FR JCT BOX 12V DISC SW	21	EXTERIOR LTS-DIRECTIONNAL LH	24 S1	SOUND SYSTEM 24V AMPLIFIER	35	ENTRANCE DOOR (SEDAN)
12 E	RR JCT BOX 12V DISC SW	21 A	EXTERIOR LTS-DIRECTIONNAL LH	24 S2	SOUND SYSTEM 24V AMPLIFIER	35 B	ENTRANCE DOOR (SEDAN)
12 F	BAT CPT 12V FJB & IC	21 B	EXTERIOR LTS-HAZARD	24 S3	SOUND SYSTEM 24V VIDEO	35 BB	ENTRANCE DOOR (SEDAN)
12 F	FR JCT BOX 12V DISC SW	21 C	EXTERIOR LTS-CORNERING LH	24 S4	SOUND SYSTEM 24V VIDEO	35 D	ENTRANCE DOOR (SEDAN)
12 F	RR JCT BOX 12V DISC SW	21 H	EXTERIOR LTS-DIRECTIONNAL LH	24 SB	SOUND SYSTEM 24V FEEDING	36	JACOB BRAKE SYSEM

CIRCUIT NUMBER CODE

No.	DESCRIPTION	No.	DESCRIPTION	No.	DESCRIPTION	No.	DESCRIPTION
36 A	JACOB BRAKE SYSREM	53 J	WIPER & WASHER SYSTEM	72 D	SUN VISOR-LH	92	BATTERY EQUALIZER-CHECK BALANCE
38	INTERIOR LTS-24V FLUORESCENT	55	EXTERIOR LTS-HI BEAM	73	LAVATORY-FEEDING	93	BATTERY EQUALIZER-CHECK LO/HI
38 A	INTERIOR LTS-24V FLUORESCENT	57	EXTERIOR LTS-HI BEAM	74	INTERIOR LTS-READING RH	95 A	ENGINE BRAKE & RETARDER SYSTEM
38 C	INTERIOR LTS-24V FLUORESCENT	57 A	A/C & HEAT SYSTEM-WATER PUMP	74 A	INTERIOR LTS-READING RH	97	TACHOMETER (-)
38 D	INTERIOR LTS-24V FLUORESCENT	57 A	EXTERIOR LTS-HI BEAM	74 D	INTERIOR LTS-READING SIGNAL	100	INTERIOR LTS-GENERAL
39	INTERIOR LTS-24V LH CONSOLE SW	57 B	A/C & HEAT SYSTEM-WATER PUMP	75	INTERIOR LTS-READING LH	100 A	INTERIOR LTS-GENERAL
39 A	INTERIOR LTS-DRIVER'S LTS	57 C	PRE-HEAT WATER HEATER	75 A	INTERIOR LTS-READING LH	100 B	INTERIOR LTS-GENERAL
39 P	READING LIGHTS	57 CA	A/C & HEAT SYSTEM-HEAT SIGN	76	FUEL TANK GAUGE	101	24V STARTER SOL FEEDING
41	A/C & HEAT SYSTEM-COND FAN MOT	57 CC	A/C & HEAT SYSTEM-HEAT SIGN	76 B	LOW FUEL LT & ETHER COLD START	101	WORLD TRANSM-LO SIGN SOL. LO
41 A	A/C & HEAT SYSTEM-COND FAN MOT	58	EXTERIOR LTS-LO BEAM	76 C	LOW FUEL LT	102	WORLD TRANSM-SOL. SUPPLY
41 B	A/C & HEAT SYSTEM-COND FAN MOT	58 A	EXTERIOR LTS-LO BEAM	76 P	FUEL PRIME PUMP	102 A	24V STARTER TO BOSCH ALTERNATOR
42	A/C & HEAT SYSTEM-COND FAN MOT	58 B	EXTERIOR LTS-LO BEAM	76 M	FUEL PRIME PUMP	103	LOW BUOY
42 A	A/C & HEAT SYSTEM-COND FAN MOT	58 E	EXTERIOR LTS-LO BEAM	77	A/C & HEAT SYSTEM-HI PRESSURE	104	WORLD TRANSM-SOL. FORWARD
43	HAT RACK FAN	59 A	JACOB BRAKE SYSTEM	77 A	A/C & HEAT SYSTEM-DRIVER'S HTR	105	WORLD TRANSM-RETARDER & SUMP
43 A	HAT RACK FAN	61	EXTERIOR LTS-24V FEED SW	77 B	A/C & HEAT SYSTEM-COMPRESSOR	105 W	WORLD TRANSM-RETARDER & SUMP
43 B	HAT RACK FAN	61 A	EXTERIOR LTS-HEAD SIGNAL	77 C	A/C & HEAT SYSTEM-COMPRESSOR	106	WORLD TRANSM-OIL LEVEL HI
43 D	HAT RACK FAN	62	LAVATORY-OCCUPIED LT	77 H	A/C & HEAT SYSTEM-COMPRESSOR	107	WORLD TRANSM-LOCKUP SOL. HI
43 E	HAT RACK FAN	62 A	LAVATORY-FLUOR LT	81	EXTERIOR LTS-STOP SW	108	WORLD TRANSM-REM. PWR WAKE UP
43 F	HAT RACK FAN	62 B	LAVATORY-FLUOR LT	82	EXTERIOR LTS-STOP SIGNAL	109	WORLD TRANSM-RET. SOL. LO
43 G	HAT RACK FAN	62 E	LAVATORY-OCCUP & FLUOR LT	82 A	EXTERIOR LTS-STOP SIGNAL	110	ALARM & SIGNAL-WATER TEMP
44	EXTERIOR LTS-FOG	63	EXTERIOR LTS-CLEARANCE	82 B	EXTERIOR LTS-STOP LTS	110	WORLD TRANSM-LOCKUP SOL. LO
44 A	EXTERIOR LTS-FOG	63 A	EXTERIOR LTS-CLEARANCE	82 K	EXTERIOR LTS-STOP PARK BRK	111	WORLD TRANSM-SOL. C6
44 B	EXTERIOR LTS-FOG	63 B	EXTERIOR LTS-CLEARANCE	82 L	EXTERIOR LTS-LH STOP	112	WORLD TRANSM-SPARE OUTPUT (+)
44 C	EXTERIOR LTS-FOG & HAZARD	63 C	EXTERIOR LTS-MARKER SIGNAL	82 R	EXTERIOR LTS-LH STOP	113	ALARM & SIGNAL-OIL PRESS
45 B	A/C & HEAT SYSTEM-HEAT SIGN	63 D	EXTERIOR LTS-MARKER & TAIL	83	ENGINE CTR-KEY SW ACCES SIGN	113	WORLD TRANSM-REVERSE WARNING
45 D	A/C & HEAT SYSTEM-WATER VALVE	63 E	EXTERIOR LTS-CLEARANCE	84	ENGINE CTR-KEY SW ACCES SIGN	114	INTERIOR LTS-DASH LT REGUL.
45 E	A/C & HEAT SYSTEM-HEAT 1 SIGN	63 F	EXTERIOR LTS-MARKER BLINKER	85	ENGINE CTR-KEY SWIGNITION SIGN	114	WORLD TRANSM-SPARE OUTPUT (-)
45 G	A/C & HEAT SYSTEM-DRIVER'S HTR	63 H	EXTERIOR LTS-TAIL	85	24V IGNITION SIGNAL	114 A	INTERIOR LTS-DASH LT
45 H	A/C & HEAT SYSTEM-DRIVER'S HTR	64	DRIVERS FAN	85 A	24V IGN DASH INSTRUMENTATION	114 B	INTERIOR LTS-DASH LT REGUL.
45 W	A/C & HEAT SYSTEM-COND. DOOR AJAR	64 B	DRIVERS FAN	85 B	ENGINE CTR-24V IGNITION	114 D	INTERIOR LTS-DASH LT REGUL.
46	EXTERIOR LTS-MARKER	64 C	DRIVERS FAN	85 C	PARKING BRAKE SWITCH	114 E	INTERIOR LTS-DASH LT REGUL.
46 A	EXTERIOR LTS-MARKER	65	FOOT DAMPER MOTOR	85 F	ENGINE CTR-ENGINE CTR SW IGN	115	ALARM & SIGNAL-TAG PRESS
46 B	EXTERIOR LTS-MARKER	65 A	FOOT DAMPER MOTOR	85 F	LO AIR SONALERT	115	DDEC III-COOLANT LEVEL
46 B	EXTERIOR LTS-MARKER	65 P	PASSENGER REC. DAMPER	85 W	24V IGN ANTI SKID	115	WORLD TRANSM-DO NOT SHIFT SIGN
46 C	EXTERIOR LTS-MARKER	65 D	DRIVER REC. DAMPER	85 X	24V IGN ANTI SKID	115 C	DDEC III-COOLANT LEVEL
47	A/C & HEAT SYSTEM-DRIVER'S HTR	66	O_PASS. ON/OFF	85 Y	ANTI SKID-WARNING LT	115 W	WORLD TRANSM-DO NOT SHIFT SIGN
48	ENTRANCE DOOR (SEDAN)	67	24 VOLT RUN DISTRIBUTION	86	ENGINE CTR-STARTER SOL SIGN	116	WORLD TRANSM-LO SIGNAL SOL. HI
48 A	ENTRANCE DOOR (SEDAN)	67 A	A/C & HEAT SYSTEM	86 A	ENGINE CTR-STARTER SOL SIGN	116 B	A/C & HEAT SYSTEM-DRIVER'S HTR
49	ENTRANCE DOOR (SEDAN)	67 B	A/C & HEAT SYSTEM	88	ENGINE CTR-RR START SIGNAL	117	WORLD TRANSM-SPARE INPUT (-)
49 A	ENTRANCE DOOR (SEDAN)	67 C	HEATING WINDSHIELD	89	ENGINE CTR-RR START SIGNAL	117 A	ALARM & SIGNAL-TRANSM OIL TEMP
50	AIR DRYER	67 K	A/C & HEAT SYSTEM-COND FAN CTR	90 B	A/C & HEAT SYSTEM-COND FAN MOT	117 A	ALARM & SIGNAL-TRANSM OIL TEMP
52	ALARM & SIGNAL-ELEC. HORN	67 L	A/C & HEAT SYSTEM-COND FAN CTR	90 B	ENGINE CTR-MAST KEY SW FEED	118	WORLD TRANSM-SPARE INPUT (+)
52 A	ALARM & SIGNAL-ELEC. HORN	67 V	A/C & HEAT SYSTEM-WATER VALVE	90 C	A/C & HEAT SYSTEM-COND FAN MOT	119	WORLD TRANSM-ENG BRK INPUT (+)
52 B	ALARM & SIGNAL- AIR HORN	68	DASH & DEFROST DAMPER MOTOR	90 F	CHARG SYST-VOLTAGE REGUL. "B"	120	WORLD TRANSM-SOL. C1
52 C	ALARM & SIGNAL- AIR HORN	68 A	DASH & DEFROST DAMPER MOTOR	90 H	A/C & HEAT SYSTEM-EVAP FAN MOT	121	WORLD TRANSM-SOL. GRD 2
53	ALARM & SIGNAL-ELEC. HORN	70	INTERIOR LTS-HAT RACK & RR RUN.	90 J	A/C & HEAT SYSTEM-COND FAN MOT	122	A/C & HEAT SYSTEM-DRIVER'S HTR
53 A	WIPER & WASHER SYSTEM	72	SUN VISOR-FEEDING	91	PARKING BRAKE SW SIGNAL	122	A/C & HEAT SYSTEM-FRESH AIR
53 B	WIPER & WASHER SYSTEM	72 A	SUN VISOR-RH	91 A	DDEC-FAST IDLE SIGNAL	122	WORLD TRANSM-SOL. GRD 4
53 C	WIPER & WASHER SYSTEM	72 B	SUN VISOR-RH	91 S	SONALERT PARKING BRAKE	122 A	A/C & HEAT SYSTEM-FRESH AIR
53 E	WIPER & WASHER SYSTEM	72 C	SUN VISOR-LH	91 W	PARK, BRAKE SW SIGN (WCL)	123	WORLD TRANSM-NEUTRAL START

CIRCUIT NUMBER CODE

No.	DESCRIPTION	No.	DESCRIPTION	No.	DESCRIPTION	No.	DESCRIPTION
123 A	ALARM & SIGNAL-FIRE DETECTOR	135 D	A/C & HEAT SYSTEM-AIR SENSOR	150	DDEC III-ECM BATTERY GRD	181 C	THERMOMETER OUTSIDE SENSOR
123 B	ALARM & SIGNAL-FIRE DETECTOR	135 C	A/C & HEAT SYSTEM-AIR SENSOR	150	WORLD TRANSM-ENGINE SPEED LO	181 D	THERMOMETER OUTSIDE SENSOR
124	WORLD TRANSM-THROTTLE (HI)	135	WORLD TRANSM-ANALOG GRD	150 A	DDEC III-ECM BATTERY GRD	197	FUEL WATER FILTER
125	WORLD TRANSM-RET. INDICATOR	135 D	WORLD TRANSM-RETARDER RES MOD	151	ABS SYSTEM	197 A	FUEL WATER FILTER
125	GALLEY LAMP	135 C	WORLD TRANSM-RETARDER TEMP	151	DDEC III-ECM BATTERY GRD	197 B	FUEL WATER FILTER
125 T	GALLEY LAMP	136	GALLEY-ACCESSORIES	151	WORLD TRANSM-SERIAL COM. B	198	FILTER FUEL HEATER
125 W	WORLD TRANSM-RET. INDICATOR	136	WORLD TRANSM-ECU POWER	151 A	ABS SYSTEM	199	AIR FILTER RESTRICTION SENDER
126	KNEELING SYSTEM	136 V	WORLD TRANSM-12V BATTERY	152	ABS SYSTEM	201	WORLD TRANSM-SPARE
126 A	KNEELING SYSTEM	136 W	WORLD TRANSM-12V BATTERY	152 A	ABS SYSTEM	202	WORLD TRANSM-SPARE
126 B	KNEELING SYSTEM	136 X	WORLD TRANSM-12V BATTERY	153	ABS SYSTEM	203	WORLD TRANSM-SPARE
126 C	KNEELING SYSTEM	137	WORLD TRANSM-RETARDER	153	WORLD TRANSM-SPARE INPUT (-)	204	WORLD TRANSM-SPARE
126 D	KNEELING SYSTEM	137 A	MIRROR (SPARTAN & RAMCO)	154	ABS SYSTEM	205	WORLD TRANSM-SPARE
126 E	KNEELING SYSTEM	137 B	RR VIEW MIRROR (SPARTAN)	154	WORLD TRANSM-ABS RET. INPUT	206	WORLD TRANSM-SPARE
126 F	KNEELING SYSTEM	137 C	RR VIEW MIRROR (SPARTAN)	155	ABS SYSTEM	214	WORLD TRANSM-BACK UP SIGNAL
126 G	KNEELING SYSTEM	137 D	RR VIEW MIRROR (SPARTAN)	155	WORLD TRANSM-SPARE INPUT (-)	225	LAVATORY FAN
126 H	KNEELING SYSTEM	137 E	RR VIEW MIRROR (SPARTAN)	156	ABS SYSTEM	225 A	LAVATORY FAN
126 K	KNEELING SYSTEM	137 G	RR VIEW MIRROR (SPARTAN)	156	WORLD TRANSM-THROTTLE POS.	231	NEUTRAL SIGNAL GRD
126 P	KNEELING SYSTEM	138	ABS SYSTEM	156 A	ABS SYSTEM	231 A	NEUTRAL COIL RELAY FEED SIGNAL
126 R	KNEELING SYSTEM	138	WORLD TRANSM-RETARDER TEMP	157	ABS SYSTEM	231 W	NEUTRAL SIGNAL GRD (WCL)
126 W	5 MPH N.C. SIGNAL (WCL)	138 A	ABS SYSTEM	157	WORLD TRANSM-SPEEDO SIGNAL	240	DDEC III-ECM 12V FEEDING
126 S	KNEELING SYSTEM	139	ABS SYSTEM	157 A	ABS SYSTEM	241	DDEC III-ECM 12V FEEDING
126 T	KNEELING SYSTEM	139	WORLD TRANSM-OUTPUT SPEED HI	157 B	ABS SYSTEM	251 A	DDEC III - DATA LOGGER 12 H.W.
127	WORLD TRANSM-LUBE PRESS SW.	140	ABS SYSTEM	157 D	A.T.C. SYSTEM	251	DDEC III - PRODRIVER 12V H.W.
127	PRE-HEAT WATER HEATER	140	WORLD TRANSM-OUTPUT SPEED LO	157 E	A.T.C. SYSTEM	253	GALLEY-MICROWAVE
127 A	PRE-HEAT WATER HEATER	141	ABS SYSTEM	158	WORLD TRANSM-DIMMER	254	GALLEY-12V FRIGO NORCOLD
127 B	PRE-HEAT WATER HEATER	141	WORLD TRANSM-ENGINE SPEED HI	160	ALARM & SIGNAL-TAG PRESS SW	254 A	GALLEY-FRIGO
127	WORLD TRANSM-RETARDER FEED SOL.	142	ABS SYSTEM	160	WORLD TRANSM-SER. INTERFACE (-)	255	GALLEY-COFEEMAKER
127 S	PRE-HEAT WATER HEATER	142	WORLD TRANSM-SERIAL COM. A	161	WORLD TRANSM-SIGNAL GRD	255 A	GALLEY-COFEEMAKER
127 W	PRE-HEAT WATER HEATER	143	ABS SYSTEM	161 B	WORLD TRANSM-SIGNAL GRD	257	WINDSHIELD HEATED
128	PRE-HEAT WATER HEATER	143	WORLD TRANSM-ECU BATTERY GRD	162	WORLD TRANSM-PRESS. SW C3	257 A	WINDSHIELD HEATED
128 A	PRE-HEAT WATER HEATER	143 A	ABS SYSTEM	163	WORLD TRANSM-RETARDER ENABLE	257 B	WINDSHIELD HEATED
128 B	PRE-HEAT WATER HEATER	143 W	WORLD TRANSM-BATTERY GRD	164	WORLD TRANSM-RET. ACTUATOR SIGN	257 C	WINDSHIELD HEATED
128 W	PRE-HEAT WATER HEATER	144	ABS SYSTEM	165	A/C & HEAT SYSTEM-TRANSMITER	257 D	WINDSHIELD HEATED SPARE
128	WORLD TRANSM-SOL. C2	144	WORLD TRANSM-ECU CHASSIS GRD	165	WORLD TRANSM-OIL LEVEL SIGNAL	257 E	WINDSHIELD HEATED SPARE
129	PRE-HEAT WATER HEATER	144 A	ABS SYSTEM	165 A	A/C & HEAT SYSTEM-TRANSMITER	258	WINDSHIELD HEATED
129	WORLD TRANSM-SOL. C5	145	ABS SYSTEM	165 B	A/C & HEAT SYSTEM-TRANSMITER	258 A	WINDSHIELD HEATED
130	WORLD TRANSM-SOL. GRD 3	146	ABS SYSTEM	165 C	A/C & HEAT SYSTEM-TRANSMITER	259	WINDSHIELD HEATED
131	WORLD TRANSM-SOL. C4	146 A	TRANSMISSION-12V IGNITION	165 D	A/C & HEAT SYSTEM-TRANSMITER	259 A	WINDSHIELD HEATED
132	WORLD TRANSM-ENG BRK OUTPUT (-)	146	WORLD TRANSM-IGNITION SENSE	166 B	A/C & HEAT SYSTEM-EVAP. MOD.	260	WINDOW AJAR
132 W	WORLD TRANSM-ENG BRK OUTPUT (-)	146 W	WORLD TRANSM-12V IGNITION	167	A/C & HEAT SYSTEM-TEMP. CTR	290	FAN CLUTCH RADIATOR
133	GALLEY-HEAT CONTAINERS	146 X	WORLD TRANSM-12V IGNITION	167 A	A/C & HEAT SYSTEM-TEMP. CTR	290	FAN CLUTCH RADIATOR
133 A	GALLEY-HEAT CONTAINERS	147	ABS SYSTEM	168	A/C & HEAT SYSTEM-HUMIDISTAT	291	FAN CLUTCH RADIATOR SPD 1
133 B	GALLEY-HEAT CONTAINERS	147	WORLD TRANSM-OIL TEMP	168	WORLD TRANSM-SER. INTERFACE (+)	292	FAN CLUTCH RADIATOR SPD 2
133 C	GALLEY-HEAT CONTAINERS	147 A	ETHER COLD START & D.R.L.	168 A	A/C & HEAT SYSTEM-HUMIDISTAT	300	DOOR AJAR MAGN.SW. (WCL)
133	WORLD TRANSM-RET. ACTUATOR HI	147 C	ETHER COLD START	170	LUGGAGE DOOR LOCK	300 A	POWER SYSTEM SW. (WCL)
134	GALLEY-HEAT CONTAINERS	148	ABS SYSTEM	170 C	LUGGAGE DOOR LOCK	300 B	DOOR AJAR ALARM (WCL)
134 A	GALLEY-HEAT CONTAINERS	148	WORLD TRANSM-OUTPUT SPEED LO	170 E	LUGGAGE DOOR LOCK	301	POWER SYSTEM SW. (WCL)
134	WORLD TRANSM-RET. APPLY SOL. HI	149	ABS SYSTEM	170 H	LUGGAGE DOOR LOCK	302	DOOR AJAR T.T.LT. (WCL)
135	A/C & HEAT SYSTEM-AIR SENSOR	149	WORLD TRANSM-TURBINE SPEED HI	181 A	THERMOMETER INSIDE SENSOR	302 A	DOOR AJAR ALARM SIGN.(WCL)
135 A	A/C & HEAT SYSTEM-AIR SENSOR	149 A	ABS SYSTEM	181 B	THERMOMETER INSIDE SENSOR	302 B	DOOR AJAR MAGN.SW. (WCL)

CIRCUIT NUMBER CODE

No.	DESCRIPTION	No.	DESCRIPTION	No.	DESCRIPTION	No.	DESCRIPTION
3 0 3	REMOTE WALL SW. DWN (WCL)	5 4 5	DDEC III-CRUISE RESUME SW				
3 0 4	REMOTE WALL SW. UP (WCL)	5 5 5	DDEC III-FAN CLUTCH SPEED# 1				
3 0 5	PARK. BRAKE SOL. VALVE (WCL)	5 5 6	DDEC III-VEHICLE SPEED (+)				
3 0 5 A	PARK. BRAKE SAFETY SW. (WCL)	5 5 7	DDEC III-VEHICLE SPEED (-)				
3 0 6	CONTROL SYSTEM (WCL RICON)	5 6 3	DDEC III-FAN CLUTCH SPEED# 2				
3 0 7	CONTROL SYSTEM (WCL RICON)	5 6 4	DDEC III-DIGITAL OUTPUT				
3 0 8	CONTROL SYSTEM (WCL RICON)	5 6 5	DDEC III-ENGINE BRAKE ACTIVE				
3 0 9	CONTROL SYSTEM (WCL RICON)	5 8 3	DDEC III-ENGINE BRAKE 4 CYL.				
3 1 0	EATON TRANSMISSION	9 0 0	DDEC III-DATA LINK (+)				
3 1 1	EATON TRANSMISSION	9 0 1	DDEC III-DATA LINK (-)				
3 1 2	EATON TRANSMISSION	9 0 8	DDEC III-HYDRAULIC PWM#1 OUTPUT				
3 1 3	EATON TRANSMISSION	9 1 6	DDEC III-SENSOR SUPPLY (5VDC)				
3 1 4	EATON TRANSMISSION	9 2 5	J1939-HIGH				
3 1 5	EATON TRANSMISSION	9 2 6	J1939-LOW				
3 1 6	EATON TRANSMISSION - EPL	9 2 7	J1939-SHIELD				
3 1 7	EATON TRANSMISSION	9 5 2	DDEC III-SENSOR RETURN				
3 1 8	EATON TRANSMISSION	9 5 3	DDEC III-BATTERY GRD				
3 1 9	EATON TRANSMISSION	9 7 9	DDEC III-ENGINE BRAKE 2 CYL.				
3 2 0	EATON TRANSMISSION						
3 2 1	EATON TRANSMISSION						
3 2 2	EATON TRANSMISSION						
3 2 3	EATON TRANSMISSION						
3 2 4	EATON TRANSMISSION						
3 2 5	EATON TRANSMISSION						
3 2 6	EATON TRANSMISSION						
3 2 7	EATON TRANSMISSION						
3 2 8	EATON TRANSMISSION						
3 2 9	EATON TRANSMISSION						
3 3 0	EATON TRANSMISSION - EPL						
3 3 1	EATON TRANSMISSION - EPL						
3 3 2	EATON TRANSMISSION						
3 3 3	EATON TRANSMISSION - 12V BATTERY						
3 3 4	EATON GENERATION 2						
4 1 7	DDEC III-LIMIT SPEED GOVERNOR						
4 1 9	DDEC III-CHECK ENGINE LIGHT						
4 3 9	DDEC III-12V IGNITION						
4 4 0	DDEC III-12V IGNITION						
4 4 0 A	DDEC III-12V IGNITION						
4 5 1	DDEC III-A/C FAN CLUTCH						
5 0 5	DDEC III-TACHOMETER DRIVE						
5 0 9	DDEC III-STOP ENGINE LIGHT						
5 1 0	DDEC III-FAST IDLE SIGNAL						
5 2 4	DDEC III-ENGINE BRAKE DISABLE						
5 2 5	DDEC III-FAST IDLE SIGNAL						
5 2 8	DDEC III-STOP ENG. OVERRIDE						
5 3 1	DDEC III-CRUISE CLUTCH RELEASE						
5 4 0	DDEC III-CRUISE ENABLE LTS.						
5 4 1	DDEC III-CRUISE SET SW						
5 4 3	DDEC III-CRUISE STOP SW CUT IN						
5 4 4	DDEC III-CRUISE ON/OFF SW						

CIRCUIT NUMBER CODE

No.	DESCRIPTION	No.	DESCRIPTION	No.	DESCRIPTION	No.	DESCRIPTION
B A	INTERIOR LTS-110V FLUORESCENT	S P 15	SPARE-RJB TO ENGINE	S P 115	SPARE-FJB TO U/DASH WIPER	0 M	FS - ELECTRICAL MOTOR GRD
B B	INTERIOR LTS-110V FLUORESCENT	S P 16	SPARE-RJB TO ENGINE	S P 116	SPARE-FJB TO U/DASH FLOOR	0 M3	FS - ELECTRICAL MOTOR GRD
D 1	SOUND SYSTEM-FR RH SPEAKER	S P 17	SPARE-RJB TO ENGINE	S P 117	SPARE-FJB TO U/DASH FLOOR	0 M4	FS - ELECTRICAL MOTOR GRD
D 2	SOUND SYSTEM-FR RH SPEAKER	S P 18	SPARE-FJB TO RJB	W C	A/C & HEAT SYST-EVAP CTR SIGN	0 M5	FS - ELECTRICAL MOTOR GRD
D 3	SOUND SYSTEM-RR RH SPEAKER	S P 24	SPARE-RJB TO LAVATORY ROOF	Y C	INTERIOR LTS-110V FLUORESCENT	0 M6	FS - FJB GRD
D 4	SOUND SYSTEM-RR RH SPEAKER	S P 25	SPARE-RJB TO LAVATORY ROOF	Y D	INTERIOR LTS-110V FLUORESCENT	0 M7	FS - ELECTRICAL MOTOR GRD
D 5	SOUND SYSTEM-RR RH SPEAKER	S P 26	SPARE-RJB TO LAVATORY ROOF	0	BC - BAT. CPT CHASSIS GRD	0 M	RS - ENGINE CPT ACCES. GRD
D 6	SOUND SYSTEM-RR RH SPEAKER	S P 27	SPARE-RJB TO LH HAT RACK	0	CONDENSER CPT GRD	0 MR	24V DISC. SW. RLY GRD SIGNAL
D 7	SOUND SYSTEM-RR RH SPEAKER	S P 28	SPARE-RJB TO LH HAT RACK	0	RS - RR JCT BOX RLY GRD	0 MS	24V DISC. SW. RLY GRD SIGNAL
D 8	SOUND SYSTEM-RR RH SPEAKER	S P 31	SPARE-RJB TO RH HAT RACK	0	GALLEY GRD	0 N	RS - ENGINE CPT ACCES. GRD
D 3 4	SOUND SYSTEM-RR RH SPEAKER	S P 32	SPARE-RJB TO RH HAT RACK	0 A	BC - SHIELD GRD	0 P	RS - ENGINE CPT ACCES. GRD
D 6 7	SOUND SYSTEM-RR RH SPEAKER	S P 33	SPARE-FJB TO RJB	0 A	RS - RR JCT BOX RLY GRD	0 R	FS - SOUND SYS. JCT PANEL GRD
G 1	SOUND SYSTEM-RR RH SPEAKER	S P 38	SPARE-FJB TO RJB	0 A	FRS - FR ROOF ACCES. GRD	0 R	RS - FJB GRD
G 2	SOUND SYSTEM-FR LH SPEAKER	S P 43	SPARE-FJB TO RJB	0 A	RS - LUG. CPT ACCES. GRD	0 R	RS - ENGINE CPT ACCES. GRD
G 3	SOUND SYSTEM-FR LH SPEAKER	S P 45	SPARE-FJB TO RJB	0 A A	RS - VOLTAGE REGULATOR GRD	0 R E	RADIO & CTRL HEAD CHASSIS GRD
G 4	SOUND SYSTEM-RR LH SPEAKER	S P 46	SPARE-RJB TO LH FR ROOF	0 B	EC - ENGINE GRD	0 R H	RS - RR END LAMPS RH GRD
G 5	SOUND SYSTEM-RR LH SPEAKER	S P 48	SPARE-RJB TO DASH CENTER PANEL	0 B	FRS - FR ROOF HEAT WIND GRD	0 S	12 VOLT RUN - GND RELAY
G 6	SOUND SYSTEM-RR LH SPEAKER	S P 56	SPARE-ENGINE TO RH SW PANEL	0 B	RS - LUG. CPT ACCES. GRD	0 S A	EC-BOSCH ALT. GROUND
G 7	SOUND SYSTEM-RR LH SPEAKER	S P 57	SPARE-DASH CENTER PANEL TO ENG.	0 B E	RJB - BAT. EQUAL. BAT GRD	0 S 2	SOUND SYSTEM RADIO GRD
G 8	SOUND SYSTEM-RR LH SPEAKER	S P 58	SPARE-DASH CENTER PANEL TO ENG.	0 C	EC - STARTER MOTOR GRD	0 S 3	SOUND SYSTEM VIDEO GRD
G 3 4	SOUND SYSTEM-RR LH SPEAKER	S P 59	SPARE-FJB TO ENGINE	0 C	FS - SERV. CPT ACCES. GRD	0 S S	SOUNDS SYSTEM BATT. GRD
G 6 7	SOUND SYSTEM-RR LH SPEAKER	S P 61	SPARE-FJB TO DASH RH PANEL	0 C	BC - FAN CONDENSER GRD	0 T	FS - DASH ACCES. GRD
L 1 A	INTERIOR LTS-110V FLUORESCENT	S P 68	SPARE-FJB TO ENGINE	0 C R	24V DISC. SW. RLY GRD SIGNAL	0 T 1	FS - DASH ACCES. GRD
L 1 B	INTERIOR LTS-110V FLUORESCENT	S P 69	SPARE-FJB TO FR AXLE	0 C S	24V DISC. SW. RLY GRD SIGNAL	0 T 2	FS - DASH ACCES. GRD
L 2 A	INTERIOR LTS-110V FLUORESCENT	S P 70	SPARE-FJB TO FR AXLE	0 C 1	FS - SERV. CPT ACCES. GRD	0 T 3	FS - DASH ACCES. GRD
L 2 B	INTERIOR LTS-110V FLUORESCENT	S P 71	SPARE-FJB TO RH SW PANEL	0 C 2	FS - SERV. CPT ACCES. GRD	0 T 4	FS - DASH ACCES. GRD
L 8	ENG. BLK & WATER TANK-HEATER	S P 72	SPARE-FJB TO FR SERV CPT	0 C 3	FS - SERV. CPT ACCES. GRD	0 V	RR JCT BOX CPT GRD STUD
L 9	ENG. BLK & WATER TANK-HEATER	S P 74	SPARE-FJB TO LH CONSOLE	0 C 4	FS - FJB CPT ACCES. GRD	0 V A	BATTERY TO EQUALISER 0V
L 0	110V RECEPTACLE- 110V FLUOR.	S P 77	SPARE-FJB TO EVAPORATOR CPT	0 D	BC - FAN CONDENSER GRD	0 W	FS - WT GND & SHIELD
L 1	110V RECEPTACLE- 110V FLUOR.	S P 78	SPARE-FJB TO CONDENSER CPT	0 D	RS - HAT RACK ACCES. LH GRD	0 W	RS - RR JCT BOX (WCL) GRD
L 2	110V RECEPTACLE- 110V FLUOR.	S P 79	SPARE-FJB TO CONDENSER CPT	0 D F	RS - RR SIDE FLASH & MARK GRD	0 W C	RS - RR JCT BOX GRD (WCL)
R A	INTERIOR LTS-110V FLUORESCENT	S P 87	SPARE-RJB TO LH HAT RACK	0 D R	RS - RJB DOCKING LT RESISTORS	0 X	RS - RR JCT BOX GRD
R B	INTERIOR LTS-110V FLUORESCENT	S P 88	SPARE-RJB TO RH HAT RACK	0 E	RS - HAT RACK ACCES. LH GRD	0 Y	ABS FR JCT BOX CPT GRD STUD
S H 1	SHIELD CHASSIS GRD	S P 92	SPARE-RJB TO CONDENSER CPT	0 E A	EATON TRANSMISSION GRD	0 Y	RR JCT BOX GRD
S H 2	SHIELD CHASSIS GRD	S P 93	SPARE-RJB TO EVAPORATOR CPT	0 F	RS - HAT RACK ACCES. RH GRD	0 Y 1	ABS FR JCT BOX CPT GRD STUD
S H 3	SHIELD CHASSIS GRD	S P 94	SPARE-RJB TO RR ROOF	0 G	RS - HAT RACK ACCES. RH GRD	0 Z	RR JCT BOX CPT GRD STUD
S H 4	SHIELD CHASSIS GRD	S P 95	SPARE-RJB TO RR ROOF	0 H	RS - LAVATORY ACCES. GRD	0 0	FJB & RJB BATT. GRD
S P 2	SPARE-FJB TO FR SERV CPT	S P 96	SPARE-RJB TO LUGG CPT #2	0 J	FS - LH CONSOLE SW GRD	0 0 A	FBG - T.T.LT. MODULES BATT. GRD
S P 3	SPARE-FJB TO CENTER DASH	S P 97	SPARE-RJB TO LUGG CPT #3	0 J	RS - RR ROOF ACCES. GRD	0 0 Y	FS - ABS MODULLE BATT. GRD
S P 4	SPARE-FJB TO CENTER DASH	S P 98	SPARE-RJB TO LUGG CPT #3	0 K	RS - RR ROOF ACCES. GRD	0 0 S S	SOUND SYSTEM BATT. GRD
S P 5	SPARE-RJB TO LUGG CPT #2	S P 104	SPARE-RJB TO ENGINE CPT	0 K	RS - RJB A/C JCT PANEL GRD	1	TACHO SYSTEM - RPM SIGNAL +
S P 6	SPARE-RJB TO LUGG CPT #1	S P 105	SPARE-FJB TO ENGINE	0 L	FS - FR SERVICE CPT LTS GRD	2 A	A/C & HEAT SYSTEM-COOL 1 SIGN
S P 7	SPARE-RJB TO LUGG CPT #1	S P 106	SPARE-RJB TO BATT. CPT.	0 L 1	FS - FR SERVICE CPT LTS GRD	2 B	A/C & HEAT SYSTEM-COOL SIGN
S P 8	SPARE-RJB TO LUGG CPT #1	S P 107	SPARE-RJB TO BATT. CPT.	0 L 2	FS - FR SERVICE CPT LTS GRD	2 B B	A/C & HEAT SYSTEM-COOL SIGN
S P 9	SPARE-RJB TO LUGG CPT #2	S P 108	SPARE-RJB TO BATT. CPT.	0 L 3	FS - FJB GRD	2 H	A/C & HEAT SYSTEM-HI PRESS SW
S P 10	SPARE-RJB TO LUGG CPT #1	S P 109	SPARE-RJB TO ENGINE CPT.	0 L 4	FS - FJB GRD	2 E	A/C & HEAT SYSTEM EVAP CONT
S P 11	SPARE-FJB TO RJB	S P 110	SPARE-RJB TO ENGINE CPT.	0 L 5	FS - CIGAR LIGHTER	2 F	A/C & HEAT SYSTEM EVAP CONT
S P 12	SPARE-RJB TO ENGINE	S P 111	SPARE-RJB TO ENGINE CPT.	0 L	RS - ENGINE CPT ACCES. GRD	2 H L	A/C & HEAT SYSTEM-LO & HI PRESS SW
S P 13	SPARE-RJB TO ENGINE	S P 112	SPARE-RJB TO ENGINE CPT.	0 L	ENTRANCE DOOR (SEDAN) GRD	2 L	A/C & HEAT SYSTEM-LO PRESS SW
S P 14	SPARE-FJB TO RJB	S P 114	SPARE-FJB TO U/DASH WIPER	0 L H	RS - RR END LAMPS LH GRD	4	HOSTESS & PASSENGER CHIME

CIRCUIT NUMBER CODE

No.	DESCRIPTION	No.	DESCRIPTION	No.	DESCRIPTION	No.	DESCRIPTION
4 A	HOSTESS & PASSENGER CHIME	12 F	FR JCT BOX 12V DISC SW	21 C	EXTERIOR LTS-CORNERING LH	24 S4	SOUND SYSTEM 24V VIDEO
4 B	PASSENGER CHIME	12 F	RR JCT BOX 12V DISC SW	21 H	EXTERIOR LTS-DIRECTIONNAL LH	24 SB	SOUND SYSTEM 24V FEEDING
4 C	HOSTESS CHIME	12 G	FR JCT BOX 12V DISC SW	21 K	EXTERIOR LTS-CORNERING	24 SS	SOUND SYSTEM 24V FEEDING
5	INTERIOR LTS-AISLE & EMERG. EXIT	12 H	12 V IGNITION D.T.RUN LIGHT	21 N	EXTERIOR LTS-CORNERING LH	24 R	24 VOLTS FRONT CAMERA SW.
5	UPPER WINDSHIELD DEFROSTER	12 J	FR JCT BOX 12V DISC SW	21 P	EXTERIOR LTS-CORNERING LH	24 V2	RR JCT BOX 24V DISC SW
5 D	UPPER WINDSHIELD DEFROSTER	12 I	12V IGNITION DISTRIBUTION	23	EXTERIOR LTS-DIRECTIONNAL RH	24 V3	RR JCT BOX 24V DISC SW
5 E	UPPER WINDSHIELD DEFROSTER	12 I	RR JCT BOX 12V IGNITION	23	EXTERIOR LTS-DIRECTIONNAL RH	24 V4	RR JCT BOX 24V DISC SW
5 N	INTERIOR LTS-EMERGENCY EXIT	12 K	12 VOLT IGN. TTLT & HVAC MODULE	23 A	EXTERIOR LTS-DIRECTIONNAL RH	24 V5	RR JCT BOX 24V DISC SW
5 NC	SPEED SIGNAL LOWER 5MPH	12 IA	12V IGNITION DISTRIBUTION	23 B	EXTERIOR LTS-DIRECTIONNAL RH	24 VD	24V HOT WIRE DISTRIBUTION
5 NO	SPEED SIGNAL HIGHER 5MPH	12 IA	FR JCT BOX 12V IGNITION	23 C	EXTERIOR LTS-CORNERING RH	24 VF	BAT CPT 24V SW TO FJB & IC
6	INTERIOR LTS-AISLE	12 IB	FR JCT BOX 12V IGNITION	23 N	EXTERIOR LTS-CORNERING RH	24 VA	BATTERY TO EQUALIZER 24V
7 B	ENTRANCE DOOR (SEDAN)	12 IF	FR JCT BOX 12V IGNITION	23 P	EXTERIOR LTS-CORNERING RH	24 VI	RR JCT BOX 24V IGNITION
7 D	ENTRANCE DOOR (SEDAN)	12 LX	CLUSTER (12V HOT WIRE)	24	BAT CPT 24V BATTERY	24 VR	RR JCT BOX 24V DISC SW TO RJB
7 DA	ENTRANCE DOOR (SEDAN)	12 P	LH CONSOLE POWER OUTLET	24	FR JCT BOX 24V DISC SW	24 W	RR JCT BOX 24V DISC SW (WCL)
9	INTERIOR LTS-ENGINE CPT	12 R	BAT CPT 12V DISC RLY TO RJB	24 A	BOOSTER BLOCK 24V DISC SW	24 WC	BATT.CPT TO HYD. PUMP (WCL)
9 A	INTERIOR LTS-ENGINE CPT	12 R	MEMORY BATTERY RADIO	24 A	FR JCT BOX 24V DISC SW	24 WL	24V BATTERY-HYD. PUMP (WCL)
9 B	INTERIOR LTS-ENGINE CPT	12 S	SOUND SYSTEM 12V RADIO	24 A	RR JCT BOX 24V DISC SW	25 A1	PRE-EXITATION ALT. BOSCH #1
9 E	INTERIOR LTS-FR SERVICE CPT	12 S1	SOUND SYSTEM 12V RADIO	24 B	24V STARTER RLY FEEDING	25 A2	PRE-EXITATION ALT. BOSCH #2
9 F	INTERIOR LTS-FR SERVICE CPT	12 S2	SOUND SYSTEM 12V RADIO	24 B	FR JCT BOX 24V DISC SW	25 A	T.T. LT. ALTERNATOR #1
10	INTERIOR LTS-LUGGAGE CPT	12 SB	SOUND SYSTEM 12V FEEDING	24 B	RR JCT BOX 24V DISC SW	25 B	12 VOLTS IGN. ALT. SIGNAL MODULE
10 A	INTERIOR LTS-LUGGAGE CPT	12 SS	SOUND SYSTEM 12V FEEDING	24 BC	24 VOLT BATT. CHARGER	25 D	12 V. ENGINE RUN / HVAC SYSTEM
10 B	INTERIOR LTS-LUGGAGE CPT	12 VA	BATTERY TO EQUALIZER 12V	24 BE	RJB CPT-BAT EQ MONITOR HOT WIRE	25 F	12 VOLT IGN. DISTRIBUTION
10 D	INTERIOR LTS-LUGGAGE CPT	12 VD	12V HOT WIRE DISTRIBUTION	24 C	FR JCT BOX 24V DISC SW	25 H	24 VOLT IGN. ALT. BOSCH
10 F	INTERIOR LTS-LUGGAGE CPT	12 VF	BAT CPT 12V FJB & IC	24 C	RR JCT BOX 24V DISC SW	25 K	T.T. LT. ALTERNATOR #2
10 H	INTERIOR LTS-LUGGAGE CPT	12 VI	12V IGNITION DISTRIBUTION	24 D	BAT CPT 24V HOT WIRE	26 A	CIGAR LIGHTER
10 K	INTERIOR LTS-LUGGAGE CPT	12 VR	BAT CPT 12V DISC RLY TO RJB	24 D	FR JCT BOX 24V HOT WIRE	26	DRIVER'S WINDOW LIFTER
10 R	INTERIOR LTS-LUGGAGE DOOR AJAR	12 W	12V BATTERY DDEC III	24 D	RR JCT BOX 24V HOT WIRE	26 B	DRIVER'S WINDOW LIFTER
11	FR DESTINATION SIGN	12 W	ENTRANCE DOOR (SEDAN)	24 DA	A/C JCT BOX 24V HOT WIRE	26 C	DRIVER'S WINDOW LIFTER
11 A	FR DESTINATION SIGN	12 WA	ENTRANCE DOOR (SEDAN)	24 E	BAT CPT 24V DISC SW	27	LAVATORY-EMERGENCY SONALERT
11 B	FR DESTINATION SIGN	12 X	FR JCT BOX 12V DISC SW	24 E	FR JCT BOX 24V DISC SW	28 A	A/C & HEAT SYSTEM-HI PRESSURE
11 C	FR DESTINATION SIGN	12 X2	FR JCT BOX 12V DISC SW	24 E	RR JCT BOX 24V DISC SW	29	A/C & HEAT SYSTEM-DRIVER'S HTR
11 D	FR DESTINATION SIGN	12 Y	FR JCT BOX 12V DISC SW	24 F	FR JCT BOX 24V DISC SW	29 A	A/C & HEAT SYSTEM-DRIVER'S HTR
11 E	FR DESTINATION SIGN	13 A	ALARM & SIGNAL-LO AIR PRIM.	24 F	RR JCT BOX 24V DISC SW	29 B	A/C & HEAT SYSTEM-DRIVER'S HTR
11 K	FR DESTINATION SIGN	13 B	ALARM & SIGNAL-LO AIR SEC.	24 G	FR JCT BOX 24V DISC SW	29 H	HVAC DASH MODULE
12	12V BAT ELECTRONIC JCT BLOCK	14	LAVATORY-FLUSHING PUMP	24 G	RR JCT BOX 24V DISC SW	30 A	GALLEY
12	BAT CPT 12V BATTERY	14 A	LAVATORY-FLUSHING PUMP	24 H	FR JCT BOX 24V DISC SW	31 A	A/C & HEAT SYSTEM-UNLOADER
12 A	FR JCT BOX 12V DISC SW	15	EXTERIOR LTS-MULTI FUNC LEVEL	24 H	RR JCT BOX 24V DISC SW	31 B	A/C & HEAT SYSTEM-UNLOADER
12 A	RR JCT BOX 12V DISC SW	15 A	WIPER & WASHER UPPER WINDSHIELD	24 I	FR JCT BOX 24V IGNITION	31 B	WIPER & WASHER SYSTEM
12 B	12V BAT ELECTRICAL JCT BLOCK	16	SPEED - SIGNAL +	24 I	RR JCT BOX 24V IGNITION	31 C	WIPER & WASHER SYSTEM
12 B	RR JCT BOX 12V DISC SW	16 A	SPEED - SIGNAL +	24 IA	FR JCT BOX 24V IGNITION	31 D	WIPER & WASHER SYSTEM
12 B	FR JCT BOX 12V DISC SW	16 T	SPEED - SIGNAL +	24 IA	RR JCT BOX 24V IGNITION	31 E	WIPER & WASHER SYSTEM
12 BE	BAT. EQUALIZER MONITOR	17	EXTERIOR LTS-FLASHER UNIT	24 IB	FR JCT BOX 24V IGNITION	31 J	WIPER & WASHER SYSTEM
12 C	FR JCT BOX 12V DISC SW	17 A	EXTERIOR LTS-FLASHER UNIT	24 IB	RR JCT BOX 24V IGNITION	31 X	WIPER & WASHER SYSTEM
12 C	RR JCT BOX 12V HOT WIRE	19	DIFFERENTIAL OIL TEMP	24 IC	FR JCT BOX 24V IGNITION	32	EXTERIOR LTS-BACK-UP
12 CE	RR JCT BOX 12V HOT WIRE	20	SPEED - SIGNAL -	24 IF	FJB 24VOLT IGNITION	32 B	EXTERIOR LTS-BACK-UP
12 D	BAT CPT 12V BATTERY	20 T	SPEED - SIGNAL -	24 P	FR JCT BOX 24V DISC SW	32 C	BACK-UP PWR & SIGNAL
12 DT	TTLT MODULE	20 W	SPEED - SIGNAL -	24 S	24V DISC SW RLY SIGNAL	32 D	BACK-UP ALARM
12 E	FR JCT BOX 12V DISC SW	21	EXTERIOR LTS-DIRECTIONNAL LH	24 S1	SOUND SYSTEM 24V AMPLIFIER	35	ENTRANCE DOOR (SEDAN)
12 E	RR JCT BOX 12V DISC SW	21 A	EXTERIOR LTS-DIRECTIONNAL LH	24 S2	SOUND SYSTEM 24V AMPLIFIER	35 B	ENTRANCE DOOR (SEDAN)
12 F	BAT CPT 12V FJB & IC	21 B	EXTERIOR LTS-HAZARD	24 S3	SOUND SYSTEM 24V VIDEO	35 BB	ENTRANCE DOOR (SEDAN)

CIRCUIT NUMBER CODE

No.	DESCRIPTION	No.	DESCRIPTION	No.	DESCRIPTION	No.	DESCRIPTION
35 D	ENTRANCE DOOR (SEDAN)	53 C	WIPER & WASHER SYSTEM	7 2 B	SUN VISOR-RH	9 1 S	SONALERT PARKING BRAKE
36	JACOB BRAKE SYSREM	53 E	WIPER & WASHER SYSTEM	7 2 C	SUN VISOR-LH	9 1 W	PARK, BRAKE SW SIGN (WCL)
36 A	JACOB BRAKE SYSREM	53 J	WIPER & WASHER SYSTEM	7 2 D	SUN VISOR-LH	9 2	BATTERY EQUALIZER-CHECK BALANCE
38	INTERIOR LTS-24V FLUORESCENT	55	EXTERIOR LTS-HI BEAM	7 3	LAVATORY-FEEDING	9 3	BATTERY EQUALIZER-CHECK LO/HI
38 A	INTERIOR LTS-24V FLUORESCENT	57	EXTERIOR LTS-HI BEAM	7 4	INTERIOR LTS-READING RH	9 5 A	ENGINE BRAKE & RETARDER SYSTEM
38 C	INTERIOR LTS-24V FLUORESCENT	57 A	A/C & HEAT SYSTEM-WATER PUMP	7 4 A	INTERIOR LTS-READING RH	9 7	TACHOMETER (-)
38 D	INTERIOR LTS-24V FLUORESCENT	57 A	EXTERIOR LTS-HI BEAM	7 4 D	INTERIOR LTS-READING SIGNAL	10 0	INTERIOR LTS-GENERAL
39	INTERIOR LTS-24V LH CONSOLE SW	57 B	A/C & HEAT SYSTEM-WATER PUMP	7 5	INTERIOR LTS-READING LH	10 0 A	INTERIOR LTS-GENERAL
39 A	INTERIOR LTS-DRIVER'S LTS	57 C	PRE-HEAT WATER HEATER	7 5 A	INTERIOR LTS-READING LH	10 0 B	INTERIOR LTS-GENERAL
39 P	READING LIGHTS	57 CA	A/C & HEAT SYSTEM-HEAT SIGN	7 6	FUEL TANK GAUGE	10 1	24V STARTER SOL FEEDING
41	A/C & HEAT SYSTEM-COND FAN MOT	57 CC	A/C & HEAT SYSTEM-HEAT SIGN	7 6 B	LOW FUEL LT & ETHER COLD START	10 1	WORLD TRANSM-LO SIGN SOL. LO
41 A	A/C & HEAT SYSTEM-COND FAN MOT	58	EXTERIOR LTS-LO BEAM	7 6 C	LOW FUEL LT	10 2	WORLD TRANSM-SOL. SUPPLY
41 B	A/C & HEAT SYSTEM-COND FAN MOT	58 A	EXTERIOR LTS-LO BEAM	7 6 P	FUEL PRIME PUMP	10 2 A	24V STARTER TO BOSCH ALTERNATOR
42	A/C & HEAT SYSTEM-COND FAN MOT	58 B	EXTERIOR LTS-LO BEAM	7 6 M	FUEL PRIME PUMP	10 3	LOW BUOY
42 A	A/C & HEAT SYSTEM-COND FAN MOT	58 E	EXTERIOR LTS-LO BEAM	7 7	A/C & HEAT SYSTEM-HI PRESSURE	10 4	WORLD TRANSM-SOL. FORWARD
43	HAT RACK FAN	59 A	JACOB BRAKE SYSTEM	7 7 A	A/C & HEAT SYSTEM-DRIVER'S HTR	10 5	WORLD TRANSM-RETARDER & SUMP
43 A	HAT RACK FAN	61	EXTERIOR LTS-24V FEED SW	7 7 B	A/C & HEAT SYSTEM-COMPRESSOR	10 5 W	WORLD TRANSM-RETARDER & SUMP
43 B	HAT RACK FAN	61 A	EXTERIOR LTS-HEAD SIGNAL	7 7 C	A/C & HEAT SYSTEM-COMPRESSOR	10 6	WORLD TRANSM-OIL LEVEL HI
43 D	HAT RACK FAN	62	LAVATORY-OCCUPIED LT	7 7 H	A/C & HEAT SYSTEM-COMPRESSOR	10 7	WORLD TRANSM-LOCKUP SOL. HI
43 E	HAT RACK FAN	62 A	LAVATORY-FLUOR LT	8 1	EXTERIOR LTS-STOP SW	10 8	WORLD TRANSM-REM. PWR WAKE UP
43 F	HAT RACK FAN	62 B	LAVATORY-FLUOR LT	8 2	EXTERIOR LTS-STOP SIGNAL	10 9	WORLD TRANSM-RET. SOL. LO
43 G	HAT RACK FAN	62 E	LAVATORY-OCCUP & FLUOR LT	8 2 A	EXTERIOR LTS-STOP SIGNAL	11 0	ALARM & SIGNAL-WATER TEMP
44	EXTERIOR LTS-FOG	63	EXTERIOR LTS-CLEARANCE	8 2 B	EXTERIOR LTS-STOP LTS	11 0	WORLD TRANSM-LOCKUP SOL. LO
44 A	EXTERIOR LTS-FOG	63 A	EXTERIOR LTS-CLEARANCE	8 2 K	EXTERIOR LTS-STOP PARK BRK	11 1	WORLD TRANSM-SOL. C6
44 B	EXTERIOR LTS-FOG	63 B	EXTERIOR LTS-CLEARANCE	8 2 L	EXTERIOR LTS-LH STOP	11 2	WORLD TRANSM-SPARE OUTPUT (+)
44 C	EXTERIOR LTS-FOG & HAZARD	63 C	EXTERIOR LTS-MARKER SIGNAL	8 2 R	EXTERIOR LTS-LH STOP	11 3	ALARM & SIGNAL-OIL PRESS
45 B	A/C & HEAT SYSTEM-HEAT SIGN	63 D	EXTERIOR LTS-MARKER & TAIL	8 3	ENGINE CTR-KEY SW ACCES SIGN	11 3	WORLD TRANSM-REVERSE WARNING
45 D	A/C & HEAT SYSTEM-WATER VALVE	63 E	EXTERIOR LTS-CLEARANCE	8 4	ENGINE CTR-KEY SW ACCES SIGN	11 4	INTERIOR LTS-DASH LT REGUL.
45 E	A/C & HEAT SYSTEM-HEAT 1 SIGN	63 F	EXTERIOR LTS-MARKER BLINKER	8 5	ENGINE CTR-KEY SWIGNITION SIGN	11 4	WORLD TRANSM-SPARE OUTPUT (-)
45 G	A/C & HEAT SYSTEM-DRIVER'S HTR	63 H	EXTERIOR LTS-TAIL	8 5	24V IGNITION SIGNAL	11 4 A	INTERIOR LTS-DASH LT
45 H	A/C & HEAT SYSTEM-DRIVER'S HTR	64	DRIVERS FAN	8 5 A	24V IGN DASH INSTRUMENTATION	11 4 B	INTERIOR LTS-DASH LT REGUL.
45 W	A/C & HEAT SYSTEM-COND. DOOR AJAR	64 B	DRIVERS FAN	8 5 B	ENGINE CTR-24V IGNITION	11 4 D	INTERIOR LTS-DASH LT REGUL.
46	EXTERIOR LTS-MARKER	64 C	DRIVERS FAN	8 5 C	PARKING BRAKE SWITCH	11 4 E	INTERIOR LTS-DASH LT REGUL.
46 A	EXTERIOR LTS-MARKER	65	FOOT DAMPER MOTOR	8 5 F	ENGINE CTR-ENGINE CTR SW IGN	11 5	ALARM & SIGNAL-TAG PRESS
46 B	EXTERIOR LTS-MARKER	65 A	FOOT DAMPER MOTOR	8 5 F	LO AIR SONALERT	11 5	DDEC III-COOLANT LEVEL
46 B	EXTERIOR LTS-MARKER	65 P	PASSENGER REC. DAMPER	8 5 W	24V IGN ANTI SKID	11 5	WORLD TRANSM-DO NOT SHIFT SIGN
46 C	EXTERIOR LTS-MARKER	65 D	DRIVER REC. DAMPER	8 5 X	24V IGN ANTI SKID	11 5 C	DDEC III-COOLANT LEVEL
47	A/C & HEAT SYSTEM-DRIVER'S HTR	66	O_PASS. ON/OFF	8 5 Y	ANTI SKID-WARNING LT	11 5 W	WORLD TRANSM-DO NOT SHIFT SIGN
48	ENTRANCE DOOR (SEDAN)	67	24 VOLT RUN DISTRIBUTION	8 6	ENGINE CTR-STARTER SOL SIGN	11 6	WORLD TRANSM-LO SIGNAL SOL. HI
48 A	ENTRANCE DOOR (SEDAN)	67 A	A/C & HEAT SYSTEM	8 6 A	ENGINE CTR-STARTER SOL SIGN	11 6 B	A/C & HEAT SYSTEM-DRIVER'S HTR
49	ENTRANCE DOOR (SEDAN)	67 B	A/C & HEAT SYSTEM	8 8	ENGINE CTR-RR START SIGNAL	11 7	WORLD TRANSM-SPARE INPUT (-)
49 A	ENTRANCE DOOR (SEDAN)	67 C	HEATING WINDSHIELD	8 9	ENGINE CTR-RR START SIGNAL	11 7 A	ALARM & SIGNAL-TRANSM OIL TEMP
50	AIR DRYER	67 K	A/C & HEAT SYSTEM-COND FAN CTR	9 0 B	A/C & HEAT SYSTEM-COND FAN MOT	11 7 A	ALARM & SIGNAL-TRANSM OIL TEMP
52	ALARM & SIGNAL-ELEC. HORN	67 L	A/C & HEAT SYSTEM-COND FAN CTR	9 0 B	ENGINE CTR-MAST KEY SW FEED	11 8	WORLD TRANSM-SPARE INPUT (+)
52 A	ALARM & SIGNAL-ELEC. HORN	67 V	A/C & HEAT SYSTEM-WATER VALVE	9 0 C	A/C & HEAT SYSTEM-COND FAN MOT	11 9	WORLD TRANSM-ENG BRK INPUT (+)
52 B	ALARM & SIGNAL- AIR HORN	68	DASH & DEFROST DAMPER MOTOR	9 0 F	CHARG SYST-VOLTAGE REGUL. "B"	12 0	WORLD TRANSM-SOL. C1
52 C	ALARM & SIGNAL- AIR HORN	68 A	DASH & DEFROST DAMPER MOTOR	9 0 H	A/C & HEAT SYSTEM-EVAP FAN MOT	12 1	WORLD TRANSM-SOL. GRD 2
53	ALARM & SIGNAL-ELEC. HORN	7 0	INTERIOR LTS-HAT RACK & RR RUN.	9 0 J	A/C & HEAT SYSTEM-COND FAN MOT	12 2	A/C & HEAT SYSTEM-DRIVER'S HTR
53 A	WIPER & WASHER SYSTEM	7 2	SUN VISOR-FEEDING	9 1	PARKING BRAKE SW SIGNAL	12 2	A/C & HEAT SYSTEM-FRESH AIR
53 B	WIPER & WASHER SYSTEM	7 2 A	SUN VISOR-RH	9 1 A	DDEC-FAST IDLE SIGNAL	12 2	WORLD TRANSM-SOL. GRD 4

CIRCUIT NUMBER CODE

No.	DESCRIPTION	No.	DESCRIPTION	No.	DESCRIPTION	No.	DESCRIPTION
122 A	A/C & HEAT SYSTEM-FRESH AIR	135	A/C & HEAT SYSTEM-AIR SENSOR	149	WORLD TRANSM-TURBINE SPEED HI	181 A	THERMOMETER INSIDE SENSOR
123	WORLD TRANSM-NEUTRAL START	135 A	A/C & HEAT SYSTEM-AIR SENSOR	149 A	ABS SYSTEM	181 B	THERMOMETER INSIDE SENSOR
123 A	ALARM & SIGNAL-FIRE DETECTOR	135 D	A/C & HEAT SYSTEM-AIR SENSOR	150	DDEC III-ECM BATTERY GRD	181 C	THERMOMETER OUTSIDE SENSOR
123 B	ALARM & SIGNAL-FIRE DETECTOR	135 C	A/C & HEAT SYSTEM-AIR SENSOR	150	WORLD TRANSM-ENGINE SPEED LO	181 D	THERMOMETER OUTSIDE SENSOR
124	WORLD TRANSM-THROTTLE (HI)	135	WORLD TRANSM-ANALOG GRD	150 A	DDEC III-ECM BATTERY GRD	197	FUEL WATER FILTER
125	WORLD TRANSM-RET. INDICATOR	135 D	WORLD TRANSM-RETARDER RES MOD	151	ABS SYSTEM	197 A	FUEL WATER FILTER
125	GALLEY LAMP	135 C	WORLD TRANSM-RETARDER TEMP	151	DDEC III-ECM BATTERY GRD	197 B	FUEL WATER FILTER
125 T	GALLEY LAMP	136	GALLEY-ACCESSORIES	151	WORLD TRANSM-SERIAL COM. B	198	FILTER FUEL HEATER
125 W	WORLD TRANSM-RET. INDICATOR	136	WORLD TRANSM-ECU POWER	151 A	ABS SYSTEM	199	AIR FILTER RESTRICTION SENDER
126	KNEELING SYSTEM	136 V	WORLD TRANSM-12V BATTERY	152	ABS SYSTEM	201	WORLD TRANSM-SPARE
126 A	KNEELING SYSTEM	136 W	WORLD TRANSM-12V BATTERY	152 A	ABS SYSTEM	202	WORLD TRANSM-SPARE
126 B	KNEELING SYSTEM	136 X	WORLD TRANSM-12V BATTERY	153	ABS SYSTEM	203	WORLD TRANSM-SPARE
126 C	KNEELING SYSTEM	137	WORLD TRANSM-RETARDER	153	WORLD TRANSM-SPARE INPUT (-)	204	WORLD TRANSM-SPARE
126 D	KNEELING SYSTEM	137 A	MIRROR (SPARTAN & RAMCO)	154	ABS SYSTEM	205	WORLD TRANSM-SPARE
126 E	KNEELING SYSTEM	137 B	RR VIEW MIRROR (SPARTAN)	154	WORLD TRANSM-ABS RET. INPUT	206	WORLD TRANSM-SPARE
126 F	KNEELING SYSTEM	137 C	RR VIEW MIRROR (SPARTAN)	155	ABS SYSTEM	214	WORLD TRANSM-BACK UP SIGNAL
126 G	KNEELING SYSTEM	137 D	RR VIEW MIRROR (SPARTAN)	155	WORLD TRANSM-SPARE INPUT (-)	225	LAVATORY FAN
126 H	KNEELING SYSTEM	137 E	RR VIEW MIRROR (SPARTAN)	156	ABS SYSTEM	225 A	LAVATORY FAN
126 K	KNEELING SYSTEM	137 G	RR VIEW MIRROR (SPARTAN)	156	WORLD TRANSM-THROTTLE POS.	231	NEUTRAL SIGNAL GRD
126 P	KNEELING SYSTEM	138	ABS SYSTEM	156 A	ABS SYSTEM	231 A	NEUTRAL COIL RELAY FEED SIGNAL
126 R	KNEELING SYSTEM	138	WORLD TRANSM-RETARDER TEMP	157	ABS SYSTEM	231 W	NEUTRAL SIGNAL GRD (WCL)
126 W	5 MPH N.C. SIGNAL (WCL)	138 A	ABS SYSTEM	157	WORLD TRANSM-SPEEDO SIGNAL	240	DDEC III-ECM 12V FEEDING
126 S	KNEELING SYSTEM	139	ABS SYSTEM	157 A	ABS SYSTEM	241	DDEC III-ECM 12V FEEDING
126 T	KNEELING SYSTEM	139	WORLD TRANSM-OUTPUT SPEED HI	157 B	ABS SYSTEM	251 A	DDEC III - DATA LOGGER 12 H.W.
127	WORLD TRANSM-LUBE PRESS SW.	140	ABS SYSTEM	157 D	A.T.C. SYSTEM	251	DDEC III - PRODRIVER 12V H.W.
127	PRE-HEAT WATER HEATER	140	WORLD TRANSM-OUTPUT SPEED LO	157 E	A.T.C. SYSTEM	253	GALLEY-MICROWAVE
127 A	PRE-HEAT WATER HEATER	141	ABS SYSTEM	158	WORLD TRANSM-DIMMER	254	GALLEY-12V FRIGO NORCOLD
127 B	PRE-HEAT WATER HEATER	141	WORLD TRANSM-ENGINE SPEED HI	160	ALARM & SIGNAL-TAG PRESS SW	254 A	GALLEY-FRIGO
127	WORLD TRANSM-RETARDER FEED SOL.	142	ABS SYSTEM	160	WORLD TRANSM-SER. INTERFACE (-)	255	GALLEY-COFEEMAKER
127 S	PRE-HEAT WATER HEATER	142	WORLD TRANSM-SERIAL COM. A	161	WORLD TRANSM-SIGNAL GRD	255 A	GALLEY-COFEEMAKER
127 W	PRE-HEAT WATER HEATER	143	ABS SYSTEM	161 B	WORLD TRANSM-SIGNAL GRD	257	WINDSHIELD HEATED
128	PRE-HEAT WATER HEATER	143	WORLD TRANSM-ECU BATTERY GRD	162	WORLD TRANSM-PRESS. SW C3	257 A	WINDSHIELD HEATED
128 A	PRE-HEAT WATER HEATER	143 A	ABS SYSTEM	163	WORLD TRANSM-RETARDER ENABLE	257 B	WINDSHIELD HEATED
128 B	PRE-HEAT WATER HEATER	143 W	WORLD TRANSM-BATTERY GRD	164	WORLD TRANSM-RET. ACTUATOR SIGN	257 C	WINDSHIELD HEATED
128 W	PRE-HEAT WATER HEATER	144	ABS SYSTEM	165	A/C & HEAT SYSTEM-TRANSMITER	257 D	WINDSHIELD HEATED SPARE
128	WORLD TRANSM-SOL. C2	144	WORLD TRANSM-ECU CHASSIS GRD	165	WORLD TRANSM-OIL LEVEL SIGNAL	257 E	WINDSHIELD HEATED SPARE
129	PRE-HEAT WATER HEATER	144 A	ABS SYSTEM	165 A	A/C & HEAT SYSTEM-TRANSMITER	258	WINDSHIELD HEATED
129	WORLD TRANSM-SOL. C5	145	ABS SYSTEM	165 B	A/C & HEAT SYSTEM-TRANSMITER	258 A	WINDSHIELD HEATED
130	WORLD TRANSM-SOL. GRD 3	146	ABS SYSTEM	165 C	A/C & HEAT SYSTEM-TRANSMITER	259	WINDSHIELD HEATED
131	WORLD TRANSM-SOL. C4	146 A	TRANSMISSION-12V IGNITION	165 D	A/C & HEAT SYSTEM-TRANSMITER	259 A	WINDSHIELD HEATED
132	WORLD TRANSM-ENG BRK OUTPUT (-)	146	WORLD TRANSM-IGNITION SENSE	166 B	A/C & HEAT SYSTEM-EVAP. MOD.	260	WINDOW AJAR
132 W	WORLD TRANSM-ENG BRK OUTPUT (-)	146 W	WORLD TRANSM-12V IGNITION	167	A/C & HEAT SYSTEM-TEMP. CTR	290	FAN CLUTCH RADIATOR
133	GALLEY-HEAT CONTAINERS	146 X	WORLD TRANSM-12V IGNITION	167 A	A/C & HEAT SYSTEM-TEMP. CTR	290	FAN CLUTCH RADIATOR
133 A	GALLEY-HEAT CONTAINERS	147	ABS SYSTEM	168	A/C & HEAT SYSTEM-HUMIDISTAT	291	FAN CLUTCH RADIATOR SPD 1
133 B	GALLEY-HEAT CONTAINERS	147	WORLD TRANSM-OIL TEMP	168	WORLD TRANSM-SER. INTERFACE (+)	292	FAN CLUTCH RADIATOR SPD 2
133 C	GALLEY-HEAT CONTAINERS	147 A	ETHER COLD START & D.R.L.	168 A	A/C & HEAT SYSTEM-HUMIDISTAT	300	DOOR AJAR MAGN.SW. (WCL)
133	WORLD TRANSM-RET. ACTUATOR HI	147 C	ETHER COLD START	170	LUGGAGE DOOR LOCK	300 A	POWER SYSTEM SW. (WCL)
134	GALLEY-HEAT CONTAINERS	148	ABS SYSTEM	170 C	LUGGAGE DOOR LOCK	300 B	DOOR AJAR ALARM (WCL)
134 A	GALLEY-HEAT CONTAINERS	148	WORLD TRANSM-OUTPUT SPEED LO	170 E	LUGGAGE DOOR LOCK	301	POWER SYSTEM SW. (WCL)
134	WORLD TRANSM-RET. APPLY SOL. HI	149	ABS SYSTEM	170 H	LUGGAGE DOOR LOCK	302	DOOR AJAR T.T.LT. (WCL)

CIRCUIT NUMBER CODE

No.	DESCRIPTION	No.	DESCRIPTION	No.	DESCRIPTION	No.	DESCRIPTION
3 0 2 A	DOOR AJAR ALARM SIGN.(WCL)	5 4 3	DDEC III-CRUISE STOP SW CUT IN				
3 0 2 B	DOOR AJAR MAGN.SW. (WCL)	5 4 4	DDEC III-CRUISE ON/OFF SW				
3 0 3	REMOTE WALL SW. DWN (WCL)	5 4 5	DDEC III-CRUISE RESUME SW				
3 0 4	REMOTE WALL SW. UP (WCL)	5 5 5	DDEC III-FAN CLUTCH SPEED# 1				
3 0 5	PARK. BRAKE SOL. VALVE (WCL)	5 5 6	DDEC III-VEHICLE SPEED (+)				
3 0 5 A	PARK. BRAKE SAFETY SW. (WCL)	5 5 7	DDEC III-VEHICLE SPEED (-)				
3 0 6	CONTROL SYSTEM (WCL RICON)	5 6 3	DDEC III-FAN CLUTCH SPEED# 2				
3 0 7	CONTROL SYSTEM (WCL RICON)	5 6 4	DDEC III-DIGITAL OUTPUT				
3 0 8	CONTROL SYSTEM (WCL RICON)	5 6 5	DDEC III-ENGINE BRAKE ACTIVE				
3 0 9	CONTROL SYSTEM (WCL RICON)	5 8 3	DDEC III-ENGINE BRAKE 4 CYL.				
3 1 0	EATON TRANSMISSION	9 0 0	DDEC III-DATA LINK (+)				
3 1 1	EATON TRANSMISSION	9 0 1	DDEC III-DATA LINK (-)				
3 1 2	EATON TRANSMISSION	9 0 8	DDEC III-HYDRAULIC PWM#1 OUTPUT				
3 1 3	EATON TRANSMISSION	9 1 6	DDEC III-SENSOR SUPPLY (5VDC)				
3 1 4	EATON TRANSMISSION	9 2 5	J1939-HIGH				
3 1 5	EATON TRANSMISSION	9 2 6	J1939-LOW				
3 1 6	EATON TRANSMISSION - EPL	9 2 7	J1939-SHIELD				
3 1 7	EATON TRANSMISSION	9 5 2	DDEC III-SENSOR RETURN				
3 1 8	EATON TRANSMISSION	9 5 3	DDEC III-BATTERY GRD				
3 1 9	EATON TRANSMISSION	9 7 9	DDEC III-ENGINE BRAKE 2 CYL.				
3 2 0	EATON TRANSMISSION						
3 2 1	EATON TRANSMISSION						
3 2 2	EATON TRANSMISSION						
3 2 3	EATON TRANSMISSION						
3 2 4	EATON TRANSMISSION						
3 2 5	EATON TRANSMISSION						
3 2 6	EATON TRANSMISSION						
3 2 7	EATON TRANSMISSION						
3 2 8	EATON TRANSMISSION						
3 2 9	EATON TRANSMISSION						
3 3 0	EATON TRANSMISSION - EPL						
3 3 1	EATON TRANSMISSION - EPL						
3 3 2	EATON TRANSMISSION						
3 3 3	EATON TRANSMISSION - 12V BATTERY						
3 3 4	EATON GENERATION 2						
4 1 7	DDEC III-LIMIT SPEED GOVERNOR						
4 1 9	DDEC III-CHECK ENGINE LIGHT						
4 3 9	DDEC III-12V IGNITION						
4 4 0	DDEC III-12V IGNITION						
4 4 0 A	DDEC III-12V IGNITION						
4 5 1	DDEC III-A/C FAN CLUTCH						
5 0 5	DDEC III-TACHOMETER DRIVE						
5 0 9	DDEC III-STOP ENGINE LIGHT						
5 1 0	DDEC III-FAST IDLE SIGNAL						
5 2 4	DDEC III-ENGINE BRAKE DISABLE						
5 2 5	DDEC III-FAST IDLE SIGNAL						
5 2 8	DDEC III-STOP ENG. OVERRIDE						
5 3 1	DDEC III-CRUISE CLUTCH RELEASE						
5 4 0	DDEC III-CRUISE ENABLE LTS.						
5 4 1	DDEC III-CRUISE SET SW						

CIRCUIT NUMBER CODE

No.	DESCRIPTION	No.	DESCRIPTION	No.	DESCRIPTION	No.	DESCRIPTION
B A	INTERIOR LTS-110V FLUORESCENT	S P 15	SPARE-RJB TO ENGINE	S P 115	SPARE-FJB TO U/DASH WIPER	0 M	FS - ELECTRICAL MOTOR GRD
B B	INTERIOR LTS-110V FLUORESCENT	S P 16	SPARE-RJB TO ENGINE	S P 116	SPARE-FJB TO U/DASH FLOOR	0 M3	FS - ELECTRICAL MOTOR GRD
D 1	SOUND SYSTEM-FR RH SPEAKER	S P 17	SPARE-RJB TO ENGINE	S P 117	SPARE-FJB TO U/DASH FLOOR	0 M4	FS - ELECTRICAL MOTOR GRD
D 2	SOUND SYSTEM-FR RH SPEAKER	S P 18	SPARE-FJB TO RJB	W C	A/C & HEAT SYST-EVAP CTR SIGN	0 M5	FS - ELECTRICAL MOTOR GRD
D 3	SOUND SYSTEM-RR RH SPEAKER	S P 24	SPARE-RJB TO LAVATORY ROOF	Y C	INTERIOR LTS-110V FLUORESCENT	0 M6	FS - FJB GRD
D 4	SOUND SYSTEM-RR RH SPEAKER	S P 25	SPARE-RJB TO LAVATORY ROOF	Y D	INTERIOR LTS-110V FLUORESCENT	0 M7	FS - ELECTRICAL MOTOR GRD
D 5	SOUND SYSTEM-RR RH SPEAKER	S P 26	SPARE-RJB TO LAVATORY ROOF	0	BC - BAT. CPT CHASSIS GRD	0 M	RS - ENGINE CPT ACCES. GRD
D 6	SOUND SYSTEM-RR RH SPEAKER	S P 27	SPARE-RJB TO LH HAT RACK	0	CONDENSER CPT GRD	0 MR	24V DISC. SW. RLY GRD SIGNAL
D 7	SOUND SYSTEM-RR RH SPEAKER	S P 28	SPARE-RJB TO LH HAT RACK	0	RS - RR JCT BOX RLY GRD	0 MS	24V DISC. SW. RLY GRD SIGNAL
D 8	SOUND SYSTEM-RR RH SPEAKER	S P 31	SPARE-RJB TO RH HAT RACK	0	GALLEY GRD	0 N	RS - ENGINE CPT ACCES. GRD
D 3 4	SOUND SYSTEM-RR RH SPEAKER	S P 32	SPARE-RJB TO RH HAT RACK	0 A	BC - SHIELD GRD	0 P	RS - ENGINE CPT ACCES. GRD
D 6 7	SOUND SYSTEM-RR RH SPEAKER	S P 33	SPARE-FJB TO RJB	0 A	RS - RR JCT BOX RLY GRD	0 R	FS - SOUND SYS. JCT PANEL GRD
G 1	SOUND SYSTEM-RR RH SPEAKER	S P 38	SPARE-FJB TO RJB	0 A	FRS - FR ROOF ACCES. GRD	0 R	RS - FJB GRD
G 2	SOUND SYSTEM-FR LH SPEAKER	S P 43	SPARE-FJB TO RJB	0 A	RS - LUG. CPT ACCES. GRD	0 R	RS - ENGINE CPT ACCES. GRD
G 3	SOUND SYSTEM-FR LH SPEAKER	S P 45	SPARE-FJB TO RJB	0 A A	RS - VOLTAGE REGULATOR GRD	0 R E	RADIO & CTRL HEAD CHASSIS GRD
G 4	SOUND SYSTEM-RR LH SPEAKER	S P 46	SPARE-RJB TO LH FR ROOF	0 B	EC - ENGINE GRD	0 R H	RS - RR END LAMPS RH GRD
G 5	SOUND SYSTEM-RR LH SPEAKER	S P 48	SPARE-RJB TO DASH CENTER PANEL	0 B	FRS - FR ROOF HEAT WIND GRD	0 S	12 VOLT RUN - GND RELAY
G 6	SOUND SYSTEM-RR LH SPEAKER	S P 56	SPARE-ENGINE TO RH SW PANEL	0 B	RS - LUG. CPT ACCES. GRD	0 S A	EC-BOSCH ALT. GROUND
G 7	SOUND SYSTEM-RR LH SPEAKER	S P 57	SPARE-DASH CENTER PANEL TO ENG.	0 B E	RJB - BAT. EQUAL. BAT GRD	0 S 2	SOUND SYSTEM RADIO GRD
G 8	SOUND SYSTEM-RR LH SPEAKER	S P 58	SPARE-DASH CENTER PANEL TO ENG.	0 C	EC - STARTER MOTOR GRD	0 S 3	SOUND SYSTEM VIDEO GRD
G 3 4	SOUND SYSTEM-RR LH SPEAKER	S P 59	SPARE-FJB TO ENGINE	0 C	FS - SERV. CPT ACCES. GRD	0 S S	SOUNDS SYSTEM BATT. GRD
G 6 7	SOUND SYSTEM-RR LH SPEAKER	S P 61	SPARE-FJB TO DASH RH PANEL	0 C	BC - FAN CONDENSER GRD	0 T	FS - DASH ACCES. GRD
L 1 A	INTERIOR LTS-110V FLUORESCENT	S P 68	SPARE-FJB TO ENGINE	0 C R	24V DISC. SW. RLY GRD SIGNAL	0 T 1	FS - DASH ACCES. GRD
L 1 B	INTERIOR LTS-110V FLUORESCENT	S P 69	SPARE-FJB TO FR AXLE	0 C S	24V DISC. SW. RLY GRD SIGNAL	0 T 2	FS - DASH ACCES. GRD
L 2 A	INTERIOR LTS-110V FLUORESCENT	S P 70	SPARE-FJB TO FR AXLE	0 C 1	FS - SERV. CPT ACCES. GRD	0 T 3	FS - DASH ACCES. GRD
L 2 B	INTERIOR LTS-110V FLUORESCENT	S P 71	SPARE-FJB TO RH SW PANEL	0 C 2	FS - SERV. CPT ACCES. GRD	0 T 4	FS - DASH ACCES. GRD
L 8	ENG. BLK & WATER TANK-HEATER	S P 72	SPARE-FJB TO FR SERV CPT	0 C 3	FS - SERV. CPT ACCES. GRD	0 V	RR JCT BOX CPT GRD STUD
L 9	ENG. BLK & WATER TANK-HEATER	S P 74	SPARE-FJB TO LH CONSOLE	0 C 4	FS - FJB CPT ACCES. GRD	0 V A	BATTERY TO EQUALISER 0V
L 0	110V RECEPTACLE- 110V FLUOR.	S P 77	SPARE-FJB TO EVAPORATOR CPT	0 D	BC - FAN CONDENSER GRD	0 W	FS - WT GND & SHIELD
L 1	110V RECEPTACLE- 110V FLUOR.	S P 78	SPARE-FJB TO CONDENSER CPT	0 D	RS - HAT RACK ACCES. LH GRD	0 W	RS - RR JCT BOX (WCL) GRD
L 2	110V RECEPTACLE- 110V FLUOR.	S P 79	SPARE-FJB TO CONDENSER CPT	0 D F	RS - RR SIDE FLASH & MARK GRD	0 W C	RS - RR JCT BOX GRD (WCL)
R A	INTERIOR LTS-110V FLUORESCENT	S P 87	SPARE-RJB TO LH HAT RACK	0 D R	RS - RJB DOCKING LT RESISTORS	0 X	RS - RR JCT BOX GRD
R B	INTERIOR LTS-110V FLUORESCENT	S P 88	SPARE-RJB TO RH HAT RACK	0 E	RS - HAT RACK ACCES. LH GRD	0 Y	ABS FR JCT BOX CPT GRD STUD
S H 1	SHIELD CHASSIS GRD	S P 92	SPARE-RJB TO CONDENSER CPT	0 E A	EATON TRANSMISSION GRD	0 Y	RR JCT BOX GRD
S H 2	SHIELD CHASSIS GRD	S P 93	SPARE-RJB TO EVAPORATOR CPT	0 F	RS - HAT RACK ACCES. RH GRD	0 Y 1	ABS FR JCT BOX CPT GRD STUD
S H 3	SHIELD CHASSIS GRD	S P 94	SPARE-RJB TO RR ROOF	0 G	RS - HAT RACK ACCES. RH GRD	0 Z	RR JCT BOX CPT GRD STUD
S H 4	SHIELD CHASSIS GRD	S P 95	SPARE-RJB TO RR ROOF	0 H	RS - LAVATORY ACCES. GRD	0 0	FJB & RJB BATT. GRD
S P 2	SPARE-FJB TO FR SERV CPT	S P 96	SPARE-RJB TO LUGG CPT #2	0 J	FS - LH CONSOLE SW GRD	0 0 A	FBG - T.T.LT. MODULES BATT. GRD
S P 3	SPARE-FJB TO CENTER DASH	S P 97	SPARE-RJB TO LUGG CPT #3	0 J	RS - RR ROOF ACCES. GRD	0 0 Y	FS - ABS MODULLE BATT. GRD
S P 4	SPARE-FJB TO CENTER DASH	S P 98	SPARE-RJB TO LUGG CPT #3	0 K	RS - RR ROOF ACCES. GRD	0 0 S S	SOUND SYSTEM BATT. GRD
S P 5	SPARE-RJB TO LUGG CPT #2	S P 104	SPARE-RJB TO ENGINE CPT	0 K	RS - RJB A/C JCT PANEL GRD	1	TACHO SYSTEM - RPM SIGNAL +
S P 6	SPARE-RJB TO LUGG CPT #1	S P 105	SPARE-FJB TO ENGINE	0 L	FS - FR SERVICE CPT LTS GRD	2 A	A/C & HEAT SYSTEM-COOL 1 SIGN
S P 7	SPARE-RJB TO LUGG CPT #1	S P 106	SPARE-RJB TO BATT. CPT.	0 L 1	FS - FR SERVICE CPT LTS GRD	2 B	A/C & HEAT SYSTEM-COOL SIGN
S P 8	SPARE-RJB TO LUGG CPT #1	S P 107	SPARE-RJB TO BATT. CPT.	0 L 2	FS - FR SERVICE CPT LTS GRD	2 B B	A/C & HEAT SYSTEM-COOL SIGN
S P 9	SPARE-RJB TO LUGG CPT #2	S P 108	SPARE-RJB TO BATT. CPT.	0 L 3	FS - FJB GRD	2 H	A/C & HEAT SYSTEM-HI PRESS SW
S P 10	SPARE-RJB TO LUGG CPT #1	S P 109	SPARE-RJB TO ENGINE CPT.	0 L 4	FS - FJB GRD	2 E	A/C & HEAT SYSTEM EVAP CONT
S P 11	SPARE-FJB TO RJB	S P 110	SPARE-RJB TO ENGINE CPT.	0 L 5	FS - CIGAR LIGHTER	2 F	A/C & HEAT SYSTEM EVAP CONT
S P 12	SPARE-RJB TO ENGINE	S P 111	SPARE-RJB TO ENGINE CPT.	0 L	RS - ENGINE CPT ACCES. GRD	2 H L	A/C & HEAT SYSTEM-LO & HI PRESS SW
S P 13	SPARE-RJB TO ENGINE	S P 112	SPARE-RJB TO ENGINE CPT.	0 L	ENTRANCE DOOR (SEDAN) GRD	2 L	A/C & HEAT SYSTEM-LO PRESS SW
S P 14	SPARE-FJB TO RJB	S P 114	SPARE-FJB TO U/DASH WIPER	0 L H	RS - RR END LAMPS LH GRD	4	HOSTESS & PASSENGER CHIME

CIRCUIT NUMBER CODE

No.	DESCRIPTION	No.	DESCRIPTION	No.	DESCRIPTION	No.	DESCRIPTION
4 A	HOSTESS & PASSENGER CHIME	12 F	FR JCT BOX 12V DISC SW	21 A	EXTERIOR LTS-DIRECTIONNAL LH	24 S2	SOUND SYSTEM 24V AMPLIFIER
4 B	PASSENGER CHIME	12 F	RR JCT BOX 12V DISC SW	21 B	EXTERIOR LTS-HAZARD	24 S3	SOUND SYSTEM 24V VIDEO
4 C	HOSTESS CHIME	12 G	FR JCT BOX 12V DISC SW	21 C	EXTERIOR LTS-CORNERING LH	24 S4	SOUND SYSTEM 24V VIDEO
5	INTERIOR LTS-AISLE & EMERG. EXIT	12 H	12 V IGNITION D.T.RUN LIGHT	21 H	EXTERIOR LTS-DIRECTIONNAL LH	24 SB	SOUND SYSTEM 24V FEEDING
5	UPPER WINDSHIELD DEFROSTER	12 J	FR JCT BOX 12V DISC SW	21 K	EXTERIOR LTS-CORNERING	24 SS	SOUND SYSTEM 24V FEEDING
5 D	UPPER WINDSHIELD DEFROSTER	12 I	12V IGNITION DISTRIBUTION	21 N	EXTERIOR LTS-CORNERING LH	24 R	24 VOLTS FRONT CAMERA SW.
5 E	UPPER WINDSHIELD DEFROSTER	12 I	RR JCT BOX 12V IGNITION	21 P	EXTERIOR LTS-CORNERING LH	24 V2	RR JCT BOX 24V DISC SW
5 N	INTERIOR LTS-EMERGENCY EXIT	12 K	12 VOLT IGN. TTLT & HVAC MODULE	23	EXTERIOR LTS-DIRECTIONNAL RH	24 V3	RR JCT BOX 24V DISC SW
5 NC	SPEED SIGNAL LOWER 5MPH	12 IA	12V IGNITION DISTRIBUTION	23	EXTERIOR LTS-DIRECTIONNAL RH	24 V4	RR JCT BOX 24V DISC SW
5 NO	SPEED SIGNAL HIGHER 5MPH	12 IA	FR JCT BOX 12V IGNITION	23 A	EXTERIOR LTS-DIRECTIONNAL RH	24 V5	RR JCT BOX 24V DISC SW
6	INTERIOR LTS-AISLE	12 IB	FR JCT BOX 12V IGNITION	23 B	EXTERIOR LTS-DIRECTIONNAL RH	24 VD	24V HOT WIRE DISTRIBUTION
7 B	ENTRANCE DOOR (SEDAN)	12 IF	FR JCT BOX 12V IGNITION	23 C	EXTERIOR LTS-CORNERING RH	24 VF	BAT CPT 24V SW TO FJB & IC
7 D	ENTRANCE DOOR (SEDAN)	12 LX	CLUSTER (12V HOT WIRE)	23 N	BATTERY TO EQUALIZER RH	24 VA	BATT.CPT TO HYD. PUMP (WCL)
7 DA	ENTRANCE DOOR (SEDAN)	12 P	LH CONSOLE POWER OUTLET	23 P	EXTERIOR LTS-CORNERING RH	24 VI	RR JCT BOX 24V IGNITION
9	INTERIOR LTS-ENGINE CPT	12 R	BAT CPT 12V DISC RLY TO RJB	24	BAT CPT 24V BATTERY	24 VR	BAT CPT 24V DISC SW TO RJB
9 A	INTERIOR LTS-ENGINE CPT	12 R	MEMORY BATTERY RADIO	24	FR JCT BOX 24V DISC SW	24 W	RR JCT BOX 24V DISC SW (WCL)
9 B	INTERIOR LTS-ENGINE CPT	12 S	SOUND SYSTEM 12V RADIO	24 A	BOOSTER BLOCK 24V DISC SW	24 W C	BATT.CPT TO HYD. PUMP (WCL)
9 E	INTERIOR LTS-FR SERVICE CPT	12 S1	SOUND SYSTEM 12V RADIO	24 A	FR JCT BOX 24V DISC SW	24 W L	24V BATTERY-HYD. PUMP (WCL)
9 F	INTERIOR LTS-FR SERVICE CPT	12 S1 A	DVD KARAOKE FEEDING	24 A	RR JCT BOX 24V DISC SW	25 A1	PRE-EXITATION ALT. BOSCH #1
10	INTERIOR LTS-LUGGAGE CPT	12 S2	SOUND SYSTEM 12V RADIO	24 B	24V STARTER RLY FEEDING	25 A2	PRE-EXITATION ALT. BOSCH #2
10 A	INTERIOR LTS-LUGGAGE CPT	12 S2 A	DVD KARAOKE FEEDING	24 B	FR JCT BOX 24V DISC SW	25 A	T.T. LT. ALTERNATOR #1
10 B	INTERIOR LTS-LUGGAGE CPT	12 SB	SOUND SYSTEM 12V FEEDING	24 B	RR JCT BOX 24V DISC SW	25 B	12 VOLTS IGN. ALT. SIGNAL MODULE
10 D	INTERIOR LTS-LUGGAGE CPT	12 SS	SOUND SYSTEM 12V FEEDING	24 B C	24 VOLT BATT. CHARGER	25 D	12 V. ENGINE RUN / HVAC SYSTEM
10 F	INTERIOR LTS-LUGGAGE CPT	12 VA	BATTERY TO EQUALIZER 12V	24 B E	RJB CPT-BAT EQ MONITOR HOT WIRE	25 F	12 VOLT IGN. DISTRIBUTION
10 H	INTERIOR LTS-LUGGAGE CPT	12 VD	12V HOT WIRE DISTRIBUTION	24 C	FR JCT BOX 24V DISC SW	25 H	24 VOLT IGN. ALT. BOSCH
10 K	INTERIOR LTS-LUGGAGE CPT	12 VF	BAT CPT 12V FJB & IC	24 C	RR JCT BOX 24V DISC SW	25 K	T.T. LT. ALTERNATOR #2
10 R	INTERIOR LTS-LUGGAGE DOOR AJAR	12 VI	12V IGNITION DISTRIBUTION	24 D	BAT CPT 24V HOT WIRE	26 A	CIGAR LIGHTER
11	FR DESTINATION SIGN	12 VR	BAT CPT 12V DISC RLY TO RJB	24 D	FR JCT BOX 24V HOT WIRE	26	DRIVER'S WINDOW LIFTER
11 A	FR DESTINATION SIGN	12 W	12V BATTERY DDEC III	24 D	RR JCT BOX 24V HOT WIRE	26 B	DRIVER'S WINDOW LIFTER
11 B	FR DESTINATION SIGN	12 W	ENTRANCE DOOR (SEDAN)	24 DA	A/C JCT BOX 24V HOT WIRE	26 C	DRIVER'S WINDOW LIFTER
11 C	FR DESTINATION SIGN	12 WA	ENTRANCE DOOR (SEDAN)	24 E	BAT CPT 24V DISC SW	27	LAVATORY-EMERGENCY SONALERT
11 D	FR DESTINATION SIGN	12 X	FR JCT BOX 12V DISC SW	24 E	FR JCT BOX 24V DISC SW	28 A	A/C & HEAT SYSTEM-HI PRESSURE
11 E	FR DESTINATION SIGN	12 X2	FR JCT BOX 12V DISC SW	24 E	RR JCT BOX 24V DISC SW	29	A/C & HEAT SYSTEM-DRIVER'S HTR
11 K	FR DESTINATION SIGN	12 Y	FR JCT BOX 12V DISC SW	24 F	FR JCT BOX 24V DISC SW	29 A	A/C & HEAT SYSTEM-DRIVER'S HTR
12	12V BAT ELECTRONIC JCT BLOCK	13 A	ALARM & SIGNAL-LO AIR PRIM.	24 F	RR JCT BOX 24V DISC SW	29 B	A/C & HEAT SYSTEM-DRIVER'S HTR
12	BAT CPT 12V BATTERY	13 B	ALARM & SIGNAL-LO AIR SEC.	24 G	FR JCT BOX 24V DISC SW	29 H	HVAC DASH MODULE
12 A	FR JCT BOX 12V DISC SW	14	LAVATORY-FLUSHING PUMP	24 G	RR JCT BOX 24V DISC SW	30 A	GALLEY
12 A	RR JCT BOX 12V DISC SW	14 A	LAVATORY-FLUSHING PUMP	24 H	FR JCT BOX 24V DISC SW	31 A	A/C & HEAT SYSTEM-UNLOADER
12 B	12V BAT ELECTRICAL JCT BLOCK	15	EXTERIOR LTS-MULTI FUNC LEVEL	24 H	RR JCT BOX 24V DISC SW	31 B	A/C & HEAT SYSTEM-UNLOADER
12 B	RR JCT BOX 12V DISC SW	15 A	WIPER & WASHER UPPER WINDSHIELD	24 I	FR JCT BOX 24V IGNITION	31 B	WIPER & WASHER SYSTEM
12 B	FR JCT BOX 12V DISC SW	16	SPEED - SIGNAL +	24 I	RR JCT BOX 24V IGNITION	31 C	WIPER & WASHER SYSTEM
12 BE	BAT. EQUALIZER MONITOR	16 A	SPEED - SIGNAL +	24 IA	FR JCT BOX 24V IGNITION	31 D	WIPER & WASHER SYSTEM
12 C	FR JCT BOX 12V DISC SW	16 T	SPEED - SIGNAL +	24 IA	RR JCT BOX 24V IGNITION	31 E	WIPER & WASHER SYSTEM
12 C	RR JCT BOX 12V HOT WIRE	17	EXTERIOR LTS-FLASHER UNIT	24 IB	FR JCT BOX 24V IGNITION	31 J	WIPER & WASHER SYSTEM
12 CE	RR JCT BOX 12V HOT WIRE	17 A	EXTERIOR LTS-FLASHER UNIT	24 IB	RR JCT BOX 24V IGNITION	31 X	WIPER & WASHER SYSTEM
12 D	BAT CPT 12V BATTERY	19	DIFFERENTIAL OIL TEMP	24 IC	FR JCT BOX 24V IGNITION	32	EXTERIOR LTS-BACK-UP
12 DT	TTLT MODULE	20	SPEED - SIGNAL -	24 IF	FJB 24VOLT IGNITION	32 B	EXTERIOR LTS-BACK-UP
12 E	FR JCT BOX 12V DISC SW	20 T	SPEED - SIGNAL -	24 P	FR JCT BOX 24V DISC SW	32 C	BACK-UP PWR & SIGNAL
12 E	RR JCT BOX 12V DISC SW	20 W	SPEED - SIGNAL -	24 S	24V DISC SW RLY SIGNAL	32 D	BACK-UP ALARM
12 F	BAT CPT 12V FJB & IC	21	EXTERIOR LTS-DIRECTIONNAL LH	24 S1	SOUND SYSTEM 24V AMPLIFIER	35	ENTRANCE DOOR (SEDAN)

CIRCUIT NUMBER CODE

No.	DESCRIPTION	No.	DESCRIPTION	No.	DESCRIPTION	No.	DESCRIPTION
35 B	ENTRANCE DOOR (SEDAN)	53 A	WIPER & WASHER SYSTEM	72	SUN VISOR-FEEDING	91	PARKING BRAKE SW SIGNAL
35 BB	ENTRANCE DOOR (SEDAN)	53 B	WIPER & WASHER SYSTEM	72 A	SUN VISOR-RH	91 A	DDEC-FAST IDLE SIGNAL
35 D	ENTRANCE DOOR (SEDAN)	53 C	WIPER & WASHER SYSTEM	72 B	SUN VISOR-RH	91 S	SONALERT PARKING BRAKE
36	JACOB BRAKE SYSREM	53 E	WIPER & WASHER SYSTEM	72 C	SUN VISOR-LH	91 W	PARK, BRAKE SW SIGN (WCL)
36 A	JACOB BRAKE SYSREM	53 J	WIPER & WASHER SYSTEM	72 D	SUN VISOR-LH	92	BATTERY EQUALIZER-CHECK BALANCE
38	INTERIOR LTS-24V FLUORESCENT	55	EXTERIOR LTS-HI BEAM	73	LAVATORY-FEEDING	93	BATTERY EQUALIZER-CHECK LO/HI
38 A	INTERIOR LTS-24V FLUORESCENT	57	EXTERIOR LTS-HI BEAM	74	INTERIOR LTS-READING RH	95 A	ENGINE BRAKE & RETARDER SYSTEM
38 C	INTERIOR LTS-24V FLUORESCENT	57 A	A/C & HEAT SYSTEM-WATER PUMP	74 A	INTERIOR LTS-READING RH	97	TACHOMETER (-)
38 D	INTERIOR LTS-24V FLUORESCENT	57 A	EXTERIOR LTS-HI BEAM	74 D	INTERIOR LTS-READING SIGNAL	100	INTERIOR LTS-GENERAL
39	INTERIOR LTS-24V LH CONSOLE SW	57 B	A/C & HEAT SYSTEM-WATER PUMP	75	INTERIOR LTS-READING LH	100 A	INTERIOR LTS-GENERAL
39 A	INTERIOR LTS-DRIVER'S LTS	57 C	PRE-HEAT WATER HEATER	75 A	INTERIOR LTS-READING LH	100 B	INTERIOR LTS-GENERAL
39 P	READING LIGHTS	57 CA	A/C & HEAT SYSTEM-HEAT SIGN	76	FUEL TANK GAUGE	101	24V STARTER SOL FEEDING
41	A/C & HEAT SYSTEM-COND FAN MOT	57 CC	A/C & HEAT SYSTEM-HEAT SIGN	76 B	LOW FUEL LT & ETHER COLD START	101	WORLD TRANSM-LO SIGN SOL. LO
41 A	A/C & HEAT SYSTEM-COND FAN MOT	58	EXTERIOR LTS-LO BEAM	76 C	LOW FUEL LT	102	WORLD TRANSM-SOL. SUPPLY
41 B	A/C & HEAT SYSTEM-COND FAN MOT	58 A	EXTERIOR LTS-LO BEAM	76 P	FUEL PRIME PUMP	102 A	24V STARTER TO BOSCH ALTERNATOR
42	A/C & HEAT SYSTEM-COND FAN MOT	58 B	EXTERIOR LTS-LO BEAM	76 M	FUEL PRIME PUMP	103	LOW BUOY
42 A	A/C & HEAT SYSTEM-COND FAN MOT	58 E	EXTERIOR LTS-LO BEAM	77	A/C & HEAT SYSTEM-HI PRESSURE	104	WORLD TRANSM-SOL. FORWARD
43	HAT RACK FAN	59 A	JACOB BRAKE SYSTEM	77 A	A/C & HEAT SYSTEM-DRIVER'S HTR	105	WORLD TRANSM-RETARDER & SUMP
43 A	HAT RACK FAN	61	EXTERIOR LTS-24V FEED SW	77 B	A/C & HEAT SYSTEM-COMPRESSOR	105 W	WORLD TRANSM-RETARDER & SUMP
43 B	HAT RACK FAN	61 A	EXTERIOR LTS-HEAD SIGNAL	77 C	A/C & HEAT SYSTEM-COMPRESSOR	106	WORLD TRANSM-OIL LEVEL HI
43 D	HAT RACK FAN	62	LAVATORY-OCCUPIED LT	77 H	A/C & HEAT SYSTEM-COMPRESSOR	107	WORLD TRANSM-LOCKUP SOL. HI
43 E	HAT RACK FAN	62 A	LAVATORY-FLUOR LT	81	EXTERIOR LTS-STOP SW	108	WORLD TRANSM-REM. PWR WAKE UP
43 F	HAT RACK FAN	62 B	LAVATORY-FLUOR LT	82	EXTERIOR LTS-STOP SIGNAL	109	WORLD TRANSM-RET. SOL. LO
43 G	HAT RACK FAN	62 E	LAVATORY-OCCUP & FLUOR LT	82 A	EXTERIOR LTS-STOP SIGNAL	110	ALARM & SIGNAL-WATER TEMP
44	EXTERIOR LTS-FOG	63	EXTERIOR LTS-CLEARANCE	82 B	EXTERIOR LTS-STOP LTS	110	WORLD TRANSM-LOCKUP SOL. LO
44 A	EXTERIOR LTS-FOG	63 A	EXTERIOR LTS-CLEARANCE	82 K	EXTERIOR LTS-STOP PARK BRK	111	WORLD TRANSM-SOL. C6
44 B	EXTERIOR LTS-FOG	63 B	EXTERIOR LTS-CLEARANCE	82 L	EXTERIOR LTS-LH STOP	112	WORLD TRANSM-SPARE OUTPUT (+)
44 C	EXTERIOR LTS-FOG & HAZARD	63 C	EXTERIOR LTS-MARKER SIGNAL	82 R	EXTERIOR LTS-LH STOP	113	ALARM & SIGNAL-OIL PRESS
45 B	A/C & HEAT SYSTEM-HEAT SIGN	63 D	EXTERIOR LTS-MARKER & TAIL	83	ENGINE CTR-KEY SW ACCES SIGN	113	WORLD TRANSM-REVERSE WARNING
45 D	A/C & HEAT SYSTEM-WATER VALVE	63 E	EXTERIOR LTS-CLEARANCE	84	ENGINE CTR-KEY SW ACCES SIGN	114	INTERIOR LTS-DASH LT REGUL.
45 E	A/C & HEAT SYSTEM-HEAT 1 SIGN	63 F	EXTERIOR LTS-MARKER BLINKER	85	ENGINE CTR-KEY SWIGNITION SIGN	114	WORLD TRANSM-SPARE OUTPUT (-)
45 G	A/C & HEAT SYSTEM-DRIVER'S HTR	63 H	EXTERIOR LTS-TAIL	85	24V IGNITION SIGNAL	114 A	INTERIOR LTS-DASH LT
45 H	A/C & HEAT SYSTEM-DRIVER'S HTR	64	DRIVERS FAN	85 A	24V IGN DASH INSTRUMENTATION	114 B	INTERIOR LTS-DASH LT REGUL.
45 W	A/C & HEAT SYSTEM-COND. DOOR AJAR	64 B	DRIVERS FAN	85 B	ENGINE CTR-24V IGNITION	114 D	INTERIOR LTS-DASH LT REGUL.
46	EXTERIOR LTS-MARKER	64 C	DRIVERS FAN	85 C	PARKING BRAKE SWITCH	114 E	INTERIOR LTS-DASH LT REGUL.
46 A	EXTERIOR LTS-MARKER	65	FOOT DAMPER MOTOR	85 F	ENGINE CTR-ENGINE CTR SW IGN	115	ALARM & SIGNAL-TAG PRESS
46 B	EXTERIOR LTS-MARKER	65 A	FOOT DAMPER MOTOR	85 F	LO AIR SONALERT	115	DDEC III-COOLANT LEVEL
46 B	EXTERIOR LTS-MARKER	65 P	PASSENGER REC. DAMPER	85 W	24V IGN ANTI SKID	115	WORLD TRANSM-DO NOT SHIFT SIGN
46 C	EXTERIOR LTS-MARKER	65 D	DRIVER REC. DAMPER	85 X	24V IGN ANTI SKID	115 C	DDEC III-COOLANT LEVEL
47	A/C & HEAT SYSTEM-DRIVER'S HTR	66	O_PASS. ON/OFF	85 Y	ANTI SKID-WARNING LT	115 W	WORLD TRANSM-DO NOT SHIFT SIGN
48	ENTRANCE DOOR (SEDAN)	67	24 VOLT RUN DISTRIBUTION	86	ENGINE CTR-STARTER SOL SIGN	116	WORLD TRANSM-LO SIGNAL SOL. HI
48 A	ENTRANCE DOOR (SEDAN)	67 A	A/C & HEAT SYSTEM	86 A	ENGINE CTR-STARTER SOL SIGN	116 B	A/C & HEAT SYSTEM-DRIVER'S HTR
49	ENTRANCE DOOR (SEDAN)	67 B	A/C & HEAT SYSTEM	88	ENGINE CTR-RR START SIGNAL	117	WORLD TRANSM-SPARE INPUT (-)
49 A	ENTRANCE DOOR (SEDAN)	67 C	HEATING WINDSHIELD	89	ENGINE CTR-RR START SIGNAL	117 A	ALARM & SIGNAL-TRANSM OIL TEMP
50	AIR DRYER	67 K	A/C & HEAT SYSTEM-COND FAN CTR	90 B	A/C & HEAT SYSTEM-COND FAN MOT	117 A	ALARM & SIGNAL-TRANSM OIL TEMP
52	ALARM & SIGNAL-ELEC. HORN	67 L	A/C & HEAT SYSTEM-COND FAN CTR	90 B	ENGINE CTR-MAST KEY SW FEED	118	WORLD TRANSM-SPARE INPUT (+)
52 A	ALARM & SIGNAL-ELEC. HORN	67 V	A/C & HEAT SYSTEM-WATER VALVE	90 C	A/C & HEAT SYSTEM-COND FAN MOT	119	WORLD TRANSM-ENG BRK INPUT (+)
52 B	ALARM & SIGNAL- AIR HORN	68	DASH & DEFROST DAMPER MOTOR	90 F	CHARG SYST-VOLTAGE REGUL. "B"	120	WORLD TRANSM-SOL. C1
52 C	ALARM & SIGNAL- AIR HORN	68 A	DASH & DEFROST DAMPER MOTOR	90 H	A/C & HEAT SYSTEM-EVAP FAN MOT	121	WORLD TRANSM-SOL. GRD 2
53	ALARM & SIGNAL-ELEC. HORN	70	INTERIOR LTS-HAT RACK & RR RUN.	90 J	A/C & HEAT SYSTEM-COND FAN MOT	122	A/C & HEAT SYSTEM-DRIVER'S HTR

CIRCUIT NUMBER CODE

No.	DESCRIPTION	No.	DESCRIPTION	No.	DESCRIPTION	No.	DESCRIPTION
122	A/C & HEAT SYSTEM-FRESH AIR	134 A	GALLEY-HEAT CONTAINERS	148	WORLD TRANSM-OUTPUT SPEED LO	170 E	LUGGAGE DOOR LOCK
122	WORLD TRANSM-SOL. GRD 4	134	WORLD TRANSM-RET. APPLY SOL. HI	149	ABS SYSTEM	170 H	LUGGAGE DOOR LOCK
122 A	A/C & HEAT SYSTEM-FRESH AIR	135	A/C & HEAT SYSTEM-AIR SENSOR	149	WORLD TRANSM-TURBINE SPEED HI	181 A	THERMOMETER INSIDE SENSOR
123	WORLD TRANSM-NEUTRAL START	135 A	A/C & HEAT SYSTEM-AIR SENSOR	149 A	ABS SYSTEM	181 B	THERMOMETER INSIDE SENSOR
123 A	ALARM & SIGNAL-FIRE DETECTOR	135 D	A/C & HEAT SYSTEM-AIR SENSOR	150	DDEC III-ECM BATTERY GRD	181 C	THERMOMETER OUTSIDE SENSOR
123 B	ALARM & SIGNAL-FIRE DETECTOR	135 C	A/C & HEAT SYSTEM-AIR SENSOR	150	WORLD TRANSM-ENGINE SPEED LO	181 D	THERMOMETER OUTSIDE SENSOR
124	WORLD TRANSM-THROTTLE (HI)	135	WORLD TRANSM-ANALOG GRD	150 A	DDEC III-ECM BATTERY GRD	197	FUEL WATER FILTER
125	WORLD TRANSM-RET. INDICATOR	135 D	WORLD TRANSM-RETARDER RES MOD	151	ABS SYSTEM	197 A	FUEL WATER FILTER
125	GALLEY LAMP	135 C	WORLD TRANSM-RETARDER TEMP	151	DDEC III-ECM BATTERY GRD	197 B	FUEL WATER FILTER
125 T	GALLEY LAMP	136	GALLEY-ACCESSORIES	151	WORLD TRANSM-SERIAL COM. B	198	FILTER FUEL HEATER
125 W	WORLD TRANSM-RET. INDICATOR	136	WORLD TRANSM-ECU POWER	151 A	ABS SYSTEM	199	AIR FILTER RESTRICTION SENDER
126	KNEELING SYSTEM	136 V	WORLD TRANSM-12V BATTERY	152	ABS SYSTEM	201	WORLD TRANSM-SPARE
126 A	KNEELING SYSTEM	136 W	WORLD TRANSM-12V BATTERY	152 A	ABS SYSTEM	202	WORLD TRANSM-SPARE
126 B	KNEELING SYSTEM	136 X	WORLD TRANSM-12V BATTERY	153	ABS SYSTEM	203	WORLD TRANSM-SPARE
126 C	KNEELING SYSTEM	137	WORLD TRANSM-RETARDER	153	WORLD TRANSM-SPARE INPUT (-)	204	WORLD TRANSM-SPARE
126 D	KNEELING SYSTEM	137 A	MIRROR (SPARTAN & RAMCO)	154	ABS SYSTEM	205	WORLD TRANSM-SPARE
126 E	KNEELING SYSTEM	137 B	RR VIEW MIRROR (SPARTAN)	154	WORLD TRANSM-ABS RET. INPUT	206	WORLD TRANSM-SPARE
126 F	KNEELING SYSTEM	137 C	RR VIEW MIRROR (SPARTAN)	155	ABS SYSTEM	214	WORLD TRANSM-BACK UP SIGNAL
126 G	KNEELING SYSTEM	137 D	RR VIEW MIRROR (SPARTAN)	155	WORLD TRANSM-SPARE INPUT (-)	225	LAVATORY FAN
126 H	KNEELING SYSTEM	137 E	RR VIEW MIRROR (SPARTAN)	156	ABS SYSTEM	225 A	LAVATORY FAN
126 K	KNEELING SYSTEM	137 G	RR VIEW MIRROR (SPARTAN)	156	WORLD TRANSM-THROTTLE POS.	231	NEUTRAL SIGNAL GRD
126 P	KNEELING SYSTEM	138	ABS SYSTEM	156 A	ABS SYSTEM	231 A	NEUTRAL COIL RELAY FEED SIGNAL
126 R	KNEELING SYSTEM	138	WORLD TRANSM-RETARDER TEMP	157	ABS SYSTEM	231 W	NEUTRAL SIGNAL GRD (WCL)
126 W	5 MPH N.C. SIGNAL (WCL)	138 A	ABS SYSTEM	157	WORLD TRANSM-SPEEDO SIGNAL	240	DDEC III-ECM 12V FEEDING
126 S	KNEELING SYSTEM	139	ABS SYSTEM	157 A	ABS SYSTEM	241	DDEC III-ECM 12V FEEDING
126 T	KNEELING SYSTEM	139	WORLD TRANSM-OUTPUT SPEED HI	157 B	ABS SYSTEM	251 A	DDEC III - DATA LOGGER 12 H.W.
127	WORLD TRANSM-LUBE PRESS SW.	140	ABS SYSTEM	157 D	A.T.C. SYSTEM	251	DDEC III - PRODRIVER 12V H.W.
127	PRE-HEAT WATER HEATER	140	WORLD TRANSM-OUTPUT SPEED LO	157 E	A.T.C. SYSTEM	253	GALLEY-MICROWAVE
127 A	PRE-HEAT WATER HEATER	141	ABS SYSTEM	158	WORLD TRANSM-DIMMER	254	GALLEY-12V FRIGO NORCOLD
127 B	PRE-HEAT WATER HEATER	141	WORLD TRANSM-ENGINE SPEED HI	160	ALARM & SIGNAL-TAG PRESS SW	254 A	GALLEY-FRIGO
127	WORLD TRANSM-RETARDER FEED SOL.	142	ABS SYSTEM	160	WORLD TRANSM-SER. INTERFACE (-)	255	GALLEY-COFEEMAKER
127 S	PRE-HEAT WATER HEATER	142	WORLD TRANSM-SERIAL COM. A	161	WORLD TRANSM-SIGNAL GRD	255 A	GALLEY-COFEEMAKER
127 W	PRE-HEAT WATER HEATER	143	ABS SYSTEM	161 B	WORLD TRANSM-SIGNAL GRD	257	WINDSHIELD HEATED
128	PRE-HEAT WATER HEATER	143	WORLD TRANSM-ECU BATTERY GRD	162	WORLD TRANSM-PRESS. SW C3	257 A	WINDSHIELD HEATED
128 A	PRE-HEAT WATER HEATER	143 A	ABS SYSTEM	163	WORLD TRANSM-RETARDER ENABLE	257 B	WINDSHIELD HEATED
128 B	PRE-HEAT WATER HEATER	143 W	WORLD TRANSM-BATTERY GRD	164	WORLD TRANSM-RET. ACTUATOR SIGN	257 C	WINDSHIELD HEATED
128 W	PRE-HEAT WATER HEATER	144	ABS SYSTEM	165	A/C & HEAT SYSTEM-TRANSMITER	257 D	WINDSHIELD HEATED SPARE
128	WORLD TRANSM-SOL. C2	144	WORLD TRANSM-ECU CHASSIS GRD	165	WORLD TRANSM-OIL LEVEL SIGNAL	257 E	WINDSHIELD HEATED SPARE
129	PRE-HEAT WATER HEATER	144 A	ABS SYSTEM	165 A	A/C & HEAT SYSTEM-TRANSMITER	258	WINDSHIELD HEATED
129	WORLD TRANSM-SOL. C5	145	ABS SYSTEM	165 B	A/C & HEAT SYSTEM-TRANSMITER	258 A	WINDSHIELD HEATED
130	WORLD TRANSM-SOL. GRD 3	146	ABS SYSTEM	165 C	A/C & HEAT SYSTEM-TRANSMITER	259	WINDSHIELD HEATED
131	WORLD TRANSM-SOL. C4	146 A	TRANSMISSION-12V IGNITION	165 D	A/C & HEAT SYSTEM-TRANSMITER	259 A	WINDSHIELD HEATED
132	WORLD TRANSM-ENG BRK OUTPUT (-)	146	WORLD TRANSM-IGNITION SENSE	166 B	A/C & HEAT SYSTEM-EVAP. MOD.	260	WINDOW AJAR
132 W	WORLD TRANSM-ENG BRK OUTPUT (-)	146 W	WORLD TRANSM-12V IGNITION	167	A/C & HEAT SYSTEM-TEMP. CTR	290	FAN CLUTCH RADIATOR
133	GALLEY-HEAT CONTAINERS	146 X	WORLD TRANSM-12V IGNITION	167 A	A/C & HEAT SYSTEM-TEMP. CTR	290	FAN CLUTCH RADIATOR
133 A	GALLEY-HEAT CONTAINERS	147	ABS SYSTEM	168	A/C & HEAT SYSTEM-HUMIDISTAT	291	FAN CLUTCH RADIATOR SPD 1
133 B	GALLEY-HEAT CONTAINERS	147	WORLD TRANSM-OIL TEMP	168	WORLD TRANSM-SER. INTERFACE (+)	292	FAN CLUTCH RADIATOR SPD 2
133 C	GALLEY-HEAT CONTAINERS	147 A	ETHER COLD START & D.R.L.	168 A	A/C & HEAT SYSTEM-HUMIDISTAT	300	DOOR AJAR MAGN.SW. (WCL)
133	WORLD TRANSM-RET. ACTUATOR HI	147 C	ETHER COLD START	170	LUGGAGE DOOR LOCK	300 A	POWER SYSTEM SW. (WCL)
134	GALLEY-HEAT CONTAINERS	148	ABS SYSTEM	170 C	LUGGAGE DOOR LOCK	300 B	DOOR AJAR ALARM (WCL)

CIRCUIT NUMBER CODE

No.	DESCRIPTION	No.	DESCRIPTION	No.	DESCRIPTION	No.	DESCRIPTION
3 0 1	POWER SYSTEM SW. (WCL)	5 4 0	DDEC III-CRUISE ENABLE LTS.				
3 0 2	DOOR AJAR T.T.LT. (WCL)	5 4 1	DDEC III-CRUISE SET SW				
3 0 2 A	DOOR AJAR ALARM SIGN.(WCL)	5 4 3	DDEC III-CRUISE STOP SW CUT IN				
3 0 2 B	DOOR AJAR MAGN.SW. (WCL)	5 4 4	DDEC III-CRUISE ON/OFF SW				
3 0 3	REMOTE WALL SW. DWN (WCL)	5 4 5	DDEC III-CRUISE RESUME SW				
3 0 4	REMOTE WALL SW. UP (WCL)	5 5 5	DDEC III-FAN CLUTCH SPEED# 1				
3 0 5	PARK. BRAKE SOL. VALVE (WCL)	5 5 6	DDEC III-VEHICLE SPEED (+)				
3 0 5 A	PARK. BRAKE SAFETY SW. (WCL)	5 5 7	DDEC III-VEHICLE SPEED (-)				
3 0 6	CONTROL SYSTEM (WCL RICON)	5 6 3	DDEC III-FAN CLUTCH SPEED# 2				
3 0 7	CONTROL SYSTEM (WCL RICON)	5 6 4	DDEC III-DIGITAL OUTPUT				
3 0 8	CONTROL SYSTEM (WCL RICON)	5 6 5	DDEC III-ENGINE BRAKE ACTIVE				
3 0 9	CONTROL SYSTEM (WCL RICON)	5 8 3	DDEC III-ENGINE BRAKE 4 CYL.				
3 1 0	EATON TRANSMISSION	9 0 0	DDEC III-DATA LINK (+)				
3 1 1	EATON TRANSMISSION	9 0 1	DDEC III-DATA LINK (-)				
3 1 2	EATON TRANSMISSION	9 0 8	DDEC III-HYDRAULIC PWM#1 OUTPUT				
3 1 3	EATON TRANSMISSION	9 1 6	DDEC III-SENSOR SUPPLY (5VDC)				
3 1 4	EATON TRANSMISSION	9 2 5	J1939-HIGH				
3 1 5	EATON TRANSMISSION	9 2 6	J1939-LOW				
3 1 6	EATON TRANSMISSION - EPL	9 2 7	J1939-SHIELD				
3 1 7	EATON TRANSMISSION	9 5 2	DDEC III-SENSOR RETURN				
3 1 8	EATON TRANSMISSION	9 5 3	DDEC III-BATTERY GRD				
3 1 9	EATON TRANSMISSION	9 7 9	DDEC III-ENGINE BRAKE 2 CYL.				
3 2 0	EATON TRANSMISSION						
3 2 1	EATON TRANSMISSION						
3 2 2	EATON TRANSMISSION						
3 2 3	EATON TRANSMISSION						
3 2 4	EATON TRANSMISSION						
3 2 5	EATON TRANSMISSION						
3 2 6	EATON TRANSMISSION						
3 2 7	EATON TRANSMISSION						
3 2 8	EATON TRANSMISSION						
3 2 9	EATON TRANSMISSION						
3 3 0	EATON TRANSMISSION - EPL						
3 3 1	EATON TRANSMISSION - EPL						
3 3 2	EATON TRANSMISSION						
3 3 3	EATON TRANSMISSION - 12V BATTERY						
3 3 4	EATON GENERATION 2						
4 1 7	DDEC III-LIMIT SPEED GOVERNOR						
4 1 9	DDEC III-CHECK ENGINE LIGHT						
4 3 9	DDEC III-12V IGNITION						
4 4 0	DDEC III-12V IGNITION						
4 4 0 A	DDEC III-12V IGNITION						
4 5 1	DDEC III-A/C FAN CLUTCH						
5 0 5	DDEC III-TACHOMETER DRIVE						
5 0 9	DDEC III-STOP ENGINE LIGHT						
5 1 0	DDEC III-FAST IDLE SIGNAL						
5 2 4	DDEC III-ENGINE BRAKE DISABLE						
5 2 5	DDEC III-FAST IDLE SIGNAL						
5 2 8	DDEC III-STOP ENG. OVERRIDE						
5 3 1	DDEC III-CRUISE CLUTCH RELEASE						

CIRCUIT NUMBER CODE

No.	DESCRIPTION	No.	DESCRIPTION	No.	DESCRIPTION	No.	DESCRIPTION
B A	INTERIOR LTS-110V FLUORESCENT	S P 15	SPARE-RJB TO ENGINE	S P 115	SPARE-FJB TO U/DASH WIPER	0 M	FS - ELECTRICAL MOTOR GRD
B B	INTERIOR LTS-110V FLUORESCENT	S P 16	SPARE-RJB TO ENGINE	S P 116	SPARE-FJB TO U/DASH FLOOR	0 M3	FS - ELECTRICAL MOTOR GRD
D 1	SOUND SYSTEM-FR RH SPEAKER	S P 17	SPARE-RJB TO ENGINE	S P 117	SPARE-FJB TO U/DASH FLOOR	0 M4	FS - ELECTRICAL MOTOR GRD
D 2	SOUND SYSTEM-FR RH SPEAKER	S P 18	SPARE-FJB TO RJB	W C	A/C & HEAT SYST-EVAP CTR SIGN	0 M5	FS - ELECTRICAL MOTOR GRD
D 3	SOUND SYSTEM-FR RH SPEAKER	S P 24	SPARE-RJB TO LAVATORY ROOF	Y C	INTERIOR LTS-110V FLUORESCENT	0 M6	FS - FJB GRD
D 4	SOUND SYSTEM-RR RH SPEAKER	S P 25	SPARE-RJB TO LAVATORY ROOF	Y D	INTERIOR LTS-110V FLUORESCENT	0 M7	FS - ELECTRICAL MOTOR GRD
D 5	SOUND SYSTEM-RR RH SPEAKER	S P 26	SPARE-RJB TO LAVATORY ROOF	0	BC - BAT. CPT CHASSIS GRD	0 M	RS - ENGINE CPT ACCES. GRD
D 6	SOUND SYSTEM-RR RH SPEAKER	S P 27	SPARE-RJB TO LH HAT RACK	0	CONDENSER CPT GRD	0 MR	24V DISC. SW. RLY GRD SIGNAL
D 7	SOUND SYSTEM-RR RH SPEAKER	S P 28	SPARE-RJB TO LH HAT RACK	0	RS - RR JCT BOX RLY GRD	0 MS	24V DISC. SW. RLY GRD SIGNAL
D 8	SOUND SYSTEM-RR RH SPEAKER	S P 31	SPARE-RJB TO RH HAT RACK	0	GALLEY GRD	0 N	RS - ENGINE CPT ACCES. GRD
D 3 4	SOUND SYSTEM-RR RH SPEAKER	S P 32	SPARE-RJB TO RH HAT RACK	0 A	BC - SHIELD GRD	0 P	RS - ENGINE CPT ACCES. GRD
D 6 7	SOUND SYSTEM-RR RH SPEAKER	S P 33	SPARE-FJB TO RJB	0 A	RS - RR JCT BOX RLY GRD	0 R	FS - SOUND SYS. JCT PANEL GRD
G 1	SOUND SYSTEM-RR RH SPEAKER	S P 38	SPARE-FJB TO RJB	0 A	FRS - FR ROOF ACCES. GRD	0 R	RS - FJB GRD
G 2	SOUND SYSTEM-FR LH SPEAKER	S P 43	SPARE-FJB TO RJB	0 A	RS - LUG. CPT ACCES. GRD	0 R	RS - ENGINE CPT ACCES. GRD
G 3	SOUND SYSTEM-FR LH SPEAKER	S P 45	SPARE-FJB TO RJB	0 A A	RS - VOLTAGE REGULATOR GRD	0 R E	RADIO & CTRL HEAD CHASSIS GRD
G 4	SOUND SYSTEM-RR LH SPEAKER	S P 46	SPARE-RJB TO LH FR ROOF	0 B	EC - ENGINE GRD	0 R H	RS - RR END LAMPS RH GRD
G 5	SOUND SYSTEM-RR LH SPEAKER	S P 48	SPARE-RJB TO DASH CENTER PANEL	0 B	FRS - FR ROOF HEAT WIND GRD	0 S	12 VOLT RUN - GND RELAY
G 6	SOUND SYSTEM-RR LH SPEAKER	S P 56	SPARE-ENGINE TO RH SW PANEL	0 B	RS - LUG. CPT ACCES. GRD	0 S A	EC-BOSCH ALT. GROUND
G 7	SOUND SYSTEM-RR LH SPEAKER	S P 57	SPARE-DASH CENTER PANEL TO ENG.	0 B E	RJB - BAT. EQUAL. BAT GRD	0 S 2	SOUND SYSTEM RADIO GRD
G 8	SOUND SYSTEM-RR LH SPEAKER	S P 58	SPARE-DASH CENTER PANEL TO ENG.	0 C	EC - STARTER MOTOR GRD	0 S 3	SOUND SYSTEM VIDEO GRD
G 3 4	SOUND SYSTEM-RR LH SPEAKER	S P 59	SPARE-FJB TO ENGINE	0 C	FS - SERV. CPT ACCES. GRD	0 S S	SOUNDS SYSTEM BATT. GRD
G 6 7	SOUND SYSTEM-RR LH SPEAKER	S P 61	SPARE-FJB TO DASH RH PANEL	0 C	BC - FAN CONDENSER GRD	0 T	FS - DASH ACCES. GRD
L 1 A	INTERIOR LTS-110V FLUORESCENT	S P 68	SPARE-FJB TO ENGINE	0 C R	24V DISC. SW. RLY GRD SIGNAL	0 T 1	FS - DASH ACCES. GRD
L 1 B	INTERIOR LTS-110V FLUORESCENT	S P 69	SPARE-FJB TO FR AXLE	0 C S	24V DISC. SW. RLY GRD SIGNAL	0 T 2	FS - DASH ACCES. GRD
L 2 A	INTERIOR LTS-110V FLUORESCENT	S P 70	SPARE-FJB TO FR AXLE	0 C 1	FS - SERV. CPT ACCES. GRD	0 T 3	FS - DASH ACCES. GRD
L 2 B	INTERIOR LTS-110V FLUORESCENT	S P 71	SPARE-FJB TO RH SW PANEL	0 C 2	FS - SERV. CPT ACCES. GRD	0 T 4	FS - DASH ACCES. GRD
L 8	ENG. BLK & WATER TANK-HEATER	S P 72	SPARE-FJB TO FR SERV CPT	0 C 3	FS - SERV. CPT ACCES. GRD	0 T 5	FS - HVAC DASH MODULE. GRD
L 9	ENG. BLK & WATER TANK-HEATER	S P 74	SPARE-FJB TO LH CONSOLE	0 C 4	FS - FJB CPT ACCES. GRD	0 V	RR JCT BOX CPT GRD STUD
L 0	110V RECEPTACLE- 110V FLUOR.	S P 77	SPARE-FJB TO EVAPORATOR CPT	0 D	BC - FAN CONDENSER GRD	0 V A	BATTERY TO EQUALISER 0V
L 1	110V RECEPTACLE- 110V FLUOR.	S P 78	SPARE-FJB TO CONDENSER CPT	0 D	RS - HAT RACK ACCES. LH GRD	0 W	FS - WT GND & SHIELD
L 2	110V RECEPTACLE- 110V FLUOR.	S P 79	SPARE-FJB TO CONDENSER CPT	0 D F	RS - RR SIDE FLASH & MARK GRD	0 W	RS - RR JCT BOX (WCL) GRD
R A	INTERIOR LTS-110V FLUORESCENT	S P 87	SPARE-RJB TO LH HAT RACK	0 D R	RS - RJB DOCKING LT RESISTORS	0 W C	RS - RR JCT BOX GRD (WCL)
R B	INTERIOR LTS-110V FLUORESCENT	S P 88	SPARE-RJB TO RH HAT RACK	0 E	RS - HAT RACK ACCES. LH GRD	0 X	RS - RR JCT BOX GRD
S H 1	SHIELD CHASSIS GRD	S P 92	SPARE-RJB TO CONDENSER CPT	0 E A	EATON TRANSMISSION GRD	0 Y	ABS FR JCT BOX CPT GRD STUD
S H 2	SHIELD CHASSIS GRD	S P 93	SPARE-RJB TO EVAPORATOR CPT	0 F	RS - HAT RACK ACCES. RH GRD	0 Y	RR JCT BOX GRD
S H 3	SHIELD CHASSIS GRD	S P 94	SPARE-RJB TO RR ROOF	0 G	RS - HAT RACK ACCES. RH GRD	0 Y 1	ABS FR JCT BOX CPT GRD STUD
S H 4	SHIELD CHASSIS GRD	S P 95	SPARE-RJB TO RR ROOF	0 H	RS - LAVATORY ACCES. GRD	0 Z	RR JCT BOX CPT GRD STUD
S P 2	SPARE-FJB TO FR SERV CPT	S P 96	SPARE-RJB TO LUGG CPT #2	0 J	FS - LH CONSOLE SW GRD	0 0	FJB & RJB BATT. GRD
S P 3	SPARE-FJB TO CENTER DASH	S P 97	SPARE-RJB TO LUGG CPT #3	0 J	RS - RR ROOF ACCES. GRD	0 0 A	FBG - T.T.LT. MODULES BATT. GRD
S P 4	SPARE-FJB TO CENTER DASH	S P 98	SPARE-RJB TO LUGG CPT #3	0 K	RS - RR ROOF ACCES. GRD	0 0 Y	FS - ABS MODULE BATT. GRD
S P 5	SPARE-RJB TO LUGG CPT #2	S P 104	SPARE-RJB TO ENGINE CPT	0 K	RS - RJB A/C JCT PANEL GRD	0 0 S S	SOUND SYSTEM BATT. GRD
S P 6	SPARE-RJB TO LUGG CPT #1	S P 105	SPARE-FJB TO ENGINE	0 L	FS - FR SERVICE CPT LTS GRD	1	TACHO SYSTEM - RPM SIGNAL +
S P 7	SPARE-RJB TO LUGG CPT #1	S P 106	SPARE-RJB TO BATT. CPT.	0 L 1	FS - FR SERVICE CPT LTS GRD	2 A	A/C & HEAT SYSTEM-COOL 1 SIGN
S P 8	SPARE-RJB TO LUGG CPT #1	S P 107	SPARE-RJB TO BATT. CPT.	0 L 2	FS - FR SERVICE CPT LTS GRD	2 B	A/C & HEAT SYSTEM-COOL SIGN
S P 9	SPARE-RJB TO LUGG CPT #2	S P 108	SPARE-RJB TO BATT. CPT.	0 L 3	FS - FJB GRD	2 B B	A/C & HEAT SYSTEM-COOL SIGN
S P 10	SPARE-RJB TO LUGG CPT #1	S P 109	SPARE-RJB TO ENGINE CPT.	0 L 4	FS - FJB GRD	2 H	A/C & HEAT SYSTEM-HI PRESS SW
S P 11	SPARE-FJB TO RJB	S P 110	SPARE-RJB TO ENGINE CPT.	0 L 5	FS - CIGAR LIGHTER	2 E	A/C & HEAT SYSTEM EVAP CONT
S P 12	SPARE-RJB TO ENGINE	S P 111	SPARE-RJB TO ENGINE CPT.	0 L	RS - ENGINE CPT ACCES. GRD	2 F	A/C & HEAT SYSTEM EVAP CONT
S P 13	SPARE-RJB TO ENGINE	S P 112	SPARE-RJB TO ENGINE CPT.	0 L	ENTRANCE DOOR (SEDAN) GRD	2 H L	A/C & HEAT SYSTEM-LO & HI PRESS SW
S P 14	SPARE-FJB TO RJB	S P 114	SPARE-FJB TO U/DASH WIPER	0 L H	RS - RR END LAMPS LH GRD	2 L	A/C & HEAT SYSTEM-LO PRESS SW

CIRCUIT NUMBER CODE

No.	DESCRIPTION	No.	DESCRIPTION	No.	DESCRIPTION	No.	DESCRIPTION
4	HOSTESS & PASSENGER CHIME	12 F	BAT CPT 12V FJB & IC	21	EXTERIOR LTS-DIRECTIONNAL LH	24 S1	SOUND SYSTEM 24V AMPLIFIER
4 A	HOSTESS & PASSENGER CHIME	12 F	FR JCT BOX 12V DISC SW	21 A	EXTERIOR LTS-DIRECTIONNAL LH	24 S2	SOUND SYSTEM 24V AMPLIFIER
4 B	PASSENGER CHIME	12 F	RR JCT BOX 12V DISC SW	21 B	EXTERIOR LTS-HAZARD	24 S3	SOUND SYSTEM 24V VIDEO
4 C	HOSTESS CHIME	12 G	FR JCT BOX 12V DISC SW	21 C	EXTERIOR LTS-CORNERING LH	24 S4	SOUND SYSTEM 24V VIDEO
5	INTERIOR LTS-AISLE & EMERG. EXIT	12 H	12 V IGNITION D.T.RUN LIGHT	21 H	EXTERIOR LTS-DIRECTIONNAL LH	24 SB	SOUND SYSTEM 24V FEEDING
5	UPPER WINDSHIELD DEFROSTER	12 J	FR JCT BOX 12V DISC SW	21 K	EXTERIOR LTS-CORNERING	24 SS	SOUND SYSTEM 24V FEEDING
5 D	UPPER WINDSHIELD DEFROSTER	12 I	12V IGNITION DISTRIBUTION	21 N	EXTERIOR LTS-CORNERING LH	24 R	24 VOLTS FRONT CAMERA SW.
5 E	UPPER WINDSHIELD DEFROSTER	12 I	RR JCT BOX 12V IGNITION	21 P	EXTERIOR LTS-CORNERING LH	24 V2	RR JCT BOX 24V DISC SW
5 N	INTERIOR LTS-EMERGENCY EXIT	12 K	12 VOLT IGN. TTLT & HVAC MODULE	23	EXTERIOR LTS-DIRECTIONNAL RH	24 V3	RR JCT BOX 24V DISC SW
5 NC	SPEED SIGNAL LOWER 5MPH	12 IA	12V IGNITION DISTRIBUTION	23	EXTERIOR LTS-DIRECTIONNAL RH	24 V4	RR JCT BOX 24V DISC SW
5 NO	SPEED SIGNAL HIGHER 5MPH	12 IA	FR JCT BOX 12V IGNITION	23 A	EXTERIOR LTS-DIRECTIONNAL RH	24 V5	RR JCT BOX 24V DISC SW
6	INTERIOR LTS-AISLE	12 IB	FR JCT BOX 12V IGNITION	23 B	EXTERIOR LTS-DIRECTIONNAL RH	24 VD	24V HOT WIRE DISTRIBUTION
7 B	ENTRANCE DOOR (SEDAN)	12 IF	FR JCT BOX 12V IGNITION	23 C	EXTERIOR LTS-CORNERING RH	24 VF	BAT CPT 24V SW TO FJB & IC
7 D	ENTRANCE DOOR (SEDAN)	12 LX	CLUSTER (12V HOT WIRE)	23 N	EXTERIOR LTS-CORNERING RH	24 VA	BATTERY TO EQUALIZER 24V
7 DA	ENTRANCE DOOR (SEDAN)	12 P	LH CONSOLE POWER OUTLET	23 P	EXTERIOR LTS-CORNERING RH	24 VI	RR JCT BOX 24V IGNITION
9	INTERIOR LTS-ENGINE CPT	12 R	BAT CPT 12V DISC RLY TO RJB	24	BAT CPT 24V BATTERY	24 VR	BAT CPT 24V DISC SW TO RJB
9 A	INTERIOR LTS-ENGINE CPT	12 R	MEMORY BATTERY RADIO	24	FR JCT BOX 24V DISC SW	24 W	RR JCT BOX 24V DISC SW (WCL)
9 B	INTERIOR LTS-ENGINE CPT	12 S	SOUND SYSTEM 12V RADIO	24 A	BOOSTER BLOCK 24V DISC SW	24 W C	BATT.CPT TO HYD. PUMP (WCL)
9 E	INTERIOR LTS-FR SERVICE CPT	12 S1	SOUND SYSTEM 12V RADIO	24 A	FR JCT BOX 24V DISC SW	24 W L	24V BATTERY-HYD. PUMP (WCL)
9 F	INTERIOR LTS-FR SERVICE CPT	12 S1 A	DVD KARAOKE FEEDING	24 A	RR JCT BOX 24V DISC SW	25 A1	PRE-EXITATION ALT. BOSCH #1
10	INTERIOR LTS-LUGGAGE CPT	12 S2	SOUND SYSTEM 12V RADIO	24 B	24V STARTER RLY FEEDING	25 A2	PRE-EXITATION ALT. BOSCH #2
10 A	INTERIOR LTS-LUGGAGE CPT	12 S2 A	DVD KARAOKE FEEDING	24 B	FR JCT BOX 24V DISC SW	25 A	T.T. LT. ALTERNATOR #1
10 B	INTERIOR LTS-LUGGAGE CPT	12 SB	SOUND SYSTEM 12V FEEDING	24 B	RR JCT BOX 24V DISC SW	25 B	12 VOLTS IGN. ALT. SIGNAL MODULE
10 D	INTERIOR LTS-LUGGAGE CPT	12 SS	SOUND SYSTEM 12V FEEDING	24 B C	24 VOLT BATT. CHARGER	25 D	12 V. ENGINE RUN / HVAC SYSTEM
10 F	INTERIOR LTS-LUGGAGE CPT	12 VA	BATTERY TO EQUALIZER 12V	24 B E	RJB CPT-BAT EQ MONITOR HOT WIRE	25 F	12 VOLT IGN. DISTRIBUTION
10 H	INTERIOR LTS-LUGGAGE CPT	12 VD	12V HOT WIRE DISTRIBUTION	24 C	FR JCT BOX 24V DISC SW	25 H	24 VOLT IGN. ALT. BOSCH
10 K	INTERIOR LTS-LUGGAGE CPT	12 VF	BAT CPT 12V FJB & IC	24 C	RR JCT BOX 24V DISC SW	25 K	T.T. LT. ALTERNATOR #2
10 R	INTERIOR LTS-LUGGAGE DOOR AJAR	12 VI	12V IGNITION DISTRIBUTION	24 D	BAT CPT 24V HOT WIRE	26 A	CIGAR LIGHTER
11	FR DESTINATION SIGN	12 VR	BAT CPT 12V DISC RLY TO RJB	24 D	FR JCT BOX 24V HOT WIRE	26	DRIVER'S WINDOW LIFTER
11 A	FR DESTINATION SIGN	12 W	12V BATTERY DDEC III	24 D	RR JCT BOX 24V HOT WIRE	26 B	DRIVER'S WINDOW LIFTER
11 B	FR DESTINATION SIGN	12 W	ENTRANCE DOOR (SEDAN)	24 D A	A/C JCT BOX 24V HOT WIRE	26 C	DRIVER'S WINDOW LIFTER
11 C	FR DESTINATION SIGN	12 WA	ENTRANCE DOOR (SEDAN)	24 E	BAT CPT 24V DISC SW	27	LAVATORY-EMERGENCY SONALERT
11 D	FR DESTINATION SIGN	12 X	FR JCT BOX 12V DISC SW	24 E	FR JCT BOX 24V DISC SW	28 A	A/C & HEAT SYSTEM-HI PRESSURE
11 E	FR DESTINATION SIGN	12 X2	FR JCT BOX 12V DISC SW	24 E	RR JCT BOX 24V DISC SW	29	A/C & HEAT SYSTEM-DRIVER'S HTR
11 K	FR DESTINATION SIGN	12 Y	FR JCT BOX 12V DISC SW	24 F	FR JCT BOX 24V DISC SW	29 A	A/C & HEAT SYSTEM-DRIVER'S HTR
12	12V BAT ELECTRONIC JCT BLOCK	13 A	ALARM & SIGNAL-LO AIR PRIM.	24 F	RR JCT BOX 24V DISC SW	29 B	A/C & HEAT SYSTEM-DRIVER'S HTR
12	BAT CPT 12V BATTERY	13 B	ALARM & SIGNAL-LO AIR SEC.	24 G	FR JCT BOX 24V DISC SW	29 H	HVAC DASH MODULE
12 A	FR JCT BOX 12V DISC SW	14	LAVATORY-FLUSHING PUMP	24 G	RR JCT BOX 24V DISC SW	30 A	GALLEY
12 A	RR JCT BOX 12V DISC SW	14 A	LAVATORY-FLUSHING PUMP	24 H	FR JCT BOX 24V DISC SW	31 A	A/C & HEAT SYSTEM-UNLOADER
12 B	12V BAT ELECTRICAL JCT BLOCK	15	EXTERIOR LTS-MULTI FUNC LEVEL	24 H	RR JCT BOX 24V DISC SW	31 B	A/C & HEAT SYSTEM-UNLOADER
12 B	RR JCT BOX 12V DISC SW	15 A	WIPER & WASHER UPPER WINDSHIELD	24 I	FR JCT BOX 24V IGNITION	31 B	WIPER & WASHER SYSTEM
12 B	FR JCT BOX 12V DISC SW	16	SPEED - SIGNAL +	24 I	RR JCT BOX 24V IGNITION	31 C	WIPER & WASHER SYSTEM
12 BE	BAT. EQUALIZER MONITOR	16 A	SPEED - SIGNAL +	24 I A	FR JCT BOX 24V IGNITION	31 D	WIPER & WASHER SYSTEM
12 C	FR JCT BOX 12V DISC SW	16 T	SPEED - SIGNAL +	24 I A	RR JCT BOX 24V IGNITION	31 E	WIPER & WASHER SYSTEM
12 C	RR JCT BOX 12V HOT WIRE	17	EXTERIOR LTS-FLASHER UNIT	24 I B	FR JCT BOX 24V IGNITION	31 J	WIPER & WASHER SYSTEM
12 CE	RR JCT BOX 12V HOT WIRE	17 A	EXTERIOR LTS-FLASHER UNIT	24 I B	RR JCT BOX 24V IGNITION	31 X	WIPER & WASHER SYSTEM
12 D	BAT CPT 12V BATTERY	19	DIFFERENTIAL OIL TEMP	24 I C	FR JCT BOX 24V IGNITION	32	EXTERIOR LTS-BACK-UP
12 DT	TTLT MODULE	20	SPEED - SIGNAL -	24 I F	FJB 24VOLT IGNITION	32 B	EXTERIOR LTS-BACK-UP
12 E	FR JCT BOX 12V DISC SW	20 T	SPEED - SIGNAL -	24 P	FR JCT BOX 24V DISC SW	32 C	BACK-UP PWR & SIGNAL
12 E	RR JCT BOX 12V DISC SW	20 W	SPEED - SIGNAL -	24 S	24V DISC SW RLY SIGNAL	32 D	BACK-UP ALARM

CIRCUIT NUMBER CODE

No.	DESCRIPTION	No.	DESCRIPTION	No.	DESCRIPTION	No.	DESCRIPTION
35	ENTRANCE DOOR (SEDAN)	53	ALARM & SIGNAL-ELEC. HORN	70	INTERIOR LTS-HAT RACK & RR RUN.	90 J	A/C & HEAT SYSTEM-COND FAN MOT
35 B	ENTRANCE DOOR (SEDAN)	53 A	WIPER & WASHER SYSTEM	72	SUN VISOR-FEEDING	91	PARKING BRAKE SW SIGNAL
35 BB	ENTRANCE DOOR (SEDAN)	53 B	WIPER & WASHER SYSTEM	72 A	SUN VISOR-RH	91 A	DDEC-FAST IDLE SIGNAL
35 D	ENTRANCE DOOR (SEDAN)	53 C	WIPER & WASHER SYSTEM	72 B	SUN VISOR-RH	91 S	SONALERT PARKING BRAKE
36	JACOB BRAKE SYSREM	53 E	WIPER & WASHER SYSTEM	72 C	SUN VISOR-LH	91 W	PARK, BRAKE SW SIGN (WCL)
36 A	JACOB BRAKE SYSREM	53 J	WIPER & WASHER SYSTEM	72 D	SUN VISOR-LH	92	BATTERY EQUALIZER-CHECK BALANCE
38	INTERIOR LTS-24V FLUORESCENT	55	EXTERIOR LTS-HI BEAM	73	LAVATORY-FEEDING	93	BATTERY EQUALIZER-CHECK LO/HI
38 A	INTERIOR LTS-24V FLUORESCENT	57	EXTERIOR LTS-HI BEAM	74	INTERIOR LTS-READING RH	95 A	ENGINE BRAKE & RETARDER SYSTEM
38 C	INTERIOR LTS-24V FLUORESCENT	57 A	A/C & HEAT SYSTEM-WATER PUMP	74 A	INTERIOR LTS-READING RH	97	TACHOMETER (-)
38 D	INTERIOR LTS-24V FLUORESCENT	57 A	EXTERIOR LTS-HI BEAM	74 D	INTERIOR LTS-READING SIGNAL	100	INTERIOR LTS-GENERAL
39	INTERIOR LTS-24V LH CONSOLE SW	57 B	A/C & HEAT SYSTEM-WATER PUMP	75	INTERIOR LTS-READING LH	100 A	INTERIOR LTS-GENERAL
39 A	INTERIOR LTS-DRIVER'S LTS	57 C	PRE-HEAT WATER HEATER	75 A	INTERIOR LTS-READING LH	100 B	INTERIOR LTS-GENERAL
39 P	READING LIGHTS	57 C A	A/C & HEAT SYSTEM-HEAT SIGN	76	FUEL TANK GAUGE	101	24V STARTER SOL FEEDING
41	A/C & HEAT SYSTEM-COND FAN MOT	57 C C	A/C & HEAT SYSTEM-HEAT SIGN	76 B	LOW FUEL LT & ETHER COLD START	101	WORLD TRANSM-LO SIGN SOL. LO
41 A	A/C & HEAT SYSTEM-COND FAN MOT	58	EXTERIOR LTS-LO BEAM	76 C	LOW FUEL LT	102	WORLD TRANSM-SOL. SUPPLY
41 B	A/C & HEAT SYSTEM-COND FAN MOT	58 A	EXTERIOR LTS-LO BEAM	76 P	FUEL PRIME PUMP	102 A	24V STARTER TO BOSCH ALTERNATOR
42	A/C & HEAT SYSTEM-COND FAN MOT	58 B	EXTERIOR LTS-LO BEAM	76 M	FUEL PRIME PUMP	103	LOW BUOY
42 A	A/C & HEAT SYSTEM-COND FAN MOT	58 E	EXTERIOR LTS-LO BEAM	77	A/C & HEAT SYSTEM-HI PRESSURE	104	WORLD TRANSM-SOL. FORWARD
43	HAT RACK FAN	59 A	JACOB BRAKE SYSTEM	77 A	A/C & HEAT SYSTEM-DRIVER'S HTR	105	WORLD TRANSM-RETARDER & SUMP
43 A	HAT RACK FAN	61	EXTERIOR LTS-24V FEED SW	77 B	A/C & HEAT SYSTEM-COMPRESSOR	105 W	WORLD TRANSM-RETARDER & SUMP
43 B	HAT RACK FAN	61 A	EXTERIOR LTS-HEAD SIGNAL	77 C	A/C & HEAT SYSTEM-COMPRESSOR	106	WORLD TRANSM-OIL LEVEL HI
43 D	HAT RACK FAN	62	LAVATORY-OCCUPIED LT	77 H	A/C & HEAT SYSTEM-COMPRESSOR	107	WORLD TRANSM-LOCKUP SOL. HI
43 E	HAT RACK FAN	62 A	LAVATORY-FLUOR LT	81	EXTERIOR LTS-STOP SW	108	WORLD TRANSM-REM. PWR WAKE UP
43 F	HAT RACK FAN	62 B	LAVATORY-FLUOR LT	82	EXTERIOR LTS-STOP SIGNAL	109	WORLD TRANSM-RET. SOL. LO
43 G	HAT RACK FAN	62 E	LAVATORY-OCCUP & FLUOR LT	82 A	EXTERIOR LTS-STOP SIGNAL	110	ALARM & SIGNAL-WATER TEMP
44	EXTERIOR LTS-FOG	63	EXTERIOR LTS-CLEARANCE	82 B	EXTERIOR LTS-STOP LTS	110	WORLD TRANSM-LOCKUP SOL. LO
44 A	EXTERIOR LTS-FOG	63 A	EXTERIOR LTS-CLEARANCE	82 K	EXTERIOR LTS-STOP PARK BRK	111	WORLD TRANSM-SOL. C6
44 B	EXTERIOR LTS-FOG	63 B	EXTERIOR LTS-CLEARANCE	82 L	EXTERIOR LTS-LH STOP	112	WORLD TRANSM-SPARE OUTPUT (+)
44 C	EXTERIOR LTS-FOG & HAZARD	63 C	EXTERIOR LTS-MARKER SIGNAL	82 R	EXTERIOR LTS-LH STOP	113	ALARM & SIGNAL-OIL PRESS
45 B	A/C & HEAT SYSTEM-HEAT SIGN	63 D	EXTERIOR LTS-MARKER & TAIL	83	ENGINE CTR-KEY SW ACCES SIGN	113	WORLD TRANSM-REVERSE WARNING
45 D	A/C & HEAT SYSTEM-WATER VALVE	63 E	EXTERIOR LTS-CLEARANCE	84	ENGINE CTR-KEY SW ACCES SIGN	114	INTERIOR LTS-DASH LT REGUL.
45 E	A/C & HEAT SYSTEM-HEAT 1 SIGN	63 F	EXTERIOR LTS-MARKER BLINKER	85	ENGINE CTR-KEY SWIGNITION SIGN	114	WORLD TRANSM-SPARE OUTPUT (-)
45 G	A/C & HEAT SYSTEM-DRIVER'S HTR	63 H	EXTERIOR LTS-TAIL	85	24V IGNITION SIGNAL	114 A	INTERIOR LTS-DASH LT
45 H	A/C & HEAT SYSTEM-DRIVER'S HTR	64	DRIVERS FAN	85 A	24V IGN DASH INSTRUMENTATION	114 B	INTERIOR LTS-DASH LT REGUL.
45 W	A/C & HEAT SYSTEM-COND. DOOR AJAR	64 B	DRIVERS FAN	85 B	ENGINE CTR-24V IGNITION	114 D	INTERIOR LTS-DASH LT REGUL.
46	EXTERIOR LTS-MARKER	64 C	DRIVERS FAN	85 C	PARKING BRAKE SWITCH	114 E	INTERIOR LTS-DASH LT REGUL.
46 A	EXTERIOR LTS-MARKER	65	FOOT DAMPER MOTOR	85 F	ENGINE CTR-RR START SW IGN	115	ALARM & SIGNAL-TAG PRESS
46 B	EXTERIOR LTS-MARKER	65 A	FOOT DAMPER MOTOR	85 F	LO AIR SONALERT	115	DDEC III-COOLANT LEVEL
46 B	EXTERIOR LTS-MARKER	65 P	PASSENGER REC. DAMPER	85 W	24V IGN ANTI SKID	115	WORLD TRANSM-DO NOT SHIFT SIGN
46 C	EXTERIOR LTS-MARKER	65 D	DRIVER REC. DAMPER	85 X	24V IGN ANTI SKID	115 C	DDEC III-COOLANT LEVEL
47	A/C & HEAT SYSTEM-DRIVER'S HTR	66	O_PASS. ON/OFF	85 Y	ANTI SKID-WARNING LT	115 W	WORLD TRANSM-DO NOT SHIFT SIGN
48	ENTRANCE DOOR (SEDAN)	67	24 VOLT RUN DISTRIBUTION	86	ENGINE CTR-STARTER SOL SIGN	116	WORLD TRANSM-LO SIGNAL SOL. HI
48 A	ENTRANCE DOOR (SEDAN)	67 A	A/C & HEAT SYSTEM	86 A	ENGINE CTR-STARTER SOL SIGN	116 B	A/C & HEAT SYSTEM-DRIVER'S HTR
49	ENTRANCE DOOR (SEDAN)	67 B	A/C & HEAT SYSTEM	88	ENGINE CTR-RR START SIGNAL	117	WORLD TRANSM-SPARE INPUT (-)
49 A	ENTRANCE DOOR (SEDAN)	67 C	HEATING WINDSHIELD	89	ENGINE CTR-RR START SIGNAL	117 A	ALARM & SIGNAL-TRANSM OIL TEMP
50	AIR DRYER	67 K	A/C & HEAT SYSTEM-COND FAN CTR	90 B	A/C & HEAT SYSTEM-COND FAN MOT	117 A	ALARM & SIGNAL-TRANSM OIL TEMP
52	ALARM & SIGNAL-ELEC. HORN	67 L	A/C & HEAT SYSTEM-COND FAN CTR	90 B	ENGINE CTR-MAST KEY SW FEED	118	WORLD TRANSM-SPARE INPUT (+)
52 A	ALARM & SIGNAL-ELEC. HORN	67 V	A/C & HEAT SYSTEM-WATER VALVE	90 C	A/C & HEAT SYSTEM-COND FAN MOT	119	WORLD TRANSM-ENG BRK INPUT (+)
52 B	ALARM & SIGNAL- AIR HORN	68	DASH & DEFROST DAMPER MOTOR	90 F	CHARG SYST-VOLTAGE REGUL. "B"	120	WORLD TRANSM-SOL. C1
52 C	ALARM & SIGNAL- AIR HORN	68 A	DASH & DEFROST DAMPER MOTOR	90 H	A/C & HEAT SYSTEM-EVAP FAN MOT	121	WORLD TRANSM-SOL. GRD 2

CIRCUIT NUMBER CODE

No.	DESCRIPTION	No.	DESCRIPTION	No.	DESCRIPTION	No.	DESCRIPTION
122	A/C & HEAT SYSTEM-DRIVER'S HTR	134	GALLEY-HEAT CONTAINERS	148	ABS SYSTEM	170 C	LUGGAGE DOOR LOCK
122	A/C & HEAT SYSTEM-FRESH AIR	134 A	GALLEY-HEAT CONTAINERS	148	WORLD TRANSM-OUTPUT SPEED LO	170 E	LUGGAGE DOOR LOCK
122	WORLD TRANSM-SOL. GRD 4	134	WORLD TRANSM-RET. APPLY SOL. HI	149	ABS SYSTEM	170 H	LUGGAGE DOOR LOCK
122 A	A/C & HEAT SYSTEM-FRESH AIR	135	A/C & HEAT SYSTEM-AIR SENSOR	149	WORLD TRANSM-TURBINE SPEED HI	181 A	THERMOMETER INSIDE SENSOR
123	WORLD TRANSM-NEUTRAL START	135 A	A/C & HEAT SYSTEM-AIR SENSOR	149 A	ABS SYSTEM	181 B	THERMOMETER INSIDE SENSOR
123 A	ALARM & SIGNAL-FIRE DETECTOR	135 D	A/C & HEAT SYSTEM-AIR SENSOR	150	DDEC III-ECM BATTERY GRD	181 C	THERMOMETER OUTSIDE SENSOR
123 B	ALARM & SIGNAL-FIRE DETECTOR	135 C	A/C & HEAT SYSTEM-AIR SENSOR	150	WORLD TRANSM-ENGINE SPEED LO	181 D	THERMOMETER OUTSIDE SENSOR
124	WORLD TRANSM-THROTTLE (HI)	135	WORLD TRANSM-ANALOG GRD	150 A	DDEC III-ECM BATTERY GRD	197	FUEL WATER FILTER
125	WORLD TRANSM-RET. INDICATOR	135 D	WORLD TRANSM-RETARDER RES MOD	151	ABS SYSTEM	197 A	FUEL WATER FILTER
125	GALLEY LAMP	135 C	WORLD TRANSM-RETARDER TEMP	151	DDEC III-ECM BATTERY GRD	197 B	FUEL WATER FILTER
125 T	GALLEY LAMP	136	GALLEY-ACCESSORIES	151	WORLD TRANSM-SERIAL COM. B	198	FILTER FUEL HEATER
125 W	WORLD TRANSM-RET. INDICATOR	136	WORLD TRANSM-ECU POWER	151 A	ABS SYSTEM	199	AIR FILTER RESTRICTION SENDER
126	KNEELING SYSTEM	136 V	WORLD TRANSM-12V BATTERY	152	ABS SYSTEM	201	WORLD TRANSM-SPARE
126 A	KNEELING SYSTEM	136 W	WORLD TRANSM-12V BATTERY	152 A	ABS SYSTEM	202	WORLD TRANSM-SPARE
126 B	KNEELING SYSTEM	136 X	WORLD TRANSM-12V BATTERY	153	ABS SYSTEM	203	WORLD TRANSM-SPARE
126 C	KNEELING SYSTEM	137	WORLD TRANSM-RETARDER	153	WORLD TRANSM-SPARE INPUT (-)	204	WORLD TRANSM-SPARE
126 D	KNEELING SYSTEM	137 A	MIRROR (SPARTAN & RAMCO)	154	ABS SYSTEM	205	WORLD TRANSM-SPARE
126 E	KNEELING SYSTEM	137 B	RR VIEW MIRROR (SPARTAN)	154	WORLD TRANSM-ABS RET. INPUT	206	WORLD TRANSM-SPARE
126 F	KNEELING SYSTEM	137 C	RR VIEW MIRROR (SPARTAN)	155	ABS SYSTEM	214	WORLD TRANSM-BACK UP SIGNAL
126 G	KNEELING SYSTEM	137 D	RR VIEW MIRROR (SPARTAN)	155	WORLD TRANSM-SPARE INPUT (-)	225	LAVATORY FAN
126 H	KNEELING SYSTEM	137 E	RR VIEW MIRROR (SPARTAN)	156	ABS SYSTEM	225 A	LAVATORY FAN
126 K	KNEELING SYSTEM	137 G	RR VIEW MIRROR (SPARTAN)	156	WORLD TRANSM-THROTTLE POS.	231	NEUTRAL SIGNAL GRD
126 P	KNEELING SYSTEM	138	ABS SYSTEM	156 A	ABS SYSTEM	231 A	NEUTRAL COIL RELAY FEED SIGNAL
126 R	KNEELING SYSTEM	138	WORLD TRANSM-RETARDER TEMP	157	ABS SYSTEM	231 W	NEUTRAL SIGNAL GRD (WCL)
126 W	5 MPH N.C. SIGNAL (WCL)	138 A	ABS SYSTEM	157	WORLD TRANSM-SPEEDO SIGNAL	240	DDEC III-ECM 12V FEEDING
126 S	KNEELING SYSTEM	139	ABS SYSTEM	157 A	ABS SYSTEM	241	DDEC III-ECM 12V FEEDING
126 T	KNEELING SYSTEM	139	WORLD TRANSM-OUTPUT SPEED HI	157 B	ABS SYSTEM	251 A	DDEC III - DATA LOGGER 12 H.W.
127	WORLD TRANSM-LUBE PRESS SW.	140	ABS SYSTEM	157 D	A.T.C. SYSTEM	251	DDEC III - PRODRIVER 12V H.W.
127	PRE-HEAT WATER HEATER	140	WORLD TRANSM-OUTPUT SPEED LO	157 E	A.T.C. SYSTEM	253	GALLEY-MICROWAVE
127 A	PRE-HEAT WATER HEATER	141	ABS SYSTEM	158	WORLD TRANSM-DIMMER	254	GALLEY-12V FRIGO NORCOLD
127 B	PRE-HEAT WATER HEATER	141	WORLD TRANSM-ENGINE SPEED HI	160	ALARM & SIGNAL-TAG PRESS SW	254 A	GALLEY-FRIGO
127	WORLD TRANSM-RETARDER FEED SOL.	142	ABS SYSTEM	160	WORLD TRANSM-SER. INTERFACE (-)	255	GALLEY-COFEEMAKER
127 S	PRE-HEAT WATER HEATER	142	WORLD TRANSM-SERIAL COM. A	161	WORLD TRANSM-SIGNAL GRD	255 A	GALLEY-COFEEMAKER
127 W	PRE-HEAT WATER HEATER	143	ABS SYSTEM	161 B	WORLD TRANSM-SIGNAL GRD	257	WINDSHIELD HEATED
128	PRE-HEAT WATER HEATER	143	WORLD TRANSM-ECU BATTERY GRD	162	WORLD TRANSM-PRESS. SW C3	257 A	WINDSHIELD HEATED
128 A	PRE-HEAT WATER HEATER	143 A	ABS SYSTEM	163	WORLD TRANSM-RETARDER ENABLE	257 B	WINDSHIELD HEATED
128 B	PRE-HEAT WATER HEATER	143 W	WORLD TRANSM-BATTERY GRD	164	WORLD TRANSM-RET. ACTUATOR SIGN	257 C	WINDSHIELD HEATED
128 W	PRE-HEAT WATER HEATER	144	ABS SYSTEM	165	A/C & HEAT SYSTEM-TRANSMITER	257 D	WINDSHIELD HEATED SPARE
128	WORLD TRANSM-SOL. C2	144	WORLD TRANSM-ECU CHASSIS GRD	165	WORLD TRANSM-OIL LEVEL SIGNAL	257 E	WINDSHIELD HEATED SPARE
129	PRE-HEAT WATER HEATER	144 A	ABS SYSTEM	165 A	A/C & HEAT SYSTEM-TRANSMITER	258	WINDSHIELD HEATED
129	WORLD TRANSM-SOL. C5	145	ABS SYSTEM	165 B	A/C & HEAT SYSTEM-TRANSMITER	258 A	WINDSHIELD HEATED
130	WORLD TRANSM-SOL. GRD 3	146	ABS SYSTEM	165 C	A/C & HEAT SYSTEM-TRANSMITER	259	WINDSHIELD HEATED
131	WORLD TRANSM-SOL. C4	146 A	TRANSMISSION-12V IGNITION	165 D	A/C & HEAT SYSTEM-TRANSMITER	259 A	WINDSHIELD HEATED
132	WORLD TRANSM-ENG BRK OUTPUT (-)	146	WORLD TRANSM-IGNITION SENSE	166 B	A/C & HEAT SYSTEM-EVAP. MOD.	260	WINDOW AJAR
132 W	WORLD TRANSM-ENG BRK OUTPUT (-)	146 W	WORLD TRANSM-12V IGNITION	167	A/C & HEAT SYSTEM-TEMP. CTR	290	FAN CLUTCH RADIATOR
133	GALLEY-HEAT CONTAINERS	146 X	WORLD TRANSM-12V IGNITION	167 A	A/C & HEAT SYSTEM-TEMP. CTR	290	FAN CLUTCH RADIATOR
133 A	GALLEY-HEAT CONTAINERS	147	ABS SYSTEM	168	A/C & HEAT SYSTEM-HUMIDISTAT	291	FAN CLUTCH RADIATOR SPD 1
133 B	GALLEY-HEAT CONTAINERS	147	WORLD TRANSM-OIL TEMP	168	WORLD TRANSM-SER. INTERFACE (+)	292	FAN CLUTCH RADIATOR SPD 2
133 C	GALLEY-HEAT CONTAINERS	147 A	ETHER COLD START & D.R.L.	168 A	A/C & HEAT SYSTEM-HUMIDISTAT	300	DOOR AJAR MAGN.SW. (WCL)
133	WORLD TRANSM-RET. ACTUATOR HI	147 C	ETHER COLD START	170	LUGGAGE DOOR LOCK	300 A	POWER SYSTEM SW. (WCL)

CIRCUIT NUMBER CODE

No.	DESCRIPTION	No.	DESCRIPTION	No.	DESCRIPTION	No.	DESCRIPTION
300B	DOOR AJAR ALARM (WCL)	531	DDEC III-CRUISE CLUTCH RELEASE				
301	POWER SYSTEM SW. (WCL)	540	DDEC III-CRUISE ENABLE LTS.				
302	DOOR AJAR T.T.LT. (WCL)	541	DDEC III-CRUISE SET SW				
302A	DOOR AJAR ALARM SIGN.(WCL)	543	DDEC III-CRUISE STOP SW CUT IN				
302B	DOOR AJAR MAGN.SW. (WCL)	544	DDEC III-CRUISE ON/OFF SW				
303	REMOTE WALL SW. DWN (WCL)	545	DDEC III-CRUISE RESUME SW				
304	REMOTE WALL SW. UP (WCL)	555	DDEC III-FAN CLUTCH SPEED# 1				
305	PARK. BRAKE SOL. VALVE (WCL)	556	DDEC III-VEHICLE SPEED (+)				
305A	PARK. BRAKE SAFETY SW. (WCL)	557	DDEC III-VEHICLE SPEED (-)				
306	CONTROL SYSTEM (WCL RICON)	563	DDEC III-FAN CLUTCH SPEED# 2				
307	CONTROL SYSTEM (WCL RICON)	564	DDEC III-DIGITAL OUTPUT				
308	CONTROL SYSTEM (WCL RICON)	565	DDEC III-ENGINE BRAKE ACTIVE				
309	CONTROL SYSTEM (WCL RICON)	583	DDEC III-ENGINE BRAKE 4 CYL.				
310	EATON TRANSMISSION	900	DDEC III-DATA LINK (+)				
311	EATON TRANSMISSION	901	DDEC III-DATA LINK (-)				
312	EATON TRANSMISSION	908	DDEC III-HYDRAULIC PWM#1 OUTPUT				
313	EATON TRANSMISSION	916	DDEC III-SENSOR SUPPLY (5VDC)				
314	EATON TRANSMISSION	925	J1939-HIGH				
315	EATON TRANSMISSION	926	J1939-LOW				
316	EATON TRANSMISSION - EPL	927	J1939-SHIELD				
317	EATON TRANSMISSION	952	DDEC III-SENSOR RETURN				
318	EATON TRANSMISSION	953	DDEC III-BATTERY GRD				
319	EATON TRANSMISSION	979	DDEC III-ENGINE BRAKE 2 CYL.				
320	EATON TRANSMISSION						
321	EATON TRANSMISSION						
322	EATON TRANSMISSION						
323	EATON TRANSMISSION						
324	EATON TRANSMISSION						
325	EATON TRANSMISSION						
326	EATON TRANSMISSION						
327	EATON TRANSMISSION						
328	EATON TRANSMISSION						
329	EATON TRANSMISSION						
330	EATON TRANSMISSION - EPL						
331	EATON TRANSMISSION - EPL						
332	EATON TRANSMISSION						
333	EATON TRANSMISSION - 12V BATTERY						
334	EATON GENERATION 2						
417	DDEC III-LIMIT SPEED GOVERNOR						
419	DDEC III-CHECK ENGINE LIGHT						
439	DDEC III-12V IGNITION						
440	DDEC III-12V IGNITION						
440A	DDEC III-12V IGNITION						
451	DDEC III-A/C FAN CLUTCH						
505	DDEC III-TACHOMETER DRIVE						
509	DDEC III-STOP ENGINE LIGHT						
510	DDEC III-FAST IDLE SIGNAL						
524	DDEC III-ENGINE BRAKE DISABLE						
525	DDEC III-FAST IDLE SIGNAL						
528	DDEC III-STOP ENG. OVERRIDE						

CIRCUIT NUMBER CODE

No.	DESCRIPTION	No.	DESCRIPTION	No.	DESCRIPTION	No.	DESCRIPTION
BA	INTERIOR LTS-110V FLUORESCENT	SP 17	SPARE-RJB TO ENGINE	SP 117	SPARE-FJB TO U/DASH FLOOR	0 M4	FS - ELECTRICAL MOTOR GRD
BB	INTERIOR LTS-110V FLUORESCENT	SP 18	SPARE-FJB TO RJB	WC	A/C & HEAT SYST-EVAP CTR SIGN	0 M5	FS - ELECTRICAL MOTOR GRD
D 1	SOUND SYSTEM-FR RH SPEAKER	SP 24	SPARE-RJB TO LAVATORY ROOF	YC	INTERIOR LTS-110V FLUORESCENT	0 M6	FS - FJB GRD
D 2	SOUND SYSTEM-FR RH SPEAKER	SP 25	SPARE-RJB TO LAVATORY ROOF	YD	INTERIOR LTS-110V FLUORESCENT	0 M7	FS - ELECTRICAL MOTOR GRD
D 3	SOUND SYSTEM-FR RH SPEAKER	SP 26	SPARE-RJB TO LAVATORY ROOF	0	BC - BAT. CPT CHASSIS GRD	0 M	RS - ENGINE CPT ACCES. GRD
D 4	SOUND SYSTEM-RR RH SPEAKER	SP 27	SPARE-RJB TO LH HAT RACK	0	CONDENSER CPT GRD	0 MR	24V DISC. SW. RLY GRD SIGNAL
D 5	SOUND SYSTEM-RR RH SPEAKER	SP 28	SPARE-RJB TO LH HAT RACK	0	RS - RR JCT BOX RLY GRD	0 MS	24V DISC. SW. RLY GRD SIGNAL
D 6	SOUND SYSTEM-RR RH SPEAKER	SP 31	SPARE-RJB TO RH HAT RACK	0	GALLEY GRD	0 N	RS - ENGINE CPT ACCES. GRD
D 7	SOUND SYSTEM-RR RH SPEAKER	SP 32	SPARE-RJB TO RH HAT RACK	0 A	BC - SHIELD GRD	0 P	RS - ENGINE CPT ACCES. GRD
D 8	SOUND SYSTEM-RR RH SPEAKER	SP 33	SPARE-FJB TO RJB	0 A	RS - RR JCT BOX RLY GRD	0 R	FS - SOUND SYS. JCT PANEL GRD
D 3 4	SOUND SYSTEM-RR RH SPEAKER	SP 38	SPARE-FJB TO RJB	0 A	FRS - FR ROOF ACCES. GRD	0 R	RS - RJB GRD
D 6 7	SOUND SYSTEM-RR RH SPEAKER	SP 43	SPARE-FJB TO RJB	0 A	RS - LUG. CPT ACCES. GRD	0 R	RS - ENGINE CPT ACCES. GRD
G 1	SOUND SYSTEM-FR LH SPEAKER	SP 45	SPARE-FJB TO RJB	0 A A	RS - VOLTAGE REGULATOR GRD	0 RE	RADIO & CTRL HEAD CHASSIS GRD
G 2	SOUND SYSTEM-FR LH SPEAKER	SP 46	SPARE-RJB TO LH FR ROOF	0 B	EC - ENGINE GRD	0 RH	RS - RR END LAMPS RH GRD
G 3	SOUND SYSTEM-FR LH SPEAKER	SP 48	SPARE-RJB TO DASH CENTER PANEL	0 B	FRS - FR ROOF HEAT WIND GRD	0 S	12 VOLT RUN - GND RELAY
G 4	SOUND SYSTEM-RR LH SPEAKER	SP 56	SPARE-ENGINE TO RH SW PANEL	0 B	RS - LUG. CPT ACCES. GRD	0 SA	EC-BOSCH ALT. GROUND
G 5	SOUND SYSTEM-RR LH SPEAKER	SP 57	SPARE-DASH CENTER PANEL TO ENG.	0 BE	RJB - BAT. EQUAL. BAT GRD	0 S2	SOUND SYSTEM RADIO GRD
G 6	SOUND SYSTEM-RR LH SPEAKER	SP 58	SPARE-DASH CENTER PANEL TO ENG.	0 C	EC - STARTER MOTOR GRD	0 S3	SOUND SYSTEM VIDEO GRD
G 7	SOUND SYSTEM-RR LH SPEAKER	SP 59	SPARE-FJB TO ENGINE	0 C	FS - SERV. CPT ACCES. GRD	0 SS	SOUNDS SYSTEM BATT. GRD
G 8	SOUND SYSTEM-RR LH SPEAKER	SP 61	SPARE-FJB TO DASH RH PANEL	0 C	BC - FAN CONDENSER GRD	0 T	FS - DASH ACCES. GRD
G 3 4	SOUND SYSTEM-RR LH SPEAKER	SP 68	SPARE-FJB TO ENGINE	0 C R	24V DISC. SW. RLY GRD SIGNAL	0 T 1	FS - DASH ACCES. GRD
G 6 7	SOUND SYSTEM-RR LH SPEAKER	SP 69	SPARE-FJB TO FR AXLE	0 C S	24V DISC. SW. RLY GRD SIGNAL	0 T 2	FS - DASH ACCES. GRD
L 1 A	INTERIOR LTS-110V FLUORESCENT	SP 70	SPARE-FJB TO FR AXLE	0 C 1	FS - SERV. CPT ACCES. GRD	0 T 3	FS - DASH ACCES. GRD
L 1 B	INTERIOR LTS-110V FLUORESCENT	SP 71	SPARE-FJB TO RH SW PANEL	0 C 2	FS - SERV. CPT ACCES. GRD	0 T 4	FS - DASH ACCES. GRD
L 2 A	INTERIOR LTS-110V FLUORESCENT	SP 72	SPARE-FJB TO FR SERV CPT	0 C 3	FS - SERV. CPT ACCES. GRD	0 T 5	FS - HVAC DASH MODULE. GRD
L 2 B	INTERIOR LTS-110V FLUORESCENT	SP 74	SPARE-FJB TO LH CONSOLE	0 C 4	FS - FJB CPT ACCES. GRD	0 V	RR JCT BOX CPT GRD STUD
L 0	110V RECEPTACLE- 110V FLUOR.	SP 77	SPARE-FJB TO EVAPORATOR CPT	0 D	BC - FAN CONDENSER GRD	0 VA	BATTERY TO EQUALISER 0V
L 1	110V RECEPTACLE- 110V FLUOR.	SP 7 8	SPARE-FJB TO CONDENSER CPT	0 D	RS - HAT RACK ACCES. LH GRD	0 W	FS - WT GND & SHIELD
L 2	110V RECEPTACLE- 110V FLUOR.	SP 7 9	SPARE-FJB TO CONDENSER CPT	0 D F	RS - RR SIDE FLASH & MARK GRD	0 W	RS - RR JCT BOX (WCL) GRD
RA	INTERIOR LTS-110V FLUORESCENT	SP 8 7	SPARE-RJB TO LH HAT RACK	0 D R	RS - RJB DOCKING LT RESISTORS	0 W C	RS - RR JCT BOX GRD (WCL)
RB	INTERIOR LTS-110V FLUORESCENT	SP 8 8	SPARE-RJB TO RH HAT RACK	0 E	RS - HAT RACK ACCES. LH GRD	0 X	RS - RR JCT BOX GRD
SH 1	SHIELD CHASSIS GRD	SP 9 2	SPARE-RJB TO CONDENSER CPT	0 E A	EATON TRANSMISSION GRD	0 Y	ABS FR JCT BOX CPT GRD STUD
SH 2	SHIELD CHASSIS GRD	SP 9 3	SPARE-RJB TO EVAPORATOR CPT	0 F	RS - HAT RACK ACCES. RH GRD	0 Y	RR JCT BOX GRD
SH 3	SHIELD CHASSIS GRD	SP 9 4	SPARE-RJB TO RR ROOF	0 G	RS - HAT RACK ACCES. RH GRD	0 Y 1	ABS FR JCT BOX CPT GRD STUD
SH 4	SHIELD CHASSIS GRD	SP 9 5	SPARE-RJB TO RR ROOF	0 H	RS - LAVATORY ACCES. GRD	0 Z	RR JCT BOX CPT GRD STUD
SP 2	SPARE-FJB TO FR SERV CPT	SP 9 6	SPARE-RJB TO LUGG CPT #2	0 J	FS - LH CONSOLE SW GRD	0 0	FJB & RJB BATT. GRD
SP 3	SPARE-FJB TO CENTER DASH	SP 9 7	SPARE-RJB TO LUGG CPT #3	0 J	RS - RR ROOF ACCES. GRD	0 0 A	FBG - T.T.LT. MODULES BATT. GRD
SP 4	SPARE-FJB TO CENTER DASH	SP 9 8	SPARE-RJB TO LUGG CPT #3	0 K	RS - RR ROOF ACCES. GRD	0 0 Y	FS - ABS MODULE BATT. GRD
SP 5	SPARE-RJB TO LUGG CPT #2	SP 1 0 4	SPARE-RJB TO ENGINE CPT	0 K	RS - RJB A/C JCT PANEL GRD	0 0 SS	SOUND SYSTEM BATT. GRD
SP 6	SPARE-RJB TO LUGG CPT #1	SP 1 0 5	SPARE-FJB TO ENGINE	0 L	FS - FR SERVICE CPT LTS GRD	1	TACHO SYSTEM - RPM SIGNAL +
SP 7	SPARE-RJB TO LUGG CPT #1	SP 1 0 6	SPARE-RJB TO BATT. CPT.	0 L 1	FS - FR SERVICE CPT LTS GRD	2 A	A/C & HEAT SYSTEM-COOL 1 SIGN
SP 8	SPARE-RJB TO LUGG CPT #1	SP 1 0 7	SPARE-RJB TO BATT. CPT.	0 L 2	FS - FR SERVICE CPT LTS GRD	2 B	A/C & HEAT SYSTEM-COOL SIGN
SP 9	SPARE-RJB TO LUGG CPT #2	SP 1 0 8	SPARE-RJB TO BATT. CPT.	0 L 3	FS - FJB GRD	2 BB	A/C & HEAT SYSTEM-COOL SIGN
SP 1 0	SPARE-RJB TO LUGG CPT #1	SP 1 0 9	SPARE-RJB TO ENGINE CPT.	0 L 4	FS - FJB GRD	2 H	A/C & HEAT SYSTEM-HI PRESS SW
SP 1 1	SPARE-FJB TO RJB	SP 1 1 0	SPARE-FJB TO ENGINE CPT.	0 L 5	FS - CIGAR LIGHTER	2 E	A/C & HEAT SYSTEM EVAP CONT
SP 1 2	SPARE-RJB TO ENGINE	SP 1 1 1	SPARE-RJB TO ENGINE CPT.	0 L	RS - ENGINE CPT ACCES. GRD	2 F	A/C & HEAT SYSTEM EVAP CONT
SP 1 3	SPARE-RJB TO ENGINE	SP 1 1 2	SPARE-RJB TO ENGINE CPT.	0 L	ENTRANCE DOOR (SEDAN) GRD	2 HL	A/C & HEAT SYSTEM-LO & HI PRESS SW
SP 1 4	SPARE-FJB TO RJB	SP 1 1 4	SPARE-FJB TO U/DASH WIPER	0 L H	RS - RR END LAMPS LH GRD	2 L	A/C & HEAT SYSTEM-LO PRESS SW
SP 1 5	SPARE-RJB TO ENGINE	SP 1 1 5	SPARE-FJB TO U/DASH WIPER	0 M	FS - ELECTRICAL MOTOR GRD	4	HOSTESS & PASSENGER CHIME
SP 1 6	SPARE-RJB TO ENGINE	SP 1 1 6	SPARE-FJB TO U/DASH FLOOR	0 M 3	FS - ELECTRICAL MOTOR GRD	4 A	HOSTESS & PASSENGER CHIME

CIRCUIT NUMBER CODE

No.	DESCRIPTION	No.	DESCRIPTION	No.	DESCRIPTION	No.	DESCRIPTION
4 B	PASSENGER CHIME	12 F	RR JCT BOX 12V DISC SW	21 B	EXTERIOR LTS-HAZARD	24 S3	SOUND SYSTEM 24V VIDEO
4 C	HOSTESS CHIME	12 G	FR JCT BOX 12V DISC SW	21 C	EXTERIOR LTS-CORNERING LH	24 S4	SOUND SYSTEM 24V VIDEO
5	INTERIOR LTS-AISLE & EMERG. EXIT	12 H	12 V IGNITION D.T.RUN LIGHT	21 H	EXTERIOR LTS-DIRECTIONNAL LH	24 SB	SOUND SYSTEM 24V FEEDING
5	UPPER WINDSHIELD DEFROSTER	12 J	FR JCT BOX 12V DISC SW	21 K	EXTERIOR LTS-CORNERING	24 SS	SOUND SYSTEM 24V FEEDING
5 D	UPPER WINDSHIELD DEFROSTER	12 I	12V IGNITION DISTRIBUTION	21 N	EXTERIOR LTS-CORNERING LH	24 R	24 VOLTS FRONT CAMERA SW.
5 E	UPPER WINDSHIELD DEFROSTER	12 I	RR JCT BOX 12V IGNITION	21 P	EXTERIOR LTS-CORNERING LH	24 V2	RR JCT BOX 24V DISC SW
5 N	INTERIOR LTS-EMERGENCY EXIT	12 K	12 VOLT IGN. TTLT & HVAC MODULE	23	EXTERIOR LTS-DIRECTIONNAL RH	24 V3	RR JCT BOX 24V DISC SW
5 NC	SPEED SIGNAL LOWER 5MPH	12 IA	12V IGNITION DISTRIBUTION	23	EXTERIOR LTS-DIRECTIONNAL RH	24 V4	RR JCT BOX 24V DISC SW
5 NO	SPEED SIGNAL HIGHER 5MPH	12 IA	FR JCT BOX 12V IGNITION	23 A	EXTERIOR LTS-DIRECTIONNAL RH	24 V5	RR JCT BOX 24V DISC SW
6	INTERIOR LTS-AISLE	12 IB	FR JCT BOX 12V IGNITION	23 B	EXTERIOR LTS-DIRECTIONNAL RH	24 VD	24V HOT WIRE DISTRIBUTION
7 B	ENTRANCE DOOR (SEDAN)	12 IF	FR JCT BOX 12V IGNITION	23 C	EXTERIOR LTS-CORNERING RH	24 VF	BAT CPT 24V SW TO FJB & IC
7 D	ENTRANCE DOOR (SEDAN)	12 LX	CLUSTER (12V HOT WIRE)	23 N	EXTERIOR LTS-CORNERING RH	24 VA	BATTERY TO EQUALIZER 24V
7 DA	ENTRANCE DOOR (SEDAN)	12 P	LH CONSOLE POWER OUTLET	23 P	EXTERIOR LTS-CORNERING RH	24 VI	RR JCT BOX 24V IGNITION
9	INTERIOR LTS-ENGINE CPT	12 R	BAT CPT 12V DISC RLY TO RJB	24	BAT CPT 24V BATTERY	24 VR	BAT CPT 24V DISC SW TO RJB
9 A	INTERIOR LTS-ENGINE CPT	12 R	MEMORY BATTERY RADIO	24	FR JCT BOX 24V DISC SW	24 W	RR JCT BOX 24V DISC SW (WCL)
9 B	INTERIOR LTS-ENGINE CPT	12 S	SOUND SYSTEM 12V RADIO	24 A	BOOSTER BLOCK 24V DISC SW	24 WC	BATT.CPT TO HYD. PUMP (WCL)
9 E	INTERIOR LTS-FR SERVICE CPT	12 S1	SOUND SYSTEM 12V RADIO	24 A	FR JCT BOX 24V DISC SW	24 WL	24V BATTERY-HYD. PUMP (WCL)
9 F	INTERIOR LTS-FR SERVICE CPT	12 S1 A	DVD KARAOKE FEEDING	24 A	RR JCT BOX 24V DISC SW	25 A1	PRE-EXITATION ALT. BOSCH #1
10	INTERIOR LTS-LUGGAGE CPT	12 S2	SOUND SYSTEM 12V RADIO	24 B	24V STARTER RLY FEEDING	25 A2	PRE-EXITATION ALT. BOSCH #2
10 A	INTERIOR LTS-LUGGAGE CPT	12 S2 A	DVD KARAOKE FEEDING	24 B	FR JCT BOX 24V DISC SW	25 A	T.T. LT. ALTERNATOR #1
10 B	INTERIOR LTS-LUGGAGE CPT	12 SB	SOUND SYSTEM 12V FEEDING	24 B	RR JCT BOX 24V DISC SW	25 B	12 VOLTS IGN. ALT. SIGNAL MODULE
10 D	INTERIOR LTS-LUGGAGE CPT	12 SS	SOUND SYSTEM 12V FEEDING	24 BC	24 VOLT BATT. CHARGER	25 D	12 V. ENGINE RUN / HVAC SYSTEM
10 F	INTERIOR LTS-LUGGAGE CPT	12 VA	BATTERY TO EQUALIZER 12V	24 BE	RJB CPT-BAT EQ MONITOR HOT WIRE	25 F	12 VOLT IGN. DISTRIBUTION
10 H	INTERIOR LTS-LUGGAGE CPT	12 VD	12V HOT WIRE DISTRIBUTION	24 C	FR JCT BOX 24V DISC SW	25 H	24 VOLT IGN. ALT. BOSCH
10 K	INTERIOR LTS-LUGGAGE CPT	12 VF	BAT CPT 12V FJB & IC	24 C	RR JCT BOX 24V DISC SW	25 K	T.T. LT. ALTERNATOR #2
10 R	INTERIOR LTS-LUGGAGE DOOR AJAR	12 VI	12V IGNITION DISTRIBUTION	24 D	BAT CPT 24V HOT WIRE	26 A	CIGAR LIGHTER
11	FR DESTINATION SIGN	12 VR	BAT CPT 12V DISC RLY TO RJB	24 D	FR JCT BOX 24V HOT WIRE	26	DRIVER'S WINDOW LIFTER
11 A	FR DESTINATION SIGN	12 W	12V BATTERY DDEC III	24 D	RR JCT BOX 24V HOT WIRE	26 B	DRIVER'S WINDOW LIFTER
11 B	FR DESTINATION SIGN	12 W	ENTRANCE DOOR (SEDAN)	24 DA	A/C JCT BOX 24V HOT WIRE	26 C	DRIVER'S WINDOW LIFTER
11 C	FR DESTINATION SIGN	12 WA	ENTRANCE DOOR (SEDAN)	24 E	BAT CPT 24V DISC SW	27	LAVATORY-EMERGENCY SONALERT
11 D	FR DESTINATION SIGN	12 X	FR JCT BOX 12V DISC SW	24 E	FR JCT BOX 24V DISC SW	28 A	A/C & HEAT SYSTEM-HI PRESSURE
11 E	FR DESTINATION SIGN	12 X2	FR JCT BOX 12V DISC SW	24 E	RR JCT BOX 24V DISC SW	29	A/C & HEAT SYSTEM-DRIVER'S HTR
11 K	FR DESTINATION SIGN	12 Y	FR JCT BOX 12V DISC SW	24 F	A/C JCT BOX 24V DISC SW	29 A	A/C & HEAT SYSTEM-DRIVER'S HTR
12	12V BAT ELECTRONIC JCT BLOCK	13 A	ALARM & SIGNAL-LO AIR PRIM.	24 F	RR JCT BOX 24V DISC SW	29 B	A/C & HEAT SYSTEM-DRIVER'S HTR
12	BAT CPT 12V BATTERY	13 B	ALARM & SIGNAL-LO AIR SEC.	24 G	FR JCT BOX 24V DISC SW	29 H	HVAC DASH MODULE
12 A	FR JCT BOX 12V DISC SW	14	LAVATORY-FLUSHING PUMP	24 G	RR JCT BOX 24V DISC SW	30 A	GALLEY
12 A	RR JCT BOX 12V DISC SW	14 A	LAVATORY-FLUSHING PUMP	24 H	FR JCT BOX 24V DISC SW	31 A	A/C & HEAT SYSTEM-UNLOADER
12 B	12V BAT ELECTRICAL JCT BLOCK	15	EXTERIOR LTS-MULTI FUNC LEVEL	24 H	RR JCT BOX 24V DISC SW	31 B	A/C & HEAT SYSTEM-UNLOADER
12 B	RR JCT BOX 12V DISC SW	15 A	WIPER & WASHER UPPER WINDSHIELD	24 I	FR JCT BOX 24V IGNITION	31 B	WIPER & WASHER SYSTEM
12 B	FR JCT BOX 12V DISC SW	16	SPEED - SIGNAL +	24 I	RR JCT BOX 24V IGNITION	31 C	WIPER & WASHER SYSTEM
12 BE	BAT. EQUALIZER MONITOR	16 A	SPEED - SIGNAL +	24 IA	FR JCT BOX 24V IGNITION	31 D	WIPER & WASHER SYSTEM
12 C	FR JCT BOX 12V DISC SW	16 T	SPEED - SIGNAL +	24 IA	RR JCT BOX 24V IGNITION	31 E	WIPER & WASHER SYSTEM
12 C	RR JCT BOX 12V HOT WIRE	17	EXTERIOR LTS-FLASHER UNIT	24 IB	FR JCT BOX 24V IGNITION	31 J	WIPER & WASHER SYSTEM
12 CE	RR JCT BOX 12V HOT WIRE	17 A	EXTERIOR LTS-FLASHER UNIT	24 IB	RR JCT BOX 24V IGNITION	31 X	WIPER & WASHER SYSTEM
12 D	BAT CPT 12V BATTERY	19	DIFFERENTIAL OIL TEMP	24 IC	FR JCT BOX 24V IGNITION	32	EXTERIOR LTS-BACK-UP
12 DT	TTLT MODULE	20	SPEED - SIGNAL -	24 IF	FJB 24VOLT IGNITION	32 B	EXTERIOR LTS-BACK-UP
12 E	FR JCT BOX 12V DISC SW	20 T	SPEED - SIGNAL -	24 P	FR JCT BOX 24V DISC SW	32 C	BACK-UP PWR & SIGNAL
12 E	RR JCT BOX 12V DISC SW	20 W	SPEED - SIGNAL -	24 S	24V DISC SW RLY SIGNAL	32 D	BACK-UP ALARM
12 F	BAT CPT 12V FJB & IC	21	EXTERIOR LTS-DIRECTIONNAL LH	24 S1	SOUND SYSTEM 24V AMPLIFIER	35	ENTRANCE DOOR (SEDAN)
12 F	FR JCT BOX 12V DISC SW	21 A	EXTERIOR LTS-DIRECTIONNAL LH	24 S2	SOUND SYSTEM 24V AMPLIFIER	35 B	ENTRANCE DOOR (SEDAN)

CIRCUIT NUMBER CODE

No.	DESCRIPTION	No.	DESCRIPTION	No.	DESCRIPTION	No.	DESCRIPTION
35 BB	ENTRANCE DOOR (SEDAN)	53 B	WIPER & WASHER SYSTEM	7 2 A	SUN VISOR-RH	9 1 A	DDEC-FAST IDLE SIGNAL
35 D	ENTRANCE DOOR (SEDAN)	53 C	WIPER & WASHER SYSTEM	7 2 B	SUN VISOR-RH	9 1 S	SONALERT PARKING BRAKE
36	JACOB BRAKE SYSREM	53 E	WIPER & WASHER SYSTEM	7 2 C	SUN VISOR-LH	9 1 W	PARK, BRAKE SW SIGN (WCL)
36 A	JACOB BRAKE SYSREM	53 J	WIPER & WASHER SYSTEM	7 2 D	SUN VISOR-LH	9 2	BATTERY EQUALIZER-CHECK BALANCE
38	INTERIOR LTS-24V FLUORESCENT	55	EXTERIOR LTS-HI BEAM	7 3	LAVATORY-FEEDING	9 3	BATTERY EQUALIZER-CHECK LO/HI
38 A	INTERIOR LTS-24V FLUORESCENT	57	EXTERIOR LTS-HI BEAM	7 4	INTERIOR LTS-READING RH	9 5 A	ENGINE BRAKE & RETARDER SYSTEM
38 C	INTERIOR LTS-24V FLUORESCENT	57 A	A/C & HEAT SYSTEM-WATER PUMP	7 4 A	INTERIOR LTS-READING RH	9 7	TACHOMETER (-)
38 D	INTERIOR LTS-24V FLUORESCENT	57 A	EXTERIOR LTS-HI BEAM	7 4 D	INTERIOR LTS-READING SIGNAL	1 0 0	INTERIOR LTS-GENERAL
39	INTERIOR LTS-24V LH CONSOLE SW	57 B	A/C & HEAT SYSTEM-WATER PUMP	7 5	INTERIOR LTS-READING LH	1 0 0 A	INTERIOR LTS-GENERAL
39 A	INTERIOR LTS-DRIVER'S LTS	57 C	PRE-HEAT WATER HEATER	7 5 A	INTERIOR LTS-READING LH	1 0 0 B	INTERIOR LTS-GENERAL
39 P	READING LIGHTS	57 C A	A/C & HEAT SYSTEM-HEAT SIGN	7 6	FUEL TANK GAUGE	1 0 1	24V STARTER SOL FEEDING
41	A/C & HEAT SYSTEM-COND FAN MOT	57 C C	A/C & HEAT SYSTEM-HEAT SIGN	7 6 B	LOW FUEL LT & ETHER COLD START	1 0 1	WORLD TRANSM-LO SIGN SOL. LO
41 A	A/C & HEAT SYSTEM-COND FAN MOT	58	EXTERIOR LTS-LO BEAM	7 6 C	LOW FUEL LT	1 0 2	WORLD TRANSM-SOL. SUPPLY
41 B	A/C & HEAT SYSTEM-COND FAN MOT	58 A	EXTERIOR LTS-LO BEAM	7 6 P	FUEL PRIME PUMP	1 0 2 A	24V STARTER TO BOSCH ALTERNATOR
42	A/C & HEAT SYSTEM-COND FAN MOT	58 B	EXTERIOR LTS-LO BEAM	7 6 M	FUEL PRIME PUMP	1 0 3	LOW BUOY
42 A	A/C & HEAT SYSTEM-COND FAN MOT	58 E	EXTERIOR LTS-LO BEAM	7 7	A/C & HEAT SYSTEM-HI PRESSURE	1 0 4	WORLD TRANSM-SOL. FORWARD
43	HAT RACK FAN	59 A	JACOB BRAKE SYSTEM	7 7 A	A/C & HEAT SYSTEM-DRIVER'S HTR	1 0 5	WORLD TRANSM-RETARDER & SUMP
43 A	HAT RACK FAN	61	EXTERIOR LTS-24V FEED SW	7 7 B	A/C & HEAT SYSTEM-COMPRESSOR	1 0 5 W	WORLD TRANSM-RETARDER & SUMP
43 B	HAT RACK FAN	61 A	EXTERIOR LTS-HEAD SIGNAL	7 7 C	A/C & HEAT SYSTEM-COMPRESSOR	1 0 6	WORLD TRANSM-OIL LEVEL HI
43 D	HAT RACK FAN	62	LAVATORY-OCCUPIED LT	7 7 H	A/C & HEAT SYSTEM-COMPRESSOR	1 0 7	WORLD TRANSM-LOCKUP SOL. HI
43 E	HAT RACK FAN	62 A	LAVATORY-FLUOR LT	8 1	EXTERIOR LTS-STOP SW	1 0 8	WORLD TRANSM-REM. PWR WAKE UP
43 F	HAT RACK FAN	62 B	LAVATORY-FLUOR LT	8 2	EXTERIOR LTS-STOP SIGNAL	1 0 9	WORLD TRANSM-RET. SOL. LO
43 G	HAT RACK FAN	62 E	LAVATORY-OCCUP & FLUOR LT	8 2 A	EXTERIOR LTS-STOP SIGNAL	1 1 0	ALARM & SIGNAL-WATER TEMP
44	EXTERIOR LTS-FOG	63	EXTERIOR LTS-CLEARANCE	8 2 B	EXTERIOR LTS-STOP LTS	1 1 0	WORLD TRANSM-LOCKUP SOL. LO
44 A	EXTERIOR LTS-FOG	63 A	EXTERIOR LTS-CLEARANCE	8 2 K	EXTERIOR LTS-STOP PARK BRK	1 1 1	WORLD TRANSM-SOL. C6
44 B	EXTERIOR LTS-FOG	63 B	EXTERIOR LTS-CLEARANCE	8 2 L	EXTERIOR LTS-LH STOP	1 1 2	WORLD TRANSM-SPARE OUTPUT (+)
44 C	EXTERIOR LTS-FOG & HAZARD	63 C	EXTERIOR LTS-MARKER SIGNAL	8 2 R	EXTERIOR LTS-LH STOP	1 1 3	ALARM & SIGNAL-OIL PRESS
45 B	A/C & HEAT SYSTEM-HEAT SIGN	63 D	EXTERIOR LTS-MARKER & TAIL	8 3	ENGINE CTR-KEY SW ACCES SIGN	1 1 3	WORLD TRANSM-REVERSE WARNING
45 D	A/C & HEAT SYSTEM-WATER VALVE	63 E	EXTERIOR LTS-CLEARANCE	8 4	ENGINE CTR-KEY SW ACCES SIGN	1 1 4	INTERIOR LTS-DASH LT REGUL.
45 E	A/C & HEAT SYSTEM-HEAT 1 SIGN	63 F	EXTERIOR LTS-MARKER BLINKER	8 5	ENGINE CTR-KEY SWIGNITION SIGN	1 1 4	WORLD TRANSM-SPARE OUTPUT (-)
45 G	A/C & HEAT SYSTEM-DRIVER'S HTR	63 H	EXTERIOR LTS-TAIL	8 5	24V IGNITION SIGNAL	1 1 4 A	INTERIOR LTS-DASH LT
45 H	A/C & HEAT SYSTEM-DRIVER'S HTR	64	DRIVERS FAN	8 5 A	24V IGN DASH INSTRUMENTATION	1 1 4 B	INTERIOR LTS-DASH LT REGUL.
45 W	A/C & HEAT SYSTEM-COND. DOOR AJAR	64 B	DRIVERS FAN	8 5 B	ENGINE CTR-24V IGNITION	1 1 4 D	INTERIOR LTS-DASH LT REGUL.
46	EXTERIOR LTS-MARKER	64 C	DRIVERS FAN	8 5 C	PARKING BRAKE SWITCH	1 1 4 E	INTERIOR LTS-DASH LT REGUL.
46 A	EXTERIOR LTS-MARKER	65	FOOT DAMPER MOTOR	8 5 F	ENGINE CTR-ENGINE CTR SW IGN	1 1 5	ALARM & SIGNAL-TAG PRESS
46 B	EXTERIOR LTS-MARKER	65 A	FOOT DAMPER MOTOR	8 5 F	LO AIR SONALERT	1 1 5	DDEC III-COOLANT LEVEL
46 B	EXTERIOR LTS-MARKER	65 P	PASSENGER REC. DAMPER	8 5 W	24V IGN ANTI SKID	1 1 5	WORLD TRANSM-DO NOT SHIFT SIGN
46 C	EXTERIOR LTS-MARKER	65 D	DRIVER REC. DAMPER	8 5 X	24V IGN ANTI SKID	1 1 5 C	DDEC III-COOLANT LEVEL
47	A/C & HEAT SYSTEM-DRIVER'S HTR	66	O_PASS. ON/OFF	8 5 Y	ANTI SKID-WARNING LT	1 1 5 W	WORLD TRANSM-DO NOT SHIFT SIGN
48	ENTRANCE DOOR (SEDAN)	67	24 VOLT RUN DISTRIBUTION	8 6	ENGINE CTR-STARTER SOL SIGN	1 1 6	WORLD TRANSM-LO SIGNAL SOL. HI
48 A	ENTRANCE DOOR (SEDAN)	67 A	A/C & HEAT SYSTEM	8 6 A	ENGINE CTR-STARTER SOL SIGN	1 1 6 B	A/C & HEAT SYSTEM-DRIVER'S HTR
49	ENTRANCE DOOR (SEDAN)	67 B	A/C & HEAT SYSTEM	8 8	ENGINE CTR-RR START SIGNAL	1 1 7	WORLD TRANSM-SPARE INPUT (-)
49 A	ENTRANCE DOOR (SEDAN)	67 C	HEATING WINDSHIELD	8 9	ENGINE CTR-RR START SIGNAL	1 1 7 A	ALARM & SIGNAL-TRANSM OIL TEMP
50	AIR DRYER	67 K	A/C & HEAT SYSTEM-COND FAN CTR	9 0 B	A/C & HEAT SYSTEM-COND FAN MOT	1 1 7 A	ALARM & SIGNAL-TRANSM OIL TEMP
52	ALARM & SIGNAL-ELEC. HORN	67 L	A/C & HEAT SYSTEM-COND FAN CTR	9 0 B	ENGINE CTR-MAST KEY SW FEED	1 1 8	WORLD TRANSM-SPARE INPUT (+)
52 A	ALARM & SIGNAL-ELEC. HORN	67 V	A/C & HEAT SYSTEM-WATER VALVE	9 0 C	A/C & HEAT SYSTEM-COND FAN MOT	1 1 9	WORLD TRANSM-ENG BRK INPUT (+)
52 B	ALARM & SIGNAL- AIR HORN	68	DASH & DEFROST DAMPER MOTOR	9 0 F	CHARG SYST-VOLTAGE REGUL. "B"	1 2 0	WORLD TRANSM-SOL. C1
52 C	ALARM & SIGNAL- AIR HORN	68 A	DASH & DEFROST DAMPER MOTOR	9 0 H	A/C & HEAT SYSTEM-EVAP FAN MOT	1 2 1	WORLD TRANSM-SOL. GRD 2
53	ALARM & SIGNAL-ELEC. HORN	70	INTERIOR LTS-HAT RACK & RR RUN.	9 0 J	A/C & HEAT SYSTEM-COND FAN MOT	1 2 2	A/C & HEAT SYSTEM-DRIVER'S HTR
53 A	WIPER & WASHER SYSTEM	7 2	SUN VISOR-FEEDING	9 1	PARKING BRAKE SW SIGNAL	1 2 2	A/C & HEAT SYSTEM-FRESH AIR

CIRCUIT NUMBER CODE

No.	DESCRIPTION	No.	DESCRIPTION	No.	DESCRIPTION	No.	DESCRIPTION
122	WORLD TRANSM-SOL. GRD 4	134	WORLD TRANSM-RET. APPLY SOL. HI	149	ABS SYSTEM	170 H	LUGGAGE DOOR LOCK
122 A	A/C & HEAT SYSTEM-FRESH AIR	135	A/C & HEAT SYSTEM-AIR SENSOR	149	WORLD TRANSM-TURBINE SPEED HI	181 A	THERMOMETER INSIDE SENSOR
123	WORLD TRANSM-NEUTRAL START	135 A	A/C & HEAT SYSTEM-AIR SENSOR	149 A	ABS SYSTEM	181 B	THERMOMETER INSIDE SENSOR
123 A	ALARM & SIGNAL-FIRE DETECTOR	135 D	A/C & HEAT SYSTEM-AIR SENSOR	150	DDEC III-ECM BATTERY GRD	181 C	THERMOMETER OUTSIDE SENSOR
123 B	ALARM & SIGNAL-FIRE DETECTOR	135 C	A/C & HEAT SYSTEM-AIR SENSOR	150	WORLD TRANSM-ENGINE SPEED LO	181 D	THERMOMETER OUTSIDE SENSOR
124	WORLD TRANSM-THROTTLE (HI)	135	WORLD TRANSM-ANALOG GRD	150 A	DDEC III-ECM BATTERY GRD	197	FUEL WATER FILTER
125	WORLD TRANSM-RET. INDICATOR	135 D	WORLD TRANSM-RETARDER RES MOD	151	ABS SYSTEM	197 A	FUEL WATER FILTER
125	GALLEY LAMP	135 C	WORLD TRANSM-RETARDER TEMP	151	DDEC III-ECM BATTERY GRD	197 B	FUEL WATER FILTER
125 T	GALLEY LAMP	136	GALLEY-ACCESSORIES	151	WORLD TRANSM-SERIAL COM. B	198	FILTER FUEL HEATER
125 W	WORLD TRANSM-RET. INDICATOR	136	WORLD TRANSM-ECU POWER	151 A	ABS SYSTEM	199	AIR FILTER RESTRICTION SENDER
126	KNEELING SYSTEM	136 V	WORLD TRANSM-12V BATTERY	152	ABS SYSTEM	201	WORLD TRANSM-SPARE
126 A	KNEELING SYSTEM	136 W	WORLD TRANSM-12V BATTERY	152 A	ABS SYSTEM	202	WORLD TRANSM-SPARE
126 B	KNEELING SYSTEM	136 X	WORLD TRANSM-12V BATTERY	153	ABS SYSTEM	203	WORLD TRANSM-SPARE
126 C	KNEELING SYSTEM	137	WORLD TRANSM-RETARDER	153	WORLD TRANSM-SPARE INPUT (-)	204	WORLD TRANSM-SPARE
126 D	KNEELING SYSTEM	137 A	MIRROR (SPARTAN & RAMCO)	154	ABS SYSTEM	205	WORLD TRANSM-SPARE
126 E	KNEELING SYSTEM	137 B	RR VIEW MIRROR (SPARTAN)	154	WORLD TRANSM-ABS RET. INPUT	206	WORLD TRANSM-SPARE
126 F	KNEELING SYSTEM	137 C	RR VIEW MIRROR (SPARTAN)	155	ABS SYSTEM	214	WORLD TRANSM-BACK UP SIGNAL
126 G	KNEELING SYSTEM	137 D	RR VIEW MIRROR (SPARTAN)	155	WORLD TRANSM-SPARE INPUT (-)	225	LAVATORY FAN
126 H	KNEELING SYSTEM	137 E	RR VIEW MIRROR (SPARTAN)	156	ABS SYSTEM	225 A	LAVATORY FAN
126 K	KNEELING SYSTEM	137 G	RR VIEW MIRROR (SPARTAN)	156	WORLD TRANSM-THROTTLE POS.	231	NEUTRAL SIGNAL GRD
126 P	KNEELING SYSTEM	138	ABS SYSTEM	156 A	ABS SYSTEM	231 A	NEUTRAL COIL RELAY FEED SIGNAL
126 R	KNEELING SYSTEM	138	WORLD TRANSM-RETARDER TEMP	157	ABS SYSTEM	231 W	NEUTRAL SIGNAL GRD (WCL)
126 W	5 MPH N.C. SIGNAL (WCL)	138 A	ABS SYSTEM	157	WORLD TRANSM-SPEEDO SIGNAL	240	DDEC III-ECM 12V FEEDING
126 S	KNEELING SYSTEM	139	ABS SYSTEM	157 A	ABS SYSTEM	241	DDEC III-ECM 12V FEEDING
126 T	KNEELING SYSTEM	139	WORLD TRANSM-OUTPUT SPEED HI	157 B	ABS SYSTEM	251 A	DDEC III - DATA LOGGER 12 H.W.
127	WORLD TRANSM-LUBE PRESS SW.	140	ABS SYSTEM	157 D	A.T.C. SYSTEM	251	DDEC III - PRODRIVER 12V H.W.
127	PRE-HEAT WATER HEATER	140	WORLD TRANSM-OUTPUT SPEED LO	157 E	A.T.C. SYSTEM	253	GALLEY-MICROWAVE
127 A	PRE-HEAT WATER HEATER	141	ABS SYSTEM	158	WORLD TRANSM-DIMMER	254	GALLEY-12V FRIGO NORCOLD
127 B	PRE-HEAT WATER HEATER	141	WORLD TRANSM-ENGINE SPEED HI	160	ALARM & SIGNAL-TAG PRESS SW	254 A	GALLEY-FRIGO
127	WORLD TRANSM-RETARDER FEED SOL.	142	ABS SYSTEM	160	WORLD TRANSM-SER. INTERFACE (-)	255	GALLEY-COFEEMAKER
127 S	PRE-HEAT WATER HEATER	142	WORLD TRANSM-SERIAL COM. A	161	WORLD TRANSM-SIGNAL GRD	255 A	GALLEY-COFEEMAKER
127 W	PRE-HEAT WATER HEATER	143	ABS SYSTEM	161 B	WORLD TRANSM-SIGNAL GRD	257	WINDSHIELD HEATED
128	PRE-HEAT WATER HEATER	143	WORLD TRANSM-ECU BATTERY GRD	162	WORLD TRANSM-PRESS. SW C3	257 A	WINDSHIELD HEATED
128 A	PRE-HEAT WATER HEATER	143 A	ABS SYSTEM	163	WORLD TRANSM-RETARDER ENABLE	257 B	WINDSHIELD HEATED
128 B	PRE-HEAT WATER HEATER	143 W	WORLD TRANSM-BATTERY GRD	164	WORLD TRANSM-RET. ACTUATOR SIGN	257 C	WINDSHIELD HEATED
128 W	PRE-HEAT WATER HEATER	144	ABS SYSTEM	165	A/C & HEAT SYSTEM-TRANSMITER	257 D	WINDSHIELD HEATED SPARE
128	WORLD TRANSM-SOL. C2	144	WORLD TRANSM-ECU CHASSIS GRD	165	WORLD TRANSM-OIL LEVEL SIGNAL	257 E	WINDSHIELD HEATED SPARE
129	PRE-HEAT WATER HEATER	144 A	ABS SYSTEM	165 A	A/C & HEAT SYSTEM-TRANSMITER	258	WINDSHIELD HEATED
129	WORLD TRANSM-SOL. C5	145	ABS SYSTEM	165 B	A/C & HEAT SYSTEM-TRANSMITER	258 A	WINDSHIELD HEATED
130	WORLD TRANSM-SOL. GRD 3	146	ABS SYSTEM	165 C	A/C & HEAT SYSTEM-TRANSMITER	259	WINDSHIELD HEATED
131	WORLD TRANSM-SOL. C4	146 A	TRANSMISSION-12V IGNITION	165 D	A/C & HEAT SYSTEM-TRANSMITER	259 A	WINDSHIELD HEATED
132	WORLD TRANSM-ENG BRK OUTPUT (-)	146	WORLD TRANSM-IGNITION SENSE	166 B	A/C & HEAT SYSTEM-EVAP. MOD.	260	WINDOW AJAR
132 W	WORLD TRANSM-ENG BRK OUTPUT (-)	146 W	WORLD TRANSM-12V IGNITION	167	A/C & HEAT SYSTEM-TEMP. CTR	290	FAN CLUTCH RADIATOR
133	GALLEY-HEAT CONTAINERS	146 X	WORLD TRANSM-12V IGNITION	167 A	A/C & HEAT SYSTEM-TEMP. CTR	290	FAN CLUTCH RADIATOR
133 A	GALLEY-HEAT CONTAINERS	147	ABS SYSTEM	168	A/C & HEAT SYSTEM-HUMIDISTAT	291	FAN CLUTCH RADIATOR SPD 1
133 B	GALLEY-HEAT CONTAINERS	147	WORLD TRANSM-OIL TEMP	168	WORLD TRANSM-SER. INTERFACE (+)	292	FAN CLUTCH RADIATOR SPD 2
133 C	GALLEY-HEAT CONTAINERS	147 A	ETHER COLD START & D.R.L.	168 A	A/C & HEAT SYSTEM-HUMIDISTAT	300	DOOR AJAR MAGN.SW. (WCL)
133	WORLD TRANSM-RET. ACTUATOR HI	147 C	ETHER COLD START	170	LUGGAGE DOOR LOCK	300 A	POWER SYSTEM SW. (WCL)
134	GALLEY-HEAT CONTAINERS	148	ABS SYSTEM	170 C	LUGGAGE DOOR LOCK	300 B	DOOR AJAR ALARM (WCL)
134 A	GALLEY-HEAT CONTAINERS	148	WORLD TRANSM-OUTPUT SPEED LO	170 E	LUGGAGE DOOR LOCK	301	POWER SYSTEM SW. (WCL)

CIRCUIT NUMBER CODE

No.	DESCRIPTION	No.	DESCRIPTION	No.	DESCRIPTION	No.	DESCRIPTION
3 0 2	DOOR AJAR T.T.LT. (WCL)	5 4 1	DDEC III-CRUISE SET SW				
3 0 2 A	DOOR AJAR ALARM SIGN.(WCL)	5 4 3	DDEC III-CRUISE STOP SW CUT IN				
3 0 2 B	DOOR AJAR MAGN.SW. (WCL)	5 4 4	DDEC III-CRUISE ON/OFF SW				
3 0 3	REMOTE WALL SW. DWN (WCL)	5 4 5	DDEC III-CRUISE RESUME SW				
3 0 4	REMOTE WALL SW. UP (WCL)	5 5 5	DDEC III-FAN CLUTCH SPEED# 1				
3 0 5	PARK. BRAKE SOL. VALVE (WCL)	5 5 6	DDEC III-VEHICLE SPEED (+)				
3 0 5 A	PARK. BRAKE SAFETY SW. (WCL)	5 5 7	DDEC III-VEHICLE SPEED (-)				
3 0 6	CONTROL SYSTEM (WCL RICON)	5 6 3	DDEC III-FAN CLUTCH SPEED# 2				
3 0 7	CONTROL SYSTEM (WCL RICON)	5 6 4	DDEC III-DIGITAL OUTPUT				
3 0 8	CONTROL SYSTEM (WCL RICON)	5 6 5	DDEC III-ENGINE BRAKE ACTIVE				
3 0 9	CONTROL SYSTEM (WCL RICON)	5 8 3	DDEC III-ENGINE BRAKE 4 CYL.				
3 1 0	EATON TRANSMISSION	9 0 0	DDEC III-DATA LINK (+)				
3 1 1	EATON TRANSMISSION	9 0 1	DDEC III-DATA LINK (-)				
3 1 2	EATON TRANSMISSION	9 0 8	DDEC III-HYDRAULIC PWM#1 OUTPUT				
3 1 3	EATON TRANSMISSION	9 1 6	DDEC III-SENSOR SUPPLY (5VDC)				
3 1 4	EATON TRANSMISSION	9 2 5	J1939-HIGH				
3 1 5	EATON TRANSMISSIOM	9 2 6	J1939-LOW				
3 1 6	EATON TRANSMISSION - EPL	9 2 7	J1939-SHIELD				
3 1 7	EATON TRANSMISSION	9 5 2	DDEC III-SENSOR RETURN				
3 1 8	EATON TRANSMISSION	9 5 3	DDEC III-BATTERY GRD				
3 1 9	EATON TRANSMISSION	9 7 9	DDEC III-ENGINE BRAKE 2 CYL.				
3 2 0	EATON TRANSMISSION						
3 2 1	EATON TRANSMISSION						
3 2 2	EATON TRANSMISSIION						
3 2 3	EATON TRANSMISSION						
3 2 4	EATON TRANSMISSION						
3 2 5	EATON TRANSMISSION						
3 2 6	EATON TRANSMISSION						
3 2 7	EATON TRANSMISSION						
3 2 8	EATON TRANSMISSION						
3 2 9	EATON TRANSMISSION						
3 3 0	EATON TRANSMISSION - EPL						
3 3 1	EATON TRANSMISSION - EPL						
3 3 2	EATON TRANSMISSION						
3 3 3	EATON TRANSMISSION - 12V BATTERY						
3 3 4	EATON GENERATION 2						
4 1 7	DDEC III-LIMIT SPEED GOVERNOR						
4 1 9	DDEC III-CHECK ENGINE LIGHT						
4 3 9	DDEC III-12V IGNITION						
4 4 0	DDEC III-12V IGNITION						
4 4 0 A	DDEC III-12V IGNITION						
4 5 1	DDEC III-A/C FAN CLUTCH						
5 0 5	DDEC III-TACHOMETER DRIVE						
5 0 9	DDEC III-STOP ENGINE LIGHT						
5 1 0	DDEC III-FAST IDLE SIGNAL						
5 2 4	DDEC III-ENGINE BRAKE DISABLE						
5 2 5	DDEC III-FAST IDLE SIGNAL						
5 2 8	DDEC III-STOP ENG. OVERRIDE						
5 3 1	DDEC III-CRUISE CLUTCH RELEASE						
5 4 0	DDEC III-CRUISE ENABLE LTS.						

CIRCUIT NUMBER CODE

No.	DESCRIPTION	No.	DESCRIPTION	No.	DESCRIPTION	No.	DESCRIPTION
BA	INTERIOR LTS-110V FLUORESCENT	SP 17	SPARE-RJB TO ENGINE	SP 117	SPARE-FJB TO U/DASH FLOOR	0 M3	FS - ELECTRICAL MOTOR GRD
BB	INTERIOR LTS-110V FLUORESCENT	SP 18	SPARE-FJB TO RJB	WC	A/C & HEAT SYST-EVAP CTR SIGN	0 M4	FS - ELECTRICAL MOTOR GRD
D 1	SOUND SYSTEM-FR RH SPEAKER	SP 24	SPARE-RJB TO LAVATORY ROOF	YC	INTERIOR LTS-110V FLUORESCENT	0 M5	FS - ELECTRICAL MOTOR GRD
D 2	SOUND SYSTEM-FR RH SPEAKER	SP 25	SPARE-RJB TO LAVATORY ROOF	YD	INTERIOR LTS-110V FLUORESCENT	0 M6	FS - FJB GRD
D 3	SOUND SYSTEM-FR RH SPEAKER	SP 26	SPARE-RJB TO LAVATORY ROOF	0	BC - BAT. CPT CHASSIS GRD	0 M7	FS - ELECTRICAL MOTOR GRD
D 4	SOUND SYSTEM-RR RH SPEAKER	SP 27	SPARE-RJB TO LH HAT RACK	0	CONDENSER CPT GRD	0 M	RS - ENGINE CPT ACCES. GRD
D 5	SOUND SYSTEM-RR RH SPEAKER	SP 28	SPARE-RJB TO LH HAT RACK	0	RS - RR JCT BOX RLY GRD	0 MR	24V DISC. SW. RLY GRD SIGNAL
D 6	SOUND SYSTEM-RR RH SPEAKER	SP 31	SPARE-RJB TO RH HAT RACK	0	GALLEY GRD	0 MS	24V DISC. SW. RLY GRD SIGNAL
D 7	SOUND SYSTEM-RR RH SPEAKER	SP 32	SPARE-RJB TO RH HAT RACK	0 A	BC - SHIELD GRD	0 N	RS - ENGINE CPT ACCES. GRD
D 8	SOUND SYSTEM-RR RH SPEAKER	SP 33	SPARE-FJB TO RJB	0 A	RS - RR JCT BOX RLY GRD	0 P	RS - ENGINE CPT ACCES. GRD
D 3 4	SOUND SYSTEM-RR RH SPEAKER	SP 38	SPARE-FJB TO RJB	0 A	FRS - FR ROOF ACCES. GRD	0 R	FS - SOUND SYS. JCT PANEL GRD
D 6 7	SOUND SYSTEM-RR RH SPEAKER	SP 43	SPARE-FJB TO RJB	0 A	RS - LUG. CPT ACCES. GRD	0 R	RS - RJB GRD
G 1	SOUND SYSTEM-FR LH SPEAKER	SP 45	SPARE-FJB TO RJB	0 A	A/C SYSTEM-EVAP. GRN	0 R	RS - ENGINE CPT ACCES. GRD
G 2	SOUND SYSTEM-FR LH SPEAKER	SP 46	SPARE-RJB TO LH FR ROOF	0 A A	RS - VOLTAGE REGULATOR GRD	0 RE	RADIO & CTRL HEAD CHASSIS GRD
G 3	SOUND SYSTEM-FR LH SPEAKER	SP 48	SPARE-RJB TO DASH CENTER PANEL	0 B	EC - ENGINE GRD	0 RH	RS - RR END LAMPS RH GRD
G 4	SOUND SYSTEM-RR LH SPEAKER	SP 56	SPARE-ENGINE TO RH SW PANEL	0 B	FRS - FR ROOF HEAT WIND GRD	0 S	12 VOLT RUN - GND RELAY
G 5	SOUND SYSTEM-RR LH SPEAKER	SP 57	SPARE-DASH CENTER PANEL TO ENG.	0 B	RS - LUG. CPT ACCES. GRD	0 SA	EC-BOSCH ALT. GROUND
G 6	SOUND SYSTEM-RR LH SPEAKER	SP 58	SPARE-DASH CENTER PANEL TO ENG.	0 B E	RJB - BAT. EQUAL. BAT GRD	0 S2	SOUND SYSTEM RADIO GRD
G 7	SOUND SYSTEM-RR LH SPEAKER	SP 59	SPARE-FJB TO ENGINE	0 C	EC - STARTER MOTOR GRD	0 S3	SOUND SYSTEM VIDEO GRD
G 8	SOUND SYSTEM-RR LH SPEAKER	SP 61	SPARE-FJB TO DASH RH PANEL	0 C	FS - SERV. CPT ACCES. GRD	0 SS	SOUNDS SYSTEM BATT. GRD
G 3 4	SOUND SYSTEM-RR LH SPEAKER	SP 68	SPARE-FJB TO ENGINE	0 C	BC - FAN EVAP. & CONDENSER GRD	0 T	FS - DASH ACCES. GRD
G 6 7	SOUND SYSTEM-RR LH SPEAKER	SP 69	SPARE-FJB TO FR AXLE	0 C R	24V DISC. SW. RLY GRD SIGNAL	0 T1	FS - DASH ACCES. GRD
L 1 A	INTERIOR LTS-110V FLUORESCENT	SP 70	SPARE-FJB TO FR AXLE	0 C S	24V DISC. SW. RLY GRD SIGNAL	0 T2	FS - DASH ACCES. GRD
L 1 B	INTERIOR LTS-110V FLUORESCENT	SP 71	SPARE-FJB TO RH SW PANEL	0 C 1	FS - SERV. CPT ACCES. GRD	0 T3	FS - DASH ACCES. GRD
L 2 A	INTERIOR LTS-110V FLUORESCENT	SP 72	SPARE-FJB TO FR SERV CPT	0 C 2	FS - SERV. CPT ACCES. GRD	0 T4	FS - DASH ACCES. GRD
L 2 B	INTERIOR LTS-110V FLUORESCENT	SP 74	SPARE-FJB TO LH CONSOLE	0 C 3	FS - SERV. CPT ACCES. GRD	0 T5	FS - HVAC DASH MODULE. GRD
L 0	110V RECEPTACLE- 110V FLUOR.	SP 77	SPARE-FJB TO EVAPORATOR CPT	0 C 4	FS - FJB CPT ACCES. GRD	0 V	RR JCT BOX CPT GRD STUD
L 1	110V RECEPTACLE- 110V FLUOR.	SP 78	SPARE-FJB TO CONDENSER CPT	0 D	BC - FAN CONDENSER GRD	0 VA	BATTERY TO EQUALISER 0V
L 2	110V RECEPTACLE- 110V FLUOR.	SP 79	SPARE-FJB TO CONDENSER CPT	0 D	RS - HAT RACK ACCES. LH GRD	0 W	FS - WT GND & SHIELD
RA	INTERIOR LTS-110V FLUORESCENT	SP 87	SPARE-RJB TO LH HAT RACK	0 D F	RS - RR SIDE FLASH & MARK GRD	0 W	RS - RR JCT BOX (WCL) GRD
RB	INTERIOR LTS-110V FLUORESCENT	SP 88	SPARE-RJB TO RH HAT RACK	0 D R	RS - RJB DOCKING LT RESISTORS	0 W C	RS - RR JCT BOX GRD (WCL)
SH 1	SHIELD CHASSIS GRD	SP 92	SPARE-RJB TO CONDENSER CPT	0 E	RS - HAT RACK ACCES. LH GRD	0 X	RS - RR JCT BOX GRD
SH 2	SHIELD CHASSIS GRD	SP 93	SPARE-RJB TO EVAPORATOR CPT	0 E A	EATON TRANSMISSION GRD	0 Y	ABS FR JCT BOX CPT GRD STUD
SH 3	SHIELD CHASSIS GRD	SP 94	SPARE-RJB TO RR ROOF	0 F	RS - HAT RACK ACCES. RH GRD	0 Y	RR JCT BOX GRD
SH 4	SHIELD CHASSIS GRD	SP 95	SPARE-RJB TO RR ROOF	0 G	RS - HAT RACK ACCES. RH GRD	0 Y 1	ABS FR JCT BOX CPT GRD STUD
SP 2	SPARE-FJB TO FR SERV CPT	SP 96	SPARE-RJB TO LUGG CPT #2	0 H	RS - LAVATORY ACCES. GRD	0 Z	RR JCT BOX CPT GRD STUD
SP 3	SPARE-FJB TO CENTER DASH	SP 97	SPARE-RJB TO LUGG CPT #3	0 J	FS - LH CONSOLE SW GRD	0 0	FJB & RJB BATT. GRD
SP 4	SPARE-FJB TO CENTER DASH	SP 98	SPARE-RJB TO LUGG CPT #3	0 J	RS - RR ROOF ACCES. GRD	0 0 A	FBG - T.T.LT. MODULES BATT. GRD
SP 5	SPARE-RJB TO LUGG CPT #2	SP 104	SPARE-RJB TO ENGINE CPT	0 K	RS - RR ROOF ACCES. GRD	0 0 Y	FS - ABS MODULLE BATT. GRD
SP 6	SPARE-RJB TO LUGG CPT #1	SP 105	SPARE-FJB TO ENGINE	0 K	RS - RJB A/C JCT PANEL GRD	0 0 SS	SOUND SYSTEM BATT. GRD
SP 7	SPARE-RJB TO LUGG CPT #1	SP 106	SPARE-RJB TO BATT. CPT.	0 L	FS - FR SERVICE CPT LTS GRD	1	TACHO SYSTEM - RPM SIGNAL +
SP 8	SPARE-RJB TO LUGG CPT #1	SP 107	SPARE-RJB TO BATT. CPT.	0 L 1	FS - FR SERVICE CPT LTS GRD	2 A	A/C & HEAT SYSTEM-COOL 1 SIGN
SP 9	SPARE-RJB TO LUGG CPT #2	SP 108	SPARE-RJB TO BATT. CPT.	0 L 2	FS - FR SERVICE CPT LTS GRD	2 B	A/C & HEAT SYSTEM-COOL SIGN
SP 10	SPARE-RJB TO LUGG CPT #1	SP 109	SPARE-RJB TO ENGINE CPT.	0 L 3	FS - FJB GRD	2 B B	A/C & HEAT SYSTEM-COOL SIGN
SP 11	SPARE-FJB TO RJB	SP 110	SPARE-FJB TO ENGINE CPT.	0 L 4	FS - FJB GRD	2 H	A/C & HEAT SYSTEM-HI PRESS SW
SP 12	SPARE-RJB TO ENGINE	SP 111	SPARE-RJB TO ENGINE CPT.	0 L 5	FS - CIGAR LIGHTER	2 E	A/C & HEAT SYSTEM EVAP CONT
SP 13	SPARE-RJB TO ENGINE	SP 112	SPARE-RJB TO ENGINE CPT.	0 L	RS - ENGINE CPT ACCES. GRD	2 F	A/C & HEAT SYSTEM EVAP CONT
SP 14	SPARE-FJB TO RJB	SP 114	SPARE-FJB TO U/DASH WIPER	0 L	ENTRANCE DOOR (SEDAN) GRD	2 HL	A/C & HEAT SYSTEM-LO & HI PRESS SW
SP 15	SPARE-RJB TO ENGINE	SP 115	SPARE-FJB TO U/DASH WIPER	0 L H	RS - RR END LAMPS LH GRD	2 L	A/C & HEAT SYSTEM-LO PRESS SW
SP 16	SPARE-RJB TO ENGINE	SP 116	SPARE-FJB TO U/DASH FLOOR	0 M	FS - ELECTRICAL MOTOR GRD	4	HOSTESS & PASSENGER CHIME

CIRCUIT NUMBER CODE

No.	DESCRIPTION	No.	DESCRIPTION	No.	DESCRIPTION	No.	DESCRIPTION
4 A	HOSTESS & PASSENGER CHIME	12 F	FR JCT BOX 12V DISC SW	21 A	EXTERIOR LTS-DIRECTIONNAL LH	24 S2	SOUND SYSTEM 24V AMPLIFIER
4 B	PASSENGER CHIME	12 F	RR JCT BOX 12V DISC SW	21 B	EXTERIOR LTS-HAZARD	24 S3	SOUND SYSTEM 24V VIDEO
4 C	HOSTESS CHIME	12 G	FR JCT BOX 12V DISC SW	21 C	EXTERIOR LTS-CORNERING LH	24 S4	SOUND SYSTEM 24V VIDEO
5	INTERIOR LTS-AISLE & EMERG. EXIT	12 H	12 V IGNITION D.T.RUN LIGHT	21 H	EXTERIOR LTS-DIRECTIONNAL LH	24 SB	SOUND SYSTEM 24V FEEDING
5	UPPER WINDSHIELD DEFROSTER	12 J	FR JCT BOX 12V DISC SW	21 K	EXTERIOR LTS-CORNERING	24 SS	SOUND SYSTEM 24V FEEDING
5 D	UPPER WINDSHIELD DEFROSTER	12 I	12V IGNITION DISTRIBUTION	21 N	EXTERIOR LTS-CORNERING LH	24 R	24 VOLTS FRONT CAMERA SW.
5 E	UPPER WINDSHIELD DEFROSTER	12 I	RR JCT BOX 12V IGNITION	21 P	EXTERIOR LTS-CORNERING LH	24 V2	RR JCT BOX 24V DISC SW
5 N	INTERIOR LTS-EMERGENCY EXIT	12 K	12 VOLT IGN. TTLT & HVAC MODULE	23	EXTERIOR LTS-DIRECTIONNAL RH	24 V3	RR JCT BOX 24V DISC SW
5 NC	SPEED SIGNAL LOWER 5MPH	12 IA	12V IGNITION DISTRIBUTION	23	EXTERIOR LTS-DIRECTIONNAL RH	24 V4	RR JCT BOX 24V DISC SW
5 NO	SPEED SIGNAL HIGHER 5MPH	12 IA	FR JCT BOX 12V IGNITION	23 A	EXTERIOR LTS-DIRECTIONNAL RH	24 V5	RR JCT BOX 24V DISC SW
6	INTERIOR LTS-AISLE	12 IB	FR JCT BOX 12V IGNITION	23 B	EXTERIOR LTS-DIRECTIONNAL RH	24 VD	24V HOT WIRE DISTRIBUTION
7 B	ENTRANCE DOOR (SEDAN)	12 IF	FR JCT BOX 12V IGNITION	23 C	EXTERIOR LTS-CORNERING RH	24 VF	BAT CPT 24V SW TO FJB & IC
7 D	ENTRANCE DOOR (SEDAN)	12 LX	CLUSTER (12V HOT WIRE)	23 N	EXTERIOR LTS-CORNERING RH	24 VA	BATTERY TO EQUALIZER 24V
7 DA	ENTRANCE DOOR (SEDAN)	12 P	LH CONSOLE POWER OUTLET	23 P	EXTERIOR LTS-CORNERING RH	24 VI	RR JCT BOX 24V IGNITION
9	INTERIOR LTS-ENGINE CPT	12 R	BAT CPT 12V DISC RLY TO RJB	24	BAT CPT 24V BATTERY	24 VR	BAT CPT 24V DISC SW TO RJB
9 A	INTERIOR LTS-ENGINE CPT	12 R	MEMORY BATTERY RADIO	24	FR JCT BOX 24V DISC SW	24 W	RR JCT BOX 24V DISC SW (WCL)
9 B	INTERIOR LTS-ENGINE CPT	12 S	SOUND SYSTEM 12V RADIO	24 A	BOOSTER BLOCK 24V DISC SW	24 W C	BATT.CPT TO HYD. PUMP (WCL)
9 E	INTERIOR LTS-FR SERVICE CPT	12 S1	SOUND SYSTEM 12V RADIO	24 A	FR JCT BOX 24V DISC SW	24 W L	24V BATTERY-HYD. PUMP (WCL)
9 F	INTERIOR LTS-FR SERVICE CPT	12 S1 A	DVD KARAOKE FEEDING	24 A	RR JCT BOX 24V DISC SW	25 A1	PRE-EXITATION ALT. BOSCH #1
10	INTERIOR LTS-LUGGAGE CPT	12 S2	SOUND SYSTEM 12V RADIO	24 B	24V STARTER RLY FEEDING	25 A2	PRE-EXITATION ALT. BOSCH #2
10 A	INTERIOR LTS-LUGGAGE CPT	12 S2 A	DVD KARAOKE FEEDING	24 B	FR JCT BOX 24V DISC SW	25 A	T.T. LT. ALTERNATOR #1
10 B	INTERIOR LTS-LUGGAGE CPT	12 SB	SOUND SYSTEM 12V FEEDING	24 B	RR JCT BOX 24V DISC SW	25 B	12 VOLTS IGN. ALT. SIGNAL MODULE
10 D	INTERIOR LTS-LUGGAGE CPT	12 SS	SOUND SYSTEM 12V FEEDING	24 B C	24 VOLT BATT. CHARGER	25 D	12 V. ENGINE RUN / HVAC SYSTEM
10 F	INTERIOR LTS-LUGGAGE CPT	12 VA	BATTERY TO EQUALIZER 12V	24 B E	RJB CPT-BAT EQ MONITOR HOT WIRE	25 F	12 VOLT IGN. DISTRIBUTION
10 H	INTERIOR LTS-LUGGAGE CPT	12 VD	12V HOT WIRE DISTRIBUTION	24 C	FR JCT BOX 24V DISC SW	25 H	24 VOLT IGN. ALT. BOSCH
10 K	INTERIOR LTS-LUGGAGE CPT	12 VF	BAT CPT 12V FJB & IC	24 C	RR JCT BOX 24V DISC SW	25 K	T.T. LT. ALTERNATOR #2
10 R	INTERIOR LTS-LUGGAGE DOOR AJAR	12 VI	12V IGNITION DISTRIBUTION	24 D	BAT CPT 24V HOT WIRE	26 A	CIGAR LIGHTER
11	FR DESTINATION SIGN	12 VR	BAT CPT 12V DISC RLY TO RJB	24 D	FR JCT BOX 24V HOT WIRE	26	DRIVER'S WINDOW LIFTER
11 A	FR DESTINATION SIGN	12 W	12V BATTERY DDEC III	24 D	RR JCT BOX 24V HOT WIRE	26 B	DRIVER'S WINDOW LIFTER
11 B	FR DESTINATION SIGN	12 W	ENTRANCE DOOR (SEDAN)	24 DA	A/C JCT BOX 24V HOT WIRE	26 C	DRIVER'S WINDOW LIFTER
11 C	FR DESTINATION SIGN	12 WA	ENTRANCE DOOR (SEDAN)	24 E	BAT CPT 24V DISC SW	27	LAVATORY-EMERGENCY SONALERT
11 D	FR DESTINATION SIGN	12 X	FR JCT BOX 12V DISC SW	24 E	FR JCT BOX 24V DISC SW	28 A	A/C & HEAT SYSTEM-HI PRESSURE
11 E	FR DESTINATION SIGN	12 X2	FR JCT BOX 12V DISC SW	24 E	RR JCT BOX 24V DISC SW	29	A/C & HEAT SYSTEM-DRIVER'S HTR
11 K	FR DESTINATION SIGN	12 Y	FR JCT BOX 12V DISC SW	24 F	FR JCT BOX 24V DISC SW	29 A	A/C & HEAT SYSTEM-DRIVER'S HTR
12	12V BAT ELECTRONIC JCT BLOCK	13 A	ALARM & SIGNAL-LO AIR PRIM.	24 F	RR JCT BOX 24V DISC SW	29 B	A/C & HEAT SYSTEM-DRIVER'S HTR
12	BAT CPT 12V BATTERY	13 B	ALARM & SIGNAL-LO AIR SEC.	24 G	FR JCT BOX 24V DISC SW	29 H	HVAC DASH MODULE
12 A	FR JCT BOX 12V DISC SW	14	LAVATORY-FLUSHING PUMP	24 G	RR JCT BOX 24V DISC SW	30 A	GALLEY
12 A	RR JCT BOX 12V DISC SW	14 A	LAVATORY-FLUSHING PUMP	24 H	FR JCT BOX 24V DISC SW	31 A	A/C & HEAT SYSTEM-UNLOADER
12 B	12V BAT ELECTRICAL JCT BLOCK	15	EXTERIOR LTS-MULTI FUNC LEVEL	24 H	RR JCT BOX 24V DISC SW	31 B	A/C & HEAT SYSTEM-UNLOADER
12 B	RR JCT BOX 12V DISC SW	15 A	WIPER & WASHER UPPER WINDSHIELD	24 I	FR JCT BOX 24V IGNITION	31 B	WIPER & WASHER SYSTEM
12 B	FR JCT BOX 12V DISC SW	16	SPEED - SIGNAL +	24 I	RR JCT BOX 24V IGNITION	31 C	WIPER & WASHER SYSTEM
12 BE	BAT. EQUALIZER MONITOR	16 A	SPEED - SIGNAL +	24 IA	FR JCT BOX 24V IGNITION	31 D	WIPER & WASHER SYSTEM
12 C	FR JCT BOX 12V DISC SW	16 T	SPEED - SIGNAL +	24 IA	RR JCT BOX 24V IGNITION	31 E	WIPER & WASHER SYSTEM
12 C	RR JCT BOX 12V HOT WIRE	17	EXTERIOR LTS-FLASHER UNIT	24 IB	FR JCT BOX 24V IGNITION	31 J	WIPER & WASHER SYSTEM
12 CE	RR JCT BOX 12V HOT WIRE	17 A	EXTERIOR LTS-FLASHER UNIT	24 IB	RR JCT BOX 24V IGNITION	31 X	WIPER & WASHER SYSTEM
12 D	BAT CPT 12V BATTERY	19	DIFFERENTIAL OIL TEMP	24 IC	FR JCT BOX 24V IGNITION	32	EXTERIOR LTS-BACK-UP
12 DT	TTLT MODULE	20	SPEED - SIGNAL -	24 IF	FJB 24VOLT IGNITION	32 B	EXTERIOR LTS-BACK-UP
12 E	FR JCT BOX 12V DISC SW	20 T	SPEED - SIGNAL -	24 P	FR JCT BOX 24V DISC SW	32 C	BACK-UP PWR & SIGNAL
12 E	RR JCT BOX 12V DISC SW	20 W	SPEED - SIGNAL -	24 S	24V DISC SW RLY SIGNAL	32 D	BACK-UP ALARM
12 F	BAT CPT 12V FJB & IC	21	EXTERIOR LTS-DIRECTIONNAL LH	24 S1	SOUND SYSTEM 24V AMPLIFIER	35	ENTRANCE DOOR (SEDAN)

CIRCUIT NUMBER CODE

No.	DESCRIPTION	No.	DESCRIPTION	No.	DESCRIPTION	No.	DESCRIPTION
35 B	ENTRANCE DOOR (SEDAN)	53 A	WIPER & WASHER SYSTEM	70	INTERIOR LTS-HAT RACK & RR RUN.	91	PARKING BRAKE SW SIGNAL
35 BB	ENTRANCE DOOR (SEDAN)	53 B	WIPER & WASHER SYSTEM	72	SUN VISOR-FEEDING	91 A	DDEC-FAST IDLE SIGNAL
35 D	ENTRANCE DOOR (SEDAN)	53 C	WIPER & WASHER SYSTEM	72 A	SUN VISOR-RH	91 S	SONALERT PARKING BRAKE
36	JACOB BRAKE SYSREM	53 E	WIPER & WASHER SYSTEM	72 B	SUN VISOR-RH	91 W	PARK, BRAKE SW SIGN (WCL)
36 A	JACOB BRAKE SYSREM	53 J	WIPER & WASHER SYSTEM	72 C	SUN VISOR-LH	92	BATTERY EQUALIZER-CHECK BALANCE
38	INTERIOR LTS-24V FLUORESCENT	55	EXTERIOR LTS-HI BEAM	72 D	SUN VISOR-LH	93	BATTERY EQUALIZER-CHECK LO/HI
38 A	INTERIOR LTS-24V FLUORESCENT	57	EXTERIOR LTS-HI BEAM	73	LAVATORY-FEEDING	95 A	ENGINE BRAKE & RETARDER SYSTEM
38 C	INTERIOR LTS-24V FLUORESCENT	57 A	A/C & HEAT SYSTEM-WATER PUMP	74	INTERIOR LTS-READING RH	97	TACHOMETER (-)
38 D	INTERIOR LTS-24V FLUORESCENT	57 A	EXTERIOR LTS-HI BEAM	74 A	INTERIOR LTS-READING RH	100	INTERIOR LTS-GENERAL
39	INTERIOR LTS-24V LH CONSOLE SW	57 B	A/C & HEAT SYSTEM-WATER PUMP	74 D	INTERIOR LTS-READING SIGNAL	100 A	INTERIOR LTS-GENERAL
39 A	INTERIOR LTS-DRIVER'S LTS	57 C	PRE-HEAT WATER HEATER	75	INTERIOR LTS-READING LH	100 B	INTERIOR LTS-GENERAL
39 P	READING LIGHTS	57 CA	A/C & HEAT SYSTEM-HEAT SIGN	75 A	INTERIOR LTS-READING LH	101	24V STARTER SOL FEEDING
41	A/C & HEAT SYSTEM-COND FAN MOT	57 CC	A/C & HEAT SYSTEM-HEAT SIGN	76	FUEL TANK GAUGE	101	WORLD TRANSM-LO SIGN SOL. LO
41 A	A/C & HEAT SYSTEM-COND FAN MOT	58	EXTERIOR LTS-LO BEAM	76 B	LOW FUEL LT & ETHER COLD START	102	WORLD TRANSM-SOL. SUPPLY
41 B	A/C & HEAT SYSTEM-COND FAN MOT	58 A	EXTERIOR LTS-LO BEAM	76 C	LOW FUEL LT	102 A	24V STARTER TO BOSCH ALTERNATOR
42	A/C & HEAT SYSTEM-COND FAN MOT	58 B	EXTERIOR LTS-LO BEAM	76 P	FUEL PRIME PUMP	103	LOW BUOY
42 A	A/C & HEAT SYSTEM-COND FAN MOT	58 E	EXTERIOR LTS-LO BEAM	76 M	FUEL PRIME PUMP	104	WORLD TRANSM-SOL. FORWARD
43	HAT RACK FAN	59 A	JACOB BRAKE SYSTEM	77	A/C & HEAT SYSTEM-HI PRESSURE	105	WORLD TRANSM-RETARDER & SUMP
43 A	HAT RACK FAN	61	EXTERIOR LTS-24V FEED SW	77 A	A/C & HEAT SYSTEM-DRIVER'S HTR	105 W	WORLD TRANSM-RETARDER & SUMP
43 B	HAT RACK FAN	61 A	EXTERIOR LTS-HEAD SIGNAL	77 B	A/C & HEAT SYSTEM-COMPRESSOR	106	WORLD TRANSM-OIL LEVEL HI
43 D	HAT RACK FAN	62	LAVATORY-OCCUPIED LT	77 C	A/C & HEAT SYSTEM-COMPRESSOR	107	WORLD TRANSM-LOCKUP SOL. HI
43 E	HAT RACK FAN	62 A	LAVATORY-FLUOR LT	77 H	A/C & HEAT SYSTEM-COMPRESSOR	108	WORLD TRANSM-REM. PWR WAKE UP
43 F	HAT RACK FAN	62 B	LAVATORY-FLUOR LT	81	EXTERIOR LTS-STOP SW	109	WORLD TRANSM-RET. SOL. LO
43 G	HAT RACK FAN	62 E	LAVATORY-OCCUP & FLUOR LT	82	EXTERIOR LTS-STOP SIGNAL	110	ALARM & SIGNAL-WATER TEMP
44	EXTERIOR LTS-FOG	63	EXTERIOR LTS-CLEARANCE	82 A	EXTERIOR LTS-STOP SIGNAL	110	WORLD TRANSM-LOCKUP SOL. LO
44 A	EXTERIOR LTS-FOG	63 A	EXTERIOR LTS-CLEARANCE	82 B	EXTERIOR LTS-STOP LTS	111	WORLD TRANSM-SOL. C6
44 B	EXTERIOR LTS-FOG	63 B	EXTERIOR LTS-CLEARANCE	82 K	EXTERIOR LTS-STOP PARK BRK	112	WORLD TRANSM-SPARE OUTPUT (+)
44 C	EXTERIOR LTS-FOG & HAZARD	63 C	EXTERIOR LTS-MARKER SIGNAL	82 L	EXTERIOR LTS-LH STOP	113	ALARM & SIGNAL-OIL PRESS
45 B	A/C & HEAT SYSTEM-HEAT SIGN	63 D	EXTERIOR LTS-MARKER & TAIL	82 R	EXTERIOR LTS-LH STOP	113	WORLD TRANSM-REVERSE WARNING
45 D	A/C & HEAT SYSTEM-WATER VALVE	63 E	EXTERIOR LTS-CLEARANCE	83	ENGINE CTR-KEY SW ACCES SIGN	114	INTERIOR LTS-DASH LT REGUL.
45 E	A/C & HEAT SYSTEM-HEAT 1 SIGN	63 F	EXTERIOR LTS-MARKER BLINKER	84	ENGINE CTR-KEY SW ACCES SIGN	114	WORLD TRANSM-SPARE OUTPUT (-)
45 G	A/C & HEAT SYSTEM-DRIVER'S HTR	63 H	EXTERIOR LTS-TAIL	85	ENGINE CTR-KEY SWIGNITION SIGN	114 A	INTERIOR LTS-DASH LT
45 H	A/C & HEAT SYSTEM-DRIVER'S HTR	64	DRIVERS FAN	85	24V IGNITION SIGNAL	114 B	INTERIOR LTS-DASH LT REGUL.
45 W	A/C & HEAT SYSTEM-COND. DOOR AJAR	64 B	DRIVERS FAN	85 A	24V IGN DASH INSTRUMENTATION	114 D	INTERIOR LTS-DASH LT REGUL.
46	EXTERIOR LTS-MARKER	64 C	DRIVERS FAN	85 B	ENGINE CTR-24V IGNITION	114 E	INTERIOR LTS-DASH LT REGUL.
46 A	EXTERIOR LTS-MARKER	65	FOOT DAMPER MOTOR	85 C	PARKING BRAKE SWITCH	115	ALARM & SIGNAL-TAG PRESS
46 B	EXTERIOR LTS-MARKER	65 A	FOOT DAMPER MOTOR	85 F	ENGINE CTR-RR-ENGINE CTR SW IGN	115	DDEC III-COOLANT LEVEL
46 B	EXTERIOR LTS-MARKER	65 P	PASSENGER REC. DAMPER	85 F	LO AIR SONALERT	115	WORLD TRANSM-DO NOT SHIFT SIGN
46 C	EXTERIOR LTS-MARKER	65 D	DRIVER REC. DAMPER	85 W	24V IGN ANTI SKID	115 C	DDEC III-COOLANT LEVEL
47	A/C & HEAT SYSTEM-DRIVER'S HTR	66	O_PASS. ON/OFF	85 X	24V IGN ANTI SKID	115 W	WORLD TRANSM-DO NOT SHIFT SIGN
48	ENTRANCE DOOR (SEDAN)	67	24 VOLT RUN DISTRIBUTION	85 Y	ANTI SKID-WARNING LT	116	WORLD TRANSM-LO SIGNAL SOL. HI
48 A	ENTRANCE DOOR (SEDAN)	67 A	A/C & HEAT SYSTEM	86	ENGINE CTR-STARTER SOL SIGN	116 B	A/C & HEAT SYSTEM-DRIVER'S HTR
49	ENTRANCE DOOR (SEDAN)	67 B	A/C & HEAT SYSTEM	86 A	ENGINE CTR-STARTER SOL SIGN	117	WORLD TRANSM-SPARE INPUT (-)
49 A	ENTRANCE DOOR (SEDAN)	67 C	HEATING WINDSHIELD	88	ENGINE CTR-RR START SIGNAL	117 A	ALARM & SIGNAL-TRANSM OIL TEMP
50	AIR DRYER	67 K	A/C & HEAT SYSTEM-COND FAN CTR	89	ENGINE CTR-RR START SIGNAL	117 A	ALARM & SIGNAL-TRANSM OIL TEMP
52	ALARM & SIGNAL-ELEC. HORN	67 L	A/C & HEAT SYSTEM-COND FAN CTR	90 B	A/C & HEAT SYSTEM-COND FAN MOT	118	WORLD TRANSM-SPARE INPUT (+)
52 A	ALARM & SIGNAL-ELEC. HORN	67 V	A/C & HEAT SYSTEM-WATER VALVE	90 B	ENGINE CTR-MAST KEY SW FEED	119	WORLD TRANSM-ENG BRK INPUT (+)
52 B	ALARM & SIGNAL- AIR HORN	67 X	A/C & HEAT SYSTEM	90 C	A/C & HEAT SYSTEM-COND FAN MOT	120	WORLD TRANSM-SOL. C1
52 C	ALARM & SIGNAL- AIR HORN	68	DASH & DEFROST DAMPER MOTOR	90 F	CHARG SYST-VOLTAGE REGUL. "B"	121	WORLD TRANSM-SOL. GRD 2
53	ALARM & SIGNAL-ELEC. HORN	68 A	DASH & DEFROST DAMPER MOTOR	90 H	A/C & HEAT SYSTEM-EVAP FAN MOT	122	A/C & HEAT SYSTEM-DRIVER'S HTR

CIRCUIT NUMBER CODE

No.	DESCRIPTION	No.	DESCRIPTION	No.	DESCRIPTION	No.	DESCRIPTION
122	A/C & HEAT SYSTEM-FRESH AIR	134	GALLEY-HEAT CONTAINERS	148	ABS SYSTEM	170 C	LUGGAGE DOOR LOCK
122	WORLD TRANSM-SOL. GRD 4	134 A	GALLEY-HEAT CONTAINERS	148	WORLD TRANSM-OUTPUT SPEED LO	170 E	LUGGAGE DOOR LOCK
122 A	A/C & HEAT SYSTEM-FRESH AIR	134	WORLD TRANSM-RET. APPLY SOL. HI	149	ABS SYSTEM	170 H	LUGGAGE DOOR LOCK
123	WORLD TRANSM-NEUTRAL START	135	A/C & HEAT SYSTEM-AIR SENSOR	149	WORLD TRANSM-TURBINE SPEED HI	181 A	THERMOMETER INSIDE SENSOR
123 A	ALARM & SIGNAL-FIRE DETECTOR	135 A	A/C & HEAT SYSTEM-AIR SENSOR	149 A	ABS SYSTEM	181 B	THERMOMETER INSIDE SENSOR
123 B	ALARM & SIGNAL-FIRE DETECTOR	135 D	A/C & HEAT SYSTEM-AIR SENSOR	150	DDEC III-ECM BATTERY GRD	181 C	THERMOMETER OUTSIDE SENSOR
124	WORLD TRANSM-THROTTLE (HI)	135 C	A/C & HEAT SYSTEM-AIR SENSOR	150	WORLD TRANSM-ENGINE SPEED LO	181 D	THERMOMETER OUTSIDE SENSOR
125	WORLD TRANSM-RET. INDICATOR	135	WORLD TRANSM-ANALOG GRD	150 A	DDEC III-ECM BATTERY GRD	197	FUEL WATER FILTER
125	GALLEY LAMP	135 D	WORLD TRANSM-RETARDER RES MOD	151	ABS SYSTEM	197 A	FUEL WATER FILTER
125 T	GALLEY LAMP	135 C	WORLD TRANSM-RETARDER TEMP	151	DDEC III-ECM BATTERY GRD	197 B	FUEL WATER FILTER
125 W	WORLD TRANSM-RET. INDICATOR	136	GALLEY-ACCESSORIES	151	WORLD TRANSM-SERIAL COM. B	198	FILTER FUEL HEATER
126	KNEELING SYSTEM	136	WORLD TRANSM-ECU POWER	151 A	ABS SYSTEM	199	AIR FILTER RESTRICTION SENDER
126 A	KNEELING SYSTEM	136 V	WORLD TRANSM-12V BATTERY	152	ABS SYSTEM	201	WORLD TRANSM-SPARE
126 B	KNEELING SYSTEM	136 W	WORLD TRANSM-12V BATTERY	152 A	ABS SYSTEM	202	WORLD TRANSM-SPARE
126 C	KNEELING SYSTEM	136 X	WORLD TRANSM-12V BATTERY	153	ABS SYSTEM	203	WORLD TRANSM-SPARE
126 D	KNEELING SYSTEM	137	WORLD TRANSM-RETARDER	153	WORLD TRANSM-SPARE INPUT (-)	204	WORLD TRANSM-SPARE
126 E	KNEELING SYSTEM	137 A	MIRROR (SPARTAN & RAMCO)	154	ABS SYSTEM	205	WORLD TRANSM-SPARE
126 F	KNEELING SYSTEM	137 B	RR VIEW MIRROR (SPARTAN)	154	WORLD TRANSM-ABS RET. INPUT	206	WORLD TRANSM-SPARE
126 G	KNEELING SYSTEM	137 C	RR VIEW MIRROR (SPARTAN)	155	ABS SYSTEM	214	WORLD TRANSM-BACK UP SIGNAL
126 H	KNEELING SYSTEM	137 D	RR VIEW MIRROR (SPARTAN)	155	WORLD TRANSM-SPARE INPUT (-)	225	LAVATORY FAN
126 K	KNEELING SYSTEM	137 E	RR VIEW MIRROR (SPARTAN)	156	ABS SYSTEM	225 A	LAVATORY FAN
126 P	KNEELING SYSTEM	137 G	RR VIEW MIRROR (SPARTAN)	156	WORLD TRANSM-THROTTLE POS.	231	NEUTRAL SIGNAL GRD
126 R	KNEELING SYSTEM	138	ABS SYSTEM	156 A	ABS SYSTEM	231 A	NEUTRAL COIL RELAY FEED SIGNAL
126 W	5 MPH N.C. SIGNAL (WCL)	138	WORLD TRANSM-RETARDER TEMP	157	ABS SYSTEM	231 W	NEUTRAL SIGNAL GRD (WCL)
126 S	KNEELING SYSTEM	138 A	ABS SYSTEM	157	WORLD TRANSM-SPEEDO SIGNAL	240	DDEC III-ECM 12V FEEDING
126 T	KNEELING SYSTEM	139	ABS SYSTEM	157 A	ABS SYSTEM	241	DDEC III-ECM 12V FEEDING
127	WORLD TRANSM-LUBE PRESS SW.	139	WORLD TRANSM-OUTPUT SPEED HI	157 B	ABS SYSTEM	251 A	DDEC III - DATA LOGGER 12 H.W.
127	PRE-HEAT WATER HEATER	140	ABS SYSTEM	157 D	A.T.C. SYSTEM	251	DDEC III - PRODRIVER 12V H.W.
127 A	PRE-HEAT WATER HEATER	140	WORLD TRANSM-OUTPUT SPEED LO	157 E	A.T.C. SYSTEM	253	GALLEY-MICROWAVE
127 B	PRE-HEAT WATER HEATER	141	ABS SYSTEM	158	WORLD TRANSM-DIMMER	254	GALLEY-12V FRIGO NORCOLD
127	WORLD TRANSM-RETARDER FEED SOL.	141	WORLD TRANSM-ENGINE SPEED HI	160	ALARM & SIGNAL-TAG PRESS SW	254 A	GALLEY-FRIGO
127 S	PRE-HEAT WATER HEATER	142	ABS SYSTEM	160	WORLD TRANSM-SER. INTERFACE (-)	255	GALLEY-COFEEMAKER
127 W	PRE-HEAT WATER HEATER	142	WORLD TRANSM-SERIAL COM. A	161	WORLD TRANSM-SIGNAL GRD	255 A	GALLEY-COFEEMAKER
128	PRE-HEAT WATER HEATER	143	ABS SYSTEM	161 B	WORLD TRANSM-SIGNAL GRD	257	WINDSHIELD HEATED
128 A	PRE-HEAT WATER HEATER	143	WORLD TRANSM-ECU BATTERY GRD	162	WORLD TRANSM-PRESS. SW C3	257 A	WINDSHIELD HEATED
128 B	PRE-HEAT WATER HEATER	143 A	ABS SYSTEM	163	WORLD TRANSM-RETARDER ENABLE	257 B	WINDSHIELD HEATED
128 W	PRE-HEAT WATER HEATER	143 W	WORLD TRANSM-BATTERY GRD	164	WORLD TRANSM-RET. ACTUATOR SIGN	257 C	WINDSHIELD HEATED
128	WORLD TRANSM-SOL. C2	144	ABS SYSTEM	165	A/C & HEAT SYSTEM-TRANSMITER	257 D	WINDSHIELD HEATED SPARE
129	PRE-HEAT WATER HEATER	144	WORLD TRANSM-ECU CHASSIS GRD	165	WORLD TRANSM-OIL LEVEL SIGNAL	257 E	WINDSHIELD HEATED SPARE
129	WORLD TRANSM-SOL. C5	144 A	ABS SYSTEM	165 A	A/C & HEAT SYSTEM-TRANSMITER	258	WINDSHIELD HEATED
130	A/C & HEAT SYSTEM-EVAP FAN MOTOR	145	ABS SYSTEM	165 B	A/C & HEAT SYSTEM-TRANSMITER	258 A	WINDSHIELD HEATED
130	WORLD TRANSM-SOL. GRD 3	146	ABS SYSTEM	165 C	A/C & HEAT SYSTEM-TRANSMITER	259	WINDSHIELD HEATED
131	WORLD TRANSM-SOL. C4	146 A	TRANSMISSION-12V IGNITION	165 D	A/C & HEAT SYSTEM-TRANSMITER	259 A	WINDSHIELD HEATED
132	WORLD TRANSM-ENG BRK OUTPUT (-)	146	WORLD TRANSM-IGNITION SENSE	166 B	A/C & HEAT SYSTEM-EVAP. MOD.	260	WINDOW AJAR
132 W	WORLD TRANSM-ENG BRK OUTPUT (-)	146 W	WORLD TRANSM-12V IGNITION	167	A/C & HEAT SYSTEM-TEMP. CTR	290	FAN CLUTCH RADIATOR
133	GALLEY-HEAT CONTAINERS	146 X	WORLD TRANSM-12V IGNITION	167 A	A/C & HEAT SYSTEM-TEMP. CTR	290	FAN CLUTCH RADIATOR
133 A	GALLEY-HEAT CONTAINERS	147	ABS SYSTEM	168	A/C & HEAT SYSTEM-HUMIDISTAT	291	FAN CLUTCH RADIATOR SPD 1
133 B	GALLEY-HEAT CONTAINERS	147	WORLD TRANSM-OIL TEMP	168	WORLD TRANSM-SER. INTERFACE (+)	292	FAN CLUTCH RADIATOR SPD 2
133 C	GALLEY-HEAT CONTAINERS	147 A	ETHER COLD START & D.R.L.	168 A	A/C & HEAT SYSTEM-HUMIDISTAT	300	DOOR AJAR MAGN.SW. (WCL)
133	WORLD TRANSM-RET. ACTUATOR HI	147 C	ETHER COLD START	170	LUGGAGE DOOR LOCK	300 A	POWER SYSTEM SW. (WCL)

CIRCUIT NUMBER CODE

No.	DESCRIPTION	No.	DESCRIPTION	No.	DESCRIPTION	No.	DESCRIPTION
300B	DOOR AJAR ALARM (WCL)	531	DDEC III-CRUISE CLUTCH RELEASE				
301	POWER SYSTEM SW. (WCL)	540	DDEC III-CRUISE ENABLE LTS.				
302	DOOR AJAR T.T.LT. (WCL)	541	DDEC III-CRUISE SET SW				
302A	DOOR AJAR ALARM SIGN.(WCL)	543	DDEC III-CRUISE STOP SW CUT IN				
302B	DOOR AJAR MAGN.SW. (WCL)	544	DDEC III-CRUISE ON/OFF SW				
303	REMOTE WALL SW. DWN (WCL)	545	DDEC III-CRUISE RESUME SW				
304	REMOTE WALL SW. UP (WCL)	555	DDEC III-FAN CLUTCH SPEED# 1				
305	PARK. BRAKE SOL. VALVE (WCL)	556	DDEC III-VEHICLE SPEED (+)				
305A	PARK. BRAKE SAFETY SW. (WCL)	557	DDEC III-VEHICLE SPEED (-)				
306	CONTROL SYSTEM (WCL RICON)	563	DDEC III-FAN CLUTCH SPEED# 2				
307	CONTROL SYSTEM (WCL RICON)	564	DDEC III-DIGITAL OUTPUT				
308	CONTROL SYSTEM (WCL RICON)	565	DDEC III-ENGINE BRAKE ACTIVE				
309	CONTROL SYSTEM (WCL RICON)	583	DDEC III-ENGINE BRAKE 4 CYL.				
310	EATON TRANSMISSION	900	DDEC III-DATA LINK (+)				
311	EATON TRANSMISSION	901	DDEC III-DATA LINK (-)				
312	EATON TRANSMISSION	908	DDEC III-HYDRAULIC PWM#1 OUTPUT				
313	EATON TRANSMISSION	916	DDEC III-SENSOR SUPPLY (5VDC)				
314	EATON TRANSMISSION	925	J1939-HIGH				
315	EATON TRANSMISSION	926	J1939-LOW				
316	EATON TRANSMISSION - EPL	927	J1939-SHIELD				
317	EATON TRANSMISSION	952	DDEC III-SENSOR RETURN				
318	EATON TRANSMISSION	953	DDEC III-BATTERY GRD				
319	EATON TRANSMISSION	979	DDEC III-ENGINE BRAKE 2 CYL.				
320	EATON TRANSMISSION						
321	EATON TRANSMISSION						
322	EATON TRANSMISSION						
323	EATON TRANSMISSION						
324	EATON TRANSMISSION						
325	EATON TRANSMISSION						
326	EATON TRANSMISSION						
327	EATON TRANSMISSION						
328	EATON TRANSMISSION						
329	EATON TRANSMISSION						
330	EATON TRANSMISSION - EPL						
331	EATON TRANSMISSION - EPL						
332	EATON TRANSMISSION						
333	EATON TRANSMISSION - 12V BATTERY						
334	EATON GENERATION 2						
417	DDEC III-LIMIT SPEED GOVERNOR						
419	DDEC III-CHECK ENGINE LIGHT						
439	DDEC III-12V IGNITION						
440	DDEC III-12V IGNITION						
440A	DDEC III-12V IGNITION						
451	DDEC III-A/C FAN CLUTCH						
505	DDEC III-TACHOMETER DRIVE						
509	DDEC III-STOP ENGINE LIGHT						
510	DDEC III-FAST IDLE SIGNAL						
524	DDEC III-ENGINE BRAKE DISABLE						
525	DDEC III-FAST IDLE SIGNAL						
528	DDEC III-STOP ENG. OVERRIDE						

CIRCUIT NUMBER CODE

No.	DESCRIPTION	No.	DESCRIPTION	No.	DESCRIPTION	No.	DESCRIPTION
BA	INTERIOR LTS-110V FLUORESCENT	SP 17	SPARE-RJB TO ENGINE	SP 117	SPARE-FJB TO U/DASH FLOOR	0 M3	FS - ELECTRICAL MOTOR GRD
BB	INTERIOR LTS-110V FLUORESCENT	SP 18	SPARE-FJB TO RJB	WC	A/C & HEAT SYST-EVAP CTR SIGN	0 M4	FS - ELECTRICAL MOTOR GRD
D 1	SOUND SYSTEM-FR RH SPEAKER	SP 24	SPARE-RJB TO LAVATORY ROOF	YC	INTERIOR LTS-110V FLUORESCENT	0 M5	FS - ELECTRICAL MOTOR GRD
D 2	SOUND SYSTEM-FR RH SPEAKER	SP 25	SPARE-RJB TO LAVATORY ROOF	YD	INTERIOR LTS-110V FLUORESCENT	0 M6	FS - FJB GRD
D 3	SOUND SYSTEM-FR RH SPEAKER	SP 26	SPARE-RJB TO LAVATORY ROOF	0	BC - BAT. CPT CHASSIS GRD	0 M7	FS - ELECTRICAL MOTOR GRD
D 4	SOUND SYSTEM-RR RH SPEAKER	SP 27	SPARE-RJB TO LH HAT RACK	0	CONDENSER CPT GRD	0 M	RS - ENGINE CPT ACCES. GRD
D 5	SOUND SYSTEM-RR RH SPEAKER	SP 28	SPARE-RJB TO LH HAT RACK	0	RS - RR JCT BOX RLY GRD	0 MR	24V DISC. SW. RLY GRD SIGNAL
D 6	SOUND SYSTEM-RR RH SPEAKER	SP 31	SPARE-RJB TO RH HAT RACK	0	GALLEY GRD	0 MS	24V DISC. SW. RLY GRD SIGNAL
D 7	SOUND SYSTEM-RR RH SPEAKER	SP 32	SPARE-RJB TO RH HAT RACK	0 A	BC - SHIELD GRD	0 N	RS - ENGINE CPT ACCES. GRD
D 8	SOUND SYSTEM-RR RH SPEAKER	SP 33	SPARE-FJB TO RJB	0 A	RS - RR JCT BOX RLY GRD	0 P	RS - ENGINE CPT ACCES. GRD
D 3 4	SOUND SYSTEM-RR RH SPEAKER	SP 38	SPARE-FJB TO RJB	0 A	FRS - FR ROOF ACCES. GRD	0 R	FS - SOUND SYS. JCT PANEL GRD
D 6 7	SOUND SYSTEM-RR RH SPEAKER	SP 43	SPARE-FJB TO RJB	0 A	RS - LUG. CPT ACCES. GRD	0 R	RS - RJB GRD
G 1	SOUND SYSTEM-FR LH SPEAKER	SP 45	SPARE-FJB TO RJB	0 A	A/C SYSTEM-EVAP. GRN	0 R	RS - ENGINE CPT ACCES. GRD
G 2	SOUND SYSTEM-FR LH SPEAKER	SP 46	SPARE-RJB TO LH FR ROOF	0 A A	RS - VOLTAGE REGULATOR GRD	0 RE	RADIO & CTRL HEAD CHASSIS GRD
G 3	SOUND SYSTEM-FR LH SPEAKER	SP 48	SPARE-RJB TO DASH CENTER PANEL	0 B	EC - ENGINE GRD	0 RH	RS - RR END LAMPS RH GRD
G 4	SOUND SYSTEM-RR LH SPEAKER	SP 56	SPARE-ENGINE TO RH SW PANEL	0 B	FRS - FR ROOF HEAT WIND GRD	0 S	12 VOLT RUN - GND RELAY
G 5	SOUND SYSTEM-RR LH SPEAKER	SP 57	SPARE-DASH CENTER PANEL TO ENG.	0 B	RS - LUG. CPT ACCES. GRD	0 SA	EC-BOSCH ALT. GROUND
G 6	SOUND SYSTEM-RR LH SPEAKER	SP 58	SPARE-DASH CENTER PANEL TO ENG.	0 B E	RJB - BAT. EQUAL. BAT GRD	0 S2	SOUND SYSTEM RADIO GRD
G 7	SOUND SYSTEM-RR LH SPEAKER	SP 59	SPARE-FJB TO ENGINE	0 C	EC - STARTER MOTOR GRD	0 S3	SOUND SYSTEM VIDEO GRD
G 8	SOUND SYSTEM-RR LH SPEAKER	SP 61	SPARE-FJB TO DASH RH PANEL	0 C	FS - SERV. CPT ACCES. GRD	0 SS	SOUNDS SYSTEM BATT. GRD
G 3 4	SOUND SYSTEM-RR LH SPEAKER	SP 68	SPARE-FJB TO ENGINE	0 C	BC - FAN EVAP. & CONDENSER GRD	0 T	FS - DASH ACCES. GRD
G 6 7	SOUND SYSTEM-RR LH SPEAKER	SP 69	SPARE-FJB TO FR AXLE	0 C R	24V DISC. SW. RLY GRD SIGNAL	0 T1	FS - DASH ACCES. GRD
L 1 A	INTERIOR LTS-110V FLUORESCENT	SP 70	SPARE-FJB TO FR AXLE	0 C S	24V DISC. SW. RLY GRD SIGNAL	0 T2	FS - DASH ACCES. GRD
L 1 B	INTERIOR LTS-110V FLUORESCENT	SP 71	SPARE-FJB TO RH SW PANEL	0 C 1	FS - SERV. CPT ACCES. GRD	0 T3	FS - DASH ACCES. GRD
L 2 A	INTERIOR LTS-110V FLUORESCENT	SP 72	SPARE-FJB TO FR SERV CPT	0 C 2	FS - SERV. CPT ACCES. GRD	0 T4	FS - DASH ACCES. GRD
L 2 B	INTERIOR LTS-110V FLUORESCENT	SP 74	SPARE-FJB TO LH CONSOLE	0 C 3	FS - SERV. CPT ACCES. GRD	0 T5	FS - HVAC DASH MODULE. GRD
L 0	110V RECEPTACLE- 110V FLUOR.	SP 77	SPARE-FJB TO EVAPORATOR CPT	0 C 4	FS - FJB CPT ACCES. GRD	0 V	RR JCT BOX CPT GRD STUD
L 1	110V RECEPTACLE- 110V FLUOR.	SP 78	SPARE-FJB TO CONDENSER CPT	0 D	BC - FAN CONDENSER GRD	0 VA	BATTERY TO EQUALISER 0V
L 2	110V RECEPTACLE- 110V FLUOR.	SP 79	SPARE-FJB TO CONDENSER CPT	0 D	RS - HAT RACK ACCES. LH GRD	0 W	FS - WT GND & SHIELD
RA	INTERIOR LTS-110V FLUORESCENT	SP 87	SPARE-RJB TO LH HAT RACK	0 D F	RS - RR SIDE FLASH & MARK GRD	0 W	RS - RR JCT BOX (WCL) GRD
RB	INTERIOR LTS-110V FLUORESCENT	SP 88	SPARE-RJB TO RH HAT RACK	0 D R	RS - RJB DOCKING LT RESISTORS	0 W C	RS - RR JCT BOX GRD (WCL)
SH 1	SHIELD CHASSIS GRD	SP 92	SPARE-RJB TO CONDENSER CPT	0 E	RS - HAT RACK ACCES. LH GRD	0 X	RS - RR JCT BOX GRD
SH 2	SHIELD CHASSIS GRD	SP 93	SPARE-RJB TO EVAPORATOR CPT	0 E A	EATON TRANSMISSION GRD	0 Y	ABS FR JCT BOX CPT GRD STUD
SH 3	SHIELD CHASSIS GRD	SP 94	SPARE-RJB TO RR ROOF	0 F	RS - HAT RACK ACCES. RH GRD	0 Y	RR JCT BOX GRD
SH 4	SHIELD CHASSIS GRD	SP 95	SPARE-RJB TO RR ROOF	0 G	RS - HAT RACK ACCES. RH GRD	0 Y 1	ABS FR JCT BOX CPT GRD STUD
SP 2	SPARE-FJB TO FR SERV CPT	SP 96	SPARE-RJB TO LUGG CPT #2	0 H	RS - LAVATORY ACCES. GRD	0 Z	RR JCT BOX CPT GRD STUD
SP 3	SPARE-FJB TO CENTER DASH	SP 97	SPARE-RJB TO LUGG CPT #3	0 J	FS - LH CONSOLE SW GRD	0 0	FJB & RJB BATT. GRD
SP 4	SPARE-FJB TO CENTER DASH	SP 98	SPARE-RJB TO LUGG CPT #3	0 J	RS - RR ROOF ACCES. GRD	0 0 A	FBG - T.T.LT. MODULES BATT. GRD
SP 5	SPARE-RJB TO LUGG CPT #2	SP 104	SPARE-RJB TO ENGINE CPT	0 K	RS - RR ROOF ACCES. GRD	0 0 Y	FS - ABS MODULLE BATT. GRD
SP 6	SPARE-RJB TO LUGG CPT #1	SP 105	SPARE-FJB TO ENGINE	0 K	RS - RJB A/C JCT PANEL GRD	0 0 SS	SOUND SYSTEM BATT. GRD
SP 7	SPARE-RJB TO LUGG CPT #1	SP 106	SPARE-RJB TO BATT. CPT.	0 L	FS - FR SERVICE CPT LTS GRD	1	TACHO SYSTEM - RPM SIGNAL +
SP 8	SPARE-RJB TO LUGG CPT #1	SP 107	SPARE-RJB TO BATT. CPT.	0 L 1	FS - FR SERVICE CPT LTS GRD	2 A	A/C & HEAT SYSTEM-COOL 1 SIGN
SP 9	SPARE-RJB TO LUGG CPT #2	SP 108	SPARE-RJB TO BATT. CPT.	0 L 2	FS - FR SERVICE CPT LTS GRD	2 B	A/C & HEAT SYSTEM-COOL SIGN
SP 10	SPARE-RJB TO LUGG CPT #1	SP 109	SPARE-RJB TO ENGINE CPT.	0 L 3	FS - FJB GRD	2 B B	A/C & HEAT SYSTEM-COOL SIGN
SP 11	SPARE-FJB TO RJB	SP 110	SPARE-RJB TO ENGINE CPT.	0 L 4	FS - FJB GRD	2 H	A/C & HEAT SYSTEM-HI PRESS SW
SP 12	SPARE-RJB TO ENGINE	SP 111	SPARE-RJB TO ENGINE CPT.	0 L 5	FS - CIGAR LIGHTER	2 E	A/C & HEAT SYSTEM EVAP CONT
SP 13	SPARE-RJB TO ENGINE	SP 112	SPARE-RJB TO ENGINE CPT.	0 L	RS - ENGINE CPT ACCES. GRD	2 F	A/C & HEAT SYSTEM EVAP CONT
SP 14	SPARE-FJB TO RJB	SP 114	SPARE-FJB TO U/DASH WIPER	0 L	ENTRANCE DOOR (SEDAN) GRD	2 HL	A/C & HEAT SYSTEM-LO & HI PRESS SW
SP 15	SPARE-RJB TO ENGINE	SP 115	SPARE-FJB TO U/DASH WIPER	0 L H	RS - RR END LAMPS LH GRD	2 L	A/C & HEAT SYSTEM-LO PRESS SW
SP 16	SPARE-RJB TO ENGINE	SP 116	SPARE-FJB TO U/DASH FLOOR	0 M	FS - ELECTRICAL MOTOR GRD	4	HOSTESS & PASSENGER CHIME

CIRCUIT NUMBER CODE

No.	DESCRIPTION	No.	DESCRIPTION	No.	DESCRIPTION	No.	DESCRIPTION
4 A	HOSTESS & PASSENGER CHIME	12 F	FR JCT BOX 12V DISC SW	21 A	EXTERIOR LTS-DIRECTIONNAL LH	24 S3	SOUND SYSTEM 24V VIDEO
4 B	PASSENGER CHIME	12 F	RR JCT BOX 12V DISC SW	21 B	EXTERIOR LTS-HAZARD	24 S4	SOUND SYSTEM 24V VIDEO
4 C	HOSTESS CHIME	12 G	FR JCT BOX 12V DISC SW	21 C	EXTERIOR LTS-CORNERING LH	24 SB	SOUND SYSTEM 24V FEEDING
5	INTERIOR LTS-AISLE & EMERG. EXIT	12 H	12 V IGNITION D.T.RUN LIGHT	21 H	EXTERIOR LTS-DIRECTIONNAL LH	24 SS	SOUND SYSTEM 24V FEEDING
5	UPPER WINDSHIELD DEFROSTER	12 J	FR JCT BOX 12V DISC SW	21 K	EXTERIOR LTS-CORNERING	24 R	24 VOLTS FRONT CAMERA SW.
5 D	UPPER WINDSHIELD DEFROSTER	12 I	12V IGNITION DISTRIBUTION	21 N	EXTERIOR LTS-CORNERING LH	24 V2	RR JCT BOX 24V DISC SW
5 E	UPPER WINDSHIELD DEFROSTER	12 I	RR JCT BOX 12V IGNITION	21 P	EXTERIOR LTS-CORNERING LH	24 V3	RR JCT BOX 24V DISC SW
5 N	INTERIOR LTS-EMERGENCY EXIT	12 K	12 VOLT IGN. TTLT & HVAC MODULE	23	EXTERIOR LTS-DIRECTIONNAL RH	24 V4	RR JCT BOX 24V DISC SW
5 NC	SPEED SIGNAL LOWER 5MPH	12 IA	12V IGNITION DISTRIBUTION	23	EXTERIOR LTS-DIRECTIONNAL RH	24 V5	RR JCT BOX 24V DISC SW
5 NO	SPEED SIGNAL HIGHER 5MPH	12 IA	FR JCT BOX 12V IGNITION	23 A	EXTERIOR LTS-DIRECTIONNAL RH	24 VD	24V HOT WIRE DISTRIBUTION
6	INTERIOR LTS-AISLE	12 IB	FR JCT BOX 12V IGNITION	23 B	EXTERIOR LTS-DIRECTIONNAL RH	24 VF	BAT CPT 24V SW TO FJB & IC
7 B	ENTRANCE DOOR (SEDAN)	12 IF	FR JCT BOX 12V IGNITION	23 C	EXTERIOR LTS-CORNERING RH	24 VA	BATTERY TO EQUALIZER 24V
7 D	ENTRANCE DOOR (SEDAN)	12 LX	CLUSTER (12V HOT WIRE)	23 N	EXTERIOR LTS-CORNERING RH	24 VI	RR JCT BOX 24V IGNITION
7 DA	ENTRANCE DOOR (SEDAN)	12 P	LH CONSOLE POWER OUTLET	23 P	EXTERIOR LTS-CORNERING RH	24 VR	BAT CPT 24V DISC SW TO RJB
9	INTERIOR LTS-ENGINE CPT	12 R	BAT CPT 12V DISC RLY TO RJB	24	BAT CPT 24V BATTERY	24 W	RR JCT BOX 24V DISC SW (WCL)
9 A	INTERIOR LTS-ENGINE CPT	12 R	MEMORY BATTERY RADIO	24	FR JCT BOX 24V DISC SW	24 WC	BATT.CPT TO HYD. PUMP (WCL)
9 B	INTERIOR LTS-ENGINE CPT	12 S	SOUND SYSTEM 12V RADIO	24 A	BOOSTER BLOCK 24V DISC SW	24 WL	24V BATTERY-HYD. PUMP (WCL)
9 E	INTERIOR LTS-FR SERVICE CPT	12 S1	SOUND SYSTEM 12V RADIO	24 A	FR JCT BOX 24V DISC SW	25	24 VOLT ALT.SIGNAL MODULE
9 F	INTERIOR LTS-FR SERVICE CPT	12 S1 A	DVD KARAOKE FEEDING	24 A	RR JCT BOX 24V DISC SW	25 A1	PRE-EXITATION ALT. BOSCH #1
10	INTERIOR LTS-LUGGAGE CPT	12 S2	SOUND SYSTEM 12V RADIO	24 B	24V STARTER RLY FEEDING	25 A2	PRE-EXITATION ALT. BOSCH #2
10 A	INTERIOR LTS-LUGGAGE CPT	12 S2 A	DVD KARAOKE FEEDING	24 B	FR JCT BOX 24V DISC SW	25 A	T.T. LT. ALTERNATOR #1
10 B	INTERIOR LTS-LUGGAGE CPT	12 SB	SOUND SYSTEM 12V FEEDING	24 B	RR JCT BOX 24V DISC SW	25 B	12 VOLTS IGN. ALT. SIGNAL MODULE
10 D	INTERIOR LTS-LUGGAGE CPT	12 SS	SOUND SYSTEM 12V FEEDING	24 BC	24 VOLT BATT. CHARGER	25 D	12 V. ENGINE RUN / HVAC SYSTEM
10 F	INTERIOR LTS-LUGGAGE CPT	12 VA	BATTERY TO EQUALIZER 12V	24 BE	RJB CPT-BAT EQ MONITOR HOT WIRE	25 F	12 VOLT IGN. DISTRIBUTION
10 H	INTERIOR LTS-LUGGAGE CPT	12 VD	12V HOT WIRE DISTRIBUTION	24 C	FR JCT BOX 24V DISC SW	25 H	24 VOLT IGN. ALT. BOSCH
10 K	INTERIOR LTS-LUGGAGE CPT	12 VF	BAT CPT 12V FJB & IC	24 C	RR JCT BOX 24V DISC SW	25 K	T.T. LT. ALTERNATOR #2
10 R	INTERIOR LTS-LUGGAGE DOOR AJAR	12 VI	12V IGNITION DISTRIBUTION	24 D	BAT CPT 24V HOT WIRE	26 A	CIGAR LIGHTER
11	FR DESTINATION SIGN	12 VR	BAT CPT 12V DISC RLY TO RJB	24 D	FR JCT BOX 24V HOT WIRE	26	DRIVER'S WINDOW LIFTER
11 A	FR DESTINATION SIGN	12 W	12V BATTERY DDEC III	24 D	RR JCT BOX 24V HOT WIRE	26 B	DRIVER'S WINDOW LIFTER
11 B	FR DESTINATION SIGN	12 W	ENTRANCE DOOR (SEDAN)	24 DA	A/C JCT BOX 24V HOT WIRE	26 C	DRIVER'S WINDOW LIFTER
11 C	FR DESTINATION SIGN	12 WA	ENTRANCE DOOR (SEDAN)	24 E	BAT CPT 24V DISC SW	27	LAVATORY-EMERGENCY SONALERT
11 D	FR DESTINATION SIGN	12 X	FR JCT BOX 12V DISC SW	24 E	FR JCT BOX 24V DISC SW	28 A	A/C & HEAT SYSTEM-HI PRESSURE
11 E	FR DESTINATION SIGN	12 X2	FR JCT BOX 12V DISC SW	24 E	RR JCT BOX 24V DISC SW	29	A/C & HEAT SYSTEM-DRIVER'S HTR
11 K	FR DESTINATION SIGN	12 Y	FR JCT BOX 12V DISC SW	24 F	FR JCT BOX 24V DISC SW	29 A	A/C & HEAT SYSTEM-DRIVER'S HTR
12	12V BAT ELECTRONIC JCT BLOCK	13 A	ALARM & SIGNAL-LO AIR PRIM.	24 F	RR JCT BOX 24V DISC SW	29 B	A/C & HEAT SYSTEM-DRIVER'S HTR
12	BAT CPT 12V BATTERY	13 B	ALARM & SIGNAL-LO AIR SEC.	24 G	FR JCT BOX 24V DISC SW	29 H	HVAC DASH MODULE
12 A	FR JCT BOX 12V DISC SW	14	LAVATORY-FLUSHING PUMP	24 G	RR JCT BOX 24V DISC SW	30 A	GALLEY
12 A	RR JCT BOX 12V DISC SW	14 A	LAVATORY-FLUSHING PUMP	24 H	FR JCT BOX 24V DISC SW	31 A	A/C & HEAT SYSTEM-UNLOADER
12 B	12V BAT ELECTRICAL JCT BLOCK	15	EXTERIOR LTS-MULTI FUNC LEVEL	24 H	RR JCT BOX 24V DISC SW	31 B	A/C & HEAT SYSTEM-UNLOADER
12 B	RR JCT BOX 12V DISC SW	15 A	WIPER & WASHER UPPER WINDSHIELD	24 I	FR JCT BOX 24V IGNITION	31 B	WIPER & WASHER SYSTEM
12 B	FR JCT BOX 12V DISC SW	16	SPEED - SIGNAL +	24 I	RR JCT BOX 24V IGNITION	31 C	WIPER & WASHER SYSTEM
12 BE	BAT. EQUALIZER MONITOR	16 A	SPEED - SIGNAL +	24 IA	FR JCT BOX 24V IGNITION	31 D	WIPER & WASHER SYSTEM
12 C	FR JCT BOX 12V DISC SW	16 T	SPEED - SIGNAL +	24 IB	FR JCT BOX 24V IGNITION	31 E	WIPER & WASHER SYSTEM
12 C	RR JCT BOX 12V HOT WIRE	17	EXTERIOR LTS-FLASHER UNIT	24 IB	RR JCT BOX 24V IGNITION	31 J	WIPER & WASHER SYSTEM
12 CE	RR JCT BOX 12V HOT WIRE	17 A	EXTERIOR LTS-FLASHER UNIT	24 IC	FR JCT BOX 24V IGNITION	31 X	WIPER & WASHER SYSTEM
12 D	BAT CPT 12V BATTERY	19	DIFFERENTIAL OIL TEMP	24 IF	FJB 24VOLT IGNITION	32	EXTERIOR LTS-BACK-UP
12 DT	TTLT MODULE	20	SPEED - SIGNAL -	24 P	FR JCT BOX 24V DISC SW	32 B	EXTERIOR LTS-BACK-UP
12 E	FR JCT BOX 12V DISC SW	20 T	SPEED - SIGNAL -	24 S	24V DISC SW RLY SIGNAL	32 C	BACK-UP PWR & SIGNAL
12 E	RR JCT BOX 12V DISC SW	20 W	SPEED - SIGNAL -	24 S1	SOUND SYSTEM 24V AMPLIFIER	32 D	BACK-UP ALARM
12 F	BAT CPT 12V FJB & IC	21	EXTERIOR LTS-DIRECTIONNAL LH	24 S2	SOUND SYSTEM 24V AMPLIFIER	35	ENTRANCE DOOR (SEDAN)

CIRCUIT NUMBER CODE

No.	DESCRIPTION	No.	DESCRIPTION	No.	DESCRIPTION	No.	DESCRIPTION
35 B	ENTRANCE DOOR (SEDAN)	53 A	WIPER & WASHER SYSTEM	70	INTERIOR LTS-HAT RACK & RR RUN.	91	PARKING BRAKE SW SIGNAL
35 BB	ENTRANCE DOOR (SEDAN)	53 B	WIPER & WASHER SYSTEM	72	SUN VISOR-FEEDING	91 A	DDEC-FAST IDLE SIGNAL
35 D	ENTRANCE DOOR (SEDAN)	53 C	WIPER & WASHER SYSTEM	72 A	SUN VISOR-RH	91 S	SONALERT PARKING BRAKE
36	JACOB BRAKE SYSREM	53 E	WIPER & WASHER SYSTEM	72 B	SUN VISOR-RH	91 W	PARK, BRAKE SW SIGN (WCL)
36 A	JACOB BRAKE SYSREM	53 J	WIPER & WASHER SYSTEM	72 C	SUN VISOR-LH	92	BATTERY EQUALIZER-CHECK BALANCE
38	INTERIOR LTS-24V FLUORESCENT	55	EXTERIOR LTS-HI BEAM	72 D	SUN VISOR-LH	93	BATTERY EQUALIZER-CHECK LO/HI
38 A	INTERIOR LTS-24V FLUORESCENT	57	EXTERIOR LTS-HI BEAM	73	LAVATORY-FEEDING	95 A	ENGINE BRAKE & RETARDER SYSTEM
38 C	INTERIOR LTS-24V FLUORESCENT	57 A	A/C & HEAT SYSTEM-WATER PUMP	74	INTERIOR LTS-READING RH	97	TACHOMETER (-)
38 D	INTERIOR LTS-24V FLUORESCENT	57 A	EXTERIOR LTS-HI BEAM	74 A	INTERIOR LTS-READING RH	100	INTERIOR LTS-GENERAL
39	INTERIOR LTS-24V LH CONSOLE SW	57 B	A/C & HEAT SYSTEM-WATER PUMP	74 D	INTERIOR LTS-READING SIGNAL	100 A	INTERIOR LTS-GENERAL
39 A	INTERIOR LTS-DRIVER'S LTS	57 C	PRE-HEAT WATER HEATER	75	INTERIOR LTS-READING LH	100 B	INTERIOR LTS-GENERAL
39 P	READING LIGHTS	57 CA	A/C & HEAT SYSTEM-HEAT SIGN	75 A	INTERIOR LTS-READING LH	101	24V STARTER SOL FEEDING
41	A/C & HEAT SYSTEM-COND FAN MOT	57 CC	A/C & HEAT SYSTEM-HEAT SIGN	76	FUEL TANK GAUGE	101	WORLD TRANSM-LO SIGN SOL. LO
41 A	A/C & HEAT SYSTEM-COND FAN MOT	58	EXTERIOR LTS-LO BEAM	76 B	LOW FUEL LT & ETHER COLD START	102	WORLD TRANSM-SOL. SUPPLY
41 B	A/C & HEAT SYSTEM-COND FAN MOT	58 A	EXTERIOR LTS-LO BEAM	76 C	LOW FUEL LT	102 A	24V STARTER TO BOSCH ALTERNATOR
42	A/C & HEAT SYSTEM-COND FAN MOT	58 B	EXTERIOR LTS-LO BEAM	76 P	FUEL PRIME PUMP	103	LOW BUOY
42 A	A/C & HEAT SYSTEM-COND FAN MOT	58 E	EXTERIOR LTS-LO BEAM	76 M	FUEL PRIME PUMP	104	WORLD TRANSM-SOL. FORWARD
43	HAT RACK FAN	59 A	JACOB BRAKE SYSTEM	77	A/C & HEAT SYSTEM-HI PRESSURE	105	WORLD TRANSM-RETARDER & SUMP
43 A	HAT RACK FAN	61	EXTERIOR LTS-24V FEED SW	77 A	A/C & HEAT SYSTEM-DRIVER'S HTR	105 W	WORLD TRANSM-RETARDER & SUMP
43 B	HAT RACK FAN	61 A	EXTERIOR LTS-HEAD SIGNAL	77 B	A/C & HEAT SYSTEM-COMPRESSOR	106	WORLD TRANSM-OIL LEVEL HI
43 D	HAT RACK FAN	62	LAVATORY-OCCUPIED LT	77 C	A/C & HEAT SYSTEM-COMPRESSOR	107	WORLD TRANSM-LOCKUP SOL. HI
43 E	HAT RACK FAN	62 A	LAVATORY-FLUOR LT	77 H	A/C & HEAT SYSTEM-COMPRESSOR	108	WORLD TRANSM-REM. PWR WAKE UP
43 F	HAT RACK FAN	62 B	LAVATORY-FLUOR LT	81	EXTERIOR LTS-STOP SW	109	WORLD TRANSM-RET. SOL. LO
43 G	HAT RACK FAN	62 E	LAVATORY-OCCUP & FLUOR LT	82	EXTERIOR LTS-STOP SIGNAL	110	ALARM & SIGNAL-WATER TEMP
44	EXTERIOR LTS-FOG	63	EXTERIOR LTS-CLEARANCE	82 A	EXTERIOR LTS-STOP SIGNAL	110	WORLD TRANSM-LOCKUP SOL. LO
44 A	EXTERIOR LTS-FOG	63 A	EXTERIOR LTS-CLEARANCE	82 B	EXTERIOR LTS-STOP LTS	111	WORLD TRANSM-SOL. C6
44 B	EXTERIOR LTS-FOG	63 B	EXTERIOR LTS-CLEARANCE	82 K	EXTERIOR LTS-STOP PARK BRK	112	WORLD TRANSM-SPARE OUTPUT (+)
44 C	EXTERIOR LTS-FOG & HAZARD	63 C	EXTERIOR LTS-MARKER SIGNAL	82 L	EXTERIOR LTS-LH STOP	113	ALARM & SIGNAL-OIL PRESS
45 B	A/C & HEAT SYSTEM-HEAT SIGN	63 D	EXTERIOR LTS-MARKER & TAIL	82 R	EXTERIOR LTS-LH STOP	113	WORLD TRANSM-REVERSE WARNING
45 D	A/C & HEAT SYSTEM-WATER VALVE	63 E	EXTERIOR LTS-CLEARANCE	83	ENGINE CTR-KEY SW ACCES SIGN	114	INTERIOR LTS-DASH LT REGUL.
45 E	A/C & HEAT SYSTEM-HEAT 1 SIGN	63 F	EXTERIOR LTS-MARKER BLINKER	84	ENGINE CTR-KEY SW ACCES SIGN	114	WORLD TRANSM-SPARE OUTPUT (-)
45 G	A/C & HEAT SYSTEM-DRIVER'S HTR	63 H	EXTERIOR LTS-TAIL	85	ENGINE CTR-KEY SWIGNITION SIGN	114 A	INTERIOR LTS-DASH LT
45 H	A/C & HEAT SYSTEM-DRIVER'S HTR	64	DRIVERS FAN	85	24V IGNITION SIGNAL	114 B	INTERIOR LTS-DASH LT REGUL.
45 W	A/C & HEAT SYSTEM-COND. DOOR AJAR	64 B	DRIVERS FAN	85 A	24V IGN DASH INSTRUMENTATION	114 D	INTERIOR LTS-DASH LT REGUL.
46	EXTERIOR LTS-MARKER	64 C	DRIVERS FAN	85 B	ENGINE CTR-24V IGNITION	114 E	INTERIOR LTS-DASH LT REGUL.
46 A	EXTERIOR LTS-MARKER	65	FOOT DAMPER MOTOR	85 C	PARKING BRAKE SWITCH	115	ALARM & SIGNAL-TAG PRESS
46 B	EXTERIOR LTS-MARKER	65 A	FOOT DAMPER MOTOR	85 F	ENGINE CTR-RR-ENGINE CTR SW IGN	115	DDEC III-COOLANT LEVEL
46 B	EXTERIOR LTS-MARKER	65 P	PASSENGER REC. DAMPER	85 F	LO AIR SONALERT	115	WORLD TRANSM-DO NOT SHIFT SIGN
46 C	EXTERIOR LTS-MARKER	65 D	DRIVER REC. DAMPER	85 W	24V IGN ANTI SKID	115 C	DDEC III-COOLANT LEVEL
47	A/C & HEAT SYSTEM-DRIVER'S HTR	66	O_PASS. ON/OFF	85 X	24V IGN ANTI SKID	115 W	WORLD TRANSM-DO NOT SHIFT SIGN
48	ENTRANCE DOOR (SEDAN)	67	24 VOLT RUN DISTRIBUTION	85 Y	ANTI SKID-WARNING LT	116	WORLD TRANSM-LO SIGNAL SOL. HI
48 A	ENTRANCE DOOR (SEDAN)	67 A	A/C & HEAT SYSTEM	86	ENGINE CTR-STARTER SOL SIGN	116 B	A/C & HEAT SYSTEM-DRIVER'S HTR
49	ENTRANCE DOOR (SEDAN)	67 B	A/C & HEAT SYSTEM	86 A	ENGINE CTR-STARTER SOL SIGN	117	WORLD TRANSM-SPARE INPUT (-)
49 A	ENTRANCE DOOR (SEDAN)	67 C	HEATING WINDSHIELD	88	ENGINE CTR-RR START SIGNAL	117 A	ALARM & SIGNAL-TRANSM OIL TEMP
		67 K	A/C & HEAT SYSTEM-COND FAN CTR	89	ENGINE CTR-RR START SIGNAL	117 A	ALARM & SIGNAL-TRANSM OIL TEMP
52	ALARM & SIGNAL-ELEC. HORN	67 L	A/C & HEAT SYSTEM-COND FAN CTR	90 B	A/C & HEAT SYSTEM-COND FAN MOT	118	WORLD TRANSM-SPARE INPUT (+)
52 A	ALARM & SIGNAL-ELEC. HORN	67 V	A/C & HEAT SYSTEM-WATER VALVE	90 B	ENGINE CTR-MAST KEY SW FEED	119	WORLD TRANSM-ENG BRK INPUT (+)
52 B	ALARM & SIGNAL- AIR HORN	67 X	A/C & HEAT SYSTEM	90 C	A/C & HEAT SYSTEM-COND FAN MOT	120	WORLD TRANSM-SOL. C1
52 C	ALARM & SIGNAL- AIR HORN	68	DASH & DEFROST DAMPER MOTOR	90 F	CHARG SYST-VOLTAGE REGUL. "B"	121	WORLD TRANSM-SOL. GRD 2
53	ALARM & SIGNAL-ELEC. HORN	68 A	DASH & DEFROST DAMPER MOTOR	90 H	A/C & HEAT SYSTEM-EVAP FAN MOT	122	A/C & HEAT SYSTEM-DRIVER'S HTR

CIRCUIT NUMBER CODE

No.	DESCRIPTION	No.	DESCRIPTION	No.	DESCRIPTION	No.	DESCRIPTION
122	A/C & HEAT SYSTEM-FRESH AIR	134	GALLEY-HEAT CONTAINERS	148	ABS SYSTEM	170 C	LUGGAGE DOOR LOCK
122	WORLD TRANSM-SOL. GRD 4	134 A	GALLEY-HEAT CONTAINERS	148	WORLD TRANSM-OUTPUT SPEED LO	170 E	LUGGAGE DOOR LOCK
122 A	A/C & HEAT SYSTEM-FRESH AIR	134	WORLD TRANSM-RET. APPLY SOL. HI	149	ABS SYSTEM	170 H	LUGGAGE DOOR LOCK
123	WORLD TRANSM-NEUTRAL START	135	A/C & HEAT SYSTEM-AIR SENSOR	149	WORLD TRANSM-TURBINE SPEED HI	181 A	THERMOMETER INSIDE SENSOR
123 A	ALARM & SIGNAL-FIRE DETECTOR	135 A	A/C & HEAT SYSTEM-AIR SENSOR	149 A	ABS SYSTEM	181 B	THERMOMETER INSIDE SENSOR
123 B	ALARM & SIGNAL-FIRE DETECTOR	135 D	A/C & HEAT SYSTEM-AIR SENSOR	150	DDEC III-ECM BATTERY GRD	181 C	THERMOMETER OUTSIDE SENSOR
124	WORLD TRANSM-THROTTLE (HI)	135 C	A/C & HEAT SYSTEM-AIR SENSOR	150	WORLD TRANSM-ENGINE SPEED LO	181 D	THERMOMETER OUTSIDE SENSOR
125	WORLD TRANSM-RET. INDICATOR	135	WORLD TRANSM-ANALOG GRD	150 A	DDEC III-ECM BATTERY GRD	197	FUEL WATER FILTER
125	GALLEY LAMP	135 D	WORLD TRANSM-RETARDER RES MOD	151	ABS SYSTEM	197 A	FUEL WATER FILTER
125 T	GALLEY LAMP	135 C	WORLD TRANSM-RETARDER TEMP	151	DDEC III-ECM BATTERY GRD	197 B	FUEL WATER FILTER
125 W	WORLD TRANSM-RET. INDICATOR	136	GALLEY-ACCESSORIES	151	WORLD TRANSM-SERIAL COM. B	198	FILTER FUEL HEATER
126	KNEELING SYSTEM	136	WORLD TRANSM-ECU POWER	151 A	ABS SYSTEM	199	AIR FILTER RESTRICTION SENDER
126 A	KNEELING SYSTEM	136 V	WORLD TRANSM-12V BATTERY	152	ABS SYSTEM	201	WORLD TRANSM-SPARE
126 B	KNEELING SYSTEM	136 W	WORLD TRANSM-12V BATTERY	152 A	ABS SYSTEM	202	WORLD TRANSM-SPARE
126 C	KNEELING SYSTEM	136 X	WORLD TRANSM-12V BATTERY	153	ABS SYSTEM	203	WORLD TRANSM-SPARE
126 D	KNEELING SYSTEM	137	WORLD TRANSM-RETARDER	153	WORLD TRANSM-SPARE INPUT (-)	204	WORLD TRANSM-SPARE
126 E	KNEELING SYSTEM	137 A	MIRROR (SPARTAN & RAMCO)	154	ABS SYSTEM	205	WORLD TRANSM-SPARE
126 F	KNEELING SYSTEM	137 B	RR VIEW MIRROR (SPARTAN)	154	WORLD TRANSM-ABS RET. INPUT	206	WORLD TRANSM-SPARE
126 G	KNEELING SYSTEM	137 C	RR VIEW MIRROR (SPARTAN)	155	ABS SYSTEM	214	WORLD TRANSM-BACK UP SIGNAL
126 H	KNEELING SYSTEM	137 D	RR VIEW MIRROR (SPARTAN)	155	WORLD TRANSM-SPARE INPUT (-)	225	LAVATORY FAN
126 K	KNEELING SYSTEM	137 E	RR VIEW MIRROR (SPARTAN)	156	ABS SYSTEM	225 A	LAVATORY FAN
126 P	KNEELING SYSTEM	137 G	RR VIEW MIRROR (SPARTAN)	156	WORLD TRANSM-THROTTLE POS.	231	NEUTRAL SIGNAL GRD
126 R	KNEELING SYSTEM	138	ABS SYSTEM	156 A	ABS SYSTEM	231 A	NEUTRAL COIL RELAY FEED SIGNAL
126 W	5 MPH N.C. SIGNAL (WCL)	138	WORLD TRANSM-RETARDER TEMP	157	ABS SYSTEM	231 W	NEUTRAL SIGNAL GRD (WCL)
126 S	KNEELING SYSTEM	138 A	ABS SYSTEM	157	WORLD TRANSM-SPEEDO SIGNAL	240	DDEC III-ECM 12V FEEDING
126 T	KNEELING SYSTEM	139	ABS SYSTEM	157 A	ABS SYSTEM	241	DDEC III-ECM 12V FEEDING
127	WORLD TRANSM-LUBE PRESS SW.	139	WORLD TRANSM-OUTPUT SPEED HI	157 B	ABS SYSTEM	251 A	DDEC III - DATA LOGGER 12 H.W.
127	PRE-HEAT WATER HEATER	140	ABS SYSTEM	157 D	A.T.C. SYSTEM	251	DDEC III - PRODRIVER 12V H.W.
127 A	PRE-HEAT WATER HEATER	140	WORLD TRANSM-OUTPUT SPEED LO	157 E	A.T.C. SYSTEM	253	GALLEY-MICROWAVE
127 B	PRE-HEAT WATER HEATER	141	ABS SYSTEM	158	WORLD TRANSM-DIMMER	254	GALLEY-12V FRIGO NORCOLD
127	WORLD TRANSM-RETARDER FEED SOL.	141	WORLD TRANSM-ENGINE SPEED HI	160	ALARM & SIGNAL-TAG PRESS SW	254 A	GALLEY-FRIGO
127 S	PRE-HEAT WATER HEATER	142	ABS SYSTEM	160	WORLD TRANSM-SER. INTERFACE (-)	255	GALLEY-COFEEMAKER
127 W	PRE-HEAT WATER HEATER	142	WORLD TRANSM-SERIAL COM. A	161	WORLD TRANSM-SIGNAL GRD	255 A	GALLEY-COFEEMAKER
128	PRE-HEAT WATER HEATER	143	ABS SYSTEM	161 B	WORLD TRANSM-SIGNAL GRD	257	WINDSHIELD HEATED
128 A	PRE-HEAT WATER HEATER	143	WORLD TRANSM-ECU BATTERY GRD	162	WORLD TRANSM-PRESS. SW C3	257 A	WINDSHIELD HEATED
128 B	PRE-HEAT WATER HEATER	143 A	ABS SYSTEM	163	WORLD TRANSM-RETARDER ENABLE	257 B	WINDSHIELD HEATED
128 W	PRE-HEAT WATER HEATER	143 W	WORLD TRANSM-BATTERY GRD	164	WORLD TRANSM-RET. ACTUATOR SIGN	257 C	WINDSHIELD HEATED
128	WORLD TRANSM-SOL. C2	144	ABS SYSTEM	165	A/C & HEAT SYSTEM-TRANSMITER	257 D	WINDSHIELD HEATED SPARE
129	PRE-HEAT WATER HEATER	144	WORLD TRANSM-ECU CHASSIS GRD	165	WORLD TRANSM-OIL LEVEL SIGNAL	257 E	WINDSHIELD HEATED SPARE
129	WORLD TRANSM-SOL. C5	144 A	ABS SYSTEM	165 A	A/C & HEAT SYSTEM-TRANSMITER	258	WINDSHIELD HEATED
130	A/C & HEAT SYSTEM-EVAP FAN MOTOR	145	ABS SYSTEM	165 B	A/C & HEAT SYSTEM-TRANSMITER	258 A	WINDSHIELD HEATED
130	WORLD TRANSM-SOL. GRD 3	146	ABS SYSTEM	165 C	A/C & HEAT SYSTEM-TRANSMITER	259	WINDSHIELD HEATED
131	WORLD TRANSM-SOL. C4	146 A	TRANSMISSION-12V IGNITION	165 D	A/C & HEAT SYSTEM-TRANSMITER	259 A	WINDSHIELD HEATED
132	WORLD TRANSM-ENG BRK OUTPUT (-)	146	WORLD TRANSM-IGNITION SENSE	166 B	A/C & HEAT SYSTEM-EVAP. MOD.	260	WINDOW AJAR
132 W	WORLD TRANSM-ENG BRK OUTPUT (-)	146 W	WORLD TRANSM-12V IGNITION	167	A/C & HEAT SYSTEM-TEMP. CTR	290	FAN CLUTCH RADIATOR
133	GALLEY-HEAT CONTAINERS	146 X	WORLD TRANSM-12V IGNITION	167 A	A/C & HEAT SYSTEM-TEMP. CTR	290	FAN CLUTCH RADIATOR
133 A	GALLEY-HEAT CONTAINERS	147	ABS SYSTEM	168	A/C & HEAT SYSTEM-HUMIDISTAT	291	FAN CLUTCH RADIATOR SPD 1
133 B	GALLEY-HEAT CONTAINERS	147	WORLD TRANSM-OIL TEMP	168	WORLD TRANSM-SER. INTERFACE (+)	292	FAN CLUTCH RADIATOR SPD 2
133 C	GALLEY-HEAT CONTAINERS	147 A	ETHER COLD START & D.R.L.	168 A	A/C & HEAT SYSTEM-HUMIDISTAT	300	DOOR AJAR MAGN.SW. (WCL)
133	WORLD TRANSM-RET. ACTUATOR HI	147 C	ETHER COLD START	170	LUGGAGE DOOR LOCK	300 A	POWER SYSTEM SW. (WCL)

CIRCUIT NUMBER CODE

No.	DESCRIPTION	No.	DESCRIPTION	No.	DESCRIPTION	No.	DESCRIPTION
300B	DOOR AJAR ALARM (WCL)	531	DDEC III-CRUISE CLUTCH RELEASE				
301	POWER SYSTEM SW. (WCL)	540	DDEC III-CRUISE ENABLE LTS.				
302	DOOR AJAR T.T.LT. (WCL)	541	DDEC III-CRUISE SET SW				
302A	DOOR AJAR ALARM SIGN.(WCL)	543	DDEC III-CRUISE STOP SW CUT IN				
302B	DOOR AJAR MAGN.SW. (WCL)	544	DDEC III-CRUISE ON/OFF SW				
303	REMOTE WALL SW. DWN (WCL)	545	DDEC III-CRUISE RESUME SW				
304	REMOTE WALL SW. UP (WCL)	555	DDEC III-FAN CLUTCH SPEED# 1				
305	PARK. BRAKE SOL. VALVE (WCL)	556	DDEC III-VEHICLE SPEED (+)				
305A	PARK. BRAKE SAFETY SW. (WCL)	557	DDEC III-VEHICLE SPEED (-)				
306	CONTROL SYSTEM (WCL RICON)	563	DDEC III-FAN CLUTCH SPEED# 2				
307	CONTROL SYSTEM (WCL RICON)	564	DDEC III-DIGITAL OUTPUT				
308	CONTROL SYSTEM (WCL RICON)	565	DDEC III-ENGINE BRAKE ACTIVE				
309	CONTROL SYSTEM (WCL RICON)	583	DDEC III-ENGINE BRAKE 4 CYL.				
310	EATON TRANSMISSION	900	DDEC III-DATA LINK (+)				
311	EATON TRANSMISSION	901	DDEC III-DATA LINK (-)				
312	EATON TRANSMISSION	908	DDEC III-HYDRAULIC PWM#1 OUTPUT				
313	EATON TRANSMISSION	916	DDEC III-SENSOR SUPPLY (5VDC)				
314	EATON TRANSMISSION	925	J1939-HIGH				
315	EATON TRANSMISSION	926	J1939-LOW				
316	EATON TRANSMISSION - EPL	927	J1939-SHIELD				
317	EATON TRANSMISSION	952	DDEC III-SENSOR RETURN				
318	EATON TRANSMISSION	953	DDEC III-BATTERY GRD				
319	EATON TRANSMISSION	979	DDEC III-ENGINE BRAKE 2 CYL.				
320	EATON TRANSMISSION						
321	EATON TRANSMISSION						
322	EATON TRANSMISSION						
323	EATON TRANSMISSION						
324	EATON TRANSMISSION						
325	EATON TRANSMISSION						
326	EATON TRANSMISSION						
327	EATON TRANSMISSION						
328	EATON TRANSMISSION						
329	EATON TRANSMISSION						
330	EATON TRANSMISSION - EPL						
331	EATON TRANSMISSION - EPL						
332	EATON TRANSMISSION						
333	EATON TRANSMISSION - 12V BATTERY						
334	EATON GENERATION 2						
417	DDEC III-LIMIT SPEED GOVERNOR						
419	DDEC III-CHECK ENGINE LIGHT						
439	DDEC III-12V IGNITION						
440	DDEC III-12V IGNITION						
440A	DDEC III-12V IGNITION						
451	DDEC III-A/C FAN CLUTCH						
505	DDEC III-TACHOMETER DRIVE						
509	DDEC III-STOP ENGINE LIGHT						
510	DDEC III-FAST IDLE SIGNAL						
524	DDEC III-ENGINE BRAKE DISABLE						
525	DDEC III-FAST IDLE SIGNAL						
528	DDEC III-STOP ENG. OVERRIDE						

CIRCUIT NUMBER CODE

No.	DESCRIPTION	No.	DESCRIPTION	No.	DESCRIPTION	No.	DESCRIPTION
BA	INTERIOR LTS-110V FLUORESCENT	SP 17	SPARE-RJB TO ENGINE	SP 117	SPARE-FJB TO U/DASH FLOOR	0 LH	RS - RR END LAMPS LH GRD
BB	INTERIOR LTS-110V FLUORESCENT	SP 18	SPARE-FJB TO RJB	SP 119	SPARE-RJB TO ENGINE CPT.	0 M	FS - ELECTRICAL MOTOR GRD
D 1	SOUND SYSTEM-FR RH SPEAKER	SP 24	SPARE-RJB TO LAVATORY ROOF	WC	A/C & HEAT SYST-EVAP CTR SIGN	0 M1	FS - ELECTRICAL MOTOR GRD
D 2	SOUND SYSTEM-FR RH SPEAKER	SP 25	SPARE-RJB TO LAVATORY ROOF	YC	INTERIOR LTS-110V FLUORESCENT	0 M3	FS - ELECTRICAL MOTOR GRD
D 3	SOUND SYSTEM-FR RH SPEAKER	SP 26	SPARE-RJB TO LAVATORY ROOF	YD	INTERIOR LTS-110V FLUORESCENT	0 M4	FS - ELECTRICAL MOTOR GRD
D 4	SOUND SYSTEM-RR RH SPEAKER	SP 27	SPARE-RJB TO LH HAT RACK	0	BC - BAT. CPT CHASSIS GRD	0 M5	FS - ELECTRICAL MOTOR GRD
D 5	SOUND SYSTEM-RR RH SPEAKER	SP 28	SPARE-RJB TO LH HAT RACK	0	CONDENSER CPT GRD	0 M6	FS - FJB GRD
D 6	SOUND SYSTEM-RR RH SPEAKER	SP 31	SPARE-RJB TO RH HAT RACK	0	RS - RR JCT BOX RLY GRD	0 M7	FS - ELECTRICAL MOTOR GRD
D 7	SOUND SYSTEM-RR RH SPEAKER	SP 32	SPARE-RJB TO RH HAT RACK	0	GALLEY GRD	0 M	RS - ENGINE CPT ACCES. GRD
D 8	SOUND SYSTEM-RR RH SPEAKER	SP 33	SPARE-FJB TO RJB	0 A	BC - SHIELD GRD	0 MR	24V DISC. SW. RLY GRD SIGNAL
D 3 4	SOUND SYSTEM-RR RH SPEAKER	SP 38	SPARE-FJB TO RJB	0 A	RS - RR JCT BOX RLY GRD	0 MS	24V DISC. SW. RLY GRD SIGNAL
D 6 7	SOUND SYSTEM-RR RH SPEAKER	SP 43	SPARE-FJB TO RJB	0 A	FRS - FR ROOF ACCES. GRD	0 N	RS - ENGINE CPT ACCES. GRD
G 1	SOUND SYSTEM-FR LH SPEAKER	SP 45	SPARE-FJB TO RJB	0 A	RS - LUG. CPT ACCES. GRD	0 P	RS - ENGINE CPT ACCES. GRD
G 2	SOUND SYSTEM-FR LH SPEAKER	SP 46	SPARE-RJB TO LH FR ROOF	0 A	A/C SYSTEM-EVAP. GRN	0 R	FS - SOUND SYS. JCT PANEL GRD
G 3	SOUND SYSTEM-FR LH SPEAKER	SP 48	SPARE-RJB TO DASH CENTER PANEL	0 A A	RS - VOLTAGE REGULATOR GRD	0 R	RS - RJB GRD
G 4	SOUND SYSTEM-RR LH SPEAKER	SP 56	SPARE-ENGINE TO RH SW PANEL	0 B	EC - ENGINE GRD	0 R	RS - ENGINE CPT ACCES. GRD
G 5	SOUND SYSTEM-RR LH SPEAKER	SP 57	SPARE-DASH CENTER PANEL TO ENG.	0 B	FRS - FR ROOF HEAT WIND GRD	0 RE	RADIO & CTRL HEAD CHASSIS GRD
G 6	SOUND SYSTEM-RR LH SPEAKER	SP 58	SPARE-DASH CENTER PANEL TO ENG.	0 B	RS - LUG. CPT ACCES. GRD	0 RH	RS - RR END LAMPS RH GRD
G 7	SOUND SYSTEM-RR LH SPEAKER	SP 59	SPARE-FJB TO ENGINE	0 B E	RJB - BAT. EQUAL. BAT GRD	0 S	12 VOLT RUN - GND RELAY
G 8	SOUND SYSTEM-RR LH SPEAKER	SP 61	SPARE-FJB TO DASH RH PANEL	0 C	EC - STARTER MOTOR GRD	0 SA	EC-BOSCH ALT. GROUND
G 3 4	SOUND SYSTEM-RR LH SPEAKER	SP 68	SPARE-FJB TO ENGINE	0 C	FS - SERV. CPT ACCES. GRD	0 S2	SOUND SYSTEM RADIO GRD
G 6 7	SOUND SYSTEM-RR LH SPEAKER	SP 69	SPARE-FJB TO FR AXLE	0 C	BC - FAN EVAP. & CONDENSER GRD	0 S3	SOUND SYSTEM VIDEO GRD
L 1 A	INTERIOR LTS-110V FLUORESCENT	SP 70	SPARE-FJB TO FR AXLE	0 C R	24V DISC. SW. RLY GRD SIGNAL	0 SS	SOUNDS SYSTEM BATT. GRD
L 1 B	INTERIOR LTS-110V FLUORESCENT	SP 71	SPARE-FJB TO RH SW PANEL	0 C S	24V DISC. SW. RLY GRD SIGNAL	0 T	FS - DASH ACCES. GRD
L 2 A	INTERIOR LTS-110V FLUORESCENT	SP 72	SPARE-FJB TO FR SERV CPT	0 C 1	FS - SERV. CPT ACCES. GRD	0 T 1	FS - DASH ACCES. GRD
L 2 B	INTERIOR LTS-110V FLUORESCENT	SP 74	SPARE-FJB TO LH CONSOLE	0 C 2	FS - SERV. CPT ACCES. GRD	0 T 2	FS - DASH ACCES. GRD
L 0	110V RECEPTACLE- 110V FLUOR.	SP 77	SPARE-FJB TO EVAPORATOR CPT	0 C 3	FS - SERV. CPT ACCES. GRD	0 T 3	FS - DASH ACCES. GRD
L 1	110V RECEPTACLE- 110V FLUOR.	SP 7 8	SPARE-FJB TO CONDENSER CPT	0 C 4	FS - FJB CPT ACCES. GRD	0 T 4	FS - DASH ACCES. GRD
L 2	110V RECEPTACLE- 110V FLUOR.	SP 7 9	SPARE-FJB TO CONDENSER CPT	0 D	BC - FAN CONDENSER GRD	0 T 5	FS - HVAC DASH MODULE. GRD
RA	INTERIOR LTS-110V FLUORESCENT	SP 8 7	SPARE-RJB TO LH HAT RACK	0 D	RS - HAT RACK ACCES. LH GRD	0 V	RR JCT BOX CPT GRD STUD
RB	INTERIOR LTS-110V FLUORESCENT	SP 8 8	SPARE-RJB TO RH HAT RACK	0 D F	RS - RR SIDE FLASH & MARK GRD	0 VA	BATTERY TO EQUALISER 0V
SH 1	SHIELD CHASSIS GRD	SP 9 2	SPARE-RJB TO CONDENSER CPT	0 D R	RS - RJB DOCKING LT RESISTORS	0 W	FS - WT GND & SHIELD
SH 2	SHIELD CHASSIS GRD	SP 9 3	SPARE-RJB TO EVAPORATOR CPT	0 E	RS - HAT RACK ACCES. LH GRD	0 W	RS - RR JCT BOX (WCL) GRD
SH 3	SHIELD CHASSIS GRD	SP 9 4	SPARE-RJB TO RR ROOF	0 E A	EATON TRANSMISSION GRD	0 W C	RS - RR JCT BOX GRD (WCL)
SH 4	SHIELD CHASSIS GRD	SP 9 5	SPARE-RJB TO RR ROOF	0 F	RS - HAT RACK ACCES. RH GRD	0 X	RS - RR JCT BOX GRD
SP 2	SPARE-FJB TO FR SERV CPT	SP 9 6	SPARE-RJB TO LUGG CPT #2	0 G	RS - HAT RACK ACCES. RH GRD	0 Y	ABS FR JCT BOX CPT GRD STUD
SP 3	SPARE-FJB TO CENTER DASH	SP 9 7	SPARE-RJB TO LUGG CPT #3	0 H	RS - LAVATORY ACCES. GRD	0 Y	RR JCT BOX GRD
SP 4	SPARE-FJB TO CENTER DASH	SP 9 8	SPARE-RJB TO LUGG CPT #3	0 J	FS - LH CONSOLE SW GRD	0 Y 1	ABS FR JCT BOX CPT GRD STUD
SP 5	SPARE-RJB TO LUGG CPT #2	SP 1 0 4	SPARE-RJB TO ENGINE CPT	0 J	RS - RR ROOF ACCES. GRD	0 Z	RR JCT BOX CPT GRD STUD
SP 6	SPARE-RJB TO LUGG CPT #1	SP 1 0 5	SPARE-FJB TO ENGINE	0 K	RS - RR ROOF ACCES. GRD	0 0	FJB & RJB BATT. GRD
SP 7	SPARE-RJB TO LUGG CPT #1	SP 1 0 6	SPARE-RJB TO BATT. CPT.	0 K	RS - RJB A/C JCT PANEL GRD	0 0 A	FBG - T.T.LT. MODULES BATT. GRD
SP 8	SPARE-RJB TO LUGG CPT #1	SP 1 0 7	SPARE-RJB TO BATT. CPT.	0 L	FS - FR SERVICE CPT LTS GRD	0 0 Y	FS - ABS MODULLE BATT. GRD
SP 9	SPARE-RJB TO LUGG CPT #2	SP 1 0 8	SPARE-RJB TO BATT. CPT.	0 L 1	FS - FR SERVICE CPT LTS GRD	0 0 SS	SOUND SYSTEM BATT. GRD
SP 1 0	SPARE-RJB TO LUGG CPT #1	SP 1 0 9	SPARE-RJB TO ENGINE CPT.	0 L 2	FS - FR SERVICE CPT LTS GRD	1	TACHO SYSTEM - RPM SIGNAL +
SP 1 1	SPARE-FJB TO RJB	SP 1 1 0	SPARE-FJB TO ENGINE CPT.	0 L 3	FS - FJB GRD	2 A	A/C & HEAT SYSTEM-COOL 1 SIGN
SP 1 2	SPARE-RJB TO ENGINE	SP 1 1 1	SPARE-RJB TO ENGINE CPT.	0 L 4	FS - FJB GRD	2 B	A/C & HEAT SYSTEM-COOL SIGN
SP 1 3	SPARE-RJB TO ENGINE	SP 1 1 2	SPARE-RJB TO ENGINE CPT.	0 L 5	FS - CIGAR LIGHTER	2 BB	A/C & HEAT SYSTEM-COOL SIGN
SP 1 4	SPARE-FJB TO RJB	SP 1 1 4	SPARE-FJB TO U/DASH WIPER	0 L 6	FS - FRONT SERVICE CPT LTS GRD	2 H	A/C & HEAT SYSTEM-HI PRESS SW
SP 1 5	SPARE-RJB TO ENGINE	SP 1 1 5	SPARE-FJB TO U/DASH WIPER	0 L	RS - ENGINE CPT ACCES. GRD	2 E	A/C & HEAT SYSTEM EVAP CONT
SP 1 6	SPARE-RJB TO ENGINE	SP 1 1 6	SPARE-FJB TO U/DASH FLOOR	0 L	ENTRANCE DOOR (SEDAN) GRD	2 F	A/C & HEAT SYSTEM EVAP CONT

CIRCUIT NUMBER CODE

No.	DESCRIPTION	No.	DESCRIPTION	No.	DESCRIPTION	No.	DESCRIPTION
2 HL	A/C & HEAT SYSTEM-LO & HI PRESS SW	12 E	FR JCT BOX 12V DISC SW	20 T	SPEED - SIGNAL -	24 S	24V DISC SW RLY SIGNAL
2 L	A/C & HEAT SYSTEM-LO PRESS SW	12 E	RR JCT BOX 12V DISC SW	20 W	SPEED - SIGNAL -	24 S1	SOUND SYSTEM 24V AMPLIFIER
4	HOSTESS & PASSENGER CHIME	12 F	BAT CPT 12V FJB & IC	21	EXTERIOR LTS-DIRECTIONAL LH	24 S2	SOUND SYSTEM 24V AMPLIFIER
4 A	HOSTESS & PASSENGER CHIME	12 F	FR JCT BOX 12V DISC SW	21 A	EXTERIOR LTS-DIRECTIONAL LH	24 S3	SOUND SYSTEM 24V VIDEO
4 B	PASSENGER CHIME	12 F	RR JCT BOX 12V DISC SW	21 B	EXTERIOR LTS-DIRECTIONAL LH	24 S4	SOUND SYSTEM 24V VIDEO
4 C	HOSTESS CHIME	12 G	FR JCT BOX 12V DISC SW	21 C	EXTERIOR LTS-CORNERING LH	24 SB	SOUND SYSTEM 24V FEEDING
5	INTERIOR LTS-AISLE & EMERG. EXIT	12 H	12 V IGNITION D.T.RUN LIGHT	21 H	EXTERIOR LTS-DIRECTIONAL LH	24 SS	SOUND SYSTEM 24V FEEDING
5	UPPER WINDSHIELD DEFROSTER	12 J	FR JCT BOX 12V DISC SW	21 K	EXTERIOR LTS-CORNERING	24 R	24 VOLTS FRONT CAMERA SW.
5 D	UPPER WINDSHIELD DEFROSTER	12 I	12V IGNITION DISTRIBUTION	21 N	EXTERIOR LTS-CORNERING LH	24 V2	RR JCT BOX 24V DISC SW
5 E	UPPER WINDSHIELD DEFROSTER	12 I	RR JCT BOX 12V IGNITION	21 P	EXTERIOR LTS-CORNERING LH	24 V3	RR JCT BOX 24V DISC SW
5 N	INTERIOR LTS-EMERGENCY EXIT	12 K	12 VOLT IGN. TTLT & HVAC MODULE	23	EXTERIOR LTS-DIRECTIONAL RH	24 V4	RR JCT BOX 24V DISC SW
5 NC	SPEED SIGNAL LOWER 5MPH	12 IA	12V IGNITION DISTRIBUTION	23	EXTERIOR LTS-DIRECTIONAL RH	24 V5	RR JCT BOX 24V DISC SW
5 NO	SPEED SIGNAL HIGHER 5MPH	12 IA	FR JCT BOX 12V IGNITION	23 A	EXTERIOR LTS-DIRECTIONAL RH	24 VD	24V HOT WIRE DISTRIBUTION
6	INTERIOR LTS-AISLE	12 IB	FR JCT BOX 12V IGNITION	23 B	EXTERIOR LTS-DIRECTIONAL RH	24 VF	BAT CPT 24V SW TO FJB & IC
7 B	ENTRANCE DOOR (SEDAN)	12 IF	FR JCT BOX 12V IGNITION	23 C	EXTERIOR LTS-CORNERING RH	24 VA	BATTERY TO EQUALIZER 24V
7 D	ENTRANCE DOOR (SEDAN)	12 LX	CLUSTER (12V HOT WIRE)	23 N	EXTERIOR LTS-CORNERING RH	24 VI	RR JCT BOX 24V IGNITION
7 DA	ENTRANCE DOOR (SEDAN)	12 P	LH CONSOLE POWER OUTLET	23 P	EXTERIOR LTS-CORNERING RH	24 VR	BAT CPT 24V DISC SW TO RJB
9	INTERIOR LTS-ENGINE CPT	12 R	BAT CPT 12V DISC RLY TO RJB	24	BAT CPT 24V BATTERY	24 W	RR JCT BOX 24V DISC SW (WCL)
9 A	INTERIOR LTS-ENGINE CPT	12 R	MEMORY BATTERY RADIO	24	FR JCT BOX 24V DISC SW	24 WC	BATT.CPT TO HYD. PUMP (WCL)
9 B	INTERIOR LTS-ENGINE CPT	12 S	SOUND SYSTEM 12V RADIO	24 A	BOOSTER BLOCK 24V DISC SW	24 WL	24V BATTERY-HYD. PUMP (WCL)
9 E	INTERIOR LTS-FR SERVICE CPT	12 S1	SOUND SYSTEM 12V RADIO	24 A	FR JCT BOX 24V DISC SW	25	24 VOLT ALT.SIGNAL MODULE
9 F	INTERIOR LTS-FR SERVICE CPT	12 S1 A	DVD KARAOKE FEEDING	24 A	RR JCT BOX 24V DISC SW	25 A1	PRE-EXITATION ALT. BOSCH #1
10	INTERIOR LTS-LUGGAGE CPT	12 S2	SOUND SYSTEM 12V RADIO	24 B	24V STARTER RLY FEEDING	25 A2	PRE-EXITATION ALT. BOSCH #2
10 A	INTERIOR LTS-LUGGAGE CPT	12 S2 A	DVD KARAOKE FEEDING	24 B	FR JCT BOX 24V DISC SW	25 A	T.T. LT. ALTERNATOR #1
10 B	INTERIOR LTS-LUGGAGE CPT	12 SB	SOUND SYSTEM 12V FEEDING	24 B	RR JCT BOX 24V DISC SW	25 B	12 VOLTS IGN. ALT. SIGNAL MODULE
10 D	INTERIOR LTS-LUGGAGE CPT	12 SS	SOUND SYSTEM 12V FEEDING	24 BC	24 VOLT BATT. CHARGER	25 D	12 V. ENGINE RUN / HVAC SYSTEM
10 F	INTERIOR LTS-LUGGAGE CPT	12 VA	BATTERY TO EQUALIZER 12V	24 BE	RJB CPT-BAT EQ MONITOR HOT WIRE	25 F	12 VOLT IGN. DISTRIBUTION
10 H	INTERIOR LTS-LUGGAGE CPT	12 VD	12V HOT WIRE DISTRIBUTION	24 C	FR JCT BOX 24V DISC SW	25 H	24 VOLT IGN. ALT. BOSCH
10 K	INTERIOR LTS-LUGGAGE CPT	12 VF	BAT CPT 12V FJB & IC	24 C	RR JCT BOX 24V DISC SW	25 K	T.T. LT. ALTERNATOR #2
10 R	INTERIOR LTS-LUGGAGE DOOR AJAR	12 VI	12V IGNITION DISTRIBUTION	24 D	BAT CPT 24V HOT WIRE	26 A	CIGAR LIGHTER
11	FR DESTINATION SIGN	12 VR	BAT CPT 12V DISC RLY TO RJB	24 D	FR JCT BOX 24V HOT WIRE	26	DRIVER'S WINDOW LIFTER
11 A	FR DESTINATION SIGN	12 W	12V BATTERY DDEC III	24 D	RR JCT BOX 24V HOT WIRE	26 B	DRIVER'S WINDOW LIFTER
11 B	FR DESTINATION SIGN	12 W	ENTRANCE DOOR (SEDAN)	24 DA	A/C JCT BOX 24V HOT WIRE	26 C	DRIVER'S WINDOW LIFTER
11 C	FR DESTINATION SIGN	12 WA	ENTRANCE DOOR (SEDAN)	24 E	BAT CPT 24V DISC SW	27	LAVATORY-EMERGENCY SONALERT
11 D	FR DESTINATION SIGN	12 X	FR JCT BOX 12V DISC SW	24 E	FR JCT BOX 24V DISC SW	28 A	A/C & HEAT SYSTEM-HI PRESSURE
11 E	FR DESTINATION SIGN	12 X2	FR JCT BOX 12V DISC SW	24 E	RR JCT BOX 24V DISC SW	29	A/C & HEAT SYSTEM-DRIVER'S HTR
11 K	FR DESTINATION SIGN	12 Y	FR JCT BOX 12V DISC SW	24 F	FR JCT BOX 24V DISC SW	29 A	A/C & HEAT SYSTEM-DRIVER'S HTR
12	12V BAT ELECTRONIC JCT BLOCK	13 A	ALARM & SIGNAL-LO AIR PRIM.	24 F	RR JCT BOX 24V DISC SW	29 B	A/C & HEAT SYSTEM-DRIVER'S HTR
12	BAT CPT 12V BATTERY	13 B	ALARM & SIGNAL-LO AIR SEC.	24 G	FR JCT BOX 24V DISC SW	29 H	HVAC DASH MODULE
12 A	FR JCT BOX 12V DISC SW	14	LAVATORY-FLUSHING PUMP	24 G	RR JCT BOX 24V DISC SW	30 A	GALLEY
12 A	RR JCT BOX 12V DISC SW	14 A	LAVATORY-FLUSHING PUMP	24 H	FR JCT BOX 24V DISC SW	31 A	A/C & HEAT SYSTEM-UNLOADER
12 B	12V BAT ELECTRICAL JCT BLOCK	15	EXTERIOR LTS-MULTI FUNC LEVEL	24 H	RR JCT BOX 24V DISC SW	31 B	A/C & HEAT SYSTEM-UNLOADER
12 B	RR JCT BOX 12V DISC SW	15 A	WIPER & WASHER UPPER WINDSHIELD	24 I	FR JCT BOX 24V IGNITION	31 B	WIPER & WASHER SYSTEM
12 B	FR JCT BOX 12V DISC SW	16	SPEED - SIGNAL +	24 I	RR JCT BOX 24V IGNITION	31 C	WIPER & WASHER SYSTEM
12 BE	BAT. EQUALIZER MONITOR	16 A	SPEED - SIGNAL +	24 IA	FR JCT BOX 24V IGNITION	31 D	WIPER & WASHER SYSTEM
12 C	FR JCT BOX 12V DISC SW	16 T	SPEED - SIGNAL +	24 IB	FR JCT BOX 24V IGNITION	31 E	WIPER & WASHER SYSTEM
12 C	RR JCT BOX 12V HOT WIRE	17	EXTERIOR LTS-FLASHER UNIT	24 IB	RR JCT BOX 24V IGNITION	31 J	WIPER & WASHER SYSTEM
12 CE	RR JCT BOX 12V HOT WIRE	17 A	EXTERIOR LTS-FLASHER UNIT	24 IC	FR JCT BOX 24V IGNITION	31 X	WIPER & WASHER SYSTEM
12 D	BAT CPT 12V BATTERY	19	DIFFERENTIAL OIL TEMP	24 IF	FJB 24VOLT IGNITION	32	EXTERIOR LTS-BACK-UP
12 DT	TTLT MODULE	20	SPEED - SIGNAL -	24 P	FR JCT BOX 24V DISC SW	32 B	EXTERIOR LTS-BACK-UP

CIRCUIT NUMBER CODE

No.	DESCRIPTION	No.	DESCRIPTION	No.	DESCRIPTION	No.	DESCRIPTION
32 C	BACK-UP PWR & SIGNAL	52 B	ALARM & SIGNAL- AIR HORN	67 X	A/C & HEAT SYSTEM	90 C	A/C & HEAT SYSTEM-COND FAN MOT
32 D	BACK-UP ALARM	52 C	ALARM & SIGNAL- AIR HORN	68	DASH & DEFROST DAMPER MOTOR	90 F	CHARG SYST-VOLTAGE REGUL. "B"
35	ENTRANCE DOOR (SEDAN)	53	ALARM & SIGNAL-ELEC. HORN	68 A	DASH & DEFROST DAMPER MOTOR	90 H	A/C & HEAT SYSTEM-EVAP FAN MOT
35 B	ENTRANCE DOOR (SEDAN)	53 A	WIPER & WASHER SYSTEM	70	INTERIOR LTS-HAT RACK & RR RUN.	91	PARKING BRAKE SW SIGNAL
35 BB	ENTRANCE DOOR (SEDAN)	53 B	WIPER & WASHER SYSTEM	72	SUN VISOR-FEEDING	91 A	DDEC-FAST IDLE SIGNAL
35 D	ENTRANCE DOOR (SEDAN)	53 C	WIPER & WASHER SYSTEM	72 A	SUN VISOR-RH	91 S	SONALERT PARKING BRAKE
36	JACOB BRAKE SYSREM	53 E	WIPER & WASHER SYSTEM	72 B	SUN VISOR-RH	91 W	PARK, BRAKE SW SIGN (WCL)
36 A	JACOB BRAKE SYSREM	53 J	WIPER & WASHER SYSTEM	72 C	SUN VISOR-LH	92	BATTERY EQUALIZER-CHECK BALANCE
38	INTERIOR LTS-24V FLUORESCENT	55	EXTERIOR LTS-HI BEAM	72 D	SUN VISOR-LH	93	BATTERY EQUALIZER-CHECK LO/HI
38 A	INTERIOR LTS-24V FLUORESCENT	57	EXTERIOR LTS-HI BEAM	73	LAVATORY-FEEDING	95 A	ENGINE BRAKE & RETARDER SYSTEM
38 C	INTERIOR LTS-24V FLUORESCENT	57 A	A/C & HEAT SYSTEM-WATER PUMP	74	INTERIOR LTS-READING RH	97	TACHOMETER (-)
38 D	INTERIOR LTS-24V FLUORESCENT	57 A	EXTERIOR LTS-HI BEAM	74 A	INTERIOR LTS-READING RH	100	INTERIOR LTS-GENERAL
39	INTERIOR LTS-24V LH CONSOLE SW	57 B	A/C & HEAT SYSTEM-WATER PUMP	74 D	INTERIOR LTS-READING SIGNAL	100 A	INTERIOR LTS-GENERAL
39 A	INTERIOR LTS-DRIVER'S LTS	57 C	PRE-HEAT WATER HEATER	75	INTERIOR LTS-READING LH	100 B	INTERIOR LTS-GENERAL
39 P	READING LIGHTS	57 C A	A/C & HEAT SYSTEM-HEAT SIGN	75 A	INTERIOR LTS-READING LH	101	24V STARTER SOL FEEDING
41	A/C & HEAT SYSTEM-COND FAN MOT	57 C C	A/C & HEAT SYSTEM-HEAT SIGN	76	FUEL TANK GAUGE	101	WORLD TRANSM-LO SIGNAL LO
41 A	A/C & HEAT SYSTEM-COND FAN MOT	58	EXTERIOR LTS-LO BEAM	76 B	LOW FUEL LT & ETHER COLD START	102	WORLD TRANSM-SOL. SUPPLY
41 B	A/C & HEAT SYSTEM-COND FAN MOT	58 A	EXTERIOR LTS-LO BEAM	76 C	LOW FUEL LT	102 A	24V STARTER TO BOSCH ALTERNATOR
42	A/C & HEAT SYSTEM-COND FAN MOT	58 B	EXTERIOR LTS-LO BEAM	76 P	FUEL PRIME PUMP	103	LOW BUOY
42 A	A/C & HEAT SYSTEM-COND FAN MOT	58 E	EXTERIOR LTS-LO BEAM	76 M	FUEL PRIME PUMP	104	WORLD TRANSM-SOL. FORWARD
43	HAT RACK FAN	59 A	JACOB BRAKE SYSTEM	77	A/C & HEAT SYSTEM-HI PRESSURE	105	WORLD TRANSM-RETARDER & SUMP
43 A	HAT RACK FAN	61	EXTERIOR LTS-24V FEED SW	77 A	A/C & HEAT SYSTEM-DRIVER'S HTR	105 W	WORLD TRANSM-RETARDER & SUMP
43 B	HAT RACK FAN	61 A	EXTERIOR LTS-HEAD SIGNAL	77 B	A/C & HEAT SYSTEM-COMPRESSOR	106	WORLD TRANSM-OIL LEVEL HI
43 D	HAT RACK FAN	62	LAVATORY-OCCUPIED LT	77 C	A/C & HEAT SYSTEM-COMPRESSOR	107	WORLD TRANSM-LOCKUP SOL. HI
43 E	HAT RACK FAN	62 A	LAVATORY-FLUOR LT	77 H	A/C & HEAT SYSTEM-COMPRESSOR	108	WORLD TRANSM-REM. PWR WAKE UP
43 F	HAT RACK FAN	62 B	LAVATORY-FLUOR LT	81	EXTERIOR LTS-STOP SW	109	WORLD TRANSM-RET. SOL. LO
43 G	HAT RACK FAN	62 E	LAVATORY-OCCUP & FLUOR LT	82	EXTERIOR LTS-STOP SIGNAL	110	ALARM & SIGNAL-WATER TEMP
44	EXTERIOR LTS-FOG	63	EXTERIOR LTS-CLEARANCE	82 A	EXTERIOR LTS-STOP SIGNAL	110	WORLD TRANSM-LOCKUP SOL. LO
44 A	EXTERIOR LTS-FOG	63 A	EXTERIOR LTS-CLEARANCE	82 B	EXTERIOR LTS-STOP LTS	111	WORLD TRANSM-SOL. C6
44 B	EXTERIOR LTS-FOG	63 B	EXTERIOR LTS-CLEARANCE	82 K	EXTERIOR LTS-STOP PARK BRK	112	WORLD TRANSM-SPARE OUTPUT (+)
44 C	EXTERIOR LTS-FOG & HAZARD	63 C	EXTERIOR LTS-MARKER SIGNAL	82 L	EXTERIOR LTS-LH STOP	113	ALARM & SIGNAL-OIL PRESS
45 B	A/C & HEAT SYSTEM-HEAT SIGN	63 D	EXTERIOR LTS-MARKER & TAIL	82 R	EXTERIOR LTS-LH STOP	113	WORLD TRANSM-REVERSE WARNING
45 D	A/C & HEAT SYSTEM-WATER VALVE	63 E	EXTERIOR LTS-CLEARANCE	83	ENGINE CTR-KEY SW ACCES SIGN	114	INTERIOR LTS-DASH LT REGUL.
45 E	A/C & HEAT SYSTEM-HEAT 1 SIGN	63 F	EXTERIOR LTS-MARKER BLINKER	84	ENGINE CTR-KEY SW ACCES SIGN	114	WORLD TRANSM-SPARE OUTPUT (-)
45 G	A/C & HEAT SYSTEM-DRIVER'S HTR	63 H	EXTERIOR LTS-TAIL	85	ENGINE CTR-KEY SWIGNITION SIGN	114 A	INTERIOR LTS-DASH LT
45 H	A/C & HEAT SYSTEM-DRIVER'S HTR	64	DRIVERS FAN	85	24V IGNITION SIGNAL	114 B	INTERIOR LTS-DASH LT REGUL.
45 W	A/C & HEAT SYSTEM-COND. DOOR AJAR	64 B	DRIVERS FAN	85 A	24V IGN DASH INSTRUMENTATION	114 D	INTERIOR LTS-DASH LT REGUL.
46	EXTERIOR LTS-MARKER	64 C	DRIVERS FAN	85 B	ENGINE CTR-24V IGNITION	114 E	INTERIOR LTS-DASH LT REGUL.
46 A	EXTERIOR LTS-MARKER	65	FOOT DAMPER MOTOR	85 C	PARKING BRAKE SWITCH	115	ALARM & SIGNAL-TAG PRESS
46 B	EXTERIOR LTS-MARKER	65 A	FOOT DAMPER MOTOR	85 F	ENGINE CTR-ENGINE CTR SW IGN	115	DDEC III-COOLANT LEVEL
46 B	EXTERIOR LTS-MARKER	65 P	PASSENGER REC. DAMPER	85 F	LO AIR SONALERT	115	WORLD TRANSM-DO NOT SHIFT SIGN
46 C	EXTERIOR LTS-MARKER	65 D	DRIVER REC. DAMPER	85 W	24V IGN ANTI SKID	115 C	DDEC III-COOLANT LEVEL
47	A/C & HEAT SYSTEM-DRIVER'S HTR	66	O_PASS. ON/OFF	85 X	24V IGN ANTI SKID	115 W	WORLD TRANSM-DO NOT SHIFT SIGN
48	ENTRANCE DOOR (SEDAN)	67	24 VOLT RUN DISTRIBUTION	85 Y	ANTI SKID-WARNING LT	116	WORLD TRANSM-LO SIGNAL SOL. HI
48 A	ENTRANCE DOOR (SEDAN)	67 A	A/C & HEAT SYSTEM	86	ENGINE CTR-STARTER SOL SIGN	116 B	A/C & HEAT SYSTEM-DRIVER'S HTR
49	ENTRANCE DOOR (SEDAN)	67 B	A/C & HEAT SYSTEM	86 A	ENGINE CTR-STARTER SOL SIGN	117	WORLD TRANSM-SPARE INPUT (-)
49 A	ENTRANCE DOOR (SEDAN)	67 C	HEATING WINDSHIELD	88	ENGINE CTR-RR START SIGNAL	117 A	ALARM & SIGNAL-TRANSM OIL TEMP
		67 K	A/C & HEAT SYSTEM-COND FAN CTR	89	ENGINE CTR-RR START SIGNAL	117 A	ALARM & SIGNAL-TRANSM OIL TEMP
52	ALARM & SIGNAL-ELEC. HORN	67 L	A/C & HEAT SYSTEM-COND FAN CTR	90 B	A/C & HEAT SYSTEM-COND FAN MOT	118	WORLD TRANSM-SPARE INPUT (+)
52 A	ALARM & SIGNAL-ELEC. HORN	67 V	A/C & HEAT SYSTEM-WATER VALVE	90 B	ENGINE CTR-MAST KEY SW FEED	119	WORLD TRANSM-ENG BRK INPUT (+)

CIRCUIT NUMBER CODE

No.	DESCRIPTION	No.	DESCRIPTION	No.	DESCRIPTION	No.	DESCRIPTION
120	WORLD TRANSM-SOL. C1	134 A	GALLEY-HEAT CONTAINERS	148	WORLD TRANSM-OUTPUT SPEED LO	170 E	LUGGAGE DOOR LOCK
121	WORLD TRANSM-SOL. GRD 2	134	WORLD TRANSM-RET. APPLY SOL. HI	149	ABS SYSTEM	170 H	LUGGAGE DOOR LOCK
122	A/C & HEAT SYSTEM-DRIVER'S HTR	135	A/C & HEAT SYSTEM-AIR SENSOR	149	WORLD TRANSM-TURBINE SPEED HI	181 A	THERMOMETER INSIDE SENSOR
122	A/C & HEAT SYSTEM-FRESH AIR	135 A	A/C & HEAT SYSTEM-AIR SENSOR	149 A	ABS SYSTEM	181 B	THERMOMETER INSIDE SENSOR
122	WORLD TRANSM-SOL. GRD 4	135 D	A/C & HEAT SYSTEM-AIR SENSOR	150	DDEC III-ECM BATTERY GRD	181 C	THERMOMETER OUTSIDE SENSOR
122 A	A/C & HEAT SYSTEM-FRESH AIR	135 C	A/C & HEAT SYSTEM-AIR SENSOR	150	WORLD TRANSM-ENGINE SPEED LO	181 D	THERMOMETER OUTSIDE SENSOR
123	WORLD TRANSM-NEUTRAL START	135	WORLD TRANSM-ANALOG GRD	150 A	DDEC III-ECM BATTERY GRD	197	FUEL WATER FILTER
123 A	ALARM & SIGNAL-FIRE DETECTOR	135 D	WORLD TRANSM-RETARDER RES MOD	151	ABS SYSTEM	197 A	FUEL WATER FILTER
123 B	ALARM & SIGNAL-FIRE DETECTOR	135 C	WORLD TRANSM-RETARDER TEMP	151	DDEC III-ECM BATTERY GRD	197 B	FUEL WATER FILTER
124	WORLD TRANSM-THROTTLE (HI)	136	GALLEY-ACCESSORIES	151	WORLD TRANSM-SERIAL COM. B	198	FILTER FUEL HEATER
125	WORLD TRANSM-RET. INDICATOR	136	WORLD TRANSM-ECU POWER	151 A	ABS SYSTEM	199	AIR FILTER RESTRICTION SENDER
125	GALLEY LAMP	136 V	WORLD TRANSM-12V BATTERY	152	ABS SYSTEM	201	WORLD TRANSM-SPARE
125 T	GALLEY LAMP	136 W	WORLD TRANSM-12V BATTERY	152 A	ABS SYSTEM	202	WORLD TRANSM-SPARE
125 W	WORLD TRANSM-RET. INDICATOR	136 X	WORLD TRANSM-12V BATTERY	153	ABS SYSTEM	203	WORLD TRANSM-SPARE
126	KNEELING SYSTEM	137	WORLD TRANSM-RETARDER	153	WORLD TRANSM-SPARE INPUT (-)	204	WORLD TRANSM-SPARE
126 A	KNEELING SYSTEM	137 A	MIRROR (SPARTAN & RAMCO)	154	ABS SYSTEM	205	WORLD TRANSM-SPARE
126 B	KNEELING SYSTEM	137 B	RR VIEW MIRROR (SPARTAN)	154	WORLD TRANSM-ABS RET. INPUT	206	WORLD TRANSM-SPARE
126 C	KNEELING SYSTEM	137 C	RR VIEW MIRROR (SPARTAN)	155	ABS SYSTEM	214	WORLD TRANSM-BACK UP SIGNAL
126 D	KNEELING SYSTEM	137 D	RR VIEW MIRROR (SPARTAN)	155	WORLD TRANSM-SPARE INPUT (-)	225	LAVATORY FAN
126 E	KNEELING SYSTEM	137 E	RR VIEW MIRROR (SPARTAN)	156	ABS SYSTEM	225 A	LAVATORY FAN
126 F	KNEELING SYSTEM	137 G	RR VIEW MIRROR (SPARTAN)	156	WORLD TRANSM-THROTTLE POS.	231	NEUTRAL SIGNAL GRD
126 G	KNEELING SYSTEM	138	ABS SYSTEM	156 A	ABS SYSTEM	231 A	NEUTRAL COIL RELAY FEED SIGNAL
126 H	KNEELING SYSTEM	138	WORLD TRANSM-RETARDER TEMP	157	ABS SYSTEM	231 W	NEUTRAL SIGNAL GRD (WCL)
126 K	KNEELING SYSTEM	138 A	ABS SYSTEM	157	WORLD TRANSM-SPEEDO SIGNAL	240	DDEC III-ECM 12V FEEDING
126 P	KNEELING SYSTEM	139	ABS SYSTEM	157 A	ABS SYSTEM	241	DDEC III-ECM 12V FEEDING
126 R	KNEELING SYSTEM	139	WORLD TRANSM-OUTPUT SPEED HI	157 B	ABS SYSTEM	251 A	DDEC III - DATA LOGGER 12 H.W.
126 W	5 MPH N.C. SIGNAL (WCL)	140	ABS SYSTEM	157 D	A.T.C. SYSTEM	251	DDEC III - PRODRIVER 12V H.W.
126 S	KNEELING SYSTEM	140	WORLD TRANSM-OUTPUT SPEED LO	157 E	A.T.C. SYSTEM	253	GALLEY-MICROWAVE
126 T	KNEELING SYSTEM	141	ABS SYSTEM	158	WORLD TRANSM-DIMMER	254	GALLEY-12V FRIGO NORCOLD
127	WORLD TRANSM-LUBE PRESS SW.	141	WORLD TRANSM-ENGINE SPEED HI	160	ALARM & SIGNAL-TAG PRESS SW	254 A	GALLEY-FRIGO
127	WORLD TRANSM-RETARDER FEED SOL.	142	ABS SYSTEM	160	WORLD TRANSM-SER. INTERFACE (-)	255	GALLEY-COFEEMAKER
127	POWER- PRE-HEAT WATER HEATER	142	WORLD TRANSM-SERIAL COM. A	161	WORLD TRANSM-SIGNAL GRD	255 A	GALLEY-COFEEMAKER
127 A	PRE-HEAT WATER HEATER	143	ABS SYSTEM	161 B	WORLD TRANSM-SIGNAL GRD	257	WINDSHIELD HEATED
128 A	PRE-HEAT WATER HEATER	143	WORLD TRANSM-ECU BATTERY GRD	162	WORLD TRANSM-PRESS. SW C3	257 A	WINDSHIELD HEATED
128 B	PRE-HEAT - BURNER ON SIGNAL	143 A	ABS SYSTEM	163	WORLD TRANSM-RETARDER ENABLE	257 B	WINDSHIELD HEATED
128	WORLD TRANSM-SOL. C2	143 W	WORLD TRANSM-BATTERY GRD	164	WORLD TRANSM-RET. ACTUATOR SIGN	257 C	WINDSHIELD HEATED
129	POWER- PRE-HEAT WATER HEATER	144	ABS SYSTEM	165	A/C & HEAT SYSTEM-TRANSMITER	257 D	WINDSHIELD HEATED SPARE
129 B	POWER- PRE-HEAT WATER HEATER	144	WORLD TRANSM-ECU CHASSIS GRD	165	WORLD TRANSM-OIL LEVEL SIGNAL	257 E	WINDSHIELD HEATED SPARE
129	WORLD TRANSM-SOL. C5	144 A	ABS SYSTEM	165 A	A/C & HEAT SYSTEM-TRANSMITER	258	WINDSHIELD HEATED
130	A/C & HEAT SYSTEM-EVAP FAN MOTOR	145	ABS SYSTEM	165 B	A/C & HEAT SYSTEM-TRANSMITER	258 A	WINDSHIELD HEATED
130	WORLD TRANSM-SOL. GRD 3	146	ABS SYSTEM	165 C	A/C & HEAT SYSTEM-TRANSMITER	259	WINDSHIELD HEATED
131	WORLD TRANSM-SOL. C4	146 A	TRANSMISSION-12V IGNITION	165 D	A/C & HEAT SYSTEM-TRANSMITER	259 A	WINDSHIELD HEATED
132	WORLD TRANSM-ENG BRK OUTPUT (-)	146	WORLD TRANSM-IGNITION SENSE	166 B	A/C & HEAT SYSTEM-EVAP. MOD.	260	WINDOW AJAR
132 W	WORLD TRANSM-ENG BRK OUTPUT (-)	146 W	WORLD TRANSM-12V IGNITION	167	A/C & HEAT SYSTEM-TEMP. CTR	290	FAN CLUTCH RADIATOR
133	GALLEY-HEAT CONTAINERS	146 X	WORLD TRANSM-12V IGNITION	167 A	A/C & HEAT SYSTEM-TEMP. CTR	290	FAN CLUTCH RADIATOR
133 A	GALLEY-HEAT CONTAINERS	147	ABS SYSTEM	168	A/C & HEAT SYSTEM-HUMIDISTAT	291	FAN CLUTCH RADIATOR SPD 1
133 B	GALLEY-HEAT CONTAINERS	147	WORLD TRANSM-OIL TEMP	168	WORLD TRANSM-SER. INTERFACE (+)	292	FAN CLUTCH RADIATOR SPD 2
133 C	GALLEY-HEAT CONTAINERS	147 A	ETHER COLD START & D.R.L.	168 A	A/C & HEAT SYSTEM-HUMIDISTAT	300	DOOR AJAR MAGN.SW. (WCL)
133	WORLD TRANSM-RET. ACTUATOR HI	147 C	ETHER COLD START	170	LUGGAGE DOOR LOCK	300 A	POWER SYSTEM SW. (WCL)
134	GALLEY-HEAT CONTAINERS	148	ABS SYSTEM	170 C	LUGGAGE DOOR LOCK	300 B	DOOR AJAR ALARM (WCL)

CIRCUIT NUMBER CODE

No.	DESCRIPTION	No.	DESCRIPTION	No.	DESCRIPTION	No.	DESCRIPTION
3 0 1	POWER SYSTEM SW. (WCL)	5 4 0	DDEC III-CRUISE ENABLE LTS.				
3 0 2	DOOR AJAR T.T.LT. (WCL)	5 4 1	DDEC III-CRUISE SET SW				
3 0 2 A	DOOR AJAR ALARM SIGN.(WCL)	5 4 3	DDEC III-CRUISE STOP SW CUT IN				
3 0 2 B	DOOR AJAR MAGN.SW. (WCL)	5 4 4	DDEC III-CRUISE ON/OFF SW				
3 0 3	REMOTE WALL SW. DWN (WCL)	5 4 5	DDEC III-CRUISE RESUME SW				
3 0 4	REMOTE WALL SW. UP (WCL)	5 5 5	DDEC III-FAN CLUTCH SPEED# 1				
3 0 5	PARK. BRAKE SOL. VALVE (WCL)	5 5 6	DDEC III-VEHICLE SPEED (+)				
3 0 5 A	PARK. BRAKE SAFETY SW. (WCL)	5 5 7	DDEC III-VEHICLE SPEED (-)				
3 0 6	CONTROL SYSTEM (WCL RICON)	5 6 3	DDEC III-FAN CLUTCH SPEED# 2				
3 0 7	CONTROL SYSTEM (WCL RICON)	5 6 4	DDEC III-DIGITAL OUTPUT				
3 0 8	CONTROL SYSTEM (WCL RICON)	5 6 5	DDEC III-ENGINE BRAKE ACTIVE				
3 0 9	CONTROL SYSTEM (WCL RICON)	5 8 3	DDEC III-ENGINE BRAKE 4 CYL.				
3 1 0	EATON TRANSMISSION	9 0 0	DDEC III-DATA LINK (+)				
3 1 1	EATON TRANSMISSION	9 0 1	DDEC III-DATA LINK (-)				
3 1 2	EATON TRANSMISSION	9 0 8	DDEC III-HYDRAULIC PWM#1 OUTPUT				
3 1 3	EATON TRANSMISSION	9 1 6	DDEC III-SENSOR SUPPLY (5VDC)				
3 1 4	EATON TRANSMISSION	9 2 5	J1939-HIGH				
3 1 5	EATON TRANSMISSIOM	9 2 6	J1939-LOW				
3 1 6	EATON TRANSMISSION - EPL	9 2 7	J1939-SHIELD				
3 1 7	EATON TRANSMISSION	9 5 2	DDEC III-SENSOR RETURN				
3 1 8	EATON TRANSMISSION	9 5 3	DDEC III-BATTERY GRD				
3 1 9	EATON TRANSMISSION	9 5 3 A	THROTTLE INHIBIT				
3 2 0	EATON TRANSMISSION	9 7 9	DDEC III-ENGINE BRAKE 2 CYL.				
3 2 1	EATON TRANSMISSION						
3 2 2	EATON TRANSMISSIION						
3 2 3	EATON TRANSMISSION						
3 2 4	EATON TRANSMISSION						
3 2 5	EATON TRANSMISSION						
3 2 6	EATON TRANSMISSION						
3 2 7	EATON TRANSMISSION						
3 2 8	EATON TRANSMISSION						
3 2 9	EATON TRANSMISSION						
3 3 0	EATON TRANSMISSION - EPL						
3 3 1	EATON TRANSMISSION - EPL						
3 3 2	EATON TRANSMISSION						
3 3 3	EATON TRANSMISSION - 12V BATTERY						
3 3 4	EATON GENERATION 2						
4 1 7	DDEC III-LIMIT SPEED GOVERNOR						
4 1 9	DDEC III-CHECK ENGINE LIGHT						
4 3 9	DDEC III-12V IGNITION						
4 4 0	DDEC III-12V IGNITION						
4 4 0 A	DDEC III-12V IGNITION						
4 5 1	DDEC III-A/C FAN CLUTCH						
5 0 5	DDEC III-TACHOMETER DRIVE						
5 0 9	DDEC III-STOP ENGINE LIGHT						
5 1 0	DDEC III-FAST IDLE SIGNAL						
5 2 4	DDEC III-ENGINE BRAKE DISABLE						
5 2 5	DDEC III-FAST IDLE SIGNAL						
5 2 8	DDEC III-STOP ENG. OVERRIDE						
5 3 1	DDEC III-CRUISE CLUTCH RELEASE						

CIRCUIT NUMBER CODE

No.	DESCRIPTION	No.	DESCRIPTION	No.	DESCRIPTION	No.	DESCRIPTION
BA	INTERIOR LTS-110V FLUORESCENT	SP 17	SPARE-RJB TO ENGINE	SP 117	SPARE-FJB TO U/DASH FLOOR	0 LH	RS - RR END LAMPS LH GRD
BB	INTERIOR LTS-110V FLUORESCENT	SP 18	SPARE-FJB TO RJB	SP 119	SPARE-RJB TO ENGINE CPT.	0 M	FS - ELECTRICAL MOTOR GRD
D 1	SOUND SYSTEM-FR RH SPEAKER	SP 24	SPARE-RJB TO LAVATORY ROOF	W C	A/C & HEAT SYST-EVAP CTR SIGN	0 M1	FS - ELECTRICAL MOTOR GRD
D 2	SOUND SYSTEM-FR RH SPEAKER	SP 25	SPARE-RJB TO LAVATORY ROOF	Y C	INTERIOR LTS-110V FLUORESCENT	0 M3	FS - ELECTRICAL MOTOR GRD
D 3	SOUND SYSTEM-FR RH SPEAKER	SP 26	SPARE-RJB TO LAVATORY ROOF	Y D	INTERIOR LTS-110V FLUORESCENT	0 M4	FS - ELECTRICAL MOTOR GRD
D 4	SOUND SYSTEM-RR RH SPEAKER	SP 27	SPARE-RJB TO LH HAT RACK	0	BC - BAT. CPT CHASSIS GRD	0 M5	FS - ELECTRICAL MOTOR GRD
D 5	SOUND SYSTEM-RR RH SPEAKER	SP 28	SPARE-RJB TO LH HAT RACK	0	CONDENSER CPT GRD	0 M6	FS - FJB GRD
D 6	SOUND SYSTEM-RR RH SPEAKER	SP 31	SPARE-RJB TO RH HAT RACK	0	RS - RR JCT BOX RLY GRD	0 M7	FS - ELECTRICAL MOTOR GRD
D 7	SOUND SYSTEM-RR RH SPEAKER	SP 32	SPARE-RJB TO RH HAT RACK	0	GALLEY GRD	0 M	RS - ENGINE CPT ACCES. GRD
D 8	SOUND SYSTEM-RR RH SPEAKER	SP 33	SPARE-FJB TO RJB	0 A	BC - SHIELD GRD	0 MR	24V DISC. SW. RLY GRD SIGNAL
D 3 4	SOUND SYSTEM-RR RH SPEAKER	SP 38	SPARE-FJB TO RJB	0 A	RS - RR JCT BOX RLY GRD	0 MS	24V DISC. SW. RLY GRD SIGNAL
D 6 7	SOUND SYSTEM-RR RH SPEAKER	SP 43	SPARE-FJB TO RJB	0 A	FRS - FR ROOF ACCES. GRD	0 N	RS - ENGINE CPT ACCES. GRD
G 1	SOUND SYSTEM-FR LH SPEAKER	SP 45	SPARE-FJB TO RJB	0 A	RS - LUG. CPT ACCES. GRD	0 P	RS - ENGINE CPT ACCES. GRD
G 2	SOUND SYSTEM-FR LH SPEAKER	SP 46	SPARE-RJB TO LH FR ROOF	0 A	A/C SYSTEM-EVAP. GRN	0 R	FS - SOUND SYS. JCT PANEL GRD
G 3	SOUND SYSTEM-FR LH SPEAKER	SP 48	SPARE-RJB TO DASH CENTER PANEL	0 A A	RS - VOLTAGE REGULATOR GRD	0 R	RS - RJB GRD
G 4	SOUND SYSTEM-RR LH SPEAKER	SP 56	SPARE-ENGINE TO RH SW PANEL	0 B	EC - ENGINE GRD	0 R	RS - ENGINE CPT ACCES. GRD
G 5	SOUND SYSTEM-RR LH SPEAKER	SP 57	SPARE-DASH CENTER PANEL TO ENG.	0 B	FRS - FR ROOF HEAT WIND GRD	0 RE	RADIO & CTRL HEAD CHASSIS GRD
G 6	SOUND SYSTEM-RR LH SPEAKER	SP 58	SPARE-DASH CENTER PANEL TO ENG.	0 B	RS - LUG. CPT ACCES. GRD	0 RH	RS - RR END LAMPS RH GRD
G 7	SOUND SYSTEM-RR LH SPEAKER	SP 59	SPARE-FJB TO ENGINE	0 B E	RJB - BAT. EQUAL. BAT GRD	0 S	12 VOLT RUN - GND RELAY
G 8	SOUND SYSTEM-RR LH SPEAKER	SP 61	SPARE-FJB TO DASH RH PANEL	0 C	EC - STARTER MOTOR GRD	0 SA	EC-BOSCH ALT. GROUND
G 3 4	SOUND SYSTEM-RR LH SPEAKER	SP 68	SPARE-FJB TO ENGINE	0 C	FS - SERV. CPT ACCES. GRD	0 S2	SOUND SYSTEM RADIO GRD
G 6 7	SOUND SYSTEM-RR LH SPEAKER	SP 69	SPARE-FJB TO FR AXLE	0 C	BC - FAN EVAP. & CONDENSER GRD	0 S3	SOUND SYSTEM VIDEO GRD
L 1 A	INTERIOR LTS-110V FLUORESCENT	SP 70	SPARE-FJB TO FR AXLE	0 C R	24V DISC. SW. RLY GRD SIGNAL	0 SS	SOUNDS SYSTEM BATT. GRD
L 1 B	INTERIOR LTS-110V FLUORESCENT	SP 71	SPARE-FJB TO RH SW PANEL	0 C S	24V DISC. SW. RLY GRD SIGNAL	0 T	FS - DASH ACCES. GRD
L 2 A	INTERIOR LTS-110V FLUORESCENT	SP 72	SPARE-FJB TO FR SERV CPT	0 C 1	FS - SERV. CPT ACCES. GRD	0 T 1	FS - DASH ACCES. GRD
L 2 B	INTERIOR LTS-110V FLUORESCENT	SP 74	SPARE-FJB TO LH CONSOLE	0 C 2	FS - SERV. CPT ACCES. GRD	0 T 2	FS - DASH ACCES. GRD
L 0	110V RECEPTACLE- 110V FLUOR.	SP 77	SPARE-FJB TO EVAPORATOR CPT	0 C 3	FS - SERV. CPT ACCES. GRD	0 T 3	FS - DASH ACCES. GRD
L 1	110V RECEPTACLE- 110V FLUOR.	SP 7 8	SPARE-FJB TO CONDENSER CPT	0 C 4	FS - FJB CPT ACCES. GRD	0 T 4	FS - DASH ACCES. GRD
L 2	110V RECEPTACLE- 110V FLUOR.	SP 7 9	SPARE-FJB TO CONDENSER CPT	0 D	BC - FAN CONDENSER GRD	0 T 5	FS - HVAC DASH MODULE. GRD
RA	INTERIOR LTS-110V FLUORESCENT	SP 8 7	SPARE-RJB TO LH HAT RACK	0 D	RS - HAT RACK ACCES. LH GRD	0 V	RR JCT BOX CPT GRD STUD
RB	INTERIOR LTS-110V FLUORESCENT	SP 8 8	SPARE-RJB TO RH HAT RACK	0 D F	RS - RR SIDE FLASH & MARK GRD	0 VA	BATTERY TO EQUALISER 0V
SH 1	SHIELD CHASSIS GRD	SP 9 2	SPARE-RJB TO CONDENSER CPT	0 D R	RS - RJB DOCKING LT RESISTORS	0 W	FS - WT GND & SHIELD
SH 2	SHIELD CHASSIS GRD	SP 9 3	SPARE-RJB TO EVAPORATOR CPT	0 E	RS - HAT RACK ACCES. LH GRD	0 W	RS - RR JCT BOX (WCL) GRD
SH 3	SHIELD CHASSIS GRD	SP 9 4	SPARE-RJB TO RR ROOF	0 E A	EATON TRANSMISSION GRD	0 W C	RS - RR JCT BOX GRD (WCL)
SH 4	SHIELD CHASSIS GRD	SP 9 5	SPARE-RJB TO RR ROOF	0 F	RS - HAT RACK ACCES. RH GRD	0 X	RS - RR JCT BOX GRD
SP 2	SPARE-FJB TO FR SERV CPT	SP 9 6	SPARE-RJB TO LUGG CPT #2	0 G	RS - HAT RACK ACCES. RH GRD	0 Y	ABS FR JCT BOX CPT GRD STUD
SP 3	SPARE-FJB TO CENTER DASH	SP 9 7	SPARE-RJB TO LUGG CPT #3	0 H	RS - LAVATORY ACCES. GRD	0 Y	RR JCT BOX GRD
SP 4	SPARE-FJB TO CENTER DASH	SP 9 8	SPARE-RJB TO LUGG CPT #3	0 J	FS - LH CONSOLE SW GRD	0 Y 1	ABS SYSTEM - GRD
SP 5	SPARE-RJB TO LUGG CPT #2	SP 1 0 4	SPARE-RJB TO ENGINE CPT	0 J	RS - RR ROOF ACCES. GRD	0 Y 2	ABS SYSTEM - GRD
SP 6	SPARE-RJB TO LUGG CPT #1	SP 1 0 5	SPARE-FJB TO ENGINE	0 K	RS - RR ROOF ACCES. GRD	0 Y 3	ABS SYSTEM - GRD
SP 7	SPARE-RJB TO LUGG CPT #1	SP 1 0 6	SPARE-RJB TO BATT. CPT.	0 K	RS - RJB A/C JCT PANEL GRD	0 Y 4	ABS SYSTEM - GRD
SP 8	SPARE-RJB TO LUGG CPT #1	SP 1 0 7	SPARE-RJB TO BATT. CPT.	0 L	FS - FR SERVICE CPT LTS GRD	0 Y 5	ABS SYSTEM - GRD
SP 9	SPARE-RJB TO LUGG CPT #2	SP 1 0 8	SPARE-RJB TO BATT. CPT.	0 L 1	FS - FR SERVICE CPT LTS GRD	0 Y 6	ABS SYSTEM - GRD
SP 1 0	SPARE-RJB TO LUGG CPT #1	SP 1 0 9	SPARE-RJB TO ENGINE CPT.	0 L 2	FS - FR SERVICE CPT LTS GRD	0 Z	RR JCT BOX CPT GRD STUD
SP 1 1	SPARE-FJB TO RJB	SP 1 1 0	SPARE-FJB TO ENGINE CPT.	0 L 3	FS - FJB GRD	0 0	FJB & RJB BATT. GRD
SP 1 2	SPARE-RJB TO ENGINE	SP 1 1 1	SPARE-RJB TO ENGINE CPT.	0 L 4	FS - FJB GRD	0 0 A	FBG - T.T.LT. MODULES BATT. GRD
SP 1 3	SPARE-RJB TO ENGINE	SP 1 1 2	SPARE-RJB TO ENGINE CPT.	0 L 5	FS - CIGAR LIGHTER	0 0 Y	FS - ABS MODULLE BATT. GRD
SP 1 4	SPARE-FJB TO RJB	SP 1 1 4	SPARE-FJB TO U/DASH WIPER	0 L 6	FS - FRONT SERVICE CPT LTS GRD	0 0 SS	SOUND SYSTEM BATT. GRD
SP 1 5	SPARE-RJB TO ENGINE	SP 1 1 5	SPARE-FJB TO U/DASH WIPER	0 L	RS - ENGINE CPT ACCES. GRD	1	TACHO SYSTEM - RPM SIGNAL +
SP 1 6	SPARE-RJB TO ENGINE	SP 1 1 6	SPARE-FJB TO U/DASH FLOOR	0 L	ENTRANCE DOOR (SEDAN) GRD	2 A	A/C & HEAT SYSTEM-COOL 1 SIGN

CIRCUIT NUMBER CODE

No.	DESCRIPTION	No.	DESCRIPTION	No.	DESCRIPTION	No.	DESCRIPTION
2 B	A/C & HEAT SYSTEM-COOL SIGN	12 C	FR JCT BOX 12V DISC SW	16	SPEED - SIGNAL +	24 IA	FR JCT BOX 24V IGNITION
2 BB	A/C & HEAT SYSTEM-COOL SIGN	12 C	RR JCT BOX 12V HOT WIRE	16 A	SPEED - SIGNAL +	24 IB	FR JCT BOX 24V IGNITION
2 H	A/C & HEAT SYSTEM-HI PRESS SW	12 CE	RR JCT BOX 12V HOT WIRE	16 T	SPEED - SIGNAL +	24 IB	RR JCT BOX 24V IGNITION
2 E	A/C & HEAT SYSTEM EVAP CONT	12 D	BAT CPT 12V BATTERY	17	EXTERIOR LTS-FLASHER UNIT	24 IC	FR JCT BOX 24V IGNITION
2 F	A/C & HEAT SYSTEM EVAP CONT	12 DT	TTLT MODULE	17 A	EXTERIOR LTS-FLASHER UNIT	24 IF	FJB 24VOLT IGNITION
2 HL	A/C & HEAT SYSTEM-LO & HI PRESS SW	12 E	FR JCT BOX 12V DISC SW	19	DIFFERENTIAL OIL TEMP	24 P	FR JCT BOX 24V DISC SW
2 L	A/C & HEAT SYSTEM-LO PRESS SW	12 E	RR JCT BOX 12V DISC SW	20	SPEED - SIGNAL -	24 S	24V DISC SW RLY SIGNAL
4	HOSTESS & PASSENGER CHIME	12 F	BAT CPT 12V FJB & IC	20 T	SPEED - SIGNAL -	24 S1	SOUND SYSTEM 24V AMPLIFIER
4 A	HOSTESS & PASSENGER CHIME	12 F	FR JCT BOX 12V DISC SW	20 W	SPEED - SIGNAL -	24 S2	SOUND SYSTEM 24V AMPLIFIER
4 B	PASSENGER CHIME	12 F	RR JCT BOX 12V DISC SW	21	EXTERIOR LTS-DIRECTIONNAL LH	24 S3	SOUND SYSTEM 24V VIDEO
4 C	HOSTESS CHIME	12 G	FR JCT BOX 12V DISC SW	21 A	EXTERIOR LTS-DIRECTIONNAL LH	24 S4	SOUND SYSTEM 24V VIDEO
5	INTERIOR LTS-AISLE & EMERG. EXIT	12 H	12 V IGNITION D.T.RUN LIGHT	21 B	EXTERIOR LTS-HAZARD	24 SB	SOUND SYSTEM 24V FEEDING
5	UPPER WINDSHIELD DEFROSTER	12 J	FR JCT BOX 12V DISC SW	21 C	EXTERIOR LTS-CORNERING LH	24 SS	SOUND SYSTEM 24V FEEDING
5 D	UPPER WINDSHIELD DEFROSTER	12 I	12V IGNITION DISTRIBUTION	21 H	EXTERIOR LTS-DIRECTIONNAL LH	24 R	24 VOLTS FRONT CAMERA SW.
5 E	UPPER WINDSHIELD DEFROSTER	12 I	RR JCT BOX 12V IGNITION	21 K	EXTERIOR LTS-CORNERING	24 V2	RR JCT BOX 24V DISC SW
5 N	INTERIOR LTS-EMERGENCY EXIT	12 K	12 VOLT IGN. TTLT & HVAC MODULE	21 N	EXTERIOR LTS-CORNERING LH	24 V3	RR JCT BOX 24V DISC SW
5 NC	SPEED SIGNAL LOWER 5MPH	12 IA	12V IGNITION DISTRIBUTION	21 P	EXTERIOR LTS-CORNERING LH	24 V4	RR JCT BOX 24V DISC SW
5 NO	SPEED SIGNAL HIGHER 5MPH	12 IA	FR JCT BOX 12V IGNITION	23	EXTERIOR LTS-DIRECTIONNAL RH	24 V5	RR JCT BOX 24V DISC SW
6	INTERIOR LTS-AISLE	12 IB	FR JCT BOX 12V IGNITION	23	EXTERIOR LTS-DIRECTIONNAL RH	24 VD	24V HOT WIRE DISTRIBUTION
7 B	ENTRANCE DOOR (SEDAN)	12 IE	ABS-FR JCT BOX 12V IGNITION	23 A	EXTERIOR LTS-DIRECTIONNAL RH	24 VF	BAT CPT 24V SW TO FJB & IC
7 D	ENTRANCE DOOR (SEDAN)	12 IF	FR JCT BOX 12V IGNITION	23 B	EXTERIOR LTS-DIRECTIONNAL RH	24 VA	BATTERY TO EQUALIZER 24V
7 DA	ENTRANCE DOOR (SEDAN)	12 LX	CLUSTER (12V HOT WIRE)	23 C	EXTERIOR LTS-CORNERING RH	24 VI	RR JCT BOX 24V IGNITION
9	INTERIOR LTS-ENGINE CPT	12 M	ABS-FR JCT BOX 12V DISC. SW.	23 N	EXTERIOR LTS-CORNERING RH	24 VR	BAT CPT 24V DISC SW TO RJB
9 A	INTERIOR LTS-ENGINE CPT	12 P	LH CONSOLE POWER OUTLET	23 P	EXTERIOR LTS-CORNERING RH	24 W	RR JCT BOX 24V DISC SW (WCL)
9 B	INTERIOR LTS-ENGINE CPT	12 R	BAT CPT 12V DISC RLY TO RJB	24	BAT CPT 24V BATTERY	24 W C	BATT.CPT TO HYD. PUMP (WCL)
9 E	INTERIOR LTS-FR SERVICE CPT	12 R	MEMORY BATTERY RADIO	24	FR JCT BOX 24V DISC SW	24 W L	24V BATTERY-HYD. PUMP (WCL)
9 F	INTERIOR LTS-FR SERVICE CPT	12 S	SOUND SYSTEM 12V RADIO	24 A	BOOSTER BLOCK 24V DISC SW	25	24 VOLT ALT.SIGNAL MODULE
10	INTERIOR LTS-LUGGAGE CPT	12 S1	SOUND SYSTEM 12V RADIO	24 A	FR JCT BOX 24V DISC SW	25 A1	PRE-EXITATION ALT. BOSCH #1
10 A	INTERIOR LTS-LUGGAGE CPT	12 S1 A	DVD KARAOKE FEEDING	24 A	RR JCT BOX 24V DISC SW	25 A2	PRE-EXITATION ALT. BOSCH #2
10 B	INTERIOR LTS-LUGGAGE CPT	12 S2	SOUND SYSTEM 12V RADIO	24 B	24V STARTER RLY FEEDING	25 A	T.T. LT. ALTERNATOR #1
10 D	INTERIOR LTS-LUGGAGE CPT	12 S2 A	DVD KARAOKE FEEDING	24 B	FR JCT BOX 24V DISC SW	25 B	12 VOLTS IGN. ALT. SIGNAL MODULE
10 F	INTERIOR LTS-LUGGAGE CPT	12 SB	SOUND SYSTEM 12V FEEDING	24 B C	24 VOLT BATT. CHARGER	25 D	12 V. ENGINE RUN / HVAC SYSTEM
10 H	INTERIOR LTS-LUGGAGE CPT	12 SS	SOUND SYSTEM 12V FEEDING	24 B E	RJB CPT-BAT EQ MONITOR HOT WIRE	25 F	12 VOLT IGN. DISTRIBUTION
10 K	INTERIOR LTS-LUGGAGE CPT	12 VA	BATTERY TO EQUALIZER 12V	24 C	FR JCT BOX 24V DISC SW	25 H	24 VOLT IGN. ALT. BOSCH
10 R	INTERIOR LTS-LUGGAGE DOOR AJAR	12 VD	12V HOT WIRE DISTRIBUTION	24 C	RR JCT BOX 24V DISC SW	25 K	T.T. LT. ALTERNATOR #2
11	FR DESTINATION SIGN	12 VF	BAT CPT 12V FJB & IC	24 D	BAT CPT 24V HOT WIRE	26 A	CIGAR LIGHTER
11 A	FR DESTINATION SIGN	12 VI	12V IGNITION DISTRIBUTION	24 D	FR JCT BOX 24V HOT WIRE	26	DRIVER'S WINDOW LIFTER
11 B	FR DESTINATION SIGN	12 VR	BAT CPT 12V DISC RLY TO RJB	24 D	RR JCT BOX 24V HOT WIRE	26 B	DRIVER'S WINDOW LIFTER
11 C	FR DESTINATION SIGN	12 W	12V BATTERY DDEC III	24 D A	A/C JCT BOX 24V HOT WIRE	26 C	DRIVER'S WINDOW LIFTER
11 D	FR DESTINATION SIGN	12 W	ENTRANCE DOOR (SEDAN)	24 E	BAT CPT 24V DISC SW	27	LAVATORY-EMERGENCY SONALERT
11 E	FR DESTINATION SIGN	12 WA	ENTRANCE DOOR (SEDAN)	24 E	FR JCT BOX 24V DISC SW	28 A	A/C & HEAT SYSTEM-HI PRESSURE
11 K	FR DESTINATION SIGN	12 X	FR JCT BOX 12V DISC SW	24 E	RR JCT BOX 24V DISC SW	29	A/C & HEAT SYSTEM-DRIVER'S HTR
12	12V BAT ELECTRONIC JCT BLOCK	12 X2	FR JCT BOX 12V DISC SW	24 F	FR JCT BOX 24V DISC SW	29 A	A/C & HEAT SYSTEM-DRIVER'S HTR
12	BAT CPT 12V BATTERY	12 Y	FR JCT BOX 12V DISC SW	24 F	RR JCT BOX 24V DISC SW	29 B	A/C & HEAT SYSTEM-DRIVER'S HTR
12 A	FR JCT BOX 12V DISC SW	13 A	ALARM & SIGNAL-LO AIR PRIM.	24 G	FR JCT BOX 24V DISC SW	29 H	HVAC DASH MODULE
12 A	RR JCT BOX 12V DISC SW	13 B	ALARM & SIGNAL-LO AIR SEC.	24 G	RR JCT BOX 24V DISC SW	30 A	GALLEY
12 B	12V BAT ELECTRICAL JCT BLOCK	14	LAVATORY-FLUSHING PUMP	24 H	FR JCT BOX 24V DISC SW	31 A	A/C & HEAT SYSTEM-UNLOADER
12 B	RR JCT BOX 12V DISC SW	14 A	LAVATORY-FLUSHING PUMP	24 H	RR JCT BOX 24V DISC SW	31 B	A/C & HEAT SYSTEM-UNLOADER
12 B	FR JCT BOX 12V DISC SW	15	EXTERIOR LTS-MULTI FUNC LEVEL	24 I	FR JCT BOX 24V IGNITION	31 B	WIPER & WASHER SYSTEM
12 BE	BAT. EQUALIZER MONITOR	15 A	WIPER & WASHER UPPER WINDSHIELD	24 I	RR JCT BOX 24V IGNITION	31 C	WIPER & WASHER SYSTEM

CIRCUIT NUMBER CODE

No.	DESCRIPTION	No.	DESCRIPTION	No.	DESCRIPTION	No.	DESCRIPTION
31 D	WIPER & WASHER SYSTEM	48 A	ENTRANCE DOOR (SEDAN)	67 A	A/C & HEAT SYSTEM	86 A	ENGINE CTR-STARTER SOL SIGN
31 E	WIPER & WASHER SYSTEM	49	ENTRANCE DOOR (SEDAN)	67 B	A/C & HEAT SYSTEM	88	ENGINE CTR-RR START SIGNAL
31 J	WIPER & WASHER SYSTEM	49 A	ENTRANCE DOOR (SEDAN)	67 C	HEATING WINDSHIELD	89	ENGINE CTR-RR START SIGNAL
31 X	WIPER & WASHER SYSTEM			67 K	A/C & HEAT SYSTEM-COND FAN CTR	90 B	A/C & HEAT SYSTEM-COND FAN MOT
32	EXTERIOR LTS-BACK-UP	52	ALARM & SIGNAL-ELEC. HORN	67 L	A/C & HEAT SYSTEM-COND FAN CTR	90 B	ENGINE CTR-MAST KEY SW FEED
32 B	EXTERIOR LTS-BACK-UP	52 A	ALARM & SIGNAL-ELEC. HORN	67 V	A/C & HEAT SYSTEM-WATER VALVE	90 C	A/C & HEAT SYSTEM-COND FAN MOT
32 C	BACK-UP PWR & SIGNAL	52 B	ALARM & SIGNAL- AIR HORN	67 X	A/C & HEAT SYSTEM	90 F	CHARG SYST-VOLTAGE REGUL. "B"
32 D	BACK-UP ALARM	52 C	ALARM & SIGNAL- AIR HORN	68	DASH & DEFROST DAMPER MOTOR	90 H	A/C & HEAT SYSTEM-EVAP FAN MOT
35	ENTRANCE DOOR (SEDAN)	53	ALARM & SIGNAL-ELEC. HORN	68 A	DASH & DEFROST DAMPER MOTOR	91	PARKING BRAKE SW SIGNAL
35 B	ENTRANCE DOOR (SEDAN)	53 A	WIPER & WASHER SYSTEM	70	INTERIOR LTS-HAT RACK & RR RUN.	91 A	DDEC-FAST IDLE SIGNAL
35 BB	ENTRANCE DOOR (SEDAN)	53 B	WIPER & WASHER SYSTEM	72	SUN VISOR-FEEDING	91 S	SONALERT PARKING BRAKE
35 D	ENTRANCE DOOR (SEDAN)	53 C	WIPER & WASHER SYSTEM	72 A	SUN VISOR-RH	91 W	PARK, BRAKE SW SIGN (WCL)
36	JACOB BRAKE SYSREM	53 E	WIPER & WASHER SYSTEM	72 B	SUN VISOR-RH	92	BATTERY EQUALIZER-CHECK BALANCE
36 A	JACOB BRAKE SYSREM	53 J	WIPER & WASHER SYSTEM	72 C	SUN VISOR-LH	93	BATTERY EQUALIZER-CHECK LO/HI
38	INTERIOR LTS-24V FLUORESCENT	55	EXTERIOR LTS-HI BEAM	72 D	SUN VISOR-LH	95 A	ENGINE BRAKE & RETARDER SYSTEM
38 A	INTERIOR LTS-24V FLUORESCENT	57	EXTERIOR LTS-HI BEAM	73	LAVATORY-FEEDING	97	TACHOMETER (-)
38 C	INTERIOR LTS-24V FLUORESCENT	57 A	A/C & HEAT SYSTEM-WATER PUMP	74	INTERIOR LTS-READING RH	100	INTERIOR LTS-GENERAL
38 D	INTERIOR LTS-24V FLUORESCENT	57 A	EXTERIOR LTS-HI BEAM	74 A	INTERIOR LTS-READING RH	100 A	INTERIOR LTS-GENERAL
39	INTERIOR LTS-24V LH CONSOLE SW	57 B	A/C & HEAT SYSTEM-WATER PUMP	74 D	INTERIOR LTS-READING SIGNAL	100 B	INTERIOR LTS-GENERAL
39 A	INTERIOR LTS-DRIVER'S LTS	57 C	PRE-HEAT WATER HEATER	75	INTERIOR LTS-READING LH	101	24V STARTER SOL FEEDING
39 P	READING LIGHTS	57 CA	A/C & HEAT SYSTEM-HEAT SIGN	75 A	INTERIOR LTS-READING LH	101	WORLD TRANSM-LO SIGN SOL. LO
41	A/C & HEAT SYSTEM-COND FAN MOT	57 CC	A/C & HEAT SYSTEM-HEAT SIGN	76	FUEL TANK GAUGE	102	WORLD TRANSM-SOL. SUPPLY
41 A	A/C & HEAT SYSTEM-COND FAN MOT	58	EXTERIOR LTS-LO BEAM	76 B	LOW FUEL LT & ETHER COLD START	102 A	24V STARTER TO BOSCH ALTERNATOR
41 B	A/C & HEAT SYSTEM-COND FAN MOT	58 A	EXTERIOR LTS-LO BEAM	76 C	LOW FUEL LT	103	LOW BUOY
42	A/C & HEAT SYSTEM-COND FAN MOT	58 B	EXTERIOR LTS-LO BEAM	76 P	FUEL PRIME PUMP	104	WORLD TRANSM-SOL. FORWARD
42 A	A/C & HEAT SYSTEM-COND FAN MOT	58 E	EXTERIOR LTS-LO BEAM	76 M	FUEL PRIME PUMP	105	WORLD TRANSM-RETARDER & SUMP
43	HAT RACK FAN	59 A	JACOB BRAKE SYSTEM	77	A/C & HEAT SYSTEM-HI PRESSURE	105 W	WORLD TRANSM-RETARDER & SUMP
43 A	HAT RACK FAN	61	EXTERIOR LTS-24V FEED SW	77 A	A/C & HEAT SYSTEM-DRIVER'S HTR	106	WORLD TRANSM-OIL LEVEL HI
43 B	HAT RACK FAN	61 A	EXTERIOR LTS-HEAD SIGNAL	77 B	A/C & HEAT SYSTEM-COMPRESSOR	107	WORLD TRANSM-LOCKUP SOL. HI
43 D	HAT RACK FAN	62	LAVATORY-OCCUPIED LT	77 C	A/C & HEAT SYSTEM-COMPRESSOR	108	WORLD TRANSM-REM. PWR WAKE UP
43 E	HAT RACK FAN	62 A	LAVATORY-FLUOR LT	77 H	A/C & HEAT SYSTEM-COMPRESSOR	109	WORLD TRANSM-RET. SOL. LO
43 F	HAT RACK FAN	62 B	LAVATORY-FLUOR LT	81	EXTERIOR LTS-STOP SW	110	ALARM & SIGNAL-WATER TEMP
43 G	HAT RACK FAN	62 E	LAVATORY-OCCUP & FLUOR LT	82	EXTERIOR LTS-STOP SIGNAL	110	WORLD TRANSM-LOCKUP SOL. LO
44	EXTERIOR LTS-FOG	63	EXTERIOR LTS-CLEARANCE	82 A	EXTERIOR LTS-STOP SIGNAL	111	WORLD TRANSM-SOL. C6
44 A	EXTERIOR LTS-FOG	63 A	EXTERIOR LTS-CLEARANCE	82 B	EXTERIOR LTS-STOP LTS	112	WORLD TRANSM-SPARE OUTPUT (+)
44 B	EXTERIOR LTS-FOG	63 B	EXTERIOR LTS-CLEARANCE	82 K	EXTERIOR LTS-STOP PARK BRK	113	ALARM & SIGNAL-OIL PRESS
44 C	EXTERIOR LTS-FOG & HAZARD	63 C	EXTERIOR LTS-MARKER SIGNAL	82 L	EXTERIOR LTS-LH STOP	113	WORLD TRANSM-REVERSE WARNING
45 B	A/C & HEAT SYSTEM-HEAT SIGN	63 D	EXTERIOR LTS-MARKER & TAIL	82 R	EXTERIOR LTS-LH STOP	114	INTERIOR LTS-DASH LT REGUL.
45 D	A/C & HEAT SYSTEM-WATER VALVE	63 E	EXTERIOR LTS-CLEARANCE	83	ENGINE CTR-KEY SW ACCES SIGN	114	WORLD TRANSM-SPARE OUTPUT (-)
45 E	A/C & HEAT SYSTEM-HEAT 1 SIGN	63 F	EXTERIOR LTS-MARKER BLINKER	84	ENGINE CTR-KEY SW ACCES SIGN	114 A	INTERIOR LTS-DASH LT
45 G	A/C & HEAT SYSTEM-DRIVER'S HTR	63 H	EXTERIOR LTS-TAIL	85	ENGINE CTR-KEY SWIGNITION SIGN	114 B	INTERIOR LTS-DASH LT REGUL.
45 H	A/C & HEAT SYSTEM-DRIVER'S HTR	64	DRIVERS FAN	85	24V IGNITION SIGNAL	114 D	INTERIOR LTS-DASH LT REGUL.
45 W	A/C & HEAT SYSTEM-COND. DOOR AJAR	64 B	DRIVERS FAN	85 A	24V IGN DASH INSTRUMENTATION	114 E	INTERIOR LTS-DASH LT REGUL.
46	EXTERIOR LTS-MARKER	64 C	DRIVERS FAN	85 B	ENGINE CTR-24V IGNITION	115	ALARM & SIGNAL-TAG PRESS
46 A	EXTERIOR LTS-MARKER	65	FOOT DAMPER MOTOR	85 C	PARKING BRAKE SWITCH	115	DDEC III-COOLANT LEVEL
46 B	EXTERIOR LTS-MARKER	65 A	FOOT DAMPER MOTOR	85 F	ENGINE CTR-ENGINE CTR SW IGN	115	WORLD TRANSM-DO NOT SHIFT SIGN
46 B	EXTERIOR LTS-MARKER	65 P	PASSENGER REC. DAMPER	85 F	LO AIR SONALERT	115 C	DDEC III-COOLANT LEVEL
46 C	EXTERIOR LTS-MARKER	65 D	DRIVER REC. DAMPER	85 X	12V IGN ABS	115 W	WORLD TRANSM-DO NOT SHIFT SIGN
47	A/C & HEAT SYSTEM-DRIVER'S HTR	66	O_PASS. ON/OFF	85 Y	ABS SYSTEM	116	WORLD TRANSM-LO SIGNAL SOL. HI
48	ENTRANCE DOOR (SEDAN)	67	24 VOLT RUN DISTRIBUTION	86	ENGINE CTR-STARTER SOL SIGN	116 B	A/C & HEAT SYSTEM-DRIVER'S HTR

CIRCUIT NUMBER CODE

No.	DESCRIPTION	No.	DESCRIPTION	No.	DESCRIPTION	No.	DESCRIPTION
117	WORLD TRANSM-SPARE INPUT (-)	133 A	GALLEY-HEAT CONTAINERS	147	ABS SYSTEM	170 H	LUGGAGE DOOR LOCK
117 A	ALARM & SIGNAL-TRANSM OIL TEMP	133 B	GALLEY-HEAT CONTAINERS	147	WORLD TRANSM-OIL TEMP	181 A	THERMOMETER INSIDE SENSOR
117 A	ALARM & SIGNAL-TRANSM OIL TEMP	133 C	GALLEY-HEAT CONTAINERS	147 A	ETHER COLD START & D.R.L.	181 B	THERMOMETER INSIDE SENSOR
118	WORLD TRANSM-SPARE INPUT (+)	133	WORLD TRANSM-RET. ACTUATOR HI	147 C	ETHER COLD START	181 C	THERMOMETER OUTSIDE SENSOR
119	WORLD TRANSM-ENG BRK INPUT (+)	134	GALLEY-HEAT CONTAINERS	148	ABS SYSTEM	181 D	THERMOMETER OUTSIDE SENSOR
120	WORLD TRANSM-SOL. C1	134 A	GALLEY-HEAT CONTAINERS	148	WORLD TRANSM-OUTPUT SPEED LO	197	FUEL WATER FILTER
121	WORLD TRANSM-SOL. GRD 2	134	WORLD TRANSM-RET. APPLY SOL. HI	149	ABS SYSTEM	197 A	FUEL WATER FILTER
122	A/C & HEAT SYSTEM-DRIVER'S HTR	135	A/C & HEAT SYSTEM-AIR SENSOR	149	WORLD TRANSM-TURBINE SPEED HI	197 B	FUEL WATER FILTER
122	A/C & HEAT SYSTEM-FRESH AIR	135 A	A/C & HEAT SYSTEM-AIR SENSOR	149 A	ABS SYSTEM	198	FILTER FUEL HEATER
122	WORLD TRANSM-SOL. GRD 4	135 D	A/C & HEAT SYSTEM-AIR SENSOR	150	DDEC III-ECM BATTERY GRD	199	AIR FILTER RESTRICTION SENDER
122 A	A/C & HEAT SYSTEM-FRESH AIR	135 C	A/C & HEAT SYSTEM-AIR SENSOR	150	WORLD TRANSM-ENGINE SPEED LO	201	WORLD TRANSM-SPARE
123	WORLD TRANSM-NEUTRAL START	135	WORLD TRANSM-ANALOG GRD	150 A	DDEC III-ECM BATTERY GRD	202	WORLD TRANSM-SPARE
123 A	ALARM & SIGNAL-FIRE DETECTOR	135 D	WORLD TRANSM-RETARDER RES MOD	151	ABS SYSTEM	203	WORLD TRANSM-SPARE
123 B	ALARM & SIGNAL-FIRE DETECTOR	135 C	WORLD TRANSM-RETARDER TEMP	151	DDEC III-ECM BATTERY GRD	204	WORLD TRANSM-SPARE
124	WORLD TRANSM-THROTTLE (HI)	136	GALLEY-ACCESSORIES	151	WORLD TRANSM-SERIAL COM. B	205	WORLD TRANSM-SPARE
125	WORLD TRANSM-RET. INDICATOR	136	WORLD TRANSM-ECU POWER	152	ABS SYSTEM	206	WORLD TRANSM-SPARE
125	GALLEY LAMP	136 V	WORLD TRANSM-12V BATTERY	153	WORLD TRANSM-SPARE INPUT (-)	214	WORLD TRANSM-BACK UP SIGNAL
125 T	GALLEY LAMP	136 W	WORLD TRANSM-12V BATTERY	154	ABS SYSTEM	225	LAVATORY FAN
125 W	WORLD TRANSM-RET. INDICATOR	136 X	WORLD TRANSM-12V BATTERY	154	WORLD TRANSM-ABS RET. INPUT	225 A	LAVATORY FAN
126	KNEELING SYSTEM	137	WORLD TRANSM-RETARDER	155	WORLD TRANSM-SPARE INPUT (-)	231	NEUTRAL SIGNAL GRD
126 A	KNEELING SYSTEM	137 A	MIRROR (SPARTAN & RAMCO)	156	WORLD TRANSM-THROTTLE POS.	231 A	NEUTRAL COIL RELAY FEED SIGNAL
126 B	KNEELING SYSTEM	137 B	RR VIEW MIRROR (SPARTAN)	156 A	ABS SYSTEM	231 W	NEUTRAL SIGNAL GRD (WCL)
126 C	KNEELING SYSTEM	137 C	RR VIEW MIRROR (SPARTAN)	157	WORLD TRANSM-SPEEDO SIGNAL	240	DDEC III-ECM 12V FEEDING
126 D	KNEELING SYSTEM	137 D	RR VIEW MIRROR (SPARTAN)	157 B	ABS SYSTEM	241	DDEC III-ECM 12V FEEDING
126 E	KNEELING SYSTEM	137 E	RR VIEW MIRROR (SPARTAN)	157 D	A.T.C. SYSTEM	251 A	DDEC III - DATA LOGGER 12 H.W.
126 F	KNEELING SYSTEM	137 G	RR VIEW MIRROR (SPARTAN)	157 E	A.T.C. SYSTEM	251	DDEC III - PRODRIVER 12V H.W.
126 G	KNEELING SYSTEM	138	ABS SYSTEM	157 F	A.T.C. SYSTEM	253	GALLEY-MICROWAVE
126 H	KNEELING SYSTEM	138	WORLD TRANSM-RETARDER TEMP	158	WORLD TRANSM-DIMMER	254	GALLEY-12V FRIGO NORCOLD
126 K	KNEELING SYSTEM	138 A	ABS SYSTEM	160	ALARM & SIGNAL-TAG PRESS SW	254 A	GALLEY-FRIGO
126 P	KNEELING SYSTEM	139	ABS SYSTEM	160	WORLD TRANSM-SER. INTERFACE (-)	255	GALLEY-COFEEMAKER
126 R	KNEELING SYSTEM	139	WORLD TRANSM-OUTPUT SPEED HI	161	WORLD TRANSM-SIGNAL GRD	255 A	GALLEY-COFEEMAKER
126 W	5 MPH N.C. SIGNAL (WCL)	140	ABS SYSTEM	161 B	WORLD TRANSM-SIGNAL GRD	257	WINDSHIELD HEATED
126 S	KNEELING SYSTEM	140	WORLD TRANSM-OUTPUT SPEED LO	162	WORLD TRANSM-PRESS. SW C3	257 A	WINDSHIELD HEATED
126 T	KNEELING SYSTEM	141	ABS SYSTEM	163	WORLD TRANSM-RETARDER ENABLE	257 B	WINDSHIELD HEATED
127	WORLD TRANSM-LUBE PRESS SW.	141	WORLD TRANSM-ENGINE SPEED HI	164	WORLD TRANSM-RET. ACTUATOR SIGN	257 C	WINDSHIELD HEATED
127	WORLD TRANSM-RETARDER FEED SOL.	142	ABS SYSTEM	165	A/C & HEAT SYSTEM-TRANSMITER	257 D	WINDSHIELD HEATED SPARE
127	POWER- PRE-HEAT WATER HEATER	142	WORLD TRANSM-SERIAL COM. A	165	WORLD TRANSM-OIL LEVEL SIGNAL	257 E	WINDSHIELD HEATED SPARE
127 A	PRE-HEAT WATER HEATER	143	ABS SYSTEM	165 A	A/C & HEAT SYSTEM-TRANSMITER	258	WINDSHIELD HEATED
128 A	PRE-HEAT WATER HEATER	143	WORLD TRANSM-ECU BATTERY GRD	165 B	A/C & HEAT SYSTEM-TRANSMITER	258 A	WINDSHIELD HEATED
128 B	PRE-HEAT - BURNER ON SIGNAL	143 A	ABS SYSTEM	165 C	A/C & HEAT SYSTEM-TRANSMITER	259	WINDSHIELD HEATED
128	WORLD TRANSM-SOL. C2	143 W	WORLD TRANSM-BATTERY GRD	165 D	A/C & HEAT SYSTEM-TRANSMITER	259 A	WINDSHIELD HEATED
129	POWER- PRE-HEAT WATER HEATER	144	ABS SYSTEM	166 B	A/C & HEAT SYSTEM-EVAP. MOD.	260	WINDOW AJAR
129 B	POWER- PRE-HEAT WATER HEATER	144	WORLD TRANSM-ECU CHASSIS GRD	167	A/C & HEAT SYSTEM-TEMP. CTR	290	FAN CLUTCH RADIATOR
129	WORLD TRANSM-SOL. C5	144 A	ABS SYSTEM	167 A	A/C & HEAT SYSTEM-TEMP. CTR	290	FAN CLUTCH RADIATOR
130	A/C & HEAT SYSTEM-EVAP FAN MOTOR	145	ABS SYSTEM	168	A/C & HEAT SYSTEM-HUMIDISTAT	291	FAN CLUTCH RADIATOR SPD 1
130	WORLD TRANSM-SOL. GRD 3	146	ABS SYSTEM	168	WORLD TRANSM-SER. INTERFACE (+)	292	FAN CLUTCH RADIATOR SPD 2
131	WORLD TRANSM-SOL. C4	146 A	TRANSMISSION-12V IGNITION	168 A	A/C & HEAT SYSTEM-HUMIDISTAT	300	DOOR AJAR MAGN.SW. (WCL)
132	WORLD TRANSM-ENG BRK OUTPUT (-)	146	WORLD TRANSM-IGNITION SENSE	170	LUGGAGE DOOR LOCK	300 A	POWER SYSTEM SW. (WCL)
132 W	WORLD TRANSM-ENG BRK OUTPUT (-)	146 W	WORLD TRANSM-12V IGNITION	170 C	LUGGAGE DOOR LOCK	300 B	DOOR AJAR ALARM (WCL)
133	GALLEY-HEAT CONTAINERS	146 X	WORLD TRANSM-12V IGNITION	170 E	LUGGAGE DOOR LOCK	301	POWER SYSTEM SW. (WCL)

CIRCUIT NUMBER CODE

No.	DESCRIPTION	No.	DESCRIPTION	No.	DESCRIPTION	No.	DESCRIPTION
3 0 2	DOOR AJAR T.T.LT. (WCL)	5 4 1	DDEC III-CRUISE SET SW				
3 0 2 A	DOOR AJAR ALARM SIGN.(WCL)	5 4 3	DDEC III-CRUISE STOP SW CUT IN				
3 0 2 B	DOOR AJAR MAGN.SW. (WCL)	5 4 4	DDEC III-CRUISE ON/OFF SW				
3 0 3	REMOTE WALL SW. DWN (WCL)	5 4 5	DDEC III-CRUISE RESUME SW				
3 0 4	REMOTE WALL SW. UP (WCL)	5 5 5	DDEC III-FAN CLUTCH SPEED# 1				
3 0 5	PARK. BRAKE SOL. VALVE (WCL)	5 5 6	DDEC III-VEHICLE SPEED (+)				
3 0 5 A	PARK. BRAKE SAFETY SW. (WCL)	5 5 7	DDEC III-VEHICLE SPEED (-)				
3 0 6	CONTROL SYSTEM (WCL RICON)	5 6 3	DDEC III-FAN CLUTCH SPEED# 2				
3 0 7	CONTROL SYSTEM (WCL RICON)	5 6 4	DDEC III-DIGITAL OUTPUT				
3 0 8	CONTROL SYSTEM (WCL RICON)	5 6 5	DDEC III-ENGINE BRAKE ACTIVE				
3 0 9	CONTROL SYSTEM (WCL RICON)	5 8 3	DDEC III-ENGINE BRAKE 4 CYL.				
3 1 0	EATON TRANSMISSION	9 0 0	DDEC III-DATA LINK (+)				
3 1 1	EATON TRANSMISSION	9 0 1	DDEC III-DATA LINK (-)				
3 1 2	EATON TRANSMISSION	9 0 8	DDEC III-HYDRAULIC PWM#1 OUTPUT				
3 1 3	EATON TRANSMISSION	9 1 6	DDEC III-SENSOR SUPPLY (5VDC)				
3 1 4	EATON TRANSMISSION	9 2 5	J1939-HIGH				
3 1 5	EATON TRANSMISSION	9 2 6	J1939-LOW				
3 1 6	EATON TRANSMISSION - EPL	9 2 7	J1939-SHIELD				
3 1 7	EATON TRANSMISSION	9 5 2	DDEC III-SENSOR RETURN				
3 1 8	EATON TRANSMISSION	9 5 3	DDEC III-BATTERY GRD				
3 1 9	EATON TRANSMISSION	9 5 3 A	THROTTLE INHIBIT				
3 2 0	EATON TRANSMISSION	9 7 9	DDEC III-ENGINE BRAKE 2 CYL.				
3 2 1	EATON TRANSMISSION						
3 2 2	EATON TRANSMISSION						
3 2 3	EATON TRANSMISSION						
3 2 4	EATON TRANSMISSION						
3 2 5	EATON TRANSMISSION						
3 2 6	EATON TRANSMISSION						
3 2 7	EATON TRANSMISSION						
3 2 8	EATON TRANSMISSION						
3 2 9	EATON TRANSMISSION						
3 3 0	EATON TRANSMISSION - EPL						
3 3 1	EATON TRANSMISSION - EPL						
3 3 2	EATON TRANSMISSION						
3 3 3	EATON TRANSMISSION - 12V BATTERY						
3 3 4	EATON GENERATION 2						
4 1 7	DDEC III-LIMIT SPEED GOVERNOR						
4 1 9	DDEC III-CHECK ENGINE LIGHT						
4 3 9	DDEC III-12V IGNITION						
4 4 0	DDEC III-12V IGNITION						
4 4 0 A	DDEC III-12V IGNITION						
4 5 1	DDEC III-A/C FAN CLUTCH						
5 0 5	DDEC III-TACHOMETER DRIVE						
5 0 9	DDEC III-STOP ENGINE LIGHT						
5 1 0	DDEC III-FAST IDLE SIGNAL						
5 2 4	DDEC III-ENGINE BRAKE DISABLE						
5 2 5	DDEC III-FAST IDLE SIGNAL						
5 2 8	DDEC III-STOP ENG. OVERRIDE						
5 3 1	DDEC III-CRUISE CLUTCH RELEASE						
5 4 0	DDEC III-CRUISE ENABLE LTS.						

CIRCUIT NUMBER CODE

No.	DESCRIPTION	No.	DESCRIPTION	No.	DESCRIPTION	No.	DESCRIPTION
BA	INTERIOR LTS-110V FLUORESCENT	SP 17	SPARE-RJB TO ENGINE	SP 117	SPARE-FJB TO U/DASH FLOOR	0 LH	RS - RR END LAMPS LH GRD
BB	INTERIOR LTS-110V FLUORESCENT	SP 18	SPARE-FJB TO RJB	SP 119	SPARE-RJB TO ENGINE CPT.	0 M	FS - ELECTRICAL MOTOR GRD
D 1	SOUND SYSTEM-FR RH SPEAKER	SP 24	SPARE-RJB TO LAVATORY ROOF	W C	A/C & HEAT SYST-EVAP CTR SIGN	0 M1	FS - ELECTRICAL MOTOR GRD
D 2	SOUND SYSTEM-FR RH SPEAKER	SP 25	SPARE-RJB TO LAVATORY ROOF	Y C	INTERIOR LTS-110V FLUORESCENT	0 M3	FS - ELECTRICAL MOTOR GRD
D 3	SOUND SYSTEM-FR RH SPEAKER	SP 26	SPARE-RJB TO LAVATORY ROOF	Y D	INTERIOR LTS-110V FLUORESCENT	0 M4	FS - ELECTRICAL MOTOR GRD
D 4	SOUND SYSTEM-RR RH SPEAKER	SP 27	SPARE-RJB TO LH HAT RACK	0	BC - BAT. CPT CHASSIS GRD	0 M5	FS - ELECTRICAL MOTOR GRD
D 5	SOUND SYSTEM-RR RH SPEAKER	SP 28	SPARE-RJB TO LH HAT RACK	0	CONDENSER CPT GRD	0 M6	FS - FJB GRD
D 6	SOUND SYSTEM-RR RH SPEAKER	SP 31	SPARE-RJB TO RH HAT RACK	0	RS - RR JCT BOX RLY GRD	0 M7	FS - ELECTRICAL MOTOR GRD
D 7	SOUND SYSTEM-RR RH SPEAKER	SP 32	SPARE-RJB TO RH HAT RACK	0	GALLEY GRD	0 M	RS - ENGINE CPT ACCES. GRD
D 8	SOUND SYSTEM-RR RH SPEAKER	SP 33	SPARE-FJB TO RJB	0 A	BC - SHIELD GRD	0 MR	24V DISC. SW. RLY GRD SIGNAL
D 3 4	SOUND SYSTEM-RR RH SPEAKER	SP 38	SPARE-FJB TO RJB	0 A	RS - RR JCT BOX RLY GRD	0 MS	24V DISC. SW. RLY GRD SIGNAL
D 6 7	SOUND SYSTEM-RR RH SPEAKER	SP 43	SPARE-FJB TO RJB	0 A	FRS - FR ROOF ACCES. GRD	0 N	RS - ENGINE CPT ACCES. GRD
G 1	SOUND SYSTEM-FR LH SPEAKER	SP 45	SPARE-FJB TO RJB	0 A	RS - LUG. CPT ACCES. GRD	0 P	RS - ENGINE CPT ACCES. GRD
G 2	SOUND SYSTEM-FR LH SPEAKER	SP 46	SPARE-RJB TO LH FR ROOF	0 A	A/C SYSTEM-EVAP. GRN	0 R	FS - SOUND SYS. JCT PANEL GRD
G 3	SOUND SYSTEM-FR LH SPEAKER	SP 48	SPARE-RJB TO DASH CENTER PANEL	0 A A	RS - VOLTAGE REGULATOR GRD	0 R	RS - RJB GRD
G 4	SOUND SYSTEM-RR LH SPEAKER	SP 56	SPARE-ENGINE TO RH SW PANEL	0 B	EC - ENGINE GRD	0 R	RS - ENGINE CPT ACCES. GRD
G 5	SOUND SYSTEM-RR LH SPEAKER	SP 57	SPARE-DASH CENTER PANEL TO ENG.	0 B	FRS - FR ROOF HEAT WIND GRD	0 RE	RADIO & CTRL HEAD CHASSIS GRD
G 6	SOUND SYSTEM-RR LH SPEAKER	SP 58	SPARE-DASH CENTER PANEL TO ENG.	0 B	RS - LUG. CPT ACCES. GRD	0 RH	RS - RR END LAMPS RH GRD
G 7	SOUND SYSTEM-RR LH SPEAKER	SP 59	SPARE-FJB TO ENGINE	0 B E	RJB - BAT. EQUAL. BAT GRD	0 S	12 VOLT RUN - GND RELAY
G 8	SOUND SYSTEM-RR LH SPEAKER	SP 61	SPARE-FJB TO DASH RH PANEL	0 C	EC - STARTER MOTOR GRD	0 SA	EC-BOSCH ALT. GROUND
G 3 4	SOUND SYSTEM-RR LH SPEAKER	SP 68	SPARE-FJB TO ENGINE	0 C	FS - SERV. CPT ACCES. GRD	0 S2	SOUND SYSTEM RADIO GRD
G 6 7	SOUND SYSTEM-RR LH SPEAKER	SP 69	SPARE-FJB TO FR AXLE	0 C	BC - FAN EVAP. & CONDENSER GRD	0 S3	SOUND SYSTEM VIDEO GRD
L 1 A	INTERIOR LTS-110V FLUORESCENT	SP 70	SPARE-FJB TO FR AXLE	0 C R	24V DISC. SW. RLY GRD SIGNAL	0 SS	SOUNDS SYSTEM BATT. GRD
L 1 B	INTERIOR LTS-110V FLUORESCENT	SP 71	SPARE-FJB TO RH SW PANEL	0 C S	24V DISC. SW. RLY GRD SIGNAL	0 T	FS - DASH ACCES. GRD
L 2 A	INTERIOR LTS-110V FLUORESCENT	SP 72	SPARE-FJB TO FR SERV CPT	0 C 1	FS - SERV. CPT ACCES. GRD	0 T 1	FS - DASH ACCES. GRD
L 2 B	INTERIOR LTS-110V FLUORESCENT	SP 74	SPARE-FJB TO LH CONSOLE	0 C 2	FS - SERV. CPT ACCES. GRD	0 T 2	FS - DASH ACCES. GRD
L 0	110V RECEPTACLE- 110V FLUOR.	SP 77	SPARE-FJB TO EVAPORATOR CPT	0 C 3	FS - SERV. CPT ACCES. GRD	0 T 3	FS - DASH ACCES. GRD
L 1	110V RECEPTACLE- 110V FLUOR.	SP 7 8	SPARE-FJB TO CONDENSER CPT	0 C 4	FS - FJB CPT ACCES. GRD	0 T 4	FS - DASH ACCES. GRD
L 2	110V RECEPTACLE- 110V FLUOR.	SP 7 9	SPARE-FJB TO CONDENSER CPT	0 D	BC - FAN CONDENSER GRD	0 T 5	FS - HVAC DASH MODULE. GRD
RA	INTERIOR LTS-110V FLUORESCENT	SP 8 7	SPARE-RJB TO LH HAT RACK	0 D	RS - HAT RACK ACCES. LH GRD	0 V	RR JCT BOX CPT GRD STUD
RB	INTERIOR LTS-110V FLUORESCENT	SP 8 8	SPARE-RJB TO RH HAT RACK	0 D F	RS - RR SIDE FLASH & MARK GRD	0 VA	BATTERY TO EQUALISER 0V
SH 1	SHIELD CHASSIS GRD	SP 9 2	SPARE-RJB TO CONDENSER CPT	0 D R	RS - RJB DOCKING LT RESISTORS	0 W	FS - WT GND & SHIELD
SH 2	SHIELD CHASSIS GRD	SP 9 3	SPARE-RJB TO EVAPORATOR CPT	0 E	RS - HAT RACK ACCES. LH GRD	0 W	RS - RR JCT BOX (WCL) GRD
SH 3	SHIELD CHASSIS GRD	SP 9 4	SPARE-RJB TO RR ROOF	0 E A	EATON TRANSMISSION GRD	0 W C	RS - RR JCT BOX GRD (WCL)
SH 4	SHIELD CHASSIS GRD	SP 9 5	SPARE-RJB TO RR ROOF	0 F	RS - HAT RACK ACCES. RH GRD	0 X	RS - RR JCT BOX GRD
SP 2	SPARE-FJB TO FR SERV CPT	SP 9 6	SPARE-RJB TO LUGG CPT #2	0 G	RS - HAT RACK ACCES. RH GRD	0 Y	ABS FR JCT BOX CPT GRD STUD
SP 3	SPARE-FJB TO CENTER DASH	SP 9 7	SPARE-RJB TO LUGG CPT #3	0 H	RS - LAVATORY ACCES. GRD	0 Y	RR JCT BOX GRD
SP 4	SPARE-FJB TO CENTER DASH	SP 9 8	SPARE-RJB TO LUGG CPT #3	0 J	FS - LH CONSOLE SW GRD	0 Y 1	ABS SYSTEM - GRD
SP 5	SPARE-RJB TO LUGG CPT #2	SP 1 0 4	SPARE-RJB TO ENGINE CPT	0 J	RS - RR ROOF ACCES. GRD	0 Y 2	ABS SYSTEM - GRD
SP 6	SPARE-RJB TO LUGG CPT #1	SP 1 0 5	SPARE-FJB TO ENGINE	0 K	RS - RR ROOF ACCES. GRD	0 Y 3	ABS SYSTEM - GRD
SP 7	SPARE-RJB TO LUGG CPT #1	SP 1 0 6	SPARE-RJB TO BATT. CPT.	0 K	RS - RJB A/C JCT PANEL GRD	0 Y 4	ABS SYSTEM - GRD
SP 8	SPARE-RJB TO LUGG CPT #1	SP 1 0 7	SPARE-RJB TO BATT. CPT.	0 L	FS - FR SERVICE CPT LTS GRD	0 Y 5	ABS SYSTEM - GRD
SP 9	SPARE-RJB TO LUGG CPT #2	SP 1 0 8	SPARE-RJB TO BATT. CPT.	0 L 1	FS - FR SERVICE CPT LTS GRD	0 Y 6	ABS SYSTEM - GRD
SP 1 0	SPARE-RJB TO LUGG CPT #1	SP 1 0 9	SPARE-RJB TO ENGINE CPT.	0 L 2	FS - FR SERVICE CPT LTS GRD	0 Z	RR JCT BOX CPT GRD STUD
SP 1 1	SPARE-FJB TO RJB	SP 1 1 0	SPARE-FJB TO ENGINE CPT.	0 L 3	FS - FJB GRD	0 0	FJB & RJB BATT. GRD
SP 1 2	SPARE-RJB TO ENGINE	SP 1 1 1	SPARE-RJB TO ENGINE CPT.	0 L 4	FS - FJB GRD	0 0 A	FBG - T.T.LT. MODULES BATT. GRD
SP 1 3	SPARE-RJB TO ENGINE	SP 1 1 2	SPARE-RJB TO ENGINE CPT.	0 L 5	FS - CIGAR LIGHTER	0 0 Y	FS - ABS MODULLE BATT. GRD
SP 1 4	SPARE-FJB TO RJB	SP 1 1 4	SPARE-FJB TO U/DASH WIPER	0 L 6	FS - FRONT SERVICE CPT LTS GRD	0 0 SS	SOUND SYSTEM BATT. GRD
SP 1 5	SPARE-RJB TO ENGINE	SP 1 1 5	SPARE-FJB TO U/DASH WIPER	0 L	RS - ENGINE CPT ACCES. GRD	1	TACHO SYSTEM - RPM SIGNAL +
SP 1 6	SPARE-RJB TO ENGINE	SP 1 1 6	SPARE-FJB TO U/DASH FLOOR	0 L	ENTRANCE DOOR (SEDAN) GRD	2 A	A/C & HEAT SYSTEM-COOL 1 SIGN

CIRCUIT NUMBER CODE

No.	DESCRIPTION	No.	DESCRIPTION	No.	DESCRIPTION	No.	DESCRIPTION
2 B	A/C & HEAT SYSTEM-COOL SIGN	12 C	FR JCT BOX 12V DISC SW	16	SPEED - SIGNAL +	24 IA	FR JCT BOX 24V IGNITION
2 BB	A/C & HEAT SYSTEM-COOL SIGN	12 C	RR JCT BOX 12V HOT WIRE	16 A	SPEED - SIGNAL +	24 IB	FR JCT BOX 24V IGNITION
2 H	A/C & HEAT SYSTEM-HI PRESS SW	12 CE	RR JCT BOX 12V HOT WIRE	16 T	SPEED - SIGNAL +	24 IB	RR JCT BOX 24V IGNITION
2 E	A/C & HEAT SYSTEM EVAP CONT	12 D	BAT CPT 12V BATTERY	17	EXTERIOR LTS-FLASHER UNIT	24 IC	FR JCT BOX 24V IGNITION
2 F	A/C & HEAT SYSTEM EVAP CONT	12 DT	TTLT MODULE	17 A	EXTERIOR LTS-FLASHER UNIT	24 IF	FJB 24VOLT IGNITION
2 HL	A/C & HEAT SYSTEM-LO & HI PRESS SW	12 E	FR JCT BOX 12V DISC SW	19	DIFFERENTIAL OIL TEMP	24 P	FR JCT BOX 24V DISC SW
2 L	A/C & HEAT SYSTEM-LO PRESS SW	12 E	RR JCT BOX 12V DISC SW	20	SPEED - SIGNAL -	24 S	24V DISC SW RLY SIGNAL
4	HOSTESS & PASSENGER CHIME	12 F	BAT CPT 12V FJB & IC	20 T	SPEED - SIGNAL -	24 S1	SOUND SYSTEM 24V AMPLIFIER
4 A	HOSTESS & PASSENGER CHIME	12 F	FR JCT BOX 12V DISC SW	20 W	SPEED - SIGNAL -	24 S2	SOUND SYSTEM 24V AMPLIFIER
4 B	PASSENGER CHIME	12 F	RR JCT BOX 12V DISC SW	21	EXTERIOR LTS-DIRECTIONNAL LH	24 S3	SOUND SYSTEM 24V VIDEO
4 C	HOSTESS CHIME	12 G	FR JCT BOX 12V DISC SW	21 A	EXTERIOR LTS-DIRECTIONNAL LH	24 S4	SOUND SYSTEM 24V VIDEO
5	INTERIOR LTS-AISLE & EMERG. EXIT	12 H	12 V IGNITION D.T.RUN LIGHT	21 B	EXTERIOR LTS-HAZARD	24 SB	SOUND SYSTEM 24V FEEDING
5	UPPER WINDSHIELD DEFROSTER	12 J	FR JCT BOX 12V DISC SW	21 C	EXTERIOR LTS-CORNERING LH	24 SS	SOUND SYSTEM 24V FEEDING
5 D	UPPER WINDSHIELD DEFROSTER	12 I	12V IGNITION DISTRIBUTION	21 H	EXTERIOR LTS-DIRECTIONNAL LH	24 R	24 VOLTS FRONT CAMERA SW.
5 E	UPPER WINDSHIELD DEFROSTER	12 I	RR JCT BOX 12V IGNITION	21 K	EXTERIOR LTS-CORNERING	24 V2	RR JCT BOX 24V DISC SW
5 N	INTERIOR LTS-EMERGENCY EXIT	12 K	12 VOLT IGN. TTLT & HVAC MODULE	21 N	EXTERIOR LTS-CORNERING LH	24 V3	RR JCT BOX 24V DISC SW
5 NC	SPEED SIGNAL LOWER 5MPH	12 IA	12V IGNITION DISTRIBUTION	21 P	EXTERIOR LTS-CORNERING LH	24 V4	RR JCT BOX 24V DISC SW
5 NO	SPEED SIGNAL HIGHER 5MPH	12 IA	FR JCT BOX 12V IGNITION	23	EXTERIOR LTS-DIRECTIONNAL RH	24 V5	RR JCT BOX 24V DISC SW
6	INTERIOR LTS-AISLE	12 IB	FR JCT BOX 12V IGNITION	23	EXTERIOR LTS-DIRECTIONNAL RH	24 VD	24V HOT WIRE DISTRIBUTION
7 B	ENTRANCE DOOR (SEDAN)	12 IE	ABS-FR JCT BOX 12V IGNITION	23 A	EXTERIOR LTS-DIRECTIONNAL RH	24 VF	BAT CPT 24V SW TO FJB & IC
7 D	ENTRANCE DOOR (SEDAN)	12 IF	FR JCT BOX 12V IGNITION	23 B	EXTERIOR LTS-DIRECTIONNAL RH	24 VA	BATTERY TO EQUALIZER 24V
7 DA	ENTRANCE DOOR (SEDAN)	12 LX	CLUSTER (12V HOT WIRE)	23 C	EXTERIOR LTS-CORNERING RH	24 VI	RR JCT BOX 24V IGNITION
9	INTERIOR LTS-ENGINE CPT	12 M	ABS-FR JCT BOX 12V DISC. SW.	23 N	EXTERIOR LTS-CORNERING RH	24 VR	BAT CPT 24V DISC SW TO RJB
9 A	INTERIOR LTS-ENGINE CPT	12 P	LH CONSOLE POWER OUTLET	23 P	EXTERIOR LTS-CORNERING RH	24 W	RR JCT BOX 24V DISC SW (WCL)
9 B	INTERIOR LTS-ENGINE CPT	12 R	BAT CPT 12V DISC RLY TO RJB	24	BAT CPT 24V BATTERY	24 WC	BATT.CPT TO HYD. PUMP (WCL)
9 E	INTERIOR LTS-FR SERVICE CPT	12 R	MEMORY BATTERY RADIO	24	FR JCT BOX 24V DISC SW	24 WL	24V BATTERY-HYD. PUMP (WCL)
9 F	INTERIOR LTS-FR SERVICE CPT	12 S	SOUND SYSTEM 12V RADIO	24 A	BOOSTER BLOCK 24V DISC SW	25	24 VOLT ALT.SIGNAL MODULE
10	INTERIOR LTS-LUGGAGE CPT	12 S1	SOUND SYSTEM 12V RADIO	24 A	FR JCT BOX 24V DISC SW	25 A1	PRE-EXITATION ALT. BOSCH #1
10 A	INTERIOR LTS-LUGGAGE CPT	12 S1 A	DVD KARAOKE FEEDING	24 A	RR JCT BOX 24V DISC SW	25 A2	PRE-EXITATION ALT. BOSCH #2
10 B	INTERIOR LTS-LUGGAGE CPT	12 S2	SOUND SYSTEM 12V RADIO	24 B	24V STARTER RLY FEEDING	25 A	T.T. LT. ALTERNATOR #1
10 D	INTERIOR LTS-LUGGAGE CPT	12 S2 A	DVD KARAOKE FEEDING	24 B	FR JCT BOX 24V DISC SW	25 B	12 VOLTS IGN. ALT. SIGNAL MODULE
10 F	INTERIOR LTS-LUGGAGE CPT	12 SB	SOUND SYSTEM 12V FEEDING	24 BC	24 VOLT BATT. CHARGER	25 D	12 V. ENGINE RUN / HVAC SYSTEM
10 H	INTERIOR LTS-LUGGAGE CPT	12 SS	SOUND SYSTEM 12V FEEDING	24 BE	RJB CPT-BAT EQ MONITOR HOT WIRE	25 F	12 VOLT IGN. DISTRIBUTION
10 K	INTERIOR LTS-LUGGAGE CPT	12 VA	BATTERY TO EQUALIZER 12V	24 C	FR JCT BOX 24V DISC SW	25 H	24 VOLT IGN. ALT. BOSCH
10 R	INTERIOR LTS-LUGGAGE DOOR AJAR	12 VD	12V HOT WIRE DISTRIBUTION	24 C	RR JCT BOX 24V DISC SW	25 K	T.T. LT. ALTERNATOR #2
11	FR DESTINATION SIGN	12 VF	BAT CPT 12V FJB & IC	24 D	BAT CPT 24V HOT WIRE	26 A	CIGAR LIGHTER
11 A	FR DESTINATION SIGN	12 VI	12V IGNITION DISTRIBUTION	24 D	FR JCT BOX 24V HOT WIRE	26	DRIVER'S WINDOW LIFTER
11 B	FR DESTINATION SIGN	12 VR	BAT CPT 12V DISC RLY TO RJB	24 D	RR JCT BOX 24V HOT WIRE	26 B	DRIVER'S WINDOW LIFTER
11 C	FR DESTINATION SIGN	12 W	12V BATTERY DDEC III	24 D A	A/C JCT BOX 24V HOT WIRE	26 C	DRIVER'S WINDOW LIFTER
11 D	FR DESTINATION SIGN	12 W	ENTRANCE DOOR (SEDAN)	24 E	BAT CPT 24V DISC SW	27	LAVATORY-EMERGENCY SONALERT
11 E	FR DESTINATION SIGN	12 WA	ENTRANCE DOOR (SEDAN)	24 E	FR JCT BOX 24V DISC SW	28 A	A/C & HEAT SYSTEM-HI PRESSURE
11 K	FR DESTINATION SIGN	12 X	FR JCT BOX 12V DISC SW	24 E	RR JCT BOX 24V DISC SW	29	A/C & HEAT SYSTEM-DRIVER'S HTR
12	12V BAT ELECTRONIC JCT BLOCK	12 X2	FR JCT BOX 12V DISC SW	24 F	FR JCT BOX 24V DISC SW	29 A	A/C & HEAT SYSTEM-DRIVER'S HTR
12	BAT CPT 12V BATTERY	12 Y	FR JCT BOX 12V DISC SW	24 F	RR JCT BOX 24V DISC SW	29 B	A/C & HEAT SYSTEM-DRIVER'S HTR
12 A	FR JCT BOX 12V DISC SW	13 A	ALARM & SIGNAL-LO AIR PRIM.	24 G	FR JCT BOX 24V DISC SW	29 H	HVAC DASH MODULE
12 A	RR JCT BOX 12V DISC SW	13 B	ALARM & SIGNAL-LO AIR SEC.	24 G	RR JCT BOX 24V DISC SW	30 A	GALLEY
12 B	12V BAT ELECTRICAL JCT BLOCK	14	LAVATORY-FLUSHING PUMP	24 H	FR JCT BOX 24V DISC SW	31 A	A/C & HEAT SYSTEM-UNLOADER
12 B	RR JCT BOX 12V DISC SW	14 A	LAVATORY-FLUSHING PUMP	24 H	RR JCT BOX 24V DISC SW	31 B	A/C & HEAT SYSTEM-UNLOADER
12 B	FR JCT BOX 12V DISC SW	15	EXTERIOR LTS-MULTI FUNC LEVEL	24 I	FR JCT BOX 24V IGNITION	31 B	WIPER & WASHER SYSTEM
12 BE	BAT. EQUALIZER MONITOR	15 A	WIPER & WASHER UPPER WINDSHIELD	24 I	RR JCT BOX 24V IGNITION	31 C	WIPER & WASHER SYSTEM

CIRCUIT NUMBER CODE

No.	DESCRIPTION	No.	DESCRIPTION	No.	DESCRIPTION	No.	DESCRIPTION
31 D	WIPER & WASHER SYSTEM	48 A	ENTRANCE DOOR (SEDAN)	67 A	A/C & HEAT SYSTEM	86 A	ENGINE CTR-STARTER SOL SIGN
31 E	WIPER & WASHER SYSTEM	49	ENTRANCE DOOR (SEDAN)	67 B	A/C & HEAT SYSTEM	88	ENGINE CTR-RR START SIGNAL
31 J	WIPER & WASHER SYSTEM	49 A	ENTRANCE DOOR (SEDAN)	67 C	HEATING WINDSHIELD	89	ENGINE CTR-RR START SIGNAL
31 X	WIPER & WASHER SYSTEM	50	AIR DRYER	67 K	A/C & HEAT SYSTEM-COND FAN CTR	90 B	A/C & HEAT SYSTEM-COND FAN MOT
32	EXTERIOR LTS-BACK-UP	52	ALARM & SIGNAL-ELEC. HORN	67 L	A/C & HEAT SYSTEM-COND FAN CTR	90 B	ENGINE CTR-MAST KEY SW FEED
32 B	EXTERIOR LTS-BACK-UP	52 A	ALARM & SIGNAL-ELEC. HORN	67 V	A/C & HEAT SYSTEM-WATER VALVE	90 C	A/C & HEAT SYSTEM-COND FAN MOT
32 C	BACK-UP PWR & SIGNAL	52 B	ALARM & SIGNAL- AIR HORN	67 X	A/C & HEAT SYSTEM	90 F	CHARG SYST-VOLTAGE REGUL. "B"
32 D	BACK-UP ALARM	52 C	ALARM & SIGNAL- AIR HORN	68	DASH & DEFROST DAMPER MOTOR	90 H	A/C & HEAT SYSTEM-EVAP FAN MOT
35	ENTRANCE DOOR (SEDAN)	53	ALARM & SIGNAL-ELEC. HORN	68 A	DASH & DEFROST DAMPER MOTOR	91	PARKING BRAKE SW SIGNAL
35 B	ENTRANCE DOOR (SEDAN)	53 A	WIPER & WASHER SYSTEM	70	INTERIOR LTS-HAT RACK & RR RUN.	91 A	DDEC-FAST IDLE SIGNAL
35 BB	ENTRANCE DOOR (SEDAN)	53 B	WIPER & WASHER SYSTEM	72	SUN VISOR-FEEDING	91 S	SONALERT PARKING BRAKE
35 D	ENTRANCE DOOR (SEDAN)	53 C	WIPER & WASHER SYSTEM	72 A	SUN VISOR-RH	91 W	PARK, BRAKE SW SIGN (WCL)
36	JACOB BRAKE SYSREM	53 E	WIPER & WASHER SYSTEM	72 B	SUN VISOR-RH	92	BATTERY EQUALIZER-CHECK BALANCE
36 A	JACOB BRAKE SYSREM	53 J	WIPER & WASHER SYSTEM	72 C	SUN VISOR-LH	93	BATTERY EQUALIZER-CHECK LO/HI
38	INTERIOR LTS-24V FLUORESCENT	55	EXTERIOR LTS-HI BEAM	72 D	SUN VISOR-LH	95 A	ENGINE BRAKE & RETARDER SYSTEM
38 A	INTERIOR LTS-24V FLUORESCENT	57	EXTERIOR LTS-HI BEAM	73	LAVATORY-FEEDING	97	TACHOMETER (-)
38 C	INTERIOR LTS-24V FLUORESCENT	57 A	A/C & HEAT SYSTEM-WATER PUMP	74	INTERIOR LTS-READING RH	100	INTERIOR LTS-GENERAL
38 D	INTERIOR LTS-24V FLUORESCENT	57 A	EXTERIOR LTS-HI BEAM	74 A	INTERIOR LTS-READING RH	100 A	INTERIOR LTS-GENERAL
39	INTERIOR LTS-24V LH CONSOLE SW	57 B	A/C & HEAT SYSTEM-WATER PUMP	74 D	INTERIOR LTS-READING SIGNAL	100 B	INTERIOR LTS-GENERAL
39 A	INTERIOR LTS-DRIVER'S LTS	57 C	PRE-HEAT WATER HEATER	75	INTERIOR LTS-READING LH	101	24V STARTER SOL FEEDING
39 P	READING LIGHTS	57 CA	A/C & HEAT SYSTEM-HEAT SIGN	75 A	INTERIOR LTS-READING LH	101	WORLD TRANSM-LO SIGN SOL. LO
41	A/C & HEAT SYSTEM-COND FAN MOT	57 CC	A/C & HEAT SYSTEM-HEAT SIGN	76	FUEL TANK GAUGE	102	WORLD TRANSM-SOL. SUPPLY
41 A	A/C & HEAT SYSTEM-COND FAN MOT	58	EXTERIOR LTS-LO BEAM	76 B	LOW FUEL LT & ETHER COLD START	102 A	24V STARTER TO BOSCH ALTERNATOR
41 B	A/C & HEAT SYSTEM-COND FAN MOT	58 A	EXTERIOR LTS-LO BEAM	76 C	LOW FUEL LT	103	LOW BUOY
42	A/C & HEAT SYSTEM-COND FAN MOT	58 B	EXTERIOR LTS-LO BEAM	76 P	FUEL PRIME PUMP	104	WORLD TRANSM-SOL. FORWARD
42 A	A/C & HEAT SYSTEM-COND FAN MOT	58 E	EXTERIOR LTS-LO BEAM	76 M	FUEL PRIME PUMP	105	WORLD TRANSM-RETARDER & SUMP
43	HAT RACK FAN	59 A	JACOB BRAKE SYSTEM	77	A/C & HEAT SYSTEM-HI PRESSURE	105 W	WORLD TRANSM-RETARDER & SUMP
43 A	HAT RACK FAN	61	EXTERIOR LTS-24V FEED SW	77 A	A/C & HEAT SYSTEM-DRIVER'S HTR	106	WORLD TRANSM-OIL LEVEL HI
43 B	HAT RACK FAN	61 A	EXTERIOR LTS-HEAD SIGNAL	77 B	A/C & HEAT SYSTEM-COMPRESSOR	107	WORLD TRANSM-LOCKUP SOL. HI
43 D	HAT RACK FAN	62	LAVATORY-OCCUPIED LT	77 C	A/C & HEAT SYSTEM-COMPRESSOR	108	WORLD TRANSM-REM. PWR WAKE UP
43 E	HAT RACK FAN	62 A	LAVATORY-FLUOR LT	77 H	A/C & HEAT SYSTEM-COMPRESSOR	109	WORLD TRANSM-RET. SOL. LO
43 F	HAT RACK FAN	62 B	LAVATORY-FLUOR LT	81	EXTERIOR LTS-STOP SW	110	ALARM & SIGNAL-WATER TEMP
43 G	HAT RACK FAN	62 E	LAVATORY-OCCUP & FLUOR LT	82	EXTERIOR LTS-STOP SIGNAL	110	WORLD TRANSM-LOCKUP SOL. LO
44	EXTERIOR LTS-FOG	63	EXTERIOR LTS-CLEARANCE	82 A	EXTERIOR LTS-STOP SIGNAL	111	WORLD TRANSM-SOL. C6
44 A	EXTERIOR LTS-FOG	63 A	EXTERIOR LTS-CLEARANCE	82 B	EXTERIOR LTS-STOP LTS	112	WORLD TRANSM-SPARE OUTPUT (+)
44 B	EXTERIOR LTS-FOG	63 B	EXTERIOR LTS-CLEARANCE	82 K	EXTERIOR LTS-STOP PARK BRK	113	ALARM & SIGNAL-OIL PRESS
44 C	EXTERIOR LTS-FOG & HAZARD	63 C	EXTERIOR LTS-MARKER SIGNAL	82 L	EXTERIOR LTS-LH STOP	113	WORLD TRANSM-REVERSE WARNING
45 B	A/C & HEAT SYSTEM-HEAT SIGN	63 D	EXTERIOR LTS-MARKER & TAIL	82 R	EXTERIOR LTS-LH STOP	114	INTERIOR LTS-DASH LT REGUL.
45 D	A/C & HEAT SYSTEM-WATER VALVE	63 E	EXTERIOR LTS-CLEARANCE	83	ENGINE CTR-KEY SW ACCES SIGN	114	WORLD TRANSM-SPARE OUTPUT (-)
45 E	A/C & HEAT SYSTEM-HEAT 1 SIGN	63 F	EXTERIOR LTS-MARKER BLINKER	84	ENGINE CTR-KEY SW ACCES SIGN	114 A	INTERIOR LTS-DASH LT
45 G	A/C & HEAT SYSTEM-DRIVER'S HTR	63 H	EXTERIOR LTS-TAIL	85	ENGINE CTR-KEY SWIGNITION SIGN	114 B	INTERIOR LTS-DASH LT REGUL.
45 H	A/C & HEAT SYSTEM-DRIVER'S HTR	64	DRIVERS FAN	85	24V IGNITION SIGNAL	114 D	INTERIOR LTS-DASH LT REGUL.
45 W	A/C & HEAT SYSTEM-COND. DOOR AJAR	64 B	DRIVERS FAN	85 A	24V IGN DASH INSTRUMENTATION	114 E	INTERIOR LTS-DASH LT REGUL.
46	EXTERIOR LTS-MARKER	64 C	DRIVERS FAN	85 B	ENGINE CTR-24V IGNITION	115	ALARM & SIGNAL-TAG PRESS
46 A	EXTERIOR LTS-MARKER	65	FOOT DAMPER MOTOR	85 C	PARKING BRAKE SWITCH	115	DDEC III-COOLANT LEVEL
46 B	EXTERIOR LTS-MARKER	65 A	FOOT DAMPER MOTOR	85 F	ENGINE CTR-ENGINE CTR SW IGN	115	WORLD TRANSM-DO NOT SHIFT SIGN
46 B	EXTERIOR LTS-MARKER	65 P	PASSENGER REC. DAMPER	85 F	LO AIR SONALERT	115 C	DDEC III-COOLANT LEVEL
46 C	EXTERIOR LTS-MARKER	65 D	DRIVER REC. DAMPER	85 X	12V IGN ABS	115 W	WORLD TRANSM-DO NOT SHIFT SIGN
47	A/C & HEAT SYSTEM-DRIVER'S HTR	66	O_PASS. ON/OFF	85 Y	ABS SYSTEM	116	WORLD TRANSM-LO SIGNAL SOL. HI
48	ENTRANCE DOOR (SEDAN)	67	24 VOLT RUN DISTRIBUTION	86	ENGINE CTR-STARTER SOL SIGN	116 B	A/C & HEAT SYSTEM-DRIVER'S HTR

CIRCUIT NUMBER CODE

No.	DESCRIPTION	No.	DESCRIPTION	No.	DESCRIPTION	No.	DESCRIPTION
117	WORLD TRANSM-SPARE INPUT (-)	133 A	GALLEY-HEAT CONTAINERS	147	ABS SYSTEM	170 H	LUGGAGE DOOR LOCK
117 A	ALARM & SIGNAL-TRANSM OIL TEMP	133 B	GALLEY-HEAT CONTAINERS	147	WORLD TRANSM-OIL TEMP	181 A	THERMOMETER INSIDE SENSOR
117 A	ALARM & SIGNAL-TRANSM OIL TEMP	133 C	GALLEY-HEAT CONTAINERS	147 A	ETHER COLD START & D.R.L.	181 B	THERMOMETER INSIDE SENSOR
118	WORLD TRANSM-SPARE INPUT (+)	133	WORLD TRANSM-RET. ACTUATOR HI	147 C	ETHER COLD START	181 C	THERMOMETER OUTSIDE SENSOR
119	WORLD TRANSM-ENG BRK INPUT (+)	134	GALLEY-HEAT CONTAINERS	148	ABS SYSTEM	181 D	THERMOMETER OUTSIDE SENSOR
120	WORLD TRANSM-SOL. C1	134 A	GALLEY-HEAT CONTAINERS	148	WORLD TRANSM-OUTPUT SPEED LO	197	FUEL WATER FILTER
121	WORLD TRANSM-SOL. GRD 2	134	WORLD TRANSM-RET. APPLY SOL. HI	149	ABS SYSTEM	197 A	FUEL WATER FILTER
122	A/C & HEAT SYSTEM-DRIVER'S HTR	135	A/C & HEAT SYSTEM-AIR SENSOR	149	WORLD TRANSM-TURBINE SPEED HI	197 B	FUEL WATER FILTER
122	A/C & HEAT SYSTEM-FRESH AIR	135 A	A/C & HEAT SYSTEM-AIR SENSOR	149 A	ABS SYSTEM	198	FILTER FUEL HEATER
122	WORLD TRANSM-SOL. GRD 4	135 D	A/C & HEAT SYSTEM-AIR SENSOR	150	DDEC III-ECM BATTERY GRD	199	AIR FILTER RESTRICTION SENDER
122 A	A/C & HEAT SYSTEM-FRESH AIR	135 C	A/C & HEAT SYSTEM-AIR SENSOR	150	WORLD TRANSM-ENGINE SPEED LO	201	WORLD TRANSM-SPARE
123	WORLD TRANSM-NEUTRAL START	135	WORLD TRANSM-ANALOG GRD	150 A	DDEC III-ECM BATTERY GRD	202	WORLD TRANSM-SPARE
123 A	ALARM & SIGNAL-FIRE DETECTOR	135 D	WORLD TRANSM-RETARDER RES MOD	151	ABS SYSTEM	203	WORLD TRANSM-SPARE
123 B	ALARM & SIGNAL-FIRE DETECTOR	135 C	WORLD TRANSM-RETARDER TEMP	151	DDEC III-ECM BATTERY GRD	204	WORLD TRANSM-SPARE
124	WORLD TRANSM-THROTTLE (HI)	136	GALLEY-ACCESSORIES	151	WORLD TRANSM-SERIAL COM. B	205	WORLD TRANSM-SPARE
125	WORLD TRANSM-RET. INDICATOR	136	WORLD TRANSM-ECU POWER	152	ABS SYSTEM	206	WORLD TRANSM-SPARE
125	GALLEY LAMP	136 V	WORLD TRANSM-12V BATTERY	153	WORLD TRANSM-SPARE INPUT (-)	214	WORLD TRANSM-BACK UP SIGNAL
125 T	GALLEY LAMP	136 W	WORLD TRANSM-12V BATTERY	154	ABS SYSTEM	225	LAVATORY FAN
125 W	WORLD TRANSM-RET. INDICATOR	136 X	WORLD TRANSM-12V BATTERY	154	WORLD TRANSM-ABS RET. INPUT	225 A	LAVATORY FAN
126	KNEELING SYSTEM	137	WORLD TRANSM-RETARDER	155	WORLD TRANSM-SPARE INPUT (-)	231	NEUTRAL SIGNAL GRD
126 A	KNEELING SYSTEM	137 A	MIRROR (SPARTAN & RAMCO)	156	WORLD TRANSM-THROTTLE POS.	231 A	NEUTRAL COIL RELAY FEED SIGNAL
126 B	KNEELING SYSTEM	137 B	RR VIEW MIRROR (SPARTAN)	156 A	ABS SYSTEM	231 W	NEUTRAL SIGNAL GRD (WCL)
126 C	KNEELING SYSTEM	137 C	RR VIEW MIRROR (SPARTAN)	157	WORLD TRANSM-SPEEDO SIGNAL	240	DDEC III-ECM 12V FEEDING
126 D	KNEELING SYSTEM	137 D	RR VIEW MIRROR (SPARTAN)	157 B	ABS SYSTEM	241	DDEC III-ECM 12V FEEDING
126 E	KNEELING SYSTEM	137 E	RR VIEW MIRROR (SPARTAN)	157 D	A.T.C. SYSTEM	251 A	DDEC III - DATA LOGGER 12 H.W.
126 F	KNEELING SYSTEM	137 G	RR VIEW MIRROR (SPARTAN)	157 E	A.T.C. SYSTEM	251	DDEC III - PRODRIVER 12V H.W.
126 G	KNEELING SYSTEM	138	ABS SYSTEM	157 F	A.T.C. SYSTEM	253	GALLEY-MICROWAVE
126 H	KNEELING SYSTEM	138	WORLD TRANSM-RETARDER TEMP	158	WORLD TRANSM-DIMMER	254	GALLEY-12V FRIGO NORCOLD
126 K	KNEELING SYSTEM	138 A	ABS SYSTEM	160	ALARM & SIGNAL-TAG PRESS SW	254 A	GALLEY-FRIGO
126 P	KNEELING SYSTEM	139	ABS SYSTEM	160	WORLD TRANSM-SER. INTERFACE (-)	255	GALLEY-COFEEMAKER
126 R	KNEELING SYSTEM	139	WORLD TRANSM-OUTPUT SPEED HI	161	WORLD TRANSM-SIGNAL GRD	255 A	GALLEY-COFEEMAKER
126 W	5 MPH N.C. SIGNAL (WCL)	140	ABS SYSTEM	161 B	WORLD TRANSM-SIGNAL GRD	257	WINDSHIELD HEATED
126 S	KNEELING SYSTEM	140	WORLD TRANSM-OUTPUT SPEED LO	162	WORLD TRANSM-PRESS. SW C3	257 A	WINDSHIELD HEATED
126 T	KNEELING SYSTEM	141	ABS SYSTEM	163	WORLD TRANSM-RETARDER ENABLE	257 B	WINDSHIELD HEATED
127	WORLD TRANSM-LUBE PRESS SW.	141	WORLD TRANSM-ENGINE SPEED HI	164	WORLD TRANSM-RET. ACTUATOR SIGN	257 C	WINDSHIELD HEATED
127	WORLD TRANSM-RETARDER FEED SOL.	142	ABS SYSTEM	165	A/C & HEAT SYSTEM-TRANSMITER	257 D	WINDSHIELD HEATED SPARE
127	POWER- PRE-HEAT WATER HEATER	142	WORLD TRANSM-SERIAL COM. A	165	WORLD TRANSM-OIL LEVEL SIGNAL	257 E	WINDSHIELD HEATED SPARE
127 A	PRE-HEAT WATER HEATER	143	ABS SYSTEM	165 A	A/C & HEAT SYSTEM-TRANSMITER	258	WINDSHIELD HEATED
128 A	PRE-HEAT WATER HEATER	143	WORLD TRANSM-ECU BATTERY GRD	165 B	A/C & HEAT SYSTEM-TRANSMITER	258 A	WINDSHIELD HEATED
128 B	PRE-HEAT - BURNER ON SIGNAL	143 A	ABS SYSTEM	165 C	A/C & HEAT SYSTEM-TRANSMITER	259	WINDSHIELD HEATED
128	WORLD TRANSM-SOL. C2	143 W	WORLD TRANSM-BATTERY GRD	165 D	A/C & HEAT SYSTEM-TRANSMITER	259 A	WINDSHIELD HEATED
129	POWER- PRE-HEAT WATER HEATER	144	ABS SYSTEM	166 B	A/C & HEAT SYSTEM-EVAP. MOD.	260	WINDOW AJAR
129 B	POWER- PRE-HEAT WATER HEATER	144	WORLD TRANSM-ECU CHASSIS GRD	167	A/C & HEAT SYSTEM-TEMP. CTR	290	FAN CLUTCH RADIATOR
129	WORLD TRANSM-SOL. C5	144 A	ABS SYSTEM	167 A	A/C & HEAT SYSTEM-TEMP. CTR	290	FAN CLUTCH RADIATOR
130	A/C & HEAT SYSTEM-EVAP FAN MOTOR	145	ABS SYSTEM	168	A/C & HEAT SYSTEM-HUMIDISTAT	291	FAN CLUTCH RADIATOR SPD 1
130	WORLD TRANSM-SOL. GRD 3	146	ABS SYSTEM	168	WORLD TRANSM-SER. INTERFACE (+)	292	FAN CLUTCH RADIATOR SPD 2
131	WORLD TRANSM-SOL. C4	146 A	TRANSMISSION-12V IGNITION	168 A	A/C & HEAT SYSTEM-HUMIDISTAT	300	DOOR AJAR MAGN.SW. (WCL)
132	WORLD TRANSM-ENG BRK OUTPUT (-)	146	WORLD TRANSM-IGNITION SENSE	170	LUGGAGE DOOR LOCK	300 A	POWER SYSTEM SW. (WCL)
132 W	WORLD TRANSM-ENG BRK OUTPUT (-)	146 W	WORLD TRANSM-12V IGNITION	170 C	LUGGAGE DOOR LOCK	300 B	DOOR AJAR ALARM (WCL)
133	GALLEY-HEAT CONTAINERS	146 X	WORLD TRANSM-12V IGNITION	170 E	LUGGAGE DOOR LOCK	301	POWER SYSTEM SW. (WCL)

CIRCUIT NUMBER CODE

No.	DESCRIPTION	No.	DESCRIPTION	No.	DESCRIPTION	No.	DESCRIPTION
3 0 2	DOOR AJAR T.T.LT. (WCL)	5 4 1	DDEC III-CRUISE SET SW				
3 0 2 A	DOOR AJAR ALARM SIGN.(WCL)	5 4 3	DDEC III-CRUISE STOP SW CUT IN				
3 0 2 B	DOOR AJAR MAGN.SW. (WCL)	5 4 4	DDEC III-CRUISE ON/OFF SW				
3 0 3	REMOTE WALL SW. DWN (WCL)	5 4 5	DDEC III-CRUISE RESUME SW				
3 0 4	REMOTE WALL SW. UP (WCL)	5 5 5	DDEC III-FAN CLUTCH SPEED# 1				
3 0 5	PARK. BRAKE SOL. VALVE (WCL)	5 5 6	DDEC III-VEHICLE SPEED (+)				
3 0 5 A	PARK. BRAKE SAFETY SW. (WCL)	5 5 7	DDEC III-VEHICLE SPEED (-)				
3 0 6	CONTROL SYSTEM (WCL RICON)	5 6 3	DDEC III-FAN CLUTCH SPEED# 2				
3 0 7	CONTROL SYSTEM (WCL RICON)	5 6 4	DDEC III-DIGITAL OUTPUT				
3 0 8	CONTROL SYSTEM (WCL RICON)	5 6 5	DDEC III-ENGINE BRAKE ACTIVE				
3 0 9	CONTROL SYSTEM (WCL RICON)	5 8 3	DDEC III-ENGINE BRAKE 4 CYL.				
3 1 0	EATON TRANSMISSION	9 0 0	DDEC III-DATA LINK (+)				
3 1 1	EATON TRANSMISSION	9 0 1	DDEC III-DATA LINK (-)				
3 1 2	EATON TRANSMISSION	9 0 8	DDEC III-HYDRAULIC PWM#1 OUTPUT				
3 1 3	EATON TRANSMISSION	9 1 6	DDEC III-SENSOR SUPPLY (5VDC)				
3 1 4	EATON TRANSMISSION	9 2 5	J1939-HIGH				
3 1 5	EATON TRANSMISSIOM	9 2 6	J1939-LOW				
3 1 6	EATON TRANSMISSION - EPL	9 2 7	J1939-SHIELD				
3 1 7	EATON TRANSMISSION	9 5 2	DDEC III-SENSOR RETURN				
3 1 8	EATON TRANSMISSION	9 5 3	DDEC III-BATTERY GRD				
3 1 9	EATON TRANSMISSION	9 5 3 A	THROTTLE INHIBIT				
3 2 0	EATON TRANSMISSION	9 7 9	DDEC III-ENGINE BRAKE 2 CYL.				
3 2 1	EATON TRANSMISSION						
3 2 2	EATON TRANSMISSIION						
3 2 3	EATON TRANSMISSION						
3 2 4	EATON TRANSMISSION						
3 2 5	EATON TRANSMISSION						
3 2 6	EATON TRANSMISSION						
3 2 7	EATON TRANSMISSION						
3 2 8	EATON TRANSMISSION						
3 2 9	EATON TRANSMISSION						
3 3 0	EATON TRANSMISSION - EPL						
3 3 1	EATON TRANSMISSION - EPL						
3 3 2	EATON TRANSMISSION						
3 3 3	EATON TRANSMISSION - 12V BATTERY						
3 3 4	EATON GENERATION 2						
4 1 7	DDEC III-LIMIT SPEED GOVERNOR						
4 1 9	DDEC III-CHECK ENGINE LIGHT						
4 3 9	DDEC III-12V IGNITION						
4 4 0	DDEC III-12V IGNITION						
4 4 0 A	DDEC III-12V IGNITION						
4 5 1	DDEC III-A/C FAN CLUTCH						
5 0 5	DDEC III-TACHOMETER DRIVE						
5 0 9	DDEC III-STOP ENGINE LIGHT						
5 1 0	DDEC III-FAST IDLE SIGNAL						
5 2 4	DDEC III-ENGINE BRAKE DISABLE						
5 2 5	DDEC III-FAST IDLE SIGNAL						
5 2 8	DDEC III-STOP ENG. OVERRIDE						
5 3 1	DDEC III-CRUISE CLUTCH RELEASE						
5 4 0	DDEC III-CRUISE ENABLE LTS.						

CIRCUIT NUMBER CODE

No.	DESCRIPTION	No.	DESCRIPTION	No.	DESCRIPTION	No.	DESCRIPTION
BA	INTERIOR LTS-110V FLUORESCENT	SP 17	SPARE-RJB TO ENGINE	SP 117	SPARE-FJB TO U/DASH FLOOR	0 LH	RS - RR END LAMPS LH GRD
BB	INTERIOR LTS-110V FLUORESCENT	SP 18	SPARE-FJB TO RJB	SP 119	SPARE-RJB TO ENGINE CPT.	0 M	FS - ELECTRICAL MOTOR GRD
D 1	SOUND SYSTEM-FR RH SPEAKER	SP 24	SPARE-RJB TO LAVATORY ROOF	WC	A/C & HEAT SYST-EVAP CTR SIGN	0 M1	FS - ELECTRICAL MOTOR GRD
D 2	SOUND SYSTEM-FR RH SPEAKER	SP 25	SPARE-RJB TO LAVATORY ROOF	YC	INTERIOR LTS-110V FLUORESCENT	0 M3	FS - ELECTRICAL MOTOR GRD
D 3	SOUND SYSTEM-FR RH SPEAKER	SP 26	SPARE-RJB TO LAVATORY ROOF	YD	INTERIOR LTS-110V FLUORESCENT	0 M4	FS - ELECTRICAL MOTOR GRD
D 4	SOUND SYSTEM-RR RH SPEAKER	SP 27	SPARE-RJB TO LH HAT RACK	0	BC - BAT. CPT CHASSIS GRD	0 M5	FS - ELECTRICAL MOTOR GRD
D 5	SOUND SYSTEM-RR RH SPEAKER	SP 28	SPARE-RJB TO LH HAT RACK	0	CONDENSER CPT GRD	0 M6	FS - FJB GRD
D 6	SOUND SYSTEM-RR RH SPEAKER	SP 31	SPARE-RJB TO RH HAT RACK	0	RS - RR JCT BOX RLY GRD	0 M7	FS - ELECTRICAL MOTOR GRD
D 7	SOUND SYSTEM-RR RH SPEAKER	SP 32	SPARE-RJB TO RH HAT RACK	0	GALLEY GRD	0 M	RS - ENGINE CPT ACCES. GRD
D 8	SOUND SYSTEM-RR RH SPEAKER	SP 33	SPARE-FJB TO RJB	0 A	BC - SHIELD GRD	0 MR	24V DISC. SW. RLY GRD SIGNAL
D 3 4	SOUND SYSTEM-RR RH SPEAKER	SP 38	SPARE-FJB TO RJB	0 A	RS - RR JCT BOX RLY GRD	0 MS	24V DISC. SW. RLY GRD SIGNAL
D 6 7	SOUND SYSTEM-RR RH SPEAKER	SP 43	SPARE-FJB TO RJB	0 A	FRS - FR ROOF ACCES. GRD	0 N	RS - ENGINE CPT ACCES. GRD
G 1	SOUND SYSTEM-FR LH SPEAKER	SP 45	SPARE-FJB TO RJB	0 A	RS - LUG. CPT ACCES. GRD	0 P	RS - ENGINE CPT ACCES. GRD
G 2	SOUND SYSTEM-FR LH SPEAKER	SP 46	SPARE-RJB TO LH FR ROOF	0 A	A/C SYSTEM-EVAP. GRN	0 R	FS - SOUND SYS. JCT PANEL GRD
G 3	SOUND SYSTEM-FR LH SPEAKER	SP 48	SPARE-RJB TO DASH CENTER PANEL	0 A A	RS - VOLTAGE REGULATOR GRD	0 R	RS - RJB GRD
G 4	SOUND SYSTEM-RR LH SPEAKER	SP 56	SPARE-ENGINE TO RH SW PANEL	0 B	EC - ENGINE GRD	0 R	RS - ENGINE CPT ACCES. GRD
G 5	SOUND SYSTEM-RR LH SPEAKER	SP 57	SPARE-DASH CENTER PANEL TO ENG.	0 B	FRS - FR ROOF HEAT WIND GRD	0 RE	RADIO & CTRL HEAD CHASSIS GRD
G 6	SOUND SYSTEM-RR LH SPEAKER	SP 58	SPARE-DASH CENTER PANEL TO ENG.	0 B	RS - LUG. CPT ACCES. GRD	0 RH	RS - RR END LAMPS RH GRD
G 7	SOUND SYSTEM-RR LH SPEAKER	SP 59	SPARE-FJB TO ENGINE	0 B E	RJB - BAT. EQUAL. BAT GRD	0 S	12 VOLT RUN - GND RELAY
G 8	SOUND SYSTEM-RR LH SPEAKER	SP 61	SPARE-FJB TO DASH RH PANEL	0 C	EC - STARTER MOTOR GRD	0 SA	EC-BOSCH ALT. GROUND
G 3 4	SOUND SYSTEM-RR LH SPEAKER	SP 68	SPARE-FJB TO ENGINE	0 C	FS - SERV. CPT ACCES. GRD	0 S2	SOUND SYSTEM RADIO GRD
G 6 7	SOUND SYSTEM-RR LH SPEAKER	SP 69	SPARE-FJB TO FR AXLE	0 C	BC - FAN EVAP. & CONDENSER GRD	0 S3	SOUND SYSTEM VIDEO GRD
L 1 A	INTERIOR LTS-110V FLUORESCENT	SP 70	SPARE-FJB TO FR AXLE	0 C R	24V DISC. SW. RLY GRD SIGNAL	0 SS	SOUNDS SYSTEM BATT. GRD
L 1 B	INTERIOR LTS-110V FLUORESCENT	SP 71	SPARE-FJB TO RH SW PANEL	0 C S	24V DISC. SW. RLY GRD SIGNAL	0 T	FS - DASH ACCES. GRD
L 2 A	INTERIOR LTS-110V FLUORESCENT	SP 72	SPARE-FJB TO FR SERV CPT	0 C 1	FS - SERV. CPT ACCES. GRD	0 T 1	FS - DASH ACCES. GRD
L 2 B	INTERIOR LTS-110V FLUORESCENT	SP 74	SPARE-FJB TO LH CONSOLE	0 C 2	FS - SERV. CPT ACCES. GRD	0 T 2	FS - DASH ACCES. GRD
L 0	110V RECEPTACLE- 110V FLUOR.	SP 77	SPARE-FJB TO EVAPORATOR CPT	0 C 3	FS - SERV. CPT ACCES. GRD	0 T 3	FS - DASH ACCES. GRD
L 1	110V RECEPTACLE- 110V FLUOR.	SP 7 8	SPARE-FJB TO CONDENSER CPT	0 C 4	FS - FJB CPT ACCES. GRD	0 T 4	FS - DASH ACCES. GRD
L 2	110V RECEPTACLE- 110V FLUOR.	SP 7 9	SPARE-FJB TO CONDENSER CPT	0 D	BC - FAN CONDENSER GRD	0 T 5	FS - HVAC DASH MODULE. GRD
RA	INTERIOR LTS-110V FLUORESCENT	SP 8 7	SPARE-RJB TO LH HAT RACK	0 D	RS - HAT RACK ACCES. LH GRD	0 V	RR JCT BOX CPT GRD STUD
RB	INTERIOR LTS-110V FLUORESCENT	SP 8 8	SPARE-RJB TO RH HAT RACK	0 D F	RS - RR SIDE FLASH & MARK GRD	0 VA	BATTERY TO EQUALISER 0V
SH 1	SHIELD CHASSIS GRD	SP 9 2	SPARE-RJB TO CONDENSER CPT	0 D R	RS - RJB DOCKING LT RESISTORS	0 W	FS - WT GND & SHIELD
SH 2	SHIELD CHASSIS GRD	SP 9 3	SPARE-RJB TO EVAPORATOR CPT	0 E	RS - HAT RACK ACCES. LH GRD	0 W	RS - RR JCT BOX (WCL) GRD
SH 3	SHIELD CHASSIS GRD	SP 9 4	SPARE-RJB TO RR ROOF	0 E A	EATON TRANSMISSION GRD	0 W C	RS - RR JCT BOX GRD (WCL)
SH 4	SHIELD CHASSIS GRD	SP 9 5	SPARE-RJB TO RR ROOF	0 F	RS - HAT RACK ACCES. RH GRD	0 X	RS - RR JCT BOX GRD
SP 2	SPARE-FJB TO FR SERV CPT	SP 9 6	SPARE-RJB TO LUGG CPT #2	0 G	RS - HAT RACK ACCES. RH GRD	0 Y	ABS FR JCT BOX CPT GRD STUD
SP 3	SPARE-FJB TO CENTER DASH	SP 9 7	SPARE-RJB TO LUGG CPT #3	0 H	RS - LAVATORY ACCES. GRD	0 Y	RR JCT BOX GRD
SP 4	SPARE-FJB TO CENTER DASH	SP 9 8	SPARE-RJB TO LUGG CPT #3	0 J	FS - LH CONSOLE SW GRD	0 Y 1	ABS SYSTEM - GRD
SP 5	SPARE-RJB TO LUGG CPT #2	SP 1 0 4	SPARE-RJB TO ENGINE CPT	0 J	RS - RR ROOF ACCES. GRD	0 Y 2	ABS SYSTEM - GRD
SP 6	SPARE-RJB TO LUGG CPT #1	SP 1 0 5	SPARE-FJB TO ENGINE	0 K	RS - RR ROOF ACCES. GRD	0 Y 3	ABS SYSTEM - GRD
SP 7	SPARE-RJB TO LUGG CPT #1	SP 1 0 6	SPARE-RJB TO BATT. CPT.	0 K	RS - RJB A/C JCT PANEL GRD	0 Y 4	ABS SYSTEM - GRD
SP 8	SPARE-RJB TO LUGG CPT #1	SP 1 0 7	SPARE-RJB TO BATT. CPT.	0 L	FS - FR SERVICE CPT LTS GRD	0 Y 5	ABS SYSTEM - GRD
SP 9	SPARE-RJB TO LUGG CPT #2	SP 1 0 8	SPARE-RJB TO BATT. CPT.	0 L 1	FS - FR SERVICE CPT LTS GRD	0 Y 6	ABS SYSTEM - GRD
SP 1 0	SPARE-RJB TO LUGG CPT #1	SP 1 0 9	SPARE-RJB TO ENGINE CPT.	0 L 2	FS - FR SERVICE CPT LTS GRD	0 Z	RR JCT BOX CPT GRD STUD
SP 1 1	SPARE-FJB TO RJB	SP 1 1 0	SPARE-FJB TO ENGINE CPT.	0 L 3	FS - FJB GRD	0 0	FJB & RJB BATT. GRD
SP 1 2	SPARE-RJB TO ENGINE	SP 1 1 1	SPARE-RJB TO ENGINE CPT.	0 L 4	FS - FJB GRD	0 0 A	FBG - T.T.LT. MODULES BATT. GRD
SP 1 3	SPARE-RJB TO ENGINE	SP 1 1 2	SPARE-RJB TO ENGINE CPT.	0 L 5	FS - CIGAR LIGHTER	0 0 Y	FS - ABS MODULLE BATT. GRD
SP 1 4	SPARE-FJB TO RJB	SP 1 1 4	SPARE-FJB TO U/DASH WIPER	0 L 6	FS - FRONT SERVICE CPT LTS GRD	0 0 SS	SOUND SYSTEM BATT. GRD
SP 1 5	SPARE-RJB TO ENGINE	SP 1 1 5	SPARE-FJB TO U/DASH WIPER	0 L	RS - ENGINE CPT ACCES. GRD	1	TACHO SYSTEM - RPM SIGNAL +
SP 1 6	SPARE-RJB TO ENGINE	SP 1 1 6	SPARE-FJB TO U/DASH FLOOR	0 L	ENTRANCE DOOR (SEDAN) GRD	2 A	A/C & HEAT SYSTEM-COOL 1 SIGN

CIRCUIT NUMBER CODE

No.	DESCRIPTION	No.	DESCRIPTION	No.	DESCRIPTION	No.	DESCRIPTION
2 B	A/C & HEAT SYSTEM-COOL SIGN	12 C	FR JCT BOX 12V DISC SW	15 A	WIPER & WASHER UPPER WINDSHIELD	24 I	RR JCT BOX 24V IGNITION
2 BB	A/C & HEAT SYSTEM-COOL SIGN	12 C	RR JCT BOX 12V HOT WIRE	16	SPEED - SIGNAL +	24 IA	FR JCT BOX 24V IGNITION
2 H	A/C & HEAT SYSTEM-HI PRESS SW	12 CE	RR JCT BOX 12V HOT WIRE	16 A	SPEED - SIGNAL +	24 IB	FR JCT BOX 24V IGNITION
2 E	A/C & HEAT SYSTEM EVAP CONT	12 D	BAT CPT 12V BATTERY	16 T	SPEED - SIGNAL +	24 IB	RR JCT BOX 24V IGNITION
2 F	A/C & HEAT SYSTEM EVAP CONT	12 DT	TTLT MODULE	17	EXTERIOR LTS-FLASHER UNIT	24 IC	FR JCT BOX 24V IGNITION
2 HL	A/C & HEAT SYSTEM-LO & HI PRESS SW	12 E	FR JCT BOX 12V DISC SW	17 A	EXTERIOR LTS-FLASHER UNIT	24 IF	FJB 24VOLT IGNITION
2 L	A/C & HEAT SYSTEM-LO PRESS SW	12 E	RR JCT BOX 12V DISC SW	19	DIFFERENTIAL OIL TEMP	24 P	FR JCT BOX 24V DISC SW
4	HOSTESS & PASSENGER CHIME	12 F	BAT CPT 12V FJB & IC	20	SPEED - SIGNAL -	24 S	24V DISC SW RLY SIGNAL
4 A	HOSTESS & PASSENGER CHIME	12 F	FR JCT BOX 12V DISC SW	20 T	SPEED - SIGNAL -	24 S1	SOUND SYSTEM 24V AMPLIFIER
4 B	PASSENGER CHIME	12 F	RR JCT BOX 12V DISC SW	20 W	SPEED - SIGNAL -	24 S2	SOUND SYSTEM 24V AMPLIFIER
4 C	HOSTESS CHIME	12 G	FR JCT BOX 12V DISC SW	21	EXTERIOR LTS-DIRECTIONAL LH	24 S3	SOUND SYSTEM 24V VIDEO
5	INTERIOR LTS-AISLE & EMERG. EXIT	12 H	12 V IGNITION D.T.RUN LIGHT	21 A	EXTERIOR LTS-DIRECTIONAL LH	24 S4	SOUND SYSTEM 24V VIDEO
5	UPPER WINDSHIELD DEFROSTER	12 J	FR JCT BOX 12V DISC SW	21 B	EXTERIOR LTS-HAZARD	24 SB	SOUND SYSTEM 24V FEEDING
5 D	UPPER WINDSHIELD DEFROSTER	12 I	12V IGNITION DISTRIBUTION	21 C	EXTERIOR LTS-CORNERING LH	24 SS	SOUND SYSTEM 24V FEEDING
5 E	UPPER WINDSHIELD DEFROSTER	12 I	RR JCT BOX 12V IGNITION	21 H	EXTERIOR LTS-DIRECTIONAL LH	24 R	24 VOLTS FRONT CAMERA SW.
5 N	INTERIOR LTS-EMERGENCY EXIT	12 K	12 VOLT IGN. TTLT & HVAC MODULE	21 K	EXTERIOR LTS-CORNERING	24 V2	RR JCT BOX 24V DISC SW
5 NC	SPEED SIGNAL LOWER 5MPH	12 IA	12V IGNITION DISTRIBUTION	21 N	EXTERIOR LTS-CORNERING LH	24 V3	RR JCT BOX 24V DISC SW
5 NO	SPEED SIGNAL HIGHER 5MPH	12 IA	FR JCT BOX 12V IGNITION	21 P	EXTERIOR LTS-CORNERING LH	24 V4	RR JCT BOX 24V DISC SW
6	INTERIOR LTS-AISLE	12 IB	FR JCT BOX 12V IGNITION	23	EXTERIOR LTS-DIRECTIONAL RH	24 V5	RR JCT BOX 24V DISC SW
7 B	ENTRANCE DOOR (SEDAN)	12 IE	ABS-FR JCT BOX 12V IGNITION	23	EXTERIOR LTS-DIRECTIONAL RH	24 VD	24V HOT WIRE DISTRIBUTION
7 D	ENTRANCE DOOR (SEDAN)	12 IF	FR JCT BOX 12V IGNITION	23 A	EXTERIOR LTS-DIRECTIONAL RH	24 VF	BAT CPT 24V SW TO FJB & IC
7 DA	ENTRANCE DOOR (SEDAN)	12 LX	CLUSTER (12V HOT WIRE)	23 B	EXTERIOR LTS-DIRECTIONAL RH	24 VA	BATTERY TO EQUALIZER 24V
9	INTERIOR LTS-ENGINE CPT	12 M	ABS-FR JCT BOX 12V DISC. SW.	23 C	EXTERIOR LTS-CORNERING RH	24 VI	RR JCT BOX 24V IGNITION
9 A	INTERIOR LTS-ENGINE CPT	12 P	LH CONSOLE POWER OUTLET	23 N	EXTERIOR LTS-CORNERING RH	24 VR	BAT CPT 24V DISC SW TO RJB
9 B	INTERIOR LTS-ENGINE CPT	12 R	BAT CPT 12V DISC RLY TO RJB	23 P	EXTERIOR LTS-CORNERING RH	24 W	RR JCT BOX 24V DISC SW (WCL)
9 E	INTERIOR LTS-FR SERVICE CPT	12 R	MEMORY BATTERY RADIO	24	BAT CPT 24V BATTERY	24 W C	BATT.CPT TO HYD. PUMP (WCL)
9 F	INTERIOR LTS-FR SERVICE CPT	12 S	SOUND SYSTEM 12V RADIO	24	FR JCT BOX 24V DISC SW	24 W L	24V BATTERY-HYD. PUMP (WCL)
10	INTERIOR LTS-LUGGAGE CPT	12 S1	SOUND SYSTEM 12V RADIO	24 A	BOOSTER BLOCK 24V DISC SW	25	24 VOLT ALT.SIGNAL MODULE
10 A	INTERIOR LTS-LUGGAGE CPT	12 S1 A	DVD KARAOKE FEEDING	24 A	FR JCT BOX 24V DISC SW	25 A1	PRE-EXITATION ALT. BOSCH #1
10 B	INTERIOR LTS-LUGGAGE CPT	12 S2	SOUND SYSTEM 12V RADIO	24 A	RR JCT BOX 24V DISC SW	25 A2	PRE-EXITATION ALT. BOSCH #2
10 D	INTERIOR LTS-LUGGAGE CPT	12 S2 A	DVD KARAOKE FEEDING	24 B	24V STARTER RLY FEEDING	25 A	T.T. LT. ALTERNATOR #1
10 F	INTERIOR LTS-LUGGAGE CPT	12 SB	SOUND SYSTEM 12V FEEDING	24 B	FR JCT BOX 24V DISC SW	25 B	12 VOLTS IGN. ALT. SIGNAL MODULE
10 H	INTERIOR LTS-LUGGAGE CPT	12 SS	SOUND SYSTEM 12V FEEDING	24 B C	24 VOLT BATT. CHARGER	25 D	12 V. ENGINE RUN / HVAC SYSTEM
10 K	INTERIOR LTS-LUGGAGE CPT	12 VA	BATTERY TO EQUALIZER 12V	24 B E	RJB CPT-BAT EQ MONITOR HOT WIRE	25 F	12 VOLT IGN. DISTRIBUTION
10 R	INTERIOR LTS-LUGGAGE DOOR AJAR	12 VD	12V HOT WIRE DISTRIBUTION	24 C	FR JCT BOX 24V DISC SW	25 H	24 VOLT IGN. ALT. BOSCH
11	FR DESTINATION SIGN	12 VF	BAT CPT 12V FJB & IC	24 C	RR JCT BOX 24V DISC SW	25 K	T.T. LT. ALTERNATOR #2
11 A	FR DESTINATION SIGN	12 VI	12V IGNITION DISTRIBUTION	24 D	BAT CPT 24V HOT WIRE	26 A	CIGAR LIGHTER
11 B	FR DESTINATION SIGN	12 VR	BAT CPT 12V DISC RLY TO RJB	24 D	FR JCT BOX 24V HOT WIRE	26	DRIVER'S WINDOW LIFTER
11 C	FR DESTINATION SIGN	12 W	12V BATTERY DDEC III	24 D	RR JCT BOX 24V HOT WIRE	26 B	DRIVER'S WINDOW LIFTER
11 D	FR DESTINATION SIGN	12 W	ENTRANCE DOOR (SEDAN)	24 DA	A/C JCT BOX 24V HOT WIRE	26 C	DRIVER'S WINDOW LIFTER
11 E	FR DESTINATION SIGN	12 WA	ENTRANCE DOOR (SEDAN)	24 E	BAT CPT 24V DISC SW	27	LAVATORY-EMERGENCY SONALERT
11 K	FR DESTINATION SIGN	12 X	FR JCT BOX 12V DISC SW	24 E	FR JCT BOX 24V DISC SW	28 A	A/C & HEAT SYSTEM-HI PRESSURE
12	12V BAT ELECTRONIC JCT BLOCK	12 X2	FR JCT BOX 12V DISC SW	24 E	RR JCT BOX 24V DISC SW	29	A/C & HEAT SYSTEM-DRIVER'S HTR
12	BAT CPT 12V BATTERY	12 Y	FR JCT BOX 12V DISC SW	24 F	FR JCT BOX 24V DISC SW	29 A	A/C & HEAT SYSTEM-DRIVER'S HTR
12 A	FR JCT BOX 12V DISC SW	13 A	ALARM & SIGNAL-LO AIR PRIM.	24 F	RR JCT BOX 24V DISC SW	29 B	A/C & HEAT SYSTEM-DRIVER'S HTR
12 A	RR JCT BOX 12V DISC SW	13 B	ALARM & SIGNAL-LO AIR SEC.	24 G	FR JCT BOX 24V DISC SW	29 H	HVAC DASH MODULE
12 B	12V BAT ELECTRICAL JCT BLOCK	14	LAVATORY-FLUSHING PUMP	24 G	RR JCT BOX 24V DISC SW	30 A	GALLEY
12 B	RR JCT BOX 12V DISC SW	14 A	LAVATORY-FLUSHING PUMP	24 H	FR JCT BOX 24V DISC SW	31 A	A/C & HEAT SYSTEM-UNLOADER
12 B	FR JCT BOX 12V DISC SW	14 P	LAVATORY-FLUSHING PUMP	24 H	RR JCT BOX 24V DISC SW	31 B	A/C & HEAT SYSTEM-UNLOADER
12 BE	BAT. EQUALIZER MONITOR	15	EXTERIOR LTS-MULTI FUNC LEVEL	24 I	FR JCT BOX 24V IGNITION	31 B	WIPER & WASHER SYSTEM

CIRCUIT NUMBER CODE

No.	DESCRIPTION	No.	DESCRIPTION	No.	DESCRIPTION	No.	DESCRIPTION
31 C	WIPER & WASHER SYSTEM	48	ENTRANCE DOOR (SEDAN)	67	24 VOLT RUN DISTRIBUTION	86	ENGINE CTR-STARTER SOL SIGN
31 D	WIPER & WASHER SYSTEM	48 A	ENTRANCE DOOR (SEDAN)	67 A	A/C & HEAT SYSTEM	86 A	ENGINE CTR-STARTER SOL SIGN
31 E	WIPER & WASHER SYSTEM	49	ENTRANCE DOOR (SEDAN)	67 B	A/C & HEAT SYSTEM	88	ENGINE CTR-RR START SIGNAL
31 J	WIPER & WASHER SYSTEM	49 A	ENTRANCE DOOR (SEDAN)	67 C	HEATING WINDSHIELD	89	ENGINE CTR-RR START SIGNAL
31 X	WIPER & WASHER SYSTEM	50	AIR DRYER	67 K	A/C & HEAT SYSTEM-COND FAN CTR	90 B	A/C & HEAT SYSTEM-COND FAN MOT
32	EXTERIOR LTS-BACK-UP	52	ALARM & SIGNAL-ELEC. HORN	67 L	A/C & HEAT SYSTEM-COND FAN CTR	90 B	ENGINE CTR-MAST KEY SW FEED
32 B	EXTERIOR LTS-BACK-UP	52 A	ALARM & SIGNAL-ELEC. HORN	67 V	A/C & HEAT SYSTEM-WATER VALVE	90 C	A/C & HEAT SYSTEM-COND FAN MOT
32 C	BACK-UP PWR & SIGNAL	52 B	ALARM & SIGNAL- AIR HORN	67 X	A/C & HEAT SYSTEM	90 F	CHARG SYST-VOLTAGE REGUL. "B"
32 D	BACK-UP ALARM	52 C	ALARM & SIGNAL- AIR HORN	68	DASH & DEFROST DAMPER MOTOR	90 H	A/C & HEAT SYSTEM-EVAP FAN MOT
35	ENTRANCE DOOR (SEDAN)	53	ALARM & SIGNAL-ELEC. HORN	68 A	DASH & DEFROST DAMPER MOTOR	91	PARKING BRAKE SW SIGNAL
35 B	ENTRANCE DOOR (SEDAN)	53 A	WIPER & WASHER SYSTEM	70	INTERIOR LTS-HEAT RACK & RR RUN.	91 A	DDEC-FAST IDLE SIGNAL
35 BB	ENTRANCE DOOR (SEDAN)	53 B	WIPER & WASHER SYSTEM	72	SUN VISOR-FEEDING	91 S	SONALERT PARKING BRAKE
35 D	ENTRANCE DOOR (SEDAN)	53 C	WIPER & WASHER SYSTEM	72 A	SUN VISOR-RH	91 W	PARK, BRAKE SW SIGN (WCL)
36	JACOB BRAKE SYSREM	53 E	WIPER & WASHER SYSTEM	72 B	SUN VISOR-RH	92	BATTERY EQUALIZER-CHECK BALANCE
36 A	JACOB BRAKE SYSREM	53 J	WIPER & WASHER SYSTEM	72 C	SUN VISOR-LH	93	BATTERY EQUALIZER-CHECK LO/HI
38	INTERIOR LTS-24V FLUORESCENT	55	EXTERIOR LTS-HI BEAM	72 D	SUN VISOR-LH	95 A	ENGINE BRAKE & RETARDER SYSTEM
38 A	INTERIOR LTS-24V FLUORESCENT	57	EXTERIOR LTS-HI BEAM	73	LAVATORY-FEEDING	97	TACHOMETER (-)
38 C	INTERIOR LTS-24V FLUORESCENT	57 A	A/C & HEAT SYSTEM-WATER PUMP	74	INTERIOR LTS-READING RH	100	INTERIOR LTS-GENERAL
38 D	INTERIOR LTS-24V FLUORESCENT	57 A	EXTERIOR LTS-HI BEAM	74 A	INTERIOR LTS-READING RH	100 A	INTERIOR LTS-GENERAL
39	INTERIOR LTS-24V LH CONSOLE SW	57 B	A/C & HEAT SYSTEM-WATER PUMP	74 D	INTERIOR LTS-READING SIGNAL	100 B	INTERIOR LTS-GENERAL
39 A	INTERIOR LTS-DRIVER'S LTS	57 C	PRE-HEAT WATER HEATER	75	INTERIOR LTS-READING LH	101	24V STARTER SOL FEEDING
39 P	READING LIGHTS	57 C A	A/C & HEAT SYSTEM-HEAT SIGN	75 A	INTERIOR LTS-READING LH	101	WORLD TRANSM-LO SIGN SOL. LO
41	A/C & HEAT SYSTEM-COND FAN MOT	57 C C	A/C & HEAT SYSTEM-HEAT SIGN	76	FUEL TANK GAUGE	102	WORLD TRANSM-SOL. SUPPLY
41 A	A/C & HEAT SYSTEM-COND FAN MOT	58	EXTERIOR LTS-LO BEAM	76 B	LOW FUEL LT & ETHER COLD START	102 A	24V STARTER TO BOSCH ALTERNATOR
41 B	A/C & HEAT SYSTEM-COND FAN MOT	58 A	EXTERIOR LTS-LO BEAM	76 C	LOW FUEL LT	103	LOW BUOY
42	A/C & HEAT SYSTEM-COND FAN MOT	58 B	EXTERIOR LTS-LO BEAM	76 P	FUEL PRIME PUMP	104	WORLD TRANSM-SOL. FORWARD
42 A	A/C & HEAT SYSTEM-COND FAN MOT	58 E	EXTERIOR LTS-LO BEAM	76 M	FUEL PRIME PUMP	105	WORLD TRANSM-RETARDER & SUMP
43	HAT RACK FAN	59 A	JACOB BRAKE SYSTEM	77	A/C & HEAT SYSTEM-HI PRESSURE	105 W	WORLD TRANSM-RETARDER & SUMP
43 A	HAT RACK FAN	61	EXTERIOR LTS-24V FEED SW	77 A	A/C & HEAT SYSTEM-DRIVER'S HTR	106	WORLD TRANSM-OIL LEVEL HI
43 B	HAT RACK FAN	61 A	EXTERIOR LTS-HEAD SIGNAL	77 B	A/C & HEAT SYSTEM-COMPRESSOR	107	WORLD TRANSM-LOCKUP SOL. HI
43 D	HAT RACK FAN	62	LAVATORY-OCCUPIED LT	77 C	A/C & HEAT SYSTEM-COMPRESSOR	108	WORLD TRANSM-REM. PWR WAKE UP
43 E	HAT RACK FAN	62 A	LAVATORY-FLUOR LT	77 H	A/C & HEAT SYSTEM-COMPRESSOR	109	WORLD TRANSM-RET. SOL. LO
43 F	HAT RACK FAN	62 B	LAVATORY-FLUOR LT	81	EXTERIOR LTS-STOP SW	110	ALARM & SIGNAL-WATER TEMP
43 G	HAT RACK FAN	62 E	LAVATORY-OCCUP & FLUOR LT	82	EXTERIOR LTS-STOP SIGNAL	110	WORLD TRANSM-LOCKUP SOL. LO
44	EXTERIOR LTS-FOG	63	EXTERIOR LTS-CLEARANCE	82 A	EXTERIOR LTS-STOP SIGNAL	111	WORLD TRANSM-SOL. C6
44 A	EXTERIOR LTS-FOG	63 A	EXTERIOR LTS-CLEARANCE	82 B	EXTERIOR LTS-STOP LTS	112	WORLD TRANSM-SPARE OUTPUT (+)
44 B	EXTERIOR LTS-FOG	63 B	EXTERIOR LTS-CLEARANCE	82 K	EXTERIOR LTS-STOP PARK BRK	113	ALARM & SIGNAL-OIL PRESS
44 C	EXTERIOR LTS-FOG & HAZARD	63 C	EXTERIOR LTS-MARKER SIGNAL	82 L	EXTERIOR LTS-LH STOP	113	WORLD TRANSM-REVERSE WARNING
45 B	A/C & HEAT SYSTEM-HEAT SIGN	63 D	EXTERIOR LTS-MARKER & TAIL	82 R	EXTERIOR LTS-LH STOP	114	INTERIOR LTS-DASH LT REGUL.
45 D	A/C & HEAT SYSTEM-WATER VALVE	63 E	EXTERIOR LTS-CLEARANCE	83	ENGINE CTR-KEY SW ACCES SIGN	114	WORLD TRANSM-SPARE OUTPUT (-)
45 E	A/C & HEAT SYSTEM-HEAT 1 SIGN	63 F	EXTERIOR LTS-MARKER BLINKER	84	ENGINE CTR-KEY SW ACCES SIGN	114 A	INTERIOR LTS-DASH LT
45 G	A/C & HEAT SYSTEM-DRIVER'S HTR	63 H	EXTERIOR LTS-TAIL	85	ENGINE CTR-KEY SWIGNITION SIGN	114 B	INTERIOR LTS-DASH LT REGUL.
45 H	A/C & HEAT SYSTEM-DRIVER'S HTR	64	DRIVERS FAN	85	24V IGNITION SIGNAL	114 D	INTERIOR LTS-DASH LT REGUL.
45 W	A/C & HEAT SYSTEM-COND. DOOR AJAR	64 B	DRIVERS FAN	85 A	24V IGN DASH INSTRUMENTATION	114 E	INTERIOR LTS-DASH LT REGUL.
46	EXTERIOR LTS-MARKER	64 C	DRIVERS FAN	85 B	ENGINE CTR-24V IGNITION	115	ALARM & SIGNAL-TAG PRESS
46 A	EXTERIOR LTS-MARKER	65	FOOT DAMPER MOTOR	85 C	PARKING BRAKE SWITCH	115	DDEC III-COOLANT LEVEL
46 B	EXTERIOR LTS-MARKER	65 A	FOOT DAMPER MOTOR	85 F	ENGINE CTR-ENGINE CTR SW IGN	115	WORLD TRANSM-DO NOT SHIFT SIGN
46 B	EXTERIOR LTS-MARKER	65 P	PASSENGER REC. DAMPER	85 F	LO AIR SONALERT	115 C	DDEC III-COOLANT LEVEL
46 C	EXTERIOR LTS-MARKER	65 D	DRIVER REC. DAMPER	85 X	12V IGN ABS	115 W	WORLD TRANSM-DO NOT SHIFT SIGN
47	A/C & HEAT SYSTEM-DRIVER'S HTR	66	O_PASS. ON/OFF	85 Y	ABS SYSTEM	116	WORLD TRANSM-LO SIGNAL SOL. HI

CIRCUIT NUMBER CODE

No.	DESCRIPTION	No.	DESCRIPTION	No.	DESCRIPTION	No.	DESCRIPTION
116 B	A/C & HEAT SYSTEM-DRIVER'S HTR	133	GALLEY-HEAT CONTAINERS	146 X	WORLD TRANSM-12V IGNITION	170 E	LUGGAGE DOOR LOCK
117	WORLD TRANSM-SPARE INPUT (-)	133 A	GALLEY-HEAT CONTAINERS	147	ABS SYSTEM	170 H	LUGGAGE DOOR LOCK
117 A	ALARM & SIGNAL-TRANSM OIL TEMP	133 B	GALLEY-HEAT CONTAINERS	147	WORLD TRANSM-OIL TEMP	181 A	THERMOMETER INSIDE SENSOR
117 A	ALARM & SIGNAL-TRANSM OIL TEMP	133 C	GALLEY-HEAT CONTAINERS	147 A	ETHER COLD START & D.R.L.	181 B	THERMOMETER INSIDE SENSOR
118	WORLD TRANSM-SPARE INPUT (+)	133	WORLD TRANSM-RET. ACTUATOR HI	147 C	ETHER COLD START	181 C	THERMOMETER OUTSIDE SENSOR
119	WORLD TRANSM-ENG BRK INPUT (+)	134	GALLEY-HEAT CONTAINERS	148	ABS SYSTEM	181 D	THERMOMETER OUTSIDE SENSOR
120	WORLD TRANSM-SOL. C1	134 A	GALLEY-HEAT CONTAINERS	148	WORLD TRANSM-OUTPUT SPEED LO	197	FUEL WATER FILTER
121	WORLD TRANSM-SOL. GRD 2	134	WORLD TRANSM-RET. APPLY SOL. HI	149	ABS SYSTEM	197 A	FUEL WATER FILTER
122	A/C & HEAT SYSTEM-DRIVER'S HTR	135	A/C & HEAT SYSTEM-AIR SENSOR	149	WORLD TRANSM-TURBINE SPEED HI	197 B	FUEL WATER FILTER
122	A/C & HEAT SYSTEM-FRESH AIR	135 A	A/C & HEAT SYSTEM-AIR SENSOR	149 A	ABS SYSTEM	198	FILTER FUEL HEATER
122	WORLD TRANSM-SOL. GRD 4	135 D	A/C & HEAT SYSTEM-AIR SENSOR	150	DDEC III-ECM BATTERY GRD	199	AIR FILTER RESTRICTION SENDER
122 A	A/C & HEAT SYSTEM-FRESH AIR	135 C	A/C & HEAT SYSTEM-AIR SENSOR	150	WORLD TRANSM-ENGINE SPEED LO	201	WORLD TRANSM-SPARE
123	WORLD TRANSM-NEUTRAL START	135	WORLD TRANSM-ANALOG GRD	150 A	DDEC III-ECM BATTERY GRD	202	WORLD TRANSM-SPARE
123 A	ALARM & SIGNAL-FIRE DETECTOR	135 D	WORLD TRANSM-RETARDER RES MOD	151	ABS SYSTEM	203	WORLD TRANSM-SPARE
123 B	ALARM & SIGNAL-FIRE DETECTOR	135 C	WORLD TRANSM-RETARDER TEMP	151	DDEC III-ECM BATTERY GRD	204	WORLD TRANSM-SPARE
124	WORLD TRANSM-THROTTLE (HI)	136	GALLEY-ACCESSORIES	151	WORLD TRANSM-SERIAL COM. B	205	WORLD TRANSM-SPARE
125	WORLD TRANSM-RET. INDICATOR	136	WORLD TRANSM-ECU POWER	152	ABS SYSTEM	206	WORLD TRANSM-SPARE
125	GALLEY LAMP	136 V	WORLD TRANSM-12V BATTERY	153	WORLD TRANSM-SPARE INPUT (-)	214	WORLD TRANSM-BACK UP SIGNAL
125 T	GALLEY LAMP	136 W	WORLD TRANSM-12V BATTERY	154	ABS SYSTEM	225	LAVATORY FAN
125 W	WORLD TRANSM-RET. INDICATOR	136 X	WORLD TRANSM-12V BATTERY	154	WORLD TRANSM-ABS RET. INPUT	225 A	LAVATORY FAN
126	KNEELING SYSTEM	137	WORLD TRANSM-RETARDER	155	WORLD TRANSM-SPARE INPUT (-)	231	NEUTRAL SIGNAL GRD
126 A	KNEELING SYSTEM	137 A	MIRROR (SPARTAN & RAMCO)	156	WORLD TRANSM-THROTTLE POS.	231 A	NEUTRAL COIL RELAY FEED SIGNAL
126 B	KNEELING SYSTEM	137 B	RR VIEW MIRROR (SPARTAN)	156 A	ABS SYSTEM	231 W	NEUTRAL SIGNAL GRD (WCL)
126 C	KNEELING SYSTEM	137 C	RR VIEW MIRROR (SPARTAN)	157	WORLD TRANSM-SPEEDO SIGNAL	240	DDEC III-ECM 12V FEEDING
126 D	KNEELING SYSTEM	137 D	RR VIEW MIRROR (SPARTAN)	157 B	ABS SYSTEM	241	DDEC III-ECM 12V FEEDING
126 E	KNEELING SYSTEM	137 E	RR VIEW MIRROR (SPARTAN)	157 D	A.T.C. SYSTEM	251 A	DDEC III - DATA LOGGER 12 H.W.
126 F	KNEELING SYSTEM	137 G	RR VIEW MIRROR (SPARTAN)	157 E	A.T.C. SYSTEM	251	DDEC III - PRODRIVER 12V H.W.
126 G	KNEELING SYSTEM	138	ABS SYSTEM	157 F	A.T.C. SYSTEM	253	GALLEY-MICROWAVE
126 H	KNEELING SYSTEM	138	WORLD TRANSM-RETARDER TEMP	158	WORLD TRANSM-DIMMER	254	GALLEY-12V FRIGO NORCOLD
126 K	KNEELING SYSTEM	138 A	ABS SYSTEM	160	ALARM & SIGNAL-TAG PRESS SW	254 A	GALLEY-FRIGO
126 P	KNEELING SYSTEM	139	ABS SYSTEM	160	WORLD TRANSM-SER. INTERFACE (-)	255	GALLEY-COFEEMAKER
126 R	KNEELING SYSTEM	139	WORLD TRANSM-OUTPUT SPEED HI	161	WORLD TRANSM-SIGNAL GRD	255 A	GALLEY-COFEEMAKER
126 W	5 MPH N.C. SIGNAL (WCL)	140	ABS SYSTEM	161 B	WORLD TRANSM-SIGNAL GRD	257	WINDSHIELD HEATED
126 S	KNEELING SYSTEM	140	WORLD TRANSM-OUTPUT SPEED LO	162	WORLD TRANSM-PRESS. SW C3	257 A	WINDSHIELD HEATED
126 T	KNEELING SYSTEM	141	ABS SYSTEM	163	WORLD TRANSM-RETARDER ENABLE	257 B	WINDSHIELD HEATED
127	WORLD TRANSM-LUBE PRESS SW.	141	WORLD TRANSM-ENGINE SPEED HI	164	WORLD TRANSM-RET. ACTUATOR SIGN	257 C	WINDSHIELD HEATED
127	WORLD TRANSM-RETARDER FEED SOL.	142	ABS SYSTEM	165	A/C & HEAT SYSTEM-TRANSMITER	257 D	WINDSHIELD HEATED SPARE
127	POWER- PRE-HEAT WATER HEATER	142	WORLD TRANSM-SERIAL COM. A	165	WORLD TRANSM-OIL LEVEL SIGNAL	257 E	WINDSHIELD HEATED SPARE
127 A	PRE-HEAT WATER HEATER	143	ABS SYSTEM	165 A	A/C & HEAT SYSTEM-TRANSMITER	258	WINDSHIELD HEATED
128 A	PRE-HEAT WATER HEATER	143	WORLD TRANSM-ECU BATTERY GRD	165 B	A/C & HEAT SYSTEM-TRANSMITER	258 A	WINDSHIELD HEATED
128 B	PRE-HEAT - BURNER ON SIGNAL	143 A	ABS SYSTEM	165 C	A/C & HEAT SYSTEM-TRANSMITER	259	WINDSHIELD HEATED
128	WORLD TRANSM-SOL. C2	143 W	WORLD TRANSM-BATTERY GRD	165 D	A/C & HEAT SYSTEM-TRANSMITER	259 A	WINDSHIELD HEATED
129	POWER- PRE-HEAT WATER HEATER	144	ABS SYSTEM	166 B	A/C & HEAT SYSTEM-EVAP. MOD.	260	WINDOW AJAR
129 B	POWER- PRE-HEAT WATER HEATER	144	WORLD TRANSM-ECU CHASSIS GRD	167	A/C & HEAT SYSTEM-TEMP. CTR	290	FAN CLUTCH RADIATOR
129	WORLD TRANSM-SOL. C5	144 A	ABS SYSTEM	167 A	A/C & HEAT SYSTEM-TEMP. CTR	290	FAN CLUTCH RADIATOR
130	A/C & HEAT SYSTEM-EVAP FAN MOTOR	145	ABS SYSTEM	168	A/C & HEAT SYSTEM-HUMIDISTAT	291	FAN CLUTCH RADIATOR SPD 1
130	WORLD TRANSM-SOL. GRD 3	146	ABS SYSTEM	168	WORLD TRANSM-SER. INTERFACE (+)	292	FAN CLUTCH RADIATOR SPD 2
131	WORLD TRANSM-SOL. C4	146 A	TRANSMISSION-12V IGNITION	168 A	A/C & HEAT SYSTEM-HUMIDISTAT	300	DOOR AJAR MAGN.SW. (WCL)
132	WORLD TRANSM-ENG BRK OUTPUT (-)	146	WORLD TRANSM-IGNITION SENSE	170	LUGGAGE DOOR LOCK	300 A	POWER SYSTEM SW. (WCL)
132 W	WORLD TRANSM-ENG BRK OUTPUT (-)	146 W	WORLD TRANSM-12V IGNITION	170 C	LUGGAGE DOOR LOCK	300 B	DOOR AJAR ALARM (WCL)

CIRCUIT NUMBER CODE

No.	DESCRIPTION	No.	DESCRIPTION	No.	DESCRIPTION	No.	DESCRIPTION
3 0 1	POWER SYSTEM SW. (WCL)	5 4 0	DDEC III-CRUISE ENABLE LTS.				
3 0 2	DOOR AJAR T.T.LT. (WCL)	5 4 1	DDEC III-CRUISE SET SW				
3 0 2 A	DOOR AJAR ALARM SIGN.(WCL)	5 4 3	DDEC III-CRUISE STOP SW CUT IN				
3 0 2 B	DOOR AJAR MAGN.SW. (WCL)	5 4 4	DDEC III-CRUISE ON/OFF SW				
3 0 3	REMOTE WALL SW. DWN (WCL)	5 4 5	DDEC III-CRUISE RESUME SW				
3 0 4	REMOTE WALL SW. UP (WCL)	5 5 5	DDEC III-FAN CLUTCH SPEED# 1				
3 0 5	PARK. BRAKE SOL. VALVE (WCL)	5 5 6	DDEC III-VEHICLE SPEED (+)				
3 0 5 A	PARK. BRAKE SAFETY SW. (WCL)	5 5 7	DDEC III-VEHICLE SPEED (-)				
3 0 6	CONTROL SYSTEM (WCL RICON)	5 6 3	DDEC III-FAN CLUTCH SPEED# 2				
3 0 7	CONTROL SYSTEM (WCL RICON)	5 6 4	DDEC III-DIGITAL OUTPUT				
3 0 8	CONTROL SYSTEM (WCL RICON)	5 6 5	DDEC III-ENGINE BRAKE ACTIVE				
3 0 9	CONTROL SYSTEM (WCL RICON)	5 8 3	DDEC III-ENGINE BRAKE 4 CYL.				
3 1 0	EATON TRANSMISSION	9 0 0	DDEC III-DATA LINK (+)				
3 1 1	EATON TRANSMISSION	9 0 1	DDEC III-DATA LINK (-)				
3 1 2	EATON TRANSMISSION	9 0 8	DDEC III-HYDRAULIC PWM#1 OUTPUT				
3 1 3	EATON TRANSMISSION	9 1 6	DDEC III-SENSOR SUPPLY (5VDC)				
3 1 4	EATON TRANSMISSION	9 2 5	J1939-HIGH				
3 1 5	EATON TRANSMISSION	9 2 6	J1939-LOW				
3 1 6	EATON TRANSMISSION - EPL	9 2 7	J1939-SHIELD				
3 1 7	EATON TRANSMISSION	9 5 2	DDEC III-SENSOR RETURN				
3 1 8	EATON TRANSMISSION	9 5 3	DDEC III-BATTERY GRD				
3 1 9	EATON TRANSMISSION	9 5 3 A	THROTTLE INHIBIT				
3 2 0	EATON TRANSMISSION	9 7 9	DDEC III-ENGINE BRAKE 2 CYL.				
3 2 1	EATON TRANSMISSION						
3 2 2	EATON TRANSMISSION						
3 2 3	EATON TRANSMISSION						
3 2 4	EATON TRANSMISSION						
3 2 5	EATON TRANSMISSION						
3 2 6	EATON TRANSMISSION						
3 2 7	EATON TRANSMISSION						
3 2 8	EATON TRANSMISSION						
3 2 9	EATON TRANSMISSION						
3 3 0	EATON TRANSMISSION - EPL						
3 3 1	EATON TRANSMISSION - EPL						
3 3 2	EATON TRANSMISSION						
3 3 3	EATON TRANSMISSION - 12V BATTERY						
3 3 4	EATON GENERATION 2						
4 1 7	DDEC III-LIMIT SPEED GOVERNOR						
4 1 9	DDEC III-CHECK ENGINE LIGHT						
4 3 9	DDEC III-12V IGNITION						
4 4 0	DDEC III-12V IGNITION						
4 4 0 A	DDEC III-12V IGNITION						
4 5 1	DDEC III-A/C FAN CLUTCH						
5 0 5	DDEC III-TACHOMETER DRIVE						
5 0 9	DDEC III-STOP ENGINE LIGHT						
5 1 0	DDEC III-FAST IDLE SIGNAL						
5 2 4	DDEC III-ENGINE BRAKE DISABLE						
5 2 5	DDEC III-FAST IDLE SIGNAL						
5 2 8	DDEC III-STOP ENG. OVERRIDE						
5 3 1	DDEC III-CRUISE CLUTCH RELEASE						

CIRCUIT BREAKERS CODE

No.	PAGE	AMP.	#PREV.	LOCATION	FUNCTION	No.	PAGE	AMP.	#PREV.	LOCATION	FUNCTION
CB 1	2	40A	562686	BAT. CPT.	12V IGNITION	CB 126	25.2	90A	560298	BAT. CPT.	WHELL CHAIR LIFT MOTOR PUMP RICON
CB 2	1.1	40A	870093	BAT. CPT.	12V HOT WIRE	CB 127	13.3	15A	561793	RR. JCT. BOX	HAT-RACK FAN L.H.
CB 3	1.1	40A	562686	BAT. CPT.	12V FEED RR. JCT. BOX	CB 128	13.3	15A	561793	RR. JCT. BOX	HAT-RACK FAN R.H.
CB 4	1.1	70A	562687	BAT. CPT.	12V FEED FR. JCT. BOX	CB 129	7.2	6A	561790	FR. JCT. BOX	CLUSTER
CB 5	1.1	30A	870690	BAT. CPT.	24V HOT WIRE	CB 130	28	6A	561790	FR. JCT. BOX	CLUSTER
CB 6	1.1	90A	562683	BAT. CPT.	24V FEED RR. JCT. BOX	CB 131	4.2	6A	561790	RR. JCT. BOX	ALT. BOSCH
CB 7	1.1	90A	562683	BAT. CPT.	24V FEED FR. JCT. BOX						
CB 8	1.1	150A	560299	BAT. CPT.	24V EVAPORATOR FAN MOTOR						
CB 10	4	8A	561791	FR. JCT. BOX	MASTER KEY SWITCH						
CB 16	4	8A	561791	RR. JCT. BOX	ENGINE-RR. CTRL & START SW.						
CB 18	4	6A	561790	RR. JCT. BOX	ENGINE-FR. CTRL SW.						
CB 19	5	15A	561793	BAT. CPT.	E.C.M. DDEC 12V POWER						
CB 20	5	15A	561793	BAT. CPT.	E.C.M. DDEC 12V POWER						
CB 21	5	10A	561792	RR. JCT. BOX	E.C.M. DDEC and WTEC 12V IGNITION						
CB 24	6	25A	561794	BAT. CPT.	WORLD TRANSMISSION & EATON 12V POWER						
CB 26	9.3	10A	561792	RR. JCT. BOX	BACK-UP LTS						
CB 27	7	8A	561791	FR. JCT. BOX	24V IGNITION DASH ACCESSORIES						
CB 28	7	6A	561790	FR. JCT. BOX	12V IGNITION DASH ACCESSORIES						
CB 34	9.3	6A	561792	RR. JCT. BOX	BACK-UP ALARM						
CB 35	9.3	15A	561790	FR. JCT. BOX	FOG & HAZARD DASH SW.						
CB 37	9.1	6A	561790	FR. JCT. BOX	HEAD & MULTI-FUNCTION LEVEL SW.						
CB 38	9.1	10A	561792	FR. JCT. BOX	FR. MARKER LTS						
CB 39	9.1	20A	561794	FR. JCT. BOX	CLEARANCE & IDENTIFICATION LTS						
CB 40	9.1	8A	561791	FR. JCT. BOX	FR. CLEARANCE & IDENTIFICATION LTS						
CB 41	9.1	8A	561791	RR. JCT. BOX	RR. CLEARANCE & IDENTIFICATION LTS						
CB 42	9.1	8A	561791	RR. JCT. BOX	RR. TAIL & LICENCE LTS						
CB 43	9.1	20A	561794	FR. JCT. BOX	HEADLAMP (HI)						
CB 44	9.1	15A	561793	FR. JCT. BOX	HEADLAMP (LO)						
CB 45	9.2	10A	561792	FR. JCT. BOX	WIPER CTRL. MULTI-FUNCTION LEVEL SW.						
CB 46	9.2	20A	561794	FR. JCT. BOX	FLASHER & HAZARD UNIT						
CB 48	9.3	6A	561790	FR. JCT. BOX	STOP LTS PRESSURE SW.						
CB 49	9.3	15A	561793	RR. JCT. BOX	STOP & CYCLOP LTS						
CB 51	10	10A	561792	FR. JCT. BOX	UPPER WIPER CTRL SW.						
CB 52	11.1	15A	561793	RR. JCT. BOX	LUGGAGE & DOOR AJAR LTS						
CB 57	11.2	8A	561791	FR. JCT. BOX	DASH LTS RHEOSTAT						
CB 58	13.1	6A	561790	FR. JCT. BOX	HVAC DASH MODULE						
CB 63	11.4	8A	561791	FR. SERVICE.CPT	110V FLUORESCENT LH						
CB 64	11.4	8A	561791	FR. SERVICE.CPT	110V FLUORESCENT RH						
CB 70	22.1	6A	561790	FR. JCT. BOX	UPPER HEATING WINDSHIELD SW.						
CB 71	13.1	10A	561792	RR. JCT. BOX	A/C & HEAT LOGIC PANEL						
CB 72	13.2	10A	561792	RR. JCT. BOX	A/C COMPRESSOR CLUTCH						
CB 73	13.2	15A	561793	RR. JCT. BOX	WATER PUMP						
CB 77	13.1	40A	870093	BAT. CPT.	CONDENSER FAN MOTOR RH						
CB 78	13.1	40A	870093	BAT. CPT.	CONDENSER FAN MOTOR LH						
CB 79	13.2	15A	561793	FR. JCT. BOX	DRIVER'S HTR FAN SPEED CTRL MODULE						
CB 85	16.1	10A	561790	FR. JCT. BOX	ENTRANCE DOOR (SEDAN) & STEP LTS						
CB 93	1.2	30A	870690	BAT. CPT.	SOUND SYSTEM 12V FEEDING						
CB 94	1.2	30A	870690	BAT. CPT.	SOUND SYSTEM 12V FEEDING						
CB 95	20.1	10A	561792	S.S. JCT. PANEL	SOUND SYSTEM AMPLI						
CB 96	20.1	10A	561792	S.S. JCT. PANEL	VIDEO SYSTEM						
CB 97	20.1	10A	561792	S.S. JCT. PANEL	SOUND SYSTEM B/U P.A. AMPLI						
CB 98	20.1	15A	561793	S.S. JCT. PANEL	SOUND SYSTEM RADIO & CD						
CB 99	20.7	15A	561793	S.S. JCT. PANEL	SEAT AUDIO SYSTEM						
CB 105	21	6A	561790	FR. JCT. BOX	E.C.U. ABS						
CB 106	21	10A	561792	FR. JCT. BOX	E.C.U. ABS						
CB 107	21	10A	561792	FR. JCT. BOX	E.C.U. ABS						
CB 124	8	6A	561790	RR. JCT. BOX	RADIATOR FAN CLUTCH						
CB 126	25.1	150A	560299	BAT. CPT.	WHELL CHAIR LIFT MOTOR PUMP STE.						

CIRCUIT BREAKERS CODE

No.	PAGE	AMP.	#PREV.	LOCATION	FUNCTION	No.	PAGE	AMP.	#PREV.	LOCATION	FUNCTION
CB 1	2	40A	562686	BAT. CPT.	12V IGNITION	CB 126	25.1	150A	560299	BAT. CPT.	WHELL CHAIR LIFT MOTOR PUMP STE.
CB 2	1.1	40A	870093	BAT. CPT.	12V HOT WIRE	CB 126	25.2	90A	560298	BAT. CPT.	WHELL CHAIR LIFT MOTOR PUMP RICON
CB 3	1.1	40A	562686	BAT. CPT.	12V FEED RR. JCT. BOX	CB 127	13.3	15A	561793	RR. JCT. BOX	HAT-RACK FAN L.H.
CB 4	1.1	70A	562687	BAT. CPT.	12V FEED FR. JCT. BOX	CB 128	13.3	15A	561793	RR. JCT. BOX	HAT-RACK FAN R.H.
CB 5	1.1	30A	870690	BAT. CPT.	24V HOT WIRE	CB 129	7.2	6A	561790	FR. JCT. BOX	CLUSTER
CB 6	1.1	90A	562683	BAT. CPT.	24V FEED RR. JCT. BOX	CB 130	28	6A	561790	FR. JCT. BOX	CLUSTER
CB 7	1.1	90A	562683	BAT. CPT.	24V FEED FR. JCT. BOX	CB 131	4.2	6A	561790	RR. JCT. BOX	ALT. BOSCH
CB 8	1.1	150A	560299	BAT. CPT.	24V EVAPORATOR FAN MOTOR						
CB 10	4	8A	561791	FR. JCT. BOX	MASTER KEY SWITCH						
CB 13	23.1	90A	562683	BAT. CPT.	INVERTER						
CB 16	4	8A	561791	RR. JCT. BOX	ENGINE-RR. CTRL & START SW.						
CB 18	4	6A	561790	RR. JCT. BOX	ENGINE-FR. CTRL SW.						
CB 19	5	15A	561793	BAT. CPT.	E.C.M. DDEC 12V POWER						
CB 20	5	15A	561793	BAT. CPT.	E.C.M. DDEC 12V POWER						
CB 21	5	10A	561792	RR. JCT. BOX	E.C.M. DDEC and WTEC 12V IGNITION						
CB 24	6	25A	561794	BAT. CPT.	WORLD TRANSMISSION & EATON 12V POWER						
CB 26	9.3	8A	561791	RR. JCT. BOX	BACK-UP LTS						
CB 27	7	8A	561791	FR. JCT. BOX	24V IGNITION DASH ACCESSORIES						
CB 28	7	6A	561790	FR. JCT. BOX	12V IGNITION DASH ACCESSORIES						
CB 34	9.3	6A	561792	RR. JCT. BOX	BACK-UP ALARM						
CB 35	9.3	15A	561790	FR. JCT. BOX	FOG & HAZARD DASH SW.						
CB 37	9.1	6A	561790	FR. JCT. BOX	HEAD & MULTI-FUNCTION LEVEL SW.						
CB 38	9.1	3A	561797	FR. JCT. BOX	FR. MARKER LTS						
CB 39	9.1	6A	561790	FR. JCT. BOX	CLEARANCE & IDENTIFICATION LTS						
CB 40	9.1	3A	561797	FR. JCT. BOX	FR. CLEARANCE & IDENTIFICATION LTS						
CB 41	9.1	3A	561797	RR. JCT. BOX	RR. CLEARANCE & IDENTIFICATION LTS						
CB 42	9.1	8A	561791	RR. JCT. BOX	RR. TAIL & LICENCE LTS						
CB 43	9.1	20A	561794	FR. JCT. BOX	HEADLAMP (HI)						
CB 44	9.1	15A	561793	FR. JCT. BOX	HEADLAMP (LO)						
CB 45	9.2	10A	561792	FR. JCT. BOX	WIPER CTRL. MULTI-FUNCTION LEVEL SW.						
CB 46	9.2	10A	561792	FR. JCT. BOX	FLASHER & HAZARD UNIT						
CB 48	9.3	6A	561790	FR. JCT. BOX	STOP LTS PRESSURE SW.						
CB 49	9.3	6A	561790	RR. JCT. BOX	STOP & CYCLOP LTS						
CB 51	10	10A	561792	FR. JCT. BOX	UPPER WIPER CTRL SW.						
CB 52	11.1	15A	561793	RR. JCT. BOX	LUGGAGE & DOOR AJAR LTS						
CB 57	11.2	8A	561791	FR. JCT. BOX	DASH LTS RHEOSTAT						
CB 58	13.1	6A	561790	FR. JCT. BOX	HVAC DASH MODULE						
CB 63	11.4	8A	561791	FR. SERVICE.CPT	110V FLUORESCENT LH						
CB 64	11.4	8A	561791	FR. SERVICE.CPT	110V FLUORESCENT RH						
CB 70											
CB 71	13.1	10A	561792	RR. JCT. BOX	A/C & HEAT LOGIC PANEL						
CB 72	13.2	10A	561792	RR. JCT. BOX	A/C COMPRESSOR CLUTCH						
CB 73	13.2	15A	561793	RR. JCT. BOX	WATER PUMP						
CB 77	13.1	40A	870093	BAT. CPT.	CONDENSER FAN MOTOR RH						
CB 78	13.1	40A	870093	BAT. CPT.	CONDENSER FAN MOTOR LH						
CB 79	13.2	15A	561793	FR. JCT. BOX	DRIVER'S HTR FAN SPEED CTRL MODULE						
CB 85	16.1	10A	561790	FR. JCT. BOX	ENTRANCE DOOR (SEDAN) & STEP LTS						
CB 93	1.2	30A	870690	BAT. CPT.	SOUND SYSTEM 12V FEEDING						
CB 94	1.2	30A	870690	BAT. CPT.	SOUND SYSTEM 12V FEEDING						
CB 95	20.1	10A	561792	S.S. JCT. PANEL	SOUND SYSTEM AMPLI						
CB 96	20.1	10A	561792	S.S. JCT. PANEL	VIDEO SYSTEM						
CB 97	20.1	10A	561792	S.S. JCT. PANEL	SOUND SYSTEM B/U P.A. AMPLI						
CB 98	20.1	15A	561793	S.S. JCT. PANEL	SOUND SYSTEM RADIO & CD						
CB 99	20.7	15A	561793	S.S. JCT. PANEL	SEAT AUDIO SYSTEM						
CB 105	21	6A	561790	FR. JCT. BOX	E.C.U. ABS						
CB 106	21	10A	561792	FR. JCT. BOX	E.C.U. ABS						
CB 107	21	10A	561792	FR. JCT. BOX	E.C.U. ABS						
CB 124	8	6A	561790	RR. JCT. BOX	RADIATOR FAN CLUTCH						

CIRCUIT BREAKERS CODE

No.	PAGE	AMP.	#PREV.	LOCATION	FUNCTION	No.	PAGE	AMP.	#PREV.	LOCATION	FUNCTION
CB 1	2	40A	562686	BAT. CPT.	12V IGNITION	CB 126	25.2	90A	560298	BAT. CPT.	WHELL CHAIR LIFT MOTOR PUMP RICON
CB 2	1.1	40A	870093	BAT. CPT.	12V HOT WIRE	CB 127	13.3	15A	561793	RR. JCT. BOX	HAT-RACK FAN L.H.
CB 3	1.1	40A	562686	BAT. CPT.	12V FEED RR. JCT. BOX	CB 128	13.3	15A	561793	RR. JCT. BOX	HAT-RACK FAN R.H.
CB 4	1.1	70A	562687	BAT. CPT.	12V FEED FR. JCT. BOX	CB 129	7.2	6A	561790	FR. JCT. BOX	CLUSTER
CB 5	1.1	30A	870690	BAT. CPT.	24V HOT WIRE	CB 130	28	6A	561790	FR. JCT. BOX	CLUSTER
CB 6	1.1	90A	562683	BAT. CPT.	24V FEED RR. JCT. BOX	CB 131	4.2	6A	561790	RR. JCT. BOX	ALT. BOSCH
CB 7	1.1	90A	562683	BAT. CPT.	24V FEED FR. JCT. BOX						
CB 8	1.1	150A	560299	BAT. CPT.	24V EVAPORATOR FAN MOTOR						
CB 10	4	8A	561791	FR. JCT. BOX	MASTER KEY SWITCH						
CB 13	23.1	90A	562683	BAT. CPT.	INVERTER						
CB 16	4	8A	561791	RR. JCT. BOX	ENGINE-RR. CTRL & START SW.						
CB 18	4	6A	561790	RR. JCT. BOX	ENGINE-FR. CTRL SW.						
CB 19	5	15A	561793	BAT. CPT.	E.C.M. DDEC 12V POWER						
CB 20	5	15A	561793	BAT. CPT.	E.C.M. DDEC 12V POWER						
CB 21	5	10A	561792	RR. JCT. BOX	E.C.M. DDEC and WTEC 12V IGNITION						
CB 24	6	25A	561794	BAT. CPT.	WORLD TRANSMISSION & EATON 12V POWER						
CB 26	9.3	8A	561791	RR. JCT. BOX	BACK-UP LTS						
CB 27	7	8A	561791	FR. JCT. BOX	24V IGNITION DASH ACCESSORIES						
CB 28	7	6A	561790	FR. JCT. BOX	12V IGNITION DASH ACCESSORIES						
CB 34	9.3	6A	561792	RR. JCT. BOX	BACK-UP ALARM						
CB 35	9.3	15A	561790	FR. JCT. BOX	FOG & HAZARD DASH SW.						
CB 37	9.1	6A	561790	FR. JCT. BOX	HEAD & MULTI-FUNCTION LEVEL SW.						
CB 38	9.1	3A	561797	FR. JCT. BOX	FR. MARKER LTS						
CB 39	9.1	6A	561790	FR. JCT. BOX	CLEARANCE & IDENTIFICATION LTS						
CB 40	9.1	3A	561797	FR. JCT. BOX	FR. CLEARANCE & IDENTIFICATION LTS						
CB 41	9.1	3A	561797	RR. JCT. BOX	RR. CLEARANCE & IDENTIFICATION LTS						
CB 42	9.1	8A	561791	RR. JCT. BOX	RR. TAIL & LICENCE LTS						
CB 43	9.1	20A	561794	FR. JCT. BOX	HEADLAMP (HI)						
CB 44	9.1	15A	561793	FR. JCT. BOX	HEADLAMP (LO)						
CB 45	9.2	10A	561792	FR. JCT. BOX	WIPER CTRL. MULTI-FUNCTION LEVEL SW.						
CB 46	9.2	10A	561792	FR. JCT. BOX	FLASHER & HAZARD UNIT						
CB 48	9.3	6A	561790	FR. JCT. BOX	STOP LTS PRESSURE SW.						
CB 49	9.3	6A	561790	RR. JCT. BOX	STOP & CYCLOP LTS						
CB 51	10	10A	561792	FR. JCT. BOX	UPPER WIPER CTRL SW.						
CB 52	11.1	15A	561793	RR. JCT. BOX	LUGGAGE & DOOR AJAR LTS						
CB 57	11.2	8A	561791	FR. JCT. BOX	DASH LTS RHEOSTAT						
CB 58	13.1	6A	561790	FR. JCT. BOX	HVAC DASH MODULE						
CB 63	11.4	8A	561791	FR. SERVICE.CPT	110V FLUORESCENT LH						
CB 64	11.4	8A	561791	FR. SERVICE.CPT	110V FLUORESCENT RH						
CB 70											
CB 71	13.1	10A	561792	RR. JCT. BOX	A/C & HEAT LOGIC PANEL						
CB 72	13.2	10A	561792	RR. JCT. BOX	A/C COMPRESSOR CLUTCH						
CB 73	13.2	15A	561793	RR. JCT. BOX	WATER PUMP						
CB 77	13.1	40A	870093	BAT. CPT.	CONDENSER FAN MOTOR RH						
CB 78	13.1	40A	870093	BAT. CPT.	CONDENSER FAN MOTOR LH						
CB 79	13.2	15A	561793	FR. JCT. BOX	DRIVER'S HTR FAN SPEED CTRL MODULE						
CB 85	16.1	10A	561790	FR. JCT. BOX	ENTRANCE DOOR (SEDAN) & STEP LTS						
CB 93	1.2	30A	870690	BAT. CPT.	SOUND SYSTEM 12V FEEDING						
CB 94	1.2	30A	870690	BAT. CPT.	SOUND SYSTEM 12V FEEDING						
CB 95	20.1	10A	561792	S.S. JCT. PANEL	SOUND SYSTEM AMPLI						
CB 96	20.1	10A	561792	S.S. JCT. PANEL	VIDEO SYSTEM						
CB 97	20.1	10A	561792	S.S. JCT. PANEL	SOUND SYSTEM B/U P.A. AMPLI						
CB 98	20.1	15A	561793	S.S. JCT. PANEL	SOUND SYSTEM RADIO & CD						
CB 99	20.7	15A	561793	S.S. JCT. PANEL	SEAT AUDIO SYSTEM						
CB 105	21.1	6A	561790	FR. JCT. BOX	E.C.U. ABS						
CB 106	21.1	15A	561793	FR. JCT. BOX	E.C.U. ABS						
CB 124	8	6A	561790	RR. JCT. BOX	RADIATOR FAN CLUTCH						
CB 126	25.1	150A	560299	BAT. CPT.	WHELL CHAIR LIFT MOTOR PUMP STE.						

CIRCUIT BREAKERS CODE

No.	PAGE	AMP.	#PREV.	LOCATION	FUNCTION	No.	PAGE	AMP.	#PREV.	LOCATION	FUNCTION
CB 1	2	40A	562686	BAT. CPT.	12V IGNITION	CB 126	25.2	90A	560298	BAT. CPT.	WHELL CHAIR LIFT MOTOR PUMP RICON
CB 2	1.1	40A	870093	BAT. CPT.	12V HOT WIRE	CB 127	13.3	15A	561793	RR. JCT. BOX	HAT-RACK FAN L.H.
CB 3	1.1	40A	562686	BAT. CPT.	12V FEED RR. JCT. BOX	CB 128	13.3	15A	561793	RR. JCT. BOX	HAT-RACK FAN R.H.
CB 4	1.1	70A	562687	BAT. CPT.	12V FEED FR. JCT. BOX	CB 129	7.2	6A	561790	FR. JCT. BOX	CLUSTER
CB 5	1.1	30A	870690	BAT. CPT.	24V HOT WIRE	CB 130	28	6A	561790	FR. JCT. BOX	CLUSTER
CB 6	1.1	90A	562683	BAT. CPT.	24V FEED RR. JCT. BOX	CB 131	4.2	6A	561790	RR. JCT. BOX	ALT. BOSCH
CB 7	1.1	90A	562683	BAT. CPT.	24V FEED FR. JCT. BOX						
CB 8	1.1	150A	560299	BAT. CPT.	24V EVAPORATOR FAN MOTOR						
CB 10	4	8A	561791	FR. JCT. BOX	MASTER KEY SWITCH						
CB 13	23.1	90A	562683	BAT. CPT.	INVERTER						
CB 16	4	8A	561791	RR. JCT. BOX	ENGINE-RR. CTRL & START SW.						
CB 18	4	6A	561790	RR. JCT. BOX	ENGINE-FR. CTRL SW.						
CB 19	5	15A	561793	BAT. CPT.	E.C.M. DDEC 12V POWER						
CB 20	5	15A	561793	BAT. CPT.	E.C.M. DDEC 12V POWER						
CB 21	5	10A	561792	RR. JCT. BOX	E.C.M. DDEC and WTEC 12V IGNITION						
CB 24	6	25A	561794	BAT. CPT.	WORLD TRANSMISSION & EATON 12V POWER						
CB 26	9.3	8A	561791	RR. JCT. BOX	BACK-UP LTS						
CB 27	7	8A	561791	FR. JCT. BOX	24V IGNITION DASH ACCESSORIES						
CB 28	7	6A	561790	FR. JCT. BOX	12V IGNITION DASH ACCESSORIES						
CB 34	9.3	6A	561792	RR. JCT. BOX	BACK-UP ALARM						
CB 35	9.3	15A	561790	FR. JCT. BOX	FOG & HAZARD DASH SW.						
CB 37	9.1	6A	561790	FR. JCT. BOX	HEAD & MULTI-FUNCTION LEVEL SW.						
CB 38	9.1	3A	561797	FR. JCT. BOX	FR. MARKER LTS						
CB 39	9.1	6A	561790	FR. JCT. BOX	CLEARANCE & IDENTIFICATION LTS						
CB 40	9.1	3A	561797	FR. JCT. BOX	FR. CLEARANCE & IDENTIFICATION LTS						
CB 41	9.1	3A	561797	RR. JCT. BOX	RR. CLEARANCE & IDENTIFICATION LTS						
CB 42	9.1	8A	561791	RR. JCT. BOX	RR. TAIL & LICENCE LTS						
CB 43	9.1	20A	561794	FR. JCT. BOX	HEADLAMP (HI)						
CB 44	9.1	15A	561793	FR. JCT. BOX	HEADLAMP (LO)						
CB 45	9.2	10A	561792	FR. JCT. BOX	WIPER CTRL. MULTI-FUNCTION LEVEL SW.						
CB 46	9.2	10A	561792	FR. JCT. BOX	FLASHER & HAZARD UNIT						
CB 48	9.3	6A	561790	FR. JCT. BOX	STOP LTS PRESSURE SW.						
CB 49	9.3	6A	561790	RR. JCT. BOX	STOP & CYCLOP LTS						
CB 51	10	10A	561792	FR. JCT. BOX	UPPER WIPER CTRL SW.						
CB 52	11.1	15A	561793	RR. JCT. BOX	LUGGAGE & DOOR AJAR LTS						
CB 57	11.2	8A	561791	FR. JCT. BOX	DASH LTS RHEOSTAT						
CB 58	13.1	6A	561790	FR. JCT. BOX	HVAC DASH MODULE						
CB 63	11.4	8A	561791	FR. SERVICE.CPT	110V FLUORESCENT LH						
CB 64	11.4	8A	561791	FR. SERVICE.CPT	110V FLUORESCENT RH						
CB 70											
CB 71	13.1	10A	561792	RR. JCT. BOX	A/C & HEAT LOGIC PANEL						
CB 72	13.2	10A	561792	RR. JCT. BOX	A/C COMPRESSOR CLUTCH						
CB 73	13.2	15A	561793	RR. JCT. BOX	WATER PUMP						
CB 77	13.1	40A	870093	BAT. CPT.	CONDENSER FAN MOTOR RH						
CB 78	13.1	40A	870093	BAT. CPT.	CONDENSER FAN MOTOR LH						
CB 79	13.2	15A	561793	FR. JCT. BOX	DRIVER'S HTR FAN SPEED CTRL MODULE						
CB 85	16.1	10A	561790	FR. JCT. BOX	ENTRANCE DOOR (SEDAN) & STEP LTS						
CB 93	1.2	30A	870690	BAT. CPT.	SOUND SYSTEM 12V FEEDING						
CB 94	1.2	30A	870690	BAT. CPT.	SOUND SYSTEM 24V FEEDING						
CB 95	20.1	10A	561792	S.S. JCT. PANEL	SOUND SYSTEM AMPLI						
CB 96	20.1	10A	561792	S.S. JCT. PANEL	VIDEO SYSTEM						
CB 97	20.1	10A	561792	S.S. JCT. PANEL	SOUND SYSTEM B/U P.A. AMPLI						
CB 98	20.1	15A	561793	S.S. JCT. PANEL	SOUND SYSTEM RADIO & CD						
CB 99	20.7	15A	561793	S.S. JCT. PANEL	SEAT AUDIO SYSTEM						
CB 105	21.1	6A	561790	FR. JCT. BOX	E.C.U. ABS						
CB 106	21.1	15A	561793	FR. JCT. BOX	E.C.U. ABS						
CB 124	8	6A	561790	RR. JCT. BOX	RADIATOR FAN CLUTCH						
CB 126	25.1	150A	560299	BAT. CPT.	WHELL CHAIR LIFT MOTOR PUMP STE.						

CONNECTORS CODE

NO	LOCATION	TYPE	CAVITY	#PIN	#SOCKET	NO	LOCATION	TYPE	CAVITY	#PIN	#SOCKET
				HOUSING	HOUSING					HOUSING	HOUSING
AA1	BEHIND DASH - SONALERT	BOSCH	5		561183	C 57					
AA2	BEHIND DASH - SONALERT	BOSCH	5		561183	C 58	RR JCT BOX AC PANEL	DEUTSCH	24	562280	562283
C X1	FR LH UPPER WHELL CPT-ABS	AMP	18		562792	C 59	RR JCT BOX AC PANEL	AMP CPC	14	561584	561583
C X2	FR LH UPPER WHELL CPT-ABS	AMP	6		562793	C 60	RR JCT BOX COMPT.-LT	AMP MNL	2	561248	561247
C X3	FR LH UPPER WHELL CPT-ABS	AMP	9		562794	C 61	LUGGAGE COMPARTMENT LTS	AMP MNL	2	561248	561247
C X4	FR LH UPPER WHELL CPT-ABS	AMP	15		562795	C 62	LUGGAGE COMPARTMENT LTS	AMP MNL	2	561248	561247
CS	RR JCT BOX ECU WORLD TR.	PED	32		562817	C 63	LUGGAGE COMPARTMENT LTS	AMP MNL	2	561248	561247
CT	RR JCT BOX ECU WORLD TR.	PED	32		562824	C 64	LUGGAGE COMPARTMENT LTS	AMP MNL	2	561248	561247
C V	RR JCT BOX ECU WORLD TR.	PED	32		562823	C 65	LUGGAGE COMPARTMENT LTS	AMP MNL	2	561248	561247
CV 12	RR JCT BOX-WORLD TRANSM. & EATON CLUSTER	AMP CPC	9	561636	561637	C 66	LUGGAGE COMPARTMENT LTS	AMP MNL	2	561248	561247
C Y		JAE	30		562765	C 67	LUGGAGE COMPARTMENT LTS	AMP MNL	2	561248	561247
C 1	FR JCT BOX COMPARTMENT	AMP CPC	14	561585	561584	C 68	LUGGAGE COMPARTMENT LTS	AMP MNL	2	561248	561247
C 2	FR JCT BOX COMPARTMENT	AMP CPC	16	561639	561640	C 69	RR AXLE ACC-INSIDE PVC END	PED WP	6	561568	561578
C 3	FR JCT BOX COMPARTMENT	AMP CPC	24	561641	561643	C 70	LH CONSOLE	AMP CPC	16	561642	561643
C 4	FR JCT BOX COMPARTMENT	AMP CPC	37	561644	561646	C 71	FR JCT BOX COMPARTMENT	AMP CPC	37	561645	561646
C 5	FR SERVICE COMPT.-UNDERNEATH	AMP CPC	37	561644	561646	C 72	FR JCT BOX COMPARTMENT	AMP CPC	24	561642	561643
C 6	FR SERVICE COMPT.-UNDERNEATH	AMP CPC	16	561639	561640	C 73	DASH CENTER PANEL	AMP CPC	16	561639	561640
C 7						C 74	FR JCT BOX COMPARTMENT	AMP CPC	37	561645	561646
C 8	FR SERVICE COMPT.-UNDERNEATH	AMP CPC	24	561641	561643	C 75					
C 9	FR SERVICE COMPT.-UNDERNEATH	AMP CPC	24	561641	561643	C 76	LUGGAGE COMPT.-AIR RET.SENS.	AMP MNL	2	561248	561247
C 10						C 77	LUGGAGE COMPT.-AIR RET.SENS.	AMP MNL	2	561248	561247
C 11	FR SERVICE COMPARTMENT	AMP CPC	37	561644	561646	C 78					
C 12	FR SERVICE COMPARTMENT	AMP CPC	16	561639	561640	C 79					
C 13	LH CONSOLE-CTR MIRROR	AMP MNL	6	561552	561515	C 80	LUGGAGE COMPT.-AIR RET.SENS.	AMP MNL	2	561248	561247
C 14	UNDER DASH-LH MIRROR	AMP MNL	9	561661	561662	C 81	PASSENGER COMPT.-AISLE LTS	AMP MNL	2	560900	560898
C 15	RR JCT BOX	AMP CPC	24	561641	561643	C 82	ENTRANCE DOOR	MOLEX	6	562070	562069
C 16	LH CONSOLE SW-CRUISE ON OFF	EATON	10	-----	562763	C 83	ENTRANCE DOOR-PROIMITY SW	MOLEX	4	561477	561476
C 17	LH CONSOLE SW-CRUISE RESUME	EATON	10	-----	562763	C 84	ENTRANCE DOOR-PRESSURE SW	PED WP	2	561566	561690
C 18	LH CONSOLE SW-CRUISE SET	EATON	10	-----	562763	C 85	UNDER INSTRUMENT PANEL LH	AMP MTA-100	-----	562248	-----
C 19	LH CONSOLE DECEL SW	EATON	10	-----	562763	C 86					
C 20	RR JCT BOX	AMP CPC	37	561644	561646	C 87	RR END ROOF	AMP CPC	9	561636	561637
C 21	RR JCT BOX	AMP CPC	24	561641	561643	C 88					
C 22	RR JCT BOX - EATON TRANSM.	AMP MNL	6	561552	561515	C 89	RR END ROOF-B/U NONITOR	AMP CPC	4	561582	561581
C 23	DDEC ENGINE-ECM J1939	PED MP	6	-----	561962	C 90	RR JCT BOX	AMP CPC	15	561987	561986
C 24	DDEC ENGINE	PED WP	1	561605	561577	C 91	RR JCT BOX	AMP CPC	37	561714	561713
C 25	RR JCT BOX - EATON TRANSM. J1939	DEUTCH	3	562877	562884	C 92	FR LH UPPER WHELL CPT-ABS	AMP CPC	9	561635	561637
C 26	HYD & MAN TRANSM.-NEUT. & B/U	PED WP	4	561610	561611	C 93	FR LH UPPER WHELL CPT-ABS		35	-----	641094
C 27	HYD & MAN TRANSM.-SPEED SENS.	PED WP	2	561566	561690	C 94					
C 28	EATON TRANSMISSION	DEUTCH	3	562877	562884	C 95	CONDENSOR CPT - LIQ. SOL. VALVE	PED WP	2	561566	561690
C 29	EATON TRANSMISSION	PED MP	6	562878	-----	C 96	FR AXLE ACCESSORIES	AMP CPC	14	561585	561585
C 30	RR JCT BOX - ECU EATON TRANSM.	PED MP	32	-----	562866	C 97	RR AXLE ACC-INSIDE PVC END	PED WP	6	561568	561578
C 31	RR JCT BOX - ECU EATON TRANSM.	PED MP	24	-----	562865	C 98	FR SERVICE COMPT-EL.FT.PEDAL	PED WP	3	561782	561781
C 32	DDEC ENGINE-ECM	PED	30	-----	561600	C 99	FR SERVICE COMPT LTS	AMP MNL	2	561248	561247
C 33	RR JCT BOX - EATON TRANSM.	DEUTCH	9	562531	-----	C 100	LH CONSOLE - 120 VOLTS SWITCH	EATON	8	-----	562763
C 34	RH. CONSOLE - EATON TRANSM. SHIFTER	PED MP	3	-----	562871	C 101	FR SERVICE COMPT-ELEC. HORNS	PED WP	2	561566	561690
C 35	RR JCT BOX	AMP CPC	24	561642	561643	C 102	FR SERV & SIDE CPT-FLASH. LH	GROTE	2	-----	562155
C 36	RH. CONSOLE - EATON TRANSM. SHIFTER	PED MP	24	-----	562874	C 103	FR SERV & SIDE CPT-MARKERS	GROTE	2	-----	562155
C 37	RR SECTION-LH HAT RACK	MOLEX	6	562558	562557	C 104	FR SERV & SIDE CPT-FLASH. RH	GROTE	2	-----	562155
C 38	RR SECTION-RH HAT RACK	MOLEX	6	562558	562557	C 105	FR SERVICE COMPT-LIQ.S.VALVE	PED WP	2	561566	561690
C 39	LH CONSOLE - EATON TRANSM. DISPLAY	AMP MNL	4	561551	561668	C 106	FR SERVICE COMPT-WATER VALVE	PED WP	2	561566	561690
C 40	RR JCT BOX - EATON TRANSM. J1939	DEUTCH	3	562877	562884	C 107	EVAPORATOR COMPT-DAMPER	PED WP	2	561566	561690
C 41	LAVATORY ROOF FLUORESCENT	AMP MNL	2	560900	560898	C 108	FR SERVICE COMPT-KNEEL.SYS	PED WP	2	561566	561690
C 42	LAVATORY BACK WALL-WTR TANK	AMP MNL	2	560900	560898	C 109	FR SERVICE COMPT-KNEEL.SYS	PED WP	2	561566	561690
C 43	LAVATORY BACK WALL-ACCES.	AMP MNL	9	561661	561662	C 110	FR SERVICE COMPT-KNEEL.SYS	PED WP	2	561566	561690
C 44	EATON TRANSM. J1939	DEUTCH	3	562877	562884	C 111	EVAPORATOR COMPT-DAMPER	DEUTSCH	2	562486	562485
C 45	FR JCT BOX COMPARTMENT	AMP CPC	24	561642	561643	C 112	EVAPORATOR COMPT-SPEED MOT CTRL	DEUTSCH	5	-----	562566
C 46	EATON TRANSM. J1939	DEUTCH	3	562877	562884	C 113	BATT. & RR J.B.CPT.MARKER LT	GROTE	2	-----	562155
C 47	FR SERVICE COMPARTMENT	AMP CPC	16	561694	561695	C 114	RR J. BOX CPT DOOR DIR LT LH	GROTE	2	-----	562155
C 48	FR. SERVICE CMPT.PRESS SW PARK BREAK	DEUTCH	4	562479	562477	C 115	ENGINE COMPT-AIR DRYER	PED WP	2	561566	561690
C 49	BATTERIE COMPT.-LT	AMP MNL	2	561248	561247	C 116	ENGINE COMPT. LTS	PED WP	1	561605	561577
C 50	FR SERVICE COMPT.-LOW BUOY	PED WP	1	561605	561577	C 117					
C 51						C 118	ENGINE COMPT-LAVATORY FAN	PED WP	2	561566	561690
C 52	RR JCT BOX	AMP CPC	22	561709	561710	C 119	ENGINE CPT RR DOOR RH LO LAMP	PED WP	6	561606	561607
C 53						C 120	ENGINE CPT RR DOOR LH LO LAMP	PED WP	6	561606	561607
C 54						C 121	BATTERIE CPT. DOOR DIR LT RH	GROTE	2	-----	562155
C 55	RH SWITCH PANEL	AMP CPC	9	561636	561637	C 122	ENGINE CPT-UNLOAD TAG SYSTEM	PED WP	2	561566	561690
C 56						C 123	TAG AXLE-UNLOAD TAG RH VALVE	PED WP	2	561566	561690

CONNECTORS CODE

NO	LOCATION	TYPE	CAVITY	#PIN	#SOCKET	NO	LOCATION	TYPE	CAVITY	#PIN	#SOCKET
				HOUSING	HOUSING					HOUSING	HOUSING
C 124	ENGINE CPT-ETHER SW	PED WP	2	561566	561690	C 189	ENGINE CPT RR DOOR B/U LT	PED WP	2	561566	561690
C 125	ENGINE CPT-BU ALARM	PED WP	2	561566	561690	C 190	ENGINE CPT RR DOOR TAIL LT	PED WP	2	561566	561690
C 126	ENGINE CPT-FLUSHING PUMP	PED WP	2	561566	561690	C 191	ENGINE CPT RR DOOR RH STOP LT	PED WP	2	561566	561690
C 127	ENGINE CPT-FUEL FILTER	PED WP	2	561566	561690	C 192	ENGINE CPT RR DOOR RH DIR. LT	PED WP	2	561566	561690
C 128	ENGINE CPT-A/C COMPR.CLUTCH	ITT SS	2	561813	561812	C 193					
C 129	ENGINE CPT-PRE-HEAT WATER	AMP FF	6	561672	561186	C 194	ENGINE CPT RR DOOR LH DIR. LT	PED WP	2	561566	561690
C 130	ENGINE CPT-UNLOADER	ITT SS	2	561813	561812	C 195	ENGINE CPT RR DOOR LH STOP LT	PED WP	2	561566	561690
C 131	ENGINE CPT-UNLOADER	ITT SS	2	561813	561812	C 196	ENGINE CPT RR DOOR CYCLOP LT	PED WP	2	561566	561690
C 132	ENGINE CPT-A/C LO PRESS SW	PED WP	2	561566	561690	C 199	ENGINE CPT RR DOOR LICENCE LT	DOM AUTO	2	930210	-----
C 133	ENGINE CPT-A/C HI PRESS SW	PED WP	2	561566	561690	C 200	RH HAT RACK-FLUORESCENT	AMP MNL	2	561248	561247
C 134	FR JCT BOX-LUGGAGE DIODE CON.	AMP MNL	15	561987	561986	C 201	RH HAT RACK-FLUORESCENT	AMP MNL	2	561248	561247
C 135	FR JCT BOX-LUGGAGE DIODE CON.	AMP MNL	15	561987	561986	C 202	RH HAT RACK-INDIRECT LIGHTING	MOLEX	2	-----	562758
C 136	RR JCT BOX - A/C PANEL DIODE CONN.	AMP MNL	15	561987	561986	C 203	RH HAT RACK-INDIRECT LIGHTING	MOLEX	6	-----	562759
C 137	RR JCT BOX-TRANSMITTER	AMP MNL	2	560900	560898	C 204	RH HAT RACK-GENERAL LT	AMP MNL	2	560900	560898
C 138	RR JCT BOX-CONTROL MODULE	AMP HDP	15	-----	562012	C 205	FR SECT.-RH HAT RACK SPEAKER	AMP MNL	9	561661	561662
C 139	RR JCT BOX-LOGIC MODULE	AMP HDP	15	562011	-----	C 206	RH HAT RACK-READING LT	AMP FF	4	-----	562756
C 140	HVAC DASH MODULE THERMOMETER	MOLEX	4		562782	C 207	LH HAT RACK-READING LT	AMP FF	4	-----	562756
C 141	INSTRUMENT PANEL LH UNLOAD TAG	AMP	2	561248	561247	C 208	LH HAT RACK-BALLAST	MOLEX	2	-----	562758
C 142	LAVATORY DOOR WALL	AMP MNL	2	561248	561247	C 209	LH HAT RACK HOTESS CHIME	AMP MNL	3	561667	561550
C 143	LAVATORY DOOR WALL	AMP MNL	3	560908	562006	C 210	FR SECT.-LH HAT RACK SPEAKER	AMP MNL	9	561661	561662
C 144	UNDER LH SEAT-AISLE LTS	AMP MNL	4	560851	560852	C 211	FR ROOF-STORE LH	AMP MNL	2	560900	560898
C 145	RR JCT BOX CPT-RR SIDE LTS	AMP MNL	9	561670	561669	C 212	FR ROOF-STORE RH	AMP MNL	2	560900	560898
C 146	ENGINE CPT-MODULATOR VALVE	AMPHENOL	2	-----	560412	C 213					
C 147	BATT & RR J.B.CPT-DOCK.LTS	PED WP	2	561566	561690	C 214	ENGINE CPT J1922				
C 148						C 215	TAG AXLE - A.T.C. SYSTEM				
C 149	CONDENSER CPT-FAN MOTOR	ORDNANCE	3	562555	562001	C 216	TAG AXLE - A.T.C. SYSTEM				
C 150						C 217	RH DASH PANEL-FRONT CAMERA SW	EATON	8	-----	562763
C 151	EVAPORATOR CPT-THERMOSTAT	ITT SS	2	561813	562159	C 218	RH DASH PANEL-FRONT CAMERA SW	AMP MNL	2	560900	560898
C 152	CONDENSER CPT-FUEL GAUGE	PED WP	4	561610	561611	C 219					
C 153	EVAPORATOR CPT-AIR AMB. SENS	AMP MNL	2	561248	561247	C 220	RR.JCT.BOX-FUEL PRIME PUMP	TC	1	561070	561073
C 154	EVAPORATOR CPT-FRESH AIR SENS	ITT SS	2	561813	561812	C 221					
C 155	EVAPORATOR CPT-WATER VALVE	PED WP	4	561610	561611	C 222					
C 156	EVAPOR. CPT-BYPASS WATER VAL.	PED WP	2	561566	561690	C 223					
C 157	EVAPORATOR CPT-WATER PUMP	PED WP	2	561566	561690	C 224					
C 158	CONDENSER CPT-A/C LO TEMP.	PED WP	2	561566	561690	C 225					
C 159	CONDENSER CPT-A/C HI TEMP.	PED WP	2	561566	561690	C 226					
C 160	FR AXLE-ABS RH SENSOR	WABCO	2	641132	-----	C 227					
C 161	FR AXLE-ABS RH VALVE	WABCO	3	-----	641098	C 228					
C 162	FR AXLE-ABS LH VALVE	WABCO	3	-----	641098	C 229					
C 163	FR AXLE-ABS LH SENSOR	WABCO	2	641132	-----	C 230	ENG.CPT.-FUEL PRIME PUMP FEED	DEUTSCH	2	562486	562485
C 164	RR AXLE-ABS LH SENSOR	WABCO	2	641132	-----	C 231	ENG.CPT.-FUEL PRIME PUMP SW.	PED WP	2	561566	561690
C 165	RR AXLE-ABS LH VALVE	WABCO	3	-----	641098	C 232	ENG.CPT.-FUEL PRIME PUMP	PED WP	2	561566	561690
C 166	RR AXLE-ABS RH VALVE	WABCO	3	-----	641098	C 233	FR. SERVICE COMPT.	VDO	8	-----	562043
C 167	RR AXLE-ABS RH SENSOR	DEUTSCH	2	641132	-----	C 234	FR. SERVICE COMPT.	VDO	8	-----	562044
C 168	RR AXLE-ABS OPT ATC	PED WP	2	561566	561690	C 235	FR. SERVICE COMPT.	VDO	8	-----	562041
C 169	RR JCT BOX-SPEED SW	AMP HDP	15	-----	562012	C 236	LUGGAGE COMPARTEMENT	AMP MNL	4	560851	560852
C 170	FR JCT BOX-FLASHER UNIT	TC	2	-----	561940	C 237	UNDER DASH LH-JACOB CLUTCH SW	ITT SS	3	561111	561080
C 171	LH CONSOLE	AMP CPC	24	561642	561643	C 238	RR JCT BOX-DIODE CONNECTOR	AMP MNL	9	561670	561669
C 172	ENGINE COMPT-WATER TANK HEAT.	PED WP	2	561566	561690	C 239	FR SERVICE CPT-HI BUOY VALVE	PED WP	2	561566	561690
C 173	LAV.POTABLE-WATER TANK HEAT.	AMP MNL	2	560900	560898	C 240	FR SERVICE CPT-KNEEL PROX SW	PED WP	2	561566	561690
C 174	UNDER DASH RH-HTR MODULE	AMP MNL	9	561670	561669	C 241					
C 175	UNDER DASH RH-HTR MODULE	AMP MNL	9	561670	561669	C 242	FR SERVICE CPT-MARK & DIR LT	ITT SS	3	561111	561080
C 176	UNDER DASH RH-WIPER PULSE	AMP FF	6	-----	561186	C 243	FR SERVICE CPT-HEADLAMPS	TC	3	-----	561071
C 177	UNDER DASH RH-WIPER MOTOR	AMP FF	6	-----	561186	C 244	FR SERVICE CPT-LH FOG LAMP	ITT SS	2	561813	561812
C 178	UNDER DASH RH-LH FAN	TC	2	561030	560997	C 245	FR SERVICE CPT-RH FOG LAMP	ITT SS	2	561813	561812
C 179	UNDER DASH RH-RH FAN	TC	2	561030	560997	C 246	FR SERVICE CPT-MARK & DIR LT	ITT SS	3	561111	561080
C 180	RR JCT BOX-DIODE CONNECTOR	AMP MNL	15	561987	561986	C 247					
C 181	RR JCT BOX-DIODE CONNECTOR	AMP MNL	15	561987	561986	C 248	FR JCT BOX-WIPER PULSE GEN	AMP FF	6	-----	561108
C 182						C 249					
C 183	FR SERVICE CPT-KNEELING PAN.	PED WP	4	561610	561611	C 250					
C 184	FR SERVICE CPT-KNEELING SW	ITT SS	3	561111	561080	C 251	LH DASH PANEL-FAST IDLE SW	EATON	8	-----	562763
C 185						C 252					
C 186	RR JCT BOX CPT.-SPEED SIGN.TR	PED WP	2	561566	561690	C 253	LH DASH PANEL-ETHER SW	EATON	8	-----	562763
C 186M	RR JCT BOX CPT.-SPD SIGN. M.TR	PED WP	2	561566	561690	C 254	INST. PANEL RH-ENTR.DOOR SW.	TORRIX	5	-----	562110
C 186W	RR JCT BOX CPT.-SPD SIGN. WT	PED WP	2	561566	561690	C 255	LH DASH PANEL-JACOB & RETARDER SW	EATON	8	-----	562763
C 187	FR JCT BOX-RPM RESISTOR CON.	AMP MNL	6	561552	561515	C 256					
C 188						C 257					

CONNECTORS CODE

NO	LOCATION	TYPE	CAVITY	#PIN	#SOCKET	NO	LOCATION	TYPE	CAVITY	#PIN	#SOCKET
				HOUSING	HOUSING					HOUSING	HOUSING
C 258	LH SW PANEL-MULTI FUNC. SW	AMP FF	8	561188	-----	C 325	LH DASH PANEL-KNEELING SW	EATON	8	-----	562763
C 259	LH SW PANEL-MULTI FUNC. SW	AMP FF	6	-----	561108	C 326	ENGINE CMPT.	PED	4	-----	561610
C 260	FR SERVICE CPT-LUG DOOR LCK	PED WP	6	561606	561607	C 327	ENGINE CONTROL	DEUTSCH	6	562583	562581
C 261	UNDER DASH RH-DOOR MODULE	AMP MNL	9	561670	561669	C 328	GALLEY-LAMP	AMP MNL	2	561248	561247
C 262	UNDER DASH RH-DOOR MODULE	AMP MNL	4	561551	561668	C 329	ENGINE TACHO SIGNAL	PED WP	3	561781	561789
C 263	UNDER DASH RH-DOOR MODULE	AMP MNL	3	561667	561550	C 330					
C 264	UNDER DASH RH-DOOR MODULE	AMP MNL	3	561667	561550	C 331	GALLEY MICROWAVE SW	EATON	8	-----	562763
C 265	UNDER DASH RH-DOOR MODULE	AMP HDP-20	15	562011	562012	C 332					
C 266						C 333	GALLEY RH CONTAINER SW	EATON	8	-----	562763
C 267	UNDER DASH RH	AMP CPC	24	561642	561643	C 334	GALLEY LH CONTAINER SW	EATON	8	-----	562763
C 268	UNDER DASH LH-MIRROR	AMP MNL	6	561552	561515	C 335					
C 269	UNDER DASH RH-MIRROR	AMP MNL	6	561552	561515	C 336					
C 270	LH MIRROR POST	MOLEX	6	562070	562069	C 337	INSTR PANEL LH-UP WIPER SW	EATON	8	-----	562763
C 271	RH MIRROR POST	MOLEX	6	562070	562069	C 338	INSTR PANEL LH-UP DEFROST SW	EATON	8	-----	562763
C 272	LH MIRROR	SPARTAN	6	-----	990158	C 339	INSTR PANEL LH-UP WASHER SW	EATON	8	-----	562763
C 273	RH MIRROR	SPARTAN	6	-----	990158	C 340	FR JCT. BOX FIRE PIEZO ALARM	AMP MNL	2	560900	560898
C 274	RR. JCT. BOX - SIGNAL ALT. MODULE					C 341	INSTR PANEL LH-HEAT MIRROR SW	EATON	8	-----	562763
C 275	UNDER DASH RH-DOOR MODULE	AMP MNL	9	561670	561669	C 342	ENGINE RR START SW	DEUTSCH	2	562586	562585
C 276	UNDER DASH RH-LOCK SOL.VALVE	AMP MNL	2	561248	561247	C 343	INSTR PANEL LH-HEADLAMP SW	EATON	8	-----	562763
C 277						C 344	INSTR PANEL LH-HAZARD LT SW	EATON	8	-----	562763
C 278						C 345	INSTR PANEL LH-FOG LT SW	EATON	8	-----	562763
C 279	UNDER DASH CYLINDER READ SW.	AMP MNL	2	561248	561247	C 346					
C 280	LH CONSOLE-UNLOAD TAG SW.	NGR	10	-----	562763	C 347	INSTR PANEL LH-DASH LT SW	AMP MNL	2	560900	560898
C 281						C 348	INSTR PANEL CENT-RACOR MODULE	MOLEX	6	562070	562067
C 282						C 349					
C 283						C 350	RH CONSOLE-THERMOMETER	AMP MNL	3	561667	561550
C 284						C 351	LH HAT RACK-FLUOR 110V	MOLEX	4	561477	561476
C 285						C 352	RH CONSOLE-DRV TEMP SENSOR	BURNDY	4	-----	561104
C 286	RH SW PANEL-A/C & HEAT	EATON	8	-----	562763	C 353	INSTR PANEL RH-DRV FAN RHEOST	AMP MNL	6	561552	561515
C 287	ENGINE COMPT-LTS SW	PED WP	2	561566	561690	C 354	INSTR PANEL RH-DRV TEMP CTR	AMP MNL	6	561552	561515
C 288	RH SW PANEL-FRESH AIR	EATON	8	-----	562763	C 355	INSTR PANEL RH-FR TEMP CTR	AMP MNL	3	561667	561550
C 289						C 356					
C 290						C 357	INSTR PANEL RH-WATER TEMP GA	AMP MNL	3	561667	561550
C 291						C 358	INSTR PANEL RH-FUEL LEVEL GA	AMP MNL	3	561667	561550
C 292						C 359					
C 293						C 360					
C 294						C 361	FR ROOF-WIPER MOTOR	AMP FF	6	-----	561186
C 295						C 362	FR ROOF-LAVATORY OCCUPIED LT	AMP MNL	2	561248	561247
C 296						C 363	FR ROOF-WATCH YOUR STEP LT	AMP MNL	2	561248	561247
C 297	INSTRUMENT PANEL RH -LTS	AMP MNL	2	560900	560898	C 364	FR ROOF-DESTINATION SIGN	AMP MNL	3	561667	561550
C 298						C 365	FR ROOF-UP WINDSHIELD DEFROST	AMP MNL	3	561667	561550
C 299	RH DASH PANEL SW-GALLEY	EATON	8	-----	562763	C 366	RH DASH PANEL-GRN & RED LEDS	AMP MNL	3	560908	562006
C 300						C 367	ENGINE COMPT-DIF OIL T SENSOR	PED WP	2	561566	561690
C 301						C 368	FR ROOF-DEST. SIGN BALLAST	AMP MNL	3	561667	561550
C 302						C 369	FR ROOF-DEST. SIGN OPER. SW	TORRIX	5	-----	562110
C 303						C 370	FR ROOF-DEST. SIGN FLUOR.	AMP MNL	2	560900	560898
C 304						C 371	FR ROOF-DEST. SIGN FLUOR.	AMP MNL	2	560900	560898
C 305						C 372	FR ROOF-DEST. SIGN SPEED SW	MOLEX	4	561477	561476
C 306						C 373	FR ROOF-NO SMOKING LT	AMP MNL	2	561248	561247
C 307						C 374	LH SWITCH PANEL	AMP MNL	6	561552	561515
C 308	LH CONSOLE SW-RHEOSTAT	TC	2	561030	560997	C 375					
C 309	DDEC ENGINE-ECM POWER CON.	PED MP	5	-----	562345	C 376					
C 310	LH DASH PANEL -LUG. DOOR LCK SW	EATON	8	-----	562763	C 377	LH DASH PANEL-STOP ENG.OVERRIDE SW	EATON	8	-----	562763
C 311	RH DASH PANEL -HOS & PAS CHIME SW	EATON	8	-----	562763	C 378					
C 312	RH DASH PANEL -READING LTS SW	EATON	8	-----	562763	C 379					
C 313	RH DASH PANEL -GEN & FLUOR LTS SW	EATON	8	-----	562763	C 380	LH CONSOLE-DDR CONNECTOR	DEUTSCH	6	562360	-----
C 314	LH DASH PANEL-FR DEST. SIGN SW	EATON	8	-----	562763	C 381					
C 315	LH DASH PANEL-LH STORE SW	EATON	8	-----	562763	C 382					
C 316	LH CONSOLE SPARE SWITCH	EATON	8	-----	562763	C 383					
C 317	LH DASH PANEL-RH STORE SW	EATON	8	-----	562763	C 384					
C 318	LH CONSOLE SW-DRV WINDOW LIFT	EATON	8	-----	562763	C 385					
C 319						C 386	LH DASH PANEL-WCL POWER SYSTEM SW	EATON	8	-----	562763
C 320	RH DASH PANEL-DRIVER'S LTS SW	EATON	8	-----	562763	C 387	RR JCT BOX (WCL)	AMP MNL	9	561661	561662
C 321	READING LTS TEST					C 388	RR JCT BOX (WCL)	AMP MNL	12	561735	561734
C 322	LH CONSOLE DRV WIND LIFT MOT	PED PO	2	-----	561848	C 389	WCL REAR DOOR	MOLEX	4	561477	561476
C 323	LH CONSOLE CRUISE CTR SW PAN. AMP	CPC	9	561636	561637	C 390	LAVATORY WALL-WCL REMOTE CTR	EATON	8	-----	562763
C 324						C 391	LAVATORY WALL-WCL LAMP	EATON	8	-----	562763

CONNECTORS CODE

NO	LOCATION	TYPE	CAVITY	#PIN	#SOCKET	NO	LOCATION	TYPE	CAVITY	#PIN	#SOCKET
				HOUSING	HOUSING					HOUSING	HOUSING
C 392	LAVATORY WALL-WCL SW. LT.	EATON	2	-----	561835	C 459	WORLD TRANSM.-ENGINE SP.SENS.	PED MP	2	-----	562426
C 393	LAVATORY WALL-WCL REMOTE SYS.	AMP CPC	4	561686	561687	C 460	WORLD TRANSM.-SPEED SENSOR	ITT	2	-----	562541
C 394	UNDER INSTR. PANEL- B/U MONITOR	AMP MNL	4	560851	560852	C 461	WORLD TRANSM.-RETARDER TEMP.	PED MP	2	561566	561680
C 395	DRIVER'S COMPT. - B/U MONITOR	AMP	5	-----	-----	C 462	WORLD TRANSM.-RETARD SOL."K"	PED MP	2	-----	562426
C 396	FR SECT. LH HAT RACK-SPEAKER	MOLEX	4	562507	562503	C 463	WORLD TRANSM.-SENSOR CONN.	DEUTSCH	16	562570	562571
C 397	ENGINE COMPT. CRADLE ACC.	DEUTSCH	40	562281	562284	C 464	RR JCT BOX-DDR CONNECTOR	DEUTSCH	6	-----	562360
C 398						C 465	LH CONSOLE-SHIFTER SELECTOR	PED	20	-----	562825
C 399	ENGINE COMPT. - PRE-EXITATION ALT.	PED WP	2	561566	561690	C 466	FR SERVICE CPT.-RESIS. MOD.	PED WP	3	-----	562428
C 400	ENGINE COMPT. BLOCK HEATER	PED MP	3	561781	561782	C 467	FR SERVICE CPT.-RESIS. MOD.	PED WP	3	-----	562428
C 401						C 468			8		
C 402	RR DRIVE AXLE-AIR DRYER	PED MP	2	-----	562251	C 469					
C 403	GALLEY FRIGO NORCOLD	AMP MNL	2	561248	561247	C 470	FR LH UPPER WHELL CPT-SILENT 1000	AMP MNL	2	561248	561247
C 404	GALLEY LAMP	AMP MNL	2	561248	561247	C 471	FR LH UPPER WHELL CPT-SILENT 1000	AMP MNL	2	561248	561247
C 405						C 472	FR LH UPPER WHELL CPT-SILENT 1000	PED WP	2	561566	561690
C 406	FR JCT BOX COMPT.-ABS	AMP MNL	2	560900	560898	C 473	FR LH UPPER WHELL CPT-SILENT 1000	AMP MNL	3	561667	561550
C 407	ENGINE COMPT. -SIGNAL	PED WP	6	561606	561607	C 474	DRIVER CPT.-TEMP. SENSOR	AMP MNL	2	561247	561248
C 408	ENGINE COMPT. -SIGNAL	PED WP	6	561606	561607	C 475	RR JCT BOX-SPEED SIGN CONNECTOR	AMP MNL	2	561248	561247
C 409	ENGINE CPT -LOW COOL. LEVEL	PED MP	2	-----	562350	C 475M	RR JCT BOX-SPEED SIGN MANUAL TR.	MOLEX	6	562070	562069
C 410	FR JCT BOX-DIODE CONNECTOR	AMP MNL	15	561987	561986	C 475W	RR JCT BOX-SPEED SIGN WORLD TR.	MOLEX	6	562070	562069
C 411	FR JCT BOX-DIODE CONNECTOR	AMP MNL	15	561987	561986	C 476					
C 412	LH DASH PANEL-MASTER SWITCH SW	EATON	8	-----	562763	C 477					
C 413	ENG CPT-A/C HI UNLOAD PRS SW	PED WP	2	561566	561690	C 478	ELECTRONIC DESTINATION SIGN	AMP CPC	9	561636	561637
C 414	RR JCT BOX	AMP MNL	9	561670	561669	C 479	HVAC MODULE				
C 415	ENGINE CRADLE-FAN SIGNAL	PED WP	3	561781	561782	C 480	UNDER DASH LH-DR. FAN SPEED CTR. MOD	PED	4	561889	561890
C 416	ENGINE CRADLE-FAN SIGNAL	PED P-C	3	562398	-----	C 481	UNDER DASH LH-DR. FAN SPEED CTR. MOD	PED	3	561781	561782
C 417	FRONT JCT BOX-DIODES	AMP MNL	15	561987	561986	C 482					
C 418	LH DASH PANEL-HTR WINDSH.SW	EATON	8	-----	562763	C 483	FR SERVICE CPT. (NOT USED)	PED PC	2	-----	562237
C 419	FR JCT BOX-RETARDER OR JACOB	AMP MNL	3	561667	561550	C 484	UNDER DASH LH.-FOOT DAMPER MOTOR	PED PC	2	-----	562076
C 420	ENGINE COMPT. WEBASTO WATER HTR	TC	2	561597	-----	C 485	UNDER DASH LH.-DASH & DEFR. DAM.MOT.	AMP MNL	3	561667	561550
C 421	ENGINE COMPT. WEBASTO WATER HTR	TC	1	561073	-----	C 486					
C 422	ENGINE COMPT. WEBASTO WATER HTR	TC	2	561597	-----	C 487					
C 423	PRO-HEAT	PC	2			C 488					
C 424	UNDER INSTRUMENT PANEL CENTER	AMP MNL	3	561667	561550	C 489					
C 425	FR JCT BOX-DIODES	AMP MNL	15	561987	561986	C 490					
C 426	ENGINE COMPT. CLUTCH CTR FAN	PED WP	3	561781	561782	C 491					
C 427	PRO-HEAT	PED-WP	2	561566	561680	C 492					
C 428	PRO-HEAT	PED WP	6	561606	561607	C 493					
C 429	FR JCT BOX COMPT.	AMP MNL	6	561552	561515	C 494					
C 430	LH CONSOLE-TIMER	AMP FF	8	561188	562363	C 495					
C 431	LH CONSOLE-PRE HEAT.	TAB AMP	1	561540	561539	C 496					
C 432	ENGINE CPT.-PROX. SW. DOOR AJAR	PED-WP	2	561566	561680	C 497					
C 433	FR SERVICE CPT. KNEEL. PRESS. SW	PED WP	2	561566	561690	C 498					
C 434	FRONT JCT. BOX-DIODES	AMP MNL	15	561987	561986	C 499					
C 435	FR SERVICE CPT.(RH) KNEEL. PIEZO	AMP MNL	2	560900	560898	C 500	FR LH UPPER WHELL CPT -PRODRIVER	MOLEX	6	562070	562069
C 436	RH HAT RACK-WCL CENTER ROOF ACC	AMP CPC	16	561639	561640	C 501	FR LH UPPER WHELL CPT -PRODRIVER	PED MP	7	562433	-----
C 437	RH HAT RACK-WCL FR & RR SECT.	AMP CPC	24	561642	561643	C 502	LH DASH PANEL-PRE HEATER SW.	EATON	8	-----	562763
C 438						C 503	LH CONSOLE-PRE HEATER SW.	EATON	2	-----	561837
C 439						C 504	LH CONSOLE WEBASTO TIMER	AMP	8	-----	562852
C 440						C 505	LH CONSOLE ESPAR TIMER	AMP	9	-----	562681
C 441						C 506	FR JCT BOX CPT. DIGITAL CLOCK	AMP	4	561685	561687
C 442						C 507	FR SECT. LH HAT-RACK DIG. CLOCK	MOLEX	4	561477	561476
C 443						C 508	RR JCT BOX-FAN CLUTCH RETARDER	AMP MNL	6	561552	561515
C 444						C 509	FR LH UPPER WHELL CPT -DATA LOGGER	PED MP	16	-----	562530
C 445						C 510	FR LH UPPER WHELL CPT -DATA LOGGER	DEUTSCH	9	562531	-----
C 446						C 511	FR LH UPPER WHELL CPT -DATA LOGGER	PED MP	4	562532	-----
C 447						C 512	FR LH UPPER WHELL CPT -DATA LOGGER	PED MP	10	562533	-----
C 448						C 513	FR LH UPPER WHELL CPT -DATA LOGGER	AMP MNL	3	561667	561550
C 449						C 514	FR LH UPPER WHELL CPT -DATA LOGGER	PED MP	6	562433	562417
C 450	SOUND SYS. JCT. PANEL	MOLEX	4	562507	562503	C 515	FR JCT BOX CPT.-INTERCOM	MOLEX	4	561477	561476
C 451	WIRELESS MICRO-FIRST CPT BAG	MOLEX	2	562550	562549	C 516	FR JCT BOX CPT.-INTERCOM	MOLEX	6	562070	562069
C 452	UNDER DASH INSTR. PANEL	MOLEX	2	562550	562549	C 517	LAVATORY WALL-INTERCOM	MOLEX	6	562070	562069
C 453	SOUND SYS. JCT.PANEL-VCP	PED WP	2	561566	561680	C 519	UNDER DASH RH-SEDAN DOOR	HUMPHREY	2	-----	562580
C 454	SOUND SYS.JCT.PAN.-FILT. VCP	PED WP	2	561566	561680	C 520	UNDER DASH RH-SEDAN DOOR	HUMPHREY	2	-----	641385
C 455	WIRELESS MICRO-LH HAT-RACK	CINCH	2	562554	562551	C 521	UNDER DASH RH-SEDAN DOOR	HUMPHREY	2	-----	641385
C 456	WORLD TRANSM.-RETARDER ACCUM.	PED MP	2	-----	562427	C 522	FR JCT BOX-DAYTIME LTS MODULE	BOSCH	5	-----	561183
C 457	WORLD TRANSM.-MAIN CONNECTOR	DEUTSCH	31	562572	562536	C 523	FR JCT BOX-FUSE BLOCK	PED	8	562647	562646
C 458	WORLD TRANSM.-TURBINE SP.SENS	PED MP	2	-----	562426	C 524	FR JCT BOX-FUSE BLOCK	PED	8	562647	562646

CONNECTORS CODE

NO	LOCATION	TYPE	CAVITY	#PIN	#SOCKET	NO	LOCATION	TYPE	CAVITY	#PIN	#SOCKET
				HOUSING	HOUSING					HOUSING	HOUSING
C 525	FR JCT BOX-FUSE BLOCK	PED	8	562647	562646	C 592	L.H.CONSOLE - MIRROR R.H.	EURAMTEC	8	-----	562799
C 526	FR JCT BOX-FUSE BLOCK	PED	8	562647	562646	C 593	BATTERY CMPT. - CHARGER	PED WP	3	561781	561782
C 527	FR JCT BOX-FUSE BLOCK	PED	8	562647	562646	C 594	FRONT ROOF - DRIVERS LIGHT	LEEKRAFT		-----	562803
C 528	FR JCT BOX-FUSE BLOCK	PED	8	562647	562646	C 595	DASH CENTER MODULE - OPEN DOOR	MOLEX	4	561477	561476
C 529	FR JCT BOX-12V OUTLET	AMP MNL	2	561247	561248	C 596	DASH CENTER MODULE - CLOSE DOOR	MOLEX	4	561477	561476
C 530	RR JCT BOX-FUSE BLOCK	PED	8	562647	562646	C 597	L.H. DASH PANEL - DISPLAY SET SW.	MOLEX	5		562812
C 531	RR JCT BOX-FUSE BLOCK	PED	8	562647	562646	C 598	L.H. DASH PANEL - DISPLAY SET SW.	MOLEX	5		562812
C 532	RR JCT BOX-FUSE BLOCK	PED	8	562647	562646	C 599					
C 533	RR JCT BOX-FUSE BLOCK	PED	8	562647	562646	C 600	ENGINE CPT.-A/C LOW PRESS SW. UNLOAD	PED	2	562348	562471
C 534	RR JCT BOX-FUSE BLOCK	PED	8	562647	562646	C 601	L.H. ROOF - WINDOW AJAR	AMP MNL	2	561248	561247
C 535	RR JCT BOX-FIRE MODULE DETECT.	AMP MNL	3	561667	561550	C 602	L.H. ROOF - WINDOW AJAR	MOLEX	4	561477	561476
C 536	UNDER DASH RH-DRIVER'S HTR TEMP. CTR	AMP MNL	6	561552	561515	C 603	R.H. ROOF - WINDOW AJAR	AMP MNL	2	561248	561247
C 537	BATT. CPT.-A/C PRESS. SIGN. RLY	AMP MNL	2	561248	561247	C 604					
C 538	FR SERVICE CPT.-OUTSIDE TEMP. SENSOR	AMP MNL	2	561248	561247	C 605	HAT RACK - MOTOR FAN	PED	2	560997	561030
C 539	HVAC DASH MODULE OUTPUT CON	MOLEX	24		562780	C 606	HAT RACK - MOTOR FAN	PED	2	560997	561030
C 540	HVAC DASH MODULE INPUT CON	MOLEX	22		562781	C 607	FRONT SERVICE CMPT. RPM SIGNAL	PED WP	2	561566	561690
C 541	SOUND SYS. JCT PANEL-AUDIO SEAT SYS.	PED WP	2	561566	561690	C 608	FRONT SERVICE CMPT. SPEED SIGNAL	PED WP	2	561566	561690
C 542	LH HAT RACK-AUDIO SEAT SYSTEM	AMP MNL	3	561667	561550	C 609	LAVATORY - NIGHT LIGHT				
C 543	RR JCT BOX-PARK. BRAKE STOP LTS RESIS.	PED WP	2	561566	561690	C 610	RR JCT BOX	AMP MNL	6	561552	561515
C 544	SOUND SYS JCT PANEL-AUDIO SEAT SYS.	PED WP	3	561781	562428	C 611	HAT RACK READING LTS RICON	MOLEX	6	562558	562557
C 545	LH HAT RACK-AUDIO SEAT SYSTEM	AMP MNL	3	561667	561550	C 612	HAT -RACK FLUOR. INSTATION LTS RICON	MOLEX	4	562507	562503
C 546						C 613	HAT -RACK INDIRECT LTS RICON	AMP MNL	3	561667	561550
C 547	RH DASH PANEL-ACCESSORIES	AMP CPC	37	561645	561646	C 614	HAT -RACK INDIRECT LTS RICON	AMP MNL	3	561667	561550
C 548	LH DASH PANEL-T.T. LT. TEST SW.	EATON	8	-----	562763	C 615					
C 549	LH DASH PANEL-FAN CLUTCH OVERR. SW	EATON	8	-----	562763	C 616					
C 550	LAST LUGG. CPT. -WCL RICON	AMP CPC	16	561694	561695	L X	CLUSTER	JAE	22		562766
C 551	LAST LUGG. CPT. -WCL RICON	AMP CPC	16	561694	561695	L Y	CLUSTER	JAE	30		562767
C 552	LAST LUGG. CPT. -WCL RICON	AMP CPC	9	561636	561637	R X	CLUSTER	JAE	22		562764
C 553	UNDER DASH R.H. - CONTROL. HEAD	MOLEX	16	-----	562559						
C 554	UNDER DASH R.H. - CONTROL. HEAD	MOLEX	16	-----	562559						
C 555	UNDER DASH R.H. - CONTROL. HEAD	MOLEX	16	-----	562559						
C 556	UNDER DASH R.H. - RADIO ACC.	MOLEX	2	562550	562549						
C 557	UNDER DASH R.H. - RADIO ACC.	MOLEX	9	562556	562555						
C 558	UNDER DASH R.H. - RADIO ACC.	MOLEX	4	562507	562503						
C 559	SOUND SYS. JCT. PANEL - FILTER AMPLI	PED WP	2	561566	561690						
C 560	SOUND SYS. JCT. PANEL - POWER AMPLI	MOLEX	4	562507	562503						
C 561	L.H. HAT RACK - WIRELESS MICRO	MOLEX	4	562507	562503						
C 562	L.H. HAT RACK - VCP	MOLEX	9	562556	562555						
C 563	L.H. MODESTY PANEL - DRIVERS SPK.	MOLEX	4	562507	562503						
C 564	L.H. MODESTY PANEL - MICRO	MOLEX	4	562507	562503						
C 565	R.H. MODESTY PANEL - MICRO	MOLEX	4	562507	562503						
C 566	L.H. CONSOLE - BOOM MICRO	MOLEX	4	562507	562503						
C 567	L.H. CONSOLE - DRIVERS MICRO	MOLEX	4	562507	562503						
C 568	SOUND SYS. JCT. PANEL - PASS. SPK	CINCH	4	562553	562552						
C 569	SOUND SYS. JCT. PANEL - POWER AMPLI.	MOLEX	9	562556	562555						
C 570	UNDER DASH PANEL TTLT	MOLEX	6		562464						
C 571	UNDER DASH PANEL TTLT	MOLEX	20		562778						
C 572	UNDER DASH PANEL TTLT	MOLEX	18		562779						
C 573	UNDER DASH PANEL TTLT	MOLEX	8		562465						
C 574	HAT -RACK FLUOR. INDIRECT LIGHTING	MOLEX	6	-----	562759						
C 575	HAT -RACK FLUOR. INSTATION LIGHT	MOLEX	4	562507	562503						
C 576	HAT -RACK FLUOR. INDIRECT LIGHTING	AMP MNL	3	561667	561550						
C 577	HAT -RACK FLUOR. INDIRECT LIGHTING	AMP MNL	3	561667	561550						
C 578	HAT -RACK FLUOR. INSTATION LIGHT	MOLEX	4	562507	562503						
C 579											
C 580	RH DASH PANEL-HAT RACK FAN SW	EATON	8	-----	562763						
C 581											
C 582	FRONT SERVICE CMPT. - WINDOWS AJAR	PED WP	2	561566	561690						
C 583	L.H. DASH PANEL - MASTER KEY	DEUTSCH	2	562486	562485						
C 584	FRONT SERVICE CMPT. - AIR HORH	HUMPHREY	3	-----	641385						
C 585											
C 586											
C 587											
C 588	FRONT SERVICE CPT. CENTER SOUND SYS.	AMP. CPC	37	561645	561646						
C 589	UNDER DASH - L.H. MIRROR	AMP MNL	9	561670	561669						
C 590	UNDER DASH - R.H. MIRROR	AMP MNL	9	561670	561669						
C 591	L.H.CONSOLE - MIRROR L.H.	EURAMTEC	8	-----	562799						

CONNECTORS CODE

NO	LOCATION	TYPE	CAVITY	#PIN	#SOCKET	NO	LOCATION	TYPE	CAVITY	#PIN	#SOCKET
				HOUSING	HOUSING					HOUSING	HOUSING
AA1	BEHIND DASH - SONALERT	BOSCH	5		561183	C 57					
AA2	BEHIND DASH - SONALERT	BOSCH	5		561183	C 58	RR JCT BOX AC PANEL	DEUTSCH	24	562280	562283
C X1	FR LH UPPER WHELL CPT-ABS	AMP	18		562792	C 59	RR JCT BOX AC PANEL	AMP CPC	14	561584	561583
C X2	FR LH UPPER WHELL CPT-ABS	AMP	6		562793	C 60	RR JCT BOX COMPT.-LT	AMP MNL	2	561248	561247
C X3	FR LH UPPER WHELL CPT-ABS	AMP	9		562794	C 61	LUGGAGE COMPARTMENT LTS	AMP MNL	2	561248	561247
C X4	FR LH UPPER WHELL CPT-ABS	AMP	15		562795	C 62	LUGGAGE COMPARTMENT LTS	AMP MNL	2	561248	561247
CS	RR JCT BOX ECU WORLD TR.	PED	32		562817	C 63	LUGGAGE COMPARTMENT LTS	AMP MNL	2	561248	561247
CT	RR JCT BOX ECU WORLD TR.	PED	32		562824	C 64	LUGGAGE COMPARTMENT LTS	AMP MNL	2	561248	561247
C V	RR JCT BOX ECU WORLD TR.	PED	32		562823	C 65	LUGGAGE COMPARTMENT LTS	AMP MNL	2	561248	561247
CV 12	RR JCT BOX-WORLD TRANSM. & EATON CLUSTER	AMP CPC	9	561636	561637	C 66	LUGGAGE COMPARTMENT LTS	AMP MNL	2	561248	561247
C Y		JAE	30		562765	C 67	LUGGAGE COMPARTMENT LTS	AMP MNL	2	561248	561247
C 1	FR JCT BOX COMPARTMENT	AMP CPC	14	561585	561584	C 68	LUGGAGE COMPARTMENT LTS	AMP MNL	2	561248	561247
C 2	FR JCT BOX COMPARTMENT	AMP CPC	16	561639	561640	C 69	RR AXLE ACC-INSIDE PVC END	PED WP	6	561568	561578
C 3	FR JCT BOX COMPARTMENT	AMP CPC	24	561641	561643	C 70	LH CONSOLE	AMP CPC	16	561642	561643
C 4	FR JCT BOX COMPARTMENT	AMP CPC	37	561644	561646	C 71	FR JCT BOX COMPARTMENT	AMP CPC	37	561645	561646
C 5	FR SERVICE COMPT.-UNDERNEATH	AMP CPC	37	561644	561646	C 72	FR JCT BOX COMPARTMENT	AMP CPC	24	561642	561643
C 6	FR SERVICE COMPT.-UNDERNEATH	AMP CPC	16	561639	561640	C 73	DASH CENTER PANEL	AMP CPC	16	561639	561640
C 7						C 74	FR JCT BOX COMPARTMENT	AMP CPC	37	561645	561646
C 8	FR SERVICE COMPT.-UNDERNEATH	AMP CPC	24	561641	561643	C 75					
C 9	FR SERVICE COMPT.-UNDERNEATH	AMP CPC	24	561641	561643	C 76	LUGGAGE COMPT.-AIR RET.SENS.	AMP MNL	2	561248	561247
C 10						C 77	LUGGAGE COMPT.-AIR RET.SENS.	AMP MNL	2	561248	561247
C 11	FR SERVICE COMPARTMENT	AMP CPC	37	561644	561646	C 78					
C 12	FR SERVICE COMPARTMENT	AMP CPC	16	561639	561640	C 79					
C 13	LH CONSOLE-CTR MIRROR	AMP MNL	6	561552	561515	C 80	LUGGAGE COMPT.-AIR RET.SENS.	AMP MNL	2	561248	561247
C 14	UNDER DASH-LH MIRROR	AMP MNL	9	561661	561662	C 81	PASSENGER COMPT.-AISLE LTS	AMP MNL	2	560900	560898
C 15	RR JCT BOX	AMP CPC	24	561641	561643	C 82	ENTRANCE DOOR	MOLEX	6	562070	562069
C 16	LH CONSOLE SW-CRUISE ON OFF	EATON	10	-----	562763	C 83	ENTRANCE DOOR-PROIMITY SW	MOLEX	4	561477	561476
C 17	LH CONSOLE SW-CRUISE RESUME	EATON	10	-----	562763	C 84	ENTRANCE DOOR-PRESSURE SW	PED WP	2	561566	561690
C 18	LH CONSOLE SW-CRUISE SET	EATON	10	-----	562763	C 85	UNDER INSTRUMENT PANEL LH	AMP MTA-100	-----	562248	-----
C 19	LH CONSOLE DECEL SW	EATON	10	-----	562763	C 86					
C 20	RR JCT BOX	AMP CPC	37	561644	561646	C 87	RR END ROOF	AMP CPC	9	561636	561637
C 21	RR JCT BOX	AMP CPC	24	561641	561643	C 88					
C 22	RR JCT BOX - EATON TRANSM.	AMP MNL	6	561552	561515	C 89	RR END ROOF-B/U NONITOR	AMP CPC	4	561582	561581
C 23	DDEC ENGINE-ECM J1939	PED MP	6	-----	561962	C 90	RR JCT BOX	AMP CPC	15	561987	561986
C 24	DDEC ENGINE	PED WP	1	561605	561577	C 91	RR JCT BOX	AMP CPC	37	561714	561713
C 25	RR JCT BOX - EATON TRANSM. J1939	DEUTCH	3	562877	562884	C 92	FR LH UPPER WHELL CPT-ABS	AMP CPC	9	561635	561637
C 26	HYD & MAN TRANSM.-NEUT. & B/U	PED WP	4	561610	561611	C 93	FR LH UPPER WHELL CPT-ABS		35	-----	641094
C 27	HYD & MAN TRANSM.-SPEED SENS.	PED WP	2	561566	561690	C 94					
C 28	EATON TRANSMISSION	DEUTCH	3	562877	562884	C 95	CONDENSOR CPT - LIQ. SOL. VALVE	PED WP	2	561566	561690
C 29	EATON TRANSMISSION	PED MP	6	562878	-----	C 96	FR AXLE ACCESSORIES	AMP CPC	14	561585	561585
C 30	RR JCT BOX - ECU EATON TRANSM.	PED MP	32	-----	562866	C 97	RR AXLE ACC-INSIDE PVC END	PED WP	6	561568	561578
C 31	RR JCT BOX - ECU EATON TRANSM.	PED MP	24	-----	562865	C 98	FR SERVICE COMPT-EL.FT.PEDAL	PED WP	3	561782	561781
C 32	DDEC ENGINE-ECM	PED	30	-----	561600	C 99	FR SERVICE COMPT LTS	AMP MNL	2	561248	561247
C 33	RR JCT BOX - EATON TRANSM.	DEUTCH	9	562531	-----	C 100	LH CONSOLE - 120 VOLTS SWITCH	EATON	8	-----	562763
C 34	RH. CONSOLE - EATON TRANSM. SHIFTER	PED MP	3	-----	562871	C 101	FR SERVICE COMPT-ELEC. HORNS	PED WP	2	561566	561690
C 35	RR JCT BOX	AMP CPC	24	561642	561643	C 102	FR SERV & SIDE CPT-FLASH. LH	GROTE	2	-----	562155
C 36	RH. CONSOLE - EATON TRANSM. SHIFTER	PED MP	24	-----	562874	C 103	FR SERV & SIDE CPT-MARKERS	GROTE	2	-----	562155
C 37	RR SECTION-LH HAT RACK	MOLEX	6	562558	562557	C 104	FR SERV & SIDE CPT-FLASH. RH	GROTE	2	-----	562155
C 38	RR SECTION-RH HAT RACK	MOLEX	6	562558	562557	C 105	FR SERVICE COMPT-LIQ.S.VALVE	PED WP	2	561566	561690
C 39	LH CONSOLE - EATON TRANSM. DISPLAY	AMP MNL	4	561551	561668	C 106	FR SERVICE COMPT-WATER VALVE	PED WP	2	561566	561690
C 40	RR JCT BOX - EATON TRANSM. J1939	DEUTCH	3	562877	562884	C 107	EVAPORATOR COMPT-DAMPER	PED WP	2	561566	561690
C 41	LAVATORY ROOF FLUORESCENT	AMP MNL	2	560900	560898	C 108	FR SERVICE COMPT-KNEEL.SYS	PED WP	2	561566	561690
C 42	LAVATORY BACK WALL-WTR TANK	AMP MNL	2	560900	560898	C 109	FR SERVICE COMPT-KNEEL.SYS	PED WP	2	561566	561690
C 43	LAVATORY BACK WALL-ACCES.	AMP MNL	9	561661	561662	C 110	FR SERVICE COMPT-KNEEL.SYS	PED WP	2	561566	561690
C 44	EATON TRANSM. J1939	DEUTCH	3	562877	562884	C 111	EVAPORATOR COMPT-DAMPER	DEUTSCH	2	562486	562485
C 45	FR JCT BOX COMPARTMENT	AMP CPC	24	561642	561643	C 112	EVAPORATOR COMPT-SPEED MOT CTRL	DEUTSCH	5	-----	562566
C 46	EATON TRANSM. J1939	DEUTCH	3	562877	562884	C 113	BATT. & RR J.B.CPT.MARKER LT	GROTE	2	-----	562155
C 47	FR SERVICE COMPARTMENT	AMP CPC	16	561694	561695	C 114	RR J. BOX CPT DOOR DIR LT LH	GROTE	2	-----	562155
C 48	FR. SERVICE CMPT.PRESS SW PARK BREAK	DEUTCH	4	562479	562477	C 115	ENGINE COMPT-AIR DRYER	PED WP	2	561566	561690
C 49	BATTERIE COMPT.-LT	AMP MNL	2	561248	561247	C 116	ENGINE COMPT. LTS	PED WP	1	561605	561577
C 50	FR SERVICE COMPT.-LOW BUOY	PED WP	1	561605	561577	C 117					
C 51						C 118	ENGINE COMPT-LAVATORY FAN	PED WP	2	561566	561690
C 52	RR JCT BOX	AMP CPC	22	561709	561710	C 119	ENGINE CPT RR DOOR RH LO LAMP	PED WP	6	561606	561607
C 53						C 120	ENGINE CPT RR DOOR LH LO LAMP	PED WP	6	561606	561607
C 54						C 121	BATTERIE CPT. DOOR DIR LT RH	GROTE	2	-----	562155
C 55	RH SWITCH PANEL	AMP CPC	9	561636	561637	C 122	ENGINE CPT-UNLOAD TAG SYSTEM	PED WP	2	561566	561690
C 56						C 123	TAG AXLE-UNLOAD TAG RH VALVE	PED WP	2	561566	561690

CONNECTORS CODE

NO	LOCATION	TYPE	CAVITY	#PIN	#SOCKET	NO	LOCATION	TYPE	CAVITY	#PIN	#SOCKET
				HOUSING	HOUSING					HOUSING	HOUSING
C 124	ENGINE CPT-ETHER SW	PED WP	2	561566	561690	C 189	ENGINE CPT RR DOOR B/U LT	PED WP	2	561566	561690
C 125	ENGINE CPT-BU ALARM	PED WP	2	561566	561690	C 190	ENGINE CPT RR DOOR TAIL LT	PED WP	2	561566	561690
C 126	ENGINE CPT-FLUSHING PUMP	PED WP	2	561566	561690	C 191	ENGINE CPT RR DOOR RH STOP LT	PED WP	2	561566	561690
C 127	ENGINE CPT-FUEL FILTER	PED WP	2	561566	561690	C 192	ENGINE CPT RR DOOR RH DIR. LT	PED WP	2	561566	561690
C 128	ENGINE CPT-A/C COMPR.CLUTCH	ITT SS	2	561813	561812	C 193					
C 129	ENGINE CPT-PRE-HEAT WATER	AMP FF	6	561672	561186	C 194	ENGINE CPT RR DOOR LH DIR. LT	PED WP	2	561566	561690
C 130	ENGINE CPT-UNLOADER	ITT SS	2	561813	561812	C 195	ENGINE CPT RR DOOR LH STOP LT	PED WP	2	561566	561690
C 131	ENGINE CPT-UNLOADER	ITT SS	2	561813	561812	C 196	ENGINE CPT RR DOOR CYCLOP LT	PED WP	2	561566	561690
C 132	ENGINE CPT-A/C LO PRESS SW	PED WP	2	561566	561690	C 199	ENGINE CPT RR DOOR LICENCE LT	DOM AUTO	2	930210	-----
C 133	ENGINE CPT-A/C HI PRESS SW	PED WP	2	561566	561690	C 200	RH HAT RACK-FLUORESCENT	AMP MNL	2	561248	561247
C 134	FR JCT BOX-LUGGAGE DIODE CON.	AMP MNL	15	561987	561986	C 201	RH HAT RACK-FLUORESCENT	AMP MNL	2	561248	561247
C 135	FR JCT BOX-LUGGAGE DIODE CON.	AMP MNL	15	561987	561986	C 202	RH HAT RACK-INDIRECT LIGHTING	MOLEX	2	-----	562758
C 136	RR JCT BOX - A/C PANEL DIODE CONN.	AMP MNL	15	561987	561986	C 203	RH HAT RACK-INDIRECT LIGHTING	MOLEX	6	-----	562759
C 137	RR JCT BOX-TRANSMITTER	AMP MNL	2	560900	560898	C 204	RH HAT RACK-GENERAL LT	AMP MNL	2	560900	560898
C 138	RR JCT BOX-CONTROL MODULE	AMP HDP	15	-----	562012	C 205	FR SECT.-RH HAT RACK SPEAKER	AMP MNL	9	561661	561662
C 139	RR JCT BOX-LOGIC MODULE	AMP HDP	15	562011	-----	C 206	RH HAT RACK-READING LT	AMP FF	4	-----	562756
C 140	HVAC DASH MODULE THERMOMETER	MOLEX	4		562782	C 207	LH HAT RACK-READING LT	AMP FF	4	-----	562756
C 141	INSTRUMENT PANEL LH UNLOAD TAG	AMP	2	561248	561247	C 208	LH HAT RACK-BALLAST	MOLEX	2	-----	562758
C 142	LAVATORY DOOR WALL	AMP MNL	2	561248	561247	C 209	LH HAT RACK HOTESS CHIME	AMP MNL	3	561667	561550
C 143	LAVATORY DOOR WALL	AMP MNL	3	560908	562006	C 210	FR SECT.-LH HAT RACK SPEAKER	AMP MNL	9	561661	561662
C 144	UNDER LH SEAT-AISLE LTS	AMP MNL	4	560851	560852	C 211	FR ROOF-STORE LH	AMP MNL	2	560900	560898
C 145	RR JCT BOX CPT-RR SIDE LTS	AMP MNL	9	561670	561669	C 212	FR ROOF-STORE RH	AMP MNL	2	560900	560898
C 146	ENGINE CPT-MODULATOR VALVE	AMPHENOL	2	-----	560412	C 213					
C 147	BATT & RR J.B.CPT-DOCK.LTS	PED WP	2	561566	561690	C 214	ENGINE CPT J1922				
C 148						C 215	TAG AXLE - A.T.C. SYSTEM				
C 149	CONDENSER CPT-FAN MOTOR	ORDNANCE	3	562555	562001	C 216	TAG AXLE - A.T.C. SYSTEM				
C 150						C 217	RH DASH PANEL-FRONT CAMERA SW	EATON	8	-----	562763
C 151	EVAPORATOR CPT-THERMOSTAT	ITT SS	2	561813	562159	C 218	RH DASH PANEL-FRONT CAMERA SW	AMP MNL	2	560900	560898
C 152	CONDENSER CPT-FUEL GAUGE	PED WP	4	561610	561611	C 219					
C 153	EVAPORATOR CPT-AIR AMB. SENS	AMP MNL	2	561248	561247	C 220	RR.JCT.BOX-FUEL PRIME PUMP	TC	1	561070	561073
C 154	EVAPORATOR CPT-FRESH AIR SENS	ITT SS	2	561813	561812	C 221	BATTERY CMPT. FIRE DETECTOR	DEUTSCH	2	562486	562485
C 155	EVAPORATOR CPT-WATER VALVE	PED WP	4	561610	561611	C 222	ENGINE CMPT. FIRE DETCTOR	DEUTSCH	2	562486	562485
C 156	EVAPOR. CPT-BYPASS WATER VAL.	PED WP	2	561566	561690	C 223	ENGINE CMPT. FIRE DETCTOR	DEUTSCH	2	562486	562485
C 157	EVAPORATOR CPT-WATER PUMP	PED WP	2	561566	561690	C 224					
C 158	CONDENSER CPT-A/C LO TEMP.	PED WP	2	561566	561690	C 225					
C 159	CONDENSER CPT-A/C HI TEMP.	PED WP	2	561566	561690	C 226					
C 160	FR AXLE-ABS RH SENSOR	WABCO	2	641132	-----	C 227					
C 161	FR AXLE-ABS RH VALVE	WABCO	3	-----	641098	C 228					
C 162	FR AXLE-ABS LH VALVE	WABCO	3	-----	641098	C 229					
C 163	FR AXLE-ABS LH SENSOR	WABCO	2	641132	-----	C 230	ENG.CPT.-FUEL PRIME PUMP FEED	DEUTSCH	2	562486	562485
C 164	RR AXLE-ABS LH SENSOR	WABCO	2	641132	-----	C 231	ENG.CPT.-FUEL PRIME PUMP SW.	PED WP	2	561566	561690
C 165	RR AXLE-ABS LH VALVE	WABCO	3	-----	641098	C 232	ENG.CPT.-FUEL PRIME PUMP	PED WP	2	561566	561690
C 166	RR AXLE-ABS RH VALVE	WABCO	3	-----	641098	C 233	FR. SERVICE COMPT.	VDO	8	-----	562043
C 167	RR AXLE-ABS RH SENSOR	DEUTSCH	2	641132	-----	C 234	FR. SERVICE COMPT.	VDO	8	-----	562044
C 168	RR AXLE-ABS OPT ATC	PED WP	2	561566	561690	C 235	FR. SERVICE COMPT.	VDO	8	-----	562041
C 169	RR JCT BOX-SPEED SW	AMP HDP	15	-----	562012	C 236	LUGGAGE COMPARTEMENT	AMP MNL	4	560851	560852
C 170	FR JCT BOX-FLASHER UNIT	TC	2	-----	561940	C 237	UNDER DASH LH-JACOB CLUTCH SW	ITT SS	3	561111	561080
C 171	LH CONSOLE	AMP CPC	24	561642	561643	C 238	RR JCT BOX-DIODE CONNECTOR	AMP MNL	9	561670	561669
C 172	ENGINE COMPT-WATER TANK HEAT.	PED WP	2	561566	561690	C 239	FR SERVICE CPT-HI BUOY VALVE	PED WP	2	561566	561690
C 173	LAV.POTABLE-WATER TANK HEAT.	AMP MNL	2	560900	560898	C 240	FR SERVICE CPT-KNEEL PROX SW	PED WP	2	561566	561690
C 174	UNDER DASH RH-HTR MODULE	AMP MNL	9	561670	561669	C 241					
C 175	UNDER DASH RH-HTR MODULE	AMP MNL	9	561670	561669	C 242	FR SERVICE CPT-MARK & DIR LT	ITT SS	3	561111	561080
C 176	UNDER DASH RH-WIPER PULSE	AMP FF	6	-----	561186	C 243	FR SERVICE CPT-HEADLAMPS	TC	3	-----	561071
C 177	UNDER DASH RH-WIPER MOTOR	AMP FF	6	-----	561186	C 244	FR SERVICE CPT-LH FOG LAMP	ITT SS	2	561813	561812
C 178	UNDER DASH RH-LH FAN	TC	2	561030	560997	C 245	FR SERVICE CPT-RH FOG LAMP	ITT SS	2	561813	561812
C 179	UNDER DASH RH-RH FAN	TC	2	561030	560997	C 246	FR SERVICE CPT-MARK & DIR LT	ITT SS	3	561111	561080
C 180	RR JCT BOX-DIODE CONNECTOR	AMP MNL	15	561987	561986	C 247					
C 181	RR JCT BOX-DIODE CONNECTOR	AMP MNL	15	561987	561986	C 248	FR JCT BOX-WIPER PULSE GEN	AMP FF	6	-----	561108
C 182						C 249					
C 183	FR SERVICE CPT-KNEELING PAN.	PED WP	4	561610	561611	C 250					
C 184	FR SERVICE CPT-KNEELING SW	ITT SS	3	561111	561080	C 251	LH DASH PANEL-FAST IDLE SW	EATON	8	-----	562763
C 185						C 252					
C 186	RR JCT BOX CPT.-SPEED SIGN.TR	PED WP	2	561566	561690	C 253	LH DASH PANEL-ETHER SW	EATON	8	-----	562763
C 186M	RR JCT BOX CPT.-SPD SIGN. M.TR	PED WP	2	561566	561690	C 254	INST. PANEL RH-ENTR.DOOR SW.	TORRIX	5	-----	562110
C 186W	RR JCT BOX CPT.-SPD SIGN. WT	PED WP	2	561566	561690	C 255	LH DASH PANEL-JACOB & RETARDER SW	EATON	8	-----	562763
C 187	FR JCT BOX-RPM RESISTOR CON.	AMP MNL	6	561552	561515	C 256					
C 188						C 257					

CONNECTORS CODE

NO	LOCATION	TYPE	CAVITY	#PIN	#SOCKET	NO	LOCATION	TYPE	CAVITY	#PIN	#SOCKET
				HOUSING	HOUSING					HOUSING	HOUSING
C 258	LH SW PANEL-MULTI FUNC. SW	AMP FF	8	561188	-----	C 325	LH DASH PANEL-KNEELING SW	EATON	8	-----	562763
C 259	LH SW PANEL-MULTI FUNC. SW	AMP FF	6	-----	561108	C 326	ENGINE CMPT.	PED	4	-----	561610
C 260	FR SERVICE CPT-LUG DOOR LCK	PED WP	6	561606	561607	C 327	ENGINE CONTROL	DEUTSCH	6	562583	562581
C 261	UNDER DASH RH-DOOR MODULE	AMP MNL	9	561670	561669	C 328	GALLEY-LAMP	AMP MNL	2	561248	561247
C 262	UNDER DASH RH-DOOR MODULE	AMP MNL	4	561551	561668	C 329	ENGINE TACHO SIGNAL	PED WP	3	561781	561789
C 263	UNDER DASH RH-DOOR MODULE	AMP MNL	3	561667	561550	C 330					
C 264	UNDER DASH RH-DOOR MODULE	AMP MNL	3	561667	561550	C 331	GALLEY MICROWAVE SW	EATON	8	-----	562763
C 265	UNDER DASH RH-DOOR MODULE	AMP HDP-20	15	562011	562012	C 332					
C 266						C 333	GALLEY RH CONTAINER SW	EATON	8	-----	562763
C 267	UNDER DASH RH	AMP CPC	24	561642	561643	C 334	GALLEY LH CONTAINER SW	EATON	8	-----	562763
C 268	UNDER DASH LH-MIRROR	AMP MNL	6	561552	561515	C 335					
C 269	UNDER DASH RH-MIRROR	AMP MNL	6	561552	561515	C 336					
C 270	LH MIRROR POST	MOLEX	6	562070	562069	C 337	INSTR PANEL LH-UP WIPER SW	EATON	8	-----	562763
C 271	RH MIRROR POST	MOLEX	6	562070	562069	C 338	INSTR PANEL LH-UP DEFROST SW	EATON	8	-----	562763
C 272	LH MIRROR	SPARTAN	6	-----	990158	C 339	INSTR PANEL LH-UP WASHER SW	EATON	8	-----	562763
C 273	RH MIRROR	SPARTAN	6	-----	990158	C 340	FR JCT. BOX FIRE PIEZO ALARM	AMP MNL	2	560900	560898
C 274	RR. JCT. BOX - SIGNAL ALT. MODULE					C 341	INSTR PANEL LH-HEAT MIRROR SW	EATON	8	-----	562763
C 275	UNDER DASH RH-DOOR MODULE	AMP MNL	9	561670	561669	C 342	ENGINE RR START SW	DEUTSCH	2	562586	562585
C 276	UNDER DASH RH-LOCK SOL.VALVE	AMP MNL	2	561248	561247	C 343	INSTR PANEL LH-HEADLAMP SW	EATON	8	-----	562763
C 277						C 344	INSTR PANEL LH-HAZARD LT SW	EATON	8	-----	562763
C 278						C 345	INSTR PANEL LH-FOG LT SW	EATON	8	-----	562763
C 279	UNDER DASH CYLINDER READ SW.	AMP MNL	2	561248	561247	C 346					
C 280	LH CONSOLE-UNLOAD TAG SW.	NGR	10	-----	562763	C 347	INSTR PANEL LH-DASH LT SW	AMP MNL	2	560900	560898
C 281						C 348	INSTR PANEL CENT-RACOR MODULE	MOLEX	6	562070	562067
C 282						C 349					
C 283						C 350	RH CONSOLE-THERMOMETER	AMP MNL	3	561667	561550
C 284						C 351	LH HAT RACK-FLUOR 110V	MOLEX	4	561477	561476
C 285						C 352	RH CONSOLE-DRV TEMP SENSOR	BURNDY	4	-----	561104
C 286	RH SW PANEL-A/C & HEAT	EATON	8	-----	562763	C 353	INSTR PANEL RH-DRV FAN RHEOST	AMP MNL	6	561552	561515
C 287	ENGINE COMPT-LTS SW	PED WP	2	561566	561690	C 354	INSTR PANEL RH-DRV TEMP CTR	AMP MNL	6	561552	561515
C 288	RH SW PANEL-FRESH AIR	EATON	8	-----	562763	C 355	INSTR PANEL RH-FR TEMP CTR	AMP MNL	3	561667	561550
C 289						C 356					
C 290						C 357	INSTR PANEL RH-WATER TEMP GA	AMP MNL	3	561667	561550
C 291						C 358	INSTR PANEL RH-FUEL LEVEL GA	AMP MNL	3	561667	561550
C 292						C 359					
C 293						C 360					
C 294						C 361	FR ROOF-WIPER MOTOR	AMP FF	6	-----	561186
C 295						C 362	FR ROOF-LAVATORY OCCUPIED LT	AMP MNL	2	561248	561247
C 296						C 363	FR ROOF-WATCH YOUR STEP LT	AMP MNL	2	561248	561247
C 297	INSTRUMENT PANEL RH -LTS	AMP MNL	2	560900	560898	C 364	FR ROOF-DESTINATION SIGN	AMP MNL	3	561667	561550
C 298						C 365	FR ROOF-UP WINDSHIELD DEFROST	AMP MNL	3	561667	561550
C 299	RH DASH PANEL SW-GALLEY	EATON	8	-----	562763	C 366	RH DASH PANEL-GRN & RED LEDS	AMP MNL	3	560908	562006
C 300						C 367	ENGINE COMPT-DIF OIL T SENSOR	PED WP	2	561566	561690
C 301						C 368	FR ROOF-DEST. SIGN BALLAST	AMP MNL	3	561667	561550
C 302						C 369	FR ROOF-DEST. SIGN OPER. SW	TORRIX	5	-----	562110
C 303						C 370	FR ROOF-DEST. SIGN FLUOR.	AMP MNL	2	560900	560898
C 304						C 371	FR ROOF-DEST. SIGN FLUOR.	AMP MNL	2	560900	560898
C 305						C 372	FR ROOF-DEST. SIGN SPEED SW	MOLEX	4	561477	561476
C 306						C 373	FR ROOF-NO SMOKING LT	AMP MNL	2	561248	561247
C 307						C 374	LH SWITCH PANEL	AMP MNL	6	561552	561515
C 308	LH CONSOLE SW-RHEOSTAT	TC	2	561030	560997	C 375					
C 309	DDEC ENGINE-ECM POWER CON.	PED MP	5	-----	562345	C 376					
C 310	LH DASH PANEL -LUG. DOOR LCK SW	EATON	8	-----	562763	C 377	LH DASH PANEL-STOP ENG.OVERRIDE SW	EATON	8	-----	562763
C 311	RH DASH PANEL -HOS & PAS CHIME SW	EATON	8	-----	562763	C 378					
C 312	RH DASH PANEL -READING LTS SW	EATON	8	-----	562763	C 379					
C 313	RH DASH PANEL -GEN & FLUOR LTS SW	EATON	8	-----	562763	C 380	LH CONSOLE-DDR CONNECTOR	DEUTSCH	6	562360	-----
C 314	LH DASH PANEL-FR DEST. SIGN SW	EATON	8	-----	562763	C 381					
C 315	LH DASH PANEL-LH STORE SW	EATON	8	-----	562763	C 382					
C 316	LH CONSOLE SPARE SWITCH	EATON	8	-----	562763	C 383					
C 317	LH DASH PANEL-RH STORE SW	EATON	8	-----	562763	C 384					
C 318	LH CONSOLE SW-DRV WINDOW LIFT	EATON	8	-----	562763	C 385					
C 319						C 386	LH DASH PANEL-WCL POWER SYSTEM SW	EATON	8	-----	562763
C 320	RH DASH PANEL-DRIVER'S LTS SW	EATON	8	-----	562763	C 387	RR JCT BOX (WCL)	AMP MNL	9	561661	561662
C 321	READING LTS TEST					C 388	RR JCT BOX (WCL)	AMP MNL	12	561735	561734
C 322	LH CONSOLE DRV WIND LIFT MOT	PED PO	2	-----	561848	C 389	WCL REAR DOOR	MOLEX	4	561477	561476
C 323	LH CONSOLE CRUISE CTR SW PAN. AMP	CPC	9	561636	561637	C 390	LAVATORY WALL-WCL REMOTE CTR	EATON	8	-----	562763
C 324						C 391	LAVATORY WALL-WCL LAMP	EATON	8	-----	562763

CONNECTORS CODE

NO	LOCATION	TYPE	CAVITY	#PIN	#SOCKET	NO	LOCATION	TYPE	CAVITY	#PIN	#SOCKET
				HOUSING	HOUSING					HOUSING	HOUSING
C 392	LAVATORY WALL-WCL SW. LT.	EATON	2	-----	561835	C 459	WORLD TRANSM.-ENGINE SP.SENS.	PED MP	2	-----	562426
C 393	LAVATORY WALL-WCL REMOTE SYS.	AMP CPC	4	561686	561687	C 460	WORLD TRANSM.-SPEED SENSOR	ITT	2	-----	562541
C 394	UNDER INSTR. PANEL- B/U MONITOR	AMP MNL	4	560851	560852	C 461	WORLD TRANSM.-RETARDER TEMP.	PED MP	2	561566	561680
C 395	DRIVER'S COMPT. - B/U MONITOR	AMP	5	-----	-----	C 462	WORLD TRANSM.-RETARD SOL."K"	PED MP	2	-----	562426
C 396	FR SECT. LH HAT RACK-SPEAKER	MOLEX	4	562507	562503	C 463	WORLD TRANSM.-SENSOR CONN.	DEUTSCH	16	562570	562571
C 397	ENGINE COMPT. CRADLE ACC.	DEUTSCH	40	562281	562284	C 464	RR JCT BOX-DDR CONNECTOR	DEUTSCH	6	-----	562360
C 398						C 465	LH CONSOLE-SHIFTER SELECTOR	PED	20	-----	562825
C 399	ENGINE COMPT. - PRE-EXITATION ALT.	PED WP	2	561566	561690	C 466	FR SERVICE CPT.-RESIS. MOD.	PED WP	3	-----	562428
C 400	ENGINE COMPT. BLOCK HEATER	PED MP	3	561781	561782	C 467	FR SERVICE CPT.-RESIS. MOD.	PED WP	3	-----	562428
C 401						C 468			8		
C 402	RR DRIVE AXLE-AIR DRYER	PED MP	2	-----	562251	C 469					
C 403	GALLEY FRIGO NORCOLD	AMP MNL	2	561248	561247	C 470	FR LH UPPER WHELL CPT-SILENT 1000	AMP MNL	2	561248	561247
C 404	GALLEY LAMP	AMP MNL	2	561248	561247	C 471	FR LH UPPER WHELL CPT-SILENT 1000	AMP MNL	2	561248	561247
C 405						C 472	FR LH UPPER WHELL CPT-SILENT 1000	PED WP	2	561566	561690
C 406	FR JCT BOX COMPT.-ABS	AMP MNL	2	560900	560898	C 473	FR LH UPPER WHELL CPT-SILENT 1000	AMP MNL	3	561667	561550
C 407	ENGINE COMPT. -SIGNAL	PED WP	6	561606	561607	C 474	DRIVER CPT.-TEMP. SENSOR	AMP MNL	2	561247	561248
C 408	ENGINE COMPT. -SIGNAL	PED WP	6	561606	561607	C 475	RR JCT BOX-SPEED SIGN CONNECTOR	AMP MNL	2	561248	561247
C 409	ENGINE CPT -LOW COOL. LEVEL	PED MP	2	-----	562350	C 475M	RR JCT BOX-SPEED SIGN MANUAL TR.	MOLEX	6	562070	562069
C 410	FR JCT BOX-DIODE CONNECTOR	AMP MNL	15	561987	561986	C 475W	RR JCT BOX-SPEED SIGN WORLD TR.	MOLEX	6	562070	562069
C 411	FR JCT BOX-DIODE CONNECTOR	AMP MNL	15	561987	561986	C 476					
C 412	LH DASH PANEL-MASTER SWITCH SW	EATON	8	-----	562763	C 477					
C 413	ENG CPT-A/C HI UNLOAD PRS SW	PED WP	2	561566	561690	C 478	ELECTRONIC DESTINATION SIGN	AMP CPC	9	561636	561637
C 414	RR JCT BOX	AMP MNL	9	561670	561669	C 479	HVAC MODULE				
C 415	ENGINE CRADLE-FAN SIGNAL	PED WP	3	561781	561782	C 480	UNDER DASH LH-DR. FAN SPEED CTR. MOD	PED	4	561889	561890
C 416	ENGINE CRADLE-FAN SIGNAL	PED P-C	3	562398	-----	C 481	UNDER DASH LH-DR. FAN SPEED CTR. MOD	PED	3	561781	561782
C 417	FRONT JCT BOX-DIODES	AMP MNL	15	561987	561986	C 482					
C 418	LH DASH PANEL-HTR WINDSH.SW	EATON	8	-----	562763	C 483	FR SERVICE CPT. (NOT USED)	PED PC	2	-----	562237
C 419	FR JCT BOX-RETARDER OR JACOB	AMP MNL	3	561667	561550	C 484	UNDER DASH LH.-FOOT DAMPER MOTOR	PED PC	2	-----	562076
C 420	ENGINE COMPT. WEBASTO WATER HTR	TC	2	561597	-----	C 485	UNDER DASH LH.-DASH & DEFR. DAM.MOT.	AMP MNL	3	561667	561550
C 421	ENGINE COMPT. WEBASTO WATER HTR	TC	1	561073	-----	C 486					
C 422	ENGINE COMPT. WEBASTO WATER HTR	TC	2	561597	-----	C 487					
C 423	PRO-HEAT	PC	2			C 488					
C 424	UNDER INSTRUMENT PANEL CENTER	AMP MNL	3	561667	561550	C 489					
C 425	FR JCT BOX-DIODES	AMP MNL	15	561987	561986	C 490					
C 426	ENGINE COMPT. CLUTCH CTR FAN	PED WP	3	561781	561782	C 491					
C 427	PRO-HEAT	PED-WP	2	561566	561680	C 492					
C 428	PRO-HEAT	PED WP	6	561606	561607	C 493					
C 429	FR JCT BOX COMPT.	AMP MNL	6	561552	561515	C 494					
C 430	LH CONSOLE-TIMER	AMP FF	8	561188	562363	C 495					
C 431	LH CONSOLE-PRE HEAT.	TAB AMP	1	561540	561539	C 496					
C 432	ENGINE CPT.-PROX. SW. DOOR AJAR	PED-WP	2	561566	561680	C 497					
C 433	FR SERVICE CPT. KNEEL. PRESS. SW	PED WP	2	561566	561690	C 498					
C 434	FRONT JCT. BOX-DIODES	AMP MNL	15	561987	561986	C 499					
C 435	FR SERVICE CPT.(RH) KNEEL. PIEZO	AMP MNL	2	560900	560898	C 500	FR LH UPPER WHELL CPT -PRODRIVER	MOLEX	6	562070	562069
C 436	RH HAT RACK-WCL CENTER ROOF ACC	AMP CPC	16	561639	561640	C 501	FR LH UPPER WHELL CPT -PRODRIVER	PED MP	7	562433	-----
C 437	RH HAT RACK-WCL FR & RR SECT.	AMP CPC	24	561642	561643	C 502	LH DASH PANEL-PRE HEATER SW.	EATON	8	-----	562763
C 438						C 503	LH CONSOLE-PRE HEATER SW.	EATON	2	-----	561837
C 439						C 504	LH CONSOLE WEBASTO TIMER	AMP	8	-----	562852
C 440						C 505	LH CONSOLE ESPAR TIMER	AMP	9	-----	562681
C 441						C 506	FR JCT BOX CPT. DIGITAL CLOCK	AMP	4	561685	561687
C 442						C 507	FR SECT. LH HAT-RACK DIG. CLOCK	MOLEX	4	561477	561476
C 443						C 508	RR JCT BOX-FAN CLUTCH RETARDER	AMP MNL	6	561552	561515
C 444						C 509	FR LH UPPER WHELL CPT -DATA LOGGER	PED MP	16	-----	562530
C 445						C 510	FR LH UPPER WHELL CPT -DATA LOGGER	DEUTSCH	9	562531	-----
C 446						C 511	FR LH UPPER WHELL CPT -DATA LOGGER	PED MP	4	562532	-----
C 447						C 512	FR LH UPPER WHELL CPT -DATA LOGGER	PED MP	10	562533	-----
C 448						C 513	FR LH UPPER WHELL CPT -DATA LOGGER	AMP MNL	3	561667	561550
C 449						C 514	FR LH UPPER WHELL CPT -DATA LOGGER	PED MP	6	562433	562417
C 450	SOUND SYS. JCT. PANEL	MOLEX	4	562507	562503	C 515	FR JCT BOX CPT.-INTERCOM	MOLEX	4	561477	561476
C 451	WIRELESS MICRO-FIRST CPT BAG	MOLEX	2	562550	562549	C 516	FR JCT BOX CPT.-INTERCOM	MOLEX	6	562070	562069
C 452	UNDER DASH INSTR. PANEL	MOLEX	2	562550	562549	C 517	LAVATORY WALL-INTERCOM	MOLEX	6	562070	562069
C 453	SOUND SYS. JCT.PANEL-VCP	PED WP	2	561566	561680	C 519	UNDER DASH RH-SEDAN DOOR	HUMPHREY	2	-----	562580
C 454	SOUND SYS.JCT.PAN.-FILT. VCP	PED WP	2	561566	561680	C 520	UNDER DASH RH-SEDAN DOOR	HUMPHREY	2	-----	641385
C 455	WIRELESS MICRO-LH HAT-RACK	CINCH	2	562554	562551	C 521	UNDER DASH RH-SEDAN DOOR	HUMPHREY	2	-----	641385
C 456	WORLD TRANSM.-RETARDER ACCUM.	PED MP	2	-----	562427	C 522	FR JCT BOX-DAYTIME LTS MODULE	BOSCH	5	-----	561183
C 457	WORLD TRANSM.-MAIN CONNECTOR	DEUTSCH	31	562572	562536	C 523	FR JCT BOX-FUSE BLOCK	PED	8	562647	562646
C 458	WORLD TRANSM.-TURBINE SP.SENS	PED MP	2	-----	562426	C 524	FR JCT BOX-FUSE BLOCK	PED	8	562647	562646

CONNECTORS CODE

NO	LOCATION	TYPE	CAVITY	#PIN	#SOCKET	NO	LOCATION	TYPE	CAVITY	#PIN	#SOCKET
				HOUSING	HOUSING					HOUSING	HOUSING
C 525	FR JCT BOX-FUSE BLOCK	PED	8	562647	562646	C 592	L.H.CONSOLE - MIRROR R.H.	EURAMTEC	8	-----	562799
C 526	FR JCT BOX-FUSE BLOCK	PED	8	562647	562646	C 593	BATTERY CMPT. - CHARGER	PED WP	3	561781	561782
C 527	FR JCT BOX-FUSE BLOCK	PED	8	562647	562646	C 594	FRONT ROOF - DRIVERS LIGHT	LEEKRAFT		-----	562803
C 528	FR JCT BOX-FUSE BLOCK	PED	8	562647	562646	C 595	DASH CENTER MODULE - OPEN DOOR	MOLEX	4	561477	561476
C 529	FR JCT BOX-12V OUTLET	AMP MNL	2	561247	561248	C 596	DASH CENTER MODULE - CLOSE DOOR	MOLEX	4	561477	561476
C 530	RR JCT BOX-FUSE BLOCK	PED	8	562647	562646	C 597	L.H. DASH PANEL - DISPLAY SET SW.	MOLEX	5		562812
C 531	RR JCT BOX-FUSE BLOCK	PED	8	562647	562646	C 598	L.H. DASH PANEL - DISPLAY SET SW.	MOLEX	5		562812
C 532	RR JCT BOX-FUSE BLOCK	PED	8	562647	562646	C 599					
C 533	RR JCT BOX-FUSE BLOCK	PED	8	562647	562646	C 600	ENGINE CPT.-A/C LOW PRESS SW. UNLOAD	PED	2	562348	562471
C 534	RR JCT BOX-FUSE BLOCK	PED	8	562647	562646	C 601	L.H. ROOF - WINDOW AJAR	AMP MNL	2	561248	561247
C 535	RR JCT BOX-FIRE MODULE DETECT.	AMP MNL	3	561667	561550	C 602	L.H. ROOF - WINDOW AJAR	MOLEX	4	561477	561476
C 536	UNDER DASH RH-DRIVER'S HTR TEMP. CTR	AMP MNL	6	561552	561515	C 603	R.H. ROOF - WINDOW AJAR	AMP MNL	2	561248	561247
C 537	BATT. CPT.-A/C PRESS. SIGN. RLY	AMP MNL	2	561248	561247	C 604					
C 538	FR SERVICE CPT.-OUTSIDE TEMP. SENSOR	AMP MNL	2	561248	561247	C 605	HAT RACK - MOTOR FAN	PED	2	560997	561030
C 539	HVAC DASH MODULE OUTPUT CON	MOLEX	24		562780	C 606	HAT RACK - MOTOR FAN	PED	2	560997	561030
C 540	HVAC DASH MODULE INPUT CON	MOLEX	22		562781	C 607	FRONT SERVICE CMPT. RPM SIGNAL	PED WP	2	561566	561690
C 541	SOUND SYS. JCT PANEL-AUDIO SEAT SYS.	PED WP	2	561566	561690	C 608	FRONT SERVICE CMPT. SPEED SIGNAL	PED WP	2	561566	561690
C 542	LH HAT RACK-AUDIO SEAT SYSTEM	AMP MNL	3	561667	561550	C 609	LAVATORY - NIGHT LIGHT				
C 543	RR JCT BOX-PARK. BRAKE STOP LTS RESIS.	PED WP	2	561566	561690	C 610	RR JCT BOX	AMP MNL	6	561552	561515
C 544	SOUND SYS JCT PANEL-AUDIO SEAT SYS.	PED WP	3	561781	562428	C 611	HAT RACK READING LTS RICON	MOLEX	6	562558	562557
C 545	LH HAT RACK-AUDIO SEAT SYSTEM	AMP MNL	3	561667	561550	C 612	HAT -RACK FLUOR. INSTATION LTS RICON	MOLEX	4	562507	562503
C 546						C 613	HAT -RACK INDIRECT LTS RICON	AMP MNL	3	561667	561550
C 547	RH DASH PANEL-ACCESSORIES	AMP CPC	37	561645	561646	C 614	HAT -RACK INDIRECT LTS RICON	AMP MNL	3	561667	561550
C 548	LH DASH PANEL-T.T. LT. TEST SW.	EATON	8	-----	562763	C 615					
C 549	LH DASH PANEL-FAN CLUTCH OVERR. SW	EATON	8	-----	562763	C 616					
C 550	LAST LUGG. CPT. -WCL RICON	AMP CPC	16	561694	561695	L X	CLUSTER	JAE	22		562766
C 551	LAST LUGG. CPT. -WCL RICON	AMP CPC	16	561694	561695	L Y	CLUSTER	JAE	30		562767
C 552	LAST LUGG. CPT. -WCL RICON	AMP CPC	9	561636	561637	R X	CLUSTER	JAE	22		562764
C 553	UNDER DASH R.H. - CONTROL. HEAD	MOLEX	16	-----	562559						
C 554	UNDER DASH R.H. - CONTROL. HEAD	MOLEX	16	-----	562559						
C 555	UNDER DASH R.H. - CONTROL. HEAD	MOLEX	16	-----	562559						
C 556	UNDER DASH R.H. - RADIO ACC.	MOLEX	2	562550	562549						
C 557	UNDER DASH R.H. - RADIO ACC.	MOLEX	9	562556	562555						
C 558	UNDER DASH R.H. - RADIO ACC.	MOLEX	4	562507	562503						
C 559	SOUND SYS. JCT. PANEL - FILTER AMPLI	PED WP	2	561566	561690						
C 560	SOUND SYS. JCT. PANEL - POWER AMPLI	MOLEX	4	562507	562503						
C 561	L.H. HAT RACK - WIRELESS MICRO	MOLEX	4	562507	562503						
C 562	L.H. HAT RACK - VCP	MOLEX	9	562556	562555						
C 563	L.H. MODESTY PANEL - DRIVERS SPK.	MOLEX	4	562507	562503						
C 564	L.H. MODESTY PANEL - MICRO	MOLEX	4	562507	562503						
C 565	R.H. MODESTY PANEL - MICRO	MOLEX	4	562507	562503						
C 566	L.H. CONSOLE - BOOM MICRO	MOLEX	4	562507	562503						
C 567	L.H. CONSOLE - DRIVERS MICRO	MOLEX	4	562507	562503						
C 568	SOUND SYS. JCT. PANEL - PASS. SPK	CINCH	4	562553	562552						
C 569	SOUND SYS. JCT. PANEL - POWER AMPLI.	MOLEX	9	562556	562555						
C 570	UNDER DASH PANEL TTLT	MOLEX	6		562464						
C 571	UNDER DASH PANEL TTLT	MOLEX	20		562778						
C 572	UNDER DASH PANEL TTLT	MOLEX	18		562779						
C 573	UNDER DASH PANEL TTLT	MOLEX	8		562465						
C 574	HAT -RACK FLUOR. INDIRECT LIGHTING	MOLEX	6	-----	562759						
C 575	HAT -RACK FLUOR. INSTATION LIGHT	MOLEX	4	562507	562503						
C 576	HAT -RACK FLUOR. INDIRECT LIGHTING	AMP MNL	3	561667	561550						
C 577	HAT -RACK FLUOR. INDIRECT LIGHTING	AMP MNL	3	561667	561550						
C 578	HAT -RACK FLUOR. INSTATION LIGHT	MOLEX	4	562507	562503						
C 579											
C 580	RH DASH PANEL-HAT RACK FAN SW	EATON	8	-----	562763						
C 581											
C 582	FRONT SERVICE CMPT. - WINDOWS AJAR	PED WP	2	561566	561690						
C 583	L.H. DASH PANEL - MASTER KEY	DEUTSCH	2	562486	562485						
C 584	FRONT SERVICE CMPT. - AIR HORH	HUMPHREY	3	-----	641385						
C 585											
C 586											
C 587											
C 588	FRONT SERVICE CPT. CENTER SOUND SYS.	AMP. CPC	37	561645	561646						
C 589	UNDER DASH - L.H. MIRROR	AMP MNL	9	561670	561669						
C 590	UNDER DASH - R.H. MIRROR	AMP MNL	9	561670	561669						
C 591	L.H.CONSOLE - MIRROR L.H.	EURAMTEC	8	-----	562799						

CONNECTORS CODE

NO	LOCATION	TYPE	CAVITY	#PIN	#SOCKET	NO	LOCATION	TYPE	CAVITY	#PIN	#SOCKET
				HOUSING	HOUSING					HOUSING	HOUSING
AA1	BEHIND DASH - SONALERT	BOSCH	5		561183	C 57					
AA2	BEHIND DASH - SONALERT	BOSCH	5		561183	C 58	RR JCT BOX AC PANEL	DEUTSCH	24	562280	562283
C X1	FR LH UPPER WHELL CPT-ABS	AMP	18		562792	C 59	RR JCT BOX AC PANEL	AMP CPC	14	561584	561583
C X2	FR LH UPPER WHELL CPT-ABS	AMP	6		562793	C 60	RR JCT BOX COMPT.-LT	AMP MNL	2	561248	561247
C X3	FR LH UPPER WHELL CPT-ABS	AMP	9		562794	C 61	LUGGAGE COMPARTMENT LTS	AMP MNL	2	561248	561247
C X4	FR LH UPPER WHELL CPT-ABS	AMP	15		562795	C 62	LUGGAGE COMPARTMENT LTS	AMP MNL	2	561248	561247
CS	RR JCT BOX ECU WORLD TR.	PED	32		562817	C 63	LUGGAGE COMPARTMENT LTS	AMP MNL	2	561248	561247
CT	RR JCT BOX ECU WORLD TR.	PED	32		562824	C 64	LUGGAGE COMPARTMENT LTS	AMP MNL	2	561248	561247
C V	RR JCT BOX ECU WORLD TR.	PED	32		562823	C 65	LUGGAGE COMPARTMENT LTS	AMP MNL	2	561248	561247
CV 12	RR JCT BOX-WORLD TRANSM. & EATON CLUSTER	AMP CPC	9	561636	561637	C 66	LUGGAGE COMPARTMENT LTS	AMP MNL	2	561248	561247
C Y		JAE	30		562765	C 67	LUGGAGE COMPARTMENT LTS	AMP MNL	2	561248	561247
C 1	FR JCT BOX COMPARTMENT	AMP CPC	14	561585	561584	C 68	LUGGAGE COMPARTMENT LTS	AMP MNL	2	561248	561247
C 2	FR JCT BOX COMPARTMENT	AMP CPC	16	561639	561640	C 69	RR AXLE ACC-INSIDE PVC END	PED WP	6	561568	561578
C 3	FR JCT BOX COMPARTMENT	AMP CPC	24	561641	561643	C 70	LH CONSOLE	AMP CPC	16	561642	561643
C 4	FR JCT BOX COMPARTMENT	AMP CPC	37	561644	561646	C 71	FR JCT BOX COMPARTMENT	AMP CPC	37	561645	561646
C 5	FR SERVICE COMPT.-UNDERNEATH	AMP CPC	37	561644	561646	C 72	FR JCT BOX COMPARTMENT	AMP CPC	24	561642	561643
C 6	FR SERVICE COMPT.-UNDERNEATH	AMP CPC	16	561639	561640	C 73	DASH CENTER PANEL	AMP CPC	16	561639	561640
C 7						C 74	FR JCT BOX COMPARTMENT	AMP CPC	37	561645	561646
C 8	FR SERVICE COMPT.-UNDERNEATH	AMP CPC	24	561641	561643	C 75	SERV CPT. RXT. ENT. DOOR SW	DEUTSCH	4	562479	562477
C 9	FR SERVICE COMPT.-UNDERNEATH	AMP CPC	24	561641	561643	C 76	LUGGAGE COMPT.-AIR RET.SENS.	AMP MNL	2	561248	561247
C 10						C 77	LUGGAGE COMPT.-AIR RET.SENS.	AMP MNL	2	561248	561247
C 11	FR SERVICE COMPARTMENT	AMP CPC	37	561644	561646	C 78					
C 12	FR SERVICE COMPARTMENT	AMP CPC	16	561639	561640	C 79					
C 13	LH CONSOLE-CTR MIRROR	AMP MNL	6	561552	561515	C 80	LUGGAGE COMPT.-AIR RET.SENS.	AMP MNL	2	561248	561247
C 14	UNDER DASH-LH MIRROR	AMP MNL	9	561661	561662	C 81	PASSENGER COMPT.-AISLE LTS	AMP MNL	2	560900	560898
C 15	RR JCT BOX	AMP CPC	24	561641	561643	C 82	ENTRANCE DOOR	MOLEX	6	562070	562069
C 16	LH CONSOLE SW-CRUISE ON OFF	EATON	10	-----	562763	C 83	ENTRANCE DOOR-PROIMITY SW	MOLEX	4	561477	561476
C 17	LH CONSOLE SW-CRUISE RESUME	EATON	10	-----	562763	C 84	ENTRANCE DOOR-PRESSURE SW	PED WP	2	561566	561690
C 18	LH CONSOLE SW-CRUISE SET	EATON	10	-----	562763	C 85	UNDER INSTRUMENT PANEL LH	AMP MTA-100	-----	562248	-----
C 19	LH CONSOLE DECEL SW	EATON	10	-----	562763	C 86					
C 20	RR JCT BOX	AMP CPC	37	561644	561646	C 87	RR END ROOF	AMP CPC	9	561636	561637
C 21	RR JCT BOX	AMP CPC	24	561641	561643	C 88					
C 22	RR JCT BOX - EATON TRANSM.	AMP MNL	6	561552	561515	C 89	RR END ROOF-B/U NONITOR	AMP CPC	4	561582	561581
C 23	DDEC ENGINE-ECM J1939	PED MP	6	-----	561962	C 90	RR JCT BOX	AMP CPC	15	561987	561986
C 24	DDEC ENGINE	PED WP	1	561605	561577	C 91	RR JCT BOX	AMP CPC	37	561714	561713
C 25	RR JCT BOX - EATON TRANSM. J1939	DEUTCH	3	562877	562884	C 92	FR LH UPPER WHELL CPT-ABS	AMP CPC	9	561635	561637
C 26	HYD & MAN TRANSM.-NEUT. & B/U	PED WP	4	561610	561611	C 93	FR LH UPPER WHELL CPT-ABS		35	-----	641094
C 27	HYD & MAN TRANSM.-SPEED SENS.	PED WP	2	561566	561690	C 94					
C 28	EATON TRANSMISSION	DEUTCH	3	562877	562884	C 95	CONDENSOR CPT - LIQ. SOL. VALVE	PED WP	2	561566	561690
C 29	EATON TRANSMISSION	PED MP	6	562878	-----	C 96	FR AXLE ACCESSORIES	AMP CPC	14	561585	561585
C 30	RR JCT BOX - ECU EATON TRANSM.	PED MP	32	-----	562866	C 97	RR AXLE ACC-INSIDE PVC END	PED WP	6	561568	561578
C 31	RR JCT BOX - ECU EATON TRANSM.	PED MP	24	-----	562865	C 98	FR SERVICE COMPT-EL.FT.PEDAL	PED WP	3	561782	561781
C 32	DDEC ENGINE-ECM	PED	30	-----	561600	C 99	FR SERVICE COMPT LTS	AMP MNL	2	561248	561247
C 33	RR JCT BOX - EATON TRANSM.	DEUTCH	9	562531	-----	C 100	LH CONSOLE - 120 VOLTS SWITCH	EATON	8	-----	562763
C 34	RH. CONSOLE - EATON TRANSM. SHIFTER	PED MP	3	-----	562871	C 101	FR SERVICE COMPT-ELEC. HORNS	PED WP	2	561566	561690
C 35	RR JCT BOX	AMP CPC	24	561642	561643	C 102	FR SERV & SIDE CPT-FLASH. LH	GROTE	2	-----	562155
C 36	RH. CONSOLE - EATON TRANSM. SHIFTER	PED MP	24	-----	562874	C 103	FR SERV & SIDE CPT-MARKERS	GROTE	2	-----	562155
C 37	RR SECTION-LH HAT RACK	MOLEX	6	562558	562557	C 104	FR SERV & SIDE CPT-FLASH. RH	GROTE	2	-----	562155
C 38	RR SECTION-RH HAT RACK	MOLEX	6	562558	562557	C 105	FR SERVICE COMPT-LIQ.S.VALVE	PED WP	2	561566	561690
C 39	LH CONSOLE - EATON TRANSM. DISPLAY	AMP MNL	4	561551	561668	C 106	FR SERVICE COMPT-WATER VALVE	PED WP	2	561566	561690
C 40	RR JCT BOX - EATON TRANSM. J1939	DEUTCH	3	562877	562884	C 107	EVAPORATOR COMPT-DAMPER	PED WP	2	561566	561690
C 41	LAVATORY ROOF FLUORESCENT	AMP MNL	2	560900	560898	C 108	FR SERVICE COMPT-KNEEL.SYS	PED WP	2	561566	561690
C 42	LAVATORY BACK WALL-WTR TANK	AMP MNL	2	560900	560898	C 109	FR SERVICE COMPT-KNEEL.SYS	PED WP	2	561566	561690
C 43	LAVATORY BACK WALL-ACCES.	AMP MNL	9	561661	561662	C 110	FR SERVICE COMPT-KNEEL.SYS	PED WP	2	561566	561690
C 44	EATON TRANSM. J1939	DEUTCH	3	562877	562884	C 111	EVAPORATOR COMPT-DAMPER	DEUTSCH	2	562486	562485
C 45	FR JCT BOX COMPARTMENT	AMP CPC	24	561642	561643	C 112	EVAPORATOR COMPT-SPEED MOT CTRL	DEUTSCH	5	-----	562566
C 46	EATON TRANSM. J1939	DEUTCH	3	562877	562884	C 113	BATT. & RR J.B.CPT.MARKER LT	GROTE	2	-----	562155
C 47	FR SERVICE COMPARTMENT	AMP CPC	16	561694	561695	C 114	RR J. BOX CPT DOOR DIR LT LH	GROTE	2	-----	562155
C 48	FR. SERVICE CMPT.PRESS SW PARK BREAK	DEUTCH	4	562479	562477	C 115	ENGINE COMPT-AIR DRYER	PED WP	2	561566	561690
C 49	BATTERIE COMPT.-LT	AMP MNL	2	561248	561247	C 116	ENGINE COMPT. LTS	PED WP	1	561605	561577
C 50	FR SERVICE COMPT.-LOW BUOY	PED WP	1	561605	561577	C 117					
C 51						C 118	ENGINE COMPT-LAVATORY FAN	PED WP	2	561566	561690
C 52	RR JCT BOX	AMP CPC	22	561709	561710	C 119	ENGINE CPT RR DOOR RH LO LAMP	PED WP	6	561606	561607
C 53						C 120	ENGINE CPT RR DOOR LH LO LAMP	PED WP	6	561606	561607
C 54						C 121	BATTERIE CPT. DOOR DIR LT RH	GROTE	2	-----	562155
C 55	RH SWITCH PANEL	AMP CPC	9	561636	561637	C 122	ENGINE CPT-UNLOAD TAG SYSTEM	PED WP	2	561566	561690
C 56						C 123	TAG AXLE-UNLOAD TAG RH VALVE	PED WP	2	561566	561690

CONNECTORS CODE

NO	LOCATION	TYPE	CAVITY	#PIN	#SOCKET	NO	LOCATION	TYPE	CAVITY	#PIN	#SOCKET
				HOUSING	HOUSING					HOUSING	HOUSING
C 124	ENGINE CPT-ETHER SW	PED WP	2	561566	561690	C 189	ENGINE CPT RR DOOR B/U LT	PED WP	2	561566	561690
C 125	ENGINE CPT-BU ALARM	PED WP	2	561566	561690	C 190	ENGINE CPT RR DOOR TAIL LT	PED WP	2	561566	561690
C 126	ENGINE CPT-FLUSHING PUMP	PED WP	2	561566	561690	C 191	ENGINE CPT RR DOOR RH STOP LT	PED WP	2	561566	561690
C 127	ENGINE CPT-FUEL FILTER	PED WP	2	561566	561690	C 192	ENGINE CPT RR DOOR RH DIR. LT	PED WP	2	561566	561690
C 128	ENGINE CPT-A/C COMPR.CLUTCH	ITT SS	2	561813	561812	C 193					
C 129	ENGINE CPT-PRE-HEAT WATER	AMP FF	6	561672	561186	C 194	ENGINE CPT RR DOOR LH DIR. LT	PED WP	2	561566	561690
C 130	ENGINE CPT-UNLOADER	ITT SS	2	561813	561812	C 195	ENGINE CPT RR DOOR LH STOP LT	PED WP	2	561566	561690
C 131	ENGINE CPT-UNLOADER	ITT SS	2	561813	561812	C 196	ENGINE CPT RR DOOR CYCLOP LT	PED WP	2	561566	561690
C 132	ENGINE CPT-A/C LO PRESS SW	PED WP	2	561566	561690	C 199	ENGINE CPT RR DOOR LICENCE LT	DOM AUTO	2	930210	-----
C 133	ENGINE CPT-A/C HI PRESS SW	PED WP	2	561566	561690	C 200	RH HAT RACK-FLUORESCENT	AMP MNL	2	561248	561247
C 134	FR JCT BOX-LUGGAGE DIODE CON.	AMP MNL	15	561987	561986	C 201	RH HAT RACK-FLUORESCENT	AMP MNL	2	561248	561247
C 135	FR JCT BOX-LUGGAGE DIODE CON.	AMP MNL	15	561987	561986	C 202	RH HAT RACK-INDIRECT LIGHTING	MOLEX	2	-----	562758
C 136	RR JCT BOX - A/C PANEL DIODE CONN.	AMP MNL	15	561987	561986	C 203	RH HAT RACK-INDIRECT LIGHTING	MOLEX	6	-----	562759
C 137	RR JCT BOX-TRANSMITTER	AMP MNL	2	560900	560898	C 204	RH HAT RACK-GENERAL LT	AMP MNL	2	560900	560898
C 138	RR JCT BOX-CONTROL MODULE	AMP HDP	15	-----	562012	C 205	FR SECT.-RH HAT RACK SPEAKER	AMP MNL	9	561661	561662
C 139	RR JCT BOX-LOGIC MODULE	AMP HDP	15	562011	-----	C 206	RH HAT RACK-READING LT	AMP FF	4	-----	562756
C 140	HVAC DASH MODULE THERMOMETER	MOLEX	4		562782	C 207	LH HAT RACK-READING LT	AMP FF	4	-----	562756
C 141	INSTRUMENT PANEL LH UNLOAD TAG	AMP	2	561248	561247	C 208	LH HAT RACK-BALLAST	MOLEX	2	-----	562758
C 142	LAVATORY DOOR WALL	AMP MNL	2	561248	561247	C 209	LH HAT RACK HOTESS CHIME	AMP MNL	3	561667	561550
C 143	LAVATORY DOOR WALL	AMP MNL	3	560908	562006	C 210	FR SECT.-LH HAT RACK SPEAKER	AMP MNL	9	561661	561662
C 144	UNDER LH SEAT-AISLE LTS	AMP MNL	4	560851	560852	C 211	FR ROOF-STORE LH	AMP MNL	2	560900	560898
C 145	RR JCT BOX CPT-RR SIDE LTS	AMP MNL	9	561670	561669	C 212	FR ROOF-STORE RH	AMP MNL	2	560900	560898
C 146	ENGINE CPT-MODULATOR VALVE	AMPHENOL	2	-----	560412	C 213					
C 147	BATT & RR J.B.CPT-DOCK.LTS	PED WP	2	561566	561690	C 214	ENGINE CPT J1922				
C 148						C 215	TAG AXLE - A.T.C. SYSTEM				
C 149	CONDENSER CPT-FAN MOTOR	ORDNANCE	3	562555	562001	C 216	TAG AXLE - A.T.C. SYSTEM				
C 150						C 217	RH DASH PANEL-FRONT CAMERA SW	EATON	8	-----	562763
C 151	EVAPORATOR CPT-THERMOSTAT	ITT SS	2	561813	562159	C 218	RH DASH PANEL-FRONT CAMERA SW	AMP MNL	2	560900	560898
C 152	CONDENSER CPT-FUEL GAUGE	PED WP	4	561610	561611	C 219					
C 153	EVAPORATOR CPT-AIR AMB. SENS	AMP MNL	2	561248	561247	C 220	RR.JCT.BOX-FUEL PRIME PUMP	TC	1	561070	561073
C 154	EVAPORATOR CPT-FRESH AIR SENS	ITT SS	2	561813	561812	C 221	BATTERY CMPT. FIRE DETECTOR	DEUTSCH	2	562486	562485
C 155	EVAPORATOR CPT-WATER VALVE	PED WP	4	561610	561611	C 222	ENGINE CMPT. FIRE DETCTOR	DEUTSCH	2	562486	562485
C 156	EVAPOR. CPT-BYPASS WATER VAL.	PED WP	2	561566	561690	C 223	ENGINE CMPT. FIRE DETCTOR	DEUTSCH	2	562486	562485
C 157	EVAPORATOR CPT-WATER PUMP	PED WP	2	561566	561690	C 224					
C 158	CONDENSER CPT-A/C LO TEMP.	PED WP	2	561566	561690	C 225					
C 159	CONDENSER CPT-A/C HI TEMP.	PED WP	2	561566	561690	C 226					
C 160	FR AXLE-ABS RH SENSOR	WABCO	2	641132	-----	C 227					
C 161	FR AXLE-ABS RH VALVE	WABCO	3	-----	641098	C 228					
C 162	FR AXLE-ABS LH VALVE	WABCO	3	-----	641098	C 229					
C 163	FR AXLE-ABS LH SENSOR	WABCO	2	641132	-----	C 230	ENG.CPT.-FUEL PRIME PUMP FEED	DEUTSCH	2	562486	562485
C 164	RR AXLE-ABS LH SENSOR	WABCO	2	641132	-----	C 231	ENG.CPT.-FUEL PRIME PUMP SW.	PED WP	2	561566	561690
C 165	RR AXLE-ABS LH VALVE	WABCO	3	-----	641098	C 232	ENG.CPT.-FUEL PRIME PUMP	PED WP	2	561566	561690
C 166	RR AXLE-ABS RH VALVE	WABCO	3	-----	641098	C 233	FR. SERVICE COMPT.	VDO	8	-----	562043
C 167	RR AXLE-ABS RH SENSOR	DEUTSCH	2	641132	-----	C 234	FR. SERVICE COMPT.	VDO	8	-----	562044
C 168	RR AXLE-ABS OPT ATC	PED WP	2	561566	561690	C 235	FR. SERVICE COMPT.	VDO	8	-----	562041
C 169	RR JCT BOX-SPEED SW	AMP HDP	15	-----	562012	C 236	LUGGAGE COMPARTEMENT	AMP MNL	4	560851	560852
C 170	FR JCT BOX-FLASHER UNIT	TC	2	-----	561940	C 237	UNDER DASH LH-JACOB CLUTCH SW	ITT SS	3	561111	561080
C 171	LH CONSOLE	AMP CPC	24	561642	561643	C 238	RR JCT BOX-DIODE CONNECTOR	AMP MNL	9	561670	561669
C 172	ENGINE COMPT-WATER TANK HEAT.	PED WP	2	561566	561690	C 239	FR SERVICE CPT-HI BUOY VALVE	PED WP	2	561566	561690
C 173	LAV.POTABLE-WATER TANK HEAT.	AMP MNL	2	560900	560898	C 240	FR SERVICE CPT-KNEEL PROX SW	PED WP	2	561566	561690
C 174	UNDER DASH RH-HTR MODULE	AMP MNL	9	561670	561669	C 241					
C 175	UNDER DASH RH-HTR MODULE	AMP MNL	9	561670	561669	C 242	FR SERVICE CPT-MARK & DIR LT	ITT SS	3	561111	561080
C 176	UNDER DASH RH-WIPER PULSE	AMP FF	6	-----	561186	C 243	FR SERVICE CPT-HEADLAMPS	TC	3	-----	561071
C 177	UNDER DASH RH-WIPER MOTOR	AMP FF	6	-----	561186	C 244	FR SERVICE CPT-LH FOG LAMP	ITT SS	2	561813	561812
C 178	UNDER DASH RH-LH FAN	TC	2	561030	560997	C 245	FR SERVICE CPT-RH FOG LAMP	ITT SS	2	561813	561812
C 179	UNDER DASH RH-RH FAN	TC	2	561030	560997	C 246	FR SERVICE CPT-MARK & DIR LT	ITT SS	3	561111	561080
C 180	RR JCT BOX-DIODE CONNECTOR	AMP MNL	15	561987	561986	C 247					
C 181	RR JCT BOX-DIODE CONNECTOR	AMP MNL	15	561987	561986	C 248	FR JCT BOX-WIPER PULSE GEN	AMP FF	6	-----	561108
C 182						C 249					
C 183	FR SERVICE CPT-KNEELING PAN.	PED WP	4	561610	561611	C 250					
C 184	FR SERVICE CPT-KNEELING SW	ITT SS	3	561111	561080	C 251	LH DASH PANEL-FAST IDLE SW	EATON	8	-----	562763
C 185						C 252					
C 186	RR JCT BOX CPT.-SPEED SIGN.TR	PED WP	2	561566	561690	C 253	LH DASH PANEL-ETHER SW	EATON	8	-----	562763
C 186M	RR JCT BOX CPT.-SPD SIGN. M.TR	PED WP	2	561566	561690	C 254	INST. PANEL RH-ENTR.DOOR SW.	TORRIX	5	-----	562110
C 186W	RR JCT BOX CPT.-SPD SIGN. WT	PED WP	2	561566	561690	C 255	LH DASH PANEL-JACOB & RETARDER SW	EATON	8	-----	562763
C 187	FR JCT BOX-RPM RESISTOR CON.	AMP MNL	6	561552	561515	C 256					
C 188						C 257					

CONNECTORS CODE

NO	LOCATION	TYPE	CAVITY	#PIN	#SOCKET	NO	LOCATION	TYPE	CAVITY	#PIN	#SOCKET
				HOUSING	HOUSING					HOUSING	HOUSING
C 258	LH SW PANEL-MULTI FUNC. SW	AMP FF	8	561188	-----	C 325	LH DASH PANEL-KNEELING SW	EATON	8	-----	562763
C 259	LH SW PANEL-MULTI FUNC. SW	AMP FF	6	-----	561108	C 326	ENGINE CMPT.	PED	4	-----	561610
C 260	FR SERVICE CPT-LUG DOOR LCK	PED WP	6	561606	561607	C 327	ENGINE CONTROL	DEUTSCH	6	562583	562581
C 261	UNDER DASH RH-DOOR MODULE	AMP MNL	9	561670	561669	C 328	GALLEY-LAMP	AMP MNL	2	561248	561247
C 262	UNDER DASH RH-DOOR MODULE	AMP MNL	4	561551	561668	C 329	ENGINE TACHO SIGNAL	PED WP	3	561781	561789
C 263	UNDER DASH RH-DOOR MODULE	AMP MNL	3	561667	561550	C 330					
C 264	UNDER DASH RH-DOOR MODULE	AMP MNL	3	561667	561550	C 331	GALLEY MICROWAVE SW	EATON	8	-----	562763
C 265	UNDER DASH RH-DOOR MODULE	AMP HDP-20	15	562011	562012	C 332					
C 266						C 333	GALLEY RH CONTAINER SW	EATON	8	-----	562763
C 267	UNDER DASH RH	AMP CPC	24	561642	561643	C 334	GALLEY LH CONTAINER SW	EATON	8	-----	562763
C 268	UNDER DASH LH-MIRROR	AMP MNL	6	561552	561515	C 335					
C 269	UNDER DASH RH-MIRROR	AMP MNL	6	561552	561515	C 336					
C 270	LH MIRROR POST	MOLEX	6	562070	562069	C 337	INSTR PANEL LH-UP WIPER SW	EATON	8	-----	562763
C 271	RH MIRROR POST	MOLEX	6	562070	562069	C 338	INSTR PANEL LH-UP DEFROST SW	EATON	8	-----	562763
C 272	LH MIRROR	SPARTAN	6	-----	990158	C 339	INSTR PANEL LH-UP WASHER SW	EATON	8	-----	562763
C 273	RH MIRROR	SPARTAN	6	-----	990158	C 340	FR JCT. BOX FIRE PIEZO ALARM	AMP MNL	2	560900	560898
C 274	RR. JCT. BOX - SIGNAL ALT. MODULE					C 341	INSTR PANEL LH-HEAT MIRROR SW	EATON	8	-----	562763
C 275	UNDER DASH RH-DOOR MODULE	AMP MNL	9	561670	561669	C 342	ENGINE RR START SW	DEUTSCH	2	562586	562585
C 276	UNDER DASH RH-LOCK SOL.VALVE	AMP MNL	2	561248	561247	C 343	INSTR PANEL LH-HEADLAMP SW	EATON	8	-----	562763
C 277						C 344	INSTR PANEL LH-HAZARD LT SW	EATON	8	-----	562763
C 278						C 345	INSTR PANEL LH-FOG LT SW	EATON	8	-----	562763
C 279	UNDER DASH CYLINDER READ SW.	AMP MNL	2	561248	561247	C 346					
C 280	LH CONSOLE-UNLOAD TAG SW.	NGR	10	-----	562763	C 347	INSTR PANEL LH-DASH LT SW	AMP MNL	2	560900	560898
C 281						C 348	INSTR PANEL CENT-RACOR MODULE	MOLEX	6	562070	562067
C 282						C 349					
C 283						C 350	RH CONSOLE-THERMOMETER	AMP MNL	3	561667	561550
C 284						C 351	LH HAT RACK-FLUOR 110V	MOLEX	4	561477	561476
C 285						C 352	RH CONSOLE-DRV TEMP SENSOR	BURNDY	4	-----	561104
C 286	RH SW PANEL-A/C & HEAT	EATON	8	-----	562763	C 353	INSTR PANEL RH-DRV FAN RHEOST	AMP MNL	6	561552	561515
C 287	ENGINE COMPT-LTS SW	PED WP	2	561566	561690	C 354	INSTR PANEL RH-DRV TEMP CTR	AMP MNL	6	561552	561515
C 288	RH SW PANEL-FRESH AIR	EATON	8	-----	562763	C 355	INSTR PANEL RH-FR TEMP CTR	AMP MNL	3	561667	561550
C 289						C 356					
C 290						C 357	INSTR PANEL RH-WATER TEMP GA	AMP MNL	3	561667	561550
C 291						C 358	INSTR PANEL RH-FUEL LEVEL GA	AMP MNL	3	561667	561550
C 292						C 359					
C 293						C 360					
C 294						C 361	FR ROOF-WIPER MOTOR	AMP FF	6	-----	561186
C 295						C 362	FR ROOF-LAVATORY OCCUPIED LT	AMP MNL	2	561248	561247
C 296						C 363	FR ROOF-WATCH YOUR STEP LT	AMP MNL	2	561248	561247
C 297	INSTRUMENT PANEL RH -LTS	AMP MNL	2	560900	560898	C 364	FR ROOF-DESTINATION SIGN	AMP MNL	3	561667	561550
C 298						C 365	FR ROOF-UP WINDSHIELD DEFROST	AMP MNL	3	561667	561550
C 299	RH DASH PANEL SW-GALLEY	EATON	8	-----	562763	C 366	RH DASH PANEL-GRN & RED LEDS	AMP MNL	3	560908	562006
C 300						C 367	ENGINE COMPT-DIF OIL T SENSOR	PED WP	2	561566	561690
C 301						C 368	FR ROOF-DEST. SIGN BALLAST	AMP MNL	3	561667	561550
C 302						C 369	FR ROOF-DEST. SIGN OPER. SW	TORRIX	5	-----	562110
C 303						C 370	FR ROOF-DEST. SIGN FLUOR.	AMP MNL	2	560900	560898
C 304						C 371	FR ROOF-DEST. SIGN FLUOR.	AMP MNL	2	560900	560898
C 305						C 372	FR ROOF-DEST. SIGN SPEED SW	MOLEX	4	561477	561476
C 306						C 373	FR ROOF-NO SMOKING LT	AMP MNL	2	561248	561247
C 307						C 374	LH SWITCH PANEL	AMP MNL	6	561552	561515
C 308	LH CONSOLE SW-RHEOSTAT	TC	2	561030	560997	C 375					
C 309	DDEC ENGINE-ECM POWER CON.	PED MP	5	-----	562345	C 376					
C 310	LH DASH PANEL -LUG. DOOR LCK SW	EATON	8	-----	562763	C 377	LH DASH PANEL-STOP ENG.OVERRIDE SW	EATON	8	-----	562763
C 311	RH DASH PANEL -HOS & PAS CHIME SW	EATON	8	-----	562763	C 378					
C 312	RH DASH PANEL -READING LTS SW	EATON	8	-----	562763	C 379					
C 313	RH DASH PANEL -GEN & FLUOR LTS SW	EATON	8	-----	562763	C 380	LH CONSOLE-DDR CONNECTOR	DEUTSCH	6	562360	-----
C 314	LH DASH PANEL-FR DEST. SIGN SW	EATON	8	-----	562763	C 381					
C 315	LH DASH PANEL-LH STORE SW	EATON	8	-----	562763	C 382					
C 316	LH CONSOLE SPARE SWITCH	EATON	8	-----	562763	C 383					
C 317	LH DASH PANEL-RH STORE SW	EATON	8	-----	562763	C 384					
C 318	LH CONSOLE SW-DRV WINDOW LIFT	EATON	8	-----	562763	C 385					
C 319						C 386	LH DASH PANEL-WCL POWER SYSTEM SW	EATON	8	-----	562763
C 320	RH DASH PANEL-DRIVER'S LTS SW	EATON	8	-----	562763	C 387	RR JCT BOX (WCL)	AMP MNL	9	561661	561662
C 321	READING LTS TEST					C 388	RR JCT BOX (WCL)	AMP MNL	12	561735	561734
C 322	LH CONSOLE DRV WIND LIFT MOT	PED PO	2	-----	561848	C 389	WCL REAR DOOR	MOLEX	4	561477	561476
C 323	LH CONSOLE CRUISE CTR SW PAN. AMP	CPC	9	561636	561637	C 390	LAVATORY WALL-WCL REMOTE CTR	EATON	8	-----	562763
C 324						C 391	LAVATORY WALL-WCL LAMP	EATON	8	-----	562763

CONNECTORS CODE

NO	LOCATION	TYPE	CAVITY	#PIN	#SOCKET	NO	LOCATION	TYPE	CAVITY	#PIN	#SOCKET
				HOUSING	HOUSING					HOUSING	HOUSING
C 392	LAVATORY WALL-WCL SW. LT.	EATON	2	-----	561835	C 459	WORLD TRANSM.-ENGINE SP.SENS.	PED MP	2	-----	562426
C 393	LAVATORY WALL-WCL REMOTE SYS.	AMP CPC	4	561686	561687	C 460	WORLD TRANSM.-SPEED SENSOR	ITT	2	-----	562541
C 394	UNDER INSTR. PANEL- B/U MONITOR	AMP MNL	4	560851	560852	C 461	WORLD TRANSM.-RETARDER TEMP.	PED MP	2	561566	561680
C 395	DRIVER'S COMPT. - B/U MONITOR	AMP	5	-----	-----	C 462	WORLD TRANSM.-RETARD SOL."K"	PED MP	2	-----	562426
C 396	FR SECT. LH HAT RACK-SPEAKER	MOLEX	4	562507	562503	C 463	WORLD TRANSM.-SENSOR CONN.	DEUTSCH	16	562570	562571
C 397	ENGINE COMPT. CRADLE ACC.	DEUTSCH	40	562281	562284	C 464	RR JCT BOX-DDR CONNECTOR	DEUTSCH	6	-----	562360
C 398						C 465	LH CONSOLE-SHIFTER SELECTOR	PED	20	-----	562825
C 399	ENGINE COMPT. - PRE-EXITATION ALT.	PED WP	2	561566	561690	C 466	FR SERVICE CPT.-RESIS. MOD.	PED WP	3	-----	562428
C 400	ENGINE COMPT. BLOCK HEATER	PED MP	3	561781	561782	C 467	FR SERVICE CPT.-RESIS. MOD.	PED WP	3	-----	562428
C 401						C 468			8		
C 402	RR DRIVE AXLE-AIR DRYER	PED MP	2	-----	562251	C 469					
C 403	GALLEY FRIGO NORCOLD	AMP MNL	2	561248	561247	C 470	FR LH UPPER WHELL CPT-SILENT 1000	AMP MNL	2	561248	561247
C 404	GALLEY LAMP	AMP MNL	2	561248	561247	C 471	FR LH UPPER WHELL CPT-SILENT 1000	AMP MNL	2	561248	561247
C 405						C 472	FR LH UPPER WHELL CPT-SILENT 1000	PED WP	2	561566	561690
C 406	FR JCT BOX COMPT.-ABS	AMP MNL	2	560900	560898	C 473	FR LH UPPER WHELL CPT-SILENT 1000	AMP MNL	3	561667	561550
C 407	ENGINE COMPT. -SIGNAL	PED WP	6	561606	561607	C 474	DRIVER CPT.-TEMP. SENSOR	AMP MNL	2	561247	561248
C 408	ENGINE COMPT. -SIGNAL	PED WP	6	561606	561607	C 475	RR JCT BOX-SPEED SIGN CONNECTOR	AMP MNL	2	561248	561247
C 409	ENGINE CPT -LOW COOL. LEVEL	PED MP	2	-----	562350	C 475M	RR JCT BOX-SPEED SIGN MANUAL TR.	MOLEX	6	562070	562069
C 410	FR JCT BOX-DIODE CONNECTOR	AMP MNL	15	561987	561986	C 475W	RR JCT BOX-SPEED SIGN WORLD TR.	MOLEX	6	562070	562069
C 411	FR JCT BOX-DIODE CONNECTOR	AMP MNL	15	561987	561986	C 476					
C 412	LH DASH PANEL-MASTER SWITCH SW	EATON	8	-----	562763	C 477					
C 413	ENG CPT-A/C HI UNLOAD PRS SW	PED WP	2	561566	561690	C 478	ELECTRONIC DESTINATION SIGN	AMP CPC	9	561636	561637
C 414	RR JCT BOX	AMP MNL	9	561670	561669	C 479	HVAC MODULE				
C 415	ENGINE CRADLE-FAN SIGNAL	PED WP	3	561781	561782	C 480	UNDER DASH LH-DR. FAN SPEED CTR. MOD	PED	4	561889	561890
C 416	ENGINE CRADLE-FAN SIGNAL	PED P-C	3	562398	-----	C 481	UNDER DASH LH-DR. FAN SPEED CTR. MOD	PED	3	561781	561782
C 417	FRONT JCT BOX-DIODES	AMP MNL	15	561987	561986	C 482					
C 418	LH DASH PANEL-HTR WINDSH.SW	EATON	8	-----	562763	C 483	FR SERVICE CPT. (NOT USED)	PED PC	2	-----	562237
C 419	FR JCT BOX-RETARDER OR JACOB	AMP MNL	3	561667	561550	C 484	UNDER DASH LH.-FOOT DAMPER MOTOR	PED PC	2	-----	562076
C 420	ENGINE COMPT. WEBASTO WATER HTR	TC	2	561597	-----	C 485	UNDER DASH LH.-DASH & DEFR. DAM.MOT.	AMP MNL	3	561667	561550
C 421	ENGINE COMPT. WEBASTO WATER HTR	TC	1	561073	-----	C 486					
C 422	ENGINE COMPT. WEBASTO WATER HTR	TC	2	561597	-----	C 487					
C 423	PRO-HEAT	PC	2			C 488					
C 424	UNDER INSTRUMENT PANEL CENTER	AMP MNL	3	561667	561550	C 489					
C 425	FR JCT BOX-DIODES	AMP MNL	15	561987	561986	C 490					
C 426	ENGINE COMPT. CLUTCH CTR FAN	PED WP	3	561781	561782	C 491					
C 427	PRO-HEAT	PED-WP	2	561566	561680	C 492					
C 428	PRO-HEAT	PED WP	6	561606	561607	C 493					
C 429	FR JCT BOX COMPT.	AMP MNL	6	561552	561515	C 494					
C 430	LH CONSOLE-TIMER	AMP FF	8	561188	562363	C 495					
C 431	LH CONSOLE-PRE HEAT.	TAB AMP	1	561540	561539	C 496					
C 432	ENGINE CPT.-PROX. SW. DOOR AJAR	PED-WP	2	561566	561680	C 497					
C 433	FR SERVICE CPT. KNEEL. PRESS. SW	PED WP	2	561566	561690	C 498					
C 434	FRONT JCT. BOX-DIODES	AMP MNL	15	561987	561986	C 499					
C 435	FR SERVICE CPT.(RH) KNEEL. PIEZO	AMP MNL	2	560900	560898	C 500	FR LH UPPER WHELL CPT -PRODRIVER	MOLEX	6	562070	562069
C 436	RH HAT RACK-WCL CENTER ROOF ACC	AMP CPC	16	561639	561640	C 501	FR LH UPPER WHELL CPT -PRODRIVER	PED MP	7	562433	-----
C 437	RH HAT RACK-WCL FR & RR SECT.	AMP CPC	24	561642	561643	C 502	LH DASH PANEL-PRE HEATER SW.	EATON	8	-----	562763
C 438	EVAP COMPT	AMP MNL	2	561248	561247	C 503	LH CONSOLE-PRE HEATER SW.	EATON	2	-----	561837
C 439		AMP MNL	2	561248	561247	C 504	LH CONSOLE WEBASTO TIMER	AMP	8	-----	562852
C 440		DEUTSCH	4	562479	562477	C 505	LH CONSOLE ESPAR TIMER	AMP	9	-----	562681
C 441						C 506	FR JCT BOX CPT. DIGITAL CLOCK	AMP	4	561685	561687
C 442						C 507	FR SECT. LH HAT-RACK DIG. CLOCK	MOLEX	4	561477	561476
C 443						C 508	RR JCT BOX-FAN CLUTCH RETARDER	AMP MNL	6	561552	561515
C 444						C 509	FR LH UPPER WHELL CPT -DATA LOGGER	PED MP	16	-----	562530
C 445						C 510	FR LH UPPER WHELL CPT -DATA LOGGER	DEUTSCH	9	562531	-----
C 446						C 511	FR LH UPPER WHELL CPT -DATA LOGGER	PED MP	4	562532	-----
C 447						C 512	FR LH UPPER WHELL CPT -DATA LOGGER	PED MP	10	562533	-----
C 448						C 513	FR LH UPPER WHELL CPT -DATA LOGGER	AMP MNL	3	561667	561550
C 449						C 514	FR LH UPPER WHELL CPT -DATA LOGGER	PED MP	6	562433	562417
C 450	SOUND SYS. JCT. PANEL	MOLEX	4	562507	562503	C 515	FR JCT BOX CPT.-INTERCOM	MOLEX	4	561477	561476
C 451	WIRELESS MICRO-FIRST CPT BAG	MOLEX	2	562550	562549	C 516	FR JCT BOX CPT.-INTERCOM	MOLEX	6	562070	562069
C 452	UNDER DASH INSTR. PANEL	MOLEX	2	562550	562549	C 517	LAVATORY WALL-INTERCOM	MOLEX	6	562070	562069
C 453	SOUND SYS. JCT.PANEL-VCP	PED WP	2	561566	561680	C 519	UNDER DASH RH-SEDAN DOOR	HUMPHREY	2	-----	562580
C 454	SOUND SYS.JCT.PAN.-FILT. VCP	PED WP	2	561566	561680	C 520	UNDER DASH RH-SEDAN DOOR	HUMPHREY	2	-----	641385
C 455	WIRELESS MICRO-LH HAT-RACK	CINCH	2	562554	562551	C 521	UNDER DASH RH-SEDAN DOOR	HUMPHREY	2	-----	641385
C 456	WORLD TRANSM.-RETARDER ACCUM.	PED MP	2	-----	562427	C 522	FR JCT BOX-DAYTIME LTS MODULE	BOSCH	5	-----	561183
C 457	WORLD TRANSM.-MAIN CONNECTOR	DEUTSCH	31	562572	562536	C 523	FR JCT BOX-FUSE BLOCK	PED	8	562647	562646
C 458	WORLD TRANSM.-TURBINE SP.SENS	PED MP	2	-----	562426	C 524	FR JCT BOX-FUSE BLOCK	PED	8	562647	562646

CONNECTORS CODE

NO	LOCATION	TYPE	CAVITY	#PIN	#SOCKET	NO	LOCATION	TYPE	CAVITY	#PIN	#SOCKET
				HOUSING	HOUSING					HOUSING	HOUSING
C 525	FR JCT BOX-FUSE BLOCK	PED	8	562647	562646	C 592	L.H.CONSOLE - MIRROR R.H.	EURAMTEC	8	-----	562799
C 526	FR JCT BOX-FUSE BLOCK	PED	8	562647	562646	C 593	BATTERY CMPT. - CHARGER	PED WP	3	561781	561782
C 527	FR JCT BOX-FUSE BLOCK	PED	8	562647	562646	C 594	FRONT ROOF - DRIVERS LIGHT	LEEKRAFT		-----	562803
C 528	FR JCT BOX-FUSE BLOCK	PED	8	562647	562646	C 595	DASH CENTER MODULE - OPEN DOOR	MOLEX	4	561477	561476
C 529	FR JCT BOX-12V OUTLET	AMP MNL	2	561247	561248	C 596	DASH CENTER MODULE - CLOSE DOOR	MOLEX	4	561477	561476
C 530	RR JCT BOX-FUSE BLOCK	PED	8	562647	562646	C 597	L.H. DASH PANEL - DISPLAY SET SW.	MOLEX	5		562812
C 531	RR JCT BOX-FUSE BLOCK	PED	8	562647	562646	C 598	L.H. DASH PANEL - DISPLAY SET SW.	MOLEX	5		562812
C 532	RR JCT BOX-FUSE BLOCK	PED	8	562647	562646	C 599					
C 533	RR JCT BOX-FUSE BLOCK	PED	8	562647	562646	C 600	ENGINE CPT.-A/C LOW PRESS SW. UNLOAD	PED	2	562348	562471
C 534	RR JCT BOX-FUSE BLOCK	PED	8	562647	562646	C 601	L.H. ROOF - WINDOW AJAR	AMP MNL	2	561248	561247
C 535	RR JCT BOX-FIRE MODULE DETECT.	AMP MNL	3	561667	561550	C 602	L.H. ROOF - WINDOW AJAR	MOLEX	4	561477	561476
C 536	UNDER DASH RH-DRIVER'S HTR TEMP. CTR	AMP MNL	6	561552	561515	C 603	R.H. ROOF - WINDOW AJAR	AMP MNL	2	561248	561247
C 537	BATT. CPT.-A/C PRESS. SIGN. RLY	AMP MNL	2	561248	561247	C 604					
C 538	FR SERVICE CPT.-OUTSIDE TEMP. SENSOR	AMP MNL	2	561248	561247	C 605	HAT RACK - MOTOR FAN	PED	2	560997	561030
C 539	HVAC DASH MODULE OUTPUT CON	MOLEX	24		562780	C 606	HAT RACK - MOTOR FAN	PED	2	560997	561030
C 540	HVAC DASH MODULE INPUT CON	MOLEX	22		562781	C 607	FRONT SERVICE CMPT. RPM SIGNAL	PED WP	2	561566	561690
C 541	SOUND SYS. JCT PANEL-AUDIO SEAT SYS.	PED WP	2	561566	561690	C 608	FRONT SERVICE CMPT. SPEED SIGNAL	PED WP	2	561566	561690
C 542	LH HAT RACK-AUDIO SEAT SYSTEM	AMP MNL	3	561667	561550	C 609	LAVATORY - NIGHT LIGHT				
C 543	RR JCT BOX-PARK. BRAKE STOP LTS RESIS.	PED WP	2	561566	561690	C 610	RR JCT BOX	AMP MNL	6	561552	561515
C 544	SOUND SYS JCT PANEL-AUDIO SEAT SYS.	PED WP	3	561781	562428	C 611	HAT RACK READING LTS RICON	MOLEX	6	562558	562557
C 545	LH HAT RACK-AUDIO SEAT SYSTEM	AMP MNL	3	561667	561550	C 612	HAT -RACK FLUOR. INSTATION LTS RICON	MOLEX	4	562507	562503
C 546						C 613	HAT -RACK INDIRECT LTS RICON	AMP MNL	3	561667	561550
C 547	RH DASH PANEL-ACCESSORIES	AMP CPC	37	561645	561646	C 614	HAT -RACK INDIRECT LTS RICON	AMP MNL	3	561667	561550
C 548	LH DASH PANEL-T.T. LT. TEST SW.	EATON	8	-----	562763	C 615					
C 549	LH DASH PANEL-FAN CLUTCH OVERR. SW	EATON	8	-----	562763	C 616					
C 550	LAST LUGG. CPT. -WCL RICON	AMP CPC	16	561694	561695	L X	CLUSTER	JAE	22		562766
C 551	LAST LUGG. CPT. -WCL RICON	AMP CPC	16	561694	561695	L Y	CLUSTER	JAE	30		562767
C 552	LAST LUGG. CPT. -WCL RICON	AMP CPC	9	561636	561637	R X	CLUSTER	JAE	22		562764
C 553	UNDER DASH R.H. - CONTROL. HEAD	MOLEX	16	-----	562559						
C 554	UNDER DASH R.H. - CONTROL. HEAD	MOLEX	16	-----	562559						
C 555	UNDER DASH R.H. - CONTROL. HEAD	MOLEX	16	-----	562559						
C 556	UNDER DASH R.H. - RADIO ACC.	MOLEX	2	562550	562549						
C 557	UNDER DASH R.H. - RADIO ACC.	MOLEX	9	562556	562555						
C 558	UNDER DASH R.H. - RADIO ACC.	MOLEX	4	562507	562503						
C 559	SOUND SYS. JCT. PANEL - FILTER AMPLI	PED WP	2	561566	561690						
C 560	SOUND SYS. JCT. PANEL - POWER AMPLI	MOLEX	4	562507	562503						
C 561	L.H. HAT RACK - WIRELESS MICRO	MOLEX	4	562507	562503						
C 562	L.H. HAT RACK - VCP	MOLEX	12	562556	563070						
C 563	L.H MODESTY PANEL - DRIVERS SPK.	MOLEX	4	562507	562503						
C 564	L.H MODESTY PANEL - MICRO	MOLEX	4	562507	562503						
C 565	R.H MODESTY PANEL - MICRO	MOLEX	4	562507	562503						
C 566	L.H. CONSOLE - BOOM MICRO	MOLEX	4	562507	562503						
C 567	L.H. CONSOLE - DRIVERS MICRO	MOLEX	4	562507	562503						
C 568	SOUND SYS. JCT. PANEL - PASS. SPK	CINCH	4	562553	562552						
C 569	SOUND SYS. JCT. PANEL - POWER AMPLI.	MOLEX	9	562556	562555						
C 570	UNDER DASH PANEL TTLT	MOLEX	6		562464						
C 571	UNDER DASH PANEL TTLT	MOLEX	20		562778						
C 572	UNDER DASH PANEL TTLT	MOLEX	18		562779						
C 573	UNDER DASH PANEL TTLT	MOLEX	8		562465						
C 574	HAT -RACK FLUOR. INDIRECT LIGHTING	MOLEX	6	-----	562759						
C 575	HAT -RACK FLUOR. INSTATION LIGHT	MOLEX	4	562507	562503						
C 576	HAT -RACK FLUOR. INDIRECT LIGHTING	AMP MNL	3	561667	561550						
C 577	HAT -RACK FLUOR. INDIRECT LIGHTING	AMP MNL	3	561667	561550						
C 578	HAT -RACK FLUOR. INSTATION LIGHT	MOLEX	4	562507	562503						
C 579	L.H HAT RACK - UCP POWER	MOLEX	4		563071						
C 580	RH DASH PANEL-HAT RACK FAN SW	EATON	8	-----	562763						
C 581											
C 582	FRONT SERVICE CMPT. - WINDOWS AJAR	PED WP	2	561566	561690						
C 583	L.H. DASH PANEL - MASTER KEY	DEUTSCH	2	562486	562485						
C 584	FRONT SERVICE CMPT. - AIR HORH	HUMPHREY	3	-----	641385						
C 585											
C 586											
C 587											
C 588	FRONT SERVICE CPT. CENTER SOUND SYS.	AMP. CPC	37	561645	561646						
C 589	UNDER DASH - L.H. MIRROR	AMP MNL	9	561670	561669						
C 590	UNDER DASH - R.H. MIRROR	AMP MNL	9	561670	561669						
C 591	L.H.CONSOLE - MIRROR L.H.	EURAMTEC	8	-----	562799						

CONNECTORS CODE

NO	LOCATION	TYPE	CAVITY	#PIN	#SOCKET	NO	LOCATION	TYPE	CAVITY	#PIN	#SOCKET
				HOUSING	HOUSING					HOUSING	HOUSING
AA1	BEHIND DASH - SONALERT	BOSCH	5		561183	C 57					
AA2	BEHIND DASH - SONALERT	BOSCH	5		561183	C 58	RR JCT BOX AC PANEL	DEUTSCH	24	562280	562283
C X1	FR LH UPPER WHELL CPT-ABS	AMP	18		562792	C 59	RR JCT BOX AC PANEL	AMP CPC	14	561584	561583
C X2	FR LH UPPER WHELL CPT-ABS	AMP	6		562793	C 60	RR JCT BOX COMPT.-LT	AMP MNL	2	561248	561247
C X3	FR LH UPPER WHELL CPT-ABS	AMP	9		562794	C 61	LUGGAGE COMPARTMENT LTS	AMP MNL	2	561248	561247
C X4	FR LH UPPER WHELL CPT-ABS	AMP	15		562795	C 62	LUGGAGE COMPARTMENT LTS	AMP MNL	2	561248	561247
CS	RR JCT BOX ECU WORLD TR.	PED	32		562817	C 63	LUGGAGE COMPARTMENT LTS	AMP MNL	2	561248	561247
CT	RR JCT BOX ECU WORLD TR.	PED	32		562824	C 64	LUGGAGE COMPARTMENT LTS	AMP MNL	2	561248	561247
C V	RR JCT BOX ECU WORLD TR.	PED	32		562823	C 65	LUGGAGE COMPARTMENT LTS	AMP MNL	2	561248	561247
CV 12	RR JCT BOX-WORLD TRANSM. & EATON CLUSTER	AMP CPC	9	561636	561637	C 66	LUGGAGE COMPARTMENT LTS	AMP MNL	2	561248	561247
C Y		JAE	30		562765	C 67	LUGGAGE COMPARTMENT LTS	AMP MNL	2	561248	561247
C 1	FR JCT BOX COMPARTMENT	AMP CPC	14	561585	561584	C 68	LUGGAGE COMPARTMENT LTS	AMP MNL	2	561248	561247
C 2	FR JCT BOX COMPARTMENT	AMP CPC	16	561639	561640	C 69	RR AXLE ACC-INSIDE PVC END	PED WP	6	561568	561578
C 3	FR JCT BOX COMPARTMENT	AMP CPC	24	561641	561643	C 70	LH CONSOLE	AMP CPC	16	561642	561643
C 4	FR JCT BOX COMPARTMENT	AMP CPC	37	561644	561646	C 71	FR JCT BOX COMPARTMENT	AMP CPC	37	561645	561646
C 5	FR SERVICE COMPT.-UNDERNEATH	AMP CPC	37	561644	561646	C 72	FR JCT BOX COMPARTMENT	AMP CPC	24	561642	561643
C 6	FR SERVICE COMPT.-UNDERNEATH	AMP CPC	16	561639	561640	C 73	DASH CENTER PANEL	AMP CPC	16	561639	561640
C 7						C 74	FR JCT BOX COMPARTMENT	AMP CPC	37	561645	561646
C 8	FR SERVICE COMPT.-UNDERNEATH	AMP CPC	24	561641	561643	C 75	SERV CPT. RXT. ENT. DOOR SW	DEUTSCH	4	562479	562477
C 9	FR SERVICE COMPT.-UNDERNEATH	AMP CPC	24	561641	561643	C 76	LUGGAGE COMPT.-AIR RET.SENS.	AMP MNL	2	561248	561247
C 10						C 77	LUGGAGE COMPT.-AIR RET.SENS.	AMP MNL	2	561248	561247
C 11	FR SERVICE COMPARTMENT	AMP CPC	37	561644	561646	C 78					
C 12	FR SERVICE COMPARTMENT	AMP CPC	16	561639	561640	C 79					
C 13	LH CONSOLE-CTR MIRROR	AMP MNL	6	561552	561515	C 80	LUGGAGE COMPT.-AIR RET.SENS.	AMP MNL	2	561248	561247
C 14	UNDER DASH-LH MIRROR	AMP MNL	9	561661	561662	C 81	PASSENGER COMPT.-AISLE LTS	AMP MNL	2	560900	560898
C 15	RR JCT BOX	AMP CPC	24	561641	561643	C 82	ENTRANCE DOOR	MOLEX	6	562070	562069
C 16	LH CONSOLE SW-CRUISE ON OFF	EATON	10	-----	562763	C 83	ENTRANCE DOOR-PROIMITY SW	MOLEX	4	561477	561476
C 17	LH CONSOLE SW-CRUISE RESUME	EATON	10	-----	562763	C 84	ENTRANCE DOOR-PRESSURE SW	PED WP	2	561566	561690
C 18	LH CONSOLE SW-CRUISE SET	EATON	10	-----	562763	C 85	UNDER INSTRUMENT PANEL LH	AMP MTA-100	-----	562248	-----
C 19	LH CONSOLE DECEL SW	EATON	10	-----	562763	C 86					
C 20	RR JCT BOX	AMP CPC	37	561644	561646	C 87	RR END ROOF	AMP CPC	9	561636	561637
C 21	RR JCT BOX	AMP CPC	24	561641	561643	C 88					
C 22	RR JCT BOX - EATON TRANSM.	AMP MNL	6	561552	561515	C 89	RR END ROOF-B/U NONITOR	AMP CPC	4	561582	561581
C 23	DDEC ENGINE-ECM J1939	PED MP	6	-----	561962	C 90	RR JCT BOX	AMP CPC	15	561987	561986
C 24	DDEC ENGINE	PED WP	1	561605	561577	C 91	RR JCT BOX	AMP CPC	37	561714	561713
C 25	RR JCT BOX - EATON TRANSM. J1939	DEUTCH	3	562877	562884	C 92	FR LH UPPER WHELL CPT-ABS	AMP CPC	9	561635	561637
C 26	HYD & MAN TRANSM.-NEUT. & B/U	PED WP	4	561610	561611	C 93	FR LH UPPER WHELL CPT-ABS		35	-----	641094
C 27	HYD & MAN TRANSM.-SPEED SENS.	PED WP	2	561566	561690	C 94					
C 28	EATON TRANSMISSION	DEUTCH	3	562877	562884	C 95	CONDENSOR CPT - LIQ. SOL. VALVE	PED WP	2	561566	561690
C 29	EATON TRANSMISSION	PED MP	6	562878	-----	C 96	FR AXLE ACCESSORIES	AMP CPC	14	561585	561585
C 30	RR JCT BOX - ECU EATON TRANSM.	PED MP	32	-----	562866	C 97	RR AXLE ACC-INSIDE PVC END	PED WP	6	561568	561578
C 31	RR JCT BOX - ECU EATON TRANSM.	PED MP	24	-----	562865	C 98	FR SERVICE COMPT-EL.FT.PEDAL	PED WP	3	561782	561781
C 32	DDEC ENGINE-ECM	PED	30	-----	561600	C 99	FR SERVICE COMPT LTS	AMP MNL	2	561248	561247
C 33	RR JCT BOX - EATON TRANSM.	DEUTCH	9	562531	-----	C 100	LH CONSOLE - 120 VOLTS SWITCH	EATON	8	-----	562763
C 34	RH. CONSOLE - EATON TRANSM. SHIFTER	PED MP	3	-----	562871	C 101	FR SERVICE COMPT-ELEC. HORNS	PED WP	2	561566	561690
C 35	RR JCT BOX	AMP CPC	24	561642	561643	C 102	FR SERV & SIDE CPT-FLASH. LH	GROTE	2	-----	562155
C 36	RH. CONSOLE - EATON TRANSM. SHIFTER	PED MP	24	-----	562874	C 103	FR SERV & SIDE CPT-MARKERS	GROTE	2	-----	562155
C 37	RR SECTION-LH HAT RACK	MOLEX	6	562558	562557	C 104	FR SERV & SIDE CPT-FLASH. RH	GROTE	2	-----	562155
C 38	RR SECTION-RH HAT RACK	MOLEX	6	562558	562557	C 105	FR SERVICE COMPT-LIQ.S.VALVE	PED WP	2	561566	561690
C 39	LH CONSOLE - EATON TRANSM. DISPLAY	AMP MNL	4	561551	561668	C 106	FR SERVICE COMPT-WATER VALVE	PED WP	2	561566	561690
C 40	RR JCT BOX - EATON TRANSM. J1939	DEUTCH	3	562877	562884	C 107	EVAPORATOR COMPT-DAMPER	PED WP	2	561566	561690
C 41	LAVATORY ROOF FLUORESCENT	AMP MNL	2	560900	560898	C 108	FR SERVICE COMPT-KNEEL.SYS	PED WP	2	561566	561690
C 42	LAVATORY BACK WALL-WTR TANK	AMP MNL	2	560900	560898	C 109	FR SERVICE COMPT-KNEEL.SYS	PED WP	2	561566	561690
C 43	LAVATORY BACK WALL-ACCES.	AMP MNL	9	561661	561662	C 110	FR SERVICE COMPT-KNEEL.SYS	PED WP	2	561566	561690
C 44	EATON TRANSM. J1939	DEUTCH	3	562877	562884	C 111	EVAPORATOR COMPT-DAMPER	DEUTSCH	2	562486	562485
C 45	FR JCT BOX COMPARTMENT	AMP CPC	24	561642	561643	C 112	EVAPORATOR COMPT-SPEED MOT CTRL	DEUTSCH	5	-----	562566
C 46	EATON TRANSM. J1939	DEUTCH	3	562877	562884	C 113	BATT. & RR J.B.CPT.MARKER LT	GROTE	2	-----	562155
C 47	FR SERVICE COMPARTMENT	AMP CPC	16	561694	561695	C 114	RR J. BOX CPT DOOR DIR LT LH	GROTE	2	-----	562155
C 48	FR. SERVICE CMPT.PRESS SW PARK BREAK	DEUTCH	4	562479	562477	C 115	ENGINE COMPT-AIR DRYER	PED WP	2	561566	561690
C 49	BATTERIE COMPT.-LT	AMP MNL	2	561248	561247	C 116	ENGINE COMPT. LTS	PED WP	1	561605	561577
C 50	FR SERVICE COMPT.-LOW BUOY	PED WP	1	561605	561577	C 117					
C 51						C 118	ENGINE COMPT-LAVATORY FAN	PED WP	2	561566	561690
C 52	RR JCT BOX	AMP CPC	22	561709	561710	C 119	ENGINE CPT RR DOOR RH LO LAMP	PED WP	6	561606	561607
C 53						C 120	ENGINE CPT RR DOOR LH LO LAMP	PED WP	6	561606	561607
C 54						C 121	BATTERIE CPT. DOOR DIR LT RH	GROTE	2	-----	562155
C 55	RH SWITCH PANEL	AMP CPC	9	561636	561637	C 122	ENGINE CPT-UNLOAD TAG SYSTEM	PED WP	2	561566	561690
C 56						C 123	TAG AXLE-UNLOAD TAG RH VALVE	PED WP	2	561566	561690

CONNECTORS CODE

NO	LOCATION	TYPE	CAVITY	#PIN HOUSING	#SOCKET HOUSING	NO	LOCATION	TYPE	CAVITY	#PIN HOUSING	#SOCKET HOUSING
C 124	ENGINE CPT-ETHER SW	PED WP	2	561566	561690	C 189	ENGINE CPT RR DOOR B/U LT	PED WP	2	561566	561690
C 125	ENGINE CPT-BU ALARM	PED WP	2	561566	561690	C 190	ENGINE CPT RR DOOR TAIL LT	PED WP	2	561566	561690
C 126	ENGINE CPT-FLUSHING PUMP	PED WP	2	561566	561690	C 191	ENGINE CPT RR DOOR RH STOP LT	PED WP	2	561566	561690
C 127	ENGINE CPT-FUEL FILTER	PED WP	2	561566	561690	C 192	ENGINE CPT RR DOOR RH DIR. LT	PED WP	2	561566	561690
C 128	ENGINE CPT-A/C COMPR.CLUTCH	ITT SS	2	561813	561812	C 193					
C 129	ENGINE CPT-PRE-HEAT WATER	AMP FF	6	561672	561186	C 194	ENGINE CPT RR DOOR LH DIR. LT	PED WP	2	561566	561690
C 130	ENGINE CPT-UNLOADER	ITT SS	2	561813	561812	C 195	ENGINE CPT RR DOOR LH STOP LT	PED WP	2	561566	561690
C 131	ENGINE CPT-UNLOADER	ITT SS	2	561813	561812	C 196	ENGINE CPT RR DOOR CYCLOP LT	PED WP	2	561566	561690
C 132	ENGINE CPT-A/C LO PRESS SW	PED WP	2	561566	561690	C 199	ENGINE CPT RR DOOR LICENCE LT	DOM AUTO	2	930210	-----
C 133	ENGINE CPT-A/C HI PRESS SW	PED WP	2	561566	561690	C 200	RH HAT RACK-FLUORESCENT	AMP MNL	2	561248	561247
C 134	FR JCT BOX-LUGGAGE DIODE CON.	AMP MNL	15	561987	561986	C 201	RH HAT RACK-FLUORESCENT	AMP MNL	2	561248	561247
C 135	FR JCT BOX-LUGGAGE DIODE CON.	AMP MNL	15	561987	561986	C 202	RH HAT RACK-INDIRECT LIGHTING	MOLEX	2	-----	562758
C 136	RR JCT BOX - A/C PANEL DIODE CONN.	AMP MNL	15	561987	561986	C 203	RH HAT RACK-INDIRECT LIGHTING	MOLEX	6	-----	562759
C 137	RR JCT BOX-TRANSMITTER	AMP MNL	2	560900	560898	C 204	RH HAT RACK-GENERAL LT	AMP MNL	2	560900	560898
C 138	RR JCT BOX-CONTROL MODULE	AMP HDP	15	-----	562012	C 205	FR SECT.-RH HAT RACK SPEAKER	AMP MNL	9	561661	561662
C 139	RR JCT BOX-LOGIC MODULE	AMP HDP	15	562011	-----	C 206	RH HAT RACK-READING LT	AMP FF	4	-----	562756
C 140	HVAC DASH MODULE THERMOMETER	MOLEX	4		562782	C 207	LH HAT RACK-READING LT	AMP FF	4	-----	562756
C 141	INSTRUMENT PANEL LH UNLOAD TAG	AMP	2	561248	561247	C 208	LH HAT RACK-BALLAST	MOLEX	2	-----	562758
C 142	LAVATORY DOOR WALL	AMP MNL	2	561248	561247	C 209	LH HAT RACK HOTESS CHIME	AMP MNL	3	561667	561550
C 143	LAVATORY DOOR WALL	AMP MNL	3	560908	562006	C 210	FR SECT.-LH HAT RACK SPEAKER	AMP MNL	9	561661	561662
C 144	UNDER LH SEAT-AISLE LTS	AMP MNL	4	560851	560852	C 211	FR ROOF-STORE LH	AMP MNL	2	560900	560898
C 145	RR JCT BOX CPT-RR SIDE LTS	AMP MNL	9	561670	561669	C 212	FR ROOF-STORE RH	AMP MNL	2	560900	560898
C 146	ENGINE CPT-MODULATOR VALVE	AMPHENOL	2	-----	560412	C 213					
C 147	BATT & RR J.B.CPT-DOCK.LTS	PED WP	2	561566	561690	C 214	ENGINE CPT J1922				
C 148						C 215	TAG AXLE - A.T.C. SYSTEM				
C 149	CONDENSER CPT-FAN MOTOR	ORDNANCE	3	562555	562001	C 216	TAG AXLE - A.T.C. SYSTEM				
C 150						C 217	RH DASH PANEL-FRONT CAMERA SW	EATON	8	-----	562763
C 151	EVAPORATOR CPT-THERMOSTAT	ITT SS	2	561813	562159	C 218	RH DASH PANEL-FRONT CAMERA SW	AMP MNL	2	560900	560898
C 152	CONDENSER CPT-FUEL GAUGE	PED WP	4	561610	561611	C 219					
C 153	EVAPORATOR CPT-AIR AMB. SENS	AMP MNL	2	561248	561247	C 220	RR.JCT.BOX-FUEL PRIME PUMP	TC	1	561070	561073
C 154	EVAPORATOR CPT-FRESH AIR SENS	ITT SS	2	561813	561812	C 221	BATTERY CMPT. FIRE DETECTOR	DEUTSCH	2	562486	562485
C 155	EVAPORATOR CPT-WATER VALVE	PED WP	4	561610	561611	C 222	ENGINE CMPT. FIRE DETCTOR	DEUTSCH	2	562486	562485
C 156	EVAPOR. CPT-BYPASS WATER VAL.	PED WP	2	561566	561690	C 223	ENGINE CMPT. FIRE DETCTOR	DEUTSCH	2	562486	562485
C 157	EVAPORATOR CPT-WATER PUMP	PED WP	2	561566	561690	C 224					
C 158	CONDENSER CPT-A/C LO TEMP.	PED WP	2	561566	561690	C 225					
C 159	CONDENSER CPT-A/C HI TEMP.	PED WP	2	561566	561690	C 226					
C 160	FR AXLE-ABS RH SENSOR	WABCO	2	641132	-----	C 227					
C 161	FR AXLE-ABS RH VALVE	WABCO	3	-----	641098	C 228					
C 162	FR AXLE-ABS LH VALVE	WABCO	3	-----	641098	C 229					
C 163	FR AXLE-ABS LH SENSOR	WABCO	2	641132	-----	C 230	ENG.CPT.-FUEL PRIME PUMP FEED	DEUTSCH	2	562486	562485
C 164	RR AXLE-ABS LH SENSOR	WABCO	2	641132	-----	C 231	ENG.CPT.-FUEL PRIME PUMP SW.	PED WP	2	561566	561690
C 165	RR AXLE-ABS LH VALVE	WABCO	3	-----	641098	C 232	ENG.CPT.-FUEL PRIME PUMP	PED WP	2	561566	561690
C 166	RR AXLE-ABS RH VALVE	WABCO	3	-----	641098	C 233	FR. SERVICE COMPT.	VDO	8	-----	562043
C 167	RR AXLE-ABS RH SENSOR	DEUTSCH	2	641132	-----	C 234	FR. SERVICE COMPT.	VDO	8	-----	562044
C 168	RR AXLE-ABS OPT ATC	PED WP	2	561566	561690	C 235	FR. SERVICE COMPT.	VDO	8	-----	562041
C 169	RR JCT BOX-SPEED SW	AMP HDP	15	-----	562012	C 236	LUGGAGE COMPARTEMENT	AMP MNL	4	560851	560852
C 170	FR JCT BOX-FLASHER UNIT	TC	2	-----	561940	C 237	UNDER DASH LH-JACOB CLUTCH SW	ITT SS	3	561111	561080
C 171	LH CONSOLE	AMP CPC	24	561642	561643	C 238	RR JCT BOX-DIODE CONNECTOR	AMP MNL	9	561670	561669
C 172	ENGINE COMPT-WATER TANK HEAT.	PED WP	2	561566	561690	C 239	FR SERVICE CPT-HI BUOY VALVE	PED WP	2	561566	561690
C 173	LAV.POTABLE-WATER TANK HEAT.	AMP MNL	2	560900	560898	C 240	FR SERVICE CPT-KNEEL PROX SW	PED WP	2	561566	561690
C 174	UNDER DASH RH-HTR MODULE	AMP MNL	9	561670	561669	C 241					
C 175	UNDER DASH RH-HTR MODULE	AMP MNL	9	561670	561669	C 242	FR SERVICE CPT-MARK & DIR LT	ITT SS	3	561111	561080
C 176	UNDER DASH RH-WIPER PULSE	AMP FF	6	-----	561186	C 243	FR SERVICE CPT-HEADLAMPS	TC	3	-----	561071
C 177	UNDER DASH RH-WIPER MOTOR	AMP FF	6	-----	561186	C 244	FR SERVICE CPT-LH FOG LAMP	ITT SS	2	561813	561812
C 178	UNDER DASH RH-LH FAN	TC	2	561030	560997	C 245	FR SERVICE CPT-RH FOG LAMP	ITT SS	2	561813	561812
C 179	UNDER DASH RH-RH FAN	TC	2	561030	560997	C 246	FR SERVICE CPT-MARK & DIR LT	ITT SS	3	561111	561080
C 180	RR JCT BOX-DIODE CONNECTOR	AMP MNL	15	561987	561986	C 247					
C 181	RR JCT BOX-DIODE CONNECTOR	AMP MNL	15	561987	561986	C 248	FR JCT BOX-WIPER PULSE GEN	AMP FF	6	-----	561108
C 182						C 249					
C 183	FR SERVICE CPT-KNEELING PAN.	PED WP	4	561610	561611	C 250					
C 184	FR SERVICE CPT-KNEELING SW	ITT SS	3	561111	561080	C 251	LH DASH PANEL-FAST IDLE SW	EATON	8	-----	562763
C 185						C 252					
C 186	RR JCT BOX CPT.-SPEED SIGN.TR	PED WP	2	561566	561690	C 253	LH DASH PANEL-ETHER SW	EATON	8	-----	562763
C 186M	RR JCT BOX CPT.-SPD SIGN. M.TR	PED WP	2	561566	561690	C 254	INST. PANEL RH-ENTR.DOOR SW.	TORRIX	5	-----	562110
C 186W	RR JCT BOX CPT.-SPD SIGN. WT	PED WP	2	561566	561690	C 255	LH DASH PANEL-JACOB & RETARDER SW	EATON	8	-----	562763
C 187	FR JCT BOX-RPM RESISTOR CON.	AMP MNL	6	561552	561515	C 256					
C 188						C 257					

CONNECTORS CODE

NO	LOCATION	TYPE	CAVITY	#PIN	#SOCKET	NO	LOCATION	TYPE	CAVITY	#PIN	#SOCKET
				HOUSING	HOUSING					HOUSING	HOUSING
C 258	LH SW PANEL-MULTI FUNC. SW	AMP FF	8	561188	-----	C 325	LH DASH PANEL-KNEELING SW	EATON	8	-----	562763
C 259	LH SW PANEL-MULTI FUNC. SW	AMP FF	6	-----	561108	C 326	ENGINE CMPT.	PED	4	-----	561610
C 260	FR SERVICE CPT-LUG DOOR LCK	PED WP	6	561606	561607	C 327	ENGINE CONTROL	DEUTSCH	6	562583	562581
C 261	UNDER DASH RH-DOOR MODULE	AMP MNL	9	561670	561669	C 328	GALLEY-LAMP	AMP MNL	2	561248	561247
C 262	UNDER DASH RH-DOOR MODULE	AMP MNL	4	561551	561668	C 329	ENGINE TACHO SIGNAL	PED WP	3	561781	561789
C 263	UNDER DASH RH-DOOR MODULE	AMP MNL	3	561667	561550	C 330					
C 264	UNDER DASH RH-DOOR MODULE	AMP MNL	3	561667	561550	C 331	GALLEY MICROWAVE SW	EATON	8	-----	562763
C 265	UNDER DASH RH-DOOR MODULE	AMP HDP-20	15	562011	562012	C 332					
C 266						C 333	GALLEY RH CONTAINER SW	EATON	8	-----	562763
C 267	UNDER DASH RH	AMP CPC	24	561642	561643	C 334	GALLEY LH CONTAINER SW	EATON	8	-----	562763
C 268	UNDER DASH LH-MIRROR	AMP MNL	6	561552	561515	C 335					
C 269	UNDER DASH RH-MIRROR	AMP MNL	6	561552	561515	C 336					
C 270	LH MIRROR POST	MOLEX	6	562070	562069	C 337	INSTR PANEL LH-UP WIPER SW	EATON	8	-----	562763
C 271	RH MIRROR POST	MOLEX	6	562070	562069	C 338	INSTR PANEL LH-UP DEFROST SW	EATON	8	-----	562763
C 272	LH MIRROR	SPARTAN	6	-----	990158	C 339	INSTR PANEL LH-UP WASHER SW	EATON	8	-----	562763
C 273	RH MIRROR	SPARTAN	6	-----	990158	C 340	FR JCT. BOX FIRE PIEZO ALARM	AMP MNL	2	560900	560898
C 274	RR. JCT. BOX - SIGNAL ALT. MODULE					C 341	INSTR PANEL LH-HEAT MIRROR SW	EATON	8	-----	562763
C 275	UNDER DASH RH-DOOR MODULE	AMP MNL	9	561670	561669	C 342	ENGINE RR START SW	DEUTSCH	2	562586	562585
C 276	UNDER DASH RH-LOCK SOL.VALVE	AMP MNL	2	561248	561247	C 343	INSTR PANEL LH-HEADLAMP SW	EATON	8	-----	562763
C 277						C 344	INSTR PANEL LH-HAZARD LT SW	EATON	8	-----	562763
C 278						C 345	INSTR PANEL LH-FOG LT SW	EATON	8	-----	562763
C 279	UNDER DASH CYLINDER READ SW.	AMP MNL	2	561248	561247	C 346					
C 280	LH CONSOLE-UNLOAD TAG SW.	NGR	10	-----	562763	C 347	INSTR PANEL LH-DASH LT SW	AMP MNL	2	560900	560898
C 281						C 348	INSTR PANEL CENT-RACOR MODULE	MOLEX	6	562070	562067
C 282						C 349					
C 283						C 350	RH CONSOLE-THERMOMETER	AMP MNL	3	561667	561550
C 284						C 351	LH HAT RACK-FLUOR 110V	MOLEX	4	561477	561476
C 285						C 352	RH CONSOLE-DRV TEMP SENSOR	BURNDY	4	-----	561104
C 286	RH SW PANEL-A/C & HEAT	EATON	8	-----	562763	C 353	INSTR PANEL RH-DRV FAN RHEOST	AMP MNL	6	561552	561515
C 287	ENGINE COMPT-LTS SW	PED WP	2	561566	561690	C 354	INSTR PANEL RH-DRV TEMP CTR	AMP MNL	6	561552	561515
C 288	RH SW PANEL-FRESH AIR	EATON	8	-----	562763	C 355	INSTR PANEL RH-FR TEMP CTR	AMP MNL	3	561667	561550
C 289						C 356					
C 290						C 357	INSTR PANEL RH-WATER TEMP GA	AMP MNL	3	561667	561550
C 291						C 358	INSTR PANEL RH-FUEL LEVEL GA	AMP MNL	3	561667	561550
C 292						C 359					
C 293						C 360					
C 294						C 361	FR ROOF-WIPER MOTOR	AMP FF	6	-----	561186
C 295						C 362	FR ROOF-LAVATORY OCCUPIED LT	AMP MNL	2	561248	561247
C 296						C 363	FR ROOF-WATCH YOUR STEP LT	AMP MNL	2	561248	561247
C 297	INSTRUMENT PANEL RH -LTS	AMP MNL	2	560900	560898	C 364	FR ROOF-DESTINATION SIGN	AMP MNL	3	561667	561550
C 298						C 365	FR ROOF-UP WINDSHIELD DEFROST	AMP MNL	3	561667	561550
C 299	RH DASH PANEL SW-GALLEY	EATON	8	-----	562763	C 366	RH DASH PANEL-GRN & RED LEDS	AMP MNL	3	560908	562006
C 300						C 367	ENGINE COMPT-DIF OIL T SENSOR	PED WP	2	561566	561690
C 301						C 368	FR ROOF-DEST. SIGN BALLAST	AMP MNL	3	561667	561550
C 302						C 369	FR ROOF-DEST. SIGN OPER. SW	TORRIX	5	-----	562110
C 303						C 370	FR ROOF-DEST. SIGN FLUOR.	AMP MNL	2	560900	560898
C 304						C 371	FR ROOF-DEST. SIGN FLUOR.	AMP MNL	2	560900	560898
C 305						C 372	FR ROOF-DEST. SIGN SPEED SW	MOLEX	4	561477	561476
C 306						C 373	FR ROOF-NO SMOKING LT	AMP MNL	2	561248	561247
C 307						C 374	LH SWITCH PANEL	AMP MNL	6	561552	561515
C 308	LH CONSOLE SW-RHEOSTAT	TC	2	561030	560997	C 375					
C 309	DDEC ENGINE-ECM POWER CON.	PED MP	5	-----	562345	C 376					
C 310	LH DASH PANEL -LUG. DOOR LCK SW	EATON	8	-----	562763	C 377	LH DASH PANEL-STOP ENG.OVERRIDE SW	EATON	8	-----	562763
C 311	RH DASH PANEL -HOS & PAS CHIME SW	EATON	8	-----	562763	C 378					
C 312	RH DASH PANEL -READING LTS SW	EATON	8	-----	562763	C 379					
C 313	RH DASH PANEL -GEN & FLUOR LTS SW	EATON	8	-----	562763	C 380	LH CONSOLE-DDR CONNECTOR	DEUTSCH	6	562360	-----
C 314	LH DASH PANEL-FR DEST. SIGN SW	EATON	8	-----	562763	C 381					
C 315	LH DASH PANEL-LH STORE SW	EATON	8	-----	562763	C 382					
C 316	LH CONSOLE SPARE SWITCH	EATON	8	-----	562763	C 383					
C 317	LH DASH PANEL-RH STORE SW	EATON	8	-----	562763	C 384					
C 318	LH CONSOLE SW-DRV WINDOW LIFT	EATON	8	-----	562763	C 385					
C 319						C 386	LH DASH PANEL-WCL POWER SYSTEM SW	EATON	8	-----	562763
C 320	RH DASH PANEL-DRIVER'S LTS SW	EATON	8	-----	562763	C 387	RR JCT BOX (WCL)	AMP MNL	9	561661	561662
C 321	READING LTS TEST					C 388	RR JCT BOX (WCL)	AMP MNL	12	561735	561734
C 322	LH CONSOLE DRV WIND LIFT MOT	PED PO	2	-----	561848	C 389	WCL REAR DOOR	MOLEX	4	561477	561476
C 323	LH CONSOLE CRUISE CTR SW PAN. AMP	CPC	9	561636	561637	C 390	LAVATORY WALL-WCL REMOTE CTR	EATON	8	-----	562763
C 324						C 391	LAVATORY WALL-WCL LAMP	EATON	8	-----	562763

CONNECTORS CODE

NO	LOCATION	TYPE	CAVITY	#PIN	#SOCKET	NO	LOCATION	TYPE	CAVITY	#PIN	#SOCKET
				HOUSING	HOUSING					HOUSING	HOUSING
C 392	LAVATORY WALL-WCL SW. LT.	EATON	2	-----	561835	C 459	WORLD TRANSM.-ENGINE SP.SENS.	PED MP	2	-----	562426
C 393	LAVATORY WALL-WCL REMOTE SYS.	AMP CPC	4	561686	561687	C 460	WORLD TRANSM.-SPEED SENSOR	ITT	2	-----	562541
C 394	UNDER INSTR. PANEL- B/U MONITOR	AMP MNL	4	560851	560852	C 461	WORLD TRANSM.-RETARDER TEMP.	PED MP	2	561566	561680
C 395	DRIVER'S COMPT. - B/U MONITOR	AMP	5	-----	-----	C 462	WORLD TRANSM.-RETARD SOL."K"	PED MP	2	-----	562426
C 396	FR SECT. LH HAT RACK-SPEAKER	MOLEX	4	562507	562503	C 463	WORLD TRANSM.-SENSOR CONN.	DEUTSCH	16	562570	562571
C 397	ENGINE COMPT. CRADLE ACC.	DEUTSCH	40	562281	562284	C 464	RR JCT BOX-DDR CONNECTOR	DEUTSCH	6	-----	562360
C 398						C 465	LH CONSOLE-SHIFTER SELECTOR	PED	20	-----	562825
C 399	ENGINE COMPT. - PRE-EXITATION ALT.	PED WP	2	561566	561690	C 466	FR SERVICE CPT.-RESIS. MOD.	PED WP	3	-----	562428
C 400	ENGINE COMPT. BLOCK HEATER	PED MP	3	561781	561782	C 467	FR SERVICE CPT.-RESIS. MOD.	PED WP	3	-----	562428
C 401						C 468			8		
C 402	RR DRIVE AXLE-AIR DRYER	PED MP	2	-----	562251	C 469					
C 403	GALLEY FRIGO NORCOLD	AMP MNL	2	561248	561247	C 470	FR LH UPPER WHELL CPT-SILENT 1000	AMP MNL	2	561248	561247
C 404	GALLEY LAMP	AMP MNL	2	561248	561247	C 471	FR LH UPPER WHELL CPT-SILENT 1000	AMP MNL	2	561248	561247
C 405						C 472	FR LH UPPER WHELL CPT-SILENT 1000	PED WP	2	561566	561690
C 406	FR JCT BOX COMPT.-ABS	AMP MNL	2	560900	560898	C 473	FR LH UPPER WHELL CPT-SILENT 1000	AMP MNL	3	561667	561550
C 407	ENGINE COMPT. -SIGNAL	PED WP	6	561606	561607	C 474	DRIVER CPT.-TEMP. SENSOR	AMP MNL	2	561247	561248
C 408	ENGINE COMPT. -SIGNAL	PED WP	6	561606	561607	C 475	RR JCT BOX-SPEED SIGN CONNECTOR	AMP MNL	2	561248	561247
C 409	ENGINE CPT -LOW COOL. LEVEL	PED MP	2	-----	562350	C 475M	RR JCT BOX-SPEED SIGN MANUAL TR.	MOLEX	6	562070	562069
C 410	FR JCT BOX-DIODE CONNECTOR	AMP MNL	15	561987	561986	C 475W	RR JCT BOX-SPEED SIGN WORLD TR.	MOLEX	6	562070	562069
C 411	FR JCT BOX-DIODE CONNECTOR	AMP MNL	15	561987	561986	C 476					
C 412	LH DASH PANEL-MASTER SWITCH SW	EATON	8	-----	562763	C 477					
C 413	ENG CPT-A/C HI UNLOAD PRS SW	PED WP	2	561566	561690	C 478	ELECTRONIC DESTINATION SIGN	AMP CPC	9	561636	561637
C 414	RR JCT BOX	AMP MNL	9	561670	561669	C 479	HVAC MODULE				
C 415	ENGINE CRADLE-FAN SIGNAL	PED WP	3	561781	561782	C 480	UNDER DASH LH-DR. FAN SPEED CTR. MOD	PED	4	561889	561890
C 416	ENGINE CRADLE-FAN SIGNAL	PED P-C	3	562398	-----	C 481	UNDER DASH LH-DR. FAN SPEED CTR. MOD	PED	3	561781	561782
C 417	FRONT JCT BOX-DIODES	AMP MNL	15	561987	561986	C 482					
C 418	LH DASH PANEL-HTR WINDSH.SW	EATON	8	-----	562763	C 483	FR SERVICE CPT. (NOT USED)	PED PC	2	-----	562237
C 419	FR JCT BOX-RETARDER OR JACOB	AMP MNL	3	561667	561550	C 484	UNDER DASH LH.-FOOT DAMPER MOTOR	PED PC	2	-----	562076
C 420	ENGINE COMPT. WEBASTO WATER HTR	TC	2	561597	-----	C 485	UNDER DASH LH.-DASH & DEFR. DAM.MOT.	AMP MNL	3	561667	561550
C 421	ENGINE COMPT. WEBASTO WATER HTR	TC	1	561073	-----	C 486					
C 422	ENGINE COMPT. WEBASTO WATER HTR	TC	2	561597	-----	C 487					
C 423	PRO-HEAT	PC	2			C 488					
C 424	UNDER INSTRUMENT PANEL CENTER	AMP MNL	3	561667	561550	C 489					
C 425	FR JCT BOX-DIODES	AMP MNL	15	561987	561986	C 490					
C 426	ENGINE COMPT. CLUTCH CTR FAN	PED WP	3	561781	561782	C 491					
C 427	PRO-HEAT	PED-WP	2	561566	561680	C 492					
C 428	PRO-HEAT	PED WP	6	561606	561607	C 493					
C 429	FR JCT BOX COMPT.	AMP MNL	6	561552	561515	C 494					
C 430	LH CONSOLE-TIMER	AMP FF	8	561188	562363	C 495					
C 431	LH CONSOLE-PRE HEAT.	TAB AMP	1	561540	561539	C 496					
C 432	ENGINE CPT.-PROX. SW. DOOR AJAR	PED-WP	2	561566	561680	C 497					
C 433	FR SERVICE CPT. KNEEL. PRESS. SW	PED WP	2	561566	561690	C 498					
C 434	FRONT JCT. BOX-DIODES	AMP MNL	15	561987	561986	C 499					
C 435	FR SERVICE CPT.(RH) KNEEL. PIEZO	AMP MNL	2	560900	560898	C 500	FR LH UPPER WHELL CPT -PRODRIVER	MOLEX	6	562070	562069
C 436	RH HAT RACK-WCL CENTER ROOF ACC	AMP CPC	16	561639	561640	C 501	FR LH UPPER WHELL CPT -PRODRIVER	PED MP	7	562433	-----
C 437	RH HAT RACK-WCL FR & RR SECT.	AMP CPC	24	561642	561643	C 502	LH DASH PANEL-PRE HEATER SW.	EATON	8	-----	562763
C 438	EVAP COMPT	AMP MNL	2	561248	561247	C 503	LH CONSOLE-PRE HEATER SW.	EATON	2	-----	561837
C 439		AMP MNL	2	561248	561247	C 504	LH CONSOLE WEBASTO TIMER	AMP	8	-----	562852
C 440		DEUTSCH	4	562479	562477	C 505	LH CONSOLE ESPAR TIMER	AMP	9	-----	562681
C 441						C 506	FR JCT BOX CPT. DIGITAL CLOCK	AMP	4	561685	561687
C 442						C 507	FR SECT. LH HAT-RACK DIG. CLOCK	MOLEX	4	561477	561476
C 443						C 508	RR JCT BOX-FAN CLUTCH RETARDER	AMP MNL	6	561552	561515
C 444						C 509	FR LH UPPER WHELL CPT -DATA LOGGER	PED MP	16	-----	562530
C 445						C 510	FR LH UPPER WHELL CPT -DATA LOGGER	DEUTSCH	9	562531	-----
C 446						C 511	FR LH UPPER WHELL CPT -DATA LOGGER	PED MP	4	562532	-----
C 447						C 512	FR LH UPPER WHELL CPT -DATA LOGGER	PED MP	10	562533	-----
C 448						C 513	FR LH UPPER WHELL CPT -DATA LOGGER	AMP MNL	3	561667	561550
C 449						C 514	FR LH UPPER WHELL CPT -DATA LOGGER	PED MP	6	562433	562417
C 450	SOUND SYS. JCT. PANEL	MOLEX	4	562507	562503	C 515	FR JCT BOX CPT.-INTERCOM	MOLEX	4	561477	561476
C 451	WIRELESS MICRO-FIRST CPT BAG	MOLEX	2	562550	562549	C 516	FR JCT BOX CPT.-INTERCOM	MOLEX	6	562070	562069
C 452	UNDER DASH INSTR. PANEL	MOLEX	2	562550	562549	C 517	LAVATORY WALL-INTERCOM	MOLEX	6	562070	562069
C 453	SOUND SYS. JCT.PANEL-VCP	PED WP	2	561566	561680	C 519	UNDER DASH RH-SEDAN DOOR	HUMPHREY	2	-----	562580
C 454	SOUND SYS.JCT.PAN.-FILT. VCP	PED WP	2	561566	561680	C 520	UNDER DASH RH-SEDAN DOOR	HUMPHREY	2	-----	641385
C 455	WIRELESS MICRO-LH HAT-RACK	MOLEX	6	-----	562464	C 521	UNDER DASH RH-SEDAN DOOR	HUMPHREY	2	-----	641385
C 456	WORLD TRANSM.-RETARDER ACCUM.	PED MP	2	-----	562427	C 522	FR JCT BOX-DAYTIME LTS MODULE	BOSCH	5	-----	561183
C 457	WORLD TRANSM.-MAIN CONNECTOR	DEUTSCH	31	562572	562536	C 523	FR JCT BOX-FUSE BLOCK	PED	8	562647	562646
C 458	WORLD TRANSM.-TURBINE SP.SENS	PED MP	2	-----	562426	C 524	FR JCT BOX-FUSE BLOCK	PED	8	562647	562646

CONNECTORS CODE

NO	LOCATION	TYPE	CAVITY	#PIN	#SOCKET	NO	LOCATION	TYPE	CAVITY	#PIN	#SOCKET
				HOUSING	HOUSING					HOUSING	HOUSING
C 525	FR JCT BOX-FUSE BLOCK	PED	8	562647	562646	C 592	L.H.CONSOLE - MIRROR R.H.	EURAMTEC	8	-----	562799
C 526	FR JCT BOX-FUSE BLOCK	PED	8	562647	562646	C 593	BATTERY CMPT. - CHARGER	PED WP	3	561781	561782
C 527	FR JCT BOX-FUSE BLOCK	PED	8	562647	562646	C 594	FRONT ROOF - DRIVERS LIGHT	LEEKRAFT		-----	562803
C 528	FR JCT BOX-FUSE BLOCK	PED	8	562647	562646	C 595	DASH CENTER MODULE - OPEN DOOR	MOLEX	4	561477	561476
C 529	FR JCT BOX-12V OUTLET	AMP MNL	2	561247	561248	C 596	DASH CENTER MODULE - CLOSE DOOR	MOLEX	4	561477	561476
C 530	RR JCT BOX-FUSE BLOCK	PED	8	562647	562646	C 597	L.H. DASH PANEL - DISPLAY SET SW.	MOLEX	5		562812
C 531	RR JCT BOX-FUSE BLOCK	PED	8	562647	562646	C 598	L.H. DASH PANEL - DISPLAY SET SW.	MOLEX	5		562812
C 532	RR JCT BOX-FUSE BLOCK	PED	8	562647	562646	C 599					
C 533	RR JCT BOX-FUSE BLOCK	PED	8	562647	562646	C 600	ENGINE CPT.-A/C LOW PRESS SW. UNLOAD	PED	2	562348	562471
C 534	RR JCT BOX-FUSE BLOCK	PED	8	562647	562646	C 601	L.H. ROOF - WINDOW AJAR	AMP MNL	2	561248	561247
C 535	RR JCT BOX-FIRE MODULE DETECT.	AMP MNL	3	561667	561550	C 602	L.H. ROOF - WINDOW AJAR	MOLEX	4	561477	561476
C 536	UNDER DASH RH-DRIVER'S HTR TEMP. CTR	AMP MNL	6	561552	561515	C 603	R.H. ROOF - WINDOW AJAR	AMP MNL	2	561248	561247
C 537	BATT. CPT.-A/C PRESS. SIGN. RLY	AMP MNL	2	561248	561247	C 604					
C 538	FR SERVICE CPT.-OUTSIDE TEMP. SENSOR	AMP MNL	2	561248	561247	C 605	HAT RACK - MOTOR FAN	PED	2	560997	561030
C 539	HVAC DASH MODULE OUTPUT CON	MOLEX	24		562780	C 606	HAT RACK - MOTOR FAN	PED	2	560997	561030
C 540	HVAC DASH MODULE INPUT CON	MOLEX	22		562781	C 607	FRONT SERVICE CMPT. RPM SIGNAL	PED WP	2	561566	561690
C 541	SOUND SYS. JCT PANEL-AUDIO SEAT SYS.	PED WP	2	561566	561690	C 608	FRONT SERVICE CMPT. SPEED SIGNAL	PED WP	2	561566	561690
C 542	LH HAT RACK-AUDIO SEAT SYSTEM	AMP MNL	3	561667	561550	C 609	LAVATORY - NIGHT LIGHT				
C 543	RR JCT BOX-PARK. BRAKE STOP LTS RESIS.	PED WP	2	561566	561690	C 610	RR JCT BOX	AMP MNL	6	561552	561515
C 544	SOUND SYS JCT PANEL-AUDIO SEAT SYS.	PED WP	3	561781	562428	C 611	HAT RACK READING LTS RICON	MOLEX	6	562558	562557
C 545	LH HAT RACK-AUDIO SEAT SYSTEM	AMP MNL	3	561667	561550	C 612	HAT -RACK FLUOR. INSTATION LTS RICON	MOLEX	4	562507	562503
C 546	WIRELESS MIC. CHARGING SYSTEM	MOLEX	2	-----	563025	C 613	HAT -RACK INDIRECT LTS RICON	AMP MNL	3	561667	561550
C 547	RH DASH PANEL-ACCESSORIES	AMP CPC	37	561645	561646	C 614	HAT -RACK INDIRECT LTS RICON	AMP MNL	3	561667	561550
C 548	LH DASH PANEL-T.T. LT. TEST SW.	EATON	8	-----	562763	C 615					
C 549	LH DASH PANEL-FAN CLUTCH OVERR. SW	EATON	8	-----	562763	C 616					
C 550	LAST LUGG. CPT. -WCL RICON	AMP CPC	16	561694	561695	L X	CLUSTER	JAE	22		562766
C 551	LAST LUGG. CPT. -WCL RICON	AMP CPC	16	561694	561695	L Y	CLUSTER	JAE	30		562767
C 552	LAST LUGG. CPT. -WCL RICON	AMP CPC	9	561636	561637	R X	CLUSTER	JAE	22		562764
C 553	UNDER DASH R.H. - CONTROL. HEAD	MOLEX	16	-----	562559						
C 554	UNDER DASH R.H. - CONTROL. HEAD	MOLEX	16	-----	562559						
C 555	UNDER DASH R.H. - CONTROL. HEAD	MOLEX	16	-----	562559						
C 556	UNDER DASH R.H. - RADIO ACC.	MOLEX	2	562550	562549						
C 557	UNDER DASH R.H. - RADIO ACC.	MOLEX	9	562556	562555						
C 558	UNDER DASH R.H. - RADIO ACC.	MOLEX	4	562507	562503						
C 559	SOUND SYS. JCT. PANEL - FILTER AMPLI	PED WP	2	561566	561690						
C 560	SOUND SYS. JCT. PANEL - POWER AMPLI	MOLEX	4	562507	562503						
C 561	L.H. HAT RACK - WIRELESS MICRO	MOLEX	8		562465						
C 562	L.H. HAT RACK - VCP	MOLEX	12	562556	563070						
C 563	L.H MODESTY PANEL - DRIVERS SPK.	MOLEX	4	562507	562503						
C 564	L.H MODESTY PANEL - MICRO	MOLEX	4	562507	562503						
C 565	R.H MODESTY PANEL - MICRO	MOLEX	4	562507	562503						
C 566	L.H. CONSOLE - BOOM MICRO	MOLEX	4	562507	562503						
C 567	L.H. CONSOLE - DRIVERS MICRO	MOLEX	4	562507	562503						
C 568	SOUND SYS. JCT. PANEL - PASS. SPK	CINCH	4	562553	562552						
C 569	SOUND SYS. JCT. PANEL - POWER AMPLI.	MOLEX	9	562556	562555						
C 570	UNDER DASH PANEL TTLT	MOLEX	6		562464						
C 571	UNDER DASH PANEL TTLT	MOLEX	20		562778						
C 572	UNDER DASH PANEL TTLT	MOLEX	18		562779						
C 573	UNDER DASH PANEL TTLT	MOLEX	8		562465						
C 574	HAT -RACK FLUOR. INDIRECT LIGHTING	MOLEX	6	-----	562759						
C 575	HAT -RACK FLUOR. INSTATION LIGHT	MOLEX	4	562507	562503						
C 576	HAT -RACK FLUOR. INDIRECT LIGHTING	AMP MNL	3	561667	561550						
C 577	HAT -RACK FLUOR. INDIRECT LIGHTING	AMP MNL	3	561667	561550						
C 578	HAT -RACK FLUOR. INSTATION LIGHT	MOLEX	4	562507	562503						
C 579	L.H HAT RACK - VCP POWER	MOLEX	4		563071						
C 580	RH DASH PANEL-HAT RACK FAN SW	EATON	8	-----	562763						
C 581											
C 582	FRONT SERVICE CMPT. - WINDOWS AJAR	PED WP	2	561566	561690						
C 583	L.H. DASH PANEL - MASTER KEY	DEUTSCH	2	562486	562485						
C 584	FRONT SERVICE CMPT. - AIR HORH	HUMPHREY	3	-----	641385						
C 585											
C 586											
C 587											
C 588	FRONT SERVICE CPT. CENTER SOUND SYS.	AMP. CPC	37	561645	561646						
C 589	UNDER DASH - L.H. MIRROR	AMP MNL	9	561670	561669						
C 590	UNDER DASH - R.H. MIRROR	AMP MNL	9	561670	561669						
C 591	L.H.CONSOLE - MIRROR L.H.	EURAMTEC	8	-----	562799						

CONNECTORS CODE

NO	LOCATION	TYPE	CAVITY	#PIN	#SOCKET	NO	LOCATION	TYPE	CAVITY	#PIN	#SOCKET
				HOUSING	HOUSING					HOUSING	HOUSING
AA1	BEHIND DASH - SONALERT	BOSCH	5		561183	C 57					
AA2	BEHIND DASH - SONALERT	BOSCH	5		561183	C 58	RR JCT BOX AC PANEL	DEUTSCH	24	562280	562283
C X1	FR LH UPPER WHELL CPT-ABS	AMP	18		562792	C 59	RR JCT BOX AC PANEL	AMP CPC	14	561584	561583
C X2	FR LH UPPER WHELL CPT-ABS	AMP	6		562793	C 60	RR JCT BOX COMPT.-LT	AMP MNL	2	561248	561247
C X3	FR LH UPPER WHELL CPT-ABS	AMP	9		562794	C 61	LUGGAGE COMPARTMENT LTS	AMP MNL	2	561248	561247
C X4	FR LH UPPER WHELL CPT-ABS	AMP	15		562795	C 62	LUGGAGE COMPARTMENT LTS	AMP MNL	2	561248	561247
CS	RR JCT BOX ECU WORLD TR.	PED	32		562817	C 63	LUGGAGE COMPARTMENT LTS	AMP MNL	2	561248	561247
CT	RR JCT BOX ECU WORLD TR.	PED	32		562824	C 64	LUGGAGE COMPARTMENT LTS	AMP MNL	2	561248	561247
C V	RR JCT BOX ECU WORLD TR.	PED	32		562823	C 65	LUGGAGE COMPARTMENT LTS	AMP MNL	2	561248	561247
CV 12	RR JCT BOX-WORLD TRANSM. & EATON CLUSTER	AMP CPC	9	561636	561637	C 66	LUGGAGE COMPARTMENT LTS	AMP MNL	2	561248	561247
C Y		JAE	30		562765	C 67	LUGGAGE COMPARTMENT LTS	AMP MNL	2	561248	561247
C 1	FR JCT BOX COMPARTMENT	AMP CPC	14	561585	561584	C 68	LUGGAGE COMPARTMENT LTS	AMP MNL	2	561248	561247
C 2	FR JCT BOX COMPARTMENT	AMP CPC	16	561639	561640	C 69	RR AXLE ACC-INSIDE PVC END	PED WP	6	561568	561578
C 3	FR JCT BOX COMPARTMENT	AMP CPC	24	561641	561643	C 70	LH CONSOLE	AMP CPC	16	561642	561643
C 4	FR JCT BOX COMPARTMENT	AMP CPC	37	561644	561646	C 71	FR JCT BOX COMPARTMENT	AMP CPC	37	561645	561646
C 5	FR SERVICE COMPT.-UNDERNEATH	AMP CPC	37	561644	561646	C 72	FR JCT BOX COMPARTMENT	AMP CPC	24	561642	561643
C 6	FR SERVICE COMPT.-UNDERNEATH	AMP CPC	16	561639	561640	C 73	DASH CENTER PANEL	AMP CPC	16	561639	561640
C 7						C 74	FR JCT BOX COMPARTMENT	AMP CPC	37	561645	561646
C 8	FR SERVICE COMPT.-UNDERNEATH	AMP CPC	24	561641	561643	C 75	SERV CPT. RXT. ENT. DOOR SW	DEUTSCH	4	562479	562477
C 9	FR SERVICE COMPT.-UNDERNEATH	AMP CPC	24	561641	561643	C 76	LUGGAGE COMPT.-AIR RET.SENS.	AMP MNL	2	561248	561247
C 10						C 77	LUGGAGE COMPT.-AIR RET.SENS.	AMP MNL	2	561248	561247
C 11	FR SERVICE COMPARTMENT	AMP CPC	37	561644	561646	C 78					
C 12	FR SERVICE COMPARTMENT	AMP CPC	16	561639	561640	C 79					
C 13	LH CONSOLE-CTR MIRROR	AMP MNL	6	561552	561515	C 80	LUGGAGE COMPT.-AIR RET.SENS.	AMP MNL	2	561248	561247
C 14	UNDER DASH-LH MIRROR	AMP MNL	9	561661	561662	C 81	PASSENGER COMPT.-AISLE LTS	AMP MNL	2	560900	560898
C 15	RR JCT BOX	AMP CPC	24	561641	561643	C 82	ENTRANCE DOOR	MOLEX	6	562070	562069
C 16	LH CONSOLE SW-CRUISE ON OFF	EATON	10	-----	562763	C 83	ENTRANCE DOOR-PROIMITY SW	MOLEX	4	561477	561476
C 17	LH CONSOLE SW-CRUISE RESUME	EATON	10	-----	562763	C 84	ENTRANCE DOOR-PRESSURE SW	PED WP	2	561566	561690
C 18	LH CONSOLE SW-CRUISE SET	EATON	10	-----	562763	C 85	UNDER INSTRUMENT PANEL LH	AMP MTA-100	-----	562248	-----
C 19	LH CONSOLE DECEL SW	EATON	10	-----	562763	C 86					
C 20	RR JCT BOX	AMP CPC	37	561644	561646	C 87	RR END ROOF	AMP CPC	9	561636	561637
C 21	RR JCT BOX	AMP CPC	24	561641	561643	C 88					
C 22	RR JCT BOX - EATON TRANSM.	AMP MNL	6	561552	561515	C 89	RR END ROOF-B/U NONITOR	AMP CPC	4	561582	561581
C 23	DDEC ENGINE-ECM J1939	PED MP	6	-----	561962	C 90	RR JCT BOX	AMP CPC	15	561987	561986
C 24	DDEC ENGINE	PED WP	1	561605	561577	C 91	RR JCT BOX	AMP CPC	37	561714	561713
C 25	RR JCT BOX - EATON TRANSM. J1939	DEUTCH	3	562877	562884	C 92	FR LH UPPER WHELL CPT-ABS	AMP CPC	9	561635	561637
C 26	HYD & MAN TRANSM.-NEUT. & B/U	PED WP	4	561610	561611	C 93	FR LH UPPER WHELL CPT-ABS		35	-----	641094
C 27	HYD & MAN TRANSM.-SPEED SENS.	PED WP	2	561566	561690	C 94					
C 28	EATON TRANSMISSION	DEUTCH	3	562877	562884	C 95	CONDENSOR CPT - LIQ. SOL. VALVE	PED WP	2	561566	561690
C 29	EATON TRANSMISSION	PED MP	6	562878	-----	C 96	FR AXLE ACCESSORIES	AMP CPC	14	561585	561585
C 30	RR JCT BOX - ECU EATON TRANSM.	PED MP	32	-----	562866	C 97	RR AXLE ACC-INSIDE PVC END	PED WP	6	561568	561578
C 31	RR JCT BOX - ECU EATON TRANSM.	PED MP	24	-----	562865	C 98	FR SERVICE COMPT-EL.FT.PEDAL	PED WP	3	561782	561781
C 32	DDEC ENGINE-ECM	PED	30	-----	561600	C 99	FR SERVICE COMPT LTS	AMP MNL	2	561248	561247
C 33	RR JCT BOX - EATON TRANSM.	DEUTCH	9	562531	-----	C 100	LH CONSOLE - 120 VOLTS SWITCH	EATON	8	-----	562763
C 34	RH. CONSOLE - EATON TRANSM. SHIFTER	PED MP	3	-----	562871	C 101	FR SERVICE COMPT-ELEC. HORNS	PED WP	2	561566	561690
C 35	RR JCT BOX	AMP CPC	24	561642	561643	C 102	FR SERV & SIDE CPT-FLASH. LH	GROTE	2	-----	562155
C 36	RH. CONSOLE - EATON TRANSM. SHIFTER	PED MP	24	-----	562874	C 103	FR SERV & SIDE CPT-MARKERS	GROTE	2	-----	562155
C 37	RR SECTION-LH HAT RACK	MOLEX	6	562558	562557	C 104	FR SERV & SIDE CPT-FLASH. RH	GROTE	2	-----	562155
C 38	RR SECTION-RH HAT RACK	MOLEX	6	562558	562557	C 105	FR SERVICE COMPT-LIQ.S.VALVE	PED WP	2	561566	561690
C 39	LH CONSOLE - EATON TRANSM. DISPLAY	AMP MNL	4	561551	561668	C 106	FR SERVICE COMPT-WATER VALVE	PED WP	2	561566	561690
C 40	RR JCT BOX - EATON TRANSM. J1939	DEUTCH	3	562877	562884	C 107	EVAPORATOR COMPT-DAMPER	PED WP	2	561566	561690
C 41	LAVATORY ROOF FLUORESCENT	AMP MNL	2	560900	560898	C 108	FR SERVICE COMPT-KNEEL.SYS	PED WP	2	561566	561690
C 42	LAVATORY BACK WALL-WTR TANK	AMP MNL	2	560900	560898	C 109	FR SERVICE COMPT-KNEEL.SYS	PED WP	2	561566	561690
C 43	LAVATORY BACK WALL-ACCES.	AMP MNL	9	561661	561662	C 110	FR SERVICE COMPT-KNEEL.SYS	PED WP	2	561566	561690
C 44	EATON TRANSM. J1939	DEUTCH	3	562877	562884	C 111	EVAPORATOR COMPT-DAMPER	DEUTSCH	2	562486	562485
C 45	FR JCT BOX COMPARTMENT	AMP CPC	24	561642	561643	C 112	EVAPORATOR COMPT-SPEED MOT CTRL	DEUTSCH	5	-----	562566
C 46	EATON TRANSM. J1939	DEUTCH	3	562877	562884	C 113	BATT. & RR J.B.CPT.MARKER LT	GROTE	2	-----	562155
C 47	FR SERVICE COMPARTMENT	AMP CPC	16	561694	561695	C 114	RR J. BOX CPT DOOR DIR LT LH	GROTE	2	-----	562155
C 48	FR. SERVICE CMPT.PRESS SW PARK BREAK	DEUTCH	4	562479	562477	C 115	ENGINE COMPT-AIR DRYER	PED WP	2	561566	561690
C 49	BATTERIE COMPT.-LT	AMP MNL	2	561248	561247	C 116	ENGINE COMPT. LTS	PED WP	1	561605	561577
C 50	FR SERVICE COMPT.-LOW BUOY	PED WP	1	561605	561577	C 117					
C 51						C 118	ENGINE COMPT-LAVATORY FAN	PED WP	2	561566	561690
C 52	RR JCT BOX	AMP CPC	22	561709	561710	C 119	ENGINE CPT RR DOOR RH LO LAMP	PED WP	6	561606	561607
C 53						C 120	ENGINE CPT RR DOOR LH LO LAMP	PED WP	6	561606	561607
C 54						C 121	BATTERIE CPT. DOOR DIR LT RH	GROTE	2	-----	562155
C 55	RH SWITCH PANEL	AMP CPC	9	561636	561637	C 122	ENGINE CPT-UNLOAD TAG SYSTEM	PED WP	2	561566	561690
C 56						C 123	TAG AXLE-UNLOAD TAG RH VALVE	PED WP	2	561566	561690

CONNECTORS CODE

NO	LOCATION	TYPE	CAVITY	#PIN	#SOCKET	NO	LOCATION	TYPE	CAVITY	#PIN	#SOCKET
				HOUSING	HOUSING					HOUSING	HOUSING
C 124	ENGINE CPT-ETHER SW	PED WP	2	561566	561690	C 189	ENGINE CPT RR DOOR B/U LT	PED WP	2	561566	561690
C 125	ENGINE CPT-BU ALARM	PED WP	2	561566	561690	C 190	ENGINE CPT RR DOOR TAIL LT	PED WP	2	561566	561690
C 126	ENGINE CPT-FLUSHING PUMP	PED WP	2	561566	561690	C 191	ENGINE CPT RR DOOR RH STOP LT	PED WP	2	561566	561690
C 127	ENGINE CPT-FUEL FILTER	PED WP	2	561566	561690	C 192	ENGINE CPT RR DOOR RH DIR. LT	PED WP	2	561566	561690
C 128	ENGINE CPT-A/C COMPR.CLUTCH	ITT SS	2	561813	561812	C 193					
C 129	ENGINE CPT-PRE-HEAT WATER	AMP FF	6	561672	561186	C 194	ENGINE CPT RR DOOR LH DIR. LT	PED WP	2	561566	561690
C 130	ENGINE CPT-UNLOADER	ITT SS	2	561813	561812	C 195	ENGINE CPT RR DOOR LH STOP LT	PED WP	2	561566	561690
C 131	ENGINE CPT-UNLOADER	ITT SS	2	561813	561812	C 196	ENGINE CPT RR DOOR CYCLOP LT	PED WP	2	561566	561690
C 132	ENGINE CPT-A/C LO PRESS SW	PED WP	2	561566	561690	C 199	ENGINE CPT RR DOOR LICENCE LT	DOM AUTO	2	930210	-----
C 133	ENGINE CPT-A/C HI PRESS SW	PED WP	2	561566	561690	C 200	RH HAT RACK-FLUORESCENT	AMP MNL	2	561248	561247
C 134	FR JCT BOX-LUGGAGE DIODE CON.	AMP MNL	15	561987	561986	C 201	RH HAT RACK-FLUORESCENT	AMP MNL	2	561248	561247
C 135	FR JCT BOX-LUGGAGE DIODE CON.	AMP MNL	15	561987	561986	C 202	RH HAT RACK-INDIRECT LIGHTING	MOLEX	2	-----	562758
C 136	RR JCT BOX - A/C PANEL DIODE CONN.	AMP MNL	15	561987	561986	C 203	RH HAT RACK-INDIRECT LIGHTING	MOLEX	6	-----	562759
C 137	RR JCT BOX-TRANSMITTER	AMP MNL	2	560900	560898	C 204	RH HAT RACK-GENERAL LT	AMP MNL	2	560900	560898
C 138	RR JCT BOX-CONTROL MODULE	AMP HDP	15	-----	562012	C 205	FR SECT.-RH HAT RACK SPEAKER	AMP MNL	9	561661	561662
C 139	RR JCT BOX-LOGIC MODULE	AMP HDP	15	562011	-----	C 206	RH HAT RACK-READING LT	AMP FF	4	-----	562756
C 140	HVAC DASH MODULE THERMOMETER	MOLEX	4		562782	C 207	LH HAT RACK-READING LT	AMP FF	4	-----	562756
C 141	INSTRUMENT PANEL LH UNLOAD TAG	AMP	2	561248	561247	C 208	LH HAT RACK-BALLAST	MOLEX	2	-----	562758
C 142	LAVATORY DOOR WALL	AMP MNL	2	561248	561247	C 209	LH HAT RACK HOTESS CHIME	AMP MNL	3	561667	561550
C 143	LAVATORY DOOR WALL	AMP MNL	3	560908	562006	C 210	FR SECT.-LH HAT RACK SPEAKER	AMP MNL	9	561661	561662
C 144	UNDER LH SEAT-AISLE LTS	AMP MNL	4	560851	560852	C 211	FR ROOF-STORE LH	AMP MNL	2	560900	560898
C 145	RR JCT BOX CPT-RR SIDE LTS	AMP MNL	9	561670	561669	C 212	FR ROOF-STORE RH	AMP MNL	2	560900	560898
C 146	ENGINE CPT-MODULATOR VALVE	AMPHENOL	2	-----	560412	C 213					
C 147	BATT & RR J.B.CPT-DOCK.LTS	PED WP	2	561566	561690	C 214	ENGINE CPT J1922				
C 148						C 215	TAG AXLE - A.T.C. SYSTEM				
C 149	CONDENSER CPT-FAN MOTOR	ORDNANCE	3	562555	562001	C 216	TAG AXLE - A.T.C. SYSTEM				
C 150						C 217	RH DASH PANEL-FRONT CAMERA SW	EATON	8	-----	562763
C 151	EVAPORATOR CPT-THERMOSTAT	ITT SS	2	561813	562159	C 218	RH DASH PANEL-FRONT CAMERA SW	AMP MNL	2	560900	560898
C 152	CONDENSER CPT-FUEL GAUGE	PED WP	4	561610	561611	C 219					
C 153	EVAPORATOR CPT-AIR AMB. SENS	AMP MNL	2	561248	561247	C 220	RR.JCT.BOX-FUEL PRIME PUMP	TC	1	561070	561073
C 154	EVAPORATOR CPT-FRESH AIR SENS	ITT SS	2	561813	561812	C 221	BATTERY CMPT. FIRE DETECTOR	DEUTSCH	2	562486	562485
C 155	EVAPORATOR CPT-WATER VALVE	PED WP	4	561610	561611	C 222	ENGINE CMPT. FIRE DETCTOR	DEUTSCH	2	562486	562485
C 156	EVAPOR. CPT-BYPASS WATER VAL.	PED WP	2	561566	561690	C 223	ENGINE CMPT. FIRE DETCTOR	DEUTSCH	2	562486	562485
C 157	EVAPORATOR CPT-WATER PUMP	PED WP	2	561566	561690	C 224					
C 158	CONDENSER CPT-A/C LO TEMP.	PED WP	2	561566	561690	C 225					
C 159	CONDENSER CPT-A/C HI TEMP.	PED WP	2	561566	561690	C 226					
C 160	FR AXLE-ABS RH SENSOR	WABCO	2	641132	-----	C 227					
C 161	FR AXLE-ABS RH VALVE	WABCO	3	-----	641098	C 228					
C 162	FR AXLE-ABS LH VALVE	WABCO	3	-----	641098	C 229					
C 163	FR AXLE-ABS LH SENSOR	WABCO	2	641132	-----	C 230	ENG.CPT.-FUEL PRIME PUMP FEED	DEUTSCH	2	562486	562485
C 164	RR AXLE-ABS LH SENSOR	WABCO	2	641132	-----	C 231	ENG.CPT.-FUEL PRIME PUMP SW.	PED WP	2	561566	561690
C 165	RR AXLE-ABS LH VALVE	WABCO	3	-----	641098	C 232	ENG.CPT.-FUEL PRIME PUMP	PED WP	2	561566	561690
C 166	RR AXLE-ABS RH VALVE	WABCO	3	-----	641098	C 233	FR. SERVICE COMPT.	VDO	8	-----	562043
C 167	RR AXLE-ABS RH SENSOR	DEUTSCH	2	641132	-----	C 234	FR. SERVICE COMPT.	VDO	8	-----	562044
C 168	RR AXLE-ABS OPT ATC	PED WP	2	561566	561690	C 235	FR. SERVICE COMPT.	VDO	8	-----	562041
C 169	RR JCT BOX-SPEED SW	AMP HDP	15	-----	562012	C 236	LUGGAGE COMPARTEMENT	AMP MNL	4	560851	560852
C 170	FR JCT BOX-FLASHER UNIT	TC	2	-----	561940	C 237	UNDER DASH LH-JACOB CLUTCH SW	ITT SS	3	561111	561080
C 171	LH CONSOLE	AMP CPC	24	561642	561643	C 238	RR JCT BOX-DIODE CONNECTOR	AMP MNL	9	561670	561669
C 172	ENGINE COMPT-WATER TANK HEAT.	PED WP	2	561566	561690	C 239	FR SERVICE CPT-HI BUOY VALVE	PED WP	2	561566	561690
C 173	LAV.POTABLE-WATER TANK HEAT.	AMP MNL	2	560900	560898	C 240	FR SERVICE CPT-KNEEL PROX SW	PED WP	2	561566	561690
C 174	UNDER DASH RH-HTR MODULE	AMP MNL	9	561670	561669	C 241					
C 175	UNDER DASH RH-HTR MODULE	AMP MNL	9	561670	561669	C 242	FR SERVICE CPT-MARK & DIR LT	ITT SS	3	561111	561080
C 176	UNDER DASH RH-WIPER PULSE	AMP FF	6	-----	561186	C 243	FR SERVICE CPT-HEADLAMPS	TC	3	-----	561071
C 177	UNDER DASH RH-WIPER MOTOR	AMP FF	6	-----	561186	C 244	FR SERVICE CPT-LH FOG LAMP	ITT SS	2	561813	561812
C 178	UNDER DASH RH-LH FAN	TC	2	561030	560997	C 245	FR SERVICE CPT-RH FOG LAMP	ITT SS	2	561813	561812
C 179	UNDER DASH RH-RH FAN	TC	2	561030	560997	C 246	FR SERVICE CPT-MARK & DIR LT	ITT SS	3	561111	561080
C 180	RR JCT BOX-DIODE CONNECTOR	AMP MNL	15	561987	561986	C 247					
C 181	RR JCT BOX-DIODE CONNECTOR	AMP MNL	15	561987	561986	C 248	FR JCT BOX-WIPER PULSE GEN	AMP FF	6	-----	561108
C 182						C 249					
C 183	FR SERVICE CPT-KNEELING PAN.	PED WP	4	561610	561611	C 250					
C 184	FR SERVICE CPT-KNEELING SW	ITT SS	3	561111	561080	C 251	LH DASH PANEL-FAST IDLE SW	EATON	8	-----	562763
C 185						C 252					
C 186	RR JCT BOX CPT.-SPEED SIGN.TR	PED WP	2	561566	561690	C 253	LH DASH PANEL-ETHER SW	EATON	8	-----	562763
C 186M	RR JCT BOX CPT.-SPD SIGN. M.TR	PED WP	2	561566	561690	C 254	INST. PANEL RH-ENTR.DOOR SW.	TORRIX	5	-----	562110
C 186W	RR JCT BOX CPT.-SPD SIGN. WT	PED WP	2	561566	561690	C 255	LH DASH PANEL-JACOB & RETARDER SW	EATON	8	-----	562763
C 187	FR JCT BOX-RPM RESISTOR CON.	AMP MNL	6	561552	561515	C 256					
C 188						C 257					

CONNECTORS CODE

NO	LOCATION	TYPE	CAVITY	#PIN	#SOCKET	NO	LOCATION	TYPE	CAVITY	#PIN	#SOCKET
				HOUSING	HOUSING					HOUSING	HOUSING
C 258	LH SW PANEL-MULTI FUNC. SW	AMP FF	8	561188	-----	C 325	LH DASH PANEL-KNEELING SW	EATON	8	-----	562763
C 259	LH SW PANEL-MULTI FUNC. SW	AMP FF	6	-----	561108	C 326	ENGINE CMPT.	PED	4	-----	561610
C 260	FR SERVICE CPT-LUG DOOR LCK	PED WP	6	561606	561607	C 327	ENGINE CONTROL	DEUTSCH	6	562583	562581
C 261	UNDER DASH RH-DOOR MODULE	AMP MNL	9	561670	561669	C 328	GALLEY-LAMP	AMP MNL	2	561248	561247
C 262	UNDER DASH RH-DOOR MODULE	AMP MNL	4	561551	561668	C 329	ENGINE TACHO SIGNAL	PED WP	3	561781	561789
C 263	UNDER DASH RH-DOOR MODULE	AMP MNL	3	561667	561550	C 330					
C 264	UNDER DASH RH-DOOR MODULE	AMP MNL	3	561667	561550	C 331	GALLEY MICROWAVE SW	EATON	8	-----	562763
C 265	UNDER DASH RH-DOOR MODULE	AMP HDP-20	15	562011	562012	C 332					
C 266						C 333	GALLEY RH CONTAINER SW	EATON	8	-----	562763
C 267	UNDER DASH RH	AMP CPC	24	561642	561643	C 334	GALLEY LH CONTAINER SW	EATON	8	-----	562763
C 268	UNDER DASH LH-MIRROR	AMP MNL	6	561552	561515	C 335					
C 269	UNDER DASH RH-MIRROR	AMP MNL	6	561552	561515	C 336					
C 270	LH MIRROR POST	MOLEX	6	562070	562069	C 337	INSTR PANEL LH-UP WIPER SW	EATON	8	-----	562763
C 271	RH MIRROR POST	MOLEX	6	562070	562069	C 338	INSTR PANEL LH-UP DEFROST SW	EATON	8	-----	562763
C 272	LH MIRROR	SPARTAN	6	-----	990158	C 339	INSTR PANEL LH-UP WASHER SW	EATON	8	-----	562763
C 273	RH MIRROR	SPARTAN	6	-----	990158	C 340	FR JCT. BOX FIRE PIEZO ALARM	AMP MNL	2	560900	560898
C 274	RR. JCT. BOX - SIGNAL ALT. MODULE					C 341	INSTR PANEL LH-HEAT MIRROR SW	EATON	8	-----	562763
C 275	UNDER DASH RH-DOOR MODULE	AMP MNL	9	561670	561669	C 342	ENGINE RR START SW	DEUTSCH	2	562586	562585
C 276	UNDER DASH RH-LOCK SOL.VALVE	AMP MNL	2	561248	561247	C 343	INSTR PANEL LH-HEADLAMP SW	EATON	8	-----	562763
C 277						C 344	INSTR PANEL LH-HAZARD LT SW	EATON	8	-----	562763
C 278						C 345	INSTR PANEL LH-FOG LT SW	EATON	8	-----	562763
C 279	UNDER DASH CYLINDER READ SW.	AMP MNL	2	561248	561247	C 346					
C 280	LH CONSOLE-UNLOAD TAG SW.	NGR	10	-----	562763	C 347	INSTR PANEL LH-DASH LT SW	AMP MNL	2	560900	560898
C 281						C 348	INSTR PANEL CENT-RACOR MODULE	MOLEX	6	562070	562067
C 282						C 349					
C 283						C 350	RH CONSOLE-THERMOMETER	AMP MNL	3	561667	561550
C 284						C 351	LH HAT RACK-FLUOR 110V	MOLEX	4	561477	561476
C 285						C 352	RH CONSOLE-DRV TEMP SENSOR	BURNDY	4	-----	561104
C 286	RH SW PANEL-A/C & HEAT	EATON	8	-----	562763	C 353	INSTR PANEL RH-DRV FAN RHEOST	AMP MNL	6	561552	561515
C 287	ENGINE COMPT-LTS SW	PED WP	2	561566	561690	C 354	INSTR PANEL RH-DRV TEMP CTR	AMP MNL	6	561552	561515
C 288	RH SW PANEL-FRESH AIR	EATON	8	-----	562763	C 355	INSTR PANEL RH-FR TEMP CTR	AMP MNL	3	561667	561550
C 289						C 356					
C 290						C 357	INSTR PANEL RH-WATER TEMP GA	AMP MNL	3	561667	561550
C 291						C 358	INSTR PANEL RH-FUEL LEVEL GA	AMP MNL	3	561667	561550
C 292						C 359					
C 293						C 360					
C 294						C 361	FR ROOF-WIPER MOTOR	AMP FF	6	-----	561186
C 295						C 362	FR ROOF-LAVATORY OCCUPIED LT	AMP MNL	2	561248	561247
C 296						C 363	FR ROOF-WATCH YOUR STEP LT	AMP MNL	2	561248	561247
C 297	INSTRUMENT PANEL RH -LTS	AMP MNL	2	560900	560898	C 364	FR ROOF-DESTINATION SIGN	AMP MNL	3	561667	561550
C 298						C 365	FR ROOF-UP WINDSHIELD DEFROST	AMP MNL	3	561667	561550
C 299	RH DASH PANEL SW-GALLEY	EATON	8	-----	562763	C 366	RH DASH PANEL-GRN & RED LEDS	AMP MNL	3	560908	562006
C 300						C 367	ENGINE COMPT-DIF OIL T SENSOR	PED WP	2	561566	561690
C 301						C 368	FR ROOF-DEST. SIGN BALLAST	AMP MNL	3	561667	561550
C 302						C 369	FR ROOF-DEST. SIGN OPER. SW	TORRIX	5	-----	562110
C 303						C 370	FR ROOF-DEST. SIGN FLUOR.	AMP MNL	2	560900	560898
C 304						C 371	FR ROOF-DEST. SIGN FLUOR.	AMP MNL	2	560900	560898
C 305						C 372	FR ROOF-DEST. SIGN SPEED SW	MOLEX	4	561477	561476
C 306						C 373	FR ROOF-NO SMOKING LT	AMP MNL	2	561248	561247
C 307						C 374	LH SWITCH PANEL	AMP MNL	6	561552	561515
C 308	LH CONSOLE SW-RHEOSTAT	TC	2	561030	560997	C 375					
C 309	DDEC ENGINE-ECM POWER CON.	PED MP	5	-----	562345	C 376					
C 310	LH DASH PANEL -LUG. DOOR LCK SW	EATON	8	-----	562763	C 377	LH DASH PANEL-STOP ENG.OVERRIDE SW	EATON	8	-----	562763
C 311	RH DASH PANEL -HOS & PAS CHIME SW	EATON	8	-----	562763	C 378					
C 312	RH DASH PANEL -READING LTS SW	EATON	8	-----	562763	C 379					
C 313	RH DASH PANEL -GEN & FLUOR LTS SW	EATON	8	-----	562763	C 380	LH CONSOLE-DDR CONNECTOR	DEUTSCH	6	562360	-----
C 314	LH DASH PANEL-FR DEST. SIGN SW	EATON	8	-----	562763	C 381					
C 315	LH DASH PANEL-LH STORE SW	EATON	8	-----	562763	C 382					
C 316	LH CONSOLE SPARE SWITCH	EATON	8	-----	562763	C 383					
C 317	LH DASH PANEL-RH STORE SW	EATON	8	-----	562763	C 384					
C 318	LH CONSOLE SW-DRV WINDOW LIFT	EATON	8	-----	562763	C 385					
C 319						C 386	LH DASH PANEL-WCL POWER SYSTEM SW	EATON	8	-----	562763
C 320	RH DASH PANEL-DRIVER'S LTS SW	EATON	8	-----	562763	C 387	RR JCT BOX (WCL)	AMP MNL	9	561661	561662
C 321	READING LTS TEST					C 388	RR JCT BOX (WCL)	AMP MNL	12	561735	561734
C 322	LH CONSOLE DRV WIND LIFT MOT	PED PO	2	-----	561848	C 389	WCL REAR DOOR	MOLEX	4	561477	561476
C 323	LH CONSOLE CRUISE CTR SW PAN. AMP	CPC	9	561636	561637	C 390	LAVATORY WALL-WCL REMOTE CTR	EATON	8	-----	562763
C 324						C 391	LAVATORY WALL-WCL LAMP	EATON	8	-----	562763

CONNECTORS CODE

NO	LOCATION	TYPE	CAVITY	#PIN	#SOCKET	NO	LOCATION	TYPE	CAVITY	#PIN	#SOCKET
				HOUSING	HOUSING					HOUSING	HOUSING
C 392	LAVATORY WALL-WCL SW. LT.	EATON	2	-----	561835	C 459	WORLD TRANSM.-ENGINE SP.SENS.	PED MP	2	-----	562426
C 393	LAVATORY WALL-WCL REMOTE SYS.	AMP CPC	4	561686	561687	C 460	WORLD TRANSM.-SPEED SENSOR	ITT	2	-----	562541
C 394	UNDER INSTR. PANEL- B/U MONITOR	AMP MNL	4	560851	560852	C 461	WORLD TRANSM.-RETARDER TEMP.	PED MP	2	561566	561680
C 395	DRIVER'S COMPT. - B/U MONITOR	AMP	5	-----	-----	C 462	WORLD TRANSM.-RETARD SOL."K"	PED MP	2	-----	562426
C 396	FR SECT. LH HAT RACK-SPEAKER	MOLEX	4	562507	562503	C 463	WORLD TRANSM.-SENSOR CONN.	DEUTSCH	16	562570	562571
C 397	ENGINE COMPT. CRADLE ACC.	DEUTSCH	40	562281	562284	C 464	RR JCT BOX-DDR CONNECTOR	DEUTSCH	6	-----	562360
C 398						C 465	LH CONSOLE-SHIFTER SELECTOR	PED	20	-----	562825
C 399	ENGINE COMPT. - PRE-EXITATION ALT.	PED WP	2	561566	561690	C 466	FR SERVICE CPT.-RESIS. MOD.	PED WP	3	-----	562428
C 400	ENGINE COMPT. BLOCK HEATER	PED MP	3	561781	561782	C 467	FR SERVICE CPT.-RESIS. MOD.	PED WP	3	-----	562428
C 401						C 468			8		
C 402	RR DRIVE AXLE-AIR DRYER	PED MP	2	-----	562251	C 469					
C 403	GALLEY FRIGO NORCOLD	AMP MNL	2	561248	561247	C 470	FR LH UPPER WHELL CPT-SILENT 1000	AMP MNL	2	561248	561247
C 404	GALLEY LAMP	AMP MNL	2	561248	561247	C 471	FR LH UPPER WHELL CPT-SILENT 1000	AMP MNL	2	561248	561247
C 405						C 472	FR LH UPPER WHELL CPT-SILENT 1000	PED WP	2	561566	561690
C 406	FR JCT BOX COMPT.-ABS	AMP MNL	2	560900	560898	C 473	FR LH UPPER WHELL CPT-SILENT 1000	AMP MNL	3	561667	561550
C 407	ENGINE COMPT. -SIGNAL	PED WP	6	561606	561607	C 474	DRIVER CPT.-TEMP. SENSOR	AMP MNL	2	561247	561248
C 408	ENGINE COMPT. -SIGNAL	PED WP	6	561606	561607	C 475	RR JCT BOX-SPEED SIGN CONNECTOR	AMP MNL	2	561248	561247
C 409	ENGINE CPT -LOW COOL. LEVEL	PED MP	2	-----	562350	C 475M	RR JCT BOX-SPEED SIGN MANUAL TR.	MOLEX	6	562070	562069
C 410	FR JCT BOX-DIODE CONNECTOR	AMP MNL	15	561987	561986	C 475W	RR JCT BOX-SPEED SIGN WORLD TR.	MOLEX	6	562070	562069
C 411	FR JCT BOX-DIODE CONNECTOR	AMP MNL	15	561987	561986	C 476					
C 412	LH DASH PANEL-MASTER SWITCH SW	EATON	8	-----	562763	C 477					
C 413	ENG CPT-A/C HI UNLOAD PRS SW	PED WP	2	561566	561690	C 478	ELECTRONIC DESTINATION SIGN	AMP CPC	9	561636	561637
C 414	RR JCT BOX	AMP MNL	9	561670	561669	C 479	HVAC MODULE				
C 415	ENGINE CRADLE-FAN SIGNAL	PED WP	3	561781	561782	C 480	UNDER DASH LH-DR. FAN SPEED CTR. MOD	PED	4	561889	561890
C 416	ENGINE CRADLE-FAN SIGNAL	PED P-C	3	562398	-----	C 481	UNDER DASH LH-DR. FAN SPEED CTR. MOD	PED	3	561781	561782
C 417	FRONT JCT BOX-DIODES	AMP MNL	15	561987	561986	C 482					
C 418	LH DASH PANEL-HTR WINDSH.SW	EATON	8	-----	562763	C 483	FR SERVICE CPT. (NOT USED)	PED PC	2	-----	562237
C 419	FR JCT BOX-RETARDER OR JACOB	AMP MNL	3	561667	561550	C 484	UNDER DASH LH.-FOOT DAMPER MOTOR	PED PC	2	-----	562076
C 420	ENGINE COMPT. WEBASTO WATER HTR	TC	2	561597	-----	C 485	UNDER DASH LH.-DASH & DEFR. DAM.MOT.	AMP MNL	3	561667	561550
C 421	ENGINE COMPT. WEBASTO WATER HTR	TC	1	561073	-----	C 486					
C 422	ENGINE COMPT. WEBASTO WATER HTR	TC	2	561597	-----	C 487					
C 423	PRO-HEAT	PC	2			C 488					
C 424	UNDER INSTRUMENT PANEL CENTER	AMP MNL	3	561667	561550	C 489					
C 425	FR JCT BOX-DIODES	AMP MNL	15	561987	561986	C 490					
C 426	ENGINE COMPT. CLUTCH CTR FAN	PED WP	3	561781	561782	C 491					
C 427	PRO-HEAT	PED-WP	2	561566	561680	C 492					
C 428	PRO-HEAT	PED WP	6	561606	561607	C 493					
C 429	FR JCT BOX COMPT.	AMP MNL	6	561552	561515	C 494					
C 430	LH CONSOLE-TIMER	AMP FF	8	561188	562363	C 495					
C 431	LH CONSOLE-PRE HEAT.	TAB AMP	1	561540	561539	C 496					
C 432	ENGINE CPT.-PROX. SW. DOOR AJAR	PED-WP	2	561566	561680	C 497					
C 433	FR SERVICE CPT. KNEEL. PRESS. SW	PED WP	2	561566	561690	C 498					
C 434	FRONT JCT. BOX-DIODES	AMP MNL	15	561987	561986	C 499					
C 435	FR SERVICE CPT.(RH) KNEEL. PIEZO	AMP MNL	2	560900	560898	C 500	FR LH UPPER WHELL CPT -PRODRIVER	MOLEX	6	562070	562069
C 436	RH HAT RACK-WCL CENTER ROOF ACC	AMP CPC	16	561639	561640	C 501	FR LH UPPER WHELL CPT -PRODRIVER	PED MP	7	562433	-----
C 437	RH HAT RACK-WCL FR & RR SECT.	AMP CPC	24	561642	561643	C 502	LH DASH PANEL-PRE HEATER SW.	EATON	8	-----	562763
C 438	EVAP COMPT	AMP MNL	2	561248	561247	C 503	LH CONSOLE-PRE HEATER SW.	EATON	2	-----	561837
C 439		AMP MNL	2	561248	561247	C 504	LH CONSOLE WEBASTO TIMER	AMP	8	-----	562852
C 440		DEUTSCH	4	562479	562477	C 505	LH CONSOLE ESPAR TIMER	AMP	9	-----	562681
C 441						C 506	FR JCT BOX CPT. DIGITAL CLOCK	AMP	4	561685	561687
C 442						C 507	FR SECT. LH HAT-RACK DIG. CLOCK	MOLEX	4	561477	561476
C 443						C 508	RR JCT BOX-FAN CLUTCH RETARDER	AMP MNL	6	561552	561515
C 444						C 509	FR LH UPPER WHELL CPT -DATA LOGGER	PED MP	16	-----	562530
C 445						C 510	FR LH UPPER WHELL CPT -DATA LOGGER	DEUTSCH	9	562531	-----
C 446						C 511	FR LH UPPER WHELL CPT -DATA LOGGER	PED MP	4	562532	-----
C 447						C 512	FR LH UPPER WHELL CPT -DATA LOGGER	PED MP	10	562533	-----
C 448						C 513	FR LH UPPER WHELL CPT -DATA LOGGER	AMP MNL	3	561667	561550
C 449						C 514	FR LH UPPER WHELL CPT -DATA LOGGER	PED MP	6	562433	562417
C 450	SOUND SYS. JCT. PANEL	MOLEX	4	562507	562503	C 515	FR JCT BOX CPT.-INTERCOM	MOLEX	4	561477	561476
C 451	WIRELESS MICRO-FIRST CPT BAG	MOLEX	2	562550	562549	C 516	FR JCT BOX CPT.-INTERCOM	MOLEX	6	562070	562069
C 452	UNDER DASH INSTR. PANEL	MOLEX	2	562550	562549	C 517	LAVATORY WALL-INTERCOM	MOLEX	6	562070	562069
C 453	SOUND SYS. JCT.PANEL-VCP	PED WP	2	561566	561680	C 519	UNDER DASH RH-SEDAN DOOR	HUMPHREY	2	-----	562580
C 454	SOUND SYS.JCT.PAN.-FILT. VCP	PED WP	2	561566	561680	C 520	UNDER DASH RH-SEDAN DOOR	HUMPHREY	2	-----	641385
C 455	WIRELESS MICRO-LH HAT-RACK	MOLEX	6	-----	562464	C 521	UNDER DASH RH-SEDAN DOOR	HUMPHREY	2	-----	641385
C 456	WORLD TRANSM.-RETARDER ACCUM.	PED MP	2	-----	562427	C 522	FR JCT BOX-DAYTIME LTS MODULE	BOSCH	5	-----	561183
C 457	WORLD TRANSM.-MAIN CONNECTOR	DEUTSCH	31	562572	562536	C 523	FR JCT BOX-FUSE BLOCK	PED	8	562647	562646
C 458	WORLD TRANSM.-TURBINE SP.SENS	PED MP	2	-----	562426	C 524	FR JCT BOX-FUSE BLOCK	PED	8	562647	562646

CONNECTORS CODE

NO	LOCATION	TYPE	CAVITY	#PIN	#SOCKET	NO	LOCATION	TYPE	CAVITY	#PIN	#SOCKET
				HOUSING	HOUSING					HOUSING	HOUSING
C 525	FR JCT BOX-FUSE BLOCK	PED	8	562647	562646	C 592	L.H.CONSOLE - MIRROR R.H.	EURAMTEC	8	-----	562799
C 526	FR JCT BOX-FUSE BLOCK	PED	8	562647	562646	C 593	BATTERY CMPT. - CHARGER	PED WP	3	561781	561782
C 527	FR JCT BOX-FUSE BLOCK	PED	8	562647	562646	C 594	FRONT ROOF - DRIVERS LIGHT	LEEKRAFT	-----	-----	562803
C 528	FR JCT BOX-FUSE BLOCK	PED	8	562647	562646	C 595	DASH CENTER MODULE - OPEN DOOR	MOLEX	4	561477	561476
C 529	FR JCT BOX-12V OUTLET	AMP MNL	2	561247	561248	C 596	DASH CENTER MODULE - CLOSE DOOR	MOLEX	4	561477	561476
C 530	RR JCT BOX-FUSE BLOCK	PED	8	562647	562646	C 597	L.H. DASH PANEL - DISPLAY SET SW.	MOLEX	5	-----	562812
C 531	RR JCT BOX-FUSE BLOCK	PED	8	562647	562646	C 598	L.H. DASH PANEL - DISPLAY SET SW.	MOLEX	5	-----	562812
C 532	RR JCT BOX-FUSE BLOCK	PED	8	562647	562646	C 599	-----	-----	-----	-----	-----
C 533	RR JCT BOX-FUSE BLOCK	PED	8	562647	562646	C 600	ENGINE CPT.-A/C LOW PRESS SW. UNLOAD	PED	2	562348	562471
C 534	RR JCT BOX-FUSE BLOCK	PED	8	562647	562646	C 601	L.H. ROOF - WINDOW AJAR	AMP MNL	2	561248	561247
C 535	RR JCT BOX-FIRE MODULE DETECT.	AMP MNL	3	561667	561550	C 602	L.H. ROOF - WINDOW AJAR	MOLEX	4	561477	561476
C 536	UNDER DASH RH-DRIVER'S HTR TEMP. CTR	AMP MNL	6	561552	561515	C 603	R.H. ROOF - WINDOW AJAR	AMP MNL	2	561248	561247
C 537	BATT. CPT.-A/C PRESS. SIGN. RLY	AMP MNL	2	561248	561247	C 604	LH PARCEL RACK DVD VIDEO STABILIZER	SWITCHCRAFT	1	563074	-----
C 538	FR SERVICE CPT.-OUTSIDE TEMP. SENSOR	AMP MNL	2	561248	561247	C 605	HAT RACK - MOTOR FAN	PED	2	560997	561030
C 539	HVAC DASH MODULE OUTPUT CON	MOLEX	24	562647	562780	C 606	HAT RACK - MOTOR FAN	PED	2	560997	561030
C 540	HVAC DASH MODULE INPUT CON	MOLEX	22	562647	562781	C 607	FRONT SERVICE CMPT. RPM SIGNAL	PED WP	2	561566	561690
C 541	SOUND SYS. JCT PANEL-AUDIO SEAT SYS.	PED WP	2	561566	561690	C 608	FRONT SERVICE CMPT. SPEED SIGNAL	PED WP	2	561566	561690
C 542	LH HAT RACK-AUDIO SEAT SYSTEM	AMP MNL	3	561667	561550	C 609	LAVATORY - NIGHT LIGHT	-----	-----	-----	-----
C 543	RR JCT BOX-PARK. BRAKE STOP LTS RESIS.	PED WP	2	561566	561690	C 610	RR JCT BOX	AMP MNL	6	561552	561515
C 544	SOUND SYS JCT PANEL-AUDIO SEAT SYS.	PED WP	3	561781	562428	C 611	HAT RACK READING LTS RICON	MOLEX	6	562558	562557
C 545	LH HAT RACK-AUDIO SEAT SYSTEM	AMP MNL	3	561667	561550	C 612	HAT -RACK FLUOR. INSTATION LTS RICON	MOLEX	4	562507	562503
C 546	WIRELESS MIC. CHARGING SYSTEM	MOLEX	2	-----	563025	C 613	HAT -RACK INDIRECT LTS RICON	AMP MNL	3	561667	561550
C 547	RH DASH PANEL-ACCESSORIES	AMP CPC	37	561645	561646	C 614	HAT -RACK INDIRECT LTS RICON	AMP MNL	3	561667	561550
C 548	LH DASH PANEL-T.T. LT. TEST SW.	EATON	8	-----	562763	C 615	LH PARCEL RACK DVD SING ALONG ADAPT.	MOLEX	2	562550	562549
C 549	LH DASH PANEL-FAN CLUTCH OVERR. SW	EATON	8	-----	562763	C 616	-----	-----	-----	-----	-----
C 550	LAST LUGG. CPT. -WCL RICON	AMP CPC	16	561694	561695	L X	CLUSTER	JAE	22	-----	562766
C 551	LAST LUGG. CPT. -WCL RICON	AMP CPC	16	561694	561695	L Y	CLUSTER	JAE	30	-----	562767
C 552	LAST LUGG. CPT. -WCL RICON	AMP CPC	9	561636	561637	R X	CLUSTER	JAE	22	-----	562764
C 553	UNDER DASH R.H. - CONTROL. HEAD	MOLEX	16	-----	562559	-----	-----	-----	-----	-----	-----
C 554	UNDER DASH R.H. - CONTROL. HEAD	MOLEX	16	-----	562559	-----	-----	-----	-----	-----	-----
C 555	UNDER DASH R.H. - CONTROL. HEAD	MOLEX	16	-----	562559	-----	-----	-----	-----	-----	-----
C 556	UNDER DASH R.H. - RADIO ACC.	MOLEX	2	562550	562549	-----	-----	-----	-----	-----	-----
C 557	UNDER DASH R.H. - RADIO ACC.	MOLEX	9	562556	562555	-----	-----	-----	-----	-----	-----
C 558	UNDER DASH R.H. - RADIO ACC.	MOLEX	4	562507	562503	-----	-----	-----	-----	-----	-----
C 559	SOUND SYS. JCT. PANEL - FILTER AMPLI	PED WP	2	561566	561690	-----	-----	-----	-----	-----	-----
C 560	SOUND SYS. JCT. PANEL - POWER AMPLI	MOLEX	4	562507	562503	-----	-----	-----	-----	-----	-----
C 561	L.H. HAT RACK - WIRELESS MICRO	MOLEX	8	-----	562465	-----	-----	-----	-----	-----	-----
C 562	L.H. HAT RACK - VCP	MOLEX	12	562556	563070	-----	-----	-----	-----	-----	-----
C 563	L.H MODESTY PANEL - DRIVERS SPK.	MOLEX	4	562507	562503	-----	-----	-----	-----	-----	-----
C 564	L.H MODESTY PANEL - MICRO	MOLEX	4	562507	562503	-----	-----	-----	-----	-----	-----
C 565	R.H MODESTY PANEL - MICRO	MOLEX	4	562507	562503	-----	-----	-----	-----	-----	-----
C 566	L.H. CONSOLE - BOOM MICRO	MOLEX	4	562507	562503	-----	-----	-----	-----	-----	-----
C 567	L.H. CONSOLE - DRIVERS MICRO	MOLEX	4	562507	562503	-----	-----	-----	-----	-----	-----
C 568	SOUND SYS. JCT. PANEL - PASS. SPK	CINCH	4	562553	562552	-----	-----	-----	-----	-----	-----
C 569	SOUND SYS. JCT. PANEL - POWER AMPLI.	MOLEX	9	562556	562555	-----	-----	-----	-----	-----	-----
C 570	UNDER DASH PANEL TTLT	MOLEX	6	-----	562464	-----	-----	-----	-----	-----	-----
C 571	UNDER DASH PANEL TTLT	MOLEX	20	-----	562778	-----	-----	-----	-----	-----	-----
C 572	UNDER DASH PANEL TTLT	MOLEX	18	-----	562779	-----	-----	-----	-----	-----	-----
C 573	UNDER DASH PANEL TTLT	MOLEX	8	-----	562465	-----	-----	-----	-----	-----	-----
C 574	HAT -RACK FLUOR. INDIRECT LIGHTING	MOLEX	6	-----	562759	-----	-----	-----	-----	-----	-----
C 575	HAT -RACK FLUOR. INSTATION LIGHT	MOLEX	4	562507	562503	-----	-----	-----	-----	-----	-----
C 576	HAT -RACK FLUOR. INDIRECT LIGHTING	AMP MNL	3	561667	561550	-----	-----	-----	-----	-----	-----
C 577	HAT -RACK FLUOR. INDIRECT LIGHTING	AMP MNL	3	561667	561550	-----	-----	-----	-----	-----	-----
C 578	HAT -RACK FLUOR. INSTATION LIGHT	MOLEX	4	562507	562503	-----	-----	-----	-----	-----	-----
C 579	L.H HAT RACK - VCP POWER	MOLEX	4	-----	563071	-----	-----	-----	-----	-----	-----
C 580	RH DASH PANEL-HAT RACK FAN SW	EATON	8	-----	562763	-----	-----	-----	-----	-----	-----
C 581	-----	-----	-----	-----	-----	-----	-----	-----	-----	-----	-----
C 582	FRONT SERVICE CMPT. - WINDOWS AJAR	PED WP	2	561566	561690	-----	-----	-----	-----	-----	-----
C 583	L.H. DASH PANEL - MASTER KEY	DEUTSCH	2	562486	562485	-----	-----	-----	-----	-----	-----
C 584	FRONT SERVICE CMPT. - AIR HORH	HUMPHREY	3	-----	641385	-----	-----	-----	-----	-----	-----
C 585	-----	-----	-----	-----	-----	-----	-----	-----	-----	-----	-----
C 586	-----	-----	-----	-----	-----	-----	-----	-----	-----	-----	-----
C 587	LH PARCEL RACK DVD UNIT	MOLEX	4	563040	563071	-----	-----	-----	-----	-----	-----
C 588	FRONT SERVICE CPT. CENTER SOUND SYS.	AMP. CPC	37	561645	561646	-----	-----	-----	-----	-----	-----
C 589	UNDER DASH - L.H. MIRROR	AMP MNL	9	561670	561669	-----	-----	-----	-----	-----	-----
C 590	UNDER DASH - R.H. MIRROR	AMP MNL	9	561670	561669	-----	-----	-----	-----	-----	-----
C 591	L.H.CONSOLE - MIRROR L.H.	EURAMTEC	8	-----	562799	-----	-----	-----	-----	-----	-----

CONNECTORS CODE

NO	LOCATION	TYPE	CAVITY	#PIN	#SOCKET	NO	LOCATION	TYPE	CAVITY	#PIN	#SOCKET
				HOUSING	HOUSING					HOUSING	HOUSING
AA1	BEHIND DASH - SONALERT	BOSCH	5		561183	C 57					
AA2	BEHIND DASH - SONALERT	BOSCH	5		561183	C 58	RR JCT BOX AC PANEL	DEUTSCH	24	562280	562283
C X1	FR LH UPPER WHELL CPT-ABS	AMP	18		562792	C 59	RR JCT BOX AC PANEL	AMP CPC	14	561584	561583
C X2	FR LH UPPER WHELL CPT-ABS	AMP	6		562793	C 60	RR JCT BOX COMPT.-LT	AMP MNL	2	561248	561247
C X3	FR LH UPPER WHELL CPT-ABS	AMP	9		562794	C 61	LUGGAGE COMPARTMENT LTS	AMP MNL	2	561248	561247
C X4	FR LH UPPER WHELL CPT-ABS	AMP	15		562795	C 62	LUGGAGE COMPARTMENT LTS	AMP MNL	2	561248	561247
CS	RR JCT BOX ECU WORLD TR.	PED	32		562817	C 63	LUGGAGE COMPARTMENT LTS	AMP MNL	2	561248	561247
CT	RR JCT BOX ECU WORLD TR.	PED	32		562824	C 64	LUGGAGE COMPARTMENT LTS	AMP MNL	2	561248	561247
CV	RR JCT BOX ECU WORLD TR.	PED	32		562823	C 65	LUGGAGE COMPARTMENT LTS	AMP MNL	2	561248	561247
CV 12	RR JCT BOX-WORLD TRANSM. & EATON CLUSTER	AMP CPC	9	561636	561637	C 66	LUGGAGE COMPARTMENT LTS	AMP MNL	2	561248	561247
C Y		JAE	30		562765	C 67	LUGGAGE COMPARTMENT LTS	AMP MNL	2	561248	561247
C 1	FR JCT BOX COMPARTMENT	AMP CPC	14	561585	561584	C 68	LUGGAGE COMPARTMENT LTS	AMP MNL	2	561248	561247
C 2	FR JCT BOX COMPARTMENT	AMP CPC	16	561639	561640	C 69	RR AXLE ACC-INSIDE PVC END	PED WP	6	561568	561578
C 3	FR JCT BOX COMPARTMENT	AMP CPC	24	561641	561643	C 70	LH CONSOLE	AMP CPC	16	561642	561643
C 4	FR JCT BOX COMPARTMENT	AMP CPC	37	561644	561646	C 71	FR JCT BOX COMPARTMENT	AMP CPC	37	561645	561646
C 5	FR SERVICE COMPT.-UNDERNEATH	AMP CPC	37	561644	561646	C 72	FR JCT BOX COMPARTMENT	AMP CPC	24	561642	561643
C 6	FR SERVICE COMPT.-UNDERNEATH	AMP CPC	16	561639	561640	C 73	DASH CENTER PANEL	AMP CPC	16	561639	561640
C 7						C 74	FR JCT BOX COMPARTMENT	AMP CPC	37	561645	561646
C 8	FR SERVICE COMPT.-UNDERNEATH	AMP CPC	24	561641	561643	C 75	SERV CPT. RXT. ENT. DOOR SW	DEUTSCH	4	562479	562477
C 9	FR SERVICE COMPT.-UNDERNEATH	AMP CPC	24	561641	561643	C 76	LUGGAGE COMPT.-AIR RET.SENS.	AMP MNL	2	561248	561247
C 10						C 77	LUGGAGE COMPT.-AIR RET.SENS.	AMP MNL	2	561248	561247
C 11	FR SERVICE COMPARTMENT	AMP CPC	37	561644	561646	C 78					
C 12	FR SERVICE COMPARTMENT	AMP CPC	16	561639	561640	C 79					
C 13	LH CONSOLE-CTR MIRROR	AMP MNL	6	561552	561515	C 80	LUGGAGE COMPT.-AIR RET.SENS.	AMP MNL	2	561248	561247
C 14	UNDER DASH-LH MIRROR	AMP MNL	9	561661	561662	C 81	PASSENGER COMPT.-AISLE LTS	AMP MNL	2	560900	560898
C 15	RR JCT BOX	AMP CPC	24	561641	561643	C 82	ENTRANCE DOOR	MOLEX	6	562070	562069
C 16	LH CONSOLE SW-CRUISE ON OFF	EATON	10	-----	562763	C 83	ENTRANCE DOOR-PROIMITY SW	MOLEX	4	561477	561476
C 17	LH CONSOLE SW-CRUISE RESUME	EATON	10	-----	562763	C 84	ENTRANCE DOOR-PRESSURE SW	PED WP	2	561566	561690
C 18	LH CONSOLE SW-CRUISE SET	EATON	10	-----	562763	C 85	UNDER INSTRUMENT PANEL LH	AMP MTA-100	-----	562248	-----
C 19	LH CONSOLE DECEL SW	EATON	10	-----	562763	C 86					
C 20	RR JCT BOX	AMP CPC	37	561644	561646	C 87	RR END ROOF	AMP CPC	9	561636	561637
C 21	RR JCT BOX	AMP CPC	24	561641	561643	C 88					
C 22	RR JCT BOX - EATON TRANSM.	AMP MNL	6	561552	561515	C 89	RR END ROOF-B/U NONITOR	AMP CPC	4	561582	561581
C 23	DDEC ENGINE-ECM J1939	PED MP	6	-----	561962	C 90	RR JCT BOX	AMP CPC	15	561987	561986
C 24	DDEC ENGINE	PED WP	1	561605	561577	C 91	RR JCT BOX	AMP CPC	37	561714	561713
C 25	RR JCT BOX - EATON TRANSM. J1939	DEUTCH	3	562877	562884	C 92	FR LH UPPER WHELL CPT-ABS	AMP CPC	9	561635	561637
C 26	HYD & MAN TRANSM.-NEUT. & B/U	PED WP	4	561610	561611	C 93	FR LH UPPER WHELL CPT-ABS		35	-----	641094
C 27	HYD & MAN TRANSM.-SPEED SENS.	PED WP	2	561566	561690	C 94					
C 28	EATON TRANSMISSION	DEUTCH	3	562877	562884	C 95	CONDENSOR CPT - LIQ. SOL. VALVE	PED WP	2	561566	561690
C 29	EATON TRANSMISSION	PED MP	6	562878	-----	C 96	FR AXLE ACCESSORIES	AMP CPC	14	561585	561585
C 30	RR JCT BOX - ECU EATON TRANSM.	PED MP	32	-----	562866	C 97	RR AXLE ACC-INSIDE PVC END	PED WP	6	561568	561578
C 31	RR JCT BOX - ECU EATON TRANSM.	PED MP	24	-----	562865	C 98	FR SERVICE COMPT-EL.FT.PEDAL	PED WP	3	561782	561781
C 32	DDEC ENGINE-ECM	PED	30	-----	561600	C 99	FR SERVICE COMPT LTS	AMP MNL	2	561248	561247
C 33	RR JCT BOX - EATON TRANSM.	DEUTCH	9	562531	-----	C 100	LH CONSOLE - 120 VOLTS SWITCH	EATON	8	-----	562763
C 34	RH. CONSOLE - EATON TRANSM. SHIFTER	PED MP	3	-----	562871	C 101	FR SERVICE COMPT-ELEC. HORNS	PED WP	2	561566	561690
C 35	RR JCT BOX	AMP CPC	24	561642	561643	C 102	FR SERV & SIDE CPT-FLASH. LH	GROTE	2	-----	562155
C 36	RH. CONSOLE - EATON TRANSM. SHIFTER	PED MP	24	-----	562874	C 103	FR SERV & SIDE CPT-MARKERS	GROTE	2	-----	562155
C 37	RR SECTION-LH HAT RACK	MOLEX	6	562558	562557	C 104	FR SERV & SIDE CPT-FLASH. RH	GROTE	2	-----	562155
C 38	RR SECTION-RH HAT RACK	MOLEX	6	562558	562557	C 105	FR SERVICE COMPT-LIQ.S.VALVE	PED WP	2	561566	561690
C 39	LH CONSOLE - EATON TRANSM. DISPLAY	AMP MNL	4	561551	561668	C 106	FR SERVICE COMPT-WATER VALVE	PED WP	2	561566	561690
C 40	RR JCT BOX - EATON TRANSM. J1939	DEUTCH	3	562877	562884	C 107	EVAPORATOR COMPT-DAMPER	PED WP	2	561566	561690
C 41	LAVATORY ROOF FLUORESCENT	AMP MNL	2	560900	560898	C 108	FR SERVICE COMPT-KNEEL.SYS	PED WP	2	561566	561690
C 42	LAVATORY BACK WALL-WTR TANK	AMP MNL	2	560900	560898	C 109	FR SERVICE COMPT-KNEEL.SYS	PED WP	2	561566	561690
C 43	LAVATORY BACK WALL-ACCES.	AMP MNL	9	561661	561662	C 110	FR SERVICE COMPT-KNEEL.SYS	PED WP	2	561566	561690
C 44	EATON TRANSM. J1939	DEUTCH	3	562877	562884	C 111	EVAPORATOR COMPT-DAMPER	DEUTSCH	2	562486	562485
C 45	FR JCT BOX COMPARTMENT	AMP CPC	24	561642	561643	C 112	EVAPORATOR COMPT-SPEED MOT CTRL	DEUTSCH	5	-----	562566
C 46	EATON TRANSM. J1939	DEUTCH	3	562877	562884	C 113	BATT. & RR J.B.CPT.MARKER LT	GROTE	2	-----	562155
C 47	FR SERVICE COMPARTMENT	AMP CPC	16	561694	561695	C 114	RR J. BOX CPT DOOR DIR LT LH	GROTE	2	-----	562155
C 48	FR. SERVICE CMPT.PRESS SW PARK BREAK	DEUTCH	4	562479	562477	C 115	ENGINE COMPT-AIR DRYER	PED WP	2	561566	561690
C 49	BATTERIE COMPT.-LT	AMP MNL	2	561248	561247	C 116	ENGINE COMPT. LTS	PED WP	1	561605	561577
C 50	FR SERVICE COMPT.-LOW BUOY	PED WP	1	561605	561577	C 117					
C 51						C 118	ENGINE COMPT-LAVATORY FAN	PED WP	2	561566	561690
C 52	RR JCT BOX	AMP CPC	22	561709	561710	C 119	ENGINE CPT RR DOOR RH LO LAMP	PED WP	6	561606	561607
C 53						C 120	ENGINE CPT RR DOOR LH LO LAMP	PED WP	6	561606	561607
C 54						C 121	BATTERIE CPT. DOOR DIR LT RH	GROTE	2	-----	562155
C 55	RH SWITCH PANEL	AMP CPC	9	561636	561637	C 122	ENGINE CPT-UNLOAD TAG SYSTEM	PED WP	2	561566	561690
C 56						C 123	TAG AXLE-UNLOAD TAG RH VALVE	PED WP	2	561566	561690

CONNECTORS CODE

NO	LOCATION	TYPE	CAVITY	#PIN	#SOCKET	NO	LOCATION	TYPE	CAVITY	#PIN	#SOCKET
				HOUSING	HOUSING					HOUSING	HOUSING
C 124	ENGINE CPT-ETHER SW	PED WP	2	561566	561690	C 189	ENGINE CPT RR DOOR B/U LT	PED WP	2	561566	561690
C 125	ENGINE CPT-BU ALARM	PED WP	2	561566	561690	C 190	ENGINE CPT RR DOOR TAIL LT	PED WP	2	561566	561690
C 126	ENGINE CPT-FLUSHING PUMP	PED WP	2	561566	561690	C 191	ENGINE CPT RR DOOR RH STOP LT	PED WP	2	561566	561690
C 127	ENGINE CPT-FUEL FILTER	PED WP	2	561566	561690	C 192	ENGINE CPT RR DOOR RH DIR. LT	PED WP	2	561566	561690
C 128	ENGINE CPT-A/C COMPR.CLUTCH	ITT SS	2	561813	561812	C 193					
C 129	ENGINE CPT-PRE-HEAT WATER	AMP FF	6	561672	561186	C 194	ENGINE CPT RR DOOR LH DIR. LT	PED WP	2	561566	561690
C 130	ENGINE CPT-UNLOADER	ITT SS	2	561813	561812	C 195	ENGINE CPT RR DOOR LH STOP LT	PED WP	2	561566	561690
C 131	ENGINE CPT-UNLOADER	ITT SS	2	561813	561812	C 196	ENGINE CPT RR DOOR CYCLOP LT	PED WP	2	561566	561690
C 132	ENGINE CPT-A/C LO PRESS SW	PED WP	2	561566	561690	C 199	ENGINE CPT RR DOOR LICENCE LT	DOM AUTO	2	930210	-----
C 133	ENGINE CPT-A/C HI PRESS SW	PED WP	2	561566	561690	C 200	RH HAT RACK-FLUORESCENT	AMP MNL	2	561248	561247
C 134	FR JCT BOX-LUGGAGE DIODE CON.	AMP MNL	15	561987	561986	C 201	RH HAT RACK-FLUORESCENT	AMP MNL	2	561248	561247
C 135	FR JCT BOX-LUGGAGE DIODE CON.	AMP MNL	15	561987	561986	C 202	RH HAT RACK-INDIRECT LIGHTING	MOLEX	2	-----	562758
C 136	RR JCT BOX - A/C PANEL DIODE CONN.	AMP MNL	15	561987	561986	C 203	RH HAT RACK-INDIRECT LIGHTING	MOLEX	6	-----	562759
C 137	RR JCT BOX-TRANSMITTER	AMP MNL	2	560900	560898	C 204	RH HAT RACK-GENERAL LT	AMP MNL	2	560900	560898
C 138	RR JCT BOX-CONTROL MODULE	AMP HDP	15	-----	562012	C 205	FR SECT.-RH HAT RACK SPEAKER	AMP MNL	9	561661	561662
C 139	RR JCT BOX-LOGIC MODULE	AMP HDP	15	562011	-----	C 206	RH HAT RACK-READING LT	AMP FF	4	-----	562756
C 140	HVAC DASH MODULE THERMOMETER	MOLEX	4		562782	C 207	LH HAT RACK-READING LT	AMP FF	4	-----	562756
C 141	INSTRUMENT PANEL LH UNLOAD TAG	AMP	2	561248	561247	C 208	LH HAT RACK-BALLAST	MOLEX	2	-----	562758
C 142	LAVATORY DOOR WALL	AMP MNL	2	561248	561247	C 209	LH HAT RACK HOTESSE CHIME	AMP MNL	3	561667	561550
C 143	LAVATORY DOOR WALL	AMP MNL	3	560908	562006	C 210	FR SECT.-LH HAT RACK SPEAKER	AMP MNL	9	561661	561662
C 144	UNDER LH SEAT-AISLE LTS	AMP MNL	4	560851	560852	C 211	FR ROOF-STORE LH	AMP MNL	2	560900	560898
C 145	RR JCT BOX CPT-RR SIDE LTS	AMP MNL	9	561670	561669	C 212	FR ROOF-STORE RH	AMP MNL	2	560900	560898
C 146	ENGINE CPT-MODULATOR VALVE	AMPHENOL	2	-----	560412	C 213					
C 147	BATT & RR J.B.CPT-DOCK.LTS	PED WP	2	561566	561690	C 214	ENGINE CPT J1922				
C 148						C 215	TAG AXLE - A.T.C. SYSTEM				
C 149	CONDENSER CPT-FAN MOTOR	ORDNANCE	3	562555	562001	C 216	TAG AXLE - A.T.C. SYSTEM				
C 150						C 217	RH DASH PANEL-FRONT CAMERA SW	EATON	8	-----	562763
C 151	EVAPORATOR CPT-THERMOSTAT	ITT SS	2	561813	562159	C 218	RH DASH PANEL-FRONT CAMERA SW	AMP MNL	2	560900	560898
C 152	CONDENSER CPT-FUEL GAUGE	PED WP	4	561610	561611	C 219					
C 153	EVAPORATOR CPT-AIR AMB. SENS	AMP MNL	2	561248	561247	C 220	RR.JCT.BOX-FUEL PRIME PUMP	TC	1	561070	561073
C 154	EVAPORATOR CPT-FRESH AIR SENS	ITT SS	2	561813	561812	C 221	BATTERY CMPT. FIRE DETECTOR	DEUTSCH	2	562486	562485
C 155	EVAPORATOR CPT-WATER VALVE	PED WP	4	561610	561611	C 222	ENGINE CMPT. FIRE DETCTOR	DEUTSCH	2	562486	562485
C 156	EVAPOR. CPT-BYPASS WATER VAL.	PED WP	2	561566	561690	C 223	ENGINE CMPT. FIRE DETCTOR	DEUTSCH	2	562486	562485
C 157	EVAPORATOR CPT-WATER PUMP	PED WP	2	561566	561690	C 224					
C 158	CONDENSER CPT-A/C LO TEMP.	PED WP	2	561566	561690	C 225					
C 159	CONDENSER CPT-A/C HI TEMP.	PED WP	2	561566	561690	C 226					
C 160	FR AXLE-ABS RH SENSOR	WABCO	2	641132	-----	C 227					
C 161	FR AXLE-ABS RH VALVE	WABCO	3	-----	641098	C 228					
C 162	FR AXLE-ABS LH VALVE	WABCO	3	-----	641098	C 229					
C 163	FR AXLE-ABS LH SENSOR	WABCO	2	641132	-----	C 230	ENG.CPT.-FUEL PRIME PUMP FEED	DEUTSCH	2	562486	562485
C 164	RR AXLE-ABS LH SENSOR	WABCO	2	641132	-----	C 231	ENG.CPT.-FUEL PRIME PUMP SW.	PED WP	2	561566	561690
C 165	RR AXLE-ABS LH VALVE	WABCO	3	-----	641098	C 232	ENG.CPT.-FUEL PRIME PUMP	PED WP	2	561566	561690
C 166	RR AXLE-ABS RH VALVE	WABCO	3	-----	641098	C 233	FR. SERVICE COMPT.	VDO	8	-----	562043
C 167	RR AXLE-ABS RH SENSOR	DEUTSCH	2	641132	-----	C 234	FR. SERVICE COMPT.	VDO	8	-----	562044
C 168	RR AXLE-ABS OPT ATC	PED WP	2	561566	561690	C 235	FR. SERVICE COMPT.	VDO	8	-----	562041
C 169	RR JCT BOX-SPEED SW	AMP HDP	15	-----	562012	C 236	LUGGAGE COMPARTEMENT	AMP MNL	4	560851	560852
C 170	FR JCT BOX-FLASHER UNIT	TC	2	-----	561940	C 237	UNDER DASH LH-JACOB CLUTCH SW	ITT SS	3	561111	561080
C 171	LH CONSOLE	AMP CPC	24	561642	561643	C 238	RR JCT BOX-DIODE CONNECTOR	AMP MNL	9	561670	561669
C 172						C 239	FR SERVICE CPT-HI BUOY VALVE	PED WP	2	561566	561690
C 173						C 240	FR SERVICE CPT-KNEEL PROX SW	PED WP	2	561566	561690
C 174	UNDER DASH RH-HTR MODULE	AMP MNL	9	561670	561669	C 241					
C 175	UNDER DASH RH-HTR MODULE	AMP MNL	9	561670	561669	C 242	FR SERVICE CPT-MARK & DIR LT	ITT SS	3	561111	561080
C 176	UNDER DASH RH-WIPER PULSE	AMP FF	6	-----	561186	C 243	FR SERVICE CPT-HEADLAMPS	TC	3	-----	561071
C 177	UNDER DASH RH-WIPER MOTOR	AMP FF	6	-----	561186	C 244	FR SERVICE CPT-LH FOG LAMP	ITT SS	2	561813	561812
C 178	UNDER DASH RH-LH FAN	TC	2	561030	560997	C 245	FR SERVICE CPT-RH FOG LAMP	ITT SS	2	561813	561812
C 179	UNDER DASH RH-RH FAN	TC	2	561030	560997	C 246	FR SERVICE CPT-MARK & DIR LT	ITT SS	3	561111	561080
C 180	RR JCT BOX-DIODE CONNECTOR	AMP MNL	15	561987	561986	C 247					
C 181	RR JCT BOX-DIODE CONNECTOR	AMP MNL	15	561987	561986	C 248	FR JCT BOX-WIPER PULSE GEN	AMP FF	6	-----	561108
C 182						C 249					
C 183	FR SERVICE CPT-KNEELING PAN.	PED WP	4	561610	561611	C 250					
C 184	FR SERVICE CPT-KNEELING SW	ITT SS	3	561111	561080	C 251	LH DASH PANEL-FAST IDLE SW	EATON	8	-----	562763
C 185						C 252					
C 186	RR JCT BOX CPT.-SPEED SIGN.TR	PED WP	2	561566	561690	C 253	LH DASH PANEL-ETHER SW	EATON	8	-----	562763
C 186M	RR JCT BOX CPT.-SPD SIGN. M.TR	PED WP	2	561566	561690	C 254	INST. PANEL RH-ENTR.DOOR SW.	TORRIX	5	-----	562110
C 186W	RR JCT BOX CPT.-SPD SIGN. WT	PED WP	2	561566	561690	C 255	LH DASH PANEL-JACOB & RETARDER SW	EATON	8	-----	562763
C 187	FR JCT BOX-RPM RESISTOR CON.	AMP MNL	6	561552	561515	C 256					
C 188						C 257					

CONNECTORS CODE

NO	LOCATION	TYPE	CAVITY	#PIN	#SOCKET	NO	LOCATION	TYPE	CAVITY	#PIN	#SOCKET
				HOUSING	HOUSING					HOUSING	HOUSING
C 258	LH SW PANEL-MULTI FUNC. SW	AMP FF	8	561188	-----	C 325	LH DASH PANEL-KNEELING SW	EATON	8	-----	562763
C 259	LH SW PANEL-MULTI FUNC. SW	AMP FF	6	-----	561108	C 326	ENGINE CMPT.	PED	4	-----	561610
C 260	FR SERVICE CPT-LUG DOOR LCK	PED WP	6	561606	561607	C 327	ENGINE CONTROL	DEUTSCH	6	562583	562581
C 261	UNDER DASH RH-DOOR MODULE	AMP MNL	9	561670	561669	C 328	GALLEY-LAMP	AMP MNL	2	561248	561247
C 262	UNDER DASH RH-DOOR MODULE	AMP MNL	4	561551	561668	C 329	ENGINE TACHO SIGNAL	PED WP	3	561781	561789
C 263	UNDER DASH RH-DOOR MODULE	AMP MNL	3	561667	561550	C 330					
C 264	UNDER DASH RH-DOOR MODULE	AMP MNL	3	561667	561550	C 331	GALLEY MICROWAVE SW	EATON	8	-----	562763
C 265	UNDER DASH RH-DOOR MODULE	AMP HDP-20	15	562011	562012	C 332					
C 266						C 333	GALLEY RH CONTAINER SW	EATON	8	-----	562763
C 267	UNDER DASH RH	AMP CPC	24	561642	561643	C 334	GALLEY LH CONTAINER SW	EATON	8	-----	562763
C 268	UNDER DASH LH-MIRROR	AMP MNL	6	561552	561515	C 335					
C 269	UNDER DASH RH-MIRROR	AMP MNL	6	561552	561515	C 336					
C 270	LH MIRROR POST	MOLEX	6	562070	562069	C 337	INSTR PANEL LH-UP WIPER SW	EATON	8	-----	562763
C 271	RH MIRROR POST	MOLEX	6	562070	562069	C 338	INSTR PANEL LH-UP DEFROST SW	EATON	8	-----	562763
C 272	LH MIRROR	SPARTAN	6	-----	990158	C 339	INSTR PANEL LH-UP WASHER SW	EATON	8	-----	562763
C 273	RH MIRROR	SPARTAN	6	-----	990158	C 340	FR JCT. BOX FIRE PIEZO ALARM	AMP MNL	2	560900	560898
C 274	RR. JCT. BOX - SIGNAL ALT. MODULE					C 341	INSTR PANEL LH-HEAT MIRROR SW	EATON	8	-----	562763
C 275	UNDER DASH RH-DOOR MODULE	AMP MNL	9	561670	561669	C 342	ENGINE RR START SW	DEUTSCH	2	562586	562585
C 276	UNDER DASH RH-LOCK SOL.VALVE	AMP MNL	2	561248	561247	C 343	INSTR PANEL LH-HEADLAMP SW	EATON	8	-----	562763
C 277						C 344	INSTR PANEL LH-HAZARD LT SW	EATON	8	-----	562763
C 278						C 345	INSTR PANEL LH-FOG LT SW	EATON	8	-----	562763
C 279	UNDER DASH CYLINDER READ SW.	AMP MNL	2	561248	561247	C 346					
C 280	LH CONSOLE-UNLOAD TAG SW.	NGR	10	-----	562763	C 347	INSTR PANEL LH-DASH LT SW	AMP MNL	2	560900	560898
C 281						C 348	INSTR PANEL CENT-RACOR MODULE	MOLEX	6	562070	562067
C 282						C 349					
C 283						C 350	RH CONSOLE-THERMOMETER	AMP MNL	3	561667	561550
C 284						C 351	LH HAT RACK-FLUOR 110V	MOLEX	4	561477	561476
C 285						C 352	RH CONSOLE-DRV TEMP SENSOR	BURNDY	4	-----	561104
C 286	RH SW PANEL-A/C & HEAT	EATON	8	-----	562763	C 353	INSTR PANEL RH-DRV FAN RHEOST	AMP MNL	6	561552	561515
C 287	ENGINE COMPT-LTS SW	PED WP	2	561566	561690	C 354	INSTR PANEL RH-DRV TEMP CTR	AMP MNL	6	561552	561515
C 288	RH SW PANEL-FRESH AIR	EATON	8	-----	562763	C 355	INSTR PANEL RH-FR TEMP CTR	AMP MNL	3	561667	561550
C 289						C 356					
C 290						C 357	INSTR PANEL RH-WATER TEMP GA	AMP MNL	3	561667	561550
C 291						C 358	INSTR PANEL RH-FUEL LEVEL GA	AMP MNL	3	561667	561550
C 292						C 359					
C 293						C 360					
C 294						C 361	FR ROOF-WIPER MOTOR	AMP FF	6	-----	561186
C 295						C 362	FR ROOF-LAVATORY OCCUPIED LT	AMP MNL	2	561248	561247
C 296						C 363	FR ROOF-WATCH YOUR STEP LT	AMP MNL	2	561248	561247
C 297	INSTRUMENT PANEL RH -LTS	AMP MNL	2	560900	560898	C 364	FR ROOF-DESTINATION SIGN	AMP MNL	3	561667	561550
C 298						C 365	FR ROOF-UP WINDSHIELD DEFROST	AMP MNL	3	561667	561550
C 299	RH DASH PANEL SW-GALLEY	EATON	8	-----	562763	C 366	RH DASH PANEL-GRN & RED LEDS	AMP MNL	3	560908	562006
C 300						C 367	ENGINE COMPT-DIF OIL T SENSOR	PED WP	2	561566	561690
C 301						C 368	FR ROOF-DEST. SIGN BALLAST	AMP MNL	3	561667	561550
C 302						C 369	FR ROOF-DEST. SIGN OPER. SW	TORRIX	5	-----	562110
C 303						C 370	FR ROOF-DEST. SIGN FLUOR.	AMP MNL	2	560900	560898
C 304						C 371	FR ROOF-DEST. SIGN FLUOR.	AMP MNL	2	560900	560898
C 305						C 372	FR ROOF-DEST. SIGN SPEED SW	MOLEX	4	561477	561476
C 306						C 373	FR ROOF-NO SMOKING LT	AMP MNL	2	561248	561247
C 307						C 374	LH SWITCH PANEL	AMP MNL	6	561552	561515
C 308	LH CONSOLE SW-RHEOSTAT	TC	2	561030	560997	C 375					
C 309	DDEC ENGINE-ECM POWER CON.	PED MP	5	-----	562345	C 376					
C 310	LH DASH PANEL -LUG. DOOR LCK SW	EATON	8	-----	562763	C 377	LH DASH PANEL-STOP ENG.OVERRIDE SW	EATON	8	-----	562763
C 311	RH DASH PANEL -HOS & PAS CHIME SW	EATON	8	-----	562763	C 378					
C 312	RH DASH PANEL -READING LTS SW	EATON	8	-----	562763	C 379					
C 313	RH DASH PANEL -GEN & FLUOR LTS SW	EATON	8	-----	562763	C 380	LH CONSOLE-DDR CONNECTOR	DEUTSCH	6	562360	-----
C 314	LH DASH PANEL-FR DEST. SIGN SW	EATON	8	-----	562763	C 381					
C 315	LH DASH PANEL-LH STORE SW	EATON	8	-----	562763	C 382					
C 316	LH CONSOLE SPARE SWITCH	EATON	8	-----	562763	C 383					
C 317	LH DASH PANEL-RH STORE SW	EATON	8	-----	562763	C 384					
C 318	LH CONSOLE SW-DRV WINDOW LIFT	EATON	8	-----	562763	C 385					
C 319						C 386	LH DASH PANEL-WCL POWER SYSTEM SW	EATON	8	-----	562763
C 320	RH DASH PANEL-DRIVER'S LTS SW	EATON	8	-----	562763	C 387	RR JCT BOX (WCL)	AMP MNL	9	561661	561662
C 321	READING LTS TEST					C 388	RR JCT BOX (WCL)	AMP MNL	12	561735	561734
C 322	LH CONSOLE DRV WIND LIFT MOT	PED PO	2	-----	561848	C 389	WCL REAR DOOR	MOLEX	4	561477	561476
C 323	LH CONSOLE CRUISE CTR SW PAN. AMP	CPC	9	561636	561637	C 390	LAVATORY WALL-WCL REMOTE CTR	EATON	8	-----	562763
C 324						C 391	LAVATORY WALL-WCL LAMP	EATON	8	-----	562763

CONNECTORS CODE

NO	LOCATION	TYPE	CAVITY	#PIN	#SOCKET	NO	LOCATION	TYPE	CAVITY	#PIN	#SOCKET
				HOUSING	HOUSING					HOUSING	HOUSING
C 392	LAVATORY WALL-WCL SW. LT.	EATON	2	-----	561835	C 459	WORLD TRANSM.-ENGINE SP.SENS.	PED MP	2	-----	562426
C 393	LAVATORY WALL-WCL REMOTE SYS.	AMP CPC	4	561686	561687	C 460	WORLD TRANSM.-SPEED SENSOR	ITT	2	-----	562541
C 394	UNDER INSTR. PANEL- B/U MONITOR	AMP MNL	4	560851	560852	C 461	WORLD TRANSM.-RETARDER TEMP.	PED MP	2	561566	561680
C 395	DRIVER'S COMPT. - B/U MONITOR	AMP	5	-----	-----	C 462	WORLD TRANSM.-RETARD SOL."K"	PED MP	2	-----	562426
C 396	FR SECT. LH HAT RACK-SPEAKER	MOLEX	4	562507	562503	C 463	WORLD TRANSM.-SENSOR CONN.	DEUTSCH	16	562570	562571
C 397	ENGINE COMPT. CRADLE ACC.	DEUTSCH	40	562281	562284	C 464	RR JCT BOX-DDR CONNECTOR	DEUTSCH	6	-----	562360
C 398						C 465	LH CONSOLE-SHIFTER SELECTOR	PED	20	-----	562825
C 399	ENGINE COMPT. - PRE-EXITATION ALT.	PED WP	2	561566	561690	C 466	FR SERVICE CPT.-RESIS. MOD.	PED WP	3	-----	562428
C 400	ENGINE COMPT. BLOCK HEATER	PED MP	3	561781	561782	C 467	FR SERVICE CPT.-RESIS. MOD.	PED WP	3	-----	562428
C 401						C 468			8		
C 402	RR DRIVE AXLE-AIR DRYER	PED MP	2	-----	562251	C 469					
C 403	GALLEY FRIGO NORCOLD	AMP MNL	2	561248	561247	C 470	FR LH UPPER WHELL CPT-SILENT 1000	AMP MNL	2	561248	561247
C 404	GALLEY LAMP	AMP MNL	2	561248	561247	C 471	FR LH UPPER WHELL CPT-SILENT 1000	AMP MNL	2	561248	561247
C 405						C 472	FR LH UPPER WHELL CPT-SILENT 1000	PED WP	2	561566	561690
C 406	FR JCT BOX COMPT.-ABS	AMP MNL	2	560900	560898	C 473	FR LH UPPER WHELL CPT-SILENT 1000	AMP MNL	3	561667	561550
C 407	ENGINE COMPT. -SIGNAL	PED WP	6	561606	561607	C 474	DRIVER CPT.-TEMP. SENSOR	AMP MNL	2	561247	561248
C 408	ENGINE COMPT. -SIGNAL	PED WP	6	561606	561607	C 475	RR JCT BOX-SPEED SIGN CONNECTOR	AMP MNL	2	561248	561247
C 409	ENGINE CPT -LOW COOL. LEVEL	PED MP	2	-----	562350	C 475M	RR JCT BOX-SPEED SIGN MANUAL TR.	MOLEX	6	562070	562069
C 410	FR JCT BOX-DIODE CONNECTOR	AMP MNL	15	561987	561986	C 475W	RR JCT BOX-SPEED SIGN WORLD TR.	MOLEX	6	562070	562069
C 411	FR JCT BOX-DIODE CONNECTOR	AMP MNL	15	561987	561986	C 476					
C 412	LH DASH PANEL-MASTER SWITCH SW	EATON	8	-----	562763	C 477					
C 413	ENG CPT-A/C HI UNLOAD PRS SW	PED WP	2	561566	561690	C 478	ELECTRONIC DESTINATION SIGN	AMP CPC	9	561636	561637
C 414	RR JCT BOX	AMP MNL	9	561670	561669	C 479	HVAC MODULE				
C 415	ENGINE CRADLE-FAN SIGNAL	PED WP	3	561781	561782	C 480	UNDER DASH LH-DR. FAN SPEED CTR. MOD	PED	4	561889	561890
C 416	ENGINE CRADLE-FAN SIGNAL	PED P-C	3	562398	-----	C 481	UNDER DASH LH-DR. FAN SPEED CTR. MOD	PED	3	561781	561782
C 417	FRONT JCT BOX-DIODES	AMP MNL	15	561987	561986	C 482					
C 418	LH DASH PANEL-HTR WINDSH.SW	EATON	8	-----	562763	C 483	FR SERVICE CPT. (NOT USED)	PED PC	2	-----	562237
C 419	FR JCT BOX-RETARDER OR JACOB	AMP MNL	3	561667	561550	C 484	UNDER DASH LH.-FOOT DAMPER MOTOR	PED PC	2	-----	562076
C 420	ENGINE COMPT. WEBASTO WATER HTR	TC	2	561597	-----	C 485	UNDER DASH LH.-DASH & DEFR. DAM.MOT.	AMP MNL	3	561667	561550
C 421	ENGINE COMPT. WEBASTO WATER HTR	TC	1	561073	-----	C 486					
C 422	ENGINE COMPT. WEBASTO WATER HTR	TC	2	561597	-----	C 487					
C 423	PRO-HEAT	PC	2			C 488					
C 424	UNDER INSTRUMENT PANEL CENTER	AMP MNL	3	561667	561550	C 489					
C 425	FR JCT BOX-DIODES	AMP MNL	15	561987	561986	C 490					
C 426	ENGINE COMPT. CLUTCH CTR FAN	PED WP	3	561781	561782	C 491					
C 427	PRO-HEAT	PED-WP	2	561566	561680	C 492					
C 428	PRO-HEAT	PED WP	6	561606	561607	C 493					
C 429	FR JCT BOX COMPT.	AMP MNL	6	561552	561515	C 494					
C 430	LH CONSOLE-TIMER	AMP FF	8	561188	562363	C 495					
C 431	LH CONSOLE-PRE HEAT.	TAB AMP	1	561540	561539	C 496					
C 432	ENGINE CPT.-PROX. SW. DOOR AJAR	PED-WP	2	561566	561680	C 497					
C 433	FR SERVICE CPT. KNEEL. PRESS. SW	PED WP	2	561566	561690	C 498					
C 434	FRONT JCT. BOX-DIODES	AMP MNL	15	561987	561986	C 499					
C 435	FR SERVICE CPT.(RH) KNEEL. PIEZO	AMP MNL	2	560900	560898	C 500	FR LH UPPER WHELL CPT -PRODRIVER	MOLEX	6	562070	562069
C 436	RH HAT RACK-WCL CENTER ROOF ACC	AMP CPC	16	561639	561640	C 501	FR LH UPPER WHELL CPT -PRODRIVER	PED MP	7	562433	-----
C 437	RH HAT RACK-WCL FR & RR SECT.	AMP CPC	24	561642	561643	C 502	LH DASH PANEL-PRE HEATER SW.	EATON	8	-----	562763
C 438	EVAP COMPT	AMP MNL	2	561248	561247	C 503	LH CONSOLE-PRE HEATER SW.	EATON	2	-----	561837
C 439		AMP MNL	2	561248	561247	C 504	LH CONSOLE WEBASTO TIMER	AMP	8	-----	562852
C 440		DEUTSCH	4	562479	562477	C 505	LH CONSOLE ESPAR TIMER	AMP	9	-----	562681
C 441						C 506	FR JCT BOX CPT. DIGITAL CLOCK	AMP	4	561685	561687
C 442						C 507	FR SECT. LH HAT-RACK DIG. CLOCK	MOLEX	4	561477	561476
C 443						C 508	RR JCT BOX-FAN CLUTCH RETARDER	AMP MNL	6	561552	561515
C 444						C 509	FR LH UPPER WHELL CPT -DATA LOGGER	PED MP	16	-----	562530
C 445						C 510	FR LH UPPER WHELL CPT -DATA LOGGER	DEUTSCH	9	562531	-----
C 446						C 511	FR LH UPPER WHELL CPT -DATA LOGGER	PED MP	4	562532	-----
C 447						C 512	FR LH UPPER WHELL CPT -DATA LOGGER	PED MP	10	562533	-----
C 448						C 513	FR LH UPPER WHELL CPT -DATA LOGGER	AMP MNL	3	561667	561550
C 449						C 514	FR LH UPPER WHELL CPT -DATA LOGGER	PED MP	6	562433	562417
C 450	SOUND SYS. JCT. PANEL	MOLEX	4	562507	562503	C 515	FR JCT BOX CPT.-INTERCOM	MOLEX	4	561477	561476
C 451	WIRELESS MICRO-FIRST CPT BAG	MOLEX	2	562550	562549	C 516	FR JCT BOX CPT.-INTERCOM	MOLEX	6	562070	562069
C 452	UNDER DASH INSTR. PANEL	MOLEX	2	562550	562549	C 517	LAVATORY WALL-INTERCOM	MOLEX	6	562070	562069
C 453	SOUND SYS. JCT.PANEL-VCP	PED WP	2	561566	561680	C 519	UNDER DASH RH-SEDAN DOOR	HUMPHREY	2	-----	562580
C 454	SOUND SYS.JCT.PAN.-FILT. VCP	PED WP	2	561566	561680	C 520	UNDER DASH RH-SEDAN DOOR	HUMPHREY	2	-----	641385
C 455	WIRELESS MICRO-LH HAT-RACK	MOLEX	6	-----	562464	C 521	UNDER DASH RH-SEDAN DOOR	HUMPHREY	2	-----	641385
C 456	WORLD TRANSM.-RETARDER ACCUM.	PED MP	2	-----	562427	C 522	FR JCT BOX-DAYTIME LTS MODULE	BOSCH	5	-----	561183
C 457	WORLD TRANSM.-MAIN CONNECTOR	DEUTSCH	31	562572	562536	C 523	FR JCT BOX-FUSE BLOCK	PED	8	562647	562646
C 458	WORLD TRANSM.-TURBINE SP.SENS	PED MP	2	-----	562426	C 524	FR JCT BOX-FUSE BLOCK	PED	8	562647	562646

CONNECTORS CODE

NO	LOCATION	TYPE	CAVITY	#PIN	#SOCKET	NO	LOCATION	TYPE	CAVITY	#PIN	#SOCKET
				HOUSING	HOUSING					HOUSING	HOUSING
C 525	FR JCT BOX-FUSE BLOCK	PED	8	562647	562646	C 592	L.H.CONSOLE - MIRROR R.H.	EURAMTEC	8	-----	562799
C 526	FR JCT BOX-FUSE BLOCK	PED	8	562647	562646	C 593	BATTERY CMPT. - CHARGER	PED WP	3	561781	561782
C 527	FR JCT BOX-FUSE BLOCK	PED	8	562647	562646	C 594	FRONT ROOF - DRIVERS LIGHT	LEEKRAFT	-----	-----	562803
C 528	FR JCT BOX-FUSE BLOCK	PED	8	562647	562646	C 595	DASH CENTER MODULE - OPEN DOOR	MOLEX	4	561477	561476
C 529	FR JCT BOX-12V OUTLET	AMP MNL	2	561247	561248	C 596	DASH CENTER MODULE - CLOSE DOOR	MOLEX	4	561477	561476
C 530	RR JCT BOX-FUSE BLOCK	PED	8	562647	562646	C 597	L.H. DASH PANEL - DISPLAY SET SW.	MOLEX	5	-----	562812
C 531	RR JCT BOX-FUSE BLOCK	PED	8	562647	562646	C 598	L.H. DASH PANEL - DISPLAY SET SW.	MOLEX	5	-----	562812
C 532	RR JCT BOX-FUSE BLOCK	PED	8	562647	562646	C 599	-----	-----	-----	-----	-----
C 533	RR JCT BOX-FUSE BLOCK	PED	8	562647	562646	C 600	ENGINE CPT.-A/C LOW PRESS SW. UNLOAD	PED	2	562348	562471
C 534	RR JCT BOX-FUSE BLOCK	PED	8	562647	562646	C 601	L.H. ROOF - WINDOW AJAR	AMP MNL	2	561248	561247
C 535	RR JCT BOX-FIRE MODULE DETECT.	AMP MNL	3	561667	561550	C 602	L.H. ROOF - WINDOW AJAR	MOLEX	4	561477	561476
C 536	UNDER DASH RH-DRIVER'S HTR TEMP. CTR	AMP MNL	6	561552	561515	C 603	R.H. ROOF - WINDOW AJAR	AMP MNL	2	561248	561247
C 537	BATT. CPT.-A/C PRESS. SIGN. RLY	AMP MNL	2	561248	561247	C 604	LH PARCEL RACK DVD VIDEO STABILIZER	SWITCHCRAFT	1	563074	-----
C 538	FR SERVICE CPT.-OUTSIDE TEMP. SENSOR	AMP MNL	2	561248	561247	C 605	HAT RACK - MOTOR FAN	PED	2	560997	561030
C 539	HVAC DASH MODULE OUTPUT CON	MOLEX	24	562678	562780	C 606	HAT RACK - MOTOR FAN	PED	2	560997	561030
C 540	HVAC DASH MODULE INPUT CON	MOLEX	22	562781	562781	C 607	FRONT SERVICE CMPT. RPM SIGNAL	PED WP	2	561566	561690
C 541	SOUND SYS. JCT PANEL-AUDIO SEAT SYS.	PED WP	2	561566	561690	C 608	FRONT SERVICE CMPT. SPEED SIGNAL	PED WP	2	561566	561690
C 542	LH HAT RACK-AUDIO SEAT SYSTEM	AMP MNL	3	561667	561550	C 609	LAVATORY - NIGHT LIGHT	-----	-----	-----	-----
C 543	RR JCT BOX-PARK. BRAKE STOP LTS RESIS.	PED WP	2	561566	561690	C 610	RR JCT BOX	AMP MNL	6	561552	561515
C 544	SOUND SYS JCT PANEL-AUDIO SEAT SYS.	PED WP	3	561781	562428	C 611	HAT RACK READING LTS RICON	MOLEX	6	562558	562557
C 545	LH HAT RACK-AUDIO SEAT SYSTEM	AMP MNL	3	561667	561550	C 612	HAT -RACK FLUOR. INSTATION LTS RICON	MOLEX	4	562507	562503
C 546	WIRELESS MIC. CHARGING SYSTEM	MOLEX	2	-----	563025	C 613	HAT -RACK INDIRECT LTS RICON	AMP MNL	3	561667	561550
C 547	RH DASH PANEL-ACCESSORIES	AMP CPC	37	561645	561646	C 614	HAT -RACK INDIRECT LTS RICON	AMP MNL	3	561667	561550
C 548	LH DASH PANEL-T.T. LT. TEST SW.	EATON	8	-----	562763	C 615	LH PARCEL RACK DVD SING ALONG ADAPT.	MOLEX	2	562550	562549
C 549	LH DASH PANEL-FAN CLUTCH OVERR. SW	EATON	8	-----	562763	C 616	-----	-----	-----	-----	-----
C 550	LAST LUGG. CPT. -WCL RICON	AMP CPC	16	561694	561695	L X	CLUSTER	JAE	22	-----	562766
C 551	LAST LUGG. CPT. -WCL RICON	AMP CPC	16	561694	561695	L Y	CLUSTER	JAE	30	-----	562767
C 552	LAST LUGG. CPT. -WCL RICON	AMP CPC	9	561636	561637	R X	CLUSTER	JAE	22	-----	562764
C 553	UNDER DASH R.H. - CONTROL. HEAD	MOLEX	16	-----	562559	-----	-----	-----	-----	-----	-----
C 554	UNDER DASH R.H. - CONTROL. HEAD	MOLEX	16	-----	562559	-----	-----	-----	-----	-----	-----
C 555	UNDER DASH R.H. - CONTROL. HEAD	MOLEX	16	-----	562559	-----	-----	-----	-----	-----	-----
C 556	UNDER DASH R.H. - RADIO ACC.	MOLEX	2	562550	562549	-----	-----	-----	-----	-----	-----
C 557	UNDER DASH R.H. - RADIO ACC.	MOLEX	9	562556	562555	-----	-----	-----	-----	-----	-----
C 558	UNDER DASH R.H. - RADIO ACC.	MOLEX	4	562507	562503	-----	-----	-----	-----	-----	-----
C 559	SOUND SYS. JCT. PANEL - FILTER AMPLI	PED WP	2	561566	561690	-----	-----	-----	-----	-----	-----
C 560	SOUND SYS. JCT. PANEL - POWER AMPLI	MOLEX	4	562507	562503	-----	-----	-----	-----	-----	-----
C 561	L.H. HAT RACK - WIRELESS MICRO	MOLEX	8	-----	562465	-----	-----	-----	-----	-----	-----
C 562	L.H. HAT RACK - VCP	MOLEX	12	562556	563070	-----	-----	-----	-----	-----	-----
C 563	L.H MODESTY PANEL - DRIVERS SPK.	MOLEX	4	562507	562503	-----	-----	-----	-----	-----	-----
C 564	L.H MODESTY PANEL - MICRO	MOLEX	4	562507	562503	-----	-----	-----	-----	-----	-----
C 565	R.H MODESTY PANEL - MICRO	MOLEX	4	562507	562503	-----	-----	-----	-----	-----	-----
C 566	L.H. CONSOLE - BOOM MICRO	MOLEX	4	562507	562503	-----	-----	-----	-----	-----	-----
C 567	L.H. CONSOLE - DRIVERS MICRO	MOLEX	4	562507	562503	-----	-----	-----	-----	-----	-----
C 568	SOUND SYS. JCT. PANEL - PASS. SPK	CINCH	4	562553	562552	-----	-----	-----	-----	-----	-----
C 569	SOUND SYS. JCT. PANEL - POWER AMPLI.	MOLEX	9	562556	562555	-----	-----	-----	-----	-----	-----
C 570	UNDER DASH PANEL TTLT	MOLEX	6	-----	562464	-----	-----	-----	-----	-----	-----
C 571	UNDER DASH PANEL TTLT	MOLEX	20	-----	562778	-----	-----	-----	-----	-----	-----
C 572	UNDER DASH PANEL TTLT	MOLEX	18	-----	562779	-----	-----	-----	-----	-----	-----
C 573	UNDER DASH PANEL TTLT	MOLEX	8	-----	562465	-----	-----	-----	-----	-----	-----
C 574	HAT -RACK FLUOR. INDIRECT LIGHTING	MOLEX	6	-----	562759	-----	-----	-----	-----	-----	-----
C 575	HAT -RACK FLUOR. INSTATION LIGHT	MOLEX	4	562507	562503	-----	-----	-----	-----	-----	-----
C 576	HAT -RACK FLUOR. INDIRECT LIGHTING	AMP MNL	3	561667	561550	-----	-----	-----	-----	-----	-----
C 577	HAT -RACK FLUOR. INDIRECT LIGHTING	AMP MNL	3	561667	561550	-----	-----	-----	-----	-----	-----
C 578	HAT -RACK FLUOR. INSTATION LIGHT	MOLEX	4	562507	562503	-----	-----	-----	-----	-----	-----
C 579	L.H HAT RACK - VCP POWER	MOLEX	4	-----	563071	-----	-----	-----	-----	-----	-----
C 580	RH DASH PANEL-HAT RACK FAN SW	EATON	8	-----	562763	-----	-----	-----	-----	-----	-----
C 581	-----	-----	-----	-----	-----	-----	-----	-----	-----	-----	-----
C 582	FRONT SERVICE CMPT. - WINDOWS AJAR	PED WP	2	561566	561690	-----	-----	-----	-----	-----	-----
C 583	L.H. DASH PANEL - MASTER KEY	DEUTSCH	2	562486	562485	-----	-----	-----	-----	-----	-----
C 584	FRONT SERVICE CMPT. - AIR HORH	HUMPHREY	3	-----	641385	-----	-----	-----	-----	-----	-----
C 585	-----	-----	-----	-----	-----	-----	-----	-----	-----	-----	-----
C 586	-----	-----	-----	-----	-----	-----	-----	-----	-----	-----	-----
C 587	LH PARCEL RACK DVD UNIT	MOLEX	4	563040	563071	-----	-----	-----	-----	-----	-----
C 588	FRONT SERVICE CPT. CENTER SOUND SYS.	AMP. CPC	37	561645	561646	-----	-----	-----	-----	-----	-----
C 589	UNDER DASH - L.H. MIRROR	AMP MNL	9	561670	561669	-----	-----	-----	-----	-----	-----
C 590	UNDER DASH - R.H. MIRROR	AMP MNL	9	561670	561669	-----	-----	-----	-----	-----	-----
C 591	L.H.CONSOLE - MIRROR L.H.	EURAMTEC	8	-----	562799	-----	-----	-----	-----	-----	-----

CONNECTORS CODE

NO	LOCATION	TYPE	CAVITY	#PIN	#SOCKET	NO	LOCATION	TYPE	CAVITY	#PIN	#SOCKET
				HOUSING	HOUSING					HOUSING	HOUSING
AA1	BEHIND DASH - SONALERT	BOSCH	5		561183	C 57					
AA2	BEHIND DASH - SONALERT	BOSCH	5		561183	C 58	RR JCT BOX AC PANEL	DEUTSCH	24	562280	562283
C X1	FR LH UPPER WHELL CPT-ABS	AMP	18		562792	C 59	RR JCT BOX AC PANEL	AMP CPC	14	561584	561583
C X2	FR LH UPPER WHELL CPT-ABS	AMP	6		562793	C 60	RR JCT BOX COMPT.-LT	AMP MNL	2	561248	561247
C X3	FR LH UPPER WHELL CPT-ABS	AMP	9		562794	C 61	LUGGAGE COMPARTMENT LTS	AMP MNL	2	561248	561247
C X4	FR LH UPPER WHELL CPT-ABS	AMP	15		562795	C 62	LUGGAGE COMPARTMENT LTS	AMP MNL	2	561248	561247
CS	RR JCT BOX ECU WORLD TR.	PED	32		562817	C 63	LUGGAGE COMPARTMENT LTS	AMP MNL	2	561248	561247
CT	RR JCT BOX ECU WORLD TR.	PED	32		562824	C 64	LUGGAGE COMPARTMENT LTS	AMP MNL	2	561248	561247
C V	RR JCT BOX ECU WORLD TR.	PED	32		562823	C 65	LUGGAGE COMPARTMENT LTS	AMP MNL	2	561248	561247
CV 12	RR JCT BOX-WORLD TRANSM. & EATON CLUSTER	AMP CPC	9	561636	561637	C 66	LUGGAGE COMPARTMENT LTS	AMP MNL	2	561248	561247
C Y		JAE	30		562765	C 67	LUGGAGE COMPARTMENT LTS	AMP MNL	2	561248	561247
C 1	FR JCT BOX COMPARTMENT	AMP CPC	14	561585	561584	C 68	LUGGAGE COMPARTMENT LTS	AMP MNL	2	561248	561247
C 2	FR JCT BOX COMPARTMENT	AMP CPC	16	561639	561640	C 69	RR AXLE ACC-INSIDE PVC END	PED WP	6	561568	561578
C 3	FR JCT BOX COMPARTMENT	AMP CPC	24	561641	561643	C 70	LH CONSOLE	AMP CPC	16	561642	561643
C 4	FR JCT BOX COMPARTMENT	AMP CPC	37	561644	561646	C 71	FR JCT BOX COMPARTMENT	AMP CPC	37	561645	561646
C 5	FR SERVICE COMPT.-UNDERNEATH	AMP CPC	37	561644	561646	C 72	FR JCT BOX COMPARTMENT	AMP CPC	24	561642	561643
C 6	FR SERVICE COMPT.-UNDERNEATH	AMP CPC	16	561639	561640	C 73	DASH CENTER PANEL	AMP CPC	16	561639	561640
C 7						C 74	FR JCT BOX COMPARTMENT	AMP CPC	37	561645	561646
C 8	FR SERVICE COMPT.-UNDERNEATH	AMP CPC	24	561641	561643	C 75	SERV CPT. RXT. ENT. DOOR SW	DEUTSCH	4	562479	562477
C 9	FR SERVICE COMPT.-UNDERNEATH	AMP CPC	24	561641	561643	C 76	LUGGAGE COMPT.-AIR RET.SENS.	AMP MNL	2	561248	561247
C 10						C 77	LUGGAGE COMPT.-AIR RET.SENS.	AMP MNL	2	561248	561247
C 11	FR SERVICE COMPARTMENT	AMP CPC	37	561644	561646	C 78					
C 12	FR SERVICE COMPARTMENT	AMP CPC	16	561639	561640	C 79					
C 13	LH CONSOLE-CTR MIRROR	AMP MNL	6	561552	561515	C 80	LUGGAGE COMPT.-AIR RET.SENS.	AMP MNL	2	561248	561247
C 14	UNDER DASH-LH MIRROR	AMP MNL	9	561661	561662	C 81	PASSENGER COMPT.-AISLE LTS	AMP MNL	2	560900	560898
C 15	RR JCT BOX	AMP CPC	24	561641	561643	C 82	ENTRANCE DOOR	MOLEX	6	562070	562069
C 16	LH CONSOLE SW-CRUISE ON OFF	EATON	10	-----	562763	C 83	ENTRANCE DOOR-PROIMITY SW	MOLEX	4	561477	561476
C 17	LH CONSOLE SW-CRUISE RESUME	EATON	10	-----	562763	C 84	ENTRANCE DOOR-PRESSURE SW	PED WP	2	561566	561690
C 18	LH CONSOLE SW-CRUISE SET	EATON	10	-----	562763	C 85	UNDER INSTRUMENT PANEL LH	AMP MTA-100	-----	562248	-----
C 19	LH CONSOLE DECEL SW	EATON	10	-----	562763	C 86					
C 20	RR JCT BOX	AMP CPC	37	561644	561646	C 87	RR END ROOF	AMP CPC	9	561636	561637
C 21	RR JCT BOX	AMP CPC	24	561641	561643	C 88					
C 22	RR JCT BOX - EATON TRANSM.	AMP MNL	6	561552	561515	C 89	RR END ROOF-B/U NONITOR	AMP CPC	4	561582	561581
C 23	DDEC ENGINE-ECM J1939	PED MP	6	-----	561962	C 90	RR JCT BOX	AMP CPC	15	561987	561986
C 24	DDEC ENGINE	PED WP	1	561605	561577	C 91	RR JCT BOX	AMP CPC	37	561714	561713
C 25	RR JCT BOX - EATON TRANSM. J1939	DEUTCH	3	562877	562884	C 92	FR LH UPPER WHELL CPT-ABS	AMP CPC	9	561635	561637
C 26	HYD & MAN TRANSM.-NEUT. & B/U	PED WP	4	561610	561611	C 93	FR LH UPPER WHELL CPT-ABS		35	-----	641094
C 27	HYD & MAN TRANSM.-SPEED SENS.	PED WP	2	561566	561690	C 94					
C 28	EATON TRANSMISSION	DEUTCH	3	562877	562884	C 95	CONDENSOR CPT - LIQ. SOL. VALVE	PED WP	2	561566	561690
C 29	EATON TRANSMISSION	PED MP	6	562878	-----	C 96	FR AXLE ACCESSORIES	AMP CPC	14	561585	561585
C 30	RR JCT BOX - ECU EATON TRANSM.	PED MP	32	-----	562866	C 97	RR AXLE ACC-INSIDE PVC END	PED WP	6	561568	561578
C 31	RR JCT BOX - ECU EATON TRANSM.	PED MP	24	-----	562865	C 98	FR SERVICE COMPT-EL.FT.PEDAL	PED WP	3	561782	561781
C 32	DDEC ENGINE-ECM	PED	30	-----	561600	C 99	FR SERVICE COMPT LTS	AMP MNL	2	561248	561247
C 33	RR JCT BOX - EATON TRANSM.	DEUTCH	9	562531	-----	C 100	LH CONSOLE - 120 VOLTS SWITCH	EATON	8	-----	562763
C 34	RH. CONSOLE - EATON TRANSM. SHIFTER	PED MP	3	-----	562871	C 101	FR SERVICE COMPT-ELEC. HORNS	PED WP	2	561566	561690
C 35	RR JCT BOX	AMP CPC	24	561642	561643	C 102	FR SERV & SIDE CPT-FLASH. LH	GROTE	2	-----	562155
C 36	RH. CONSOLE - EATON TRANSM. SHIFTER	PED MP	24	-----	562874	C 103	FR SERV & SIDE CPT-MARKERS	GROTE	2	-----	562155
C 37	RR SECTION-LH HAT RACK	MOLEX	6	562558	562557	C 104	FR SERV & SIDE CPT-FLASH. RH	GROTE	2	-----	562155
C 38	RR SECTION-RH HAT RACK	MOLEX	6	562558	562557	C 105	FR SERVICE COMPT-LIQ.S.VALVE	PED WP	2	561566	561690
C 39	LH CONSOLE - EATON TRANSM. DISPLAY	AMP MNL	4	561551	561668	C 106	FR SERVICE COMPT-WATER VALVE	PED WP	2	561566	561690
C 40	RR JCT BOX - EATON TRANSM. J1939	DEUTCH	3	562877	562884	C 107	EVAPORATOR COMPT-DAMPER	PED WP	2	561566	561690
C 41	LAVATORY ROOF LIGHT	LEECRAFT	2	-----	562803	C 108	FR SERVICE COMPT-KNEEL.SYS	PED WP	2	561566	561690
C 42	LAVATORY BACK WALL-WTR TANK	AMP MNL	2	560900	560898	C 109	FR SERVICE COMPT-KNEEL.SYS	PED WP	2	561566	561690
C 43	LAVATORY BACK WALL-ACCES.	AMP MNL	9	561661	561662	C 110	FR SERVICE COMPT-KNEEL.SYS	PED WP	2	561566	561690
C 44	EATON TRANSM. J1939	DEUTCH	3	562877	562884	C 111	EVAPORATOR COMPT-DAMPER	DEUTSCH	2	562486	562485
C 45	FR JCT BOX COMPARTMENT	AMP CPC	24	561642	561643	C 112	EVAPORATOR COMPT-SPEED MOT CTRL	DEUTSCH	5	-----	562566
C 46	EATON TRANSM. J1939	DEUTCH	3	562877	562884	C 113	BATT. & RR J.B.CPT.MARKER LT	GROTE	2	-----	562155
C 47	FR SERVICE COMPARTMENT	AMP CPC	16	561694	561695	C 114	RR J. BOX CPT DOOR DIR LT LH	GROTE	2	-----	562155
C 48	FR. SERVICE CMPT.PRESS SW PARK BREAK	DEUTCH	4	562479	562477	C 115	ENGINE COMPT-AIR DRYER	PED WP	2	561566	561690
C 49	BATTERIE COMPT.-LT	AMP MNL	2	561248	561247	C 116	ENGINE COMPT. LTS	PED WP	1	561605	561577
C 50	FR SERVICE COMPT.-LOW BUOY	PED WP	1	561605	561577	C 117					
C 51						C 118	ENGINE COMPT-LAVATORY FAN	PED WP	2	561566	561690
C 52	RR JCT BOX	AMP CPC	22	561709	561710	C 119	ENGINE CPT RR DOOR RH LO LAMP	PED WP	6	561606	561607
C 53						C 120	ENGINE CPT RR DOOR LH LO LAMP	PED WP	6	561606	561607
C 54						C 121	BATTERIE CPT. DOOR DIR LT RH	GROTE	2	-----	562155
C 55	RH SWITCH PANEL	AMP CPC	9	561636	561637	C 122	ENGINE CPT-UNLOAD TAG SYSTEM	PED WP	2	561566	561690
C 56						C 123	TAG AXLE-UNLOAD TAG RH VALVE	PED WP	2	561566	561690

CONNECTORS CODE

NO	LOCATION	TYPE	CAVITY	#PIN	#SOCKET	NO	LOCATION	TYPE	CAVITY	#PIN	#SOCKET
				HOUSING	HOUSING					HOUSING	HOUSING
C 124	ENGINE CPT-ETHER SW	PED WP	2	561566	561690	C 189	ENGINE CPT RR DOOR B/U LT	PED WP	2	561566	561690
C 125	ENGINE CPT-BU ALARM	PED WP	2	561566	561690	C 190	ENGINE CPT RR DOOR TAIL LT	PED WP	2	561566	561690
C 126	ENGINE CPT-FLUSHING PUMP	PED WP	2	561566	561690	C 191	ENGINE CPT RR DOOR RH STOP LT	PED WP	2	561566	561690
C 127	ENGINE CPT-FUEL FILTER	PED WP	2	561566	561690	C 192	ENGINE CPT RR DOOR RH DIR. LT	PED WP	2	561566	561690
C 128	ENGINE CPT-A/C COMPR.CLUTCH	ITT SS	2	561813	561812	C 193					
C 129	ENGINE CPT-PRE-HEAT WATER	AMP FF	6	561672	561186	C 194	ENGINE CPT RR DOOR LH DIR. LT	PED WP	2	561566	561690
C 130	ENGINE CPT-UNLOADER	ITT SS	2	561813	561812	C 195	ENGINE CPT RR DOOR LH STOP LT	PED WP	2	561566	561690
C 131	ENGINE CPT-UNLOADER	ITT SS	2	561813	561812	C 196	ENGINE CPT RR DOOR CYCLOP LT	PED WP	2	561566	561690
C 132	ENGINE CPT-A/C LO PRESS SW	PED WP	2	561566	561690	C 199	ENGINE CPT RR DOOR LICENCE LT	DOM AUTO	2	930210	-----
C 133	ENGINE CPT-A/C HI PRESS SW	PED WP	2	561566	561690	C 200	RH HAT RACK-FLUORESCENT	AMP MNL	2	561248	561247
C 134	FR JCT BOX-LUGGAGE DIODE CON.	AMP MNL	15	561987	561986	C 201	RH HAT RACK-FLUORESCENT	AMP MNL	2	561248	561247
C 135	FR JCT BOX-LUGGAGE DIODE CON.	AMP MNL	15	561987	561986	C 202	RH HAT RACK-INDIRECT LIGHTING	MOLEX	2	-----	562758
C 136	RR JCT BOX - A/C PANEL DIODE CONN.	AMP MNL	15	561987	561986	C 203	RH HAT RACK-INDIRECT LIGHTING	MOLEX	6	-----	562759
C 137	RR JCT BOX-TRANSMITTER	AMP MNL	2	560900	560898	C 204	RH HAT RACK-GENERAL LT	AMP MNL	2	560900	560898
C 138	RR JCT BOX-CONTROL MODULE	AMP HDP	15	-----	562012	C 205	FR SECT.-RH HAT RACK SPEAKER	AMP MNL	9	561661	561662
C 139	RR JCT BOX-LOGIC MODULE	AMP HDP	15	562011	-----	C 206	RH HAT RACK-READING LT	AMP FF	4	-----	562756
C 140	HVAC DASH MODULE THERMOMETER	MOLEX	4		562782	C 207	LH HAT RACK-READING LT	AMP FF	4	-----	562756
C 141	INSTRUMENT PANEL LH UNLOAD TAG	AMP	2	561248	561247	C 208	LH HAT RACK-BALLAST	MOLEX	2	-----	562758
C 142	LAVATORY DOOR WALL	AMP MNL	2	561248	561247	C 209	LH HAT RACK HOTESS CHIME	AMP MNL	3	561667	561550
C 143						C 210	FR SECT.-LH HAT RACK SPEAKER	AMP MNL	9	561661	561662
C 144	UNDER LH SEAT-AISLE LTS	AMP MNL	4	560851	560852	C 211	FR ROOF-STORE LH	AMP MNL	2	560900	560898
C 145	RR JCT BOX CPT-RR SIDE LTS	AMP MNL	9	561670	561669	C 212	FR ROOF-STORE RH	AMP MNL	2	560900	560898
C 146	ENGINE CPT-MODULATOR VALVE	AMPHENOL	2	-----	560412	C 213					
C 147	BATT & RR J.B.CPT-DOCK.LTS	PED WP	2	561566	561690	C 214	ENGINE CPT J1922				
C 148						C 215	TAG AXLE - A.T.C. SYSTEM				
C 149	CONDENSER CPT-FAN MOTOR	ORDNANCE	3	562555	562001	C 216	TAG AXLE - A.T.C. SYSTEM				
C 150						C 217	RH DASH PANEL-FRONT CAMERA SW	EATON	8	-----	562763
C 151	EVAPORATOR CPT-THERMOSTAT	ITT SS	2	561813	562159	C 218	RH DASH PANEL-FRONT CAMERA SW	AMP MNL	2	560900	560898
C 152	CONDENSER CPT-FUEL GAUGE	PED WP	4	561610	561611	C 219					
C 153	EVAPORATOR CPT-AIR AMB. SENS	AMP MNL	2	561248	561247	C 220	RR.JCT.BOX-FUEL PRIME PUMP	TC	1	561070	561073
C 154	EVAPORATOR CPT-FRESH AIR SENS	ITT SS	2	561813	561812	C 221	BATTERY CMPT. FIRE DETECTOR	DEUTSCH	2	562486	562485
C 155	EVAPORATOR CPT-WATER VALVE	PED WP	4	561610	561611	C 222	ENGINE CMPT. FIRE DETCTOR	DEUTSCH	2	562486	562485
C 156	EVAPOR. CPT-BYPASS WATER VAL.	PED WP	2	561566	561690	C 223	ENGINE CMPT. FIRE DETCTOR	DEUTSCH	2	562486	562485
C 157	EVAPORATOR CPT-WATER PUMP	PED WP	2	561566	561690	C 224					
C 158	CONDENSER CPT-A/C LO TEMP.	PED WP	2	561566	561690	C 225					
C 159	CONDENSER CPT-A/C HI TEMP.	PED WP	2	561566	561690	C 226					
C 160	FR AXLE-ABS RH SENSOR	WABCO	2	641132	-----	C 227					
C 161	FR AXLE-ABS RH VALVE	WABCO	3	-----	641098	C 228					
C 162	FR AXLE-ABS LH VALVE	WABCO	3	-----	641098	C 229					
C 163	FR AXLE-ABS LH SENSOR	WABCO	2	641132	-----	C 230	ENG.CPT.-FUEL PRIME PUMP FEED	DEUTSCH	2	562486	562485
C 164	RR AXLE-ABS LH SENSOR	WABCO	2	641132	-----	C 231	ENG.CPT.-FUEL PRIME PUMP SW.	PED WP	2	561566	561690
C 165	RR AXLE-ABS LH VALVE	WABCO	3	-----	641098	C 232	ENG.CPT.-FUEL PRIME PUMP	PED WP	2	561566	561690
C 166	RR AXLE-ABS RH VALVE	WABCO	3	-----	641098	C 233	FR. SERVICE COMPT.	VDO	8	-----	562043
C 167	RR AXLE-ABS RH SENSOR	DEUTSCH	2	641132	-----	C 234	FR. SERVICE COMPT.	VDO	8	-----	562044
C 168	RR AXLE-ABS OPT ATC	PED WP	2	561566	561690	C 235	FR. SERVICE COMPT.	VDO	8	-----	562041
C 169	RR JCT BOX-SPEED SW	AMP HDP	15	-----	562012	C 236	LUGGAGE COMPARTEMENT	AMP MNL	4	560851	560852
C 170	FR JCT BOX-FLASHER UNIT	TC	2	-----	561940	C 237	UNDER DASH LH-JACOB CLUTCH SW	ITT SS	3	561111	561080
C 171	LH CONSOLE	AMP CPC	24	561642	561643	C 238	RR JCT BOX-DIODE CONNECTOR	AMP MNL	9	561670	561669
C 172						C 239	FR SERVICE CPT-HI BUOY VALVE	PED WP	2	561566	561690
C 173						C 240	FR SERVICE CPT-KNEEL PROX SW	PED WP	2	561566	561690
C 174	UNDER DASH RH-HTR MODULE	AMP MNL	9	561670	561669	C 241					
C 175	UNDER DASH RH-HTR MODULE	AMP MNL	9	561670	561669	C 242	FR SERVICE CPT-MARK & DIR LT	ITT SS	3	561111	561080
C 176	UNDER DASH RH-WIPER PULSE	AMP FF	6	-----	561186	C 243	FR SERVICE CPT-HEADLAMPS	TC	3	-----	561071
C 177	UNDER DASH RH-WIPER MOTOR	AMP FF	6	-----	561186	C 244	FR SERVICE CPT-LH FOG LAMP	ITT SS	2	561813	561812
C 178	UNDER DASH RH-LH FAN	TC	2	561030	560997	C 245	FR SERVICE CPT-RH FOG LAMP	ITT SS	2	561813	561812
C 179	UNDER DASH RH-RH FAN	TC	2	561030	560997	C 246	FR SERVICE CPT-MARK & DIR LT	ITT SS	3	561111	561080
C 180	RR JCT BOX-DIODE CONNECTOR	AMP MNL	15	561987	561986	C 247					
C 181	RR JCT BOX-DIODE CONNECTOR	AMP MNL	15	561987	561986	C 248	FR JCT BOX-WIPER PULSE GEN	AMP FF	6	-----	561108
C 182						C 249					
C 183	FR SERVICE CPT-KNEELING PAN.	PED WP	4	561610	561611	C 250					
C 184	FR SERVICE CPT-KNEELING SW	ITT SS	3	561111	561080	C 251	LH DASH PANEL-FAST IDLE SW	EATON	8	-----	562763
C 185						C 252					
C 186	RR JCT BOX CPT.-SPEED SIGN.TR	PED WP	2	561566	561690	C 253	LH DASH PANEL-ETHER SW	EATON	8	-----	562763
C 186M	RR JCT BOX CPT.-SPD SIGN. M.TR	PED WP	2	561566	561690	C 254	INST. PANEL RH-ENTR.DOOR SW.	TORRIX	5	-----	562110
C 186W	RR JCT BOX CPT.-SPD SIGN. WT	PED WP	2	561566	561690	C 255	LH DASH PANEL-JACOB & RETARDER SW	EATON	8	-----	562763
C 187	FR JCT BOX-RPM RESISTOR CON.	AMP MNL	6	561552	561515	C 256					
C 188						C 257					

CONNECTORS CODE

NO	LOCATION	TYPE	CAVITY	#PIN	#SOCKET	NO	LOCATION	TYPE	CAVITY	#PIN	#SOCKET
				HOUSING	HOUSING					HOUSING	HOUSING
C 258	LH SW PANEL-MULTI FUNC. SW	AMP FF	8	561188	-----	C 324					
C 259	LH SW PANEL-MULTI FUNC. SW	AMP FF	6	-----	561108	C 325	LH DASH PANEL-KNEELING SW	EATON	8	-----	562763
C 260	FR SERVICE CPT-LUG DOOR LCK	PED WP	6	561606	561607	C 326	ENGINE CMPT.	PED	4	-----	561610
C 261	UNDER DASH RH-DOOR MODULE	AMP MNL	9	561670	561669	C 327	ENGINE CONTROL	DEUTSCH	6	562583	562581
C 262	UNDER DASH RH-DOOR MODULE	AMP MNL	4	561551	561668	C 328	GALLEY-LAMP	AMP MNL	2	561248	561247
C 263	UNDER DASH RH-DOOR MODULE	AMP MNL	3	561667	561550	C 329	ENGINE TACHO SIGNAL	PED WP	3	561781	561789
C 264	UNDER DASH RH-DOOR MODULE	AMP MNL	3	561667	561550	C 330					
C 265	UNDER DASH RH-DOOR MODULE	AMP HDP-20	15	562011	562012	C 331	GALLEY MICROWAVE SW	EATON	8	-----	562763
C 266						C 332					
C 267	UNDER DASH RH	AMP CPC	24	561642	561643	C 333	GALLEY RH CONTAINER SW	EATON	8	-----	562763
C 268	UNDER DASH LH-MIRROR	AMP MNL	6	561552	561515	C 334	GALLEY LH CONTAINER SW	EATON	8	-----	562763
C 269	UNDER DASH RH-MIRROR	AMP MNL	6	561552	561515	C 335					
C 270	LH MIRROR POST	MOLEX	6	562070	562069	C 336					
C 271	RH MIRROR POST	MOLEX	6	562070	562069	C 337	INSTR PANEL LH-UP WIPER SW	EATON	8	-----	562763
C 272	LH MIRROR	SPARTAN	6	-----	990158	C 338	INSTR PANEL LH-UP DEFROST SW	EATON	8	-----	562763
C 273	RH MIRROR	SPARTAN	6	-----	990158	C 339	INSTR PANEL LH-UP WASHER SW	EATON	8	-----	562763
C 274	RR. JCT. BOX - SIGNAL ALT. MODULE					C 340	FR JCT. BOX FIRE PIEZO ALARM	AMP MNL	2	560900	560898
C 275	UNDER DASH RH-DOOR MODULE	AMP MNL	9	561670	561669	C 341	INSTR PANEL LH-HEAT MIRROR SW	EATON	8	-----	562763
C 276	UNDER DASH RH-LOCK SOL.VALVE	AMP MNL	2	561248	561247	C 342	ENGINE RR START SW	DEUTSCH	2	562586	562585
C 277						C 343	INSTR PANEL LH-HEADLAMP SW	EATON	8	-----	562763
C 278						C 344	INSTR PANEL LH-HAZARD LT SW	EATON	8	-----	562763
C 279 *	FR SERVICE CPT.- STEERING ZF	DEUTCH	2		562486	C 345	INSTR PANEL LH-FOG LT SW	EATON	8	-----	562763
C 279	UNDER DASH CYLINDER READ SW.	AMP MNL	2	561248	561247	C 346					
C 280	LH CONSOLE-UNLOAD TAG SW.	NGR	10	-----	562763	C 347	INSTR PANEL LH-DASH LT SW	AMP MNL	2	560900	560898
C 281						C 348	INSTR PANEL CENT-RACOR MODULE	MOLEX	6	562070	562067
C 282						C 349					
C 283						C 350	RH CONSOLE-THERMOMETER	AMP MNL	3	561667	561550
C 284						C 351	LH HAT RACK-FLUOR 110V	MOLEX	4	561477	561476
C 285						C 352	RH CONSOLE-DRV TEMP SENSOR	BURNDY	4	-----	561104
C 286	RH SW PANEL-A/C & HEAT	EATON	8	-----	562763	C 353	INSTR PANEL RH-DRV FAN RHEOST	AMP MNL	6	561552	561515
C 287	ENGINE CMPT-LTS SW	PED WP	2	561566	561690	C 354	INSTR PANEL RH-DRV TEMP CTR	AMP MNL	6	561552	561515
C 288	RH SW PANEL-FRESH AIR	EATON	8	-----	562763	C 355	INSTR PANEL RH-FR TEMP CTR	AMP MNL	3	561667	561550
C 289						C 356					
C 290						C 357	INSTR PANEL RH-WATER TEMP GA	AMP MNL	3	561667	561550
C 291						C 358	INSTR PANEL RH-FUEL LEVEL GA	AMP MNL	3	561667	561550
C 292						C 359					
C 293						C 360					
C 294						C 361	FR ROOF-WIPER MOTOR	AMP FF	6	-----	561186
C 295						C 362	FR ROOF-LAVATORY OCCUPIED LT	AMP MNL	2	561248	561247
C 296						C 363	FR ROOF-WATCH YOUR STEP LT	AMP MNL	2	561248	561247
C 297	INSTRUMENT PANEL RH -LTS	AMP MNL	2	560900	560898	C 364	FR ROOF-DESTINATION SIGN	AMP MNL	3	561667	561550
C 298						C 365	FR ROOF-UP WINDSHIELD DEFROST	AMP MNL	3	561667	561550
C 299	RH DASH PANEL SW-GALLEY	EATON	8	-----	562763	C 366	RH DASH PANEL-GRN & RED LEDS	AMP MNL	3	560908	562006
C 300						C 367	ENGINE CMPT-DIF OIL T SENSOR	PED WP	2	561566	561690
C 301						C 368	FR ROOF-DEST. SIGN BALLAST	AMP MNL	3	561667	561550
C 302						C 369	FR ROOF-DEST. SIGN OPER. SW	TORRIX	5	-----	562110
C 303						C 370	FR ROOF-DEST. SIGN FLUOR.	AMP MNL	2	560900	560898
C 304						C 371	FR ROOF-DEST. SIGN FLUOR.	AMP MNL	2	560900	560898
C 305						C 372	FR ROOF-DEST. SIGN SPEED SW	MOLEX	4	561477	561476
C 306						C 373	FR ROOF-NO SMOKING LT	AMP MNL	2	561248	561247
C 307						C 374	LH SWITCH PANEL	AMP MNL	6	561552	561515
C 308	LH CONSOLE SW-RHEOSTAT	TC	2	561030	560997	C 375					
C 309	DDEC ENGINE-ECM POWER CON.	PED MP	5	-----	562345	C 376					
C 310	LH DASH PANEL -LUG. DOOR LCK SW	EATON	8	-----	562763	C 377	LH DASH PANEL-STOP ENG.OVERRIDE SW	EATON	8	-----	562763
C 311	RH DASH PANEL -HOS & PAS CHIME SW	EATON	8	-----	562763	C 378					
C 312	RH DASH PANEL -READING LTS SW	EATON	8	-----	562763	C 379					
C 313	RH DASH PANEL -GEN & FLUOR LTS SW	EATON	8	-----	562763	C 380	LH CONSOLE-DDR CONNECTOR	DEUTSCH	6	562360	-----
C 314	LH DASH PANEL-FR DEST. SIGN SW	EATON	8	-----	562763	C 381					
C 315	LH DASH PANEL-LH STORE SW	EATON	8	-----	562763	C 382					
C 316	LH CONSOLE SPARE SWITCH	EATON	8	-----	562763	C 383					
C 317	LH DASH PANEL-RH STORE SW	EATON	8	-----	562763	C 384					
C 318	LH CONSOLE SW-DRV WINDOW LIFT	EATON	8	-----	562763	C 385					
C 319						C 386	LH DASH PANEL-WCL POWER SYSTEM SW	EATON	8	-----	562763
C 320	RH DASH PANEL-DRIVER'S LTS SW	EATON	8	-----	562763	C 387	RR JCT BOX (WCL)	AMP MNL	9	561661	561662
C 321	READING LTS TEST					C 388	RR JCT BOX (WCL)	AMP MNL	12	561735	561734
C 322	LH CONSOLE DRV WIND LIFT MOT	PED PO	2	-----	561848	C 389	WCL REAR DOOR	MOLEX	4	561477	561476
C 323	LH CONSOLE CRUISE CTR SW PAN. AMP	CPC	9	561636	561637	C 390	LAVATORY WALL-WCL REMOTE CTR	EATON	8	-----	562763

CONNECTORS CODE

NO	LOCATION	TYPE	CAVITY	#PIN	#SOCKET	NO	LOCATION	TYPE	CAVITY	#PIN	#SOCKET
				HOUSING	HOUSING					HOUSING	HOUSING
C 391	LAVATORY WALL-WCL LAMP	EATON	8	-----	562763	C 458	WORLD TRANSM.-TURBINE SP.SENS	PED MP	2	-----	562426
C 392	LAVATORY WALL-WCL SW. LT.	EATON	2	-----	561835	C 459	WORLD TRANSM.-ENGINE SP.SENS.	PED MP	2	-----	562426
C 393	LAVATORY WALL-WCL REMOTE SYS.	AMP CPC	4	561686	561687	C 460	WORLD TRANSM.-SPEED SENSOR	ITT	2	-----	562541
C 394	UNDER INSTR. PANEL- B/U MONITOR	AMP MNL	4	560851	560852	C 461	WORLD TRANSM.-RETARDER TEMP.	PED MP	2	561566	561680
C 395	DRIVER'S COMPT. - B/U MONITOR	AMP	5	-----	-----	C 462	WORLD TRANSM.-RETARD SOL."K"	PED MP	2	-----	562426
C 396	FR SECT. LH HAT RACK-SPEAKER	MOLEX	4	562507	562503	C 463	WORLD TRANSM.-SENSOR CONN.	DEUTSCH	16	562570	562571
C 397	ENGINE COMPT. CRADLE ACC.	DEUTSCH	40	562281	562284	C 464	RR JCT BOX-DDR CONNECTOR	DEUTSCH	6	-----	562360
C 398						C 465	LH CONSOLE-SHIFTER SELECTOR	PED	20	-----	562825
C 399	ENGINE COMPT. - PRE-EXITATION ALT.	PED WP	2	561566	561690	C 466	FR SERVICE CPT.-RESIS. MOD.	PED WP	3	-----	562428
C 400	ENGINE COMPT. BLOCK HEATER	PED MP	3	561781	561782	C 467	FR SERVICE CPT.-RESIS. MOD.	PED WP	3	-----	562428
C 401						C 468			8		
C 402	RR DRIVE AXLE-AIR DRYER	PED MP	2	-----	562251	C 469					
C 403	GALLEY FRIGO NORCOLD	AMP MNL	2	561248	561247	C 470	FR LH UPPER WHELL CPT-SILENT 1000	AMP MNL	2	561248	561247
C 404	GALLEY LAMP	AMP MNL	2	561248	561247	C 471	FR LH UPPER WHELL CPT-SILENT 1000	AMP MNL	2	561248	561247
C 405						C 472	FR LH UPPER WHELL CPT-SILENT 1000	PED WP	2	561566	561690
C 406	FR JCT BOX COMPT.-ABS	AMP MNL	2	560900	560898	C 473	FR LH UPPER WHELL CPT-SILENT 1000	AMP MNL	3	561667	561550
C 407	ENGINE COMPT. -SIGNAL	PED WP	6	561606	561607	C 474	DRIVER CPT.-TEMP. SENSOR	AMP MNL	2	561247	561248
C 408	ENGINE COMPT. -SIGNAL	PED WP	6	561606	561607	C 475	RR JCT BOX-SPEED SIGN CONNECTOR	AMP MNL	2	561248	561247
C 409	ENGINE CPT -LOW COOL. LEVEL	PED MP	2	-----	562350	C 475M	RR JCT BOX-SPEED SIGN MANUAL TR.	MOLEX	6	562070	562069
C 410	FR JCT BOX-DIODE CONNECTOR	AMP MNL	15	561987	561986	C 475W	RR JCT BOX-SPEED SIGN WORLD TR.	MOLEX	6	562070	562069
C 411	FR JCT BOX-DIODE CONNECTOR	AMP MNL	15	561987	561986	C 476					
C 412	LH DASH PANEL-MASTER SWITCH SW	EATON	8	-----	562763	C 477					
C 413	ENG CPT-A/C HI UNLOAD PRS SW	PED WP	2	561566	561690	C 478	ELECTRONIC DESTINATION SIGN	AMP CPC	9	561636	561637
C 414	RR JCT BOX	AMP MNL	9	561670	561669	C 479	HVAC MODULE				
C 415	ENGINE CRADLE-FAN SIGNAL	PED WP	3	561781	561782	C 480	UNDER DASH LH-DR. FAN SPEED CTR. MOD	PED	4	561889	561890
C 416	ENGINE CRADLE-FAN SIGNAL	PED P-C	3	562398	-----	C 481	UNDER DASH LH-DR. FAN SPEED CTR. MOD	PED	3	561781	561782
C 417	FRONT JCT BOX-DIODES	AMP MNL	15	561987	561986	C 482					
C 418	LH DASH PANEL-HTR WINDSH.SW	EATON	8	-----	562763	C 483	FR SERVICE CPT. (NOT USED)	PED PC	2	-----	562237
C 419	FR JCT BOX-RETARDER OR JACOB	AMP MNL	3	561667	561550	C 484	UNDER DASH LH.-FOOT DAMPER MOTOR	PED PC	2	-----	562076
C 420	ENGINE COMPT. WEBASTO WATER HTR	TC	2	561597	-----	C 485	UNDER DASH LH.-DASH & DEFR. DAM.MOT.	AMP MNL	3	561667	561550
C 421	ENGINE COMPT. WEBASTO WATER HTR	TC	1	561073	-----	C 486					
C 422	ENGINE COMPT. WEBASTO WATER HTR	TC	2	561597	-----	C 487					
C 423	PRO-HEAT	PC	2			C 488					
C 424	UNDER INSTRUMENT PANEL CENTER	AMP MNL	3	561667	561550	C 489					
C 425	FR JCT BOX-DIODES	AMP MNL	15	561987	561986	C 490					
C 426	ENGINE COMPT. CLUTCH CTR FAN	PED WP	3	561781	561782	C 491					
C 427	PRO-HEAT	PED-WP	2	561566	561680	C 492					
C 428	PRO-HEAT	PED WP	6	561606	561607	C 493					
C 429	FR JCT BOX COMPT.	AMP MNL	6	561552	561515	C 494					
C 430	LH CONSOLE-TIMER	AMP FF	8	561188	562363	C 495					
C 431	LH CONSOLE-PRE HEAT.	TAB AMP	1	561540	561539	C 496					
C 432	ENGINE CPT.-PROX. SW. DOOR AJAR	PED-WP	2	561566	561680	C 497					
C 433	FR SERVICE CPT. KNEEL. PRESS. SW	PED WP	2	561566	561690	C 498					
C 434	FRONT JCT. BOX-DIODES	AMP MNL	15	561987	561986	C 499					
C 435	FR SERVICE CPT.(RH) KNEEL. PIEZO	AMP MNL	2	560900	560898	C 500	FR LH UPPER WHELL CPT -PRODRIVER	MOLEX	6	562070	562069
C 436	RH HAT RACK-WCL CENTER ROOF ACC	AMP CPC	16	561639	561640	C 501	FR LH UPPER WHELL CPT -PRODRIVER	PED MP	7	562433	-----
C 437	RH HAT RACK-WCL FR & RR SECT.	AMP CPC	24	561642	561643	C 502	LH DASH PANEL-PRE HEATER SW.	EATON	8	-----	562763
C 438	EVAP COMPT	AMP MNL	2	561248	561247	C 503	LH CONSOLE-PRE HEATER SW.	EATON	2	-----	561837
C 439		AMP MNL	2	561248	561247	C 504	LH CONSOLE WEBASTO TIMER	AMP	8	-----	562852
C 440		DEUTSCH	4	562479	562477	C 505	LH CONSOLE ESPAR TIMER	AMP	9	-----	562681
C 441						C 506	FR JCT BOX CPT. DIGITAL CLOCK	AMP	4	561685	561687
C 442						C 507	FR SECT. LH HAT-RACK DIG. CLOCK	MOLEX	4	561477	561476
C 443						C 508	RR JCT BOX-FAN CLUTCH RETARDER	AMP MNL	6	561552	561515
C 444						C 509	FR LH UPPER WHELL CPT -DATA LOGGER	PED MP	16	-----	562530
C 445						C 510	FR LH UPPER WHELL CPT -DATA LOGGER	DEUTSCH	9	562531	-----
C 446						C 511	FR LH UPPER WHELL CPT -DATA LOGGER	PED MP	4	562532	-----
C 447						C 512	FR LH UPPER WHELL CPT -DATA LOGGER	PED MP	10	562533	-----
C 448						C 513	FR LH UPPER WHELL CPT -DATA LOGGER	AMP MNL	3	561667	561550
C 449						C 514	FR LH UPPER WHELL CPT -DATA LOGGER	PED MP	6	562433	562417
C 450	SOUND SYS. JCT. PANEL	MOLEX	4	562507	562503	C 515	FR JCT BOX CPT.-INTERCOM	MOLEX	4	561477	561476
C 451	WIRELESS MICRO-FIRST CPT BAG	MOLEX	2	562550	562549	C 516	FR JCT BOX CPT.-INTERCOM	MOLEX	6	562070	562069
C 452	UNDER DASH INSTR. PANEL	MOLEX	2	562550	562549	C 517	LAVATORY WALL-INTERCOM	MOLEX	6	562070	562069
C 453	SOUND SYS. JCT.PANEL-VCP	PED WP	2	561566	561680	C 519	UNDER DASH RH-SEDAN DOOR	HUMPHREY	2	-----	562580
C 454	SOUND SYS.JCT.PAN.-FILT. VCP	PED WP	2	561566	561680	C 520	UNDER DASH RH-SEDAN DOOR	HUMPHREY	2	-----	641385
C 455	WIRELESS MICRO-LH HAT-RACK	MOLEX	6	-----	562464	C 521	UNDER DASH RH-SEDAN DOOR	HUMPHREY	2	-----	641385
C 456	WORLD TRANSM.-RETARDER ACCUM.	PED MP	2	-----	562427	C 522	FR JCT BOX-DAYTIME LTS MODULE	BOSCH	5	-----	561183
C 457	WORLD TRANSM.-MAIN CONNECTOR	DEUTSCH	31	562572	562536	C 523	FR JCT BOX-FUSE BLOCK	PED	8	562647	562646

CONNECTORS CODE

NO	LOCATION	TYPE	CAVITY	#PIN	#SOCKET	NO	LOCATION	TYPE	CAVITY	#PIN	#SOCKET
				HOUSING	HOUSING					HOUSING	HOUSING
C 524	FR JCT BOX-FUSE BLOCK	PED	8	562647	562646	C 591	L.H.CONSOLE - MIRROR L.H.	EURAMTEC	8	-----	562799
C 525	FR JCT BOX-FUSE BLOCK	PED	8	562647	562646	C 592	L.H.CONSOLE - MIRROR R.H.	EURAMTEC	8	-----	562799
C 526	FR JCT BOX-FUSE BLOCK	PED	8	562647	562646	C 593	BATTERY CMPT. - CHARGER	PED WP	3	561781	561782
C 527	FR JCT BOX-FUSE BLOCK	PED	8	562647	562646	C 594	FRONT ROOF - DRIVERS LIGHT	LEEKRAFT		-----	562803
C 528	FR JCT BOX-FUSE BLOCK	PED	8	562647	562646	C 595	DASH CENTER MODULE - OPEN DOOR	MOLEX	4	561477	561476
C 529	FR JCT BOX-12V OUTLET	AMP MNL	2	561247	561248	C 596	DASH CENTER MODULE - CLOSE DOOR	MOLEX	4	561477	561476
C 530	RR JCT BOX-FUSE BLOCK	PED	8	562647	562646	C 597	L.H. DASH PANEL - DISPLAY SET SW.	MOLEX	5		562812
C 531	RR JCT BOX-FUSE BLOCK	PED	8	562647	562646	C 598	L.H. DASH PANEL - DISPLAY SET SW.	MOLEX	5		562812
C 532	RR JCT BOX-FUSE BLOCK	PED	8	562647	562646	C 599					
C 533	RR JCT BOX-FUSE BLOCK	PED	8	562647	562646	C 600	ENGINE CPT.-A/C LOW PRESS SW. UNLOAD	PED	2	562348	562471
C 534	RR JCT BOX-FUSE BLOCK	PED	8	562647	562646	C 601	L.H. ROOF - WINDOW AJAR	AMP MNL	2	561248	561247
C 535	RR JCT BOX-FIRE MODULE DETECT.	AMP MNL	3	561667	561550	C 602	L.H. ROOF - WINDOW AJAR	MOLEX	4	561477	561476
C 536	UNDER DASH RH-DRIVER'S HTR TEMP. CTR	AMP MNL	6	561552	561515	C 603	R.H. ROOF - WINDOW AJAR	AMP MNL	2	561248	561247
C 537	BATT. CPT.-A/C PRESS. SIGN. RLY	AMP MNL	2	561248	561247	C 604	LH PARCEL RACK DVD VIDEO STABILIZER	SWITCHCRAFT	1	563074	
C 538	FR SERVICE CPT.-OUTSIDE TEMP. SENSOR	AMP MNL	2	561248	561247	C 605	HAT RACK - MOTOR FAN	PED	2	560997	561030
C 539	HVAC DASH MODULE OUTPUT CON	MOLEX	24		562780	C 606	HAT RACK - MOTOR FAN	PED	2	560997	561030
C 540	HVAC DASH MODULE INPUT CON	MOLEX	22		562781	C 607	FRONT SERVICE CMPT. RPM SIGNAL	PED WP	2	561566	561690
C 541	SOUND SYS. JCT PANEL-AUDIO SEAT SYS.	PED WP	2	561566	561690	C 608	FRONT SERVICE CMPT. SPEED SIGNAL	PED WP	2	561566	561690
C 542	LH HAT RACK-AUDIO SEAT SYSTEM	AMP MNL	3	561667	561550	C 609	LAVATORY - NIGHT LIGHT				
C 543	RR JCT BOX-PARK. BRAKE STOP LTS RESIS.	PED WP	2	561566	561690	C 610	RR JCT BOX	AMP MNL	6	561552	561515
C 544	SOUND SYS JCT PANEL-AUDIO SEAT SYS.	PED WP	3	561781	562428	C 611	HAT RACK READING LTS RICON	MOLEX	6	562558	562557
C 545	LH HAT RACK-AUDIO SEAT SYSTEM	AMP MNL	3	561667	561550	C 612	HAT -RACK FLUOR. INSTATION LTS RICON	MOLEX	4	562507	562503
C 546	WIRELESS MIC. CHARGING SYSTEM	MOLEX	2	-----	563025	C 613	HAT -RACK INDIRECT LTS RICON	AMP MNL	3	561667	561550
C 547	RH DASH PANEL-ACCESSORIES	AMP CPC	37	561645	561646	C 614	HAT -RACK INDIRECT LTS RICON	AMP MNL	3	561667	561550
C 548	LH DASH PANEL-T.T. LT. TEST SW.	EATON	8	-----	562763	C 615	LH PARCEL RACK DVD SING ALONG ADAPT.	MOLEX	2	562550	562549
C 549	LH DASH PANEL-FAN CLUTCH OVERR. SW	EATON	8	-----	562763	C 616					
C 550	LAST LUGG. CPT. -WCL RICON	AMP CPC	16	561694	561695	L X	CLUSTER	JAE	22		562766
C 551	LAST LUGG. CPT. -WCL RICON	AMP CPC	16	561694	561695	L Y	CLUSTER	JAE	30		562767
C 552	LAST LUGG. CPT. -WCL RICON	AMP CPC	9	561636	561637	R X	CLUSTER	JAE	22		562764
C 553	UNDER DASH R.H. - CONTROL. HEAD	MOLEX	16	-----	562559						
C 554	UNDER DASH R.H. - CONTROL. HEAD	MOLEX	16	-----	562559						
C 555	UNDER DASH R.H. - CONTROL. HEAD	MOLEX	16	-----	562559						
C 556	UNDER DASH R.H. - RADIO ACC.	MOLEX	2	562550	562549						
C 557	UNDER DASH R.H. - RADIO ACC.	MOLEX	9	562556	562555						
C 558	UNDER DASH R.H. - RADIO ACC.	MOLEX	4	562507	562503						
C 559	SOUND SYS. JCT. PANEL - FILTER AMPLI	PED WP	2	561566	561690						
C 560	SOUND SYS. JCT. PANEL - POWER AMPLI	MOLEX	4	562507	562503						
C 561	L.H. HAT RACK - WIRELESS MICRO	MOLEX	8		562465						
C 562	L.H. HAT RACK - VCP	MOLEX	12	562556	563070						
C 563	L.H. MODESTY PANEL - DRIVERS SPK.	MOLEX	4	562507	562503						
C 564	L.H. MODESTY PANEL - MICRO	MOLEX	4	562507	562503						
C 565	R.H. MODESTY PANEL - MICRO	MOLEX	4	562507	562503						
C 566	L.H. CONSOLE - BOOM MICRO	MOLEX	4	562507	562503						
C 567	L.H. CONSOLE - DRIVERS MICRO	MOLEX	4	562507	562503						
C 568	SOUND SYS. JCT. PANEL - PASS. SPK	CINCH	4	562553	562552						
C 569	SOUND SYS. JCT. PANEL - POWER AMPLI.	MOLEX	9	562556	562555						
C 570	UNDER DASH PANEL TTLT	MOLEX	6		562464						
C 571	UNDER DASH PANEL TTLT	MOLEX	20		562778						
C 572	UNDER DASH PANEL TTLT	MOLEX	18		562779						
C 573	UNDER DASH PANEL TTLT	MOLEX	8		562465						
C 574	HAT -RACK FLUOR. INDIRECT LIGHTING	MOLEX	6	-----	562759						
C 575	HAT -RACK FLUOR. INSTATION LIGHT	MOLEX	4	562507	562503						
C 576	HAT -RACK FLUOR. INDIRECT LIGHTING	AMP MNL	3	561667	561550						
C 577	HAT -RACK FLUOR. INDIRECT LIGHTING	AMP MNL	3	561667	561550						
C 578	HAT -RACK FLUOR. INSTATION LIGHT	MOLEX	4	562507	562503						
C 579	L.H HAT RACK - VCP POWER	MOLEX	4		563071						
C 580	RH DASH PANEL-HAT RACK FAN SW	EATON	8	-----	562763						
C 581											
C 582	FRONT SERVICE CMPT. - WINDOWS AJAR	PED WP	2	561566	561690						
C 583	L.H. DASH PANEL - MASTER KEY	DEUTSCH	2	562486	562485						
C 584	FRONT SERVICE CMPT. - AIR HORH	HUMPHREY	3	-----	641385						
C 585											
C 586											
C 587	LH PARCEL RACK DVD UNIT	MOLEX	4	563040	563071						
C 588	FRONT SERVICE CPT. CENTER SOUND SYS.	AMP. CPC	37	561645	561646						
C 589	UNDER DASH - L.H. MIRROR	AMP MNL	9	561670	561669						
C 590	UNDER DASH - R.H. MIRROR	AMP MNL	9	561670	561669						

CONNECTORS CODE

NO	LOCATION	TYPE	CAVITY	#PIN	#SOCKET	NO	LOCATION	TYPE	CAVITY	#PIN	#SOCKET
				HOUSING	HOUSING					HOUSING	HOUSING
AA1	BEHIND DASH - SONALERT	BOSCH	5		561183	C 57					
AA2	BEHIND DASH - SONALERT	BOSCH	5		561183	C 58	RR JCT BOX AC PANEL	DEUTSCH	24	562280	562283
C X1	FR LH UPPER WHELL CPT-ABS	AMP	18		562792	C 59	RR JCT BOX AC PANEL	AMP CPC	14	561584	561583
C X2	FR LH UPPER WHELL CPT-ABS	AMP	6		562793	C 60	RR JCT BOX COMPT.-LT	AMP MNL	2	561248	561247
C X3	FR LH UPPER WHELL CPT-ABS	AMP	9		562794	C 61	LUGGAGE COMPARTMENT LTS	AMP MNL	2	561248	561247
C X4	FR LH UPPER WHELL CPT-ABS	AMP	15		562795	C 62	LUGGAGE COMPARTMENT LTS	AMP MNL	2	561248	561247
CS	RR JCT BOX ECU WORLD TR.	PED	32		562817	C 63	LUGGAGE COMPARTMENT LTS	AMP MNL	2	561248	561247
CT	RR JCT BOX ECU WORLD TR.	PED	32		562824	C 64	LUGGAGE COMPARTMENT LTS	AMP MNL	2	561248	561247
C V	RR JCT BOX ECU WORLD TR.	PED	32		562823	C 65	LUGGAGE COMPARTMENT LTS	AMP MNL	2	561248	561247
CV 12	RR JCT BOX-WORLD TRANSM. & EATON CLUSTER	AMP CPC	9	561636	561637	C 66	LUGGAGE COMPARTMENT LTS	AMP MNL	2	561248	561247
C Y		JAE	30		562765	C 67	LUGGAGE COMPARTMENT LTS	AMP MNL	2	561248	561247
C 1	FR JCT BOX COMPARTMENT	AMP CPC	14	561585	561584	C 68	LUGGAGE COMPARTMENT LTS	AMP MNL	2	561248	561247
C 2	FR JCT BOX COMPARTMENT	AMP CPC	16	561639	561640	C 69	RR AXLE ACC-INSIDE PVC END	PED WP	6	561568	561578
C 3	FR JCT BOX COMPARTMENT	AMP CPC	24	561641	561643	C 70	LH CONSOLE	AMP CPC	16	561642	561643
C 4	FR JCT BOX COMPARTMENT	AMP CPC	37	561644	561646	C 71	FR JCT BOX COMPARTMENT	AMP CPC	37	561645	561646
C 5	FR SERVICE COMPT.-UNDERNEATH	AMP CPC	37	561644	561646	C 72	FR JCT BOX COMPARTMENT	AMP CPC	24	561642	561643
C 6	FR SERVICE COMPT.-UNDERNEATH	AMP CPC	16	561639	561640	C 73	DASH CENTER PANEL	AMP CPC	16	561639	561640
C 7						C 74	FR JCT BOX COMPARTMENT	AMP CPC	37	561645	561646
C 8	FR SERVICE COMPT.-UNDERNEATH	AMP CPC	24	561641	561643	C 75	SERV CPT. RXT. ENT. DOOR SW	DEUTSCH	4	562479	562477
C 9	FR SERVICE COMPT.-UNDERNEATH	AMP CPC	24	561641	561643	C 76	LUGGAGE COMPT.-AIR RET.SENS.	AMP MNL	2	561248	561247
C 10						C 77	LUGGAGE COMPT.-AIR RET.SENS.	AMP MNL	2	561248	561247
C 11	FR SERVICE COMPARTMENT	AMP CPC	37	561644	561646	C 78					
C 12	FR SERVICE COMPARTMENT	AMP CPC	16	561639	561640	C 79					
C 13	LH CONSOLE-CTR MIRROR	AMP MNL	6	561552	561515	C 80	LUGGAGE COMPT.-AIR RET.SENS.	AMP MNL	2	561248	561247
C 14	UNDER DASH-LH MIRROR	AMP MNL	9	561661	561662	C 81	PASSENGER COMPT.-AISLE LTS	AMP MNL	2	560900	560898
C 15	RR JCT BOX	AMP CPC	24	561641	561643	C 82	ENTRANCE DOOR	MOLEX	6	562070	562069
C 16	LH CONSOLE SW-CRUISE ON OFF	EATON	10	-----	562763	C 83	ENTRANCE DOOR-PROIMITY SW	MOLEX	4	561477	561476
C 17	LH CONSOLE SW-CRUISE RESUME	EATON	10	-----	562763	C 84	ENTRANCE DOOR-PRESSURE SW	PED WP	2	561566	561690
C 18	LH CONSOLE SW-CRUISE SET	EATON	10	-----	562763	C 85	UNDER INSTRUMENT PANEL LH	AMP MTA-100	-----	562248	-----
C 19	LH CONSOLE DECEL SW	EATON	10	-----	562763	C 86					
C 20	RR JCT BOX	AMP CPC	37	561644	561646	C 87	RR END ROOF	AMP CPC	9	561636	561637
C 21	RR JCT BOX	AMP CPC	24	561641	561643	C 88					
C 22	RR JCT BOX - EATON TRANSM.	AMP MNL	6	561552	561515	C 89	RR END ROOF-B/U NONITOR	AMP CPC	4	561582	561581
C 23	DDEC ENGINE-ECM J1939	PED MP	6	-----	561962	C 90	RR JCT BOX	AMP CPC	15	561987	561986
C 24	DDEC ENGINE	PED WP	1	561605	561577	C 91	RR JCT BOX	AMP CPC	37	561714	561713
C 25	RR JCT BOX - EATON TRANSM. J1939	DEUTCH	3	562877	562884	C 92	FR LH UPPER WHELL CPT-ABS	AMP CPC	9	561635	561637
C 26	HYD & MAN TRANSM.-NEUT. & B/U	PED WP	4	561610	561611	C 93	FR LH UPPER WHELL CPT-ABS		35	-----	641094
C 27	HYD & MAN TRANSM.-SPEED SENS.	PED WP	2	561566	561690	C 94					
C 28	EATON TRANSMISSION	DEUTCH	3	562877	562884	C 95	CONDENSOR CPT - LIQ. SOL. VALVE	PED WP	2	561566	561690
C 29	EATON TRANSMISSION	PED MP	6	562878	-----	C 96	FR AXLE ACCESSORIES	AMP CPC	14	561585	561585
C 30	RR JCT BOX - ECU EATON TRANSM.	PED MP	32	-----	562866	C 97	RR AXLE ACC-INSIDE PVC END	PED WP	6	561568	561578
C 31	RR JCT BOX - ECU EATON TRANSM.	PED MP	24	-----	562865	C 98	FR SERVICE COMPT-EL.FT.PEDAL	PED WP	3	561782	561781
C 32	DDEC ENGINE-ECM	PED	30	-----	561600	C 99	FR SERVICE COMPT LTS	AMP MNL	2	561248	561247
C 33	RR JCT BOX - EATON TRANSM.	DEUTCH	9	562531	-----	C 100	LH CONSOLE - 120 VOLTS SWITCH	EATON	8	-----	562763
C 34	RH. CONSOLE - EATON TRANSM. SHIFTER	PED MP	3	-----	562871	C 101	FR SERVICE COMPT-ELEC. HORNS	PED WP	2	561566	561690
C 35	RR JCT BOX	AMP CPC	24	561642	561643	C 102	FR SERV & SIDE CPT-FLASH. LH	GROTE	2	-----	562155
C 36	RH. CONSOLE - EATON TRANSM. SHIFTER	PED MP	24	-----	562874	C 103	FR SERV & SIDE CPT-MARKERS	GROTE	2	-----	562155
C 37	RR SECTION-LH HAT RACK	MOLEX	6	562558	562557	C 104	FR SERV & SIDE CPT-FLASH. RH	GROTE	2	-----	562155
C 38	RR SECTION-RH HAT RACK	MOLEX	6	562558	562557	C 105	FR SERVICE COMPT-LIQ.S.VALVE	PED WP	2	561566	561690
C 39	LH CONSOLE - EATON TRANSM. DISPLAY	AMP MNL	4	561551	561668	C 106	FR SERVICE COMPT-WATER VALVE	PED WP	2	561566	561690
C 40	RR JCT BOX - EATON TRANSM. J1939	DEUTCH	3	562877	562884	C 107	EVAPORATOR COMPT-DAMPER	PED WP	2	561566	561690
C 41	LAVATORY ROOF LIGHT	LEECRAFT	2	-----	562803	C 108	FR SERVICE COMPT-KNEEL.SYS	PED WP	2	561566	561690
C 42	LAVATORY BACK WALL-WTR TANK	AMP MNL	2	560900	560898	C 109	FR SERVICE COMPT-KNEEL.SYS	PED WP	2	561566	561690
C 43	LAVATORY BACK WALL-ACCES.	AMP MNL	9	561661	561662	C 110	FR SERVICE COMPT-KNEEL.SYS	PED WP	2	561566	561690
C 44	EATON TRANSM. J1939	DEUTCH	3	562877	562884	C 111	EVAPORATOR COMPT-DAMPER	DEUTSCH	2	562486	562485
C 45	FR JCT BOX COMPARTMENT	AMP CPC	24	561642	561643	C 112					
C 46	EATON TRANSM. J1939	DEUTCH	3	562877	562884	C 113	BATT. & RR J.B.CPT.MARKER LT	GROTE	2	-----	562155
C 47	FR SERVICE COMPARTMENT	AMP CPC	16	561694	561695	C 114	RR J. BOX CPT DOOR DIR LT LH	GROTE	2	-----	562155
C 48	FR. SERVICE CMPT.PRESS SW PARK BREAK	DEUTCH	4	562479	562477	C 115					
C 49	BATTERIE COMPT.-LT	AMP MNL	2	561248	561247	C 116	ENGINE COMPT. LTS	PED WP	1	561605	561577
C 50	FR SERVICE COMPT.-LOW BUOY	PED WP	1	561605	561577	C 117					
C 51						C 118	ENGINE COMPT-LAVATORY FAN	PED WP	2	561566	561690
C 52	RR JCT BOX	AMP CPC	22	561709	561710	C 119	ENGINE CPT RR DOOR RH LO LAMP	PED WP	6	561606	561607
C 53						C 120	ENGINE CPT RR DOOR LH LO LAMP	PED WP	6	561606	561607
C 54						C 121	BATTERIE CPT. DOOR DIR LT RH	GROTE	2	-----	562155
C 55	RH SWITCH PANEL	AMP CPC	9	561636	561637	C 122	ENGINE CPT-UNLOAD TAG SYSTEM	PED WP	2	561566	561690
C 56						C 123	TAG AXLE-UNLOAD TAG RH VALVE	PED WP	2	561566	561690

CONNECTORS CODE

NO	LOCATION	TYPE	CAVITY	#PIN HOUSING	#SOCKET HOUSING	NO	LOCATION	TYPE	CAVITY	#PIN HOUSING	#SOCKET HOUSING
C 124	ENGINE CPT-ETHER SW	PED WP	2	561566	561690	C 189	ENGINE CPT RR DOOR B/U LT	PED WP	2	561566	561690
C 125	ENGINE CPT-BU ALARM	PED WP	2	561566	561690	C 190	ENGINE CPT RR DOOR TAIL LT	PED WP	2	561566	561690
C 126	ENGINE CPT-FLUSHING PUMP	PED WP	2	561566	561690	C 191	ENGINE CPT RR DOOR RH STOP LT	PED WP	2	561566	561690
C 127	ENGINE CPT-FUEL FILTER	PED WP	2	561566	561690	C 192	ENGINE CPT RR DOOR RH DIR. LT	PED WP	2	561566	561690
C 128	ENGINE CPT-A/C COMPR.CLUTCH	ITT SS	2	561813	561812	C 193					
C 129	ENGINE CPT-PRE-HEAT WATER	AMP FF	6	561672	561186	C 194	ENGINE CPT RR DOOR LH DIR. LT	PED WP	2	561566	561690
C 130	ENGINE CPT-UNLOADER	ITT SS	2	561813	561812	C 195	ENGINE CPT RR DOOR LH STOP LT	PED WP	2	561566	561690
C 131	ENGINE CPT-UNLOADER	ITT SS	2	561813	561812	C 196	ENGINE CPT RR DOOR CYCLOP LT	PED WP	2	561566	561690
C 132	ENGINE CPT-A/C LO PRESS SW	PED WP	2	561566	561690	C 199	ENGINE CPT RR DOOR LICENCE LT	DOM AUTO	2	930210	-----
C 133	ENGINE CPT-A/C HI PRESS SW	PED WP	2	561566	561690	C 200	RH HAT RACK-FLUORESCENT	AMP MNL	2	561248	561247
C 134	FR JCT BOX-LUGGAGE DIODE CON.	AMP MNL	15	561987	561986	C 201	RH HAT RACK-FLUORESCENT	AMP MNL	2	561248	561247
C 135	FR JCT BOX-LUGGAGE DIODE CON.	AMP MNL	15	561987	561986	C 202	RH HAT RACK-INDIRECT LIGHTING	MOLEX	2	-----	562758
C 136	RR JCT BOX - A/C PANEL DIODE CONN.	AMP MNL	15	561987	561986	C 203	RH HAT RACK-INDIRECT LIGHTING	MOLEX	6	-----	562759
C 137	RR JCT BOX-TRANSMITTER	AMP MNL	2	560900	560898	C 204	RH HAT RACK-GENERAL LT	AMP MNL	2	560900	560898
C 138	RR JCT BOX-CONTROL MODULE	AMP HDP	15	-----	562012	C 205	FR SECT.-RH HAT RACK SPEAKER	AMP MNL	9	561661	561662
C 139	RR JCT BOX-LOGIC MODULE	AMP HDP	15	562011	-----	C 206	RH HAT RACK-READING LT	AMP FF	4	-----	562756
C 140	HVAC DASH MODULE THERMOMETER	MOLEX	4		562782	C 207	LH HAT RACK-READING LT	AMP FF	4	-----	562756
C 141	INSTRUMENT PANEL LH UNLOAD TAG	AMP	2	561248	561247	C 208	LH HAT RACK-BALLAST	MOLEX	2	-----	562758
C 142	LAVATORY DOOR WALL	AMP MNL	2	561248	561247	C 209	LH HAT RACK HOTESS CHIME	AMP MNL	3	561667	561550
C 143						C 210	FR SECT.-LH HAT RACK SPEAKER	AMP MNL	9	561661	561662
C 144	UNDER LH SEAT-AISLE LTS	AMP MNL	4	560851	560852	C 211	FR ROOF-STORE LH	AMP MNL	2	560900	560898
C 145	RR JCT BOX CPT-RR SIDE LTS	AMP MNL	9	561670	561669	C 212	FR ROOF-STORE RH	AMP MNL	2	560900	560898
C 146	ENGINE CPT-MODULATOR VALVE	AMPHENOL	2	-----	560412	C 213					
C 147	BATT & RR J.B.CPT-DOCK.LTS	PED WP	2	561566	561690	C 214	ENGINE CPT J1922				
C 148						C 215	TAG AXLE - A.T.C. SYSTEM				
C 149	CONDENSER CPT-FAN MOTOR	ORDNANCE	3	562555	562001	C 216	TAG AXLE - A.T.C. SYSTEM				
C 150						C 217	RH DASH PANEL-FRONT CAMERA SW	EATON	8	-----	562763
C 151	EVAPORATOR CPT-THERMOSTAT	ITT SS	2	561813	562159	C 218	RH DASH PANEL-FRONT CAMERA SW	AMP MNL	2	560900	560898
C 152	CONDENSER CPT-FUEL GAUGE	PED WP	4	561610	561611	C 219					
C 153	EVAPORATOR CPT-AIR AMB. SENS	AMP MNL	2	561248	561247	C 220	RR.JCT.BOX-FUEL PRIME PUMP	TC	1	561070	561073
C 154	EVAPORATOR CPT-FRESH AIR SENS	ITT SS	2	561813	561812	C 221	BATTERY CMPT. FIRE DETECTOR	DEUTSCH	2	562486	562485
C 155	EVAPORATOR CPT-WATER VALVE	PED WP	4	561610	561611	C 222	ENGINE CMPT. FIRE DETCTOR	DEUTSCH	2	562486	562485
C 156	EVAPOR. CPT-BYPASS WATER VAL.	PED WP	2	561566	561690	C 223	ENGINE CMPT. FIRE DETCTOR	DEUTSCH	2	562486	562485
C 157	EVAPORATOR CPT-WATER PUMP	PED WP	2	561566	561690	C 224					
C 158	CONDENSER CPT-A/C LO TEMP.	PED WP	2	561566	561690	C 225					
C 159	CONDENSER CPT-A/C HI TEMP.	PED WP	2	561566	561690	C 226					
C 160	FR AXLE-ABS RH SENSOR	WABCO	2	641132	-----	C 227					
C 161	FR AXLE-ABS RH VALVE	WABCO	3	-----	641098	C 228					
C 162	FR AXLE-ABS LH VALVE	WABCO	3	-----	641098	C 229					
C 163	FR AXLE-ABS LH SENSOR	WABCO	2	641132	-----	C 230	ENG.CPT.-FUEL PRIME PUMP FEED	DEUTSCH	2	562486	562485
C 164	RR AXLE-ABS LH SENSOR	WABCO	2	641132	-----	C 231	ENG.CPT.-FUEL PRIME PUMP SW.	PED WP	2	561566	561690
C 165	RR AXLE-ABS LH VALVE	WABCO	3	-----	641098	C 232	ENG.CPT.-FUEL PRIME PUMP	PED WP	2	561566	561690
C 166	RR AXLE-ABS RH VALVE	WABCO	3	-----	641098	C 233	FR. SERVICE COMPT.	VDO	8	-----	562043
C 167	RR AXLE-ABS RH SENSOR	DEUTSCH	2	641132	-----	C 234	FR. SERVICE COMPT.	VDO	8	-----	562044
C 168	RR AXLE-ABS OPT ATC	PED WP	2	561566	561690	C 235	FR. SERVICE COMPT.	VDO	8	-----	562041
C 169	RR JCT BOX-SPEED SW	AMP HDP	15	-----	562012	C 236	LUGGAGE COMPARTEMENT	AMP MNL	4	560851	560852
C 170	FR JCT BOX-FLASHER UNIT	TC	2	-----	561940	C 237	UNDER DASH LH-JACOB CLUTCH SW	ITT SS	3	561111	561080
C 171	LH CONSOLE	AMP CPC	24	561642	561643	C 238	RR JCT BOX-DIODE CONNECTOR	AMP MNL	9	561670	561669
C 172						C 239	FR SERVICE CPT-HI BUOY VALVE	PED WP	2	561566	561690
C 173						C 240	FR SERVICE CPT-KNEEL PROX SW	PED WP	2	561566	561690
C 174	UNDER DASH RH-HTR MODULE	AMP MNL	9	561670	561669	C 241					
C 175	UNDER DASH RH-HTR MODULE	AMP MNL	9	561670	561669	C 242	FR SERVICE CPT-MARK & DIR LT	ITT SS	3	561111	561080
C 176	UNDER DASH RH-WIPER PULSE	AMP FF	6	-----	561186	C 243	FR SERVICE CPT-HEADLAMPS	TC	3	-----	561071
C 177	UNDER DASH RH-WIPER MOTOR	AMP FF	6	-----	561186	C 244	FR SERVICE CPT-LH FOG LAMP	ITT SS	2	561813	561812
C 178	UNDER DASH RH-LH FAN	TC	2	561030	560997	C 245	FR SERVICE CPT-RH FOG LAMP	ITT SS	2	561813	561812
C 179	UNDER DASH RH-RH FAN	TC	2	561030	560997	C 246	FR SERVICE CPT-MARK & DIR LT	ITT SS	3	561111	561080
C 180	RR JCT BOX-DIODE CONNECTOR	AMP MNL	15	561987	561986	C 247					
C 181	RR JCT BOX-DIODE CONNECTOR	AMP MNL	15	561987	561986	C 248	FR JCT BOX-WIPER PULSE GEN	AMP FF	6	-----	561108
C 182						C 249					
C 183	FR SERVICE CPT-KNEELING PAN.	PED WP	4	561610	561611	C 250					
C 184	FR SERVICE CPT-KNEELING SW	ITT SS	3	561111	561080	C 251	LH DASH PANEL-FAST IDLE SW	EATON	8	-----	562763
C 185						C 252					
C 186	RR JCT BOX CPT.-SPEED SIGN.TR	PED WP	2	561566	561690	C 253	LH DASH PANEL-ETHER SW	EATON	8	-----	562763
C 186M	RR JCT BOX CPT.-SPD SIGN. M.TR	PED WP	2	561566	561690	C 254	INST. PANEL RH-ENTR.DOOR SW.	TORRIX	5	-----	562110
C 186W	RR JCT BOX CPT.-SPD SIGN. WT	PED WP	2	561566	561690	C 255	LH DASH PANEL-JACOB & RETARDER SW	EATON	8	-----	562763
C 187	FR JCT BOX-RPM RESISTOR CON.	AMP MNL	6	561552	561515	C 256					
C 188						C 257					

CONNECTORS CODE

NO	LOCATION	TYPE	CAVITY	#PIN	#SOCKET	NO	LOCATION	TYPE	CAVITY	#PIN	#SOCKET
				HOUSING	HOUSING					HOUSING	HOUSING
C 258	LH SW PANEL-MULTI FUNC. SW	AMP FF	8	561188	-----	C 324					
C 259	LH SW PANEL-MULTI FUNC. SW	AMP FF	6	-----	561108	C 325	LH DASH PANEL-KNEELING SW	EATON	8	-----	562763
C 260	FR SERVICE CPT-LUG DOOR LCK	PED WP	6	561606	561607	C 326	ENGINE CMPT.	PED	4	-----	561610
C 261	UNDER DASH RH-DOOR MODULE	AMP MNL	9	561670	561669	C 327	ENGINE CONTROL	DEUTSCH	6	562583	562581
C 262	UNDER DASH RH-DOOR MODULE	AMP MNL	4	561551	561668	C 328	GALLEY-LAMP	AMP MNL	2	561248	561247
C 263	UNDER DASH RH-DOOR MODULE	AMP MNL	3	561667	561550	C 329	ENGINE TACHO SIGNAL	PED WP	3	561781	561789
C 264	UNDER DASH RH-DOOR MODULE	AMP MNL	3	561667	561550	C 330					
C 265	UNDER DASH RH-DOOR MODULE	AMP HDP-20	15	562011	562012	C 331	GALLEY MICROWAVE SW	EATON	8	-----	562763
C 266						C 332					
C 267	UNDER DASH RH	AMP CPC	24	561642	561643	C 333	GALLEY RH CONTAINER SW	EATON	8	-----	562763
C 268	UNDER DASH LH-MIRROR	AMP MNL	6	561552	561515	C 334	GALLEY LH CONTAINER SW	EATON	8	-----	562763
C 269	UNDER DASH RH-MIRROR	AMP MNL	6	561552	561515	C 335					
C 270	LH MIRROR POST	MOLEX	6	562070	562069	C 336					
C 271	RH MIRROR POST	MOLEX	6	562070	562069	C 337	INSTR PANEL LH-UP WIPER SW	EATON	8	-----	562763
C 272	LH MIRROR	SPARTAN	6	-----	990158	C 338	INSTR PANEL LH-UP DEFROST SW	EATON	8	-----	562763
C 273	RH MIRROR	SPARTAN	6	-----	990158	C 339	INSTR PANEL LH-UP WASHER SW	EATON	8	-----	562763
C 274	RR. JCT. BOX - SIGNAL ALT. MODULE					C 340	FR JCT. BOX FIRE PIEZO ALARM	AMP MNL	2	560900	560898
C 275	UNDER DASH RH-DOOR MODULE	AMP MNL	9	561670	561669	C 341	INSTR PANEL LH-HEAT MIRROR SW	EATON	8	-----	562763
C 276	UNDER DASH RH-LOCK SOL.VALVE	AMP MNL	2	561248	561247	C 342	ENGINE RR START SW	DEUTSCH	2	562586	562585
C 277						C 343	INSTR PANEL LH-HEADLAMP SW	EATON	8	-----	562763
C 278						C 344	INSTR PANEL LH-HAZARD LT SW	EATON	8	-----	562763
C 279 *	FR SERVICE CPT.- STEERING ZF	DEUTCH	2		562486	C 345	INSTR PANEL LH-FOG LT SW	EATON	8	-----	562763
C 279	UNDER DASH CYLINDER READ SW.	AMP MNL	2	561248	561247	C 346					
C 280	LH CONSOLE-UNLOAD TAG SW.	NGR	10	-----	562763	C 347	INSTR PANEL LH-DASH LT SW	AMP MNL	2	560900	560898
C 281						C 348	INSTR PANEL CENT-RACOR MODULE	MOLEX	6	562070	562067
C 282						C 349					
C 283						C 350	RH CONSOLE-THERMOMETER	AMP MNL	3	561667	561550
C 284						C 351	LH HAT RACK-FLUOR 110V	MOLEX	4	561477	561476
C 285						C 352	RH CONSOLE-DRV TEMP SENSOR	BURNDY	4	-----	561104
C 286	RH SW PANEL-A/C & HEAT	EATON	8	-----	562763	C 353	INSTR PANEL RH-DRV FAN RHEOST	AMP MNL	6	561552	561515
C 287	ENGINE CMPT-LTS SW	PED WP	2	561566	561690	C 354	INSTR PANEL RH-DRV TEMP CTR	AMP MNL	6	561552	561515
C 288	RH SW PANEL-FRESH AIR	EATON	8	-----	562763	C 355	INSTR PANEL RH-FR TEMP CTR	AMP MNL	3	561667	561550
C 289						C 356					
C 290						C 357	INSTR PANEL RH-WATER TEMP GA	AMP MNL	3	561667	561550
C 291						C 358	INSTR PANEL RH-FUEL LEVEL GA	AMP MNL	3	561667	561550
C 292						C 359					
C 293						C 360					
C 294						C 361	FR ROOF-WIPER MOTOR	AMP FF	6	-----	561186
C 295						C 362	FR ROOF-LAVATORY OCCUPIED LT	AMP MNL	2	561248	561247
C 296						C 363	FR ROOF-WATCH YOUR STEP LT	AMP MNL	2	561248	561247
C 297	INSTRUMENT PANEL RH -LTS	AMP MNL	2	560900	560898	C 364	FR ROOF-DESTINATION SIGN	AMP MNL	3	561667	561550
C 298						C 365	FR ROOF-UP WINDSHIELD DEFROST	AMP MNL	3	561667	561550
C 299	RH DASH PANEL SW-GALLEY	EATON	8	-----	562763	C 366	RH DASH PANEL-GRN & RED LEDS	AMP MNL	3	560908	562006
C 300						C 367	ENGINE CMPT-DIF OIL T SENSOR	PED WP	2	561566	561690
C 301						C 368	FR ROOF-DEST. SIGN BALLAST	AMP MNL	3	561667	561550
C 302						C 369	FR ROOF-DEST. SIGN OPER. SW	TORRIX	5	-----	562110
C 303						C 370	FR ROOF-DEST. SIGN FLUOR.	AMP MNL	2	560900	560898
C 304						C 371	FR ROOF-DEST. SIGN FLUOR.	AMP MNL	2	560900	560898
C 305						C 372	FR ROOF-DEST. SIGN SPEED SW	MOLEX	4	561477	561476
C 306						C 373	FR ROOF-NO SMOKING LT	AMP MNL	2	561248	561247
C 307						C 374	LH SWITCH PANEL	AMP MNL	6	561552	561515
C 308	LH CONSOLE SW-RHEOSTAT	TC	2	561030	560997	C 375					
C 309	DDEC ENGINE-ECM POWER CON.	PED MP	5	-----	562345	C 376					
C 310	LH DASH PANEL -LUG. DOOR LCK SW	EATON	8	-----	562763	C 377	LH DASH PANEL-STOP ENG.OVERRIDE SW	EATON	8	-----	562763
C 311	RH DASH PANEL -HOS & PAS CHIME SW	EATON	8	-----	562763	C 378					
C 312	RH DASH PANEL -READING LTS SW	EATON	8	-----	562763	C 379					
C 313	RH DASH PANEL -GEN & FLUOR LTS SW	EATON	8	-----	562763	C 380	LH CONSOLE-DDR CONNECTOR	DEUTSCH	6	562360	-----
C 314	LH DASH PANEL-FR DEST. SIGN SW	EATON	8	-----	562763	C 381					
C 315	LH DASH PANEL-LH STORE SW	EATON	8	-----	562763	C 382					
C 316	LH CONSOLE SPARE SWITCH	EATON	8	-----	562763	C 383					
C 317	LH DASH PANEL-RH STORE SW	EATON	8	-----	562763	C 384					
C 318	LH CONSOLE SW-DRV WINDOW LIFT	EATON	8	-----	562763	C 385					
C 319						C 386	LH DASH PANEL-WCL POWER SYSTEM SW	EATON	8	-----	562763
C 320	RH DASH PANEL-DRIVER'S LTS SW	EATON	8	-----	562763	C 387	RR JCT BOX (WCL)	AMP MNL	9	561661	561662
C 321	READING LTS TEST					C 388	RR JCT BOX (WCL)	AMP MNL	12	561735	561734
C 322	LH CONSOLE DRV WIND LIFT MOT	PED PO	2	-----	561848	C 389	WCL REAR DOOR	MOLEX	4	561477	561476
C 323	LH CONSOLE CRUISE CTR SW PAN. AMP	CPC	9	561636	561637	C 390	LAVATORY WALL-WCL REMOTE CTR	EATON	8	-----	562763

CONNECTORS CODE

NO	LOCATION	TYPE	CAVITY	#PIN	#SOCKET	NO	LOCATION	TYPE	CAVITY	#PIN	#SOCKET
				HOUSING	HOUSING					HOUSING	HOUSING
C 391	LAVATORY WALL-WCL LAMP	EATON	8	-----	562763	C 458	WORLD TRANSM.-TURBINE SP.SENS	PED MP	2	-----	562426
C 392	LAVATORY WALL-WCL SW. LT.	EATON	2	-----	561835	C 459	WORLD TRANSM.-ENGINE SP.SENS.	PED MP	2	-----	562426
C 393	LAVATORY WALL-WCL REMOTE SYS.	AMP CPC	4	561686	561687	C 460	WORLD TRANSM.-SPEED SENSOR	ITT	2	-----	562541
C 394	UNDER INSTR. PANEL- B/U MONITOR	AMP MNL	4	560851	560852	C 461	WORLD TRANSM.-RETARDER TEMP.	PED MP	2	561566	561680
C 395	DRIVER'S COMPT. - B/U MONITOR	AMP	5	-----	-----	C 462	WORLD TRANSM.-RETARD SOL."K"	PED MP	2	-----	562426
C 396	FR SECT. LH HAT RACK-SPEAKER	MOLEX	4	562507	562503	C 463	WORLD TRANSM.-SENSOR CONN.	DEUTSCH	16	562570	562571
C 397	ENGINE COMPT. CRADLE ACC.	DEUTSCH	40	562281	562284	C 464	RR JCT BOX-DDR CONNECTOR	DEUTSCH	6	-----	562360
C 398						C 465	LH CONSOLE-SHIFTER SELECTOR	PED	20	-----	562825
C 399	ENGINE COMPT. - PRE-EXITATION ALT.	PED WP	2	561566	561690	C 466	FR SERVICE CPT.-RESIS. MOD.	PED WP	3	-----	562428
C 400	ENGINE COMPT. BLOCK HEATER	PED MP	3	561781	561782	C 467	FR SERVICE CPT.-RESIS. MOD.	PED WP	3	-----	562428
C 401						C 468			8		
C 402						C 469					
C 403	GALLEY FRIGO NORCOLD	AMP MNL	2	561248	561247	C 470	FR LH UPPER WHELL CPT-SILENT 1000	AMP MNL	2	561248	561247
C 404	GALLEY LAMP	AMP MNL	2	561248	561247	C 471	FR LH UPPER WHELL CPT-SILENT 1000	AMP MNL	2	561248	561247
C 405						C 472	FR LH UPPER WHELL CPT-SILENT 1000	PED WP	2	561566	561690
C 406	FR JCT BOX COMPT.-ABS	AMP MNL	2	560900	560898	C 473	FR LH UPPER WHELL CPT-SILENT 1000	AMP MNL	3	561667	561550
C 407	ENGINE COMPT. -SIGNAL	PED WP	6	561606	561607	C 474	DRIVER CPT.-TEMP. SENSOR	AMP MNL	2	561247	561248
C 408	ENGINE COMPT. -SIGNAL	PED WP	6	561606	561607	C 475	RR JCT BOX-SPEED SIGN CONNECTOR	AMP MNL	2	561248	561247
C 409	ENGINE CPT -LOW COOL. LEVEL	PED MP	2	-----	562350	C 475M	RR JCT BOX-SPEED SIGN MANUAL TR.	MOLEX	6	562070	562069
C 410	FR JCT BOX-DIODE CONNECTOR	AMP MNL	15	561987	561986	C 475W	RR JCT BOX-SPEED SIGN WORLD TR.	MOLEX	6	562070	562069
C 411	FR JCT BOX-DIODE CONNECTOR	AMP MNL	15	561987	561986	C 476					
C 412	LH DASH PANEL-MASTER SWITCH SW	EATON	8	-----	562763	C 477					
C 413	ENG CPT-A/C HI UNLOAD PRS SW	PED WP	2	561566	561690	C 478	ELECTRONIC DESTINATION SIGN	AMP CPC	9	561636	561637
C 414	RR JCT BOX	AMP MNL	9	561670	561669	C 479	HVAC MODULE				
C 415	ENGINE CRADLE-FAN SIGNAL	PED WP	3	561781	561782	C 480	UNDER DASH LH-DR. FAN SPEED CTR. MOD	PED	4	561889	561890
C 416	ENGINE CRADLE-FAN SIGNAL	PED P-C	3	562398	-----	C 481	UNDER DASH LH-DR. FAN SPEED CTR. MOD	PED	3	561781	561782
C 417	FRONT JCT BOX-DIODES	AMP MNL	15	561987	561986	C 482					
C 418	LH DASH PANEL-HTR WINDSH.SW	EATON	8	-----	562763	C 483	FR SERVICE CPT. (NOT USED)	PED PC	2	-----	562237
C 419	FR JCT BOX-RETARDER OR JACOB	AMP MNL	3	561667	561550	C 484	UNDER DASH LH.-FOOT DAMPER MOTOR	PED PC	2	-----	562076
C 420	ENGINE COMPT. WEBASTO WATER HTR	TC	2	561597	-----	C 485	UNDER DASH LH.-DASH & DEFR. DAM.MOT.	AMP MNL	3	561667	561550
C 421	ENGINE COMPT. WEBASTO WATER HTR	TC	1	561073	-----	C 486					
C 422	ENGINE COMPT. WEBASTO WATER HTR	TC	2	561597	-----	C 487					
C 423	PRO-HEAT	PC	2			C 488					
C 424	UNDER INSTRUMENT PANEL CENTER	AMP MNL	3	561667	561550	C 489					
C 425	FR JCT BOX-DIODES	AMP MNL	15	561987	561986	C 490					
C 426	ENGINE COMPT. CLUTCH CTR FAN	PED WP	3	561781	561782	C 491					
C 427	PRO-HEAT	PED-WP	2	561566	561680	C 492					
C 428	PRO-HEAT	PED WP	6	561606	561607	C 493					
C 429	FR JCT BOX COMPT.	AMP MNL	6	561552	561515	C 494					
C 430	LH CONSOLE-TIMER	AMP FF	8	561188	562363	C 495					
C 431	LH CONSOLE-PRE HEAT.	TAB AMP	1	561540	561539	C 496					
C 432	ENGINE CPT.-PROX. SW. DOOR AJAR	PED-WP	2	561566	561680	C 497					
C 433	FR SERVICE CPT. KNEEL. PRESS. SW	PED WP	2	561566	561690	C 498					
C 434	FRONT JCT. BOX-DIODES	AMP MNL	15	561987	561986	C 499					
C 435	FR SERVICE CPT.(RH) KNEEL. PIEZO	AMP MNL	2	560900	560898	C 500	FR LH UPPER WHELL CPT -PRODRIVER	MOLEX	6	562070	562069
C 436	RH HAT RACK-WCL CENTER ROOF ACC	AMP CPC	16	561639	561640	C 501	FR LH UPPER WHELL CPT -PRODRIVER	PED MP	7	562433	-----
C 437	RH HAT RACK-WCL FR & RR SECT.	AMP CPC	24	561642	561643	C 502	LH DASH PANEL-PRE HEATER SW.	EATON	8	-----	562763
C 438	EVAP CMPT- A/C CONTROL	AMP MNL	2	561248	561247	C 503	LH CONSOLE-PRE HEATER SW.	EATON	2	-----	561837
C 439	EVAP CMPT- A/C CONTROL	AMP MNL	2	561248	561247	C 504	LH CONSOLE WEBASTO TIMER	AMP	8	-----	562852
C 440	EVAP CMPT- A/C CONTROL	DEUTSCH	4	562479	562477	C 505	LH CONSOLE ESPAR TIMER	AMP	9	-----	562681
C 441						C 506	FR JCT BOX CPT. DIGITAL CLOCK	AMP	4	561685	561687
C 442						C 507	FR SECT. LH HAT-RACK DIG. CLOCK	MOLEX	4	561477	561476
C 443						C 508	RR JCT BOX-FAN CLUTCH RETARDER	AMP MNL	6	561552	561515
C 444						C 509	FR LH UPPER WHELL CPT -DATA LOGGER	PED MP	16	-----	562530
C 445						C 510	FR LH UPPER WHELL CPT -DATA LOGGER	DEUTSCH	9	562531	-----
C 446						C 511	FR LH UPPER WHELL CPT -DATA LOGGER	PED MP	4	562532	-----
C 447						C 512	FR LH UPPER WHELL CPT -DATA LOGGER	PED MP	10	562533	-----
C 448						C 513	FR LH UPPER WHELL CPT -DATA LOGGER	AMP MNL	3	561667	561550
C 449						C 514	FR LH UPPER WHELL CPT -DATA LOGGER	PED MP	6	562433	562417
C 450	SOUND SYS. JCT. PANEL	MOLEX	4	562507	562503	C 515	FR JCT BOX CPT.-INTERCOM	MOLEX	4	561477	561476
C 451	WIRELESS MICRO-FIRST CPT BAG	MOLEX	2	562550	562549	C 516	FR JCT BOX CPT.-INTERCOM	MOLEX	6	562070	562069
C 452	UNDER DASH INSTR. PANEL	MOLEX	2	562550	562549	C 517	LAVATORY WALL-INTERCOM	MOLEX	6	562070	562069
C 453	SOUND SYS. JCT.PANEL-VCP	PED WP	2	561566	561680	C 519	UNDER DASH RH-SEDAN DOOR	HUMPHREY	2	-----	562580
C 454	SOUND SYS.JCT.PAN.-FILT. VCP	PED WP	2	561566	561680	C 520	UNDER DASH RH-SEDAN DOOR	HUMPHREY	2	-----	641385
C 455	WIRELESS MICRO-LH HAT-RACK	MOLEX	6	-----	562464	C 521	UNDER DASH RH-SEDAN DOOR	HUMPHREY	2	-----	641385
C 456	WORLD TRANSM.-RETARDER ACCUM.	PED MP	2	-----	562427	C 522	FR JCT BOX-DAYTIME LTS MODULE	BOSCH	5	-----	561183
C 457	WORLD TRANSM.-MAIN CONNECTOR	DEUTSCH	31	562572	562536	C 523	FR JCT BOX-FUSE BLOCK	PED	8	562647	562646

CONNECTORS CODE

NO	LOCATION	TYPE	CAVITY	#PIN	#SOCKET	NO	LOCATION	TYPE	CAVITY	#PIN	#SOCKET
				HOUSING	HOUSING					HOUSING	HOUSING
C 524	FR JCT BOX-FUSE BLOCK	PED	8	562647	562646	C 591	L.H.CONSOLE - MIRROR L.H.	EURAMTEC	8	-----	562799
C 525	FR JCT BOX-FUSE BLOCK	PED	8	562647	562646	C 592	L.H.CONSOLE - MIRROR R.H.	EURAMTEC	8	-----	562799
C 526	FR JCT BOX-FUSE BLOCK	PED	8	562647	562646	C 593	BATTERY CMPT. - CHARGER	PED WP	3	561781	561782
C 527	FR JCT BOX-FUSE BLOCK	PED	8	562647	562646	C 594	FRONT ROOF - DRIVERS LIGHT	LEEKRAFT		-----	562803
C 528	FR JCT BOX-FUSE BLOCK	PED	8	562647	562646	C 595	DASH CENTER MODULE - OPEN DOOR	MOLEX	4	561477	561476
C 529	FR JCT BOX-12V OUTLET	AMP MNL	2	561247	561248	C 596	DASH CENTER MODULE - CLOSE DOOR	MOLEX	4	561477	561476
C 530	RR JCT BOX-FUSE BLOCK	PED	8	562647	562646	C 597	L.H. DASH PANEL - DISPLAY SET SW.	MOLEX	5		562812
C 531	RR JCT BOX-FUSE BLOCK	PED	8	562647	562646	C 598	L.H. DASH PANEL - DISPLAY SET SW.	MOLEX	5		562812
C 532	RR JCT BOX-FUSE BLOCK	PED	8	562647	562646	C 599					
C 533	RR JCT BOX-FUSE BLOCK	PED	8	562647	562646	C 600	ENGINE CPT.-A/C LOW PRESS SW. UNLOAD	PED	2	562348	562471
C 534	RR JCT BOX-FUSE BLOCK	PED	8	562647	562646	C 601	L.H. ROOF - WINDOW AJAR	AMP MNL	2	561248	561247
C 535	RR JCT BOX-FIRE MODULE DETECT.	AMP MNL	3	561667	561550	C 602	L.H. ROOF - WINDOW AJAR	MOLEX	4	561477	561476
C 536	UNDER DASH RH-DRIVER'S HTR TEMP. CTR	AMP MNL	6	561552	561515	C 603	R.H. ROOF - WINDOW AJAR	AMP MNL	2	561248	561247
C 537	BATT. CPT.-A/C PRESS. SIGN. RLY	AMP MNL	2	561248	561247	C 604	LH PARCEL RACK DVD VIDEO STABILIZER	SWITCHCRAFT	1	563074	
C 538	FR SERVICE CPT.-OUTSIDE TEMP. SENSOR	AMP MNL	2	561248	561247	C 605	HAT RACK - MOTOR FAN	PED	2	560997	561030
C 539	HVAC DASH MODULE OUTPUT CON	MOLEX	24		562780	C 606	HAT RACK - MOTOR FAN	PED	2	560997	561030
C 540	HVAC DASH MODULE INPUT CON	MOLEX	22		562781	C 607	FRONT SERVICE CMPT. RPM SIGNAL	PED WP	2	561566	561690
C 541	SOUND SYS. JCT PANEL-AUDIO SEAT SYS.	PED WP	2	561566	561690	C 608	FRONT SERVICE CMPT. SPEED SIGNAL	PED WP	2	561566	561690
C 542	LH HAT RACK-AUDIO SEAT SYSTEM	AMP MNL	3	561667	561550	C 609	LAVATORY - NIGHT LIGHT				
C 543	RR JCT BOX-PARK. BRAKE STOP LTS RESIS.	PED WP	2	561566	561690	C 610	RR JCT BOX	AMP MNL	6	561552	561515
C 544	SOUND SYS JCT PANEL-AUDIO SEAT SYS.	PED WP	3	561781	562428	C 611	HAT RACK READING LTS RICON	MOLEX	6	562558	562557
C 545	LH HAT RACK-AUDIO SEAT SYSTEM	AMP MNL	3	561667	561550	C 612	HAT -RACK FLUOR. INSTATION LTS RICON	MOLEX	4	562507	562503
C 546	WIRELESS MIC. CHARGING SYSTEM	MOLEX	2	-----	563025	C 613	HAT -RACK INDIRECT LTS RICON	AMP MNL	3	561667	561550
C 547	RH DASH PANEL-ACCESSORIES	AMP CPC	37	561645	561646	C 614	HAT -RACK INDIRECT LTS RICON	AMP MNL	3	561667	561550
C 548	LH DASH PANEL-T.T. LT. TEST SW.	EATON	8	-----	562763	C 615	LH PARCEL RACK DVD SING ALONG ADAPT.	MOLEX	2	562550	562549
C 549	LH DASH PANEL-FAN CLUTCH OVERR. SW	EATON	8	-----	562763	C 616					
C 550	LAST LUGG. CPT. -WCL RICON	AMP CPC	16	561694	561695	L X	CLUSTER	JAE	22		562766
C 551	LAST LUGG. CPT. -WCL RICON	AMP CPC	16	561694	561695	L Y	CLUSTER	JAE	30		562767
C 552	LAST LUGG. CPT. -WCL RICON	AMP CPC	9	561636	561637	R X	CLUSTER	JAE	22		562764
C 553	UNDER DASH R.H. - CONTROL. HEAD	MOLEX	16	-----	562559						
C 554	UNDER DASH R.H. - CONTROL. HEAD	MOLEX	16	-----	562559						
C 555	UNDER DASH R.H. - CONTROL. HEAD	MOLEX	16	-----	562559						
C 556	UNDER DASH R.H. - RADIO ACC.	MOLEX	2	562550	562549						
C 557	UNDER DASH R.H. - RADIO ACC.	MOLEX	9	562556	562555						
C 558	UNDER DASH R.H. - RADIO ACC.	MOLEX	4	562507	562503						
C 559	SOUND SYS. JCT. PANEL - FILTER AMPLI	PED WP	2	561566	561690						
C 560	SOUND SYS. JCT. PANEL - POWER AMPLI	MOLEX	4	562507	562503						
C 561	L.H. HAT RACK - WIRELESS MICRO	MOLEX	8		562465						
C 562	L.H. HAT RACK - VCP	MOLEX	12	562556	563070						
C 563	L.H. MODESTY PANEL - DRIVERS SPK.	MOLEX	4	562507	562503						
C 564	L.H. MODESTY PANEL - MICRO	MOLEX	4	562507	562503						
C 565	R.H. MODESTY PANEL - MICRO	MOLEX	4	562507	562503						
C 566	L.H. CONSOLE - BOOM MICRO	MOLEX	4	562507	562503						
C 567	L.H. CONSOLE - DRIVERS MICRO	MOLEX	4	562507	562503						
C 568	SOUND SYS. JCT. PANEL - PASS. SPK	CINCH	4	562553	562552						
C 569	SOUND SYS. JCT. PANEL - POWER AMPLI.	MOLEX	9	562556	562555						
C 570	UNDER DASH PANEL TTLT	MOLEX	6		562464						
C 571	UNDER DASH PANEL TTLT	MOLEX	20		562778						
C 572	UNDER DASH PANEL TTLT	MOLEX	18		562779						
C 573	UNDER DASH PANEL TTLT	MOLEX	8		562465						
C 574	HAT -RACK FLUOR. INDIRECT LIGHTING	MOLEX	6	-----	562759						
C 575	HAT -RACK FLUOR. INSTATION LIGHT	MOLEX	4	562507	562503						
C 576	HAT -RACK FLUOR. INDIRECT LIGHTING	AMP MNL	3	561667	561550						
C 577	HAT -RACK FLUOR. INDIRECT LIGHTING	AMP MNL	3	561667	561550						
C 578	HAT -RACK FLUOR. INSTATION LIGHT	MOLEX	4	562507	562503						
C 579	L.H HAT RACK - VCP POWER	MOLEX	4		563071						
C 580	RH DASH PANEL-HAT RACK FAN SW	EATON	8	-----	562763						
C 581											
C 582	FRONT SERVICE CMPT. - WINDOWS AJAR	PED WP	2	561566	561690						
C 583	L.H. DASH PANEL - MASTER KEY	DEUTSCH	2	562486	562485						
C 584	FRONT SERVICE CMPT. - AIR HORH	HUMPHREY	3	-----	641385						
C 585											
C 586											
C 587	LH PARCEL RACK DVD UNIT	MOLEX	4	563040	563071						
C 588	FRONT SERVICE CPT. CENTER SOUND SYS.	AMP. CPC	37	561645	561646						
C 589	UNDER DASH - L.H. MIRROR	AMP MNL	9	561670	561669						
C 590	UNDER DASH - R.H. MIRROR	AMP MNL	9	561670	561669						

CONNECTORS CODE

NO	LOCATION	TYPE	CAVITY	#PIN	#SOCKET	NO	LOCATION	TYPE	CAVITY	#PIN	#SOCKET
				HOUSING	HOUSING					HOUSING	HOUSING
AA1	BEHIND DASH - SONALERT	BOSCH	5		561183	C 57					
AA2	BEHIND DASH - SONALERT	BOSCH	5		561183	C 58	RR JCT BOX AC PANEL	DEUTSCH	24	562280	562283
C X1	FR LH UPPER WHELL CPT-ABS	AMP	18		562792	C 59	RR JCT BOX AC PANEL	AMP CPC	14	561584	561583
C X2	FR LH UPPER WHELL CPT-ABS	AMP	6		562793	C 60	RR JCT BOX COMPT.-LT	AMP MNL	2	561248	561247
C X3	FR LH UPPER WHELL CPT-ABS	AMP	9		562794	C 61	LUGGAGE COMPARTMENT LTS	AMP MNL	2	561248	561247
C X4	FR LH UPPER WHELL CPT-ABS	AMP	15		562795	C 62	LUGGAGE COMPARTMENT LTS	AMP MNL	2	561248	561247
CS	RR JCT BOX ECU WORLD TR.	PED	32		562817	C 63	LUGGAGE COMPARTMENT LTS	AMP MNL	2	561248	561247
CT	RR JCT BOX ECU WORLD TR.	PED	32		562824	C 64	LUGGAGE COMPARTMENT LTS	AMP MNL	2	561248	561247
C V	RR JCT BOX ECU WORLD TR.	PED	32		562823	C 65	LUGGAGE COMPARTMENT LTS	AMP MNL	2	561248	561247
CV 12	RR JCT BOX-WORLD TRANSM. & EATON CLUSTER	AMP CPC	9	561636	561637	C 66	LUGGAGE COMPARTMENT LTS	AMP MNL	2	561248	561247
C Y		JAE	30		562765	C 67	LUGGAGE COMPARTMENT LTS	AMP MNL	2	561248	561247
C 1	FR JCT BOX COMPARTMENT	AMP CPC	14	561585	561584	C 68	LUGGAGE COMPARTMENT LTS	AMP MNL	2	561248	561247
C 2	FR JCT BOX COMPARTMENT	AMP CPC	16	561639	561640	C 69	RR AXLE ACC-INSIDE PVC END	PED WP	6	561568	561578
C 3	FR JCT BOX COMPARTMENT	AMP CPC	24	561641	561643	C 70	LH CONSOLE	AMP CPC	16	561642	561643
C 4	FR JCT BOX COMPARTMENT	AMP CPC	37	561644	561646	C 71	FR JCT BOX COMPARTMENT	AMP CPC	37	561645	561646
C 5	FR SERVICE COMPT.-UNDERNEATH	AMP CPC	37	561644	561646	C 72	FR JCT BOX COMPARTMENT	AMP CPC	24	561642	561643
C 6	FR SERVICE COMPT.-UNDERNEATH	AMP CPC	16	561639	561640	C 73	DASH CENTER PANEL	AMP CPC	16	561639	561640
C 7						C 74	FR JCT BOX COMPARTMENT	AMP CPC	37	561645	561646
C 8	FR SERVICE COMPT.-UNDERNEATH	AMP CPC	24	561641	561643	C 75	SERV CPT. RXT. ENT. DOOR SW	DEUTSCH	4	562479	562477
C 9	FR SERVICE COMPT.-UNDERNEATH	AMP CPC	24	561641	561643	C 76	LUGGAGE COMPT.-AIR RET.SENS.	AMP MNL	2	561248	561247
C 10						C 77	LUGGAGE COMPT.-AIR RET.SENS.	AMP MNL	2	561248	561247
C 11	FR SERVICE COMPARTMENT	AMP CPC	37	561644	561646	C 78					
C 12	FR SERVICE COMPARTMENT	AMP CPC	16	561639	561640	C 79					
C 13	LH CONSOLE-CTR MIRROR	AMP MNL	6	561552	561515	C 80	LUGGAGE COMPT.-AIR RET.SENS.	AMP MNL	2	561248	561247
C 14	UNDER DASH-LH MIRROR	AMP MNL	9	561661	561662	C 81	PASSENGER COMPT.-AISLE LTS	AMP MNL	2	560900	560898
C 15	RR JCT BOX	AMP CPC	24	561641	561643	C 82	ENTRANCE DOOR	MOLEX	6	562070	562069
C 16	LH CONSOLE SW-CRUISE ON OFF	EATON	10	-----	562763	C 83	ENTRANCE DOOR-PROIMITY SW	MOLEX	4	561477	561476
C 17	LH CONSOLE SW-CRUISE RESUME	EATON	10	-----	562763	C 84	ENTRANCE DOOR-PRESSURE SW	PED WP	2	561566	561690
C 18	LH CONSOLE SW-CRUISE SET	EATON	10	-----	562763	C 85	UNDER INSTRUMENT PANEL LH	AMP MTA-100	-----	562248	-----
C 19	LH CONSOLE DECEL SW	EATON	10	-----	562763	C 86					
C 20	RR JCT BOX	AMP CPC	37	561644	561646	C 87	RR END ROOF	AMP CPC	9	561636	561637
C 21	RR JCT BOX	AMP CPC	24	561641	561643	C 88					
C 22	RR JCT BOX - EATON TRANSM.	AMP MNL	6	561552	561515	C 89	RR END ROOF-B/U NONITOR	AMP CPC	4	561582	561581
C 23	DDEC ENGINE-ECM J1939	PED MP	6	-----	561962	C 90	RR JCT BOX	AMP CPC	15	561987	561986
C 24	DDEC ENGINE	PED WP	1	561605	561577	C 91	RR JCT BOX	AMP CPC	37	561714	561713
C 25	RR JCT BOX - EATON TRANSM. J1939	DEUTCH	3	562877	562884	C 92	FR LH UPPER WHELL CPT-ABS	AMP CPC	9	561635	561637
C 26	HYD & MAN TRANSM.-NEUT. & B/U	PED WP	4	561610	561611	C 93	FR LH UPPER WHELL CPT-ABS		35	-----	641094
C 27	HYD & MAN TRANSM.-SPEED SENS.	PED WP	2	561566	561690	C 94					
C 28	EATON TRANSMISSION	DEUTCH	3	562877	562884	C 95	CONDENSOR CPT - LIQ. SOL. VALVE	PED WP	2	561566	561690
C 29	EATON TRANSMISSION	PED MP	6	562878	-----	C 96	FR AXLE ACCESSORIES	AMP CPC	14	561585	561585
C 30	RR JCT BOX - ECU EATON TRANSM.	PED MP	32	-----	562866	C 97	RR AXLE ACC-INSIDE PVC END	PED WP	6	561568	561578
C 31	RR JCT BOX - ECU EATON TRANSM.	PED MP	24	-----	562865	C 98	FR SERVICE COMPT-EL.FT.PEDAL	PED WP	3	561782	561781
C 32	DDEC ENGINE-ECM	PED	30	-----	561600	C 99	FR SERVICE COMPT LTS	AMP MNL	2	561248	561247
C 33	RR JCT BOX - EATON TRANSM.	DEUTCH	9	562531	-----	C 100	LH CONSOLE - 120 VOLTS SWITCH	EATON	8	-----	562763
C 34	RH. CONSOLE - EATON TRANSM. SHIFTER	PED MP	3	-----	562871	C 101	FR SERVICE COMPT-ELEC. HORNS	PED WP	2	561566	561690
C 35	RR JCT BOX	AMP CPC	24	561642	561643	C 102	FR SERV & SIDE CPT-FLASH. LH	GROTE	2	-----	562155
C 36	RH. CONSOLE - EATON TRANSM. SHIFTER	PED MP	24	-----	562874	C 103	FR SERV & SIDE CPT-MARKERS	GROTE	2	-----	562155
C 37	RR SECTION-LH HAT RACK	MOLEX	6	562558	562557	C 104	FR SERV & SIDE CPT-FLASH. RH	GROTE	2	-----	562155
C 38	RR SECTION-RH HAT RACK	MOLEX	6	562558	562557	C 105	FR SERVICE COMPT-LIQ.S.VALVE	PED WP	2	561566	561690
C 39	LH CONSOLE - EATON TRANSM. DISPLAY	AMP MNL	4	561551	561668	C 106	FR SERVICE COMPT-WATER VALVE	PED WP	2	561566	561690
C 40	RR JCT BOX - EATON TRANSM. J1939	DEUTCH	3	562877	562884	C 107	EVAPORATOR COMPT-DAMPER	PED WP	2	561566	561690
C 41	LAVATORY ROOF LIGHT	LEECRAFT	2	-----	562803	C 108	FR SERVICE COMPT-KNEEL.SYS	PED WP	2	561566	561690
C 42	LAVATORY BACK WALL-WTR TANK	AMP MNL	2	560900	560898	C 109	FR SERVICE COMPT-KNEEL.SYS	PED WP	2	561566	561690
C 43	LAVATORY BACK WALL-ACCES.	AMP MNL	9	561661	561662	C 110	FR SERVICE COMPT-KNEEL.SYS	PED WP	2	561566	561690
C 44	EATON TRANSM. J1939	DEUTCH	3	562877	562884	C 111	EVAPORATOR COMPT-DAMPER	DEUTSCH	2	562486	562485
C 45	FR JCT BOX COMPARTMENT	AMP CPC	24	561642	561643	C 112					
C 46	EATON TRANSM. J1939	DEUTCH	3	562877	562884	C 113	BATT. & RR J.B.CPT.MARKER LT	GROTE	2	-----	562155
C 47	FR SERVICE COMPARTMENT	AMP CPC	16	561694	561695	C 114	RR J. BOX CPT DOOR DIR LT LH	GROTE	2	-----	562155
C 48	FR. SERVICE CMPT.PRESS SW PARK BREAK	DEUTCH	4	562479	562477	C 115					
C 49	BATTERIE COMPT.-LT	AMP MNL	2	561248	561247	C 116	ENGINE COMPT. LTS	PED WP	1	561605	561577
C 50	FR SERVICE COMPT.-LOW BUOY	PED WP	1	561605	561577	C 117					
C 51						C 118	ENGINE COMPT-LAVATORY FAN	PED WP	2	561566	561690
C 52	RR JCT BOX	AMP CPC	22	561709	561710	C 119	ENGINE CPT RR DOOR RH LO LAMP	PED WP	6	561606	561607
C 53						C 120	ENGINE CPT RR DOOR LH LO LAMP	PED WP	6	561606	561607
C 54						C 121	BATTERIE CPT. DOOR DIR LT RH	GROTE	2	-----	562155
C 55	RH SWITCH PANEL	AMP CPC	9	561636	561637	C 122	ENGINE CPT-UNLOAD TAG SYSTEM	PED WP	2	561566	561690
C 56						C 123	TAG AXLE-UNLOAD TAG RH VALVE	PED WP	2	561566	561690

CONNECTORS CODE

NO	LOCATION	TYPE	CAVITY	#PIN HOUSING	#SOCKET HOUSING	NO	LOCATION	TYPE	CAVITY	#PIN HOUSING	#SOCKET HOUSING
C 124	ENGINE CPT-ETHER SW	PED WP	2	561566	561690	C 189	ENGINE CPT RR DOOR B/U LT	PED WP	2	561566	561690
C 125	ENGINE CPT-BU ALARM	PED WP	2	561566	561690	C 190	ENGINE CPT RR DOOR TAIL LT	PED WP	2	561566	561690
C 126	ENGINE CPT-FLUSHING PUMP	PED WP	2	561566	561690	C 191	ENGINE CPT RR DOOR RH STOP LT	PED WP	2	561566	561690
C 127	ENGINE CPT-FUEL FILTER	PED WP	2	561566	561690	C 192	ENGINE CPT RR DOOR RH DIR. LT	PED WP	2	561566	561690
C 128	ENGINE CPT-A/C COMPR.CLUTCH	ITT SS	2	561813	561812	C 193					
C 129	ENGINE CPT-PRE-HEAT WATER	AMP FF	6	561672	561186	C 194	ENGINE CPT RR DOOR LH DIR. LT	PED WP	2	561566	561690
C 130	ENGINE CPT-UNLOADER	ITT SS	2	561813	561812	C 195	ENGINE CPT RR DOOR LH STOP LT	PED WP	2	561566	561690
C 131	ENGINE CPT-UNLOADER	ITT SS	2	561813	561812	C 196	ENGINE CPT RR DOOR CYCLOP LT	PED WP	2	561566	561690
C 132	ENGINE CPT-A/C LO PRESS SW	PED WP	2	561566	561690	C 199	ENGINE CPT RR DOOR LICENCE LT	DOM AUTO	2	930210	-----
C 133	ENGINE CPT-A/C HI PRESS SW	PED WP	2	561566	561690	C 200	RH HAT RACK-FLUORESCENT	AMP MNL	2	561248	561247
C 134	FR JCT BOX-LUGGAGE DIODE CON.	AMP MNL	15	561987	561986	C 201	RH HAT RACK-FLUORESCENT	AMP MNL	2	561248	561247
C 135	FR JCT BOX-LUGGAGE DIODE CON.	AMP MNL	15	561987	561986	C 202	RH HAT RACK-INDIRECT LIGHTING	MOLEX	2	-----	562758
C 136	RR JCT BOX - A/C PANEL DIODE CONN.	AMP MNL	15	561987	561986	C 203	RH HAT RACK-INDIRECT LIGHTING	MOLEX	6	-----	562759
C 137	RR JCT BOX-TRANSMITTER	AMP MNL	2	560900	560898	C 204	RH HAT RACK-GENERAL LT	AMP MNL	2	560900	560898
C 138	RR JCT BOX-CONTROL MODULE	AMP HDP	15	-----	562012	C 205	FR SECT.-RH HAT RACK SPEAKER	AMP MNL	9	561661	561662
C 139	RR JCT BOX-LOGIC MODULE	AMP HDP	15	562011	-----	C 206	RH HAT RACK-READING LT	AMP FF	4	-----	562756
C 140	HVAC DASH MODULE THERMOMETER	MOLEX	4		562782	C 207	LH HAT RACK-READING LT	AMP FF	4	-----	562756
C 141	INSTRUMENT PANEL LH UNLOAD TAG	AMP	2	561248	561247	C 208	LH HAT RACK-BALLAST	MOLEX	2	-----	562758
C 142	LAVATORY DOOR WALL	AMP MNL	2	561248	561247	C 209	LH HAT RACK HOTESS CHIME	AMP MNL	3	561667	561550
C 143						C 210	FR SECT.-LH HAT RACK SPEAKER	AMP MNL	9	561661	561662
C 144	UNDER LH SEAT-AISLE LTS	AMP MNL	4	560851	560852	C 211	FR ROOF-STORE LH	AMP MNL	2	560900	560898
C 145	RR JCT BOX CPT-RR SIDE LTS	AMP MNL	9	561670	561669	C 212	FR ROOF-STORE RH	AMP MNL	2	560900	560898
C 146	ENGINE CPT-MODULATOR VALVE	AMPHENOL	2	-----	560412	C 213					
C 147	BATT & RR J.B.CPT-DOCK.LTS	PED WP	2	561566	561690	C 214	ENGINE CPT J1922				
C 148						C 215	TAG AXLE - A.T.C. SYSTEM				
C 149	CONDENSER CPT-FAN MOTOR	ORDNANCE	3	562555	562001	C 216	TAG AXLE - A.T.C. SYSTEM				
C 150						C 217	RH DASH PANEL-FRONT CAMERA SW	EATON	8	-----	562763
C 151	EVAPORATOR CPT-THERMOSTAT	ITT SS	2	561813	562159	C 218	RH DASH PANEL-FRONT CAMERA SW	AMP MNL	2	560900	560898
C 152	CONDENSER CPT-FUEL GAUGE	PED WP	4	561610	561611	C 219					
C 153	EVAPORATOR CPT-AIR AMB. SENS	AMP MNL	2	561248	561247	C 220	RR.JCT.BOX-FUEL PRIME PUMP	TC	1	561070	561073
C 154	EVAPORATOR CPT-FRESH AIR SENS	ITT SS	2	561813	561812	C 221	BATTERY CMPT. FIRE DETECTOR	DEUTSCH	2	562486	562485
C 155	EVAPORATOR CPT-WATER VALVE	PED WP	4	561610	561611	C 222	ENGINE CMPT. FIRE DETCTOR	DEUTSCH	2	562486	562485
C 156	EVAPOR. CPT-BYPASS WATER VAL.	PED WP	2	561566	561690	C 223	ENGINE CMPT. FIRE DETCTOR	DEUTSCH	2	562486	562485
C 157	EVAPORATOR CPT-WATER PUMP	PED WP	2	561566	561690	C 224					
C 158	CONDENSER CPT-A/C LO TEMP.	PED WP	2	561566	561690	C 225					
C 159	CONDENSER CPT-A/C HI TEMP.	PED WP	2	561566	561690	C 226					
C 160	FR AXLE-ABS RH SENSOR	WABCO	2	641132	-----	C 227					
C 161	FR AXLE-ABS RH VALVE	WABCO	3	-----	641098	C 228					
C 162	FR AXLE-ABS LH VALVE	WABCO	3	-----	641098	C 229					
C 163	FR AXLE-ABS LH SENSOR	WABCO	2	641132	-----	C 230	ENG.CPT.-FUEL PRIME PUMP FEED	DEUTSCH	2	562486	562485
C 164	RR AXLE-ABS LH SENSOR	WABCO	2	641132	-----	C 231	ENG.CPT.-FUEL PRIME PUMP SW.	PED WP	2	561566	561690
C 165	RR AXLE-ABS LH VALVE	WABCO	3	-----	641098	C 232	ENG.CPT.-FUEL PRIME PUMP	PED WP	2	561566	561690
C 166	RR AXLE-ABS RH VALVE	WABCO	3	-----	641098	C 233	FR. SERVICE COMPT.	VDO	8	-----	562043
C 167	RR AXLE-ABS RH SENSOR	DEUTSCH	2	641132	-----	C 234	FR. SERVICE COMPT.	VDO	8	-----	562044
C 168	RR AXLE-ABS OPT ATC	PED WP	2	561566	561690	C 235	FR. SERVICE COMPT.	VDO	8	-----	562041
C 169	RR JCT BOX-SPEED SW	AMP HDP	15	-----	562012	C 236	LUGGAGE COMPARTEMENT	AMP MNL	4	560851	560852
C 170	FR JCT BOX-FLASHER UNIT	TC	2	-----	561940	C 237	UNDER DASH LH-JACOB CLUTCH SW	ITT SS	3	561111	561080
C 171	LH CONSOLE	AMP CPC	24	561642	561643	C 238	RR JCT BOX-DIODE CONNECTOR	AMP MNL	9	561670	561669
C 172						C 239	FR SERVICE CPT-HI BUOY VALVE	PED WP	2	561566	561690
C 173						C 240	FR SERVICE CPT-KNEEL PROX SW	PED WP	2	561566	561690
C 174	UNDER DASH RH-HTR MODULE	AMP MNL	9	561670	561669	C 241					
C 175	UNDER DASH RH-HTR MODULE	AMP MNL	9	561670	561669	C 242	FR SERVICE CPT-MARK & DIR LT	ITT SS	3	561111	561080
C 176	UNDER DASH RH-WIPER PULSE	AMP FF	6	-----	561186	C 243	FR SERVICE CPT-HEADLAMPS	TC	3	-----	561071
C 177	UNDER DASH RH-WIPER MOTOR	AMP FF	6	-----	561186	C 244	FR SERVICE CPT-LH FOG LAMP	ITT SS	2	561813	561812
C 178	UNDER DASH RH-LH FAN	TC	2	561030	560997	C 245	FR SERVICE CPT-RH FOG LAMP	ITT SS	2	561813	561812
C 179	UNDER DASH RH-RH FAN	TC	2	561030	560997	C 246	FR SERVICE CPT-MARK & DIR LT	ITT SS	3	561111	561080
C 180	RR JCT BOX-DIODE CONNECTOR	AMP MNL	15	561987	561986	C 247					
C 181	RR JCT BOX-DIODE CONNECTOR	AMP MNL	15	561987	561986	C 248	FR JCT BOX-WIPER PULSE GEN	AMP FF	6	-----	561108
C 182						C 249					
C 183	FR SERVICE CPT-KNEELING PAN.	PED WP	4	561610	561611	C 250					
C 184	FR SERVICE CPT-KNEELING SW	ITT SS	3	561111	561080	C 251	LH DASH PANEL-FAST IDLE SW	EATON	8	-----	562763
C 185						C 252					
C 186	RR JCT BOX CPT.-SPEED SIGN.TR	PED WP	2	561566	561690	C 253	LH DASH PANEL-ETHER SW	EATON	8	-----	562763
C 186M	RR JCT BOX CPT.-SPD SIGN. M.TR	PED WP	2	561566	561690	C 254	INST. PANEL RH-ENTR.DOOR SW.	TORRIX	5	-----	562110
C 186W	RR JCT BOX CPT.-SPD SIGN. WT	PED WP	2	561566	561690	C 255	LH DASH PANEL-JACOB & RETARDER SW	EATON	8	-----	562763
C 187	FR JCT BOX-RPM RESISTOR CON.	AMP MNL	6	561552	561515	C 256					
C 188						C 257					

CONNECTORS CODE

NO	LOCATION	TYPE	CAVITY	#PIN	#SOCKET	NO	LOCATION	TYPE	CAVITY	#PIN	#SOCKET
				HOUSING	HOUSING					HOUSING	HOUSING
C 258	LH SW PANEL-MULTI FUNC. SW	AMP FF	8	561188	-----	C 324					
C 259	LH SW PANEL-MULTI FUNC. SW	AMP FF	6	-----	561108	C 325	LH DASH PANEL-KNEELING SW	EATON	8	-----	562763
C 260	FR SERVICE CPT-LUG DOOR LCK	PED WP	6	561606	561607	C 326	ENGINE CMPT.	PED	4	-----	561610
C 261	UNDER DASH RH-DOOR MODULE	AMP MNL	9	561670	561669	C 327	ENGINE CONTROL	DEUTSCH	6	562583	562581
C 262	UNDER DASH RH-DOOR MODULE	AMP MNL	4	561551	561668	C 328	GALLEY-LAMP	AMP MNL	2	561248	561247
C 263	UNDER DASH RH-DOOR MODULE	AMP MNL	3	561667	561550	C 329	ENGINE TACHO SIGNAL	PED WP	3	561781	561789
C 264	UNDER DASH RH-DOOR MODULE	AMP MNL	3	561667	561550	C 330					
C 265	UNDER DASH RH-DOOR MODULE	AMP HDP-20	15	562011	562012	C 331	GALLEY MICROWAVE SW	EATON	8	-----	562763
C 266						C 332					
C 267	UNDER DASH RH	AMP CPC	24	561642	561643	C 333	GALLEY RH CONTAINER SW	EATON	8	-----	562763
C 268	UNDER DASH LH-MIRROR	AMP MNL	6	561552	561515	C 334	GALLEY LH CONTAINER SW	EATON	8	-----	562763
C 269	UNDER DASH RH-MIRROR	AMP MNL	6	561552	561515	C 335					
C 270	LH MIRROR POST	MOLEX	6	562070	562069	C 336					
C 271	RH MIRROR POST	MOLEX	6	562070	562069	C 337	INSTR PANEL LH-UP WIPER SW	EATON	8	-----	562763
C 272	LH MIRROR	SPARTAN	6	-----	990158	C 338	INSTR PANEL LH-UP DEFROST SW	EATON	8	-----	562763
C 273	RH MIRROR	SPARTAN	6	-----	990158	C 339	INSTR PANEL LH-UP WASHER SW	EATON	8	-----	562763
C 274	RR. JCT. BOX - SIGNAL ALT. MODULE					C 340	FR JCT. BOX FIRE PIEZO ALARM	AMP MNL	2	560900	560898
C 275	UNDER DASH RH-DOOR MODULE	AMP MNL	9	561670	561669	C 341	INSTR PANEL LH-HEAT MIRROR SW	EATON	8	-----	562763
C 276	UNDER DASH RH-LOCK SOL.VALVE	AMP MNL	2	561248	561247	C 342	ENGINE RR START SW	DEUTSCH	2	562586	562585
C 277						C 343	INSTR PANEL LH-HEADLAMP SW	EATON	8	-----	562763
C 278						C 344	INSTR PANEL LH-HAZARD LT SW	EATON	8	-----	562763
C 279 *	FR SERVICE CPT.- STEERING ZF	DEUTCH	2		562486	C 345	INSTR PANEL LH-FOG LT SW	EATON	8	-----	562763
C 279	UNDER DASH CYLINDER READ SW.	AMP MNL	2	561248	561247	C 346					
C 280	LH CONSOLE-UNLOAD TAG SW.	NGR	10	-----	562763	C 347	INSTR PANEL LH-DASH LT SW	AMP MNL	2	560900	560898
C 281						C 348	INSTR PANEL CENT-RACOR MODULE	MOLEX	6	562070	562067
C 282						C 349					
C 283						C 350	RH CONSOLE-THERMOMETER	AMP MNL	3	561667	561550
C 284						C 351	LH HAT RACK-FLUOR 110V	MOLEX	4	561477	561476
C 285						C 352	RH CONSOLE-DRV TEMP SENSOR	BURNDY	4	-----	561104
C 286	RH SW PANEL-A/C & HEAT	EATON	8	-----	562763	C 353	INSTR PANEL RH-DRV FAN RHEOST	AMP MNL	6	561552	561515
C 287	ENGINE CMPT-LTS SW	PED WP	2	561566	561690	C 354	INSTR PANEL RH-DRV TEMP CTR	AMP MNL	6	561552	561515
C 288	RH SW PANEL-FRESH AIR	EATON	8	-----	562763	C 355	INSTR PANEL RH-FR TEMP CTR	AMP MNL	3	561667	561550
C 289						C 356					
C 290						C 357	INSTR PANEL RH-WATER TEMP GA	AMP MNL	3	561667	561550
C 291						C 358	INSTR PANEL RH-FUEL LEVEL GA	AMP MNL	3	561667	561550
C 292						C 359					
C 293						C 360					
C 294						C 361	FR ROOF-WIPER MOTOR	AMP FF	6	-----	561186
C 295						C 362	FR ROOF-LAVATORY OCCUPIED LT	AMP MNL	2	561248	561247
C 296						C 363	FR ROOF-WATCH YOUR STEP LT	AMP MNL	2	561248	561247
C 297	INSTRUMENT PANEL RH -LTS	AMP MNL	2	560900	560898	C 364	FR ROOF-DESTINATION SIGN	AMP MNL	3	561667	561550
C 298						C 365	FR ROOF-UP WINDSHIELD DEFROST	AMP MNL	3	561667	561550
C 299	RH DASH PANEL SW-GALLEY	EATON	8	-----	562763	C 366	RH DASH PANEL-GRN & RED LEDS	AMP MNL	3	560908	562006
C 300						C 367	ENGINE CMPT-DIF OIL T SENSOR	PED WP	2	561566	561690
C 301						C 368	FR ROOF-DEST. SIGN BALLAST	AMP MNL	3	561667	561550
C 302						C 369	FR ROOF-DEST. SIGN OPER. SW	TORRIX	5	-----	562110
C 303						C 370	FR ROOF-DEST. SIGN FLUOR.	AMP MNL	2	560900	560898
C 304						C 371	FR ROOF-DEST. SIGN FLUOR.	AMP MNL	2	560900	560898
C 305						C 372	FR ROOF-DEST. SIGN SPEED SW	MOLEX	4	561477	561476
C 306						C 373	FR ROOF-NO SMOKING LT	AMP MNL	2	561248	561247
C 307						C 374	LH SWITCH PANEL	AMP MNL	6	561552	561515
C 308	LH CONSOLE SW-RHEOSTAT	TC	2	561030	560997	C 375					
C 309	DDEC ENGINE-ECM POWER CON.	PED MP	5	-----	562345	C 376					
C 310	LH DASH PANEL -LUG. DOOR LCK SW	EATON	8	-----	562763	C 377	LH DASH PANEL-STOP ENG.OVERRIDE SW	EATON	8	-----	562763
C 311	RH DASH PANEL -HOS & PAS CHIME SW	EATON	8	-----	562763	C 378					
C 312	RH DASH PANEL -READING LTS SW	EATON	8	-----	562763	C 379					
C 313	RH DASH PANEL -GEN & FLUOR LTS SW	EATON	8	-----	562763	C 380	LH CONSOLE-DDR CONNECTOR	DEUTSCH	6	562360	-----
C 314	LH DASH PANEL-FR DEST. SIGN SW	EATON	8	-----	562763	C 381					
C 315	LH DASH PANEL-LH STORE SW	EATON	8	-----	562763	C 382					
C 316	LH CONSOLE SPARE SWITCH	EATON	8	-----	562763	C 383					
C 317	LH DASH PANEL-RH STORE SW	EATON	8	-----	562763	C 384					
C 318	LH CONSOLE SW-DRV WINDOW LIFT	EATON	8	-----	562763	C 385					
C 319						C 386	LH DASH PANEL-WCL POWER SYSTEM SW	EATON	8	-----	562763
C 320	RH DASH PANEL-DRIVER'S LTS SW	EATON	8	-----	562763	C 387	RR JCT BOX (WCL)	AMP MNL	9	561661	561662
C 321	READING LTS TEST					C 388	RR JCT BOX (WCL)	AMP MNL	12	561735	561734
C 322	LH CONSOLE DRV WIND LIFT MOT	PED PO	2	-----	561848	C 389	WCL REAR DOOR	MOLEX	4	561477	561476
C 323	LH CONSOLE CRUISE CTR SW PAN. AMP	CPC	9	561636	561637	C 390	LAVATORY WALL-WCL REMOTE CTR	EATON	8	-----	562763

CONNECTORS CODE

NO	LOCATION	TYPE	CAVITY	#PIN	#SOCKET	NO	LOCATION	TYPE	CAVITY	#PIN	#SOCKET
				HOUSING	HOUSING					HOUSING	HOUSING
C 391	LAVATORY WALL-WCL LAMP	EATON	8	-----	562763	C 458	WORLD TRANSM.-TURBINE SP.SENS	PED MP	2	-----	562426
C 392	LAVATORY WALL-WCL SW. LT.	EATON	2	-----	561835	C 459	WORLD TRANSM.-ENGINE SP.SENS.	PED MP	2	-----	562426
C 393	LAVATORY WALL-WCL REMOTE SYS.	AMP CPC	4	561686	561687	C 460	WORLD TRANSM.-SPEED SENSOR	ITT	2	-----	562541
C 394	UNDER INSTR. PANEL- B/U MONITOR	AMP MNL	4	560851	560852	C 461	WORLD TRANSM.-RETARDER TEMP.	PED MP	2	561566	561680
C 395	DRIVER'S COMPT. - B/U MONITOR	AMP	5	-----	-----	C 462	WORLD TRANSM.-RETARD SOL."K"	PED MP	2	-----	562426
C 396	FR SECT. LH HAT RACK-SPEAKER	MOLEX	4	562507	562503	C 463	WORLD TRANSM.-SENSOR CONN.	DEUTSCH	16	562570	562571
C 397	ENGINE COMPT. CRADLE ACC.	DEUTSCH	40	562281	562284	C 464	RR JCT BOX-DDR CONNECTOR	DEUTSCH	6	-----	562360
C 398						C 465	LH CONSOLE-SHIFTER SELECTOR	PED	20	-----	562825
C 399	ENGINE COMPT. - PRE-EXITATION ALT.	PED WP	2	561566	561690	C 466	FR SERVICE CPT.-RESIS. MOD.	PED WP	3	-----	562428
C 400	ENGINE COMPT. BLOCK HEATER	PED MP	3	561781	561782	C 467	FR SERVICE CPT.-RESIS. MOD.	PED WP	3	-----	562428
C 401						C 468			8		
C 402						C 469					
C 403	GALLEY FRIGO NORCOLD	AMP MNL	2	561248	561247	C 470	FR LH UPPER WHELL CPT-SILENT 1000	AMP MNL	2	561248	561247
C 404	GALLEY LAMP	AMP MNL	2	561248	561247	C 471	FR LH UPPER WHELL CPT-SILENT 1000	AMP MNL	2	561248	561247
C 405						C 472	FR LH UPPER WHELL CPT-SILENT 1000	PED WP	2	561566	561690
C 406	FR JCT BOX COMPT.-ABS	AMP MNL	2	560900	560898	C 473	FR LH UPPER WHELL CPT-SILENT 1000	AMP MNL	3	561667	561550
C 407	ENGINE COMPT. -SIGNAL	PED WP	6	561606	561607	C 474	DRIVER CPT.-TEMP. SENSOR	AMP MNL	2	561247	561248
C 408	ENGINE COMPT. -SIGNAL	PED WP	6	561606	561607	C 475	RR JCT BOX-SPEED SIGN CONNECTOR	AMP MNL	2	561248	561247
C 409	ENGINE CPT -LOW COOL. LEVEL	PED MP	2	-----	562350	C 475M	RR JCT BOX-SPEED SIGN MANUAL TR.	MOLEX	6	562070	562069
C 410	FR JCT BOX-DIODE CONNECTOR	AMP MNL	15	561987	561986	C 475W	RR JCT BOX-SPEED SIGN WORLD TR.	MOLEX	6	562070	562069
C 411	FR JCT BOX-DIODE CONNECTOR	AMP MNL	15	561987	561986	C 476					
C 412	LH DASH PANEL-MASTER SWITCH SW	EATON	8	-----	562763	C 477					
C 413	ENG CPT-A/C HI UNLOAD PRS SW	PED WP	2	561566	561690	C 478	ELECTRONIC DESTINATION SIGN	AMP CPC	9	561636	561637
C 414	RR JCT BOX	AMP MNL	9	561670	561669	C 479	HVAC MODULE				
C 415	ENGINE CRADLE-FAN SIGNAL	PED WP	3	561781	561782	C 480	UNDER DASH LH-DR. FAN SPEED CTR. MOD	PED	4	561889	561890
C 416	ENGINE CRADLE-FAN SIGNAL	PED P-C	3	562398	-----	C 481	UNDER DASH LH-DR. FAN SPEED CTR. MOD	PED	3	561781	561782
C 417	FRONT JCT BOX-DIODES	AMP MNL	15	561987	561986	C 482					
C 418	LH DASH PANEL-HTR WINDSH.SW	EATON	8	-----	562763	C 483	FR SERVICE CPT. (NOT USED)	PED PC	2	-----	562237
C 419	FR JCT BOX-RETARDER OR JACOB	AMP MNL	3	561667	561550	C 484	UNDER DASH LH.-FOOT DAMPER MOTOR	PED PC	2	-----	562076
C 420	ENGINE COMPT. WEBASTO WATER HTR	TC	2	561597	-----	C 485	UNDER DASH LH.-DASH & DEFR. DAM.MOT.	AMP MNL	3	561667	561550
C 421	ENGINE COMPT. WEBASTO WATER HTR	TC	1	561073	-----	C 486					
C 422	ENGINE COMPT. WEBASTO WATER HTR	TC	2	561597	-----	C 487	S.S.PANEL - AUDIO IN AMPLI	MOLEX	4	-----	563071
C 423	PRO-HEAT	PC	2			C 488	S.S.PANEL - AMPLI SIGNAL	MOLEX	8	-----	562465
C 424	UNDER INSTRUMENT PANEL CENTER	AMP MNL	3	561667	561550	C 489	S.S.PANEL - SPEAKER OUTLET	MOLEX	6	-----	562464
C 425	FR JCT BOX-DIODES	AMP MNL	15	561987	561986	C 490					
C 426	ENGINE COMPT. CLUTCH CTR FAN	PED WP	3	561781	561782	C 491					
C 427	PRO-HEAT	PED-WP	2	561566	561680	C 492					
C 428	PRO-HEAT	PED WP	6	561606	561607	C 493					
C 429	FR JCT BOX COMPT.	AMP MNL	6	561552	561515	C 494					
C 430	LH CONSOLE-TIMER	AMP FF	8	561188	562363	C 495					
C 431	LH CONSOLE-PRE HEAT.	TAB AMP	1	561540	561539	C 496					
C 432	ENGINE CPT.-PROX. SW. DOOR AJAR	PED-WP	2	561566	561680	C 497					
C 433	FR SERVICE CPT. KNEEL. PRESS. SW	PED WP	2	561566	561690	C 498					
C 434	FRONT JCT. BOX-DIODES	AMP MNL	15	561987	561986	C 499					
C 435	FR SERVICE CPT.(RH) KNEEL. PIEZO	AMP MNL	2	560900	560898	C 500	FR LH UPPER WHELL CPT -PRODRIVER	MOLEX	6	562070	562069
C 436	RH HAT RACK-WCL CENTER ROOF ACC	AMP CPC	16	561639	561640	C 501	FR LH UPPER WHELL CPT -PRODRIVER	PED MP	7	562433	-----
C 437	RH HAT RACK-WCL FR & RR SECT.	AMP CPC	24	561642	561643	C 502	LH DASH PANEL-PRE HEATER SW.	EATON	8	-----	562763
C 438	EVAP CMPT- A/C CONTROL	AMP MNL	2	561248	561247	C 503	LH CONSOLE-PRE HEATER SW.	EATON	2	-----	561837
C 439	EVAP CMPT- A/C CONTROL	AMP MNL	2	561248	561247	C 504	LH CONSOLE WEBASTO TIMER	AMP	8	-----	562852
C 440	EVAP CMPT- A/C CONTROL	DEUTSCH	4	562479	562477	C 505	LH CONSOLE ESPAR TIMER	AMP	9	-----	562681
C 441						C 506	FR JCT BOX CPT. DIGITAL CLOCK	AMP	4	561685	561687
C 442						C 507	FR SECT. LH HAT-RACK DIG. CLOCK	MOLEX	4	561477	561476
C 443						C 508	RR JCT BOX-FAN CLUTCH RETARDER	AMP MNL	6	561552	561515
C 444						C 509	FR LH UPPER WHELL CPT -DATA LOGGER	PED MP	16	-----	562530
C 445						C 510	FR LH UPPER WHELL CPT -DATA LOGGER	DEUTSCH	9	562531	-----
C 446						C 511	FR LH UPPER WHELL CPT -DATA LOGGER	PED MP	4	562532	-----
C 447						C 512	FR LH UPPER WHELL CPT -DATA LOGGER	PED MP	10	562533	-----
C 448						C 513	FR LH UPPER WHELL CPT -DATA LOGGER	AMP MNL	3	561667	561550
C 449						C 514	FR LH UPPER WHELL CPT -DATA LOGGER	PED MP	6	562433	562417
C 450	SOUND SYS. JCT. PANEL	MOLEX	4	562507	562503	C 515	FR JCT BOX CPT.-INTERCOM	MOLEX	4	561477	561476
C 451	WIRELESS MICRO-FIRST CPT BAG	MOLEX	2	562550	562549	C 516	FR JCT BOX CPT.-INTERCOM	MOLEX	6	562070	562069
C 452	UNDER DASH INSTR. PANEL	MOLEX	2	562550	562549	C 517	LAVATORY WALL-INTERCOM	MOLEX	6	562070	562069
C 453	SOUND SYS. JCT.PANEL-VCP	PED WP	2	561566	561680	C 519	UNDER DASH RH-SEDAN DOOR	HUMPHREY	2	-----	562580
C 454	SOUND SYS.JCT.PAN.-FILT. VCP	PED WP	2	561566	561680	C 520	UNDER DASH RH-SEDAN DOOR	HUMPHREY	2	-----	641385
C 455	WIRELESS MICRO-LH HAT-RACK	MOLEX	6	-----	562464	C 521	UNDER DASH RH-SEDAN DOOR	HUMPHREY	2	-----	641385
C 456	WORLD TRANSM.-RETARDER ACCUM.	PED MP	2	-----	562427	C 522	FR JCT BOX-DAYTIME LTS MODULE	BOSCH	5	-----	561183
C 457	WORLD TRANSM.-MAIN CONNECTOR	DEUTSCH	31	562572	562536	C 523	FR JCT BOX-FUSE BLOCK	PED	8	562647	562646

CONNECTORS CODE

NO	LOCATION	TYPE	CAVITY	#PIN	#SOCKET	NO	LOCATION	TYPE	CAVITY	#PIN	#SOCKET
				HOUSING	HOUSING					HOUSING	HOUSING
C 524	FR JCT BOX-FUSE BLOCK	PED	8	562647	562646	C 591	L.H.CONSOLE - MIRROR L.H.	EURAMTEC	8	-----	562799
C 525	FR JCT BOX-FUSE BLOCK	PED	8	562647	562646	C 592	L.H.CONSOLE - MIRROR R.H.	EURAMTEC	8	-----	562799
C 526	FR JCT BOX-FUSE BLOCK	PED	8	562647	562646	C 593	BATTERY CMPT. - CHARGER	PED WP	3	561781	561782
C 527	FR JCT BOX-FUSE BLOCK	PED	8	562647	562646	C 594	FRONT ROOF - DRIVERS LIGHT	LEEKRAFT		-----	562803
C 528	FR JCT BOX-FUSE BLOCK	PED	8	562647	562646	C 595	DASH CENTER MODULE - OPEN DOOR	MOLEX	4	561477	561476
C 529	FR JCT BOX-12V OUTLET	AMP MNL	2	561247	561248	C 596	DASH CENTER MODULE - CLOSE DOOR	MOLEX	4	561477	561476
C 530	RR JCT BOX-FUSE BLOCK	PED	8	562647	562646	C 597	L.H. DASH PANEL - DISPLAY SET SW.	MOLEX	5		562812
C 531	RR JCT BOX-FUSE BLOCK	PED	8	562647	562646	C 598	L.H. DASH PANEL - DISPLAY SET SW.	MOLEX	5		562812
C 532	RR JCT BOX-FUSE BLOCK	PED	8	562647	562646	C 599					
C 533	RR JCT BOX-FUSE BLOCK	PED	8	562647	562646	C 600	ENGINE CPT.-A/C LOW PRESS SW. UNLOAD	PED	2	562348	562471
C 534	RR JCT BOX-FUSE BLOCK	PED	8	562647	562646	C 601	L.H. ROOF - WINDOW AJAR	AMP MNL	2	561248	561247
C 535	RR JCT BOX-FIRE MODULE DETECT.	AMP MNL	3	561667	561550	C 602	L.H. ROOF - WINDOW AJAR	MOLEX	4	561477	561476
C 536	UNDER DASH RH-DRIVER'S HTR TEMP. CTR	AMP MNL	6	561552	561515	C 603	R.H. ROOF - WINDOW AJAR	AMP MNL	2	561248	561247
C 537	BATT. CPT.-A/C PRESS. SIGN. RLY	AMP MNL	2	561248	561247	C 604	LH PARCEL RACK DVD VIDEO STABILIZER	SWITCHCRAFT	1	563074	
C 538	FR SERVICE CPT.-OUTSIDE TEMP. SENSOR	AMP MNL	2	561248	561247	C 605	HAT RACK - MOTOR FAN	PED	2	560997	561030
C 539	HVAC DASH MODULE OUTPUT CON	MOLEX	24		562780	C 606	HAT RACK - MOTOR FAN	PED	2	560997	561030
C 540	HVAC DASH MODULE INPUT CON	MOLEX	22		562781	C 607	FRONT SERVICE CMPT. RPM SIGNAL	PED WP	2	561566	561690
C 541	SOUND SYS. JCT PANEL-AUDIO SEAT SYS.	PED WP	2	561566	561690	C 608	FRONT SERVICE CMPT. SPEED SIGNAL	PED WP	2	561566	561690
C 542	LH HAT RACK-AUDIO SEAT SYSTEM	AMP MNL	3	561667	561550	C 609	LAVATORY - NIGHT LIGHT				
C 543	RR JCT BOX-PARK. BRAKE STOP LTS RESIS.	PED WP	2	561566	561690	C 610	RR JCT BOX	AMP MNL	6	561552	561515
C 544	SOUND SYS JCT PANEL-AUDIO SEAT SYS.	PED WP	3	561781	562428	C 611	HAT RACK READING LTS RICON	MOLEX	6	562558	562557
C 545	LH HAT RACK-AUDIO SEAT SYSTEM	AMP MNL	3	561667	561550	C 612	HAT -RACK FLUOR. INSTATION LTS RICON	MOLEX	4	562507	562503
C 546	WIRELESS MIC. CHARGING SYSTEM	MOLEX	2	-----	563025	C 613	HAT -RACK INDIRECT LTS RICON	AMP MNL	3	561667	561550
C 547	RH DASH PANEL-ACCESSORIES	AMP CPC	37	561645	561646	C 614	HAT -RACK INDIRECT LTS RICON	AMP MNL	3	561667	561550
C 548	LH DASH PANEL-T.T. LT. TEST SW.	EATON	8	-----	562763	C 615	LH PARCEL RACK DVD SING ALONG ADAPT.	MOLEX	2	562550	562549
C 549	LH DASH PANEL-FAN CLUTCH OVERR. SW	EATON	8	-----	562763	C 616					
C 550	LAST LUGG. CPT. -WCL RICON	AMP CPC	16	561694	561695	L X	CLUSTER	JAE	22		562766
C 551	LAST LUGG. CPT. -WCL RICON	AMP CPC	16	561694	561695	L Y	CLUSTER	JAE	30		562767
C 552	LAST LUGG. CPT. -WCL RICON	AMP CPC	9	561636	561637	R X	CLUSTER	JAE	22		562764
C 553	UNDER DASH R.H. - CONTROL. HEAD	MOLEX	16	-----	562559						
C 554	UNDER DASH R.H. - CONTROL. HEAD	MOLEX	16	-----	562559						
C 555	UNDER DASH R.H. - CONTROL. HEAD	MOLEX	16	-----	562559						
C 556	UNDER DASH R.H. - RADIO ACC.	MOLEX	2	562550	562549						
C 557	UNDER DASH R.H. - RADIO ACC.	MOLEX	9	562556	562555						
C 558	UNDER DASH R.H. - RADIO ACC.	MOLEX	4	562507	562503						
C 559	SOUND SYS. JCT. PANEL - FILTER AMPLI	PED WP	2	561566	561690						
C 560	SOUND SYS. JCT. PANEL - POWER AMPLI	MOLEX	4	562507	562503						
C 561	L.H. HAT RACK - WIRELESS MICRO	MOLEX	8		562465						
C 562	L.H. HAT RACK - VCP	MOLEX	12	562556	563070						
C 563	L.H. MODESTY PANEL - DRIVERS SPK.	MOLEX	4	562507	562503						
C 564	L.H. MODESTY PANEL - MICRO	MOLEX	4	562507	562503						
C 565	R.H. MODESTY PANEL - MICRO	MOLEX	4	562507	562503						
C 566	L.H. CONSOLE - BOOM MICRO	MOLEX	4	562507	562503						
C 567	L.H. CONSOLE - DRIVERS MICRO	MOLEX	4	562507	562503						
C 568	SOUND SYS. JCT. PANEL - PASS. SPK	CINCH	4	562553	562552						
C 569	SOUND SYS. JCT. PANEL - POWER AMPLI.	MOLEX	9	562556	562555						
C 570	UNDER DASH PANEL TTLT	MOLEX	6		562464						
C 571	UNDER DASH PANEL TTLT	MOLEX	20		562778						
C 572	UNDER DASH PANEL TTLT	MOLEX	18		562779						
C 573	UNDER DASH PANEL TTLT	MOLEX	8		562465						
C 574	HAT -RACK FLUOR. INDIRECT LIGHTING	MOLEX	6	-----	562759						
C 575	HAT -RACK FLUOR. INSTATION LIGHT	MOLEX	4	562507	562503						
C 576	HAT -RACK FLUOR. INDIRECT LIGHTING	AMP MNL	3	561667	561550						
C 577	HAT -RACK FLUOR. INDIRECT LIGHTING	AMP MNL	3	561667	561550						
C 578	HAT -RACK FLUOR. INSTATION LIGHT	MOLEX	4	562507	562503						
C 579	L.H HAT RACK - VCP POWER	MOLEX	4		563071						
C 580	RH DASH PANEL-HAT RACK FAN SW	EATON	8	-----	562763						
C 581											
C 582	FRONT SERVICE CMPT. - WINDOWS AJAR	PED WP	2	561566	561690						
C 583	L.H. DASH PANEL - MASTER KEY	DEUTSCH	2	562486	562485						
C 584	FRONT SERVICE CMPT. - AIR HORH	HUMPHREY	3	-----	641385						
C 585											
C 586											
C 587	LH PARCEL RACK DVD UNIT	MOLEX	4	563040	563071						
C 588	FRONT SERVICE CPT. CENTER SOUND SYS.	AMP. CPC	37	561645	561646						
C 589	UNDER DASH - L.H. MIRROR	AMP MNL	9	561670	561669						
C 590	UNDER DASH - R.H. MIRROR	AMP MNL	9	561670	561669						

CONNECTORS CODE

NO	LOCATION	TYPE	CAVITY	#PIN	#SOCKET	NO	LOCATION	TYPE	CAVITY	#PIN	#SOCKET
				HOUSING	HOUSING					HOUSING	HOUSING
AA1	BEHIND DASH - SONALERT	BOSCH	5		561183	C 54	SPARE TIRE COMPT ENTRANCE STEP LIGHT	DEUTCH	2	562486	562485
AA2	BEHIND DASH - SONALERT	BOSCH	5		561183						
C X1	FR LH UPPER WHELL CPT-ABS	AMP	18		562792	C 55	RH SWITCH PANEL	AMP CPC	9	561636	561637
C X2	FR LH UPPER WHELL CPT-ABS	AMP	6		562793	C 56					
C X3	FR LH UPPER WHELL CPT-ABS	AMP	9		562794	C 57					
C X4	FR LH UPPER WHELL CPT-ABS	AMP	15		562795	C 58	RR JCT BOX AC PANEL	DEUTSCH	24	562280	562283
CS	RR JCT BOX ECU WORLD TR.	PED	32		562817	C 59	RR JCT BOX AC PANEL	AMP CPC	14	561584	561583
CT	RR JCT BOX ECU WORLD TR.	PED	32		562824	C 60	RR JCT BOX COMPT.-LT	AMP MNL	2	561248	561247
C V	RR JCT BOX ECU WORLD TR.	PED	32		562823	C 61	LUGGAGE COMPARTMENT LTS	AMP MNL	2	561248	561247
CV I2	RR JCT BOX-WORLD TRANSM. & EATON	AMP CPC	9	561636	561637	C 62	LUGGAGE COMPARTMENT LTS	AMP MNL	2	561248	561247
CWX1	ENGINE CPT-WEBASTO PRE-HEAT WATER	AMP SEALED	7		563135	C 63	LUGGAGE COMPARTMENT LTS	AMP MNL	2	561248	561247
CWX3	ENGINE CPT-WEBASTO PRE-HEAT WATER	AMP SEALED	7	563136		C 64	LUGGAGE COMPARTMENT LTS	AMP MNL	2	561248	561247
C Y	CLUSTER	JAE	30	---	562765	C 65	LUGGAGE COMPARTMENT LTS	AMP MNL	2	561248	561247
C 1	FR JCT BOX COMPARTMENT	AMP CPC	14	561585	561584	C 66	LUGGAGE COMPARTMENT LTS	AMP MNL	2	561248	561247
C 2	FR JCT BOX COMPARTMENT	AMP CPC	16	561639	561640	C 67	LUGGAGE COMPARTMENT LTS	AMP MNL	2	561248	561247
C 3	FR JCT BOX COMPARTMENT	AMP CPC	24	561641	561643	C 68	LUGGAGE COMPARTMENT LTS	AMP MNL	2	561248	561247
C 4	FR JCT BOX COMPARTMENT	AMP CPC	37	561644	561646	C 69	RR AXLE ACC-INSIDE PVC END	PED WP	6	561568	561578
C 5	FR SERVICE COMPT.-UNDERNEATH	AMP CPC	37	561644	561646	C 70	LH CONSOLE	AMP CPC	16	561642	561643
C 6	FR SERVICE COMPT.-UNDERNEATH	AMP CPC	16	561639	561640	C 71	FR JCT BOX COMPARTMENT	AMP CPC	37	561645	561646
C 7						C 72	FR JCT BOX COMPARTMENT	AMP CPC	24	561642	561643
C 8	FR SERVICE COMPT.-UNDERNEATH	AMP CPC	24	561641	561643	C 73	DASH CENTER PANEL	AMP CPC	16	561639	561640
C 9	FR SERVICE COMPT.-UNDERNEATH	AMP CPC	24	561641	561643	C 74	FR JCT BOX COMPARTMENT	AMP CPC	37	561645	561646
C 10	LUGGAGE COMPT. WATER BOOSTER PUMP	PED	2	562348	562471	C 75	SERV CPT. RXT. ENT. DOOR SW	DEUTSCH	4	562479	562477
C 11	FR SERVICE COMPARTMENT	AMP CPC	37	561644	561646	C 76	LUGGAGE COMPT.-AIR RET.SENS.	AMP MNL	2	561248	561247
C 12	FR SERVICE COMPARTMENT	AMP CPC	16	561639	561640	C 77	LUGGAGE COMPT.-AIR RET.SENS.	AMP MNL	2	561248	561247
C 13	LH CONSOLE-CTR MIRROR	AMP MNL	6	561552	561515	C 78					
C 14	UNDER DASH-LH MIRROR	AMP MNL	9	561661	561662	C 79					
C 15	RR JCT BOX	AMP CPC	24	561641	561643	C 80	LUGGAGE COMPT.-AIR RET.SENS.	AMP MNL	2	561248	561247
C 16	LH CONSOLE SW-CRUISE ON OFF	EATON	10	-----	562763	C 81	PASSENGER COMPT.-AISLE LTS	AMP MNL	2	560900	560898
C 17	LH CONSOLE SW-CRUISE RESUME	EATON	10	-----	562763	C 82	ENTRANCE DOOR	MOLEX	6	562070	562069
C 18	LH CONSOLE SW-CRUISE SET	EATON	10	-----	562763	C 83	ENTRANCE DOOR-PROIMITY SW	MOLEX	4	561477	561476
C 19	LH CONSOLE DECEL SW	EATON	10	-----	562763	C 84	ENTRANCE DOOR-PRESSURE SW	PED WP	2	561566	561690
C 20	RR JCT BOX	AMP CPC	37	561644	561646	C 85	UNDER INSTRUMENT PANEL LH	AMP MTA-100	-----	562248	-----
C 21	RR JCT BOX	AMP CPC	24	561641	561643	C 86					
C 22	RR JCT BOX - EATON TRANSM.	AMP MNL	6	561552	561515	C 87	RR END ROOF	AMP CPC	9	561636	561637
C 23	DDEC ENGINE-ECM J1939	PED MP	6	-----	561962	C 88					
C 24	DDEC ENGINE	PED WP	1	561605	561577	C 89	RR END ROOF-B/U NONITOR	AMP CPC	4	561582	561581
C 25	RR JCT BOX - EATON TRANSM. J1939	DEUTCH	3	562877	562884	C 90	RR JCT BOX	AMP CPC	15	561987	561986
C 26	HYD & MAN TRANSM.-NEUT. & B/U	PED WP	4	561610	561611	C 91	RR JCT BOX	AMP CPC	37	561714	561713
C 27	HYD & MAN TRANSM.-SPEED SENS.	PED WP	2	561566	561690	C 92	FR LH UPPER WHELL CPT-ABS	AMP CPC	9	561635	561637
C 28	EATON TRANSMISSION	DEUTCH	3	562877	562884	C 93	FR LH UPPER WHELL CPT-ABS	-----	35	-----	641094
C 29	EATON TRANSMISSION	PED MP	6	562878	-----	C 94	RH CONSOLE ENTRANCE STEP LIGHT	DEUTCH	2	562486	562485
C 30	RR JCT BOX - ECU EATON TRANSM.	PED MP	32	-----	562866	C 95	CONDENSOR CPT - LIQ. SOL. VALVE	PED WP	2	561566	561690
C 31	RR JCT BOX - ECU EATON TRANSM.	PED MP	24	-----	562865	C 96	FR AXLE ACCESSORIES	AMP CPC	14	561585	561585
C 32	DDEC ENGINE-ECM	PED	30	-----	561600	C 97	RR AXLE ACC-INSIDE PVC END	PED WP	6	561568	561578
C 33	RR JCT BOX - EATON TRANSM.	DEUTCH	9	562531	-----	C 98	FR SERVICE COMPT-EL.FT.PEDAL	PED WP	3	561782	561781
C 34	RH. CONSOLE - EATON TRANSM. SHIFTER	PED MP	3	-----	562871	C 99	FR SERVICE COMPT LTS	AMP MNL	2	561248	561247
C 35	RR JCT BOX	AMP CPC	24	561642	561643	C 100	LH CONSOLE - 120 VOLTS SWITCH	EATON	8	-----	562763
C 36	RH. CONSOLE - EATON TRANSM. SHIFTER	PED MP	24	-----	562874	C 101	FR SERVICE COMPT-ELEC. HORNS	PED WP	2	561566	561690
C 37	RR SECTION-LH HAT RACK	MOLEX	6	562558	562557	C 102	FR SERV & SIDE CPT-FLASH. LH	GROTE	2	-----	562155
C 38	RR SECTION-RH HAT RACK	MOLEX	6	562558	561662	C 103	FR SERV & SIDE CPT-MARKERS	GROTE	2	-----	562155
C 39	LH CONSOLE - EATON TRANSM. DISPLAY	AMP MNL	4	561551	561668	C 104	FR SERV & SIDE CPT-FLASH. RH	GROTE	2	-----	562155
C 40	RR JCT BOX - EATON TRANSM. J1939	DEUTCH	3	562877	562884	C 105	FR SERVICE COMPT-LIQ.S.VALVE	PED WP	2	561566	561690
C 41	LAVATORY ROOF LIGHT	LEECRAFT	2	-----	562803	C 106	FR SERVICE COMPT-WATER VALVE	PED WP	2	561566	561690
C 42	LAVATORY BACK WALL-WTR TANK	AMP MNL	2	560900	560898	C 107	EVAPORATOR COMPT-DAMPER	PED WP	2	561566	561690
C 43	LAVATORY BACK WALL-ACCES.	AMP MNL	9	561661	561662	C 108	FR SERVICE COMPT-KNEEL.SYS	PED WP	2	561566	561690
C 44	EATON TRANSM. J1939	DEUTCH	3	562877	562884	C 109	FR SERVICE COMPT-KNEEL.SYS	PED WP	2	561566	561690
C 45	FR JCT BOX COMPARTMENT	AMP CPC	24	561642	561643	C 110	FR SERVICE COMPT-KNEEL.SYS	PED WP	2	561566	561690
C 46	EATON TRANSM. J1939	DEUTCH	3	562877	562884	C 111	EVAPORATOR COMPT-DAMPER	DEUTSCH	2	562486	562485
C 47	FR SERVICE COMPARTMENT	AMP CPC	16	561694	561695	C 112					
C 48	FR. SERVICE CMPT.PRESS SW PARK BREAK	DEUTCH	4	562479	561247	C 113	BATT. & RR J.B.CPT.MARKER LT	GROTE	2	-----	562155
C 49	BATTERIE COMPT.-LT	AMP MNL	2	561248	561247	C 114	RR J. BOX CPT DOOR DIR LT LH	GROTE	2	-----	562155
C 50	FR SERVICE COMPT.-LOW BUOY	PED WP	1	561605	561577	C 115					
C 51						C 116	ENGINE COMPT. LTS	PED WP	1	561605	561577
C 52	RR JCT BOX	AMP CPC	22	561709	561710	C 117	FR SRV. COMPT. KNEELING SYS.	PED WP	2	561761	
C 53	SPARE TIRE COMPT ENTRANCE STEP LIGHT	DEUTCH	2	562486	562485	C 118	ENGINE COMPT-LAVATORY FAN	PED WP	2	561566	561690
						C 119	ENGINE CPT RR DOOR RH LO LAMP	PED WP	6	561606	561607

CONNECTORS CODE

NO	LOCATION	TYPE	CAVITY	#PIN	#SOCKET	NO	LOCATION	TYPE	CAVITY	#PIN	#SOCKET
				HOUSING	HOUSING					HOUSING	HOUSING
C 120	ENGINE CPT RR DOOR LH LO LAMP	PED WP	6	561606	561607	C 186M	RR JCT BOX CPT.-SPD SIGN. M.TR	PED WP	2	561566	561690
C 121	BATTERIE CPT. DOOR DIR LT RH	GROTE	2	-----	562155	C 186W	RR JCT BOX CPT.-SPD SIGN. WT	PED WP	2	561566	561690
C 122	ENGINE CPT-UNLOAD TAG SYSTEM	PED WP	2	561566	561690	C 187	FR JCT BOX-RPM RESISTOR CON.	AMP MNL	6	561552	561515
C 123	TAG AXLE-UNLOAD TAG RH VALVE	PED WP	2	561566	561690	C 188					
C 124	ENGINE CPT-ETHER SW	PED WP	2	561566	561690	C 189	ENGINE CPT RR DOOR B/U LT	TRUCK-LITE	2	-----	562755
C 125	ENGINE CPT-B/U ALARM	PED WP	2	561566	561690	C 190	ENGINE CPT RR DOOR TAIL/ STOP LT	SUPER SEAL	3		562601
C 126	ENGINE CPT-FLUSHING PUMP	PED WP	2	561566	561690	C 191	ENGINE CPT RR DOOR RH TAIL/STOP LT	SUPER SEAL	3		562601
C 127	ENGINE CPT-FUEL FILTER	PED WP	2	561566	561690	C 192	ENGINE CPT RR DOOR DIR. LT	SUPER SEAL	3		562601
C 128	ENGINE CPT-A/C COMPR.CLUTCH	ITT SS	2	561813	561812	C 193					
C 129						C 194					
C 130	ENGINE CPT-UNLOADER	ITT SS	2	561813	561812	C 195					
C 131	ENGINE CPT-UNLOADER	ITT SS	2	561813	561812	C 198	ENGINE CPT RR DOOR LICENCE LT	PED WP	2	562348	562471
C 132	ENGINE CPT-A/C LO PRESS SW	PED WP	2	561566	561690	C 199	ENGINE CPT RR DOOR LICENCE LT	PED WP	2	562348	562471
C 133	ENGINE CPT-A/C HI PRESS SW	PED WP	2	561566	561690	C 200	RH HAT RACK-FLUORESCENT	AMP MNL	2	561248	561247
C 134	FR JCT BOX-LUGGAGE DIODE CON.	AMP MNL	15	561987	561986	C 201	RH HAT RACK-FLUORESCENT	AMP MNL	2	561248	561247
C 135	FR JCT BOX-LUGGAGE DIODE CON.	AMP MNL	15	561987	561986	C 202	RH HAT RACK-INDIRECT LIGHTING	MOLEX	2	-----	562758
C 136	RR JCT BOX - A/C PANEL DIODE CONN.	AMP MNL	15	561987	561986	C 203	RH HAT RACK-INDIRECT LIGHTING	MOLEX	6	-----	562759
C 137	RR JCT BOX-TRANSMITTER	AMP MNL	2	560900	560898	C 204	RH HAT RACK-GENERAL LT	AMP MNL	2	560900	560898
C 138	RR JCT BOX-CONTROL MODULE	AMP HDP	15	-----	562012	C 205	FR SECT.-RH HAT RACK SPEAKER	AMP MNL	9	561661	561662
C 139	RR JCT BOX-LOGIC MODULE	AMP HDP	15	562011	-----	C 206	RH HAT RACK-READING LT	AMP FF	4	-----	562756
C 140	HVAC DASH MODULE THERMOMETER	MOLEX	4		562782	C 207	LH HAT RACK-READING LT	AMP FF	4	-----	562756
C 141	INSTRUMENT PANEL LH UNLOAD TAG	AMP	2	561248	561247	C 208	LH HAT RACK-BALLAST	MOLEX	2	-----	562758
C 142	LAVATORY DOOR WALL	AMP MNL	2	561248	561247	C 209	LH HAT RACK HOTESS CHIME	AMP MNL	3	561667	561550
C 143						C 210	FR SECT.-LH HAT RACK SPEAKER	AMP MNL	9	561661	561662
C 144	UNDER LH SEAT-AISLE LTS	AMP MNL	4	560851	560852	C 211	FR ROOF-STORE LH	AMP MNL	2	560900	560898
C 145	RR JCT BOX CPT-RR SIDE LTS	AMP MNL	9	561670	561669	C 212	FR ROOF-STORE RH	AMP MNL	2	560900	560898
C 146	ENGINE CPT-MODULATOR VALVE	AMPHENOL	2	-----	560412	C 213					
C 147	BATT & RR J.B.CPT-DOCK.LTS	PED WP	2	561566	561690	C 214	ENGINE CPT J1922				
C 148						C 215	TAG AXLE - A.T.C. SYSTEM				
C 149	CONDENSER CPT-FAN MOTOR	ORDNANCE	3	562555	562001	C 216	TAG AXLE - A.T.C. SYSTEM				
C 150						C 217	RH DASH PANEL-FRONT CAMERA SW	EATON	8	-----	562763
C 151	EVAPORATOR CPT-THERMOSTAT	ITT SS	2	561813	562159	C 218	RH DASH PANEL-FRONT CAMERA SW	AMP MNL	2	560900	560898
C 152	CONDENSER CPT-FUEL GAUGE	PED WP	4	561610	561611	C 219					
C 153	EVAPORATOR CPT-AIR AMB. SENS	AMP MNL	2	561248	561247	C 220	RR.JCT.BOX-FUEL PRIME PUMP	TC	1	561070	561073
C 154	EVAPORATOR CPT-FRESH AIR SENS	ITT SS	2	561813	561812	C 221	BATTERY CMPT. FIRE DETECTOR	DEUTSCH	2	562486	562485
C 155	EVAPORATOR CPT-WATER VALVE	PED WP	4	561610	561611	C 222	ENGINE CMPT. FIRE DETCTOR	DEUTSCH	2	562486	562485
C 156	EVAPOR. CPT-BYPASS WATER VAL.	PED WP	2	561566	561690	C 223	ENGINE CMPT. FIRE DETCTOR	DEUTSCH	2	562486	562485
C 157	EVAPORATOR CPT-WATER PUMP	PED WP	2	561566	561690	C 224	ENGINE CMPT. -VORAD J1939	DEUTSCH	3	562877	562884
C 158	CONDENSER CPT-A/C LO TEMP.	PED WP	2	561566	561690	C 225	ENGINE CMPT. -VORAD J1939	DEUTSCH	3	562877	562884
C 159	CONDENSER CPT-A/C HI TEMP.	PED WP	2	561566	561690	C 226	FR LH UPPER WHEEL CPT-VORAD J1939	DEUTSCH	3	562677	562884
C 160	FR AXLE-ABS RH SENSOR	WABCO	2	641132	-----	C 227					
C 161	FR AXLE-ABS RH VALVE	WABCO	3	-----	641098	C 228					
C 162	FR AXLE-ABS LH VALVE	WABCO	3	-----	641098	C 229					
C 163	FR AXLE-ABS LH SENSOR	WABCO	2	641132	-----	C 230	ENG.CPT.-FUEL PRIME PUMP FEED	DEUTSCH	2	562486	562485
C 164	RR AXLE-ABS LH SENSOR	WABCO	2	641132	-----	C 231	ENG.CPT.-FUEL PRIME PUMP SW.	PED WP	2	561566	561690
C 165	RR AXLE-ABS LH VALVE	WABCO	3	-----	641098	C 232	ENG.CPT.-FUEL PRIME PUMP	PED WP	2	561566	561690
C 166	RR AXLE-ABS RH VALVE	WABCO	3	-----	641098	C 233	FR. SERVICE COMPT.	VDO	8		562043
C 167	RR AXLE-ABS RH SENSOR	DEUTSCH	2	641132	-----	C 234	FR. SERVICE COMPT.	VDO	8		562044
C 168	RR AXLE-ABS OPT ATC	PED WP	2	561566	561690	C 235	FR. SERVICE COMPT.	VDO	8		562041
C 169	RR JCT BOX-SPEED SW	AMP HDP	15	-----	562012	C 236	LUGGAGE COMPARTEMENT	AMP MNL	4	560851	560852
C 170	FR JCT BOX-FLASHER UNIT	TC	2	-----	561940	C 237	UNDER DASH LH-JACOB CLUTCH SW	ITT SS	3	561111	561080
C 171	LH CONSOLE	AMP CPC	24	561642	561643	C 238	RR JCT BOX-DIODE CONNECTOR	AMP MNL	9	561670	561669
C 172						C 239	FR SERVICE CPT-HI BUOY VALVE	PED WP	2	561566	561690
C 173						C 240	FR SERVICE CPT-KNEEL PROX SW	PED WP	3	561781	562428
C 174	UNDER DASH RH-HTR MODULE	AMP MNL	9	561670	561669	C 241	HEADLAMPS HI BEAM	HELLA	2		562623
C 175	UNDER DASH RH-HTR MODULE	AMP MNL	9	561670	561669	C 242	HEADLAMPS LO BEAM	HELLA	2		562623
C 176	UNDER DASH RH-WIPER PULSE	AMP FF	6	-----	561186	C 243	FR SERVICE CPT. HEADLAMPS	DEUTCH	3	565131	562789
C 177	UNDER DASH RH-WIPER MOTOR	AMP FF	6	-----	561186	C 244	FR SERVICE CPT-LH FOG LAMP	DEUTCH	2	562902	562901
C 178	UNDER DASH RH-LH FAN	TC	2	561030	560997	C 245	FR SERVICE CPT-RH FOG LAMP	DEUTCH	2	562902	562901
C 179	UNDER DASH RH-RH FAN	TC	2	561030	560997	C 246	FR SERVICE CPT. MIRROR	CONXALL	5	563091	563090
C 180	RR JCT BOX-DIODE CONNECTOR	AMP MNL	15	561987	561986	C 247	HEADLAMPS MARK & DIR LTS	AMP SUPER S	3		562601
C 181	RR JCT BOX-DIODE CONNECTOR	AMP MNL	15	561987	561986	C 248	FR JCT BOX-WIPER PULSE GEN	AMP FF	6	-----	561108
C 182						C 249					
C 183	FR SERVICE CPT-KNEELING PAN.	PED WP	4	561610	561611	C 250	LH CONSOL PANEL- LOW BOY	PED	2	561566	561690
C 184	FR SERVICE CPT-KNEELING SW	ITT SS	3	561111	561080	C 251	LH DASH PANEL-FAST IDLE SW	EATON	8	-----	562763
C 185						C 252					
C 186	RR JCT BOX CPT.-SPEED SIGN.TR	PED WP	2	561566	561690	C 253	LH DASH PANEL-ETHER SW	EATON	8	-----	562763

CONNECTORS CODE

NO	LOCATION	TYPE	CAVITY	#PIN HOUSING	#SOCKET HOUSING	NO	LOCATION	TYPE	CAVITY	#PIN HOUSING	#SOCKET HOUSING
C 254	INST. PANEL RH-ENTR.DOOR SW.	TORRIX	5	-----	562110	C 320	RH DASH PANEL-DRIVER'S LTS SW	EATON	8	-----	562763
C 255	LH DASH PANEL-JACOB & RETARDER SW	EATON	8	-----	562763	C 321	READING LTS TEST				
C 256						C 322	LH CONSOLE DRV WIND LIFT MOT	PED PO	2	-----	561848
C 257						C 323	LH CONSOLE CRUISE CTR SW PAN. AMP	CPC	9	561636	561637
C 258	LH SW PANEL-MULTI FUNC. SW	AMP FF	8	561188	-----	C 324					
C 259	LH SW PANEL-MULTI FUNC. SW	AMP FF	6	-----	561108	C 325	LH DASH PANEL-KNEELING SW	EATON	8	-----	562763
C 260	FR SERVICE CPT-LUG DOOR LCK	PED WP	6	561606	561607	C 326	ENGINE CMPT.	PED	4	-----	561610
C 261	UNDER DASH RH-DOOR MODULE	AMP MNL	9	561670	561669	C 327	ENGINE CONTROL	DEUTSCH	6	562583	562581
C 262	UNDER DASH RH-DOOR MODULE	AMP MNL	4	561551	561668	C 328	GALLEY-LAMP	AMP MNL	2	561248	561247
C 263	UNDER DASH RH-DOOR MODULE	AMP MNL	3	561667	561550	C 329	ENGINE TACHO SIGNAL	PED WP	3	561781	561789
C 264	UNDER DASH RH-DOOR MODULE	AMP MNL	3	561667	561550	C 330					
C 265	UNDER DASH RH-DOOR MODULE	AMP HDP-20	15	562011	562012	C 331	GALLEY MICROWAVE SW	EATON	8	-----	562763
C 266						C 332					
C 267	UNDER DASH RH	AMP CPC	24	561642	561643	C 333	GALLEY RH CONTAINER SW	EATON	8	-----	562763
C 268	UNDER DASH LH-MIRROR	AMP MNL	6	561552	561515	C 334	GALLEY LH CONTAINER SW	EATON	8	-----	562763
C 269	UNDER DASH RH-MIRROR	AMP MNL	6	561552	561515	C 335					
C 270	LH MIRROR POST	MOLEX	6	562070	562069	C 336					
C 271	RH MIRROR POST	MOLEX	6	562070	562069	C 337	INSTR PANEL LH-UP WIPER SW	EATON	8	-----	562763
C 272	LH MIRROR	SPARTAN	6	-----	990158	C 338	INSTR PANEL LH-UP DEFROST SW	EATON	8	-----	562763
C 273	RH MIRROR	SPARTAN	6	-----	990158	C 339	INSTR PANEL LH-UP WASHER SW	EATON	8	-----	562763
C 274	RR. JCT. BOX - SIGNAL ALT. MODULE					C 340	FR JCT. BOX FIRE PIEZO ALARM	AMP MNL	2	560900	560898
C 275	UNDER DASH RH-DOOR MODULE	AMP MNL	9	561670	561669	C 341	INSTR PANEL LH-HEAT MIRROR SW	EATON	8	-----	562763
C 276	UNDER DASH RH-LOCK SOL.VALVE	AMP MNL	2	561248	561247	C 342	ENGINE RR START SW	DEUTSCH	2	562586	562585
C 277						C 343	INSTR PANEL LH-HEADLAMP SW	EATON	8	-----	562763
C 278						C 344	INSTR PANEL LH-HAZARD LT SW	EATON	8	-----	562763
C 279 *	FR SERVICE CPT.- STEERING ZF	DEUTCH	2		562486	C 345	INSTR PANEL LH-FOG LT SW	EATON	8	-----	562763
C 279	UNDER DASH CYLINDER READ SW.	AMP MNL	2	561248	561247	C 346					
C 280	LH CONSOLE-UNLOAD TAG SW.	NGR	10	-----	562763	C 347	INSTR PANEL LH-DASH LT SW	AMP MNL	2	560900	560898
C 281						C 348	INSTR PANEL CENT-RACOR MODULE	MOLEX	6	562070	562067
C 282						C 349					
C 283						C 350	RH CONSOLE-THERMOMETER	AMP MNL	3	561667	561550
C 284						C 351	LH HAT RACK-FLUOR 110V	MOLEX	4	561477	561476
C 285						C 352	RH CONSOLE-DRV TEMP SENSOR	BURNDY	4	-----	561104
C 286	RH SW PANEL-A/C & HEAT	EATON	8	-----	562763	C 353	INSTR PANEL RH-DRV FAN RHEOST	AMP MNL	6	561552	561515
C 287	ENGINE COMPT-LTS SW	PED WP	2	561566	561690	C 354	INSTR PANEL RH-DRV TEMP CTR	AMP MNL	6	561552	561515
C 288	RH SW PANEL-FRESH AIR	EATON	8	-----	562763	C 355	INSTR PANEL RH-FR TEMP CTR	AMP MNL	3	561667	561550
C 289						C 356					
C 290						C 357	INSTR PANEL RH-WATER TEMP GA	AMP MNL	3	561667	561550
C 291						C 358	INSTR PANEL RH-FUEL LEVEL GA	AMP MNL	3	561667	561550
C 292						C 359					
C 293						C 360					
C 294						C 361	FR ROOF-WIPER MOTOR	AMP FF	6	-----	561186
C 295						C 362	FR ROOF-LAVATORY OCCUPIED LT	AMP MNL	2	561248	561247
C 296						C 363	FR ROOF-WATCH YOUR STEP LT	AMP MNL	2	561248	561247
C 297	INSTRUMENT PANEL RH -LTS	AMP MNL	2	560900	560898	C 364	FR ROOF-DESTINATION SIGN	AMP MNL	3	561667	561550
C 298						C 365	FR ROOF-UP WINDSHIELD DEFROST	AMP MNL	3	561667	561550
C 299	RH DASH PANEL SW-GALLEY	EATON	8	-----	562763	C 366	RH DASH PANEL-GRN & RED LEDS	AMP MNL	3	560908	562006
C 300						C 367	ENGINE COMPT-DIF OIL T SENSOR	PED WP	2	561566	561690
C 301						C 368	FR ROOF-DEST. SIGN BALLAST	AMP MNL	3	561667	561550
C 302						C 369	FR ROOF-DEST. SIGN OPER. SW	TORRIX	5	-----	562110
C 303						C 370	FR ROOF-DEST. SIGN FLUOR.	AMP MNL	2	560900	560898
C 304						C 371	FR ROOF-DEST. SIGN FLUOR.	AMP MNL	2	560900	560898
C 305						C 372	FR ROOF-DEST. SIGN SPEED SW	MOLEX	4	561477	561476
C 306						C 373	FR ROOF-NO SMOKING LT	AMP MNL	2	561248	561247
C 307						C 374	LH SWITCH PANEL	AMP MNL	6	561552	561515
C 308	LH CONSOLE SW-RHEOSTAT	TC	2	561030	560997	C 375					
C 309	DDEC ENGINE-ECM POWER CON.	PED MP	5	-----	562345	C 376					
C 310	LH DASH PANEL -LUG. DOOR LCK SW	EATON	8	-----	562763	C 377	LH DASH PANEL-STOP ENG.OVERRIDE SW	EATON	8	-----	562763
C 311	RH DASH PANEL -HOS & PAS CHIME SW	EATON	8	-----	562763	C 378					
C 312	RH DASH PANEL -READING LTS SW	EATON	8	-----	562763	C 379					
C 313	RH DASH PANEL -GEN & FLUOR LTS SW	EATON	8	-----	562763	C 380	LH CONSOLE-DDR CONNECTOR	DEUTSCH	6	562360	-----
C 314	LH DASH PANEL-FR DEST. SIGN SW	EATON	8	-----	562763	C 381					
C 315	LH DASH PANEL-LH STORE SW	EATON	8	-----	562763	C 382					
C 316	LH CONSOLE SPARE SWITCH	EATON	8	-----	562763	C 383					
C 317	LH DASH PANEL-RH STORE SW	EATON	8	-----	562763	C 384					
C 318	LH CONSOLE SW-DRV WINDOW LIFT	EATON	8	-----	562763	C 385					
C 319						C 386	LH DASH PANEL-WCL POWER SYSTEM SW	EATON	8	-----	562763

CONNECTORS CODE

NO	LOCATION	TYPE	CAVITY	#PIN HOUSING	#SOCKET HOUSING	NO	LOCATION	TYPE	CAVITY	#PIN HOUSING	#SOCKET HOUSING
C 387	RR JCT BOX (WCL)	AMP MNL	9	561661	561662	C 454	SOUND SYS.JCT.PAN.-FLT. VCP	PED WP	2	561566	561680
C 388	RR JCT BOX (WCL)	AMP MNL	12	561735	561734	C 455	WIRELESS MICRO-LH HAT-RACK	MOLEX	6	-----	562464
C 389	WCL REAR DOOR	MOLEX	4	561477	561476	C 456	WORLD TRANSM.-RETARDER ACCUM.	PED MP	2	-----	562427
C 390	LAVATORY WALL-WCL REMOTE CTR	EATON	8	-----	562763	C 457	WORLD TRANSM.-MAIN CONNECTOR	DEUTSCH	31	562572	562536
C 391	LAVATORY WALL-WCL LAMP	EATON	8	-----	562763	C 458	WORLD TRANSM.-TURBINE SP.SENS	PED MP	2	-----	562426
C 392	LAVATORY WALL-WCL SW. LT.	EATON	2	-----	561835	C 459	WORLD TRANSM.-ENGINE SP.SENS.	PED MP	2	-----	562426
C 393	LAVATORY WALL-WCL REMOTE SYS.	AMP CPC	4	561686	561687	C 460	WORLD TRANSM.-SPEED SENSOR	ITT	2	-----	562541
C 394	UNDER INSTR. PANEL- B/U MONITOR	AMP MNL	4	560851	560852	C 461	WORLD TRANSM.-RETARDER TEMP.	PED MP	2	561566	561680
C 395	DRIVER'S COMPT. - B/U MONITOR	AMP	5	-----	-----	C 462	WORLD TRANSM.-RETARD SOL."K"	PED MP	2	-----	562426
C 396	FR SECT. LH HAT RACK-SPEAKER	MOLEX	4	562507	562503	C 463	WORLD TRANSM.-SENSOR CONN.	DEUTSCH	16	562570	562571
C 397	ENGINE COMPT. CRADLE ACC.	DEUTSCH	40	562281	562284	C 464	RR JCT BOX-DDR CONNECTOR	DEUTSCH	6	-----	562360
C 398						C 465	LH CONSOLE-SHIFTER SELECTOR	PED	20	-----	562825
C 399	ENGINE COMPT. - PRE-EXITATION ALT.	PED WP	2	561566	561690	C 466	FR SERVICE CPT.-RESIS. MOD.	PED WP	3	-----	562428
C 400	ENGINE COMPT. BLOCK HEATER	PED MP	3	561781	561782	C 467	FR SERVICE CPT.-RESIS. MOD.	PED WP	3	-----	562428
C 401						C 468			8		
C 402						C 469					
C 403	GALLEY FRIGO NORCOLD	AMP MNL	2	561248	561247	C 470	FR LH UPPER WHELL CPT-SILENT 1000	AMP MNL	2	561248	561247
C 404	GALLEY LAMP	AMP MNL	2	561248	561247	C 471	FR LH UPPER WHELL CPT-SILENT 1000	AMP MNL	2	561248	561247
C 405	LAST LUGGAGE COMP. - INVERTER SIGNAL	AMP MNL	2	561248	561247	C 472	FR LH UPPER WHELL CPT-SILENT 1000	PED WP	2	561566	561690
C 406	FR JCT BOX COMPT.-ABS	AMP MNL	2	560900	560898	C 473	FR LH UPPER WHELL CPT-SILENT 1000	AMP MNL	3	561667	561550
C 407	ENGINE COMPT. -SIGNAL	PED WP	6	561606	561607	C 474	DRIVER CPT.-TEMP. SENSOR	AMP MNL	2	561247	561248
C 408	ENGINE COMPT. -SIGNAL	PED WP	6	561606	561607	C 475	RR JCT BOX-SPEED SIGN CONNECTOR	AMP MNL	2	561248	561247
C 409	ENGINE CPT -LOW COOL. LEVEL	PED MP	2	-----	562350	C 475M	RR JCT BOX-SPEED SIGN MANUAL TR.	MOLEX	6	562070	562069
C 410	FR JCT BOX-DIODE CONNECTOR	AMP MNL	15	561987	561986	C 475W	RR JCT BOX-SPEED SIGN WORLD TR.	MOLEX	6	562070	562069
C 411	FR JCT BOX-DIODE CONNECTOR	AMP MNL	15	561987	561986	C 476					
C 412	LH DASH PANEL-MASTER SWITCH SW	EATON	8	-----	562763	C 477					
C 413	ENG CPT-A/C HI UNLOAD PRS SW	PED WP	2	561566	561690	C 478	ELECTRONIC DESTINATION SIGN	AMP CPC	9	561636	561637
C 414	RR JCT BOX	AMP MNL	9	561670	561669	C 479	HVAC MODULE				
C 415	ENGINE CRADLE-FAN SIGNAL	PED WP	3	561781	561782	C 480	UNDER DASH LH-DR. FAN SPEED CTR. MOD	PED	4	561889	561890
C 416	ENGINE CRADLE-FAN SIGNAL	PED P-C	3	562398	-----	C 481	UNDER DASH LH-DR. FAN SPEED CTR. MOD	PED	3	561781	561782
C 417	FRONT JCT BOX-DIODES	AMP MNL	15	561987	561986	C 482					
C 418	LH DASH PANEL-HTR WINDSH.SW	EATON	8	-----	562763	C 483	FR SERVICE CPT. (NOT USED)	PED PC	2	-----	562237
C 419	FR JCT BOX-RETARDER OR JACOB	AMP MNL	3	561667	561550	C 484	UNDER DASH LH.-FOOT DAMPER MOTOR	PED PC	2	-----	562076
C 420						C 485	UNDER DASH LH.-DASH & DEFR. DAM.MOT.	AMP MNL	3	561667	561550
C 421						C 486					
C 422						C 487	S.S.PANEL - AUDIO IN AMPLI	MOLEX	4	-----	563071
C 423						C 488	S.S.PANEL - AMPLI SIGNAL	MOLEX	8	-----	562465
C 424	UNDER INSTRUMENT PANEL CENTER	AMP MNL	3	561667	561550	C 489	S.S.PANEL - SPEAKER OUTLET	MOLEX	6	-----	562464
C 425	FR JCT BOX-DIODES	AMP MNL	15	561987	561986	C 490					
C 426	ENGINE COMPT. CLUTCH CTR FAN	PED WP	3	561781	561782	C 491					
C 427	PRO-HEAT	PED-WP	2	561566	561680	C 492					
C 428	PRO-HEAT	PED WP	6	561606	561607	C 493					
C 429	FR JCT BOX COMPT.	AMP MNL	6	561552	561515	C 494					
C 430	LH CONSOLE-TIMER	AMP FF	8	561188	562363	C 495					
C 431	LH CONSOLE-PRE HEAT.	TAB AMP	1	561540	561539	C 496					
C 432	ENGINE CPT.-PROX. SW. DOOR AJAR	PED-WP	2	561566	561680	C 497					
C 433	FR SERVICE CPT. KNEEL. PRESS. SW	PED WP	2	561566	561690	C 498					
C 434	FRONT JCT. BOX-DIODES	AMP MNL	15	561987	561986	C 499					
C 435	FR SERVICE CPT.(RH) KNEEL. PIEZO	AMP MNL	2	560900	560898	C 500	FR LH UPPER WHELL CPT -PRODRIVER	MOLEX	6	562070	562069
C 436	RH HAT RACK-WCL CENTER ROOF ACC	AMP CPC	16	561639	561640	C 501	FR LH UPPER WHELL CPT -PRODRIVER	PED MP	7	562433	-----
C 437	RH HAT RACK-WCL FR & RR SECT.	AMP CPC	24	561642	561643	C 502	LH DASH PANEL-PRE HEATER SW.	EATON	8	-----	562763
C 438	EVAP CMPT- A/C CONTROL	AMP MNL	2	561248	561247	C 503	LH CONSOLE-PRE HEATER SW.	EATON	2	-----	561837
C 439	EVAP CMPT- A/C CONTROL	AMP MNL	2	561248	561247	C 504	LH CONSOLE WEBASTO TIMER	AMP	8	-----	562852
C 440	EVAP CMPT- A/C CONTROL	DEUTSCH	4	562479	562477	C 505	LH CONSOLE ESPAR TIMER	AMP	9	-----	562681
C 441	FR JCT BOX- DIODES	AMP MNL	15	561987	561986	C 506	FR JCT BOX CPT. DIGITAL CLOCK	AMP	4	561685	561687
C 442						C 507	FR SECT. LH HAT-RACK DIG. CLOCK	MOLEX	4	561477	561476
C 443						C 508	RR JCT BOX-FAN CLUTCH RETARDER	AMP MNL	6	561552	561515
C 444						C 509	FR LH UPPER WHELL CPT -DATA LOGGER	PED MP	16	-----	562530
C 445						C 510	FR LH UPPER WHELL CPT -DATA LOGGER	DEUTSCH	9	562531	-----
C 446						C 511	FR LH UPPER WHELL CPT -DATA LOGGER	PED MP	4	562532	-----
C 447						C 512	FR LH UPPER WHELL CPT -DATA LOGGER	PED MP	10	562533	-----
C 448						C 513	FR LH UPPER WHELL CPT -DATA LOGGER	AMP MNL	3	561667	561550
C 449						C 514	FR LH UPPER WHELL CPT -DATA LOGGER	PED MP	6	562433	562417
C 450	SOUND SYS. JCT. PANEL	MOLEX	4	562507	562503	C 515	FR JCT BOX CPT.-INTERCOM	MOLEX	4	561477	561476
C 451	WIRELESS MICRO-FIRST CPT BAG	MOLEX	2	562550	562549	C 516	FR JCT BOX CPT.-INTERCOM	MOLEX	6	562070	562069
C 452	UNDER DASH INSTR. PANEL	MOLEX	2	562550	562549	C 517	LAVATORY WALL-INTERCOM	MOLEX	6	562070	562069
C 453	SOUND SYS. JCT.PANEL-VCP	PED WP	2	561566	561680	C 519	UNDER DASH RH-SEDAN DOOR	HUMPHREY	2	-----	562580

CONNECTORS CODE

NO	LOCATION	TYPE	CAVITY	#PIN	#SOCKET	NO	LOCATION	TYPE	CAVITY	#PIN	#SOCKET
				HOUSING	HOUSING					HOUSING	HOUSING
C 520	UNDER DASH RH-SEDAN DOOR	HUMPHREY	2	-----	641385	C 587	LH PARCEL RACK DVD UNIT	MOLEX	4	563040	563071
C 521	UNDER DASH RH-SEDAN DOOR	HUMPHREY	2	-----	641385	C 588	FRONT SERVICE CPT. CENTER SOUND SYS.	AMP. CPC	37	561645	561646
C 522						C 589	UNDER DASH - L.H. MIRROR	AMP MNL	9	561670	561669
C 523	FR JCT BOX-FUSE BLOCK	PED	8	562647	562646	C 590	UNDER DASH - R. H. MIRROR	AMP MNL	9	561670	561669
C 524	FR JCT BOX-FUSE BLOCK	PED	8	562647	562646	C 591	L.H.CONSOLE - MIRROR L.H.	EURAMTEC	8	-----	562799
C 525	FR JCT BOX-FUSE BLOCK	PED	8	562647	562646	C 592	L.H.CONSOLE - MIRROR R.H.	EURAMTEC	8	-----	562799
C 526	FR JCT BOX-FUSE BLOCK	PED	8	562647	562646	C 593	BATTERY CMPT. - CHARGER	PED WP	3	561781	561782
C 527	FR JCT BOX-FUSE BLOCK	PED	8	562647	562646	C 594	FRONT ROOF - DRIVERS LIGHT	LEEKRAFT	-----	-----	562803
C 528	FR JCT BOX-FUSE BLOCK	PED	8	562647	562646	C 595	DASH CENTER MODULE - OPEN DOOR	MOLEX	4	561477	561476
C 529	FR JCT BOX-12V OUTLET	AMP MNL	2	561247	561248	C 596	DASH CENTER MODULE - CLOSE DOOR	MOLEX	4	561477	561476
C 530	RR JCT BOX-FUSE BLOCK	PED	8	562647	562646	C 597	L.H. DASH PANEL - DISPLAY SET SW.	MOLEX	5	-----	562812
C 531	RR JCT BOX-FUSE BLOCK	PED	8	562647	562646	C 598	L.H. DASH PANEL - DISPLAY SET SW.	MOLEX	5	-----	562812
C 532	RR JCT BOX-FUSE BLOCK	PED	8	562647	562646	C 599					
C 533	RR JCT BOX-FUSE BLOCK	PED	8	562647	562646	C 600	ENGINE CPT.-A/C LOW PRESS SW. UNLOAD	PED	2	562348	562471
C 534	RR JCT BOX-FUSE BLOCK	PED	8	562647	562646	C 601	L.H. ROOF - WINDOW AJAR	AMP MNL	2	561248	561247
C 535	RR JCT BOX-FIRE MODULE DETECT.	AMP MNL	3	561667	561550	C 602	L.H. ROOF - WINDOW AJAR	MOLEX	4	561477	561476
C 536	UNDER DASH RH-DRIVER'S HTR TEMP. CTR	AMP MNL	6	561552	561515	C 603	R.H. ROOF - WINDOW AJAR	AMP MNL	2	561248	561247
C 537	BATT. CPT.-A/C PRESS. SIGN. RLY	AMP MNL	2	561248	561247	C 604	LH PARCEL RACK DVD VIDEO STABILIZER	SWITCHCRAFT	1	563074	
C 538	FR SERVICE CPT.-OUTSIDE TEMP. SENSOR	AMP MNL	2	561248	561247	C 605	HAT RACK - MOTOR FAN	PED	2	560997	561030
C 539	HVAC DASH MODULE OUTPUT CON	MOLEX	24	-----	562780	C 606	HAT RACK - MOTOR FAN	PED	2	560997	561030
C 540	HVAC DASH MODULE INPUT CON	MOLEX	22	-----	562781	C 607	FRONT SERVICE CMPT. RPM SIGNAL	PED WP	2	561566	561690
C 541	SOUND SYS. JCT PANEL-AUDIO SEAT SYS.	PED WP	2	561566	561690	C 608	FRONT SERVICE CMPT. SPEED SIGNAL	PED WP	2	561566	561690
C 542	LH HAT RACK-AUDIO SEAT SYSTEM	AMP MNL	3	561667	561550	C 609	LAVATORY - NIGHT LIGHT				
C 543						C 610	RR JCT BOX	AMP MNL	6	561552	561515
C 544	SOUND SYS JCT PANEL-AUDIO SEAT SYS.	PED WP	3	561781	562428	C 611	HAT RACK READING LTS RICON	MOLEX	6	562558	562557
C 545	LH HAT RACK-AUDIO SEAT SYSTEM	AMP MNL	3	561667	561550	C 612	HAT -RACK FLUOR. INSTATION LTS RICON	MOLEX	4	562507	562503
C 546	WIRELESS MIC. CHARGING SYSTEM	MOLEX	2	-----	563025	C 613	HAT -RACK INDIRECT LTS RICON	AMP MNL	3	561667	561550
C 547	RH DASH PANEL-ACCESSORIES	AMP CPC	37	561645	561646	C 614	HAT -RACK INDIRECT LTS RICON	AMP MNL	3	561667	561550
C 548	LH DASH PANEL-T.T. LT. TEST SW.	EATON	8	-----	562763	C 615	LH PARCEL RACK DVD SING ALONG ADAPT.	MOLEX	2	562550	562549
C 549	LH DASH PANEL-FAN CLUTCH OVERR. SW	EATON	8	-----	562763	C 616					
C 550	LAST LUGG. CPT. -WCL RICON	AMP CPC	16	561694	561695	L X	CLUSTER	JAE	22	-----	562766
C 551	LAST LUGG. CPT. -WCL RICON	AMP CPC	16	561694	561695	L Y	CLUSTER	JAE	30	-----	562767
C 552	LAST LUGG. CPT. -WCL RICON	AMP CPC	9	561636	561637	R X	CLUSTER	JAE	22	-----	562764
C 553	UNDER DASH R.H. - CONTROL. HEAD	MOLEX	16	-----	562559						
C 554	UNDER DASH R.H. - CONTROL. HEAD	MOLEX	16	-----	562559						
C 555	UNDER DASH R.H. - CONTROL. HEAD	MOLEX	16	-----	562559						
C 556	UNDER DASH R.H. - RADIO ACC.	MOLEX	2	562550	562549						
C 557	UNDER DASH R.H. - RADIO ACC.	MOLEX	9	562556	562555						
C 558	UNDER DASH R.H. - RADIO ACC.	MOLEX	4	562507	562503						
C 559	SOUND SYS. JCT. PANEL - FILTER AMPLI	PED WP	2	561566	561690						
C 560	SOUND SYS. JCT. PANEL - POWER AMPLI	MOLEX	4	562507	562503						
C 561	L.H. HAT RACK - WIRELESS MICRO	MOLEX	8	-----	562465						
C 562	L.H. HAT RACK - VCP	MOLEX	12	562556	563070						
C 563	L.H. MODESTY PANEL - DRIVERS SPK.	MOLEX	4	562507	562503						
C 564	L.H. MODESTY PANEL - MICRO	MOLEX	4	562507	562503						
C 565	R.H. MODESTY PANEL - MICRO	MOLEX	4	562507	562503						
C 566	L.H. CONSOLE - BOOM MICRO	MOLEX	4	562507	562503						
C 567	L.H. CONSOLE - DRIVERS MICRO	MOLEX	4	562507	562503						
C 568	SOUND SYS. JCT. PANEL - PASS. SPK	CINCH	4	562553	562552						
C 569	SOUND SYS. JCT. PANEL - POWER AMPLI.	MOLEX	9	562556	562555						
C 570	UNDER DASH PANEL TTLT	MOLEX	6	-----	562464						
C 571	UNDER DASH PANEL TTLT	MOLEX	20	-----	562778						
C 572	UNDER DASH PANEL TTLT	MOLEX	18	-----	562779						
C 573	UNDER DASH PANEL TTLT	MOLEX	8	-----	562465						
C 574	HAT -RACK FLUOR. INDIRECT LIGHTING	MOLEX	6	-----	562759						
C 575	HAT -RACK FLUOR. INSTATION LIGHT	MOLEX	4	562507	562503						
C 576	HAT -RACK FLUOR. INDIRECT LIGHTING	AMP MNL	3	561667	561550						
C 577	HAT -RACK FLUOR. INDIRECT LIGHTING	AMP MNL	3	561667	561550						
C 578	HAT -RACK FLUOR. INSTATION LIGHT	MOLEX	4	562507	562503						
C 579	L.H HAT RACK - VCP POWER	MOLEX	4	-----	563071						
C 580	RH DASH PANEL-HAT RACK FAN SW	EATON	8	-----	562763						
C 581											
C 582	FRONT SERVICE CMPT. - WINDOWS AJAR	PED WP	2	561566	561690						
C 583	L.H. DASH PANEL - MASTER KEY	DEUTSCH	2	562486	562485						
C 584	FRONT SERVICE CMPT. - AIR HORH	HUMPHREY	3	-----	641385						
C 585											
C 586											

CONNECTORS CODE

NO	LOCATION	TYPE	CAVITY	#PIN	#SOCKET	NO	LOCATION	TYPE	CAVITY	#PIN	#SOCKET
				HOUSING	HOUSING					HOUSING	HOUSING
AA1	BEHIND DASH - SONALERT	BOSCH	5		561183	C 55	RH SWITCH PANEL	AMP CPC	9	561636	561637
AA2	BEHIND DASH - SONALERT	BOSCH	5		561183	C 56					
C X1	FR SERVICE COMPT- ECU ABS	AMP	15		563200	C 57					
C X2	FR SERVICE COMPT- ECU ABS	AMP	18		563201	C 58	RR JCT BOX AC PANEL	DEUTSCH	24	562280	562283
C S	RR JCT BOX ECU WORLD TR.	PED	32		562817	C 59	RR JCT BOX AC PANEL	AMP CPC	14	561584	561583
CT	RR JCT BOX ECU WORLD TR.	PED	32		562824	C 60	RR JCT BOX COMPT.-LT	AMP MNL	2	561248	561247
CV	RR JCT BOX ECU WORLD TR.	PED	32		562823	C 61	LUGGAGE COMPARTMENT LTS	AMP MNL	2	561248	561247
C 12	RR JCT BOX-WORLD TRANSM. & EATON	AMP CPC	9	561636	561637	C 62	LUGGAGE COMPARTMENT LTS	AMP MNL	2	561248	561247
C WX1	ENGINE CPT-WEBASTO PRE-HEAT WATER	AMP SEALED	7		563135	C 63	LUGGAGE COMPARTMENT LTS	AMP MNL	2	561248	561247
C WX3	ENGINE CPT-WEBASTO PRE-HEAT WATER	AMP SEALED	7	563136		C 64	LUGGAGE COMPARTMENT LTS	AMP MNL	2	561248	561247
C Y	CLUSTER	JAE	30		562765	C 65	LUGGAGE COMPARTMENT LTS	AMP MNL	2	561248	561247
C 1	FR JCT BOX COMPARTMENT	AMP CPC	14	561585	561584	C 66	LUGGAGE COMPARTMENT LTS	AMP MNL	2	561248	561247
C 2	FR JCT BOX COMPARTMENT	AMP CPC	16	561639	561640	C 67	LUGGAGE COMPARTMENT LTS	AMP MNL	2	561248	561247
C 3	FR JCT BOX COMPARTMENT	AMP CPC	24	561641	561643	C 68	LUGGAGE COMPARTMENT LTS	AMP MNL	2	561248	561247
C 4	FR JCT BOX COMPARTMENT	AMP CPC	37	561644	561646	C 69	RR AXLE ACC-INSIDE PVC END	AMP MNL	2	561248	561247
C 5	FR SERVICE COMPT.-UNDERNEATH	AMP CPC	37	561644	561646	C 70	LH CONSOLE	AMP CPC	16	561642	561643
C 6	FR SERVICE COMPT.-UNDERNEATH	AMP CPC	16	561639	561640	C 71	FR JCT BOX COMPARTMENT	AMP CPC	37	561645	561646
C 7						C 72	FR JCT BOX COMPARTMENT	AMP CPC	24	561642	561643
C 8	FR SERVICE COMPT.-UNDERNEATH	AMP CPC	24	561641	561643	C 73	DASH CENTER PANEL	AMP CPC	16	561639	561640
C 9	FR SERVICE COMPT.-UNDERNEATH	AMP CPC	24	561641	561643	C 74	FR JCT BOX COMPARTMENT	AMP CPC	37	561645	561646
C 10	LUGGAGE COMPT. WATER BOOSTER PUMP	PED	2	562348	562471	C 75	SERV CPT. RXT. ENT. DOOR SW	DEUTSCH	4	562479	562477
C 11	FR SERVICE COMPARTMENT	AMP CPC	37	561644	561646	C 76	LUGGAGE COMPT.-AIR RET.SENS.	AMP MNL	2	561248	561247
C 12	FR SERVICE COMPARTMENT	AMP CPC	16	561639	561640	C 77	LUGGAGE COMPT.-AIR RET.SENS.	AMP MNL	2	561248	561247
C 13	LH CONSOLE-CTR MIRROR	AMP MNL	6	561552	561515	C 78					
C 14	UNDER DASH-LH MIRROR	AMP MNL	9	561661	561662	C 79					
C 15	RR JCT BOX	AMP CPC	24	561641	561643	C 80	LUGGAGE COMPT.-AIR RET.SENS.	AMP MNL	2	561248	561247
C 16	LH CONSOLE SW-CRUISE ON OFF	EATON	10	-----	562763	C 81	PASSENGER COMPT.-AISLE LTS	AMP MNL	2	560900	560898
C 17	LH CONSOLE SW-CRUISE RESUME	EATON	10	-----	562763	C 82	ENTRANCE DOOR	MOLEX	6	562070	562069
C 18	LH CONSOLE SW-CRUISE SET	EATON	10	-----	562763	C 83	ENTRANCE DOOR-PROIMITY SW	MOLEX	4	561477	561476
C 19	LH CONSOLE DECEL SW	EATON	10	-----	562763	C 84	ENTRANCE DOOR-PRESSURE SW	PED WP	2	561566	561690
C 20	RR JCT BOX	AMP CPC	37	561644	561646	C 85	UNDER INSTRUMENT PANEL LH	AMP MTA-100	-----	562248	-----
C 21	RR JCT BOX	AMP CPC	24	561641	561643	C 86					
C 22	RR JCT BOX - EATON TRANSM.	AMP MNL	6	561552	561515	C 87	RR END ROOF	AMP CPC	9	561636	561637
C 23	DDEC ENGINE-ECM J1939	PED MP	6	-----	561962	C 88					
C 24	DDEC ENGINE	PED WP	1	561605	561577	C 89	RR END ROOF-B/U NONITOR	AMP CPC	4	561582	561581
C 25	RR JCT BOX - EATON TRANSM. J1939	DEUTCH	3	562877	562884	C 90	RR JCT BOX	AMP CPC	15	561987	561986
C 26	HYD & MAN TRANSM.-NEUT. & B/U	PED WP	4	561610	561611	C 91	RR JCT BOX	AMP CPC	37	561714	561713
C 27	HYD & MAN TRANSM.-SPEED SENS.	PED WP	2	561566	561690	C 92	FR LH UPPER WHELL CPT-ABS	AMP CPC	9	561635	561637
C 28	EATON TRANSMISSION	DEUTCH	3	562877	562884	C 93	FR LH UPPER WHELL CPT-ABS		35	-----	641094
C 29	EATON TRANSMISSION	PED MP	6	562878	-----	C 94	RH CONSOLE ENTRANCE STEP LIGHT	DEUTCH	2	562486	562485
C 30	RR JCT BOX - ECU EATON TRANSM.	PED MP	32	-----	562866	C 95	CONDENSOR CPT - LIQ. SOL. VALVE	PED WP	2	561566	561690
C 31	RR JCT BOX - ECU EATON TRANSM.	PED MP	24	-----	562865	C 96	FR AXLE ACCESSORIES	AMP CPC	14	561585	561585
C 32	DDEC ENGINE-ECM	PED	30	-----	561600	C 97	RR AXLE ACC-INSIDE PVC END	PED WP	6	561568	561578
C 33	RR JCT BOX - EATON TRANSM.	DEUTCH	9	562531	-----	C 98	FR SERVICE COMPT-EL.FT.PEDAL	PED WP	3	561782	561781
C 34	RH. CONSOLE - EATON TRANSM. SHIFTER	PED MP	3	-----	562871	C 99	FR SERVICE COMPT LTS	AMP MNL	2	561248	561247
C 35	RR JCT BOX	AMP CPC	24	561642	561643	C 100	LH CONSOLE - 120 VOLTS SWITCH	EATON	8	-----	562763
C 36	RH. CONSOLE - EATON TRANSM. SHIFTER	PED MP	24	-----	562874	C 101	FR SERVICE COMPT-ELEC. HORNS	PED WP	2	561566	561690
C 37	RR SECTION-LH HAT RACK	MOLEX	6	562558	562557	C 102	FR SERV & SIDE CPT-FLASH. LH	GROTE	2	-----	562155
C 38	RR SECTION-RH HAT RACK	MOLEX	6	562558	562557	C 103	FR SERV & SIDE CPT-MARKERS	GROTE	2	-----	562155
C 39	LH CONSOLE - EATON TRANSM. DISPLAY	AMP MNL	4	561551	561668	C 104	FR SERV & SIDE CPT-FLASH. RH	GROTE	2	-----	562155
C 40	RR JCT BOX - EATON TRANSM. J1939	DEUTCH	3	562877	562884	C 105	FR SERVICE COMPT-LIQ.S.VALVE	PED WP	2	561566	561690
C 41	LAVATORY ROOF LIGHT	LEECRAFT	2	-----	562803	C 106	FR SERVICE COMPT-WATER VALVE	PED WP	2	561566	561690
C 42	LAVATORY BACK WALL-WTR TANK	AMP MNL	2	560900	560898	C 107	EVAPORATOR COMPT-DAMPER	PED WP	2	561566	561690
C 43	LAVATORY BACK WALL-ACCES.	AMP MNL	9	561661	561662	C 108	FR SERVICE COMPT-KNEEL.SYS	PED WP	2	561566	561690
C 44	EATON TRANSM. J1939	DEUTCH	3	562877	562884	C 109	FR SERVICE COMPT-KNEEL.SYS	PED WP	2	561566	561690
C 45	FR JCT BOX COMPARTMENT	AMP CPC	24	561642	561643	C 110	FR SERVICE COMPT-KNEEL.SYS	PED WP	2	561566	561690
C 46	EATON TRANSM. J1939	DEUTCH	3	562877	562884	C 111	EVAPORATOR COMPT-DAMPER	DEUTSCH	2	562486	562485
C 47	FR SERVICE COMPARTMENT	AMP CPC	16	561694	561695	C 112					
C 48	FR. SERVICE CMPT.PRESS SW PARK BREAK	DEUTCH	4	562479	562477	C 113	BATT. & RR J.B.CPT.MARKER LT	GROTE	2	-----	562155
C 49	BATTERIE COMPT.-LT	AMP MNL	2	561248	561247	C 114	RR J. BOX CPT DOOR DIR LT LH	GROTE	2	-----	562155
C 50	FR SERVICE COMPT.-LOW BUOY	PED WP	1	561605	561577	C 115					
C 51						C 116	ENGINE COMPT. LTS	PED WP	1	561605	561577
C 52	RR JCT BOX	AMP CPC	22	561709	561710	C 117	FR SRV. COMPT. KNEELING SYS.	PED WP	2	561761	
C 53	SPARE TIRE COMPT ENTRANCE STEP LIGHT	DEUTCH	2	562486	562485	C 118	ENGINE COMPT-LAVATORY FAN	PED WP	2	561566	561690
						C 119	ENGINE CPT RR DOOR RH LO LAMP	PED WP	6	561606	561607
C 54	SPARE TIRE COMPT ENTRANCE STEP LIGHT	DEUTCH	2	562486	562485	C 120	ENGINE CPT RR DOOR LH LO LAMP	PED WP	6	561606	561607
						C 121	BATTERIE CPT. DOOR DIR LT RH	GROTE	2	-----	562155

CONNECTORS CODE

NO	LOCATION	TYPE	CAVITY	#PIN	#SOCKET	NO	LOCATION	TYPE	CAVITY	#PIN	#SOCKET
				HOUSING	HOUSING					HOUSING	HOUSING
C 122	ENGINE CPT-UNLOAD TAG SYSTEM	PED WP	2	561566	561690	C 187	FR JCT BOX-RPM RESISTOR CON.	AMP MNL	6	561552	561515
C 123	TAG AXLE-UNLOAD TAG RH VALVE	PED WP	2	561566	561690	C 188					
C 124	ENGINE CPT-ETHER SW	PED WP	2	561566	561690	C 189	ENGINE CPT RR DOOR B/U LT	TRUCK-LITE	2	-----	562755
C 125	ENGINE CPT-B/U ALARM	PED WP	2	561566	561690	C 190	ENGINE CPT RR DOOR TAIL/ STOP LT	SUPER SEAL	3		562601
C 126	ENGINE CPT-FLUSHING PUMP	PED WP	2	561566	561690	C 191	ENGINE CPT RR DOOR RH TAIL/STOP LT	SUPER SEAL	3		562601
C 127	ENGINE CPT-FUEL FILTER	PED WP	2	561566	561690	C 192	ENGINE CPT RR DOOR DIR. LT	SUPER SEAL	3		562601
C 128	ENGINE CPT-A/C COMPR.CLUTCH	ITT SS	2	561813	561812	C 193					
C 129						C 194					
C 130	ENGINE CPT-UNLOADER	ITT SS	2	561813	561812	C 195					
C 131	ENGINE CPT-UNLOADER	ITT SS	2	561813	561812	C 198	ENGINE CPT RR DOOR LICENCE LT	PED WP	2	562348	562471
C 132	ENGINE CPT-A/C LO PRESS SW	PED WP	2	561566	561690	C 199	ENGINE CPT RR DOOR LICENCE LT	PED WP	2	562348	562471
C 133	ENGINE CPT-A/C HI PRESS SW	PED WP	2	561566	561690	C 200	RH HAT RACK-FLUORESCENT	AMP MNL	2	561248	561247
C 134	FR JCT BOX-LUGGAGE DIODE CON.	AMP MNL	15	561987	561986	C 201	RH HAT RACK-FLUORESCENT	AMP MNL	2	561248	561247
C 135	FR JCT BOX-LUGGAGE DIODE CON.	AMP MNL	15	561987	561986	C 202	RH HAT RACK-INDIRECT LIGHTING	MOLEX	2	-----	562758
C 136	RR JCT BOX - A/C PANEL DIODE CONN.	AMP MNL	15	561987	561986	C 203	RH HAT RACK-INDIRECT LIGHTING	MOLEX	6	-----	562759
C 137	RR JCT BOX-TRANSMITTER	AMP MNL	2	560900	560898	C 204	RH HAT RACK-GENERAL LT	AMP MNL	2	560900	560898
C 138	RR JCT BOX-CONTROL MODULE	AMP HDP	15	-----	562012	C 205	FR SECT.-RH HAT RACK SPEAKER	AMP MNL	9	561661	561662
C 139	RR JCT BOX-LOGIC MODULE	AMP HDP	15	562011	-----	C 206	RH HAT RACK-READING LT	AMP FF	4	-----	562756
C 140	HVAC DASH MODULE THERMOMETER	MOLEX	4		562782	C 207	LH HAT RACK-READING LT	AMP FF	4	-----	562756
C 141	INSTRUMENT PANEL LH UNLOAD TAG	AMP	2	561248	561247	C 208	LH HAT RACK-BALLAST	MOLEX	2	-----	562758
C 142	LAVATORY DOOR WALL	AMP MNL	2	561248	561247	C 209	LH HAT RACK HOTESS CHIME	AMP MNL	3	561667	561550
C 143						C 210	FR SECT.-LH HAT RACK SPEAKER	AMP MNL	9	561661	561662
C 144	UNDER LH SEAT-AISLE LTS	AMP MNL	4	560851	560852	C 211	FR ROOF-STORE LH	AMP MNL	2	560900	560898
C 145	RR JCT BOX CPT-RR SIDE LTS	AMP MNL	9	561670	561669	C 212	FR ROOF-STORE RH	AMP MNL	2	560900	560898
C 146	ENGINE CPT-MODULATOR VALVE	AMPHENOL	2	-----	560412	C 213					
C 147	BATT & RR J.B.CPT-DOCK.LTS	PED WP	2	561566	561690	C 214	ENGINE CPT J1922				
C 148						C 215	TAG AXLE - A.T.C. SYSTEM				
C 149	CONDENSER CPT-FAN MOTOR	ORDNANCE	3	562555	562001	C 216	TAG AXLE - A.T.C. SYSTEM				
C 150						C 217	RH DASH PANEL-FRONT CAMERA SW	EATON	8	-----	562763
C 151	EVAPORATOR CPT-THERMOSTAT	ITT SS	2	561813	562159	C 218	RH DASH PANEL-FRONT CAMERA SW	AMP MNL	2	560900	560898
C 152	CONDENSER CPT-FUEL GAUGE	PED WP	4	561610	561611	C 219					
C 153	EVAPORATOR CPT-AIR AMB. SENS	AMP MNL	2	561248	561247	C 220	RR.JCT.BOX-FUEL PRIME PUMP	TC	1	561070	561073
C 154	EVAPORATOR CPT-FRESH AIR SENS	ITT SS	2	561813	561812	C 221	BATTERY CMPT. FIRE DETECTOR	DEUTSCH	2	562486	562485
C 155	EVAPORATOR CPT-WATER VALVE	PED WP	4	561610	561611	C 222	ENGINE CMPT. FIRE DETCTOR	DEUTSCH	2	562486	562485
C 156	EVAPOR. CPT-BYPASS WATER VAL.	PED WP	2	561566	561690	C 223	ENGINE CMPT. FIRE DETCTOR	DEUTSCH	2	562486	562485
C 157	EVAPORATOR CPT-WATER PUMP	PED WP	2	561566	561690	C 224	ENGINE CMPT. -VORAD J1939	DEUTSCH	3	562877	562884
C 158	CONDENSER CPT-A/C LO TEMP.	PED WP	2	561566	561690	C 225	ENGINE CMPT. -VORAD J1939	DEUTSCH	3	562877	562884
C 159	CONDENSER CPT-A/C HI TEMP.	PED WP	2	561566	561690	C 226	FR LH UPPER WHEEL CPT-VORAD J1939	DEUTSCH	3	562677	562884
C 160	FR AXLE-ABS RH SENSOR	WABCO	2	641132	-----	C 227					
C 161	FR AXLE-ABS RH VALVE	WABCO	3	-----	641098	C 228					
C 162	FR AXLE-ABS LH VALVE	WABCO	3	-----	641098	C 229					
C 163	FR AXLE-ABS LH SENSOR	WABCO	2	641132	-----	C 230	ENG.CPT.-FUEL PRIME PUMP FEED	DEUTSCH	2	562486	562485
C 164	RR AXLE-ABS LH SENSOR	WABCO	2	641132	-----	C 231	ENG.CPT.-FUEL PRIME PUMP SW.	PED WP	2	561566	561690
C 165	RR AXLE-ABS LH VALVE	WABCO	3	-----	641098	C 232	ENG.CPT.-FUEL PRIME PUMP	PED WP	2	561566	561690
C 166	RR AXLE-ABS RH VALVE	WABCO	3	-----	641098	C 233	FR. SERVICE COMPT.	VDO	8		562043
C 167	RR AXLE-ABS RH SENSOR	DEUTSCH	2	641132	-----	C 234	FR. SERVICE COMPT.	VDO	8		562044
C 168	RR AXLE-ABS OPT ATC	PED WP	2	561566	561690	C 235	FR. SERVICE COMPT.	VDO	8		562041
C 169	RR JCT BOX-SPEED SW	AMP HDP	15	-----	562012	C 236	LUGGAGE COMPARTEMENT	AMP MNL	4	560851	560852
C 170	FR JCT BOX-FLASHER UNIT	TC	2	-----	561940	C 237	UNDER DASH LH-JACOB CLUTCH SW	ITT SS	3	561111	561080
C 171	LH CONSOLE	AMP CPC	24	561642	561643	C 238	RR JCT BOX-DIODE CONNECTOR	AMP MNL	9	561670	561669
C 172						C 239	FR SERVICE CPT-HI BUOY VALVE	PED WP	2	561566	561690
C 173						C 240	FR SERVICE CPT-KNEEL PROX SW	PED WP	3	561781	562428
C 174	UNDER DASH RH-HTR MODULE	AMP MNL	9	561670	561669	C 241	HEADLAMPS HI BEAM	HELLA	2		562623
C 175	UNDER DASH RH-HTR MODULE	AMP MNL	9	561670	561669	C 242	HEADLAMPS LO BEAM	HELLA	2		562623
C 176	UNDER DASH RH-WIPER PULSE	AMP FF	6	-----	561186	C 243	FR SERVICE CPT. HEADLAMPS	DEUTCH	3	565131	562789
C 177	UNDER DASH RH-WIPER MOTOR	AMP FF	6	-----	561186	C 244	FR SERVICE CPT-LH FOG LAMP	DEUTCH	2	562902	562901
C 178	UNDER DASH RH-LH FAN	TC	2	561030	560997	C 245	FR SERVICE CPT-RH FOG LAMP	DEUTCH	2	562902	562901
C 179	UNDER DASH RH-RH FAN	TC	2	561030	560997	C 246	FR SERVICE CPT. MIRROR	CONXALL	5	563091	563090
C 180	RR JCT BOX-DIODE CONNECTOR	AMP MNL	15	561987	561986	C 247	HEADLAMPS MARK & DIR LTS	AMP SUPER S	3		562601
C 181	RR JCT BOX-DIODE CONNECTOR	AMP MNL	15	561987	561986	C 248	FR JCT BOX-WIPER PULSE GEN	AMP FF	6	-----	561108
C 182						C 249					
C 183	FR SERVICE CPT-KNEELING PAN.	PED WP	4	561610	561611	C 250	LH CONSOL PANEL- LOW BOY	PED	2	561566	561690
C 184	FR SERVICE CPT-KNEELING SW	ITT SS	3	561111	561080	C 251	LH DASH PANEL-FAST IDLE SW	EATON	8	-----	562763
C 185						C 252					
C 186	RR JCT BOX CPT.-SPEED SIGN.TR	PED WP	2	561566	561690	C 253	LH DASH PANEL-ETHER SW	EATON	8	-----	562763
C 186M	RR JCT BOX CPT.-SPD SIGN. M.TR	PED WP	2	561566	561690	C 254	INST. PANEL RH-ENTR.DOOR SW.	TORRIX	5	-----	562110
C 186W	RR JCT BOX CPT.-SPD SIGN. WT	PED WP	2	561566	561690	C 255	LH DASH PANEL-JACOB & RETARDER SW	EATON	8	-----	562763

CONNECTORS CODE

NO	LOCATION	TYPE	CAVITY	#PIN HOUSING	#SOCKET HOUSING	NO	LOCATION	TYPE	CAVITY	#PIN HOUSING	#SOCKET HOUSING
C 256						C 322	LH CONSOLE DRV WIND LIFT MOT	PED PO	2	-----	561848
C 257						C 323	LH CONSOLE CRUISE CTR SW PAN. AMP	CPC	9	561636	561637
C 258	LH SW PANEL-MULTI FUNC. SW	AMP FF	8	561188	-----	C 324					
C 259	LH SW PANEL-MULTI FUNC. SW	AMP FF	6	-----	561108	C 325	LH DASH PANEL-KNEELING SW	EATON	8	-----	562763
C 260	FR SERVICE CPT-LUG DOOR LCK	PED WP	6	561606	561607	C 326	ENGINE CMPT.	PED	4	-----	561610
C 261	UNDER DASH RH-DOOR MODULE	AMP MNL	9	561670	561669	C 327	ENGINE CONTROL	DEUTSCH	6	562583	562581
C 262	UNDER DASH RH-DOOR MODULE	AMP MNL	4	561551	561668	C 328	GALLEY-LAMP	AMP MNL	2	561248	561247
C 263	UNDER DASH RH-DOOR MODULE	AMP MNL	3	561667	561550	C 329	ENGINE TACHO SIGNAL	PED WP	3	561781	561789
C 264	UNDER DASH RH-DOOR MODULE	AMP MNL	3	561667	561550	C 330					
C 265	UNDER DASH RH-DOOR MODULE	AMP HDP-20	15	562011	562012	C 331	GALLEY MICROWAVE SW	EATON	8	-----	562763
C 266						C 332					
C 267	UNDER DASH RH	AMP CPC	24	561642	561643	C 333	GALLEY RH CONTAINER SW	EATON	8	-----	562763
C 268	UNDER DASH LH-MIRROR	AMP MNL	6	561552	561515	C 334	GALLEY LH CONTAINER SW	EATON	8	-----	562763
C 269	UNDER DASH RH-MIRROR	AMP MNL	6	561552	561515	C 335					
C 270	LH MIRROR POST	MOLEX	6	562070	562069	C 336					
C 271	RH MIRROR POST	MOLEX	6	562070	562069	C 337	INSTR PANEL LH-UP WIPER SW	EATON	8	-----	562763
C 272	LH MIRROR	SPARTAN	6	-----	990158	C 338	INSTR PANEL LH-UP DEFROST SW	EATON	8	-----	562763
C 273	RH MIRROR	SPARTAN	6	-----	990158	C 339	INSTR PANEL LH-UP WASHER SW	EATON	8	-----	562763
C 274	RR. JCT. BOX - SIGNAL ALT. MODULE					C 340	FR JCT. BOX FIRE PIEZO ALARM	AMP MNL	2	560900	560898
C 275	UNDER DASH RH-DOOR MODULE	AMP MNL	9	561670	561669	C 341	INSTR PANEL LH-HEAT MIRROR SW	EATON	8	-----	562763
C 276	UNDER DASH RH-LOCK SOL.VALVE	AMP MNL	2	561248	561247	C 342	ENGINE RR START SW	DEUTSCH	2	562586	562585
C 277						C 343	INSTR PANEL LH-HEADLAMP SW	EATON	8	-----	562763
C 278						C 344	INSTR PANEL LH-HAZARD LT SW	EATON	8	-----	562763
C 279 *	FR SERVICE CPT. - STEERING ZF	DEUTCH	2		562486	C 345	INSTR PANEL LH-FOG LT SW	EATON	8	-----	562763
C 279	UNDER DASH CYLINDER READ SW.	AMP MNL	2	561248	561247	C 346					
C 280	LH CONSOLE-UNLOAD TAG SW.	NGR	10	-----	562763	C 347	INSTR PANEL LH-DASH LT SW	AMP MNL	2	560900	560898
C 281						C 348	INSTR PANEL CENT-RACOR MODULE	MOLEX	6	562070	562067
C 282						C 349					
C 283						C 350	RH CONSOLE-THERMOMETER	AMP MNL	3	561667	561550
C 284						C 351	LH HAT RACK-FLUOR 110V	MOLEX	4	561477	561476
C 285						C 352	RH CONSOLE-DRV TEMP SENSOR	BURNDY	4	-----	561104
C 286	RH SW PANEL-A/C & HEAT	EATON	8	-----	562763	C 353	INSTR PANEL RH-DRV FAN RHEOST	AMP MNL	6	561552	561515
C 287	ENGINE COMPT-LTS SW	PED WP	2	561566	561690	C 354	INSTR PANEL RH-DRV TEMP CTR	AMP MNL	6	561552	561515
C 288	RH SW PANEL-FRESH AIR	EATON	8	-----	562763	C 355	INSTR PANEL RH-FR TEMP CTR	AMP MNL	3	561667	561550
C 289						C 356					
C 290						C 357	INSTR PANEL RH-WATER TEMP GA	AMP MNL	3	561667	561550
C 291						C 358	INSTR PANEL RH-FUEL LEVEL GA	AMP MNL	3	561667	561550
C 292						C 359					
C 293						C 360					
C 294						C 361	FR ROOF-WIPER MOTOR	AMP FF	6	-----	561186
C 295						C 362	FR ROOF-LAVATORY OCCUPIED LT	AMP MNL	2	561248	561247
C 296						C 363	FR ROOF-WATCH YOUR STEP LT	AMP MNL	2	561248	561247
C 297	INSTRUMENT PANEL RH -LTS	AMP MNL	2	560900	560898	C 364	FR ROOF-DESTINATION SIGN	AMP MNL	3	561667	561550
C 298						C 365	FR ROOF-UP WINDSHIELD DEFROST	AMP MNL	3	561667	561550
C 299	RH DASH PANEL SW-GALLEY	EATON	8	-----	562763	C 366	RH DASH PANEL-GRN & RED LEDS	AMP MNL	3	560908	562006
C 300						C 367	ENGINE COMPT-DIF OIL T SENSOR	PED WP	2	561566	561690
C 301						C 368	FR ROOF-DEST. SIGN BALLAST	AMP MNL	3	561667	561550
C 302						C 369	FR ROOF-DEST. SIGN OPER. SW	TORRIX	5	-----	562110
C 303						C 370	FR ROOF-DEST. SIGN FLUOR.	AMP MNL	2	560900	560898
C 304						C 371	FR ROOF-DEST. SIGN FLUOR.	AMP MNL	2	560900	560898
C 305						C 372	FR ROOF-DEST. SIGN SPEED SW	MOLEX	4	561477	561476
C 306						C 373	FR ROOF-NO SMOKING LT	AMP MNL	2	561248	561247
C 307						C 374	LH SWITCH PANEL	AMP MNL	6	561552	561515
C 308	LH CONSOLE SW-RHEOSTAT	TC	2	561030	560997	C 375					
C 309	DDEC ENGINE-ECM POWER CON.	PED MP	5	-----	562345	C 376					
C 310	LH DASH PANEL -LUG. DOOR LCK SW	EATON	8	-----	562763	C 377	LH DASH PANEL-STOP ENG.OVERRIDE SW	EATON	8	-----	562763
C 311	RH DASH PANEL -HOS & PAS CHIME SW	EATON	8	-----	562763	C 378					
C 312	RH DASH PANEL -READING LTS SW	EATON	8	-----	562763	C 379					
C 313	RH DASH PANEL -GEN & FLUOR LTS SW	EATON	8	-----	562763	C 380	LH CONSOLE-DDR CONNECTOR	DEUTSCH	6	562360	-----
C 314	LH DASH PANEL-FR DEST. SIGN SW	EATON	8	-----	562763	C 381					
C 315	LH DASH PANEL-LH STORE SW	EATON	8	-----	562763	C 382					
C 316	LH CONSOLE SPARE SWITCH	EATON	8	-----	562763	C 383					
C 317	LH DASH PANEL-RH STORE SW	EATON	8	-----	562763	C 384					
C 318	LH CONSOLE SW-DRV WINDOW LIFT	EATON	8	-----	562763	C 385					
C 319						C 386	LH DASH PANEL-WCL POWER SYSTEM SW	EATON	8	-----	562763
C 320	RH DASH PANEL-DRIVER'S LTS SW	EATON	8	-----	562763	C 387	RR JCT BOX (WCL)	AMP MNL	9	561661	561662
C 321	READING LTS TEST					C 388	RR JCT BOX (WCL)	AMP MNL	12	561735	561734

CONNECTORS CODE

NO	LOCATION	TYPE	CAVITY	#PIN #SOCKET		NO	LOCATION	TYPE	CAVITY	#PIN #SOCKET	
				HOUSING	HOUSING					HOUSING	HOUSING
C 389	WCL REAR DOOR	MOLEX	4	561477	561476	C 456	WORLD TRANSM.-RETARDER ACCUM.	PED MP	2	-----	562427
C 390	LAVATORY WALL-WCL REMOTE CTR	EATON	8	-----	562763	C 457	WORLD TRANSM.-MAIN CONNECTOR	DEUTSCH	31	562572	562536
C 391	LAVATORY WALL-WCL LAMP	EATON	8	-----	562763	C 458	WORLD TRANSM.-TURBINE SP.SENS	PED MP	2	-----	562426
C 392	LAVATORY WALL-WCL SW. LT.	EATON	2	-----	561835	C 459	WORLD TRANSM.-ENGINE SP.SENS.	PED MP	2	-----	562426
C 393	LAVATORY WALL-WCL REMOTE SYS.	AMP CPC	4	561686	561687	C 460	WORLD TRANSM.-SPEED SENSOR	ITT	2	-----	562541
C 394	UNDER INSTR. PANEL- B/U MONITOR	AMP MNL	4	560851	560852	C 461	WORLD TRANSM.-RETARDER TEMP.	PED MP	2	561566	561680
C 395	DRIVER'S COMPT. - B/U MONITOR	AMP	5	-----	-----	C 462	WORLD TRANSM.-RETARD SOL."K"	PED MP	2	-----	562426
C 396	FR SECT. LH HAT RACK-SPEAKER	MOLEX	4	562507	562503	C 463	WORLD TRANSM.-SENSOR CONN.	DEUTSCH	16	562570	562571
C 397	ENGINE COMPT. CRADLE ACC.	DEUTSCH	40	562281	562284	C 464	RR JCT BOX-DDR CONNECTOR	DEUTSCH	6	-----	562360
C 398						C 465	LH CONSOLE-SHIFTER SELECTOR	PED	20	-----	562825
C 399	ENGINE COMPT. - PRE-EXITATION ALT.	PED WP	2	561566	561690	C 466	FR SERVICE CPT.-RESIS. MOD.	PED WP	3	-----	562428
C 400	ENGINE COMPT. BLOCK HEATER	PED MP	3	561781	561782	C 467	FR SERVICE CPT.-RESIS. MOD.	PED WP	3	-----	562428
C 401						C 468			8		
C 402						C 469					
C 403	GALLEY FRIGO NORCOLD	AMP MNL	2	561248	561247	C 470	FR LH UPPER WHELL CPT-SILENT 1000	AMP MNL	2	561248	561247
C 404	GALLEY LAMP	AMP MNL	2	561248	561247	C 471	FR LH UPPER WHELL CPT-SILENT 1000	AMP MNL	2	561248	561247
C 405	LAST LUGGAGE COMP. - INVERTER SIGNAL	AMP MNL	2	561248	561247	C 472	FR LH UPPER WHELL CPT-SILENT 1000	PED WP	2	561566	561690
C 406	FR JCT BOX COMPT.-ABS	AMP MNL	2	560900	560898	C 473	FR LH UPPER WHELL CPT-SILENT 1000	AMP MNL	3	561667	561550
C 407	ENGINE COMPT. -SIGNAL	PED WP	6	561606	561607	C 474	DRIVER CPT.-TEMP. SENSOR	AMP MNL	2	561247	561248
C 408	ENGINE COMPT. -SIGNAL	PED WP	6	561606	561607	C 475	RR JCT BOX-SPEED SIGN CONNECTOR	AMP MNL	2	561248	561247
C 409	ENGINE CPT -LOW COOL. LEVEL	PED MP	2	-----	562350	C 475M	RR JCT BOX-SPEED SIGN MANUAL TR.	MOLEX	6	562070	562069
C 410	FR JCT BOX-DIODE CONNECTOR	AMP MNL	15	561987	561986	C 475W	RR JCT BOX-SPEED SIGN WORLD TR.	MOLEX	6	562070	562069
C 411	FR JCT BOX-DIODE CONNECTOR	AMP MNL	15	561987	561986	C 476					
C 412	LH DASH PANEL-MASTER SWITCH SW	EATON	8	-----	562763	C 477					
C 413	ENG CPT-A/C HI UNLOAD PRS SW	PED WP	2	561566	561690	C 478	ELECTRONIC DESTINATION SIGN	AMP CPC	9	561636	561637
C 414	RR JCT BOX	AMP MNL	9	561670	561669	C 479	HVAC MODULE				
C 415	ENGINE CRADLE-FAN SIGNAL	PED WP	3	561781	561782	C 480	UNDER DASH LH-DR. FAN SPEED CTR. MOD	PED	4	561889	561890
C 416	ENGINE CRADLE-FAN SIGNAL	PED P-C	3	562398	-----	C 481	UNDER DASH LH-DR. FAN SPEED CTR. MOD	PED	3	561781	561782
C 417	FRONT JCT BOX-DIODES	AMP MNL	15	561987	561986	C 482					
C 418	LH DASH PANEL-HTR WINDSH.SW	EATON	8	-----	562763	C 483	FR SERVICE CPT. (NOT USED)	PED PC	2	-----	562237
C 419	FR JCT BOX-RETARDER OR JACOB	AMP MNL	3	561667	561550	C 484	UNDER DASH LH.-FOOT DAMPER MOTOR	PED PC	2	-----	562076
C 420						C 485	UNDER DASH LH.-DASH & DEFR. DAM.MOT.	AMP MNL	3	561667	561550
C 421						C 486					
C 422						C 487	S.S.PANEL - AUDIO IN AMPLI	MOLEX	4	-----	563071
C 423						C 488	S.S.PANEL - AMPLI SIGNAL	MOLEX	8	-----	562465
C 424	UNDER INSTRUMENT PANEL CENTER	AMP MNL	3	561667	561550	C 489	S.S.PANEL - SPEAKER OUTLET	MOLEX	6	-----	562464
C 425	FR JCT BOX-DIODES	AMP MNL	15	561987	561986	C 490					
C 426	ENGINE COMPT. CLUTCH CTR FAN	PED WP	3	561781	561782	C 491					
C 427	PRO-HEAT	PED-WP	2	561566	561680	C 492					
C 428	PRO-HEAT	PED WP	6	561606	561607	C 493					
C 429	FR JCT BOX COMPT.	AMP MNL	6	561552	561515	C 494					
C 430	LH CONSOLE-TIMER	AMP FF	8	561188	562363	C 495					
C 431	LH CONSOLE-PRE HEAT.	TAB AMP	1	561540	561539	C 496					
C 432	ENGINE CPT.-PROX. SW. DOOR AJAR	PED-WP	2	561566	561680	C 497					
C 433	FR SERVICE CPT. KNEEL. PRESS. SW	PED WP	2	561566	561690	C 498					
C 434	FRONT JCT. BOX-DIODES	AMP MNL	15	561987	561986	C 499					
C 435	FR SERVICE CPT.(RH) KNEEL. PIEZO	AMP MNL	2	560900	560898	C 500	FR LH UPPER WHELL CPT -PRODRIVER	MOLEX	6	562070	562069
C 436	RH HAT RACK-WCL CENTER ROOF ACC	AMP CPC	16	561639	561640	C 501	FR LH UPPER WHELL CPT -PRODRIVER	PED MP	7	562433	-----
C 437	RH HAT RACK-WCL FR & RR SECT.	AMP CPC	24	561642	561643	C 502	LH DASH PANEL-PRE HEATER SW.	EATON	8	-----	562763
C 438	EVAP CMPT- A/C CONTROL	AMP MNL	2	561248	561247	C 503	LH CONSOLE-PRE HEATER SW.	EATON	2	-----	561837
C 439	EVAP CMPT- A/C CONTROL	AMP MNL	2	561248	561247	C 504	LH CONSOLE WEBASTO TIMER	AMP	8	-----	562852
C 440	EVAP CMPT- A/C CONTROL	DEUTSCH	4	562479	562477	C 505	LH CONSOLE ESPAR TIMER	AMP	9	-----	562681
C 441	FR JCT BOX- DIODES	AMP MNL	15	561987	561986	C 506	FR JCT BOX CPT. DIGITAL CLOCK	AMP	4	561685	561687
C 442						C 507	FR SECT. LH HAT-RACK DIG. CLOCK	MOLEX	4	561477	561476
C 443						C 508	RR JCT BOX-FAN CLUTCH RETARDER	AMP MNL	6	561552	561515
C 444						C 509	FR LH UPPER WHELL CPT -DATA LOGGER	PED MP	16	-----	562530
C 445						C 510	FR LH UPPER WHELL CPT -DATA LOGGER	DEUTSCH	9	562531	-----
C 446						C 511	FR LH UPPER WHELL CPT -DATA LOGGER	PED MP	4	562532	-----
C 447						C 512	FR LH UPPER WHELL CPT -DATA LOGGER	PED MP	10	562533	-----
C 448						C 513	FR LH UPPER WHELL CPT -DATA LOGGER	AMP MNL	3	561667	561550
C 449						C 514	FR LH UPPER WHELL CPT -DATA LOGGER	PED MP	6	562433	562417
C 450	SOUND SYS. JCT. PANEL	MOLEX	4	562507	562503	C 515	FR JCT BOX CPT.-INTERCOM	MOLEX	4	561477	561476
C 451	WIRELESS MICRO-FIRST CPT BAG	MOLEX	2	562550	562549	C 516	FR JCT BOX CPT.-INTERCOM	MOLEX	6	562070	562069
C 452	UNDER DASH INSTR. PANEL	MOLEX	2	562550	562549	C 517	LAVATORY WALL-INTERCOM	MOLEX	6	562070	562069
C 453	SOUND SYS. JCT.PANEL-VCP	PED WP	2	561566	561680	C 519	UNDER DASH RH-SEDAN DOOR	HUMPHREY	2	-----	562580
C 454	SOUND SYS.JCT.PAN.-FILT. VCP	PED WP	2	561566	561680	C 520	UNDER DASH RH-SEDAN DOOR	HUMPHREY	2	-----	641385
C 455	WIRELESS MICRO-LH HAT-RACK	MOLEX	6	-----	562464	C 521	UNDER DASH RH-SEDAN DOOR	HUMPHREY	2	-----	641385

CONNECTORS CODE

NO	LOCATION	TYPE	CAVITY	#PIN	#SOCKET	NO	LOCATION	TYPE	CAVITY	#PIN	#SOCKET
				HOUSING	HOUSING					HOUSING	HOUSING
C 522						C 589	UNDER DASH - L.H. MIRROR	AMP MNL	9	561670	561669
C 523	FR JCT BOX-FUSE BLOCK	PED	8	562647	562646	C 590	UNDER DASH - R.H. MIRROR	AMP MNL	9	561670	561669
C 524	FR JCT BOX-FUSE BLOCK	PED	8	562647	562646	C 591	L.H.CONSOLE - MIRROR L.H.	EURAMTEC	8	-----	562799
C 525	FR JCT BOX-FUSE BLOCK	PED	8	562647	562646	C 592	L.H.CONSOLE - MIRROR R.H.	EURAMTEC	8	-----	562799
C 526	FR JCT BOX-FUSE BLOCK	PED	8	562647	562646	C 593	BATTERY CMPT. - CHARGER	PED WP	3	561781	561782
C 527	FR JCT BOX-FUSE BLOCK	PED	8	562647	562646	C 594	FRONT ROOF - DRIVERS LIGHT	LEEKRAFT		-----	562803
C 528	FR JCT BOX-FUSE BLOCK	PED	8	562647	562646	C 595	DASH CENTER MODULE - OPEN DOOR	MOLEX	4	561477	561476
C 529	FR JCT BOX-12V OUTLET	AMP MNL	2	561247	561248	C 596	DASH CENTER MODULE - CLOSE DOOR	MOLEX	4	561477	561476
C 530	RR JCT BOX-FUSE BLOCK	PED	8	562647	562646	C 597	L.H. DASH PANEL - DISPLAY SET SW.	MOLEX	5		562812
C 531	RR JCT BOX-FUSE BLOCK	PED	8	562647	562646	C 598	L.H. DASH PANEL - DISPLAY SET SW.	MOLEX	5		562812
C 532	RR JCT BOX-FUSE BLOCK	PED	8	562647	562646	C 599					
C 533	RR JCT BOX-FUSE BLOCK	PED	8	562647	562646	C 600	ENGINE CPT.-A/C LOW PRESS SW. UNLOAD	PED	2	562348	562471
C 534	RR JCT BOX-FUSE BLOCK	PED	8	562647	562646	C 601	L.H. ROOF - WINDOW AJAR	AMP MNL	2	561248	561247
C 535	RR JCT BOX-FIRE MODULE DETECT.	AMP MNL	3	561667	561550	C 602	L.H. ROOF - WINDOW AJAR	MOLEX	4	561477	561476
C 536	UNDER DASH RH-DRIVER'S HTR TEMP. CTR	AMP MNL	6	561552	561515	C 603	R.H. ROOF - WINDOW AJAR	AMP MNL	2	561248	561247
C 537	BATT. CPT.-A/C PRESS. SIGN. RLY	AMP MNL	2	561248	561247	C 604	LH PARCEL RACK DVD VIDEO STABILIZER	SWITCHCRAFT	1	563074	
C 538	FR SERVICE CPT.-OUTSIDE TEMP. SENSOR	AMP MNL	2	561248	561247	C 605	HAT RACK - MOTOR FAN	PED	2	560997	561030
C 539	HVAC DASH MODULE OUTPUT CON	MOLEX	24		562780	C 606	HAT RACK - MOTOR FAN	PED	2	560997	561030
C 540	HVAC DASH MODULE INPUT CON	MOLEX	22		562781	C 607	FRONT SERVICE CMPT. RPM SIGNAL	PED WP	2	561566	561690
C 541	SOUND SYS. JCT PANEL-AUDIO SEAT SYS.	PED WP	2	561566	561690	C 608	FRONT SERVICE CMPT. SPEED SIGNAL	PED WP	2	561566	561690
C 542	LH HAT RACK-AUDIO SEAT SYSTEM	AMP MNL	3	561667	561550	C 609	LAVATORY - NIGHT LIGHT				
C 543						C 610	RR JCT BOX	AMP MNL	6	561552	561515
C 544	SOUND SYS JCT PANEL-AUDIO SEAT SYS.	PED WP	3	561781	562428	C 611	HAT RACK READING LTS RICON	MOLEX	6	562558	562557
C 545	LH HAT RACK-AUDIO SEAT SYSTEM	AMP MNL	3	561667	561550	C 612	HAT -RACK FLUOR. INSTATION LTS RICON	MOLEX	4	562507	562503
C 546	WIRELESS MIC. CHARGING SYSTEM	MOLEX	2	-----	563025	C 613	HAT -RACK INDIRECT LTS RICON	AMP MNL	3	561667	561550
C 547	RH DASH PANEL-ACCESSORIES	AMP CPC	37	561645	561646	C 614	HAT -RACK INDIRECT LTS RICON	AMP MNL	3	561667	561550
C 548	LH DASH PANEL-T.T. LT. TEST SW.	EATON	8	-----	562763	C 615	LH PARCEL RACK DVD SING ALONG ADAPT.	MOLEX	2	562550	562549
C 549	LH DASH PANEL-FAN CLUTCH OVERR. SW	EATON	8	-----	562763	C 616					
C 550	LAST LUGG. CPT. -WCL RICON	AMP CPC	16	561694	561695	C X	CLUSTER	JAE	22		562766
C 551	LAST LUGG. CPT. -WCL RICON	AMP CPC	16	561694	561695	C Y	CLUSTER	JAE	30		562767
C 552	LAST LUGG. CPT. -WCL RICON	AMP CPC	9	561636	561637	L X	CLUSTER	JAE	22		562764
C 553	UNDER DASH R.H. - CONTROL. HEAD	MOLEX	16	-----	562559	L					
C 554	UNDER DASH R.H. - CONTROL. HEAD	MOLEX	16	-----	562559	R					
C 555	UNDER DASH R.H. - CONTROL. HEAD	MOLEX	16	-----	562559						
C 556	UNDER DASH R.H. - RADIO ACC.	MOLEX	2	562550	562549						
C 557	UNDER DASH R.H. - RADIO ACC.	MOLEX	9	562556	562555						
C 558	UNDER DASH R.H. - RADIO ACC.	MOLEX	4	562507	562503						
C 559	SOUND SYS. JCT. PANEL - FILTER AMPLI	PED WP	2	561566	561690						
C 560	SOUND SYS. JCT. PANEL - POWER AMPLI	MOLEX	4	562507	562503						
C 561	L.H. HAT RACK - WIRELESS MICRO	MOLEX	8		562465						
C 562	L.H. HAT RACK - VCP	MOLEX	12	562556	563070						
C 563	L.H. MODESTY PANEL - DRIVERS SPK.	MOLEX	4	562507	562503						
C 564	L.H. MODESTY PANEL - MICRO	MOLEX	4	562507	562503						
C 565	R.H. MODESTY PANEL - MICRO	MOLEX	4	562507	562503						
C 566	L.H. CONSOLE - BOOM MICRO	MOLEX	4	562507	562503						
C 567	L.H. CONSOLE - DRIVERS MICRO	MOLEX	4	562507	562503						
C 568	SOUND SYS. JCT. PANEL - PASS. SPK	CINCH	4	562553	562552						
C 569	SOUND SYS. JCT. PANEL - POWER AMPLI.	MOLEX	9	562556	562555						
C 570	UNDER DASH PANEL TTLT	MOLEX	6		562464						
C 571	UNDER DASH PANEL TTLT	MOLEX	20		562778						
C 572	UNDER DASH PANEL TTLT	MOLEX	18		562779						
C 573	UNDER DASH PANEL TTLT	MOLEX	8		562465						
C 574	HAT -RACK FLUOR. INDIRECT LIGHTING	MOLEX	6	-----	562759						
C 575	HAT -RACK FLUOR. INSTATION LIGHT	MOLEX	4	562507	562503						
C 576	HAT -RACK FLUOR. INDIRECT LIGHTING	AMP MNL	3	561667	561550						
C 577	HAT -RACK FLUOR. INDIRECT LIGHTING	AMP MNL	3	561667	561550						
C 578	HAT -RACK FLUOR. INSTATION LIGHT	MOLEX	4	562507	562503						
C 579	L.H HAT RACK - VCP POWER	MOLEX	4		563071						
C 580	RH DASH PANEL-HAT RACK FAN SW	EATON	8	-----	562763						
C 581											
C 582	FRONT SERVICE CMPT. - WINDOWS AJAR	PED WP	2	561566	561690						
C 583	L.H. DASH PANEL - MASTER KEY	DEUTSCH	2	562486	562485						
C 584	FRONT SERVICE CMPT. - AIR HORH	HUMPHREY	3	-----	641385						
C 585											
C 586											
C 587	LH PARCEL RACK DVD UNIT	MOLEX	4	563040	563071						
C 588	FRONT SERVICE CPT. CENTER SOUND SYS.	AMP. CPC	37	561645	561646						

CONNECTORS CODE

NO	LOCATION	TYPE	CAVITY	#PIN	#SOCKET	NO	LOCATION	TYPE	CAVITY	#PIN	#SOCKET
				HOUSING	HOUSING					HOUSING	HOUSING
AA1	BEHIND DASH - SONALERT	BOSCH	5		561183	C 55	RH SWITCH PANEL	AMP CPC	9	561636	561637
AA2	BEHIND DASH - SONALERT	BOSCH	5		561183	C 56	ENGINE COMPT- LAVATORY PUSH BUTTON	PED WP	2	561566	561690
C X1	FR SERVICE COMPT- ECU ABS	AMP	15		563200	C 56	HAT RACK - MOTOR FAN	MOLEX	6	562558	562557
C X2	FR SERVICE COMPT- ECU ABS	AMP	18		563201	C 57	HAT RACK - MOTOR FAN	MOLEX	6	562558	562557
C S	RR JCT BOX ECU WORLD TR.	PED	32		562817	C 58	RR JCT BOX AC PANEL	DEUTSCH	24	562280	562283
C T	RR JCT BOX ECU WORLD TR.	PED	32		562824	C 59	RR JCT BOX AC PANEL	AMP CPC	14	561584	561583
C V	RR JCT BOX ECU WORLD TR.	PED	32		562823	C 60	RR JCT BOX COMPT.-LT	AMP MNL	2	561248	561247
C I2	RR JCT BOX-WORLD TRANSM. & EATON	AMP CPC	9	561636	561637	C 61	LUGGAGE COMPARTMENT LTS	AMP MNL	2	561248	561247
C WX1	ENGINE CPT-WEBASTO PRE-HEAT WATER	AMP SEALED	7		563135	C 62	LUGGAGE COMPARTMENT LTS	AMP MNL	2	561248	561247
C WX3	ENGINE CPT-WEBASTO PRE-HEAT WATER	AMP SEALED	7	563136		C 63	LUGGAGE COMPARTMENT LTS	AMP MNL	2	561248	561247
C Y	CLUSTER	JAE	30	---	562765	C 64	LUGGAGE COMPARTMENT LTS	AMP MNL	2	561248	561247
C 1	FR JCT BOX COMPARTMENT	AMP CPC	14	561585	561584	C 65	LUGGAGE COMPARTMENT LTS	AMP MNL	2	561248	561247
C 2	FR JCT BOX COMPARTMENT	AMP CPC	16	561639	561640	C 66	LUGGAGE COMPARTMENT LTS	AMP MNL	2	561248	561247
C 3	FR JCT BOX COMPARTMENT	AMP CPC	24	561641	561643	C 67	LUGGAGE COMPARTMENT LTS	AMP MNL	2	561248	561247
C 4	FR JCT BOX COMPARTMENT	AMP CPC	37	561644	561646	C 68	LUGGAGE COMPARTMENT LTS	AMP MNL	2	561248	561247
C 5	FR SERVICE COMPT.-UNDERNEATH	AMP CPC	37	561644	561646	C 69	RR AXLE ACC-INSIDE PVC END	PED WP	6	561568	561578
C 6	FR SERVICE COMPT.-UNDERNEATH	AMP CPC	16	561639	561640	C 70	LH CONSOLE	AMP CPC	16	561642	561643
C 7						C 71	FR JCT BOX COMPARTMENT	AMP CPC	37	561645	561646
C 8	FR SERVICE COMPT.-UNDERNEATH	AMP CPC	24	561641	561643	C 72	FR JCT BOX COMPARTMENT	AMP CPC	24	561642	561643
C 9	FR SERVICE COMPT.-UNDERNEATH	AMP CPC	24	561641	561643	C 73	DASH CENTER PANEL	AMP CPC	16	561639	561640
C 10	LUGGAGE COMPT. WATER BOOSTER PUMP	PED	2	562348	562471	C 74	FR JCT BOX COMPARTMENT	AMP CPC	37	561645	561646
C 11	FR SERVICE COMPARTMENT	AMP CPC	37	561644	561646	C 75	SERV CPT. RXT. ENT. DOOR SW	DEUTSCH	4	562479	562477
C 12	FR SERVICE COMPARTMENT	AMP CPC	16	561639	561640	C 76	LUGGAGE COMPT.-AIR RET.SENS.	AMP MNL	2	561248	561247
C 13	LH CONSOLE-CTR MIRROR	AMP MNL	6	561552	561515	C 77	LUGGAGE COMPT.-AIR RET.SENS.	AMP MNL	2	561248	561247
C 14	UNDER DASH-LH MIRROR	AMP MNL	9	561661	561662	C 78					
C 15	RR JCT BOX	AMP CPC	24	561641	561643	C 79					
C 16	LH CONSOLE SW-CRUISE ON OFF	EATON	10	-----	562763	C 80	LUGGAGE COMPT.-AIR RET.SENS.	AMP MNL	2	561248	561247
C 17	LH CONSOLE SW-CRUISE RESUME	EATON	10	-----	562763	C 81	PASSENGER COMPT.-AISLE LTS	AMP MNL	2	560900	560898
C 18	LH CONSOLE SW-CRUISE SET	EATON	10	-----	562763	C 82	ENTRANCE DOOR	MOLEX	6	562070	562069
C 19	LH CONSOLE DECEL SW	EATON	10	-----	562763	C 83	ENTRANCE DOOR-PROIMITY SW	MOLEX	4	561477	561476
C 20	RR JCT BOX	AMP CPC	37	561644	561646	C 84	ENTRANCE DOOR-PRESSURE SW	PED WP	2	561566	561690
C 21	RR JCT BOX	AMP CPC	24	561641	561643	C 85	UNDER INSTRUMENT PANEL LH	AMP MTA-100	-----	562248	-----
C 22	RR JCT BOX - EATON TRANSM.	AMP MNL	6	561552	561515	C 86					
C 23	DDEC ENGINE-ECM J1939	PED MP	6	-----	561962	C 87	RR END ROOF	AMP CPC	9	561636	561637
C 24	DDEC ENGINE	PED WP	1	561605	561577	C 88					
C 25	RR JCT BOX - EATON TRANSM. J1939	DEUTCH	3	562877	562884	C 89	RR END ROOF-B/U NONITOR	AMP CPC	4	561582	561581
C 26	HYD & MAN TRANSM.-NEUT. & B/U	PED WP	4	561610	561611	C 90	RR JCT BOX	AMP CPC	15	561987	561986
C 27	HYD & MAN TRANSM.-SPEED SENS.	PED WP	2	561566	561690	C 91	RR JCT BOX	AMP CPC	37	561714	561713
C 28	EATON TRANSMISSION	DEUTCH	3	562877	562884	C 92	FR LH UPPER WHELL CPT-ABS	AMP CPC	9	561635	561637
C 29	EATON TRANSMISSION	PED MP	6	562878	-----	C 93	FR LH UPPER WHELL CPT-ABS		35	-----	641094
C 30	RR JCT BOX - ECU EATON TRANSM.	PED MP	32	-----	562866	C 94	RH CONSOLE ENTRANCE STEP LIGHT	DEUTCH	2	562486	562485
C 31	RR JCT BOX - ECU EATON TRANSM.	PED MP	24	-----	562865	C 95	CONDENSOR CPT - LIQ. SOL. VALVE	PED WP	2	561566	561690
C 32	DDEC ENGINE-ECM	PED	30	-----	561600	C 96	FR AXLE ACCESSORIES	AMP CPC	14	561585	561585
C 33	RR JCT BOX - EATON TRANSM.	DEUTCH	9	562531	-----	C 97	RR AXLE ACC-INSIDE PVC END	PED WP	6	561568	561578
C 34	RH. CONSOLE - EATON TRANSM. SHIFTER	PED MP	3	-----	562871	C 98	FR SERVICE COMPT-EL.FT.PEDAL	PED WP	3	561782	561781
C 35	RR JCT BOX	AMP CPC	24	561642	561643	C 99	FR SERVICE COMPT LTS	AMP MNL	2	561248	561247
C 36	RH. CONSOLE - EATON TRANSM. SHIFTER	PED MP	24	-----	562874	C 100	LH CONSOLE - 120 VOLTS SWITCH	EATON	8	-----	562763
C 37	RR SECTION-LH HAT RACK	MOLEX	6	562558	562557	C 101	FR SERVICE COMPT-ELEC. HORNS	PED WP	2	561566	561690
C 38	RR SECTION-RH HAT RACK	MOLEX	6	562558	562557	C 102	FR SERV & SIDE CPT-FLASH. LH	GROTE	2	-----	562155
C 39	LH CONSOLE - EATON TRANSM. DISPLAY	AMP MNL	4	561551	561668	C 103	FR SERV & SIDE CPT-MARKERS	GROTE	2	-----	562155
C 40	RR JCT BOX - EATON TRANSM. J1939	DEUTCH	3	562877	562884	C 104	FR SERV & SIDE CPT-FLASH. RH	GROTE	2	-----	562155
C 41	LAVATORY ROOF LIGHT	LEECRAFT	2	----	562803	C 105	FR SERVICE COMPT-LIQ.S.VALVE	PED WP	2	561566	561690
C 42	LAVATORY BACK WALL-WTR TANK	AMP MNL	2	560900	560898	C 106	FR SERVICE COMPT-WATER VALVE	PED WP	2	561566	561690
C 43	LAVATORY BACK WALL-ACCES.	AMP MNL	9	561661	561662	C 107	EVAPORATOR COMPT-DAMPER	PED WP	2	561566	561690
C 44	EATON TRANSM. J1939	DEUTCH	3	562877	562884	C 108	FR SERVICE COMPT-KNEEL.SYS	PED WP	2	561566	561690
C 45	FR JCT BOX COMPARTMENT	AMP CPC	24	561642	561643	C 109	FR SERVICE COMPT-KNEEL.SYS	PED WP	2	561566	561690
C 46	EATON TRANSM. J1939	DEUTCH	3	562877	562884	C 110	FR SERVICE COMPT-KNEEL.SYS	PED WP	2	561566	561690
C 47	FR SERVICE COMPARTMENT	AMP CPC	16	561694	561695	C 111	EVAPORATOR COMPT-DAMPER	DEUTSCH	2	562486	562485
C 48	FR. SERVICE CMPT.PRESS SW PARK BREAK	DEUTCH	4	562479	562477	C 112					
C 49	BATTERIE COMPT.-LT	AMP MNL	2	561248	561247	C 113	BATT. & RR J.B.CPT.MARKER LT	GROTE	2	-----	562155
C 50	FR SERVICE COMPT.-LOW BUOY	PED WP	1	561605	561577	C 114	RR J. BOX CPT DOOR DIR LT LH	GROTE	2	-----	562155
C 51						C 115	ENGINE COMPT-AIR DRYER	PED WP	2	561566	561690
C 52	RR JCT BOX	AMP CPC	22	561709	561710	C 116	ENGINE COMPT. LTS	PED WP	1	561605	561577
C 53	SPARE TIRE COMPT ENTRANCE STEP LIGHT	DEUTCH	2	562486	562485	C 117	FR SRV. COMPT. KNEELING SYS.	PED WP	2	561761	
C 54	SPARE TIRE COMPT ENTRANCE STEP LIGHT	DEUTCH	2	562486	562485	C 118	ENGINE COMPT-LAVATORY FAN	PED WP	2	561566	561690
						C 119	ENGINE CPT RR DOOR RH LO LAMP	PED WP	6	561606	561607
						C 120	ENGINE CPT RR DOOR LH LO LAMP	PED WP	6	561606	561607

CONNECTORS CODE

NO	LOCATION	TYPE	CAVITY	#PIN	#SOCKET	NO	LOCATION	TYPE	CAVITY	#PIN	#SOCKET
				HOUSING	HOUSING					HOUSING	HOUSING
C 121	BATTERIE CPT. DOOR DIR LT RH	GROTE	2	-----	562155	C 186W	RR JCT BOX CPT.-SPD SIGN. WT	PED WP	2	561566	561690
C 122	ENGINE CPT-UNLOAD TAG SYSTEM	PED WP	2	561566	561690	C 187	FR JCT BOX-RPM RESISTOR CON.	AMP MNL	6	561552	561515
C 123	TAG AXLE-UNLOAD TAG RH VALVE	PED WP	2	561566	561690	C 188					
C 124	ENGINE CPT-ETHER SW	PED WP	2	561566	561690	C 189	ENGINE CPT RR DOOR B/U LT	TRUCK-LITE	2	-----	562755
C 125	ENGINE CPT-B/U ALARM	PED WP	2	561566	561690	C 190	ENGINE CPT RR DOOR TAIL/ STOP LT	SUPER SEAL	3		562601
C 126	ENGINE CPT-FLUSHING PUMP	PED WP	2	561566	561690	C 191	ENGINE CPT RR DOOR RH TAIL/STOP LT	SUPER SEAL	3		562601
C 127	ENGINE CPT-FUEL FILTER	PED WP	2	561566	561690	C 192	ENGINE CPT RR DOOR DIR. LT	SUPER SEAL	3		562601
C 128	ENGINE CPT-A/C COMPR.CLUTCH	ITT SS	2	561813	561812	C 193					
C 129						C 194					
C 130	ENGINE CPT-UNLOADER	ITT SS	2	561813	561812	C 195					
C 131	ENGINE CPT-UNLOADER	ITT SS	2	561813	561812	C 198	ENGINE CPT RR DOOR LICENCE LT	PED WP	2	562348	562471
C 132	ENGINE CPT-A/C LO PRESS SW	PED WP	2	561566	561690	C 199	ENGINE CPT RR DOOR LICENCE LT	PED WP	2	562348	562471
C 133	ENGINE CPT-A/C HI PRESS SW	PED WP	2	561566	561690	C 200	RH HAT RACK-FLUORESCENT	AMP MNL	2	561248	561247
C 134	FR JCT BOX-LUGGAGE DIODE CON.	AMP MNL	15	561987	561986	C 201	RH HAT RACK-FLUORESCENT	AMP MNL	2	561248	561247
C 135	FR JCT BOX-LUGGAGE DIODE CON.	AMP MNL	15	561987	561986	C 202	RH HAT RACK-INDIRECT LIGHTING	MOLEX	2	-----	562758
C 136	RR JCT BOX - A/C PANEL DIODE CONN.	AMP MNL	15	561987	561986	C 203	RH HAT RACK-INDIRECT LIGHTING	MOLEX	6	-----	562759
C 137	RR JCT BOX-TRANSMITTER	AMP MNL	2	560900	560898	C 204	RH HAT RACK-GENERAL LT	AMP MNL	2	560900	560898
C 138	RR JCT BOX-CONTROL MODULE	AMP HDP	15	-----	562012	C 205	FR SECT.-RH HAT RACK SPEAKER	AMP MNL	9	561661	561662
C 139	RR JCT BOX-LOGIC MODULE	AMP HDP	15	562011	-----	C 206	RH HAT RACK-READING LT	AMP FF	4	-----	562756
C 140	HVAC DASH MODULE THERMOMETER	MOLEX	4		562782	C 207	LH HAT RACK-READING LT	AMP FF	4	-----	562756
C 141	INSTRUMENT PANEL LH UNLOAD TAG	AMP	2	561248	561247	C 208	LH HAT RACK-BALLAST	MOLEX	2	-----	562758
C 142	LAVATORY DOOR WALL	AMP MNL	2	561248	561247	C 209	LH HAT RACK-HOTESS CHIME	AMP MNL	3	561667	561550
C 143						C 210	FR SECT.-LH HAT RACK SPEAKER	AMP MNL	9	561661	561662
C 144	UNDER LH SEAT-AISLE LTS	AMP MNL	4	560851	560852	C 211	FR ROOF-STORE LH	AMP MNL	2	560900	560898
C 145	RR JCT BOX CPT-RR SIDE LTS	AMP MNL	9	561670	561669	C 212	FR ROOF-STORE RH	AMP MNL	2	560900	560898
C 146	ENGINE CPT-MODULATOR VALVE	AMPHENOL	2	-----	560412	C 213					
C 147	BATT & RR J.B.CPT-DOCK.LTS	PED WP	2	561566	561690	C 214	ENGINE CPT J1922				
C 148						C 215	TAG AXLE - A.T.C. SYSTEM				
C 149	CONDENSER CPT-FAN MOTOR	ORDNANCE	3	562555	562001	C 216	TAG AXLE - A.T.C. SYSTEM				
C 150						C 217	RH DASH PANEL-FRONT CAMERA SW	EATON	8	-----	562763
C 151	EVAPORATOR CPT-THERMOSTAT	ITT SS	2	561813	562159	C 218	RH DASH PANEL-FRONT CAMERA SW	AMP MNL	2	560900	560898
C 152	CONDENSER CPT-FUEL GAUGE	PED WP	4	561610	561611	C 219					
C 153	EVAPORATOR CPT-AIR AMB. SENS	AMP MNL	2	561248	561247	C 220	RR.JCT.BOX-FUEL PRIME PUMP	TC	1	561070	561073
C 154	EVAPORATOR CPT-FRESH AIR SENS	ITT SS	2	561813	561812	C 221	BATTERY CMPT. FIRE DETECTOR	DEUTSCH	2	562486	562485
C 155	EVAPORATOR CPT-WATER VALVE	PED WP	4	561610	561611	C 222	ENGINE CMPT. FIRE DETCTOR	DEUTSCH	2	562486	562485
C 156	EVAPOR. CPT-BYPASS WATER VAL.	PED WP	2	561566	561690	C 223	ENGINE CMPT. FIRE DETCTOR	DEUTSCH	2	562486	562485
C 157	EVAPORATOR CPT-WATER PUMP	PED WP	2	561566	561690	C 224	ENGINE CMPT. -VORAD J1939	DEUTSCH	3	562877	562884
C 158	CONDENSER CPT-A/C LO TEMP.	PED WP	2	561566	561690	C 225	ENGINE CMPT. -VORAD J1939	DEUTSCH	3	562877	562884
C 159	CONDENSER CPT-A/C HI TEMP.	PED WP	2	561566	561690	C 226	FR LH UPPER WHEEL CPT-VORAD J1939	DEUTSCH	3	562677	562884
C 160	FR AXLE-ABS RH SENSOR	WABCO	2	641132	-----	C 227					
C 161	FR AXLE-ABS RH VALVE	WABCO	3	-----	641098	C 228					
C 162	FR AXLE-ABS LH VALVE	WABCO	3	-----	641098	C 229					
C 163	FR AXLE-ABS LH SENSOR	WABCO	2	641132	-----	C 230	ENG.CPT.-FUEL PRIME PUMP FEED	DEUTSCH	2	562486	562485
C 164	RR AXLE-ABS LH SENSOR	WABCO	2	641132	-----	C 231	ENG.CPT.-FUEL PRIME PUMP SW.	PED WP	2	561566	561690
C 165	RR AXLE-ABS LH VALVE	WABCO	3	-----	641098	C 232	ENG.CPT.-FUEL PRIME PUMP	PED WP	2	561566	561690
C 166	RR AXLE-ABS RH VALVE	WABCO	3	-----	641098	C 233	FR. SERVICE CMPT.	VDO	8		562043
C 167	RR AXLE-ABS RH SENSOR	DEUTSCH	2	641132	-----	C 234	FR. SERVICE CMPT.	VDO	8		562044
C 168	RR AXLE-ABS OPT ATC	PED WP	2	561566	561690	C 235	FR. SERVICE CMPT.	VDO	8		562041
C 169	RR JCT BOX-SPEED SW	AMP HDP	15	-----	562012	C 236	LUGGAGE COMPARTEMENT	AMP MNL	4	560851	560852
C 170	FR JCT BOX-FLASHER UNIT	TC	2	-----	561940	C 237	UNDER DASH LH-JACOB CLUTCH SW	ITT SS	3	561111	561080
C 171	LH CONSOLE	AMP CPC	24	561642	561643	C 238	RR JCT BOX-DIODE CONNECTOR	AMP MNL	9	561670	561669
C 172						C 239	FR SERVICE CPT-HI BUOY VALVE	PED WP	2	561566	561690
C 173						C 240	FR SERVICE CPT-KNEEL PROX SW	PED WP	3	561781	562428
C 174	UNDER DASH RH-HTR MODULE	AMP MNL	9	561670	561669	C 241	HEADLAMPS HI BEAM	HELLA	2		562623
C 175	UNDER DASH RH-HTR MODULE	AMP MNL	9	561670	561669	C 242	HEADLAMPS LO BEAM	HELLA	2		562623
C 176	UNDER DASH RH-WIPER PULSE	AMP FF	6	-----	561186	C 243	FR SERVICE CPT. HEADLAMPS	DEUTCH	3	565131	562789
C 177	UNDER DASH RH-WIPER MOTOR	AMP FF	6	-----	561186	C 244	FR SERVICE CPT-LH FOG LAMP	DEUTCH	2	562902	562901
C 178	UNDER DASH RH-LH FAN	TC	2	561030	560997	C 245	FR SERVICE CPT-RH FOG LAMP	DEUTCH	2	562902	562901
C 179	UNDER DASH RH-RH FAN	TC	2	561030	560997	C 246	FR SERVICE CPT. MIRROR	CONXALL	5	563091	563090
C 180	RR JCT BOX-DIODE CONNECTOR	AMP MNL	15	561987	561986	C 247	HEADLAMPS MARK & DIR LTS	AMP SUPER S	3		562601
C 181	RR JCT BOX-DIODE CONNECTOR	AMP MNL	15	561987	561986	C 248	FR JCT BOX-WIPER PULSE GEN	AMP FF	6	-----	561108
C 182						C 249					
C 183	FR SERVICE CPT-KNEELING PAN.	PED WP	4	561610	561611	C 250	LH CONSOL PANEL- LOW BOY	PED	2	561566	561690
C 184	FR SERVICE CPT-KNEELING SW	ITT SS	3	561111	561080	C 251	LH DASH PANEL-FAST IDLE SW	EATON	8	-----	562763
C 185						C 252					
C 186	RR JCT BOX CPT.-SPEED SIGN.TR	PED WP	2	561566	561690	C 253	LH DASH PANEL-ETHER SW	EATON	8	-----	562763
C 186M	RR JCT BOX CPT.-SPD SIGN. M.TR	PED WP	2	561566	561690	C 254	INST. PANEL RH-ENTR.DOOR SW.	TORRIX	5	-----	562110

CONNECTORS CODE

NO	LOCATION	TYPE	CAVITY	#PIN	#SOCKET	NO	LOCATION	TYPE	CAVITY	#PIN	#SOCKET
				HOUSING	HOUSING					HOUSING	HOUSING
C 255	LH DASH PANEL-JACOB & RETARDER SW	EATON	8	-----	562763	C 321	READING LTS TEST				
C 256						C 322	LH CONSOLE DRV WIND LIFT MOT	PED PO	2	-----	561848
C 257						C 323	LH CONSOLE CRUISE CTR SW PAN. AMP	CPC	9	561636	561637
C 258	LH SW PANEL-MULTI FUNC. SW	AMP FF	8	561188	-----	C 324					
C 259	LH SW PANEL-MULTI FUNC. SW	AMP FF	6	-----	561108	C 325	LH DASH PANEL-KNEELING SW	EATON	8	-----	562763
C 260	FR SERVICE CPT-LUG DOOR LCK	PED WP	6	561606	561607	C 326	ENGINE CMPT.	PED	4	-----	561610
C 261	UNDER DASH RH-DOOR MODULE	AMP MNL	9	561670	561669	C 327	ENGINE CONTROL	DEUTSCH	6	562583	562581
C 262	UNDER DASH RH-DOOR MODULE	AMP MNL	4	561551	561668	C 328	GALLEY-LAMP	AMP MNL	2	561248	561247
C 263	UNDER DASH RH-DOOR MODULE	AMP MNL	3	561667	561550	C 329	ENGINE TACHO SIGNAL	PED WP	3	561781	561789
C 264	UNDER DASH RH-DOOR MODULE	AMP MNL	3	561667	561550	C 330					
C 265	UNDER DASH RH-DOOR MODULE	AMP HDP-20	15	562011	562012	C 331	GALLEY MICROWAVE SW	EATON	8	-----	562763
C 266						C 332					
C 267	UNDER DASH RH	AMP CPC	24	561642	561643	C 333	GALLEY RH CONTAINER SW	EATON	8	-----	562763
C 268	UNDER DASH LH-MIRROR	AMP MNL	6	561552	561515	C 334	GALLEY LH CONTAINER SW	EATON	8	-----	562763
C 269	UNDER DASH RH-MIRROR	AMP MNL	6	561552	561515	C 335					
C 270	LH MIRROR POST	MOLEX	6	562070	562069	C 336					
C 271	RH MIRROR POST	MOLEX	6	562070	562069	C 337	INSTR PANEL LH-UP WIPER SW	EATON	8	-----	562763
C 272	LH MIRROR	SPARTAN	6	-----	990158	C 338	INSTR PANEL LH-UP DEFROST SW	EATON	8	-----	562763
C 273	RH MIRROR	SPARTAN	6	-----	990158	C 339	INSTR PANEL LH-UP WASHER SW	EATON	8	-----	562763
C 274	RR. JCT. BOX - SIGNAL ALT. MODULE					C 340	FR JCT. BOX FIRE PIEZO ALARM	AMP MNL	2	560900	560898
C 275	UNDER DASH RH-DOOR MODULE	AMP MNL	9	561670	561669	C 341	INSTR PANEL LH-HEAT MIRROR SW	EATON	8	-----	562763
C 276	UNDER DASH RH-LOCK SOL. VALVE	AMP MNL	2	561248	561247	C 342	ENGINE RR START SW	DEUTSCH	2	562586	562585
C 277						C 343	INSTR PANEL LH-HEADLAMP SW	EATON	8	-----	562763
C 278						C 344	INSTR PANEL LH-HAZARD LT SW	EATON	8	-----	562763
C 279 *	FR SERVICE CPT.- STEERING ZF	DEUTCH	2		562486	C 345	INSTR PANEL LH-FOG LT SW	EATON	8	-----	562763
C 279	UNDER DASH CYLINDER READ SW.	AMP MNL	2	561248	561247	C 346					
C 280	LH CONSOLE-UNLOAD TAG SW.	NGR	10	-----	562763	C 347	INSTR PANEL LH-DASH LT SW	AMP MNL	2	560900	560898
C 281						C 348	INSTR PANEL CENT-RACOR MODULE	MOLEX	6	562070	562067
C 282						C 349					
C 283						C 350	RH CONSOLE-THERMOMETER	AMP MNL	3	561667	561550
C 284						C 351	LH HAT RACK-FLUOR 110V	MOLEX	4	561477	561476
C 285						C 352	RH CONSOLE-DRV TEMP SENSOR	BURNDY	4	-----	561104
C 286	RH SW PANEL-A/C & HEAT	EATON	8	-----	562763	C 353	INSTR PANEL RH-DRV FAN RHEOST	AMP MNL	6	561552	561515
C 287	ENGINE COMPT-LTS SW	PED WP	2	561566	561690	C 354	INSTR PANEL RH-DRV TEMP CTR	AMP MNL	6	561552	561515
C 288	RH SW PANEL-FRESH AIR	EATON	8	-----	562763	C 355	INSTR PANEL RH-FR TEMP CTR	AMP MNL	3	561667	561550
C 289						C 356					
C 290						C 357	INSTR PANEL RH-WATER TEMP GA	AMP MNL	3	561667	561550
C 291						C 358	INSTR PANEL RH-FUEL LEVEL GA	AMP MNL	3	561667	561550
C 292						C 359					
C 293						C 360					
C 294						C 361	FR ROOF-WIPER MOTOR	AMP FF	6	-----	561186
C 295						C 362	FR ROOF-LAVATORY OCCUPIED LT	AMP MNL	2	561248	561247
C 296						C 363	FR ROOF-WATCH YOUR STEP LT	AMP MNL	2	561248	561247
C 297	INSTRUMENT PANEL RH -LTS	AMP MNL	2	560900	560898	C 364	FR ROOF-DESTINATION SIGN	AMP MNL	3	561667	561550
C 298						C 365	FR ROOF-UP WINDSHIELD DEFROST	AMP MNL	3	561667	561550
C 299	RH DASH PANEL SW-GALLEY	EATON	8	-----	562763	C 366	RH DASH PANEL-GRN & RED LEDS	AMP MNL	3	560908	562006
C 300						C 367	ENGINE COMPT-DIF OIL T SENSOR	PED WP	2	561566	561690
C 301						C 368	FR ROOF-DEST. SIGN BALLAST	AMP MNL	3	561667	561550
C 302						C 369	FR ROOF-DEST. SIGN OPER. SW	TORRIX	5	-----	562110
C 303						C 370	FR ROOF-DEST. SIGN FLUOR.	AMP MNL	2	560900	560898
C 304						C 371	FR ROOF-DEST. SIGN FLUOR.	AMP MNL	2	560900	560898
C 305						C 372	FR ROOF-DEST. SIGN SPEED SW	MOLEX	4	561477	561476
C 306						C 373	FR ROOF-NO SMOKING LT	AMP MNL	2	561248	561247
C 307						C 374	LH SWITCH PANEL	AMP MNL	6	561552	561515
C 308	LH CONSOLE SW-RHEOSTAT	TC	2	561030	560997	C 375					
C 309	DDEC ENGINE-ECM POWER CON.	PED MP	5	-----	562345	C 376					
C 310	LH DASH PANEL -LUG. DOOR LCK SW	EATON	8	-----	562763	C 377	LH DASH PANEL-STOP ENG.OVERRIDE SW	EATON	8	-----	562763
C 311	RH DASH PANEL -HOS & PAS CHIME SW	EATON	8	-----	562763	C 378					
C 312	RH DASH PANEL -READING LTS SW	EATON	8	-----	562763	C 379					
C 313	RH DASH PANEL -GEN & FLUOR LTS SW	EATON	8	-----	562763	C 380	LH CONSOLE-DDR CONNECTOR	DEUTSCH	6	562360	-----
C 314	LH DASH PANEL-FR DEST. SIGN SW	EATON	8	-----	562763	C 381					
C 315	LH DASH PANEL-LH STORE SW	EATON	8	-----	562763	C 382					
C 316	LH CONSOLE SPARE SWITCH	EATON	8	-----	562763	C 383					
C 317	LH DASH PANEL-RH STORE SW	EATON	8	-----	562763	C 384					
C 318	LH CONSOLE SW-DRV WINDOW LIFT	EATON	8	-----	562763	C 385					
C 319						C 386	LH DASH PANEL-WCL POWER SYSTEM SW	EATON	8	-----	562763
C 320	RH DASH PANEL-DRIVER'S LTS SW	EATON	8	-----	562763	C 387	RR JCT BOX (WCL)	AMP MNL	9	561661	561662

CONNECTORS CODE

NO	LOCATION	TYPE	CAVITY	#PIN	#SOCKET	NO	LOCATION	TYPE	CAVITY	#PIN	#SOCKET
				HOUSING	HOUSING					HOUSING	HOUSING
C 388	RR JCT BOX (WCL)	AMP MNL	12	561735	561734	C 455	WIRELESS MICRO-LH HAT-RACK	MOLEX	6	-----	562464
C 389	WCL REAR DOOR	MOLEX	4	561477	561476	C 456	WORLD TRANSM.-RETARDER ACCUM.	PED MP	2	-----	562427
C 390	LAVATORY WALL-WCL REMOTE CTR	EATON	8	-----	562763	C 457	WORLD TRANSM.-MAIN CONNECTOR	DEUTSCH	31	562572	562536
C 391	LAVATORY WALL-WCL LAMP	EATON	8	-----	562763	C 458	WORLD TRANSM.-TURBINE SP.SENS	PED MP	2	-----	562426
C 392	LAVATORY WALL-WCL SW. LT.	EATON	2	-----	561835	C 459	WORLD TRANSM.-ENGINE SP.SENS.	PED MP	2	-----	562426
C 393	LAVATORY WALL-WCL REMOTE SYS.	AMP CPC	4	561686	561687	C 460	WORLD TRANSM.-SPEED SENSOR	ITT	2	-----	562541
C 394	UNDER INSTR. PANEL- B/U MONITOR	AMP MNL	4	560851	560852	C 461	WORLD TRANSM.-RETARDER TEMP.	PED MP	2	561566	561680
C 395	DRIVER'S COMPT. - B/U MONITOR	AMP	5	-----	-----	C 462	WORLD TRANSM.-RETARD SOL."K"	PED MP	2	-----	562426
C 396	FR SECT. LH HAT RACK-SPEAKER	MOLEX	4	562507	562503	C 463	WORLD TRANSM.-SENSOR CONN.	DEUTSCH	16	562570	562571
C 397	ENGINE COMPT. CRADLE ACC.	DEUTSCH	40	562281	562284	C 464	RR JCT BOX-DDR CONNECTOR	DEUTSCH	6	-----	562360
C 398						C 465	LH CONSOLE-SHIFTER SELECTOR	PED	20	-----	562825
C 399	ENGINE COMPT. - PRE-EXITATION ALT.	PED WP	2	561566	561690	C 466	FR SERVICE CPT.-RESIS. MOD.	PED WP	3	-----	562428
C 400	ENGINE COMPT. BLOCK HEATER	PED MP	3	561781	561782	C 467	FR SERVICE CPT.-RESIS. MOD.	PED WP	3	-----	562428
C 401						C 468			8		
C 402						C 469					
C 403	GALLEY FRIGO NORCOLD	AMP MNL	2	561248	561247	C 470	FR LH UPPER WHELL CPT-SILENT 1000	AMP MNL	2	561248	561247
C 404	GALLEY LAMP	AMP MNL	2	561248	561247	C 471	FR LH UPPER WHELL CPT-SILENT 1000	AMP MNL	2	561248	561247
C 405	LAST LUGGAGE COMP. - INVERTER SIGNAL	AMP MNL	2	561248	561247	C 472	FR LH UPPER WHELL CPT-SILENT 1000	PED WP	2	561566	561690
C 406	FR JCT BOX COMPT.-ABS	AMP MNL	2	560900	560898	C 473	FR LH UPPER WHELL CPT-SILENT 1000	AMP MNL	3	561667	561550
C 407	ENGINE COMPT. -SIGNAL	PED WP	6	561606	561607	C 474	DRIVER CPT.-TEMP. SENSOR	AMP MNL	2	561247	561248
C 408	ENGINE COMPT. -SIGNAL	PED WP	6	561606	561607	C 475	RR JCT BOX-SPEED SIGN CONNECTOR	AMP MNL	2	561248	561247
C 409	ENGINE CPT -LOW COOL. LEVEL	PED MP	2	-----	562350	C 475M	RR JCT BOX-SPEED SIGN MANUAL TR.	MOLEX	6	562070	562069
C 410	FR JCT BOX-DIODE CONNECTOR	AMP MNL	15	561987	561986	C 475W	RR JCT BOX-SPEED SIGN WORLD TR.	MOLEX	6	562070	562069
C 411	FR JCT BOX-DIODE CONNECTOR	AMP MNL	15	561987	561986	C 476					
C 412	LH DASH PANEL-MASTER SWITCH SW	EATON	8	-----	562763	C 477					
C 413	ENG CPT-A/C HI UNLOAD PRS SW	PED WP	2	561566	561690	C 478	ELECTRONIC DESTINATION SIGN	AMP CPC	9	561636	561637
C 414	RR JCT BOX	AMP MNL	9	561670	561669	C 479	HVAC MODULE				
C 415	ENGINE CRADLE-FAN SIGNAL	PED WP	3	561781	561782	C 480	UNDER DASH LH-DR. FAN SPEED CTR. MOD	PED	4	561889	561890
C 416	ENGINE CRADLE-FAN SIGNAL	PED P-C	3	562398	-----	C 481	UNDER DASH LH-DR. FAN SPEED CTR. MOD	PED	3	561781	561782
C 417	FRONT JCT BOX-DIODES	AMP MNL	15	561987	561986	C 482					
C 418	LH DASH PANEL-HTR WINDSH.SW	EATON	8	-----	562763	C 483	FR SERVICE CPT. (NOT USED)	PED PC	2	-----	562237
C 419	FR JCT BOX-RETARDER OR JACOB	AMP MNL	3	561667	561550	C 484	UNDER DASH LH.-FOOT DAMPER MOTOR	PED PC	2	-----	562076
C 420						C 485	UNDER DASH LH.-DASH & DEFR. DAM.MOT.	AMP MNL	3	561667	561550
C 421						C 486					
C 422						C 487	S.S.PANEL - AUDIO IN AMPLI	MOLEX	4	-----	563071
C 423						C 488	S.S.PANEL - AMPLI SIGNAL	MOLEX	8	-----	562465
C 424	UNDER INSTRUMENT PANEL CENTER	AMP MNL	3	561667	561550	C 489	S.S.PANEL - SPEAKER OUTLET	MOLEX	6	-----	562464
C 425	FR JCT BOX-DIODES	AMP MNL	15	561987	561986	C 490					
C 426	ENGINE COMPT. CLUTCH CTR FAN	PED WP	3	561781	561782	C 491					
C 427	PRO-HEAT	PED-WP	2	561566	561680	C 492					
C 428	PRO-HEAT	PED WP	6	561606	561607	C 493					
C 429	FR JCT BOX COMPT.	AMP MNL	6	561552	561515	C 494					
C 430	LH CONSOLE-TIMER	AMP FF	8	561188	562363	C 495					
C 431	LH CONSOLE-PRE HEAT.	TAB AMP	1	561540	561539	C 496					
C 432	ENGINE CPT.-PROX. SW. DOOR AJAR	PED-WP	2	561566	561680	C 497					
C 433	FR SERVICE CPT. KNEEL. PRESS. SW	PED WP	2	561566	561690	C 498					
C 434	FRONT JCT. BOX-DIODES	AMP MNL	15	561987	561986	C 499					
C 435	FR SERVICE CPT. (RH) KNEEL. PIEZO	AMP MNL	2	560900	560898	C 500	FR LH UPPER WHELL CPT -PRODRIVER	MOLEX	6	562070	562069
C 436	RH HAT RACK-WCL CENTER ROOF ACC	AMP CPC	16	561639	561640	C 501	FR LH UPPER WHELL CPT -PRODRIVER	PED MP	7	562433	-----
C 437	RH HAT RACK-WCL FR & RR SECT.	AMP CPC	24	561642	561643	C 502	LH DASH PANEL-PRE HEATER SW.	EATON	8	-----	562763
C 438	EVAP CMPT- A/C CONTROL	AMP MNL	2	561248	561247	C 503	LH CONSOLE-PRE HEATER SW.	EATON	2	-----	561837
C 439	EVAP CMPT- A/C CONTROL	AMP MNL	2	561248	561247	C 504	LH CONSOLE WEBASTO TIMER	AMP	8	-----	562852
C 440	EVAP CMPT- A/C CONTROL	DEUTSCH	4	562479	562477	C 505	LH CONSOLE ESPAR TIMER	AMP	9	-----	562681
C 441	FR JCT BOX- DIODES	AMP MNL	15	561987	561986	C 506	FR JCT BOX CPT. DIGITAL CLOCK	AMP	4	561685	561687
C 442						C 507	FR SECT. LH HAT-RACK DIG. CLOCK	MOLEX	4	561477	561476
C 443						C 508	RR JCT BOX-FAN CLUTCH RETARDER	AMP MNL	6	561552	561515
C 444						C 509	FR LH UPPER WHELL CPT -DATA LOGGER	PED MP	16	-----	562530
C 445						C 510	FR LH UPPER WHELL CPT -DATA LOGGER	DEUTSCH	9	562531	-----
C 446						C 511	FR LH UPPER WHELL CPT -DATA LOGGER	PED MP	4	562532	-----
C 447						C 512	FR LH UPPER WHELL CPT -DATA LOGGER	PED MP	10	562533	-----
C 448						C 513	FR LH UPPER WHELL CPT -DATA LOGGER	AMP MNL	3	561667	561550
C 449						C 514	FR LH UPPER WHELL CPT -DATA LOGGER	PED MP	6	562433	562417
C 450	SOUND SYS. JCT. PANEL	MOLEX	4	562507	562503	C 515	FR JCT BOX CPT.-INTERCOM	MOLEX	4	561477	561476
C 451	WIRELESS MICRO-FIRST CPT BAG	MOLEX	2	562550	562549	C 516	FR JCT BOX CPT.-INTERCOM	MOLEX	6	562070	562069
C 452	UNDER DASH INSTR. PANEL	MOLEX	2	562550	562549	C 517	LAVATORY WALL-INTERCOM	MOLEX	6	562070	562069
C 453	SOUND SYS. JCT.PANEL-VCP	PED WP	2	561566	561680	C 519	UNDER DASH RH-SEDAN DOOR	HUMPHREY	2	-----	562580
C 454	SOUND SYS.JCT.PAN.-FILT. VCP	PED WP	2	561566	561680	C 520	UNDER DASH RH-SEDAN DOOR	HUMPHREY	2	-----	641385

CONNECTORS CODE

NO	LOCATION	TYPE	CAVITY	#PIN	#SOCKET	NO	LOCATION	TYPE	CAVITY	#PIN	#SOCKET
				HOUSING	HOUSING					HOUSING	HOUSING
C 521	UNDER DASH RH-SEDAN DOOR	HUMPHREY	2	-----	641385	C 588	FRONT SERVICE CPT. CENTER SOUND SYS.	AMP CPC	37	561645	561646
C 522						C 589	UNDER DASH - L.H. MIRROR	AMP MNL	9	561670	561669
C 523	FR JCT BOX-FUSE BLOCK	PED	8	562647	562646	C 590	UNDER DASH - R.H. MIRROR	AMP MNL	9	561670	561669
C 524	FR JCT BOX-FUSE BLOCK	PED	8	562647	562646	C 591	L.H.CONSOLE - MIRROR L.H.	EURAMTEC	8	-----	562799
C 525	FR JCT BOX-FUSE BLOCK	PED	8	562647	562646	C 592	L.H.CONSOLE - MIRROR R.H.	EURAMTEC	8	-----	562799
C 526	FR JCT BOX-FUSE BLOCK	PED	8	562647	562646	C 593	BATTERY CMPT. - CHARGER	PED WP	3	561781	561782
C 527	FR JCT BOX-FUSE BLOCK	PED	8	562647	562646	C 594	FRONT ROOF - DRIVERS LIGHT	LEEKRAFT	-----	-----	562803
C 528	FR JCT BOX-FUSE BLOCK	PED	8	562647	562646	C 595	DASH CENTER MODULE - OPEN DOOR	MOLEX	4	561477	561476
C 529	FR JCT BOX-12V OUTLET	AMP MNL	2	561247	561248	C 596	DASH CENTER MODULE - CLOSE DOOR	MOLEX	4	561477	561476
C 530	RR JCT BOX-FUSE BLOCK	PED	8	562647	562646	C 597	L.H. DASH PANEL - DISPLAY SET SW.	MOLEX	5	-----	562812
C 531	RR JCT BOX-FUSE BLOCK	PED	8	562647	562646	C 598	L.H. DASH PANEL - DISPLAY SET SW.	MOLEX	5	-----	562812
C 532	RR JCT BOX-FUSE BLOCK	PED	8	562647	562646	C 599	DASH CENTER MODULE - MAGN. SENSOR	AMP MNL	2	561248	561247
C 533	RR JCT BOX-FUSE BLOCK	PED	8	562647	562646	C 600	ENGINE CPT.-A/C LOW PRESS SW. UNLOAD	PED	2	562348	562471
C 534	RR JCT BOX-FUSE BLOCK	PED	8	562647	562646	C 601	L.H. ROOF - WINDOW AJAR	AMP MNL	2	561248	561247
C 535	RR JCT BOX-FIRE MODULE DETECT.	AMP MNL	3	561667	561550	C 602	L.H. ROOF - WINDOW AJAR	MOLEX	4	561477	561476
C 536	UNDER DASH RH-DRIVER'S HTR TEMP. CTR	AMP MNL	6	561552	561515	C 603	R.H. ROOF - WINDOW AJAR	AMP MNL	2	561248	561247
C 537	BATT. CPT.-A/C PRESS. SIGN. RLY	AMP MNL	2	561248	561247	C 604	LH PARCEL RACK DVD VIDEO STABILIZER	SWITCHCRAFT	1	563074	-----
C 538	FR SERVICE CPT.-OUTSIDE TEMP. SENSOR	AMP MNL	2	561248	561247	C 605	HAT RACK - MOTOR FAN	PED	2	560997	561030
C 539	HVAC DASH MODULE OUTPUT CON	MOLEX	24	-----	562780	C 606	HAT RACK - MOTOR FAN	PED	2	560997	561030
C 540	HVAC DASH MODULE INPUT CON	MOLEX	22	-----	562781	C 607	FRONT SERVICE CMPT. RPM SIGNAL	PED WP	2	561566	561690
C 541	SOUND SYS. JCT PANEL-AUDIO SEAT SYS.	PED WP	2	561566	561690	C 608	FRONT SERVICE CMPT. SPEED SIGNAL	PED WP	2	561566	561690
C 542	LH HAT RACK-AUDIO SEAT SYSTEM	AMP MNL	3	561667	561550	C 609	LAVATORY - NIGHT LIGHT	-----	-----	-----	-----
C 543						C 610	RR JCT BOX	AMP MNL	6	561552	561515
C 544	SOUND SYS JCT PANEL-AUDIO SEAT SYS.	PED WP	3	561781	562428	C 611	HAT RACK READING LTS RICON	MOLEX	6	562558	562557
C 545	LH HAT RACK-AUDIO SEAT SYSTEM	AMP MNL	3	561667	561550	C 612	HAT -RACK FLUOR. INSTATION LTS RICON	MOLEX	4	562507	562503
C 546	WIRELESS MIC. CHARGING SYSTEM	MOLEX	2	-----	563025	C 613	HAT -RACK INDIRECT LTS RICON	AMP MNL	3	561667	561550
C 547	RH DASH PANEL-ACCESSORIES	AMP CPC	37	561645	561646	C 614	HAT -RACK INDIRECT LTS RICON	AMP MNL	3	561667	561550
C 548	LH DASH PANEL-T.T. LT. TEST SW.	EATON	8	-----	562763	C 615	LH PARCEL RACK DVD SING ALONG ADAPT.	MOLEX	2	562550	562549
C 549	LH DASH PANEL-FAN CLUTCH OVERR. SW	EATON	8	-----	562763	C 616					
C 550	LAST LUGG. CPT. -WCL RICON	AMP CPC	16	561694	561695	C X	CLUSTER	JAE	22	-----	562766
C 551	LAST LUGG. CPT. -WCL RICON	AMP CPC	16	561694	561695	C Y	CLUSTER	JAE	30	-----	562767
C 552	LAST LUGG. CPT. -WCL RICON	AMP CPC	9	561636	561637	L X	CLUSTER	JAE	22	-----	562764
C 553	UNDER DASH R.H. - CONTROL. HEAD	MOLEX	16	-----	562559	L					
C 554	UNDER DASH R.H. - CONTROL. HEAD	MOLEX	16	-----	562559	R					
C 555	UNDER DASH R.H. - CONTROL. HEAD	MOLEX	16	-----	562559						
C 556	UNDER DASH R.H. - RADIO ACC.	MOLEX	2	562550	562549						
C 557	UNDER DASH R.H. - RADIO ACC.	MOLEX	9	562556	562555						
C 558	UNDER DASH R.H. - RADIO ACC.	MOLEX	4	562507	562503						
C 559	SOUND SYS. JCT. PANEL - FILTER AMPLI	PED WP	2	561566	561690						
C 560	SOUND SYS. JCT. PANEL - POWER AMPLI	MOLEX	4	562507	562503						
C 561	L.H. HAT RACK - WIRELESS MICRO	MOLEX	8	-----	562465						
C 562	L.H. HAT RACK - VCP	MOLEX	12	562556	563070						
C 563	L.H. MODESTY PANEL - DRIVERS SPK.	MOLEX	4	562507	562503						
C 564	L.H. MODESTY PANEL - MICRO	MOLEX	4	562507	562503						
C 565	R.H. MODESTY PANEL - MICRO	MOLEX	4	562507	562503						
C 566	L.H. CONSOLE - BOOM MICRO	MOLEX	4	562507	562503						
C 567	L.H. CONSOLE - DRIVERS MICRO	MOLEX	4	562507	562503						
C 568	SOUND SYS. JCT. PANEL - PASS. SPK	CINCH	4	562553	562552						
C 569	SOUND SYS. JCT. PANEL - POWER AMPLI.	MOLEX	9	562556	562555						
C 570	UNDER DASH PANEL TTLT	MOLEX	6	-----	562464						
C 571	UNDER DASH PANEL TTLT	MOLEX	20	-----	562778						
C 572	UNDER DASH PANEL TTLT	MOLEX	18	-----	562779						
C 573	UNDER DASH PANEL TTLT	MOLEX	8	-----	562465						
C 574	HAT -RACK FLUOR. INDIRECT LIGHTING	MOLEX	6	-----	562759						
C 575	HAT -RACK FLUOR. INSTATION LIGHT	MOLEX	4	562507	562503						
C 576	HAT -RACK FLUOR. INDIRECT LIGHTING	AMP MNL	3	561667	561550						
C 577	HAT -RACK FLUOR. INDIRECT LIGHTING	AMP MNL	3	561667	561550						
C 578	HAT -RACK FLUOR. INSTATION LIGHT	MOLEX	4	562507	562503						
C 579	L.H HAT RACK - VCP POWER	MOLEX	4	-----	563071						
C 580	RH DASH PANEL-HAT RACK FAN SW	EATON	8	-----	562763						
C 581	LH DASH PANEL - ELECTRICAL HORN	PED MP	2	-----	562777						
C 582	FRONT SERVICE CMPT. - WINDOWS AJAR	PED WP	2	561566	561690						
C 583	L.H. DASH PANEL - MASTER KEY	DEUTSCH	2	562486	562485						
C 584	FRONT SERVICE CMPT. - AIR HORH	HUMPHREY	3	-----	641385						
C 585											
C 586											
C 587	LH PARCEL RACK DVD UNIT	MOLEX	4	563040	563071						

CONNECTORS CODE

NO	LOCATION	TYPE	CAVITY	#PIN HOUSING	#SOCKET HOUSING	NO	LOCATION	TYPE	CAVITY	#PIN HOUSING	#SOCKET HOUSING
AA1	BEHIND DASH - SONALERT	BOSCH	5		561183	C 55	RH SWITCH PANEL	AMP CPC	9	561636	561637
AA2	BEHIND DASH - SONALERT	BOSCH	5		561183	*C 56	ENGINE COMPT- LAVATORY PUSH BUTTON	PED WP	2	561566	561690
C X1	FR SERVICE COMPT- ECU ABS	AMP	15		563200	C 56	HAT RACK - MOTOR FAN	MOLEX	6	562558	562557
C X2	FR SERVICE COMPT- ECU ABS	AMP	18		563201	C 57	HAT RACK - MOTOR FAN	MOLEX	6	562558	562557
C S	RR JCT BOX ECU WORLD TR.	PED	32		562817	C 58	RR JCT BOX AC PANEL	DEUTSCH	24	562280	562283
C T	RR JCT BOX ECU WORLD TR.	PED	32		562824	C 59	RR JCT BOX AC PANEL	AMP CPC	14	561584	561583
C V	RR JCT BOX ECU WORLD TR.	PED	32		562823	C 60	RR JCT BOX COMPT.-LT	AMP MNL	2	561248	561247
C I2	RR JCT BOX-WORLD TRANSM. & EATON	AMP CPC	9	561636	561637	C 61	LUGGAGE COMPARTMENT LTS	AMP MNL	2	561248	561247
C WX1	ENGINE CPT-WEBASTO PRE-HEAT WATER	AMP SEALED	7		563135	C 62	LUGGAGE COMPARTMENT LTS	AMP MNL	2	561248	561247
C WX3	ENGINE CPT-WEBASTO PRE-HEAT WATER	AMP SEALED	7	563136		C 63	LUGGAGE COMPARTMENT LTS	AMP MNL	2	561248	561247
C Y	CLUSTER	JAE	30	---	562765	C 64	LUGGAGE COMPARTMENT LTS	AMP MNL	2	561248	561247
C 1	FR JCT BOX COMPARTMENT	AMP CPC	14	561585	561584	C 65	LUGGAGE COMPARTMENT LTS	AMP MNL	2	561248	561247
C 2	FR JCT BOX COMPARTMENT	AMP CPC	16	561639	561640	C 66	LUGGAGE COMPARTMENT LTS	AMP MNL	2	561248	561247
C 3	FR JCT BOX COMPARTMENT	AMP CPC	24	561641	561643	C 67	LUGGAGE COMPARTMENT LTS	AMP MNL	2	561248	561247
C 4	FR JCT BOX COMPARTMENT	AMP CPC	37	561644	561646	C 68	LUGGAGE COMPARTMENT LTS	AMP MNL	2	561248	561247
C 5	FR SERVICE COMPT.-UNDERNEATH	AMP CPC	37	561644	561646	C 69	RR AXLE ACC-INSIDE PVC END	PED WP	6	561568	561578
C 6	FR SERVICE COMPT.-UNDERNEATH	AMP CPC	16	561639	561640	C 70	LH CONSOLE	AMP CPC	16	561642	561643
C 7						C 71	FR JCT BOX COMPARTMENT	AMP CPC	37	561645	561646
C 8	FR SERVICE COMPT.-UNDERNEATH	AMP CPC	24	561641	561643	C 72	FR JCT BOX COMPARTMENT	AMP CPC	24	561642	561643
C 9	FR SERVICE COMPT.-UNDERNEATH	AMP CPC	24	561641	561643	C 73	DASH CENTER PANEL	AMP CPC	16	561639	561640
C 10	LUGGAGE COMPT. WATER BOOSTER PUMP	PED	2	562348	562471	C 74	FR JCT BOX COMPARTMENT	AMP CPC	37	561645	561646
C 11	FR SERVICE COMPARTMENT	AMP CPC	37	561644	561646	C 75	SERV CPT. RXT. ENT. DOOR SW	DEUTSCH	4	562479	562477
C 12	FR SERVICE COMPARTMENT	AMP CPC	16	561639	561640	C 76	LUGGAGE COMPT.-AIR RET.SENS.	AMP MNL	2	561248	561247
C 13	LH CONSOLE-CTR MIRROR	AMP MNL	6	561552	561515	C 77	LUGGAGE COMPT.-AIR RET.SENS.	AMP MNL	2	561248	561247
C 14	UNDER DASH-LH MIRROR	AMP MNL	9	561661	561662	C 78					
C 15	RR JCT BOX	AMP CPC	24	561641	561643	C 79					
C 16	LH CONSOLE SW-CRUISE ON OFF	EATON	10	-----	562763	C 80	LUGGAGE COMPT.-AIR RET.SENS.	AMP MNL	2	561248	561247
C 17	LH CONSOLE SW-CRUISE RESUME	EATON	10	-----	562763	C 81	PASSENGER COMPT.-AISLE LTS	AMP MNL	2	560900	560898
C 18	LH CONSOLE SW-CRUISE SET	EATON	10	-----	562763	C 82	ENTRANCE DOOR	MOLEX	6	562070	562069
C 19	LH CONSOLE DECEL SW	EATON	10	-----	562763	C 83	ENTRANCE DOOR-PROIMITY SW	MOLEX	4	561477	561476
C 20	RR JCT BOX	AMP CPC	37	561644	561646	C 84	ENTRANCE DOOR-PRESSURE SW	PED WP	2	561566	561690
C 21	RR JCT BOX	AMP CPC	24	561641	561643	C 85	UNDER INSTRUMENT PANEL LH	AMP MTA-100	-----	562248	-----
C 22	RR JCT BOX - EATON TRANSM.	AMP MNL	6	561552	561515	C 86					
C 23	DDEC ENGINE-ECM J1939	PED MP	6	-----	561962	C 87	RR END ROOF	AMP CPC	9	561636	561637
C 24	DDEC ENGINE	PED WP	1	561605	561577	C 88					
C 25	RR JCT BOX - EATON TRANSM. J1939	DEUTCH	3	562877	562884	C 89	RR END ROOF-B/U MONITOR	AMP CPC	4	561582	561581
C 26	HYD & MAN TRANSM.-NEUT. & B/U	PED WP	4	561610	561611	C 90	RR JCT BOX	AMP CPC	15	561987	561986
C 27	HYD & MAN TRANSM.-SPEED SENS.	PED WP	2	561566	561690	C 91	RR JCT BOX	AMP CPC	37	561714	561713
C 28	EATON TRANSMISSION	DEUTCH	3	562877	562884	C 92	FR LH UPPER WHELL CPT-ABS	AMP CPC	9	561635	561637
C 29	EATON TRANSMISSION	PED MP	6	562878	-----	C 93	FR LH UPPER WHELL CPT-ABS		35	-----	641094
C 30	RR JCT BOX - ECU EATON TRANSM.	PED MP	32	-----	562866	C 94	RH CONSOLE ENTRANCE STEP LIGHT	DEUTCH	2	562486	562485
C 31	RR JCT BOX - ECU EATON TRANSM.	PED MP	24	-----	562865	C 95	CONDENSOR CPT - LIQ. SOL. VALVE	PED WP	2	561566	561690
C 32	DDEC ENGINE-ECM	PED	30	-----	561600	C 96	FR AXLE ACCESSORIES	AMP CPC	14	561585	561585
C 33	RR JCT BOX - EATON TRANSM.	DEUTCH	9	562531	-----	C 97	RR AXLE ACC-INSIDE PVC END	PED WP	6	561568	561578
C 34	RH. CONSOLE - EATON TRANSM. SHIFTER	PED MP	3	-----	562871	C 98	FR SERVICE COMPT-EL.FT.PEDAL	PED WP	3	561782	561781
C 35	RR JCT BOX	AMP CPC	24	561642	561643	C 99	FR SERVICE COMPT LTS	AMP MNL	2	561248	561247
C 36	RH. CONSOLE - EATON TRANSM. SHIFTER	PED MP	24	-----	562874	C 100	LH CONSOLE - 120 VOLTS SWITCH	EATON	8	-----	562763
C 37	RR SECTION-LH HAT RACK	MOLEX	6	562558	562557	C 101	FR SERVICE COMPT-ELEC. HORNS	PED WP	2	561566	561690
C 38	RR SECTION-RH HAT RACK	MOLEX	6	562558	562557	C 102	FR SERV & SIDE CPT-FLASH. LH	GROTE	2	-----	562155
C 39	LH CONSOLE - EATON TRANSM. DISPLAY	AMP MNL	4	561551	561668	C 103	FR SERV & SIDE CPT-MARKERS	GROTE	2	-----	562155
C 40	RR JCT BOX - EATON TRANSM. J1939	DEUTCH	3	562877	562884	C 104	LAVATORY TRAP-FLUSH PUMP SW.	DEUTSCH	4	562479	562477
C 41	LAVATORY ROOF LIGHT	LEECRAFT	2	----	562803	C 104	FR SERV & SIDE CPT-FLASH. RH	GROTE	2	-----	562155
C 42	LAVATORY BACK WALL-WTR TANK	AMP MNL	2	560900	560898	C 105	FR SERVICE COMPT-LIQ.S.VALVE	PED WP	2	561566	561690
C 43	LAVATORY BACK WALL-ACCES.	AMP MNL	9	561661	561662	C 106	FR SERVICE COMPT-WATER VALVE	PED WP	2	561566	561690
C 44	EATON TRANSM. J1939	DEUTCH	3	562877	562884	C 107	EVAPORATOR COMPT-DAMPER	PED WP	2	561566	561690
C 45	FR JCT BOX COMPARTMENT	AMP CPC	24	561642	561643	C 108	FR SERVICE COMPT-KNEEL.SYS	PED WP	2	561566	561690
C 46	EATON TRANSM. J1939	DEUTCH	3	562877	562884	C 109	FR SERVICE COMPT-KNEEL.SYS	PED WP	2	561566	561690
C 47	FR SERVICE COMPARTMENT	AMP CPC	16	561694	561695	C 110	FR SERVICE COMPT-KNEEL.SYS	PED WP	2	561566	561690
C 48	FR. SERVICE CMPT.PRESS SW PARK BREAK	DEUTCH	4	562479	562477	C 111	EVAPORATOR COMPT-DAMPER	DEUTSCH	2	562486	562485
C 49	BATTERIE COMPT.-LT	AMP MNL	2	561248	561247	C 112	LAVATORY BACK WALL-FLUSH PUMP SW.	DEUTSCH	4	562479	562477
C 50	FR SERVICE COMPT.-LOW BUOY	PED WP	1	561605	561577	C 113	BATT. & RR J.B.CPT.MARKER LT	GROTE	2	-----	562155
C 51						C 114	RR J. BOX CPT DOOR DIR LT LH	GROTE	2	-----	562155
C 52	RR JCT BOX	AMP CPC	22	561709	561710	C 115	ENGINE COMPT-AIR DRYER	PED WP	2	561566	561690
C 53	SPARE TIRE COMPT ENTRANCE STEP LIGHT	DEUTCH	2	562486	562485	C 116	ENGINE COMPT. LTS	PED WP	1	561605	561577
C 54	SPARE TIRE COMPT ENTRANCE STEP LIGHT	DEUTCH	2	562486	562485	C 117	FR SRV. COMPT. KNEELING SYS.	PED WP	2	561761	
						C 118	ENGINE COMPT-LAVATORY FAN	PED WP	2	561566	561690
						C 119	ENGINE CPT RR DOOR RH LO LAMP	PED WP	6	561606	561607

CONNECTORS CODE

NO	LOCATION	TYPE	CAVITY	#PIN	#SOCKET	NO	LOCATION	TYPE	CAVITY	#PIN	#SOCKET
				HOUSING	HOUSING					HOUSING	HOUSING
C 120	ENGINE CPT RR DOOR LH LO LAMP	PED WP	6	561606	561607	C 186M	RR JCT BOX CPT.-SPD SIGN. M.TR	PED WP	2	561566	561690
C 121	BATTERIE CPT. DOOR DIR LT RH	GROTE	2	-----	562155	C 186W	RR JCT BOX CPT.-SPD SIGN. WT	PED WP	2	561566	561690
C 122	ENGINE CPT-UNLOAD TAG SYSTEM	PED WP	2	561566	561690	C 187	FR JCT BOX-RPM RESISTOR CON.	AMP MNL	6	561552	561515
C 123	TAG AXLE-UNLOAD TAG RH VALVE	PED WP	2	561566	561690	C 188					
C 124	ENGINE CPT-ETHER SW	PED WP	2	561566	561690	C 189	ENGINE CPT RR DOOR B/U LT	TRUCK-LITE	2	-----	562755
C 125	ENGINE CPT-B/U ALARM	PED WP	2	561566	561690	C 190	ENGINE CPT RR DOOR TAIL/ STOP LT	SUPER SEAL	3		562601
C 126	ENGINE CPT-FLUSHING PUMP	PED WP	2	561566	561690	C 191	ENGINE CPT RR DOOR RH TAIL/STOP LT	SUPER SEAL	3		562601
C 127	ENGINE CPT-FUEL FILTER	PED WP	2	561566	561690	C 192	ENGINE CPT RR DOOR DIR. LT	SUPER SEAL	3		562601
C 128	ENGINE CPT-A/C COMPR.CLUTCH	ITT SS	2	561813	561812	C 193					
C 129						C 194					
C 130	ENGINE CPT-UNLOADER	ITT SS	2	561813	561812	C 195					
C 131	ENGINE CPT-UNLOADER	ITT SS	2	561813	561812	C 198	ENGINE CPT RR DOOR LICENCE LT	PED WP	2	562348	562471
C 132	ENGINE CPT-A/C LO PRESS SW	PED WP	2	561566	561690	C 199	ENGINE CPT RR DOOR LICENCE LT	PED WP	2	562348	562471
C 133	ENGINE CPT-A/C HI PRESS SW	PED WP	2	561566	561690	C 200	RH HAT RACK-FLUORESCENT	AMP MNL	2	561248	561247
C 134	FR JCT BOX-LUGGAGE DIODE CON.	AMP MNL	15	561987	561986	C 201	RH HAT RACK-FLUORESCENT	AMP MNL	2	561248	561247
C 135	FR JCT BOX-LUGGAGE DIODE CON.	AMP MNL	15	561987	561986	C 202	RH HAT RACK-INDIRECT LIGHTING	MOLEX	2	-----	562758
C 136	RR JCT BOX - A/C PANEL DIODE CONN.	AMP MNL	15	561987	561986	C 203	RH HAT RACK-INDIRECT LIGHTING	MOLEX	6	-----	562759
C 137	RR JCT BOX-TRANSMITTER	AMP MNL	2	560900	560898	C 204	RH HAT RACK-GENERAL LT	AMP MNL	2	560900	560898
C 138	RR JCT BOX-CONTROL MODULE	AMP HDP	15	-----	562012	C 205	FR SECT.-RH HAT RACK SPEAKER	AMP MNL	9	561661	561662
C 139	RR JCT BOX-LOGIC MODULE	AMP HDP	15	562011	-----	C 206	RH HAT RACK-READING LT	AMP FF	4	-----	562756
C 140	HVAC DASH MODULE THERMOMETER	MOLEX	4		562782	C 207	LH HAT RACK-READING LT	AMP FF	4	-----	562756
C 141	INSTRUMENT PANEL LH UNLOAD TAG	AMP	2	561248	561247	C 208	LH HAT RACK-BALLAST	MOLEX	2	-----	562758
C 142	LAVATORY DOOR WALL	AMP MNL	2	561248	561247	C 209	LH HAT RACK HOTESS CHIME	AMP MNL	3	561667	561550
C 143						C 210	FR SECT.-LH HAT RACK SPEAKER	AMP MNL	9	561661	561662
C 144	UNDER LH SEAT-AISLE LTS	AMP MNL	4	560851	560852	C 211	FR ROOF-STORE LH	AMP MNL	2	560900	560898
C 145	RR JCT BOX CPT-RR SIDE LTS	AMP MNL	9	561670	561669	C 212	FR ROOF-STORE RH	AMP MNL	2	560900	560898
C 146	ENGINE CPT-MODULATOR VALVE	AMPHENOL	2	-----	560412	C 213					
C 147	BATT & RR J.B.CPT-DOCK.LTS	PED WP	2	561566	561690	C 214	ENGINE CPT J1922				
C 148						C 215	TAG AXLE - A.T.C. SYSTEM				
C 149	CONDENSER CPT-FAN MOTOR	ORDNANCE	3	562555	562001	C 216	TAG AXLE - A.T.C. SYSTEM				
C 150						C 217	RH DASH PANEL-FRONT CAMERA SW	EATON	8	-----	562763
C 151	EVAPORATOR CPT-THERMOSTAT	ITT SS	2	561813	562159	C 218	RH DASH PANEL-FRONT CAMERA SW	AMP MNL	2	560900	560898
C 152	CONDENSER CPT-FUEL GAUGE	PED WP	4	561610	561611	C 219					
C 153	EVAPORATOR CPT-AIR AMB. SENS	AMP MNL	2	561248	561247	C 220	RR.JCT.BOX-FUEL PRIME PUMP	TC	1	561070	561073
C 154	EVAPORATOR CPT-FRESH AIR SENS	ITT SS	2	561813	561812	C 221	BATTERY CMPT. FIRE DETECTOR	DEUTSCH	2	562486	562485
C 155	EVAPORATOR CPT-WATER VALVE	PED WP	4	561610	561611	C 222	ENGINE CMPT. FIRE DETCTOR	DEUTSCH	2	562486	562485
C 156	EVAPOR. CPT-BYPASS WATER VAL.	PED WP	2	561566	561690	C 223	ENGINE CMPT. FIRE DETCTOR	DEUTSCH	2	562486	562485
C 157	EVAPORATOR CPT-WATER PUMP	PED WP	2	561566	561690	C 224	ENGINE CMPT. -VORAD J1939	DEUTSCH	3	562877	562884
C 158	CONDENSER CPT-A/C LO TEMP.	PED WP	2	561566	561690	C 225	ENGINE CMPT. -VORAD J1939	DEUTSCH	3	562877	562884
C 159	CONDENSER CPT-A/C HI TEMP.	PED WP	2	561566	561690	C 226	FR LH UPPER WHEEL CPT-VORAD J1939	DEUTSCH	3	562677	562884
C 160	FR AXLE-ABS RH SENSOR	WABCO	2	641132	-----	C 227					
C 161	FR AXLE-ABS RH VALVE	WABCO	3	-----	641098	C 228					
C 162	FR AXLE-ABS LH VALVE	WABCO	3	-----	641098	C 229					
C 163	FR AXLE-ABS LH SENSOR	WABCO	2	641132	-----	C 230	ENG.CPT.-FUEL PRIME PUMP FEED	DEUTSCH	2	562486	562485
C 164	RR AXLE-ABS LH SENSOR	WABCO	2	641132	-----	C 231	ENG.CPT.-FUEL PRIME PUMP SW.	PED WP	2	561566	561690
C 165	RR AXLE-ABS LH VALVE	WABCO	3	-----	641098	C 232	ENG.CPT.-FUEL PRIME PUMP	PED WP	2	561566	561690
C 166	RR AXLE-ABS RH VALVE	WABCO	3	-----	641098	C 233	FR. SERVICE COMPT.	VDO	8		562043
C 167	RR AXLE-ABS RH SENSOR	DEUTSCH	2	641132	-----	C 234	FR. SERVICE COMPT.	VDO	8		562044
C 168	RR AXLE-ABS OPT ATC	PED WP	2	561566	561690	C 235	FR. SERVICE COMPT.	VDO	8		562041
C 169	RR JCT BOX-SPEED SW	AMP HDP	15	-----	562012	C 236	LUGGAGE COMPARTEMENT	AMP MNL	4	560851	560852
C 170	FR JCT BOX-FLASHER UNIT	TC	2	-----	561940	C 237	UNDER DASH LH-JACOB CLUTCH SW	ITT SS	3	561111	561080
C 171	LH CONSOLE	AMP CPC	24	561642	561643	C 238	RR JCT BOX-DIODE CONNECTOR	AMP MNL	9	561670	561669
C 172						C 239	FR SERVICE CPT-HI BUOY VALVE	PED WP	2	561566	561690
C 173						C 240	FR SERVICE CPT-KNEEL PROX SW	PED WP	3	561781	562428
C 174	UNDER DASH RH-HTR MODULE	AMP MNL	9	561670	561669	C 241	HEADLAMPS HI BEAM	HELLA	2		562623
C 175	UNDER DASH RH-HTR MODULE	AMP MNL	9	561670	561669	C 242	HEADLAMPS LO BEAM	HELLA	2		562623
C 176	UNDER DASH RH-WIPER PULSE	AMP FF	6	-----	561186	C 243	FR SERVICE CPT. HEADLAMPS	DEUTCH	3	565131	562789
C 177	UNDER DASH RH-WIPER MOTOR	AMP FF	6	-----	561186	C 244	FR SERVICE CPT-LH FOG LAMP	DEUTCH	2	562902	562901
C 178	UNDER DASH RH-LH FAN	TC	2	561030	560997	C 245	FR SERVICE CPT-RH FOG LAMP	DEUTCH	2	562902	562901
C 179	UNDER DASH RH-RH FAN	TC	2	561030	560997	C 246	FR SERVICE CPT. MIRROR	CONXALL	5	563091	563090
C 180	RR JCT BOX-DIODE CONNECTOR	AMP MNL	15	561987	561986	C 247	HEADLAMPS MARK & DIR LTS	AMP SUPER S	3		562601
C 181	RR JCT BOX-DIODE CONNECTOR	AMP MNL	15	561987	561986	C 248	FR JCT BOX-WIPER PULSE GEN	AMP FF	6	-----	561108
C 182						C 249					
C 183	FR SERVICE CPT-KNEELING PAN.	PED WP	4	561610	561611	C 250	LH CONSOL PANEL- LOW BOY	PED	2	561566	561690
C 184	FR SERVICE CPT-KNEELING SW	ITT SS	3	561111	561080	C 251	LH DASH PANEL-FAST IDLE SW	EATON	8	-----	562763
C 185						C 252					
C 186	RR JCT BOX CPT.-SPEED SIGN.TR	PED WP	2	561566	561690	C 253	LH DASH PANEL-ETHER SW	EATON	8	-----	562763

CONNECTORS CODE

NO	LOCATION	TYPE	CAVITY	#PIN HOUSING	#SOCKET HOUSING	NO	LOCATION	TYPE	CAVITY	#PIN HOUSING	#SOCKET HOUSING
C 254	INST. PANEL RH-ENTR.DOOR SW.	TORRIX	5	-----	562110	C 320	RH DASH PANEL-DRIVER'S LTS SW	EATON	8	-----	562763
C 255	LH DASH PANEL-JACOB & RETARDER SW	EATON	8	-----	562763	C 321	READING LTS TEST				
C 256						C 322	LH CONSOLE DRV WIND LIFT MOT	PED PO	2	-----	561848
C 257						C 323	LH CONSOLE CRUISE CTR SW PAN. AMP	CPC	9	561636	561637
C 258	LH SW PANEL-MULTI FUNC. SW	AMP FF	8	561188	-----	C 324					
C 259	LH SW PANEL-MULTI FUNC. SW	AMP FF	6	-----	561108	C 325	LH DASH PANEL-KNEELING SW	EATON	8	-----	562763
C 260	FR SERVICE CPT-LUG DOOR LCK	PED WP	6	561606	561607	C 326	ENGINE CMPT.	PED	4	-----	561810
C 261	UNDER DASH RH-DOOR MODULE	AMP MNL	9	561670	561669	C 327	ENGINE CONTROL	DEUTSCH	6	562583	562581
C 262	UNDER DASH RH-DOOR MODULE	AMP MNL	4	561551	561668	C 328	GALLEY-LAMP	AMP MNL	2	561248	561247
C 263	UNDER DASH RH-DOOR MODULE	AMP MNL	3	561667	561550	C 329	ENGINE TACHO SIGNAL	PED WP	3	561781	561789
C 264	UNDER DASH RH-DOOR MODULE	AMP MNL	3	561667	561550	C 330					
C 265	UNDER DASH RH-DOOR MODULE	AMP HDP-20	15	562011	562012	C 331	GALLEY MICROWAVE SW	EATON	8	-----	562763
C 266						C 332					
C 267	UNDER DASH RH	AMP CPC	24	561642	561643	C 333	GALLEY RH CONTAINER SW	EATON	8	-----	562763
C 268	UNDER DASH LH-MIRROR	AMP MNL	6	561552	561515	C 334	GALLEY LH CONTAINER SW	EATON	8	-----	562763
C 269	UNDER DASH RH-MIRROR	AMP MNL	6	561552	561515	C 335					
C 270	LH MIRROR POST	MOLEX	6	562070	562069	C 336					
C 271	RH MIRROR POST	MOLEX	6	562070	562069	C 337	INSTR PANEL LH-UP WIPER SW	EATON	8	-----	562763
C 272	LH MIRROR	SPARTAN	6	-----	990158	C 338	INSTR PANEL LH-UP DEFROST SW	EATON	8	-----	562763
C 273	RH MIRROR	SPARTAN	6	-----	990158	C 339	INSTR PANEL LH-UP WASHER SW	EATON	8	-----	562763
C 274	RR. JCT. BOX - SIGNAL ALT. MODULE					C 340	FR JCT. BOX FIRE PIEZO ALARM	AMP MNL	2	560900	560898
C 275	UNDER DASH RH-DOOR MODULE	AMP MNL	9	561670	561669	C 341	INSTR PANEL LH-HEAT MIRROR SW	EATON	8	-----	562763
C 276	UNDER DASH RH-LOCK SOL.VALVE	AMP MNL	2	561248	561247	C 342	ENGINE RR START SW	DEUTSCH	2	562586	562585
C 277						C 343	INSTR PANEL LH-HEADLAMP SW	EATON	8	-----	562763
C 278						C 344	INSTR PANEL LH-HAZARD LT SW	EATON	8	-----	562763
C 279 *	FR SERVICE CPT.- STEERING ZF	DEUTCH	2		562486	C 345	INSTR PANEL LH-FOG LT SW	EATON	8	-----	562763
C 279	UNDER DASH CYLINDER READ SW.	AMP MNL	2	561248	561247	C 346					
C 280	LH CONSOLE-UNLOAD TAG SW.	NGR	10	-----	562763	C 347	INSTR PANEL LH-DASH LT SW	AMP MNL	2	560900	560898
C 281						C 348	INSTR PANEL CENT-RACOR MODULE	MOLEX	6	562070	562067
C 282						C 349					
C 283						C 350	RH CONSOLE-THERMOMETER	AMP MNL	3	561667	561550
C 284						C 351	LH HAT RACK-FLUOR 110V	MOLEX	4	561477	561476
C 285						C 352	RH CONSOLE-DRV TEMP SENSOR	BURNDY	4	-----	561104
C 286	RH SW PANEL-A/C & HEAT	EATON	8	-----	562763	C 353	INSTR PANEL RH-DRV FAN RHEOST	AMP MNL	6	561552	561515
C 287	ENGINE COMPT-LTS SW	PED WP	2	561566	561690	C 354	INSTR PANEL RH-DRV TEMP CTR	AMP MNL	6	561552	561515
C 288	RH SW PANEL-FRESH AIR	EATON	8	-----	562763	C 355	INSTR PANEL RH-FR TEMP CTR	AMP MNL	3	561667	561550
C 289						C 356					
C 290						C 357	INSTR PANEL RH-WATER TEMP GA	AMP MNL	3	561667	561550
C 291						C 358	INSTR PANEL RH-FUEL LEVEL GA	AMP MNL	3	561667	561550
C 292						C 359					
C 293						C 360					
C 294						C 361	FR ROOF-WIPER MOTOR	AMP FF	6	-----	561186
C 295						C 362	FR ROOF-LAVATORY OCCUPIED LT	AMP MNL	2	561248	561247
C 296						C 363	FR ROOF-WATCH YOUR STEP LT	AMP MNL	2	561248	561247
C 297	INSTRUMENT PANEL RH -LTS	AMP MNL	2	560900	560898	C 364	FR ROOF-DESTINATION SIGN	AMP MNL	3	561667	561550
C 298						C 365	FR ROOF-UP WINDSHIELD DEFROST	AMP MNL	3	561667	561550
C 299	RH DASH PANEL SW-GALLEY	EATON	8	-----	562763	C 366	RH DASH PANEL-GRN & RED LEDS	AMP MNL	3	560908	562006
C 300						C 367	ENGINE COMPT-DIF OIL T SENSOR	PED WP	2	561566	561690
C 301						C 368	FR ROOF-DEST. SIGN BALLAST	AMP MNL	3	561667	561550
C 302						C 369	FR ROOF-DEST. SIGN OPER. SW	TORRIX	5	-----	562110
C 303						C 370	FR ROOF-DEST. SIGN FLUOR.	AMP MNL	2	560900	560898
C 304						C 371	FR ROOF-DEST. SIGN FLUOR.	AMP MNL	2	560900	560898
C 305						C 372	FR ROOF-DEST. SIGN SPEED SW	MOLEX	4	561477	561476
C 306						C 373	FR ROOF-NO SMOKING LT	AMP MNL	2	561248	561247
C 307						C 374	LH SWITCH PANEL	AMP MNL	6	561552	561515
C 308	LH CONSOLE SW-RHEOSTAT	TC	2	561030	560997	C 375					
C 309	DDEC ENGINE-ECM POWER CON.	PED MP	5	-----	562345	C 376					
C 310	LH DASH PANEL -LUG. DOOR LCK SW	EATON	8	-----	562763	C 377	LH DASH PANEL-STOP ENG.OVERRIDE SW	EATON	8	-----	562763
C 311	RH DASH PANEL -HOS & PAS CHIME SW	EATON	8	-----	562763	C 378					
C 312	RH DASH PANEL -READING LTS SW	EATON	8	-----	562763	C 379					
C 313	RH DASH PANEL -GEN & FLUOR LTS SW	EATON	8	-----	562763	C 380	LH CONSOLE-DDR CONNECTOR	DEUTSCH	6	562360	-----
C 314	LH DASH PANEL-FR DEST. SIGN SW	EATON	8	-----	562763	C 381					
C 315	LH DASH PANEL-LH STORE SW	EATON	8	-----	562763	C 382					
C 316	LH CONSOLE SPARE SWITCH	EATON	8	-----	562763	C 383					
C 317	LH DASH PANEL-RH STORE SW	EATON	8	-----	562763	C 384					
C 318	LH CONSOLE SW-DRV WINDOW LIFT	EATON	8	-----	562763	C 385					
C 319						C 386	LH DASH PANEL-WCL POWER SYSTEM SW	EATON	8	-----	562763

CONNECTORS CODE

NO	LOCATION	TYPE	CAVITY	#PIN HOUSING	#SOCKET HOUSING	NO	LOCATION	TYPE	CAVITY	#PIN HOUSING	#SOCKET HOUSING
C 387	RR JCT BOX (WCL)	AMP MNL	9	561661	561662	C 454	SOUND SYS.JCT.PAN.-FLT. VCP	PED WP	2	561566	561680
C 388	RR JCT BOX (WCL)	AMP MNL	12	561735	561734	C 455	WIRELESS MICRO-LH HAT-RACK	MOLEX	6	-----	562464
C 389	WCL REAR DOOR	MOLEX	4	561477	561476	C 456	WORLD TRANSM.-RETARDER ACCUM.	PED MP	2	-----	562427
C 390	LAVATORY WALL-WCL REMOTE CTR	EATON	8	-----	562763	C 457	WORLD TRANSM.-MAIN CONNECTOR	DEUTSCH	31	562572	562536
C 391	LAVATORY WALL-WCL LAMP	EATON	8	-----	562763	C 458	WORLD TRANSM.-TURBINE SP.SENS	PED MP	2	-----	562426
C 392	LAVATORY WALL-WCL SW. LT.	EATON	2	-----	561835	C 459	WORLD TRANSM.-ENGINE SP.SENS.	PED MP	2	-----	562426
C 393	LAVATORY WALL-WCL REMOTE SYS.	AMP CPC	4	561686	561687	C 460	WORLD TRANSM.-SPEED SENSOR	ITT	2	-----	562541
C 394	UNDER INSTR. PANEL- B/U MONITOR	AMP MNL	4	560851	560852	C 461	WORLD TRANSM.-RETARDER TEMP.	PED MP	2	561566	561680
C 395	DRIVER'S COMPT. - B/U MONITOR	AMP	5	-----	-----	C 462	WORLD TRANSM.-RETARD SOL."K"	PED MP	2	-----	562426
C 396	FR SECT. LH HAT RACK-SPEAKER	MOLEX	4	562507	562503	C 463	WORLD TRANSM.-SENSOR CONN.	DEUTSCH	16	562570	562571
C 397	ENGINE COMPT. CRADLE ACC.	DEUTSCH	40	562281	562284	C 464	RR JCT BOX-DDR CONNECTOR	DEUTSCH	6	-----	562360
C 398						C 465	LH CONSOLE-SHIFTER SELECTOR	PED	20	-----	562825
C 399	ENGINE COMPT. - PRE-EXITATION ALT.	PED WP	2	561566	561690	C 466	FR SERVICE CPT.-RESIS. MOD.	PED WP	3	-----	562428
C 400	ENGINE COMPT. BLOCK HEATER	PED MP	3	561781	561782	C 467	FR SERVICE CPT.-RESIS. MOD.	PED WP	3	-----	562428
C 401						C 468			8		
C 402						C 469					
C 403	GALLEY FRIGO NORCOLD	AMP MNL	2	561248	561247	C 470	FR LH UPPER WHELL CPT-SILENT 1000	AMP MNL	2	561248	561247
C 404	GALLEY LAMP	AMP MNL	2	561248	561247	C 471	FR LH UPPER WHELL CPT-SILENT 1000	AMP MNL	2	561248	561247
C 405	LAST LUGGAGE COMP. - INVERTER SIGNAL	AMP MNL	2	561248	561247	C 472	FR LH UPPER WHELL CPT-SILENT 1000	PED WP	2	561566	561690
C 406	FR JCT BOX COMPT.-ABS	AMP MNL	2	560900	560898	C 473	FR LH UPPER WHELL CPT-SILENT 1000	AMP MNL	3	561667	561550
C 407	ENGINE COMPT. -SIGNAL	PED WP	6	561606	561607	C 474	DRIVER CPT.-TEMP. SENSOR	AMP MNL	2	561247	561248
C 408	ENGINE COMPT. -SIGNAL	PED WP	6	561606	561607	C 475	RR JCT BOX-SPEED SIGN CONNECTOR	AMP MNL	2	561248	561247
C 409	ENGINE CPT -LOW COOL. LEVEL	PED MP	2	-----	562350	C 475M	RR JCT BOX-SPEED SIGN MANUAL TR.	MOLEX	6	562070	562069
C 410	FR JCT BOX-DIODE CONNECTOR	AMP MNL	15	561987	561986	C 475W	RR JCT BOX-SPEED SIGN WORLD TR.	MOLEX	6	562070	562069
C 411	FR JCT BOX-DIODE CONNECTOR	AMP MNL	15	561987	561986	C 476					
C 412	LH DASH PANEL-MASTER SWITCH SW	EATON	8	-----	562763	C 477					
C 413	ENG CPT-A/C HI UNLOAD PRS SW	PED WP	2	561566	561690	C 478	ELECTRONIC DESTINATION SIGN	AMP CPC	9	561636	561637
C 414	RR JCT BOX	AMP MNL	9	561670	561669	C 479	HVAC MODULE				
C 415	ENGINE CRADLE-FAN SIGNAL	PED WP	3	561781	561782	C 480	UNDER DASH LH-DR. FAN SPEED CTR. MOD	PED	4	561889	561890
C 416	ENGINE CRADLE-FAN SIGNAL	PED P-C	3	562398	-----	C 481	UNDER DASH LH-DR. FAN SPEED CTR. MOD	PED	3	561781	561782
C 417	FRONT JCT BOX-DIODES	AMP MNL	15	561987	561986	C 482					
C 418	LH DASH PANEL-HTR WINDSH.SW	EATON	8	-----	562763	C 483	FR SERVICE CPT. (NOT USED)	PED PC	2	-----	562237
C 419	FR JCT BOX-RETARDER OR JACOB	AMP MNL	3	561667	561550	C 484	UNDER DASH LH.-FOOT DAMPER MOTOR	PED PC	2	-----	562076
C 420						C 485	UNDER DASH LH.-DASH & DEFR. DAM.MOT.	AMP MNL	3	561667	561550
C 421						C 486					
C 422						C 487	S.S.PANEL - AUDIO IN AMPLI	MOLEX	4	-----	563071
C 423						C 488	S.S.PANEL - AMPLI SIGNAL	MOLEX	8	-----	562465
C 424	UNDER INSTRUMENT PANEL CENTER	AMP MNL	3	561667	561550	C 489	S.S.PANEL - SPEAKER OUTLET	MOLEX	6	-----	562464
C 425	FR JCT BOX-DIODES	AMP MNL	15	561987	561986	C 490					
C 426	ENGINE COMPT. CLUTCH CTR FAN	PED WP	3	561781	561782	C 491					
C 427	PRO-HEAT	PED-WP	2	561566	561680	C 492					
C 428	PRO-HEAT	PED WP	6	561606	561607	C 493					
C 429	FR JCT BOX COMPT.	AMP MNL	6	561552	561515	C 494					
C 430	LH CONSOLE-TIMER	AMP FF	8	561188	562363	C 495					
C 431	LH CONSOLE-PRE HEAT.	TAB AMP	1	561540	561539	C 496					
C 432	ENGINE CPT.-PROX. SW. DOOR AJAR	PED-WP	2	561566	561680	C 497					
C 433	FR SERVICE CPT. KNEEL. PRESS. SW	PED WP	2	561566	561690	C 498					
C 434	FRONT JCT. BOX-DIODES	AMP MNL	15	561987	561986	C 499					
C 435	FR SERVICE CPT. (RH) KNEEL. PIEZO	AMP MNL	2	560900	560898	C 500	FR LH UPPER WHELL CPT -PRODRIVER	MOLEX	6	562070	562069
C 436	RH HAT RACK-WCL CENTER ROOF ACC	AMP CPC	16	561639	561640	C 501	FR LH UPPER WHELL CPT -PRODRIVER	PED MP	7	562433	-----
C 437	RH HAT RACK-WCL FR & RR SECT.	AMP CPC	24	561642	561643	C 502	LH DASH PANEL-PRE HEATER SW.	EATON	8	-----	562763
C 438	EVAP CMPT- A/C CONTROL	AMP MNL	2	561248	561247	C 503	LH CONSOLE-PRE HEATER SW.	EATON	2	-----	561837
C 439	EVAP CMPT- A/C CONTROL	AMP MNL	2	561248	561247	C 504	LH CONSOLE WEBASTO TIMER	AMP	8	-----	562852
C 440	EVAP CMPT- A/C CONTROL	DEUTSCH	4	562479	562477	C 505	LH CONSOLE ESPAR TIMER	AMP	9	-----	562681
C 441	FR JCT BOX- DIODES	AMP MNL	15	561987	561986	C 506	FR JCT BOX CPT. DIGITAL CLOCK	AMP	4	561685	561687
C 442						C 507	FR SECT. LH HAT-RACK DIG. CLOCK	MOLEX	4	561477	561476
C 443						C 508	RR JCT BOX-FAN CLUTCH RETARDER	AMP MNL	6	561552	561515
C 444						C 509	FR LH UPPER WHELL CPT -DATA LOGGER	PED MP	16	-----	562530
C 445						C 510	FR LH UPPER WHELL CPT -DATA LOGGER	DEUTSCH	9	562531	-----
C 446						C 511	FR LH UPPER WHELL CPT -DATA LOGGER	PED MP	4	562532	-----
C 447						C 512	FR LH UPPER WHELL CPT -DATA LOGGER	PED MP	10	562533	-----
C 448						C 513	FR LH UPPER WHELL CPT -DATA LOGGER	AMP MNL	3	561667	561550
C 449						C 514	FR LH UPPER WHELL CPT -DATA LOGGER	PED MP	6	562433	562417
C 450	SOUND SYS. JCT. PANEL	MOLEX	4	562507	562503	C 515	FR JCT BOX CPT.-INTERCOM	MOLEX	4	561477	561476
C 451	WIRELESS MICRO-FIRST CPT BAG	MOLEX	2	562550	562549	C 516	FR JCT BOX CPT.-INTERCOM	MOLEX	6	562070	562069
C 452	UNDER DASH INSTR. PANEL	MOLEX	2	562550	562549	C 517	LAVATORY WALL-INTERCOM	MOLEX	6	562070	562069
C 453	SOUND SYS. JCT.PANEL-VCP	PED WP	2	561566	561680	C 519	UNDER DASH RH-SEDAN DOOR	HUMPHREY	2	-----	562580

CONNECTORS CODE

NO	LOCATION	TYPE	CAVITY	#PIN HOUSING	#SOCKET HOUSING	NO	LOCATION	TYPE	CAVITY	#PIN HOUSING	#SOCKET HOUSING
C 520	UNDER DASH RH-SEDAN DOOR	HUMPHREY	2	-----	641385	C 587	LH PARCEL RACK DVD UNIT	MOLEX	4	563040	563071
C 521	UNDER DASH RH-SEDAN DOOR	HUMPHREY	2	-----	641385	C 588	FRONT SERVICE CPT. CENTER SOUND SYS.	AMP. CPC	37	561645	561646
C 522						C 589	UNDER DASH - L.H. MIRROR	AMP MNL	9	561670	561669
C 523	FR JCT BOX-FUSE BLOCK	PED	8	562647	562646	C 590	UNDER DASH - R.H. MIRROR	AMP MNL	9	561670	561669
C 524	FR JCT BOX-FUSE BLOCK	PED	8	562647	562646	C 591	L.H.CONSOLE - MIRROR L.H.	EURAMTEC	8	-----	562799
C 525	FR JCT BOX-FUSE BLOCK	PED	8	562647	562646	C 592	L.H.CONSOLE - MIRROR R.H.	EURAMTEC	8	-----	562799
C 526	FR JCT BOX-FUSE BLOCK	PED	8	562647	562646	C 593	BATTERY CMPT. - CHARGER	PED WP	3	561781	561782
C 527	FR JCT BOX-FUSE BLOCK	PED	8	562647	562646	C 594	FRONT ROOF - DRIVERS LIGHT	LEEKRAFT	-----	-----	562803
C 528	FR JCT BOX-FUSE BLOCK	PED	8	562647	562646	C 595	DASH CENTER MODULE - OPEN DOOR	MOLEX	4	561477	561476
C 529	FR JCT BOX-12V OUTLET	AMP MNL	2	561247	561248	C 596	DASH CENTER MODULE - CLOSE DOOR	MOLEX	4	561477	561476
C 530	RR JCT BOX-FUSE BLOCK	PED	8	562647	562646	C 597	L.H. DASH PANEL - DISPLAY SET SW.	MOLEX	5	-----	562812
C 531	RR JCT BOX-FUSE BLOCK	PED	8	562647	562646	C 598	L.H. DASH PANEL - DISPLAY SET SW.	MOLEX	5	-----	562812
C 532	RR JCT BOX-FUSE BLOCK	PED	8	562647	562646	C 599	DASH CENTER MODULE - MAGN. SENSOR	AMP MNL	2	561248	561247
C 533	RR JCT BOX-FUSE BLOCK	PED	8	562647	562646	C 600	ENGINE CPT.-A/C LOW PRESS SW. UNLOAD	PED	2	562348	562471
C 534	RR JCT BOX-FUSE BLOCK	PED	8	562647	562646	C 601	L.H. ROOF - WINDOW AJAR	AMP MNL	2	561248	561247
C 535	RR JCT BOX-FIRE MODULE DETECT.	AMP MNL	3	561667	561550	C 602	L.H. ROOF - WINDOW AJAR	MOLEX	4	561477	561476
C 536	UNDER DASH RH-DRIVER'S HTR TEMP. CTR	AMP MNL	6	561552	561515	C 603	R.H. ROOF - WINDOW AJAR	AMP MNL	2	561248	561247
C 537	BATT. CPT.-A/C PRESS. SIGN. RLY	AMP MNL	2	561248	561247	C 604	LH PARCEL RACK DVD VIDEO STABILIZER	SWITCHCRAFT	1	563074	-----
C 538	FR SERVICE CPT.-OUTSIDE TEMP. SENSOR	AMP MNL	2	561248	561247	C 605	HAT RACK - MOTOR FAN	PED	2	560997	561030
C 539	HVAC DASH MODULE OUTPUT CON	MOLEX	24	-----	562780	C 606	HAT RACK - MOTOR FAN	PED	2	560997	561030
C 540	HVAC DASH MODULE INPUT CON	MOLEX	22	-----	562781	C 607	FRONT SERVICE CMPT. RPM SIGNAL	PED WP	2	561566	561690
C 541	SOUND SYS. JCT PANEL-AUDIO SEAT SYS.	PED WP	2	561566	561690	C 608	FRONT SERVICE CMPT. SPEED SIGNAL	PED WP	2	561566	561690
C 542	LH HAT RACK-AUDIO SEAT SYSTEM	AMP MNL	3	561667	561550	C 609	LAVATORY - NIGHT LIGHT	-----	-----	-----	-----
C 543						C 610	RR JCT BOX	AMP MNL	6	561552	561515
C 544	SOUND SYS JCT PANEL-AUDIO SEAT SYS.	PED WP	3	561781	562428	C 611	HAT RACK READING LTS RICON	MOLEX	6	562558	562557
C 545	LH HAT RACK-AUDIO SEAT SYSTEM	AMP MNL	3	561667	561550	C 612	HAT -RACK FLUOR. INSTATION LTS RICON	MOLEX	4	562507	562503
C 546	WIRELESS MIC. CHARGING SYSTEM	MOLEX	2	-----	563025	C 613	HAT -RACK INDIRECT LTS RICON	AMP MNL	3	561667	561550
C 547	RH DASH PANEL-ACCESSORIES	AMP CPC	37	561645	561646	C 614	HAT -RACK INDIRECT LTS RICON	AMP MNL	3	561667	561550
C 548	LH DASH PANEL-T.T. LT. TEST SW.	EATON	8	-----	562763	C 615	LH PARCEL RACK DVD SING ALONG ADAPT.	MOLEX	2	562550	562549
C 549	LH DASH PANEL-FAN CLUTCH OVERR. SW	EATON	8	-----	562763	C 616					
C 550	LAST LUGG. CPT. -WCL RICON	AMP CPC	16	561694	561695	C X	CLUSTER	JAE	22	-----	562766
C 551	LAST LUGG. CPT. -WCL RICON	AMP CPC	16	561694	561695	C Y	CLUSTER	JAE	30	-----	562767
C 552	LAST LUGG. CPT. -WCL RICON	AMP CPC	9	561636	561637	L X	CLUSTER	JAE	22	-----	562764
C 553	UNDER DASH R.H. - CONTROL. HEAD	MOLEX	16	-----	562559	L					
C 554	UNDER DASH R.H. - CONTROL. HEAD	MOLEX	16	-----	562559	R					
C 555	UNDER DASH R.H. - CONTROL. HEAD	MOLEX	16	-----	562559						
C 556	UNDER DASH R.H. - RADIO ACC.	MOLEX	2	562550	562549						
C 557	UNDER DASH R.H. - RADIO ACC.	MOLEX	9	562556	562555						
C 558	UNDER DASH R.H. - RADIO ACC.	MOLEX	4	562507	562503						
C 559	SOUND SYS. JCT. PANEL - FILTER AMPLI	PED WP	2	561566	561690						
C 560	SOUND SYS. JCT. PANEL - POWER AMPLI	MOLEX	4	562507	562503						
C 561	L.H. HAT RACK - WIRELESS MICRO	MOLEX	8	-----	562465						
C 562	L.H. HAT RACK - VCP	MOLEX	12	562556	563070						
C 563	L.H. MODESTY PANEL - DRIVERS SPK.	MOLEX	4	562507	562503						
C 564	L.H. MODESTY PANEL - MICRO	MOLEX	4	562507	562503						
C 565	R.H. MODESTY PANEL - MICRO	MOLEX	4	562507	562503						
C 566	L.H. CONSOLE - BOOM MICRO	MOLEX	4	562507	562503						
C 567	L.H. CONSOLE - DRIVERS MICRO	MOLEX	4	562507	562503						
C 568	SOUND SYS. JCT. PANEL - PASS. SPK	CINCH	4	562553	562552						
C 569	SOUND SYS. JCT. PANEL - POWER AMPLI.	MOLEX	9	562556	562555						
C 570	UNDER DASH PANEL TTLT	MOLEX	6	-----	562464						
C 571	UNDER DASH PANEL TTLT	MOLEX	20	-----	562778						
C 572	UNDER DASH PANEL TTLT	MOLEX	18	-----	562779						
C 573	UNDER DASH PANEL TTLT	MOLEX	8	-----	562465						
C 574	HAT -RACK FLUOR. INDIRECT LIGHTING	MOLEX	6	-----	562759						
C 575	HAT -RACK FLUOR. INSTATION LIGHT	MOLEX	4	562507	562503						
C 576	HAT -RACK FLUOR. INDIRECT LIGHTING	AMP MNL	3	561667	561550						
C 577	HAT -RACK FLUOR. INDIRECT LIGHTING	AMP MNL	3	561667	561550						
C 578	HAT -RACK FLUOR. INSTATION LIGHT	MOLEX	4	562507	562503						
C 579	L.H HAT RACK - VCP POWER	MOLEX	4	-----	563071						
C 580	RH DASH PANEL-HAT RACK FAN SW	EATON	8	-----	562763						
C 581	LH DASH PANEL - ELECTRICAL HORN	PED MP	2	-----	562777						
C 582	FRONT SERVICE CMPT. - WINDOWS AJAR	PED WP	2	561566	561690						
C 583	L.H. DASH PANEL - MASTER KEY	DEUTSCH	2	562486	562485						
C 584	FRONT SERVICE CMPT. - AIR HORH	HUMPHREY	3	-----	641385						
C 585											
C 586											

DIODES NUMBER CODE

No.	PAGE	AMP	#PREV.	LOCATION	FUNCTION	No.	PAGE	AMP	#PREV.	LOCATION	FUNCTION
D 1	13.1	3A	561740	RJB A/C JCT PANEL	LIQ. SOL. VALVE SUPPRESSOR	D 58	17	3A	561740	FR JCT BOX	RR HIGH BUOY - KNEELING
D 2	4.1	3A	561740	BATT. CPT.	EATON TRANSMISSION	D 59	13.2	3A	561740	RJB A/C JCT PANEL	A/C & HEAT BYPASS SWITCH
D 3	1.1	3A	561740	BATT. CPT.	24V DISC. CUT OUT RLY	D 60	13.2	3A	561740	RJB A/C JCT PANEL	A/C COMPR.CLUTCH SUPPRESSOR
D 4	9.2	3A	561740	FR JCT BOX	WARNING HAZARD-RH	D 61	9.2	3A	561740	FR JCT BOX	KNEELING SIDE FR RH DIRECTIONAL LT
D 5	9.2	3A	561740	FR JCT BOX	WARNING HAZARD-LH	D 62	13.2	3A	561740	RJB A/C JCT PANEL	WATER PUMP FEED
D 6	5	3A	561740	FR JCT BOX	WCL NEUT. SIGN INTERFACE TO PARK BRK TTLT	D 63	17	3A	561740	FR JCT BOX	LAVATORY SONALERT
D 7						D 64	17	3A	561740	FR JCT BOX	WCL DOOR ALARM
D 8						D 65	13.2	3A	561740	RJB A/C JCT PANEL	WATER PUMP - PRE-HEAT FEED
D 9	12	3A	561740	FR L.H. HAT-RACK	HOSTESS & PASSENGER CHIME	D 66	13.2	3A	561740	RJB A/C JCT PANEL	WATER VALVE - HEAT SW. FEED
D 10	9.1	3A	561740	FR JCT BOX	DAY-TIME RUN LIGHT -ENGINE NOT RUN	D 67	9.2	3A	561740	UNDER DASH	AUDIBLE FLASHER RLY - RH
D 11	17	3A	561740	RR JCT BOX	LAVATORY OCCUPIED SIGN	D 68	9.2	3A	561740	UNDER DASH	AUDIBLE FLASHER RLY - LH
D 12	17	3A	561740	RR JCT BOX	LAVATORY OCCUPIED SIGN	D 69					
D 13	17	3A	561740	FR DEST. SIGN	FR DESTINATION SIGN	D 70	18	3A	561740	FR JCT BOX	FR HIGH BUOY - KNEELING
D 14	17	3A	561740	FR DEST. SIGN	FR DESTINATION SIGN	D 71	18	3A	561740	FR JCT BOX	FR HIGH BUOY - KNEELING
D 15	18	3A	561740	FR JCT BOX	KNEELING SYSTEM CTR-UP	D 72	18	3A	561740	FR JCT BOX	FR HIGH BUOY - KNEELING
D 16	18	3A	561740	FR JCT BOX	KNEELING SYSTEM CTR-DOWN	D 73	18	3A	561740	FR JCT BOX	FR HIGH BUOY - KNEELING
D 17	9.2	3A	561740	FR JCT BOX	WARNING HAZARD-LH	D 74					
D 18	9.2	3A	561740	FR JCT BOX	WARNING HAZARD-RH	D 75	4	3A	381351	BAT CPT	STARTER-SUPPRESSOR COIL RLY
D 19	9	3A	561740	FR JCT BOX	DAYTIME RUN LTS-PARK BRK CALL SW.	D 76					
D 20	9	3A	561740	FR JCT BOX	DAYTIME RUN LTS-HEAD LT SW	D 77	18	3A	561740	FR JCT BOX	PARKING BRAKE - KNEELING
D 21	18	3A	561740	FR JCT BOX	KNEELING SYSTEM FEED BACK	D 78	26	3A	561740	LH CONSOLE	PRE-HEAT WATER HEATER SW.
D 22	4.2	3A	561740	FR JCT BOX	ALTERNATOR POWER IGNITION	D 79	26	3A	561740	LH CONSOLE	PRE-HEAT WATER HEATER SW.
D 23						D 80					
D 24						D 81	18	3A	561740	FR JCT BOX	PIEZO-KNEELING
D 25	11.1	3A	561740	FR JCT BOX	LUGGAGE DOOR AJAR T.T.LT.	D 82	18	3A	561740	FR JCT BOX	PIEZO-KNEELING
D 26	11.1	3A	561740	FR JCT BOX	LUGGAGE DOOR AJAR T.T.LT.	D 83	8	3A	561740	RR JCT BOX	FAN CLUTCH W/RETARDER
D 27	11.1	3A	561740	FR JCT BOX	LUGGAGE DOOR AJAR T.T.LT.	D 84	13.2	3A	561740	RJB A/C JCT PANEL	WATER VALVE
D 28	11.1	3A	561740	FR JCT BOX	LUGGAGE DOOR AJAR T.T.LT.	D 85	13.2	3A	561740	RJB A/C JCT PANEL	WATER PUMP
D 29	11.1	3A	561740	FR JCT BOX	LUGGAGE DOOR AJAR T.T.LT.	D 86	16	3A	561740	UNDER DASH RH	ENTRANCE DOOR SEDAN
D 30	11.1	3A	561740	FR JCT BOX	LUGGAGE DOOR AJAR T.T.LT.	D 87	16	3A	561740	UNDER DASH RH	ENTRANCE DOOR SEDAN
D 31						D 88	16	3A	561740	UNDER DASH RH	ENTRANCE DOOR SEDAN
D 32						D 89	16	3A	561740	UNDER DASH RH	ENTRANCE DOOR SEDAN
D 33						D 90	16	3A	561740	UNDER DASH RH	ENTRANCE DOOR SEDAN
D 34						D 91	16	3A	561740	UNDER DASH RH	ENTRANCE DOOR SEDAN
D 35	25	3A	561740	RR JCT BOX	WCL DOOR AJAR ALARM T.T.LT.	D F1	8.1	3A	561740	RR. JCT. BOX	FAN CLUTCH - SUPPRESSOR
D 36	11.4	3A	561740	RR JCT BOX	CHARGEUR 24V/110V	D F2	8.1	3A	561740	RR. JCT. BOX	FAN CLUTCH - SUPPRESSOR
D 37	11.4	3A	561740	RR JCT BOX	CHARGEUR 24V/110V						
D 38	11.4	3A	561740	RR JCT BOX	CHARGEUR 24V/110V						
D 39											
D 40											
D 41											
D 42											
D 43	10	3A	561740	LOWER WIPER MOT.	WIPER MOTOR SUPPRESSOR						
D 44	10	3A	561740	LOWER WIPER MOT.	WIPER MOTOR SUPPRESSOR						
D 45	10	3A	561740	UPPER WIPER MOT.	WIPER MOTOR SUPPRESSOR						
D 46											
D 47											
D 48											
D 49											
D 50											
D 51											
D 52											
D 53											
D 54											
D 55											
D 56											
D 57											

DIODES NUMBER CODE

No.	PAGE	AMP	#PREV.	LOCATION	FUNCTION	No.	PAGE	AMP	#PREV.	LOCATION	FUNCTION
D 1	13.1	3A	561740	RJB A/C JCT PANEL	LIQ. SOL. VALVE SUPPRESSOR	D 58	17	3A	561740	FR JCT BOX	RR HIGH BUOY - KNEELING
D 2	4.1	3A	561740	BATT. CPT.	EATON TRANSMISSION	D 59	13.2	3A	561740	RJB A/C JCT PANEL	A/C & HEAT BYPASS SWITCH
D 3	1.1	3A	561740	BATT. CPT.	24V DISC. CUT OUT RLY	D 60	13.2	3A	561740	RJB A/C JCT PANEL	A/C COMPR.CLUTCH SUPPRESSOR
D 4	9.2	3A	561740	FR JCT BOX	WARNING HAZARD-RH	D 61	9.2	3A	561740	FR JCT BOX	KNEELING SIDE FR RH DIRECTIONAL LT
D 5	9.2	3A	561740	FR JCT BOX	WARNING HAZARD-LH	D 62	13.2	3A	561740	RJB A/C JCT PANEL	WATER PUMP FEED
D 6	5	3A	561740	FR JCT BOX	WCL NEUT. SIGN INTERFACE TO PARK BRK TTLT	D 63	17	3A	561740	FR JCT BOX	LAVATORY SONALERT
D 7						D 64	17	3A	561740	FR JCT BOX	WCL DOOR ALARM
D 8	9.1	3A	561740	FR JCT BOX	HI/LO BEAMS	D 65	13.2	3A	561740	RJB A/C JCT PANEL	WATER PUMP - PRE-HEAT FEED
D 9	12	3A	561740	FR L.H. HAT-RACK	HOSTESS & PASSENGER CHIME	D 66	13.2	3A	561740	RJB A/C JCT PANEL	WATER VALVE - HEAT SW. FEED
D 10	9.1	3A	561740	FR JCT BOX	DAY-TIME RUN LIGHT -ENGINE NOT RUN	D 67	9.2	3A	561740	UNDER DASH	AUDIBLE FLASHER RLY - RH
D 11	17	3A	561740	RR JCT BOX	LAVATORY OCCUPIED SIGN	D 68	9.2	3A	561740	UNDER DASH	AUDIBLE FLASHER RLY - LH
D 12	17	3A	561740	RR JCT BOX	LAVATORY OCCUPIED SIGN	D 69					
D 13	17	3A	561740	FR DEST. SIGN	FR DESTINATION SIGN	D 70	18	3A	561740	FR JCT BOX	FR HIGH BUOY - KNEELING
D 14	17	3A	561740	FR DEST. SIGN	FR DESTINATION SIGN	D 71	18	3A	561740	FR JCT BOX	FR HIGH BUOY - KNEELING
D 15	18	3A	561740	FR JCT BOX	KNEELING SYSTEM CTR-UP	D 72	18	3A	561740	FR JCT BOX	FR HIGH BUOY - KNEELING
D 16	18	3A	561740	FR JCT BOX	KNEELING SYSTEM CTR-DOWN	D 73	18	3A	561740	FR JCT BOX	FR HIGH BUOY - KNEELING
D 17	9.2	3A	561740	FR JCT BOX	WARNING HAZARD-LH	D 74					
D 18	9.2	3A	561740	FR JCT BOX	WARNING HAZARD-RH	D 75	4	3A	381351	BAT CPT	STARTER-SUPPRESSOR COIL RLY
D 19	9	3A	561740	FR JCT BOX	DAYTIME RUN LTS-PARK BRK CALL SW.	D 76					
D 20	9	3A	561740	FR JCT BOX	DAYTIME RUN LTS-HEAD LT SW	D 77	18	3A	561740	FR JCT BOX	PARKING BRAKE - KNEELING
D 21	18	3A	561740	FR JCT BOX	KNEELING SYSTEM FEED BACK	D 78	26	3A	561740	LH CONSOLE	PRE-HEAT WATER HEATER SW.
D 22	4.2	3A	561740	FR JCT BOX	ALTERNATOR POWER IGNITION	D 79	26	3A	561740	LH CONSOLE	PRE-HEAT WATER HEATER SW.
D 23						D 80					
D 24						D 81	18	3A	561740	FR JCT BOX	PIEZO-KNEELING
D 25	11.1	3A	561740	FR JCT BOX	LUGGAGE DOOR AJAR T.T.LT.	D 82					
D 26	11.1	3A	561740	FR JCT BOX	LUGGAGE DOOR AJAR T.T.LT.	D 83	8	3A	561740	RR JCT BOX	FAN CLUTCH W/RETARDER
D 27	11.1	3A	561740	FR JCT BOX	LUGGAGE DOOR AJAR T.T.LT.	D 84	13.2	3A	561740	RJB A/C JCT PANEL	WATER VALVE
D 28	11.1	3A	561740	FR JCT BOX	LUGGAGE DOOR AJAR T.T.LT.	D 85	13.2	3A	561740	RJB A/C JCT PANEL	WATER PUMP
D 29	11.1	3A	561740	FR JCT BOX	LUGGAGE DOOR AJAR T.T.LT.	D 86	16	3A	561740	UNDER DASH RH	ENTRANCE DOOR SEDAN
D 30	11.1	3A	561740	FR JCT BOX	LUGGAGE DOOR AJAR T.T.LT.	D 87	16	3A	561740	UNDER DASH RH	ENTRANCE DOOR SEDAN
D 31						D 88	16	3A	561740	UNDER DASH RH	ENTRANCE DOOR SEDAN
D 32						D 89	16	3A	561740	UNDER DASH RH	ENTRANCE DOOR SEDAN
D 33						D 90	16	3A	561740	UNDER DASH RH	ENTRANCE DOOR SEDAN
D 34						D 91	16	3A	561740	UNDER DASH RH	ENTRANCE DOOR SEDAN
D 35	25	3A	561740	RR JCT BOX	WCL DOOR AJAR ALARM T.T.LT.	D F1	8.1	3A	561740	RR. JCT. BOX	FAN CLUTCH - SUPPRESSOR
D 36	11.4	3A	561740	RR JCT BOX	CHARGEUR 24V/110V	D F2	8.1	3A	561740	RR. JCT. BOX	FAN CLUTCH - SUPPRESSOR
D 37	11.4	3A	561740	RR JCT BOX	CHARGEUR 24V/110V						
D 38	11.4	3A	561740	RR JCT BOX	CHARGEUR 24V/110V						
D 39											
D 40											
D 41											
D 42											
D 43	10	3A	561740	LOWER WIPER MOT.	WIPER MOTOR SUPPRESSOR						
D 44	10	3A	561740	LOWER WIPER MOT.	WIPER MOTOR SUPPRESSOR						
D 45	10	3A	561740	UPPER WIPER MOT.	WIPER MOTOR SUPPRESSOR						
D 46	9.3	3A	561740	RR JCT BOX	PARK BRAKE STOP LIGHT						
D 47	9.3	3A	561740	RR JCT BOX	CYCLOP LTS						
D 48											
D 49											
D 50											
D 51											
D 52											
D 53											
D 54											
D 55											
D 56											
D 57											

DIODES NUMBER CODE

No.	PAGE	AMP	#PREV.	LOCATION	FUNCTION	No.	PAGE	AMP	#PREV.	LOCATION	FUNCTION
D 1	13.1	3A	561740	RJB A/C JCT PANEL	LIQ. SOL. VALVE SUPPRESSOR	D 58	17	3A	561740	FR JCT BOX	RR HIGH BUOY - KNEELING
D 2	4.1	3A	561740	BATT. CPT.	EATON TRANSMISSION	D 59	13.2	3A	561740	RJB A/C JCT PANEL	A/C & HEAT BYPASS SWITCH
D 3	1.1	3A	561740	BATT. CPT.	24V DISC. CUT OUT RLY	D 60	13.2	3A	561740	RJB A/C JCT PANEL	A/C COMPR.CLUTCH SUPPRESSOR
D 4	9.2	3A	561740	FR JCT BOX	WARNING HAZARD-RH	D 61	9.2	3A	561740	FR JCT BOX	KNEELING SIDE FR RH DIRECTIONAL LT
D 5	9.2	3A	561740	FR JCT BOX	WARNING HAZARD-LH	D 62	13.2	3A	561740	RJB A/C JCT PANEL	WATER PUMP FEED
D 6	5	3A	561740	FR JCT BOX	WCL NEUT. SIGN INTERFACE TO PARK BRK TTLT	D 63	17	3A	561740	FR JCT BOX	LAVATORY SONALERT
D 7						D 64	17	3A	561740	FR JCT BOX	WCL DOOR ALARM
D 8	9.1	3A	561740	FR JCT BOX	HI/LO BEAMS	D 65	13.2	3A	561740	RJB A/C JCT PANEL	WATER PUMP - PRE-HEAT FEED
D 9	12	3A	561740	FR L.H. HAT-RACK	HOSTESS & PASSENGER CHIME	D 66	13.2	3A	561740	RJB A/C JCT PANEL	WATER VALVE - HEAT SW. FEED
D 10	9.1	3A	561740	FR JCT BOX	DAY-TIME RUN LIGHT -ENGINE NOT RUN	D 67	9.2	3A	561740	UNDER DASH	AUDIBLE FLASHER RLY - RH
D 11	17	3A	561740	RR JCT BOX	LAVATORY OCCUPIED SIGN	D 68	9.2	3A	561740	UNDER DASH	AUDIBLE FLASHER RLY - LH
D 12	17	3A	561740	RR JCT BOX	LAVATORY OCCUPIED SIGN	D 69					
D 13	17	3A	561740	FR DEST. SIGN	FR DESTINATION SIGN	D 70	18	3A	561740	FR JCT BOX	FR HIGH BUOY - KNEELING
D 14	17	3A	561740	FR DEST. SIGN	FR DESTINATION SIGN	D 71	18	3A	561740	FR JCT BOX	FR HIGH BUOY - KNEELING
D 15	18	3A	561740	FR JCT BOX	KNEELING SYSTEM CTR-UP	D 72	18	3A	561740	FR JCT BOX	FR HIGH BUOY - KNEELING
D 16	18	3A	561740	FR JCT BOX	KNEELING SYSTEM CTR-DOWN	D 73	18	3A	561740	FR JCT BOX	FR HIGH BUOY - KNEELING
D 17	9.2	3A	561740	FR JCT BOX	WARNING HAZARD-LH	D 74					
D 18	9.2	3A	561740	FR JCT BOX	WARNING HAZARD-RH	D 75	4	3A	381351	BAT CPT	STARTER-SUPPRESSOR COIL RLY
D 19	9	3A	561740	FR JCT BOX	DAYTIME RUN LTS-PARK BRK CALL SW.	D 76					
D 20	9	3A	561740	FR JCT BOX	DAYTIME RUN LTS-HEAD LT SW	D 77	18	3A	561740	FR JCT BOX	PARKING BRAKE - KNEELING
D 21	18	3A	561740	FR JCT BOX	KNEELING SYSTEM FEED BACK	D 78	26	3A	561740	LH CONSOLE	PRE-HEAT WATER HEATER SW.
D 22	4.2	3A	561740	FR JCT BOX	ALTERNATOR POWER IGNITION	D 79	26	3A	561740	LH CONSOLE	PRE-HEAT WATER HEATER SW.
D 23						D 80					
D 24						D 81	18	3A	561740	FR JCT BOX	PIEZO-KNEELING
D 25	11.1	3A	561740	FR JCT BOX	LUGGAGE DOOR AJAR T.T.LT.	D 82					
D 26	11.1	3A	561740	FR JCT BOX	LUGGAGE DOOR AJAR T.T.LT.	D 83	8	3A	561740	RR JCT BOX	FAN CLUTCH W/RETARDER
D 27	11.1	3A	561740	FR JCT BOX	LUGGAGE DOOR AJAR T.T.LT.	D 84	13.2	3A	561740	RJB A/C JCT PANEL	WATER VALVE
D 28	11.1	3A	561740	FR JCT BOX	LUGGAGE DOOR AJAR T.T.LT.	D 85	13.2	3A	561740	RJB A/C JCT PANEL	WATER PUMP
D 29	11.1	3A	561740	FR JCT BOX	LUGGAGE DOOR AJAR T.T.LT.	D 86	16	3A	561740	UNDER DASH RH	ENTRANCE DOOR SEDAN
D 30	11.1	3A	561740	FR JCT BOX	LUGGAGE DOOR AJAR T.T.LT.	D 87	16	3A	561740	UNDER DASH RH	ENTRANCE DOOR SEDAN
D 31						D 88	16	3A	561740	UNDER DASH RH	ENTRANCE DOOR SEDAN
D 32						D 89	16	3A	561740	UNDER DASH RH	ENTRANCE DOOR SEDAN
D 33						D 90	16	3A	561740	UNDER DASH RH	ENTRANCE DOOR SEDAN
D 34						D 91	16	3A	561740	UNDER DASH RH	ENTRANCE DOOR SEDAN
D 35	25	3A	561740	RR JCT BOX	WCL DOOR AJAR ALARM T.T.LT.	D F1	8.1	3A	561740	RR. JCT. BOX	FAN CLUTCH - SUPPRESSOR
D 36	11.4	3A	561740	RR JCT BOX	CHARGEUR 24V/110V	D F2	8.1	3A	561740	RR. JCT. BOX	FAN CLUTCH - SUPPRESSOR
D 37	11.4	3A	561740	RR JCT BOX	CHARGEUR 24V/110V						
D 38	11.4	3A	561740	RR JCT BOX	CHARGEUR 24V/110V						
D 39											
D 40											
D 41											
D 42											
D 43	10	3A	561740	LOWER WIPER MOT.	WIPER MOTOR SUPPRESSOR						
D 44	10	3A	561740	LOWER WIPER MOT.	WIPER MOTOR SUPPRESSOR						
D 45	10	3A	561740	UPPER WIPER MOT.	WIPER MOTOR SUPPRESSOR						
D 46	9.3	3A	561740	RR JCT BOX	PARK BRAKE STOP LIGHT						
D 47	9.3	3A	561740	RR JCT BOX	CYCLOP LTS						
D 48											
D 49											
D 50											
D 51											
D 52											
D 53											
D 54											
D 55	25	3A	561740	RR JCT BOX	SHIFTER INHIBIT R109						
D 56											
D 57											

RELAYS NUMBER CODE

No.	PAGE	COIL V	#PREV.	LOCATION	FUNCTION	No.	PAGE	COIL V	#PREV.	LOCATION	FUNCTION
RF1	8.1	24V	561707	RR JCT BOX	FAN CLUTCH W/RET. SPEED 1	R 59	9.3	12V	562092	RR JCT BOX	DOCKING LTS
RF2	8.1	24V	561707	RR JCT BOX	FAN CLUTCH W/RET. SPEED 2	R 60					
RF3	8.1	24V	560772	RR JCT BOX	TIME DELAY	R 61	9.3	24V	561707	RR JCT BOX	STOP LTS-JACOB & RET. SIGNAL
RLA	16.1	24V	561707	UNDER DASH RH.	ENTRANCE DOOR SEDAN (LATCH)	R 62					
RLO	16.1	24V	561707	UNDER DASH RH.	ENTRANCE DOOR SEDAN (PRESS. SW.)	R 63					
RLT	16.1	24V	561707	UNDER DASH RH.	ENTRANCE DOOR SEDAN (LIGHT)	R 64					
RLV	16.1	24V	561707	UNDER DASH RH.	ENTRANCE DOOR SEDAN (VALVE)	R 65					
R 1	1.1	24V	561991	FR JCT BOX	ENGINE RUN (24) FR	R 66	20.3	24V	561707	SS JCT PANEL	SOUND SYSTEM VIDEO
R 2	2.1	24V	561991	BATT. CPT.	ENGINE RUN (12) FR & RR	R 67	20.1	12V	562092	SS JCT PANEL	SOUND SYSTEM RADIO
R 3						R 68	20.1	24V	561991	SS JCT PANEL	SOUND SYSTEM AMPLIFIER
R 4	4.1	24V	561005	BATT. CPT.	STARTING MOTOR	R 69					
R 5	5.1	24V	561707	FR JCT BOX	CRUISE CTR. STOP SIGN.	R 70					
R 6	9.3	24V	561707	RR JCT BOX	STOP LTS-PARKING BRAKE	R 71					
R 7	5.1	24V	561707	FR JCT BOX	FAST IDLE	R 72					
R 8						R 73					
R 9	9.3	24V	561707	RR JCT BOX	BACK-UP LTS	R 74					
R 10	4.1	12V	562092	BATT. CPT.	NEUTRAL SIGNAL EATON TRANSM.	R 75					
R 11						R 76					
R 12	7.2	12V	562092	FR JCT BOX	ELECTRICAL HORNS	R 77					
R 13	9.3	24V	561707	FR JCT BOX	FOG LTS	R 78	1.1	12V	562092	FR JCT BOX	MASTER SWITCH
R 14	9.1	24V	561707	FR JCT BOX	BLINKER	R 79	23	24V	561707	GALLEY CPT.	GALLEY-REFRIGERATOR
R 15	9.1	24V	561707	FR JCT BOX	FR MARKER LTS	R 80	11.1	24V	561707	RR JCT BOX	ENGINE COMPARTMENT LTS
R 16	9.1	24V	561707	FR JCT BOX	IDENT. & CLEARANCE LTS	R 81					
R 17	9.1	24V	561707	RR JCT BOX	TAIL,LICENCE,MARKER-RR LTS	R 82	19	24V	561707	FR JCT BOX	RETARDER WT
R 18	9.1	24V	561707	FR JCT BOX	D R L-PARK BRK CUT-OUT	R 83					
R 19	9.1	24V	561707	FR JCT BOX	HEADLAMPS (HI)	R 84	8	24V	561707	RR JCT BOX	FAN CLUTCH-FIRST SPEED
R 20	9.1	24V	561707	FR JCT BOX	HEADLAMPS (LO)	R 85	8	24V	561707	RR JCT BOX	FAN CLUTCH-SECOND SPEED
R 21	9.2	24V	561707	FR JCT BOX	L.H. DIRECTIONNAL LT	R 86					
R 22	4.1	24V	561707	BATT. CPT.	NEUTRAL SIGNAL EATON TRANSM.	R 87	19	24V	561707	RR JCT BOX	ENGINE BRAKE REQUEST WT
R 23	9.2	24V	561707	FR JCT BOX	R.H. DIRECTIONNAL LT	R 88					
R 24	9.2	24V	561707	FR JCT BOX	R.H. CORNERING LT	R 89	22	24V	561707	FR JCT BOX	HEATING WINDSHIELD
R 25	9.2	24V	561707	FR JCT BOX	L.H. CORNERING LT	R 90	22	24V	561707	FR JCT BOX	HEATING WINDSHIELD
R 26	9.3	24V	561707	RR JCT BOX	STOP LTS	R 91	22	24V	561707	FR JCT BOX	HEATING WINDSHIELD
R 27	11.2	24V	561707	RR JCT BOX	AISLE & EMERG.EXIT - LTS	R 92	22	24V	561707	FR JCT BOX	HEATING WINDSHIELD
R 28	11.2	24V	561707	FR JCT BOX	DASH LTS RHEOSTAT	R 93	26	24V	561707	RR JCT BOX	PRE-HEAT WATER HEATER (WEBASTO)
R 29	11.3	24V	561707	RR JCT BOX	READING LTS R.H.	R 94	25	24V	561707	RR JCT BOX	WCL - SYSTEM
R 30	11.3	24V	561707	RR JCT BOX	READING LTS L.H.	R 95	25	24V	561707	RR JCT BOX	WCL - MAGNETIC SW. SIGN.
R 31	11.3	24V	561707	RR JCT BOX	GENERAL LTS	R 96	25	24V	561707	RR JCT BOX	WCL - DOOR AJAR ALARM
R 32	11.4	24V	561707	RR JCT BOX	24V FLUORESCENT	R 97	25	24V	561707	RR JCT BOX	WCL - DOOR AJAR PARK. BRAKE
R 34	13.1	24V	561707	RJB A/C JCT PANEL	A/C LOGIC PANEL	R 98	25	24V	561707	RR JCT BOX	WCL -ALTERNATOR SIGNAL
R 35	13.2	24V	561707	RJB A/C JCT PANEL	WATER PUMP	R 99	8	24V	561707	RR JCT BOX	RADIATOR FAN CLUTCH
R 36	13.2	24V	561707	RJB A/C JCT PANEL	A/C COMPRESSOR CLUTCH	R 100					
R 37	9.2	24V	561707	FR JCT BOX	KNEELING LT	R 101				RR JCT BOX	FUEL FILTER HEATER
R 38	13.1	24V	561707	RJB A/C JCT PANEL	A/C LIQ. SOL. VALVE	R 102	17	24V	561707	RR JCT BOX	LAVATORY FLUORESCENT
R 39	13.1	24V	561005	BATT. CPT.	CONDENSER FAN MOTOR	R 103	13.3	24V	561707	RR JCT BOX	HAT-RACK FAN
R 40	13.1	24V	561014	BATT. CPT.	CONDENSER SPEED CTR HI	R 104	13.3	24V	561707	RR JCT BOX	HAT-RACK FAN - L.H.
R 41	13.1	24V	561005	BATT. CPT.	CONDENSER SPEED CTR HI	R 105	13.3	24V	561707	RR JCT BOX	HAT-RACK FAN - R.H.
R 42	6.3	12V	562092	BATT. CPT.	EATON TRANSM.	R 106	17.1	24V	561707	RR JCT BOX	LAVATORY FAN
R 43	18.1	24V	561707	FR JCT BOX	KNEELING SYSTEM	R 107					
R 44	18.1	24V	561707	FR JCT BOX	KNEELING SYSTEM	R 2010	26.2	24V	561230	WEBASTO PRE-HEAT	WEBASTO
R 45						RA1	4.2	24V	561707	RR JCT BOX	PRE-EXITATION RELAY BOSCH ALT.
R 46						RA2	4.2	24V	561707	RR JCT BOX	PRE-EXITATION RELAY BOSCH ALT.
R 47	23.1	24V	561707	GALLEY COMPT	GALLEY-LIQUID CONTAINERS	RA3	4.2	24V	561707	RR JCT BOX	ALT. 1 OR ALT.2 RUN RELAY
R 48	23.1	24V	561707	GALLEY COMPT	GALLEY-COFFEE MAKER	RA4	4.2	24V	561707	RR JCT BOX	ALT. 1 AND ALT. 2 RUN RELAY
R 49	21.1	24V	561707	FR JCT BOX	ABS - SERVICE BRK RLY	R PS	4.1SP1	24V	561707	FR JCT BOX	IDLE POWER SHUT DOWN
R 50						R TS	5.1SP1	24V	561707	FR JCT BOX	IDLE POWER SHUT DOWN
R 51	11.3	24V	562092	FR JCT BOX	DRIVER'S LTS RLY- ENT. DOOR SIGN.	V IMN	6	12V	562092	RR JCT BOX	VIM WORLD TR.-NEUTRAL SIGNAL
R 52	21.1	24V	561707	FR JCT BOX	ABS - W/TR SIGN. RETARDER	V IMR	6	12V	562092	RR JCT BOX	VIM WORLD TR.-BU SIGNAL
R 53	1.1	24V	561991	RR JCT BOX	ENGINE RUN (24) RR	V IM1	6	12V	562092	RR JCT BOX	VIM WORLD TR.-OUTPUT 1
R 54	1.1	24V	561991	BATT. CPT.	12V CUT OUT RLY RR	V IM2	6	12V	562092	RR JCT BOX	VIM WORLD TR.-OUTPUT 2 ENG. BRK DISABLE
R 55	1.1	24V	561991	BATT. CPT.	12V CUT OUT RLY FR	V IM3	6	12V	562092	RR JCT BOX	VIM WORLD TR.-OUTPUT 3 SPD SW. 5MPH NO NC
R 56	21.1				ATC LAMP	V IM4	6.1	12V	562092	RR JCT BOX	VIM WORLD TR.-OUTPUT4 RETARD. ON SIGNAL
R 57	9.1	24V	561707	FR JCT BOX	DAY'S BLINKER						
R 58	21.1	24V	561707	FR JCT BOX	ATC TAG AXLE BREAK						

RELAYS NUMBER CODE

No. PAGE COIL V #PREV. LOCATION FUNCTION

No. PAGE COIL V #PREV. LOCATION FUNCTION

RELAYS NUMBER CODE

No.	PAGE	COIL V	#PREV.	LOCATION	FUNCTION	No.	PAGE	COIL V	#PREV.	LOCATION	FUNCTION
RF1	8.1	24V	561707	RR JCT BOX	FAN CLUTCH W/RET. SPEED 1	R 59	9.3	12V	562092	RR JCT BOX	DOCKING LTS
RF2	8.1	24V	561707	RR JCT BOX	FAN CLUTCH W/RET. SPEED 2	R 60	13.4	24V	561707	EVAP CPT	EVAP FAN CONTROL SPEED 2
RF3	8.1	24V	560772	RR JCT BOX	TIME DELAY	R 61	9.3	24V	561707	RR JCT BOX	STOP LTS-JACOB & RET. SIGNAL
RLA	16.1	24V	561707	UNDER DASH RH.	ENTRANCE DOOR SEDAN (LATCH)	R 62	5.1	24V	561707	FR JCT BOX	DDEC PARKING BRAKE RELAY
RLO	16.1	24V	561707	UNDER DASH RH.	ENTRANCE DOOR SEDAN (PRESS. SW.)	R 63					
RLT	16.1	24V	561707	UNDER DASH RH.	ENTRANCE DOOR SEDAN (LIGHT)	R 64					
RLV	16.1	24V	561707	UNDER DASH RH.	ENTRANCE DOOR SEDAN (VALVE)	R 65					
R 1	1.1	24V	561991	FR JCT BOX	ENGINE RUN (24) FR	R 66	20.3	24V	561707	SS JCT PANEL	SOUND SYSTEM VIDEO
R 2	2.1	24V	561991	BATT. CPT.	ENGINE RUN (12) FR & RR	R 67	20.1	12V	562092	SS JCT PANEL	SOUND SYSTEM RADIO
R 3						R 68	20.1	24V	561991	SS JCT PANEL	SOUND SYSTEM AMPLIFIER
R 4	4.1	24V	561005	BATT. CPT.	STARTING MOTOR	R 69					
R 5	5.1	24V	561707	FR JCT BOX	CRUISE CTR. STOP SIGN.	R 70					
R 6	9.3	24V	561707	RR JCT BOX	STOP LTS-PARKING BRAKE	R 71					
R 7	5.1	24V	561707	FR JCT BOX	FAST IDLE	R 72					
R 8						R 73					
R 9	9.3	24V	561707	RR JCT BOX	BACK-UP LTS	R 74					
R 10	4.1	12V	562092	BATT. CPT.	NEUTRAL SIGNAL EATON TRANSM.	R 75					
R 11						R 76					
R 12	7.2	12V	562092	FR JCT BOX	ELECTRICAL HORNS	R 77					
R 13	9.3	24V	561707	FR JCT BOX	FOG LTS	R 78	1.1	12V	562092	FR JCT BOX	MASTER SWITCH
R 14	9.1	24V	561707	FR JCT BOX	BLINKER	R 79	23	24V	561707	GALLEY CPT.	GALLEY-REFRIGERATOR
R 15	9.1	24V	561707	FR JCT BOX	FR MARKER LTS	R 80	11.1	24V	561707	RR JCT BOX	ENGINE COMPARTMENT LTS
R 16	9.1	24V	561707	FR JCT BOX	IDENT. & CLEARANCE LTS	R 81					
R 17	9.1	24V	561707	RR JCT BOX	TAIL,LICENCE,MARKER-RR LTS	R 82	19	24V	561707	FR JCT BOX	RETARDER WT
R 18	9.1	24V	561707	FR JCT BOX	D R L-PARK BRK CUT-OUT	R 83					
R 19	9.1	24V	561707	FR JCT BOX	HEADLAMPS (HI)	R 84	8	24V	561707	RR JCT BOX	FAN CLUTCH-FIRST SPEED
R 20	9.1	24V	561707	FR JCT BOX	HEADLAMPS (LO)	R 85	8	24V	561707	RR JCT BOX	FAN CLUTCH-SECOND SPEED
R 21	9.2	24V	561707	FR JCT BOX	L.H. DIRECTIONNAL LT	R 86					
R 22	4.1	24V	561707	BATT. CPT.	NEUTRAL SIGNAL EATON TRANSM.	R 87	19	24V	561707	RR JCT BOX	ENGINE BRAKE REQUEST WT
R 23	9.2	24V	561707	FR JCT BOX	R.H. DIRECTIONNAL LT	R 88					
R 24	9.2	24V	561707	FR JCT BOX	R.H. CORNERING LT	R 89	22	24V	561707	FR JCT BOX	HEATING WINDSHIELD
R 25	9.2	24V	561707	FR JCT BOX	L.H. CORNERING LT	R 90	22	24V	561707	FR JCT BOX	HEATING WINDSHIELD
R 26	9.3	24V	561707	RR JCT BOX	STOP LTS	R 91	22	24V	561707	FR JCT BOX	HEATING WINDSHIELD
R 27	11.2	24V	561707	RR JCT BOX	AISLE & EMERG.EXIT - LTS	R 92	22	24V	561707	FR JCT BOX	HEATING WINDSHIELD
R 28	11.2	24V	561707	FR JCT BOX	DASH LTS RHEOSTAT	R 93	26	24V	561707	RR JCT BOX	PRE-HEAT WATER HEATER (WEBASTO)
R 29	11.3	24V	561707	RR JCT BOX	READING LTS R.H.	R 94	25	24V	561707	RR JCT BOX	WCL - SYSTEM
R 30	11.3	24V	561707	RR JCT BOX	READING LTS L.H.	R 95	25	24V	561707	RR JCT BOX	WCL - MAGNETIC SW. SIGN.
R 31	11.3	24V	561707	RR JCT BOX	GENERAL LTS	R 96	25	24V	561707	RR JCT BOX	WCL - DOOR AJAR ALARM
R 32	11.4	24V	561707	RR JCT BOX	24V FLUORESCENT	R 97	25	24V	561707	RR JCT BOX	WCL - DOOR AJAR PARK. BRAKE
R 34	13.1	24V	561707	RJB A/C JCT PANEL	A/C LOGIC PANEL	R 98	25	24V	561707	RR JCT BOX	WCL -ALTERNATOR SIGNAL
R 35	13.2	24V	561707	RJB A/C JCT PANEL	WATER PUMP	R 99	8	24V	561707	RR JCT BOX	RADIATOR FAN CLUTCH
R 36	13.2	24V	561707	RJB A/C JCT PANEL	A/C COMPRESSOR CLUTCH	R 100					
R 37	9.2	24V	561707	FR JCT BOX	KNEELING LT	R 101				RR JCT BOX	FUEL FILTER HEATER
R 38	13.1	24V	561707	RJB A/C JCT PANEL	A/C LIQ. SOL. VALVE	R 102	17	24V	561707	RR JCT BOX	LAVATORY FLUORESCENT
R 39	13.4	24V	561005	EVAP. CPT.	CONDENSER FAN MOTOR	R 103	13.3	24V	561707	RR JCT BOX	HAT-RACK FAN
R 40	13.4	24V	561014	EVAP. CPT.	CONDENSER SPEED CTR HI	R 104	13.3	24V	561707	RR JCT BOX	HAT-RACK FAN - L.H.
R 41	13.4	24V	561005	EVAP. CPT.	CONDENSER SPEED CTR HI	R 105	13.3	24V	561707	RR JCT BOX	HAT-RACK FAN - R.H.
R 42	6.3	12V	562092	BATT. CPT.	EATON TRANSM.	R 106	17.1	24V	561707	RR JCT BOX	LAVATORY FAN
R 43	18.1	24V	561707	FR JCT BOX	KNEELING SYSTEM	R 107					
R 44	18.1	24V	561707	FR JCT BOX	KNEELING SYSTEM	R 2010	26.2	24V	561230	WEBASTO PRE-HEAT	WEBASTO
R 45						RA1	4.2	24V	561707	RR JCT BOX	PRE-EXITATION RELAY BOSCH ALT.
R 46						RA2	4.2	24V	561707	RR JCT BOX	PRE-EXITATION RELAY BOSCH ALT.
R 47	23.1	24V	561707	GALLEY COMPT	GALLEY-LIQUID CONTAINERS	RA3	4.2	24V	561707	RR JCT BOX	ALT. 1 OR ALT.2 RUN RELAY
R 48	23.1	24V	561707	GALLEY COMPT	GALLEY-COFFEE MAKER	RA4	4.2	24V	561707	RR JCT BOX	ALT. 1 AND ALT. 2 RUN RELAY
R 49	21.1	24V	561707	FR JCT BOX	ABS - SERVICE BRK RLY	R PS	4.1SP1	24V	561707	FR JCT BOX	IDLE POWER SHUT DOWN
R 50	13.4	24V	561005	EVAP CPT	EVAP FAN MOTOR 1 ST SPEED	R TS	5.1SP1	24V	561707	FR JCT BOX	IDLE POWER SHUT DOWN
R 51	11.3	24V	562092	FR JCT BOX	DRIVER'S LTS RLY- ENT. DOOR SIGN.	V IMN	6	12V	562092	RR JCT BOX	VIM WORLD TR.-NEUTRAL SIGNAL
R 52	21.1	24V	561707	FR JCT BOX	ABS - W/TR SIGN. RETARDER	V IMR	6	12V	562092	RR JCT BOX	VIM WORLD TR.-BU SIGNAL
R 53	1.1	24V	561991	RR JCT BOX	ENGINE RUN (24) RR	V IM1	6	12V	562092	RR JCT BOX	VIM WORLD TR.-OUTPUT 1
R 54	1.1	24V	561991	BATT. CPT.	12V CUT OUT RLY RR	V IM2	6	12V	562092	RR JCT BOX	VIM WORLD TR.-OUTPUT 2 ENG. BRK DISABLE
R 55	1.1	24V	561991	BATT. CPT.	12V CUT OUT RLY FR	V IM3	6	12V	562092	RR JCT BOX	VIM WORLD TR.-OUTPUT 3 SPD SW. 5MPH NO NC
R 56	21.1				ATC LAMP	V IM4	6.1	12V	562092	RR JCT BOX	VIM WORLD TR.-OUTPUT4 RETARD. ON SIGNAL
R 57	9.1	24V	561707	FR JCT BOX	DAY'S BLINKER						
R 58	21.1	24V	561707	FR JCT BOX	ATC TAG AXLE BREAK						

RELAYS NUMBER CODE

No. PAGE COIL V #PREV. LOCATION FUNCTION

No. PAGE COIL V #PREV. LOCATION FUNCTION

RELAYS NUMBER CODE

No.	PAGE	COIL V	#PREV.	LOCATION	FUNCTION	No.	PAGE	COIL V	#PREV.	LOCATION	FUNCTION
RF1	8.1	24V	561707	RR JCT BOX	FAN CLUTCH W/RET. SPEED 1	R 59	9.3	12V	562092	RR JCT BOX	DOCKING LTS
RF2	8.1	24V	561707	RR JCT BOX	FAN CLUTCH W/RET. SPEED 2	R 60	13.4	24V	561707	EVAP CPT	EVAP FAN CONTROL SPEED 2
RF3	8.1	24V	560772	RR JCT BOX	TIME DELAY	R 61	9.3	24V	561707	RR JCT BOX	STOP LTS-JACOB & RET. SIGNAL
RLA	16.1	24V	561707	UNDER DASH RH.	ENTRANCE DOOR SEDAN (LATCH)	R 62	5.1	24V	561707	FR JCT BOX	DDEC PARKING BRAKE RELAY
RLO	16.1	24V	561707	UNDER DASH RH.	ENTRANCE DOOR SEDAN (PRESS. SW.)	R 63	13.4	24V	560772	EVAP. CPT.	TIME DELAY EVAP. FAN
RLT	16.1	24V	561707	UNDER DASH RH.	ENTRANCE DOOR SEDAN (LIGHT)	R 64					
RLV	16.1	24V	561707	UNDER DASH RH.	ENTRANCE DOOR SEDAN (VALVE)	R 65					
R 1	1.1	24V	561991	FR JCT BOX	ENGINE RUN (24) FR	R 66	20.3	24V	561707	SS JCT PANEL	SOUND SYSTEM VIDEO
R 2	2.1	24V	561991	BATT. CPT.	ENGINE RUN (12) FR & RR	R 67	20.1	12V	562092	SS JCT PANEL	SOUND SYSTEM RADIO
R 3						R 68	20.1	24V	561991	SS JCT PANEL	SOUND SYSTEM AMPLIFIER
R 4	4.1	24V	561005	BATT. CPT.	STARTING MOTOR	R 69					
R 5	5.1	24V	561707	FR JCT BOX	CRUISE CTR. STOP SIGN.	R 70					
R 6	9.3	24V	561707	RR JCT BOX	STOP LTS-PARKING BRAKE	R 71					
R 7	5.1	24V	561707	FR JCT BOX	FAST IDLE	R 72	23.1	24V	561005	LAST LUGG. CPT.	INVERTER CUT OFF
R 8						R 73	23.1SP	24V	561005	LAST LUGG. CPT.	INVERTER CUT OFF
R 9	9.3	24V	561707	RR JCT BOX	BACK-UP LTS	R 74					
R 10	4.1	12V	562092	BATT. CPT.	NEUTRAL SIGNAL EATON TRANSM.	R 75					
R 11						R 76					
R 12	7.2	12V	562092	FR JCT BOX	ELECTRICAL HORNS	R 77					
R 13	9.3	24V	561707	FR JCT BOX	FOG LTS	R 78	1.1	12V	562092	FR JCT BOX	MASTER SWITCH
R 14	9.1	24V	561707	FR JCT BOX	BLINKER	R 79	23	24V	561707	GALLEY CPT.	GALLEY-REFRIGERATOR
R 15	9.1	24V	561707	FR JCT BOX	FR MARKER LTS	R 80	11.1	24V	561707	RR JCT BOX	ENGINE COMPARTMENT LTS
R 16	9.1	24V	561707	FR JCT BOX	IDENT. & CLEARANCE LTS	R 81					
R 17	9.1	24V	561707	RR JCT BOX	TAIL,LICENCE,MARKER-RR LTS	R 82	19	24V	561707	FR JCT BOX	RETARDER WT
R 18	9.1	24V	561707	FR JCT BOX	D R L-PARK BRK CUT-OUT	R 83					
R 19	9.1	24V	561707	FR JCT BOX	HEADLAMPS (HI)	R 84	8	24V	561707	RR JCT BOX	FAN CLUTCH-FIRST SPEED
R 20	9.1	24V	561707	FR JCT BOX	HEADLAMPS (LO)	R 85	8	24V	561707	RR JCT BOX	FAN CLUTCH-SECOND SPEED
R 21	9.2	24V	561707	FR JCT BOX	L.H. DIRECTIONNAL LT	R 86					
R 22	4.1	24V	561707	BATT. CPT.	NEUTRAL SIGNAL EATON TRANSM.	R 87	19	24V	561707	RR JCT BOX	ENGINE BRAKE REQUEST WT
R 23	9.2	24V	561707	FR JCT BOX	R.H. DIRECTIONNAL LT	R 88					
R 24	9.2	24V	561707	FR JCT BOX	R.H. CORNERING LT	R 89					
R 25	9.2	24V	561707	FR JCT BOX	L.H. CORNERING LT	R 90	18.1	24V	561707	FR JCT BOX	KNEELING SYSTEM
R 26	9.3	24V	561707	RR JCT BOX	STOP LTS	R 91					
R 27	11.2	24V	561707	RR JCT BOX	AISLE & EMERG.EXIT - LTS	R 92					
R 28	11.2	24V	561707	FR JCT BOX	DASH LTS RHEOSTAT	R 93	26	24V	561707	RR JCT BOX	PRE-HEAT WATER HEATER (WEBASTO)
R 29	11.3	24V	561707	RR JCT BOX	READING LTS R.H.	R 94	25	24V	561707	RR JCT BOX	WCL - SYSTEM
R 30	11.3	24V	561707	RR JCT BOX	READING LTS L.H.	R 95	25	24V	561707	RR JCT BOX	WCL - MAGNETIC SW. SIGN.
R 31	11.3	24V	561707	RR JCT BOX	GENERAL LTS	R 96	25	24V	561707	RR JCT BOX	WCL - DOOR AJAR ALARM
R 32	11.4	24V	561707	RR JCT BOX	24V FLUORESCENT	R 97	25	24V	561707	RR JCT BOX	WCL - DOOR AJAR PARK. BRAKE
R 34	13.1	24V	561707	RJB A/C JCT PANEL	A/C LOGIC PANEL	R 98	25	24V	561707	RR JCT BOX	WCL -.ALTERNATOR SIGNAL
R 35	13.2	24V	561707	RJB A/C JCT PANEL	WATER PUMP	R 99	8	24V	561707	RR JCT BOX	RADIATOR FAN CLUTCH
R 36	13.2	24V	561707	RJB A/C JCT PANEL	A/C COMPRESSOR CLUTCH	R 100					
R 37	9.2	24V	561707	FR JCT BOX	KNEELING LT	R 101				RR JCT BOX	FUEL FILTER HEATER
R 38	13.1	24V	561707	RJB A/C JCT PANEL	A/C LIQ. SOL. VALVE	R 102	17	24V	561707	RR JCT BOX	LAVATORY FLUORESCENT
R 39	13.4	24V	561005	EVAP. CPT.	CONDENSER FAN MOTOR	R 103	13.3	24V	561707	RR JCT BOX	HAT-RACK FAN
R 40	13.4	24V	561014	EVAP. CPT.	CONDENSER SPEED CTR HI	R 104	13.3	24V	561707	RR JCT BOX	HAT-RACK FAN - L.H.
R 41	13.4	24V	561005	EVAP. CPT.	CONDENSER SPEED CTR HI	R 105	13.3	24V	561707	RR JCT BOX	HAT-RACK FAN - R.H.
R 42	6.3	12V	562092	BATT. CPT.	EATON TRANSM.	R 106	17.1	24V	561707	RR JCT BOX	LAVATORY FAN
R 43	18.1	24V	561707	FR JCT BOX	KNEELING SYSTEM	R 107					
R 44	18.1	24V	561707	FR JCT BOX	KNEELING SYSTEM	R 109	6.1	24V	561707	RR JCT BOX	TROTTLE INHIBIT
R 45						R 2010	26.2	24V	561230	WEBASTO PRE-HEAT	WEBASTO
R 46						RA1	4.2	24V	561707	RR JCT BOX	PRE-EXITATION RELAY BOSCH ALT.
R 47	23.1	24V	561707	GALLEY COMPT	GALLEY-LIQUID CONTAINERS	RA2	4.2	24V	561707	RR JCT BOX	PRE-EXITATION RELAY BOSCH ALT.
R 48	23.1	24V	561707	GALLEY COMPT	GALLEY-COFFEE MAKER	RA3	4.2	24V	561707	RR JCT BOX	ALT. 1 OR ALT.2 RUN RELAY
R 49	21.1	24V	561707	FR JCT BOX	ABS - SERVICE BRK RLY	RA4	4.2	24V	561707	RR JCT BOX	ALT. 1 AND ALT. 2 RUN RELAY
R 50	13.4	24V	561005	EVAP CPT	EVAP FAN MOTOR 1 ST SPEED	R PS	4.1SP1	24V	561707	FR JCT BOX	IDLE POWER SHUT DOWN
R 51	11.3	24V	562092	FR JCT BOX	DRIVER'S LTS RLY- ENT. DOOR SIGN.	R TS	5.1SP1	24V	561707	FR JCT BOX	IDLE POWER SHUT DOWN
R 52	21.1	24V	561707	FR JCT BOX	ABS - W/TR SIGN. RETARDER	V IMN	6	12V	562092	RR JCT BOX	VIM WORLD TR.-NEUTRAL SIGNAL
R 53	1.1	24V	561991	RR JCT BOX	ENGINE RUN (24) RR	V IMR	6	12V	562092	RR JCT BOX	VIM WORLD TR.-BU SIGNAL
R 54	1.1	24V	561991	BATT. CPT.	12V CUT OUT RLY RR	V IM1	6	12V	562092	RR JCT BOX	VIM WORLD TR.-OUTPUT 1
R 55	1.1	24V	561991	BATT. CPT.	12V CUT OUT RLY FR	V IM2	6	12V	562092	RR JCT BOX	VIM WORLD TR.-OUTPUT 2 ENG. BRK DISABLE
R 56	21.1				ATC LAMP	V IM3	6	12V	562092	RR JCT BOX	VIM WORLD TR.-OUTPUT 3 SPD SW. 5MPH NO NC
R 57	9.1	24V	561707	FR JCT BOX	DAY'S BLINKER	V IM4	6.1	12V	562092	RR JCT BOX	VIM WORLD TR.-OUTPUT4 RETARD. ON SIGNAL
R 58	21.1	24V	561707	FR JCT BOX	ATC TAG AXLE BREAK						

RELAYS NUMBER CODE

No. PAGE COIL V #PREV. LOCATION FUNCTION

No. PAGE COIL V #PREV. LOCATION FUNCTION

RELAYS NUMBER CODE

No.	PAGE	COIL V	#PREV.	LOCATION	FUNCTION	No.	PAGE	COIL V	#PREV.	LOCATION	FUNCTION
RF1	8.1	24V	561707	RR JCT BOX	FAN CLUTCH W/RET. SPEED 1	R 59	9.3	12V	562092	RR JCT BOX	DOCKING LTS
RF2	8.1	24V	561707	RR JCT BOX	FAN CLUTCH W/RET. SPEED 2	R 60	13.4	24V	561707	EVAP CPT	EVAP FAN CONTROL SPEED 2
RF3	8.1	24V	560772	RR JCT BOX	TIME DELAY	R 61	9.3	24V	561707	RR JCT BOX	STOP LTS-JACOB & RET. SIGNAL
RLA	16.1	24V	561707	UNDER DASH RH.	ENTRANCE DOOR SEDAN (LATCH)	R 62	5.1	24V	561707	FR JCT BOX	DDEC PARKING BRAKE RELAY
RLO	16.1	24V	561707	UNDER DASH RH.	ENTRANCE DOOR SEDAN (PRESS. SW.)	R 63	13.4	24V	560772	EVAP. CPT.	TIME DELAY EVAP. FAN
RLT	16.1	24V	561707	UNDER DASH RH.	ENTRANCE DOOR SEDAN (LIGHT)	R 64					
RLV	16.1	24V	561707	UNDER DASH RH.	ENTRANCE DOOR SEDAN (VALVE)	R 65					
R 1	1.1	24V	561991	FR JCT BOX	ENGINE RUN (24) FR	R 66	20.3	24V	561707	SS JCT PANEL	SOUND SYSTEM VIDEO
R 2	2.1	24V	561991	BATT. CPT.	ENGINE RUN (12) FR & RR	R 67	20.1	12V	562092	SS JCT PANEL	SOUND SYSTEM RADIO
R 3						R 68	20.1	24V	561991	SS JCT PANEL	SOUND SYSTEM AMPLIFIER
R 4	4.1	24V	561005	BATT. CPT.	STARTING MOTOR	R 69					
R 5	5.1	24V	561707	FR JCT BOX	CRUISE CTR. STOP SIGN.	R 70					
R 6	9.3	24V	561707	RR JCT BOX	STOP LTS-PARKING BRAKE	R 71					
R 7	5.1	24V	561707	FR JCT BOX	FAST IDLE	R 72	23.1	24V	561005	LAST LUGG. CPT.	INVERTER CUT OFF
R 8						R 73	23.1SP	24V	561005	LAST LUGG. CPT.	INVERTER CUT OFF
R 9	9.3	24V	561707	RR JCT BOX	BACK-UP LTS	R 74					
R 10	4.1	12V	562092	BATT. CPT.	NEUTRAL SIGNAL EATON TRANSM.	R 75					
R 11						R 76					
R 12	7.2	12V	562092	FR JCT BOX	ELECTRICAL HORNS	R 77					
R 13	9.3	24V	561707	FR JCT BOX	FOG LTS	R 78	1.1	12V	562092	FR JCT BOX	MASTER SWITCH
R 14	9.1	24V	561707	FR JCT BOX	BLINKER	R 79	23	24V	561707	GALLEY CPT.	GALLEY-REFRIGERATOR
R 15	9.1	24V	561707	FR JCT BOX	FR MARKER LTS	R 80	11.1	24V	561707	RR JCT BOX	ENGINE COMPARTMENT LTS
R 16	9.1	24V	561707	FR JCT BOX	IDENT. & CLEARANCE LTS	R 81					
R 17	9.1	24V	561707	RR JCT BOX	TAIL,LICENCE,MARKER-RR LTS	R 82	19	24V	561707	FR JCT BOX	RETARDER WT
R 18	9.1	24V	561707	FR JCT BOX	D R L-PARK BRK CUT-OUT	R 83					
R 19	9.1	24V	561707	FR JCT BOX	HEADLAMPS (HI)	R 84	8	24V	561707	RR JCT BOX	FAN CLUTCH-FIRST SPEED
R 20	9.1	24V	561707	FR JCT BOX	HEADLAMPS (LO)	R 85	8	24V	561707	RR JCT BOX	FAN CLUTCH-SECOND SPEED
R 21	9.2	24V	561707	FR JCT BOX	L.H. DIRECTIONAL LT	R 86					
R 22	4.1	24V	561707	BATT. CPT.	NEUTRAL SIGNAL EATON TRANSM.	R 87	19	24V	561707	RR JCT BOX	ENGINE BRAKE REQUEST WT
R 23	9.2	24V	561707	FR JCT BOX	R.H. DIRECTIONAL LT	R 88					
R 24	9.2	24V	561707	FR JCT BOX	R.H. CORNERING LT	R 89					
R 25	9.2	24V	561707	FR JCT BOX	L.H. CORNERING LT	R 90	18.1	24V	561707	FR JCT BOX	KNEELING SYSTEM
R 26	9.3	24V	561707	RR JCT BOX	STOP LTS	R 91					
R 27	11.2	24V	561707	RR JCT BOX	AISLE & EMERG.EXIT - LTS	R 92					
R 28	11.2	24V	561707	FR JCT BOX	DASH LTS RHEOSTAT	R 93	26	24V	561707	RR JCT BOX	PRE-HEAT WATER HEATER
R 29	11.3	24V	561707	RR JCT BOX	READING LTS R.H.	R 94	25	24V	561707	RR JCT BOX	WCL - SYSTEM
R 30	11.3	24V	561707	RR JCT BOX	READING LTS L.H.	R 95	25	24V	561707	RR JCT BOX	WCL - MAGNETIC SW. SIGN.
R 31	11.3	24V	561707	RR JCT BOX	GENERAL LTS	R 96	25	24V	561707	RR JCT BOX	WCL - DOOR AJAR ALARM
R 32	11.4	24V	561707	RR JCT BOX	24V FLUORESCENT	R 97	25	24V	561707	RR JCT BOX	WCL - DOOR AJAR PARK. BRAKE
R 34	13.1	24V	561707	RJB A/C JCT PANEL	A/C LOGIC PANEL	R 98	25	24V	561707	RR JCT BOX	WCL -ALTERNATOR SIGNAL
R 35	13.2	24V	561707	RJB A/C JCT PANEL	WATER PUMP	R 99	8	24V	561707	RR JCT BOX	RADIATOR FAN CLUTCH
R 36	13.2	24V	561707	RJB A/C JCT PANEL	A/C COMPRESSOR CLUTCH	R 100					
R 37	9.2	24V	561707	FR JCT BOX	KNEELING LT	R 101				RR JCT BOX	FUEL FILTER HEATER
R 38	13.1	24V	561707	RJB A/C JCT PANEL	A/C LIQ. SOL. VALVE	R 102	17	24V	561707	RR JCT BOX	LAVATORY FLUORESCENT
R 39	13.4	24V	561005	EVAP. CPT.	CONDENSER FAN MOTOR	R 103	13.3	24V	561707	RR JCT BOX	HAT-RACK FAN
R 40	13.4	24V	561014	EVAP. CPT.	CONDENSER SPEED CTR HI	R 104	13.3	24V	561707	RR JCT BOX	HAT-RACK FAN - L.H.
R 41	13.4	24V	561005	EVAP. CPT.	CONDENSER SPEED CTR HI	R 105	13.3	24V	561707	RR JCT BOX	HAT-RACK FAN - R.H.
R 42	6.3	12V	562092	BATT. CPT.	EATON TRANSM.	R 106	17.1	24V	561707	RR JCT BOX	LAVATORY FAN
R 43	18.1	24V	561707	FR JCT BOX	KNEELING SYSTEM	R 107					
R 44	18.1	24V	561707	FR JCT BOX	KNEELING SYSTEM	R 109	5.1	24V	561707	RR JCT BOX	THROTTLE INHIBIT
R 45						R 119	6.1SP2	24V	561707	RR JCT BOX	OPTION - PARKING BRAKE APPLIED
R 46						RA1	4.2	24V	561707	RR JCT BOX	PRE-EXITATION RELAY BOSCH ALT.
R 47	23.1	24V	561707	GALLEY COMPT	GALLEY-LIQUID CONTAINERS	RA2	4.2	24V	561707	RR JCT BOX	PRE-EXITATION RELAY BOSCH ALT.
R 48	23.1	24V	561707	GALLEY COMPT	GALLEY-COFFEE MAKER	RA3	4.2	24V	561707	RR JCT BOX	ALT. 1 OR ALT.2 RUN RELAY
R 49	21.1	24V	561707	FR JCT BOX	ABS - SERVICE BRK RLY	RA4	4.2	24V	561707	RR JCT BOX	ALT. 1 AND ALT. 2 RUN RELAY
R 50	13.4	24V	561005	EVAP CPT	EVAP FAN MOTOR 1 ST SPEED	R PS	4.1SP1	24V	561707	FR JCT BOX	IDLE POWER SHUT DOWN
R 51	11.3	24V	562092	FR JCT BOX	DRIVER'S LTS RLY- ENT. DOOR SIGN.	R TS	5.1SP1	24V	561707	FR JCT BOX	IDLE POWER SHUT DOWN
R 52	21.1	24V	561707	FR JCT BOX	ABS - W/TR SIGN. RETARDER	V IMN	6	12V	562092	RR JCT BOX	VIM WORLD TR.-NEUTRAL SIGNAL
R 53	1.1	24V	561991	RR JCT BOX	ENGINE RUN (24) RR	V IMR	6	12V	562092	RR JCT BOX	VIM WORLD TR.-BU SIGNAL
R 54	1.1	24V	561991	BATT. CPT.	12V CUT OUT RLY RR	V IM1	6	12V	562092	RR JCT BOX	VIM WORLD TR.-OUTPUT 1
R 55	1.1	24V	561991	BATT. CPT.	12V CUT OUT RLY FR	V IM2	6	12V	562092	RR JCT BOX	VIM WORLD TR.-OUTPUT 2 ENG. BRK DISABLE
R 56	21.1				ATC LAMP	V IM3	6	12V	562092	RR JCT BOX	VIM WORLD TR.-OUTPUT 3 SPD SW. 5MPH NO NC
R 57	9.1	24V	561707	FR JCT BOX	DAY'S BLINKER	V IM4	6.1	12V	562092	RR JCT BOX	VIM WORLD TR.-OUTPUT4 RETARD. ON SIGNAL
R 58	21.1	24V	561707	FR JCT BOX	ATC TAG AXLE BREAK						

RELAYS NUMBER CODE

No. PAGE COIL V #PREV. LOCATION FUNCTION

No. PAGE COIL V #PREV. LOCATION FUNCTION

RELAYS NUMBER CODE

No.	PAGE	COIL V	#PREV.	LOCATION	FUNCTION	No.	PAGE	COIL V	#PREV.	LOCATION	FUNCTION
RF1	8.1	24V	561707	RR JCT BOX	FAN CLUTCH W/RET. SPEED 1	R 59	9.3	12V	562092	RR JCT BOX	DOCKING LTS
RF2	8.1	24V	561707	RR JCT BOX	FAN CLUTCH W/RET. SPEED 2	R 60	13.4	24V	561707	EVAP CPT	EVAP FAN CONTROL SPEED 2
RF3	8.1	24V	560772	RR JCT BOX	TIME DELAY	R 61	9.3	24V	561707	RR JCT BOX	STOP LTS-JACOB & RET. SIGNAL
RLA	16.1	24V	561707	UNDER DASH RH.	ENTRANCE DOOR SEDAN (LATCH)	R 62	5.1	24V	561707	FR JCT BOX	DDEC PARKING BRAKE RELAY
RLO	16.1	24V	561707	UNDER DASH RH.	ENTRANCE DOOR SEDAN (PRESS. SW.)	R 63	13.4	24V	560772	EVAP. CPT.	TIME DELAY EVAP. FAN
RLT	16.1	24V	561707	UNDER DASH RH.	ENTRANCE DOOR SEDAN (LIGHT)	R 64					
RLV	16.1	24V	561707	UNDER DASH RH.	ENTRANCE DOOR SEDAN (VALVE)	R 65					
R 1	1.1	24V	561991	FR JCT BOX	ENGINE RUN (24) FR	R 66	20.3	24V	561707	SS JCT PANEL	SOUND SYSTEM VIDEO
R 2	2.1	24V	561991	BATT. CPT.	ENGINE RUN (12) FR & RR	R 67	20.1	12V	562092	SS JCT PANEL	SOUND SYSTEM RADIO
R 3						R 68	20.1	24V	561991	SS JCT PANEL	SOUND SYSTEM AMPLIFIER
R 4	4.1	24V	561005	BATT. CPT.	STARTING MOTOR	R 69					
R 5	5.1	24V	561707	FR JCT BOX	CRUISE CTR. STOP SIGN.	R 70					
R 6	9.3	24V	561707	RR JCT BOX	STOP LTS-PARKING BRAKE	R 71					
R 7	5.1	24V	561707	FR JCT BOX	FAST IDLE	R 72	23.1	24V	561005	LAST LUGG. CPT.	INVERTER CUT OFF
R 8						R 73	23.1SP	24V	561005	LAST LUGG. CPT.	INVERTER CUT OFF
R 9	9.3	24V	561707	RR JCT BOX	BACK-UP LTS	R 74					
R 10	4.1	12V	562092	BATT. CPT.	NEUTRAL SIGNAL EATON TRANSM.	R 75					
R 11						R 76					
R 12	7.2	12V	562092	FR JCT BOX	ELECTRICAL HORNS	R 77					
R 13	9.3	24V	561707	FR JCT BOX	FOG LTS	R 78	1.1	12V	562092	FR JCT BOX	MASTER SWITCH
R 14	9.1	24V	561707	FR JCT BOX	BLINKER	R 79	23	24V	561707	GALLEY CPT.	GALLEY-REFRIGERATOR
R 15	9.1	24V	561707	FR JCT BOX	FR MARKER LTS	R 80	11.1	24V	561707	RR JCT BOX	ENGINE COMPARTMENT LTS
R 16	9.1	24V	561707	FR JCT BOX	IDENT. & CLEARANCE LTS	R 81					
R 17	9.1	24V	561707	RR JCT BOX	TAIL,LICENCE,MARKER-RR LTS	R 82	19	24V	561707	FR JCT BOX	RETARDER WT
R 18	9.1	24V	561707	FR JCT BOX	D R L-PARK BRK CUT-OUT	R 83					
R 19	9.1	24V	561707	FR JCT BOX	HEADLAMPS (HI)	R 84	8	24V	561707	RR JCT BOX	FAN CLUTCH-FIRST SPEED
R 20	9.1	24V	561707	FR JCT BOX	HEADLAMPS (LO)	R 85	8	24V	561707	RR JCT BOX	FAN CLUTCH-SECOND SPEED
R 21	9.2	24V	561707	FR JCT BOX	L.H. DIRECTIONAL LT	R 86					
R 22	4.1	24V	561707	BATT. CPT.	NEUTRAL SIGNAL EATON TRANSM.	R 87	19	24V	561707	RR JCT BOX	ENGINE BRAKE REQUEST WT
R 23	9.2	24V	561707	FR JCT BOX	R.H. DIRECTIONAL LT	R 88					
R 24	9.2	24V	561707	FR JCT BOX	R.H. CORNERING LT	R 89					
R 25	9.2	24V	561707	FR JCT BOX	L.H. CORNERING LT	R 90	18.1	24V	561707	FR JCT BOX	KNEELING SYSTEM
R 26	9.3	24V	561707	RR JCT BOX	STOP LTS	R 91					
R 27	11.2	24V	561707	RR JCT BOX	AISLE & EMERG.EXIT - LTS	R 92					
R 28	11.2	24V	561707	FR JCT BOX	DASH LTS RHEOSTAT	R 93	26	24V	561707	RR JCT BOX	PRE-HEAT WATER HEATER
R 29	11.3	24V	561707	RR JCT BOX	READING LTS R.H.	R 94	25	24V	561707	RR JCT BOX	WCL - SYSTEM
R 30	11.3	24V	561707	RR JCT BOX	READING LTS L.H.	R 95	25	24V	561707	RR JCT BOX	WCL - MAGNETIC SW. SIGN.
R 31	11.3	24V	561707	RR JCT BOX	GENERAL LTS	R 96	25	24V	561707	RR JCT BOX	WCL - DOOR AJAR ALARM
R 32	11.4	24V	561707	RR JCT BOX	24V FLUORESCENT	R 97	25	24V	561707	RR JCT BOX	WCL - DOOR AJAR PARK. BRAKE
R 34	13.1	24V	561707	RJB A/C JCT PANEL	A/C LOGIC PANEL	R 98	25	24V	561707	RR JCT BOX	WCL -ALTERNATOR SIGNAL
R 35	13.2	24V	561707	RJB A/C JCT PANEL	WATER PUMP	R 99	8	24V	561707	RR JCT BOX	RADIATOR FAN CLUTCH
R 36	13.2	24V	561707	RJB A/C JCT PANEL	A/C COMPRESSOR CLUTCH	R 100					
R 37	9.2	24V	561707	FR JCT BOX	KNEELING LT	R 101				RR JCT BOX	FUEL FILTER HEATER
R 38	13.1	24V	561707	RJB A/C JCT PANEL	A/C LIQ. SOL. VALVE	R 102	17	24V	561707	RR JCT BOX	LAVATORY FLUORESCENT
R 39	13.4	24V	561005	EVAP. CPT.	CONDENSER FAN MOTOR	R 103	13.3	24V	561707	RR JCT BOX	HAT-RACK FAN
R 40	13.4	24V	561014	EVAP. CPT.	CONDENSER SPEED CTR HI	R 104	13.3	24V	561707	RR JCT BOX	HAT-RACK FAN - L.H.
R 41	13.4	24V	561005	EVAP. CPT.	CONDENSER SPEED CTR HI	R 105	13.3	24V	561707	RR JCT BOX	HAT-RACK FAN - R.H.
R 42	6.3	12V	562092	BATT. CPT.	EATON TRANSM.	R 106	17.1	24V	561707	RR JCT BOX	LAVATORY FAN
R 43	18.1	24V	561707	FR JCT BOX	KNEELING SYSTEM	R 107					
R 44	18.1	24V	561707	FR JCT BOX	KNEELING SYSTEM	R 109	5.1	24V	561707	RR JCT BOX	THROTTLE INHIBIT
R 45						R 119	6.1SP2	24V	561707	RR JCT BOX	OPTION - PARKING BRAKE APPLIED
R 46						RA1	4.2	24V	561707	RR JCT BOX	PRE-EXITATION RELAY BOSCH ALT.
R 47	23.1	24V	561707	GALLEY COMPT	GALLEY-LIQUID CONTAINERS	RA2	4.2	24V	561707	RR JCT BOX	PRE-EXITATION RELAY BOSCH ALT.
R 48	23.1	24V	561707	GALLEY COMPT	GALLEY-COFFEE MAKER	RA3	4.2	24V	561707	RR JCT BOX	ALT. 1 OR ALT.2 RUN RELAY
R 49	21.1	12V	562092	FR JCT BOX	ABS - SERVICE BRK RLY	RA4	4.2	24V	561707	RR JCT BOX	ALT. 1 AND ALT. 2 RUN RELAY
R 50	13.4	24V	561005	EVAP CPT	EVAP FAN MOTOR 1 ST SPEED	R PS	4.1SP1	24V	561707	FR JCT BOX	IDLE POWER SHUT DOWN
R 51	11.3	24V	562092	FR JCT BOX	DRIVER'S LTS RLY- ENT. DOOR SIGN.	R TS	5.1SP1	24V	561707	FR JCT BOX	IDLE POWER SHUT DOWN
R 52	21.1	12V	562092	FR JCT BOX	ABS - W/TR SIGN. RETARDER	V IMN	6	12V	562092	RR JCT BOX	VIM WORLD TR.-NEUTRAL SIGNAL
R 53	1.1	24V	561991	RR JCT BOX	ENGINE RUN (24) RR	V IMR	6	12V	562092	RR JCT BOX	VIM WORLD TR.-BU SIGNAL
R 54	1.1	24V	561991	BATT. CPT.	12V CUT OUT RLY RR	V IM1	6	12V	562092	RR JCT BOX	VIM WORLD TR.-OUTPUT 1
R 55	1.1	24V	561991	BATT. CPT.	12V CUT OUT RLY FR	V IM2	6	12V	562092	RR JCT BOX	VIM WORLD TR.-OUTPUT 2 ENG. BRK DISABLE
R 56	21.1				ATC LAMP	V IM3	6	12V	562092	RR JCT BOX	VIM WORLD TR.-OUTPUT 3 SPD SW. 5MPH NO NC
R 57	9.1	24V	561707	FR JCT BOX	DAY'S BLINKER	V IM4	6.1	12V	562092	RR JCT BOX	VIM WORLD TR.-OUTPUT4 RETARD. ON SIGNAL
R 58	21.1	12V	562092	FR JCT BOX	ATC TAG AXLE BREAK						

RELAYS NUMBER CODE

No. PAGE COIL V #PREV. LOCATION FUNCTION

No. PAGE COIL V #PREV. LOCATION FUNCTION

RELAYS NUMBER CODE

No.	PAGE	COIL V	#PREV.	LOCATION	FUNCTION	No.	PAGE	COIL V	#PREV.	LOCATION	FUNCTION
RF1	8.1	24V	561707	RR JCT BOX	FAN CLUTCH W/RET. SPEED 1	R 59	9.3	12V	562092	RR JCT BOX	DOCKING LTS
RF2	8.1	24V	561707	RR JCT BOX	FAN CLUTCH W/RET. SPEED 2	R 60	13.4	24V	561707	EVAP CPT	EVAP FAN CONTROL SPEED 2
RF3	8.1	24V	560772	RR JCT BOX	TIME DELAY	R 61	9.3	24V	561707	RR JCT BOX	STOP LTS-JACOB & RET. SIGNAL
RLA	16.1	24V	561707	UNDER DASH RH.	ENTRANCE DOOR SEDAN (LATCH)	R 62	5.1	24V	561707	FR JCT BOX	DDEC PARKING BRAKE RELAY
RLO	16.1	24V	561707	UNDER DASH RH.	ENTRANCE DOOR SEDAN (PRESS. SW.)	R 63	13.4	24V	560772	EVAP. CPT.	TIME DELAY EVAP. FAN
RLT	16.1	24V	561707	UNDER DASH RH.	ENTRANCE DOOR SEDAN (LIGHT)	R 64					
RLV	16.1	24V	561707	UNDER DASH RH.	ENTRANCE DOOR SEDAN (VALVE)	R 65					
R 1	1.1	24V	561991	FR JCT BOX	ENGINE RUN (24) FR	R 66	20.3	24V	561707	SS JCT PANEL	SOUND SYSTEM VIDEO
R 2	2.1	24V	561991	BATT. CPT.	ENGINE RUN (12) FR & RR	R 67	20.1	12V	562092	SS JCT PANEL	SOUND SYSTEM RADIO
R 3						R 68	20.1	24V	561991	SS JCT PANEL	SOUND SYSTEM AMPLIFIER
R 4	4.1	24V	561005	BATT. CPT.	STARTING MOTOR	R 69					
R 5	5.1	24V	561707	FR JCT BOX	CRUISE CTR. STOP SIGN.	R 70					
R 6	9.3	24V	561707	RR JCT BOX	STOP LTS-PARKING BRAKE	R 71					
R 7	5.1	24V	561707	FR JCT BOX	FAST IDLE	R 72	23.1	24V	561005	LAST LUGG. CPT.	INVERTER CUT OFF
R 8						R 73	23.1SP	24V	561005	LAST LUGG. CPT.	INVERTER CUT OFF
R 9	9.3	24V	561707	RR JCT BOX	BACK-UP LTS	R 74					
R 10	4.1	12V	562092	BATT. CPT.	NEUTRAL SIGNAL EATON TRANSM.	R 75					
R 11						R 76					
R 12	7.2	12V	562092	FR JCT BOX	ELECTRICAL HORNS	R 77					
R 13	9.3	24V	561707	FR JCT BOX	FOG LTS	R 78	1.1	12V	562092	FR JCT BOX	MASTER SWITCH
R 14	9.1	24V	561707	FR JCT BOX	BLINKER	R 79	23	24V	561707	GALLEY CPT.	GALLEY-REFRIGERATOR
R 15	9.1	24V	561707	FR JCT BOX	FR MARKER LTS	R 80	11.1	24V	561707	RR JCT BOX	ENGINE COMPARTMENT LTS
R 16	9.1	24V	561707	FR JCT BOX	IDENT. & CLEARANCE LTS	R 81	17.1	24V	561707	LAVATORY SW.	LAVATORY TIMER PUMP
R 17	9.1	24V	561707	RR JCT BOX	TAIL,LICENCE,MARKER-RR LTS	R 82	19	24V	561707	FR JCT BOX	RETARDER WT
R 18	9.1	24V	561707	FR JCT BOX	D R L-PARK BRK CUT-OUT	R 83					
R 19	9.1	24V	561707	FR JCT BOX	HEADLAMPS (HI)	R 84	8	24V	561707	RR JCT BOX	FAN CLUTCH-FIRST SPEED
R 20	9.1	24V	561707	FR JCT BOX	HEADLAMPS (LO)	R 85	8	24V	561707	RR JCT BOX	FAN CLUTCH-SECOND SPEED
R 21	9.2	24V	561707	FR JCT BOX	L.H. DIRECTIONNAL LT	R 86					
R 22	4.1	24V	561707	BATT. CPT	NEUTRAL SIGNAL EATON TRANSM.	R 87	19	24V	561707	RR JCT BOX	ENGINE BRAKE REQUEST WT
R 23	9.2	24V	561707	FR JCT BOX	R.H. DIRECTIONNAL LT	R 88					
R 24	9.2	24V	561707	FR JCT BOX	R.H. CORNERING LT	R 89					
R 25	9.2	24V	561707	FR JCT BOX	L.H. CORNERING LT	R 90	18.1	24V	561707	FR JCT BOX	KNEELING SYSTEM
R 26	9.3	24V	561707	RR JCT BOX	STOP LTS	R 91					
R 27	11.2	24V	561707	RR JCT BOX	AISLE & EMERG.EXIT - LTS	R 92					
R 28	11.2	24V	561707	FR JCT BOX	DASH LTS RHEOSTAT	R 93	26	24V	561707	RR JCT BOX	PRE-HEAT WATER HEATER
R 29	11.3	24V	561707	RR JCT BOX	READING LTS R.H.	R 94	25	24V	561707	RR JCT BOX	WCL - SYSTEM
R 30	11.3	24V	561707	RR JCT BOX	READING LTS L.H.	R 95	25	24V	561707	RR JCT BOX	WCL - MAGNETIC SW. SIGN.
R 31	11.3	24V	561707	RR JCT BOX	GENERAL LTS	R 96	25	24V	561707	RR JCT BOX	WCL - DOOR AJAR ALARM
R 32	11.4	24V	561707	RR JCT BOX	24V FLUORESCENT	R 97	25	24V	561707	RR JCT BOX	WCL - DOOR AJAR PARK. BRAKE
R 34	13.1	24V	561707	RJB A/C JCT PANEL	A/C LOGIC PANEL	R 98	25	24V	561707	RR JCT BOX	WCL -ALTERNATOR SIGNAL
R 35	13.2	24V	561707	RJB A/C JCT PANEL	WATER PUMP	R 99	8	24V	561707	RR JCT BOX	RADIATOR FAN CLUTCH
R 36	13.2	24V	561707	RJB A/C JCT PANEL	A/C COMPRESSOR CLUTCH	R 100					
R 37	9.2	24V	561707	FR JCT BOX	KNEELING LT	R 101				RR JCT BOX	FUEL FILTER HEATER
R 38	13.1	24V	561707	RJB A/C JCT PANEL	A/C LIQ. SOL. VALVE	R 102	17	24V	561707	RR JCT BOX	LAVATORY FLUORESCENT
R 39	13.4	24V	561005	EVAP. CPT.	CONDENSER FAN MOTOR	R 103	13.3	24V	561707	RR JCT BOX	HAT-RACK FAN
R 40	13.4	24V	561014	EVAP. CPT.	CONDENSER SPEED CTR HI	R 104	13.3	24V	561707	RR JCT BOX	HAT-RACK FAN - L.H.
R 41	13.4	24V	561005	EVAP. CPT.	CONDENSER SPEED CTR HI	R 105	13.3	24V	561707	RR JCT BOX	HAT-RACK FAN - R.H.
R 42	6.3	12V	562092	BATT. CPT	EATON TRANSM.	R 106	17.1	24V	561707	RR JCT BOX	LAVATORY FAN
R 43	18.1	24V	561707	FR JCT BOX	KNEELING SYSTEM	R 107					
R 44	18.1	24V	561707	FR JCT BOX	KNEELING SYSTEM	R 109	5.1	24V	561707	RR JCT BOX	THROTTLE INHIBIT
R 45						R 119	6.1SP2	24V	561707	RR JCT BOX	OPTION - PARKING BRAKE APPLIED
R 46						RA1	4.2	24V	561707	RR JCT BOX	PRE-EXITATION RELAY BOSCH ALT.
R 47	23.1	24V	561707	GALLEY COMPT	GALLEY-LIQUID CONTAINERS	RA2	4.2	24V	561707	RR JCT BOX	PRE-EXITATION RELAY BOSCH ALT.
R 48	23.1	24V	561707	GALLEY COMPT	GALLEY-COFFEE MAKER	RA3	4.2	24V	561707	RR JCT BOX	ALT. 1 OR ALT.2 RUN RELAY
R 49	21.1	12V	562092	FR JCT BOX	ABS - SERVICE BRK RLY	RA4	4.2	24V	561707	RR JCT BOX	ALT. 1 AND ALT. 2 RUN RELAY
R 50	13.4	24V	561005	EVAP CPT	EVAP FAN MOTOR 1 ST SPEED	R PS	4.1SP1	24V	561707	FR JCT BOX	IDLE POWER SHUT DOWN
R 51	11.3	24V	562092	FR JCT BOX	DRIVER'S LTS RLY- ENT. DOOR SIGN.	R TS	5.1SP1	24V	561707	FR JCT BOX	IDLE POWER SHUT DOWN
R 52	21.1	12V	562092	FR JCT BOX	ABS - W/TR SIGN. RETARDER	V IMN	6	12V	562092	RR JCT BOX	VIM WORLD TR.-NEUTRAL SIGNAL
R 53	1.1	24V	561991	RR JCT BOX	ENGINE RUN (24) RR	V IMR	6	12V	562092	RR JCT BOX	VIM WORLD TR.-BU SIGNAL
R 54	1.1	24V	561991	BATT. CPT.	12V CUT OUT RLY RR	V IM1	6	12V	562092	RR JCT BOX	VIM WORLD TR.-OUTPUT 1
R 55	1.1	24V	561991	BATT. CPT.	12V CUT OUT RLY FR	V IM2	6	12V	562092	RR JCT BOX	VIM WORLD TR.-OUTPUT 2 ENG. BRK DISABLE
R 56	21.1				ATC LAMP	V IM3	6	12V	562092	RR JCT BOX	VIM WORLD TR.-OUTPUT 3 SPD SW. 5MPH NO NC
R 57	9.1	24V	561707	FR JCT BOX	DAY'S BLINKER	V IM4	6.1	12V	562092	RR JCT BOX	VIM WORLD TR.-OUTPUT4 RETARD. ON SIGNAL
R 58	21.1	12V	562092	FR JCT BOX	ATC TAG AXLE BREAK						

RELAYS NUMBER CODE

No. PAGE COIL V #PREV. LOCATION FUNCTION

No. PAGE COIL V #PREV. LOCATION FUNCTION

RESISTORS NUMBER CODE

No.	PAGE	OHM(S)	#PREV.	LOCATION	FUNCTION
RS 1	5	11 K	561898	FR JCT BOX	FAST IDLE DDEC CONTROL
RS 2	5	3.6 K	561897	FR JCT BOX	FAST IDLE DDEC CONTROL
RS 3	9.3	1 (2)	561537	FR JCT BOX	FOG LT - RH
RS 4	9.3	1 (2)	561537	FR JCT BOX	FOG LT - LH
RS 5	9.2	1 (2)	061976	FR JCT BOX	CORNERING LT - LH
RS 6	16.1	5	563006	RH UNDER DASH	VOLTAGE DIV. OPEN DOOR SOL.
RS 7	9.3	.82 (2)	060806	RR JCT BOX	PARKING BRAKE STOP LTS
RS 8	9.2	1 (2)	061976	FR JCT BOX	CORNERING LT - RH
RS 11	22	12	561191	FR TOP	DEFROSTER SPEED
RS 12	22	12	561191	FR TOP	DEFROSTER SPEED
RS 13	17	80 (2)	562108	FR TOP	FR DESTINATION SIGN
RS 9	9.3	1 (2)	061976	RR JCT BOX	DOCKING LT - RH
RS 10	9.3	1 (2)	061976	RR JCT BOX	DOCKING LT - LH
RS 17	7	220	562498	FR JCT BOX	FIRE ALARM
RS 18	8	75 K	064208	RR JCT BOX	FAN CLUTCH W/RETARDER
RS 20	15	1 K	562470	RR JCT BOX	WORLD TR. SPEED TO DDEC III
RS 21	22	15K	562908	DASH	CURRENT LIMIT FOR LED
RS 24	9.1	1.5K	562908	DASH	CURRENT LIMIT FOR LED
RS 25	9.3	1.5K	562908	DASH	CURRENT LIMIT FOR LED
RS 26	10	1.5K	562908	DASH	CURRENT LIMIT FOR LED
RS 28	26.1	1.5K	562908	DASH	CURRENT LIMIT FOR LED
RS 29	23.1	1.5K	562908	GALLEY	CURRENT LIMIT FOR LED
RS 30	23.1	1.5K	562908	GALLEY	CURRENT LIMIT FOR LED
RS 31	23.1	1.5K	562908	GALLEY	CURRENT LIMIT FOR LED
RS 32	13.3	1.5K	562908	DASH	CURRENT LIMIT FOR LED
RS 33	4.2	30	562948	RR JCT BOX	CURRENT LOAD FOR RELAY CONTACT
RS 33	23.1	1.5K	562908	GALLEY	CURRENT LIMIT FOR LED
RS 34	23.1	1.5K	562908	GALLEY	CURRENT LIMIT FOR LED
RS 35	23.1	1.5K	562908	GALLEY	CURRENT LIMIT FOR LED
RS 36	13.1	10	064907	BATT. COMPT.	CURRENT LIMIT FOR RELAY
RS 37	13.1	5	064907	BATT. COMPT.	CURRENT LIMIT FOR RELAY

RESISTORS NUMBER CODE

No.	PAGE	OHM(S)	#PREV.	LOCATION	FUNCTION
RS 1	5	11 K	561898	FR JCT BOX	FAST IDLE DDEC CONTROL
RS 2	5	3.6 K	561897	FR JCT BOX	FAST IDLE DDEC CONTROL
RS 3	9.3	1 (2)	561537	FR JCT BOX	FOG LT - RH
RS 4	9.3	1 (2)	561537	FR JCT BOX	FOG LT - LH
RS 5	9.2	1 (2)	061976	FR JCT BOX	CORNERING LT - LH
RS 6	16.1	5	563006	RH UNDER DASH	VOLTAGE DIV. OPEN DOOR SOL.
RS 7	9.3	.82 (2)	060806	RR JCT BOX	PARKING BRAKE STOP LTS
RS 8	9.2	1 (2)	061976	FR JCT BOX	CORNERING LT - RH
RS 9	9.3	1 (2)	061976	RR JCT BOX	DOCKING LT - RH
RS 10	9.3	1 (2)	061976	RR JCT BOX	DOCKING LT - LH
RS 11	22	12	561191	FR TOP	DEFROSTER SPEED
RS 12	22	12	561191	FR TOP	DEFROSTER SPEED
RS 13	17	80 (2)	562108	FR TOP	FR DESTINATION SIGN
RS 14	21.1	1K	562470	FR. SERV. CPT.	ABS
RS 15					
RS 16					
RS 17	7	220	562498	FR JCT BOX	FIRE ALARM
RS 18	8	75 K	064208	RR JCT BOX	FAN CLUTCH W/RETARDER
RS 20	15	1 K	562470	RR JCT BOX	WORLD TR. SPEED TO DDEC III
RS 21	22	15K	562908	DASH	CURRENT LIMIT FOR LED
RS 24	9.1	1.5K	562908	DASH	CURRENT LIMIT FOR LED
RS 25	9.3	1.5K	562908	DASH	CURRENT LIMIT FOR LED
RS 26	10	1.5K	562908	DASH	CURRENT LIMIT FOR LED
RS 28	26.1	1.5K	562908	DASH	CURRENT LIMIT FOR LED
RS 29	23.1	1.5K	562908	GALLEY	CURRENT LIMIT FOR LED
RS 30	23.1	1.5K	562908	GALLEY	CURRENT LIMIT FOR LED
RS 31	23.1	1.5K	562908	GALLEY	CURRENT LIMIT FOR LED
RS 32	13.3	1.5K	562908	DASH	CURRENT LIMIT FOR LED
RS 33	4.2	30	562948	RR JCT BOX	CURRENT LOAD FOR RELAY CONTACT
RS 33	23.1	1.5K	562908	GALLEY	CURRENT LIMIT FOR LED
RS 34	23.1	1.5K	562908	GALLEY	CURRENT LIMIT FOR LED
RS 35	23.1	1.5K	562908	GALLEY	CURRENT LIMIT FOR LED
RS 36	13.1	10	064907	BATT. COMPT.	CURRENT LIMIT FOR RELAY
RS 37	13.1	5	064907	BATT. COMPT.	CURRENT LIMIT FOR RELAY

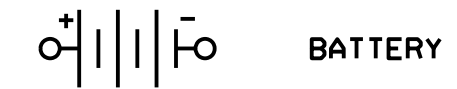
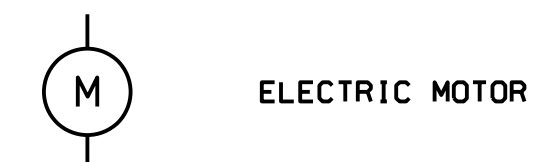
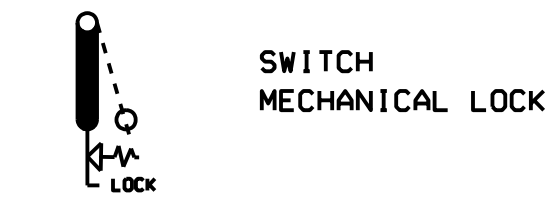
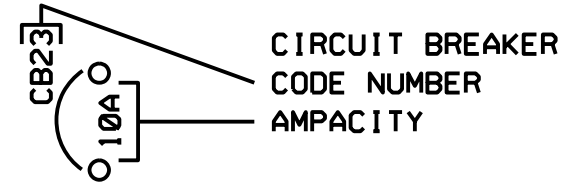
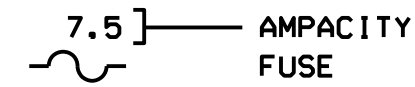
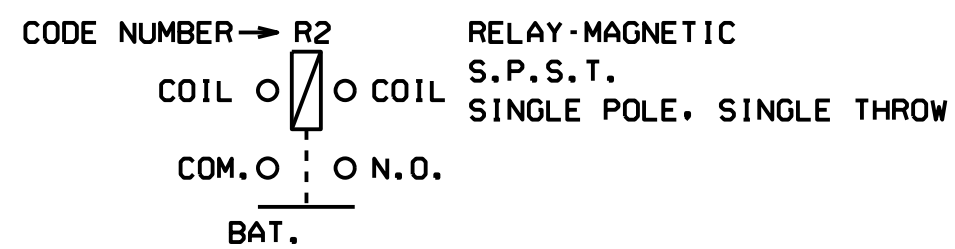
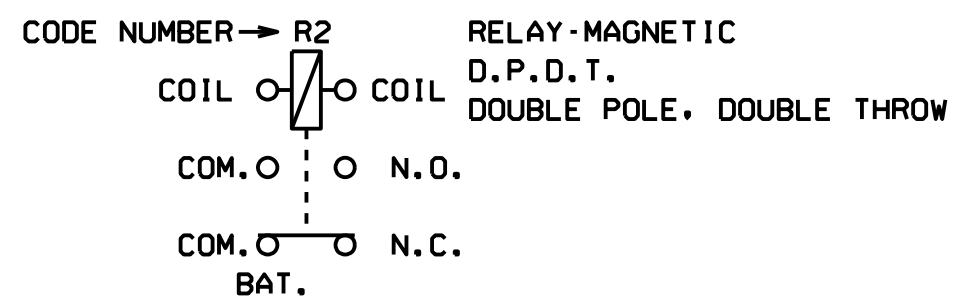
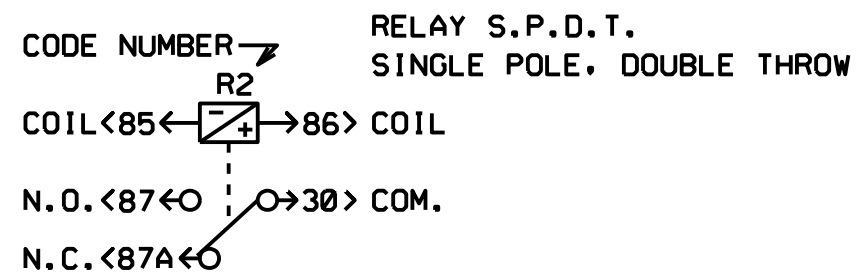
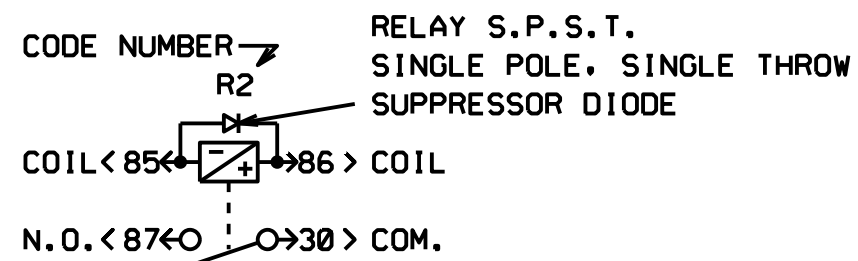
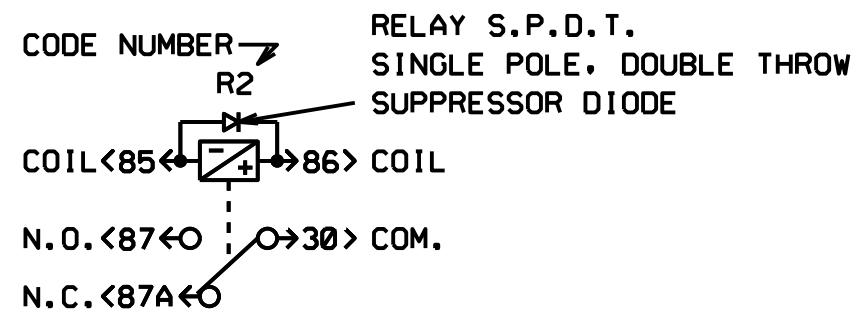
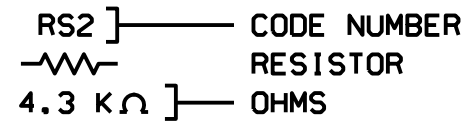
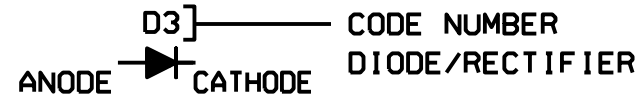
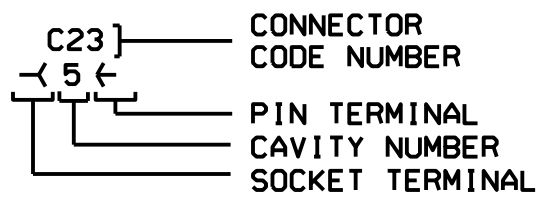
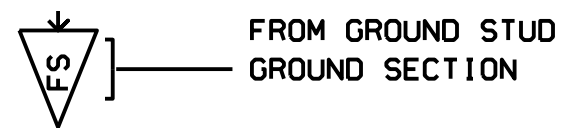
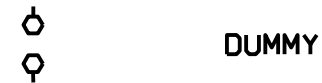
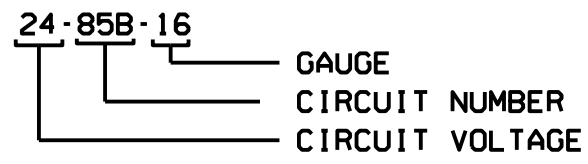
RESISTORS NUMBER CODE

No.	PAGE	OHM(S)	#PREV.	LOCATION	FUNCTION
RS 1	5	11 K	561898	FR JCT BOX	FAST IDLE DDEC CONTROL
RS 2	5	3.6 K	561897	FR JCT BOX	FAST IDLE DDEC CONTROL
RS 3	9.3	1 (2)	561537	FR JCT BOX	FOG LT - RH
RS 4	9.3	1 (2)	561537	FR JCT BOX	FOG LT - LH
RS 5	9.2	1 (2)	061976	FR JCT BOX	CORNERING LT - LH
RS 6	16.1	5	563006	RH UNDER DASH	VOLTAGE DIV. OPEN DOOR SOL.
RS 7	9.3	.82 (2)	060806	RR JCT BOX	PARKING BRAKE STOP LTS
RS 8	9.2	1 (2)	061976	FR JCT BOX	CORNERING LT - RH
RS 9	9.3	1 (2)	061976	RR JCT BOX	DOCKING LT - RH
RS 10	9.3	1 (2)	061976	RR JCT BOX	DOCKING LT - LH
RS 11	22	12	561191	FR TOP	DEFROSTER SPEED
RS 12	22	12	561191	FR TOP	DEFROSTER SPEED
RS 13	17	80 (2)	562108	FR TOP	FR DESTINATION SIGN
RS 14					
RS 15					
RS 16					
RS 17	7	220	562498	FR JCT BOX	FIRE ALARM
RS 18	8	75 K	064208	RR JCT BOX	FAN CLUTCH W/RETARDER
RS 19	13.4	30K	065613	EVAP. CPT.	TIME DELAY RELAY EVAP. FAN
RS 20	15	1 K	562470	RR JCT BOX	WORLD TR. SPEED TO DDEC III
RS 21	22	15K	562908	DASH	CURRENT LIMIT FOR LED
RS 24	9.1	1.5K	562908	DASH	CURRENT LIMIT FOR LED
RS 25	9.3	1.5K	562908	DASH	CURRENT LIMIT FOR LED
RS 26	10	1.5K	562908	DASH	CURRENT LIMIT FOR LED
RS 28	26.1	1.5K	562908	DASH	CURRENT LIMIT FOR LED
RS 29	23.1	1.5K	562908	GALLEY	CURRENT LIMIT FOR LED
RS 30	23.1	1.5K	562908	GALLEY	CURRENT LIMIT FOR LED
RS 31	23.1	1.5K	562908	GALLEY	CURRENT LIMIT FOR LED
RS 32	13.3	1.5K	562908	DASH	CURRENT LIMIT FOR LED
RS 33	4.2	30	562948	RR JCT BOX	CURRENT LOAD FOR RELAY CONTACT
RS 33	23.1	1.5K	562908	GALLEY	CURRENT LIMIT FOR LED
RS 34	23.1	1.5K	562908	GALLEY	CURRENT LIMIT FOR LED
RS 35	23.1	1.5K	562908	GALLEY	CURRENT LIMIT FOR LED
RS 36	13.1	10	064907	BATT. COMPT.	CURRENT LIMIT FOR RELAY
RS 37	13.1	5	064907	BATT. COMPT.	CURRENT LIMIT FOR RELAY
RS 38	21.1	620	563205	FR. SERV. COMPT	ABS
RS 39	21.1	620	563205	FR. SERV. COMPT	TRAILER ABS

RESISTORS NUMBER CODE

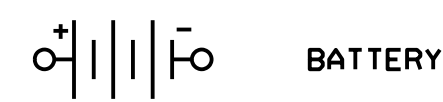
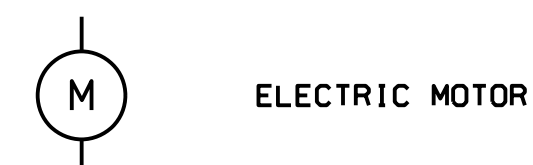
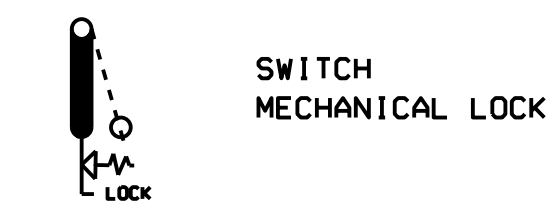
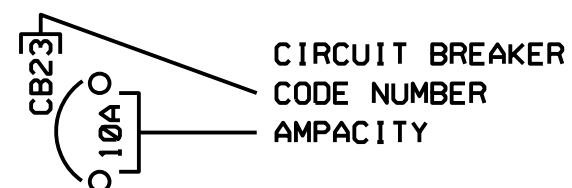
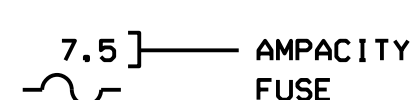
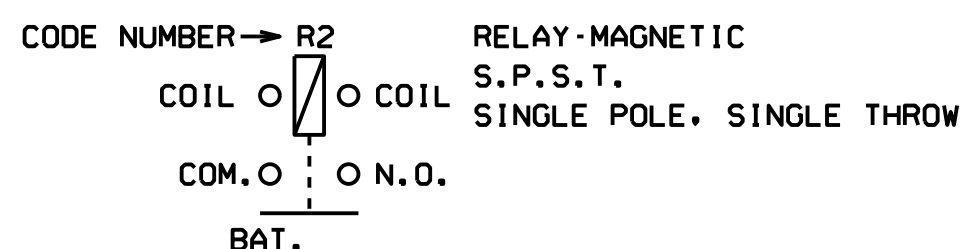
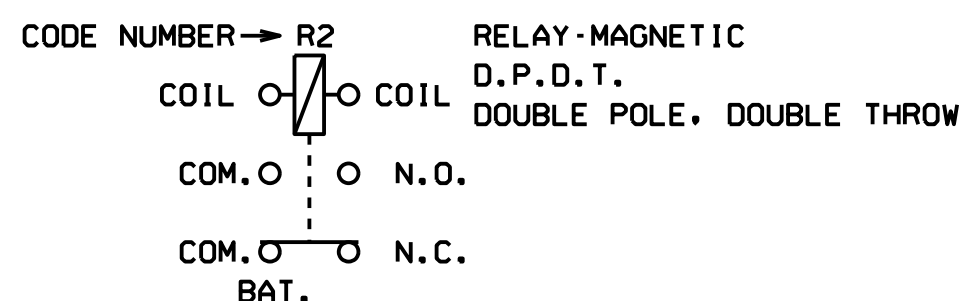
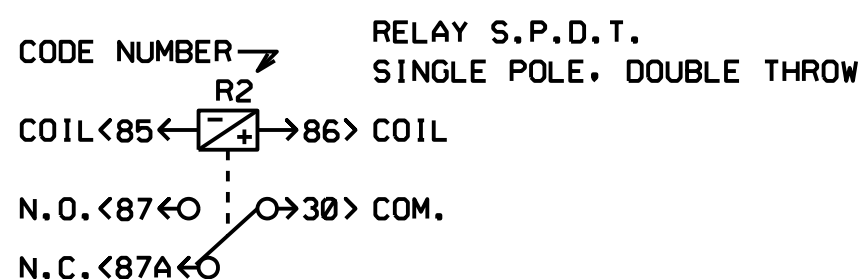
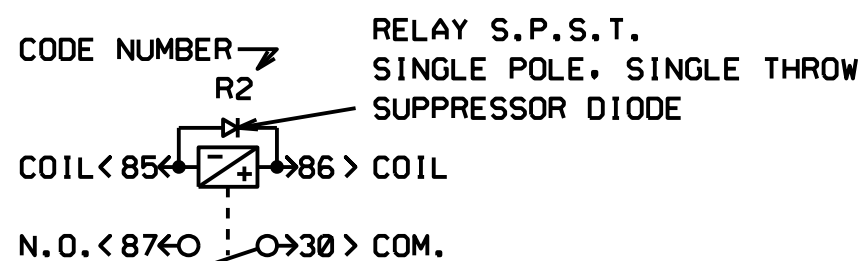
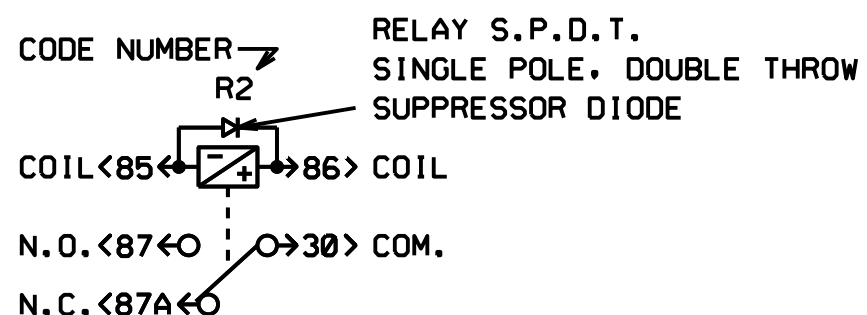
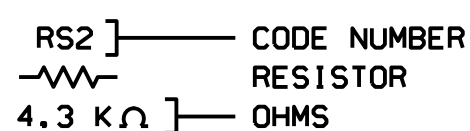
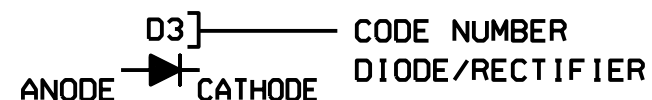
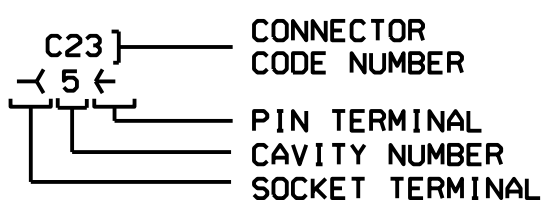
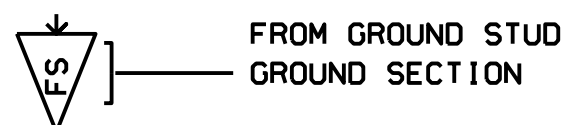
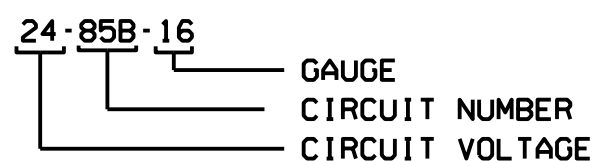
No.	PAGE	OHM(S)	#PREV.	LOCATION	FUNCTION
RS 1	5	11 K	561898	FR JCT BOX	FAST IDLE DDEC CONTROL
RS 2	5	3.6 K	561897	FR JCT BOX	FAST IDLE DDEC CONTROL
RS 3	9.3	1 (2)	561537	FR JCT BOX	FOG LT - RH
RS 4	9.3	1 (2)	561537	FR JCT BOX	FOG LT - LH
RS 5	9.2	1 (2)	061976	FR JCT BOX	CORNERING LT - LH
RS 6	16.1	5	563006	RH UNDER DASH	VOLTAGE DIV. OPEN DOOR SOL.
RS 7	9.3	.82 (2)	060806	RR JCT BOX	PARKING BRAKE STOP LTS
RS 8	9.2	1 (2)	061976	FR JCT BOX	CORNERING LT - RH
RS 9	9.3	1 (2)	061976	RR JCT BOX	DOCKING LT - RH
RS 10	9.3	1 (2)	061976	RR JCT BOX	DOCKING LT - LH
RS 11	22	12	561191	FR TOP	DEFROSTER SPEED
RS 12	22	12	561191	FR TOP	DEFROSTER SPEED
RS 13	17	80 (2)	562108	FR TOP	FR DESTINATION SIGN
RS 14					
RS 15					
RS 16					
RS 17	7	220	562498	FR JCT BOX	FIRE ALARM
RS 18	8	75 K	064208	RR JCT BOX	FAN CLUTCH W/RETARDER
RS 19	13.4	30K	065613	EVAP. CPT.	TIME DELAY RELAY EVAP. FAN
RS 20	15	1 K	562470	RR JCT BOX	WORLD TR. SPEED TO DDEC III
RS 21	22	15K	562908	DASH	CURRENT LIMIT FOR LED
RS 24	9.1	1.5K	562908	DASH	CURRENT LIMIT FOR LED
RS 25	9.3	1.5K	562908	DASH	CURRENT LIMIT FOR LED
RS 26	10	1.5K	562908	DASH	CURRENT LIMIT FOR LED
RS 28	26.1	1.5K	562908	DASH	CURRENT LIMIT FOR LED
RS 29	23.1	1.5K	562908	GALLEY	CURRENT LIMIT FOR LED
RS 30	23.1	1.5K	562908	GALLEY	CURRENT LIMIT FOR LED
RS 31	23.1	1.5K	562908	GALLEY	CURRENT LIMIT FOR LED
RS 32	13.3	1.5K	562908	DASH	CURRENT LIMIT FOR LED
RS 33	4.2	30	562948	RR JCT BOX	CURRENT LOAD FOR RELAY CONTACT
RS 33	23.1	1.5K	562908	GALLEY	CURRENT LIMIT FOR LED
RS 34	23.1	1.5K	562908	GALLEY	CURRENT LIMIT FOR LED
RS 35	23.1	1.5K	562908	GALLEY	CURRENT LIMIT FOR LED
RS 36	13.1	10	064907	BATT. COMPT.	CURRENT LIMIT FOR RELAY
RS 37	13.1	5	064907	BATT. COMPT.	CURRENT LIMIT FOR RELAY
RS 38	21.1	620	563205	FR. SERV. COMPT	ABS
RS 39	21.1	620	563205	FR. SERV. COMPT	TRAILER ABS
RS 40					
RS 41	17.1	1M	065830	LAVATORY TRAP	FLUSH PUMP TIME DELAY

WIRING DIAGRAM KEYS



- BLK BLACK
- YEL YELLOW
- RED RED
- WH WHITE
- GRY GREY
- ORA ORANGE
- BLU BLUE
- GRN GREEN
- BRN BROWN
- PUR PURPLE
- PK PINK

WIRING DIAGRAM KEYS



- BLK BLACK
- YEL YELLOW
- RED RED
- WH WHITE
- GRY GREY
- ORA ORANGE
- BLU BLUE
- GRN GREEN
- BRN BROWN
- PUR PURPLE
- PK PINK

FUSES CODE

No.	PAGE	AMP.	#PREV.	LOCATION	FUNCTION
F 1	6.1	10A	562407	RR. JCT. BOX	WORLD TRANSMISSION 12V BATTERY
F 2	6.1	10A	562407	RR. JCT. BOX	WORLD TRANS.& EATON TRANS.12V IGNITION
F 3	7.2	20A	562605	FR. JCT. BOX	ELECTRICAL HORNS
F 4	7.2	5A	562259	FR. JCT. BOX	FIRE ALARM
F 5	8.1	10A	562407	RR. JCT. BOX	AIR DRYER
F 6	5.1	5A	562602	FR. JCT. BOX	CRUISE DECEL SW.
F 7	8.1	5A	562602	FR. JCT. BOX	PARKING BRAKE PRESSURE SW.
F 8	9.2	10A	562407	FR. JCT. BOX	CORNERING LTS
F 9	9.3	15A	562604	RR. JCT. BOX	DOCKING LTS
F 10	9.3	15A	562604	FR. JCT. BOX	FOG LTS
F 11	11.1	5A	562259	FR. JCT. BOX	FRONT SERVICE CPT LTS
F 12	11.2	10A	562407	RR. JCT. BOX	AISLE LTS
F 13	11.2	7.5A	562602	RR. JCT. BOX	EMERGENCY EXIT LTS
F 14	11.3	15A	562602	FR. JCT. BOX	DRIVER'S LTS
F 15	11.3	15A	562604	RR. JCT. BOX	READING LTS RH
F 16	11.3	15A	562604	RR. JCT. BOX	READING LTS LH
F 17	11.3	10A	562407	RR. JCT. BOX	INDIRECT LIGHTING R.H.
F 18	11.4	10A	562407	RR. JCT. BOX	24V FLUORESCENT RH
F 19	11.4	10A	562407	RR. JCT. BOX	24V FLUORESCENT LH
F 20	11.3	5A	562599	FR. JCT. BOX	GENERAL & READING LTS. SW.
F 21	12.1	10A	560061	RR. JCT. BOX	PRIME PUMP
F 22	14.1	10A	562407	FR. JCT. BOX	POWER 12V OUTLET
F 23	14.1	15A	562604	FR. JCT. BOX	DRIVER'S WINDOW LIFTER
F 24	14.1	15A	562604	FR. JCT. BOX	CIGAR LIGHTER
F 25	14.1	3A	562599	FR. JCT. BOX	SUN VISOR
F 26	26.1	5A	562259	FR. JCT. BOX	WATER HTR TIMER
F 27	17.1	5A	562259	RR. JCT. BOX	GALLEY LAMP & LAVATORY NIGHT LTS.
F 28	17.1	10A	562407	RR. JCT. BOX	LAVATORY PUMP
F 29	17.1	7.5A	562602	RR. JCT. BOX	LAVATORY LTS
F 31	17.1	5A	562259	FR. JCT. BOX	FRONT DESTINATION SIGN ELECTRONIC
F 31	17.1	7.5A	562602	FR. JCT. BOX	FRONT DESTINATION SIGN ELECTRIC
F 32	11.3	5A	562259	FR. JCT. BOX	PASSENGER NO SMOKING LTS
F 33	18.1	5A	562259	FR. JCT. BOX	KNEELING SYSTEM
F 34	19.1	3A	562599	FR. JCT. BOX	LUGGAGE DOOR LOCK
F 39	22.1	10A	562407	FR. JCT. BOX	UPPER WINDSHIELD FAN DEFROST
F 40	22.1	20A	562605	FR. JCT. BOX	HEATED WINDSHIELD LH
F 41	22.1	20A	562605	FR. JCT. BOX	HEATED WINDSHIELD RH
F 46	24.1	7.5A	562602	FR. JCT. BOX	MIRROR ADJUST & HEATED 24V SPARTAN
F 47	24.3	7.5A	562407	FR. JCT. BOX	MIRROR ADJUST & HEATED 12V RAMCO
F 48	25.2	10A	562407	RR. JCT. BOX	WHEEL CHAIR LIFT POWER CONTROL
F 49	26.1	20A	562605	RR. JCT. BOX	PRE-HEAT WATER HEATER WEBASTO
F 50	26.1	20A	562605	RR. JCT. BOX	PRE-HEAT WATER HEATER
F 51	11.2	7.5A	562602	RR. JCT. BOX	HAR RACK CPT LTS
F 57	17.1	5A	562259	RR. JCT. BOX	LAVATORY FLUORESCENT
F 58	11.3	10A	562407	RR. JCT. BOX	INDIRECT LIGHTING L.H.
F 59					
F 60	17.1	10A	562407	RR. JCT. BOX	LAVATORY FAN
F 61	27.1	1A	560893	FR. JCT. BOX	INTERCOM
F 62	2.1	3A	562599	RR. JCT. BOX	PRO-LINK & FIRE ALARM
F 63	27.1	3A	560893	MON. CLARION	BACK-UP MONITOR CLARION
F 70	23.1	7.5A	562602	GALLEY PANEL	GALLEY RH CONTAINER
F 71	23.1	7.5A	562602	GALLEY PANEL	GALLEY LH CONTAINER
F 72	23.1	10A	562407	GALLEY PANEL	GALLEY REFRIGERATOR COMPRESSOR
F 73	23.1	35A	562608	GALLEY PANEL	GALLEY COFFEMAKER
F 74	23.1	7.5	560598	BAT. CPT.	GALLEY REFRIGERATOR

FUSES CODE

No.	PAGE	AMP.	#PREV.	LOCATION	FUNCTION	No.	PAGE	AMP.	#PREV.	LOCATION	FUNCTION
F 1	6.1	10A	562407	RR. JCT. BOX	WORLD TRANSMISSION 12V BATTERY	F 74	23.1	7.5	560598	BAT. CPT.	GALLEY REFRIGERATOR
F 2	6.1	10A	562407	RR. JCT. BOX	WORLD TRANS.& EATON TRANS.12V IGNITION						
F 3	7.2	20A	562605	FR. JCT. BOX	ELECTRICAL HORNS						
F 4	7.2	5A	562259	FR. JCT. BOX	FIRE ALARM						
F 5	8.1	10A	562407	RR. JCT. BOX	AIR DRYER						
F 6	5.1	5A	562602	FR. JCT. BOX	CRUISE DECEL SW.						
F 7	8.1	5A	562602	FR. JCT. BOX	PARKING BRAKE PRESSURE SW.						
F 8	9.2	10A	562407	FR. JCT. BOX	CORNERING LTS						
F 9	9.3	15A	562604	RR. JCT. BOX	DOCKING LTS						
F 10	9.3	15A	562604	FR. JCT. BOX	FOG LTS						
F 11	11.1	5A	562259	FR. JCT. BOX	FRONT SERVICE CPT LTS						
F 12	11.2	10A	562407	RR. JCT. BOX	AISLE LTS						
F 13	11.2	7.5A	562602	RR. JCT. BOX	EMERGENCY EXIT LTS						
F 14	11.3	15A	562602	FR. JCT. BOX	DRIVER'S LTS						
F 15	11.3	15A	562604	RR. JCT. BOX	READING LTS RH						
F 16	11.3	15A	562604	RR. JCT. BOX	READING LTS LH						
F 17	11.3	10A	562407	RR. JCT. BOX	INDIRECT LIGHTING R.H.						
F 18	11.4	10A	562407	RR. JCT. BOX	24V FLUORESCENT RH						
F 19	11.4	10A	562407	RR. JCT. BOX	24V FLUORESCENT LH						
F 20	11.3	5A	562599	FR. JCT. BOX	GENERAL & READING LTS. SW.						
F 21	12.1	10A	560061	RR. JCT. BOX	PRIME PUMP						
F 22	14.1	10A	562407	FR. JCT. BOX	POWER 12V OUTLET						
F 23	14.1	15A	562604	FR. JCT. BOX	DRIVER'S WINDOW LIFTER						
F 24	14.1	15A	562604	FR. JCT. BOX	CIGAR LIGHTER						
F 25	14.1	3A	562599	FR. JCT. BOX	SUN VISOR						
F 26	26.1	5A	562259	FR. JCT. BOX	WATER HTR TIMER						
F 27	17.1	5A	562259	RR. JCT. BOX	GALLEY LAMP & LAVATORY NIGHT LTS.						
F 28	17.1	10A	562407	RR. JCT. BOX	LAVATORY PUMP						
F 29	17.1	7.5A	562602	RR. JCT. BOX	LAVATORY LTS						
F 31	17.1	5A	562259	FR. JCT. BOX	FRONT DESTINATION SIGN ELECTRONIC						
F 31	17.1	7.5A	562602	FR. JCT. BOX	FRONT DESTINATION SIGN ELECTRIC						
F 32	11.3	5A	562259	FR. JCT. BOX	PASSENGER NO SMOKING LTS						
F 33	18.1	5A	562259	FR. JCT. BOX	KNEELING SYSTEM						
F 34	19.1	3A	562599	FR. JCT. BOX	LUGGAGE DOOR LOCK						
F 39	22.1	10A	562407	FR. JCT. BOX	UPPER WINDSHIELD FAN DEFROST						
F 40	22.1	20A	562605	FR. JCT. BOX	HEATED WINDSHIELD LH						
F 41	22.1	20A	562605	FR. JCT. BOX	HEATED WINDSHIELD RH						
F 42	20.5	3A			WIRELESS MIC CAHRGER						
F 43	1.2	3A	562599	FR. JCT. BOX	12V SIGNAL TO BATT MONITOR						
F 44	1.2	3A	562599	FR. JCT. BOX	24V SIGNAL TO BATT MONITOR						
F 46	24.1	7.5A	562602	FR. JCT. BOX	MIRROR ADJUST & HEATED 24V SPARTAN						
F 47	24.3	7.5A	562407	FR. JCT. BOX	MIRROR ADJUST & HEATED 12V RAMCO						
F 48	25.2	10A	562407	RR. JCT. BOX	WHEEL CHAIR LIFT POWER CONTROL						
F 49	26.1	20A	562605	RR. JCT. BOX	PRE-HEAT WATER HEATER WEBASTO						
F 50	26.1	20A	562605	RR. JCT. BOX	PRE-HEAT WATER HEATER						
F 51	11.2	7.5A	562602	RR. JCT. BOX	HAR RACK CPT LTS						
F 57	17.1	5A	562259	RR. JCT. BOX	LAVATORY FLUORESCENT						
F 58	11.3	10A	562407	RR. JCT. BOX	INDIRECT LIGHTING L.H.						
F 59											
F 60	17.1	10A	562407	RR. JCT. BOX	LAVATORY FAN						
F 61	27.1	1A	560893	FR. JCT. BOX	INTERCOM						
F 62	2.1	3A	562599	RR. JCT. BOX	PRO-LINK & FIRE ALARM						
F 63	27.1	3A	560893	MON. CLARION	BACK-UP MONITOR CLARION						
F 70	23.1	7.5A	562602	GALLEY PANEL	GALLEY RH CONTAINER						
F 71	23.1	7.5A	562602	GALLEY PANEL	GALLEY LH CONTAINER						
F 72	23.1	10A	562407	GALLEY PANEL	GALLEY REFRIGERATOR COMPRESSOR						
F 73	23.1	35A	562608	GALLEY PANEL	GALLEY COFFEMAKER						

FUSES CODE

No. PAGE AMP. #PREV. LOCATION FUNCTION

No. PAGE AMP. #PREV. LOCATION FUNCTION

FUSES CODE

No.	PAGE	AMP.	#PREV.	LOCATION	FUNCTION	No.	PAGE	AMP.	#PREV.	LOCATION	FUNCTION
F 1	6.1	10A	562407	RR. JCT. BOX	WORLD TRANSMISSION 12V BATTERY	F 74	23.1	7.5	560598	BAT. CPT.	GALLEY REFRIGERATOR
F 2	6.1	10A	562407	RR. JCT. BOX	WORLD TRANS.& EATON TRANS.12V IGNITION	F 75					
F 3	7.2	20A	562605	FR. JCT. BOX	ELECTRICAL HORNS	F 76	20.8	1A	562597	SOUND SYS JC	DVD KARAOKE
F 4	7.2	5A	562259	FR. JCT. BOX	FIRE ALARM	F 77	20.8	3A	562599	SOUND SYS JC	DVD KARAOKE
F 5	8.1	10A	562407	RR. JCT. BOX	AIR DRYER						
F 6	5.1	5A	562602	FR. JCT. BOX	CRUISE DECEL SW.						
F 7	8.1	5A	562602	FR. JCT. BOX	PARKING BRAKE PRESSURE SW.						
F 8	9.2	10A	562407	FR. JCT. BOX	CORNERING LTS						
F 9	9.3	15A	562604	RR. JCT. BOX	DOCKING LTS						
F 10	9.3	15A	562604	FR. JCT. BOX	FOG LTS						
F 11	11.1	5A	562259	FR. JCT. BOX	FRONT SERVICE CPT LTS						
F 12	11.2	10A	562407	RR. JCT. BOX	AISLE LTS						
F 13	11.2	7.5A	562602	RR. JCT. BOX	EMERGENCY EXIT LTS						
F 14	11.3	15A	562602	FR. JCT. BOX	DRIVER'S LTS						
F 15	11.3	15A	562604	RR. JCT. BOX	READING LTS RH						
F 16	11.3	15A	562604	RR. JCT. BOX	READING LTS LH						
F 17	11.3	10A	562407	RR. JCT. BOX	INDIRECT LIGHTING R.H.						
F 18	11.4	10A	562407	RR. JCT. BOX	24V FLUORESCENT RH						
F 19	11.4	10A	562407	RR. JCT. BOX	24V FLUORESCENT LH						
F 20	11.3	5A	562599	FR. JCT. BOX	GENERAL & READING LTS. SW.						
F 21	12.1	10A	560061	RR. JCT. BOX	PRIME PUMP						
F 22	14.1	10A	562407	FR. JCT. BOX	POWER 12V OUTLET						
F 23	14.1	15A	562604	FR. JCT. BOX	DRIVER'S WINDOW LIFTER						
F 24	14.1	15A	562604	FR. JCT. BOX	CIGAR LIGHTER						
F 25	14.1	3A	562599	FR. JCT. BOX	SUN VISOR						
F 26	26.1	5A	562259	FR. JCT. BOX	WATER HTR TIMER						
F 27	17.1	5A	562259	RR. JCT. BOX	GALLEY LAMP & LAVATORY NIGHT LTS.						
F 28	17.1	10A	562407	RR. JCT. BOX	LAVATORY PUMP						
F 29	17.1	7.5A	562602	RR. JCT. BOX	LAVATORY LTS						
F 31	17.1	5A	562259	FR. JCT. BOX	FRONT DESTINATION SIGN ELECTRONIC						
F 31	17.1	7.5A	562602	FR. JCT. BOX	FRONT DESTINATION SIGN ELECTRIC						
F 32	11.3	5A	562259	FR. JCT. BOX	PASSENGER NO SMOKING LTS						
F 33	18.1	5A	562259	FR. JCT. BOX	KNEELING SYSTEM						
F 34	19.1	3A	562599	FR. JCT. BOX	LUGGAGE DOOR LOCK						
F 39	22.1	10A	562407	FR. JCT. BOX	UPPER WINDSHIELD FAN DEFROST						
F 40	22.1	20A	562605	FR. JCT. BOX	HEATED WINDSCHIELD LH						
F 41	22.1	20A	562605	FR. JCT. BOX	HEATED WINDSCHIELD RH						
F 42	20.5	3A			WIRELESS MIC CAHRGER						
F 43	1.2	3A	562599	FR. JCT. BOX	12V SIGNAL TO BATT MONITOR						
F 44	1.2	3A	562599	FR. JCT. BOX	24V SIGNAL TO BATT MONITOR						
F 46	24.1	7.5A	562602	FR. JCT. BOX	MIRROR ADJUST & HEATED 24V SPARTAN						
F 47	24.3	7.5A	562407	FR. JCT. BOX	MIRROR ADJUST & HEATED 12V RAMCO						
F 48	25.2	10A	562407	RR. JCT. BOX	WHEEL CHAIR LIFT POWER CONTROL						
F 49	26.1	20A	562605	RR. JCT. BOX	PRE-HEAT WATER HEATER WEBASTO						
F 50	26.1	20A	562605	RR. JCT. BOX	PRE-HEAT WATER HEATER						
F 51	11.2	7.5A	562602	RR. JCT. BOX	HAR RACK CPT LTS						
F 57	17.1	5A	562259	RR. JCT. BOX	LAVATORY FLUORESCENT						
F 58	11.3	10A	562407	RR. JCT. BOX	INDIRECT LIGHTING L.H.						
F 59											
F 60	17.1	10A	562407	RR. JCT. BOX	LAVATORY FAN						
F 61	27.1	1A	560893	FR. JCT. BOX	INTERCOM						
F 62	2.1	3A	562599	RR. JCT. BOX	PRO-LINK & FIRE ALARM						
F 63	27.1	3A	560893	MON. CLARION	BACK-UP MONITOR CLARION						
F 70	23.1	7.5A	562602	GALLEY PANEL	GALLEY RH CONTAINER						
F 71	23.1	7.5A	562602	GALLEY PANEL	GALLEY LH CONTAINER						
F 72	23.1	10A	562407	GALLEY PANEL	GALLEY REFRIGERATOR COMPRESSOR						
F 73	23.1	35A	562608	GALLEY PANEL	GALLEY COFFEMAKER						

FUSES CODE

No. PAGE AMP. #PREV. LOCATION FUNCTION

No. PAGE AMP. #PREV. LOCATION FUNCTION

FUSES CODE

No.	PAGE	AMP.	#PREV.	LOCATION	FUNCTION	No.	PAGE	AMP.	#PREV.	LOCATION	FUNCTION
F 1	6.1	10A	562407	RR. JCT. BOX	WORLD TRANSMISSION 12V BATTERY	F 73	23.1	35A	562608	GALLEY PANEL	GALLEY COFFEMAKER
F 2	6.1	10A	562407	RR. JCT. BOX	WORLD TRANS.& EATON TRANS.12V IGNITION	F 74	23.1	7.5	560598	BAT. CPT.	GALLEY REFRIGERATOR
F 3	7.2	20A	562605	FR. JCT. BOX	ELECTRICAL HORNS	F 75					
F 4	7.2	5A	562259	FR. JCT. BOX	FIRE ALARM	F 76	20.8	1A	562597	SOUND SYS JC	DVD KARAOKE
F 5	8.1	10A	562407	RR. JCT. BOX	AIR DRYER	F 77	20.8	3A	562599	SOUND SYS JC	DVD KARAOKE
F 6	5.1	5A	562602	FR. JCT. BOX	CRUISE DECEL SW.						
F 7	8.1	5A	562602	FR. JCT. BOX	PARKING BRAKE PRESSURE SW.	F ZF1	15.1	3A	560893	FR.JCT.BOX	STEERING CONTROL
F 8	9.2	10A	562407	FR. JCT. BOX	CORNERING LTS						
F 9	9.3	15A	562604	RR. JCT. BOX	DOCKING LTS						
F 10	9.3	15A	562604	FR. JCT. BOX	FOG LTS						
F 11	11.1	5A	562259	FR. JCT. BOX	FRONT SERVICE CPT LTS						
F 12	11.2	10A	562407	RR. JCT. BOX	AISLE LTS						
F 13	11.2	7.5A	562602	RR. JCT. BOX	EMERGENCY EXIT LTS						
F 14	11.3	15A	562602	FR. JCT. BOX	DRIVER'S LTS						
F 15	11.3	15A	562604	RR. JCT. BOX	READING LTS RH						
F 16	11.3	15A	562604	RR. JCT. BOX	READING LTS LH						
F 17	11.3	10A	562407	RR. JCT. BOX	INDIRECT LIGHTING R.H.						
F 18	11.4	10A	562407	RR. JCT. BOX	24V FLUORESCENT RH						
F 19	11.4	10A	562407	RR. JCT. BOX	24V FLUORESCENT LH						
F 20	11.3	5A	562599	FR. JCT. BOX	GENERAL & READING LTS. SW.						
F 21	12.1	10A	560061	RR. JCT. BOX	PRIME PUMP						
F 22	14.1	10A	562407	FR. JCT. BOX	POWER 12V OUTLET						
F 23	14.1	15A	562604	FR. JCT. BOX	DRIVER'S WINDOW LIFTER						
F 24	14.1	15A	562604	FR. JCT. BOX	CIGAR LIGHTER						
F 25	14.1	3A	562599	FR. JCT. BOX	SUN VISOR						
F 26	26.1	5A	562259	FR. JCT. BOX	WATER HTR TIMER						
F 27	17.1	5A	562259	RR. JCT. BOX	GALLEY LAMP & LAVATORY NIGHT LTS.						
F 28	17.1	10A	562407	RR. JCT. BOX	LAVATORY PUMP						
F 29	17.1	7.5A	562602	RR. JCT. BOX	LAVATORY LTS						
F 31	17.1	5A	562259	FR. JCT. BOX	FRONT DESTINATION SIGN ELECTRONIC						
F 31	17.1	7.5A	562602	FR. JCT. BOX	FRONT DESTINATION SIGN ELECTRIC						
F 32	11.3	5A	562259	FR. JCT. BOX	PASSENGER NO SMOKING LTS						
F 33	18.1	5A	562259	FR. JCT. BOX	KNEELING SYSTEM						
F 34	19.1	3A	562599	FR. JCT. BOX	LUGGAGE DOOR LOCK						
F 39	22.1	10A	562407	FR. JCT. BOX	UPPER WINDSHIELD FAN DEFROST						
F 40	22.1	20A	562605	FR. JCT. BOX	HEATED WINDSCHIELD LH						
F 41	22.1	20A	562605	FR. JCT. BOX	HEATED WINDSCHIELD RH						
F 42	20.5	3A			WIRELESS MIC CAHRGER						
F 43	1.2	3A	562599	FR. JCT. BOX	12V SIGNAL TO BATT MONITOR						
F 44	1.2	3A	562599	FR. JCT. BOX	24V SIGNAL TO BATT MONITOR						
F 46	24.1	7.5A	562602	FR. JCT. BOX	MIRROR ADJUST & HEATED 24V SPARTAN						
F 47	24.3	7.5A	562407	FR. JCT. BOX	MIRROR ADJUST & HEATED 12V RAMCO						
F 48	25.2	10A	562407	RR. JCT. BOX	WHEEL CHAIR LIFT POWER CONTROL						
F 49	26.1	20A	562605	RR. JCT. BOX	PRE-HEAT WATER HEATER WEBASTO						
F 50	26.1	20A	562605	RR. JCT. BOX	PRE-HEAT WATER HEATER						
F 51	11.2	7.5A	562602	RR. JCT. BOX	HAR RACK CPT LTS						
F 57	17.1	5A	562259	RR. JCT. BOX	LAVATORY FLUORESCENT						
F 58	11.3	10A	562407	RR. JCT. BOX	INDIRECT LIGHTING L.H.						
F 59											
F 60	17.1	10A	562407	RR. JCT. BOX	LAVATORY FAN						
F 61	27.1	1A	560893	FR. JCT. BOX	INTERCOM						
F 62	2.1	3A	562599	RR. JCT. BOX	PRO-LINK & FIRE ALARM						
F 63	27.1	3A	560893	MON. CLARION	BACK-UP MONITOR CLARION						
F 70	23.1	7.5A	562602	GALLEY PANEL	GALLEY RH CONTAINER						
F 71	23.1	7.5A	562602	GALLEY PANEL	GALLEY LH CONTAINER						
F 72	23.1	10A	562407	GALLEY PANEL	GALLEY REFRIGERATOR COMPRESSOR						

FUSES CODE

No. PAGE AMP. #PREV. LOCATION FUNCTION

No. PAGE AMP. #PREV. LOCATION FUNCTION

FUSES CODE

No.	PAGE	AMP.	#PREV.	LOCATION	FUNCTION	No.	PAGE	AMP.	#PREV.	LOCATION	FUNCTION
F 1	6.1	10A	562407	RR. JCT. BOX	WORLD TRANSMISSION 12V BATTERY	F 73	23.1	35A	562608	GALLEY PANEL	GALLEY COFFEMAKER
F 2	6.1	10A	562407	RR. JCT. BOX	WORLD TRANS.& EATON TRANS.12V IGNITION	F 74	23.1	7.5	560598	BAT. CPT.	GALLEY REFRIGERATOR
F 3	7.2	20A	562605	FR. JCT. BOX	ELECTRICAL HORNS	F 75					
F 4	7.2	5A	562259	FR. JCT. BOX	FIRE ALARM	F 76	20.8	1A	562597	SOUND SYS JC	DVD KARAOKE
F 5						F 77	20.8	3A	562599	SOUND SYS JC	DVD KARAOKE
F 6	5.1	5A	562602	FR. JCT. BOX	CRUISE DECEL SW.	F ZF1	15.1	3A	560893	FR.JCT.BOX	STEERING CONTROL
F 7	8.1	5A	562602	FR. JCT. BOX	PARKING BRAKE PRESSURE SW.						
F 8	9.2	10A	562407	FR. JCT. BOX	CORNERING LTS						
F 9	9.3	15A	562604	RR. JCT. BOX	DOCKING LTS						
F 10	9.3	15A	562604	FR. JCT. BOX	FOG LTS						
F 11	11.1	5A	562259	FR. JCT. BOX	FRONT SERVICE CPT LTS						
F 12	11.2	10A	562407	RR. JCT. BOX	AISLE LTS						
F 13	11.2	7.5A	562602	RR. JCT. BOX	EMERGENCY EXIT LTS						
F 14	11.3	15A	562602	FR. JCT. BOX	DRIVER'S LTS						
F 15	11.3	15A	562604	RR. JCT. BOX	READING LTS RH						
F 16	11.3	15A	562604	RR. JCT. BOX	READING LTS LH						
F 17	11.3	10A	562407	RR. JCT. BOX	INDIRECT LIGHTING R.H.						
F 18	11.4	10A	562407	RR. JCT. BOX	24V FLUORESCENT RH						
F 19	11.4	10A	562407	RR. JCT. BOX	24V FLUORESCENT LH						
F 20	11.3	5A	562599	FR. JCT. BOX	GENERAL & READING LTS. SW.						
F 21	12.1	10A	560061	RR. JCT. BOX	PRIME PUMP						
F 22	14.1	10A	562407	FR. JCT. BOX	POWER 12V OUTLET						
F 23	14.1	15A	562604	FR. JCT. BOX	DRIVER'S WINDOW LIFTER						
F 24	14.1	15A	562604	FR. JCT. BOX	CIGAR LIGHTER						
F 25	14.1	3A	562599	FR. JCT. BOX	SUN VISOR						
F 26	26.1	5A	562259	FR. JCT. BOX	WATER HTR TIMER						
F 27	17.1	5A	562259	RR. JCT. BOX	GALLEY LAMP & LAVATORY NIGHT LTS.						
F 28	17.1	10A	562407	RR. JCT. BOX	LAVATORY PUMP						
F 29	17.1	7.5A	562602	RR. JCT. BOX	LAVATORY LTS						
F 31	17.1	5A	562259	FR. JCT. BOX	FRONT DESTINATION SIGN ELECTRONIC						
F 31	17.1	7.5A	562602	FR. JCT. BOX	FRONT DESTINATION SIGN ELECTRIC						
F 32	11.3	5A	562259	FR. JCT. BOX	PASSENGER NO SMOKING LTS						
F 33	18.1	5A	562259	FR. JCT. BOX	KNEELING SYSTEM						
F 34	19.1	3A	562599	FR. JCT. BOX	LUGGAGE DOOR LOCK						
F 39	22.1	10A	562407	FR. JCT. BOX	UPPER WINDSHIELD FAN DEFROST						
F 40	22.1	20A	562605	FR. JCT. BOX	HEATED WINDSCHIELD LH						
F 41	22.1	20A	562605	FR. JCT. BOX	HEATED WINDSCHIELD RH						
F 42	20.5	3A			WIRELESS MIC CAHRGER						
F 43	1.2	3A	562599	FR. JCT. BOX	12V SIGNAL TO BATT MONITOR						
F 44	1.2	3A	562599	FR. JCT. BOX	24V SIGNAL TO BATT MONITOR						
F 46	24.1	7.5A	562602	FR. JCT. BOX	MIRROR ADJUST & HEATED 24V SPARTAN						
F 47	24.3	7.5A	562407	FR. JCT. BOX	MIRROR ADJUST & HEATED 12V RAMCO						
F 48	25.2	10A	562407	RR. JCT. BOX	WHEEL CHAIR LIFT POWER CONTROL						
F 49	26.1	20A	562605	RR. JCT. BOX	PRE-HEAT WATER HEATER WEBASTO						
F 50	26.1	20A	562605	RR. JCT. BOX	PRE-HEAT WATER HEATER						
F 51	11.2	7.5A	562602	RR. JCT. BOX	HAR RACK CPT LTS						
F 57	17.1	5A	562259	RR. JCT. BOX	LAVATORY FLUORESCENT						
F 58	11.3	10A	562407	RR. JCT. BOX	INDIRECT LIGHTING L.H.						
F 59											
F 60	17.1	10A	562407	RR. JCT. BOX	LAVATORY FAN						
F 61	27.1	1A	560893	FR. JCT. BOX	INTERCOM						
F 62	2.1	3A	562599	RR. JCT. BOX	PRO-LINK & FIRE ALARM						
F 63	27.1	3A	560893	MON. CLARION	BACK-UP MONITOR CLARION						
F 70	23.1	7.5A	562602	GALLEY PANEL	GALLEY RH CONTAINER						
F 71	23.1	7.5A	562602	GALLEY PANEL	GALLEY LH CONTAINER						
F 72	23.1	10A	562407	GALLEY PANEL	GALLEY REFRIGERATOR COMPRESSOR						

FUSES CODE

No. PAGE AMP. #PREV. LOCATION FUNCTION

No. PAGE AMP. #PREV. LOCATION FUNCTION

FUSES CODE

No.	PAGE	AMP.	#PREV.	LOCATION	FUNCTION	No.	PAGE	AMP.	#PREV.	LOCATION	FUNCTION
F 1	6.1	10A	562407	RR. JCT. BOX	WORLD TRANSMISSION 12V BATTERY	F 73	23.1	35A	562608	GALLEY PANEL	GALLEY COFFEMAKER
F 2	6.1	10A	562407	RR. JCT. BOX	WORLD TRANS.& EATON TRANS.12V IGNITION	F 74	23.1	7.5	560598	BAT. CPT.	GALLEY REFRIGERATOR
F 3	7.2	20A	562605	FR. JCT. BOX	ELECTRICAL HORNS	F 75					
F 4	7.2	5A	562259	FR. JCT. BOX	FIRE ALARM	F 76	20.8	1A	562597	SOUND SYS JC	DVD KARAOKE
F 5						F 77	20.8	3A	562599	SOUND SYS JC	DVD KARAOKE
F 6	5.1	5A	562602	FR. JCT. BOX	CRUISE DECEL SW.	F ZF1	15.1	3A	560893	FR.JCT.BOX	STEERING CONTROL
F 7	8.1	5A	562602	FR. JCT. BOX	PARKING BRAKE PRESSURE SW.						
F 8	9.2	10A	562407	FR. JCT. BOX	CORNERING LTS						
F 9	9.3	15A	562604	RR. JCT. BOX	DOCKING LTS						
F 10	9.3	15A	562604	FR. JCT. BOX	FOG LTS						
F 11	11.1	5A	562259	FR. JCT. BOX	FRONT SERVICE CPT LTS						
F 12	11.2	10A	562407	RR. JCT. BOX	aisle LTS						
F 13	11.2	7.5A	562602	RR. JCT. BOX	EMERGENCY EXIT LTS						
F 14	11.3	15A	562602	FR. JCT. BOX	DRIVER'S LTS						
F 15	11.3	15A	562604	RR. JCT. BOX	READING LTS RH						
F 16	11.3	15A	562604	RR. JCT. BOX	READING LTS LH						
F 17	11.3	10A	562407	RR. JCT. BOX	INDIRECT LIGHTING R.H.						
F 18	11.4	10A	562407	RR. JCT. BOX	24V FLUORESCENT RH						
F 19	11.4	10A	562407	RR. JCT. BOX	24V FLUORESCENT LH						
F 20	11.3	5A	562599	FR. JCT. BOX	GENERAL & READING LTS. SW.						
F 21	12.1	10A	560061	RR. JCT. BOX	PRIME PUMP						
F 22	14.1	10A	562407	FR. JCT. BOX	POWER 12V OUTLET						
F 23	14.1	15A	562604	FR. JCT. BOX	DRIVER'S WINDOW LIFTER						
F 24	14.1	15A	562604	FR. JCT. BOX	CIGAR LIGHTER						
F 25	14.1	3A	562599	FR. JCT. BOX	SUN VISOR						
F 26	26.1	7.5A	562259	FR. JCT. BOX	WATER HTR WEBASTO TIMER						
F 27	17.1	5A	562259	RR. JCT. BOX	GALLEY LAMP & LAVATORY NIGHT LTS.						
F 28	17.1	10A	562407	RR. JCT. BOX	LAVATORY PUMP						
F 29	17.1	7.5A	562602	RR. JCT. BOX	LAVATORY LTS						
F 31	17.1	5A	562259	FR. JCT. BOX	FRONT DESTINATION SIGN ELECTRONIC						
F 31	17.1	7.5A	562602	FR. JCT. BOX	FRONT DESTINATION SIGN ELECTRIC						
F 32	11.3	5A	562259	FR. JCT. BOX	PASSENGER NO SMOKING LTS						
F 33	18.1	5A	562259	FR. JCT. BOX	KNEELING SYSTEM						
F 34	19.1	3A	562599	FR. JCT. BOX	LUGGAGE DOOR LOCK						
F 39	22.1	20A	562605	FR. JCT. BOX	UPPER WINDSHIELD FAN AND PUMP DEFROST						
F 40											
F 41											
F 42	20.5	3A			WIRELESS MIC CHARGER						
F 43	1.2	3A	562599	FR. JCT. BOX	12V SIGNAL TO BATT MONITOR						
F 44	1.2	3A	562599	FR. JCT. BOX	24V SIGNAL TO BATT MONITOR						
F 46	24.1	7.5A	562602	FR. JCT. BOX	MIRROR ADJUST & HEATED 24V SPARTAN						
F 47	24.3	7.5A	562407	FR. JCT. BOX	MIRROR ADJUST & HEATED 12V RAMCO						
F 48	25.2	10A	562407	RR. JCT. BOX	WHEEL CHAIR LIFT POWER CONTROL						
F 49	26.1	15A	562605	RR. JCT. BOX	PRE-HEAT WATER HEATER WEBASTO						
F 50	26.1	20A	562605	RR. JCT. BOX	PRE-HEAT WATER HEATER WEBASTO						
F 51	11.2	7.5A	562602	RR. JCT. BOX	HAR RACK CPT LTS						
F 57	17.1	5A	562259	RR. JCT. BOX	LAVATORY FLUORESCENT						
F 58	11.3	10A	562407	RR. JCT. BOX	INDIRECT LIGHTING L.H.						
F 59											
F 60	17.1	10A	562407	RR. JCT. BOX	LAVATORY FAN						
F 61	27.1	1A	560893	FR. JCT. BOX	INTERCOM						
F 62	2.1	3A	562599	RR. JCT. BOX	PRO-LINK & FIRE ALARM						
F 63	27.1	3A	560893	MON. CLARION	BACK-UP MONITOR CLARION						
F 70	23.1	7.5A	562602	GALLEY PANEL	GALLEY RH CONTAINER						
F 71	23.1	7.5A	562602	GALLEY PANEL	GALLEY LH CONTAINER						
F 72	23.1	10A	562407	GALLEY PANEL	GALLEY REFRIGERATOR COMPRESSOR						

FUSES CODE

No. PAGE AMP. #PREV. LOCATION FUNCTION

No. PAGE AMP. #PREV. LOCATION FUNCTION

FUSES CODE

No.	PAGE	AMP.	#PREV.	LOCATION	FUNCTION	No.	PAGE	AMP.	#PREV.	LOCATION	FUNCTION
F 1	6.1	10A	562407	RR. JCT. BOX	WORLD TRANSMISSION 12V BATTERY	F 73	23.1	35A	562608	GALLEY PANEL	GALLEY COFFEMAKER
F 2	6.1	10A	562407	RR. JCT. BOX	WORLD TRANS.& EATON TRANS.12V IGNITION	F 74	23.1	7.5	560598	BAT. CPT.	GALLEY REFRIGERATOR
F 3	7.2	20A	562605	FR. JCT. BOX	ELECTRICAL HORNS	F 75					
F 4	7.2	5A	562259	FR. JCT. BOX	FIRE ALARM	F 76	20.8	1A	562597	SOUND SYS JC	DVD KARAOKE
F 5	8.1	7.5A	562602	RR. JCT. BOX	AIR DRYER	F 77	20.8	3A	562599	SOUND SYS JC	DVD KARAOKE
F 6	5.1	5A	562602	FR. JCT. BOX	CRUISE DECEL SW.	F ZF1	15.1	3A	560893	FR.JCT.BOX	STEERING CONTROL
F 7	8.1	5A	562602	FR. JCT. BOX	PARKING BRAKE PRESSURE SW.						
F 8	9.2	10A	562407	FR. JCT. BOX	CORNERING LTS						
F 9	9.3	15A	562604	RR. JCT. BOX	DOCKING LTS						
F 10	9.3	15A	562604	FR. JCT. BOX	FOG LTS						
F 11	11.1	5A	562259	FR. JCT. BOX	FRONT SERVICE CPT LTS						
F 12	11.2	10A	562407	RR. JCT. BOX	AISLE LTS						
F 13	11.2	7.5A	562602	RR. JCT. BOX	EMERGENCY EXIT LTS						
F 14	11.3	15A	562602	FR. JCT. BOX	DRIVER'S LTS						
F 15	11.3	15A	562604	RR. JCT. BOX	READING LTS RH						
F 16	11.3	15A	562604	RR. JCT. BOX	READING LTS LH						
F 17	11.3	10A	562407	RR. JCT. BOX	INDIRECT LIGHTING R.H.						
F 18	11.4	10A	562407	RR. JCT. BOX	24V FLUORESCENT RH						
F 19	11.4	10A	562407	RR. JCT. BOX	24V FLUORESCENT LH						
F 20	11.3	5A	562599	FR. JCT. BOX	GENERAL & READING LTS. SW.						
F 21	12.1	10A	560061	RR. JCT. BOX	PRIME PUMP						
F 22	14.1	10A	562407	FR. JCT. BOX	POWER 12V OUTLET						
F 23	14.1	15A	562604	FR. JCT. BOX	DRIVER'S WINDOW LIFTER						
F 24	14.1	15A	562604	FR. JCT. BOX	CIGAR LIGHTER						
F 25	14.1	3A	562599	FR. JCT. BOX	SUN VISOR						
F 26	26.1	7.5A	562259	FR. JCT. BOX	WATER HTR WEBASTO TIMER						
F 27	17.1	5A	562259	RR. JCT. BOX	GALLEY LAMP & LAVATORY NIGHT LTS.						
F 28	17.1	10A	562407	RR. JCT. BOX	LAVATORY PUMP						
F 29	17.1	7.5A	562602	RR. JCT. BOX	LAVATORY LTS						
F 31	17.1	5A	562259	FR. JCT. BOX	FRONT DESTINATION SIGN ELECTRONIC						
F 31	17.1	7.5A	562602	FR. JCT. BOX	FRONT DESTINATION SIGN ELECTRIC						
F 32	11.3	5A	562259	FR. JCT. BOX	PASSENGER NO SMOKING LTS						
F 33	18.1	5A	562259	FR. JCT. BOX	KNEELING SYSTEM						
F 34	19.1	3A	562599	FR. JCT. BOX	LUGGAGE DOOR LOCK						
F 39	22.1	20A	562605	FR. JCT. BOX	UPPER WINDSHIELD FAN AND PUMP DEFROST						
F 40											
F 41											
F 42	20.5	3A			WIRELESS MIC CHARGER						
F 43	1.2	3A	562599	FR. JCT. BOX	12V SIGNAL TO BATT MONITOR						
F 44	1.2	3A	562599	FR. JCT. BOX	24V SIGNAL TO BATT MONITOR						
F 46	24.1	7.5A	562602	FR. JCT. BOX	MIRROR ADJUST & HEATED 24V SPARTAN						
F 47	24.3	7.5A	562407	FR. JCT. BOX	MIRROR ADJUST & HEATED 12V RAMCO						
F 48	25.2	10A	562407	RR. JCT. BOX	WHEEL CHAIR LIFT POWER CONTROL						
F 49	26.1	15A	562605	RR. JCT. BOX	PRE-HEAT WATER HEATER WEBASTO						
F 50	26.1	20A	562605	RR. JCT. BOX	PRE-HEAT WATER HEATER WEBASTO						
F 51	11.2	7.5A	562602	RR. JCT. BOX	HAR RACK CPT LTS						
F 57	17.1	5A	562259	RR. JCT. BOX	LAVATORY FLUORESCENT						
F 58	11.3	10A	562407	RR. JCT. BOX	INDIRECT LIGHTING L.H.						
F 59											
F 60	17.1	10A	562407	RR. JCT. BOX	LAVATORY FAN						
F 61	27.1	1A	560893	FR. JCT. BOX	INTERCOM						
F 62	2.1	3A	562599	RR. JCT. BOX	PRO-LINK & FIRE ALARM						
F 63	27.1	3A	560893	MON. CLARION	BACK-UP MONITOR CLARION						
F 70	23.1	7.5A	562602	GALLEY PANEL	GALLEY RH CONTAINER						
F 71	23.1	7.5A	562602	GALLEY PANEL	GALLEY LH CONTAINER						
F 72	23.1	10A	562407	GALLEY PANEL	GALLEY REFRIGERATOR COMPRESSOR						

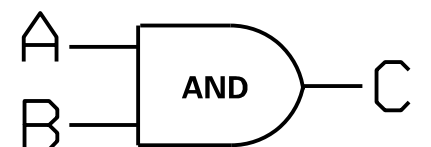
FUSES CODE

No. PAGE AMP. #PREV. LOCATION FUNCTION

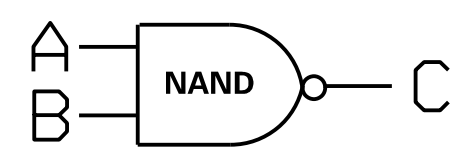
No. PAGE AMP. #PREV. LOCATION FUNCTION

LOGIC GATE

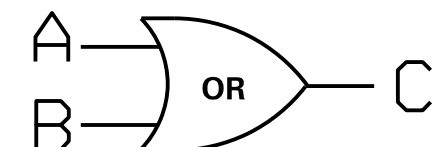
TRUTH TABLE

AND GATE		
		
INPUT		OUT
A	B	C
0	0	0
0	1	0
1	0	0
1	1	1

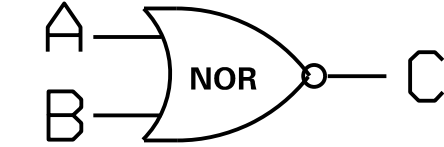
• OUTPUT IS 1 WHEN ALL INPUT IS 1

NAND GATE		
		
INPUT		OUT
A	B	C
0	0	1
0	1	1
1	0	1
1	1	0

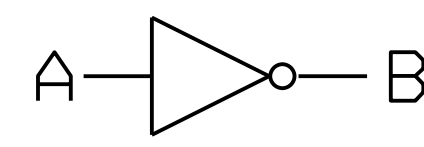
• OUTPUT IS 0 WHEN ALL INPUT IS 0

OR GATE		
		
INPUT		OUT
A	B	C
0	0	0
0	1	1
1	0	1
1	1	1


• OUTPUT IS 1 WHEN EITHER INPUT IS 1


NOR GATE		
		
INPUT		OUT
A	B	C
0	0	1
0	1	0
1	0	0
1	1	0

• OUTPUT IS 1 WHEN NONE INPUT IS 1

NOT GATE		
		
INPUT	A	OUT
B		
	0	1
	1	0

• OUTPUT IS REVERSE OF INPUT

ON-DELAY	
	
XX SECOND AFTER A = 1 THAN B = 1	

OFF-DELAY	
	
XX SECOND AFTER A = 0 THAN B = 0	

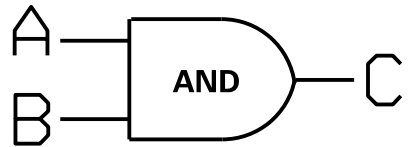
INPUT OR OUTPUT LEVEL

LEVEL 1 = 12 VOLTS OR 24 VOLTS

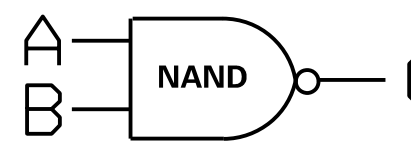
LEVEL 0 = 0 VOLT (TO GROUND)

LOGIC GATE

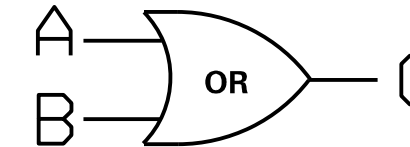
TRUTH TABLE

AND GATE		
		
INPUT		OUT
A	B	C
0	0	0
0	1	0
1	0	0
1	1	1

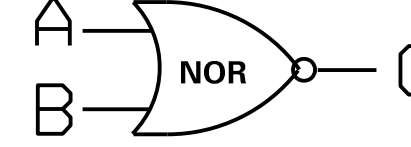
• OUTPUT IS 1 WHEN ALL INPUT IS 1

NAND GATE		
		
INPUT		OUT
A	B	C
0	0	1
0	1	1
1	0	1
1	1	0

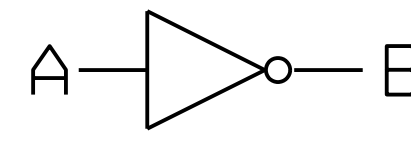
• OUTPUT IS 0 WHEN ALL INPUT IS 1

OR GATE		
		
INPUT		OUT
A	B	C
0	0	0
0	1	1
1	0	1
1	1	1


• OUTPUT IS 1 WHEN EITHER INPUT IS 1


NOR GATE		
		
INPUT		OUT
A	B	C
0	0	1
0	1	0
1	0	0
1	1	0

• OUTPUT IS 1 WHEN NONE INPUT IS 1

NOT GATE		
		
INPUT	A	OUT
B		
	0	1
	1	0

• OUTPUT IS REVERSE OF INPUT

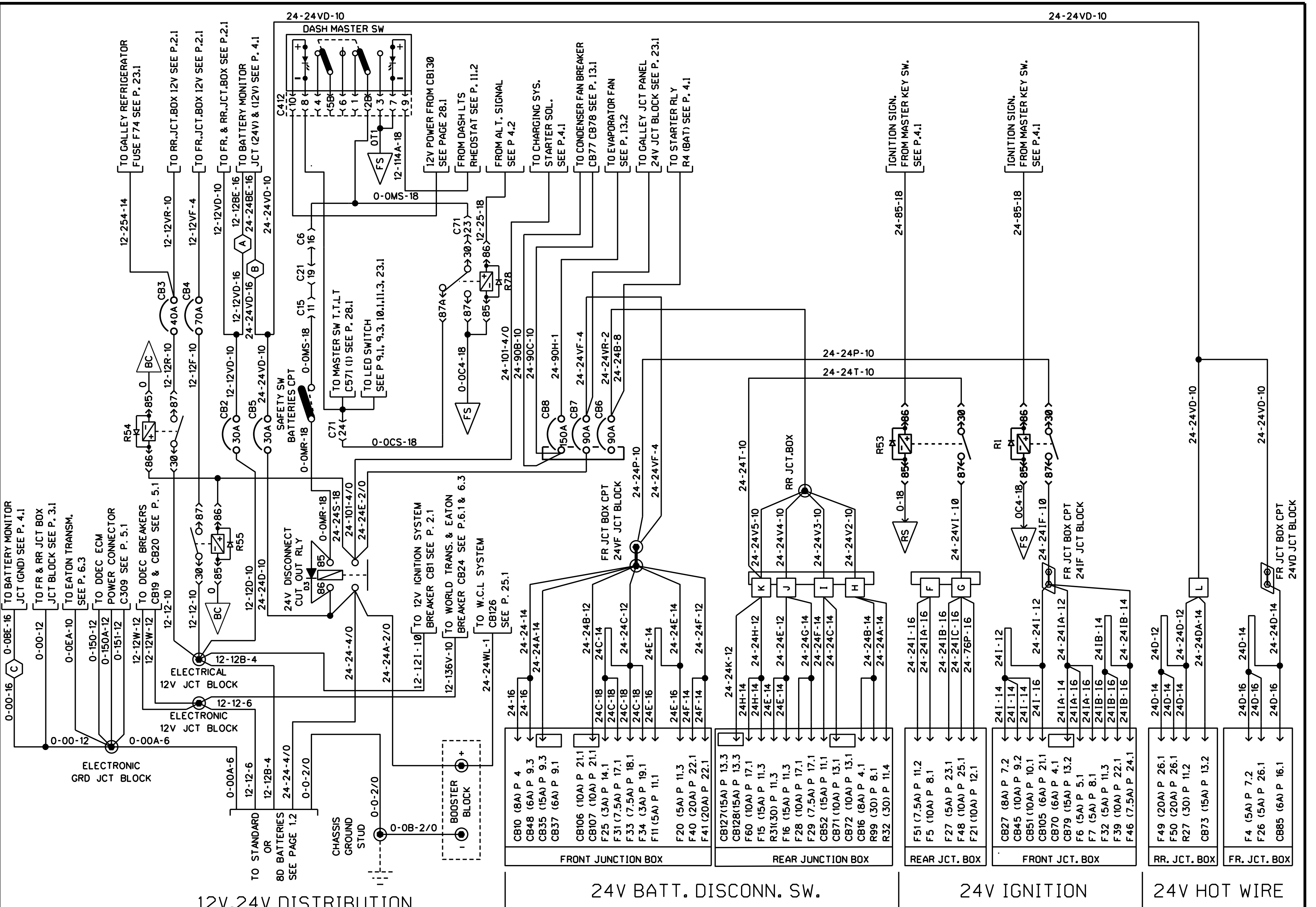
ON-DELAY	
	
XX SECOND AFTER A=1 THAN B=1	

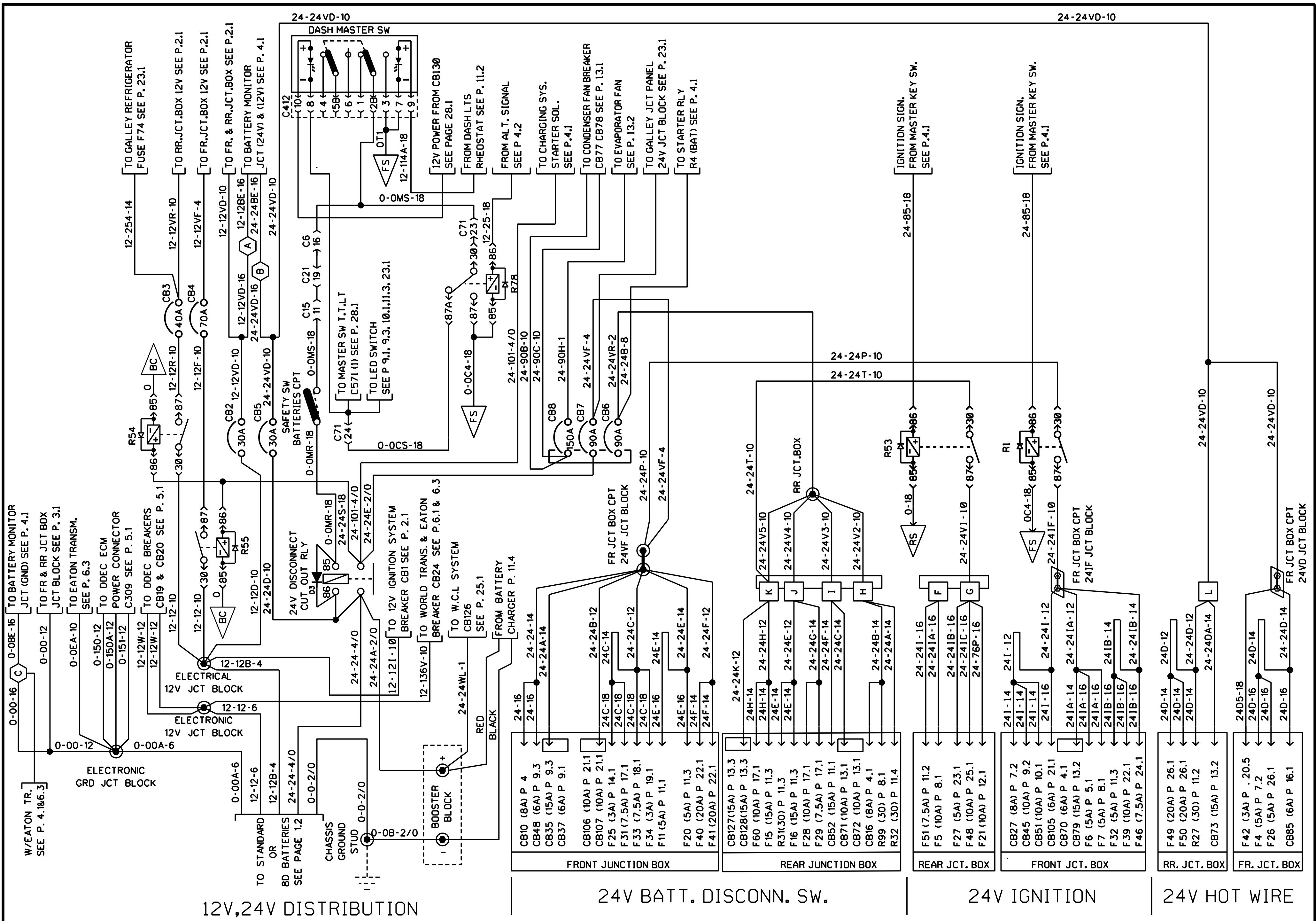
OFF-DELAY	
	
XX SECOND AFTER A=0 THAN B=0	

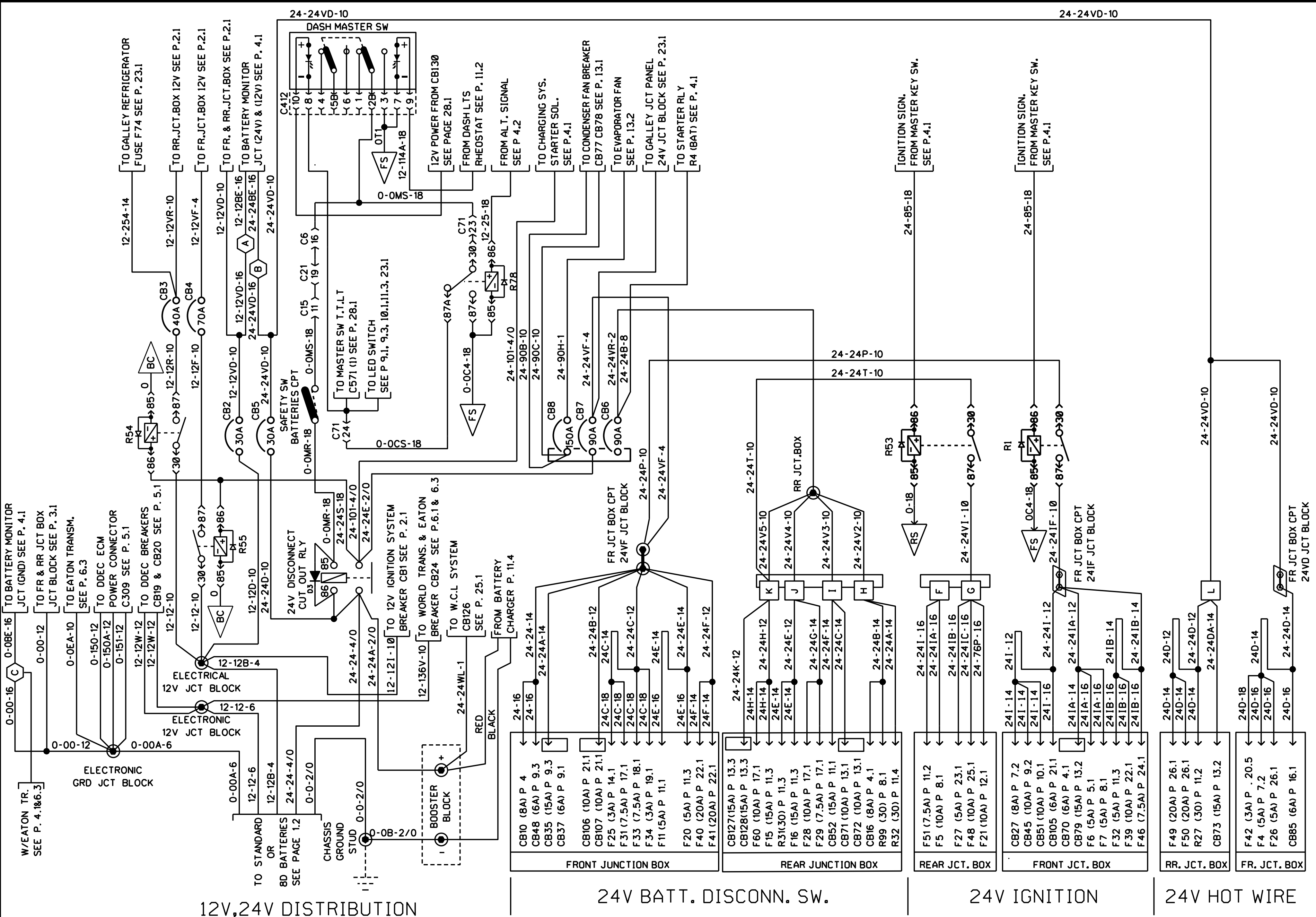
INPUT OR OUTPUT LEVEL

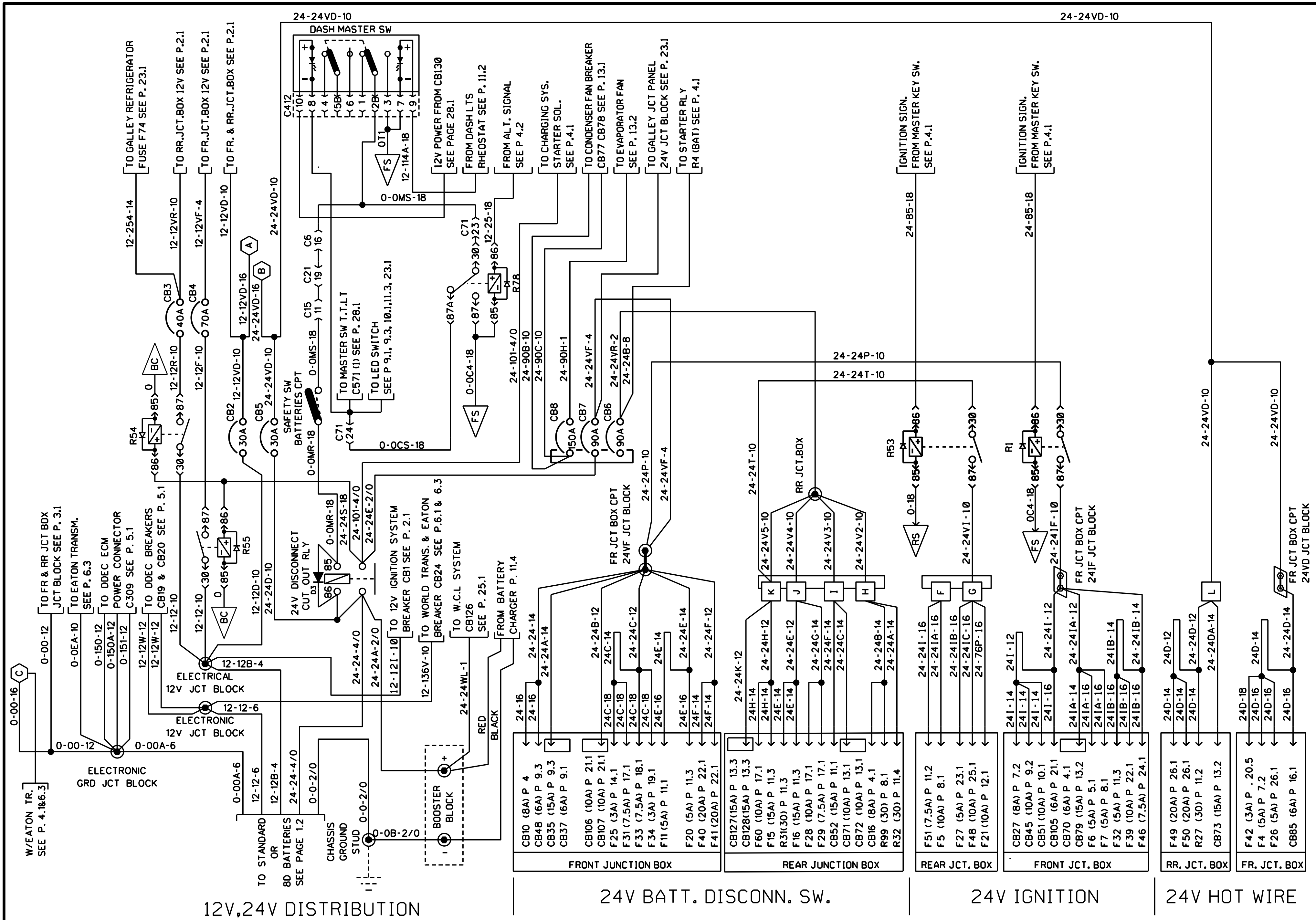
LEVEL 1 = 12 VOLTS OR 24 VOLTS

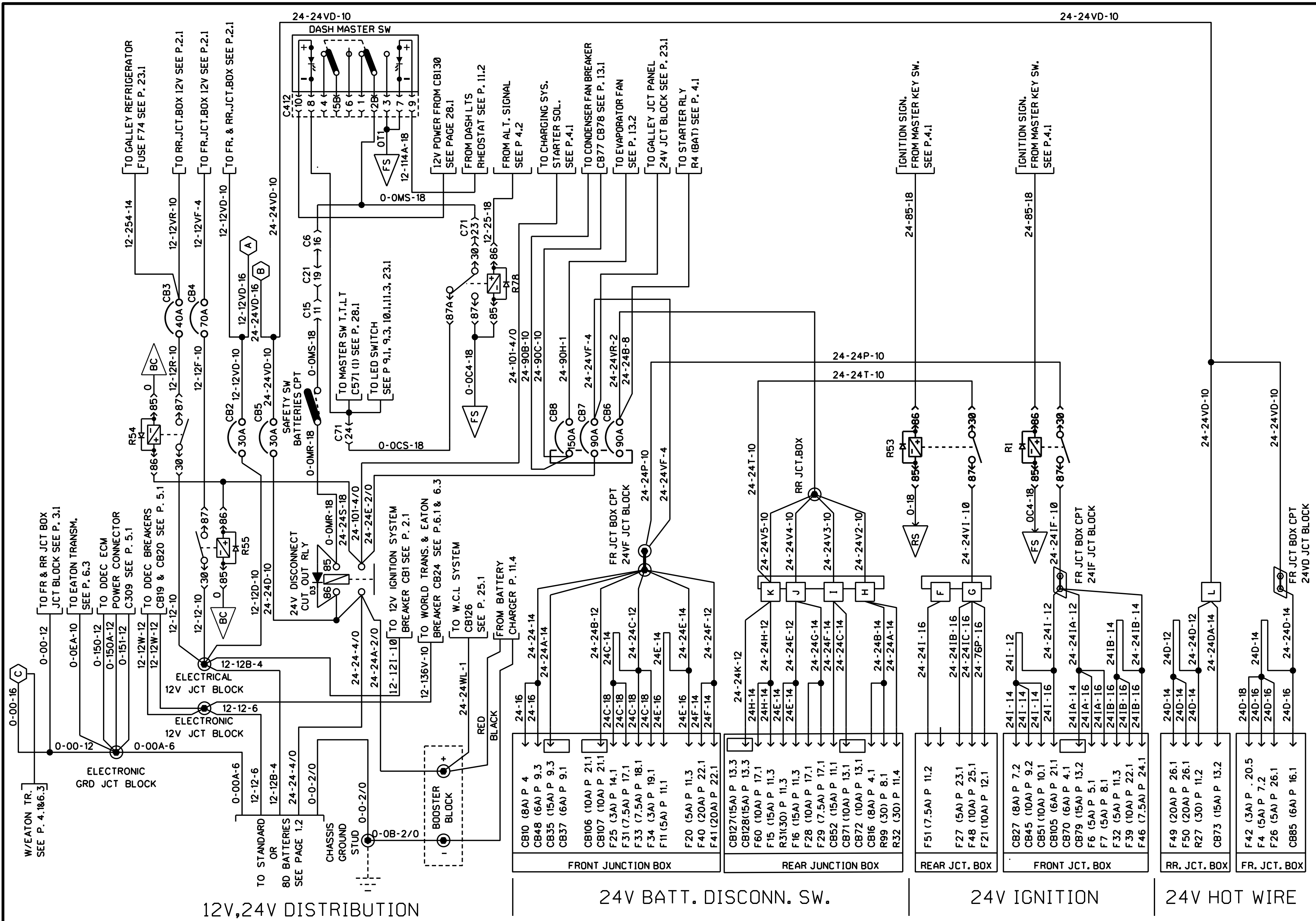
LEVEL 0 = 0 VOLT (TO GROUND)

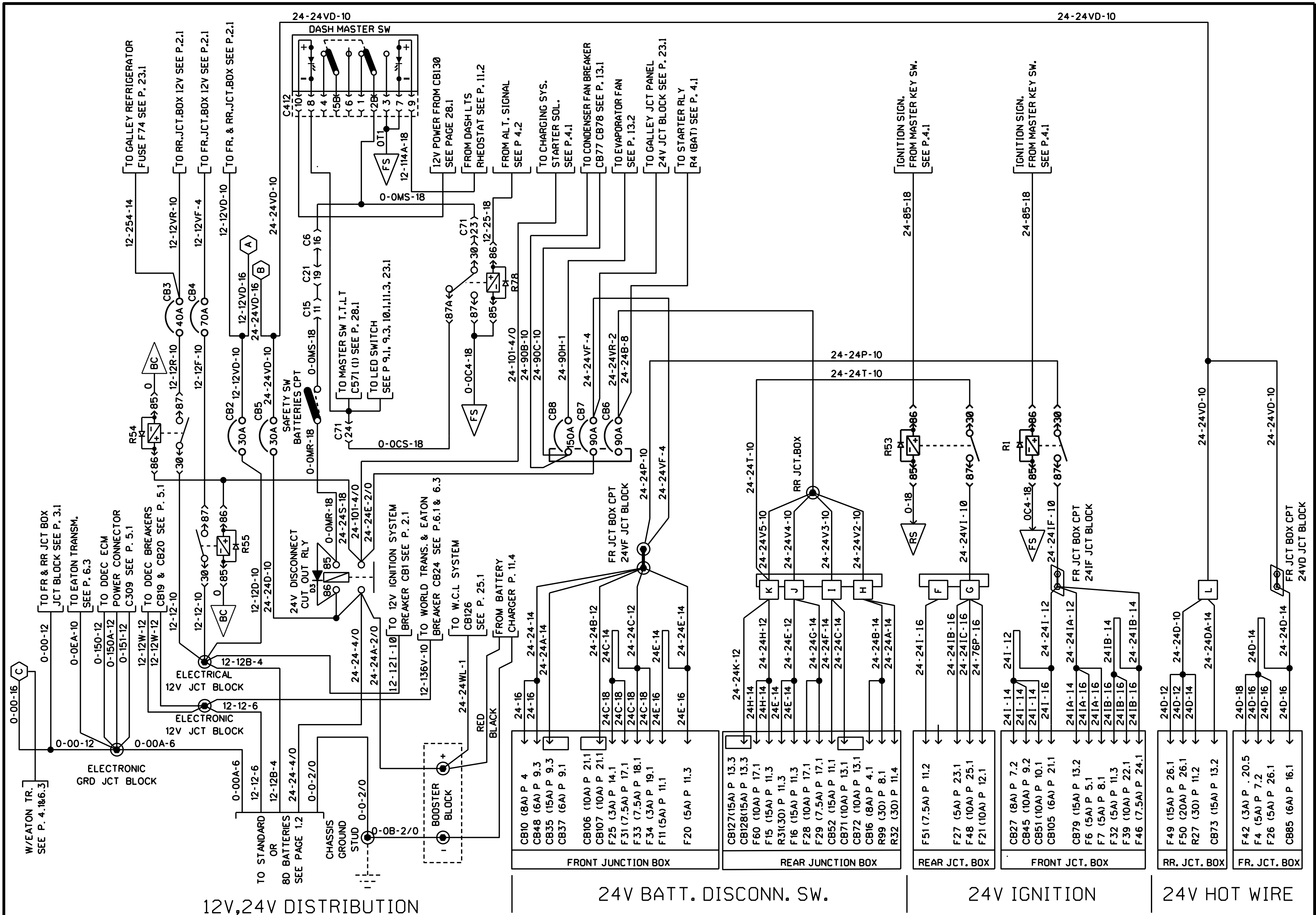


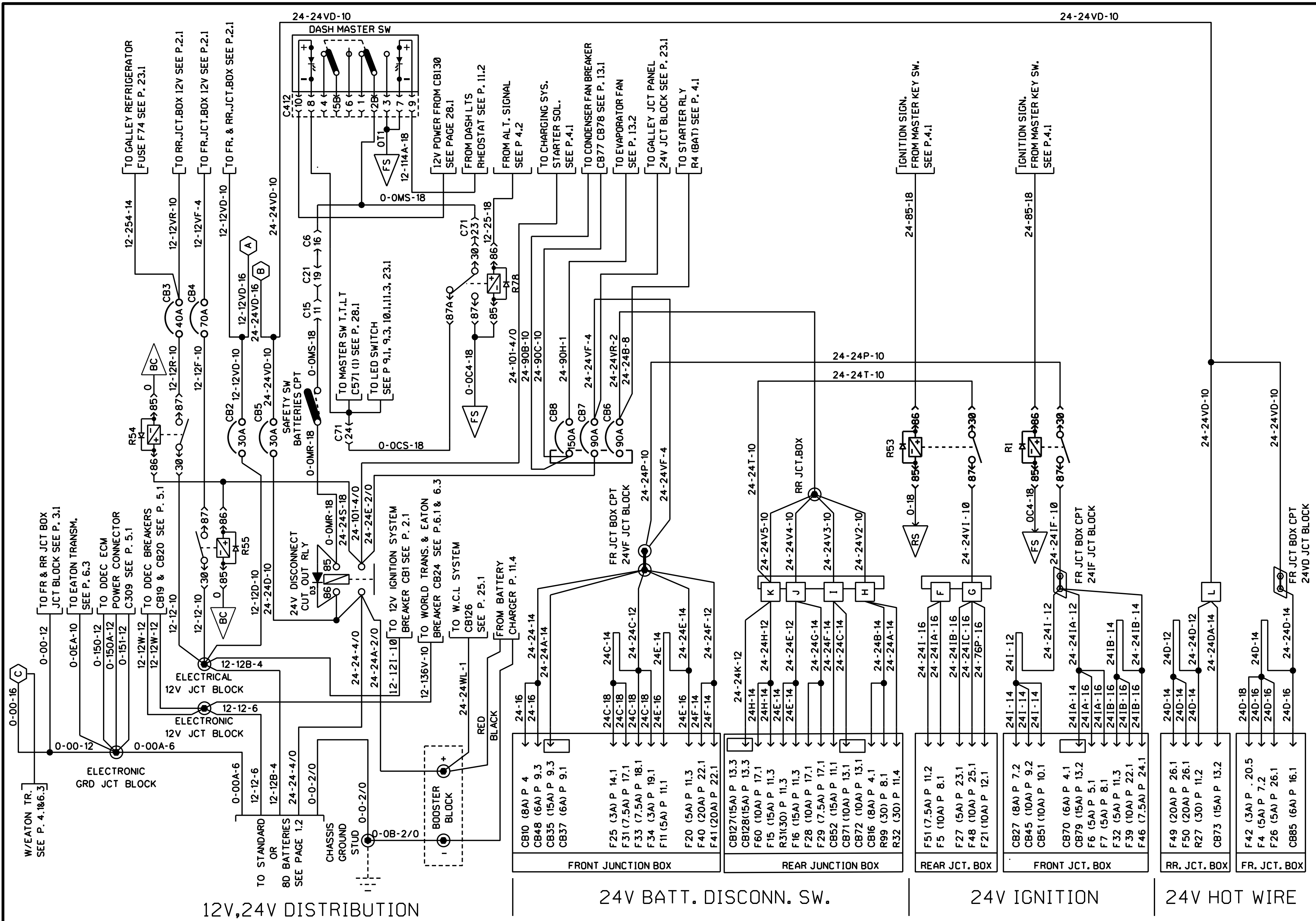


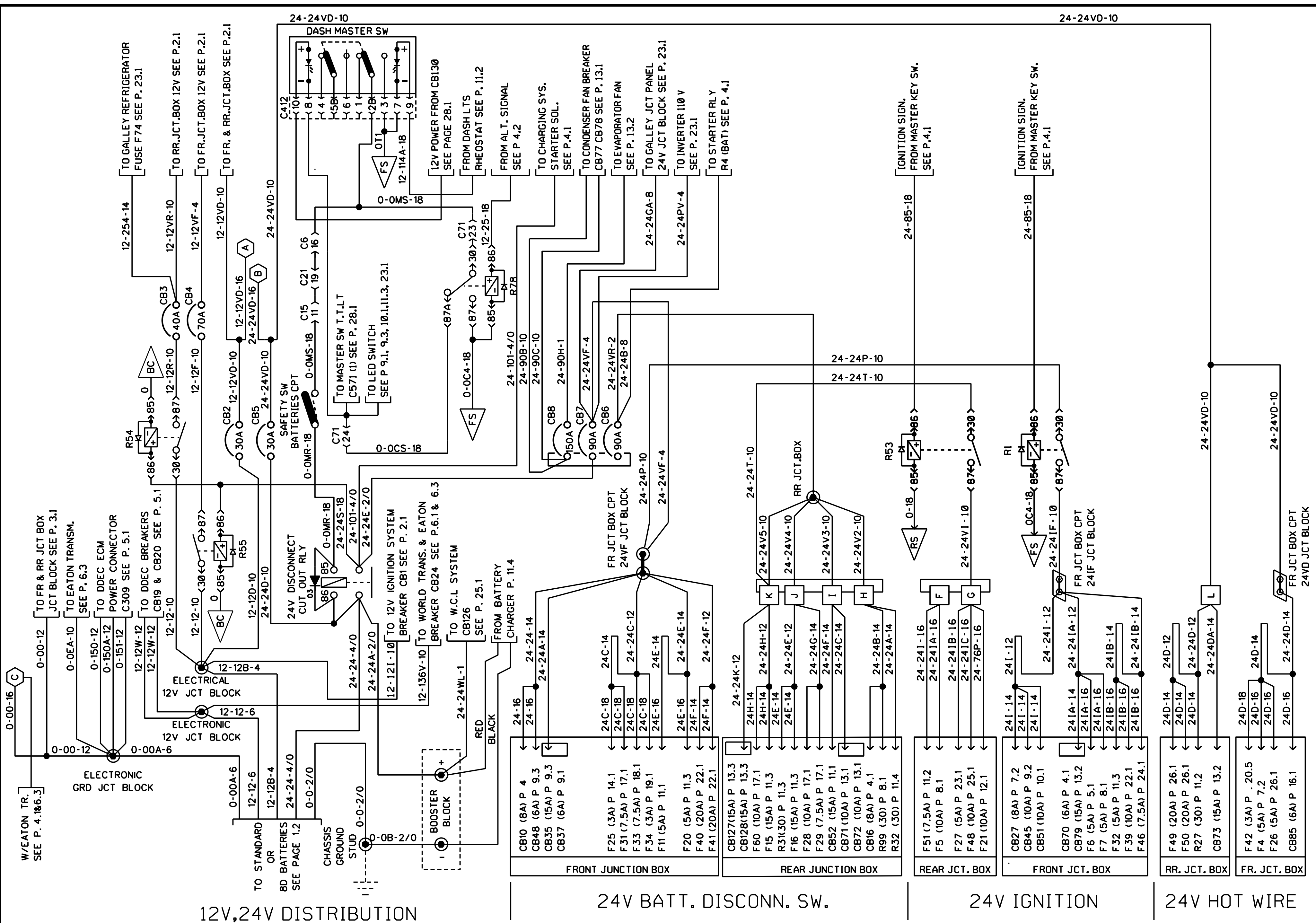


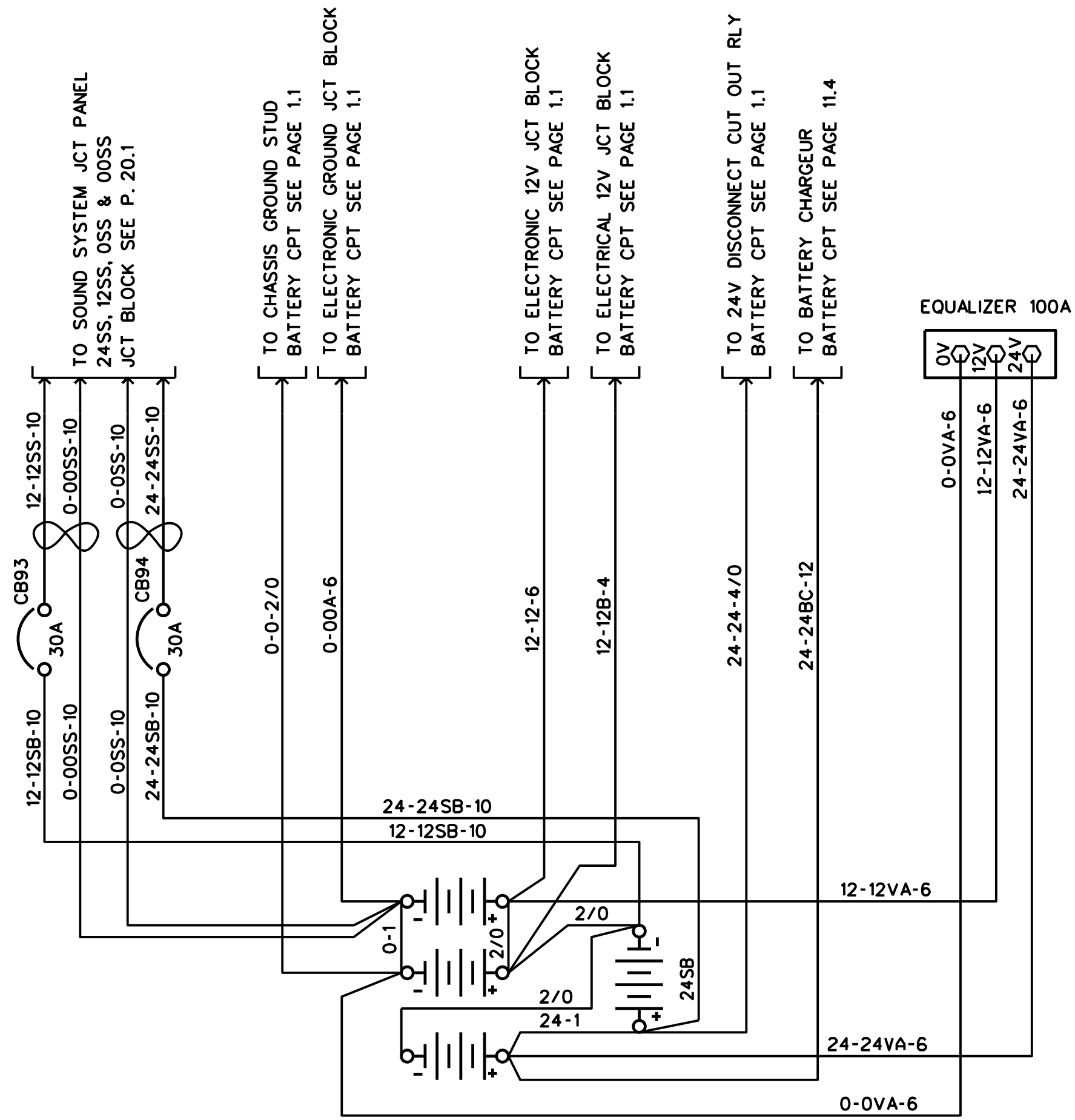




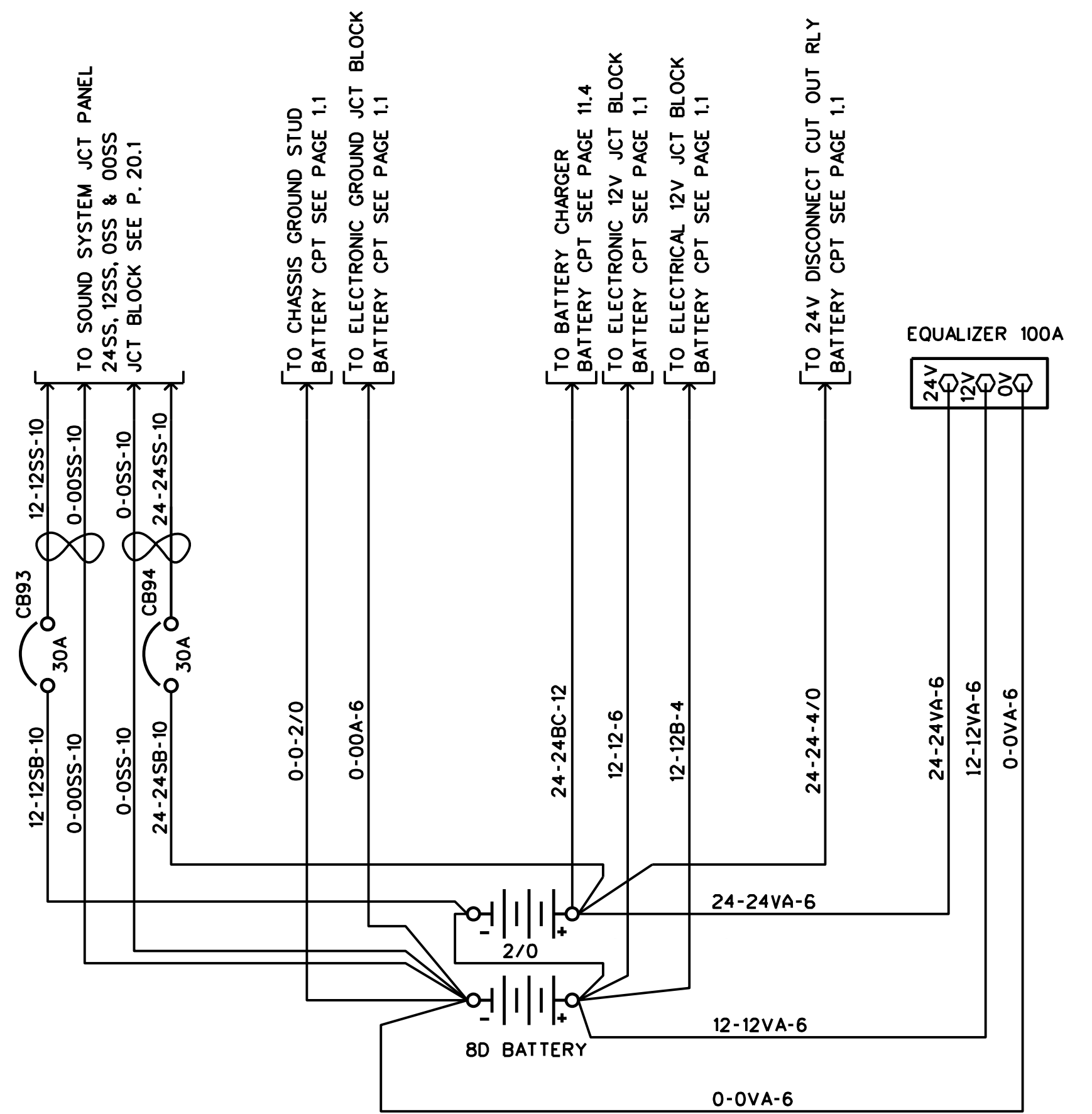




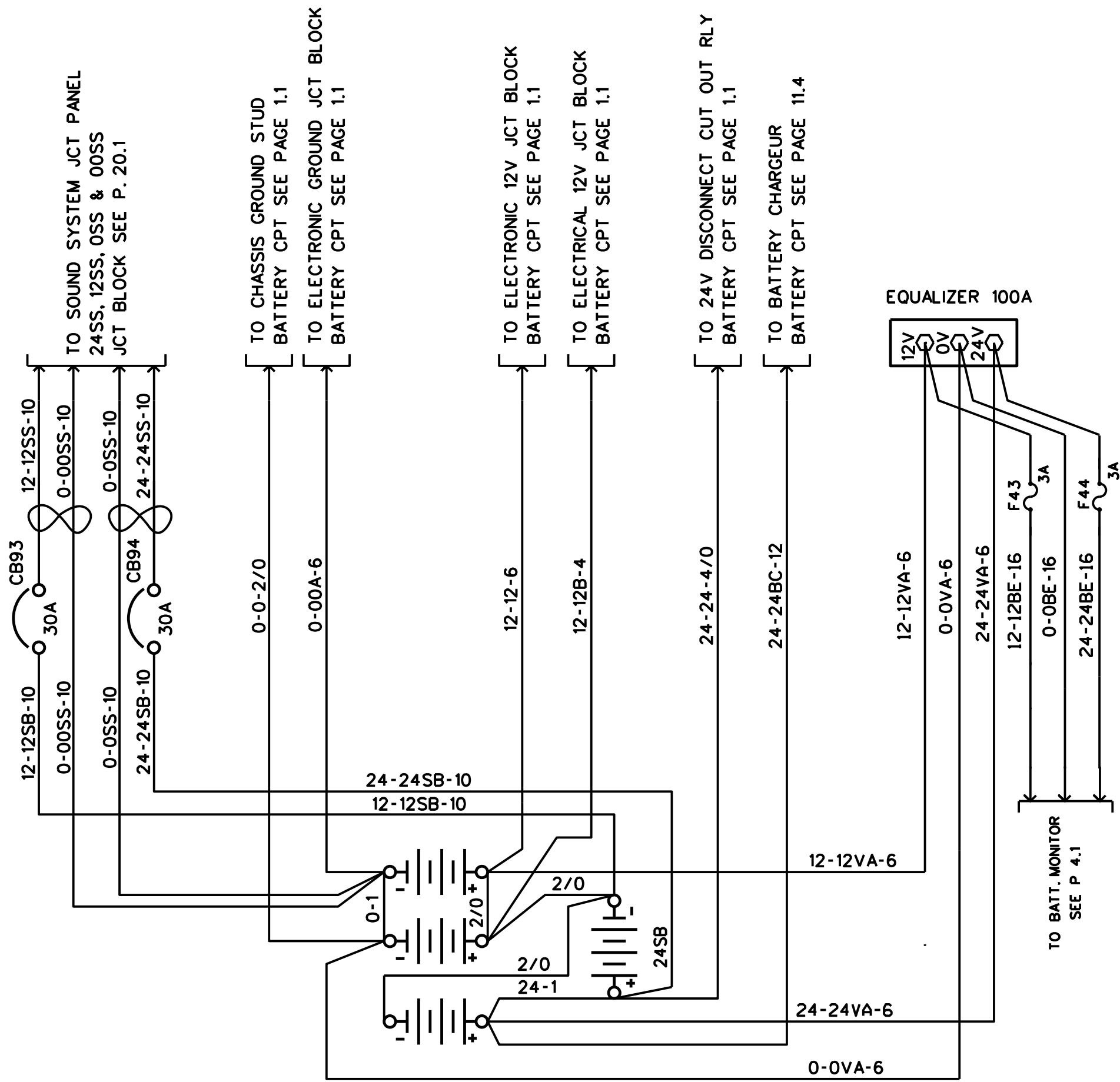




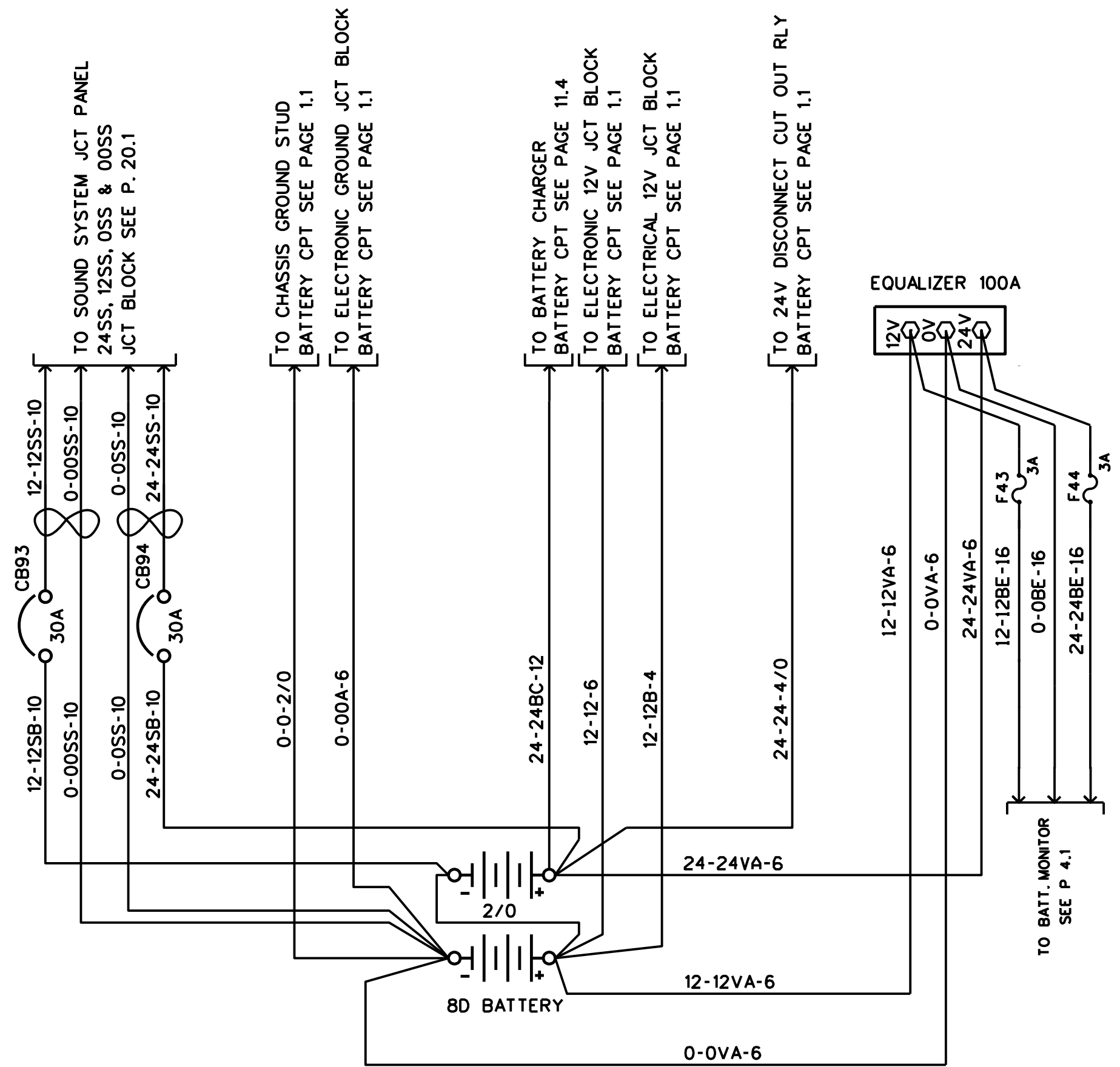
STANDARD BATTERIES



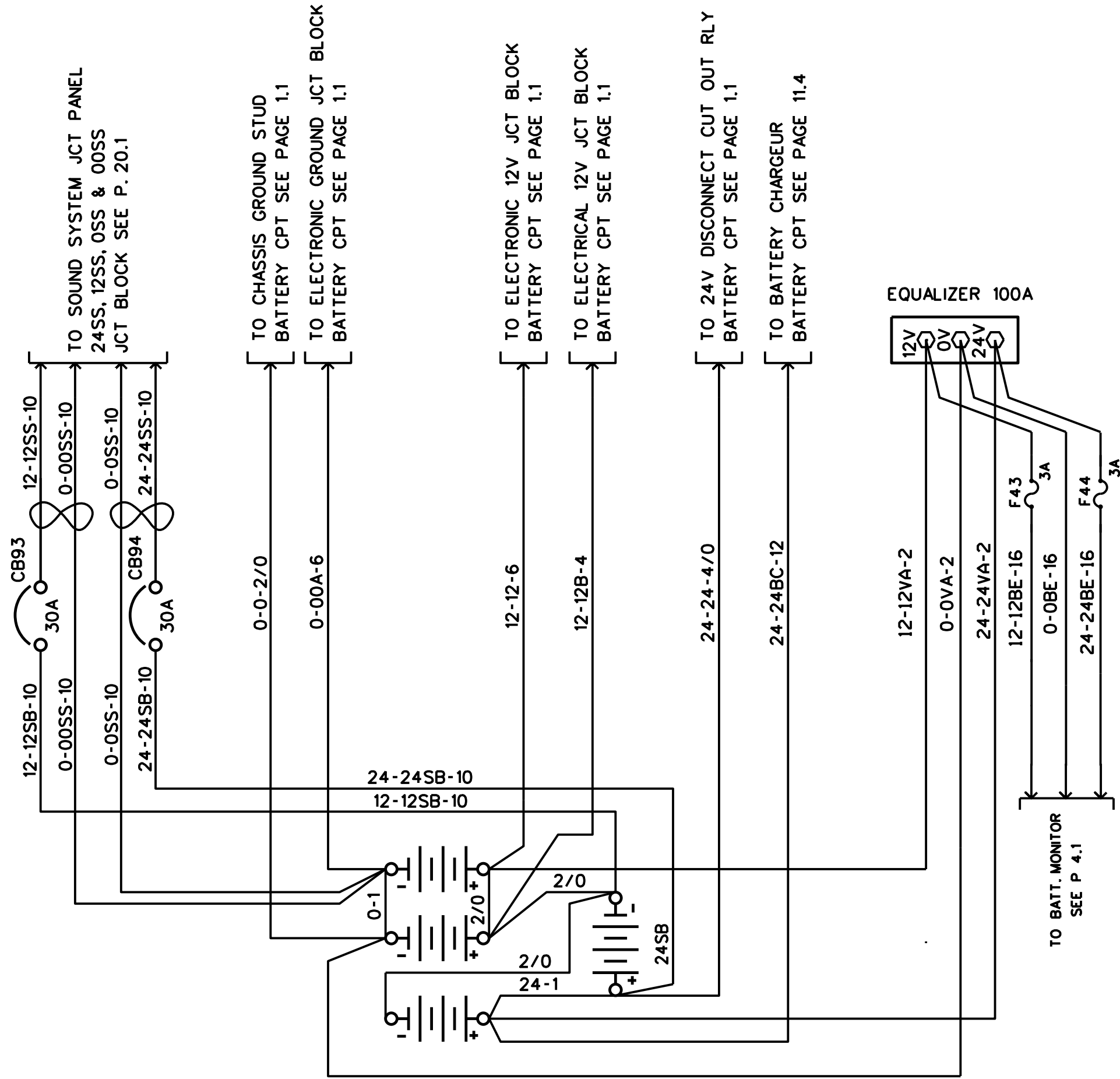
8D BATTERIES



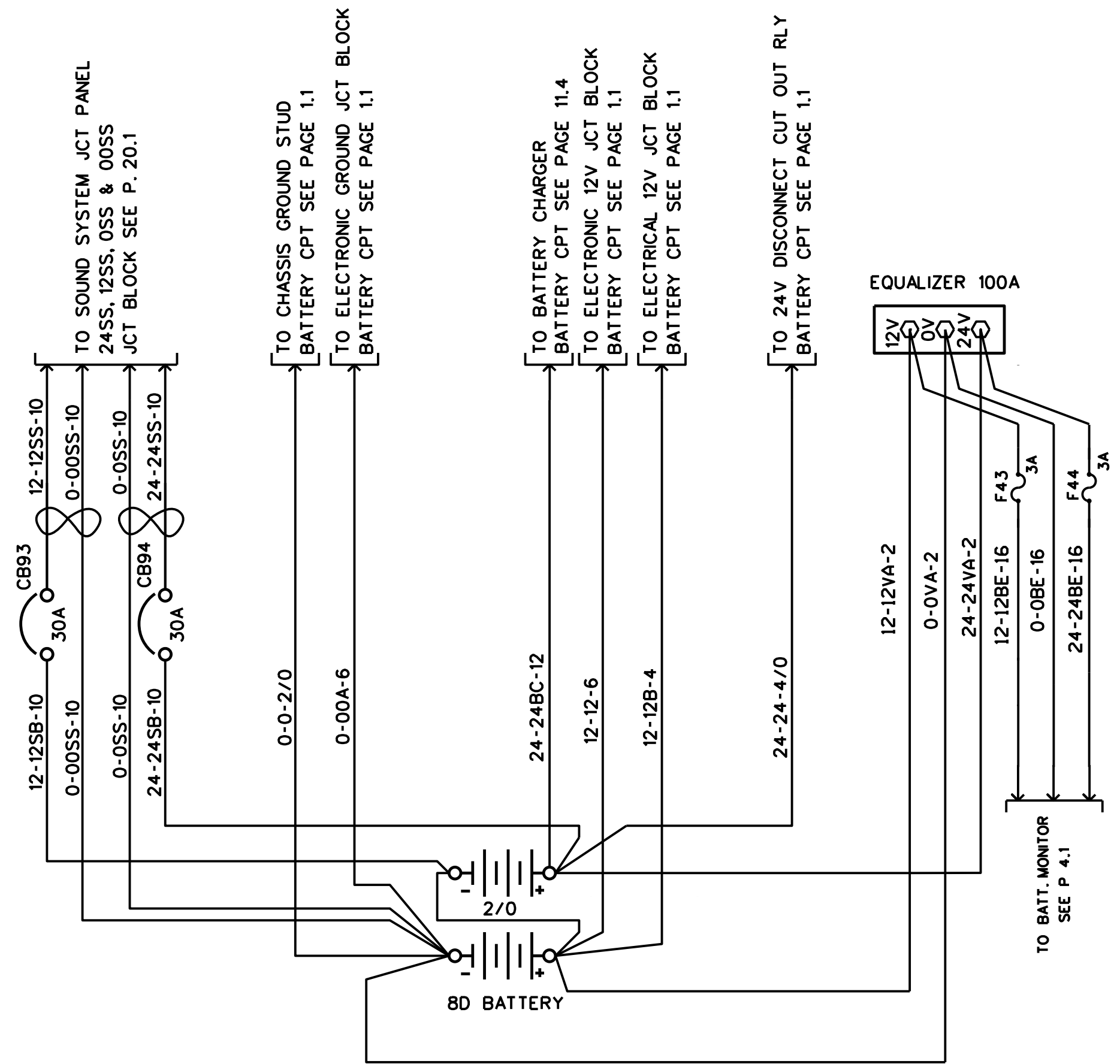
STANDARD BATTERIES



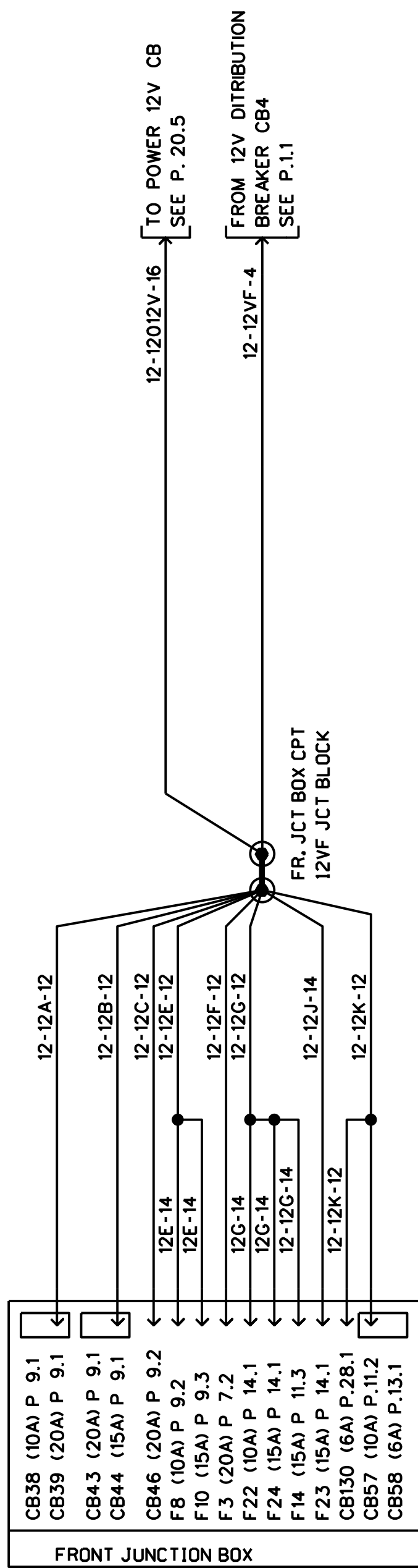
8D BATTERIES



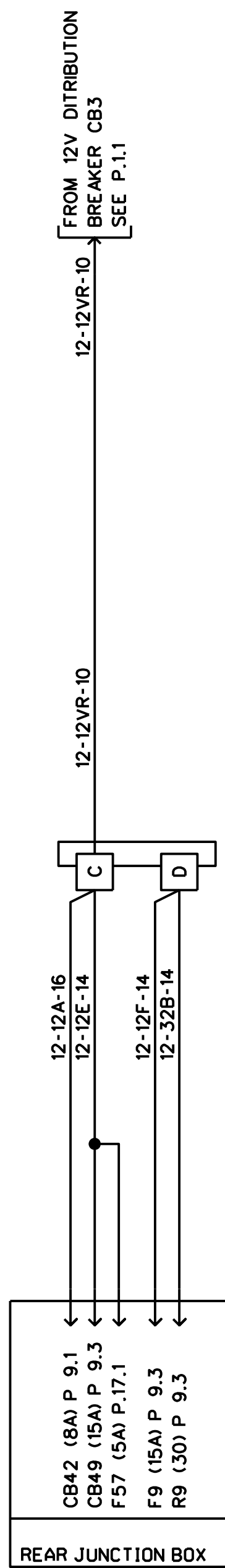
STANDARD BATTERIES



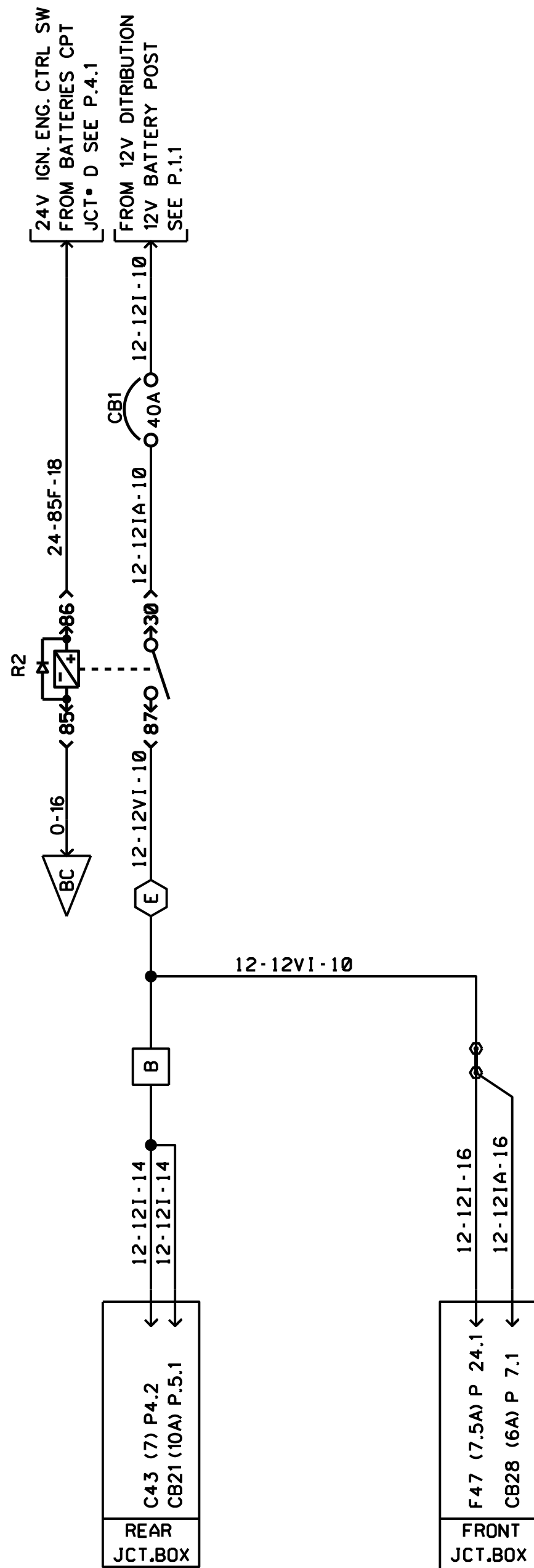
8D BATTERIES



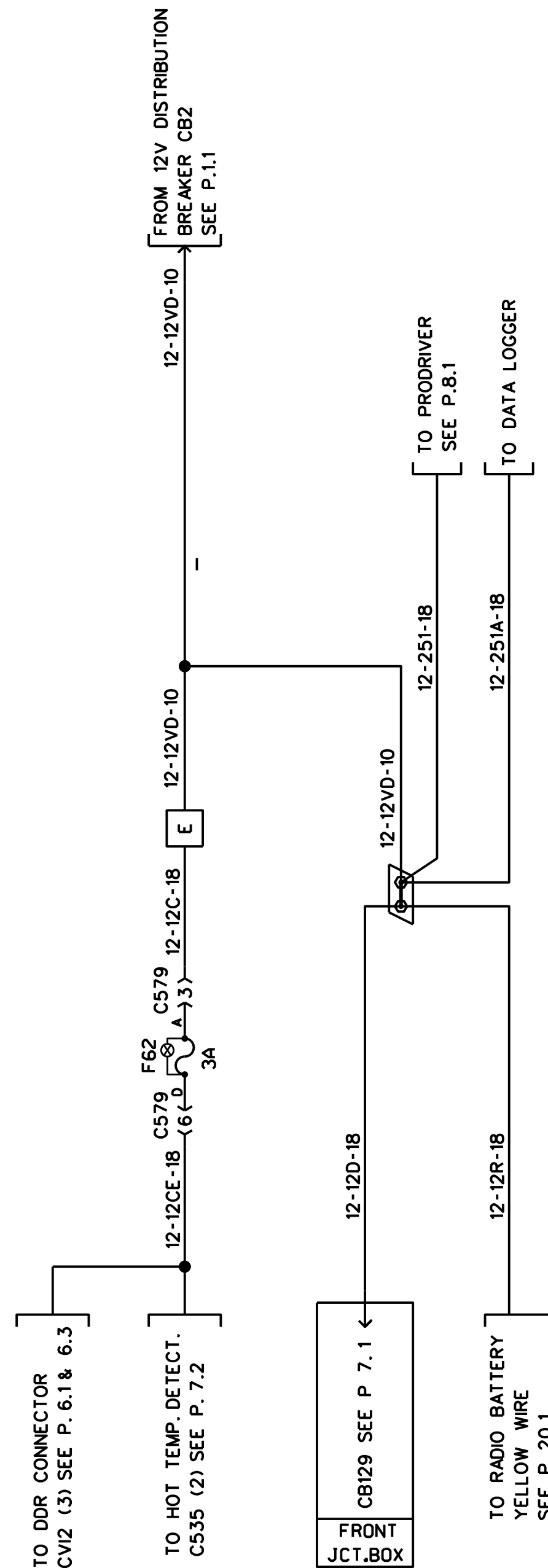
12V BATT. DISCONN. SW.

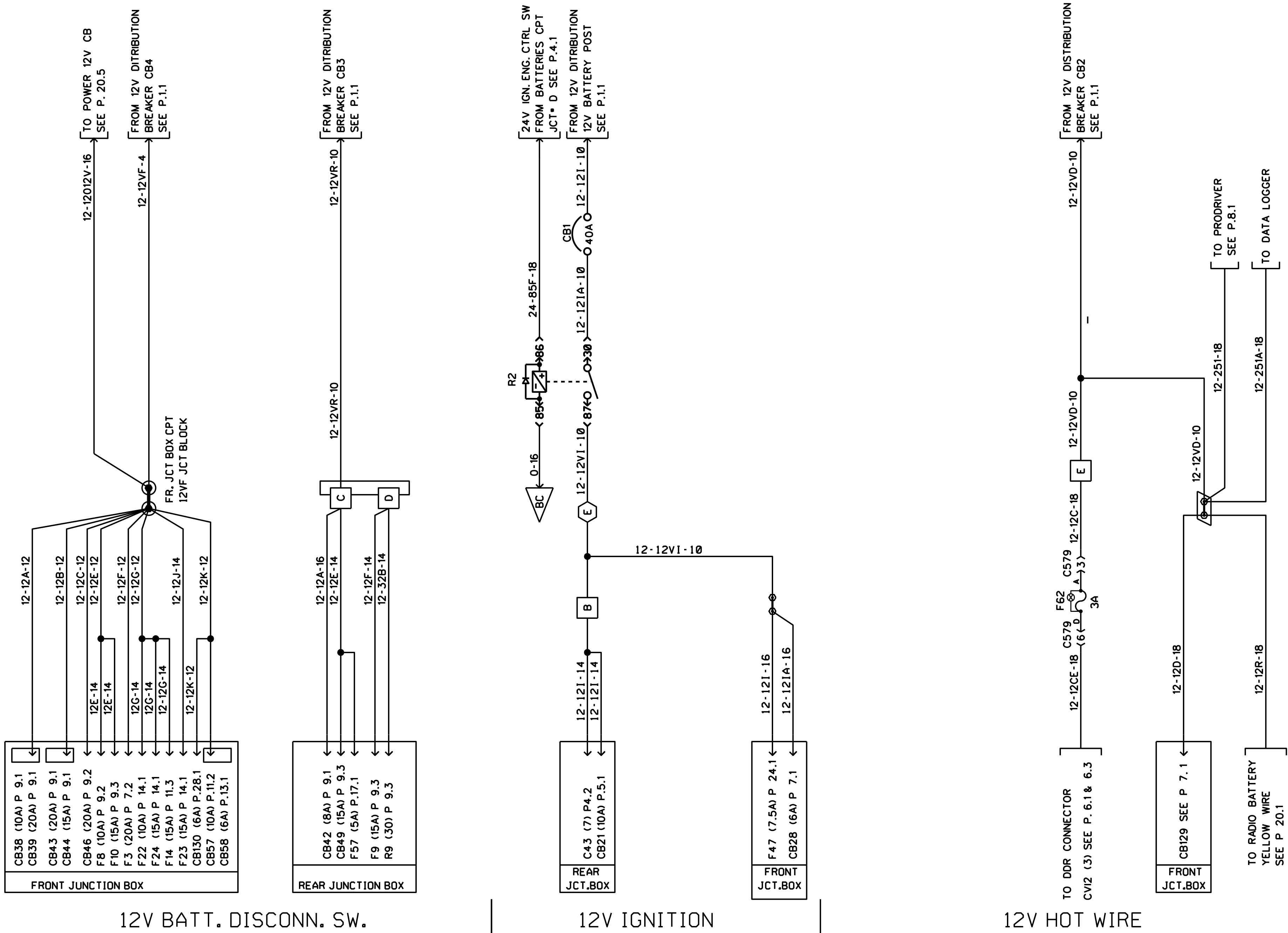


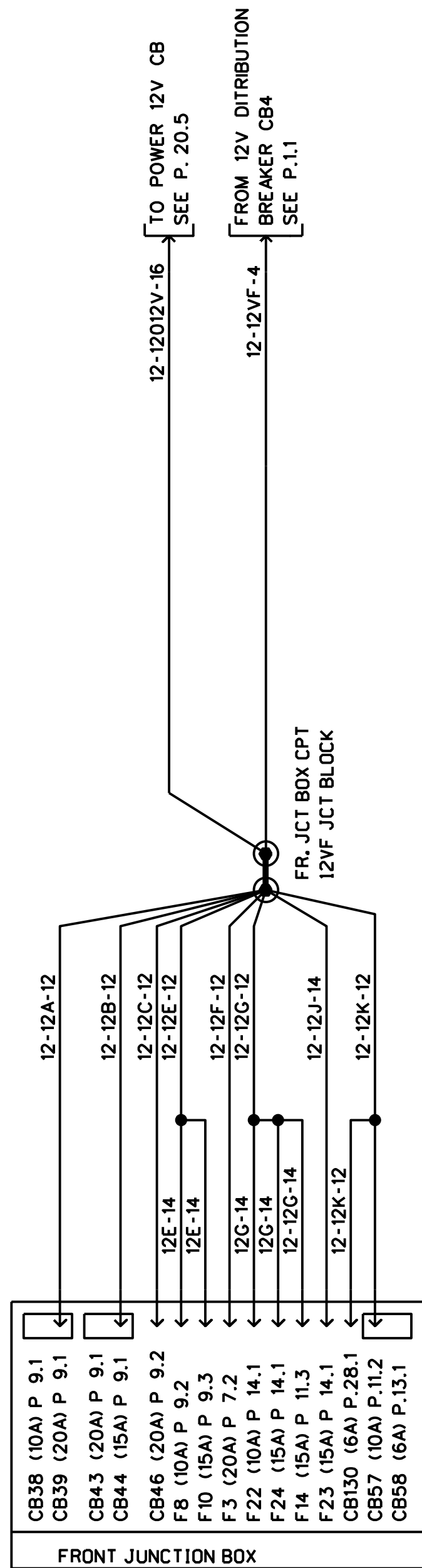
12V IGNITION



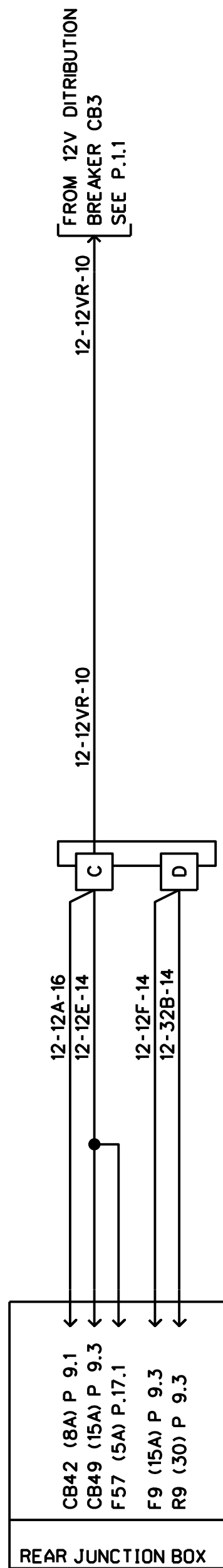
12V HOT WIRE



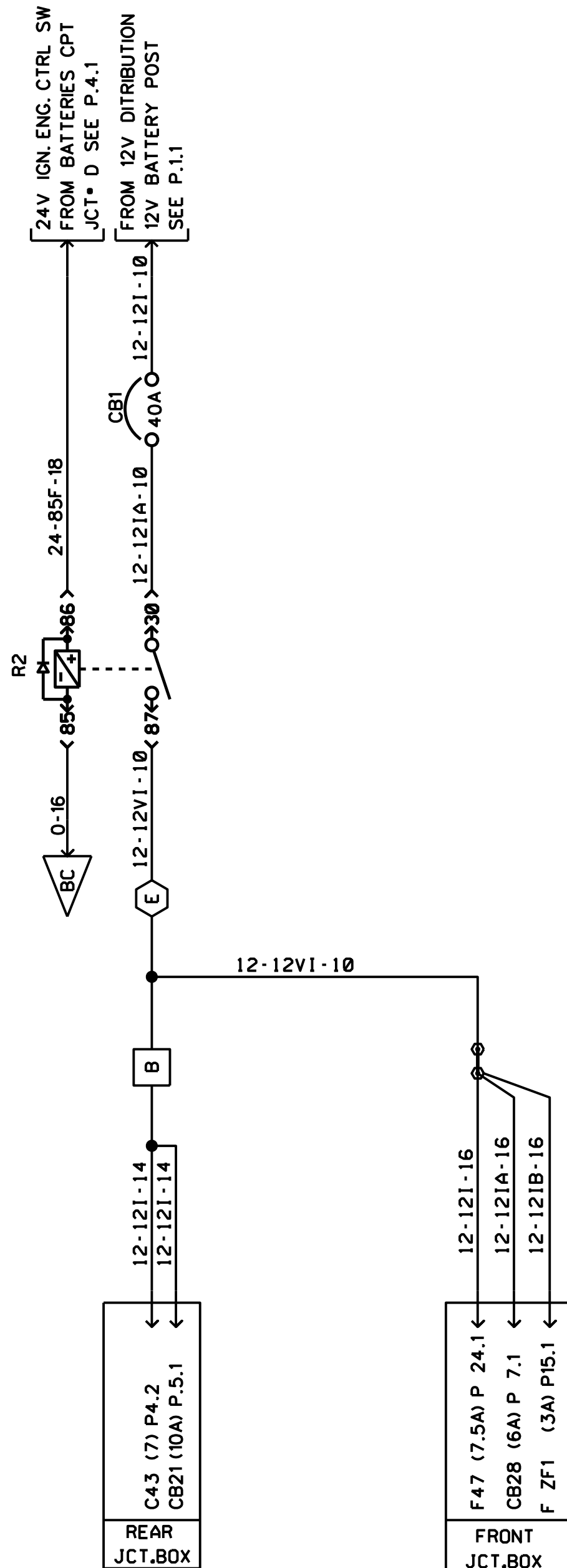




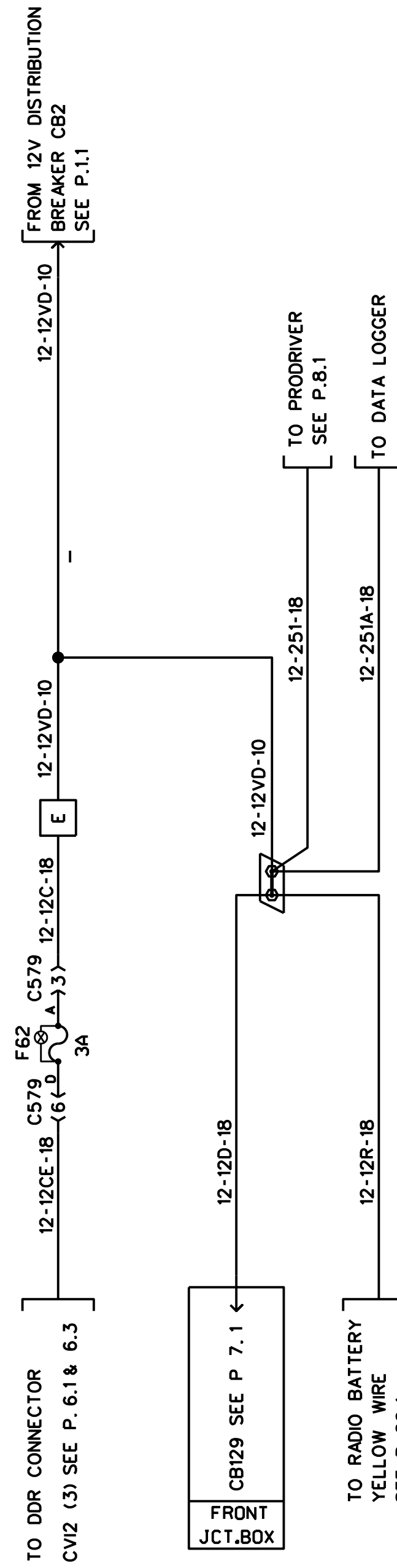
12V BATT. DISCONN. SW.

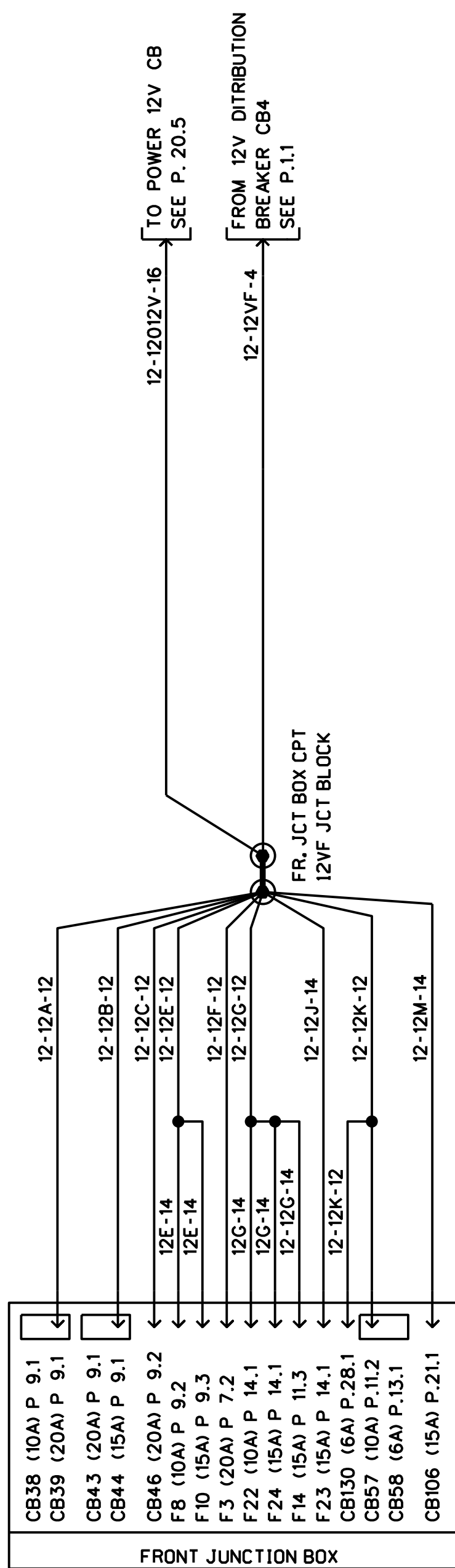


12V IGNITION

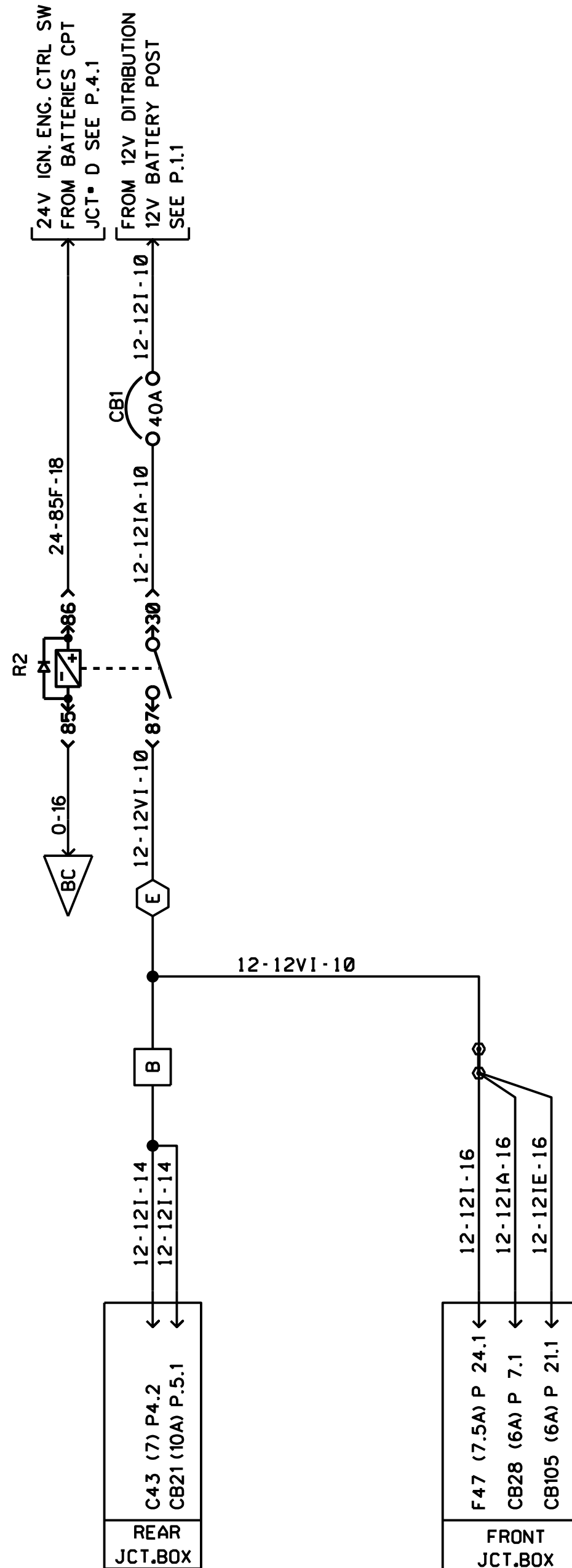
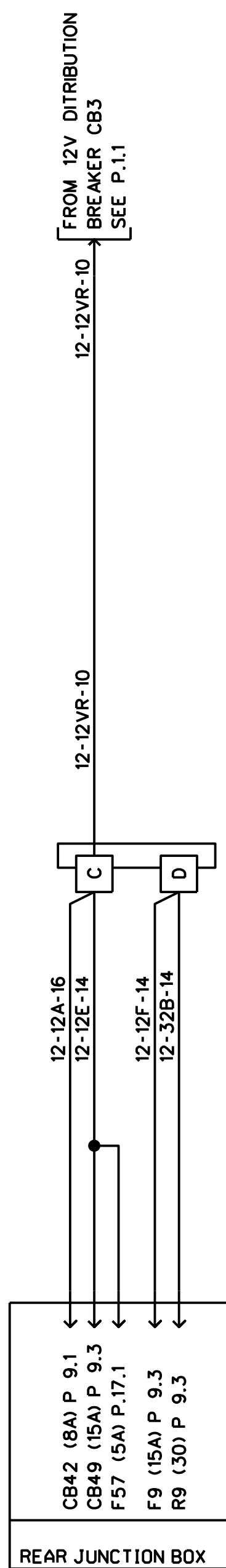


12V HOT WIRE

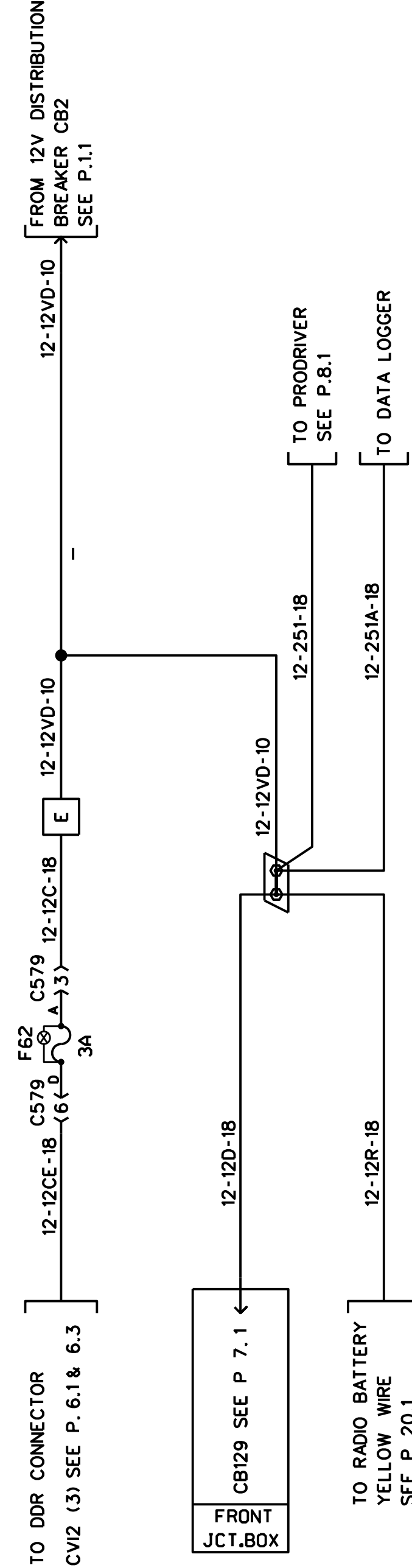




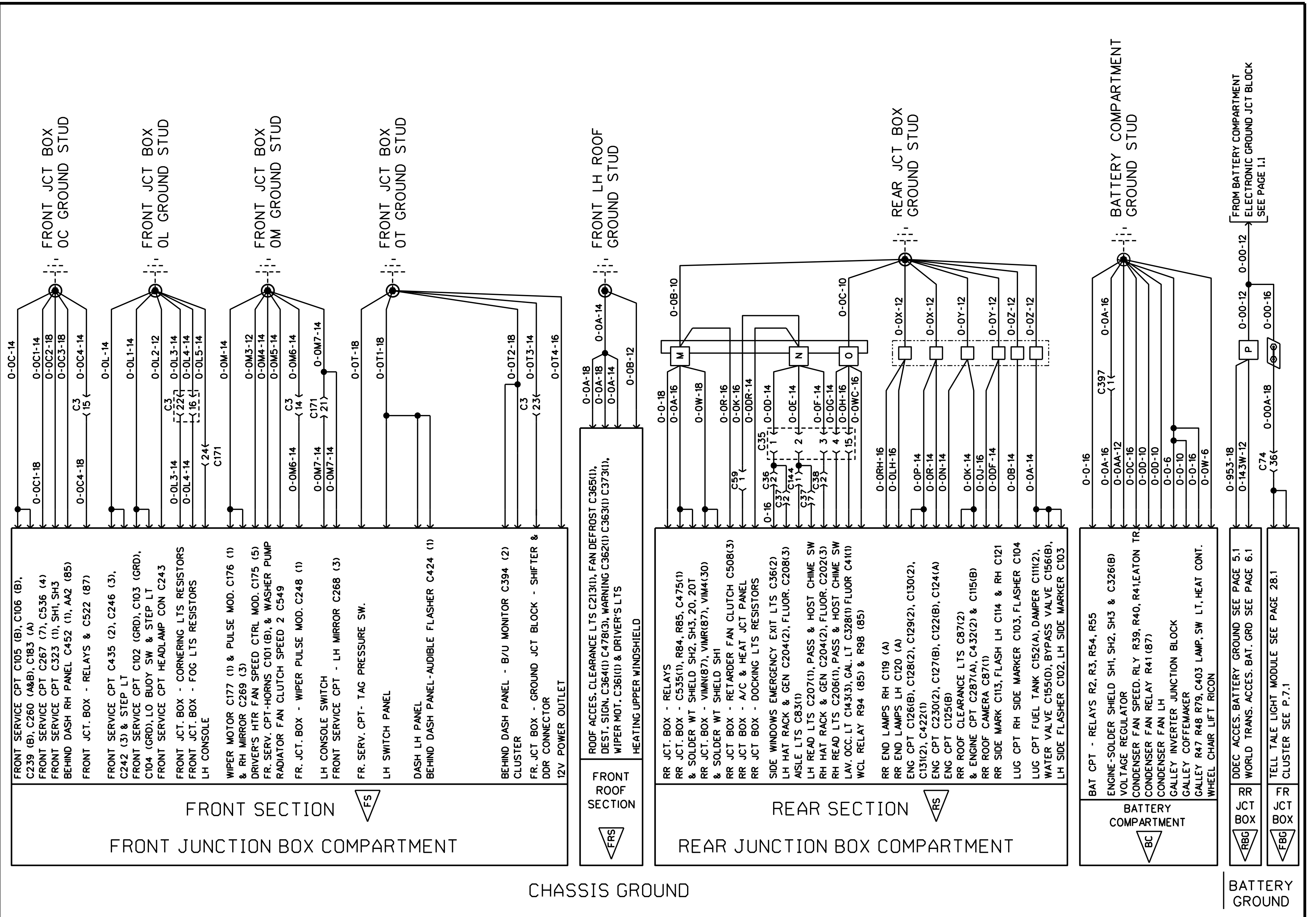
12V BATT. DISCONN. SW.

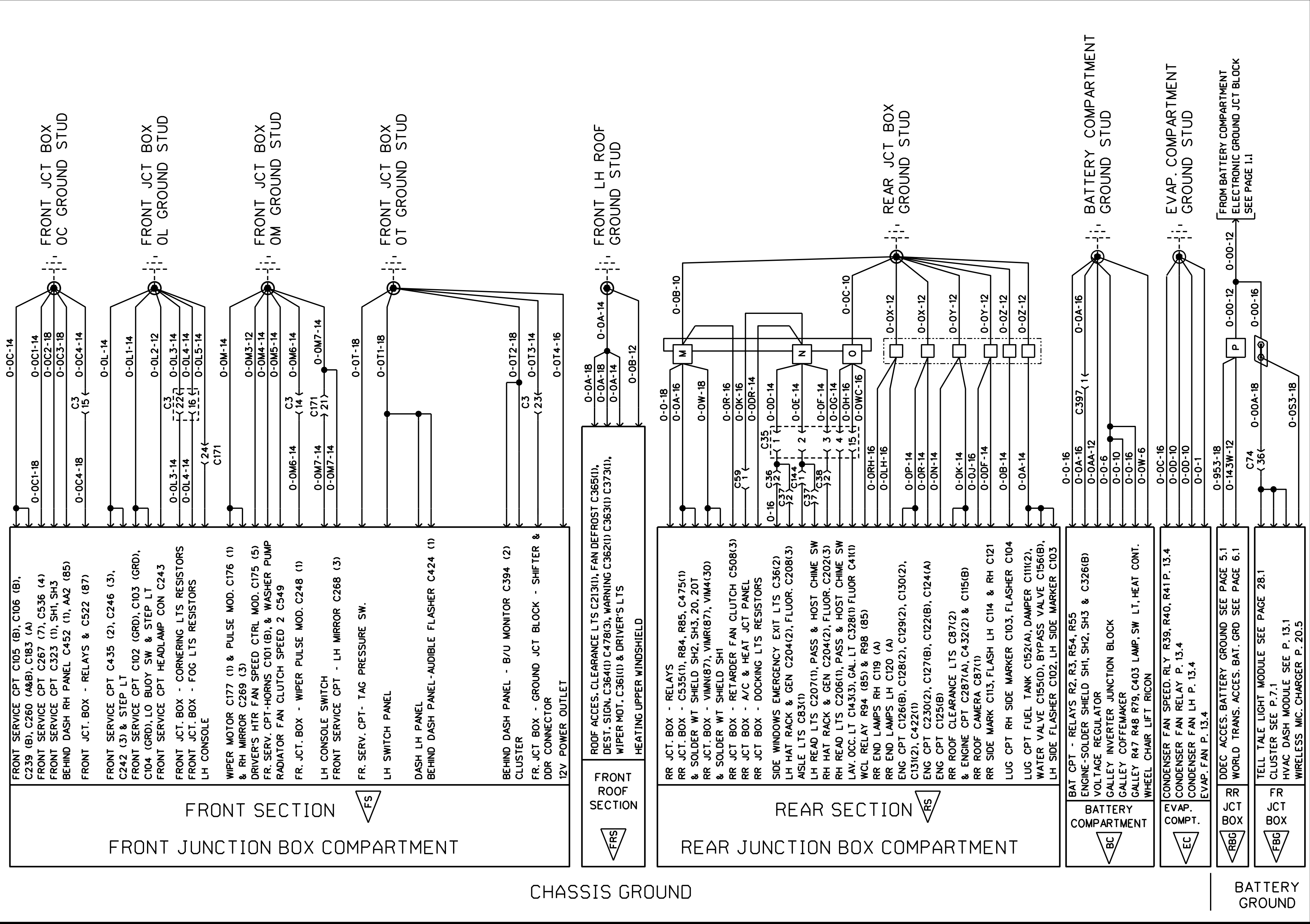


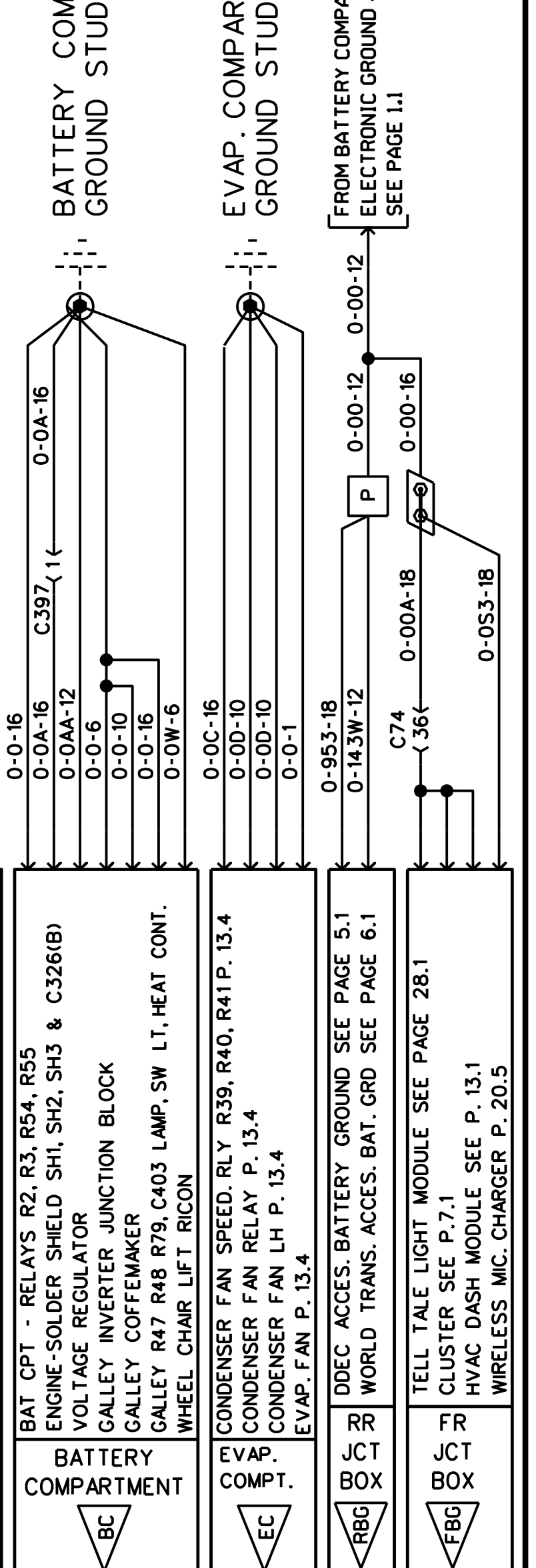
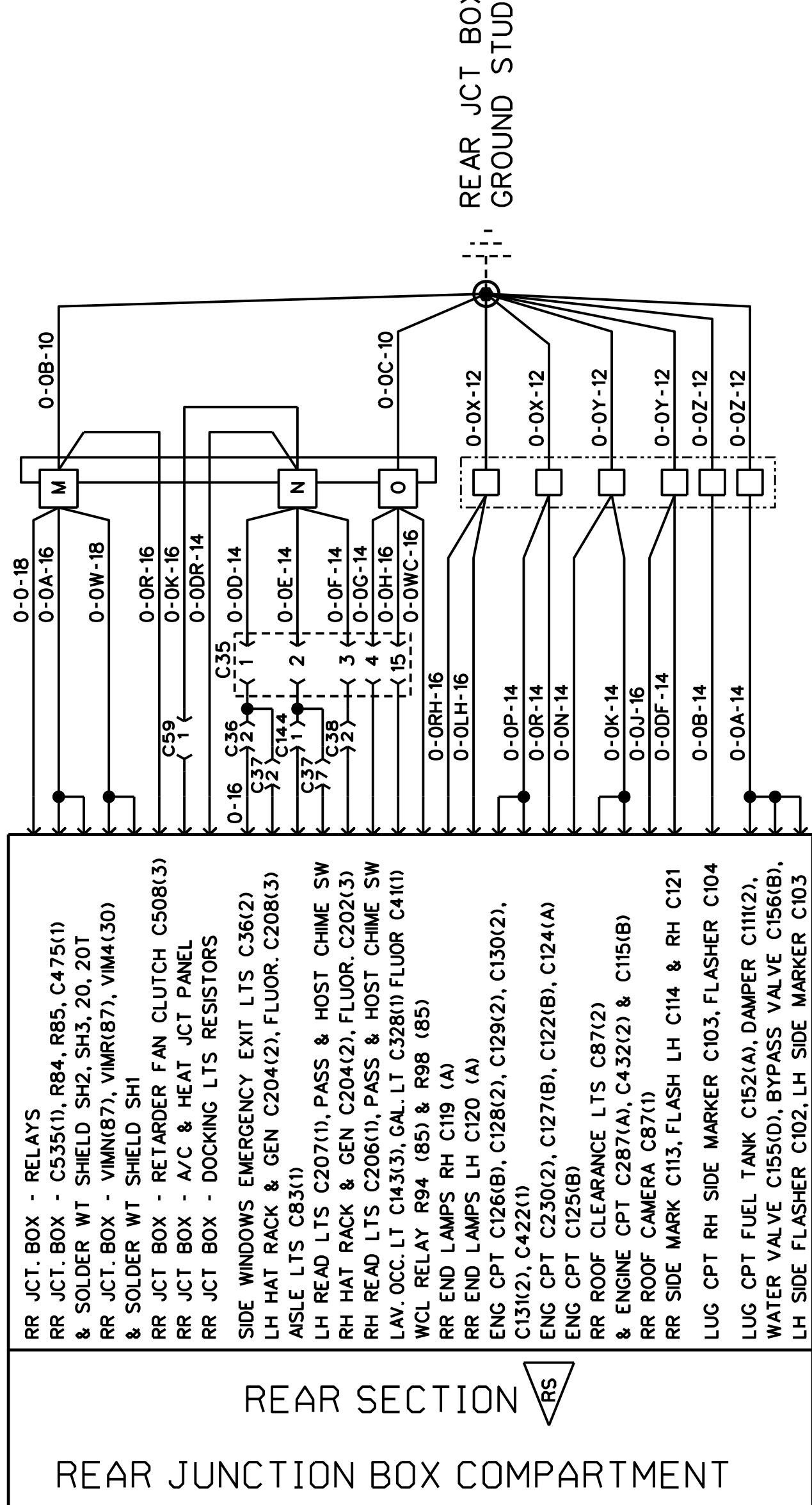
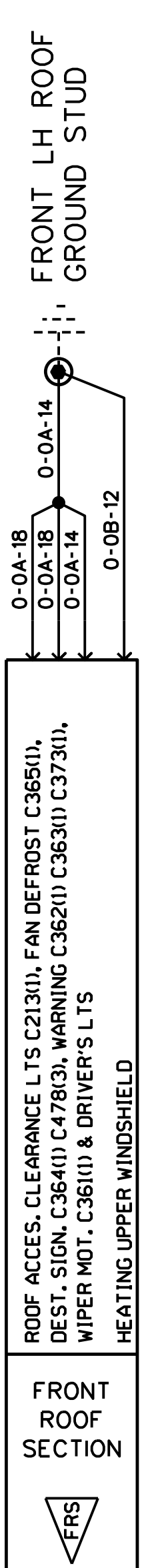
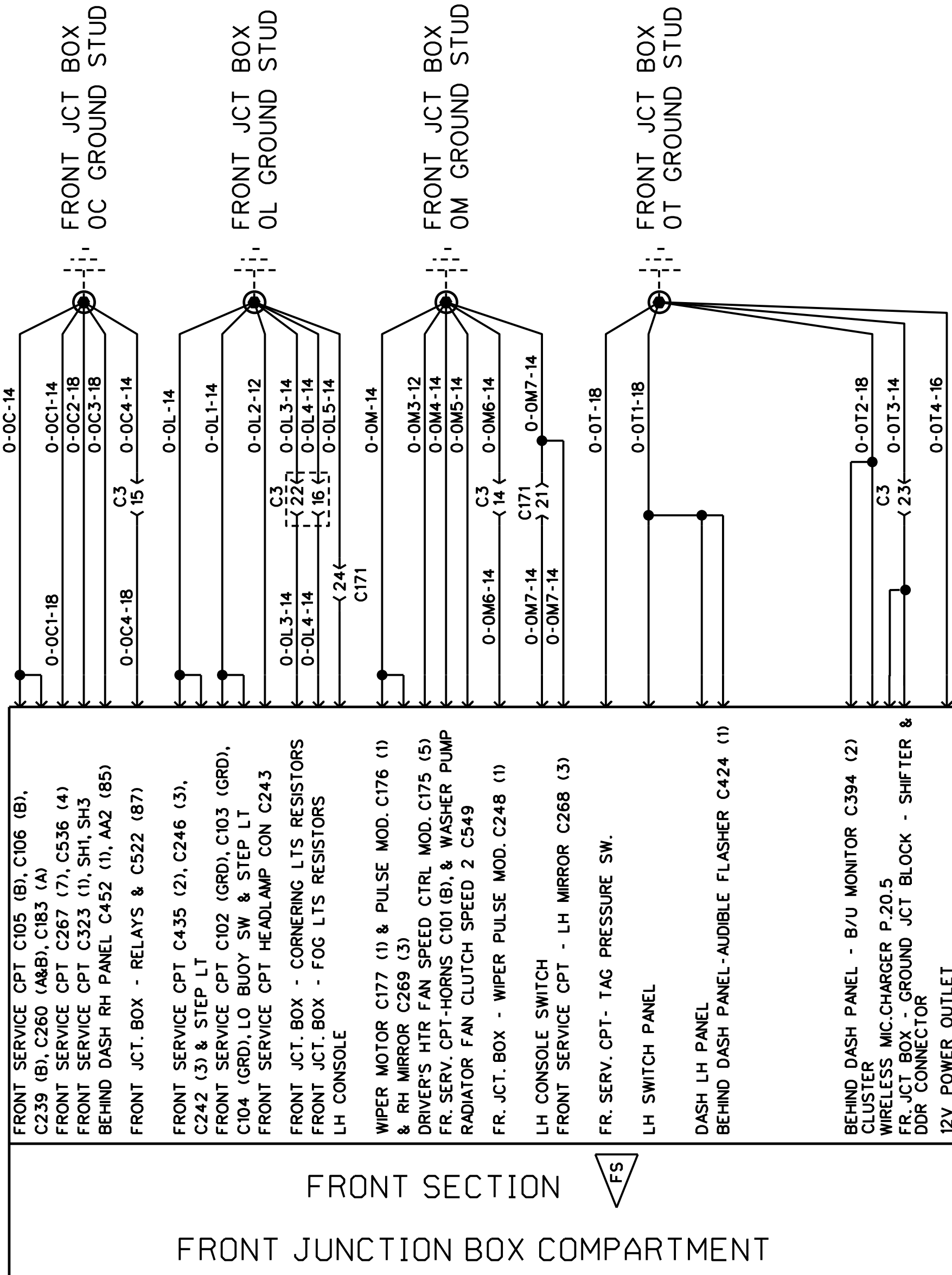
12V IGNITION

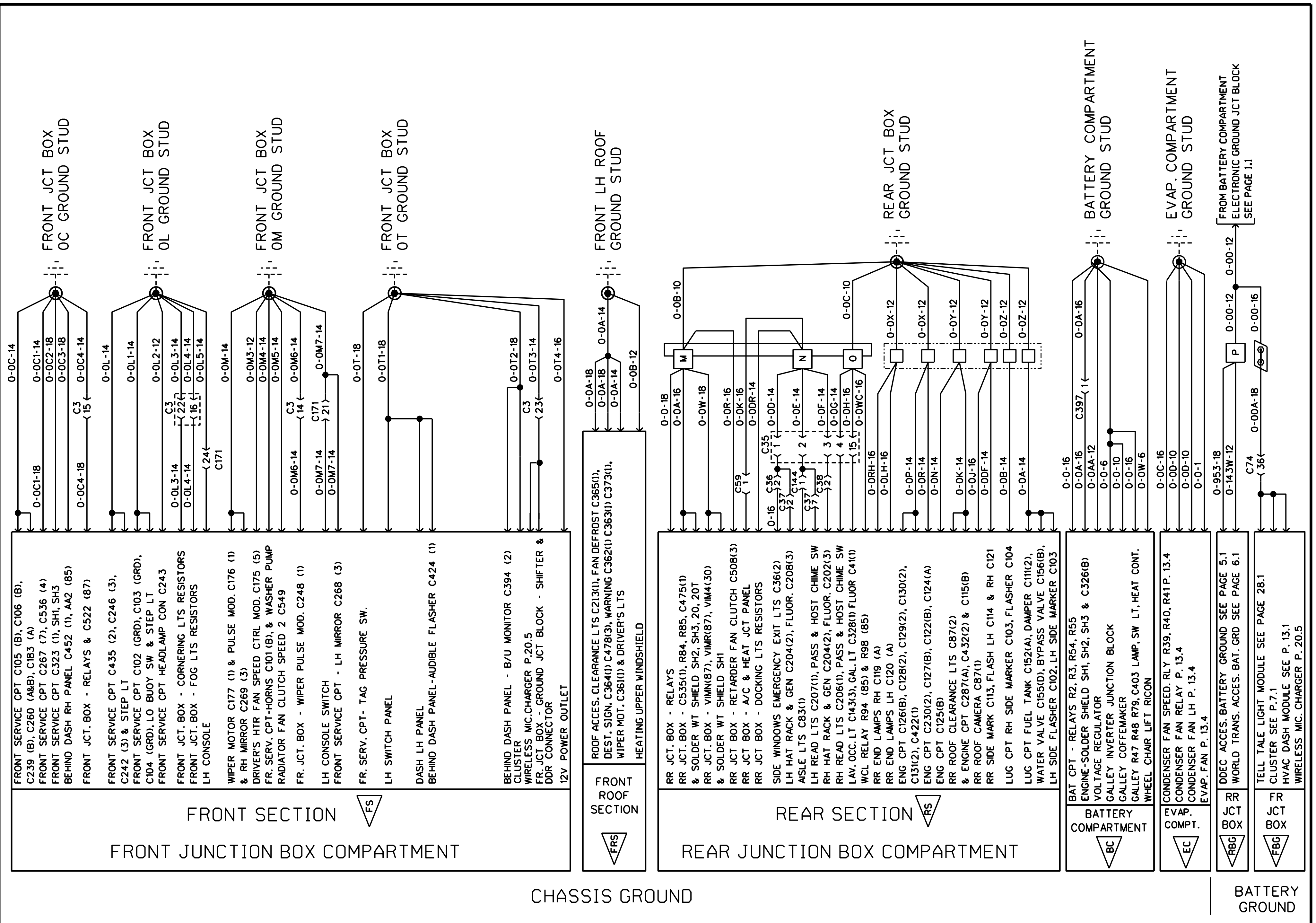



12V HOT WIRE










FRONT SECTION 


FRONT JUNCTION BOX COMPARTMENT

FRONT SERVICE CPT C105 (B), C106 (B), C239 (B), C260 (A&B), C183 (A)
 FRONT SERVICE CPT C267 (7), C536 (4)
 FRONT SERVICE CPT C323 (1), SH1, SH3
 BEHIND DASH RH PANEL C452 (1), AA2 (85)
 FRONT JCT. BOX - RELAYS & C522 (87)
 FRONT SERVICE CPT C435 (2), C246 (3), C242 (3) & STEP LT
 FRONT SERVICE CPT C102 (GRD), C103 (GRD), C104 (GRD), LO BUOY SW & STEP LT
 FRONT SERVICE CPT HEADLAMP CON C243
 FRONT JCT. BOX - CORNERING LTS RESISTORS
 FRONT JCT. BOX - FOG LTS RESISTORS
 LH CONSOLE
 WIPER MOTOR C177 (1) & PULSE MOD. C176 (1) & RH MIRROR C269 (3)
 DRIVER'S HTR FAN SPEED CTRL MOD. C175 (5)
 FR. SERV. CPT-HORNS C101(B), & WASHER PUMP
 RADIATOR FAN CLUTCH SPEED 2 C549
 FR. JCT. BOX - WIPER PULSE MOD. C248 (1)
 LH CONSOLE SWITCH
 FRONT SERVICE CPT - LH MIRROR C268 (3)
 FR. SERV. CPT- TAG PRESSURE SW.
 LH SWITCH PANEL
 DASH LH PANEL
 BEHIND DASH PANEL-AUDIBLE FLASHER C424 (1)
 BEHIND DASH PANEL - B/U MONITOR C394 (2)
 WIRELESS MIC.CHARGER P.20.5
 FR. JCT. BOX - GROUND JCT BLOCK - SHIFTER & DDR CONNECTOR
 12V POWER OUTLET

FRONT ROOF SECTION 


FRONT LH ROOF GROUND STUD

ROOF ACCES. CLEARANCE LTS C213(1), FAN DEFROST C365(1), DEST. SIGN. C364(1) C478(3), WARNING C362(1) C363(1) C373(1), WIPER MOT. C361(1) & DRIVER'S LTS
 HEATING UPPER WINDSHIELD

REAR SECTION 


REAR JUNCTION BOX COMPARTMENT

RR JCT. BOX - RELAYS
 RR JCT. BOX - C535(1), R84, R85, C475(1) & SOLDER WT SHIELD SH2, SH3, 20, 20T
 RR JCT. BOX - VIMNI(87), VIMR(87), VIM4(30) & SOLDER WT SHIELD SH1
 RR JCT BOX - RETARDER FAN CLUTCH C508(3)
 RR JCT BOX - A/C & HEAT JCT PANEL
 RR JCT BOX - DOCKING LTS RESISTORS
 SIDE WINDOWS EMERGENCY EXIT LTS C36(2)
 LH HAT RACK & GEN C204(2), FLUOR. C208(3)
 AISLE LTS C83(1)
 LH READ LTS C207(1), PASS & HOST CHIME SW
 RH HAT RACK & GEN C204(2), FLUOR. C202(3)
 RH READ LTS C206(1), PASS & HOST CHIME SW
 LAV. OCC. LT C143(3), GAL. LT C328(1) FLUOR C4(1)
 WCL RELAY R94 (85) & R98 (85)
 RR END LAMPS RH C119 (A)
 RR END LAMPS LH C120 (A)
 ENG CPT C126(B), C128(2), C129(2), C130(2), C131(2), C422(1)
 ENG CPT C230(2), C127(B), C122(B), C124(A)
 ENG CPT C125(B)
 RR ROOF CLEARANCE LTS C87(2) & ENGINE CPT C287(A), C432(2) & C115(B)
 RR ROOF CAMERA C87(1)
 RR SIDE MARK C113, FLASH LH C114 & RH C121
 LUG CPT RH SIDE MARKER C103, FLASHER C104
 LUG CPT FUEL TANK C152(A), DAMPER C111(2), WATER VALVE C155(D), BYPASS VALVE C156(B), LH SIDE FLASHER C102, LH SIDE MARKER C103


BATTERY COMPARTMENT 

BATTERY COMPARTMENT GROUND STUD


BAT CPT - RELAYS R2, R3, R54, R55
 ENGINE-SOLDER SHIELD SH1, SH2, SH3 & C326(B)
 VOLTAGE REGULATOR
 GALLEY INVERTER JUNCTION BLOCK
 GALLEY COFFEMAKER
 GALLEY R47 R48 R79, C403 LAMP, SW LT, HEAT CONT.
 WHEEL CHAIR LIFT RICON

EVAP. COMPT. 

CONDENSER FAN SPEED. RLY R39, R40, R41 P. 13.4
 CONDENSER FAN RELAY P. 13.4
 CONDENSER FAN LH P. 13.4
 EVAP. FAN P. 13.4

FR JCT BOX 

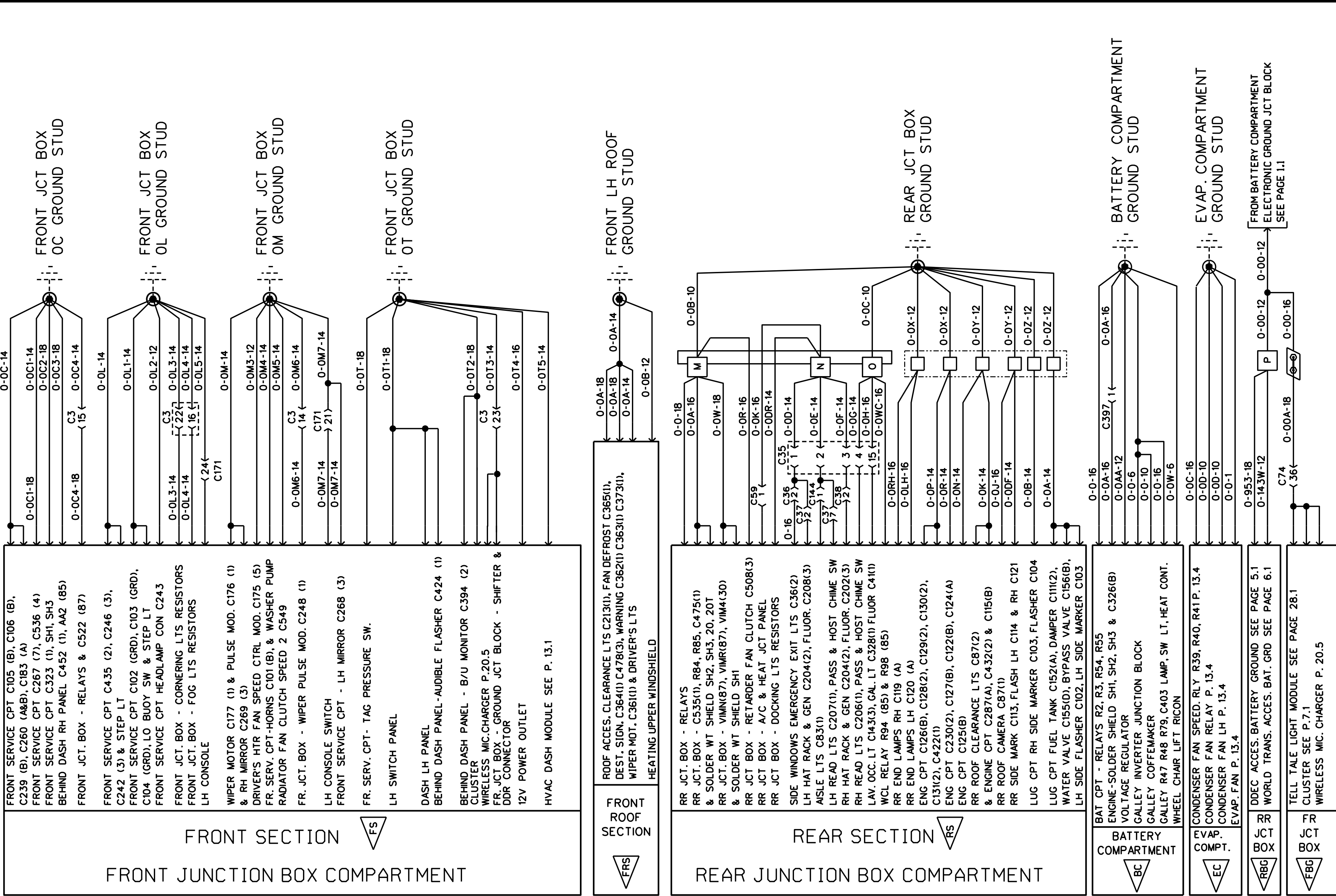
DDEC ACCES. BATTERY GROUND SEE PAGE 5.1
 WORLD TRANS. ACCES. BAT. GRD SEE PAGE 6.1

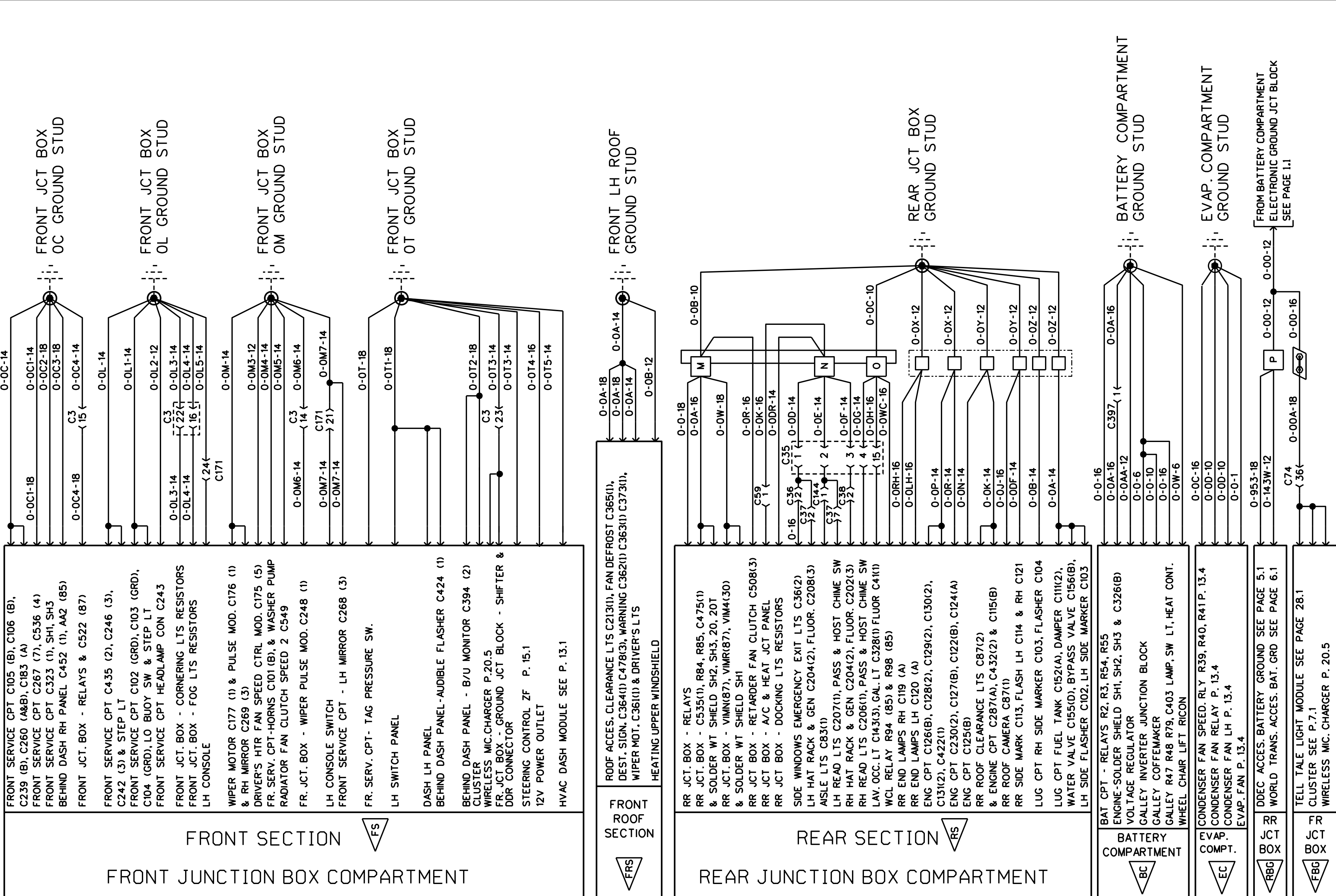
FR JCT BOX 

TELL TALE LIGHT MODULE SEE PAGE 28.1
 CLUSTER SEE P.7.1
 HVAC DASH MODULE SEE P. 13.1
 WIRELESS MIC. CHARGER P. 20.5

CHASSIS GROUND

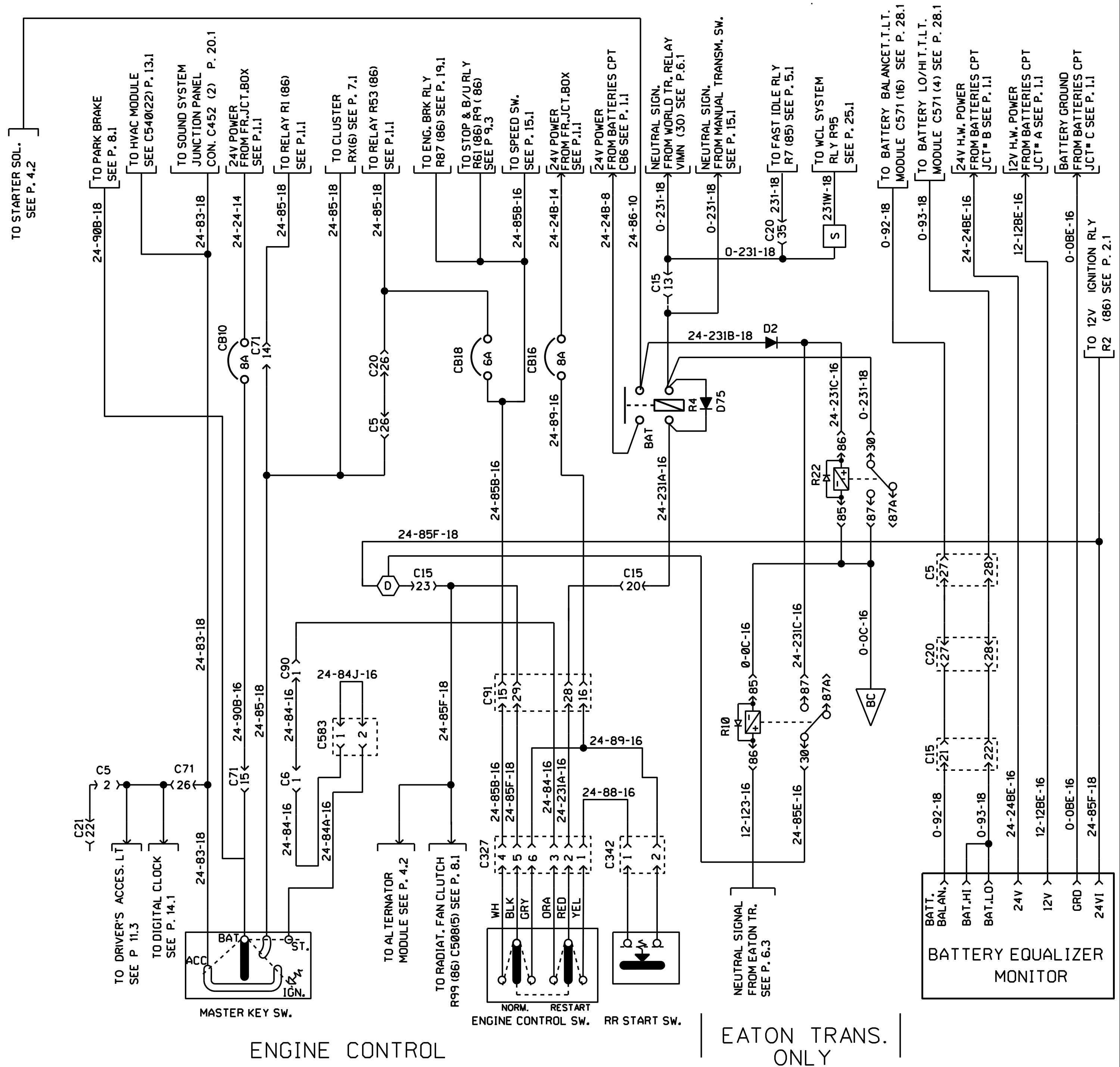
BATTERY GROUND

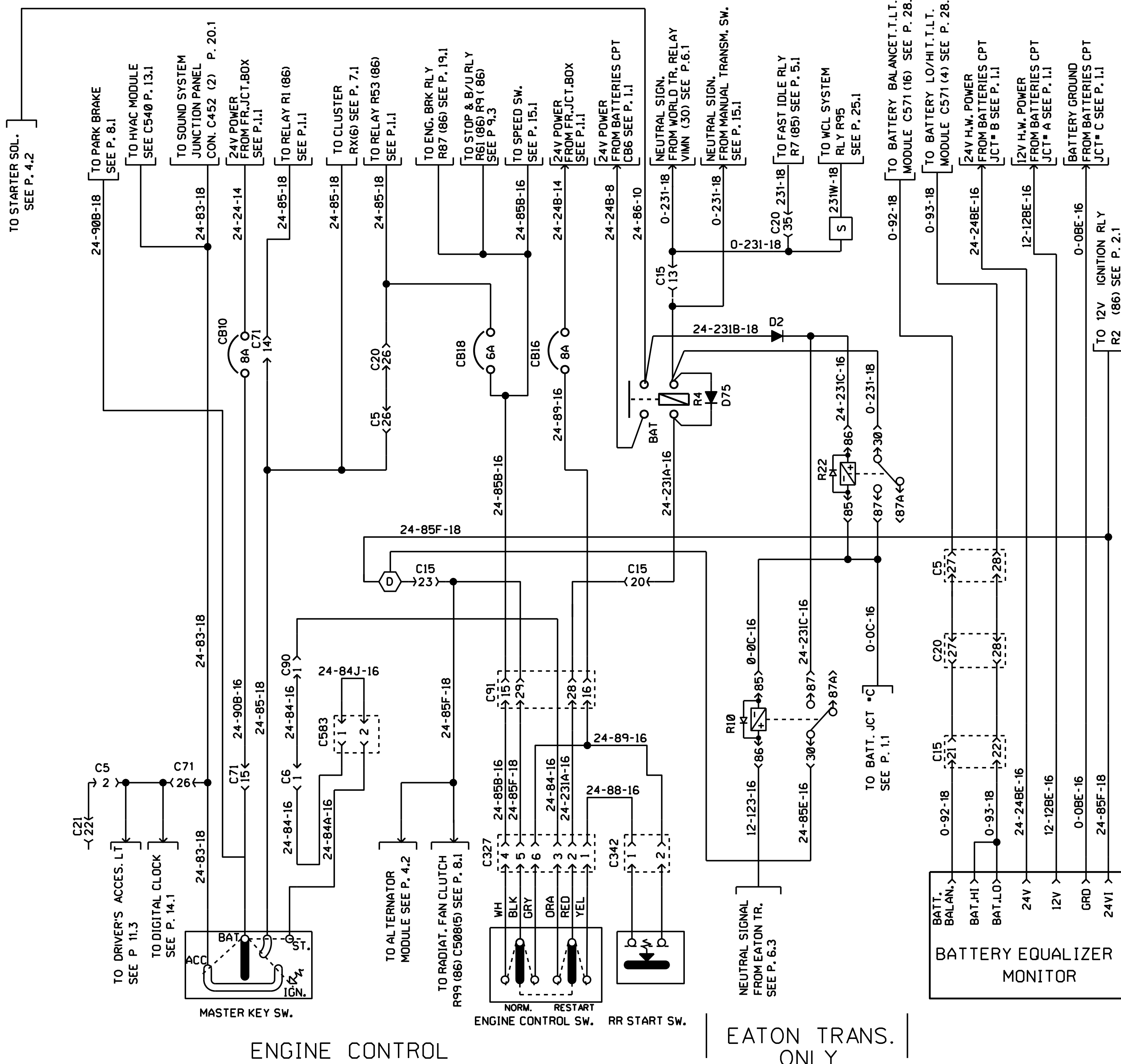




CHASSIS GROUND

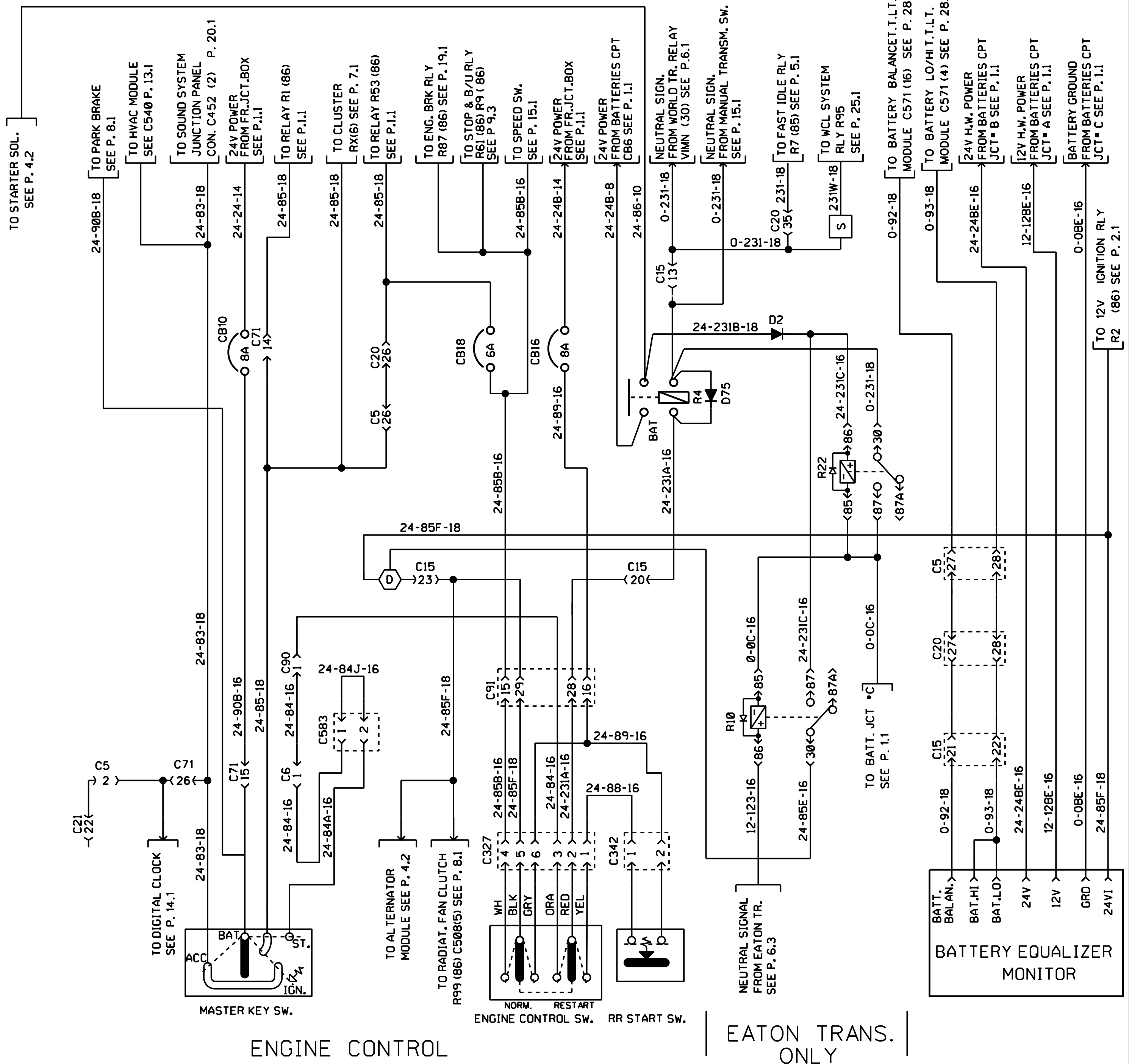
BATTERY GROUND

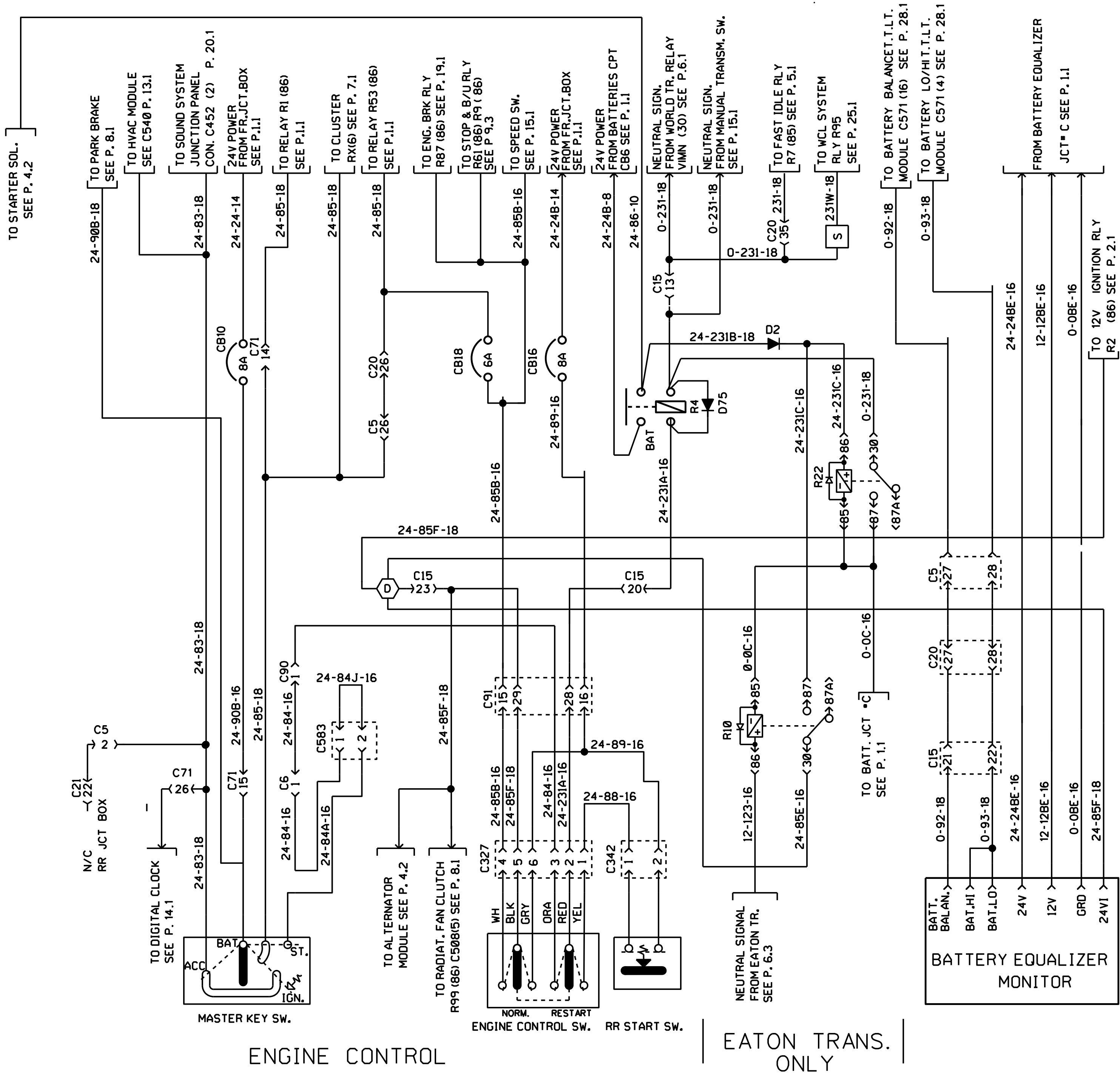




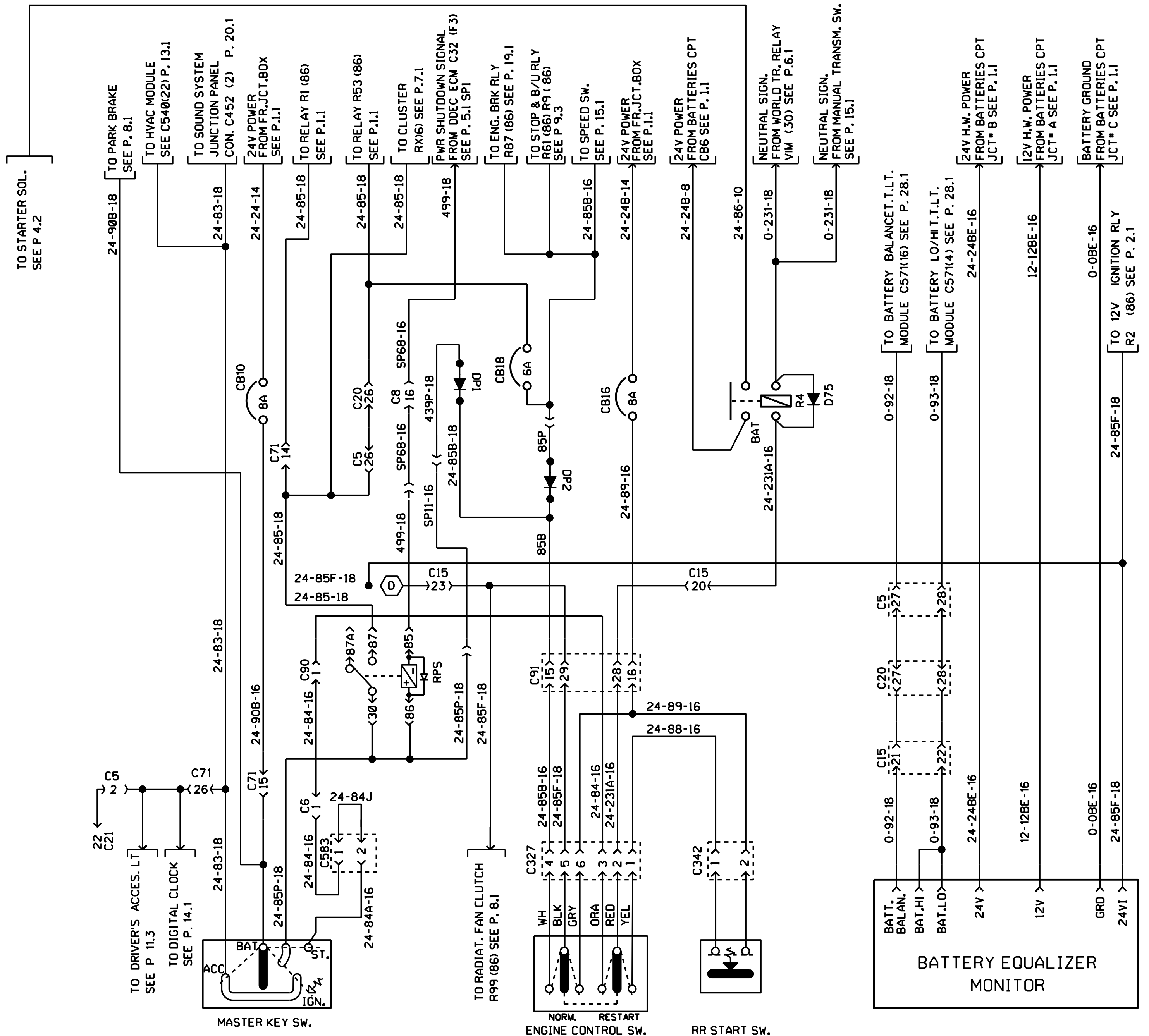
ENGINE CONTROL

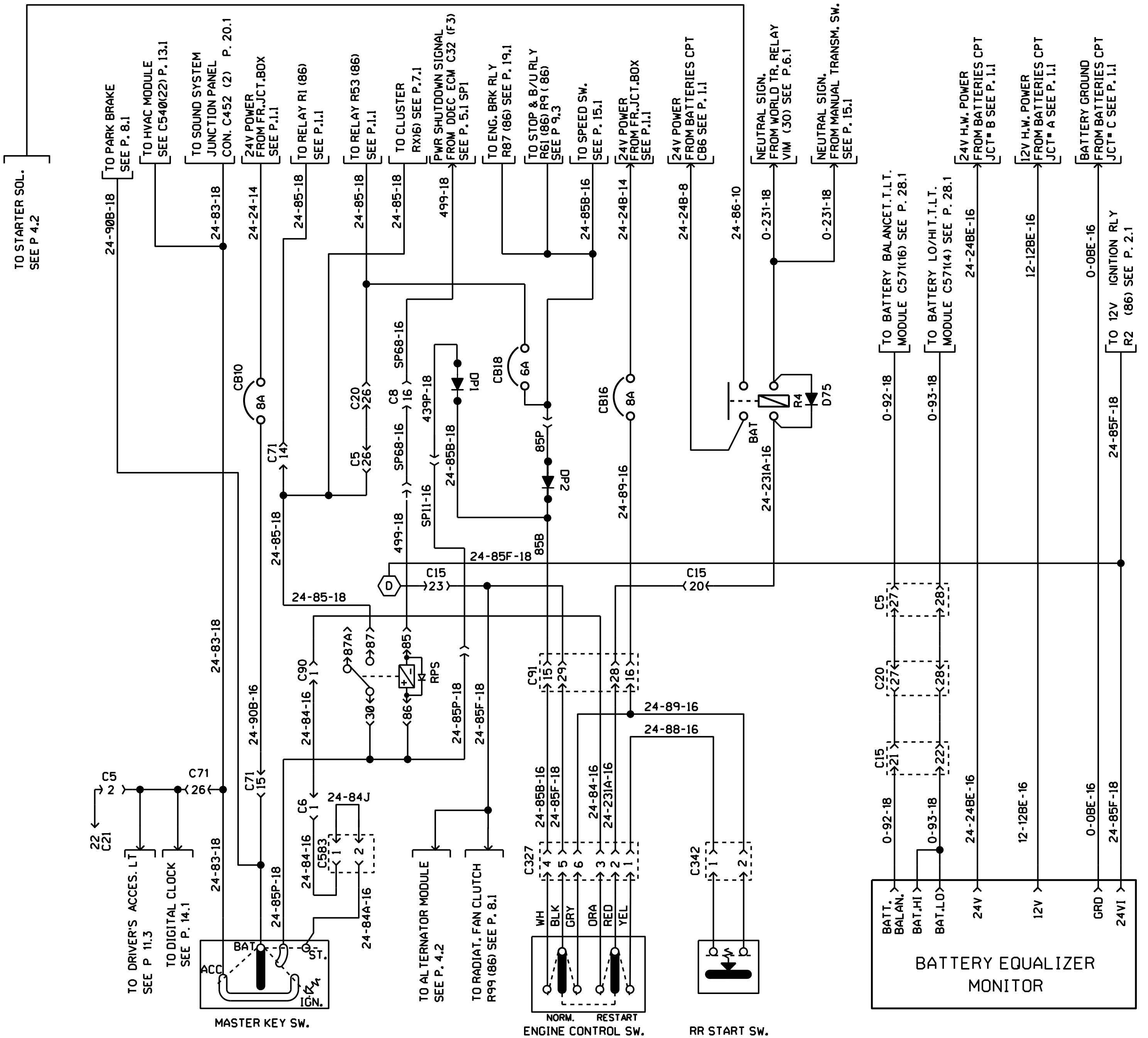
EATON TRANS. ONLY



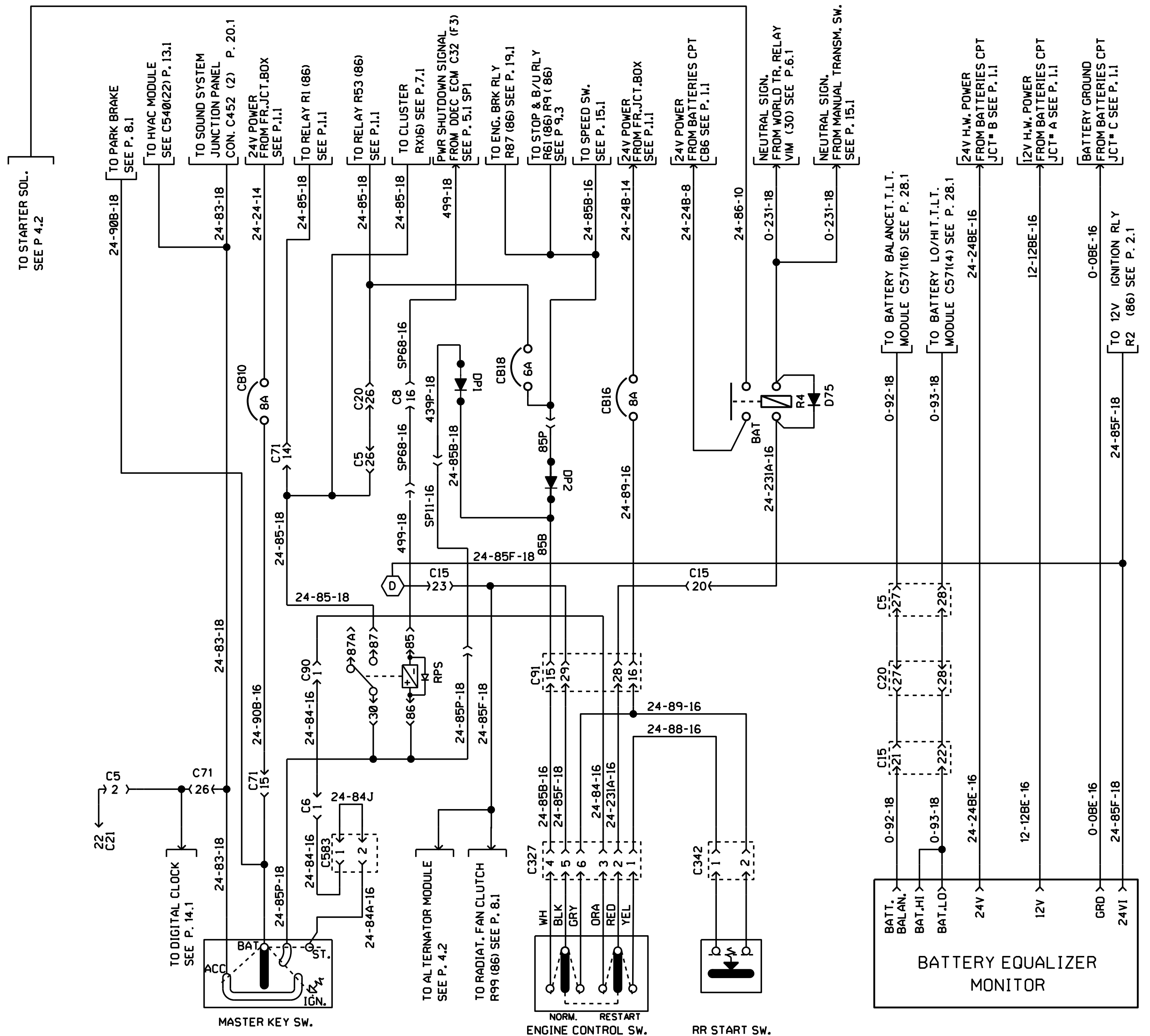


SPECIAL CHARGING SYSTEM & ENGINE CONTROL WITH POWER SHUTDOWN & IDLER TIMER

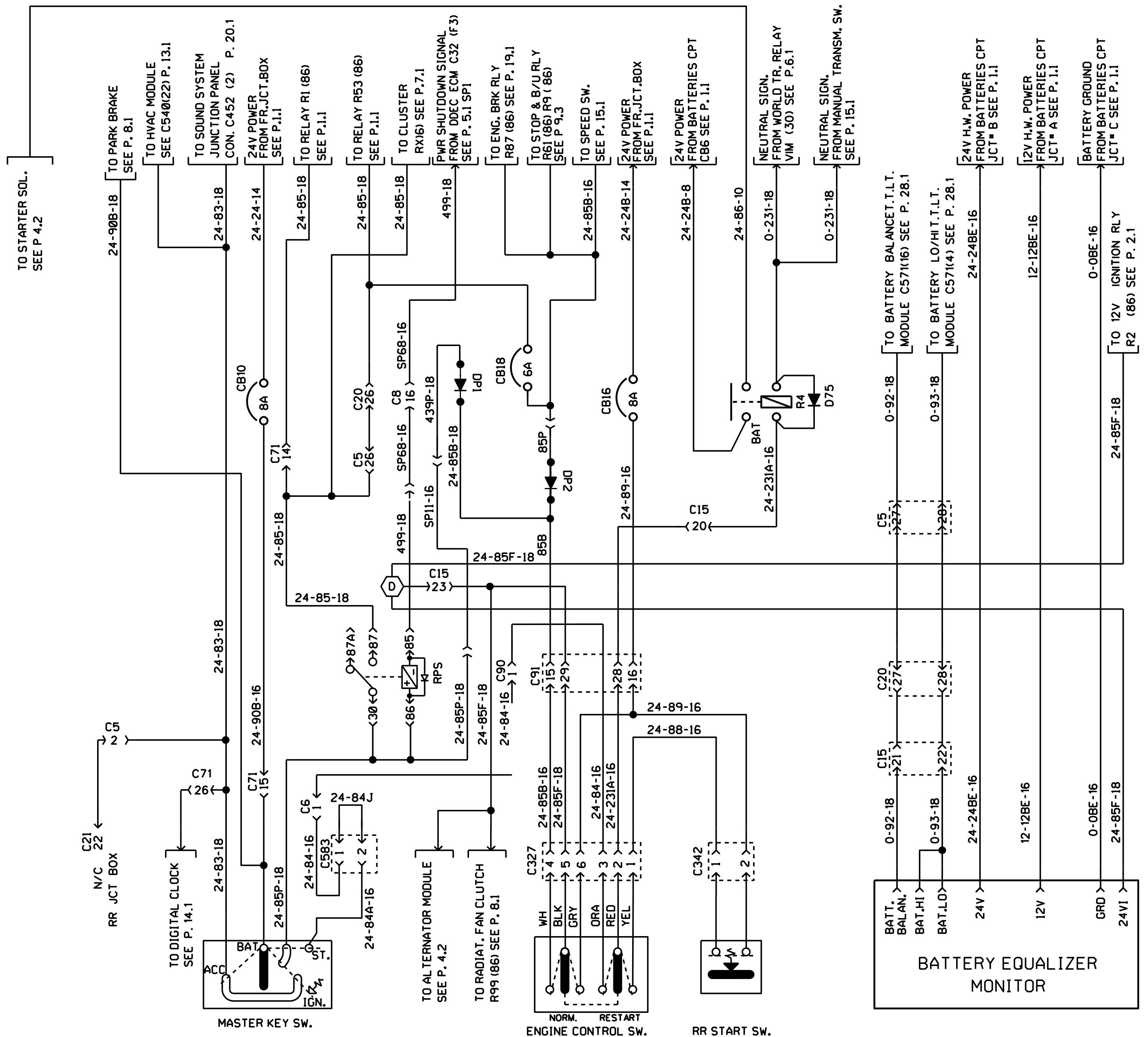




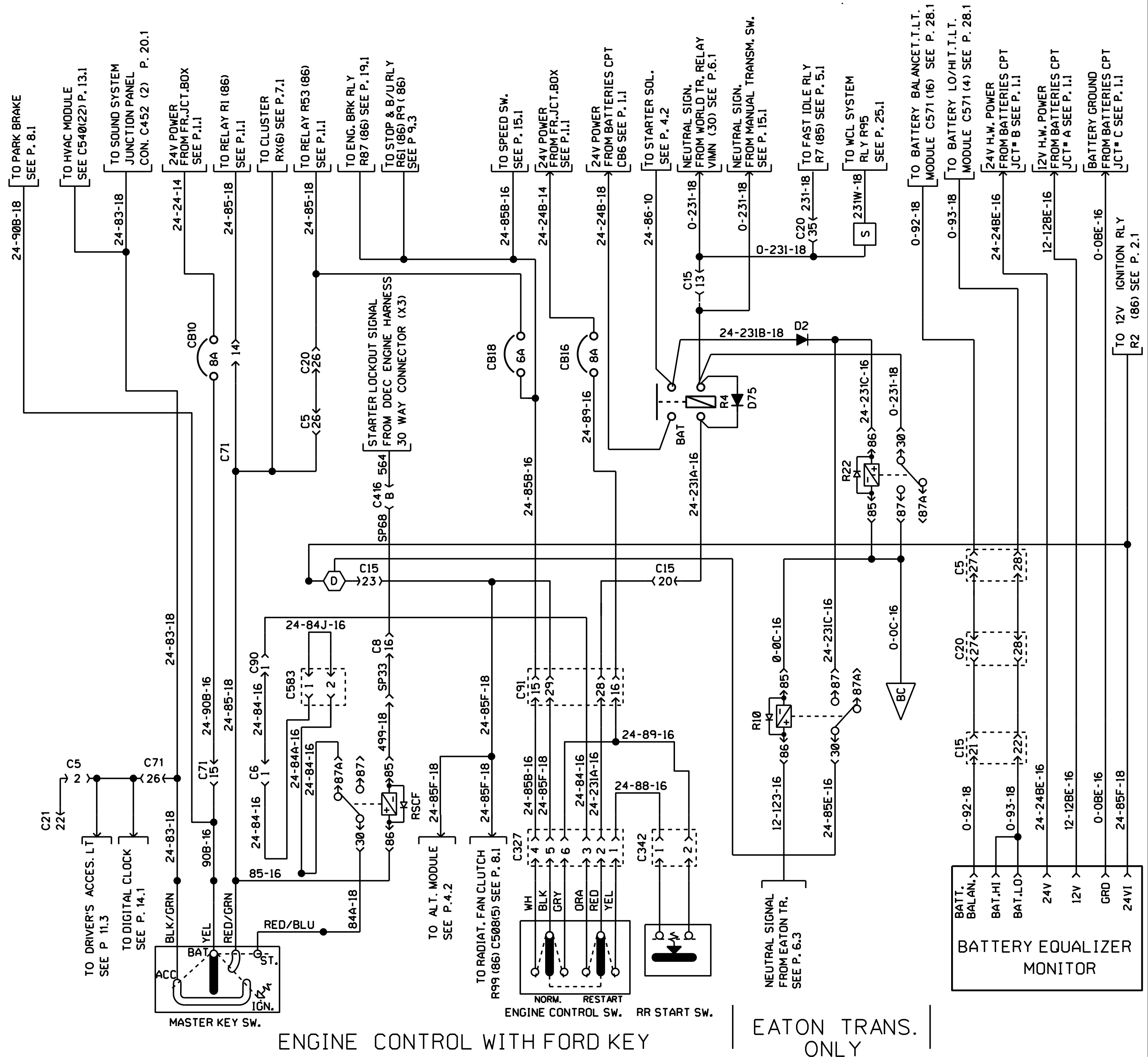
SPECIAL CHARGING SYSTEM & ENGINE CONTROL WITH POWER SHUTDOWN & IDLER TIMER

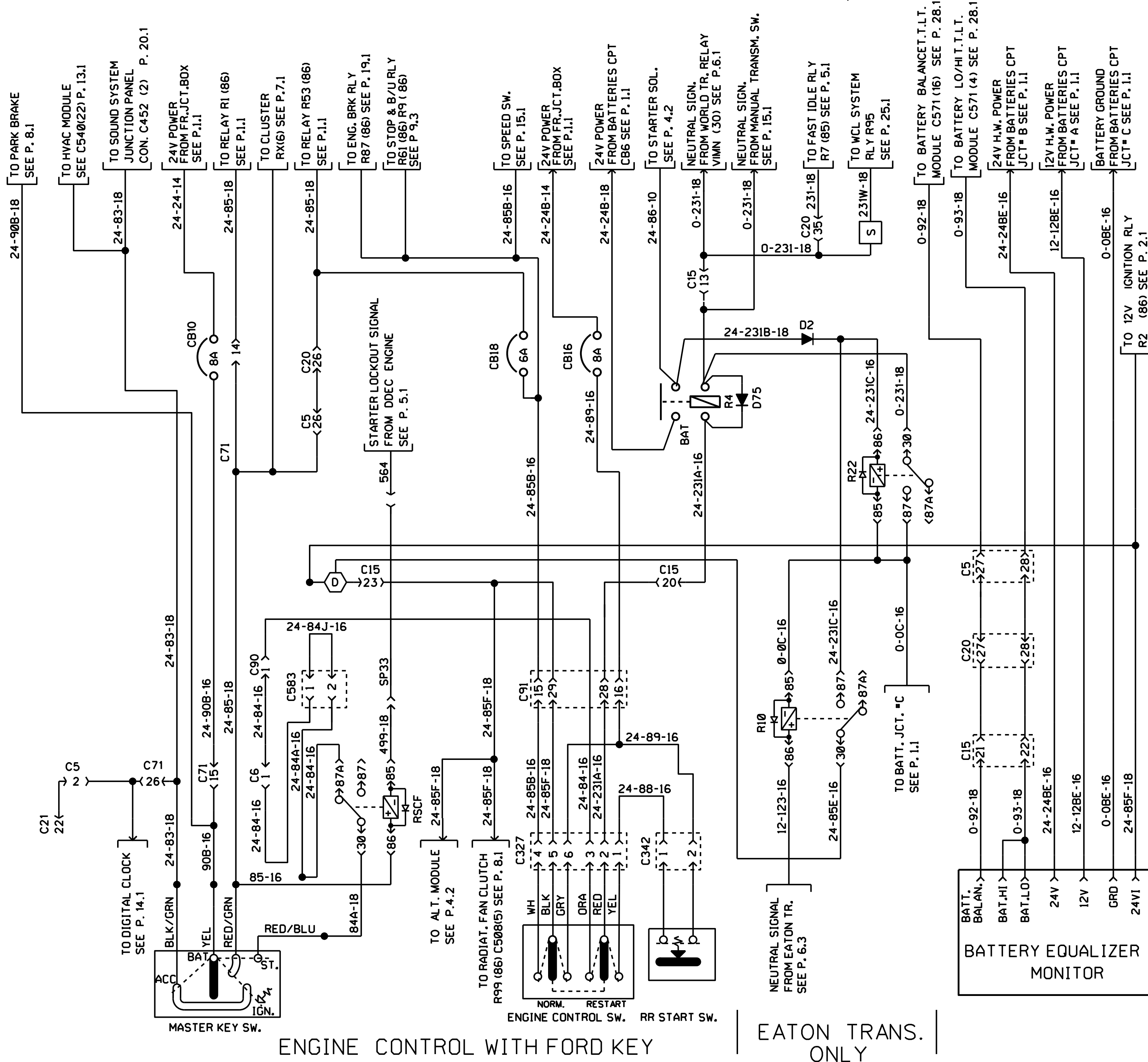


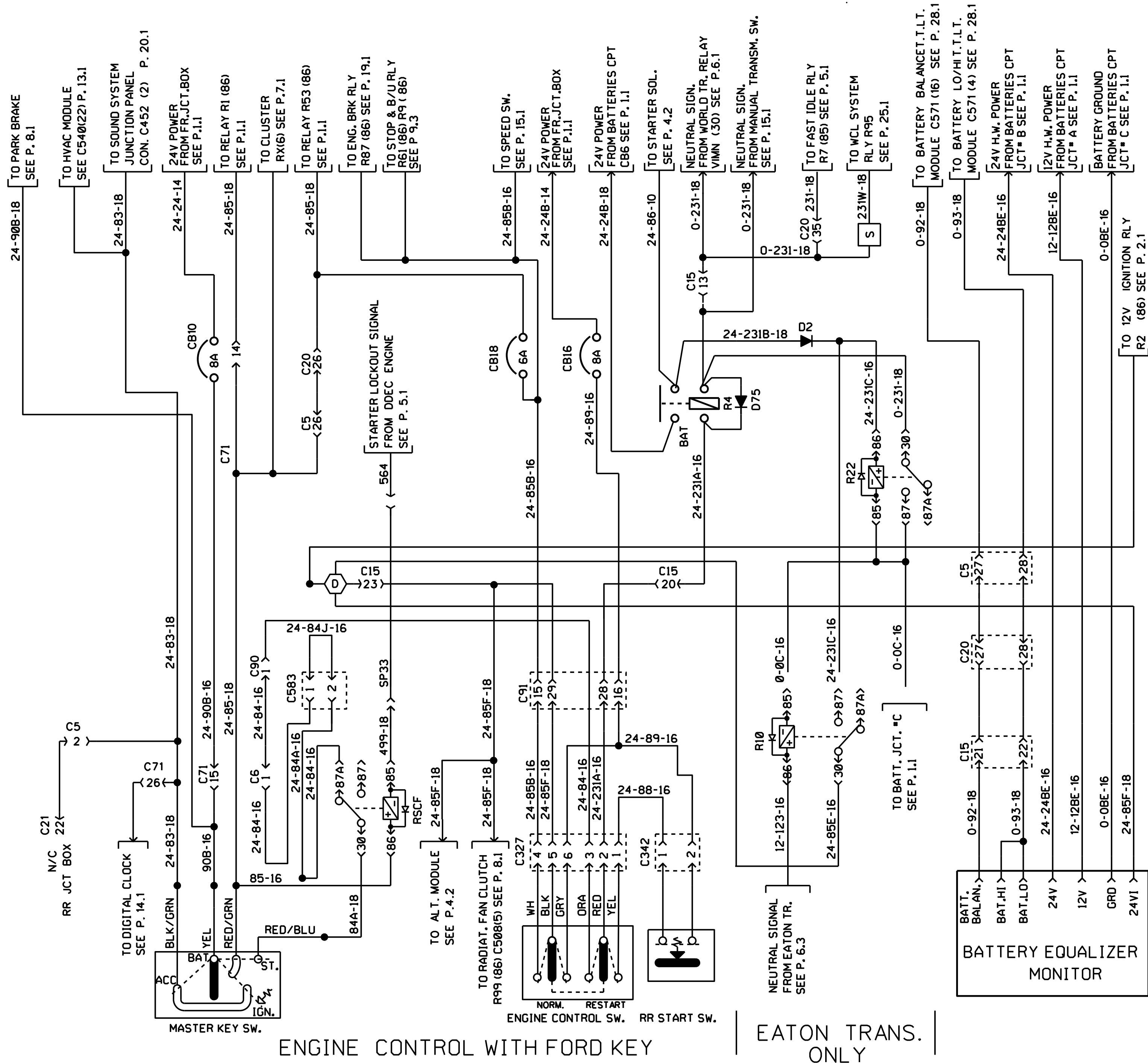
ENGINE CONTROL WITH POWER SHUTDOWN & IDLER TIMER



ENGINE CONTROL WITH POWER SHUTDOWN & IDLER TIMER

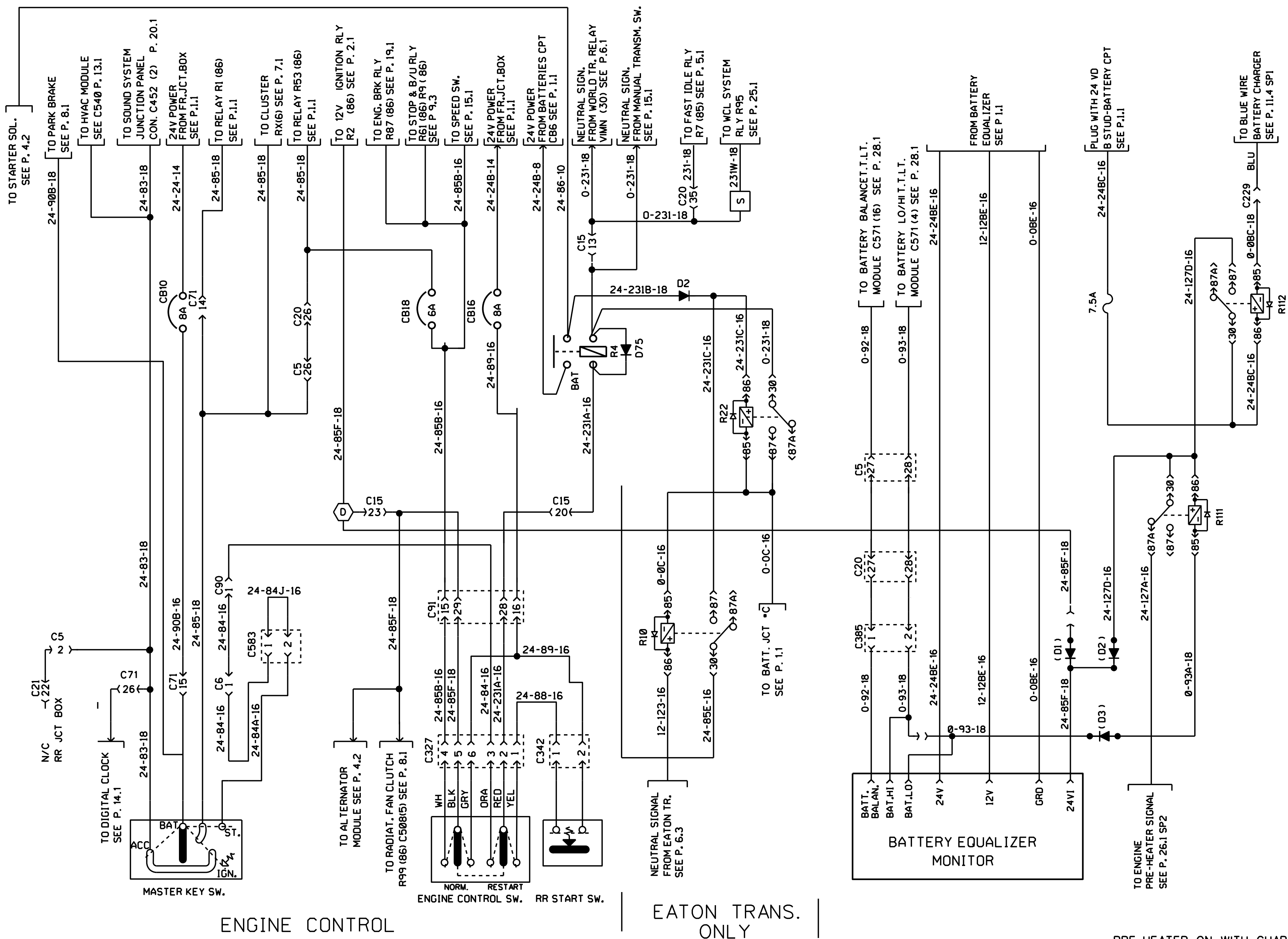




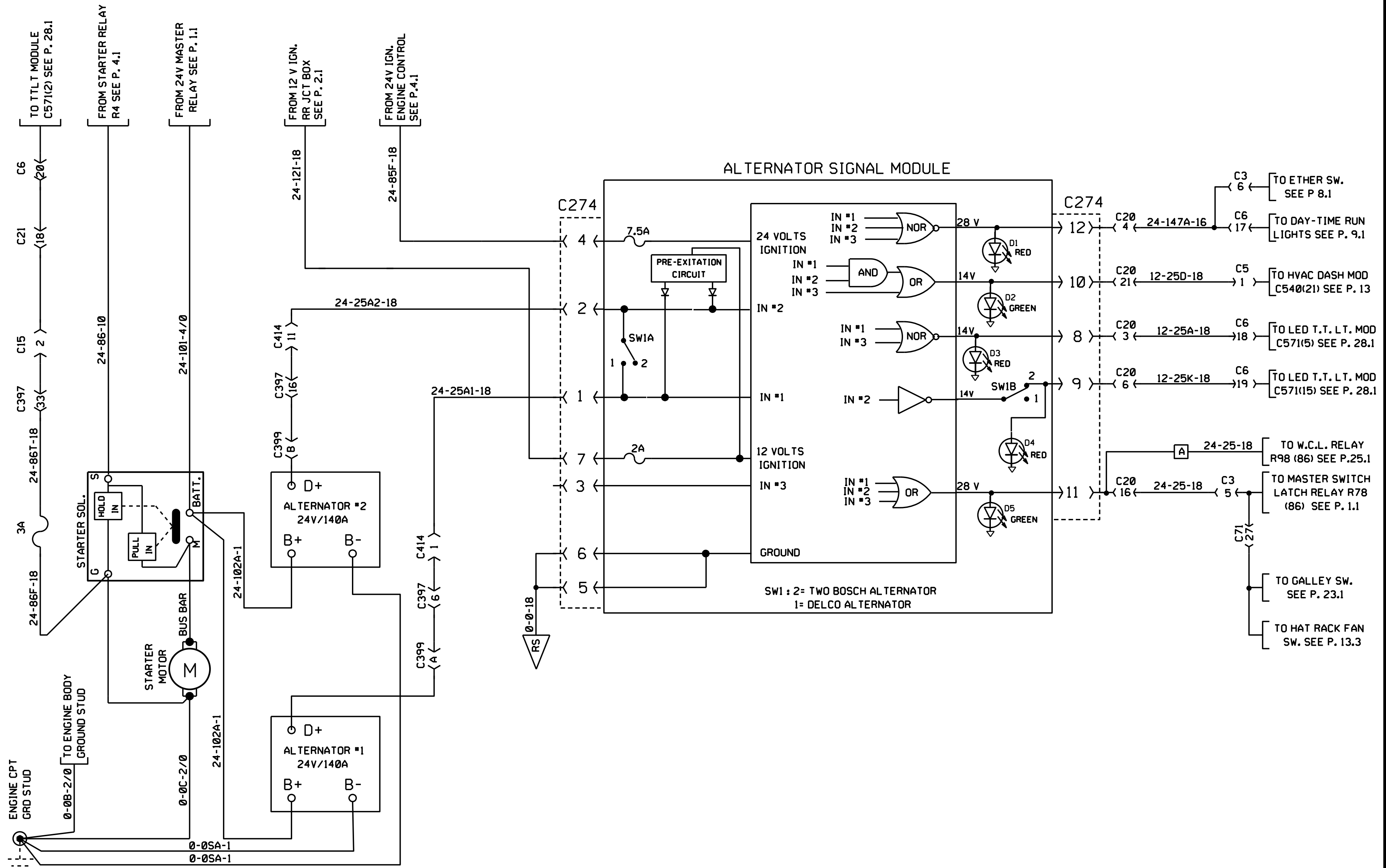


ENGINE CONTROL WITH FORD KEY

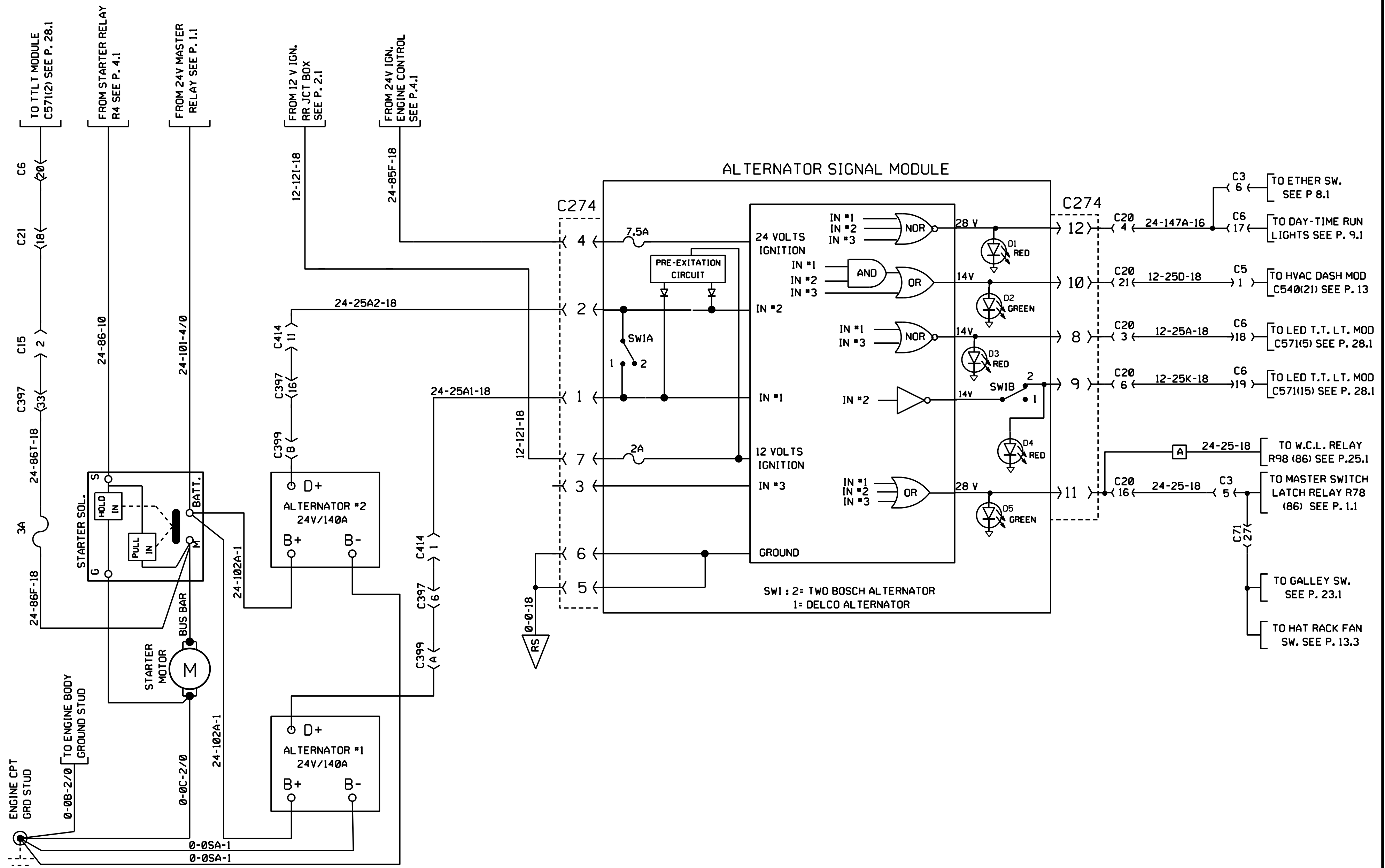
EATON TRANS. ONLY



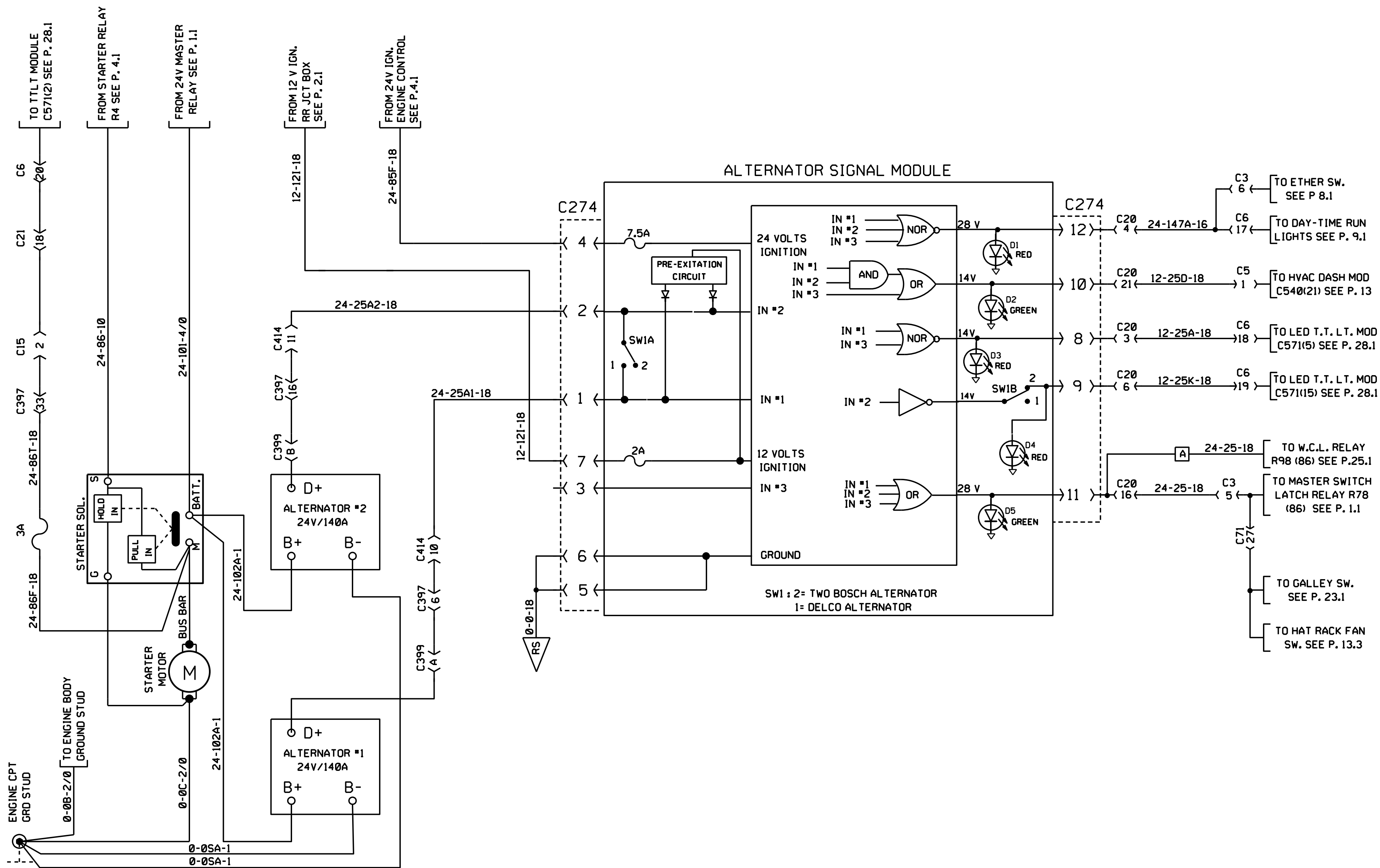
PRE-HEATER ON WITH CHARGER ON



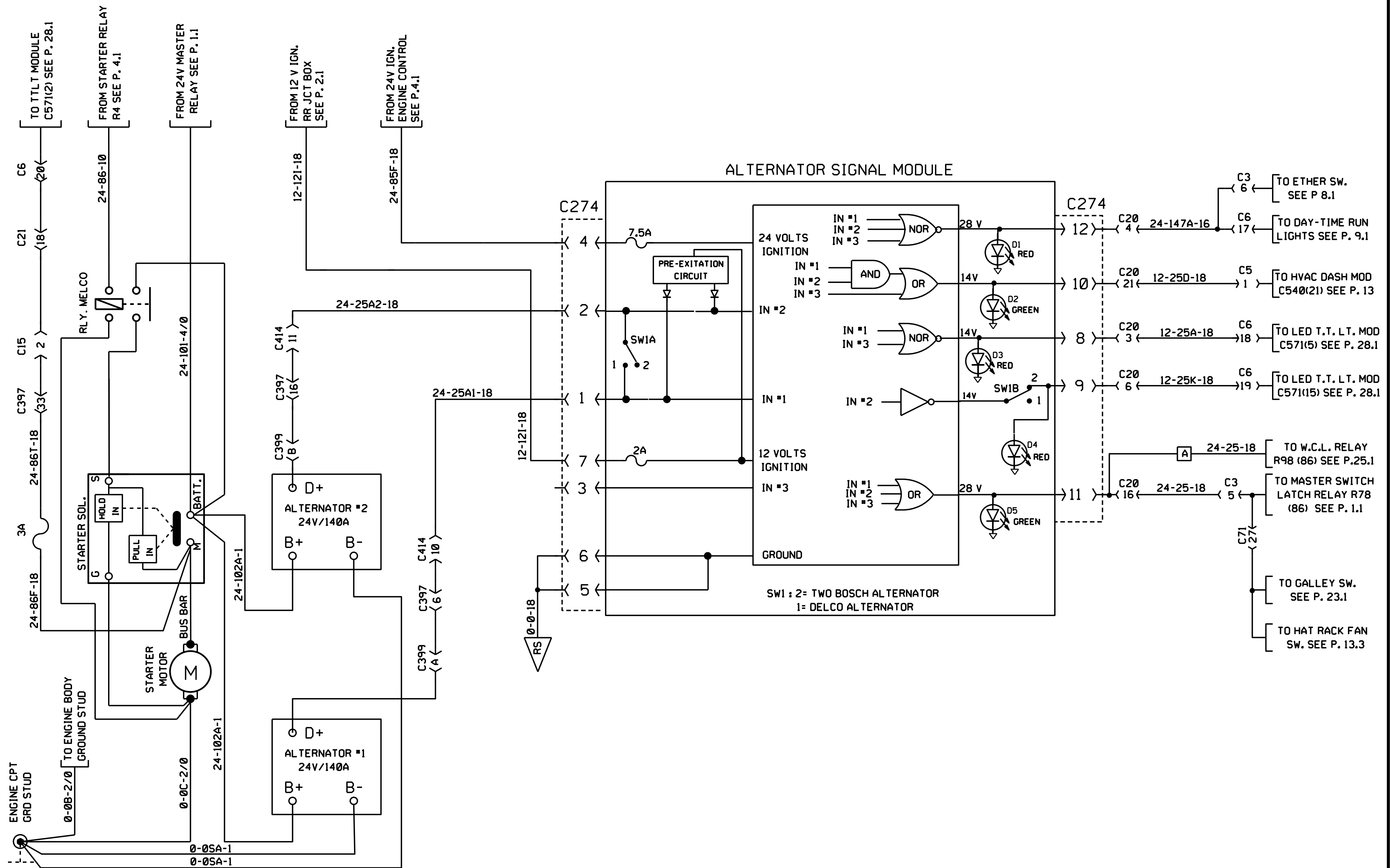
STARTER & BOSCH ALTERNATOR



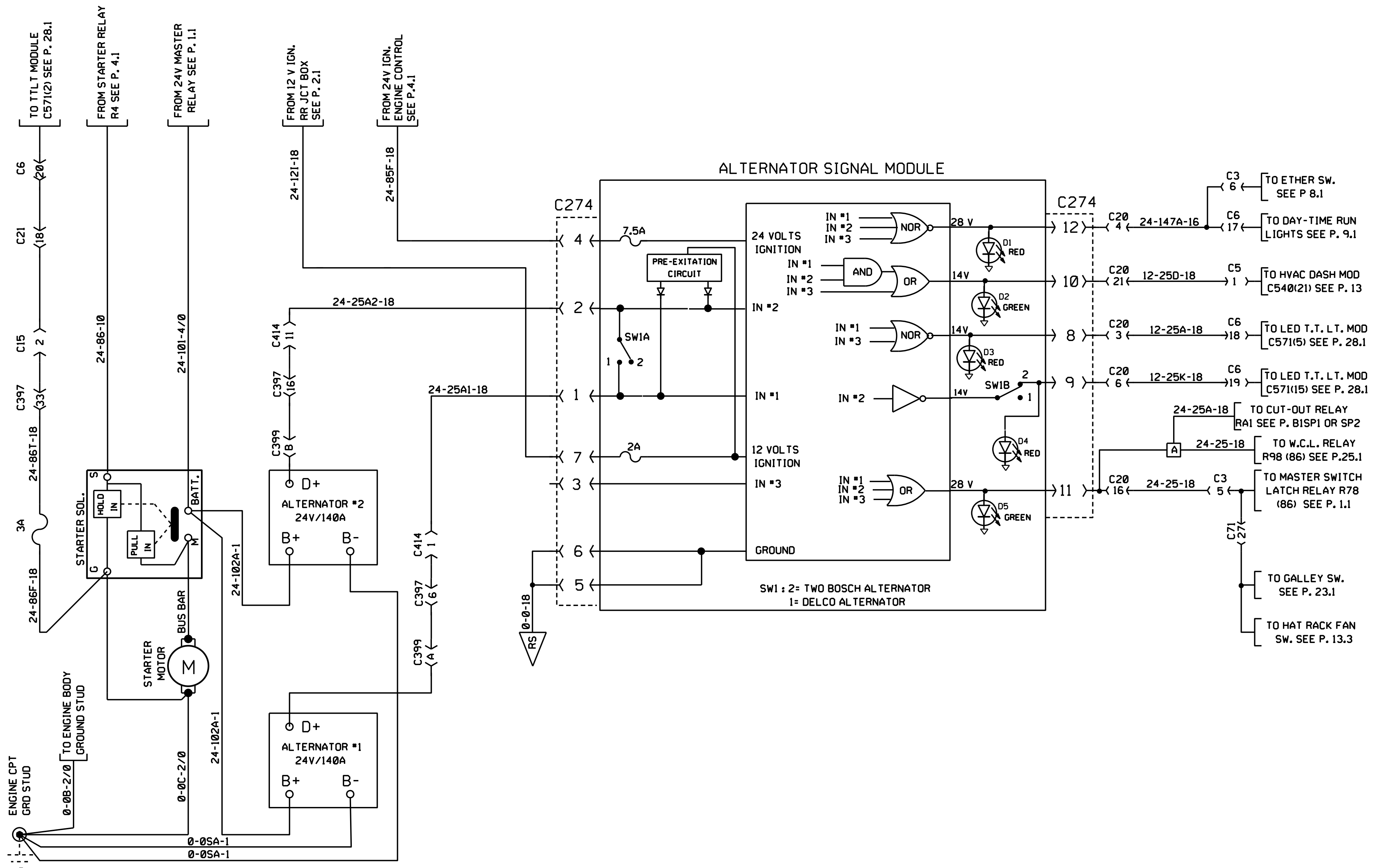
STARTER & BOSCH ALTERNATOR



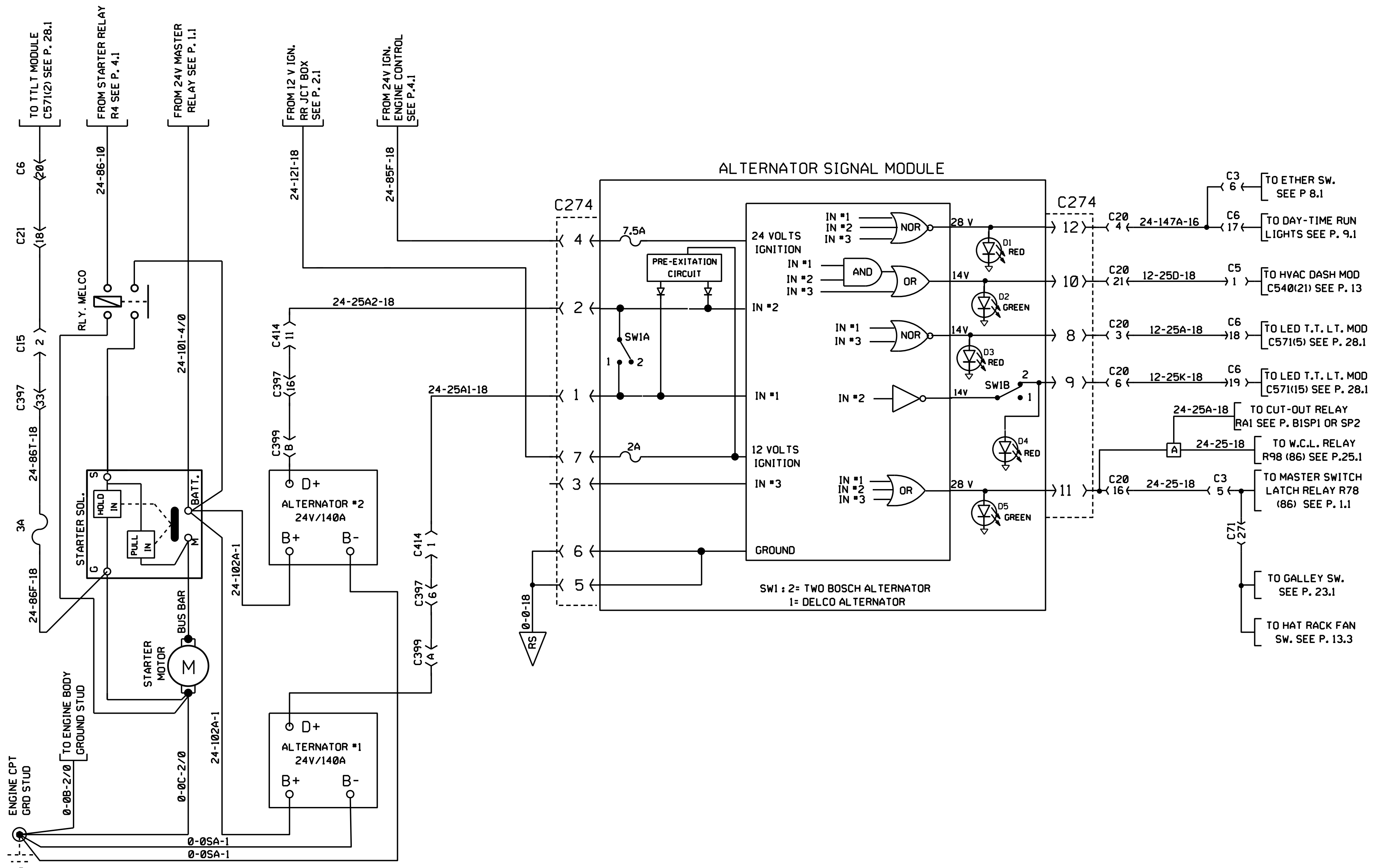
STARTER & BOSCH ALTERNATOR



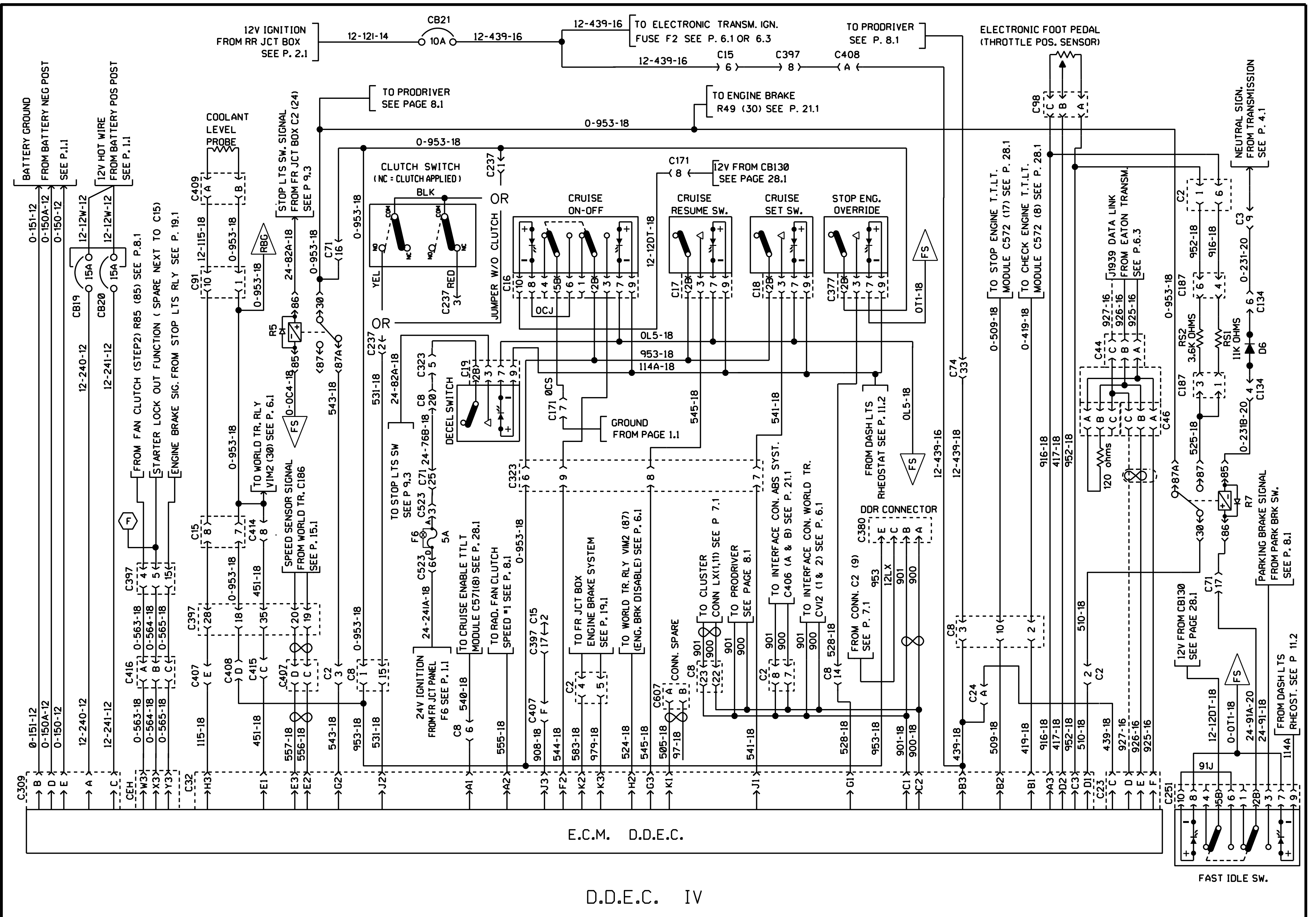
STARTER & BOSCH ALTERNATOR



STARTER & BOSCH ALTERNATOR

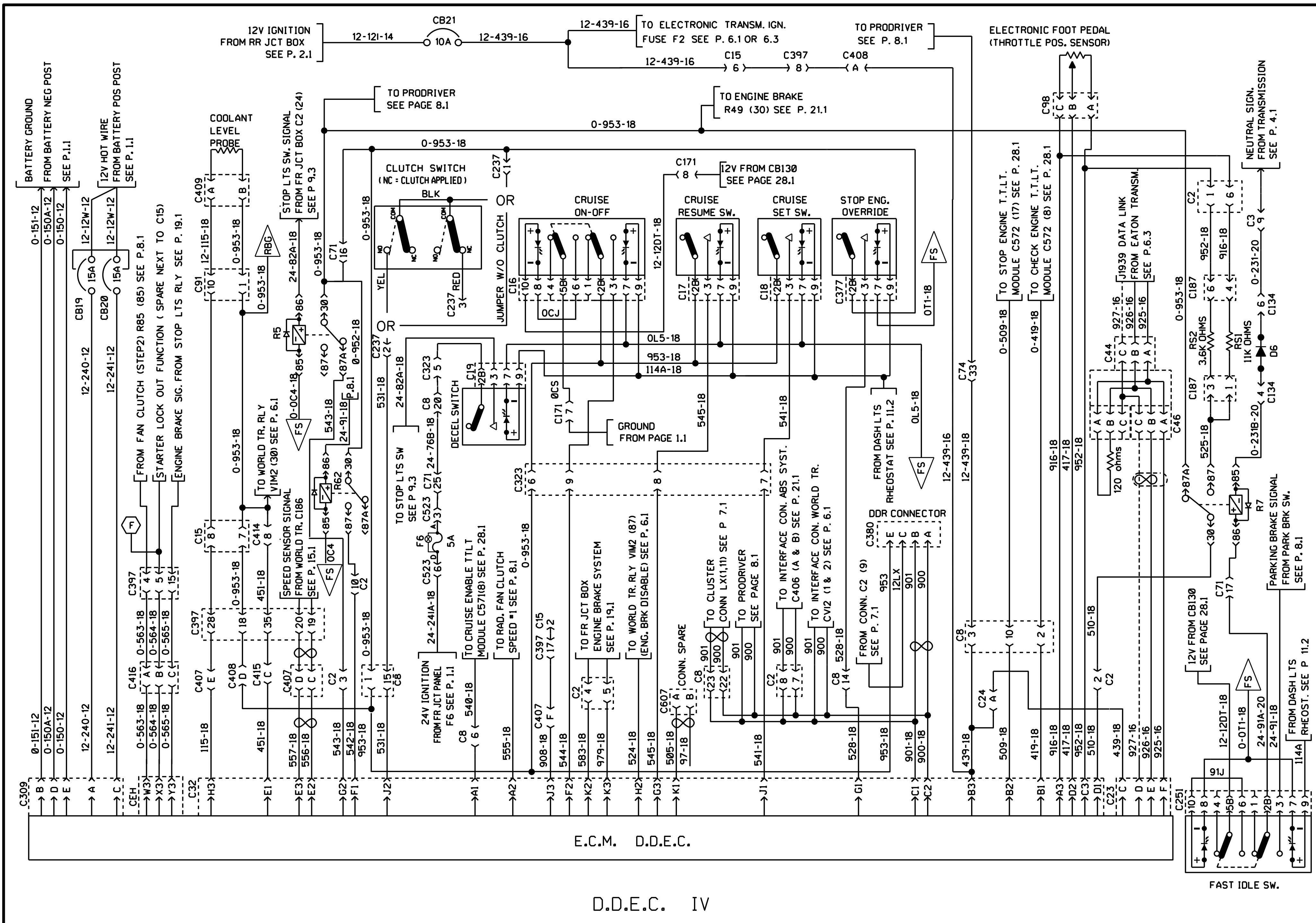


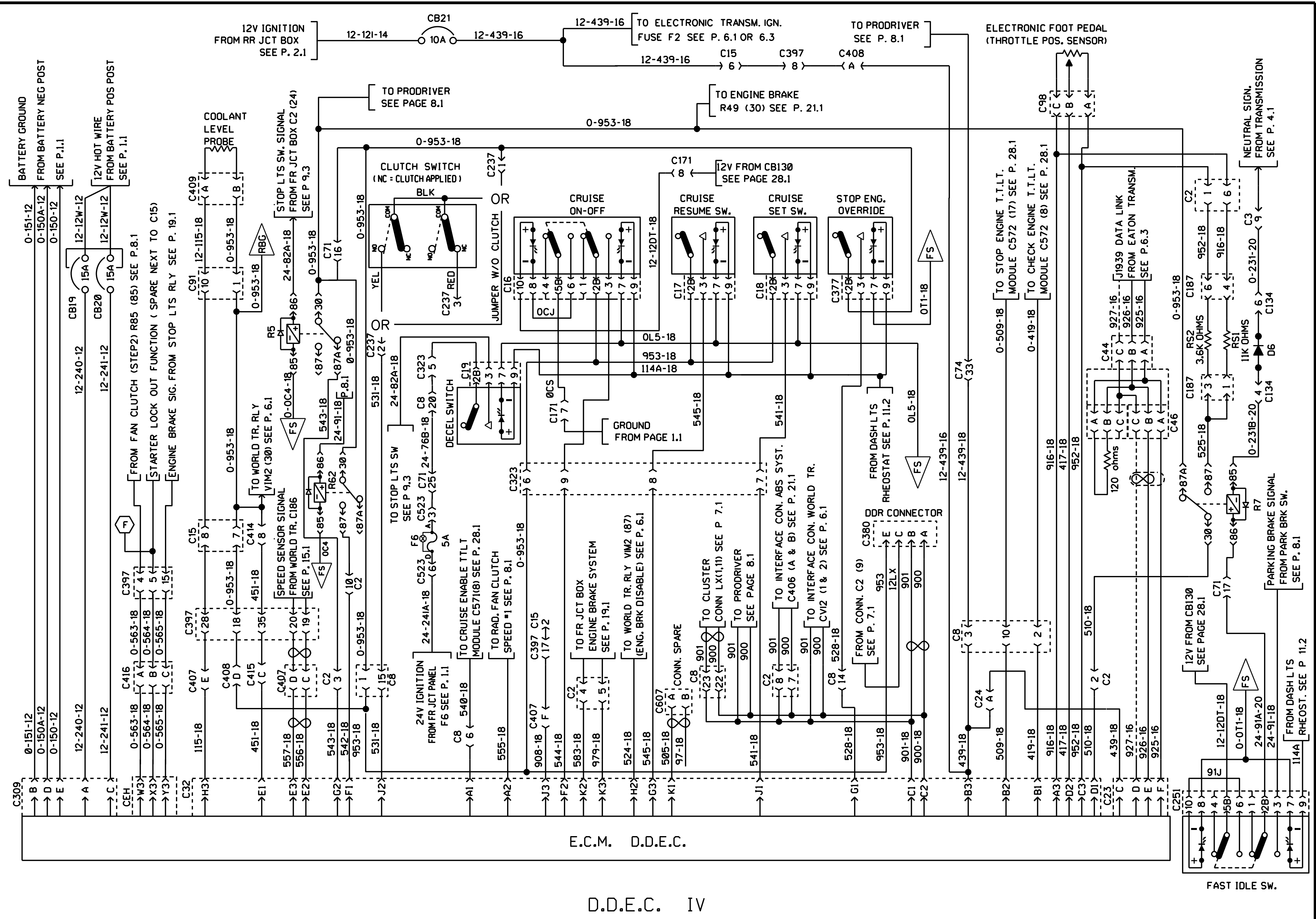
STARTER & BOSCH ALTERNATOR



E.C.M. D.D.E.C.

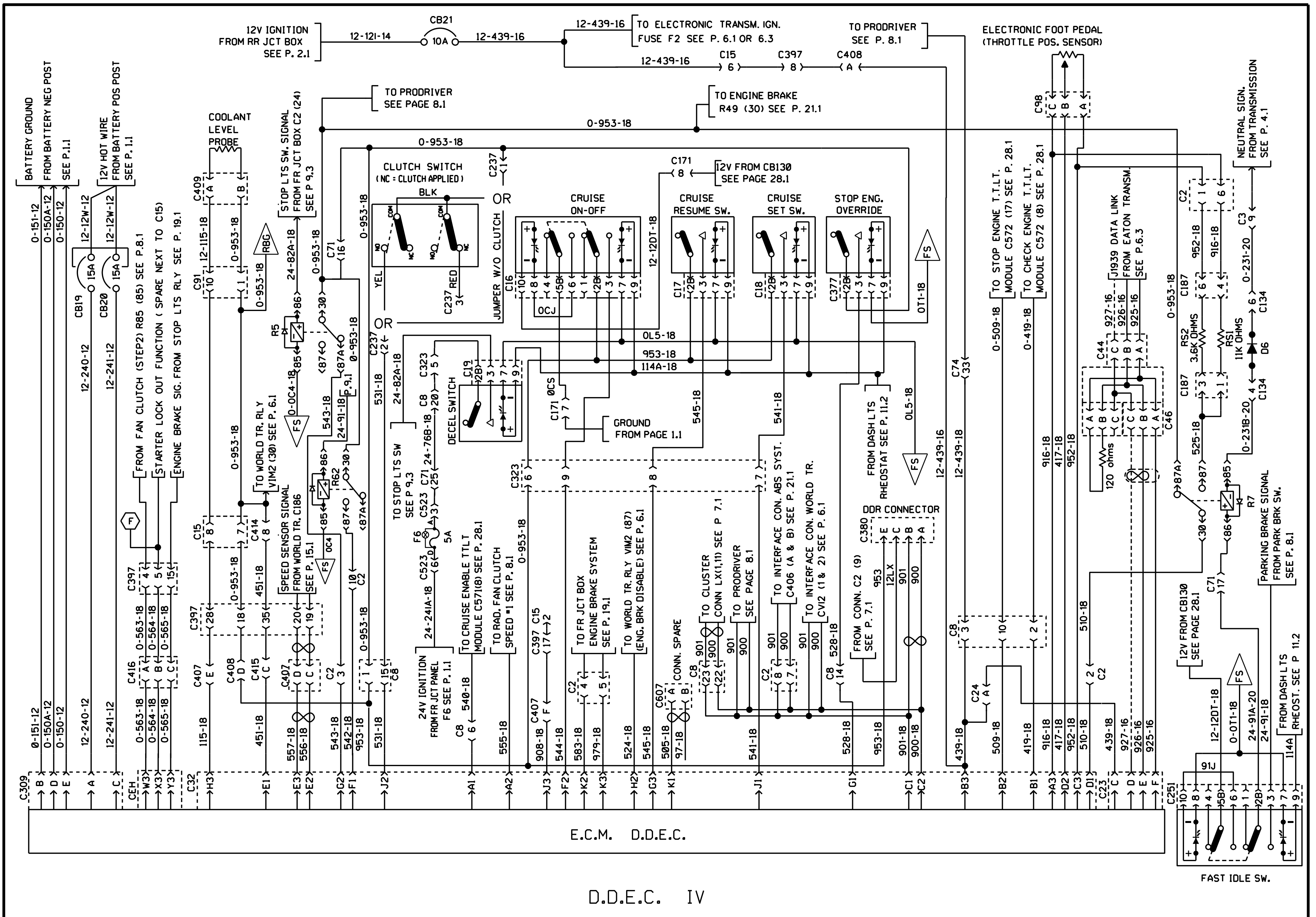
D.D.E.C. IV

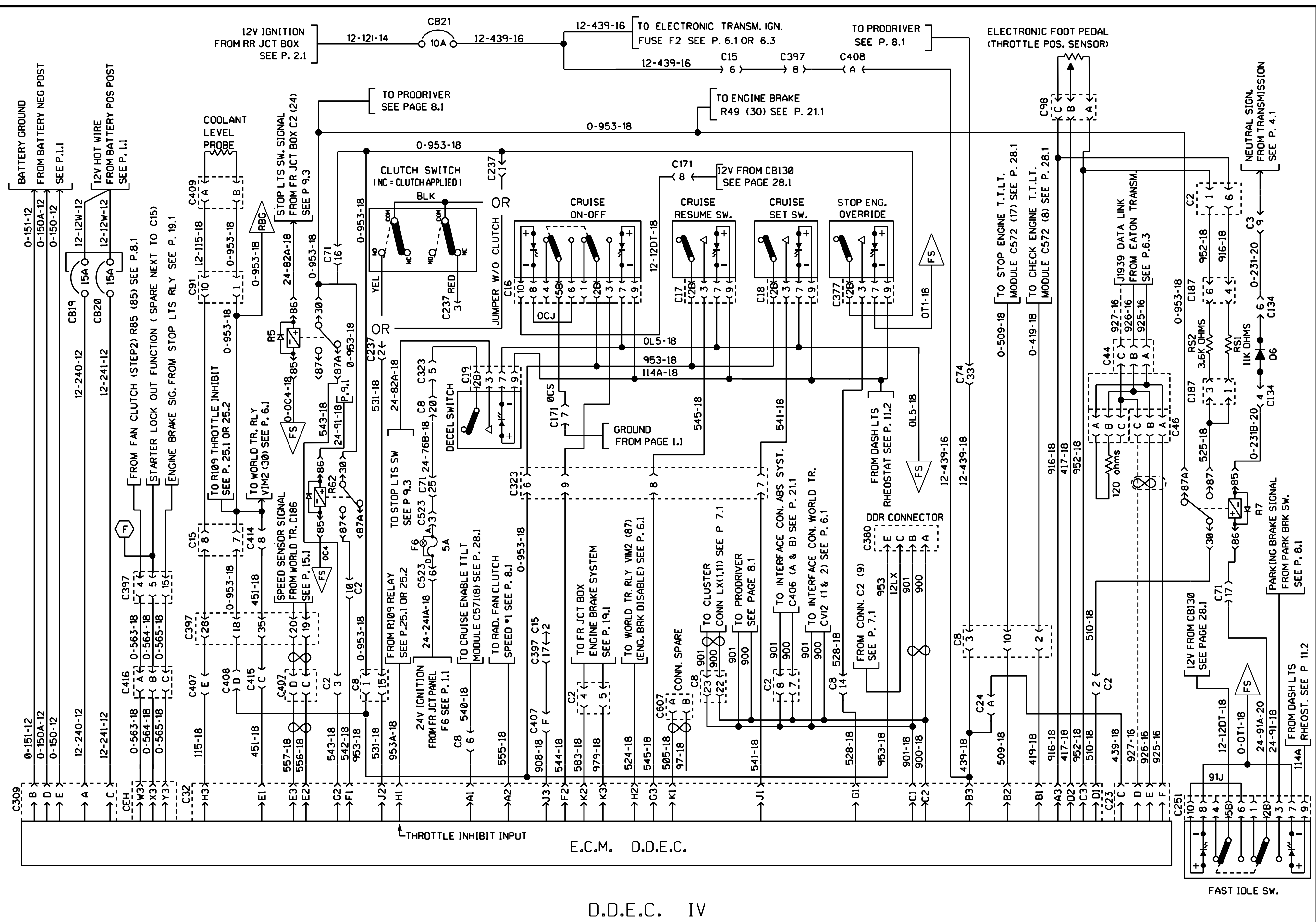




E.C.M. D.D.E.C.

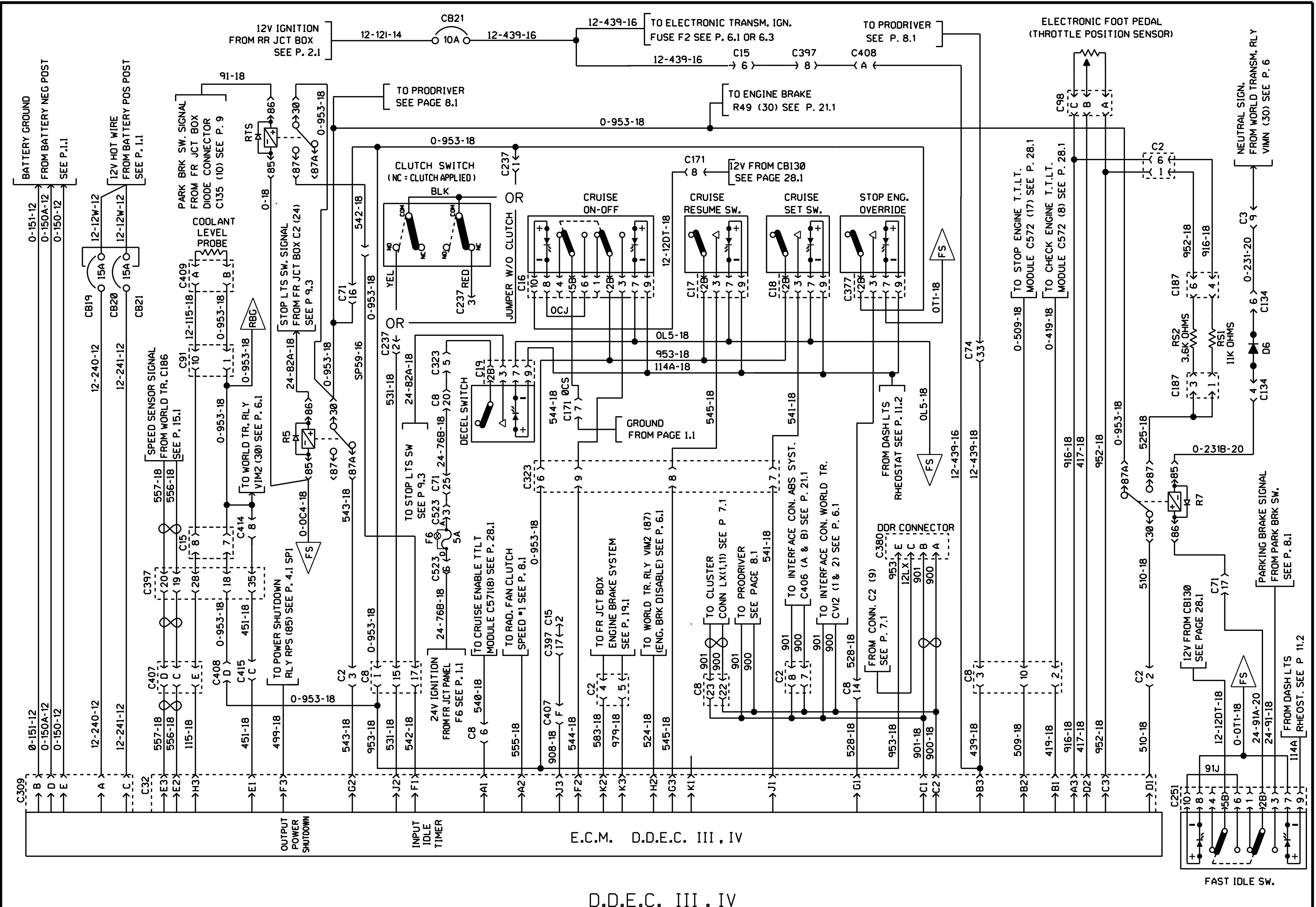
D.D.E.C. IV





E.C.M. D.D.E.C.

D.D.E.C. IV



D.D.E.C. III, IV

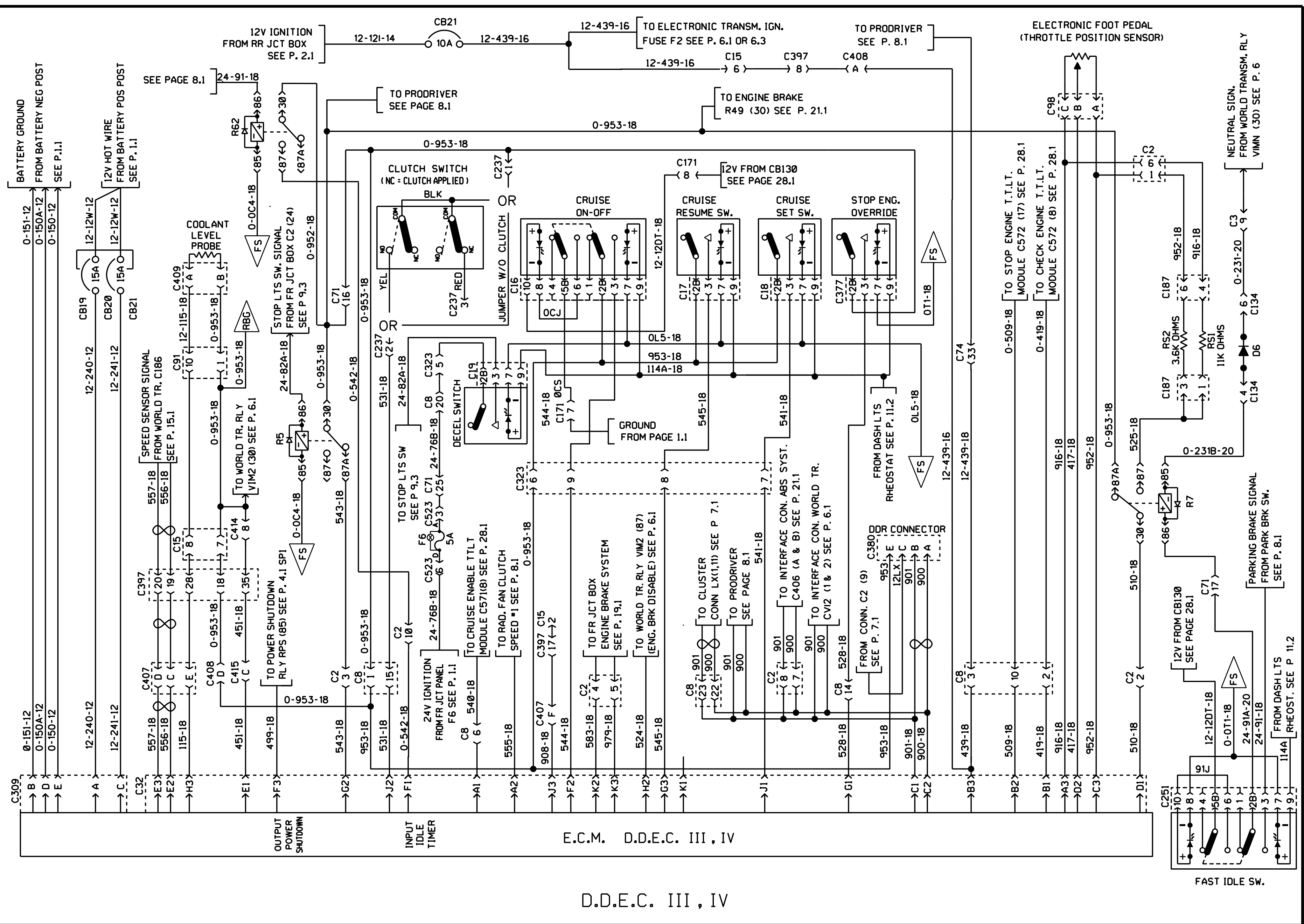
PREVOST

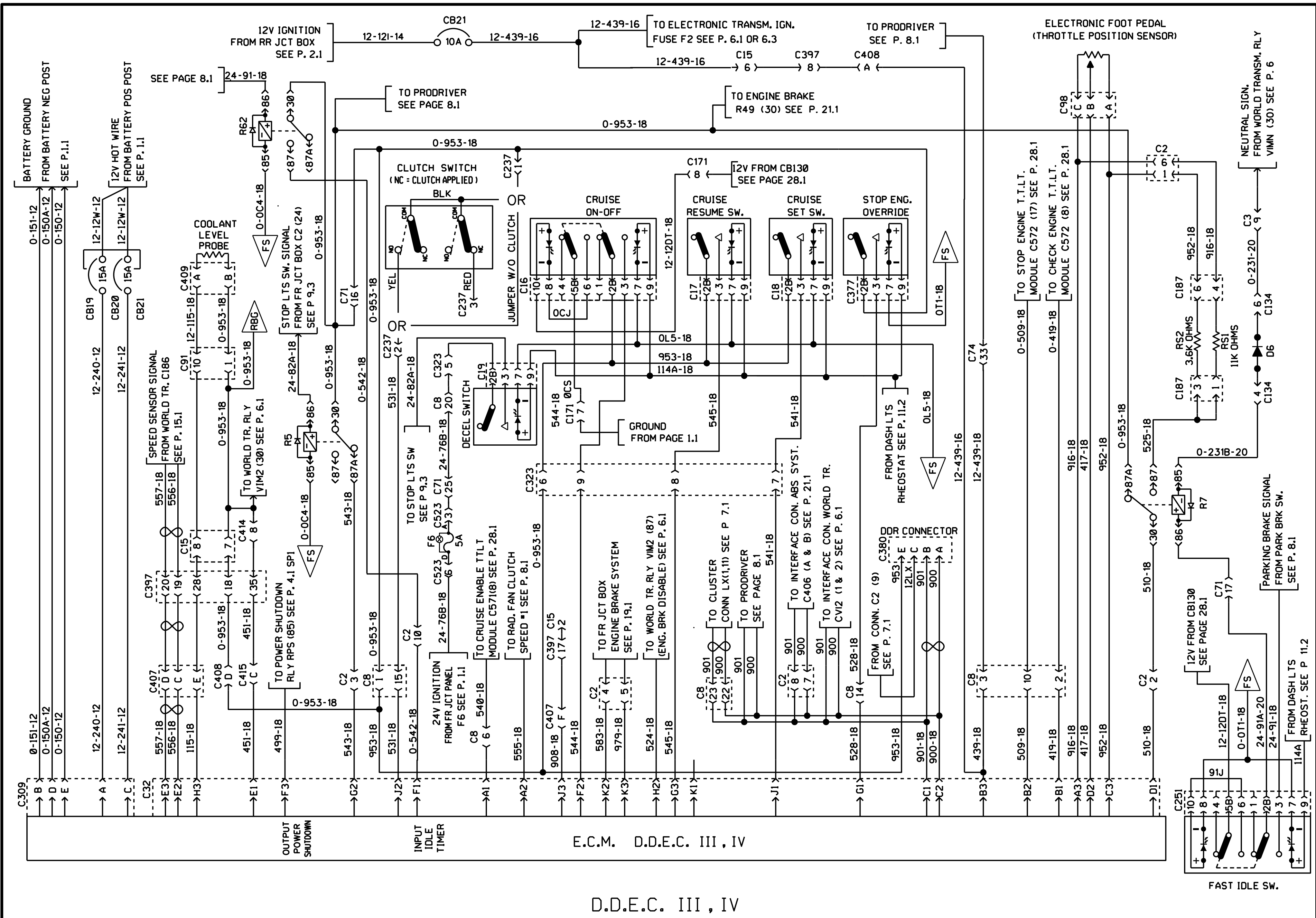
WIRING DIAGRAM

NO: 0060949

PAGE: 5.1 sp1

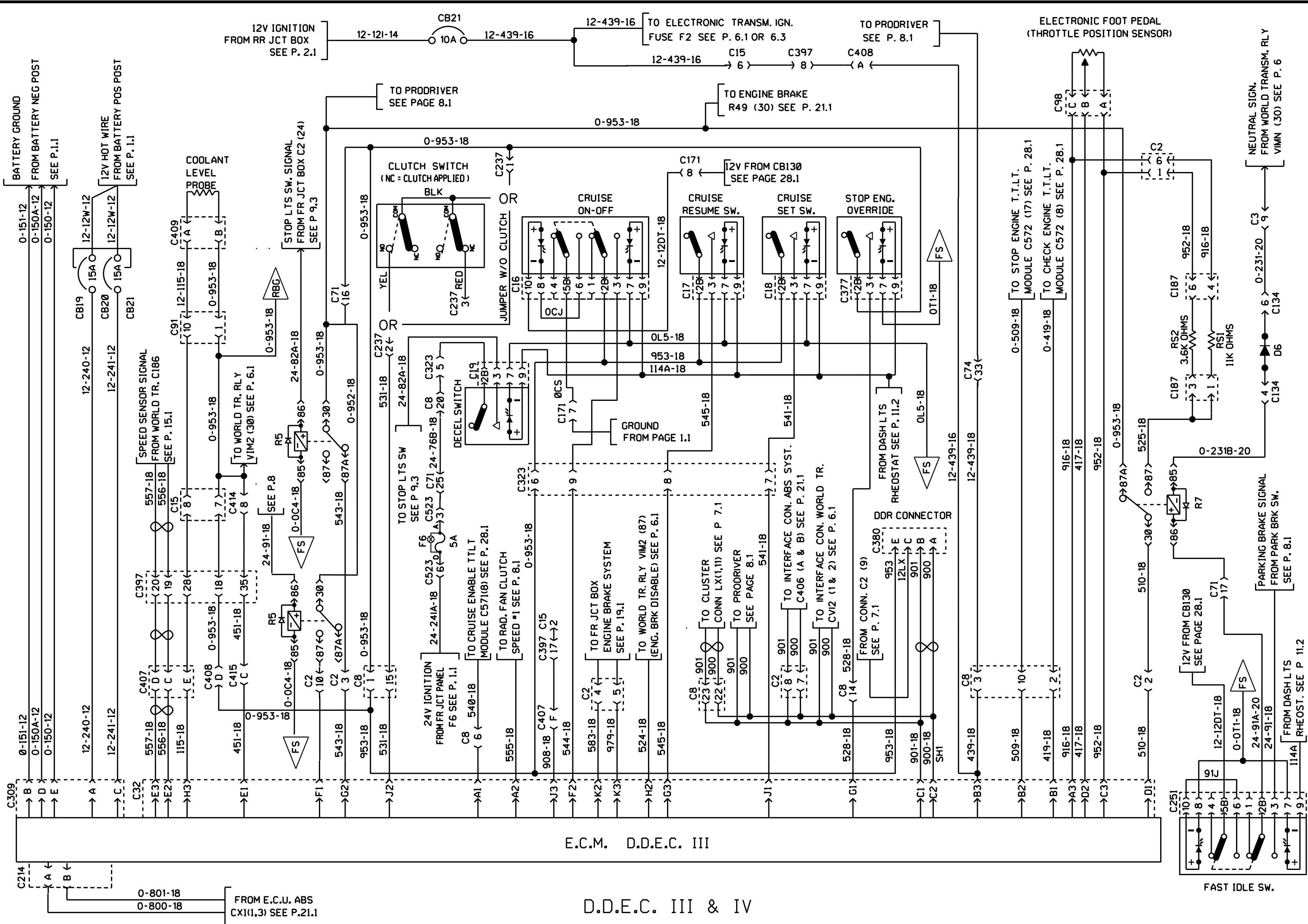
REVISION 00





F.C.M. D.D.E.C. III, IV

D.D.E.C. III, IV



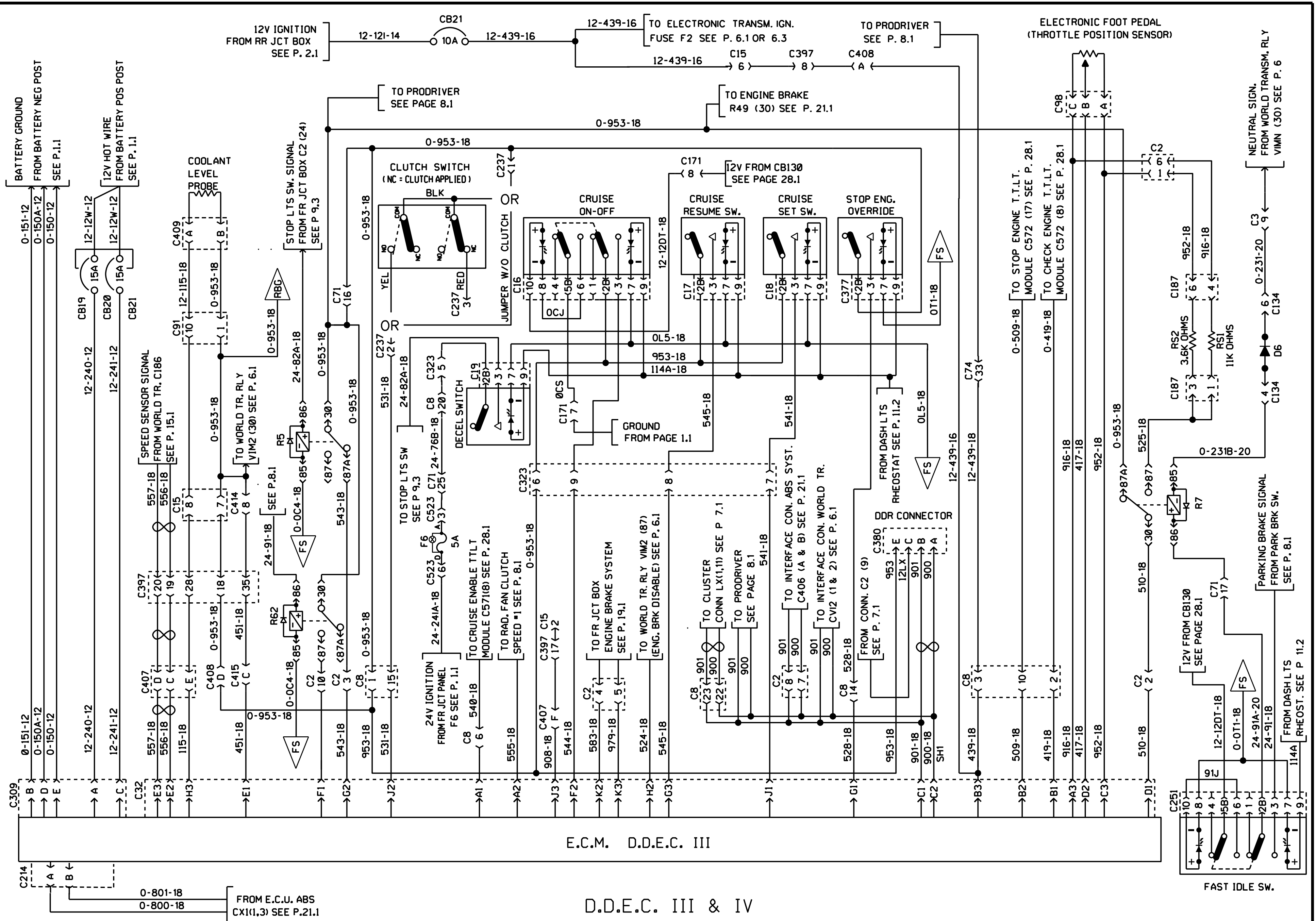
PREVOST

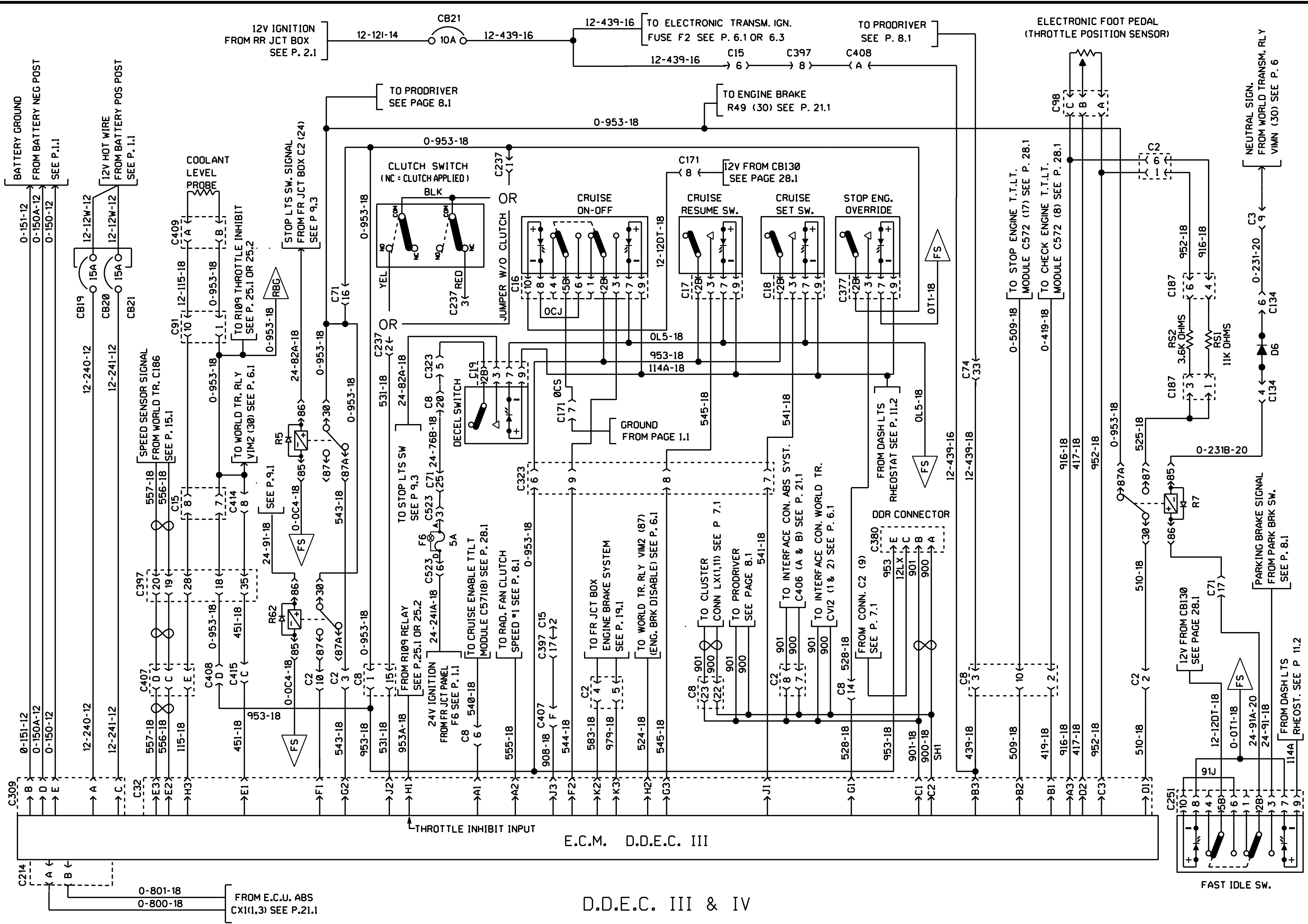
WIRING DIAGRAM

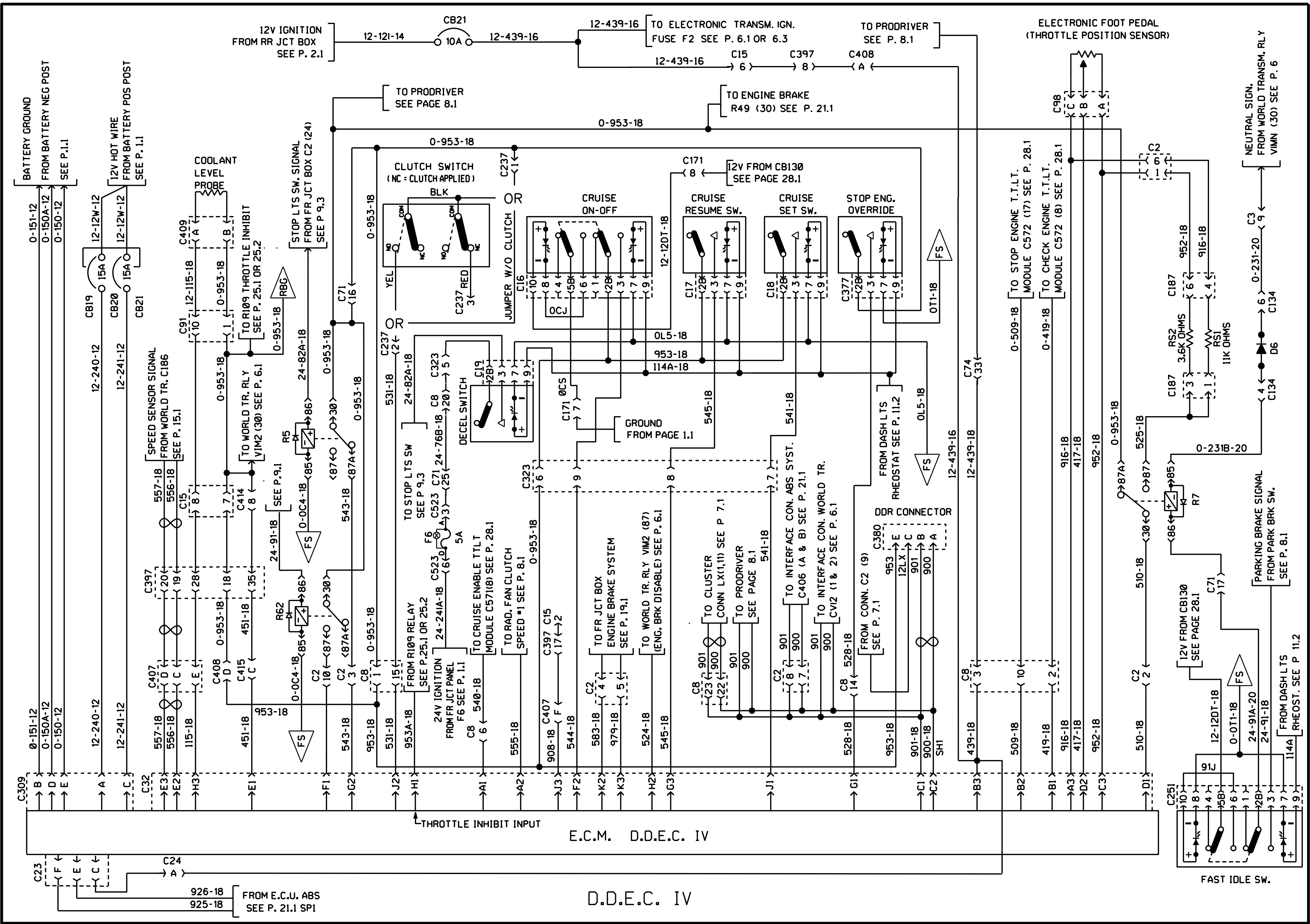
NO: **D060949**

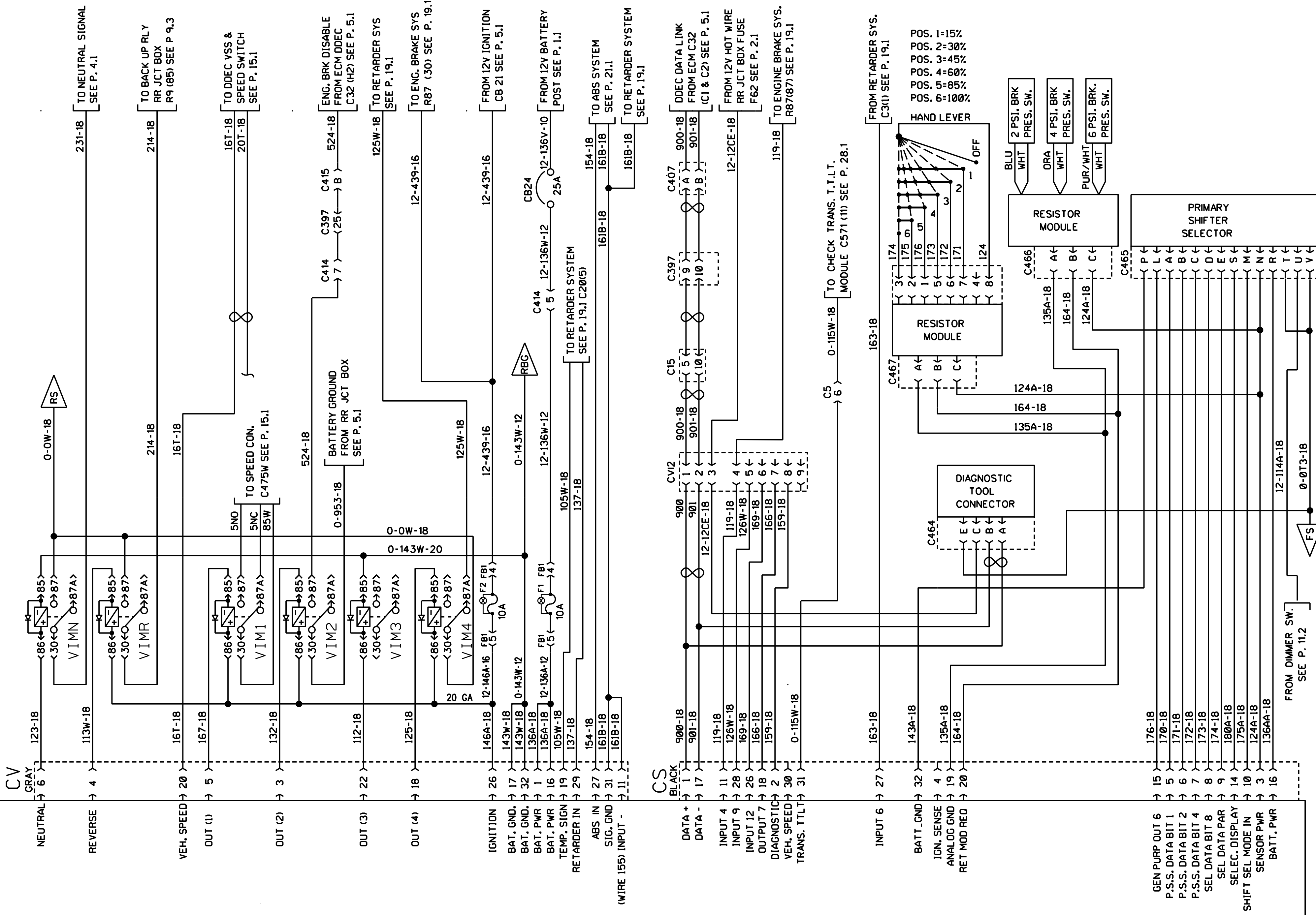
PAGE: **5.1 SP2**

REVISION
07



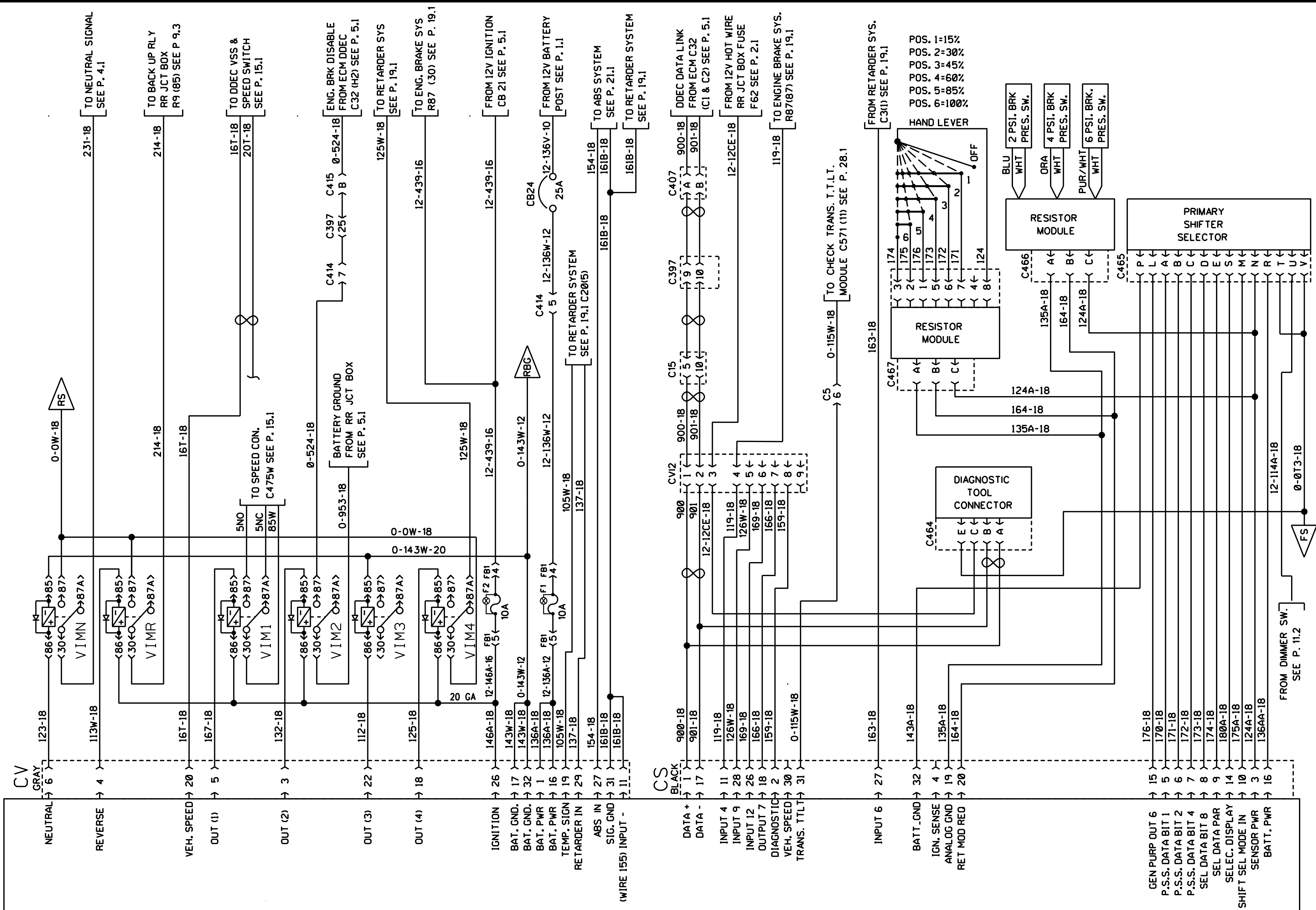




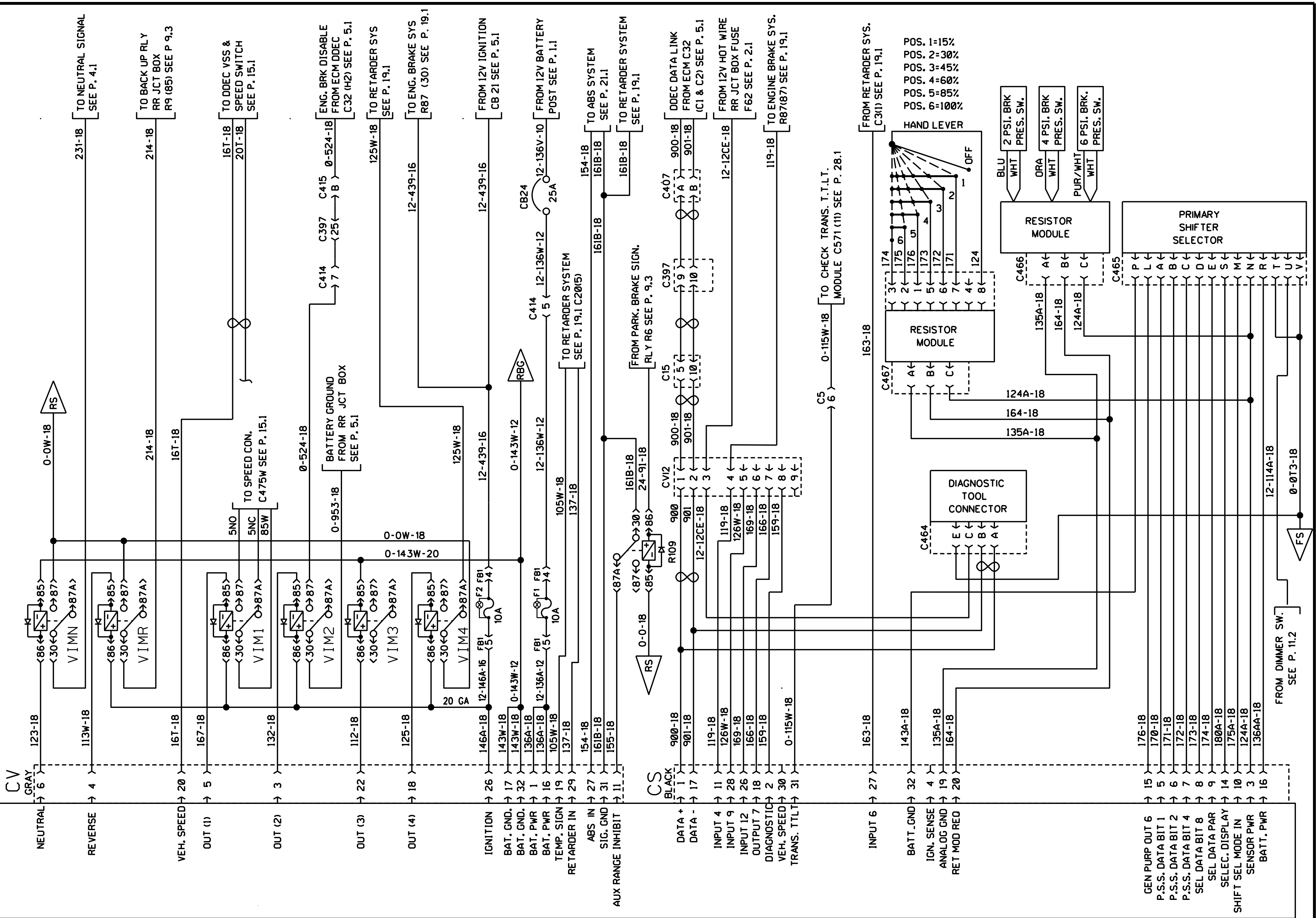


WORLD TRANSMISSION E.C.U.

WORLD TRANSMISSION E.C.U.

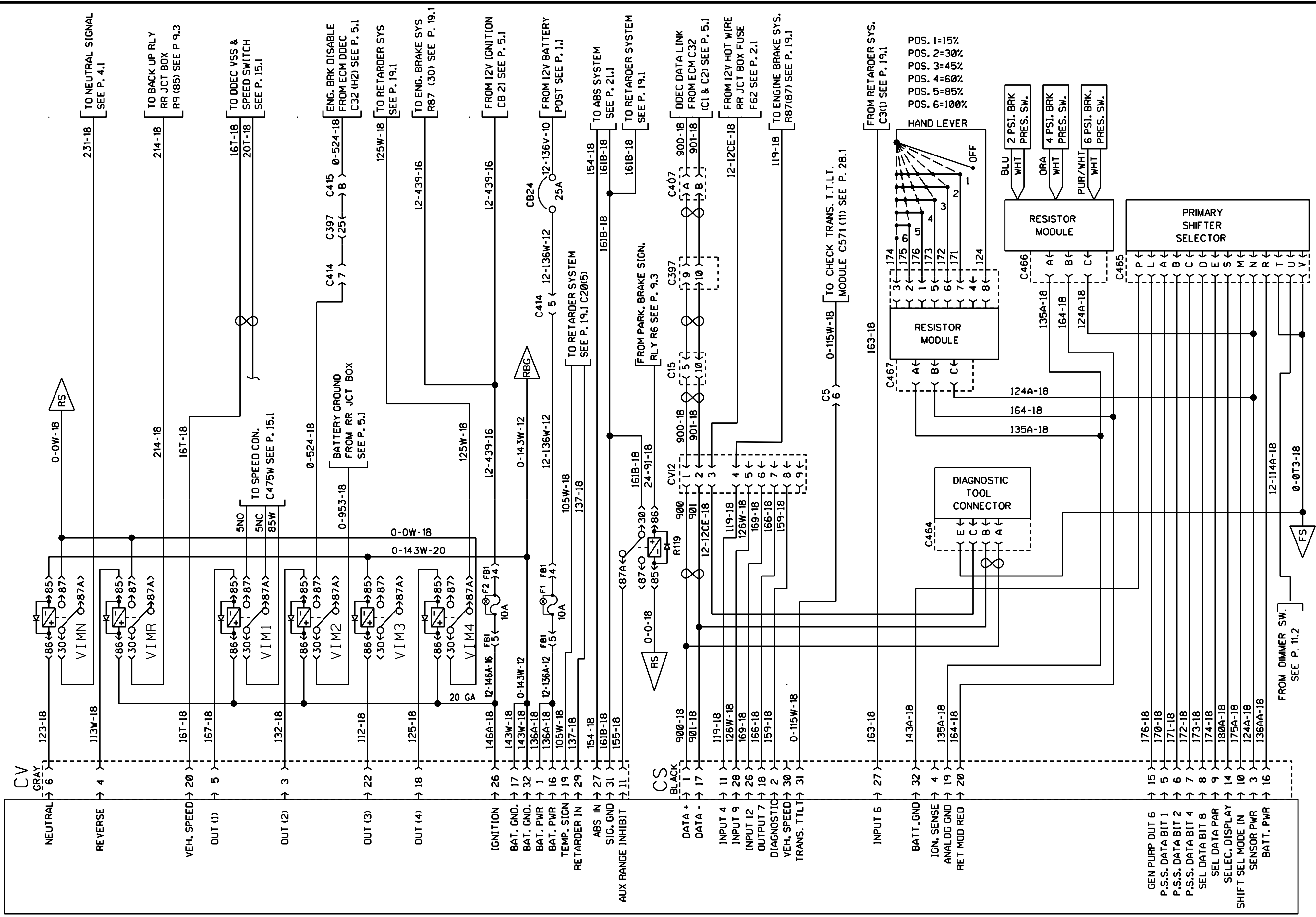


FROM DIMMER SW. SEE P. 11.2

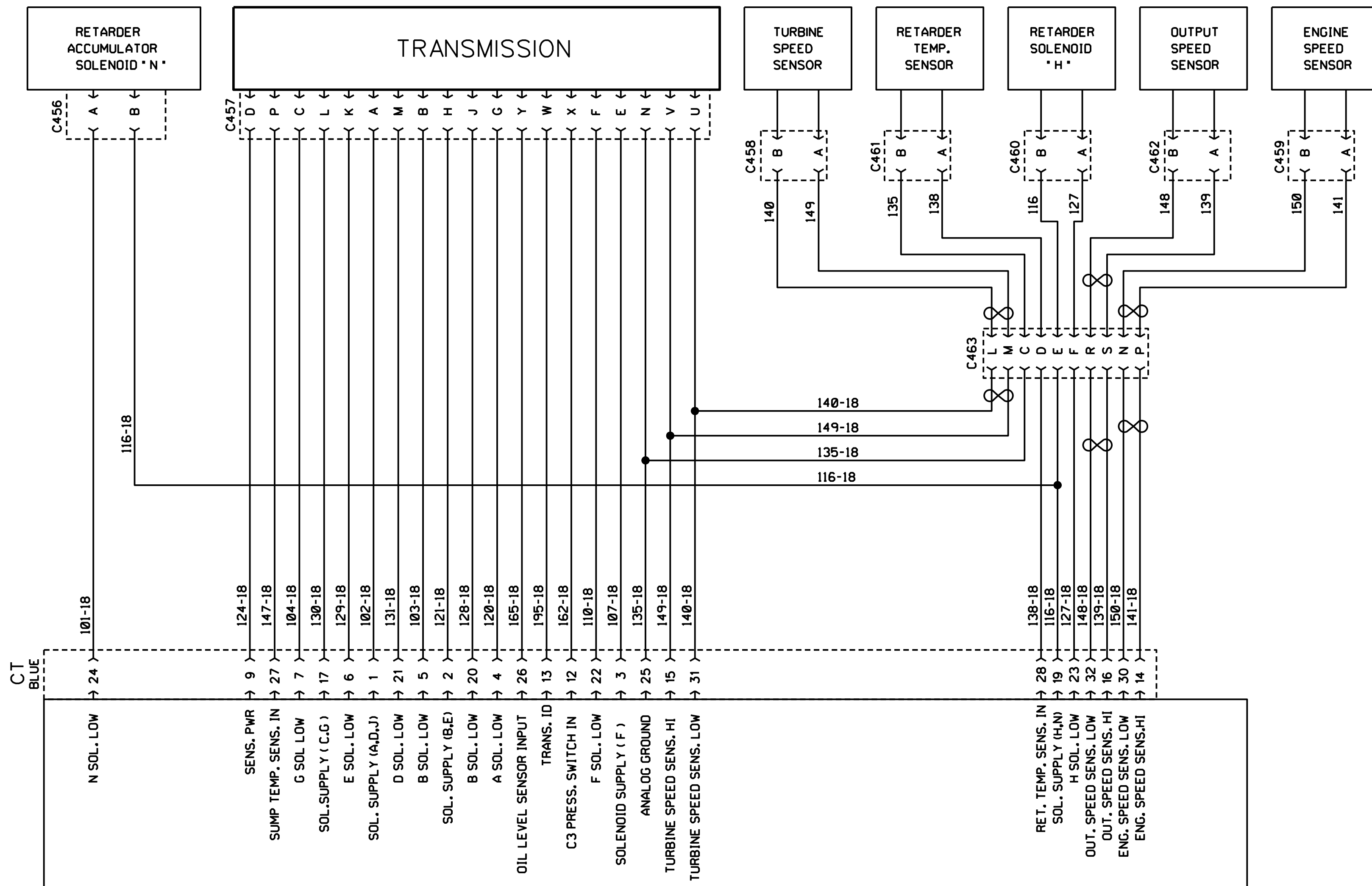


WORLD TRANSMISSION E.C.U.

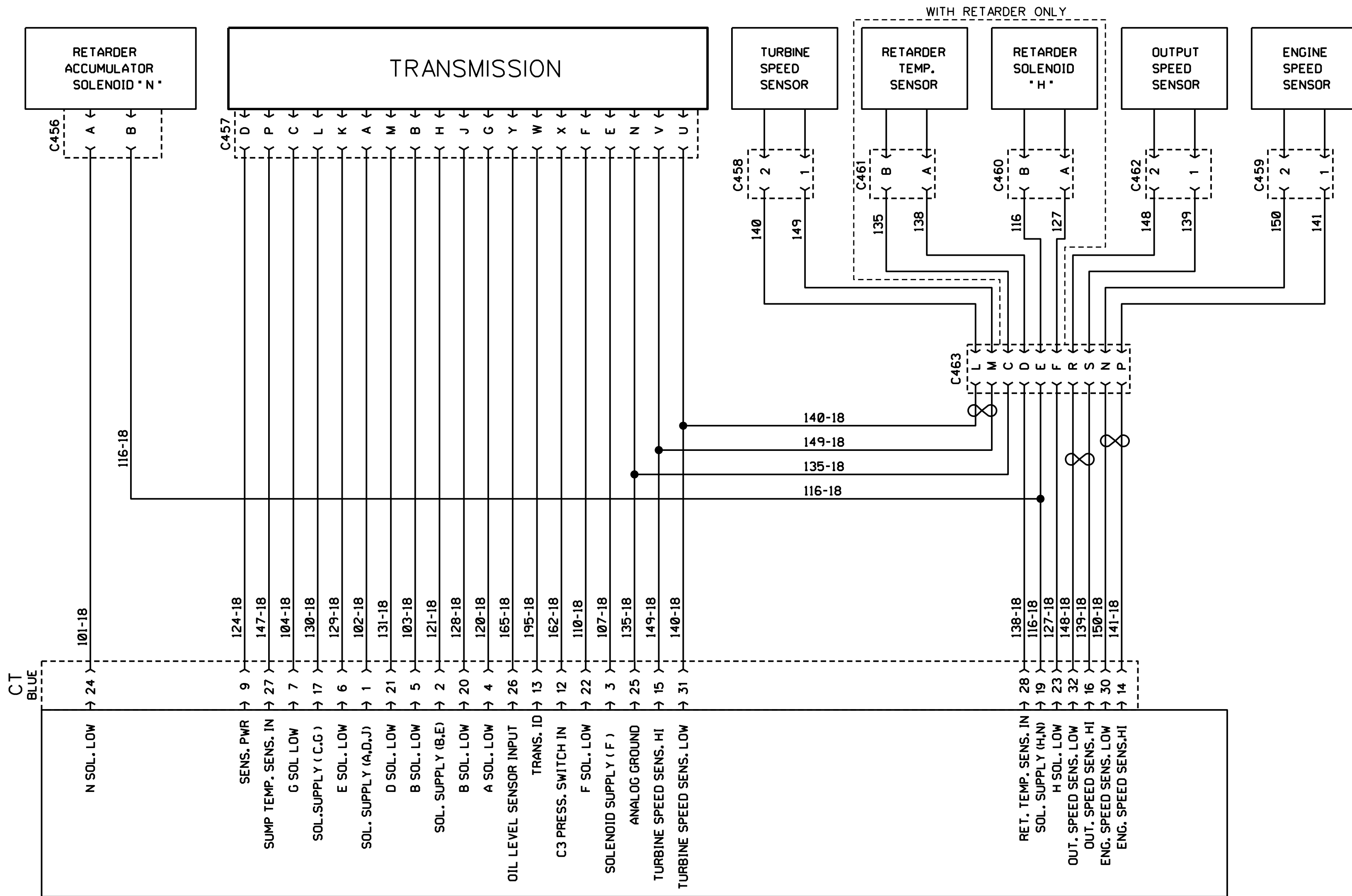
WHEN PARKING BRAKE IS APPLIED AND THE SHIFTER IN NEUTRAL POSITION, THE TRANSMISSION WILL NOT SHIFT



WORLD TRANSMISSION E.C.U. WHEN PARKING BRAKE IS APPLIED AND THE SHIFTER IN NEUTRAL POSITION, THE TRANSMISSION WILL NOT SHIFT

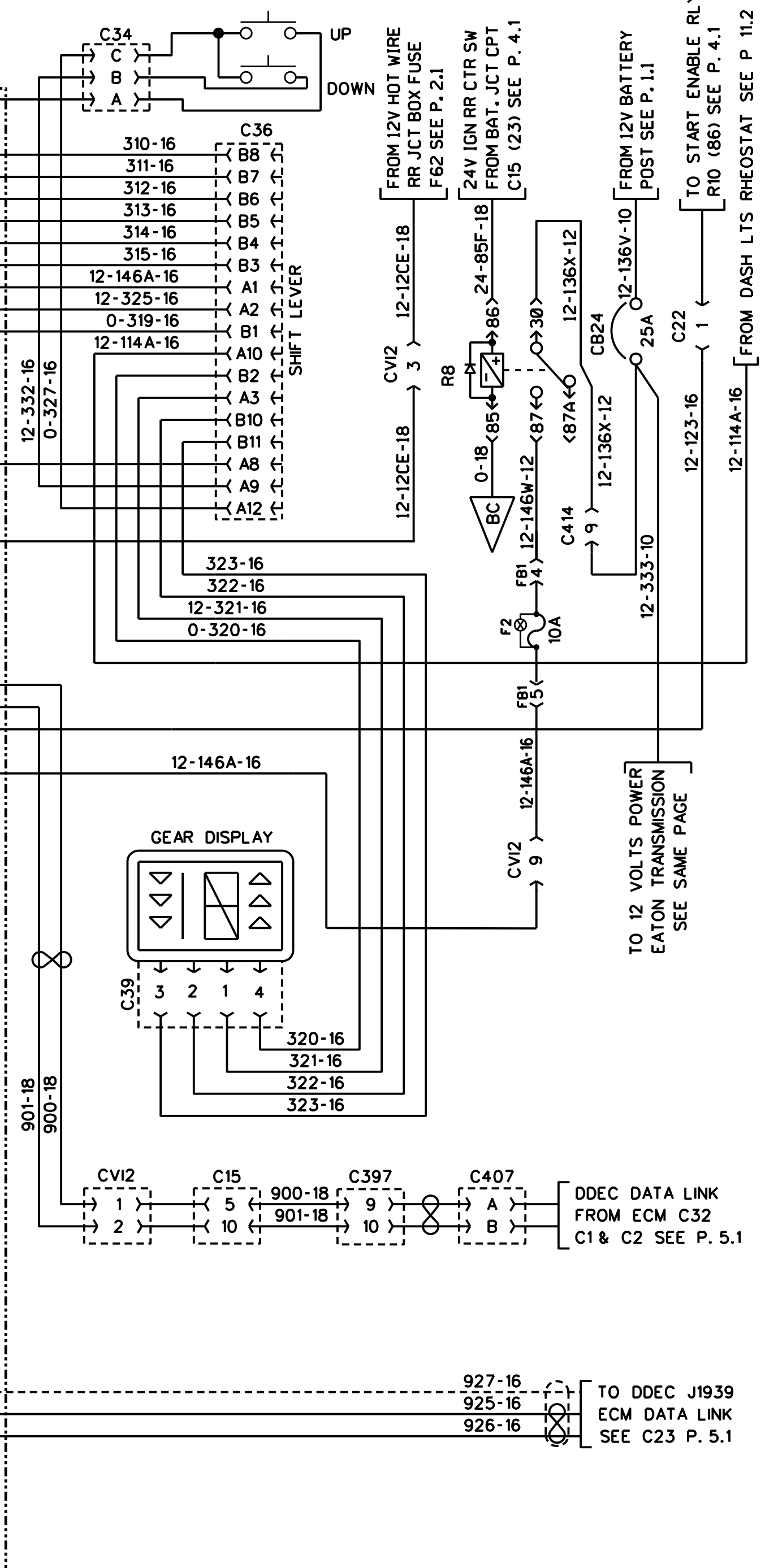
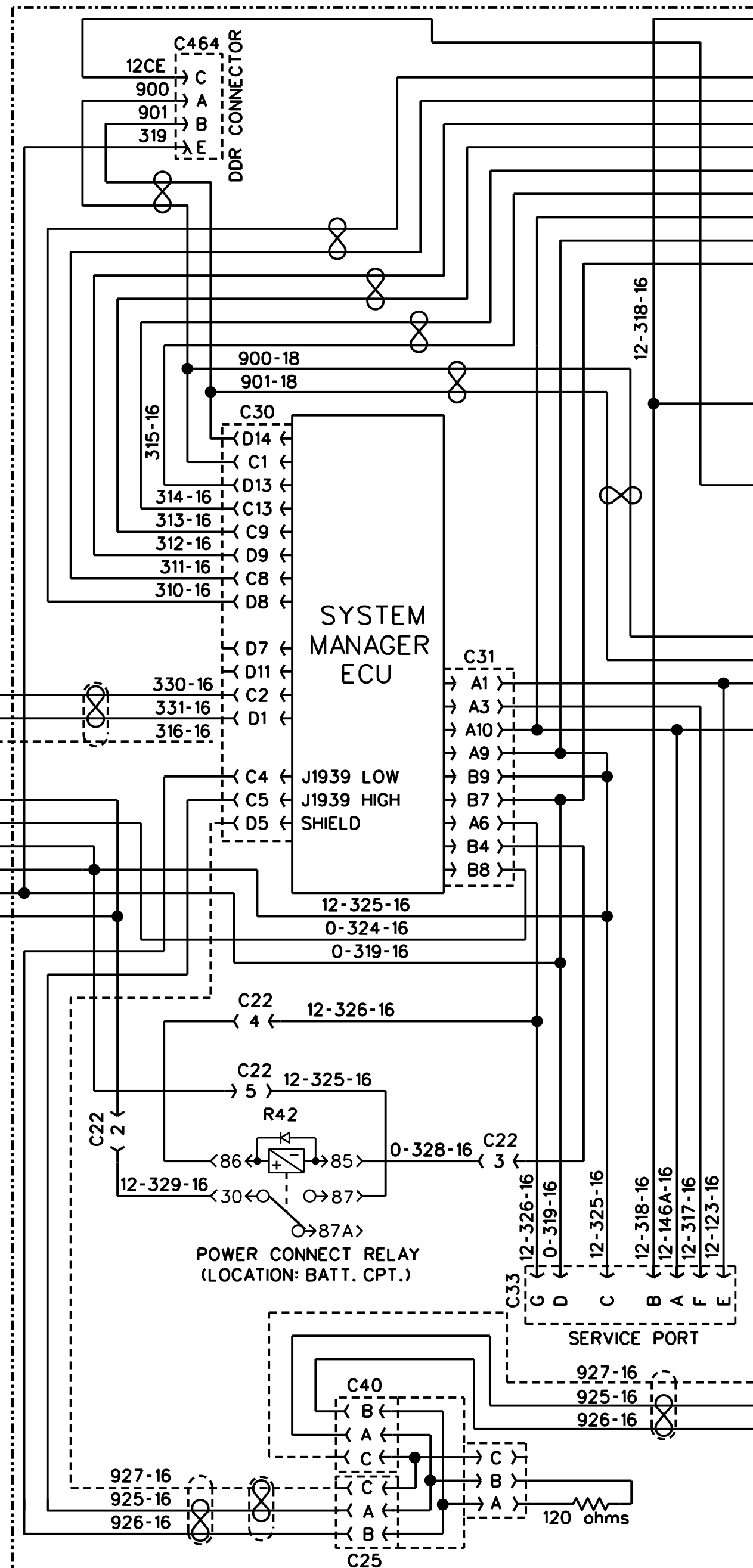
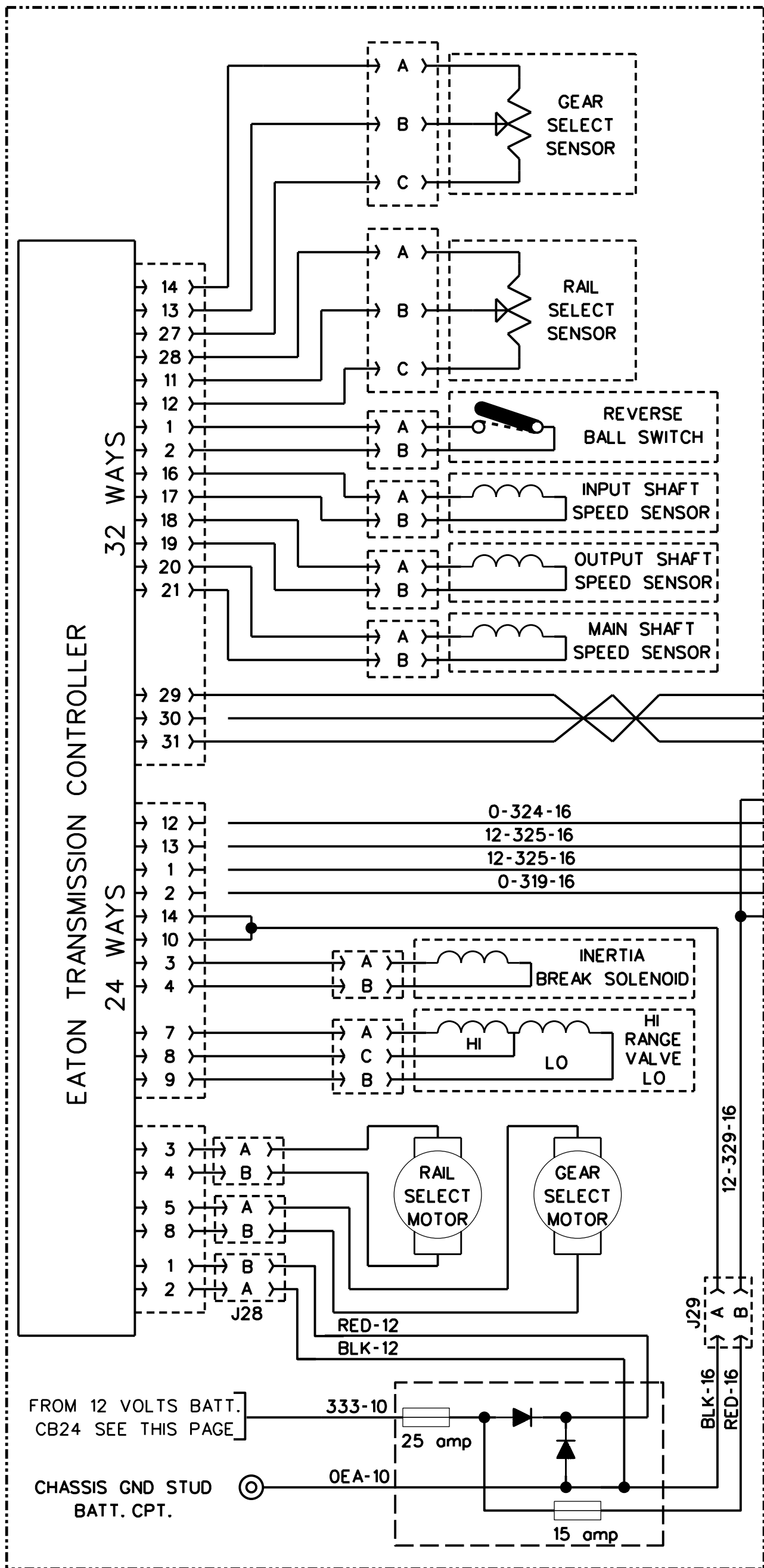


WORLD TRANSMISSION E.C.U. (SUITE)



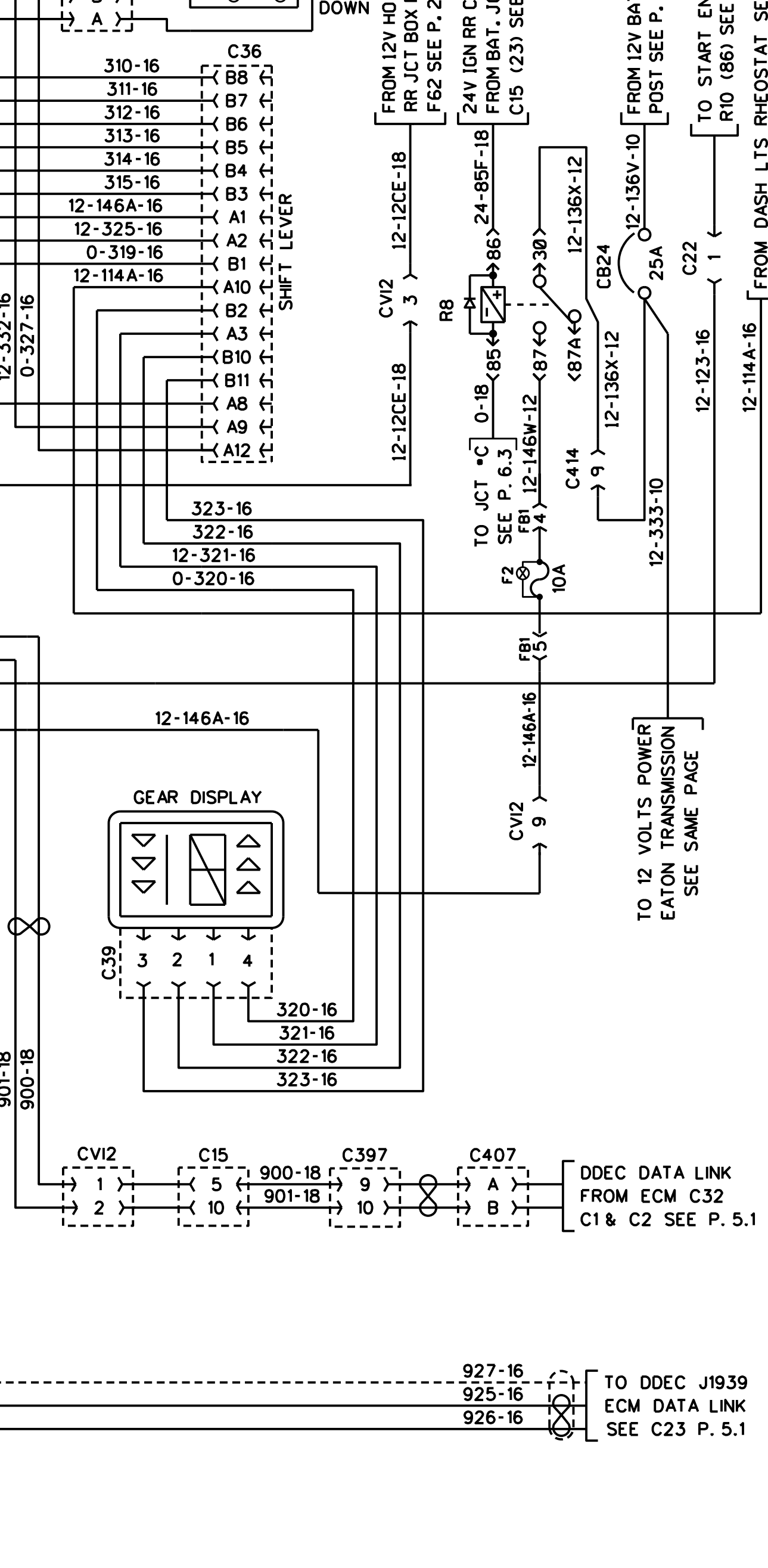
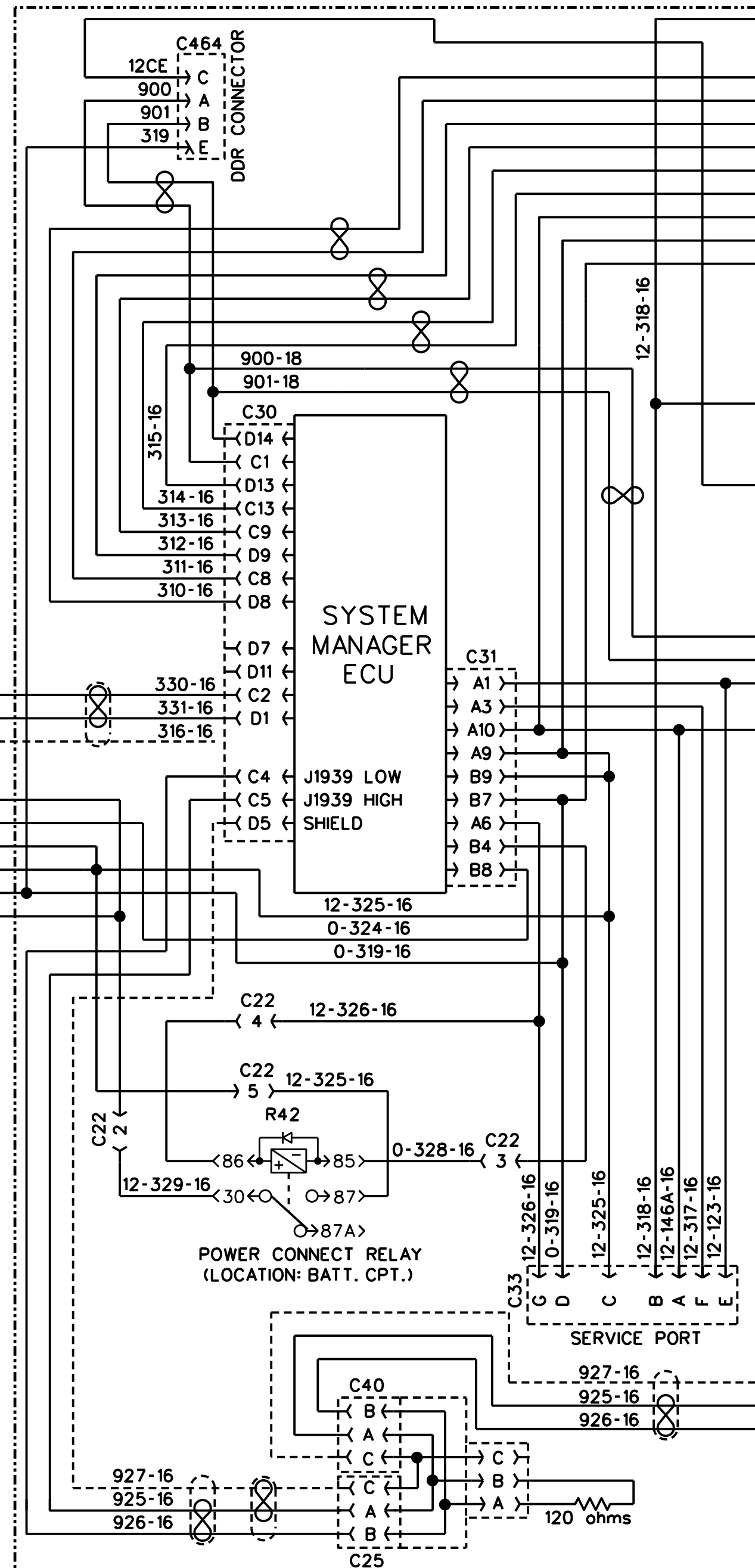
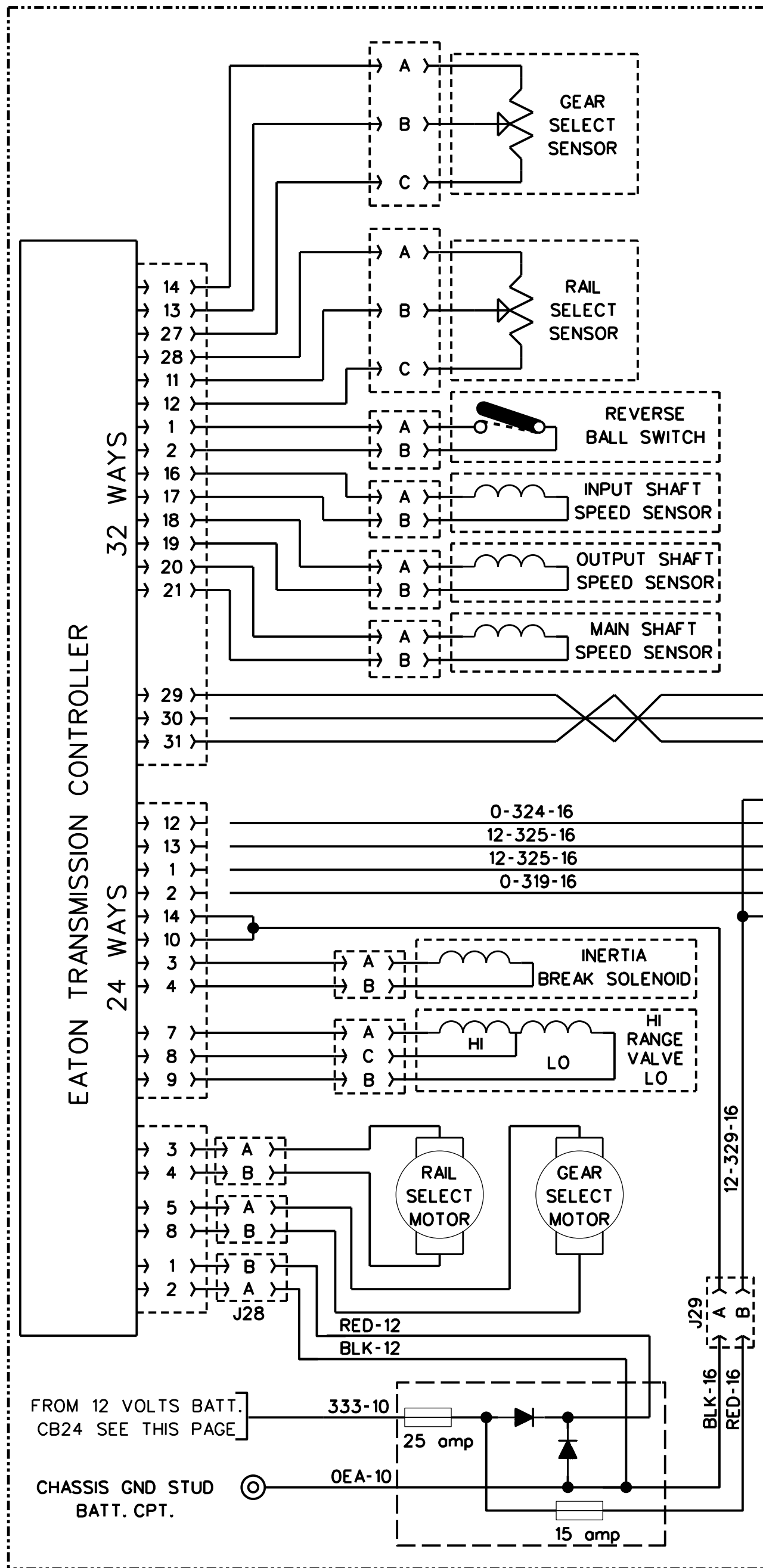
TRANSMISSION HARNESS

REAR JUNCTION COMPARTMENT

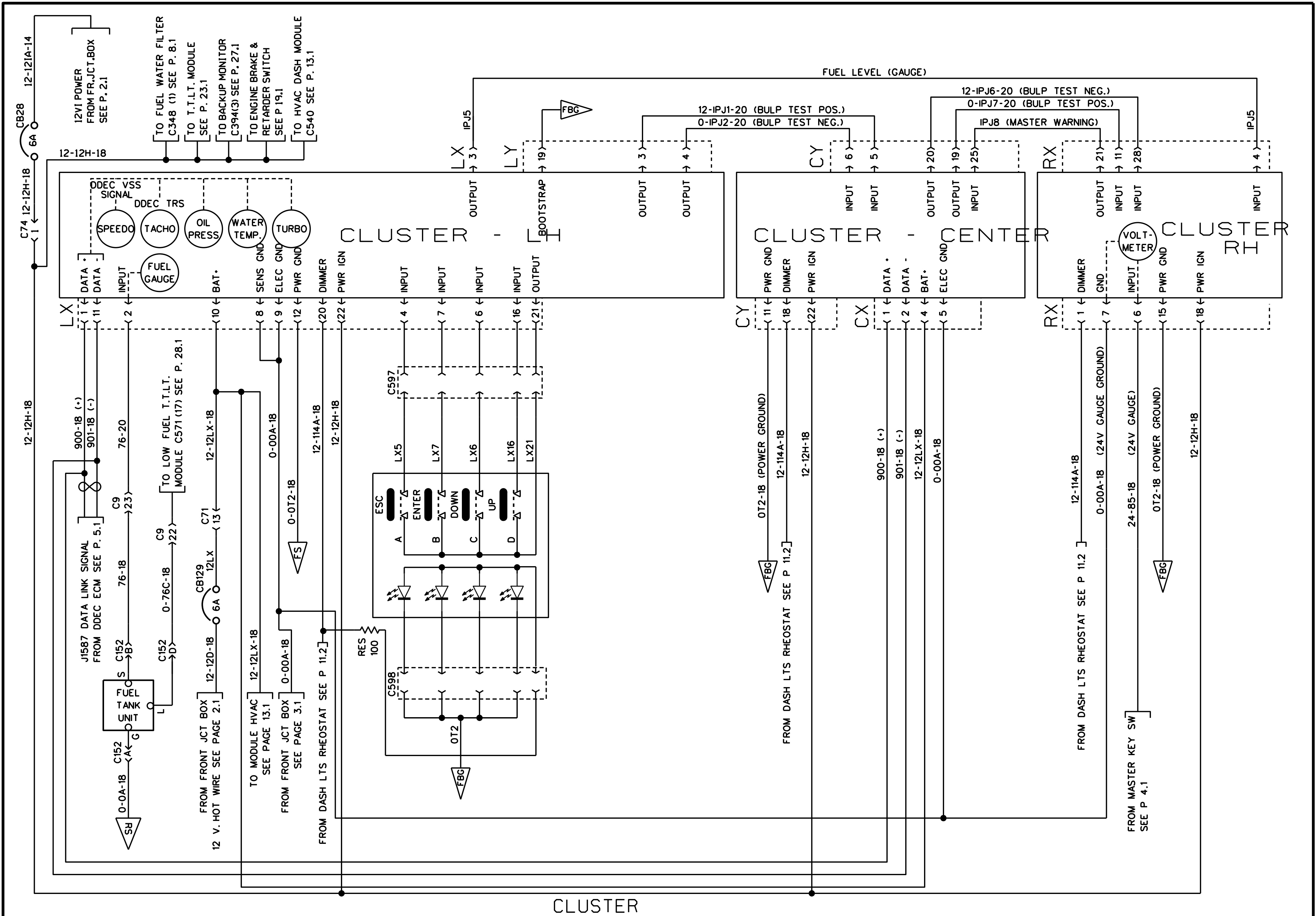


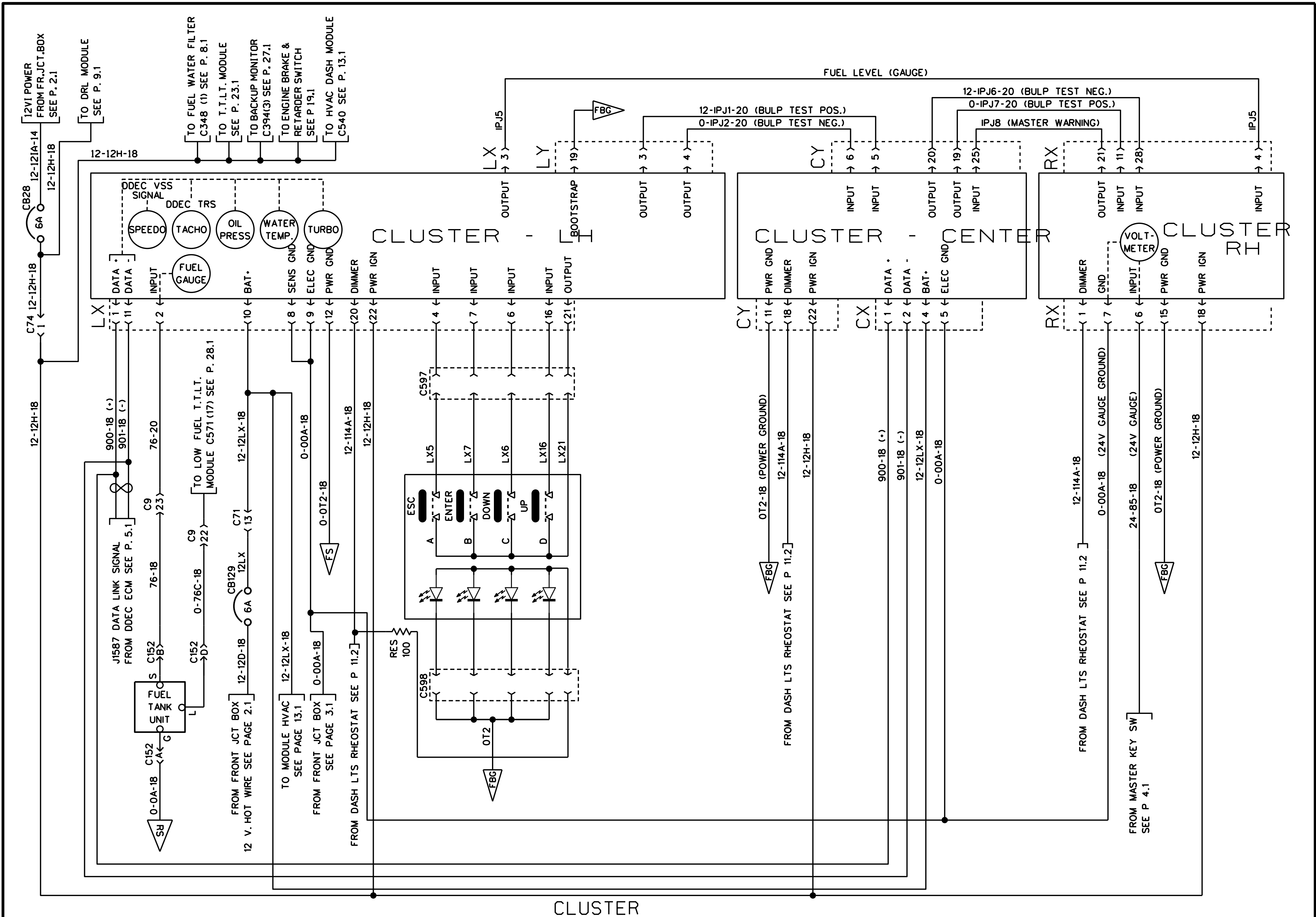
TRANSMISSION HARNESS

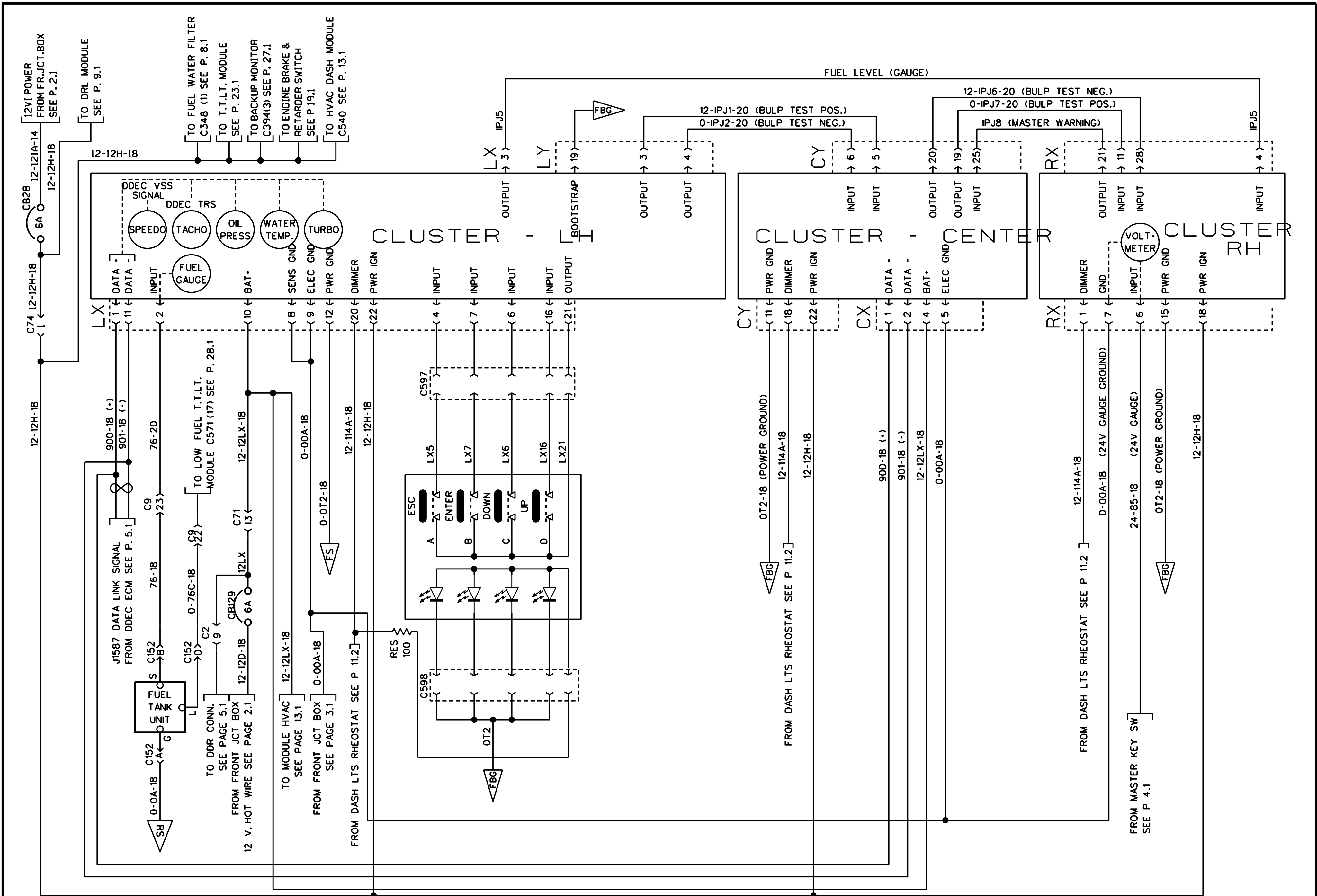
REAR JUNCTION COMPARTMENT

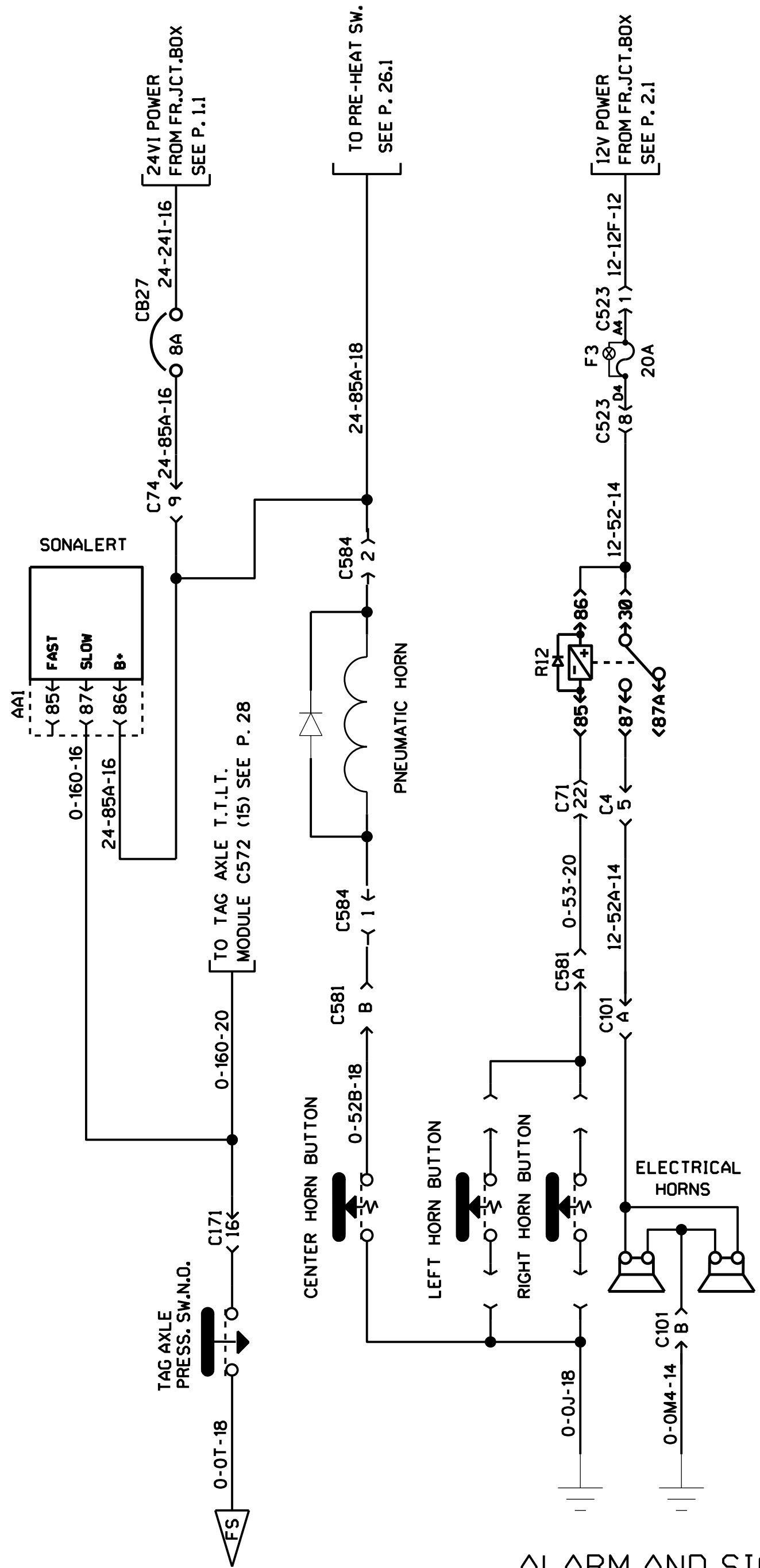


EATON TRANSMISSION E.C.U.

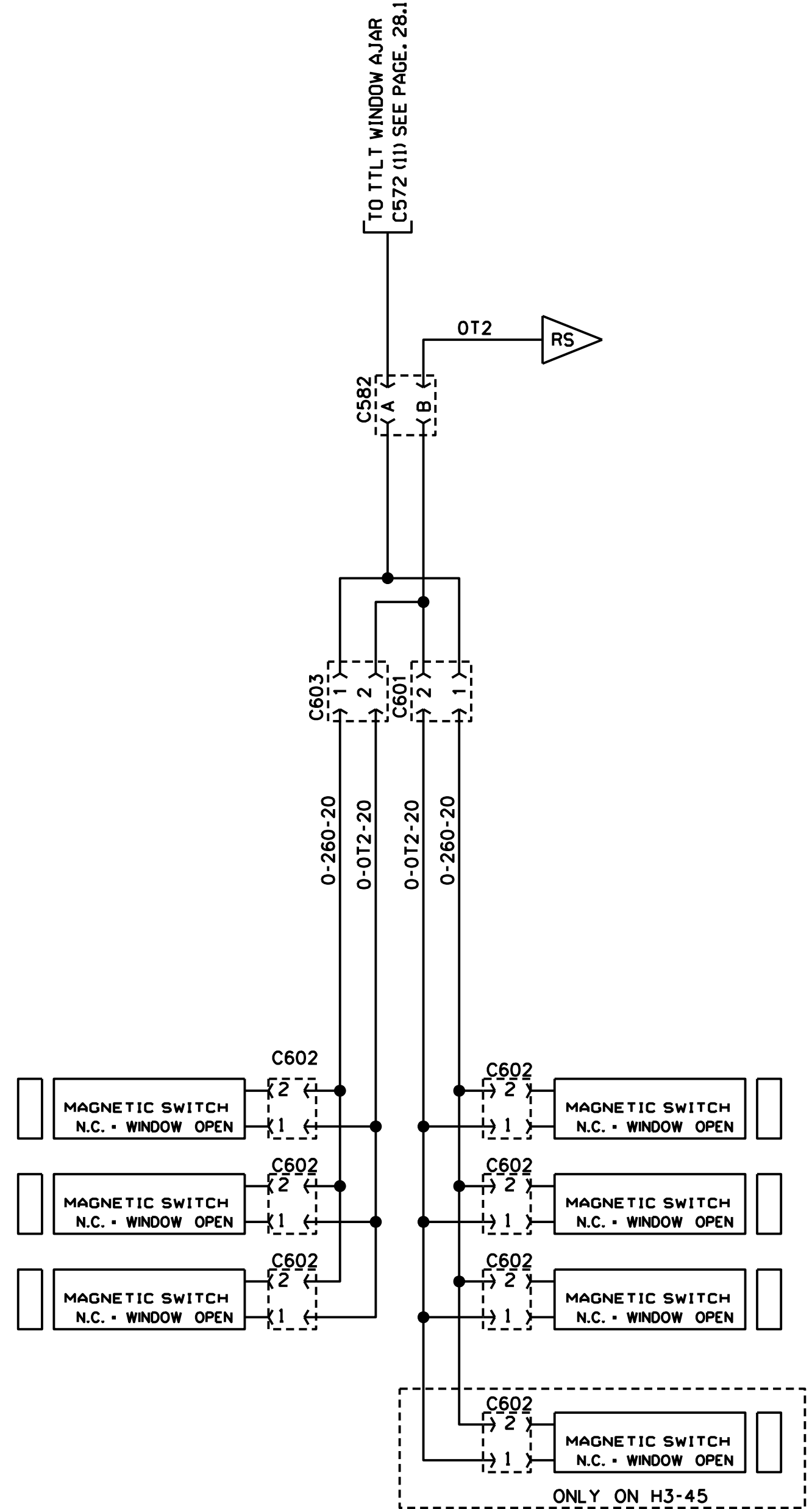
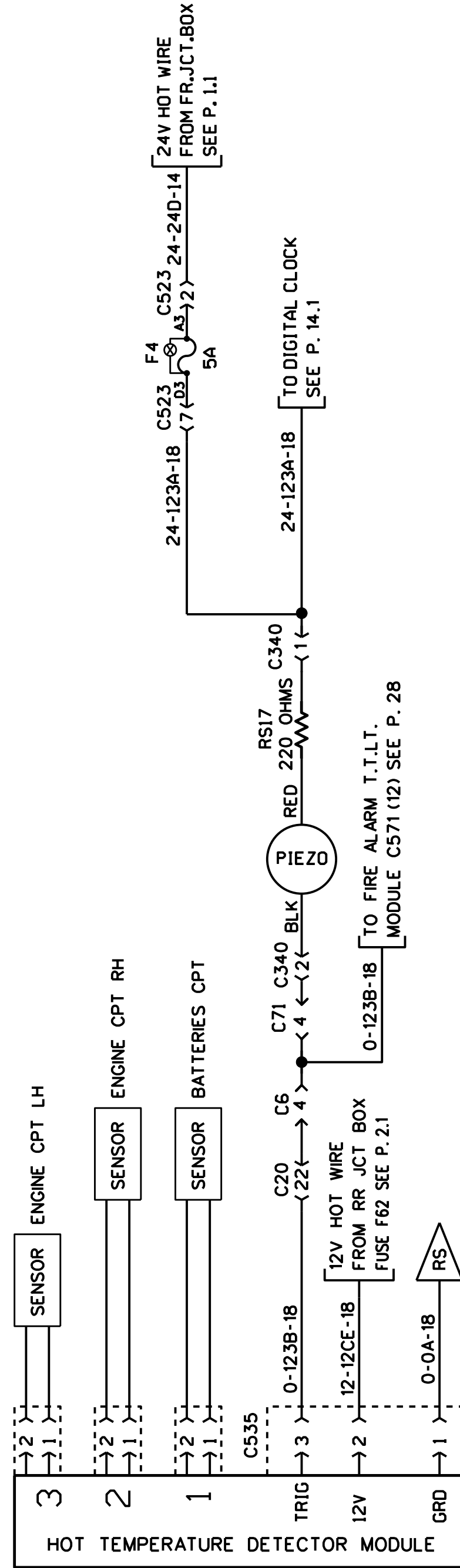








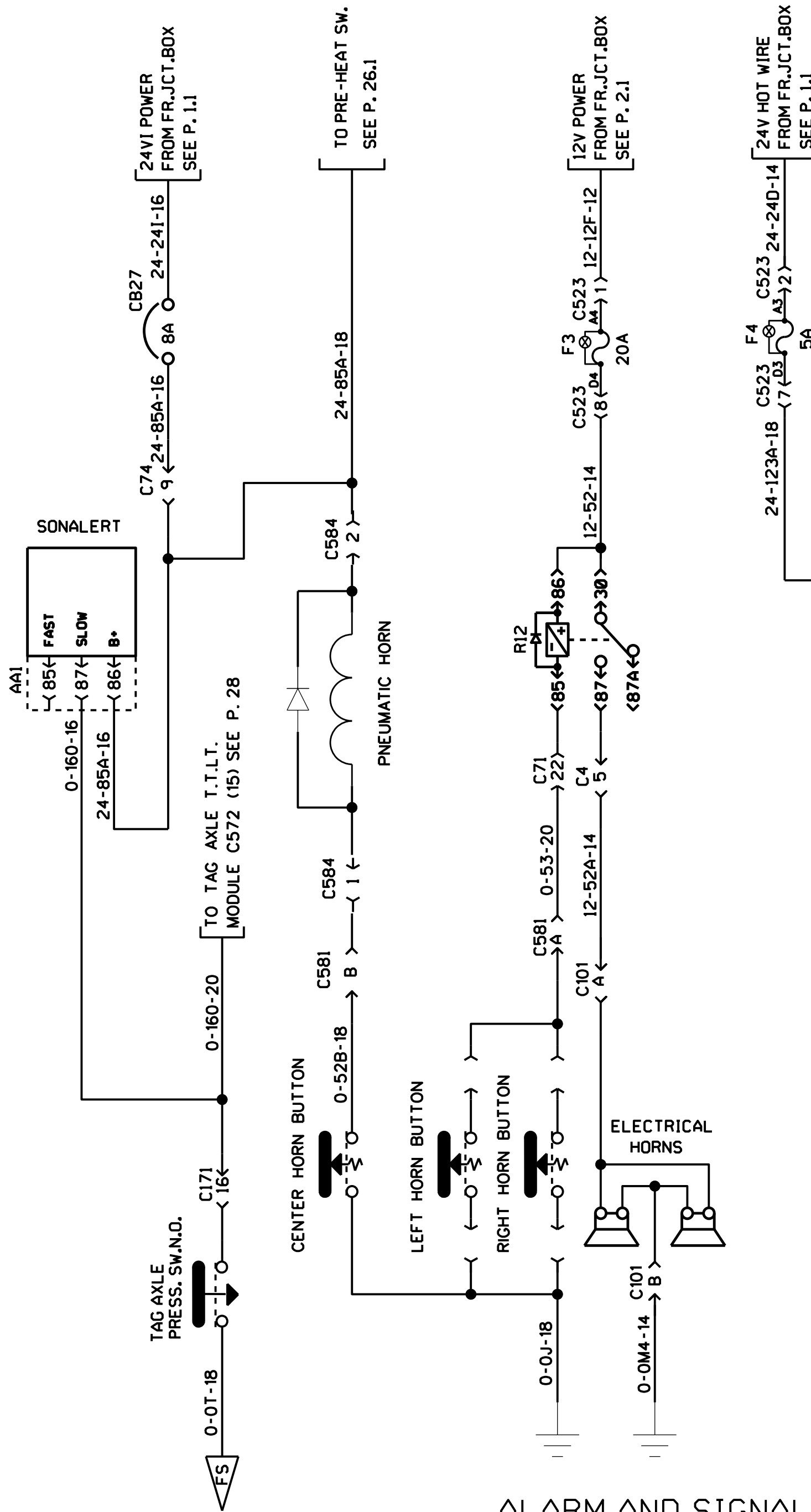
ALARM AND SIGNAL



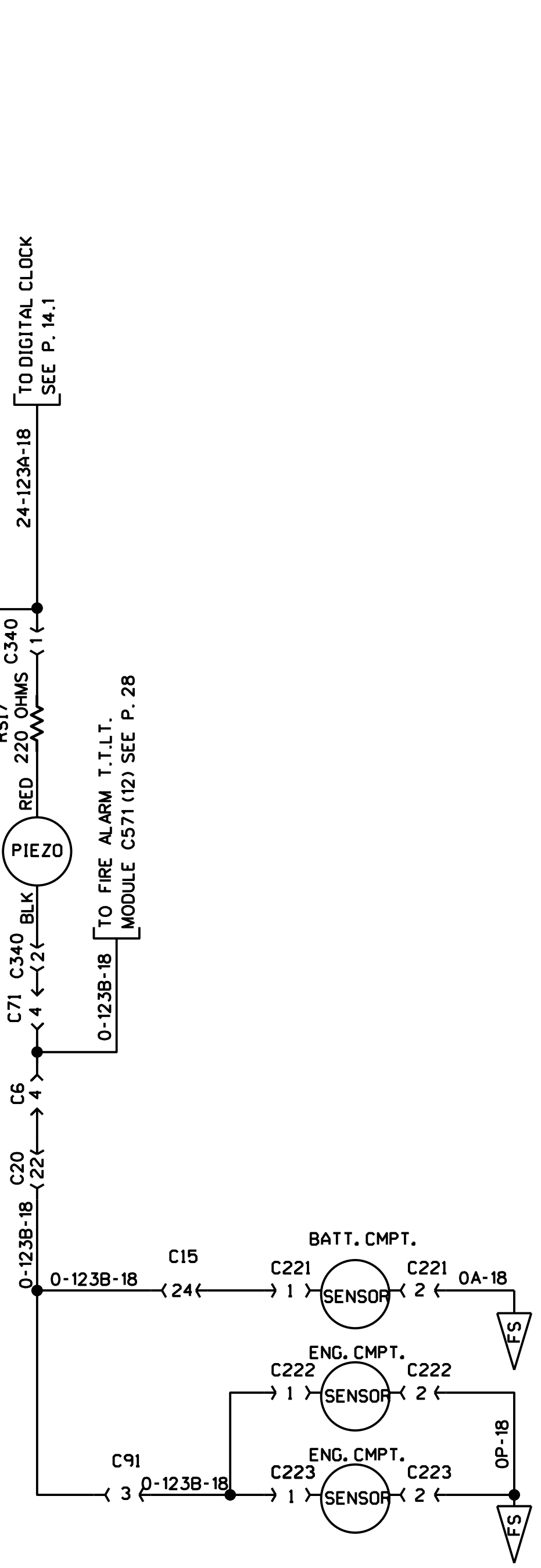
R.H.

L.H.

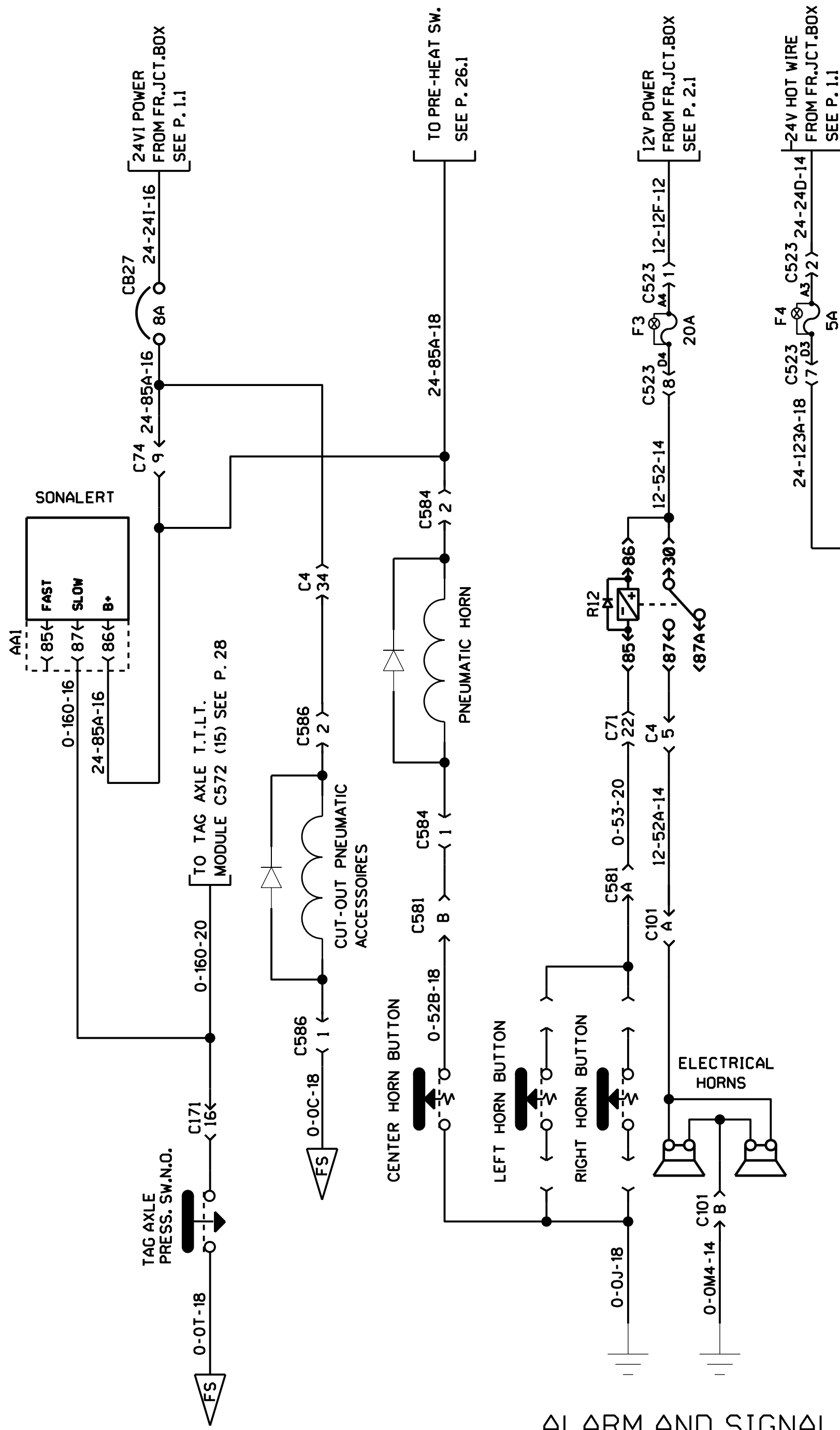
WINDOW AJAR



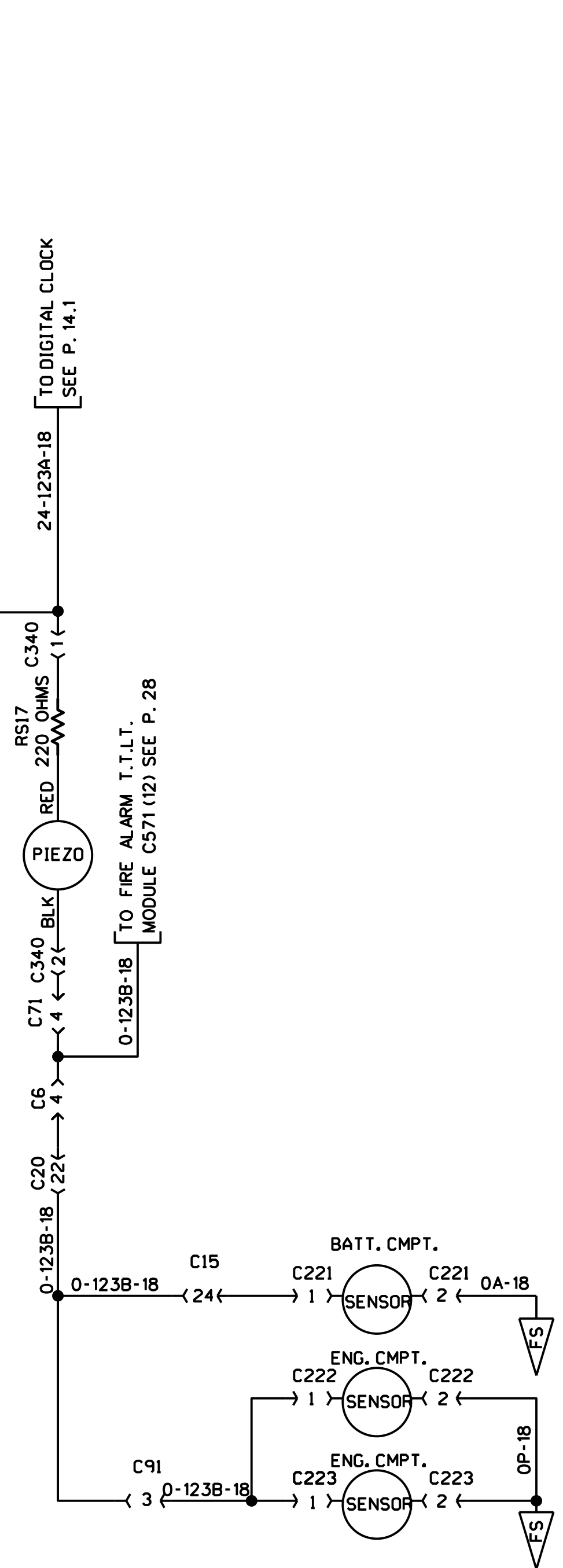
ALARM AND SIGNAL



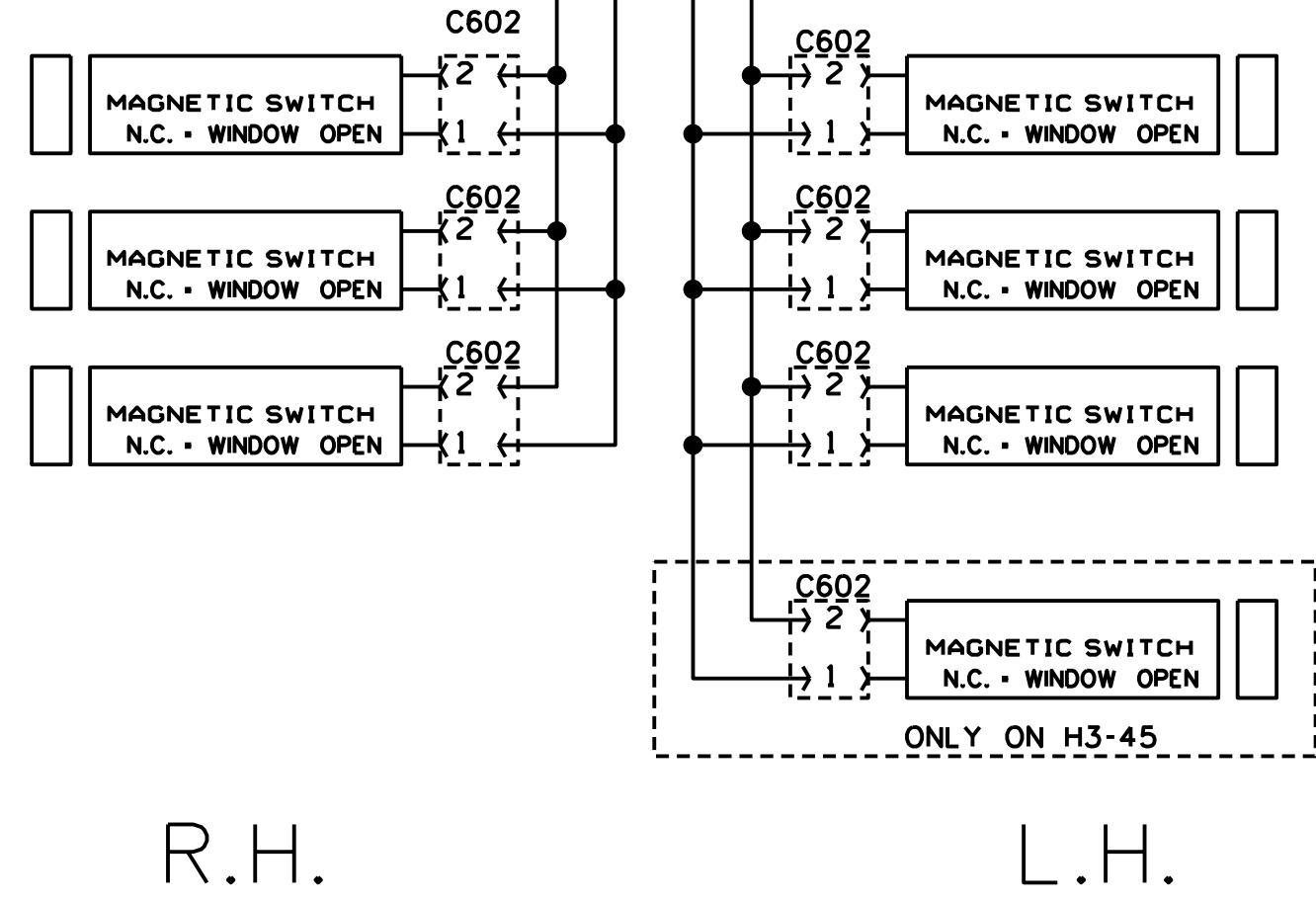
WINDOW AJAR



ALARM AND SIGNAL



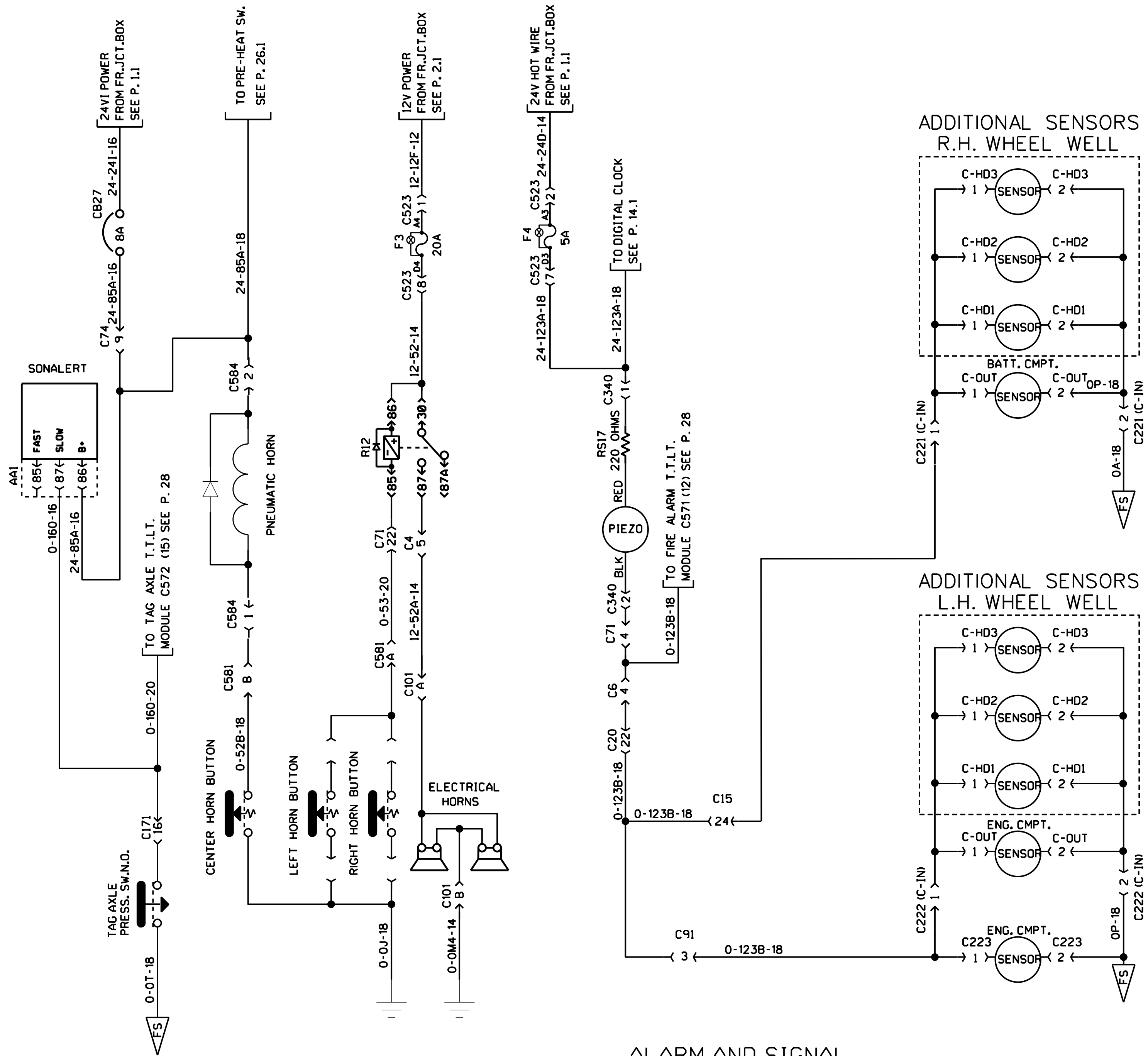
WINDOW AJAR



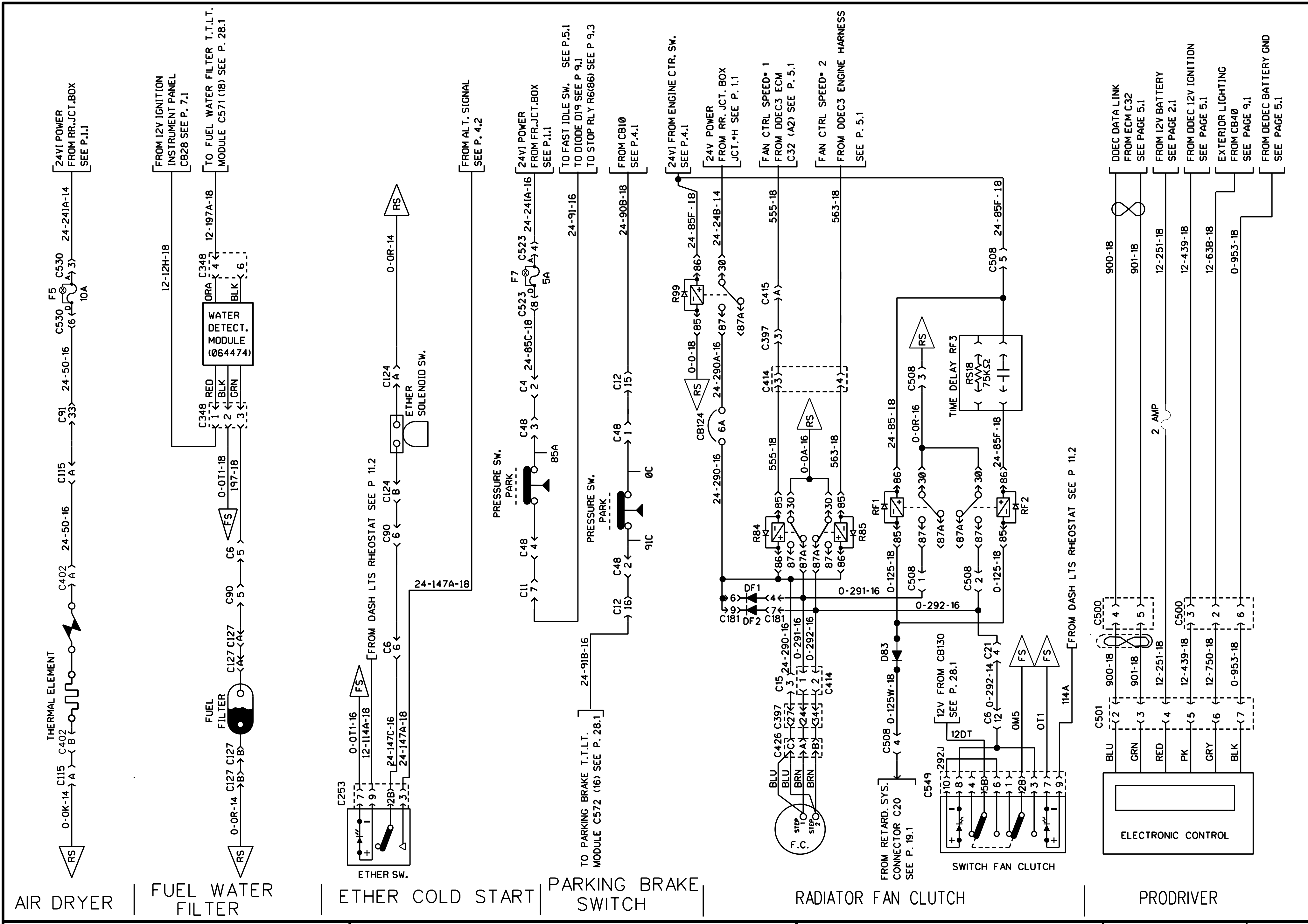
R.H.

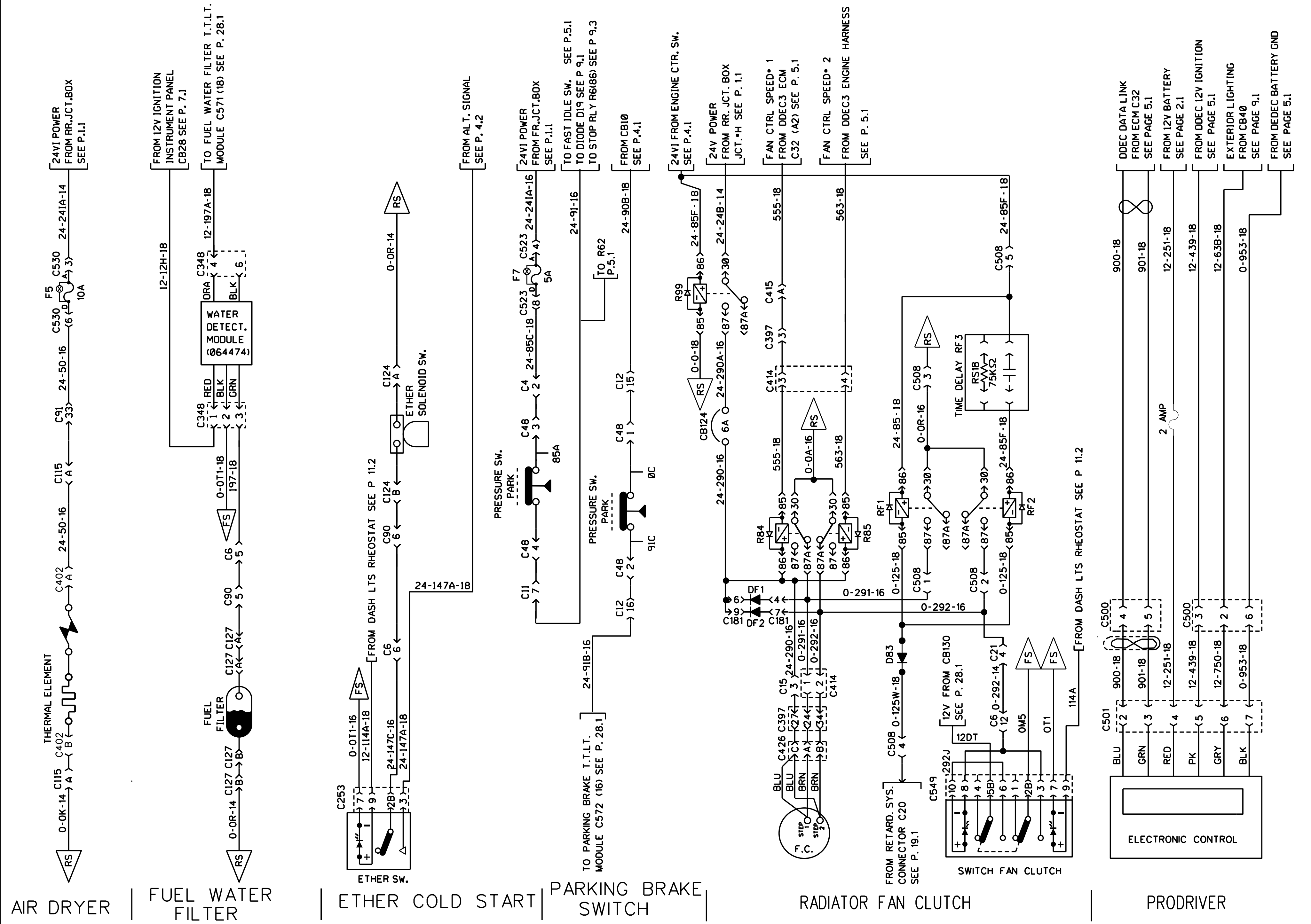
L.H.

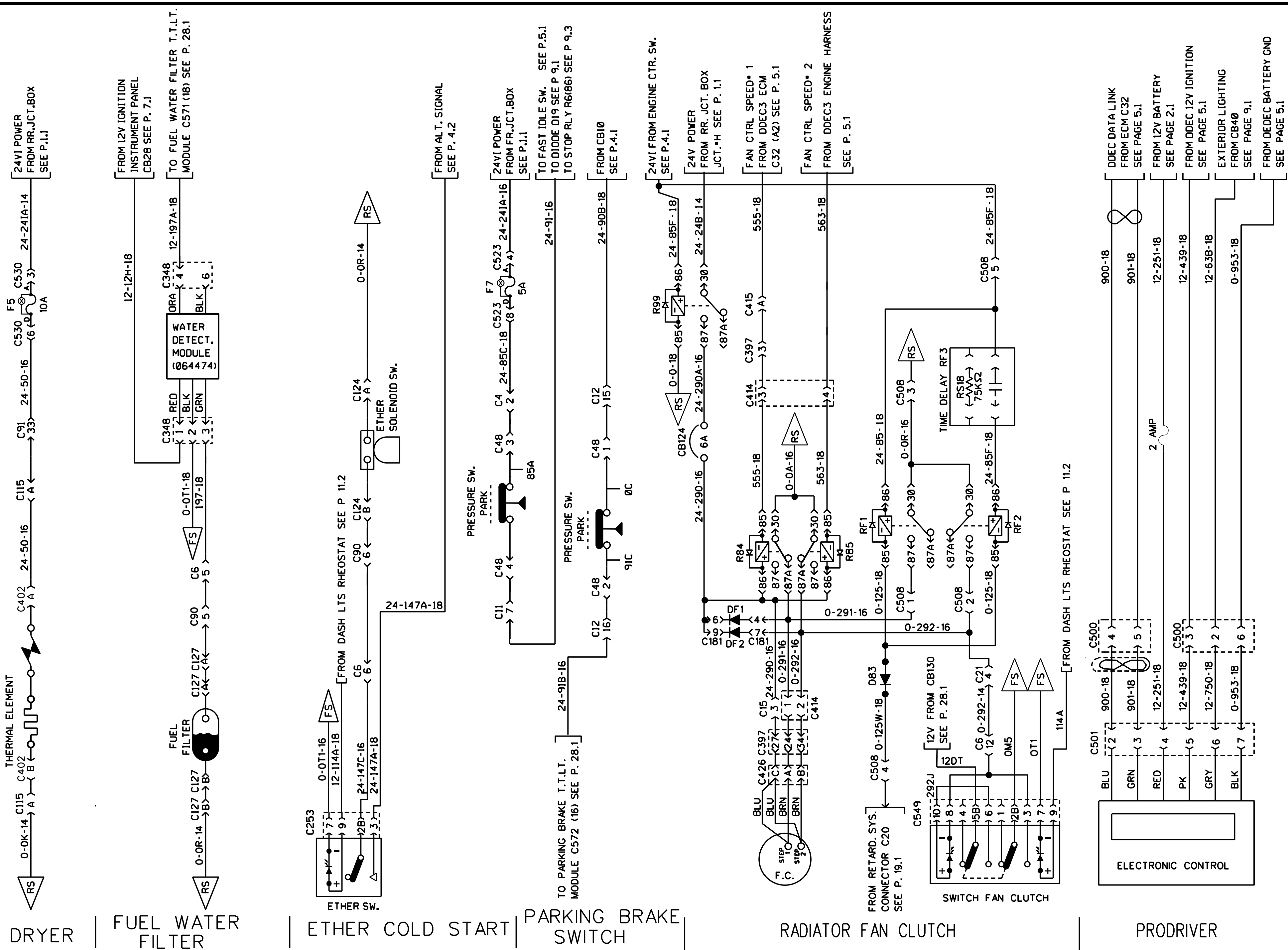
CUT-OUT PNEU. ACC.

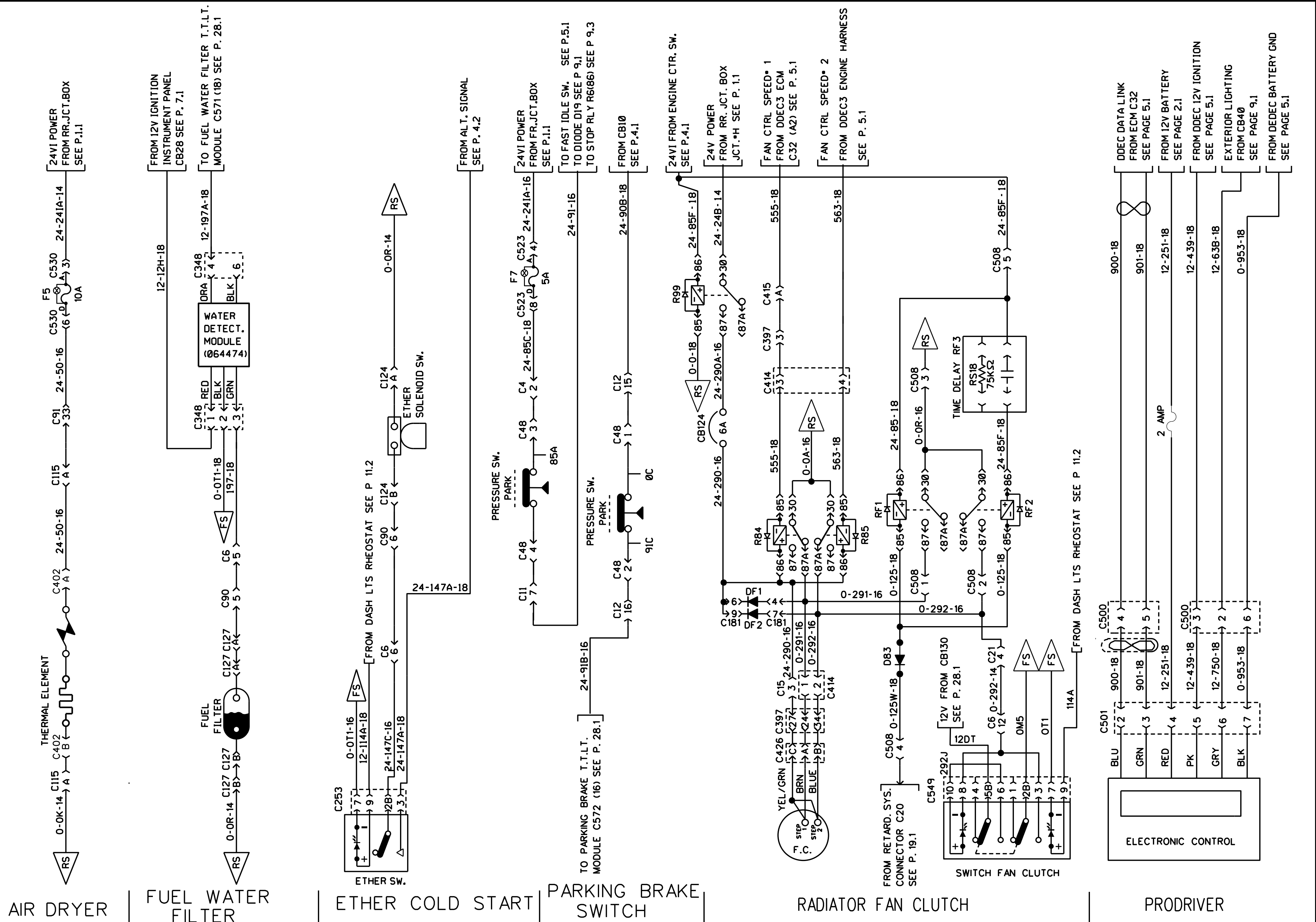


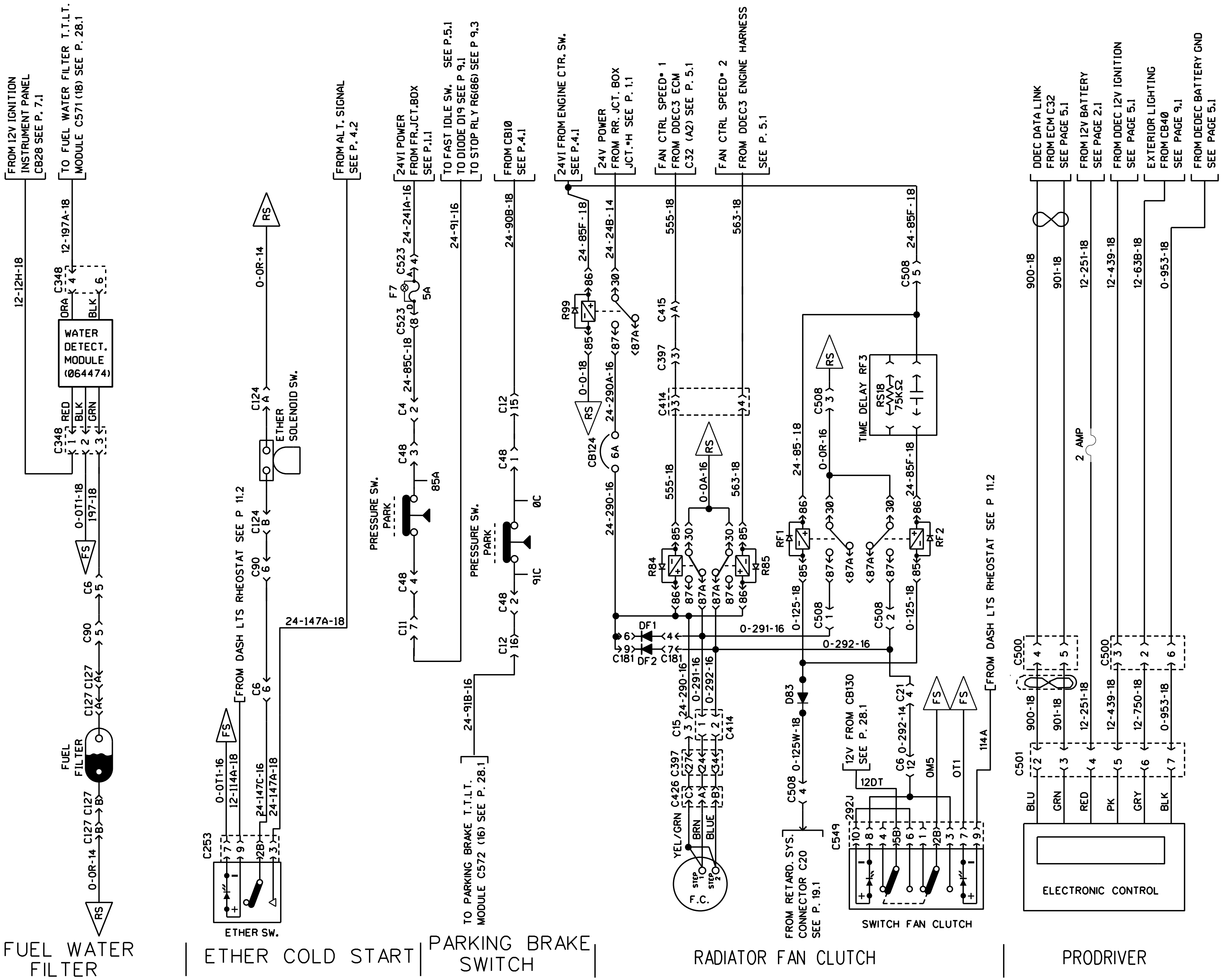
ALARM AND SIGNAL

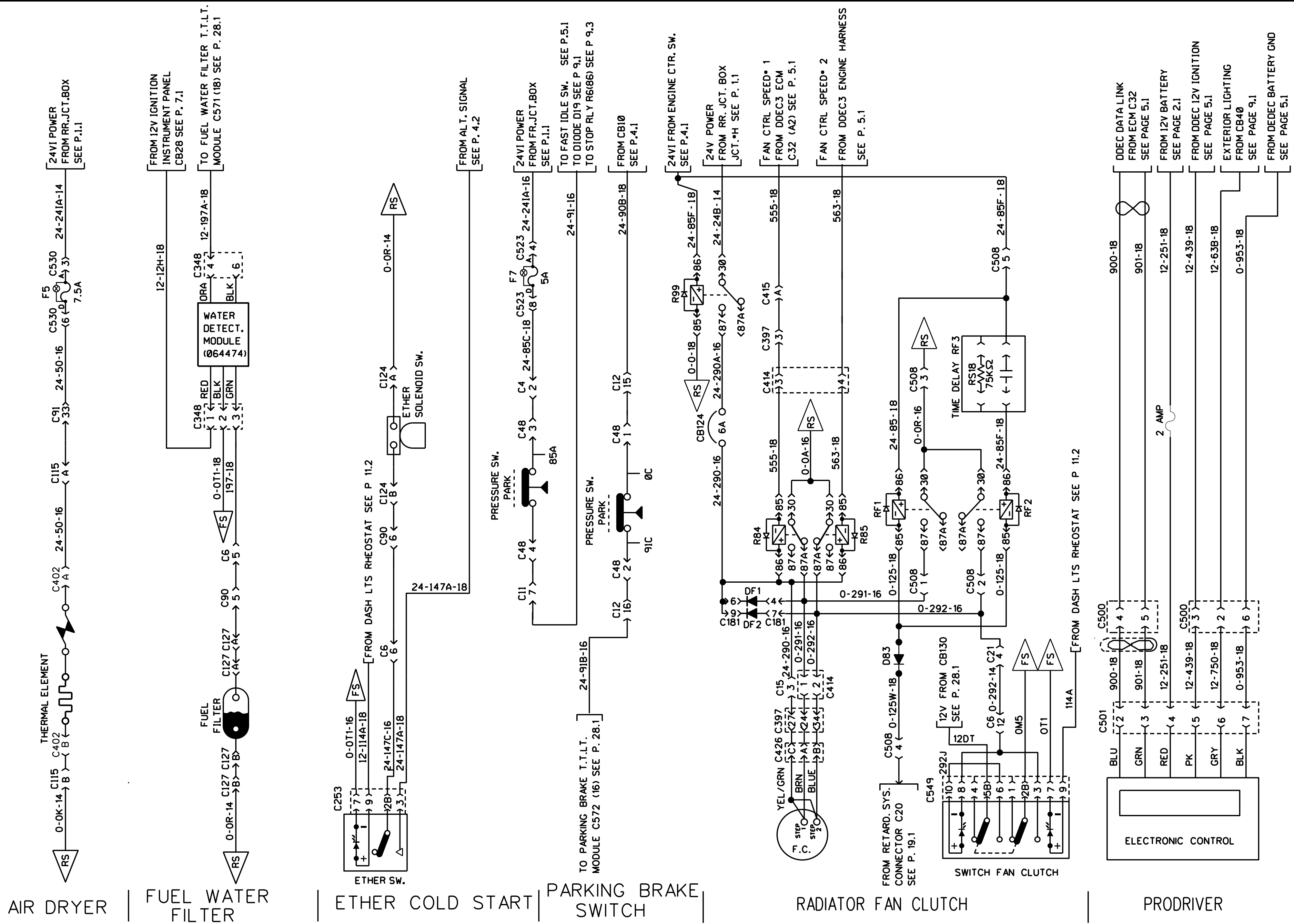




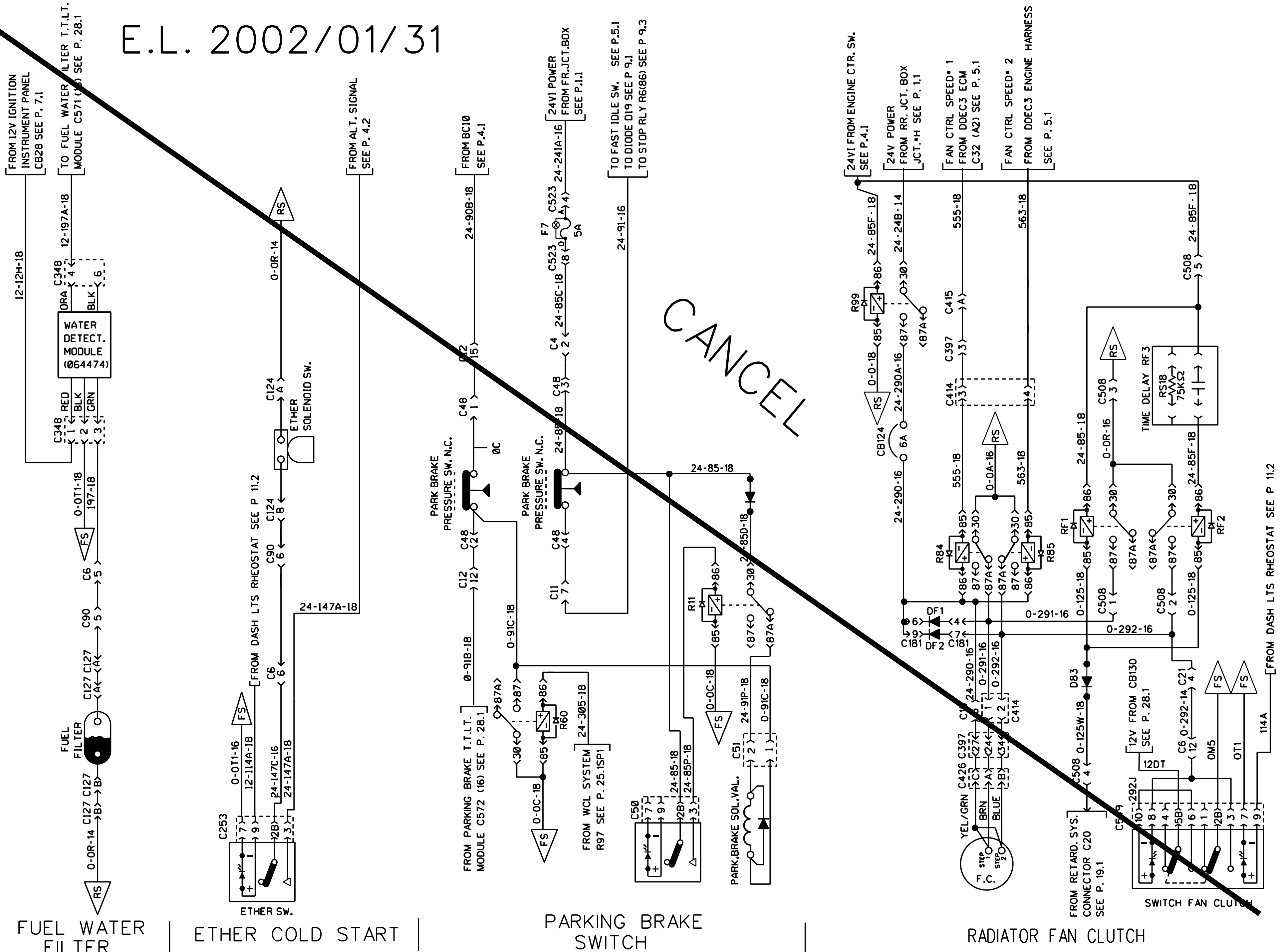








E.L. 2002/01/31



CANCEL

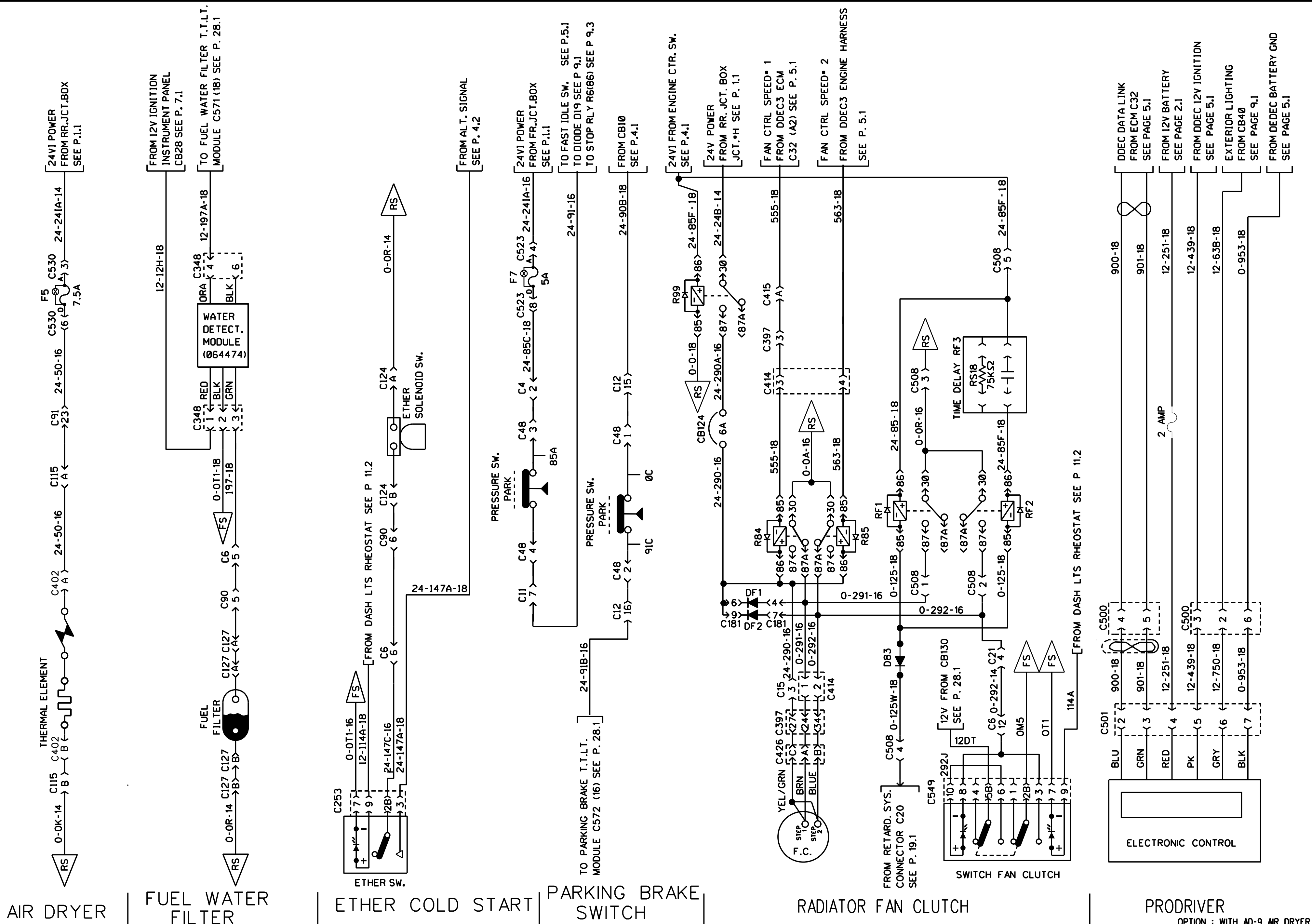
FUEL FILTER

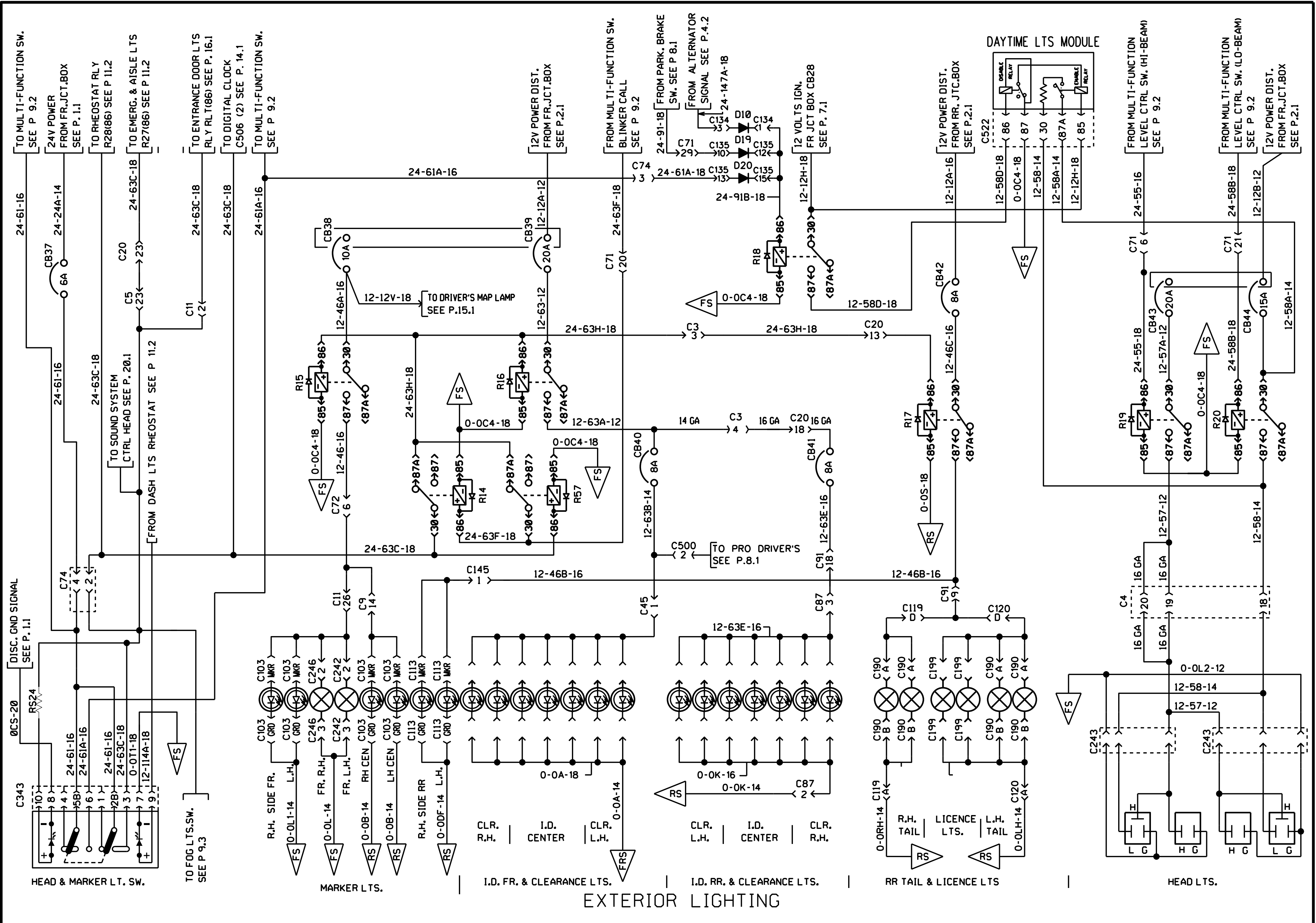
ETHER COLD START

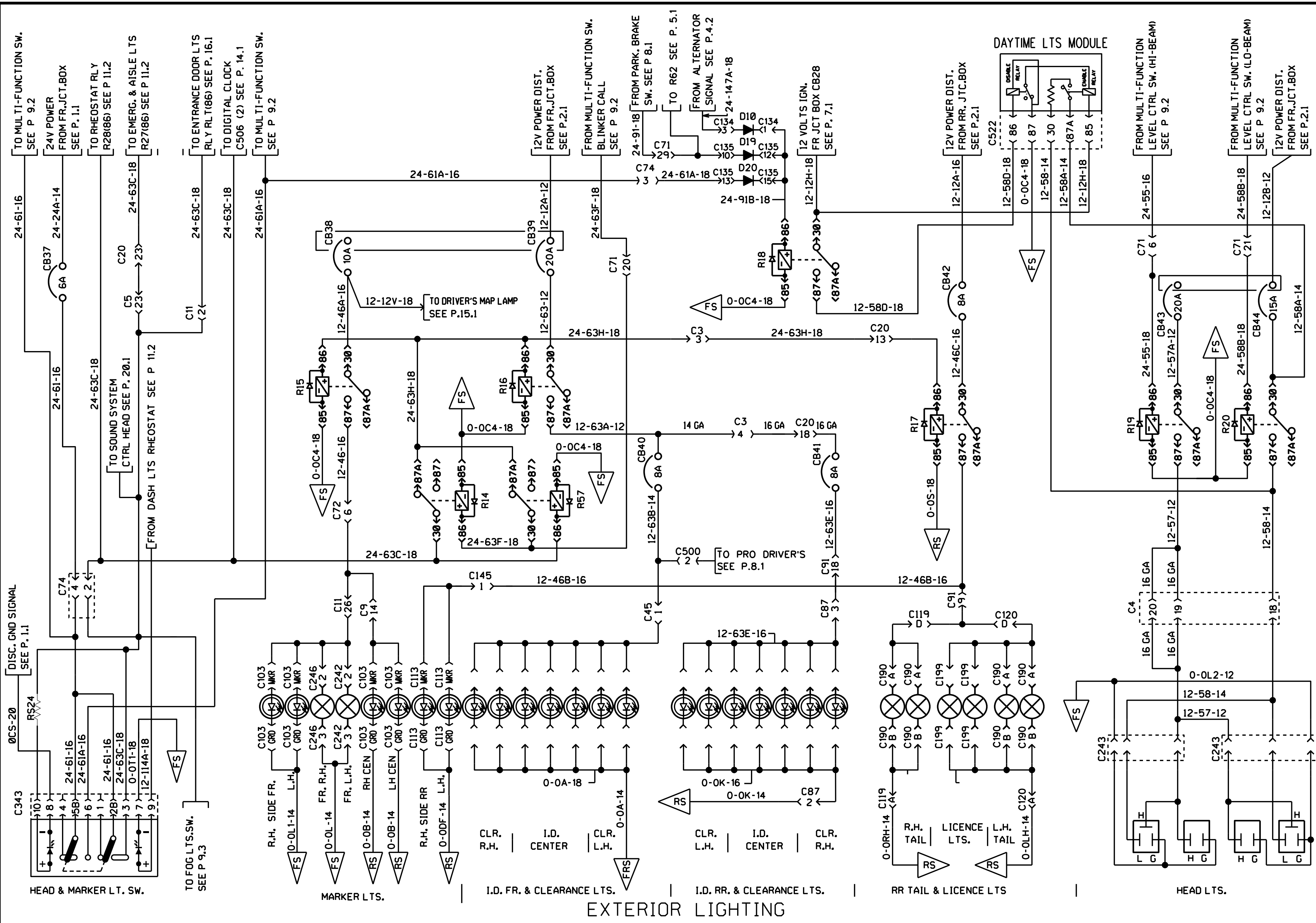
PARKING BRAKE SWITCH

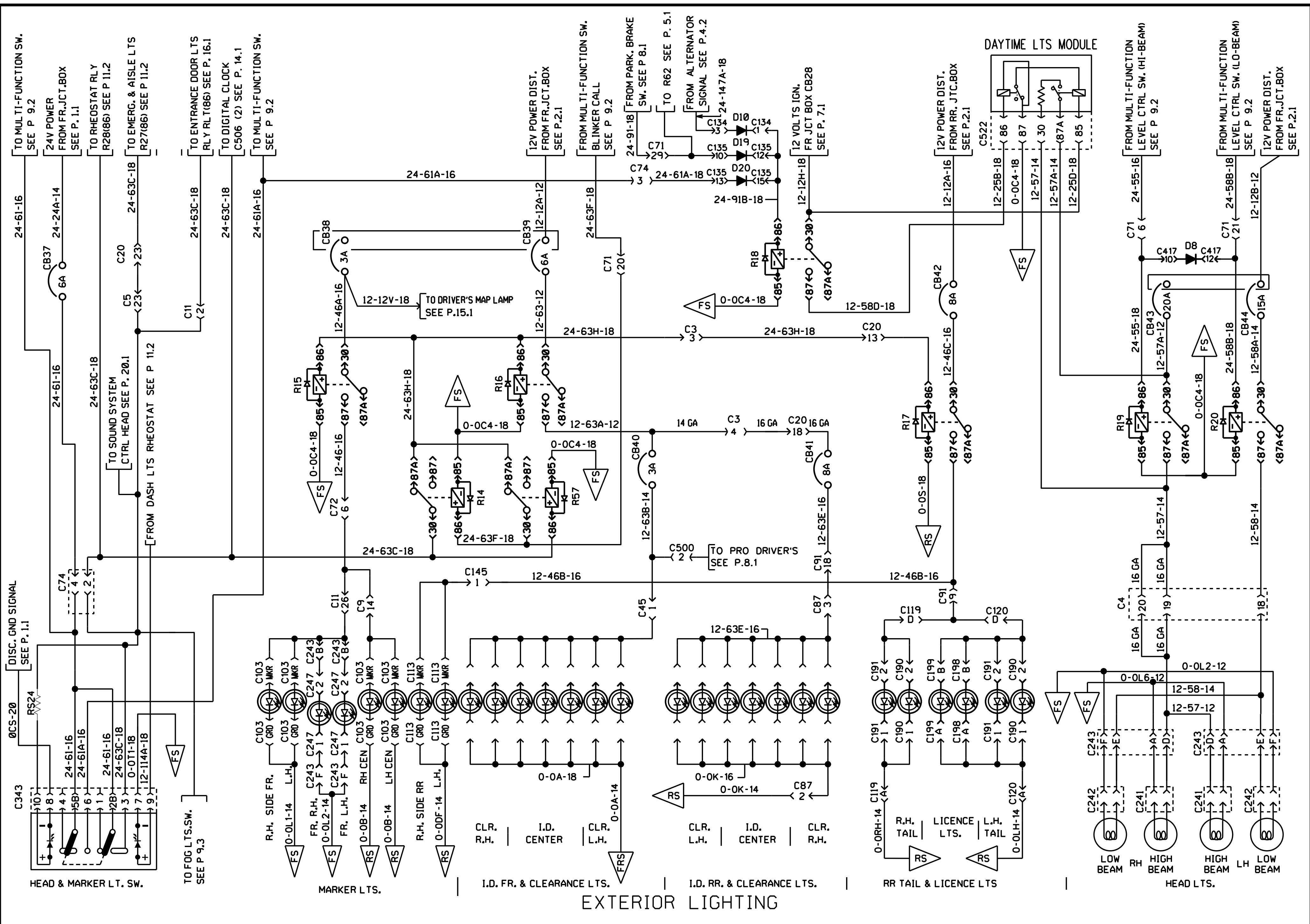
RADIATOR FAN CLUTCH

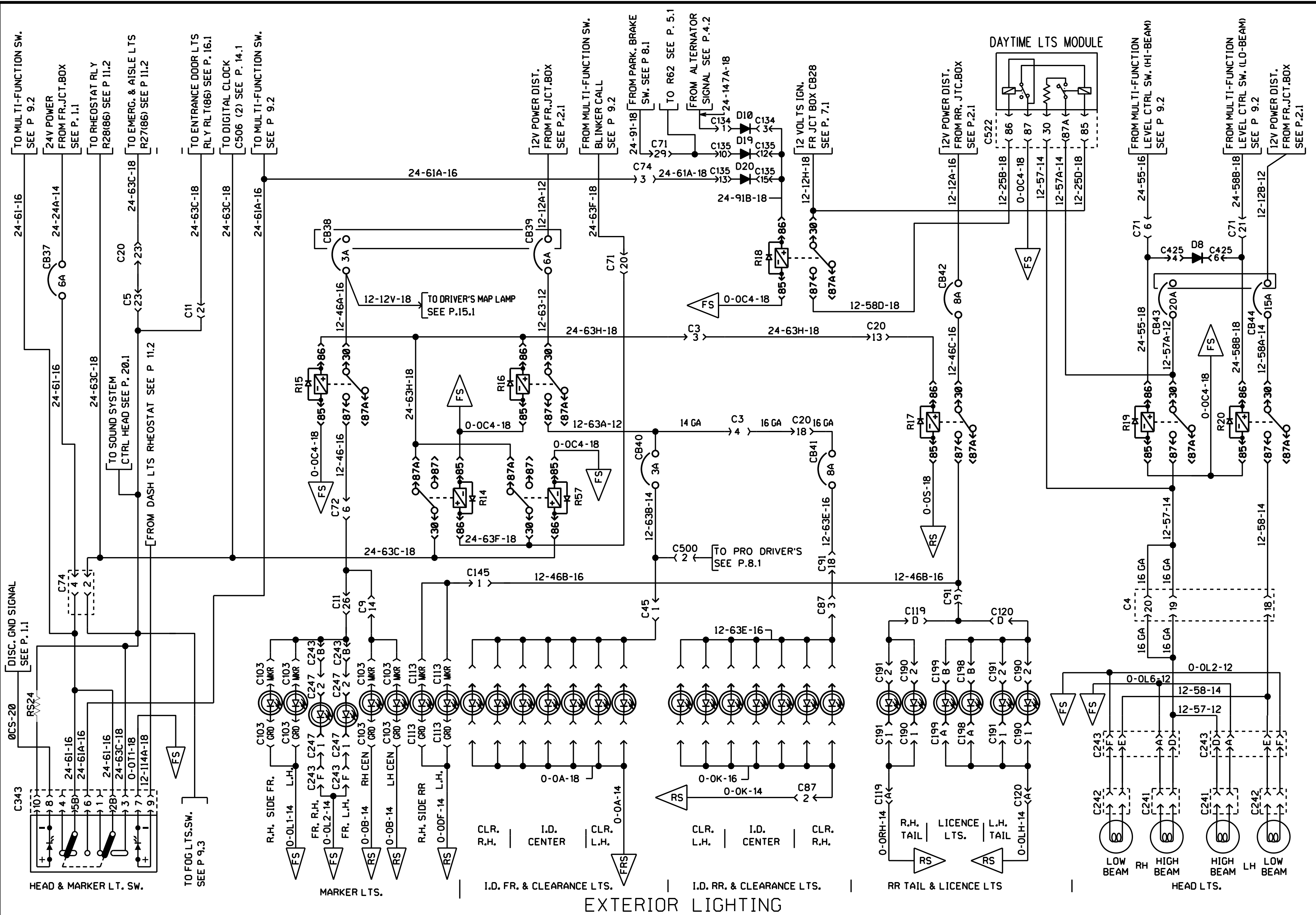
ORLEANS

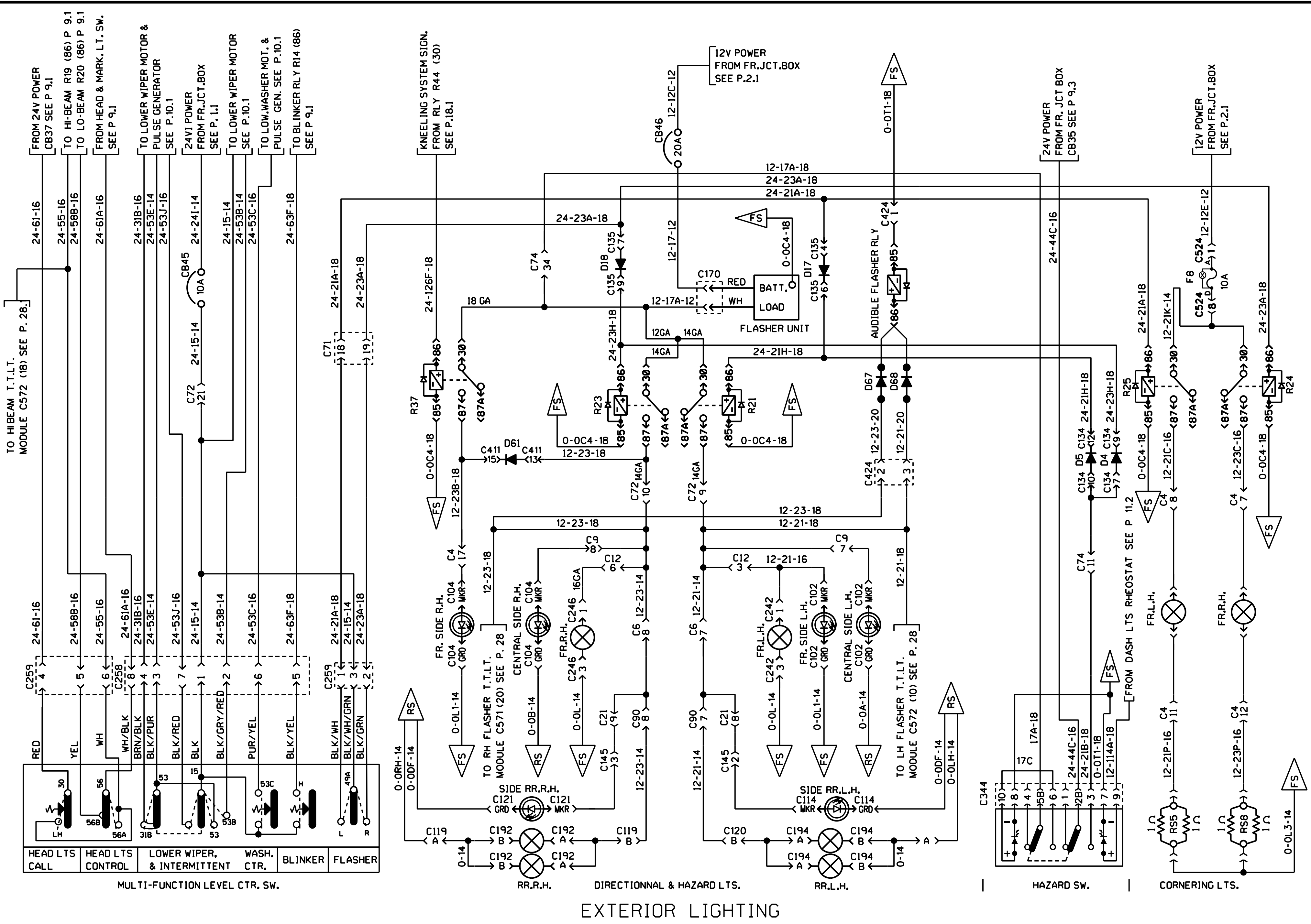


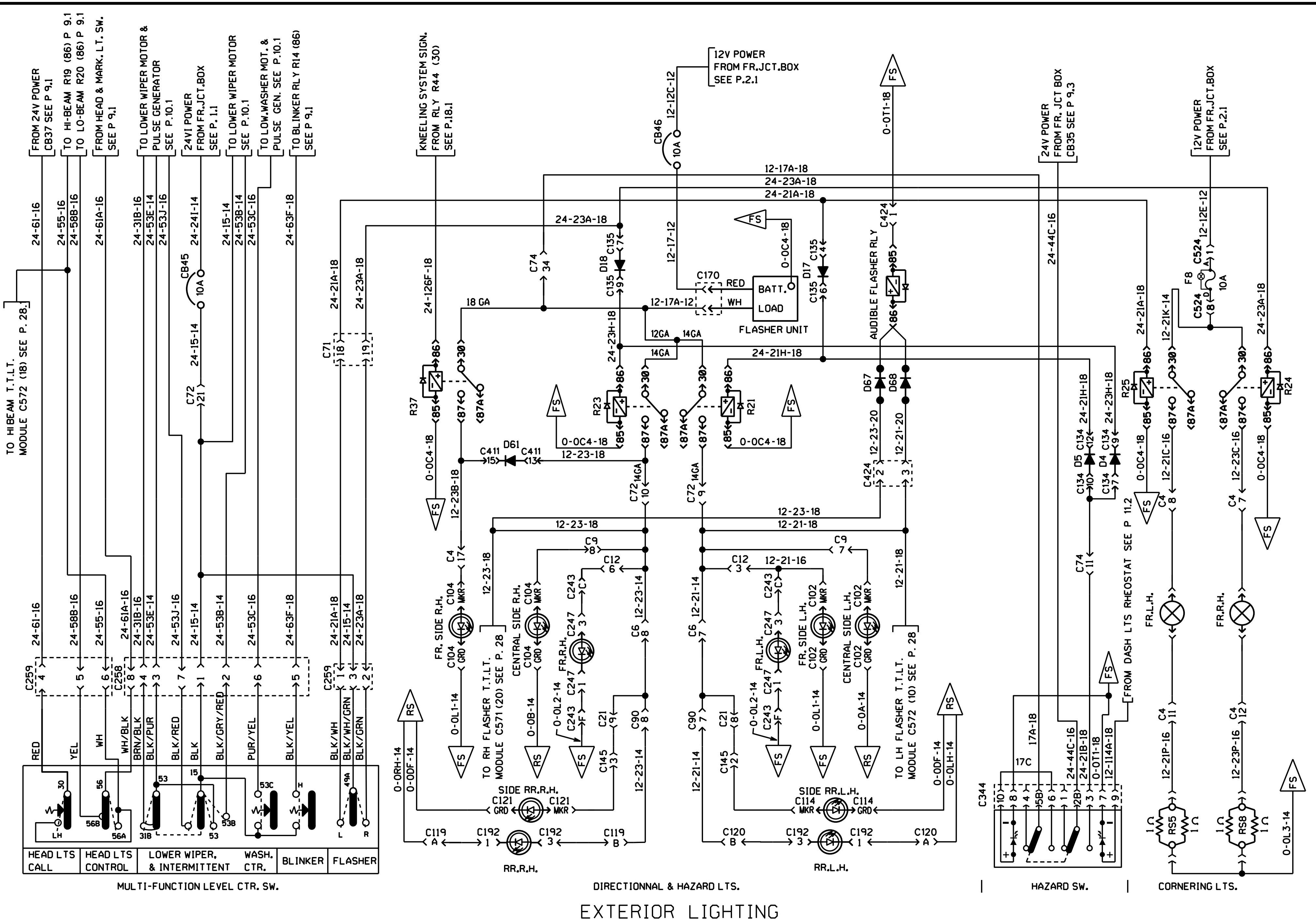


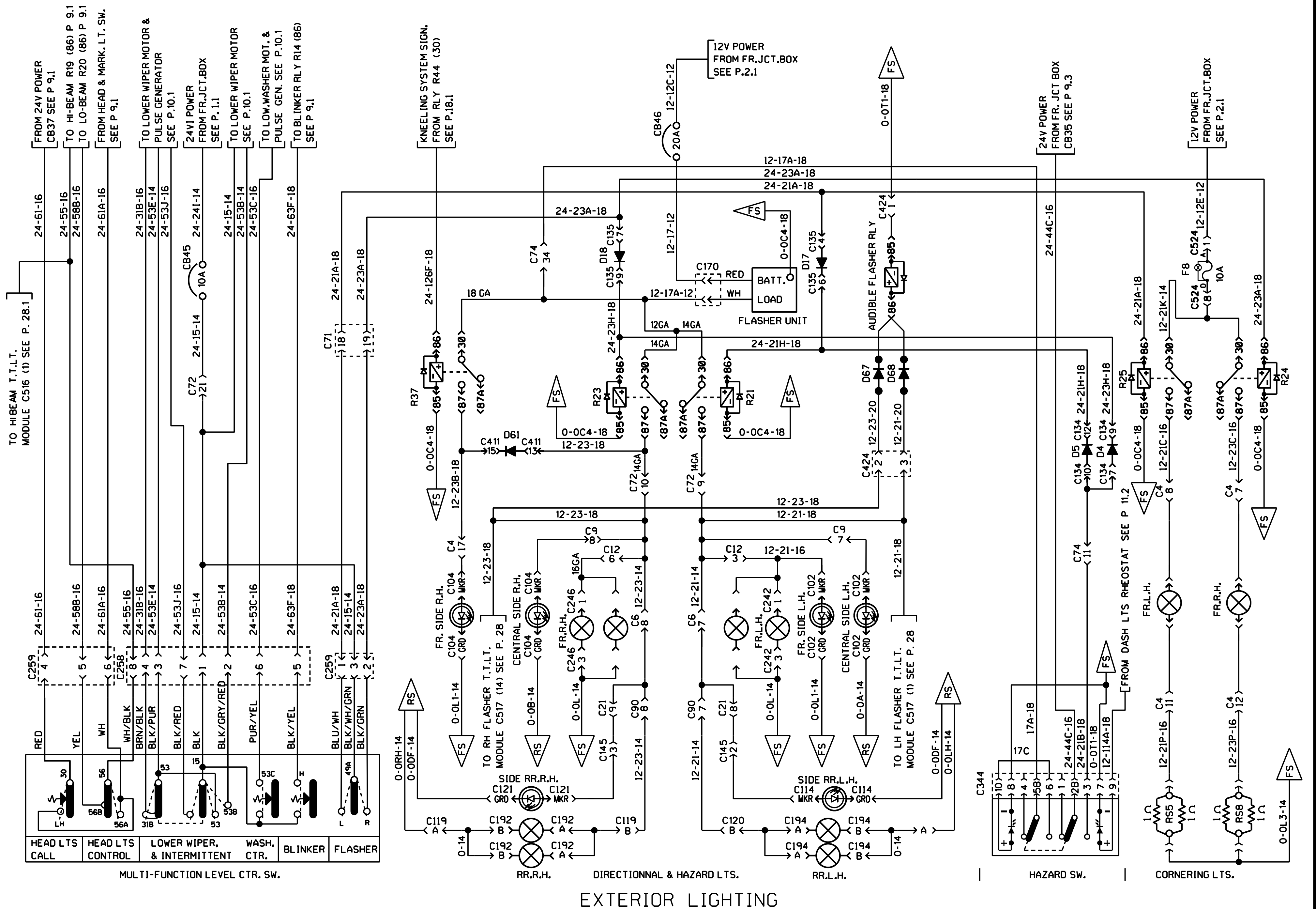


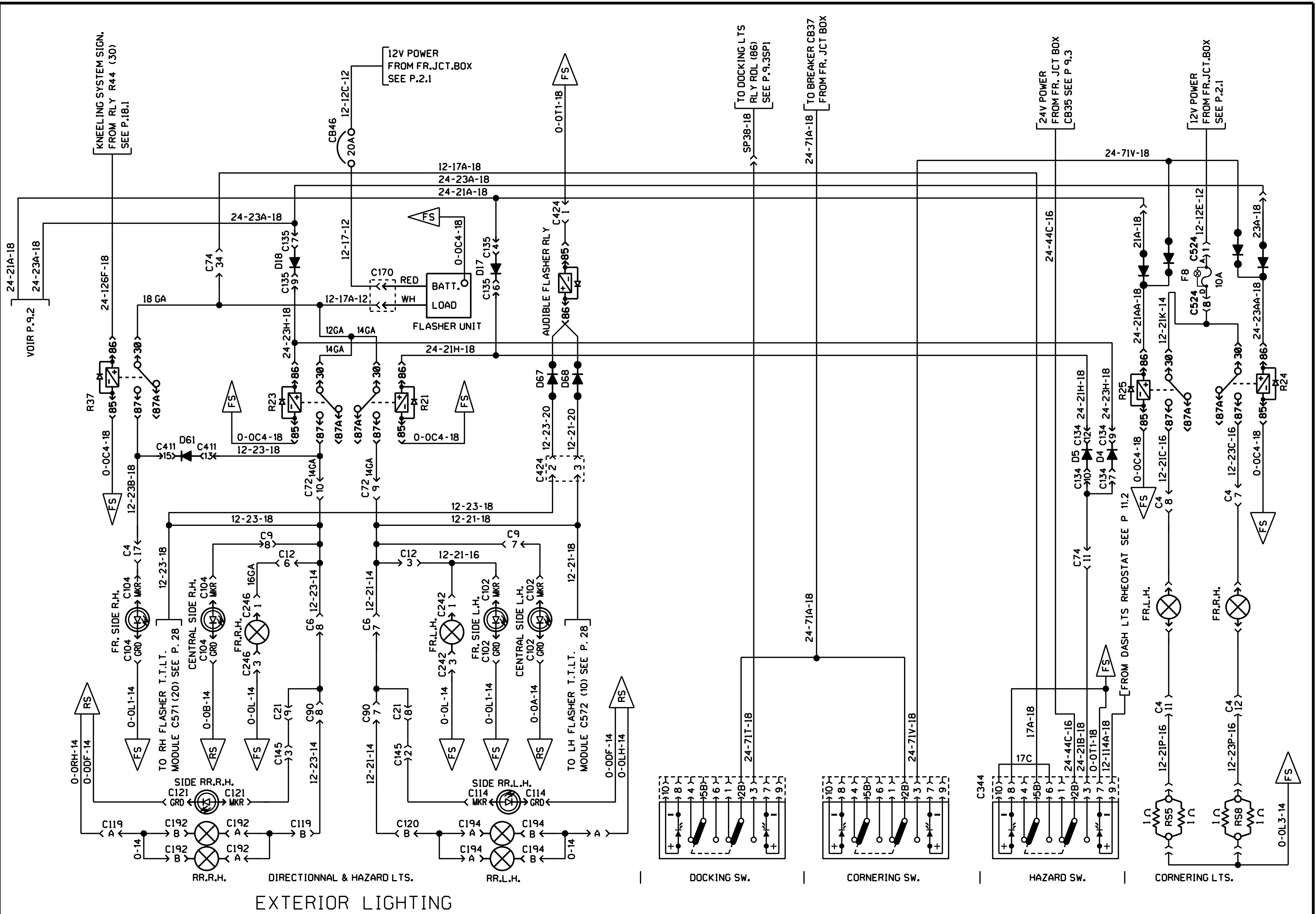


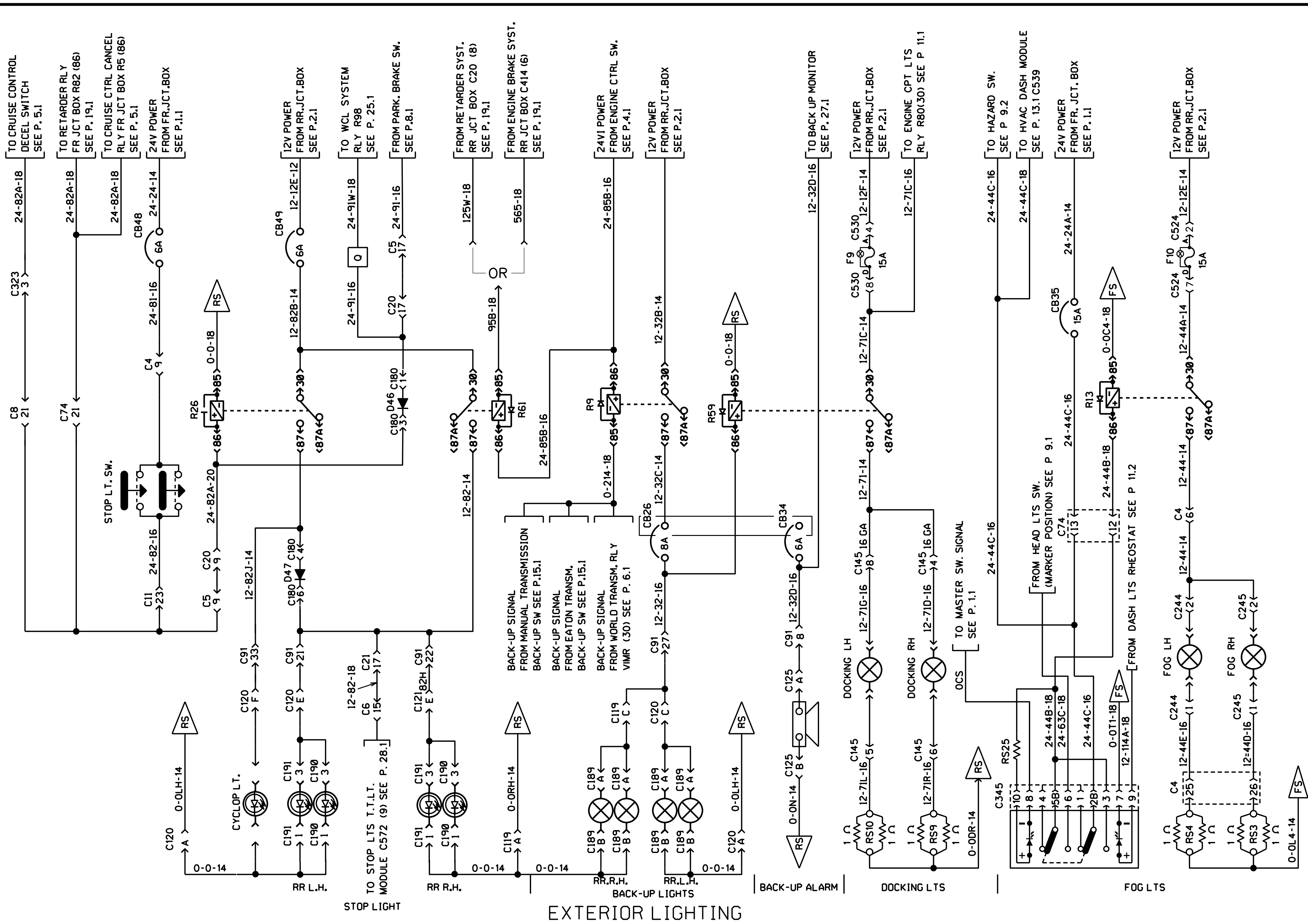


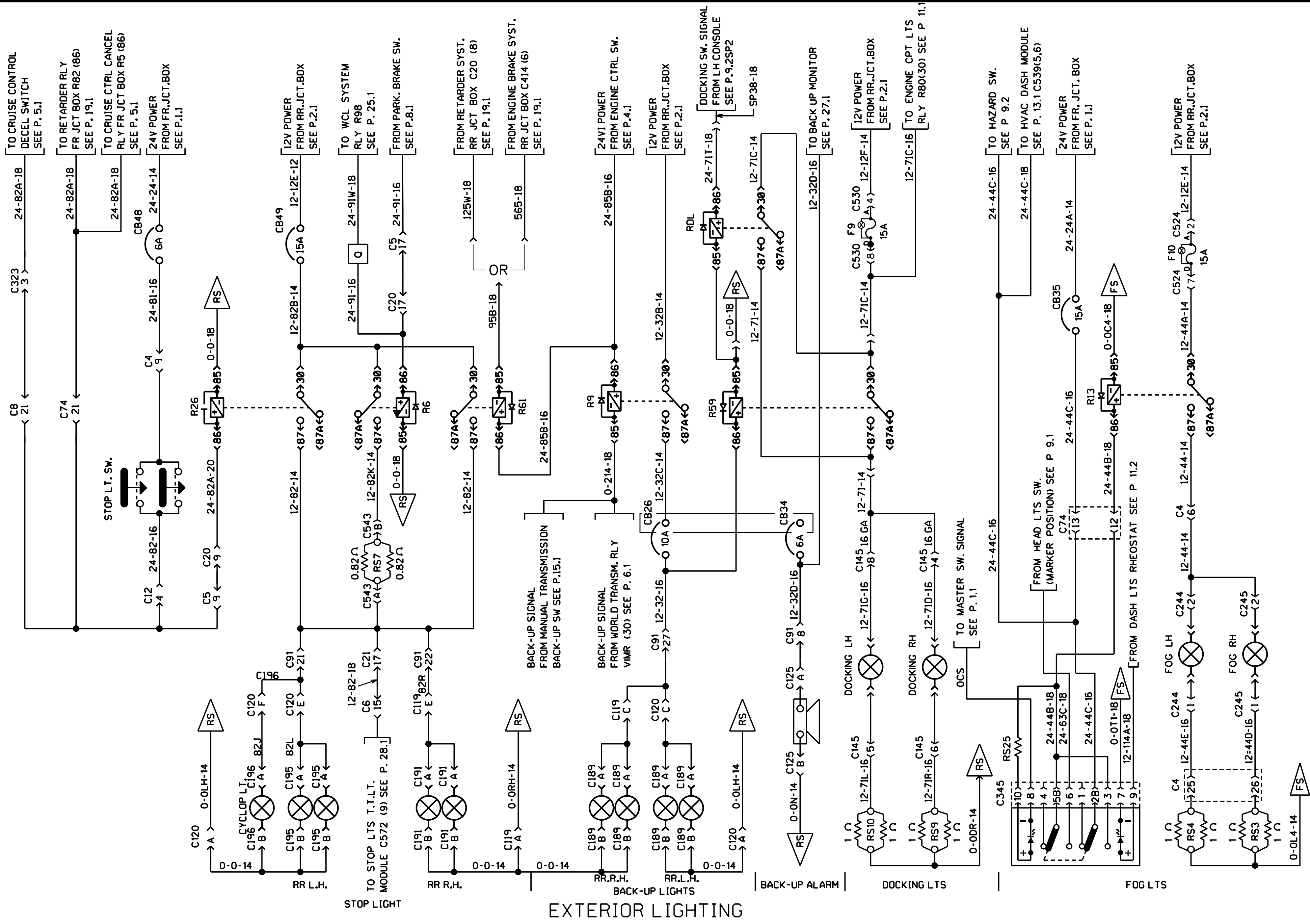


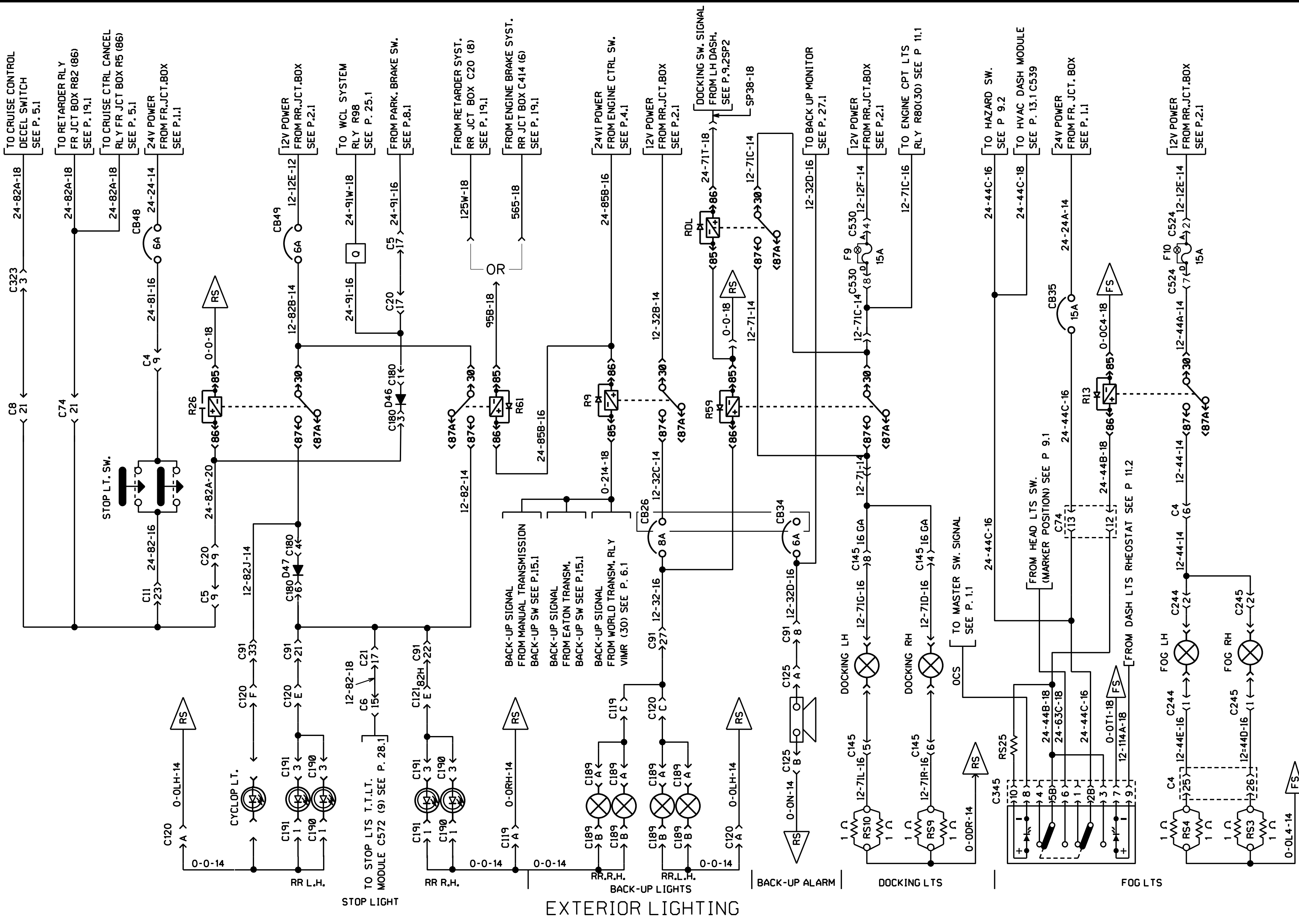


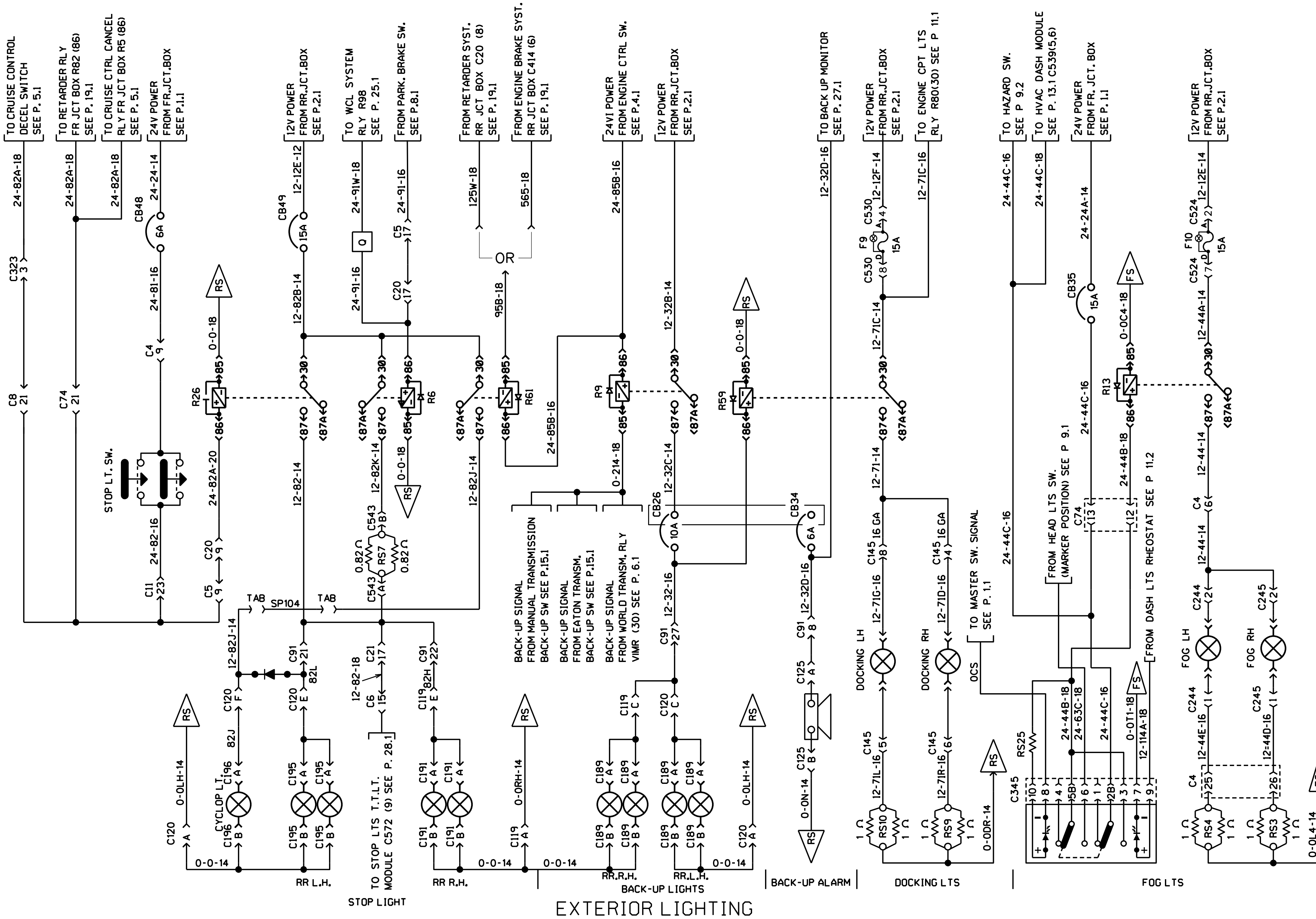




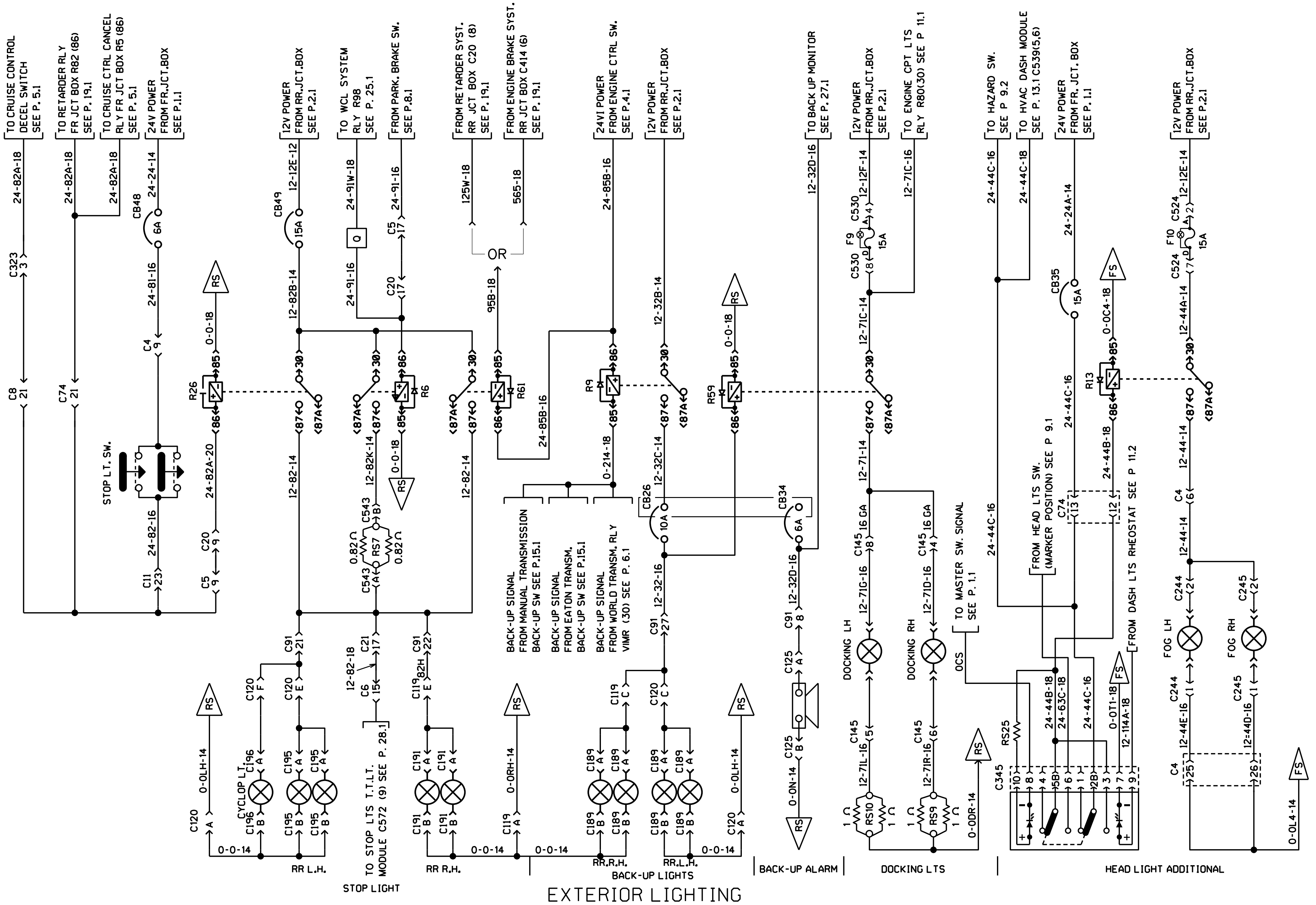


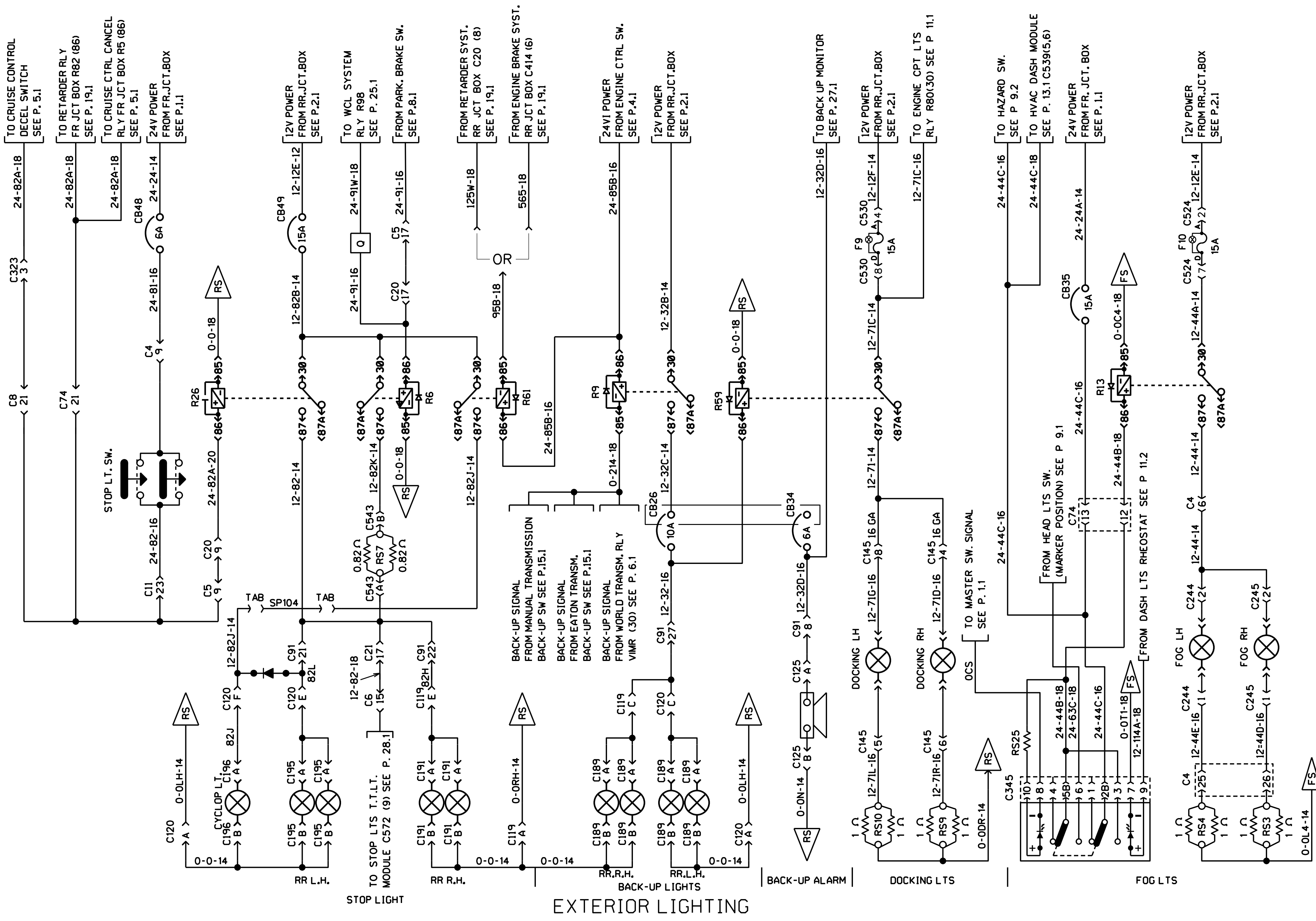




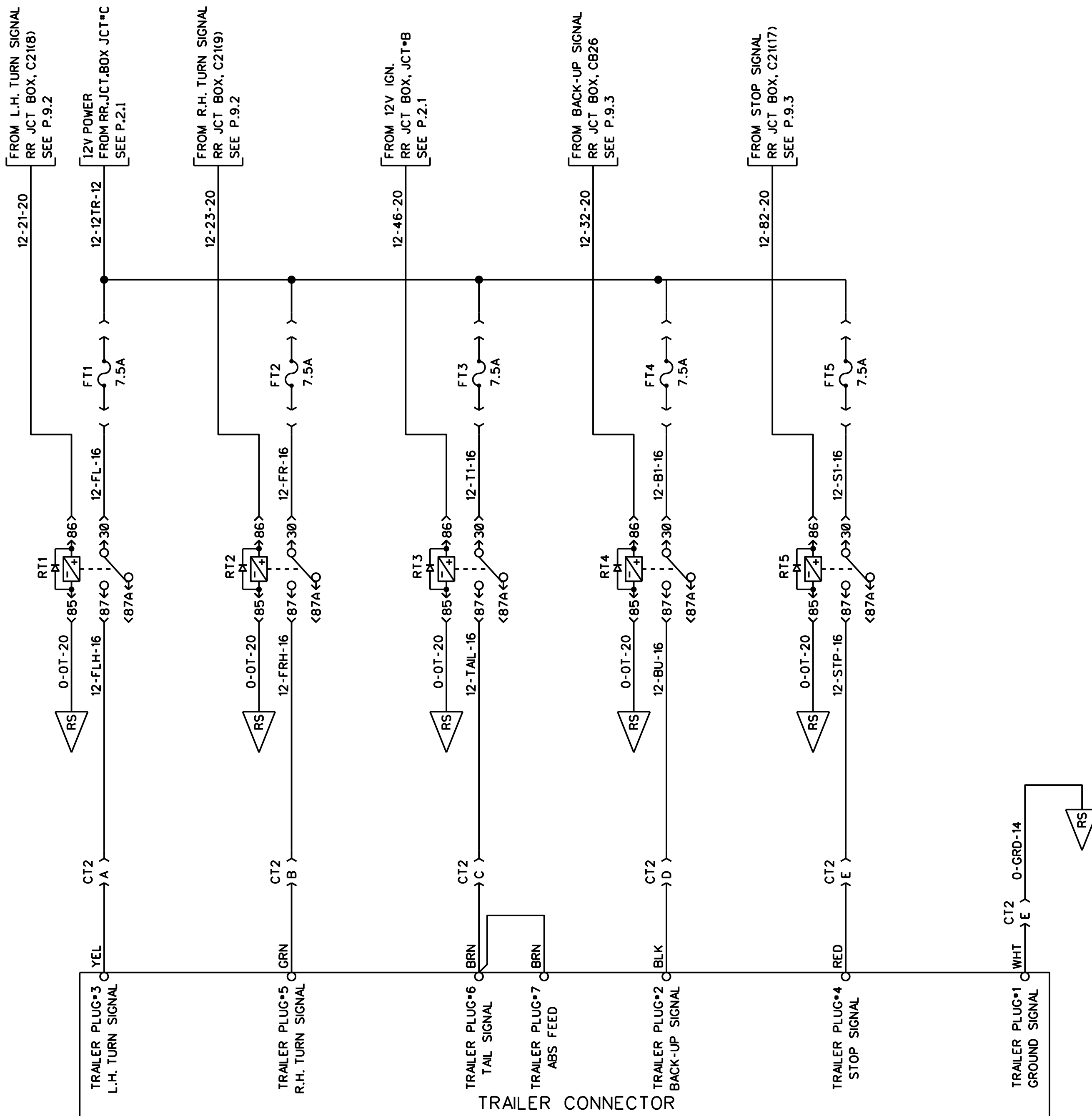


SPECIAL, CYCLOP ONLY W/RETARD. VEH. Y3378

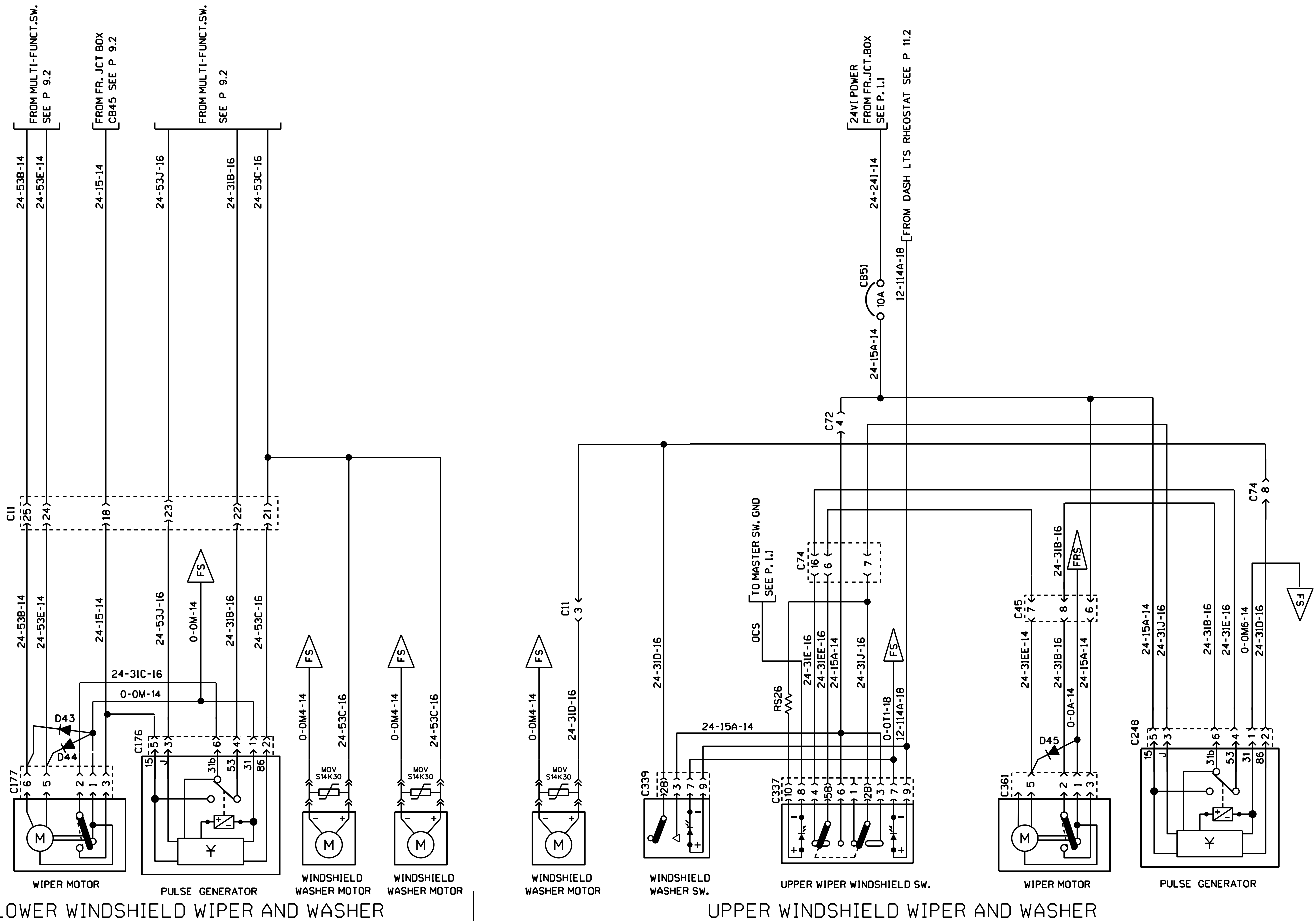


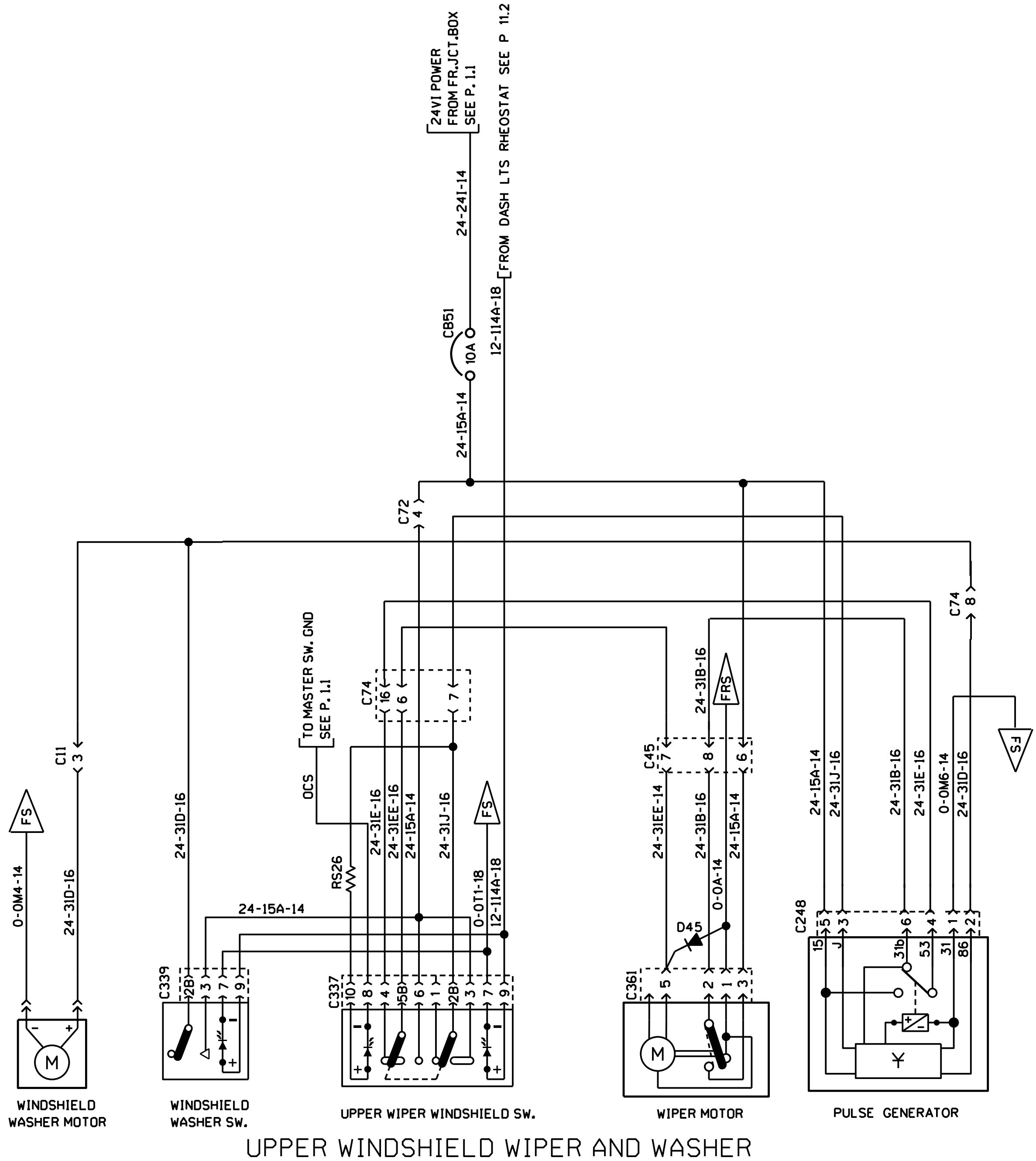
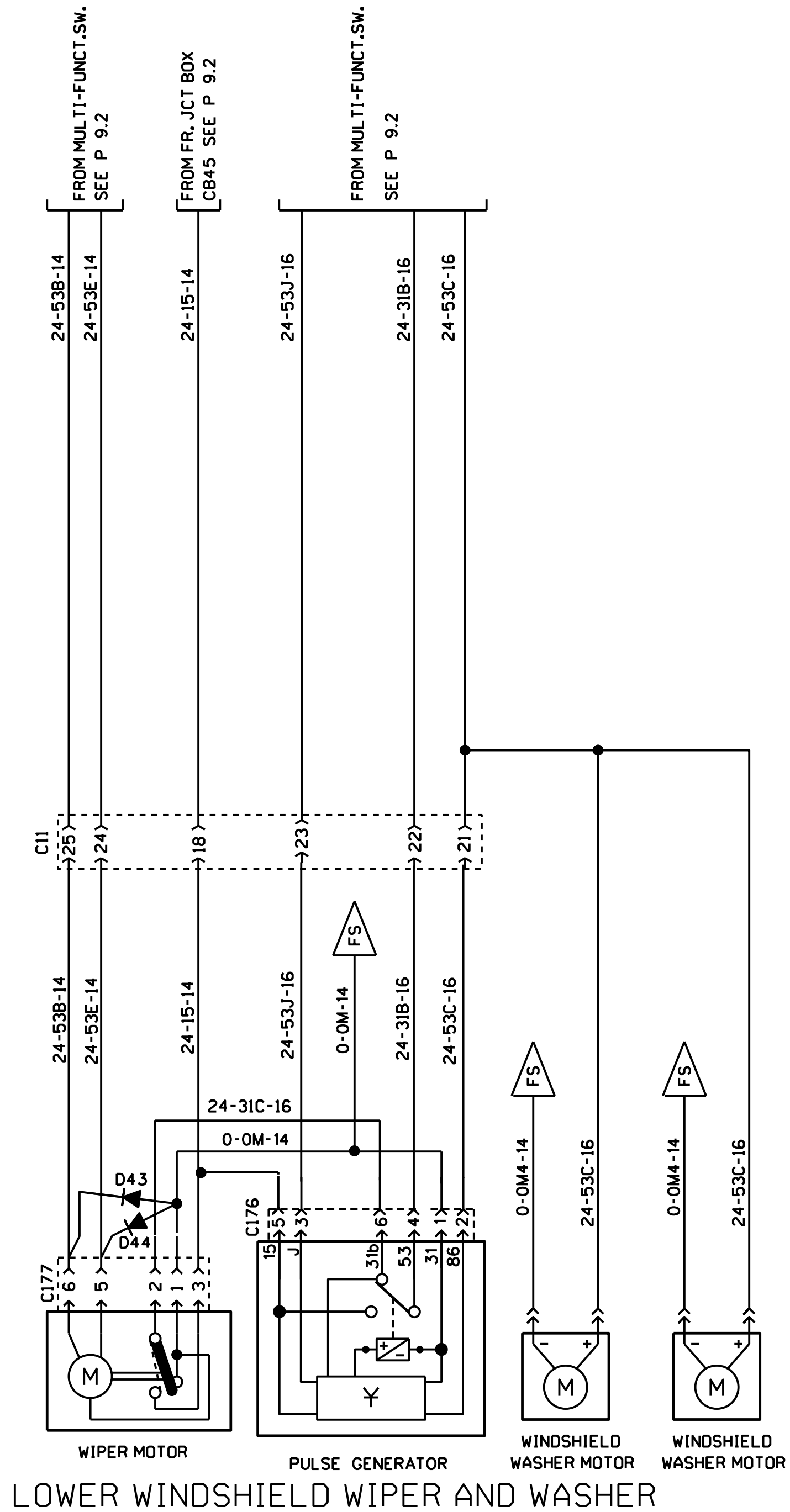


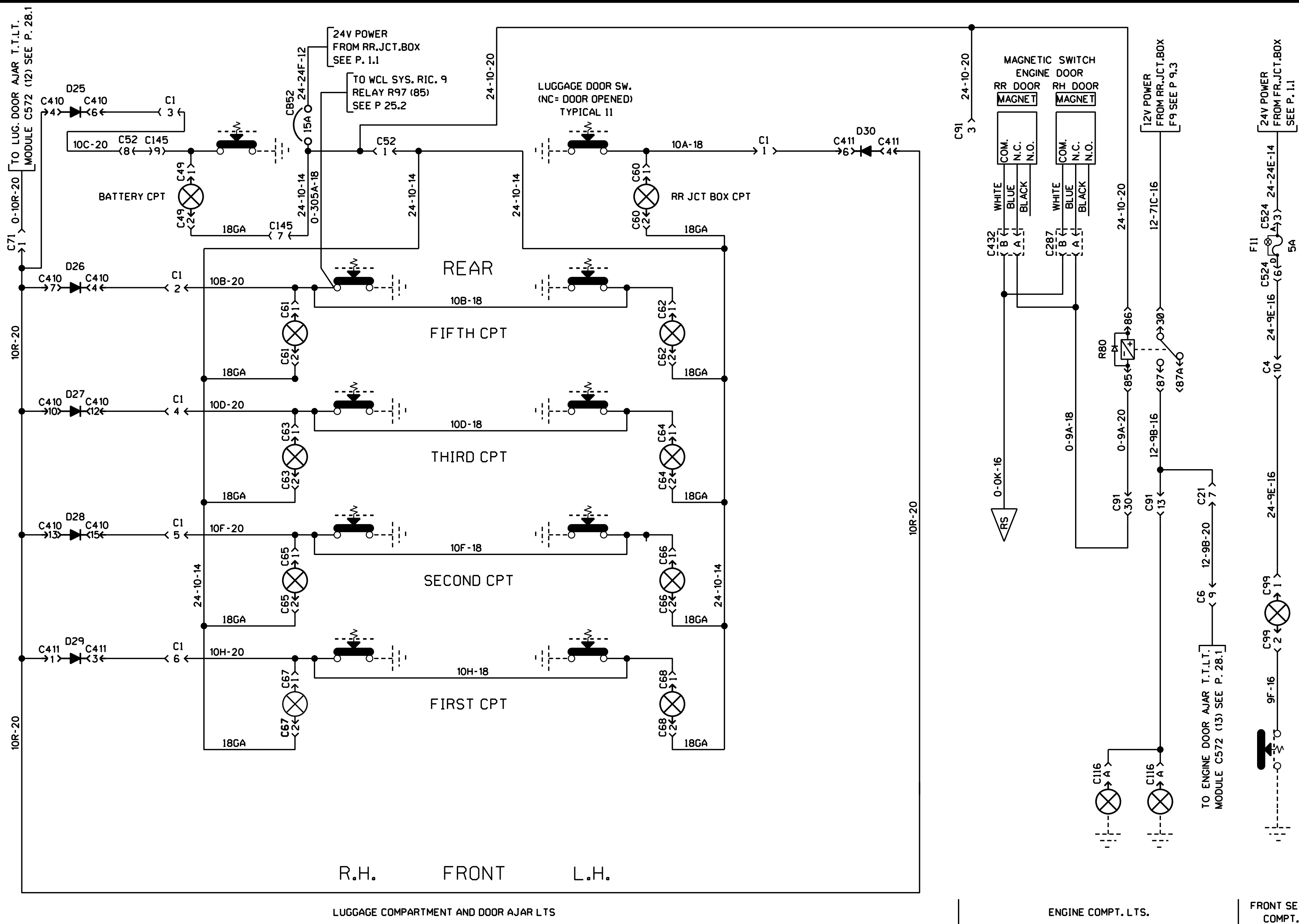
SPECIAL, CYCLOP ONLY W/JACOB VEH. Y3704,3707,3726

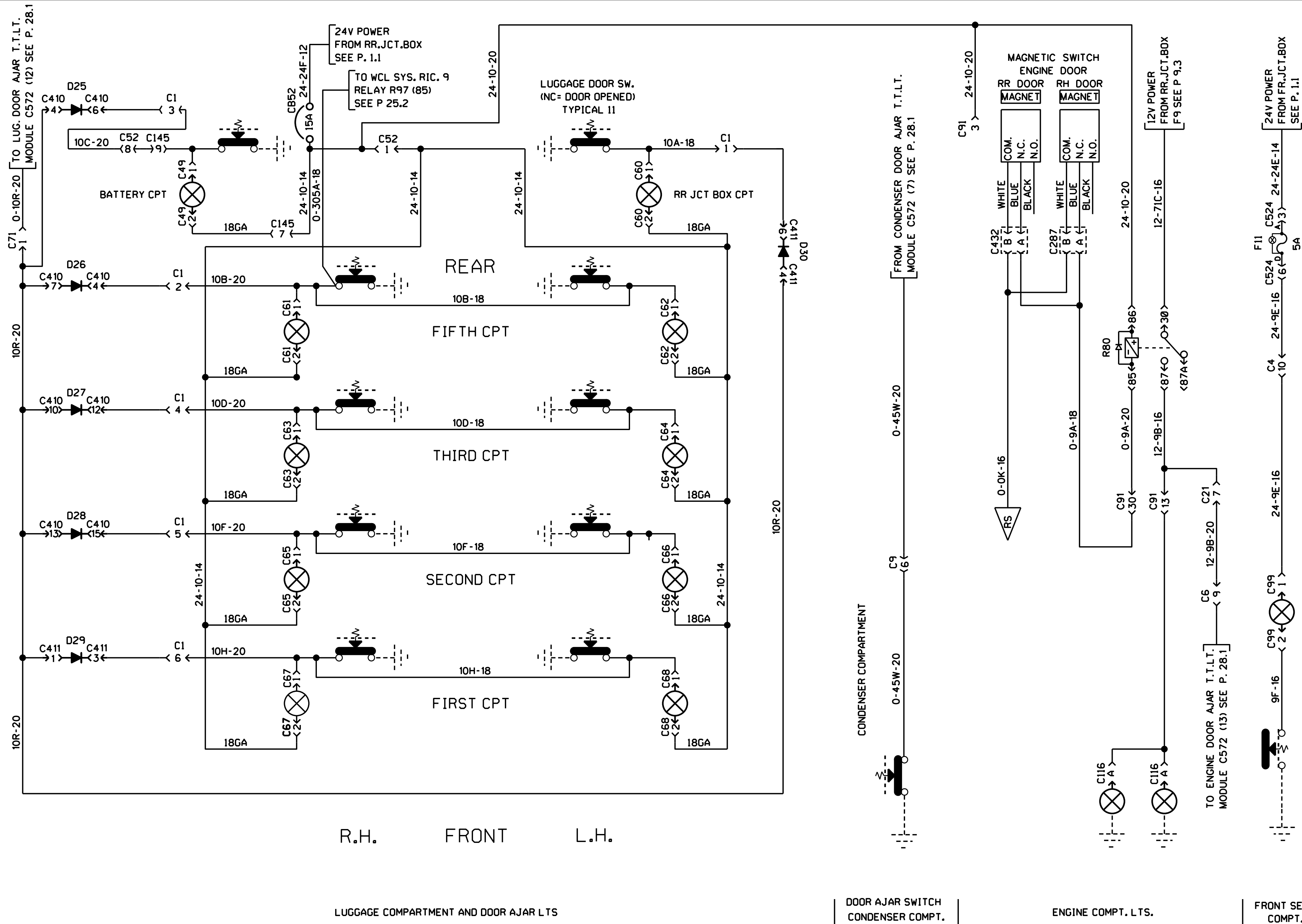


EXTERIOR TRAILER LIGHTING

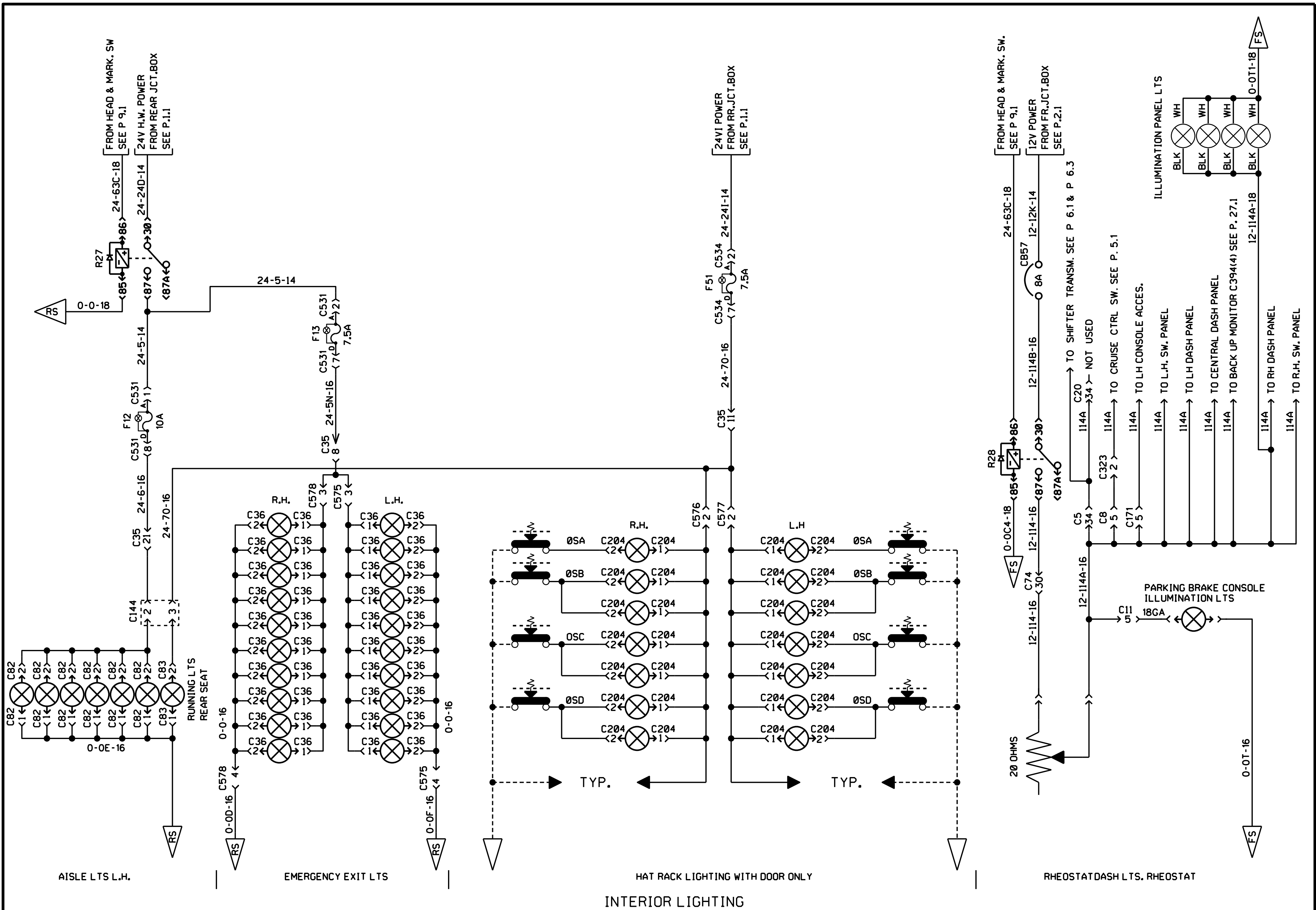


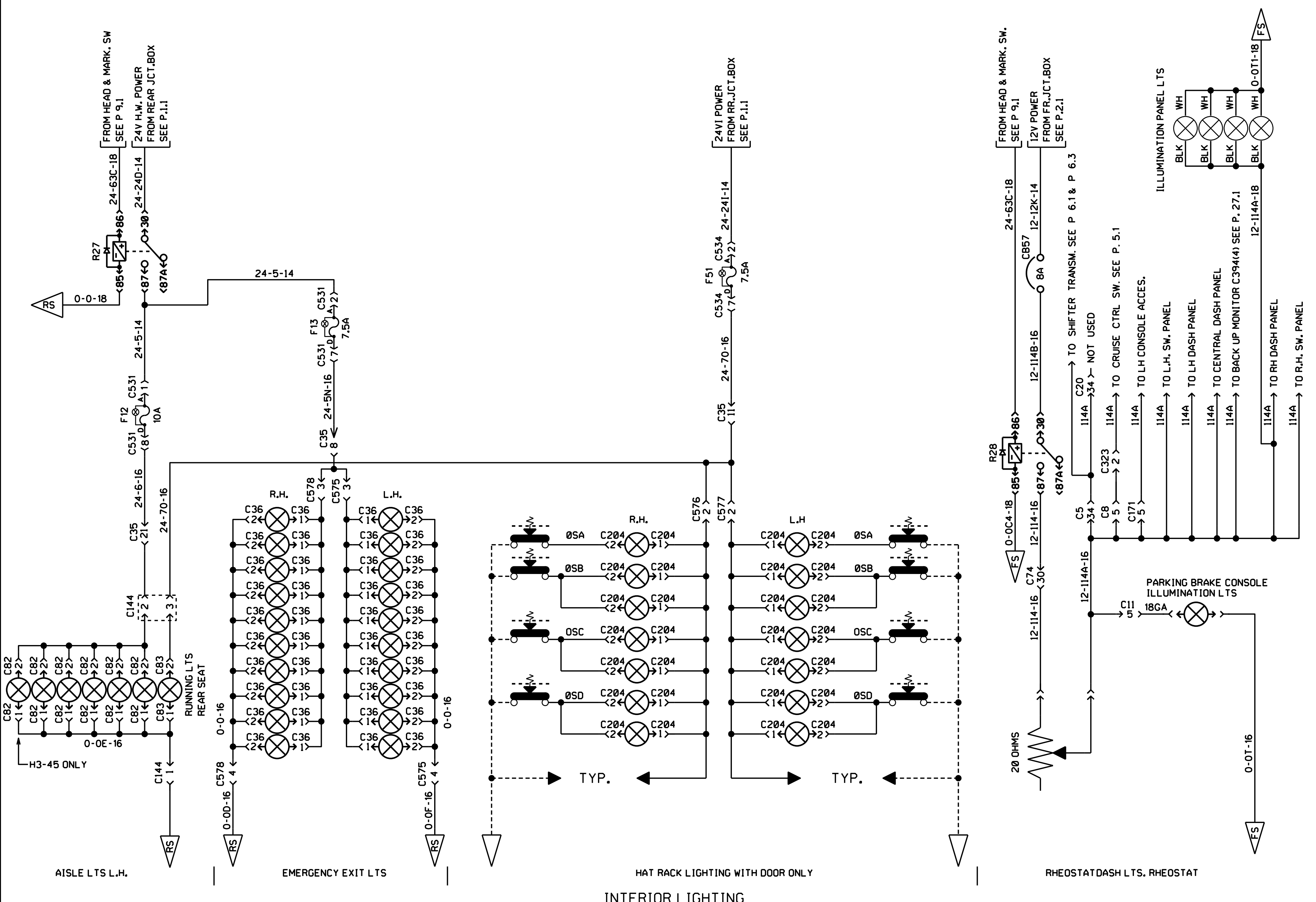


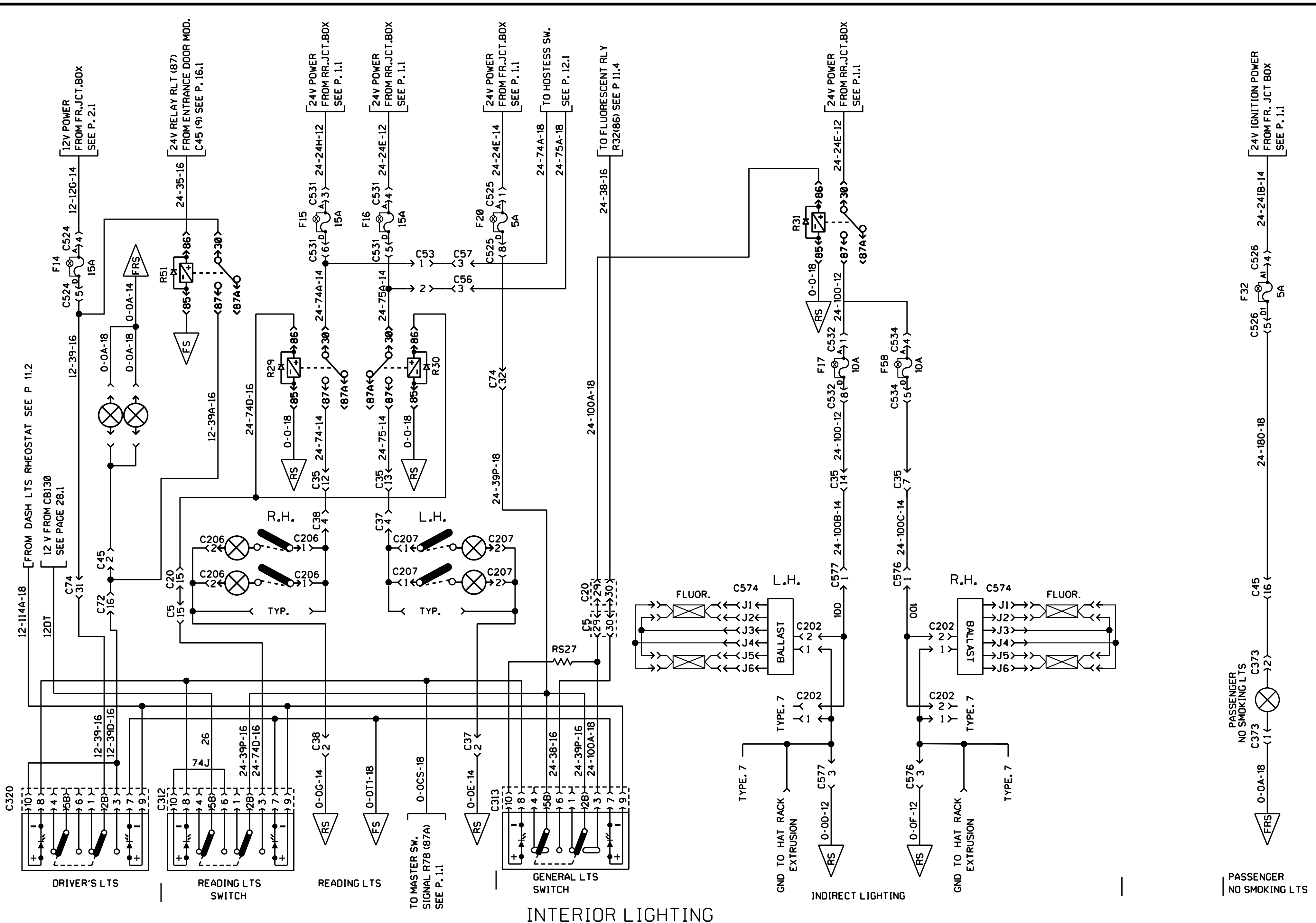


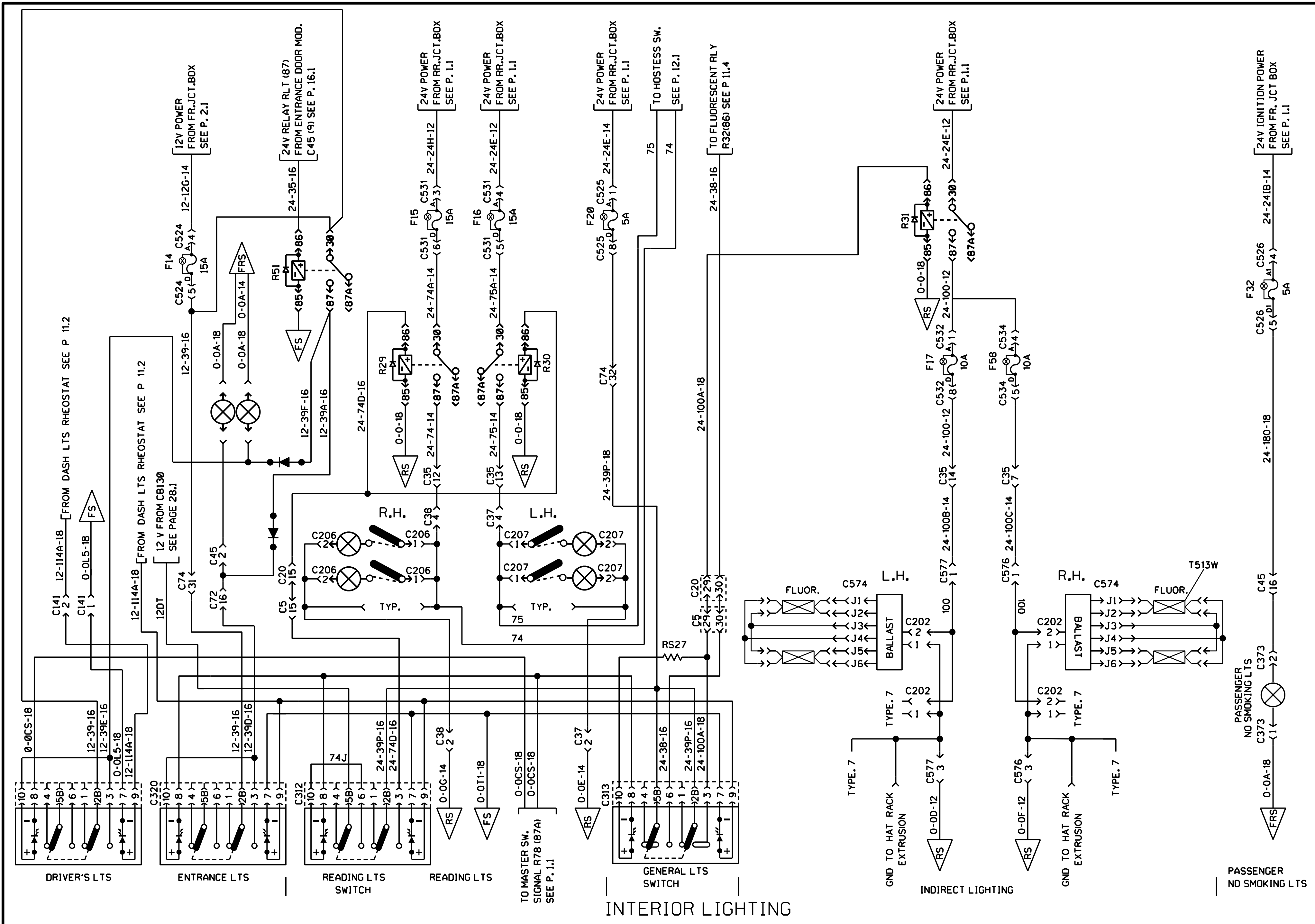


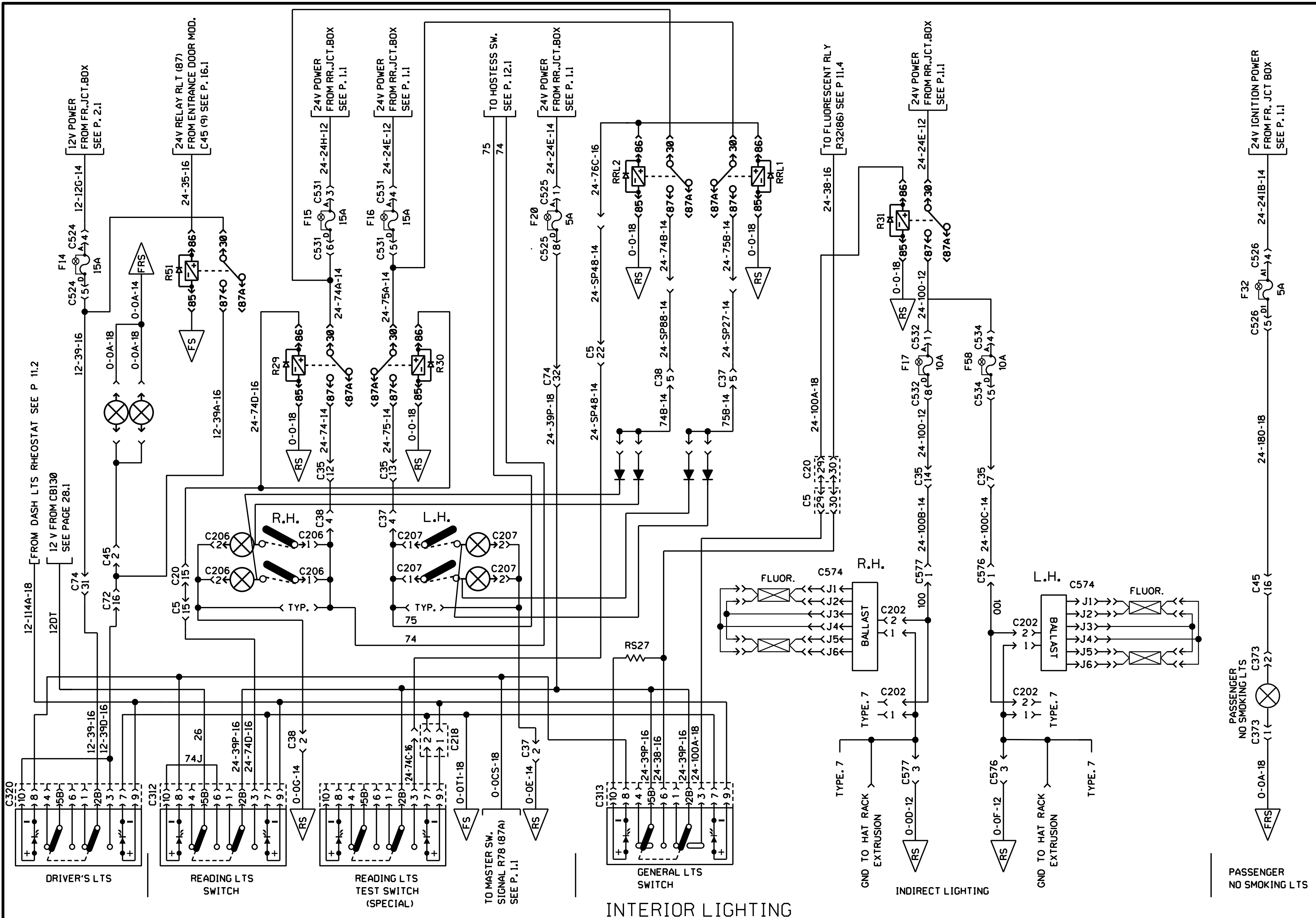
INTERIOR LIGHTING

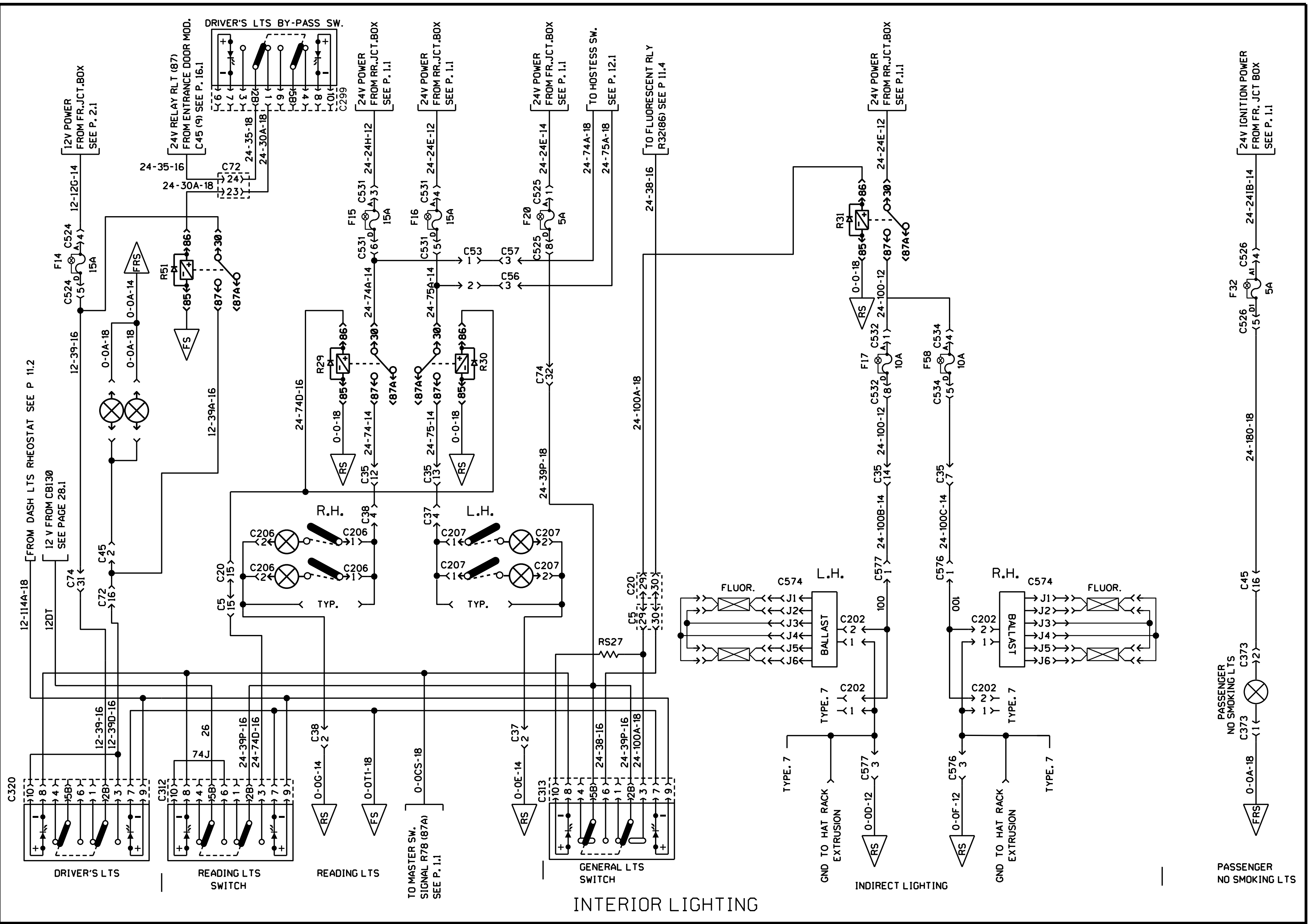




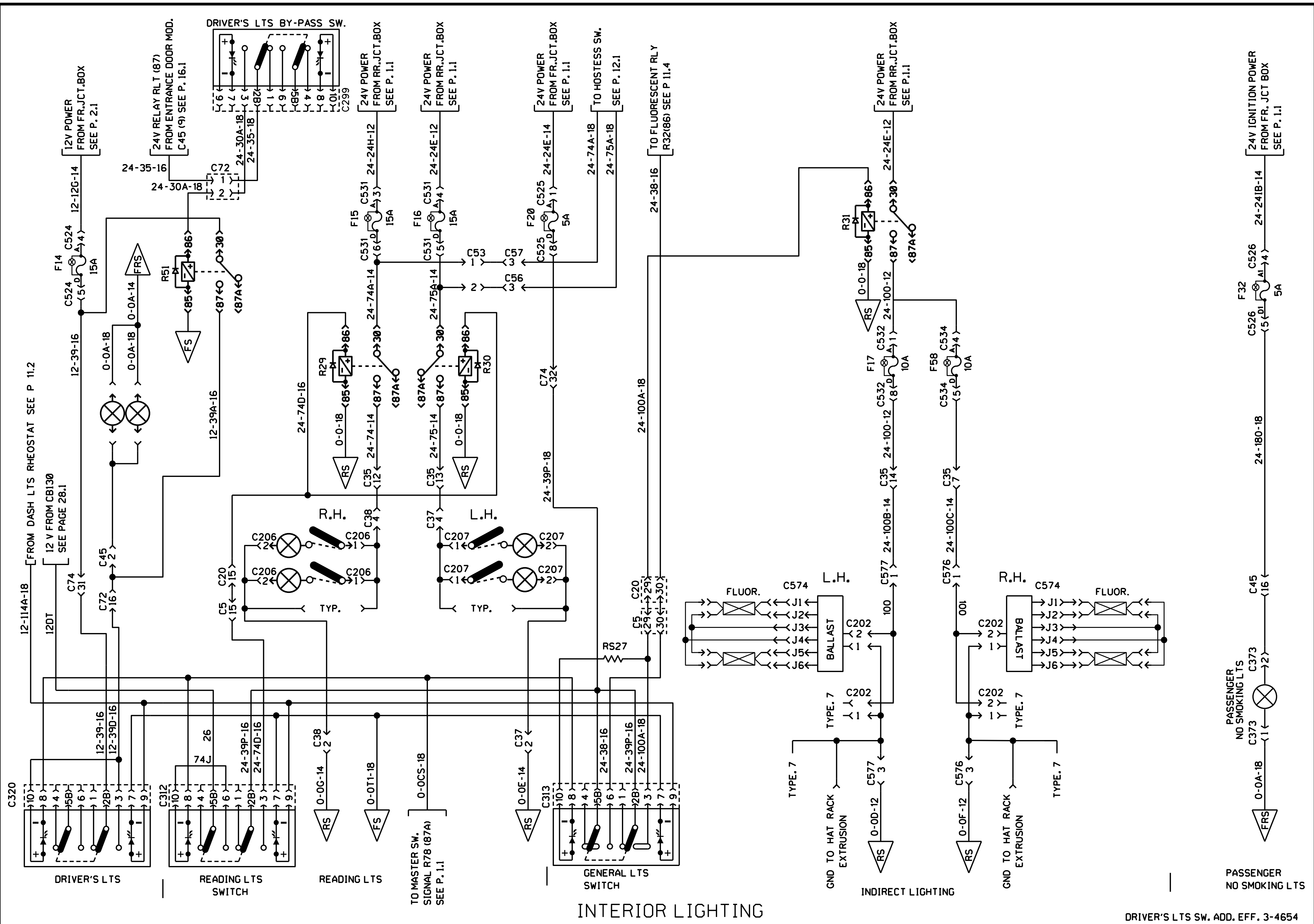


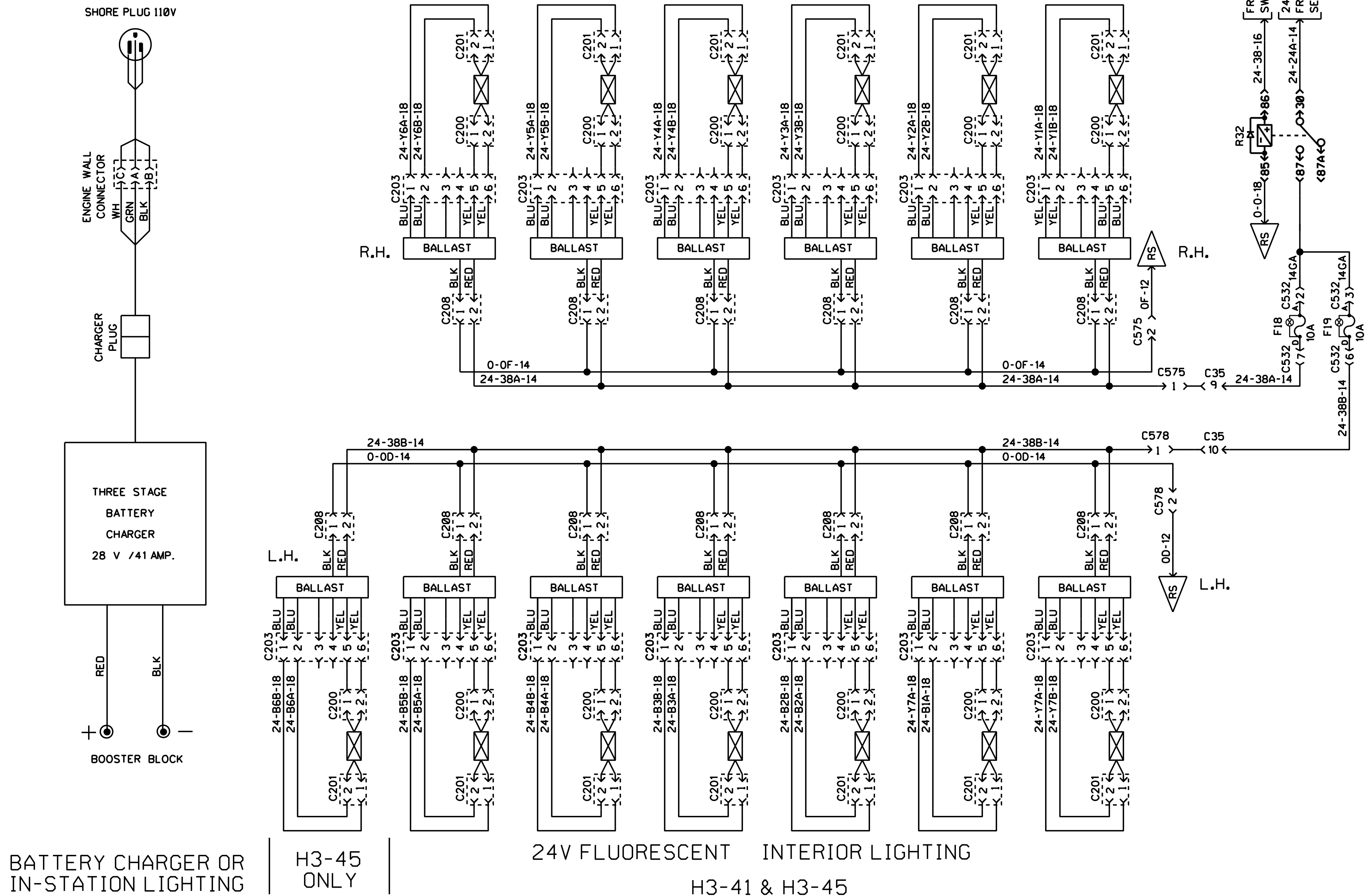




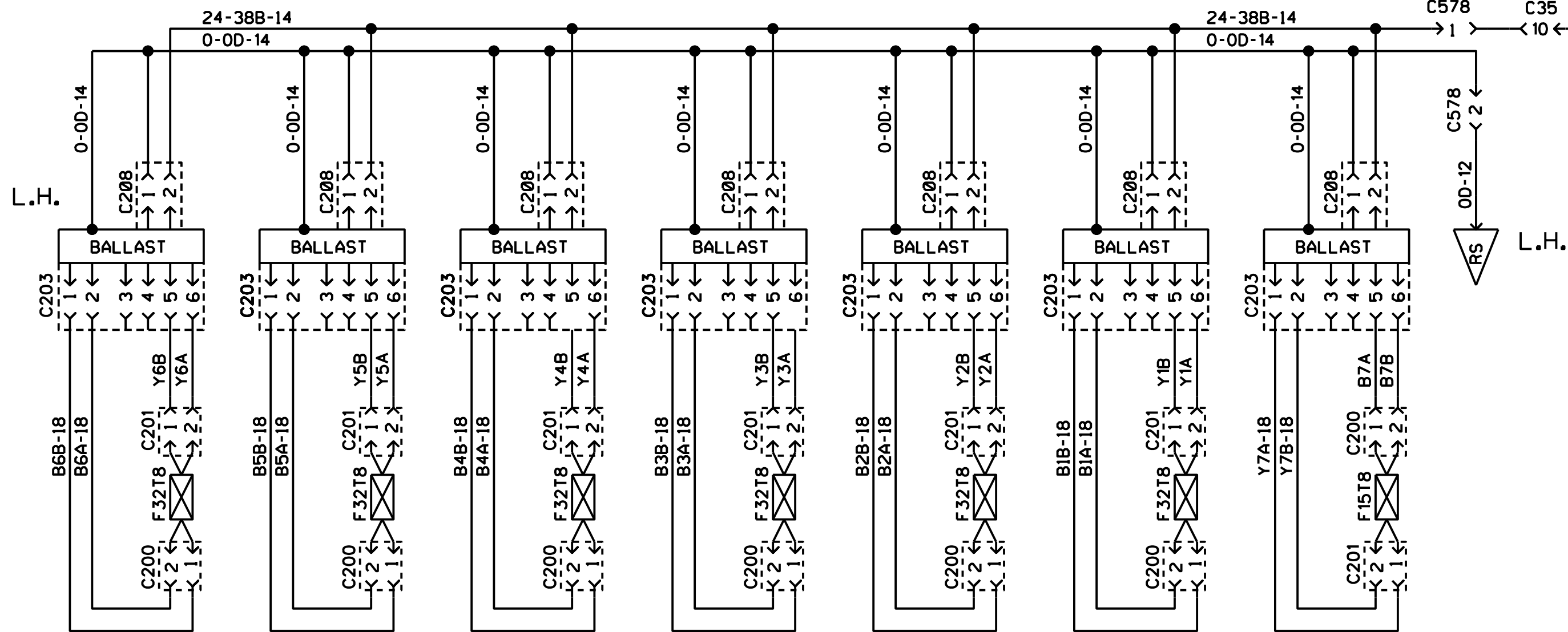
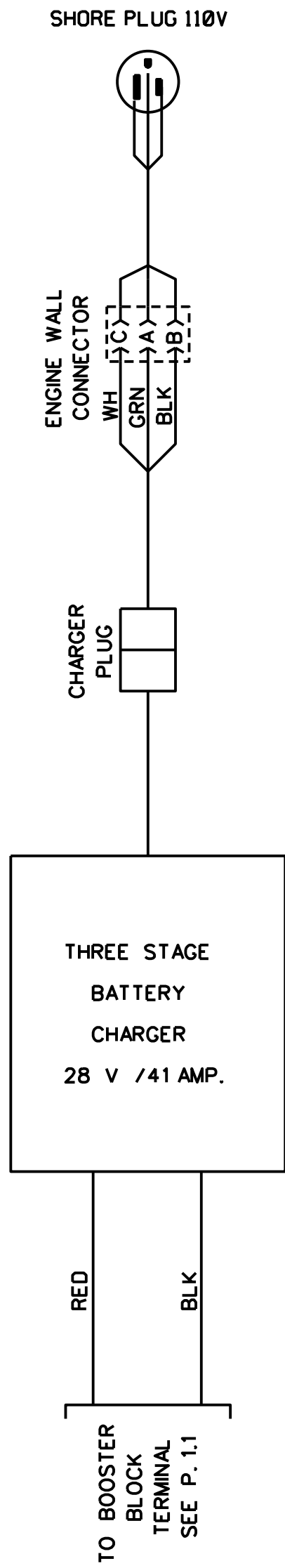


INTERIOR LIGHTING



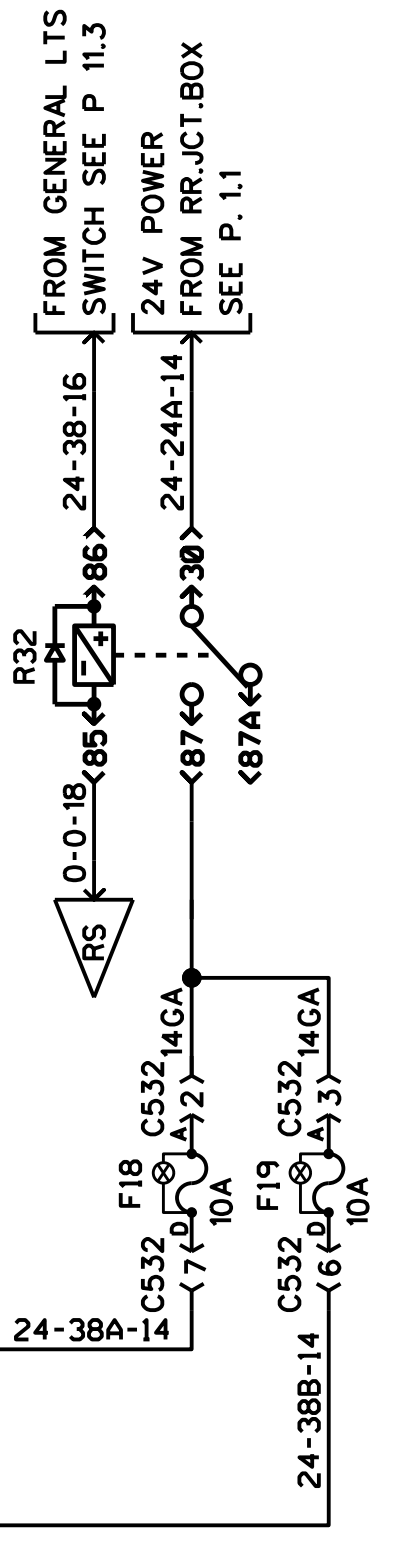
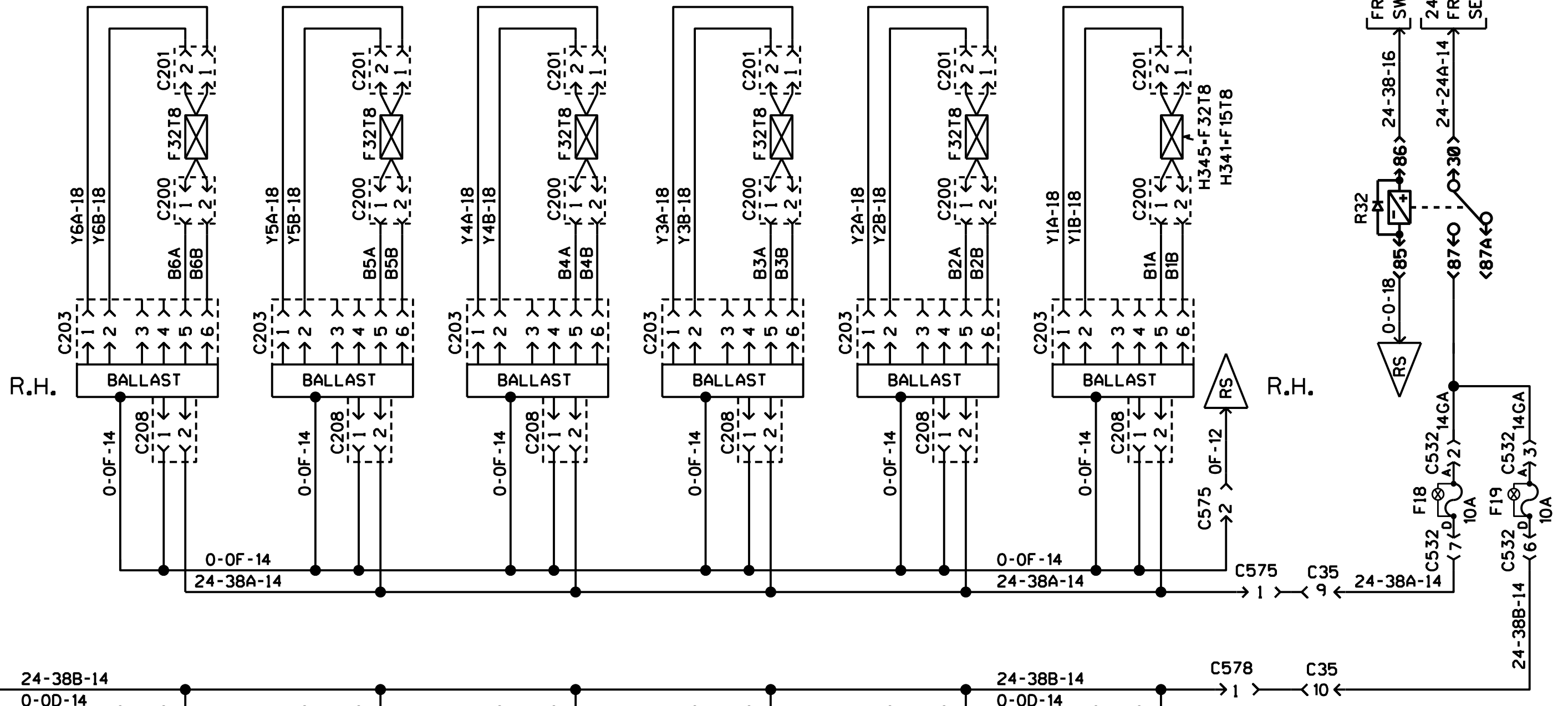


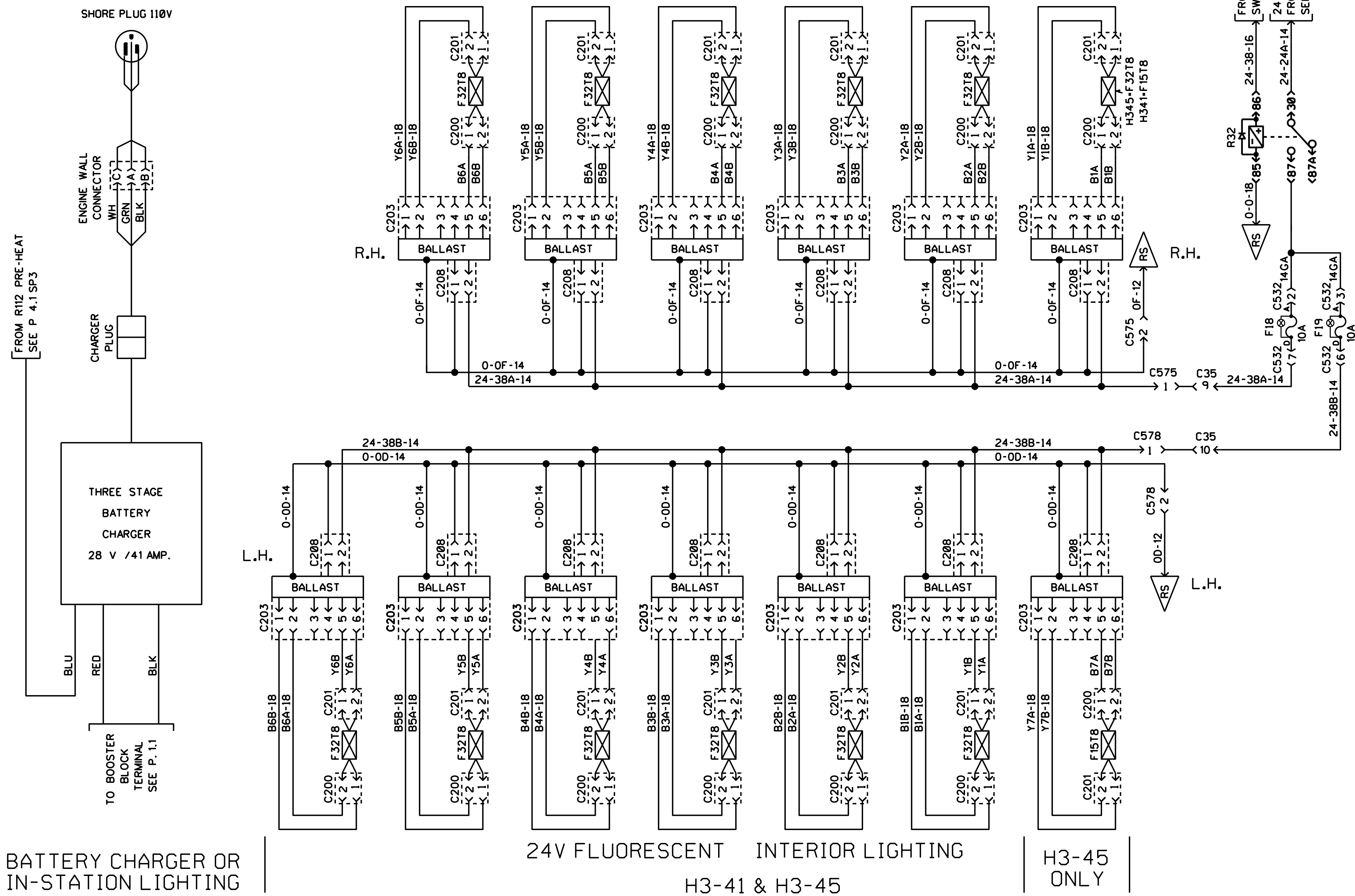
BATTERY CHARGER OR
IN-STATION LIGHTING



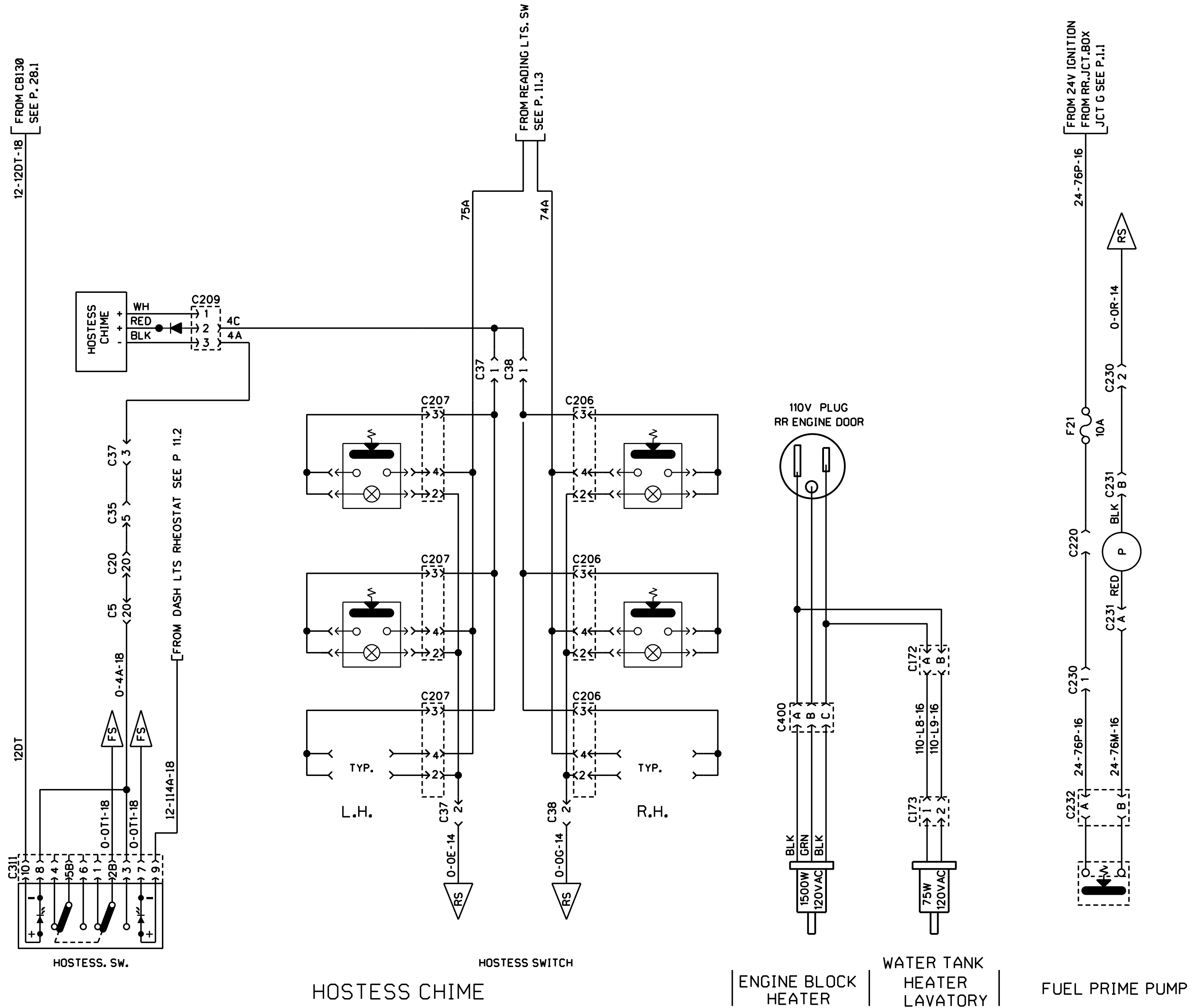
24V FLUORESCENT INTERIOR LIGHTING
H3-41 & H3-45

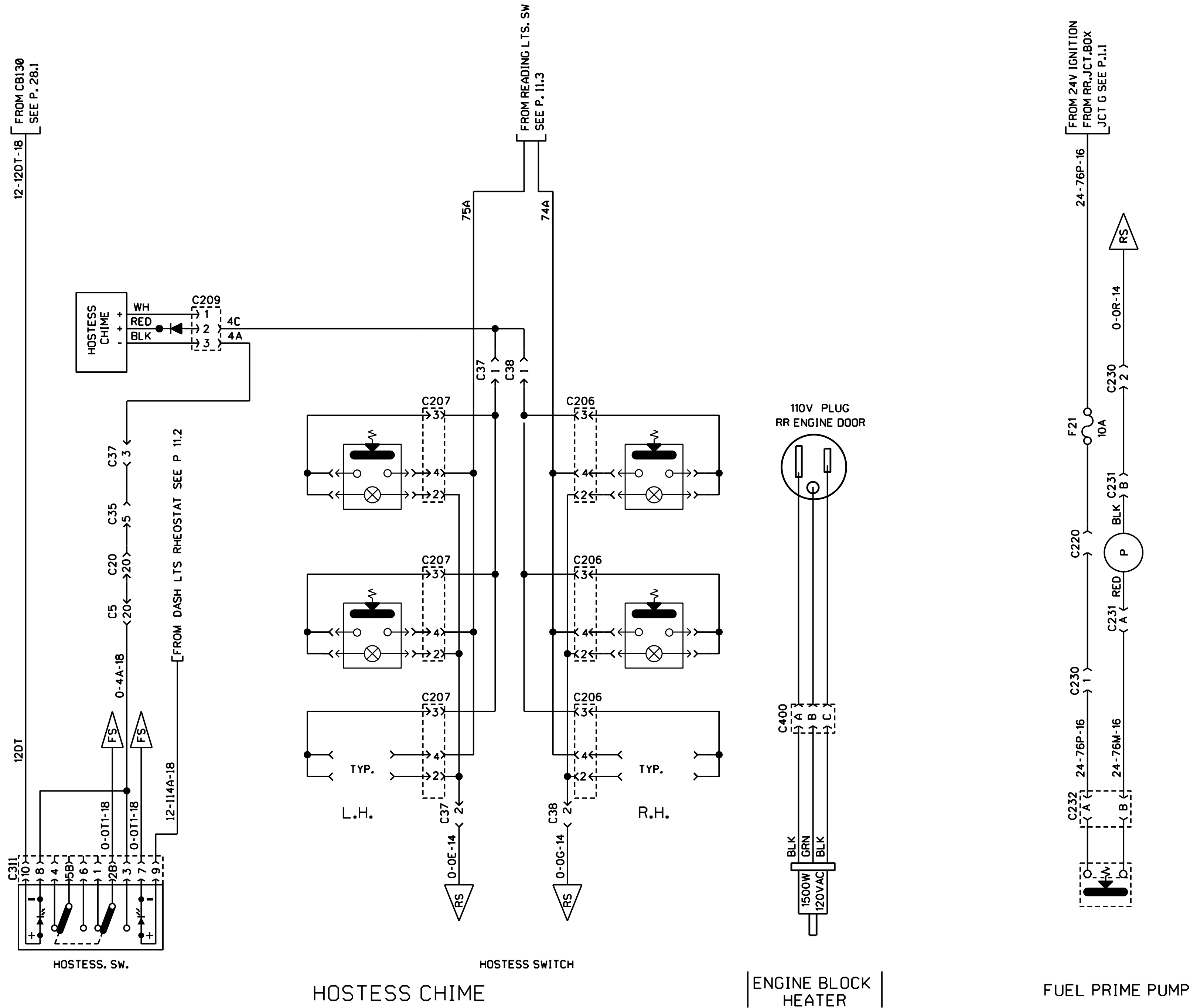
H3-45
ONLY

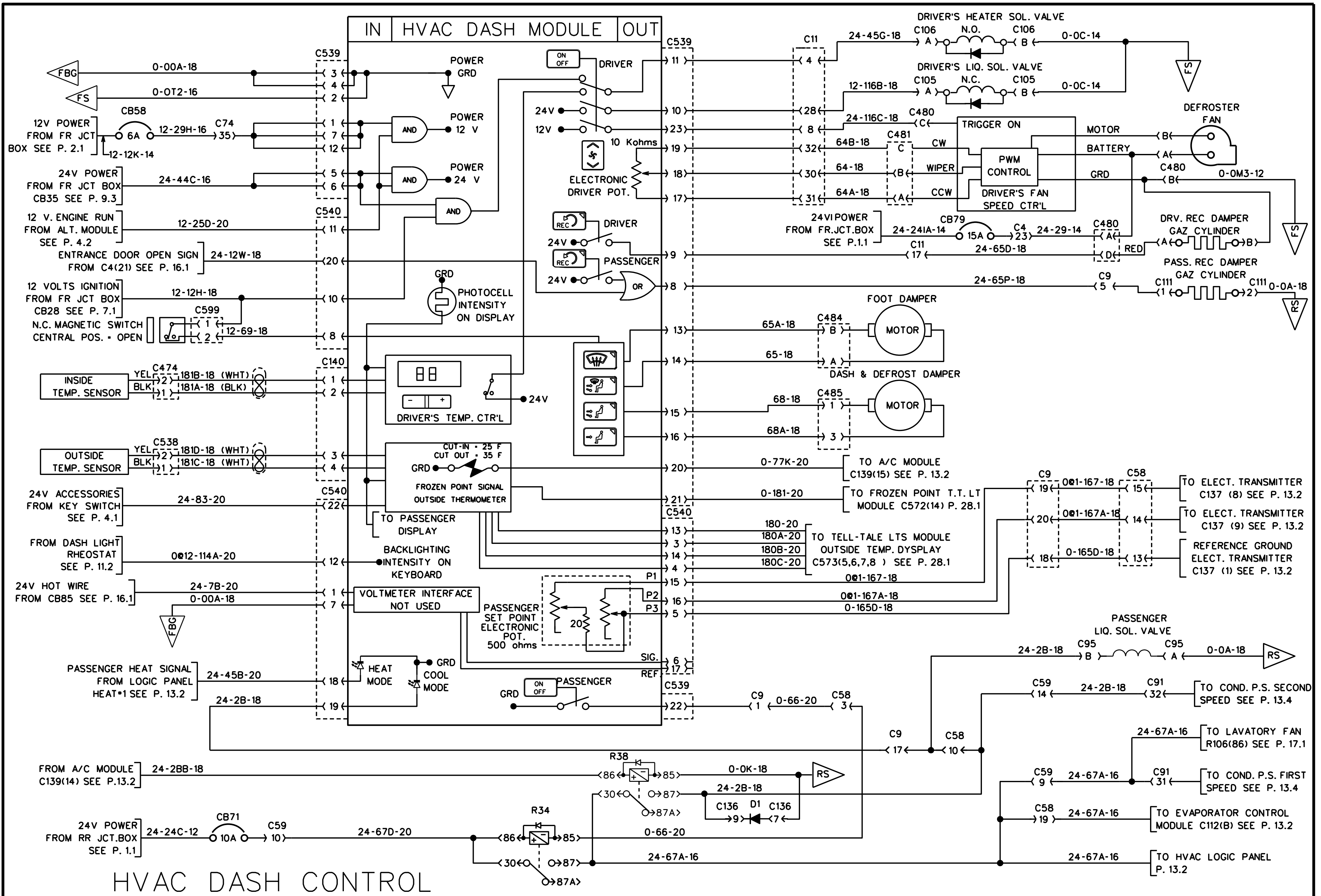




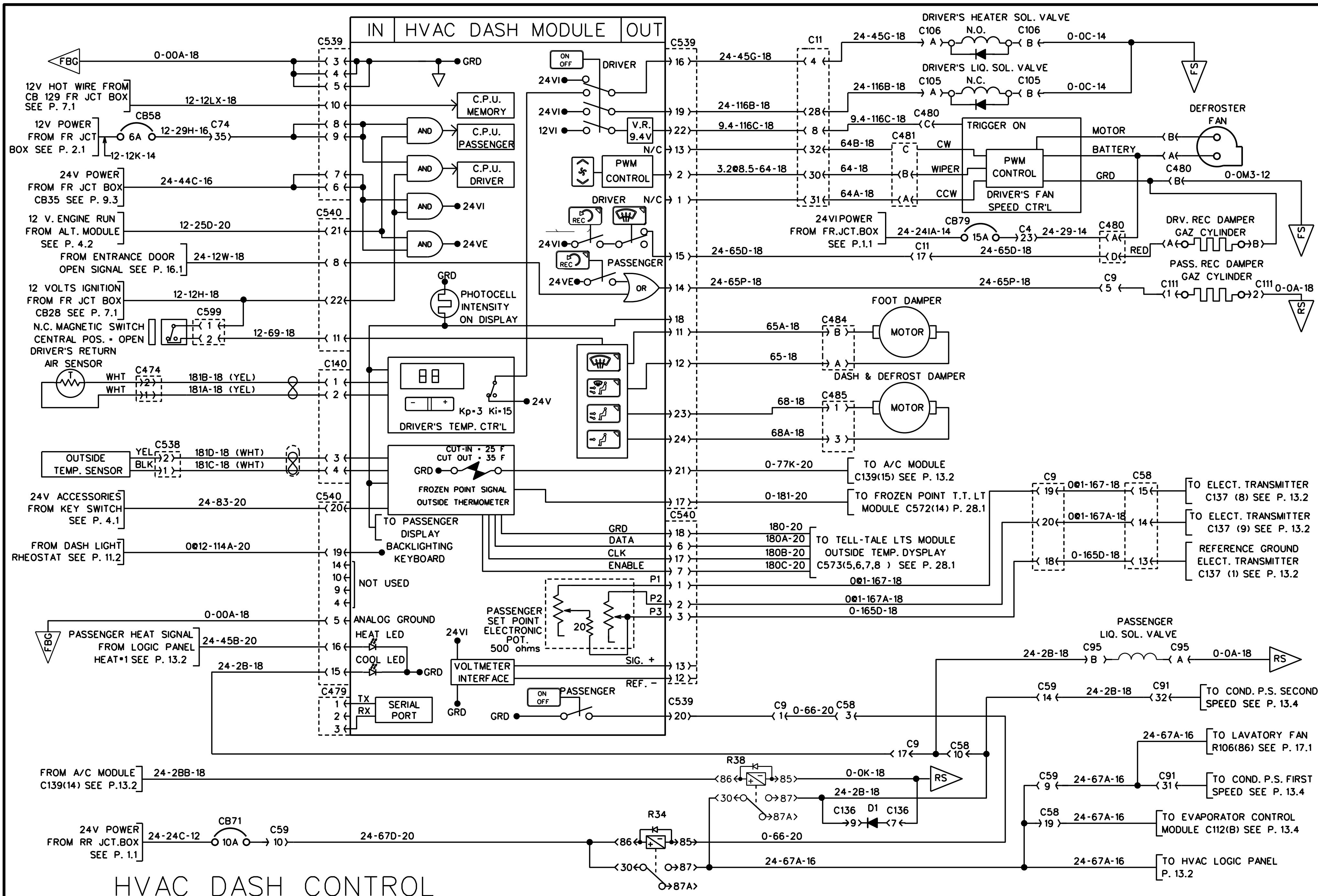
BATTERY CHARGER OR IN-STATION LIGHTING



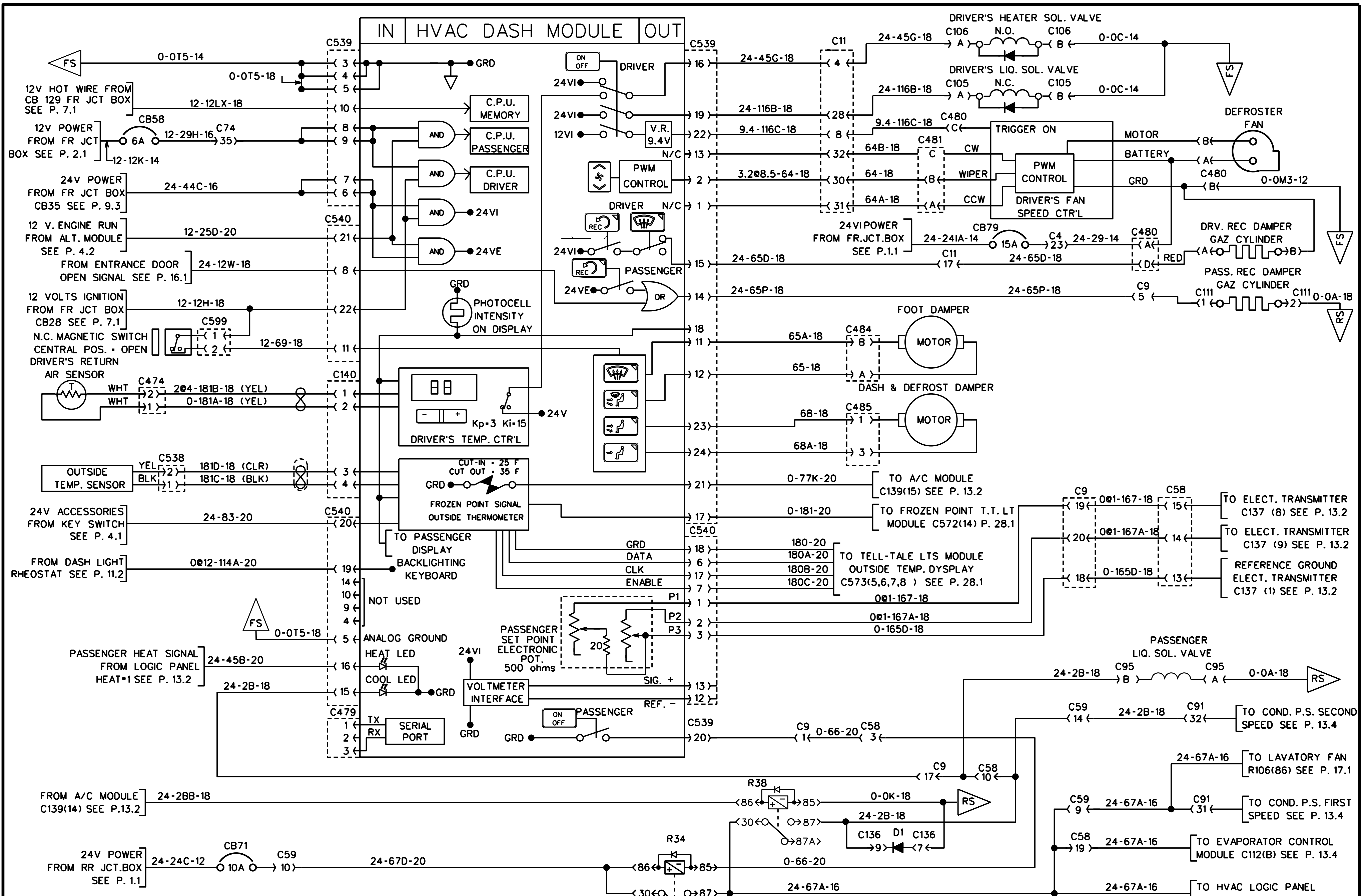




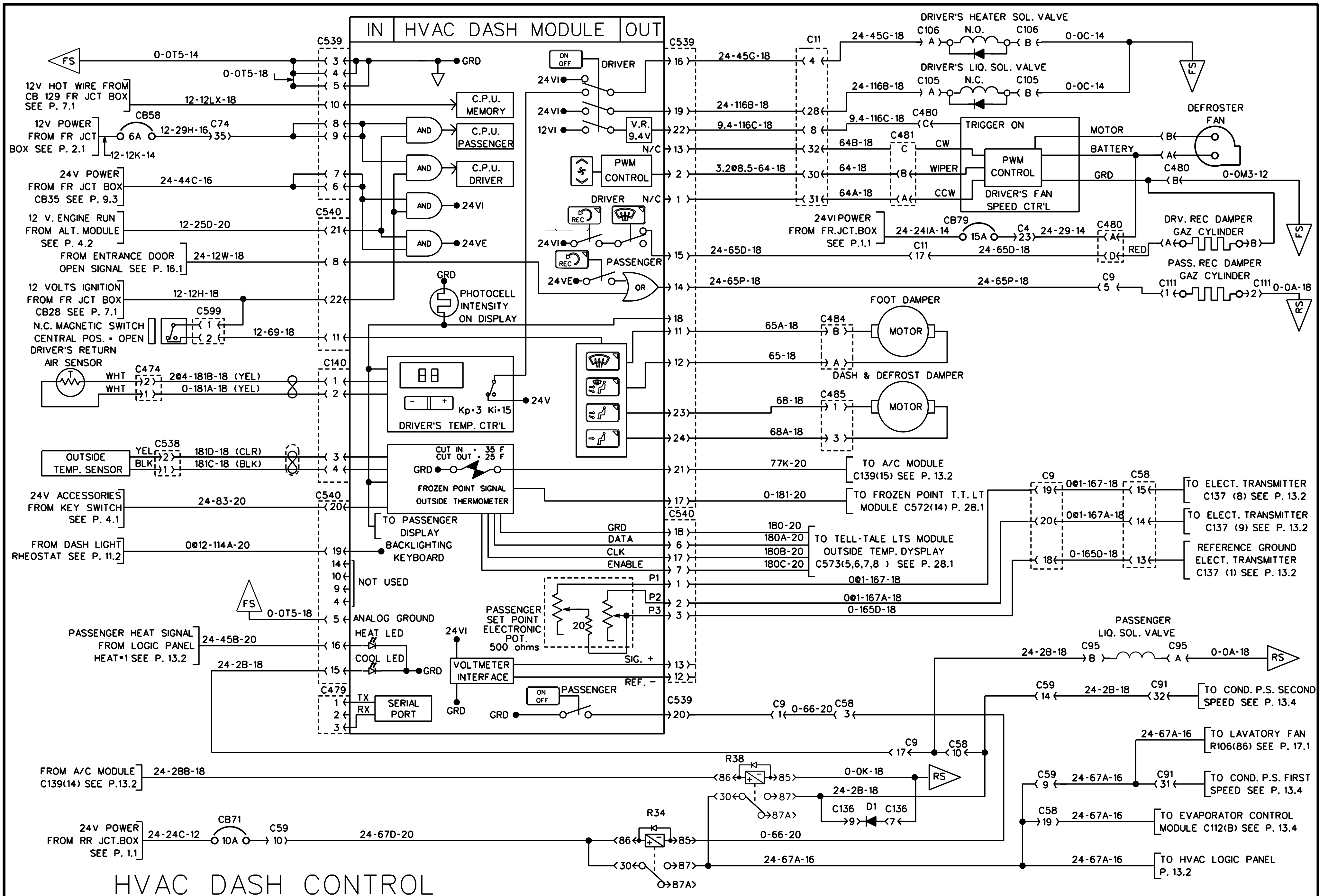
HVAC DASH CONTROL



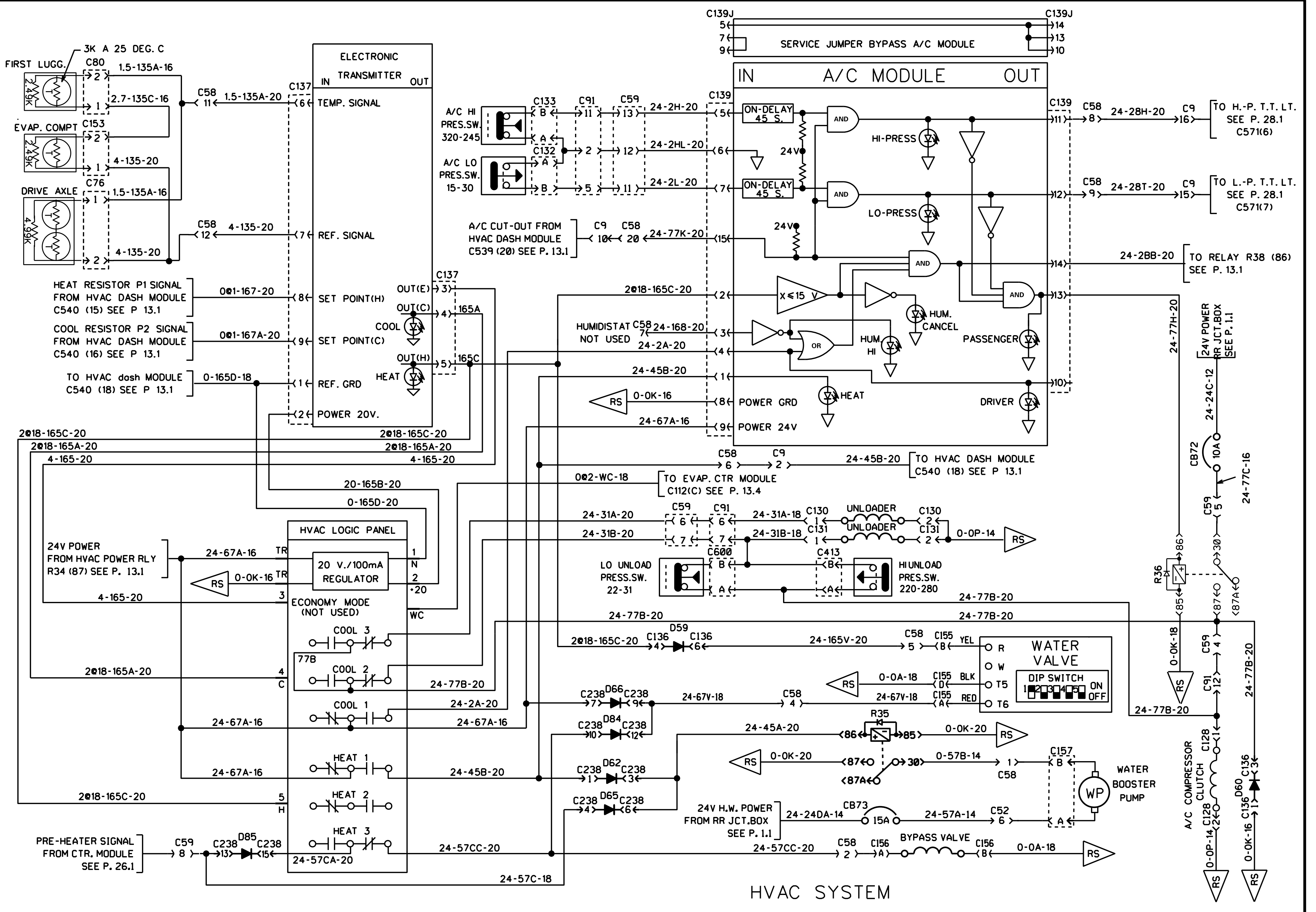
HVAC DASH CONTROL



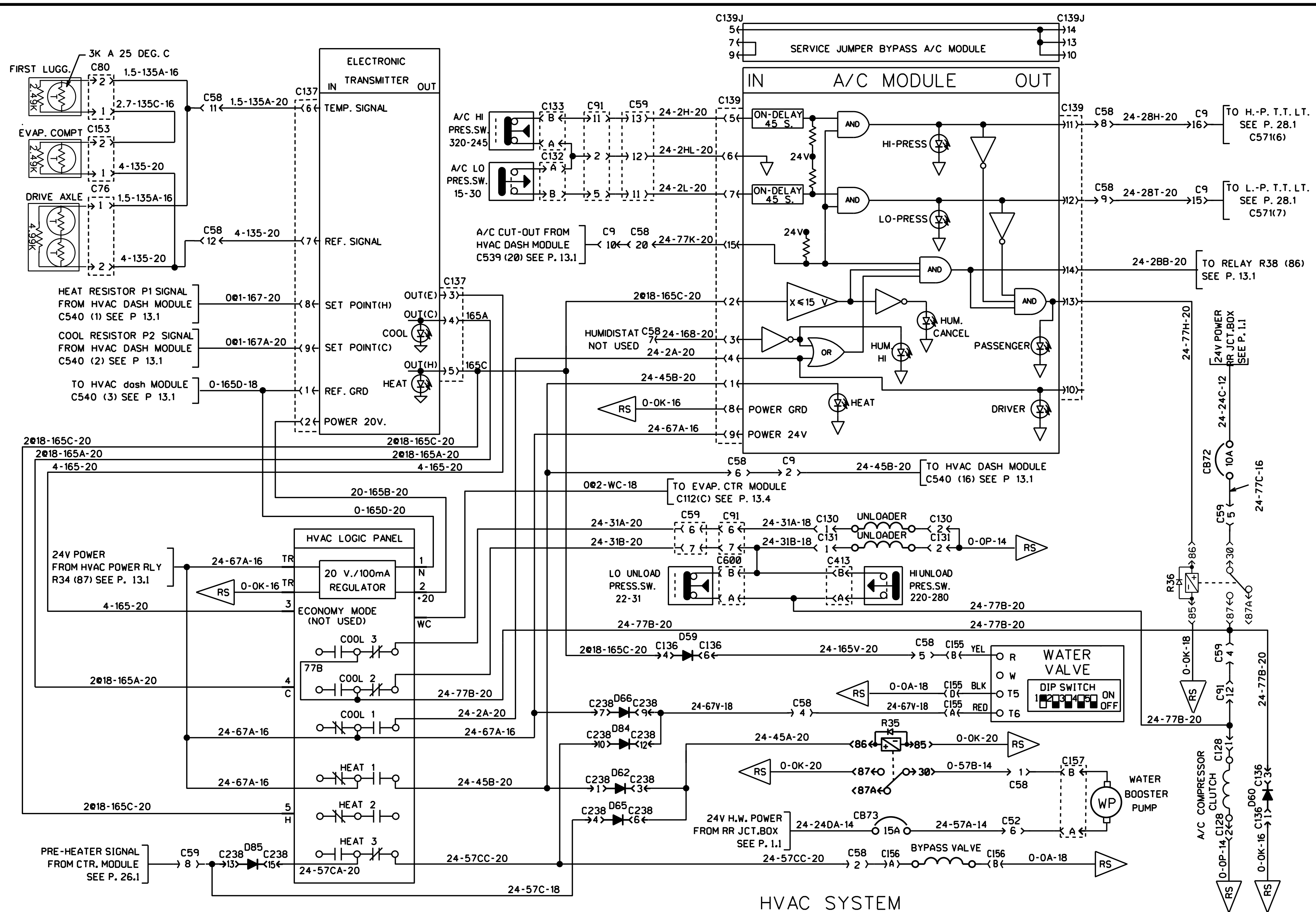
HVAC DASH CONTROL

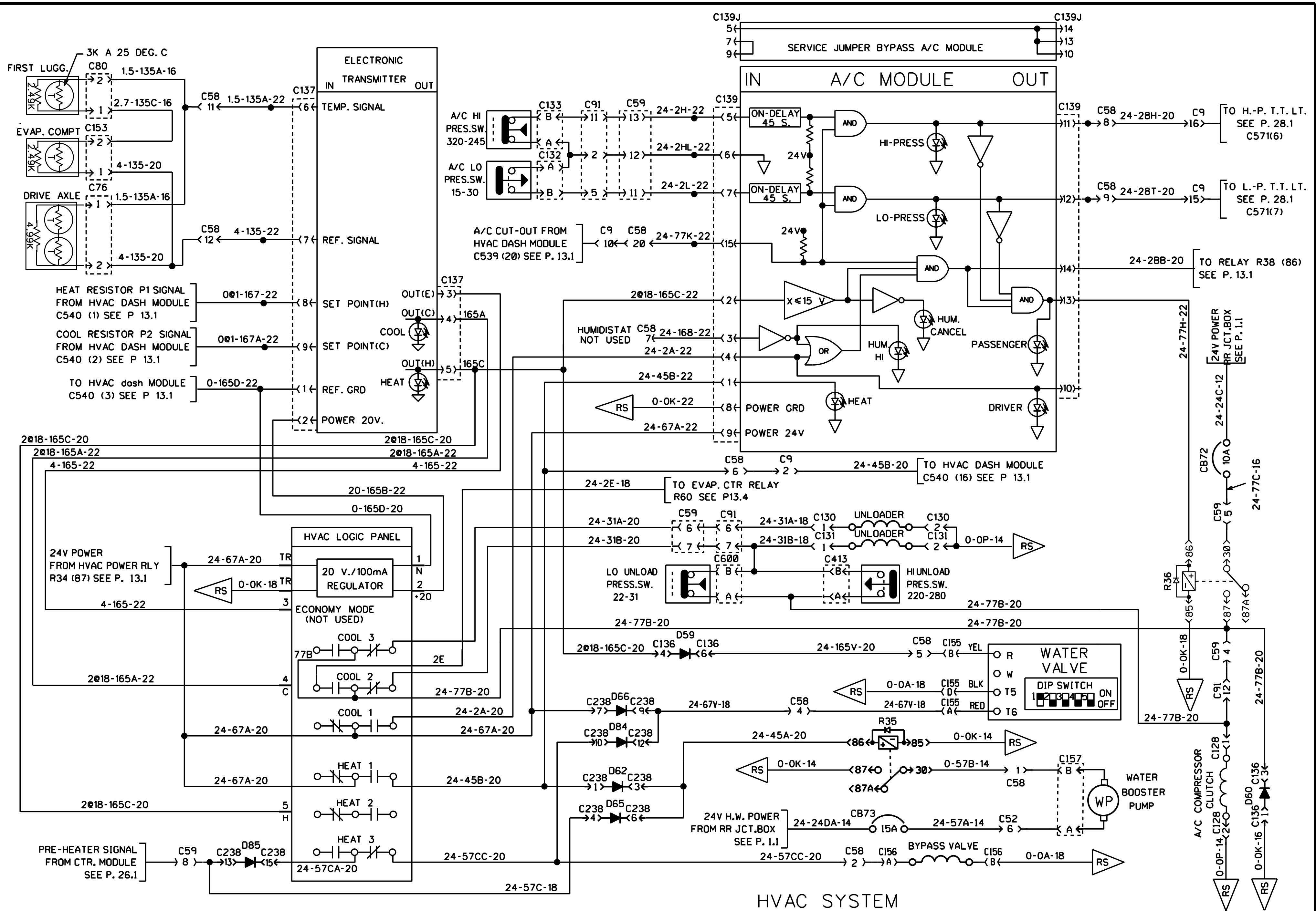


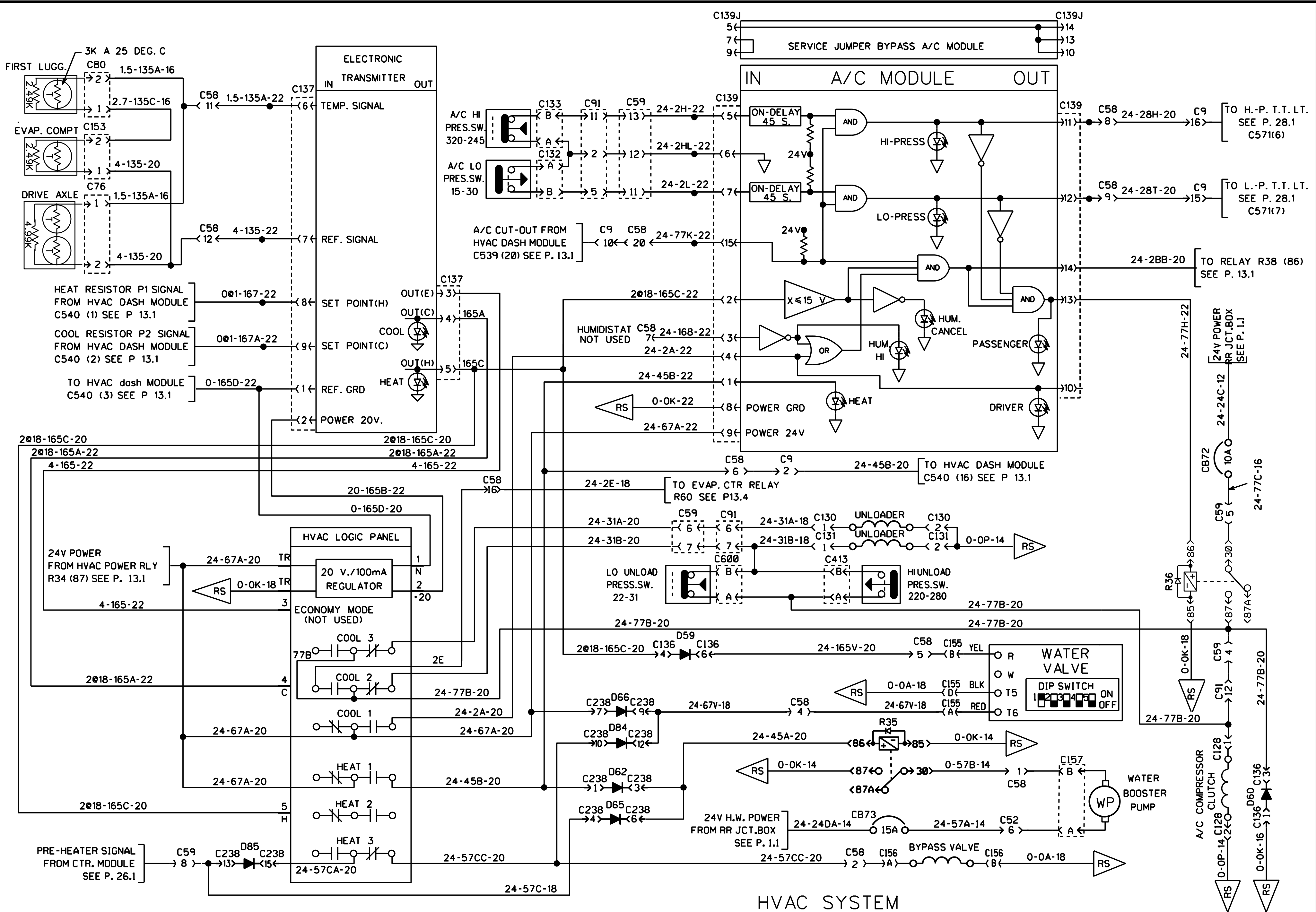
HVAC DASH CONTROL

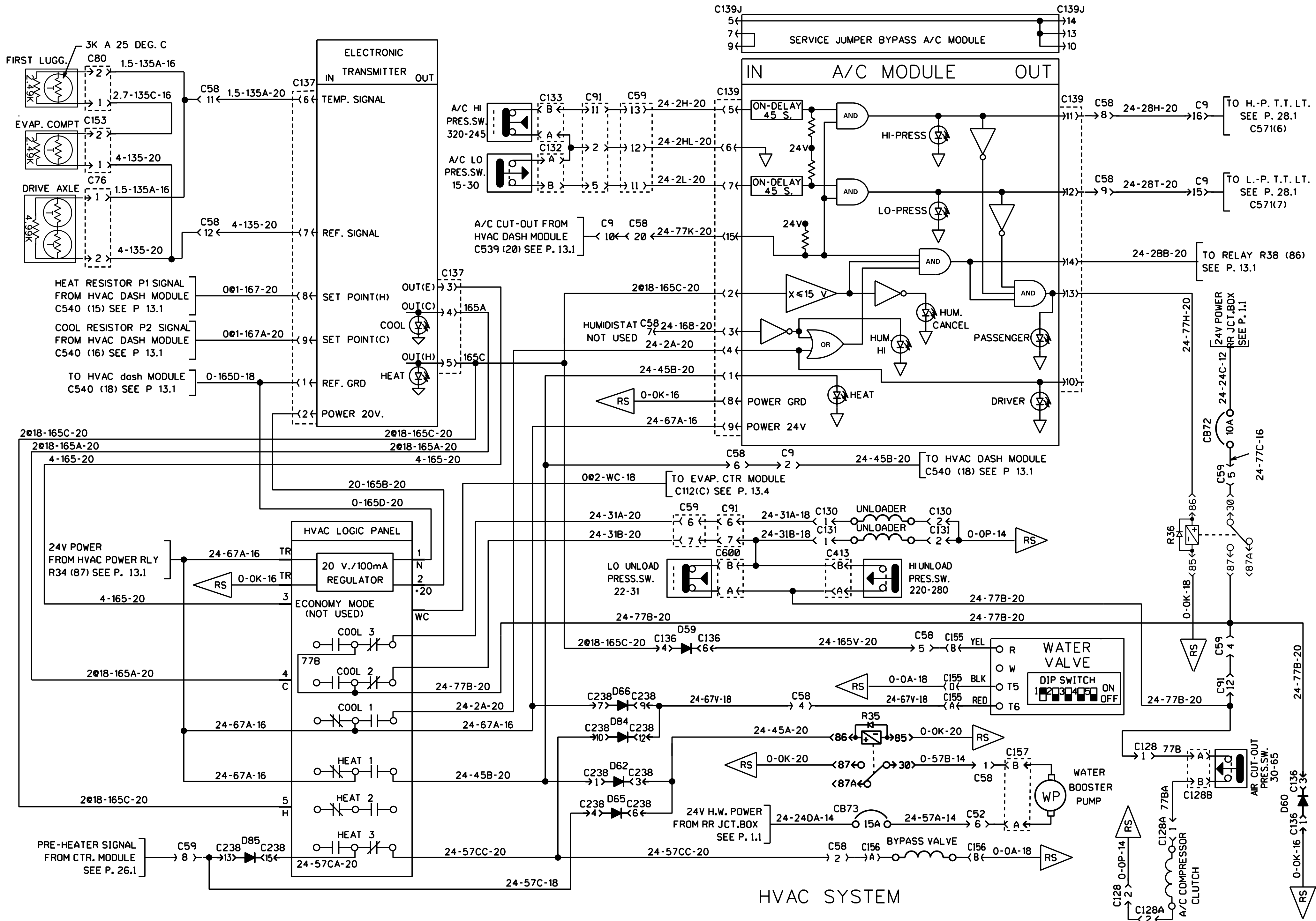


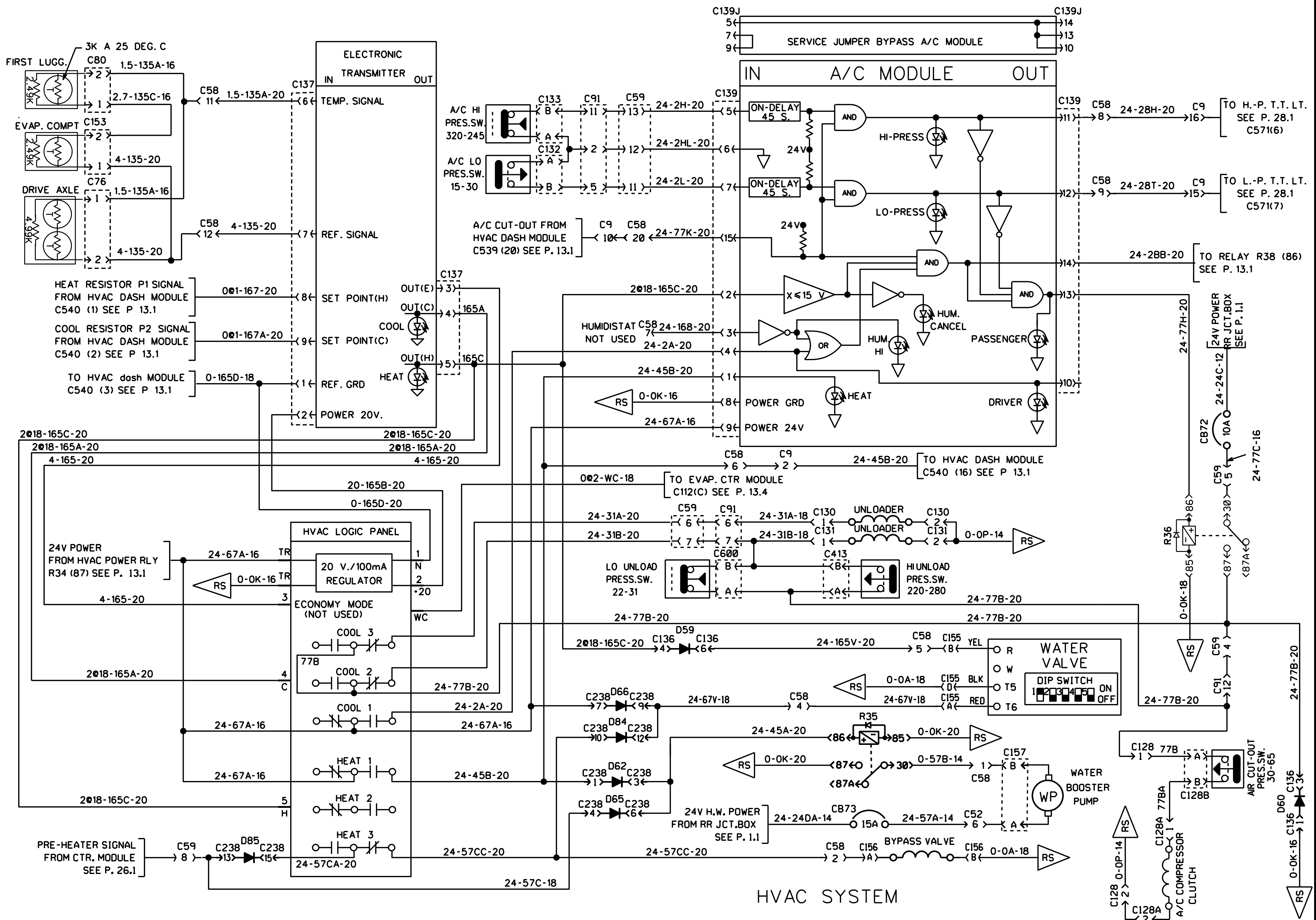
HVAC SYSTEM

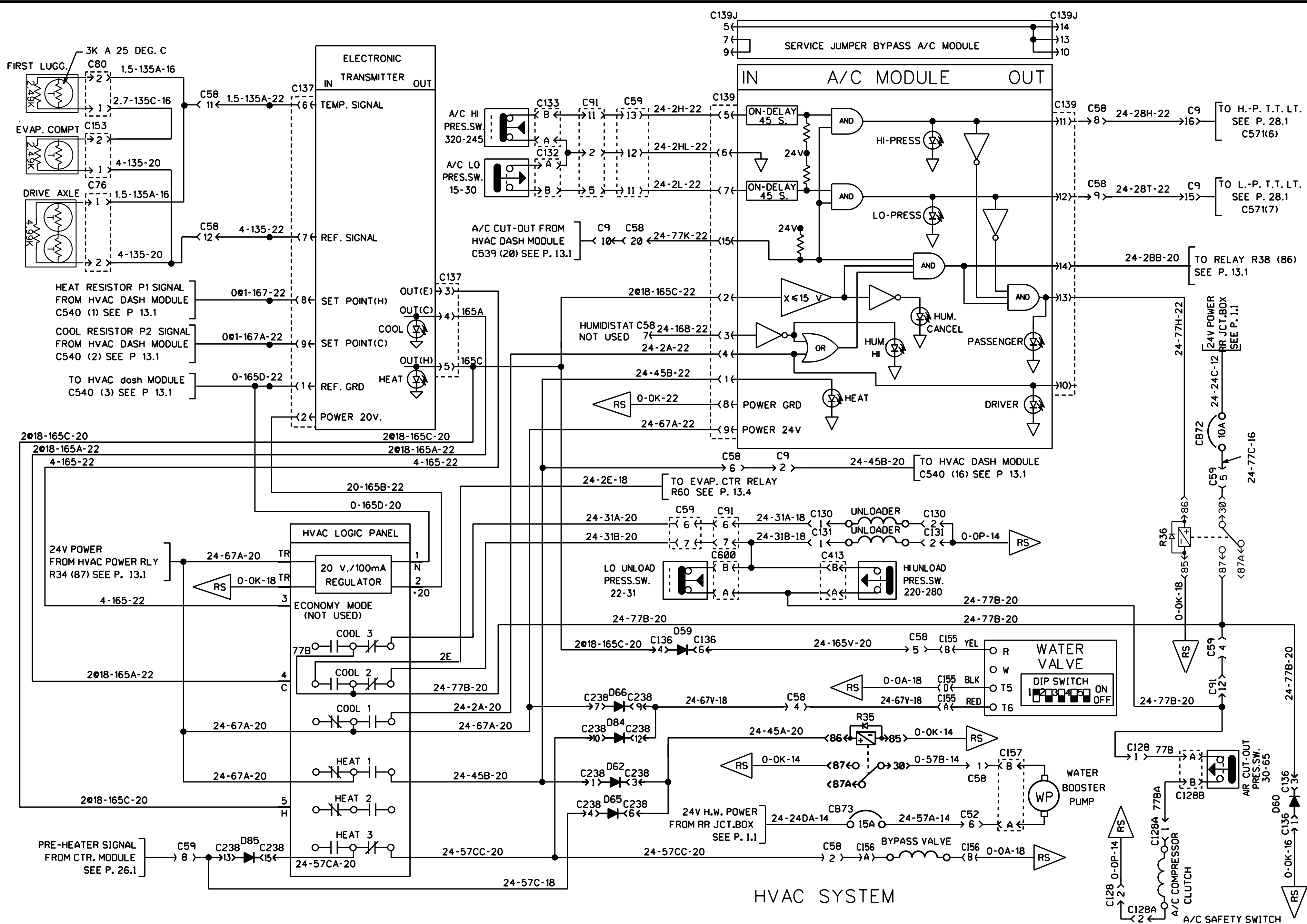


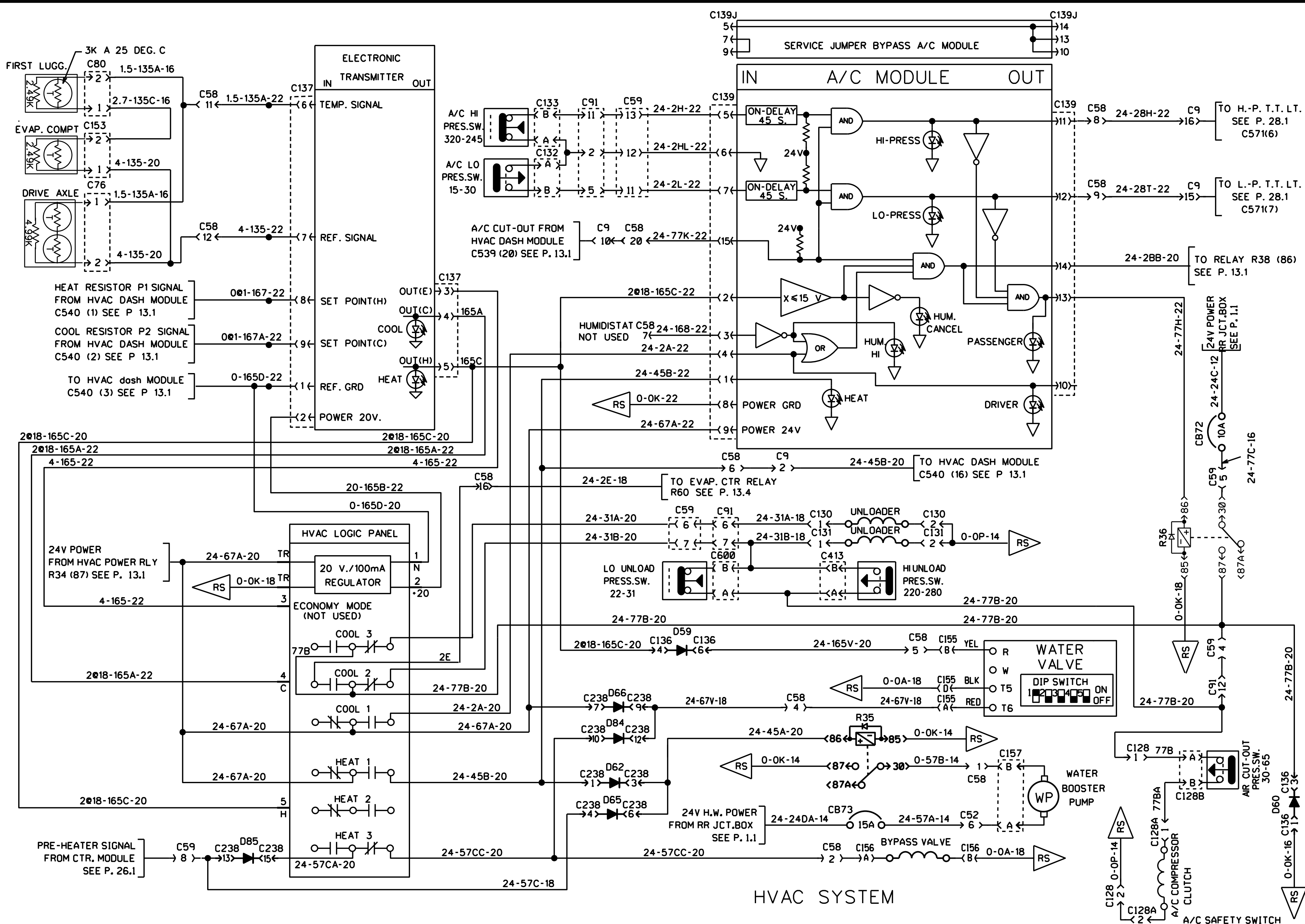




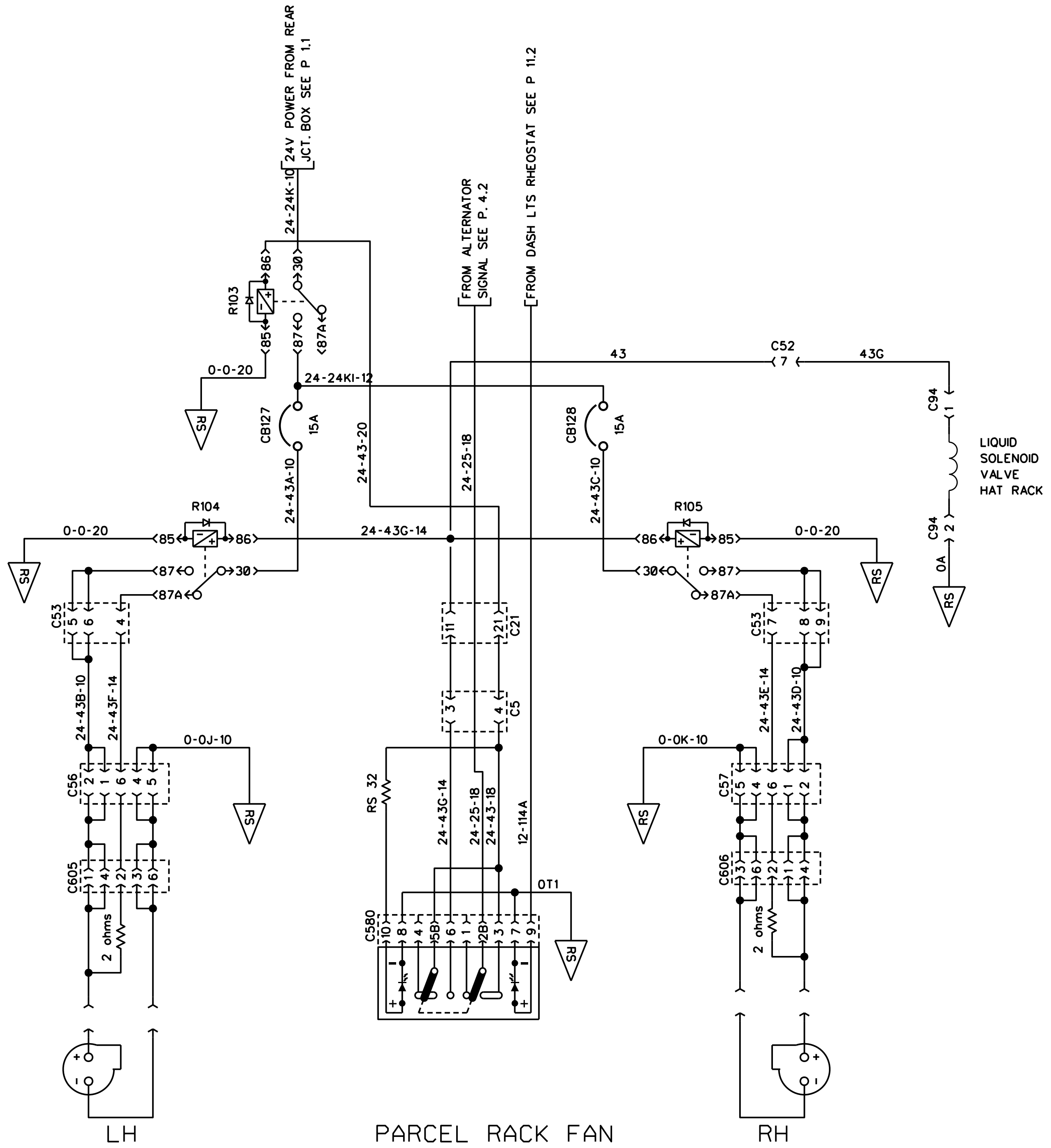


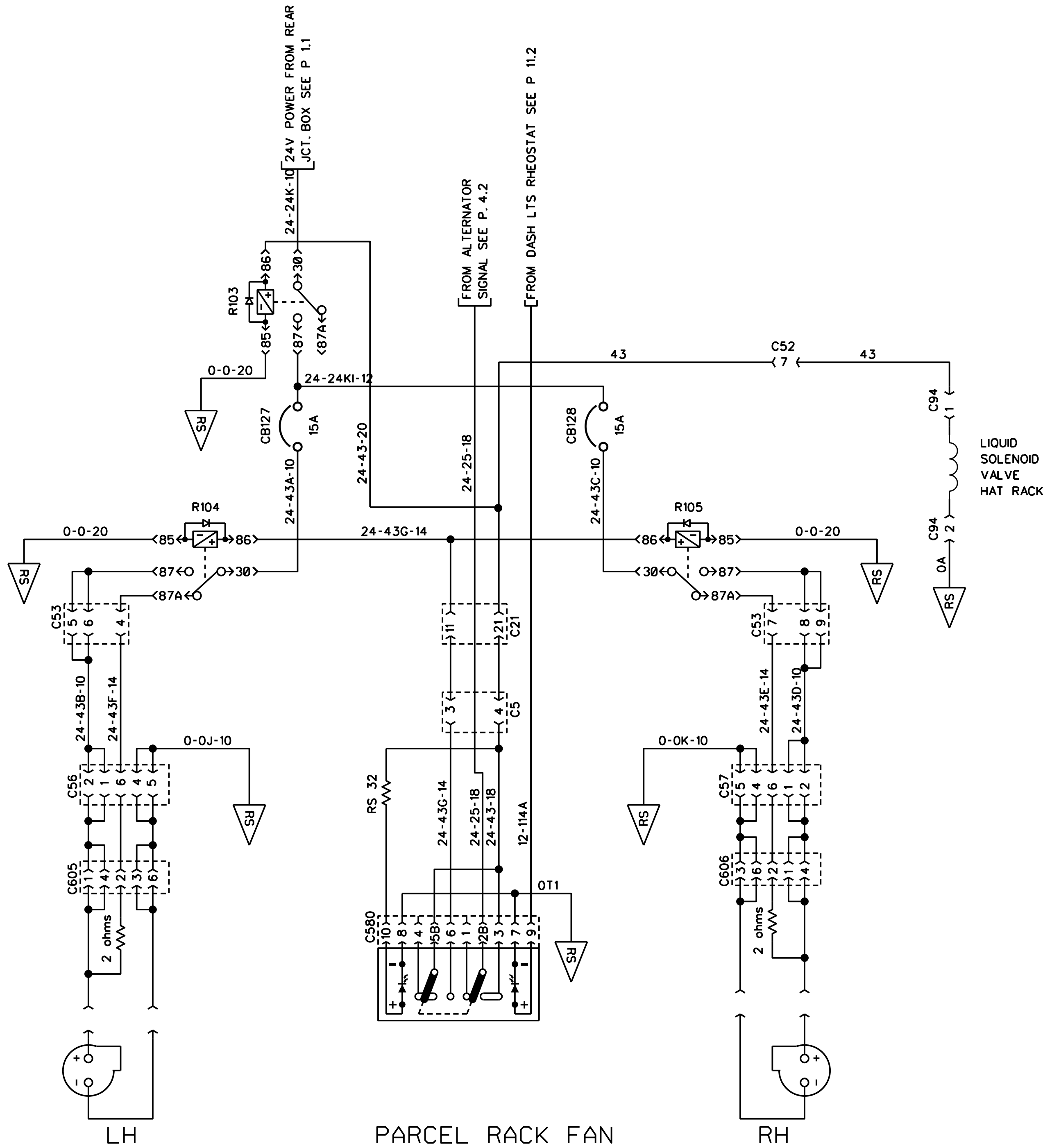


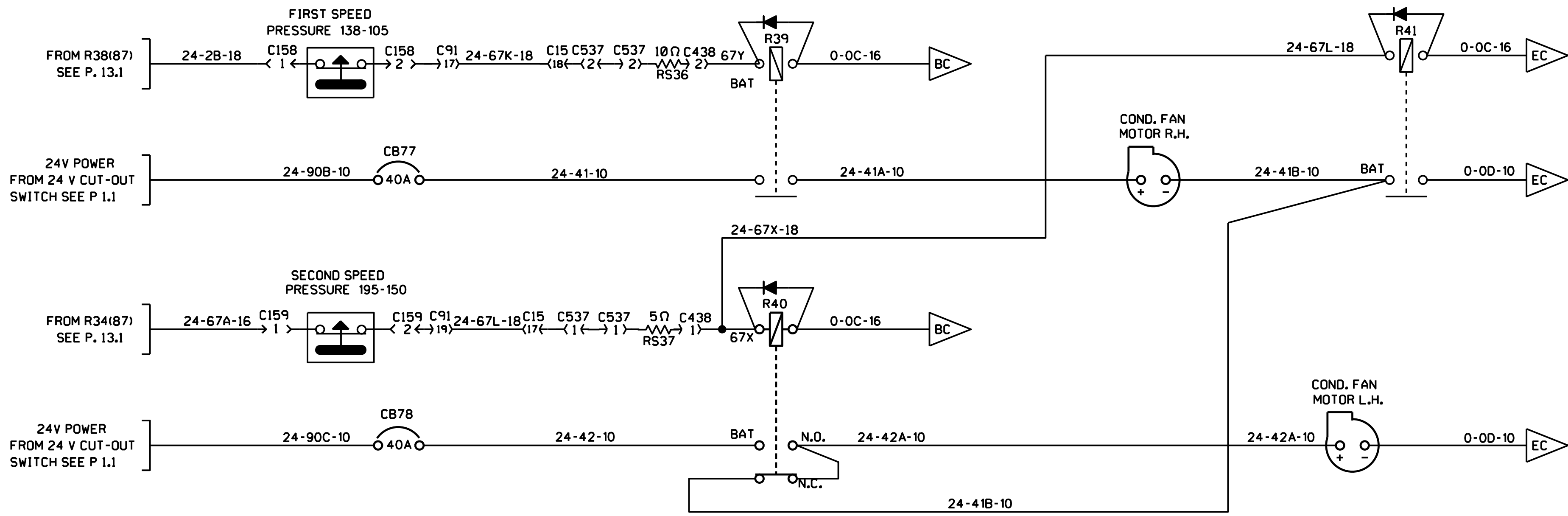




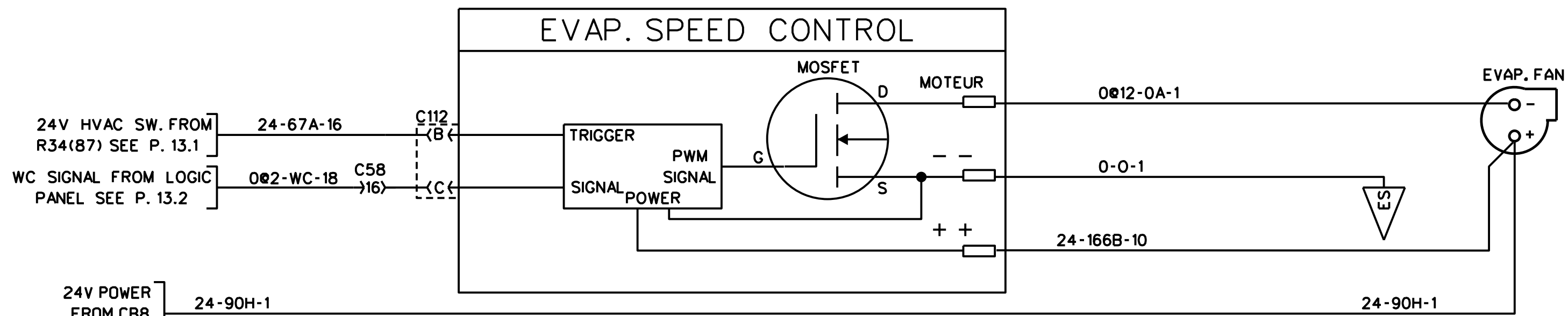
HVAC SYSTEM



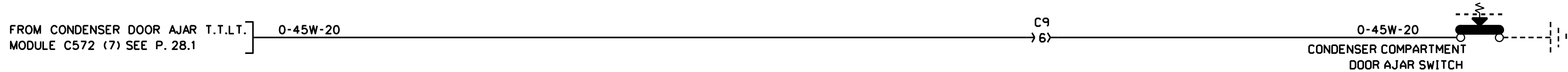




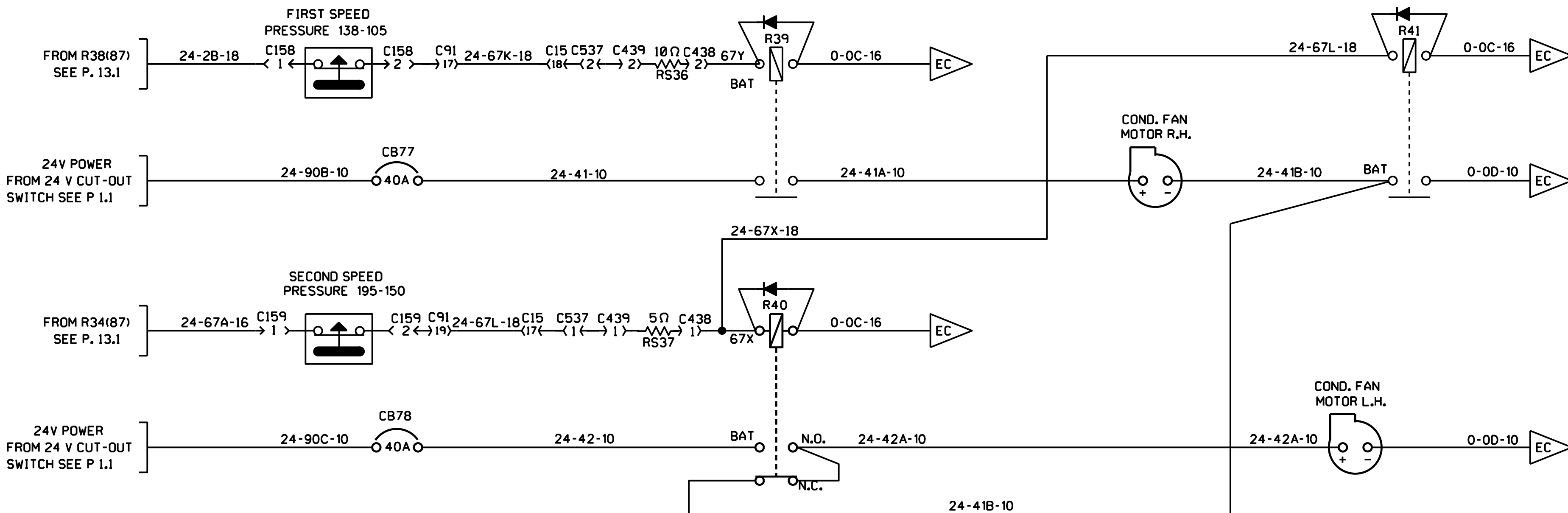
CONDENSER FAN



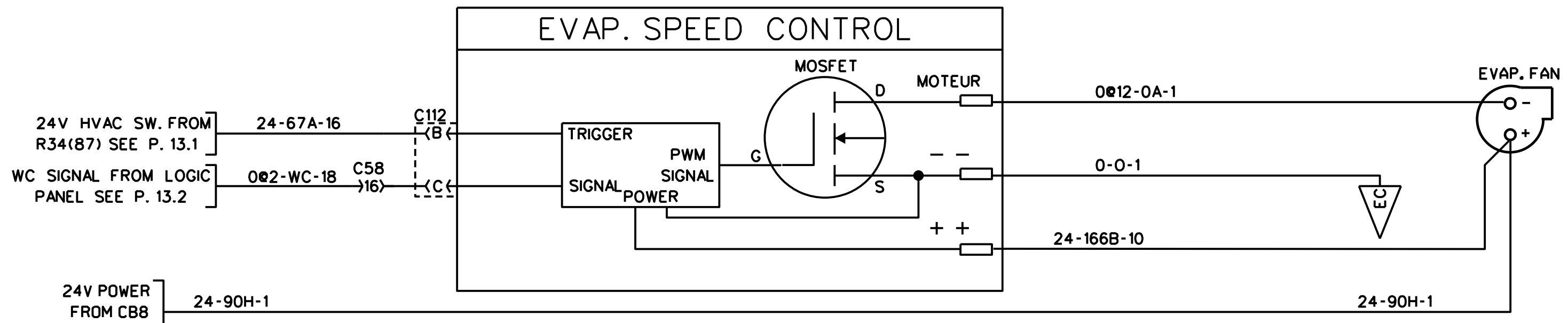
EVAPORATOR FAN



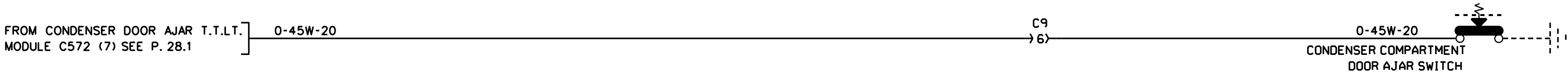
CONDENSER COMPT. DOOR AJAR



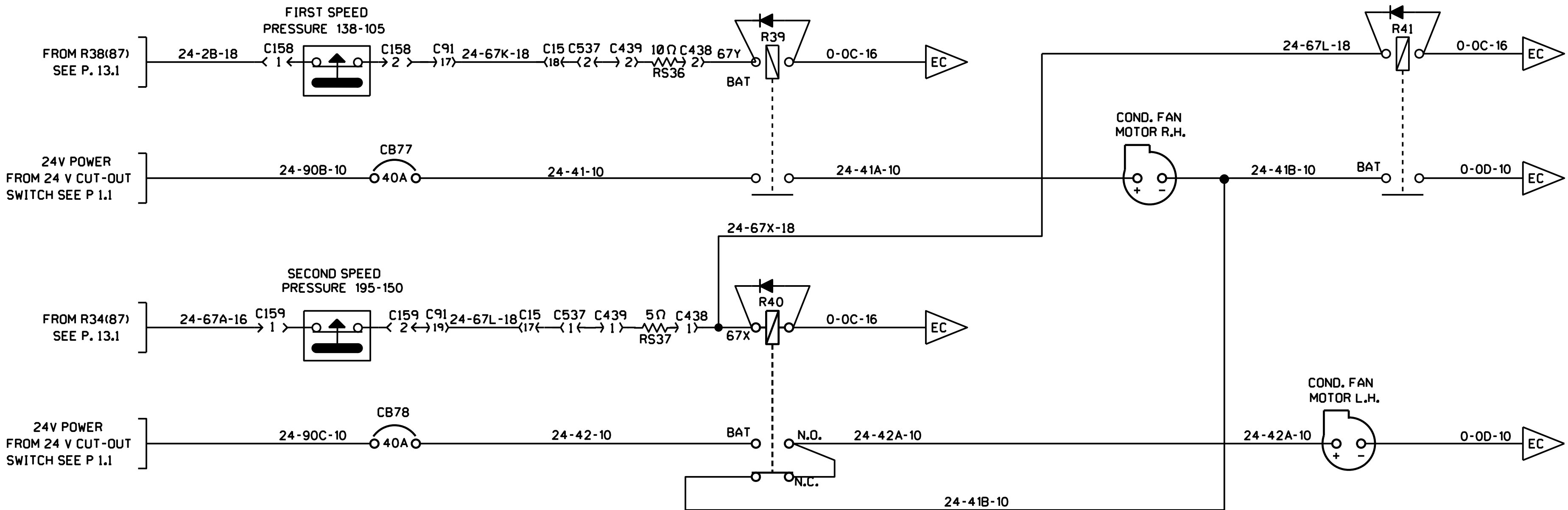
CONDENSER FAN



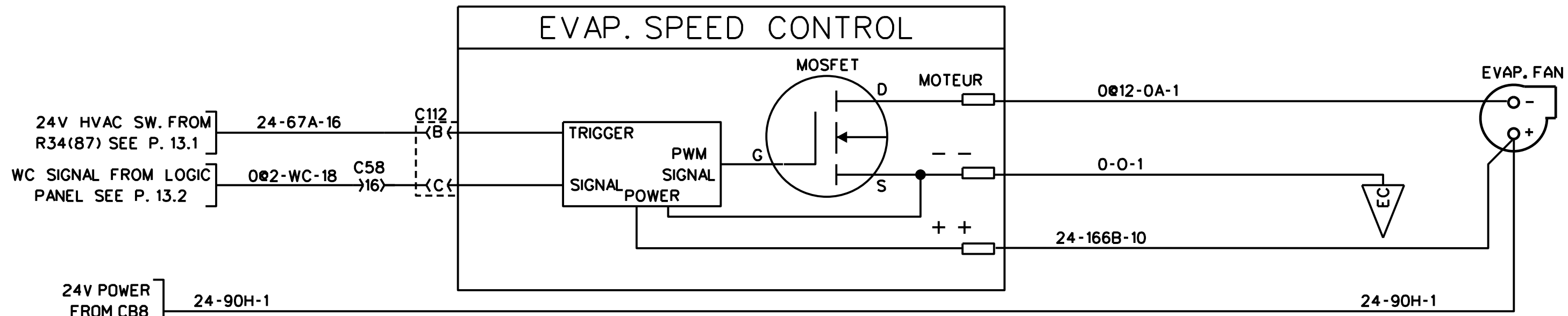
EVAPORATOR FAN



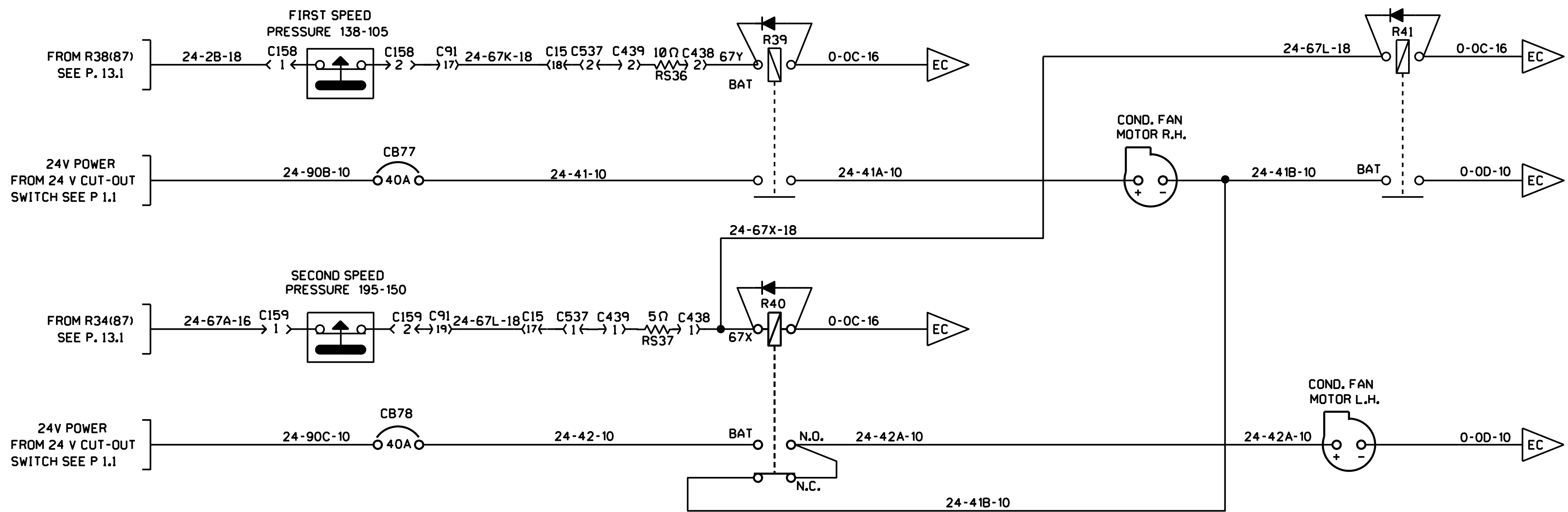
CONDENSER COMPT. DOOR AJAR



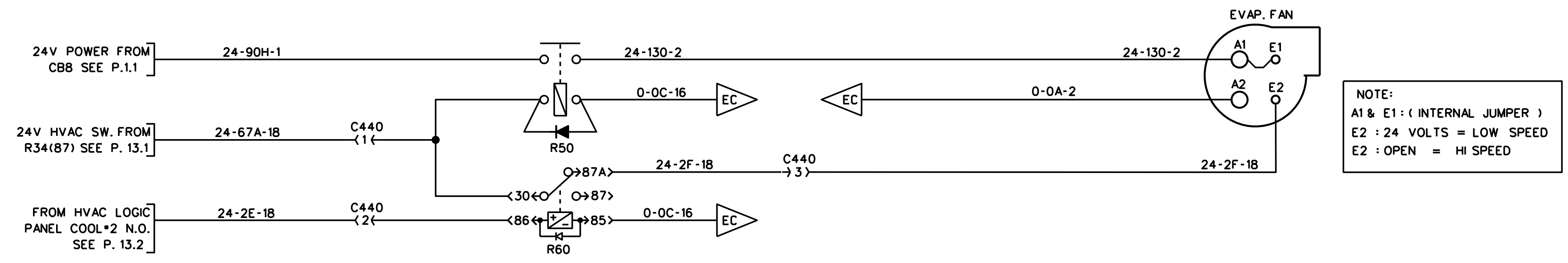
CONDENSER FAN



EVAPORATOR FAN

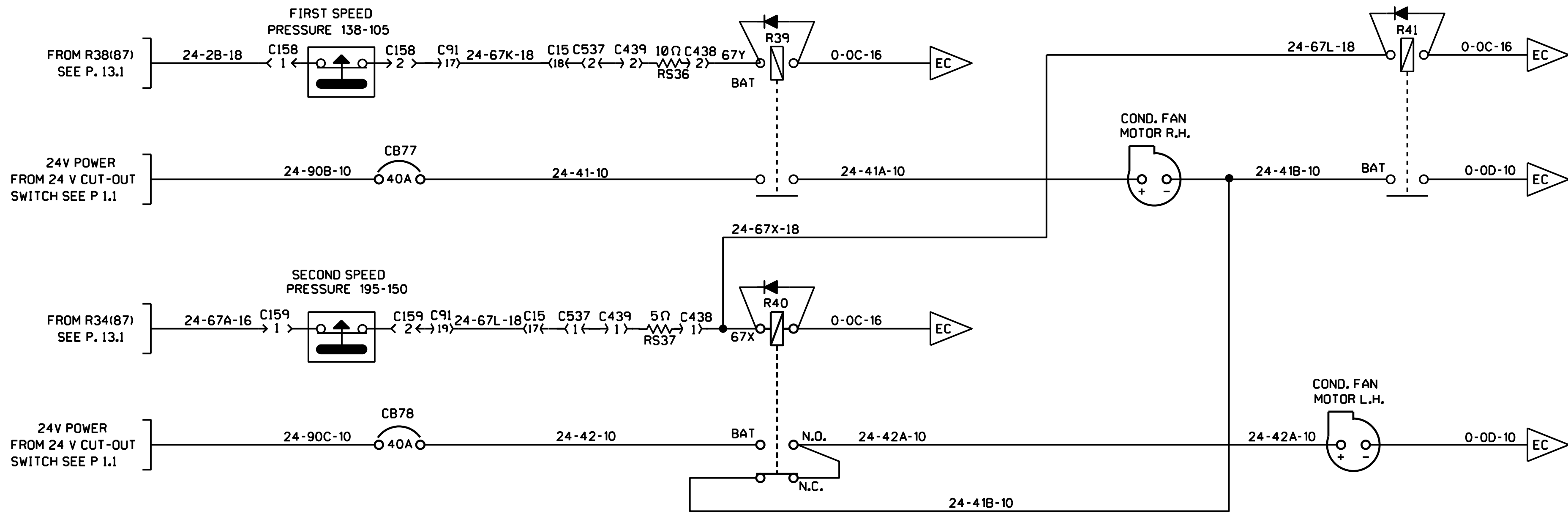


CONDENSER FAN (2 SPEED)

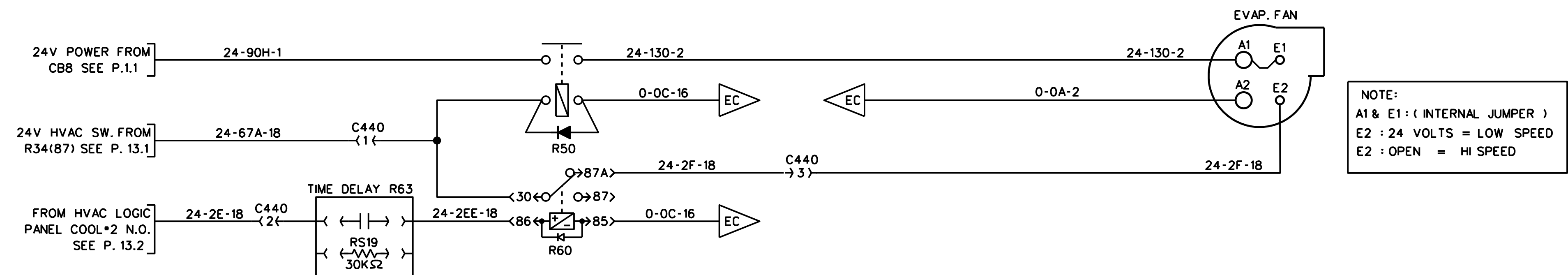


NOTE:
 A1 & E1 : (INTERNAL JUMPER)
 E2 : 24 VOLTS = LOW SPEED
 E2 : OPEN = HI SPEED

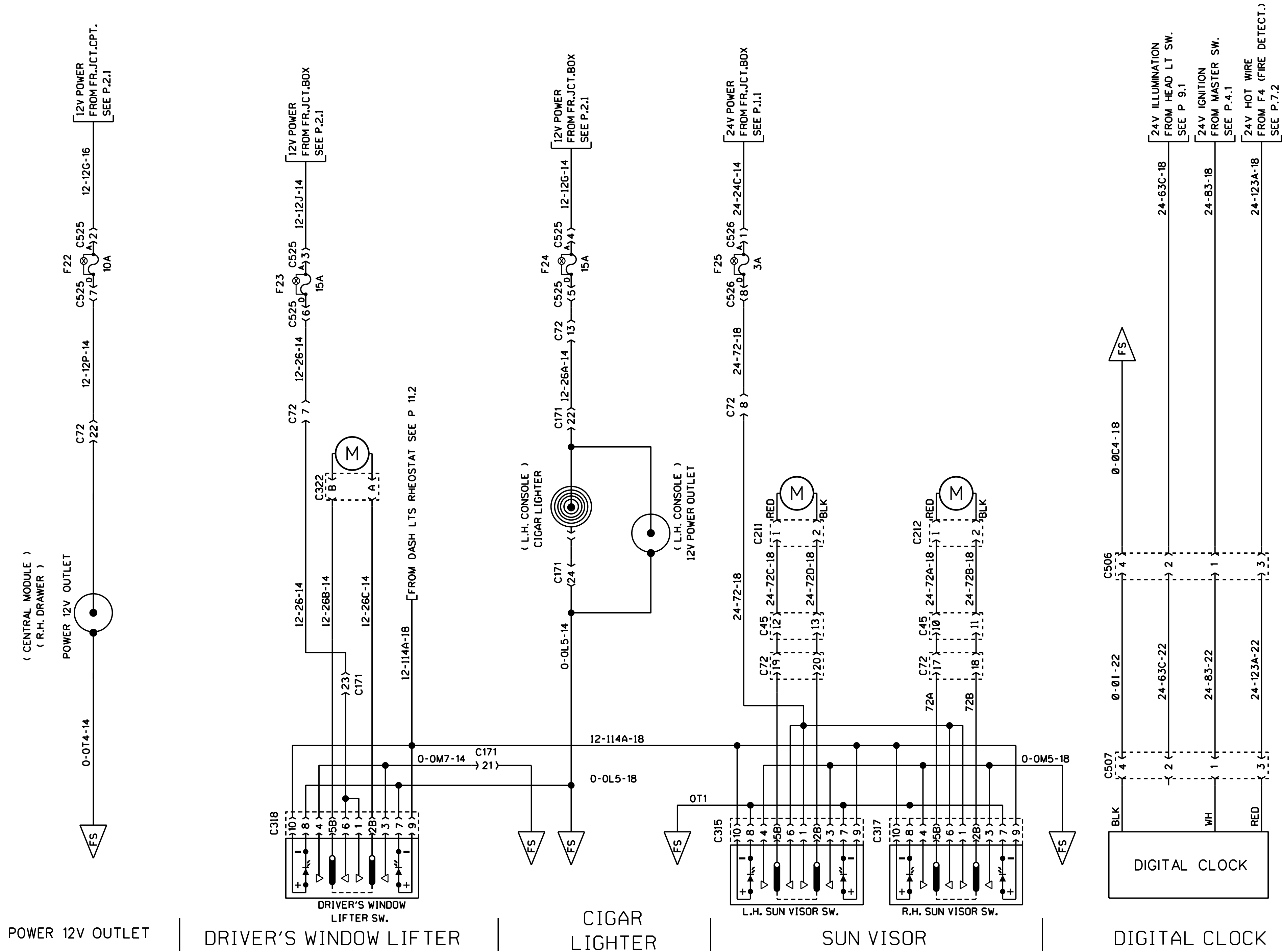
EVAPORATOR FAN (2 SPEED)



CONDENSER FAN (2 SPEED)



EVAPORATOR FAN (2 SPEED)



POWER 12V OUTLET

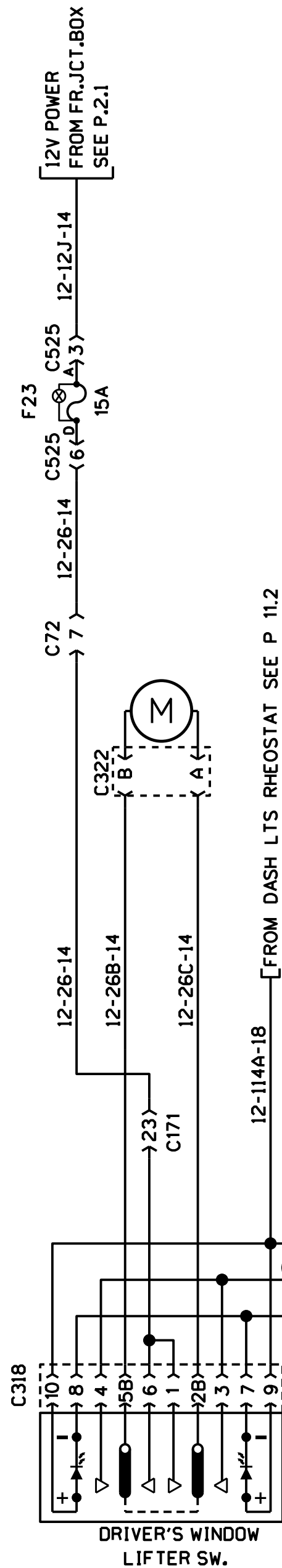
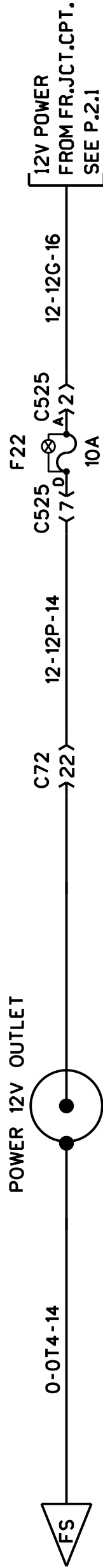
DRIVER'S WINDOW LIFTER

CIGAR LIGHTER

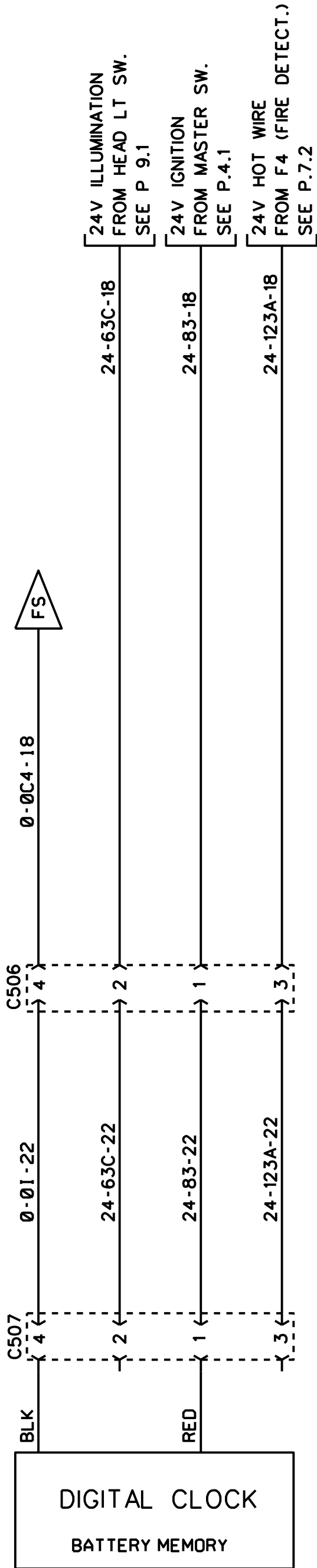
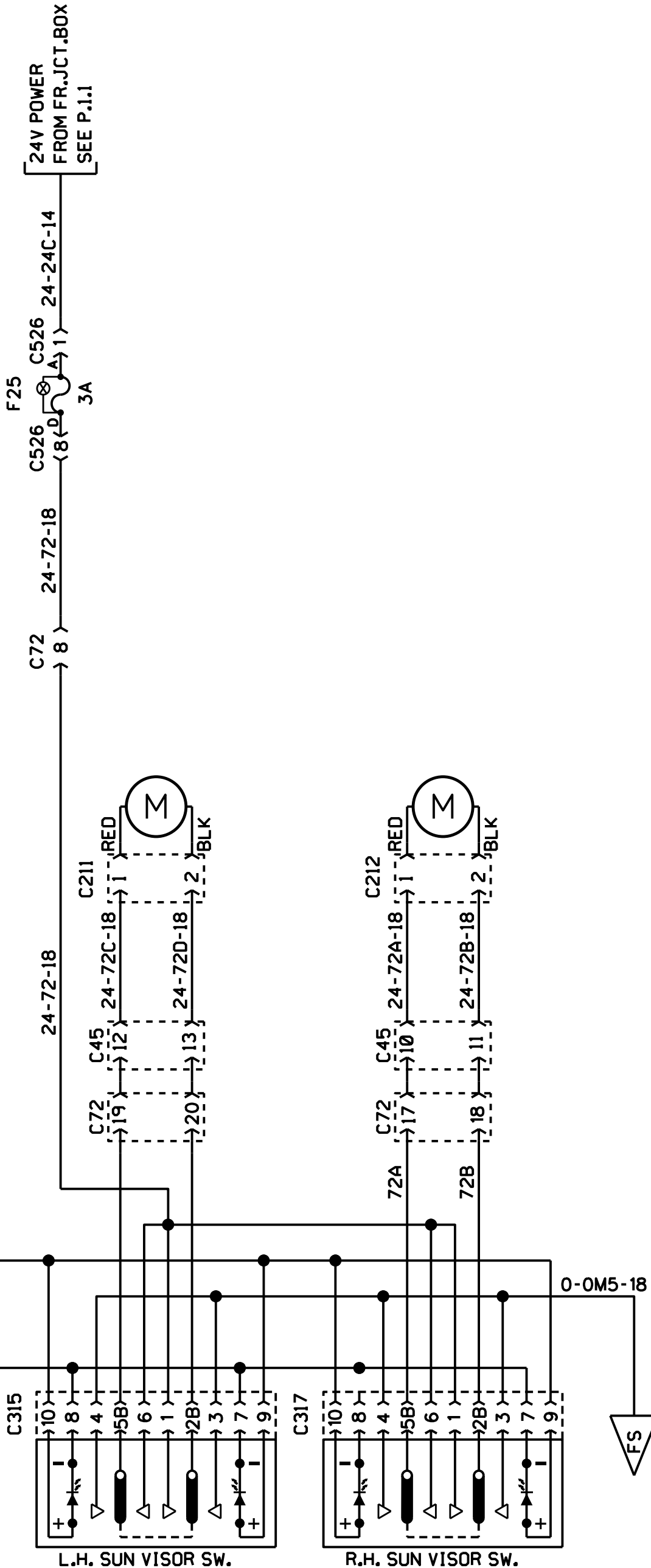
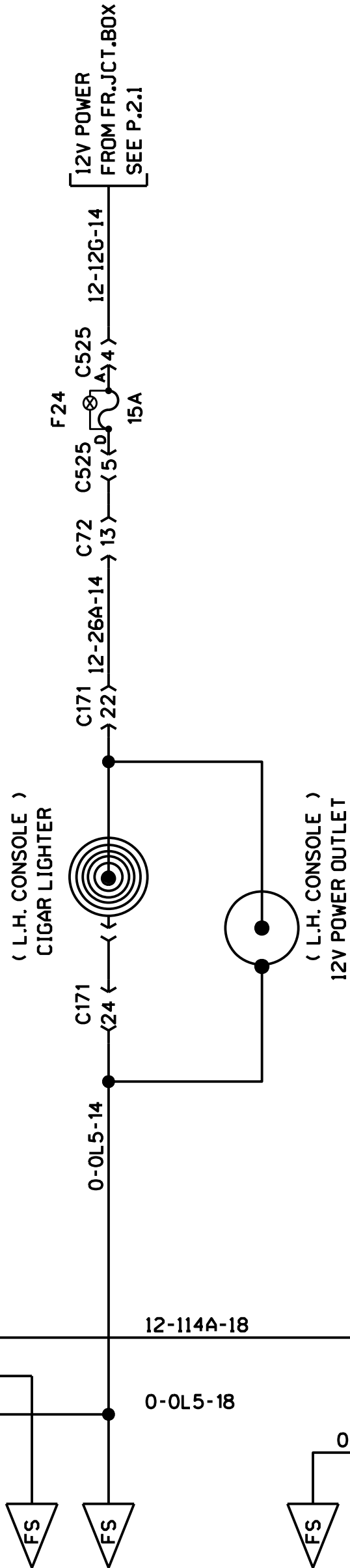
SUN VISOR

DIGITAL CLOCK

(CENTRAL MODULE)
(R.H. DRAWER)



[FROM DASH LTS RHEOSTAT SEE P 11.2]



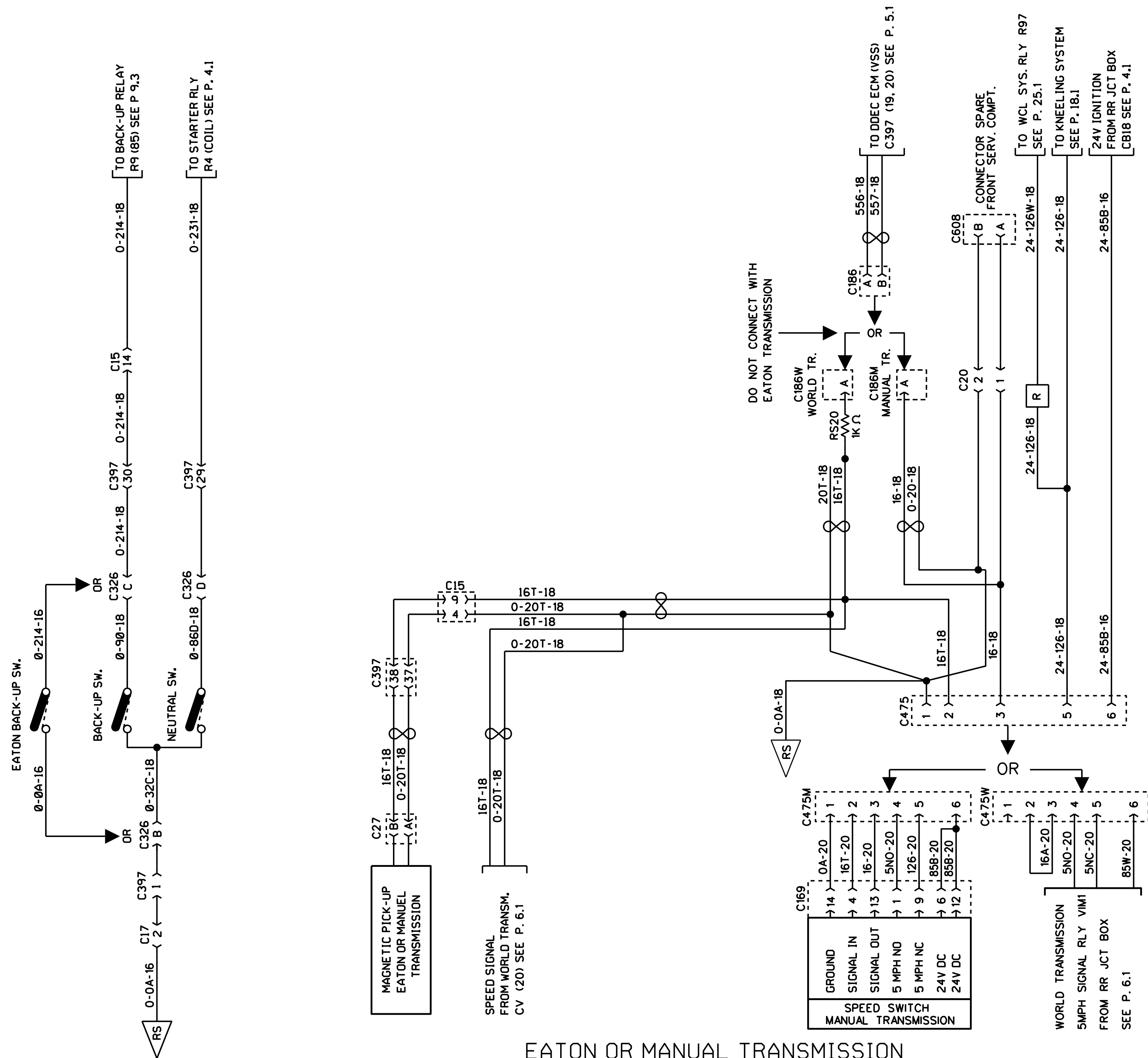
POWER 12V OUTLET

DRIVER'S WINDOW LIFTER

CIGAR LIGHTER

SUN VISOR

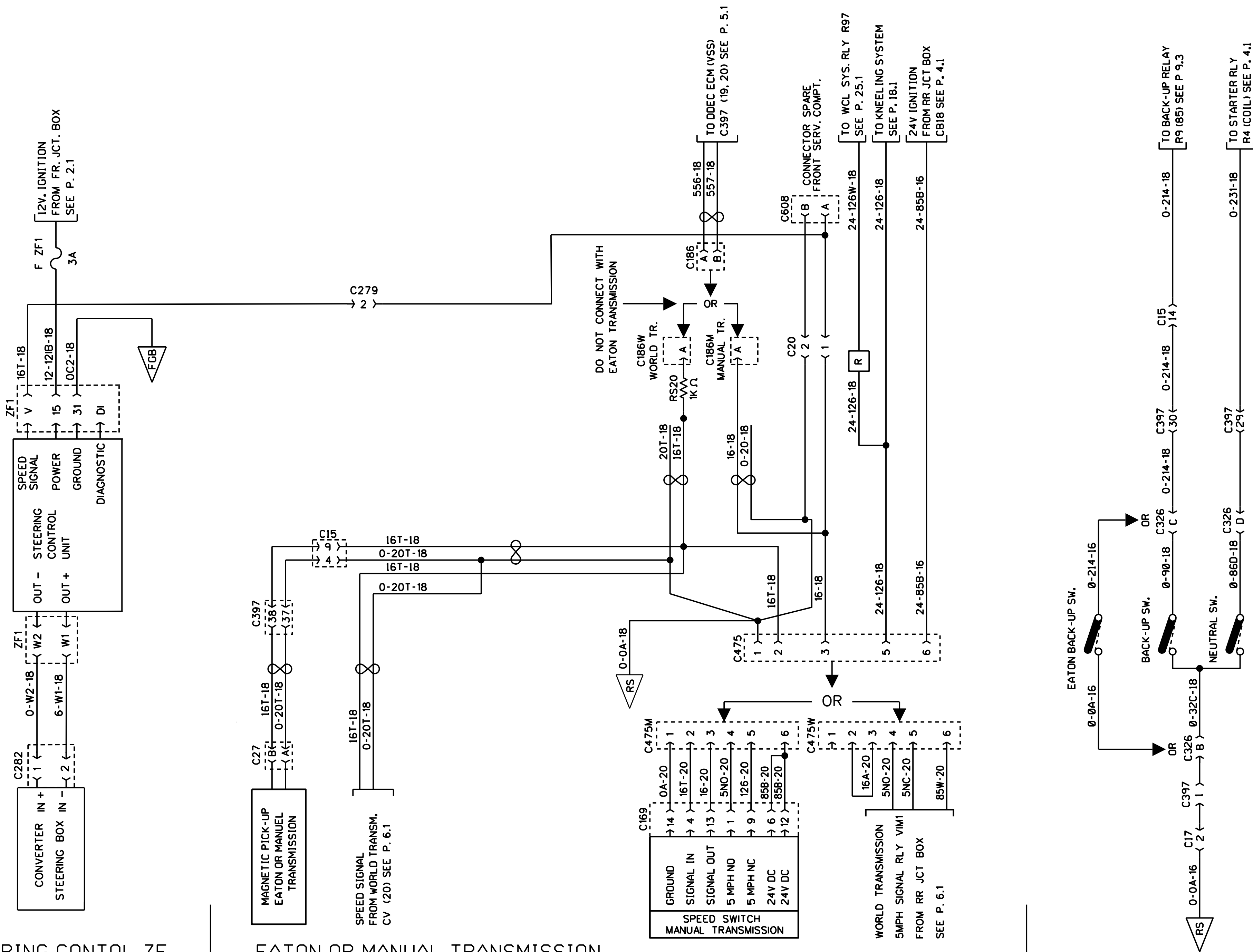
DIGITAL CLOCK

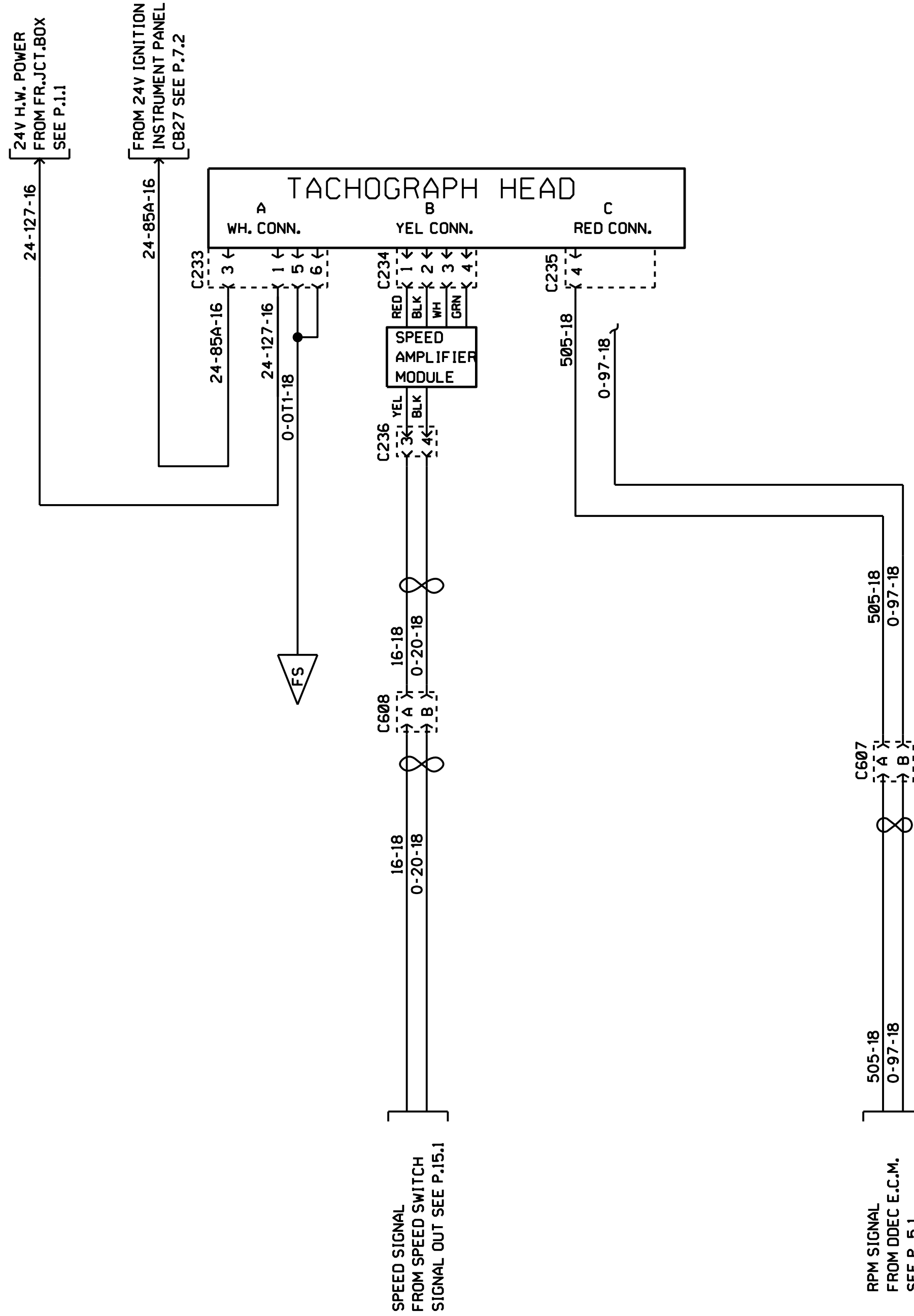


EATON OR MANUAL TRANSMISSION

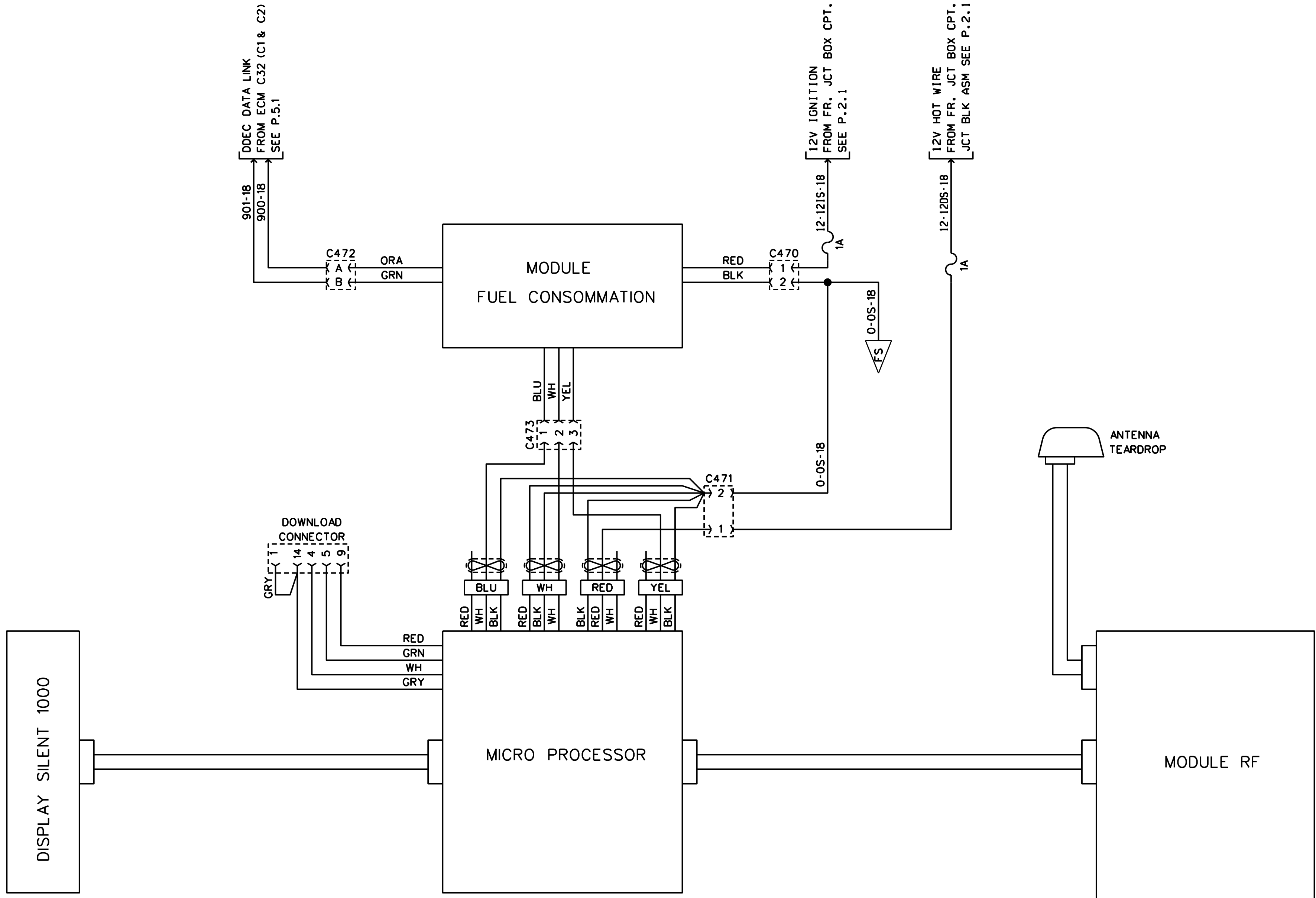
STEERING CONTROL ZF

EATON OR MANUAL TRANSMISSION



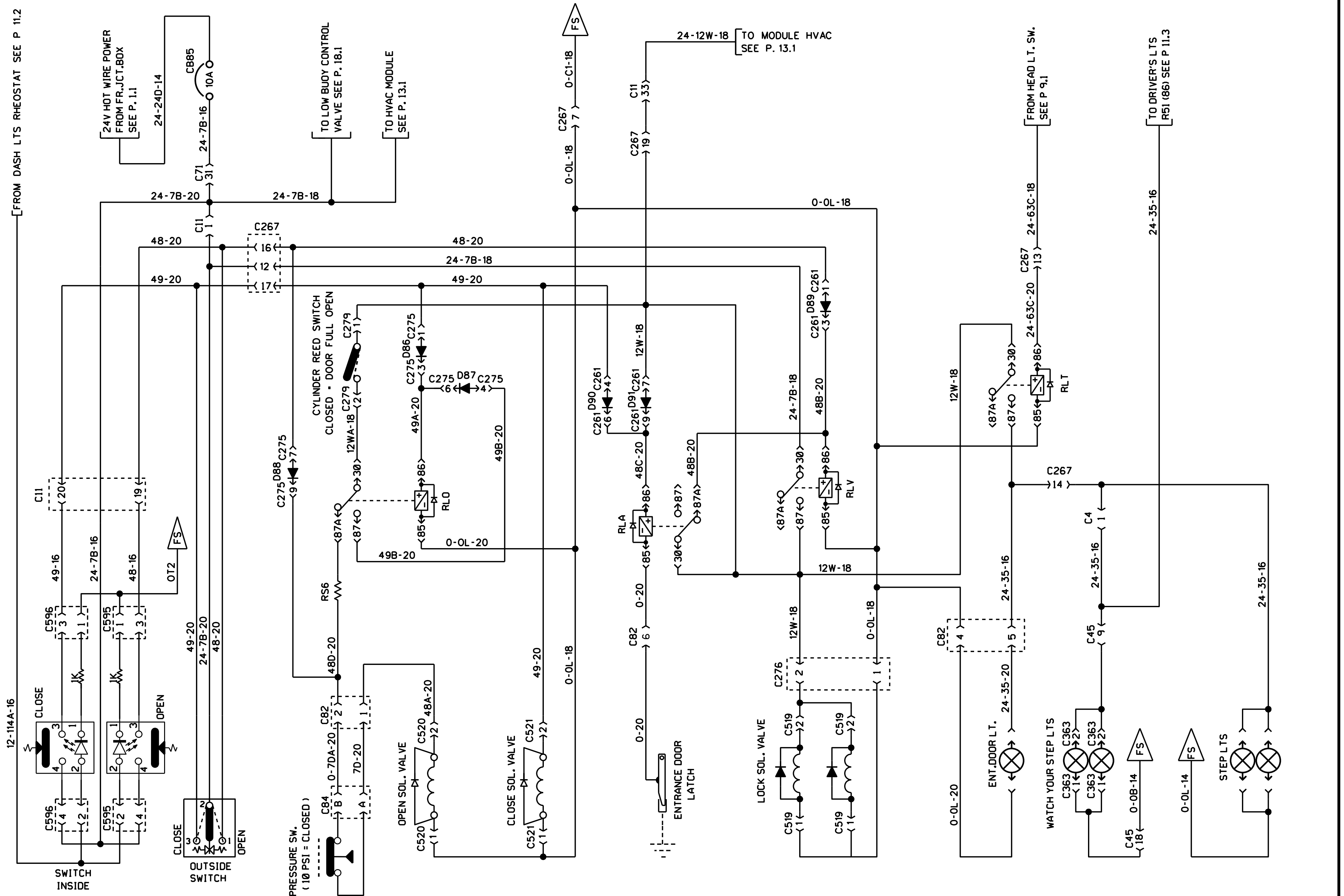


ELECTRONIC TACHOGRAPH



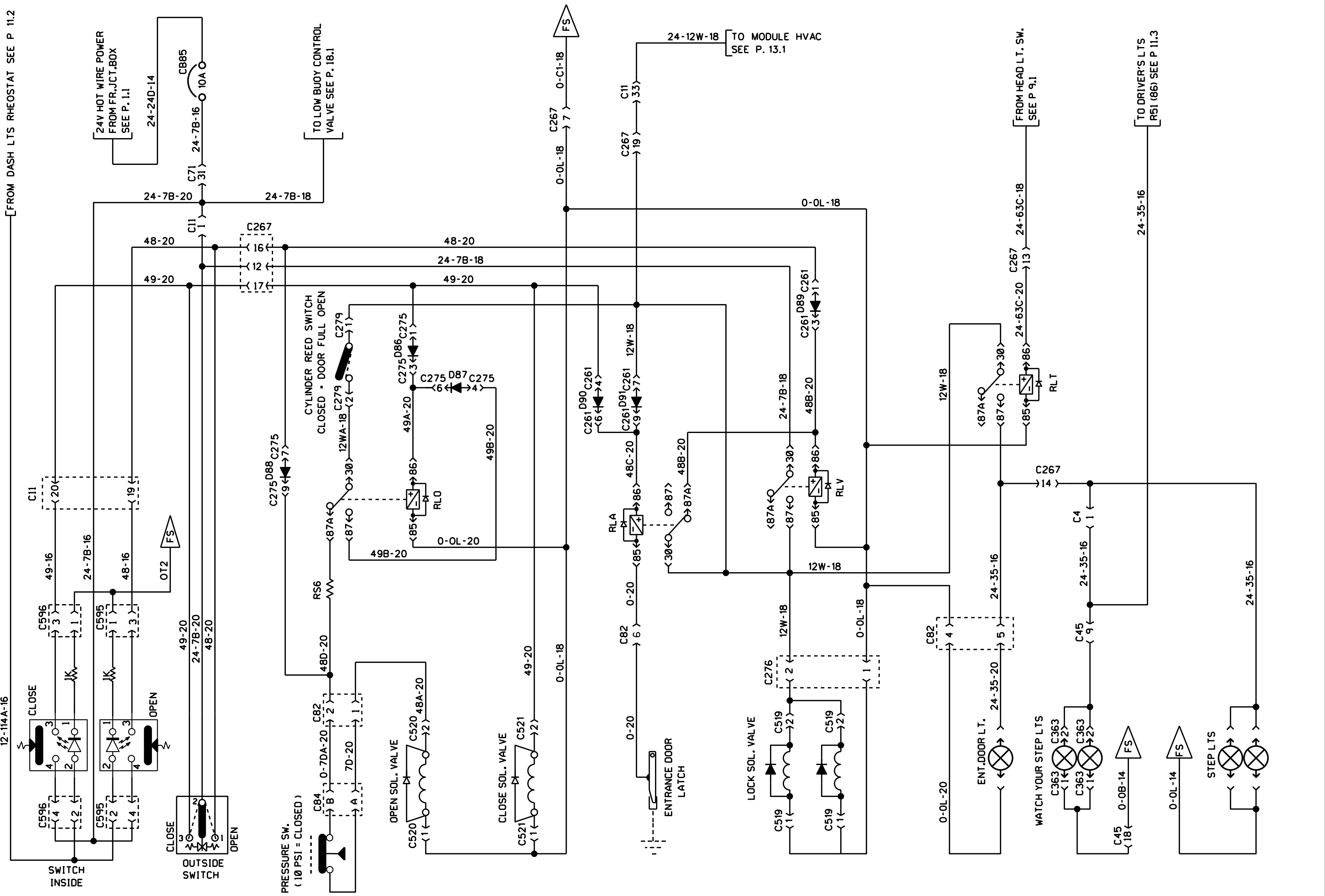
SILENT 1000

[FROM DASH L.TS RHEOSTAT SEE P 11.2



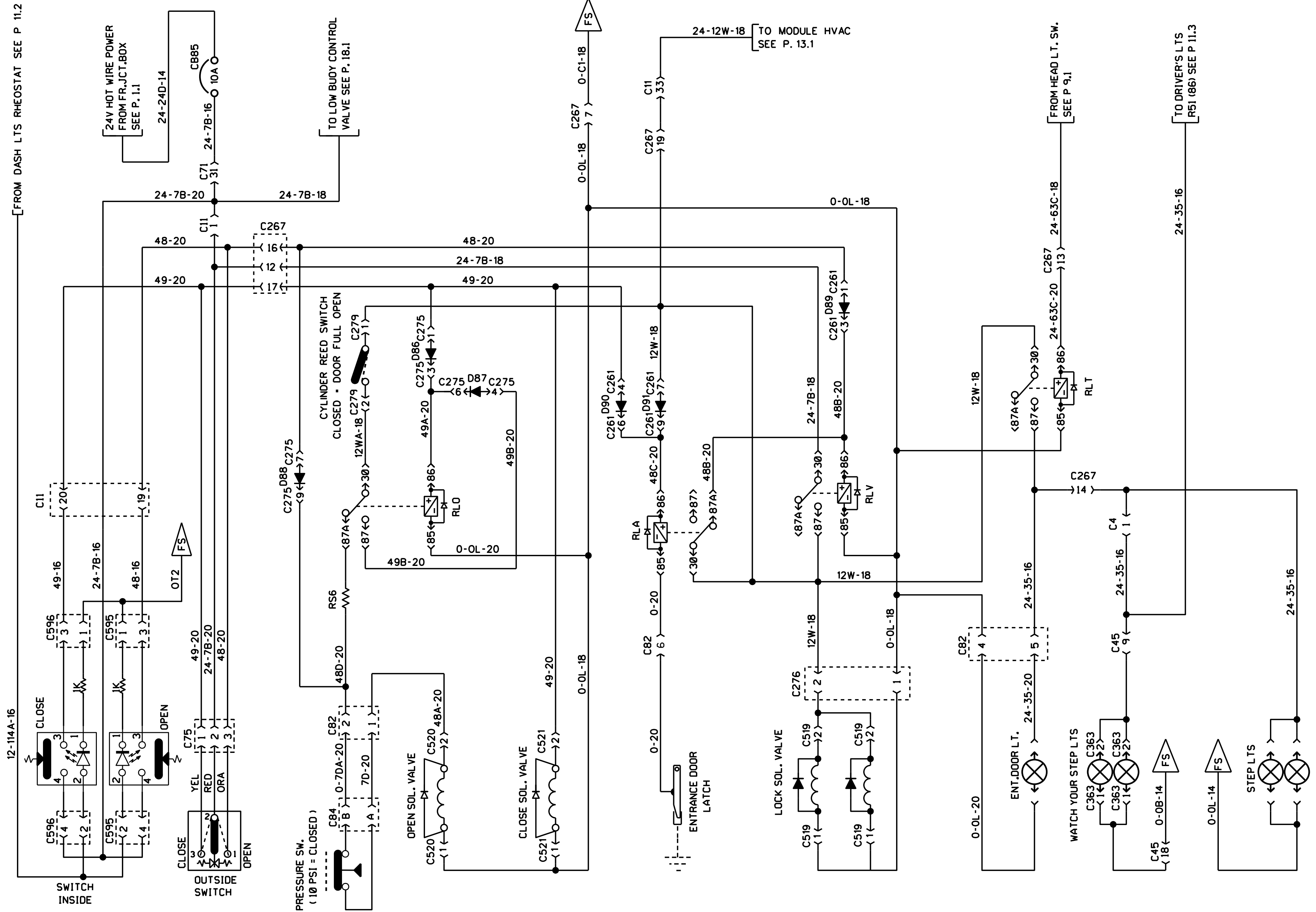
ENTRANCE DOOR (SEDAN)

[FROM DASH LTS RHEOSTAT SEE P 11.2



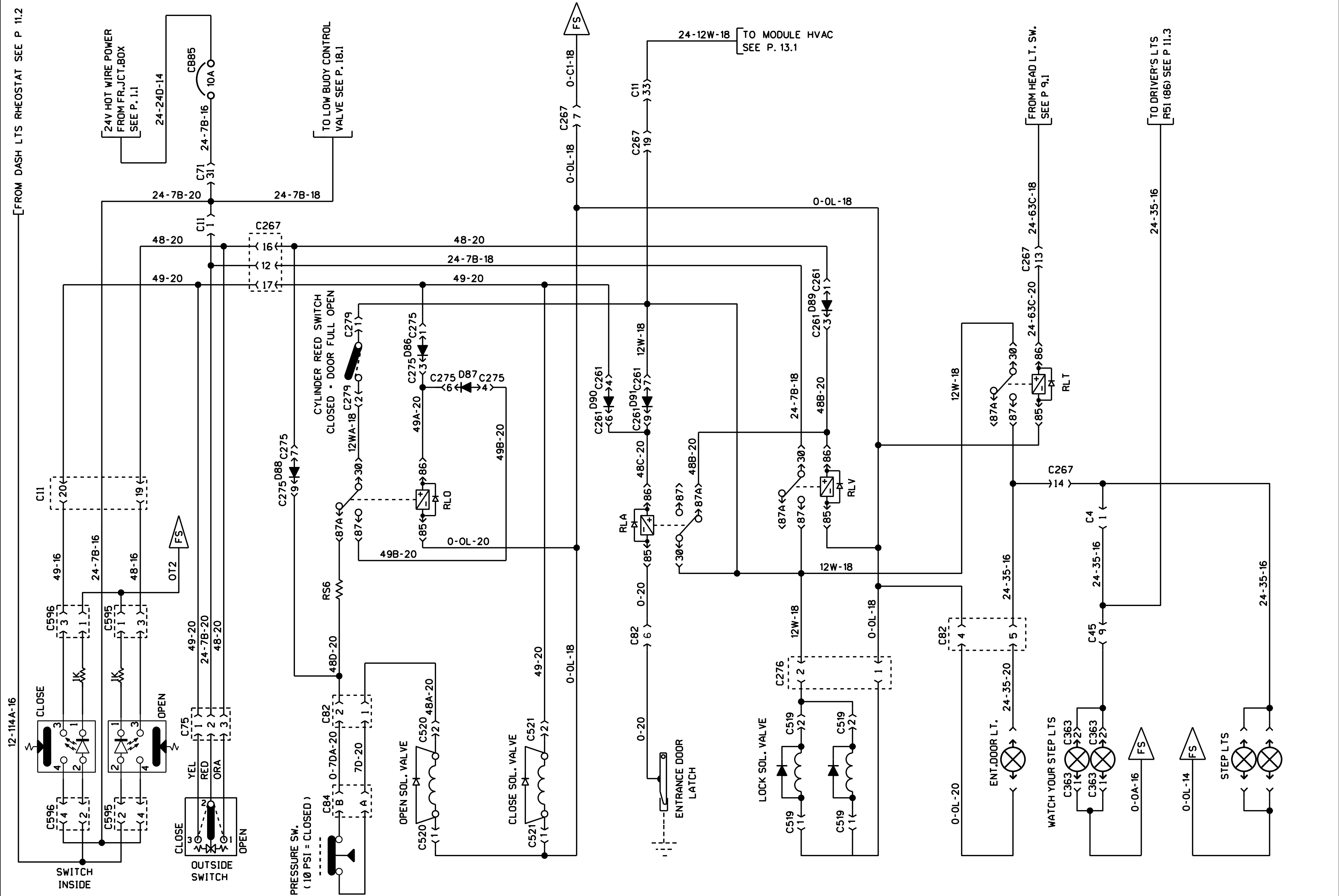
ENTRANCE DOOR (SEDAN)

[FROM DASH LTS RHEOSTAT SEE P 11.2



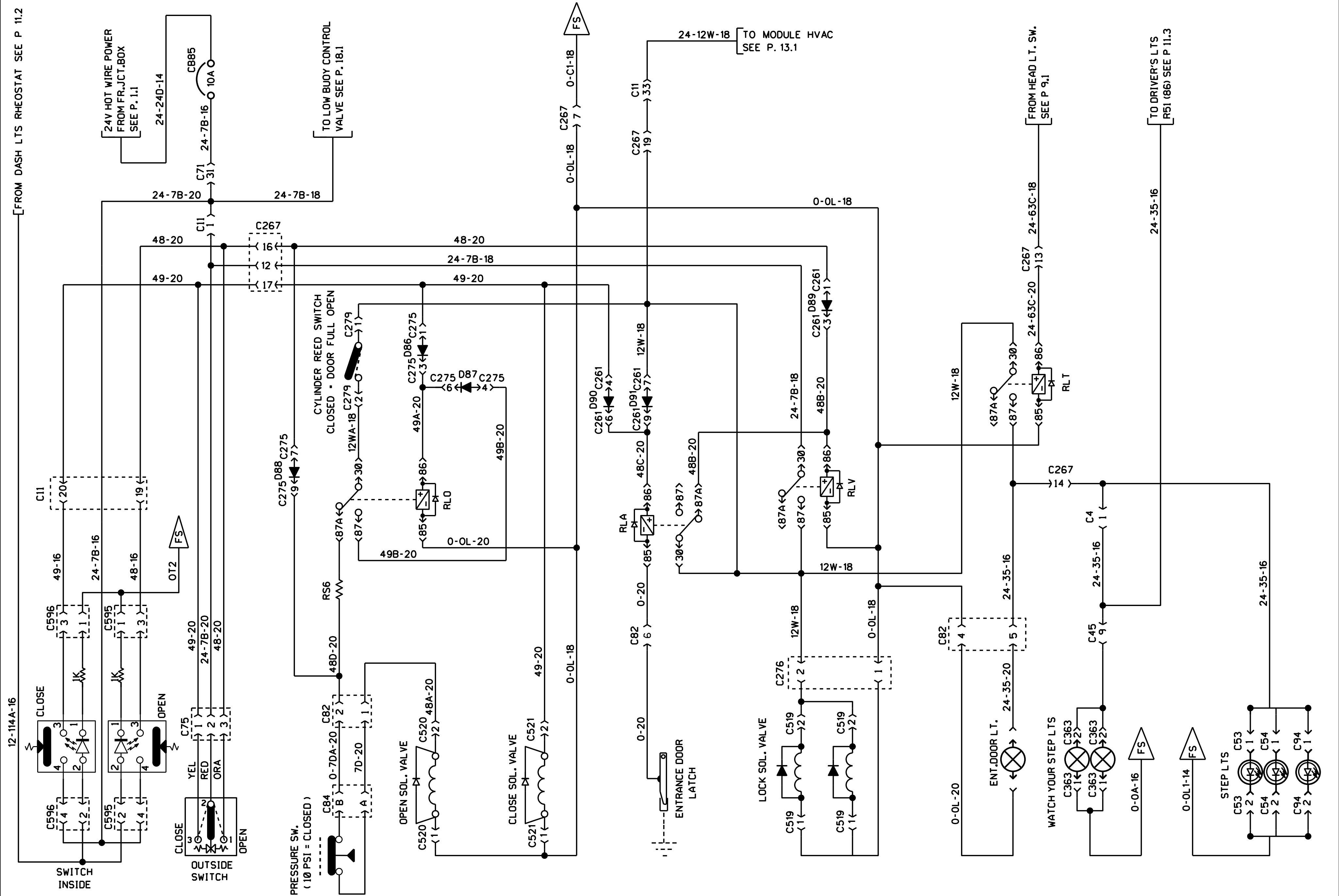
ENTRANCE DOOR (SEDAN)

[FROM DASH LTS RHEOSTAT SEE P 11.2



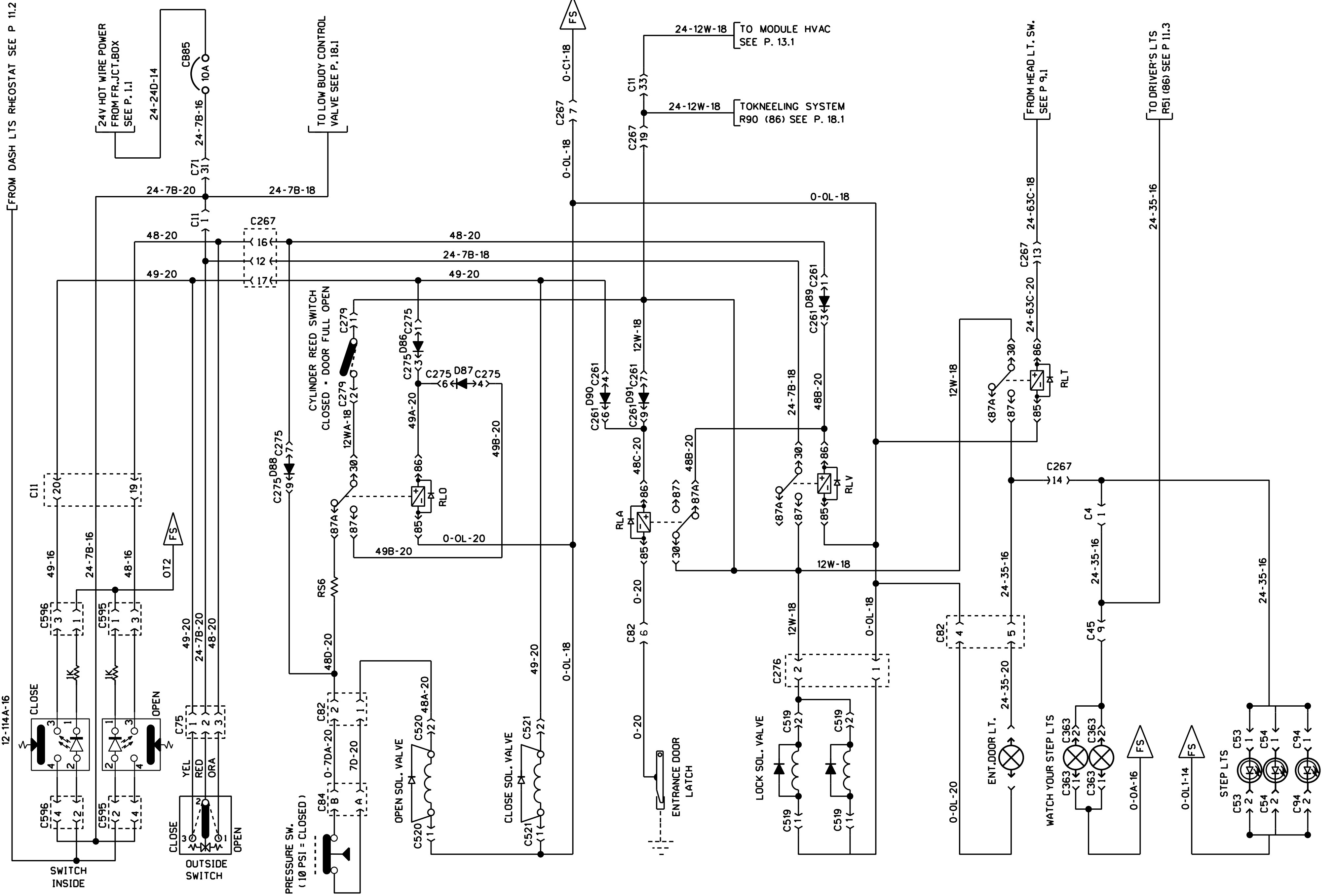
ENTRANCE DOOR (SEDAN)

[FROM DASH LTS RHEOSTAT SEE P 11.2



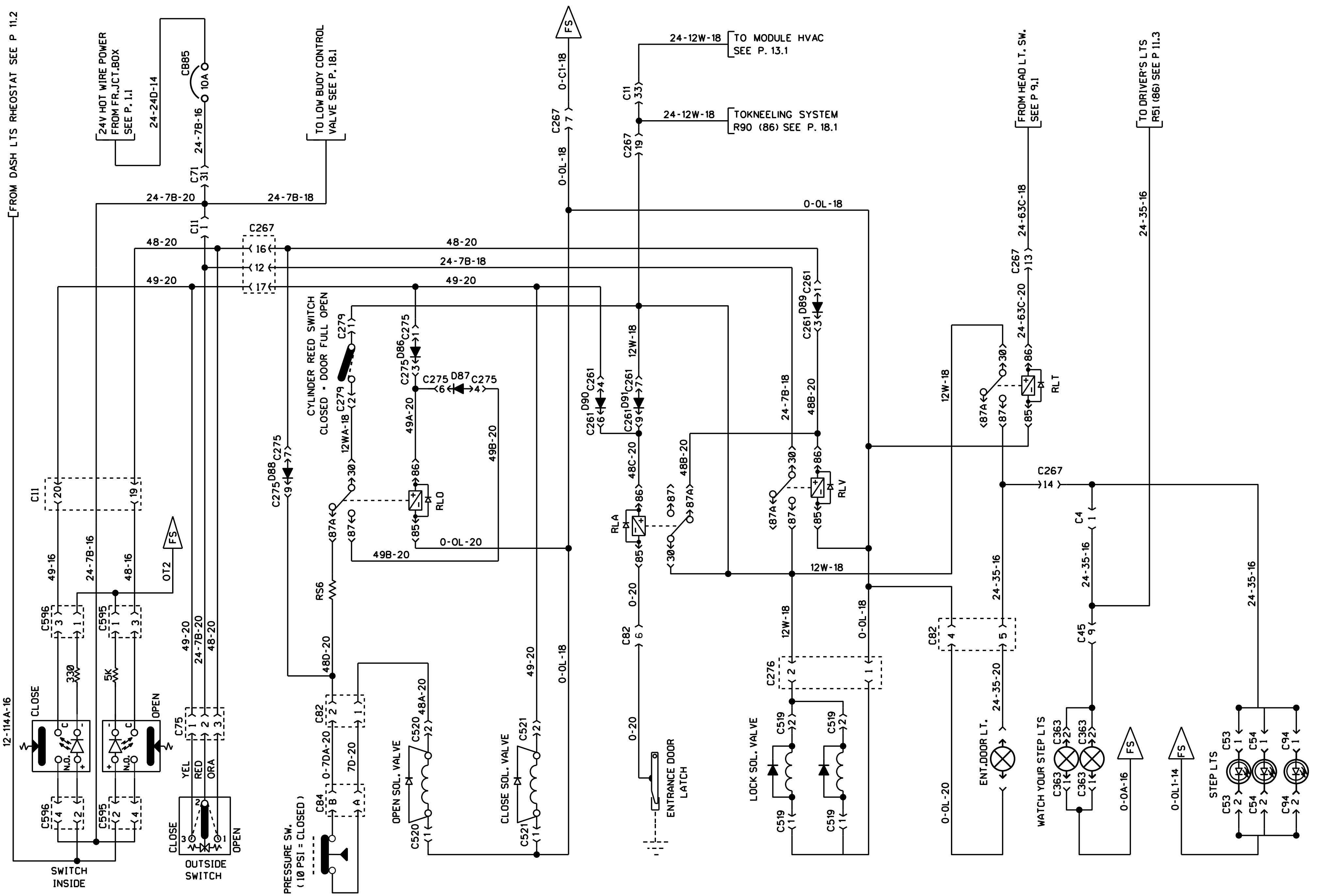
ENTRANCE DOOR (SEDAN)

[FROM DASH LTS RHEOSTAT SEE P 11.2

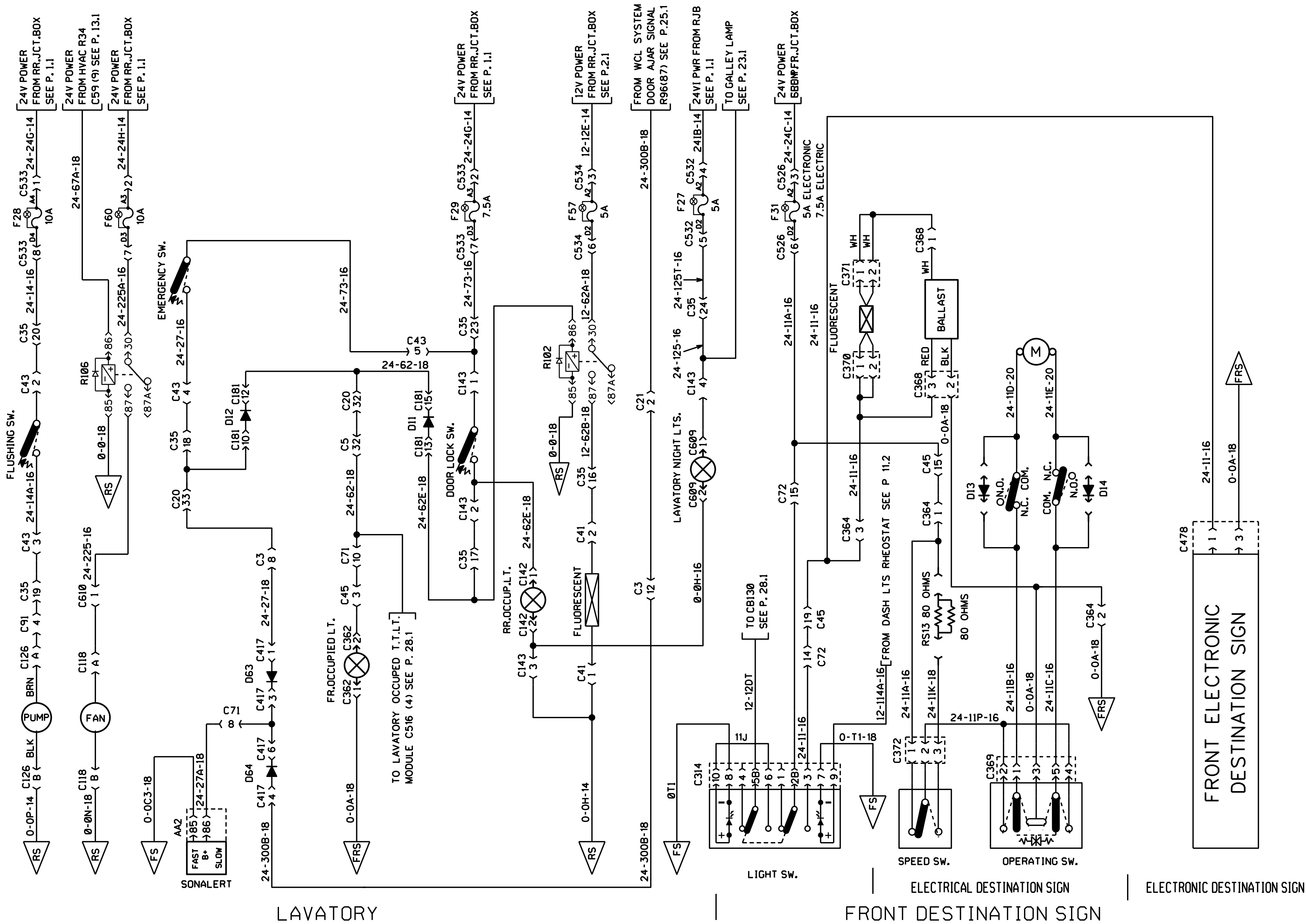


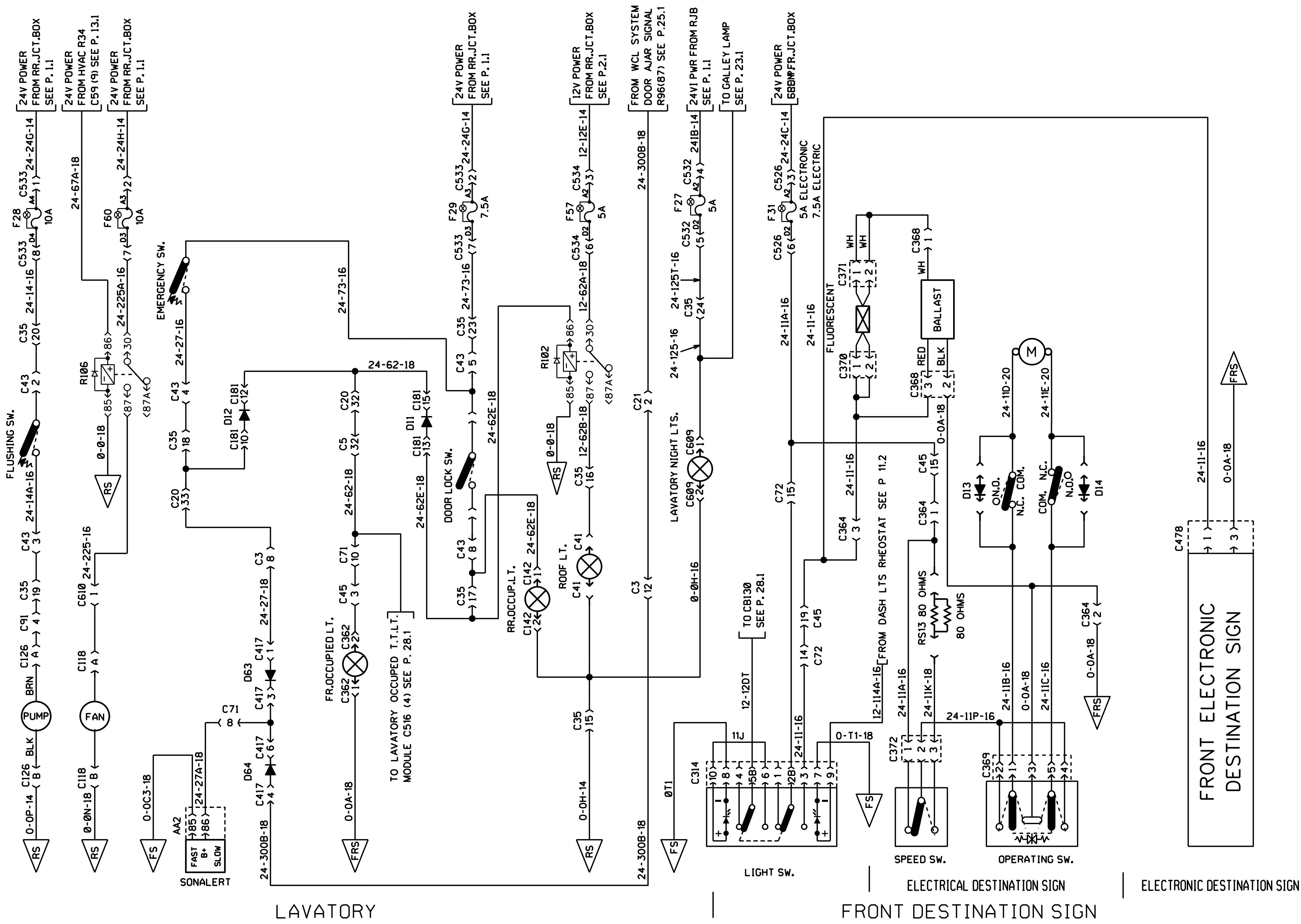
ENTRANCE DOOR (SEDAN)

[FROM DASH L.T.S RHEOSTAT SEE P 11.2



ENTRANCE DOOR (SEDAN)

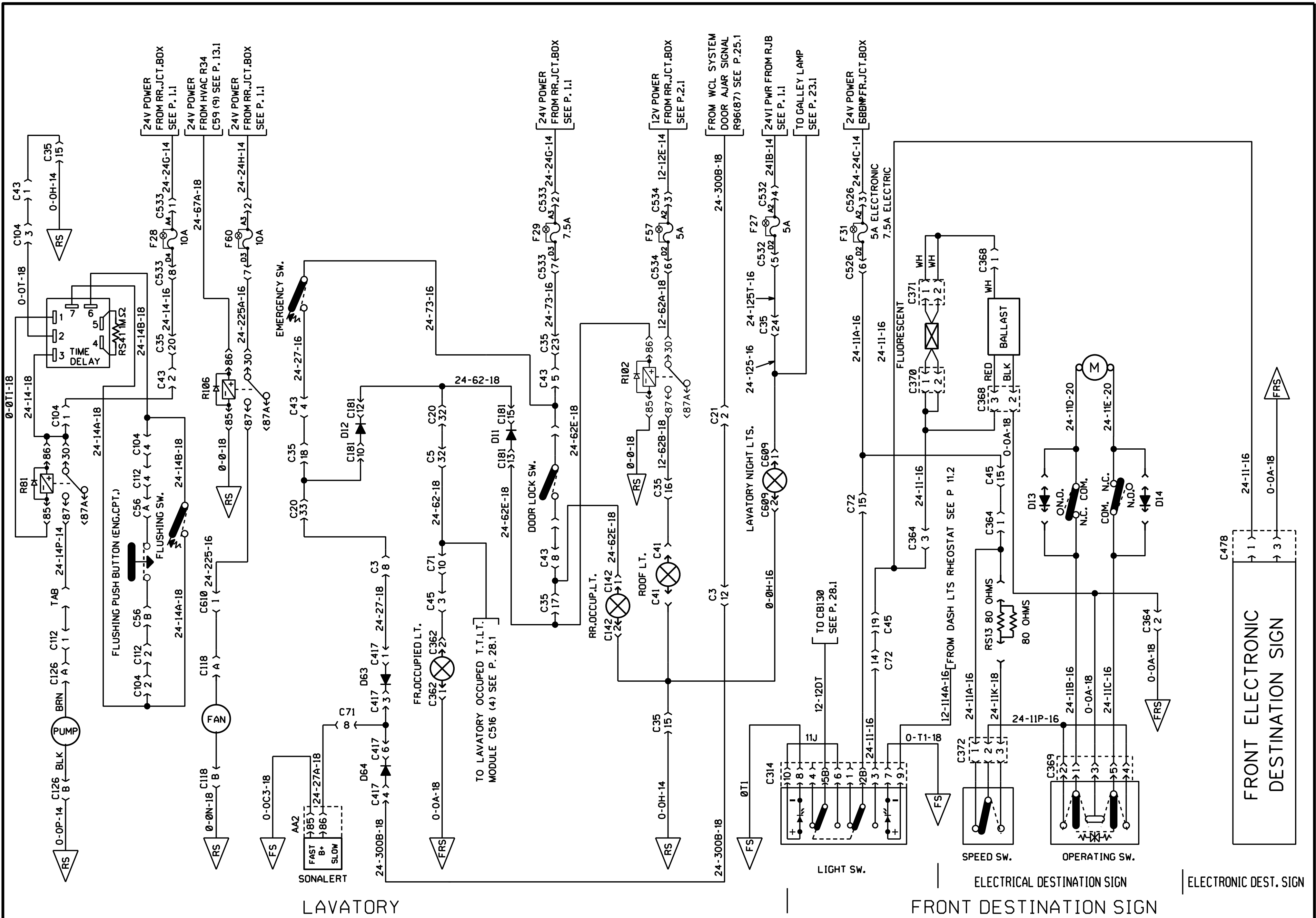


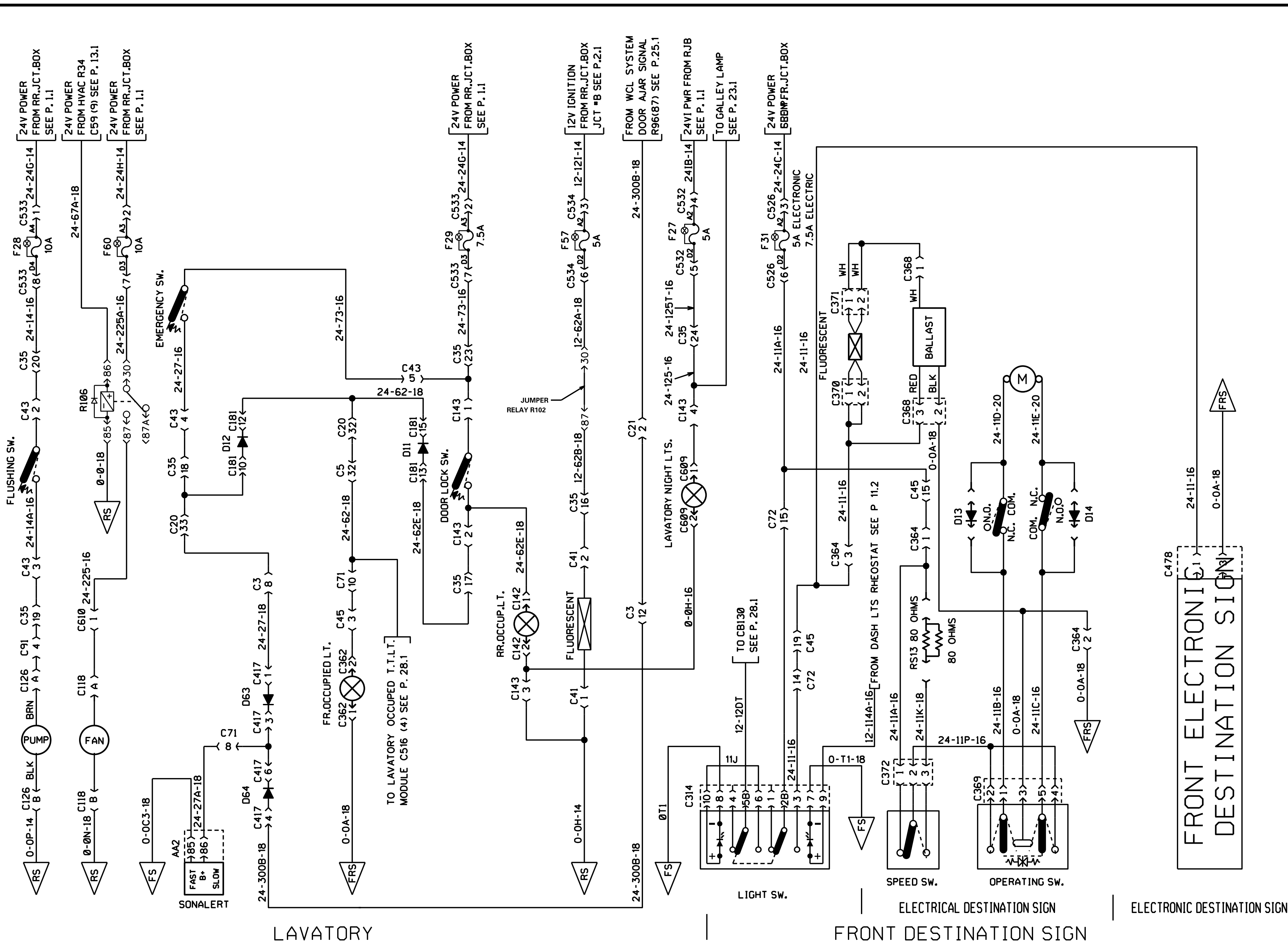


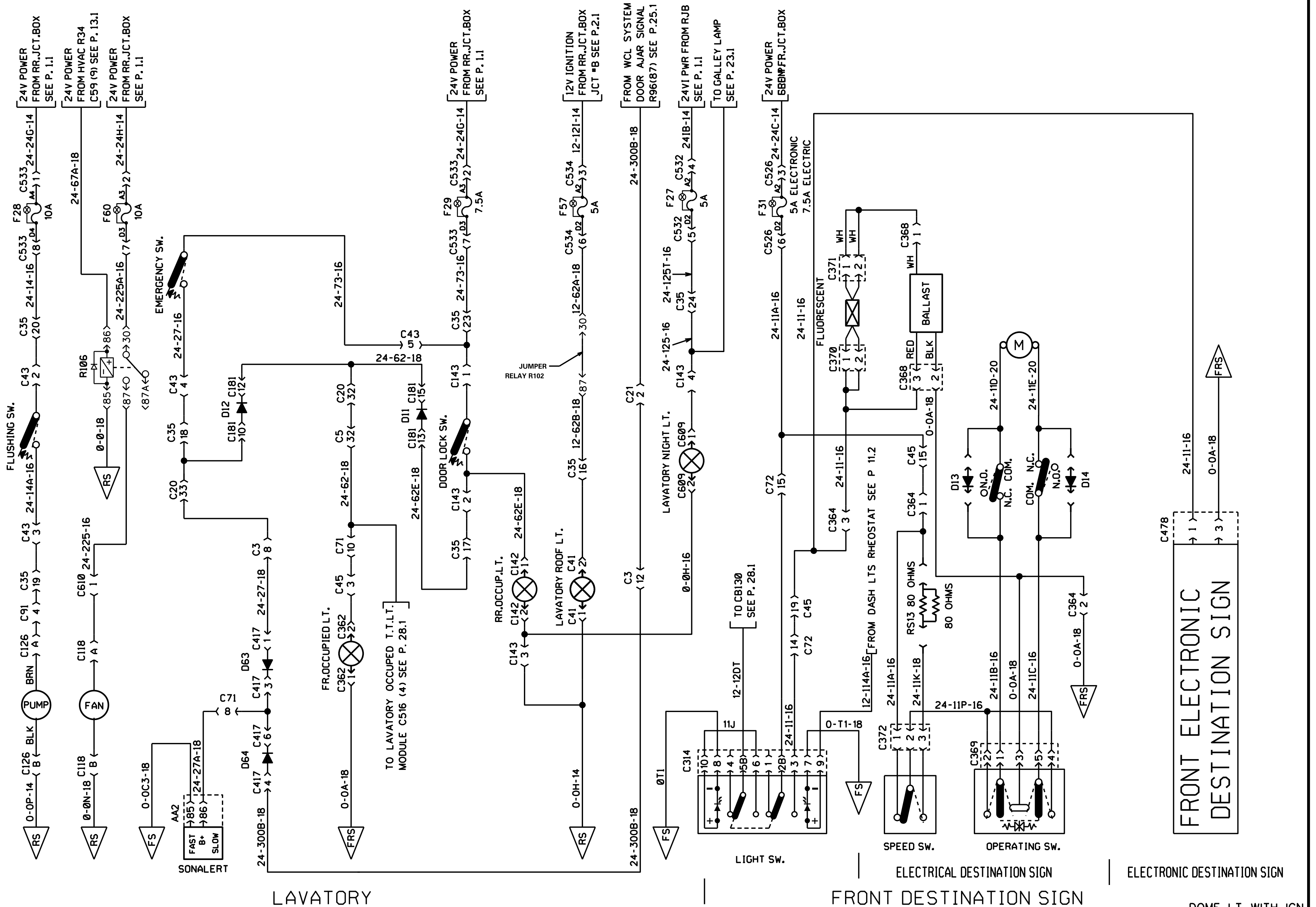
LAVATORY

FRONT DESTINATION SIGN

ELECTRONIC DESTINATION SIGN





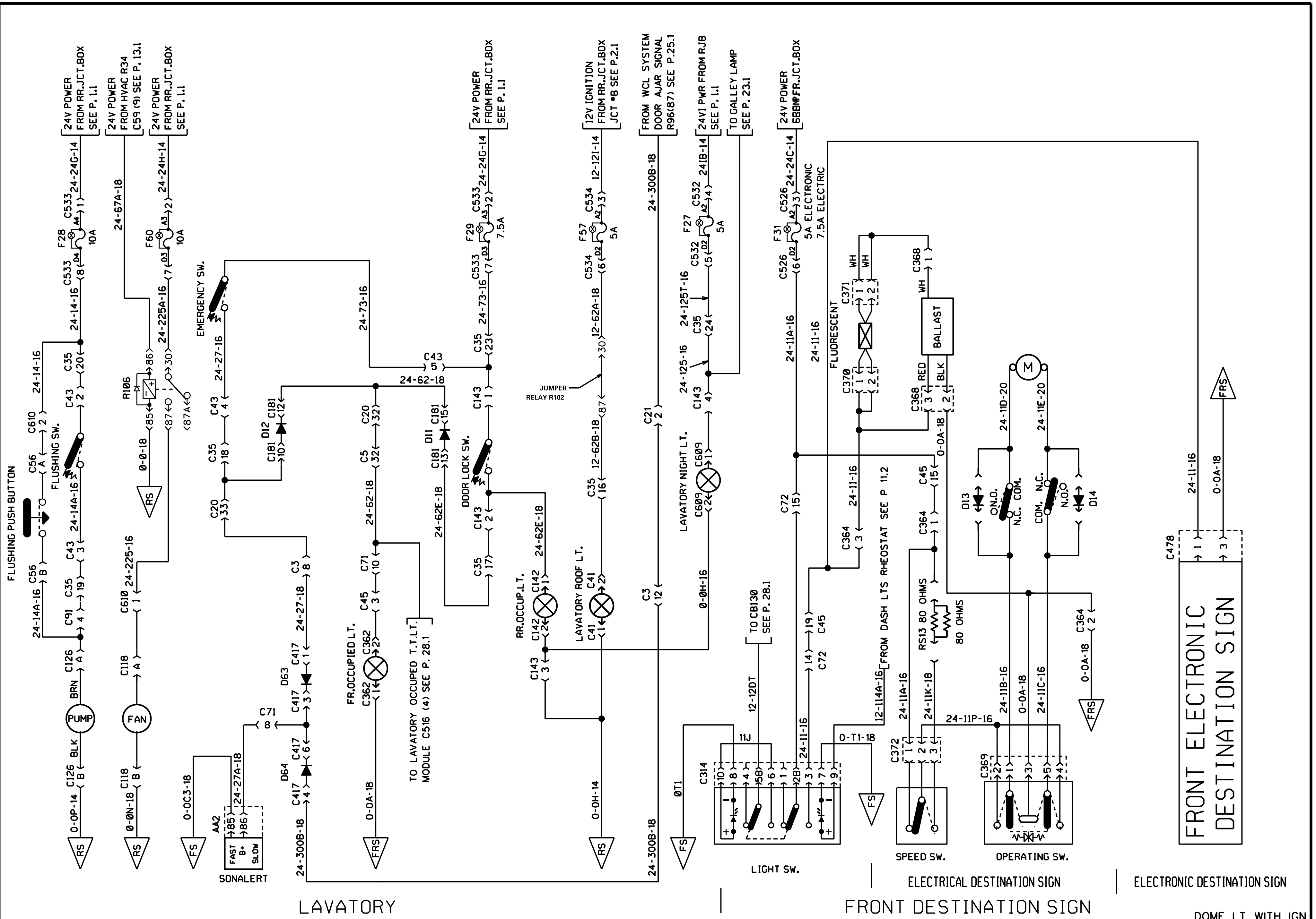


LAVATORY

FRONT DESTINATION SIGN

ELECTRONIC DESTINATION SIGN

DOME LT. WITH IGN



FRONT ELECTRONIC DESTINATION SIGN

FRONT DESTINATION SIGN

LAVATORY

ELECTRONIC DESTINATION SIGN

ELECTRICAL DESTINATION SIGN

OPERATING SW.

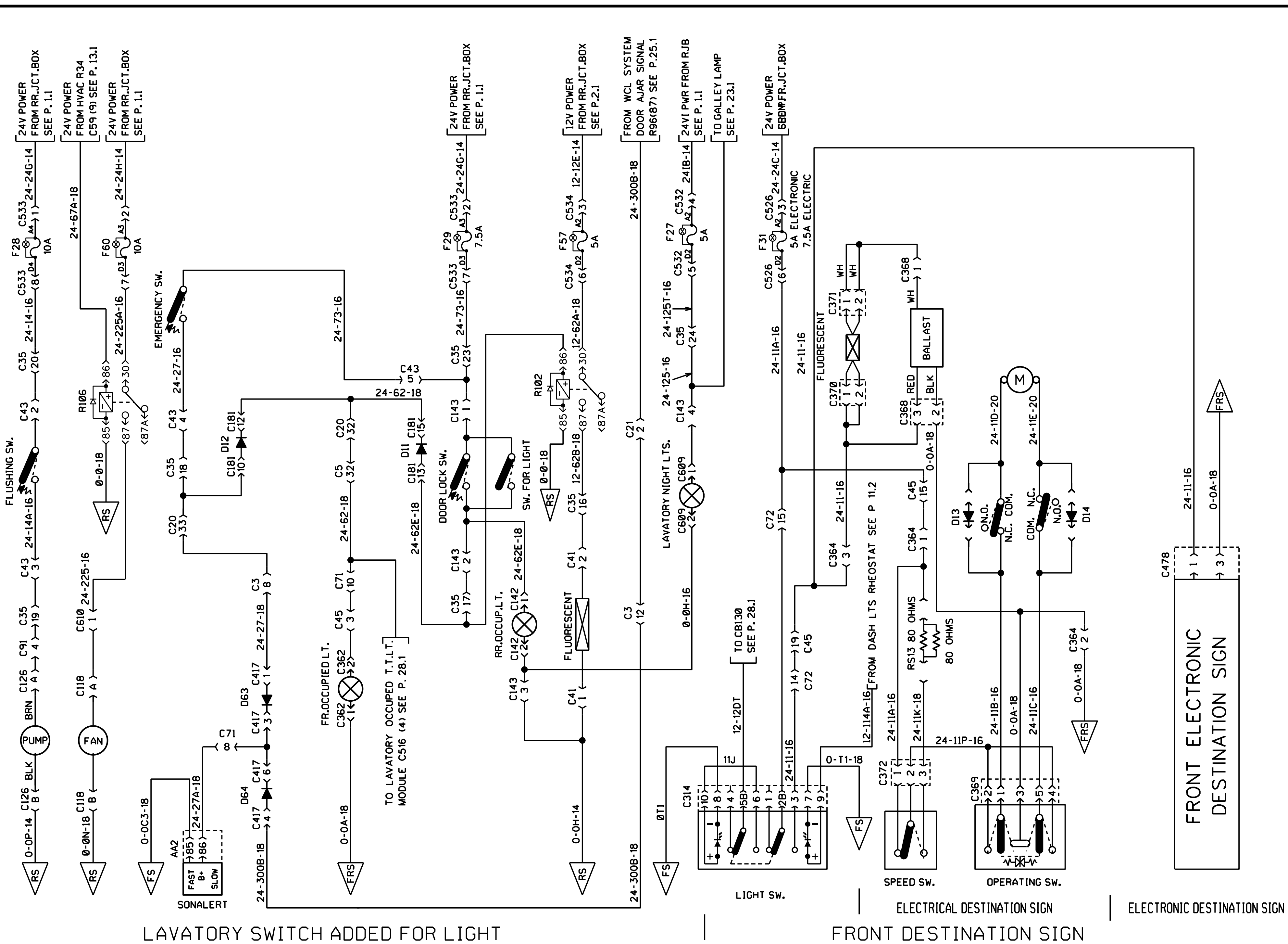
SPEED SW.

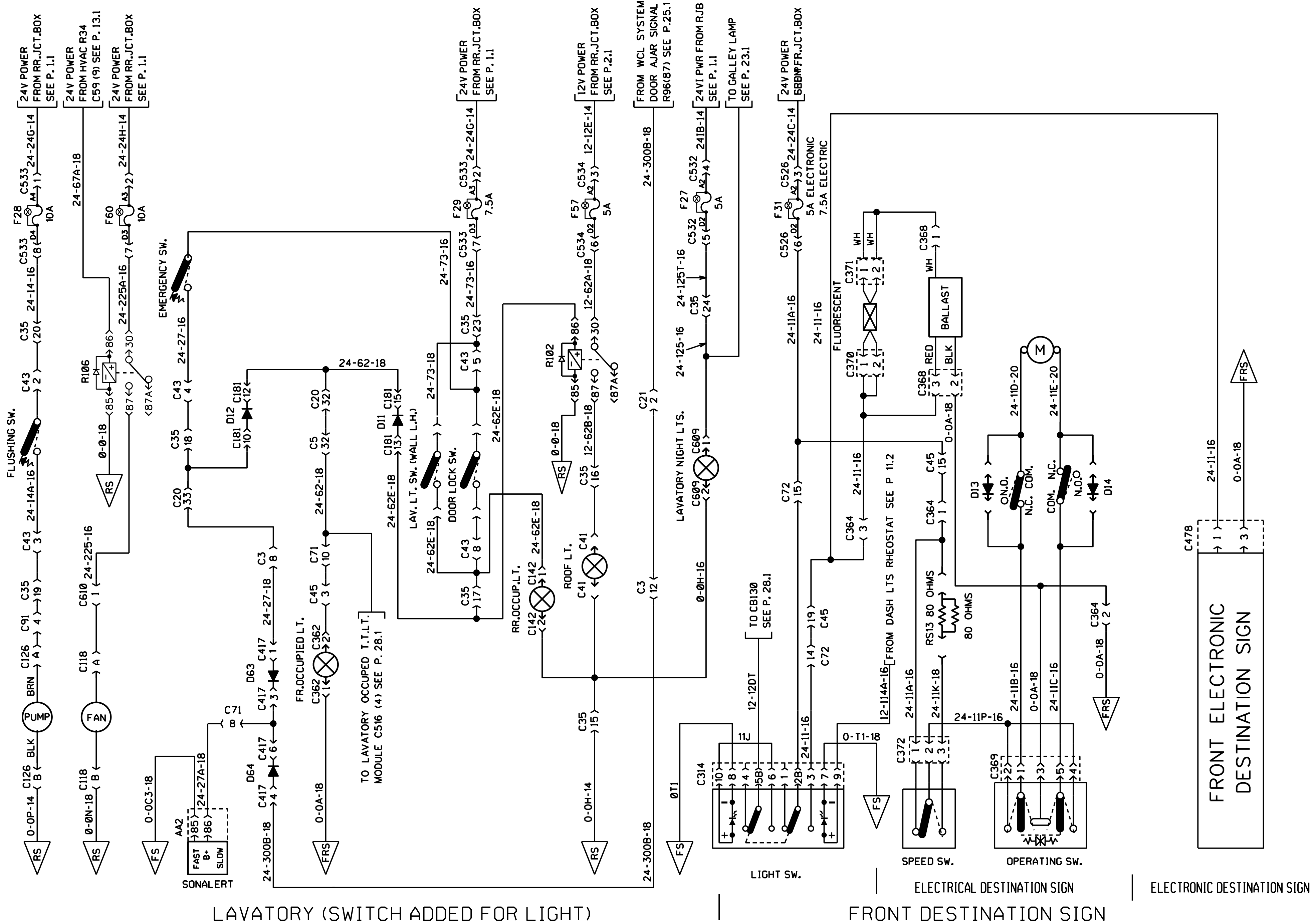
LIGHT SW.

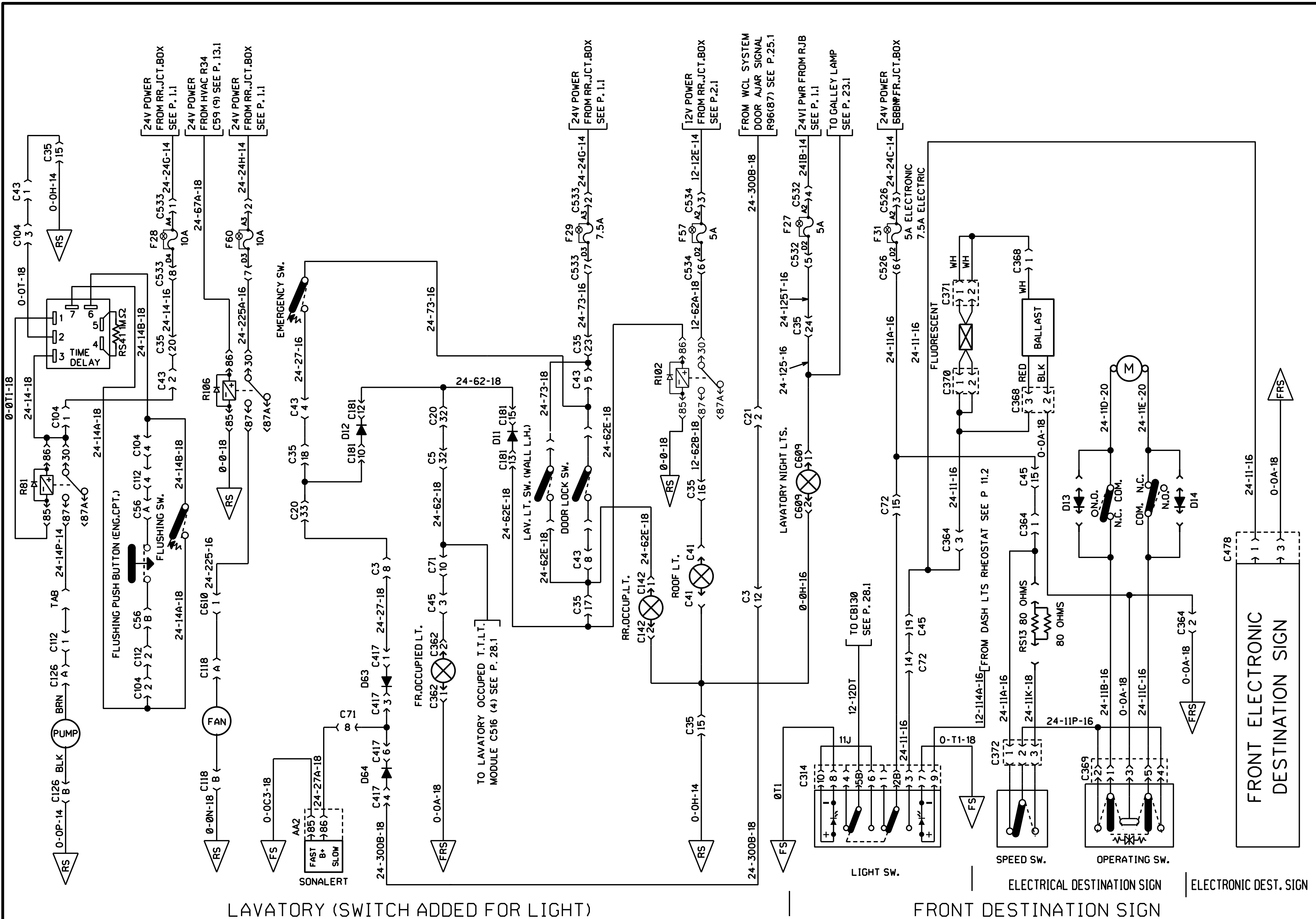
FRONT ELECTRONIC DESTINATION SIGN

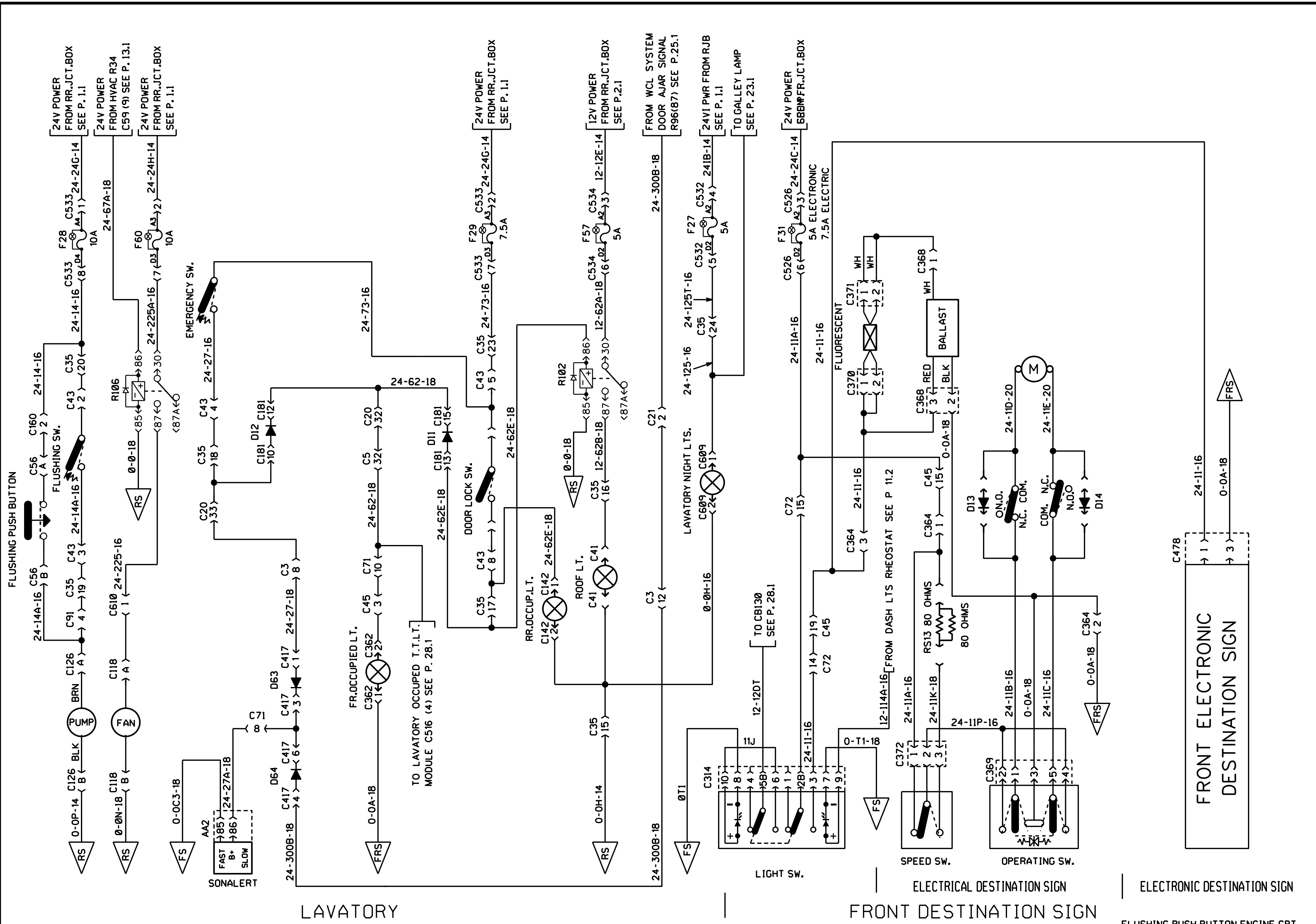
ELECTRONIC DESTINATION SIGN

DOMES LT. WITH IGN

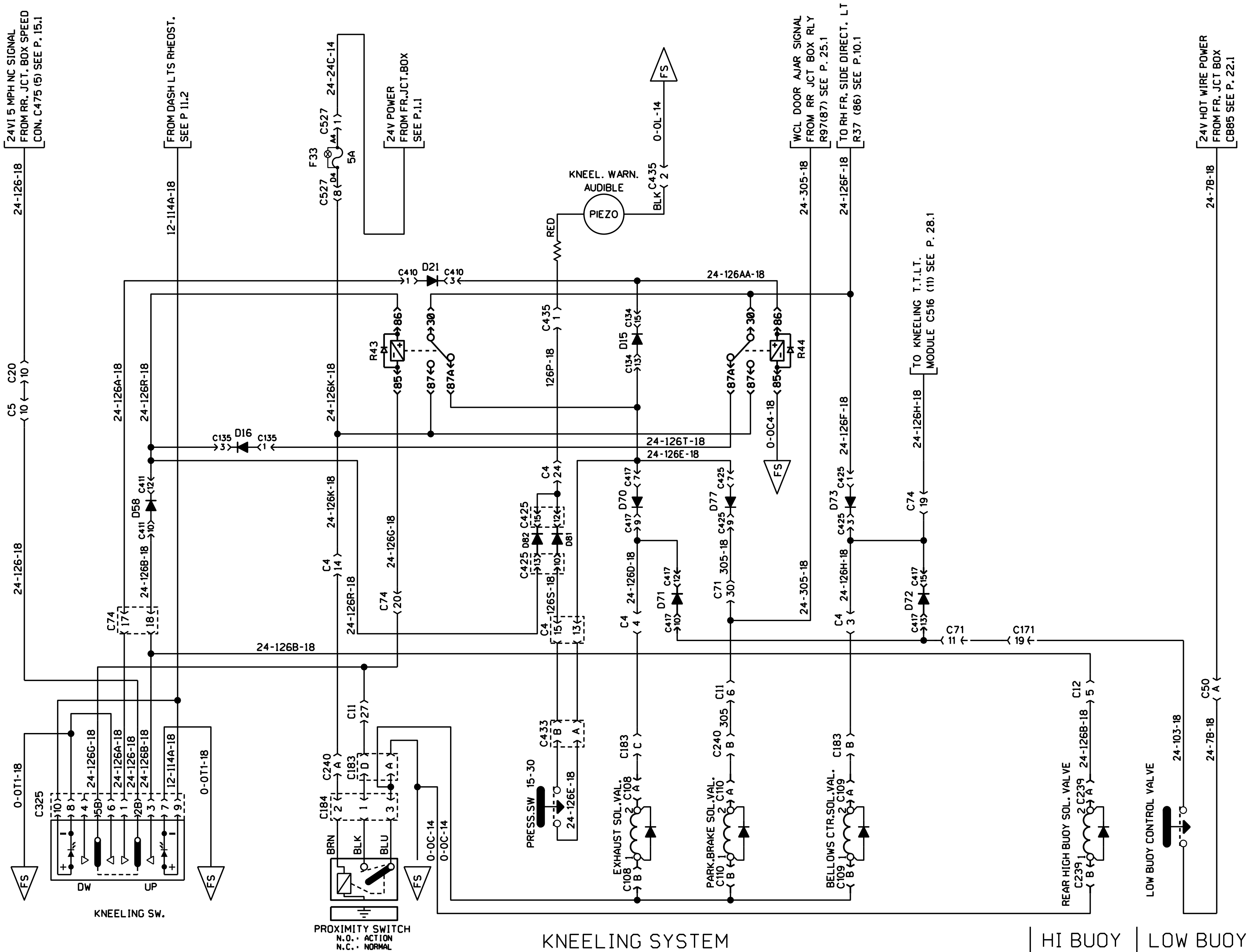


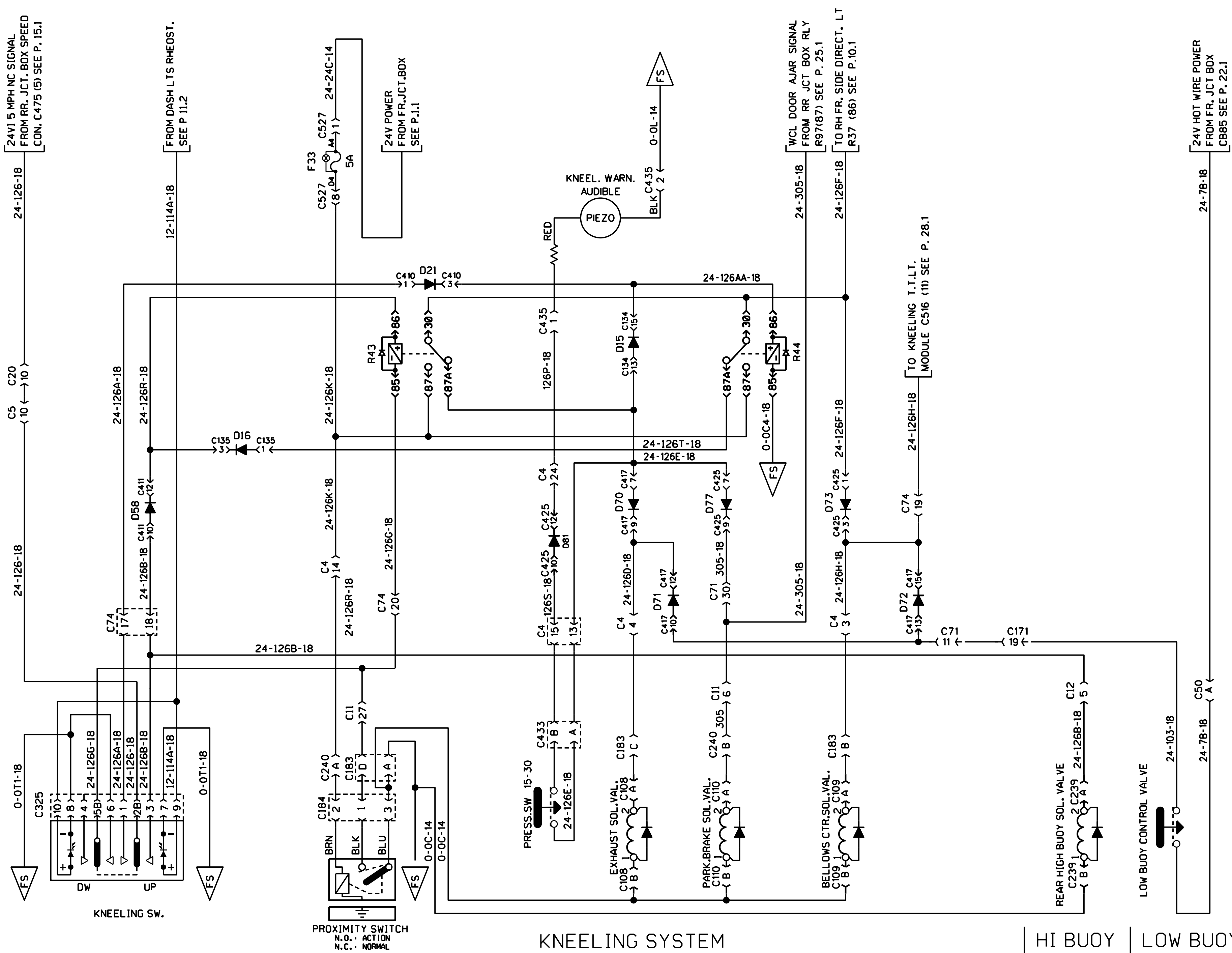


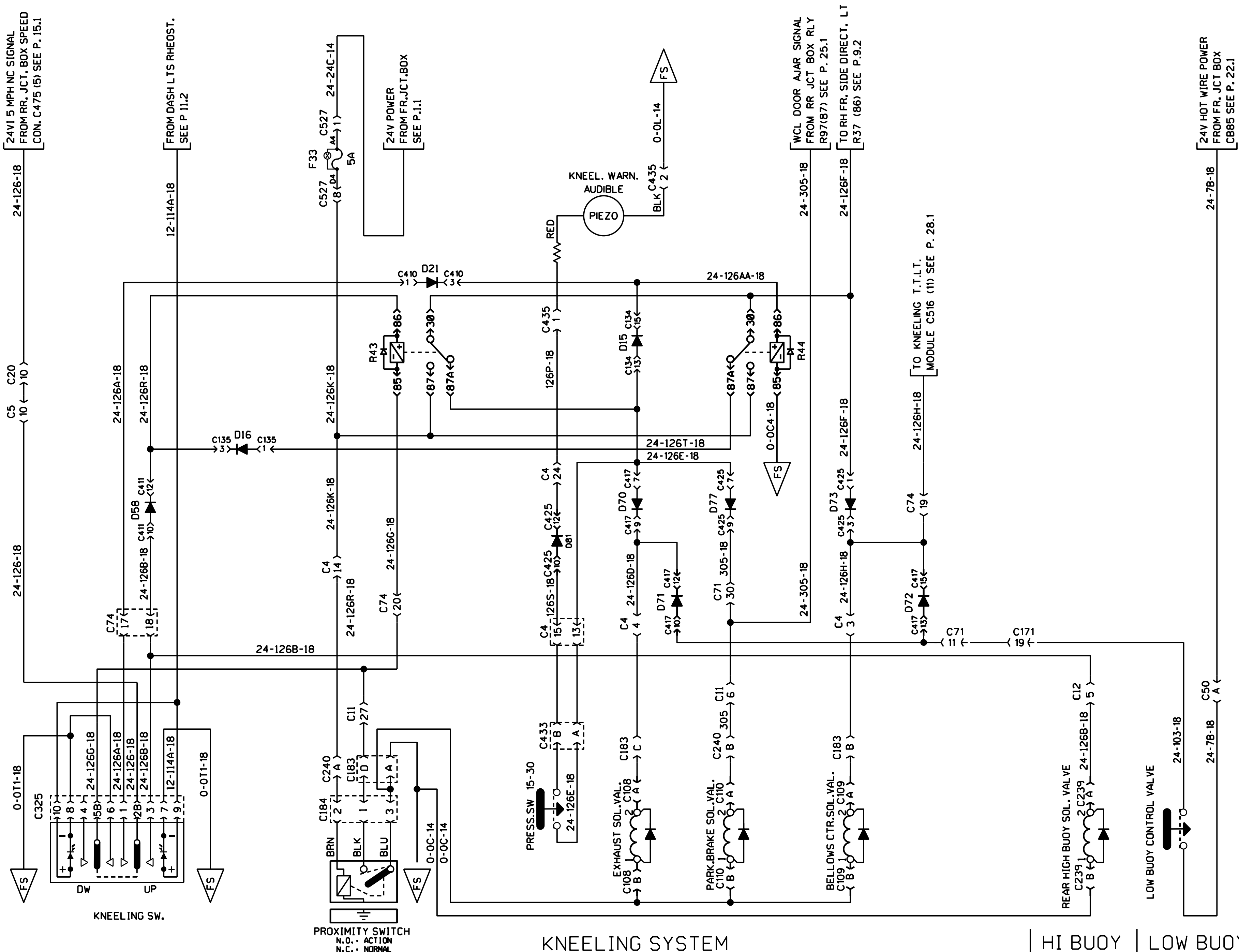


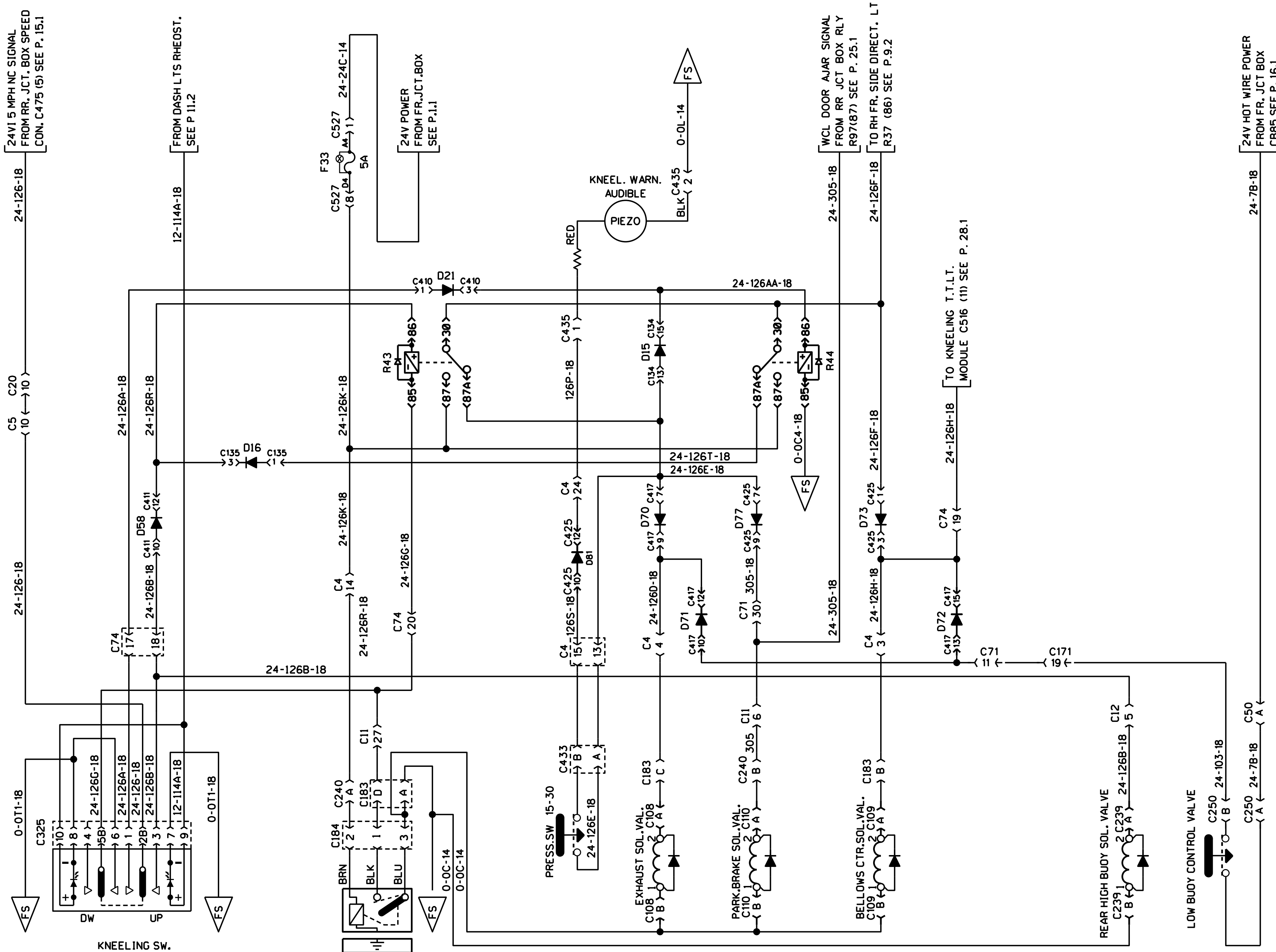


FLUSHING PUSH BUTTON ENGINE CPT.





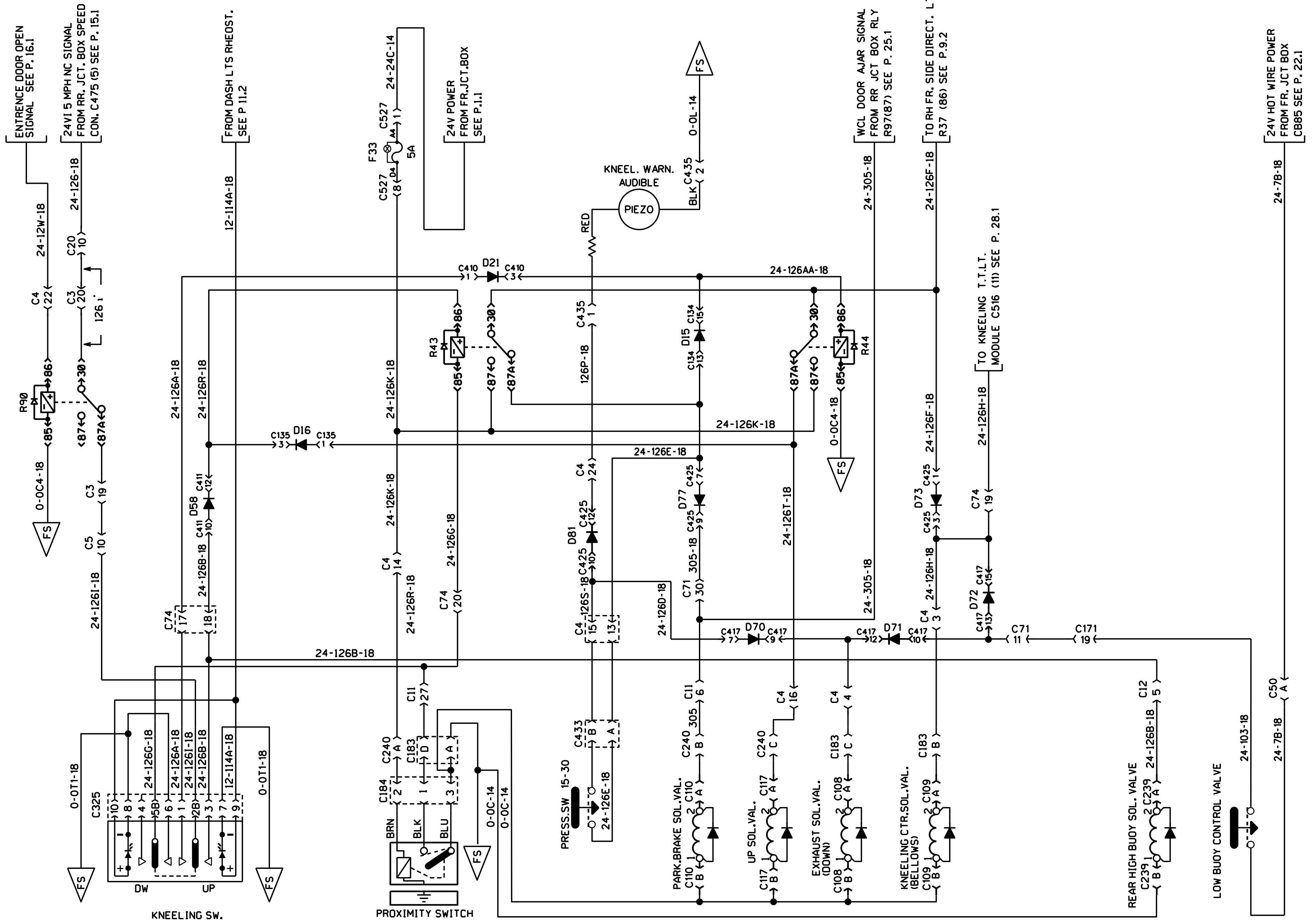




PROXIMITY SWITCH
 N.O. • NORMAL AND HI POSITION
 N.C. • WHEN DOWN
 SENSING OBJECT • N.C. • RED INDICATOR ON

KNEELING SYSTEM

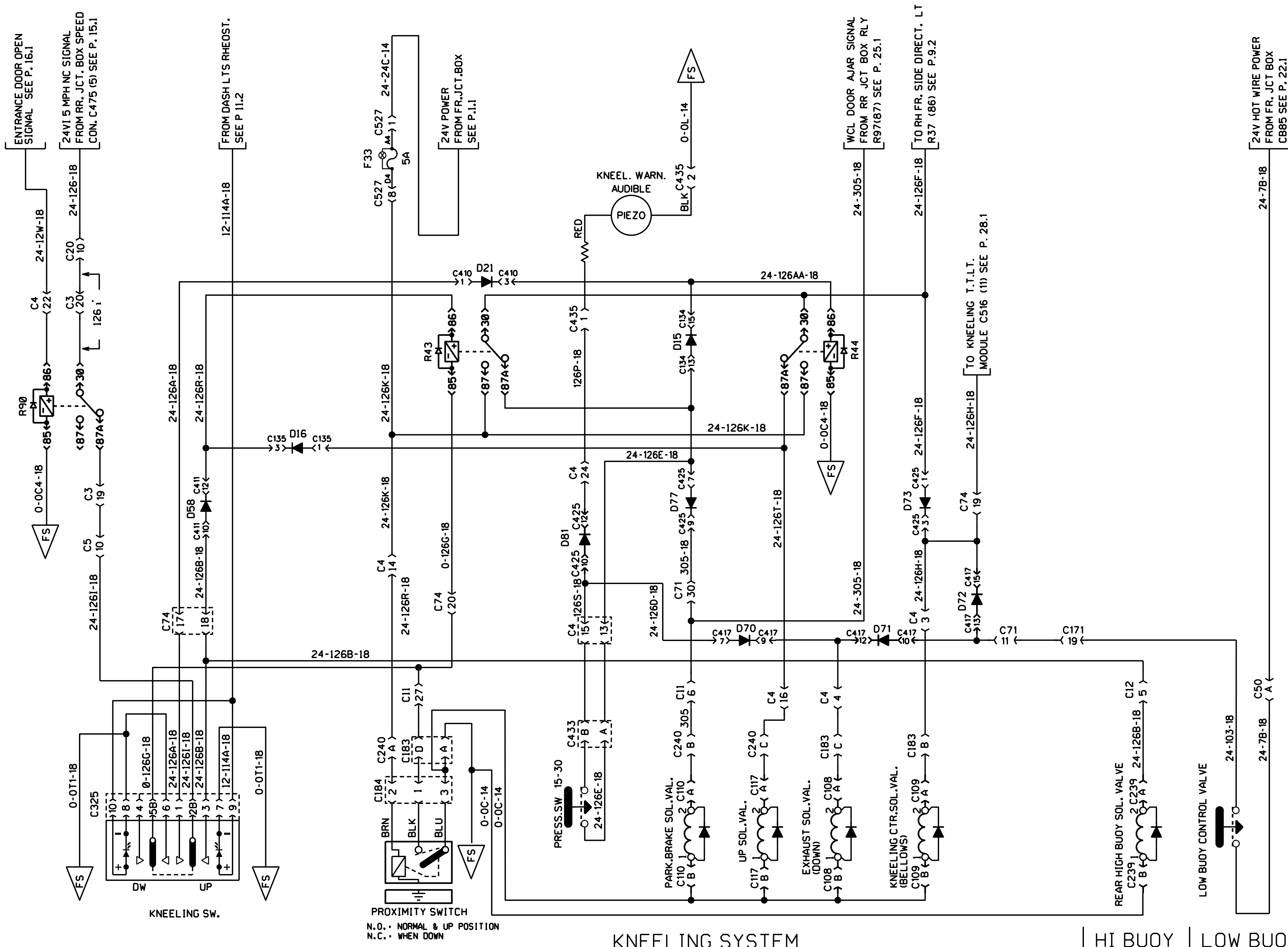
HI BUOY | LOW BUOY



N.O. • NORMAL & HI POSITION
N.C. • WHEN DOWN

KNEELING SYSTEM

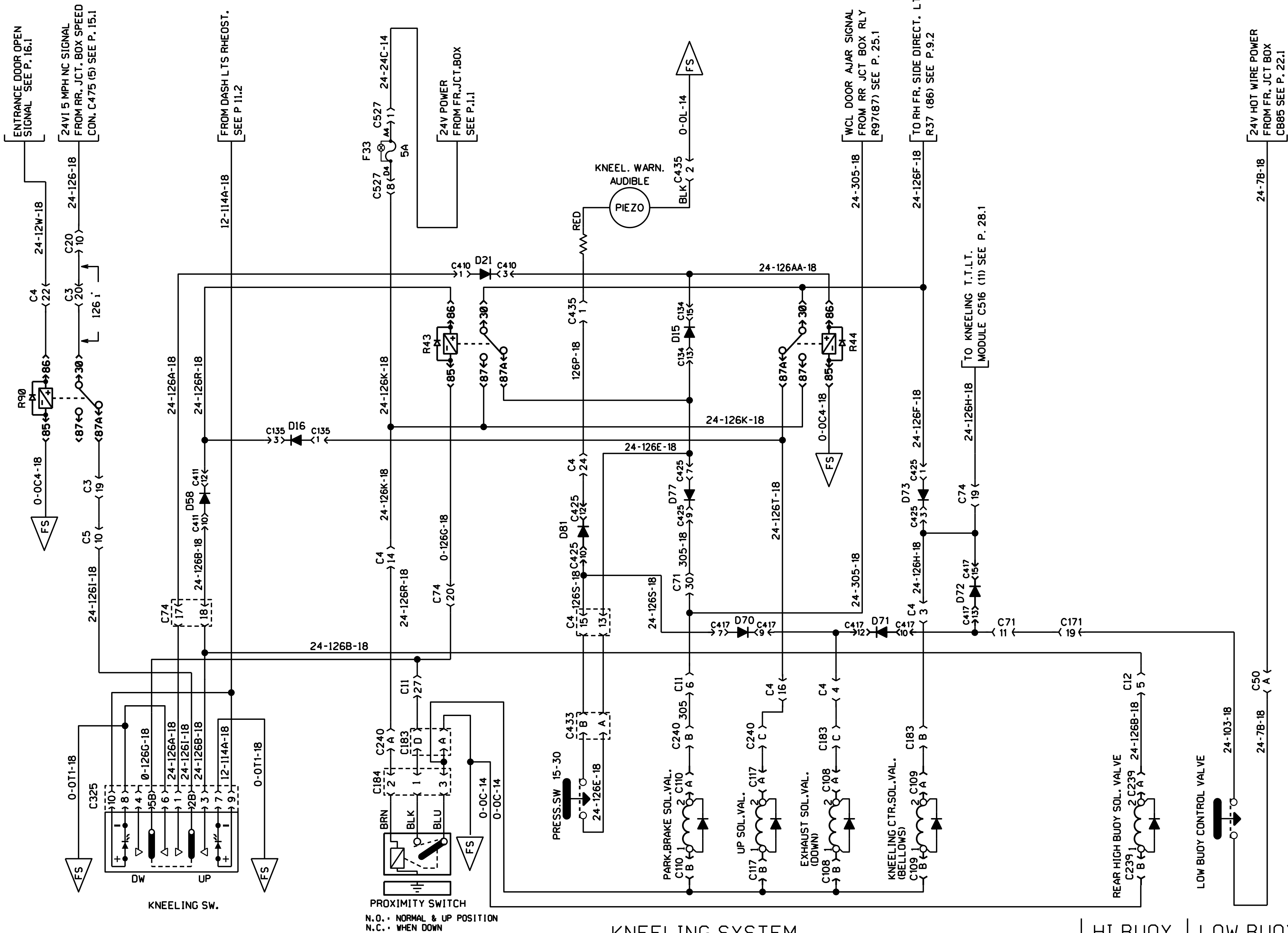
HI BUOY | LOW BUOY



KNEELING SYSTEM

HI BUOY | LOW BUOY

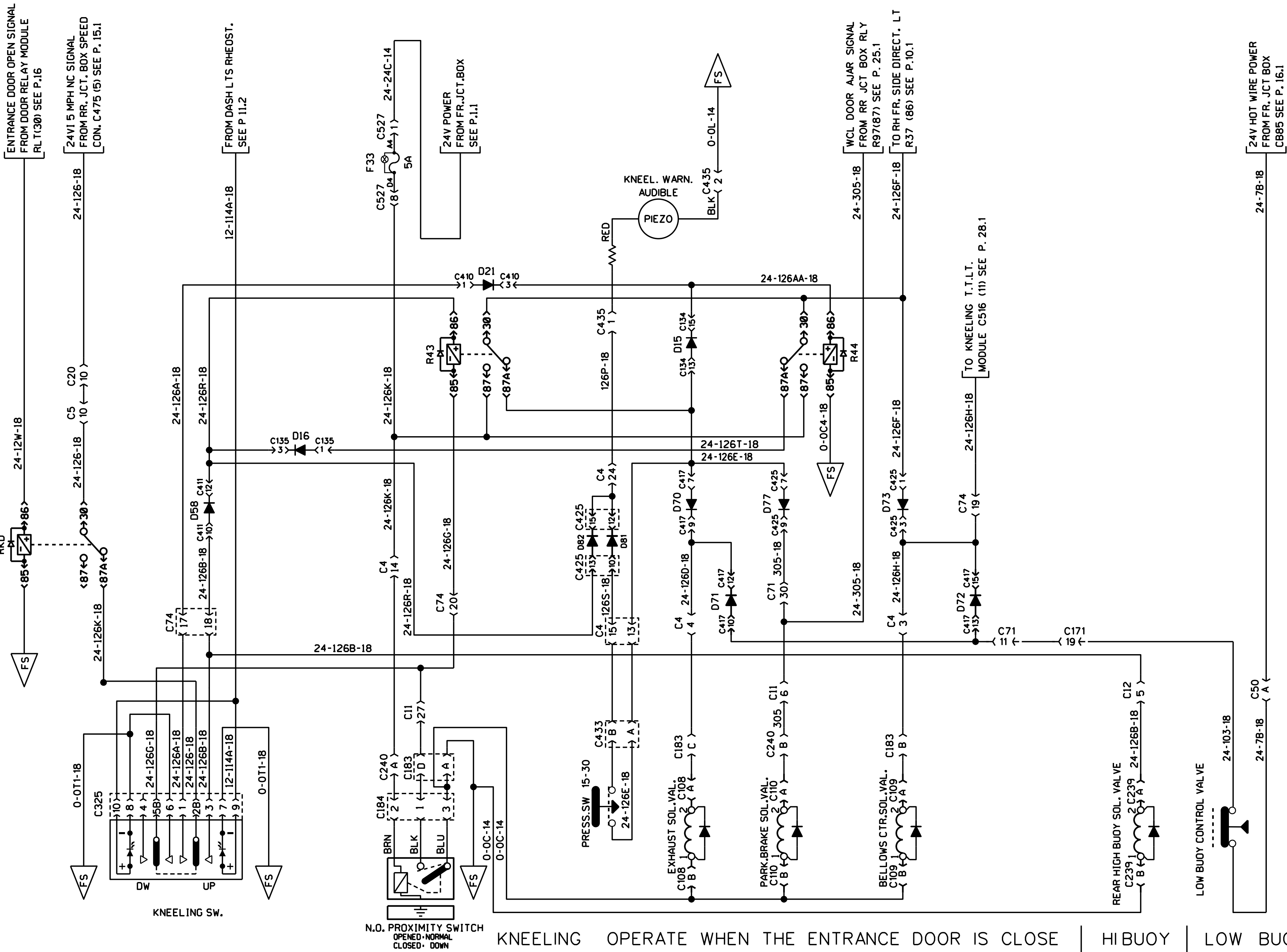
N.O. - NORMAL & UP POSITION
N.C. - WHEN DOWN



N.O. • NORMAL & UP POSITION
N.C. • WHEN DOWN

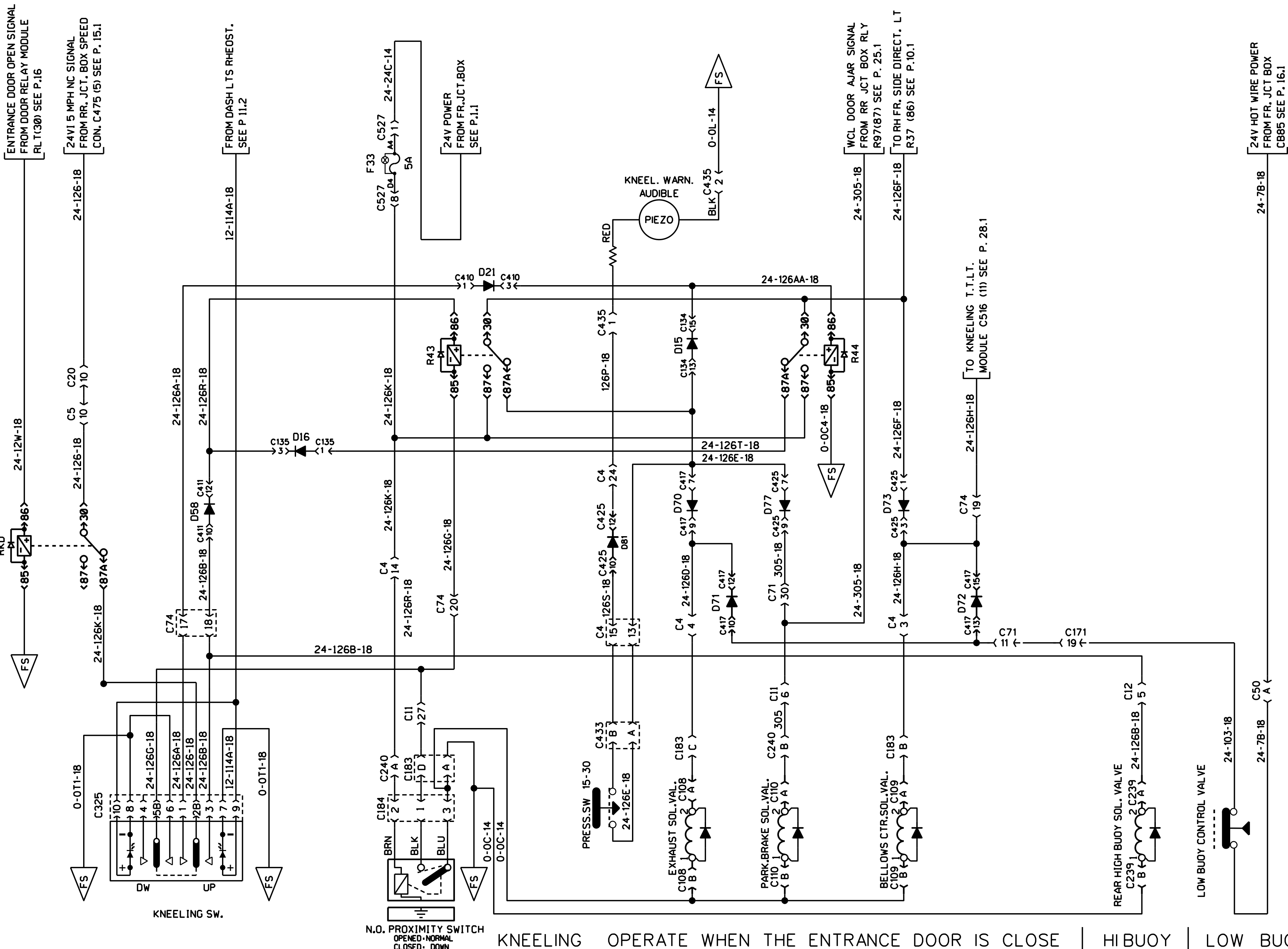
KNEELING SYSTEM

HI BUOY | LOW BUOY

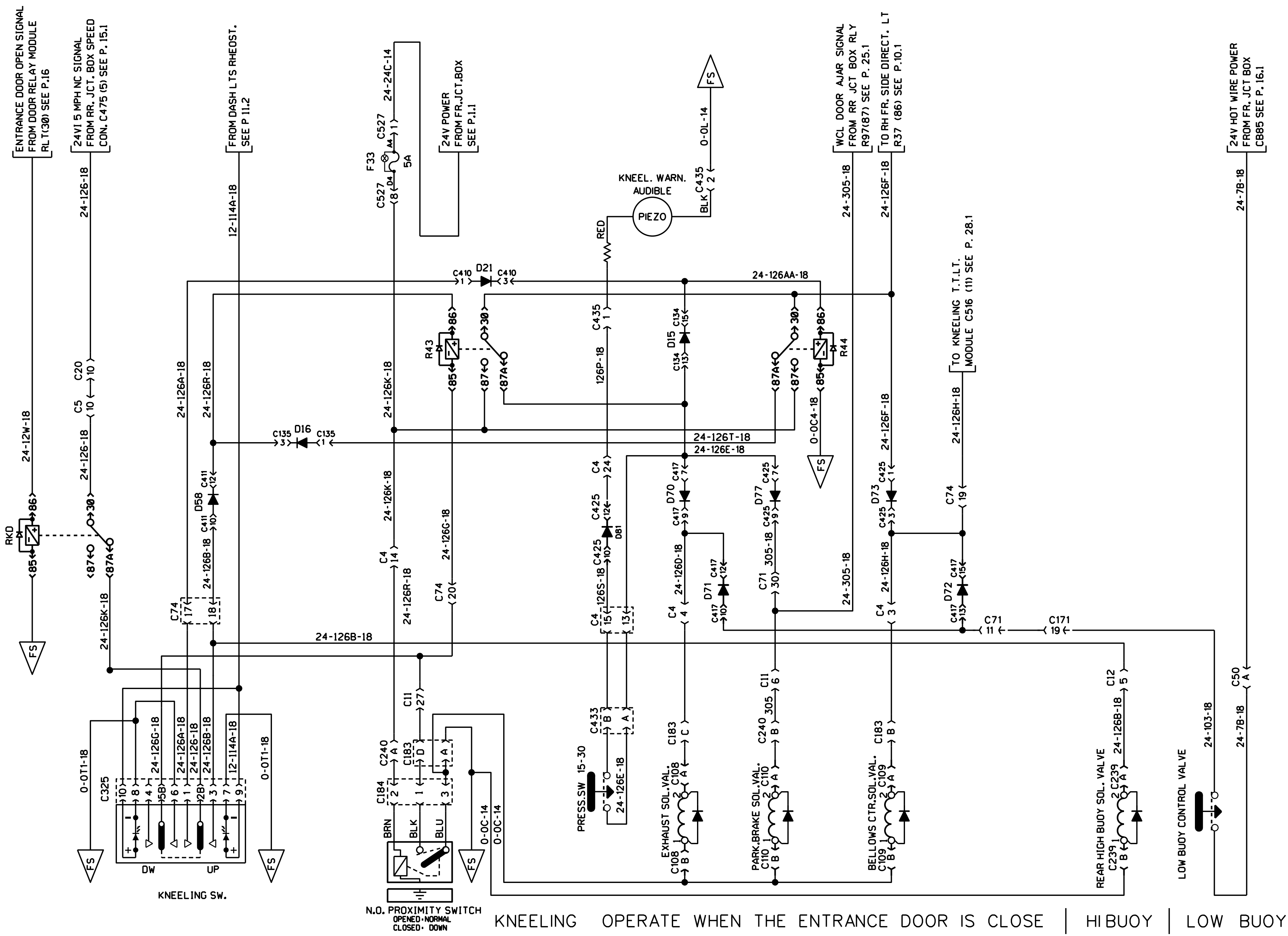


N.O. PROXIMITY SWITCH
 OPENED-NORMAL
 CLOSED-DOWN

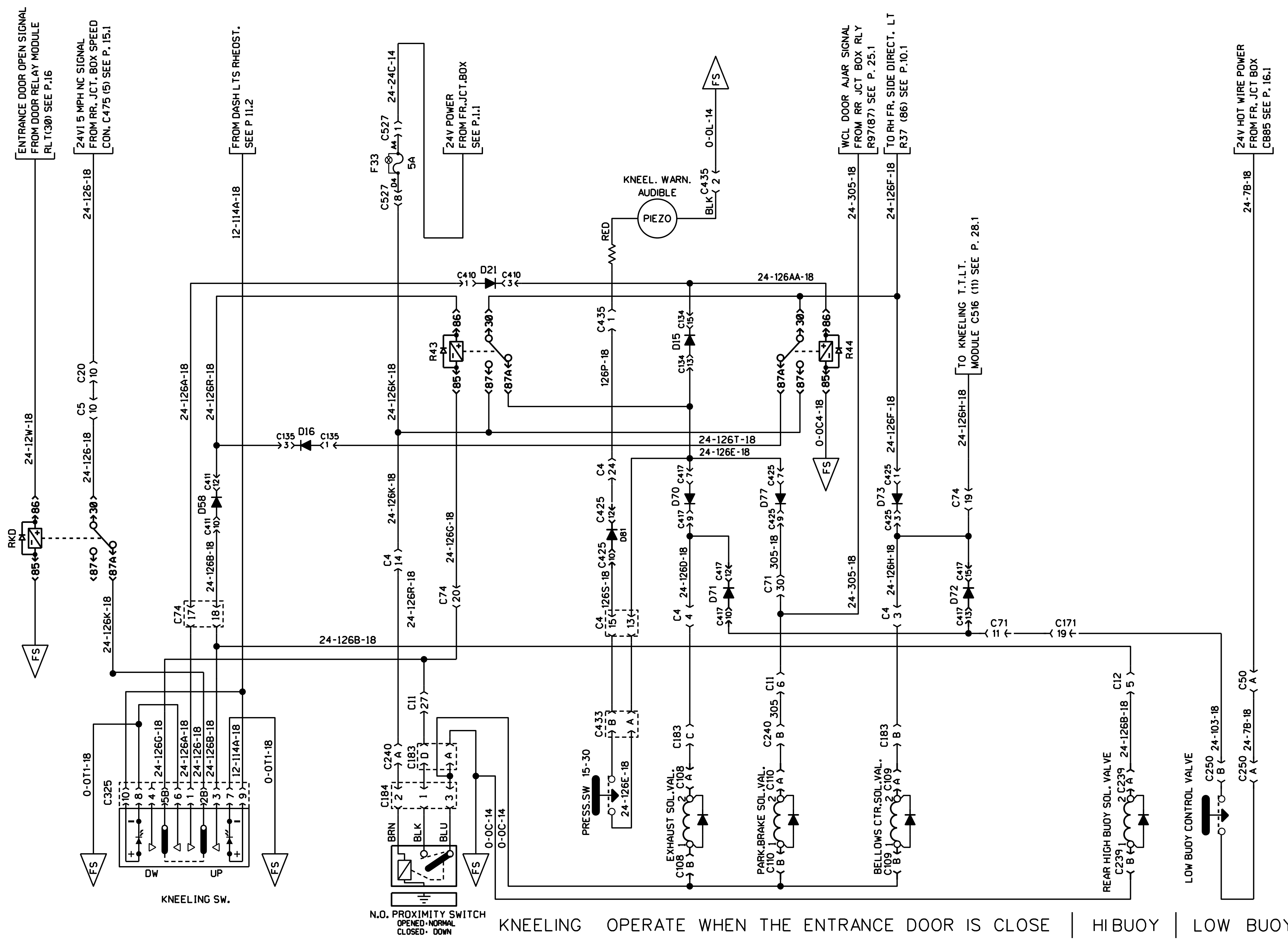
KNEELING OPERATE WHEN THE ENTRANCE DOOR IS CLOSE | HIBUOY | LOW BUOY



KNEELING OPERATE WHEN THE ENTRANCE DOOR IS CLOSE | HI BUOY | LOW BUOY

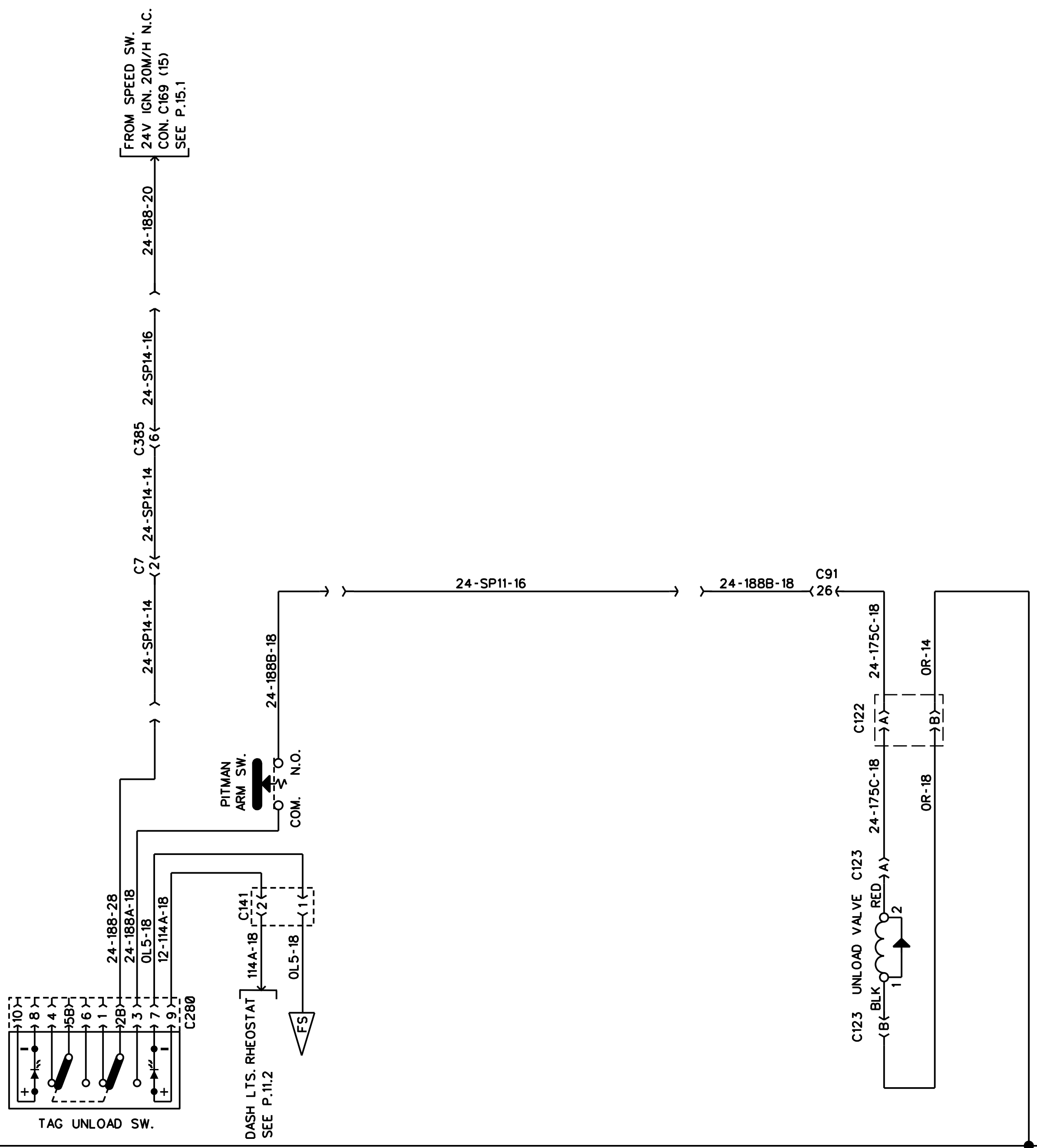


N.O. PROXIMITY SWITCH OPERATE WHEN THE ENTRANCE DOOR IS CLOSE | HI BUOY | LOW BUOY



KNEELING OPERATE WHEN THE ENTRANCE DOOR IS CLOSE | HI BUOY | LOW BUOY

FROM SPEED SW.
24V IGN. 20M/H N.C.
CON. C169 (15)
SEE P.15.1

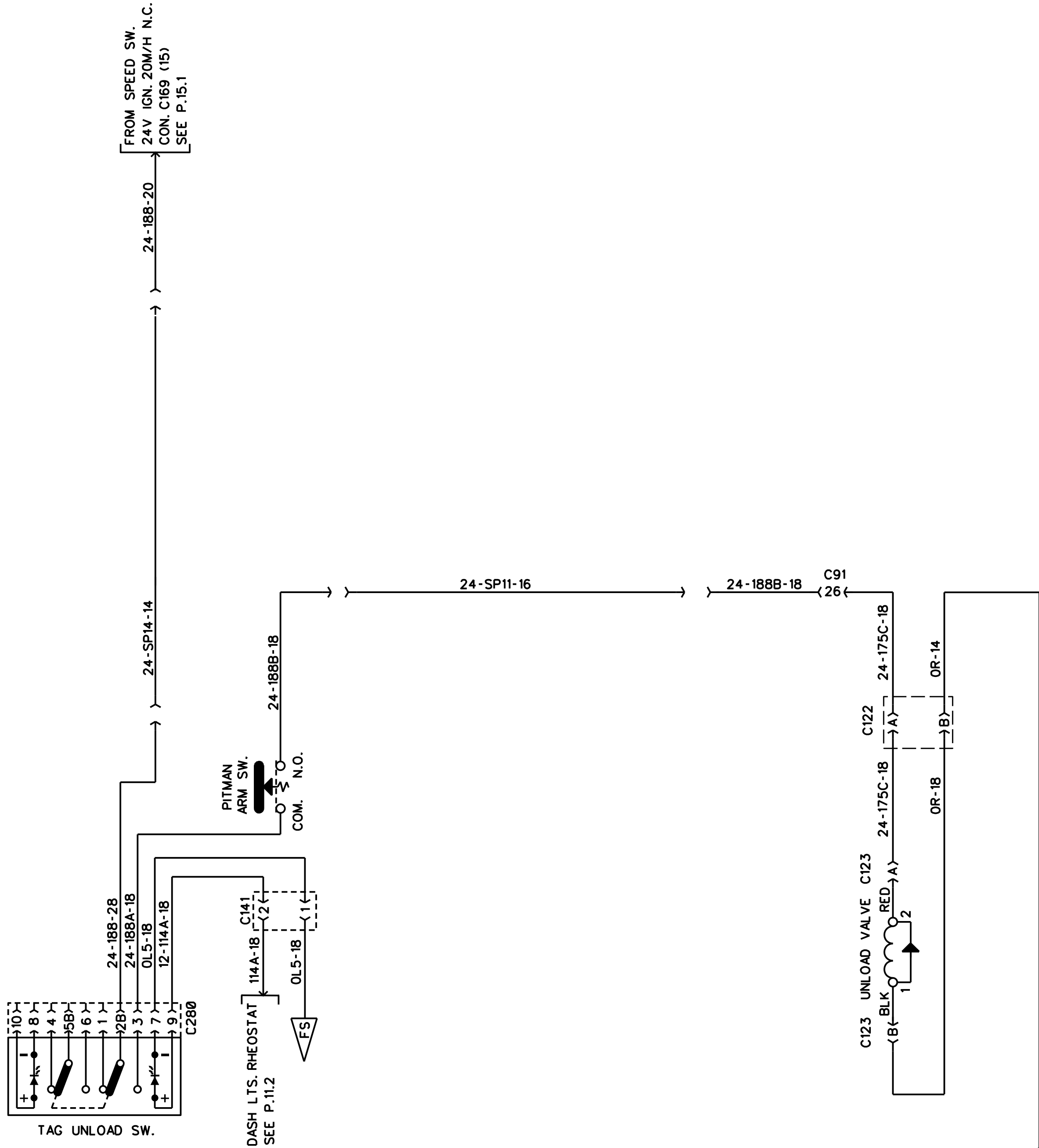


CHASSIS GROUND

CHASSIS GROUND

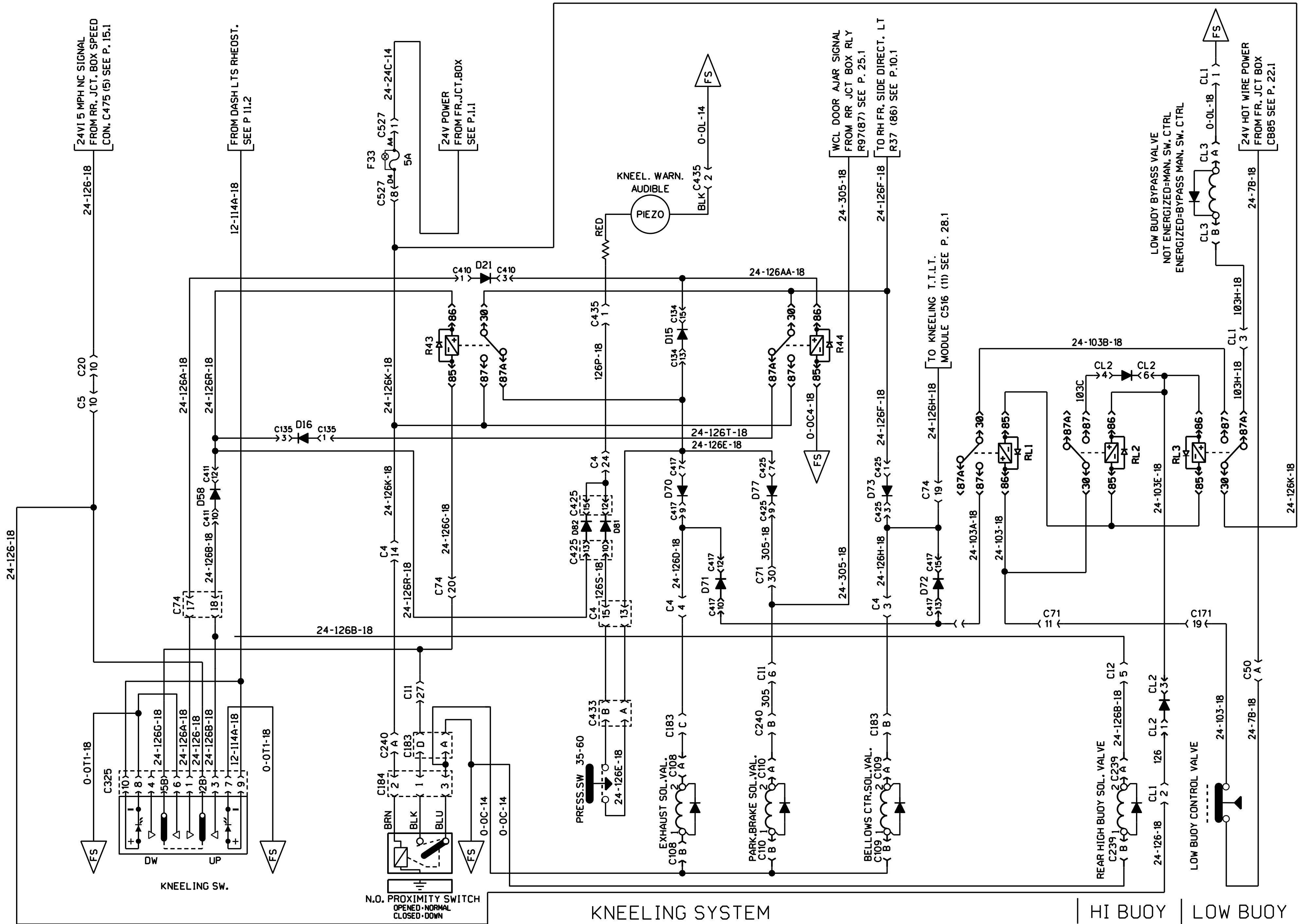
UNLOAD TAG SYSTEM

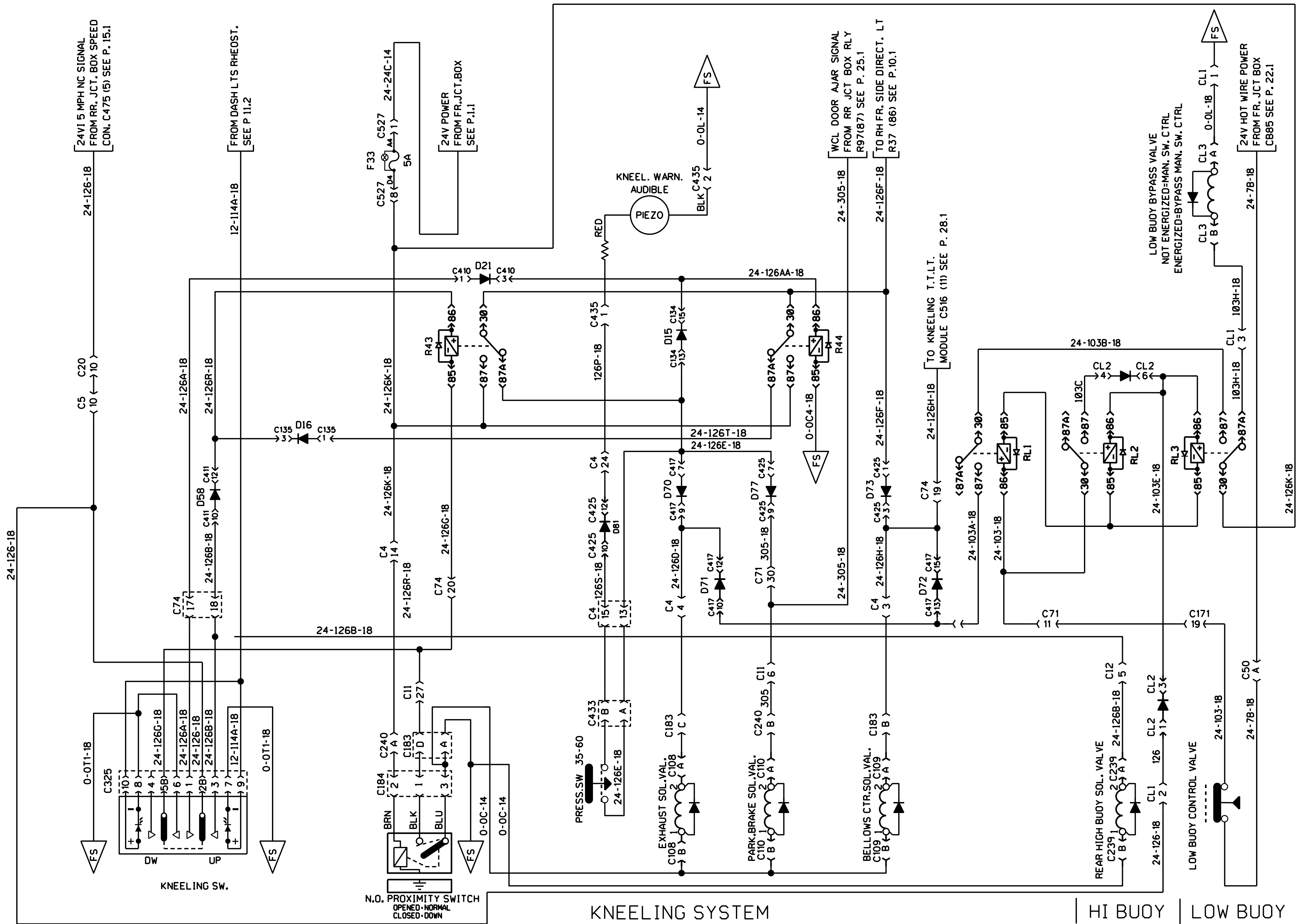
CHASSIS GROUND

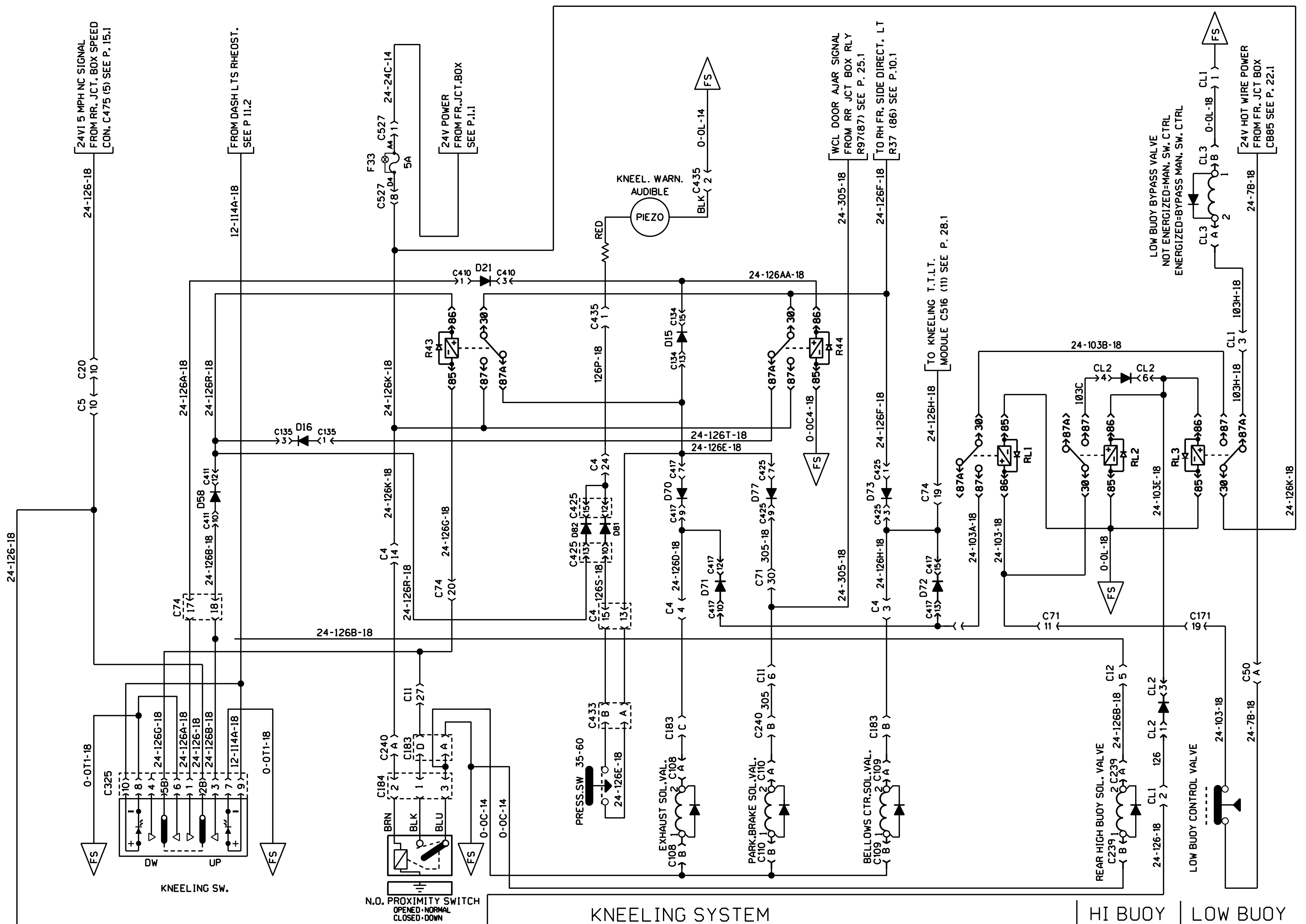


CHASSIS GROUND

UNLOAD TAG SYSTEM

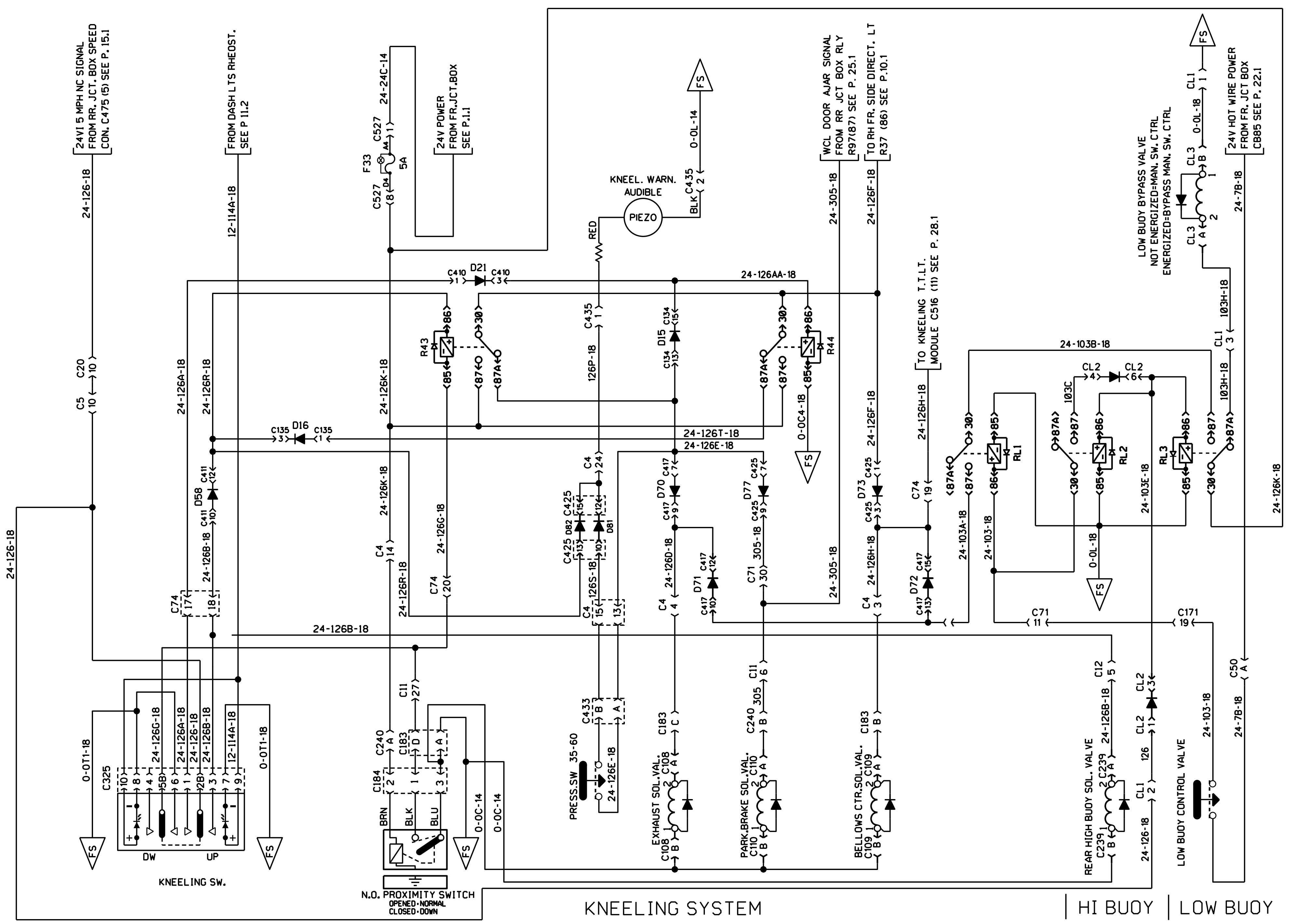


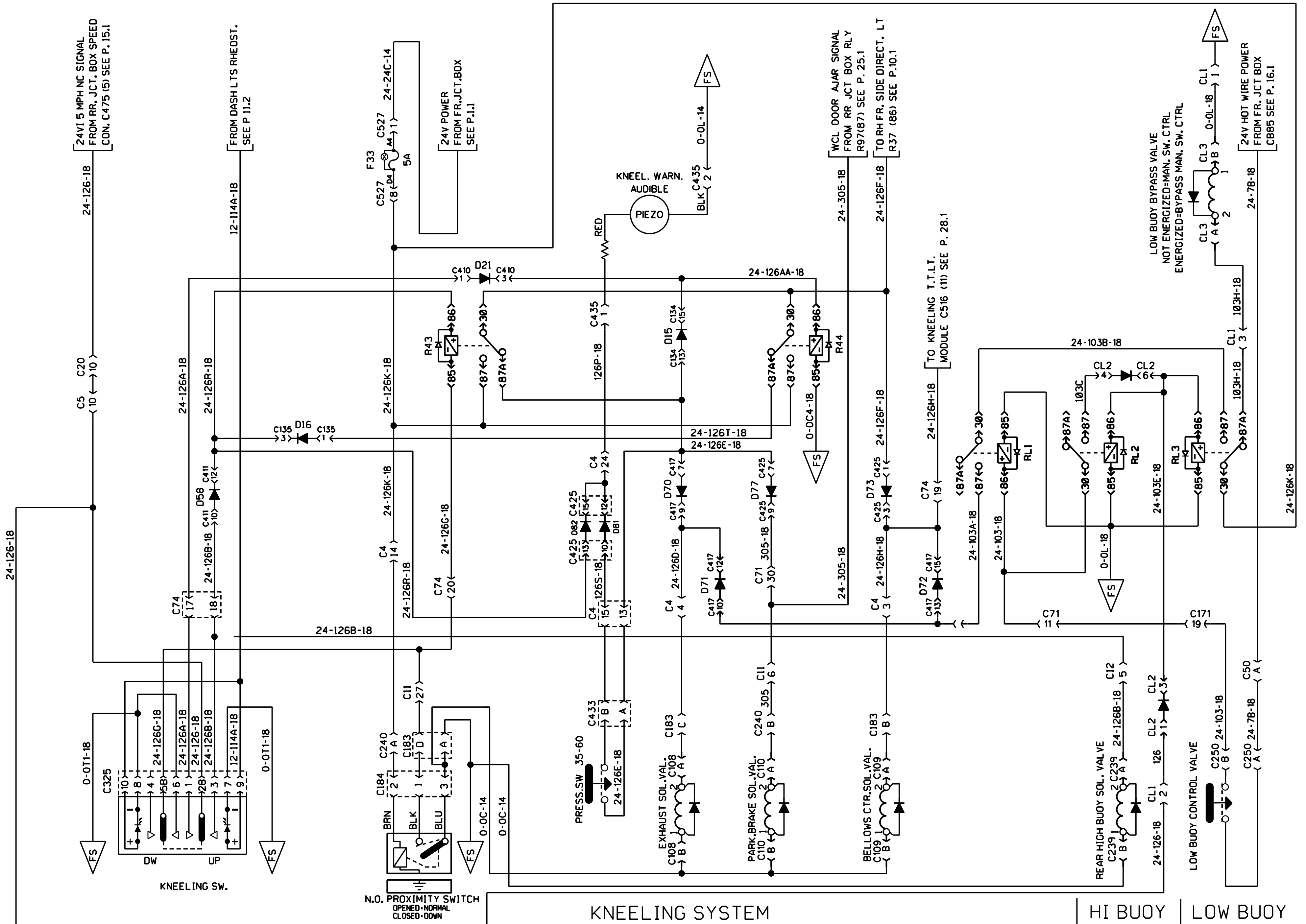




KNEELING SYSTEM

HI BUOY | LOW BUOY





24-126-18 (10) ← C5 C20 → 24V1.5 MPH NC SIGNAL FROM RR, JCT. BOX SPEED CON. C475 (5) SEE P. 15.1

12-114A-18 (1) ← FROM DASH L TS RHEOST. SEE P 11.2

24V POWER FROM FR. JCT. BOX SEE P.1.1

WCL DOOR AJAR SIGNAL FROM RR JCT BOX RLY R97(87) SEE P. 25.1

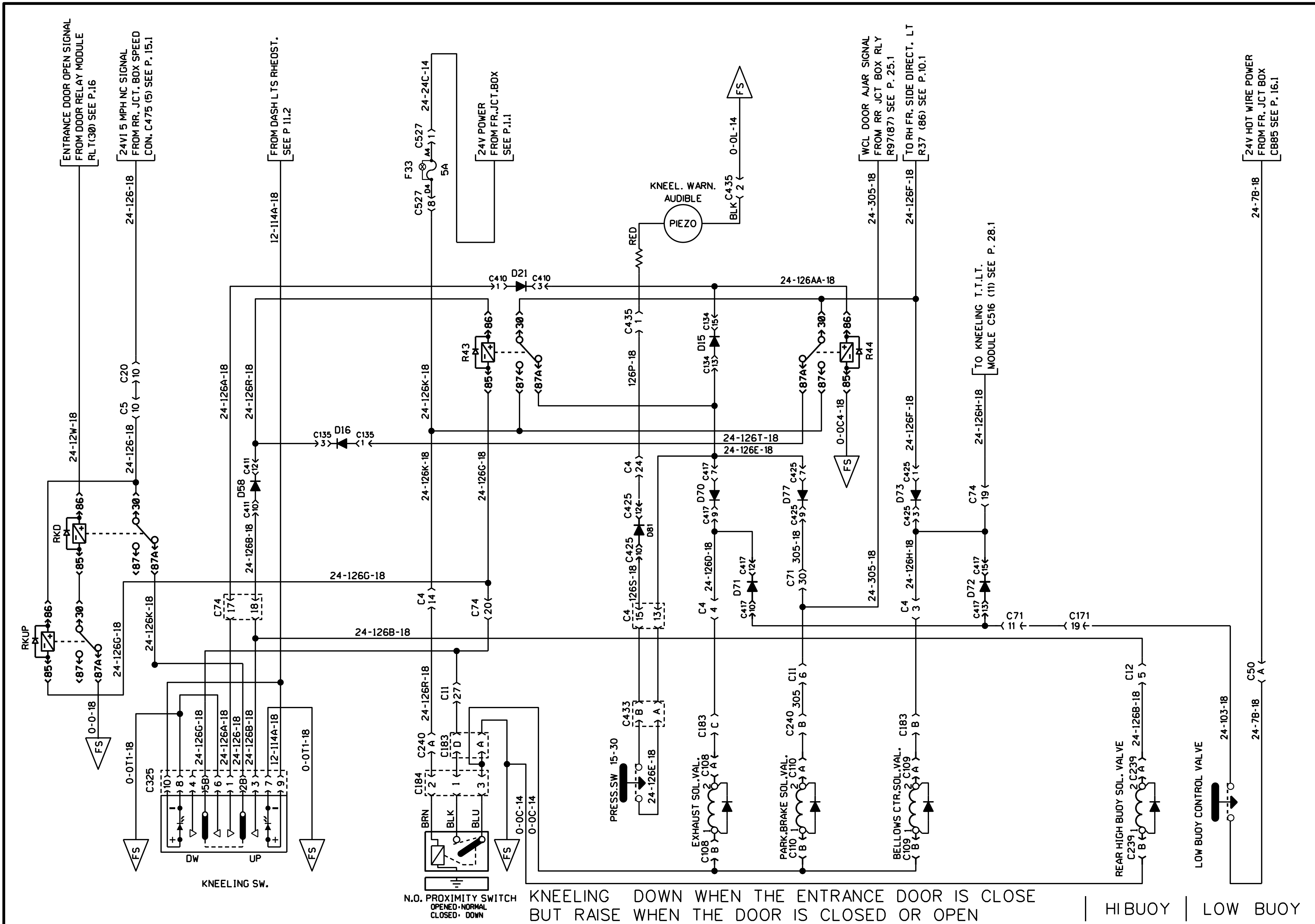
TO RH FR. SIDE DIRECT. LT R37 (86) SEE P.10.1

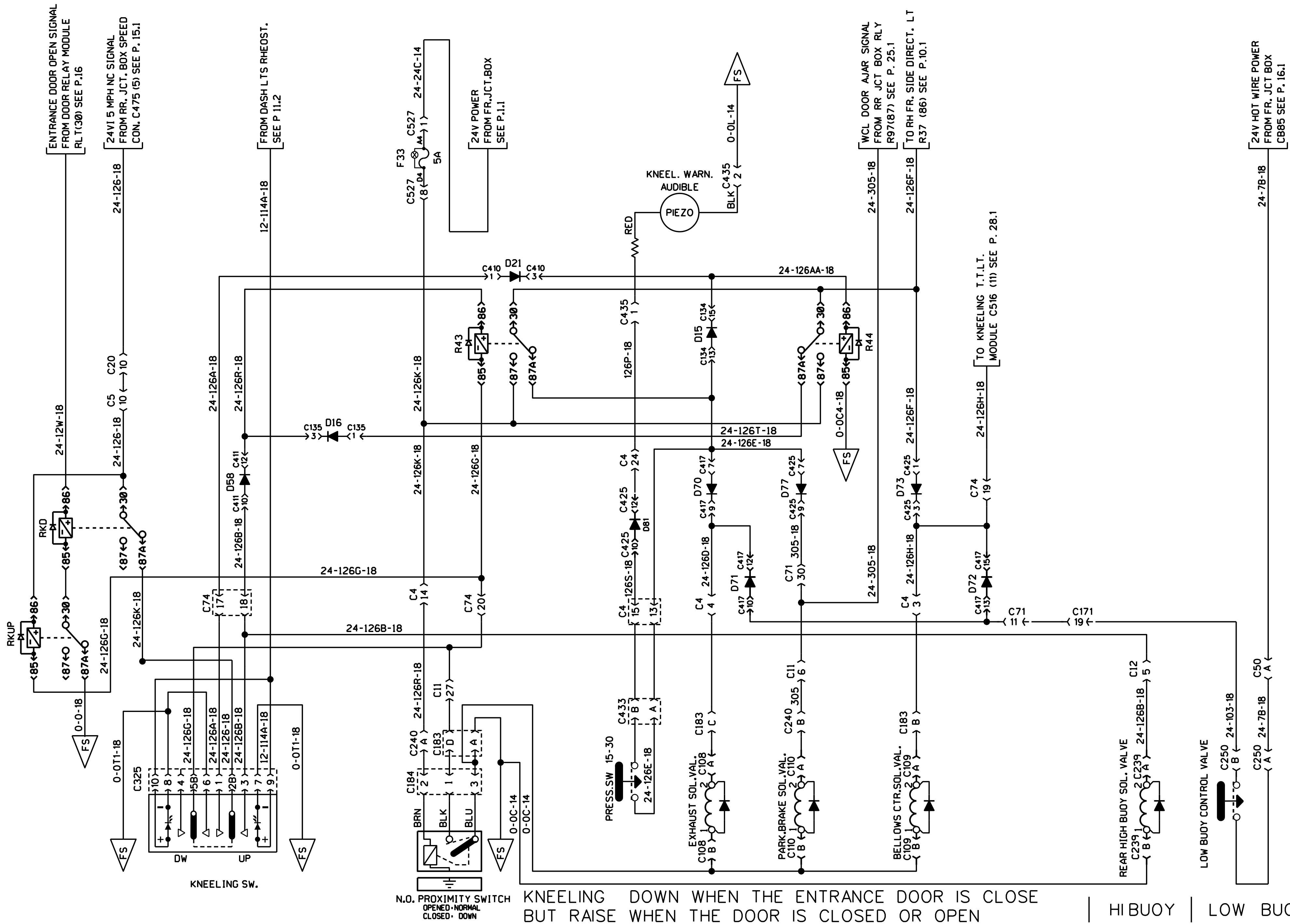
LOW BUOY BYPASS VALVE NOT ENERGIZED=MAN. SW. CTRL ENERGIZED=BYPASS MAN. SW. CTRL

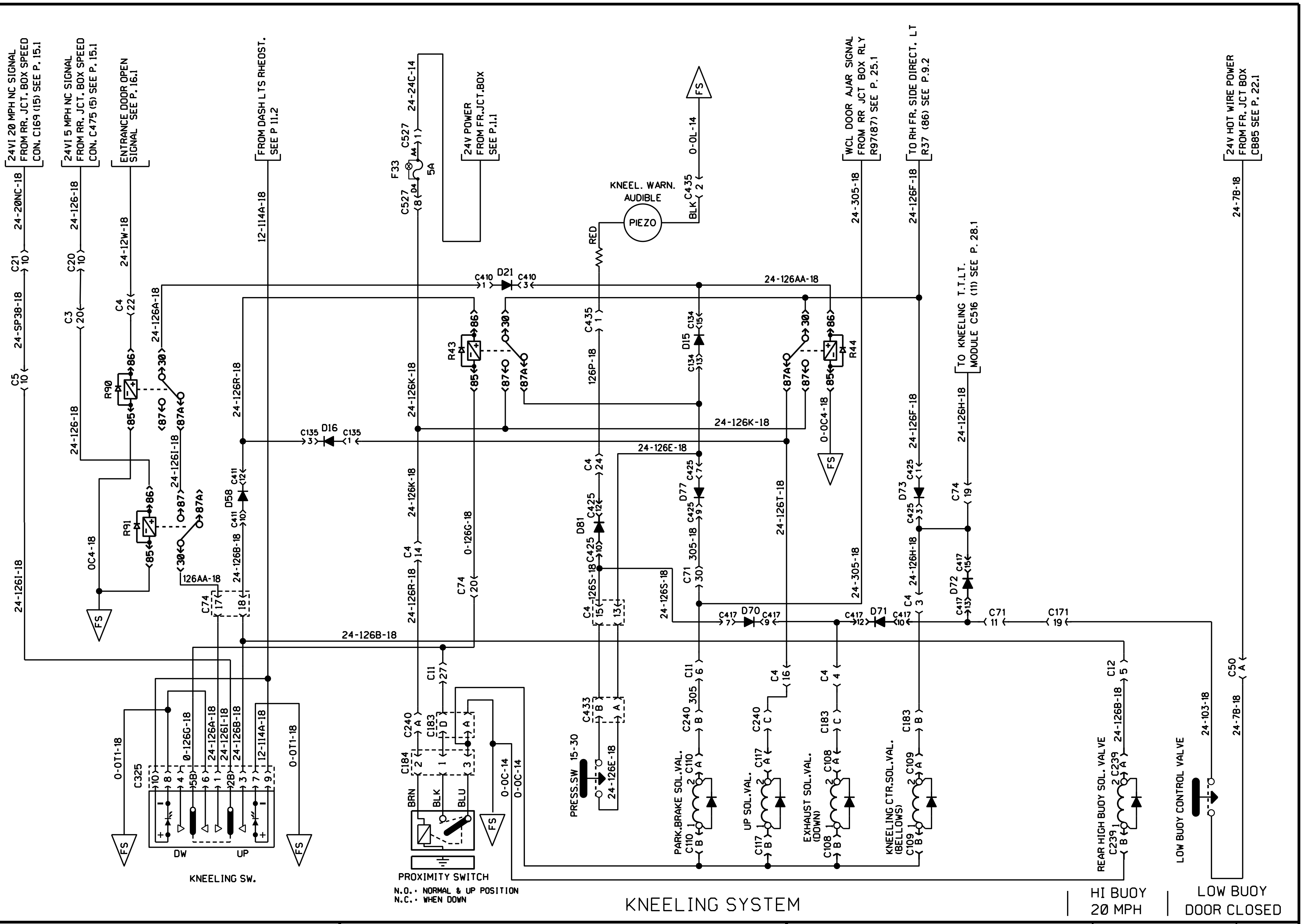
24V HOT WIRE POWER FROM FR. JCT BOX CB85 SEE P. 16.1

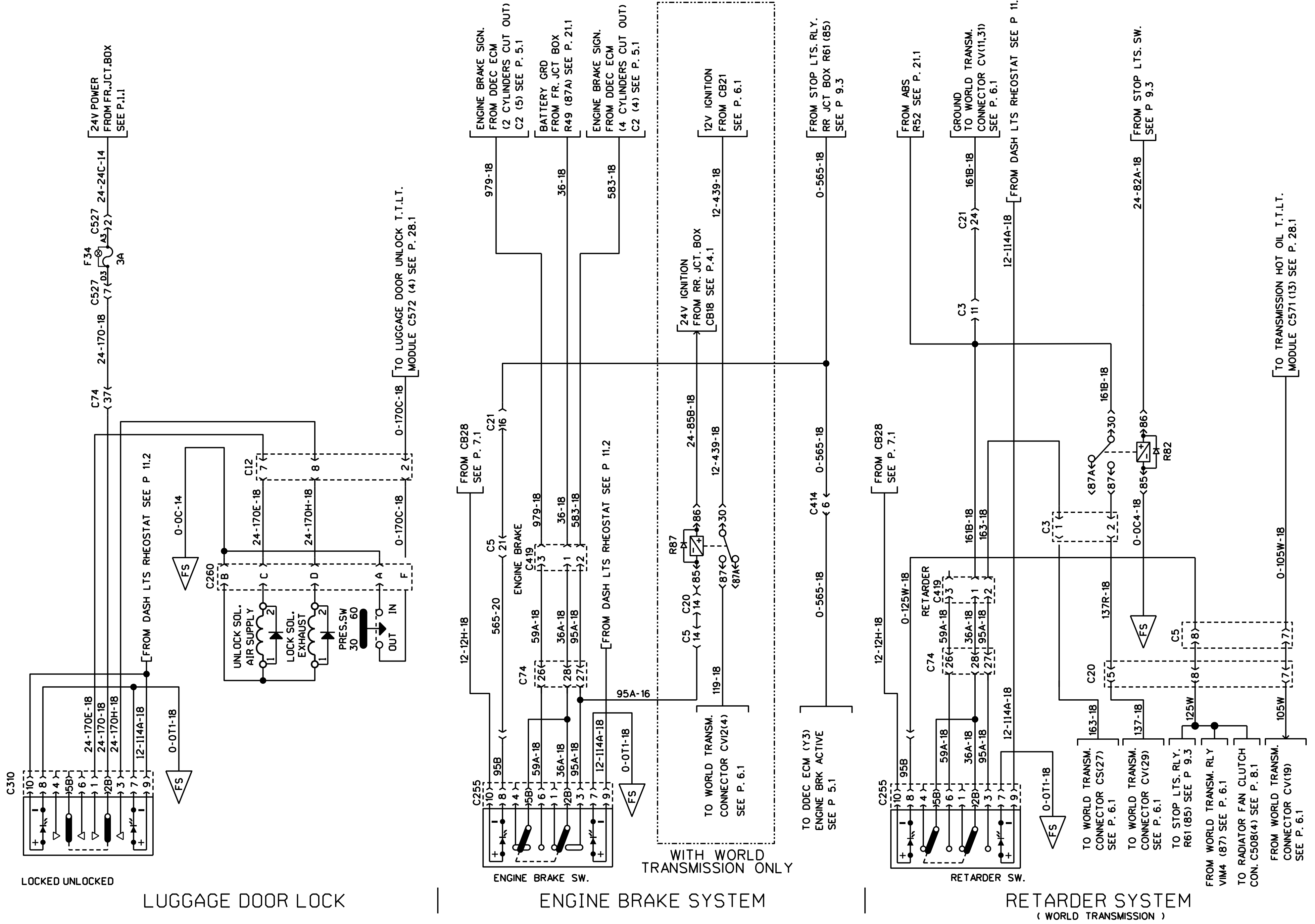
KNEELING SYSTEM

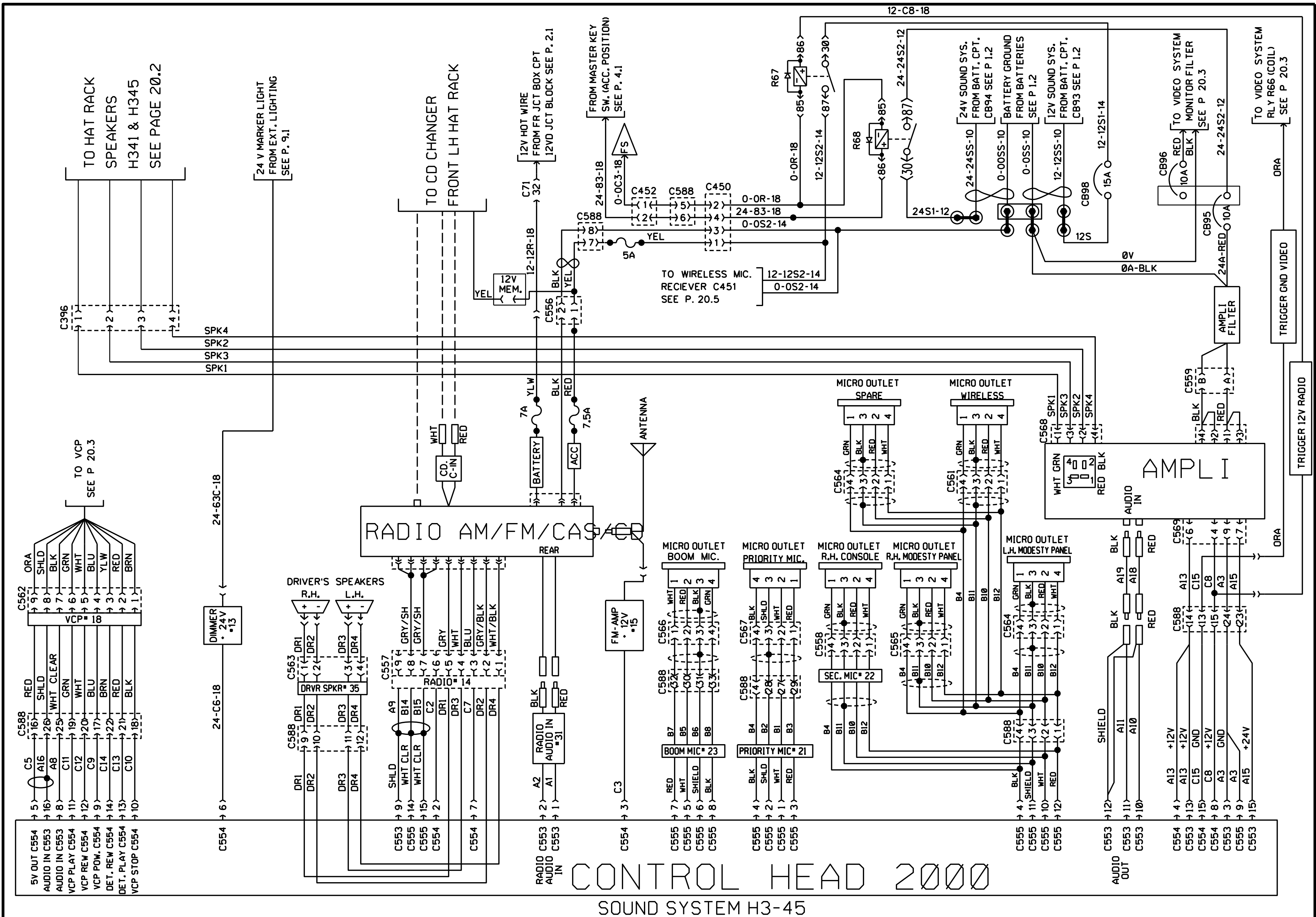
HI BUOY | LOW BUOY

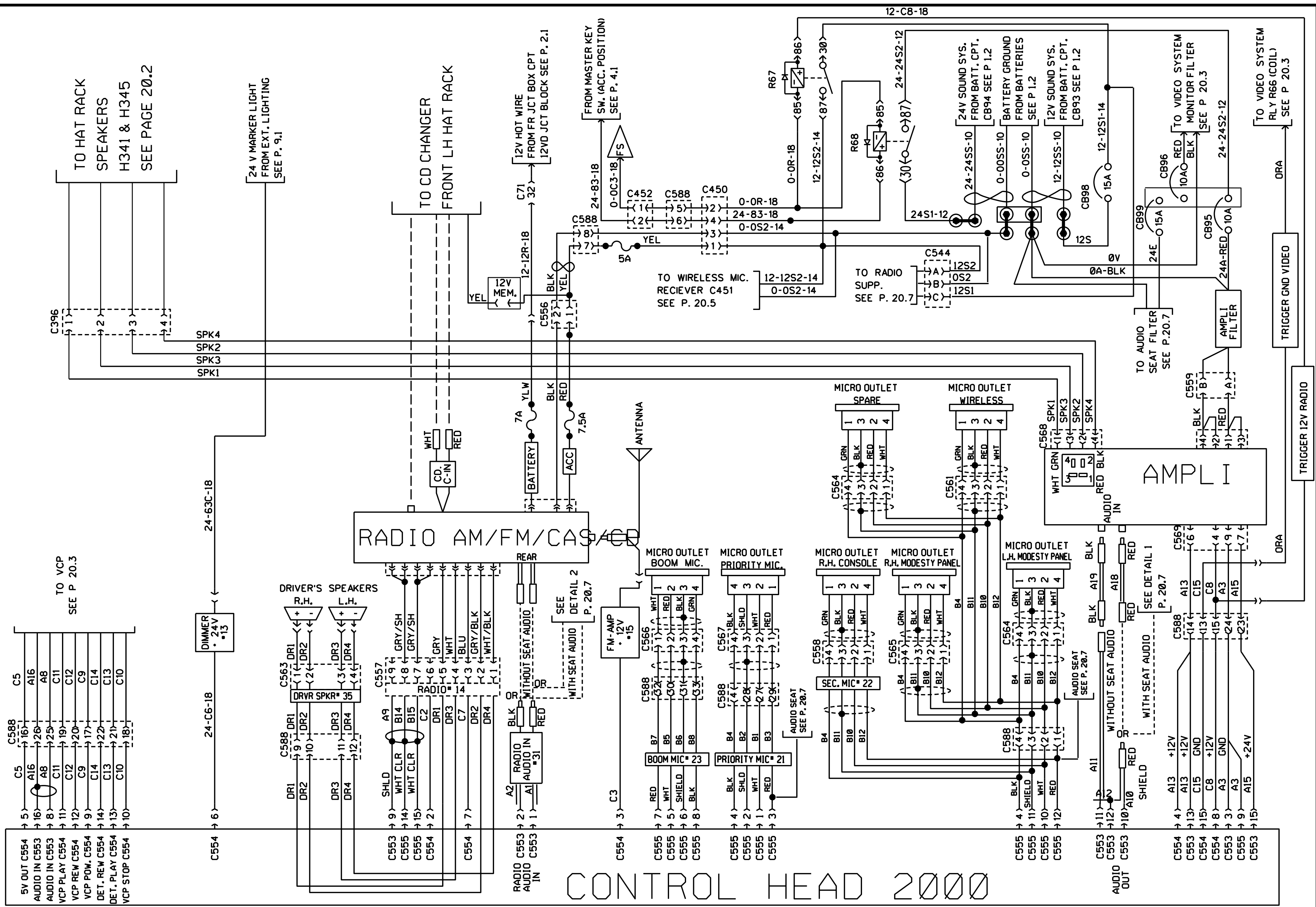




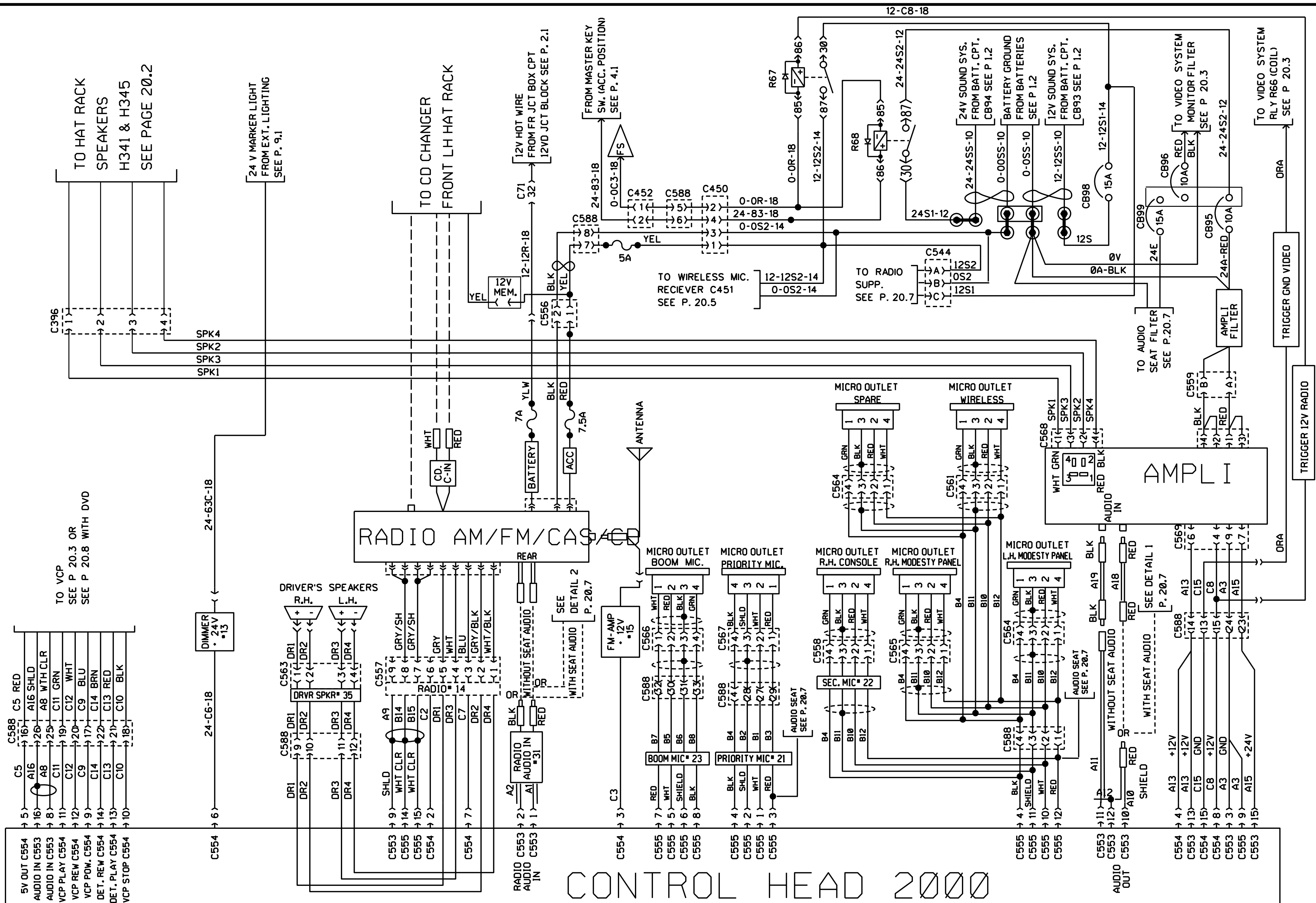






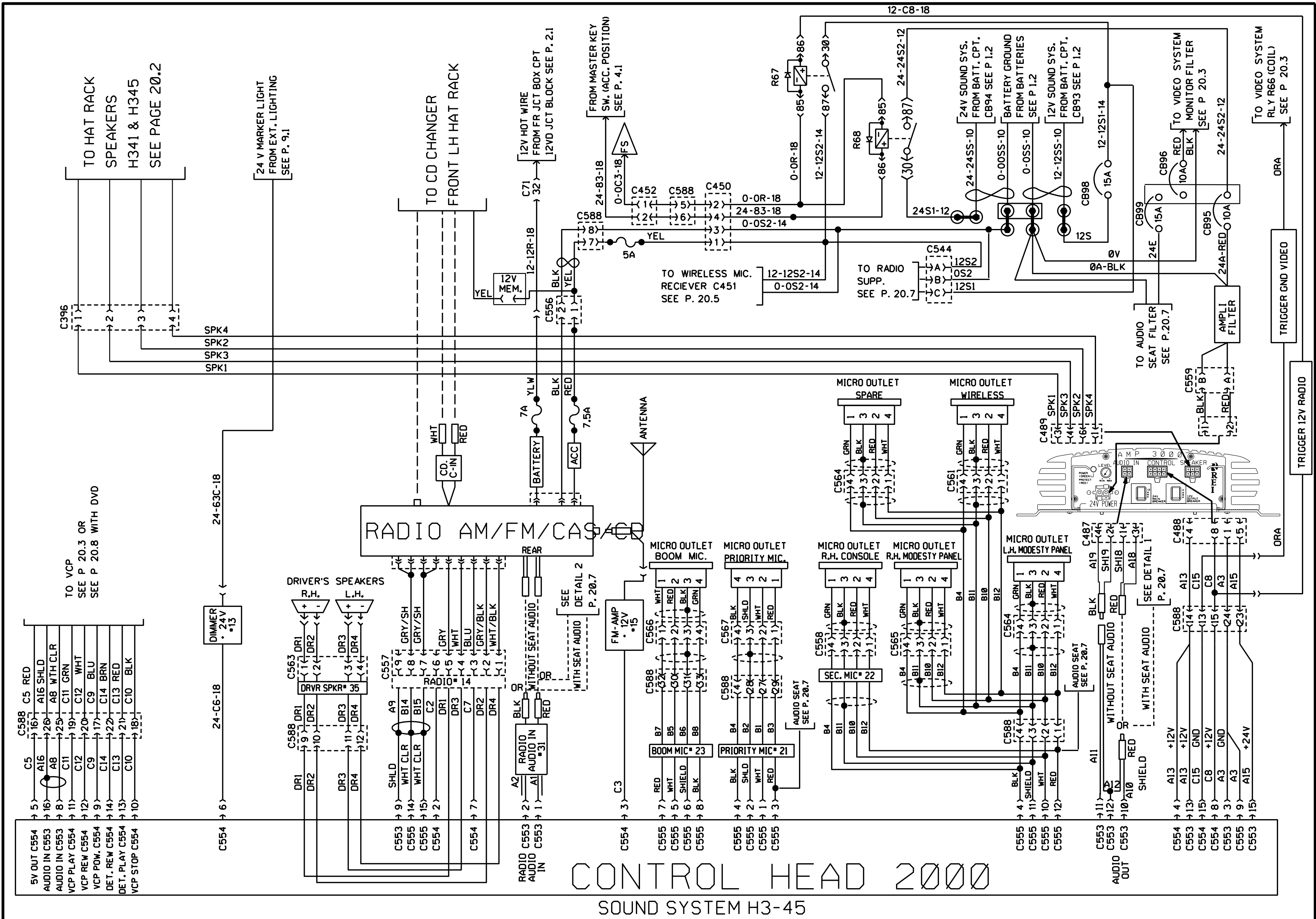


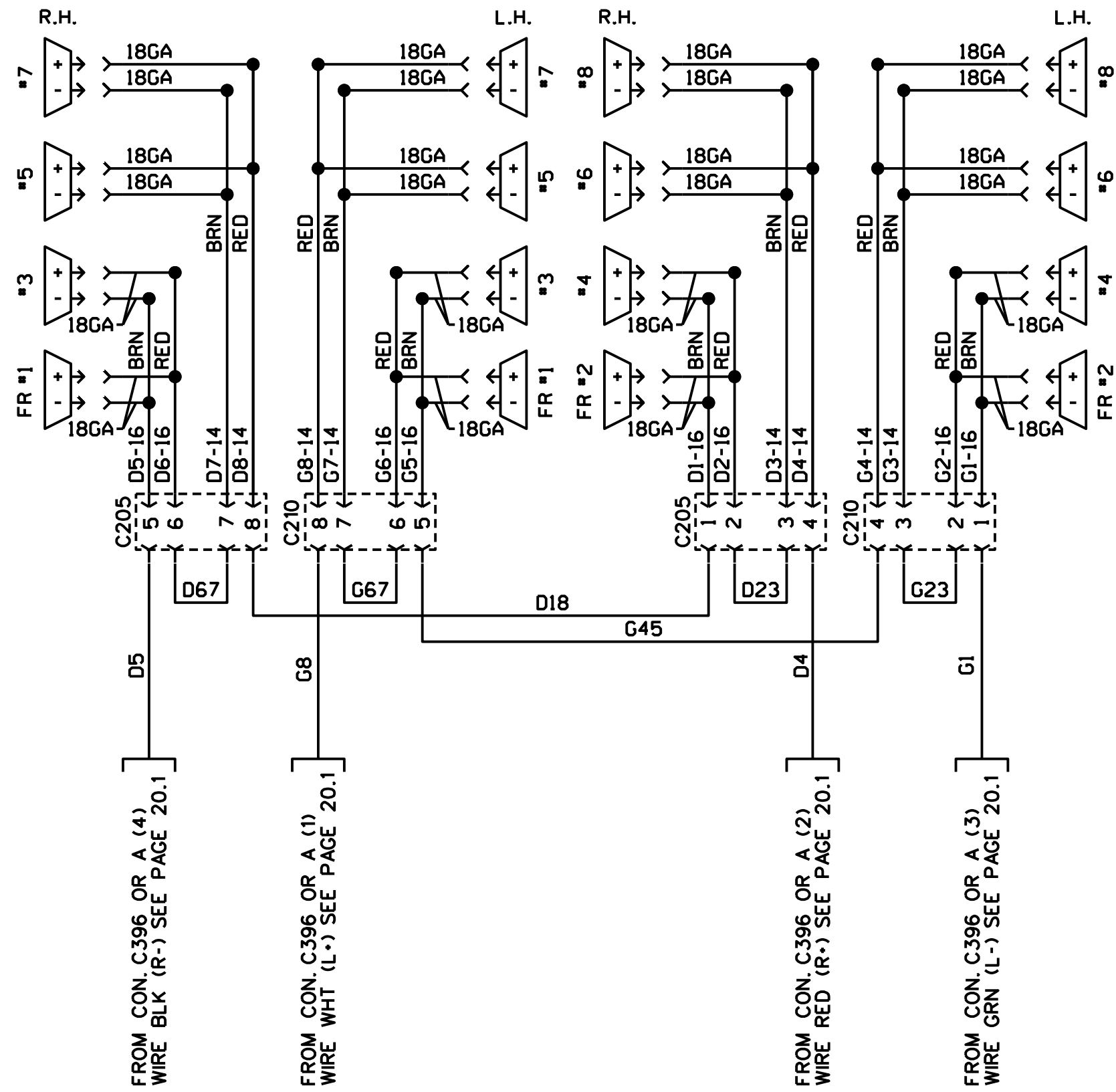
CONTROL HEAD 2000
SOUND SYSTEM H3-45



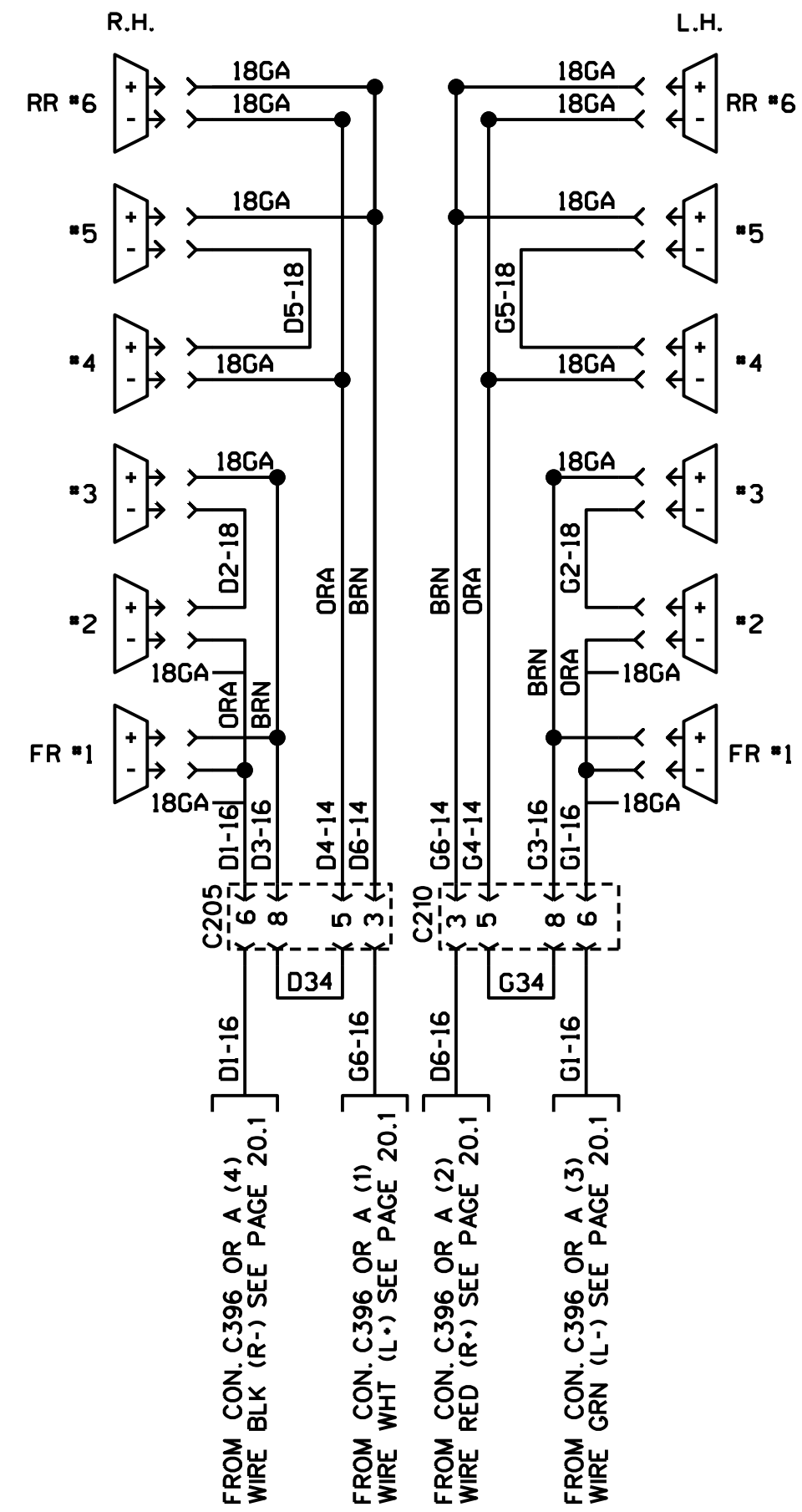
CONTROL HEAD 2000

SOUND SYSTEM H3-45

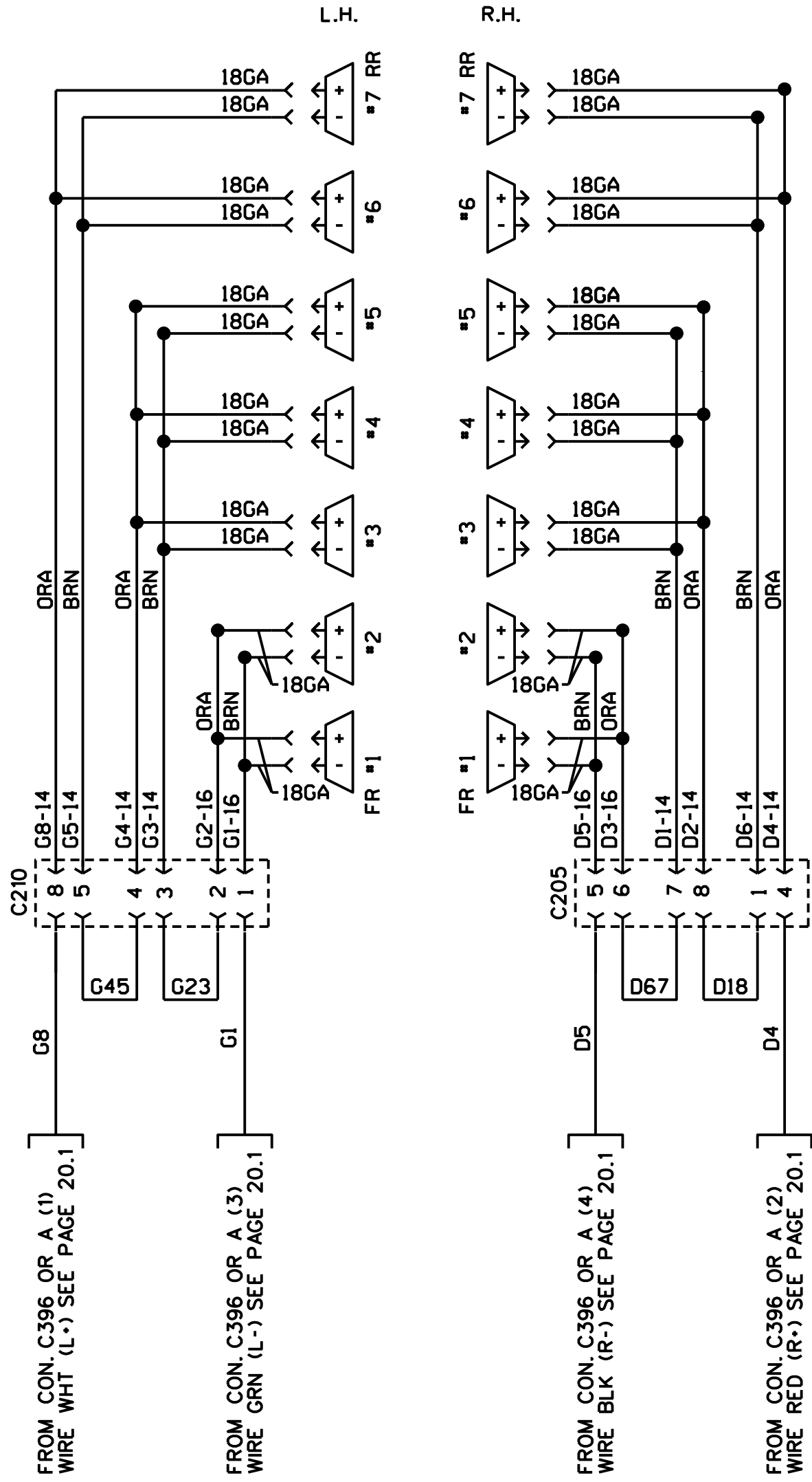




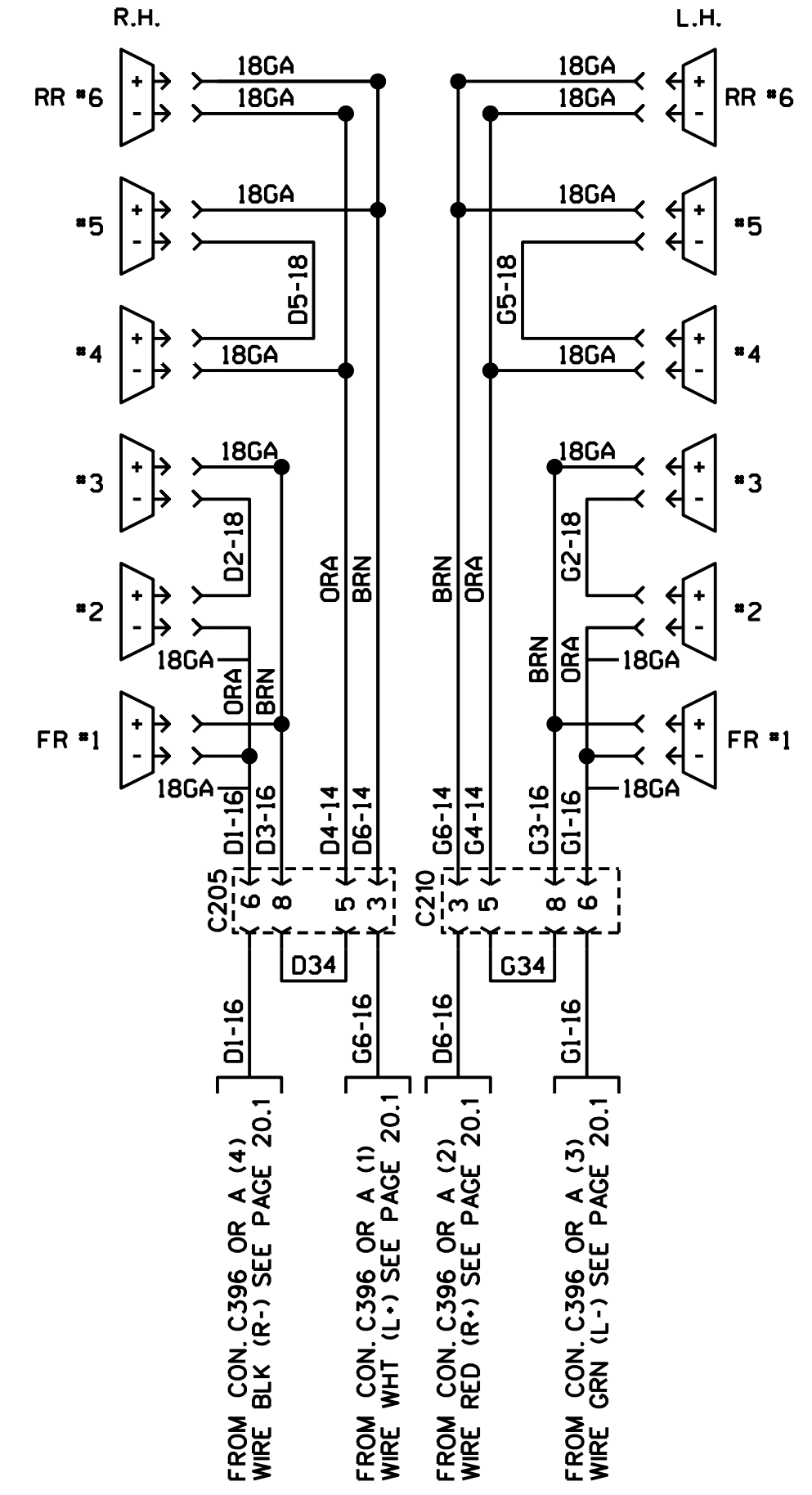
HAT RACK SPEAKERS H3-45



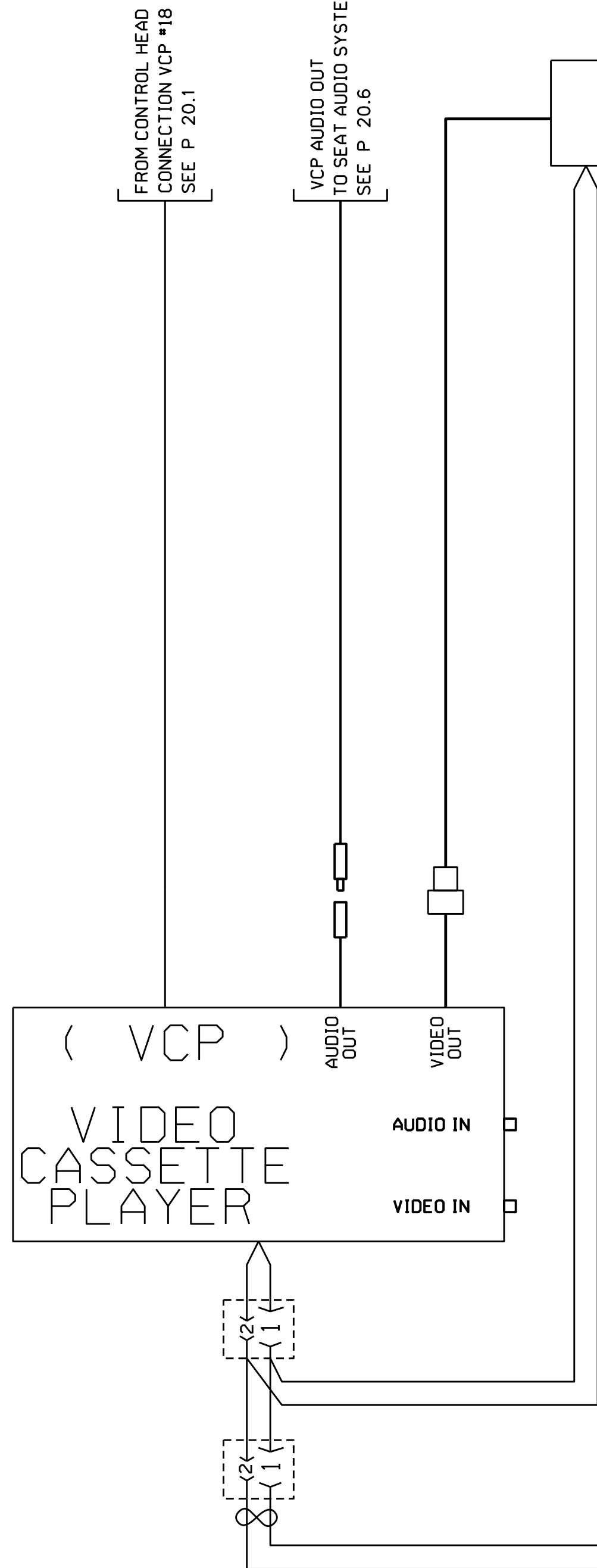
HAT RACK SPEAKERS H3-41



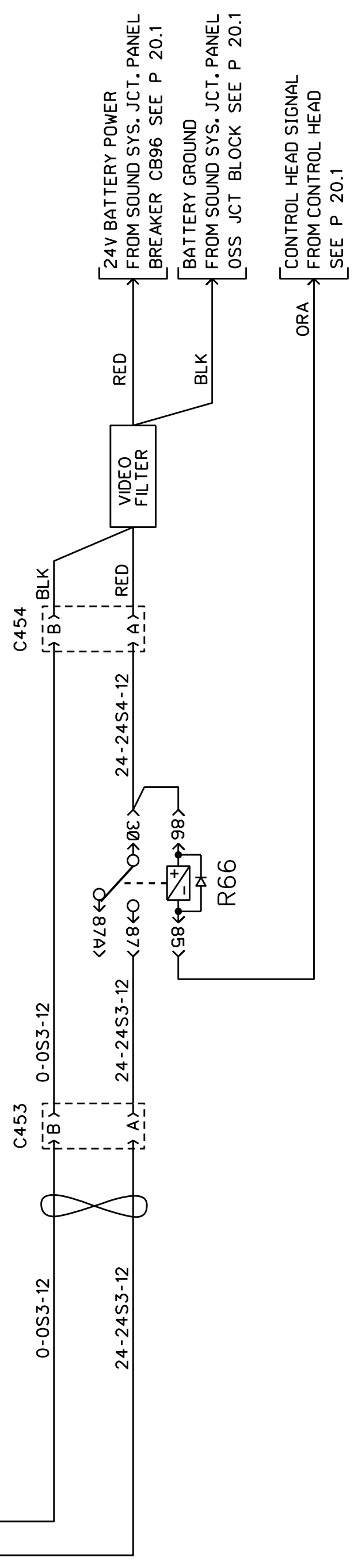
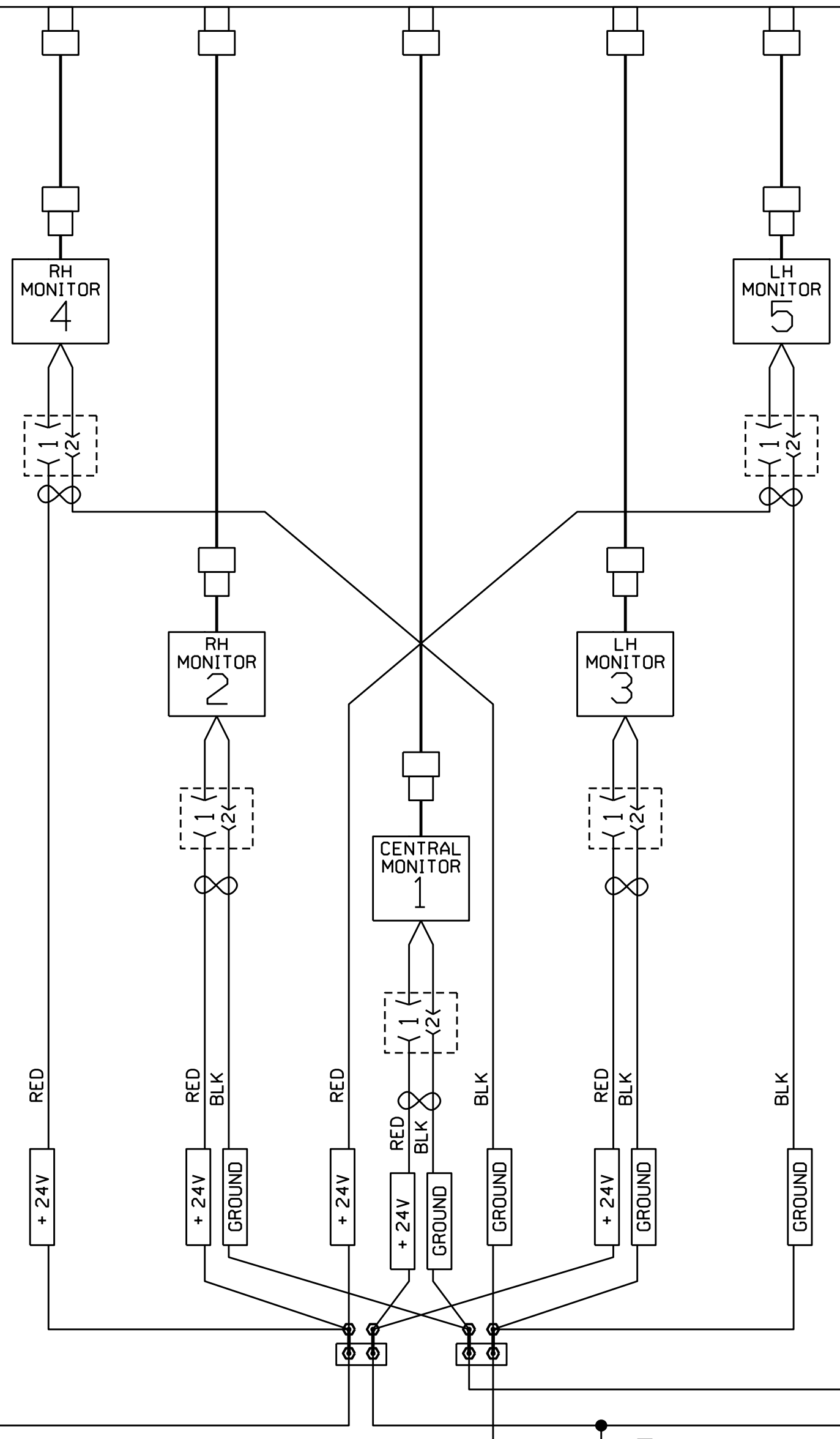
HAT RACK SPEAKERS H3-45



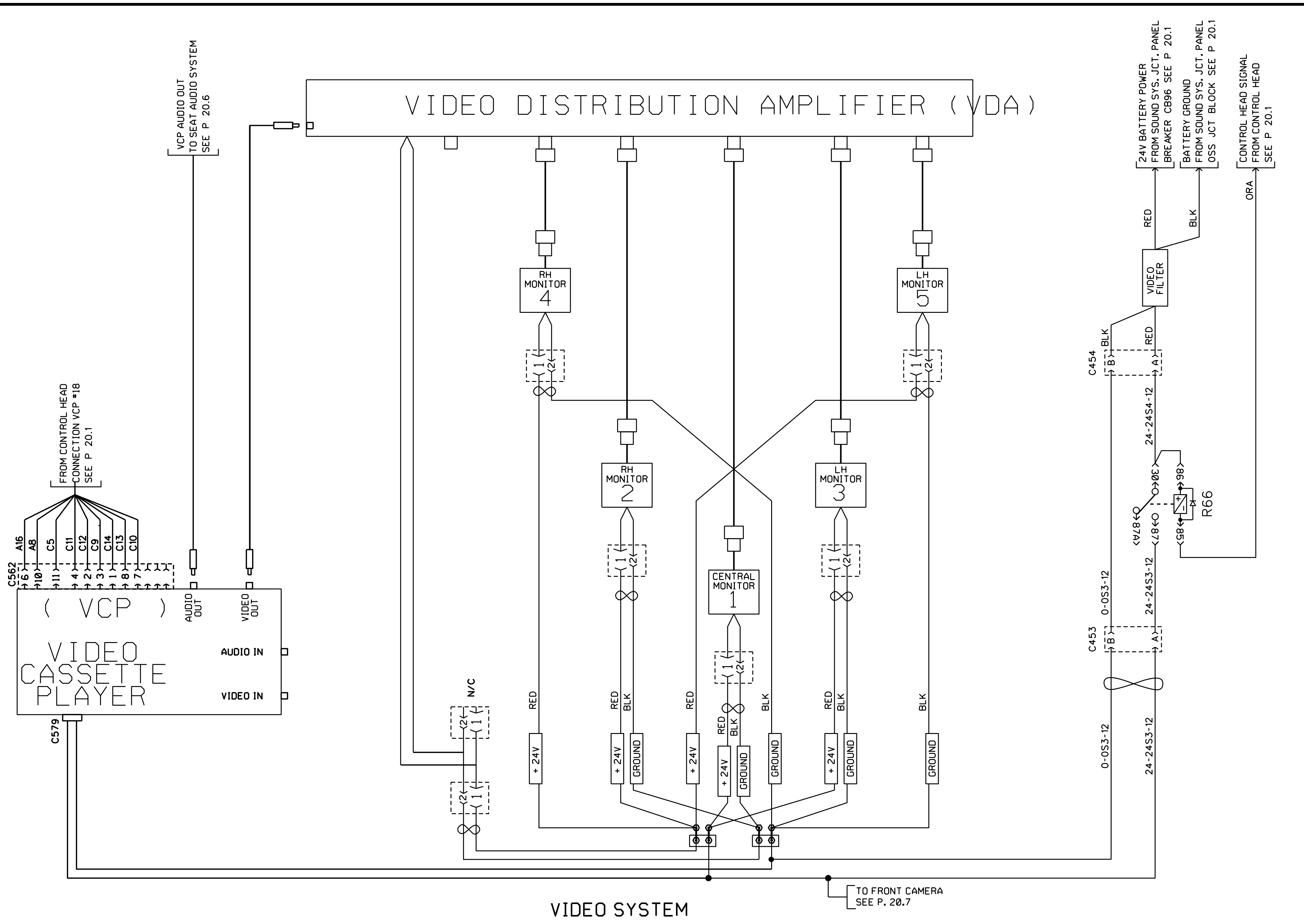
HAT RACK SPEAKERS H3-41



VIDEO DISTRIBUTION AMPLIFIER (VDA)

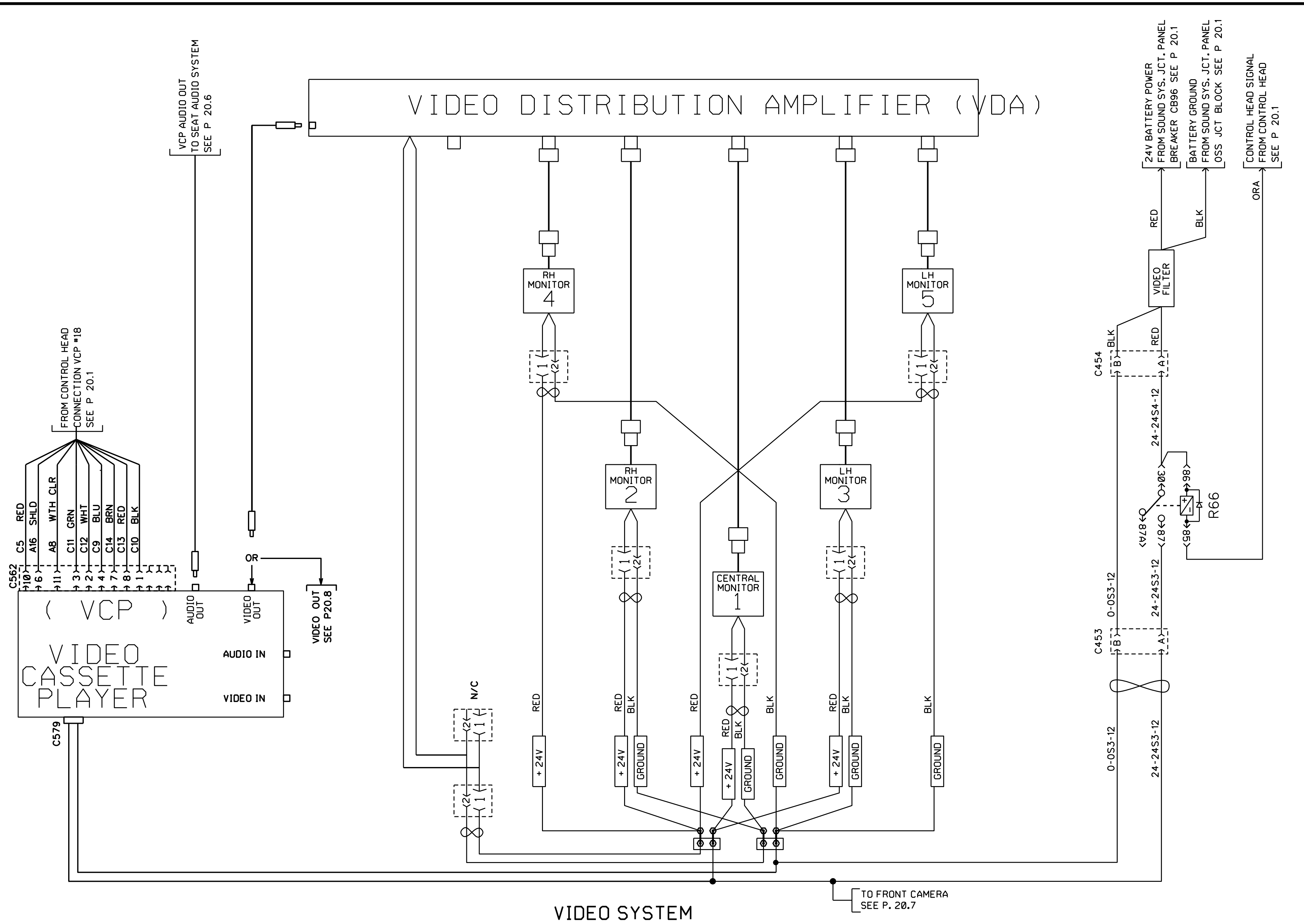


VIDEO SYSTEM



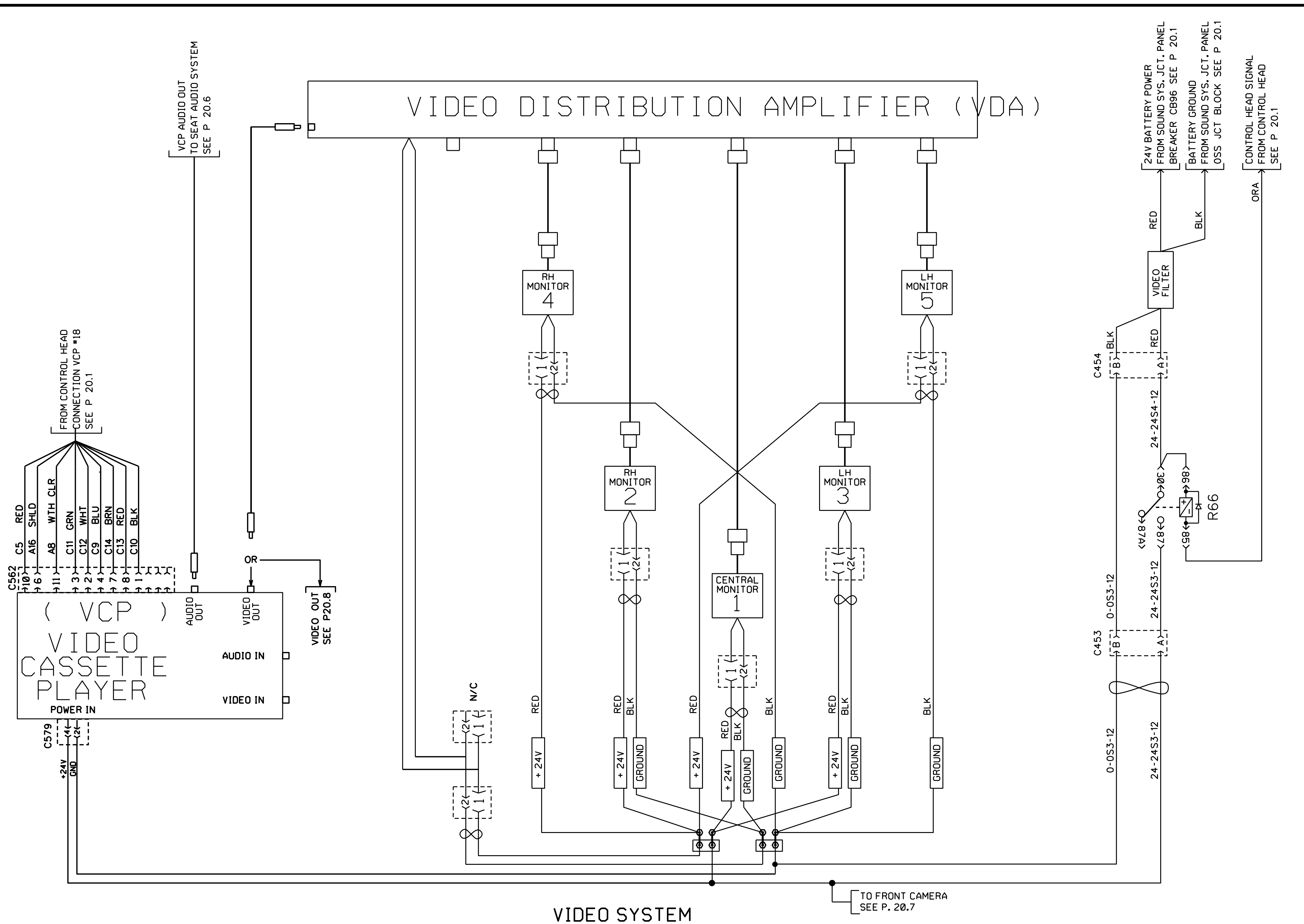
VIDEO SYSTEM

TO FRONT CAMERA
SEE P. 20.7

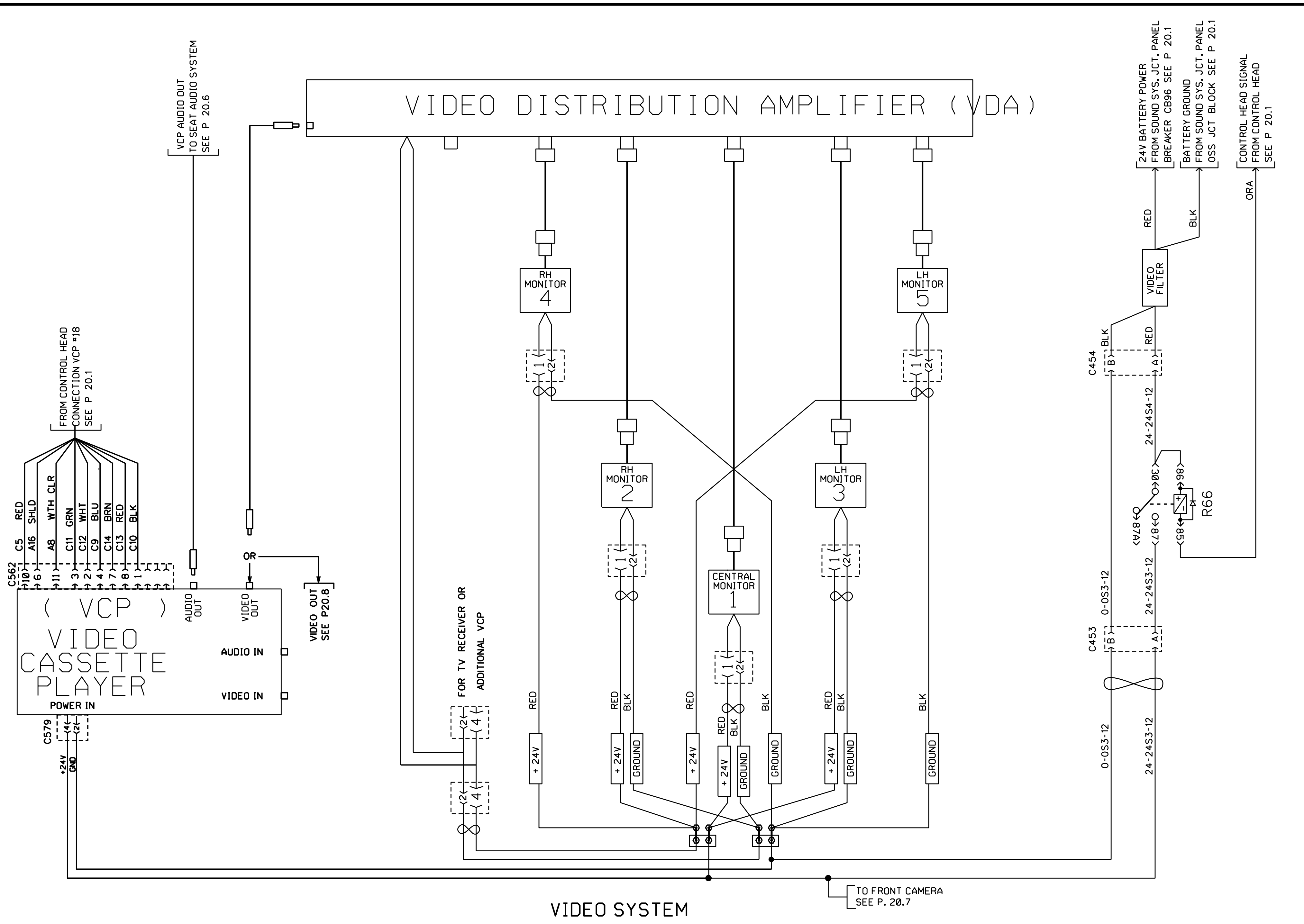


VIDEO SYSTEM

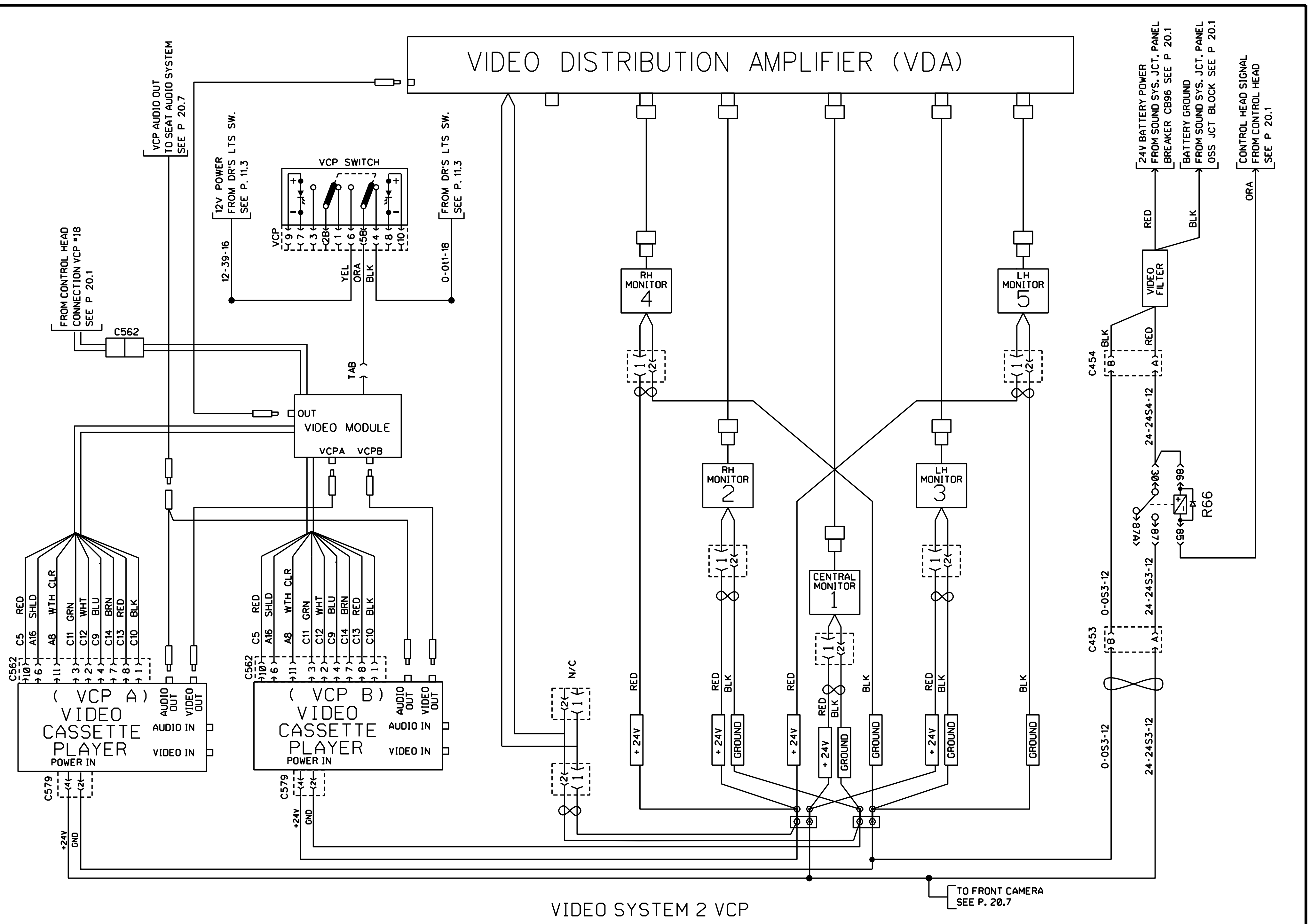
TO FRONT CAMERA
SEE P. 20.7



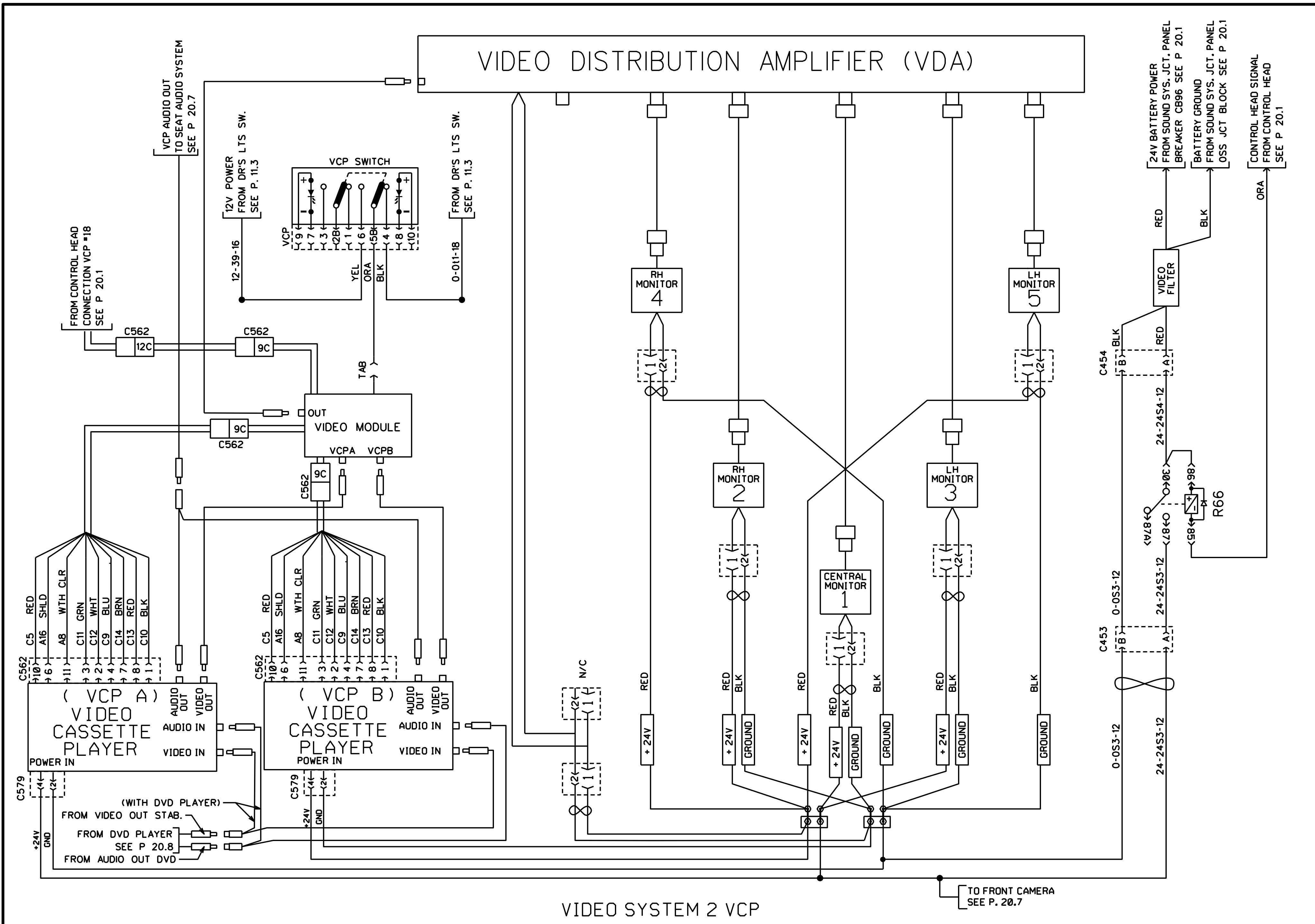
VIDEO SYSTEM



VIDEO SYSTEM

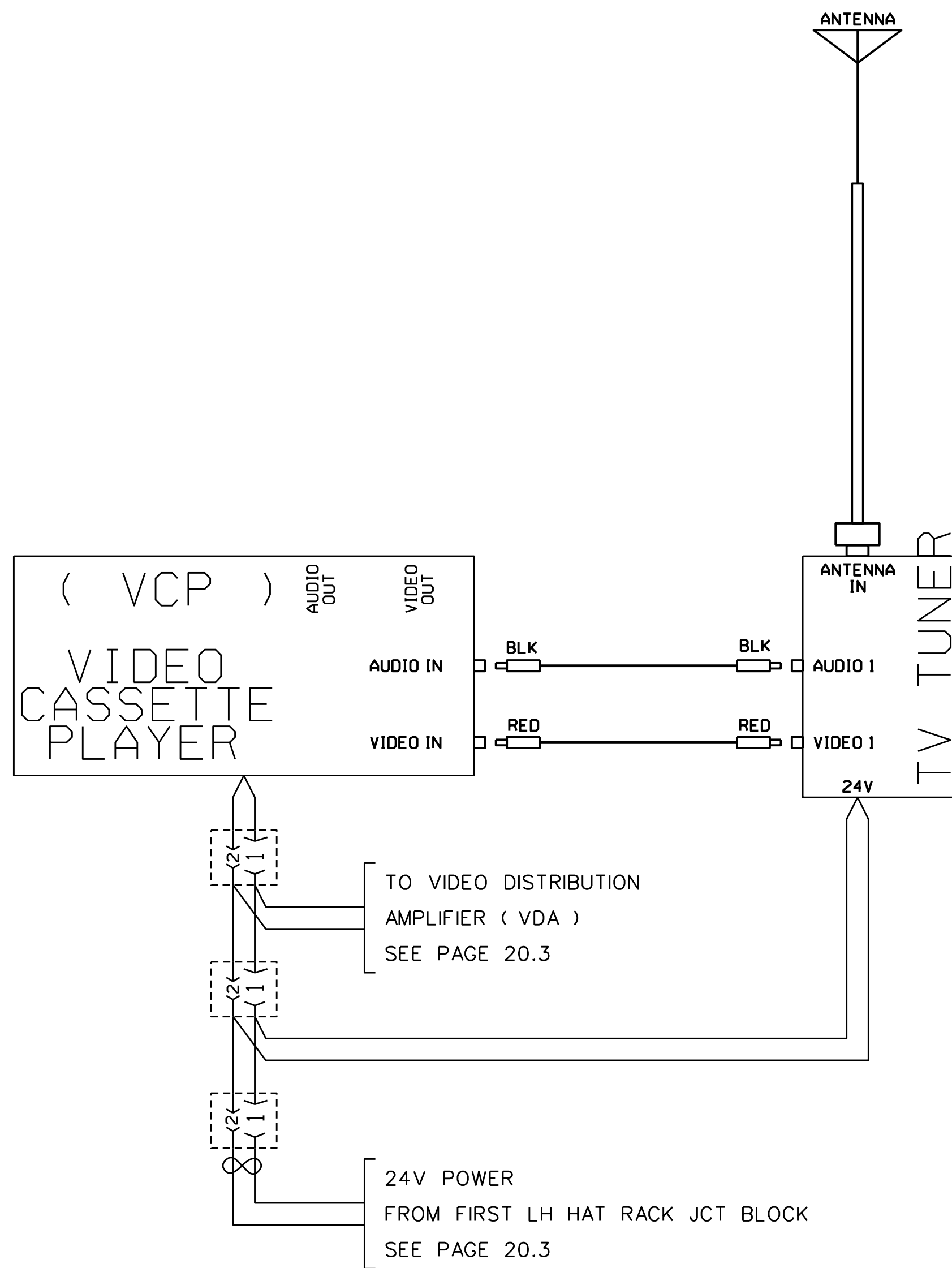


VIDEO SYSTEM 2 VCP

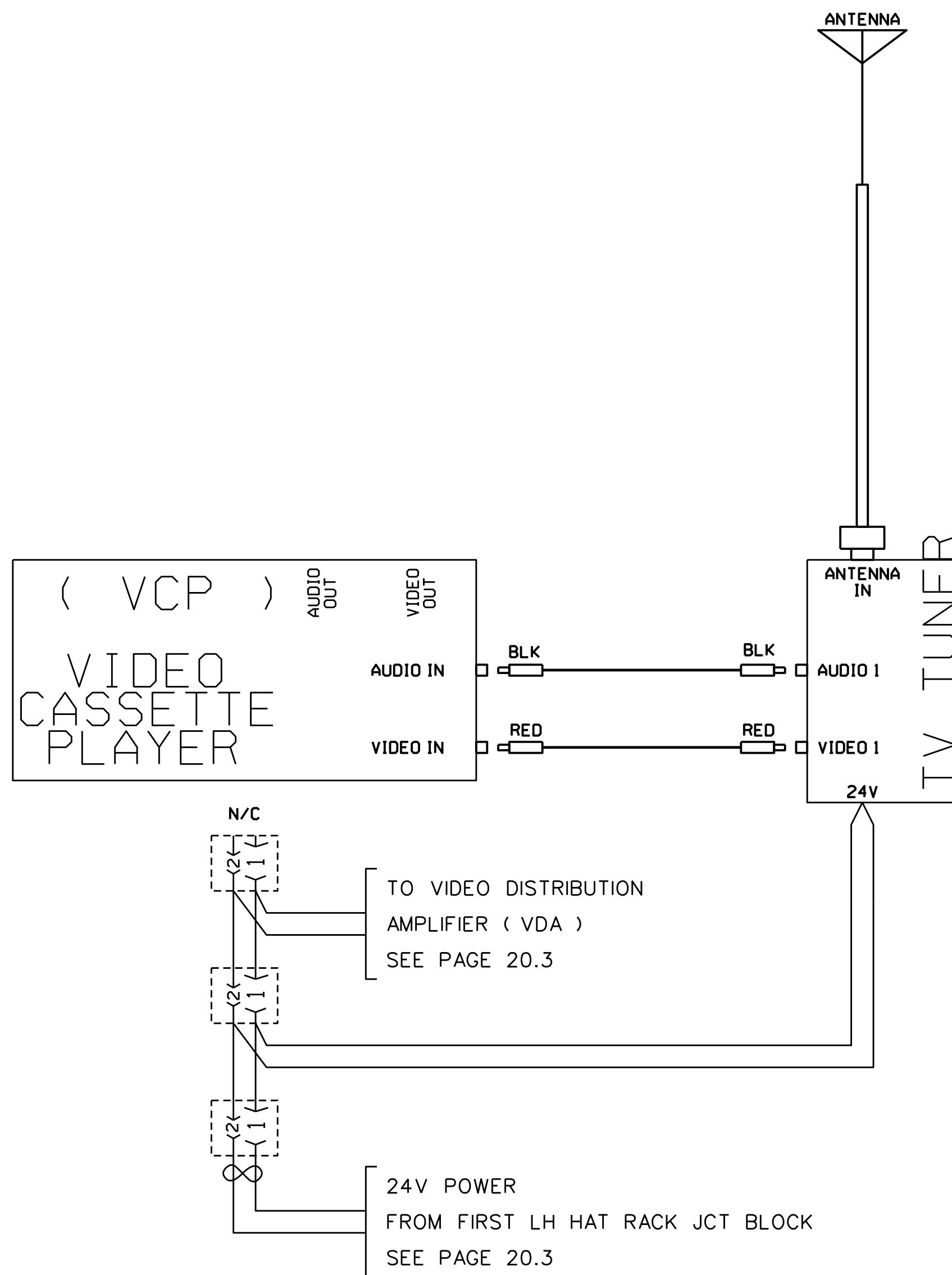


VIDEO SYSTEM 2 VCP

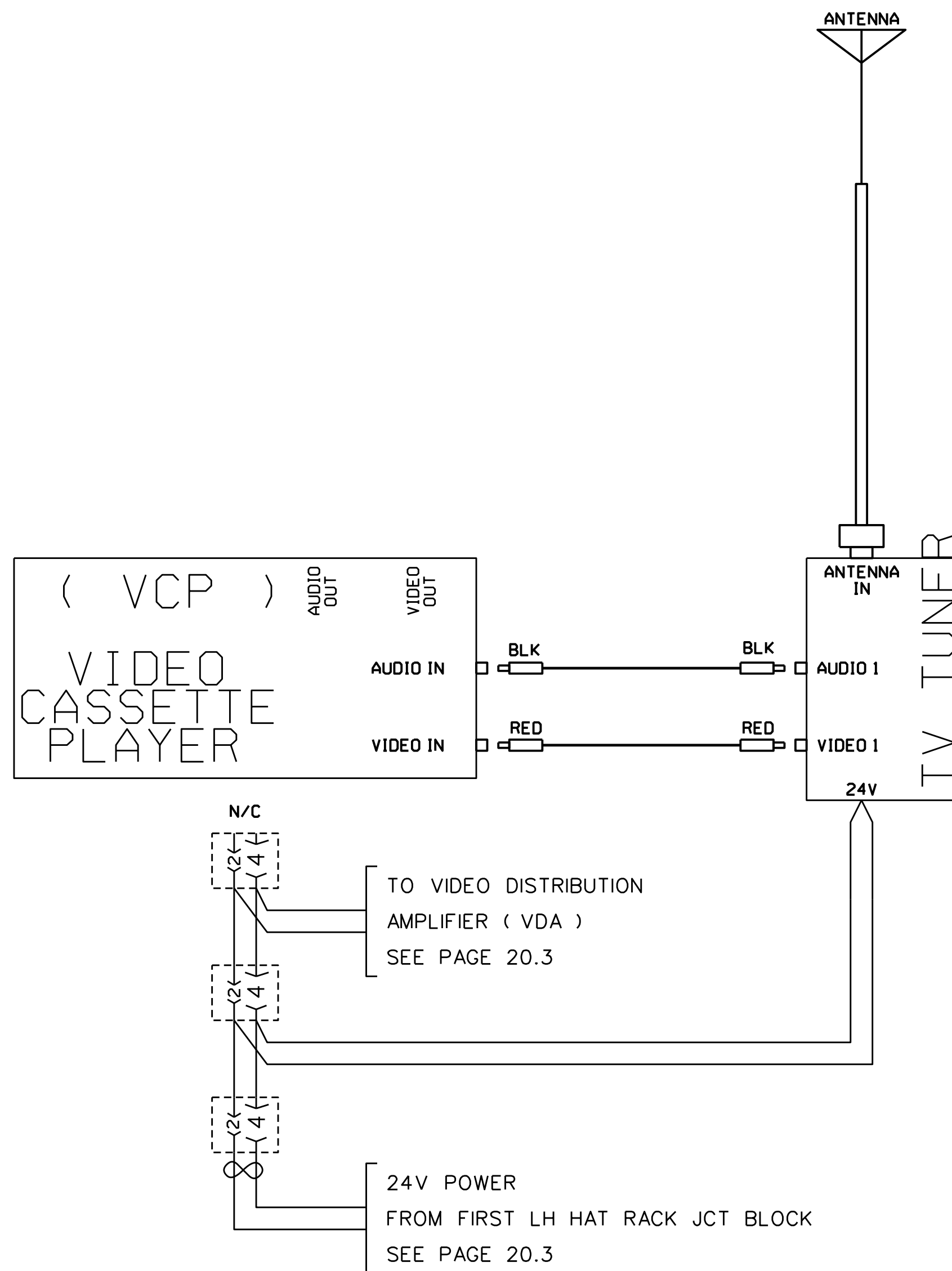
TO FRONT CAMERA
SEE P. 20.7



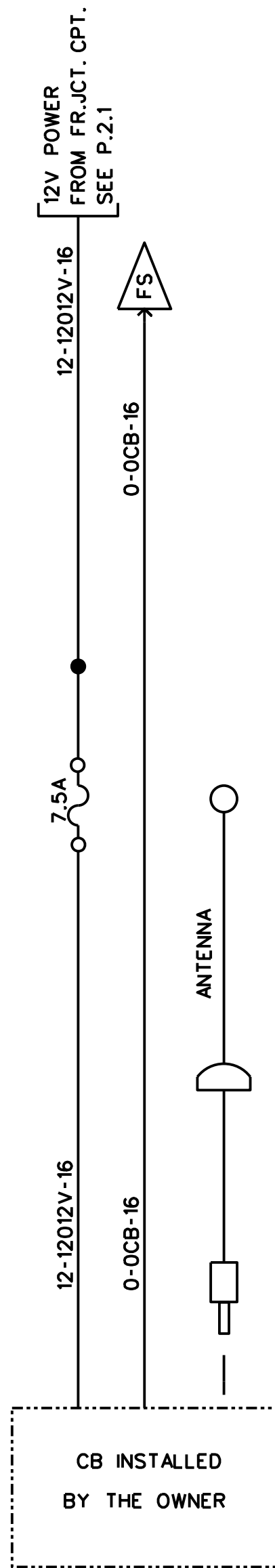
TV RECEIVER



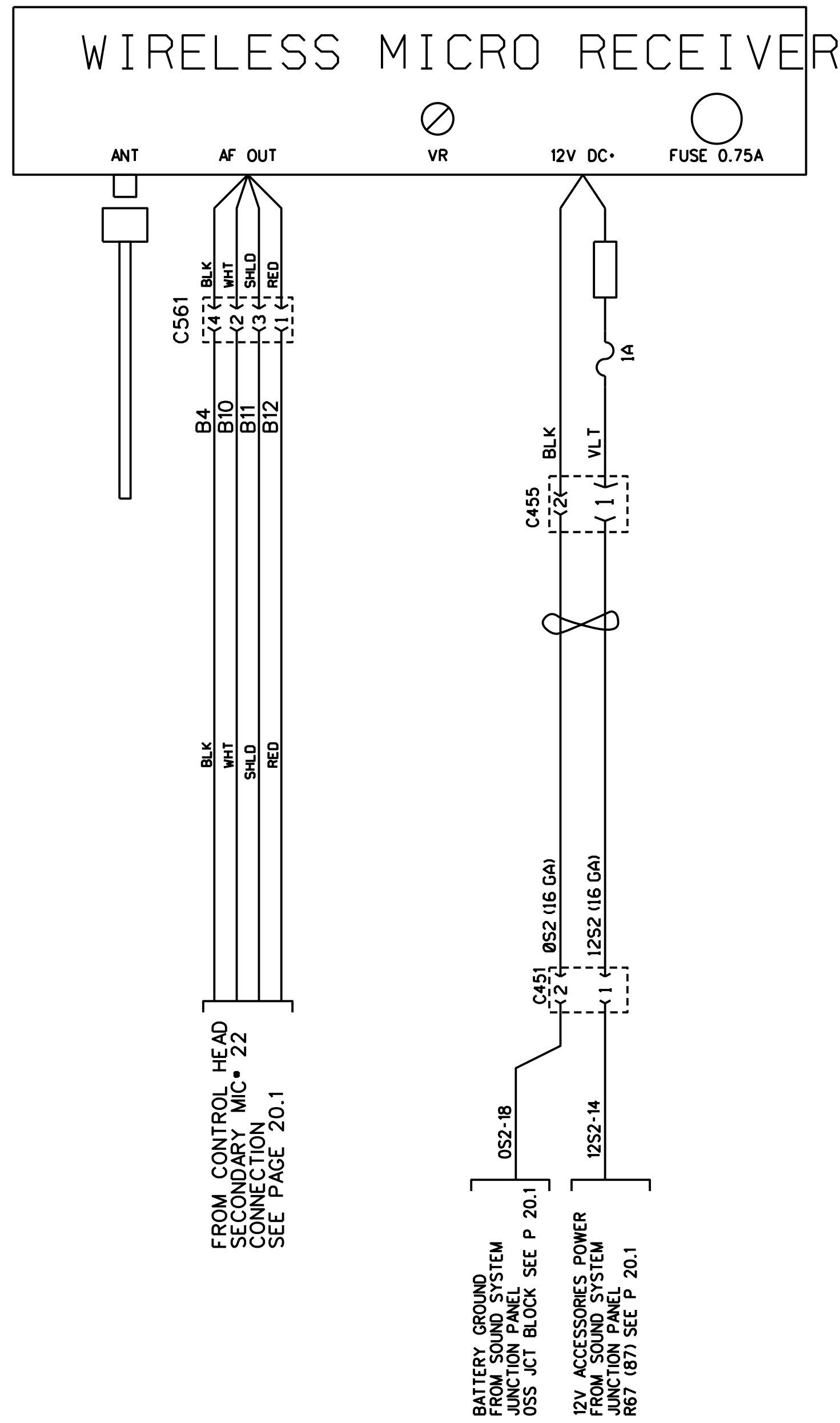
TV RECEIVER



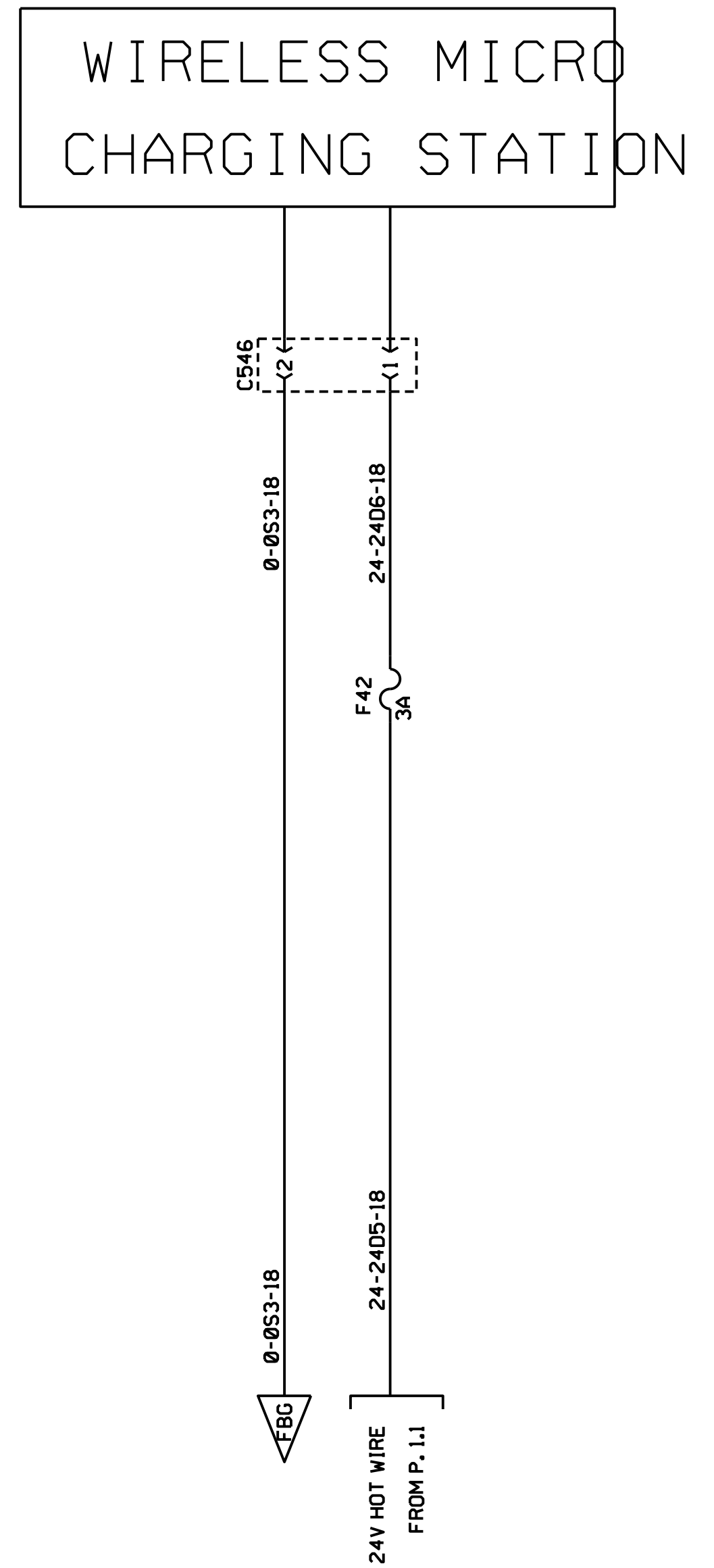
TV RECEIVER

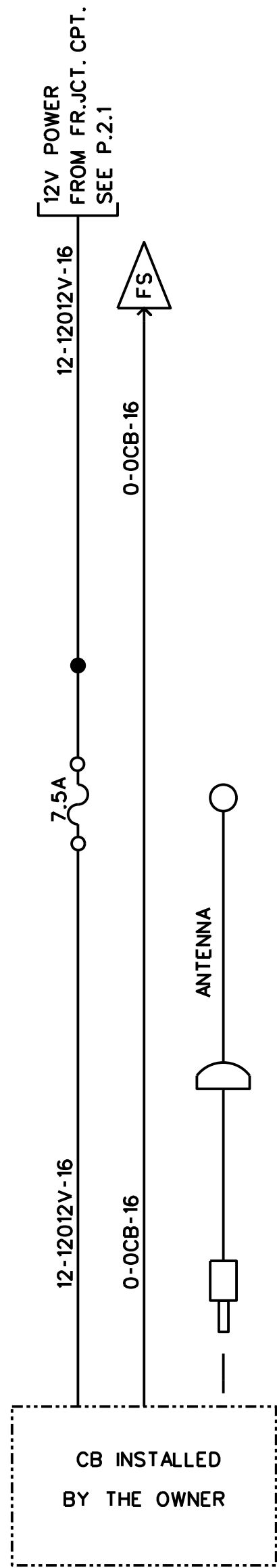


CB OPTION

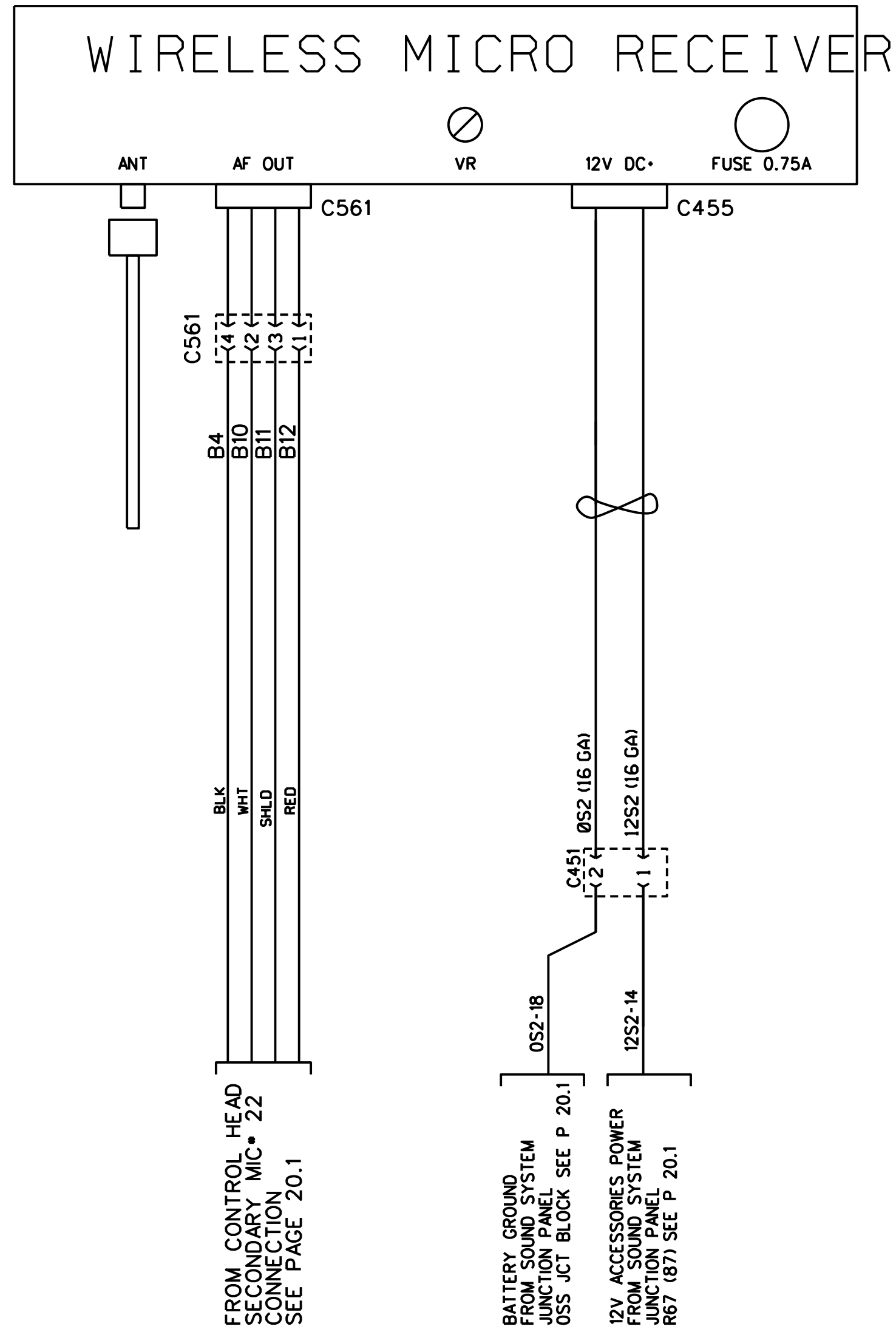


WIRELESS MICROPHONE

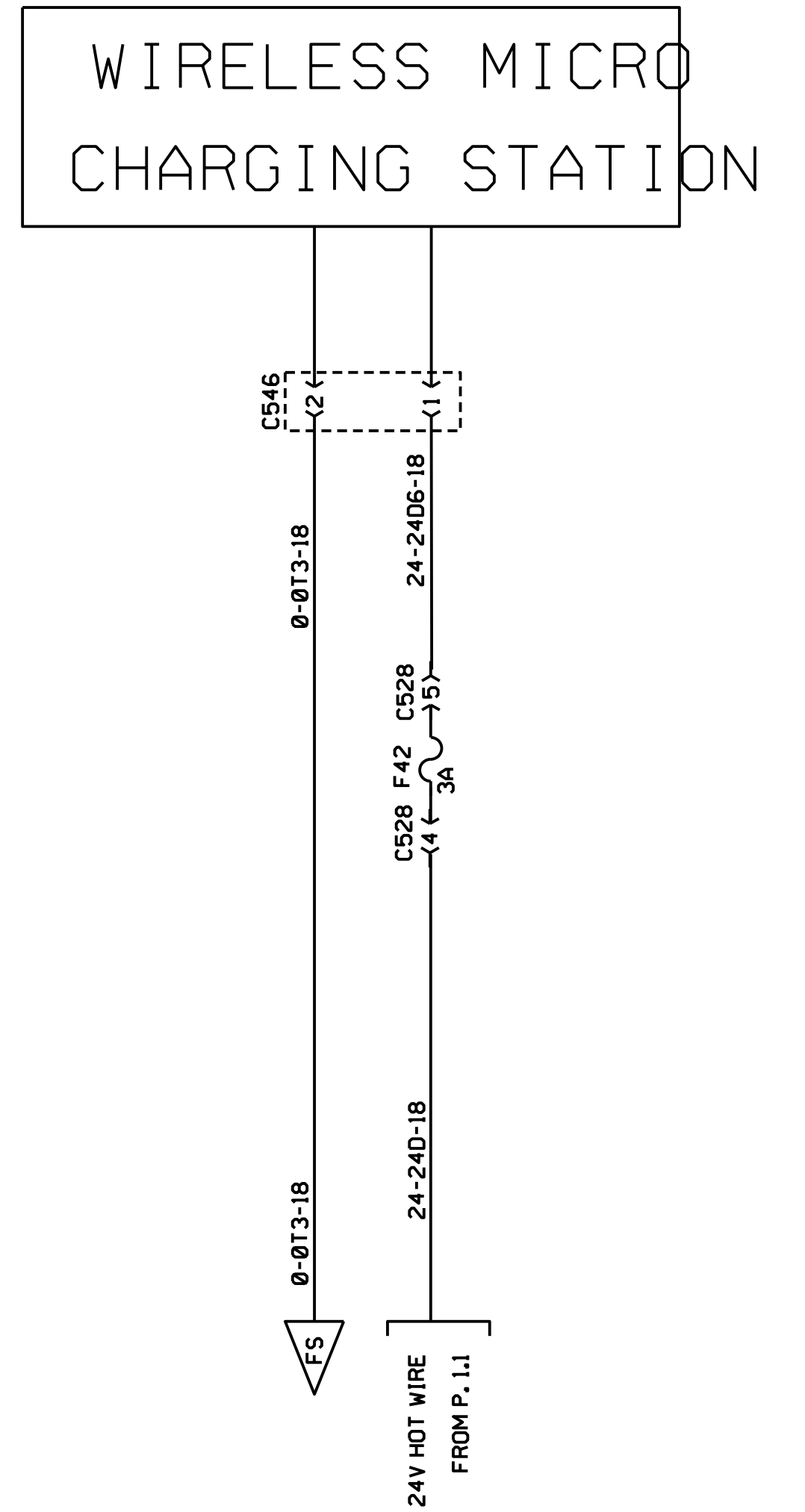


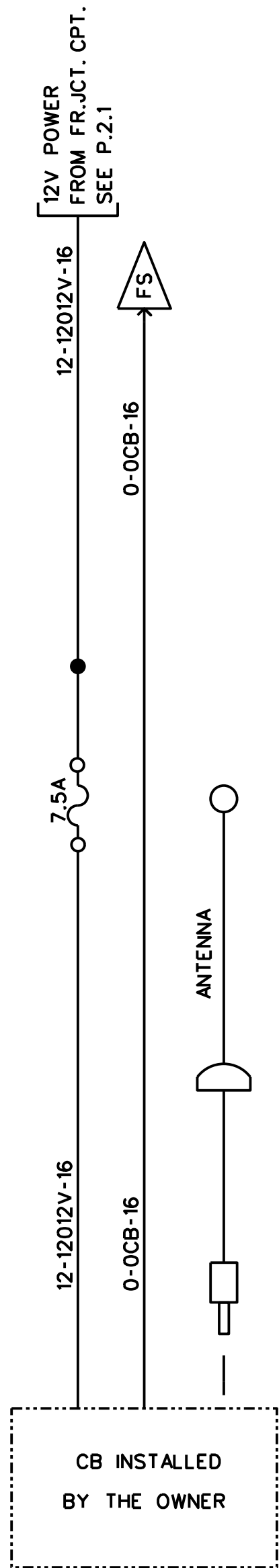


CB OPTION

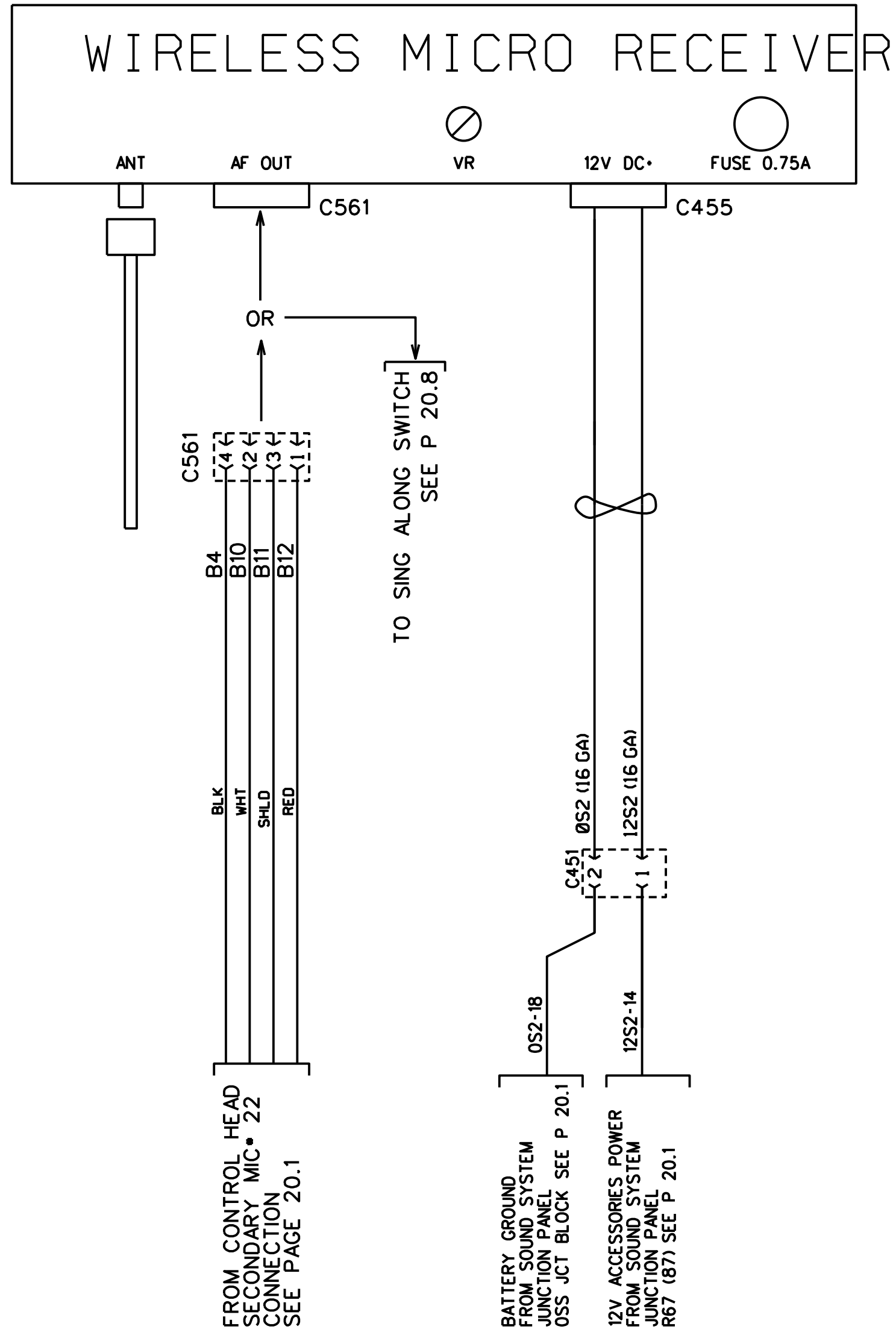


WIRELESS MICROPHONE

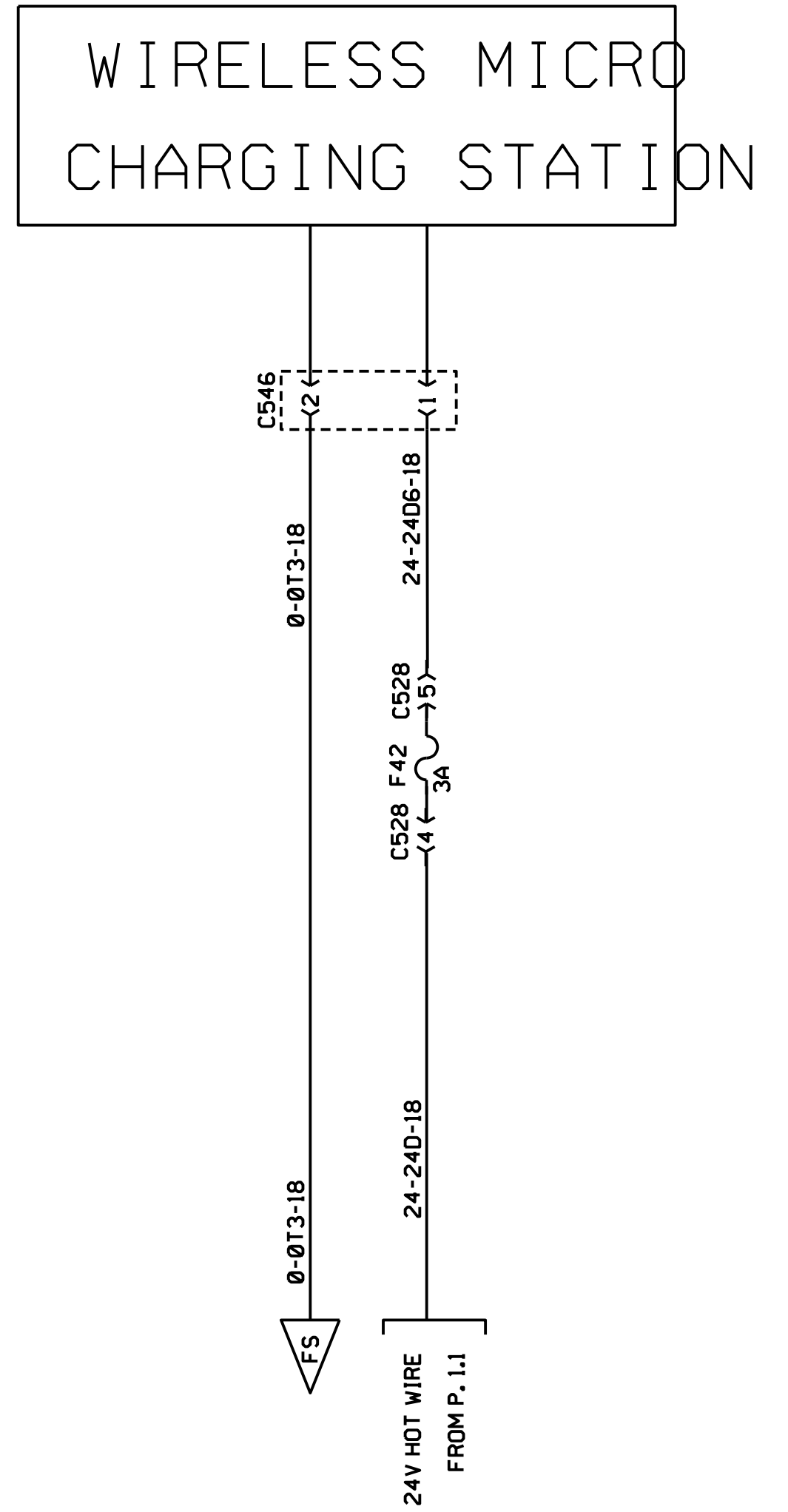


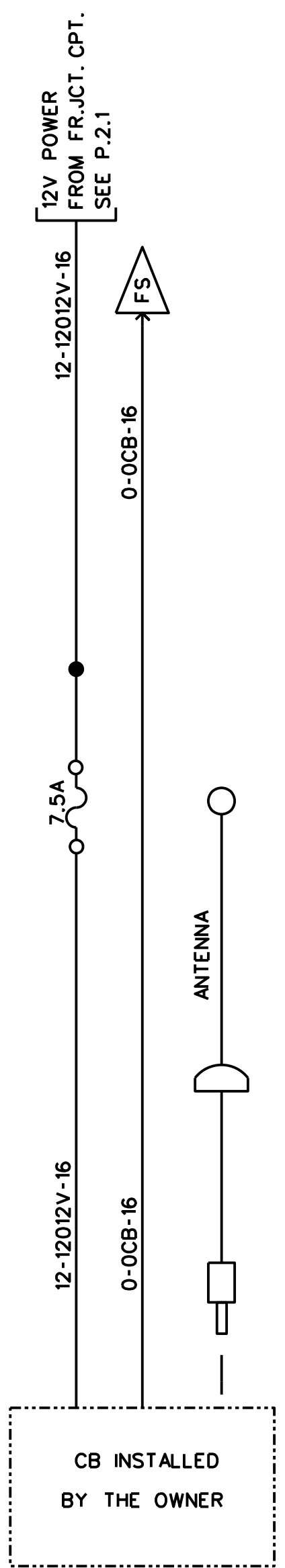


CB OPTION

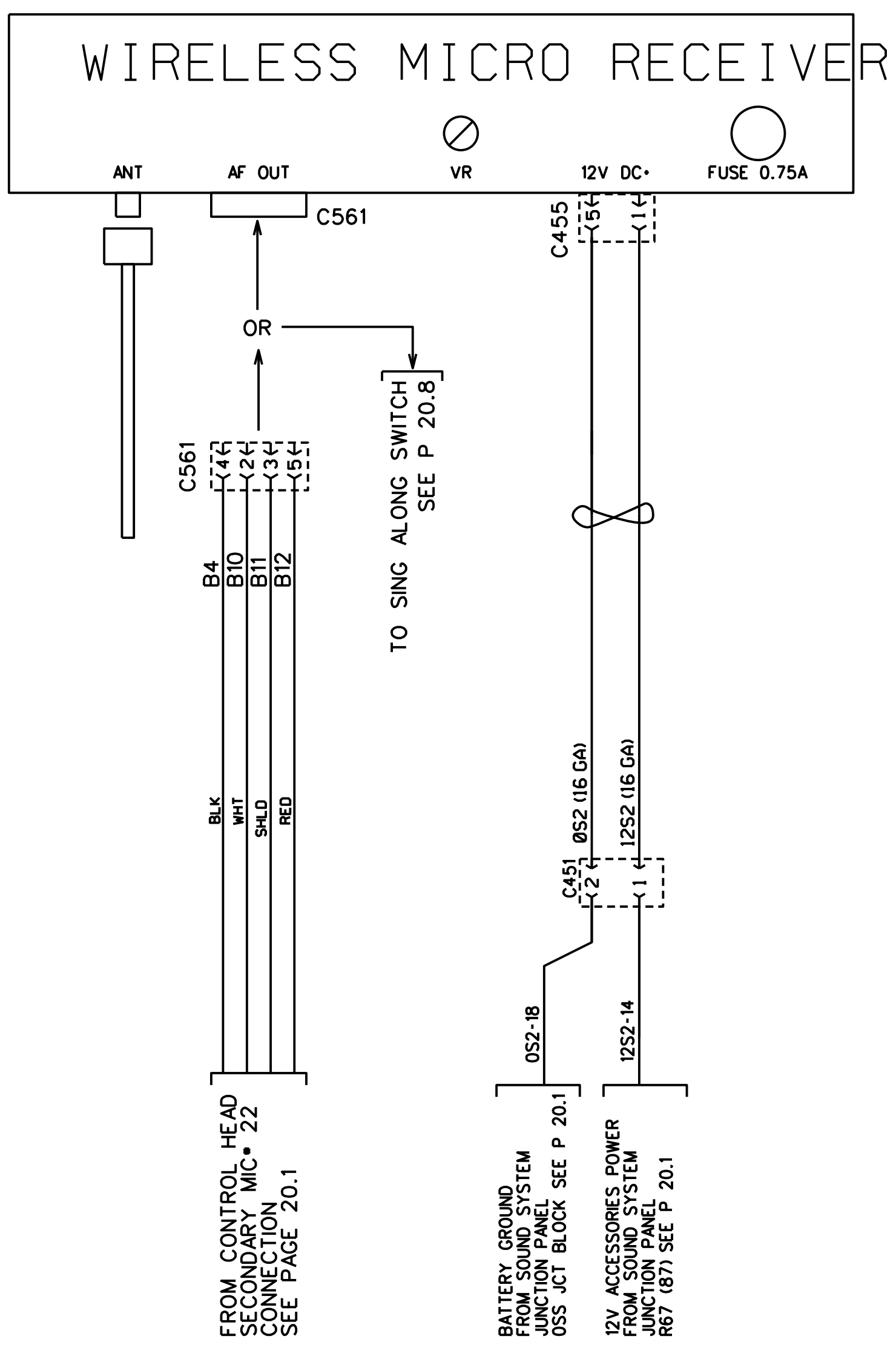


WIRELESS MICROPHONE

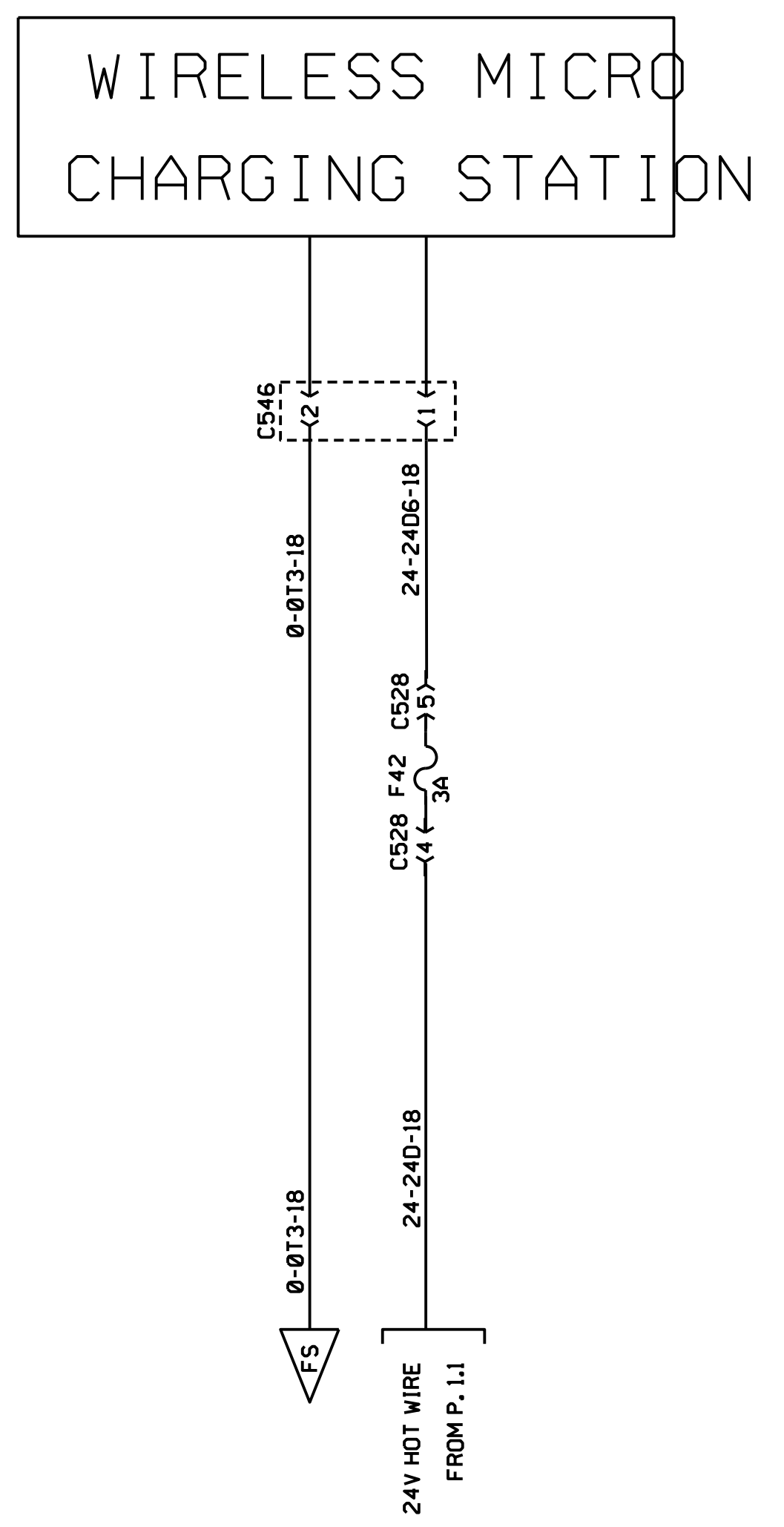


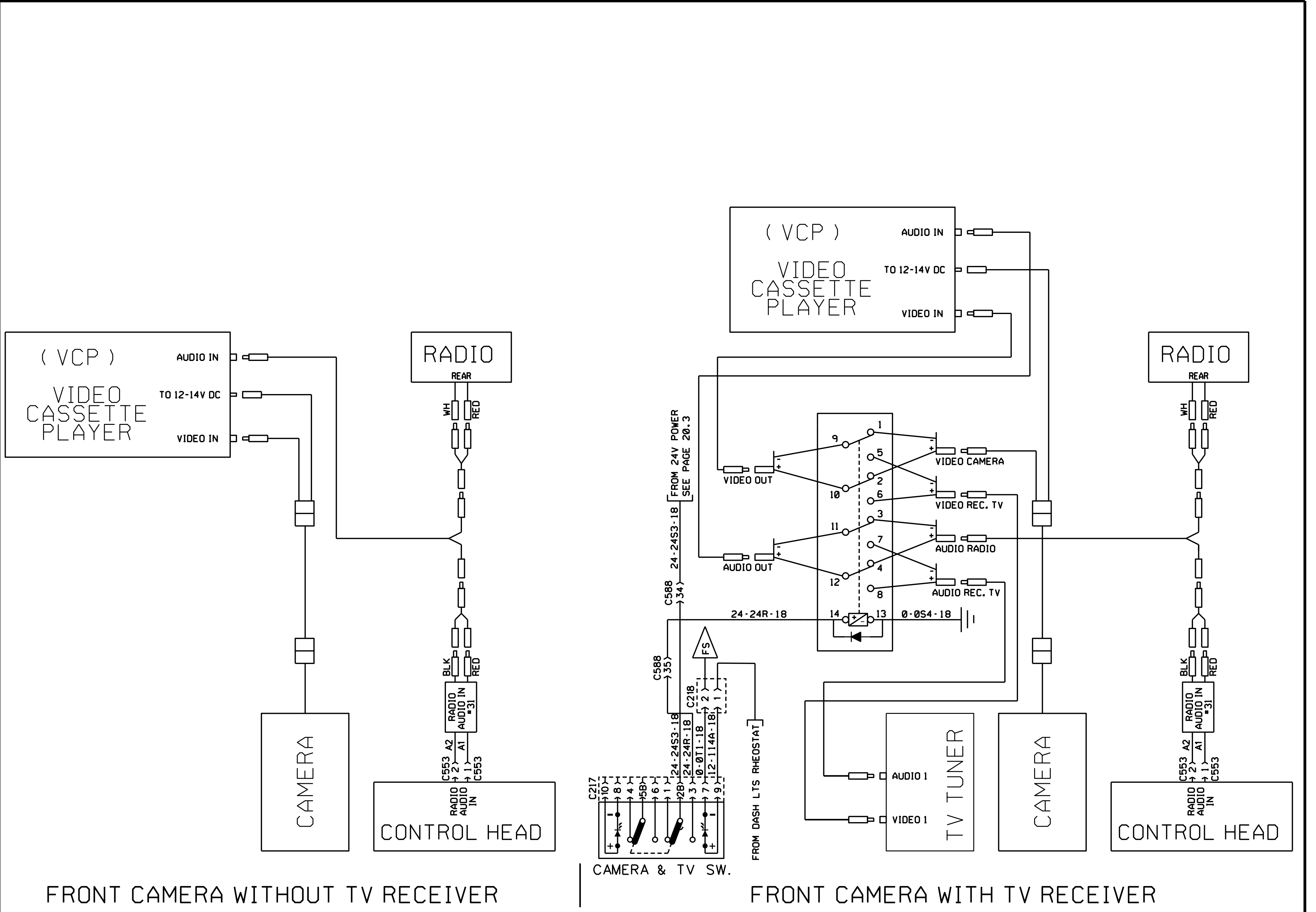


CB OPTION



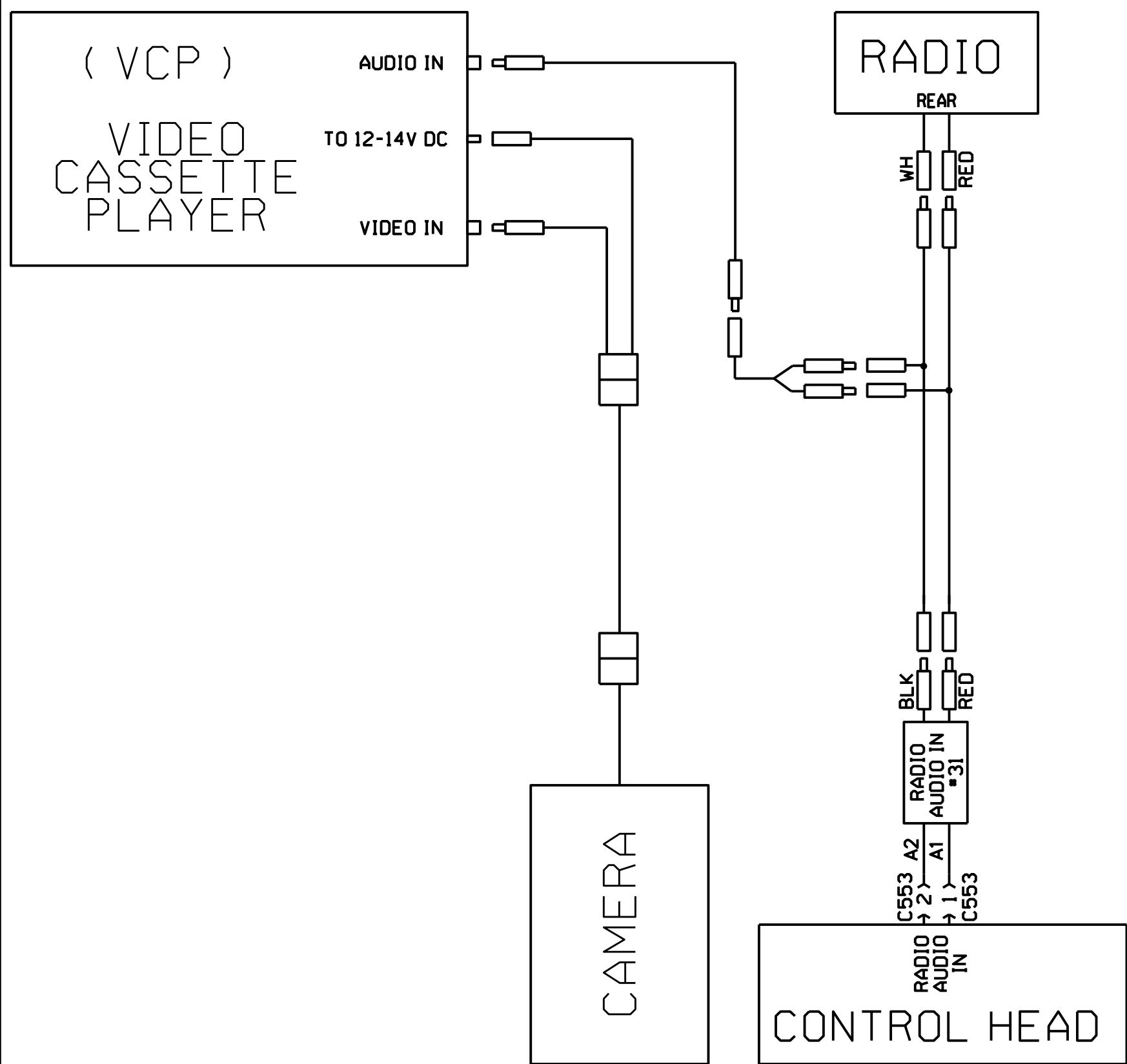
WIRELESS MICROPHONE



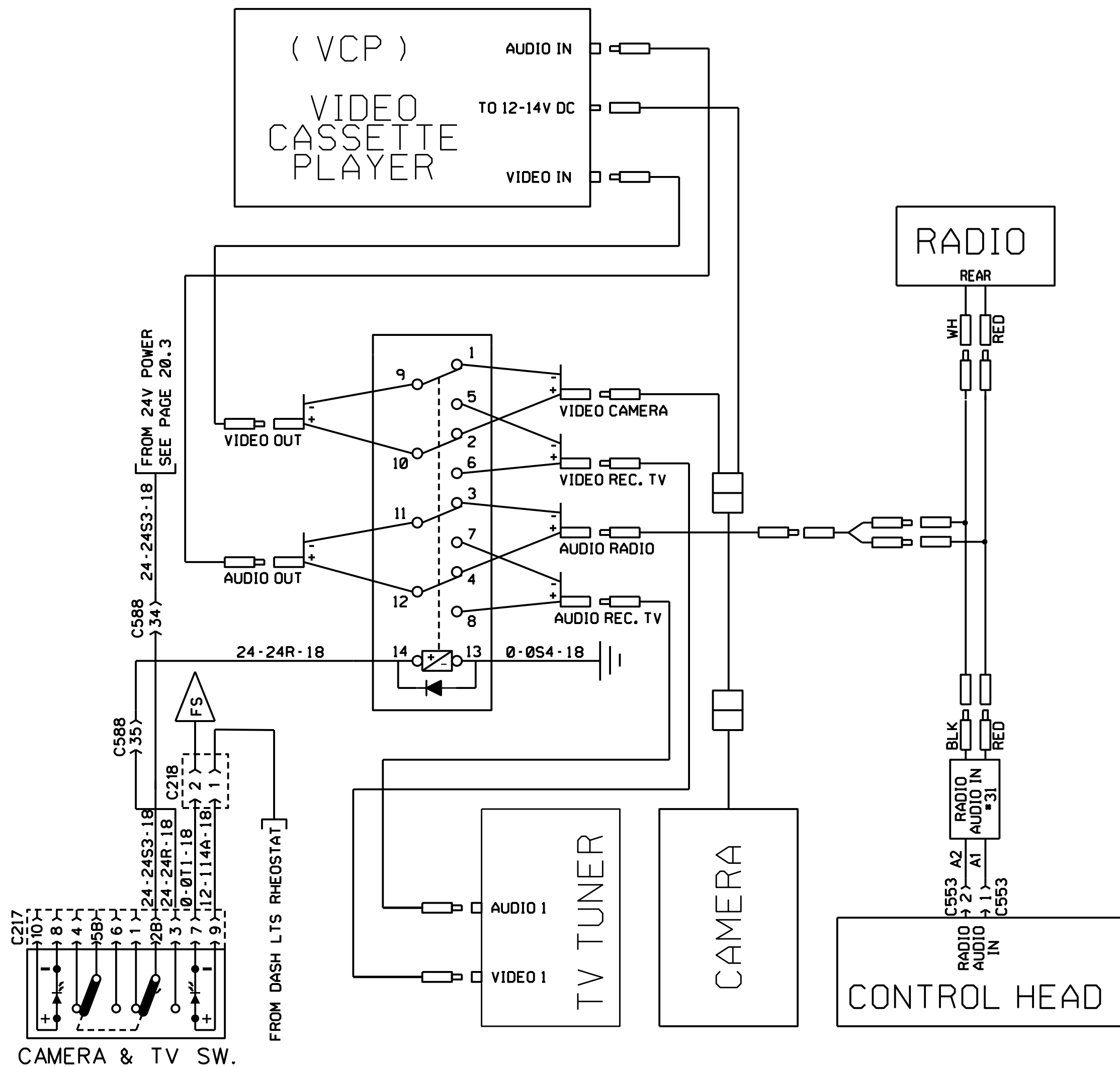


FRONT CAMERA WITHOUT TV RECEIVER

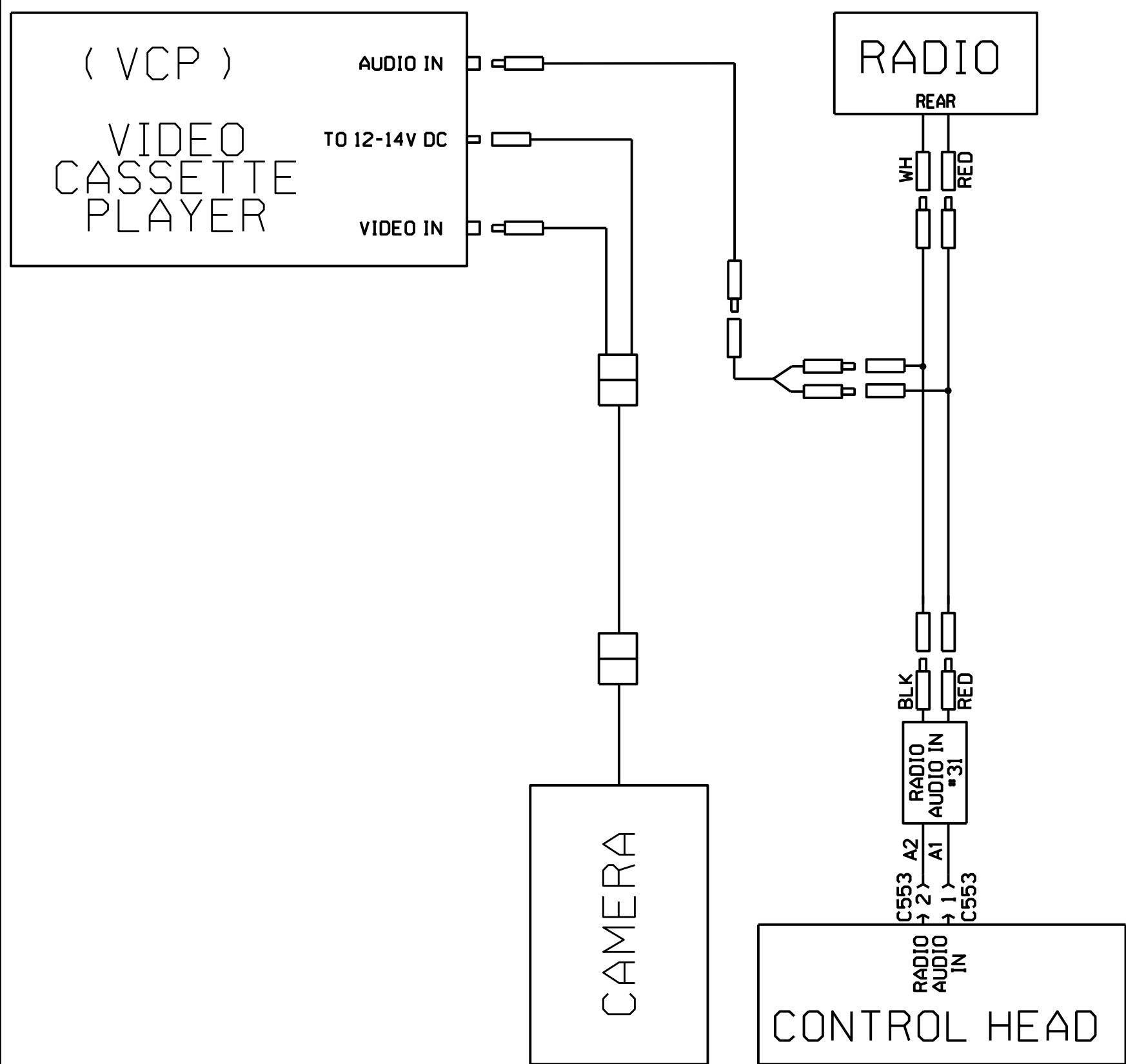
FRONT CAMERA WITH TV RECEIVER



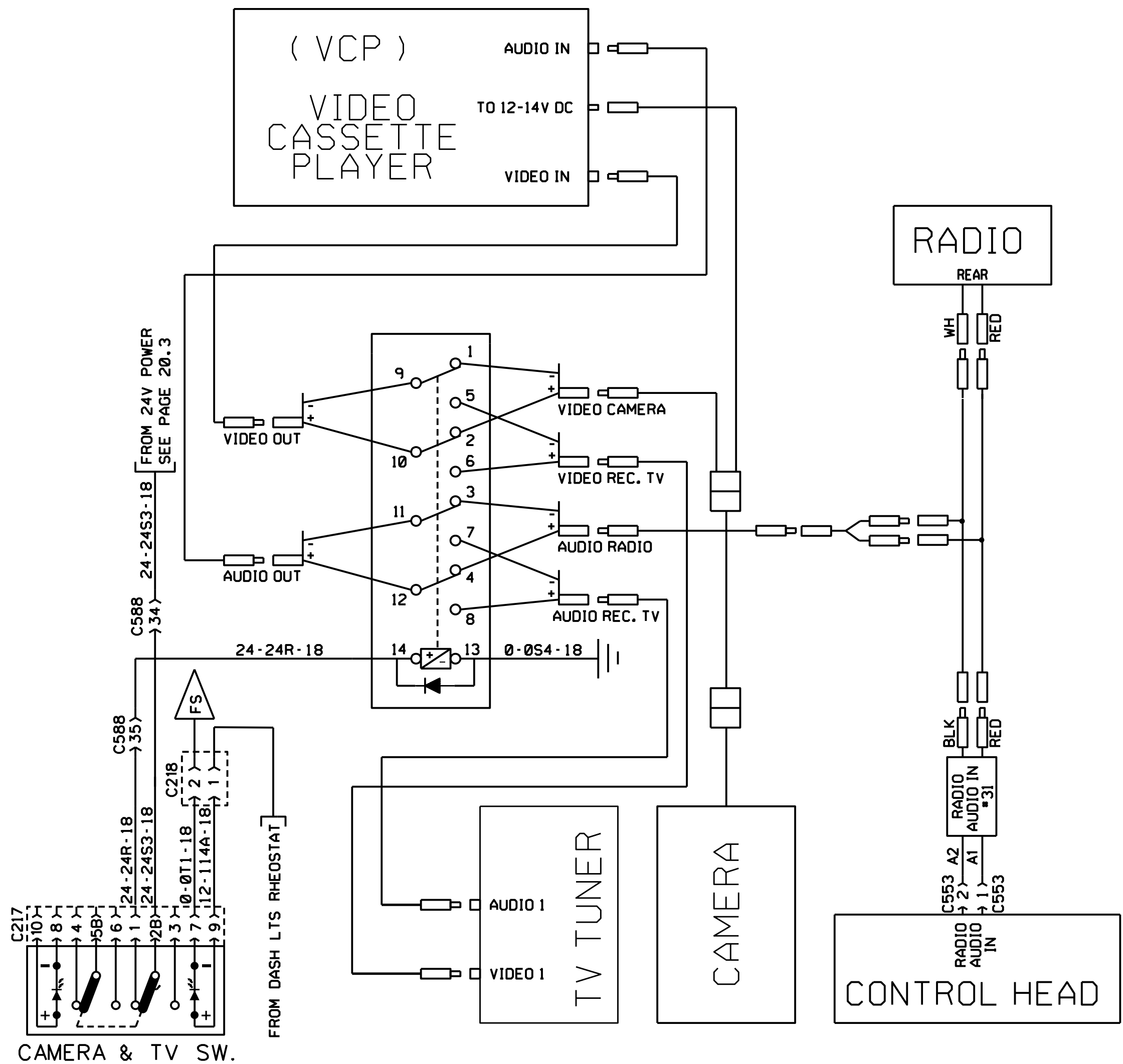
FRONT CAMERA WITHOUT TV RECEIVER



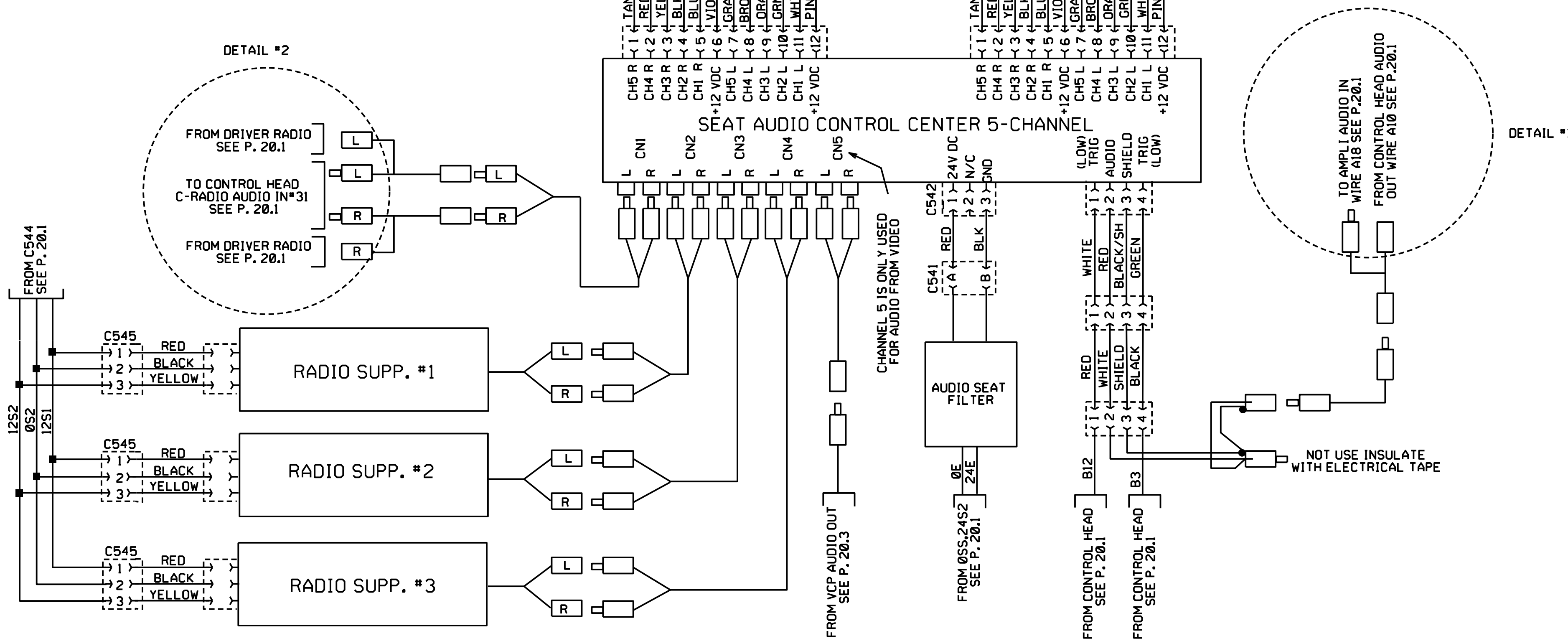
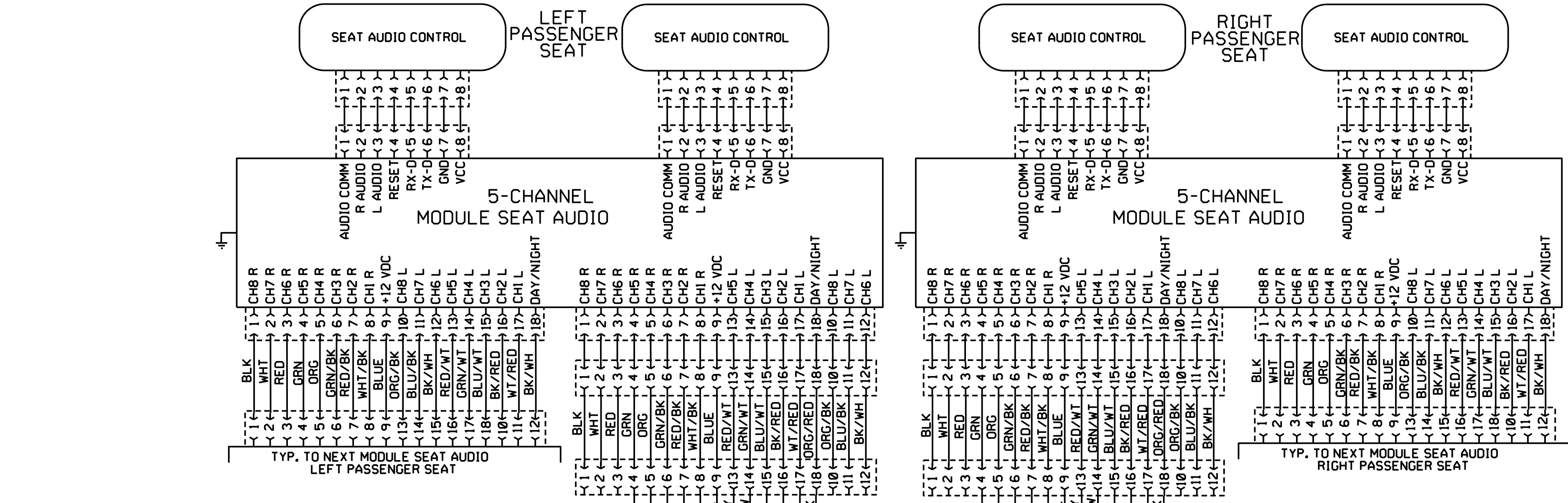
FRONT CAMERA WITH TV RECEIVER

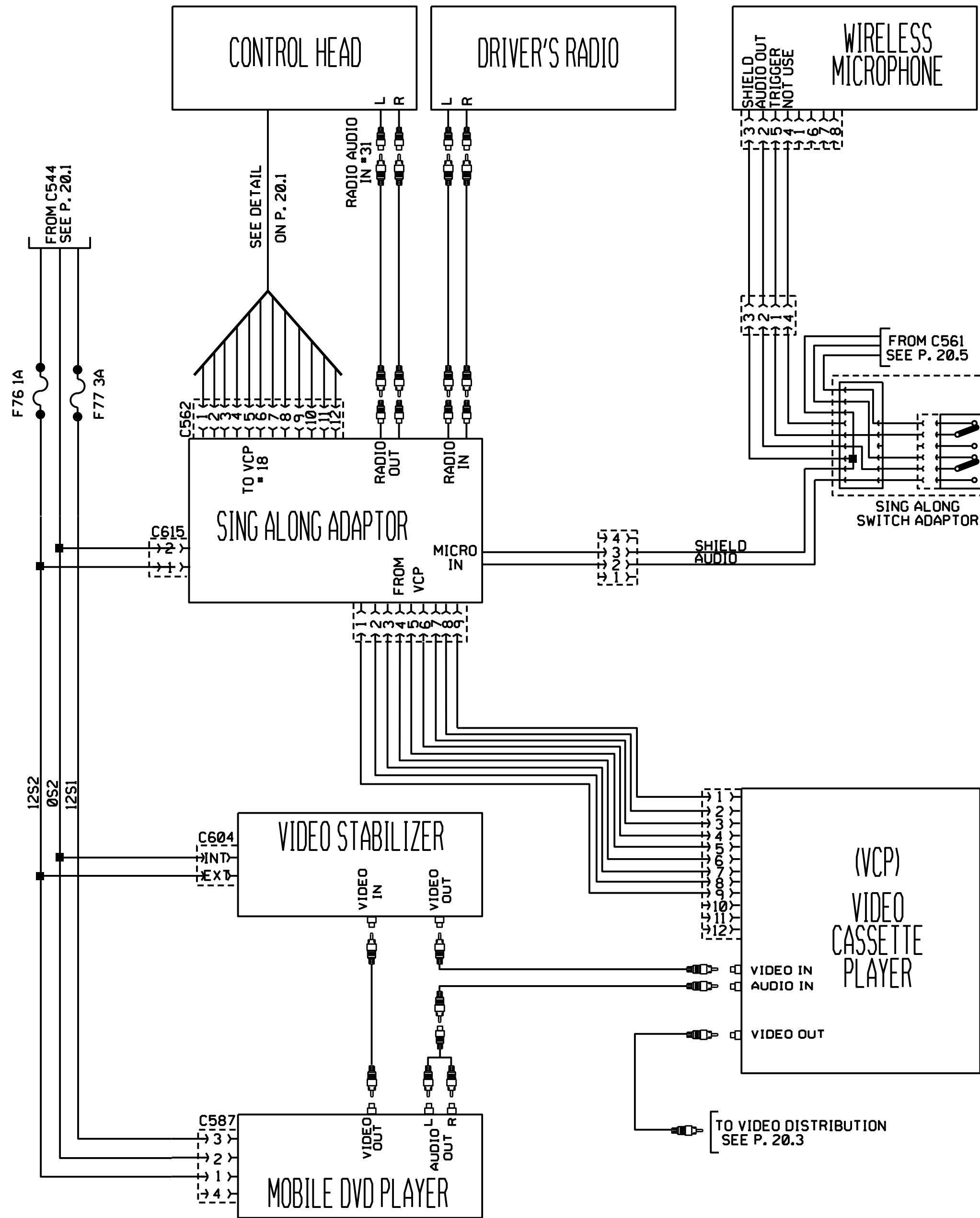


FRONT CAMERA WITHOUT TV RECEIVER

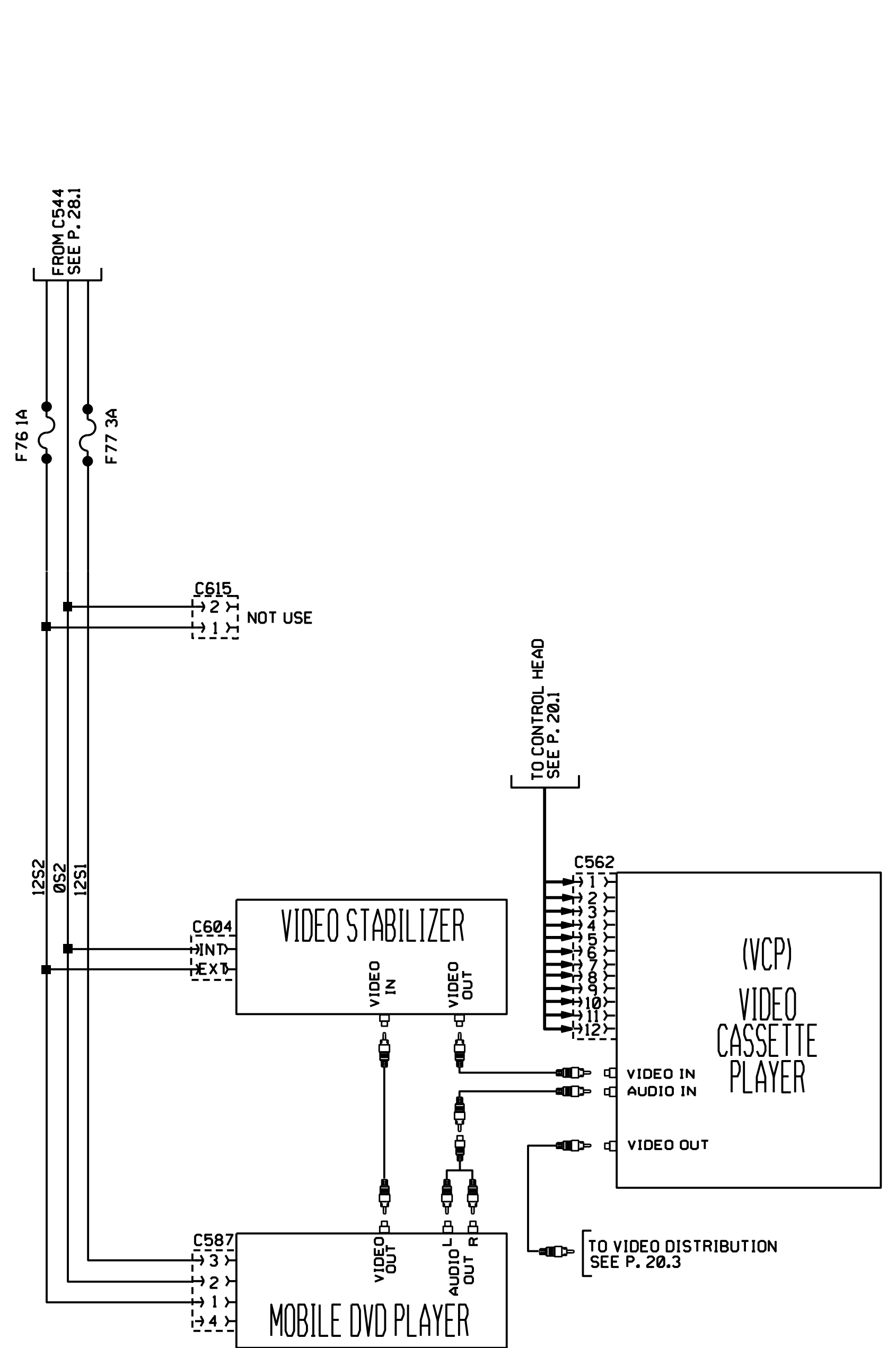


FRONT CAMERA WITH TV RECEIVER

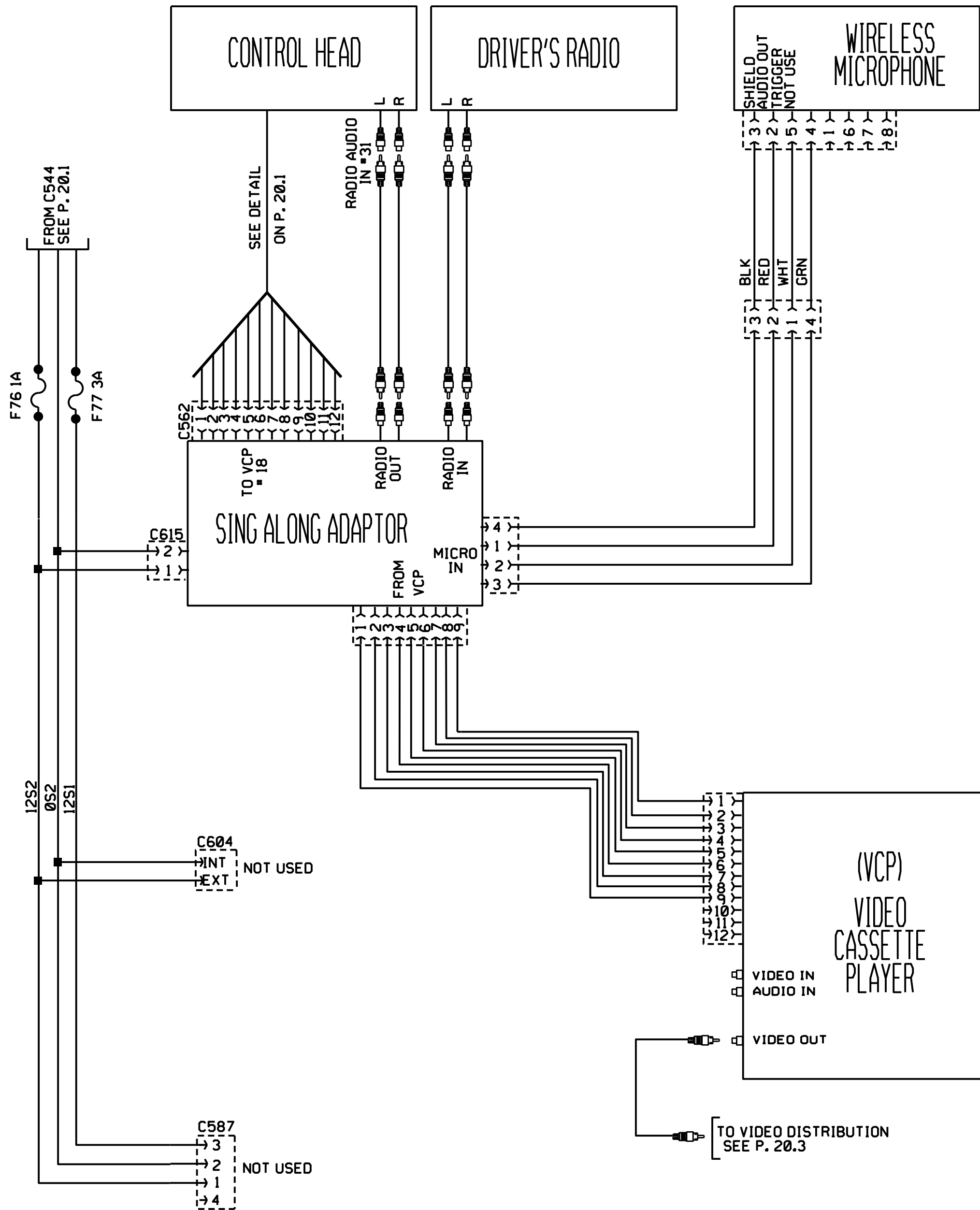




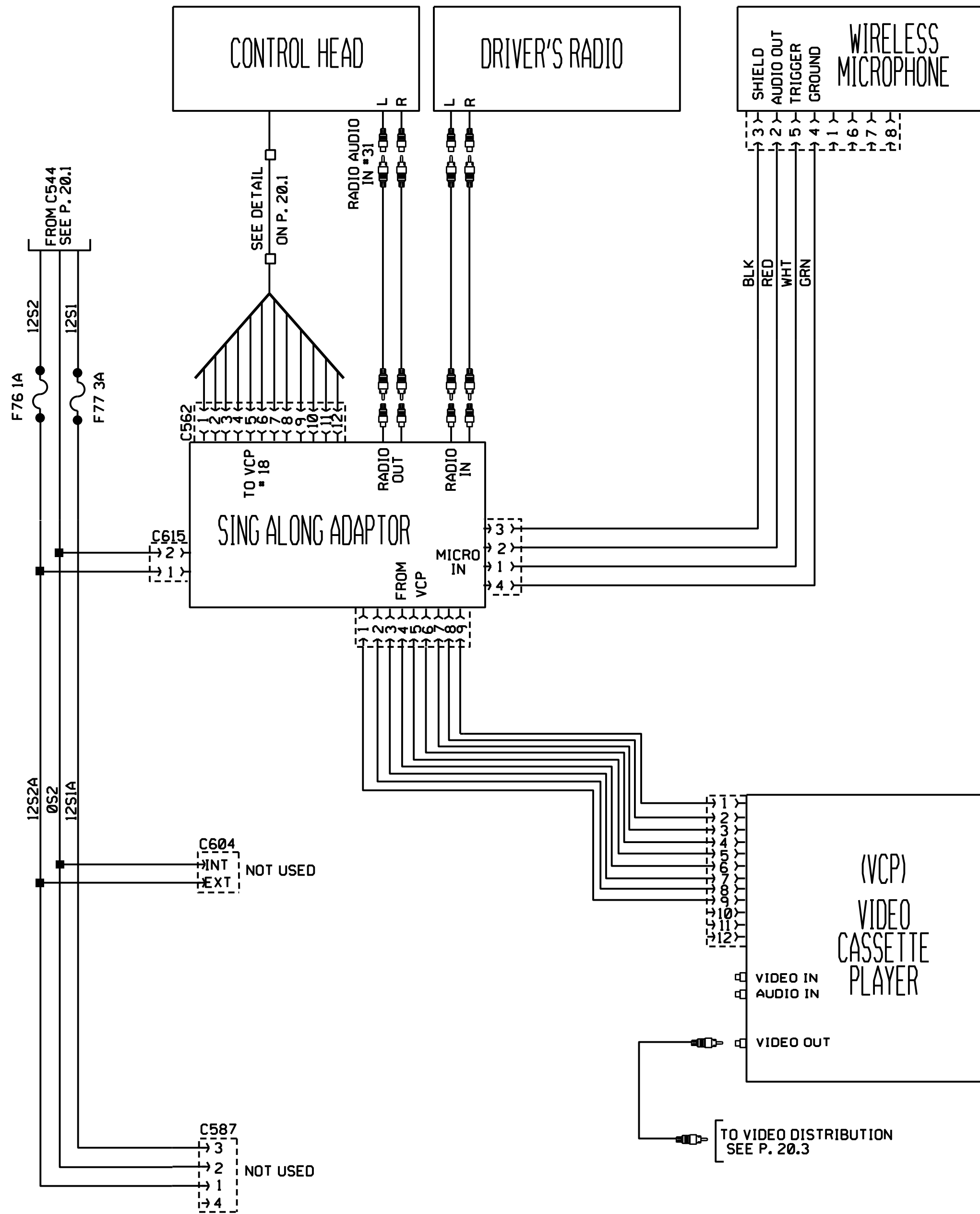
VCP AND DVD WITH KARAOKE



VCP AND DVD

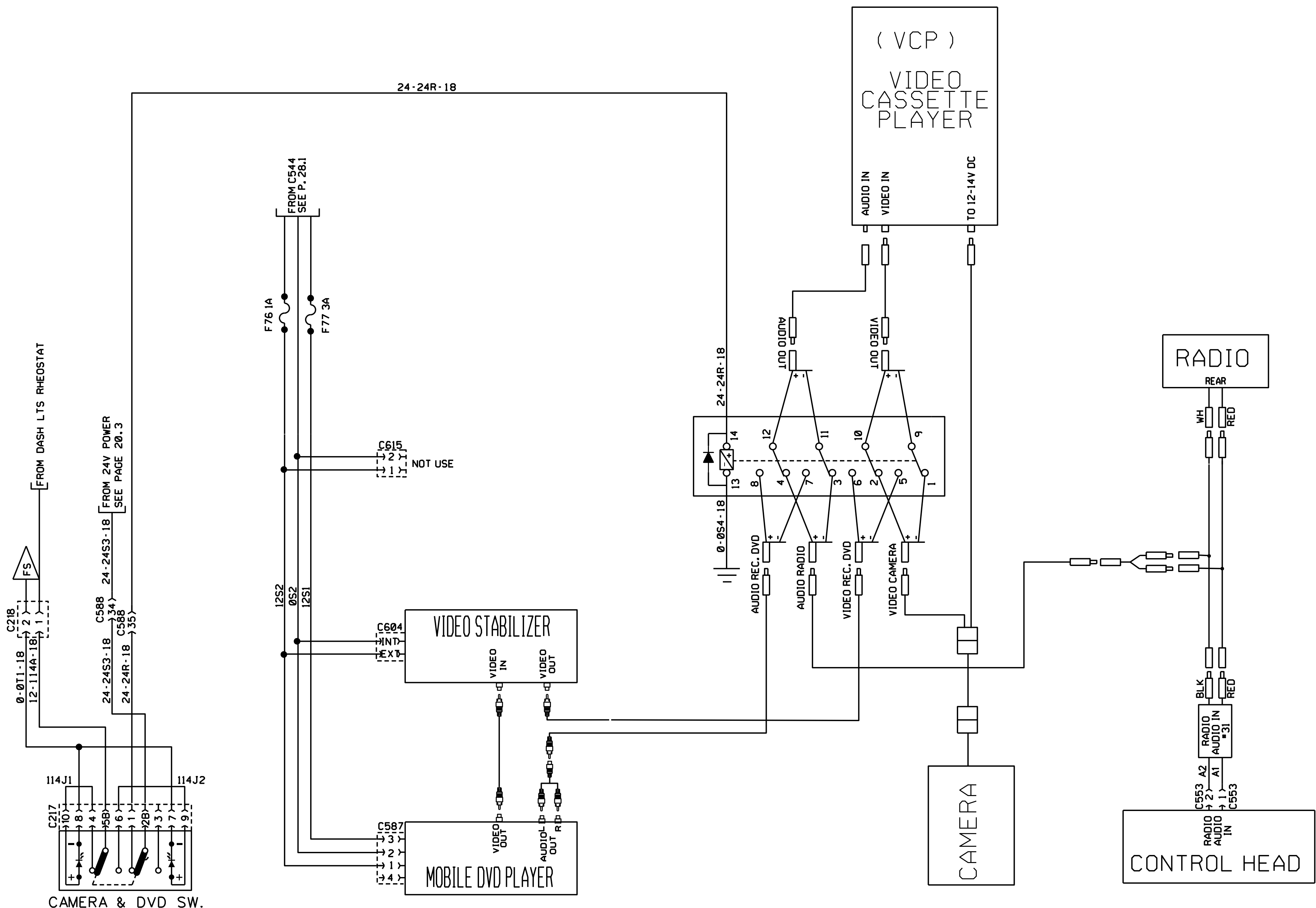


VCP AND SING ALONG ADAPTOR

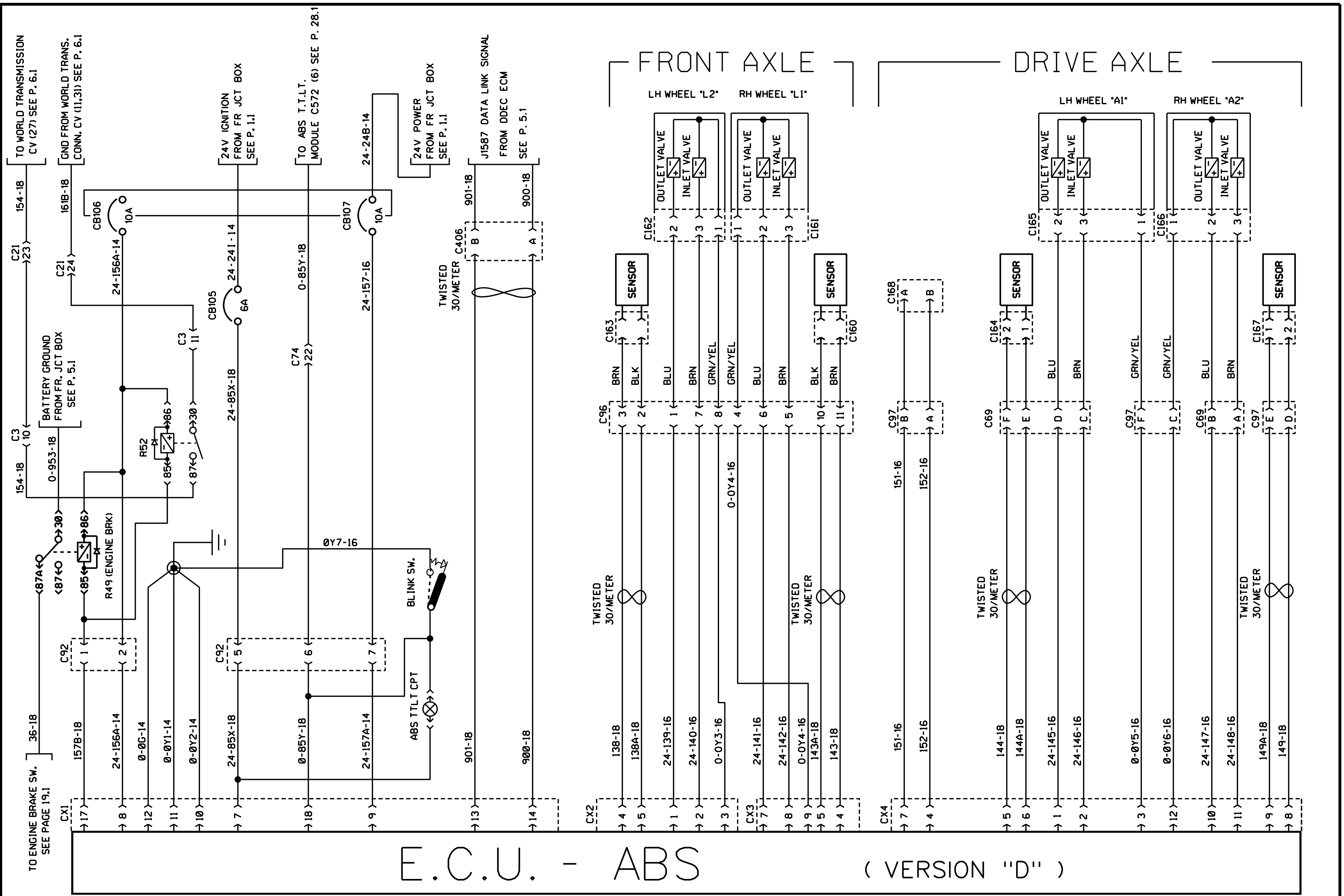


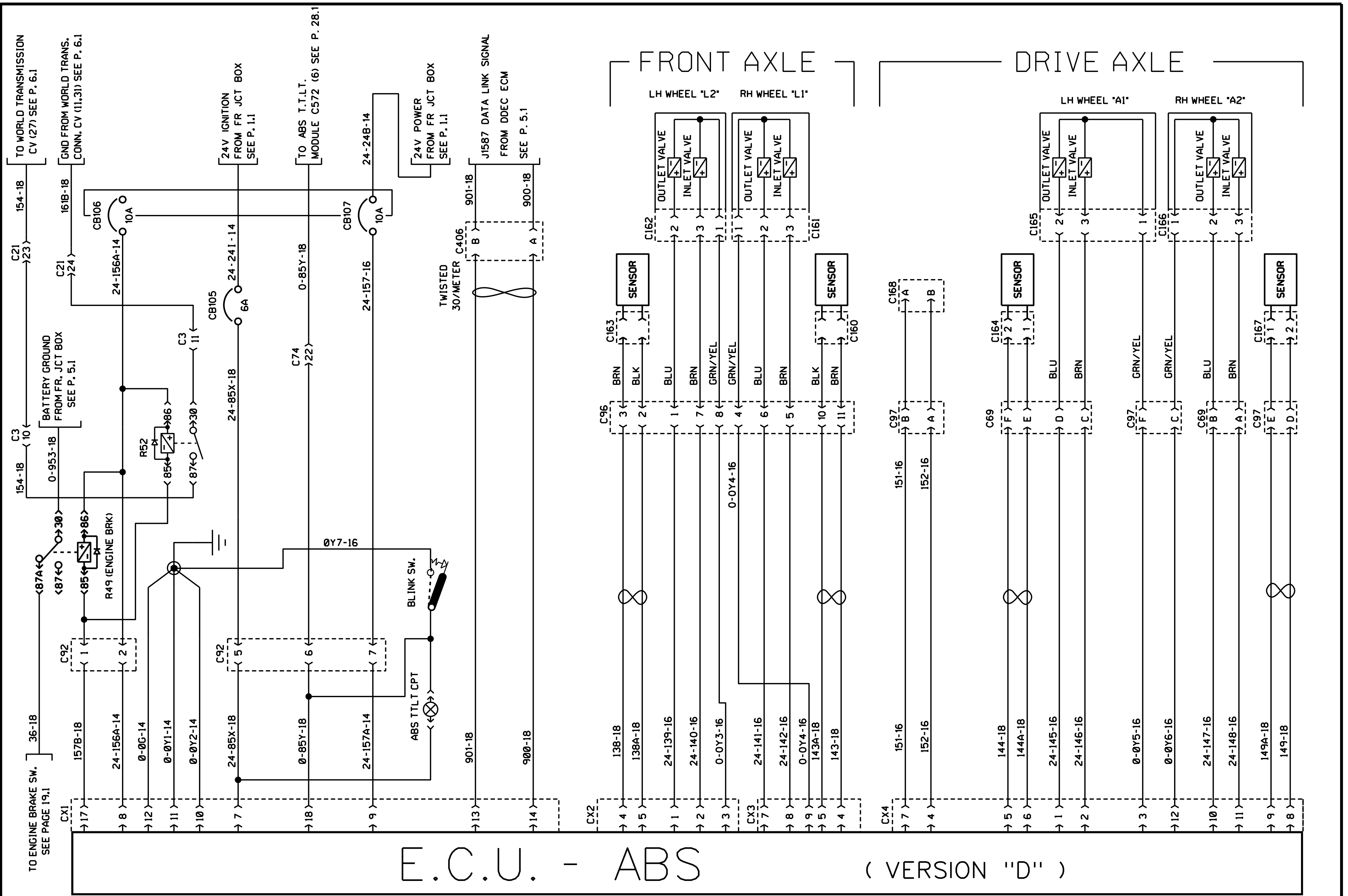
VCP AND SING ALONG ADAPTOR

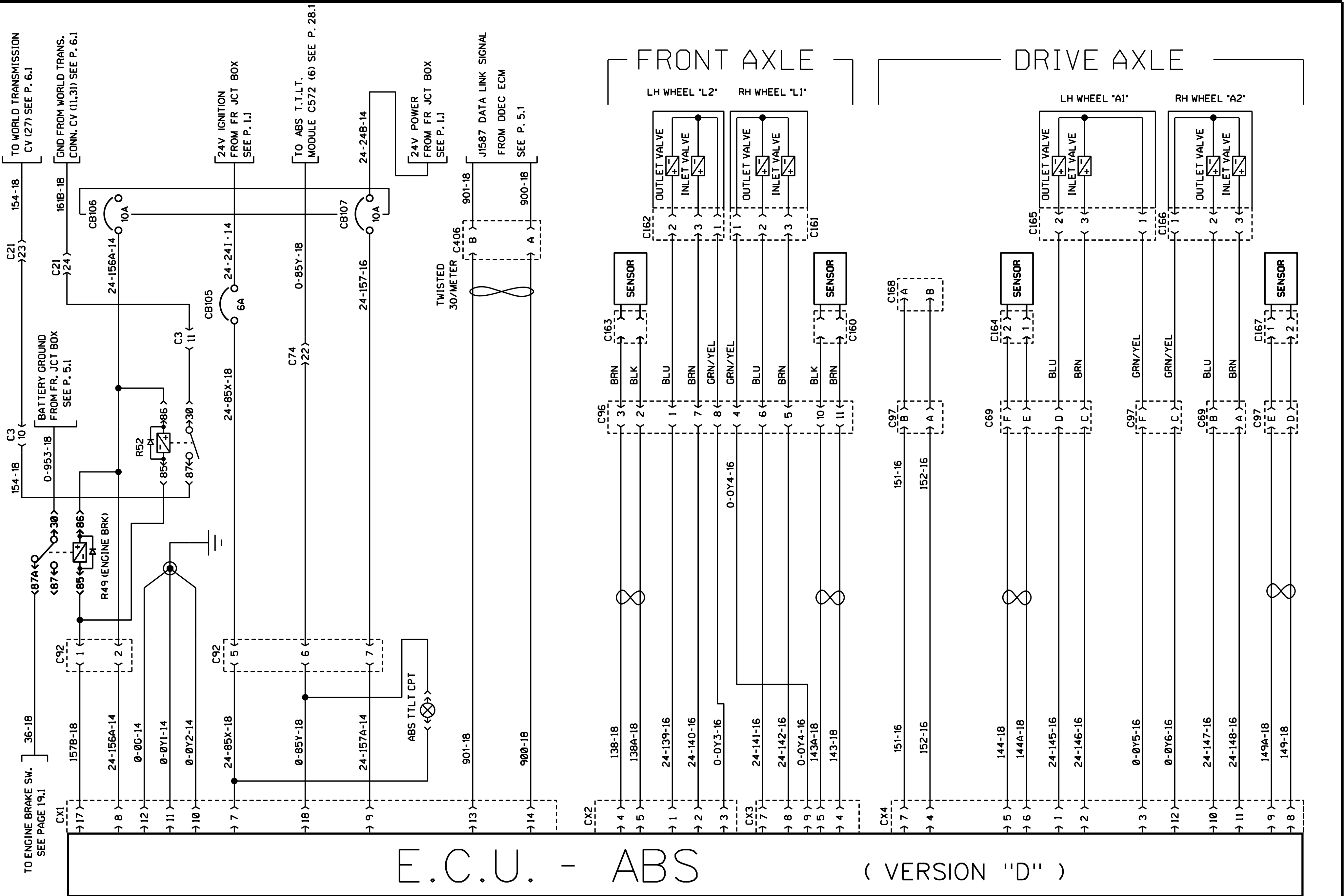
24-24R-18

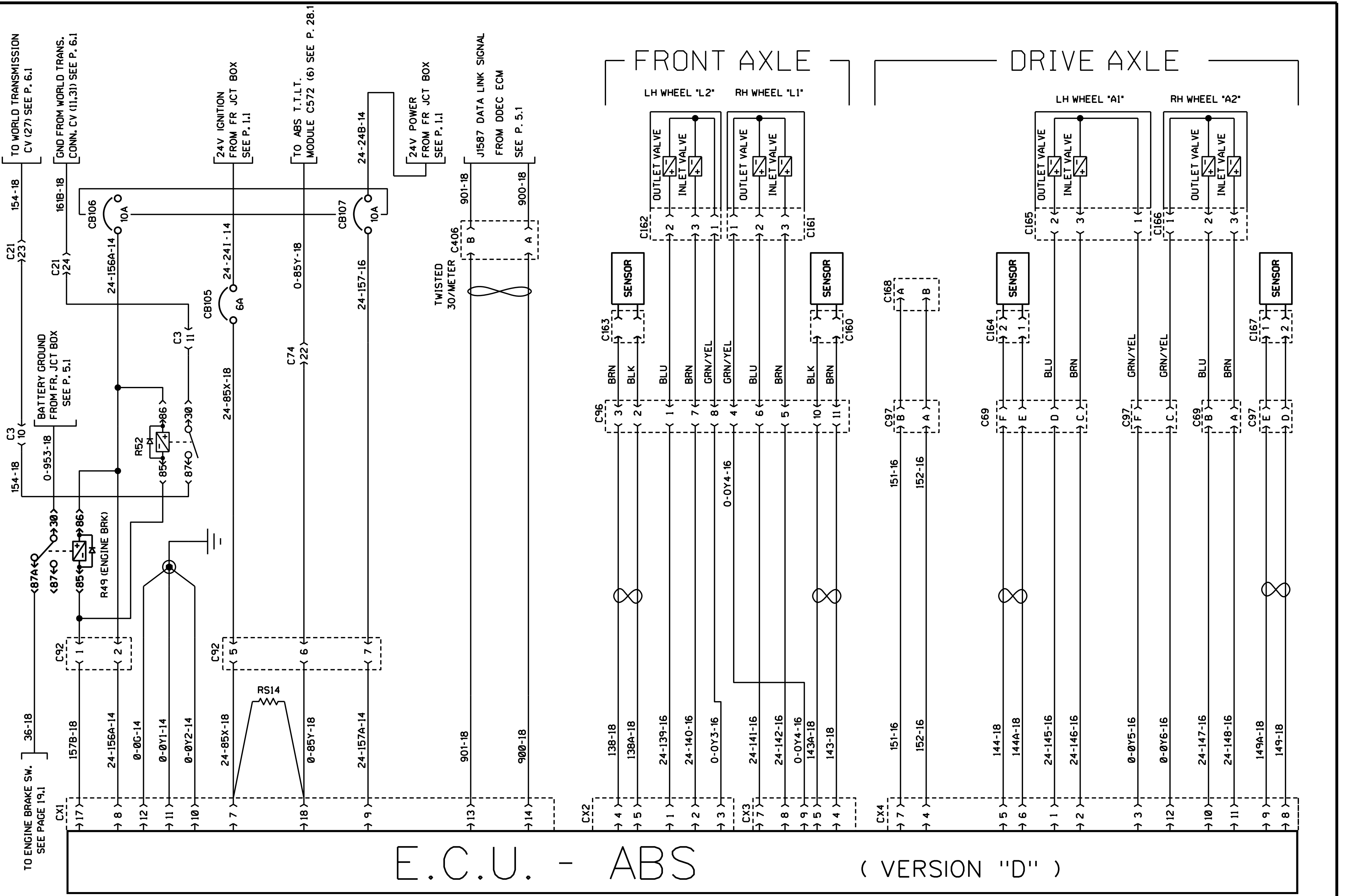


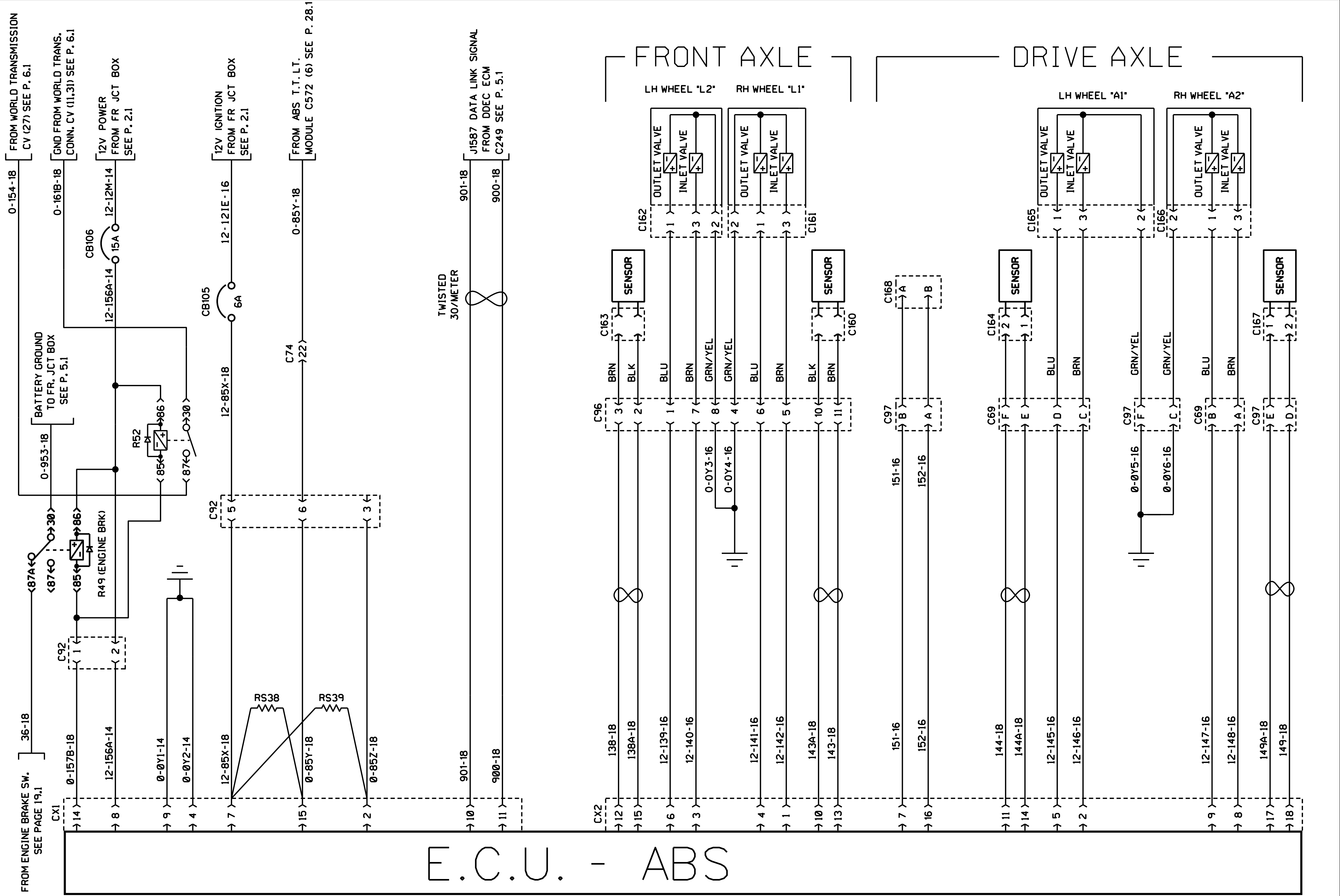
VCP, DVD AND FRONT CAMERA

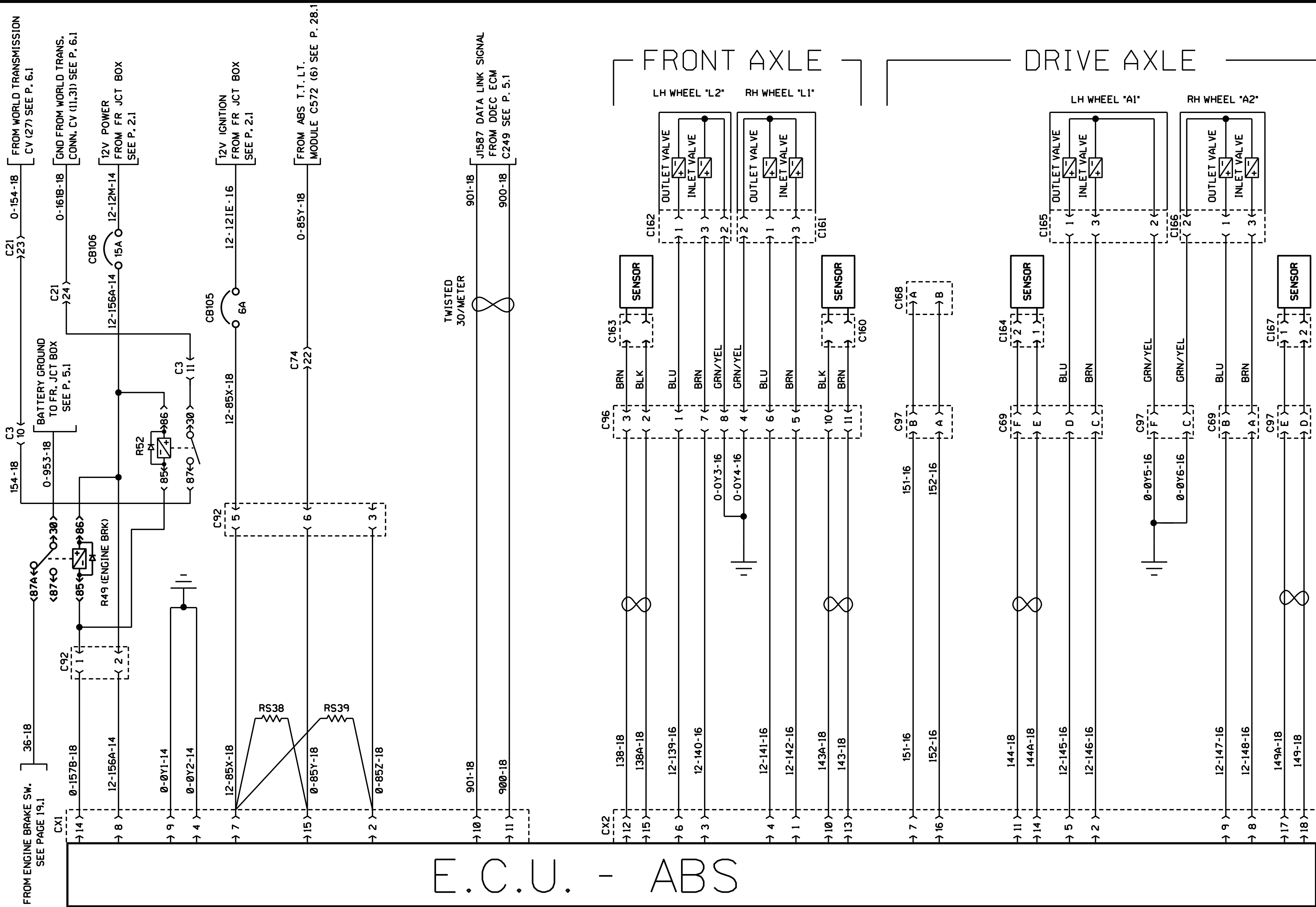


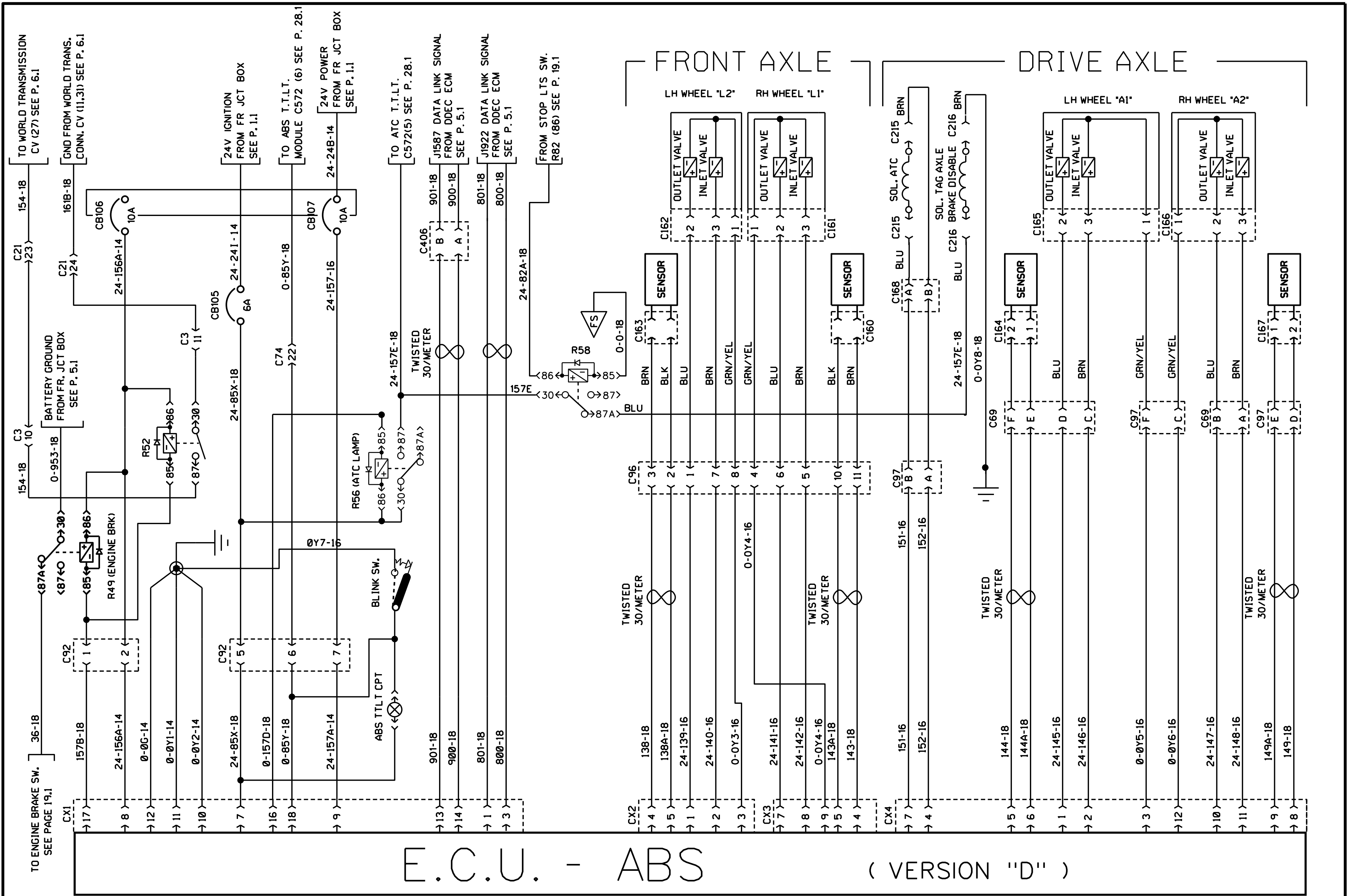


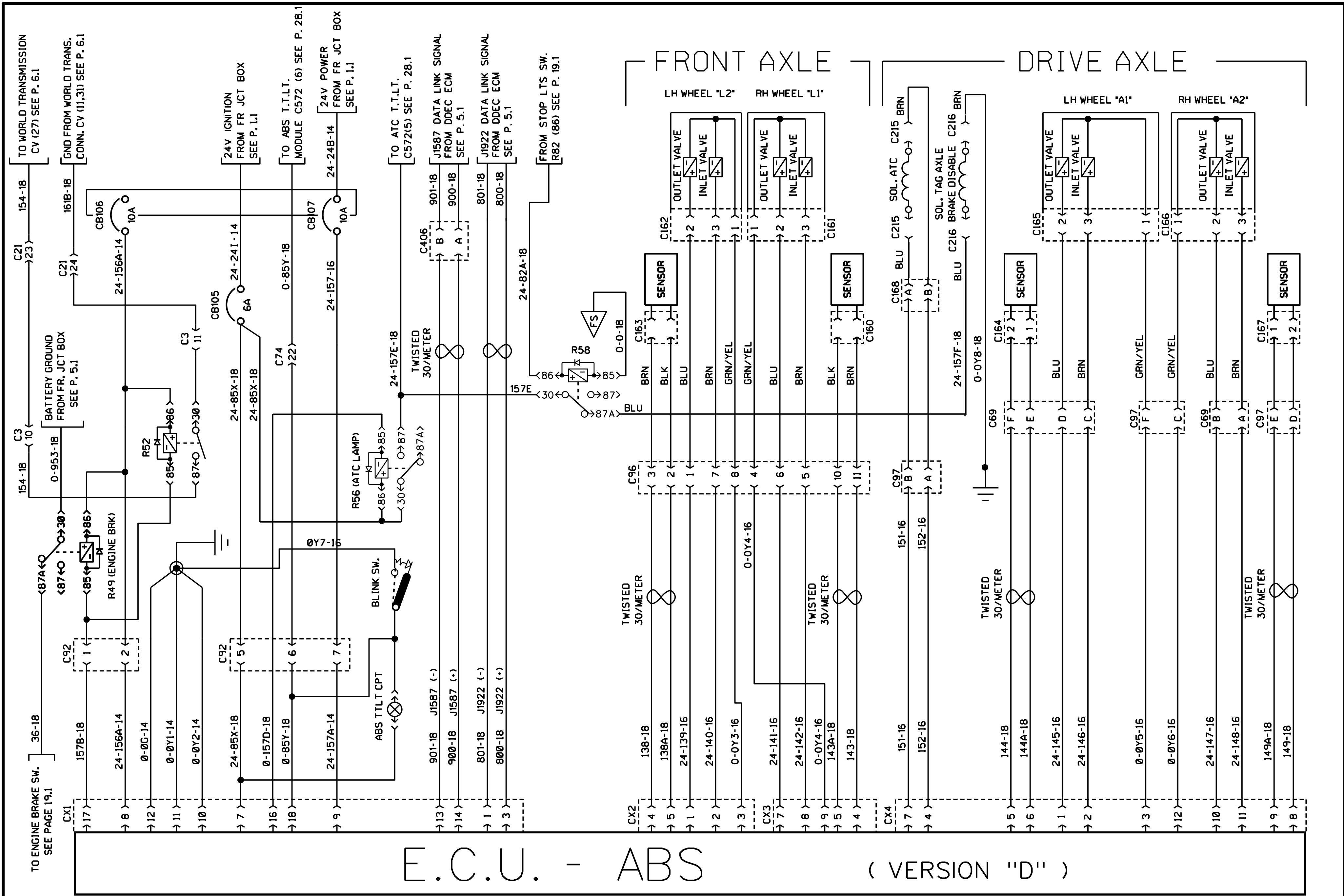




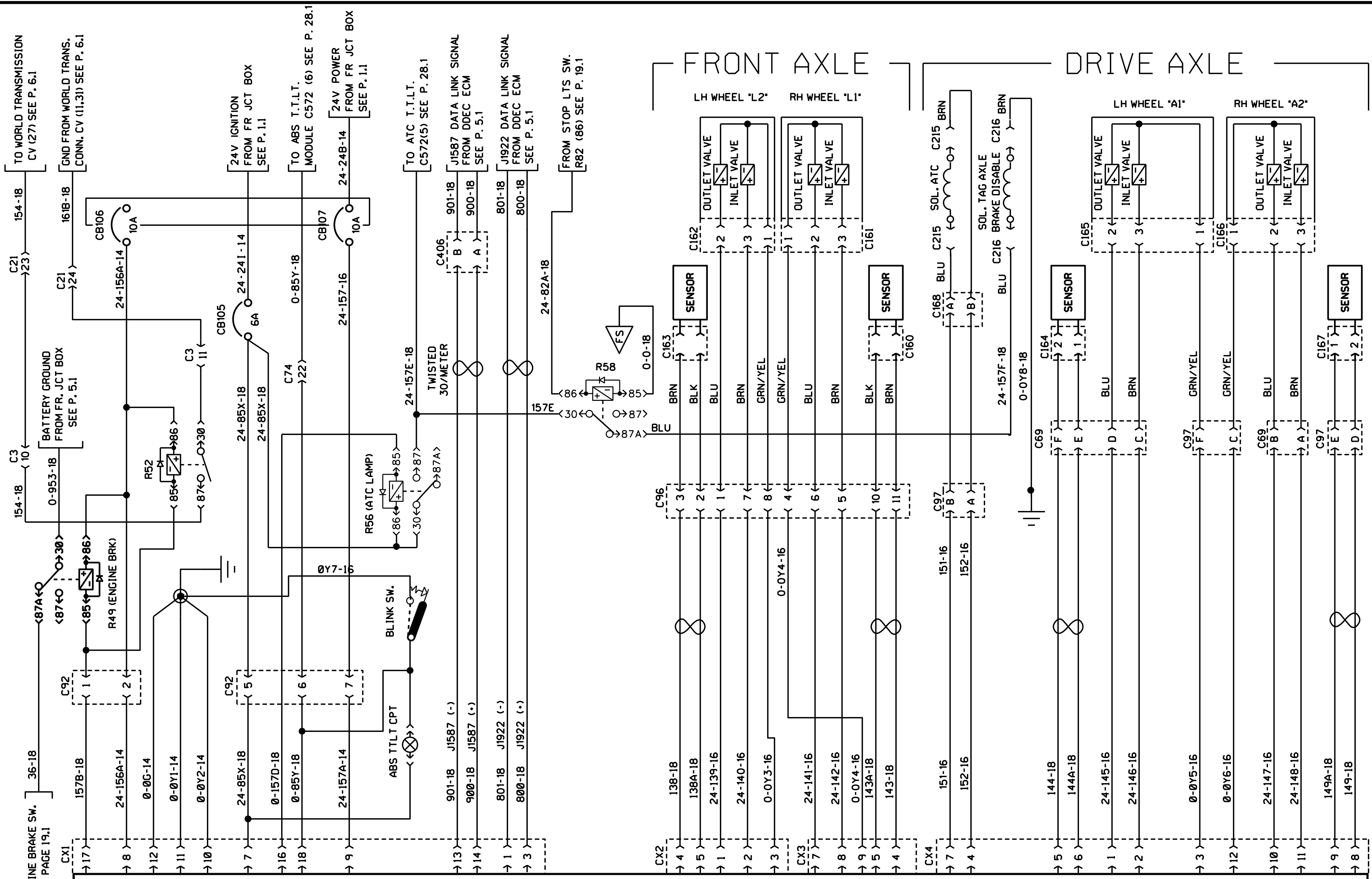






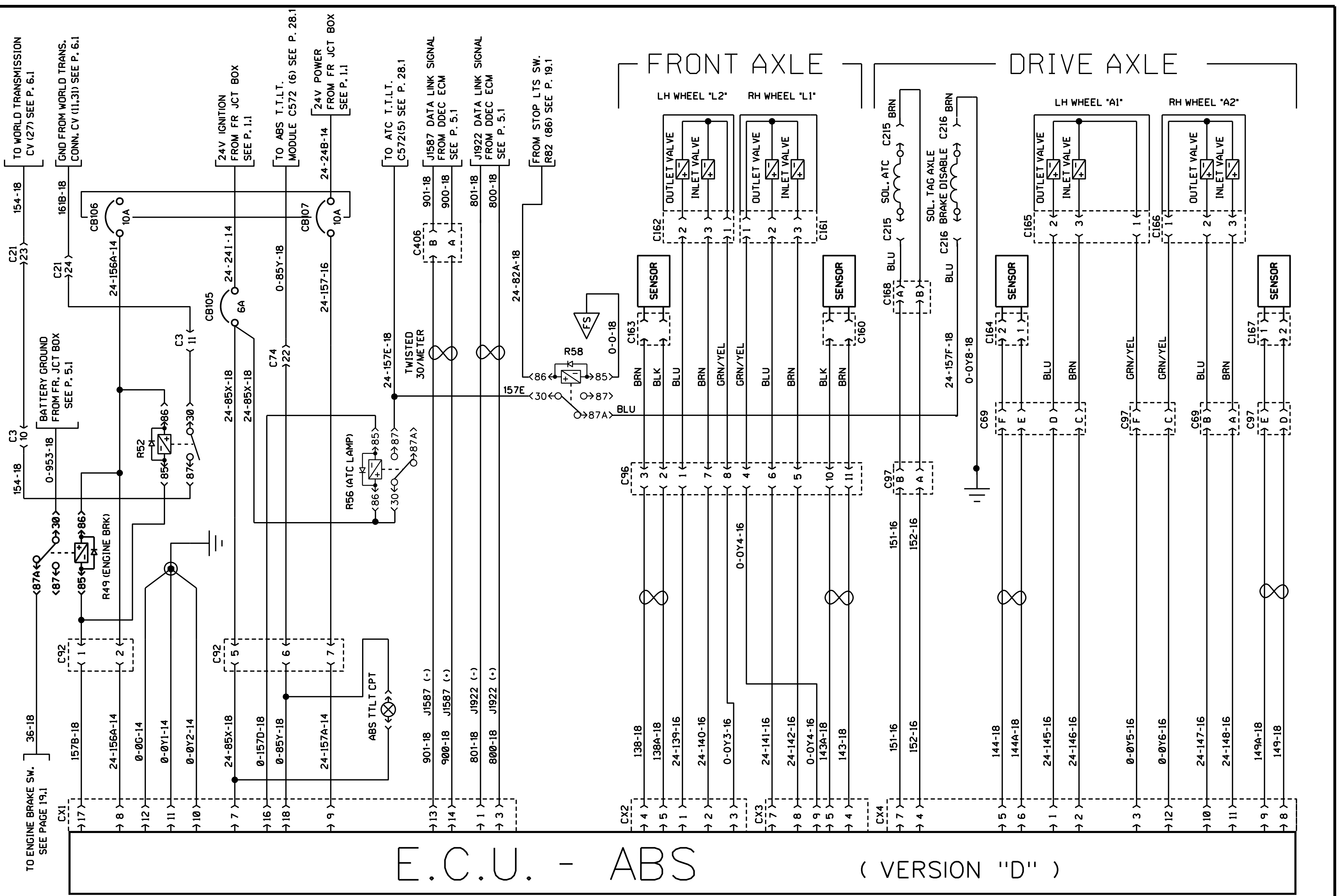


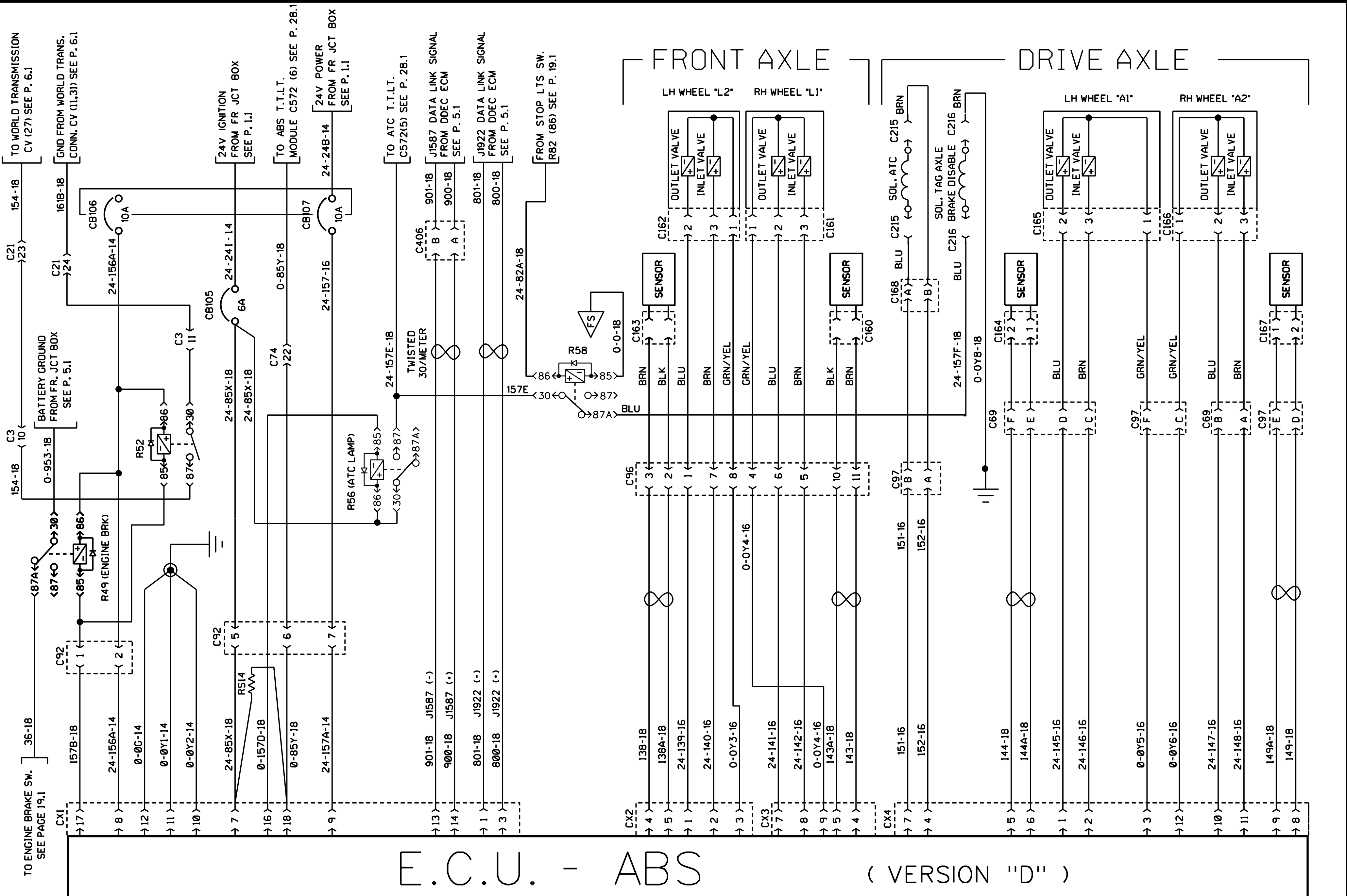
E.C.U. - ABS (VERSION "D")

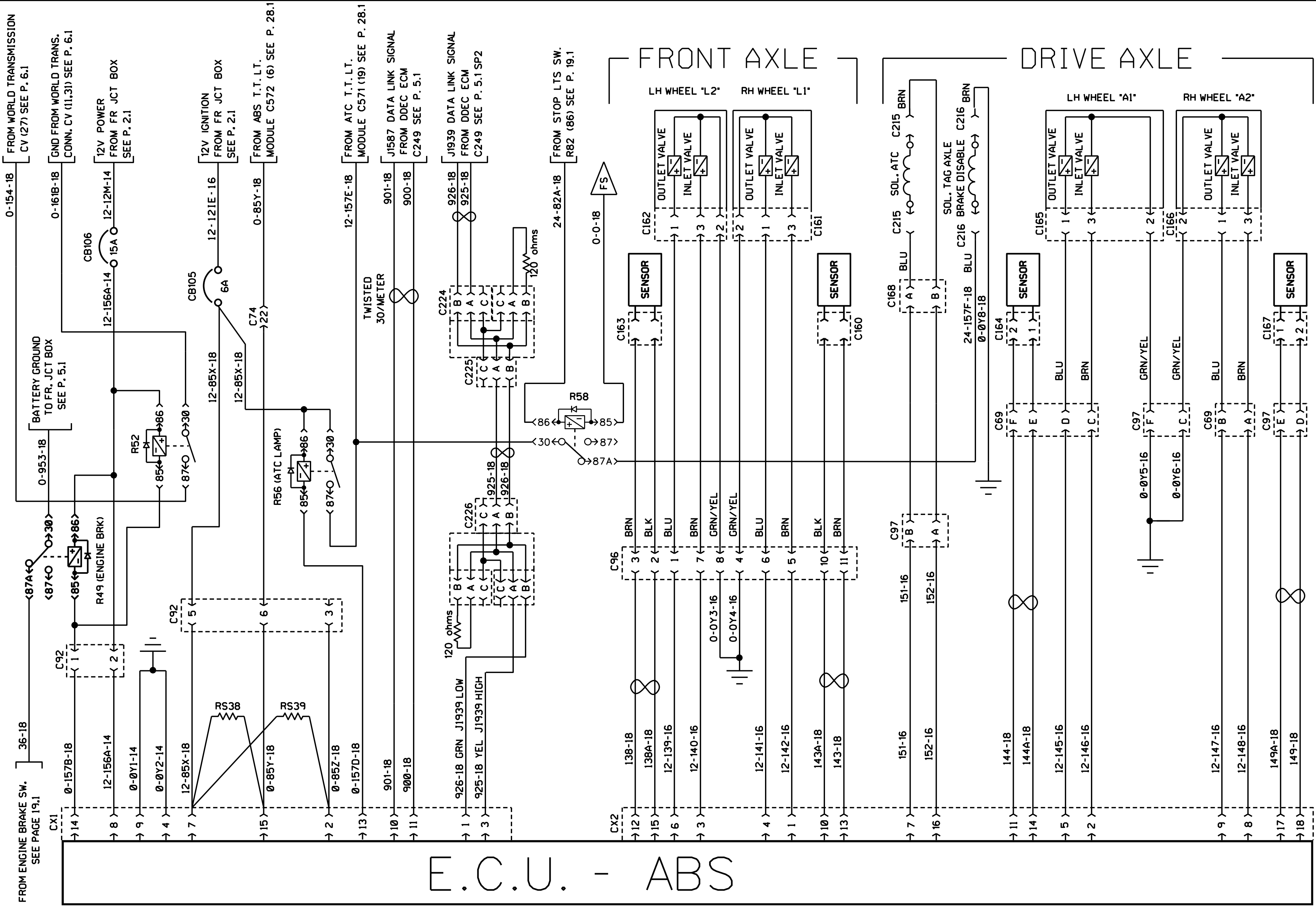


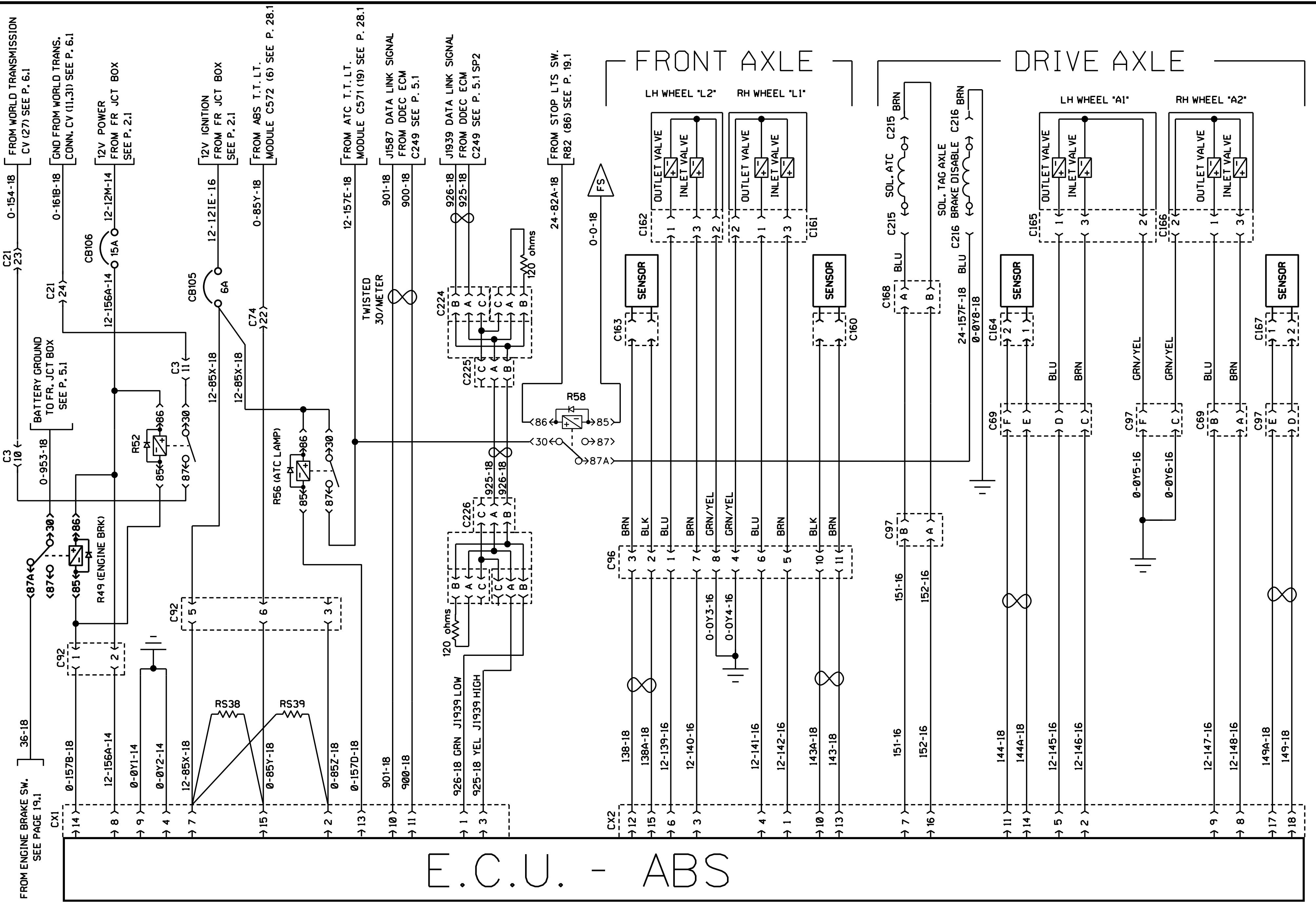
E.C.U. - ABS

(VERSION "D")

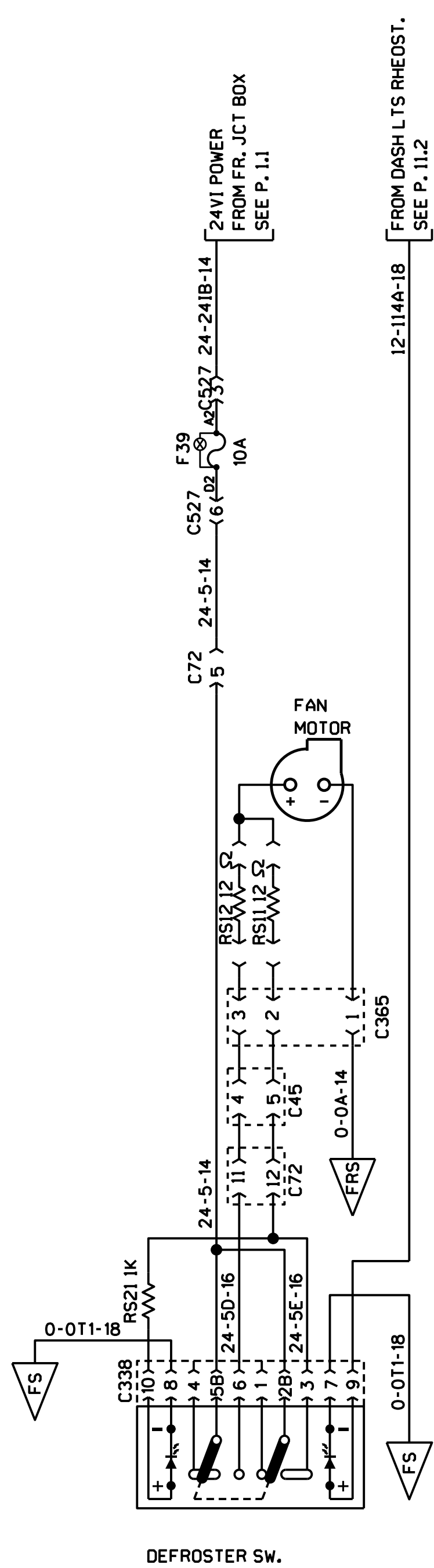




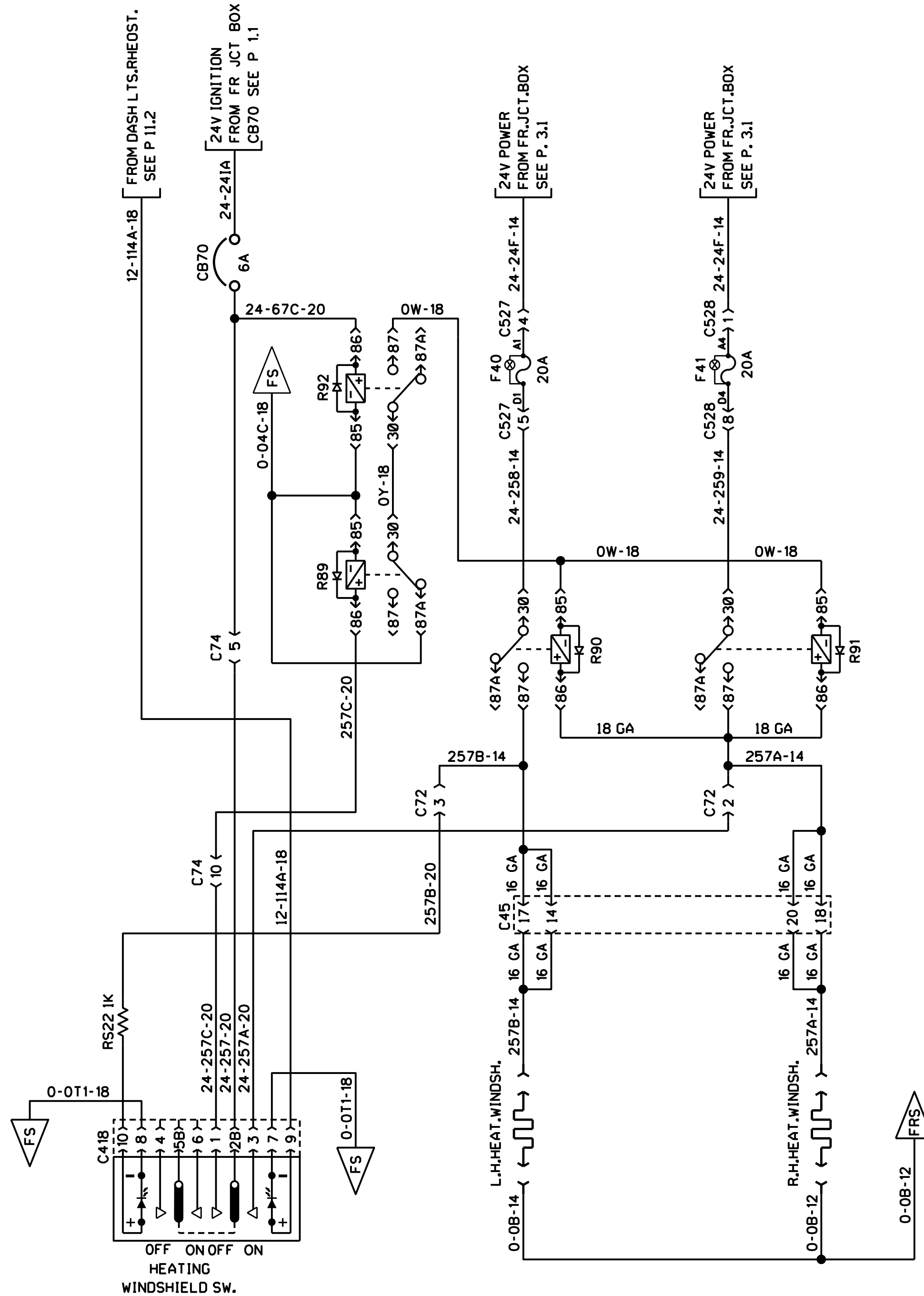




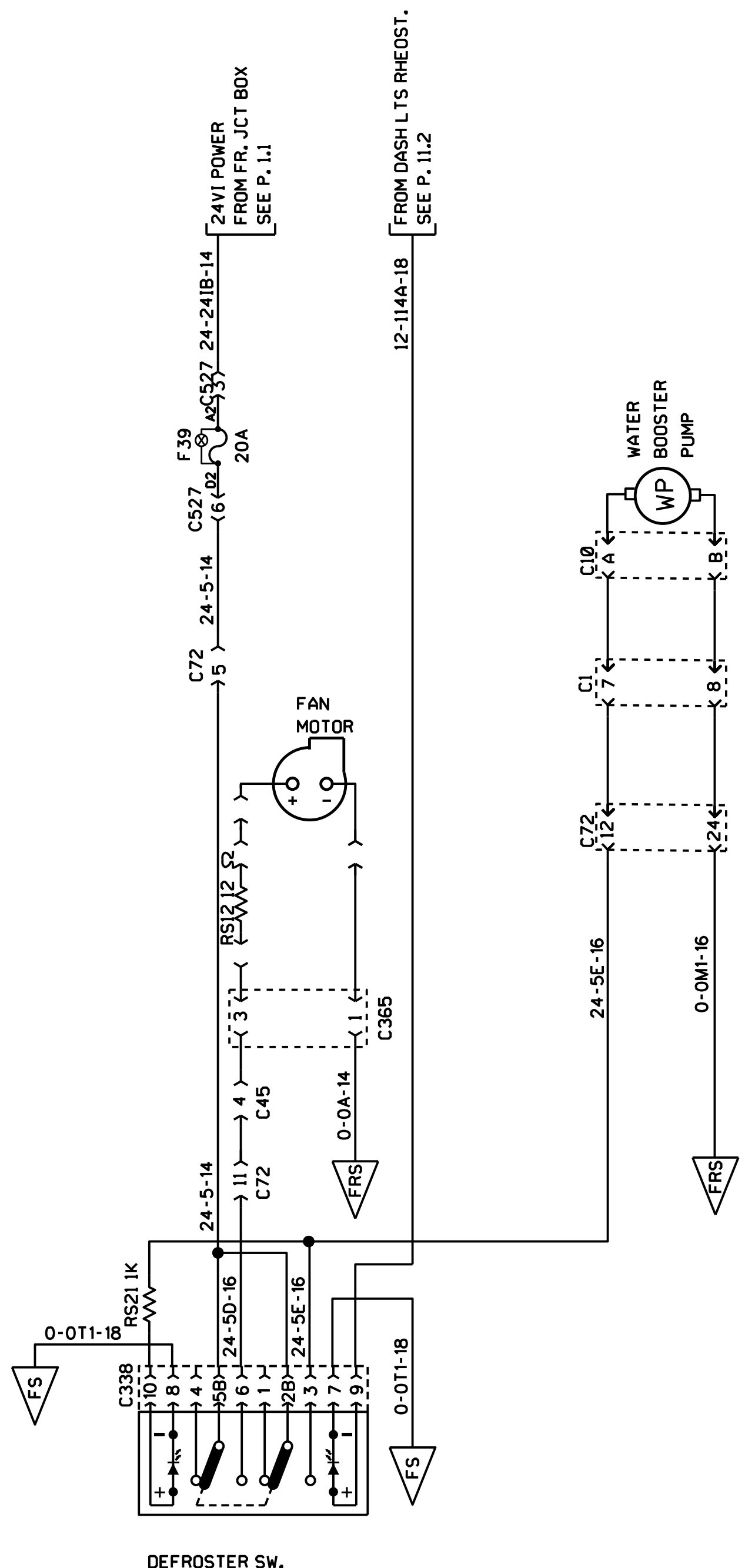
E.C.U. - ABS



UPPER WINDSHIELD DEFROST

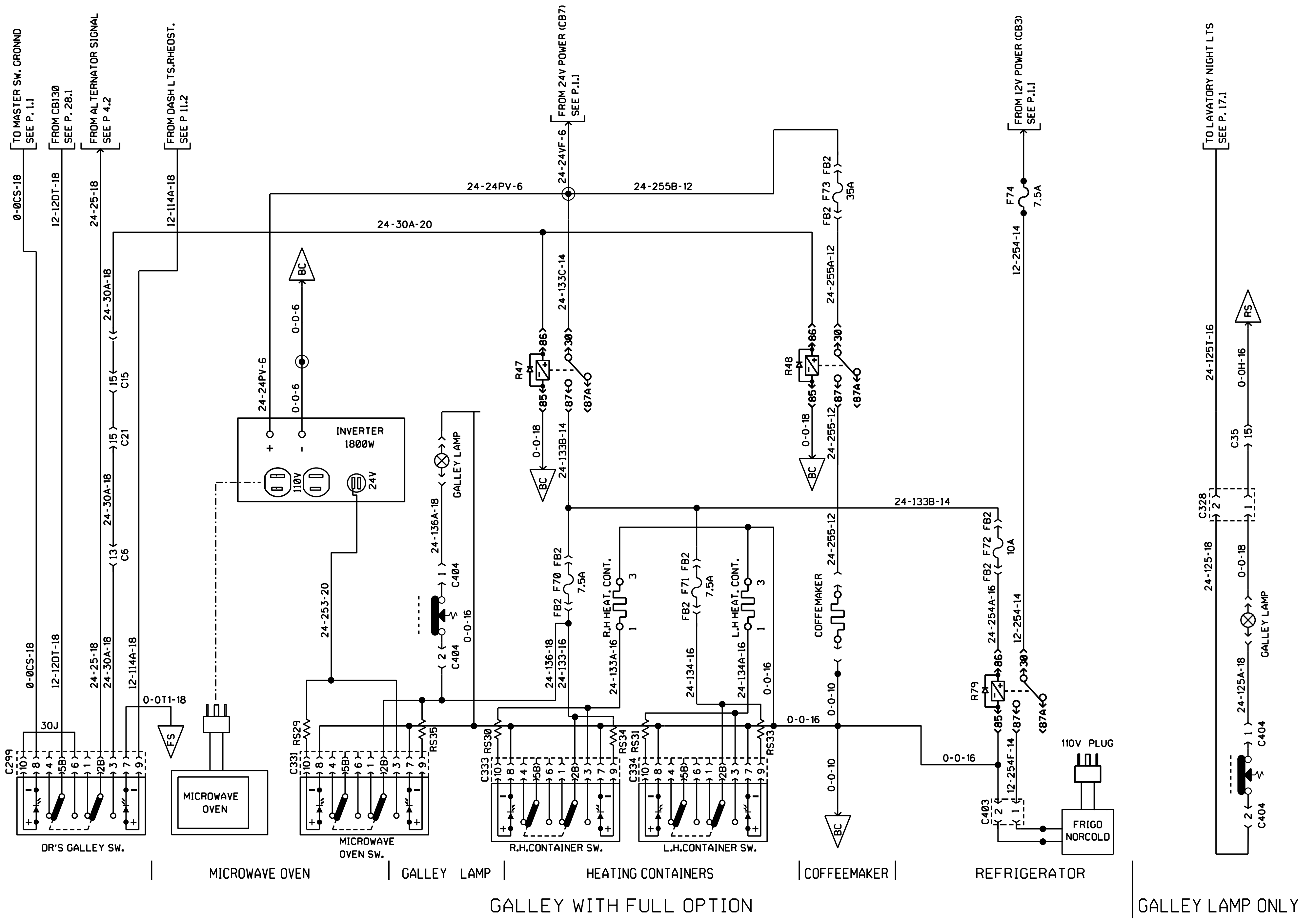


UPPER HEATED WINDSHIELD



DEFROSTER SW.
UPPER WINDSHIELD DEFROST

12-114A-18 [FROM DASH L TS RHEOST. SEE P. 11.2



TO MASTER SW. GROUND
SEE P. 1.1
0-0CS-18

FROM CBI30
SEE P. 28.1
12-12DT-18

FROM ALTERNATOR SIGNAL
SEE P. 4.2
24-25-18

FROM DASH L.TS.RHEADST.
SEE P. 11.2
12-114A-18

0-0CS-18

12-12DT-18

24-25-18

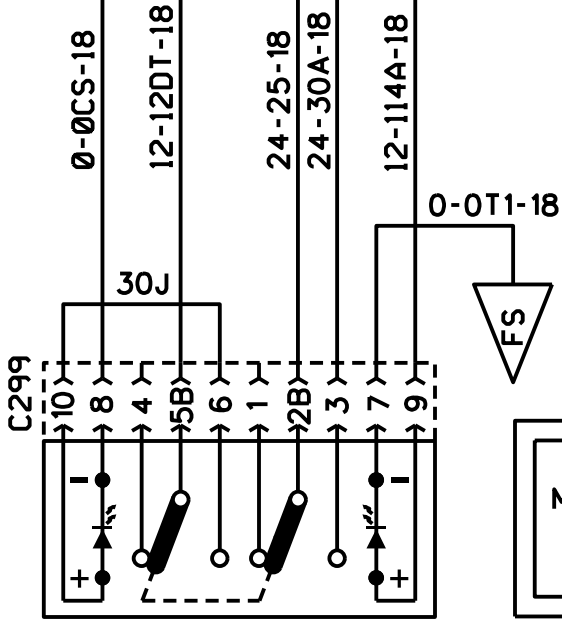
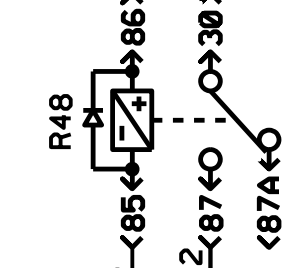
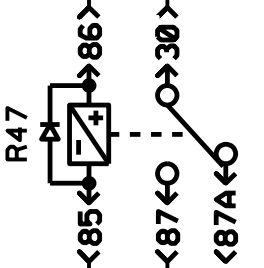
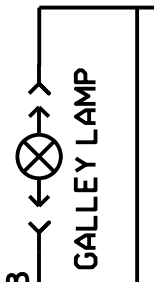
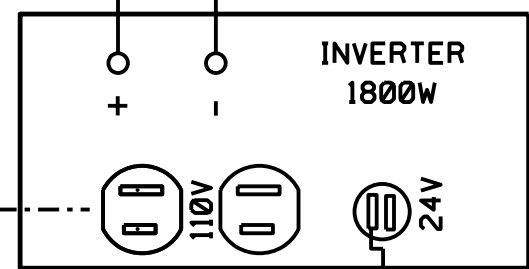
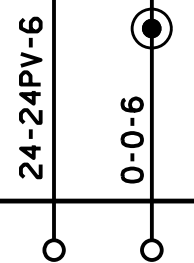
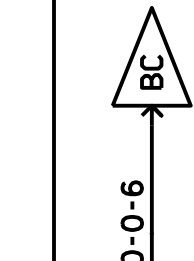
12-114A-18

24-24PV-6

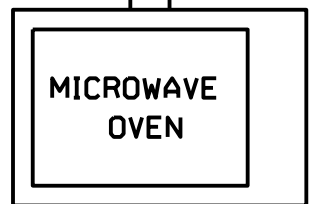
FROM 24V POWER (CB7)
SEE P.1.1
24-24VF-6

24-255B-12

24-30A-20

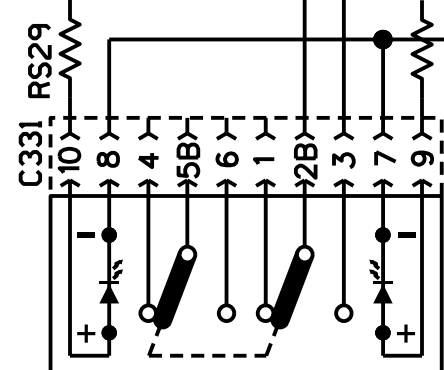


0-0T1-18



DR'S GALLEY SW.

MICROWAVE OVEN



MICROWAVE OVEN SW.

GALLEY LAMP

R.H.CONTAINER SW.

L.H.CONTAINER SW.

HEATING CONTAINERS

COFFEEMAKER

REFRIGERATOR

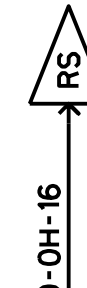


GALLEY LAMP

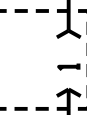
GALLEY LAMP ONLY

GALLEY WITH FULL OPTION

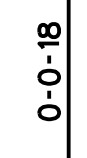
24-125T-16



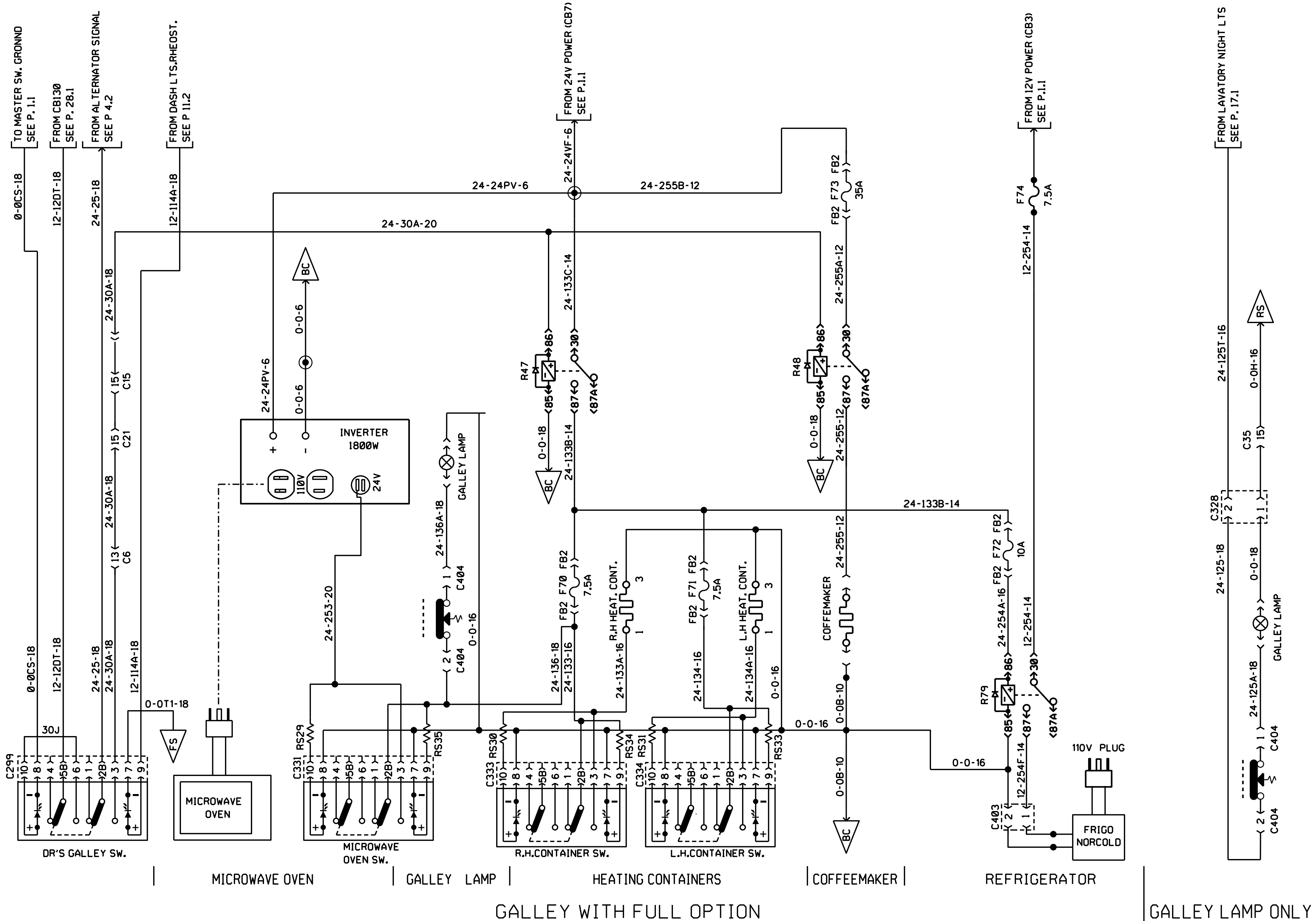
C328

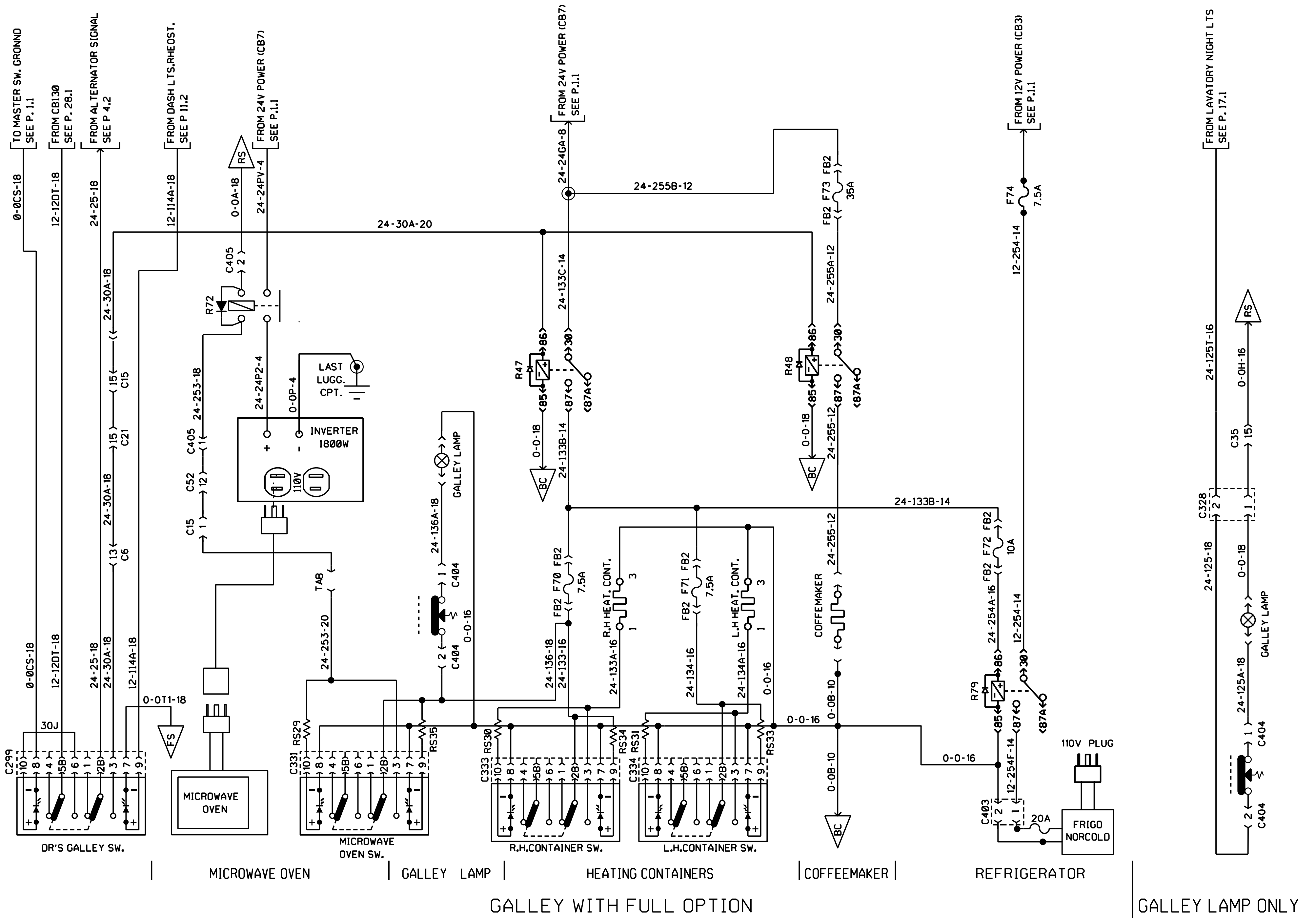


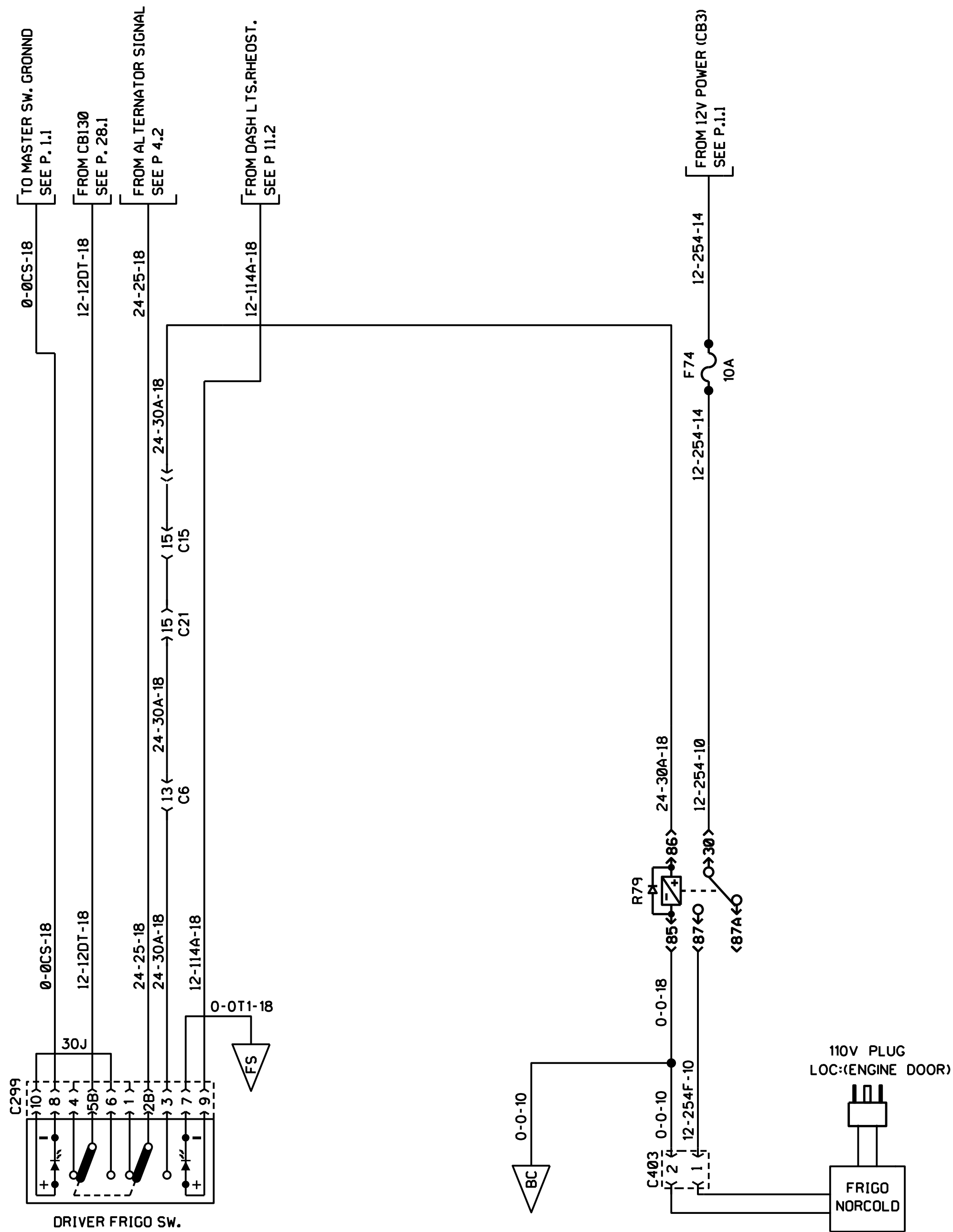
24-125-18



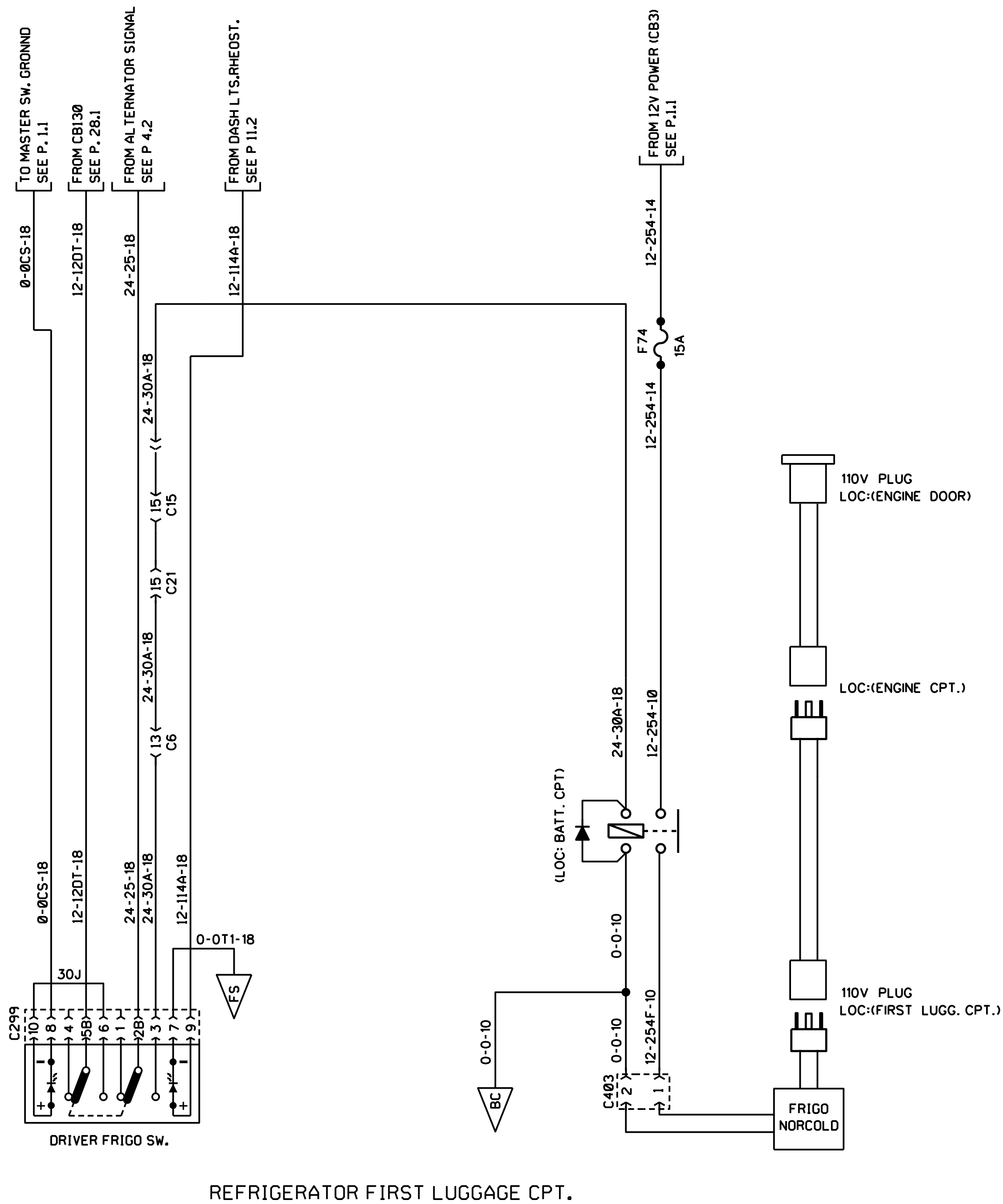
GALLEY LAMP

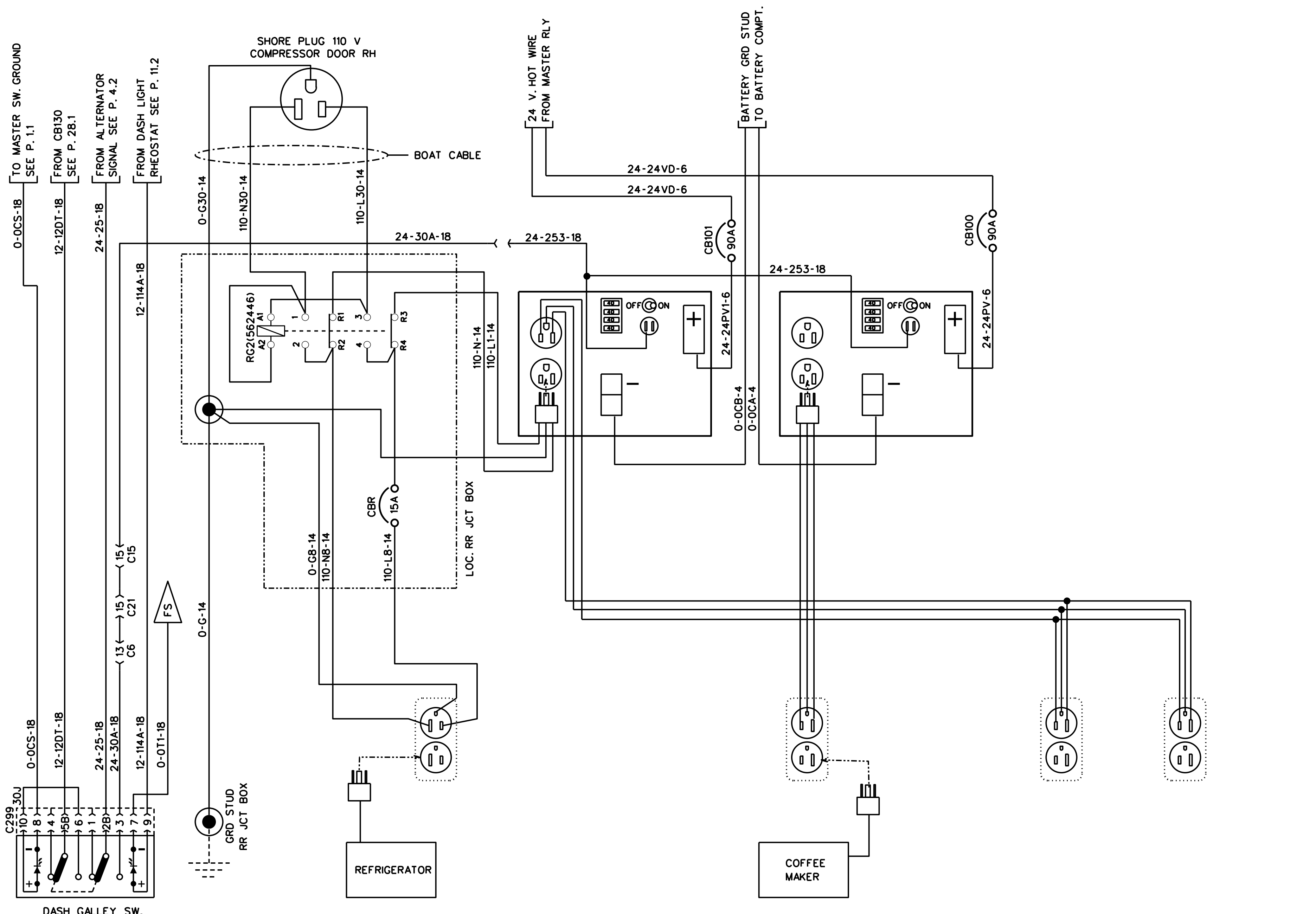






REFRIGERATOR FIRST LUGGAGE CPT.



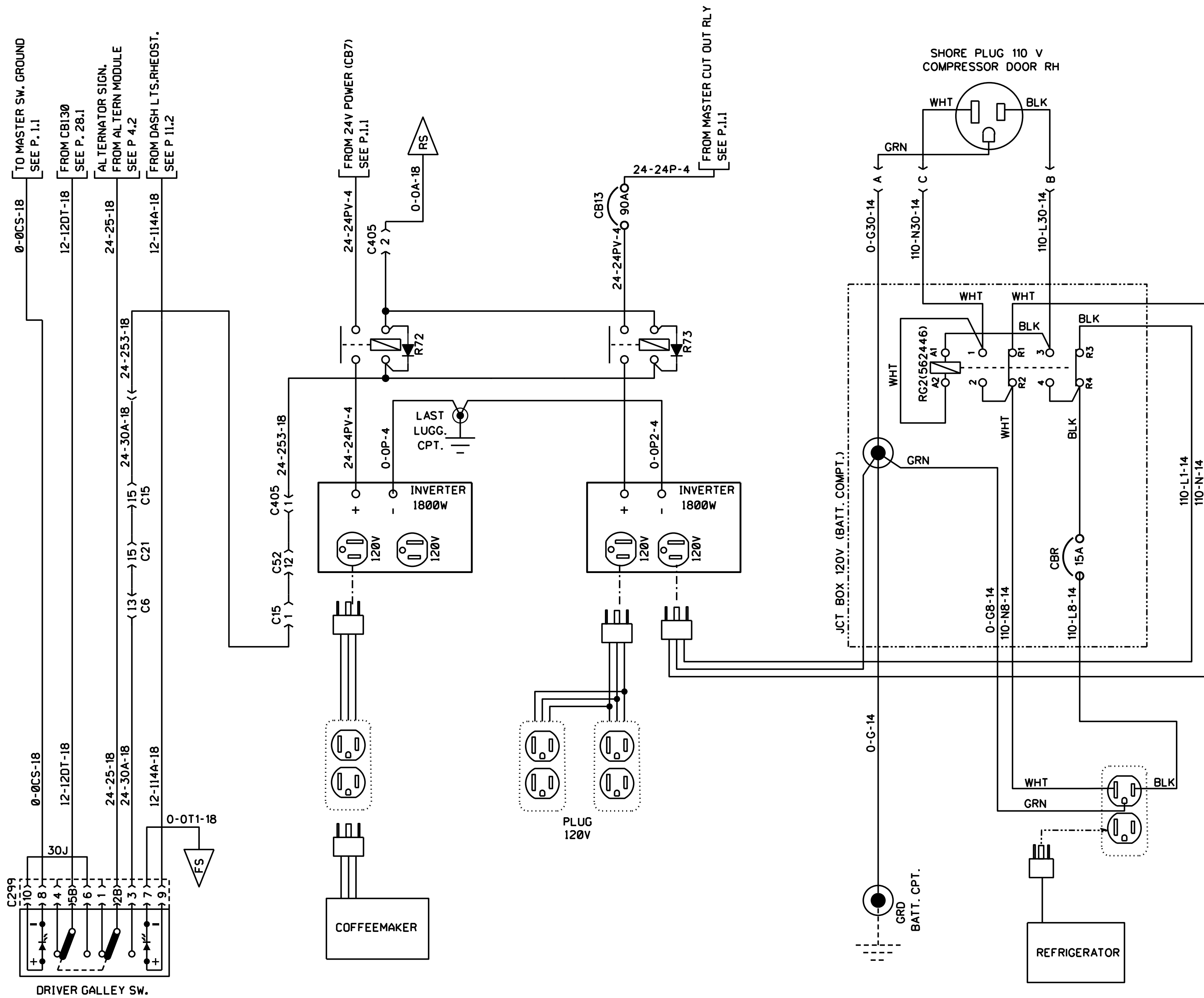


REFRIGERATOR

COFFEEMAKER

PLUG 120V. FOR COMPUTER

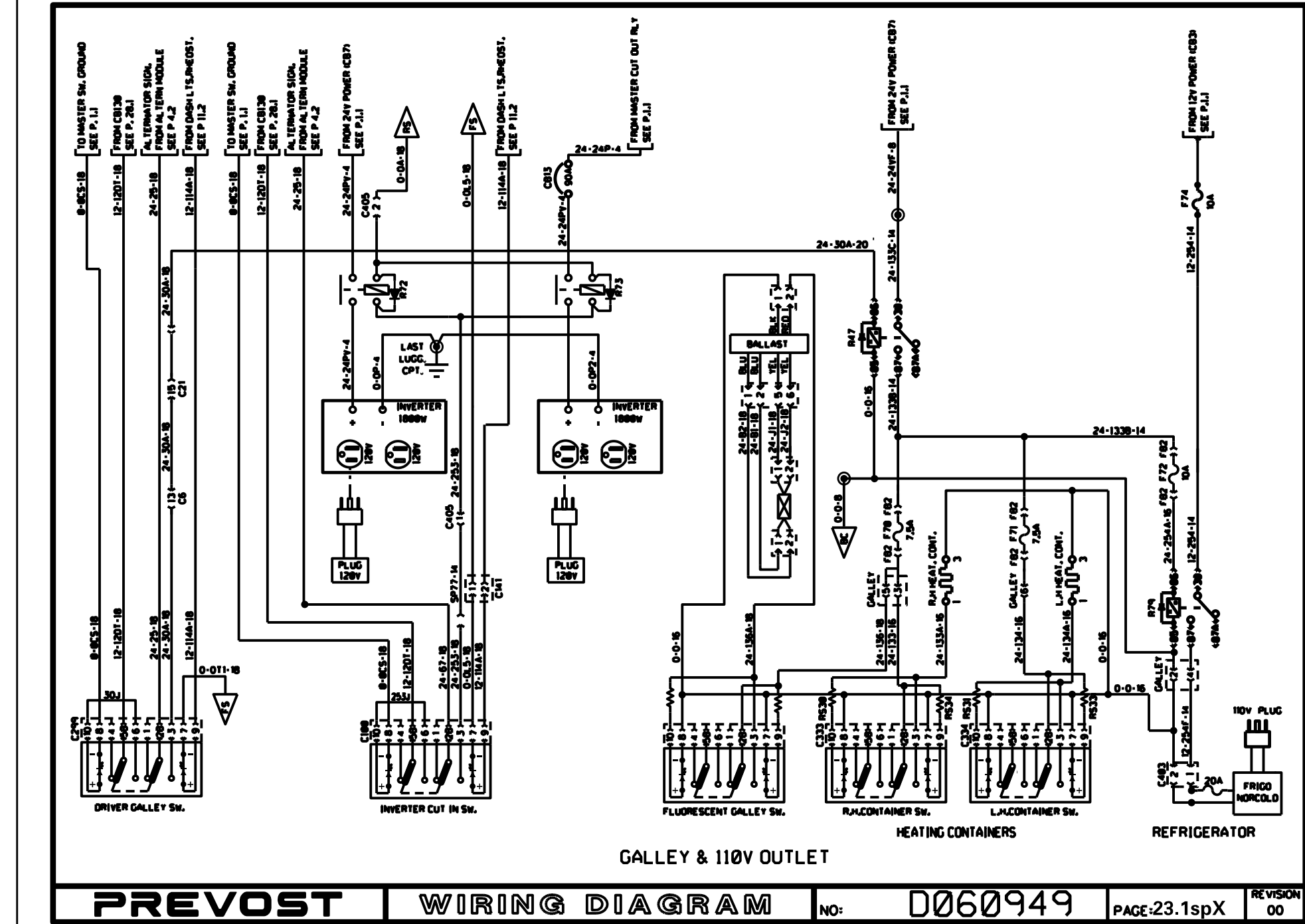
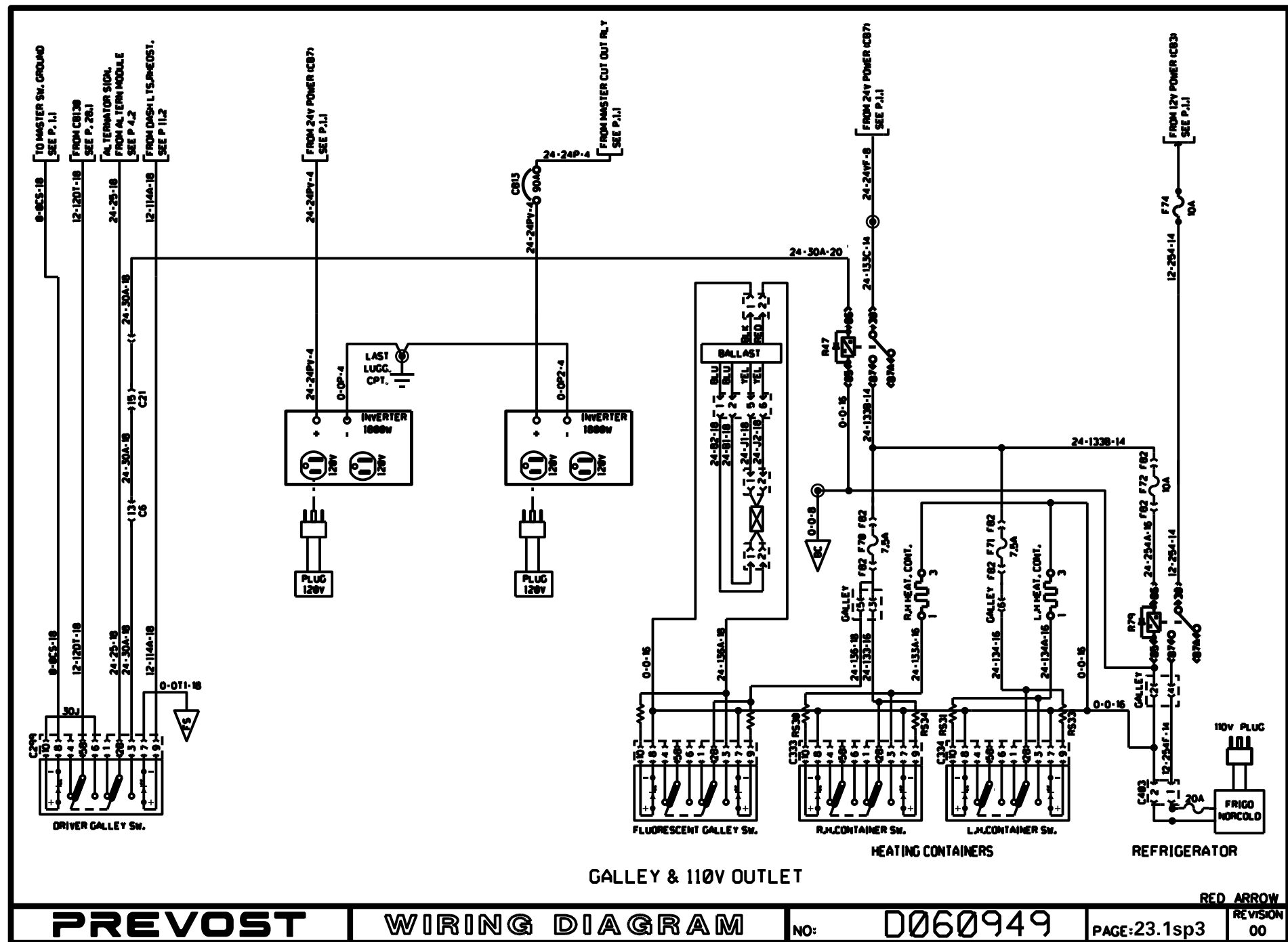
1-4149 (QUEBECOISE)

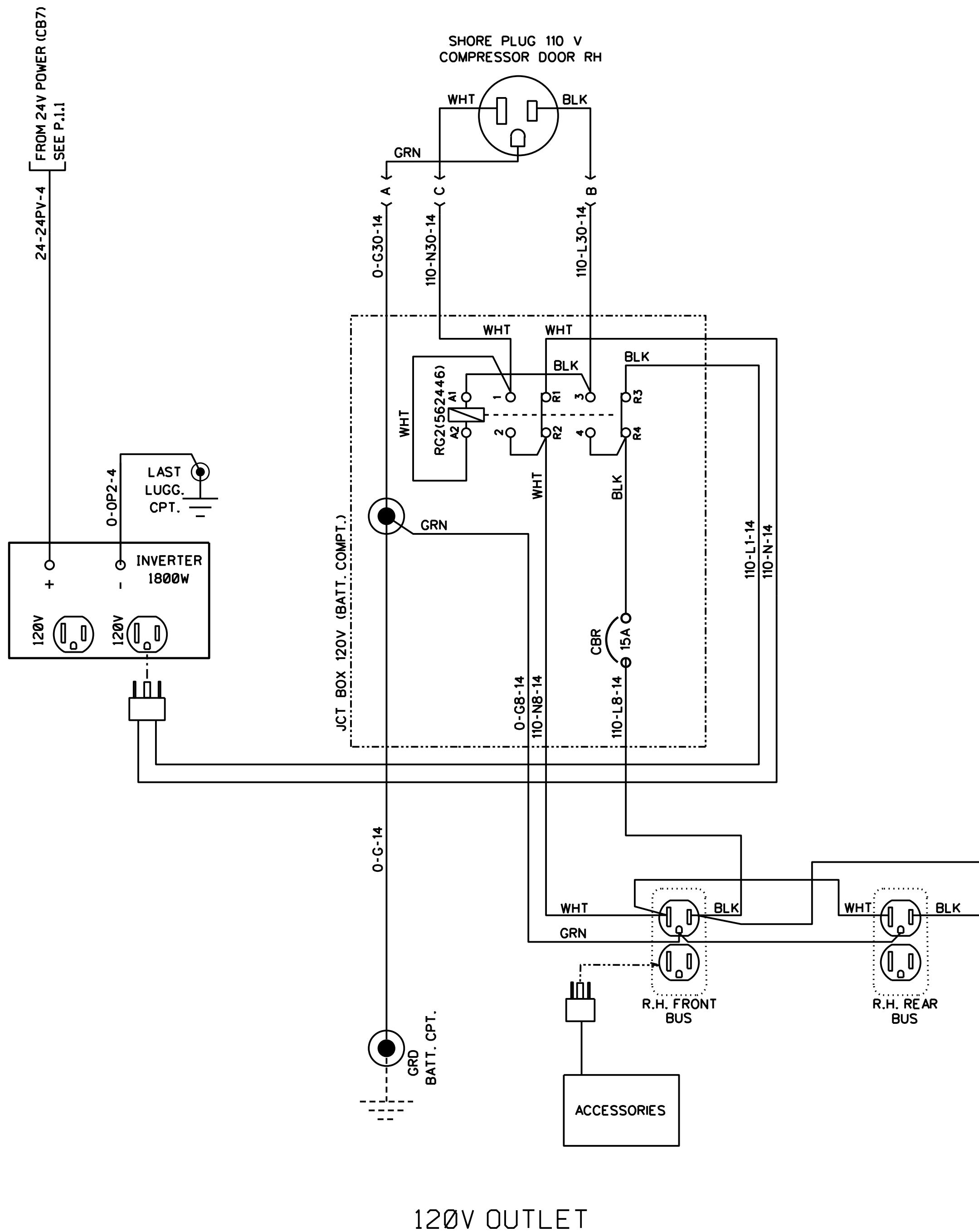


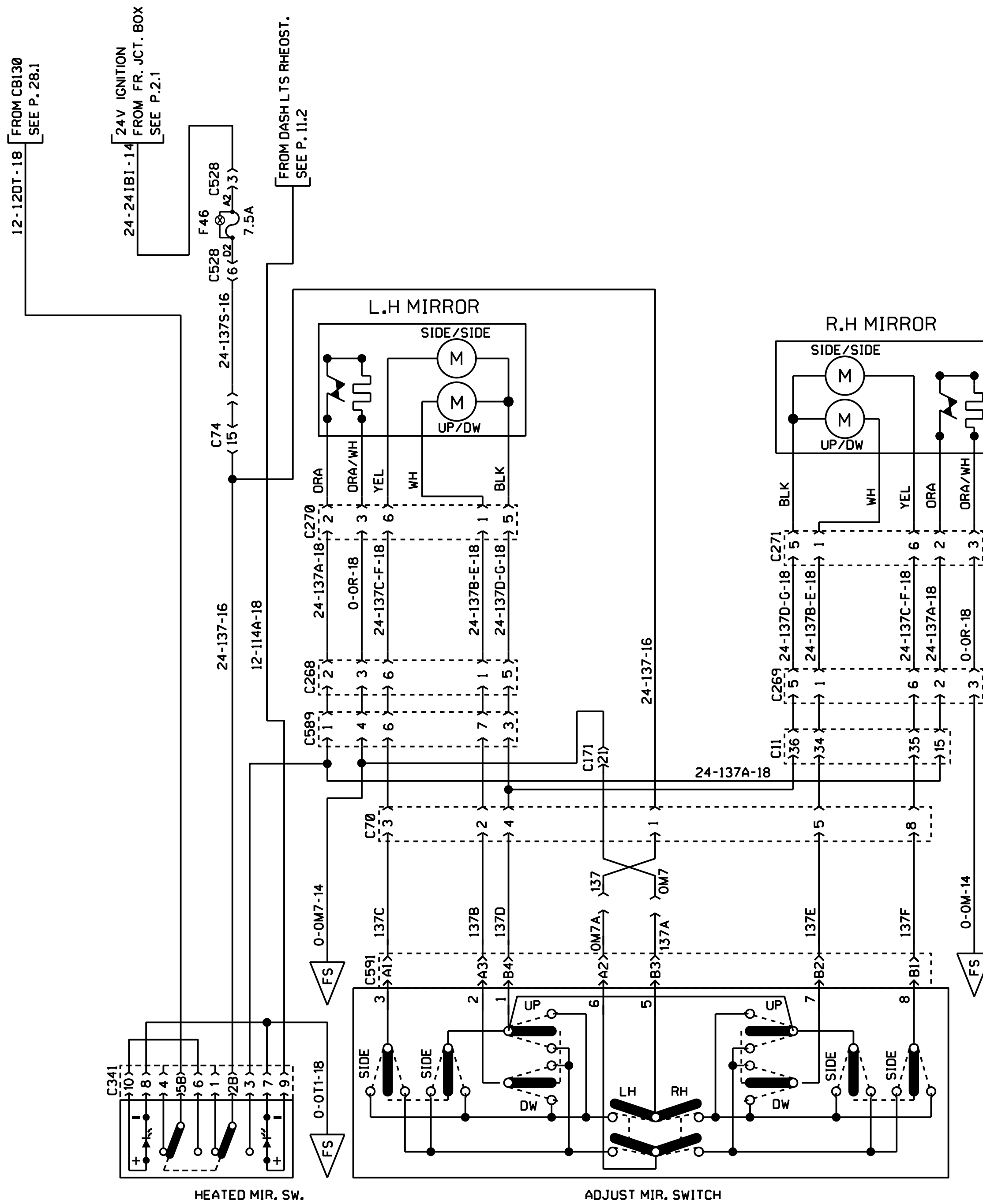
120V OUTLET

SANS RELAIS

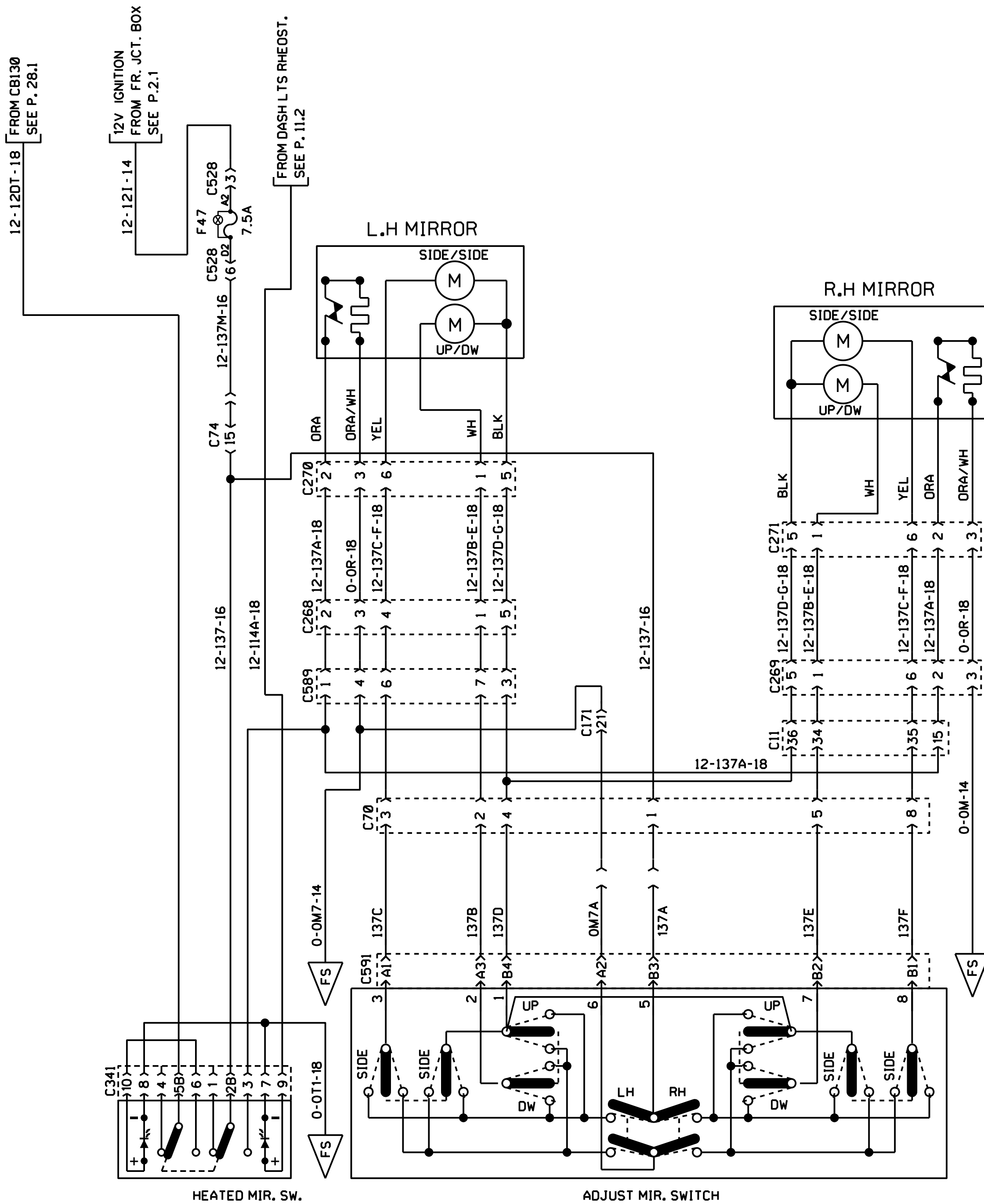
AVEC RELAIS



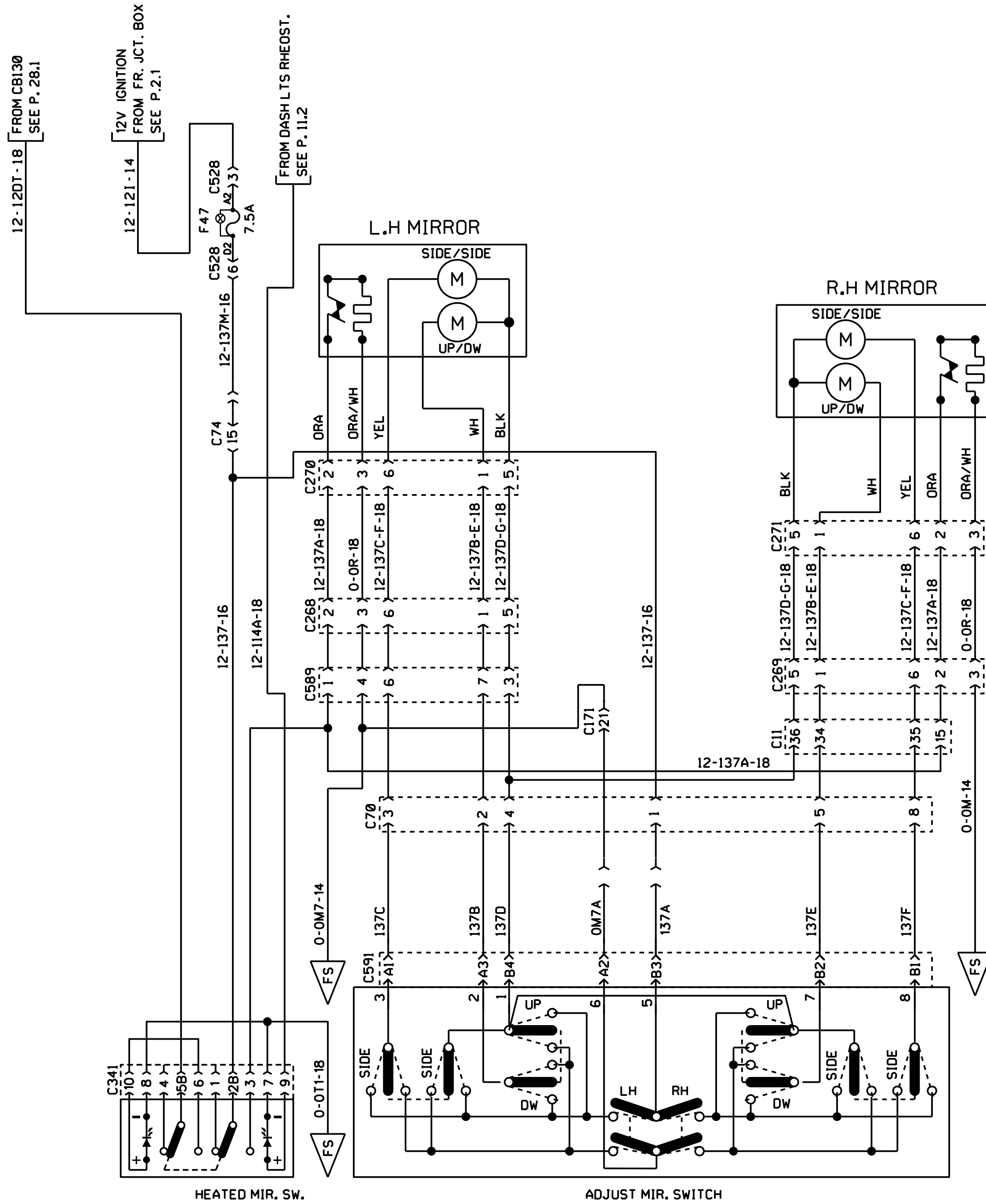




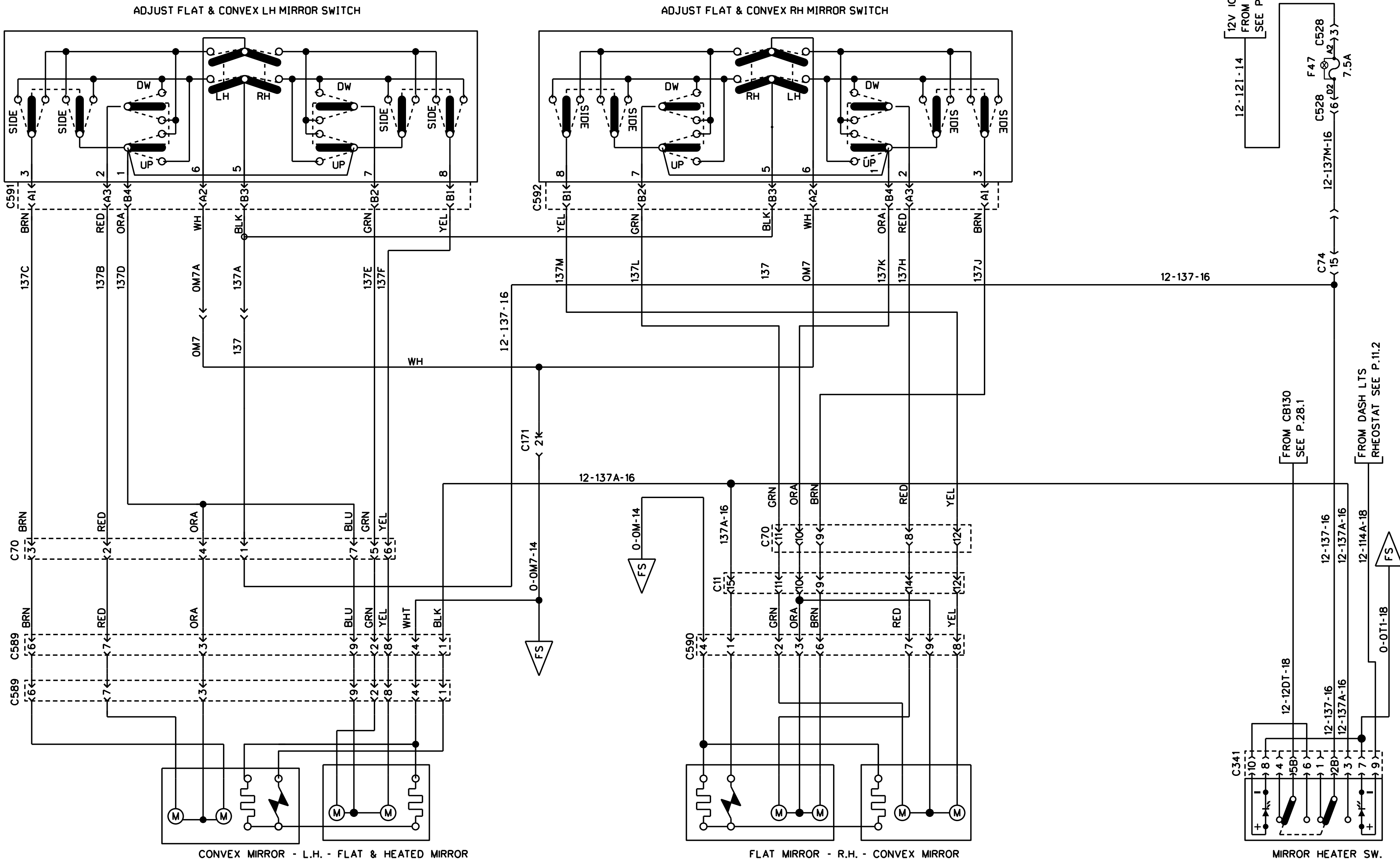
REAR VIEW MIRROR SPARTAN - 1 ADJUSTMENT SW. & 1 HEATED SW.



REAR VIEW MIRROR RAMCO FLAT - 1 ADJUSTMENT SW. & 1 HEATED SW.



REAR VIEW MIRROR RAMCO FLAT - 1 ADJUSTMENT SW. & 1 HEATED SW.

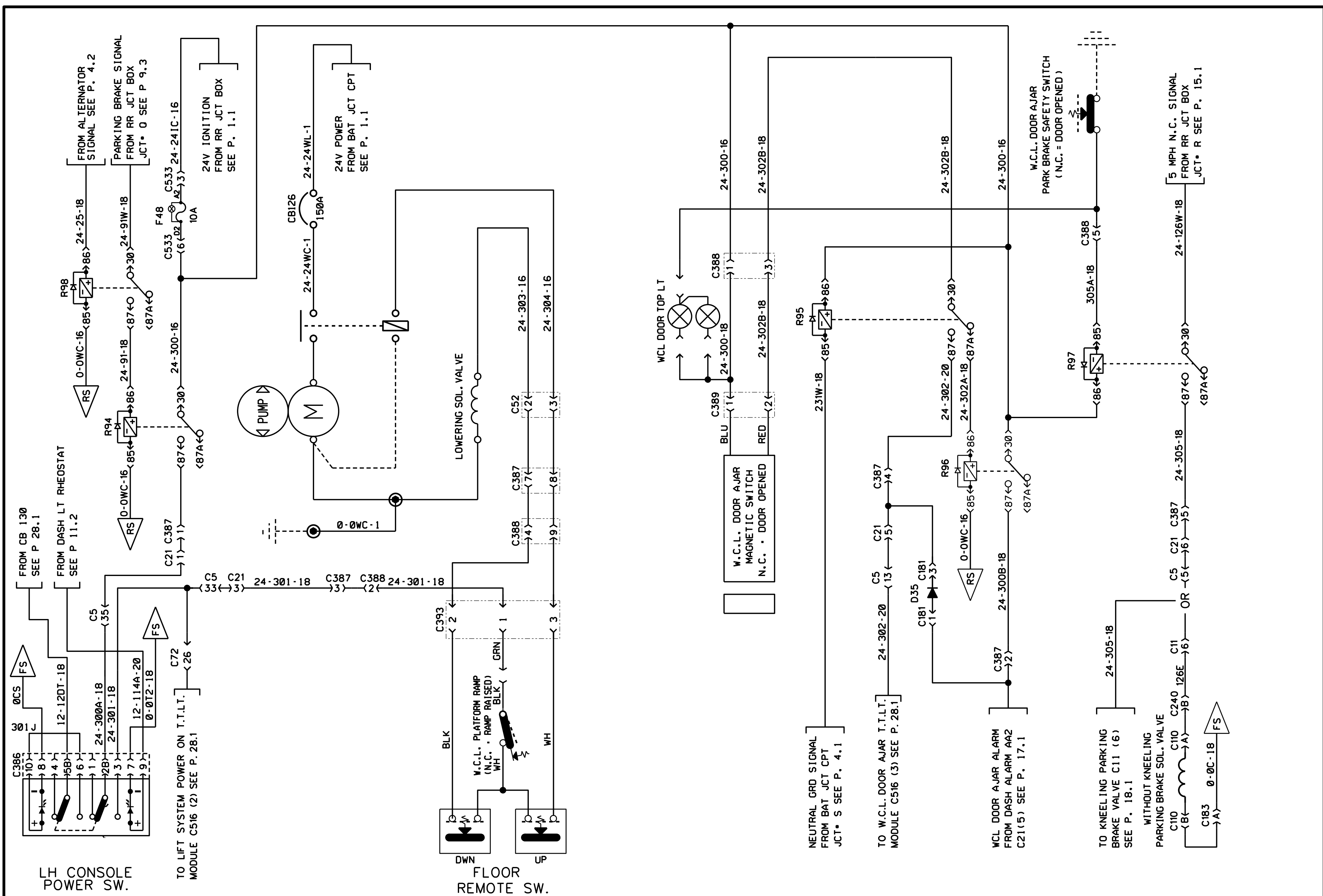


CONVEX MIRROR - L.H. - FLAT & HEATED MIRROR

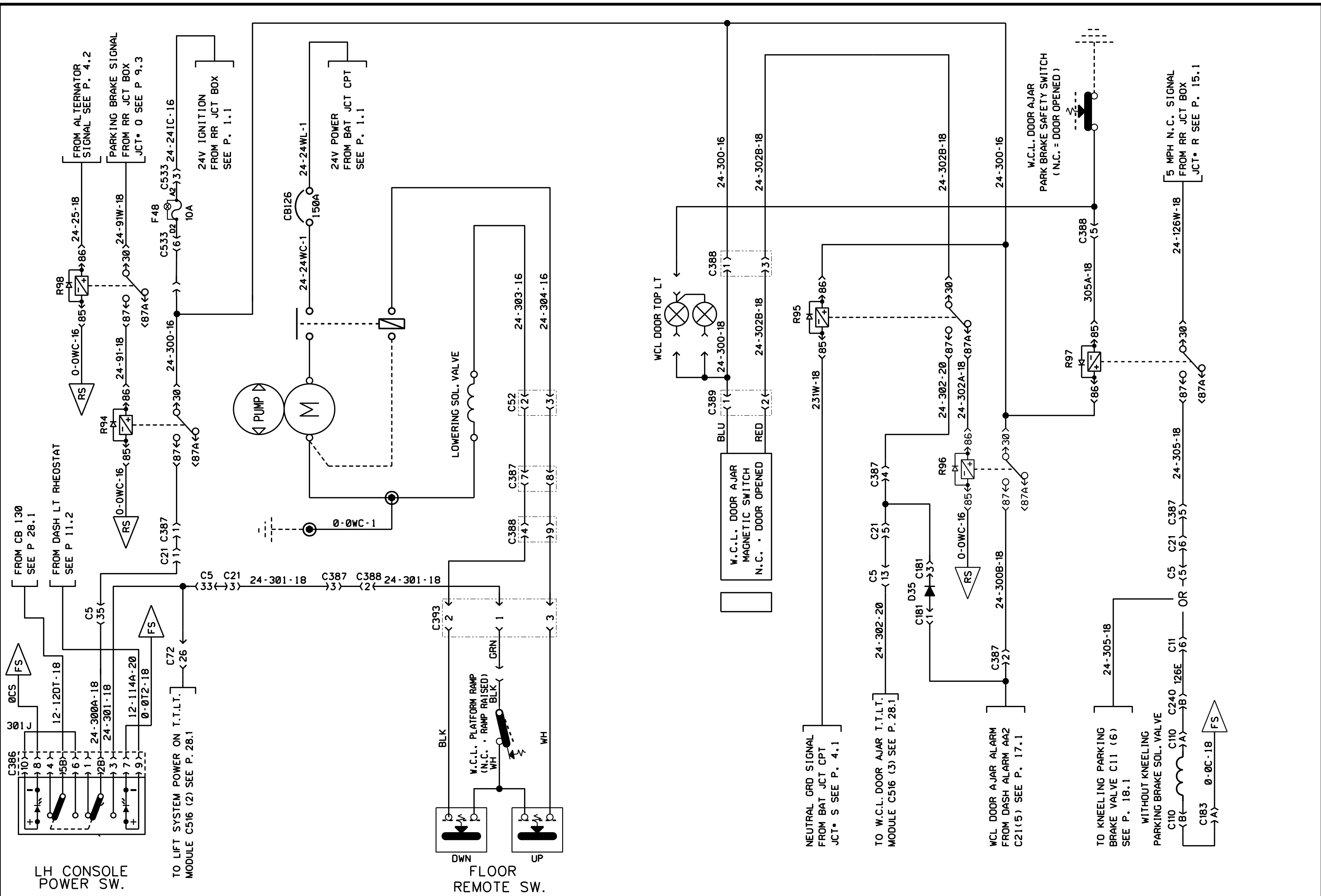
FLAT MIRROR - R.H. - CONVEX MIRROR

MIRROR HEATER SW.

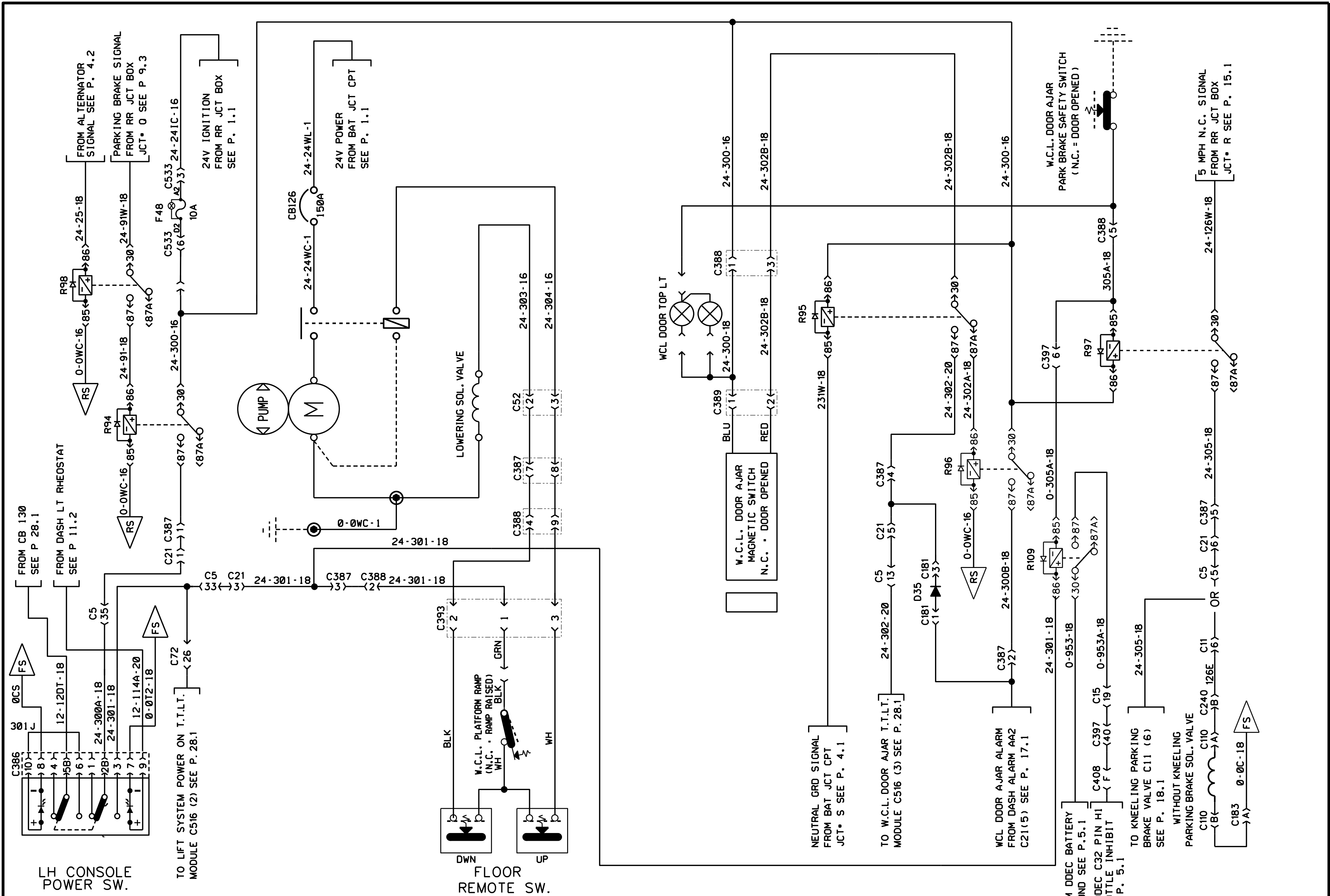
REAR VIEW MIRROR RAMCO FLAT & CONVEX - 2 ADJUSTMENT SW. & 1 HEATED SW.



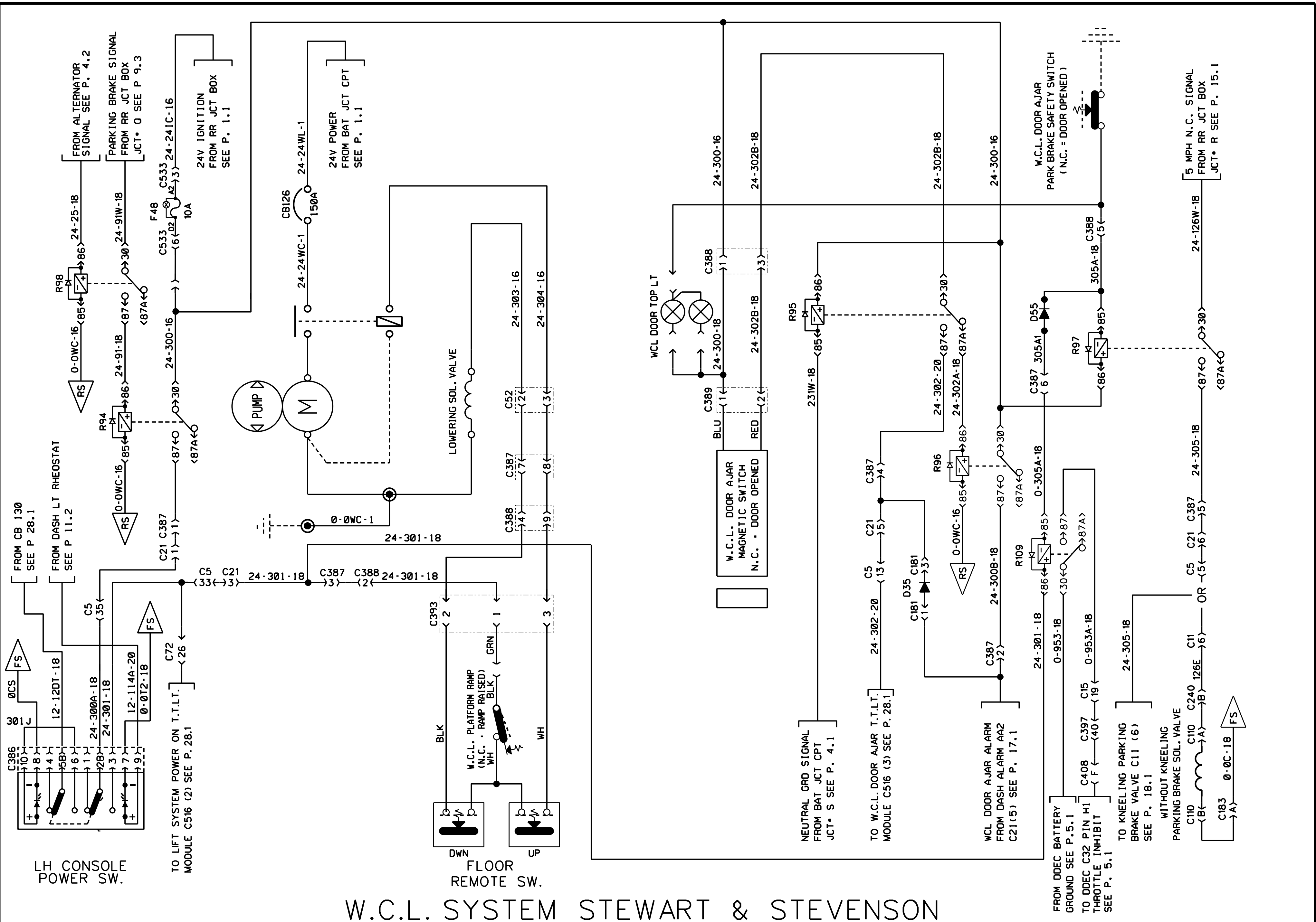
W.C.L. SYSTEM STEWART & STEVENSON

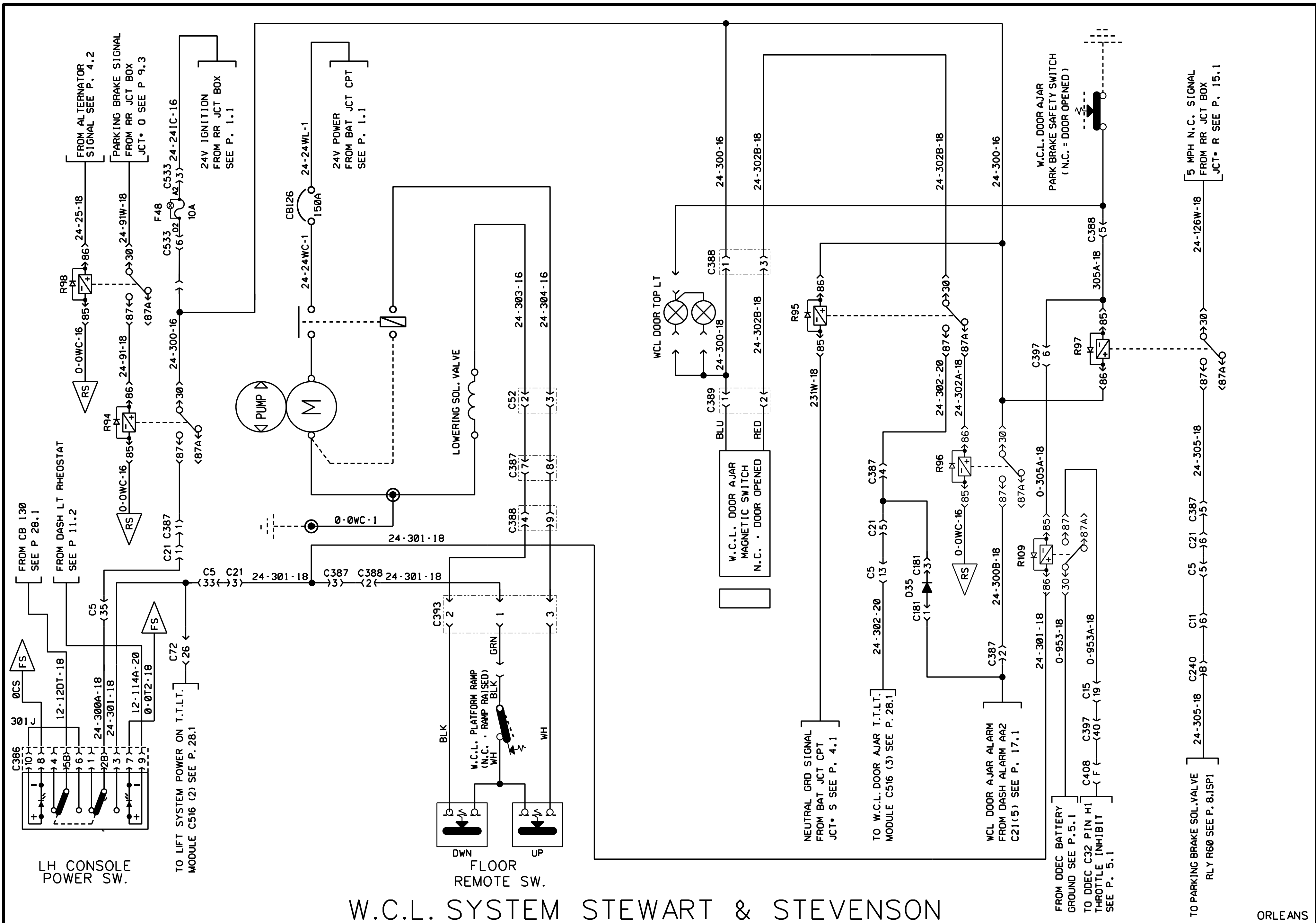


W.C.L. SYSTEM STEWART & STEVENSON

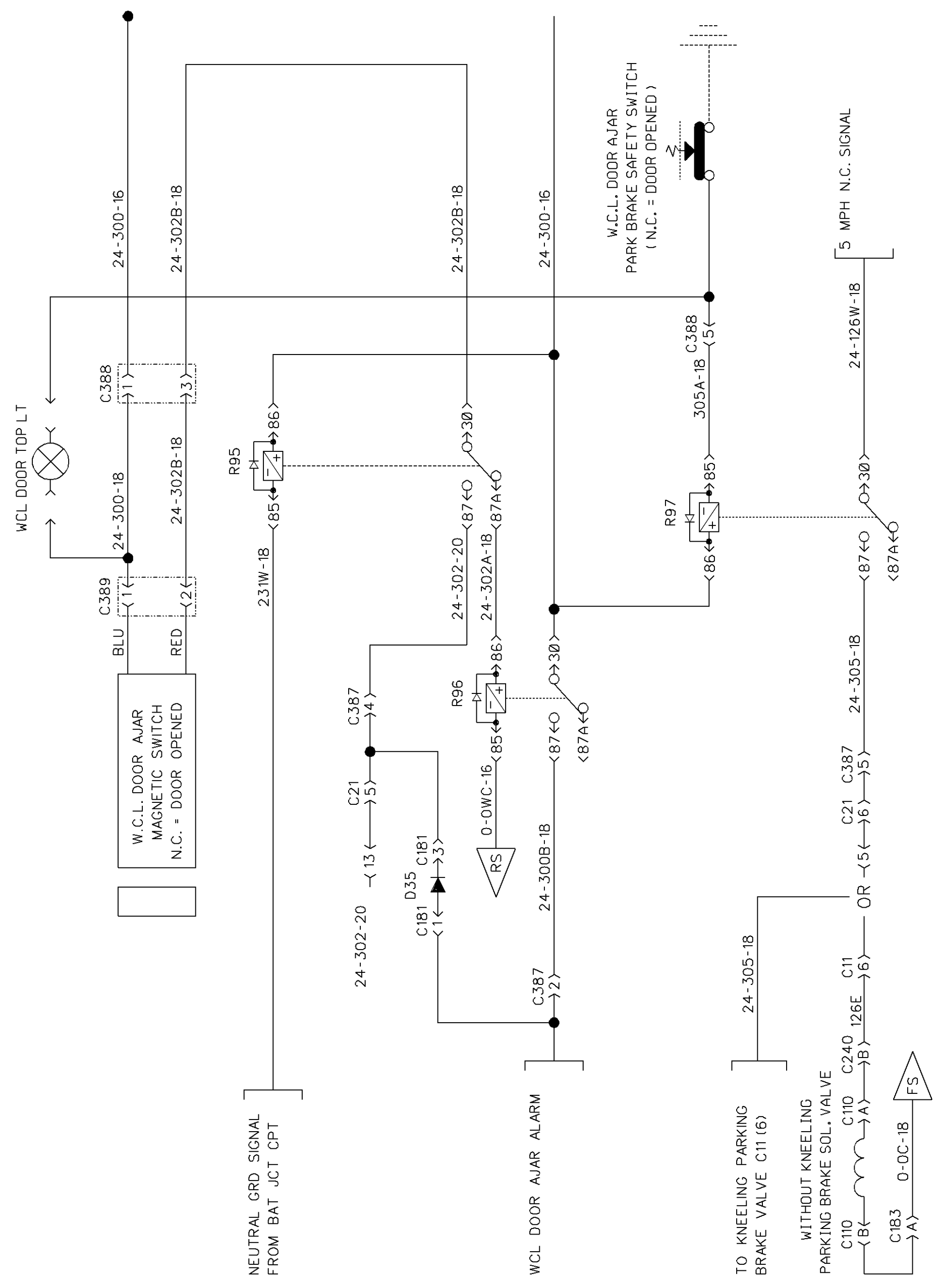
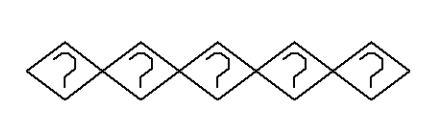
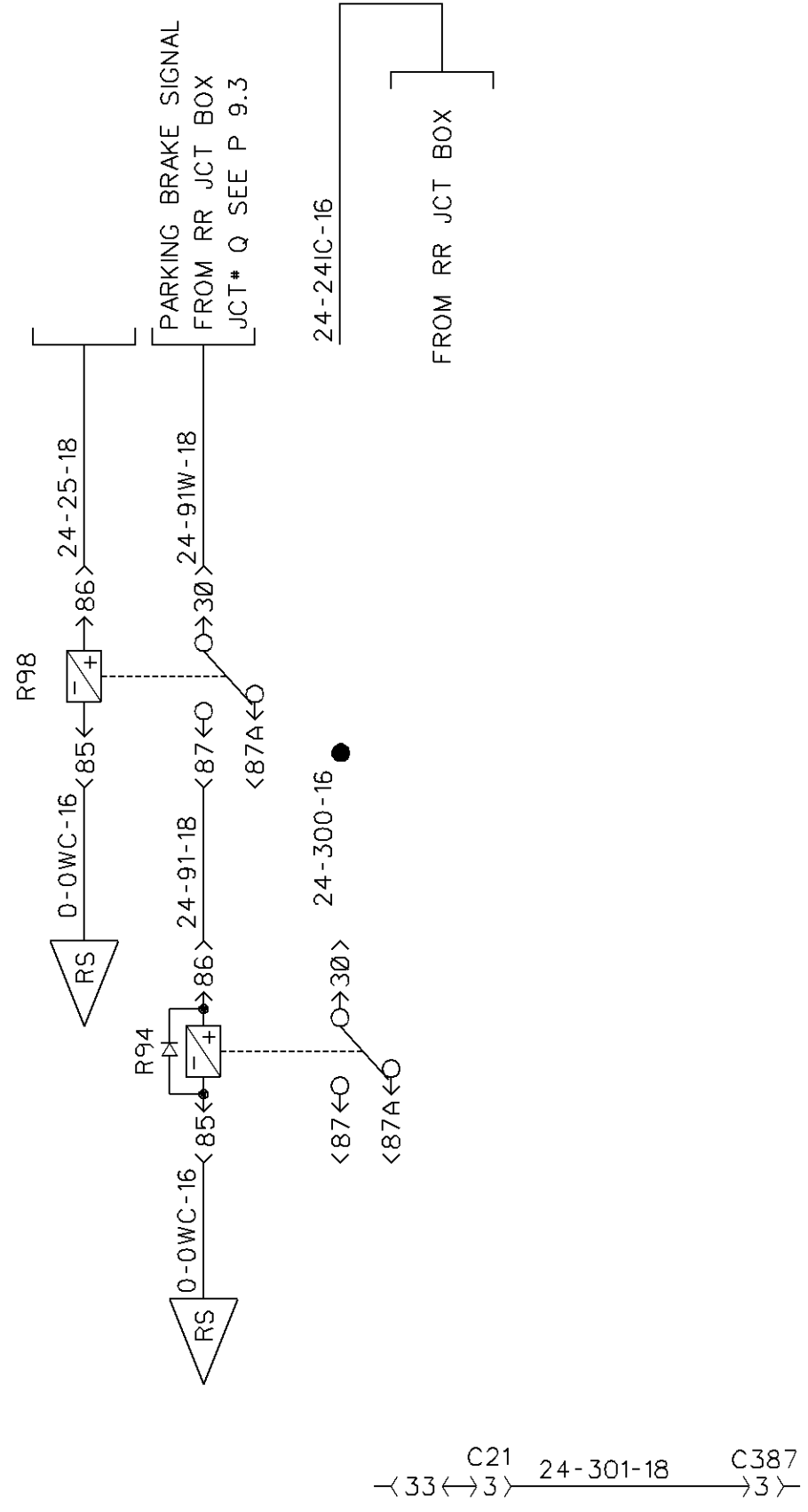


W.C.L. SYSTEM STEWART & STEVENSON

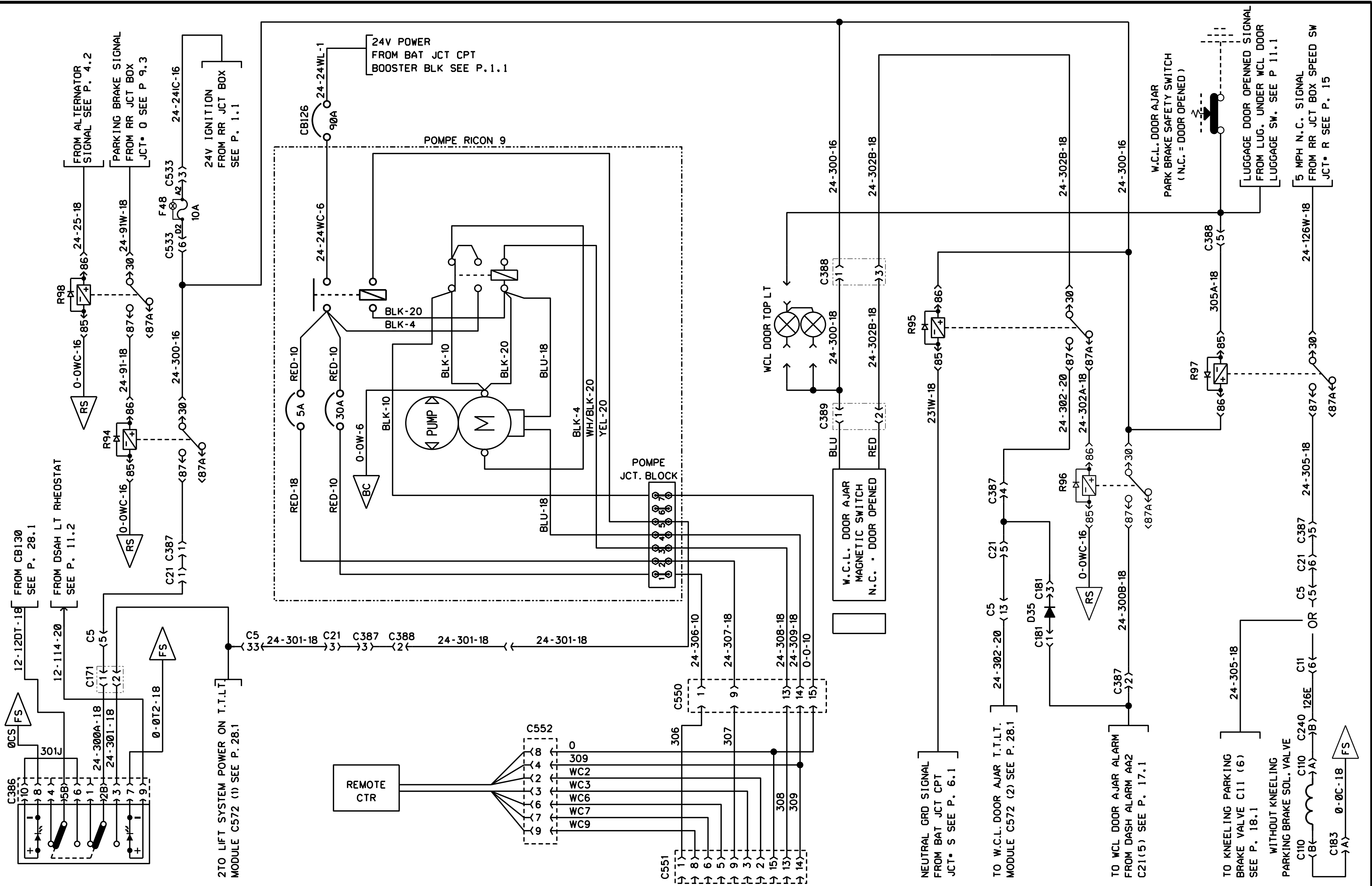




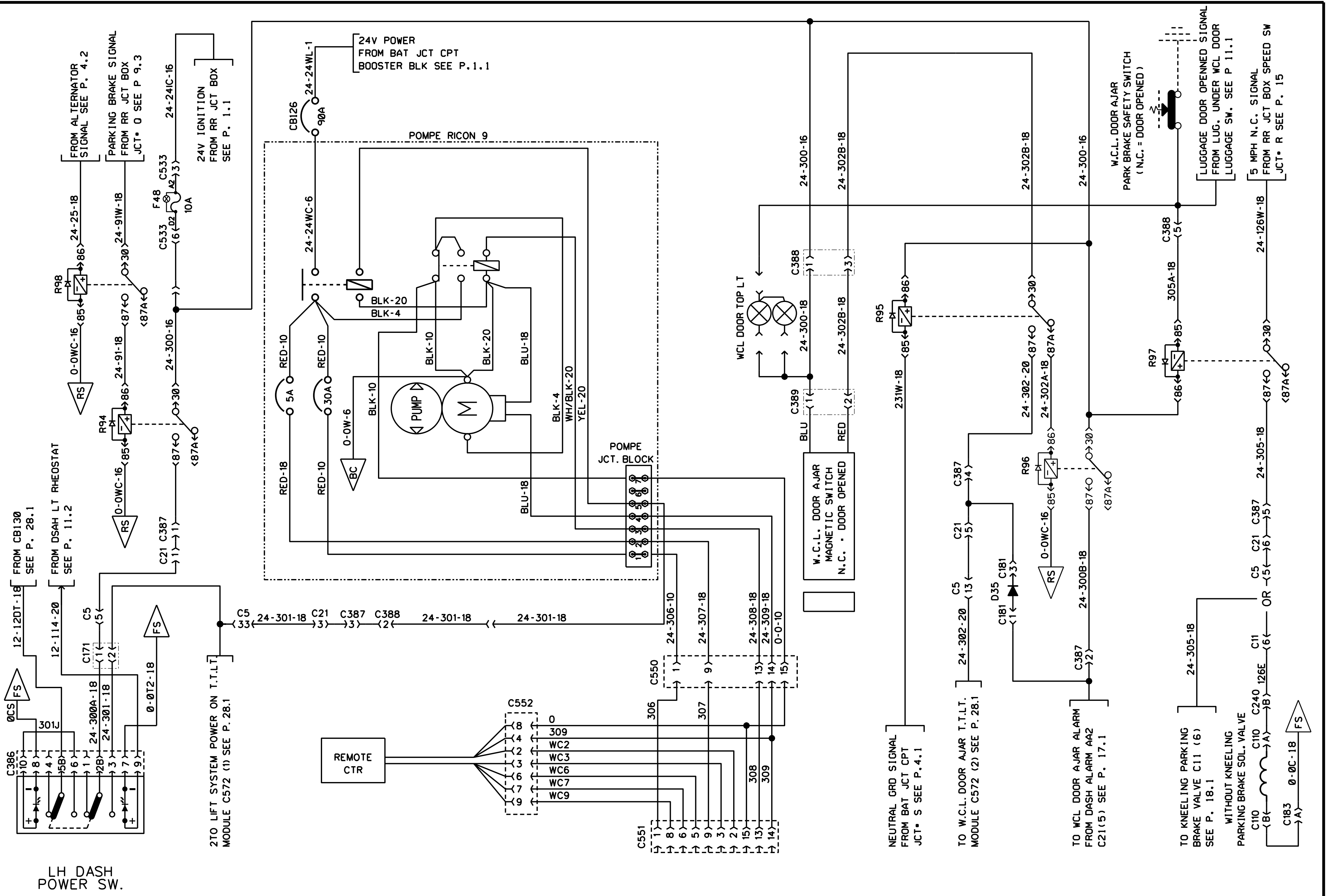
W.C.L. SYSTEM STEWART & STEVENSON



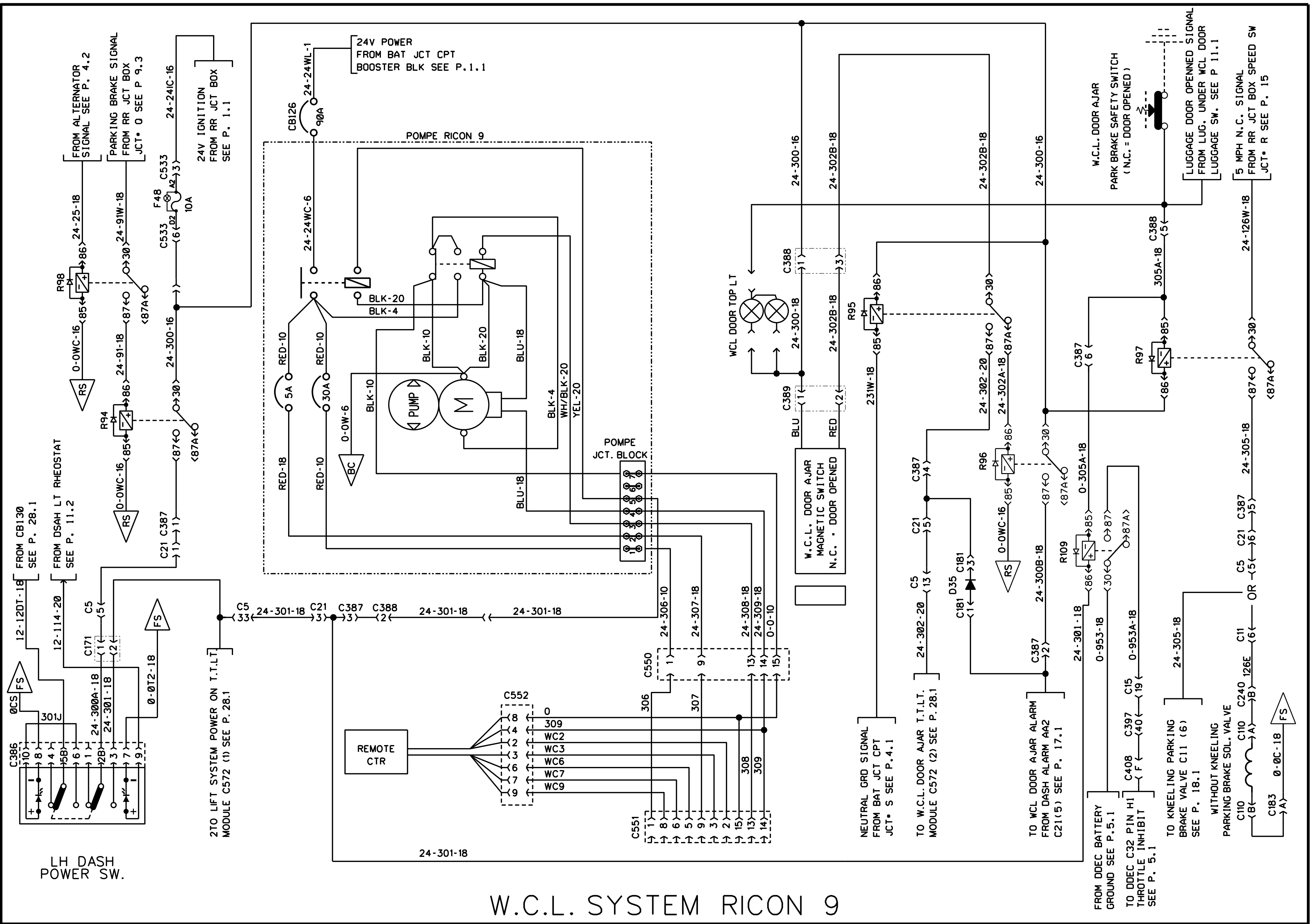
NO: D060949

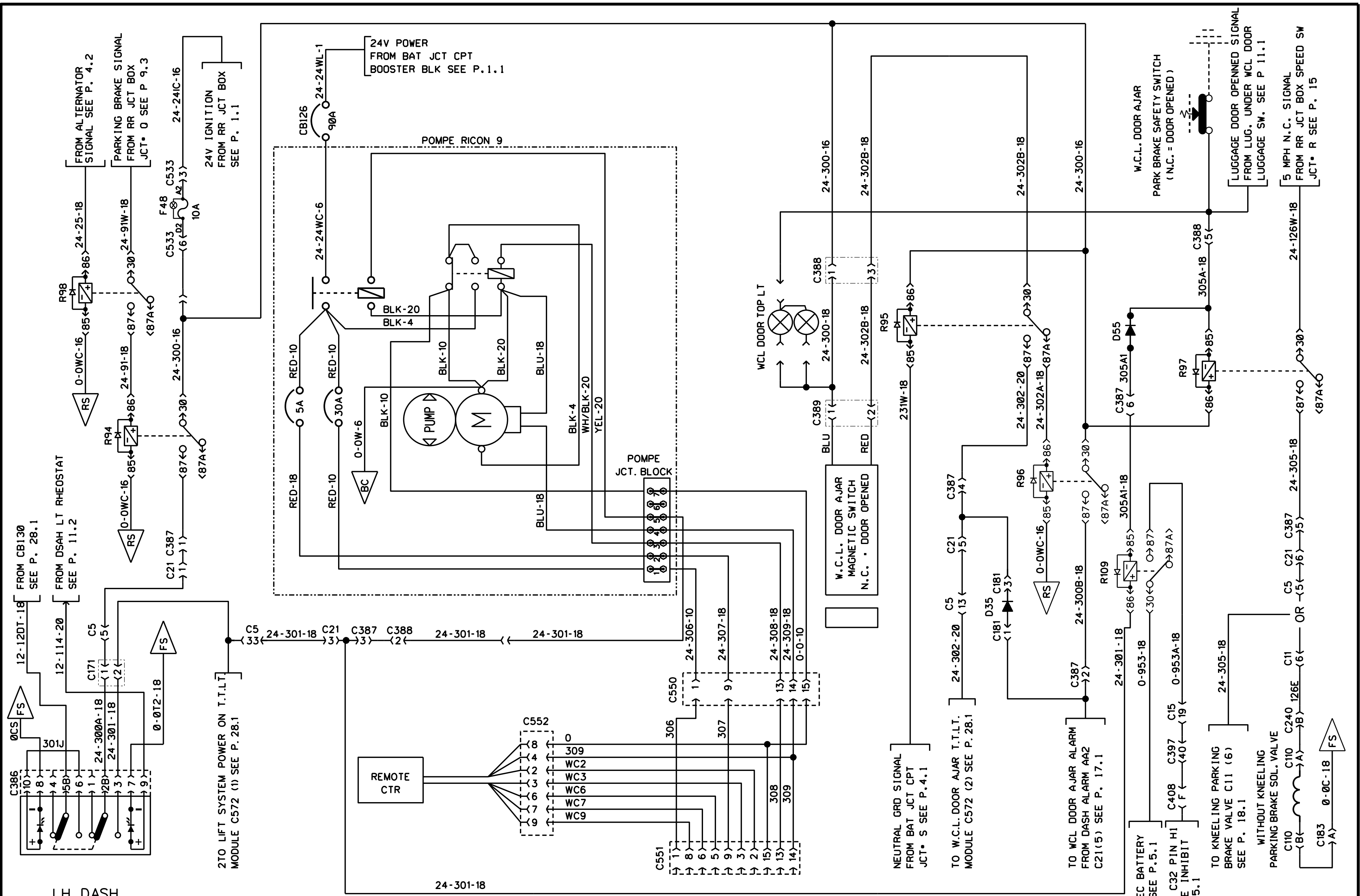


W.C.L. SYSTEM RICON 9



W.C.L. SYSTEM RICON 9





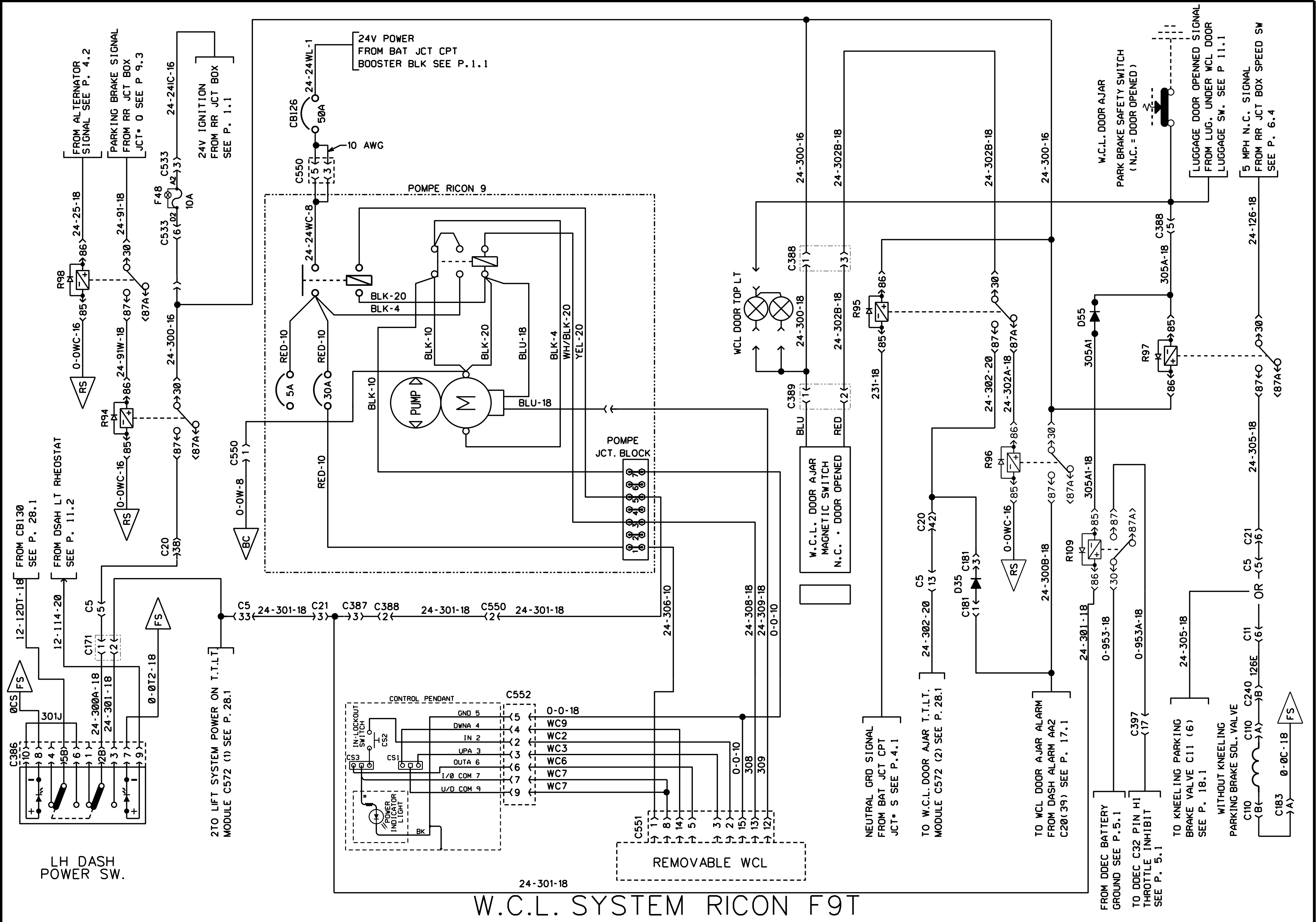
W.C.L. SYSTEM RICON 9

WIRING DIAGRAM

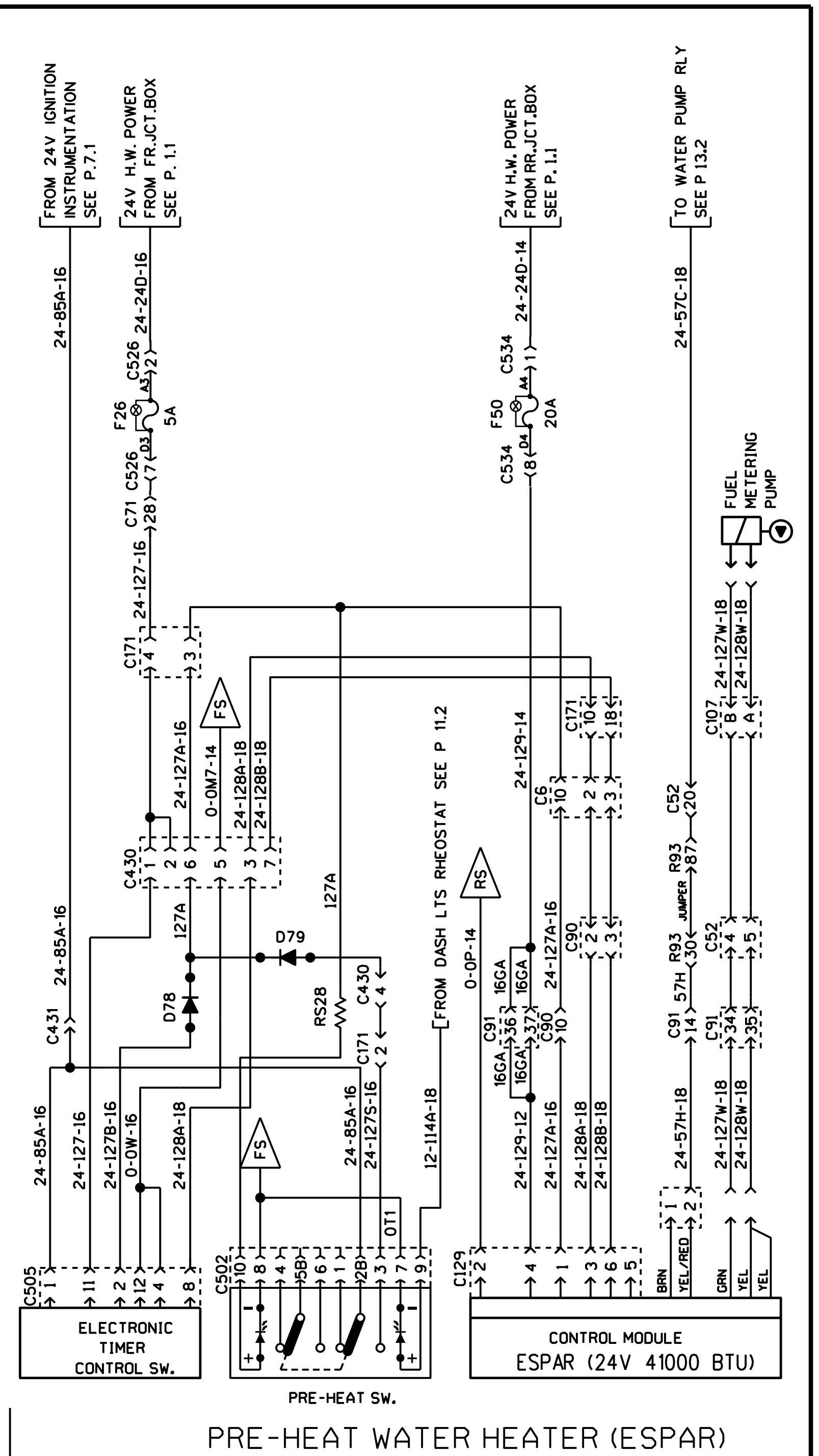
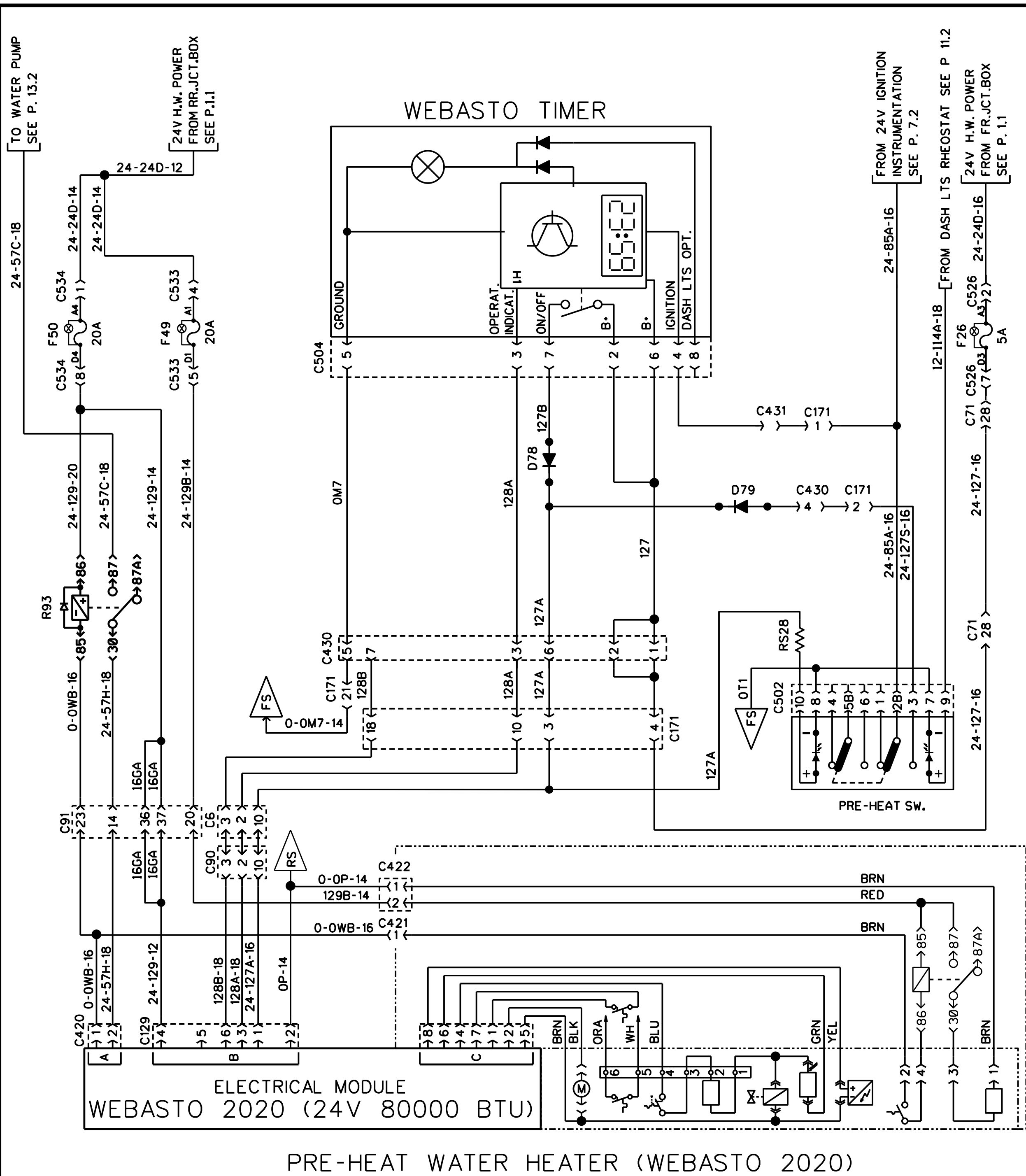
NO: 0060949

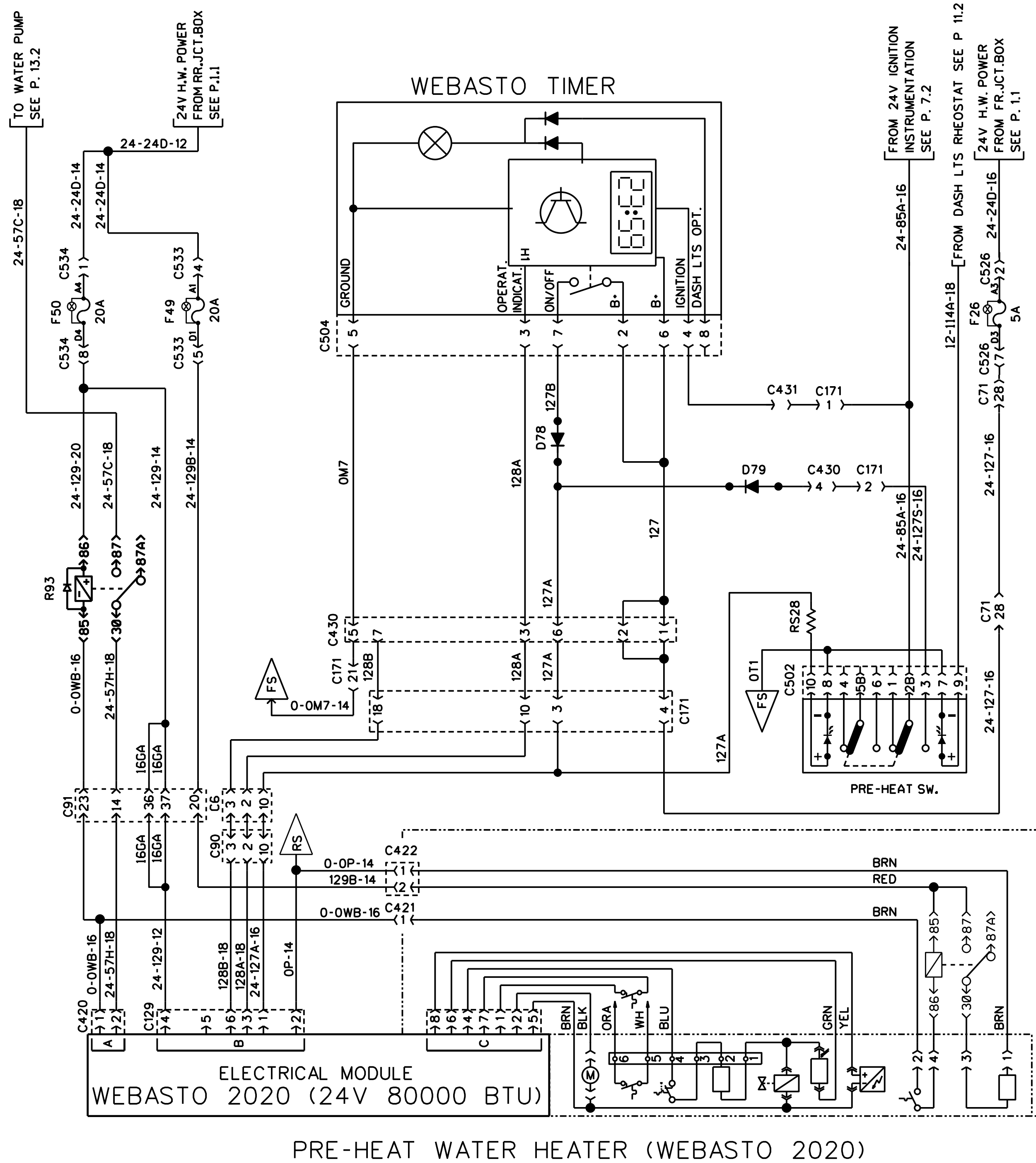
PAGE: 25.2

REVISION 21

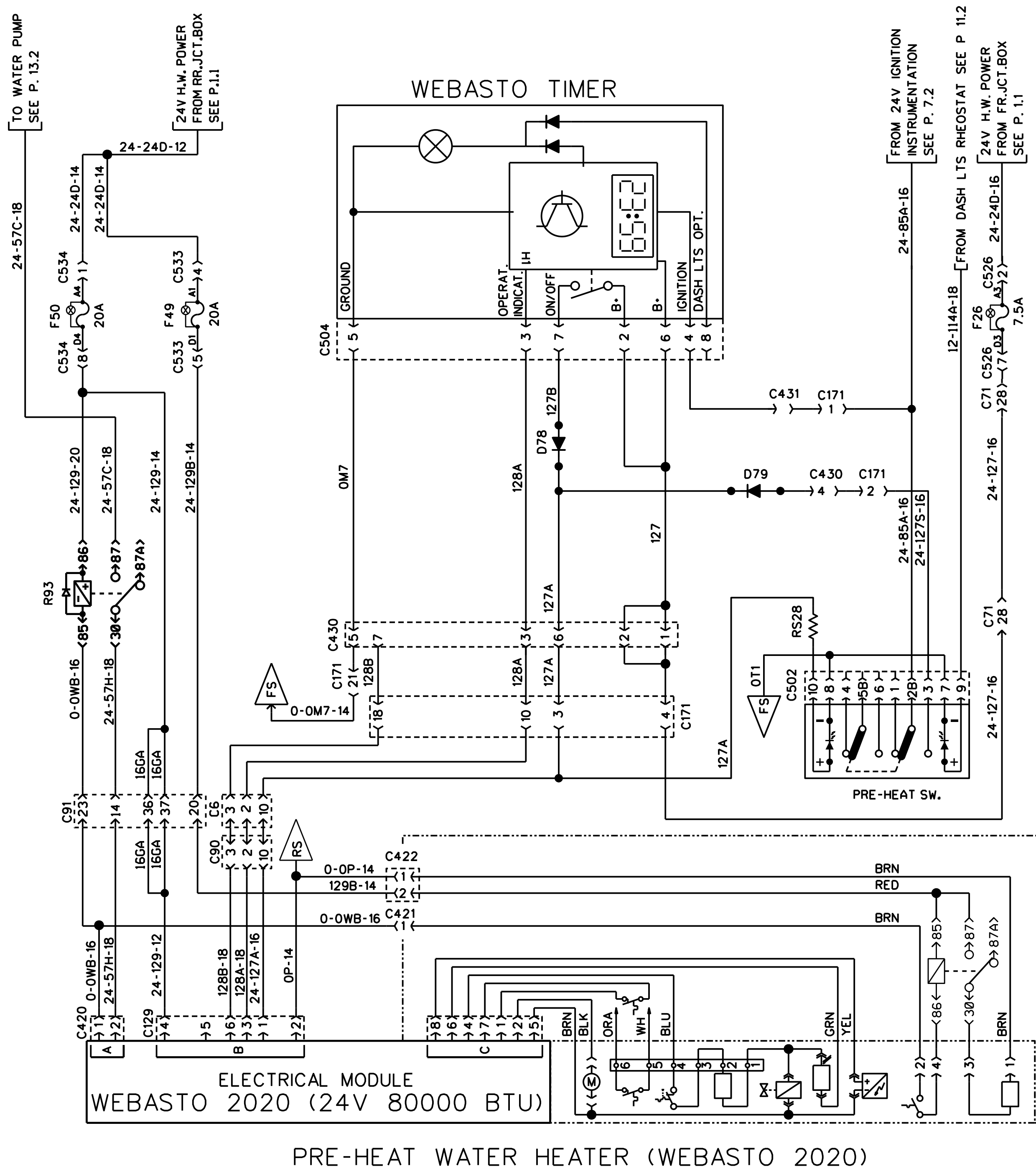


W.C.L. SYSTEM RICON F9T

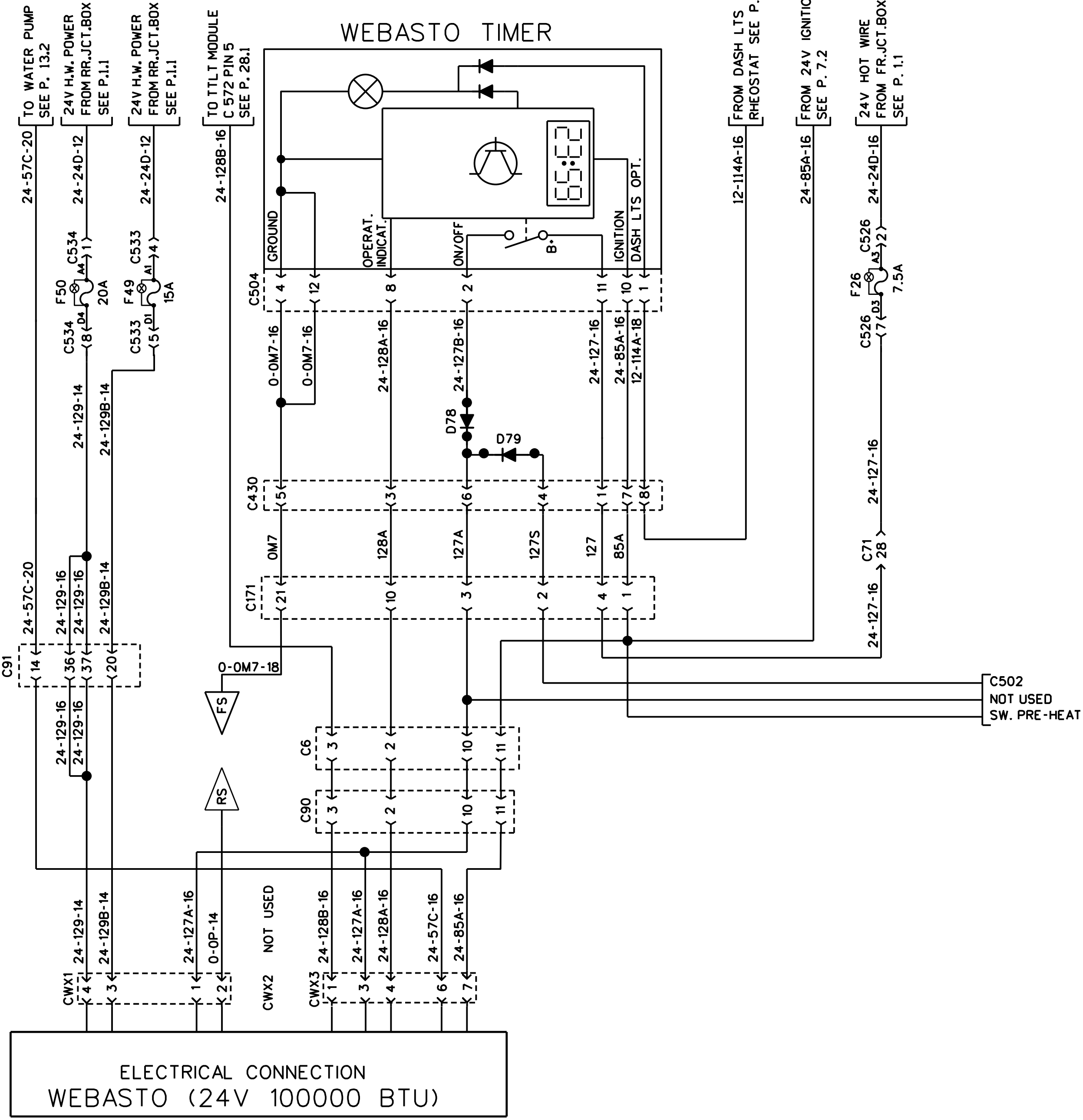


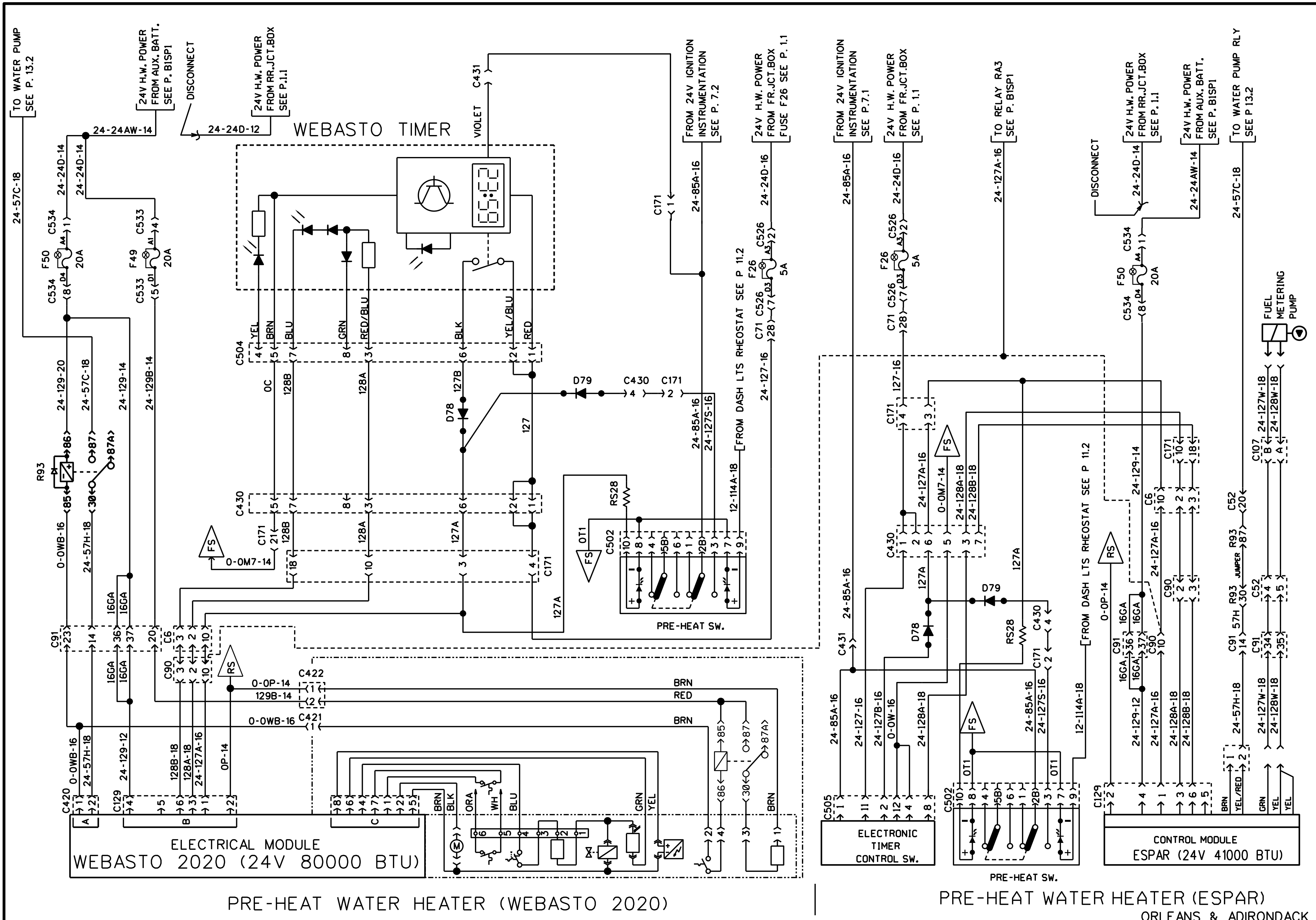


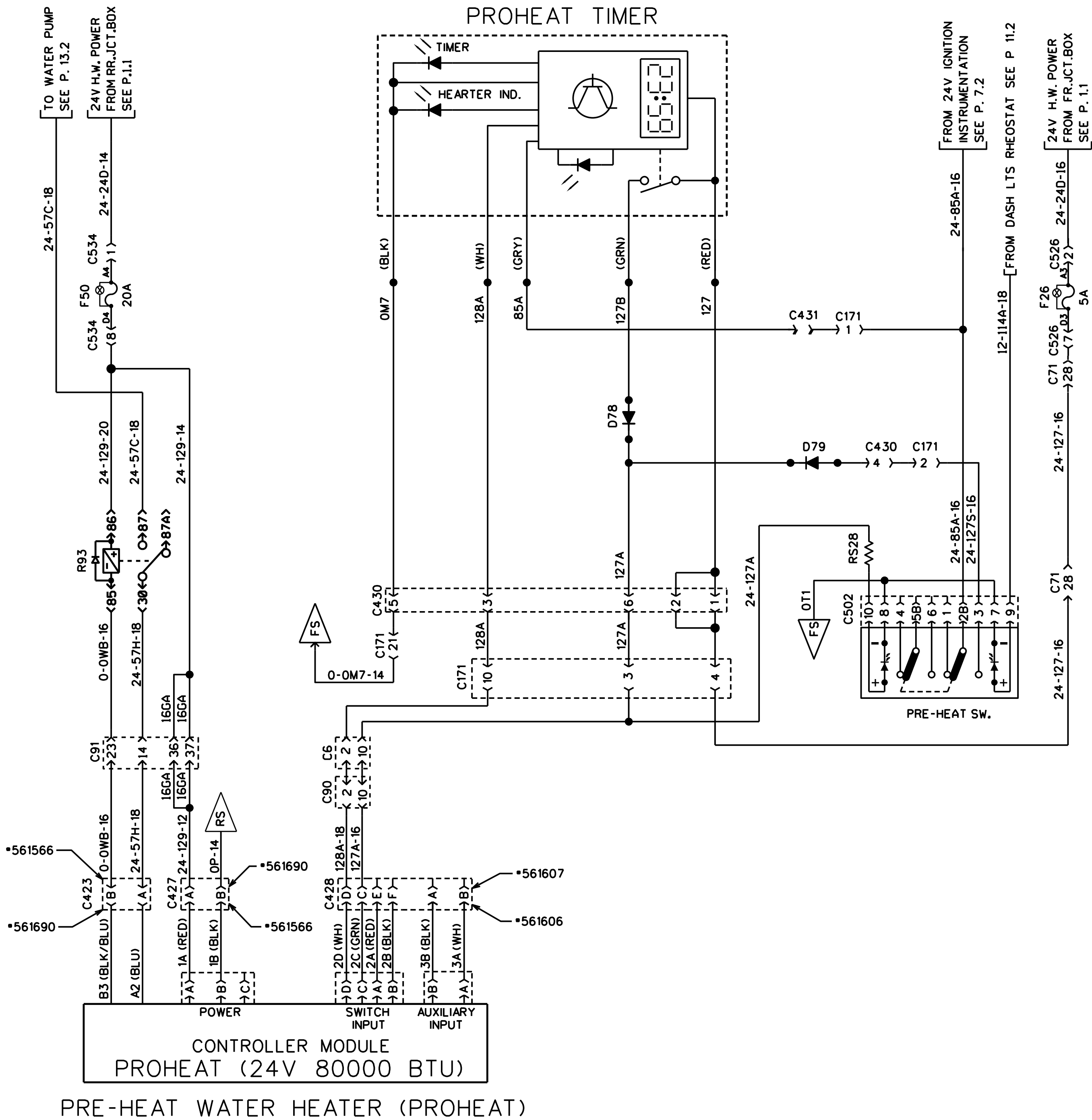
PRE-HEAT WATER HEATER (WEBASTO 2020)

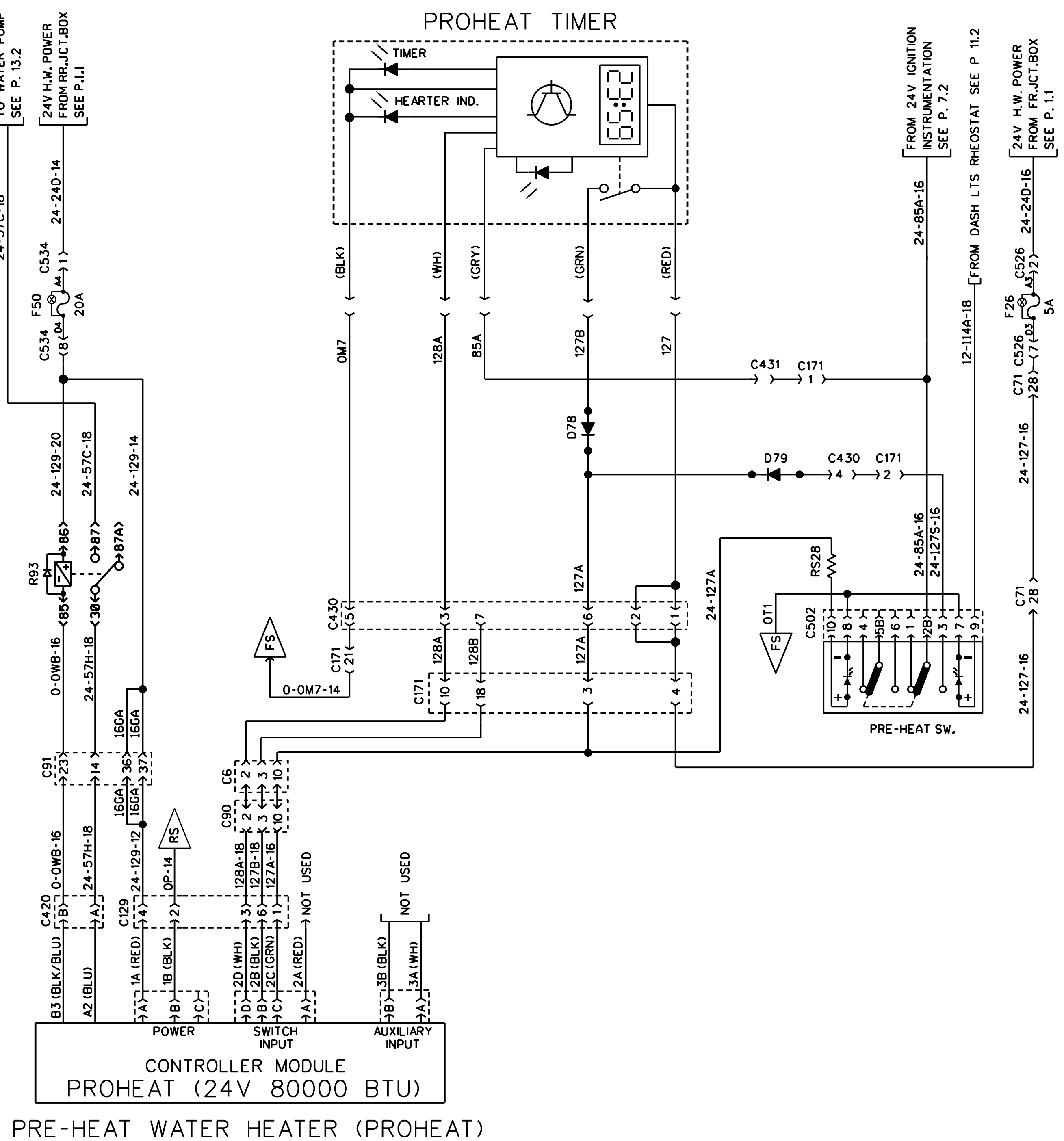


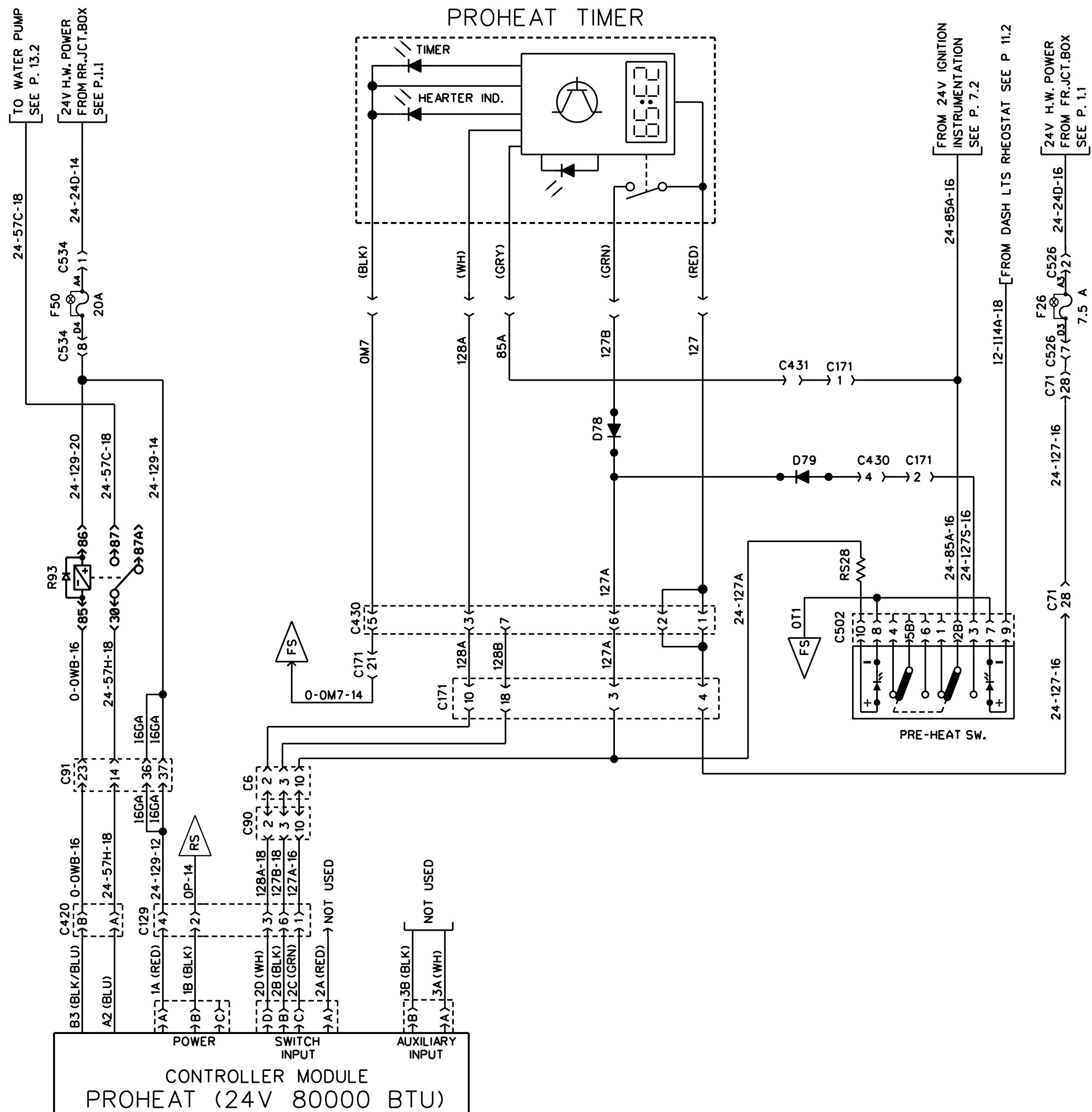
PRE-HEAT WATER HEATER (WEBASTO 2020)





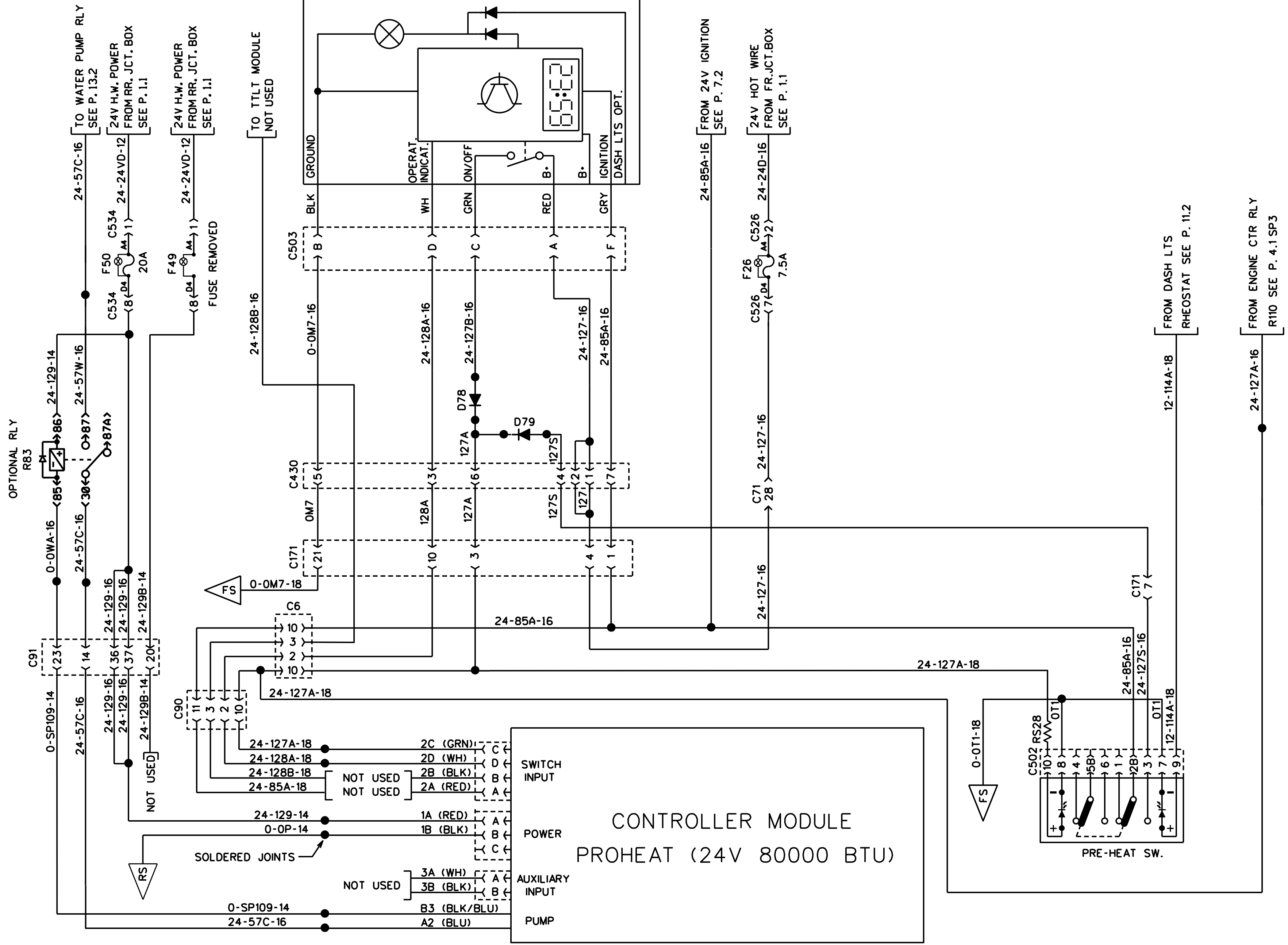




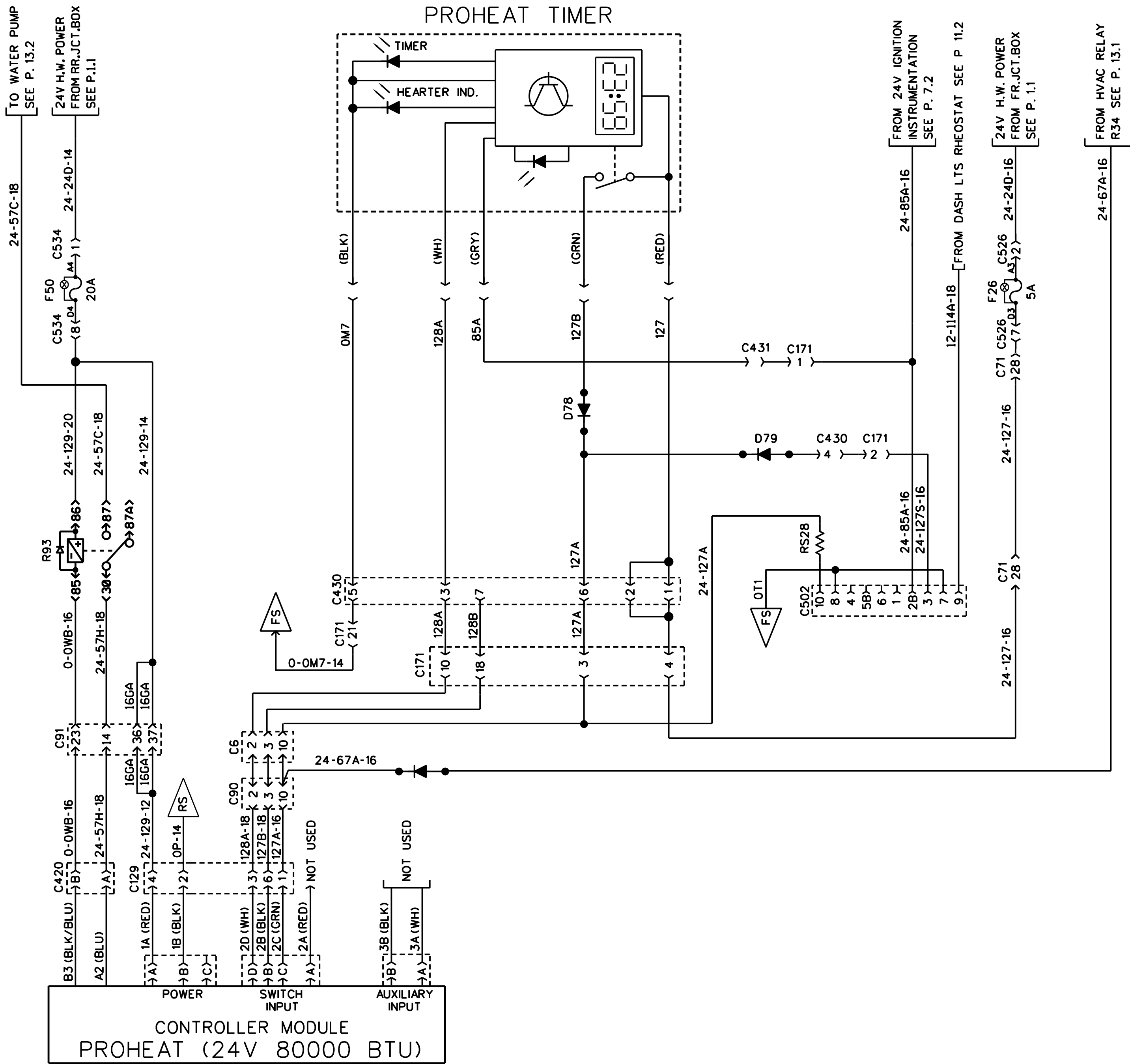


PRE-HEAT WATER HEATER (PROHEAT)

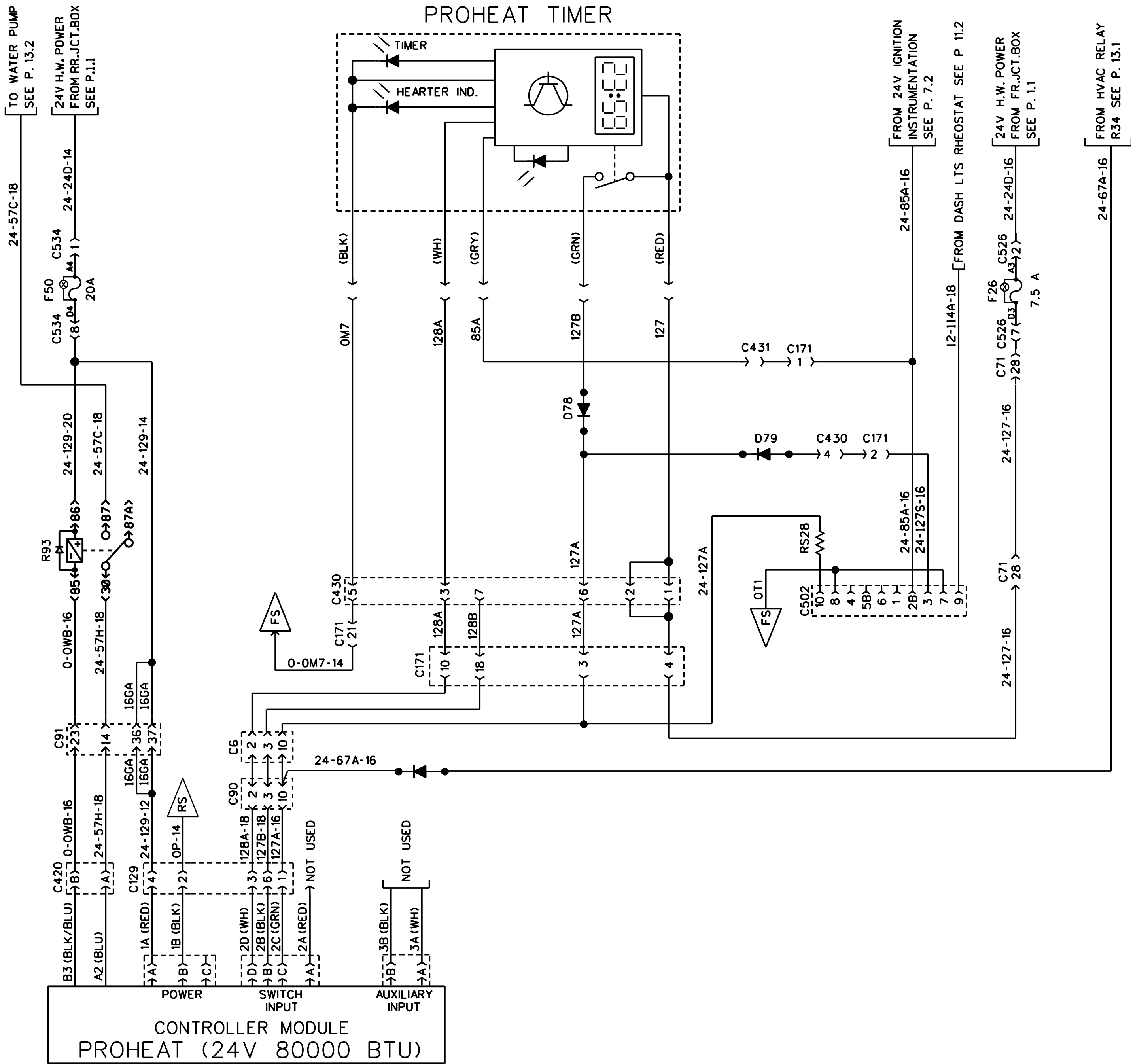
PROHEAT TIMER



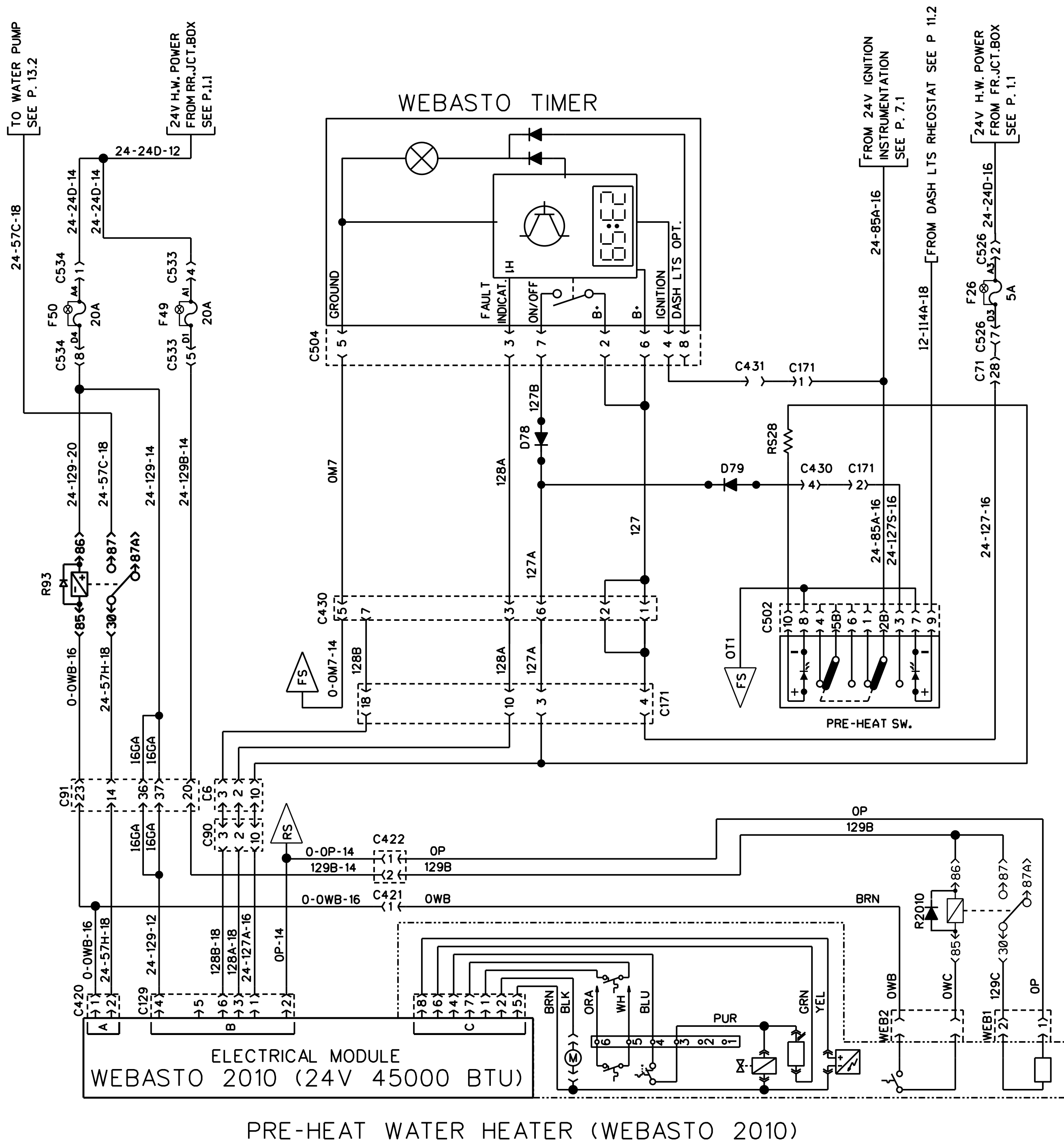
PRE-HEAT WATER HEATER PROHEAT AUTOMATICALLY ON W/BATTERY CHARGER



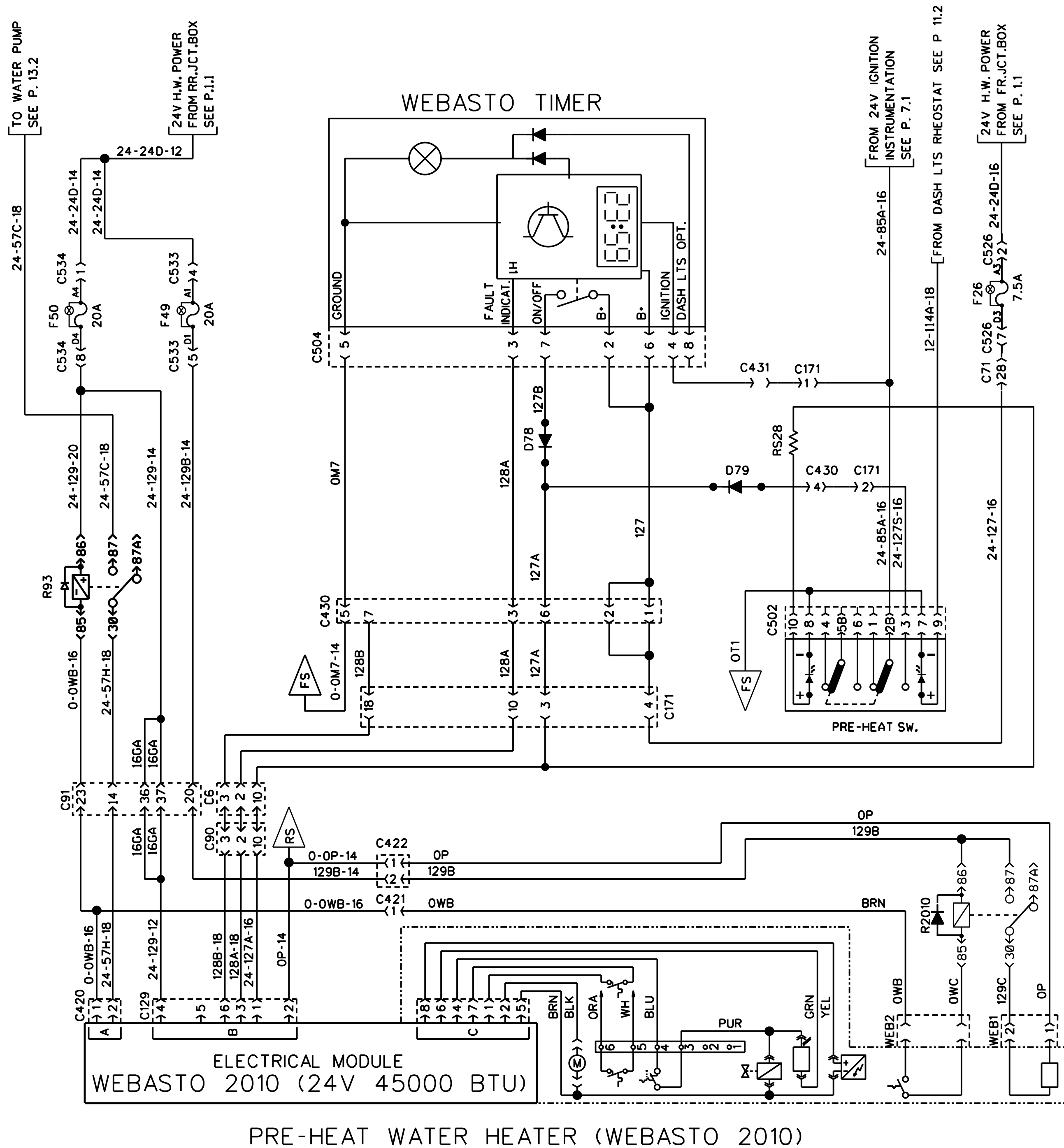
PRE-HEAT WATER HEATER (PROHEAT AUTOMATIC ON A/C)

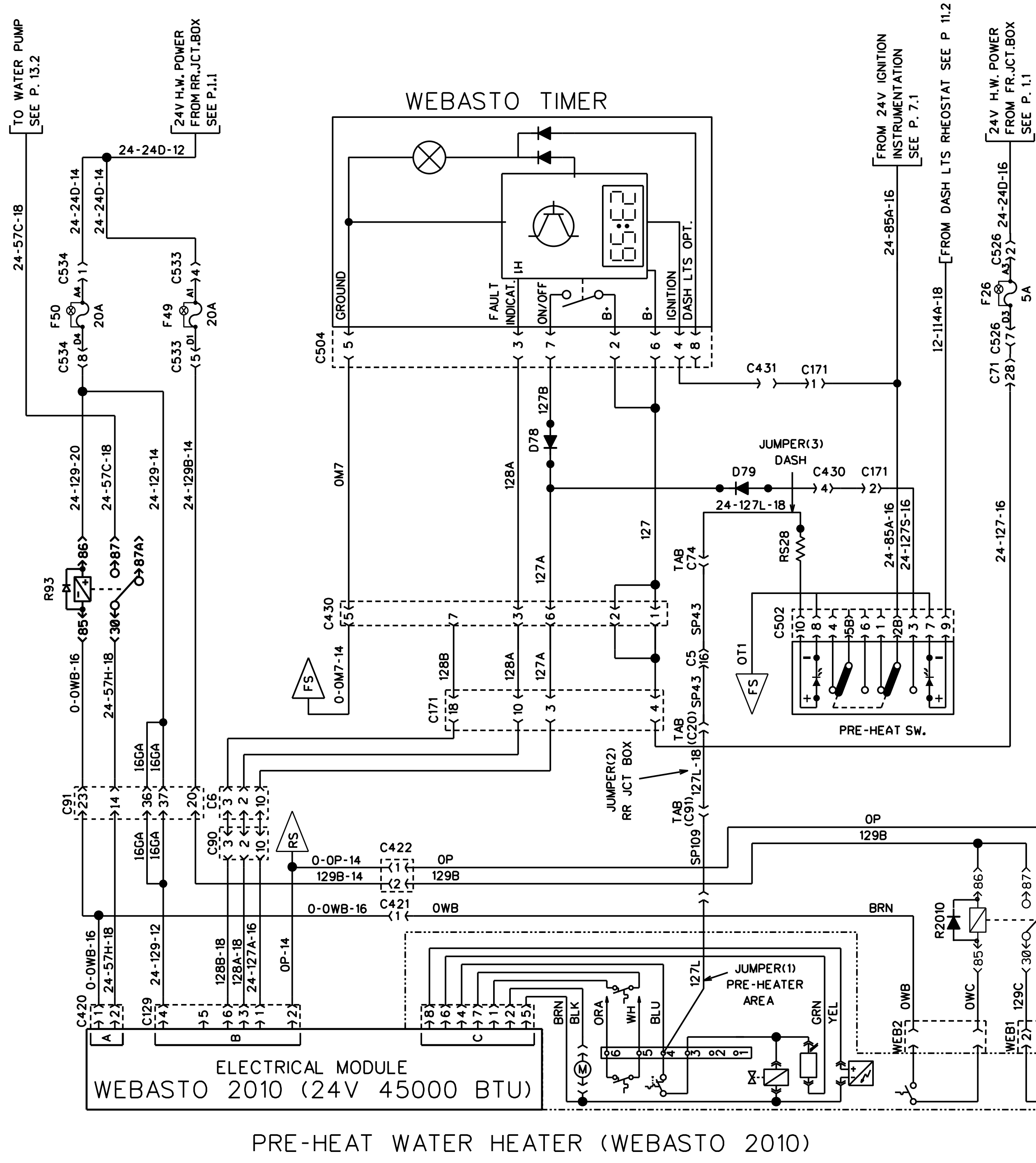


PRE-HEAT WATER HEATER (PROHEAT AUTOMATIC ON A/C)

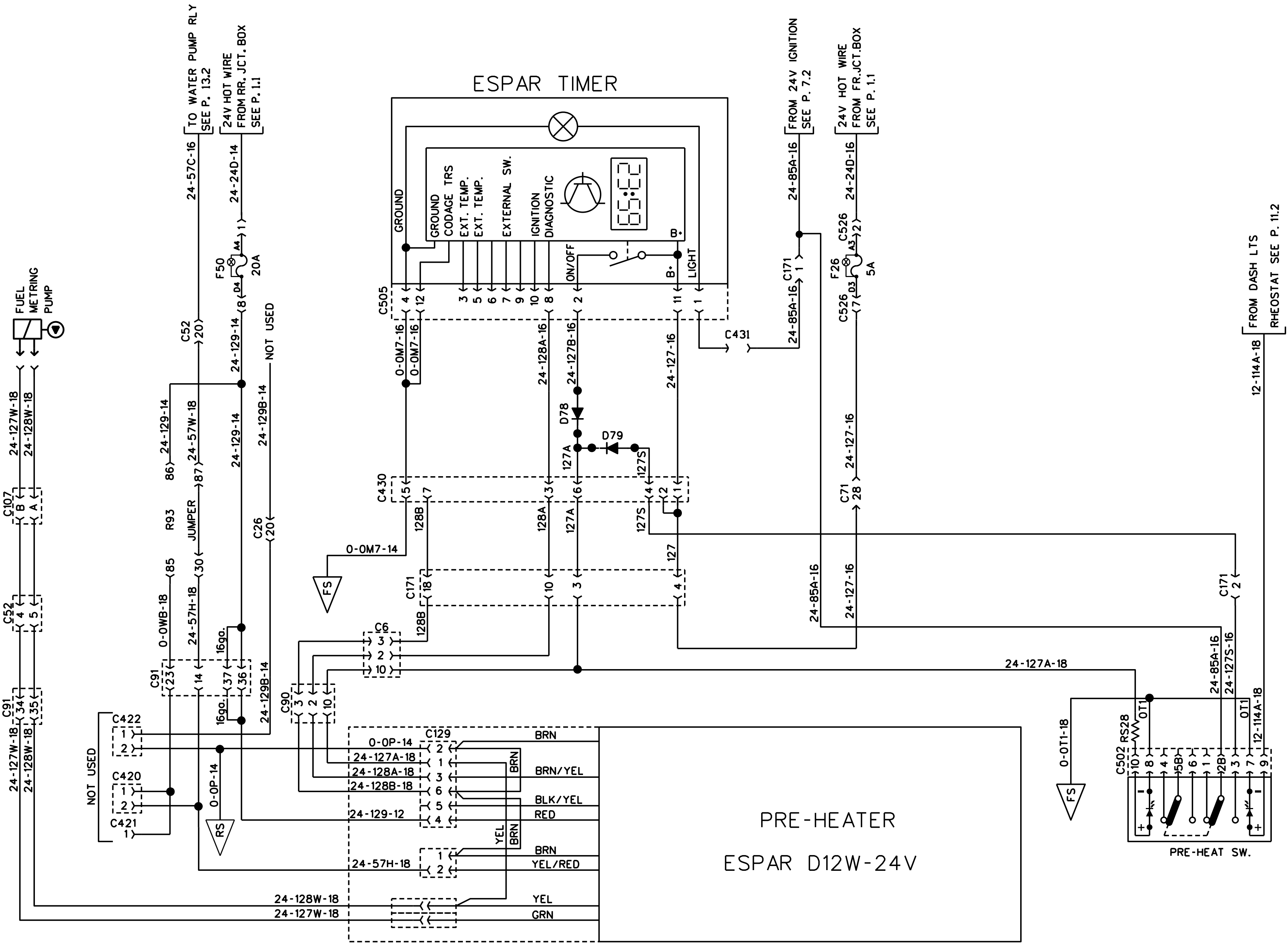


PRE-HEAT WATER HEATER (WEBASTO 2010)

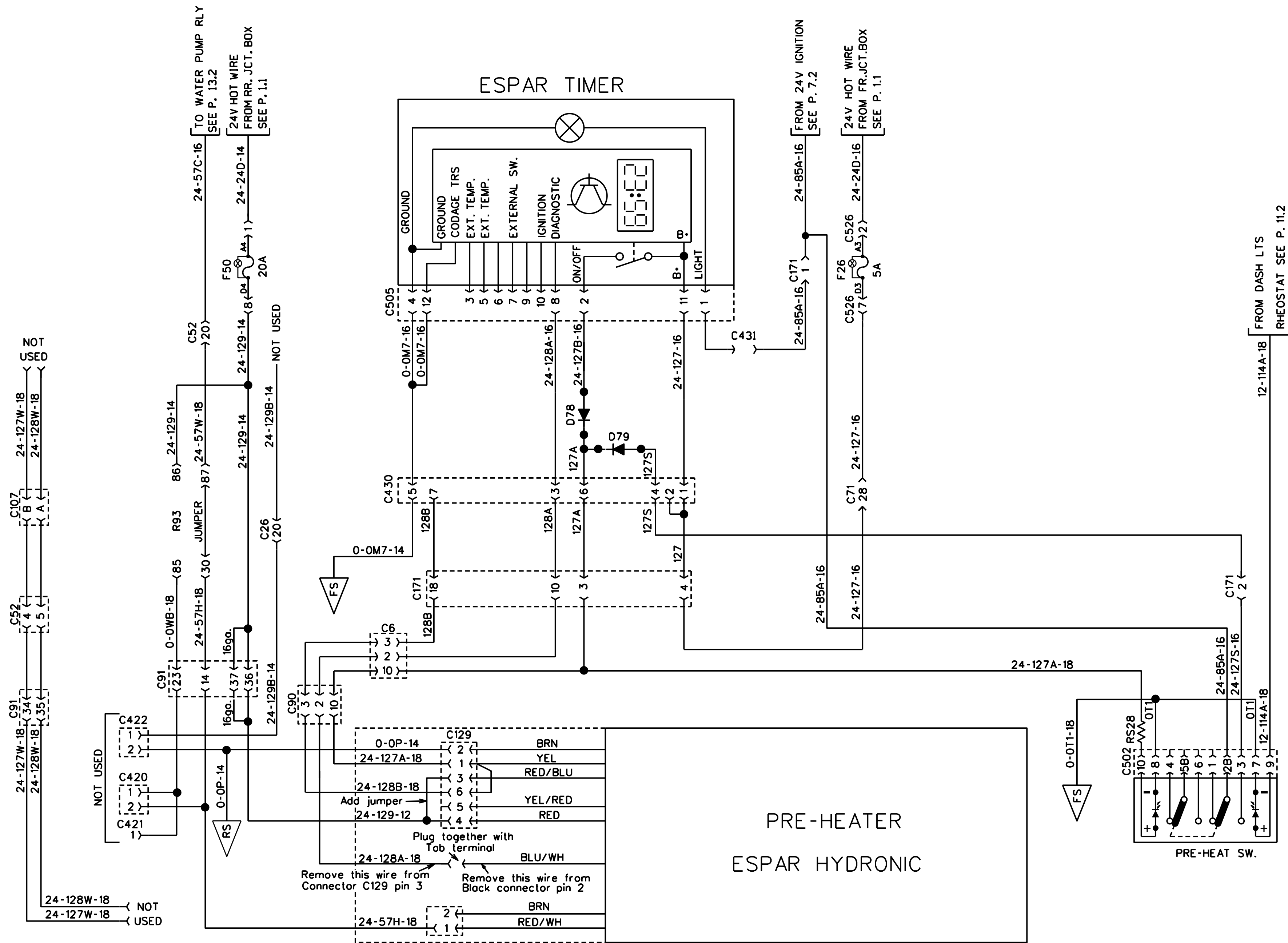




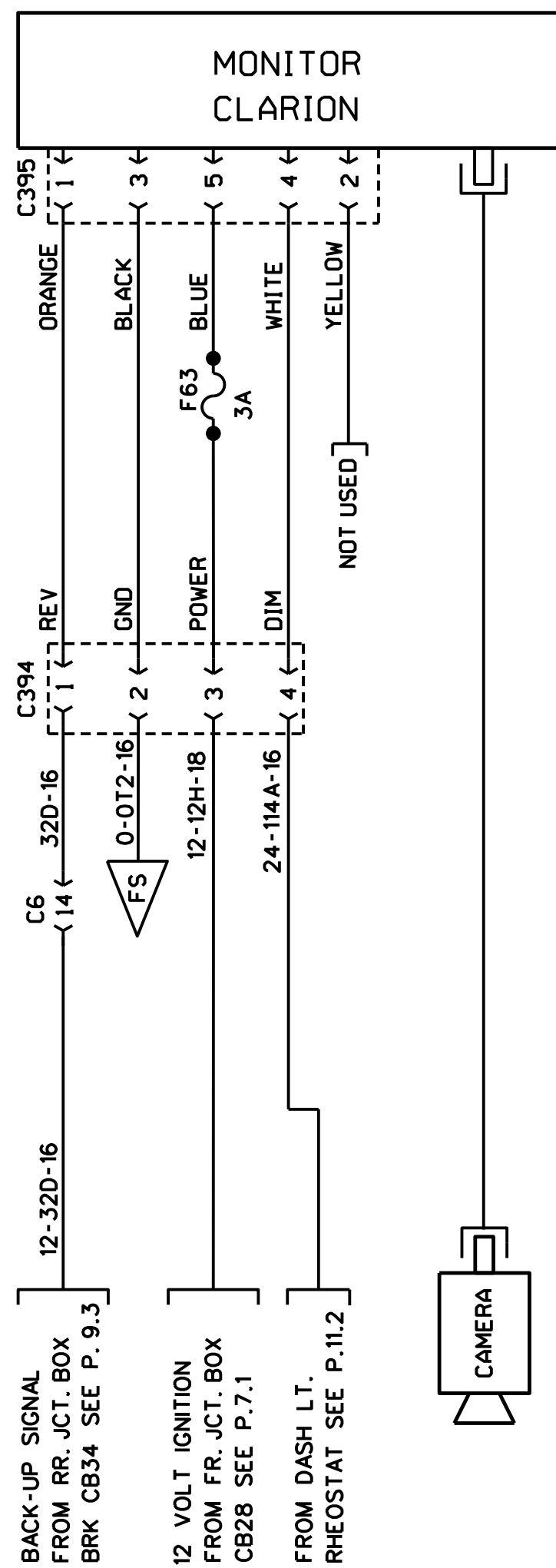
PRE-HEAT WATER HEATER (WEBASTO 2010)



PRE-HEAT ESPAR D12W-24V (41000 BTU)

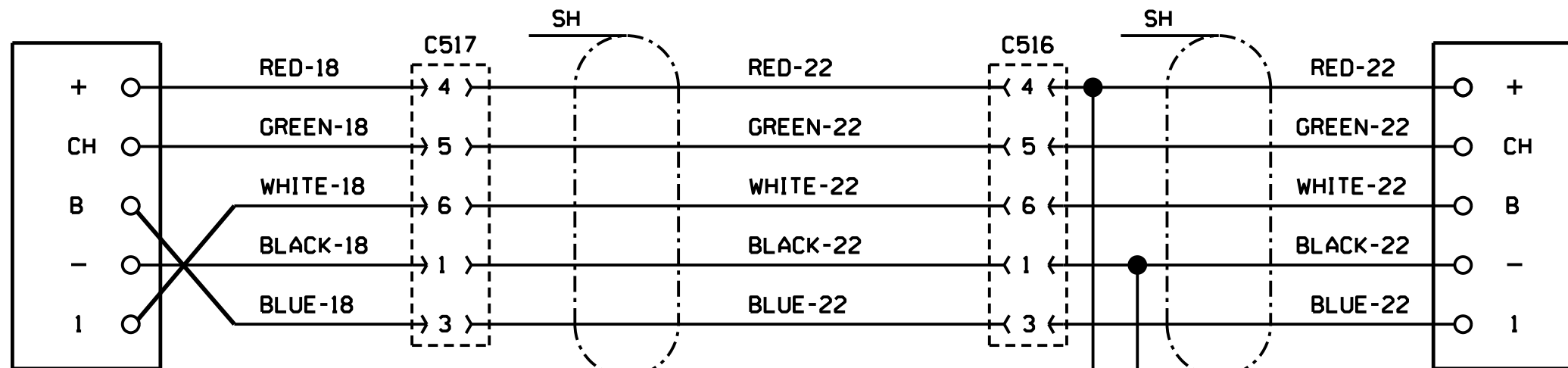


PRE-HEAT ESPAR HYDRONIC (103000 BTU)

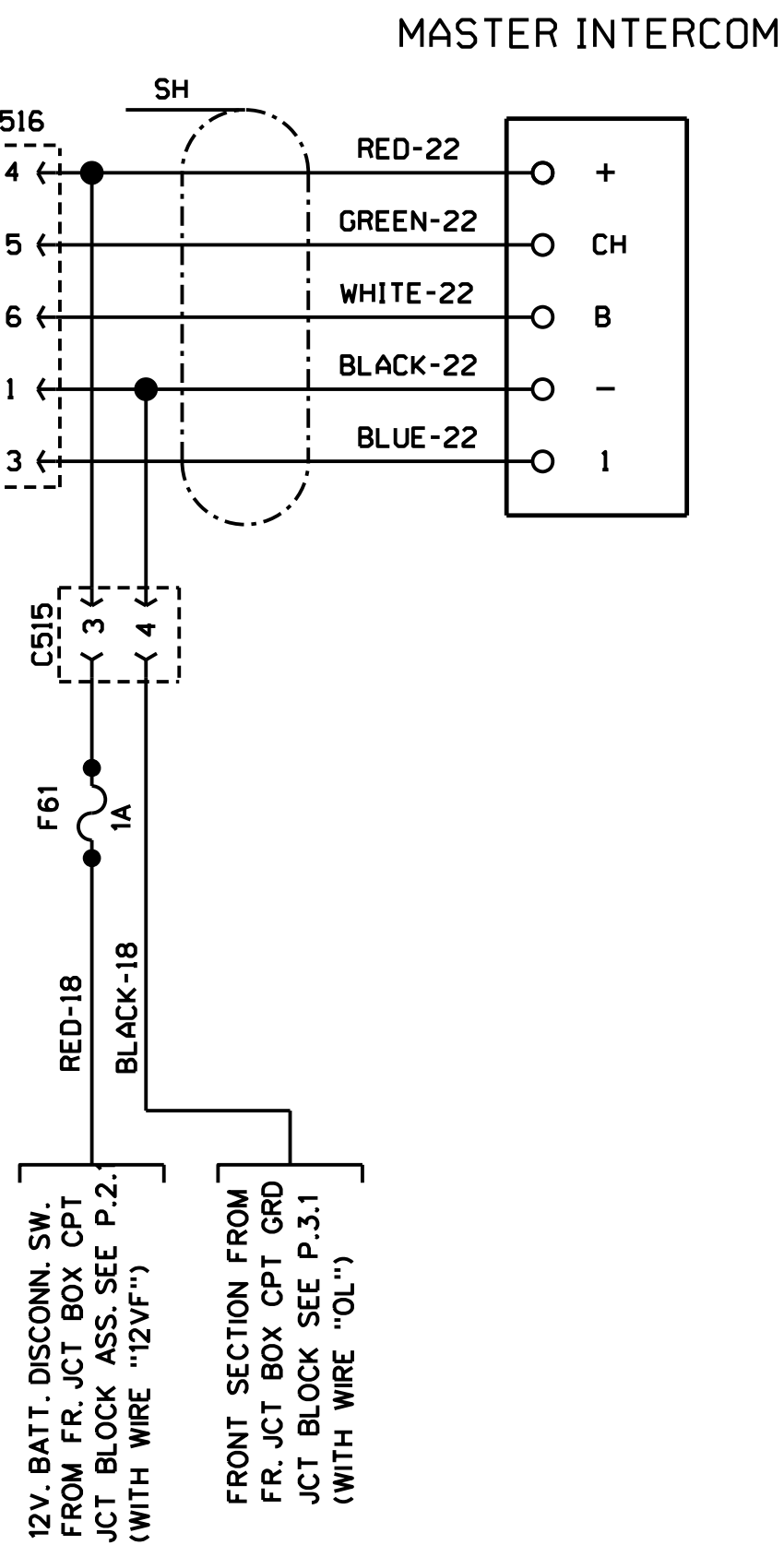


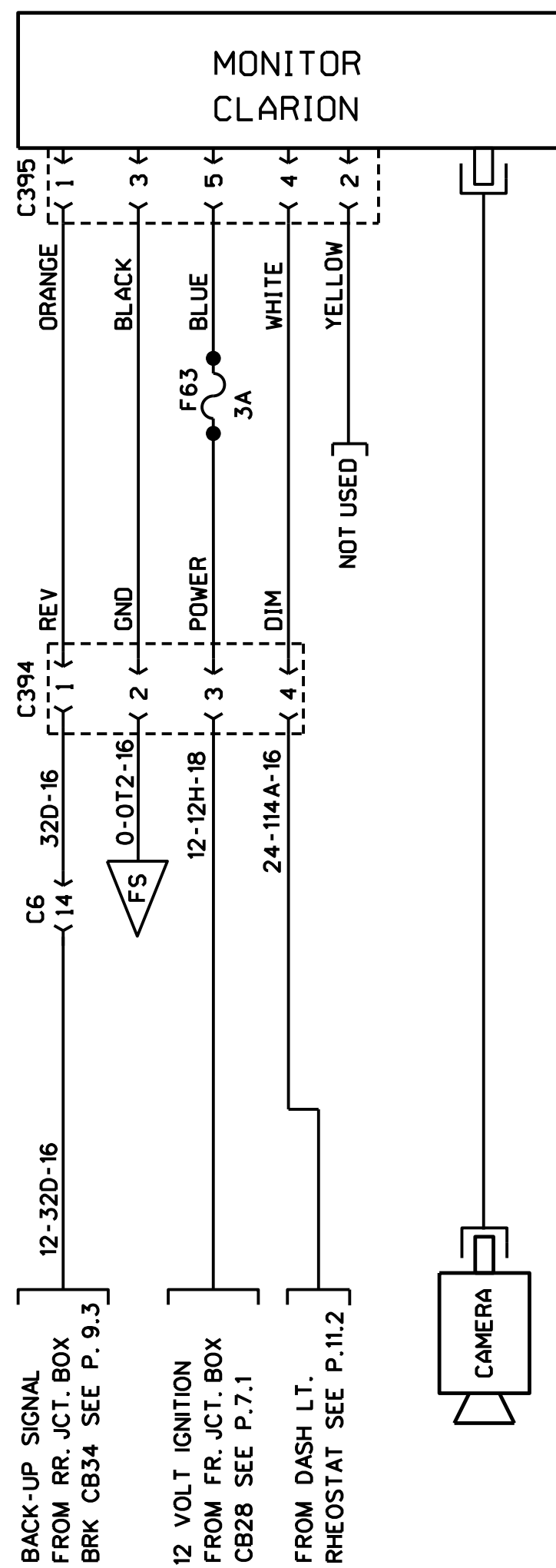
BACK-UP MONITOR (CLARION)

SECONDARY INTERCOM



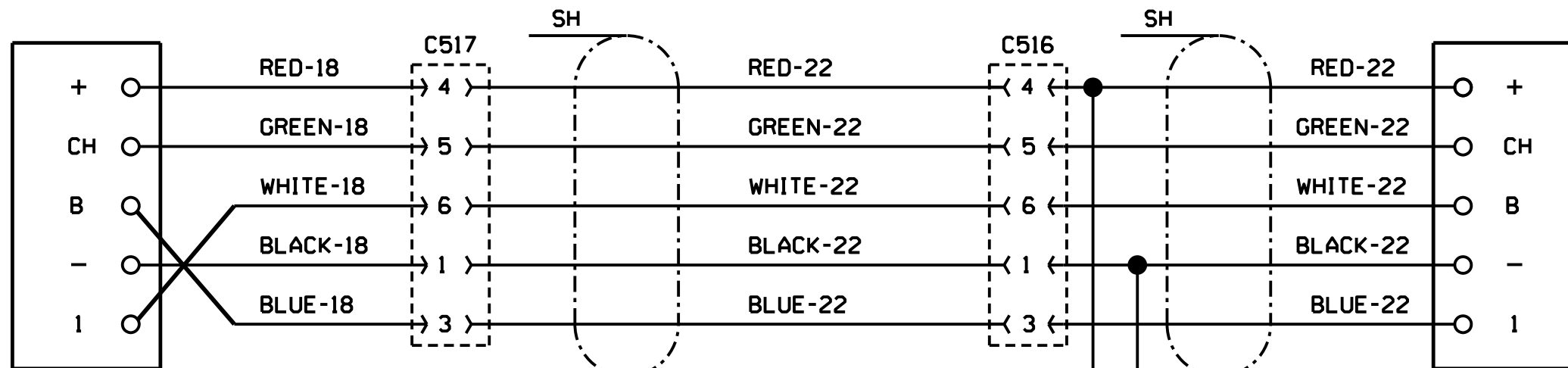
INTERCOM





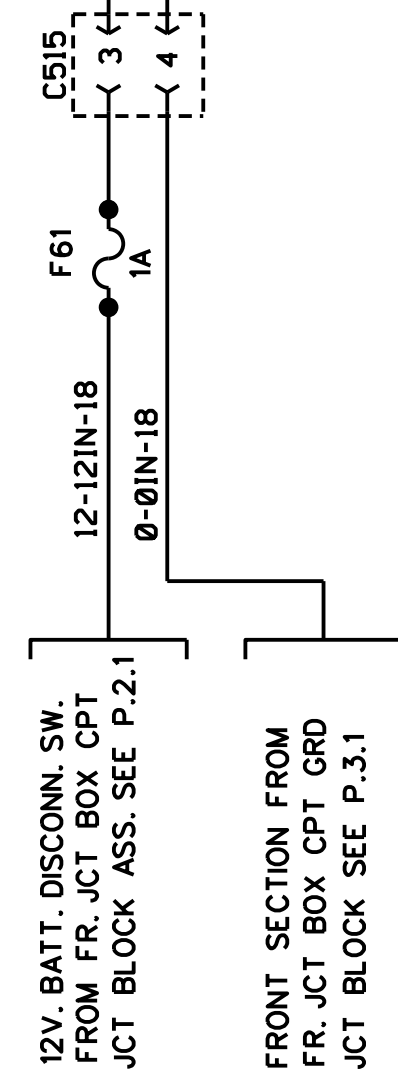
BACK-UP MONITOR (CLARION)

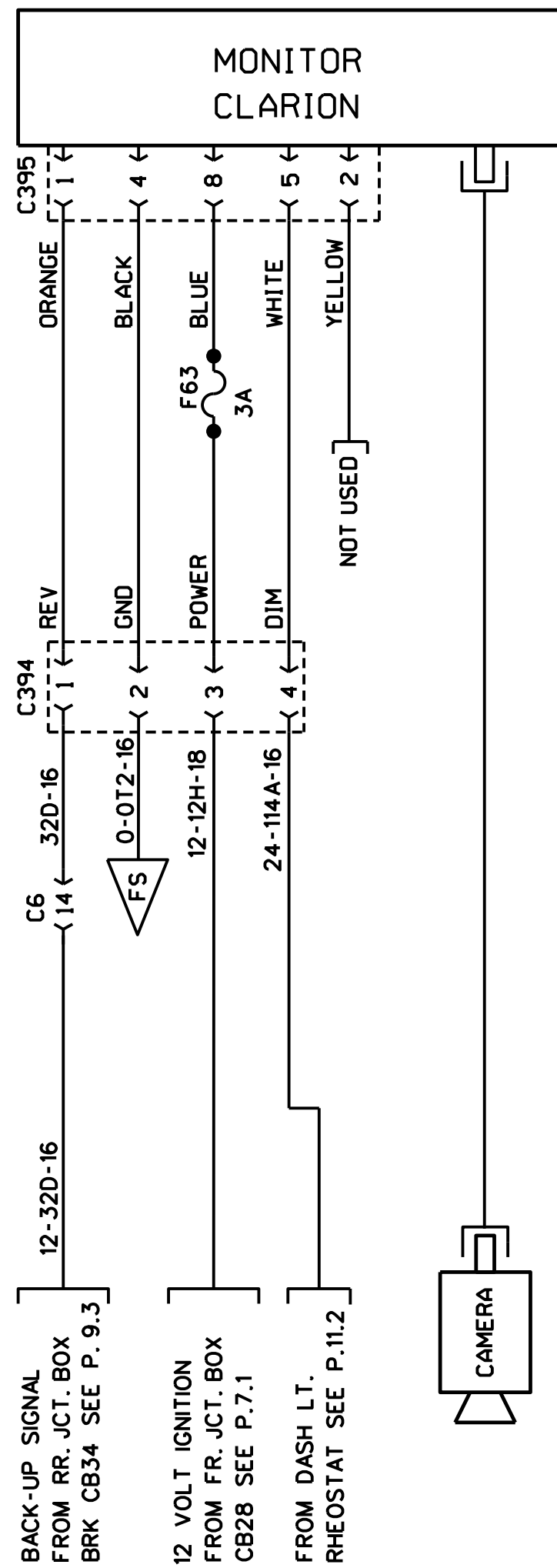
SECONDARY INTERCOM



INTERCOM

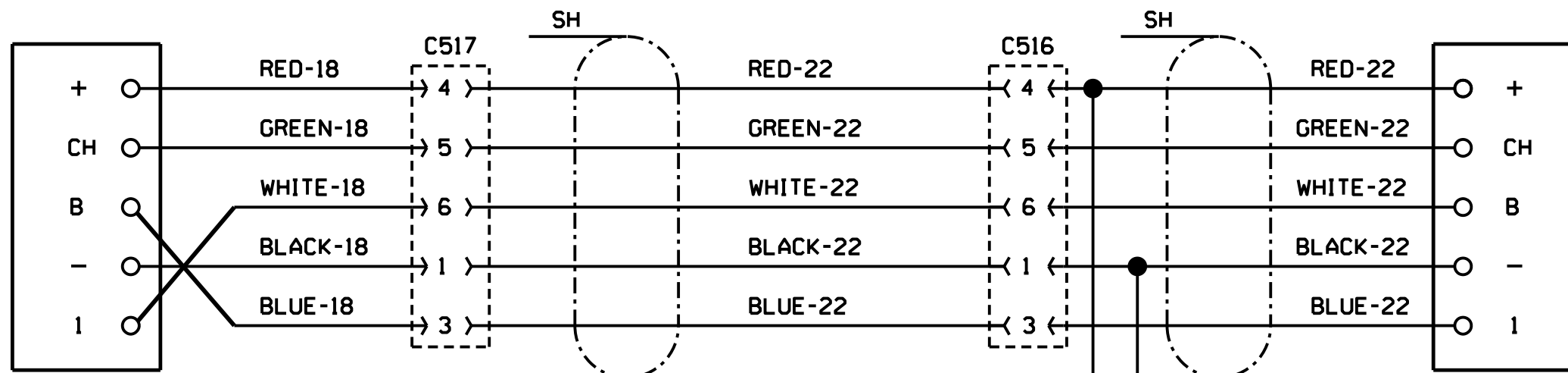
MASTER INTERCOM





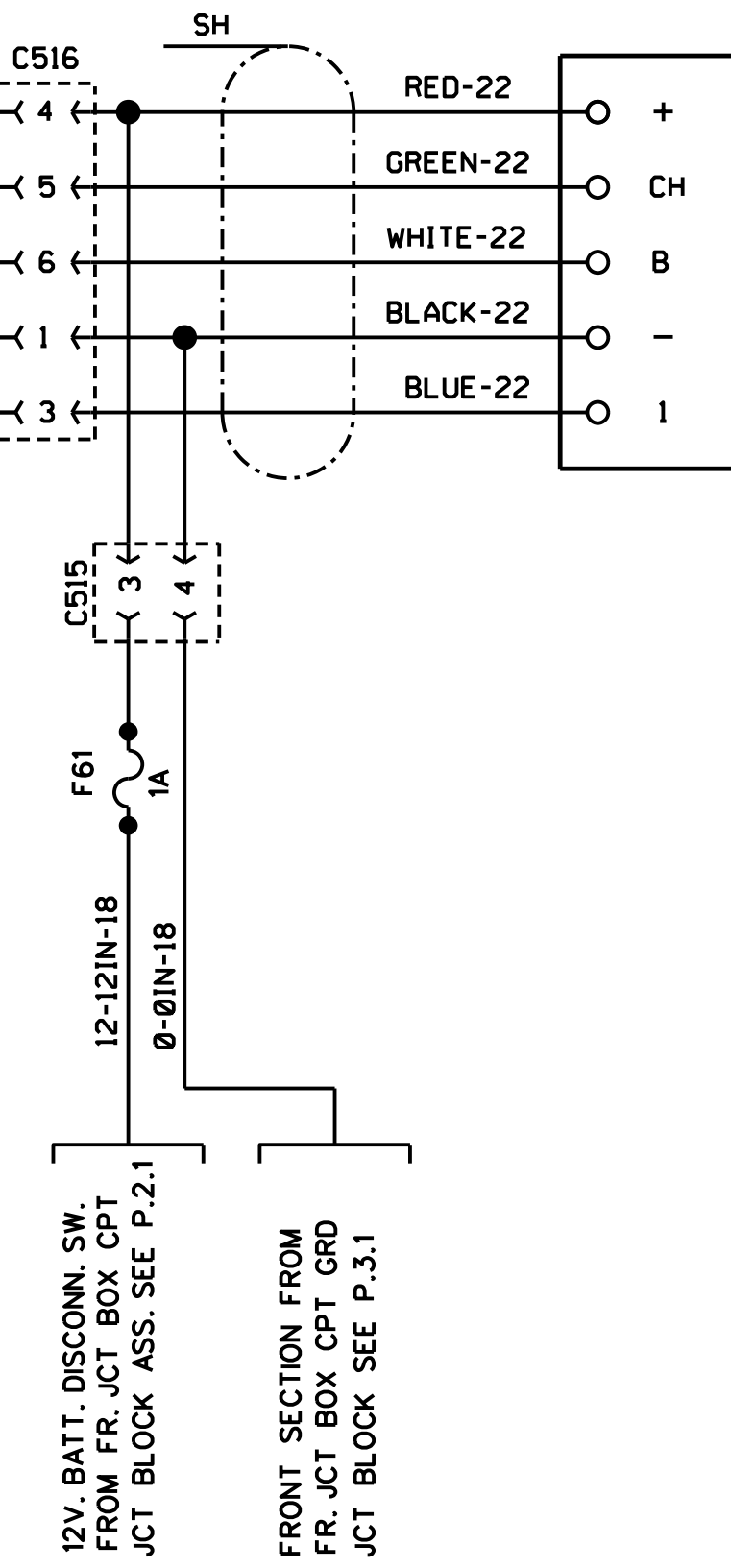
BACK-UP MONITOR (CLARION)

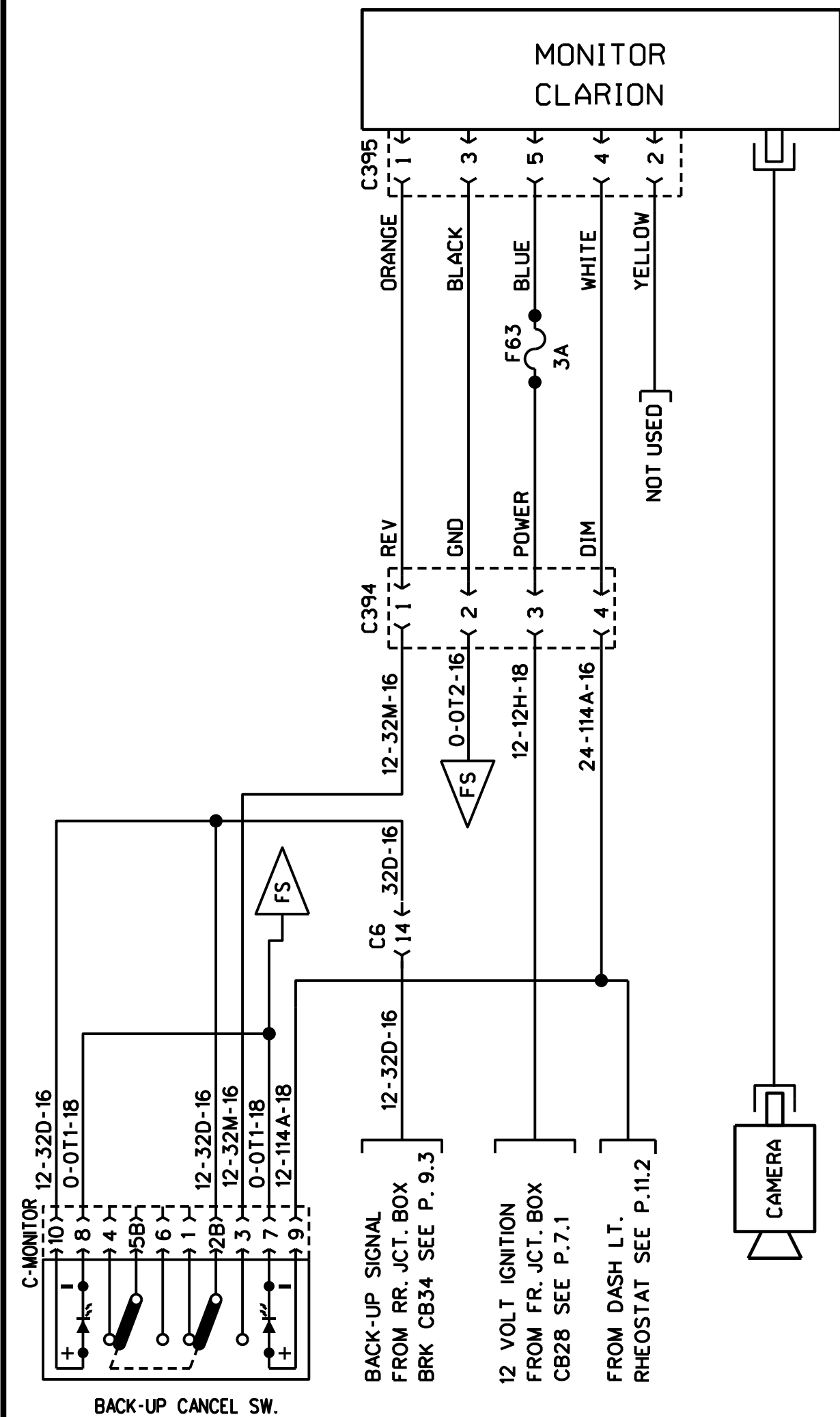
SECONDARY INTERCOM



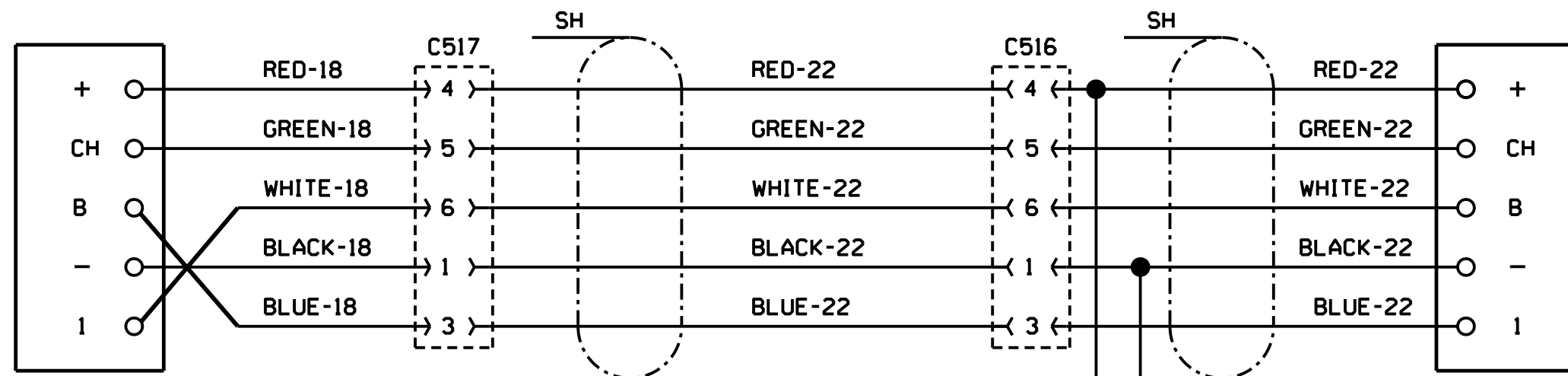
INTERCOM

MASTER INTERCOM

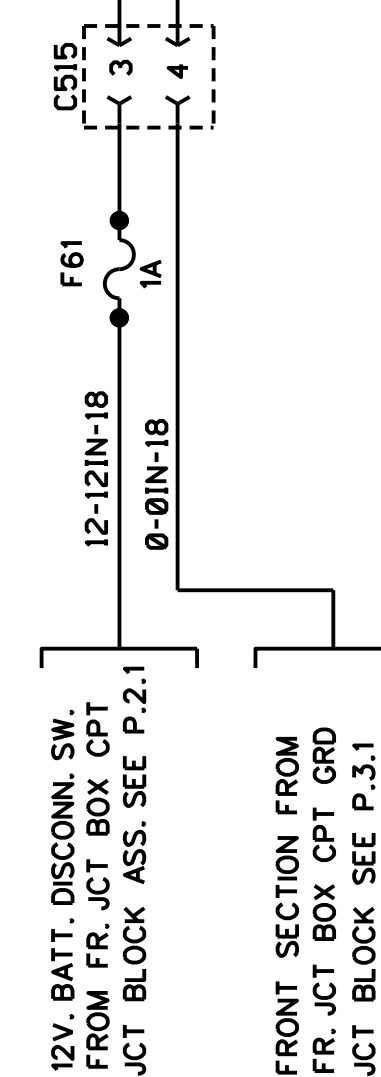




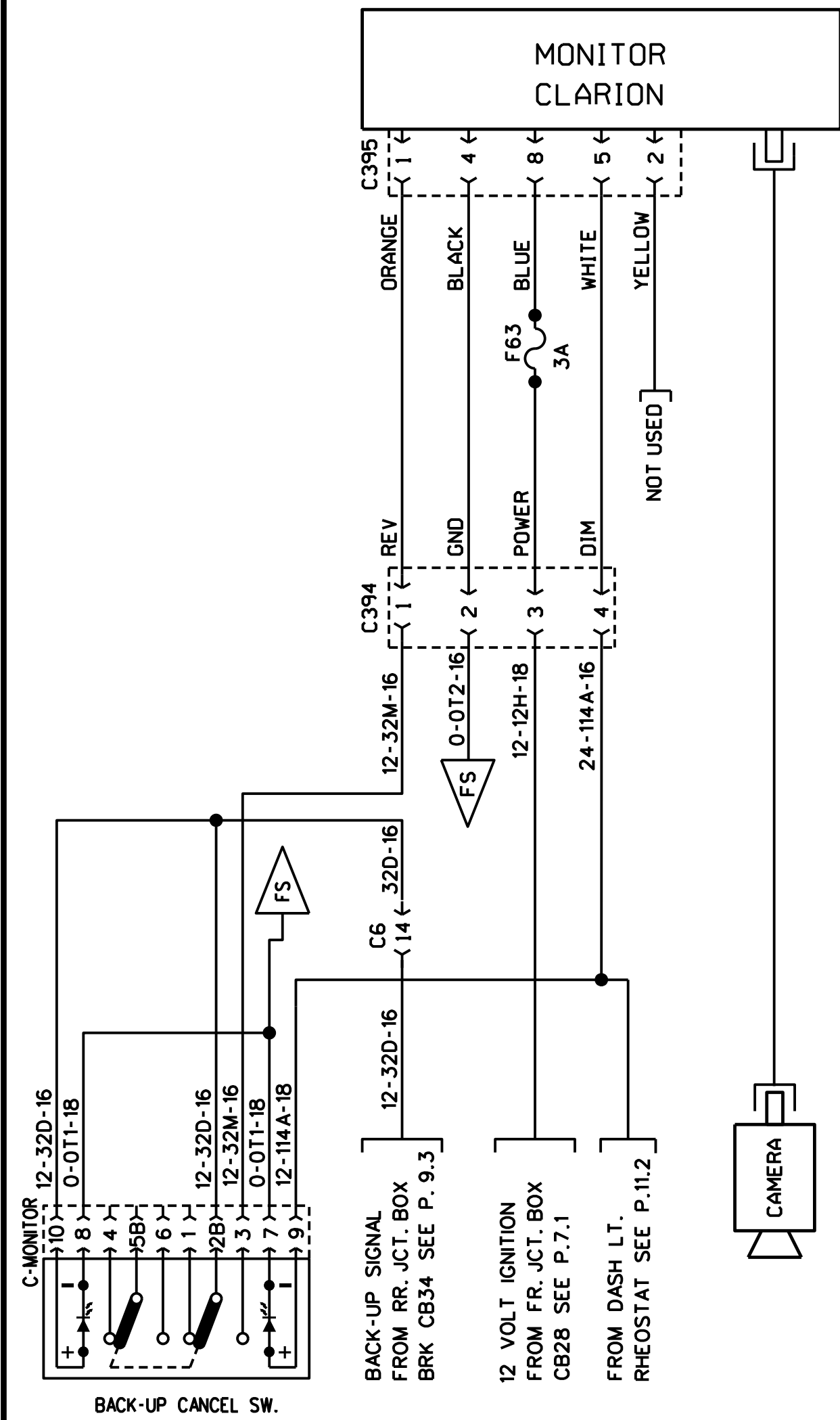
SECONDARY INTERCOM



INTERCOM

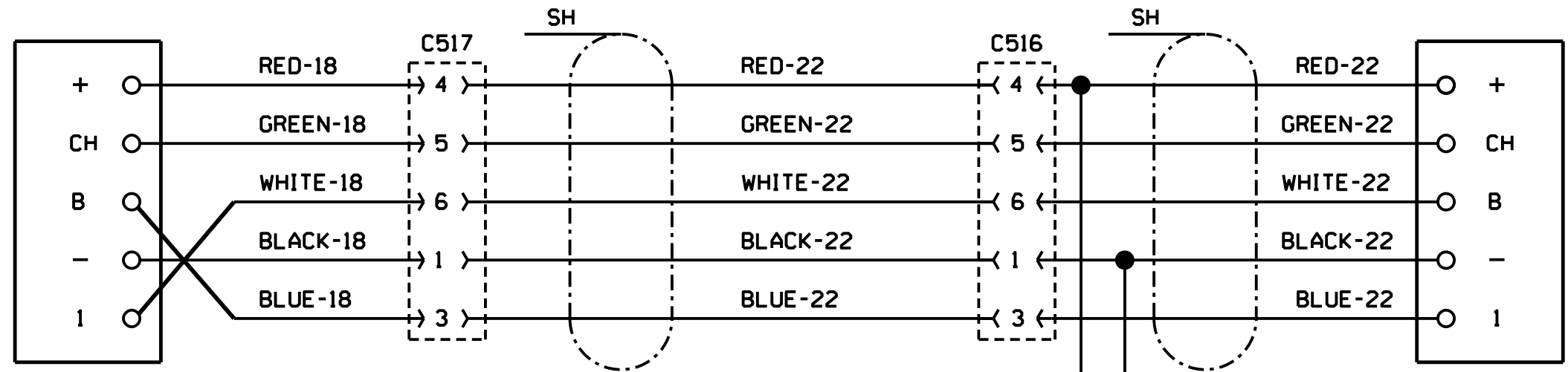


SPECIAL BACK-UP SWITCH CANCEL ADDED



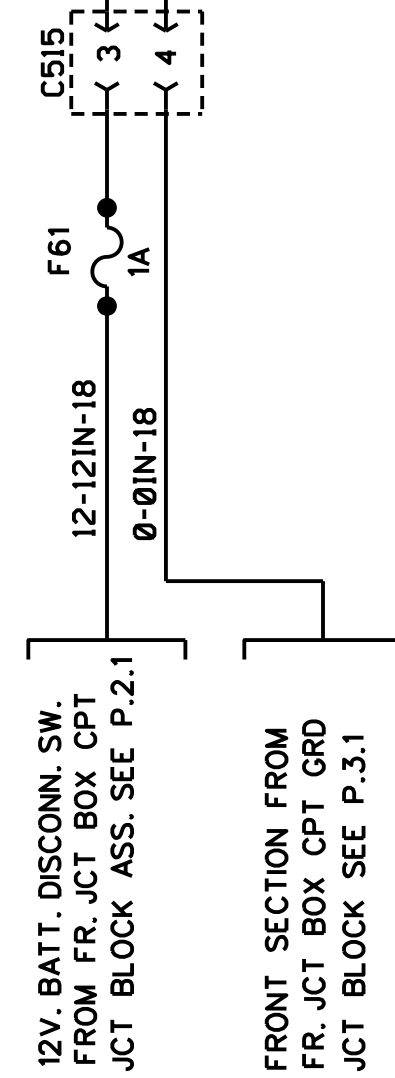
BACK-UP MONITOR (CLARION)

SECONDARY INTERCOM



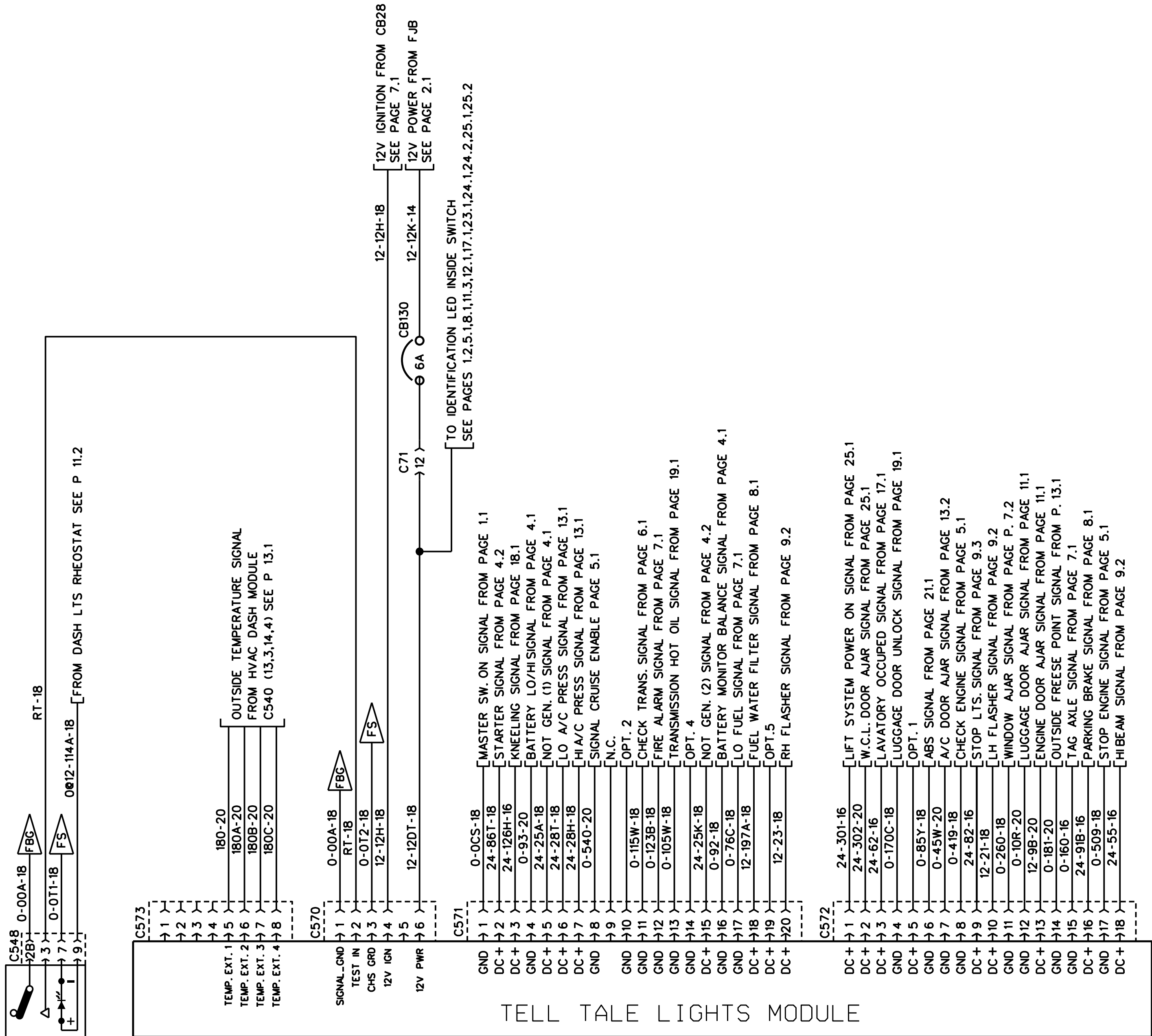
INTERCOM

MASTER INTERCOM



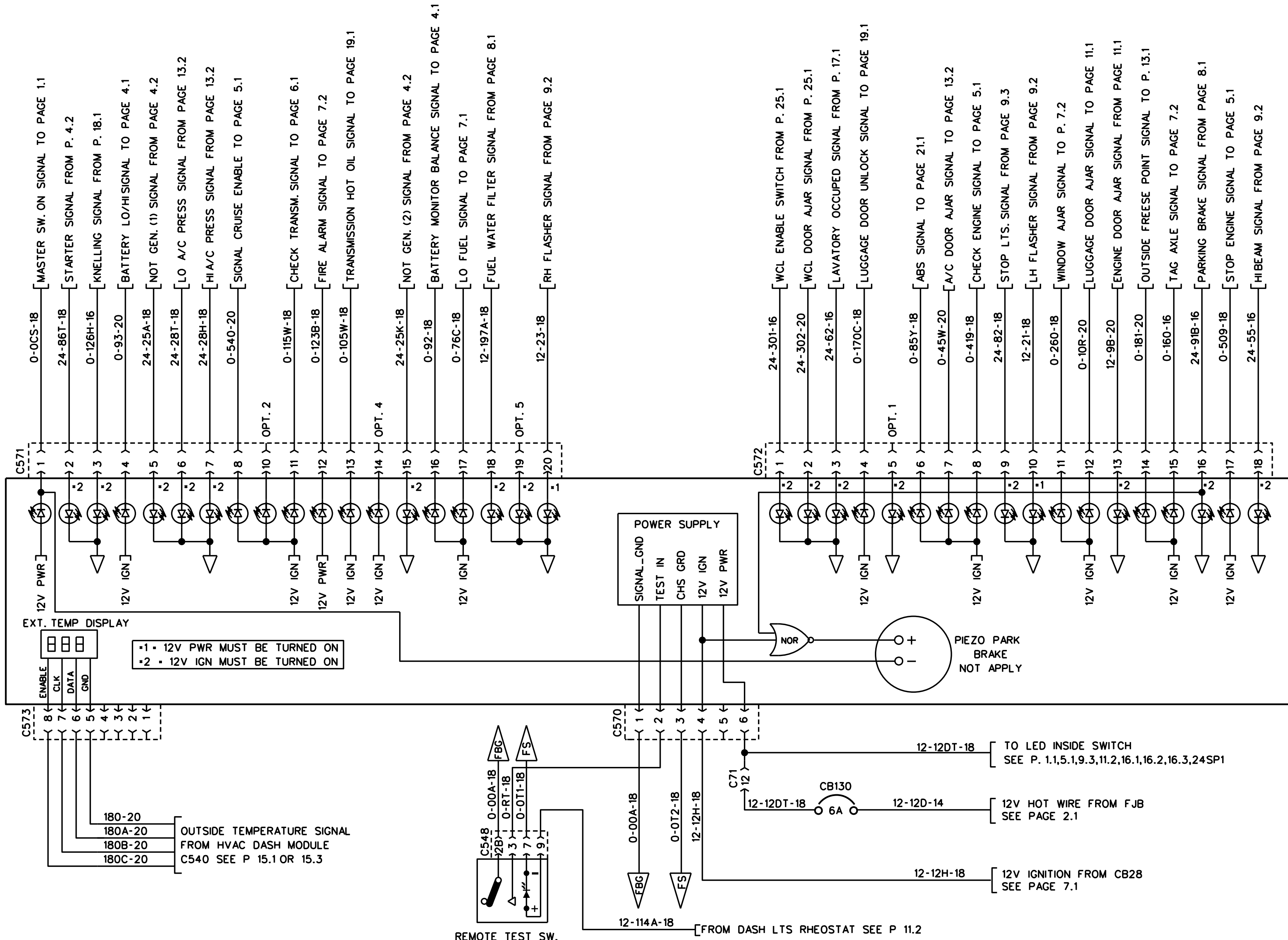
SPECIAL BACK-UP SWITCH CANCEL ADDED

REMOTE TEST SW.

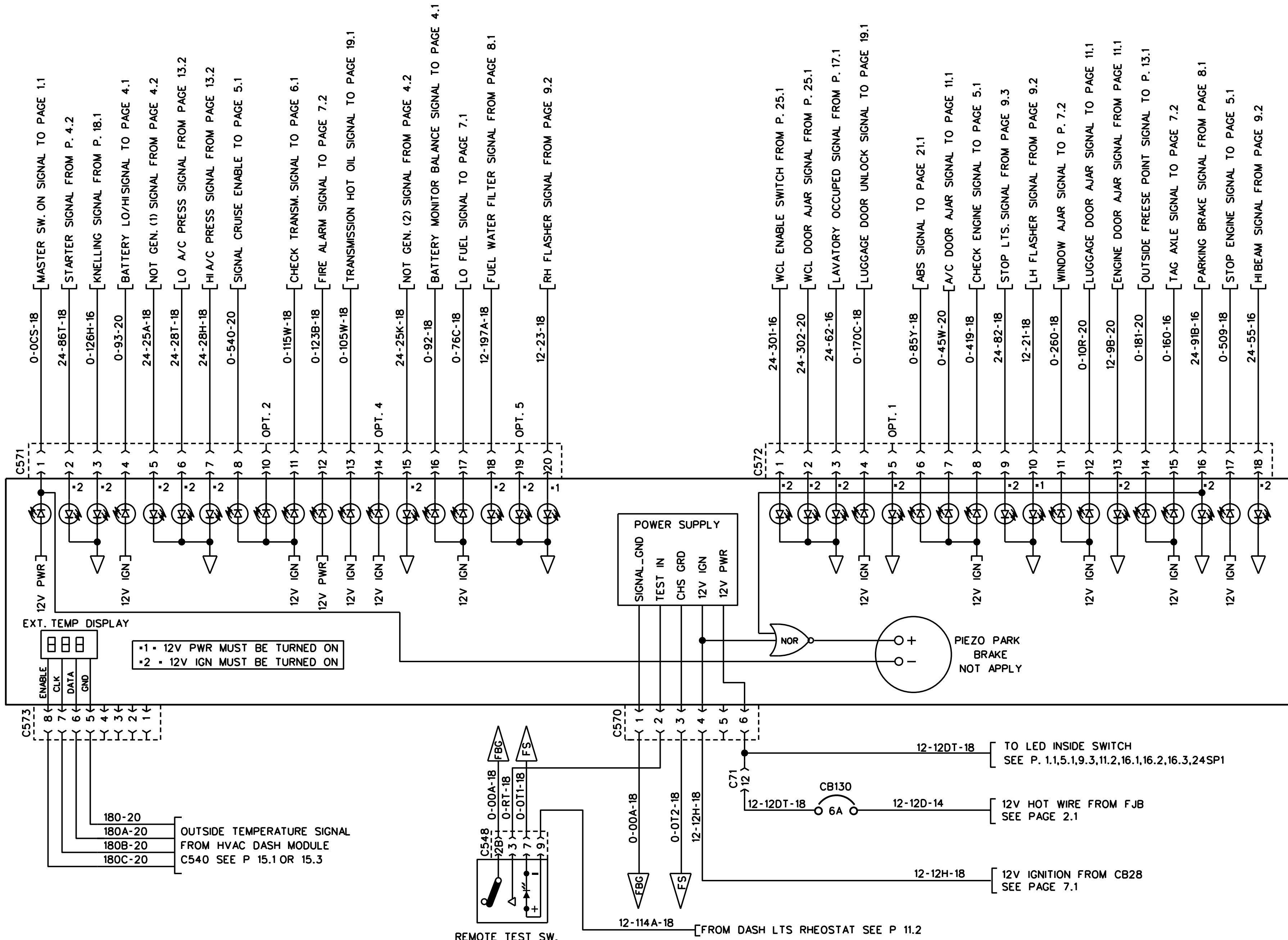


TELL TALE LIGHT MODULES

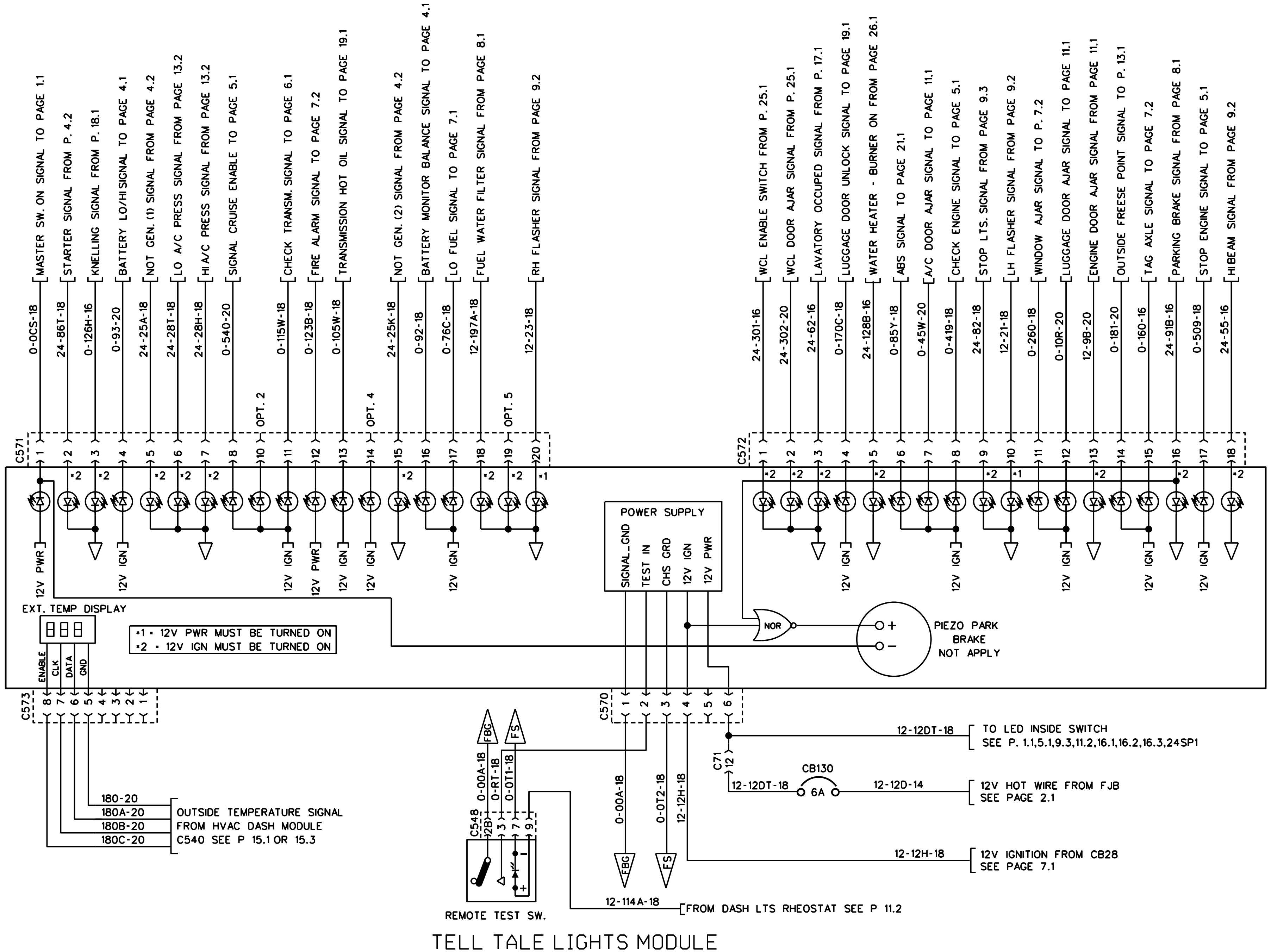
TELL TALE LIGHTS MODULE

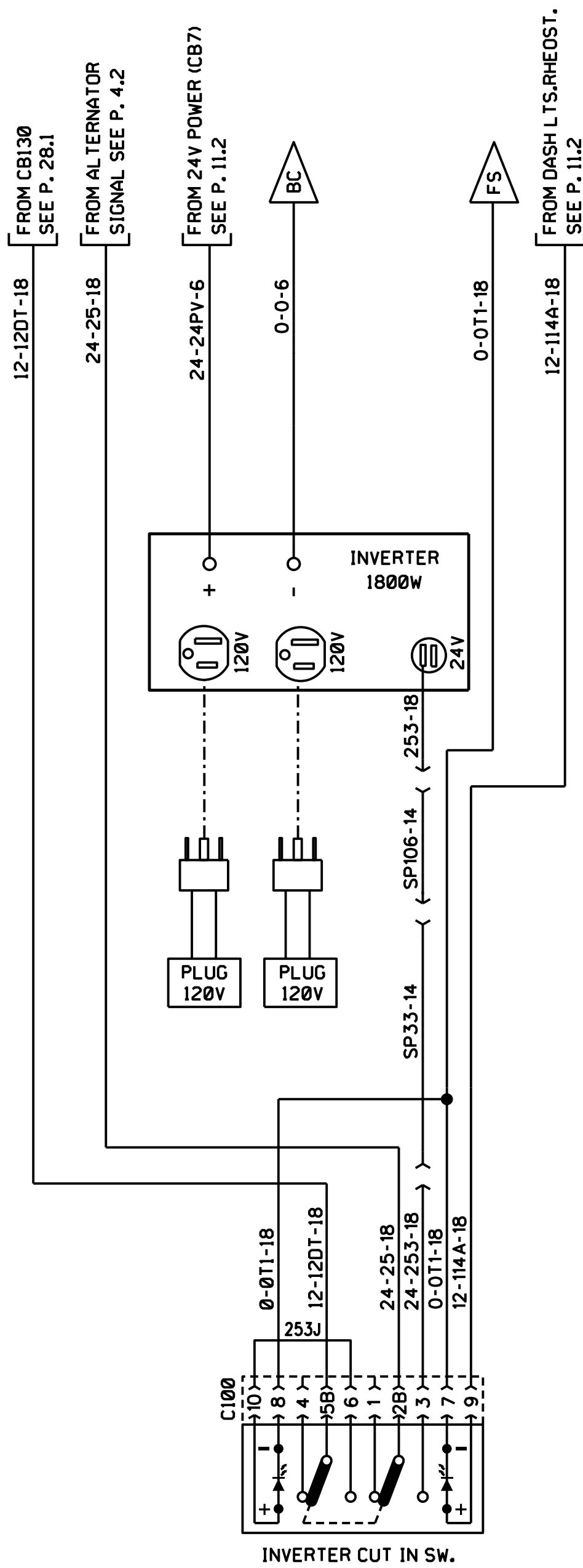


TELL TALE LIGHTS MODULE



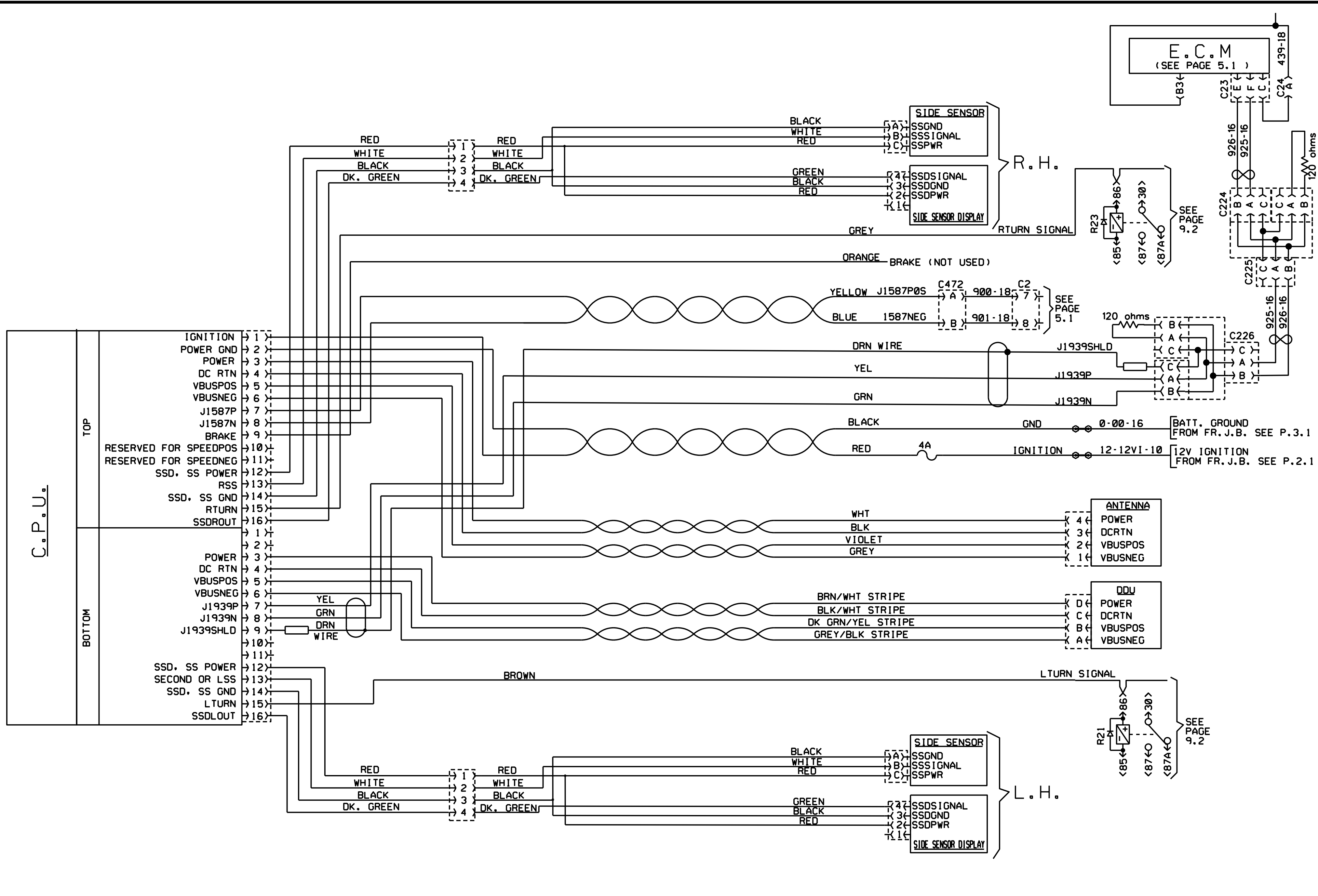
TELL TALE LIGHTS MODULE





INVERTER CUT IN SW.

PLUG 120 VOLT



VORAD SMART CRUISE SYSTEM