

Engineering Release Notice (ERN)	Location	Change Description	A = Added U = Deleted	W = Was	Document Release Status
		See DCN			Date Modification Count

**WIRING DIAGRAM INDEX**

NAME	DESCRIPTION	PAGE		NAME	DESCRIPTION	PAGE
AA	IGNITION AND STARTING SYSTEM	02		NE	FMS GATEWAY	29
AB	POWER SUPPLY	03		XC	CAN SAE 1939	30
AC	BATS-D	04		XD	CAN SAE 1587	31
AF	STARTER MOTOR AND ALTERNATORS	05		XF	CAN 1939_7	32
BA	VECU, VEHICLE ECU	06		ZC	GROUND	33
BB	BBM, BODY BUILDER MODULE	07				
BC	BBM, BODY BUILDER MODULE	08				
BE	LKS/DAS SYSTEM	09				
CL	BIO	10				
CS	EECU DH13	11				
CU	DNOX2	12				
CX	AFTER TREAT CTR MODULE	13				
DN	I-SHIFT	14				
EO	EBS, ELECTRONIC BRAKE SYSTEM	15				
EP	EBS, ELECTRONIC BRAKE SYSTEM	16				
FA	AIR SUSPENSION ECS	17				
FB	AIR SUSPENSION ECS	18				
GA	LCM, REAR LIGHTS	19				
GB	LCM, FRONT LIGHTS	20				
GE	LCM, BI-XENON LIGHTS	21				
GM	WIPER, WASHER	22				
GN	LCM, XENON LIGHTS RELAY	23				
IS	HORN, SWM	24				
IU	AUDIO	25				
NA	BUS INSTRUMENT CLUSTER BIC2	26				
NB	TACHOGRAPH	27				
NC	DYNAFLEET	28				

VOLUME NO	CONTENT	PAGES
01	WIRING DIAGRAM	1-33
02	BILL OF MATERIAL/COMPONENT LIST	1-31

The copying, distribution and utilization of this document as well as the communication of its contents to others without expressed authorization is prohibited. Offenders will be held liable for payment of damages. All rights reserved in the event of the grant of a patent, utility model or ornamental design registration.

Document Title  
**WIRING DIAGRAM  
B13**

Document Type  
**PRODUCT SCHEMATIC**  
Owner Domain: Document Prefix

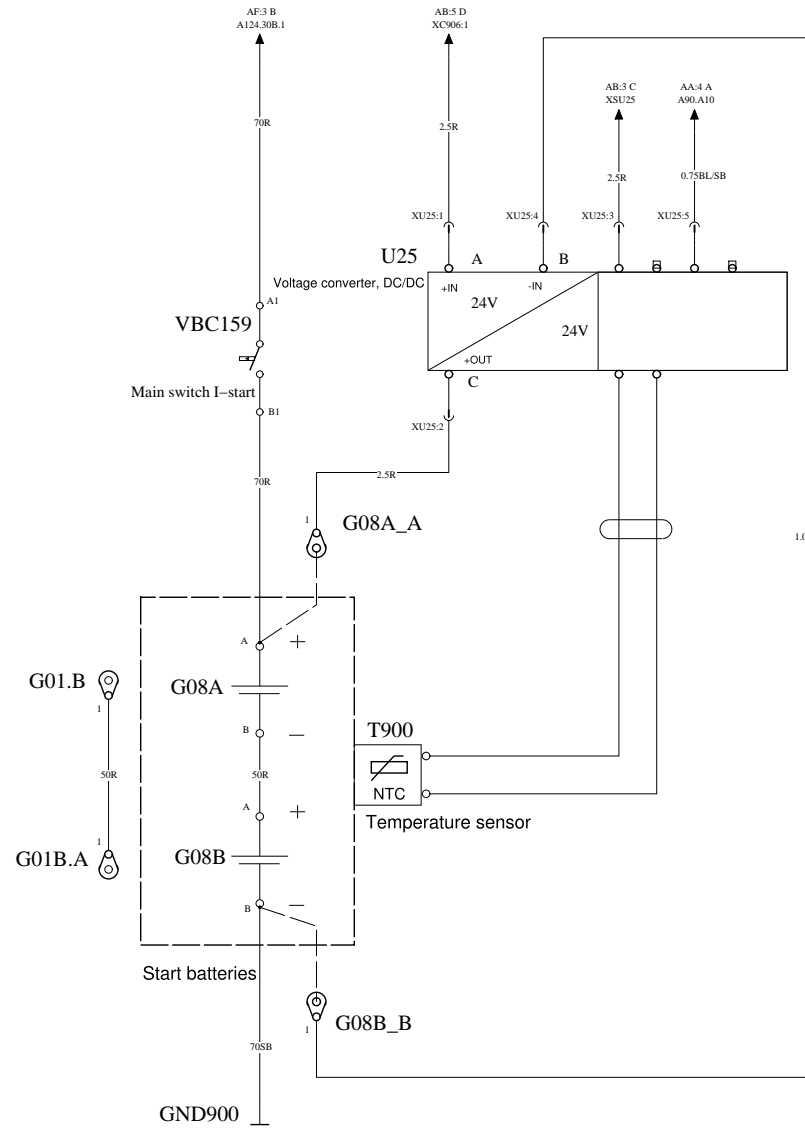


Document No	Issue Index	Volume No	Page No
<b>70396509</b>	<b>04</b>	<b>01(02)</b>	<b>1(33)</b>

EDM-W 2000-04-01

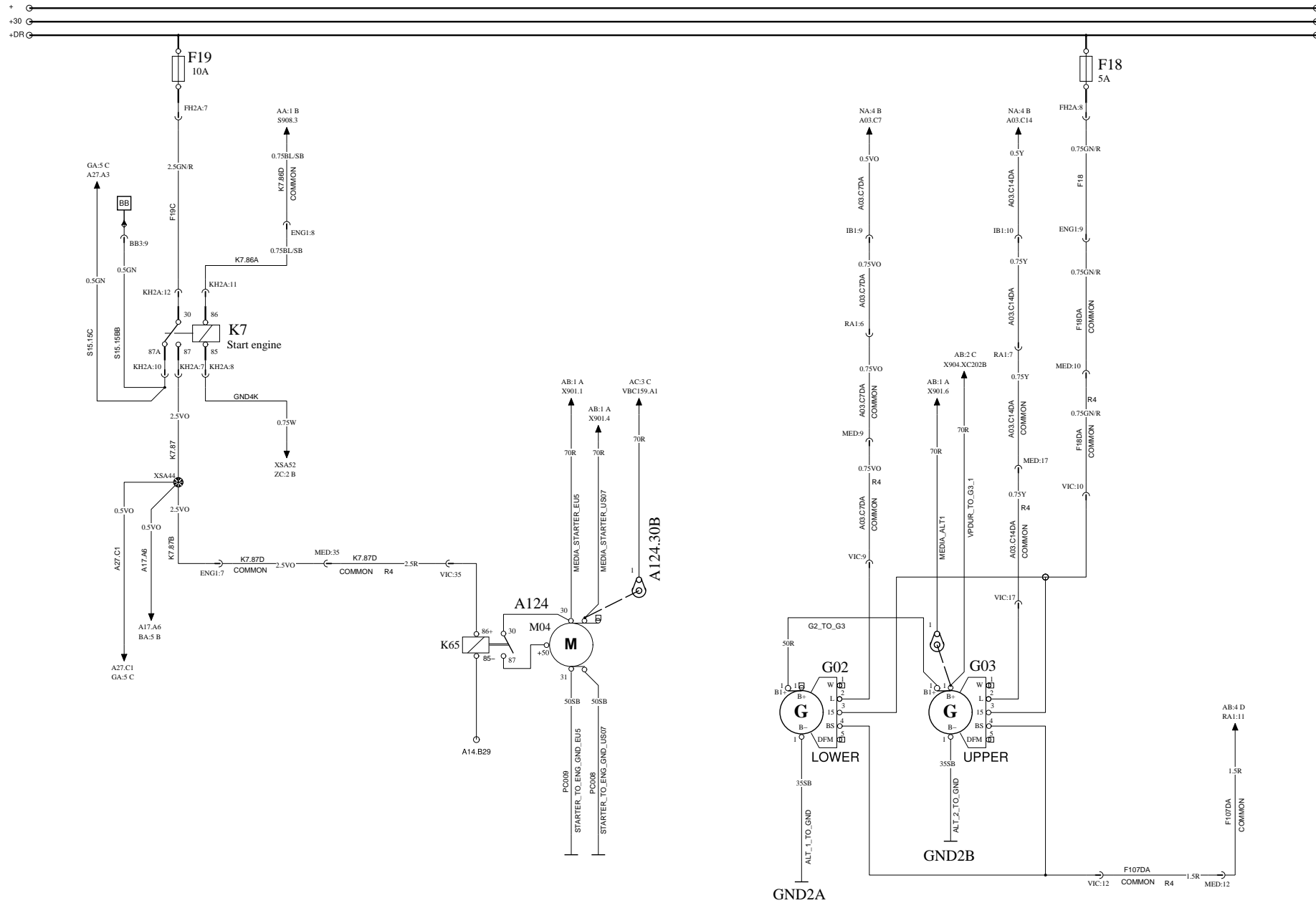


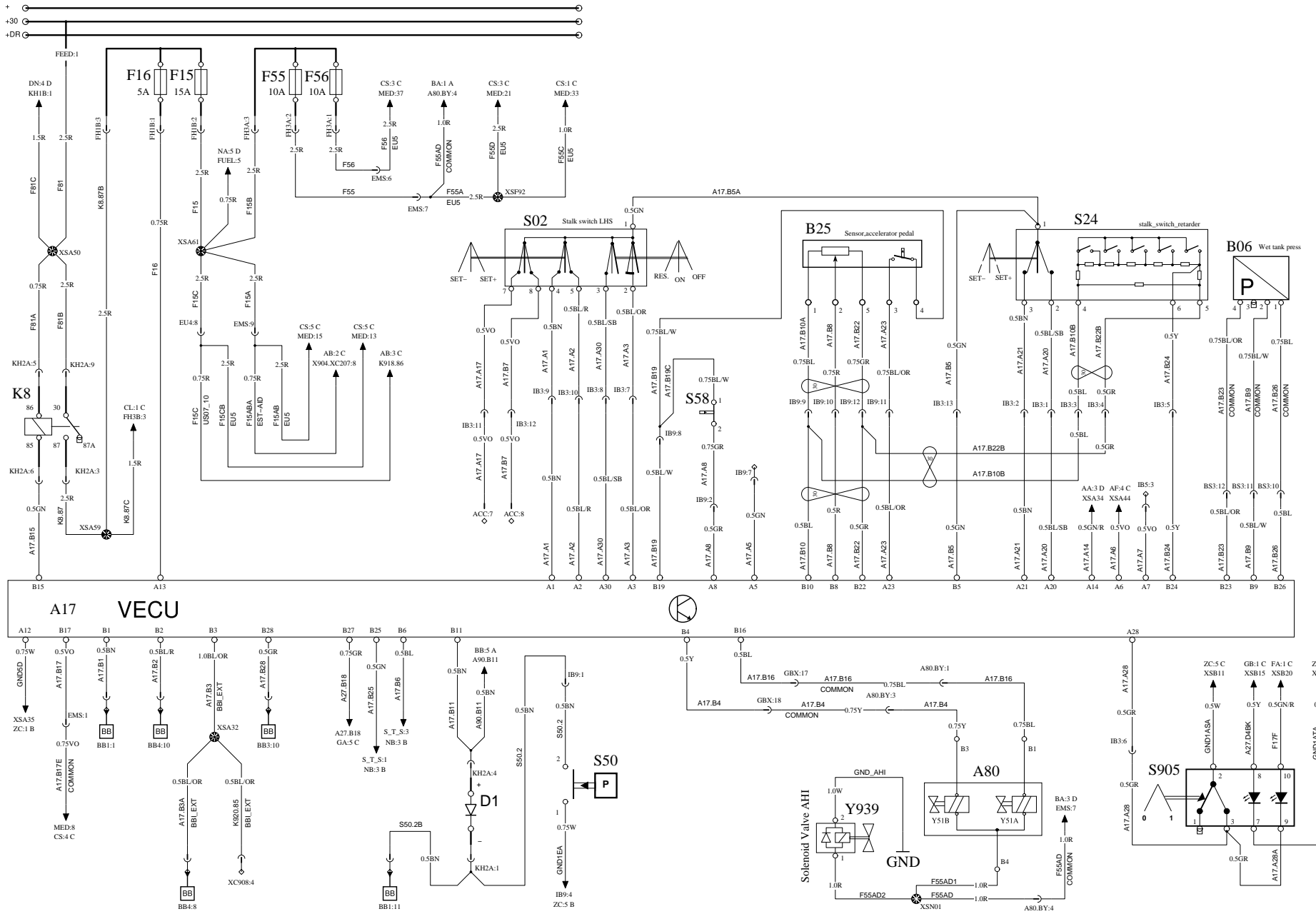




# STARTER MOTOR AND ALTERNATORS

# WIRING DIAGRAM AF









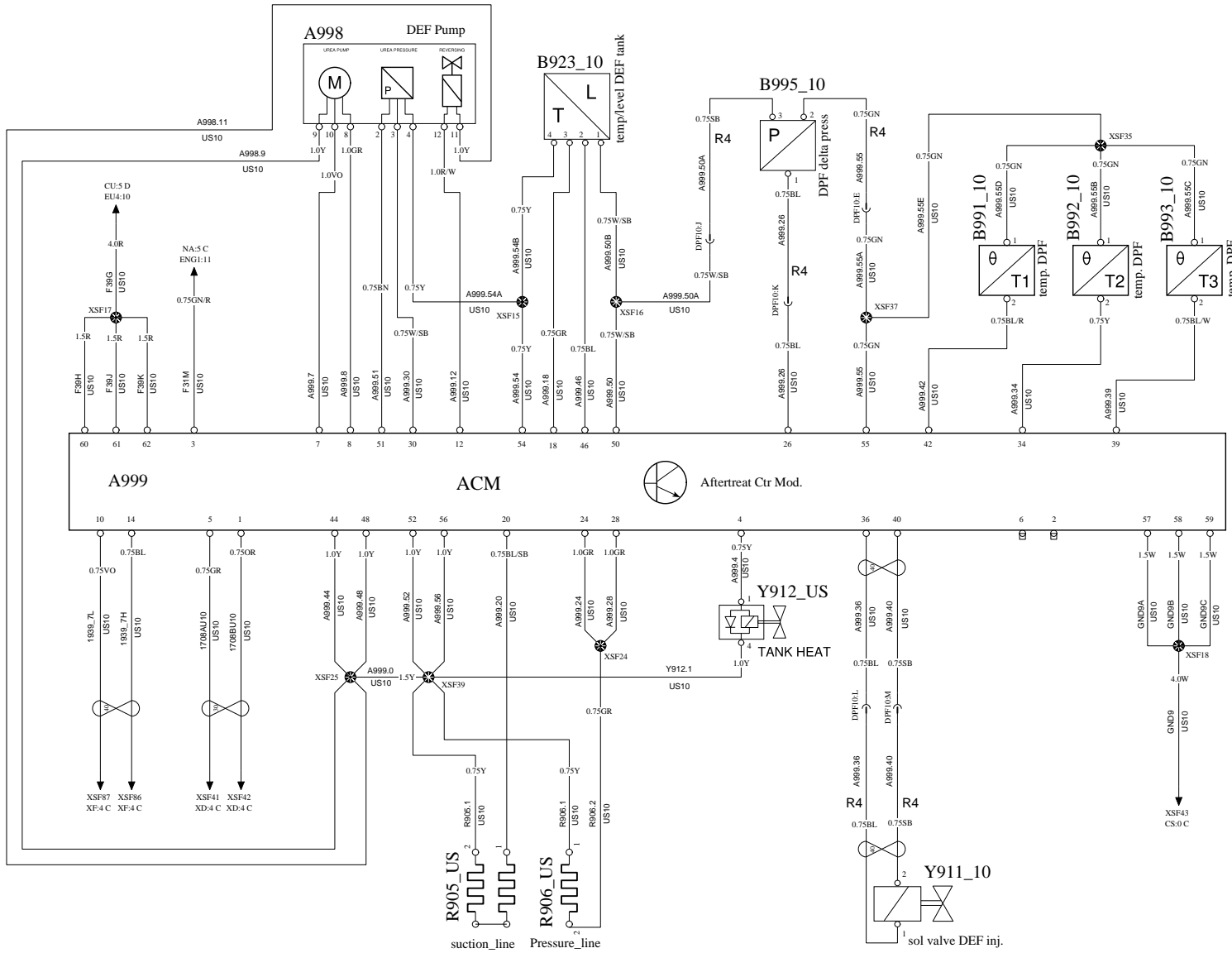






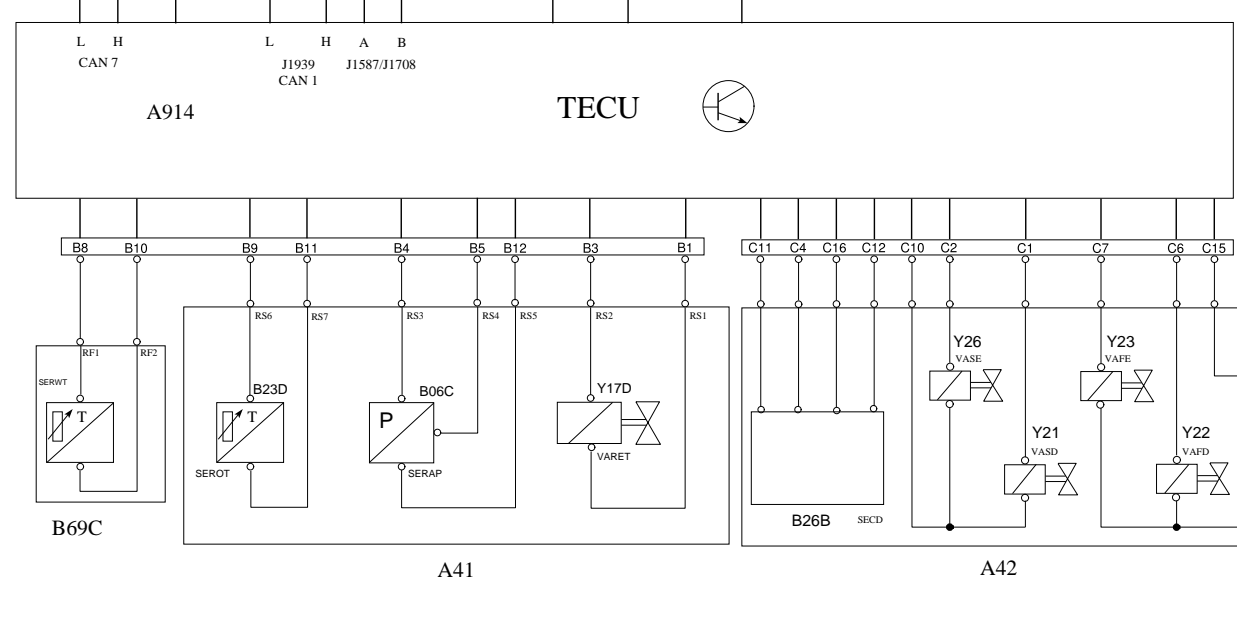
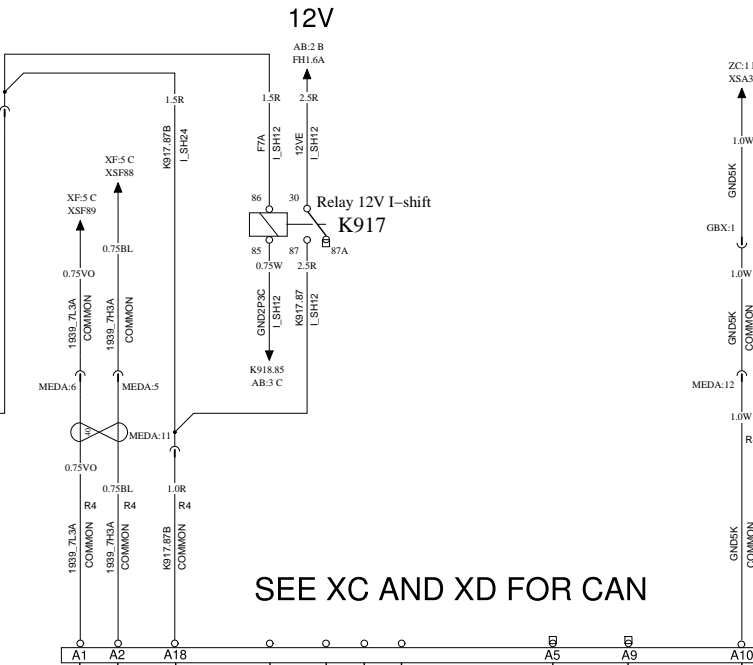
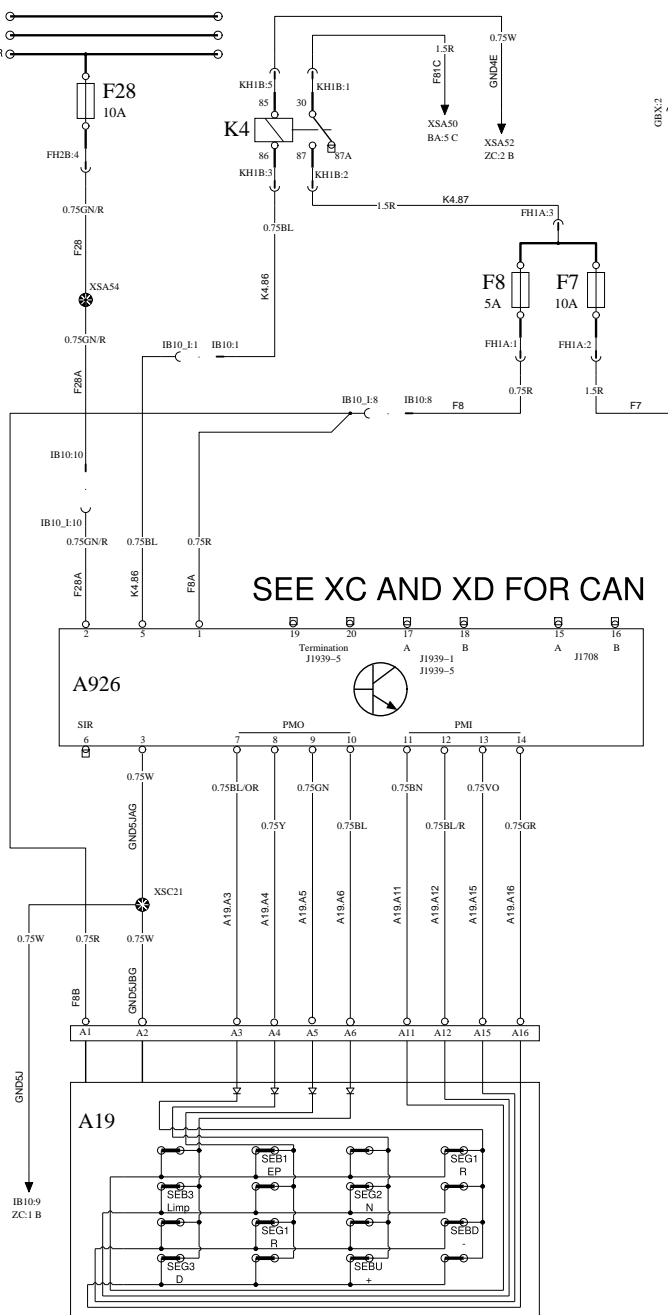






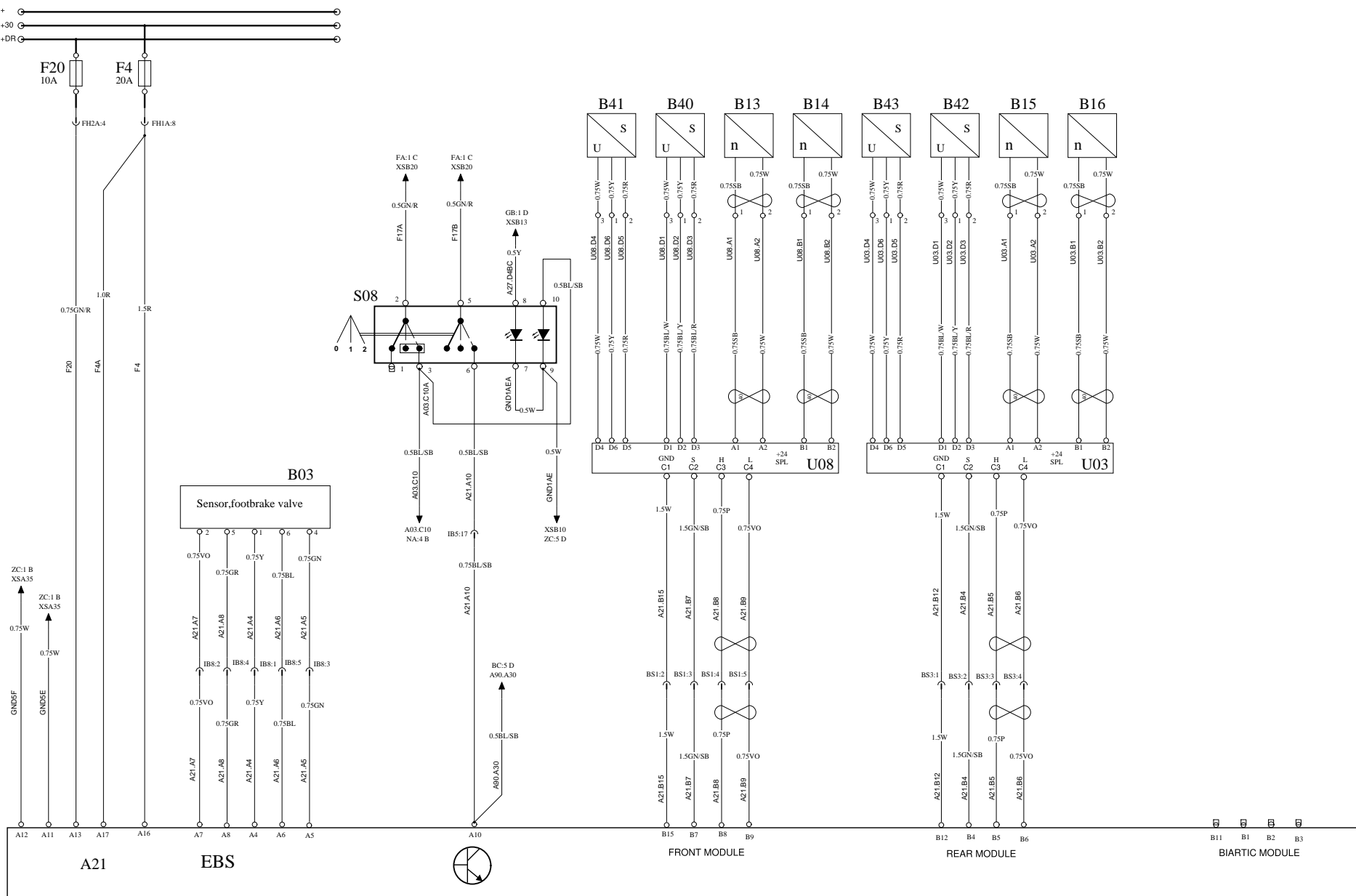
# I-SHIFT

# WIRING DIAGRAM DN



# EBS

# WIRING DIAGRAM EO







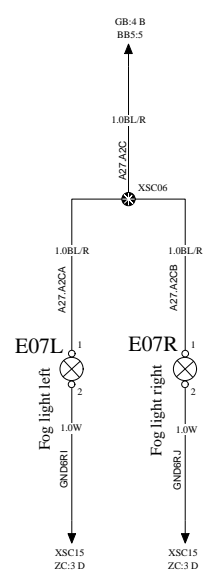
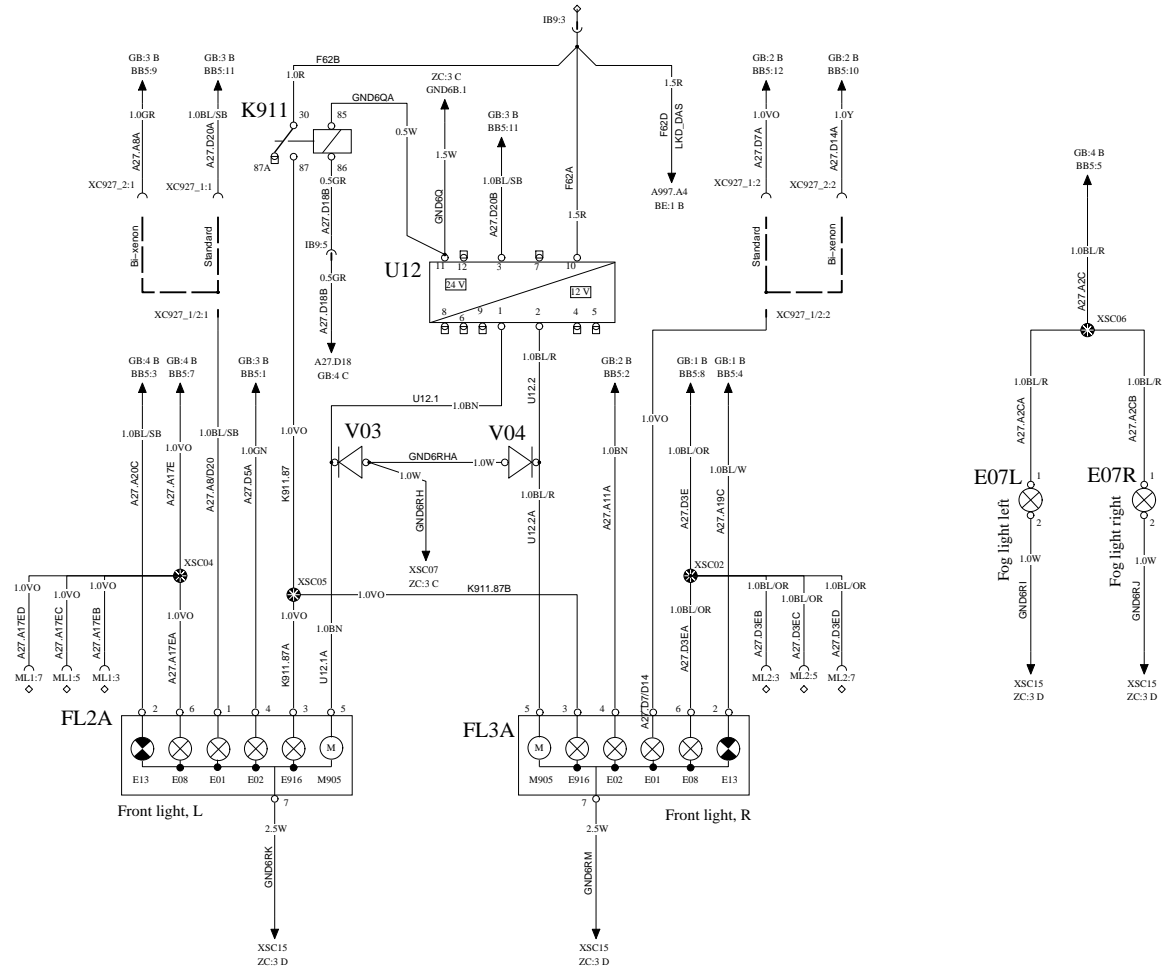






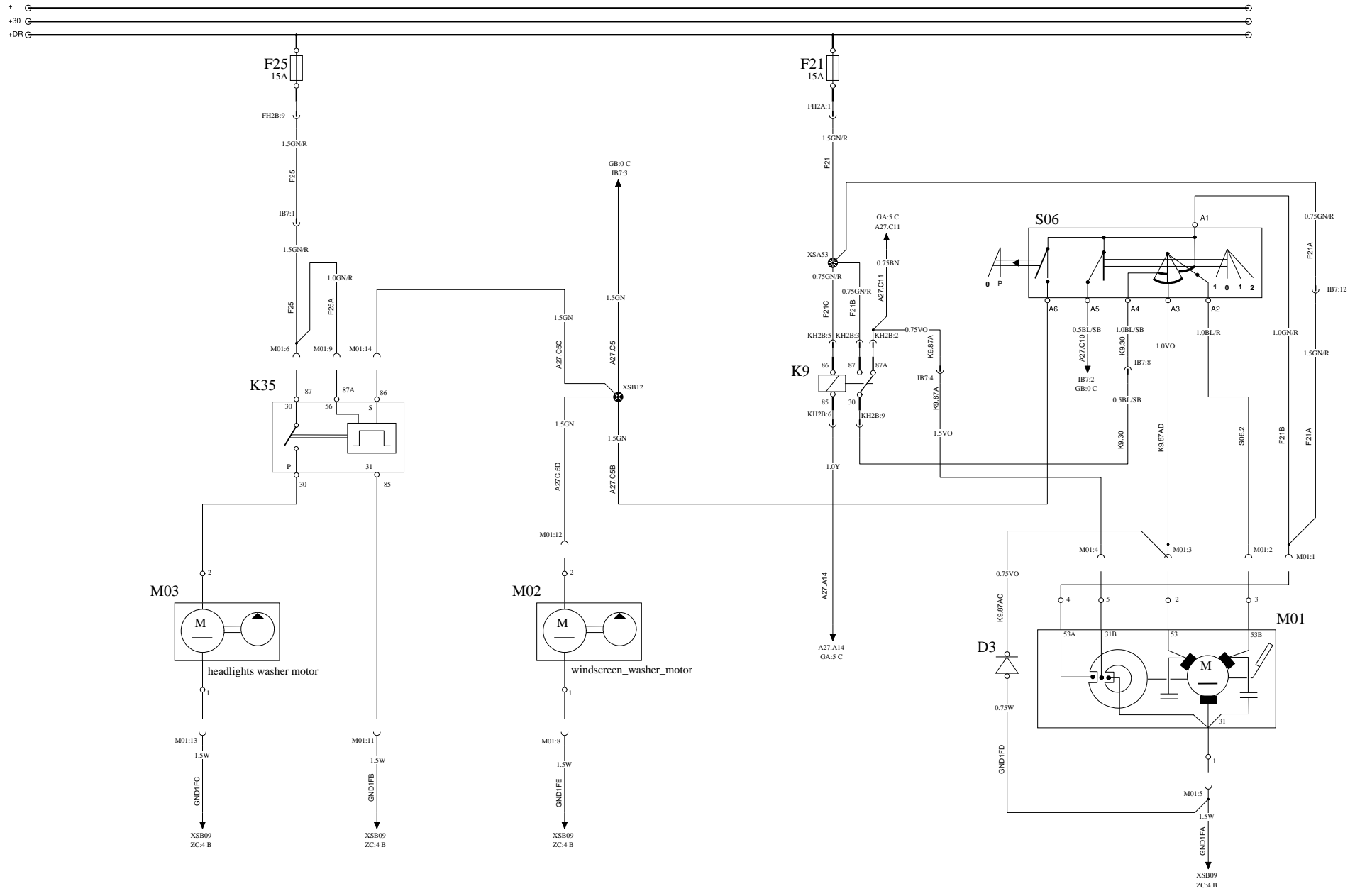


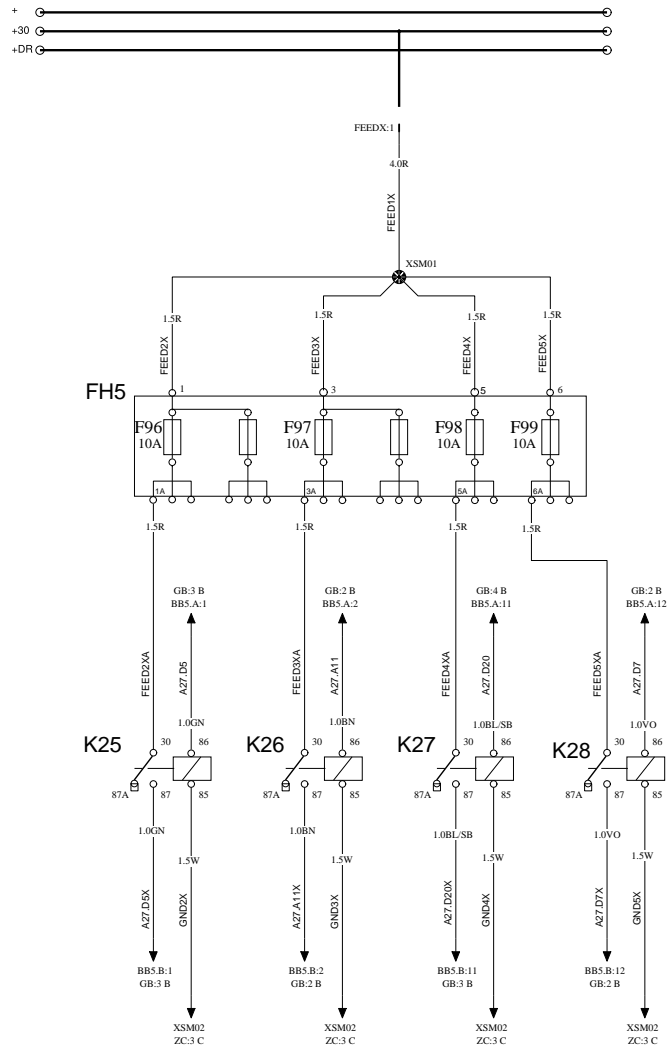
FRONT LIGHT



# WIPER, WASHER

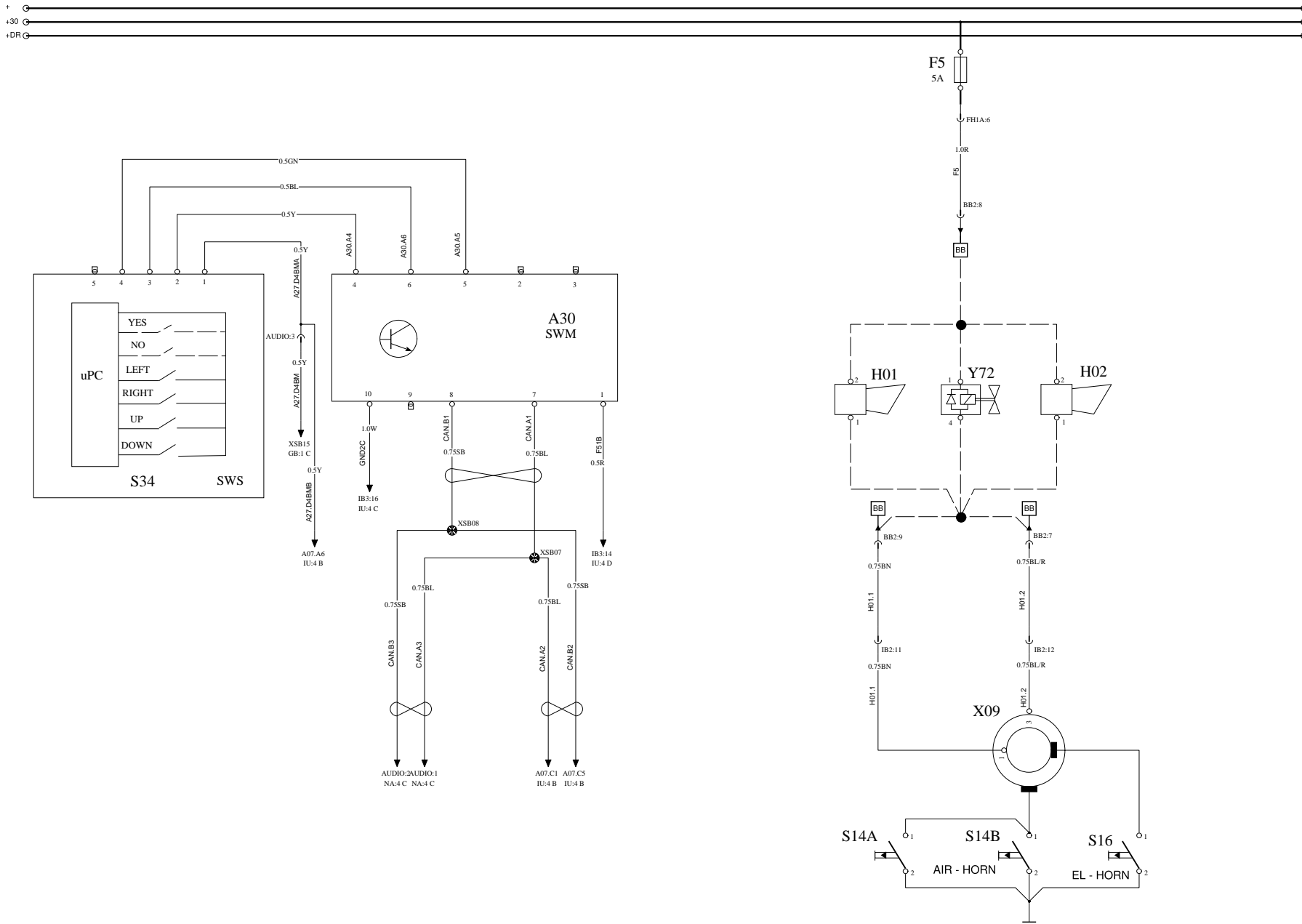
# WIRING DIAGRAM GM





# HORN, SWM

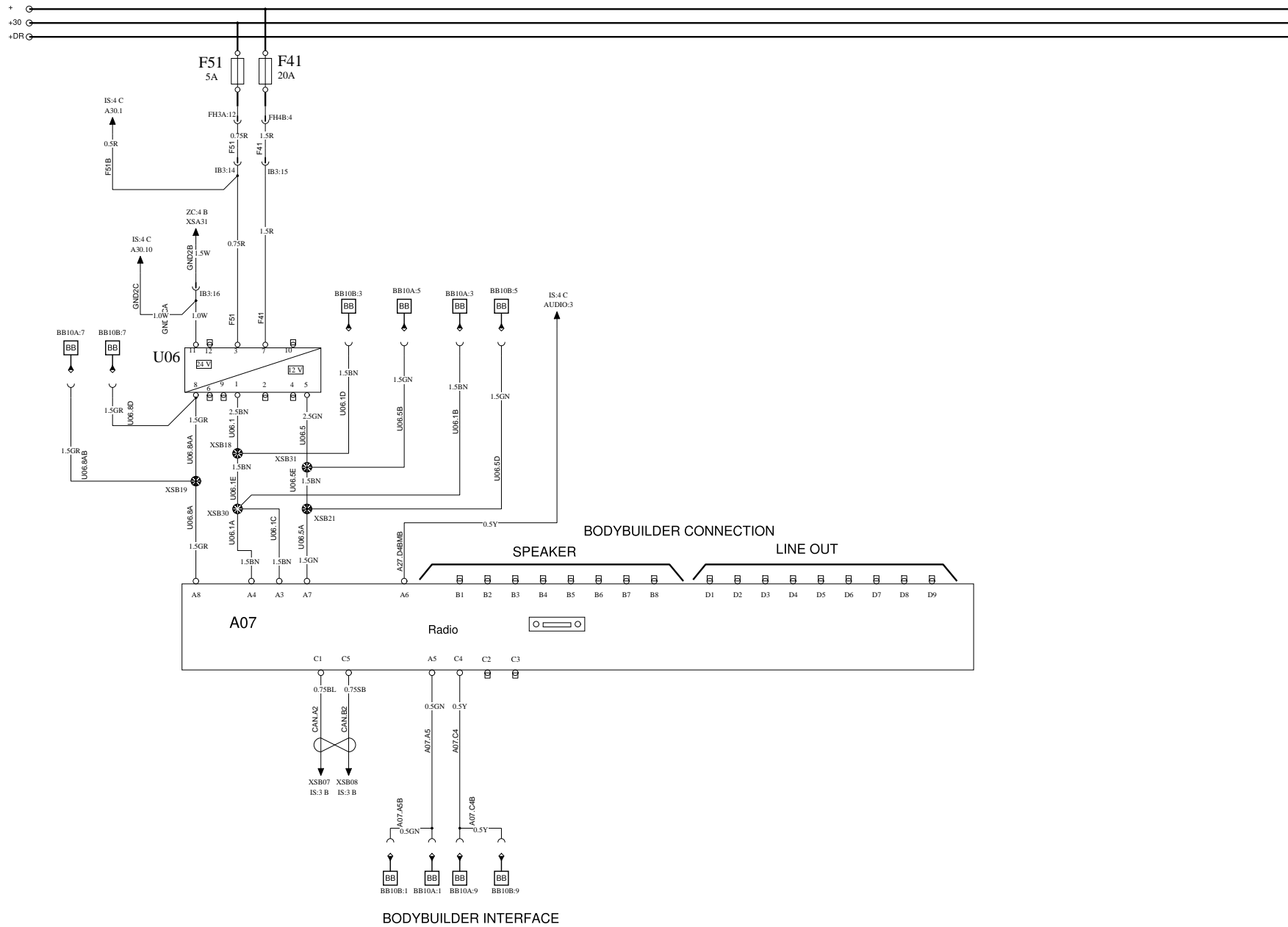
# WIRING DIAGRAM IS





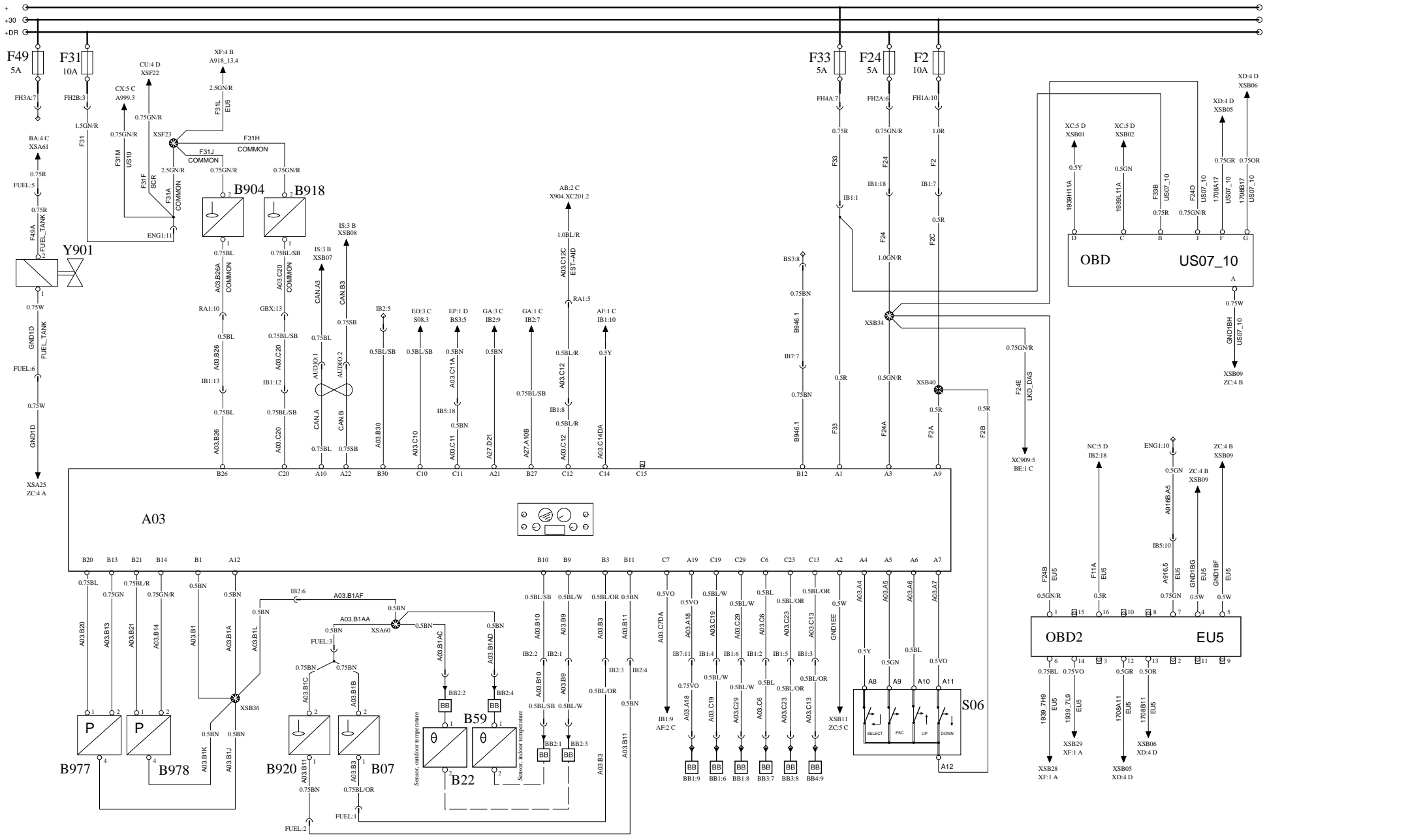
# AUDIO

# WIRING DIAGRAM IU



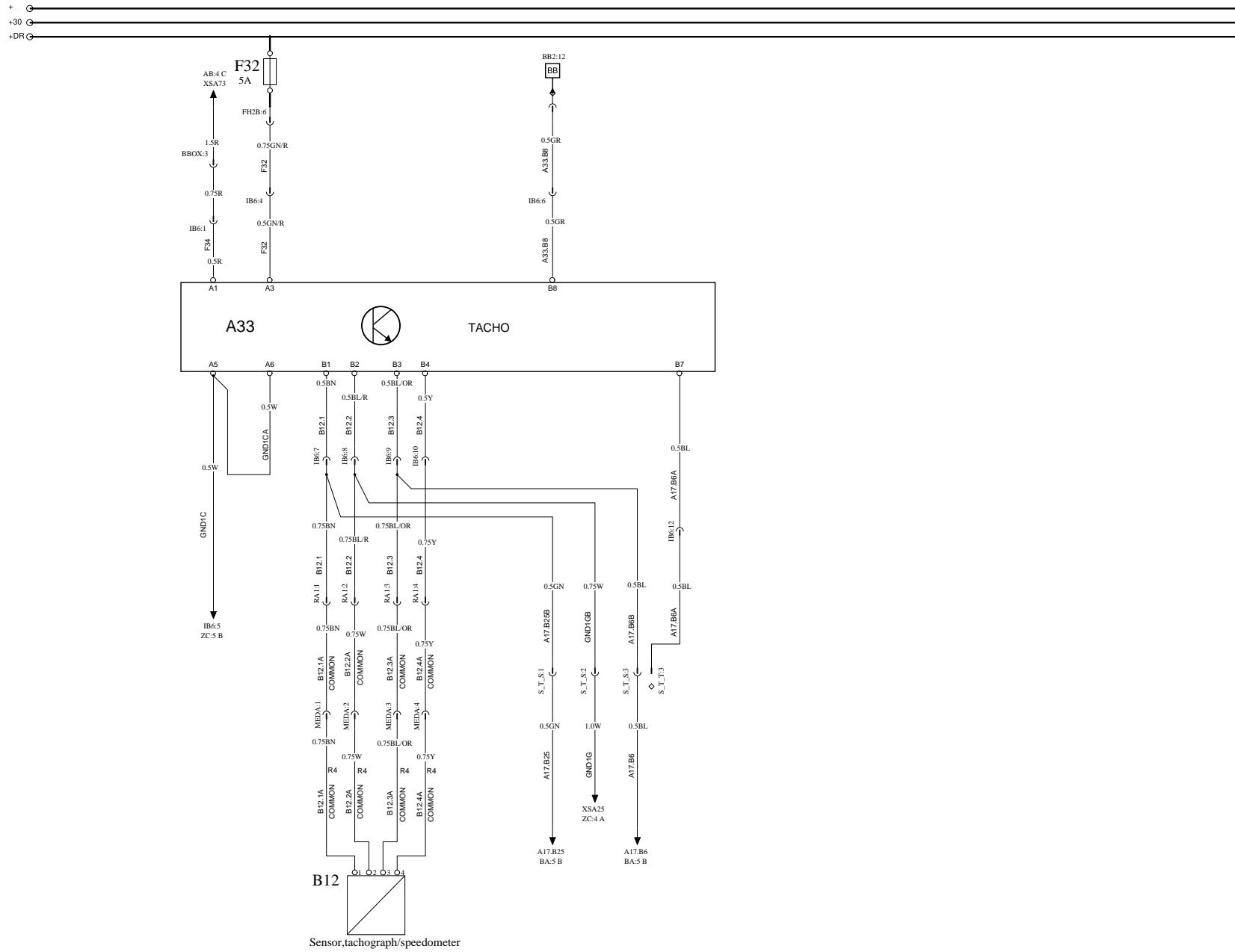
# BUS INSTRUMENT CLUSTER BIC2

# WIRING DIAGRAM NA



# TACHOGRAPH

# WIRING DIAGRAM NB



**VOLVO**  
Volvo Bus Corporation

Document title  
WIRING DIAGRAM NB  
Document type  
PRODUCT SCHEMATIC

Document No

70396509

Issue

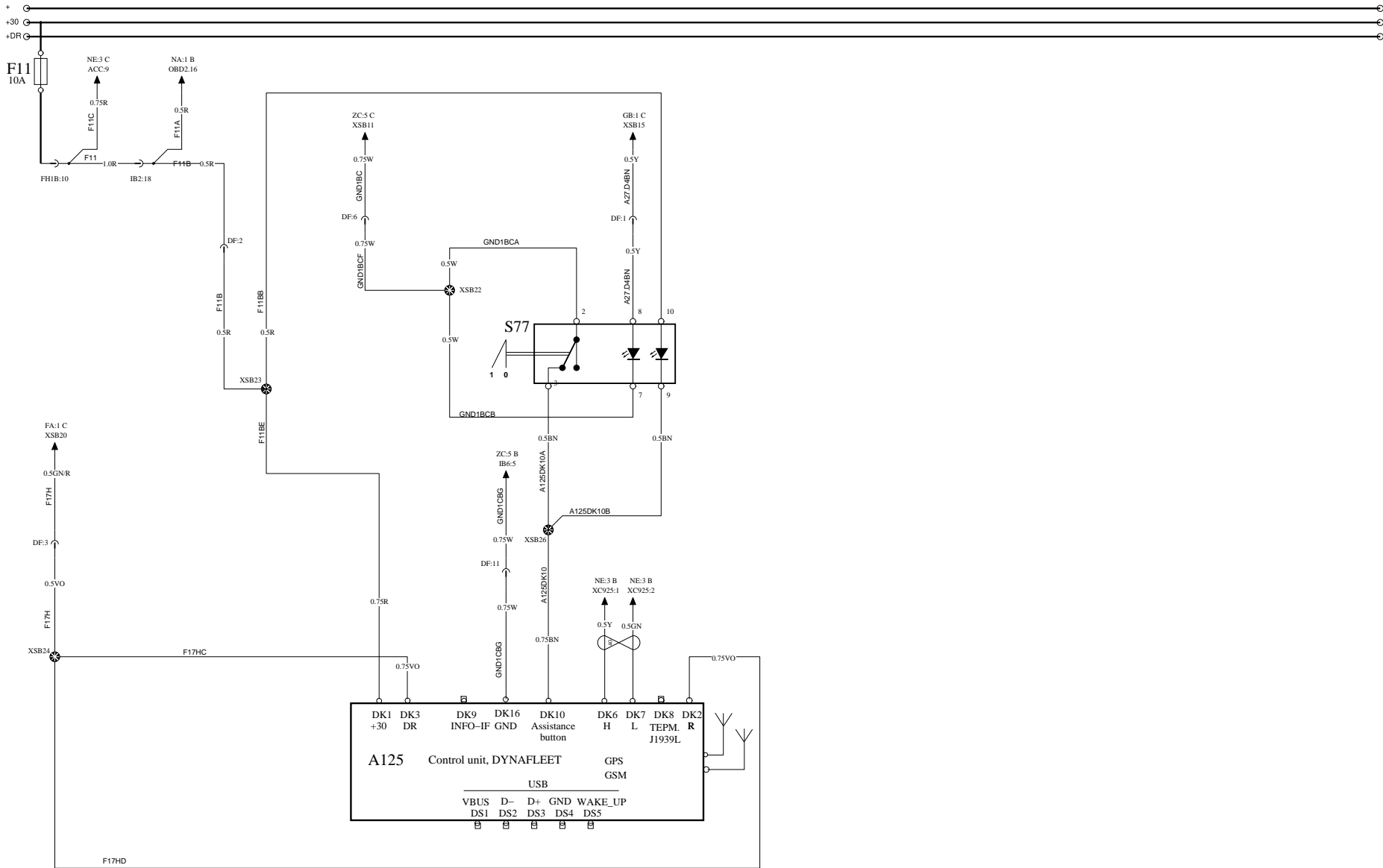
04

Volume

01(02)

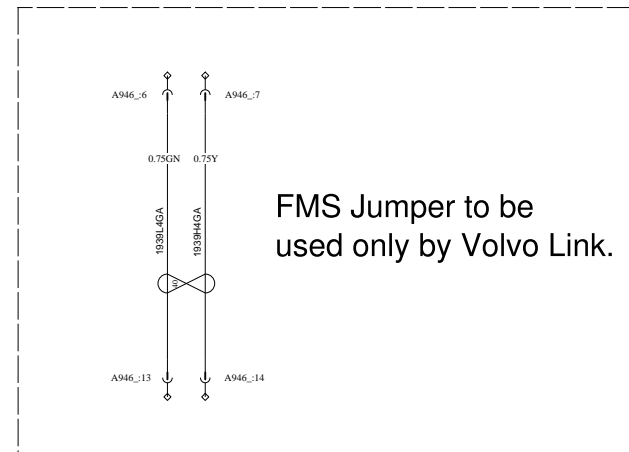
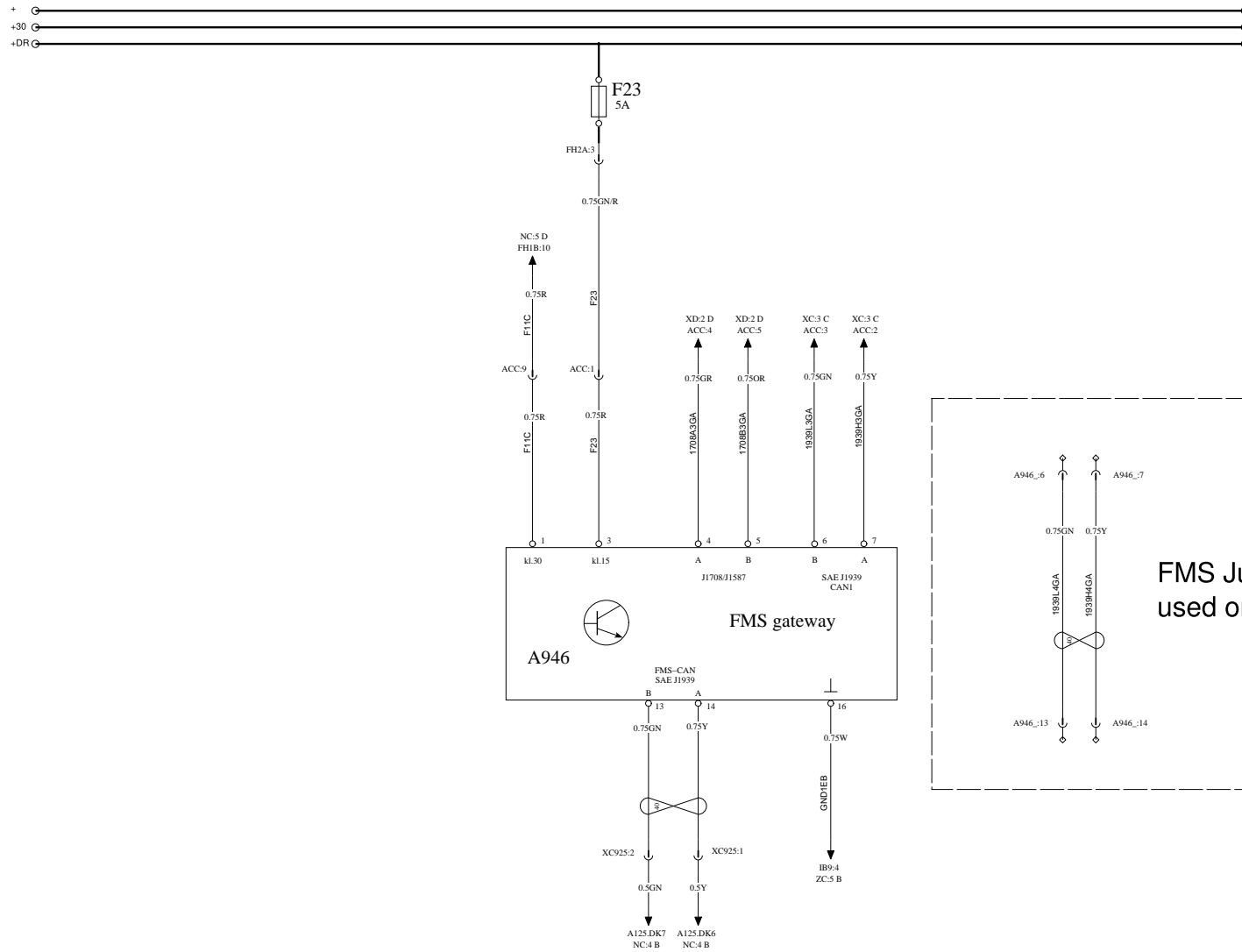
Page

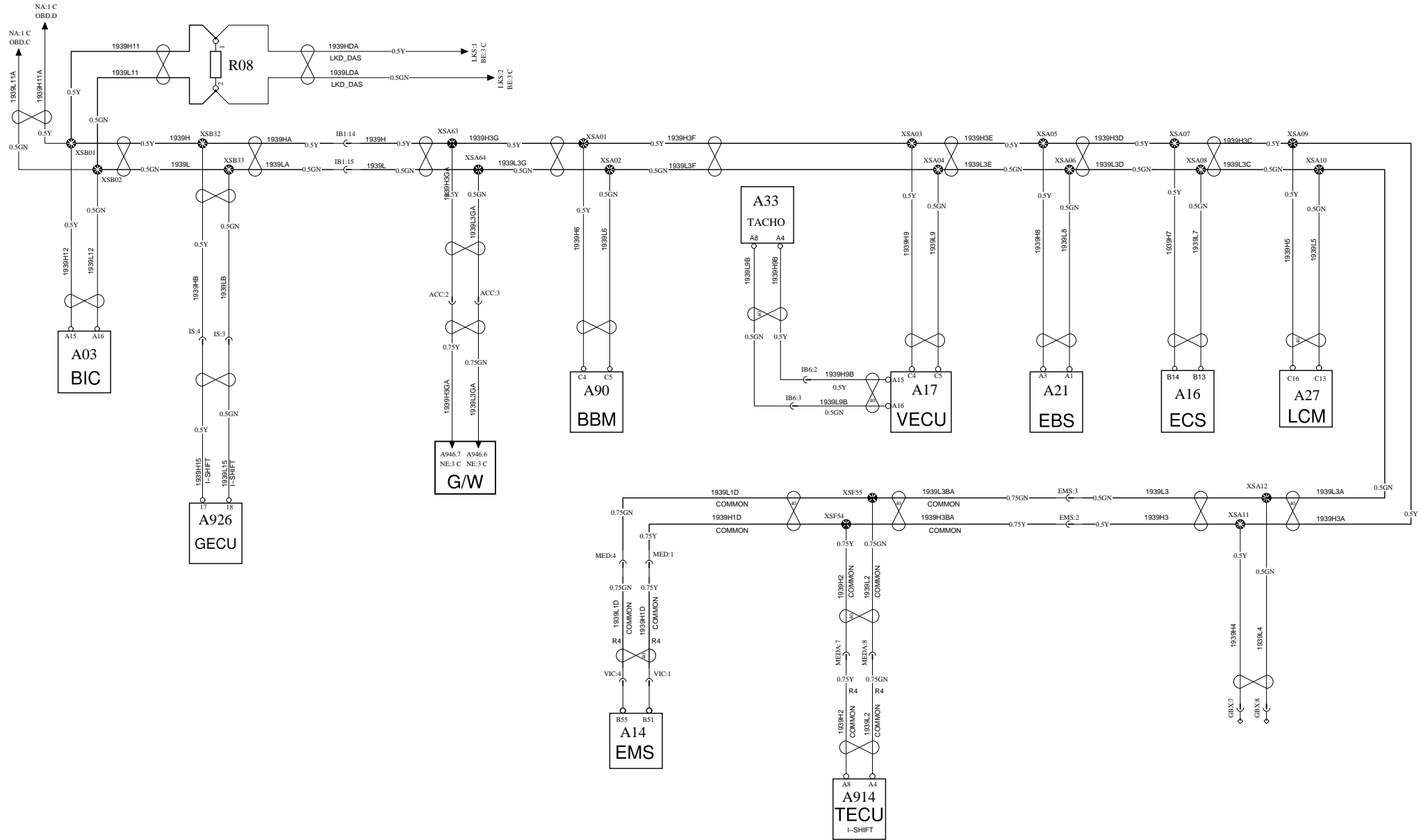
27(33)

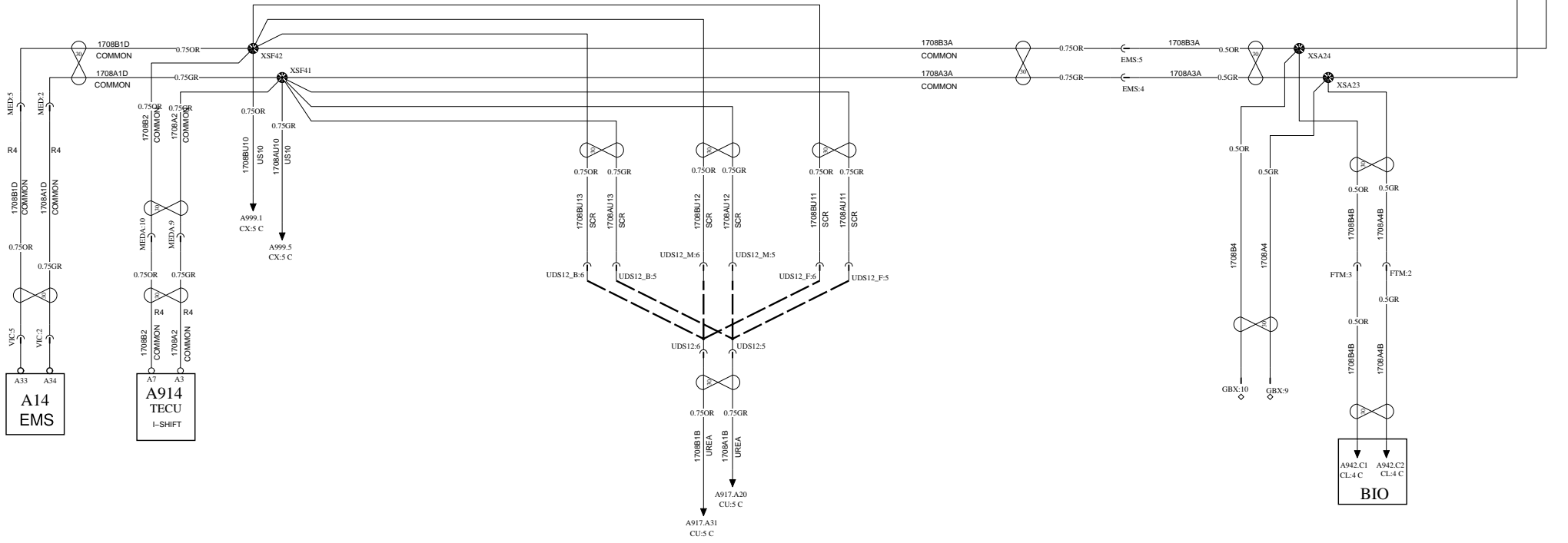
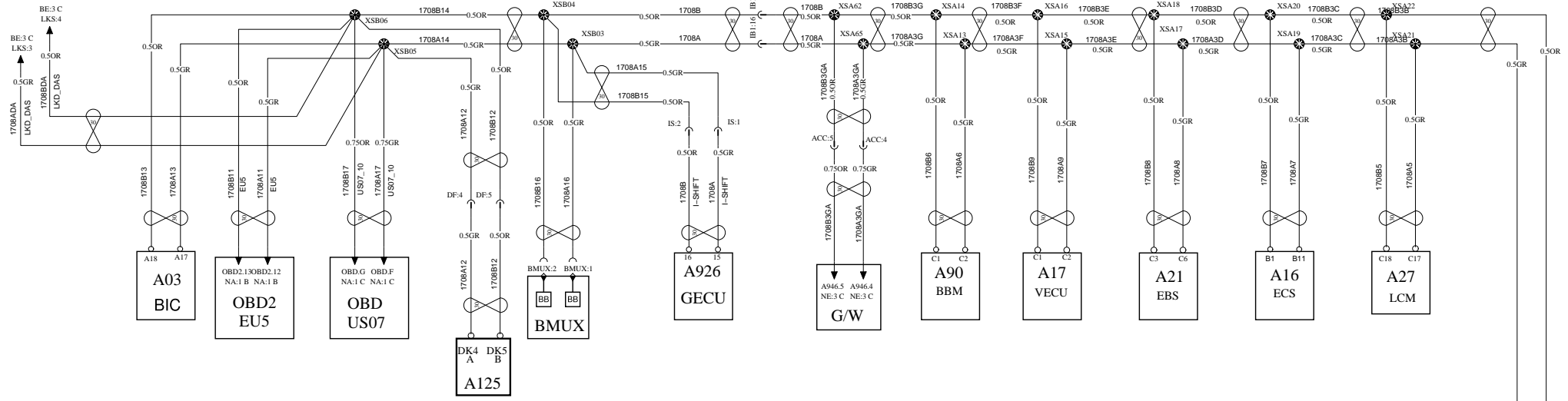


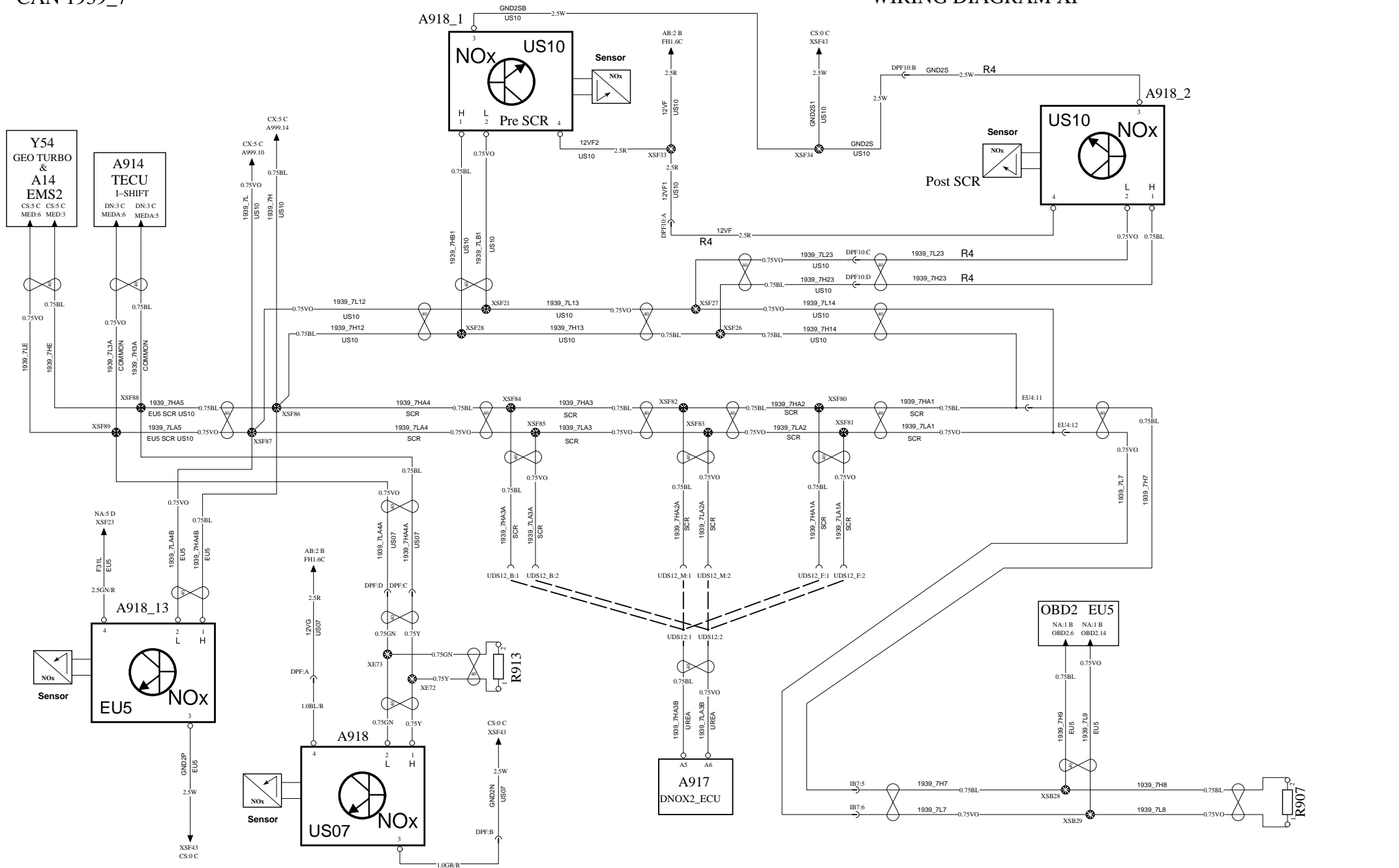
FMS GATEWAY

WIRING DIAGRAM NE













## BILL OF MATERIAL/COMPONENT LIST

Part Name	Description	Location	Part Type
+30:1		{AB 3 D}	inline_connector
+B:1		{AB 5 D}	inline_connector
30UA:1		{CU 1 B}	inline_connector
30UB:1		{CU 1 B}	inline_connector
A03	Instrument cluster	{NA 4 B} {XC 5 C} {XD 5 C}	componentSymbol
A07	Radio	{IU 4 B}	componentSymbol
A14	Control unit EMS	{XC 3 B} {XD 5 B}	componentSymbol
A16	ECS	{FA 5 B} {XC 1 C} {XD 1 C} {FB 5 D}	componentSymbol
A17	VECU	{BA 5 B} {XC 2 C} {XD 2 C}	componentSymbol
A19	Control unit,GECU(gear selector ECU)	{DN 5 B}	componentSymbol
A21	EBS	{XC 1 C} {EO 5 A} {XD 1 C} {EP 5 D}	componentSymbol
A26	Control unite,ACC(Adaptive Cruise Control)	{BE 3 C}	componentSymbol
A27	LCM	{GA 5 C} {GB 4 C} {XD 1 D}	componentSymbol
A30	Control unite,SWM(Steering Wheel Module)	{IS 4 C}	componentSymbol
A33	TACHO	{NB 4 C} {XC 2 C}	componentSymbol
A41	Component group transmission.Contains B23,B06 and Y17.	{DN 3 B}	componentSymbol
A42	Component group transmission.Contains B26, Y21,Y22, Y23 and Y26.	{DN 1 B}	componentSymbol
A66	Kamera LKS	{BE 5 B}	componentSymbol
A80	Air Dryer	{BA 2 A}	componentSymbol
A80.BY:1		{BA 2 B}	inline_connector
A80.BY:3		{BA 2 B}	inline_connector
A80.BY:4		{BA 1 A}	inline_connector
A90	BBM	{BB 5 A} {XC 3 C} {AA 4 A} {XD 2 C} {BC 5 D}	componentSymbol

**VOLVO**

Volvo Bus Corporation

Document Title

**WIRING DIAGRAM**

Document Type

**PRODUCT SCHEMATIC**

Document No

**70396509**

Issue Index

**04**


Volume No

**02(02)**


Page No

**1(31)**

Part Name	Description	Location	Part Type
A124		{AF 3 B}	componentSymbol
A124.30B		{AF 3 B}	componentSymbol
A125	Control unit, DYNAFLEET	{NC 4 B} {XD 3 C}	componentSymbol
A914	TECU	{XC 2 A} {DN 3 C} {XD 5 B}	componentSymbol
A917	DNOX2_ECU	{CU 5 C} {XF 2 A}	componentSymbol
A918	NOx-sensor	{XF 4 A}	componentSymbol
A918_1	NOX-sensor	{XF 3 D}	componentSymbol
A918_2	NOX-sensor	{XF 1 D}	componentSymbol
A918_13	NOx-sensor	{XF 4 B}	componentSymbol
A926	GearShift_ECU	{XC 4 B} {DN 5 C} {XD 3 C}	componentSymbol
A942	BIO - Bus I/O	{CL 4 C}	componentSymbol
A946	FMS GATEWAY	{NE 3 C}	componentSymbol
A946_:6		{NE 2 C}	inline_connector
A946_:7		{NE 2 C}	inline_connector
A946_:13		{NE 2 B}	inline_connector
A946_:14		{NE 2 B}	inline_connector
A997		{BE 1 B}	componentSymbol
A998	DEF Pump	{CX 4 D}	componentSymbol
A999	Aftertreat Ctr Mod.	{CX 5 C}	componentSymbol
ACC:1		{NE 3 C}	inline_connector
ACC:2		{XC 3 C}	inline_connector
ACC:3		{XC 3 C}	inline_connector
ACC:4		{XD 2 D}	inline_connector
ACC:5		{XD 2 D}	inline_connector
ACC:6		{ZC 1 B}	inline_connector
ACC:7		{BA 3 B}	inline_connector
ACC:8		{BA 3 B}	inline_connector
ACC:9		{NE 3 C}	inline_connector
ARTIC:5		{BC 4 C}	inline_connector
ARTIC:6		{BC 4 C}	inline_connector
ARTIC:10		{BC 4 C}	inline_connector
AUDIO:1		{NA 4 C}	inline_connector
AUDIO:2		{NA 4 C}	inline_connector
AUDIO:3		{IS 4 C}	inline_connector
B03	Sensor,footbrake valve	{EO 4 B}	componentSymbol
B06	Wet tank press	{BA 0 C}	componentSymbol
B07	Sensor,fuel level front axle	{NA 4 A}	componentSymbol
B12	Sensor,tachograph/speedometer	{NB 4 A}	componentSymbol
B13	Sensor,wheel speed, lhs. 1:st front axle	{EO 2 D}	componentSymbol
B14	Sensor,wheel speed, rhs. 1:st front axle	{EO 2 D}	componentSymbol
B15	Sensor,Wheel speed, lhs. 1:st driven rear axle	{EO 1 D}	componentSymbol

 <b>Volvo Bus Corporation</b>	Document Title			
	<b>WIRING DIAGRAM</b>			
	Document Type			
	<b>PRODUCT SCHEMATIC</b>			
Document No	Issue Index	Volume No	Page No	
<b>70396509</b>	<b>04</b>	<b>02(02)</b>	<b>2(31)</b>	

Part Name	Description	Location	Part Type
B16	Sensor,Wheel speed, rhs. 1:st driven rear axle	{EO 1 D}	componentSymbol
B22	Sensor, outdoor temperature	{NA 3 A}	componentSymbol
B25	Sensor,accelerator pedal	{BA 2 C}	componentSymbol
B29	sensor chassis level rear axle LHS	{FB 3 B}	componentSymbol
B30	sensor chassis level rear axle RHS	{FB 2 B}	componentSymbol
B32	Sensor,engine cooling fan speed	{CS 1 C}	componentSymbol
B32_10		{CS 1 C}	componentSymbol
B32_13	Sensor Eng. cooling fan speed	{CS 1 C}	componentSymbol
B39	Sensor,air filter press/Temp.	{CS 3 B}	componentSymbol
B40	Sensor,brake lining wear indicator,lhs. 1:st front axle	{EO 3 D}	componentSymbol
B41	Sensor,brake lining wear indicator,rhs. 1:st front axle	{EO 3 D}	componentSymbol
B42	Sensor,brake lining wear indicator,lhs. 1:st driven rear axle	{EO 2 D}	componentSymbol
B43	Sensor,brake lining wear indicator,rhs.1:st driven rear axle	{EO 2 D}	componentSymbol
B49	Sensor,steering angle	{EP 3 B}	componentSymbol
B50	Sensor,yaw-rate	{EP 2 B}	componentSymbol
B57	Sensor,air pressure, suspension bellows,lhs.rear	{FB 4 C}	componentSymbol
B58	Sensor,air perssure,suspension bellow,rhs. rear	{FB 4 C}	componentSymbol
B59	Sensor, indoor temperature	{NA 3 A}	componentSymbol
B66		{CL 3 A}	componentSymbol
B69C	Sensor,coolant temperature, retarder	{DN 3 B}	componentSymbol
B84	Air humidity	{CS 2 C}	componentSymbol
B904	hydr_oil_level_sens	{NA 4 C}	componentSymbol
B906	Sensor,Brake Press ( 6*2 )	{BC 4 C}	componentSymbol
B910	sensor air press. ECS port 21	{FB 5 C}	componentSymbol
B914	sensor chassis level front axle LHS	{FB 2 B}	componentSymbol
B915	sensor chassis level front axle RHS	{FB 1 B}	componentSymbol
B918	Hydraulic oil level sensor_2	{NA 4 C}	componentSymbol
B920	Sensor,fuel level 2 front axle	{NA 4 A}	componentSymbol
B922	Sensor_temp_downstream_scr_t_DNOX2	{CL 4 B}	componentSymbol
B923	Sensor_temp/level_adblue_tank_SCR_T_DNOX2	{CU 2 B}	componentSymbol
B923_10	temp/level DEF tank	{CX 3 D}	componentSymbol
B927	Sensor Hydr.oil press	{BB 1 D}	componentSymbol
B930	Sensor_temp_upstream_scr_t_DNOX2	{CU 2 D}	componentSymbol
B940	Sensor brake lining wear indicator,A/B R	{EP 4 B}	componentSymbol
B941	Sensor brake lining wear indicator,A/B L	{EP 4 B}	componentSymbol
B942	sensor_wheel_speed_A/B_R	{EP 3 B}	componentSymbol
B943	sensor_wheel_speed_A/B_L	{EP 3 B}	componentSymbol
B949	Last trailer air brake pressure sensor (biartic)	{CL 3 A}	componentSymbol
B973	Fire Sensor, 150   C	{BB 4 C}	componentSymbol
B974	Fire sensor	{BB 4 C}	componentSymbol
B975	Fire sensor	{BB 4 C}	componentSymbol
B977	Sensor, brake pressure	{NA 5 A}	componentSymbol
B978	Sensor, brake pressure	{NA 5 A}	componentSymbol

 <b>Volvo Bus Corporation</b>	Document Title			
	<b>WIRING DIAGRAM</b>			
	Document Type			
	<b>PRODUCT SCHEMATIC</b>			
Document No	Issue Index	Volume No	Page No	
<b>70396509</b>	<b>04</b>	<b>02(02)</b>	<b>3(31)</b>	

Part Name	Description	Location	Part Type
B979	Parking brake pressure	{BB 3 B}	componentSymbol
B980	Auxilliary pressure	{BB 3 B}	componentSymbol
B985	Fire sensor 4, D13	{BB 4 D}	componentSymbol
B985_07	Fire Sensor	{BB 4 D}	componentSymbol
B986	Fire sensor 5, D13	{BB 4 C}	componentSymbol
B991	Temp. cat upstream	{CS 2 A}	componentSymbol
B991_10	temp. DPF	{CX 2 C}	componentSymbol
B992	Temp. cat downstream	{CS 2 A}	componentSymbol
B992_10	temp. DPF	{CX 2 C}	componentSymbol
B993	Temp. DPF	{CS 1 A}	componentSymbol
B993_10	temp. DPF	{CX 1 C}	componentSymbol
B995	DPF diff press.	{CS 1 A}	componentSymbol
B995_10	DPF delta press	{CX 3 D}	componentSymbol
BB1:1	Idle switch	{BA 5 B}	inline_connector
BB1:2	Start disable	{BC 1 C}	inline_connector
BB1:3	Fire alarm,body	{BC 1 C}	inline_connector
BB1:4	Low priority loads, relay	{BC 2 C}	inline_connector
BB1:5	Luggage hatch ,open	{BB 2 B}	inline_connector
BB1:6	Safety belt indicator	{NA 2 A}	inline_connector
BB1:8	Washer fluid low level	{NA 2 A}	inline_connector
BB1:9	Altenator charging	{NA 2 A}	inline_connector
BB1:10	AC 1	{BB 1 D}	inline_connector
BB1:11	Parking brake applied	{BA 4 A}	inline_connector
BB1:12	AC Disable	{BC 1 C}	inline_connector
BB2:1	Indoor temperator +	{NA 3 A}	inline_connector
BB2:2	Indoor temperature -	{NA 3 B}	inline_connector
BB2:3	Out door temperator +	{NA 3 A}	inline_connector
BB2:4	Out door temperatur-	{NA 3 B}	inline_connector
BB2:5	D-CAN H	{BC 2 A}	inline_connector
BB2:6	D-CAN L	{BC 2 A}	inline_connector
BB2:7	Horn(contacts steering wheelside)	{IS 1 B}	inline_connector
BB2:8	Horn supply	{IS 2 D}	inline_connector
BB2:9	Horn (contacts steer.wheel centre)	{IS 2 B}	inline_connector
BB2:10	Alarm	{GB 2 C}	inline_connector
BB2:11	Emergency switch	{AA 5 B}	inline_connector
BB2:12	Signal 4 pulses/meter C6	{NB 3 D}	inline_connector
BB3:1	Head lamps off	{GB 2 C}	inline_connector
BB3:2	Prevent ECS action	{BC 1 C}	inline_connector
BB3:3	Kneeling position	{FA 4 C}	inline_connector
BB3:4		{FB 3 D}	inline_connector
BB3:5	Hazard warning lamps	{GB 2 C}	inline_connector
BB3:6	N/A	{GB 4 B}	inline_connector
BB3:7	Next stop indicator	{NA 2 A}	inline_connector
BB3:8	pram indicator	{NA 2 A}	inline_connector
BB3:9	N/A	{AF 5 C}	inline_connector
BB3:10	Speed signal C3	{BA 4 B}	inline_connector
BB3:11	+30 main switch (fuse F12)	{BB 3 D}	inline_connector

**VOLVO**

Volvo Bus Corporation

Document Title

**WIRING DIAGRAM**

Document Type

**PRODUCT SCHEMATIC**

Document No

**70396509**

Issue Index

**04**

Volume No

**02(02)**

Page No

**4(31)**

Part Name	Description	Location	Part Type
BB3:12	+15 ignition(fuse F29)	{BB 3 D}	inline_connector
BB4:1	Glass heating	{BC 2 C}	inline_connector
BB4:2	Host call	{BC 2 C}	inline_connector
BB4:3	Toilet fluid level	{BC 1 C}	inline_connector
BB4:4	Toilet occupied	{BC 1 C}	inline_connector
BB4:5	Door failure	{BC 1 C}	inline_connector
BB4:6	Door brake, status	{BC 2 C}	inline_connector
BB4:7	Door brake,request	{EP 2 D}	inline_connector
BB4:8	Speed signal 5 km/h	{BA 4 A}	inline_connector
BB4:9	Any door open	{NA 2 A}	inline_connector
BB4:10	Speed signal X km/h	{BA 4 B}	inline_connector
BB4:11	Dimmer,dashboard illumination	{GB 1 C}	inline_connector
BB5.A:1		{GB 3 B}	inline_connector
BB5.A:2		{GB 2 B}	inline_connector
BB5.A:11		{GB 4 B}	inline_connector
BB5.A:12		{GB 2 B}	inline_connector
BB5.B:1		{GB 3 B}	inline_connector
BB5.B:2		{GB 2 B}	inline_connector
BB5.B:11		{GB 3 B}	inline_connector
BB5.B:12		{GB 2 B}	inline_connector
BB5:1	dipped beam.Left	{GB 3 B}	inline_connector
BB5:2	Dipped beam.Right	{GB 2 B}	inline_connector
BB5:3	Direction indicator,front and side.Left	{GB 4 B}	inline_connector
BB5:4	Direction indicator,Front and side. Right	{GB 1 B}	inline_connector
BB5:5	Fog lamps,front	{GB 4 B}	inline_connector
BB5:6	Additional main beam	{GB 2 C}	inline_connector
BB5:7	End-outline maker,side marker,position lamps.Left	{GB 4 B}	inline_connector
BB5:8	End-outline marker,side marker, position lamps.Right	{GB 1 B}	inline_connector
BB5:9	Main beam 2. Left	{GB 3 B}	inline_connector
BB5:10	Main beam 2.Right	{GB 2 B}	inline_connector
BB5:11	Main beam 1.Left	{GB 3 B}	inline_connector
BB5:12	Main beam 1.Right	{GB 2 B}	inline_connector
BB6:1	Starter inhibitor, engine hatch	{BC 3 C}	inline_connector
BB6:2	N/A	{GA 3 D}	inline_connector
BB6:3	AC compressor 3	{CL 2 B}	inline_connector
BB6:4	+30 main swith(fuse F54)	{GA 3 D}	inline_connector
BB6:5	Luggage hatch, open	{BB 2 B}	inline_connector
BB6:6	Luggage compartment light	{BB 3 C}	inline_connector
BB6:12	Reverse warning signal	{GA 3 B}	inline_connector
BB7:1	Stop lamp.Right	{GA 3 B}	inline_connector
BB7:2	Reversing lamps	{GA 4 B}	inline_connector
BB7:3	Direction indicator.Rear left	{GA 5 B}	inline_connector
BB7:4	Direction indicator.Rear right	{GA 2 B}	inline_connector
BB7:5	Extra direction indicator.Left	{GA 4 B}	inline_connector
BB7:6	Extra direction indicator.Right	{GA 3 B}	inline_connector

**VOLVO**

Volvo Bus Corporation

Document Title

**WIRING DIAGRAM**

Document Type

**PRODUCT SCHEMATIC**

Document No

**70396509**

Issue Index

**04**

Volume No

**02(02)**

Page No

**5(31)**

Part Name	Description	Location	Part Type
BB7:7	Rear position lamps.Left	{GA 5 B}	inline_connector
BB7:8	Rear position lamp.Right	{GA 2 B}	inline_connector
BB7:9	End-outline marker,sidemarkers lamps.Rear left	{GA 1 C}	inline_connector
BB7:10	End-outline marker,side marker lamps.Rear right	{GA 1 C}	inline_connector
BB7:11	Stop lamp,left and Category S3 stop lamps	{GA 5 B}	inline_connector
BB7:12	Fog lamps,Rear	{GA 4 B}	inline_connector
BB8:1	End-outline marker lamp.Front left	{GB 4 A}	inline_connector
BB8:2	End-outline marker lamp.Front right	{GB 1 A}	inline_connector
BB8:3	Extra main beam	{GB 2 C}	inline_connector
BB10A:1	remote control of extra power amplifier(12V)	{IU 4 A}	inline_connector
BB10A:3	+15(12V)	{IU 3 C}	inline_connector
BB10A:5	+30(12V)	{IU 4 C}	inline_connector
BB10A:7	Ground	{IU 5 C}	inline_connector
BB10A:9	N/A	{IU 3 A}	inline_connector
BB10B:1	remote control of extra power amplifier (12V)	{IU 4 A}	inline_connector
BB10B:3	+15(12V)	{IU 4 C}	inline_connector
BB10B:5	+30(12V)	{IU 3 C}	inline_connector
BB10B:7	Ground	{IU 5 C}	inline_connector
BB10B:9	N/A	{IU 3 A}	inline_connector
BB11:1		{GB 4 B}	inline_connector
BB13:1	AC 1 - 50%	{BC 5 C}	inline_connector
BB13:2	AC compressor 2	{CL 4 D}	inline_connector
BB13:3	AC compressor 3	{CL 4 D}	inline_connector
BB13:4		{FB 3 D}	inline_connector
BB13:5	TORQUE REDUCTION	{BC 5 C}	inline_connector
BB13:6	AC compressor 2	{CL 3 B}	inline_connector
BB13:7	AC compressor 3	{CL 2 B}	inline_connector
BBOX1A:1		{AA 1 C}	inline_connector
BBOX1A:2		{AA 1 C}	inline_connector
BBOX1A:3		{AA 0 C}	inline_connector
BBOX1B:1		{AA 1 B}	inline_connector
BBOX1B:2		{AA 1 B}	inline_connector
BBOX1B:3		{AA 0 B}	inline_connector
BBOX:1		{AA 4 A}	inline_connector
BBOX:2		{AB 4 C}	inline_connector
BBOX:3		{NB 4 D}	inline_connector
BFEED:1		{CU 5 D}	inline_connector
BMUX:1		{XD 3 C}	inline_connector
BMUX:2		{XD 3 C}	inline_connector
BMUX:3	Externa main switch	{AA 5 C}	inline_connector
BMUX:4	Externa main switch	{AA 5 B}	inline_connector
BMUX:5		{AA 5 D}	inline_connector
BOGIE:1		{FB 3 D}	inline_connector
BOGIE:2		{FB 4 D}	inline_connector
BOGIE:3		{FA 1 B}	inline_connector
BOGIE:4		{FA 2 B}	inline_connector

**VOLVO**

Volvo Bus Corporation

Document Title

**WIRING DIAGRAM**

Document Type

**PRODUCT SCHEMATIC**

Document No

**70396509**

Issue Index

**04**

Volume No

**02(02)**

Page No

**6(31)**

Part Name	Description	Location	Part Type
BOGIE:5		{FA 2 B}	inline_connector
BOGIE:6		{EP 4 C}	inline_connector
BOGIE:7		{EP 4 C}	inline_connector
BOGIE:8		{EP 4 C}	inline_connector
BOGIE:9		{EP 3 C}	inline_connector
BOGIE:10		{ZC 3 B}	inline_connector
BOGIE:11		{BB 0 C}	inline_connector
BOGIE:12		{BB 0 C}	inline_connector
BS1:2		{EO 3 B}	inline_connector
BS1:3		{EO 3 B}	inline_connector
BS1:4		{EO 3 B}	inline_connector
BS1:5		{EO 2 B}	inline_connector
BS1:8		{EP 5 D}	inline_connector
BS1:9		{EP 5 D}	inline_connector
BS1:10		{EP 4 D}	inline_connector
BS1:11		{EP 5 D}	inline_connector
BS1:12		{EP 5 D}	inline_connector
BS2:2		{EP 2 C}	inline_connector
BS2:3		{EP 2 C}	inline_connector
BS2:5		{EP 2 C}	inline_connector
BS2:6		{EP 2 C}	inline_connector
BS3:1		{EO 2 B}	inline_connector
BS3:2		{EO 2 B}	inline_connector
BS3:3		{EO 2 B}	inline_connector
BS3:4		{EO 1 B}	inline_connector
BS3:5		{EP 1 D}	inline_connector
BS3:6		{EP 1 D}	inline_connector
BS3:7		{EP 1 B}	inline_connector
BS3:8		{NA 2 C}	inline_connector
BS3:9		{BB 1 B}	inline_connector
BS3:10		{BA 0 C}	inline_connector
BS3:11		{BA 0 C}	inline_connector
BS3:12		{BA 0 C}	inline_connector
D1	Diod	{BA 3 A}	componentSymbol
D2	Diod	{AA 2 B}	componentSymbol
D3		{GM 1 B}	componentSymbol
DF:1		{NC 3 D}	inline_connector
DF:2		{NC 4 C}	inline_connector
DF:3		{NC 5 B}	inline_connector
DF:4		{XD 3 D}	inline_connector
DF:5		{XD 3 D}	inline_connector
DF:6		{NC 4 D}	inline_connector
DF:11		{NC 3 B}	inline_connector
DPF10:A		{XF 2 D}	inline_connector
DPF10:B		{XF 2 D}	inline_connector
DPF10:C		{XF 2 C}	inline_connector
DPF10:D		{XF 2 C}	inline_connector

**VOLVO**

Volvo Bus Corporation

Document Title

**WIRING DIAGRAM**

Document Type

**PRODUCT SCHEMATIC**

Document No

**70396509**

Issue Index

**04**

Volume No

**02(02)**

Page No

**7(31)**



Part Name	Description	Location	Part Type
DPF10:E		{CX 2 C}	inline_connector
DPF10:F		{BB 4 D}	inline_connector
DPF10:G		{BB 4 D}	inline_connector
DPF10:J		{CX 3 C}	inline_connector
DPF10:K		{CX 3 C}	inline_connector
DPF10:L		{CX 2 B}	inline_connector
DPF10:M		{CX 2 B}	inline_connector
DPF:A		{XF 4 B}	inline_connector
DPF:B		{XF 3 A}	inline_connector
DPF:C		{XF 4 B}	inline_connector
DPF:D		{XF 4 B}	inline_connector
DPF:E		{CS 1 B}	inline_connector
DPF:F		{CS 1 B}	inline_connector
DPF:G		{CS 2 B}	inline_connector
DPF:H		{CS 1 B}	inline_connector
DPF:J		{CS 1 B}	inline_connector
DPF:K		{CS 1 B}	inline_connector
E07L	Fog light left	{GE 2 C}	componentSymbol
E07LR	Fog light left rear	{GA 4 B}	componentSymbol
E07R	Fog light right	{GE 2 C}	componentSymbol
E07RR	Fog light right rear	{GA 4 B}	componentSymbol
E09	Lamp,brake light	{GA 4 B}	componentSymbol
E11LA	Side marker light left	{GA 1 B}	componentSymbol
E11LF	Side marker light left front	{GA 2 B}	componentSymbol
E11LR	Side marker light left rear	{GA 1 B}	componentSymbol
E11ML	Side marker light middle left	{GA 1 B}	componentSymbol
E11MR	Side marker light middle right	{GA 0 B}	componentSymbol
E11RA	Side marker light right	{GA 0 B}	componentSymbol
E11RF	Side marker light right front	{GA 1 B}	componentSymbol
E11RR	Side marker light right rear	{GA 1 B}	componentSymbol
E11TL	Position Light,Left(Trailer)	{GA 2 B}	componentSymbol
E11TR	Position Light,Right(Trailer)	{GA 1 B}	componentSymbol
E13L	Dir. ind. left	{GA 4 B}	componentSymbol
E13LA	Dir.indicator left	{GA 4 B}	componentSymbol
E13R	Dir. ind. right	{GA 3 B}	componentSymbol
E13RB	Dir.indicator right	{GA 3 B}	componentSymbol
earth5_553		{GA 4 A}	global_terminal_connector
earth6_553		{GA 3 A}	global_terminal_connector
earth8_553		{GA 3 A}	global_terminal_connector
earth9_553		{GA 2 B}	global_terminal_connector
earth10_553		{GA 1 B}	global_terminal_connector
earth11_553		{GA 1 B}	global_terminal_connector
earth12_553		{GA 0 B}	global_terminal_connector
earth18_82	Ground conn., steering column	{IS 1 A}	global_terminal_connector
earth23_94		{GA 4 B}	global_terminal_connector
earth38_72		{GA 4 B}	global_terminal_connector
ECS1:1		{FA 4 B}	inline_connector

**VOLVO**

Volvo Bus Corporation

Document Title

**WIRING DIAGRAM**

Document Type

**PRODUCT SCHEMATIC**

Document No

**70396509**

Issue Index

**04**

Volume No

**02(02)**

Page No

**8(31)**

Part Name	Description	Location	Part Type
ECS1:2		{FA 4 B}	inline_connector
ECS1:3		{FA 4 B}	inline_connector
ECS1:5		{FB 5 C}	inline_connector
ECS1:6		{FB 2 D}	inline_connector
ECS1:7		{FB 2 C}	inline_connector
ECS1:8		{FB 5 C}	inline_connector
ECS1:9		{FB 5 C}	inline_connector
ECS1:10		{FB 2 C}	inline_connector
ECS1:11		{FB 2 C}	inline_connector
ECS1:12		{FA 4 C}	inline_connector
ECS2:1		{FA 5 B}	inline_connector
ECS2:2		{FA 4 B}	inline_connector
ECS2:3		{FA 5 B}	inline_connector
ECS2:4		{FB 4 D}	inline_connector
ECS2:5		{FB 4 D}	inline_connector
ECS2:6		{FB 2 D}	inline_connector
ECS2:7		{FB 3 C}	inline_connector
ECS2:8		{FB 5 D}	inline_connector
ECS2:9		{FB 4 D}	inline_connector
ECS2:10		{FB 1 C}	inline_connector
ECS2:11		{FB 2 C}	inline_connector
ECS2:12		{FA 5 C}	inline_connector
EMS:1		{BA 5 B}	inline_connector
EMS:2		{XC 1 B}	inline_connector
EMS:3		{XC 1 B}	inline_connector
EMS:4		{XD 1 C}	inline_connector
EMS:5		{XD 1 C}	inline_connector
EMS:6		{BA 4 D}	inline_connector
EMS:7		{BA 3 D}	inline_connector
EMS:9		{BA 4 C}	inline_connector
EMS:10		{ZC 4 B}	inline_connector
EMS:11		{BB 1 C}	inline_connector
ENG1:2		{AA 2 B}	inline_connector
ENG1:3		{BB 4 B}	inline_connector
ENG1:4		{AA 2 B}	inline_connector
ENG1:5		{BB 4 D}	inline_connector
ENG1:6		{AA 2 C}	inline_connector
ENG1:7		{AF 4 B}	inline_connector
ENG1:8		{AF 4 D}	inline_connector
ENG1:9		{AF 1 C}	inline_connector
ENG1:10		{NA 0 C}	inline_connector
ENG1:11		{NA 5 C}	inline_connector
ENG1:12		{ZC 3 B}	inline_connector
EU4:8		{BA 4 C}	inline_connector
EU4:10		{CU 5 D}	inline_connector
EU4:11		{XF 1 C}	inline_connector
EU4:12		{XF 1 C}	inline_connector

**VOLVO**

Volvo Bus Corporation

Document Title

**WIRING DIAGRAM**

Document Type

**PRODUCT SCHEMATIC**

Document No

**70396509**

Issue Index

**04**

Volume No

**02(02)**

Page No

**9(31)**

Part Name	Description	Location	Part Type
F1	ECS, 5A	{FA 0 D}	componentSymbol
F2	BIC2,10A	{NA 1 D}	componentSymbol
F4	EBS,20A	{EO 5 D}	componentSymbol
F5	Horn,5A	{IS 2 D}	componentSymbol
F7	Gearbox ECU I-shift, 10A	{DN 4 D}	componentSymbol
F8	Gear selector ,I-Shift,5A	{DN 4 D}	componentSymbol
F9	Switchbox start/stop rear, 5A	{AA 2 D}	componentSymbol
F10	Fire Alarm,5A	{BB 4 D}	componentSymbol
F11	Dyna fleet, FMS, 10A	{NC 5 D}	componentSymbol
F12	Body +30,5A	{BB 3 D}	componentSymbol
F14	BBM,5A	{BB 5 D}	componentSymbol
F15	EECU,15A	{BA 4 D}	componentSymbol
F16	VECU,5A	{BA 4 D}	componentSymbol
F17	Switch feed, 5A	{FA 1 D}	componentSymbol
F18	Alternator, 5A	{AF 1 D}	componentSymbol
F19	Hymer, 10A	{AF 4 D}	componentSymbol
F20	EBS,10A	{EO 5 D}	componentSymbol
F21	Wiper,Washer,15A	{GM 2 D}	componentSymbol
F23	ACC, FMS,5A	{NE 3 D}	componentSymbol
F24	BIC 2,5A	{NA 2 D}	componentSymbol
F25	Washer motor, 15A	{GM 4 D}	componentSymbol
F26	ECS,5A	{FA 0 D}	componentSymbol
F28	Retarder, 10A	{DN 5 D}	componentSymbol
F29	Body +DR, 5A	{BB 3 D}	componentSymbol
F31	Hydraulic oil, DNOx2, 10A	{NA 5 D}	componentSymbol
F32	Tachograph,5A	{NB 4 D}	componentSymbol
F33	BIC 2,5A	{NA 2 D}	componentSymbol
F35	LCM ,25A	{GA 5 D}	componentSymbol
F36	LCM,25A	{GA 4 D}	componentSymbol
F37	LCM,25A	{GA 3 D}	componentSymbol
F39	DNOx2, 25A	{CU 5 D}	componentSymbol
F40	Voltage guard, 5A	{AA 1 D}	componentSymbol
F41	Radio,20A	{IU 4 D}	componentSymbol
F42	Maine Switch,5A	{AA 5 D}	componentSymbol
F44	LCM,25A	{GA 5 D}	componentSymbol
F45	LCM,25A	{GA 4 D}	componentSymbol
F46	LCM,25A	{GA 4 D}	componentSymbol
F47	Side marker L, 5A	{GA 1 D}	componentSymbol
F48	Side marker R, 5A	{GA 1 D}	componentSymbol
F49	Fuel cut off valve, 5A	{NA 5 D}	componentSymbol
F51	Radio,5A	{IU 4 D}	componentSymbol
F52	Luggage Light,10A	{BB 2 D}	componentSymbol
F53	Bogie Valve, Heater waterseparator, 5A	{BB 0 D}	componentSymbol
F54	Engine/Luggage hatch,5A	{GA 3 D}	componentSymbol
F55	Engine brake valve, Preheat relay, Fan speed clutch,10A	{BA 4 D}	componentSymbol
F56	Engine brake, 10A	{BA 4 D}	componentSymbol

**VOLVO**

Volvo Bus Corporation

Document Title

**WIRING DIAGRAM**

Document Type

**PRODUCT SCHEMATIC**

Document No

**70396509**

Issue Index

**04**

Volume No

**02(02)**

Page No

**10(31)**

Part Name	Description	Location	Part Type
F57	Key switch,5A	{AA 4 D}	componentSymbol
F61	Light, luggageroom,10A	{GA 3 D}	componentSymbol
F63		{CL 1 D}	componentSymbol
F64	Load Indicator	{CL 2 C}	componentSymbol
F90A		{CU 1 B}	componentSymbol
F90B		{CU 1 B}	componentSymbol
F96	Fuse, Xenon low beam L, 10A	{GN 5 C}	componentSymbol
F97	Fuse, Xenon low beam R, 10A	{GN 4 C}	componentSymbol
F98	Fuse, Xenon high beam L, 10A	{GN 4 C}	componentSymbol
F99	Fuse, Xenon high beam R,10A	{GN 4 C}	componentSymbol
F907	Fuse 12V I-shift	{AB 3 B}	componentSymbol
F912		{AB 3 C}	componentSymbol
F915	Fuse 12V EMS2	{AB 3 B}	componentSymbol
F924		{AB 3 C}	componentSymbol
F955	Fuse 12V Act. EMS2	{AB 2 B}	componentSymbol
F956	Fuse 12V Fuel Pump	{AB 2 B}	componentSymbol
F957	Fuse 12V Cool Fan	{AB 2 B}	componentSymbol
FEED:1		{BA 5 D}	inline_connector
FEEDX:1		{GN 4 D}	inline_connector
FH1	FuseHolder 12V	{AB 2 B}	componentSymbol
FH1A:1		{DN 4 C}	inline_connector
FH1A:2		{DN 4 C}	inline_connector
FH1A:3		{DN 4 D}	inline_connector
FH1A:6		{IS 2 D}	inline_connector
FH1A:7		{FA 0 D}	inline_connector
FH1A:8		{EO 5 D}	inline_connector
FH1A:10		{NA 1 D}	inline_connector
FH1B:1		{BA 4 D}	inline_connector
FH1B:2		{BA 4 D}	inline_connector
FH1B:3		{BA 5 D}	inline_connector
FH1B:4		{AA 2 D}	inline_connector
FH1B:6		{BB 5 D}	inline_connector
FH1B:7		{BB 4 D}	inline_connector
FH1B:10		{NC 5 D}	inline_connector
FH1B:11		{BB 3 D}	inline_connector
FH2A:1		{GM 2 D}	inline_connector
FH2A:3		{NE 3 D}	inline_connector
FH2A:4		{EO 5 D}	inline_connector
FH2A:5		{AA 2 D}	inline_connector
FH2A:6		{NA 2 D}	inline_connector
FH2A:7		{AF 4 D}	inline_connector
FH2A:8		{AF 1 D}	inline_connector
FH2A:9		{FA 1 D}	inline_connector
FH2B:1		{BB 3 D}	inline_connector
FH2B:3		{NA 5 D}	inline_connector
FH2B:4		{DN 5 D}	inline_connector
FH2B:5		{AA 2 D}	inline_connector

**VOLVO**

Volvo Bus Corporation

Document Title

**WIRING DIAGRAM**

Document Type

**PRODUCT SCHEMATIC**

Document No

**70396509**

Issue Index

**04**

Volume No

**02(02)**

Page No

**11(31)**

Part Name	Description	Location	Part Type
FH2B:6		{NB 4 D}	inline_connector
FH2B:8		{FA 0 D}	inline_connector
FH2B:9		{GM 4 D}	inline_connector
FH3A:1		{BA 4 D}	inline_connector
FH3A:2		{BA 4 D}	inline_connector
FH3A:3		{BA 4 D}	inline_connector
FH3A:4		{GA 3 D}	inline_connector
FH3A:5		{BB 0 D}	inline_connector
FH3A:7		{NA 5 D}	inline_connector
FH3A:8		{BB 2 D}	inline_connector
FH3A:12		{IU 4 D}	inline_connector
FH3B:1		{CL 2 C}	inline_connector
FH3B:2		{CL 1 C}	inline_connector
FH3B:3		{CL 1 C}	inline_connector
FH3B:4		{AA 4 D}	inline_connector
FH3B:9		{GA 3 D}	inline_connector
FH4A:2		{CU 5 D}	inline_connector
FH4A:3		{CU 5 D}	inline_connector
FH4A:4		{AA 1 D}	inline_connector
FH4A:5		{GA 3 D}	inline_connector
FH4A:7		{NA 2 D}	inline_connector
FH4A:8		{GA 4 D}	inline_connector
FH4A:12		{GA 5 D}	inline_connector
FH4B:1		{GA 1 C}	inline_connector
FH4B:2		{GA 1 C}	inline_connector
FH4B:3		{GA 1 C}	inline_connector
FH4B:4		{IU 4 D}	inline_connector
FH4B:5		{GA 4 D}	inline_connector
FH4B:7		{AA 5 D}	inline_connector
FH4B:8		{GA 4 D}	inline_connector
FH4B:12		{GA 5 D}	inline_connector
FH5	Fuse house, Xenon light	{GN 5 C}	componentSymbol
FL2:11		{GB 5 D}	inline_connector
FL2A	Front light, L	{GE 5 B}	componentSymbol
FL3:11		{GB 5 D}	inline_connector
FL3A	Front light, R	{GE 3 B}	componentSymbol
FTM:2		{XD 0 B}	inline_connector
FTM:3		{XD 0 B}	inline_connector
FTM:4		{BC 2 C}	inline_connector
FTM:5		{BC 2 C}	inline_connector
FTM:6		{BC 2 B}	inline_connector
FTM:7		{BC 2 B}	inline_connector
FTM:9		{AA 2 D}	inline_connector
FTM:10		{ZC 1 B}	inline_connector
FTM_D:1		{CL 3 D}	inline_connector
FTM_D:4		{BC 2 C}	inline_connector
FTM_D:5		{BC 2 C}	inline_connector

**VOLVO**

Volvo Bus Corporation

Document Title

**WIRING DIAGRAM**

Document Type

**PRODUCT SCHEMATIC**

Document No

**70396509**

Issue Index

**04**

Volume No

**02(02)**

Page No

**12(31)**

Part Name	Description	Location	Part Type
FTM_D:6		{BC 2 B}	inline_connector
FTM_D:7		{BC 2 B}	inline_connector
FTM_D:10		{ZC 1 B}	inline_connector
FTM_J:4		{BC 2 C}	inline_connector
FTM_J:5		{BC 2 C}	inline_connector
FTM_J:6		{BC 2 B}	inline_connector
FTM_J:7		{BC 2 B}	inline_connector
FUEL:1		{NA 4 A}	inline_connector
FUEL:2		{NA 4 A}	inline_connector
FUEL:3		{NA 4 B}	inline_connector
FUEL:5		{NA 5 D}	inline_connector
FUEL:6		{NA 5 C}	inline_connector
FUEL:7		{FA 3 B}	inline_connector
FUEL:8		{FA 3 B}	inline_connector
FUEL:9		{FA 4 C}	inline_connector
FUEL:10		{FB 0 C}	inline_connector
FUEL:11		{FB 3 D}	inline_connector
G01	Battery	{AB 5 B}	componentSymbol
G01.B		{AC 3 B}	componentSymbol
G01B	Battery	{AB 4 B}	componentSymbol
G01B.A		{AC 3 B}	componentSymbol
G01B:C		{AB 4 B}	componentSymbol
G02	Alternator 1	{AF 2 B}	componentSymbol
G03	Alternator 2	{AF 2 B}	componentSymbol
G08A	Battery	{AC 3 B}	componentSymbol
G08A_A		{AC 3 C}	componentSymbol
G08B	Battery	{AC 3 B}	componentSymbol
G08B_B		{AC 3 A}	componentSymbol
G901	Battery Equalizer	{AB 3 D}	componentSymbol
GBX:1		{DN 1 D}	inline_connector
GBX:2		{DN 3 D}	inline_connector
GBX:7		{XC 0 B}	inline_connector
GBX:8		{XC 0 B}	inline_connector
GBX:9		{XD 1 B}	inline_connector
GBX:10		{XD 1 B}	inline_connector
GBX:13		{NA 4 C}	inline_connector
GBX:17		{BA 2 B}	inline_connector
GBX:18		{BA 2 B}	inline_connector
GND		{BA 2 A}	componentSymbol
GND1A		{ZC 2 B}	componentSymbol
GND1B		{ZC 4 A}	componentSymbol
GND1C		{ZC 2 A}	componentSymbol
GND1D		{ZC 0 A}	componentSymbol
GND1UA:1		{CU 2 A}	inline_connector
GND1UB:1		{CU 2 A}	inline_connector
GND2A		{AF 2 A}	componentSymbol
GND2B		{AF 2 A}	componentSymbol

**VOLVO**

Volvo Bus Corporation

Document Title

**WIRING DIAGRAM**

Document Type

**PRODUCT SCHEMATIC**

Document No

**70396509**

Issue Index

**04**

Volume No

**02(02)**

Page No

**13(31)**

Part Name	Description	Location	Part Type
GND6		{GB 5 B}	componentSymbol
GND6B		{ZC 3 C}	componentSymbol
GND11		{ZC 1 C}	componentSymbol
GND31A		{ZC 1 A}	componentSymbol
GND31B		{AB 4 A}	componentSymbol
GND31F		{ZC 3 A}	componentSymbol
GND31R		{ZC 3 A}	componentSymbol
GND40		{AF 3 A}	componentSymbol
GND41		{AF 3 A}	componentSymbol
GND74		{CU 1 A}	componentSymbol
GND75		{AB 2 D}	componentSymbol
GND900		{AC 3 A}	componentSymbol
GND_PH		{CS 5 A}	componentSymbol
GNDX		{ZC 3 C}	componentSymbol
H01	Air,Operated	{IS 2 C}	componentSymbol
H02	Diaphragm horn	{IS 1 C}	componentSymbol
IB1:1		{NA 2 D}	inline_connector
IB1:2		{NA 2 B}	inline_connector
IB1:3		{NA 2 B}	inline_connector
IB1:4		{NA 2 B}	inline_connector
IB1:5		{NA 2 B}	inline_connector
IB1:6		{NA 2 B}	inline_connector
IB1:7		{NA 1 D}	inline_connector
IB1:8		{NA 3 C}	inline_connector
IB1:9		{AF 2 C}	inline_connector
IB1:10		{AF 1 C}	inline_connector
IB1:12		{NA 4 C}	inline_connector
IB1:13		{NA 4 C}	inline_connector
IB1:14		{XC 4 D}	inline_connector
IB1:15		{XC 4 D}	inline_connector
IB1:16		{XD 2 D}	inline_connector
IB1:17		{XD 2 D}	inline_connector
IB1:18		{NA 2 D}	inline_connector
IB2:1		{NA 3 B}	inline_connector
IB2:2		{NA 3 B}	inline_connector
IB2:3		{NA 3 B}	inline_connector
IB2:4		{NA 3 B}	inline_connector
IB2:5		{NA 4 C}	inline_connector
IB2:6		{NA 4 B}	inline_connector
IB2:7		{GA 1 C}	inline_connector
IB2:8		{ZC 5 B}	inline_connector
IB2:9		{GA 3 C}	inline_connector
IB2:11		{IS 2 B}	inline_connector
IB2:12		{IS 1 B}	inline_connector
IB2:13		{EP 2 C}	inline_connector
IB2:14		{EP 3 C}	inline_connector
IB2:15		{EP 2 B}	inline_connector

**VOLVO**

Volvo Bus Corporation

Document Title

**WIRING DIAGRAM**

Document Type

**PRODUCT SCHEMATIC**

Document No

**70396509**

Issue Index

**04**

Volume No

**02(02)**

Page No

**14(31)**

Part Name	Description	Location	Part Type
IB2:16		{EP 2 B}	inline_connector
IB2:17		{AA 4 C}	inline_connector
IB2:18		{NC 5 D}	inline_connector
IB3:1		{BA 1 C}	inline_connector
IB3:2		{BA 1 C}	inline_connector
IB3:3		{BA 1 C}	inline_connector
IB3:4		{BA 1 C}	inline_connector
IB3:5		{BA 1 C}	inline_connector
IB3:6		{BA 1 B}	inline_connector
IB3:7		{BA 3 C}	inline_connector
IB3:8		{BA 3 C}	inline_connector
IB3:9		{BA 3 C}	inline_connector
IB3:10		{BA 3 C}	inline_connector
IB3:11		{BA 3 C}	inline_connector
IB3:12		{BA 3 C}	inline_connector
IB3:13		{BA 1 C}	inline_connector
IB3:14		{IU 4 D}	inline_connector
IB3:15		{IU 4 D}	inline_connector
IB3:16		{IU 4 C}	inline_connector
IB3:17		{FA 1 D}	inline_connector
IB3:18		{ZC 4 B}	inline_connector
IB4:1		{GB 2 C}	inline_connector
IB4:2		{GB 3 C}	inline_connector
IB4:3		{GB 4 C}	inline_connector
IB4:4		{GB 3 C}	inline_connector
IB4:5		{GB 3 C}	inline_connector
IB4:6		{GA 4 B}	inline_connector
IB4:7		{GB 4 B}	inline_connector
IB4:8		{GB 4 C}	inline_connector
IB4:9		{GB 4 C}	inline_connector
IB4:10		{GB 2 C}	inline_connector
IB4:11		{GB 2 C}	inline_connector
IB4:12		{GB 1 C}	inline_connector
IB4:13		{GB 1 C}	inline_connector
IB4:14		{GB 1 C}	inline_connector
IB4:15		{EP 0 D}	inline_connector
IB4:16		{EP 0 D}	inline_connector
IB4:17		{EP 1 C}	inline_connector
IB4:18		{EP 1 C}	inline_connector
IB5:2		{AA 3 D}	inline_connector
IB5:3		{BA 1 B}	inline_connector
IB5:4		{AA 3 B}	inline_connector
IB5:5		{AA 5 D}	inline_connector
IB5:6		{AA 4 B}	inline_connector
IB5:7		{AA 5 C}	inline_connector
IB5:8		{FA 4 D}	inline_connector
IB5:9		{FA 2 B}	inline_connector

**VOLVO**

Volvo Bus Corporation

Document Title

**WIRING DIAGRAM**

Document Type

**PRODUCT SCHEMATIC**

Document No

**70396509**

Issue Index

**04**

Volume No

**02(02)**

Page No

**15(31)**



Part Name	Description	Location	Part Type
IB5:10		{NA 0 B}	inline_connector
IB5:11		{FA 3 C}	inline_connector
IB5:12		{FA 3 C}	inline_connector
IB5:13		{AA 3 C}	inline_connector
IB5:14		{FA 1 B}	inline_connector
IB5:15		{FA 1 B}	inline_connector
IB5:16		{FA 2 B}	inline_connector
IB5:17		{EO 3 B}	inline_connector
IB5:18		{NA 3 C}	inline_connector
IB6:1		{NB 4 D}	inline_connector
IB6:2		{XC 2 C}	inline_connector
IB6:3		{XC 2 C}	inline_connector
IB6:4		{NB 4 D}	inline_connector
IB6:5		{ZC 5 B}	inline_connector
IB6:6		{NB 3 D}	inline_connector
IB6:7		{NB 4 C}	inline_connector
IB6:8		{NB 4 C}	inline_connector
IB6:9		{NB 4 C}	inline_connector
IB6:10		{NB 4 C}	inline_connector
IB6:12		{NB 3 B}	inline_connector
IB7:1		{GM 4 D}	inline_connector
IB7:2		{GB 0 C}	inline_connector
IB7:3		{GB 0 C}	inline_connector
IB7:4		{GM 2 C}	inline_connector
IB7:5		{XF 2 A}	inline_connector
IB7:6		{XF 2 A}	inline_connector
IB7:7		{NA 2 C}	inline_connector
IB7:8		{GM 1 C}	inline_connector
IB7:10		{ZC 4 B}	inline_connector
IB7:11		{NA 2 B}	inline_connector
IB7:12		{GM 0 C}	inline_connector
IB8:1		{EO 4 B}	inline_connector
IB8:2		{EO 4 B}	inline_connector
IB8:3		{EO 4 B}	inline_connector
IB8:4		{EO 4 B}	inline_connector
IB8:5		{EO 4 B}	inline_connector
IB8:7		{GB 1 C}	inline_connector
IB8:8		{CL 2 B}	inline_connector
IB8:9		{CL 3 B}	inline_connector
IB8:10		{CL 2 B}	inline_connector
IB8:11		{CL 4 C}	inline_connector
IB8:12		{CL 4 C}	inline_connector
IB9:1		{BA 3 B}	inline_connector
IB9:2		{BA 2 B}	inline_connector
IB9:3		{GE 4 D}	inline_connector
IB9:4		{ZC 5 B}	inline_connector
IB9:5		{GE 4 C}	inline_connector

**VOLVO**

Volvo Bus Corporation

Document Title

**WIRING DIAGRAM**

Document Type

**PRODUCT SCHEMATIC**

Document No

**70396509**

Issue Index

**04**

Volume No

**02(02)**

Page No

**16(31)**

Part Name	Description	Location	Part Type
IB9:6		{GA 3 B}	inline_connector
IB9:7		{BA 2 C}	inline_connector
IB9:8		{BA 3 C}	inline_connector
IB9:9		{BA 2 C}	inline_connector
IB9:10		{BA 2 C}	inline_connector
IB9:11		{BA 2 C}	inline_connector
IB9:12		{BA 2 C}	inline_connector
IB10:1		{DN 5 C}	inline_connector
IB10:2		{GA 2 C}	inline_connector
IB10:3		{BB 4 B}	inline_connector
IB10:8		{DN 4 C}	inline_connector
IB10:9		{ZC 1 B}	inline_connector
IB10:10		{DN 5 C}	inline_connector
IB10_I:1		{DN 5 C}	inline_connector
IB10_I:8		{DN 4 C}	inline_connector
IB10_I:10		{DN 5 C}	inline_connector
IS:1		{XD 3 D}	inline_connector
IS:2		{XD 3 D}	inline_connector
IS:3		{XC 4 C}	inline_connector
IS:4		{XC 4 C}	inline_connector
K2	Load Indicator	{CL 2 C}	componentSymbol
K02		{GB 5 C}	componentSymbol
K3	ECS	{FA 0 B}	componentSymbol
K4	I-Shift/Voith	{DN 4 D}	componentSymbol
K7	Start engine	{AF 4 C}	componentSymbol
K8	VECU/EMS	{BA 5 C}	componentSymbol
K9	Wiper/Washer	{GM 2 C}	componentSymbol
K11	Prevent start engine	{AA 2 C}	componentSymbol
K12	Luggage Light	{BB 2 C}	componentSymbol
K13	Emergency switch relay	{AA 4 D}	componentSymbol
K14	Bogie	{BB 0 D}	componentSymbol
K17	Ignition +15	{AA 2 D}	componentSymbol
K25X	Xenon light low beam left	{GN 5 B}	componentSymbol
K26X	Xenon light low beam right	{GN 4 B}	componentSymbol
K27X	Xenon light high beam left	{GN 4 B}	componentSymbol
K28X	Xenon light high beam right	{GN 4 B}	componentSymbol
K35	relay_disconn_headlight_wash	{GM 4 C}	componentSymbol
K902		{CU 3 B}	componentSymbol
K903		{CU 3 B}	componentSymbol
K908		{CU 4 B}	componentSymbol
K909		{CU 2 B}	componentSymbol
K911	Relay, DRL Light	{GE 4 D}	componentSymbol
K917	Relay 12V I-shift	{DN 3 D}	componentSymbol
K918	Relay 12V EMS2	{AB 3 C}	componentSymbol
K925	Relay, Voltage guard	{AA 1 C}	componentSymbol
K997	Relay DACU - Vibr.Chair	{BE 2 B}	componentSymbol
KH1A:1		{FA 0 B}	inline_connector

**VOLVO**

Volvo Bus Corporation

Document Title

**WIRING DIAGRAM**

Document Type

**PRODUCT SCHEMATIC**

Document No

**70396509**

Issue Index

**04**

Volume No

**02(02)**

Page No

**17(31)**

Part Name	Description	Location	Part Type
KH1A:2		{FA 0 B}	inline_connector
KH1A:3		{FA 0 B}	inline_connector
KH1A:4		{CL 2 C}	inline_connector
KH1A:5		{FA 0 B}	inline_connector
KH1A:7		{CL 2 C}	inline_connector
KH1A:10		{CL 2 C}	inline_connector
KH1A:11		{CL 2 C}	inline_connector
KH1B:1		{DN 4 D}	inline_connector
KH1B:2		{DN 4 D}	inline_connector
KH1B:3		{DN 4 D}	inline_connector
KH1B:5		{DN 4 D}	inline_connector
KH2A:1		{BA 3 A}	inline_connector
KH2A:3		{BA 5 C}	inline_connector
KH2A:4		{BA 3 B}	inline_connector
KH2A:5		{BA 5 C}	inline_connector
KH2A:6		{BA 5 C}	inline_connector
KH2A:7		{AF 4 C}	inline_connector
KH2A:8		{AF 4 C}	inline_connector
KH2A:9		{BA 5 C}	inline_connector
KH2A:10		{AF 5 C}	inline_connector
KH2A:11		{AF 4 C}	inline_connector
KH2A:12		{AF 4 C}	inline_connector
KH2B:1		{AA 2 B}	inline_connector
KH2B:2		{GM 2 C}	inline_connector
KH2B:3		{GM 2 C}	inline_connector
KH2B:4		{AA 2 B}	inline_connector
KH2B:5		{GM 2 C}	inline_connector
KH2B:6		{GM 2 C}	inline_connector
KH2B:9		{GM 2 C}	inline_connector
KH3A:1		{AA 4 D}	inline_connector
KH3A:3		{AA 4 C}	inline_connector
KH3A:4		{BB 2 C}	inline_connector
KH3A:5		{AA 4 D}	inline_connector
KH3A:6		{AA 4 C}	inline_connector
KH3A:7		{BB 2 D}	inline_connector
KH3A:8		{AA 2 C}	inline_connector
KH3A:9		{AA 2 C}	inline_connector
KH3A:10		{BB 2 D}	inline_connector
KH3A:11		{BB 2 C}	inline_connector
KH3A:12		{AA 2 C}	inline_connector
KH3A:14		{AA 2 C}	inline_connector
KH3B:1		{BB 0 D}	inline_connector
KH3B:2		{BB 0 C}	inline_connector
KH3B:3		{BB 0 D}	inline_connector
KH3B:5		{BB 0 C}	inline_connector
LKS:1		{BE 3 C}	inline_connector
LKS:2		{BE 3 C}	inline_connector

**VOLVO**

Volvo Bus Corporation

Document Title

**WIRING DIAGRAM**

Document Type

**PRODUCT SCHEMATIC**

Document No

**70396509**

Issue Index

**04**

Volume No

**02(02)**

Page No

**18(31)**

Part Name	Description	Location	Part Type
LKS:3		{BE 3 C}	inline_connector
LKS:4		{BE 3 C}	inline_connector
LKS:5		{BE 3 C}	inline_connector
LKS:6		{BE 4 C}	inline_connector
LKS:7		{BE 5 D}	inline_connector
LKS:8		{BE 2 B}	inline_connector
LT:5		{CL 3 B}	inline_connector
LT:6		{CL 3 B}	inline_connector
LT:7		{CL 3 B}	inline_connector
M01	Motor, windscreen wiper	{GM 1 B}	componentSymbol
M01:1		{GM 0 B}	inline_connector
M01:2		{GM 0 B}	inline_connector
M01:3		{GM 1 B}	inline_connector
M01:4		{GM 1 B}	inline_connector
M01:5		{GM 1 A}	inline_connector
M01:6		{GM 4 C}	inline_connector
M01:8		{GM 3 B}	inline_connector
M01:9		{GM 4 C}	inline_connector
M01:11		{GM 4 B}	inline_connector
M01:12		{GM 3 B}	inline_connector
M01:13		{GM 4 B}	inline_connector
M01:14		{GM 4 C}	inline_connector
M02	windscreen_washer_motor	{GM 3 B}	componentSymbol
M03	headlights washer motor	{GM 4 B}	componentSymbol
MED:1		{XC 3 B}	inline_connector
MED:2		{XD 5 B}	inline_connector
MED:3		{CS 5 C}	inline_connector
MED:4		{XC 3 B}	inline_connector
MED:5		{XD 5 B}	inline_connector
MED:6		{CS 5 C}	inline_connector
MED:7		{CS 4 B}	inline_connector
MED:8		{CS 4 C}	inline_connector
MED:9		{AF 2 C}	inline_connector
MED:10		{AF 1 C}	inline_connector
MED:12		{AF 1 A}	inline_connector
MED:13		{CS 5 C}	inline_connector
MED:14		{BB 4 D}	inline_connector
MED:15		{CS 5 C}	inline_connector
MED:16		{BB 4 B}	inline_connector
MED:17		{AF 1 C}	inline_connector
MED:18		{CS 3 C}	inline_connector
MED:19		{CS 2 C}	inline_connector
MED:20		{CS 1 C}	inline_connector
MED:21		{CS 3 C}	inline_connector
MED:22		{CS 2 C}	inline_connector
MED:24		{CS 2 B}	inline_connector
MED:25		{CS 4 C}	inline_connector

**VOLVO**

Volvo Bus Corporation

Document Title

**WIRING DIAGRAM**

Document Type

**PRODUCT SCHEMATIC**

Document No

**70396509**

Issue Index

**04**

Volume No

**02(02)**

Page No

**19(31)**

Part Name	Description	Location	Part Type
MED:26		{CS 3 C}	inline_connector
MED:27		{CS 0 C}	inline_connector
MED:28		{CS 4 C}	inline_connector
MED:29		{CS 3 B}	inline_connector
MED:30		{CS 4 B}	inline_connector
MED:31		{CS 0 C}	inline_connector
MED:32		{CS 1 C}	inline_connector
MED:33		{CS 1 C}	inline_connector
MED:34		{CS 3 B}	inline_connector
MED:35		{AF 4 B}	inline_connector
MED:36		{CS 3 B}	inline_connector
MED:37		{CS 3 C}	inline_connector
MED:38		{CS 2 C}	inline_connector
MED:39		{CS 0 C}	inline_connector
MEDA:1		{NB 4 B}	inline_connector
MEDA:2		{NB 4 B}	inline_connector
MEDA:3		{NB 4 B}	inline_connector
MEDA:4		{NB 4 B}	inline_connector
MEDA:5		{DN 3 C}	inline_connector
MEDA:6		{DN 3 C}	inline_connector
MEDA:7		{XC 2 B}	inline_connector
MEDA:8		{XC 2 B}	inline_connector
MEDA:9		{XD 4 B}	inline_connector
MEDA:10		{XD 5 B}	inline_connector
MEDA:11		{DN 3 C}	inline_connector
MEDA:12		{DN 1 C}	inline_connector
ML1:1		{GB 4 A}	inline_connector
ML1:2		{ZC 3 D}	inline_connector
ML1:3		{GE 5 B}	inline_connector
ML1:4		{ZC 2 D}	inline_connector
ML1:5		{GE 5 B}	inline_connector
ML1:6		{ZC 2 D}	inline_connector
ML1:7		{GE 5 B}	inline_connector
ML2:1		{GB 1 A}	inline_connector
ML2:2		{ZC 2 D}	inline_connector
ML2:3		{GE 3 B}	inline_connector
ML2:4		{ZC 2 D}	inline_connector
ML2:5		{GE 3 B}	inline_connector
ML2:6		{ZC 2 D}	inline_connector
ML2:7		{GE 3 B}	inline_connector
ML3:1		{BB 2 C}	inline_connector
ML3:2		{BB 3 D}	inline_connector
ML3:3		{GA 1 B}	inline_connector
ML3:4		{GA 1 B}	inline_connector
ML3:5		{GA 0 B}	inline_connector
ML3:6		{GA 3 C}	inline_connector
ML3:7		{GA 1 B}	inline_connector

**VOLVO**

Volvo Bus Corporation

Document Title

**WIRING DIAGRAM**

Document Type

**PRODUCT SCHEMATIC**

Document No

**70396509**

Issue Index

**04**

Volume No

**02(02)**

Page No

**20(31)**

Part Name	Description	Location	Part Type
ML4:1		{BB 2 C}	inline_connector
ML4:2		{BB 3 D}	inline_connector
ML4:3		{GA 1 B}	inline_connector
ML4:4		{GA 1 B}	inline_connector
ML4:5		{GA 2 B}	inline_connector
ML4:6		{GA 3 C}	inline_connector
ML4:7		{GA 1 B}	inline_connector
OBD		{NA 1 C}	componentSymbol
OBD2		{NA 1 B}	componentSymbol
R01	Heater, engine preheat	{CS 5 A}	componentSymbol
R02	Heater, rear view mirror	{GB 5 B}	componentSymbol
R08	Termination resistor,CAN-bus	{XC 4 D}	componentSymbol
R37	Terminator 1939_6	{BE 4 C}	componentSymbol
R904	Resistor_DBUS	{CL 3 D}	componentSymbol
R905	Heated_Hose_Suction_Line	{CU 4 B}	componentSymbol
R905_US	suction_line	{CX 4 A}	componentSymbol
R905A:1		{CU 4 B}	inline_connector
R905A:2		{CU 4 B}	inline_connector
R905B:1		{CU 4 B}	inline_connector
R905B:2		{CU 4 B}	inline_connector
R905C:1		{CU 4 B}	inline_connector
R905C:2		{CU 4 B}	inline_connector
R906	Heated_Hose_Pressure_Line	{CU 4 B}	componentSymbol
R906_US	Pressure_line	{CX 3 A}	componentSymbol
R906A:1		{CU 4 B}	inline_connector
R906A:2		{CU 4 B}	inline_connector
R906B:1		{CU 4 B}	inline_connector
R906B:2		{CU 3 B}	inline_connector
R906C:1		{CU 3 B}	inline_connector
R906C:2		{CU 4 B}	inline_connector
R907		{XF 0 A}	componentSymbol
R908	Heated_Hose_Backflow_to_tank	{CU 2 B}	componentSymbol
R908A:1		{CU 2 B}	inline_connector
R908A:2		{CU 2 B}	inline_connector
R908B:1		{CU 2 B}	inline_connector
R908B:2		{CU 2 B}	inline_connector
R908C:1		{CU 2 B}	inline_connector
R908C:2		{CU 2 B}	inline_connector
R909	Heated_Filter	{CU 5 B}	componentSymbol
R910	Heated_Hose_Backflow_to_pump	{CU 3 B}	componentSymbol
R910A:1		{CU 3 B}	inline_connector
R910A:2		{CU 3 B}	inline_connector
R910B:1		{CU 3 B}	inline_connector
R910B:2		{CU 3 B}	inline_connector
R910C:1		{CU 3 B}	inline_connector
R910C:2		{CU 3 B}	inline_connector
R911		{CL 4 B}	componentSymbol

**VOLVO**

Volvo Bus Corporation

Document Title

**WIRING DIAGRAM**

Document Type

**PRODUCT SCHEMATIC**

Document No

**70396509**

Issue Index

**04**

Volume No

**02(02)**

Page No

**21(31)**

Part Name	Description	Location	Part Type
R913	CAN2 termination US07	{XF 3 B}	componentSymbol
RA1:1		{NB 4 B}	inline_connector
RA1:2		{NB 4 B}	inline_connector
RA1:3		{NB 4 B}	inline_connector
RA1:4		{NB 4 B}	inline_connector
RA1:5		{NA 3 C}	inline_connector
RA1:6		{AF 2 C}	inline_connector
RA1:7		{AF 1 C}	inline_connector
RA1:10		{NA 4 C}	inline_connector
RA1:11		{AB 4 D}	inline_connector
RL1A	Rear light, R	{GA 2 B}	componentSymbol
RL2A	Rear light, L	{GA 5 B}	componentSymbol
RL3:1		{GA 2 B}	inline_connector
RL3:2		{GA 1 B}	inline_connector
RL3:3		{GA 4 B}	inline_connector
RL3:4		{GA 3 B}	inline_connector
RL3:5		{GA 3 C}	inline_connector
RL3:6		{GA 4 B}	inline_connector
RL3:7		{GA 3 B}	inline_connector
RL3:8		{BC 3 C}	inline_connector
RL3:10		{GA 4 B}	inline_connector
RL3:11		{GA 3 C}	inline_connector
RL3:12		{ZC 2 D}	inline_connector
RL4:1		{GA 4 B}	inline_connector
RL4:2		{GA 3 B}	inline_connector
RL4:3		{GA 1 B}	inline_connector
RL4:4		{GA 0 B}	inline_connector
RL4:5		{GA 4 B}	inline_connector
RL4:7		{GA 3 B}	inline_connector
RL:1		{GB 5 C}	inline_connector
RL:3		{GB 4 B}	inline_connector
RL_DA:1		{GB 5 B}	inline_connector
RL_DB:1		{GB 5 C}	inline_connector
S01	Switch,main lighting,selector type	{GB 4 D}	componentSymbol
S02	Stalk switch LHS	{BA 3 D} {GB 2 D}	componentSymbol
S06	Stalk switch , windscreen wiper, selector type	{NA 2 B}	componentSymbol
S08	Switch,differential gear lock,rear wheels	{EO 3 C}	componentSymbol
S11	switch bogie lift	{FA 3 B}	componentSymbol
S12	Main switch	{AA 4 C}	componentSymbol
S14A	Switch, push button, Air horn	{IS 2 A}	componentSymbol
S14B	Switch, push button, Air horn	{IS 1 A}	componentSymbol
S15A	Switch,Starter Key	{AA 3 D}	componentSymbol
S15B	Switch,Starter Feed	{AA 4 B}	componentSymbol
S16	Switch, push button, El. horn	{IS 1 A}	componentSymbol
S24	stalk_switch_retarder	{BA 1 D}	componentSymbol

**VOLVO**

Volvo Bus Corporation

Document Title

**WIRING DIAGRAM**

Document Type

**PRODUCT SCHEMATIC**

Document No

**70396509**

Issue Index

**04**


Volume No

**02(02)**

Page No

**22(31)**

Part Name	Description	Location	Part Type
S31	Switch, TCS ( Traction Control System )	{EP 1 B}	componentSymbol
S32	Brake hold	{EP 1 C}	componentSymbol
S34	Switch unit, steering wheel push buttons	{IS 5 C}	componentSymbol
S40	Switch, battery main switch	{AA 5 C}	componentSymbol
S45	Position switch,differential gear lock indicator,rear wheels,NC.or NO.	{EP 1 C}	componentSymbol
S50	Switch, pressure parking brake indicator, NO	{BA 3 B}	componentSymbol
S58	clutch_switch	{BA 2 C}	componentSymbol
S68	Sensor coolant level	{CS 4 C}	componentSymbol
S68_13	Sensor Coolant level	{CS 4 D}	componentSymbol
S70	Switch Hydr.oil ,Flow sensor	{BB 0 B}	componentSymbol
S77	Assistantnce call	{NC 3 C}	componentSymbol
S202	Switch DACU	{BE 5 C}	componentSymbol
S901	eng_stop_rear	{AA 1 B}	componentSymbol
S902	switch leveling	{FA 1 B}	componentSymbol
S904	Switch,emergency cut-out	{AA 4 D}	componentSymbol
S905	Switch,Retarder	{BA 1 A}	componentSymbol
S907	eng_start_rear	{AA 2 B}	componentSymbol
S908	eng_start_enable_rear	{AA 1 B}	componentSymbol
S915	Switch,kneeling	{FA 3 C}	componentSymbol
S_T_S:1		{NB 3 B}	inline_connector
S_T_S:2		{NB 3 B}	inline_connector
S_T_S:3		{NB 3 B}	inline_connector
S_T_T:3		{NB 3 B}	inline_connector
SP_F:1		{CL 1 D}	inline_connector
SP_F:2		{CL 0 D}	inline_connector
SP_F:3		{CL 0 D}	inline_connector
SP_F:4		{CL 0 D}	inline_connector
SP_RR:1		{CL 1 C}	inline_connector
SP_RR:2		{CL 0 C}	inline_connector
SP_RR:3		{CL 0 C}	inline_connector
SP_RR:4		{CL 0 C}	inline_connector
ssplice180_2692		{CS 1 A}	physical_splice_connector
sym211_54		{BC 1 C}	componentSymbol
sym211_67		{BA 5 B}	componentSymbol
sym212_54		{BC 1 C}	componentSymbol
sym213_54		{BC 2 C}	componentSymbol
sym214_54		{BC 2 A}	componentSymbol
sym214_67		{BA 4 A}	componentSymbol
sym215_54		{BC 2 A}	componentSymbol
sym215_67		{BA 4 B}	componentSymbol
sym216_54		{BC 2 C}	componentSymbol
sym217_54		{BC 1 C}	componentSymbol
sym218_54		{BC 1 C}	componentSymbol
sym219_54		{BC 1 C}	componentSymbol
sym220_54		{BC 1 C}	componentSymbol
sym246_54		{BC 2 C}	componentSymbol

 <b>Volvo Bus Corporation</b>	Document Title			
	<b>WIRING DIAGRAM</b>			
	Document Type			
	<b>PRODUCT SCHEMATIC</b>			
Document No	Issue Index	Volume No	Page No	
<b>70396509</b>	<b>04</b>	<b>02(02)</b>	<b>23(31)</b>	



Part Name	Description	Location	Part Type
sym249_54		{BB 2 C}	componentSymbol
sym255_79		{GB 2 C}	componentSymbol
sym256_79		{GB 2 C}	componentSymbol
sym257_67		{BA 4 B}	componentSymbol
sym257_79		{GB 2 C}	componentSymbol
sym257_80		{GB 1 C}	componentSymbol
sym258_105		{BC 5 C}	componentSymbol
sym266_154		{FB 3 D}	componentSymbol
sym266_155		{CL 4 D}	componentSymbol
sym267_155		{CL 4 D}	componentSymbol
sym269_82		{BB 3 D}	componentSymbol
sym269_88		{BA 4 A}	componentSymbol
sym269_227		{BC 5 C}	componentSymbol
sym270_82		{NB 3 D}	componentSymbol
sym273_82		{BB 3 D}	componentSymbol
sym274_82		{EP 2 D}	componentSymbol
sym274_893		{GN 4 C}	componentSymbol
sym275_67		{NA 3 A}	componentSymbol
sym276_67		{NA 3 A}	componentSymbol
sym277_67		{NA 2 A}	componentSymbol
sym277_82		{AA 5 B}	componentSymbol
sym278_67		{NA 2 A}	componentSymbol
sym278_893		{GN 5 C}	componentSymbol
sym279_67		{NA 2 A}	componentSymbol
sym280_67		{NA 2 A}	componentSymbol
sym281_67		{NA 2 A}	componentSymbol
sym286_1494		{FB 3 D}	componentSymbol
sym295_97		{FA 4 D}	componentSymbol
sym306_113		{GB 2 C}	componentSymbol
sym309_100		{BC 1 C}	componentSymbol
sym311_112		{AA 5 D}	componentSymbol
sym312_97		{NA 3 B}	componentSymbol
sym313_97		{NA 3 B}	componentSymbol
sym315_94		{BC 2 C}	componentSymbol
sym316_100		{BB 1 D}	componentSymbol
sym316_103		{IS 2 B}	componentSymbol
sym317_97		{NA 2 A}	componentSymbol
sym317_103		{IS 1 B}	componentSymbol
sym318_100		{IU 3 A}	componentSymbol
sym318_103		{IS 2 D}	componentSymbol
sym319_100		{IU 4 A}	componentSymbol
sym320_100		{IU 4 C}	componentSymbol
sym320_103		{IU 4 A}	componentSymbol
sym321_100		{IU 3 C}	componentSymbol
sym321_103		{IU 3 A}	componentSymbol
sym322_100		{IU 5 C}	componentSymbol
sym322_103		{IU 3 C}	componentSymbol

**VOLVO**

Volvo Bus Corporation

Document Title

**WIRING DIAGRAM**

Document Type

**PRODUCT SCHEMATIC**

Document No

**70396509**

Issue Index

**04**

Volume No

**02(02)**

Page No

**24(31)**

Part Name	Description	Location	Part Type
sym324_103		{IU 4 C}	componentSymbol
sym326_103		{IU 5 C}	componentSymbol
sym344_163		{XD 3 C}	componentSymbol
sym345_163		{XD 3 C}	componentSymbol
sym366_553		{AF 5 D}	componentSymbol
sym414_10		{CL 2 B}	componentSymbol
sym415_10		{CL 3 B}	componentSymbol
sym534_114		{CL 2 B}	componentSymbol
T900		{AC 3 B}	componentSymbol
TRAIL2:5		{CL 3 B}	inline_connector
TRAIL2:6		{CL 3 B}	inline_connector
TRAIL2:7		{CL 3 B}	inline_connector
U03	Modulator,EBS,rear axle(drive axle)	{EO 2 C}	componentSymbol
U04	Modulator EBS, bogie	{EP 4 B}	componentSymbol
U06	Voltage converter	{IU 4 C}	componentSymbol
U08	Modulator,EBS,front	{EO 3 C}	componentSymbol
U12	Voltage converter, Bi-xenon	{GE 4 C}	componentSymbol
U25	Voltage converter, DC/DC	{AC 2 C}	componentSymbol
UDS12:1		{XF 2 B}	inline_connector
UDS12:2		{XF 2 B}	inline_connector
UDS12:3		{CU 4 C}	inline_connector
UDS12:4		{CU 3 C}	inline_connector
UDS12:5		{XD 3 B}	inline_connector
UDS12:6		{XD 3 B}	inline_connector
UDS12:7		{CU 4 C}	inline_connector
UDS12:8		{CU 3 C}	inline_connector
UDS12:9		{CU 2 C}	inline_connector
UDS12:11		{CU 5 C}	inline_connector
UDS12:12		{CU 0 B}	inline_connector
UDS12_B:1		{XF 3 B}	inline_connector
UDS12_B:2		{XF 3 B}	inline_connector
UDS12_B:3		{CU 3 C}	inline_connector
UDS12_B:4		{CU 3 C}	inline_connector
UDS12_B:5		{XD 3 B}	inline_connector
UDS12_B:6		{XD 3 B}	inline_connector
UDS12_B:7		{CU 4 C}	inline_connector
UDS12_B:8		{CU 3 D}	inline_connector
UDS12_B:9		{CU 2 D}	inline_connector
UDS12_B:11		{CU 5 D}	inline_connector
UDS12_B:12		{CU 0 B}	inline_connector
UDS12_F:1		{XF 2 B}	inline_connector
UDS12_F:2		{XF 2 B}	inline_connector
UDS12_F:3		{CU 4 C}	inline_connector
UDS12_F:4		{CU 4 C}	inline_connector
UDS12_F:5		{XD 2 B}	inline_connector
UDS12_F:6		{XD 2 B}	inline_connector
UDS12_F:7		{CU 4 C}	inline_connector

**VOLVO**

Volvo Bus Corporation

Document Title

**WIRING DIAGRAM**

Document Type

**PRODUCT SCHEMATIC**

Document No

**70396509**

Issue Index

**04**

Volume No

**02(02)**

Page No

**25(31)**

Part Name	Description	Location	Part Type
UDS12_F:8		{CU 3 D}	inline_connector
UDS12_F:9		{CU 2 D}	inline_connector
UDS12_F:11		{CU 5 D}	inline_connector
UDS12_F:12		{CU 0 B}	inline_connector
UDS12_M:1		{XF 2 B}	inline_connector
UDS12_M:2		{XF 2 B}	inline_connector
UDS12_M:3		{CU 4 C}	inline_connector
UDS12_M:4		{CU 3 C}	inline_connector
UDS12_M:5		{XD 3 B}	inline_connector
UDS12_M:6		{XD 3 B}	inline_connector
UDS12_M:7		{CU 4 C}	inline_connector
UDS12_M:8		{CU 3 D}	inline_connector
UDS12_M:9		{CU 2 D}	inline_connector
UDS12_M:11		{CU 5 D}	inline_connector
UDS12_M:12		{CU 0 B}	inline_connector
V03	Diod, Light	{GE 4 C}	componentSymbol
V04	Diod, Light	{GE 4 C}	componentSymbol
VBC159	Main switch I-start	{AC 3 C}	componentSymbol
VIC:1		{XC 3 B}	inline_connector
VIC:2		{XD 5 B}	inline_connector
VIC:3		{CS 5 B}	inline_connector
VIC:4		{XC 3 B}	inline_connector
VIC:5		{XD 5 B}	inline_connector
VIC:6		{CS 5 B}	inline_connector
VIC:7		{CS 4 B}	inline_connector
VIC:8		{CS 4 B}	inline_connector
VIC:9		{AF 2 B}	inline_connector
VIC:10		{AF 1 C}	inline_connector
VIC:12		{AF 1 A}	inline_connector
VIC:13		{CS 5 B}	inline_connector
VIC:14		{BB 4 C}	inline_connector
VIC:15		{CS 5 B}	inline_connector
VIC:16		{BB 4 B}	inline_connector
VIC:17		{AF 1 B}	inline_connector
VIC:18		{CS 3 B}	inline_connector
VIC:19		{CS 2 B}	inline_connector
VIC:20		{CS 1 B}	inline_connector
VIC:21		{CS 3 B}	inline_connector
VIC:22		{CS 2 B}	inline_connector
VIC:24		{CS 2 B}	inline_connector
VIC:25		{CS 4 B}	inline_connector
VIC:26		{CS 3 B}	inline_connector
VIC:27		{CS 0 B}	inline_connector
VIC:28		{CS 4 B}	inline_connector
VIC:29		{CS 3 B}	inline_connector
VIC:30		{CS 4 B}	inline_connector
VIC:31		{CS 0 B}	inline_connector

**VOLVO**

Volvo Bus Corporation

Document Title

**WIRING DIAGRAM**

Document Type

**PRODUCT SCHEMATIC**

Document No

**70396509**

Issue Index

**04**

Volume No

**02(02)**

Page No

**26(31)**

Part Name	Description	Location	Part Type
VIC:32		{CS 1 B}	inline_connector
VIC:33		{CS 1 B}	inline_connector
VIC:34		{CS 3 B}	inline_connector
VIC:35		{AF 3 B}	inline_connector
VIC:36		{CS 3 B}	inline_connector
VIC:37		{CS 3 B}	inline_connector
VIC:38		{CS 2 B}	inline_connector
VIC:39		{CS 0 B}	inline_connector
X09	Slip contact/Horne	{IS 1 B}	componentSymbol
X901	Connector Battery +	{AB 1 A}	componentSymbol
X903	VPDU Front with main relay and main switch	{AB 5 C}	componentSymbol
X904	VPDU Rear with preheat relay	{AB 1 D} {AB 2 C}	componentSymbol
X906	EXTERNAL CHARGER OUTLET	{AB 5 B}	componentSymbol
XC906:1		{AB 5 D}	inline_connector
XC906:2		{AB 5 D}	inline_connector
XC906:3		{AB 5 D}	inline_connector
XC906:4		{AB 4 D}	inline_connector
XC906:5		{AB 4 C}	inline_connector
XC906:6		{AB 4 C}	inline_connector
XC908:4		{BA 4 A}	inline_connector
XC908:5		{BE 1 B}	inline_connector
XC908:6		{BE 1 B}	inline_connector
XC909:1		{BE 3 D}	inline_connector
XC909:2		{BE 4 D}	inline_connector
XC909:5		{BE 1 C}	inline_connector
XC909:6		{BE 2 B}	inline_connector
XC917:1		{CL 3 B}	inline_connector
XC917:2		{CL 4 B}	inline_connector
XC917:3		{CL 4 B}	inline_connector
XC917:4		{CL 3 B}	inline_connector
XC921:1		{CL 3 B}	inline_connector
XC921:2		{CL 3 B}	inline_connector
XC921:3		{CL 3 B}	inline_connector
XC922:1		{GB 1 C}	inline_connector
XC922:3		{GB 1 C}	inline_connector
XC925:1		{NE 3 B}	inline_connector
XC925:2		{NE 3 B}	inline_connector
XC926:1		{BB 3 B}	inline_connector
XC926:2		{BB 3 B}	inline_connector
XC926:3		{BB 3 B}	inline_connector
XC926:4		{BB 3 B}	inline_connector
XC927_1/2:1		{GE 5 C}	inline_connector
XC927_1/2:2		{GE 3 C}	inline_connector
XC927_1:1		{GE 5 D}	inline_connector
XC927_1:2		{GE 3 D}	inline_connector
XC927_2:1		{GE 5 D}	inline_connector

**VOLVO**

Volvo Bus Corporation

Document Title

**WIRING DIAGRAM**

Document Type

**PRODUCT SCHEMATIC**

Document No

**70396509**

Issue Index

**04**

Volume No

**02(02)**

Page No

**27(31)**

Part Name	Description	Location	Part Type
XC927_2:2		{GE 3 D}	inline_connector
XE72		{XF 4 B}	physical_splice_connector
XE73		{XF 4 B}	physical_splice_connector
XP004R.1	Alternator G03	{AF 2 B}	componentSymbol
XSA01		{XC 3 D}	physical_splice_connector
XSA02		{XC 3 D}	physical_splice_connector
XSA03		{XC 2 D}	physical_splice_connector
XSA04		{XC 2 D}	physical_splice_connector
XSA05		{XC 1 D}	physical_splice_connector
XSA06		{XC 1 D}	physical_splice_connector
XSA07		{XC 1 D}	physical_splice_connector
XSA08		{XC 1 D}	physical_splice_connector
XSA09		{XC 0 D}	physical_splice_connector
XSA10		{XC 0 D}	physical_splice_connector
XSA11		{XC 0 B}	physical_splice_connector
XSA12		{XC 0 B}	physical_splice_connector
XSA13		{XD 2 D}	physical_splice_connector
XSA14		{XD 2 D}	physical_splice_connector
XSA15		{XD 1 D}	physical_splice_connector
XSA16		{XD 2 D}	physical_splice_connector
XSA17		{XD 1 D}	physical_splice_connector
XSA18		{XD 1 D}	physical_splice_connector
XSA19		{XD 1 D}	physical_splice_connector
XSA20		{XD 1 D}	physical_splice_connector
XSA21		{XD 0 D}	physical_splice_connector
XSA22		{XD 0 D}	physical_splice_connector
XSA23		{XD 1 C}	physical_splice_connector
XSA24		{XD 1 C}	physical_splice_connector
XSA25		{ZC 4 A}	physical_splice_connector
XSA26		{AA 5 A}	physical_splice_connector
XSA27		{FA 4 C}	physical_splice_connector
XSA28		{AA 3 B}	physical_splice_connector
XSA31		{ZC 4 B}	physical_splice_connector
XSA32		{BA 4 B}	physical_splice_connector
XSA34		{AA 3 D}	physical_splice_connector
XSA35		{ZC 1 B}	physical_splice_connector
XSA37		{FB 1 D}	physical_splice_connector
XSA40		{FB 2 D}	physical_splice_connector
XSA43		{ZC 2 B}	physical_splice_connector
XSA44		{AF 4 C}	physical_splice_connector
XSA46		{BB 2 B}	physical_splice_connector
XSA50		{BA 5 C}	physical_splice_connector
XSA52		{ZC 2 B}	physical_splice_connector
XSA53		{GM 2 C}	physical_splice_connector
XSA54		{DN 5 D}	physical_splice_connector
XSA59		{BA 5 B}	physical_splice_connector
XSA60		{NA 4 B}	physical_splice_connector

**VOLVO**

Volvo Bus Corporation

Document Title

**WIRING DIAGRAM**

Document Type

**PRODUCT SCHEMATIC**

Document No

**70396509**

Issue Index

**04**

Volume No

**02(02)**

Page No

**28(31)**

Part Name	Description	Location	Part Type
XSA61		{BA 4 C}	physical_splice_connector
XSA62		{XD 2 D}	physical_splice_connector
XSA63		{XC 3 D}	physical_splice_connector
XSA64		{XC 3 D}	physical_splice_connector
XSA65		{XD 2 D}	physical_splice_connector
XSA68		{BC 2 C}	physical_splice_connector
XSA69		{BC 2 C}	physical_splice_connector
XSA72		{AB 5 C}	physical_splice_connector
XSA73		{AB 4 C}	physical_splice_connector
XSB01		{XC 5 D}	physical_splice_connector
XSB02		{XC 5 D}	physical_splice_connector
XSB03		{XD 3 D}	physical_splice_connector
XSB04		{XD 3 D}	physical_splice_connector
XSB05		{XD 4 D}	physical_splice_connector
XSB06		{XD 4 D}	physical_splice_connector
XSB07		{IS 3 B}	physical_splice_connector
XSB08		{IS 3 B}	physical_splice_connector
XSB09		{ZC 4 B}	physical_splice_connector
XSB10		{ZC 5 D}	physical_splice_connector
XSB11		{ZC 5 C}	physical_splice_connector
XSB12		{GM 3 C}	physical_splice_connector
XSB13		{GB 1 D}	physical_splice_connector
XSB15		{GB 1 C}	physical_splice_connector
XSB18		{IU 4 C}	physical_splice_connector
XSB19		{IU 4 C}	physical_splice_connector
XSB20		{FA 1 C}	physical_splice_connector
XSB21		{IU 4 C}	physical_splice_connector
XSB22		{NC 3 C}	physical_splice_connector
XSB23		{NC 4 C}	physical_splice_connector
XSB24		{NC 5 B}	physical_splice_connector
XSB25		{AA 4 B}	physical_splice_connector
XSB26		{NC 3 B}	physical_splice_connector
XSB28		{XF 1 A}	physical_splice_connector
XSB29		{XF 1 A}	physical_splice_connector
XSB30		{IU 4 C}	physical_splice_connector
XSB31		{IU 4 C}	physical_splice_connector
XSB32		{XC 4 D}	physical_splice_connector
XSB33		{XC 4 D}	physical_splice_connector
XSB34		{NA 2 C}	physical_splice_connector
XSB36		{NA 4 B}	physical_splice_connector
XSB40		{NA 1 C}	physical_splice_connector
XSC02		{GE 3 C}	physical_splice_connector
XSC04		{GE 5 C}	physical_splice_connector
XSC05		{GE 4 B}	physical_splice_connector
XSC06		{GE 2 C}	physical_splice_connector
XSC07		{ZC 3 C}	physical_splice_connector
XSC15		{ZC 3 D}	physical_splice_connector

**VOLVO**

Volvo Bus Corporation

Document Title

**WIRING DIAGRAM**

Document Type

**PRODUCT SCHEMATIC**

Document No

**70396509**

Issue Index

**04**

Volume No

**02(02)**

Page No

**29(31)**

Part Name	Description	Location	Part Type
XSC16		{GB 5 C}	physical_splice_connector
XSC21		{DN 5 B}	physical_splice_connector
XSC95		{CL 3 D}	physical_splice_connector
XSC96		{CL 3 D}	physical_splice_connector
XSC97		{CL 2 C}	physical_splice_connector
XSC98		{CL 3 C}	physical_splice_connector
XSC99		{CL 3 C}	physical_splice_connector
XSF01		{GA 4 B}	physical_splice_connector
XSF09		{GA 1 B}	physical_splice_connector
XSF10		{GA 1 B}	physical_splice_connector
XSF11		{GA 3 B}	physical_splice_connector
XSF12		{GA 3 C}	physical_splice_connector
XSF13		{GA 4 B}	physical_splice_connector
XSF14		{ZC 1 C}	physical_splice_connector
XSF15		{CX 3 C}	physical_splice_connector
XSF16		{CX 3 C}	physical_splice_connector
XSF17		{CX 5 C}	physical_splice_connector
XSF18		{CX 1 B}	physical_splice_connector
XSF19		{ZC 3 B}	physical_splice_connector
XSF21		{XF 3 C}	physical_splice_connector
XSF22		{CU 4 D}	physical_splice_connector
XSF23		{NA 5 D}	physical_splice_connector
XSF24		{CX 3 B}	physical_splice_connector
XSF25		{CX 4 B}	physical_splice_connector
XSF26		{XF 2 C}	physical_splice_connector
XSF27		{XF 2 C}	physical_splice_connector
XSF28		{XF 3 C}	physical_splice_connector
XSF29		{FB 4 C}	physical_splice_connector
XSF32		{FB 5 B}	physical_splice_connector
XSF33		{XF 2 D}	physical_splice_connector
XSF34		{XF 2 D}	physical_splice_connector
XSF35		{CX 2 D}	physical_splice_connector
XSF37		{CX 2 C}	physical_splice_connector
XSF39		{CX 4 B}	physical_splice_connector
XSF41		{XD 4 C}	physical_splice_connector
XSF42		{XD 4 C}	physical_splice_connector
XSF43		{CS 0 C}	physical_splice_connector
XSF44		{CS 2 D}	physical_splice_connector
XSF45		{CS 2 D}	physical_splice_connector
XSF46		{CS 0 C}	physical_splice_connector
XSF54		{XC 2 B}	physical_splice_connector
XSF55		{XC 2 B}	physical_splice_connector
XSF64		{CL 3 B}	physical_splice_connector
XSF71		{CU 1 B}	physical_splice_connector
XSF72		{CU 5 A}	physical_splice_connector
XSF73		{CU 5 A}	physical_splice_connector
XSF76		{CU 5 C}	physical_splice_connector

**VOLVO**

Volvo Bus Corporation

Document Title

**WIRING DIAGRAM**

Document Type

**PRODUCT SCHEMATIC**

Document No

**70396509**

Issue Index

**04**


Volume No

**02(02)**

Page No

**30(31)**

Part Name	Description	Location	Part Type
XSF80		{XF 2 C}	physical_splice_connector
XSF81		{XF 2 C}	physical_splice_connector
XSF82		{XF 2 C}	physical_splice_connector
XSF83		{XF 2 C}	physical_splice_connector
XSF84		{XF 3 C}	physical_splice_connector
XSF85		{XF 3 C}	physical_splice_connector
XSF86		{XF 4 C}	physical_splice_connector
XSF87		{XF 4 C}	physical_splice_connector
XSF88		{XF 5 C}	physical_splice_connector
XSF89		{XF 5 C}	physical_splice_connector
XSF92		{BA 3 D}	physical_splice_connector
XSF93		{BB 3 C}	physical_splice_connector
XSF94		{BB 3 B}	physical_splice_connector
XSF95		{AB 3 B}	physical_splice_connector
XSF96		{AB 3 C}	physical_splice_connector
XSF98		{CS 3 C}	physical_splice_connector
XSF102		{CU 2 D}	physical_splice_connector
XSF103		{CU 2 D}	physical_splice_connector

 <b>VOLVO</b> Volvo Bus Corporation	Document Title			
	<b>WIRING DIAGRAM</b>			
	Document Type			
<b>PRODUCT SCHEMATIC</b>				
Document No	Issue Index	Volume No	Page No	
<b>70396509</b>	<b>04</b>	<b>02(02)</b>	<b>31(31)</b>	