

# X3-45

REV.	DATE	O.C.	EFF.	DESCRIPTION	PAGE(S)	BY	CHECKED	APPROVED
0	2015-05-05	2015007	5241	NAE prototype without new RJB Modify 5241 with new harness	ALL	M.P.	C.Lem.	C.Lem.
1	2016-01-19	2015007	G-6092 G-6114 G-6117	Preliminary NAE Phase 1	ALL	M.P.	C.Lem.	C.Lem.
2	2016-09-01	2016094	H-6182	NAE Phase 2 Add 102 cavities connector (C17) Condensor speed becomes variable instead of 2 speeds	0, F, G, K, 1.1 to 42.3	M.P.	C.Lem.	C.Lem.
3	2016-12-09	2016094	H-6182	Start of production: Connected ACB supply with ABS supply Modify circuit # on sound system, alternator and AFSS Modify connector # on Fan drive control Add pull down resistor on PWM condenser speed control	0, E, J, 1.1, 4.1, 11.1, 13.1, 18.2, 35.6, 38.1, 39.1	M.P.	C.Lem.	C.Lem.
4	2017-01-18	2016094	G-6092 G-6114 G-6117 H-6182	Indirect and hat rack light control with Sw25 VECF update F14 become 30amp instead 5amp	0, 2.1, 4.1, 23.1	M.P.	C.Lem.	C.Lem.

# X3-45

REV.	DATE	O.C.	EFF.	DESCRIPTION	PAGE(S)	BY	CHECKED	APPROVED
5	2017-04-19	2017009	J-7438	BIFOLD ENTRANCE DOOR READY	0.1,0.2,2.1,4.1,4.2,6.2,10.1,	Gab	C.Lem.	C.Lem.
		2017039	J-7439	SEATBELT ALARM	2.1,19.1,29.1,31.1,32.1,42.3	E.L.	C.Lem.	C.Lem.
		2017053	J-7440	TELEMATICS GATEWAY INTERFACE	B,E,G,H,J,L	E.L.	C.Lem.	C.Lem.
		J-7441						
		J-6227						
		J-6230						
		J-6242						
6	2017-07-18	2017072	6245	GLI GENERAL UPDATE	0,1.1,2.1,2.2,3.1,3.2,4.1,4.2,	S.B.	C.Lem.	C.Lem.
			7448		6.2,10.1,11.1,18.2,28.1,37.1, G,K,L	E.L.	C.Lem.	C.Lem.
7	2017-10-11	2017072	J-6245	GLI GENERAL UPDATE (FORGOTTEN PAGE)	0, 22.2, 39.1	M.P.	C.Lem.	C.Lem.
			J-7448					
8	2017-11-03	2017071	J-6281	ELD/ITS Gateway	0, A, C, C1, C2, E, G, J, K, L,	G.P.	C.Lem.	C.Lem.
					2.1, 2.2, 3.2, 4.1, 4.2, 5.1, 6.2, 15.2, 42.4			
9	2017-12-11	2017040	J-6295	ABS8,FLR21	0.2,C1.2,6.2,16.1	S.D.	A.B.	A.B.
			J-7496	PRELIMINAR:J-7485				
10	2018-02-05	2016032	J-6296	WCL Door	0.2,22.2,36.1	S.B.	C.Lem.	C.Lem.
			J-7496					
10-1	2018-04-05	2017020	J-6314	Catch Tank	0.2, 14.1, C, C1, G	G.P.	C.Lem.	C.Lem.

# X3-45

REV.	DATE	O.C.	EFF.	DESCRIPTION	PAGE(S)	BY	CHECKED	APPROVED
11	2018-03-21	2018044	K-6353	LUGGAGE HARNESS MATCHING WITH L170	0.2, 36.1, C, C1, G	E.L.	C.Lem.	C.Lem.
12	2018-04-09	2018044	K-6353	UPDATE	0.2, 0.3, C, C1, G	G.P.	C.Lem.	C.Lem.
13	2018-05-25	2018011	K-6361	RELS	0, 15.1, 26.2, C1, G 3.2, 17.1	G.P.	C.Lem.	C.Lem.
14	2018-08-23	2015007	K-6361	IShift NAE UPDATE	0, K, 4.1, 4.2, 15.2	M.P.	C.Lem.	C.Lem.
15	2018-10-24	2018060	K-6417 K-7586	KLAXON PNEUMATIQUE	0, C1, G	G.P.	C.Lem.	C.Lem.
16	2018-11-05	2018108  N/A	K-6418 K-7587 -----	INVERTER DRIVER DISPLAY CABLE COM EFFECTIVITY PAGES UPDATED	0, 2.2, 40.1, C1, E, G  17.1, 18.2, 20.1, 35.9	E.L.	C.Lem.	C.Lem.
17	2018-12-04	2017130	J-6301 J-6313	FRONT DEFROSTER UNIT	0, 18.1	E.L.	C.Lem.	C.Lem.
18	2018-12-12	2018051	K-6432 K-7600	HARNESS CHAIN FOR WCL DOOR	0, C1	S.B.	C.Lem.	C.Lem.
19	2019-01-08	2018055  2018110	K-6440 K-7608 K-6440 K-7608	OBD19  GIGAVAC	0, 3.2, 8.1, 14.2, 15.1, 19.1, A, C1, G, H 3.1	G.P.  G.P.	C.Lem.  C.Lem.	C.Lem.  C.Lem.

**PREVOST®**

WIRING DIAGRAM

DWG NO.: D061550P0.3

REV.: 37

# X3-45

REV.	DATE	O.C.	EFF.	DESCRIPTION	PAGE(S)	BY	CHECKED	APPROVED
19	2019-01-08	2018012	K-6440	REMY ALTERNATOR READY	1.1, 1.2, 2.1, 2.2	G.P.	C.Lem.	C.Lem.
			K-7608		5.1, 17.1	S.B.	C.Lem.	C.Lem.
20	2019-01-28	2018042	K-6453	New water preheat	0, C1,L,G,K, 5.1, 17.1	S.B.	C.Lem.	C.Lem.
			K-7621					
21	2019-05-28	2015142	L-6495	OPP2 Project new window layout	0, A,1.1, 2.2, 3.2, 4.1, 4.2, 5.2,	S.B.	C.Lem.	C.Lem.
		2017121		Aesys new destination signs	10.1,11.1,12.1,15.1,18.3, 19.1	E.L.		
		2018156		(Minerva) Surrounding Cameras system	20.1, 21.1, 22.2, 23.1, 26.5,	G.P.		
		2019026		w/ISM	27.1, 28.1, 28.2, 35.2, 35.6,			
				TGW2 : AM-FM Antenna	35.7, 35.9, 37.1, 44.0, G, C1			
22	2019-06-19	2019083	L-6513	Replaced pitman arm switch by steering	0, 2.1, 32.1	M.P.	A.B.	A.B.
			L-7674	angle sensor				
23	2019-07-05	2019093		Dashboard Foot Damper Obsolescence	0, G, 18.1	Gab	C.Lem.	C.Lem.
		2018149	L-6516	TPMS Gateway	6.2, 39.1	Gab	A.B.	A.B.
			L-7684			S.B.	C.Lem.	C.Lem.
24	2020-01-28	2020002	L-6614	Urée PWR	0, 3.1, 5.1,14.2,26.5, G, C	S.B.	C.Lem.	C.Lem.
			L-7732					
25	2020-03-17	2019037	L-6666	Driver assist	0, A, C1, 2.1, 4.1, 6.2, 10.1,	M.P.	M.L.	M.L.
			L-7760	Digital driver light dimmer	16.2, 39.1			
					19.1	G.P.		

# X3-45

REV.	DATE	O.C.	EFF.	DESCRIPTION	PAGE(S)	BY	CHECKED	APPROVED
26	22/02/2021	2021001		OBD21 UPDate EMirrors SB247 Sound system VSS06	0,3.2,4.1,5.1,6.2,12.1,14.1,C 17.1 4.2, G,2.1, 31.2, A 45.0 35.3, 35.6	S.B. S.B. SC SC SC	C.Lem. C.Lem. C.Lem. C.Lem. C.Lem.	C.Lem. C.Lem. C.Lem. C.Lem. C.Lem.
27	24/08/2021	2020017		SB247 Update	0,45.0	SC	C.Lem.	C.Lem.
28	2021/11/29	2022001		OBD22 UPDATE	0,14.2,C1, G K, 4.1, 1.2,18.2	S.B.	G.P	G.P
29	2022-05-18	2021070	P6798	TPMS, UPDate	0,39.1,C1,G,1.1,41.1	S.B.	M.L	M.L
30	2022-10-27	NA		Update	0, 41.1, 29.1, 30.3, A	S.B.	D.T	D.T
31	2022-12-1	2021102		Speacker Visaton	0, 35.2, 35.6	S.B	GP	GP
32	2023-03-30	2022123		New Condenser Fan Spal	0, 5.1, 18.2	P.G.	EO	EO
33	2023-12-14	2022123		UPDate New Condenser Fan Spal	0,3.1, 14.1, 5.1, G, C1, L, 18.2 2.2	SB	EO	EO
34	2024-04-04	2023115		Release2024R1	0,34.1,37.1,C1,G,H	A.S.	E.O	E.O
35	2024-05-16	2023053		New Pre-heater L3 Hydronics	0,3.1,3.2,5.1,17.1,A,C1,L	A.S	E.O	E.O
36	2024-12-10	2024096		MCM2	0.5,3.1,3.2,4.2,6.1,6.2,7.1,9.1, 12.1,14.1,15.1,26.1, 29.1, 38.1	PG	AB	AB

**PREVOST.**

WIRING DIAGRAM

DWG NO.: D061550P0.5

REV.: 37

# X3-45

REV.	DATE	O.C.	EFF.	DESCRIPTION	PAGE(S)	BY	CHECKED	APPROVED
37	2025-01-20	2024096	S-4328	MCM2	0.6, C1, E, F, G, H, J, K, L	PG	AB.	AB

**PREVOST®**

WIRING DIAGRAM

DWG NO.: D061550P0.6

REV.: 37

## Wiring diagram pages list

Wiring diagram pages		D		I		S	
Multiplex outputs list	<b>B1</b>	Dash lights	19.1	Indicator light weight	32.2	Sound system	35.6
Multiplex inputs list	<b>B2</b>	Destination sign	28.2	Indirect lighting	23.1	Sound sys.-Speakers	35.2
Multiplex error messages	<b>B3</b>	Digital clock	28.1	Ignition	3.2	Sound sys.-Video dist.	35.3
Layout vehicule - harness	<b>C1</b>	Driver's light & backlight	19.1			Sound sys.-Seat audio	35.7
Sound system	<b>C2</b>	Driver window	30.1	<b>K</b>		Spares wires	8.1
Pins configuration	<b>D</b>			Kneeling system	32.1	Stop lights	26.2
Circuits list	<b>E</b>	<b>E</b>				Steering control ZF	37.2
Circuit breakers list	<b>F</b>	Emergency & Aisle lights	20.1	<b>L</b>		Steering multifunctions	41.1
Connectors list	<b>G</b>	Engine ECU	14.1	Lavatory	11.1	Step lights	29.1
Diodes list	<b>H</b>	Engine heater	14.1	Low buoy	32.1	Sun visor	41.1
Resistors list	<b>J</b>	Engine start	3.2	Luggage door lock/unlock	33.1 - 33.2		
Relays list	<b>K</b>	Engine & RJB cmpt. Light	25.1			<b>T</b>	
Fuses list	<b>L</b>	Entrance door & lights	29.1	<b>M</b>		Tag	32.1
Wire identification chart	<b>M</b>	ESP	16.1	Main dist. ignition & batt.	3.1	Tail & licence lights	26.2
				Markers lights	26.1 - 26.2	Tire pressure monitor	39.1
<b>A</b>		<b>F</b>		Mirrors	31.1	Trailer package	26.4
ACB	39.1	Fast idle	14.1	Multiplex power distribution	7.1	Trailer park brake	12.2
Air dryer	37.1	Fans radiator	13.1	Multiplex network	6.1 - 6.2	Transmission ECU	15.1-15.2
Alternators	1.1	Fire alarm	38.1				
		Fire suppression system	38.1	<b>P</b>		<b>U</b>	
<b>B</b>		Flashers	26.1-26.2	Parcel rack A/C system	18.3	Upper defrost	18.4
Back-up camera	28.1	Fog lights	26.5	Park brake sensor	12.1	Urea system	14.2
Back-up warnings	26.3	Fuel gauge	10.1	Park brake trailer sensor	12.2		
Batteries & Equalizer	1.1			Power distribution FJB 12V	4.1	<b>V</b>	
Battery charger	17.1	<b>G</b>		Power distribution FJB 24V	4.2	Volvo link TGW	37.1
Brake pedal sensor	12.1	Gateway J1939	42.3	Pwr dist. RJB 12V & 24V	5.1	<b>W</b>	
		Grounds electronic	2.1	Power outlets 12V	30.2	Water pre-heater	17.1
<b>C</b>		Grounds chassis	2.2	Power outlets 120VAC	40.1	Wheel chair lift Ricon	36.1
Cadec & seat belt alarm	42.1					Windows ajar	27.1
Cigar lighter	30.2	<b>H</b>		<b>R</b>		Wipers & washer	34.1
Clearance lights	26.1-26.2	Hazard	26.1	Reading lamps	22.2		
Cluster	10.1	Head lights	26.1	Retarder	12.1 - 15.1		
Cornering lights	26.5	Horn	9.1	RJB fan	1.1		
Cruise control	14.1	Hostess chime	22.2				
		Hvac defroster	18.1				
		Hvac passenger	18.2				

## Wiring diagram pages list

Wiring diagram pages		D	I	S			
Multiplex outputs list	<b>B1</b>	Dash lights	19.1	Indicator light weight	32.2	Sound system	35.6
Multiplex inputs list	<b>B2</b>	Destination sign	28.2	Indirect lighting	23.1	Sound sys.-Speakers	35.2
Multiplex error messages	<b>B3</b>	Digital clock	28.1	Ignition	3.2	Sound sys.-Video dist.	35.3
Layout vehicle - harness	<b>C, C1</b>	Driver's light & backlight	19.1			Sound sys.-Seat audio	35.7
Sound system	<b>C2</b>	Driver window	30.1	<b>K</b>		Spares wires	8.1
Pins configuration	<b>D</b>			Kneeling system	32.1	Stop lights	26.2
Circuits list	<b>E</b>	<b>E</b>				Steering control ZF	37.2
Circuit breakers list	<b>F</b>	ELD/ITS Gateway	42.4	<b>L</b>		Steering multifunctions	41.1
Connectors list	<b>G</b>	Emergency & Aisle lights	20.1	Lavatory	11.1	Step lights	29.1
Diodes list	<b>H</b>	Engine ECU	14.1	Low buoy	32.1	Sun visor	41.1
Resistors list	<b>J</b>	Engine heater	14.1	Luggage door lock/unlock	33.1 - 33.2		
Relays list	<b>K</b>	Engine start	3.2			<b>T</b>	
Fuses list	<b>L</b>	Engine & RJB cmpt. Light	25.1	<b>M</b>		Tag	32.1
Wire identification chart	<b>M</b>	Entrance door & lights	29.1	Main dist. ignition & batt.	3.1	Tail & licence lights	26.2
		ESP	16.1	Markers lights	26.1 - 26.2	Tire pressure monitor	39.1
<b>A</b>				Mirrors	31.1	Trailer package	26.4
ACB	39.1	<b>F</b>		Multiplex power distribution	7.1	Trailer park brake	12.2
Air dryer	37.1	Fast idle	14.1	Multiplex network	6.1 - 6.2	Transmission ECU	15.1-15.2
Alternators	1.1	Fans radiator	13.1				
		Fire alarm	38.1	<b>P</b>		<b>U</b>	
<b>B</b>		Fire suppression system	38.1	Parcel rack A/C system	18.3	Upper defrost	18.4
Back-up camera	28.1	Flashers	26.1-26.2	Park brake sensor	12.1	Urea system	14.2
Back-up warnings	26.3	Fog lights	26.5	Park brake trailer sensor	12.2		
Batteries & Equalizer	1.1	Fuel gauge	10.1	Power distribution FJB 12V	4.1	<b>V</b>	
Battery charger	17.1			Power distribution FJB 24V	4.2	Volvo link TGW	37.1
Brake pedal sensor	12.1	<b>G</b>		Pwr dist. RJB 12V & 24V	5.1		
		Gateway J1939	42.3	Power outlets 12V	30.2	<b>W</b>	
<b>C</b>		Grounds electronic	2.1	Power outlets 120VAC	40.1	Water pre-heater	17.1
Cadec & seat belt alarm	42.1	Grounds chassis	2.2			Wheel chair lift Ricon	36.1
Cigar lighter	30.2			<b>R</b>		Windows ajar	27.1
Clearance lights	26.1-26.2	<b>H</b>		Reading lamps	22.2	Wipers & washer	34.1
Cluster	10.1	Hazard	26.1	Retarder	12.1 - 15.1		
Cornering lights	26.5	Head lights	26.1	RJB fan	1.1		
Cruise control	14.1	Horn	9.1				
		Hostess chime	22.2				
		Hvac defroster	18.1				
		Hvac passenger	18.2				



## Wiring diagram pages list

Wiring diagram pages		D		I		S	
Multiplex outputs list	<b>B1</b>	Dash lights	19,1	Indicator light weight	32,2	Sound system	35,6
Multiplex inputs list	<b>B2</b>	Destination sign	28,2	Indirect lighting	23,1	Sound sys.-Speakers	35,2
Multiplex error messages	<b>B3</b>	Digital clock	28,1	Ignition	3,2	Sound sys.-Video dist.	35,3
Layout vehicle - harness	<b>C, C1</b>	Driver's light & backlight	19,1			Sound sys.-Seat audio	35,7
Sound system	<b>C2</b>	Driver window	30,1	<b>K</b>		Spares wires	8,1
Pins configuration	<b>D</b>			Kneeling system	32,1	Stop lights	26,2
Circuits list	<b>E</b>	<b>E</b>				Steering control ZF	37,2
Circuit breakers list	<b>F</b>	ELD/ITS Gateway	42,4	<b>L</b>		Steering multifunctions	41,1
Connectors list	<b>G</b>	Emergency & Aisle lights	20,1	Lavatory	11,1	Step lights	29,1
Diodes list	<b>H</b>	Engine ECU	14,1	Low buoy	32,1	Sun visor	41,1
Resistors list	<b>J</b>	Engine heater	14,1	Luggage door lock/unlock	33.1 - 33.2		
Relays list	<b>K</b>	Engine start	3,2			<b>T</b>	
Fuses list	<b>L</b>	Engine & RJB cmpt. Light	25,1	<b>M</b>		Tag	32,1
Wire identification chart	<b>M</b>	Entrance door & lights	29,1	Main dist. ignition & batt.	3,1	Tail & licence lights	26,2
		ESP	16,1	Markers lights	26.1 - 26.2	Tire pressure monitor	39,1
<b>A</b>				Mirrors	31,1	Trailer package	26,4
ACB	39,1	<b>F</b>		Multiplex power distribution	7,1	Trailer park brake	12,2
Air dryer	37,1	Fast idle	14,1	Multiplex network	6.1 - 6.2	Transmission ECU	15.1-15.2
Alternators	1,2	Fans radiator	13,1				
		Fire alarm	38,1	<b>P</b>		<b>U</b>	
<b>B</b>		Fire suppression system	38,1	Parcel rack A/C system	18,3	Upper defrost	18,4
Back-up camera	28,1	Flashers	26.1-26.2	Park brake sensor	12,1	Urea system	14,2
Back-up warnings	26,3	Fog lights	26,5	Park brake trailer sensor	12,2		
Batteries & Equalizer	1,1	Fuel gauge	10,1	Power distribution FJB 12V	4,1	<b>V</b>	
Battery charger	17,1			Power distribution FJB 24V	4,2	Volvo link TGW	37,1
Brake pedal sensor	12,1	<b>G</b>		Pwr dist. RJB 12V & 24V	5,1		
		Gateway J1939	42,3	Power outlets 12V	30,2	<b>W</b>	
<b>C</b>		Grounds electronic	2,1	Power outlets 120VAC	40,1	Water pre-heater	17,1
Cadec & seat belt alarm	42,1	Grounds chassis	2,2			Wheel chair lift Ricon	36,1
Cigar lighter	30,2			<b>R</b>		Windows ajar	27,1
Clearance lights	26.1-26.2	<b>H</b>		Reading lamps	22,2	Wipers & washer	34,1
Cluster	10,1	Hazard	26,1	Retarder	12.1 - 15.1		
Cornering lights	26,5	Head lights	26,1	RJB fan	1,1		
Cruise control	14,1	Horn	9,1				
		Hostess chime	22,2				
		Hvac defroster	18,1				
		Hvac passenger	18,2				

## Wiring diagram pages list

Wiring diagram pages		D	I	S			
Multiplex outputs list	<b>B1</b>	Dash lights	19.1	Indicator light weight	32.2	Sound system	35.6
Multiplex inputs list	<b>B2</b>	Destination sign(s)	28.2	Indirect lighting	23.1	Sound sys.-Speakers	35.2
Multiplex error messages	<b>B3</b>	Digital clock	28.1	Ignition	3.2	Sound sys.-Video dist.	35.3
Layout vehicle - harness	<b>C, C1</b>	Driver's light & backlight	19.1			Sound sys.-Seat audio	35.7
Sound system	<b>C2</b>	Driver window	30.1	<b>K</b>		Spares wires	8.1
Pins configuration	<b>D</b>			Kneeling system	32.1	Stop lights	26.2
Circuits list	<b>E</b>	<b>E</b>				Steering control ZF	37.2
Circuit breakers list	<b>F</b>	ELD/ITS Gateway	42.4	<b>L</b>		Steering multifunctions	41.1
Connectors list	<b>G</b>	Emergency & Aisle lights	20.1	Lavatory	11.1	Step lights	29.1
Diodes list	<b>H</b>	Engine ECU	14.1	Low buoy	32.1	Surrounding cameras	44
Resistors list	<b>J</b>	Engine heater	14.1	Luggage door lock/unlock	33.1 - 33.2	Sun visor	41.1
Relays list	<b>K</b>	Engine start	3.2				
Fuses list	<b>L</b>	Engine & RJB cmpt. Light	25.1	<b>M</b>		<b>T</b>	
Wire identification chart	<b>M</b>	Entrance door & lights	29.1	Main dist. ignition & batt.	3.1	Tag	32.1
		ESP	16.1	Markers lights	26.1 - 26.2	Tail & licence lights	26.2
<b>A</b>				Mirrors	31.1	Tire pressure monitor	39.1
ACB	39.1	<b>F</b>		Multiplex power distribution	7.1	Trailer package	26.4
Air dryer	37.1	Fast idle	14.1	Multiplex network	6.1 - 6.2	Trailer park brake	12.2
Alternators	1.2	Fans radiator	13.1			Transmission ECU	15.1-15.2
		Fire alarm	38.1	<b>P</b>			
<b>B</b>		Fire suppression system	38.1	Parcel rack A/C system	18.3	<b>U</b>	
Back-up camera	28.1	Flashers	26.1-26.2	Parcel rack ISM	19.3	Upper defrost	18.4
Back-up warnings	26.3	Fog lights	26.5	Park brake sensor	12.1	Urea system	14.2
Batteries & Equalizer	1.1	Fuel gauge	10.1	Park brake trailer sensor	12.2		
Battery charger	17.1			Passenger entertain. sys.	35.9	<b>V</b>	
Brake pedal sensor	12.1	<b>G</b>		Power distribution FJB 12V	4.1	Volvo link TGW	37.1
		Gateway J1939	42.3	Power distribution FJB 24V	4.2		
<b>C</b>		Grounds electronic	2.1	Pwr dist. RJB 12V & 24V	5.1	<b>W</b>	
Cadec & seat belt alarm	42.1	Grounds chassis	2.2	Power outlets 12V	30.2	Water pre-heater	17.1
Cigar lighter	30.2			Power outlets 120VAC	40.1	Wheel chair lift Ricon	36.1
Clearance lights	26.1-26.2	<b>H</b>				Windows ajar	27.1
Cluster	10.1	Hazard	26.1	<b>R</b>		Wipers & washer	34.1
Cornering lights	26.5	Head lights	26.1	Reading lamps	22.2		
Cruise control	14.1	Horn	9.1	Retarder	12.1 - 15.1		
Curb lights	21.1	Hostess chime	22.2	RJB fan	1.1		
		Hvac defroster	18.1	Roof hatches w/fan	18.5		
		Hvac passenger	18.2				

## Wiring diagram pages list

Wiring diagram pages		D	I	S			
Multiplex outputs list	<b>B1</b>	Dash lights	19.1	Indicator light weight	32.2	Sound system	35.6
Multiplex inputs list	<b>B2</b>	Destination sign(s)	28.2	Indirect lighting	23.1	Sound sys.-Speakers	35.2
Multiplex error messages	<b>B3</b>	Digital clock	28.1	Ignition	3.2	Sound sys.-Video dist.	35.3
Layout vehicle - harness	<b>C, C1</b>	Driver assist	16.2			Sound sys.-Seat audio	35.7
Sound system	<b>C2</b>	Driver's light & backlight	19.1	<b>K</b>		Spares wires	8.1
Pins configuration	<b>D</b>	Driver window	30.1	Kneeling system	32.1	Stop lights	26.2
Circuits list	<b>E</b>	<b>E</b>				Steering control ZF	37.2
Circuit breakers list	<b>F</b>	ELD/ITS Gateway	42.4	<b>L</b>		Steering multifunctions	41.1
Connectors list	<b>G</b>	Emergency & Aisle lights	20.1	Lavatory	11.1	Step lights	29.1
Diodes list	<b>H</b>	Engine ECU	14.1	Line departure warning	16.2	Surrounding cameras	44
Resistors list	<b>J</b>	Engine heater	14.1	Low buoy	32.1	Sun visor	41.1
Relays list	<b>K</b>	Engine start	3.2	Luggage door lock/unlock	33.1 - 33.2		
Fuses list	<b>L</b>	Engine & RJB cmpt. Light	25.1	<b>M</b>		<b>T</b>	
Wire identification chart	<b>M</b>	Entrance door & lights	29.1	Main dist. ignition & batt.	3.1	Tag	32.1
		ESP	16.1	Markers lights	26.1 - 26.2	Tail & licence lights	26.2
<b>A</b>				Mirrors	31.1	Tire pressure monitor	39.1
Air dryer	37.1	<b>F</b>		Multiplex power distribution	7.1	Trailer package	26.4
Alternators	1.2	Fast idle	14.1	Multiplex network	6.1 - 6.2	Trailer park brake	12.2
		Fans radiator	13.1			Transmission ECU	15.1-15.2
		Fire alarm	38.1	<b>P</b>			
<b>B</b>		Fire suppression system	38.1	Parcel rack A/C system	18.3	<b>U</b>	
Back-up camera	28.1	Flashers	26.1-26.2	Parcel rack ISM	19.3	Upper defrost	18.4
Back-up warnings	26.3	Fog lights	26.5	Park brake sensor	12.1	Urea system	14.2
Batteries & Equalizer	1.1	Fuel gauge	10.1	Park brake trailer sensor	12.2		
Battery charger	17.1			Passenger entertain. sys.	35.9	<b>V</b>	
Brake pedal sensor	12.1	<b>G</b>		Power distribution FJB 12V	4.1	Volvo link TGW	37.1
		Gateway J1939	42.3	Power distribution FJB 24V	4.2		
<b>C</b>		Grounds electronic	2.1	Pwr dist. RJB 12V & 24V	5.1	<b>W</b>	
Cadec & seat belt alarm	42.1	Grounds chassis	2.2	Power outlets 12V	30.2	Water pre-heater	17.1
Cigar lighter	30.2			Power outlets 120VAC	40.1	Wheel chair lift Ricon	36.1
Clearance lights	26.1-26.2	<b>H</b>				Windows ajar	27.1
Cluster	10.1	Hazard	26.1	<b>R</b>		Wipers & washer	34.1
Cornering lights	26.5	Head lights	26.1	Reading lamps	22.2		
Cruise control	14.1	Horn	9.1	Retarder	12.1 - 15.1		
Curb lights	21.1	Hostess chime	22.2	RJB fan	1.1		
		Hvac defroster	18.1	Roof hatches w/fan	18.5		
		Hvac passenger	18.2				

## Wiring diagram pages list

Wiring diagram pages		D		Horn	9.1	R	
Multiplex outputs list	<b>B1</b>	Dash lights	19.1	Hostess chime	22.2	Reading lamps	22.2
Multiplex inputs list	<b>B2</b>	Destination sign	28.2	Hvac defroster	18.1	Retarder	12.1 - 15.1
Multiplex error messages	<b>B3</b>	Digital clock	28.1	Hvac passenger	18.2	RJB fan	1.1
Layout vehicle - harness	<b>C, C1</b>	Driver assist	16.2			Roof hatches w/fan	18.5
Sound system	<b>C2</b>	Driver's light & backlight	19.1	<b>I</b>		<b>S</b>	
Pins configuration	<b>D</b>	Driver's Seat Electrical Opt	19.1	Indicator light weight	32.2	Sound system	35.6
Circuits list	<b>E</b>	Driver window	30.1	Indirect lighting	23.1	Sound sys.-Speakers	35.2
Circuit breakers list	<b>F</b>	<b>E</b>		Ignition	3.2	Sound sys.-Video dist.	35.3
Connectors list	<b>G</b>	Electronics Mirror	31.2			Sound sys.-Seat audio	35.7
Diodes list	<b>H</b>	ELD/ITS Gateway	42.4	<b>K</b>		Spares wires	8.1
Resistors list	<b>J</b>	Emergency & Aisle lights	20.1	Kneeling system	32.1	Stop lights	26.2
Relays list	<b>K</b>	Emergency Lighting SB47	45.0			Steering control ZF	37.2
Fuses list	<b>L</b>	Engine ECU	14.1	<b>L</b>		Steering multifunctions	41.1
Wire identification chart	<b>M</b>	Engine heater	14.1	Lavatory	11.1	Step lights	29.1
		Engine start	3.2	Line departure warning	16.2	Surrounding cameras	44
<b>A</b>		Engine & RJB cmpt. Light	25.1	Low buoy	32.1	Sun visor	41.1
Air dryer	37.1	Entrance door & lights	29.1	Luggage door lock/unlock	33.1 - 33.2	<b>T</b>	
Alternators	1.2	ESP	16.1			Tag	32.1
				<b>M</b>		Tail & licence lights	26.2
		<b>F</b>		Main dist. ignition & batt.	3.1	Tire pressure monitor	39.1
Back-up camera	28.1	Fast idle	14.1	Markers lights	26.1 - 26.2	Trailer package	26.4
Back-up warnings	26.3	Fans radiator	13.1	Mirrors	31.1	Trailer park brake	12.2
Batteries & Equalizer	1.1	Fire alarm	38.1	Multiplex power distribution	7.1	Transmission ECU	15.1-15.2
Battery charger	17.1	Fire suppression system	38.1	Multiplex network	6.1 - 6.2		
Brake pedal sensor	12.1	Flashers	26.1-26.2			<b>U</b>	
		Fog lights	26.5	<b>P</b>		Upper defrost	18.4
<b>C</b>		Fuel gauge	10.1	Parcel rack A/C system	18.3	Urea system	14.2
Cadec & seat belt alarm	42.1			Parcel rack ISM	19.3		
Cigar lighter	30.2	<b>G</b>		Park brake sensor	12.1	<b>V</b>	
Clearance lights	26.1-26.2	Gateway J1939	42.3	Park brake trailer sensor	12.2	Volvo link TGW	37.1
Cluster	10.1	Grounds electronic	2.1	Passenger entertain.sys	35.9		
Cornering lights	26.5	Grounds chassis	2.2	Power distribution FJB 12V	4.1	<b>W</b>	
Cruise control	14.1			Power distribution FJB 24V	4.2	Water pre-heater	17.1
Curb lights	21.1	<b>H</b>		Pwr dist. RJB 12V & 24V	5.1	Wheel chair lift Ricon	36.1
		Hazard	26.1	Power outlets 12V	30.2	Windows ajar	27.1
		Head lights	26.1	Power outlets 120VAC	40.1	Wipers & washer	34.1

## Wiring diagram pages list

Wiring diagram pages		D		Horn	9.1	R	
Multiplex outputs list	<b>B1</b>	Dash lights	19.1	Hostess chime	22.2	Reading lamps	22.2
Multiplex inputs list	<b>B2</b>	Destination sign	28.2	Hvac defroster	18.1	Retarder	12.1 - 15.1
Multiplex error messages	<b>B3</b>	Digital clock	28.1	Hvac passenger	18.2	RJB fan	1.1
Layout vehicule - harness	<b>C, C1</b>	Driver assist	16.2			Roof hatches w/fan	60.1
Sound system	<b>C2</b>	Driver's light & backlight	19.1				
Pins configuration	<b>D</b>	Driver's Seat Electrical Opt	30.3	<b>I</b>		<b>S</b>	
Circuits list	<b>E</b>	Driver window	30.1	Indicator light weight	32.2	Sound system	35.6
Circuit breakers list	<b>F</b>			Indirect lighting	23.1	Sound sys.-Speakers	35.2
Connectors list	<b>G</b>	Electronics Mirror	31.2	Ignition	3.2	Sound sys.-Video dist.	35.3
Diodes list	<b>H</b>	ELD/ITS Gateway	42.4			Sound sys.-Seat audio	35.7
Resistors list	<b>J</b>	Emergency & Aisle lights	20.1	<b>K</b>		Spares wires	8.1
Relays list	<b>K</b>	Emergency Lighting SB47	45.0	Kneeling system	32.1	Stop lights	26.2
Fuses list	<b>L</b>	Engine ECU	14.1			Steering control ZF	37.2
Wire identification chart	<b>M</b>	Engine heater	14.1	<b>L</b>		Steering multifunctions	41.1
		Engine start	3.2	Lavatory	11.1	Step lights	29.1
		Engine & RJB cmpt. Light	25.1	Line departure warning	16.2	Surrounding cameras	44
<b>A</b>		Entrance door & lights	29.1	Low buoy	32.1	Sun visor	41.1
Air dryer	37.1	ESP	16.1	Luggage door lock/unlock	33.1 - 33.2		
Alternators	1.2					<b>T</b>	
						Tag	32.1
				<b>M</b>		Tail & licence lights	26.2
				Main dist. ignition & batt.	3.1	Tire pressure monitor	39.1
<b>B</b>		<b>F</b>		Markers lights	26.1 - 26.2	Trailer package	26.4
Back-up camera	28.1	Fast idle	14.1	Mirrors	31.1	Trailer park brake	12.2
Back-up warnings	26.3	Fans radiator	13.1	Multiplex power distribution	7.1	Transmission ECU	15.1-15.2
Batteries & Equalizer	1.1	Fire alarm	38.1	Multiplex network	6.1 - 6.2		
Battery charger	17.1	Fire suppression system	38.1			<b>U</b>	
Brake pedal sensor	12.1	Flashers	26.1-26.2			Upper defrost	18.4
		Fog lights	26.5	<b>P</b>		Urea system	14.2
<b>C</b>		Fuel gauge	10.1	Parcel rack A/C system	18.3		
Cadec & seat belt alarm	42.1			Parcel rack ISM	19.3		
Cigar lighter	30.2			Park brake sensor	12.1	<b>V</b>	
Clearance lights	26.1-26.2	<b>G</b>		Park brake trailer sensor	12.2	Volvo link TGW	37.1
Cluster	10.1	Gateway J1939	42.3	Passenger entertain.sys	35.9		
Cornering lights	26.5	Grounds electronic	2.1	Power distribution FJB 12V	4.1	<b>W</b>	
Cruise control	14.1	Grounds chassis	2.2	Power distribution FJB 24V	4.2	Water pre-heater	17.1
Curb lights	21.1			Pwr dist. RJB 12V & 24V	5.1	Wheel chair lift Ricon	36.1
		<b>H</b>		Power outlets 12V	30.2	Windows ajar	27.1
		Hazard	26.1	Power outlets 120VAC	40.1	Wipers & washer	34.1
		Head lights	26.1				

# MULTIPLEX OUTPUT LIST

O\_xx... = Physical Output Pin ; I\_xx... = Physical Input Pin ; D\_xx... = CAN Network Signal from the HVAC control Head ; B\_xx... = Multiplex system global Network Variable

Module.Pin#	Signal name		Page	Connected devices	Input involved			#
.	O_AcCluSol				B_TstModHvac	.		
A36.JA:10	O_VanscoCtrl				I_IgnKeySw	A36.JB:2	3.2	
A36.JA:13	O_EngineRun	Engine Run Signal			B_EngineRun	.		
					B_OneAltCharging	.		
					D_OnOffDrvSw	.		
					I_BatMonMod53	A53.J1:24		
					I_BatMonMod54	A54.J1:24		
					I_FrStrtEnSw	A52.J1:9		
					I_IgnKeySw	A36.JB:2	3.2	
					I_RrStrtEnSw	A52.J1:10		
A36.JA:15	O_WakeUp	WakeUp Relay	3.2		I_EntDorOpSw	A36.JB:15	29.1	
					I_FrStrtEnSw	A52.J1:9		
					I_HazardSw	A36.JB:4	26.1	
					I_IgnKeySw	A36.JB:2	3.2	
					I_NeutralSe	A50.J1:11		
					I_ParkBrSe	A36.JB:9	12.1	
					I_RrCutOutSw	A36.JB:21	38.1	
					I_RrStrtEnSw	A52.J1:10		
					I_WCLDoorLtch	A49.J1:1		
					I_WCLLoDorSe	A49.J1:6		
					I_WCLPlungSw	A49.J1:4		
					I_WCLSmallLowDor	A49.J1:17		
					I_WclSw	A42.J1:6		
					I_WebFireComp	A36.JB:14	38.1	
A36.JA:17	O_CutOutRel	Emergency CutOut Relay	3.2		I_FireExt2ndAlm	A36.JB:11		
					I_IgnKeySw	A36.JB:2	3.2	
A36.JA:24	O_DrvLtLed	Driver Light			B_BatterySaver	.		
					B_EngineRun	.		
					B_OneAltCharging	.		
					I_DrvLtSw	A41.J1:18		
A36.JA:25	O_EntLtLed	Entrance Door Light Bulb	12.1	A81.JA:5	B_BatterySaver	.		
					B_EngineRun	.		
					B_OneAltCharging	.		
					I_EntDorClSe	A47.J1:10		
A36.JA:6	O_Gong_NextStop				I_ChimeWcl	A53.J1:12		
					I_EntDorClSe	A47.J1:10		
					I_IgnKeySw	A36.JB:2	3.2	
A36.JA:7	O_Gong				I_EntDorClSe	A47.J1:10		
					I_IgnKeySw	A36.JB:2	3.2	
					I_NextStop	A42.J1:9		
A41.J1:11	O_KneeCtlSol	Kneeling Control Solenoid			I_BrakIntrlk	A45.J1:13		
					I_BrakPresDriver	A45.J1:14		
					I_EntDorClInSw	A36.JB:10		

# MULTIPLEX OUTPUT LIST

O\_xx... = Physical Output Pin ; I\_xx... = Physical Input Pin ; D\_xx... = CAN Network Signal from the HVAC control Head ; B\_xx... = Multiplex system global Network Variable

Module.Pin#	Signal name		Page	Connected devices	Input involved		
A41.J1:11	O_KneeCtSol	Kneeling Control Solenoid			I_EntDorCLOutSw	A36.JB:17	
					I_EntDorClSe	A47.J1:10	
					I_EntDorOpSw	A36.JB:15	29.1
					I_IgnKeySw	A36.JB:2	3.2
					I_IntDorOpSw	A41.J1:9	
					I_KneeDwSw	A41.J1:7	
					I_KneeLevelSe	A46.J1:13	
					I_KneeUpSw	A41.J1:6	
					I_MasterSwIntlk	A36.JB:16	
					I_WCLDoorLtch	A49.J1:1	
					I_WCLPlungSw	A49.J1:4	
					I_WCLSmallLowDor	A49.J1:17	
					A41.J1:12	O_Alt	Alternator
B_OneAltCharging	.						
I_A41_NormalMode	.						
I_Alt1Voltage	A49.J1:8						
I_BattChrgSig	A49.J1:19						
A41.J1:13	O_NextStopSign				I_ParkBrSe	A36.JB:9	12.1
					I_ChimeWcl	A53.J1:12	
					I_EntDorClSe	A47.J1:10	
					I_IgnKeySw	A36.JB:2	3.2
A41.J1:14	O_KneeDwSol	Kneeling Down Solenoid			I_NextStop	A42.J1:9	
					I_BrakIntrlk	A45.J1:13	
					I_BrakPresDriver	A45.J1:14	
					I_EntDorClInSw	A36.JB:10	
					I_EntDorCLOutSw	A36.JB:17	
					I_EntDorClSe	A47.J1:10	
					I_EntDorOpSw	A36.JB:15	29.1
					I_IgnKeySw	A36.JB:2	3.2
					I_IntDorOpSw	A41.J1:9	
					I_KneeDwSw	A41.J1:7	
					I_KneeLevelSe	A46.J1:13	
					I_KneeUpSw	A41.J1:6	
					I_MasterSwIntlk	A36.JB:16	
					I_NeutralSe	A50.J1:11	
					I_ParkBrSe	A36.JB:9	12.1
					I_WCLDoorLtch	A49.J1:1	
I_WCLLoDorSe	A49.J1:6						
I_WCLPlungSw	A49.J1:4						
I_WCLSmallLowDor	A49.J1:17						
A41.J1:15	O_KneeUpSol	Kneeling Up Solenoid			I_WclSw	A42.J1:6	
					I_IgnKeySw	A36.JB:2	3.2
					I_KneeDwSw	A41.J1:7	

# MULTIPLEX OUTPUT LIST

O\_xx... = Physical Output Pin ; I\_xx... = Physical Input Pin ; D\_xx... = CAN Network Signal from the HVAC control Head ; B\_xx... = Multiplex system global Network Variable

Module.Pin#	Signal name		Page	Connected devices	Input involved		
A41.J1:15	O_KneeUpSol	Kneeling Up Solenoid			I_KneeLevelSe	A46.J1:13	
					I_KneeUpSw	A41.J1:6	
A41.J1:16	O_BrkRedCompat	Brake Redundant Compatible			I_BrkLtSeFrSig	A36.JB:13	12.1
					I_BrkLtSeRrSig	A51.J1:10	
A41.J1:30	O_StepLed				I_EntDorClSe	A47.J1:10	
A42.J1:11	O_BrakeApply				I_AuxByPassSw	A42.J1:10	
					I_BrakIntrik	A45.J1:13	
					I_BrakPresDriver	A45.J1:14	
					I_EntDorClInSw	A36.JB:10	
					I_EntDorClOutSw	A36.JB:17	
					I_EntDorClSe	A47.J1:10	
					I_EntDorOpSw	A36.JB:15	29.1
					I_IgnKeySw	A36.JB:2	3.2
					I_IntDorOpSw	A41.J1:9	
					I_KneeDwSw	A41.J1:7	
					I_KneeLevelSe	A46.J1:13	
					I_KneeUpSw	A41.J1:6	
					I_MasterSwIntlk	A36.JB:16	
					I_WCLDoorLtch	A49.J1:1	
I_WCLPlungSw	A49.J1:4						
I_WCLSmallLowDor	A49.J1:17						
A42.J1:12	O_ParkBrSolNeg	Park Brake Solenoid Return			I_IgnKeySw	A36.JB:2	3.2
A42.J1:13	O_StairFan2				B_BatterySaver	.	
					B_EngineRun	.	
					B_OneAltCharging	.	
					B_TstModHvac	.	
					D_AmbTempLSB	.	
					D_AmbTempMSB	.	
					D_DrvFnSpdBit0	.	
					D_DrvFnSpdBit1	.	
D_DrvFnSpdBit2	.						
A42.J1:15	O_BrakeApplyNeg				I_IgnKeySw	A36.JB:2	3.2
A42.J1:16	O_CndSpd2Rel	Condensor Fan Speed 2 Relay			B_BatterySaver	.	
					B_EngineRun	.	
					B_LowVoltage	.	
					B_OneAltCharging	.	
					B_TstModHvac	.	
					D_AmbTempLSB	.	
					D_AmbTempMSB	.	
					D_OnOffDrvSw	.	
					D_PassSetPts	.	
					I_AcPresHiSse	A52.J1:13	
I_BatMonMod53	A53.J1:24						



# MULTIPLEX OUTPUT LIST

O\_xx... = Physical Output Pin ; I\_xx... = Physical Input Pin ; D\_xx... = CAN Network Signal from the HVAC control Head ; B\_xx... = Multiplex system global Network Variable

Module.Pin#	Signal name		Page	Connected devices	Input involved		
A42.J1:16	O_CndSpd2Rel	Condensor Fan Speed 2 Relay			I_FireExt1stAl	A36.JB:23	38.1
					I_FireExt2ndAlm	A36.JB:11	
					I_WebFireComp	A36.JB:14	38.1
A44.J1:1	O_DashTrapPMo	Dash Trap Motor			D_AirFlapBit0	.	
					D_AirFlapBit1	.	
					D_AirFlapBit2	.	
					I_IgnKeySw	A36.JB:2	3.2
A44.J1:2	O_DashTrapNMo	Dash Trap Motor Return			D_AirFlapBit0	.	
					D_AirFlapBit1	.	
					D_AirFlapBit2	.	
					I_IgnKeySw	A36.JB:2	3.2
A44.J1:20	O_BackUpMon	Backup Monitor Signal			B_BatterySaver	.	
					B_EngineRun	.	
					B_OneAltCharging	.	
					B_TstModExtLight	.	
A44.J1:21	O_BrakeDisplay				B_BatterySaver	.	
					B_EngineRun	.	
					B_OneAltCharging	.	
					B_TstModExtLight	.	
					I_BrkLtSeFrSig	A36.JB:13	12.1
					I_BrkLtSeRrSig	A51.J1:10	
A44.J1:4	O_EnDoorSwLb				I_HdLtPos1Sw	A42.J1:4	
A44.J1:6	O_NextStopSign2				I_ChimeWcl	A53.J1:12	
					I_EntDorClSe	A47.J1:10	
					I_IgnKeySw	A36.JB:2	3.2
					I_NextStop	A42.J1:9	
A44.J1:7	O_DashBackLit	Dash BackLighting			I_HdLtPos1Sw	A42.J1:4	
A44.J1:8	O_FrClearLb	Front Clearance Lights Bulb			B_BatterySaver	.	
					B_EngineRun	.	
					B_OneAltCharging	.	
					B_TstModExtLight	.	
					I_HdLtPos1Sw	A42.J1:4	
					I_HdLtPos2SwLH	A45.J1:12	
A45.J1:1	O_FootTrpPSol	Foot Trap Solenoid			D_AirFlapBit0	.	
					D_AirFlapBit1	.	
					D_AirFlapBit2	.	
					I_IgnKeySw	A36.JB:2	3.2
A45.J1:2	O_FootTrpNSol	Foot Trap Solenoid			D_AirFlapBit0	.	
					D_AirFlapBit1	.	
					D_AirFlapBit2	.	
					I_IgnKeySw	A36.JB:2	3.2
A45.J1:20	O_HornElectric	Horn Electric			I_FireExt1stAl	A36.JB:23	38.1
					I_FireExt2ndAlm	A36.JB:11	

# MULTIPLEX OUTPUT LIST

O\_xx... = Physical Output Pin ; I\_xx... = Physical Input Pin ; D\_xx... = CAN Network Signal from the HVAC control Head ; B\_xx... = Multiplex system global Network Variable

Module.Pin#	Signal name	Page	Connected devices	Input involved		
A45.J1:20	O_HornElectric	Horn Electric		I_HornSw	A45.J1:10	
				I_IgnKeySw	A36.JB:2	3.2
				I_WebFireComp	A36.JB:14	38.1
A45.J1:21	O_LHFrMkrLb	Left Hand Front Markers Light Bulb		B_BatterySaver	.	
				B_EngineRun	.	
				B_OneAltCharging	.	
				B_TstModExtLight	.	
				I_HdLtPos1Sw	A42.J1:4	
				I_HdLtPos2SwLH	A45.J1:12	
A45.J1:3	O_LHFrFlshLb	Left Hand Front Flasher Light Bulb		B_BatterySaver	.	
				B_EngineRun	.	
				B_OneAltCharging	.	
				B_TstModExtLight	.	
				I_HazardSw	A36.JB:4	26.1
				I_LHFlshSwRrSig	A51.J1:9	
				I_NeutralSe	A50.J1:11	
				I_RHFlshSwRrSig	A51.J1:12	
				I_WCLDoorLtch	A49.J1:1	
				I_WCLLoDorSe	A49.J1:6	
				I_WCLPlungSw	A49.J1:4	
				I_WCLSmallLowDor	A49.J1:17	
I_WclSw	A42.J1:6					
A45.J1:6	O_LHHiBmLb	Left Hand Hi Beam Light Bulb		B_BatterySaver	.	
				B_EngineRun	.	
				B_OneAltCharging	.	
				B_TstModExtLight	.	
				I_HdLthiLowBmSw	A42.J1:8	
I_HdLtPos2SwLH	A45.J1:12					
A45.J1:7	O_LHLwBmLb	Left Hand Low Beam Light Bulb		B_BatterySaver	.	
				B_EngineRun	.	
				B_OneAltCharging	.	
				B_TstModExtLight	.	
				I_HdLtPos2SwLH	A45.J1:12	
A45.J1:8	O_LHFrSidFlshLb			B_BatterySaver	.	
				B_EngineRun	.	
				B_OneAltCharging	.	
				B_TstModExtLight	.	
				I_HazardSw	A36.JB:4	26.1
				I_LHFlshSwRrSig	A51.J1:9	
				I_NeutralSe	A50.J1:11	
				I_RHFlshSwRrSig	A51.J1:12	
				I_WCLDoorLtch	A49.J1:1	
I_WCLLoDorSe	A49.J1:6					

# MULTIPLEX OUTPUT LIST

O\_xx... = Physical Output Pin ; I\_xx... = Physical Input Pin ; D\_xx... = CAN Network Signal from the HVAC control Head ; B\_xx... = Multiplex system global Network Variable

Module.Pin#	Signal name		Page	Connected devices	Input involved		
A45.J1:8	O_LHFrSidFlshLb				I_WCLPlungSw	A49.J1:4	
					I_WCLSmallLowDor	A49.J1:17	
					I_WclSw	A42.J1:6	
A46.J1:1	O_UpDefHeater1	Upper Defroster Heater #1			B_BatterySaver	.	
					B_EngineRun	.	
					B_OneAltCharging	.	
					D_AmbTempLSB	.	
					D_AmbTempMSB	.	
					D_OnOffDrvSw	.	
					I_FireExt1stAl	A36.JB:23	38.1
A46.J1:2	O_UpDefHeater2	Upper Defroster Heater #2			B_BatterySaver	.	
					B_EngineRun	.	
					B_OneAltCharging	.	
					D_AmbTempLSB	.	
					D_AmbTempMSB	.	
					D_OnOffDrvSw	.	
					I_FireExt1stAl	A36.JB:23	38.1
A46.J1:21	O_WclDoorLight1				B_BatterySaver	.	
					B_EngineRun	.	
					B_OneAltCharging	.	
					B_TstModExtLight	.	
					I_NeutralSe	A50.J1:11	
					I_WCLLoDorSe	A49.J1:6	
					I_WCLSmallLowDor	A49.J1:17	
					I_WclSw	A42.J1:6	
A46.J1:3	O_LwWshPmp	Lower Wiper Washer Pump			B_BatterySaver	.	
					B_EngineRun	.	
					B_OneAltCharging	.	
					I_LwWshSwRetro	A46.J1:9	
A46.J1:4	O_StairFan				B_BatterySaver	.	
					B_EngineRun	.	
					B_OneAltCharging	.	
					B_TstModHvac	.	
					D_AmbTempLSB	.	
					D_AmbTempMSB	.	
					D_DrvFnSpdBit0	.	
					D_DrvFnSpdBit1	.	
					D_DrvFnSpdBit2	.	
					D_OnOffDrvSw	.	
					I_FireExt1stAl	A36.JB:23	38.1
A46.J1:5	O_DrvRfgSol	Driver refrigerent solenoid			B_BatterySaver	.	
					B_EngineRun	.	
					B_OneAltCharging	.	

# MULTIPLEX OUTPUT LIST

O\_xx... = Physical Output Pin ; I\_xx... = Physical Input Pin ; D\_xx... = CAN Network Signal from the HVAC control Head ; B\_xx... = Multiplex system global Network Variable

Module.Pin#	Signal name		Page	Connected devices	Input involved		
A46.J1:5	O_DrvRfgSol	Driver refrigerent solenoid			B_TstModHvac	.	
					D_AmbTempLSB	.	
					D_AmbTempMSB	.	
					D_OnOffDrvSw	.	
					I_AcPresHiSse	A52.J1:13	
					I_AcPresLoSse	A52.J1:14	
A46.J1:6	O_DrvHeatSol	Driver Heat Solenoid			I_FireExt1stAl	A36.JB:23	38.1
					B_BatterySaver	.	
					B_EngineRun	.	
					B_OneAltCharging	.	
					B_TstModHvac	.	
					D_AirFlapBit0	.	
					D_AirFlapBit1	.	
					D_AirFlapBit2	.	
					D_AmbTempLSB	.	
					D_AmbTempMSB	.	
					D_DriverSetPts	.	
					D_DrvFnSpdBit0	.	
					D_DrvFnSpdBit1	.	
					D_DrvFnSpdBit2	.	
					D_OnOffDrvSw	.	
I_BatMonMod46	A46.J1:24						
I_BatMonMod54	A54.J1:24						
I_DrvTempSe	A41.J1:1						
I_FireExt1stAl	A36.JB:23	38.1					
I_FireExt2ndAlm	A36.JB:11						
I_WebFireComp	A36.JB:14	38.1					
A46.J1:7	O_IVN_WCL				I_NeutralSe	A50.J1:11	
					I_ParkBrSe	A36.JB:9	12.1
					I_WCLSmallLowDor	A49.J1:17	
					I_WclSw	A42.J1:6	
A47.J1:1	O_DrvDefFanMo	Driver Defroster Fan Motor			B_BatterySaver	.	
					B_EngineRun	.	
					B_OneAltCharging	.	
					D_DrvFnSpdBit0	.	
					D_DrvFnSpdBit1	.	
					D_DrvFnSpdBit2	.	
					D_OnOffDrvSw	.	
					I_BatMonMod47	A47.J1:24	
I_FireExt1stAl	A36.JB:23	38.1					
A47.J1:2	O_DrvRecTrap	Driver Recycle Trap			B_BatterySaver	.	
					B_EngineRun	.	
					B_OneAltCharging	.	

# MULTIPLEX OUTPUT LIST

O\_xx... = Physical Output Pin ; I\_xx... = Physical Input Pin ; D\_xx... = CAN Network Signal from the HVAC control Head ; B\_xx... = Multiplex system global Network Variable

Module.Pin#	Signal name	Page	Connected devices	Input involved		
A47.J1:2	O_DrvRecTrap	Driver Recycle Trap		B_TstModHvac	.	
				D_RecSw	.	
				I_BrakIntrk	A45.J1:13	
				I_BrakPresDriver	A45.J1:14	
				I_EntDorCInSw	A36.JB:10	
				I_EntDorCOutSw	A36.JB:17	
				I_EntDorCISE	A47.J1:10	
				I_EntDorOpSw	A36.JB:15	29.1
				I_IntDorOpSw	A41.J1:9	
				I_KneeDwSw	A41.J1:7	
				I_KneeLevelSe	A46.J1:13	
				I_KneeUpSw	A41.J1:6	
				I_MasterSwIntlk	A36.JB:16	
				I_WCLDoorLtch	A49.J1:1	
I_WCLPlungSw	A49.J1:4					
I_WCLSmallLowDor	A49.J1:17					
A47.J1:21	O_UdrFlrLb	Under Floor Light Bulb		B_BatterySaver	.	
				B_EngineRun	.	
				B_LowVoltage	.	
				B_OneAltCharging	.	
A47.J1:3	O_LwWipSpd1	Lower Wiper Speed 1		B_BatterySaver	.	
				B_EngineRun	.	
				B_OneAltCharging	.	
				I_LwWshSwRetro	A46.J1:9	
A47.J1:5	O_EntDorStpLb	Entrance Door Step Light Bulb		I_EntDorCISE	A47.J1:10	
A47.J1:6	O_EntDorClSol	Entrance Door Close Solenoid Valve		I_BrakIntrk	A45.J1:13	
				I_BrakPresDriver	A45.J1:14	
				I_EntDorCInSw	A36.JB:10	
				I_EntDorCOutSw	A36.JB:17	
				I_EntDorCISE	A47.J1:10	
				I_EntDorOpSw	A36.JB:15	29.1
				I_IgnKeySw	A36.JB:2	3.2
				I_IntDorOpSw	A41.J1:9	
				I_KneeDwSw	A41.J1:7	
				I_KneeLevelSe	A46.J1:13	
				I_KneeUpSw	A41.J1:6	
				I_MasterSwIntlk	A36.JB:16	
				I_WCLDoorLtch	A49.J1:1	
I_WCLPlungSw	A49.J1:4					
I_WCLSmallLowDor	A49.J1:17					
A47.J1:7	O_EntDorOpSol	Entrance Door Open Solenoid Valve		I_BrakIntrk	A45.J1:13	
				I_BrakPresDriver	A45.J1:14	
				I_EntDorCInSw	A36.JB:10	

# MULTIPLEX OUTPUT LIST

O\_xx... = Physical Output Pin ; I\_xx... = Physical Input Pin ; D\_xx... = CAN Network Signal from the HVAC control Head ; B\_xx... = Multiplex system global Network Variable

Module.Pin#	Signal name		Page	Connected devices	Input involved		
A47.J1:7	O_EntDorOpSol	Entrance Door Open Solenoid Valve			I_EntDorClOutSw	A36.JB:17	
					I_EntDorClSe	A47.J1:10	
					I_EntDorOpSw	A36.JB:15	29.1
					I_IgnKeySw	A36.JB:2	3.2
					I_IntDorOpSw	A41.J1:9	
					I_KneeDwSw	A41.J1:7	
					I_KneeLevelSe	A46.J1:13	
					I_KneeUpSw	A41.J1:6	
					I_MasterSwIntlk	A36.JB:16	
					I_WCLDoorLtch	A49.J1:1	
					I_WCLPlungSw	A49.J1:4	
					I_WCLSmallLowDor	A49.J1:17	
A47.J1:8	O_EntDorULkSo	Entrance Door UnLock Solenoid Valve			I_BrakIntrk	A45.J1:13	
					I_BrakPresDriver	A45.J1:14	
					I_EntDorClInSw	A36.JB:10	
					I_EntDorClOutSw	A36.JB:17	
					I_EntDorClSe	A47.J1:10	
					I_EntDorOpSw	A36.JB:15	29.1
					I_IgnKeySw	A36.JB:2	3.2
					I_IntDorOpSw	A41.J1:9	
					I_KneeDwSw	A41.J1:7	
					I_KneeLevelSe	A46.J1:13	
					I_KneeUpSw	A41.J1:6	
					I_MasterSwIntlk	A36.JB:16	
					I_WCLDoorLtch	A49.J1:1	
					I_WCLPlungSw	A49.J1:4	
I_WCLSmallLowDor	A49.J1:17						
A48.J1:1	O_WdowDrvDwMo	Window driver up motor			I_IgnKeySw	A36.JB:2	3.2
					I_WdowDrvDwSw	A41.J1:21	
					I_WdowDrvUpSw	A41.J1:19	
A48.J1:2	O_WdowDrvUpMo	Window driver up motor			I_IgnKeySw	A36.JB:2	3.2
					I_WdowDrvDwSw	A41.J1:21	
					I_WdowDrvUpSw	A41.J1:19	
A48.J1:20	O_RHFrSidFlshLb	RH Front Side Flasher L-Bulb			B_BatterySaver	.	
					B_EngineRun	.	
					B_OneAltCharging	.	
					B_TstModExtLight	.	
					I_BrakIntrk	A45.J1:13	
					I_BrakPresDriver	A45.J1:14	
					I_EntDorClInSw	A36.JB:10	
					I_EntDorClOutSw	A36.JB:17	
					I_EntDorClSe	A47.J1:10	
					I_EntDorOpSw	A36.JB:15	29.1

# MULTIPLEX OUTPUT LIST

O\_xx... = Physical Output Pin ; I\_xx... = Physical Input Pin ; D\_xx... = CAN Network Signal from the HVAC control Head ; B\_xx... = Multiplex system global Network Variable

Module.Pin#	Signal name		Page	Connected devices	Input involved		
A48.J1:20	O_RHFrSidFlshLb	RH Front Side Flasher L-Bulb			I_HazardSw	A36.JB:4	26.1
					I_IntDorOpSw	A41.J1:9	
					I_KneeDwSw	A41.J1:7	
					I_KneeLevelSe	A46.J1:13	
					I_KneeUpSw	A41.J1:6	
					I_LHFlshSwRrSig	A51.J1:9	
					I_MasterSwIntlk	A36.JB:16	
					I_NeutralSe	A50.J1:11	
					I_RHFlshSwRrSig	A51.J1:12	
					I_WCLDoorLtch	A49.J1:1	
					I_WCLLoDorSe	A49.J1:6	
					I_WCLPlungSw	A49.J1:4	
					I_WCLSmallLowDor	A49.J1:17	
I_WclSw	A42.J1:6						
A48.J1:21	O_RetarderOff				B_BatterySaver	.	
					B_EngineRun	.	
					B_OneAltCharging	.	
					B_TstModExtLight	.	
					I_RetarderSel	A41.J1:3	
A48.J1:3	O_RHHiBeamLb	Right Hand Hi Beam Light Bulb			B_BatterySaver	.	
					B_EngineRun	.	
					B_OneAltCharging	.	
					B_TstModExtLight	.	
					I_HdLtHiLowBmSw	A42.J1:8	
					I_HdLtPos2SwLH	A45.J1:12	
A48.J1:4	O_RHLwBeamLb	Right Hand Low Beam Light Bulb			B_BatterySaver	.	
					B_EngineRun	.	
					B_OneAltCharging	.	
					B_TstModExtLight	.	
					I_HdLtPos2SwRH	A48.J1:10	
A48.J1:6	O_RHFrfFlshLb	Right Hand Front Flasher Light Bulb			B_BatterySaver	.	
					B_EngineRun	.	
					B_OneAltCharging	.	
					B_TstModExtLight	.	
					I_HazardSw	A36.JB:4	26.1
					I_LHFlshSwRrSig	A51.J1:9	
					I_NeutralSe	A50.J1:11	
					I_RHFlshSwRrSig	A51.J1:12	
					I_WCLDoorLtch	A49.J1:1	
					I_WCLLoDorSe	A49.J1:6	
					I_WCLPlungSw	A49.J1:4	
					I_WCLSmallLowDor	A49.J1:17	
					I_WclSw	A42.J1:6	

# MULTIPLEX OUTPUT LIST

O\_xx... = Physical Output Pin ; I\_xx... = Physical Input Pin ; D\_xx... = CAN Network Signal from the HVAC control Head ; B\_xx... = Multiplex system global Network Variable

Module.Pin#	Signal name		Page	Connected devices	Input involved		
A48.J1:7	O_RHFrMrkLb	Right Hand Front Markers Light Bulb			B_BatterySaver	.	
					B_EngineRun	.	
					B_OneAltCharging	.	
					B_TstModExtLight	.	
					I_HdLtPos1Sw	A42.J1:4	
					I_HdLtPos2SwLH	A45.J1:12	
A49.J1:11	O_WCLOn	Wheel Chair Lift Enabled			I_NeutralSe	A50.J1:11	
					I_ParkBrSe	A36.JB:9	12.1
					I_WCLLoDorSe	A49.J1:6	
					I_WCLSmallLowDor	A49.J1:17	
					I_WclSw	A42.J1:6	
A49.J1:12	O_WCLUpDoorSig	WCL Upper Door Open Signal For TWU			I_ParkBrSe	A36.JB:9	12.1
					I_WCLDoorLtch	A49.J1:1	
					I_WCLPlungSw	A49.J1:4	
A49.J1:13	O_WCLLatchSol	Wcl pneumatic latch solenoid			I_IgnKeySw	A36.JB:2	3.2
					I_WCLFirstLatch	A49.J1:7	
					I_WCLPlungSw	A49.J1:4	
A49.J1:14	O_RetardEna	Retarder Enable			I_IgnKeySw	A36.JB:2	3.2
					I_RetarderSel	A41.J1:3	
A49.J1:15	O_AltChrCtr	Alternator Charge Control			B_EngineRun	.	
					B_OneAltCharging	.	
					I_A49_NormalMode	.	
					I_IgnKeySw	A36.JB:2	3.2
A49.J1:16	O_Alt2ChrCtr				B_EngineRun	.	
					B_OneAltCharging	.	
					I_A49_NormalMode	.	
					I_IgnKeySw	A36.JB:2	3.2
A49.J1:30	O_TagAxlValve	Tag Axle Valve			I_IgnKeySw	A36.JB:2	3.2
					I_TagPitManSW	A42.J1:5	
					I_TgAxlSw	A42.J1:19	
A50.J1:1	O_WCLSDoorLb				I_ParkBrSe	A36.JB:9	12.1
					I_WCLDoorLtch	A49.J1:1	
					I_WCLPlungSw	A49.J1:4	
A50.J1:2	O_TransInhibit	Transmission Inhibit			I_BrkLtSeFrSig	A36.JB:13	12.1
					I_BrkLtSeRrSig	A51.J1:10	
					I_NeutralSe	A50.J1:11	
					I_ParkBrSe	A36.JB:9	12.1
					I_WCLDoorLtch	A49.J1:1	
					I_WCLLoDorSe	A49.J1:6	
					I_WCLPlungSw	A49.J1:4	
					I_WCLSmallLowDor	A49.J1:17	
					I_WclSw	A42.J1:6	
A50.J1:20	O_BackUpLt				B_BatterySaver	.	



# MULTIPLEX OUTPUT LIST

O\_xx... = Physical Output Pin ; I\_xx... = Physical Input Pin ; D\_xx... = CAN Network Signal from the HVAC control Head ; B\_xx... = Multiplex system global Network Variable

Module.Pin#	Signal name		Page	Connected devices	Input involved		
A50.J1:20	O_BackUpLt				B_EngineRun	.	
					B_OneAltCharging	.	
					B_TstModExtLight	.	
A50.J1:21	O_BrLtUpperLb				B_BatterySaver	.	
					B_EngineRun	.	
					B_OneAltCharging	.	
					B_TstModExtLight	.	
					I_BrKtSeFrSig	A36.JB:13	12.1
					I_BrKtSeRrSig	A51.J1:10	
A50.J1:3	O_RevAlarm	Back up alarm			B_BatterySaver	.	
					B_EngineRun	.	
					B_OneAltCharging	.	
					B_TestSwBuz2	.	
					B_TestSwBuzzer	.	
					B_TstModExtLight	.	
					B_TstModHvac	.	
					B_TstModHvacNext	.	
					B_TstSwBuz3	.	
					D_NextWheel	.	
					I_BackUpAlCancel	A41.J1:4	
A50.J1:4	O_ReClearLb	Rear Clearance Light Bulb			B_BatterySaver	.	
					B_EngineRun	.	
					B_OneAltCharging	.	
					B_TstModExtLight	.	
					I_HdLtPos1Sw	A42.J1:4	
					I_HdLtPos2SwLH	A45.J1:12	
A50.J1:5	O_LHctrFlshLb	Water Filter Indicator Warning			B_BatterySaver	.	
					B_EngineRun	.	
					B_OneAltCharging	.	
					B_TstModExtLight	.	
					I_HazardSw	A36.JB:4	26.1
					I_LHFlshSwRrSig	A51.J1:9	
					I_NeutralSe	A50.J1:11	
					I_RHFlshSwRrSig	A51.J1:12	
					I_WCLDoorLtch	A49.J1:1	
					I_WCLLoDorSe	A49.J1:6	
					I_WCLPlungSw	A49.J1:4	
					I_WCLSmallLowDor	A49.J1:17	
					I_WclSw	A42.J1:6	
A50.J1:6	O_BrLTLowLed				B_BatterySaver	.	
					B_EngineRun	.	
					B_OneAltCharging	.	
					B_TstModExtLight	.	

# MULTIPLEX OUTPUT LIST

O\_xx... = Physical Output Pin ; I\_xx... = Physical Input Pin ; D\_xx... = CAN Network Signal from the HVAC control Head ; B\_xx... = Multiplex system global Network Variable

Module.Pin#	Signal name		Page	Connected devices	Input involved		
A50.J1:6	O_BrLTLowerLed				I_BrkLtSeFrSig	A36.JB:13	12.1
					I_BrkLtSeRrSig	A51.J1:10	
					I_HdLtPos1Sw	A42.J1:4	
					I_HdLtPos2SwLH	A45.J1:12	
					I_RetdrSig	A50.J1:12	
A50.J1:7	O_RHctrFlshLb	Wheel Chair Lift Warning Indicator			B_BatterySaver	.	
					B_EngineRun	.	
					B_OneAltCharging	.	
					B_TstModExtLight	.	
					I_HazardSw	A36.JB:4	26.1
					I_LHFflshSwRrSig	A51.J1:9	
					I_NeutralSe	A50.J1:11	
					I_RHFflshSwRrSig	A51.J1:12	
					I_WCLDoorLtch	A49.J1:1	
					I_WCLLoDorSe	A49.J1:6	
					I_WCLPlungSw	A49.J1:4	
					I_WCLSmallLowDor	A49.J1:17	
I_WclSw	A42.J1:6						
A50.J1:8	O_CtrSdMrkLb	Tag Axle Warning Indicator			B_BatterySaver	.	
					B_EngineRun	.	
					B_OneAltCharging	.	
					B_TstModExtLight	.	
					I_HdLtPos1Sw	A42.J1:4	
I_HdLtPos2SwLH	A45.J1:12						
A51.J1:1	O_SerBrkTrans	Servise Brake Signal For Transmission			I_BrkLtSeFrSig	A36.JB:13	12.1
A51.J1:2	O_CompDrFanCtr				B_BatterySaver	.	
					B_EngineRun	.	
					B_OneAltCharging	.	
					B_TstModHvac	.	
					D_AmbTempLSB	.	
D_AmbTempMSB	.						
I_FireExt2ndAlm	A36.JB:11						
A51.J1:21	O_LHReFlshLb	Left Hand Rear Flasher Light Bulb			B_BatterySaver	.	
					B_EngineRun	.	
					B_OneAltCharging	.	
					B_TstModExtLight	.	
					I_HazardSw	A36.JB:4	26.1
					I_LHFflshSwRrSig	A51.J1:9	
					I_NeutralSe	A50.J1:11	
					I_RHFflshSwRrSig	A51.J1:12	
I_WCLDoorLtch	A49.J1:1						
I_WCLLoDorSe	A49.J1:6						
I_WCLPlungSw	A49.J1:4						

# MULTIPLEX OUTPUT LIST

O\_xx... = Physical Output Pin ; I\_xx... = Physical Input Pin ; D\_xx... = CAN Network Signal from the HVAC control Head ; B\_xx... = Multiplex system global Network Variable

Module.Pin#	Signal name		Page	Connected devices	Input involved		
A51.J1:21	O_LHReFlshLb	Left Hand Rear Flasher Light Bulb			I_WCLSmallLowDor	A49.J1:17	
					I_WclSw	A42.J1:6	
A51.J1:3	O_RHReFlshLb	Right Hand Rear Flasher Light Bulb			B_BatterySaver	.	
					B_EngineRun	.	
					B_OneAltCharging	.	
					B_TstModExtLight	.	
					I_HazardSw	A36.JB:4	26.1
					I_LHFlshSwRrSig	A51.J1:9	
					I_NeutralSe	A50.J1:11	
					I_RHFlshSwRrSig	A51.J1:12	
					I_WCLDoorLtch	A49.J1:1	
					I_WCLLoDorSe	A49.J1:6	
					I_WCLPlungSw	A49.J1:4	
					I_WCLSmallLowDor	A49.J1:17	
					I_WclSw	A42.J1:6	
A51.J1:5	O_CompDrFanPwr				B_BatterySaver	.	
					B_EngineRun	.	
					B_OneAltCharging	.	
					B_TstModHvac	.	
					D_AmbTempLSB	.	
					D_AmbTempMSB	.	
					I_EngDoorSe	A49.J1:10	
					I_FireExt2ndAlm	A36.JB:11	
I_IgnKeySw	A36.JB:2	3.2					
A51.J1:6	O_BrLTUpperLed				B_BatterySaver	.	
					B_EngineRun	.	
					B_OneAltCharging	.	
					B_TstModExtLight	.	
					I_BrkLtSeFrSig	A36.JB:13	12.1
					I_BrkLtSeRrSig	A51.J1:10	
					I_HdLtPos1Sw	A42.J1:4	
A51.J1:7	O_CyclopeLt	Cyclope Brake Light			I_HdLtPos2SwLH	A45.J1:12	
					B_BatterySaver	.	
A51.J1:8	O_ReTailMkLb	Rear Tail Markers Light Bulb			B_EngineRun	.	
					B_OneAltCharging	.	
					B_TstModExtLight	.	
					I_BrkLtSeFrSig	A36.JB:13	12.1
					I_BrkLtSeRrSig	A51.J1:10	
					B_BatterySaver	.	
					B_EngineRun	.	
					B_OneAltCharging	.	
					B_TstModExtLight	.	
					I_HdLtPos1Sw	A42.J1:4	

# MULTIPLEX OUTPUT LIST

O\_xx... = Physical Output Pin ; I\_xx... = Physical Input Pin ; D\_xx... = CAN Network Signal from the HVAC control Head ; B\_xx... = Multiplex system global Network Variable

Module.Pin#	Signal name	Page	Connected devices	Input involved
A51.J1:8	O_ReTailMkLb		Rear Tail Markers Light Bulb	I_HdLtPos2SwLH A45.J1:12
A52.J1:1	O_EngFanSpd1		Engine Fan Radiator Speed 1	B_BatterySaver . B_EngineRun . B_OneAltCharging . B_TstModHvac . D_RadFanSpd1 . D_StopTestMode . I_AcPresHISse A52.J1:13 I_FireExt1stAl A36.JB:23 38.1 I_FireExt2ndAlm A36.JB:11 I_FrStrtEnSw A52.J1:9 I_IgnKeySw A36.JB:2 3.2 I_RrStrtEnSw A52.J1:10 I_WebFireComp A36.JB:14 38.1
A52.J1:2	O_EngFanSpd2		Engine Fan Radiator Speed 2	B_BatterySaver . B_EngineRun . B_OneAltCharging . B_TstModHvac . D_RadFanSpd2 . D_StopTestMode . I_AcPresHISse A52.J1:13 I_FireExt1stAl A36.JB:23 38.1 I_FireExt2ndAlm A36.JB:11 I_IgnKeySw A36.JB:2 3.2 I_WebFireComp A36.JB:14 38.1
A52.J1:21	O_AcUnldrH		Hvac Right Hand Cylinder Unloader	B_BatterySaver . B_EngineRun . B_OneAltCharging . B_TstModHvac . D_AmbTempLSB . D_AmbTempMSB . D_PassSetPts . I_AcPresHISse A52.J1:13 I_AcPresLoSse A52.J1:14
A52.J1:3	O_OilSeparator			B_BatterySaver . B_EngineRun . B_OneAltCharging . B_TstModExtLight . B_TstModHvac . I_BrkLtSeFrSig A36.JB:13 12.1 I_BrkLtSeRrSig A51.J1:10 I_RetdrSig A50.J1:12
A52.J1:4	O_LavFanMo		Lavatory Fan Motor	B_EngineRun .

# MULTIPLEX OUTPUT LIST

O\_xx... = Physical Output Pin ; I\_xx... = Physical Input Pin ; D\_xx... = CAN Network Signal from the HVAC control Head ; B\_xx... = Multiplex system global Network Variable

Module.Pin#	Signal name		Page	Connected devices	Input involved		
A52.J1:4	O_LavFanMo	Lavatory Fan Motor			B_OneAltCharging	.	
					I_BatMonMod52	A52.J1:24	
A52.J1:6	O_StarterRel	Starter Relay			B_BatterySaver	.	
					B_EngineRun	.	
					B_OneAltCharging	.	
					B_TstModHvac	.	
					I_FrStrtEnSw	A52.J1:9	
					I_NeutralSe	A50.J1:11	
					I_ParkBrSe	A36.JB:9	12.1
					I_RrStrtEnSw	A52.J1:10	
A52.J1:7	O_FanRJB	Fan RJB			B_EngineRun	.	
					B_OneAltCharging	.	
A52.J1:8	O_PRaKrfgSol	Parcel Rack Refrigerent Solenoid			B_BatterySaver	.	
					B_EngineRun	.	
					B_LowVoltage	.	
					B_OneAltCharging	.	
					B_TstModHvac	.	
					D_OnOffDrvSw	.	
					I_FireExt1stAl	A36.JB:23	38.1
					I_FireExt2ndAlm	A36.JB:11	
					I_PRaKfanSw	A41.J1:20	
					I_WebFireComp	A36.JB:14	38.1
A53.J1:2	O_DirLed	Direct Led			B_BatterySaver	.	
					B_EngineRun	.	
					B_LowVoltage	.	
					B_OneAltCharging	.	
A53.J1:21	O_EmergencyLt	Emergency Lights			B_BatterySaver	.	
					B_EngineRun	.	
					B_LowVoltage	.	
					B_OneAltCharging	.	
					I_HdLtPos1Sw	A42.J1:4	
A53.J1:3	O_IndirLed	Indirect Led			B_BatterySaver	.	
					B_EngineRun	.	
					B_LowVoltage	.	
					B_OneAltCharging	.	
A53.J1:5	O_ReadLtsRel	Passenger Reading Light Relay			B_BatterySaver	.	
					B_EngineRun	.	
					B_LowVoltage	.	
					B_OneAltCharging	.	
					I_ReadLtsSw	A41.J1:10	
A54.J1:2	O_EvaSpd2Pilot	Evaporator Fan Speed 2			B_BatterySaver	.	
					B_EngineRun	.	
					B_LowVoltage	.	

# MULTIPLEX OUTPUT LIST

O\_xx... = Physical Output Pin ; I\_xx... = Physical Input Pin ; D\_xx... = CAN Network Signal from the HVAC control Head ; B\_xx... = Multiplex system global Network Variable

Module.Pin#	Signal name	Page	Connected devices	Input involved		
A54.J1:2	O_EvaSpd2Pilot	Evaporator Fan Speed 2		B_OneAltCharging	.	
				B_TstModHvac	.	
				D_AmbTempLSB	.	
				D_AmbTempMSB	.	
				D_OnOffDrvSw	.	
				D_PassSetPts	.	
				I_Alt1Voltage	A49.J1:8	
				I_BatMonMod54	A54.J1:24	
				I_FireExt1stAl	A36.JB:23	38.1
				I_FireExt2ndAlm	A36.JB:11	
I_WebFireComp	A36.JB:14	38.1				
A54.J1:20	O_ACRecPass	A/C Pass. Gaz Cylinder Recycle		B_BatterySaver	.	
				B_EngineRun	.	
				B_OneAltCharging	.	
				B_TstModHvac	.	
				D_RecSw	.	
				I_BrakIntrk	A45.J1:13	
				I_BrakPresDriver	A45.J1:14	
				I_EntDorClInSw	A36.JB:10	
				I_EntDorClOutSw	A36.JB:17	
				I_EntDorClSe	A47.J1:10	
				I_EntDorOpSw	A36.JB:15	29.1
				I_IntDorOpSw	A41.J1:9	
				I_KneeDwSw	A41.J1:7	
				I_KneeLevelSe	A46.J1:13	
				I_KneeUpSw	A41.J1:6	
				I_MasterSwIntlk	A36.JB:16	
I_WCLDoorLtch	A49.J1:1					
I_WCLPlungSw	A49.J1:4					
I_WCLSmallLowDor	A49.J1:17					
A54.J1:21	O_PassOnOff	Output HVAC Passenger ON/OFF		B_BatterySaver	.	
				B_EngineRun	.	
				B_OneAltCharging	.	
				B_TstModHvac	.	
				I_BatMonMod54	A54.J1:24	
A54.J1:3	O_PasRfgSol	Passenger Refrigerent Solenoid		B_BatterySaver	.	
				B_EngineRun	.	
				B_LowVoltage	.	
				B_OneAltCharging	.	
				B_TstModHvac	.	
				D_AmbTempLSB	.	
				D_AmbTempMSB	.	
				D_OnOffDrvSw	.	

# MULTIPLEX OUTPUT LIST

O\_xx... = Physical Output Pin ; I\_xx... = Physical Input Pin ; D\_xx... = CAN Network Signal from the HVAC control Head ; B\_xx... = Multiplex system global Network Variable

Module.Pin#	Signal name		Page	Connected devices	Input involved		
A54.J1:3	O_PasRfgSol	Passenger Refrigerent Solenoid			D_PassSetPts		
					I_BatMonMod54	A54.J1:24	
					I_FireExt1stAl	A36.JB:23	38.1
					I_FireExt2ndAlm	A36.JB:11	
					I_WebFireComp	A36.JB:14	38.1
A54.J1:4	O_ACWaterPmp	Hvac Water Pump			B_BatterySaver	.	
					B_EngineRun	.	
					B_OneAltCharging	.	
					B_TstModHvac	.	
					D_AmbTempLSB	.	
					D_AmbTempMSB	.	
					D_DrvFnSpdBit0	.	
					D_DrvFnSpdBit1	.	
					D_DrvFnSpdBit2	.	
					D_HvacPump	.	
					D_OnOffDrvSw	.	
					D_StopTestMode	.	
					I_BatMonMod54	A54.J1:24	
					I_FireExt1stAl	A36.JB:23	38.1
					I_FireExt2ndAlm	A36.JB:11	
					I_IgnKeySw	A36.JB:2	3.2
					I_WebFireComp	A36.JB:14	38.1
A54.J1:5	O_CndSpd1Rel	Condensor Fan Speed 1 Relay			B_BatterySaver	.	
					B_EngineRun	.	
					B_LowVoltage	.	
					B_OneAltCharging	.	
					B_TstModHvac	.	
					D_AmbTempLSB	.	
					D_AmbTempMSB	.	
					D_OnOffDrvSw	.	
					D_PassSetPts	.	
					I_AcPresHiSse	A52.J1:13	
					I_BatMonMod54	A54.J1:24	
					I_FireExt1stAl	A36.JB:23	38.1
					I_FireExt2ndAlm	A36.JB:11	
					I_WebFireComp	A36.JB:14	38.1
A54.J1:6	O_P RackSpd1	Parcel rack speed 1			B_BatterySaver	.	
					B_EngineRun	.	
					B_LowVoltage	.	
					B_OneAltCharging	.	
					B_TstModHvac	.	
					I_P RackFanSw	A41.J1:20	
A54.J1:7	O_EvaSpd1Rel	Evaporator Fan Speed 1 Relay			B_BatterySaver	.	

# MULTIPLEX OUTPUT LIST

O\_xx... = Physical Output Pin ; I\_xx... = Physical Input Pin ; D\_xx... = CAN Network Signal from the HVAC control Head ; B\_xx.. = Multiplex system global Network Variable

Module.Pin#	Signal name	Connected devices	Page	Input involved		
A54.J1:7	O_EvaSpd1Rel	Evaporator Fan Speed 1 Relay		B_EngineRun	.	
				B_LowVoltage	.	
				B_OneAltCharging	.	
				B_TstModHvac	.	
				D_OnOffDrvSw	.	
				I_BatMonMod54	A54.J1:24	
				I_FireExt1stAl	A36.JB:23	38.1
				I_FireExt2ndAlm	A36.JB:11	
A54.J1:8	O_PasHeatSol	Passenger Heat Solenoid Valve		I_WebFireComp	A36.JB:14	38.1
				B_BatterySaver	.	
				B_EngineRun	.	
				B_OneAltCharging	.	
				B_TstModHvac	.	
				D_AmbTempLSB	.	
				D_AmbTempMSB	.	
				D_DrvFnSpdBit0	.	
				D_DrvFnSpdBit1	.	
				D_DrvFnSpdBit2	.	
				D_OnOffDrvSw	.	
				D_PassSetPts	.	
				I_BatMonMod54	A54.J1:24	
				I_FireExt1stAl	A36.JB:23	38.1
				I_FireExt2ndAlm	A36.JB:11	
I_WebFireComp	A36.JB:14	38.1				



# MULTIPLEX INPUT LIST

O\_xx... = Physical Output Pin ; I\_xx... = Physical Input Pin ; D\_xx... = CAN Network Signal from the HVAC control Head ; B\_xx... = Multiplex system global Network Variable

Module.Pin#	Signal name		Page	Connected devices
.	I_A41_NormalMode			
.	I_A49_NormalMode			
A36.JB:10	I_EntDorCInSw	Entrance Door Close Inside Switch		
A36.JB:11	I_FireExt2ndAlm			
A36.JB:13	I_BrkLtSeFrSig	Brake Lights Sensor	12.1	
A36.JB:14	I_WebFireComp		38.1	
A36.JB:15	I_EntDorOpSw	Entrance Door Open Switch	29.1	
A36.JB:16	I_MasterSwIntlk			
A36.JB:17	I_EntDorCLOutSw	Entrance Door Close Outside Switch		
A36.JB:2	I_IgnKeySw	Ignition Key switch	3.2	
A36.JB:21	I_RrCutOutSw	Rear Junction Box CutOut Switch	38.1	
A36.JB:22	I_FrEngStaSw	Front Engine Start Switch	3.2	
A36.JB:23	I_FireExt1stAl		38.1	
A36.JB:4	I_HazardSw	Hazard Switch	26.1	
A36.JB:9	I_ParkBrSe	Parking Brake Sensor	12.1	
A41.J1:1	I_DrvTempSe	Driver Temperature sensor		
A41.J1:10	I_ReadLtsSw	Passenger Reading lights Switch		
A41.J1:18	I_DrvLtSw	Driver Light Switch		
A41.J1:19	I_WdowDrvUpSw	Driver window switch		
A41.J1:20	I_PRackFanSw			
A41.J1:21	I_WdowDrvDwSw	Driver window switch		
A41.J1:3	I_RetarderSel	Retarder Selected		
A41.J1:4	I_BackUpAlCancel			
A41.J1:6	I_KneeUpSw	Kneeling Up Switch		
A41.J1:7	I_KneeDwSw	Kneeling Down Switch		
A41.J1:9	I_IntDorOpSw	Entrance Door Open Switch		
A42.J1:10	I_AuxByPassSw			
A42.J1:17	I_FJBLtSw	Front Junction Box Door Open		
A42.J1:19	I_TgAxlSw	Tag Axle Switch		
A42.J1:4	I_HdLtPos1Sw	Head Light Switch Position Markers		
A42.J1:5	I_TagPitManSW	Tag Automatic Unload PitMan Sw		
A42.J1:6	I_WclSw	Wheel Chair Lift Dash Switch		
A42.J1:8	I_HdLtHiLowBmSw	Head Lights High and Low Beam Switch		
A42.J1:9	I_NextStop			
A45.J1:10	I_HornSw	Horn Switch		
A45.J1:12	I_HdLtPos2SwLH	Head Light Switch Beam Position 2 LH		
A45.J1:13	I_BrakIntrlk			
A45.J1:14	I_BrakPresDriver			
A45.J1:9	I_LHFshSw	Left Hand Flasher Switch		
A46.J1:13	I_KneeLevelSe			
A46.J1:24	I_BatMonMod46			
A46.J1:9	I_LwWshSwRetro	Lower Wiper Washer Switch		
A47.J1:10	I_EntDorClSe	Entrance Door Close Sensor		

# MULTIPLEX INPUT LIST

O\_xx... = Physical Output Pin ; I\_xx... = Physical Input Pin ; D\_xx... = CAN Network Signal from the HVAC control Head ; B\_xx... = Multiplex system global Network Variable

Module.Pin#	Signal name		Page	Connected devices
A47.J1:24	I_BatMonMod47			
A48.J1:10	I_HdLtPos2SwRH	Head Light Switch Beam Position 2 RH		
A48.J1:12	I_RHFlshSw	Right Hand Flasher Switch		
A49.J1:1	I_WCLDoorLtch	WCL Door firts latch detection door open		
A49.J1:10	I_EngDoorSe	Engine Door Sensor		
A49.J1:17	I_WCLSmallLowDor	Wheel Chair Lift Small Low Door		
A49.J1:18	I_WCLInstalSig	WCL Cassette installation detection		
A49.J1:19	I_BattChrgSig			
A49.J1:4	I_WCLPlungSw	WCL Sliding door open detection		
A49.J1:6	I_WCLLoDorSe	Wheel Chair Lift Lower Door Sensor		
A49.J1:7	I_WCLFirstLatch	Wcl pneumatic latch sensor		
A49.J1:8	I_Alt1Voltage			
A49.J1:9	I_Alt2Voltage			
A50.J1:11	I_NeutralSe	Neutral Signal Sensor		
A50.J1:12	I_RetdrSig	Retarder Signal		
A51.J1:10	I_BrkLtSeRrSig	Brake Lights Sensor		
A51.J1:12	I_RHFlshSwRrSig	RH FlasherSwitch Rear Signal		
A51.J1:24	I_BatMonMod51			
A51.J1:9	I_LHFlshSwRrSig	LH FlasherSwitch Rear Signal		
A52.J1:10	I_RrStrtEnSw	Rear Start Enable Switch		
A52.J1:11	I_EngStaRrSw	Engine Start Rear Switch		
A52.J1:13	I_AcPresHiSse	Ac Pressure High Side Sensor		
A52.J1:14	I_AcPresLoSse	Ac Pressure Low Side Sensor		
A52.J1:24	I_BatMonMod52			
A52.J1:9	I_FrStrtEnSw	Front Start Enable Switch		
A53.J1:12	I_ChimeWcl			
A53.J1:24	I_BatMonMod53			
A54.J1:24	I_BatMonMod54			
A54.J1:9	I_LuggDoorSw	Luggage Door Switch		

# MULTIPLEX ERROR MESSAGES LIST

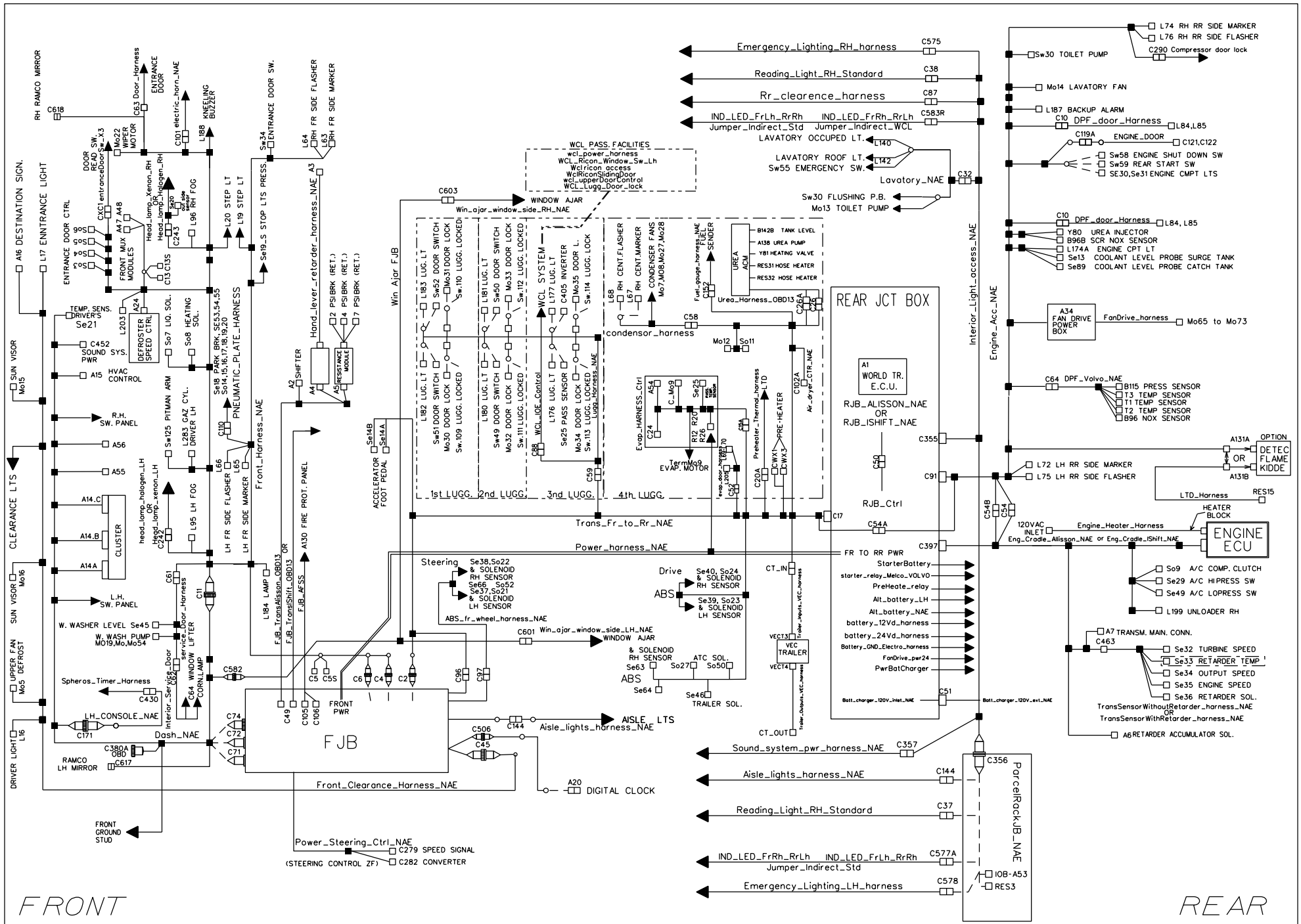
FMI 3 = Shorted High ; FMI 4 = Shorted Low ; FMI 5 = Open Circuit ; FMI 6 = Current above Normal

Cluster message	SID/PSID	FMI	Module.Pin#	Page	Cluster message	SID/PSID	FMI	Module.Pin#	Page
A/C Pres HiSd	PSID #12	3, 4, 5	A52.J1:13		Fr Flsh-Mkr LH	PSID #128	3, 4, 6	A45.J1:3	
A/C Pres LoSd	PSID #13	3, 4, 5	A52.J1:14		Fr Side Flsh	PSID #10	3, 4, 6	A48.J1:20	
Aux Bypass Sw	SID #69	3, 4	A42.J1:10		Fr Start Sw	PSID #58	3, 4	A36.JB:22	3.2
Backup Light &	PSID #167	3, 4, 6	A50.J1:20		Front Flash RH	PSID #126	3, 4, 6	A48.J1:6	
Battery Equalizer	SID #61	3, 4	A45.J1:12		FrontMkr Lts LH	PSID #148	3, 4, 5, 6	A45.J1:21	
Brake Interlock Sol	SID #76	3, 6	A42.J1:11		FrontMkr Lts RH	PSID #149	3, 4, 5, 6	A48.J1:7	
Brake Pres Driver	SID #73	3, 4	A45.J1:14		FrStart Enable Sw	PSID #56	3, 4	A52.J1:9	
Brake Pres Intrlk	SID #74	3, 4	A45.J1:13		Hazard Switch	PSID #138	3, 4	A36.JB:4	26.1
Brk Lts Sens	PSID #119	3, 4	A36.JB:13	12.1	Head Lights Pos1	PSID #143	3, 4	A42.J1:4	
Ceiling Door Lt	PSID #108	3, 4, 6	A36.JA:25	12.1	Hi Low Beam	SID #62	3, 4	A42.J1:8	
Center Flash LH	PSID #124	3, 4, 6	A50.J1:5		High Beam LH	PSID #141	3, 4, 5, 6	A45.J1:6	
Center Flash RH	PSID #125	3, 4, 6	A50.J1:7		High Beam RH	PSID #145	3, 4, 5, 6	A48.J1:3	
Center Mkr	PSID #27	3, 4, 5, 6	A50.J1:8		Horn	PSID #83	3, 4, 5, 6	A45.J1:20	
Cond Rly spd1	PSID #41	3, 4, 5, 6	A54.J1:5		Indir Lts Rly	PSID #110		A53.J1:3	
Cond Rly spd2	PSID #42	3, 4, 6	A42.J1:16		Knee Ctrl Sol	PSID #86	3, 4, 5, 6	A41.J1:11	
Cyclope Lt	PSID #116	4, 6	A51.J1:7		Knee down Sol	PSID #89	3, 4, 5, 6	A41.J1:14	
Direct Lts Relay	PSID #102	3, 4	A53.J1:2		Knee Down Sw	PSID #93	3, 4	A41.J1:7	
Driver Def Fan	PSID #180	3, 4, 5, 6	A47.J1:1		Knee Up Sol	PSID #95	3, 4, 5, 6	A41.J1:15	
Driver heat Sol	PSID #16	3, 4, 5, 6	A46.J1:6		Knee Up Sw	PSID #94	3, 4	A41.J1:6	
Driver Light Sw	PSID #104	3, 4, 6	A36.JA:24		Kneeling Alm	PSID #85	3, 4, 5, 6	A42.J1:14	
Driver Light Sw	SID #67	3, 4	A41.J1:18		Kneeling Level Se	SID #81	3, 4	A46.J1:13	
Driver Rfg Sol	PSID #29	3, 4, 5, 6	A46.J1:5		Lavatory Fan4	PSID #98	4, 5, 6	A52.J1:4	
Driver Sensor	PSID #28	3, 4, 5	A41.J1:1		Low Beam LH	PSID #142	3, 4, 6	A45.J1:7	
Driver window	SID #83	3, 4, 6	A48.J1:1		Low Beam RH	PSID #146	3, 4, 6	A48.J1:4	
Drv air Trap	SID #64	3, 4, 6	A44.J1:2		Lower Stop Lamps	PSID #153	3, 4, 6	A50.J1:6	
Drv Rec Cylind	PSID #30	3, 4, 5, 6	A47.J1:2		Lower Washer pmp	PSID #181	4, 5, 6	A46.J1:3	
Emergency Lt R15	SID #47	3, 4, 5, 6	A53.J1:21		Master Interlock Sw	SID #71	3, 4	A36.JB:16	
Emergency Relay	PSID #44	3, 4, 5, 6	A36.JA:17	3.2	Next Stop Sign	SID #80	3, 4, 6	A41.J1:13	
Engine Door Se	PSID #6	3, 4	A49.J1:10		Next Stop Sw	SID #70	3, 4	A42.J1:9	
Engine Fan Spd1	PSID #53	3, 4, 5, 6	A52.J1:1		Next Stop Wcl	SID #72	3, 4	A53.J1:12	
Engine Fan Spd2	PSID #54	3, 4, 5, 6	A52.J1:2		Oil Separator	SID #75	3, 4, 5, 6	A52.J1:3	
Ent Close Out	PSID #70	3, 4	A36.JB:17		Open Door Sw	SID #78	3, 4, 5, 6	A44.J1:4	
Ent close Sens	PSID #63	3, 4	A47.J1:10		P Rack Fan	PSID #21	3, 4	A41.J1:20	
Ent Close Sol	PSID #65	3, 4, 5, 6	A47.J1:6		Park brak Sens	PSID #162	3, 4	A36.JB:9	12.1
Ent Door Close	PSID #64	3, 4	A36.JB:10		Park brake Sol	PSID #163	3, 6	A42.J1:12	
Ent open out	PSID #71	3, 4	A36.JB:15	29.1	Pass Heat Sol	PSID #24	3, 4, 6	A54.J1:8	
Ent Open Sol	PSID #67	3, 4, 5, 6	A47.J1:7		Pass On_Off Sig	SID #29	3, 4, 5, 6	A54.J1:21	
Ent Unlk Sol	PSID #72	3, 4, 5, 6	A47.J1:8		Pass Rec.Cylinder	SID #63	3, 4, 5, 6	A54.J1:20	
Evap Motor Rly	PSID #77	3, 4, 5, 6	A54.J1:7		Pass Rfg Sol	PSID #23	3, 4, 5, 6	A54.J1:3	
Flash RH Sw	PSID #133	3, 4	A48.J1:12		Pass. Wtr pump	PSID #17	3, 4, 6	A54.J1:4	
Flasher LH	PSID #130	3, 4	A45.J1:9		Read Lts Rly	PSID #113	3, 4, 5, 6	A53.J1:5	
Foot trap	PSID #37	3, 4, 6	A45.J1:2		Read Lts Sw	PSID #114	3, 4	A41.J1:10	
FR Clearance lights	PSID #137	3, 4, 5, 6	A44.J1:8		Rear CutOut Sw	PSID #18	3, 4	A36.JB:21	38.1

# MULTIPLEX ERROR MESSAGES LIST

FMI 3 = Shorted High ; FMI 4 = Shorted Low ; FMI 5 = Open Circuit ; FMI 6 = Current above Normal

Cluster message	SID/PSID	FMI	Module.Pin#	Page				
RearFlsh LH	PSID #131	3, 4, 6	A51.J1:21					
RearFlsh RH	PSID #132	3, 4, 6	A51.J1:3					
Retarder signal	PSID #164	3, 4	A50.J1:12					
RJB fan	SID #37	3, 4, 6	A52.J1:7					
Rr Clearance lights	PSID #151	3, 4, 5, 6	A50.J1:4					
Rr Start Sw	PSID #59	3, 4	A52.J1:11					
RrStart Enable Sw	PSID #57	3, 4	A52.J1:10					
Ser Brake Trans	SID #49	3, 4, 6	A51.J1:1					
Starter Relay	PSID #60	4, 6	A52.J1:6					
Step Led light	SID #77	3, 4, 6	A41.J1:30					
StepLts	PSID #117	3, 4, 6	A47.J1:5					
Tag axle Sw	PSID #165	3, 4	A42.J1:19					
Tail Lights	PSID #152	3, 4, 5, 6	A51.J1:8					
Trans Inh Sig	SID #25	3, 4, 5, 6	A50.J1:2					
Trans Neutral Sens	PSID #168	3, 4	A50.J1:11					
Under Floor lights	PSID #112	4, 6	A47.J1:21					
Unloader RH	PSID #32	3, 4, 5, 6	A52.J1:21					
Up Def Heater1	SID #34	3, 4, 5, 6	A46.J1:1					
Up Def Heater2	SID #35	3, 4, 5, 6	A46.J1:2					
Upper Brk Lamp	PSID #43	3, 4, 6	A51.J1:6					
WakeUp Rly	SID #30	4, 5, 6	A36.JA:15	3.2				
WCL Pump Rly	PSID #176	3, 4, 6	A49.J1:11					
WCLDorSig to USonic	SID #24	3, 4, 5, 6	A49.J1:12					



FRONT

REAR

**PREVOST**

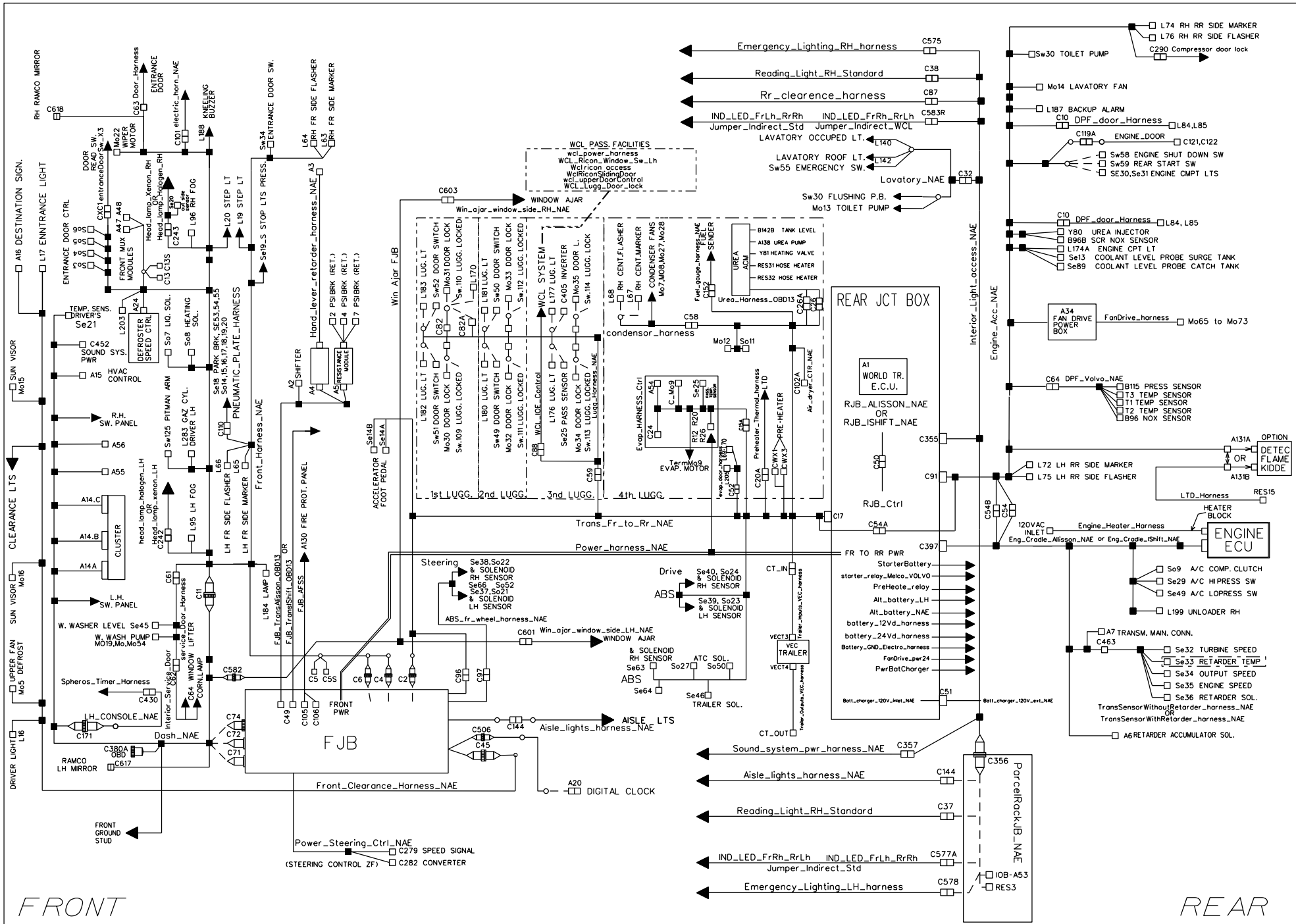
WIRING DIAGRAM

NO:

D061550

PAGE: C

REVISION  
10-1



FRONT

REAR

## Vehicle Harness RoadMap

DESCRIPTION	Ref Only	UREE PWR
<b>ORDRE DE CHANGEMENT</b>		<b>2020002</b>
<b>VÉH. EFFECTIF</b>	<b>Before L-6614 /L-7732</b>	<b>L-6614 / L-7732</b>
<b>T.I. RESPONSABLE</b>		<b>SB</b>
ABS_fr_wheel_harness_NAE	060124	
ACB_Gen2	060035	
ailse_light_extension	069424	
Air_dryer_CTR_NAE	060095	
Air_Horn	0610004	
Aisle_lights_harness_NAE	060086	
Alt_battery_LH	069537	
Alt_battery_NAE	069517	
Alt_chassis_GND	060264	
Alt_Jumper_Power	060265	
Alt_LH_chassis_GND	069504	
alternator_ctrl_harness	060088	
alternator_ctrl_LH_harness	069511	
Batt_charger_120V_ext_NAE	060149	
Batt_charger_120V_inlet_NAE	060151	
batt_inter_8d	068397	
battery_12Vd_harness	069560	
battery_24Vd_harness	069561	
Battery_GND_Electro_harness	069534	
Battery_Gnd_Harness	069525	
Battery_interconnect	060152	
Beru_antenna_NAE	060143	
Beru_Fjb	060045	
Blue_Light_In_Front_Of_The_Lavarory_Door	061250	
Bloc_diode_front_harness_C34	380047	
bloc_diode_fjb_C18	381145	
booster_positive_Harness	060028	
CANTRACK_PGM_HARNESS	068901	
Clockspring_Extension	069103	
Commuter_Front_Accessories	NA	
Compressor_door_lock	060778	
condensor_harness	060377	
Curb_Light	060058	
Dash_NAE	069978	
Destination_Sign_Emergency_Sw124	069944	
Destination_Sign_Front_To_Side	069941	
Destination_Sign_Interconn_Side_Rear	069942	
Destination_Sign_Interconnection	069940	
Destination_Sign_Rear	069943	
Door_Harness	060038	
DPF_door_Harness	IDEM_COM_069833	
DPF_Door_light	060037	
DPF_Volvo_NAE	060089	
Driver_120VAC_Outlet	NA	
electric_horn_NAE	060074	
Emergency_Lighting_LH_harness	069968	
Emergency_Lighting_RH_harness	069967	
Eng_Cradle_Allisson_NAE	061434	
Eng_Cradle_IShift_NAE	061475	
Engine_Acc_NAE	069961	<b>0610310</b>
Engine_chassis_GND	060306	
ENGINE_DOOR	060039	
Engine_Heater_Harness	068723	
entranceDoorSw_X3	060080	
equilizer_harness_Vanner	069539	
evap_door_harness	060556	
Evap_HARNESS_Ctrl	069981	
Evap_power_harness	060529	
Evap_power_ground_harness	060527	

## Vehicule Harness RoadMap

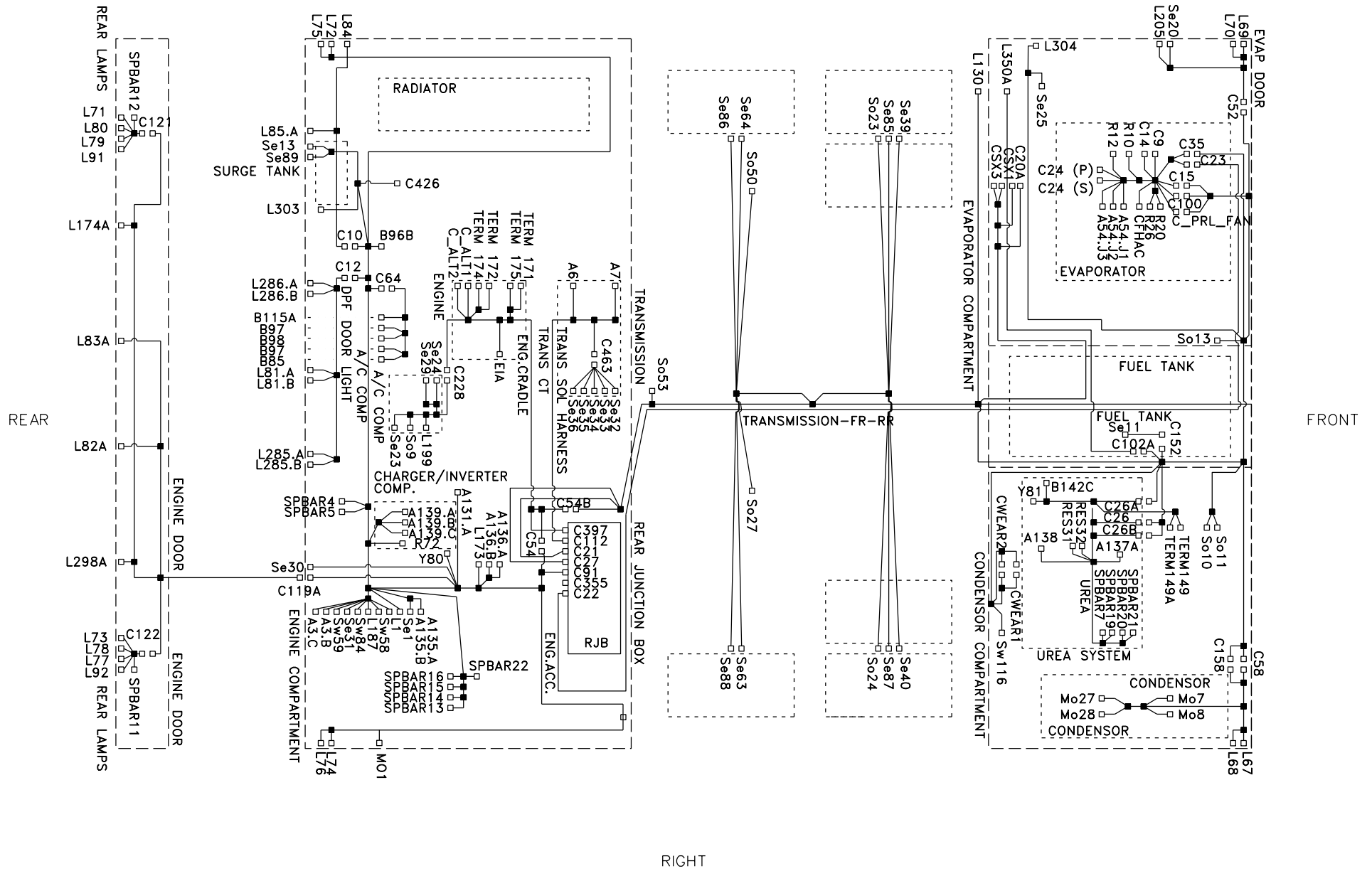
DESCRIPTION	Ref Only	UREE PWR
ORDRE DE CHANGEMENT		2020002
VÉH. EFFECTIF	Before L-6614 /L-7732	L-6614 / L-7732
FanDrive_harness	068820	
FanDrive_pwr24	069245	
FanDrive_pwrGnd	069246	
FJB	0611113	
FJB_GLI	0610179	
FJB_AFSS	060042	
FJB_TransAlisson_OBD13	0610096	
FJB_TransIShift_OBD13	060069	
Flame_Detector_Ext_Harness	060436	
Front_Clearance_Harness_NAE	069974	
Front_flip_screen_NAE	060099	
Front_Harness_NAE	069976	
Fuel_gauge_harness_NAE	060087	
GND_CABLE_NSS	069776	
Hand_lever_retarder_harness_NAE	060083	
Head_lamp_Halogen_RH	069864	
Head_lamp_Xenon_RH	069865	
head_lamp_halogen_LH	069864	
Head_lamp_washer	060076	
Head_lamp_xenon_LH	069977	
IND_LED_FrLh_RrRh	END	
IND_LED_FrRh_RrLh	END	
IND_Front_RH	IDEM COM 069862	
IND_Front_LH	IDEM COM 069985	
IND_Rear_RH	IDEM COM 069861	
Interior_Light_access_NAE	069962	
Interior_Service_Door	060068	
INVerter_120Vac_LH (Special 3 Inverters)	NA	
INVerter_120Vac_RH (Special 3 Inverters)	NA	
INVerter_120Vac_LH	068257	
INVerter_120Vac_RH	068198	
Inverter_driver_display_harness	0610041	
Inverter_harness	069526	
Inverter_Negatif	068252	
Inverter_Positif	069548	
ISM_RELAY_Prack	idemH3_0610200	
JUMPER_120VAC_WCL	068937	
Jumper_Indirect_Std	069546	
Jumper_Indirect_WCL	069884	
Jumper_Y_120Vac	068221	
Lavatory_Ceiling_Light	069676	
Lavatory_NAE	069964	
Lavatory_Occupied_Lamp	069675	
Lavatory_Sw_Harness	069994	
LH_CONSOLE_NAE	060544	
load_monitoring_harness	069211	
LTD_Harness	069738	
Lugg_Harness_NAE	069969	
Lugg_Harness_WOLockNAE	060328	
Luggage_door_lock_2013	069551	
Luggage_Door_L_One_Lamp (1st_FR_RH)	069970	
Outlet_120vac_P Rack	068295	
Outlet_lugg_Central_Vacuum	067712	
ParcelRackJB_NAE	069963	
Plug_for_2_sliding_seats	idemH3_067984	
Plug_for_3_sliding_seats	068321	
PNEUMATIC_PLATE_HARNESS	idemCOM069715	
PoweMuxEvapNAE	FIN	
Power_harness_NAE	060558	

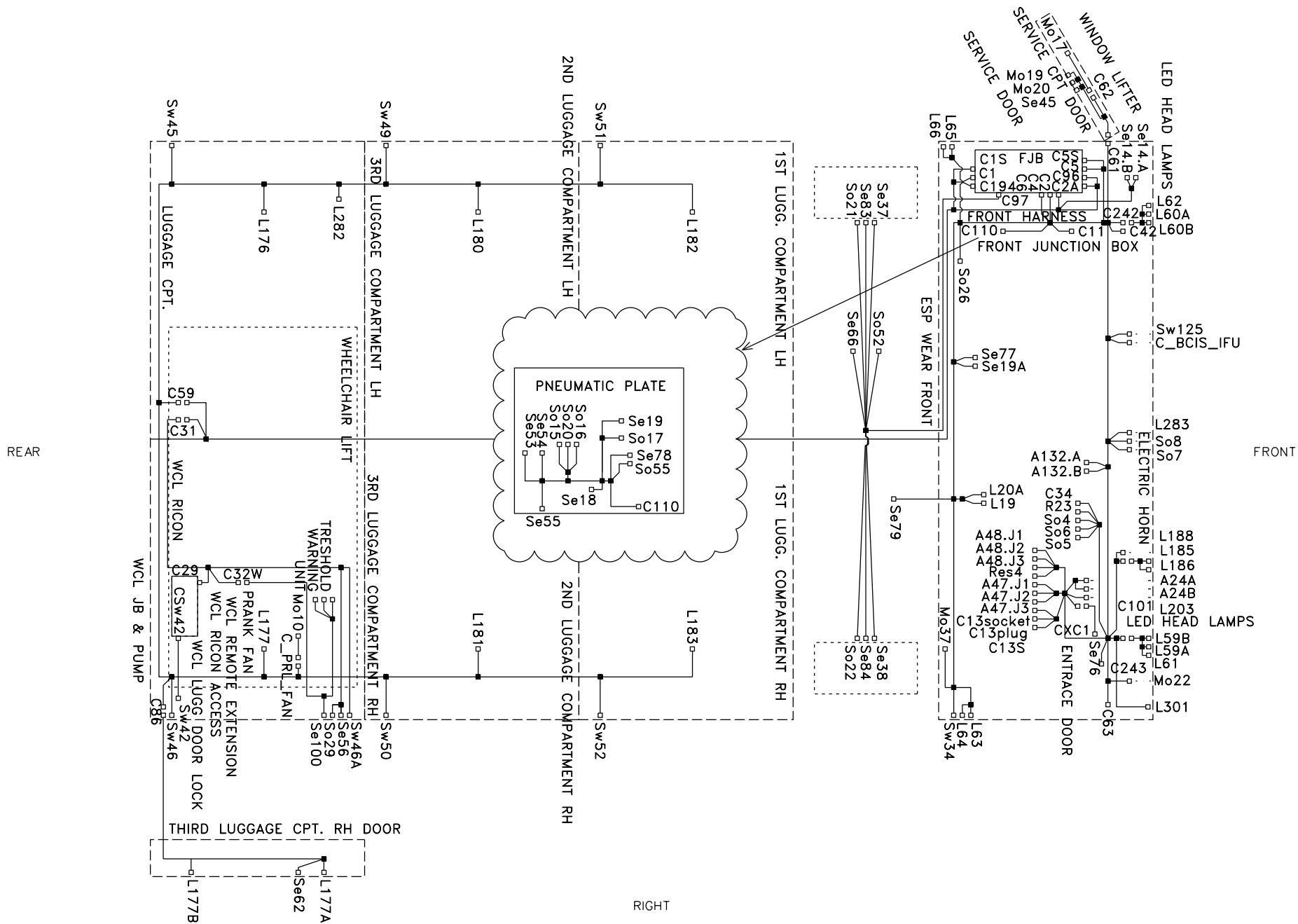


## Vehicle Harness RoadMap

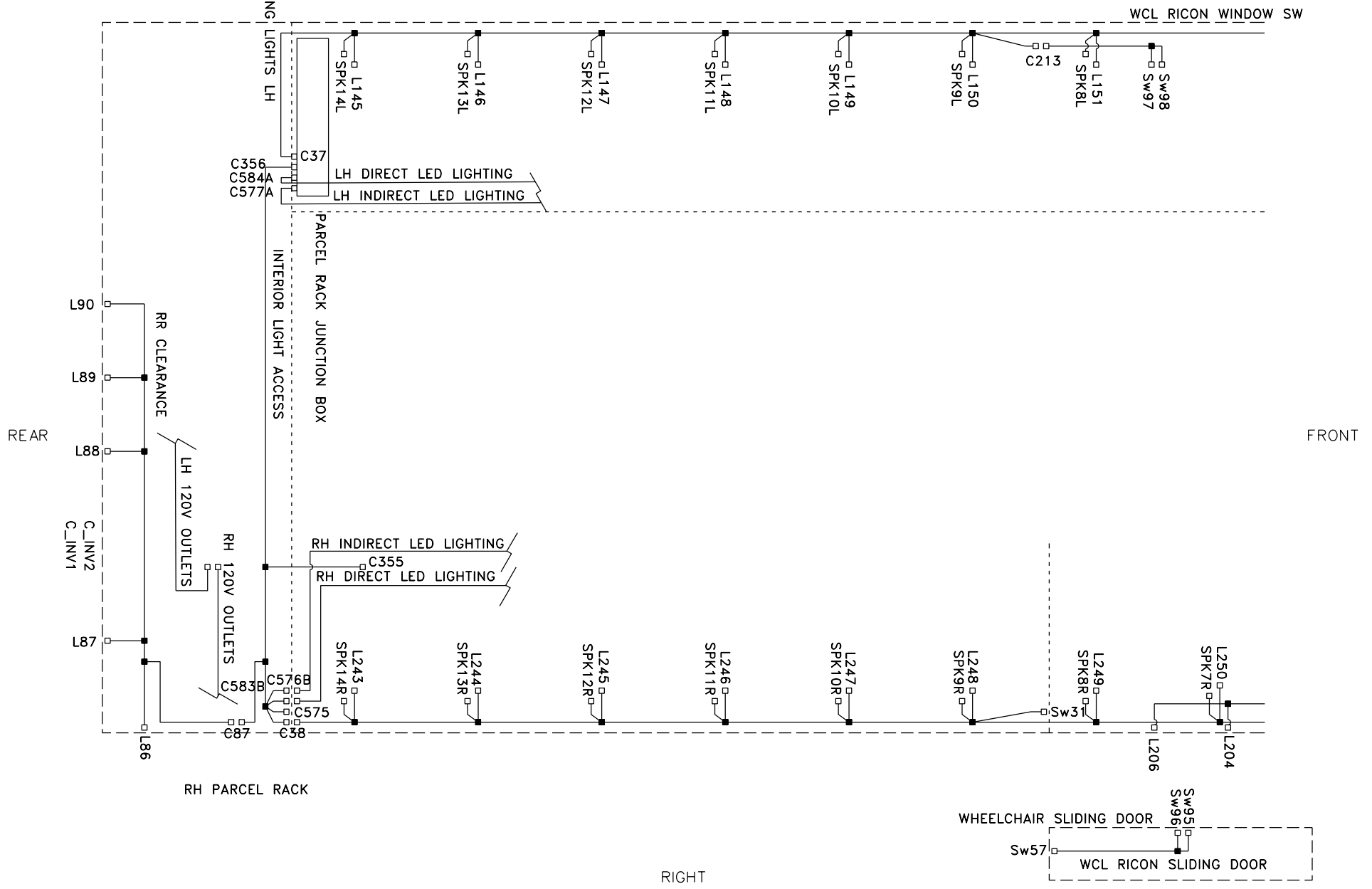
DESCRIPTION	Ref Only	UREE PWR
ORDRE DE CHANGEMENT		2020002
VÉH. EFFECTIF	Before L-6614 /L-7732	L-6614 /L-7732
PowerVecr	069540	
PowerVecr	069540	
ProHeat_Timer_harness	060016	
Spheros_Timer_Harness	060557	
PreHeate_relay	069516	
PreHeater_GND	060308	
Preheater_Thermal_harness	067676	
Preheater_ON_W_Batt_Charger	060092	
Preheater_ON_W_HVAC	060093	
ProHeat_Interface	060228	
PwrBatCharger	069528	
RadiatorChassisGnd	IdemCOM062315	
Reading_Light_RH_Standard	069965	
readingLightHarness_LH	069966	
REAR_LAMPS	069552	
Relay_Melco_batt	069542	
RJB_ALISSON_NAE	069979	0610276
RJB_Ctrl	0610097	0611010
RJB_ISHIFT_NAE	069980	0610277
Rosco_Mirror_Extension	061491	
Rr_clearance_harness	IDEM_COM_069829	
service_Door_Harness	069554	
Sound_System	0611114	
Sound_System HHED Speciale	0610203	
Sound_system_pwr_harness	069296	
Starter_chassis_GND	060307	
starter_relay_Melco_VOLVO	069515	
StarterBattery	069518	
SubWofferExtHarness	idemH3_066743	
TPMS_Lite_Adapter	0610073	
Trailer_Inputs_VEC_harness	060316	
Trailer_Outputs_VEC_harness	060317	
Trans_Fr_to_Rr_NAE	069973	0610274
Trans_Fr_to_Rr_GLI	0610180	0610275
TransSensorWithoutRetarder_harness	069778	
TransSensorWithRetarder_harness	069777	
UNICAN_Harness	069645	
Urea_Harness	069984	0611012
USB_5V_Harness	060660	
Vansco_Gateway_Harness	069558	
WCL_IOE_Control	062239	
WCL_Lugg_Door_lock	069339	
wcl_power_harness	069337	
WCL_Ricon_Window_Sw_Lh	069971	
wcl_upperDoorControl	069773	
Wcl ricon access	IdemCOM069744	
WclRiconSlidingDoor	069997	
wifi_system_gnd	069925	
Win_Ajar_FJB	060574	
Win_ajar_fjb_NAE	060574	
Win_ajar_window_side_LH_NAE	060084	
Win_ajar_window_side_RH_NAE	060085	

LEFT  
UNDER FLOOR AREA (CONT'D ON NEXT PAGE)

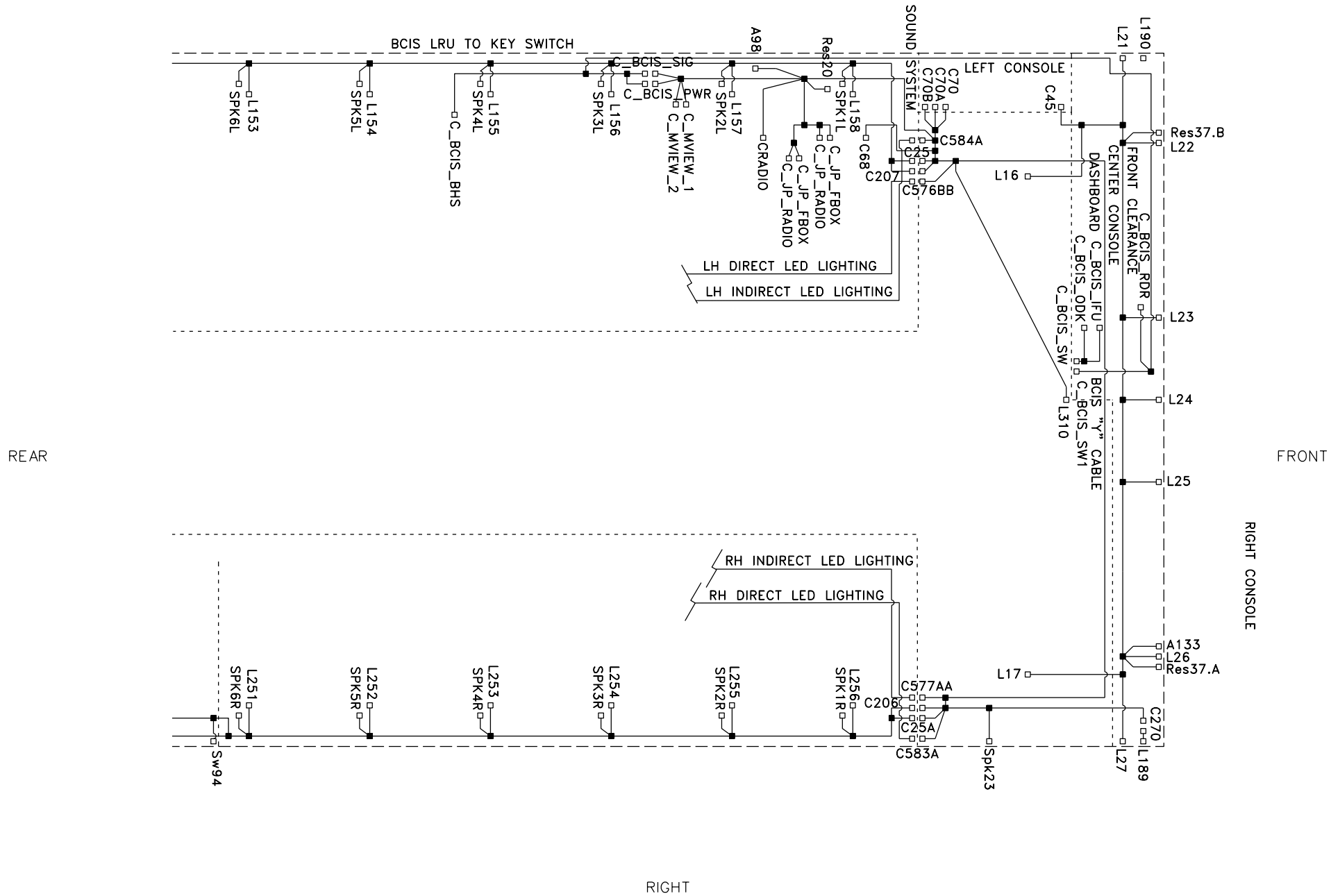


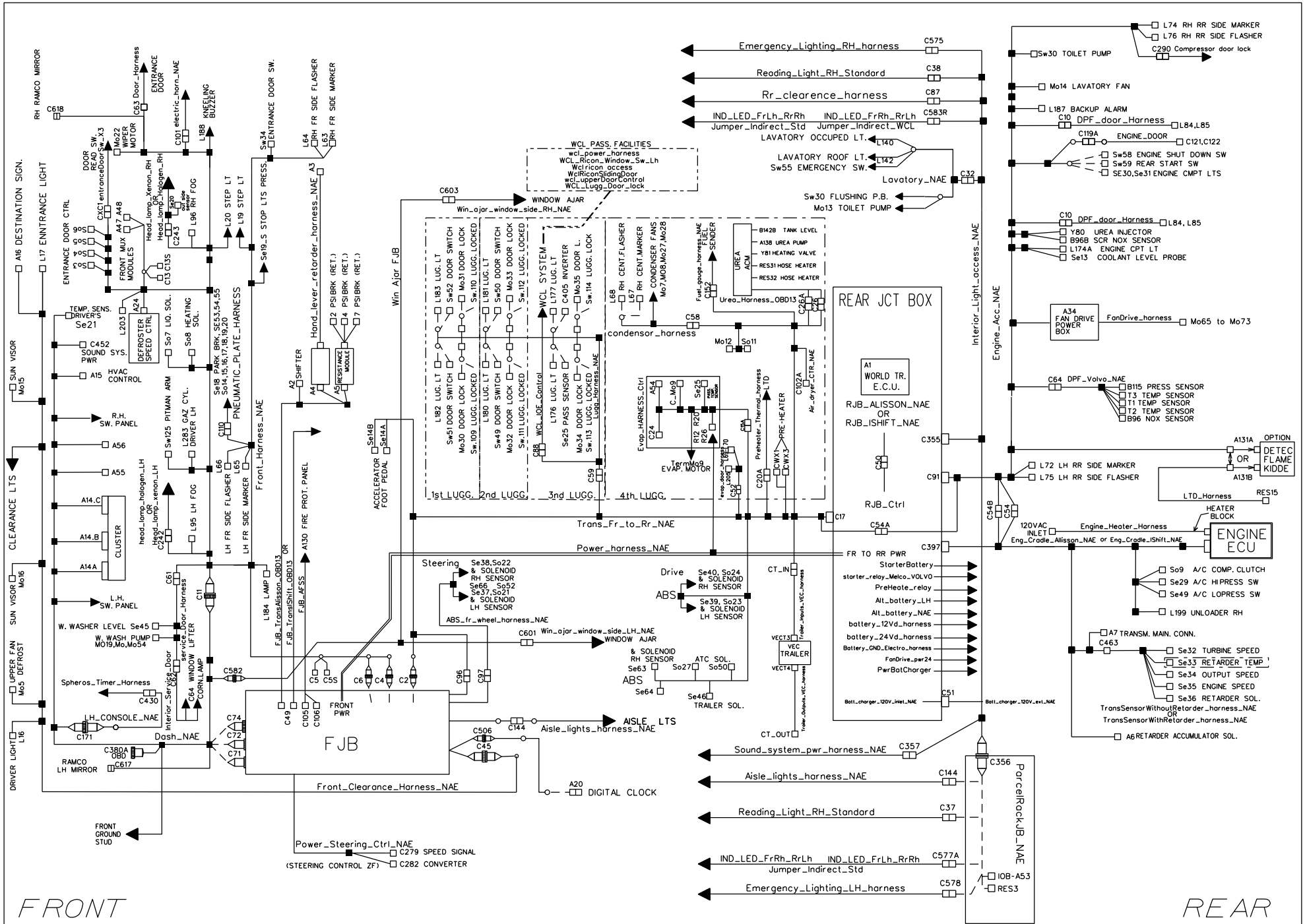


LEFT  
PASSENGER AREA (CONT'D ON NEXT PAGE)



LEFT  
PASSENGER AREA (CONT'D FROM PREVIOUS PAGE)





FRONT

REAR

**PREVOST**

WIRING DIAGRAM

NO:

D061550

PAGE: C1

REVISION  
8

## VEHICLE HARNESS ROADMAP

DESCRIPTION	NAE	NAE PHASE 2 LTD EXTENDED	LTD EXTENDED	MODIF. PR SOUTHERN STAGE	FJB VANSCO GATEWAY	SEAT BELT ALARM	BIFOLD DOOR	GLI ONLY	GLI BAA	Adaptation GLI STD	Low Press	Torsadé les fils de sortie de vitesse tr	ELD	ABS ROM2	ABS8 GLI Only	WCL	Catch Tank
<b>CHANGE ORDER</b>	<b>2015007</b>	<b>2016094</b>	<b>2016109</b>	<b>SPECIAL</b>	<b>2017053</b>	<b>2017039</b>	<b>2017009</b>	<b>2017072</b>	<b>2017072</b>	<b>2017072</b>	<b>2017080</b>	<b>2017085</b>	<b>2017071</b>	<b>2017040</b>	<b>2017040</b>	<b>2016032</b>	<b>2017020</b>
EFFECTIVE VEHICLE	prelim 6092-6114 6117	6182	6182	Prélim. J-7438,39,4 0,41	Prélim. J-7438,39,4 0,41	TBD	TBD	G6245/74 48	G7481 only	G7482	G6245/74 48	TBD	6281	TBD	6322	TBD	6313
Harness (146)																	
ABS_fr_wheel_harness_NAE	60124																
ACB_Gen2	060035																
ailse_light_extension	069424																
Air_dryer_CTR_NAE	060095																
Air_Horn	060077																
Aisle_lights_harness_NAE	060086																
Alt_battery_LH	069537																
Alt_battery_NAE	069517																
Alt_chassis_GND	060264																
Alt_Jumper_Power	060265																
Alt_LH_chassis_GND	069504																
alternator_ctrl_harness	060088																
alternator_ctrl_LH_harness	069511																
Batt_charger_120V_ext_NAE	060149																
Batt_charger_120V_inlet_NAE	060151																
batt_inter_8d	068397																
battery_12Vd_harness	069560																
battery_24Vd_harness	069561																
Battery_GND_Electro_harness	069534																
Battery_Gnd_Harness	069525																
Battery_interconnect	60152																
Beru_antenna_NAE	060143																
Beru_Fjb	060045																
Blue_Light_Lavatory_Door				061250													
Bloc diode front harness C34	380047																
bloc diode fjb C18	381145																
booster_positive_Harness	60028																
CANTRACK_PGM_HARNESS	68901																
Clockspring_Extension	69103																
Commuter_Front_Accessories	60097							060097c									
Compressor door lock	68080	060778															
condensor_harness	60031	060377															
Dash_NAE	69321	060533				SAME →	060885	061423		060885			061416				
Door_Harness	060038																
DPF_door_Harness	060033																
DPF_Door_light	060037																
DPF_Volvo_NAE	060089																
electric_horn_NAE	060074																
Emergency_Lighting_LH_harnes	060091																
Emergency_Lighting_RH_harnes	060090																
Eng_Cradle_Allisson_NAE	060040							061434		061434	061434						
Eng_Cradle_IShift_NAE	060118										061475						
Engine_Acc_NAE	069320	060535						061422		061422							069874
Engine_chassis_GND	060306																
ENGINE_DOOR	060039																
Engine_Heater_Harness	068723																
entranceDoorSw_X3	060080																
equilizer_harness_Vanner	069539																
evap_door_harness	060041	060556															
Evap_HARNESS_Ctrl	069325	060540	F														
Evap_power_harness_	060175	060529															
Evap_power_ground_harness_	060175	060527															
FanDrive_harness	068820																
FanDrive_pwr24	069245																
FanDrive_pwrGnd	069246																
FJB	069323	060541			SAME →	SAME →	060879	061436		061439			061419	061857	069945		
FJB_AFSS	060042	rev B faite															
FJB_TransAlisson_OBD13	060043	060542															
FJB_TransIShift_OBD13	060069																
Flame_Detector_Ext_Harness	060436																
Front_Clearance_Harness_NAE	069331																
Front_flip_screen_NAE	060099																
Front_Harness_NAE	069324	060543					060878	061435		061435							
Fuel_gauge_harness_NAE	060087																
Hand_lever_retarder_harness_N	060083																
Head_lamp_Halogen_RH	NA	060380															
Head_lamp_Xenon_RH	NA	060390															
head_lamp_halogen_LH	060078																
Head_lamp_washer	060076																
Head_lamp_xenon_LH	060079																
IND_LED_FrLh_RrRh	069544																

# VEHICLE HARNESS ROADMAP

DESCRIPTION	NAE	NAE PHASE 2 LTD EXTEND ED	LTD EXTEND ED	MODIF. PR SOUTHE ASTERN STAGE	FJB VANSCO GATEWAY	SEAT BELT ALARM	BIFOLD DOOR	GLI ONLY	GLI BAA	Adaptatio n_GLI STD	Low Press	Torsadé les fils de sortie de vitesse tr	ELD	ABS8 ROM2	ABS8 GLI Only	WCL	Catch Tank
CHANGE ORDER	2015007	2016094	2016109	SPECIAL	2017053	2017039	2017009	2017072	2017072	2017072	2017080	2017085	2017071	2017040	2017040	2016032	2017020
EFFECTIVE VEHICULE	prelim 6092- 6114-	6182	6182	Prélim. J- 7438.39,4 0,41	Prélim. J- 7438.39,4 0,41	TBD	TBD	G6245/74 48	G7481 only	G7482	G6245/74 48	TBD	6281	TBD	6322	TBD	6313
Harness (146)																	
IND_LED_FrRh_RrLh	069545																
Interior_Light_access_NAE	069327			069327-F				061384		061384							
Interior_Service_Door	060068																
INVerter_120Vac_LH (Specia	NA									060586							
INVerter_120Vac_RH (Specia	NA									060587							
INVerter_120Vac_LH	068257																
INVerter_120Vac_RH	068198																
Inverter_harness	069526							069701									
Inverter_Negatif	068252							069700									
Inverter_Positif	069548																
JUMPER_120VAC_WCL	068937																
Jumper_Indirect_Std	069546																
Jumper_Indirect_WCL	069547																
Jumper_Y_120Vac	068221																
Lavatory_Ceiling_Light	069676																
Lavatory_NAE	069332																
Lavatory_Occupied_Lamp	069675																
LH_CONSOLE_NAE	069345	060544															
load_monitoring_harness	069211																
LTD_Harness	069062		069738														
Lugg_Harness_NAE	069340	060559		060559-B													
Lugg_Harness_WOLockNAE	060328																
Luggage_door_lock_2013	069551																
Luggage_Door_Lock_One_La	766 / 069609			061260													
Outlet_120vac_PRRack	068295																
Outlet_lugg_Central_Vacuum	067712																
ParcelRackJB_NAE	069326																
Plug_for_3_sliding_seats	068321																
PNEUMATIC_PLATE_HARN	069330							idemCOM_069715									
PoweMuxEvapNAE	069317	FIN															
Power_harness_NAE	069456	060558															
Power_Steering_Ctrl_NAE	060378																
PowerVecr	069540																
ProHeat_Timer_harness	060016																
Spheros_Timer_Harness	066217	060557															
PreHeate_relay	069516																
PreHeater_GND	060308																
Preheater_Thermal_harness	067676																
ProHeat_charger	060092																
ProHeat_HVAC	060093																
ProHeat_Interface	060228																
PwrBatCharger	069528																
RadiatorChassisGnd	069279																IdemCOM_062315
Reading_Light_RH_Standard	069329															062238	
readingLightHarness_LH	069328																
REAR_LAMPS	069552																
Relay_Melco_batt	069542																
RJB_ALISSON_NAE	060133	060546						061420		061420			062695				069873
RJB_Ctrl	069394	060547															
RJB_ISHIFT_NAE	060100	060548															060548
Rosco_Mirror_Extension								061491									
Rr_clearance_harness	069553																
service_Door_Harness	069554																
Sound_System	060053	060549								061437							
Sound_system_pwr_harness	069296							061443		069296							
Starter_chassis_GND	060307																
starter_relay_Melco_VOLVO	069515																
StarterBattery	069518																
SubWofferExtHarness	mH3_066743																
Trailer_Inputs_VEC_harness	060316							069771		060316							
Trailer_Outputs_VEC_harnes	060317																
Trans_Fr_to_Rr_NAE	069319	060550						061453	061421	061421							
TransSensorWithoutRetarder	060082																069778
TransSensorWithRetarder_ha	060081																069777
UNICAN_Harness	069645																
Urea_Harness_OBD13	069480	060568															
USB_5V_Harness		060660															
Vansco_Gateway_Harness	069558																
WCL_IOE_Control	069338															062239	
WCL_Lugg_Door_lock	069339			069339-C													
wcl_power_harness	069337																
WCL_Ricon_Window_Sw_Lh	060310																
wcl_upperDoorControl	069347																062240
wcl_ricon_access	060782																Idem COM069744
WclRiconSlidingDoor		060569														069818	
Win_Ajar_FJB	066404	060574															
Win_ajar_fjb_NAE	066404	060574															
Win_ajar_window_side_LH_N	060084																
Win_ajar_window_side_RH_N	060085																



# VEHICLE HARNESS ROADMAP

DESCRIPTION	NAE	NAE PHASE 2 LTD EXTENDE D	LTD EXTENDE D	MODIF. PR SOUTHE ASTERN STAGE	FJB VANSCO GATEWAY	SEAT BELT ALARM	BIFOLD DOOR	GLI ONLY	GLI BAA	Adaptation GLI STD	Low Press	Torsadé les fils de sortie de vitesse tr	ELD	ABS8 ROM2	ABS8 GLI Only	WCL	Catch Tank	LUGG.HA RN. MATCHIN G W/ L170	
<b>CHAGE ORDER</b>	<b>2015007</b>	<b>2016094</b>	<b>2016109</b>	<b>SPECIAL</b>	<b>2017053</b>	<b>2017039</b>	<b>2017009</b>	<b>2017072</b>	<b>2017072</b>	<b>2017072</b>	<b>2017080</b>	<b>2017085</b>	<b>2017071</b>	<b>2017040</b>	<b>2017040</b>	<b>2016032</b>	<b>2017020</b>	<b>2018044</b>	
EFFECTIVE VEHICULE	prelim 6092-6114 6117	6182	6182	Prélim. J-7438,39,4 0,41	Prélim. J-7438,39,4 0,41	TBD	TBD	G6245/74 48	G7481 only	G7482	G6245/7448	TBD	6281	TBD	6322	TBD	6313	TBD	
Harness (146)																			
ABS_fr_wheel_harness_NAE	60124																		
ACB_Gen2	060035																		
aise_light_extension	069424																		
Air_dryer_CTR_NAE	060095																		
Air_Horn	060077																		
Aisle_lights_harness_NAE	060086																		
Alt_battery_LH	069537																		
Alt_battery_NAE	069517																		
Alt_chassis_GND	060264																		
Alt_Jumper_Power	060265																		
Alt_LH_chassis_GND	069504																		
alternator_ctrl_harness	060088																		
alternator_ctrl_LH_harness	069511																		
Batt_charger_120V_ext_NAE	060149																		
Batt_charger_120V_inlet_NAE	060151																		
batt_inter_8d	068397																		
battery_12Vd_harness	069560																		
battery_24Vd_harness	069561																		
Battery_GND_Electro_harness	069534																		
Battery_Gnd_Harness	069525																		
Battery_interconnect	60152																		
Beru_antenna_NAE	060143																		
Beru_Fjb	060045																		
Blue_Light_Lavatory_Door				061250															
Bloc diode front harness C34	380047																		
bloc diode fjb C18	381145																		
booster_positive_Harness	60028																		
CANTRACK_PGM_HARNESS	68901																		
Clockspring_Extension	69103																		
Commuter_Front_Accessories	60097							060097c											
Compressor door lock	68080	060778																	
condensator_harness	60031	060377																	
Dash_NAE	69321	060533				SAME →	060885	061423		060885			061416						
Door_Harness	060038																		
DPF_door_Harness	060033																		
DPF_Door_light	060037																		
DPF_Volvo_NAE	060089																		
electric_horn_NAE	060074																		
Emergency_Lighting_LH_harnes	060091																		
Emergency_Lighting_RH_harnes	060090																		
Eng_Cradle_Allisson_NAE	060040							061434		061434	061434								
Eng_Cradle_iShift_NAE	060118																		
Engine_Acc_NAE	069320	060535						061422		061422								069874	
Engine_chassis_GND	060306																		
ENGINE_DOOR	060039																		
Engine_Heater_Harness	068723																		
entranceDoorSw_X3	060080																		
equilizer_harness_Vanner	069539																		
evap_door_harness	060041	060556																	
Evap_HARNESS_Ctrl	069325	060540	F																
Evap_power_harness	060175	060529																	
Evap_power_ground_harness	060175	060527																	
FanDrive_harness	068820																		
FanDrive_pwr24	069245																		
FanDrive_pwrGnd	069246																		
FJB	069323	060541			SAME →	SAME →	060879	061436		061439			061419	061857	069945				
FJB_AFSS	060042	rev B faite																	
FJB_TransAlisson_OBD13	060043	060542																	
FJB_TransiShift_OBD13	060069																		
Flame_Detector_Ext_Harness	060436																		
Front_Clearance_Harness_NAE	069331																		
Front_flip_screen_NAE	060099																		
Front_Harness_NAE	069324	060543					060878	061435		061435									
Fuel_gauge_harness_NAE	060087																		
Hand_lever_retarder_harness_N	060083																		
Head_lamp_Halogen_RH	NA	060380																	
Head_lamp_Xenon_RH	NA	060390																	
head_lamp_halogen_LH	060078																		
Head_lamp_washer	060076																		
Head_lamp_xenon_LH	060079																		
IND_LED_FrLh_RrRh	069544																		



## VEHICLE HARNESS ROADMAP

DESCRIPTION	NAE	NAE PHASE 2 LTD EXTENDED	LTD EXTENDED	MODIF. PR SOUTHEASTERN STAGE	FJB VANSCO GATEWAY	SEAT BELT ALARM	BIFOLD DOOR	GLI ONLY	GLI BAA	Adaptation GLI STD	Low Press	Torsadé les fils de sortie de vitesse tr	ELD	ABS8 ROM2	ABS8 GLI Only	WCL	Catch Tank	LUGG.HA RN. MATCHING W/ L170	RELS	GLI RELS	
CHAGE ORDER	2015007	2016094	2016109	SPECIAL	2017053	2017039	2017009	2017072	2017072	2017072	2017080	2017085	2017071	2017040	2017040	2016032	2017020	2018044	2018011	2018011	
EFFECTIVE VEHICULE	6092-6114-6147	6182	6182	Prélim. J-7438,39,4 0,41	Prélim. J-7438,39,4 0,41	TBD	TBD	G6245/7448	G7481 only	G7482	G6245/7448	TBD	6281	TBD	6322	TBD	6313	TBD	K-6361	K-6361	
Harness (146)																					
ABS_fr_wheel_harness_NAE	60124																				
ACB_Gen2	060035																				
aisle_light_extension	069424																				
Air_dryer_CTR_NAE	060095																				
Air_Horn	060077																				
Aisle_lights_harness_NAE	060086																				
Alt_battery_LH	069537																				
Alt_battery_NAE	069517																				
Alt_chassis_GND	060264																				
Alt_Jumper_Power	060265																				
Alt_LH_chassis_GND	069504																				
alternator_ctrl_harness	060088																				
alternator_ctrl_LH_harness	069511																				
Batt_charger_120V_ext_NAE	060149																				
Batt_charger_120V_inlet_NAE	060151																				
batt_inter_8d	068397																				
battery_12Vd_harness	069560																				
battery_24Vd_harness	069561																				
Battery_GND_Electro_harness	069534																				
Battery_Gnd_Harness	069525																				
Battery_interconnect	60152																				
Beru_antenna_NAE	060143																				
Beru_Fjb	060045																				
Blue_Light_Lavatory_Door				061250																	
Bloc diode front harness C34	380047																				
bloc diode fjb C18	381145																				
booster_positive_Harness	60028																				
CANTRACK_PGM_HARNESS	68901																				
Clockspring_Extension	69103																				
Commuter_Front_Accessories	60097							060097c													
Compressor door lock	68080	060778																			
condensor_harness	60031	060377																			
Dash_NAE	69321	060533				SAME →	060885	061423		060885			061416								
Door_Harness	060038																				
DPF_door_Harness	060033																				
DPF_Door_light	060037																				
DPF_Volvo_NAE	060089																				
electric_horn_NAE	060074																				
Emergency_Lighting_LH_harnes	060091																				
Emergency_Lighting_RH_harnes	060090																				
Eng_Cradle_Allison_NAE	060040							061434		061434	061434										
Eng_Cradle_iShift_NAE	060118										061475										
Engine_Acc_NAE	069320	060535						061422		061422							069874			069874	
Engine_chassis_GND	060306																				
ENGINE_DOOR	060039																				
Engine_Heater_Harness	068723																				
entranceDoorSw_X3	060080																				
equilizer_harness_Vanner	069539																				
evap_door_harness	060041	060556																			
Evap_HARNESS_Ctrl	069325	060540	F																		
Evap_power_harness	060175	060529																			
Evap_power_ground_harness	060175	060527																			
FanDrive_harness	068820																				
FanDrive_pwr24	069245																				
FanDrive_pwrGnd	069246																				
FJB	069323	060541			SAME →	SAME →	060879	061436		061439			061419	061857	069945				069907	069837GLI	
FJB_AFSS	060042	rev B faite																			
FJB_TransAlisson_OBD13	060043	060542																		069901	same
FJB_TransiShift_OBD13	060069																				
Flame_Detector_Ext_Harness	060436																				
Front_Clearance_Harness_NAE	069331																				
Front_flip_screen_NAE	060099																				
Front_Harness_NAE	069324	060543						060878	061435		061435										
Fuel_gauge_harness_NAE	060087																				
Hand_lever_retarder_harness_N	060083																				
Head_lamp_Halogen_RH	NA	060380																			
Head_lamp_Xenon_RH	NA	060390																			
head_lamp_halogen_LH	060078																				
Head_lamp_washer	060076																				
Head_lamp_xenon_LH	060079																				
IND_LED_FrLh_RrRh	069544																				

















**VEHICLE HARNESS ROADMAP**

DESCRIPTION	NAE	NAE PH:2 LTD EXTENDED	LTD EXTENDED	MODIF. PR SOUTHEAST ERN STAGE	FJB VANSCO GATEWAY	SEAT BELT ALARM	BIFOLD DOOR	GLI ONLY	GLI BAA	Adaptation GLI STD	Low Press	Torsadé les fils de sortie de vitesse tr	ELD	ABS8 ROM2	ABS8 GLI Only	WCL	Catch Tank	LUGG.HARN . MATCHING W/ L170	RELS	GLI RELS	IShift NAE UPDATE	Icomera X-Cubed	Klaxon pneumatic	Inverter display Cable	Harness chain for WCL door
<b>CHANGE ORDER</b>	<b>2015007</b>	<b>2016094</b>	<b>2016109</b>	<b>SPECIAL</b>	<b>2017053</b>	<b>2017039</b>	<b>2017009</b>	<b>2017072</b>	<b>2017072</b>	<b>2017072</b>	<b>2017080</b>	<b>2017085</b>	<b>2017071</b>	<b>2017040</b>	<b>2017040</b>	<b>2016032</b>	<b>2017020</b>	<b>N/A</b>	<b>2018011</b>	<b>2018011</b>	<b>2015007</b>	<b>2017092</b>	<b>2018060</b>	<b>2018108</b>	<b>2018051</b>
EFFECTIVE VEHICLE	prelim 6092- 6114-6117	6182	6182	Prélim. J- 7438,39,40,41	Prélim. J- 7438,39,40,41	TBD	TBD	G6245/ 7448	G7481 only	G7482	G6245/ 7448	TBD	6281	TBD	6322	TBD	6313	2018044	6361	7558/6378	K-6361	K-6368	K-6417	2018108 K6418/ K7587	6432 /7600
StarterBattery	069518																								
SubWofferExtHarness	idemH3_066743																								
Trailer_Inputs_VEC_harness	060316							069771		060316															
Trailer_Outputs_VEC_harness	060317																								
Trans_Fr_to_Rr_NAE	069319	060550						061453	061421	061421									069908	069564GLI					
TransSensorWithoutRetarder_harness_NAE	060082											069778													
TransSensorWithRetarder_harness_NAE	060081											069777													
UNICAN_Harness	069645																								
Urea_Harness_OBD13	069480	060568																							
USB_5V_Harness		060660																							
Vansco_Gateway_Harness	069558																								
WCL_IOE_Control	069338															062239				062239					
WCL_Lugg_Door_lock	069339			069339-C																					
wcl_power_harness	069337																								
WCL_Ricon_Window_Sw_Lh	060310																								
wcl_upperDoorControl	069347															062240				062240					
Wcl ricon access	060782															069744				069744					
WclRiconSlidingDoor		060569														069818				069818					069997
wifi_system_gnd																									
Win Ajar FJB	066404	060574																				069925			
Win_ajar_ljb_NAE	066404	060574																							
Win_ajar_window_side_LH_NAE	060084																								
Win_ajar_window_side_RH_NAE	060085																								





VEHICLE HARNESS ROADMAP

DESCRIPTION	NAE	NAE PHASE 2 LTD EXTENDED	LTD EXTENDED	MODIF. PR SOUTHEAS TERN STAGE	FJB VANSKO GATEWAY	SEAT BELT ALARM	BIFOLD DOOR	GLI ONLY	GLI BAA	Adaptation GLI STD	Low Press	Torsadé les fils de sortie de vitesse tr	ELD	ABS ROM2	ABS9 GLI Only	WCL	Catch Tank	LUGG.HARN . MATCHING W/ L170	RELS	GLI RELS	IShift NAE UPDATE	Icomera X-Cubed	Klaxon pneumatic	Inverter display Cable	Unité de dégivrage avant	Harness chain for WCL door	OBD19	Alternateur Remy ready	Gigavac	Chauffe Eau	GLI OBD19/ Gigavac/ Chauffe eau/ Remy				
ORDRE DE CHANGEMENT	2015007	2016094	2016109	SPECIAL	2017053	2017039	2017009	2017072	2017072	2017072	2017080	2017085	2017071	2017040	2017040	2016032	2017020	N/A	2018011	2018011	2015007	2017092	2018060	2018108	2017130	2018051	2018055	2018012	2018110	2018042	2018055/ 012/110/042				
VEH. EFFECTIF	prélim 6092- 6114-6117	6182	6182	Prélim. J- 7438,39,40, 41	Prélim. J-7438 ,39,40,41	TBD	TBD	G6245/ 7448	G7481 only	G7482	G6245/ 7448		6281		6322		6313	2018044	6361	7558/6378	K-6361	K-6368	K-6417	K6418/ K7587	J-6301/ J-7502	6432/7600	6440/7608	6440/ 7608	6440/7608	6440/ 7608	7608				
Harness (146)																																			
Sound_system_pwr_harness _NAE	069296							061443		069296																									
Starter_chassis_GND	060307																																		
starter_relay_Melco_VOLVO	069515																																		
StarterBattery	069518																																		
SubWolferExtHarness	066743																																		
TPMS_Like_Adapter																																			
Trailer_Inputs_VEC_harness	060316							069771		060316																		0610073							
Trailer_Outputs_VEC_harness	060317																																		
Trans_Fr_to_Rr_NAE	069319	060550						061453	061421	061421									069908	069564								0610025			0610025	060210			
TransSensorWithoutRetarder _harness_NAE	060082											069778																							
TransSensorWithRetarder _harness_NAE	060081											069777																							
UNICAN_Harness	069645																																		
Urea_Harness_OBD13	069480	060568																										0610026							
USB_5V_Harness		060660																																	
Vansco_Gateway_Harness	069558																																		
WCL_IOE_Control	069338																																		
WCL_Lugg_Door_lock	069339			069339																															
wcl_power_harness	069337																																		
WCL_Ricon_Window_Sw_Lh	060310																																		
wcl_upperDoorControl	069347																																		
Wcl ricon access	060782																																		
WclRiconSlidingDoor		060569																																	
wfl_system_gnd																																			
Win_Ajar FJB	066404	060574																																	
Win_ajar_fjb_NAE	066404	060574																																	
Win_ajar_window_side_LH_NAE	060084																																		
Win_ajar_window_side_RH_NAE	060085																																		

## Vehicule Harness RoadMap

DESCRIPTION	Ref GLI Only	Ref Only	OBD19	Alternateur Remy ready	Gigavac	GLI Only OBD19/Gigavac/ Chauffe eau/Remy	Chauffe Eau	GLI Chauffe Eau
ORDRE DE CHANGEMENT		Before rev19	2018055	2018012	2018110	2018055/012/110/042	2018042	2018042
VÉH. EFFECTIF	Before 7608	Before 6440/7608	6440/7608	6440/7608	6440/7608	7608	6453/7621	7621
T.I. RESPONSABLE			GP	GP	GP	SB	SB	SB
ABS_fr_wheel_harness_NAE		060124						
ACB_Gen2		060035						
ailse_light_extension		069424						
Air_dryer_CTR_NAE		060095						
Air_Horn		0610004						
Aisle_lights_harness_NAE		060086						
Alt_battery_LH		069537						
Alt_battery_NAE		069517						
Alt_chassis_GND		060264						
Alt_Jumper_Power		060265						
Alt_LH_chassis_GND		069504						
alternator_ctrl_harness		060088						
alternator_ctrl_LH_harness		069511						
Batt_charger_120V_ext_NAE		060149						
Batt_charger_120V_inlet_NAE		060151						
batt_inter_8d		068397						
battery_12Vd_harness		069560						
battery_24Vd_harness		069561						
Battery_GND_Electro_harness		069534						
Battery_Gnd_Harness		069525						
Battery_interconnect		060152						
Beru_antenna_NAE		060143						
Beru_Fjb		060045						
Blue_Light_In_Front_Of_The_Lavarory_Door		061250						
Bloc diode front harness C34		380047						
bloc diode fjb C18		381145						
booster_positive_Harness		060028						
CANTRACK_PGM_HARNESS		068901						
Clockspring_Extension		069103						
Commuter_Front_Accessories	060097	NA						
Compressor door lock		060778						
condensor_harness		060377						
Curb Light		NA						
Dash_NAE	061423GLI	061416STD	060206 STD			060206 STD		
Destination_Sign_Emergency_Sw124		NA						
Destination_Sign_Front_To_Side		NA						
Destination_Sign_Interconn_Side_Rear		NA						
Destination_Sign_Interconnection		NA						
Destination_Sign_Rear		NA						
Door_Harness		060038						
DPF_door_Harness		060033						
DPF_Door_light		060037						
DPF_Volvo_NAE		060089						
Driver_120VAC_Outlet		NA						
electric_horn_NAE		060074						
Emergency_Lighting_LH_harness		060091						
Emergency_Lighting_RH_harness		060090						
Eng_Cradle_Allisson_NAE		061434						
Eng_Cradle_IShift_NAE		061475						
Engine_Acc_NAE		069874	069961					
Engine_chassis_GND		060306						
ENGINE_DOOR		060039						
Engine_Heater_Harness		068723						
entranceDoorSw_X3		060080						
equilizer_harness_Vanner		069539						
evap_door_harness		060556						
Evap_HARNESS_Ctrl		060540						
Evap_power_harness_		060529						

## Vehicle Harness RoadMap

DESCRIPTION	Ref GLI Only	Ref Only	OBD19	Alternateur Remy ready	Gigavac	GLI Only OBD19/Gigavac/ Chauffage eau/Remy	Chauffe Eau	GLI Chauffage Eau
ORDRE DE CHANGEMENT		Before rev19	2018055	2018012	2018110	2018055/012/110/042	2018042	2018042
VÉH. EFFECTIF	Before 7608	Before 6440/7608	6440/7608	6440/7608	6440/7608	7608	6453/7621	7621
Evap_power_ground_harness_		060527						
FanDrive_harness		068820						
FanDrive_pwr24		069245						
FanDrive_pwrGnd		069246						
FJB	069837GLI	069907				060207GLI		
FJB_AFSS		060042						
FJB_TransAlisson_OBD13		069901	0610096					
FJB_TransIShift_OBD13		060069						
Flame_Detector_Ext_Harness		060436						
Front_Clearance_Harness_NAE		069331						
Front_flip_screen_NAE		060099						
Front_Harness_NAE		061435						
Fuel_gauge_harness_NAE		060087						
GND CABLE NSS								
Hand_lever_retarder_harness_NAE		060083						
Head_lamp_Halogen_RH		060380						
Head_lamp_Xenon_RH		060390						
head_lamp_halogen_LH		060078						
Head_lamp_washer		060076						
Head_lamp_xenon_LH		060079						
IND_LED_FrLh_RrRh		069544						
IND_LED_FrRh_RrLh		069545						
IND_Front_RH		NA						
IND_Front_LH		NA						
IND_Rear_RH		NA						
Interior_Light_access_NAE		061384						
Interior_Service_Door		060068						
INVerter_120Vac_LH (Special 3 Inverters)	060586	NA						
INVerter_120Vac_RH (Special 3 Inverters)	060587	NA						
INVerter_120Vac_LH		068257						
INVerter_120Vac_RH		068198						
Inverter driver display harness		0610041						
Inverter_harness	069701	069526						
Inverter_Negatif	069700	068252						
Inverter_Positif		069548						
JUMPER_120VAC_WCL		068937						
Jumper_Indirect_Std		069546						
Jumper_Indirect_WCL		069547						
Jumper_Y_120Vac		068221						
Lavatory_Ceiling_Light		069676						
Lavatory_NAE		069332						
Lavatory_Occupied_Lamp		069675						
Lavatory_Sw_Harness		NA						
LH_CONSOLE_NAE		060544						
load_monitoring_harness		069211						
LTD_Harness		069738						
Lugg_Harness_NAE		069969						
Lugg_Harness_WOLockNAE		060328						
Luggage_door_lock_2013		069551						
Luggage_Door_L_One_Lamp (1st_FR_RH)		069970						
Outlet_120vac_P Rack		068295						
Outlet_lugg_Central_Vacuum		067712						
ParcelRackJB_NAE		069326						
Plug_for_2_sliding_seats		idemH3_067984						
Plug_for_3_sliding_seats		068321						
PNEUMATIC_PLATE_HARNESS		idemCOM069715						
PoweMuxEvapNAE		FIN						
Power_harness_NAE		060558						
Power_Steering_Ctrl_NAE		060378						



## Vehicule Harness RoadMap

DESCRIPTION	Ref GLI Only	Ref Only	OBD19	Alternateur Remy ready	Gigavac	GLI Only OBD19/Gigavac/ Chauffage eau/Remy	Chauffe Eau	GLI Chauffe Eau
<b>ORDRE DE CHANGEMENT</b>		Before rev19	2018055	2018012	2018110	2018055/012/110/042	2018042	2018042
<b>VÉH. EFFECTIF</b>	Before 7608	Before 6440/7608	6440/7608	6440/7608	6440/7608	7608	6453/7621	7621
PowerVecr		069540						
ProHeat_Timer_harness		060016						
Spheros_Timer_Harness		<b>060557</b>						
PreHeate_relay		069516						
PreHeater_GND		060308						
Preheater_Thermal_harness		067676						
Preheater_ON_W_Batt_Charger		060092						
Preheater_ON_W_HVAC		060093						
ProHeat_Interface		060228						
PwrBatCharger		069528						
RadiatorChassisGnd		IdemCOM062315						
Reading_Light_RH_Standard		062238						
readingLightHarness_LH		069328						
REAR_LAMPS		069552						
Relay_Melco_batt		069542						
RJB_ALISSON_NAE		069909		0610082			0610168	
RJB_Ctrl		060547			0610097			
RJB_ISHIFT_NAE		060548		0610095			0610169	
Rosco_Mirror_Extension		061491						
Rr_clearance_harness		069553						
service_Door_Harness		069554						
Sound_System		061437						
Sound_System HHED Speciale		NA						
Sound_system_pwr_harness_NAE	061443GLI	069296						
Starter_chassis_GND		060307						
starter_relay_Melco_VOLVO		069515						
StarterBattery		069518						
SubWofferExtHarness		idemH3_066743						
TPMS_Lite_Adapter		NA	0610073					
Trailer_Inputs_VEC_harness	Idem MTH069771	060316						
Trailer_Outputs_VEC_harness	NA	060317						
Trans_Fr_to_Rr_NAE	069564GLI	069908	0610025			060210GLI	0610170	0610171GLI
TransSensorWithoutRetarder_harness		069778						
TransSensorWithRetarder_harness		069777						
UNICAN_Harness		069645						
Urea_Harness_OBD13		060568	0610026					
USB_5V_Harness		060660						
Vansco_Gateway_Harness		069558						
WCL_IOE_Control		062239						
WCL_Lugg_Door_lock		069339						
wcl_power_harness		069337						
WCL_Ricon_Window_Sw_Lh		060310						
wcl_upperDoorControl		062240						
Wcl ricon access		IdemCOM069744						
WclRiconSlidingDoor		069997						
wifi_system_gnd		069925						
Win Ajar FJB		060574						
Win_ajar_fjb_NAE		060574						
Win_ajar_window_side_LH_NAE		060084						
Win_ajar_window_side_RH_NAE		060085						

## Vehicule Harness RoadMap

DESCRIPTION	Ref Only	Chauffe Eau	OPP2	OPP2/Surrounding camera/Enseignes/Nouvelle antene AM-FM & TGW
ORDRE DE CHANGEMENT	Before rev20	2018042	2015142	2015142/2018156/ 2017121/2019026
VÉH. EFFECTIF	Before 6453/7621	6453/7621	Prel	6495/7663
T.I. RESPONSABLE		SB	SB/EL/GP	
ABS_fr_wheel_harness_NAE	060124			
ACB_Gen2	060035			
ailse_light_extension	069424			
Air_dryer_CTR_NAE	060095			
Air_Horn	0610004			
Aisle_lights_harness_NAE	060086			
Alt_battery_LH	069537			
Alt_battery_NAE	069517			
Alt_chassis_GND	060264			
Alt_Jumper_Power	060265			
Alt_LH_chassis_GND	069504			
alternator_ctrl_harness	060088			
alternator_ctrl_LH_harness	069511			
Batt_charger_120V_ext_NAE	060149			
Batt_charger_120V_inlet_NAE	060151			
batt_inter_8d	068397			
battery_12Vd_harness	069560			
battery_24Vd_harness	069561			
Battery_GND_Electro_harness	069534			
Battery_Gnd_Harness	069525			
Battery_interconnect	060152			
Beru_antenna_NAE	060143			
Beru_Fjb	060045			
Blue_Light_In_Front_Of_The_Lavatory_Door	061250			
Bloc diode front harness C34	380047			
bloc diode fjb C18	381145			
booster_positive_Harness	060028			
CANTRACK_PGM_HARNESS	068901			
Clockspring_Extension	069103			
Commuter_Front_Accessories	NA			
Compressor door lock	060778			
condensor_harness	060377			
Curb Light	NA		060058	
Dash_NAE	060206 STD		069978	061112
Destination_Sign_Emergency_Sw124	NA			069944
Destination_Sign_Front_To_Side	NA			069941
Destination_Sign_Interconn_Side_Rear	NA			069942
Destination_Sign_Interconnection	NA			069940
Destination_Sign_Rear	NA			069943
Door_Harness	060038			
DPF_door_Harness	060033		IDEM COM 069833	
DPF_Door_light	060037			
DPF_Volvo_NAE	060089			
Driver_120VAC_Outlet	NA			
electric_horn_NAE	060074			
Emergency_Lighting_LH_harness	060091		069968	
Emergency_Lighting_RH_harness	060090		069967	
Eng_Cradle_Allisson_NAE	061434			
Eng_Cradle_IShift_NAE	061475			
Engine_Acc_NAE	069961		069961	
Engine_chassis_GND	060306			
ENGINE_DOOR	060039			
Engine_Heater_Harness	068723			
entranceDoorSw_X3	060080			
equilizer_harness_Vanner	069539			
evap_door_harness	060556			
Evap_HARNESS_Ctrl	060540		069981	
Evap_power_harness_	060529			
Evap_power_ground_harness_	060527			
FanDrive_harness	068820			
FanDrive_pwr24	069245			

## Vehicule Harness RoadMap

DESCRIPTION	Ref Only	Chauffe Eau	OPP2	OPP2/Surrounding camera/Enseignes/Nouvelle antene AM-FM & TGW
ORDRE DE CHANGEMENT	Before rev20	2018042	2015142	2015142/2018156/ 2017121/2019026
VÉH. EFFECTIF	Before 6453/7621	6453/7621	Prel	6495/7663
FanDrive_pwrGnd	069246			
FJB	069907		069975	0611113
FJB_GLI	060207GLI		0610179	
FJB_AFSS	060042			
FJB_TransAlisson_OBD13	0610096			
FJB_TransiShift_OBD13	060069			
Flame_Detector_Ext_Harness	060436			
Front_Clearance_Harness_NAE	069331		069974	069974
Front_flip_screen_NAE	060099			
Front_Harness_NAE	061435		069976	069976
Fuel_gauge_harness_NAE	060087			
GND_CABLE_NSS			069776	
Hand_lever_retarder_harness_NAE	060083			
Head_lamp_Halogen_RH	060380		069864	
Head_lamp_Xenon_RH	060390		069865	
head_lamp_halogen_LH	060078		069864	
Head_lamp_washer	060076			
Head_lamp_xenon_LH	060079		069977	
IND_LED_FrLh_RrRh	069544		END	
IND_LED_FrRh_RrLh	069545		END	
IND_Front_RH	NA		IDEM COM 069862	
IND_Front_LH	NA		IDEM COM 069985	
IND_Rear_RH	NA		IDEM COM 069861	
Interior_Light_access_NAE	061384		069962	
Interior_Service_Door	060068			
INVerter_120Vac_LH (Special 3 Inverters)	NA			
INVerter_120Vac_RH (Special 3 Inverters)	NA			
INVerter_120Vac_LH	068257			
INVerter_120Vac_RH	068198			
Inverter_driver_display_harness	0610041			
Inverter_harness	069526			
Inverter_Negatif	068252			
Inverter_Positif	069548			
ISM_RELAY_Prack	NA			idemH3 0610200
JUMPER_120VAC_WCL	068937			
Jumper_Indirect_Std	069546			
Jumper_Indirect_WCL	069547		069884	
Jumper_Y_120Vac	068221			
Lavatory_Ceiling_Light	069676			
Lavatory_NAE	069332		069964	
Lavatory_Occupied_Lamp	069675			
Lavatory_Sw_Harness	NA		069994	
LH_CONSOLE_NAE	060544			
load_monitoring_harness	069211			
LTD_Harness	069738			
Lugg_Harness_NAE	069969			
Lugg_Harness_WOLockNAE	060328			
Luggage_door_lock_2013	069551			
Luggage_Door_L_One_Lamp (1st_FR_RH)	069970			
Outlet_120vac_P Rack	068295			
Outlet_lugg_Central_Vacuum	067712			
ParcelRackJB_NAE	069326		069963	
Plug_for_2_sliding_seats	idemH3_067984			
Plug_for_3_sliding_seats	068321			
PNEUMATIC_PLATE_HARNESS	idemCOM069715			
PoweMuxEvapNAE	FIN			
Power_harness_NAE	060558			
Power_Steering_Ctrl_NAE	060378			
PowerVecr	069540			

## Vehicule Harness RoadMap

DESCRIPTION	Ref Only	Chauffe Eau	OPP2	OPP2/Surrounding camera/Enseignes/Nouvelle antene AM-FM & TGW
ORDRE DE CHANGEMENT	Before rev20	2018042	2015142	2015142/2018156/ 2017121/2019026
VÉH. EFFECTIF	Before 6453/7621	6453/7621	Prel	6495/7663
ProHeat_Timer_harness	060016			
Spheros_Timer_Harness	<b>060557</b>			
PreHeate_relay	069516			
PreHeater_GND	060308			
Preheater_Thermal_harness	067676			
Preheater_ON_W_Batt_Charger	060092			
Preheater_ON_W_HVAC	060093			
ProHeat_Interface	060228			
PwrBatCharger	069528			
RadiatorChassisGnd	IdemCOM062315			
Reading_Light_RH_Standard	062238		069965	
readingLightHarness_LH	069328		069966	
REAR_LAMPS	069552			
Relay_Melco_batt	069542			
RJB_ALISSON_NAE	0610082	0610168	069979	
RJB_Ctrl	0610097			
RJB_ISHIFT_NAE	0610095	0610169	069980	
Rosco_Mirror_Extension	061491			
Rr_clearance_harness	069553		IDEM_COM_069829	
service_Door_Harness	069554			
Sound_System	061437		069972	0611114
Sound_System HHED Speciale	NA		069565	0610203
Sound_system_pwr_harness_NAE	069296			
Starter_chassis_GND	060307			
starter_relay_Melco_VOLVO	069515			
StarterBattery	069518			
SubWofferExtHarness	idemH3_066743			
TPMS_Lite_Adapter	0610073			
Trailer_Inputs_VEC_harness	060316			
Trailer_Outputs_VEC_harness	060317			
Trans_Fr_to_Rr_NAE	0610025	0610170	069973	
Trans_Fr_to_Rr_GLI	060210GLI	0610171GLI	0610180GLI	
TransSensorWithoutRetarder_harness	069778			
TransSensorWithRetarder_harness	069777			
UNICAN_Harness	069645			
Urea_Harness_OBD13	0610026		069984	
USB_5V_Harness	060660			
Vansco_Gateway_Harness	069558			
WCL_IOE_Control	062239			
WCL_Lugg_Door_lock	069339			
wcl_power_harness	069337			
WCL_Ricon_Window_Sw_Lh	060310		069971	
wcl_upperDoorControl	062240		069773	
Wcl ricon access	IdemCOM069744			
WclRiconSlidingDoor	069997			
wifi_system_gnd	069925			
Win Ajar FJB	060574			
Win_ajar_fjb_NAE	060574			
Win_ajar_window_side_LH_NAE	060084			
Win_ajar_window_side_RH_NAE	060085			

## Vehicle Harness RoadMap

DESCRIPTION	Ref Only	Driver Assist
ORDRE DE CHANGEMENT		2019037
VÉH. EFFECTIF	Before L-6666 /L-7760	L-6666 / L-7760
Wiring revision	24	25
ABS_fr_wheel_harness_NAE	060124	
ACB_Gen2	060035	0610271
ailse_light_extension	069424	
Air_dryer_CTR_NAE	060095	
Air_Horn	0610004	
Aisle_lights_harness_NAE	060086	
Alt_battery_LH	069537	
Alt_battery_NAE	069517	
Alt_chassis_GND	060264	
Alt_Jumper_Power	060265	
Alt_LH_chassis_GND	069504	
alternator_ctrl_harness	060088	
alternator_ctrl_LH_harness	069511	
Batt_charger_120V_ext_NAE	060149	
Batt_charger_120V_inlet_NAE	060151	
batt_inter_8d	068397	
battery_12Vd_harness	069560	
battery_24Vd_harness	069561	
Battery_GND_Electro_harness	069534	
Battery_Gnd_Harness	069525	
Battery_interconnect	060152	
Beru_antenna_NAE	060143	
Beru_Fjb	060045	
Blue_Light_In_Front_Of_The_Lavatory_Door	061250	
Bloc diode front harness C34	380047	
bloc diode fjb C18	381145	
booster_positive_Harness	060028	
CANTRACK_PGM_HARNESS	068901	
Clockspring_Extension	069103	
Commuter_Front_Accessories	NA	
Compressor door lock	060778	
condensor_harness	060377	
Curb Light	060058	
Dash_NAE	069978	0610268
Destination_Sign_Emergency_Sw124	069944	
Destination_Sign_Front_To_Side	069941	
Destination_Sign_Interconn_Side_Rear	069942	
Destination_Sign_Interconnection	069940	
Destination_Sign_Rear	069943	
Door_Harness	060038	
DPF_door_Harness	IDEM_COM_069833	
DPF_Door_light	060037	
DPF_Volvo_NAE	060089	
Driver_120VAC_Outlet	NA	
electric_horn_NAE	060074	
Emergency_Lighting_LH_harness	069968	
Emergency_Lighting_RH_harness	069967	
Eng_Cradle_Alisson_NAE	061434	
Eng_Cradle_IShift_NAE	061475	
Engine_Acc_NAE	0610310	
Engine_chassis_GND	060306	
ENGINE_DOOR	060039	
Engine_Heater_Harness	068723	
entranceDoorSw_X3	060080	
equilizer_harness_Vanner	069539	
evap_door_harness	060556	
Evap_HARNESS_Ctrl	069981	
Evap_power_harness	060529	
Evap_power_ground_harness	060527	

## Vehicle Harness RoadMap

DESCRIPTION	Ref Only	Driver Assist
<b>ORDRE DE CHANGEMENT</b>		<b>2019037</b>
<b>VÉH. EFFECTIF</b>	<b>Before L-6666 /L-7760</b>	<b>L-6666 / L-7760</b>
<b>Wiring revision</b>	<b>24</b>	<b>25</b>
FanDrive_harness	068820	
FanDrive_pwr24	069245	
FanDrive_pwrGnd	069246	
FJB	0611113	0610269
FJB_GLI	0610179	
FJB_AFSS	060042	
FJB_TransAlisson_OBD13	0610096	
FJB_TransIShift_OBD13	060069	
Flame_Detector_Ext_Harness	060436	
Front_Clearance_Harness_NAE	069974	
Front_flip_screen_NAE	060099	
Front_Harness_NAE	069976	0610270
Fuel_gauge_harness_NAE	060087	
GND CABLE NSS	069776	
Hand_lever_retarder_harness_NAE	060083	
Head_lamp_Halogen_RH	069864	
Head_lamp_Xenon_RH	069865	
head_lamp_halogen_LH	069864	
Head_lamp_washer	060076	
Head_lamp_xenon_LH	069977	
IND_LED_FrLh_RrRh	END	
IND_LED_FrRh_RrLh	END	
IND_Front_RH	IDEM COM 069862	
IND_Front_LH	IDEM COM 069985	
IND_Rear_RH	IDEM COM 069861	
Interior_Light_access_NAE	069962	
Interior_Service_Door	060068	
INVerter_120Vac_LH (Special 3 Inverters)	NA	
INVerter_120Vac_RH (Special 3 Inverters)	NA	
INVerter_120Vac_LH	068257	
INVerter_120Vac_RH	068198	
Inverter driver display harness	0610041	
Inverter_harness	069526	
Inverter_Negatif	068252	
Inverter_Positif	069548	
ISM RELAY Prack	idemH3_0610200	
JUMPER_120VAC_WCL	068937	
Jumper_Indirect_Std	069546	
Jumper_Indirect_WCL	069884	
Jumper_Y_120Vac	068221	
Lavatory_Ceiling_Light	069676	
Lavatory_NAE	069964	
Lavatory_Occupied_Lamp	069675	
Lavatory_Sw_Harness	069994	
LH_CONSOLE_NAE	060544	
load_monitoring_harness	069211	
LTD_Harness	069738	
Lugg_Harness_NAE	069969	
Lugg_Harness_WOLockNAE	060328	
Luggage_door_lock_2013	069551	
Luggage_Door_L_One_Lamp (1st_FR_RH)	069970	
Outlet_120vac_P Rack	068295	
Outlet_lugg_Central Vacuum	067712	
ParcelRackJB_NAE	069963	
Plug_for_2_sliding_seats	idemH3_067984	
Plug_for_3_sliding_seats	068321	
PNEUMATIC_PLATE_HARNESS	idemCOM069715	
PoweMuxEvapNAE	FIN	
Power_harness_NAE	060558	

## Vehicle Harness RoadMap

DESCRIPTION	Ref Only	Driver Assist
<b>ORDRE DE CHANGEMENT</b>		<b>2019037</b>
<b>VÉH. EFFECTIF</b>	<b>Before L-6666 /L-7760</b>	<b>L-6666 / L-7760</b>
<b>Wiring revision</b>	<b>24</b>	<b>25</b>
PowerVecr	069540	
PowerVecr	069540	
ProHeat_Timer_harness	060016	
Spheros_Timer_Harness	060557	
PreHeate_relay	069516	
PreHeater_GND	060308	
Preheater_Thermal_harness	067676	
Preheater_ON_W_Batt_Charger	060092	
Preheater_ON_W_HVAC	060093	
ProHeat_Interface	060228	
PwrBatCharger	069528	
RadiatorChassisGnd	IdemCOM062315	
Reading_Light_RH_Standard	069965	
readingLightHarness_LH	069966	
REAR_LAMPS	069552	
Relay_Melco_batt	069542	
RJB_ALISSON_NAE	0610276	
RJB_Ctrl	0611010	
RJB_ISHIFT_NAE	0610277	
Rosco_Mirror_Extension	061491	
Rr_clearance_harness	IDEM_COM_069829	
service_Door_Harness	069554	
Sound_System	0611114	
Sound_System HHED Speciale	0610203	
Sound_system_pwr_harness	069296	
Starter_chassis_GND	060307	
starter_relay_Melco_VOLVO	069515	
StarterBattery	069518	
SubWofferExtHarness	idemH3_066743	
TPMS_Lite_Adapter	0610073	
Trailer_Inputs_VEC_harness	060316	
Trailer_Outputs_VEC_harness	060317	
Trans_Fr_to_Rr_NAE	0610274	
Trans_Fr_to_Rr_GLI	0610275	
TransSensorWithoutRetarder_harness		
TransSensorWithRetarder_harness		
UNICAN_Harness		
Urea_Harness	0611012	
USB_5V_Harness	060660	
Vansco_Gateway_Harness	069558	
WCL_IOE_Control	062239	
WCL_Lugg_Door_lock	069339	
wcl_power_harness	069337	
WCL_Ricon_Window_Sw_Lh	069971	
wcl_upperDoorControl	069773	
Wcl ricon access	IdemCOM069744	
WclRiconSlidingDoor	069997	
wifi_system_gnd	069925	
Win Ajar FJB	060574	
Win_ajar_fjb_NAE	060574	
Win_ajar_window_side_LH_NAE	060084	
Win_ajar_window_side_RH_NAE	060085	

## Vehicle Harness RoadMap

DESCRIPTION	OBD21	OBD22
ORDRE DE CHANGEMENT	2021001	2022001
VÉH. EFFECTIF		
Wiring revision	26	28
ABS_fr_wheel_harness_NAE	060124	
ACB_Gen2	0610271	
ailse_light_extension	069424	
Air_dryer_CTR_NAE	060095	
Air_Horn	0610004	
Aisle_lights_harness_NAE	060086	
Alt_battery_LH	069537	
Alt_battery_NAE	069517	
Alt_chassis_GND	060264	
Alt_Jumper_Power	060265	
Alt_LH_chassis_GND	069504	
alternator_ctrl_harness	060088	
alternator_ctrl_LH_harness	069511	
Batt_charger_120V_ext_NAE	060149	
Batt_charger_120V_inlet_NAE	060151	
batt_inter_8d	068397	
battery_12Vd_harness	069560	
battery_24Vd_harness	069561	
Battery_GND_Electro_harness	069534	
Battery_Gnd_Harness	069525	
Battery_interconnect	060152	
Beru_antenna_NAE	060143	
Beru_Fjb	060045	
Blue_Light_In_Front_Of_The_Lavatory_Door	061250	
Bloc diode front harness C34	380047	
bloc diode fjb C18	381145	
booster_positive_Harness	060028	
CANTRACK_PGM_HARNESS	068901	
Clockspring_Extension	069103	
Commuter_Front_Accessories	NA	
Compressor door lock	060778	
condensor_harness	060377	
Curb Light	060058	
Dash_NAE	0610408	
Destination_Sign_Emergency_Sw124	069944	
Destination_Sign_Front_To_Side	069941	
Destination_Sign_Interconn_Side_Rear	069942	
Destination_Sign_Interconnection	069940	
Destination_Sign_Rear	069943	
Door_Harness	060038	
DPF_door_Harness	IDEM_COM_069833	
DPF_Door_light	060037	
DPF_Volvo_NAE	060089	
Driver_120VAC_Outlet	NA	
electric_horn_NAE	060074	
Emergency_Lighting_LH_harness	069968	
Emergency_Lighting_RH_harness	069967	
Eng_Cradle_Alisson_NAE	061434	
Eng_Cradle_IShift_NAE	061475	
Engine_Acc_NAE	0610310	
Engine_chassis_GND	060306	
ENGINE_DOOR	060039	
Engine_Heater_Harness	068723	
entranceDoorSw_X3	060080	
equilizer_harness_Vanner	069539	
evap_door_harness	060556	
Evap_HARNESS_Ctrl	069981	
Evap_power_harness	060529	
Evap_power_ground_harness	060527	



## Vehicle Harness RoadMap

DESCRIPTION	OBD21	OBD22
ORDRE DE CHANGEMENT	2021001	2022001
VÉH. EFFECTIF		
Wiring revision	26	28
FanDrive_harness	068820	
FanDrive_pwr24	069245	
FanDrive_pwrGnd	069246	
FJB	0610409	
FJB_GLI	0610410	
FJB_AFSS	060042	
FJB_TransAlisson_OBD13	0610096	
FJB_TranslShift_OBD13	060069	
Flame_Detector_Ext_Harness	060436	
Front_Clearance_Harness_NAE	069974	
Front_flip_screen_NAE	060099	
Front_Harness_NAE	0610487	
Fuel_gauge_harness_NAE	060087	
GND CABLE NSS	069776	
Hand_lever_retarder_harness_NAE	060083	
Head_lamp_Halogen_RH	069864	
Head_lamp_Xenon_RH	069865	
head_lamp_halogen_LH	069864	
Head_lamp_washer	060076	
Head_lamp_xenon_LH	069977	
IND_LED_FrLh_RrRh	END	
IND_LED_FrRh_RrLh	END	
IND_Front_RH	IDEM COM 069862	
IND_Front_LH	IDEM COM 069985	
IND_Rear_RH	IDEM COM 069861	
Interior_Light_access_NAE	069962	
Interior_Service_Door	060068	
INverter_120Vac_LH (Special 3 Inverters)	NA	
INverter_120Vac_RH (Special 3 Inverters)	NA	
INverter_120Vac_LH	068257	
INverter_120Vac_RH	068198	
Inverter_driver_display_harness	0610041	
Inverter_harness	069526	
Inverter_Negatif	068252	
Inverter_Positif	069548	
ISM_RELAY Prack	idemH3_0610200	
JUMPER_120VAC_WCL	068937	
Jumper_Indirect_Std	069546	
Jumper_Indirect_WCL	069884	
Jumper_Y_120Vac	068221	
Lavatory_Ceiling_Light	069676	
Lavatory_NAE	069964	
Lavatory_Occupied_Lamp	069675	
Lavatory_Sw_Harness	069994	
LH_CONSOLE_NAE	0610411	
load_monitoring_harness	069211	
LTD_Harness	069738	
Lugg_Harness_NAE	069969	
Lugg_Harness_WOLockNAE	060328	
Luggage_door_lock_2013	069551	
Luggage_Door_L_One_Lamp (1st_FR_RH)	069970	
Outlet_120vac_P Rack	068295	
Outlet_lugg_Central_Vacuum	067712	
ParcelRackJB_NAE	069963	
Plug_for_2_sliding_seats	idemH3_067984	
Plug_for_3_sliding_seats	068321	
PNEUMATIC_PLATE_HARNESS	0610472	
PoweMuxEvapNAE	FIN	
Power_harness_NAE	060558	

## Vehicle Harness RoadMap

DESCRIPTION	OBD21	OBD22
ORDRE DE CHANGEMENT	2021001	2022001
VÉH. EFFECTIF		
Wiring revision	26	28
PowerVecr	069540	
PowerVecr	069540	
ProHeat_Timer_harness	060016	
Spheros_Timer_Harness	060557	
PreHeate_relay	069516	
PreHeater_GND	060308	
Preheater_Thermal_harness	067676	
Preheater_ON_W_Batt_Charger	060092	
Preheater_ON_W_HVAC	060093	
ProHeat_Interface	060228	
PwrBatCharger	069528	
RadiatorChassisGnd	IdemCOM062315	
Reading_Light_RH_Standard	069965	
readingLightHarness_LH	069966	
REAR_LAMPS	069552	
Relay_Melco_batt	069542	
RJB_ALISSON_NAE	0610412	
RJB_Ctrl	IDEMCOM0610457	
RJB_ISHIFT_NAE	0610413	
Rosco_Mirror_Extension	061491	
Rr_clearance_harness	IDEM_COM_069829	
service_Door_Harness	069554	
Sound_System	Fin	
Sound_System HHED Speciale	0610514	
Sound_system_pwr_harness	069296	
Starter_chassis_GND	060307	
starter_relay_Melco_VOLVO	069515	
StarterBattery	069518	
SubWofferExtHarness	idemH3_066743	
TPMS_Lite_Adapter	0610073	
Trailer_Inputs_VEC_harness	060316	
Trailer_Outputs_VEC_harness	060317	
Trans_Fr_to_Rr_NAE	0610414	
Trans_Fr_to_Rr_GLI	0610415	
TransSensorWithoutRetarder_harness		0610588
TransSensorWithRetarder_harness		0610586
UNICAN_Harness		
Urea_Harness	0611012	0610591
USB_5V_Harness	060660	
Vansco_Gateway_Harness	069558	
WCL_IOE_Control	062239	
WCL_Lugg_Door_lock	069339	
wcl_power_harness	069337	
WCL_Ricon_Window_Sw_Lh	069971	
wcl_upperDoorControl	069773	
Wcl ricon access	IdemCOM069744	
WclRiconSlidingDoor	069997	
wifi_system_gnd	069925	
Win Ajar FJB	060574	
Win_ajar_fjb_NAE	060574	
Win_ajar_window_side_LH_NAE	060084	
Win_ajar_window_side_RH_NAE	060085	

## Vehicle Harness RoadMap

DESCRIPTION	OBD22	TPMS
ORDRE DE CHANGEMENT	2022001	2021070
VÉH. EFFECTIF		
Wiring revision	28	29
ABS_fr_wheel_harness_NAE	060124	
ACB_Gen2	0610271	
aisle_light_extension	069424	
Air_dryer_CTR_NAE	060095	
Air_Horn	0610004	
Aisle_lights_harness_NAE	060086	
Alt_battery_LH	069537	
Alt_battery_NAE	069517	
Alt_chassis_GND	060264	
Alt_Jumper_Power	060265	
Alt_LH_chassis_GND	069504	
alternator_ctrl_harness	060088	
alternator_ctrl_LH_harness	069511	
Batt_charger_120V_ext_NAE	060149	
Batt_charger_120V_inlet_NAE	060151	
batt_inter_8d	068397	
battery_12Vd_harness	069560	
battery_24Vd_harness	069561	
Battery_GND_Electro_harness	069534	
Battery_Gnd_Harness	069525	
Battery_interconnect	060152	
Beru_antenna_NAE	060143	
Beru_Fjb	060045	
Blue_Light_In_Front_Of_The_Lavatory_Door	061250	
Bloc_diode_front_harness_C34	380047	
bloc_diode_fjb_C18	381145	
booster_positive_Harness	060028	
CANTRACK_PGM_HARNESS	068901	
Clockspring_Extension	069103	
Commuter_Front_Accessories	NA	
Compressor_door_lock	060778	
condensor_harness	060377	
Curb_Light	060058	
Dash_NAE	0610408	
Destination_Sign_Emergency_Sw124	069944	
Destination_Sign_Front_To_Side	069941	
Destination_Sign_Interconn_Side_Rear	069942	
Destination_Sign_Interconnection	069940	
Destination_Sign_Rear	069943	
Door_Harness	060038	
DPF_door_Harness	IDEM_COM_069833	
DPF_Door_light	060037	
DPF_Volvo_NAE	060089	
Driver_120VAC_Outlet	NA	
electric_horn_NAE	060074	
Emergency_Lighting_LH_harness	069968	
Emergency_Lighting_RH_harness	069967	
Eng_Cradle_Alisson_NAE	061434	
Eng_Cradle_IShift_NAE	061475	
Engine_Acc_NAE	0610310	
Engine_chassis_GND	060306	
ENGINE_DOOR	060039	
Engine_Heater_Harness	068723	
entranceDoorSw_X3	060080	
equilizer_harness_Vanner	069539	
evap_door_harness	060556	
Evap_HARNESS_Ctrl	069981	
Evap_power_harness	060529	
Evap_power_ground_harness	060527	

## Vehicle Harness RoadMap

DESCRIPTION	OBD22	TPMS
ORDRE DE CHANGEMENT	2022001	2021070
VÉH. EFFECTIF		
Wiring revision	28	29
FanDrive_harness	068820	
FanDrive_pwr24	069245	
FanDrive_pwrGnd	069246	
FJB	0610409	
FJB_GLI	0610410	
FJB_AFSS	060042	
FJB_TransAlisson_OBD13	0610096	
FJB_TransIShift_OBD13	060069	
Flame_Detector_Ext_Harness	060436	
Front_Clearance_Harness_NAE	069974	
Front_flip_screen_NAE	060099	
Front_Harness_NAE	0610487	
Fuel_gauge_harness_NAE	060087	
GND CABLE NSS	069776	
Hand_lever_retarder_harness_NAE	060083	
Head_lamp_Halogen_RH	069864	
Head_lamp_Xenon_RH	069865	
head_lamp_halogen_LH	069864	
Head_lamp_washer	060076	
Head_lamp_xenon_LH	069977	
IND_LED_FrLh_RrRh	END	
IND_LED_FrRh_RrLh	END	
IND_Front_RH	IDEM COM 069862	
IND_Front_LH	IDEM COM 069985	
IND_Rear_RH	IDEM COM 069861	
Interior_Light_access_NAE	069962	
Interior_Service_Door	060068	
INVerter_120Vac_LH (Special 3 Inverters)	NA	
INVerter_120Vac_RH (Special 3 Inverters)	NA	
INVerter_120Vac_LH	068257	
INVerter_120Vac_RH	068198	
Inverter_driver_display_harness	0610041	
Inverter_harness	069526	
Inverter_Negatif	068252	
Inverter_Positif	069548	
ISM_RELAY Prack	idemH3_0610200	
JUMPER_120VAC_WCL	068937	
Jumper_Indirect_Std	069546	
Jumper_Indirect_WCL	069884	
Jumper_Y_120Vac	068221	
Lavatory_Ceiling_Light	069676	
Lavatory_NAE	069964	
Lavatory_Occupied_Lamp	069675	
Lavatory_Sw_Harness	069994	
LH_CONSOLE_NAE	0610411	
load_monitoring_harness	069211	
LTD_Harness	069738	
Lugg_Harness_NAE	069969	
Lugg_Harness_WOLockNAE	060328	
Luggage_door_lock_2013	069551	
Luggage_Door_L_One_Lamp (1st_FR_RH)	069970	
Outlet_120vac_P Rack	068295	
Outlet_lugg_Central_Vacuum	067712	
ParcelRackJB_NAE	069963	
Plug_for_2_sliding_seats	idemH3_067984	
Plug_for_3_sliding_seats	068321	
PNEUMATIC_PLATE_HARNESS	0610472	
PoweMuxEvapNAE	FIN	
Power_harness_NAE	060558	

## Vehicle Harness RoadMap

DESCRIPTION	OBD22	TPMS
ORDRE DE CHANGEMENT	2022001	2021070
VÉH. EFFECTIF		
Wiring revision	28	29
PowerVecr	069540	
PowerVecr	069540	
ProHeat_Timer_harness	060016	
Spheros_Timer_Harness	060557	
PreHeate_relay	069516	
PreHeater_GND	060308	
Preheater_Thermal_harness	067676	
Preheater_ON_W_Batt_Charger	060092	
Preheater_ON_W_HVAC	060093	
ProHeat_Interface	060228	
PwrBatCharger	069528	
RadiatorChassisGnd	IdemCOM062315	
Reading_Light_RH_Standard	069965	
readingLightHarness_LH	069966	
REAR_LAMPS	069552	
Relay_Melco_batt	069542	
RJB_ALISSON_NAE	0610412	
RJB_Ctrl	IDEMCOM0610457	
RJB_ISHIFT_NAE	0610413	
Rosco_Mirror_Extension	061491	
Rr_clearance_harness	IDEM_COM_069829	
service_Door_Harness	069554	
Sound_System	Fin	
Sound_System HHED Speciale	0610514	
Sound_system_pwr_harness	069296	
Starter_chassis_GND	060307	
starter_relay_Melco_VOLVO	069515	
StarterBattery	069518	
SubWofferExtHarness	idemH3_066743	
TPMS_Antenna	0610143	0610631
TPMS_FJB	0610142	0610632
TPMS_Lite_Adapter	0610073	
Trailer_Inputs_VEC_harness	060316	
Trailer_Outputs_VEC_harness	060317	
Trans_Fr_to_Rr_NAE	0610414	
Trans_Fr_to_Rr_GLI	0610415	
TransSensorWithoutRetarder_harness	0610588	
TransSensorWithRetarder_harness	0610586	
UNICAN_Harness		
Urea_Harness	0610591	
USB_5V_Harness	060660	
Vansco_Gateway_Harness	069558	
WCL_IOE_Control	062239	
WCL_Lugg_Door_lock	069339	
wcl_power_harness	069337	
WCL_Ricon_Window_Sw_Lh	069971	
wcl_upperDoorControl	069773	
Wcl ricon access	IdemCOM069744	
WclRiconSlidingDoor	069997	
wifi_system_gnd	069925	
Win_Ajar_FJB	060574	
Win_ajar_fjb_NAE	060574	

## Vehicle Harness RoadMap

DESCRIPTION	TPMS	FAN COND
ORDRE DE CHANGEMENT	2021070	20222123
VÉH. EFFECTIF		
Wiring revision	29	33
ABS_fr_wheel_harness_NAE	060124	
ACB_Gen2	0610271	
ailse_light_extension	069424	
Air_dryer_CTR_NAE	060095	
Air_Horn	0610004	
Aisle_lights_harness_NAE	060086	
Alt_battery_LH	069537	
Alt_battery_NAE	069517	
Alt_chassis_GND	060264	
Alt_Jumper_Power	060265	
Alt_LH_chassis_GND	069504	
alternator_ctrl_harness	060088	
alternator_ctrl_LH_harness	069511	
Batt_charger_120V_ext_NAE	060149	
Batt_charger_120V_inlet_NAE	060151	
batt_inter_8d	068397	
battery_12Vd_harness	069560	
battery_24Vd_harness	069561	
Battery_GND_Electro_harness	069534	
Battery_Gnd_Harness	069525	
Battery_interconnect	060152	
Beru_antenna_NAE	060143	
Beru_Fjb	060045	
Blue_Light_In_Front_Of_The_Lavatory_Door	061250	
Bloc diode front harness C34	380047	
bloc diode fjb C18	381145	
booster_positive_Harness	060028	
CANTRACK_PGM_HARNESS	068901	
Clockspring_Extension	069103	
Commuter_Front_Accessories	NA	
Compressor door lock	060778	
condensor_harness	060377	0600189
Curb Light	060058	
Dash_NAE	0610408	
Destination_Sign_Emergency_Sw124	069944	
Destination_Sign_Front_To_Side	069941	
Destination_Sign_Interconn_Side_Rear	069942	
Destination_Sign_Interconnection	069940	
Destination_Sign_Rear	069943	
Door_Harness	060038	
DPF_door_Harness	IDEM_COM_069833	
DPF_Door_light	060037	
DPF_Volvo_NAE	060089	
Driver_120VAC_Outlet	NA	
electric_horn_NAE	060074	
Emergency_Lighting_LH_harness	069968	
Emergency_Lighting_RH_harness	069967	
Eng_Cradle_Alisson_NAE	061434	
Eng_Cradle_IShift_NAE	061475	
Engine_Acc_NAE	0610310	
Engine_chassis_GND	060306	
ENGINE_DOOR	060039	
Engine_Heater_Harness	068723	
entranceDoorSw_X3	060080	
equilizer_harness_Vanner	069539	
evap_door_harness	060556	
Evap_HARNESS_Ctrl	069981	
Evap_power_harness	060529	
Evap_power_ground_harness	060527	

## Vehicle Harness RoadMap

DESCRIPTION	TPMS	FAN COND
ORDRE DE CHANGEMENT	2021070	20222123
VÉH. EFFECTIF		
Wiring revision	29	33
FanDrive_harness	068820	
FanDrive_pwr24	069245	
FanDrive_pwrGnd	069246	
FJB	0610409	
FJB_GLI	0610410	
FJB_AFSS	060042	
FJB_TransAlisson_OBD13	0610096	
FJB_TransIShift_OBD13	060069	
Flame_Detector_Ext_Harness	060436	
Front_Clearance_Harness_NAE	069974	
Front_flip_screen_NAE	060099	
Front_Harness_NAE	0610487	
Fuel_gauge_harness_NAE	060087	
GND CABLE NSS	069776	
Hand_lever_retarder_harness_NAE	060083	
Head_lamp_Halogen_RH	069864	
Head_lamp_Xenon_RH	069865	
head_lamp_halogen_LH	069864	
Head_lamp_washer	060076	
Head_lamp_xenon_LH	069977	
IND_LED_FrLh_RrRh	END	
IND_LED_FrRh_RrLh	END	
IND_Front_RH	IDEM COM 069862	
IND_Front_LH	IDEM COM 069985	
IND_Rear_RH	IDEM COM 069861	
Interior_Light_access_NAE	069962	
Interior_Service_Door	060068	
INverter_120Vac_LH (Special 3 Inverters)	NA	
INverter_120Vac_RH (Special 3 Inverters)	NA	
INverter_120Vac_LH	068257	
INverter_120Vac_RH	068198	
Inverter_driver_display_harness	0610041	
Inverter_harness	069526	
Inverter_Negatif	068252	
Inverter_Positif	069548	
ISM_RELAY Prack	idemH3_0610200	
JUMPER_120VAC_WCL	068937	
Jumper_Indirect_Std	069546	
Jumper_Indirect_WCL	069884	
Jumper_Y_120Vac	068221	
Lavatory_Ceiling_Light	069676	
Lavatory_NAE	069964	
Lavatory_Occupied_Lamp	069675	
Lavatory_Sw_Harness	069994	
LH_CONSOLE_NAE	0610411	
load_monitoring_harness	069211	
LTD_Harness	069738	
Lugg_Harness_NAE	069969	
Lugg_Harness_WOLockNAE	060328	
Luggage_door_lock_2013	069551	
Luggage_Door_L_One_Lamp (1st_FR_RH)	069970	
Outlet_120vac_P Rack	068295	
Outlet_lugg_Central_Vacuum	067712	
ParcelRackJB_NAE	069963	
Plug_for_2_sliding_seats	idemH3_067984	
Plug_for_3_sliding_seats	068321	
PNEUMATIC_PLATE_HARNESS	0610472	
PoweMuxEvapNAE	FIN	
Power_harness_NAE	060558	

## Vehicle Harness RoadMap

DESCRIPTION	TPMS	FAN COND
ORDRE DE CHANGEMENT	2021070	20222123
VÉH. EFFECTIF		
Wiring revision	29	33
PowerVecr	069540	
PowerVecr	069540	
ProHeat_Timer_harness	060016	
Spheros_Timer_Harness	060557	
PreHeate_relay	069516	
PreHeater_GND	060308	
Preheater_Thermal_harness	067676	
Preheater_ON_W_Batt_Charger	060092	
Preheater_ON_W_HVAC	060093	
ProHeat_Interface	060228	
PwrBatCharger	069528	
RadiatorChassisGnd	IdemCOM062315	
Reading_Light_RH_Standard	069965	
readingLightHarness_LH	069966	
REAR_LAMPS	069552	
Relay_Melco_batt	069542	
RJB_ALISSON_NAE	0610412	0600335
RJB_Ctrl	IDEMCOM0610457	
RJB_ISHIFT_NAE	0610413	
Rosco_Mirror_Extension	061491	
Rr_clearance_harness	IDEM_COM_069829	
service_Door_Harness	069554	
Sound_System	Fin	
Sound_System HHED Speciale	0610514	
Sound_system_pwr_harness	069296	
Starter_chassis_GND	060307	
starter_relay_Melco_VOLVO	069515	
StarterBattery	069518	
SubWofferExtHarness	idemH3_066743	
TPMS_Antenna	0610631	
TPMS_FJB	0610632	
TPMS_Lite_Adapter	0610073	
Trailer_Inputs_VEC_harness	060316	
Trailer_Outputs_VEC_harness	060317	
Trans_Fr_to_Rr_NAE	0610414	
Trans_Fr_to_Rr_GLI	0610415	
TransSensorWithoutRetarder_harness	0610588	
TransSensorWithRetarder_harness	0610586	
UNICAN_Harness		
Urea_Harness	0610591	
USB_5V_Harness	060660	
Vansco_Gateway_Harness	069558	
WCL_IOE_Control	062239	
WCL_Lugg_Door_lock	069339	
wcl_power_harness	069337	
WCL_Ricon_Window_Sw_Lh	069971	
wcl_upperDoorControl	069773	
Wcl ricon access	IdemCOM069744	
WclRiconSlidingDoor	069997	
wifi_system_gnd	069925	
Win_Ajar FJB	060574	
Win_ajar_fjb_NAE	060574	
Win_ajar_window_side LH NAF	060084	



## List of new part numbers

Circuit ID	Description
061423	MAIN DASHBOARD HARNESS
061434	ENGINE CRADLE HARNESS
061422	ENGINE COMPT ACCESSORIES
061436	FJB MAIN HARNESS
061435	FRONT HARNESS
061384	INTERIOR LIGHTS AND ACESSOIRES
060586	INVERTER OUTPUT 120VAC LEFT
060587	INVERTER OUTPUT 120VAC RIGHT
069701	INVERTER POSITIF CABLE
069700	INVERTER NEGATIVE CABLE
061420	RJB MAIN HARNESS
061437	SOUND SYSTEM MAIN HARNESS
061443	SOUND SYSTEM POWER HARNESS
061444	READING LIGHTS CONTROL LH
061445	READING LIGHTS CONTROL RH
061381	INVERTER RELAYS CONTROL HARNESS
069771	TRAILER OPTION (VEC INPUTS)
061453	FRONT TO REAR TRANSMISSION HARNESS
061505	WIFI CHASSIS GROUND SMALL CABLE
061292	EXTINGUISHER EXTENSION HARN.
400605	WIFI MODULE BRACKET
560493	LATCHING REALEY (ISM)
380123	LATCHING RELAY BASE
564612	ELECTRIC FAN DRIVE POWER BOX
564613	MANUAL BREAKER 50 Amp
560531	FJB VEC
560502	PARCEL RACK MINI VEC
560476	TRAILER OPTION MINI VEC
560492	BATT. EQ. WITH ISM FUNCTION
900218	ICOMERA X-CUBED ADVANCED
900223	ROOF ANTENNA MIMO - 5 CABLES
900224	ROOF ANTENNA MIMO - 2 CABLES
900225	INSIDE WIFI ANTENNA
900226	INSIDE WIFI ANTENNA CABLES
901660	SAUCON ELD
901661	SAUCON ELD HARNESS
061438	FJB DECAL
061492	PARCEL RACK DECAL GLI
069663	RJB DECAL

## Vehicule Harness RoadMap

DESCRIPTION	FAN COND	Release2024R1
ORDRE DE CHANGEMENT	2022123	2023115
VÉH. EFFECTIF		
Wiring revision	33	34
ABS_fr_wheel_harness_NAE	060124	
ACB_Gen2	0610271	
ailse_light_extension	069424	
Air_dryer_CTR_NAE	060095	
Air_Horn	0610004	
Aisle_lights_harness_NAE	060086	
Alt_battery_LH	069537	
Alt_battery_NAE	069517	
Alt_chassis_GND	060264	
Alt_Jumper_Power	060265	
Alt_LH_chassis_GND	069504	
alternator_ctrl_harness	060088	
alternator_ctrl_LH_harness	069511	
Batt_charger_120V_ext_NAE	060149	
Batt_charger_120V_inlet_NAE	060151	
batt_inter_8d	068397	
battery_12Vd_harness	069560	
battery_24Vd_harness	069561	
Battery_GND_Electro_harness	069534	
Battery_Gnd_Harness	069525	
Battery_interconnect	060152	
Beru_antenna_NAE	060143	
Beru_Fjb	060045	
Blue_Light_In_Front_Of_The_Lavatory_Door	061250	
Bloc diode front harness C34	380047	
bloc diode fjb C18	381145	
booster_positive_Harness	060028	
CANTRACK_PGM_HARNESS	068901	
Clockspring_Extension	069103	
Commuter_Front_Accessories	NA	
Compressor door lock	060778	
condensor_harness	0600189	
Curb Light	060058	
Dash_NAE	0610408	
Destination_Sign_Emergency_Sw124	069944	
Destination_Sign_Front_To_Side	069941	
Destination_Sign_Interconn_Side_Rear	069942	
Destination_Sign_Interconnection	069940	
Destination_Sign_Rear	069943	
Door_Harness	060038	
DPF_door_Harness	IDEM_COM_069833	
DPF_Door_light	060037	
DPF_Volvo_NAE	060089	
Driver_120VAC_Outlet	NA	
electric_horn_NAE	060074	
Emergency_Lighting_LH_harness	069968	
Emergency_Lighting_RH_harness	069967	
Eng_Cradle_Alisson_NAE	061434	
Eng_Cradle_IShift_NAE	061475	
Engine_Acc_NAE	0610310	
Engine_chassis_GND	060306	
ENGINE_DOOR	060039	
Engine_Heater_Harness	068723	
entranceDoorSw_X3	060080	
equilizer_harness_Vanner	069539	
evap_door_harness	060556	
Evap_HARNESS_Ctrl	069981	
Evap_power_harness	060529	
Evap_power_ground_harness	060527	

## Vehicle Harness RoadMap

DESCRIPTION	FAN COND	Release2024R1
ORDRE DE CHANGEMENT	2022123	2023115
VÉH. EFFECTIF		
Wiring revision	33	34
FanDrive_harness	068820	
FanDrive_pwr24	069245	
FanDrive_pwrGnd	069246	
FJB	0610409	
FJB_GLI	0610410	
FJB_AFSS	060042	
FJB_TransAlisson_OBD13	0610096	
FJB_TranslShift_OBD13	060069	
Flame_Detector_Ext_Harness	060436	
Front_Clearance_Harness_NAE	069974	
Front_flip_screen_NAE	060099	
Front_Harness_NAE	0610487	0600276
Fuel_gauge_harness_NAE	060087	
GND CABLE NSS	069776	
Hand_lever_retarder_harness_NAE	060083	
Head_lamp_Halogen_RH	069864	
Head_lamp_Xenon_RH	069865	
head_lamp_halogen_LH	069864	
Head_lamp_washer	060076	
Head_lamp_xenon_LH	069977	
IND_LED_FrLh_RrRh	END	
IND_LED_FrRh_RrLh	END	
IND_Front_RH	IDEM COM 069862	
IND_Front_LH	IDEM COM 069985	
IND_Rear_RH	IDEM COM 069861	
Interior_Light_access_NAE	069962	
Interior_Service_Door	060068	
INVerter_120Vac_LH (Special 3 Inverters)	NA	
INVerter_120Vac_RH (Special 3 Inverters)	NA	
INVerter_120Vac_LH	068257	
INVerter_120Vac_RH	068198	
Inverter driver display harness	0610041	
Inverter_harness	069526	
Inverter_Negatif	068252	
Inverter_Positif	069548	
ISM RELAY Prack	idemH3_0610200	
JUMPER_120VAC_WCL	068937	
Jumper_Indirect_Std	069546	
Jumper_Indirect_WCL	069884	
Jumper_Y_120Vac	068221	
Lavatory_Ceiling_Light	069676	
Lavatory_NAE	069964	
Lavatory_Occupied_Lamp	069675	
Lavatory_Sw_Harness	069994	
LH_CONSOLE_NAE	0610411	
load_monitoring_harness	069211	
LTD_Harness	069738	
Lugg_Harness_NAE	069969	
Lugg_Harness_WOLockNAE	060328	
Luggage_door_lock_2013	069551	
Luggage_Door_L_One_Lamp (1st_FR_RH)	069970	
Outlet_120vac_P Rack	068295	
Outlet_lugg_Central Vacuum	067712	
ParcelRackJB_NAE	069963	
Plug_for_2_sliding_seats	idemH3_067984	
Plug_for_3_sliding_seats	068321	
PNEUMATIC_PLATE_HARNESS	0610472	
PoweMuxEvapNAE	FIN	
Power_harness_NAE	060558	

## Vehicle Harness RoadMap

DESCRIPTION	FAN COND	Release2024R1
ORDRE DE CHANGEMENT	2022123	2023115
VÉH. EFFECTIF		
Wiring revision	33	34
PowerVecr	069540	
PowerVecr	069540	
ProHeat_Timer_harness	060016	
Spheros_Timer_Harness	060557	
PreHeate_relay	069516	
PreHeater_GND	060308	
Preheater_Thermal_harness	067676	
Preheater_ON_W_Batt_Charger	060092	
Preheater_ON_W_HVAC	060093	
ProHeat_Interface	060228	
PwrBatCharger	069528	
RadiatorChassisGnd	IdemCOM062315	
Reading_Light_RH_Standard	069965	
readingLightHarness_LH	069966	
REAR_LAMPS	069552	
Relay_Melco_batt	069542	
RJB_ALISSON_NAE	0600335	
RJB_Ctrl	IDEMCOM0610457	
RJB_ISHIFT_NAE	0610413	
Rosco_Mirror_Extension	061491	
Rr_clearance_harness	IDEM_COM_069829	
service_Door_Harness	069554	
Sound_System	Fin	
Sound_System HHED Speciale	0610514	
Sound_system_pwr_harness	069296	
Starter_chassis_GND	060307	
starter_relay_Melco_VOLVO	069515	
StarterBattery	069518	
SubWofferExtHarness	idemH3_066743	
TPMS_Antenna	0610631	
TPMS_FJB	0610632	
TPMS_Lite_Adapter	0610073	
Trailer_Inputs_VEC_harness	060316	
Trailer_Outputs_VEC_harness	060317	
Trans_Fr_to_Rr_NAE	0610414	
Trans_Fr_to_Rr_GLI	0610415	
TransSensorWithoutRetarder_harness	0610588	
TransSensorWithRetarder_harness	0610586	
UNICAN_Harness		
Urea_Harness	0610591	
USB_5V_Harness	060660	
Vansco_Gateway_Harness	069558	
WCL_IOE_Control	062239	
WCL_Lugg_Door_lock	069339	
wcl_power_harness	069337	
WCL_Ricon_Window_Sw_Lh	069971	
wcl_upperDoorControl	069773	
Wcl ricon access	IdemCOM069744	
WclRiconSlidingDoor	069997	
wifi_system_gnd	069925	
Win_Ajar FJB	060574	
Win_ajar_fjb_NAE	060574	
Win_ajar_window_side LH NAF	060084	

## Vehicle Harness RoadMap

<b>DESCRIPTION</b>	Release2024R1	<b>Heater L3</b>
<b>ORDRE DE CHANGEMENT</b>	2023115	<b>2023053</b>
<b>VÉH. EFFECTIF</b>		
<b>Wiring revision</b>	34	<b>35</b>
ABS_fr_wheel_harness_NAE	060124	
ACB_Gen2	0610271	
ailse_light_extension	069424	
Air_dryer_CTR_NAE	060095	
Air_Horn	0610004	
Aisle_lights_harness_NAE	060086	
Alt_battery_LH	069537	
Alt_battery_NAE	069517	
Alt_chassis_GND	060264	
Alt_Jumper_Power	060265	
Alt_LH_chassis_GND	069504	
alternator_ctrl_harness	060088	
alternator_ctrl_LH_harness	069511	
Batt_charger_120V_ext_NAE	060149	
Batt_charger_120V_inlet_NAE	060151	
batt_inter_8d	068397	
battery_12Vd_harness	069560	
battery_24Vd_harness	069561	
Battery_GND_Electro_harness	069534	
Battery_Gnd_Harness	069525	
Battery_interconnect	060152	
Beru_antenna_NAE	060143	
Beru_Fjb	060045	
Blue_Light_In_Front_Of_The_Lavatory_Door	061250	
Bloc diode front harness C34	380047	
bloc diode fjb C18	381145	
booster_positive_Harness	060028	
CANTRACK_PGM_HARNESS	068901	
Clockspring_Extension	069103	
Commuter_Front_Accessories	NA	
Compressor door lock	060778	
condensor_harness	0600189	
Curb Light	060058	
Dash_NAE	0610408	<b>0600223</b>
Destination_Sign_Emergency_Sw124	069944	
Destination_Sign_Front_To_Side	069941	
Destination_Sign_Interconn_Side_Rear	069942	
Destination_Sign_Interconnection	069940	
Destination_Sign_Rear	069943	
Door_Harness	060038	
DPF_door_Harness	IDEM COM 069833	
DPF_Door_light	060037	
DPF_Volvo_NAE	060089	
Driver_120VAC_Outlet	NA	
electric_horn_NAE	060074	
Emergency_Lighting_LH_harness	069968	
Emergency_Lighting_RH_harness	069967	
Eng_Cradle_Alisson_NAE	061434	
Eng_Cradle_IShift_NAE	061475	
Engine_Acc_NAE	0610310	
Engine_chassis_GND	060306	
ENGINE_DOOR	060039	
Engine_Heater_Harness	068723	
entranceDoorSw_X3	060080	
equilizer_harness_Vanner	069539	
evap_door_harness	060556	
Evap_HARNESS_Ctrl	069981	
Evap_power_harness	060529	
Evap_power_ground_harness	060527	

## Vehicle Harness RoadMap

DESCRIPTION	Release2024R1	Heater L3
ORDRE DE CHANGEMENT	2023115	2023053
VÉH. EFFECTIF		
Wiring revision	34	35
FanDrive_harness	068820	
FanDrive_pwr24	069245	
FanDrive_pwrGnd	069246	
FJB	0610409	0600224
FJB_GLI	0610410	0600225
FJB_AFSS	060042	
FJB_TransAlisson_OBD13	0610096	
FJB_TransIShift_OBD13	060069	
Flame_Detector_Ext_Harness	060436	
Front_Clearance_Harness_NAE	069974	
Front_flip_screen_NAE	060099	
Front_Harness_NAE	0600276	
Fuel_gauge_harness_NAE	060087	
GND CABLE NSS	069776	
Hand_lever_retarder_harness_NAE	060083	
Head_lamp_Halogen_RH	069864	
Head_lamp_Xenon_RH	069865	
head_lamp_halogen_LH	069864	
Head_lamp_washer	060076	
Head_lamp_xenon_LH	069977	
IND_LED_FrLh_RrRh	END	
IND_LED_FrRh_RrLh	END	
IND_Front_RH	IDEM COM 069862	
IND_Front_LH	IDEM COM 069985	
IND_Rear_RH	IDEM COM 069861	
Interior_Light_access_NAE	069962	
Interior_Service_Door	060068	
INverter_120Vac_LH (Special 3 Inverters)	NA	
INverter_120Vac_RH (Special 3 Inverters)	NA	
INverter_120Vac_LH	068257	
INverter_120Vac_RH	068198	
Inverter driver display harness	0610041	
Inverter_harness	069526	
Inverter_Negatif	068252	
Inverter_Positif	069548	
ISM RELAY Prack	idemH3_0610200	
JUMPER_120VAC_WCL	068937	
Jumper_Indirect_Std	069546	
Jumper_Indirect_WCL	069884	
Jumper_Y_120Vac	068221	
Lavatory_Ceiling_Light	069676	
Lavatory_NAE	069964	
Lavatory_Occupied_Lamp	069675	
Lavatory_Sw_Harness	069994	
LH_CONSOLE_NAE	0610411	0600222
load_monitoring_harness	069211	
LTD_Harness	069738	
Lugg_Harness_NAE	069969	
Lugg_Harness_WOLockNAE	060328	
Luggage_door_lock_2013	069551	
Luggage_Door_L_One_Lamp (1st_FR_RH)	069970	
Outlet_120vac_P Rack	068295	
Outlet_lugg_Central Vacuum	067712	
ParcelRackJB_NAE	069963	
Plug_for_2_sliding_seats	idemH3_067984	
Plug_for_3_sliding_seats	068321	
PNEUMATIC_PLATE_HARNESS	0610472	
PoweMuxEvapNAE	FIN	
Power_harness_NAE	060558	

## Vehicle Harness RoadMap

DESCRIPTION	Release2024R1	Heater L3
ORDRE DE CHANGEMENT	2023115	2023053
VÉH. EFFECTIF		
Wiring revision	34	35
PowerVecr	069540	
PowerVecr	069540	
ProHeat_Timer_harness	060016	
Spheros_Timer_Harness	060557	
PreHeate_relay	069516	
PreHeater_GND	060308	
Preheater_Thermal_harness	067676	
Preheater_ON_W_Batt_Charger	060092	
Preheater_ON_W_HVAC	060093	
ProHeat_Interface	060228	
PwrBatCharger	069528	
RadiatorChassisGnd	IdemCOM062315	
Reading_Light_RH_Standard	069965	
readingLightHarness_LH	069966	
REAR_LAMPS	069552	
Relay_Melco_batt	069542	
RJB_ALISSON_NAE	0600335	0600524
RJB_Ctrl	IDEMCOM0610457	0600518
RJB_ISHIFT_NAE	0610413	
Rosco_Mirror_Extension	061491	
Rr_clearance_harness	IDEM_COM_069829	
service_Door_Harness	069554	
Sound_System	Fin	
Sound_System HHED Speciale	0610514	
Sound_system_pwr_harness	069296	
Starter_chassis_GND	060307	
starter_relay_Melco_VOLVO	069515	
StarterBattery	069518	
SubWofferExtHarness	idemH3_066743	
TPMS_Antenna	0610631	
TPMS_FJB	0610632	
TPMS_Lite_Adapter	0610073	
Trailer_Inputs_VEC_harness	060316	
Trailer_Outputs_VEC_harness	060317	
Trans_Fr_to_Rr_NAE	0610414	0600226
Trans_Fr_to_Rr_GLI	0610415	0600227
TransSensorWithoutRetarder_harness	0610588	
TransSensorWithRetarder_harness	0610586	
UNICAN_Harness		
Urea_Harness	0610591	
USB_5V_Harness	060660	
Vansco_Gateway_Harness	069558	
WCL_IOE_Control	062239	
WCL_Lugg_Door_lock	069339	
wcl_power_harness	069337	
WCL_Ricon_Window_Sw_Lh	069971	
wcl_upperDoorControl	069773	
Wcl ricon access	IdemCOM069744	
WclRiconSlidingDoor	069997	
wifi_system_gnd	069925	
Win Ajar FJB	060574	
Win_ajar_fjb_NAE	060574	
Win ajar window side LH NAF	060084	

## Vehicle Harness RoadMap

DESCRIPTION	Heater L3	MCM2
ORDRE DE CHANGEMENT	2023053	2024096
VÉH. EFFECTIF		
Wiring revision	35	36
ABS_fr_wheel_harness_NAE	060124	
ACB_Gen2	0610271	
ailse_light_extension	069424	
Air_dryer_CTR_NAE	060095	
Air_Horn	0610004	
Aisle_lights_harness_NAE	060086	
Alt_battery_LH	069537	
Alt_battery_NAE	069517	
Alt_chassis_GND	060264	
Alt_Jumper_Power	060265	
Alt_LH_chassis_GND	069504	
alternator_ctrl_harness	060088	
alternator_ctrl_LH_harness	069511	
Batt_charger_120V_ext_NAE	060149	
Batt_charger_120V_inlet_NAE	060151	
batt_inter_8d	068397	
battery_12Vd_harness	069560	
battery_24Vd_harness	069561	
Battery_GND_Electro_harness	069534	
Battery_Gnd_Harness	069525	
Battery_interconnect	060152	
Beru_antenna_NAE	060143	
Beru_Fjb	060045	
Blue_Light_In_Front_Of_The_Lavatory_Door	061250	
Bloc diode front harness C34	380047	
bloc diode fjb C18	381145	
booster_positive_Harness	060028	
CANTRACK_PGM_HARNESS	068901	
Clockspring_Extension	069103	
Commuter_Front_Accessories	NA	
Compressor door lock	060778	
condensor_harness	0600189	
Curb Light	060058	
Dash_NAE	<b>0600223</b>	
Destination_Sign_Emergency_Sw124	069944	
Destination_Sign_Front_To_Side	069941	
Destination_Sign_Interconn_Side_Rear	069942	
Destination_Sign_Interconnection	069940	
Destination_Sign_Rear	069943	
Door_Harness	060038	
DPF_door_Harness	IDEM COM 069833	
DPF_Door_light	060037	
DPF_Volvo_NAE	060089	
Driver_120VAC_Outlet	NA	
electric_horn_NAE	060074	
Emergency_Lighting_LH_harness	069968	
Emergency_Lighting_RH_harness	069967	
Eng_Cradle_Allisson_NAE	061434	
Eng_Cradle_IShift_NAE	061475	
Engine_Acc_NAE	0610310	
Engine_chassis_GND	060306	
ENGINE_DOOR	060039	
Engine_Heater_Harness	068723	
entranceDoorSw_X3	060080	
equilizer_harness_Vanner	069539	
evap_door_harness	060556	
Evap_HARNESS Ctrl	069981	



## Vehicle Harness RoadMap

<b>DESCRIPTION</b>	<b>Heater L3</b>	MCM2
<b>ORDRE DE CHANGEMENT</b>	<b>2023053</b>	2024096
<b>VÉH. EFFECTIF</b>		
<b>Wiring revision</b>	<b>35</b>	36
FanDrive_harness	068820	
FanDrive_pwr24	069245	
FanDrive_pwrGnd	069246	
FJB	<b>0600224</b>	0600285
FJB_GLI	<b>0600225</b>	0600390
FJB_AFSS	060042	
FJB_TransAlisson_OBD13	0610096	Deleted
FJB_TransIShift_OBD13	060069	
Flame_Detector_Ext_Harness	060436	
Front_Clearance_Harness_NAE	069974	
Front_flip_screen_NAE	060099	
Front_Harness_NAE	0600276	
Fuel_gauge_harness_NAE	060087	
GND CABLE NSS	069776	
Hand_lever_retarder_harness_NAE	060083	
Head_lamp_Halogen_RH	069864	
Head_lamp_Xenon_RH	069865	
head_lamp_halogen_LH	069864	
Head_lamp_washer	060076	
Head_lamp_xenon_LH	069977	
IND_LED_FrLh_RrRh	END	
IND_LED_FrRh_RrLh	END	
IND_Front_RH	IDEM COM 069862	
IND_Front_LH	IDEM COM 069985	
IND_Rear_RH	IDEM COM 069861	
Interior_Light_access_NAE	069962	
Interior_Service_Door	060068	
INVerter_120Vac_LH (Special 3 Inverters)	NA	
INVerter_120Vac_RH (Special 3 Inverters)	NA	
INVerter_120Vac_LH	068257	
INVerter_120Vac_RH	068198	
Inverter driver display harness	0610041	
Inverter_harness	069526	
Inverter_Negatif	068252	
Inverter_Positif	069548	
ISM RELAY Prack	idemH3 0610200	
JUMPER_120VAC_WCL	068937	
Jumper_Indirect_Std	069546	
Jumper_Indirect_WCL	069884	
Jumper_Y_120Vac	068221	
Lavatory_Ceiling_Light	069676	
Lavatory_NAE	069964	
Lavatory_Occupied_Lamp	069675	
Lavatory_Sw_Harness	069994	
LH_CONSOLE_NAE	<b>0600222</b>	
load_monitoring_harness	069211	
LTD_Harness	069738	
Lugg_Harness_NAE	069969	
Lugg_Harness_WOLockNAE	060328	
Luggage_door_lock_2013	069551	
Luggage_Door_L_One_Lamp (1st_FR_RH)	069970	
Outlet_120vac_P Rack	068295	
Outlet_lugg_Central_Vacuum	067712	
ParcelRackJB_NAE	069963	
Plug_for_2_sliding_seats	idemH3 067984	
Plug_for_3_sliding_seats	068321	
PNEUMATIC PLATE HARNESS	0610472	

## Vehicle Harness RoadMap

DESCRIPTION	Heater L3	MCM2
ORDRE DE CHANGEMENT	2023053	2024096
VÉH. EFFECTIF		
Wiring revision	35	36
PowerVecr	069540	
PowerVecr	069540	
ProHeat_Timer_harness	060016	
Spheros_Timer_Harness	060557	
PreHeate_relay	069516	
PreHeater_GND	060308	
Preheater_Thermal_harness	067676	
Preheater_ON_W_Batt_Charger	060092	
Preheater_ON_W_HVAC	060093	
ProHeat_Interface	060228	
PwrBatCharger	069528	
RadiatorChassisGnd	IdemCOM062315	
Reading_Light_RH_Standard	069965	
readingLightHarness_LH	069966	
REAR_LAMPS	069552	
Relay_Melco_batt	069542	
RJB_ALISSON_NAE	0600524	
RJB_Ctrl	0600518	
RJB_ISHIFT_NAE	0610413	
Rosco_Mirror_Extension	061491	
Rr_clearance_harness	IDEM_COM_069829	
service_Door_Harness	069554	
Sound_System	Fin	
Sound_System HHED Speciale	0610514	
Sound_system_pwr_harness	069296	
Starter_chassis_GND	060307	
starter_relay_Melco_VOLVO	069515	
StarterBattery	069518	
SubWofferExtHarness	idemH3_066743	
TPMS_Antenna	0610631	
TPMS_FJB	0610632	
TPMS_Lite_Adapter	0610073	
Trailer_Inputs_VEC_harness	060316	
Trailer_Outputs_VEC_harness	060317	
Trans_Fr_to_Rr_NAE	0600226	
Trans_Fr_to_Rr_GLI	0600227	
TransSensorWithoutRetarder_harness	0610588	
TransSensorWithRetarder_harness	0610586	
UNICAN_Harness		
Urea_Harness	0610591	
USB_5V_Harness	060660	
Vansco_Gateway_Harness	069558	
WCL_IOE_Control	062239	
WCL_Lugg_Door_lock	069339	
wcl_power_harness	069337	
WCL_Ricon_Window_Sw_Lh	069971	
wcl_upperDoorControl	069773	
Wcl ricon access	IdemCOM069744	
WclRiconSlidingDoor	069997	
wifi_system_and	069925	

Win_ajar_window_side_LH_NAE	<b>Vehicle Harness RoadMap</b>	060084	
Win_ajar_window_side_RH_NAE		060085	

# VEHICLE HARNESS ROADMAP

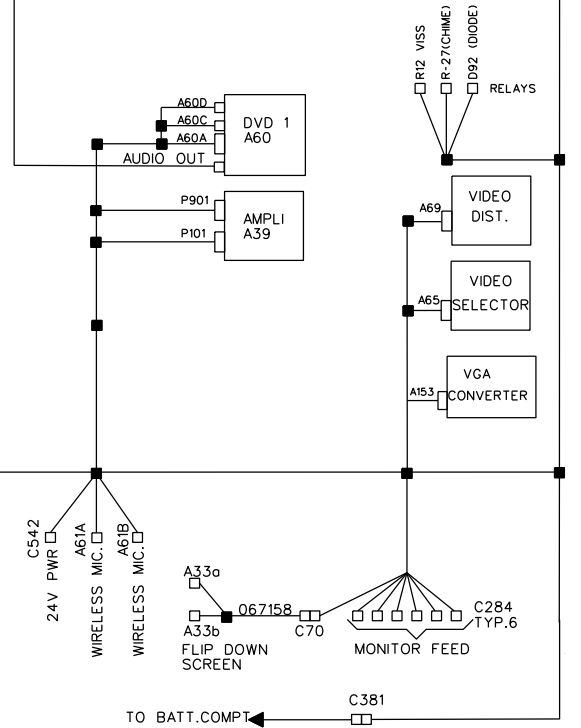
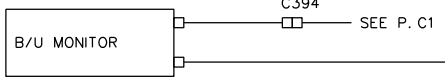
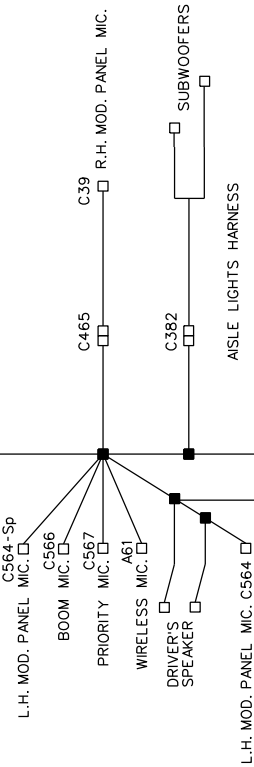
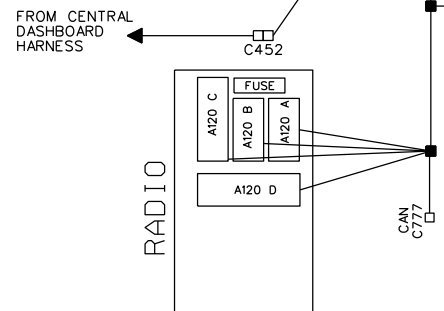
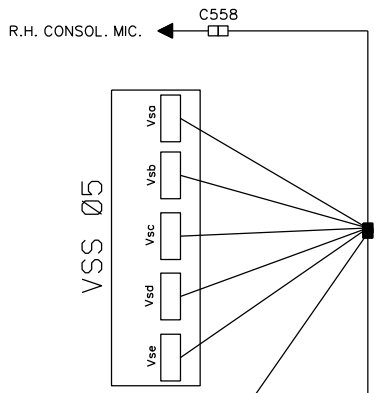
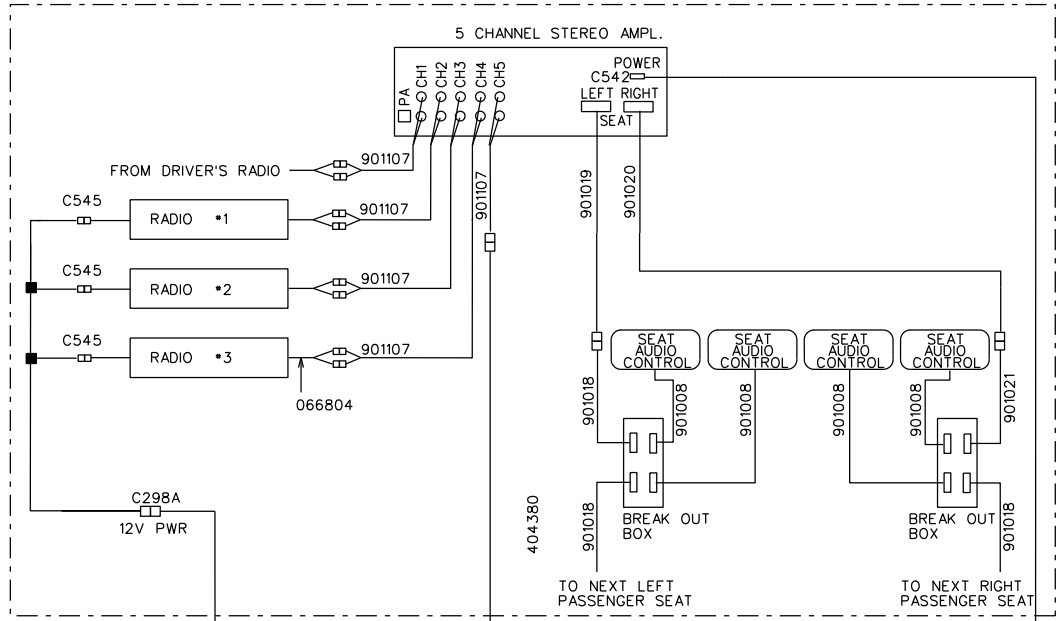
DESCRIPTION	NAE	NAE PHASE 2 LTD	LTD EXTENDE D	MODIF. PR SOUTHEAS TERN	FJB VANSCO GATEWAY	SEAT BELT ALARM	BIFOLD DOOR	Adaptation GLI ONLY	GLI BAA	Adaptation GLI STD	Low Press	Torsadé les fils de sortie de	ELD	ABS8 ROM2	WCL
<b>Change Order</b>	<b>2015007</b>	<b>2016094</b>	<b>2016109</b>	<b>SPECIAL</b>	<b>2017053</b>	<b>2017039</b>	<b>2017009</b>	<b>2017072</b>	<b>2017072</b>	<b>2017072</b>	<b>2017080</b>	<b>2017085</b>	<b>2017071</b>	<b>2017040</b>	<b>2016032</b>
EFFECTIVE VEHICLE	prelim 6092-6114-6117	6182	6182	Prélim. J-7438,39,40,41	Prélim. J-7438,39,40,41	TBD	TBD	G6245/7448	G7481 only	G7482	G6245/7448	TBD	TBD	TBD	TBD
ABS_fr_wheel_harness_NAE	060124														
ACB_Gen2	060035														
ailse_light_extension	069424														
Air_dryer_CTR_NAE	060095														
Air_Horn	060077														
Aisle_lights_harness_NAE	060086														
Alt_battery_LH	069537														
Alt_battery_NAE	069517														
Alt_chassis_GND	060264														
Alt_Jumper_Power	060265														
Alt_LH_chassis_GND	069504														
alternator_ctrl_harness	060088														
alternator_ctrl_LH_harness	069511														
Batt_charger_120V_ext_NAE	060149														
Batt_charger_120V_inlet_NAE	060151														
batt_inter_8d	068397														
battery_12Vd_harness	069560														
battery_24Vd_harness	069561														
Battery_GND_Electro_harness	069534														
Battery_Gnd_Harness	069525														
Battery_interconnect	060152														
Beru_antenna_NAE	060143														
Beru_Fjb	060045														
Blue_Light_In_Front_Of_The_Lavatory_Door	NA	NA	NA	061250											
Bloc diode front harness C34	380047														
bloc diode fjb C18	381145														
booster_positive_Harness	060028														
CANTRACK_PGM_HARNESS	068901														
Clockspring_Extension	069103														
Commuter_Front_Accessories	060097							060097c							
Compressor_door_lock	068080	060778													
condensor_harness	060031	060377													
Dash_NAE	069321	060533					060885	061423		060885			061416		
Door_Harness	060038														
DPF_door_Harness	060033														
DPF_Door_light	060037														
DPF_Volvo_NAE	060089														
electric_horn_NAE	060074														
Emergency_Lighting_LH_harness	060091														
Emergency_Lighting_RH_harness	060090														
Eng_Cradle_Allisson_NAE	060040							061434		061434	061434				
Eng_Cradle_IShift_NAE	060118										061475				
Engine_Acc_NAE	069320	060535						061422		061422					
Engine_chassis_GND	060306														
ENGINE_DOOR	060039														
Engine_Heater_Harness	068723														
entranceDoorSw_X3	060080														
equilizer_harness_Vanner	069539														
evap_door_harness	060041	060556													
Evap_HARNESS_Ctrl	069325	060540													
Evap_power_harness	060175	060529													
Evap_power_ground_harness	060175	060527													
FanDrive_harness	068820														
FanDrive_pwr24	069245														
FanDrive_pwrGnd	069246														
FJB	069323	060541					060879	061436		061439			061419	061857	
FJB_AFSS	060042	rev B faite													
FJB_TransAlisson_OBD13	060043	060542													
FJB_TranslShift_OBD13	060069														
Flame_Detector_Ext_Harness	060436														
Front_Clearance_Harness_NAE	069331														
Front_flip_screen_NAE	060099														
Front_Harness_NAE	069324	060543					060878	061435		061435					
Fuel_gauge_harness_NAE	060087														
Hand_lever_retarder_harness_NAE	060083														
Head_lamp_Halogen_RH	NA	060380													
Head_lamp_Xenon_RH	NA	060390													
head_lamp_halogen_LH	060078														
Head_lamp_washer	060076														
Head_lamp_xenon_LH	060079														
IND_LED_FrLh_RrRh	069544														
IND_LED_FrRh_RrLh	069545														

# VEHICLE HARNESS ROADMAP

DESCRIPTION	NAE	NAE PHASE 2 LTD EXTENDED	LTD EXTENDED	MODIF. PR SOUTHEASTERN STAGE	FJB VANSKO GATEWAY	SEAT BELT ALARM	BIFOLD DOOR	Adaptation GLI ONLY	GLI BAA	Adaptation GLI STD	Low Press	Torsadé les fils de sortie de vitesse tr	ELD	ABS8 ROM2	WCL
Change Order	2015007	2016094	2016109	SPECIAL	2017053	2017039	2017009	2017072	2017072	2017072	2017080	2017085	2017071	2017040	2016032
EFFECTIVE VEHICLE	prelim 6092-6114-6117	6182	6182	Prélim. J-7438,39,40,41	Prélim. J-7438,39,40,41	TBD	TBD	G6245/7448	G7481 only	G7482	G6245/7448	TBD	TBD	TBD	TBD
Interior_Light_access_NAE	069327			069327-F				061384		061384					
Interior_Service_Door	060068														
INVerter_120Vac_LH	068257							060586		060586					
INVerter_120Vac_RH	068198							060587		060587					
Inverter_harness	069526							069701							
Inverter_Negatif	068252							069700							
Inverter_Positif	069548														
JUMPER_120VAC_WCL	068937														
Jumper_Indirect_Std	069546														
Jumper_Indirect_WCL	069547														
Jumper_Y_120Vac	068221														
Lavatory_Ceiling_Light	069676														
Lavatory_NAE	069332														
Lavatory_Occupied_Lamp	069675														
LH_CONSOLE_NAE	069345	060544													
load_monitoring_harness	069211														
LTD_Harness	069062		069738												
Lugg_Harness_NAE	069340	060559		060559-B											
Lugg_Harness_WOLockNAE	060328														
Luggage_door_lock_2013	069551														
Luggage_Door_Lock_One_Lamp (1st_FR_RH)	0766 / 069609			061260											
Outlet_120vac_PRRack	068295														
Outlet_lugg_Central_Vacuum	067712														
ParcelRackJB_NAE	069326														
Plug_for_3_sliding_seats	068321														
PNEUMATIC_PLATE_HARNESS	069330								idemCOM_069715						
PowerMuxEvapNAE	069317	FIN													
Power_harness_NAE	069456	060558													
Power_Steering_Ctrl_NAE	060378														
PowerVecr	069540														
ProHeat_Timer_harness	060016														
Spheros_Timer_Harness	066217	060557													
PreHeate_relay	069516														
PreHeater_GND	060308														
Preheater_Thermal_harness	067676														
ProHeat_charger	060092														
ProHeat_HVAC	060093														
ProHeat_Interface	060228														
PwrBatCharger	069528														
RadiatorChassisGnd	069279														
Reading_Light_RH_Standard	069329														062238
readingLightHarness_LH	069328														
REAR_LAMPS	069552														
Relay_Melco_batt	069542														
RJB_ALISSON_NAE	060133	060546						061420		061420			062695		
RJB_Ctrl	069394	060547													
RJB_ISHIFT_NAE	060100	060548													
Rosco_Mirror_Extension							061491								
Rr_clearance_harness	069553														
service_Door_Harness	069554														
Sound_System	060053	060549						061437		060549					
Sound_system_pwr_harness_NAE	069296							061443		069296					
Starter_chassis_GND	060307														
starter_relay_Melco_VOLVO	069515														
StarterBattery	069518														
SubWofferExtHarness	060316	066743													
Trailer_Inputs_VEC_harness	060317							069771		060316					
Trailer_Outputs_VEC_harness	060317														
Trans_Fr_to_Rr_NAE	069319	060550						061453	061421	061421					
TransSensorWithoutRetarder_harness_NAE	060082											069778			
TransSensorWithRetarder_harness_NAE	060081											069777			
UNICAN_Harness	069645														
Urea_Harness_OBD13	069480	060568													
USB_5V_Harness		060660													
Vansco_Gateway_Harness	069558														
WCL_IOE_Control	069338														
WCL_Lugg_Door_lock	069339			069339-C											062239
wcl_power_harness	069337														
WCL_Ricon_Window_Sw_Lh	060310														
wcl_upperDoorControl	069347														062240
Wcl_ricon_access	060782														069744
WclRiconSlidingDoor		060569													069818
Win_Ajar_FJB	066404	060574													
Win_ajar_fjb_NAE	066404	060574													
Win_ajar_window_side_LH_NAE	060084														
Win_ajar_window_side_RH_NAE	060085														

C206 INCLUDE WITH FRONT READING LIGHTS RH C209 → SPEAKERS L.H. PASS.

5 CHANNEL SLIM-LINE SEAT AUDIO SYSTEM



HARNESS SPEAKER 066704  
INCLUDE WITH READING LIGHTS LH

## Wiring diagram pages list

### Pin configuration MCM

Signal ID	J1 pin	Interface type	Input / Output	Description	Signal ID	J1 pin	Interface type	Input / Output	Description
A1	1	CAN0 High	Bus	Maximum speed 1Mbps/wake	B1	1	Type 1	In	LDI, HDI
A2	2	CAN0 Low	Bus	Maximum speed 1Mbps/wake	B2	2	Type 1	In	LDI, HDI, Failure mode
A3	3	Type 7	Out	LDO, Failure mode	B3	3	Type 2	In	HDI
A4	4	Type 7	Out	LDO	B4	4	Type 4a	In	HDI, Interrupt/Wake
A5	5	Type 7	Out	LDO	B5	5	Type 3	In	LDI, Interrupt/Wake
A6	6	Type 8	Out	LDO	B6	6	Type 4a	In	HDI Failure mode, Interrupt/Wake
A7	7	Type 8	Out	LDO	B7	7	RS232 TxD	Bus	Maximum speed 115,2kbps
A8	8	GND	In		B8	8	RS232 RxD	Bus	Maximum speed 115,2kbps
A9	9	Vbat	In		B9	9	Type 1	In	LDI, HDI
A10	10	Type 8	Out	LDO	B10	10	Type 1	In	LDI, HDI
A11	11	Type 10	Out	HDO	B11	11	Type 1	In	LDI, HDI
A12	12	Type 9B	Out	HDO	B12	12	RS232 GND	In	
A13	13	Type 9B	Out	HDO	B13	13	Type 1	In	LDI, HDI
A14	14	Type 9A	Out	HDO	B14	14	Type 1	In	LDI, HDI
A15	15	Type 9A	Out	HDO	B15	15	Type 4B	In	Interrupt/Wake
A16	16	Type 9A	Out	HDO, Failure mode	B16	16	Type 1	In	LDI, HDI
A17	17	Type 10	Out	HDO, Failure mode	B17	17	Type 1	In	LDI, HDI
A18	18	Type 9A	Out	HDO	B18	18	GND	In	
A19	19	Type 13	Out	C30	B19	19	MasterID Supply	In	
A20	20	Network ID 1	In		B20	20	NC		
A21	21	Network ID 2	In		B21	21	Type 1	In	LDI, HDI
A22	22	EOL enable	In		B22	22	Type 1	In	LDI, HDI
A23	23	Network ID 3	In		B23	23	Type 1	In	LDI, HDI
A24	24	Type 11	Out	HLDO	B24	24	RS232 CTS	In	
A25	25	Type 11	Out	HLDO	B25	25	Type 6	In	HAI
A26	26	Type 5	In	HDI	B26	26	Type 6	In	HAI
A27	27	CAN2 High	Bus	Maximum speed 1Mbps/wake	B27	27	RS232 RTS	Out	
A28	28	CAN2 Low	Bus	Maximum speed 1Mbps/wake	B28	28	Type 12	Out	HDO 5V
A29	29	GND	In		B29	29	Type 9	Out	HDO
A30	30	Vbat	In		B30	30	NC		

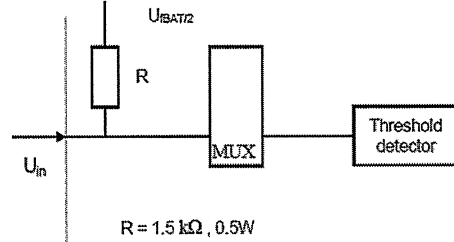
# Wiring diagram pages list

## Pin configuration MCM

### Interface Circuit type 1, General purpose digital input

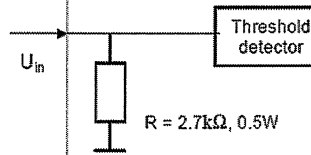
The input can be used as a general input circuit interfacing to switches closing to ground and to battery (LDI/HDI). It can also be used to interface with resistive switches and sensors.

DC model of this circuit:



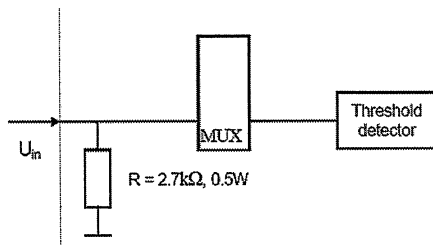
### Input circuit type 4a, High side digital input, interrupt

DC model of input circuit type 4. The input is used to interface with switches closing to battery voltage (HDI)



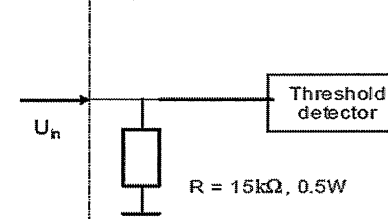
### Input circuit type 2, High side digital input

DC model of input circuit type 2. The input is used to interface with switches closing to battery voltage (HDI).



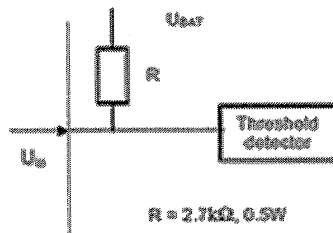
### Input circuit type 4b, High side digital input, interrupt

The input is used to wake up the CECM from sleep mode.



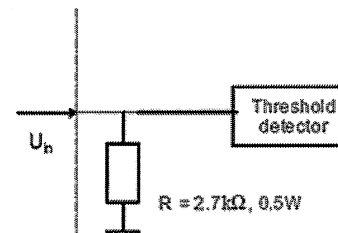
### Input circuit type 3, Low side digital input, interrupt

DC model of input circuit type 3. The input is used to interface with switches closing to ground voltage (LDI).



### Input circuit type 5, High side digital input

DC model of input circuit type 5. the inputs is used to interface with switches closing to battery voltage



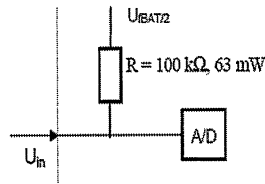


# Wiring diagram pages list

## Pin configuration MCM

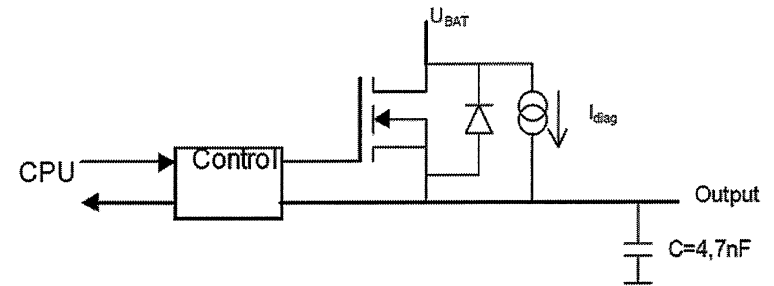
Input circuit type 6, Analogue input

The circuit is used as interface to variable voltage sources such as potentiometers and analogue sensors (HAI).  
DC model of input circuit type 6:



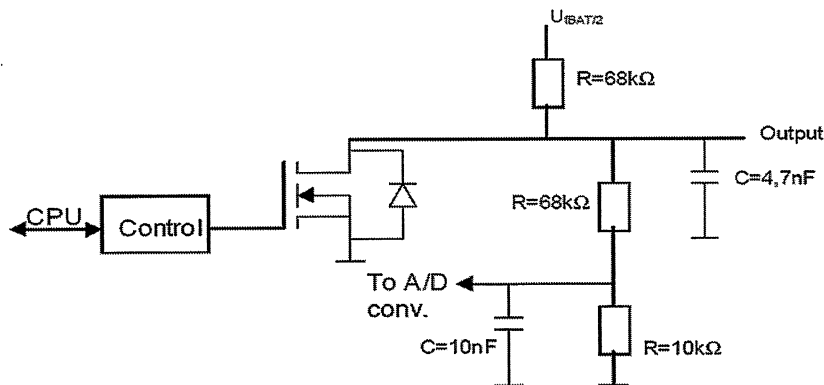
Output circuit type 9 a/b, HDO.

The figure below gives a schematic overview of the output type 9 a/b.



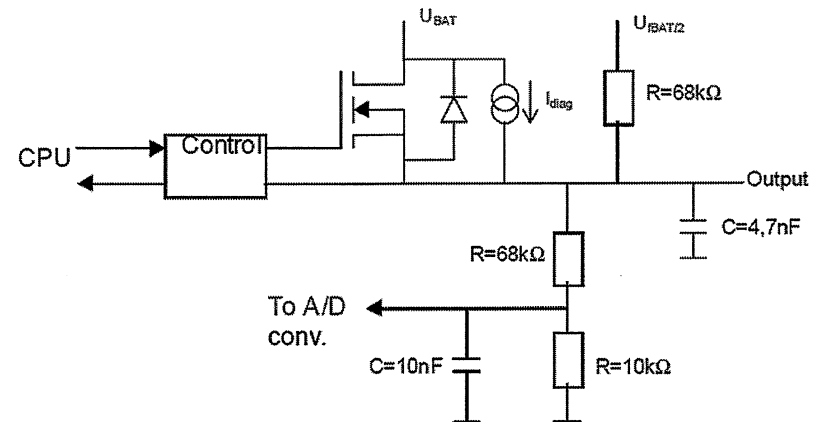
Output circuit type 7, LDO.

The figure below gives a schematic overview of the output type 7.



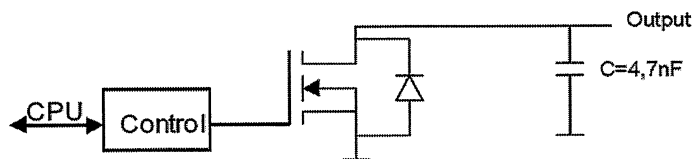
Output circuit type 10, HDO.

The figure below gives a schematic overview of the output type 10.



Output circuit type 8, LDO.

The figure below gives a schematic overview of the output type 8.

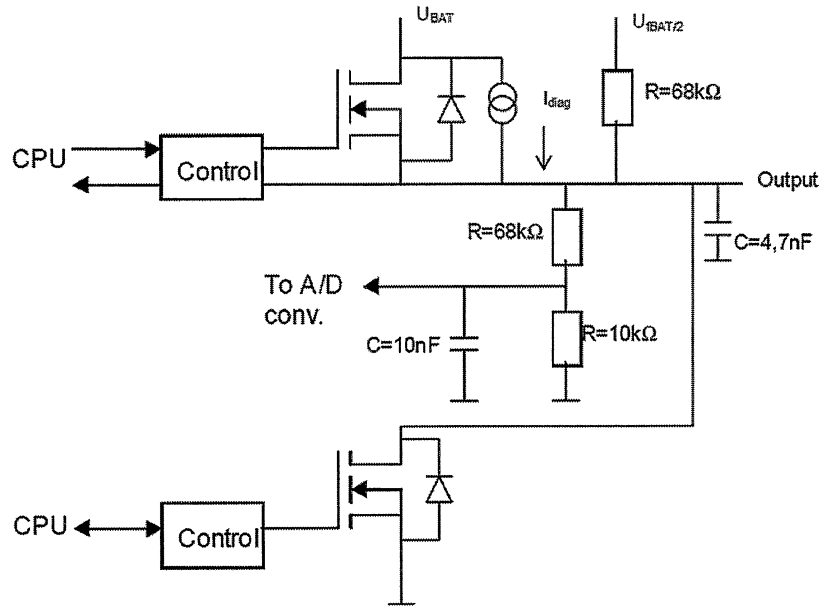


# Wiring diagram pages list

## Pin configuration MCM

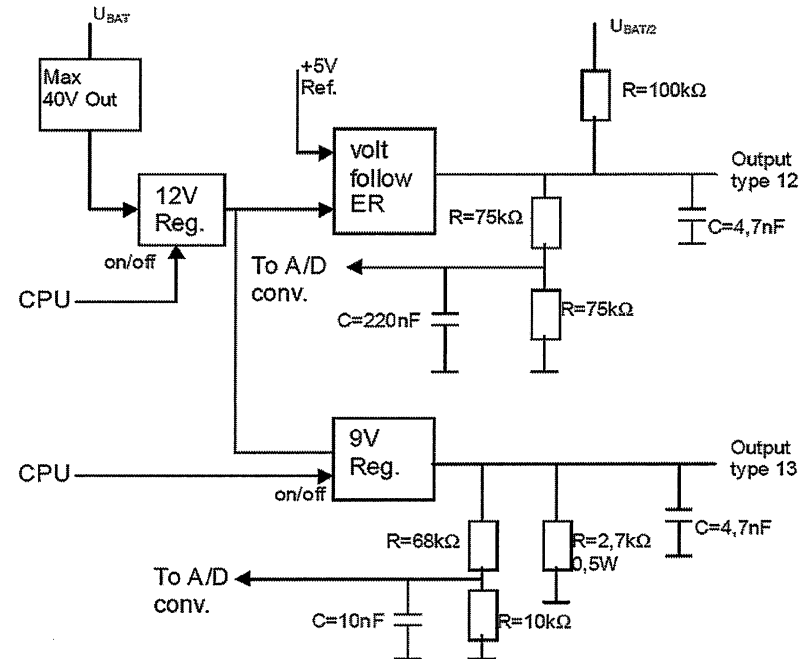
Output circuit type 11, L/HDO, PWM<sub>out</sub>.

The figure below gives a schematic overview of the output type 11.



Output circuit type 12, HDO, 5V output and type 13, HDO.

The figure below gives a schematic overview of the output type 12 and 13.



## Wiring diagram pages list

### Pin configuration I/O-A+

Signal ID	J1 pin	Interface type	Input / Output	Description	Max current average	Max current peak	Signal ID	J1 pin	Interface type	Input / Output	Description	Max current average	Max current peak
J1-1	1	4c	Out	HDO, LDO, HLDO, HPO	1A	1A	J2-6	6	1a	In	HDI, LDI, HLDI, RAI	*	*
J1-2	2	1a, 1b, 1c	In	HDI, LDI, HLDI, RES, RES32K, AI5V, RAI, CNTR1, CNTR2	*	*	J2-7	7	1a	In	HDI, LDI, HLDI, RAI	*	*
J1-3	3	4c	Out	HDO, LDO, HLDO, HPO	1A	1A	J2-8	8	1a	In	HDI, LDI, HLDI, RAI	*	*
J1-4	4	4c	Out	HDO, LDO, HLDO, HPO	1A	1A	J2-9	9	1a	In	HDI, LDI, HLDI, RAI	*	*
J1-5	5	1a, 1b, 1c	In	HDI, LDI, HLDI, RES, RES32K, AI5V, RAI, CNTR1, CNTR2	*	*	J2-10	10	1a	In	HDI, LDI, HLDI, RAI	*	*
J1-6	6	GND	In	Analog GND	*	*	J2-11	11	1a	In	HDI, LDI, HLDI, RAI	*	*
J1-7	7	4c	Out	HDO, LDO, HLDO, HPO	1A	1A	J2-12	12	1a	In	HDI, LDI, HLDI, RAI	*	*
J1-8	8	Network ID	In	NI	*	*	J2-13	13	1a	In	HDI, LDI, HLDI, RAI	*	*
J1-9	9	Network ID	In	NI	*	*	J2-14	14	GND	Out	Analog GND	*	*
J1-10	10	4c	Out	HDO, LDO, HLDO, HPO	1A	1A	J2-15	15	3a, 5	Out	HDO, REFCTL	50mA	50mA
J1-11	11	Network ID	In	NI	*	*							
J1-12	12	Network ID	In	NI	*	*							
J1-13	13	4c	Out	HDO, LDO, HLDO, HPO	*	*							
J1-14	14	Network ID	In	NI	*	*							
J1-15	15	Network ID	In	NI	*	*							
J1-16	16	4b	Out	HDO, LDO, HLDO, HPO, LPO	*	*							
J1-17	17	1a, 1c	In	HDI, LDI, HLDI, RES, RES32K, AI5V, RAI, CNTR1	*	*							
J1-18	18	GND	In	GND	*	*							
J1-19	19	4b	Out	HDO, LDO, HLDO, HPO, LPO	1A	1A							
J1-20	20	1a, 1c	In	HDI, LDI, HLDI, RES, RES32K, AI5V, RAI	*	*							
J1-21	21	1a	In	HDI, LDI, HLDI, RES, RES32K, AI5V, RAI	*	*							

## Wiring diagram pages list

### Pin configuration I/O-B+

Signal ID	J1 pin	Interface type	Input / Output	Description	Max current average	Max current peak
J1-1	1	4d	Out	HDO, LDO, HLDO, HPO, LPO	16A	20A
J1-2	2	*	*	*	*	*
J1-3	3	4d	out	HDO, LDO, HLDO, HPO, LPO	16A	20A
J1-4	4	3c	Out	HDO	10A	20A
J1-5	5	GND	*	*	*	*
J1-6	6	GND	Out	Analogue GND	*	*
J1-7	7	3c	Out	HDO	10A	20A
J1-8	8	NI	*	*	*	*
J1-9	9	NI	*	*	*	*
J1-10	10	3c	Out	HDO	10A	20A
J1-11	11	NI	*	*	*	*
J1-12	12	NI	*	*	*	*
J1-13	13	3c	Out	HDO	10A	20A
J1-14	14	NI	*	*	*	*
J1-15	15	NI	*	*	*	*
J1-16	16	3c	Out	HDO	10A	20A
J1-17	17	GND	*	*	*	*
J1-18	18	GND	*	*	*	*
J1-19	19	3c	Out	HDO	10A	20A
J1-20	20	1a	In	HDI, LDI, HLDI, RAI	*	*
J1-21	21	1a	In	HDI, LDI, HLDI, RAI	*	*

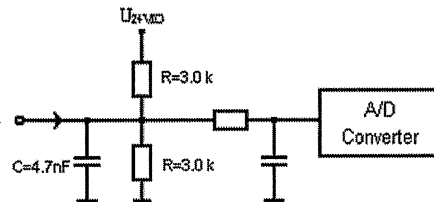
Signal ID	J1 pin	Interface type	Input / Output	Description	Max current average	Max current peak
J2-1	1	4d	Out	HDO, LDO, HLDO, HPO, LPO	10A	20A
J2-2	2	GND	*	*	*	*
J2-3	3	GND	*	*	*	*
J2-4	4	4d	Out	HDO, LDO, HLDO, HPO, LPO	10A	20A
J2-5	5	1a, 2b, 6	In	HDI, LDI, HLDI, RAI, AI5V, RES, RES32K, CNTR, wake-up	*	*
J2-6	6	1a, 2b, 6	In	HDI, LDI, HLDI, RAI, AI5V, RES, RES32K, CNTR, wake-up	*	*
J2-7	7	4c	In	HDO, LDO, HLDO, HPO	10A	20A
J2-8	8	1a,1b,1c	In	HDI, LDI, HLDI, RAI, AI5V, RES, RES32K	*	*
J2-9	9	1a,1b,1c	In	HDI, LDI, HLDI, RAI, AI5V, RES, RES32K	*	*
J2-10	10	4c	Out	HDO, LDO, HLDO, HPO	10A	20A
J2-11	11	1b, 1c	In	AI5V, RES, RES32K	*	*
J2-12	12	1b, 1c	In	AI5V, RES, RES32K	*	*
J2-13	13	3e	Out	HDO, LDO, HLDO	10A	20A
J2-14	14	GND	Out	Analogue GND	*	*
J2-15	15	5	Out	REFMEA	< 50 mA	*

# Wiring diagram pages list

## Pin configuration I/O-A+ and I/O-B+

**Interface circuit 1a**  
 The input can be used for both digital and analogue signals that have  $U_{24VIO}$  as reference. The circuit shall sink 8 mA when connected to  $U_{24VIO}$  or source 8 mA when connected to GND. The input shall be converted from analog voltage to digital 10 bit resolution with scaling relative to  $U_{24VIO}$ . The input shall be regarded as a power line according to "Volvo Technical Regulation 15 79 908, EMC Requirements".

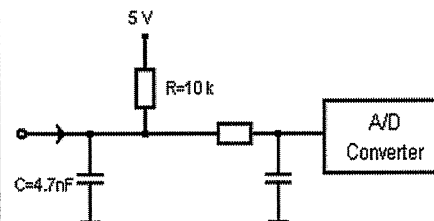
Model of the input circuit:



**Interface circuit 1b**

The input is used for resistive sensors. The circuit shall supply 5 V through a resistor of 10 k $\Omega$ . When used to measure temperature, the output current to the sensor shall then be minimised to avoid internal power dissipation in the sensor.

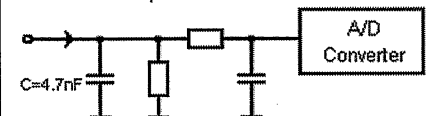
Model of the input circuit:



**Interface circuit 1c**

The input can be used for both digital and analogue signals. The total input resistance,  $R_{tot} = R // R_{A/D}$ , shall be  $100 \text{ k}\Omega < R_{tot} < 500 \text{ k}\Omega$ .

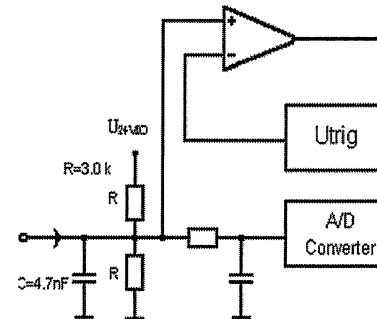
Model of the input circuit:



**Interface circuit 2b**

Pulse input circuit. The input can be used for both digital and analogue signals and as pulse counter input with fixed trigger level. The circuit shall sink or source 8 mA at  $U_{24VIO} = 28 \text{ V}$  when connected to  $U_{24VIO}$  or GND.

Model of input circuit:



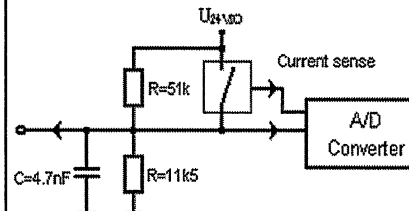
**Interface circuit 3a**

Model of high side output stage circuit same as interface circuit 3b in Chapter 2.3.1.5.2, but without PWM capability and no biasing resistors for open circuit detection.

**Interface circuit 3c**

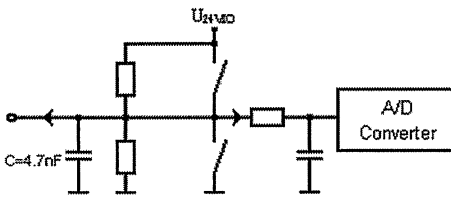
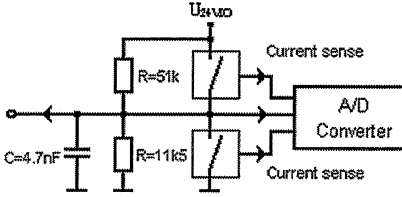
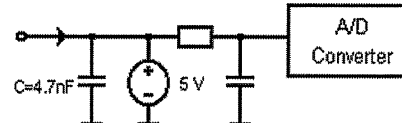
High side output circuit. The switch provides current sense signal to an A/D converter. To detect open circuit when the switch is open the interface shall sink approximately 2 mA when connected to  $U_{24VIO} = 28\text{V}$  or source approximately 0.5 mA when connected to GND. The voltage shall be converted to digital 10 bit resolution with scaling relative to  $U_{24VIO}$ . The interface shall not be regarded as a power line according to "Volvo Technical Regulation 15 79 908, EMC Requirements".

Model of the output circuit:



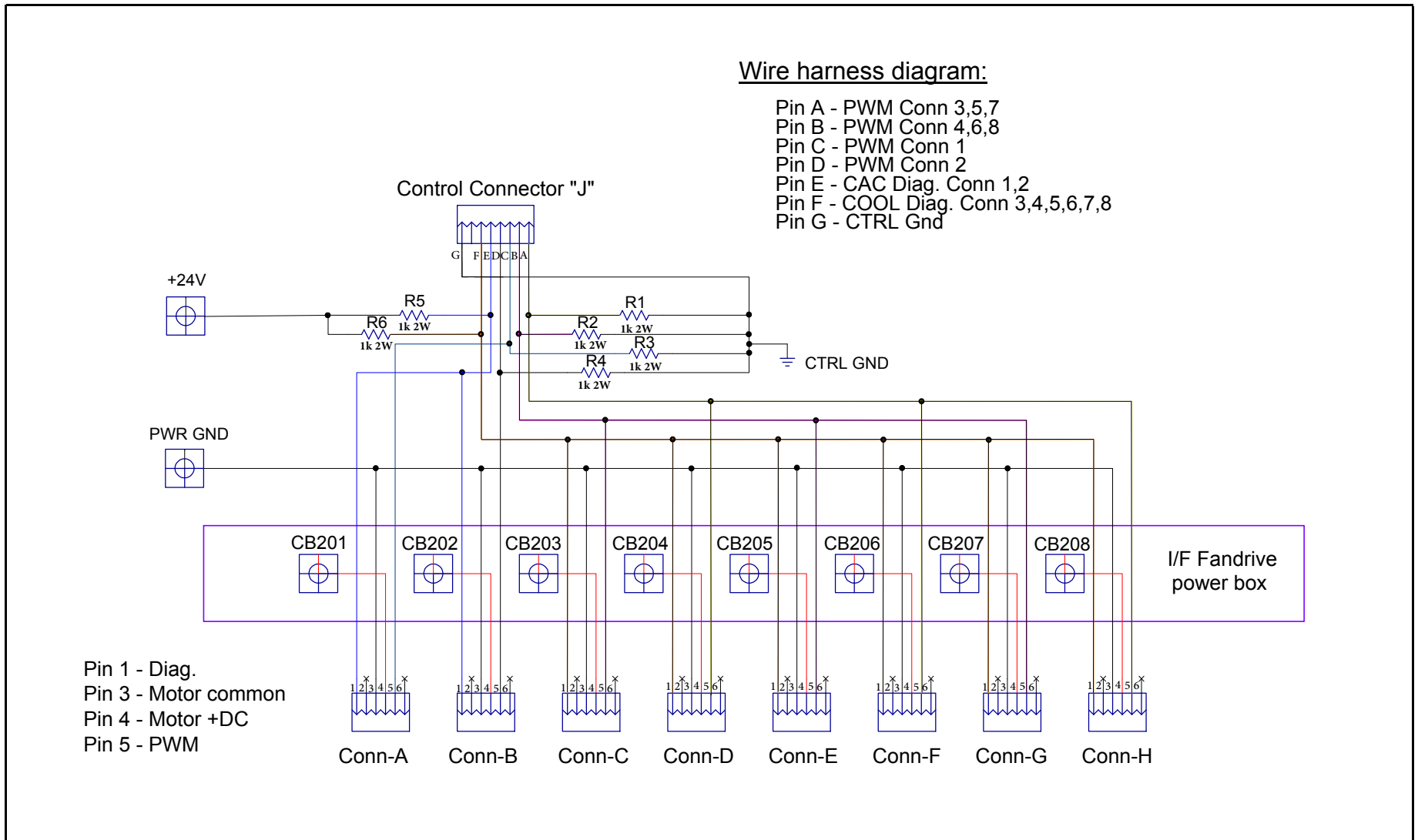
# Wiring diagram pages list

## Pin configuration I/O-A+ and I/O-B+

<p><b>Interface circuit 3e</b> Model of high side, low side output stage. This circuit is similar to circuit 4b but without PWM drive capabilities.</p> <hr/> <p><b>Interface circuit 4b</b> Totem pole output stage may be used as high side, low side or high/low switch. Capable of low frequency PWM driving high side or low side switch but not both synchronously. Open circuit voltage shall be approximately <math>9,2 V / U_{24VIO=28V}</math>. When the switch is open the interface shall sink approximately 2 mA if connected to <math>U_{24VIO=28V}</math> or source 0.5 mA when connected to GND. The voltage shall be converted to digital 10 bit resolution with scaling relative to <math>U_{24VIO}</math>. The interface shall <u>not</u> be regarded as a power line according to "Volvo Technical Regulation 15 79 908, EMC Requirements".</p> <p>Model of the output circuit:</p> 	<p><b>Interface circuit 4d</b> Totem pole output stage may be used as high side, low side or high/low switch. Capable of low frequency PWM driving high side or low side switch but not both synchronously. Both switches provide current sense signal to an A/D converter. To detect open circuit when the switches are open the interface shall sink approximately 2 mA when connected to <math>U_{24VIO = 28V}</math> or source approximately 0.5 mA when connected to GND. The voltage shall be converted to digital 10 bit resolution with scaling relative to <math>U_{24VIO}</math>. The interface shall <u>not</u> be regarded as a power line according to "Volvo Technical Regulation 15 79 908, EMC Requirements".</p> <p>Model of the output circuit:</p> 
<p><b>Interface circuit 4c</b> Model of high side, low side output stage. This circuit is similar to circuit 4b but without low side PWM drive capabilities.</p>	<p><b>Interface circuit 5</b> Model of a 5 V reference voltage supply for potentiometers and pressure sensors. Supply current 20 mA, current limited to &lt; 50 mA.</p> <p>Model of the output circuit:</p> 
	<p><b>Interface circuit 6</b> The pin is used for interrupt the ECU. Same interface as circuit 1a. The application software can initiate the interrupt function. The pin is used for waking-up the ECU from sleep mode.</p>

# Wiring diagram pages list

## Radiator fans drive junction box



## Circuits list

Circuit ID	Description	Circuit ID	Description	Circuit ID	Description
00	GND Batteries	0SB	Cadec	A1.11	Transmission Alisson
0A	12V outlets	0SB1	Cluster	A1.12	Transmission Alisson
00A	Entrance door	0SS	GND Stud	A1.15	Transmission Alisson
00A1	Multiplex power	0SS1	VSS	A1.16	Transmission Alisson
0AItLL	GND Chassis	0SS2	VSS	A1.18	Transmission Alisson
0AItR	GND Chassis	0SS2W	Cadec	A1.19	Transmission Alisson
0B	GND Chassis	0SS3	VSS	A1.24	Transmission Alisson
0C	Ignition & engine start	0SW	Indirect lights	A1.25	Transmission Alisson
0chgr	Pre heat	0SW1	Indirect lights	A1.31	Transmission Alisson
0COND	Condensor	0TR-White	VECT	A1.33	Transmission Alisson
0ECU	Engine ECU Volvo	00VA	RJB electronic GND	A1.36	Transmission Alisson
0EV2	HVAC passengers	0W	GND Stud	A1.37	Transmission Alisson
0EVAP1	HVAC passengers	12Ecu	12V ECU	A1.51	Transmission Alisson
0EVAP2	HVAC passengers	12ISH	Pwr I_Shift	A1.52	Transmission Alisson
0F	GND Customer	12VA	Batteries	A1.54	Transmission Alisson
00F	FJB electronic GND	12VD	Batteries	A1.55	Transmission Alisson
00F1	Multiplex power	12VD1	12VD	A1.58	Transmission Alisson
00F2	Multiplex power	12VD4	12VD	A1.71	Transmission Alisson
00F3	Multiplex power	12VDG	Cadec	A1.74	Transmission Alisson
00F6	Indirect lights	12VDG1	Cadec	A1.76	Transmission Alisson
0FE	GND stud	12VDG1A	Cadec	A1.77	Transmission Alisson
0FH	Wipers & washer	12VDG2	Cadec	A2A.9	Transmission Alisson
00FH	FJB electronic GND	12VDG3	Cadec	A2A.11	Transmission Alisson
00FH1	HVAC defroster	12VDG4	Cadec	A3.1	Transmission Alisson
00FH2	Multiplex power	12VIG	Cadec	A3.2	Transmission Alisson
00FR	FJB-RJB junction	12VIG1	Cadec	A3.3	Transmission Alisson
0P	120VAC outlets	12VIG1A	Cadec	A3.5	Transmission Alisson
0PA	GND stud	12VIG2	Cadec	A3.6	Transmission Alisson
0PR	120VAC outlets	12VIG3	Cadec	A3.7	Transmission Alisson
0R	GND Chassis	12VIG4	Cadec	A4B.8	Transmission Alisson
00R	Networks	12VIG5	Cadec	A5.B	Transmission Alisson
00R1	RJB electronic GND	24VA	Batteries	A9CX1.2	Cluster
00R2	Multiplex power	24VD	Batteries	A9CX1.4	ESP
00R3	Multiplex power	24VD2	Equalizer	A9CX1.5	ESP
00R4	Multiplex power	24VD3	Ignition & engine start	A9CX1.6	Cluster
00R5	RJB electronic GND	24VI	24 WUP	A9CX2.1	ESP
0RAD	GND Chassis	900	Networks	A9CX2.2	ESP
0RAD2	Fans drive electric	901	Networks	A9CX2.3	ESP



## Circuits list

Circuit ID	Description	Circuit ID	Description	Circuit ID	Description
A9CX2.4	ESP	A34.A5	Fans drive electric	A41J1.10	Gateway A32
A9CX2.6	ESP	A34.B5	Fans drive electric	A41J1.16	Engine ECU Volvo
A9CX2.7	ESP	A34.C5	Fans drive electric	A41J1.19	Engine ECU Volvo
A9CX2.9	ESP	A34.D5	Fans drive electric	A41J2.11	Cadec
A9CX2.10	ESP	A34.E5	Fans drive electric	A41J2.12	Cadec
A9CX2.12	ESP	A34.F5	Fans drive electric	A41J2.13	Cadec
A9CX2.13	ESP	A34.G5	Fans drive electric	A42J1.1	Kneeling, tag, low buoy
A9CX2.16	ESP	A34.H5	Fans drive electric	A42J1.3	Kneeling, tag, low buoy
A9CX2.17	ESP	A34J.E	Fans drive electric	A42J1.4	Kneeling, tag, low buoy
A9CX3.2	ESP	A34J.F	Fans drive electric	A42J1.7	Kneeling, tag, low buoy
A9CX3.3	ESP	A34R.A3	Fans drive electric	A42J1.10	Kneeling, tag, low buoy
A9CX3.5	ESP	A34R.B3	Fans drive electric	A42J1.13	Kneeling, tag, low buoy
A9CX3.7	ESP	A34R.C3	Fans drive electric	A42J1.16	Kneeling, tag, low buoy
A9CX3.9	ESP	A34R.D3	Fans drive electric	A42J1.19	Kneeling, tag, low buoy
A9CX3.10	ESP	A34R.E3	Fans drive electric	A42J2.15	Kneeling, tag, low buoy
A9CX4.1	ESP	A34R.F3	Fans drive electric	A42RJ2.14	Kneeling, tag, low buoy
A9CX4.4	ESP	A34R.G3	Fans drive electric	A42RJ2.18	Kneeling, tag, low buoy
A9CX4.7	ESP	A34R.H3	Fans drive electric	A43J1.1	Lugg_door_lock
A9CX4.8	ESP	A36JA.11	Horn	A43J1.3	Lugg_door_lock
A9CX4.10	ESP	A36JA.15	Ignition & engine start	A43J1.7	TPMS
A9CX4.11	ESP	A36JA.17	Ignition & engine start	A43J2.1	Lugg_door_lock
A10X3.4	Pre heat	A36JA.25	Brake	A43J2.4	Lugg_door_lock
A10X3.6	Pre heat	A36JB.2	Ignition	A43J2.7	Engine ECU Volvo
A11A.2	Pre heat	A36JB.14	Fire suppression	A43J2.10	Engine ECU Volvo
A14.A12	Cluster	A39P101.1	Speakers	A43RJ1.17	ACB
A14.B1	Cluster	A39P101.2	Speakers	A44J1.1	Upper defrost
A14.B18	Cluster	A39P101.3	Speakers	A44J1.3	Upper defrost
A14.B20	Cluster	A39P101.4	Speakers	A44J1.4	Entrance door
A14.B21	Cluster	A39P101.5	Speakers	A44J1.7	Wipers & washer
A16.5	Destination signs	A39P101.6	Speakers	A44J1.10	Wipers & washer
A16.6	Destination signs	A39P101.8	Speakers	A44J1.13	Upper defrost
A17.24V	Pre heat	A39P101.9	Speakers	A44J1.16	Horn
A17.AC	Pre heat	A39P901.1	Speakers	A44J1.19	Engine & RJB cmpt. lights
A20.3	Digital clock	A39P901.4	Speakers	A44J2.1	Sun visor
A27.30	ZF steering	A39P901.5	Speakers	A44J2.4	Sun visor
A27.87A	ZF steering	A39P901.6	Speakers	A44J2.7	Driver lights
A32J2.1	Digital clock	A41J1.1	Pre heat	A44J2.10	Sun visor
A32J2.10	Digital clock	A41J1.7	Shutdown	A44J2.13	Sun visor

## Circuits list

Circuit ID	Description	Circuit ID	Description	Circuit ID	Description
A44RJ1.17	Fr flashers, Mrk, Clr, head lgts	A48J1.1	Cornering & fog lights	A51J2.1	Rr flash, Mrk, Tail, Stop lgts
A44RJ1.18	Upper defrost	A48J1.4	Cornering & fog lights	A51J2.4	Transmission Alisson
A44RJ2.2	Entrance door	A48J1.7	Fr flashers, Mrk, Clr, head lgts	A51J2.7	Rr flash, Mrk, Tail, Stop lgts
A44RJ2.3	Wipers & washer	A48J1.10	Fr flashers, Mrk, Clr, head lgts	A51J2.10	Rr flash, Mrk, Tail, Stop lgts
A45J1.1	HVAC defroster	A48J2.1	Fr flashers, Mrk, Clr, head lgts	A51RJ1.17	Rr flash, Mrk, Tail, Stop lgts
A45J1.3	HVAC defroster	A48J2.4	Front lights	A51RJ1.18	WCL
A45J1.4	ZF steering	A48J2.13	Fr flashers, Mrk, Clr, head lgts	A52J1.1	Fans drive electric
A45J1.7	Parcel rack A/C system	A48RJ1.17	Cornering & fog lights	A52J1.3	Fans drive electric
A45J1.16	Mirrors	A48RJ1.18	Fr flashers, Mrk, Clr, head lgts	A52J1.4	Lavatory
A45J2.1	HVAC defroster	A48RJ2.2	Fr flashers, Mrk, Clr, head lgts	A52J1.7	Engine & RJB cmpt. lights
A45J2.4	HVAC defroster	A49J1.1	Fans drive electric	A52J1.10	Ignition & engine start
A45J2.7	Driver window	A49J1.3	Fans drive electric	A52J1.13	RJB Fan
A45J2.13	Driver window	A49J1.4	Kneeling, tag, low buoy	A52J2.1	Alternators
A45RJ1.17	Cornering & fog lights	A49J1.7	Cadec	A52J2.4	Alternators
A46J1.1	Horn	A49J2.1	Alternators	A52J2.13	Ignition & engine start
A46J1.4	Fr flashers, Mrk, Clr, head lgts	A49J2.13	Brake	A52RJ1.17	GND MUX modules
A46J1.7	Cornering & fog lights	A49J2.15	Weight monitoring	A52RJ1.18	Engine & RJB cmpt. lights
A46J1.10	Fr flashers, Mrk, Clr, head lgts	A49RJ1.6	Weight monitoring	A52RJ2.3	Ignition start
A46J1.13	Fr flashers, Mrk, Clr, head lgts	A49RJ1.17	Kneeling, tag, low buoy	A53J1.1	Parcel rack A/C system
A46J1.17	Front lights	A49RJ1.18	Cadec	A53J1.3	Parcel rack A/C system
A46J2.4	Fr flashers, Mrk, Clr, head lgts	A49RJ2.2	Fans drive electric	A53J1.4	Lavatory
A46J2.7	Front lights	A50J1.4	Air dryer	A53J1.13	Lavatory
A46RJ1.17	Fr flashers, Mrk, Clr, head lgts	A50J1.7	Back-up warnings	A53J2.1	Indirect lights
A46RJ1.18	Fr flashers, Mrk, Clr, head lgts	A50J1.13	Rr flash, Mrk, Tail, Stop lgts	A53J2.4	Reading lamps & chime
A47J1.1	HVAC defroster	A50J1.19	Rr flash, Mrk, Tail, Stop lgts	A53J2.7	lavatory lamp
A47J1.3	HVAC defroster	A50J2.1	Rr flash, Mrk, Tail, Stop lgts	A53J2.10	Reading lamps & chime
A47J1.4	HVAC defroster	A50J2.7	Rr flash, Mrk, Tail, Stop lgts	A53J2.13	Emergency & aisle lights
A47J1.7	Wipers & washer	A50J2.10	Back-up warnings	A53RJ1.17	Lavatory
A47J1.10	Entrance door	A50RJ1.17	Rr flash, Mrk, Tail, Stop lgts	A53RJ1.18	Emergency & aisle lights
A47J1.13	Entrance door	A50RJ1.18	Rr flash, Mrk, Tail, Stop lgts	A53RJ2.2	Parcel rack A/C system
A47J1.16	Entrance door	A50RJ2.2	Back-up warnings	A53RJ2.3	Reading lamps & chime
A47J1.19	Entrance door	A50RJ2.3	Air dryer	A54J1.1	HVAC passengers
A47J2.1	HVAC defroster	A51J1.4	Rr flash, Mrk, Tail, Stop lgts	A54J1.3	HVAC passengers
A47J2.7	Entrance door	A51J1.7	Stop lights	A54J1.4	Pre heat
A47RJ1.6	HVAC defroster	A51J1.10	Rr flash, Mrk, Tail, Stop lgts	A54J1.7	HVAC passengers
A47RJ1.17	HVAC defroster	A51J1.13	Rr flash, Mrk, Tail, Stop lgts	A54J1.10	Pre heat
A47RJ1.18	Entrance door	A51J1.16	Transmission Alisson	A54J1.16	HVAC passengers
A47RJ2.2	Entrance door	A51J1.19	WCL	A54J1.19	HVAC passengers

## Circuits list

Circuit ID	Description	Circuit ID	Description	Circuit ID	Description
A54J2.1	Parcel rack A/C system	A80.3	Equalizer	A113D.1	VSS
A54J2.4	HVAC passengers	A80.4	Equalizer	A113D.2	VSS
A54J2.7	HVAC passengers	A81JB.4	Engine ECU Volvo	A113D.5	VSS
A54J2.10	HVAC passengers	A81JB.6	ZF steering	A120A.5	VSS
A54J2.13	HVAC passengers	A81JB.10	Engine ECU Volvo	A120B.1	VSS
A54J2.15	HVAC passengers	A81JB.15	Ignition & engine start	A120B.2	VSS
A54RJ1.6	HVAC passengers	A81JB.16	Engine ECU Volvo	A120B.3	VSS
A54RJ1.17	HVAC passengers	A81JB.17	Engine ECU Volvo	A120B.4	VSS
A54RJ1.18	Fans condensor	A81JB.19	Engine ECU Volvo	A120B.5	VSS
A54RJ2.2	HVAC passengers	A81JB.22	Engine ECU Volvo	A120B.6	VSS
A54RJ2.3	HVAC passengers	A81JB.23	Engine ECU Volvo	A120B.7	VSS
A55J1.1	Driver lights	A81JB.25	Engine ECU Volvo	A120B.8	VSS
A55J1.3	Weight monitoring	A81JB.26	Engine ECU Volvo	A120C.4	VSS
A55J1.4	Cluster	A96.8.Black	TPMS	A121A.18	VSS
A55J1.7	Back-up camera	A96.23.Red	TPMS	A121B.16	VSS
A55J2.15	Steering	A96.24.Black	TPMS	A121B.17	VSS
A55RJ1.18	Weight monitoring	A96.25.Red	TPMS	A121C.7	VSS
A56J1.3	Cluster	A96.27.Black	TPMS	A121C.11	VSS
A56J1.4	Cluster	A96.28.Red	TPMS	A121C.12	VSS
A56J1.7	Cluster	A100.3.White	TPMS	A121C.13	VSS
A56J1.10	Cluster	A101.3.White	TPMS	A121C.15	VSS
A56J1.13	Multiplex power	A101.7.White	TPMS	A130.3	Fire suppression
A56J1.19	VSS	A102.3.White	TPMS	A130.4	Fire suppression
A56J2.15	Lugg_door_lock	A103.1	Steering	A130.6	Fire suppression
A56RJ1.18	Windows ajar	A103.3	Steering	A130.8	Fire suppression
A57J1.1	WCL	A103.5	Horn	A130.11	Fire suppression
A57J1.3	WCL	A108.5	Transmission I_Shift	A131A.C	Fire suppression
A57J1.4	WCL	A108.7	Transmission I_Shift	A131B.A	Fire suppression
A57J1.10	WCL	A108.8	Transmission I_Shift	A131B.C	Fire suppression
A57RJ1.18	GND MUX modules	A108.9	Transmission I_Shift	A137A.4	Urea system
A60.Gnd	VSS	A108.10	Transmission I_Shift	A137A.7	Urea system
A60.L	VSS	A109A.7	Transmission I_Shift	A137A.8	Urea system
A60.R	VSS	A109A.8	Transmission I_Shift	A137A.24	Urea system
A77.A	Equalizer	A109A.9	Transmission I_Shift	A137A.28	Urea system
A77.H	Equalizer	A109A.10	Transmission I_Shift	A137A.40	Urea system
A78.3	Equalizer	A113.Gnd	VSS	A137A.44	Urea system
A78.4	Equalizer	A113.L	VSS	A137A.49	Urea system
A79.3	Equalizer	A113.R	VSS	A137A.50	Urea system

## Circuits list

Circuit ID	Description	Circuit ID	Description	Circuit ID	Description
A137A.51	Urea system	CB3	HVAC passengers	DL7L	Networks ECU
A137A.54	Urea system	CB5	24 WUP	DL9H	Networks ECU
A137A.56	Urea system	CB6	24VD	DL9L	Networks ECU
A137A.59	Urea system	CB8	12 WUP	Drain	Audio
A137A.62	Urea system	CB9	Pre heat	DVD_Gnd	VSS
A138.3	Urea system	CB10	12 WUP	DVD_L+	VSS
A138.12	Urea system	CB11	VSS	DVD_R+	VSS
A150.GND	VSS	CB13	120VAC outlets	E1.7	Cluster
A150.L	VSS	CB48	Fr flashers, Mrk, Clr, head lgts	E1.18	Engine ECU Volvo
A150.R	VSS	CB128	24VD	EMS.EB29	Ignition & engine start
A151B.1	USB	CB201	Fans drive electric	F4	Volvo link TGW
A151B.2	USB_Gnd	CB202	Fans drive electric	F10	Cluster
A153A.5	VSS	CB203	Fans drive electric	F11	Horn
Alt_LL.2	Alternators	CB204	Fans drive electric	F13	12VD Customer
Alt_LR.2	Alternators	CB205	Fans drive electric	F16	12V Eng. run
Alt_UR.2	Alternators	CB206	Fans drive electric	F17	Multiplex power
AltLL	Alternators	CB207	Fans drive electric	F18	Multiplex power
AltLR	Alternators	CB208	Fans drive electric	F19	Multiplex power
AltUR	Alternators	Cd1	Networks	F20	Multiplex power
AuxVideoGnd	VSS	CTS	Networks	F21	Multiplex power
AuxVideoL	VSS	Cts	Networks	F22	Cadec
AuxVideoR	VSS	D1	Ignition & engine start	F23	ESP
B85.2	Urea system	D7	Entrance door	F24	12V Ign
B97.2	Urea system	D9	Pre heat	F25	12V outlets
B98.2	Urea system	D12	Horn	F26	Spares VECF
B115A.3	Urea system	D13	Horn	F27	Spares VECF
BLACK	120VAC outlets	D55	docking lights	F29	ECU ignition
Black	Pre heat	DL0H	Spares wires	F30	Networks
BLK1	VSS	DL0HS	Spares wires	F33	Multiplex power
BLK2	VSS	DL0L	Spares wires	F34	Multiplex power
Blue	Audio	DL0LS	Spares wires	F35	Multiplex power
BussBar	12VI to CB10	DL1H	Networks	F36	24VD Eng. Start Sw83
CAN1-HI	Cadec	DL1L	Networks	F37	Entrance door
CAN1-LO	Cadec	DL2H	Networks	F39	24 VD customer
CanH2	Spares wires	DL2L	Networks	F40	Fire suppression
CanL2	Spares wires	DL3H	Networks	F42	Transmission I_Shift
CB1	24 WUP	DL3L	Networks	F43	Transmission I_Shift
CB2	Ignition & engine start	DL7H	Networks ECU	F44	Multiplex power

## Circuits list

Circuit ID	Description	Circuit ID	Description	Circuit ID	Description
F45	Multiplex power	F142	HVAC passengers	LightGreen	USB
F46	Multiplex power	F143	HVAC passengers	LR+	VSS
F47	Multiplex power	F144	HVAC passengers	LR-	VSS
F50	HVAC defroster	F147	CCust	Mo65.3	Fans drive electric
F51	Destination signs	F148	12VD	Mo67.3	Fans drive electric
F53	VSS	F152	Spares VECR	Mo68.3	Fans drive electric
F55	Back-up camera	F156	Unican	Mo69.3	Fans drive electric
F73	Engine ECU Volvo	F199	Fans drive electric	Mo70.3	Fans drive electric
F90	Urea system	F200	VSS	Mo71.3	Fans drive electric
F91	Engine ECU Volvo	F201	VSS	Mo72.3	Fans drive electric
F95	Volvo link TGW	F202	VSS	Mo73.3	Fans drive electric
F96	Urea system	F203	VSS	N1	Networks
F99	Engine ECU Volvo	F243	HVAC passengers	N2	Networks
F100	Engine ECU Volvo	gnd_1	Cantrack	N3	Networks
F101	R1 to Starter	Gnd_2	Cantrack	N4	Networks
F106	Multiplex power	GndA	Networks	N5	Networks
F107	Multiplex power	GndG	Cadec	N6	Networks
F108	Networks	GndG1	Cadec	N7	Networks
F109	Engine & RJB cmpt. lights	GREEN	120VAC outlets	N8	Networks
F110	Transmission Alisson	Green	Pre heat	N9	Networks
F112	Trailer interface	Green/White	USB	N10	Networks
F117	Spares VECR	GRN1	VSS	N11	Networks
F121	CCust	GRN2	VSS	N12	Networks
F122	Spares VECR	L+	VSS	N13	Networks
F123	Pre heat	L+TV	VSS	N14	Networks
F124	Pre heat	L-	VSS	N15	Networks
F126	HVAC passengers	L142.3	Lavatory	N16	Networks
F127	Pre heat	L207.1	WCL	N17	Networks
F131	CCust	L207.2	WCL	N18	Networks
F132	Multiplex power	L207.3	WCL	N19	Networks
F133	Multiplex power	L207.GND	WCL	N20	Networks
F134	Multiplex power	L207.X	WCL	N21	Networks
F135	Multiplex power	L350A.B2	Engine ECU Volvo	N22	Networks
F136	Multiplex power	L400.G	Engine heater outlet	N23	Networks
F137	Equalizer	L400.L	Engine heater outlet	N24	Networks
F138	Reading lamps & chime	L400.N	Engine heater outlet	N25	Networks
F139	Alternators	LF+	VSS	N26	Networks
F141	HVAC passengers	LF-	VSS	N27	Networks

## Circuits list

Circuit ID	Description	Circuit ID	Description	Circuit ID	Description
N28	Networks	RED2	VSS	Se38.1	ESP
N29	Networks	RF+	VSS	Se38.2	ESP
N30	Networks	RF-	VSS	Se39.1	ESP
N31	Networks	RR+	VSS	Se39.2	ESP
N56-1	Networks	RR-	VSS	Se40.1	ESP
N56-2	Networks	RTS	Networks	Se40.2	ESP
N57_1	Networks	Rts	Networks	Se45.2	Wipers & washer
N57_2	Networks	RX	TPMS	Se46.B	Trailer park brake
Pot1	Driver lights	Rx	Cantrack	Se53.C	Cluster
R+	VSS	RxD	Networks	Se54.C	Cluster
R+TV	VSS	RxTx	Networks	Se55.C	Cluster
R-	VSS	Se4.1	Windows ajar	Se56.A	WCL
R4.85	Fire suppression	Se11.Sig	Cluster	Se62.B	WCL
R4.87A	Pre heat	Se11.Wrn	Cluster	Se63.1	ESP
R12	HVAC passengers	Se13.B	Engine ECU Volvo	Se63.2	ESP
R12VISS	VSS	Se14A.B	Engine ECU Volvo	Se64.1	ESP
R20.87	Pre heat	Se14B.C	Engine ECU Volvo	Se64.2	ESP
R21.87	Ignition & engine start	Se15.1	Entrance door	Se67.C	ESP
R22.87	ECU ignition	Se17.1	Entrance door	Se69.C	ESP
R23.30	Transmission Alisson	Se18.B	Brake	Se74.3	Transmission Alisson
R25.87	24V Ignition	Se19_P.D	Brake	Se75.C	Weight monitoring
R26.30	HVAC passengers	Se19_S.D	Brake	Se79.4	Kneeling, tag, low buoy
R27.87A	Wipers & washer	Se20.B	Cluster	Se80.C	Weight monitoring
R29	Engine ECU Volvo	Se21.2	HVAC defroster	Se100.4	WCL
R30.87	12V Eng run customer	Se23.C	HVAC passengers	Shield_149	GND stud
R31.87	12V Ign customer	Se24.2	HVAC passengers	Shield_149A	GND stud
R34.30	12V ECU	Se24.3	HVAC passengers	Shield_A16.7	Destination signs
R36.87	Horn	Se25.2	HVAC passengers	SHL2	VSS
R37.30	Horn	Se30.A	Engine & RJB cmpt. lights	So9.B	HVAC passengers
R38.87	12V outlets	Se32.A	Transmission Alisson	spare1	Cadec
R40.87	Transmission I_Shift	Se32.B	Transmission Alisson	spare10	Spares wires
R47.87	WCL	Se33.A	Transmission Alisson	spare11	Spares wires
R140	Lavatory	Se34.A	Transmission Alisson	spare12	Spares wires
R_Starter	Ignition & engine start	Se34.B	Transmission Alisson	spare13	Spares wires
Radio_Gnd	VSS	Se35.A	Transmission Alisson	spare14	Spares wires
Radio_R+	VSS	Se35.B	Transmission Alisson	spare15	Spares wires
Radoi_L+	VSS	Se37.1	ESP	spare16	Spares wires
RED1	VSS	Se37.2	ESP	spare17	Spares wires

## Circuits list

Circuit ID	Description	Circuit ID	Description	Circuit ID	Description
spare18	Spares wires	Spk5_R	Speakers	Sw16.3	Brake
spare19	Spares wires	Spk6_L	Speakers	Sw16.8	Brake
spare20	Spares wires	Spk6_R	Speakers	Sw17.6	Engine ECU Volvo
spare21	Spares wires	Spk9_L	Speakers	Sw18A.2B	Lugg_door_lock
spare22	Spares wires	Spk9_R	Speakers	Sw20.3	WCL
spare23	Spares wires	Spk10_L	Speakers	Sw20.8	WCL
spare24	Spares wires	Spk10_R	Speakers	Sw21.3	Upper defrost
spare25	Spares wires	Spk11_L	Speakers	Sw21.8	Upper defrost
spare28	Spares wires	Spk11_R	Speakers	Sw24.3	Driver lights
spare29	Spares wires	Spk12_L	Speakers	Sw24.6	Driver lights
spare30	Spares wires	Spk12_R	Speakers	Sw25.3	Indirect lights
spare31	Spares wires	Spk13_L	Speakers	Sw25.6	Reading lamps & chime
spare32	Spares wires	Spk13_R	Speakers	Sw26.3	Reading lamps & chime
spare33	Spares wires	Spk14_L	Speakers	Sw26.8	Reading lamps & chime
spare34	Spares wires	Spk14_R	Speakers	Sw27.3	Parcel rack A/C system
spare35	Spares wires	STO-LOC sel	WCL	Sw27.8	Parcel rack A/C system
spare39	Spares wires	Sw1.5	Fr flashers, Mrk, Clr, head lgts	Sw29.2	Reading lamps & chime
spare40	Spares wires	Sw1C258.2	Wipers & washer	Sw29.3	Reading lamps & chime
spare41	Spares wires	Sw1C258.3	Wipers & washer	Sw29.8	Reading lamps & chime
spare42	Spares wires	Sw1C258.4	Wipers & washer	Sw31.A	WCL
spare43	Spares wires	Sw1C258.6	Wipers & washer	Sw32.3	Entrance door
spare44	Spares wires	Sw1C258.7	Wipers & washer	Sw33.3	Entrance door
spare64	Spares wires	Sw1C258.8	Fr flashers, Mrk, Clr, head lgts	Sw34.1	Entrance door
spare65	Spares wires	Sw1C259.1	Fr flashers, Mrk, Clr, head lgts	Sw34.4	Entrance door
spare72	Spares wires	Sw1C259.2	Fr flashers, Mrk, Clr, head lgts	Sw35.3	Engine ECU Volvo
spare73	Spares wires	Sw1C259.4	Fr flashers, Mrk, Clr, head lgts	Sw35.8	Engine ECU Volvo
spare210	Cadec	Sw2.3	Fr flashers, Mrk, Clr, head lgts	Sw38.2B	Driver window
spare212	Cadec	Sw2.6	Fr flashers, Mrk, Clr, head lgts	Sw40.B	Trailer park brake
spare214	Cadec	Sw3.3	Cornering & fog lights	Sw41.A1	Mirrors
Spk1_L	Speakers	Sw3.8	Cornering & fog lights	Sw41.A3	Mirrors
Spk1_R	Speakers	Sw4.3	Fr flashers, Mrk, Clr, head lgts	Sw41.B1	Mirrors
Spk2_L	Speakers	Sw4.8	Fr flashers, Mrk, Clr, head lgts	Sw41.B2	Mirrors
Spk2_R	Speakers	Sw6.4	Wipers & washer	Sw41.B4	Mirrors
Spk3_L	Speakers	Sw10A.2B	Kneeling, tag, low buoy	Sw42.2	WCL
Spk3_R	Speakers	Sw12.3	Destination signs	Sw42.3	WCL
Spk4_L	Speakers	Sw12.8	Destination signs	Sw42.4	WCL
Spk4_R	Speakers	Sw14.3	Engine ECU Volvo	Sw42.5	WCL
Spk5_L	Speakers	Sw14.8	Engine ECU Volvo	Sw42.6	WCL

# Circuits list

Circuit ID	Description	Circuit ID	Description	Circuit ID	Description
Sw42.7	WCL	Sw135.N3	Reading lamps & chime		
Sw43.B	Kneeling, tag, low buoy	Sw150.1	Cadec		
Sw44	Engine & RJB cmpt. lights	Sw150.2	Cadec		
Sw46A	Engine & RJB cmpt. lights	Sw152.B	Fire suppression		
Sw55.1	Lavatory	Sw156.1	Mirrors		
Sw56.1	Lavatory	Sw156.6	Mirrors		
Sw57.A	WCL	Sw156.8	Mirrors		
Sw58.2	Ignition & engine start	Sw157.2B	Sun visor		
Sw58.3	Ignition & engine start	Sw158.2B	Sun visor		
Sw58.5	Ignition & engine start	Sw313.N3	Reading lamps & chime		
Sw58.7	Ignition & engine start	TR-Black	Trailer interface		
Sw59.3	Ignition & engine start	TR-Blue	VECT		
Sw63A.3	Horn	TR-Brown	Trailer interface		
Sw63A.4	Horn	TR-Green	Trailer interface		
Sw64	Kneeling, tag, low buoy	TR-Red	Trailer interface		
Sw82.4	Master relay & 12V Ign	TR-Yellow	Trailer interface		
Sw82.5	Master relay & 12V Ign	Tv.Gnd	VSS		
Sw83.Acc	Ignition & engine start	TV.L	VSS		
Sw83.Ign	Ignition & engine start	TV.R	VSS		
Sw83.St	Ignition & engine start	TvGnd	VSS		
Sw85.A1	Mirrors	TWU.3	WCL		
Sw85.A3	Mirrors	TX	TPMS		
Sw85.B1	Mirrors	Tx	Cantrack		
Sw85.B2	Mirrors	TxD	Networks		
Sw85.B4	Mirrors	ve+	Cantrack		
Sw94	WCL	WHITE	120VAC outlets		
Sw96.N3	Reading lamps & chime	White	Pre heat		
Sw97.N1	Reading lamps & chime	WHT1	VSS		
Sw100A.3	Cornering & fog lights	WHT2	VSS		
Sw109	Lugg_door_sw				
Sw110	Lugg_door_sw				
Sw111	Lugg_door_sw				
Sw112	Lugg_door_sw				
Sw113	Lugg_door_sw				
Sw114	Lugg_door_sw				
Sw115	Lugg_door_sw				
Sw124.3	Destination signs				
Sw125.B	Kneeling, tag, low buoy				



# CIRCUITS LIST

CircuitID	Description	CircuitID	Description	CircuitID	Description
0	HVACpassengers	0SB	Cadec	402	Telematics_Gateway_Interface
0	GNDBatteries	0SB1	Cluster	403	Panic_Sw150
0A	12Voutlets	0SS	GNDStud	404	Panic_Sw150
00A	Entrancedoor	0SS1	VSS	900	Networks
00A1	Multiplexpower	0SS2	VSS	901	Networks
00A2	Indirectlights	0SS2W	Cadec		
0AItLL	GNDChassis	0SS3	VSS	A1.11	TransmissionAlisson
0AItR	GNDChassis	0SW	Indirectlights	A1.12	TransmissionAlisson
0B	GNDChassis	0SW1	Indirectlights	A1.15	TransmissionAlisson
0C	Ignition&enginestart	0TR-White	Trailerinterface	A1.16	TransmissionAlisson
0chgr	Preheat	00VA	RJBelectronicGND	A1.18	TransmissionAlisson
0COND	GND_condensor_fans	0W	GNDStud	A1.19	TransmissionAlisson
0ECU	EngineECUVolvo	4c	wcl_extra_switch	A1.24	TransmissionAlisson
0EV2	HVACpassengers	12Ecu	12VECU	A1.25	TransmissionAlisson
0EVAP1	HVACpassengers	12ISH	Pwrl_Shift	A1.31	TransmissionAlisson
0EVAP2	HVACpassengers	12VA	Batteries	A1.33	TransmissionAlisson
0F	GNDCustomer	12VD	Batteries	A1.36	TransmissionAlisson
00F	FJBelectronicGND	12VD1	12VD	A1.37	TransmissionAlisson
00F1	Multiplexpower	12VD4	UNICAN_power_option	A1.51	TransmissionAlisson
00F2	Multiplexpower	12VDG	Cadec	A1.52	TransmissionAlisson
00F3	Multiplexpower	12VDG1	Cadec	A1.54	TransmissionAlisson
00F6	Readinglamps&chime	12VDG1A	Cadec	A1.55	TransmissionAlisson
0FE	GNDstud	12VDG2	Cadec	A1.58	TransmissionAlisson
0FH	Wipers&washer	12VDG3	Cadec	A1.71	TransmissionAlisson
00FH	FJBelectronicGND	12VDG4	Cadec	A1.74	TransmissionAlisson
00FH1	HVACdefroster	12VIG	Cadec	A1.76	TransmissionAlisson
00FH2	Multiplexpower	12VIG1	Cadec	A1.77	TransmissionAlisson
00FR	FJB-RJBjunction	12VIG1A	Cadec	A2A.9	TransmissionAlisson
0Lav	wcl_extra_switch	12VIG2	Cadec	A2A.11	TransmissionAlisson
0P	120VACoutlets	12VIG3	Cadec	A3.1	TransmissionAlisson
0PA	GNDstud	12VIG4	Cadec	A3.2	TransmissionAlisson
0PR	120VACoutlets	12VIG5	Cadec	A3.3	TransmissionAlisson
0R	GNDChassis	24VA	Batteries	A3.5	TransmissionAlisson
00R	Networks	24VD	Batteries	A3.6	TransmissionAlisson
00R1	RJBelectronicGND	24VD2	Equalizer	A3.7	TransmissionAlisson
00R2	Multiplexpower	24VD3	Ignition&enginestart	A4B.8	TransmissionAlisson
00R3	Multiplexpower	24VI	24WUP	A5.B	TransmissionAlisson
00R4	Multiplexpower	73	wcl_extra_switch	A9CX1.2	Cluster
00R5	RJBelectronicGND	74A	wcl_extra_switch	A9CX1.4	ESP
00R7	Trailerinteface	74B	ReadingLampsLH	A9CX1.5	ESP
0RAD	GNDChassis	75	wcl_extra_switch	A9CX1.6	Cluster
0RAD2	Fansdriveelectric	400	Telematics_Gateway_Interface	A9CX2.1	ESP
0RFG	GND_refrigerator_option	401	Telematics_Gateway_Interface	A9CX2.2	ESP

# CIRCUITS LIST

CircuitID	Description	CircuitID	Description	CircuitID	Description
A9CX2.3	ESP	A34.D5	Fansdriveelectric	A42J1.1	Kneeling
A9CX2.4	ESP	A34.E5	Fansdriveelectric	A42J1.3	Kneeling
A9CX2.6	ESP	A34.F5	Fansdriveelectric	A42J1.4	Kneeling
A9CX2.7	ESP	A34.G5	Fansdriveelectric	A42J1.7	Kneeling
A9CX2.9	ESP	A34.H5	Fansdriveelectric	A42J1.10	Kneeling
A9CX2.10	ESP	A34J.E	Fansdriveelectric	A42J1.13	Kneeling
A9CX2.12	ESP	A34J.F	Fansdriveelectric	A42J1.16	Brake_Interlock
A9CX2.13	ESP	A34R.A3	Fansdriveelectric	A42J1.19	Brake_Interlock
A9CX2.16	ESP	A34R.B3	Fansdriveelectric	A42J2.15	Kneeling
A9CX2.17	ESP	A34R.C3	Fansdriveelectric	A42RJ2.14	Kneeling
A9CX3.2	ESP	A34R.D3	Fansdriveelectric	A42RJ2.18	Kneeling
A9CX3.3	ESP	A34R.E3	Fansdriveelectric	A43J1.1	Lugg_door_lock
A9CX3.5	ESP	A34R.F3	Fansdriveelectric	A43J1.3	Lugg_door_lock
A9CX3.7	ESP	A34R.G3	Fansdriveelectric	A43J1.7	TPMS
A9CX3.9	ESP	A34R.H3	Fansdriveelectric	A43J2.1	Lugg_door_lock
A9CX3.10	ESP	A36JA.11	Horn	A43J2.4	Lugg_door_lock
A9CX4.1	ESP	A36JA.15	Ignition&enginestart	A43J2.7	EngineECUVolvo
A9CX4.4	ESP	A36JA.17	Ignition&enginestart	A43J2.10	EngineECUVolvo
A9CX4.7	ESP	A36JA.25	Brake	A43RJ1.17	ACB
A9CX4.8	ESP	A36JB.2	Ignition	A44J1.1	Upperdefrost
A9CX4.10	ESP	A36JB.14	Firesuppression	A44J1.3	Upperdefrost
A9CX4.11	ESP	A39P101.1	Speakers	A44J1.4	Entrancedoor
A10X3.4	Preheat	A39P101.2	Speakers	A44J1.7	Wipers&washer
A10X3.6	preheat	A39P101.3	Speakers	A44J1.10	Wipers&washer
A11A.2	Preheat	A39P101.4	Speakers	A44J1.13	Upperdefrost
A14.A12	Cluster	A39P101.5	Speakers	A44J1.16	Horn
A14.B1	Cluster	A39P101.6	Speakers	A44J1.19	Engine&RJBcmpt.lights
A14.B18	Cluster	A39P101.8	Speakers	A44J2.1	Sunvisor
A14.B20	Cluster	A39P101.9	Speakers	A44J2.4	Sunvisor
A14.B21	Cluster	A39P901.1	Speakers	A44J2.7	Driverlights
A14C-3	Wip.WasherLevel	A39P901.4	Speakers	A44J2.10	Sunvisor
A16.5	Destinationsigns	A39P901.5	Speakers	A44J2.13	Sunvisor
A16.6	Destinationsigns	A39P901.6	Speakers	A44RJ1.17	Frfashers
A17.24V	Preheat	A41J1.1	Preheat	A44RJ1.18	Upperdefrost
A17.AC	Preheat	A41J1.7	Shutdown	A44RJ2.2	Entrancedoor
A20.3	Digitalclock	A41J1.10	Gateway_A32	A44RJ2.3	Wipers&washer
A27.30	ZFsteering	A41J1.13	Kneeling	A45J1.1	HVACdefroster
A27.87A	ZFsteering	A41J1.16	EngineECUVolvo	A45J1.3	HVACdefroster
A32J2.1	Digitalclock	A41J1.19	EngineECUVolvo	A45J1.4	ZFsteering
A32J2.10	Digitalclock	A41J2.11	Cadec	A45J1.7	12V_Ignition
A34.A5	Fansdriveelectric	A41J2.12	Cadec	A45J1.16	Mirrors
A34.B5	Fansdriveelectric	A41J2.13	Cadec	A45J2.1	HVACdefroster
A34.C5	Fansdriveelectric	A41RJ2.18	Kneeling	A45J2.4	HVACdefroster

# CIRCUITS LIST

CircuitID	Description	CircuitID	Description	CircuitID	Description
A45J2.7	Driverwindow	A49J2.13	Brake	A52RJ2.3	Ignition&enginestart
A45J2.13	Driverwindow	A49J2.15	Weightmonitoring	A53J1.1	ParcelrackA/Csystem
A45RJ1.17	Cornering&foglights	A49RJ1.6	Weightmonitoring	A53J1.3	ParcelrackA/Csystem
A46J1.1	Horn	A49RJ1.17	Kneeling	A53J1.4	Lavatory
A46J1.4	Frflashers	A49RJ1.18	Cadec	A53J1.13	Lavatory
A46J1.7	Cornering&foglights	A49RJ2.2	Fansdriveelectric	A53J2.1	Indirectlights
A46J1.10	Frflashers	A49RJ2.3	Starting_Aid	A53J2.4	Readinglamps&chime
A46J1.13	Frflashers	A50J1.4	Airdryer	A53J2.7	Lavatory
A46J1.17	Frflashers	A50J1.7	Back-upwarnings	A53J2.10	Readinglamps&chime
A46J2.4	Frflashers	A50J1.13	Rrflashers	A53J2.13	Emergency&aislelights
A46J2.7	Frflashers	A50J1.19	Rrflashers	A53RJ1.17	Lavatory
A46RJ1.17	Frflashers	A50J2.1	Rrflashers	A53RJ1.18	Emergency&aislelights
A46RJ1.18	Frflashers	A50J2.7	Rrflashers	A53RJ2.2	ParcelrackA/Csystem
A47J1.1	HVACdefroster	A50J2.10	Back-upwarnings	A53RJ2.3	Readinglamps&chime
A47J1.3	HVACdefroster	A50RJ1.17	Rrflashers	A54J1.1	HVACpassengers
A47J1.4	HVACdefroster	A50RJ1.18	Rrflashers	A54J1.3	HVACpassengers
A47J1.7	Wipers&washer	A50RJ2.2	Back-upwarnings	A54J1.4	Preheat
A47J1.10	Entrancedoor	A50RJ2.3	Airdryer	A54J1.7	HVACpassengers
A47J1.13	Entrancedoor	A51J1.4	Rrflashers	A54J1.10	Preheat
A47J1.16	Entrancedoor	A51J1.7	Rrstoplights	A54J1.16	HVACpassengers
A47J1.19	Entrancedoor	A51J1.10	Rrflashers	A54J1.19	HVACpassengers
A47J2.1	HVACdefroster	A51J1.13	Rrflashers	A54J2.1	ParcelrackA/Csystem
A47J2.7	Entrancedoor	A51J1.16	TransmissionAlisson	A54J2.4	HVACpassengers
A47RJ1.6	HVACdefroster	A51J1.19	WCL	A54J2.7	HVACpassengers
A47RJ1.17	HVACdefroster	A51J2.1	Rrflashers	A54J2.10	HVACpassengers
A47RJ1.18	Entrancedoor	A51J2.4	TransmissionAlisson	A54J2.13	HVACpassengers
A47RJ2.2	Entrancedoor	A51J2.7	Rrflashers	A54J2.15	HVACpassengers
A48J1.1	Cornering&foglights	A51J2.10	Rrflashers	A54RJ1.6	HVACpassengers
A48J1.4	Cornering&foglights	A51J2.15	Starting_Aid	A54RJ1.17	HVACpassengers
A48J1.7	Frflashers	A51RJ1.17	Rrflashers	A54RJ1.18	ParcelrackA/Csystem
A48J1.10	Frflashers	A51RJ1.18	WCL	A54RJ2.2	HVACpassengers
A48J2.1	Frflashers	A51RJ2.14	Starting_Aid	A54RJ2.3	HVACpassengers
A48J2.4	Frflashers	A52J1.1	Fansdriveelectric	A55J1.1	Driverlights
A48J2.13	Frflashers	A52J1.3	Fansdriveelectric	A55J1.3	Weightmonitoring
A48RJ1.17	Cornering&foglights	A52J1.4	Lavatory	A55J1.4	Cluster
A48RJ1.18	Frflashers	A52J1.7	Engine&RJBcmpt.lights	A55J1.7	Back-upcamera
A48RJ2.2	Frflashers	A52J1.10	Ignition&enginestart	A55J1.10	Entrancedoor
A49J1.1	Fansdriveelectric	A52J1.13	RJBFan	A55J2.15	Steering
A49J1.3	Fansdriveelectric	A52J2.1	Alternators	A55RJ1.18	Weightmonitoring
A49J1.4	Kneeling	A52J2.4	Alternators	A56J1.3	Cluster
A49J1.7	Cadec	A52J2.13	Ignition&enginestart	A56J1.4	Cluster
A49J1.16	Starting_Aid	A52RJ1.17	GNDMUXmodules	A56J1.7	Cluster
A49J2.1	Alternators	A52RJ1.18	Engine&RJBcmpt.lights	A56J1.10	Cluster

# CIRCUITS LIST

CircuitID	Description	CircuitID	Description	CircuitID	Description
A56J1.13	Multiplexpower	A103.1	Steering	A131B.C	Firesuppression
A56J1.19	VSS	A103.3	Steering	A137A.4	Ureasyystem
A56J2.15	Lugg_door_lock	A103.5	Horn	A137A.7	Ureasyystem
A56RJ1.18	Windowsajar	A108.5	TransmissionI_Shift	A137A.8	Ureasyystem
A57J1.1	WCL	A108.7	TransmissionI_Shift	A137A.24	Ureasyystem
A57J1.3	WCL	A108.8	TransmissionI_Shift	A137A.28	Ureasyystem
A57J1.4	WCL	A108.9	TransmissionI_Shift	A137A.40	Ureasyystem
A57J1.10	WCL	A108.10	TransmissionI_Shift	A137A.44	Ureasyystem
A57RJ1.18	GNDMUXmodules	A109A.7	TransmissionI_Shift	A137A.49	Ureasyystem
A60.Gnd	VSS	A109A.8	TransmissionI_Shift	A137A.50	Ureasyystem
A60.L	VSS	A109A.9	TransmissionI_Shift	A137A.51	Ureasyystem
A60.R	VSS	A109A.10	TransmissionI_Shift	A137A.54	Ureasyystem
A77.A	Equalizer	A113.Gnd	VSS	A137A.56	Ureasyystem
A77.H	Equalizer	A113.L	VSS	A137A.59	Ureasyystem
A78.3	Equalizer	A113.R	VSS	A137A.62	Ureasyystem
A78.4	Equalizer	A113D.1	VSS	A138.3	Ureasyystem
A79.3	Equalizer	A113D.2	VSS	A138.12	Ureasyystem
A80.3	Equalizer	A113D.5	VSS	A150.4	Starting_Aid
A80.4	Equalizer	A120A.5	VSS	A150.GND	VSS
A81JB.4	EngineECUVolvo	A120B.1	VSS	A150.L	VSS
A81JB.6	ZFsteering	A120B.2	VSS	A150.R	VSS
A81JB.10	EngineECUVolvo	A120B.3	VSS	A151B.1	USB
A81JB.15	Ignition&enginestart	A120B.4	VSS	A151B.2	USB_Gnd
A81JB.16	EngineECUVolvo	A120B.5	VSS	A153A.5	VSS
A81JB.17	EngineECUVolvo	A120B.6	VSS	A160.12	12WUP
A81JB.19	EngineECUVolvo	A120B.7	VSS	Alt_LL.2	Alternators
A81JB.22	EngineECUVolvo	A120B.8	VSS	Alt_LR.2	Alternators
A81JB.23	EngineECUVolvo	A120C.4	VSS	Alt_UR.2	Alternators
A81JB.25	EngineECUVolvo	A121A.18	VSS	AltLL	Alternators
A81JB.26	EngineECUVolvo	A121B.16	VSS	AltLR	Alternators
A85.A	12WUP	A121B.17	VSS	AltUR	Alternators
A85.B	GND_Aux_Batteries	A121C.7	VSS	Aux24V	Starting_Aid
A86.3	Starting_Aid	A121C.11	VSS	AuxVideoGnd	VSS
A96.8.Black	TPMS	A121C.12	VSS	AuxVideoL	VSS
A96.23.Red	TPMS	A121C.13	VSS	AuxVideoR	VSS
A96.24.Black	TPMS	A121C.15	VSS	B85.2	Ureasyystem
A96.25.Red	TPMS	A130.3	Firesuppression	B97.2	Ureasyystem
A96.27.Black	TPMS	A130.4	Firesuppression	B98.2	Ureasyystem
A96.28.Red	TPMS	A130.6	Firesuppression	B115A.3	Ureasyystem
A100.3.White	TPMS	A130.8	Firesuppression	BatAux24V	24WUP
A101.3.White	TPMS	A130.11	Firesuppression	BATT	Spec_Option
A101.7.White	TPMS	A131A.C	Firesuppression	BLACK	120VACoutlets
A102.3.White	TPMS	A131B.A	Firesuppression	Black	Preheat

# CIRCUITS LIST

CircuitID	Description	CircuitID	Description	CircuitID	Description
BLK1	VSS	DL0H	Spareswires	F34	Multiplexpower
BLK2	VSS	DL0HS	Spareswires	F35	Multiplexpower
Blue	Audio	DL0L	Spareswires	F36	Startswitch
BussBar	12VtoCB10	DL0LS	Spareswires	F37	Entrancedoor
C41.A	Preheat	DL1H	Networks	F39	24VDcustomer
CAN1-HI	Cadec	DL1L	Networks	F40	Firesuppression
CAN1-LO	Cadec	DL2H	Networks	F41	24VD_Vansco_Gateway
CanH2	Spareswires	DL2L	Networks	F42	TransmissionI_Shift
CanL2	Spareswires	DL3H	Networks	F43	TransmissionI_Shift
CB1	24WUP	DL3L	Networks	F44	Multiplexpower
CB2	Ignition&enginestart	DL7H	NetworksECU	F45	Multiplexpower
CB3	HVACpassengers	DL7L	NetworksECU	F46	Multiplexpower
CB5	24WUP	DL9H	NetworksECU	F47	Multiplexpower
CB6	24VD	DL9L	NetworksECU	F50	HVACdefroster
CB8	12WUP	DL10H	J1939_Gateway	F51	Destinationsigns
CB9	Preheat	DL10L	J1939_Gateway	F53	VSS
CB10	12WUP	Drain	Audio	F55	Back-upcamera
CB11	VSS	DVD_Gnd	VSS	F73	EngineECUVolvo
CB13	120VACoutlets	DVD_L+	VSS	F90	Ureasystem
CB48	Frfashers	DVD_R+	VSS	F91	EngineECUVolvo
CB128	24VD	EI.7	Cluster	F96	Ureasystem
CB201	Fansdriveelectric	EI.18	EngineECUVolvo	F99	EngineECUVolvo
CB202	Fansdriveelectric	EMS.EB29	Ignition&enginestart	F100	EngineECUVolvo
CB203	Fansdriveelectric	F4	TransmissionI_Shift	F101	R1toStarter
CB204	Fansdriveelectric	F10	Cluster	F103	24WUP
CB205	Fansdriveelectric	F11	Horn	F106	Multiplexpower
CB206	Fansdriveelectric	F13	12VDCustomer	F107	Multiplexpower
CB207	Fansdriveelectric	F15	TWG_Pwr	F108	Networks
CB208	Fansdriveelectric	F16	12VEng.run	F109	Engine&RJBcmpt.lights
Cd1	Networks	F17	Multiplexpower	F110	TransmissionAlisson
CTS	Networks	F18	Multiplexpower	F112	Trailerinterface
Cts	Networks	F19	Multiplexpower	F116	24WUP
D1	Starting_Aid	F20	Multiplexpower	F117	SparesVECR
D7	Entrancedoor	F21	Multiplexpower	F121	CCust
D9	Preheat	F22	Cadec	F122	SparesVECR
D12	Horn	F23	ESP	F123	Preheat
D13	Horn	F24	12VIgn	F124	Preheat
D45	Starting_Aid	F25	12Voutlets	F126	HVACpassengers
D45.B	Starting_Aid	F26	Entrancedoor	F127	Preheat
D46	Ignition&enginestart	F27	SparesVECF	F131	CCust
D55	Readinglamps&chime	F29	ECUignition	F132	Multiplexpower
D64.A	HVACpassengers	F30	Networks	F133	Multiplexpower
D64.B	HVACpassengers	F33	Multiplexpower	F134	Multiplexpower

# CIRCUITS LIST

CircuitID	Description	CircuitID	Description	CircuitID	Description
F135	Multiplexpower	L207.GND	WCL	N26	Networks
F136	Multiplexpower	L350A.B2	EngineECUVolvo	N27	Networks
F137	Equalizer	L400.G	Engineheateroutlet	N28	Networks
F138	Readinglamps&chime	L400.L	Engineheateroutlet	N29	Networks
F139	Alternators	L400.N	Engineheateroutlet	N30	Networks
F141	HVACpassengers	LF+	VSS	N31	Networks
F142	HVACpassengers	LF-	VSS	N56-1	Networks
F143	HVACpassengers	LightGreen	USB	N56-2	Networks
F144	HVACpassengers	LR+	VSS	N57_1	Networks
F145	PWR_refrigerator_option	LR-	VSS	N57_2	Networks
F147	CCust	Mo65.3	Fansdriveelectric	Pink	VSS
F148	12VD	Mo67.3	Fansdriveelectric	Pot1	Driverlights
F152	SparesVECR	Mo68.3	Fansdriveelectric	R+	VSS
F156	UNICAN_power_option	Mo69.3	Fansdriveelectric	R+TV	VSS
F199	Fansdriveelectric	Mo70.3	Fansdriveelectric	R-	VSS
F200	VSS	Mo71.3	Fansdriveelectric	R4.85	Firesuppression
F201	VSS	Mo72.3	Fansdriveelectric	R4.87A	Preheat
F202	VSS	Mo73.3	Fansdriveelectric	R5.87	Preheat
F203	VSS	N1	Networks	R12	HVACpassengers
F243	HVACpassengers	N2	Networks	R12.2	HVACpassengers
GND-1	Spec_Option	N3	Networks	R12VISS	VSS
GND-2	Spec_Option	N4	Networks	R20.87	Preheat
gnd_1	Cantrack	N5	Networks	R21.87	Ignition&enginestart
Gnd_2	Cantrack	N6	Networks	R22.87	ECUignition
GndA	Networks	N7	Networks	R23.30	I_Shift
GndG	Cadec	N8	Networks	R25.87	24Vignition
GndG1	Cadec	N9	Networks	R26.30	HVACpassengers
GREEN	120VACoutlets	N10	Networks	R27.87A	Wipers&washer
Green	Preheat	N11	Networks	R29	EngineECUVolvo
Green/White	USB	N12	Networks	R30.87	12VEnguncustomer
GRN1	VSS	N13	Networks	R31.87	12Vlgncustomer
GRN2	VSS	N14	Networks	R34.30	12VECU
IGN	Spec_Option	N15	Networks	R36.87	Horn
IN1	UNICAN	N16	Networks	R37.30	Horn
IN2	UNICAN	N17	Networks	R38.87	12Voutlets
IN3	UNICAN	N18	Networks	R40.87	TransmissionI_Shift
L+	VSS	N19	Networks	R47.87	WCL
L+TV	VSS	N20	Networks	R140	Lavatory
L-	VSS	N21	Networks	R_Starter	Ignition&enginestart
L142.3	Lavatory	N22	Networks	Radio_Gnd	VSS
L207.1	WCL	N23	Networks	Radio_R+	VSS
L207.2	WCL	N24	Networks	Radoi_L+	VSS
L207.3	WCL	N25	Networks	RED1	VSS

# CIRCUITS LIST

CircuitID	Description	CircuitID	Description	CircuitID	Description
RED2	VSS	Se40.1	ESP	spare22	Spareswires
RF+	VSS	Se40.2	ESP	spare23	Spareswires
RF-	VSS	Se45.2	Wipers&washer	spare24	Spareswires
RR+	VSS	Se46.B	Trailerparkbrake	spare25	Spareswires
RR-	VSS	Se53.C	Cluster	spare28	Spareswires
RTS	Networks	Se54.C	Cluster	spare29	Spareswires
Rts	Networks	Se55.C	Cluster	spare30	Spareswires
RX	TPMS	Se56.A	WCL	spare31	Spareswires
Rx	Cantrack	Se62.B	WCL	spare32	Spareswires
RxD	Networks	Se63.1	ESP	spare33	Spareswires
RxTx	Networks	Se63.2	ESP	spare34	Spareswires
Se4.1	Windowsajar	Se64.1	ESP	spare35	Spareswires
Se11.Sig	Cluster	Se64.2	ESP	spare39	Spareswires
Se11.Wrn	Cluster	Se67.C	ESP	spare40	Spareswires
Se13.B	EngineECUVolvo	Se69.C	ESP	spare41	Spareswires
Se14A.B	EngineECUVolvo	Se74.3	TransmissionAlisson	spare42	Spareswires
Se14B.C	EngineECUVolvo	Se75.C	Weightmonitoring	spare43	Spareswires
Se15.1	Entrancedoor	Se76.4	Entrancedoor	spare44	Spareswires
Se17.1	Entrancedoor	Se77.C	Entrancedoor	spare64	Spareswires
Se17.1/Se76.4	Entrancedoor	Se78.C	Entrancedoor	spare65	Spareswires
Se18.B	Brake	Se79.1	KneelingLevel	spare72	Spareswires
Se19_P.D	Brake	Se79.4	Kneeling	spare73	Spareswires
Se19_S.D	Brake	Se80.C	Weightmonitoring	spare210	Cadec
Se20.B	Cluster	Se100.4	WCL	spare212	Cadec
Se21.2	HVACdefroster	Shield_149	GNDstud	spare214	Cadec
Se23.C	HVACpassengers	Shield_149A	GNDstud	Spk1_L	Speakers
Se24.2	HVACpassengers	Shield_A16.7	Destinationsigns	Spk1_R	Speakers
Se24.3	HVACpassengers	SHL2	VSS	Spk2_L	Speakers
Se25.2	HVACpassengers	So9.B	HVACpassengers	Spk2_R	Speakers
Se30.A	Engine&RJBcmpt.lights	SpareWire	Spec_Option	Spk3_L	Speakers
Se32.A	TransmissionAlisson	spare1	Cadec	Spk3_R	Speakers
Se32.B	TransmissionAlisson	spare10	Spareswires	Spk4_L	Speakers
Se33.A	TransmissionAlisson	spare11	Spareswires	Spk4_R	Speakers
Se34.A	TransmissionAlisson	spare12	Spareswires	Spk5_L	Speakers
Se34.B	TransmissionAlisson	spare13	Spareswires	Spk5_R	Speakers
Se35.A	TransmissionAlisson	spare14	Spareswires	Spk6_L	Speakers
Se35.B	TransmissionAlisson	spare15	Spareswires	Spk6_R	Speakers
Se37.1	ESP	spare16	Spareswires	Spk9_L	Speakers
Se37.2	ESP	spare17	Spareswires	Spk9_R	Speakers
Se38.1	ESP	spare18	Spareswires	Spk10_L	Speakers
Se38.2	ESP	spare19	Spareswires	Spk10_R	Speakers
Se39.1	ESP	spare20	Spareswires	Spk11_L	Speakers
Se39.2	ESP	spare21	Spareswires	Spk11_R	Speakers

# CIRCUITS LIST

CircuitID	Description	CircuitID	Description	CircuitID	Description
Spk12_L	Speakers	Sw27.3	ParcelrackA/Csystem	Sw82.8	Starting_Aid
Spk12_R	Speakers	Sw27.8	ParcelrackA/Csystem	Sw82A.8	Starting_Aid
Spk13_L	Speakers	Sw29.2	Readinglamps&chime	Sw83.Acc	Ignition&enginestart
Spk13_R	Speakers	Sw29.3	Readinglamps&chime	Sw83.Ign	Ignition&enginestart
Spk14_L	Speakers	Sw29.8	Readinglamps&chime	Sw83.St	Ignition&enginestart
Spk14_R	Speakers	Sw31.A	WCL	Sw83A.4	Starting_Aid
STO-LOC	WCL	Sw32.3	Entrancedoor	Sw83A.6	Starting_Aid
Sw1.5	Frflashers	Sw33.3	Entrancedoor	Sw85.A1	Mirrors
Sw1C258.2	Wipers&washer	Sw34.1	Entrancedoor	Sw85.A3	Mirrors
Sw1C258.3	Wipers&washer	Sw34.4	Entrancedoor	Sw85.B1	Mirrors
Sw1C258.4	Wipers&washer	Sw35.3	EngineECUVolvo	Sw85.B2	Mirrors
Sw1C258.6	Wipers&washer	Sw35.8	EngineECUVolvo	Sw85.B4	Mirrors
Sw1C258.7	Wipers&washer	Sw38.2B	Driverwindow	Sw94	WCL
Sw1C258.8	Frflashers	Sw40.B	Trailerparkbrake	Sw96.N3	Readinglamps&chime
Sw1C259.1	Frflashers	Sw41.A1	Mirrors	Sw97.N1	Readinglamps&chime
Sw1C259.2	Frflashers	Sw41.A3	Mirrors	Sw100A.3	Cornering&foglights
Sw1C259.4	Frflashers	Sw41.B1	Mirrors	Sw109	Lugg_door_sw
Sw2.3	Frflashers	Sw41.B2	Mirrors	Sw110	Lugg_door_sw
Sw2.6	Frflashers	Sw41.B4	Mirrors	Sw111	Lugg_door_sw
Sw3.3	Cornering&foglights	Sw42.2	WCL	Sw112	Lugg_door_sw
Sw3.8	Cornering&foglights	Sw42.3	WCL	Sw113	Lugg_door_sw
Sw4.3	Frflashers	Sw42.4	WCL	Sw114	Lugg_door_sw
Sw4.8	Frflashers	Sw42.5	WCL	Sw115	Lugg_door_sw
Sw6.4	Wipers&washer	Sw42.6	WCL	Sw124.3	Destinationsigns
Sw10A.2B	Kneeling	Sw42.7	WCL	Sw125.B	Kneeling
Sw12.3	Destinationsigns	Sw43.B	Kneeling	Sw135.N3	Readinglamps&chime
Sw12.8	Destinationsigns	Sw44	Engine&RJBcmpt.lights	Sw140.B	Entrancedoor
Sw14.3	EngineECUVolvo	Sw46A	Engine&RJBcmpt.lights	Sw142.5	Entrancedoor
Sw14.8	EngineECUVolvo	Sw55.1	Lavatory	Sw149.2B	Readinglamps&chime
Sw16.3	Brake	Sw56.1	Lavatory	Sw149.3	Readinglamps&chime
Sw16.8	Brake	Sw57.A	WCL	Sw150.1	Cadec
Sw17.6	EngineECUVolvo	Sw58.2	Ignition&enginestart	Sw150.2	Cadec
Sw18A.2B	Lugg_door_lock	Sw58.3	Ignition&enginestart	Sw152.B	Firesuppression
Sw20.3	WCL	Sw58.5	Ignition&enginestart	Sw156.1	Mirrors
Sw20.8	WCL	Sw58.7	Ignition&enginestart	Sw156.6	Mirrors
Sw21.3	Upperdefrost	Sw59.3	Ignition&enginestart	Sw156.8	Mirrors
Sw21.8	Upperdefrost	Sw63A.3	Horn	Sw157.2B	Sunvisor
Sw24.3	Driverlights	Sw63A.4	Horn	Sw158.2B	Sunvisor
Sw24.6	Driverlights	Sw64	Kneeling	Sw313.N3	Readinglamps&chime
Sw25.3	Readinglamps&chime	Sw80.6	Starting_Aid	TR-Black	Trailerinteface
Sw25.6	Readinglamps&chime	Sw80A.6	Starting_Aid	TR-Blue	Trailerinteface
Sw26.3	Readinglamps&chime	Sw82.4	Masterrelay&12VIgn	TR-Brown	Trailerinteface
Sw26.8	Readinglamps&chime	Sw82.5	Masterrelay&12VIgn	TR-Green	Trailerinteface





# CIRCUITS LIST

CircuitID	Description	CircuitID	Description	CircuitID	Description
0	HVACpassengers	00R5	RJBelectronicGND	A1.15	TransmissionAlisson
0	GNDBatteries	0RAD	GNDChassis	A1.16	TransmissionAlisson
0A	12Voutlets	0RAD2	Fansdriveelectric	A1.18	TransmissionAlisson
00A	Entrancedoor	0RFG	GND_refrigerator_option	A1.19	TransmissionAlisson
00A1	Multiplexpower	0SS	GNDStud	A1.24	TransmissionAlisson
00A2	Cust_Adapt_Dash_Interface	0SS1	VSS	A1.25	TransmissionAlisson
0AItLL	GNDChassis	0SS2	VSS	A1.31	TransmissionAlisson
0AItR	GNDChassis	0SS2W	Cadec	A1.33	TransmissionAlisson
0AItUL	GNDChassis	0SS3	VSS	A1.36	TransmissionAlisson
0AItUR	GNDChassis	0SS9	WiFi_Pwr	A1.37	TransmissionAlisson
0B	GNDChassis	0SW	Indirectlights	A1.51	TransmissionAlisson
0C	Ignition&enginestart	0SW1	Indirectlights	A1.52	TransmissionAlisson
0chgr	Preheat	0TR-White	Trailerinterface	A1.54	TransmissionAlisson
0COND	GND_condensor_fans	0TR.White	Trailerinterface	A1.55	TransmissionAlisson
0ECU	EngineECUVolvo	00VA	RJBelectronicGND	A1.58	TransmissionAlisson
0EV2	HVACpassengers	0W	GNDStud	A1.71	TransmissionAlisson
0EVAP1	HVACpassengers	4c	wcl_extra_switch	A1.74	TransmissionAlisson
0EVAP2	HVACpassengers	12Ecu	12VECU	A1.76	TransmissionAlisson
0F	GNDCustomer	12ISH	Pwrl_Shift	A1.77	TransmissionAlisson
00F	FJBelectronicGND	12VA	Batteries	A2A.9	TransmissionAlisson
00F1	Multiplexpower	12VD	Batteries	A2A.11	TransmissionAlisson
00F2	Multiplexpower	12VD1	12VD	A3.1	TransmissionAlisson
00F3	Multiplexpower	12VD4	UNICAN_power_option	A3.2	TransmissionAlisson
00F5	GNDTrailerOption			A3.3	TransmissionAlisson
00F6	Readinglamps&chime	24VA	Batteries	A3.5	TransmissionAlisson
		24VD	Batteries	A3.6	TransmissionAlisson
0FE	GNDstud	24VD2	Equalizer	A3.7	TransmissionAlisson
0FH	Wipers&washer	24VD3	Ignition&enginestart	A4B.8	TransmissionAlisson
00FH	FJBelectronicGND	24VI	24WUP	A5.B	TransmissionAlisson
00FH1	HVACdefroster	73	wcl_extra_switch	A9CX1.2	Cluster
00FH2	Multiplexpower	74A	wcl_extra_switch	A9CX1.4	ESP
00FR	FJB-RJBjunction	74B	ReadingLampsLH	A9CX1.5	ESP
		75	wcl_extra_switch	A9CX1.6	Cluster
0Lav	wcl_extra_switch	400	CTGI_Gateway	A9CX2.1	ESP
0P	120VACoutlets	401	CTGI_Gateway	A9CX2.2	ESP
0PA	GNDstud	402	CTGI_Gateway	A9CX2.3	ESP
0PR	120VACoutlets	403	Panic_Sw150	A9CX2.4	ESP
0R	GNDChassis	404	Panic_Sw150	A9CX2.6	ESP
00R	Networks	900	Networks	A9CX2.7	ESP
00R1	RJBelectronicGND	901	Networks	A9CX2.9	ESP
00R2	Multiplexpower	_00	GNDBatteries	A9CX2.10	ESP
00R3	Multiplexpower	A1.11	TransmissionAlisson	A9CX2.12	ESP
00R4	Multiplexpower	A1.12	TransmissionAlisson	A9CX2.13	ESP

# CIRCUITS LIST

CircuitID	Description	CircuitID	Description	CircuitID	Description
A9CX2.16	ESP	A34R.F3	Fansdriveelectric	A43J1.3	Lugg_door_lock
A9CX2.17	ESP	A34R.G3	Fansdriveelectric	A43J1.7	TPMS
A9CX3.2	ESP	A34R.H3	Fansdriveelectric	A43J2.1	Lugg_door_lock
A9CX3.3	ESP	A36JA.10	GNDISM	A43J2.4	Lugg_door_lock
A9CX3.5	ESP	A36JA.11	Horn	A43J2.7	EngineECUVolvo
A9CX3.7	ESP	A36JA.15	Ignition&enginestart	A43J2.10	EngineECUVolvo
A9CX3.9	ESP	A36JA.17	Ignition&enginestart	A43RJ1.17	ACB
A9CX3.10	ESP	A36JA.18	ISMClose	A43RJ1.18	ElectronicGnd
A9CX4.1	ESP	A36JA.25	Brake	A44J1.1	Upperdefrost
A9CX4.4	ESP	A36JB.2	Ignition	A44J1.3	Upperdefrost
A9CX4.7	ESP	A36JB.14	Firesuppression	A44J1.4	Entrancedoor
A9CX4.8	ESP	A39P101.1	Speakers	A44J1.7	Wipers&washer
A9CX4.10	ESP	A39P101.2	Speakers	A44J1.10	Wipers&washer
A9CX4.11	ESP	A39P101.3	Speakers	A44J1.13	Upperdefrost
A10X3.4	Preheat	A39P101.4	Speakers	A44J1.16	Horn
A10X3.6	preheat	A39P101.5	Speakers	A44J1.19	Engine&RJBcmpt.lights
A11A.2	Preheat	A39P101.6	Speakers	A44J2.1	Sunvisor
A14.A12	Cluster	A39P101.8	Speakers	A44J2.4	Sunvisor
A14.B1	Cluster	A39P101.9	Speakers	A44J2.7	Driverlights
A14.B18	Cluster	A39P901.1	Speakers	A44J2.10	Sunvisor
A14.B20	Cluster	A39P901.4	Speakers	A44J2.13	Sunvisor
A14.B21	Cluster	A39P901.5	Speakers	A44RJ1.17	Frflashers
A16.5	Destinationsigns	A39P901.6	Speakers	A44RJ1.18	Upperdefrost
A16.6	Destinationsigns	A40.3.Blue	TrailerBrakeOption	A44RJ2.2	Entrancedoor
A17.24V	Preheat	A41J1.1	Preheater_sys	A44RJ2.3	Wipers&washer
A17.AC	Preheat	A41J1.7	Shutdown	A45J1.1	HVACdefroster
A27.30	ZFsteering	A41J1.10	CTGI_Gateway	A45J1.3	HVACdefroster
A27.87A	ZFsteering	A41J1.13	Kneeling	A45J1.4	ZFsteering
A34.A5	Fansdriveelectric	A41J1.16	EngineECUVolvo	A45J1.7	12V_Ignition
A34.B5	Fansdriveelectric	A41J1.19	EngineECUVolvo	A45J1.16	Mirrors
A34.C5	Fansdriveelectric	A41RJ2.18	Kneeling	A45J2.1	HVACdefroster
A34.D5	Fansdriveelectric	A42J1.1	Kneeling	A45J2.4	HVACdefroster
A34.E5	Fansdriveelectric	A42J1.3	Kneeling	A45J2.7	Driverwindow
A34.F5	Fansdriveelectric	A42J1.4	Kneeling	A45J2.13	Driverwindow
A34.G5	Fansdriveelectric	A42J1.7	Kneeling	A45RJ1.17	Cornering&foglights
A34.H5	Fansdriveelectric	A42J1.10	Kneeling	A46J1.1	Horn
A34J.E	Fansdriveelectric	A42J1.13	Kneeling	A46J1.4	Frflashers
A34J.F	Fansdriveelectric	A42J1.16	Brake_Interlock	A46J1.7	Cornering&foglights
A34R.A3	Fansdriveelectric	A42J1.19	Brake_Interlock	A46J1.10	Frflashers
A34R.B3	Fansdriveelectric	A42J2.15	Kneeling	A46J1.13	Frflashers
A34R.C3	Fansdriveelectric	A42RJ2.14	Kneeling	A46J1.17	Frflashers
A34R.D3	Fansdriveelectric	A42RJ2.18	Kneeling	A46J2.4	Frflashers
A34R.E3	Fansdriveelectric	A43J1.1	Lugg_door_lock	A46J2.7	Frflashers

# CIRCUITS LIST

CircuitID	Description	CircuitID	Description	CircuitID	Description
A46RJ1.17	Frflashers	A50J2.1	Rrflashers	A53RJ1.17	Lavatory
A46RJ1.18	Frflashers	A50J2.7	Rrflashers	A53RJ1.18	Emergency&aislelights
A47J1.1	HVACdefroster	A50J2.10	Back-upwarnings	A53RJ2.2	ParcelrackA/Csystem
A47J1.3	HVACdefroster	A50RJ1.17	Rrflashers	A53RJ2.3	Readinglamps&chime
A47J1.4	HVACdefroster	A50RJ1.18	Rrflashers	A54J1.1	HVACpassengers
A47J1.7	Wipers&washer	A50RJ2.2	Back-upwarnings	A54J1.3	HVACpassengers
A47J1.10	Entrancedoor	A50RJ2.3	Airdryer	A54J1.4	Preheat
A47J1.13	Entrancedoor	A51J1.4	Rrflashers	A54J1.7	HVACpassengers
A47J1.16	Entrancedoor	A51J1.7	Rrstoplights	A54J1.10	Preheat
A47J1.19	Entrancedoor	A51J1.10	Rrflashers	A54J1.16	HVACpassengers
A47J2.1	HVACdefroster	A51J1.13	Rrflashers	A54J1.19	HVACpassengers
A47J2.7	Entrancedoor	A51J1.16	TransmissionAlisson	A54J2.1	ParcelrackA/Csystem
A47RJ1.6	HVACdefroster	A51J1.19	WCL	A54J2.4	HVACpassengers
A47RJ1.17	HVACdefroster	A51J2.1	Rrflashers	A54J2.7	HVACpassengers
A47RJ1.18	Entrancedoor	A51J2.4	TransmissionAlisson	A54J2.10	HVACpassengers
A47RJ2.2	Entrancedoor	A51J2.7	Rrflashers	A54J2.13	HVACpassengers
A48J1.1	Cornering&foglights	A51J2.10	Rrflashers	A54J2.15	HVACpassengers
A48J1.4	Cornering&foglights	A51J2.15	Starting_Aid	A54RJ1.6	HVACpassengers
A48J1.7	Frflashers	A51RJ1.17	Rrflashers	A54RJ1.17	HVACpassengers
A48J1.10	Frflashers	A51RJ1.18	WCL	A54RJ1.18	ParcelrackA/Csystem
A48J2.1	Frflashers	A51RJ2.14	Starting_Aid	A54RJ2.2	HVACpassengers
A48J2.4	Frflashers	A52J1.1	Fansdriveelectric	A54RJ2.3	HVACpassengers
A48J2.13	Frflashers	A52J1.3	Fansdriveelectric	A55J1.1	Driverlights
A48RJ1.17	Cornering&foglights	A52J1.4	Lavatory	A55J1.3	Weightmonitoring
A48RJ1.18	Frflashers	A52J1.7	Engine&RJBcmpt.lights	A55J1.4	Cluster
A48RJ2.2	Frflashers	A52J1.10	Ignition&enginestart	A55J1.7	Back-upcamera
A49J1.1	Fansdriveelectric	A52J1.13	RJBFan	A55J1.10	Entrancedoor
A49J1.3	Fansdriveelectric	A52J2.1	Alternators	A55J2.15	Steering
A49J1.4	Kneeling	A52J2.4	Alternators	A55RJ1.18	Weightmonitoring
A49J1.7	Cadec	A52J2.13	Ignition&enginestart	A56J1.3	Cluster
A49J1.16	Starting_Aid	A52RJ1.17	GNDMUXmodules	A56J1.4	Cluster
A49J2.1	Alternators	A52RJ1.18	Engine&RJBcmpt.lights	A56J1.7	Cluster
A49J2.13	Brake	A53J1.1	ParcelrackA/Csystem	A56J1.10	Cluster
A49J2.15	Weightmonitoring	A53J1.3	ParcelrackA/Csystem	A56J1.13	Multiplexpower
A49RJ1.6	Weightmonitoring	A53J1.4	Lavatory	A56J1.19	VSS
A49RJ1.17	Kneeling	A53J1.7	Curblights	A56J2.15	Lugg_door_lock
A49RJ1.18	Cadec	A53J1.10	Curblights	A56RJ1.18	Windowsajar
A49RJ2.2	Fansdriveelectric	A53J1.13	Lavatory	A57J1.1	WCL
		A53J2.1	Indirectlights	A57J1.3	WCL
A50J1.4	Airdryer	A53J2.4	Readinglamps&chime	A57J1.4	WCL
A50J1.7	Back-upwarnings	A53J2.7	Lavatory	A57J1.10	WCL
A50J1.13	Rrflashers	A53J2.10	Readinglamps&chime		
A50J1.19	Rrflashers	A53J2.13	Emergency&aislelights	A57RJ1.18	GNDMUXmodules

# CIRCUITS LIST

CircuitID	Description	CircuitID	Description	CircuitID	Description
A60.Gnd	VSS	A109A.7	TransmissionI_Shift	A137A.56	Ureasystem
A60.L	VSS	A109A.8	TransmissionI_Shift	A137A.59	Ureasystem
A60.R	VSS	A109A.9	TransmissionI_Shift	A137A.62	Ureasystem
A77.A	Equalizer	A109A.10	TransmissionI_Shift	A138.3	Ureasystem
A77.F	Equalizer	A113.Gnd	VSS	A138.12	Ureasystem
A77.H	Equalizer	A113.L	VSS	A150.4	Starting_Aid
A78.3	Equalizer	A113.R	VSS	A150.GND	VSS
A78.4	Equalizer	A113D.1	VSS	A150.L	VSS
A79.3	Equalizer	A113D.2	VSS	A150.R	VSS
A80.3	Equalizer	A113D.5	VSS	A151B.1	USB
A80.4	Equalizer	A120A.5	VSS	A151B.2	USB_Gnd
A81JB.4	EngineECUVolvo	A120B.3	VSS	A153A.5	VSS
A81JB.6	ZFsteering	A120B.4	VSS	A160.12	12WUP
A81JB.10	EngineECUVolvo	A120B.5	VSS	A190GND	Wifi_Chassis_Gnd
A81JB.15	Ignition&enginestart	A120B.6	VSS	Alt_LL.2	Alternators
A81JB.16	EngineECUVolvo	A120C.4	VSS	Alt_LR.2	Alternators
A81JB.17	EngineECUVolvo	A121A.18	VSS	Alt_UR.2	Alternators
A81JB.19	EngineECUVolvo	A121B.16	VSS	AltLL	Alternators
A81JB.22	EngineECUVolvo	A121B.17	VSS	AltLR	Alternators
A81JB.23	EngineECUVolvo	A121C.7	VSS	AltUL	Alternators
A81JB.25	EngineECUVolvo	A121C.11	VSS	AltUR	Alternators
A81JB.26	EngineECUVolvo	A121C.12	VSS	Aux24V	Starting_Aid
A85.A	12WUP	A121C.13	VSS	AuxVideoGnd	VSS
A85.B	GND_Aux_Batteries	A121C.15	VSS	AuxVideoL	VSS
A86.3	Starting_Aid	A130.3	Firesuppression	AuxVideoR	VSS
A96.8.Black	TPMS	A130.4	Firesuppression	B85.2	Ureasystem
A96.23.Red	TPMS	A130.6	Firesuppression	B97.2	Ureasystem
A96.24.Black	TPMS	A130.8	Firesuppression	B98.2	Ureasystem
A96.25.Red	TPMS	A130.11	Firesuppression	B115A.3	Ureasystem
A96.27.Black	TPMS	A131A.C	Firesuppression	BatAux24V	24WUP
A96.28.Red	TPMS	A131B.A	Firesuppression	BLACK	120VACoutlets
A100.3.White	TPMS	A131B.C	Firesuppression	Black	Preheat
A101.3.White	TPMS	A137A.4	Ureasystem	Black.1	Readinglamps&chime
A101.7.White	TPMS	A137A.7	Ureasystem	Black.3	Readinglamps&chime
A102.3.White	TPMS	A137A.8	Ureasystem	Black.4	Readinglamps&chime
A103.1	Steering	A137A.24	Ureasystem		
A103.3	Steering	A137A.28	Ureasystem	BLK1	VSS
A103.5	Horn	A137A.40	Ureasystem	BLK2	VSS
A108.5	TransmissionI_Shift	A137A.44	Ureasystem	Blue	Audio
A108.7	TransmissionI_Shift	A137A.49	Ureasystem		
A108.8	TransmissionI_Shift	A137A.50	Ureasystem	BussBar	12VtoCB10
A108.9	TransmissionI_Shift	A137A.51	Ureasystem	C41.A	Preheat
A108.10	TransmissionI_Shift	A137A.54	Ureasystem	CanH2	Spareswires

# CIRCUITS LIST

CircuitID	Description	CircuitID	Description	CircuitID	Description
CanL2	Spareswires	DLOHS	Spareswires	F33	Multiplexpower
CB1	24WUP	DL0L	Spareswires	F34	Multiplexpower
CB2	Ignition&enginestart	DL0LS	Spareswires	F35	Multiplexpower
CB3	HVACpassengers	DL1H	Networks	F36	Startswitch
CB5	24WUP	DL1L	Networks	F37	Entrancedoor
CB6	24VD	DL2H	Networks	F39	24VDcustomer
CB8	12WUP	DL2L	Networks	F40	Firesuppression
CB9	Preheat	DL3H	Networks	F41	
CB10	12WUP	DL3L	Networks	F42	Transmissionl_Shift
CB11	VSS	DL7H	NetworksECU	F43	Transmissionl_Shift
CB13	12OVACoutlets	DL7L	NetworksECU	F44	Multiplexpower
CB13A1	3inverterOption	DL9H	NetworksECU	F45	Multiplexpower
CB13A2	3inverterOption	DL9L	NetworksECU	F46	Multiplexpower
CB13B	3inverterOption	DL10H	J1939_Gateway	F47	Multiplexpower
CB48	Frflashers	DL10L	J1939_Gateway	F50	HVACdefroster
CB117	TrailerElecOption	DL100H	J939_FMSGateway	F51	Destinationsigns
CB119	TrailerElecOption	DL100L	J939_FMSGateway	F52	FMSGateway
CB128	24VD	Drain	Audio	F53	VSS
CB201	Fansdriveelectric	DVD_Gnd	VSS	F55	Back-upcamera
CB202	Fansdriveelectric	DVD_L+	VSS	F73	EngineECUVolvo
CB203	Fansdriveelectric	DVD_R+	VSS	F90	Ureasystem
CB204	Fansdriveelectric	EI.7	Cluster	F91	EngineECUVolvo
CB205	Fansdriveelectric	EI.18	EngineECUVolvo	F95	FMSGateway
CB206	Fansdriveelectric	EMS.EB29	Ignition&enginestart	F96	Ureasystem
CB207	Fansdriveelectric	F4	Transmissionl_Shift	F99	EngineECUVolvo
CB208	Fansdriveelectric	F10	Cluster	F100	EngineECUVolvo
CB301.Black	TrailerElecOption	F11	Horn	F101	R1toStarter
Cd1	Networks	F13	12VDCustomer	F102	3InverterOption
CTS	Networks	F15	TWG_Pwr	F103	24Wup
Cts	Networks	F16	12VEng.run	F106	Multiplexpower
D1	Starting_Aid	F17	Multiplexpower	F107	Multiplexpower
D7	Entrancedoor	F18	Multiplexpower	F108	Networks
D9	Preheat	F19	Multiplexpower	F109	Engine&RJBcmpt.lights
D12	Horn	F20	Multiplexpower	F110	TransmissionAlisson
D13	Horn	F21	Multiplexpower	F112	SparesVECR
D44	Ignition&enginestart	F22	ELD	F116	24WUP
D45	Starting_Aid	F23	ESP	F117	SparesVECR
D45.B	Starting_Aid	F24	Cust_Adapt_Dash_Interface	F118	TrailerElecOption
D46	Ignition&enginestart	F25	12Voutlets	F121	CCust
D55	Readinglamps&chime	F26	BifoldDoorOption	F122	Equalizer
D64.A	HVACpassengers	F27	SparesVECF	F123	Preheat
D64.B	HVACpassengers	F29	ECUignition	F124	Preheat
DLOH	Spareswires	F30	Networks	F126	HVACpassengers

# CIRCUITS LIST

CircuitIDPWR	Description	CircuitID	Description	CircuitID	Description
F127	Preheat	L207.1	WCL	N23	Networks
F131	CCust	L207.2	WCL	N24	Networks
F132	Multiplexpower	L207.3	WCL	N25	Networks
F133	Multiplexpower	L207.GND	WCL	N26	Networks
F134	Multiplexpower	L350A.B2	EngineECUVolvo	N27	Networks
F135	Multiplexpower	L400.G	Engineheateroutlet	N28	Networks
F136	Multiplexpower	L400.L	Engineheateroutlet	N29	Networks
F138	Readinglamps&chime	L400.N	Engineheateroutlet	N30	Networks
F139	Alternators	LF+	VSS	N31	Networks
F141	HVACpassengers	LF-	VSS	N56-1	Networks
F142	HVACpassengers	LightGreen	USB	N56-2	Networks
F143	HVACpassengers	LR+	VSS	N57_1	Networks
F144	HVACpassengers	LR-	VSS	N57_2	Networks
F145	PWR_refrigerator_option	Mo65.3	Fansdriveelectric	Pink	VSS
F147	CCust	Mo67.3	Fansdriveelectric	Pot1	Driverlights
F148	12VD	Mo68.3	Fansdriveelectric		
F152	SparesVECR	Mo69.3	Fansdriveelectric	R+	VSS
F156	UNICAN_power_option	Mo70.3	Fansdriveelectric	R+TV	VSS
F199	Fansdriveelectric	Mo71.3	Fansdriveelectric	R-	VSS
F200	VSS	Mo72.3	Fansdriveelectric	R4.85	Firesuppression
F201	VSS	Mo73.3	Fansdriveelectric	R4.87A	Preheat
F202	VSS	N1	Networks	R5.87	Preheat
F203	VSS	N2	Networks	R12	HVACpassengers
F214	WiFi_Pwr	N3	Networks	R12.2	HVACpassengers
F243	HVACpassengers	N4	Networks	R12VISS	VSS
gnd_1	Cantrack	N5	Networks	R20.87	Preheat
Gnd_2	Cantrack	N6	Networks	R21.87	RJBoutswitch
GndA	Networks	N7	Networks	R21.B	ISM
GndG	GndCadec	N8	Networks	R22.87	ECUignition
GREEN	120VACoutlets	N9	Networks	R23.30	I_Shift
Green	Preheat	N10	Networks	R25.87	24Vignition
Green/White	USB	N11	Networks	R26.30	HVACpassengers
GRN1	VSS	N12	Networks	R27.87A	Wipers&washer
GRN2	VSS	N13	Networks	R29	EngineECUVolvo
IN1	UNICAN	N14	Networks	R30.87	12VEngruncustomer
IN2	UNICAN	N15	Networks	R31.87	12Vlgncustomer
IN3	UNICAN	N16	Networks	R34.30	12VECU
JMP6-10	Cust_Adaptation	N17	Networks	R36.87	Horn
		N18	Networks	R37.30	Horn
L+	VSS	N19	Networks	R38.87	12Voutlets
L+TV	VSS	N20	Networks	R40.87	TransmissionI_Shift
L-	VSS	N21	Networks	R47.87	WCL
L142.3	Lavatory	N22	Networks	R51.87.Yellow	Trailerinteface

# CIRCUITS LIST

CircuitID	Description	CircuitID	Description	CircuitID	Description
R52.87.Green	Trailerinterface	Se32.A	TransmissionAlisson	SHL2	VSS
R53.30.Red	TrailerLectOption	Se32.B	TransmissionAlisson	So9.B	HVACpassengers
R54.87	Trailer	Se33.A	TransmissionAlisson	spare10	Spareswires
R55.30.Brown	Trailer	Se34.A	TransmissionAlisson	spare11	Spareswires
R140	Lavatory	Se34.B	TransmissionAlisson	spare12	Spareswires
R210.B	ISM_Prack	Se35.A	TransmissionAlisson	spare13	Spareswires
R_Inv	InverterPwr	Se35.B	TransmissionAlisson	spare14	Spareswires
R_Starter	Ignition&enginestart	Se37.1	ESP	spare15	Spareswires
Radio_Gnd	VSS	Se37.2	ESP	spare16	Spareswires
Radio_R+	VSS	Se38.1	ESP	spare17	Spareswires
Radoi_L+	VSS	Se38.2	ESP	spare18	Spareswires
RED	VSS	Se39.1	ESP	spare19	Spareswires
RED1	VSS	Se39.2	ESP	spare20	Spareswires
RED2	VSS	Se40.1	ESP	spare21	Spareswires
RF+	VSS	Se40.2	ESP	spare22	Spareswires
RF-	VSS	Se45.2	Wipers&washer	spare23	Spareswires
RR+	VSS	Se46.B	Trailerparkbrake	spare24	Spareswires
RR-	VSS	Se49	HVACpassengers	spare25	Spareswires
RTS	Networks	Se51.2	Wip.WasherLevel	spare28	Spareswires
Rts	Networks	Se53.C	Cluster	spare29	Spareswires
RX	TPMS	Se54.C	Cluster	spare30	Spareswires
Rx	Cantrack	Se55.C	Cluster	spare31	Spareswires
RxD	Networks	Se56.A	WCL	spare32	Spareswires
RxTx	Networks	Se62.B	WCL	spare33	Spareswires
Se4.1	Windowsajar	Se63.1	ESP	spare34	Spareswires
Se11.Sig	Cluster	Se63.2	ESP	spare35	Spareswires
Se11.Wrn	Cluster	Se64.1	ESP	spare39	Spareswires
Se13.B	EngineECUVolvo	Se64.2	ESP	spare40	Spareswires
Se14A.B	EngineECUVolvo	Se67.C	ESP	spare41	Spareswires
Se14B.C	EngineECUVolvo	Se69.C	ESP	spare42	Spareswires
Se15.1	Entrancedoor	Se74.3	TransmissionAlisson	spare43	Spareswires
Se17.1	Entrancedoor	Se75.C	Weightmonitoring	spare44	Spareswires
Se17.1/Se76.4	Entrancedoor	Se76.4	Entrancedoor	spare64	Spareswires
Se18.B	Brake	Se77.C	Entrancedoor	spare65	Spareswires
Se19_P.D	Brake	Se78.C	Entrancedoor	spare72	Spareswires
Se19_S.D	Brake	Se79.1	KneelingLevel	spare73	Spareswires
Se20.B	Cluster	Se79.4	Kneeling	spare210	Cadec
Se21.2	HVACdefroster	Se80.C	Weightmonitoring	spare211	Cadec
Se23.C	HVACpassengers	Se94.A	WCL	spare212	Cadec
Se24.2	HVACpassengers	Se100.4	WCL	spare213	Cadec
Se24.3	HVACpassengers	Shield_149	GNDstud	Spk1_L	Speakers
Se25.2	HVACpassengers	Shield_149A	GNDstud	Spk1_R	Speakers
Se30.A	Engine&RJBcmpt.lights	Shield_A16.7	Destinationsigns	Spk2_L	Speakers



# CIRCUITS LIST

CircuitID	Description	CircuitID	Description	CircuitID	Description
Spk2_R	Speakers	Sw14.8	EngineECUVolvo	Sw46A	Engine&RJBcmpt.lights
Spk3_L	Speakers	Sw16.3	Brake	Sw55.1	Lavatory
Spk3_R	Speakers	Sw16.8	Brake	Sw56.1	Lavatory
Spk4_L	Speakers	Sw17.6	EngineECUVolvo	Sw57.A	WCL
Spk4_R	Speakers	Sw18A.2B	Lugg_door_lock	Sw58.2	Ignition&enginestart
Spk5_L	Speakers	Sw20.3	WCL	Sw58.3	Ignition&enginestart
Spk5_R	Speakers	Sw20.8	WCL	Sw58.5	Ignition&enginestart
Spk6_L	Speakers	Sw21.3	Upperdefrost	Sw58.7	Ignition&enginestart
Spk6_R	Speakers	Sw21.8	Upperdefrost	Sw59.3	Ignition&enginestart
Spk9_L	Speakers	Sw24.3	Driverlights	Sw63A.3	Horn
Spk9_R	Speakers	Sw24.6	Driverlights	Sw63A.4	Horn
Spk10_L	Speakers	Sw24A.3	Driverlights	Sw64	Kneeling
Spk10_R	Speakers	Sw25.3	Readinglamps&chime	Sw80.6	Starting_Aid
Spk11_L	Speakers	Sw25.6	Readinglamps&chime	Sw80A.6	Starting_Aid
Spk11_R	Speakers	Sw26.3	Readinglamps&chime	Sw82.4	Masterrelay&12VIgn
Spk12_L	Speakers	Sw26.8	Readinglamps&chime	Sw82.5	Masterrelay&12VIgn
Spk12_R	Speakers	Sw27.3	ParcelrackA/Csystem	Sw82.8	Starting_Aid
Spk13_L	Speakers	Sw27.8	ParcelrackA/Csystem	Sw82A.8	Starting_Aid
Spk13_R	Speakers	Sw29.2	Readinglamps&chime	Sw83.Acc	Ignition&enginestart
Spk14_L	Speakers	Sw29.3	Readinglamps&chime	Sw83.Ign	Ignition&enginestart
Spk14_R	Speakers	Sw29.8	Readinglamps&chime	Sw83.St	Ignition&enginestart
STO-LOC	WCL	Sw31.A	WCL	Sw83.St.Rtn	Ignition&enginestart
Sw1.5	Frflashers	Sw32.3	Entrancedoor	Sw83A.4	Starting_Aid
Sw1C258.2	Wipers&washer	Sw33.3	Entrancedoor	Sw83A.6	Starting_Aid
Sw1C258.3	Wipers&washer	Sw34.1	Entrancedoor	Sw85.A1	Mirrors
Sw1C258.4	Wipers&washer	Sw34.4	Entrancedoor	Sw85.A3	Mirrors
Sw1C258.6	Wipers&washer	Sw35.3	EngineECUVolvo	Sw85.B1	Mirrors
Sw1C258.7	Wipers&washer	Sw35.8	EngineECUVolvo	Sw85.B2	Mirrors
Sw1C258.8	Frflashers	Sw38.2B	Driverwindow	Sw85.B4	Mirrors
Sw1C259.1	Frflashers	Sw40.B	Trailerparkbrake	Sw94	WCL
Sw1C259.2	Frflashers	Sw41.A1	Mirrors	Sw96.N3	Readinglamps&chime
Sw1C259.4	Frflashers	Sw41.A3	Mirrors	Sw97.N1	Readinglamps&chime
Sw2.3	Frflashers	Sw41.B1	Mirrors	Sw100A.3	Cornering&foglights
Sw2.6	Frflashers	Sw41.B2	Mirrors	Sw109	Lugg_door_sw
Sw3.3	Cornering&foglights	Sw41.B4	Mirrors	Sw110	Lugg_door_sw
Sw3.8	Cornering&foglights	Sw42.2	WCL	Sw111	Lugg_door_sw
Sw4.3	Frflashers	Sw42.3	WCL	Sw112	Lugg_door_sw
Sw4.8	Frflashers	Sw42.4	WCL	Sw113	Lugg_door_sw
Sw6.4	Wipers&washer	Sw42.5	WCL	Sw114	Lugg_door_sw
Sw10A.2B	Kneeling	Sw42.6	WCL	Sw115	Lugg_door_sw
Sw12.3	Destinationsigns	Sw42.7	WCL	Sw124.3	Destinationsigns
Sw12.8	Destinationsigns	Sw43.B	Kneeling	Sw125.B	Kneeling
Sw14.3	EngineECUVolvo	Sw44	Engine&RJBcmpt.lights	Sw135.N3	Readinglamps&chime

## CIRCUITS LIST

CircuitID	Description				
Sw140.B	Entrancedoor				
Sw142.5	Entrancedoor				
Sw149.2B	ReadinglampsCancelSw				
Sw149.3	Readinglamps&chime				
Sw152.B	Firesuppression				
Sw156.1	Mirrors				
Sw156.6	Mirrors				
Sw156.8	Mirrors				
Sw157.2B	Sunvisor				
Sw158.2B	Sunvisor				
Sw313.N3	Readinglamps&chime				
Sw662.3	Cust_Adaptation				
Sw663.3	Roof_Hatch_Fans				
TR-Black	VECT				
TR-Blue	VECT				
TR-Brown	VECT				
TR-Green	Trailerinterface				
TR-Red	Trailerinterface				
TR-Yellow	VECT				
Tv.Gnd	VSS				
TV.L	VSS				
TV.R	VSS				
TvGnd	VSS				
TWU.3	WCL				
TX	TPMS				
Tx	Cantrack				
TxD	Networks				
ve+	Cantrack				
VECPR4.H	24VDISMPRack				
WHITE	120VACoutlets				
White	Preheat				
WHT1	VSS				
WHT2	VSS				
YelGrn	Readinglamps&chime				

# CIRCUITS LIST

CircuitID	Description	CircuitID	Description	CircuitID	Description
0	HVACpassengers	00R2	Multiplexpower	_00	GNDBatteries
0	GNDBatteries	00R3	Multiplexpower	A1.11	TransmissionAlisson
0A	12Voutlets	00R4	Multiplexpower	A1.12	TransmissionAlisson
00A	Entrancedoor	00R5	RJBelectronicGND	A1.15	TransmissionAlisson
00A1	Multiplexpower	0RAD	GNDChassis	A1.16	TransmissionAlisson
00A2	Cust_Adapt_Dash_Interface	0RAD2	Fansdriveelectric	A1.18	TransmissionAlisson
0AltL	GNDChassis	0RFG	GND_refrigerator_option	A1.19	TransmissionAlisson
0AltLL	GNDChassis	0SS	GNDStud	A1.24	TransmissionAlisson
0AltR	GNDChassis	0SS1	VSS	A1.25	TransmissionAlisson
0AltUL	GNDChassis	0SS2	VSS	A1.31	TransmissionAlisson
0AltUR	GNDChassis	0SS2W	Cust_Adapt_WiFi	A1.33	TransmissionAlisson
0B	GNDChassis	0SS3	VSS	A1.36	TransmissionAlisson
0C	Ignition&enginestart	0SS5	Wifi_Chassis_Gnd	A1.37	TransmissionAlisson
0chgr	Preheat	0SS9	WiFi_Pwr	A1.51	TransmissionAlisson
0COND	GND_condensor_fans	0SW	Indirectlights	A1.52	TransmissionAlisson
0ECU	EngineECUVolvo	0SW1	Indirectlights	A1.54	TransmissionAlisson
0EV2	HVACpassengers	0TR-White	Trailerinterface	A1.55	TransmissionAlisson
0EVAP1	HVACpassengers	0TR.White	Trailerinterface	A1.58	TransmissionAlisson
0EVAP2	HVACpassengers	00VA	RJBelectronicGND	A1.71	TransmissionAlisson
0F	GNDCustomer	0W	GNDStud	A1.74	TransmissionAlisson
00F	Cust_Adaptation_DriveCam	4c	wcl_extra_switch	A1.76	TransmissionAlisson
00F1	Multiplexpower	4DD	Readinglamps&chime	A1.77	TransmissionAlisson
00F2	Multiplexpower	12Ecu	12VECU	A2A.9	TransmissionAlisson
00F3	Multiplexpower	12ISH	Pwrl_Shift	A2A.11	TransmissionAlisson
00F5	GNDTrailerOption	12VA	Batteries	A3.1	TransmissionAlisson
00F6	Readinglamps&chime	12VD	Batteries	A3.2	TransmissionAlisson
0FB1	UpperwipersGND	12VD1	12VD	A3.3	TransmissionAlisson
0FB4	12VDCustomer	12VD4	UNICAN_power_option	A3.5	TransmissionAlisson
0FD	InvertersGND	12Wup1	Cust_Adapt_WiFi	A3.6	TransmissionAlisson
0FE	GNDstud	24VA	Batteries	A3.7	TransmissionAlisson
0FH	Wipers&washer	24VD	Batteries	A4B.8	TransmissionAlisson
00FH	FJBelectronicGND	24VD2	Equalizer	A5.B	TransmissionAlisson
00FH1	HVACdefroster	24VD3	Ignition&enginestart	A9CX1.2	Cluster
00FH2	Multiplexpower	24VI	24WUP	A9CX1.4	ESP
00FR	FJB-RJBjunction	73	wcl_extra_switch	A9CX1.5	ESP
0Inv	3invertersOption	74A	wcl_extra_switch	A9CX1.6	Cluster
0Lav	wcl_extra_switch	74B	ReadingLampsLH	A9CX2.1	ESP
0P	120VACoutlets	75	wcl_extra_switch	A9CX2.2	ESP
0PA	GNDstud	400	CTGI_Gateway	A9CX2.3	ESP
0PR	120VACoutlets	401	CTGI_Gateway	A9CX2.4	ESP
0R	GNDChassis	402	CTGI_Gateway	A9CX2.6	ESP
0OR	Networks	900	Networks	A9CX2.7	ESP
0OR1	Masterrelay&12VIgn	901	Networks	A9CX2.9	ESP

# CIRCUITS LIST

CircuitID	Description	CircuitID	Description	CircuitID	Description
A9CX2.10	ESP	A34R.E3	Fansdriveelectric	A43J1.3	Lugg_door_lock
A9CX2.12	ESP	A34R.F3	Fansdriveelectric	A43J1.7	TPMS
A9CX2.13	ESP	A34R.G3	Fansdriveelectric	A43J2.1	Lugg_door_lock
A9CX2.16	ESP	A34R.H3	Fansdriveelectric	A43J2.4	Lugg_door_lock
A9CX2.17	ESP	A36JA.10	Ignition&enginestart	A43J2.7	EngineECUVolvo
A9CX3.2	ESP	A36JA.11	Horn	A43J2.10	EngineECUVolvo
A9CX3.3	ESP	A36JA.15	Ignition&enginestart	A43RJ1.17	ACB
A9CX3.5	ESP	A36JA.17	Ignition&enginestart	A44J1.1	Upperdefrost
A9CX3.7	ESP	A36JA.18	Ignition&enginestart	A44J1.3	Upperdefrost
A9CX3.9	ESP	A36JA.25	Brake	A44J1.4	Entrancedoor
A9CX3.10	ESP	A36JB.2	Ignition	A44J1.7	Wipers&washer
A9CX4.1	ESP	A36JB.14	Firesuppression	A44J1.10	Wipers&washer
A9CX4.4	ESP	A39P101.1	Speakers	A44J1.13	Upperdefrost
A9CX4.7	ESP	A39P101.2	Speakers	A44J1.16	Horn
A9CX4.8	ESP	A39P101.3	Speakers	A44J1.19	Engine&RJBcmpt.lights
A9CX4.10	ESP	A39P101.4	Speakers	A44J2.1	Sunvisor
A9CX4.11	ESP	A39P101.5	Speakers	A44J2.4	Sunvisor
A10X3.4	Preheat	A39P101.6	Speakers	A44J2.7	Driverlights
A10X3.6	preheat	A39P101.8	Speakers	A44J2.10	Sunvisor
A11A.2	Preheat	A39P101.9	Speakers	A44J2.13	Sunvisor
A14.A12	Cluster	A39P901.1	Speakers	A44RJ1.17	Frflashers
A14.B1	Cluster	A39P901.4	Speakers	A44RJ1.18	Upperdefrost
A14.B18	Cluster	A39P901.5	Speakers	A44RJ2.2	Entrancedoor
A14.B20	Cluster	A39P901.6	Speakers	A44RJ2.3	Wipers&washer
A14.B21	Cluster	A40.3.Blue	Trailer	A45J1.1	HVACdefroster
A17.24V	Preheat	A41J1.1	Preheater_sys	A45J1.3	HVACdefroster
A17.AC	Preheat	A41J1.7	Shutdown	A45J1.4	ZFsteering
A27.30	ZFsteering	A41J1.13	Kneeling	A45J1.7	Destinationsigns
A27.87A	ZFsteering	A41J1.16	EngineECUVolvo	A45J1.16	Mirrors
A34.A5	Fansdriveelectric	A41J1.19	EngineECUVolvo	A45J2.1	HVACdefroster
A34.B5	Fansdriveelectric	A41RJ2.18	Kneeling	A45J2.4	HVACdefroster
A34.C5	Fansdriveelectric	A42J1.1	Kneeling	A45J2.7	Driverwindow
A34.D5	Fansdriveelectric	A42J1.3	Kneeling	A45J2.13	Driverwindow
A34.E5	Fansdriveelectric	A42J1.4	Kneeling	A45RJ1.17	Cornering&foglights
A34.F5	Fansdriveelectric	A42J1.7	Kneeling	A46J1.1	Horn
A34.G5	Fansdriveelectric	A42J1.10	Kneeling	A46J1.4	Frflashers
A34.H5	Fansdriveelectric	A42J1.13	Kneeling	A46J1.7	Cornering&foglights
A34J.E	Fansdriveelectric	A42J1.16	Brake_Interlock	A46J1.10	Frflashers
A34J.F	Fansdriveelectric	A42J1.19	Brake_Interlock	A46J1.13	Frflashers
A34R.A3	Fansdriveelectric	A42J2.15	Kneeling	A46J1.17	Frflashers
A34R.B3	Fansdriveelectric	A42RJ2.14	Kneeling	A46J2.4	Frflashers
A34R.C3	Fansdriveelectric	A42RJ2.18	Kneeling	A46J2.7	Frflashers
A34R.D3	Fansdriveelectric	A43J1.1	Lugg_door_lock	A46RJ1.17	Frflashers

# CIRCUITS LIST

CircuitID	Description	CircuitID	Description	CircuitID	Description
A46RJ1.18	Frflashers	A50J2.1	Rrflashers	A53RJ1.17	Lavatory
A47J1.1	HVACdefroster	A50J2.7	Rrflashers	A53RJ1.18	Emergency&aislelights
A47J1.3	HVACdefroster	A50J2.10	Back-upwarnings	A53Rj1.18	Emergency&aislelights
A47J1.4	HVACdefroster	A50RJ1.17	Rrflashers	A53RJ2.2	ParcelrackA/Csystem
A47J1.7	Wipers&washer	A50RJ1.18	Rrflashers	A53RJ2.3	Readinglamps&chime
A47J1.10	Entrancedoor	A50RJ2.2	Back-upwarnings	A54J1.1	HVACpassengers
A47J1.13	Entrancedoor	A50RJ2.3	Airdryer	A54J1.3	HVACpassengers
A47J1.16	Entrancedoor	A51J1.4	Rrflashers	A54J1.4	Preheat
A47J1.19	Entrancedoor	A51J1.7	Rr_stop_lights	A54J1.7	HVACpassengers
A47J2.1	HVACdefroster	A51J1.10	Rrflashers	A54J1.10	Preheat
A47J2.7	Entrancedoor	A51J1.13	Rrflashers	A54J1.16	HVACpassengers
A47RJ1.6	HVACdefroster	A51J1.16	TransmissionAlisson	A54J1.19	HVACpassengers
A47RJ1.17	HVACdefroster	A51J1.19	WCL	A54J2.1	ParcelrackA/Csystem
A47RJ1.18	Entrancedoor	A51J2.1	Rrflashers	A54J2.4	HVACpassengers
A47RJ2.2	Entrancedoor	A51J2.4	TransmissionAlisson	A54J2.7	HVACpassengers
A48J1.1	Cornering&foglights	A51J2.7	Rrflashers	A54J2.10	HVACpassengers
A48J1.4	Cornering&foglights	A51J2.10	Rrflashers	A54J2.13	HVACpassengers
A48J1.7	Frflashers	A51J2.15	Starting_Aid	A54J2.15	HVACpassengers
A48J1.10	Frflashers	A51RJ1.17	Rrflashers	A54RJ1.6	HVACpassengers
A48J2.1	Frflashers	A51RJ1.18	WCL	A54RJ1.17	HVACpassengers
A48J2.4	Frflashers	A51RJ2.14	Starting_Aid	A54RJ1.18	ParcelrackA/Csystem
A48J2.13	Frflashers	A52J1.1	Fansdriveelectric	A54RJ2.2	HVACpassengers
A48RJ1.17	Cornering&foglights	A52J1.3	Fansdriveelectric	A54RJ2.3	HVACpassengers
A48RJ1.18	Frflashers	A52J1.4	Lavatory	A55J1.1	Driverlights
A48RJ2.2	Frflashers	A52J1.7	Engine&RJBcmpt.lights	A55J1.3	Weightmonitoring
A49J1.1	Fansdriveelectric	A52J1.10	Ignition&enginestart	A55J1.4	Cluster
A49J1.3	Fansdriveelectric	A52J1.13	RJBFan	A55J1.7	Back-upcamera
A49J1.4	Kneeling	A52J2.1	Alternators	A55J1.10	Entrancedoor
A49J1.7	Cadec	A52J2.4	Alternators	A55J2.15	Steering
A49J1.16	Starting_Aid	A52J2.13	Ignition&enginestart	A55RJ1.18	Weightmonitoring
A49J2.1	Alternators	A52RJ1.17	GNDMUXmodules	A56J1.3	Cluster
A49J2.10	Pre heat	A52RJ1.18	Engine&RJBcmpt.lights	A56J1.4	Cluster
A49J2.13	Brake	A53J1.1	ParcelrackA/Csystem	A56J1.7	Cluster
A49J2.15	Weightmonitoring	A53J1.3	ParcelrackA/Csystem	A56J1.10	Cluster
A49RJ1.6	Weightmonitoring	A53J1.4	Lavatory	A56J1.13	Multiplexpower
A49RJ1.17	Kneeling	A53J1.7	Curblights	A56J1.19	VSS
A49RJ1.18	Cadec	A53J1.10	Curblights	A56J2.15	Lugg_door_lock
A49RJ2.2	Fansdriveelectric	A53J1.13	Lavatory	A56RJ1.18	Windowsajar
A49RJ2.3	AuxiliaryBatteries	A53J2.1	Indirectlights	A57J1.1	WCL
A50J1.4	Airdryer	A53J2.4	Readinglamps&chime	A57J1.3	WCL
A50J1.7	Back-upwarnings	A53J2.7	Lavatory	A57J1.4	WCL
A50J1.13	Rrflashers	A53J2.10	Readinglamps&chime	A57J1.10	WCL
A50J1.19	Rrflashers	A53J2.13	Emergency&aislelights	A57J1.19	WCL

# CIRCUITS LIST

CircuitID	Description	CircuitID	Description	CircuitID	Description
A57RJ1.18	GNDMUXmodules	A103.3	Steering	A137A.24	Ureasystem
A60.Gnd	VSS	A103.5	Horn	A137A.28	Ureasystem
A60.L	VSS	A108.5	TransmissionI_Shift	A137A.40	Ureasystem
A60.R	VSS	A108.7	TransmissionI_Shift	A137A.44	Ureasystem
A60_Gnd	VSS	A108.8	TransmissionI_Shift	A137A.49	Ureasystem
A60_L+	VSS	A108.9	TransmissionI_Shift	A137A.50	Ureasystem
A60_R+	VSS	A108.10	TransmissionI_Shift	A137A.51	Ureasystem
A65_Gnd	VSS	A109A.7	TransmissionI_Shift	A137A.54	Ureasystem
A65_L+	VSS	A109A.8	TransmissionI_Shift	A137A.56	Ureasystem
A65_R+	VSS	A109A.9	TransmissionI_Shift	A137A.59	Ureasystem
A77.A	Equalizer	A109A.10	TransmissionI_Shift	A137A.62	Ureasystem
A77.F	Equalizer	A113.Gnd	VSS	A138.3	Ureasystem
A77.H	Equalizer	A113.L	VSS	A138.12	Ureasystem
A78.3	Equalizer	A113.R	VSS	A150.4	Starting_Aid
A78.4	Equalizer	A113D.1	VSS	A150.GND	VSS
A79.3	Equalizer	A113D.2	VSS	A150.L	VSS
A80.3	Equalizer	A113D.5	VSS	A150.R	VSS
A80.4	Equalizer	A120A.5	VSS	A151B.1	USB
A81JB.4	EngineECUVolvo	A120B.3	VSS	A151B.2	USB_Gnd
A81JB.6	ZFsteering	A120B.4	VSS	A153A.5	VSS
A81JB.10	EngineECUVolvo	A120B.5	VSS	A160.12	12WUP
A81JB.15	Ignition&enginestart	A120B.6	VSS	A175.8	Alternators
A81JB.16	EngineECUVolvo	A120C.4	VSS	A175.10	Alternators
A81JB.17	EngineECUVolvo	A121A.18	VSS	A175.12	Alternators
A81JB.19	EngineECUVolvo	A121B.16	VSS	A190GND	Wifi_Chassis_Gnd
A81JB.22	EngineECUVolvo	A121B.17	VSS	Alt_LL.2	Alternators
A81JB.23	EngineECUVolvo	A121C.7	VSS	Alt_LR.2	Alternators
A81JB.25	EngineECUVolvo	A121C.11	VSS	Alt_UR.2	Alternators
A81JB.26	EngineECUVolvo	A121C.12	VSS	AltL	Alternators
A85.A	12WUP	A121C.13	VSS	AltLL	Alternators
A85.B	GND_Aux_Batteries	A121C.15	VSS	AltLR	Alternators
A86.3	Starting_Aid	A121D.7	VSS	AltR	Alternators
A96.8.Black	TPMS	A130.3	Firesuppression	AltUL	Alternators
A96.23.Red	TPMS	A130.4	Firesuppression	AltUR	Alternators
A96.24.Black	TPMS	A130.6	Firesuppression	Aux24V	Starting_Aid
A96.25.Red	TPMS	A130.8	Firesuppression	AuxVideoGnd	VSS
A96.27.Black	TPMS	A130.11	Firesuppression	AuxVideoL	VSS
A96.28.Red	TPMS	A131A.C	Firesuppression	AuxVideoR	VSS
A100.3.White	TPMS	A131B.A	Firesuppression	B85.2	Ureasystem
A101.3.White	TPMS	A131B.C	Firesuppression	B97.2	Ureasystem
A101.7.White	TPMS	A137A.4	Ureasystem	B98.2	Ureasystem
A102.3.White	TPMS	A137A.7	Ureasystem	B99.2	Ureasystem
A103.1	Steering	A137A.8	Ureasystem	B115A.3	Ureasystem

# CIRCUITS LIST

CircuitID	Description	CircuitID	Description	CircuitID	Description
BatAux24V	24WUP	CTS	Networks	F17	Multiplexpower
BLACK	120VACoutlets	Cts	Networks	F18	Multiplexpower
Black	Preheat	D1	Ignition&enginestart	F19	Multiplexpower
Black.1	Readinglamps&chime	D7	Entrancedoor	F20	Multiplexpower
Black.3	Readinglamps&chime	D9	Preheat	F21	Multiplexpower
Black.4	Readinglamps&chime	D12	Horn	F22	ELD
BLK	Cust_Adaptation_DriveCam	D13	Horn	F23	ESP
BLK1	VSS	D44	Ignition&enginestart	F24	Cust_Adapt_Dash_Interface
BLK2	VSS	D45	Starting_Aid	F24B	customersupply
Blue	Audio	D45.B	Starting_Aid	F24D	customersupply
BRN	ELD	D46	Ignition&enginestart	F24W	customersupply
Brown	Destinationsigns	D55	Readinglamps&chime	F25	12Voutlets
BussBar	12VtoCB10	DL0H	Networks	F26	EntranceDoor
C41.A	Preheat	DL0HS	Spareswires	F27	SparesVECF
CanH2	Spareswires	DL0L	Networks	F29	ECUignition
CanL2	Spareswires	DL0LS	Spareswires	F30	Networks
CB1	24WUP	DL1H	Networks	F33	Multiplexpower
CB2	Ignition&enginestart	DL1L	Networks	F34	Multiplexpower
CB3	HVACpassengers	DL2H	Networks	F35	Multiplexpower
CB5	24WUP	DL2L	Networks	F36	Startswitch
CB6	24VD	DL3H	Networks	F37	Entrancedoor
CB8	12WUP	DL3L	Networks	F39	24VDcustomer
CB9	Preheat	DL7H	NetworksECU	F40	Firesuppression
CB10	12WUP	DL7L	NetworksECU	F42	TransmissionI_Shift
CB11	VSS	DL9H	NetworksECU	F43	TransmissionI_Shift
CB13	120VACoutlets	DL9L	NetworksECU	F44	Multiplexpower
CB13A1	3inverterOption	DL10H	Networks	F45	Multiplexpower
CB13A2	3inverterOption	DL10L	Networks	F46	Multiplexpower
CB13B	3inverterOption	DL100H	J1939network	F47	Multiplexpower
CB48	Frflashers	DL100L	J1939network	F50	HVACdefroster
CB117	TrailerElecOption	Drain	Audio	F51	Destinationsigns
CB119	TrailerElecOption	DVD_Gnd	VSS	F51/A41J1.1	Destination_Sign_Pwr
CB128	24VD	DVD_L+	VSS	F52	FMSGateway
CB201	Fansdriveelectric	DVD_R+	VSS	F53	VSS
CB202	Fansdriveelectric	E1.7	Cluster	F55	Back-upcamera
CB203	Fansdriveelectric	E1.18	EngineECUVolvo	F57	customersupply
CB204	Fansdriveelectric	EMS.EB29	Ignition&enginestart	F73	EngineECUVolvo
CB205	Fansdriveelectric	F4	TransmissionI_Shift	F90	Ureasystem
CB206	Fansdriveelectric	F10	Cluster	F91	EngineECUVolvo
CB207	Fansdriveelectric	F11	Horn	F95	FMSGateway
CB208	Fansdriveelectric	F13	12VDCustomer	F96	Ureasystem
CB301.Black	Trailer	F15	TWG_Pwr	F99	EngineECUVolvo
Cd1	Networks	F16	12VEng.run	F100	EngineECUVolvo

# CIRCUITS LIST

CircuitID	Description	CircuitID	Description	CircuitID	Description
F101	R1toStarter	F243	HVACpassengers	Mo70.3	Fansdriveelectric
F102	3InverterOption	F612	Cust_Adapt_REIDVR_5Cameras	Mo71.3	Fansdriveelectric
F103	24Wup	F614	Cust_Adapt_REIDVR_5Cameras	Mo72.3	Fansdriveelectric
F106	Multiplexpower	gnd_1	Cantrack	Mo73.3	Fansdriveelectric
F107	Multiplexpower	Gnd_2	Cantrack	N1	Networks
F108	Networks	GndA	Networks	N2	Networks
F109	Engine&RJBcmpt.lights	GndG	GndCadec	N3	Networks
F110	TransmissionAlisson	GREEN	120VACoutlets	N4	Networks
F112	SparesVECR	Green	Preheat	N5	Networks
F116	24WUP	Green/White	USB	N6	Networks
F117	SparesVECR	GRN1	VSS	N7	Networks
F118	TrailerElecOption	GRN2	VSS	N8	Networks
F121	CCust	IN1	UNICAN	N9	Networks
F122	Equalizer	IN2	UNICAN	N10	Networks
F123	Preheat	IN3	UNICAN	N11	Networks
F124	Preheat	JMP6-10	Cust_Adaptation	N12	Networks
F126	HVACpassengers	JMP_C700	ELD	N13	Networks
F127	Preheat	L+	VSS	N14	Networks
F129	Preheat	L+TV	VSS	N15	Networks
F130	Preheat	L-	VSS	N16	Networks
F131	CCust	L142.3	Lavatory	N17	Networks
F132	Multiplexpower	L207.1	WCL	N18	Networks
F133	Multiplexpower	L207.3	WCL	N19	Networks
F134	Multiplexpower	L207.GND	WCL	N20	Networks
F135	Multiplexpower	L309	Inverters	N21	Networks
F136	Multiplexpower	L309D	InverterDisplay	N22	Networks
F138	Readinglamps&chime	L310	Inverters	N23	Networks
F139	Alternators	L310D	InverterDisplay	N24	Networks
F141	HVACpassengers	L350A.B2	EngineECUVolvo	N25	Networks
F142	HVACpassengers	L400.G	Engineheateroutlet	N26	Networks
F143	HVACpassengers	L400.L	Engineheateroutlet	N27	Networks
F144	HVACpassengers	L400.N	Engineheateroutlet	N28	Networks
F145	PWR_refrigerator_option	LF+	VSS	N29	Networks
F147	CCust	LF-	VSS	N30	Networks
F148	12VD	LightGreen	USB	N31	Networks
F152	SparesVECR	LR+	VSS	N56-1	Networks
F156	UNICAN_power_option	LR-	VSS	N56-2	Networks
F199	Fansdriveelectric	Mo62	Roof_Hatch_Fans	N57_1	Networks
F200	VSS	Mo63	Roof_Hatch_Fans	N57_2	Networks
F201	VSS	Mo65.3	Fansdriveelectric	Pink	VSS
F202	VSS	Mo67.3	Fansdriveelectric	Pot1	Driverlights
F203	VSS	Mo68.3	Fansdriveelectric	PP1	WCL
F214	WiFi_Pwr	Mo69.3	Fansdriveelectric	Pull	Pullwire



# CIRCUITS LIST

CircuitID	Description	CircuitID	Description	CircuitID	Description
R+	VSS	RF+	VSS	Se40.1	ESP
R+TV	VSS	RF-	VSS	Se40.2	ESP
R-	VSS	RR+	VSS	Se45.2	Wipers&washer
R4.85	Firesuppression	RR-	VSS	Se46.B	Trailerparkbrake
R4.87A	Preheat	RTS	Networks	Se49	HVACpassengers
R5.87	PreHeat	Rts	Networks	Se51.2	Cluster
R12	HVACpassengers	RX	TPMS	Se51.Jmp	Seat_Belt_Jumper
R12.2	HVACpassengers	Rx	Cantrack	Se53.C	Cluster
R12VISS	VSS	RxD	Networks	Se54.C	Cluster
R20.87	Preheat	RxTx	Networks	Se55.C	Cluster
R21.87	RJBoutswitch	Se2	TransmissionAlisson	Se56.A	WCL
R21.B	Ignition&enginestart	Se4.1	Windowsajar	Se62.B	WCL
R21A.B	Ignition&enginestart	Se11.Sig	Cluster	Se63.1	ESP
R22.87	ECUignition	Se11.Wrn	Cluster	Se63.2	ESP
R23.30	Cluster	Se13.B	EngineECUVolvo	Se64.1	ESP
R23A.87A	I_Shift	Se14A.B	EngineECUVolvo	Se64.2	ESP
R25.87	24VIgnition	Se14B.C	EngineECUVolvo	Se67.C	ESP
R26.30	HVACpassengers	Se15.1	Entrancedoor	Se69.C	ESP
R27.87A	Wipers&washer	Se17.1	Entrancedoor	Se74.3	TransmissionAlisson
R29	EngineECUVolvo	Se17.1/Se76.4	Entrancedoor	Se75.C	Weightmonitoring
R30.87	12VEngruncustomer	Se18.B	Brake	Se76.4	Entrancedoor
R31.87	12VIncustomer	Se19_P.D	Brake	Se77.C	Entrancedoor
R34.30	12VECU	Se19_S.D	Brake	Se78.C	Entrancedoor
R36.87	Horn	Se20.B	Cluster	Se79.1	KneelingLevel
R37.30	Horn	Se21.2	HVACdefroster	Se79.4	Kneeling
R38.87	12Voutlets	Se23.C	HVACpassengers	Se80.C	Weightmonitoring
R40.87	TransmissionI_Shift	Se24.2	HVACpassengers	Se89.A	Engine_Ecu
R47.87	WCL	Se24.3	HVACpassengers	Se94.A	WCL
R51.87.Yellow	Trailerinteface	Se25.2	HVACpassengers	Se100.4	WCL
R52.87.Green	Trailerinteface	Se30.A	Engine&RJBcmpt.lights	Shield_149	GNDstud
R53.30.Red	Trailerinteface	Se32.A	TransmissionAlisson	Shield_149A	GNDstud
R54.87	Trailer	Se32.B	TransmissionAlisson	Shield_A16A	Destinationsigns
R55.30.Brown	Trailerinteface	Se33.A	TransmissionAlisson	SHL2	VSS
R140	Lavatory	Se34.A	TransmissionAlisson	So9.B	HVACpassengers
R210.B	Cust_Adaptation_GLI	Se34.B	TransmissionAlisson	spare10	Spareswires
R_Inv	InverterPwr	Se35.A	TransmissionAlisson	spare11	Spareswires
R_Starter	Ignition&enginestart	Se35.B	TransmissionAlisson	spare12	Spareswires
Radio_Gnd	VSS	Se37.1	ESP	spare13	Spareswires
Radio_R+	VSS	Se37.2	ESP	spare14	Spareswires
Radoi_L+	VSS	Se38.1	ESP	spare15	Spareswires
RED	12VDCustomer	Se38.2	ESP	spare16	Spareswires
RED1	VSS	Se39.1	ESP	spare17	Spareswires
RED2	VSS	Se39.2	ESP	spare18	Spareswires

# CIRCUITS LIST

CircuitID	Description	CircuitID	Description	CircuitID	Description
spare19	Spareswires	Spk10_L	Speakers	Sw24.3	Driverlights
spare20	Spareswires	Spk10_R	Speakers	Sw24.6	Driverlights
spare21	Spareswires	Spk11_L	Speakers	Sw25.3	Readinglamps&chime
spare22	Spareswires	Spk11_R	Speakers	Sw25.6	Readinglamps&chime
spare23	Spareswires	Spk12_L	Speakers	Sw26.3	Readinglamps&chime
spare24	Spareswires	Spk12_R	Speakers	Sw26.6	Readinglamps&chime
spare25	Spareswires	Spk13_L	Speakers	Sw26.8	Readinglamps&chime
spare28	Spareswires	Spk13_R	Speakers	Sw27.3	ParcelrackA/Csystem
spare29	Spareswires	Spk14_L	Speakers	Sw27.8	ParcelrackA/Csystem
spare30	Spareswires	Spk14_R	Speakers	Sw29.2	Readinglamps&chime
spare31	Spareswires	STO-LOC	WCL	Sw29.3	Readinglamps&chime
spare32	Spareswires	Sw1.5	Frflashers	Sw29.8	Readinglamps&chime
spare33	Spareswires	Sw1C258.2	Wipers&washer	Sw32.3	Entrancedoor
spare34	Spareswires	Sw1C258.3	Wipers&washer	Sw33.3	Entrancedoor
spare35	Spareswires	Sw1C258.4	Wipers&washer	Sw34.1	Entrancedoor
spare39	Spareswires	Sw1C258.6	Wipers&washer	Sw34.4	Entrancedoor
spare40	Spareswires	Sw1C258.7	Wipers&washer	Sw35.3	EngineECUVolvo
spare41	Spareswires	Sw1C258.8	Frflashers	Sw35.8	EngineECUVolvo
spare42	Spareswires	Sw1C259.1	Frflashers	Sw38.2B	Driverwindow
spare43	Spareswires	Sw1C259.2	Frflashers	Sw40.B	Trailerparkbrake
spare44	Spareswires	Sw1C259.4	Frflashers	Sw41.A1	Mirrors
spare64	Spareswires	Sw2.3	Frflashers	Sw41.A3	Mirrors
spare65	Spareswires	Sw2.6	Frflashers	Sw41.B1	Mirrors
spare72	Spareswires	Sw3.3	Cornering&foglights	Sw41.B2	Mirrors
spare73	Spareswires	Sw3.8	Cornering&foglights	Sw41.B4	Mirrors
spare210	Cadec	Sw4.3	Frflashers	Sw42.2	WCL
spare211	Cadec	Sw4.8	Frflashers	Sw42.3	WCL
spare212	Cadec	Sw6.4	Wipers&washer	Sw42.4	WCL
spare213	Cadec	Sw10A.2B	Kneeling	Sw42.5	WCL
Spk1_L	Speakers	Sw12.3	Destinationsigns	Sw42.6	WCL
Spk1_R	Speakers	Sw12.8	Destinationsigns	Sw42.7	WCL
Spk2_L	Speakers	Sw12A.3	Destinationsigns	Sw43.B	Kneeling
Spk2_R	Speakers	Sw14.3	EngineECUVolvo	Sw44	Engine&RJBcmpt.lights
Spk3_L	Speakers	Sw14.8	EngineECUVolvo	Sw46A	Engine&RJBcmpt.lights
Spk3_R	Speakers	Sw16.3	Brake	Sw55.1	Lavatory
Spk4_L	Speakers	Sw16.8	Brake	Sw56.1	Lavatory
Spk4_R	Speakers	Sw17.3	Engine_Ecu	Sw58.2	Ignition&enginestart
Spk5_L	Speakers	Sw17.6	EngineECUVolvo	Sw58.3	Ignition&enginestart
Spk5_R	Speakers	Sw18A.2B	Lugg_door_lock	Sw58.5	Ignition&enginestart
Spk6_L	Speakers	Sw20.3	WCL	Sw58.7	Ignition&enginestart
Spk6_R	Speakers	Sw20.8	WCL	Sw59.3	Ignition&enginestart
Spk9_L	Speakers	Sw21.3	Upperdefrost	Sw63A.3	Horn
Spk9_R	Speakers	Sw21.8	Upperdefrost	Sw63A.4	Horn

# CIRCUITS LIST

CircuitID	Description	CircuitID	Description		
Sw64	Kneeling	Sw662.3	Cust_Adaptation		
Sw80.6	Starting_Aid	TR-Black	VECT		
Sw80A.6	Starting_Aid	TR-Blue	VECT		
Sw82.4	Masterrelay&12VIgn	TR-Brown	VECT		
Sw82.5	Ignition&Engine_Start	TR-Green	Trailerinterface		
Sw82.8	Starting_Aid	TR-Red	Trailerinterface		
Sw82A.8	Starting_Aid	TR-Yellow	VECT		
Sw83.Acc	Ignition&enginestart	Tv.Gnd	VSS		
Sw83.Ign	Ignition&enginestart	TV.L	VSS		
Sw83.St	Ignition&enginestart	TV.R	VSS		
Sw83.St.Rtn	Ignition&enginestart	TvGnd	VSS		
Sw83A.4	Starting_Aid	TWU.3	WCL		
Sw83A.6	Starting_Aid	TX	TPMS		
Sw85.A1	Mirrors	Tx	Cantrack		
Sw85.A3	Mirrors	TxD	Networks		
Sw85.B1	Mirrors	ve+	Cantrack		
Sw85.B2	Mirrors	VECPR4.H	Cust_Adaptation_GLI		
Sw85.B4	Mirrors	WHITE	120VACoutlets		
Sw94	WCL	White	Preheat		
Sw96.N3	Readinglamps&chime	WHT1	VSS		
Sw97.N1	Readinglamps&chime	WHT2	VSS		
Sw100A.3	Cornering&foglights	YelGrn	Readinglamps&chime		
Sw109	Lugg_door_sw				
Sw110	Lugg_door_sw				
Sw111	Lugg_door_sw				
Sw112	Lugg_door_sw				
Sw113	Lugg_door_sw				
Sw114	Lugg_door_sw				
Sw115	Lugg_door_sw				
Sw124.3	Destinationsigns				
Sw125.B	Kneeling				
Sw135.N3	Readinglamps&chime				
Sw140.B	Entrancedoor				
Sw142.5	Entrancedoor				
Sw149.2B	ReadinglampsCancelSw				
Sw149.3	Readinglamps&chime				
Sw152.B	Firesuppression				
Sw156.1	Mirrors				
Sw156.6	Mirrors				
Sw156.8	Mirrors				
Sw157.2B	Sunvisor				
Sw158.2B	Sunvisor				
Sw313.N3	Readinglamps&chime				

# CIRCUITS LIST

CircuitID	Description	CircuitID	Description	CircuitID	Description
0	HVACpassengers	00R	Networks	73	wcl_extra_switch
0	GNDBatteries	00R1	Masterrelay&12Vlgn	74A	wcl_extra_switch
0A	12Voutlets	00R2	Multiplexpower	74B	ReadingLampsLH
00A	Entrancedoor	00R3	Multiplexpower	75	wcl_extra_switch
0A1	SteeringMultifunction	00R4	Multiplexpower	154.7	EmergencyLight
00A1	Multiplexpower	00R5	RJBelectronicGND	400	
00A2	Cust_Adapt_Dash_Interface	0RAD	GNDChassis	401	CTGI_Gateway
0AltL	GNDChassis	0RAD2	Fansdriveelectric	402	
0AltLL	GNDChassis	0RFG	GND_refrigerator_option	900	Networks
0AltR	GNDChassis	0SS	GNDStud	901	Networks
0AltUL	GNDChassis	0SS1	VSS	_00	GNDBatteries
0AltUR	GNDChassis	0SS2	VSS	A	WaterPreHeater
0B	GNDChassis	0SS2W	Cust_Adapt_WiFi	A1.11	TransmissionAlisson
0C	Ignition&enginestart	0SS3		A1.12	
0chgr	Preheat	0SS5	Wifi_Chassis_Gnd	A1.15	TransmissionAlisson
0COND	GND_condensor_fans	0SS9	WiFi_Pwr	A1.16	TransmissionAlisson
0ECU	EnginePreheaterGnd	0SW	Indirectlights	A1.18	TransmissionAlisson
0EV2	HVACpassengers	0SW1	Indirectlights	A1.19	TransmissionAlisson
0EVAP1	HVACpassengers	0TR-White	Trailerinterface	A1.24	TransmissionAlisson
0EVAP2	HVACpassengers	0TR.White	Trailerinterface	A1.25	TransmissionAlisson
0F	GNDCustomer	00VA	RJBelectronicGND	A1.31	TransmissionAlisson
00F	VecuGnd	0W	GNDStud	A1.33	TransmissionAlisson
00F1	Multiplexpower	4c	wcl_extra_switch	A1.36	TransmissionAlisson
00F2	Multiplexpower	4DD	Readinglamps&chime	A1.37	TransmissionAlisson
00F3	Multiplexpower	12Ecu	12VECU	A1.51	TransmissionAlisson
00F5	GNDTrailerOption	12ISH	PwrI_Shift	A1.52	TransmissionAlisson
00F6	Indirectlights	12V_ACC	Mobile_DVR	A1.54	TransmissionAlisson
0FB1	UppervipersGND	12VA	Batteries	A1.55	TransmissionAlisson
0FB4		12VD	Batteries	A1.58	TransmissionAlisson
0FD	InvertersGND	12vd		A1.71	TransmissionAlisson
0FDS	Driver_Seat	12VD2	12VD	A1.74	TransmissionAlisson
0FE	GNDstud	12VD4	UNICAN_power_option	A1.76	TransmissionAlisson
0FH	Wipers&washer	12VI		A1.77	TransmissionAlisson
00FH	FJBelectronicGND	12vi		A2A.9	TransmissionAlisson
00FH1	HVACdefroster	12Wup1	Cust_Adapt_WiFi	A2A.11	TransmissionAlisson
00FH2	Multiplexpower	24V		A3.1	TransmissionAlisson
00FR	FJB-RJBjunction	24v		A3.2	TransmissionAlisson
0Inv	3invertersOption	24VA	Batteries	A3.3	TransmissionAlisson
0Lav	wcl_extra_switch	24VCurb		A3.5	TransmissionAlisson
0P	120VACoutlets	24VD	Batteries	A3.6	TransmissionAlisson
0PA	GNDstud	24VD2	Equalizer	A3.7	TransmissionAlisson
0PR	120VACoutlets	24VD3	Ignition&enginestart	A3.8	TransmissionAlisson
0R	GNDChassis	24VI	24WUP	A5.B	

# CIRCUITS LIST

CircuitID	Description	CircuitID	Description	CircuitID	Description
A9CX1.2	Cluster	A34.C5	Fansdriveelectric	A41J1.10	Brake,enginebrake,retarder
A9CX1.4	ESP	A34.D5	Fansdriveelectric	A41J1.13	Kneeling,tag,lowbuoy
A9CX1.5	ESP	A34.E5	Fansdriveelectric	A41J1.16	EngineECUVolvo
A9CX1.6	Cluster	A34.F5	Fansdriveelectric	A41J1.19	EngineECUVolvo
A9CX2.1	ESP	A34.G5	Fansdriveelectric	A41J2.13	
A9CX2.2	ESP	A34.H5	Fansdriveelectric	A41RJ2.18	Kneeling,tag,lowbuoy
A9CX2.3	ESP	A34J.E	Fansdriveelectric	A42J1.1	Kneeling,tag,lowbuoy
A9CX2.4	ESP	A34J.F	Fansdriveelectric	A42J1.3	Kneeling,tag,lowbuoy
A9CX2.6	ESP	A34R.A3	Fansdriveelectric	A42J1.4	Kneeling,tag,lowbuoy
A9CX2.7	ESP	A34R.B3	Fansdriveelectric	A42J1.7	Kneeling,tag,lowbuoy
A9CX2.9	ESP	A34R.C3	Fansdriveelectric	A42J1.10	Kneeling,tag,lowbuoy
A9CX2.10	ESP	A34R.D3	Fansdriveelectric	A42J1.13	Kneeling,tag,lowbuoy
A9CX2.12	ESP	A34R.E3	Fansdriveelectric	A42J1.16	Brake_Interlock
A9CX2.13	ESP	A34R.F3	Fansdriveelectric	A42J1.19	Brake_Interlock
A9CX2.16	ESP	A34R.G3	Fansdriveelectric	A42J2.15	Kneeling,tag,lowbuoy
A9CX2.17	ESP	A34R.H3	Fansdriveelectric	A42RJ2.14	Kneeling,tag,lowbuoy
A9CX3.2	ESP	A36AJA.7	Ignition&enginestart	A42RJ2.18	Kneeling,tag,lowbuoy
A9CX3.3	ESP	A36AJA.8	Ignition&enginestart	A43J1.1	Lugg_door_lock
A9CX3.5	ESP	A36AJA.9	Ignition&enginestart	A43J1.3	Lugg_door_lock
A9CX3.7	ESP	A36AJA.10	Horn	A43J1.7	TPMS
A9CX3.9	ESP	A36JA.10	Ignition&enginestart	A43J2.1	Lugg_door_lock
A9CX3.10	ESP	A36JA.15	Ignition&enginestart	A43J2.4	Lugg_door_lock
A9CX4.1	ESP	A36JA.17	Ignition	A43RJ1.17	ACB
A9CX4.4	ESP	A36JA.18	Ignition&enginestart	A44J1.1	Upperdefrost
A9CX4.7	ESP	A36JB.2	Ignition	A44J1.3	Upperdefrost
A9CX4.8	ESP	A36JB.14	Firesuppression	A44J1.4	Entrancedoor
A9CX4.10	ESP	A39P101.1	Speakers	A44J1.7	Wipers&washer
A9CX4.11	ESP	A39P101.2	Speakers	A44J1.10	Wipers&washer
A10X3.4	WaterPreHeater	A39P101.3	Speakers	A44J1.13	Upperdefrost
A10X3.6	WaterPreHeater	A39P101.4	Speakers	A44J1.16	Horn
A11.2		A39P101.5	Speakers	A44J1.19	Engine&RJBcmpt.lights
A11A.2	WaterPreHeater	A39P101.6	Speakers	A44J1:7	EMirror
A14.A12	Cluster	A39P101.8	Speakers	A44J2.1	Sunvisor
A14.B1	Cluster	A39P101.9	Speakers	A44J2.4	Sunvisor
A14.B18	Cluster	A39P901.1	Speakers	A44J2.7	Driverlights
A14.B20	Cluster	A39P901.4	Speakers	A44J2.10	Sunvisor
A14.B21	Cluster	A39P901.5	Speakers	A44J2.13	Sunvisor
A17.24V	WaterPreHeater	A39P901.6	Speakers	A44J2:3	
A17.AC	WaterPreHeater	A40.3.Blue	Trailer	A44RJ1.17	Frflashers,markers,clearance,headlights
A27.30	ZFsteering	A411.1	WaterPreHeater	A44RJ1.18	Upperdefrost
A27.87A	ZFsteering	A411.3	MirrorLines	A44RJ2.2	Entrancedoor
A34.A5	Fansdriveelectric	A411.4	ElectronicMirror	A44RJ2.3	
A34.B5	Fansdriveelectric	A411.7	Shutdown	A44RJ2:2	EmergencyLight

# CIRCUITS LIST

CircuitID	Description	CircuitID	Description	CircuitID	Description
A45J1.1	HVACdefroster	A48J1:4	RHFlasher	A51J2.15	Starting_Aid
A45J1.3	HVACdefroster	A48J2.1	Frflashers,markers,clearance,headlights	A51RJ1.17	Rrflashers,markers,tail,stoplights
A45J1.4	ZFsteering	A48J2.4	Frflashers,markers,clearance,headlights	A51RJ1.18	WCL
A45J1.7	FastIdle	A48J2.5	Frflashers,markers,clearance,headlights	A51RJ2.14	Starting_Aid
A45J1.16	Mirrors	A48J2.13	Frflashers,markers,clearance,headlights	A52J1.1	Fansdriveelectric
A45J1:7		A48RJ1.17	Cornering&foglights	A52J1.3	Fansdriveelectric
A45J2.1	HVACdefroster	A48RJ1.18	Frflashers,markers,clearance,headlights	A52J1.4	Lavatory
A45J2.4	HVACdefroster	A48RJ2.2	Frflashers,markers,clearance,headlights	A52J1.7	Engine&RJBcmpt.lights
A45J2.7	Driverwindow	A49J1.1	Fansdriveelectric	A52J1.10	Ignition&enginestart
A45J2.13	Driverwindow	A49J1.3	Fansdriveelectric	A52J1.13	RJBFan
A45RJ1.17	Cornering&foglights	A49J1.4	Kneeling,tag,lowbuoy	A52J2.1	Alternators
A46J1.1	Horn	A49J1.7	Cadec	A52J2.4	Alternators
A46J1.4	Frflashers,markers,clearance,headlights	A49J1.16	Starting_Aid	A52J2.13	Ignition&enginestart
A46J1.7	Cornering&foglights	A49J2.1	Alternators	A52RJ1.17	GNDMUXmodules
A46J1.10	Frflashers,markers,clearance,headlights	A49J2.10	WaterPreHeater	A52RJ1.18	Engine&RJBcmpt.lights
A46J1.13	Frflashers,markers,clearance,headlights	A49J2.13	Brake,enginebrake,retarder	A53J1.1	ParcelrackA/Csystem
A46J1.17	Frflashers,markers,clearance,headlights	A49J2.15	Weightmonitoring	A53J1.3	ParcelrackA/Csystem
A46J1.20	Frflashers,markers,clearance,headlights	A49RJ1.6	Weightmonitoring	A53J1.4	Lavatory
A46J1:7	LHFlasher	A49RJ1.17	Kneeling,tag,lowbuoy	A53J1.7	Curblights
A46J2.4	Frflashers,markers,clearance,headlights	A49RJ1.18	Cadec	A53J1.10	Curblights
A46J2.7	Frflashers,markers,clearance,headlights	A49RJ2.2	Fansdriveelectric	A53J1.13	Lavatory
A46RJ1.17	Frflashers,markers,clearance,headlights	A49RJ2.3	AuxiliaryBatteries	A53J2.1	Indirectlights
A46RJ1.18	Frflashers,markers,clearance,headlights	A50J1.4	Airdryer	A53J2.4	Readinglamps&chime
A47J1.1	HVACdefroster	A50J1.7	Back-upwarnings	A53J2.7	Lavatory
A47J1.3	HVACdefroster	A50J1.13	Rrflashers,markers,tail,stoplights	A53J2.10	Readinglamps&chime
A47J1.4	HVACdefroster	A50J1.19	Rrflashers,markers,tail,stoplights	A53J2.13	Emergency&aislelights
A47J1.7	Wipers&washer	A50J2.1	Rrflashers,markers,tail,stoplights	A53RJ1.17	Lavatory
A47J1.10	Entrancedoor	A50J2.7	Rrflashers,markers,tail,stoplights	A53RJ1.18	Emergency&aislelights
A47J1.13	Entrancedoor	A50J2.10	Back-upwarnings	A53RJ2.2	ParcelrackA/Csystem
A47J1.16	Entrancedoor	A50RJ1.17	Rrflashers,markers,tail,stoplights	A53RJ2.3	Readinglamps&chime
A47J1.19	Entrancedoor	A50RJ1.18	Rrflashers,markers,tail,stoplights	A54J1.1	HVACpassengers
A47J2.1	HVACdefroster	A50RJ2.2	Back-upwarnings	A54J1.3	HVACpassengers
A47J2.4	Ignition&enginestart	A50RJ2.3	Airdryer	A54J1.7	HVACpassengers
A47J2.7	Entrancedoor	A51J1.4	Rrflashers,markers,tail,stoplights	A54J1.10	Preheat
A47J2.10	eMirrors_Pwr	A51J1.7	Rrstoplights	A54J1.16	HVACpassengers
A47RJ1.6	HVACdefroster	A51J1.10	Rrflashers,markers,tail,stoplights	A54J1.19	HVACpassengers
A47RJ1.17	HVACdefroster	A51J1.13	Rrflashers,markers,tail,stoplights	A54J2.1	ParcelrackA/Csystem
A47RJ1.18	Entrancedoor	A51J1.16	TransmissionAlisson	A54J2.4	HVACpassengers
A47RJ2.2	Entrancedoor	A51J1.19	WCL	A54J2.7	HVACpassengers
A48J1.1	Cornering&foglights	A51J2.1	Rrflashers,markers,tail,stoplights	A54J2.10	HVACpassengers
A48J1.4	CorneringLightRH	A51J2.4	TransmissionAlisson	A54J2.13	HVACpassengers
A48J1.7	Frflashers,markers,clearance,headlights	A51J2.7	Rrflashers,markers,tail,stoplights	A54J2.15	HVACpassengers
A48J1.10	Frflashers,markers,clearance,headlights	A51J2.10	Rrflashers,markers,tail,stoplights	A54RJ1.6	HVACpassengers

# CIRCUITS LIST

CircuitID	Description	CircuitID	Description	CircuitID	Description
A54RJ1.17	HVACpassengers	A80.4	Equalizer	A121B.16	VSS
A54RJ1.18	ParcelrackA/Csystem	A81CN3A.3	AirDryer	A121B.17	VSS
A54RJ2.2	HVACpassengers	A81CN3A.4	Control_Ground_Relay	A121C.11	VSS
A54RJ2.3	HVACpassengers	A81CN3A.5	AirDryer	A121C.12	VSS
A55J1.1		A81CN3A.9	EngineECUVolvo	A121C.13	VSS
A55J1.3	Weightmonitoring	A81CN3B.26	EngineECUVolvo	A121C.15	VSS
A55J1.4	Cluster	A81CN3B.27		A121D.7	VSS
A55J1.7	Backup_Camera	A81CN3B.28	EngineECUVolvo	A121D.10	VSS
A55J1.13	Forwardcollisionwarning	A81CN3B.30	I_Shift	A130.3	Firesuppression
A55J1:7	Reargearsignal	A81CN3B.35	EngineECUVolvo	A130.4	Firesuppression
A55J2.15		A81CN3B.36	ParkBrakePressure	A130.6	
A55RJ1.6	Forwardcollisionwarning	A81JB.6	ZFsteering	A130.8	Firesuppression
A55RJ1.18	Weightmonitoring	A81JB.10	EngineECUVolvo	A130.11	Firesuppression
A56J1-19	Mobile_DVR	A81JB.22	EngineECUVolvo	A131A.C	Firesuppression
A56J1.1	EngineECUVolvo	A81JB.25	TransmissionI_Shift	A131B.A	Firesuppression
A56J1.3	Cluster	A85.A	12WUP	A131B.C	Firesuppression
A56J1.4	Cluster	A85.B	GND_Aux_Batteries	A137A.4	Ureasystem
A56J1.7	Cluster	A86.3	Starting_Aid	A137A.7	Ureasystem
A56J1.10	Cluster	A103.1	Steering	A137A.8	Ureasystem
A56J1.13	Multiplexpower	A103.3	Steering	A137A.24	Ureasystem
A56J1.16	EngineECUVolvo	A103.4	Steering	A137A.28	Ureasystem
A56J1.19	VSS	A103.5	Horn	A137A.40	Ureasystem
A56J1:19	VSS	A108.5	TransmissionI_Shift	A137A.44	Ureasystem
A56J2.15	Lugg_door_lock	A108.7	TransmissionI_Shift	A137A.49	Ureasystem
A57J1.1	WCL	A108.8	TransmissionI_Shift	A137A.50	Ureasystem
A57J1.3	WCL	A108.9	TransmissionI_Shift	A137A.51	Ureasystem
A57J1.4	WCL	A108.10	TransmissionI_Shift	A137A.54	Ureasystem
A57J1.10	WCL	A109A.7	TransmissionI_Shift	A137A.56	Ureasystem
A57J1.19	WCL	A109A.8	TransmissionI_Shift	A137A.59	Ureasystem
A57RJ1.18	GNDMUXmodules	A109A.9	TransmissionI_Shift	A137A.62	Ureasystem
A58RJ1.5		A109A.10	TransmissionI_Shift	A138.3	Ureasystem
A60.Gnd	VSS	A113.Gnd	VSS	A138.12	Ureasystem
A65_Gnd	VSS	A113.L	VSS	A150.4	Starting_Aid
A65_L+	VSS	A113.R	VSS	A150.GND	VSS
A65_R+	VSS	A113D.1	VSS	A150.L	VSS
A70_Booster	VSS	A113D.2	VSS	A150.R	VSS
A77.A	Equalizer	A113D.5	VSS	A154.8	EmergencyLight
A77.F	Equalizer	A120B.3	VSS	A157.3	EmergencyLight
A77.H	Equalizer	A120B.4	VSS	A159.1	EmergencyLight
A78.3	Equalizer	A120B.5	VSS	A159.2	EmergencyLight
A78.4	Equalizer	A120B.6	VSS	A160.12	12WUP
A79.3	Equalizer	A120C.4	VSS	A175.6	
A80.3	Equalizer	A121A.18	VSS	A175.12	Alternators

# CIRCUITS LIST

CircuitID	Description	CircuitID	Description	CircuitID	Description
A190GND	Wifi_Chassis_Gnd	BRN		D45	Starting_Aid
Alt_LL.2	Alternators	BROWN	ELD	D45.B	Starting_Aid
Alt_LR.2	Alternators	Brown	Destinationsigns	D46	Ignition&enginestart
Alt_UR.2	Alternators	BROWN_lgn		D55	Readinglamps&chime
AltL	Alternators	BussBar		D83	Driverlights
AltLL	Alternators	C41.A	Preheat	DCINneg	
AltLR	Alternators	CAN_Hi	eMirrors_VS	DCINpos	Mobile_DVR
AltR	Alternators	CAN_Low	eMirrors_VS	DL0H	Spareswires
AltUL	Alternators	CanH2	Spareswires	DL0HA	Networks
AltUR	Alternators	CanL2	Spareswires	DL0HB	
ANT_A_CANH	TPMS	CB1	24WUP	DL0HS	Spareswires
ANT_A_CANL	TPMS	CB2	Ignition&enginestart	DL0L	Spareswires
ANT_A_GND	TPMS	CB3	HVACpassengers	DL0LA	Networks
ANT_A_PWR	TPMS	CB5	24WUP	DL0LB	
ANT_B_CANH	TPMS	CB6	24VD	DL0LS	Spareswires
ANT_B_CANL	TPMS	CB8	12WUP	DL1H	Networks
ANT_B_GND	TPMS	CB9	Preheat	DL1L	Networks
ANT_B_PWR	TPMS	CB10	12WUP	DL2H	Network
ANT_C_CANH	TPMS	CB11	VSS	DL2L	
ANT_C_CANL	TPMS	CB13	120VACoutlets	DL3H	Networks
ANT_C_GND	TPMS	CB13A1	3inverterOption	DL3L	Networks
ANT_C_PWR	TPMS	CB13A2	3inverterOption	DL7H	
Aux24V	Starting_Aid	CB13B	3inverterOption	DL7L	
AuxVideoGnd	VSS	CB48	Frlashers,markers,clearance,headlights	DL9H	Network
AuxVideoL	VSS	CB117	TrailerElecOption	DL9L	Network
AuxVideoR	VSS	CB119	TrailerElecOption	DL11H	Network
B85.2	Ureasystem	CB128	24VD	DL11L	Network
B97.2	Ureasystem	CB201	Fansdriveelectric	DL100H	J1939network
B98.2	Ureasystem	CB202	Fansdriveelectric	DL100L	J1939network
B99.2	Ureasystem	CB203	Fansdriveelectric	DVD_Gnd	VSS
B115A.3	Ureasystem	CB204	Fansdriveelectric	DVD_L+	VSS
BatAux24V	24WUP	CB205	Fansdriveelectric	DVD_R+	VSS
BLACK	120VACoutlets	CB206	Fansdriveelectric	EI.7	EngineECUVolvo
Black	Preheat	CB207	Fansdriveelectric	EI.18	EngineECUVolvo
black		CB208	Fansdriveelectric	EMS.EB29	Ignition&enginestart
Black.1	Readinglamps&chime	CB301.Black	Trailer	F4	TransmissionI_Shift
Black.3	Readinglamps&chime	D1	Ignition&enginestart	F10	Cluster
Black.4	Readinglamps&chime	D6	Wipers&washer	F11	Horn
BLK		D7	Entrancedoor	F13	12VDCustomer
BLK1	VSS	D9	Preheat	F15	TWG_Pwr
BLK2	VSS	D12	Horn	F16	12VEng.run
BLUE		D13	Horn	F17	Multiplexpower
BLUE_Trigger		D44	Ignition&enginestart	F18	Multiplexpower



# CIRCUITS LIST

CircuitID	Description	CircuitID	Description	CircuitID	Description
F19	Multiplexpower	F102	3InverterOption	F403	CondenserPwr
F20	Multiplexpower	F103	24Wup	F612	Cust_Adapt_REIDVR_5Cameras
F21	Multiplexpower	F106	Multiplexpower	F614	Cust_Adapt_REIDVR_5Cameras
F22	ELD	F107	Multiplexpower	GND	
F23	ESP	F108	Networks	gnd_1	Cantrack
F24	Cust_Adapt_Dash_Interface	F109	Engine&RJBcmpt.lights	Gnd_2	Cantrack
F24B	customersupply	F110	TransmissionAlisson	gndCurb	
F24D	customersupply	F112	SparesVECR	GndG	GndCadec
F24W	customersupply	F116	24WUP	GPS	
F25	12Voutlets	F117	SparesVECR	GREEN	120VACoutlets
F26	EntranceDoor	F118	TrailerElecOption	Green	Preheat
F27	SparesVECF	F121	CCust	GRN	
F29	ECUignition	F122	Equalizer	GRN1	VSS
F30	Networks	F123	WaterPreHeater	GRN2	VSS
F33	Multiplexpower	F124	Preheat	Hi	WaterPreHeater
F34	Multiplexpower	F126		IN1	UNICAN
F35	Multiplexpower	F131	CCust	IN2	UNICAN
F36	Startswitch	F132	Multiplexpower	IN3	UNICAN
F37	Entrancedoor	F133	Multiplexpower	JMP_C700	ELD
F39	24VDcustomer	F134	Multiplexpower	L+	VSS
F40	Firesuppression	F135	Multiplexpower	L+TV	VSS
F41	Saucon	F136	Multiplexpower	L-	VSS
F42	TransmissionI_Shift	F137	WaterPreHeater	L142.3	Lavatory
F43	TransmissionI_Shift	F138	Readinglamps&chime	L207.1	WCL
F44	Multiplexpower	F139		L207.3	WCL
F45	Multiplexpower	F145	PWR_refrigerator_option	L207.GND	WCL
F46	Multiplexpower	F147	CCust	L309	Inverters
F47	Multiplexpower	F148	12VD	L309D	InverterDisplay
F50	HVACdefroster	F149	Ureasystem	L310	Inverters
F51	Customeradapt	F150	WaterPreHeater	L310D	InverterDisplay
F52	FMSGateway	F151	WaterPreHeater	L350A.B2	AirDryer
F53	VSS	F152	WaterPreHeater	L400.G	Engineheateroutlet
F55	Back-upcamera	F156	UNICAN_power_option	L400.L	Engineheateroutlet
F57	customersupply	F199	Fansdriveelectric	L400.N	Engineheateroutlet
F57/A41J1.1	Destination_Sign_Pwr	F200	VSS	LED1	EmergencyLights
F58/F57	Driver_Seat	F201	VSS	LED2	EmergencyLights
F73	Vecu	F202	VSS	LED3	EmergencyLights
F90	Ureasystem	F203		LED4	EmergencyLight
F91	EMS	F214	WiFi_Pwr	LF+	VSS
F95	FMSGateway	F243	HVACpassengers	LF-	VSS
F96	24VEngECU	F400	CondenserPwr	LH+	VSS
F99	EngineVECU	F401	CondenserPwr	LH-	VSS
F101	R1toStarter	F402	CondenserPwr	Lo	WaterPreHeater

# CIRCUITS LIST

CircuitID	Description	CircuitID	Description	CircuitID	Description
LR+	VSS	N56-2	Networks	R210.B	Cust_Adaptation_GLI
LR-	VSS	N57_1	Networks	R622.85	Frfashers,markers,clearance,headlights
Mo62	Roof_Hatch_Fans	N57_2	Networks	R622.87	eMirrors_VS
Mo63	Roof_Hatch_Fans	Pot1	Driverlights	R623.85	Frfashers,markers,clearance,headlights
Mo65.3	Fansdriveelectric	PP1	WCL	R623.87	eMirrors_VS
Mo67.3	Fansdriveelectric	Pull	Pullwire	R624.87	Cust_Adapt_Interface
Mo68.3	Fansdriveelectric	Purple	12VDCustomer	R_Inv	InverterPwr
Mo69.3	Fansdriveelectric	R+	VSS	R_Starter	Ignition&enginestart
Mo70.3	Fansdriveelectric	R+TV	VSS	Radio_Gnd	VSS
Mo71.3	Fansdriveelectric	R-	VSS	Radio_L+	VSS
Mo72.3	Fansdriveelectric	R4.85	Firesuppression	Radio_R+	VSS
Mo73.3	Fansdriveelectric	R4.87A	Preheat	RED	12VDCustomer
N1	Networks	R5.87		Red/Yellow	
N2	Networks	R12	HVACpassengers	RED1	VSS
N3	Networks	R12.2	HVACpassengers	RED2	VSS
N4	Networks	R12VISS	VSS	Res11	Windowsajar
N5	Networks	R16	WaterPreHeater	RF+	VSS
N6	Networks	R20.87	WaterPreHeater	RF-	VSS
N7	Networks	R21.87	RJBoutswitch	RH+	VSS
N8	Networks	R21.B	Ignition&enginestart	RH-	VSS
N9	Networks	R21A.B	Ignition&enginestart	RR+	VSS
N10	Networks	R22.87	ECUignition	RR-	VSS
N11	Networks	R23.30	Cluster,ECU,ESP	Rx	Cantrack
N12	Networks	R23A.87A	24vShutDown	SE2	TransmissionAlisson
N13	Networks	R25.87	24Vignition	Se2	TransmissionAlisson
N14	Networks	R26.30	HVACpassengers	Se3	Windowsajar
N15	Networks	R27.87A	Wipers&washer	Se11.Sig	Cluster
N16	Networks	R29	EngineECUVolvo	Se11.Wrn	Cluster
N17	Networks	R30.87	12VEnguncustomer	Se13.B	EngineECUVolvo
N18	Networks	R31.87	12Vlgncustomer	Se14A.B	EngineECUVolvo
N19	Networks	R34.30	12VECU	Se14B.C	EngineECUVolvo
N20	Networks	R35.30	24vEngECU	Se15.1	Entrancedoor
N21	Networks	R36.87	Horn	Se17.1	Entrancedoor
N22	Networks	R37.30	Horn	Se17.1/Se76.4	Entrancedoor
N23	Networks	R38.87	12Voutlets	Se18.B	Brake,enginebrake,retarder
N24	Networks	R40.87	TransmissionI_Shift	Se19_P.D	Brake,enginebrake,retarder
N25	Networks	R47.87	WCL	SE19_S.D	Brake,enginebrake,retarder
N26	Networks	R51.87.Yellow	Trailerinteface	Se19_S.D	Brake,enginebrake,retarder
N27	Networks	R52.87.Green	Trailerinteface	Se20.B	Cluster
N28	Networks	R53.30.Red	Trailerinteface	Se21.2	HVACdefroster
N30	Networks	R54.87	Trailer	Se23.C	HVACpassengers
N31	Networks	R55.30.Brown	Trailerinteface	Se24.2	HVACpassengers
N56-1	Networks	R140	Lavatory	Se24.3	HVACpassengers

# CIRCUITS LIST

CircuitID	Description	CircuitID	Description	CircuitID	Description
Se25.2	HVACpassengers	Se94.A	WCL	spare212	Cadec
Se30.A	Engine&RJBcmt.lights	Se100.4	WCL	spare213	Cadec
Se32.A	TransmissionAlisson	Shield_149	GNDstud	Spk1_L	Speakers
Se32.B	TransmissionAlisson	Shield_149A	GNDstud	Spk1_R	Speakers
Se33.A	TransmissionAlisson	Shield_A16A	Destinationsigns	Spk2_L	Speakers
Se34.A	TransmissionAlisson	SHL2	VSS	Spk2_R	Speakers
Se34.B	TransmissionAlisson	So9.B	HVACpassengers	Spk3_L	Speakers
Se35.A	TransmissionAlisson	spare10	Spareswires	Spk3_R	Speakers
Se35.B	TransmissionAlisson	spare11	Spareswires	Spk4_L	Speakers
Se37.1	ESP	spare12	Spareswires	Spk4_R	Speakers
Se37.2	ESP	spare13	Spareswires	Spk5_L	Speakers
Se38.1	ESP	spare14	Spareswires	Spk5_R	Speakers
Se38.2	ESP	spare15	Spareswires	Spk6_L	Speakers
Se39.1	ESP	spare16	Spareswires	Spk6_R	Speakers
Se39.2	ESP	spare17	Spareswires	Spk9_L	Speakers
Se40.1	ESP	spare18	Spareswires	Spk9_R	Speakers
Se40.2	ESP	spare19	Spareswires	Spk10_L	Speakers
Se45.2	Wipers&washer	spare20	Spareswires	Spk10_R	Speakers
Se46.B	Traillerparkbrake	spare21	Spareswires	Spk11_L	Speakers
Se49	HVACpassengers	spare22	Spareswires	Spk11_R	Speakers
Se51.2	Cluster	spare23	Spareswires	Spk12_L	Speakers
Se51.Jmp	Seat_Belt_Jumper	spare24	Spareswires	Spk12_R	Speakers
Se53.C	Cluster	spare25	Spareswires	Spk13_L	Speakers
Se54.C	Cluster	spare28	Spareswires	Spk13_R	Speakers
Se55.C	Cluster	spare29	Spareswires	Spk14_L	Speakers
Se56.A	WCL	spare30	Spareswires	Spk14_R	Speakers
Se57.C	VECU	spare31	Spareswires	STO-LOC	WCL
Se62.B	WCL	spare32	Spareswires	SWPump.6	
Se63.1	ESP	spare33	Spareswires	Sw1.5	Frflashers,markers,clearance,headlights
Se63.2	ESP	spare34	Spareswires	Sw1C258.2	Wipers&washer
Se64.1	ESP	spare35	Spareswires	Sw1C258.3	Wipers&washer
Se64.2	ESP	spare39	Spareswires	Sw1C258.4	Wipers&washer
Se67.C	ESP	spare40	Spareswires	Sw1C258.6	Wipers&washer
Se69.C	ESP	spare41	Spareswires	Sw1C258.7	Wipers&washer
Se74.3	TransmissionAlisson	spare42	Spareswires	Sw1C258.8	Frflashers,markers,clearance,headlights
Se75.C	Weightmonitoring	spare43	Spareswires	Sw1C259.1	Frflashers,markers,clearance,headlights
Se76.4	Entrancedoor	spare44	Spareswires	Sw1C259.2	Frflashers,markers,clearance,headlights
Se77.C	Entrancedoor	spare64	Spareswires	Sw1C259.4	Frflashers,markers,clearance,headlights
Se78.C	Entrancedoor	spare65	Spareswires	Sw2.3	Frflashers,markers,clearance,headlights
Se79.1	KneelingLevel	spare72	Spareswires	Sw2.6	Frflashers,markers,clearance,headlights
Se79.4	Kneeling,tag,lowbuoy	spare73	Spareswires	Sw3.3	Cornering&foglights
Se80.C	Weightmonitoring	spare210	Cadec	Sw3.8	Cornering&foglights
Se89.A	Engine_Ecu	spare211	Cadec	Sw4.3	

# CIRCUITS LIST

CircuitID	Description	CircuitID	Description	CircuitID	Description
Sw4.8	Frflashers,markers,clearance,headlights	Sw42.3	WCL	Sw111	Lugg_door_sw
Sw6.4	Wipers&washer	Sw42.4	WCL	Sw112	Lugg_door_sw
Sw10A.2B	Kneeling,tag,lowbuoy	Sw42.5	WCL	Sw113	Lugg_door_sw
Sw12.3	Destinationsigns	Sw42.6	WCL	Sw114	Lugg_door_sw
Sw12.8	Destinationsigns	Sw42.7	WCL	Sw115	Lugg_door_sw
Sw12A.3	Destinationsigns	Sw43.B	Kneeling,tag,lowbuoy	Sw122-5B	
Sw14.3	EngineECUVolvo	Sw44	Engine&RJBcmpt.lights	Sw122.5B	
Sw14.8	EngineECUVolvo	Sw46A	Engine&RJBcmpt.lights	Sw124.3	Destinationsigns
Sw16.3	Brake,enginebrake,retarder	Sw55.1	Lavatory	Sw125.B	Kneeling,tag,lowbuoy
Sw16.8	Brake,enginebrake,retarder	Sw56.1	Lavatory	Sw135.N3	Readinglamps&chime
SW17.3	VECU	Sw58.2	Ignition&enginestart	Sw140.B	Entrancedoor
Sw17.3	VECU	Sw58.3	Ignition&enginestart	Sw142.5	Entrancedoor
Sw17.6	VECU	Sw58.5	Ignition&enginestart	Sw149.2B	ReadinglampsCancelSw
Sw18A.2B	Lugg_door_lock	Sw58.7	Ignition&enginestart	Sw149.3	Readinglamps&chime
Sw20.3	WCL	Sw59.3	Ignition&enginestart	Sw149.8	Readinglamps&chime
Sw20.8	WCL	Sw63A.3	Horn	Sw152.B	Firesuppression
Sw21.3	Upperdefrost	Sw63A.4	Horn	Sw156.1	Mirrors
Sw21.8	Upperdefrost	Sw64	Kneeling,tag,lowbuoy	SW156.6	
Sw24.3	Driverlights	Sw80.6	Starting_Aid	Sw156.6	Mirrors
Sw25.3	Readinglamps&chime	Sw80A.6	Starting_Aid	Sw156.8	Mirrors
Sw25.6	Readinglamps&chime	Sw82	Masterrelay&12Vlgn	Sw157.2B	Sunvisor
Sw26.3	Readinglamps&chime	Sw82.5	Masterrelay&12Vlgn	Sw158.2B	Sunvisor
Sw26.6	Readinglamps&chime	Sw82.8	Starting_Aid	Sw161.5B	
Sw26.8	Readinglamps&chime	Sw82A.8	Starting_Aid	Sw162.3	
Sw27.3	ParcelrackA/Csystem	Sw83.ACC	Ignition&enginestart	Sw162.6	
Sw27.8	ParcelrackA/Csystem	Sw83.Acc	Ignition&enginestart	Sw164.3	EmergencyLights
Sw29.2	Readinglamps&chime	SW83.lgn	Ignition&enginestart	sw164.3	EmergencyLight
Sw29.3	Readinglamps&chime	Sw83.lgn	Ignition&enginestart	Sw221.3	eMirrors_VS
Sw29.8	Readinglamps&chime	Sw83.St	Ignition&enginestart	Sw313.N3	Readinglamps&chime
Sw32.3	Entrancedoor	Sw83.St.Rtn	Ignition&enginestart	TR-Black	VECT
Sw33.3	Entrancedoor	Sw83A.4	Starting_Aid	TR-Blue	VECT
Sw34.1	Entrancedoor	Sw83A.6	Starting_Aid	TR-Brown	VECT
Sw34.4		Sw85.A1	Mirrors	TR-Green	Trailerinterface
Sw35.3	EngineECUVolvo	Sw85.A3	Mirrors	TR-Red	Trailerinterface
Sw35.8	EngineECUVolvo	Sw85.B1	Mirrors	TR-Yellow	VECT
Sw38.2B	Driverwindow	Sw85.B2	Mirrors	TStat26.2	
Sw40.B	Trailerparkbrake	Sw85.B4	Mirrors	TvGnd	VSS
Sw41.A1	Mirrors	Sw94	WCL	TWU.3	WCL
Sw41.A3	Mirrors	Sw96.N3	Readinglamps&chime	Tx	Cantrack
Sw41.B1	Mirrors	Sw97.N1	Readinglamps&chime	ve+	Cantrack
Sw41.B2	Mirrors	Sw100A.3	Cornering&foglights	VECP4.H	Cust_Adaptation_GLI
Sw41.B4	Mirrors	Sw109	Lugg_door_sw	WHITE	120VACoutlets
Sw42.2	WCL	Sw110	Lugg_door_sw	White	Preheat

# CIRCUITS LIST

CircuitID	Description				
WHT					
WHT1	VSS				
WHT2	VSS				
X1.1					
X1.2					
X1.3					
X1.4					
X3.1					
X3.3					
X3.4					
X3.6					
YelGrn	Readinglamps&chime				

## Breakers list

Circuit ID	Location	Part #	Function	Rating	Page
CB1	RJB	563708	24 WUP FJB	90 A	3.1_Main_Disti 2 C
CB2	RJB	568113	12ECU & 12VD FJB	70 A	3.1_Main_Disti 2 C
CB3	RJB	563708	HVAC passengers	90 A	3.1_Main_Disti 2 C
CB5	RJB	563708	24 WUP RJB	90 A	3.1_Main_Disti 2 C
CB6	RJB	568113	24VD RJB & WCL	70 A	3.1_Main_Disti 2 C
CB8	RJB	563708	12 WUP RJB	90 A	3.1_Main_Disti 3 C
CB9	RJB	563707	Battery charger	70 A	3.1_Main_Disti 2 C
CB11	RJB	568127	VSS	50 A	3.1_Main_Disti 3 C
CB13	RJB	568114	120VAC outlets	150 A	3.1_Main_Disti 3 C
CB48	FJB_VECF	564464	Wipers	20 A	4.2_Dist_24V_FJB 2 C
CB128	FJB_VECF	564342	24VD FJB	30 A	5.1_Dist_RJB 1 C
CB215	FJB_VECF	564340	Power cond. axial fan	15 A	18.2_HvacPass 3 A
CB216	FJB_VECF	564340	Power cond. axial fan	15 A	18.2_HvacPass 3 A
CB217	FJB_VECF	564340	Power cond. axial fan	15 A	18.2_HvacPass 3 A
CB218	FJB_VECF	564340	Power cond. axial fan	15 A	18.2_HvacPass 3 A

## Breakers list

Circuit ID	Location	Part #	Function	Rating	Page
CB1	RJB	563708	24 WUP FJB	90 A	3.1_Main_Disti 2 C
CB2	RJB	568113	12ECU & 12VD FJB	70 A	3.1_Main_Disti 2 C
CB3	RJB	563708	HVAC passengers	90 A	3.1_Main_Disti 2 C
CB5	RJB	563708	24 WUP RJB	90 A	3.1_Main_Disti 2 C
CB6	RJB	568113	24VD RJB & WCL	70 A	3.1_Main_Disti 2 C
CB8	RJB	563708	12 WUP RJB	90 A	3.1_Main_Disti 3 C
CB9	RJB	563707	Battery charger	70 A	3.1_Main_Disti 2 C
CB11	RJB	568127	VSS	50 A	3.1_Main_Disti 3 C
CB13	RJB	568114	120VAC outlets	150 A	3.1_Main_Disti 3 C
CB15	RJB	563708	Cust. Adapt. aux. batt. In lugg. compt	90 A	3.1_Main_Disti 4 C
CB48	FJB_VECF	564464	Wipers	20 A	4.2_Dist_24V_FJB 2 C
CB128	FJB_VECF	564342	24VD FJB	30 A	5.1_Dist_RJB 1 C
CB215	FJB_VECF	564340	Power cond. axial fan	15 A	18.2_HvacPass 3 A
CB216	FJB_VECF	564340	Power cond. axial fan	15 A	18.2_HvacPass 3 A
CB217	FJB_VECF	564340	Power cond. axial fan	15 A	18.2_HvacPass 3 A
CB218	FJB_VECF	564340	Power cond. axial fan	15 A	18.2_HvacPass 3 A

# BREAKERS LIST

No	Location	Part #	Function	Rating	Page						
CB1	RJB	564675	24WUP	90amp	3.1						
CB2	RJB	564674	12VD	70amp	3.1						
CB3	RJB	564675	EvapFan	90amp	3.1						
CB3.	RJB	560456	EvapFan	90amp	3.1						
CB5	RJB	564675	24WUP	90amp	3.1						
CB6	RJB	564674	24VD/WCL	70amp	3.1						
CB8	RJB	564675	12WupRJB	90amp	3.1						
CB9	RJB	564672	BatChg/ACM	70amp	3.1						
CB10	RJB	564677	12WupFJB	150amp	3.1						
CB11	RJB	564678	VSS	50amp	3.1						
CB13	RJB	564677	Inverters	150amp	3.1						
CB15	RJBbreakers	564678	*opt*	50amp	3.1						
CB30		560779	*opt*	15amp	17.1						
CB48	FJB_VE CF	564464	Wipers	20amp	4.2						
CB128	RJB_VE CR	564342	24VDFJB	30amp	5.1						
CB301	VE CT	564399	AlimTrailer	20amp	26.6						
CB13A	Rear_Seat	568114	INV2	150amp	40.2						
CB13B	Rear_Seat	568114	FanPC/INV1	150amp	40.2						



## Connectors list

No	Location	Part #	Gender	No	Location	Part #	Gender
120V_inlet	Rear vehicule	561572	Male	A34.B	Engine cmpt.	564258	Male
A1	RJB	563975	Male	A34.C	Engine cmpt.	564258	Male
A2	FJB	563984	Male	A34.D	Engine cmpt.	564258	Male
A3	Dash	562363	Male	A34.E	Engine cmpt.	564258	Male
A4.A	Service_Cmpt	562428	Female	A34.F	Engine cmpt.	564258	Male
A4.B	Service_Cmpt	561188	Female	A34.G	Engine cmpt.	564258	Male
A5	Service_Cmpt	562428	Female	A34.H	Engine cmpt.	564258	Male
A6	Engine_Cmpt	562427	Male	A34.J	Engine cmpt.	568118	Male
A7	Rear_Axle_Cmpt	563979	Male	A34.K	Engine cmpt.	564270	Male
A9.Cx1	FJB	564041	Female	A34.L	Engine cmpt.	564269	Male
A9.Cx2	FJB	563678	Male	A36.JA	FJB	562767	Male
A9.Cx3	FJB	564037	Female	A36.JB	FJB	562765	Male
A9.Cx4	FJB	564038	Female	A36.JC	FJB	562957	Male
A10.X1	Engine_Cmpt	563135	Male	A39.P101	Parcel rack	563201	Male
A10.X3	Engine_Cmpt	563134	Female	A39.P901	Parcel rack	563953	Male
A11	LH_Console	563142	Male	A60.A	Parcel rack	563071	Male
A14.A	Dash	562766	Male	A60.B	Parcel rack	562706	Female
A14.B	Dash	562767	Male	A60.C	Parcel rack	901110	Male
A14.C	Dash	562765	Male	A60.D	Parcel rack	901110	Male
A15	Dash	562464	Male	A61.A	Parcel rack	562464	Male
A16	Front_Roof	561637	Male	A61.B	Parcel rack	562465	Male
A17.D	RJB	561932	Male	A65.B	Parcel rack	901110	Male
A18.J1	FJB	562794	Male	A65.C	Parcel rack	901110	Male
A18.J2	FJB	562650	Male	A65.Csv	Parcel rack	562465	Male
A19	LH_Console	562878	Female	A65.D	Parcel rack	901110	Male
A20	Parcel_Rack_LH	561477	Female	A69.A	Parcel rack	563071	Male
A24.A	RH_Console	561890	Male	A69.H	Parcel rack	561716	Female
A24.B	RH_Console	561566	Female	A70c	Parcel rack	561540	Female
A24.C	RH_Console	561889	Female	A77	Parcel rack	564547	Male
A25	Parcel rack	563025	Male	A78	Parcel rack	562583	Female
A26.P1	Engine cmpt.	562350	Male	A79	Parcel rack	562583	Female
A26.P2	Engine cmpt.	563322	Female	A80	Parcel rack	562479	Female
A26.P4	Engine cmpt.	568088	Male	A81.JA	FJB	562767	Male
A27	Service_Cmpt	562929	Male	A81.JB	FJB	562765	Male
A28	Service_Cmpt	562928	Male	A81.JC	FJB	562957	Male
A29	Dash	562464	Male	A83	Parcel rack	565970	Female
A32.A	FJB	564221	Male	A96	FJB	564073	Female
A32.B	FJB	564518	Male	A97	Dash	563226	Male
A33.A	Parcel rack	563071	Male	A97A	FJB	563226	Male
A33.B	Parcel rack	562330	Female	A97A	FJB	563613	Female
A34.A	Engine cmpt.	564258	Male	A97B	FJB	563226	Male

## Connectors list

No	Location	Part #	Gender	No	Location	Part #	Gender
A97B	FJB	563613	Female	AE43.J3	FJB	565957	Male
A100	Front_Axle_Cmpt	563758	Female	AE44.J1	FJB	563679	Male
A101	Rear_RH_Axle_Cmpt	563758	Female	AE44.J2	FJB	564037	Female
A102	Rear_RH_Axle_Cmpt	563758	Female	AE44.J3	FJB	565957	Male
A103	Dash	562070	Female	AE45.J1	FJB	563679	Male
A107	Engine cmpt.	20393942	Female	AE45.J2	FJB	564037	Female
A108	RJB	562766	Male	AE45.J3	FJB	565957	Male
A109A	FJB	564141	Male	AE46.J1	FJB	563679	Male
A113.A	Dash	563960	Male	AE46.J2	FJB	564037	Female
A113.B	Dash	563962	Male	AE46.J3	FJB	565957	Male
A113.C1	Dash	563956	Male	AE47.J1	RH_console	563679	Male
A113.C2	Dash	563957	Male	AE47.J2	RH_console	564037	Female
A113.C3	Dash	563958	Male	AE47.J3	RH_console	565957	Male
A113.D	Dash	563961	Male	AE48.J1	RH_console	563679	Male
A114A	Dash	564252	Male	AE48.J2	RH_console	564037	Female
A120.A	Dash	563960	Male	AE48.J3	RH_console	565957	Male
A120.B	Dash	563962	Male	AE49.J1	RJB	563679	Male
A120.C1	Dash	563956	Male	AE49.J2	RJB	564037	Male
A120.C2	Dash	563957	Male	AE49.J3	RJB	565957	Male
A120.C3	Dash	563958	Male	AE50.J1	RJB	563679	Male
A120.D	Dash	563961	Male	AE50.J2	RJB	564037	Male
A121.Vsa	Dash	563679	Male	AE50.J3	RJB	565957	Male
A121.Vsb	Dash	563678	Male	AE51.J1	RJB	563679	Male
A121.Vsc	Dash	564037	Male	AE51.J2	RJB	564037	Female
A121.Vsd	Dash	564118	Male	AE51.J3	RJB	565957	Male
A130	Driver_Area	563226	Male	AE52.J1	RJB	563679	Male
A131.A	Engine_Cmpt	561782	Male	AE52.J2	RJB	564037	Female
A131.B	Engine_Cmpt	561781	Female	AE52.J3	RJB	565957	Male
A137A	Condenser cmpt.	20429843	Male	AE53.J1	RJB	563679	Male
A138	Cond_Cmpt	563787	Male	AE53.J2	RJB	564037	Female
A139	Dash	564501	Male	AE53.J3	RJB	565957	Male
A152.J	Parcel rack	563071	Male	AE54.J1	Evaporator cmpt.	563679	Male
A153.A	Parcel rack	562465	Male	AE54.J2	Evaporator cmpt.	564037	Female
AE41.J1	FJB	563679	Male	AE54.J3	Evaporator cmpt.	565957	Male
AE41.J2	FJB	564037	Female	AE55.J1	Dash	563679	Male
AE41.J3	FJB	564004	Male	AE55.J2	Dash	564037	Female
AE42.J1	FJB	563679	Male	AE55.J3	Dash	564004	Male
AE42.J2	FJB	564037	Female	AE56.J1	Dash	563679	Male
AE42.J3	FJB	564004	Male	AE56.J2	Dash	564037	Male
AE43.J1	FJB	563679	Male	AE56.J3	Dash	564004	Male
AE43.J2	FJB	564037	Male	AE57.J1	WCL cmpt.	563679	Male

## Connectors list

No	Location	Part #	Gender	No	Location	Part #	Gender
AE57.J2	WCL cmpt.	564037	Male	C6	FJB	563582	Male
AE57.J3	WCL cmpt.	564004	Male	C6	FJB	563583	Female
Alt1.A	Engine cmpt.	563746	Female	C7	Service_Cmpt	562566	Male
Alt1.B	Engine cmpt.	560815	Female	C7	Service_Cmpt	562565	Female
Alt1.C	Engine cmpt.	564469	Female	C8	FJB	563227	Male
Alt2.A	Engine cmpt.	563746	Female	C8	FJB	563614	Female
Alt2.B	Engine cmpt.	560815	Female	C9	RJB	561986	Male
Alt2.C	Engine cmpt.	564469	Female	C9	RJB	561987	Female
Alt3.A	Engine cmpt.	563746	Female	C10	Engine_Cmpt	562477	Male
Alt3.B	Engine cmpt.	560815	Female	C10	Engine_Cmpt	562479	Female
Alt3.C	Engine cmpt.	564469	Female	C11	Service_Cmpt	563580	Male
B85	Engine_Cmpt	563815	Male	C11	Service_Cmpt	563581	Female
B96	Engine_Cmpt	563821	Male	C12	Engine_Cmpt	562581	Male
B96B	Engine_Cmpt	563823	Male	C12	Engine_Cmpt	562583	Female
B97	Engine_Cmpt	563816	Male	C13_plug	RH_Console	563589	Male
B98	Engine_Cmpt	563817	Male	C13_socket	RH_Console	563590	Female
B115A	Engine cmpt.	564226	Male	C13S	RH_Console	563589	Male
B142C	Engine cmpt.	563793	Male	C13S	RH_Console	563590	Female
B310	Engine cmpt.	565967	Male	C15A	Evapator cmpt.	568110	Male
C1	FJB	563589	Male	C15A	Evaporatot cmpt.	568109	Female
C1	FJB	563590	Female	C16	RJB	561577	Male
C1S	FJB	563589	Male	C16	RJB	561605	Female
C1S	FJB	563590	Female	C17	RJB	560195	Male
C2	Service_Cmpt	563580	Male	C17	RJB	560169	Female
C2	Service_Cmpt	563581	Female	C18	FJB	561986	Male
C2A	FJB	563580	Male	C18	FJB	561987	Female
C2A	FJB	563581	Female	C19	RJB	561986	Male
C3_plug	RJB	563589	Male	C19	RJB	561987	Female
C3_socket	RJB	563590	Female	C20A	Evap_Cmpt	562485	Male
C3AP	FJB	563589	Male	C20A	Evap_Cmpt	562486	Female
C3AP	FJB	563590	Female	C20B	Evap_Cmpt	562485	Male
C3AS	FJB	563589	Male	C20B	Evap_Cmpt	562486	Female
C3AS	FJB	563590	Female	C22	FJB	564034	Male
C3S	RJB	563593	Male	C22	FJB	564035	Female
C3S	RJB	563590	Female	C23	Evaporator cmpt.	564034	Male
C4	FJB	563580	Male	C23	Evaporator cmpt.	564035	Female
C4	FJB	563581	Female	C24_plug	Evap_Cmpt	561690	Male
C5	FJB	563589	Male	C24_socket	Evap_Cmpt	561566	Female
C5	FJB	563590	Female	C25	Parcel_Rack_LH	561550	Male
C5S	FJB	563589	Male	C25	Parcel_Rack_LH	561667	Female
C5S	FJB	563590	Female	C26	Urea cmpt.	563226	Male

## Connectors list

No	Location	Part #	Gender	No	Location	Part #	Gender
C26	Urea cmpt.	563613	Female	C47	FJB	565207	Male
C26A	Urea cmpt.	568110	Male	C47	FJB	mating_565207	Female
C26A	Urea cmpt.	568109	Female	C49	FJB	562005	Male
C26B	Urea cmpt.	563227	Male	C49	FJB	561714	Female
C26B	Urea cmpt.	563614	Female	C50	RJB	563226	Male
				C50	RJB	563613	Female
				C51	Engine cmpt.	564034	Male
C29	4rd_Lugg_Cmpt	563651	Male	C51	Engine cmpt.	560034	Female
C29	3rd_Lugg_Cmpt	563652	Female	C52	Evaporator cmpt.	563618	Male
C30	3rd_Lugg_Cmpt	561710	Male	C52	Evaporator cmpt.	563616	Female
C30	3rd_Lugg_Cmpt	561709	Female	C54	Engine cmpt.	563226	Male
C31W	Parcel rack	561515	Male	C54	Engine cmpt.	563613	Female
C31W	Parcel rack	561552	Female	C54A	Urea cmpt.	568110	Male
C32	lavatory	561734	Male	C54A	Urea cmpt.	568109	Female
C32	Lavatory	561735	Female	C54B	Engine cmpt.	563589	Male
C32W	WCL cmpt.	561640	Male	C54B	Engine cmpt.	563590	Female
C32W	WCL cmpt.	561639	Female	C55	Evap_Cmpt	561577	Male
C33	WCL cmpt.	564034	Male	C55	Evap_Cmpt	561605	Female
C33	WCL cmpt.	564035	Female	C58	Condensor cmpt.	564567	Male
C34	RH_Console	561986	Male	C58	Condensor cmpt.	564568	Female
C34	RH_Console	561987	Female	C59	RJB	561643	Male
C35	Evaporator cmpt.	561607	Male	C59	RJB	561642	Female
C35	Evaporator cmpt.	561606	Female	C61	Fr_Service_Door	561669	Male
C37	Parcel_Rack_LH	562557	Male	C61	Fr_Service_Door	561670	Female
C37	Parcel_Rack_LH	562558	Female	C62	Fr_Service_Door	562566	Male
C38	Parcel rack	562555	Male	C62	Fr_Service_Door	562565	Female
C38	Parcel rack	562556	Female	C63	Entrance_Door	562477	Male
C39A	Fire suppression cmpt.	561782	Male	C63	Entrance_Door	562479	Female
C39A	Fire suppression cmpt.	561781	Female	C64	Engine cmpt.	568110	Male
C40	Dash	562485	Male	C64	Engine cmpt.	568109	Female
C40	Dash	562486	Female	C66_plug	Evap_Cmpt	561577	Male
C41	RJB	561782	Male	C66_socket	Evap_Cmpt	561605	Female
C41	RJB	561781	Female	C70	FJB	562557	Male
C42	FJB	561668	Male	C70	FJB	562558	Female
C42	FJB	561551	Female	C70A	FJB	561637	Male
C44_plug	FJB	561577	Male	C70A	FJB	561636	Female
C44_socket	FJB	561605	Female	C71	FJB	561646	Male
C45	FJB	561643	Male	C71	FJB	561645	Female
C45	FJB	561642	Female	C72	FJB	561646	Male
C46	3rd lugg. cmpt.	562549	Male	C72	FJB	561645	Female
C46	3rd lugg. cmpt.	562550	Female	C74	FJB	561645	Female

## Connectors list

No	Location	Part #	Gender	No	Location	Part #	Gender
C74	FJB	561646	Male	C106_plug	FJB	562581	Male
C81	1st_Lugg_Cmpt	562477	Male	C106_socket	FJB	562583	Female
C81	1st_Lugg_Cmpt	562479	Female	C107A	Engine cmpt.	562885	Female
C82	1st_Lugg_Cmpt	562477	Male	C107A	Engine cmpt.	562884	Female
C82	1st_Lugg_Cmpt	562479	Female	C107B	Engine cmpt.	562885	Female
C83	2nd_Lugg_Cmpt	562477	Male	C107B	Engine cmpt.	562884	Female
C83	2nd_Lugg_Cmpt	562479	Female	C107C	Engine cmpt.	562885	Female
C84	2nd_Lugg_Cmpt	562477	Male	C107C	Engine cmpt.	562884	Female
C84	2nd_Lugg_Cmpt	562479	Female	C110	Dash	568110	Male
C85	4th_lugg_cmpt.	562477	Male	C110	Dash	568109	Female
C85	4th_lugg_cmpt.	562479	Female	C111	FJB	562581	Male
C86	4th_lugg_cmpt.	563618	Male	C111	FJB	562583	Female
C86	4th_lugg_cmpt.	563616	Female	C112	RJB	562284	Male
C87	Engine_Cmpt	562485	Male	C112	RJB	562281	Female
C87	Engine_Cmpt	562486	Female	C119A	Rear engine door	568110	Male
C88	FJB	563618	Male	C119A	Rear engine door	568109	Female
C88	FJB	563616	Female	C120Y	Parcel rack	562783	Male
C91	RJB	562285	Male	C120Y	Parcel rack	563206	Female
C91	RJB	562282	Female	C121	Rear engine door	562566	Male
C92A	Engine cmpt.	563226	Male	C121	Rear engine door	562565	Female
C92A	Engine cmpt.	563613	Female	C122	Rear engine door	562566	Male
C92C	Engine cmpt.	562581	Male	C122	Rear engine door	562565	Female
C92C	Engine cmpt.	562583	Female	C144	RJB	560852	Male
C94_plug	FJB	563589	Male	C144	RJB	560851	Female
C94_socket	FJB	563590	Female	C152	Cond_Cmpt	561611	Male
C96	FJB	561643	Male	C152	Cond_Cmpt	561610	Female
C96	FJB	561642	Female	C158	Condensor cmpt.	562477	Male
C97	FJB	561643	Male	C158	Condensor cmpt.	562479	Female
C97	FJB	561642	Female	C170	LH_Console	561637	Male
C100	Evaporator cmpt.	562477	Male	C170	LH_Console	561636	Female
C100	Evaporator cmpt.	562479	Female	C171	LH_Console	561646	Male
C100S	Evap_Cmpt	563589	Male	C171	LH_Console	561645	Female
C100S	Evap_Cmpt	563590	Female	C193_plug	RJB	563589	Male
C101	Service_Cmpt	561690	Male	C193_socket	RJB	563590	Female
C101	Service_Cmpt	561566	Female	C194	FJB	563589	Male
C102A	Condensor cmpt.	563226	Male	C194	FJB	563590	Female
C102A	Condensor cmpt.	563613	Female	C194spA	FJB	563589	Male
C103_plug	FJB	562485	Male	C194spA	FJB	563590	Female
C103_socket	FJB	562486	Female	C194spB	FJB	563589	Male
C105_plug	FJB	562581	Male	C194spB	FJB	563590	Female
C105_socket	FJB	562583	Female	C206	Parcel_Rack_RH	562503	Male

## Connectors list

No	Location	Part #	Gender	No	Location	Part #	Gender
C206	Parcel_Rack_RH	562507	Female	C284-5	Parcel rack	561782	Male
C207	Parcel_Rack_LH	562503	Male	C284-5	Parcel rack	561781	Female
C207	Parcel_Rack_LH	562507	Female	C290	Rear_Vehicle	562477	Male
C213	Parcel_Rack_LH	561515	Male	C290	Rear_Vehicle	562479	Female
C213	Parcel_Rack_LH	561552	Female	C298	Parcel rack	561782	Male
C222	FJB	562477	Male	C298	Parcel rack	561781	Female
C222	FJB	562479	Female	C355	RJB	563582	Male
C223	FJB	563227	Male	C355	RJB	563583	Female
C223	FJB	563614	Female	C356	Parcel rack	561710	Male
C224	FJB	561637	Male	C356	Parcel rack	561709	Female
C224	FJB	561636	Female	C357	Parcel rack	561847	Male
C225	FJB	562650	Male	C357	Parcel rack	561862	Female
C225	FJB	562649	Female	C380A	Dash	564222	Male
C226	FJB	562650	Male	C380A	Dash	564224	Female
C226	FJB	562649	Female	C381	Parcel_Rack	561847	Male
C242	Service_Cmpt	562789	Male	C381	Parcel_Rack	561862	Female
C242	Service_Cmpt	565131	Female	C382	Under_Seat	561580	Male
C243	Service_Cmpt	562789	Male	C382	Under_Seat	561582	Female
C243	Service_Cmpt	565131	Female	C397	RJB	562285	Male
C250	Parcel_Rack	564208	Male	C397	RJB	562282	Female
C250	Parcel_Rack	mating_564208	Female	C430	LH_Console	562363	Male
C251	Driver_Area	562549	Male	C430	LH_Console	561188	Female
C251	Driver_Area	562550	Female	C452	Dash	561669	Male
C266	Parcel rack	561782	Male	C452	Dash	561670	Female
C266	Parcel rack	561781	Female	C463	Rear axle cmpt.	568111	Male
C267	Parcel rack	561782	Male	C463	Rear axle cmpt.	568112	Female
C267	Parcel rack	561781	Female	C464	FJB	564222	Male
C279	Service_Cmpt	562477	Male	C464	FJB	564224	Female
C279	Service_Cmpt	562479	Female	C464A	Dash	564222	Male
C280	Parcel_Rack	562549	Male	C464A	Dash	564224	Female
C280	Parcel_Rack	562550	Female	C464B	FJB	564222	Male
C284	Parcel rack	561782	Male	C464B	FJB	564224	Female
C284	Parcel rack	561781	Female	C465	Parcel rack	562581	Male
C284-1	Parcel rack	561782	Male	C465	Parcel rack	562583	Female
C284-1	Parcel rack	561781	Female	C506	FJB	561687	Male
C284-2	Parcel rack	561782	Male	C506	FJB	561685	Female
C284-2	Parcel rack	561781	Female	C506spA	FJB	561687	Male
C284-3	Parcel rack	561782	Male	C506spA	FJB	561685	Female
C284-3	Parcel rack	561781	Female	C506spB	FJB	561687	Male
C284-4	Parcel rack	561782	Male	C506spB	FJB	561685	Female
C284-4	Parcel rack	561781	Female	C542	Parcel rack	561550	Male

## Connectors list

No	Location	Part #	Gender	No	Location	Part #	Gender
C542	Parcel rack	561667	Female	C766	Parcel rack	561662	Male
C558	Parcel rack	562503	Male	C766	Parcel rack	561661	Female
C558	Parcel rack	562507	Female	C768	Parcel rack	mating_901283	Male
C564	Parcel rack	562503	Male	C768	Parcel rack	901283	Female
C564	Parcel rack	562507	Female	C769	Parcel rack	mating_901283	Male
C564-Sp	Parcel rack	562503	Male	C769	Parcel rack	901283	Female
C564-Sp	Parcel rack	562507	Female	C777	Dash	562477	Male
C566	Parcel rack	562503	Male	C777	Dash	562479	Female
C566	Parcel rack	562507	Female	C_ALT	Engine cmpt.	562581	Male
C567	Parcel rack	562503	Male	C_ALT	Engine cmpt.	562583	Female
C567	Parcel rack	562507	Female	C_ALT3	Engine cmpt.	562477	Male
C575	Parcel_Rack_RH	562503	Male	C_ALT3	Engine cmpt.	562479	Female
C575	Parcel_Rack_RH	562507	Female	C_AUX	Parcel rack	563071	Male
C576B	Parcel_Rack_RH	562006	Male	C_AUX	Parcel rack	563040	Female
C576B	Parcel_Rack_RH	560908	Female	C_INV1	Parcel rack	562337	Male
C576BB	Parcel rack	562006	Male	C_INV1	Parcel rack	562338	Male
C576BB	Parcel rack	560908	Female	C_INV2	Parcel rack	562337	Male
C577A	Parcel_Rack	562006	Male	C_INV2	Parcel rack	562338	Male
C577A	Parcel_Rack	560908	Female	C_LineOut	Parcel rack	563962	Male
C577AA	Parcel rack	562006	Male	C_LineOut	Parcel rack	564489	Female
C577AA	Parcel rack	560908	Female	C_Mo9	Evap_Cmpt	561577	Male
C578	Parcel_Rack_LH	562503	Male	C_Mo9	Evap_Cmpt	561605	Female
C578	Parcel_Rack_LH	562507	Female	C_VIDEO_AUX	Parcel rack	562557	Male
C582	FJB	561690	Female	C_VIDEO_AUX	Parcel rack	562558	Female
C582	FJB	561566	Female	CCAN1	FJB	562650	Male
C601	LH Roof Win Ajar	561476	Male	CCAN1	FJB	562649	Female
C601	LH Roof Win Ajar	561477	Female	CCAN2	FJB	562650	Male
C603	RH Roof Win Ajar	561476	Male	CCAN2	FJB	562649	Female
C603	RH Roof Win Ajar	561477	Female	CCAN3	FJB	562650	Male
C614	Passenger_Area	563071	Male	CCAN3	FJB	562649	Female
C614	Passenger_Area	563040	Female	CCAN4	FJB	562650	Male
C615	Passenger_Area	563071	Male	CCAN4	FJB	562649	Female
C615	Passenger_Area	563040	Female	CCust	RJB	562477	Male
C617	Mirror_LH	563801	Male	CCust	RJB	562479	Female
C617	Mirror_LH	563800	Female	CFHAC	Condensor cmpt.	564238	Male
C618	Mirror_RH	563801	Male	CFHAC	Condensor cmpt.	mating_564238	Female
C618	Mirror_RH	563800	Female	CFHPR1	Parcel rack	564560	Male
C752	Parcel rack	mating_901283	Male	CFHPR1	Parcel rack	mating_564560	Female
C752	Parcel rack	901283	Female	CIND-1.A	Parcel rack	560908	Female
C753	Parcel rack	mating_901283	Male				
C753	Parcel rack	901283	Female				

## Connectors list

No	Location	Part #	Gender	No	Location	Part #	Gender
CIND-1.B	Parcel rack	560908	Female	D33.A	Lavatory	butt_splice	Female
CIND-2.A	Parcel rack	560908	Female	D33.B	Lavatory	butt_splice	Female
CIND-2.B	Parcel rack	560908	Female	D34.A	Dash	butt_splice	Female
CIND-11.A	Parcel rack	560908	Female	D34.B	Dash	butt_splice	Female
CIND-11.B	Parcel rack	560908	Female	D73.A	Condensor cmpt.	butt_splice	Female
CINDWC-1.A	Parcel rack	560908	Female	D73.B	Condensor cmpt.	butt_splice	Female
CINDWC-1.B	Parcel rack	560908	Female	D80.A	Engine cmpt.	butt_splice	Female
CL1	Service_Cmpt	562485	Male	D80.B	Engine cmpt.	butt_splice	Female
CL1	Service_Cmpt	562486	Female	D92	Parcel rack	564496	Male
CP1	Passenger_Area	561782	Male	EI	Engine cmpt.	563739	Male
CP1	Passenger_Area	561781	Female	F243.A	RJB	butt_splice	Female
CP2	Passenger_Area	561782	Male	F243.B	RJB	butt_splice	Female
CP2	Passenger_Area	561781	Female	FUSE_BOX_3.A	Parcel_Rack	562610	Male
CP3	Passengers area	561782	Male	FUSE_BOX_3.B	Parcel_Rack	562610	Male
CP3	Passengers area	561781	Female	FUSE_BOX_4.A	Parcel_Rack	562610	Male
CP4	Passenger_Area	561782	Male	FUSE_BOX_4.B	Parcel_Rack	562610	Male
CP4	Passenger_Area	561781	Female	FUSE_BOX_5.A	Parcel_Rack	562610	Male
CP5	Passenger_Area	561782	Male	FUSE_BOX_5.B	Parcel_Rack	562610	Male
CP5	Passenger_Area	561781	Female	L1A	Engine cmpt.	564045	Female
CP6	Passengers area	562337	Male	L16.A	Front roof	562615	Female
CP6	Passengers area	562338	Male	L16.B	Front roof	562615	Female
CSe80	RJB	562477	Male	L17.A	Front roof	562615	Female
CSe80	RJB	562479	Female	L17.B	Front roof	562615	Female
CSX1	Engine_Cmpt	563135	Male	L18	Entrance_Door	562549	Male
CSX1	Engine_Cmpt	563134	Female	L19	Entrance_Door	562549	Male
CSX3	Engine_Cmpt	563135	Male	L20	Entrance door step	562549	Male
CSX3	Engine_Cmpt	563134	Female	L21.A	Front_Roof	561608	Female
CT2	Engine_Cmpt	563226	Male	L21.B	Front_Roof	562286	Male
CT2	Engine_Cmpt	563613	Female	L22.A	Front_Roof	561608	Female
CT3	Rear_Vehicle	563224	Male	L22.B	Front_Roof	562286	Male
CT3	Rear_Vehicle	mating_563224	Female	L23.A	Front_Roof	561608	Female
CXC1	Service_Cmpt	562477	Male	L23.B	Front_Roof	562286	Male
CXC1	Service_Cmpt	562479	Female	L24.A	Front_Roof	561608	Female
D26.A	Parcel rack	butt_splice	Female	L24.B	Front_Roof	562286	Male
D26.B	Parcel rack	butt_splice	Female	L25.A	Front_Roof	561608	Female
D27.A	Parcel rack	butt_splice	Female	L25.B	Front_Roof	562286	Male
D27.B	Parcel rack	butt_splice	Female	L26.A	Front_Roof	561608	Female
D30.A	Condensor cmpt.	butt_splice	Female	L26.B	Front_Roof	562286	Male
D30.B	Condensor cmpt.	butt_splice	Female	L27.A	Front_Roof	561608	Female
D32.A	Lavatory	butt_splice	Female	L27.B	Front_Roof	562286	Male
D32.B	Lavatory	butt_splice	Female	L28	Parcel rack	560898	Male



## Connectors list

No	Location	Part #	Gender	No	Location	Part #	Gender
L29	Parcel rack	560898	Male	L57	Parcel rack	560900	Female
L30	Parcel rack	560898	Male	L57A	Parcel rack	560898	Male
L30A.A	Parcel rack	560898	Male	L58	Parcel rack	560898	Male
L30B.A	Parcel rack	560898	Male	L58	Parcel rack	560900	Female
L31	Parcel rack	560898	Male	L58A	Parcel rack	560898	Male
L32	Parcel rack	560898	Male	L59	Out_Side_Front_RH	562623	Male
L33	Parcel rack	560898	Male	L59B	Out_Side_Front_RH	562623	Male
L34	Parcel rack	560898	Male	L60	Outside front LH	563366	Male
L35	Parcel rack	560898	Male	L60B	Out_Side_Front_LH	562623	Male
L36	Parcel rack	560898	Male	L61	Out_Side_Front_RH	562601	Male
L37	Parcel rack	560898	Male	L62	Out_Side_Front_LH	562601	Male
L38	Parcel rack	560898	Male	L63	Front_Side_LH	562155	Male
L39	Parcel rack	560898	Male	L64	Outside_Front_RH	562155	Male
L40	Parcel rack	560898	Male	L65	Outside_Front_LH	562155	Male
L41	Parcel rack	560898	Male	L66	Out_Side_Front_LH	562155	Male
L42	Parcel rack	560898	Male	L67	4th_Lugg_Cmpt	562155	Male
L43	Parcel rack	560898	Male	L68	4th_Lugg_Cmpt	562155	Male
L44	Parcel rack	560898	Male	L69	4th_Lugg_Cmpt	562155	Male
L45	Parcel rack	560898	Male	L70	4th_Lugg_Cmpt	562155	Male
L46	Parcel rack	560898	Male	L71A	Rear engine door	562601	Male
L47	Parcel rack	560898	Male	L72	Rear_Vehicle	562155	Male
L48	Parcel rack	560898	Male	L73A	Rear engine door	562601	Male
L49	Parcel rack	560898	Male	L74	Rear_Vehicle	562155	Male
L50	Parcel rack	560898	Male	L75	Rear engine door	562155	Male
L51	Parcel rack	560898	Male	L76	Rear engine door	562155	Male
L52	Parcel rack	560898	Male	L77A	Rear vehicule	562601	Male
L52	Parcel rack	560900	Female	L78A	Rear vehicule	562601	Male
L52A	Parcel rack	560898	Male	L79A	Rear vehicule	562601	Male
L53	Parcel rack	560898	Male	L80A	Rear vehicule	562601	Male
L53	Parcel rack	560900	Female	L81.A	Rear vehicule	562835	Female
L53A	Parcel rack	560898	Male	L81.B	Rear vehicule	562834	Male
L54	Parcel rack	560898	Male	L82A	Rear vehicule	562348	Female
L54	Parcel rack	560900	Female	L83A	Rear vehicule	562348	Female
L54A	Parcel rack	560898	Male	L84.A	Rear_Roof	561608	Female
L55	Parcel rack	560898	Male	L84.B	Rear_Roof	562286	Male
L55	Parcel rack	560900	Female	L85.A	Rear_Roof	561608	Female
L55A	Parcel rack	560898	Male	L85.B	Rear_Roof	562286	Male
L56	Parcel rack	560898	Male	L86.A	Rear_Roof	561608	Female
L56	Parcel rack	560900	Female	L86.B	Rear_Roof	562286	Male
L56A	Parcel rack	560898	Male	L87.A	Rear_Roof	561608	Female
L57	Parcel rack	560898	Male	L87.B	Rear_Roof	562286	Male

## Connectors list

No	Location	Part #	Gender	No	Location	Part #	Gender
L88.A	Rear_Roof	561608	Female	L184	Service cmpt.	561247	Male
L88.B	Rear_Roof	562286	Male	L185.A	Service cmpt.	561539	Male
L89.A	Rear_Roof	561608	Female	L185.B	Service cmpt.	561539	Male
L89.B	Rear_Roof	562286	Male	L186.A	Dash	561539	Male
L90.A	Rear_Roof	561608	Female	L186.B	Dash	561539	Male
L90.B	Rear_Roof	562286	Male	L187	Engine_Cmpt	561690	Male
L91A	Rear vehicule	562601	Male	L188	Service_Cmpt	562486	Female
L92A	Rear vehicule	562601	Male	L193.A	Dash	560488	Female
L95	Outside_Front_LH	562902	Female	L193.B	Dash	560488	Female
L96	Outside_Front_RH	562902	Female	L194.A	Dash	562019	Female
L97.A	Outside_Front_LH	563069	Female	L194.B	Dash	560488	Female
L97.B	Outside_Front_LH	563069	Female	L195.A	Dash	560488	Female
L98.A	Entrance_Door	563069	Female	L195.B	Dash	560488	Female
L98.B	Outside_Front_RH	563069	Female	L199	Engine cmpt.	562848	Male
L140	Lavatory	561247	Male	L203	RH_Console	561690	Male
L142	Lavatory	562006	Male	L204	Parcel_Rack_RH	562803	Male
L144	Parcel rack	561186	Male	L205	Engine cmpt.	562485	Male
L145	Parcel rack	561186	Male	L206	Parcel_Rack_RH	562803	Male
L146	Parcel rack	561186	Male	L207.A	3rd lugg. cmpt.	mating_561699	Male
L147	Parcel rack	561186	Male	L207.B	3rd lugg. cmpt.	mating_561699	Male
L148	Parcel rack	561186	Male	L207.C	3rd lugg.cmpt.	mating_561701	Male
L149	Parcel rack	561186	Male	L207.D	3rd lugg. cmpt.	mating_561699	Male
L150	Parcel rack	561186	Male	L207.E	3rd lugg. cmpt.	mating_561701	Male
L151	Parcel rack	561186	Male	L207.F	3rd lugg. cmpt.	mating_561699	Male
L152	Parcel rack	561186	Male	L207.G	3rd lugg. cmpt.	mating_561699	Male
L153	Parcel rack	561186	Male	L207.H	3rd lugg. cmpt.	mating_560926	Male
L154	Parcel rack	561186	Male	L207.I	3rd lugg. cmpt.	mating_560926	Male
L155	Parcel rack	561186	Male	L243	Parcel rack	561186	Male
L156	Parcel rack	561186	Male	L244	Parcel rack	561186	Male
L157	Parcel rack	561186	Male	L245	Parcel rack	561186	Male
L158	Parcel rack	561186	Male	L246	Parcel rack	561186	Male
L173	Parcel rack	563590	Female	L247	Parcel rack	561186	Male
L174A	Parcel rack	563590	Female	L248	Parcel rack	561186	Male
L176	3rd_Lugg_Cmpt	561247	Male	L249	Parcel rack	561186	Male
L177	3rd_Lugg_Cmpt	561247	Male	L250	Parcel rack	561186	Male
L177A.A	3rd lugg. cmpt.	561690	Male	L251	Parcel rack	561186	Male
L177B.A	3rd lugg. cmpt.	561690	Male	L252	Parcel rack	561186	Male
L180	2nd_Lugg_Cmpt	561247	Male	L253	Parcel rack	561186	Male
L181	2nd_Lugg_Cmpt	561247	Male	L254	Parcel rack	561186	Male
L182	1st_Lugg_Cmpt	561247	Male	L255	Parcel rack	561186	Male
L183	1st_Lugg_Cmpt	561247	Male	L256	Parcel rack	561186	Male

## Connectors list

No	Location	Part #	Gender	No	Location	Part #	Gender
L257	Parcel rack	561186	Male	Mo36	Parcel rack	564161	Male
L282	Engine_Cmpt	561690	Male	Mo54	Service_Cmpt	562474	Male
L283	Service_Cmpt	562485	Male	Mo65	Engine cmpt.	568089	Male
L285.A	Rear_Vehicle	562835	Female	Mo67	Engine cmpt.	568089	Male
L285.B	Rear_Vehicle	562834	Male	Mo68	Engine cmpt.	568089	Male
L286.A	Rear_Vehicle	562835	Female	Mo69	Engine cmpt.	568089	Male
L286.B	Rear_Vehicle	562834	Male	Mo70	Engine cmpt.	568089	Male
L292	Parcel rack	561186	Male	Mo71	Engine cmpt.	568089	Male
L298A	Engine cmpt.	563590	Female	Mo72	Engine cmpt.	568089	Male
L306	RJB cmpt.	561247	Male	Mo73	Engine cmpt.	568089	Male
L313	Rr_Roof	562549	Male	P_In1	Passenger_Area	561782	Male
L350A.A	Rear axle cmpt.	564552	Male	P_In1	Passenger_Area	561781	Female
L350A.B	Rear axle cmpt.	563340	Male	P_Out1	Passenger_Area	561782	Male
L350A.C	Rear axle cmpt.	562251	Male	P_Out1	Passenger_Area	561781	Female
Mo3	Dash	561667	Female	P_Out2	Passenger_Area	561782	Male
Mo4	Dash	562076	Male	P_Out2	Passenger_Area	561781	Female
Mo5	Front_Roof	561515	Male	P_Out3	Passenger_Area	561782	Male
Mo7	Cond_Cmpt	563691	Male	P_Out3	Passenger_Area	561781	Female
Mo8	Cond_Cmpt	563691	Male	PC1	FJB	562650	Male
Mo10	Parcel rack	561515	Male	PC1	FJB	562649	Female
Mo11	Parcel rack	561515	Male	PF	FJB	561782	Male
Mo12	Engine_Cmpt	561690	Male	PF	FJB	561781	Female
Mo13	Engine_Cmpt	561690	Female	PF1	Passenger_Area	561782	Male
Mo14	Engine_Cmpt	561566	Female	PF1	Passenger_Area	561781	Female
Mo15	Front_Ceiling	560900	Female	Pot1.A	Dash	560488	Female
Mo16	Front_Ceiling	560900	Female	Pot1.B	Dash	560488	Female
Mo17	RH_Console	563626	Male	Pot1.C	Dash	560488	Female
Mo19	Fr_Service_Door	562474	Male	PR	Parcel rack	561782	Male
Mo20	Fr_Service_Door	562474	Male	PR	Parcel rack	561781	Female
Mo22	RH_Console	561186	Male	PR1	Passenger_Area	561782	Male
Mo24	RH_Console	562348	Female	PR1	Passenger_Area	561781	Female
Mo25	RH_Console	562348	Female	R-12VISS	Parcel rack	564496	Male
Mo27	Cond_Cmpt	563691	Male	R3	RJB	563409	Male
Mo28	Cond_Cmpt	563691	Male	R4	FJB	564496	Male
Mo29	RJB cmpt.	563590	Female	R5	RJB	564496	Male
Mo30	Compr_Door	564161	Male	R10	Evap_Cmpt	563409	Male
Mo31	Parcel rack	564161	Male	R12	Evap_Cmpt	563409	Male
Mo32	Parcel rack	564161	Male	R20	RJB	564496	Male
Mo33	Parcel rack	564161	Male	R26	Evap_Cmpt	564496	Male
Mo34	Parcel rack	564161	Male	R27	Dash	564496	Male
Mo35	3rd_Lugg_Door	564161	Male	R29	RJB	563409	Male

## Connectors list

No	Location	Part #	Gender	No	Location	Part #	Gender
R30	FJB	564496	Male	Se18	Service_Cmpt	561566	Female
R31	FJB	564496	Male	Se19_P	Service_Cmpt	563677	Male
R34	RJB	564210	Male	Se19_S	Service_Cmpt	563677	Male
R36	Dash	564496	Male	Se20	Evap_Cmpt	562426	Male
R37	Dash	564496	Male	Se21	Dash	561248	Female
R38	FJB	564496	Male	Se23	Engine_Cmpt	563159	Male
R40	RJB	564496	Male	Se24	Engine_Cmpt	563159	Male
R47	Parcel rack	564496	Male	Se25	Passenger_Area	561248	Female
Res3.A	RJB	563590	Female	Se29	Engine_Cmpt	561566	Female
Res4	FJB	563590	Female	Se30	Engine door	562877	Female
Res6	FJB	563590	Female	Se31	Engine door	562877	Female
Res6A	FJB	563589	Male	Se32	Rear_Axle_Cmpt	562426	Male
Res6A	FJB	563590	Female	Se33	Rear_Axle_Cmpt	562856	Male
Res6B	FJB	563589	Male	Se34	Rear_Axle_Cmpt	562426	Male
Res6B	FJB	563590	Female	Se35	Rear_Axle_Cmpt	562426	Male
Res7	FJB	563590	Female	Se36	Rear_Axle_Cmpt	562427	Male
Res9.A	Dash	butt_splice	Female	Se37	Front_Axle_LH	641132	Female
Res9.B	Dash	butt_splice	Female	Se38	Front_Axle_RH	641132	Female
Res15	Engine_Cmpt	561782	Male	Se39	Rear_Axle_LH	641132	Female
Res19	FJB	563590	Female	Se40	Rear_Axle_LH	641132	Female
Res20	FJB	563590	Female	Se45	Service cmpt.	563409	Male
Res31	Urea cmpt.	562350	Male	Se46	Rear axle cmpt.	562348	Female
Res32	Urea cmpt.	563764	Female	Se53	Service_Cmpt	563159	Female
Res53.A	Condensor cmpt.	563590	Female	Se54	Service_Cmpt	563159	Female
Res140.A	Lavatory	butt_splice	Female	Se55	Service_Cmpt	563159	Female
Res140.B	Lavatory	butt_splice	Female	Se56	3rd lugg. cmpt.	562479	Female
Se4	Window_RH	561477	Female	Se60	Service_Cmpt	563409	Male
Se5	Window_RH	561477	Female	Se62	WCL_System	561690	Male
Se6	Window_RH	561477	Female	Se63	Rear axle cmpt.	641132	Female
Se7	Window_LH	561477	Female	Se64	Rear axle cmpt.	641132	Female
Se8	Window_LH	561477	Female	Se65	Dash	564042	Female
Se9	Window_LH	561477	Female	Se66	FJB	564039	Female
Se10	FJB	561477	Female	Se67	Front axle cmpt.	563159	Female
Se11.A	Cond_Cmpt	560082	Female	Se69	Front axle cmpt.	563159	Female
Se11.B	Cond_Cmpt	560082	Female	Se74	Rear_Axle_Cmpt	563340	Male
Se11.C	Cond_Cmpt	560082	Female	Se75	Service_Cmpt	563159	Female
Se13	Engine_Cmpt	562350	Male	Se79	Front_Axle	563340	Male
Se14.A	Driver_Area	561782	Male	Se80	Rear_Axle	563159	Female
Se14.B	Driver_Area	561781	Female	Se100	WCL door	562479	Female
Se15	RH_Console	560898	Male	shell1_180	Parcel rack	561626	Female
Se17	RH_Console	560900	Female	So3	RH_Console	641385	Male

## Connectors list

No	Location	Part #	Gender	No	Location	Part #	Gender
So4	RH_Console	641385	Male	spBar24	Engine cmpt.	564135	Male
So5	RH_Console	641385	Male	spBar25	FJB	564135	Male
So6	RH_Console	641385	Male	Spk1_L	Parcel_Rack_LH	563994	Male
So7	Service_Cmpt	561566	Female	Spk1_R	Parcel_Rack_RH	563994	Male
So8	Service cmpt.	641385	Male	Spk2_L	Parcel_Rack_LH	563994	Male
So9	Engine cmpt.	560016	Female	Spk2_R	Parcel_Rack_RH	563994	Male
So10.A	Condensor cmpt.	562485	Male	Spk3_L	Parcel_Rack_LH	563994	Male
So11	Cond_Cmpt	561566	Female	Spk3_R	Parcel_Rack_RH	563994	Male
So13	Evap_Cmpt	563204	Female	Spk4_L	Parcel_Rack_LH	563994	Male
So14	Service cmpt.	641385	Male	Spk4_R	Parcel_Rack_RH	563994	Male
So15	Service cmpt.	641385	Male	Spk5_L	Parcel_Rack_LH	563994	Male
So16	Service cmpt.	641385	Male	Spk5_R	Parcel_Rack_RH	563994	Male
So17	Service cmpt.	562848	Male	Spk6_L	Parcel_Rack_LH	563994	Male
So20	Service cmpt.	641385	Male	Spk6_R	Parcel_Rack_RH	563994	Male
So21	Front_Axle_Cmpt	564046	Female	Spk7_L	Parcel_Rack_LH	563994	Male
So22	Front_Axle_Cmpt	564046	Female	Spk7_R	Parcel_Rack_RH	563994	Male
So23	Rear_Axle_Cmpt	564046	Female	Spk8_L	Parcel_Rack_LH	563994	Male
So24	Rear_Axle_Cmpt	564046	Female	Spk8_R	Parcel_Rack_RH	563994	Male
So27	Rear axle cmpt.	564045	Female	Spk9_L	Parcel_Rack_LH	563994	Male
So29	Parcel rack	641385	Male	Spk9_R	Parcel_Rack_RH	563994	Male
So50	Rear axle cmpt.	564046	Female	Spk10_L	Parcel_Rack_LH	563994	Male
So52	Rear axle cmpt.	564045	Female	Spk10_R	Parcel_Rack_RH	563994	Male
So53	Rear_Axle_Cmpt	641385	Male	Spk11_L	Parcel_Rack_LH	563994	Male
So54	Engine cmpt.	564045	Female	Spk11_R	Parcel_Rack_RH	563994	Male
So56	Rear_Axle_Cmpt	562350	Male	Spk12_L	Parcel_Rack_LH	563994	Male
So57	Engine_Cmpt	562350	Male	Spk12_R	Parcel_Rack_RH	563994	Male
spBar4	Engine cmpt.	564135	Male	Spk13_L	Parcel_Rack_LH	563994	Male
spBar5	Engine cmpt.	564135	Male	Spk13_R	Parcel_Rack_RH	563994	Male
spBar6	Engine cmpt.	564135	Male	Spk14_L	Parcel_Rack_LH	563994	Male
spBar7	Engine cmpt.	564135	Male	Spk14_R	Parcel_Rack_RH	563994	Male
spBar11	Rear vehicule	564135	Male	Spk15_L	Parcel_Rack_LH	563994	Male
spBar12	Rear vehicule	564135	Male	Spk15_R	Parcel_Rack_RH	563994	Male
spBar13	Engine cmpt.	564135	Male	Spk16_L	Parcel_Rack_LH	563994	Male
spBar14	Engine cmpt.	564135	Male	Spk16_R	Parcel_Rack_RH	563994	Male
spBar15	Engine cmpt.	564135	Male	SpkDr_L	Parcel rack	563994	Male
spBar16	Engine cmpt.	564135	Male	SpkDr_R	Parcel rack	563994	Male
spBar19	Condensor cmpt.	564135	Male	Sub1.A	Passenger_Area	564004	Female
spBar20	Condensor cmpt.	564135	Male	Sub2.A	Passenger_Area	564004	Female
spBar21	Condensor cmpt.	564135	Male	Sw1.C258	Driver_Area	561188	Female
spBar22	Engine cmpt.	564135	Male	Sw1.C259	Driver_Area	561186	Male
spBar23	Engine cmpt.	564135	Male	Sw2	Dash	562763	Male

## Connectors list

No	Location	Part #	Gender	No	Location	Part #	Gender
Sw3	Dash	562763	Male	Sw59	Engine cmpt.	563135	Male
Sw4	Dash	562763	Male	Sw63A	LH Console	562763	Male
Sw6	Dash	562763	Male	Sw64.A	Service_Cmpt	560815	Female
Sw10A	LH_Console	562763	Male	Sw64.B	Service_Cmpt	560815	Female
Sw12	Dash	562763	Male	Sw82	RJB	563135	Male
Sw14	Dash	562763	Male	Sw83.A	Dash	560082	Female
Sw16	Dash	562763	Male	Sw83.B	Dash	560815	Female
Sw17	Dash	562763	Male	Sw83.C	Dash	560082	Female
Sw18A	LH_Console	562763	Male	Sw83.D	Dash	560815	Female
Sw20	Dash	562763	Male	Sw85	LH_Console	562749	Male
Sw21	Dash	562763	Male	Sw94.A	WCL_Door	562403	Female
Sw24	Dash	562763	Male	Sw94.B	WCL door	562403	Female
Sw25	Dash	562763	Male	Sw95.A	WCL door	562615	Female
Sw26	Dash	562763	Male	Sw95.B	WCL door	562615	Female
Sw27	Dash	562763	Male	Sw95.C	WCL door	562615	Female
Sw29	Dash	562763	Male	Sw96.A	WCL_Door	562615	Female
Sw30	RJB	563135	Male	Sw96.B	WCL_Door	562615	Female
Sw31.A	WCL door	563543	Male	Sw96.C	WCL door	562615	Female
Sw32	Dash	561477	Female	Sw97.A	WCL system	562615	Female
Sw33	Dash	561476	Male	Sw97.B	WCL system	562615	Female
Sw34	Outside_Front_RH	562477	Male	Sw97.C	WCL system	562615	Female
Sw35	Console	562763	Male	Sw98.A	WCL system	562615	Female
Sw38	LH_Console	562763	Male	Sw98.B	WCL system	562615	Female
Sw40	LH_Console	561690	Male	Sw98.C	WCL system	562615	Female
Sw41	LH_Console	562749	Male	Sw100A	Dash	562763	Male
Sw42	Lugg_Cmpt	561636	Female	Sw102	RJB	561566	Female
Sw43	LH_Console	561690	Male	Sw109.A	1st_Lugg_LH	560079	Female
Sw44.A	Service cmpt.	562403	Female	Sw109.B	1st_Lugg_LH	560079	Female
Sw45.A	3rd_Lugg_Cmpt	562403	Female	Sw110.A	1st_Lugg_RH	560079	Female
Sw46.A	3rd_Lugg_Cmpt	562403	Female	Sw110.B	1st_Lugg_RH	560079	Female
Sw46A.A	3rd lugg. cmpt.	562403	Female	Sw111.A	2nd lugg. cmpt.	560079	Female
Sw49.A	2nd_Lugg_Cmpt	562403	Female	Sw111.B	2nd lugg. cmpt.	560079	Female
Sw50.A	2nd_Lugg_Cmpt	562403	Female	Sw112.A	2nd lugg. cmpt.	560079	Female
Sw51.A	1st_Lugg_Cmpt	562403	Female	Sw112.B	2nd lugg. cmpt.	560079	Female
Sw52.A	1st_Lugg_Cmpt	562403	Female	Sw113.A	2nd lugg. cmpt.	560079	Female
Sw55.A	Lavatory	560488	Female	Sw113.B	2nd lugg. cmpt.	560079	Female
Sw55.B	Lavatory	560488	Female	Sw114.A	3rd_Lugg_RH	560079	Female
Sw56.A	Lavatory	560488	Female	Sw114.B	3rd_Lugg_RH	560079	Female
Sw56.B	Lavatory	560488	Female	Sw115.A	Compr_Door	560079	Female
Sw57	WCL_Door	563543	Male	Sw115.B	Compr_Door	560079	Female
Sw58	Engine cmpt.	563135	Male	Sw125.A	Service_Cmpt	561457	Female

## Connectors list

No	Location	Part #	Gender	No	Location	Part #	Gender
Sw125.B	Service_Cmpt	561457	Female	VECR4	RJB	563182	Male
Sw135.A	WCL door	562119	Female	VECR4	RJB	mating_563182	Female
Sw135.B	WCL door	562119	Female	VECR9	RJB	563448	Male
Sw135.C	WCL door	562119	Female	VECR9	RJB	mating_563448	Female
Sw137	Dash	562763	Male	VECR10	RJB	563181	Male
Sw150.A	Driver_Area	560081	Female	VECR10	RJB	mating_563181	Female
Sw150.B	Driver_Area	560081	Female	VECR11	RJB	563184	Male
Sw152	Driver_Area	562471	Male	VECR11	RJB	mating_563184	Female
Sw153	Dash	562763	Male	VECR12	RJB	563187	Male
Sw156	LH_Console	562763	Male	VECR12	RJB	mating_563187	Female
Sw157	Dash	562763	Male	VECT1	RJB	563715	Male
Sw158	Dash	562763	Male	VECT1	RJB	mating_563715	Female
Sw313.A	Lavatory	562615	Female	VECT2	RJB	563716	Male
Sw313.B	Lavatory	562615	Female	VECT2	RJB	mating_563716	Female
Sw313.C	Lavatory	562615	Female	VECT3	RJB	563448	Male
tab69	Parcel rack	561626	Female	VECT3	RJB	mating_563448	Female
Tab70a	Parcel rack	561626	Female	VECT4	RJB	563714	Male
Tab70b	Parcel rack	561626	Female	VECT4	RJB	mating_563714	Female
tab71a	Parcel rack	561626	Female	Y80	Engine_Cmpt	563789	Male
VECF1	FJB	563186	Male	Y81	Cond_Cmpt	563793	Male
VECF1	FJB	mating_563186	Female				
VECF2	FJB	563183	Male				
VECF2	FJB	mating_563183	Female				
VECF3	FJB	563185	Male				
VECF3	FJB	mating_563185	Female				
VECF4	FJB	563182	Male				
VECF4	FJB	mating_563182	Female				
VECF9	FJB	563448	Male				
VECF9	FJB	mating_563448	Female				
VECF10	FJB	563181	Male				
VECF10	FJB	mating_563181	Female				
VECF11	FJB	563184	Male				
VECF11	FJB	mating_563184	Female				
VECF12	FJB	563187	Male				
VECF12	FJB	mating_563187	Female				
VECR1	RJB	563186	Male				
VECR1	RJB	mating_563186	Female				
VECR2	RJB	563183	Male				
VECR2	RJB	mating_563183	Female				
VECR3	RJB	563185	Male				
VECR3	RJB	mating_563185	Female				

# CONNECTORS LIST

No	Location	Part #	Gender	No	Location	Part #	Gender
120V_inlet	RearVehicle	561572	male	A34.4	EngineCmpt.	564258	male
A1	RJB	563975	male	A34.5	EngineCmpt.	564258	male
A2	FJB	563984	male	A34.6	EngineCmpt.	564258	male
A3	Dash	562363	male	A34.7	EngineCmpt.	564258	male
A4.A	Service_Cmpt	562428	female	A34.8	EngineCmpt.	564258	male
A4.B	Service_Cmpt	561188	female	A34.J	Enginecmpt.	568118	male
A5	Service_Cmpt	562428	female	A34.K	Enginecmpt.	564270	male
A6	Engine_Cmpt	562427	male	A34.L	Enginecmpt.	564269	male
A7	Rear_Axle_Cmpt	563979	male	A36.JA	FJB	562767	male
A9.Cx1	FJB	564041	female	A36.JB	FJB	562765	male
A9.Cx2	FJB	563678	male	A36.JC	FJB	562957	male
A9.Cx3	FJB	564037	female	A39.P101	Parcelrack	563201	male
A9.Cx4	FJB	564038	female	A39.P901	Parcelrack	563953	male
A10.X1	Engine_Cmpt	563135	male	A60.A	Parcelrack	563071	male
A10.X3	Engine_Cmpt	563134	female	A60.B	Parcelrack	562706	female
A11	LH_Console	563142	male	A60.C	Parcelrack	901110	male
A14.A	Dash	562766	male	A60.D	Parcelrack	901110	male
A14.B	Dash	562767	male	A61.A	Parcelrack	562464	male
A14.C	Dash	562765	male	A61.B	Parcelrack	562465	male
A15	Dash	562464	male	A65.B	Parcelrack	901110	male
A16	Front_Roof	561637	male	A65.C	Parcelrack	901110	male
A17.D	RJB	561932	male	A65.Csv	Parcelrack	562465	male
A18.J1	FJB	562794	male	A65.D	Parcelrack	901110	male
A18.J2	FJB	562650	male	A69.A	Parcelrack	563071	male
A19	LH_Console	562878	female	A69.B	Parcelrack	561716	female
A20	Parcel_Rack_LH	561477	female	A69.C	Parcelrack	561716	female
A24.A	RH_Console	561890	male	A69.D	Parcelrack	561716	female
A24.B	RH_Console	561566	female	A69.E	Parcelrack	561716	female
A24.C	RH_Console	561889	female	A69.F	Parcelrack	561716	female
A25	Parcelrack	563025	male	A69.G	Parcelrack	561716	female
A26.P1	Enginecmpt.	562350	male	A69.H	Parcelrack	561716	female
A26.P2	Enginecmpt.	563322	female	A70c	Parcelrack	561540	female
A26.P4	Enginecmpt.	568088	male	A77	Parcelrack	564547	male
A27	Service_Cmpt	562929	male	A78	Parcelrack	562583	female
A28	Service_Cmpt	562928	male	A79	Parcelrack	562583	female
A29	Dash	562464	male	A80	Parcelrack	562479	female
A32.A	FJB	564221	male	A81.JA	FJB	562767	male
A32.B	FJB	564518	male	A81.JB	FJB	562765	male
A33.A	Parcelrack	563071	male	A81.JC	FJB	562957	male
A33.B	Parcelrack	562330	female	A83	Parcelrack	565970	female
A34.1	EngineCmpt.	564258	male	A84.A	Parcelrack	563071	male
A34.2	EngineCmpt.	564258	male	A96	FJB	564073	female
A34.3	EngineCmpt.	564258	male	A97	Dash	563226	male



# CONNECTORS LIST

No	Location	Part #	Gender	No	Location	Part #	Gender
A97A	FJB	563226	male	AE42.J3	FJB	564004	male
A97A	FJB	563613	female	AE43.J1	FJB	563679	male
A97B	FJB	563226	male	AE43.J2	FJB	564037	male
A97B	FJB	563613	female	AE43.J3	FJB	565957	male
A100	Front_Axle_Cmpt	563758	female	AE44.J1	FJB	563679	male
A101	Rear_RH_Axle_Cmpt	563758	female	AE44.J2	FJB	564037	female
A102	Rear_RH_Axle_Cmpt	563758	female	AE44.J3	FJB	565957	male
A103	Dash	562070	female	AE45.J1	FJB	563679	male
A107	EngineCmpt.	560336	male	AE45.J2	FJB	564037	female
A108	RJB	562766	male	AE45.J3	FJB	565957	male
A109A	FJB	564141	male	AE46.J1	FJB	563679	male
A113.A	Parcel_Rack_LH	563960	male	AE46.J2	FJB	564037	female
A113.B	Parcel_Rack_LH	563962	male	AE46.J3	FJB	565957	male
A113.C1	Parcel_Rack_LH	563956	male	AE47.J1	RH_console	563679	male
A113.C2	Parcel_Rack_LH	563957	male	AE47.J2	RH_console	564037	female
A113.C3	Parcel_Rack_LH	563958	male	AE47.J3	RH_console	565957	male
A114A	Dash	564252	male	AE48.J1	RH_console	563679	male
A120.A	Dashboard	563960	male	AE48.J2	RH_console	564037	female
A120.B	Dashboard	563962	male	AE48.J3	RH_console	565957	male
A120.C1	Dashboard	563956	male	AE49.J1	RJB	563679	male
A120.C2	Dashboard	563957	male	AE49.J2	RJB	564037	male
A120.C3	Dashboard	563958	male	AE49.J3	RJB	565957	male
A121.Vsa	Dash	563679	male	AE50.J1	RJB	563679	male
A121.Vsb	Dash	563678	male	AE50.J2	RJB	564037	male
A121.Vsc	Dash	564037	male	AE50.J3	RJB	565957	male
A121.Vsd	Dash	564118	male	AE51.J1	RJB	563679	male
A130	Driver_Area	563226	male	AE51.J2	RJB	564037	female
A131.A	Engine_Cmpt	561782	male	AE51.J3	RJB	565957	male
A131.B	Engine_Cmpt	561781	female	AE52.J1	RJB	563679	male
A137A	Condensercmpt.	20429843	male	AE52.J2	RJB	564037	female
A138	Cond_Cmpt	563787	male	AE52.J3	RJB	565957	male
A139	Dash	564501	male	AE53.J1	RJB	563679	male
A151.A	Parcelrack	561582	female	AE53.J2	RJB	564037	female
A151.B	Parcelrack	561582	female	AE53.J3	RJB	565957	male
A152.J	Parcelrack	563071	male	AE54.J1	Evaporatorcmpt.	563679	male
A153.A	Parcelrack	562465	male	AE54.J2	Evaporatorcmpt.	564037	female
A160.A	3rd_LH_Lugg_Cmpt	562477	male	AE54.J3	Evaporatorcmpt.	565957	male
A160.B	3rd_LH_Lugg_Cmpt	562884	female	AE55.J1	Dash	563679	male
AE41.J1	FJB	563679	male	AE55.J2	Dash	564037	female
AE41.J2	FJB	564037	female	AE55.J3	Dash	564004	male
AE41.J3	FJB	564004	male	AE56.J1	Dash	563679	male
AE42.J1	FJB	563679	male	AE56.J2	Dash	564037	male
AE42.J2	FJB	564037	female	AE56.J3	Dash	564004	male

# CONNECTORS LIST

No	Location	Part #	Gender	No	Location	Part #	Gender
AE57.J1	WCLcmpt.	563679	male	C6	FJB	563583	female
AE57.J2	WCLcmpt.	564037	male	C7	Service_Cmpt	562566	male
AE57.J3	WCLcmpt.	564004	male	C7	Service_Cmpt	562565	female
Alt_LL.A	Enginectmpt.	563746	female	C8	FJB	563227	male
Alt_LL.B	Enginectmpt.	560815	female	C8	FJB	563614	female
Alt_LL.C	Enginectmpt.	564469	female	C9	RJB	561986	male
Alt_LR.A	enginectmpt.	563746	female	C9	RJB	561987	female
Alt_LR.B	Enginectmpt.	560815	female	C10	Engine_Cmpt	562477	male
Alt_LR.C	Enginectmpt.	564469	female	C10	Engine_Cmpt	562479	female
Alt_UR.A	Enginectmpt.	563746	female	C11	Service_Cmpt	563580	male
Alt_UR.B	Enginectmpt.	560815	female	C11	Service_Cmpt	563581	female
Alt_UR.C	Enginectmpt.	564469	female	C12	Engine_Cmpt	562581	male
B85	Engine_Cmpt	563815	male	C12	Engine_Cmpt	562583	female
B96	Engine_Cmpt	563821	male	C13_plug	RH_Console	563589	male
B96B	Engine_Cmpt	563823	male	C13_socket	RH_Console	563590	female
B97	Engine_Cmpt	563816	male	C13S	RH_Console	563589	male
B98	Engine_Cmpt	563817	male	C13S	RH_Console	563590	female
B115A	Enginectmpt.	564226	male	C15A	Evapotorcmt.	568110	male
B142C	Enginectmpt.	563793	male	C15A	Evaporatotcmt.	568109	female
B310	Enginectmpt.	565967	male	C16	RJB	561577	male
C1	FJB	563589	male	C16	RJB	561605	female
C1	FJB	563590	female	C17	RJB	560195	male
C1S	FJB	563589	male	C17	RJB	560169	female
C1S	FJB	563590	female	C18	FJB	561986	male
C2	Service_Cmpt	563580	male	C18	FJB	561987	female
C2	Service_Cmpt	563581	female	C19	RJB	561986	male
C2A	FJB	563580	male	C19	RJB	561987	female
C2A	FJB	563581	female	C20A	Evap_Cmpt	562485	male
C3_plug	RJB	563589	male	C20A	Evap_Cmpt	562486	female
C3_socket	RJB	563590	female	C20B	Evap_Cmpt	562485	male
C3AP	FJB	563589	male	C20B	Evap_Cmpt	562486	female
C3AP	FJB	563590	female	C23	Evaporatorcmt.	564034	male
C3AS	FJB	563589	male	C23	Evaporatorcmt.	564035	female
C3AS	FJB	563590	female	C24_plug	Evap_Cmpt	561690	male
C3S	RJB	563593	male	C24_socket	Evap_Cmpt	561566	female
C3S	RJB	563590	female	C25	Parcel_Rack_LH	561550	male
C4	FJB	563580	male	C25	Parcel_Rack_LH	561667	female
C4	FJB	563581	female	C26	Ureacmpt.	563226	male
C5	FJB	563589	male	C26	Ureacmpt.	563613	female
C5	FJB	563590	female	C26A	Ureacmpt.	568110	male
C5S	FJB	563589	male	C26A	Ureacmpt.	568109	female
C5S	FJB	563590	female	C26B	Ureacmpt.	563227	male
C6	FJB	563582	male	C26B	Ureacmpt.	563614	female

# CONNECTORS LIST

No	Location	Part #	Gender	No	Location	Part #	Gender
C29	4rd_Lugg_Cmpt	563651	male	C50	RJB	563613	female
C29	3rd_Lugg_Cmpt	563652	female	C51	Enginecmpt.	564034	male
C30	3rd_Lugg_Cmpt	561710	male	C51	Enginecmpt.	560034	female
C30	3rd_Lugg_Cmpt	561709	female	C52	Evaporatorcmpt.	563618	male
C31W	Parcelrack	561515	male	C52	Evaporatorcmpt.	563616	female
C31W	Parcelrack	561552	female	C54	Enginecmpt.	563226	male
C32	lavatory	561734	male	C54	Enginecmpt.	563613	female
C32	Lavatory	561735	female	C54A	Ureacmpt.	568110	male
C32L	Lavatory	562006	male	C54A	Ureacmpt.	568109	female
C32L	Lavatory	560908	female	C54B	Enginecmpt.	563589	male
C32W	WCLcmpt.	561640	male	C54B	Enginecmpt.	563590	female
C32W	WCLcmpt.	561639	female	C55	Evap_Cmpt	561577	male
C32X	Lavatory	561247	male	C55	Evap_Cmpt	561605	female
C32X	Lavatory	561248	female	C58	Condensorcmt.	564567	male
C33	WCLcmpt.	564034	male	C58	Condensorcmt.	564568	female
C33	WCLcmpt.	564035	female	C59	RJB	561643	male
C34	RH_Console	561986	male	C59	RJB	561642	female
C34	RH_Console	561987	female	C61	Fr_Service_Door	561669	male
C36	FJB	561986	male	C61	Fr_Service_Door	561670	female
C36	FJB	561987	female	C62	Fr_Service_Door	562566	male
C37	Parcel_Rack_LH	562557	male	C62	Fr_Service_Door	562565	female
C37	Parcel_Rack_LH	562558	female	C63	Entrance_Door	562477	male
C38	Parcelrack	562555	male	C63	Entrance_Door	562479	female
C38	Parcelrack	562556	female	C64	Enginecmpt.	568110	male
C39A	Firesuppressioncmpt.	561782	male	C64	Enginecmpt.	568109	female
C39A	Firesuppressioncmpt.	561781	female	C66_plug	Evap_Cmpt	561577	male
C40	Dash	562485	male	C66_socket	Evap_Cmpt	561605	female
C40	Dash	562486	female	C68	LH_Parcel_Rack	562503	male
C41	RJB	561782	male	C68	Parcel_Rack_LH	562507	female
C41	RJB	561781	female	C69	LH_Parcel_Rack	561690	male
C42	FJB	561668	male	C69	Parcel_Rack_LH	561566	female
C42	FJB	561551	female	C70	FJB	562557	male
C44_plug	FJB	561577	male	C70	FJB	562558	female
C44_socket	FJB	561605	female	C70A	FJB	561637	male
C45	FJB	561643	male	C70A	FJB	561636	female
C45	FJB	561642	female	C71	FJB	561646	male
C46	WCLCmpt.	564228	male	C71	FJB	561645	female
C46	WCLCmpt.	564229	female	C72	FJB	561646	male
C47	FJB	565207	male	C72	FJB	561645	female
C48	Unican	565208	male	C74	FJB	561645	female
C49	FJB	562005	male	C74	FJB	561646	male
C49	FJB	561714	female	C81	1st_Lugg_Cmpt	562477	male
C50	RJB	563226	male	C81	1st_Lugg_Cmpt	562479	female

# CONNECTORS LIST

No	Location	Part #	Gender	No	Location	Part #	Gender
C82	Luggage_Cmpt	562581	male	C107B	Enginecmpt.	562884	female
C82	Luggage_Cmpt	562583	female	C107C	Enginecmpt.	562885	female
C83	2nd_Lugg_Cmpt	562477	male	C107C	Enginecmpt.	562884	female
C83	2nd_Lugg_Cmpt	562479	female	C110	Dash	568110	male
C84	2nd_Lugg_Cmpt	562477	male	C110	Dash	568109	female
C84	2nd_Lugg_Cmpt	562479	female	C111	FJB	562581	male
C85	4thlugg.cmpt.	562477	male	C111	FJB	562583	female
C85	4thlugg.cmpt.	562479	female	C112	RJB	562284	male
C86	4thlugg.cmpt.	563618	male	C112	RJB	562281	female
C86	4thlugg.cmpt.	563616	female	C119A	Rearendoor	568110	male
C87	Engine_Cmpt	562485	male	C119A	Rearendoor	568109	female
C87	Engine_Cmpt	562486	female	C121	Rearendoor	562566	male
C88	FJB	563618	male	C121	Rearendoor	562565	female
C88	FJB	563616	female	C122	Rearendoor	562566	male
C91	RJB	562285	male	C122	Rearendoor	562565	female
C91	RJB	562282	female	C131A	Engine_Cmpt	561782	male
C92A	Enginecmpt.	563226	male	C131A	Engine_Cmpt	561781	female
C92A	Enginecmpt.	563613	female	C131B	Engine_Cmpt	561782	male
C92C	Enginecmpt.	562581	male	C131B	Engine_Cmpt	561781	female
C92C	Enginecmpt.	562583	female	C140	Dashboard	562477	male
C94_plug	FJB	563589	male	C140	Dashboard	562479	female
C94_socket	FJB	563590	female	C144	RJB	560852	male
C96	FJB	561643	male	C144	RJB	560851	female
C96	FJB	561642	female	C152	Cond_Cmpt	561611	male
C97	FJB	561643	male	C152	Cond_Cmpt	561610	female
C97	FJB	561642	female	C158	Condensorcmt.	562477	male
C100	Evaporatorcmpt.	562477	male	C158	Condensorcmt.	562479	female
C100	Evaporatorcmpt.	562479	female	C170	LH_Console	561637	male
C100S	EvaporatorCmpt.	562477	male	C170	LH_Console	561636	female
C100S	EvaporatorCmpt.	562479	female	C171	LH_Console	561646	male
C101	Service_Cmpt	561690	male	C171	LH_Console	561645	female
C101	Service_Cmpt	561566	female	C187	RJB	561577	male
C102A	Condensorcmt.	563226	male	C187	RJB	561605	female
C102A	Condensorcmt.	563613	female	C188	Evap_Cmpt	561577	male
C103_plug	FJB	562485	male	C188	Evap_Cmpt	561605	female
C103_socket	FJB	562486	female	C189	Evap_Cmpt	561986	male
C105_plug	FJB	562581	male	C189	Evap_Cmpt	561987	female
C105_socket	FJB	562583	female	C193_plug	RJB	563589	male
C106_plug	FJB	562581	male	C193_socket	RJB	563590	female
C106_socket	FJB	562583	female	C194	FJB	563589	male
C107A	Enginecmpt.	562885	female	C194	FJB	563590	female
C107A	Enginecmpt.	562884	female	C194spA	FJB	563589	male
C107B	Enginecmpt.	562885	female	C194spA	FJB	563590	female

# CONNECTORS LIST

No	Location	Part #	Gender	No	Location	Part #	Gender
C194spB	FJB	563589	male	C284-3_plug	Parcelrack	561782	male
C194spB	FJB	563590	female	C284-3_socket	Parcelrack	561781	female
C206	Parcel_Rack_RH	562503	male	C284-5_plug	Parcelrack	561782	male
C206	Parcel_Rack_RH	562507	female	C284-5_socket	Parcelrack	561781	female
C207	Parcel_Rack_LH	562503	male	C284_1	Parcelrack	561782	male
C207	Parcel_Rack_LH	562507	female	C284_1	Parcelrack	561781	female
C212	WCLArea	561515	male	C284_2	Parcelrack	561782	male
C212	WCLArea	561552	female	C284_2	Parcelrack	561781	female
C213	Parcel_Rack_LH	561515	male	C284_3	Parcelrack	561782	male
C213	Parcel_Rack_LH	561552	female	C284_3	Parcelrack	561781	female
C222	FJB	562477	male	C284_4	Parcelrack	561782	male
C222	FJB	562479	female	C284_4	Parcelrack	561781	female
C223	FJB	563227	male	C284_5	Parcelrack	561782	male
C223	FJB	563614	female	C284_5	Parcelrack	561781	female
C224	FJB	561637	male	C290	Rear_Vehicle	562477	male
C224	FJB	561636	female	C290	Rear_Vehicle	562479	female
C225	FJB	562650	male	C298	Parcelrack	561782	male
C225	FJB	562649	female	C298	Parcelrack	561781	female
C226	FJB	562650	male	C355	RJB	563582	male
C226	FJB	562649	female	C355	RJB	563583	female
C242	Service_Cmpt	562789	male	C356	Parcelrack	561710	male
C242	Service_Cmpt	565131	female	C356	Parcelrack	561709	female
C243	FrontVehicle	563347	male	C357	Parcelrack	561847	male
C243	FrontVehicle	563180	female	C357	Parcelrack	561862	female
C250	Parcel_Rack	564208	male	C380A	Dash	564222	male
C251	Driver_Area	562549	male	C380A	Dash	564224	female
C251	Driver_Area	562550	female	C381	Parcel_Rack	561847	male
C259	3rd_LH_Lugg_Cmpt	561637	male	C381	Parcel_Rack	561862	female
C259	3rd_LH_Lugg_Cmpt	561636	female	C382	Under_Seat	561580	male
C266	Parcelrack	561782	male	C382	Under_Seat	561582	female
C266	Parcelrack	561781	female	C397	RJB	562285	male
C267	Parcelrack	561782	male	C397	RJB	562282	female
C267	Parcelrack	561781	female	C430	LH_Console	562363	male
C279	Service_Cmpt	562477	male	C430	LH_Console	561188	female
C279	Service_Cmpt	562479	female	C452	Dash	561669	male
C280	Parcel_Rack	562549	male	C452	Dash	561670	female
C280	Parcel_Rack	562550	female	C463	Rearaxlecmpt.	568111	male
C284	Parcelrack	561782	male	C463	Rearaxlecmpt.	568112	female
C284	Parcelrack	561781	female	C464	FJB	564222	male
C284-1_plug	Parcelrack	561782	male	C464	FJB	564224	female
C284-1_socket	Parcelrack	561781	female	C464A	Dash	564222	male
C284-2_plug	Parcelrack	561782	male	C464A	Dash	564224	female
C284-2_socket	Parcelrack	561781	female	C464B	FJB	564222	male

# CONNECTORS LIST

No	Location	Part #	Gender	No	Location	Part #	Gender
C464B	FJB	564224	female	C617	Mirror_LH	563801	male
C465	Parcelrack	562581	male	C617	Mirror_LH	563800	female
C465	Parcelrack	562583	female	C618	Mirror_RH	563801	male
C506	FJB	561687	male	C618	Mirror_RH	563800	female
C506	FJB	561685	female	C700	FJB	561637	male
C506spA	FJB	561687	male	C700	FJB	561636	female
C506spA	FJB	561685	female	C752	Parcelrack	901283	female
C506spB	FJB	561687	male	C753	Parcelrack	901283	female
C506spB	FJB	561685	female	C766	Parcelrack	561662	male
C542	Parcelrack	561550	male	C766	Parcelrack	561661	female
C542	Parcelrack	561667	female	C768	Parcelrack	901283	female
C558	Parcelrack	562503	male	C769	Parcelrack	901283	female
C558	Parcelrack	562507	female	C777	Dash	562477	male
C564	Parcelrack	562503	male	C777	Dash	562479	female
C564	Parcelrack	562507	female	C_A60DB	Parcelrack	563071	male
C564-Sp	Parcelrack	562503	male	C_A60DB	Parcelrack	563040	female
C564-Sp	Parcelrack	562507	female	C_ALT	Enginecmpt.	562581	male
C566	Parcelrack	562503	male	C_ALT	Enginecmpt.	562583	female
C566	Parcelrack	562507	female	C_ALT3	Enginecmpt.	562477	male
C567	Parcelrack	562503	male	C_ALT3	Enginecmpt.	562479	female
C567	Parcelrack	562507	female	C_AUDIO_AUX	Parcelrack	562557	male
C575	Parcel_Rack_RH	562503	male	C_AUDIO_AUX	Parcelrack	562558	female
C575	Parcel_Rack_RH	562507	female	C_AUX	Parcelrack	563071	male
C576B	Parcel_Rack_RH	562006	male	C_AUX	Parcelrack	563040	female
C576B	Parcel_Rack_RH	560908	female	C_INV1	Parcelrack	562337	male
C576BB	Parcelrack	562006	male	C_INV1	Parcelrack	562338	male
C576BB	Parcelrack	560908	female	C_INV2	Parcelrack	562337	male
C577A	Parcel_Rack	562006	male	C_INV2	Parcelrack	562338	male
C577A	Parcel_Rack	560908	female	C_L606	Lavatory_Ext._Wall	560898	male
C577AA	Parcelrack	562006	male	C_L606	Lavatory_Ext._Wall	560900	female
C577AA	Parcelrack	560908	female	C_LineOut	Parcelrack	563962	male
C578	Parcel_Rack_LH	562503	male	C_LineOut	Parcelrack	564489	female
C578	Parcel_Rack_LH	562507	female	C_Mo9	Evap_Cmpt	561577	male
C582	FJB	561690	female	C_Mo9	Evap_Cmpt	561605	female
C582	FJB	561566	female	C_Mo9:2	Evap_Cmpt	561577	male
C601	LHRoofWinAjar	561476	male	C_Mo9:2	Evap_Cmpt	561605	female
C601	LHRoofWinAjar	561477	female	C_USB	Parcelrack	562069	male
C603	RHRoofWinAjar	561476	male	C_USB	Parcelrack	562070	female
C603	RHRoofWinAjar	561477	female	CCAN1	FJB	562650	male
C614	Passenger_Area	563071	male	CCAN1	FJB	562649	female
C614	Passenger_Area	563040	female	CCAN2	FJB	562650	male
C615	Passenger_Area	563071	male	CCAN2	FJB	562649	female
C615	Passenger_Area	563040	female	CCAN3	FJB	562650	male

# CONNECTORS LIST

No	Location	Part #	Gender	No	Location	Part #	Gender
CCAN3	FJB	562649	female	CSX3	Engine_Cmpt	563135	male
CCAN4	FJB	562650	male	CSX3	Engine_Cmpt	563134	female
CCAN4	FJB	562649	female	CT2_plug	Engine_Cmpt	563226	male
CCust	Parcel_Rack_Fr_WCL	562477	male	CT2_socket	Engine_Cmpt	563613	female
CCust	RJB	562479	female	CT3	Rear_Vehicle	563224	male
CFHAC_plug	Condensorcsmpt.	564238	male	CT_IN	RearVehicle	560167	male
CFHPR1	Parcelrack	564560	male	CT_IN	RearVehicle	560159	female
CIND-1.A	Parcelrack	560908	female	CT_Out	RearVehicle	560233	female
CIND-1.B	Parcelrack	560908	female	CXC1	Service_Cmpt	562477	male
CIND-2.A	Parcelrack	560908	female	CXC1	Service_Cmpt	562479	female
CIND-2.B	Parcelrack	560908	female	D92	Parcelrack	564496	male
CIND-11.A	Parcelrack	560908	female	EI	Enginectmpt.	563739	male
CIND-11.B	Parcelrack	560908	female	FUSE_BOX_3.A	Parcel_Rack	562610	male
CINDWC-1.A	Parcelrack	560908	female	FUSE_BOX_3.B	Parcel_Rack	562610	male
CINDWC-1.B	Parcelrack	560908	female	FUSE_BOX_4.A	Parcel_Rack	562610	male
CL1	Service_Cmpt	562485	male	FUSE_BOX_4.B	Parcel_Rack	562610	male
CL1	Service_Cmpt	562486	female	FUSE_BOX_5.A	Parcel_Rack	562610	male
CL142	Lavatory	562006	male	FUSE_BOX_5.B	Parcel_Rack	562610	male
CL142	Lavatory	560908	female	L1A	Enginectmpt.	564045	female
CL142A	Lavatory	562006	male	L16.A	Frontroof	562615	female
CL142A	Lavatory	560908	female	L16.B	Frontroof	562615	female
CP1	Passenger_Area	561782	male	L17.A	Frontroof	562615	female
CP1	Passenger_Area	561781	female	L17.B	Frontroof	562615	female
CP2	Passenger_Area	561782	male	L18	Entrance_Door	562549	male
CP2	Passenger_Area	561781	female	L19	Entracedoor	562549	male
CP3	Passengersarea	561782	male	L20	Entracedoorstep	562549	male
CP3	Passengersarea	561781	female	L28	Parcelrack	560898	male
CP4	Passenger_Area	561782	male	L29	Parcelrack	560898	male
CP4	Passenger_Area	561781	female	L30	Parcelrack	560898	male
CP5	Passenger_Area	561782	male	L30A.A	Parcelrack	560898	male
CP5	Passenger_Area	561781	female	L30B.A	Parcelrack	560898	male
CP6	Passengersarea	562337	male	L31	Parcelrack	560898	male
CP6	Passengersarea	562338	male	L32	Parcelrack	560898	male
CRes6A	FJB	563589	male	L33	Parcelrack	560898	male
CRes6A	FJB	563590	female	L34	Parcelrack	560898	male
CRes6B	FJB	563589	male	L35	Parcelrack	560898	male
CRes6B	FJB	563590	female	L36	Parcelrack	560898	male
CSe80	RJB	562477	male	L37	Parcelrack	560898	male
CSe80	RJB	562479	female	L38	Parcelrack	560898	male
CSw102	EngineCmpt.	562549	male	L39	Parcelrack	560898	male
CSw102	EngineCmpt.	562550	female	L40	Parcelrack	560898	male
CSX1	Engine_Cmpt	563135	male	L41	Parcelrack	560898	male
CSX1	Engine_Cmpt	563134	female	L42	Parcelrack	560898	male

# CONNECTORS LIST

No	Location	Part #	Gender	No	Location	Part #	Gender
L43	Parcelrack	560898	male	L68	4th_Lugg_Cmpt	562155	male
L44	Parcelrack	560898	male	L69	4th_Lugg_Cmpt	562155	male
L45	Parcelrack	560898	male	L70	4th_Lugg_Cmpt	562155	male
L46	Parcelrack	560898	male	L71A	Rearenginedoor	562601	male
L47	Parcelrack	560898	male	L72	Rear_Vehicle	562155	male
L48	Parcelrack	560898	male	L73A	Rearenginedoor	562601	male
L49	Parcelrack	560898	male	L74	RearVehicle	562155	male
L50	Parcelrack	560898	male	L75	Rearenginedoor	562155	male
L51	Parcelrack	560898	male	L76	RearVehicle	562155	male
L52	Parcelrack	560898	male	L77A	Rearvehicule	562601	male
L52	Parcelrack	560900	female	L78A	Rearvehicule	562601	male
L52A	Parcelrack	560898	male	L79A	Rearvehicule	562601	male
L53	Parcelrack	560898	male	L80A	Rearvehicule	562601	male
L53	Parcelrack	560900	female	L81.A	Rear_Vehicle	562835	female
L53A	Parcelrack	560898	male	L81.B	Rear_Vehicle	562834	male
L54	Parcelrack	560898	male	L82A	Rearvehicule	562348	female
L54	Parcelrack	560900	female	L83A	Rearvehicule	562348	female
L54A	Parcelrack	560898	male	L84	FrontVehicle	562486	female
L55	Parcelrack	560898	male	L85	RearVehicle	562486	female
L55	Parcelrack	560900	female	L86	RearVehicle	562486	female
L55A	Parcelrack	560898	male	L87	RearVehicle	562486	female
L56	Parcelrack	560898	male	L88	RearVehicle	562486	female
L56	Parcelrack	560900	female	L89	RearVehicle	562486	female
L56A	Parcelrack	560898	male	L90	RearVehicle	562486	female
L57	Parcelrack	560898	male	L91A	Rearvehicule	562601	male
L57	Parcelrack	560900	female	L92A	Rearvehicule	562601	male
L57A	Parcelrack	560898	male	L95	Outside_Front_LH	562902	female
L58	Parcelrack	560898	male	L96	Outside_Front_RH	562902	female
L58	Parcelrack	560900	female	L97.A	Outside_Front_LH	563069	female
L58A	Parcelrack	560898	male	L97.B	Outside_Front_LH	563069	female
L59	Out_Side_Front_RH	562623	male	L98.A	Entrance_Door	563069	female
L59A	OutsideFrontRH	563366	male	L98.B	Outside_Front_RH	563069	female
L59B	Out_Side_Front_RH	562623	male	L140	Lavatory	561247	male
L60	OutsideFrontLH	562623	male	L142	Lavatory	562006	male
L60A	OutsideFrontLH	563366	male	L142B	Lavatory	562006	male
L60B	Out_Side_Front_LH	562623	male	L143	Parcelrack	561186	male
L61	Out_Side_Front_RH	562601	male	L144	Parcelrack	561186	male
L62	Out_Side_Front_LH	562601	male	L145	Parcelrack	561186	male
L63	Front_Side_LH	562155	male	L146	Parcelrack	561186	male
L64	Outside_Front_RH	562155	male	L147	Parcelrack	561186	male
L65	Outside_Front_LH	562155	male	L148	Parcelrack	561186	male
L66	Out_Side_Front_LH	562155	male	L149	Parcelrack	561186	male
L67	4th_Lugg_Cmpt	562155	male	L150	Parcelrack	561186	male



# CONNECTORS LIST

No	Location	Part #	Gender	No	Location	Part #	Gender
L151	Parcelrack	561186	male	L207.G	WCLCmpt.	561699	female
L152	Parcelrack	561186	male	L207.H	WCLCmpt.	560926	female
L153	Parcelrack	561186	male	L207.I	WCLCmpt.	560926	female
L154	Parcelrack	561186	male	L243	Parcelrack	561186	male
L155	Parcelrack	561186	male	L244	Parcelrack	561186	male
L156	Parcelrack	561186	male	L245	Parcelrack	561186	male
L157	Parcelrack	561186	male	L246	Parcelrack	561186	male
L158	Parcelrack	561186	male	L247	Parcelrack	561186	male
L170	Luggage_Cmpt	561690	male	L248	Parcelrack	561186	male
L173	Parcelrack	563590	female	L249	Parcelrack	561186	male
L174A	Parcelrack	563590	female	L250	Parcelrack	561186	male
L176	3rd_Lugg_Cmpt	561247	male	L251	Parcelrack	561186	male
L177	3rd_Lugg_Cmpt	561247	male	L252	Parcelrack	561186	male
L177A	3rdlugg.cmpt.	561690	male	L253	Parcelrack	561186	male
L177B	3rdlugg.cmpt.	561690	male	L254	Parcelrack	561186	male
L180	2nd_Lugg_Cmpt	561247	male	L255	Parcelrack	561186	male
L181	2nd_Lugg_Cmpt	561247	male	L256	Parcelrack	561186	male
L182	1st_Lugg_Cmpt	561247	male	L257	Parcelrack	561186	male
L183	1st_Lugg_Cmpt	561247	male	L258	Parcelrack	561186	male
L184	Servicecmpt.	561247	male	L282	Engine_Cmpt	561690	male
L185.A	Servicecmpt.	561539	male	L283	Service_Cmpt	562485	male
L185.B	Servicecmpt.	561539	male	L285.A	Rear_Vehicle	562835	female
L186.A	Dash	561539	male	L285.B	Rear_Vehicle	562834	male
L186.B	Dash	561539	male	L286.A	Rear_Vehicle	562835	female
L187	Engine_Cmpt	561690	male	L286.B	Rear_Vehicle	562834	male
L188	Service_Cmpt	562486	female	L296	Refrigerator	561248	female
L193.A	Dash	560488	female	L298A	Enginecmpt.	563590	female
L193.B	Dash	560488	female	L306	RJBcmpt.	561247	male
L194.A	Dash	562019	female	L313	Rr_Roof	562549	male
L194.B	Dash	560488	female	L350A.A	Rearaxlecmpt.	564552	male
L195.A	Dash	560488	female	L350A.B	Rearaxlecmpt.	563340	male
L195.B	Dash	560488	female	L350A.C	Rearaxlecmpt.	562251	male
L199	Enginecmpt.	562848	male	L606A	Lavatory_Ext._Wall	560898	male
L203	RH_Console	561690	male	Mo3	Dash	561667	female
L204	Parcel_Rack_RH	562803	male	Mo4	Dash	562076	male
L205	Enginecmpt.	562485	male	Mo5	Front_Roof	561515	male
L206	Parcel_Rack_RH	562803	male	Mo7	Cond_Cmpt	563691	male
L207.A	WCLCmpt.	561699	female	Mo8	Cond_Cmpt	563691	male
L207.B	WCLCmpt.	561701	female	Mo10	Parcel_Rack_LH	561515	male
L207.C	WCLCmpt.	561701	female	Mo11	Parcel_Rack_RH	561515	male
L207.D	WCLCmpt.	561699	female	Mo12	Engine_Cmpt	561690	male
L207.E	WCLCmpt.	561701	female	Mo13	Engine_Cmpt	561690	female
L207.F	WCLCmpt.	561699	female	Mo14	Engine_Cmpt	561566	female

# CONNECTORS LIST

No	Location	Part #	Gender	No	Location	Part #	Gender
Mo15	Front_Ceiling	560900	female	Pot1.C	Dash	560488	female
Mo16	Front_Ceiling	560900	female	PR	Parcelrack	561782	male
Mo17	RH_Console	563626	male	PR	Parcelrack	561781	female
Mo19	Fr_Service_Door	562474	male	PR1	Passenger_Area	561782	male
Mo20	Fr_Service_Door	562474	male	PR1	Passenger_Area	561781	female
Mo22	RH_Console	561186	male	R3	RJB	563409	male
Mo24	RH_Console	562348	female	R4	FJB	564496	male
Mo25	RH_Console	562348	female	R5	RJB	564496	male
Mo27	Cond_Cmpt	563691	male	R12	Evap_Cmpt	563409	male
Mo28	Cond_Cmpt	563691	male	R20	RJB	564496	male
Mo29	RJBcmpt.	563590	female	R26	Evap_Cmpt	564496	male
Mo30	Compr_Door	564161	male	R27	Dash	564496	male
Mo31	Parcelrack	564161	male	R29	RJB	563409	male
Mo32	Parcelrack	564161	male	R30	FJB	564496	male
Mo33	Parcelrack	564161	male	R31	FJB	564496	male
Mo34	Parcelrack	564161	male	R34	RJB	564210	male
Mo35	3rd_Lugg_Door	564161	male	R36	Dash	564496	male
Mo36	Parcelrack	564161	male	R37	Dash	564496	male
Mo54	Service_Cmpt	562474	male	R38	FJB	564496	male
Mo65	Enginectmpt.	568089	male	R40	RJB	564496	male
Mo67	Enginectmpt.	568089	male	R47	Parcelrack	564496	male
Mo68	Enginectmpt.	568089	male	R_12VISS	Parcelrack	564496	male
Mo69	Enginectmpt.	568089	male	RadioVolvo3_966.A	Parcelrack	563960	male
Mo70	Enginectmpt.	568089	male	RadioVolvo3_966.B	Parcelrack	563962	male
Mo71	Enginectmpt.	568089	male	RadioVolvo3_966.C1	Parcelrack	563956	male
Mo72	Enginectmpt.	568089	male	RadioVolvo3_966.C2	Parcelrack	563957	male
Mo73	Enginectmpt.	568089	male	RadioVolvo3_966.C3	Parcelrack	563958	male
P_In1	Passenger_Area	561782	male	Res3.A	RJB	563590	female
P_In1	Passenger_Area	561781	female	Res4	FJB	563590	female
P_Out1	Passenger_Area	561782	male	Res6	FJB	563590	female
P_Out1	Passenger_Area	561781	female	Res7	Dashboard	563590	female
P_Out2	Passenger_Area	561782	male	Res15	Engine_Cmpt	561782	male
P_Out2	Passenger_Area	561781	female	Res19	FJB	563590	female
P_Out3	Passenger_Area	561782	male	Res20	FJB	563590	female
P_Out3	Passenger_Area	561781	female	Res31	Ureacmpt.	562350	male
PC1	FJB	562650	male	Res32	Ureacmpt.	563764	female
PC1	FJB	562649	female	Res53.A	Dashboard	563590	female
PF	FJB	561782	male	Se4	Window_RH	561477	female
PF	FJB	561781	female	Se5	Window_RH	561477	female
PF1	Passenger_Area	561782	male	Se6	Window_RH	561477	female
PF1	Passenger_Area	561781	female	Se7	Window_LH	561477	female
Pot1.A	Dash	560488	female	Se8	Window_LH	561477	female
Pot1.B	Dash	560488	female	Se9	Window_LH	561477	female

# CONNECTORS LIST

No	Location	Part #	Gender	No	Location	Part #	Gender
Se10	FJB	561477	female	Se69	Frontaxlecmpt.	563159	female
Se11.A	Cond_Cmpt	560082	female	Se74	Rear_Axle_Cmpt	563340	male
Se11.B	Cond_Cmpt	560082	female	Se75	Service_Cmpt	563159	female
Se11.C	Cond_Cmpt	560082	female	Se76	RH_Console	562479	female
Se13	Engine_Cmpt	562350	male	Se77	FJB	563159	female
Se14.A	Driver_Area	561782	male	Se78	Pneumaticplate	563159	female
Se14.B	Driver_Area	561781	female	Se79	Front_Axle	563340	male
Se15	RH_Console	560898	male	Se80	Rear_Axle_Cmpt	563159	female
Se17	RH_Console	560900	female	Se100	WCLdoor	562479	female
Se18	Servicecmpt.	561566	female	shell1_633		561626	female
Se19_P	Service_Cmpt	563677	male	shell1_1445		562486	female
Se19_S	Service_Cmpt	563677	male	shell2_1445		562486	female
Se20	Evap_Cmpt	562426	male	shell3_1445		562486	female
Se21	Dash	561248	female	shell4_1445		562486	female
Se23	Engine_Cmpt	563159	male	shell5_1445		562486	female
Se24	EvaporatorCmpt.	563758	female	shell6_1445		562486	female
Se25	Passenger_Area	561248	female	shell7_1445		562486	female
Se29	Engine_Cmpt	561566	female	So3	RH_Console	641385	male
Se30	Enginedoor	562877	female	So4	RH_Console	641385	male
Se31	Enginedoor	562877	female	So5	RH_Console	641385	male
Se32	Rear_Axle_Cmpt	562426	male	So6	RH_Console	641385	male
Se33	Rear_Axle_Cmpt	562856	male	So7	Service_Cmpt	561566	female
Se34	Rear_Axle_Cmpt	562426	male	So8	Servicecmpt.	641385	male
Se35	Rear_Axle_Cmpt	562426	male	So9	Enginecmpt.	560016	female
Se36	Rear_Axle_Cmpt	562427	male	So10.A	Condensorcmt.	562485	male
Se37	Front_Axle_LH	641132	female	So11	Cond_Cmpt	561566	female
Se38	Front_Axle_RH	641132	female	So13	Evap_Cmpt	563204	female
Se39	Rear_Axle_LH	641132	female	So14	Servicecmpt.	641385	male
Se40	Rear_Axle_LH	641132	female	So15	Servicecmpt.	641385	male
Se45	Servicecmpt.	563409	male	So16	Servicecmpt.	641385	male
Se46	Rearaxlecmpt.	562348	female	So17	Servicecmpt.	562848	male
Se51	Driver_Area	563589	male	So20	Servicecmpt.	641385	male
Se53	Service_Cmpt	563159	female	So21	Front_Axle_Cmpt	564046	female
Se54	Service_Cmpt	563159	female	So22	Front_Axle_Cmpt	564046	female
Se55	Service_Cmpt	563159	female	So23	Rear_Axle_Cmpt	564046	female
Se56	WCLCmpt.	562884	female	So24	Rear_Axle_Cmpt	564046	female
Se60	Service_Cmpt	563409	male	So27	Rearaxlecmpt.	564045	female
Se62	WCL_System	561690	male	So29	Parcelrack	641385	male
Se63	Rearaxlecmpt.	641132	female	So50	Rearaxlecmpt.	564046	female
Se64	Rearaxlecmpt.	641132	female	So52	Rearaxlecmpt.	564045	female
Se65	Dash	564042	female	So53	Rear_Axle_Cmpt	641385	male
Se66	FJB	564039	female	So54	Enginecmpt.	564045	female
Se67	Frontaxlecmpt.	563159	female	So55	Pneumaticplate	562848	male

# CONNECTORS LIST

No	Location	Part #	Gender	No	Location	Part #	Gender
So56	Rear_Axle_Cmpt	562350	male	Spk13_R	Parcel_Rack_RH	563994	male
So57	Engine_Cmpt	562350	male	Spk14_L	Parcel_Rack_LH	563994	male
spBar4	Enginectpt.	564135	male	Spk14_R	Parcel_Rack_RH	563994	male
spBar5	Enginectpt.	564135	male	Spk15_L	Parcel_Rack_LH	563994	male
spBar6	Enginectpt.	564135	male	Spk15_R	Parcel_Rack_RH	563994	male
spBar7	Enginectpt.	564135	male	Spk16_L	Parcel_Rack_LH	563994	male
spBar11	Rearvehicule	564135	male	Spk16_R	Parcel_Rack_RH	563994	male
spBar12	Rearvehicule	564135	male	SpkDr_L	Parcelrack	563994	male
spBar13	Enginectpt.	564135	male	SpkDr_R	Parcelrack	563994	male
spBar14	Enginectpt.	564135	male	Sub1.A	Passenger_Area	564004	female
spBar15	Enginectpt.	564135	male	Sub2.A	Passenger_Area	564004	female
spBar16	Enginectpt.	564135	male	Sw1.C258	Driver_Area	561188	female
spBar19	Condensorcmpt.	564135	male	Sw1.C259	Driver_Area	561186	male
spBar20	Condensorcmpt.	564135	male	Sw2	Dash	562763	male
spBar21	Condensorcmpt.	564135	male	Sw3	Dash	562763	male
spBar22	Enginectpt.	564135	male	Sw4	Dash	562763	male
spBar23	Enginectpt.	564135	male	Sw6	Dash	562763	male
spBar24	Enginectpt.	564135	male	Sw10A	LH_Console	562763	male
Spk1_L	Parcel_Rack_LH	563994	male	Sw12	Dash	562763	male
Spk1_R	Parcel_Rack_RH	563994	male	Sw14	Dash	562763	male
Spk2_L	Parcel_Rack_LH	563994	male	Sw16	Dash	562763	male
Spk2_R	Parcel_Rack_RH	563994	male	Sw17	Dash	562763	male
Spk3_L	Parcel_Rack_LH	563994	male	Sw18A	LH_Console	562763	male
Spk3_R	Parcel_Rack_RH	563994	male	Sw20	Dash	562763	male
Spk4_L	Parcel_Rack_LH	563994	male	Sw21	Dash	562763	male
Spk4_R	Parcel_Rack_RH	563994	male	Sw24	Dash	562763	male
Spk5_L	Parcel_Rack_LH	563994	male	Sw25	Dash	562763	male
Spk5_R	Parcel_Rack_RH	563994	male	Sw26	Dash	562763	male
Spk6_L	Parcel_Rack_LH	563994	male	Sw27	Dash	562763	male
Spk6_R	Parcel_Rack_RH	563994	male	Sw29	Dash	562763	male
Spk7_L	Parcel_Rack_LH	563994	male	Sw30	RJB	563135	male
Spk7_R	Parcel_Rack_RH	563994	male	Sw31.A	WCLdoor	563543	male
Spk8_L	Parcel_Rack_LH	563994	male	Sw32	Dash	561477	female
Spk8_R	Parcel_Rack_RH	563994	male	Sw33	Dash	561476	male
Spk9_L	Parcel_Rack_LH	563994	male	Sw34	Outside_Front_RH	562477	male
Spk9_R	Parcel_Rack_RH	563994	male	Sw35	Console	562763	male
Spk10_L	Parcel_Rack_LH	563994	male	Sw38	LH_Console	562763	male
Spk10_R	Parcel_Rack_RH	563994	male	Sw40	LH_Console	561690	male
Spk11_L	Parcel_Rack_LH	563994	male	Sw41	LH_Console	562749	male
Spk11_R	Parcel_Rack_RH	563994	male	Sw42	WCLCmpt.	561635	female
Spk12_L	Parcel_Rack_LH	563994	male	Sw43	LH_Console	561690	male
Spk12_R	Parcel_Rack_RH	563994	male	Sw44.A	Servicecmpt.	562403	female
Spk13_L	Parcel_Rack_LH	563994	male	Sw45.A	3rd_Lugg_Cmpt	562403	female

# CONNECTORS LIST

No	Location	Part #	Gender	No	Location	Part #	Gender
Sw46.A	3rd_Lugg_Cmpt	562403	female	Sw110.B	1st_Lugg_RH	560079	female
Sw46A.A	3rdlugg.cmpt.	562403	female	Sw111.A	2ndlugg.cmpt.	560079	female
Sw49.A	2nd_Lugg_Cmpt	562403	female	Sw111.B	2ndlugg.cmpt.	560079	female
Sw50.A	2nd_Lugg_Cmpt	562403	female	Sw112.A	2ndlugg.cmpt.	560079	female
Sw51.A	1st_Lugg_Cmpt	562403	female	Sw112.B	2ndlugg.cmpt.	560079	female
Sw52.A	1st_Lugg_Cmpt	562403	female	Sw113.A	2ndlugg.cmpt.	560079	female
Sw55.A	Lavatory	560488	female	Sw113.B	2ndlugg.cmpt.	560079	female
Sw55.B	Lavatory	560488	female	Sw114.A	3rd_Lugg_RH	560079	female
Sw56.A	Lavatory	560488	female	Sw114.B	3rd_Lugg_RH	560079	female
Sw56.B	Lavatory	560488	female	Sw115.A	Compr_Door	560079	female
Sw57	WCL_Door	563543	male	Sw115.B	Compr_Door	560079	female
Sw58	EngineCmpt.	563135	male	Sw125.A	Service_Cmpt	561457	female
Sw59	Enginecmpt.	563135	male	Sw125.B	Service_Cmpt	561457	female
Sw63A	LHConsole	562763	male	Sw134.A	WCLArea	562615	female
Sw64.A	Service_Cmpt	560815	female	Sw134.B	WCLArea	562615	female
Sw64.B	Service_Cmpt	560815	female	Sw134.C	WCLArea	562615	female
Sw80A	Dashboard	562763	male	Sw135.A	WCLdoor	562119	female
Sw82	RJB	563135	male	Sw135.B	WCLdoor	562119	female
Sw83.A	Dashboard	560082	female	Sw135.C	WCLdoor	562119	female
Sw83.B	Dashboard	560815	female	Sw137	Dash	562763	male
Sw83.C	Dashboard	560082	female	Sw140	FJB	561566	female
Sw83.D	Dashboard	560815	female	Sw142	LHConsole	562763	male
Sw83A	Dashboard	562581	male	Sw149	Dashboard	562763	male
Sw85	LH_Console	562749	male	Sw150.A	Driver_Area	560081	female
Sw94.A	WCL_Door	562403	female	Sw150.B	Driver_Area	560081	female
Sw94.B	WCLdoor	562403	female	Sw152	Driver_Area	562471	male
Sw95.A	WCLdoor	562615	female	Sw153	Dash	562763	male
Sw95.B	WCLdoor	562615	female	Sw156	LH_Console	562763	male
Sw95.C	WCLdoor	562615	female	Sw157	Dash	562763	male
Sw96.A	WCL_Door	562615	female	Sw158	Dash	562763	male
Sw96.B	WCL_Door	562615	female	Sw313.A	Lavatory	562615	female
Sw96.C	WCLdoor	562615	female	Sw313.B	Lavatory	562615	female
Sw97.A	WCLsystem	562615	female	Sw313.C	Lavatory	562615	female
Sw97.B	WCLsystem	562615	female	sym812_291.A	Parcelrack	565180	female
Sw97.C	WCLsystem	562615	female	tab69	Parcelrack	561626	N/A
Sw98.A	WCLsystem	562615	female	Tab70a	Parcelrack	561626	N/A
Sw98.B	WCLsystem	562615	female	Tab70b	Parcelrack	561626	N/A
Sw98.C	WCLsystem	562615	female	tab71a	Parcelrack	561626	N/A
Sw100A	Dash	562763	male	Tab600	Parcel_Rack_RH	*opt*	N/A
Sw102	RJB	561566	female	Tab601	Parcel_Rack_RH	*opt*	N/A
Sw109.A	1st_Lugg_LH	560079	female	Tab602	Parcel_Rack_RH	*opt*	N/A
Sw109.B	1st_Lugg_LH	560079	female	Tab603	Parcel_Rack_LH	*opt*	N/A
Sw110.A	1st_Lugg_RH	560079	female	Tab604	Parcel_Rack_LH	*opt*	N/A

# CONNECTORS LIST

No	Location	Part #	Gender				
TermL152B	Parcel_Rack_LH	562505	N/A				
TermL248B1	Parcel_Rack_RH	562505	N/A				
TermL248B2	Parcel_Rack_RH	562505	N/A				
TermL248B3	Parcel_Rack_RH	562505	N/A				
TermL249B2	Parcel_Rack_RH	562505	N/A				
TermL249B5	Parcel_Rack_RH	562505	N/A				
TermL250B	Parcel_Rack_RH	562505	N/A				
VECF1	FJB	563186	male				
VECF2	FJB	563183	male				
VECF3	FJB	563185	male				
VECF4	FJB	563182	male				
VECF9	FJB	563448	male				
VECF10	FJB	563181	male				
VECF11	FJB	563184	male				
VECF12	FJB	563187	male				
VECR1	RJB	563186	male				
VECR2	RJB	563183	male				
VECR3	RJB	563185	male				
VECR4	RJB	563182	male				
VECR9	RJB	563448	male				
VECR10	RJB	563181	male				
VECR11	RJB	563184	male				
VECR12	RJB	563187	male				
VECT1_plug	RearVehicle	563715	male				
VECT2_plug	RearVehicle	563716	male				
VECT3	RearVehicle	563718	male				
VECT4	RearVehicle	563714	male				
Y80	Engine_Cmpt	563789	male				
Y81	Cond_Cmpt	563793	male				

# CONNECTORS LIST

No	Location	Part #	Gender	No	Location	Part #	Gender
120V_inlet	RearVehicle	561572	male	A34.4	EngineCmpt.	564258	male
A1	RJB	563975	male	A34.5	EngineCmpt.	564258	male
A2	FJB	563984	male	A34.6	EngineCmpt.	564258	male
A3	Dash	562363	male	A34.7	EngineCmpt.	564258	male
A4.A	Service_Cmpt	562428	female	A34.8	EngineCmpt.	564258	male
A4.B	Service_Cmpt	561188	female	A34.J	Enginecmpt.	568118	male
A5	Service_Cmpt	562428	female	A34.K	Enginecmpt.	564270	male
A6	Engine_Cmpt	562427	male	A34.L	Enginecmpt.	564269	male
A7	Rear_Axle_Cmpt	563979	male	A36.JA	FJB	562767	male
A9.Cx1	FJB	564041	female	A36.JB	FJB	562765	male
A9.Cx2	FJB	563678	male	A36.JC	FJB	562957	male
A9.Cx3	FJB	564037	female	A39.P101	Parcelrack	563201	male
A9.Cx4	FJB	564038	female	A39.P901	Parcelrack	563953	male
A10.X1	Engine_Cmpt	563135	male	A60.A	Parcelrack	563071	male
A10.X3	Engine_Cmpt	563134	female	A60.B	Parcelrack	562706	female
A11	LH_Console	563142	male	A60.C	Parcelrack	901110	male
A14.A	Dash	562766	male	A60.D	Parcelrack	901110	male
A14.B	Dash	562767	male	A61.A	Parcelrack	562464	male
A14.C	Dash	562765	male	A61.B	Parcelrack	562465	male
A15	Dash	562464	male	A65.B	Parcelrack	901110	male
A16	Front_Roof	561637	male	A65.C	Parcelrack	901110	male
A17.D	RJB	561932	male	A65.Csv	Parcelrack	562465	male
A18.J1	FJB	562794	male	A65.D	Parcelrack	901110	male
A18.J2	FJB	562650	male	A69.A	Parcelrack	563071	male
A19	LH_Console	562878	female	A69.B	Parcelrack	561716	female
A20	Parcel_Rack_LH	561477	female	A69.C	Parcelrack	561716	female
A24.A	RH_Console	561890	male	A69.D	Parcelrack	561716	female
A24.B	RH_Console	561566	female	A69.E	Parcelrack	561716	female
A24.C	RH_Console	561889	female	A69.F	Parcelrack	561716	female
A25	Parcelrack	563025	male	A69.G	Parcelrack	561716	female
A26.P1	Enginecmpt.	562350	male	A69.H	Parcelrack	561716	female
A26.P2	Enginecmpt.	563322	female	A70c	Parcelrack	561540	female
A26.P4	Enginecmpt.	568088	male	A77	Parcelrack	564547	male
A27	Service_Cmpt	562929	male	A78	Parcelrack	562583	female
A28	Service_Cmpt	562928	male	A79	Parcelrack	562583	female
A29	Dash	562464	male	A80	Parcelrack	562479	female
A32.A	FJB	564221	male	A81.JA	FJB	562767	male
A32.B	FJB	564518	male	A81.JB	FJB	562765	male
A33.A	Parcelrack	563071	male	A81.JC	FJB	562957	male
A33.B	Parcelrack	562330	female	A83	Parcelrack	565970	female
A34.1	EngineCmpt.	564258	male	A84.A	Parcelrack	563071	male
A34.2	EngineCmpt.	564258	male	A96	FJB	564073	female
A34.3	EngineCmpt.	564258	male	A97	Dash	563226	male

# CONNECTORS LIST

No	Location	Part #	Gender	No	Location	Part #	Gender
A97A	FJB	563226	male	AE43.J2	FJB	564037	male
A97A	FJB	563613	female	AE43.J3	FJB	565957	male
A97B	FJB	563226	male	AE44.J1	FJB	563679	male
A97B	FJB	563613	female	AE44.J2	FJB	564037	female
A100	Front_Axle_Cmpt	563758	female	AE44.J3	FJB	565957	male
A101	Rear_RH_Axle_Cmpt	563758	female	AE45.J1	FJB	563679	male
A102	Rear_RH_Axle_Cmpt	563758	female	AE45.J2	FJB	564037	female
A103	Dash	562070	female	AE45.J3	FJB	565957	male
A107	EngineCmpt.	560336	male	AE46.J1	FJB	563679	male
A108	RJB	562766	male	AE46.J2	FJB	564037	female
A109A	FJB	564141	male	AE46.J3	FJB	565957	male
A113.A	Parcel_Rack_LH	563960	male	AE47.J1	RH_console	563679	male
A113.B	Parcel_Rack_LH	563962	male	AE47.J2	RH_console	564037	female
A113.C1	Parcel_Rack_LH	563956	male	AE47.J3	RH_console	565957	male
A113.C2	Parcel_Rack_LH	563957	male	AE48.J1	RH_console	563679	male
A113.C3	Parcel_Rack_LH	563958	male	AE48.J2	RH_console	564037	female
A114A	Dash	564252	male	AE48.J3	RH_console	565957	male
A120.A	Dashboard	563960	male	AE49.J1	RJB	563679	male
A120.B	Dashboard	563962	male	AE49.J2	RJB	564037	male
A120.C1	Dashboard	563956	male	AE49.J3	RJB	565957	male
A120.C2	Dashboard	563957	male	AE50.J1	RJB	563679	male
A120.C3	Dashboard	563958	male	AE50.J2	RJB	564037	male
A121.Vsa	Dash	563679	male	AE50.J3	RJB	565957	male
A121.Vsb	Dash	563678	male	AE51.J1	RJB	563679	male
A121.Vsc	Dash	564037	male	AE51.J2	RJB	564037	female
A121.Vsd	Dash	564118	male	AE51.J3	RJB	565957	male
A130	Driver_Area	563226	male	AE52.J1	RJB	563679	male
A131.A	Engine_Cmpt	561782	male	AE52.J2	RJB	564037	female
A131.B	Engine_Cmpt	561781	female	AE52.J3	RJB	565957	male
A137A	Condensercmpt.	20429843	male	AE53.J1	RJB	563679	male
A138	Cond_Cmpt	563787	male	AE53.J2	RJB	564037	female
A139	Dash	564501	male	AE53.J3	RJB	565957	male
A151.A	Parcelrack	561582	female	AE54.J1	Evaporatorcmpt.	563679	male
A151.B	Parcelrack	561582	female	AE54.J2	Evaporatorcmpt.	564037	female
A152.J	Parcelrack	563071	male	AE54.J3	Evaporatorcmpt.	565957	male
A153.A	Parcelrack	562465	male	AE55.J1	Dash	563679	male
AE41.J1	FJB	563679	male	AE55.J2	Dash	564037	female
AE41.J2	FJB	564037	female	AE55.J3	Dash	564004	male
AE41.J3	FJB	564004	male	AE56.J1	Dash	563679	male
AE42.J1	FJB	563679	male	AE56.J2	Dash	564037	male
AE42.J2	FJB	564037	female	AE56.J3	Dash	564004	male
AE42.J3	FJB	564004	male	AE57.J1	WCLcmpt.	563679	male
AE43.J1	FJB	563679	male	AE57.J2	WCLcmpt.	564037	male



# CONNECTORS LIST

No	Location	Part #	Gender	No	Location	Part #	Gender
AE57.J3	WCLcmpt.	564004	male	C8	FJB	563614	female
Alt_LL.A	Enginectpt.	563746	female	C9	RJB	561986	male
Alt_LL.B	Enginectpt.	560815	female	C9	RJB	561987	female
Alt_LL.C	Enginectpt.	564469	female	C10	Engine_Cmpt	562477	male
Alt_LR.A	enginectpt.	563746	female	C10	Engine_Cmpt	562479	female
Alt_LR.B	Enginectpt.	560815	female	C11	Service_Cmpt	563580	male
Alt_LR.C	Enginectpt.	564469	female	C11	Service_Cmpt	563581	female
Alt_UR.A	Enginectpt.	563746	female	C12	Engine_Cmpt	562581	male
Alt_UR.B	Enginectpt.	560815	female	C12	Engine_Cmpt	562583	female
Alt_UR.C	Enginectpt.	564469	female	C13_plug	RH_Console	563589	male
B85	Engine_Cmpt	563815	male	C13_socket	RH_Console	563590	female
B96	Engine_Cmpt	563821	male	C13S	RH_Console	563589	male
B96B	Engine_Cmpt	563823	male	C13S	RH_Console	563590	female
B97	Engine_Cmpt	563816	male	C15A	Evapotatorcmpt.	568110	male
B98	Engine_Cmpt	563817	male	C15A	Evaporatotcmpt.	568109	female
B115A	Enginectpt.	564226	male	C16	RJB	561577	male
B142C	Enginectpt.	563793	male	C16	RJB	561605	female
B310	Enginectpt.	565967	male	C17	RJB	560195	male
C1	FJB	563589	male	C17	RJB	560169	female
C1	FJB	563590	female	C18	FJB	561986	male
C1S	FJB	563589	male	C18	FJB	561987	female
C1S	FJB	563590	female	C19	RJB	561986	male
C2	Service_Cmpt	563580	male	C19	RJB	561987	female
C2	Service_Cmpt	563581	female	C20A	Evap_Cmpt	562485	male
C2A	FJB	563580	male	C20A	Evap_Cmpt	562486	female
C2A	FJB	563581	female	C20B	Evap_Cmpt	562485	male
C2B	FJB	564034	male	C20B	Evap_Cmpt	562486	female
C2B	FJB	564035	female	C23	Evaporatorcmpt.	564034	male
C3_plug	RJB	563589	male	C23	Evaporatorcmpt.	564035	female
C3_socket	RJB	563590	female	C24_plug	Evap_Cmpt	561690	male
C3S	RJB	563593	male	C24_socket	Evap_Cmpt	561566	female
C3S	RJB	563590	female	C25	Parcel_Rack_LH	561550	male
C4	FJB	563580	male	C25	Parcel_Rack_LH	561667	female
C4	FJB	563581	female	C26	Ureacmpt.	563226	male
C5	FJB	563589	male	C26	Ureacmpt.	563613	female
C5	FJB	563590	female	C26A	Ureacmpt.	568110	male
C5S	FJB	563589	male	C26A	Ureacmpt.	568109	female
C5S	FJB	563590	female	C26B	Ureacmpt.	563227	male
C6	FJB	563582	male	C26B	Ureacmpt.	563614	female
C6	FJB	563583	female	C29	4rd_Lugg_Cmpt	563651	male
C7	Service_Cmpt	562566	male	C29	3rd_Lugg_Cmpt	563652	female
C7	Service_Cmpt	562565	female	C30	3rd_Lugg_Cmpt	561710	male
C8	FJB	563227	male	C30	3rd_Lugg_Cmpt	561709	female

# CONNECTORS LIST

No	Location	Part #	Gender	No	Location	Part #	Gender
C31W	Parcelrack	561515	male	C54A	Ureacmpt.	568109	female
C31W	Parcelrack	561552	female	C54B	Enginecmpt.	563589	male
C32	lavatory	561734	male	C54B	Enginecmpt.	563590	female
C32	Lavatory	561735	female	C55	Evap_Cmpt	561577	male
C32L	Lavatory	562006	male	C55	Evap_Cmpt	561605	female
C32L	Lavatory	560908	female	C58	Condensorcmt.	564567	male
C32W	WCLcmpt.	561640	male	C58	Condensorcmt.	564568	female
C32W	WCLcmpt.	561639	female	C59	RJB	561643	male
C32X	Lavatory	561247	male	C59	RJB	561642	female
C32X	Lavatory	561248	female	C61	Fr_Service_Door	561669	male
C33	WCLcmpt.	564034	male	C61	Fr_Service_Door	561670	female
C33	WCLcmpt.	564035	female	C62	Fr_Service_Door	562566	male
C34	RH_Console	561986	male	C62	Fr_Service_Door	562565	female
C34	RH_Console	561987	female	C63	Entrance_Door	562477	male
C37	Parcel_Rack_LH	562557	male	C63	Entrance_Door	562479	female
C37	Parcel_Rack_LH	562558	female	C64	Enginecmpt.	568110	male
C38	Parcelrack	562555	male	C64	Enginecmpt.	568109	female
C38	Parcelrack	562556	female	C66_plug	Evap_Cmpt	561577	male
C39A	Firesuppressioncmt.	561782	male	C66_socket	Evap_Cmpt	561605	female
C39A	Firesuppressioncmt.	561781	female	C70	FJB	562557	male
C40	Dash	562485	male	C70	FJB	562558	female
C40	Dash	562486	female	C71	FJB	561646	male
C41	RJB	561782	male	C71	FJB	561645	female
C41	RJB	561781	female	C72	FJB	561646	male
C42	FJB	561668	male	C72	FJB	561645	female
C42	FJB	561551	female	C74	FJB	561645	female
C44_plug	FJB	561577	male	C74	FJB	561646	male
C44_socket	FJB	561605	female	C81	1st_Lugg_Cmpt	562477	male
C45	FJB	561643	male	C81	1st_Lugg_Cmpt	562479	female
C45	FJB	561642	female	C83	2nd_Lugg_Cmpt	562477	male
C46	WCLCmpt.	564228	male	C83	2nd_Lugg_Cmpt	562479	female
C46	WCLCmpt.	564229	female	C84	2nd_Lugg_Cmpt	562477	male
C49	FJB	562005	male	C84	2nd_Lugg_Cmpt	562479	female
C49	FJB	561714	female	C85	4thlugg.cmpt.	562477	male
C50	RJB	563226	male	C85	4thlugg.cmpt.	562479	female
C50	RJB	563613	female	C86	4thlugg.cmpt.	563618	male
C51	Enginecmpt.	564034	male	C86	4thlugg.cmpt.	563616	female
C51	Enginecmpt.	560034	female	C87	Engine_Cmpt	562485	male
C52	Evaporatorcmt.	563618	male	C87	Engine_Cmpt	562486	female
C52	Evaporatorcmt.	563616	female	C88	FJB	563618	male
C54	Enginecmpt.	563226	male	C88	FJB	563616	female
C54	Enginecmpt.	563613	female	C91	RJB	562285	male
C54A	Ureacmpt.	568110	male	C91	RJB	562282	female

# CONNECTORS LIST

No	Location	Part #	Gender	No	Location	Part #	Gender
C92A	Enginecmpt.	563226	male	C144	RJB	560851	female
C92A	Enginecmpt.	563613	female	C152	Cond_Cmpt	561611	male
C92C	Enginecmpt.	562581	male	C152	Cond_Cmpt	561610	female
C92C	Enginecmpt.	562583	female	C158	Condensorcmpt.	562477	male
C94_plug	FJB	563589	male	C158	Condensorcmpt.	562479	female
C94_socket	FJB	563590	female	C170	LH_Console	561637	male
C96	FJB	561643	male	C170	LH_Console	561636	female
C96	FJB	561642	female	C171	LH_Console	561646	male
C97	FJB	561643	male	C171	LH_Console	561645	female
C97	FJB	561642	female	C193_plug	RJB	563589	male
C100	Evaporatorcmpt.	562477	male	C193_socket	RJB	563590	female
C100	Evaporatorcmpt.	562479	female	C194	FJB	563589	male
C100S	EvaporatorCmpt.	562477	male	C194	FJB	563590	female
C100S	EvaporatorCmpt.	562479	female	C206	Parcel_Rack_RH	562503	male
C101	Service_Cmpt	561690	male	C206	Parcel_Rack_RH	562507	female
C101	Service_Cmpt	561566	female	C207	Parcel_Rack_LH	562503	male
C102A	Condensorcmpt.	563226	male	C207	Parcel_Rack_LH	562507	female
C102A	Condensorcmpt.	563613	female	C212	WCLArea	561515	male
C103_plug	FJB	562485	male	C212	WCLArea	561552	female
C103_socket	FJB	562486	female	C213	Parcel_Rack_LH	561515	male
C105_plug	FJB	562581	male	C213	Parcel_Rack_LH	561552	female
C105_socket	FJB	562583	female	C222	FJB	562477	male
C106_plug	FJB	562581	male	C222	FJB	562479	female
C106_socket	FJB	562583	female	C223	FJB	563227	male
C107A	Enginecmpt.	562885	female	C223	FJB	563614	female
C107A	Enginecmpt.	562884	female	C224	FJB	561637	male
C107B	Enginecmpt.	562885	female	C224	FJB	561636	female
C107B	Enginecmpt.	562884	female	C225	FJB	562650	male
C107C	Enginecmpt.	562885	female	C225	FJB	562649	female
C107C	Enginecmpt.	562884	female	C226	FJB	562650	male
C110	Pneumatic Panel	568110	male	C226	FJB	562649	female
C110	Pneumatic Panel	568109	female	C242	Service_Cmpt	562789	male
C119A	Rearenginedoor	568110	male	C242	Service_Cmpt	565131	female
C119A	Rearenginedoor	568109	female	C243	FrontVehicle	563347	male
C121	Rearenginedoor	562566	male	C243	FrontVehicle	563180	female
C121	Rearenginedoor	562565	female	C266	Parcelrack	561782	male
C122	Rearenginedoor	562566	male	C266	Parcelrack	561781	female
C122	Rearenginedoor	562565	female	C267	Parcelrack	561782	male
C131A	Engine_Cmpt	561782	male	C267	Parcelrack	561781	female
C131A	Engine_Cmpt	561781	female	C279	Service_Cmpt	562477	male
C131B	Engine_Cmpt	561782	male	C279	Service_Cmpt	562479	female
C131B	Engine_Cmpt	561781	female	C284	Parcelrack	561782	male
C144	RJB	560852	male	C284	Parcelrack	561781	female

# CONNECTORS LIST

No	Location	Part #	Gender	No	Location	Part #	Gender
C284_1	Parcelrack	561782	male	C542	Parcelrack	561550	male
C284_1	Parcelrack	561781	female	C542	Parcelrack	561667	female
C284_2	Parcelrack	561782	male	C558	Parcelrack	562503	male
C284_2	Parcelrack	561781	female	C558	Parcelrack	562507	female
C284_3	Parcelrack	561782	male	C564	Parcelrack	562503	male
C284_3	Parcelrack	561781	female	C564	Parcelrack	562507	female
C284_4	Parcelrack	561782	male	C566	Parcelrack	562503	male
C284_4	Parcelrack	561781	female	C566	Parcelrack	562507	female
C284_5	Parcelrack	561782	male	C567	Parcelrack	562503	male
C284_5	Parcelrack	561781	female	C567	Parcelrack	562507	female
C290	Rear_Vehicle	562477	male	C575	Parcel_Rack_RH	562503	male
C290	Rear_Vehicle	562479	female	C575	Parcel_Rack_RH	562507	female
C298	Parcelrack	561782	male	C576B	Parcel_Rack_RH	562006	male
C298	Parcelrack	561781	female	C576B	Parcel_Rack_RH	560908	female
C355	RJB	563582	male	C576BB	Parcelrack	562006	male
C355	RJB	563583	female	C576BB	Parcelrack	560908	female
C356	Parcelrack	561710	male	C577A	Parcel_Rack	562006	male
C356	Parcelrack	561709	female	C577A	Parcel_Rack	560908	female
C357	Parcelrack	561847	male	C577AA	Parcelrack	562006	male
C357	Parcelrack	561862	female	C577AA	Parcelrack	560908	female
C380A	Dash	564222	male	C578	Parcel_Rack_LH	562503	male
C380A	Dash	564224	female	C578	Parcel_Rack_LH	562507	female
C381	Parcel_Rack	561847	male	C582	FJB	561690	female
C381	Parcel_Rack	561862	female	C582	FJB	561566	female
C382	Under_Seat	561580	male	C601	LHRoofWinAjar	561476	male
C382	Under_Seat	561582	female	C601	LHRoofWinAjar	561477	female
C397	RJB	562285	male	C603	RHRoofWinAjar	561476	male
C397	RJB	562282	female	C603	RHRoofWinAjar	561477	female
C430	LH_Console	562363	male	C614	Passenger_Area	563071	male
C430	LH_Console	561188	female	C614	Passenger_Area	563040	female
C452	Dash	561669	male	C615	Passenger_Area	563071	male
C452	Dash	561670	female	C615	Passenger_Area	563040	female
C463	Rearaxlecmpt.	568111	male	C617	Mirror_LH	563801	male
C463	Rearaxlecmpt.	568112	female	C617	Mirror_LH	563800	female
C464	FJB	564222	male	C618	Mirror_RH	563801	male
C464	FJB	564224	female	C618	Mirror_RH	563800	female
C465	Parcelrack	562581	male	C752	Parcelrack	901283	female
C465	Parcelrack	562583	female	C753	Parcelrack	901283	female
C506	FJB	561687	male	C766	Parcelrack	561662	male
C506	FJB	561685	female	C766	Parcelrack	561661	female
C506spA	FJB	561687	male	C768	Parcelrack	901283	female
C506spA	FJB	561685	female	C769	Parcelrack	901283	female
C506spB	FJB	561687	male	C777	Dash	562477	male

# CONNECTORS LIST

No	Location	Part #	Gender	No	Location	Part #	Gender
C777	Dash	562479	female	CL142	Lavatory	560908	female
C_A60DB	Parcelrack	563071	male	CL142A	Lavatory	562006	male
C_A60DB	Parcelrack	563040	female	CL142A	Lavatory	560908	female
C_ALT	Enginectmpt.	562581	male	CP1	Passenger_Area	561782	male
C_ALT	Enginectmpt.	562583	female	CP1	Passenger_Area	561781	female
C_ALT3	Enginectmpt.	562477	male	CP2	Passenger_Area	561782	male
C_ALT3	Enginectmpt.	562479	female	CP2	Passenger_Area	561781	female
C_AUDIO	Parcelrack	562557	male	CP3	Passengersarea	561782	male
C_AUDIO	Parcelrack	562558	female	CP3	Passengersarea	561781	female
C_AUX	Parcelrack	563071	male	CP4	Passenger_Area	561782	male
C_AUX	Parcelrack	563040	female	CP4	Passenger_Area	561781	female
C_INV1	Parcelrack	562337	male	CP5	Passenger_Area	561782	male
C_INV1	Parcelrack	562338	male	CP5	Passenger_Area	561781	female
C_INV2	Parcelrack	562337	male	CP6	Passengersarea	562337	male
C_INV2	Parcelrack	562338	male	CP6	Passengersarea	562338	male
C_LineOut	Parcelrack	563962	male	CSe80	RJB	562477	male
C_LineOut	Parcelrack	564489	female	CSe80	RJB	562479	female
C_Mo9	Evap_Cmpt	561577	male	CSw102	EngineCmpt.	562549	male
C_Mo9	Evap_Cmpt	561605	female	CSw102	EngineCmpt.	562550	female
C_USB	Parcelrack	562069	male	CSX1	Engine_Cmpt	563135	male
C_USB	Parcelrack	562070	female	CSX1	Engine_Cmpt	563134	female
CCAN1	FJB	562650	male	CSX3	Engine_Cmpt	563135	male
CCAN1	FJB	562649	female	CSX3	Engine_Cmpt	563134	female
CCAN2	FJB	562650	male	CXC1	Service_Cmpt	562477	male
CCAN2	FJB	562649	female	CXC1	Service_Cmpt	562479	female
CCAN3	FJB	562650	male	D92	Parcelrack	564496	male
CCAN3	FJB	562649	female	EI	Enginectmpt.	563739	male
CCAN4	FJB	562650	male	L1A	Enginectmpt.	564045	female
CCAN4	FJB	562649	female	L16.A	Frontroof	562615	female
CCust	Parcel_Rack_Fr_WCL	562477	male	L16.B	Frontroof	562615	female
CCust	RJB	562479	female	L17.A	Frontroof	562615	female
CFHPR1	Parcelrack	564560	male	L17.B	Frontroof	562615	female
CIND-1.A	Parcelrack	560908	female	L18	Entrance_Door	562549	male
CIND-1.B	Parcelrack	560908	female	L19	Entracedoor	562549	male
CIND-2.A	Parcelrack	560908	female	L20	Entracedoorstep	562549	male
CIND-2.B	Parcelrack	560908	female	L28	Parcelrack	560898	male
CIND-11.A	Parcelrack	560908	female	L29	Parcelrack	560898	male
CIND-11.B	Parcelrack	560908	female	L30	Parcelrack	560898	male
CINDWC-1	Parcelrack	560908	female	L30A.A	Parcelrack	560898	male
CINDWC-1	Parcelrack	560908	female	L30B.A	Parcelrack	560898	male
CL1	Service_Cmpt	562485	male	L31	Parcelrack	560898	male
CL1	Service_Cmpt	562486	female	L32	Parcelrack	560898	male
CL142	Lavatory	562006	male	L33	Parcelrack	560898	male

# CONNECTORS LIST

No	Location	Part #	Gender	No	Location	Part #	Gender
L34	Parcelrack	560898	male	L60A	OutsideFrontLH	563366	male
L35	Parcelrack	560898	male	L60B	Out_Side_Front_LH	562623	male
L36	Parcelrack	560898	male	L61	Out_Side_Front_RH	562601	male
L37	Parcelrack	560898	male	L62	Out_Side_Front_LH	562601	male
L38	Parcelrack	560898	male	L63	Front_Side_LH	562155	male
L39	Parcelrack	560898	male	L64	Outside_Front_RH	562155	male
L40	Parcelrack	560898	male	L65	Outside_Front_LH	562155	male
L41	Parcelrack	560898	male	L66	Out_Side_Front_LH	562155	male
L42	Parcelrack	560898	male	L67	4th_Lugg_Cmpt	562155	male
L43	Parcelrack	560898	male	L68	4th_Lugg_Cmpt	562155	male
L44	Parcelrack	560898	male	L69	4th_Lugg_Cmpt	562155	male
L45	Parcelrack	560898	male	L70	4th_Lugg_Cmpt	562155	male
L46	Parcelrack	560898	male	L71A	Rearenginedoor	562601	male
L47	Parcelrack	560898	male	L72	Rear_Vehicle	562155	male
L48	Parcelrack	560898	male	L73A	Rearenginedoor	562601	male
L49	Parcelrack	560898	male	L74	RearVehicle	562155	male
L50	Parcelrack	560898	male	L75	Rearenginedoor	562155	male
L51	Parcelrack	560898	male	L76	RearVehicle	562155	male
L52	Parcelrack	560898	male	L77A	Rearvehicule	562601	male
L52	Parcelrack	560900	female	L78A	Rearvehicule	562601	male
L52A	Parcelrack	560898	male	L79A	Rearvehicule	562601	male
L53	Parcelrack	560898	male	L80A	Rearvehicule	562601	male
L53	Parcelrack	560900	female	L81.A	Rear_Vehicle	562835	female
L53A	Parcelrack	560898	male	L81.B	Rear_Vehicle	562834	male
L54	Parcelrack	560898	male	L82A	Rearvehicule	562348	female
L54	Parcelrack	560900	female	L83A	Rearvehicule	562348	female
L54A	Parcelrack	560898	male	L84	FrontVehicle	562486	female
L55	Parcelrack	560898	male	L85	RearVehicle	562486	female
L55	Parcelrack	560900	female	L86	RearVehicle	562486	female
L55A	Parcelrack	560898	male	L87	RearVehicle	562486	female
L56	Parcelrack	560898	male	L88	RearVehicle	562486	female
L56	Parcelrack	560900	female	L89	RearVehicle	562486	female
L56A	Parcelrack	560898	male	L90	RearVehicle	562486	female
L57	Parcelrack	560898	male	L91A	Rearvehicule	562601	male
L57	Parcelrack	560900	female	L92A	Rearvehicule	562601	male
L57A	Parcelrack	560898	male	L95	Outside_Front_LH	562902	female
L58	Parcelrack	560898	male	L96	Outside_Front_RH	562902	female
L58	Parcelrack	560900	female	L97.A	Outside_Front_LH	563069	female
L58A	Parcelrack	560898	male	L97.B	Outside_Front_LH	563069	female
L59	Out_Side_Front_RH	562623	male	L98.A	Entrance_Door	563069	female
L59A	OutsideFrontRH	563366	male	L98.B	Outside_Front_RH	563069	female
L59B	Out_Side_Front_RH	562623	male	L140	Lavatory	561247	male
L60	OutsideFrontLH	562623	male	L142	Lavatory	562006	male

# CONNECTORS LIST

No	Location	Part #	Gender	No	Location	Part #	Gender
L142B	Lavatory	562006	male	L205	Enginecmpt.	562485	male
L143	Parcelrack	561186	male	L206	Parcel_Rack_RH	562803	male
L144	Parcelrack	561186	male	L207.A	WCLCmpt.	561699	female
L145	Parcelrack	561186	male	L207.B	WCLCmpt.	561701	female
L146	Parcelrack	561186	male	L207.C	WCLCmpt.	561701	female
L147	Parcelrack	561186	male	L207.D	WCLCmpt.	561699	female
L148	Parcelrack	561186	male	L207.E	WCLCmpt.	561701	female
L149	Parcelrack	561186	male	L207.F	WCLCmpt.	561699	female
L150	Parcelrack	561186	male	L207.G	WCLCmpt.	561699	female
L151	Parcelrack	561186	male	L207.H	WCLCmpt.	563536	female
L152	Parcelrack	561186	male	L207.I	WCLCmpt.	563536	female
L153	Parcelrack	561186	male	L243	Parcelrack	561186	male
L154	Parcelrack	561186	male	L244	Parcelrack	561186	male
L155	Parcelrack	561186	male	L245	Parcelrack	561186	male
L156	Parcelrack	561186	male	L246	Parcelrack	561186	male
L157	Parcelrack	561186	male	L247	Parcelrack	561186	male
L158	Parcelrack	561186	male	L250	Parcelrack	561186	male
L173	Parcelrack	563590	female	L252	Parcelrack	561186	male
L174A	Parcelrack	563590	female	L254	Parcelrack	561186	male
L176	3rd_Lugg_Cmpt	561247	male	L256	Parcelrack	561186	male
L177	3rd_Lugg_Cmpt	561247	male	L257	Parcelrack	561186	male
L177A	3rdlugg.cmpt.	561690	male	L282	Engine_Cmpt	561690	male
L177B	3rdlugg.cmpt.	561690	male	L283	Service_Cmpt	562485	male
L180	2nd_Lugg_Cmpt	561247	male	L285.A	Rear_Vehicle	562835	female
L181	2nd_Lugg_Cmpt	561247	male	L285.B	Rear_Vehicle	562834	male
L182	1st_Lugg_Cmpt	561247	male	L286.A	Rear_Vehicle	562835	female
L183	1st_Lugg_Cmpt	561247	male	L286.B	Rear_Vehicle	562834	male
L184	Servicecmpt.	561247	male	L296	Refrigerator	561248	female
L185.A	Servicecmpt.	561539	male	L298A	Enginecmpt.	563590	female
L185.B	Servicecmpt.	561539	male	L306	RJBcmpt.	561247	male
L186.A	Dash	561539	male	L313	Rr_Roof	562549	male
L186.B	Dash	561539	male	Mo3	Dash	561667	female
L187	Engine_Cmpt	561690	male	Mo4	Dash	562076	male
L188	Service_Cmpt	562486	female	Mo5	Front_Roof	561515	male
L193.A	Dash	560488	female	Mo7	Cond_Cmpt	563691	male
L193.B	Dash	560488	female	Mo8	Cond_Cmpt	563691	male
L194.A	Dash	562019	female	Mo12	Engine_Cmpt	561690	male
L194.B	Dash	560488	female	Mo13	Engine_Cmpt	561690	female
L195.A	Dash	560488	female	Mo14	Engine_Cmpt	561566	female
L195.B	Dash	560488	female	Mo15	Front_Ceiling	560900	female
L199	Enginecmpt.	562848	male	Mo16	Front_Ceiling	560900	female
L203	RH_Console	561690	male	Mo17	RH_Console	563626	male
L204	Parcel_Rack_RH	562803	male	Mo19	Fr_Service_Door	562474	male

# CONNECTORS LIST

No	Location	Part #	Gender	No	Location	Part #	Gender
Mo20	Fr_Service_Door	562474	male	PR1	Passenger_Area	561781	female
Mo22	RH_Console	561186	male	R3	RJB	563409	male
Mo24	RH_Console	562348	female	R4	FJB	564496	male
Mo25	RH_Console	562348	female	R5	RJB	564496	male
Mo27	Cond_Cmpt	563691	male	R12	Evap_Cmpt	563409	male
Mo28	Cond_Cmpt	563691	male	R20	RJB	564496	male
Mo29	RJBcmpt.	563590	female	R21	FJB	560525	male
Mo30	Compr_Door	564161	male	R26	Evap_Cmpt	564496	male
Mo31	Parcelrack	564161	male	R27	Dash	564496	male
Mo32	Parcelrack	564161	male	R29	RJB	563409	male
Mo33	Parcelrack	564161	male	R30	FJB	564496	male
Mo34	Parcelrack	564161	male	R31	FJB	564496	male
Mo35	3rd_Lugg_Door	564161	male	R34	RJB	564210	male
Mo36	Parcelrack	564161	male	R36	Dash	564496	male
Mo54	Service_Cmpt	562474	male	R37	Dash	564496	male
Mo65	Enginectmpt.	568089	male	R38	FJB	564496	male
Mo67	Enginectmpt.	568089	male	R40	RJB	564496	male
Mo68	Enginectmpt.	568089	male	R47	Parcelrack	564496	male
Mo69	Enginectmpt.	568089	male	R210	Parcelrack	560525	male
Mo70	Enginectmpt.	568089	male	R_12VISS	Parcelrack	564496	male
Mo71	Enginectmpt.	568089	male	RadioVolvo	Parcelrack	563960	male
Mo72	Enginectmpt.	568089	male	RadioVolvo	Parcelrack	563962	male
Mo73	Enginectmpt.	568089	male	RadioVolvo	Parcelrack	563956	male
P_In1	Passenger_Area	561782	male	RadioVolvo	Parcelrack	563957	male
P_In1	Passenger_Area	561781	female	RadioVolvo	Parcelrack	563958	male
P_Out1	Passenger_Area	561782	male	Res3.A	RJB	563590	female
P_Out1	Passenger_Area	561781	female	Res4	FJB	563590	female
P_Out2	Passenger_Area	561782	male	Res6	FJB	563590	female
P_Out2	Passenger_Area	561781	female	Res15	Engine_Cmpt	561782	male
P_Out3	Passenger_Area	561782	male	Res20	FJB	563590	female
P_Out3	Passenger_Area	561781	female	Res31	Ureacmpt.	562350	male
PC1	FJB	562650	male	Res32	Ureacmpt.	563764	female
PC1	FJB	562649	female	Se4	Window_RH	561477	female
PF	FJB	561782	male	Se5	Window_RH	561477	female
PF	FJB	561781	female	Se6	Window_RH	561477	female
PF1	Passenger_Area	561782	male	Se7	Window_LH	561477	female
PF1	Passenger_Area	561781	female	Se8	Window_LH	561477	female
Pot1.A	Dash	560488	female	Se9	Window_LH	561477	female
Pot1.B	Dash	560488	female	Se10	FJB	561477	female
Pot1.C	Dash	560488	female	Se11.A	Cond_Cmpt	560082	female
PR	Parcelrack	561782	male	Se11.B	Cond_Cmpt	560082	female
PR	Parcelrack	561781	female	Se11.C	Cond_Cmpt	560082	female
PR1	Passenger_Area	561782	male	Se13	Engine_Cmpt	562350	male



# CONNECTORS LIST

No	Location	Part #	Gender	No	Location	Part #	Gender
Se14.A	Driver_Area	561782	male	Se80	Rear_Axle	563159	female
Se14.B	Driver_Area	561781	female	Se100	WCLdoor	562479	female
Se15	RH_Console	560898	male	So3	RH_Console	641385	male
Se17	RH_Console	560900	female	So4	RH_Console	641385	male
Se18	Servicecmpt.	561566	female	So5	RH_Console	641385	male
Se19_P	Service_Cmpt	563677	male	So6	RH_Console	641385	male
Se19_S	Service_Cmpt	563677	male	So7	Service_Cmpt	561566	female
Se20	Evap_Cmpt	562426	male	So8	Servicecmpt.	641385	male
Se21	Dash	561248	female	So9	Enginecmpt.	560016	female
Se23	Engine_Cmpt	563159	male	So10.A	Condensorcmt.	562485	male
Se24	EvaporatorCmpt.	563758	female	So11	Cond_Cmpt	561566	female
Se25	Passenger_Area	561248	female	So13	Evap_Cmpt	563204	female
Se29	Engine_Cmpt	561566	female	So14	Servicecmpt.	641385	male
Se30	Enginedoor	562877	female	So15	Servicecmpt.	641385	male
Se31	Enginedoor	562877	female	So16	Servicecmpt.	641385	male
Se32	Rear_Axle_Cmpt	562426	male	So17	Servicecmpt.	562848	male
Se33	Rear_Axle_Cmpt	562856	male	So20	Servicecmpt.	641385	male
Se34	Rear_Axle_Cmpt	562426	male	So21	Front_Axle_Cmpt	564046	female
Se35	Rear_Axle_Cmpt	562426	male	So22	Front_Axle_Cmpt	564046	female
Se36	Rear_Axle_Cmpt	562427	male	So23	Rear_Axle_Cmpt	564046	female
Se37	Front_Axle_LH	641132	female	So24	Rear_Axle_Cmpt	564046	female
Se38	Front_Axle_RH	641132	female	So27	Rearaxlecmpt.	564045	female
Se39	Rear_Axle_LH	641132	female	So29	Parcelrack	641385	male
Se40	Rear_Axle_LH	641132	female	So50	Rearaxlecmpt.	564046	female
Se45	Servicecmpt.	563409	male	So52	Rearaxlecmpt.	564045	female
Se46	Rearaxlecmpt.	562348	female	So53	Rear_Axle_Cmpt	641385	male
Se53	Service_Cmpt	563159	female	So54	Enginecmpt.	564045	female
Se54	Service_Cmpt	563159	female	So55	Pneumaticplate	562848	male
Se55	Service_Cmpt	563159	female	So56	Rear_Axle_Cmpt	562350	male
Se56	WCLCmpt.	562884	female	So57	Engine_Cmpt	562350	male
Se60	Service_Cmpt	563409	male	spBar4	Enginecmpt.	564135	male
Se62	WCL_System	561690	male	spBar5	Enginecmpt.	564135	male
Se63	Rearaxlecmpt.	641132	female	spBar6	Enginecmpt.	564135	male
Se64	Rearaxlecmpt.	641132	female	spBar7	Enginecmpt.	564135	male
Se65	Dash	564042	female	spBar11	Rearvehicule	564135	male
Se66	FJB	564039	female	spBar12	Rearvehicule	564135	male
Se67	Frontaxlecmpt.	563159	female	spBar13	Enginecmpt.	564135	male
Se69	Frontaxlecmpt.	563159	female	spBar14	Enginecmpt.	564135	male
Se74	Rear_Axle_Cmpt	563340	male	spBar15	Enginecmpt.	564135	male
Se75	Service_Cmpt	563159	female	spBar16	Enginecmpt.	564135	male
Se77	FJB	563159	female	spBar19	Condensorcmt.	564135	male
Se78	Pneumaticplate	563159	female	spBar20	Condensorcmt.	564135	male
Se79	Front_Axle	563340	male	spBar21	Condensorcmt.	564135	male

# CONNECTORS LIST

No	Location	Part #	Gender	No	Location	Part #	Gender
spBar22	Enginecmt.	564135	male	Sw4	Dash	562763	male
spBar23	Enginecmt.	564135	male	Sw6	Dash	562763	male
spBar24	Enginecmt.	564135	male	Sw10A	LH_Console	562763	male
Spk1_L	Parcel_Rack_LH	563994	male	Sw12	Dash	562763	male
Spk1_R	Parcel_Rack_RH	563994	male	Sw14	Dash	562763	male
Spk2_L	Parcel_Rack_LH	563994	male	Sw16	Dash	562763	male
Spk2_R	Parcel_Rack_RH	563994	male	Sw17	Dash	562763	male
Spk3_L	Parcel_Rack_LH	563994	male	Sw18A	LH_Console	562763	male
Spk3_R	Parcel_Rack_RH	563994	male	Sw20	Dash	562763	male
Spk4_L	Parcel_Rack_LH	563994	male	Sw21	Dash	562763	male
Spk4_R	Parcel_Rack_RH	563994	male	Sw24	Dash	562763	male
Spk5_L	Parcel_Rack_LH	563994	male	Sw25	Dash	562763	male
Spk5_R	Parcel_Rack_RH	563994	male	Sw26	Dash	562763	male
Spk6_L	Parcel_Rack_LH	563994	male	Sw27	Dash	562763	male
Spk6_R	Parcel_Rack_RH	563994	male	Sw29	Dash	562763	male
Spk7_L	Parcel_Rack_LH	563994	male	Sw30	RJB	563135	male
Spk7_R	Parcel_Rack_RH	563994	male	Sw31.A	WCLdoor	563543	male
Spk8_L	Parcel_Rack_LH	563994	male	Sw24A	Dash	562763	male
Spk8_R	Parcel_Rack_RH	563994	male	Sw32	Dash	561477	female
Spk9_L	Parcel_Rack_LH	563994	male	Sw33	Dash	561476	male
Spk9_R	Parcel_Rack_RH	563994	male	Sw34	Outside_Front_RH	562477	male
Spk10_L	Parcel_Rack_LH	563994	male	Sw35	Console	562763	male
Spk10_R	Parcel_Rack_RH	563994	male	Sw38	LH_Console	562763	male
Spk11_L	Parcel_Rack_LH	563994	male	Sw40	LH_Console	561690	male
Spk11_R	Parcel_Rack_RH	563994	male	Sw41	LH_Console	562749	male
Spk12_L	Parcel_Rack_LH	563994	male	Sw42	WCLCmpt.	561635	female
Spk12_R	Parcel_Rack_RH	563994	male	Sw43	LH_Console	561690	male
Spk13_L	Parcel_Rack_LH	563994	male	Sw44.A	Servicecmt.	562403	female
Spk13_R	Parcel_Rack_RH	563994	male	Sw45.A	3rd_Lugg_Cmpt	562403	female
Spk14_L	Parcel_Rack_LH	563994	male	Sw46.A	3rd_Lugg_Cmpt	562403	female
Spk14_R	Parcel_Rack_RH	563994	male	Sw46A.A	3rdlugg.cmpt.	562403	female
Spk15_L	Parcel_Rack_LH	563994	male	Sw49.A	2nd_Lugg_Cmpt	562403	female
Spk15_R	Parcel_Rack_RH	563994	male	Sw50.A	2nd_Lugg_Cmpt	562403	female
Spk16_L	Parcel_Rack_LH	563994	male	Sw51.A	1st_Lugg_Cmpt	562403	female
Spk16_R	Parcel_Rack_RH	563994	male	Sw52.A	1st_Lugg_Cmpt	562403	female
SpkDr_L	Parcelrack	563994	male	Sw55.A	Lavatory	560488	female
SpkDr_R	Parcelrack	563994	male	Sw55.B	Lavatory	560488	female
Sub1.A	Passenger_Area	564004	female	Sw56.A	Lavatory	560488	female
Sub2.A	Passenger_Area	564004	female	Sw56.B	Lavatory	560488	female
Sw1.C258	Driver_Area	561188	female	Sw57	WCL_Door	563543	male
Sw1.C259	Driver_Area	561186	male	Sw58	EngineCmpt.	563135	male
Sw2	Dash	562763	male	Sw59	Enginecmt.	563135	male
Sw3	Dash	562763	male	Sw63A	LHConsole	562763	male

# CONNECTORS LIST

No	Location	Part #	Gender	No	Location	Part #	Gender
Sw64.A	Service_Cmpt	560815	female	Sw135.B	WCLdoor	562119	female
Sw64.B	Service_Cmpt	560815	female	Sw135.C	WCLdoor	562119	female
Sw82	RJB	563135	male	Sw137	Dash	562763	male
Sw83.A	Dash	560082	female	Sw140	FJB	561566	female
Sw83.B	Dash	560815	female	Sw142	LHConsole	562763	male
Sw83.C	Dash	560082	female	Sw153	Dash	562763	male
Sw83.D	Dash	560815	female	Sw156	LH_Console	562763	male
Sw85	LH_Console	562749	male	Sw157	Dash	562763	male
Sw94.A	WCL_Door	562403	female	Sw158	Dash	562763	male
Sw94.B	WCLdoor	562403	female	Sw313.A	Lavatory	562615	female
Sw95.A	WCLdoor	562615	female	Sw313.B	Lavatory	562615	female
Sw95.B	WCLdoor	562615	female	Sw313.C	Lavatory	562615	female
Sw95.C	WCLdoor	562615	female	T0SS	Parcel_Rack_LH	560104	N/A
Sw96.A	WCL_Door	562615	female	T0SS1	Parcel_Rack_LH	560103	N/A
Sw96.B	WCL_Door	562615	female	tab69	Parcelrack	561626	N/A
Sw96.C	WCLdoor	562615	female	Tab70a	Parcelrack	561626	N/A
Sw97.A	WCLsystem	562615	female	Tab70b	Parcelrack	561626	N/A
Sw97.B	WCLsystem	562615	female	tab71a	Parcelrack	561626	N/A
Sw97.C	WCLsystem	562615	female	TBat9	RJB	560895	N/A
Sw98.A	WCLsystem	562615	female	TBat10	RJB	560895	N/A
Sw98.B	WCLsystem	562615	female	TBat11	RJB	560895	N/A
Sw98.C	WCLsystem	562615	female	TBat12	RJB	560895	N/A
Sw100A	Dash	562763	male	TBat13	RJB	560111	N/A
Sw109.A	1st_Lugg_LH	560079	female	TBat15	RJB	565164	N/A
Sw109.B	1st_Lugg_LH	560079	female	TBat20	RJB	560891	N/A
Sw110.A	1st_Lugg_RH	560079	female	TBat21	RJB	560891	N/A
Sw110.B	1st_Lugg_RH	560079	female	TBat22	RJB	560891	N/A
Sw111.A	2ndlugg.cmpt.	560079	female	TBat23	RJB	560891	N/A
Sw111.B	2ndlugg.cmpt.	560079	female	TBat24	RJB	560895	N/A
Sw112.A	2ndlugg.cmpt.	560079	female	TBat25	RJBMasterRelay	562880	N/A
Sw112.B	2ndlugg.cmpt.	560079	female	TBat39	RJB	562880	N/A
Sw113.A	2ndlugg.cmpt.	560079	female	TBat40	RJB	564166	N/A
Sw113.B	2ndlugg.cmpt.	560079	female	TBat_12V_E	RJB	563538	N/A
Sw114.A	3rd_Lugg_RH	560079	female	TBat_24V_E	RJB	563538	N/A
Sw114.B	3rd_Lugg_RH	560079	female	TBat_GND_E	RJB	563538	N/A
Sw115.A	Compr_Door	560079	female	Term0A	FJBGndStud	560587	N/A
Sw115.B	Compr_Door	560079	female	Term00A	FJB	560928	N/A
Sw125.A	Service_Cmpt	561457	female	Term00A1	FJB	560928	N/A
Sw125.B	Service_Cmpt	561457	female	Term00A2	FJB	560928	N/A
Sw134.A	WCLArea	562615	female	Term0EV1	EvapCmpt.ChassisGndStud	560926	N/A
Sw134.B	WCLArea	562615	female	Term0EV2	EvapCmpt.ChassisGndStud	560587	N/A
Sw134.C	WCLArea	562615	female	Term0F	FJBGndStud	560587	N/A
Sw135.A	WCLdoor	562119	female	Term00F	RJB	560086	N/A

# CONNECTORS LIST

No	Location	Part #	Gender	No	Location	Part #	Gender
Term00F1	FJB	563354	N/A	Term149A	UreaCmpt.	560096	N/A
Term00F2	FJB	563354	N/A	Term151	RJBBreakersPanel	560105	N/A
Term00F3	FJB	560928	N/A	Term151a	Parcel_Rack_LH	562286	N/A
Term00F5	FJB	560086	N/A	Term151b	Parcel_Rack_LH	562286	N/A
Term0FH	FJBGndStud	560587	N/A	Term151c	Parcel_Rack_LH	562286	N/A
Term00FH	FJB	560928	N/A	Term151d	Parcel_Rack_LH	562286	N/A
Term00FH1	FJB	560086	N/A	Term151e	RJBBreakersPanel	560105	N/A
Term00FH2	FJB	563354	N/A	Term152	RJBBreakersPanel	560105	N/A
Term0R1	RJBChassisGndStud	560587	N/A	Term152B	5thLuggageCmpt	561696	N/A
Term00R1	RJB	560086	N/A	Term153	RJBBreakersPanel	561696	N/A
Term00R2	RJB	563354	N/A	Term153A	RJBBreakersPanel	561696	N/A
Term00R3	RJB	563354	N/A	Term154	EvapCmpt.ChassisGndStud	560587	N/A
Term00R4	RJB	563354	N/A	Term154A	EvapCmpt.ChassisGndStud	561696	N/A
Term00R5	RJB	563354	N/A	Term155	Parcel_Rack_LH	560587	N/A
TermORFG	RJBChassisGndStud	561246	N/A	Term156	Fr_L_P_Rack	560094	N/A
TERMOSS1A	Parcel_Rack_LH	560086	N/A	Term157	Fr_L_P_Rack	560094	N/A
Term3	RJBChassisGndStud	560105	N/A	Term158	Fr_L_P_Rack	560094	N/A
Term4	RJB(RelayR3)	563538	N/A	Term159	Fr_L_P_Rack	560094	N/A
Term12VD4	RJBMasterRelay	561964	N/A	Term160	Fr_L_P_Rack	560094	N/A
Term20	RJB(RelayR3)	563538	N/A	Term161	Fr_L_P_Rack	560094	N/A
Term24V_Inv	Rear_Seat	561696	N/A	Term163A	Fr_L_P_Rack	560094	N/A
Term28	Evap_Cmpt	560587	N/A	Term163B	Fr_L_P_Rack	560094	N/A
Term36	FJBGndStud	560895	N/A	Term163C	Fr_L_P_Rack	560094	N/A
Term37	FJBGndStud	560894	N/A	Term164A	Fr_L_P_Rack	560094	N/A
Term43	FJBGndStud	563662	N/A	Term164B	Fr_L_P_Rack	560094	N/A
Term47	RJB	561560	N/A	Term164C	Fr_L_P_Rack	560094	N/A
Term50	RJB	561626	N/A	Term165A	Fr_L_P_Rack	560094	N/A
Term59	EvapCmpt.ChassisGndStud	560108	N/A	Term165B	Fr_L_P_Rack	560094	N/A
Term64	Evap_Cmpt	560108	N/A	Term165C	Fr_L_P_Rack	560094	N/A
Term75	Engine_Cmpt	564115	N/A	Term166	Fr_RL_1_Lugg	560094	N/A
Term76	Engine_Cmpt	565165	N/A	Term167	Fr_RL_1_Lugg	560094	N/A
Term103-A	Engine_Cmpt	568125	N/A	Term168	Fr_RL_1_Lugg	560094	N/A
Term103-B	Engine_Cmpt	564026	N/A	Term169A	Fr_L_P_Rack	560094	N/A
Term106	RJB	565166	N/A	Term169B	Fr_L_P_Rack	560094	N/A
Term107	EvapCmpt.ChassisGndStud	564203	N/A	Term169C	Fr_L_P_Rack	560094	N/A
Term116	Engine_Cmpt	563538	N/A	Term170A	Fr_L_P_Rack	560094	N/A
Term117	Engine_Cmpt	563538	N/A	Term170B	Fr_L_P_Rack	560094	N/A
Term130	RJB	560894	N/A	Term170C	Fr_L_P_Rack	560094	N/A
Term131	FJBGndStud	561696	N/A	Term180	Engine_Cmpt	560894	N/A
Term132	FJBGndStud	560895	N/A	Term200	Engine_Cmpt	560027	N/A
Term139	EvaporatorCmpt.	560104	N/A	Term201	FJBGndStud	564116	N/A
Term141	Engine_Cmpt	565166	N/A	Term230	RJB	560895	N/A
Term149	UreaCmpt.	560096	N/A	Term_12V_Bloc	RJB	564026	N/A

# CONNECTORS LIST

No	Location	Part #	Gender	No	Location	Part #	Gender
Term_12V_ECU	RJB	560926	N/A	TermA85	RJB	561725	N/A
Term_24V_Block	RJBBreakersPanel	563538	N/A	TermAFSS	Luggage_Cmpt	560076	N/A
Term_CB1	RJBBreakersPanel	564025	N/A	TermCB13	Rear_Seat	564071	N/A
Term_CB2	RJB	564024	N/A	TermF1	3rd_LH_Lugg_Cmpt	560264	N/A
Term_CB2A	RJBBreakersPanel	561560	N/A	TermF1A	3rd_LH_Lugg_Cmpt	560264	N/A
Term_CB3	RJBBreakersPanel	564025	N/A	TermF102	RJBBreakersPanel	562880	N/A
Term_CB5	RJBBreakersPanel	564025	N/A	TermF103	3rd_LH_Lugg_Cmpt	560268	N/A
Term_CB6	RJB	564024	N/A	TermF103A	3rd_LH_Lugg_Cmpt	560268	N/A
Term_CB6A	RJBBreakersPanel	561560	N/A	TermF116	RJB	561246	N/A
Term_CB8	RJBBreakersPanel	564025	N/A	TermF117	RJB	561246	N/A
Term_CB9	RJBBreakersPanel	564024	N/A	TermGal3	5thLuggageCmpt	561955	N/A
Term_CB10	RJBBreakersPanel	564026	N/A	TermGND_Inv	Rear_Seat	560895	N/A
Term_CB11	RJBBreakersPanel	564024	N/A	TermNeg	Engine_Cmpt	560086	N/A
Term_CB13	RJBBreakersPanel	561696	N/A	TermPos	Engine_Cmpt	560086	N/A
Term_CB13A1	Rear_Seat	561696	N/A	TermR12-5	Evap_Cmpt	561788	N/A
Term_CB13A2	Rear_Seat	564023	N/A	TermR21-A	FJB	560076	N/A
Term_CB13B1	Rear_Seat	564023	N/A	TermR21-B	FJB	560076	N/A
Term_CB15	RJB	561696	N/A	TermR28-3	Rear_Seat	561789	N/A
Term_CB15A	RJB	561560	N/A	TermR38-3	Rear_Seat	561789	N/A
Term_Evap_Fan	Evap_Cmpt	560108	N/A	TermR72-3	Rear_Seat	561789	N/A
Term_Evap_Relay	Evap_Cmpt	561788	N/A	TermR73-2	5thLuggageCmpt(R73)	563123	N/A
Term_FJB_GND_Jun	FJB	561458	N/A	TermR210-A	Parcelrack	560076	N/A
Term_GND_RJB_Blo	RJB	561789	N/A	TermR210-B	Parcelrack	560076	N/A
Term_Inv_24V_Stud	RJBBreakersPanel	561696	N/A	TermR_Inv	Rear_Seat	561789	N/A
Term_PH_Heater	RJB(RelayR3)	563538	N/A	TermRad1	FJBGndStud	561955	N/A
Term_PH_Rly	RJB(RelayR3)	561789	N/A	TermRad2	FJBGndStud	561955	N/A
Term_R_Melco_Bloc	RJBBreakersPanel	560104	N/A	TGND_TR	RJBChassisGndStud	560083	N/A
Term_R_Melco_Star	Engine_Cmpt	560103	N/A	TGNDR4	RJB	561458	N/A
Term_R_Starter	Engine_Cmpt	560103	N/A	VECF1	FJB	563186	male
Term_RJB_Ctrl_12V	RJBMasterRelay	563536	N/A	VECF2	FJB	563183	male
Term_RJB_Ctrl_Rly+	RJBMasterRelay	560815	N/A	VECF3	FJB	563185	male
Term_RJB_Ctrl_Rly-	RJBMasterRelay	560815	N/A	VECF4	FJB	563182	male
Term_RJB_Ctrl_Star	RJB	560587	N/A	VECF9	FJB	563448	male
Term_RJB_GND_Jun	RJB	561458	N/A	VECF10	FJB	563181	male
Term_So2_Starter	Engine_Cmpt	564573	N/A	VECF11	FJB	563184	male
Term_Start_Bat_Blo	RJB	562880	N/A	VECF12	FJB	563187	male
Term_Start_Bat_Sta	Engine_Cmpt	564280	N/A	VECR1	RJB	563186	male
Term_VECF_12VD	FJB	560104	N/A	VECR2	RJB	563183	male
Term_VECF_12WUP	FJB	563538	N/A	VECR3	RJB	563185	male
Term_VECF_24WUP	FJB	563537	N/A	VECR4	RJB	563182	male
Term_VECR_12WUP	RJB	564025	N/A	VECR9	RJB	563448	male
Term_VECR_24VD	RJB	564024	N/A	VECR10	RJB	563181	male
Term_VECR_24WUP	RJB	564025	N/A	VECR11	RJB	563184	male



# CONNECTORS LIST

No	Location	Part #	Gender	No	Location	Part #	Gender
120V_inlet	RearVehicle	561572	male	A34.4	EngineCmpt.	564258	male
A1	RJB	563975	male	A34.5	EngineCmpt.	564258	male
A2	FJB	563984	male	A34.6	EngineCmpt.	564258	male
A3	Dash	562363	male	A34.7	EngineCmpt.	564258	male
A4.A	Service_Cmpt	562428	female	A34.8	EngineCmpt.	564258	male
A4.B	Service_Cmpt	561188	female	A34.J	Enginecmpt.	568118	male
A5	Service_Cmpt	562428	female	A34.K	Enginecmpt.	564270	male
A6	Engine_Cmpt	562427	male	A34.L	Enginecmpt.	564269	male
A7	Rear_Axle_Cmpt	563979	male	A36.JA	FJB	562767	male
A9.Cx1	FJB	564041	female	A36.JB	FJB	562765	male
A9.Cx2	FJB	563678	male	A36.JC	FJB	562957	male
A9.Cx3	FJB	564037	female	A39.P101	Parcelrack	563201	male
A9.Cx4	FJB	564038	female	A39.P901	Parcelrack	563953	male
A10.X1	Engine_Cmpt	563135	male	A40.A	FJB	561668	male
A10.X3	Engine_Cmpt	563134	female	A60.A	Parcelrack	563071	male
A11	LH_Console	563142	male	A60.B	Parcelrack	562706	female
A14.A	Dash	562766	male	A60.C	Parcelrack	901110	male
A14.B	Dash	562767	male	A60.D	Parcelrack	901110	male
A14.C	Dash	562765	male	A61.A	Parcelrack	562464	male
A15	Dash	562464	male	A61.B	Parcelrack	562465	male
A16	Front_Roof	561637	male	A65.B	Parcelrack	901110	male
A17.D	RJB	561932	male	A65.C	Parcelrack	901110	male
A18.J1	FJB	562794	male	A65.Csv	Parcelrack	562465	male
A18.J2	FJB	562650	male	A65.D	Parcelrack	901110	male
A19	LH_Console	562878	female	A69.A	Parcelrack	563071	male
A20	Parcel_Rack_LH	561477	female	A69.B	Parcelrack	561716	female
A24.A	RH_Console	561890	male	A69.C	Parcelrack	561716	female
A24.B	RH_Console	561566	female	A69.D	Parcelrack	561716	female
A24.C	RH_Console	561889	female	A69.E	Parcelrack	561716	female
A25	Parcelrack	563025	male	A69.F	Parcelrack	561716	female
A26.P1	Enginecmpt.	562350	male	A69.G	Parcelrack	561716	female
A26.P2	Enginecmpt.	563322	female	A69.H	Parcelrack	561716	female
A26.P4	Enginecmpt.	568088	male	A70c	Parcelrack	561540	female
A27	Service_Cmpt	562929	male	A77	Parcelrack	564547	male
A28	Service_Cmpt	562928	male	A78	Parcelrack	562583	female
A29	Dash	562464	male	A79	Parcelrack	562583	female
A32.A	FJB	564221	male	A80	Parcelrack	562479	female
A32.B	FJB	564518	male	A81.JA	FJB	562767	male
A33.A	Parcelrack	563071	male	A81.JB	FJB	562765	male
A33.B	Parcelrack	562330	female	A81.JC	FJB	562957	male
A34.1	EngineCmpt.	564258	male	A83	Parcelrack	565970	female
A34.2	EngineCmpt.	564258	male	A84.A	Parcelrack	563071	male
A34.3	EngineCmpt.	564258	male	A96	FJB	564073	female

# CONNECTORS LIST

No	Location	Part #	Gender	No	Location	Part #	Gender
A97	Dash	563226	male	AE41.J1	FJB	563679	male
A97A	FJB	563226	male	AE41.J2	FJB	564037	female
A97A	FJB	563613	female	AE41.J3	FJB	564004	male
A97B	FJB	563226	male	AE42.J1	FJB	563679	male
A97B	FJB	563613	female	AE42.J2	FJB	564037	female
A97S.A1	Dash	564401	male	AE42.J3	FJB	564004	male
A97S.A2	Dash	564402	male	AE43.J1	FJB	563679	male
A97S.A3	Dash	564403	male	AE43.J2	FJB	564037	male
A99	FJB	564205	male	AE43.J3	FJB	565957	male
A100	Front_Axle_Cmpt	563758	female	AE44.J1	FJB	563679	male
A101	Rear_RH_Axle_Cmpt	563758	female	AE44.J2	FJB	564037	female
A102	Rear_RH_Axle_Cmpt	563758	female	AE44.J3	FJB	565957	male
A103	Dash	562070	female	AE45.J1	FJB	563679	male
A107	EngineCmpt.	560336	male	AE45.J2	FJB	564037	female
A108	RJB	562766	male	AE45.J3	FJB	565957	male
A109A	FJB	564141	male	AE46.J1	FJB	563679	male
A113.A	Parcel_Rack_LH	563960	male	AE46.J2	FJB	564037	female
A113.B	Parcel_Rack_LH	563962	male	AE46.J3	FJB	565957	male
A113.C1	Parcel_Rack_LH	563956	male	AE47.J1	RH_console	563679	male
A113.C2	Parcel_Rack_LH	563957	male	AE47.J2	RH_console	564037	female
A113.C3	Parcel_Rack_LH	563958	male	AE47.J3	RH_console	565957	male
A114A	Dash	564252	male	AE48.J1	RH_console	563679	male
A120.A	Dashboard	563960	male	AE48.J2	RH_console	564037	female
A120.B	Dashboard	563962	male	AE48.J3	RH_console	565957	male
A120.C1	Dashboard	563956	male	AE49.J1	RJB	563679	male
A120.C2	Dashboard	563957	male	AE49.J2	RJB	564037	male
A120.C3	Dashboard	563958	male	AE49.J3	RJB	565957	male
A121.Vsa	Dash	563679	male	AE50.J1	RJB	563679	male
A121.Vsb	Dash	563678	male	AE50.J2	RJB	564037	male
A121.Vsc	Dash	564037	male	AE50.J3	RJB	565957	male
A121.Vsd	Dash	564118	male	AE51.J1	RJB	563679	male
A130	Driver_Area	563226	male	AE51.J2	RJB	564037	female
A131.A	Engine_Cmpt	561782	male	AE51.J3	RJB	565957	male
A131.B	Engine_Cmpt	561781	female	AE52.J1	RJB	563679	male
A137A	Condensercmpt.	20429843	male	AE52.J2	RJB	564037	female
A138	Cond_Cmpt	563787	male	AE52.J3	RJB	565957	male
A139	Dash	564501	male	AE53.J1	RJB	563679	male
A151.A	Parcelrack	561582	female	AE53.J2	RJB	564037	female
A151.B	Parcelrack	561582	female	AE53.J3	RJB	565957	male
A152.J	Parcelrack	563071	male	AE54.J1	Evaporatorcmpt.	563679	male
A153.A	Parcelrack	562465	male	AE54.J2	Evaporatorcmpt.	564037	female
A160.A	WCLcmpt	562477	male	AE54.J3	Evaporatorcmpt.	565957	male
A160.B	WCLcmpt	562884	female	AE55.J1	Dash	563679	male



# CONNECTORS LIST

No	Location	Part #	Gender	No	Location	Part #	Gender
AE55.J2	Dash	564037	female	C4	FJB	563580	male
AE55.J3	Dash	564004	male	C4	FJB	563581	female
AE56.J1	Dash	563679	male	C5	FJB	563589	male
AE56.J2	Dash	564037	male	C5	FJB	563590	female
AE56.J3	Dash	564004	male	C5S	FJB	563589	male
AE57.J1	WCLcmpt.	563679	male	C5S	FJB	563590	female
AE57.J2	WCLcmpt.	564037	male	C6	FJB	563582	male
AE57.J3	WCLcmpt.	564004	male	C6	FJB	563583	female
Alt_LL.A	Enginectmpt.	563746	female	C7	Service_Cmpt	562566	male
Alt_LL.B	Enginectmpt.	560815	female	C7	Service_Cmpt	562565	female
Alt_LL.C	Enginectmpt.	564469	female	C8	FJB	563227	male
Alt_LR.A	enginectmpt.	563746	female	C8	FJB	563614	female
Alt_LR.B	Enginectmpt.	560815	female	C9	RJB	561986	male
Alt_LR.C	Enginectmpt.	564469	female	C9	RJB	561987	female
Alt_UR.A	Enginectmpt.	563746	female	C10	Engine_Cmpt	562477	male
Alt_UR.B	Enginectmpt.	560815	female	C10	Engine_Cmpt	562479	female
Alt_UR.C	Enginectmpt.	564469	female	C11	Service_Cmpt	563580	male
B85	Engine_Cmpt	563815	male	C11	Service_Cmpt	563581	female
B96	Engine_Cmpt	563821	male	C12	Engine_Cmpt	562581	male
B96B	Engine_Cmpt	563823	male	C12	Engine_Cmpt	562583	female
B97	Engine_Cmpt	563816	male	C13_plug	RH_Console	563589	male
B98	Engine_Cmpt	563817	male	C13_socket	RH_Console	563590	female
B115A	Enginectmpt.	564226	male	C13S	RH_Console	563589	male
B142C	Enginectmpt.	563793	male	C13S	RH_Console	563590	female
B310	Enginectmpt.	565967	male	C15A	Evapotorcmt.	568110	male
C1	FJB	563589	male	C15A	Evaporatotcmt.	568109	female
C1	FJB	563590	female	C16	RJB	561577	male
C1S	FJB	563589	male	C16	RJB	561605	female
C1S	FJB	563590	female	C17	RJB	560195	male
C2	Service_Cmpt	563580	male	C17	RJB	560169	female
C2	Service_Cmpt	563581	female	C18	FJB	561986	male
C2A	FJB	563580	male	C18	FJB	561987	female
C2A	FJB	563581	female	C19	RJB	561986	male
C2B	FJB	564034	male	C19	RJB	561987	female
C2B	FJB	564035	female	C20A	Evap_Cmpt	562485	male
C3_plug	RJB	563589	male	C20A	Evap_Cmpt	562486	female
C3_socket	RJB	563590	female	C20B	Evap_Cmpt	562485	male
C3AP	FJB	563589	male	C20B	Evap_Cmpt	562486	female
C3AP	FJB	563590	female	C23	Evaporatorcmt.	564034	male
C3AS	FJB	563589	male	C23	Evaporatorcmt.	564035	female
C3AS	FJB	563590	female	C24_plug	Evap_Cmpt	561690	male
C3S	RJB	563593	male	C24_socket	Evap_Cmpt	561566	female
C3S	RJB	563590	female	C25	Parcel_Rack_LH	561550	male

# CONNECTORS LIST

No	Location	Part #	Gender	No	Location	Part #	Gender
C25	Parcel_Rack_LH	561667	female	C45	FJB	561643	male
C26	Ureacmpt.	563226	male	C45	FJB	561642	female
C26	Ureacmpt.	563613	female	C46	WCLCmpt.	564228	male
C26A	Ureacmpt.	568110	male	C46	WCLCmpt.	564229	female
C26A	Ureacmpt.	568109	female	C47	FJB	565207	male
C26B	Ureacmpt.	563227	male	C48	Unican	565208	male
C26B	Ureacmpt.	563614	female	C49	FJB	562005	male
C29	4rd_Lugg_Cmpt	563651	male	C49	FJB	561714	female
C29	3rd_Lugg_Cmpt	563652	female	C50	RJB	563226	male
C30	3rd_Lugg_Cmpt	561710	male	C50	RJB	563613	female
C30	3rd_Lugg_Cmpt	561709	female	C51	Enginecmpt.	564034	male
C31S	Parcelrack	561515	male	C51	Enginecmpt.	560034	female
C31S	Parcelrack	561552	female	C52	Evaporatorcmpt.	563618	male
C31W	Parcelrack	563227	male	C52	Evaporatorcmpt.	563616	female
C31W	Parcelrack	563614	female	C54	Enginecmpt.	563226	male
C32	lavatory	561734	male	C54	Enginecmpt.	563613	female
C32	Lavatory	561735	female	C54A	Ureacmpt.	568110	male
C32L	Lavatory	562006	male	C54A	Ureacmpt.	568109	female
C32L	Lavatory	560908	female	C54B	Enginecmpt.	563589	male
C32W	WCLcmpt.	561640	male	C54B	Enginecmpt.	563590	female
C32W	WCLcmpt.	561639	female	C55	Evap_Cmpt	561577	male
C32X	Lavatory	561247	male	C55	Evap_Cmpt	561605	female
C32X	Lavatory	561248	female	C58	Condensorcmpt.	564567	male
C33	WCLcmpt.	564034	male	C58	Condensorcmpt.	564568	female
C33	WCLcmpt.	564035	female	C59	RJB	561643	male
C34	RH_Console	561986	male	C59	RJB	561642	female
C34	RH_Console	561987	female	C61	Fr_Service_Door	561669	male
C36	FJB	561986	male	C61	Fr_Service_Door	561670	female
C36	FJB	561987	female	C62	Fr_Service_Door	562566	male
C37	Parcel_Rack_LH	562557	male	C62	Fr_Service_Door	562565	female
C37	Parcel_Rack_LH	562558	female	C63	Entrance_Door	562477	male
C38	Parcelrack	562555	male	C63	Entrance_Door	562479	female
C38	Parcelrack	562556	female	C64	Enginecmpt.	568110	male
C39A	Firesuppressioncmpt.	561782	male	C64	Enginecmpt.	568109	female
C39A	Firesuppressioncmpt.	561781	female	C66_plug	Evap_Cmpt	561577	male
C40	Dash	562485	male	C66_socket	Evap_Cmpt	561605	female
C40	Dash	562486	female	C68_plug	Parcel_Rack_LH	562503	male
C41	RJB	561782	male	C68_socket	Parcel_Rack_LH	562507	female
C41	RJB	561781	female	C69_plug	Parcel_Rack_LH	561690	male
C42	FJB	561668	male	C69_socket	Parcel_Rack_LH	561566	female
C42	FJB	561551	female	C70	FJB	562557	male
C44_plug	FJB	561577	male	C70	FJB	562558	female
C44_socket	FJB	561605	female	C71	FJB	561646	male

# CONNECTORS LIST

No	Location	Part #	Gender	No	Location	Part #	Gender
C71	FJB	561645	female	C105_plug	FJB	562581	male
C72	FJB	561646	male	C105_socket	FJB	562583	female
C72	FJB	561645	female	C106_plug	FJB	562581	male
C74	FJB	561645	female	C106_socket	FJB	562583	female
C74	FJB	561646	male	C107A	Enginecmpt.	562885	female
C81	1st_Lugg_Cmpt	562477	male	C107A	Enginecmpt.	562884	female
C81	1st_Lugg_Cmpt	562479	female	C107B	Enginecmpt.	562885	female
C82	1st_Lugg_Cmpt	562581	male	C107B	Enginecmpt.	562884	female
C82	1st_Lugg_Cmpt	562583	female	C107C	Enginecmpt.	562885	female
C83	2nd_Lugg_Cmpt	562477	male	C107C	Enginecmpt.	562884	female
C83	2nd_Lugg_Cmpt	562479	female	C110	Dash	568110	male
C84	2nd_Lugg_Cmpt	562477	male	C110	Dash	568109	female
C84	2nd_Lugg_Cmpt	562479	female	C119A	Rearenginedoor	568110	male
C85	4thlugg.cmpt.	562477	male	C119A	Rearenginedoor	568109	female
C85	4thlugg.cmpt.	562479	female	C121	Rearenginedoor	562566	male
C86	4thlugg.cmpt.	563618	male	C121	Rearenginedoor	562565	female
C86	4thlugg.cmpt.	563616	female	C122	Rearenginedoor	562566	male
C87	Engine_Cmpt	562485	male	C122	Rearenginedoor	562565	female
C87	Engine_Cmpt	562486	female	C131A	Engine_Cmpt	561782	male
C88	FJB	563618	male	C131A	Engine_Cmpt	561781	female
C88	FJB	563616	female	C131B	Engine_Cmpt	561782	male
C91	RJB	562285	male	C131B	Engine_Cmpt	561781	female
C91	RJB	562282	female				
C92A	Enginecmpt.	563226	male				
C92A	Enginecmpt.	563613	female	C144	RJB	560852	male
C92C	Enginecmpt.	562581	male	C144	RJB	560851	female
C92C	Enginecmpt.	562583	female	C152	Cond_Cmpt	561611	male
C94_plug	FJB	563589	male	C152	Cond_Cmpt	561610	female
C94_socket	FJB	563590	female	C158	Condensorcmt.	562477	male
C96	FJB	561643	male	C158	Condensorcmt.	562479	female
C96	FJB	561642	female	C170	LH_Console	561637	male
C97	FJB	561643	male	C170	LH_Console	561636	female
C97	FJB	561642	female	C171	LH_Console	561646	male
C100	Evaporatorcmpt.	562477	male	C171	LH_Console	561645	female
C100	Evaporatorcmpt.	562479	female	C187	RJB	561577	male
C100S	EvaporatorCmpt.	562477	male	C187	RJB	561605	female
C100S	EvaporatorCmpt.	562479	female	C188	Evap_Comp	561577	male
C101	Service_Cmpt	561690	male	C188	Evap_Comp	561605	female
C101	Service_Cmpt	561566	female	C189	RJB	561986	male
C102A	Condensorcmt.	563226	male	C189	RJB	561987	female
C102A	Condensorcmt.	563613	female	C193_plug	RJB	563589	male
C103_plug	FJB	562485	male	C193_socket	RJB	563590	female
C103_socket	FJB	562486	female	C194	FJB	563589	male

# CONNECTORS LIST

No	Location	Part #	Gender	No	Location	Part #	Gender
C194	FJB	563590	female	C284_5	Parcelrack	561782	male
C195	Dash	563347	male	C284_5	Parcelrack	561781	female
C195	Dash	560489	female	C290	Rear_Vehicle	562477	male
C206	Parcel_Rack_RH	562503	male	C290	Rear_Vehicle	562479	female
C206	Parcel_Rack_RH	562507	female	C298	Parcelrack	561782	male
C207	Parcel_Rack_LH	562503	male	C298	Parcelrack	561781	female
C207	Parcel_Rack_LH	562507	female	C355	RJB	563582	male
C212	WCLArea	561515	male	C355	RJB	563583	female
C212	WCLArea	561552	female	C356	Parcelrack	561710	male
C213	Parcel_Rack_LH	561515	male	C356	Parcelrack	561709	female
C213	Parcel_Rack_LH	561552	female	C357	Parcelrack	561847	male
C222	FJB	562477	male	C357	Parcelrack	561862	female
C222	FJB	562479	female	C380A	Dash	564222	male
C223	FJB	563227	male	C380A	Dash	564224	female
C223	FJB	563614	female	C381	Parcel_Rack	561847	male
C224	FJB	561637	male	C381	Parcel_Rack	561862	female
C224	FJB	561636	female	C382	Under_Seat	561580	male
C225	FJB	562650	male	C382	Under_Seat	561582	female
C225	FJB	562649	female	C397	RJB	562285	male
C226	FJB	562650	male	C397	RJB	562282	female
C226	FJB	562649	female	C430	LH_Console	562363	male
C242	Service_Cmpt	562789	male	C430	LH_Console	561188	female
C242	Service_Cmpt	565131	female	C452	Dash	561669	male
C243	FrontVehicle	563347	male	C452	Dash	561670	female
C243	FrontVehicle	563180	female	C463	Rearaxlecmpt.	568111	male
C259	3rd_LH_Lugg_Cmpt	561637	male	C463	Rearaxlecmpt.	568112	female
C259	3rd_LH_Lugg_Cmpt	561636	female	C464	FJB	564222	male
C266	Parcelrack	561782	male	C464	FJB	564224	female
C266	Parcelrack	561781	female	C464A	Dash	564222	male
C267	Parcelrack	561782	male	C464A	Dash	564224	female
C267	Parcelrack	561781	female	C464B	FJB	564222	male
C279	Service_Cmpt	562477	male	C464B	FJB	564224	female
C279	Service_Cmpt	562479	female	C465	Parcelrack	562581	male
C284	Parcelrack	561782	male	C465	Parcelrack	562583	female
C284	Parcelrack	561781	female	C506	FJB	561687	male
C284_1	Parcelrack	561782	male	C506	FJB	561685	female
C284_1	Parcelrack	561781	female	C506spA	FJB	561687	male
C284_2	Parcelrack	561782	male	C506spA	FJB	561685	female
C284_2	Parcelrack	561781	female	C506spB	FJB	561687	male
C284_3	Parcelrack	561782	male	C506spB	FJB	561685	female
C284_3	Parcelrack	561781	female	C542	Parcelrack	561550	male
C284_4	Parcelrack	561782	male	C542	Parcelrack	561667	female
C284_4	Parcelrack	561781	female	C558	Parcelrack	562503	male

# CONNECTORS LIST

No	Location	Part #	Gender	No	Location	Part #	Gender
C558	Parcelrack	562507	female	C618	Mirror_RH	563801	male
C564	Parcelrack	562503	male	C618	Mirror_RH	563800	female
C564	Parcelrack	562507	female	C620	FJB	562477	male
C564-Sp	Parcelrack	562503	male	C620	FJB	562479	female
C564-Sp	Parcelrack	562507	female	C662_plug	FJB	562477	male
C566	Parcelrack	562503	male	C662_socket	FJB	562479	female
C566	Parcelrack	562507	female	C700	FJB	561637	male
C567	Parcelrack	562503	male	C700	FJB	561636	female
C567	Parcelrack	562507	female	C700A_plug	FJB	561637	male
C575	Parcel_Rack_RH	562503	male	C700A_socket	FJB	561636	female
C575	Parcel_Rack_RH	562507	female	C752	Parcelrack	901283	female
C576B	Parcel_Rack_RH	562006	male	C753	Parcelrack	901283	female
C576B	Parcel_Rack_RH	560908	female	C766	Parcelrack	561662	male
C576BB	Parcelrack	562006	male	C766	Parcelrack	561661	female
C576BB	Parcelrack	560908	female	C768	Parcelrack	901283	female
C577A	Parcel_Rack	562006	male	C769	Parcelrack	901283	female
C577A	Parcel_Rack	560908	female	C777	Dash	562477	male
C577AA	Parcelrack	562006	male	C777	Dash	562479	female
C577AA	Parcelrack	560908	female	C_A60DB	Parcelrack	563071	male
C578	Parcel_Rack_LH	562503	male	C_A60DB	Parcelrack	563040	female
C578	Parcel_Rack_LH	562507	female	C_ALT	Enginecmpt.	562581	male
C582	FJB	561690	female	C_ALT	Enginecmpt.	562583	female
C582	FJB	561566	female	C_ALT3	Enginecmpt.	562477	male
C600	Dash	563226	male	C_ALT3	Enginecmpt.	562479	female
C600	Dash	563613	female	C_AUDIO_AUX	Parcelrack	562557	male
C601	LHRoofWinAjar	561476	male	C_AUDIO_AUX	Parcelrack	562558	female
C601	LHRoofWinAjar	561477	female	C_AUX	Parcelrack	563071	male
C602	Parcel_Rack_LH	561668	male	C_AUX	Parcelrack	563040	female
C602	Parcel_Rack_LH	561551	female	C_INV1	Parcelrack	562337	male
C603	RHRoofWinAjar	561476	male	C_INV1	Parcelrack	562338	male
C603	RHRoofWinAjar	561477	female	C_INV2	Parcelrack	562337	male
C608	Parcel_Rack_LH	561577	male	C_INV2	Parcelrack	562338	male
C608	Parcel_Rack_LH	561605	female	C_LineOut	Parcelrack	563962	male
C609	Parcel_Rack_LH	561550	male	C_LineOut	Parcelrack	564489	female
C609	Parcel_Rack_LH	561667	female	C_Mo9	Evap_Cmpt	561577	male
C612	Parcel_Rack_LH	561687	male	C_Mo9	Evap_Cmpt	561605	female
C612	Parcel_Rack_LH	561685	female	C_Mo9:2	Evap_Cmpt	561577	male
C614	Passenger_Area	563071	male	C_Mo9:2	Evap_Cmpt	561605	female
C614	Passenger_Area	563040	female	C_Se51_plug	UnderDriverSeat	563593	male
C615	Passenger_Area	563071	male	C_Se51_socket	UnderDriverSeat	563590	female
C615	Passenger_Area	563040	female	C_USB	Parcelrack	562069	male
C617	Mirror_LH	563801	male	C_USB	Parcelrack	562070	female
C617	Mirror_LH	563800	female	CCAN1	FJB	562650	male

# CONNECTORS LIST

No	Location	Part #	Gender	No	Location	Part #	Gender
CCAN1	FJB	562649	female	CSX1	Engine_Cmpt	563134	female
CCAN2	FJB	562650	male	CSX3	Engine_Cmpt	563135	male
CCAN2	FJB	562649	female	CSX3	Engine_Cmpt	563134	female
CCAN3	FJB	562650	male	CT_IN	Enginectmpt.	563582	male
CCAN3	FJB	562649	female	CT_IN	Enginectmpt.	563583	female
CCAN4	FJB	562650	male	CT_IN1	Enginectmpt.	560167	male
CCAN4	FJB	562649	female	CT_IN1	Enginectmpt.	560159	female
CCust	Parcel_Rack_Fr_WCL	562477	male	CT_Out	Enginectmpt.	560478	female
CCust	RJB	562479	female	CXC1	Service_Cmpt	562477	male
CFHPR1	Parcelrack	564560	male	CXC1	Service_Cmpt	562479	female
CIND-1.A	Parcelrack	560908	female	D92	Parcelrack	564496	male
CIND-1.B	Parcelrack	560908	female	E1	Enginectmpt.	563739	male
CIND-2.A	Parcelrack	560908	female	L1A	Enginectmpt.	564045	female
CIND-2.B	Parcelrack	560908	female	L16.A	Frontroof	562615	female
CIND-11.A	Parcelrack	560908	female	L16.B	Frontroof	562615	female
CIND-11.B	Parcelrack	560908	female	L17.A	Frontroof	562615	female
CINDWC-1.A	Parcelrack	560908	female	L17.B	Frontroof	562615	female
CINDWC-1.B	Parcelrack	560908	female	L18	Entrance_Door	562549	male
CL1	Service_Cmpt	562485	male	L19	Entracedoor	562549	male
CL1	Service_Cmpt	562486	female	L20	Entracedoorstep	562549	male
CL142	Lavatory	562006	male	L28	Parcelrack	560898	male
CL142	Lavatory	560908	female	L29	Parcelrack	560898	male
CL142A	Lavatory	562006	male	L30	Parcelrack	560898	male
CL142A	Lavatory	560908	female	L30A.A	Parcelrack	560898	male
CP1	Passenger_Area	561782	male	L30B.A	Parcelrack	560898	male
CP1	Passenger_Area	561781	female	L31	Parcelrack	560898	male
CP2	Passenger_Area	561782	male	L32	Parcelrack	560898	male
CP2	Passenger_Area	561781	female	L33	Parcelrack	560898	male
CP3	Passengersarea	561782	male	L34	Parcelrack	560898	male
CP3	Passengersarea	561781	female	L35	Parcelrack	560898	male
CP4	Passenger_Area	561782	male	L36	Parcelrack	560898	male
CP4	Passenger_Area	561781	female	L37	Parcelrack	560898	male
CP5	Passenger_Area	561782	male	L38	Parcelrack	560898	male
CP5	Passenger_Area	561781	female	L39	Parcelrack	560898	male
CP6	Passengersarea	562337	male	L40	Parcelrack	560898	male
CP6	Passengersarea	562338	male	L41	Parcelrack	560898	male
CR72	RearSeat	563409	male	L42	Parcelrack	560898	male
CR72	RearSeat	563410	female	L43	Parcelrack	560898	male
CSe80	RJB	562477	male	L44	Parcelrack	560898	male
CSe80	RJB	562479	female	L45	Parcelrack	560898	male
CSw102	EngineCmpt.	562549	male	L46	Parcelrack	560898	male
CSw102	EngineCmpt.	562550	female	L47	Parcelrack	560898	male
CSX1	Engine_Cmpt	563135	male	L48	Parcelrack	560898	male

# CONNECTORS LIST

No	Location	Part #	Gender	No	Location	Part #	Gender
L49	Parcelrack	560898	male	L74	RearVehicle	562155	male
L50	Parcelrack	560898	male	L75	Rearenginedoor	562155	male
L51	Parcelrack	560898	male	L76	RearVehicle	562155	male
L52	Parcelrack	560898	male	L77A	Rearvehicule	562601	male
L52	Parcelrack	560900	female	L78A	Rearvehicule	562601	male
L52A	Parcelrack	560898	male	L79A	Rearvehicule	562601	male
L53	Parcelrack	560898	male	L80A	Rearvehicule	562601	male
L53	Parcelrack	560900	female	L81.A	Rear_Vehicle	562835	female
L53A	Parcelrack	560898	male	L81.B	Rear_Vehicle	562834	male
L54	Parcelrack	560898	male	L82A	Rearvehicule	562348	female
L54	Parcelrack	560900	female	L83A	Rearvehicule	562348	female
L54A	Parcelrack	560898	male	L84	FrontVehicle	562486	female
L55	Parcelrack	560898	male	L85	RearVehicle	562486	female
L55	Parcelrack	560900	female	L86	RearVehicle	562486	female
L55A	Parcelrack	560898	male	L87	RearVehicle	562486	female
L56	Parcelrack	560898	male	L88	RearVehicle	562486	female
L56	Parcelrack	560900	female	L89	RearVehicle	562486	female
L56A	Parcelrack	560898	male	L90	RearVehicle	562486	female
L57	Parcelrack	560898	male	L91A	Rearvehicule	562601	male
L57	Parcelrack	560900	female	L92A	Rearvehicule	562601	male
L57A	Parcelrack	560898	male	L95	Outside_Front_LH	562902	female
L58	Parcelrack	560898	male	L96	Outside_Front_RH	562902	female
L58	Parcelrack	560900	female	L97.A	Outside_Front_LH	563069	female
L58A	Parcelrack	560898	male	L97.B	Outside_Front_LH	563069	female
L59	Out_Side_Front_RH	562623	male	L98.A	Entrance_Door	563069	female
L59A	OutsideFrontRH	563366	male	L98.B	Outside_Front_RH	563069	female
L59B	Out_Side_Front_RH	562623	male				
L60	OutsideFrontLH	562623	male				
L60A	OutsideFrontLH	563366	male				
L60B	Out_Side_Front_LH	562623	male				
L61	Out_Side_Front_RH	562601	male				
L62	Out_Side_Front_LH	562601	male				
L63	Front_Side_LH	562155	male	L140	Lavatory	561247	male
L64	Outside_Front_RH	562155	male	L142	Lavatory	562006	male
L65	Outside_Front_LH	562155	male	L142B	Lavatory	562006	male
L66	Out_Side_Front_LH	562155	male	L143	Parcelrack	561186	male
L67	4th_Lugg_Cmpt	562155	male	L144	Parcelrack	561186	male
L68	4th_Lugg_Cmpt	562155	male	L145	Parcelrack	561186	male
L69	4th_Lugg_Cmpt	562155	male	L146	Parcelrack	561186	male
L70	4th_Lugg_Cmpt	562155	male	L147	Parcelrack	561186	male
L71A	Rearenginedoor	562601	male	L148	Parcelrack	561186	male
L72	Rear_Vehicle	562155	male	L149	Parcelrack	561186	male
L73A	Rearenginedoor	562601	male	L150	Parcelrack	561186	male

# CONNECTORS LIST

No	Location	Part #	Gender	No	Location	Part #	Gender
L151	Parcelrack	561186	male	L207.F	WCLCmpt.	561699	female
L152	Parcelrack	561186	male	L207.G	WCLCmpt.	561699	female
L153	Parcelrack	561186	male	L207.H	WCLCmpt.	563536	female
L154	Parcelrack	561186	male	L207.I	WCLCmpt.	563536	female
L155	Parcelrack	561186	male	L243	Parcelrack	561186	male
L156	Parcelrack	561186	male	L244	Parcelrack	561186	male
L157	Parcelrack	561186	male	L245	Parcelrack	561186	male
L158	Parcelrack	561186	male	L246	Parcelrack	561186	male
L170	Lugg_cmpt	561690	male	L247	Parcelrack	561186	male
L173	Parcelrack	563590	female	L248	Parcelrack	561186	male
L174A	Parcelrack	563590	female	L249	Parcelrack	561186	male
L176	3rd_Lugg_Cmpt	561247	male	L250	Parcelrack	561186	male
L177	3rd_Lugg_Cmpt	561247	male	L251	Parcelrack	561186	male
L177A	WCLCmpt.	561690	male	L252	Parcelrack	561186	male
L177B	WCLCmpt.	561690	male	L253	Parcelrack	561186	male
L180	2nd_Lugg_Cmpt	561247	male	L254	Parcelrack	561186	male
L181	2nd_Lugg_Cmpt	561247	male	L255	Parcelrack	561186	male
L182	1st_Lugg_Cmpt	561247	male	L256	Parcelrack	561186	male
L183	1st_Lugg_Cmpt	561247	male	L257	Parcelrack	561186	male
L184	Servicecmpt.	561247	male	L258	Parcelrack	561186	male
L185.A	Servicecmpt.	561539	male	L282	Engine_Cmpt	561690	male
L185.B	Servicecmpt.	561539	male	L283	Service_Cmpt	562485	male
L186.A	Dash	561539	male	L285.A	Rear_Vehicle	562835	female
L186.B	Dash	561539	male	L285.B	Rear_Vehicle	562834	male
L187	Engine_Cmpt	561690	male	L286.A	Rear_Vehicle	562835	female
L188	Service_Cmpt	562486	female	L286.B	Rear_Vehicle	562834	male
				L296	Refrigerator	561248	female
L193.A	Dash	560488	female	L298A	Enginecmpt.	563590	female
L193.B	Dash	560488	female	L306	RJBCmpt.	561247	male
L194.A	Dash	562019	female	L313	Rr_Roof	562549	male
L194.B	Dash	560488	female	L350A.A	Rearaxlecmpt.	564552	male
L195.A	Dash	560488	female	L350A.B	Rearaxlecmpt.	563340	male
L195.B	Dash	560488	female	L350A.C	Rearaxlecmpt.	562251	male
L199	Enginecmpt.	562848	male	L606	Rr_Roof	560898	male
L203	RH_Console	561690	male	L606	Rr_Roof	560900	female
L204	Parcel_Rack_RH	562803	male	L606A	Rr_Roof	560898	male
L205	Enginecmpt.	562485	male	Mo3	Dash	561667	female
L206	Parcel_Rack_RH	562803	male	Mo4	Dash	562076	male
L207.A	WCLCmpt.	561699	female	Mo5	Front_Roof	561515	male
L207.B	WCLCmpt.	561701	female	Mo7	Cond_Cmpt	563691	male
L207.C	WCLCmpt.	561701	female	Mo8	Cond_Cmpt	563691	male
L207.D	WCLCmpt.	561699	female	Mo10	ParcelRack_Lh_Fan	561515	male
L207.E	WCLCmpt.	561701	female	Mo11	ParcelRack_Rh_Fan	561515	male



# CONNECTORS LIST

No	Location	Part #	Gender	No	Location	Part #	Gender
Mo12	Engine_Cmpt	561690	male	PF	FJB	561781	female
Mo13	Engine_Cmpt	561690	female	PF1	Passenger_Area	561782	male
Mo14	Engine_Cmpt	561566	female	PF1	Passenger_Area	561781	female
Mo15	Front_Ceiling	560900	female	Pot1.A	Dash	560488	female
Mo16	Front_Ceiling	560900	female	Pot1.B	Dash	560488	female
Mo17	RH_Console	563626	male	Pot1.C	Dash	560488	female
Mo19	Fr_Service_Door	562474	male	PR	Parcelrack	561782	male
Mo20	Fr_Service_Door	562474	male	PR	Parcelrack	561781	female
Mo22	RH_Console	561186	male	PR1	Passenger_Area	561782	male
Mo24	RH_Console	562348	female	PR1	Passenger_Area	561781	female
Mo25	RH_Console	562348	female	R3	RJB	563409	male
Mo27	Cond_Cmpt	563691	male	R4	FJB	564496	male
Mo28	Cond_Cmpt	563691	male	R5	RJB	564496	male
Mo29	RJBcmpt.	563590	female	R12	Evap_Cmpt	563409	male
Mo30	Compr_Door	564161	male	R20	RJB	564496	male
Mo31	Parcelrack	564161	male	R21	FJB	560525	male
Mo32	Parcelrack	564161	male	R26	Evap_Cmpt	564496	male
Mo33	Parcelrack	564161	male	R27	Dash	564496	male
Mo34	Parcelrack	564161	male	R28	RearSeat	563409	male
Mo35	3rd_Lugg_Door	564161	male	R29	RJB	563409	male
Mo36	Parcelrack	564161	male	R30	FJB	564496	male
Mo54	Service_Cmpt	562474	male	R31	FJB	564496	male
Mo62	FrontHatch	562486	female	R34	RJB	564210	male
Mo63	RearHatch	562486	female	R36	Dash	564496	male
Mo65	Enginecmpt.	568089	male	R37	Dash	564496	male
Mo67	Enginecmpt.	568089	male	R38	FJB	564496	male
Mo68	Enginecmpt.	568089	male	R38A	RearSeat	563409	male
Mo69	Enginecmpt.	568089	male	R40	RJB	564496	male
Mo70	Enginecmpt.	568089	male	R47	Parcelrack	564496	male
Mo71	Enginecmpt.	568089	male	R72.A	RearSeat	563409	male
Mo72	Enginecmpt.	568089	male	R210	Parcel_Rack_LH	560525	male
Mo73	Enginecmpt.	568089	male	R_12VISS	Parcelrack	564496	male
P_In1	Passenger_Area	561782	male	RadioVolvo3_966.A	Parcelrack	563960	male
P_In1	Passenger_Area	561781	female	RadioVolvo3_966.B	Parcelrack	563962	male
P_Out1	Passenger_Area	561782	male	RadioVolvo3_966.C1	Parcelrack	563956	male
P_Out1	Passenger_Area	561781	female	RadioVolvo3_966.C2	Parcelrack	563957	male
P_Out2	Passenger_Area	561782	male	RadioVolvo3_966.C3	Parcelrack	563958	male
P_Out2	Passenger_Area	561781	female	Res3.A	RJB	563590	female
P_Out3	Passenger_Area	561782	male	Res4	FJB	563590	female
P_Out3	Passenger_Area	561781	female	Res6	FJB	563590	female
PC1	FJB	562650	male	Res6A	FJB	563589	male
PC1	FJB	562649	female	Res6A	FJB	563590	female
PF	FJB	561782	male	Res6B	FJB	563589	male

# CONNECTORS LIST

No	Location	Part #	Gender	No	Location	Part #	Gender
Res6B	FJB	563590	female	Se40	Rear_Axle_LH	641132	female
Res7	dash	563590	female	Se45	Servicecmpt.	563409	male
Res15	Engine_Cmpt	561782	male	Se46	Rearaxlecmpt.	562348	female
Res19	FJB	563590	female	Se49	Engine_Cmpt	561690	male
Res20	FJB	563590	female	Se51	UnderDriverSeat	563589	male
Res31	Ureacmpt.	562350	male	Se53	Service_Cmpt	563159	female
Res32	Ureacmpt.	563764	female	Se54	Service_Cmpt	563159	female
Res53.A	FJB	563590	female	Se55	Service_Cmpt	563159	female
Res99	FJB	563590	female	Se56	WCLcmpt.	562884	female
Se4	Window_RH	561477	female	Se60	Service_Cmpt	563409	male
Se5	Window_RH	561477	female	Se62	WCL_System	561690	male
Se6	Window_RH	561477	female	Se63	Rearaxlecmpt.	641132	female
Se7	Window_LH	561477	female	Se64	Rearaxlecmpt.	641132	female
Se8	Window_LH	561477	female	Se65	Dash	564042	female
Se9	Window_LH	561477	female	Se66	FJB	564039	female
Se10	FJB	561477	female	Se67	Frontaxlecmpt.	563159	female
Se11.A	Cond_Cmpt	560082	female	Se69	Frontaxlecmpt.	563159	female
Se11.B	Cond_Cmpt	560082	female	Se74	Rear_Axle_Cmpt	563340	male
Se11.C	Cond_Cmpt	560082	female	Se75	Service_Cmpt	563159	female
Se13	Engine_Cmpt	562350	male	Se76	EntranceDoor	562479	female
Se14.A	Driver_Area	561782	male	Se77	FJB	563159	female
Se14.B	Driver_Area	561781	female	Se78	Pneumaticplate	563159	female
Se15	RH_Console	560898	male	Se79	Front_Axle	563340	male
Se17	RH_Console	560900	female	Se80	Rear_Axle	563159	female
Se18	Servicecmpt.	561566	female	Se94	WCLUpperDoor	562877	female
Se19_P	Service_Cmpt	563677	male	Se100	WCLdoor	562479	female
Se19_S	Service_Cmpt	563677	male				
Se20	Evap_Cmpt	562426	male				
Se21	Dash	561248	female	shell1_1640	Driver_Area	562471	male
Se23	Engine_Cmpt	563159	male				
Se24	EvaporatorCmpt.	563758	female				
Se25	Passenger_Area	561248	female				
Se29	Engine_Cmpt	561566	female				
Se30	Enginedoor	562877	female				
Se31	Enginedoor	562877	female				
Se32	Rear_Axle_Cmpt	562426	male	So3	RH_Console	641385	male
Se33	Rear_Axle_Cmpt	562856	male	So4	RH_Console	641385	male
Se34	Rear_Axle_Cmpt	562426	male	So5	RH_Console	641385	male
Se35	Rear_Axle_Cmpt	562426	male	So6	RH_Console	641385	male
Se36	Rear_Axle_Cmpt	562427	male	So7	Service_Cmpt	561566	female
Se37	Front_Axle_LH	641132	female	So8	Servicecmpt.	641385	male
Se38	Front_Axle_RH	641132	female	So9	Engincmpt.	560016	female
Se39	Rear_Axle_LH	641132	female	So10.A	Condensorcmt.	562485	male

# CONNECTORS LIST

No	Location	Part #	Gender	No	Location	Part #	Gender
So11	Cond_Cmpt	561566	female	Spk4_R	Parcel_Rack_RH	563994	male
So13	Evap_Cmpt	563204	female	Spk5_L	Parcel_Rack_LH	563994	male
So14	Servicecmpt.	641385	male	Spk5_R	Parcel_Rack_RH	563994	male
So15	Servicecmpt.	641385	male	Spk6_L	Parcel_Rack_LH	563994	male
So16	Servicecmpt.	641385	male	Spk6_R	Parcel_Rack_RH	563994	male
So17	Servicecmpt.	562848	male	Spk7_L	Parcel_Rack_LH	563994	male
So20	Servicecmpt.	641385	male	Spk7_R	Parcel_Rack_RH	563994	male
So21	Front_Axle_Cmpt	564046	female	Spk8_L	Parcel_Rack_LH	563994	male
So22	Front_Axle_Cmpt	564046	female	Spk8_R	Parcel_Rack_RH	563994	male
So23	Rear_Axle_Cmpt	564046	female	Spk9_L	Parcel_Rack_LH	563994	male
So24	Rear_Axle_Cmpt	564046	female	Spk9_R	Parcel_Rack_RH	563994	male
So27	Rearaxlecmpt.	564045	female	Spk10_L	Parcel_Rack_LH	563994	male
So29	Parcelrack	641385	male	Spk10_R	Parcel_Rack_RH	563994	male
So50	Rearaxlecmpt.	564046	female	Spk11_L	Parcel_Rack_LH	563994	male
So52	Rearaxlecmpt.	564045	female	Spk11_R	Parcel_Rack_RH	563994	male
So53	Rear_Axle_Cmpt	641385	male	Spk12_L	Parcel_Rack_LH	563994	male
So54	Enginecmpt.	564045	female	Spk12_R	Parcel_Rack_RH	563994	male
So55	Pneumaticplate	562848	male	Spk13_L	Parcel_Rack_LH	563994	male
So56	Rear_Axle_Cmpt	562350	male	Spk13_R	Parcel_Rack_RH	563994	male
So57	Engine_Cmpt	562350	male	Spk14_L	Parcel_Rack_LH	563994	male
spBar4	Enginecmpt.	564135	male	Spk14_R	Parcel_Rack_RH	563994	male
spBar5	Enginecmpt.	564135	male	Spk15_L	Parcel_Rack_LH	563994	male
spBar6	Enginecmpt.	564135	male	Spk15_R	Parcel_Rack_RH	563994	male
spBar7	Enginecmpt.	564135	male	Spk16_L	Parcel_Rack_LH	563994	male
spBar11	Rearvehicule	564135	male	Spk16_R	Parcel_Rack_RH	563994	male
spBar12	Rearvehicule	564135	male	SpkDr_L	Parcelrack	563994	male
spBar13	Enginecmpt.	564135	male	SpkDr_R	Parcelrack	563994	male
spBar14	Enginecmpt.	564135	male	Sub1.A	Passenger_Area	564004	female
spBar15	Enginecmpt.	564135	male	Sub2	Passenger_Area	564004	male
spBar16	Enginecmpt.	564135	male	Sw1.C258	Driver_Area	561188	female
spBar19	Condensorcmt.	564135	male	Sw1.C259	Driver_Area	561186	male
spBar20	Condensorcmt.	564135	male	Sw2	Dash	562763	male
spBar21	Condensorcmt.	564135	male	Sw3	Dash	562763	male
spBar22	Enginecmpt.	564135	male	Sw4	Dash	562763	male
spBar23	Enginecmpt.	564135	male	Sw6	Dash	562763	male
spBar24	Enginecmpt.	564135	male	Sw10A	LH_Console	562763	male
Spk1_L	Parcel_Rack_LH	563994	male	Sw12	Dash	562763	male
Spk1_R	Parcel_Rack_RH	563994	male	Sw14	Dash	562763	male
Spk2_L	Parcel_Rack_LH	563994	male	Sw16	Dash	562763	male
Spk2_R	Parcel_Rack_RH	563994	male	Sw17	Dash	562763	male
Spk3_L	Parcel_Rack_LH	563994	male	Sw18A	LH_Console	562763	male
Spk3_R	Parcel_Rack_RH	563994	male	Sw20	Dash	562763	male
Spk4_L	Parcel_Rack_LH	563994	male	Sw21	Dash	562763	male

# CONNECTORS LIST

No	Location	Part #	Gender	No	Location	Part #	Gender
Sw24	Dash	562763	male	Sw94.A	WCL_Door	562403	female
Sw24A	Dash	562763	male	Sw94.B	WCLdoor	562403	female
Sw25	Dash	562763	male	Sw95.A	WCLdoor	562615	female
Sw26	Dash	562763	male	Sw95.B	WCLdoor	562615	female
Sw27	Dash	562763	male	Sw95.C	WCLdoor	562615	female
Sw29	Dash	562763	male	Sw96.A	WCL_Door	562615	female
Sw30	RJB	563135	male	Sw96.B	WCL_Door	562615	female
Sw31.A	WCLdoor	563543	male	Sw96.C	WCLdoor	562615	female
Sw32	Dash	561477	female	Sw97.A	WCLsystem	562615	female
Sw33	Dash	561476	male	Sw97.B	WCLsystem	562615	female
Sw34	Outside_Front_RH	562477	male	Sw97.C	WCLsystem	562615	female
Sw35	Console	562763	male	Sw98.A	WCLsystem	562615	female
Sw38	LH_Console	562763	male	Sw98.B	WCLsystem	562615	female
Sw40	LH_Console	561690	male	Sw98.C	WCLsystem	562615	female
Sw41	LH_Console	562749	male	Sw100A	Dash	562763	male
Sw42	WCLCmpt.	561635	female	Sw102	RJB	561566	female
Sw43	LH_Console	561690	male	Sw109.A	1st_Lugg_LH	560079	female
Sw44.A	Servicecmpt.	562403	female	Sw109.B	1st_Lugg_LH	560079	female
Sw45.A	3rd_Lugg_Cmpt	562403	female	Sw110.A	1st_Lugg_RH	560079	female
Sw46.A	3rd_Lugg_Cmpt	562403	female	Sw110.B	1st_Lugg_RH	560079	female
Sw46A.A	3rdlugg.cmpt.	562403	female	Sw111.A	2ndlugg.cmpt.	560079	female
Sw49.A	2nd_Lugg_Cmpt	562403	female	Sw111.B	2ndlugg.cmpt.	560079	female
Sw50.A	2nd_Lugg_Cmpt	562403	female	Sw112.A	2ndlugg.cmpt.	560079	female
Sw51.A	1st_Lugg_Cmpt	562403	female	Sw112.B	2ndlugg.cmpt.	560079	female
Sw52.A	1st_Lugg_Cmpt	562403	female	Sw113.A	2ndlugg.cmpt.	560079	female
Sw55.A	Lavatory	560488	female	Sw113.B	2ndlugg.cmpt.	560079	female
Sw55.B	Lavatory	560488	female	Sw114.A	3rd_Lugg_RH	560079	female
Sw56.A	Lavatory	560488	female	Sw114.B	3rd_Lugg_RH	560079	female
Sw56.B	Lavatory	560488	female	Sw115.A	Compr_Door	560079	female
Sw57	WCL_Door	563543	male	Sw115.B	Compr_Door	560079	female
Sw58	EngineCmpt.	563135	male	Sw125.A	Service_Cmpt	561457	female
Sw59	Enginecmpt.	563135	male	Sw125.B	Service_Cmpt	561457	female
Sw63A	LHConsole	562763	male	Sw134.A	WCLArea	562615	female
Sw64.A	Service_Cmpt	560815	female	Sw134.B	WCLArea	562615	female
Sw64.B	Service_Cmpt	560815	female	Sw134.C	WCLArea	562615	female
Sw80A	Dash	562763	male	Sw135.A	WCLdoor	562119	female
Sw82	RJB	563135	male	Sw135.B	WCLdoor	562119	female
Sw83.A	Dash	560082	female	Sw135.C	WCLdoor	562119	female
Sw83.B	Dash	560815	female	Sw137	Dash	562763	male
Sw83.C	Dash	560082	female	Sw140	FJB	561566	female
Sw83.D	Dash	560815	female	Sw142	LHConsole	562763	male
Sw83A	Dash	562581	male	Sw149	Dash	562763	male
Sw85	LH_Console	562749	male	Sw150.A	Driver_Area	560081	female

# CONNECTORS LIST

No	Location	Part #	Gender	No	Location	Part #	Gender
Sw150.B	Driver_Area	560081	female	VECPR2_plug	Parcelrack_LH	563716	male
Sw153	Dash	562763	male	VECPR3_plug	Parcelrack_LH	563718	male
Sw156	LH_Console	562763	male	VECPR4	Parcelrack_LH	563714	male
Sw157	Dash	562763	male	VECPR5	Parcelrack_LH	566021	male
Sw158	Dash	562763	male	VECPR6	Parcelrack_LH	566020	male
Sw313.A	Lavatory	562615	female	VECR1	RJB	563186	male
Sw313.B	Lavatory	562615	female	VECR2	RJB	563183	male
Sw313.C	Lavatory	562615	female	VECR3	RJB	563185	male
sym760_162.A	Parcelrack_LH	564489	female	VECR4	RJB	563182	male
sym760_162.B	Parcelrack_LH	562706	female	VECR9	RJB	563448	male
sym760_162.C	Parcelrack_LH	562706	female	VECR10	RJB	563181	male
sym761_162.A	Parcelrack_LH	564489	female	VECR11	RJB	563184	male
sym761_162.B	Parcelrack_LH	562706	female	VECR12	RJB	563187	male
sym761_162.C	Parcelrack_LH	562706	female	VECT2_plug	RearVehicle	563716	male
sym762_162.A	Parcelrack_LH	564489	female	VECT3	RearVehicle	563718	male
sym762_162.B	Parcelrack_LH	562706	female	VECT4	RearVehicle	563714	male
sym762_162.C	Parcelrack_LH	562706	female	Y80	Engine_Cmpt	563789	male
sym812_291.A	Parcelrack	565180	female	Y81	Cond_Cmpt	563793	male
tab69	Parcelrack	561626	N/A				
Tab70a	Parcelrack	561626	N/A				
Tab70b	Parcelrack	561626	N/A				
tab71a	Parcelrack	561626	N/A				
Tab600	Parcelrack	561904	N/A				
Tab601	Parcelrack	561108	N/A				
Tab602	Parcelrack	561108	N/A				
Tab603	Parcelrack	561108	N/A				
Tab604	Parcelrack	561108	N/A				
TermL152B	Parcelrack	562505	N/A				
TermL248B1	Parcelrack	562505	N/A				
TermL248B2	Parcelrack	562505	N/A				
TermL248B3	Parcelrack	562505	N/A				
TermL249B2	Parcelrack	562505	N/A				
TermL249B5	Parcelrack	562505	N/A				
TermL250B	Parcelrack	562505	N/A				
VECF1	FJB	563186	male				
VECF2	FJB	563183	male				
VECF3	FJB	563185	male				
VECF4	FJB	563182	male				
VECF9	FJB	563448	male				
VECF10	FJB	563181	male				
VECF11	FJB	563184	male				
VECF12	FJB	563187	male				
VECPR1	Parcelrack_LH	563715	male				

# CONNECTORS LIST

No	Location	Part #	Gender	No	Location	Part #	Gender
120V_inlet	RearVehicle	561572	male	A34.3	EngineCmpt.	564258	male
A1	RJB	563975	male	A34.4	EngineCmpt.	564258	male
A2	FJB	563984	male	A34.5	EngineCmpt.	564258	male
A3	Dash	562363	male	A34.6	EngineCmpt.	564258	male
A4.A	Service_Cmpt	562428	female	A34.7	EngineCmpt.	564258	male
A4.B	Service_Cmpt	561188	female	A34.8	EngineCmpt.	564258	male
A5	Service_Cmpt	562428	female	A34.J	Enginecmpt.	568118	male
A6	Engine_Cmpt	562427	male	A34.K	Enginecmpt.	564270	male
A7	Rear_Axle_Cmpt	563979	male	A34.L	Enginecmpt.	564269	male
A9.Cx1	FJB	564041	female	A36A.JA	FJB	562767	male
A9.Cx2	FJB	563678	male	A36A.JB	FJB	562765	male
A9.Cx3	FJB	564037	female	A36A.JC	FJB	562957	male
A9.Cx4	FJB	564038	female	A39.P101	Parcelrack	563201	male
A10.X1	Engine_Cmpt	563135	male	A39.P901	Parcelrack	563953	male
A10.X3	Engine_Cmpt	563134	female	A40.A	FJB	561668	male
A11	LH_Console	563142	male	A60.A	Parcelrack	563071	male
A14.A	Dash	562766	male	A60.B	Parcelrack	562706	female
A14.B	Dash	562767	male	A60.C	Parcelrack	901110	male
A14.C	Dash	562765	male	A60.D	Parcelrack	901110	male
A15	Dash	562464	male	A61.A	Parcelrack	562464	male
A17.D	RJB	561932	male	A61.B	Parcelrack	562465	male
A18.J1	FJB	562794	male	A65.B	Parcelrack	901110	male
A18.J2	FJB	562650	male	A65.C	Parcelrack	901110	male
A19	LH_Console	562878	female	A65.Csv	Parcelrack	562465	male
A20	Parcel_Rack_LH	561477	female	A65.D	Parcelrack	901110	male
A24.A	RH_Console	561890	male	A69.A	Parcelrack	563071	male
A24.B	RH_Console	561566	female	A69.B	Parcelrack	561716	female
A24.C	RH_Console	561889	female	A69.C	Parcelrack	561716	female
A25	Parcelrack	563025	male	A69.D	Parcelrack	561716	female
A26.P1	Enginecmpt.	562350	male	A69.E	Parcelrack	561716	female
A26.P2	Enginecmpt.	563322	female	A69.F	Parcelrack	561716	female
A26.P4	Enginecmpt.	568088	male	A69.G	Parcelrack	561716	female
A27	Service_Cmpt	562929	male	A69.H	Parcelrack	561716	female
A28	Service_Cmpt	562928	male	A70c	Parcelrack	561540	female
A29	Dash	562464	male	A77	Parcelrack	564547	male
A33.A	Parcelrack	563071	male	A78	Parcelrack	562583	female
A33.B	Parcelrack	562330	female	A79	Parcelrack	562583	female
A34.1	EngineCmpt.	564258	male	A80	Parcelrack	562479	female
A34.2	EngineCmpt.	564258	male	A81.JA	FJB	562767	male

# CONNECTORS LIST

No	Location	Part #	Gender	No	Location	Part #	Gender
A81.JB	FJB	562765	male	A139	Dash	564501	male
A81.JC	FJB	562957	male	A151.A	Parcelrack	561582	female
A83	Parcelrack	565970	female	A151.B	Parcelrack	561582	female
A84.A	Parcelrack	563071	male	A152.J	Parcelrack	563071	male
A96	FJB	564073	female	A153.A	Parcelrack	562465	male
A97	Dash	563226	male	A160.A	WCLcmpt	562477	male
A97A	FJB	563226	male	A160.B	WCLcmpt	562884	female
A97A	FJB	563613	female	AE41.J1	FJB	563679	male
A97B	FJB	563226	male	AE41.J2	FJB	564037	female
A97B	FJB	563613	female	AE41.J3	FJB	564004	male
A97S.A1	Dash	564401	male	AE42.J1	FJB	563679	male
A97S.A3	Dash	564403	male	AE42.J2	FJB	564037	female
A99	FJB	564205	male	AE42.J3	FJB	564004	male
A100	Front_Axle_Cmpt	563758	female	AE43.J1	FJB	563679	male
A101	Rear_RH_Axle_Cmpt	563758	female	AE43.J2	FJB	564037	male
A102	Rear_RH_Axle_Cmpt	563758	female	AE43.J3	FJB	565957	male
A103	Dash	562070	female	AE44.J1	FJB	563679	male
A107	EngineCmpt.	560336	male	AE44.J2	FJB	564037	female
A108	RJB	562766	male	AE44.J3	FJB	565957	male
A109A	FJB	564141	male	AE45.J1	FJB	563679	male
A113.A	Parcel_Rack_LH	563960	male	AE45.J2	FJB	564037	female
A113.B	Parcel_Rack_LH	563962	male	AE45.J3	FJB	565957	male
A113.C1	Parcel_Rack_LH	563956	male	AE46.J1	FJB	563679	male
A113.C2	Parcel_Rack_LH	563957	male	AE46.J2	FJB	564037	female
A113.C3	Parcel_Rack_LH	563958	male	AE46.J3	FJB	565957	male
A114A	Dash	564252	male	AE47.J1	RH_console	563679	male
A120.A	Dashboard	563960	male	AE47.J2	RH_console	564037	female
A120.B	Dashboard	563962	male	AE47.J3	RH_console	565957	male
A120.C1	Dashboard	563956	male	AE48.J1	RH_console	563679	male
A120.C2	Dashboard	563957	male	AE48.J2	RH_console	564037	female
A120.C3	Dashboard	563958	male	AE48.J3	RH_console	565957	male
A121.Vsa	Dash	563679	male	AE49.J1	RJB	563679	male
A121.Vsb	Dash	563678	male	AE49.J2	RJB	564037	male
A121.Vsc	Dash	564037	male	AE49.J3	RJB	565957	male
A121.Vsd	Dash	564118	male	AE50.J1	RJB	563679	male
A130	Driver_Area	563226	male	AE50.J2	RJB	564037	male
A131.A	Engine_Cmpt	561782	male	AE50.J3	RJB	565957	male
A131.B	Engine_Cmpt	561781	female	AE51.J1	RJB	563679	male
A137A	Condensercmpt.	20429843	male	AE51.J2	RJB	564037	female
A138	Cond_Cmpt	563787	male	AE51.J3	RJB	565957	male

# CONNECTORS LIST

No	Location	Part #	Gender	No	Location	Part #	Gender
AE52.J1	RJB	563679	male	C2A	FJB	563580	male
AE52.J2	RJB	564037	female	C2A	FJB	563581	female
AE52.J3	RJB	565957	male	C2B	FJB	564034	male
AE53.J1	RJB	563679	male	C2B	FJB	564035	female
AE53.J2	RJB	564037	female	C3_plug	RJB	563589	male
AE53.J3	RJB	565957	male	C3_socket	RJB	563590	female
AE54.J1	Evaporatorcmt.	563679	male	C3AP	FJB	563589	male
AE54.J2	Evaporatorcmt.	564037	female	C3AP	FJB	563590	female
AE54.J3	Evaporatorcmt.	565957	male	C3AS	FJB	563589	male
AE55.J1	Dash	563679	male	C3AS	FJB	563590	female
AE55.J2	Dash	564037	female	C3S	RJB	563593	male
AE55.J3	Dash	564004	male	C3S	RJB	563590	female
AE56.J1	Dash	563679	male	C4	FJB	563580	male
AE56.J2	Dash	564037	male	C4	FJB	563581	female
AE56.J3	Dash	564004	male	C5	FJB	563589	male
AE57.J1	WCLcmt.	563679	male	C5	FJB	563590	female
AE57.J2	WCLcmt.	564037	male	C5S	FJB	563589	male
AE57.J3	WCLcmt.	564004	male	C5S	FJB	563590	female
Alt_LL.A	Enginecmt.	563746	female	C6	FJB	563582	male
Alt_LL.B	Enginecmt.	560815	female	C6	FJB	563583	female
Alt_LL.C	Enginecmt.	564469	female	C7	Service_Cmpt	562566	male
Alt_LR.A	enginecmt.	563746	female	C7	Service_Cmpt	562565	female
Alt_LR.B	Enginecmt.	560815	female	C8	FJB	563227	male
Alt_LR.C	Enginecmt.	564469	female	C8	FJB	563614	female
Alt_UR.A	Enginecmt.	563746	female	C9	RJB	561986	male
Alt_UR.B	Enginecmt.	560815	female	C9	RJB	561987	female
Alt_UR.C	Enginecmt.	564469	female	C10	Engine_Cmpt	562477	male
B85	Engine_Cmpt	563815	male	C10	Engine_Cmpt	562479	female
B96	Engine_Cmpt	563821	male	C11	Service_Cmpt	563580	male
B96B	Engine_Cmpt	563823	male	C11	Service_Cmpt	563581	female
B97	Engine_Cmpt	563816	male	C12	Engine_Cmpt	562581	male
B98	Engine_Cmpt	563817	male	C12	Engine_Cmpt	562583	female
B115A	Enginecmt.	564226	male	C13_plug	RH_Console	563589	male
B142C	Enginecmt.	563793	male	C13_socket	RH_Console	563590	female
B310	Enginecmt.	565967	male	C13S	RH_Console	563589	male
C1	FJB	563589	male	C13S	RH_Console	563590	female
C1	FJB	563590	female	C15A	Evapotatorcmt.	568110	male
C1S	FJB	563589	male	C15A	Evaporatotcmt.	568109	female
C1S	FJB	563590	female	C16	RJB	561577	male
C2	Service_Cmpt	563580	male	C16	RJB	561605	female
C2	Service_Cmpt	563581	female	C17	RJB	560195	male



# CONNECTORS LIST

No	Location	Part #	Gender	No	Location	Part #	Gender
C17	RJB	560169	female	C36	FJB	561986	male
C18	FJB	561986	male	C36	FJB	561987	female
C18	FJB	561987	female	C37	Parcel_Rack_LH	562557	male
C19	RJB	561986	male	C37	Parcel_Rack_LH	562558	female
C19	RJB	561987	female	C37.	Parcel_Rack	561734	male
C20A	Evap_Cmpt	562485	male	C37.	Parcel_Rack	561735	female
C20A	Evap_Cmpt	562486	female	C38	Parcelrack	562555	male
C20B	Evap_Cmpt	562485	male	C38	Parcelrack	562556	female
C20B	Evap_Cmpt	562486	female	C38.	Parcelrack	561734	male
C23	Evaporatorcmpt.	564034	male	C38.	Parcelrack	561735	female
C23	Evaporatorcmpt.	564035	female	C39A	Firesuppressioncmpt.	561782	male
C24_plug	Evap_Cmpt	561690	male	C39A	Firesuppressioncmpt.	561781	female
C24_socket	Evap_Cmpt	561566	female	C40	Dash	562485	male
C25	Parcel_Rack_LH	561550	male	C40	Dash	562486	female
C25	Parcel_Rack_LH	561667	female	C41	RJB	561782	male
C26	Ureacmpt.	563226	male	C41	RJB	561781	female
C26	Ureacmpt.	563613	female	C42	FJB	561668	male
C26A	Ureacmpt.	568110	male	C42	FJB	561551	female
C26A	Ureacmpt.	568109	female	C44_plug	FJB	561577	male
C26B	Ureacmpt.	563227	male	C44_socket	FJB	561605	female
C26B	Ureacmpt.	563614	female	C45	FJB	561643	male
C29	4rd_Lugg_Cmpt	563651	male	C45	FJB	561642	female
C29	3rd_Lugg_Cmpt	563652	female	C46	WCLCmpt.	564228	male
C30	3rd_Lugg_Cmpt	561710	male	C46	WCLCmpt.	564229	female
C30	3rd_Lugg_Cmpt	561709	female	C47	FJB	565207	male
C31S	Parcelrack	561515	male	C48	Unican	565208	male
C31S	Parcelrack	561552	female	C49	FJB	562005	male
C31W	WCL_Parcel_Rack	563227	male	C49	FJB	561714	female
C31W	WCL_Parcel_Rack	563614	female	C50	RJB	563226	male
C32	lavatory	561734	male	C50	RJB	563613	female
C32	Lavatory	561735	female	C51	Enginecmpt.	564034	male
C32L	Lavatory	562006	male	C51	Enginecmpt.	560034	female
C32L	Lavatory	560908	female	C52	Evaporatorcmpt.	563618	male
C32W	WCLcmpt.	561640	male	C52	Evaporatorcmpt.	563616	female
C32W	WCLcmpt.	561639	female	C54	Enginecmpt.	563226	male
C32X	Lavatory	561247	male	C54	Enginecmpt.	563613	female
C32X	Lavatory	561248	female	C54A	Ureacmpt.	568110	male
C33	WCLcmpt.	564034	male	C54A	Ureacmpt.	568109	female
C33	WCLcmpt.	564035	female	C54B	Enginecmpt.	563589	male
C34	RH_Console	561986	male	C54B	Enginecmpt.	563590	female
C34	RH_Console	561987	female	C55	Evap_Cmpt	561577	male

# CONNECTORS LIST

No	Location	Part #	Gender	No	Location	Part #	Gender
C55	Evap_Cmpt	561605	female	C86	4thlugg.cmpt.	563616	female
C58	Condensorcmpt.	564567	male	C87	Engine_Cmpt	562485	male
C58	Condensorcmpt.	564568	female	C87	Engine_Cmpt	562486	female
C59	RJB	561643	male	C88	FJB	563618	male
C59	RJB	561642	female	C88	FJB	563616	female
C61	Fr_Service_Door	561669	male	C91	RJB	564619	male
C61	Fr_Service_Door	561670	female	C91	RJB	562282	female
C62	Fr_Service_Door	562566	male	C92A	Enginecmpt.	563226	male
C62	Fr_Service_Door	562565	female	C92A	Enginecmpt.	563613	female
C63	Entrance_Door	562477	male	C92C	Enginecmpt.	562581	male
C63	Entrance_Door	562479	female	C92C	Enginecmpt.	562583	female
C64	Enginecmpt.	568110	male	C94_plug	FJB	563589	male
C64	Enginecmpt.	568109	female	C94_socket	FJB	563590	female
C66_plug	Evap_Cmpt	561577	male	C96	FJB	561643	male
C66_socket	Evap_Cmpt	561605	female	C96	FJB	561642	female
C68_plug	Parcel_Rack_LH	562503	male	C97	FJB	561643	male
C68_socket	Parcel_Rack_LH	562507	female	C97	FJB	561642	female
C69_plug	Parcel_Rack_LH	561690	male	C100	Evaporatorcmpt.	562477	male
C69_socket	Parcel_Rack_LH	561566	female	C100	Evaporatorcmpt.	562479	female
C70	FJB	562557	male	C100S	EvaporatorCmpt.	562477	male
C70	FJB	562558	female	C100S	EvaporatorCmpt.	562479	female
C71	FJB	561646	male	C101	Service_Cmpt	561690	male
C71	FJB	561645	female	C101	Service_Cmpt	561566	female
C72	FJB	561646	male	C102A	Condensorcmpt.	563226	male
C72	FJB	561645	female	C102A	Condensorcmpt.	563613	female
C74	FJB	561645	female	C103_plug	FJB	562485	male
C74	FJB	561646	male	C103_socket	FJB	562486	female
C81	1st_Lugg_Cmpt	562477	male	C105_plug	FJB	562581	male
C81	1st_Lugg_Cmpt	562479	female	C105_socket	FJB	562583	female
C82	1st_Lugg_Cmpt	562477	male	C106_plug	FJB	562581	male
C82	1st_Lugg_Cmpt	562479	female	C106_socket	FJB	562583	female
C82A	1st_Lugg_Cmpt	563589	male	C107A	Enginecmpt.	562885	female
C82A	1st_Lugg_Cmpt	563590	female	C107A	Enginecmpt.	562884	female
C83	2nd_Lugg_Cmpt	562477	male	C107B	Enginecmpt.	562885	female
C83	2nd_Lugg_Cmpt	562479	female	C107B	Enginecmpt.	562884	female
C84	2nd_Lugg_Cmpt	562477	male	C107C	Enginecmpt.	562885	female
C84	2nd_Lugg_Cmpt	562479	female	C107C	Enginecmpt.	562884	female
C85	4thlugg.cmpt.	562477	male	C110	Dash	568110	male
C85	4thlugg.cmpt.	562479	female	C110	Dash	568109	female
C86	4thlugg.cmpt.	563618	male	C119A	Rearenginedoor	568110	male

# CONNECTORS LIST

No	Location	Part #	Gender	No	Location	Part #	Gender
C119A	Rearenginedoor	568109	female	C222	FJB	562477	male
C121	Rearenginedoor	562566	male	C222	FJB	562479	female
C121	Rearenginedoor	562565	female	C223	FJB	563227	male
C122	Rearenginedoor	562566	male	C223	FJB	563614	female
C122	Rearenginedoor	562565	female	C224	FJB	561637	male
C131A	Engine_Cmpt	561782	male	C224	FJB	561636	female
C131A	Engine_Cmpt	561781	female	C225	FJB	562650	male
C131B	Engine_Cmpt	561782	male	C225	FJB	562649	female
C131B	Engine_Cmpt	561781	female	C226	FJB	562650	male
C144	RJB	560852	male	C226	FJB	562649	female
C144	RJB	560851	female	C242	Service_Cmpt	562789	male
C152	Cond_Cmpt	561611	male	C242	Service_Cmpt	565131	female
C152	Cond_Cmpt	561610	female	C243	FrontVehicle	563347	male
C158	Condensorcmt.	562477	male	C243	FrontVehicle	563180	female
C158	Condensorcmt.	562479	female	C243.	FrontVehicule	562789	male
C170	LH_Console	561637	male	C243.	FrontVehicule	565131	female
C170	LH_Console	561636	female	C259	3rd_LH_Lugg_Cmpt	561637	male
C171	LH_Console	561646	male	C259	3rd_LH_Lugg_Cmpt	561636	female
C171	LH_Console	561645	female	C266	Parcelrack	561782	male
C187	RJB	561577	male	C266	Parcelrack	561781	female
C187	RJB	561605	female	C267	Parcelrack	561782	male
C188	Evap_Cmpt	561577	male	C267	Parcelrack	561781	female
C188	Evap_Cmpt	561605	female	C279	Service_Cmpt	562477	male
C189	RJB	561986	male	C279	Service_Cmpt	562479	female
C189	RJB	561987	female	C284	Parcelrack	561782	male
C193_plug	RJB	563589	male	C284	Parcelrack	561781	female
C193_socket	RJB	563590	female	C284_1	Parcelrack	561782	male
C194	FJB	563589	male	C284_1	Parcelrack	561781	female
C194	FJB	563590	female	C284_2	Parcelrack	561782	male
C195	Dash	563347	male	C284_2	Parcelrack	561781	female
C195	Dash	560489	female	C284_3	Parcelrack	561782	male
C206	Parcel_Rack_RH	562503	male	C284_3	Parcelrack	561781	female
C206	Parcel_Rack_RH	562507	female	C284_4	Parcelrack	561782	male
C207	Parcel_Rack_LH	562503	male	C284_4	Parcelrack	561781	female
C207	Parcel_Rack_LH	562507	female	C284_5	Parcelrack	561782	male
C212	WCLArea	561515	male	C284_5	Parcelrack	561781	female
C212	WCLArea	561552	female	C290	Rear_Vehicle	562477	male
C213	Parcel_Rack_LH	561515	male	C290	Rear_Vehicle	562479	female
C213	Parcel_Rack_LH	561552	female	C298	Parcelrack	561782	male

# CONNECTORS LIST

No	Location	Part #	Gender	No	Location	Part #	Gender
C298	Parcelrack	561781	female	C564-Sp	Parcelrack	562503	male
C355	RJB	563582	male	C564-Sp	Parcelrack	562507	female
C355	RJB	563583	female	C566	Parcelrack	562503	male
C356	Parcelrack	561710	male	C566	Parcelrack	562507	female
C356	Parcelrack	561709	female	C567	Parcelrack	562503	male
C357	Parcelrack	561847	male	C567	Parcelrack	562507	female
C357	Parcelrack	561862	female	C575	Parcel_Rack_RH	562503	male
C380A	Dash	564222	male	C575	Parcel_Rack_RH	562507	female
C380A	Dash	564224	female	C576B	Parcel_Rack_RH	562006	male
C381	Parcel_Rack	561847	male	C576B	Parcel_Rack_RH	560908	female
C381	Parcel_Rack	561862	female	C576BB	Parcelrack	562006	male
C382	Under_Seat	561580	male	C576BB	Parcelrack	560908	female
C382	Under_Seat	561582	female	C577A	Parcel_Rack	562006	male
C397	RJB	562285	male	C577A	Parcel_Rack	560908	female
C397	RJB	562282	female	C577AA	Parcelrack	562006	male
C430	LH_Console	562363	male	C577AA	Parcelrack	560908	female
C430	LH_Console	561188	female	C578	Parcel_Rack_LH	562503	male
C452	Dash	561669	male	C578	Parcel_Rack_LH	562507	female
C452	Dash	561670	female	C582	FJB	561690	female
C463	Rearaxlecmpt.	568111	male	C582	FJB	561566	female
C463	Rearaxlecmpt.	568112	female	C600	Dash	563226	male
C464	FJB	564222	male	C600	Dash	563613	female
C464	FJB	564224	female	C601	LHRoofWinAjar	561476	male
C464A	Dash	564222	male	C601	LHRoofWinAjar	561477	female
C464A	Dash	564224	female	C602	Parcel_Rack_LH	561668	male
C464B	FJB	564222	male	C602	Parcel_Rack_LH	561551	female
C464B	FJB	564224	female	C603	RHRoofWinAjar	561476	male
C465	Parcelrack	562581	male	C603	RHRoofWinAjar	561477	female
C465	Parcelrack	562583	female	C608	Parcel_Rack_LH	561577	male
C506	FJB	561687	male	C608	Parcel_Rack_LH	561605	female
C506	FJB	561685	female	C609	Parcel_Rack_LH	561550	male
C506spA	FJB	561687	male	C609	Parcel_Rack_LH	561667	female
C506spA	FJB	561685	female	C612	Parcel_Rack_LH	561687	male
C506spB	FJB	561687	male	C612	Parcel_Rack_LH	561685	female
C506spB	FJB	561685	female	C614	Passenger_Area	563071	male
C542	Parcelrack	561550	male	C614	Passenger_Area	563040	female
C542	Parcelrack	561667	female	C615	Passenger_Area	563071	male
C558	Parcelrack	562503	male	C615	Passenger_Area	563040	female
C558	Parcelrack	562507	female	C617	Mirror_LH	563801	male
C564	Parcelrack	562503	male	C617	Mirror_LH	563800	female
C564	Parcelrack	562507	female	C618	Mirror_RH	563801	male

# CONNECTORS LIST

No	Location	Part #	Gender	No	Location	Part #	Gender
C618	Mirror_RH	563800	female	CCAN1	FJB	562650	male
C620	FJB	562477	male	CCAN1	FJB	562649	female
C620	FJB	562479	female	CCAN2	FJB	562650	male
C662_plug	FJB	562477	male	CCAN2	FJB	562649	female
C662_socket	FJB	562479	female	CCAN3	FJB	562650	male
C700	FJB	561637	male	CCAN3	FJB	562649	female
C700	FJB	561636	female	CCAN4	FJB	562650	male
C700A_plug	FJB	561637	male	CCAN4	FJB	562649	female
C700A_socket	FJB	561636	female	CCust	Parcel_Rack_Fr_WCL	562477	male
C752	Parcelrack	901283	female	CCust	RJB	562479	female
C753	Parcelrack	901283	female	CFHPR1	Parcelrack	564560	male
C766	Parcelrack	561662	male	CIND-1.A	Parcelrack	560908	female
C766	Parcelrack	561661	female	CIND-1.B	Parcelrack	560908	female
C768	Parcelrack	901283	female	CIND-2.A	Parcelrack	560908	female
C769	Parcelrack	901283	female	CIND-2.B	Parcelrack	560908	female
C777	Dash	562477	male	CIND-11.A	Parcelrack	560908	female
C777	Dash	562479	female	CIND-11.B	Parcelrack	560908	female
C_A60DB	Parcelrack	563071	male	CINDWC-1.A	Parcelrack	560908	female
C_A60DB	Parcelrack	563040	female	CINDWC-1.B	Parcelrack	560908	female
C_ALT	Enginecmt.	562581	male	CL1	Service_Cmpt	562485	male
C_ALT	Enginecmt.	562583	female	CL1	Service_Cmpt	562486	female
C_ALT3	Enginecmt.	562477	male	CL142	Lavatory	562006	male
C_ALT3	Enginecmt.	562479	female	CL142	Lavatory	560908	female
C_AUDIO_AUX	Parcelrack	562557	male	CL142A	Lavatory	562006	male
C_AUDIO_AUX	Parcelrack	562558	female	CL142A	Lavatory	560908	female
C_AUX	Parcelrack	563071	male	CP1	Passenger_Area	561782	male
C_AUX	Parcelrack	563040	female	CP1	Passenger_Area	561781	female
C_INV1	Parcelrack	562337	male	CP2	Passenger_Area	561782	male
C_INV1	Parcelrack	562338	male	CP2	Passenger_Area	561781	female
C_INV2	Parcelrack	562337	male	CP3	Passengersarea	561782	male
C_INV2	Parcelrack	562338	male	CP3	Passengersarea	561781	female
C_LineOut	Parcelrack	563962	male	CP4	Passenger_Area	561782	male
C_LineOut	Parcelrack	564489	female	CP4	Passenger_Area	561781	female
C_Mo9	Evap_Cmpt	561577	male	CP5	Passenger_Area	561782	male
C_Mo9	Evap_Cmpt	561605	female	CP5	Passenger_Area	561781	female
C_Mo9:2	Evap_Cmpt	561577	male	CP6	Passengersarea	562337	male
C_Mo9:2	Evap_Cmpt	561605	female	CP6	Passengersarea	562338	male
C_Se51	FJB	563589	male	CR72	RearSeat	563409	male
C_Se51	FJB	563590	female	CR72	RearSeat	563410	female
C_USB	Parcelrack	562069	male	CSe80	RJB	562477	male
C_USB	Parcelrack	562070	female	CSe80	RJB	562479	female

# CONNECTORS LIST

No	Location	Part #	Gender	No	Location	Part #	Gender
CSw102	EngineCmpt.	562549	male	L30	Parcelrack	560898	male
CSw102	EngineCmpt.	562550	female	L30A	Parcelrack	560898	male
CSX1	Engine_Cmpt	563135	male	L30B	Parcelrack	560898	male
CSX1	Engine_Cmpt	563134	female	L31	Parcelrack	560898	male
CSX3	Engine_Cmpt	563135	male	L32	Parcelrack	560898	male
CSX3	Engine_Cmpt	563134	female	L33	Parcelrack	560898	male
CXC1	Service_Cmpt	562477	male	L34	Parcelrack	560898	male
CXC1	Service_Cmpt	562479	female	L35	Parcelrack	560898	male
D92	Parcelrack	564496	male	L36	Parcelrack	560898	male
E1	Enginecmpt.	563739	male	L37	Parcelrack	560898	male
L.21	FrontCap	560605	female	L38	Parcelrack	560898	male
L.22	FrontCap	560605	female	L39	Parcelrack	560898	male
L.23	FrontCap	560605	female	L40	Parcelrack	560898	male
L.24	FrontCap	560605	female	L41	Parcelrack	560898	male
L.25	FrontCap	560605	female	L42	Parcelrack	560898	male
L.26	FrontCap	560605	female	L43	Parcelrack	560898	male
L.27	FrontCap	560605	female	L44	Parcelrack	560898	male
L.84	FrontVehicle	560605	female	L45	Parcelrack	560898	male
L.85	RearVehicule	560605	female	L46	Parcelrack	560898	male
L.86	RearVehicule	560605	female	L47	Parcelrack	560898	male
L.87	RearVehicule	560605	female	L48	Parcelrack	560898	male
L.88	RearVehicule	560605	female	L49	Parcelrack	560898	male
L.89	RearVehicule	560605	female	L50	Parcelrack	560898	male
L.90	RearVehicule	560605	female	L51	Parcelrack	560898	male
L1A	Enginecmpt.	564045	female	L52	Parcelrack	560898	male
L16.A	Frontroof	562615	female	L52	Parcelrack	560900	female
L16.B	Frontroof	562615	female	L52A	Parcelrack	560898	male
L17.A	Frontroof	562615	female	L53	Parcelrack	560898	male
L17.B	Frontroof	562615	female	L53	Parcelrack	560900	female
L18	Entrance_Door	562549	male	L53A	Parcelrack	560898	male
L19	Entracedoor	562549	male	L54	Parcelrack	560898	male
L20	Entracedoorstep	562549	male	L54	Parcelrack	560900	female
L21	FrontCap	562486	female	L54A	Parcelrack	560898	male
L22	FrontCap	562486	female	L55	Parcelrack	560898	male
L23	FrontCap	562486	female	L55	Parcelrack	560900	female
L24	FrontCap	562486	female	L55A	Parcelrack	560898	male
L25	FrontCap	562486	female	L56	Parcelrack	560898	male
L26	FrontCap	562486	female	L56	Parcelrack	560900	female
L27	FrontCap	562486	female	L56A	Parcelrack	560898	male
L28	Parcelrack	560898	male	L57	Parcelrack	560898	male
L29	Parcelrack	560898	male	L57	Parcelrack	560900	female

# CONNECTORS LIST

No	Location	Part #	Gender	No	Location	Part #	Gender
L57A	Parcelrack	560898	male	L90	RearVehicle	562486	female
L58	Parcelrack	560898	male	L91A	Rearvehicule	562601	male
L58	Parcelrack	560900	female	L92A	Rearvehicule	562601	male
L58A	Parcelrack	560898	male	L95	Outside_Front_LH	562902	female
L59	Out_Side_Front_RH	562623	male	L96	Outside_Front_RH	562902	female
L59A	OutsideFrontRH	563366	male	L97.A	Outside_Front_LH	563069	female
L59B	Out_Side_Front_RH	562623	male	L97.B	Outside_Front_LH	563069	female
L60	OutsideFrontLH	562623	male	L98.A	Entrance_Door	563069	female
L60A	OutsideFrontLH	563366	male	L98.B	Outside_Front_RH	563069	female
L60B	Out_Side_Front_LH	562623	male	L140	Lavatory	561247	male
L61	Out_Side_Front_RH	562601	male	L142	Lavatory	562006	male
L62	Out_Side_Front_LH	562601	male	L142B	Lavatory	562006	male
L63	Front_Side_LH	562155	male	L143	Parcelrack	561186	male
L64	Outside_Front_RH	562155	male	L144	Parcelrack	561186	male
L65	Outside_Front_LH	562155	male	L145	Parcelrack	561186	male
L66	Out_Side_Front_LH	562155	male	L146	Parcelrack	561186	male
L67	4th_Lugg_Cmpt	562155	male	L147	Parcelrack	561186	male
L68	4th_Lugg_Cmpt	562155	male	L148	Parcelrack	561186	male
L69	4th_Lugg_Cmpt	562155	male	L149	Parcelrack	561186	male
L70	4th_Lugg_Cmpt	562155	male	L150	Parcelrack	561186	male
L71A	Rearenginedoor	562601	male	L151	Parcelrack	561186	male
L72	Rear_Vehicle	562155	male	L152	Parcelrack	561186	male
L73A	Rearenginedoor	562601	male	L153	Parcelrack	561186	male
L74	RearVehicle	562155	male	L154	Parcelrack	561186	male
L75	Rearenginedoor	562155	male	L155	Parcelrack	561186	male
L76	RearVehicle	562155	male	L156	Parcelrack	561186	male
L77A	Rearvehicule	562601	male	L157	Parcelrack	561186	male
L78A	Rearvehicule	562601	male	L158	Parcelrack	561186	male
L79A	Rearvehicule	562601	male	L170	Lugg_cmpt	561690	male
L80A	Rearvehicule	562601	male	L173	Parcelrack	563590	female
L81.A	Rear_Vehicle	562835	female	L174A	Parcelrack	563590	female
L81.B	Rear_Vehicle	562834	male	L176	3rd_Lugg_Cmpt	561247	male
L82A	Rearvehicule	562348	female	L177	3rd_Lugg_Cmpt	561247	male
L83A	Rearvehicule	562348	female	L177A	WCLCmpt.	561690	male
L84	FrontVehicle	562486	female	L177B	WCLCmpt.	561690	male
L85	RearVehicle	562486	female	L180	2nd_Lugg_Cmpt	561247	male
L86	RearVehicle	562486	female	L181	2nd_Lugg_Cmpt	561247	male
L87	RearVehicle	562486	female	L182	1st_Lugg_Cmpt	561247	male
L88	RearVehicle	562486	female	L183	1st_Lugg_Cmpt	561247	male
L89	RearVehicle	562486	female	L184	Servicecmpt.	561247	male

# CONNECTORS LIST

No	Location	Part #	Gender	No	Location	Part #	Gender
L185.A	Servicecmpt.	561539	male	L257	Parcelrack	561186	male
L185.B	Servicecmpt.	561539	male	L258	Parcelrack	561186	male
L186.A	Dash	561539	male	L282	Engine_Cmpt	561690	male
L186.B	Dash	561539	male	L283	Service_Cmpt	562485	male
L187	Engine_Cmpt	561690	male	L285.A	Rear_Vehicle	562835	female
L188	Service_Cmpt	562486	female	L285.B	Rear_Vehicle	562834	male
L193.A	Dash	560488	female	L286.A	Rear_Vehicle	562835	female
L193.B	Dash	560488	female	L286.B	Rear_Vehicle	562834	male
L194.A	Dash	562019	female	L296	Refrigerator	561248	female
L194.B	Dash	560488	female	L298A	Enginecmpt.	563590	female
L195.A	Dash	560488	female	L306	RJBcmpt.	561247	male
L195.B	Dash	560488	female	L313	Rr_Roof	562549	male
L199	Enginecmpt.	562848	male	L350A.	Rearaxlecmpt.	564552	male
L203	RH_Console	561690	male	L350A.	Rearaxlecmpt.	563340	male
L204	Parcel_Rack_RH	562803	male	L350A.	Rearaxlecmpt.	562251	male
L205	Enginecmpt.	562485	male	L606	Rr_Roof	560898	male
L206	Parcel_Rack_RH	562803	male	L606	Rr_Roof	560900	female
L207.A	WCLCmpt.	561699	female	L606A	Rr_Roof	560898	male
L207.B	WCLCmpt.	561701	female	Mo3	Dash	561667	female
L207.C	WCLCmpt.	561701	female	Mo4	Dash	562076	male
L207.D	WCLCmpt.	561699	female	Mo5	Front_Roof	561515	male
L207.E	WCLCmpt.	561701	female	Mo7	Cond_Cmpt	563691	male
L207.F	WCLCmpt.	561699	female	Mo8	Cond_Cmpt	563691	male
L207.G	WCLCmpt.	561699	female	Mo10	ParcelRack_Lh_Fan	561515	male
L207.H	WCLCmpt.	563536	female	Mo11	ParcelRack_Rh_Fan	561515	male
L207.I	WCLCmpt.	563536	female	Mo12	Engine_Cmpt	561690	male
L243	Parcelrack	561186	male	Mo13	Engine_Cmpt	561690	female
L244	Parcelrack	561186	male	Mo14	Engine_Cmpt	561566	female
L245	Parcelrack	561186	male	Mo15	Front_Ceiling	560900	female
L246	Parcelrack	561186	male	Mo16	Front_Ceiling	560900	female
L247	Parcelrack	561186	male	Mo17	RH_Console	563626	male
L248	Parcelrack	561186	male	Mo19	Fr_Service_Door	562474	male
L249	Parcelrack	561186	male	Mo20	Fr_Service_Door	562474	male
L250	Parcelrack	561186	male	Mo22	RH_Console	561186	male
L251	Parcelrack	561186	male	Mo24	RH_Console	562348	female
L252	Parcelrack	561186	male	Mo25	RH_Console	562348	female
L253	Parcelrack	561186	male	Mo27	Cond_Cmpt	563691	male
L254	Parcelrack	561186	male	Mo28	Cond_Cmpt	563691	male
L255	Parcelrack	561186	male	Mo29	RJBcmpt.	563590	female
L256	Parcelrack	561186	male	Mo30	Compr_Door	564161	male



# CONNECTORS LIST

No	Location	Part #	Gender	No	Location	Part #	Gender
Mo31	Parcelrack	564161	male	R12	Evap_Cmpt	563409	male
Mo32	Parcelrack	564161	male	R20	RJB	564496	male
Mo33	Parcelrack	564161	male	R21	FJB	560525	male
Mo34	Parcelrack	564161	male	R21A	FJB	560525	male
Mo35	3rd_Lugg_Door	564161	male	R26	Evap_Cmpt	564496	male
Mo36	Parcelrack	564161	male	R27	Dash	564496	male
Mo54	Service_Cmpt	562474	male	R28	RearSeat	563409	male
Mo62	FrontHatch	562486	female	R29	RJB	563409	male
Mo63	RearHatch	562486	female	R30	FJB	564496	male
Mo65	Enginecmpt.	568089	male	R31	FJB	564496	male
Mo67	Enginecmpt.	568089	male	R34	RJB	564210	male
Mo68	Enginecmpt.	568089	male	R36	Dash	564496	male
Mo69	Enginecmpt.	568089	male	R37	Dash	564496	male
Mo70	Enginecmpt.	568089	male	R38	FJB	564496	male
Mo71	Enginecmpt.	568089	male	R38A	RearSeat	563409	male
Mo72	Enginecmpt.	568089	male	R40	RJB	564496	male
Mo73	Enginecmpt.	568089	male	R47	Parcelrack	564496	male
P_In1	Passenger_Area	561782	male	R72.A	RearSeat	563409	male
P_In1	Passenger_Area	561781	female	R210	Parcel_Rack_LH	560525	male
P_Out1	Passenger_Area	561782	male	R_12VISS	Parcelrack	564496	male
P_Out1	Passenger_Area	561781	female	RadioVolvo3_966.A	Parcelrack	563960	male
P_Out2	Passenger_Area	561782	male	RadioVolvo3_966.B	Parcelrack	563962	male
P_Out2	Passenger_Area	561781	female	RadioVolvo3_966.C1	Parcelrack	563956	male
P_Out3	Passenger_Area	561782	male	RadioVolvo3_966.C2	Parcelrack	563957	male
P_Out3	Passenger_Area	561781	female	RadioVolvo3_966.C3	Parcelrack	563958	male
PC1	FJB	562650	male	Res3.A	RJB	563590	female
PC1	FJB	562649	female	Res4	FJB	563590	female
PF	FJB	561782	male	Res6	FJB	563590	female
PF	FJB	561781	female	Res6A	FJB	563589	male
PF1	Passenger_Area	561782	male	Res6A	FJB	563590	female
PF1	Passenger_Area	561781	female	Res6B	FJB	563589	male
Pot1.A	Dash	560488	female	Res6B	FJB	563590	female
Pot1.B	Dash	560488	female	Res7	dash	563590	female
Pot1.C	Dash	560488	female	Res15	Engine_Cmpt	561782	male
PR	Parcelrack	561782	male	Res31	Ureacmpt.	562350	male
PR	Parcelrack	561781	female	Res32	Ureacmpt.	563764	female
PR1	Passenger_Area	561782	male	Res53.A	FJB	563590	female
PR1	Passenger_Area	561781	female	Res99	FJB	563590	female
R3	RJB	563409	male	Se2	LH_Console	561566	female
R4	FJB	564496	male	Se4	Window_RH	561477	female
R5	RJB	564496	male	Se5	Window_RH	561477	female

# CONNECTORS LIST

No	Location	Part #	Gender	No	Location	Part #	Gender
Se6	Window_RH	561477	female	Se56	WCLCmpt.	562479	female
Se7	Window_LH	561477	female	Se60	Service_Cmpt	563409	male
Se8	Window_LH	561477	female	Se62	WCL_System	561690	male
Se9	Window_LH	561477	female	Se63	Rearaxlecmpt.	641132	female
Se10	FJB	561477	female	Se64	Rearaxlecmpt.	641132	female
Se11.A	Cond_Cmpt	560082	female	Se65	Dash	564042	female
Se11.B	Cond_Cmpt	560082	female	Se66	FJB	564039	female
Se11.C	Cond_Cmpt	560082	female	Se67	Frontaxlecmpt.	563159	female
Se13	Engine_Cmpt	562350	male	Se69	Frontaxlecmpt.	563159	female
Se14.A	Driver_Area	561782	male	Se74	Rear_Axle_Cmpt	563340	male
Se14.B	Driver_Area	561781	female	Se75	Service_Cmpt	563159	female
Se15	RH_Console	560898	male	Se76	EntranceDoor	562479	female
Se17	RH_Console	560900	female	Se77	FJB	563159	female
Se18	Servicecmpt.	561566	female	Se78	Pneumaticplate	563159	female
Se19_P	Service_Cmpt	563677	male	Se79	Front_Axle	563340	male
Se19_S	Service_Cmpt	563677	male	Se80	Rear_Axle	563159	female
Se20	Evap_Cmpt	562426	male	Se89	Enginecmpt.	562350	male
Se20A	Evap_Cmpt	562426	male	Se94	WCLUpperDoor	562877	female
Se21	Dash	561248	female	Se100	WCLdoor	562479	female
Se23	Engine_Cmpt	563159	male	shell1_16	Driver_Area	562471	male
Se24	EvaporatorCmpt.	563758	female	So3	RH_Console	641385	male
Se25	Passenger_Area	561248	female	So4	RH_Console	641385	male
Se29	Engine_Cmpt	561566	female	So5	RH_Console	641385	male
Se30	Enginedoor	562877	female	So6	RH_Console	641385	male
Se31	Enginedoor	562877	female	So7	Service_Cmpt	561566	female
Se32	Rear_Axle_Cmpt	562426	male	So8	Servicecmpt.	641385	male
Se33	Rear_Axle_Cmpt	562856	male	So9	Enginecmpt.	560016	female
Se34	Rear_Axle_Cmpt	562426	male	So10.A	Condensorcmt.	562485	male
Se35	Rear_Axle_Cmpt	562426	male	So11	Cond_Cmpt	561566	female
Se36	Rear_Axle_Cmpt	562427	male	So13	Evap_Cmpt	563204	female
Se37	Front_Axle_LH	641132	female	So14	Servicecmpt.	641385	male
Se38	Front_Axle_RH	641132	female	So15	Servicecmpt.	641385	male
Se39	Rear_Axle_LH	641132	female	So16	Servicecmpt.	641385	male
Se40	Rear_Axle_LH	641132	female	So17	Servicecmpt.	562848	male
Se45	Servicecmpt.	563409	male	So20	Servicecmpt.	641385	male
Se46	Rearaxlecmpt.	562348	female	So21	Front_Axle_Cmpt	564046	female
Se49	Engine_Cmpt	561690	male	So22	Front_Axle_Cmpt	564046	female
Se51	UnderDriverSeat	563589	male	So23	Rear_Axle_Cmpt	564046	female
Se53	Service_Cmpt	563159	female	So24	Rear_Axle_Cmpt	564046	female
Se54	Service_Cmpt	563159	female	So27	Rearaxlecmpt.	564045	female
Se55	Service_Cmpt	563159	female	So29	Parcelrack	641385	male

# CONNECTORS LIST

No	Location	Part #	Gender	No	Location	Part #	Gender
So50	Rearaxlecmpt.	564046	female	Spk10_L	Parcel_Rack_LH	563994	male
So52	Rearaxlecmpt.	564045	female	Spk10_R	Parcel_Rack_RH	563994	male
So53	Rear_Axle_Cmpt	641385	male	Spk11_L	Parcel_Rack_LH	563994	male
So54	Enginecmpt.	564045	female	Spk11_R	Parcel_Rack_RH	563994	male
So55	Pneumaticplate	562848	male	Spk12_L	Parcel_Rack_LH	563994	male
So56	Rear_Axle_Cmpt	562350	male	Spk12_R	Parcel_Rack_RH	563994	male
So57	Engine_Cmpt	562350	male	Spk13_L	Parcel_Rack_LH	563994	male
spBar4	Enginecmpt.	564135	male	Spk13_R	Parcel_Rack_RH	563994	male
spBar5	Enginecmpt.	564135	male	Spk14_L	Parcel_Rack_LH	563994	male
spBar6	Enginecmpt.	564135	male	Spk14_R	Parcel_Rack_RH	563994	male
spBar7	Enginecmpt.	564135	male	Spk15_L	Parcel_Rack_LH	563994	male
spBar11	Rearvehicule	564135	male	Spk15_R	Parcel_Rack_RH	563994	male
spBar12	Rearvehicule	564135	male	Spk16_L	Parcel_Rack_LH	563994	male
spBar13	Enginecmpt.	564135	male	Spk16_R	Parcel_Rack_RH	563994	male
spBar14	Enginecmpt.	564135	male	SpkDr_L	Parcelrack	563994	male
spBar15	Enginecmpt.	564135	male	SpkDr_R	Parcelrack	563994	male
spBar16	Enginecmpt.	564135	male	Sub1.A	Passenger_Area	564004	female
spBar19	Condensorcmt.	564135	male	Sub2	Passenger_Area	564004	male
spBar20	Condensorcmt.	564135	male	Sw1.C258	Driver_Area	561188	female
spBar21	Condensorcmt.	564135	male	Sw1.C259	Driver_Area	561186	male
spBar22	Enginecmpt.	564135	male	Sw2	Dash	562763	male
spBar23	Enginecmpt.	564135	male	Sw3	Dash	562763	male
spBar24	Enginecmpt.	564135	male	Sw4	Dash	562763	male
Spk1_L	Parcel_Rack_LH	563994	male	Sw6	Dash	562763	male
Spk1_R	Parcel_Rack_RH	563994	male	Sw10A	LH_Console	562763	male
Spk2_L	Parcel_Rack_LH	563994	male	Sw14	Dash	562763	male
Spk2_R	Parcel_Rack_RH	563994	male	Sw16	Dash	562763	male
Spk3_L	Parcel_Rack_LH	563994	male	Sw17	Dash	562763	male
Spk3_R	Parcel_Rack_RH	563994	male	Sw18A	LH_Console	562763	male
Spk4_L	Parcel_Rack_LH	563994	male	Sw20	Dash	562763	male
Spk4_R	Parcel_Rack_RH	563994	male	Sw21	Dash	562763	male
Spk5_L	Parcel_Rack_LH	563994	male	Sw24	Dash	562763	male
Spk5_R	Parcel_Rack_RH	563994	male	Sw24A	Dash	562763	male
Spk6_L	Parcel_Rack_LH	563994	male	Sw25	Dash	562763	male
Spk6_R	Parcel_Rack_RH	563994	male	Sw26	Dash	562763	male
Spk7_L	Parcel_Rack_LH	563994	male	Sw27	Dash	562763	male
Spk7_R	Parcel_Rack_RH	563994	male	Sw29	Dash	562763	male
Spk8_L	Parcel_Rack_LH	563994	male	Sw30	RJB	563135	male
Spk8_R	Parcel_Rack_RH	563994	male	Sw32	Dash	561477	female
Spk9_L	Parcel_Rack_LH	563994	male	Sw33	Dash	561476	male
Spk9_R	Parcel_Rack_RH	563994	male	Sw34	Outside_Front_RH	562477	male

# CONNECTORS LIST

No	Location	Part #	Gender	No	Location	Part #	Gender
Sw35	Console	562763	male	Sw98.A	WCLsystem	562615	female
Sw38	LH_Console	562763	male	Sw98.B	WCLsystem	562615	female
Sw40	LH_Console	561690	male	Sw98.C	WCLsystem	562615	female
Sw41	LH_Console	562749	male	Sw100A	Dash	562763	male
Sw42	WCLCmpt.	561635	female	Sw102	RJB	561566	female
Sw43	LH_Console	561690	male	Sw109.A	1st_Lugg_LH	560079	female
Sw44.A	Servicecmpt.	562403	female	Sw109.B	1st_Lugg_LH	560079	female
Sw45.A	3rd_Lugg_Cmpt	562403	female	Sw110.A	1st_Lugg_RH	560079	female
Sw46.A	3rd_Lugg_Cmpt	562403	female	Sw110.B	1st_Lugg_RH	560079	female
Sw46A.A	3rdlugg.cmpt.	562403	female	Sw111.A	2ndlugg.cmpt.	560079	female
Sw49.A	2nd_Lugg_Cmpt	562403	female	Sw111.B	2ndlugg.cmpt.	560079	female
Sw50.A	2nd_Lugg_Cmpt	562403	female	Sw112.A	2ndlugg.cmpt.	560079	female
Sw51.A	1st_Lugg_Cmpt	562403	female	Sw112.B	2ndlugg.cmpt.	560079	female
Sw52.A	1st_Lugg_Cmpt	562403	female	Sw113.A	2ndlugg.cmpt.	560079	female
Sw55.A	Lavatory	560488	female	Sw113.B	2ndlugg.cmpt.	560079	female
Sw55.B	Lavatory	560488	female	Sw114.A	3rd_Lugg_RH	560079	female
Sw56.A	Lavatory	560488	female	Sw114.B	3rd_Lugg_RH	560079	female
Sw56.B	Lavatory	560488	female	Sw115.A	Compr_Door	560079	female
Sw58	EngineCmpt.	563135	male	Sw115.B	Compr_Door	560079	female
Sw59	Enginectmpt.	563135	male	Sw125.A	Service_Cmpt	561457	female
Sw63A	LHConsole	562763	male	Sw125.B	Service_Cmpt	561457	female
Sw64.A	Service_Cmpt	560815	female	Sw134.A	WCLArea	562615	female
Sw64.B	Service_Cmpt	560815	female	Sw134.B	WCLArea	562615	female
Sw80A	Dash	562763	male	Sw134.C	WCLArea	562615	female
Sw82	RJB	563135	male	Sw135.A	WCLdoor	562119	female
Sw83.A	Dash	560082	female	Sw135.B	WCLdoor	562119	female
Sw83.B	Dash	560815	female	Sw135.C	WCLdoor	562119	female
Sw83.C	Dash	560082	female	Sw137	Dash	562763	male
Sw83.D	Dash	560815	female	Sw140	FJB	561566	female
Sw83A	Dash	562581	male	Sw142	LHConsole	562763	male
Sw85	LH_Console	562749	male	Sw149	Dash	562763	male
Sw95.A	WCLdoor	562615	female	Sw150.A	Driver_Area	560081	female
Sw95.B	WCLdoor	562615	female	Sw150.B	Driver_Area	560081	female
Sw95.C	WCLdoor	562615	female	Sw153	Dash	562763	male
Sw96.A	WCL_Door	562615	female	Sw156	LH_Console	562763	male
Sw96.B	WCL_Door	562615	female	Sw157	Dash	562763	male
Sw96.C	WCLdoor	562615	female	Sw158	Dash	562763	male
Sw97.A	WCLsystem	562615	female	Sw313.A	Lavatory	562615	female
Sw97.B	WCLsystem	562615	female	Sw313.B	Lavatory	562615	female
Sw97.C	WCLsystem	562615	female	Sw313.C	Lavatory	562615	female



# CONNECTORS LIST

No	Location	Part #	Gender	No	Location	Part #	Gender
120V_inlet	RearVehicle	561572	male	A34.3	EngineCmpt.	564258	male
A1	RJB	563975	male	A34.4	EngineCmpt.	564258	male
A2	FJB	563984	male	A34.5	EngineCmpt.	564258	male
A3	Dash	562363	male	A34.6	EngineCmpt.	564258	male
A4.A	Service_Cmpt	562428	female	A34.7	EngineCmpt.	564258	male
A4.B	Service_Cmpt	561188	female	A34.8	EngineCmpt.	564258	male
A5	Service_Cmpt	562428	female	A34.J	Enginecmpt.	568118	male
A6	Engine_Cmpt	562427	male	A34.K	Enginecmpt.	564270	male
A7	Rear_Axle_Cmpt	563979	male	A34.L	Enginecmpt.	564269	male
A9.Cx1	FJB	564041	female	A36A.JA	FJB	562767	male
A9.Cx2	FJB	563678	male	A36A.JB	FJB	562765	male
A9.Cx3	FJB	564037	female	A36A.JC	FJB	562957	male
A9.Cx4	FJB	564038	female	A39.P101	Parcelrack	563201	male
A10.X1	Engine_Cmpt	563135	male	A39.P901	Parcelrack	563953	male
A10.X3	Engine_Cmpt	563134	female	A40.A	FJB	561668	male
A11	LH_Console	563142	male	A60.A	Parcelrack	563071	male
A14.A	Dash	562766	male	A60.B	Parcelrack	562706	female
A14.B	Dash	562767	male	A60.C	Parcelrack	901110	male
A14.C	Dash	562765	male	A60.D	Parcelrack	901110	male
A15	Dash	562464	male	A61.A	Parcelrack	562464	male
A17.D	RJB	561932	male	A61.B	Parcelrack	562465	male
A18.J1	FJB	562794	male	A65.B	Parcelrack	901110	male
A18.J2	FJB	562650	male	A65.C	Parcelrack	901110	male
A19	LH_Console	562878	female	A65.Csv	Parcelrack	562465	male
A20	Parcel_Rack_LH	561477	female	A65.D	Parcelrack	901110	male
A24.A	RH_Console	561890	male	A69.A	Parcelrack	563071	male
A24.B	RH_Console	561566	female	A69.B	Parcelrack	561716	female
A24.C	RH_Console	561889	female	A69.C	Parcelrack	561716	female
A25	Parcelrack	563025	male	A69.D	Parcelrack	561716	female
A26.P1	Enginecmpt.	562350	male	A69.E	Parcelrack	561716	female
A26.P2	Enginecmpt.	563322	female	A69.F	Parcelrack	561716	female
A26.P4	Enginecmpt.	568088	male	A69.G	Parcelrack	561716	female
A27	Service_Cmpt	562929	male	A69.H	Parcelrack	561716	female
A28	Service_Cmpt	562928	male	A70c	Parcelrack	561540	female
A29	Dash	562464	male	A77	Parcelrack	564547	male
A33.A	Parcelrack	563071	male	A78	Parcelrack	562583	female
A33.B	Parcelrack	562330	female	A79	Parcelrack	562583	female
A34.1	EngineCmpt.	564258	male	A80	Parcelrack	562479	female
A34.2	EngineCmpt.	564258	male	A81.JA	FJB	562767	male

# CONNECTORS LIST

No	Location	Part #	Gender	No	Location	Part #	Gender
A81.JB	FJB	562765	male	A139	Dash	564501	male
A81.JC	FJB	562957	male	A151.A	Parcelrack	561582	female
A83	Parcelrack	565970	female	A151.B	Parcelrack	561582	female
A84.A	Parcelrack	563071	male	A152.J	Parcelrack	563071	male
A96	FJB	564073	female	A153.A	Parcelrack	562465	male
A97	Dash	563226	male	A160.A	WCLcmpt	562477	male
A97A	FJB	563226	male	A160.B	WCLcmpt	562884	female
A97A	FJB	563613	female	AE41.J1	FJB	563679	male
A97B	FJB	563226	male	AE41.J2	FJB	564037	female
A97B	FJB	563613	female	AE41.J3	FJB	564004	male
A97S.A1	Dash	564401	male	AE42.J1	FJB	563679	male
A97S.A3	Dash	564403	male	AE42.J2	FJB	564037	female
A99	FJB	564205	male	AE42.J3	FJB	564004	male
A100	Front_Axle_Cmpt	563758	female	AE43.J1	FJB	563679	male
A101	Rear_RH_Axle_Cmpt	563758	female	AE43.J2	FJB	564037	male
A102	Rear_RH_Axle_Cmpt	563758	female	AE43.J3	FJB	565957	male
A103	Dash	562070	female	AE44.J1	FJB	563679	male
A107	EngineCmpt.	560336	male	AE44.J2	FJB	564037	female
A108	RJB	562766	male	AE44.J3	FJB	565957	male
A109A	FJB	564141	male	AE45.J1	FJB	563679	male
A113.A	Parcel_Rack_LH	563960	male	AE45.J2	FJB	564037	female
A113.B	Parcel_Rack_LH	563962	male	AE45.J3	FJB	565957	male
A113.C1	Parcel_Rack_LH	563956	male	AE46.J1	FJB	563679	male
A113.C2	Parcel_Rack_LH	563957	male	AE46.J2	FJB	564037	female
A113.C3	Parcel_Rack_LH	563958	male	AE46.J3	FJB	565957	male
A114A	Dash	564252	male	AE47.J1	RH_console	563679	male
A120.A	Dashboard	563960	male	AE47.J2	RH_console	564037	female
A120.B	Dashboard	563962	male	AE47.J3	RH_console	565957	male
A120.C1	Dashboard	563956	male	AE48.J1	RH_console	563679	male
A120.C2	Dashboard	563957	male	AE48.J2	RH_console	564037	female
A120.C3	Dashboard	563958	male	AE48.J3	RH_console	565957	male
A121.Vsa	Dash	563679	male	AE49.J1	RJB	563679	male
A121.Vsb	Dash	563678	male	AE49.J2	RJB	564037	male
A121.Vsc	Dash	564037	male	AE49.J3	RJB	565957	male
A121.Vsd	Dash	564118	male	AE50.J1	RJB	563679	male
A130	Driver_Area	563226	male	AE50.J2	RJB	564037	male
A131.A	Engine_Cmpt	561782	male	AE50.J3	RJB	565957	male
A131.B	Engine_Cmpt	561781	female	AE51.J1	RJB	563679	male
A137A	Condensercmpt.	20429843	male	AE51.J2	RJB	564037	female
A138	Cond_Cmpt	563787	male	AE51.J3	RJB	565957	male

# CONNECTORS LIST

No	Location	Part #	Gender	No	Location	Part #	Gender
AE52.J1	RJB	563679	male	C2A	FJB	563580	male
AE52.J2	RJB	564037	female	C2A	FJB	563581	female
AE52.J3	RJB	565957	male	C2B	FJB	564034	male
AE53.J1	RJB	563679	male	C2B	FJB	564035	female
AE53.J2	RJB	564037	female	C3_plug	RJB	563589	male
AE53.J3	RJB	565957	male	C3_socket	RJB	563590	female
AE54.J1	Evaporatorcmpt.	563679	male	C3AP	FJB	563589	male
AE54.J2	Evaporatorcmpt.	564037	female	C3AP	FJB	563590	female
AE54.J3	Evaporatorcmpt.	565957	male	C3AS	FJB	563589	male
AE55.J1	Dash	563679	male	C3AS	FJB	563590	female
AE55.J2	Dash	564037	female	C3S	RJB	563593	male
AE55.J3	Dash	564004	male	C3S	RJB	563590	female
AE56.J1	Dash	563679	male	C4	FJB	563580	male
AE56.J2	Dash	564037	male	C4	FJB	563581	female
AE56.J3	Dash	564004	male	C5	FJB	563589	male
AE57.J1	WCLcmpt.	563679	male	C5	FJB	563590	female
AE57.J2	WCLcmpt.	564037	male	C5S	FJB	563589	male
AE57.J3	WCLcmpt.	564004	male	C5S	FJB	563590	female
Alt_LL.A	Enginecmpt.	563746	female	C6	FJB	563582	male
Alt_LL.B	Enginecmpt.	560815	female	C6	FJB	563583	female
Alt_LL.C	Enginecmpt.	564469	female	C7	Service_Cmpt	562566	male
Alt_LR.A	enginecmpt.	563746	female	C7	Service_Cmpt	562565	female
Alt_LR.B	Enginecmpt.	560815	female	C8	FJB	563227	male
Alt_LR.C	Enginecmpt.	564469	female	C8	FJB	563614	female
Alt_UR.A	Enginecmpt.	563746	female	C9	RJB	561986	male
Alt_UR.B	Enginecmpt.	560815	female	C9	RJB	561987	female
Alt_UR.C	Enginecmpt.	564469	female	C10	Engine_Cmpt	562477	male
B85	Engine_Cmpt	563815	male	C10	Engine_Cmpt	562479	female
B96	Engine_Cmpt	563821	male	C11	Service_Cmpt	563580	male
B96B	Engine_Cmpt	563823	male	C11	Service_Cmpt	563581	female
B97	Engine_Cmpt	563816	male	C12	Engine_Cmpt	562581	male
B98	Engine_Cmpt	563817	male	C12	Engine_Cmpt	562583	female
B115A	Enginecmpt.	564226	male	C13_plug	RH_Console	563589	male
B142C	Enginecmpt.	563793	male	C13_socket	RH_Console	563590	female
B310	Enginecmpt.	565967	male	C13S	RH_Console	563589	male
C1	FJB	563589	male	C13S	RH_Console	563590	female
C1	FJB	563590	female	C15A	Evapotatorcmpt.	568110	male
C1S	FJB	563589	male	C15A	Evaporatotcmpt.	568109	female
C1S	FJB	563590	female	C16	RJB	561577	male
C2	Service_Cmpt	563580	male	C16	RJB	561605	female
C2	Service_Cmpt	563581	female	C17	RJB	560195	male



# CONNECTORS LIST

No	Location	Part #	Gender	No	Location	Part #	Gender
C17	RJB	560169	female	C36	FJB	561986	male
C18	FJB	561986	male	C36	FJB	561987	female
C18	FJB	561987	female	C37	Parcel_Rack_LH	562557	male
C19	RJB	561986	male	C37	Parcel_Rack_LH	562558	female
C19	RJB	561987	female	C37.	Parcel_Rack	561734	male
C20A	Evap_Cmpt	562485	male	C37.	Parcel_Rack	561735	female
C20A	Evap_Cmpt	562486	female	C38	Parcelrack	562555	male
C20B	Evap_Cmpt	562485	male	C38	Parcelrack	562556	female
C20B	Evap_Cmpt	562486	female	C38.	Parcelrack	561734	male
C23	Evaporatorcmpt.	564034	male	C38.	Parcelrack	561735	female
C23	Evaporatorcmpt.	564035	female	C39A	Firesuppressioncmpt.	561782	male
C24_plug	Evap_Cmpt	561690	male	C39A	Firesuppressioncmpt.	561781	female
C24_socket	Evap_Cmpt	561566	female	C40	Dash	562485	male
C25	Parcel_Rack_LH	561550	male	C40	Dash	562486	female
C25	Parcel_Rack_LH	561667	female	C41	RJB	561782	male
C26	Ureacmpt.	563226	male	C41	RJB	561781	female
C26	Ureacmpt.	563613	female	C42	FJB	561668	male
C26A	Ureacmpt.	568110	male	C42	FJB	561551	female
C26A	Ureacmpt.	568109	female	C44_plug	FJB	561577	male
C26B	Ureacmpt.	563227	male	C44_socket	FJB	561605	female
C26B	Ureacmpt.	563614	female	C45	FJB	561643	male
C29	4rd_Lugg_Cmpt	563651	male	C45	FJB	561642	female
C29	3rd_Lugg_Cmpt	563652	female	C46	WCLCmpt.	564228	male
C30	3rd_Lugg_Cmpt	561710	male	C46	WCLCmpt.	564229	female
C30	3rd_Lugg_Cmpt	561709	female	C47	FJB	565207	male
C31S	Parcelrack	561515	male	C48	Unican	565208	male
C31S	Parcelrack	561552	female	C49	FJB	562005	male
C31W	WCL_Parcel_Rack	563227	male	C49	FJB	561714	female
C31W	WCL_Parcel_Rack	563614	female	C50	RJB	563226	male
C32	lavatory	561734	male	C50	RJB	563613	female
C32	Lavatory	561735	female	C51	Enginecmpt.	564034	male
C32L	Lavatory	562006	male	C51	Enginecmpt.	560034	female
C32L	Lavatory	560908	female	C52	Evaporatorcmpt.	563618	male
C32W	WCLcmpt.	561640	male	C52	Evaporatorcmpt.	563616	female
C32W	WCLcmpt.	561639	female	C54	Enginecmpt.	563226	male
C32X	Lavatory	561247	male	C54	Enginecmpt.	563613	female
C32X	Lavatory	561248	female	C54A	Ureacmpt.	568110	male
C33	WCLcmpt.	564034	male	C54A	Ureacmpt.	568109	female
C33	WCLcmpt.	564035	female	C54B	Enginecmpt.	563589	male
C34	RH_Console	561986	male	C54B	Enginecmpt.	563590	female
C34	RH_Console	561987	female	C55	Evap_Cmpt	561577	male

# CONNECTORS LIST

No	Location	Part #	Gender	No	Location	Part #	Gender
C55	Evap_Cmpt	561605	female	C86	4thlugg.cmpt.	563616	female
C58	Condensorcmpt.	564567	male	C87	Engine_Cmpt	562485	male
C58	Condensorcmpt.	564568	female	C87	Engine_Cmpt	562486	female
C59	RJB	561643	male	C88	FJB	563618	male
C59	RJB	561642	female	C88	FJB	563616	female
C61	Fr_Service_Door	561669	male	C91	RJB	564619	male
C61	Fr_Service_Door	561670	female	C91	RJB	562282	female
C62	Fr_Service_Door	562566	male	C92A	Enginecmpt.	563226	male
C62	Fr_Service_Door	562565	female	C92A	Enginecmpt.	563613	female
C63	Entrance_Door	562477	male	C92C	Enginecmpt.	562581	male
C63	Entrance_Door	562479	female	C92C	Enginecmpt.	562583	female
C64	Enginecmpt.	568110	male	C94_plug	FJB	563589	male
C64	Enginecmpt.	568109	female	C94_socket	FJB	563590	female
C66_plug	Evap_Cmpt	561577	male	C96	FJB	561643	male
C66_socket	Evap_Cmpt	561605	female	C96	FJB	561642	female
C68_plug	Parcel_Rack_LH	562503	male	C97	FJB	561643	male
C68_socket	Parcel_Rack_LH	562507	female	C97	FJB	561642	female
C69_plug	Parcel_Rack_LH	561690	male	C100	Evaporatorcmpt.	562477	male
C69_socket	Parcel_Rack_LH	561566	female	C100	Evaporatorcmpt.	562479	female
C70	FJB	562557	male	C100S	EvaporatorCmpt.	562477	male
C70	FJB	562558	female	C100S	EvaporatorCmpt.	562479	female
C71	FJB	561646	male	C101	Service_Cmpt	561690	male
C71	FJB	561645	female	C101	Service_Cmpt	561566	female
C72	FJB	561646	male	C102A	Condensorcmpt.	563226	male
C72	FJB	561645	female	C102A	Condensorcmpt.	563613	female
C74	FJB	561645	female	C103_plug	FJB	562485	male
C74	FJB	561646	male	C103_socket	FJB	562486	female
C81	1st_Lugg_Cmpt	562477	male	C105_plug	FJB	562581	male
C81	1st_Lugg_Cmpt	562479	female	C105_socket	FJB	562583	female
C82	1st_Lugg_Cmpt	562477	male	C106_plug	FJB	562581	male
C82	1st_Lugg_Cmpt	562479	female	C106_socket	FJB	562583	female
C82A	1st_Lugg_Cmpt	563589	male	C107A	Enginecmpt.	562885	female
C82A	1st_Lugg_Cmpt	563590	female	C107A	Enginecmpt.	562884	female
C83	2nd_Lugg_Cmpt	562477	male	C107B	Enginecmpt.	562885	female
C83	2nd_Lugg_Cmpt	562479	female	C107B	Enginecmpt.	562884	female
C84	2nd_Lugg_Cmpt	562477	male	C107C	Enginecmpt.	562885	female
C84	2nd_Lugg_Cmpt	562479	female	C107C	Enginecmpt.	562884	female
C85	4thlugg.cmpt.	562477	male	C110	Dash	568110	male
C85	4thlugg.cmpt.	562479	female	C110	Dash	568109	female
C86	4thlugg.cmpt.	563618	male	C119A	Rearenginedoor	568110	male

# CONNECTORS LIST

No	Location	Part #	Gender	No	Location	Part #	Gender
C119A	Rearenginedoor	568109	female	C222	FJB	562477	male
C121	Rearenginedoor	562566	male	C222	FJB	562479	female
C121	Rearenginedoor	562565	female	C223	FJB	563227	male
C122	Rearenginedoor	562566	male	C223	FJB	563614	female
C122	Rearenginedoor	562565	female	C224	FJB	561637	male
C131A	Engine_Cmpt	561782	male	C224	FJB	561636	female
C131A	Engine_Cmpt	561781	female	C225	FJB	562650	male
C131B	Engine_Cmpt	561782	male	C225	FJB	562649	female
C131B	Engine_Cmpt	561781	female	C226	FJB	562650	male
C144	RJB	560852	male	C226	FJB	562649	female
C144	RJB	560851	female	C242	Service_Cmpt	562789	male
C152	Cond_Cmpt	561611	male	C242	Service_Cmpt	565131	female
C152	Cond_Cmpt	561610	female	C243	FrontVehicle	563347	male
C158	Condensorcmt.	562477	male	C243	FrontVehicle	563180	female
C158	Condensorcmt.	562479	female	C243.	FrontVehicule	562789	male
C170	LH_Console	561637	male	C243.	FrontVehicule	565131	female
C170	LH_Console	561636	female	C259	3rd_LH_Lugg_Cmpt	561637	male
C171	LH_Console	561646	male	C259	3rd_LH_Lugg_Cmpt	561636	female
C171	LH_Console	561645	female	C266	Parcelrack	561782	male
C187	RJB	561577	male	C266	Parcelrack	561781	female
C187	RJB	561605	female	C267	Parcelrack	561782	male
C188	Evap_Cmpt	561577	male	C267	Parcelrack	561781	female
C188	Evap_Cmpt	561605	female	C279	Service_Cmpt	562477	male
C189	RJB	561986	male	C279	Service_Cmpt	562479	female
C189	RJB	561987	female	C284	Parcelrack	561782	male
C193_plug	RJB	563589	male	C284	Parcelrack	561781	female
C193_socket	RJB	563590	female	C284_1	Parcelrack	561782	male
C194	FJB	563589	male	C284_1	Parcelrack	561781	female
C194	FJB	563590	female	C284_2	Parcelrack	561782	male
C195	Dash	563347	male	C284_2	Parcelrack	561781	female
C195	Dash	560489	female	C284_3	Parcelrack	561782	male
C206	Parcel_Rack_RH	562503	male	C284_3	Parcelrack	561781	female
C206	Parcel_Rack_RH	562507	female	C284_4	Parcelrack	561782	male
C207	Parcel_Rack_LH	562503	male	C284_4	Parcelrack	561781	female
C207	Parcel_Rack_LH	562507	female	C284_5	Parcelrack	561782	male
C212	WCLArea	561515	male	C284_5	Parcelrack	561781	female
C212	WCLArea	561552	female	C290	Rear_Vehicle	562477	male
C213	Parcel_Rack_LH	561515	male	C290	Rear_Vehicle	562479	female
C213	Parcel_Rack_LH	561552	female	C298	Parcelrack	561782	male

# CONNECTORS LIST

No	Location	Part #	Gender	No	Location	Part #	Gender
C298	Parcelrack	561781	female	C564-Sp	Parcelrack	562503	male
C355	RJB	563582	male	C564-Sp	Parcelrack	562507	female
C355	RJB	563583	female	C566	Parcelrack	562503	male
C356	Parcelrack	561710	male	C566	Parcelrack	562507	female
C356	Parcelrack	561709	female	C567	Parcelrack	562503	male
C357	Parcelrack	561847	male	C567	Parcelrack	562507	female
C357	Parcelrack	561862	female	C575	Parcel_Rack_RH	562503	male
C380A	Dash	564222	male	C575	Parcel_Rack_RH	562507	female
C380A	Dash	564224	female	C576B	Parcel_Rack_RH	562006	male
C381	Parcel_Rack	561847	male	C576B	Parcel_Rack_RH	560908	female
C381	Parcel_Rack	561862	female	C576BB	Parcelrack	562006	male
C382	Under_Seat	561580	male	C576BB	Parcelrack	560908	female
C382	Under_Seat	561582	female	C577A	Parcel_Rack	562006	male
C397	RJB	562285	male	C577A	Parcel_Rack	560908	female
C397	RJB	562282	female	C577AA	Parcelrack	562006	male
C430	LH_Console	562363	male	C577AA	Parcelrack	560908	female
C430	LH_Console	561188	female	C578	Parcel_Rack_LH	562503	male
C452	Dash	561669	male	C578	Parcel_Rack_LH	562507	female
C452	Dash	561670	female	C582	FJB	561690	female
C463	Rearaxlecmpt.	568111	male	C582	FJB	561566	female
C463	Rearaxlecmpt.	568112	female	C600	Dash	563226	male
C464	FJB	564222	male	C600	Dash	563613	female
C464	FJB	564224	female	C601	LHRoofWinAjar	561476	male
C464A	Dash	564222	male	C601	LHRoofWinAjar	561477	female
C464A	Dash	564224	female	C602	Parcel_Rack_LH	561668	male
C464B	FJB	564222	male	C602	Parcel_Rack_LH	561551	female
C464B	FJB	564224	female	C603	RHRoofWinAjar	561476	male
C465	Parcelrack	562581	male	C603	RHRoofWinAjar	561477	female
C465	Parcelrack	562583	female	C608	Parcel_Rack_LH	561577	male
C506	FJB	561687	male	C608	Parcel_Rack_LH	561605	female
C506	FJB	561685	female	C609	Parcel_Rack_LH	561550	male
C506spA	FJB	561687	male	C609	Parcel_Rack_LH	561667	female
C506spA	FJB	561685	female	C612	Parcel_Rack_LH	561687	male
C506spB	FJB	561687	male	C612	Parcel_Rack_LH	561685	female
C506spB	FJB	561685	female	C614	Passenger_Area	563071	male
C542	Parcelrack	561550	male	C614	Passenger_Area	563040	female
C542	Parcelrack	561667	female	C615	Passenger_Area	563071	male
C558	Parcelrack	562503	male	C615	Passenger_Area	563040	female
C558	Parcelrack	562507	female	C617	Mirror_LH	563801	male
C564	Parcelrack	562503	male	C617	Mirror_LH	563800	female
C564	Parcelrack	562507	female	C618	Mirror_RH	563801	male

# CONNECTORS LIST

No	Location	Part #	Gender	No	Location	Part #	Gender
C618	Mirror_RH	563800	female	CCAN1	FJB	562650	male
C620	FJB	562477	male	CCAN1	FJB	562649	female
C620	FJB	562479	female	CCAN2	FJB	562650	male
C662_plug	FJB	562477	male	CCAN2	FJB	562649	female
C662_socket	FJB	562479	female	CCAN3	FJB	562650	male
C700	FJB	561637	male	CCAN3	FJB	562649	female
C700	FJB	561636	female	CCAN4	FJB	562650	male
C700A_plug	FJB	561637	male	CCAN4	FJB	562649	female
C700A_socket	FJB	561636	female	CCust	Parcel_Rack_Fr_WCL	562477	male
C752	Parcelrack	901283	female	CCust	RJB	562479	female
C753	Parcelrack	901283	female	CFHPR1	Parcelrack	564560	male
C766	Parcelrack	561662	male	CIND-1.A	Parcelrack	560908	female
C766	Parcelrack	561661	female	CIND-1.B	Parcelrack	560908	female
C768	Parcelrack	901283	female	CIND-2.A	Parcelrack	560908	female
C769	Parcelrack	901283	female	CIND-2.B	Parcelrack	560908	female
C777	Dash	562477	male	CIND-11.A	Parcelrack	560908	female
C777	Dash	562479	female	CIND-11.B	Parcelrack	560908	female
C_A60DB	Parcelrack	563071	male	CINDWC-1.A	Parcelrack	560908	female
C_A60DB	Parcelrack	563040	female	CINDWC-1.B	Parcelrack	560908	female
C_ALT	Enginecmt.	562581	male	CL1	Service_Cmpt	562485	male
C_ALT	Enginecmt.	562583	female	CL1	Service_Cmpt	562486	female
C_ALT3	Enginecmt.	562477	male	CL142	Lavatory	562006	male
C_ALT3	Enginecmt.	562479	female	CL142	Lavatory	560908	female
C_AUDIO_AUX	Parcelrack	562557	male	CL142A	Lavatory	562006	male
C_AUDIO_AUX	Parcelrack	562558	female	CL142A	Lavatory	560908	female
C_AUX	Parcelrack	563071	male	CP1	Passenger_Area	561782	male
C_AUX	Parcelrack	563040	female	CP1	Passenger_Area	561781	female
C_INV1	Parcelrack	562337	male	CP2	Passenger_Area	561782	male
C_INV1	Parcelrack	562338	male	CP2	Passenger_Area	561781	female
C_INV2	Parcelrack	562337	male	CP3	Passengersarea	561782	male
C_INV2	Parcelrack	562338	male	CP3	Passengersarea	561781	female
C_LineOut	Parcelrack	563962	male	CP4	Passenger_Area	561782	male
C_LineOut	Parcelrack	564489	female	CP4	Passenger_Area	561781	female
C_Mo9	Evap_Cmpt	561577	male	CP5	Passenger_Area	561782	male
C_Mo9	Evap_Cmpt	561605	female	CP5	Passenger_Area	561781	female
C_Mo9:2	Evap_Cmpt	561577	male	CP6	Passengersarea	562337	male
C_Mo9:2	Evap_Cmpt	561605	female	CP6	Passengersarea	562338	male
C_Se51	FJB	563589	male	CR72	RearSeat	563409	male
C_Se51	FJB	563590	female	CR72	RearSeat	563410	female
C_USB	Parcelrack	562069	male	CSe80	RJB	562477	male
C_USB	Parcelrack	562070	female	CSe80	RJB	562479	female

# CONNECTORS LIST

No	Location	Part #	Gender	No	Location	Part #	Gender
CSw102	EngineCmpt.	562549	male	L30	Parcelrack	560898	male
CSw102	EngineCmpt.	562550	female	L30A	Parcelrack	560898	male
CSX1	Engine_Cmpt	563135	male	L30B	Parcelrack	560898	male
CSX1	Engine_Cmpt	563134	female	L31	Parcelrack	560898	male
CSX3	Engine_Cmpt	563135	male	L32	Parcelrack	560898	male
CSX3	Engine_Cmpt	563134	female	L33	Parcelrack	560898	male
CXC1	Service_Cmpt	562477	male	L34	Parcelrack	560898	male
CXC1	Service_Cmpt	562479	female	L35	Parcelrack	560898	male
D92	Parcelrack	564496	male	L36	Parcelrack	560898	male
E1	Enginecmpt.	563739	male	L37	Parcelrack	560898	male
L.21	FrontCap	560605	female	L38	Parcelrack	560898	male
L.22	FrontCap	560605	female	L39	Parcelrack	560898	male
L.23	FrontCap	560605	female	L40	Parcelrack	560898	male
L.24	FrontCap	560605	female	L41	Parcelrack	560898	male
L.25	FrontCap	560605	female	L42	Parcelrack	560898	male
L.26	FrontCap	560605	female	L43	Parcelrack	560898	male
L.27	FrontCap	560605	female	L44	Parcelrack	560898	male
L.84	FrontVehicle	560605	female	L45	Parcelrack	560898	male
L.85	RearVehicule	560605	female	L46	Parcelrack	560898	male
L.86	RearVehicule	560605	female	L47	Parcelrack	560898	male
L.87	RearVehicule	560605	female	L48	Parcelrack	560898	male
L.88	RearVehicule	560605	female	L49	Parcelrack	560898	male
L.89	RearVehicule	560605	female	L50	Parcelrack	560898	male
L.90	RearVehicule	560605	female	L51	Parcelrack	560898	male
L1A	Enginecmpt.	564045	female	L52	Parcelrack	560898	male
L16.A	Frontroof	562615	female	L52	Parcelrack	560900	female
L16.B	Frontroof	562615	female	L52A	Parcelrack	560898	male
L17.A	Frontroof	562615	female	L53	Parcelrack	560898	male
L17.B	Frontroof	562615	female	L53	Parcelrack	560900	female
L18	Entrance_Door	562549	male	L53A	Parcelrack	560898	male
L19	Entracedoor	562549	male	L54	Parcelrack	560898	male
L20	Entracedoorstep	562549	male	L54	Parcelrack	560900	female
L21	FrontCap	562486	female	L54A	Parcelrack	560898	male
L22	FrontCap	562486	female	L55	Parcelrack	560898	male
L23	FrontCap	562486	female	L55	Parcelrack	560900	female
L24	FrontCap	562486	female	L55A	Parcelrack	560898	male
L25	FrontCap	562486	female	L56	Parcelrack	560898	male
L26	FrontCap	562486	female	L56	Parcelrack	560900	female
L27	FrontCap	562486	female	L56A	Parcelrack	560898	male
L28	Parcelrack	560898	male	L57	Parcelrack	560898	male
L29	Parcelrack	560898	male	L57	Parcelrack	560900	female

# CONNECTORS LIST

No	Location	Part #	Gender	No	Location	Part #	Gender
L57A	Parcelrack	560898	male	L90	RearVehicle	562486	female
L58	Parcelrack	560898	male	L91A	Rearvehicule	562601	male
L58	Parcelrack	560900	female	L92A	Rearvehicule	562601	male
L58A	Parcelrack	560898	male	L95	Outside_Front_LH	562902	female
L59	Out_Side_Front_RH	562623	male	L96	Outside_Front_RH	562902	female
L59A	OutsideFrontRH	563366	male	L97.A	Outside_Front_LH	563069	female
L59B	Out_Side_Front_RH	562623	male	L97.B	Outside_Front_LH	563069	female
L60	OutsideFrontLH	562623	male	L98.A	Entrance_Door	563069	female
L60A	OutsideFrontLH	563366	male	L98.B	Outside_Front_RH	563069	female
L60B	Out_Side_Front_LH	562623	male	L140	Lavatory	561247	male
L61	Out_Side_Front_RH	562601	male	L142	Lavatory	562006	male
L62	Out_Side_Front_LH	562601	male	L142B	Lavatory	562006	male
L63	Front_Side_LH	562155	male	L143	Parcelrack	561186	male
L64	Outside_Front_RH	562155	male	L144	Parcelrack	561186	male
L65	Outside_Front_LH	562155	male	L145	Parcelrack	561186	male
L66	Out_Side_Front_LH	562155	male	L146	Parcelrack	561186	male
L67	4th_Lugg_Cmpt	562155	male	L147	Parcelrack	561186	male
L68	4th_Lugg_Cmpt	562155	male	L148	Parcelrack	561186	male
L69	4th_Lugg_Cmpt	562155	male	L149	Parcelrack	561186	male
L70	4th_Lugg_Cmpt	562155	male	L150	Parcelrack	561186	male
L71A	Rearenginedoor	562601	male	L151	Parcelrack	561186	male
L72	Rear_Vehicle	562155	male	L152	Parcelrack	561186	male
L73A	Rearenginedoor	562601	male	L153	Parcelrack	561186	male
L74	RearVehicle	562155	male	L154	Parcelrack	561186	male
L75	Rearenginedoor	562155	male	L155	Parcelrack	561186	male
L76	RearVehicle	562155	male	L156	Parcelrack	561186	male
L77A	Rearvehicule	562601	male	L157	Parcelrack	561186	male
L78A	Rearvehicule	562601	male	L158	Parcelrack	561186	male
L79A	Rearvehicule	562601	male	L170	Lugg_cmpt	561690	male
L80A	Rearvehicule	562601	male	L173	Parcelrack	563590	female
L81.A	Rear_Vehicle	562835	female	L174A	Parcelrack	563590	female
L81.B	Rear_Vehicle	562834	male	L176	3rd_Lugg_Cmpt	561247	male
L82A	Rearvehicule	562348	female	L177	3rd_Lugg_Cmpt	561247	male
L83A	Rearvehicule	562348	female	L177A	WCLCmpt.	561690	male
L84	FrontVehicle	562486	female	L177B	WCLCmpt.	561690	male
L85	RearVehicle	562486	female	L180	2nd_Lugg_Cmpt	561247	male
L86	RearVehicle	562486	female	L181	2nd_Lugg_Cmpt	561247	male
L87	RearVehicle	562486	female	L182	1st_Lugg_Cmpt	561247	male
L88	RearVehicle	562486	female	L183	1st_Lugg_Cmpt	561247	male
L89	RearVehicle	562486	female	L184	Servicecmpt.	561247	male

# CONNECTORS LIST

No	Location	Part #	Gender	No	Location	Part #	Gender
L185.A	Servicecmpt.	561539	male	L257	Parcelrack	561186	male
L185.B	Servicecmpt.	561539	male	L258	Parcelrack	561186	male
L186.A	Dash	561539	male	L282	Engine_Cmpt	561690	male
L186.B	Dash	561539	male	L283	Service_Cmpt	562485	male
L187	Engine_Cmpt	561690	male	L285.A	Rear_Vehicle	562835	female
L188	Service_Cmpt	562486	female	L285.B	Rear_Vehicle	562834	male
L193.A	Dash	560488	female	L286.A	Rear_Vehicle	562835	female
L193.B	Dash	560488	female	L286.B	Rear_Vehicle	562834	male
L194.A	Dash	562019	female	L296	Refrigerator	561248	female
L194.B	Dash	560488	female	L298A	Enginecmpt.	563590	female
L195.A	Dash	560488	female	L306	RJBcmpt.	561247	male
L195.B	Dash	560488	female	L313	Rr_Roof	562549	male
L199	Enginecmpt.	562848	male	L350A.	Rearaxlecmpt.	564552	male
L203	RH_Console	561690	male	L350A.	Rearaxlecmpt.	563340	male
L204	Parcel_Rack_RH	562803	male	L350A.	Rearaxlecmpt.	562251	male
L205	Enginecmpt.	562485	male	L606	Rr_Roof	560898	male
L206	Parcel_Rack_RH	562803	male	L606	Rr_Roof	560900	female
L207.A	WCLCmpt.	561699	female	L606A	Rr_Roof	560898	male
L207.B	WCLCmpt.	561701	female	Mo3	Dash	561667	female
L207.C	WCLCmpt.	561701	female	Mo4	Dash	562076	male
L207.D	WCLCmpt.	561699	female	Mo5	Front_Roof	561515	male
L207.E	WCLCmpt.	561701	female	Mo7	Cond_Cmpt	563691	male
L207.F	WCLCmpt.	561699	female	Mo8	Cond_Cmpt	563691	male
L207.G	WCLCmpt.	561699	female	Mo10	ParcelRack_Lh_Fan	561515	male
L207.H	WCLCmpt.	563536	female	Mo11	ParcelRack_Rh_Fan	561515	male
L207.I	WCLCmpt.	563536	female	Mo12	Engine_Cmpt	561690	male
L243	Parcelrack	561186	male	Mo13	Engine_Cmpt	561690	female
L244	Parcelrack	561186	male	Mo14	Engine_Cmpt	561566	female
L245	Parcelrack	561186	male	Mo15	Front_Ceiling	560900	female
L246	Parcelrack	561186	male	Mo16	Front_Ceiling	560900	female
L247	Parcelrack	561186	male	Mo17	RH_Console	563626	male
L248	Parcelrack	561186	male	Mo19	Fr_Service_Door	562474	male
L249	Parcelrack	561186	male	Mo20	Fr_Service_Door	562474	male
L250	Parcelrack	561186	male	Mo22	RH_Console	561186	male
L251	Parcelrack	561186	male	Mo24	RH_Console	562348	female
L252	Parcelrack	561186	male	Mo25	RH_Console	562348	female
L253	Parcelrack	561186	male	Mo27	Cond_Cmpt	563691	male
L254	Parcelrack	561186	male	Mo28	Cond_Cmpt	563691	male
L255	Parcelrack	561186	male	Mo29	RJBcmpt.	563590	female
L256	Parcelrack	561186	male	Mo30	Compr_Door	564161	male



# CONNECTORS LIST

No	Location	Part #	Gender	No	Location	Part #	Gender
Mo31	Parcelrack	564161	male	R12	Evap_Cmpt	563409	male
Mo32	Parcelrack	564161	male	R20	RJB	564496	male
Mo33	Parcelrack	564161	male	R21	FJB	560525	male
Mo34	Parcelrack	564161	male	R21A	FJB	560525	male
Mo35	3rd_Lugg_Door	564161	male	R26	Evap_Cmpt	564496	male
Mo36	Parcelrack	564161	male	R27	Dash	564496	male
Mo54	Service_Cmpt	562474	male	R28	RearSeat	563409	male
Mo62	FrontHatch	562486	female	R29	RJB	563409	male
Mo63	RearHatch	562486	female	R30	FJB	564496	male
Mo65	Enginecmpt.	568089	male	R31	FJB	564496	male
Mo67	Enginecmpt.	568089	male	R34	RJB	564210	male
Mo68	Enginecmpt.	568089	male	R36	Dash	564496	male
Mo69	Enginecmpt.	568089	male	R37	Dash	564496	male
Mo70	Enginecmpt.	568089	male	R38	FJB	564496	male
Mo71	Enginecmpt.	568089	male	R38A	RearSeat	563409	male
Mo72	Enginecmpt.	568089	male	R40	RJB	564496	male
Mo73	Enginecmpt.	568089	male	R47	Parcelrack	564496	male
P_In1	Passenger_Area	561782	male	R72.A	RearSeat	563409	male
P_In1	Passenger_Area	561781	female	R210	Parcel_Rack_LH	560525	male
P_Out1	Passenger_Area	561782	male	R_12VISS	Parcelrack	564496	male
P_Out1	Passenger_Area	561781	female	RadioVolvo3_966.A	Parcelrack	563960	male
P_Out2	Passenger_Area	561782	male	RadioVolvo3_966.B	Parcelrack	563962	male
P_Out2	Passenger_Area	561781	female	RadioVolvo3_966.C1	Parcelrack	563956	male
P_Out3	Passenger_Area	561782	male	RadioVolvo3_966.C2	Parcelrack	563957	male
P_Out3	Passenger_Area	561781	female	RadioVolvo3_966.C3	Parcelrack	563958	male
PC1	FJB	562650	male	Res3.A	RJB	563590	female
PC1	FJB	562649	female	Res4	FJB	563590	female
PF	FJB	561782	male	Res6	FJB	563590	female
PF	FJB	561781	female	Res6A	FJB	563589	male
PF1	Passenger_Area	561782	male	Res6A	FJB	563590	female
PF1	Passenger_Area	561781	female	Res6B	FJB	563589	male
Pot1.A	Dash	560488	female	Res6B	FJB	563590	female
Pot1.B	Dash	560488	female	Res7	dash	563590	female
Pot1.C	Dash	560488	female	Res15	Engine_Cmpt	561782	male
PR	Parcelrack	561782	male	Res31	Ureacmpt.	562350	male
PR	Parcelrack	561781	female	Res32	Ureacmpt.	563764	female
PR1	Passenger_Area	561782	male	Res53.A	FJB	563590	female
PR1	Passenger_Area	561781	female	Res99	FJB	563590	female
R3	RJB	563409	male	Se2	LH_Console	561566	female
R4	FJB	564496	male	Se4	Window_RH	561477	female
R5	RJB	564496	male	Se5	Window_RH	561477	female

# CONNECTORS LIST

No	Location	Part #	Gender	No	Location	Part #	Gender
Se6	Window_RH	561477	female	Se56	WCLCmpt.	562479	female
Se7	Window_LH	561477	female	Se60	Service_Cmpt	563409	male
Se8	Window_LH	561477	female	Se62	WCL_System	561690	male
Se9	Window_LH	561477	female	Se63	Rearaxlecmpt.	641132	female
Se10	FJB	561477	female	Se64	Rearaxlecmpt.	641132	female
Se11.A	Cond_Cmpt	560082	female	Se65	Dash	564042	female
Se11.B	Cond_Cmpt	560082	female	Se66	FJB	564039	female
Se11.C	Cond_Cmpt	560082	female	Se67	Frontaxlecmpt.	563159	female
Se13	Engine_Cmpt	562350	male	Se69	Frontaxlecmpt.	563159	female
Se14.A	Driver_Area	561782	male	Se74	Rear_Axle_Cmpt	563340	male
Se14.B	Driver_Area	561781	female	Se75	Service_Cmpt	563159	female
Se15	RH_Console	560898	male	Se76	EntranceDoor	562479	female
Se17	RH_Console	560900	female	Se77	FJB	563159	female
Se18	Servicecmpt.	561566	female	Se78	Pneumaticplate	563159	female
Se19_P	Service_Cmpt	563677	male	Se79	Front_Axle	563340	male
Se19_S	Service_Cmpt	563677	male	Se80	Rear_Axle	563159	female
Se20	Evap_Cmpt	562426	male	Se89	Enginecmpt.	562350	male
Se20A	Evap_Cmpt	562426	male	Se94	WCLUpperDoor	562877	female
Se21	Dash	561248	female	Se100	WCLdoor	562479	female
Se23	Engine_Cmpt	563159	male	shell1_16	Driver_Area	562471	male
Se24	EvaporatorCmpt.	563758	female	So3	RH_Console	641385	male
Se25	Passenger_Area	561248	female	So4	RH_Console	641385	male
Se29	Engine_Cmpt	561566	female	So5	RH_Console	641385	male
Se30	Enginedoor	562877	female	So6	RH_Console	641385	male
Se31	Enginedoor	562877	female	So7	Service_Cmpt	561566	female
Se32	Rear_Axle_Cmpt	562426	male	So8	Servicecmpt.	641385	male
Se33	Rear_Axle_Cmpt	562856	male	So9	Enginecmpt.	560016	female
Se34	Rear_Axle_Cmpt	562426	male	So10.A	Condensorcmt.	562485	male
Se35	Rear_Axle_Cmpt	562426	male	So11	Cond_Cmpt	561566	female
Se36	Rear_Axle_Cmpt	562427	male	So13	Evap_Cmpt	563204	female
Se37	Front_Axle_LH	641132	female	So14	Servicecmpt.	641385	male
Se38	Front_Axle_RH	641132	female	So15	Servicecmpt.	641385	male
Se39	Rear_Axle_LH	641132	female	So16	Servicecmpt.	641385	male
Se40	Rear_Axle_LH	641132	female	So17	Servicecmpt.	562848	male
Se45	Servicecmpt.	563409	male	So20	Servicecmpt.	641385	male
Se46	Rearaxlecmpt.	562348	female	So21	Front_Axle_Cmpt	564046	female
Se49	Engine_Cmpt	561690	male	So22	Front_Axle_Cmpt	564046	female
Se51	UnderDriverSeat	563589	male	So23	Rear_Axle_Cmpt	564046	female
Se53	Service_Cmpt	563159	female	So24	Rear_Axle_Cmpt	564046	female
Se54	Service_Cmpt	563159	female	So27	Rearaxlecmpt.	564045	female
Se55	Service_Cmpt	563159	female	So29	Parcelrack	641385	male

# CONNECTORS LIST

No	Location	Part #	Gender	No	Location	Part #	Gender
So50	Rearaxlecmpt.	564046	female	Spk10_L	Parcel_Rack_LH	563994	male
So52	Rearaxlecmpt.	564045	female	Spk10_R	Parcel_Rack_RH	563994	male
So53	Rear_Axle_Cmpt	641385	male	Spk11_L	Parcel_Rack_LH	563994	male
So54	Enginecmpt.	564045	female	Spk11_R	Parcel_Rack_RH	563994	male
So55	Pneumaticplate	562848	male	Spk12_L	Parcel_Rack_LH	563994	male
So56	Rear_Axle_Cmpt	562350	male	Spk12_R	Parcel_Rack_RH	563994	male
So57	Engine_Cmpt	562350	male	Spk13_L	Parcel_Rack_LH	563994	male
spBar4	Enginecmpt.	564135	male	Spk13_R	Parcel_Rack_RH	563994	male
spBar5	Enginecmpt.	564135	male	Spk14_L	Parcel_Rack_LH	563994	male
spBar6	Enginecmpt.	564135	male	Spk14_R	Parcel_Rack_RH	563994	male
spBar7	Enginecmpt.	564135	male	Spk15_L	Parcel_Rack_LH	563994	male
spBar11	Rearvehicule	564135	male	Spk15_R	Parcel_Rack_RH	563994	male
spBar12	Rearvehicule	564135	male	Spk16_L	Parcel_Rack_LH	563994	male
spBar13	Enginecmpt.	564135	male	Spk16_R	Parcel_Rack_RH	563994	male
spBar14	Enginecmpt.	564135	male	SpkDr_L	Parcelrack	563994	male
spBar15	Enginecmpt.	564135	male	SpkDr_R	Parcelrack	563994	male
spBar16	Enginecmpt.	564135	male	Sub1.A	Passenger_Area	564004	female
spBar19	Condensorcmt.	564135	male	Sub2	Passenger_Area	564004	male
spBar20	Condensorcmt.	564135	male	Sw1.C258	Driver_Area	561188	female
spBar21	Condensorcmt.	564135	male	Sw1.C259	Driver_Area	561186	male
spBar22	Enginecmpt.	564135	male	Sw2	Dash	562763	male
spBar23	Enginecmpt.	564135	male	Sw3	Dash	562763	male
spBar24	Enginecmpt.	564135	male	Sw4	Dash	562763	male
Spk1_L	Parcel_Rack_LH	563994	male	Sw6	Dash	562763	male
Spk1_R	Parcel_Rack_RH	563994	male	Sw10A	LH_Console	562763	male
Spk2_L	Parcel_Rack_LH	563994	male	Sw14	Dash	562763	male
Spk2_R	Parcel_Rack_RH	563994	male	Sw16	Dash	562763	male
Spk3_L	Parcel_Rack_LH	563994	male	Sw17	Dash	562763	male
Spk3_R	Parcel_Rack_RH	563994	male	Sw18A	LH_Console	562763	male
Spk4_L	Parcel_Rack_LH	563994	male	Sw20	Dash	562763	male
Spk4_R	Parcel_Rack_RH	563994	male	Sw21	Dash	562763	male
Spk5_L	Parcel_Rack_LH	563994	male	Sw24	Dash	562763	male
Spk5_R	Parcel_Rack_RH	563994	male	Sw24A	Dash	562763	male
Spk6_L	Parcel_Rack_LH	563994	male	Sw25	Dash	562763	male
Spk6_R	Parcel_Rack_RH	563994	male	Sw26	Dash	562763	male
Spk7_L	Parcel_Rack_LH	563994	male	Sw27	Dash	562763	male
Spk7_R	Parcel_Rack_RH	563994	male	Sw29	Dash	562763	male
Spk8_L	Parcel_Rack_LH	563994	male	Sw30	RJB	563135	male
Spk8_R	Parcel_Rack_RH	563994	male	Sw32	Dash	561477	female
Spk9_L	Parcel_Rack_LH	563994	male	Sw33	Dash	561476	male
Spk9_R	Parcel_Rack_RH	563994	male	Sw34	Outside_Front_RH	562477	male

# CONNECTORS LIST

No	Location	Part #	Gender	No	Location	Part #	Gender
Sw35	Console	562763	male	Sw98.A	WCLsystem	562615	female
Sw38	LH_Console	562763	male	Sw98.B	WCLsystem	562615	female
Sw40	LH_Console	561690	male	Sw98.C	WCLsystem	562615	female
Sw41	LH_Console	562749	male	Sw100A	Dash	562763	male
Sw42	WCLCmpt.	561635	female	Sw102	RJB	561566	female
Sw43	LH_Console	561690	male	Sw109.A	1st_Lugg_LH	560079	female
Sw44.A	Servicecmpt.	562403	female	Sw109.B	1st_Lugg_LH	560079	female
Sw45.A	3rd_Lugg_Cmpt	562403	female	Sw110.A	1st_Lugg_RH	560079	female
Sw46.A	3rd_Lugg_Cmpt	562403	female	Sw110.B	1st_Lugg_RH	560079	female
Sw46A.A	3rdlugg.cmpt.	562403	female	Sw111.A	2ndlugg.cmpt.	560079	female
Sw49.A	2nd_Lugg_Cmpt	562403	female	Sw111.B	2ndlugg.cmpt.	560079	female
Sw50.A	2nd_Lugg_Cmpt	562403	female	Sw112.A	2ndlugg.cmpt.	560079	female
Sw51.A	1st_Lugg_Cmpt	562403	female	Sw112.B	2ndlugg.cmpt.	560079	female
Sw52.A	1st_Lugg_Cmpt	562403	female	Sw113.A	2ndlugg.cmpt.	560079	female
Sw55.A	Lavatory	560488	female	Sw113.B	2ndlugg.cmpt.	560079	female
Sw55.B	Lavatory	560488	female	Sw114.A	3rd_Lugg_RH	560079	female
Sw56.A	Lavatory	560488	female	Sw114.B	3rd_Lugg_RH	560079	female
Sw56.B	Lavatory	560488	female	Sw115.A	Compr_Door	560079	female
Sw58	EngineCmpt.	563135	male	Sw115.B	Compr_Door	560079	female
Sw59	Enginectmpt.	563135	male	Sw125.A	Service_Cmpt	561457	female
Sw63A	LHConsole	562763	male	Sw125.B	Service_Cmpt	561457	female
Sw64.A	Service_Cmpt	560815	female	Sw134.A	WCLArea	562615	female
Sw64.B	Service_Cmpt	560815	female	Sw134.B	WCLArea	562615	female
Sw80A	Dash	562763	male	Sw134.C	WCLArea	562615	female
Sw82	RJB	563135	male	Sw135.A	WCLdoor	562119	female
Sw83.A	Dash	560082	female	Sw135.B	WCLdoor	562119	female
Sw83.B	Dash	560815	female	Sw135.C	WCLdoor	562119	female
Sw83.C	Dash	560082	female	Sw137	Dash	562763	male
Sw83.D	Dash	560815	female	Sw140	FJB	561566	female
Sw83A	Dash	562581	male	Sw142	LHConsole	562763	male
Sw85	LH_Console	562749	male	Sw149	Dash	562763	male
Sw95.A	WCLdoor	562615	female	Sw150.A	Driver_Area	560081	female
Sw95.B	WCLdoor	562615	female	Sw150.B	Driver_Area	560081	female
Sw95.C	WCLdoor	562615	female	Sw153	Dash	562763	male
Sw96.A	WCL_Door	562615	female	Sw156	LH_Console	562763	male
Sw96.B	WCL_Door	562615	female	Sw157	Dash	562763	male
Sw96.C	WCLdoor	562615	female	Sw158	Dash	562763	male
Sw97.A	WCLsystem	562615	female	Sw313.A	Lavatory	562615	female
Sw97.B	WCLsystem	562615	female	Sw313.B	Lavatory	562615	female
Sw97.C	WCLsystem	562615	female	Sw313.C	Lavatory	562615	female

# CONNECTORS LIST

No	Location	Part #	Gender	No	Location	Part #	Gender
VECF1	FJB	563186	male				
VECF2	FJB	563183	male				
VECF3	FJB	563185	male				
VECF4	FJB	563182	male				
VECF9	FJB	563448	male				
VECF10	FJB	563181	male				
VECF11	FJB	563184	male				
VECF12	FJB	563187	male				
VECPR1	Parcelrack_LH	563715	male				
VECPR2_plug	Parcelrack_LH	563716	male				
VECPR3_plug	Parcelrack_LH	563718	male				
VECPR4	Parcelrack_LH	563714	male				
VECPR5	Parcelrack_LH	566021	male				
VECPR6	Parcelrack_LH	566020	male				
VECR1	RJB	563186	male				
VECR2	RJB	563183	male				
VECR3	RJB	563185	male				
VECR4	RJB	563182	male				
VECR9	RJB	563448	male				
VECR10	RJB	563181	male				
VECR11	RJB	563184	male				
VECR12	RJB	563187	male				
VECT2_plug	RearVehicle	563716	male				
VECT3	RearVehicle	563718	male				
VECT4	RearVehicle	563714	male				
Y80	Engine_Cmpt	563789	male				
Y81	Cond_Cmpt	563793	male				

# CONNECTORS LIST

No	Location	Part #	Gender	No	Location	Part #	Gender
120V_inlet	RearVehicle	561572	male	A34.7	EngineCmpt.	564258	male
A1	RJB	563975	male	A34.8	EngineCmpt.	564258	male
A2	FJB	563984	male	A34.J	Enginecmpt.	568118	male
A3	Dash	562363	male	A34.K	Enginecmpt.	564270	male
A4.A	Service_Cmpt	562428	female	A34.L	Enginecmpt.	564269	male
A4.B	Service_Cmpt	561188	female	A36.JA	FJB	562767	male
A5	Service_Cmpt	562428	female	A36.JB	FJB	562765	male
A6	Engine_Cmpt	562427	male	A36.JC	FJB	562957	male
A7	Rear_Axle_Cmpt	563979	male	A39.P101	Parcelrack	563201	male
A9.Cx1	FJB	564041	female	A39.P901	Parcelrack	563953	male
A9.Cx2	FJB	563678	male	A40.A	FJB	561668	male
A9.Cx3	FJB	564037	female	A60.A	Parcelrack	563071	male
A9.Cx4	FJB	564038	female	A60.B	Parcelrack	562706	female
A10.X1	Engine_Cmpt	563135	male	A60.C	Parcelrack	901110	male
A10.X3	Engine_Cmpt	563134	female	A60.D	Parcelrack	901110	male
A11	LH_Console	563142	male	A61.A	Parcelrack	562464	male
A14.A	Dash	562766	male	A61.B	Parcelrack	562465	male
A14.B	Dash	562767	male	A65.B	Parcelrack	901110	male
A14.C	Dash	562765	male	A65.C	Parcelrack	901110	male
A15	Dash	562464	male	A65.Csv	Parcelrack	562465	male
A17.D	RJB	561932	male	A65.D	Parcelrack	901110	male
A18.J1	FJB	562794	male	A69.A	Parcelrack	563071	male
A18.J2	FJB	562650	male	A69.B	Parcelrack	561716	female
A19	LH_Console	562878	female	A69.C	Parcelrack	561716	female
A20	Parcel_Rack_LH	561477	female	A69.D	Parcelrack	561716	female
A24.A	RH_Console	561890	male	A69.E	Parcelrack	561716	female
A24.B	RH_Console	561566	female	A69.F	Parcelrack	561716	female
A24.C	RH_Console	561889	female	A69.G	Parcelrack	561716	female
A25	Parcelrack	563025	male	A69.H	Parcelrack	561716	female
A26.P1	Enginecmpt.	562350	male	A70c	Parcelrack	561540	female
A26.P2	Enginecmpt.	563322	female	A77	Parcelrack	564547	male
A26.P4	Enginecmpt.	568088	male	A78	Parcelrack	562583	female
A27	Service_Cmpt	562929	male	A79	Parcelrack	562583	female
A28	Service_Cmpt	562928	male	A80	Parcelrack	562479	female
A29	Dash	562464	male	A81.JA	FJB	562767	male
A33.A	Parcelrack	563071	male	A81.JB	FJB	562765	male
A33.B	Parcelrack	562330	female	A81.JC	FJB	562957	male
A34.1	EngineCmpt.	564258	male	A83	Parcelrack	565970	female
A34.2	EngineCmpt.	564258	male	A84.A	Parcelrack	563071	male
A34.3	EngineCmpt.	564258	male	A96	FJB	564073	female
A34.4	EngineCmpt.	564258	male	A97	Dash	563226	male
A34.5	EngineCmpt.	564258	male	A97A	FJB	563226	male
A34.6	EngineCmpt.	564258	male	A97A	FJB	563613	female

# CONNECTORS LIST

No	Location	Part #	Gender	No	Location	Part #	Gender
A97B	FJB	563226	male	AE42.J2	FJB	564037	female
A97B	FJB	563613	female	AE42.J3	FJB	564004	male
A97S.A1	Dash	564401	male	AE43.J1	FJB	563679	male
A97S.A3	Dash	564403	male	AE43.J2	FJB	564037	male
A99	FJB	564205	male	AE43.J3	FJB	565957	male
A100	Front_Axle_Cmpt	563758	female	AE44.J1	FJB	563679	male
A101	Rear_RH_Axle_Cmpt	563758	female	AE44.J2	FJB	564037	female
A102	Rear_RH_Axle_Cmpt	563758	female	AE44.J3	FJB	565957	male
A103	Dash	562070	female	AE45.J1	FJB	563679	male
A107	EngineCmpt.	560336	male	AE45.J2	FJB	564037	female
A108	RJB	562766	male	AE45.J3	FJB	565957	male
A109A	FJB	564141	male	AE46.J1	FJB	563679	male
A113.A	Parcel_Rack_LH	563960	male	AE46.J2	FJB	564037	female
A113.B	Parcel_Rack_LH	563962	male	AE46.J3	FJB	565957	male
A113.C1	Parcel_Rack_LH	563956	male	AE47.J1	RH_console	563679	male
A113.C2	Parcel_Rack_LH	563957	male	AE47.J2	RH_console	564037	female
A113.C3	Parcel_Rack_LH	563958	male	AE47.J3	RH_console	565957	male
A114A	Dash	564252	male	AE48.J1	RH_console	563679	male
A120.A	Dashboard	563960	male	AE48.J2	RH_console	564037	female
A120.B	Dashboard	563962	male	AE48.J3	RH_console	565957	male
A120.C1	Dashboard	563956	male	AE49.J1	RJB	563679	male
A120.C2	Dashboard	563957	male	AE49.J2	RJB	564037	male
A120.C3	Dashboard	563958	male	AE49.J3	RJB	565957	male
A121.Vsa	Dash	563679	male	AE50.J1	RJB	563679	male
A121.Vsb	Dash	563678	male	AE50.J2	RJB	564037	male
A121.Vsc	Dash	564037	male	AE50.J3	RJB	565957	male
A121.Vsd	Dash	564118	male	AE51.J1	RJB	563679	male
A130	Driver_Area	563226	male	AE51.J2	RJB	564037	female
A131.A	Engine_Cmpt	561782	male	AE51.J3	RJB	565957	male
A131.B	Engine_Cmpt	561781	female	AE52.J1	RJB	563679	male
A137A	Condensercmpt.	20429843	male	AE52.J2	RJB	564037	female
A138	Cond_Cmpt	563787	male	AE52.J3	RJB	565957	male
A139	Dash	564501	male	AE53.J1	RJB	563679	male
A151.A	Parcelrack	561582	female	AE53.J2	RJB	564037	female
A151.B	Parcelrack	561582	female	AE53.J3	RJB	565957	male
A152.J	Parcelrack	563071	male	AE54.J1	Evaporatorcmpt.	563679	male
A153.A	Parcelrack	562465	male	AE54.J2	Evaporatorcmpt.	564037	female
A160.A	WCLcmpt	562477	male	AE54.J3	Evaporatorcmpt.	565957	male
A160.B	WCLcmpt	562884	female	AE55.J1	Dash	563679	male
AE41.J1	FJB	563679	male	AE55.J2	Dash	564037	female
AE41.J2	FJB	564037	female	AE55.J3	Dash	564004	male
AE41.J3	FJB	564004	male	AE56.J1	Dash	563679	male
AE42.J1	FJB	563679	male	AE56.J2	Dash	564037	male

# CONNECTORS LIST

No	Location	Part #	Gender	No	Location	Part #	Gender
AE56.J3	Dash	564004	male	C55	FJB	563589	male
AE57.J1	WCLcmpt.	563679	male	C55	FJB	563590	female
AE57.J2	WCLcmpt.	564037	male	C6	FJB	563582	male
AE57.J3	WCLcmpt.	564004	male	C6	FJB	563583	female
Alt_LL.A	Enginectpt.	563746	female	C7	Service_Cmpt	562566	male
Alt_LL.B	Enginectpt.	560815	female	C7	Service_Cmpt	562565	female
Alt_LL.C	Enginectpt.	564469	female	C8	FJB	563227	male
Alt_LR.A	enginectpt.	563746	female	C8	FJB	563614	female
Alt_LR.B	Enginectpt.	560815	female	C9	RJB	561986	male
Alt_LR.C	Enginectpt.	564469	female	C9	RJB	561987	female
Alt_UR.A	Enginectpt.	563746	female	C10	Engine_Cmpt	562477	male
Alt_UR.B	Enginectpt.	560815	female	C10	Engine_Cmpt	562479	female
Alt_UR.C	Enginectpt.	564469	female	C11	Service_Cmpt	563580	male
B85	Engine_Cmpt	563815	male	C11	Service_Cmpt	563581	female
B96	Engine_Cmpt	563821	male	C12	Engine_Cmpt	562581	male
B96B	Engine_Cmpt	563823	male	C12	Engine_Cmpt	562583	female
B97	Engine_Cmpt	563816	male	C13_plug	RH_Console	563589	male
B98	Engine_Cmpt	563817	male	C13_socket	RH_Console	563590	female
B115A	Enginectpt.	564226	male	C13S	RH_Console	563589	male
B142C	Enginectpt.	563793	male	C13S	RH_Console	563590	female
B310	Enginectpt.	565967	male	C15A	Evapotatorcmpt.	568110	male
C1	FJB	563589	male	C15A	Evaporatocmpt.	568109	female
C1	FJB	563590	female	C16	RJB	561577	male
C1S	FJB	563589	male	C16	RJB	561605	female
C1S	FJB	563590	female	C17	RJB	560195	male
C2	Service_Cmpt	563580	male	C17	RJB	560169	female
C2	Service_Cmpt	563581	female	C18	FJB	561986	male
C2A	FJB	563580	male	C18	FJB	561987	female
C2A	FJB	563581	female	C19	RJB	561986	male
C2B	FJB	564034	male	C19	RJB	561987	female
C2B	FJB	564035	female	C20A	Evap_Cmpt	562485	male
C3_plug	RJB	563589	male	C20A	Evap_Cmpt	562486	female
C3_socke	RJB	563590	female	C20B	Evap_Cmpt	562485	male
C3AP	FJB	563589	male	C20B	Evap_Cmpt	562486	female
C3AP	FJB	563590	female	C23	Evaporatorcmpt.	564034	male
C3AS	FJB	563589	male	C23	Evaporatorcmpt.	564035	female
C3AS	FJB	563590	female	C24_plug	Evap_Cmpt	561690	male
C3S	RJB	563593	male	C24_socket	Evap_Cmpt	561566	female
C3S	RJB	563590	female	C25	Parcel_Rack_LH	561550	male
C4	FJB	563580	male	C25	Parcel_Rack_LH	561667	female
C4	FJB	563581	female	C25A	Parcel_Rack_RH	561669	male
C5	FJB	563589	male	C25A	Parcel_Rack_RH	561670	female
C5	FJB	563590	female	C26	Ureacmpt.	563226	male



# CONNECTORS LIST

No	Location	Part #	Gender	No	Location	Part #	Gender
C26	Ureacmpt.	563613	female	C42	FJB	561668	male
C26A	Ureacmpt.	568110	male	C42	FJB	561551	female
C26A	Ureacmpt.	568109	female	C44_plug	FJB	561577	male
C26B	Ureacmpt.	563227	male	C44_socket	FJB	561605	female
C26B	Ureacmpt.	563614	female	C45	FJB	561643	male
C29	4rd_Lugg_Cmpt	563651	male	C45	FJB	561642	female
C29	3rd_Lugg_Cmpt	563652	female	C46	WCLCmpt.	564228	male
C30	3rd_Lugg_Cmpt	561710	male	C46	WCLCmpt.	564229	female
C30	3rd_Lugg_Cmpt	561709	female	C47	FJB	565207	male
C31S	Parcelrack	561515	male	C48	Unican	565208	male
C31S	Parcelrack	561552	female	C49	FJB	562005	male
C31W	WCL_Parcel_Rack	563227	male	C49	FJB	561714	female
C31W	WCL_Parcel_Rack	563614	female	C50	RJB	563226	male
C32	lavatory	561734	male	C50	RJB	563613	female
C32	Lavatory	561735	female	C51	Enginecmpt.	564034	male
C32L	Lavatory	562006	male	C51	Enginecmpt.	560034	female
C32L	Lavatory	560908	female	C52	Evaporatorcmpt.	563618	male
C32W	WCLcmpt.	561640	male	C52	Evaporatorcmpt.	563616	female
C32W	WCLcmpt.	561639	female	C54	Enginecmpt.	563226	male
C32X	Lavatory	561247	male	C54	Enginecmpt.	563613	female
C32X	Lavatory	561248	female	C54A	Ureacmpt.	568110	male
C33	WCLcmpt.	564034	male	C54A	Ureacmpt.	568109	female
C33	WCLcmpt.	564035	female	C54B	Enginecmpt.	563589	male
C34	RH_Console	561986	male	C54B	Enginecmpt.	563590	female
C34	RH_Console	561987	female	C55	Evap_Cmpt	561577	male
C35	lavatory	561734	male	C55	Evap_Cmpt	561605	female
C35	Lavatory	561735	female	C58	Condensorcmt.	564567	male
C36	FJB	561986	male	C58	Condensorcmt.	564568	female
C36	FJB	561987	female	C59	RJB	561643	male
C37	Parcel_Rack_LH	562557	male	C59	RJB	561642	female
C37	Parcel_Rack_LH	562558	female	C61	Fr_Service_Door	561669	male
C37.	Parcel_Rack	561734	male	C61	Fr_Service_Door	561670	female
C37.	Parcel_Rack	561735	female	C62	Fr_Service_Door	562566	male
C38	Parcelrack	562555	male	C62	Fr_Service_Door	562565	female
C38	Parcelrack	562556	female	C63	Entrance_Door	562477	male
C38.	Parcelrack	561734	male	C63	Entrance_Door	562479	female
C38.	Parcelrack	561735	female	C64	Enginecmpt.	568110	male
C39A	Firesuppressioncmpt.	561782	male	C64	Enginecmpt.	568109	female
C39A	Firesuppressioncmpt.	561781	female	C66_plug	Evap_Cmpt	561577	male
C40	Dash	562485	male	C66_socket	Evap_Cmpt	561605	female
C40	Dash	562486	female	C68_plug	Parcel_Rack_LH	562503	male
C41	RJB	561782	male	C68_socket	Parcel_Rack_LH	562507	female
C41	RJB	561781	female	C69_plug	Parcel_Rack_LH	561690	male

# CONNECTORS LIST

No	Location	Part #	Gender	No	Location	Part #	Gender
C69_socket	Parcel_Rack_LH	561566	female	C87	Engine_Cmpt	562485	male
C55	Evap_Cmpt	561577	male	C87	Engine_Cmpt	562486	female
C55	Evap_Cmpt	561605	female	C88	FJB	563618	male
C58	Condensorcmt.	564567	male	C88	FJB	563616	female
C58	Condensorcmt.	564568	female	C91	RJB	564619	male
C59	RJB	561643	male	C91	RJB	562282	female
C59	RJB	561642	female	C92A	Enginecmt.	563226	male
C61	Fr_Service_Door	561669	male	C92A	Enginecmt.	563613	female
C61	Fr_Service_Door	561670	female	C92C	Enginecmt.	562581	male
C62	Fr_Service_Door	562566	male	C92C	Enginecmt.	562583	female
C62	Fr_Service_Door	562565	female	C94_plug	FJB	563589	male
C63	Entrance_Door	562477	male	C94_socket	FJB	563590	female
C63	Entrance_Door	562479	female	C96	FJB	561643	male
C64	Enginecmt.	568110	male	C96	FJB	561642	female
C64	Enginecmt.	568109	female	C97	FJB	561643	male
C66_plug	Evap_Cmpt	561577	male	C97	FJB	561642	female
C66_socket	Evap_Cmpt	561605	female	C100	Evaporatorcmt.	562477	male
C68_plug	Parcel_Rack_LH	562503	male	C100	Evaporatorcmt.	562479	female
C68_socket	Parcel_Rack_LH	562507	female	C100S	EvaporatorCmpt.	562477	male
C69_plug	Parcel_Rack_LH	561690	male	C100S	EvaporatorCmpt.	562479	female
C69_socket	Parcel_Rack_LH	561566	female	C101	Service_Cmpt	561690	male
C70	FJB	561550	male	C101	Service_Cmpt	561566	female
C70	FJB	561667	female	C102A	Condensorcmt.	563226	male
C71	FJB	561646	male	C102A	Condensorcmt.	563613	female
C71	FJB	561645	female	C103_plug	FJB	562485	male
C72	FJB	561646	male	C103_socket	FJB	562486	female
C72	FJB	561645	female	C105_plug	FJB	562581	male
C74	FJB	561645	female	C105_socket	FJB	562583	female
C74	FJB	561646	male	C106_plug	FJB	562581	male
C81	1st_Lugg_Cmpt	562477	male	C106_socket	FJB	562583	female
C81	1st_Lugg_Cmpt	562479	female	C107A	Enginecmt.	562885	female
C82	1st_Lugg_Cmpt	562477	male	C107A	Enginecmt.	562884	female
C82	1st_Lugg_Cmpt	562479	female	C107B	Enginecmt.	562885	female
C82A	1st_Lugg_Cmpt	563589	male	C107B	Enginecmt.	562884	female
C82A	1st_Lugg_Cmpt	563590	female	C107C	Enginecmt.	562885	female
C83	2nd_Lugg_Cmpt	562477	male	C107C	Enginecmt.	562884	female
C83	2nd_Lugg_Cmpt	562479	female	C110	Dash	568110	male
C84	2nd_Lugg_Cmpt	562477	male	C110	Dash	568109	female
C84	2nd_Lugg_Cmpt	562479	female	C119A	Rearenginedoor	568110	male
C85	4thlugg.cmt.	562477	male	C119A	Rearenginedoor	568109	female
C85	4thlugg.cmt.	562479	female	C121	Rearenginedoor	562566	male
C86	4thlugg.cmt.	563618	male	C121	Rearenginedoor	562565	female
C86	4thlugg.cmt.	563616	female	C122	Rearenginedoor	562566	male

# CONNECTORS LIST

No	Location	Part #	Gender	No	Location	Part #	Gender
C122	Rearenginedoor	562565	female	C225	FJB	562650	male
C131A	Engine_Cmpt	561782	male	C225	FJB	562649	female
C131A	Engine_Cmpt	561781	female	C226	FJB	562650	male
C131B	Engine_Cmpt	561782	male	C226	FJB	562649	female
C131B	Engine_Cmpt	561781	female	C242	Service_Cmpt	562789	male
C140	Dash	562477	male	C242	Service_Cmpt	565131	female
C140	Dash	562479	female	C243	FrontVehicle	563347	male
C144	RJB	560852	male	C243	FrontVehicle	563180	female
C144	RJB	560851	female	C243.	FrontVehicle	562789	male
C152	Cond_Cmpt	561611	male	C243.	FrontVehicle	565131	female
C152	Cond_Cmpt	561610	female	C259	3rd_LH_Lugg_Cmpt	561637	male
C158	Condensorcmt.	562477	male	C259	3rd_LH_Lugg_Cmpt	561636	female
C158	Condensorcmt.	562479	female	C266	Parcelrack	561782	male
C170	LH_Console	561637	male	C266	Parcelrack	561781	female
C170	LH_Console	561636	female	C267	Parcelrack	561782	male
C171	LH_Console	561646	male	C267	Parcelrack	561781	female
C171	LH_Console	561645	female	C279	Service_Cmpt	562477	male
C187	RJB	561577	male	C279	Service_Cmpt	562479	female
C187	RJB	561605	female	C284	Parcelrack	561247	male
C188	Evap_Cmpt	561577	male	C284	Parcelrack	561248	female
C188	Evap_Cmpt	561605	female	C284_1	Parcelrack	561247	male
C189	RJB	561986	male	C284_1	Parcelrack	561248	female
C189	RJB	561987	female	C284_2	Parcelrack	561247	male
C193_plu	RJB	563589	male	C284_2	Parcelrack	561248	female
C193_so	RJB	563590	female	C284_3	Parcelrack	561247	male
C194	FJB	563589	male	C284_3	Parcelrack	561248	female
C194	FJB	563590	female	C284_4	Parcelrack	561247	male
C195	Dash	563347	male	C284_4	Parcelrack	561248	female
C195	Dash	560489	female	C284_5	Parcelrack	561247	male
C206	Parcel_Rack_RH	562503	male	C284_5	Parcelrack	561248	female
C206	Parcel_Rack_RH	562507	female	C290	Rear_Vehicle	562477	male
C207	Parcel_Rack_LH	562503	male	C290	Rear_Vehicle	562479	female
C207	Parcel_Rack_LH	562507	female	C298	Parcelrack	561782	male
C212	WCLArea	561515	male	C298	Parcelrack	561781	female
C212	WCLArea	561552	female	C355	RJB	563582	male
C213	Parcel_Rack_LH	561515	male	C355	RJB	563583	female
C213	Parcel_Rack_LH	561552	female	C356	Parcelrack	561710	male
C222	FJB	562477	male	C356	Parcelrack	561709	female
C222	FJB	562479	female	C357	Parcelrack	561847	male
C223	FJB	563227	male	C357	Parcelrack	561862	female
C223	FJB	563614	female	C380A	Dash	564222	male
C224	FJB	561637	male	C380A	Dash	564224	female
C224	FJB	561636	female	C381	Parcel_Rack	561847	male

# CONNECTORS LIST

No	Location	Part #	Gender	No	Location	Part #	Gender
C381	Parcel_Rack	561862	female	C506spB	FJB	561687	male
C382	Under_Seat	561580	male	C506spB	FJB	561685	female
C382	Under_Seat	561582	female	C542	Parcelrack	561550	male
C397	RJB	562285	male	C542	Parcelrack	561667	female
C397	RJB	562282	female	C558	Parcelrack	562503	male
C430	LH_Console	562363	male	C558	Parcelrack	562507	female
C430	LH_Console	561188	female	C564	Parcelrack	562503	male
C452	Dash	561669	male	C564	Parcelrack	562507	female
C452	Dash	561670	female	C564-Sp	Parcelrack	562503	male
C298	Parcelrack	561782	male	C564-Sp	Parcelrack	562507	female
C298	Parcelrack	561781	female	C566	Parcelrack	562503	male
C355	RJB	563582	male	C566	Parcelrack	562507	female
C355	RJB	563583	female	C567	Parcelrack	562503	male
C356	Parcelrack	561710	male	C567	Parcelrack	562507	female
C356	Parcelrack	561709	female	C575	Parcel_Rack_RH	562503	male
C357	Parcelrack	561847	male	C575	Parcel_Rack_RH	562507	female
C357	Parcelrack	561862	female	C576B	Parcel_Rack_RH	562006	male
C380A	Dash	564222	male	C576B	Parcel_Rack_RH	560908	female
C380A	Dash	564224	female	C576BB	Parcelrack	562006	male
C381	Parcel_Rack	561847	male	C576BB	Parcelrack	560908	female
C381	Parcel_Rack	561862	female	C577A	Parcel_Rack	562006	male
C382	Under_Seat	561580	male	C577A	Parcel_Rack	560908	female
C382	Under_Seat	561582	female	C577AA	Parcelrack	562006	male
C397	RJB	562285	male	C577AA	Parcelrack	560908	female
C397	RJB	562282	female	C578	Parcel_Rack_LH	562503	male
C430	LH_Console	562363	male	C578	Parcel_Rack_LH	562507	female
C430	LH_Console	561188	female	C582	FJB	561690	female
C452	Dash	561669	male	C582	FJB	561566	female
C452	Dash	561670	female	C600	Dash	563226	male
C463	Rearaxlecmpt.	568111	male	C600	Dash	563613	female
C463	Rearaxlecmpt.	568112	female	C601	LHRoofWinAjar	561476	male
C464	FJB	564222	male	C601	LHRoofWinAjar	561477	female
C464	FJB	564224	female	C602	Parcel_Rack_LH	561668	male
C464A	Dash	564222	male	C602	Parcel_Rack_LH	561551	female
C464A	Dash	564224	female	C603	RHRoofWinAjar	561476	male
C464B	FJB	564222	male	C603	RHRoofWinAjar	561477	female
C464B	FJB	564224	female	C608	Parcel_Rack_LH	561577	male
C465	Parcelrack	562581	male	C608	Parcel_Rack_LH	561605	female
C465	Parcelrack	562583	female	C609	Parcel_Rack_LH	561550	male
C506	FJB	561687	male	C609	Parcel_Rack_LH	561667	female
C506	FJB	561685	female	C612	Parcel_Rack_LH	561687	male
C506spA	FJB	561687	male	C612	Parcel_Rack_LH	561685	female
C506spA	FJB	561685	female	C614	Passenger_Area	563071	male

# CONNECTORS LIST

No	Location	Part #	Gender	No	Location	Part #	Gender
C614	Passenger_Area	563040	female	C_Se51	FJB	563589	male
C615	Passenger_Area	563071	male	C_Se51	FJB	563590	female
C615	Passenger_Area	563040	female	C_USB	Parcelrack	562069	male
C617	Mirror_LH	563801	male	C_USB	Parcelrack	562070	female
C617	Mirror_LH	563800	female	CCAN1	FJB	562650	male
C618	Mirror_RH	563801	male	CCAN1	FJB	562649	female
C618	Mirror_RH	563800	female	CCAN2	FJB	562650	male
C620	FJB	562477	male	CCAN2	FJB	562649	female
C620	FJB	562479	female	CCAN3	FJB	562650	male
C662_plug	FJB	562477	male	CCAN3	FJB	562649	female
C662_socket	FJB	562479	female	CCAN4	FJB	562650	male
C700	FJB	561637	male	CCAN4	FJB	562649	female
C700	FJB	561636	female	CCust	Parcel_Rack_Fr_WCL	562477	male
C700A_plug	FJB	561637	male	CCust	RJB	562479	female
C700A_socket	FJB	561636	female	CFHPR1	Parcelrack	564560	male
C752	Parcelrack	901283	female	CIND-1.A	Parcelrack	560908	female
C753	Parcelrack	901283	female	CIND-1.B	Parcelrack	560908	female
C766	Parcelrack	561662	male	CIND-2.A	Parcelrack	560908	female
C766	Parcelrack	561661	female	CIND-2.B	Parcelrack	560908	female
C768	Parcelrack	901283	female	CIND-11.A	Parcelrack	560908	female
C769	Parcelrack	901283	female	CIND-11.B	Parcelrack	560908	female
C777	Dash	562477	male	CINDWC-1.A	Parcelrack	560908	female
C777	Dash	562479	female	CINDWC-1.B	Parcelrack	560908	female
C_A60DB	Parcelrack	563071	male	CL1	Service_Cmpt	562485	male
C_A60DB	Parcelrack	563040	female	CL1	Service_Cmpt	562486	female
C_ALT	Enginecmpt.	562581	male	CL142	Lavatory	562006	male
C_ALT	Enginecmpt.	562583	female	CL142	Lavatory	560908	female
C_ALT3	Enginecmpt.	562477	male	CL142A	Lavatory	562006	male
C_ALT3	Enginecmpt.	562479	female	CL142A	Lavatory	560908	female
C_AUDIO_AUX	Parcelrack	562557	male	CP1	Passenger_Area	561782	male
C_AUDIO_AUX	Parcelrack	562558	female	CP1	Passenger_Area	561781	female
C_AUX	Parcelrack	563071	male	CP2	Passenger_Area	561782	male
C_AUX	Parcelrack	563040	female	CP2	Passenger_Area	561781	female
C_INV1	Parcelrack	562337	male	CP3	Passengersarea	561782	male
C_INV1	Parcelrack	562338	male	CP3	Passengersarea	561781	female
C_INV2	Parcelrack	562337	male	CP4	Passenger_Area	561782	male
C_INV2	Parcelrack	562338	male	CP4	Passenger_Area	561781	female
C_LineOut	Parcelrack	563962	male	CP5	Passenger_Area	561782	male
C_LineOut	Parcelrack	564489	female	CP5	Passenger_Area	561781	female
C_Mo9	Evap_Cmpt	561577	male	CP6	Passengersarea	562337	male
C_Mo9	Evap_Cmpt	561605	female	CP6	Passengersarea	562338	male
C_Mo9:2	Evap_Cmpt	561577	male	CR72	RearSeat	563409	male
C_Mo9:2	Evap_Cmpt	561605	female	CR72	RearSeat	563410	female

# CONNECTORS LIST

No	Location	Part #	Gender	No	Location	Part #	Gender
CSe80	RJB	562477	male	L24	Frontcap	562486	female
CSe80	RJB	562479	female	L25	Frontcap	562486	female
CSw102	EngineCmpt.	562549	male	L26	Frontcap	562486	female
CSw102	EngineCmpt.	562550	female	L27	Frontcap	562486	female
CSX1	Engine_Cmpt	563135	male	L28	Parcelrack	560898	male
CSX1	Engine_Cmpt	563134	female	L29	Parcelrack	560898	male
CSX3	Engine_Cmpt	563135	male	L30	Parcelrack	560898	male
CSX3	Engine_Cmpt	563134	female	L30A.A	Parcelrack	560898	male
CP4	Passenger_Area	561782	male	L30B.A	Parcelrack	560898	male
CP4	Passenger_Area	561781	female	L31	Parcelrack	560898	male
CP5	Passenger_Area	561782	male	L32	Parcelrack	560898	male
CP5	Passenger_Area	561781	female	L33	Parcelrack	560898	male
CP5A		561782	male	L34	Parcelrack	560898	male
CP5A		561781	female	L35	Parcelrack	560898	male
CP6	Passengersarea	562337	male	L36	Parcelrack	560898	male
CP6	Passengersarea	562338	male	L37	Parcelrack	560898	male
CR72	RearSeat	563409	male	L38	Parcelrack	560898	male
CR72	RearSeat	563410	female	L39	Parcelrack	560898	male
CSe80	RJB	562477	male	L40	Parcelrack	560898	male
CSe80	RJB	562479	female	L41	Parcelrack	560898	male
CSw102	EngineCmpt.	562549	male	L42	Parcelrack	560898	male
CSw102	EngineCmpt.	562550	female	L43	Parcelrack	560898	male
CSX1	Engine_Cmpt	563135	male	L44	Parcelrack	560898	male
CSX1	Engine_Cmpt	563134	female	L45	Parcelrack	560898	male
CSX3	Engine_Cmpt	563135	male	L46	Parcelrack	560898	male
CSX3	Engine_Cmpt	563134	female	L47	Parcelrack	560898	male
CT_IN	Engine_Cmpt	563582	male	L48	Parcelrack	560898	male
CT_IN	Engine_Cmpt	563583	female	L49	Parcelrack	560898	male
CT_IN1	Engine_Cmpt	560167	male	L50	Parcelrack	560898	male
CT_IN1	Engine_Cmpt	560159	female	L51	Parcelrack	560898	male
CT_Out	Engine_Cmpt	560478	female	L52	Parcelrack	560898	male
CXC1	Service_Cmpt	562477	male	L52	Parcelrack	560900	female
CXC1	Service_Cmpt	562479	female	L52A	Parcelrack	560898	male
D92	Parcelrack	564496	male	L53	Parcelrack	560898	male
EI	Enginecmpt.	563739	male	L53	Parcelrack	560900	female
L1A	Engine_Cmpt	560774	male	L53A	Parcelrack	560898	male
L16.A	Frontroof	562615	female	L54	Parcelrack	560898	male
L16.B	Frontroof	562615	female	L54	Parcelrack	560900	female
L17.A	Frontroof	562615	female	L54A	Parcelrack	560898	male
L17.B	Frontroof	562615	female	L55	Parcelrack	560898	male
L21	Frontcap	562486	female	L55	Parcelrack	560900	female
L22	Frontcap	562486	female	L55A	Parcelrack	560898	male
L23	Frontcap	562486	female	L56	Parcelrack	560898	male

# CONNECTORS LIST

No	Location	Part #	Gender	No	Location	Part #	Gender
L56	Parcelrack	560900	female	L149	Parcelrack	561186	male
L56A	Parcelrack	560898	male	L150	Parcelrack	561186	male
L57	Parcelrack	560898	male	L151	Parcelrack	561186	male
L57	Parcelrack	560900	female	L152	Parcelrack	561186	male
L57A	Parcelrack	560898	male	L153	Parcelrack	561186	male
L58	Parcelrack	560898	male	L154	Parcelrack	561186	male
L58	Parcelrack	560900	female	L155	Parcelrack	561186	male
L58A	Parcelrack	560898	male	L156	Parcelrack	561186	male
L59	Out_Side_Front_RH	562623	male	L157	Parcelrack	561186	male
L59A	OutsideFrontRH	563366	male	L158	Parcelrack	561186	male
L59B	Out_Side_Front_RH	562623	male	L170	Lugg_cmpt	561690	male
L60	OutsideFrontLH	562623	male	L173.A	Parcelrack	563590	female
L60A	OutsideFrontLH	563366	male	L174A	Parcelrack	563590	female
L60B	Out_Side_Front_LH	562623	male	L176	3rd_Lugg_Cmpt	561247	male
L61	Out_Side_Front_RH	562601	male	L177	3rd_Lugg_Cmpt	561247	male
L62	Out_Side_Front_LH	562601	male	L177A	WCLCmpt.	561690	male
L71A	Rearenginedoor	562601	male	L177B	WCLCmpt.	561690	male
L73A	Rearenginedoor	562601	male	L180	2nd_Lugg_Cmpt	561247	male
L77A	Rearvehicule	562601	male	L181	2nd_Lugg_Cmpt	561247	male
L78A	Rearvehicule	562601	male	L182	1st_Lugg_Cmpt	561247	male
L79A	Rearvehicule	562601	male	L183	1st_Lugg_Cmpt	561247	male
L80A	Rearvehicule	562601	male	L184	Servicecmpt.	561247	male
L81.A	Rear_Vehicle	562835	female	L185.A	Servicecmpt.	561539	male
L81.B	Rear_Vehicle	562834	male	L185.B	Servicecmpt.	561539	male
L82A	Rearvehicule	562348	female	L186.A	Dash	561539	male
L83A	Rearvehicule	562348	female	L186.B	Dash	561539	male
L91A	Rearvehicule	562601	male	L187	Engine_Cmpt	561690	male
L92A	Rearvehicule	562601	male	L188	Service_Cmpt	562486	female
L95	Outside_Front_LH	562902	female	L193.A	Dash	560488	female
L96	Outside_Front_RH	562902	female	L193.B	Dash	560488	female
L97.A	Outside_Front_LH	563069	female	L194.A	Dash	562019	female
L97.B	Outside_Front_LH	563069	female	L194.B	Dash	560488	female
L98.A	Entrance_Door	563069	female	L195.A	Dash	560488	female
L98.B	Outside_Front_RH	563069	female	L195.B	Dash	560488	female
L140	Lavatory	561247	male	L199	Enginecmpt.	562848	male
L142	Lavatory	562006	male	L203	RH_Console	561690	male
L142B	Lavatory	562006	male	L204	Parcel_Rack_RH	562803	male
L143	Parcelrack	561186	male	L205	Enginecmpt.	562485	male
L144	Parcelrack	561186	male	L206	Parcel_Rack_RH	562803	male
L145	Parcelrack	561186	male	L207.A	WCLCmpt.	561699	female
L146	Parcelrack	561186	male	L207.B	WCLCmpt.	561701	female
L147	Parcelrack	561186	male	L207.C	WCLCmpt.	561701	female
L148	Parcelrack	561186	male	L207.D	WCLCmpt.	561699	female

# CONNECTORS LIST

No	Location	Part #	Gender	No	Location	Part #	Gender
L207.E	WCLCmpt.	561701	female	Mo10	ParcelRack_Lh_Fan	561515	male
L207.F	WCLCmpt.	561699	female	Mo11	ParcelRack_Rh_Fan	561515	male
L207.G	WCLCmpt.	561699	female	Mo12	Engine_Cmpt	561690	male
L207.H	WCLCmpt.	563536	female	Mo13	Engine_Cmpt	561690	female
L207.I	WCLCmpt.	563536	female	Mo5	Front_Roof	561515	male
L207.I	WCLCmpt.	563536	female	Mo7	Cond_Cmpt	563691	male
L243	Parcelrack	561186	male	Mo8	Cond_Cmpt	563691	male
L244	Parcelrack	561186	male	Mo10	ParcelRack_Lh_Fan	561515	male
L245	Parcelrack	561186	male	Mo11	ParcelRack_Rh_Fan	561515	male
L246	Parcelrack	561186	male	Mo12	Engine_Cmpt	561690	male
L247	Parcelrack	561186	male	Mo13	Engine_Cmpt	561690	female
L248	Parcelrack	561186	male	Mo14	Engine_Cmpt	561566	female
L249	Parcelrack	561186	male	Mo15	Front_Ceiling	560900	female
L250	Parcelrack	561186	male	Mo16	Front_Ceiling	560900	female
L251	Parcelrack	561186	male	Mo17	RH_Console	563626	male
L252	Parcelrack	561186	male	Mo19	Fr_Service_Door	562474	male
L253	Parcelrack	561186	male	Mo20	Fr_Service_Door	562474	male
L254	Parcelrack	561186	male	Mo22	RH_Console	561186	male
L255	Parcelrack	561186	male	Mo24	RH_Console	562348	female
L256	Parcelrack	561186	male	Mo25	RH_Console	562348	female
L257	Parcelrack	561186	male	Mo27	Cond_Cmpt	563691	male
L258	Parcelrack	561186	male	Mo28	Cond_Cmpt	563691	male
L282	Engine_Cmpt	561690	male	Mo29	RJBcmpt.	563590	female
L283	Service_Cmpt	562485	male	Mo30	Compr_Door	564161	male
L285.A	Rear_Vehicle	562835	female	Mo31	Parcelrack	564161	male
L285.B	Rear_Vehicle	562834	male	Mo32	Parcelrack	564161	male
L286.A	Rear_Vehicle	562835	female	Mo33	Parcelrack	564161	male
L286.B	Rear_Vehicle	562834	male	Mo34	Parcelrack	564161	male
L296	Refrigerator	561248	female	Mo35	3rd_Lugg_Door	564161	male
L298A	Enginecmpt.	563590	female	Mo36	Parcelrack	564161	male
L306	RJBcmpt.	561247	male	Mo54	Service_Cmpt	562474	male
L313	Rr_Roof	562549	male	Mo62	FrontHatch	562486	female
L350A.A	Rearaxlecmpt.	564552	male	Mo63	RearHatch	562486	female
L350A.B	Rearaxlecmpt.	563340	male	Mo65	Enginecmpt.	568089	male
L350A.C	Rearaxlecmpt.	562251	male	Mo67	Enginecmpt.	568089	male
L606	Rr_Roof	560898	male	Mo68	Enginecmpt.	568089	male
L606	Rr_Roof	560900	female	Mo69	Enginecmpt.	568089	male
L606A	Rr_Roof	560898	male	Mo70	Enginecmpt.	568089	male
Mo3	Dash	561667	female	Mo71	Enginecmpt.	568089	male
Mo4	Dash	562076	male	Mo72	Enginecmpt.	568089	male
Mo5	Front_Roof	561515	male	Mo73	Enginecmpt.	568089	male
Mo7	Cond_Cmpt	563691	male	P_In1	Passenger_Area	561782	male
Mo8	Cond_Cmpt	563691	male	P_In1	Passenger_Area	561781	female



# CONNECTORS LIST

No	Location	Part #	Gender	No	Location	Part #	Gender
P_Out1	Passenger_Area	561782	male	RadioVolvo3_966.B	Parcelrack	563962	male
P_Out1	Passenger_Area	561781	female	RadioVolvo3_966.C1	Parcelrack	563956	male
P_Out2	Passenger_Area	561782	male	RadioVolvo3_966.C2	Parcelrack	563957	male
P_Out2	Passenger_Area	561781	female	RadioVolvo3_966.C3	Parcelrack	563958	male
P_Out3	Passenger_Area	561782	male	Res3.A	RJB	563590	female
P_Out3	Passenger_Area	561781	female	Res4	FJB	563590	female
PC1	FJB	562650	male	Res6	FJB	563590	female
PC1	FJB	562649	female	Res6A	FJB	563589	male
PF	FJB	561782	male	Res6A	FJB	563590	female
PF	FJB	561781	female	Res6B	FJB	563589	male
PF1	Passenger_Area	561782	male	Res6B	FJB	563590	female
PF1	Passenger_Area	561781	female	Res7	dash	563590	female
Pot1.A	Dash	560488	female	Res15	Engine_Cmpt	561782	male
Pot1.B	Dash	560488	female	Res31	Ureacmpt.	562350	male
Pot1.C	Dash	560488	female	Res32	Ureacmpt.	563764	female
PR	Parcelrack	561782	male	Res53.A	FJB	563590	female
PR	Parcelrack	561781	female	Res99	FJB	563590	female
PR1	Passenger_Area	561782	male	Se2	LH_Console	561566	female
PR1	Passenger_Area	561781	female	Se4	Window_RH	561477	female
R3	RJB	563409	male	Se5	Window_RH	561477	female
R4	FJB	564496	male	Se6	Window_RH	561477	female
R5	RJB	564496	male	Se7	Window_LH	561477	female
R12	Evap_Cmpt	563409	male	Se8	Window_LH	561477	female
R20	RJB	564496	male	Se9	Window_LH	561477	female
R21	FJB	560525	male	Se10	FJB	561477	female
R21A	FJB	560525	male	Se11.A	Cond_Cmpt	560082	female
R26	Evap_Cmpt	564496	male	Se11.B	Cond_Cmpt	560082	female
R27	Dash	564496	male	Se11.C	Cond_Cmpt	560082	female
R28	RearSeat	563409	male	Se13	Engine_Cmpt	562350	male
R29	RJB	563409	male	Se14.A	Driver_Area	561782	male
R30	FJB	564496	male	Se14.B	Driver_Area	561781	female
R31	FJB	564496	male	Se15	RH_Console	560898	male
R34	RJB	564210	male	Se17	RH_Console	560900	female
R36	Dash	564496	male	Se18	Servicecmpt.	561566	female
R37	Dash	564496	male	Se19_P	Service_Cmpt	563677	male
R38	FJB	564496	male	Se19_S	Service_Cmpt	563677	male
R38A	RearSeat	563409	male	Se20	Evap_Cmpt	562426	male
R40	RJB	564496	male	Se20A	Evap_Cmpt	562426	male
R47	Parcelrack	564496	male	Se21	Dash	561248	female
R72.A	RearSeat	563409	male	Se23	Engine_Cmpt	563159	male
R210	Parcel_Rack_LH	560525	male	Se24	EvaporatorCmpt.	563758	female
R_12VISS	Parcelrack	564496	male	Se25	Passenger_Area	561248	female
RadioVolv	Parcelrack	563960	male	Se29	Engine_Cmpt	561566	female

# CONNECTORS LIST

No	Location	Part #	Gender	No	Location	Part #	Gender
Se30	Enginedoor	562877	female	Se79	Front_Axle	563340	male
Se31	Enginedoor	562877	female	Se80	Rear_Axle	563159	female
Se32	Rear_Axle_Cmpt	562426	male	Se89	Enginectmpt.	562350	male
Se33	Rear_Axle_Cmpt	562856	male	Se94	WCLUpperDoor	562877	female
Se34	Rear_Axle_Cmpt	562426	male	Se100	WCLdoor	562479	female
Se35	Rear_Axle_Cmpt	562426	male	shell1_1640	Driver_Area	562471	male
Se36	Rear_Axle_Cmpt	562427	male	So3	RH_Console	641385	male
Se37	Front_Axle_LH	641132	female	So4	RH_Console	641385	male
Se38	Front_Axle_RH	641132	female	So5	RH_Console	641385	male
Se39	Rear_Axle_LH	641132	female	So6	RH_Console	641385	male
Se40	Rear_Axle_LH	641132	female	So7	Service_Cmpt	561566	female
Se45	Servicecmpt.	563409	male	So8	Servicecmpt.	641385	male
Se46	Rearaxlecmpt.	562348	female	So9	Enginectmpt.	560016	female
Se49	Engine_Cmpt	561690	male	So10.A	Condensorcmpt.	562485	male
Se51	UnderDriverSeat	563589	male	So11	Cond_Cmpt	561566	female
Se53	Service_Cmpt	563159	female	So13	Evap_Cmpt	563204	female
Se54	Service_Cmpt	563159	female	So14	Servicecmpt.	641385	male
Se55	Service_Cmpt	563159	female	So15	Servicecmpt.	641385	male
Se56	WCLCmpt.	562479	female	So16	Servicecmpt.	641385	male
Se60	Service_Cmpt	563409	male	So17	Servicecmpt.	562848	male
Se62	WCL_System	561690	male	So20	Servicecmpt.	641385	male
Se63	Rearaxlecmpt.	641132	female	So21	Front_Axle_Cmpt	564046	female
Se64	Rearaxlecmpt.	641132	female	So22	Front_Axle_Cmpt	564046	female
Se65	Dash	564042	female	So23	Rear_Axle_Cmpt	564046	female
Se66	FJB	564039	female	So24	Rear_Axle_Cmpt	564046	female
Se67	Frontaxlecmpt.	563159	female	So27	Rearaxlecmpt.	564045	female
Se69	Frontaxlecmpt.	563159	female	So29	Parcelrack	641385	male
Se74	Rear_Axle_Cmpt	563340	male	So50	Rearaxlecmpt.	564046	female
Se75	Service_Cmpt	563159	female	So52	Rearaxlecmpt.	564045	female
Se76	EntranceDoor	562479	female	So53	Rear_Axle_Cmpt	641385	male
Se77	FJB	563159	female	So54	Enginectmpt.	564045	female
Se78	Pneumaticplate	563159	female	So55	Pneumaticplate	562848	male
Se79	Front_Axle	563340	male	So56	Rear_Axle_Cmpt	562350	male
Se80	Rear_Axle	563159	female	So57	Engine_Cmpt	562350	male
Se89	Enginectmpt.	562350	male	spBar4	Enginectmpt.	564135	male
Se94	WCLUpperDoor	562877	female	spBar5	Enginectmpt.	564135	male
Se100	WCLdoor	562479	female	spBar6	Enginectmpt.	564135	male
Se69	Frontaxlecmpt.	563159	female	spBar7	Enginectmpt.	564135	male
Se74	Rear_Axle_Cmpt	563340	male	spBar11	Rearvehicule	564135	male
Se75	Service_Cmpt	563159	female	spBar12	Rearvehicule	564135	male
Se76	EntranceDoor	562479	female	spBar13	Enginectmpt.	564135	male
Se77	FJB	563159	female	spBar14	Enginectmpt.	564135	male
Se78	Pneumaticplate	563159	female	spBar15	Enginectmpt.	564135	male

# CONNECTORS LIST

No	Location	Part #	Gender	No	Location	Part #	Gender
spBar16	Enginercmpt.	564135	male	Sw1.C258	Driver_Area	561188	female
spBar19	Condensorcmt.	564135	male	Sw1.C259	Driver_Area	561186	male
spBar20	Condensorcmt.	564135	male	Sw2	Dash	562763	male
spBar21	Condensorcmt.	564135	male	Sw3	Dash	562763	male
spBar22	Enginercmpt.	564135	male	Sw4	Dash	562763	male
spBar23	Enginercmpt.	564135	male	Sw6	Dash	562763	male
spBar24	Enginercmpt.	564135	male	Sw10A	LH_Console	562763	male
Spk1_L	Parcel_Rack_LH	563994	male	Sw10A	LH_Console	562763	male
Spk1_R	Parcel_Rack_RH	563994	male	Sw14	Dash	562763	male
Spk2_L	Parcel_Rack_LH	563994	male	Sw16	Dash	562763	male
Spk2_R	Parcel_Rack_RH	563994	male	Sw17	Dash	562763	male
Spk3_L	Parcel_Rack_LH	563994	male	Sw18A	LH_Console	562763	male
Spk3_R	Parcel_Rack_RH	563994	male	Sw20	Dash	562763	male
Spk4_L	Parcel_Rack_LH	563994	male	Sw21	Dash	562763	male
Spk4_R	Parcel_Rack_RH	563994	male	Sw24	Dash	562763	male
Spk5_L	Parcel_Rack_LH	563994	male	Sw24A	Dash	562763	male
Spk5_R	Parcel_Rack_RH	563994	male	Sw25	Dash	562763	male
Spk6_L	Parcel_Rack_LH	563994	male	Sw26	Dash	562763	male
Spk6_R	Parcel_Rack_RH	563994	male	Sw27	Dash	562763	male
Spk7_L	Parcel_Rack_LH	563994	male	Sw29	Dash	562763	male
Spk7_R	Parcel_Rack_RH	563994	male	Sw30	RJB	563135	male
Spk8_L	Parcel_Rack_LH	563994	male	Sw32	Dash	561477	female
Spk8_R	Parcel_Rack_RH	563994	male	Sw33	Dash	561476	male
Spk9_L	Parcel_Rack_LH	563994	male	Sw34	Outside_Front_RH	562477	male
Spk9_R	Parcel_Rack_RH	563994	male	Sw35	Console	562763	male
Spk10_L	Parcel_Rack_LH	563994	male	Sw38	LH_Console	562763	male
Spk10_R	Parcel_Rack_RH	563994	male	Sw40	LH_Console	561690	male
Spk11_L	Parcel_Rack_LH	563994	male	Sw41	LH_Console	562749	male
Spk11_R	Parcel_Rack_RH	563994	male	Sw42	WCLCmpt.	561635	female
Spk12_L	Parcel_Rack_LH	563994	male	Sw43	LH_Console	561690	male
Spk12_R	Parcel_Rack_RH	563994	male	Sw44.A	Servicecmpt.	562403	female
Spk13_L	Parcel_Rack_LH	563994	male	Sw45.A	3rd_Lugg_Cmpt	562403	female
Spk13_R	Parcel_Rack_RH	563994	male	Sw46.A	3rd_Lugg_Cmpt	562403	female
Spk14_L	Parcel_Rack_LH	563994	male	Sw46A.A	3rdlugg.cmpt.	562403	female
Spk14_R	Parcel_Rack_RH	563994	male	Sw49.A	2nd_Lugg_Cmpt	562403	female
Spk15_L	Parcel_Rack_LH	563994	male	Sw50.A	2nd_Lugg_Cmpt	562403	female
Spk15_R	Parcel_Rack_RH	563994	male	Sw51.A	1st_Lugg_Cmpt	562403	female
Spk16_L	Parcel_Rack_LH	563994	male	Sw52.A	1st_Lugg_Cmpt	562403	female
Spk16_R	Parcel_Rack_RH	563994	male	Sw55.A	Lavatory	560488	female
SpkDr_L	Parcelrack	563994	male	Sw55.B	Lavatory	560488	female
SpkDr_R	Parcelrack	563994	male	Sw56.A	Lavatory	560488	female
Sub1.A	Passenger_Area	564004	female	Sw56.B	Lavatory	560488	female
Sub2	Passenger_Area	564004	male	Sw58	EngineCmpt.	563135	male

# CONNECTORS LIST

No	Location	Part #	Gender	No	Location	Part #	Gender
Sw59	Engincmpt.	563135	male	Sw115.A	Compr_Door	560079	female
Sw63A	LHConsole	562763	male	Sw115.B	Compr_Door	560079	female
Sw64.A	Service_Cmpt	560815	female	Sw125.A	Service_Cmpt	561457	female
Sw64.B	Service_Cmpt	560815	female	Sw125.B	Service_Cmpt	561457	female
Sw80A	Dash	562763	male	Sw134.A	WCLArea	562615	female
Sw82	RJB	563135	male	Sw134.B	WCLArea	562615	female
Sw83.A	Dash	560082	female	Sw134.C	WCLArea	562615	female
Sw83.B	Dash	560815	female	Sw135.A	WCLdoor	562119	female
Sw83.C	Dash	560082	female	Sw135.B	WCLdoor	562119	female
Sw83.D	Dash	560815	female	Sw135.C	WCLdoor	562119	female
Sw83A	Dash	562581	male	Sw137	Dash	562763	male
Sw85	LH_Console	562749	male	Sw140	FJB	561566	female
Sw95.A	WCLdoor	562615	female	Sw142	LHConsole	562763	male
Sw95.B	WCLdoor	562615	female	Sw149	Dash	562763	male
Sw95.C	WCLdoor	562615	female	Sw150.A	Driver_Area	560081	female
Sw96.A	WCL_Door	562615	female	Sw150.B	Driver_Area	560081	female
Sw96.B	WCL_Door	562615	female	Sw153	Dash	562763	male
Sw96.C	WCLdoor	562615	female	Sw156	LH_Console	562763	male
Sw97.A	WCLsystem	562615	female	Sw157	Dash	562763	male
Sw97.B	WCLsystem	562615	female	Sw158	Dash	562763	male
Sw97.C	WCLsystem	562615	female	Sw158	Dash	562763	male
Sw98.A	WCLsystem	562615	female	Sw313.A	Lavatory	562615	female
Sw98.B	WCLsystem	562615	female	Sw313.B	Lavatory	562615	female
Sw98.C	WCLsystem	562615	female	Sw313.C	Lavatory	562615	female
Sw100A	Dash	562763	male	VECF1	FJB	563186	male
Sw102	RJB	561566	female	VECF2	FJB	563183	male
Sw109.A	1st_Lugg_LH	560079	female	VECF3	FJB	563185	male
Sw109.B	1st_Lugg_LH	560079	female	VECF4	FJB	563182	male
Sw110.A	1st_Lugg_RH	560079	female	VECF9	FJB	563448	male
Sw110.B	1st_Lugg_RH	560079	female	VECF10	FJB	563181	male
Sw111.A	2ndlugg.cmpt.	560079	female	VECF11	FJB	563184	male
Sw111.B	2ndlugg.cmpt.	560079	female	VECF12	FJB	563187	male
Sw112.A	2ndlugg.cmpt.	560079	female	VECPR1	Parcelrack_LH	563715	male
Sw112.B	2ndlugg.cmpt.	560079	female	VECPR2_plug	Parcelrack_LH	563716	male
Sw113.A	2ndlugg.cmpt.	560079	female	VECPR3_plug	Parcelrack_LH	563718	male
Sw113.B	2ndlugg.cmpt.	560079	female	VECPR4	Parcelrack_LH	563714	male
Sw114.A	3rd_Lugg_RH	560079	female	VECPR5	Parcelrack_LH	566021	male
Sw114.B	3rd_Lugg_RH	560079	female	VECPR6	Parcelrack_LH	566020	male
Sw115.A	Compr_Door	560079	female	VECR1	RJB	563186	male
Sw115.B	Compr_Door	560079	female	VECR2	RJB	563183	male
Sw113.B	2ndlugg.cmpt.	560079	female	VECR3	RJB	563185	male
Sw114.A	3rd_Lugg_RH	560079	female	VECR4	RJB	563182	male
Sw114.B	3rd_Lugg_RH	560079	female	VECR9	RJB	563448	male

# CONNECTORS LIST

No	Location	Part #	Gender				
VECR10	RJB	563181	male				
VECR11	RJB	563184	male				
VECR12	RJB	563187	male				
VECT2_plug	RearVehicle	563716	male				
VECT3	RearVehicle	563718	male				
VECT4	RearVehicle	563714	male				
Y80	Engine_Cmpt	563789	male				
Y81	Cond_Cmpt	563793	male				

# CONNECTORS LIST

No	Location	Part #	Gender	No	Location	Part #	Gender
120V_inlet	RearVehicle	561572	male	A34.7	EngineCmpt.	564258	male
A1	RJB	563975	male	A34.8	EngineCmpt.	564258	male
A2	FJB	563984	male	A34.J	Enginecmpt.	568118	male
A3	Dash	562363	male	A34.K	Enginecmpt.	564270	male
A4.A	Service_Cmpt	562428	female	A34.L	Enginecmpt.	564269	male
A4.B	Service_Cmpt	561188	female	A36.JA	FJB	562767	male
A5	Service_Cmpt	562428	female	A36.JB	FJB	562765	male
A6	Engine_Cmpt	562427	male	A36.JC	FJB	562957	male
A7	Rear_Axle_Cmpt	563979	male	A39.P101	Parcelrack	563201	male
A9.Cx1	FJB	564041	female	A39.P901	Parcelrack	563953	male
A9.Cx2	FJB	563678	male	A40.A	FJB	561668	male
A9.Cx3	FJB	564037	female	A60.A	Parcelrack	563071	male
A9.Cx4	FJB	564038	female	A60.B	Parcelrack	562706	female
A10.X1	Engine_Cmpt	563135	male	A60.C	Parcelrack	901110	male
A10.X3	Engine_Cmpt	563134	female	A60.D	Parcelrack	901110	male
A11	LH_Console	563142	male	A61.A	Parcelrack	562464	male
A14.A	Dash	562766	male	A61.B	Parcelrack	562465	male
A14.B	Dash	562767	male	A65.B	Parcelrack	901110	male
A14.C	Dash	562765	male	A65.C	Parcelrack	901110	male
A15	Dash	562464	male	A65.Csv	Parcelrack	562465	male
A17.D	RJB	561932	male	A65.D	Parcelrack	901110	male
A18.J1	FJB	562794	male	A69.A	Parcelrack	563071	male
A18.J2	FJB	562650	male	A69.B	Parcelrack	561716	female
A19	LH_Console	562878	female	A69.C	Parcelrack	561716	female
A20	Parcel_Rack_LH	561477	female	A69.D	Parcelrack	561716	female
A24.A	RH_Console	561890	male	A69.E	Parcelrack	561716	female
A24.B	RH_Console	561566	female	A69.F	Parcelrack	561716	female
A24.C	RH_Console	561889	female	A69.G	Parcelrack	561716	female
A25	Parcelrack	563025	male	A69.H	Parcelrack	561716	female
A26.P1	Enginecmpt.	562350	male	A70c	Parcelrack	561540	female
A26.P2	Enginecmpt.	563322	female	A77	Parcelrack	564547	male
A26.P4	Enginecmpt.	568088	male	A78	Parcelrack	562583	female
A27	Service_Cmpt	562929	male	A79	Parcelrack	562583	female
A28	Service_Cmpt	562928	male	A80	Parcelrack	562479	female
A29	Dash	562464	male	A81.JA	FJB	562767	male
A33.A	Parcelrack	563071	male	A81.JB	FJB	562765	male
A33.B	Parcelrack	562330	female	A81.JC	FJB	562957	male
A34.1	EngineCmpt.	564258	male	A83	Parcelrack	565970	female
A34.2	EngineCmpt.	564258	male	A84.A	Parcelrack	563071	male
A34.3	EngineCmpt.	564258	male	A96	FJB	564073	female
A34.4	EngineCmpt.	564258	male	A97	Dash	563226	male
A34.5	EngineCmpt.	564258	male	A97A	FJB	563226	male
A34.6	EngineCmpt.	564258	male	A97A	FJB	563613	female

# CONNECTORS LIST

No	Location	Part #	Gender	No	Location	Part #	Gender
A97B	FJB	563226	male	AE42.J2	FJB	564037	female
A97B	FJB	563613	female	AE42.J3	FJB	564004	male
A97S.A1	Dash	564401	male	AE43.J1	FJB	563679	male
A97S.A3	Dash	564403	male	AE43.J2	FJB	564037	male
A99	FJB	564205	male	AE43.J3	FJB	565957	male
A100	Front_Axle_Cmpt	563758	female	AE44.J1	FJB	563679	male
A101	Rear_RH_Axle_Cmpt	563758	female	AE44.J2	FJB	564037	female
A102	Rear_RH_Axle_Cmpt	563758	female	AE44.J3	FJB	565957	male
A103	Dash	562070	female	AE45.J1	FJB	563679	male
A107	EngineCmpt.	560336	male	AE45.J2	FJB	564037	female
A108	RJB	562766	male	AE45.J3	FJB	565957	male
A109A	FJB	564141	male	AE46.J1	FJB	563679	male
A113.A	Parcel_Rack_LH	563960	male	AE46.J2	FJB	564037	female
A113.B	Parcel_Rack_LH	563962	male	AE46.J3	FJB	565957	male
A113.C1	Parcel_Rack_LH	563956	male	AE47.J1	RH_console	563679	male
A113.C2	Parcel_Rack_LH	563957	male	AE47.J2	RH_console	564037	female
A113.C3	Parcel_Rack_LH	563958	male	AE47.J3	RH_console	565957	male
A114A	Dash	564252	male	AE48.J1	RH_console	563679	male
A120.A	Dashboard	563960	male	AE48.J2	RH_console	564037	female
A120.B	Dashboard	563962	male	AE48.J3	RH_console	565957	male
A120.C1	Dashboard	563956	male	AE49.J1	RJB	563679	male
A120.C2	Dashboard	563957	male	AE49.J2	RJB	564037	male
A120.C3	Dashboard	563958	male	AE49.J3	RJB	565957	male
A121.Vsa	Dash	563679	male	AE50.J1	RJB	563679	male
A121.Vsb	Dash	563678	male	AE50.J2	RJB	564037	male
A121.Vsc	Dash	564037	male	AE50.J3	RJB	565957	male
A121.Vsd	Dash	564118	male	AE51.J1	RJB	563679	male
A130	Driver_Area	563226	male	AE51.J2	RJB	564037	female
A131.A	Engine_Cmpt	561782	male	AE51.J3	RJB	565957	male
A131.B	Engine_Cmpt	561781	female	AE52.J1	RJB	563679	male
A137A	Condensercmpt.	20429843	male	AE52.J2	RJB	564037	female
A138	Cond_Cmpt	563787	male	AE52.J3	RJB	565957	male
A139	Dash	564501	male	AE53.J1	LR_ParcelRACK	563679	male
A151.A	Parcelrack	561582	female	AE53.J2	LR_ParcelRACK	564037	female
A151.B	Parcelrack	561582	female	AE53.J3	LR_ParcelRACK	565957	male
A152.J	Parcelrack	563071	male	AE54.J1	Evaporatorcmpt.	563679	male
A153.A	Parcelrack	562465	male	AE54.J2	Evaporatorcmpt.	564037	female
A160.A	WCLcmpt	562477	male	AE54.J3	Evaporatorcmpt.	565957	male
A160.B	WCLcmpt	562884	female	AE55.J1	Dash	563679	male
AE41.J1	FJB	563679	male	AE55.J2	Dash	564037	female
AE41.J2	FJB	564037	female	AE55.J3	Dash	564004	male
AE41.J3	FJB	564004	male	AE56.J1	Dash	563679	male
AE42.J1	FJB	563679	male	AE56.J2	Dash	564037	male

# CONNECTORS LIST

No	Location	Part #	Gender	No	Location	Part #	Gender
AE56.J3	Dash	564004	male	C55	FJB	563589	male
AE57.J1	WCLcmpt.	563679	male	C55	FJB	563590	female
AE57.J2	WCLcmpt.	564037	male	C6	FJB	563582	male
AE57.J3	WCLcmpt.	564004	male	C6	FJB	563583	female
Alt_LL.A	Enginectpt.	563746	female	C7	Service_Cmpt	562566	male
Alt_LL.B	Enginectpt.	560815	female	C7	Service_Cmpt	562565	female
Alt_LL.C	Enginectpt.	564469	female	C8	FJB	563227	male
Alt_LR.A	enginectpt.	563746	female	C8	FJB	563614	female
Alt_LR.B	Enginectpt.	560815	female	C9	RJB	561986	male
Alt_LR.C	Enginectpt.	564469	female	C9	RJB	561987	female
Alt_UR.A	Enginectpt.	563746	female	C10	Engine_Cmpt	562477	male
Alt_UR.B	Enginectpt.	560815	female	C10	Engine_Cmpt	562479	female
Alt_UR.C	Enginectpt.	564469	female	C11	Service_Cmpt	563580	male
B85	Engine_Cmpt	563815	male	C11	Service_Cmpt	563581	female
B96	Engine_Cmpt	563821	male	C12	Engine_Cmpt	562581	male
B96B	Engine_Cmpt	563823	male	C12	Engine_Cmpt	562583	female
B97	Engine_Cmpt	563816	male	C13_plug	RH_Console	563589	male
B98	Engine_Cmpt	563817	male	C13_socket	RH_Console	563590	female
B115A	Enginectpt.	564226	male	C13S	RH_Console	563589	male
B142C	Enginectpt.	563793	male	C13S	RH_Console	563590	female
B310	Enginectpt.	565967	male	C15A	Evapotatorcmpt.	568110	male
C1	FJB	563589	male	C15A	Evaporatocmpt.	568109	female
C1	FJB	563590	female	C16	RJB	561577	male
C1S	FJB	563589	male	C16	RJB	561605	female
C1S	FJB	563590	female	C17	RJB	560195	male
C2	Service_Cmpt	563580	male	C17	RJB	560169	female
C2	Service_Cmpt	563581	female	C18	FJB	561986	male
C2A	FJB	563580	male	C18	FJB	561987	female
C2A	FJB	563581	female	C19	RJB	561986	male
C2B	FJB	564034	male	C19	RJB	561987	female
C2B	FJB	564035	female	C20A	Evap_Cmpt	562485	male
C3_plug	RJB	563589	male	C20A	Evap_Cmpt	562486	female
C3_socke	RJB	563590	female	C20B	Evap_Cmpt	562485	male
C3AP	FJB	563589	male	C20B	Evap_Cmpt	562486	female
C3AP	FJB	563590	female	C23	Evaporatorcmpt.	564034	male
C3AS	FJB	563589	male	C23	Evaporatorcmpt.	564035	female
C3AS	FJB	563590	female	C24_plug	Evap_Cmpt	561690	male
C3S	RJB	563593	male	C24_socket	Evap_Cmpt	561566	female
C3S	RJB	563590	female	C25	Parcel_Rack_LH	561550	male
C4	FJB	563580	male	C25	Parcel_Rack_LH	561667	female
C4	FJB	563581	female	C25A	Parcel_Rack_RH	561669	male
C5	FJB	563589	male	C25A	Parcel_Rack_RH	561670	female
C5	FJB	563590	female	C26	Ureacmpt.	563226	male



# CONNECTORS LIST

No	Location	Part #	Gender	No	Location	Part #	Gender
C26	Ureacmpt.	563613	female	C42	FJB	561668	male
C26A	Ureacmpt.	568110	male	C42	FJB	561551	female
C26A	Ureacmpt.	568109	female	C44_plug	FJB	561577	male
C26B	Ureacmpt.	563227	male	C44_socket	FJB	561605	female
C26B	Ureacmpt.	563614	female	C45	FJB	561643	male
C29	4rd_Lugg_Cmpt	563651	male	C45	FJB	561642	female
C29	3rd_Lugg_Cmpt	563652	female	C46	WCLCmpt.	564228	male
C30	3rd_Lugg_Cmpt	561710	male	C46	WCLCmpt.	564229	female
C30	3rd_Lugg_Cmpt	561709	female	C47	FJB	565207	male
C31S	Parcelrack	561515	male	C48	Unican	565208	male
C31S	Parcelrack	561552	female	C49	FJB	562005	male
C31W	WCL_Parcel_Rack	563227	male	C49	FJB	561714	female
C31W	WCL_Parcel_Rack	563614	female	C50	RJB	563226	male
C32	lavatory	561734	male	C50	RJB	563613	female
C32	Lavatory	561735	female	C51	Enginecmpt.	564034	male
C32L	Lavatory	562006	male	C51	Enginecmpt.	560034	female
C32L	Lavatory	560908	female	C52	Evaporatorcmpt.	563618	male
C32W	WCLcmpt.	561640	male	C52	Evaporatorcmpt.	563616	female
C32W	WCLcmpt.	561639	female	C54	Enginecmpt.	563226	male
C32X	Lavatory	561247	male	C54	Enginecmpt.	563613	female
C32X	Lavatory	561248	female	C54A	Ureacmpt.	568110	male
C33	WCLcmpt.	564034	male	C54A	Ureacmpt.	568109	female
C33	WCLcmpt.	564035	female	C54B	Enginecmpt.	563589	male
C34	RH_Console	561986	male	C54B	Enginecmpt.	563590	female
C34	RH_Console	561987	female	C55	Evap_Cmpt	561577	male
C35	lavatory	561734	male	C55	Evap_Cmpt	561605	female
C35	Lavatory	561735	female	C58	Condensorcmt.	564567	male
C36	FJB	561986	male	C58	Condensorcmt.	564568	female
C36	FJB	561987	female	C59	RJB	561643	male
C37	Parcel_Rack_LH	562557	male	C59	RJB	561642	female
C37	Parcel_Rack_LH	562558	female	C61	Fr_Service_Door	561669	male
C37.	Parcel_Rack	561734	male	C61	Fr_Service_Door	561670	female
C37.	Parcel_Rack	561735	female	C62	Fr_Service_Door	562566	male
C38	Parcelrack	562555	male	C62	Fr_Service_Door	562565	female
C38	Parcelrack	562556	female	C63	Entrance_Door	562477	male
C38.	Parcelrack	561734	male	C63	Entrance_Door	562479	female
C38.	Parcelrack	561735	female	C64	Enginecmpt.	568110	male
C39A	Firesuppressioncmpt.	561782	male	C64	Enginecmpt.	568109	female
C39A	Firesuppressioncmpt.	561781	female	C66_plug	Evap_Cmpt	561577	male
C40	Dash	562485	male	C66_socket	Evap_Cmpt	561605	female
C40	Dash	562486	female	C68_plug	Parcel_Rack_LH	562503	male
C41	RJB	561782	male	C68_socket	Parcel_Rack_LH	562507	female
C41	RJB	561781	female	C69_plug	Parcel_Rack_LH	561690	male

# CONNECTORS LIST

No	Location	Part #	Gender	No	Location	Part #	Gender
C69_socket	Parcel_Rack_LH	561566	female	C87	Engine_Cmpt	562485	male
C55	Evap_Cmpt	561577	male	C87	Engine_Cmpt	562486	female
C55	Evap_Cmpt	561605	female	C88	FJB	563618	male
C58	Condensorcmt.	564567	male	C88	FJB	563616	female
C58	Condensorcmt.	564568	female	C91	RJB	564619	male
C59	RJB	561643	male	C91	RJB	562282	female
C59	RJB	561642	female	C92A	Enginecmt.	563226	male
C61	Fr_Service_Door	561669	male	C92A	Enginecmt.	563613	female
C61	Fr_Service_Door	561670	female	C92C	Enginecmt.	562581	male
C62	Fr_Service_Door	562566	male	C92C	Enginecmt.	562583	female
C62	Fr_Service_Door	562565	female	C94_plug	FJB	563589	male
C63	Entrance_Door	562477	male	C94_socket	FJB	563590	female
C63	Entrance_Door	562479	female	C96	FJB	561643	male
C64	Enginecmt.	568110	male	C96	FJB	561642	female
C64	Enginecmt.	568109	female	C97	FJB	561643	male
C66_plug	Evap_Cmpt	561577	male	C97	FJB	561642	female
C66_socket	Evap_Cmpt	561605	female	C100	Evaporatorcmt.	562477	male
C68_plug	Parcel_Rack_LH	562503	male	C100	Evaporatorcmt.	562479	female
C68_socket	Parcel_Rack_LH	562507	female	C100S	EvaporatorCmpt.	562477	male
C69_plug	Parcel_Rack_LH	561690	male	C100S	EvaporatorCmpt.	562479	female
C69_socket	Parcel_Rack_LH	561566	female	C101	Service_Cmpt	561690	male
C70	FJB	561550	male	C101	Service_Cmpt	561566	female
C70	FJB	561667	female	C102A	Condensorcmt.	563226	male
C71	FJB	561646	male	C102A	Condensorcmt.	563613	female
C71	FJB	561645	female	C103_plug	FJB	562485	male
C72	FJB	561646	male	C103_socket	FJB	562486	female
C72	FJB	561645	female	C105_plug	FJB	562581	male
C74	FJB	561645	female	C105_socket	FJB	562583	female
C74	FJB	561646	male	C106_plug	FJB	562581	male
C81	1st_Lugg_Cmpt	562477	male	C106_socket	FJB	562583	female
C81	1st_Lugg_Cmpt	562479	female	C107A	Enginecmt.	562885	female
C82	1st_Lugg_Cmpt	562477	male	C107A	Enginecmt.	562884	female
C82	1st_Lugg_Cmpt	562479	female	C107B	Enginecmt.	562885	female
C82A	1st_Lugg_Cmpt	563589	male	C107B	Enginecmt.	562884	female
C82A	1st_Lugg_Cmpt	563590	female	C107C	Enginecmt.	562885	female
C83	2nd_Lugg_Cmpt	562477	male	C107C	Enginecmt.	562884	female
C83	2nd_Lugg_Cmpt	562479	female	C110	Dash	568110	male
C84	2nd_Lugg_Cmpt	562477	male	C110	Dash	568109	female
C84	2nd_Lugg_Cmpt	562479	female	C119A	Rearenginedoor	568110	male
C85	4thlugg.cmt.	562477	male	C119A	Rearenginedoor	568109	female
C85	4thlugg.cmt.	562479	female	C121	Rearenginedoor	562566	male
C86	4thlugg.cmt.	563618	male	C121	Rearenginedoor	562565	female
C86	4thlugg.cmt.	563616	female	C122	Rearenginedoor	562566	male

# CONNECTORS LIST

No	Location	Part #	Gender	No	Location	Part #	Gender
C122	Rearenginedoor	562565	female	C225	FJB	562650	male
C131A	Engine_Cmpt	561782	male	C225	FJB	562649	female
C131A	Engine_Cmpt	561781	female	C226	FJB	562650	male
C131B	Engine_Cmpt	561782	male	C226	FJB	562649	female
C131B	Engine_Cmpt	561781	female	C242	Service_Cmpt	562789	male
C140	Dash	562477	male	C242	Service_Cmpt	565131	female
C140	Dash	562479	female	C243	FrontVehicle	563347	male
C144	RJB	560852	male	C243	FrontVehicle	563180	female
C144	RJB	560851	female	C243.	FrontVehicle	562789	male
C152	Cond_Cmpt	561611	male	C243.	FrontVehicle	565131	female
C152	Cond_Cmpt	561610	female	C259	3rd_LH_Lugg_Cmpt	561637	male
C158	Condensorcmpt.	562477	male	C259	3rd_LH_Lugg_Cmpt	561636	female
C158	Condensorcmpt.	562479	female	C266	Parcelrack	561782	male
C170	LH_Console	561637	male	C266	Parcelrack	561781	female
C170	LH_Console	561636	female	C267	Parcelrack	561782	male
C171	LH_Console	561646	male	C267	Parcelrack	561781	female
C171	LH_Console	561645	female	C279	Service_Cmpt	562477	male
C187	RJB	561577	male	C279	Service_Cmpt	562479	female
C187	RJB	561605	female	C284	Parcelrack	561247	male
C188	Evap_Cmpt	561577	male	C284	Parcelrack	561248	female
C188	Evap_Cmpt	561605	female	C284_1	Parcelrack	561247	male
C189	RJB	561986	male	C284_1	Parcelrack	561248	female
C189	RJB	561987	female	C284_2	Parcelrack	561247	male
C193_plu	RJB	563589	male	C284_2	Parcelrack	561248	female
C193_so	RJB	563590	female	C284_3	Parcelrack	561247	male
C194	FJB	563589	male	C284_3	Parcelrack	561248	female
C194	FJB	563590	female	C284_4	Parcelrack	561247	male
C195	Dash	563347	male	C284_4	Parcelrack	561248	female
C195	Dash	560489	female	C284_5	Parcelrack	561247	male
C206	Parcel_Rack_RH	562503	male	C284_5	Parcelrack	561248	female
C206	Parcel_Rack_RH	562507	female	C290	Rear_Vehicle	562477	male
C207	Parcel_Rack_LH	562503	male	C290	Rear_Vehicle	562479	female
C207	Parcel_Rack_LH	562507	female	C298	Parcelrack	561782	male
C212	WCLArea	561515	male	C298	Parcelrack	561781	female
C212	WCLArea	561552	female	C355	RJB	563582	male
C213	Parcel_Rack_LH	561515	male	C355	RJB	563583	female
C213	Parcel_Rack_LH	561552	female	C356	Parcelrack	561710	male
C222	FJB	562477	male	C356	Parcelrack	561709	female
C222	FJB	562479	female	C357	Parcelrack	561847	male
C223	FJB	563227	male	C357	Parcelrack	561862	female
C223	FJB	563614	female	C380A	Dash	564222	male
C224	FJB	561637	male	C380A	Dash	564224	female
C224	FJB	561636	female	C381	Parcel_Rack	561847	male

# CONNECTORS LIST

No	Location	Part #	Gender	No	Location	Part #	Gender
C381	Parcel_Rack	561862	female	C506spB	FJB	561687	male
C382	Under_Seat	561580	male	C506spB	FJB	561685	female
C382	Under_Seat	561582	female	C542	Parcelrack	561550	male
C397	RJB	562285	male	C542	Parcelrack	561667	female
C397	RJB	562282	female	C558	Parcelrack	562503	male
C430	LH_Console	562363	male	C558	Parcelrack	562507	female
C430	LH_Console	561188	female	C564	Parcelrack	562503	male
C452	Dash	561669	male	C564	Parcelrack	562507	female
C452	Dash	561670	female	C564-Sp	Parcelrack	562503	male
C298	Parcelrack	561782	male	C564-Sp	Parcelrack	562507	female
C298	Parcelrack	561781	female	C566	Parcelrack	562503	male
C355	RJB	563582	male	C566	Parcelrack	562507	female
C355	RJB	563583	female	C567	Parcelrack	562503	male
C356	Parcelrack	561710	male	C567	Parcelrack	562507	female
C356	Parcelrack	561709	female	C575	Parcel_Rack_RH	562503	male
C357	Parcelrack	561847	male	C575	Parcel_Rack_RH	562507	female
C357	Parcelrack	561862	female	C576B	Parcel_Rack_RH	562006	male
C380A	Dash	564222	male	C576B	Parcel_Rack_RH	560908	female
C380A	Dash	564224	female	C576BB	Parcelrack	562006	male
C381	Parcel_Rack	561847	male	C576BB	Parcelrack	560908	female
C381	Parcel_Rack	561862	female	C577A	Parcel_Rack	562006	male
C382	Under_Seat	561580	male	C577A	Parcel_Rack	560908	female
C382	Under_Seat	561582	female	C577AA	Parcelrack	562006	male
C397	RJB	562285	male	C577AA	Parcelrack	560908	female
C397	RJB	562282	female	C578	Parcel_Rack_LH	562503	male
C430	LH_Console	562363	male	C578	Parcel_Rack_LH	562507	female
C430	LH_Console	561188	female	C582	FJB	561690	female
C452	Dash	561669	male	C582	FJB	561566	female
C452	Dash	561670	female	C600	Dash	563226	male
C463	Rearaxlecmpt.	568111	male	C600	Dash	563613	female
C463	Rearaxlecmpt.	568112	female	C601	LHRoofWinAjar	561476	male
C464	FJB	564222	male	C601	LHRoofWinAjar	561477	female
C464	FJB	564224	female	C602	Parcel_Rack_LH	561668	male
C464A	Dash	564222	male	C602	Parcel_Rack_LH	561551	female
C464A	Dash	564224	female	C603	RHRoofWinAjar	561476	male
C464B	FJB	564222	male	C603	RHRoofWinAjar	561477	female
C464B	FJB	564224	female	C608	Parcel_Rack_LH	561577	male
C465	Parcelrack	562581	male	C608	Parcel_Rack_LH	561605	female
C465	Parcelrack	562583	female	C609	Parcel_Rack_LH	561550	male
C506	FJB	561687	male	C609	Parcel_Rack_LH	561667	female
C506	FJB	561685	female	C612	Parcel_Rack_LH	561687	male
C506spA	FJB	561687	male	C612	Parcel_Rack_LH	561685	female
C506spA	FJB	561685	female	C614	Passenger_Area	563071	male

# CONNECTORS LIST

No	Location	Part #	Gender	No	Location	Part #	Gender
C614	Passenger_Area	563040	female	C_Se51	FJB	563589	male
C615	Passenger_Area	563071	male	C_Se51	FJB	563590	female
C615	Passenger_Area	563040	female	C_USB	Parcelrack	562069	male
C617	Mirror_LH	563801	male	C_USB	Parcelrack	562070	female
C617	Mirror_LH	563800	female	CCAN1	FJB	562650	male
C618	Mirror_RH	563801	male	CCAN1	FJB	562649	female
C618	Mirror_RH	563800	female	CCAN2	FJB	562650	male
C620	FJB	562477	male	CCAN2	FJB	562649	female
C620	FJB	562479	female	CCAN3	FJB	562650	male
C662_plug	FJB	562477	male	CCAN3	FJB	562649	female
C662_socket	FJB	562479	female	CCAN4	FJB	562650	male
C700	FJB	561637	male	CCAN4	FJB	562649	female
C700	FJB	561636	female	CCust	Parcel_Rack_Fr_WCL	562477	male
C700A_plug	FJB	561637	male	CCust	RJB	562479	female
C700A_socket	FJB	561636	female	CFHPR1	Parcelrack	564560	male
C752	Parcelrack	901283	female	CIND-1.A	Parcelrack	560908	female
C753	Parcelrack	901283	female	CIND-1.B	Parcelrack	560908	female
C766	Parcelrack	561662	male	CIND-2.A	Parcelrack	560908	female
C766	Parcelrack	561661	female	CIND-2.B	Parcelrack	560908	female
C768	Parcelrack	901283	female	CIND-11.A	Parcelrack	560908	female
C769	Parcelrack	901283	female	CIND-11.B	Parcelrack	560908	female
C777	Dash	562477	male	CINDWC-1.A	Parcelrack	560908	female
C777	Dash	562479	female	CINDWC-1.B	Parcelrack	560908	female
C_A60DB	Parcelrack	563071	male	CL1	Service_Cmpt	562485	male
C_A60DB	Parcelrack	563040	female	CL1	Service_Cmpt	562486	female
C_ALT	Enginecmpt.	562581	male	CL142	Lavatory	562006	male
C_ALT	Enginecmpt.	562583	female	CL142	Lavatory	560908	female
C_ALT3	Enginecmpt.	562477	male	CL142A	Lavatory	562006	male
C_ALT3	Enginecmpt.	562479	female	CL142A	Lavatory	560908	female
C_AUDIO_AUX	Parcelrack	562557	male	CP1	Passenger_Area	561782	male
C_AUDIO_AUX	Parcelrack	562558	female	CP1	Passenger_Area	561781	female
C_AUX	Parcelrack	563071	male	CP2	Passenger_Area	561782	male
C_AUX	Parcelrack	563040	female	CP2	Passenger_Area	561781	female
C_INV1	Parcelrack	562337	male	CP3	Passengersarea	561782	male
C_INV1	Parcelrack	562338	male	CP3	Passengersarea	561781	female
C_INV2	Parcelrack	562337	male	CP4	Passenger_Area	561782	male
C_INV2	Parcelrack	562338	male	CP4	Passenger_Area	561781	female
C_LineOut	Parcelrack	563962	male	CP5	Passenger_Area	561782	male
C_LineOut	Parcelrack	564489	female	CP5	Passenger_Area	561781	female
C_Mo9	Evap_Cmpt	561577	male	CP6	Passengersarea	562337	male
C_Mo9	Evap_Cmpt	561605	female	CP6	Passengersarea	562338	male
C_Mo9:2	Evap_Cmpt	561577	male	CR72	RearSeat	563409	male
C_Mo9:2	Evap_Cmpt	561605	female	CR72	RearSeat	563410	female

# CONNECTORS LIST

No	Location	Part #	Gender	No	Location	Part #	Gender
CSe80	RJB	562477	male	L24	Frontcap	562486	female
CSe80	RJB	562479	female	L25	Frontcap	562486	female
CSw102	EngineCmpt.	562549	male	L26	Frontcap	562486	female
CSw102	EngineCmpt.	562550	female	L27	Frontcap	562486	female
CSX1	Engine_Cmpt	563135	male	L28	Parcelrack	560898	male
CSX1	Engine_Cmpt	563134	female	L29	Parcelrack	560898	male
CSX3	Engine_Cmpt	563135	male	L30	Parcelrack	560898	male
CSX3	Engine_Cmpt	563134	female	L30A.A	Parcelrack	560898	male
CP4	Passenger_Area	561782	male	L30B.A	Parcelrack	560898	male
CP4	Passenger_Area	561781	female	L31	Parcelrack	560898	male
CP5	Passenger_Area	561782	male	L32	Parcelrack	560898	male
CP5	Passenger_Area	561781	female	L33	Parcelrack	560898	male
CP5A		561782	male	L34	Parcelrack	560898	male
CP5A		561781	female	L35	Parcelrack	560898	male
CP6	Passengersarea	562337	male	L36	Parcelrack	560898	male
CP6	Passengersarea	562338	male	L37	Parcelrack	560898	male
CR72	RearSeat	563409	male	L38	Parcelrack	560898	male
CR72	RearSeat	563410	female	L39	Parcelrack	560898	male
CSe80	RJB	562477	male	L40	Parcelrack	560898	male
CSe80	RJB	562479	female	L41	Parcelrack	560898	male
CSw102	EngineCmpt.	562549	male	L42	Parcelrack	560898	male
CSw102	EngineCmpt.	562550	female	L43	Parcelrack	560898	male
CSX1	Engine_Cmpt	563135	male	L44	Parcelrack	560898	male
CSX1	Engine_Cmpt	563134	female	L45	Parcelrack	560898	male
CSX3	Engine_Cmpt	563135	male	L46	Parcelrack	560898	male
CSX3	Engine_Cmpt	563134	female	L47	Parcelrack	560898	male
CT_IN	Engine_Cmpt	563582	male	L48	Parcelrack	560898	male
CT_IN	Engine_Cmpt	563583	female	L49	Parcelrack	560898	male
CT_IN1	Engine_Cmpt	560167	male	L50	Parcelrack	560898	male
CT_IN1	Engine_Cmpt	560159	female	L51	Parcelrack	560898	male
CT_Out	Engine_Cmpt	560478	female	L52	Parcelrack	560898	male
CXC1	Service_Cmpt	562477	male	L52	Parcelrack	560900	female
CXC1	Service_Cmpt	562479	female	L52A	Parcelrack	560898	male
D92	Parcelrack	564496	male	L53	Parcelrack	560898	male
EI	Enginecmpt.	563739	male	L53	Parcelrack	560900	female
L1A	Engine_Cmpt	560774	male	L53A	Parcelrack	560898	male
L16.A	Frontroof	562615	female	L54	Parcelrack	560898	male
L16.B	Frontroof	562615	female	L54	Parcelrack	560900	female
L17.A	Frontroof	562615	female	L54A	Parcelrack	560898	male
L17.B	Frontroof	562615	female	L55	Parcelrack	560898	male
L21	Frontcap	562486	female	L55	Parcelrack	560900	female
L22	Frontcap	562486	female	L55A	Parcelrack	560898	male
L23	Frontcap	562486	female	L56	Parcelrack	560898	male

# CONNECTORS LIST

No	Location	Part #	Gender	No	Location	Part #	Gender
L56	Parcelrack	560900	female	L149	Parcelrack	561186	male
L56A	Parcelrack	560898	male	L150	Parcelrack	561186	male
L57	Parcelrack	560898	male	L151	Parcelrack	561186	male
L57	Parcelrack	560900	female	L152	Parcelrack	561186	male
L57A	Parcelrack	560898	male	L153	Parcelrack	561186	male
L58	Parcelrack	560898	male	L154	Parcelrack	561186	male
L58	Parcelrack	560900	female	L155	Parcelrack	561186	male
L58A	Parcelrack	560898	male	L156	Parcelrack	561186	male
L59	Out_Side_Front_RH	562623	male	L157	Parcelrack	561186	male
L59A	OutsideFrontRH	563366	male	L158	Parcelrack	561186	male
L59B	Out_Side_Front_RH	562623	male	L170	Lugg_cmpt	561690	male
L60	OutsideFrontLH	562623	male	L173.A	Parcelrack	563590	female
L60A	OutsideFrontLH	563366	male	L174A	Parcelrack	563590	female
L60B	Out_Side_Front_LH	562623	male	L176	3rd_Lugg_Cmpt	561247	male
L61	Out_Side_Front_RH	562601	male	L177	3rd_Lugg_Cmpt	561247	male
L62	Out_Side_Front_LH	562601	male	L177A	WCLCmpt.	561690	male
L71A	Rearenginedoor	562601	male	L177B	WCLCmpt.	561690	male
L73A	Rearenginedoor	562601	male	L180	2nd_Lugg_Cmpt	561247	male
L77A	Rearvehicule	562601	male	L181	2nd_Lugg_Cmpt	561247	male
L78A	Rearvehicule	562601	male	L182	1st_Lugg_Cmpt	561247	male
L79A	Rearvehicule	562601	male	L183	1st_Lugg_Cmpt	561247	male
L80A	Rearvehicule	562601	male	L184	Servicecmpt.	561247	male
L81.A	Rear_Vehicle	562835	female	L185.A	Servicecmpt.	561539	male
L81.B	Rear_Vehicle	562834	male	L185.B	Servicecmpt.	561539	male
L82A	Rearvehicule	562348	female	L186.A	Dash	561539	male
L83A	Rearvehicule	562348	female	L186.B	Dash	561539	male
L91A	Rearvehicule	562601	male	L187	Engine_Cmpt	561690	male
L92A	Rearvehicule	562601	male	L188	Service_Cmpt	562486	female
L95	Outside_Front_LH	562902	female	L193.A	Dash	560488	female
L96	Outside_Front_RH	562902	female	L193.B	Dash	560488	female
L97.A	Outside_Front_LH	563069	female	L194.A	Dash	562019	female
L97.B	Outside_Front_LH	563069	female	L194.B	Dash	560488	female
L98.A	Entrance_Door	563069	female	L195.A	Dash	560488	female
L98.B	Outside_Front_RH	563069	female	L195.B	Dash	560488	female
L140	Lavatory	561247	male	L199	Enginecmpt.	562848	male
L142	Lavatory	562006	male	L203	RH_Console	561690	male
L142B	Lavatory	562006	male	L204	Parcel_Rack_RH	562803	male
L143	Parcelrack	561186	male	L205	Enginecmpt.	562485	male
L144	Parcelrack	561186	male	L206	Parcel_Rack_RH	562803	male
L145	Parcelrack	561186	male	L207.A	WCLCmpt.	561699	female
L146	Parcelrack	561186	male	L207.B	WCLCmpt.	561701	female
L147	Parcelrack	561186	male	L207.C	WCLCmpt.	561701	female
L148	Parcelrack	561186	male	L207.D	WCLCmpt.	561699	female

# CONNECTORS LIST

No	Location	Part #	Gender	No	Location	Part #	Gender
L207.E	WCLCmpt.	561701	female	Mo10	ParcelRack_Lh_Fan	561515	male
L207.F	WCLCmpt.	561699	female	Mo11	ParcelRack_Rh_Fan	561515	male
L207.G	WCLCmpt.	561699	female	Mo12	Engine_Cmpt	561690	male
L207.H	WCLCmpt.	563536	female	Mo13	Engine_Cmpt	561690	female
L207.I	WCLCmpt.	563536	female	Mo5	Front_Roof	561515	male
L207.I	WCLCmpt.	563536	female	Mo7	Cond_Cmpt	563691	male
L243	Parcelrack	561186	male	Mo8	Cond_Cmpt	563691	male
L244	Parcelrack	561186	male	Mo10	ParcelRack_Lh_Fan	561515	male
L245	Parcelrack	561186	male	Mo11	ParcelRack_Rh_Fan	561515	male
L246	Parcelrack	561186	male	Mo12	Engine_Cmpt	561690	male
L247	Parcelrack	561186	male	Mo13	Engine_Cmpt	561690	female
L248	Parcelrack	561186	male	Mo14	Engine_Cmpt	561566	female
L249	Parcelrack	561186	male	Mo15	Front_Ceiling	560900	female
L250	Parcelrack	561186	male	Mo16	Front_Ceiling	560900	female
L251	Parcelrack	561186	male	Mo17	RH_Console	563626	male
L252	Parcelrack	561186	male	Mo19	Fr_Service_Door	562474	male
L253	Parcelrack	561186	male	Mo20	Fr_Service_Door	562474	male
L254	Parcelrack	561186	male	Mo22	RH_Console	561186	male
L255	Parcelrack	561186	male	Mo24	RH_Console	562348	female
L256	Parcelrack	561186	male	Mo25	RH_Console	562348	female
L257	Parcelrack	561186	male	Mo27	Cond_Cmpt	563691	male
L258	Parcelrack	561186	male	Mo28	Cond_Cmpt	563691	male
L282	Engine_Cmpt	561690	male	Mo29	RJBcmpt.	563590	female
L283	Service_Cmpt	562485	male	Mo30	Compr_Door	564161	male
L285.A	Rear_Vehicle	562835	female	Mo31	Parcelrack	564161	male
L285.B	Rear_Vehicle	562834	male	Mo32	Parcelrack	564161	male
L286.A	Rear_Vehicle	562835	female	Mo33	Parcelrack	564161	male
L286.B	Rear_Vehicle	562834	male	Mo34	Parcelrack	564161	male
L296	Refrigerator	561248	female	Mo35	3rd_Lugg_Door	564161	male
L298A	Enginecmpt.	563590	female	Mo36	Parcelrack	564161	male
L306	RJBcmpt.	561247	male	Mo54	Service_Cmpt	562474	male
L313	Rr_Roof	562549	male	Mo62	FrontHatch	562486	female
L350A.A	Rearaxlecmpt.	564552	male	Mo63	RearHatch	562486	female
L350A.B	Rearaxlecmpt.	563340	male	Mo65	Enginecmpt.	568089	male
L350A.C	Rearaxlecmpt.	562251	male	Mo67	Enginecmpt.	568089	male
L606	Rr_Roof	560898	male	Mo68	Enginecmpt.	568089	male
L606	Rr_Roof	560900	female	Mo69	Enginecmpt.	568089	male
L606A	Rr_Roof	560898	male	Mo70	Enginecmpt.	568089	male
Mo3	Dash	561667	female	Mo71	Enginecmpt.	568089	male
Mo4	Dash	562076	male	Mo72	Enginecmpt.	568089	male
Mo5	Front_Roof	561515	male	Mo73	Enginecmpt.	568089	male
Mo7	Cond_Cmpt	563691	male	P_In1	Passenger_Area	561782	male
Mo8	Cond_Cmpt	563691	male	P_In1	Passenger_Area	561781	female



# CONNECTORS LIST

No	Location	Part #	Gender	No	Location	Part #	Gender
P_Out1	Passenger_Area	561782	male	RadioVolvo3_966.B	Parcelrack	563962	male
P_Out1	Passenger_Area	561781	female	RadioVolvo3_966.C1	Parcelrack	563956	male
P_Out2	Passenger_Area	561782	male	RadioVolvo3_966.C2	Parcelrack	563957	male
P_Out2	Passenger_Area	561781	female	RadioVolvo3_966.C3	Parcelrack	563958	male
P_Out3	Passenger_Area	561782	male	Res3.A	RJB	563590	female
P_Out3	Passenger_Area	561781	female	Res4	FJB	563590	female
PC1	FJB	562650	male	Res6	FJB	563590	female
PC1	FJB	562649	female	Res6A	FJB	563589	male
PF	FJB	561782	male	Res6A	FJB	563590	female
PF	FJB	561781	female	Res6B	FJB	563589	male
PF1	Passenger_Area	561782	male	Res6B	FJB	563590	female
PF1	Passenger_Area	561781	female	Res7	dash	563590	female
Pot1.A	Dash	560488	female	Res15	Engine_Cmpt	561782	male
Pot1.B	Dash	560488	female	Res31	Ureacmpt.	562350	male
Pot1.C	Dash	560488	female	Res32	Ureacmpt.	563764	female
PR	Parcelrack	561782	male	Res53.A	FJB	563590	female
PR	Parcelrack	561781	female	Res99	FJB	563590	female
PR1	Passenger_Area	561782	male	Se2	LH_Console	561566	female
PR1	Passenger_Area	561781	female	Se4	Window_RH	561477	female
R3	RJB	563409	male	Se5	Window_RH	561477	female
R4	FJB	564496	male	Se6	Window_RH	561477	female
R5	RJB	564496	male	Se7	Window_LH	561477	female
R12	Evap_Cmpt	563409	male	Se8	Window_LH	561477	female
R20	RJB	564496	male	Se9	Window_LH	561477	female
R21	FJB	560525	male	Se10	FJB	561477	female
R21A	FJB	560525	male	Se11.A	Cond_Cmpt	560082	female
R26	Evap_Cmpt	564496	male	Se11.B	Cond_Cmpt	560082	female
R27	Dash	564496	male	Se11.C	Cond_Cmpt	560082	female
R28	RearSeat	563409	male	Se13	Engine_Cmpt	562350	male
R29	RJB	563409	male	Se14.A	Driver_Area	561782	male
R30	FJB	564496	male	Se14.B	Driver_Area	561781	female
R31	FJB	564496	male	Se15	RH_Console	560898	male
R34	RJB	564210	male	Se17	RH_Console	560900	female
R36	Dash	564496	male	Se18	Servicecmpt.	561566	female
R37	Dash	564496	male	Se19_P	Service_Cmpt	563677	male
R38	FJB	564496	male	Se19_S	Service_Cmpt	563677	male
R38A	RearSeat	563409	male	Se20	Evap_Cmpt	562426	male
R40	RJB	564496	male	Se20A	Evap_Cmpt	562426	male
R47	Parcelrack	564496	male	Se21	Dash	561248	female
R72.A	RearSeat	563409	male	Se23	Engine_Cmpt	563159	male
R210	Parcel_Rack_LH	560525	male	Se24	EvaporatorCmpt.	563758	female
R_12VISS	Parcelrack	564496	male	Se25	Passenger_Area	561248	female
RadioVolv	Parcelrack	563960	male	Se29	Engine_Cmpt	561566	female

# CONNECTORS LIST

No	Location	Part #	Gender	No	Location	Part #	Gender
Se30	Enginedoor	562877	female	Se79	Front_Axle	563340	male
Se31	Enginedoor	562877	female	Se80	Rear_Axle	563159	female
Se32	Rear_Axle_Cmpt	562426	male	Se89	Enginectmpt.	562350	male
Se33	Rear_Axle_Cmpt	562856	male	Se94	WCLUpperDoor	562877	female
Se34	Rear_Axle_Cmpt	562426	male	Se100	WCLdoor	562479	female
Se35	Rear_Axle_Cmpt	562426	male	shell1_1640	Driver_Area	562471	male
Se36	Rear_Axle_Cmpt	562427	male	So3	RH_Console	641385	male
Se37	Front_Axle_LH	641132	female	So4	RH_Console	641385	male
Se38	Front_Axle_RH	641132	female	So5	RH_Console	641385	male
Se39	Rear_Axle_LH	641132	female	So6	RH_Console	641385	male
Se40	Rear_Axle_LH	641132	female	So7	Service_Cmpt	561566	female
Se45	Servicecmpt.	563409	male	So8	Servicecmpt.	641385	male
Se46	Rearaxlecmpt.	562348	female	So9	Enginectmpt.	560016	female
Se49	Engine_Cmpt	561690	male	So10.A	Condensorcmpt.	562485	male
Se51	UnderDriverSeat	563589	male	So11	Cond_Cmpt	561566	female
Se53	Service_Cmpt	563159	female	So13	Evap_Cmpt	563204	female
Se54	Service_Cmpt	563159	female	So14	Servicecmpt.	641385	male
Se55	Service_Cmpt	563159	female	So15	Servicecmpt.	641385	male
Se56	WCLCmpt.	562479	female	So16	Servicecmpt.	641385	male
Se60	Service_Cmpt	563409	male	So17	Servicecmpt.	562848	male
Se62	WCL_System	561690	male	So20	Servicecmpt.	641385	male
Se63	Rearaxlecmpt.	641132	female	So21	Front_Axle_Cmpt	564046	female
Se64	Rearaxlecmpt.	641132	female	So22	Front_Axle_Cmpt	564046	female
Se65	Dash	564042	female	So23	Rear_Axle_Cmpt	564046	female
Se66	FJB	564039	female	So24	Rear_Axle_Cmpt	564046	female
Se67	Frontaxlecmpt.	563159	female	So27	Rearaxlecmpt.	564045	female
Se69	Frontaxlecmpt.	563159	female	So29	Parcelrack	641385	male
Se74	Rear_Axle_Cmpt	563340	male	So50	Rearaxlecmpt.	564046	female
Se75	Service_Cmpt	563159	female	So52	Rearaxlecmpt.	564045	female
Se76	EntranceDoor	562479	female	So53	Rear_Axle_Cmpt	641385	male
Se77	FJB	563159	female	So54	Enginectmpt.	564045	female
Se78	Pneumaticplate	563159	female	So55	Pneumaticplate	562848	male
Se79	Front_Axle	563340	male	So56	Rear_Axle_Cmpt	562350	male
Se80	Rear_Axle	563159	female	So57	Engine_Cmpt	562350	male
Se89	Enginectmpt.	562350	male	spBar4	Enginectmpt.	564135	male
Se94	WCLUpperDoor	562877	female	spBar5	Enginectmpt.	564135	male
Se100	WCLdoor	562479	female	spBar6	Enginectmpt.	564135	male
Se69	Frontaxlecmpt.	563159	female	spBar7	Enginectmpt.	564135	male
Se74	Rear_Axle_Cmpt	563340	male	spBar11	Rearvehicule	564135	male
Se75	Service_Cmpt	563159	female	spBar12	Rearvehicule	564135	male
Se76	EntranceDoor	562479	female	spBar13	Enginectmpt.	564135	male
Se77	FJB	563159	female	spBar14	Enginectmpt.	564135	male
Se78	Pneumaticplate	563159	female	spBar15	Enginectmpt.	564135	male

# CONNECTORS LIST

No	Location	Part #	Gender	No	Location	Part #	Gender
spBar16	Enginercmpt.	564135	male	Sw1.C258	Driver_Area	561188	female
spBar19	Condensorcmt.	564135	male	Sw1.C259	Driver_Area	561186	male
spBar20	Condensorcmt.	564135	male	Sw2	Dash	562763	male
spBar21	Condensorcmt.	564135	male	Sw3	Dash	562763	male
spBar22	Enginercmpt.	564135	male	Sw4	Dash	562763	male
spBar23	Enginercmpt.	564135	male	Sw6	Dash	562763	male
spBar24	Enginercmpt.	564135	male	Sw10A	LH_Console	562763	male
Spk1_L	Parcel_Rack_LH	563994	male	Sw10A	LH_Console	562763	male
Spk1_R	Parcel_Rack_RH	563994	male	Sw14	Dash	562763	male
Spk2_L	Parcel_Rack_LH	563994	male	Sw16	Dash	562763	male
Spk2_R	Parcel_Rack_RH	563994	male	Sw17	Dash	562763	male
Spk3_L	Parcel_Rack_LH	563994	male	Sw18A	LH_Console	562763	male
Spk3_R	Parcel_Rack_RH	563994	male	Sw20	Dash	562763	male
Spk4_L	Parcel_Rack_LH	563994	male	Sw21	Dash	562763	male
Spk4_R	Parcel_Rack_RH	563994	male	Sw24	Dash	562763	male
Spk5_L	Parcel_Rack_LH	563994	male	Sw24A	Dash	562763	male
Spk5_R	Parcel_Rack_RH	563994	male	Sw25	Dash	562763	male
Spk6_L	Parcel_Rack_LH	563994	male	Sw26	Dash	562763	male
Spk6_R	Parcel_Rack_RH	563994	male	Sw27	Dash	562763	male
Spk7_L	Parcel_Rack_LH	563994	male	Sw29	Dash	562763	male
Spk7_R	Parcel_Rack_RH	563994	male	Sw30	RJB	563135	male
Spk8_L	Parcel_Rack_LH	563994	male	Sw32	Dash	561477	female
Spk8_R	Parcel_Rack_RH	563994	male	Sw33	Dash	561476	male
Spk9_L	Parcel_Rack_LH	563994	male	Sw34	Outside_Front_RH	562477	male
Spk9_R	Parcel_Rack_RH	563994	male	Sw35	Console	562763	male
Spk10_L	Parcel_Rack_LH	563994	male	Sw38	LH_Console	562763	male
Spk10_R	Parcel_Rack_RH	563994	male	Sw40	LH_Console	561690	male
Spk11_L	Parcel_Rack_LH	563994	male	Sw41	LH_Console	562749	male
Spk11_R	Parcel_Rack_RH	563994	male	Sw42	WCLCmpt.	561635	female
Spk12_L	Parcel_Rack_LH	563994	male	Sw43	LH_Console	561690	male
Spk12_R	Parcel_Rack_RH	563994	male	Sw44.A	Servicecmpt.	562403	female
Spk13_L	Parcel_Rack_LH	563994	male	Sw45.A	3rd_Lugg_Cmpt	562403	female
Spk13_R	Parcel_Rack_RH	563994	male	Sw46.A	3rd_Lugg_Cmpt	562403	female
Spk14_L	Parcel_Rack_LH	563994	male	Sw46A.A	3rdlugg.cmpt.	562403	female
Spk14_R	Parcel_Rack_RH	563994	male	Sw49.A	2nd_Lugg_Cmpt	562403	female
Spk15_L	Parcel_Rack_LH	563994	male	Sw50.A	2nd_Lugg_Cmpt	562403	female
Spk15_R	Parcel_Rack_RH	563994	male	Sw51.A	1st_Lugg_Cmpt	562403	female
Spk16_L	Parcel_Rack_LH	563994	male	Sw52.A	1st_Lugg_Cmpt	562403	female
Spk16_R	Parcel_Rack_RH	563994	male	Sw55.A	Lavatory	560488	female
SpkDr_L	Parcelrack	563994	male	Sw55.B	Lavatory	560488	female
SpkDr_R	Parcelrack	563994	male	Sw56.A	Lavatory	560488	female
Sub1.A	Passenger_Area	564004	female	Sw56.B	Lavatory	560488	female
Sub2	Passenger_Area	564004	male	Sw58	EngineCmpt.	563135	male

# CONNECTORS LIST

No	Location	Part #	Gender	No	Location	Part #	Gender
Sw59	Engincmpt.	563135	male	Sw115.A	Compr_Door	560079	female
Sw63A	LHConsole	562763	male	Sw115.B	Compr_Door	560079	female
Sw64.A	Service_Cmpt	560815	female	Sw125.A	Service_Cmpt	561457	female
Sw64.B	Service_Cmpt	560815	female	Sw125.B	Service_Cmpt	561457	female
Sw80A	Dash	562763	male	Sw134.A	WCLArea	562615	female
Sw82	RJB	563135	male	Sw134.B	WCLArea	562615	female
Sw83.A	Dash	560082	female	Sw134.C	WCLArea	562615	female
Sw83.B	Dash	560815	female	Sw135.A	WCLdoor	562119	female
Sw83.C	Dash	560082	female	Sw135.B	WCLdoor	562119	female
Sw83.D	Dash	560815	female	Sw135.C	WCLdoor	562119	female
Sw83A	Dash	562581	male	Sw137	Dash	562763	male
Sw85	LH_Console	562749	male	Sw140	FJB	561566	female
Sw95.A	WCLdoor	562615	female	Sw142	LHConsole	562763	male
Sw95.B	WCLdoor	562615	female	Sw149	Dash	562763	male
Sw95.C	WCLdoor	562615	female	Sw150.A	Driver_Area	560081	female
Sw96.A	WCL_Door	562615	female	Sw150.B	Driver_Area	560081	female
Sw96.B	WCL_Door	562615	female	Sw153	Dash	562763	male
Sw96.C	WCLdoor	562615	female	Sw156	LH_Console	562763	male
Sw97.A	WCLsystem	562615	female	Sw157	Dash	562763	male
Sw97.B	WCLsystem	562615	female	Sw158	Dash	562763	male
Sw97.C	WCLsystem	562615	female	Sw158	Dash	562763	male
Sw98.A	WCLsystem	562615	female	Sw313.A	Lavatory	562615	female
Sw98.B	WCLsystem	562615	female	Sw313.B	Lavatory	562615	female
Sw98.C	WCLsystem	562615	female	Sw313.C	Lavatory	562615	female
Sw100A	Dash	562763	male	VECF1	FJB	563186	male
Sw102	RJB	561566	female	VECF2	FJB	563183	male
Sw109.A	1st_Lugg_LH	560079	female	VECF3	FJB	563185	male
Sw109.B	1st_Lugg_LH	560079	female	VECF4	FJB	563182	male
Sw110.A	1st_Lugg_RH	560079	female	VECF9	FJB	563448	male
Sw110.B	1st_Lugg_RH	560079	female	VECF10	FJB	563181	male
Sw111.A	2ndlugg.cmpt.	560079	female	VECF11	FJB	563184	male
Sw111.B	2ndlugg.cmpt.	560079	female	VECF12	FJB	563187	male
Sw112.A	2ndlugg.cmpt.	560079	female	VECPR1	Parcelrack_LH	563715	male
Sw112.B	2ndlugg.cmpt.	560079	female	VECPR2_plug	Parcelrack_LH	563716	male
Sw113.A	2ndlugg.cmpt.	560079	female	VECPR3_plug	Parcelrack_LH	563718	male
Sw113.B	2ndlugg.cmpt.	560079	female	VECPR4	Parcelrack_LH	563714	male
Sw114.A	3rd_Lugg_RH	560079	female	VECPR5	Parcelrack_LH	566021	male
Sw114.B	3rd_Lugg_RH	560079	female	VECPR6	Parcelrack_LH	566020	male
Sw115.A	Compr_Door	560079	female	VECR1	RJB	563186	male
Sw115.B	Compr_Door	560079	female	VECR2	RJB	563183	male
Sw113.B	2ndlugg.cmpt.	560079	female	VECR3	RJB	563185	male
Sw114.A	3rd_Lugg_RH	560079	female	VECR4	RJB	563182	male
Sw114.B	3rd_Lugg_RH	560079	female	VECR9	RJB	563448	male

# CONNECTORS LIST

No	Location	Part #	Gender				
VECR10	RJB	563181	male				
VECR11	RJB	563184	male				
VECR12	RJB	563187	male				
VECT2_plug	RearVehicle	563716	male				
VECT3	RearVehicle	563718	male				
VECT4	RearVehicle	563714	male				
Y80	Engine_Cmpt	563789	male				
Y81	Cond_Cmpt	563793	male				

# CONNECTORS LIST

No	Location	Part #	Gender	No	Location	Part #	Gender
24SS_OP	P_Rack	563071	male	A34.1	EngineCmpt.	564258	male
24SS_OP	P_Rack	563040	female	A34.2	EngineCmpt.	564258	male
120V_inlet	RearVehicle	561572	male	A34.3	EngineCmpt.	564258	male
120VAC_Inlet	Enginecmpt.	561572	male	A34.4	EngineCmpt.	564258	male
A1	RJB	563975	male	A34.5	EngineCmpt.	564258	male
A2	FJB	563984	male	A34.6	EngineCmpt.	564258	male
A3	Dash	562363	male	A34.7	EngineCmpt.	564258	male
A4.A	Service_Cmpt	562428	female	A34.8	EngineCmpt.	564258	male
A4.B	Service_Cmpt	561188	female	A34.J	Enginecmpt.	568118	male
A5	Service_Cmpt	562428	female	A34.K	Enginecmpt.	564270	male
A6	Engine_Cmpt	562427	male	A34.L	Enginecmpt.	564269	male
A7	Rear_Axle_Cmpt	563979	male	A36.JA	FJB	562767	male
A9.Cx1	FJB	564041	female	A36.JB	FJB	562765	male
A9.Cx2	FJB	563678	male	A36.JC	FJB	562957	male
A9.Cx3	FJB	564037	female	A36A.JA	FJB	562767	male
A9.Cx4	FJB	564038	female	A36A.JB	FJB	562765	male
A10.X1	Engine_Cmpt	563135	male	A36A.JC	FJB	562957	male
A10.X3	Engine_Cmpt	563134	female	A39.P101	Parcelrack	563201	male
A11	LH_Console	563142	male	A39.P901	Parcelrack	563953	male
A14.A	Dash	562766	male	A40.A	FJB	561668	male
A14.B	Dash	562767	male	A60.A	Parcelrack	563071	male
A14.C	Dash	562765	male	A60.B	Parcelrack	562706	female
A15	Dash	562464	male	A60.C	Parcelrack	901110	male
A16A	FrontCeiling	561637	male	A60.D	Parcelrack	901110	male
A17.D	RJB	561932	male	A61.A	Parcelrack	562464	male
A18.J1	FJB	562794	male	A61.B	Parcelrack	562465	male
A18.J2	FJB	562650	male	A65.B	Parcelrack	901110	male
A19	LH_Console	562878	female	A65.C	Parcelrack	901110	male
A20	Parcel_Rack_LH	561477	female	A65.Csv	Parcelrack	562465	male
A24.A	RH_Console	561890	male	A65.D	Parcelrack	901110	male
A24.B	RH_Console	561566	female	A65A.A	Parcelrack	563025	male
A24.C	RH_Console	561889	female	A65A.B4	Parcelrack	bidon	male
A25	Parcelrack	563025	male	A65A.B5	Parcelrack	bidon	male
A26.P1	Enginecmpt.	562350	male	A65A.B6	Parcelrack	bidon	male
A26.P2	Enginecmpt.	563322	female	A65A.D	Parcelrack	bidon	male
A26.P4	Enginecmpt.	568088	male	A65A.E	Parcelrack	563071	male
A27	Service_Cmpt	562929	male	A65A.G1	Parcelrack	563071	male
A28	Service_Cmpt	562928	male	A65A.G2	Parcelrack	563071	male
A29	Dash	562464	male	A65A.G3	Parcelrack	563071	male
A29.	Dash	562464	male	A65A.H1	Parcelrack	561716	female
A29.	Dash	565871	female	A65A.H2	Parcelrack	561716	female
A33.A	Parcelrack	563071	male	A65A.H3	Parcelrack	561716	female
A33.B	Parcelrack	562330	female	A65A.J	Parcelrack	562465	male

# CONNECTORS LIST

No	Location	Part #	Gender	No	Location	Part #	Gender
A69.A	Parcelrack	563071	male	A101	Rear_RH_Axle_Cmpt	563758	female
A69.B	Parcelrack	561716	female	A101S	Rear_RH_Axle_Cmpt	563758	female
A69.C	Parcelrack	561716	female	A102	Rear_RH_Axle_Cmpt	563758	female
A69.D	Parcelrack	561716	female	A102S	Rear_RH_Axle_Cmpt	563758	female
A69.E	Parcelrack	561716	female	A103	Dash	562070	female
A69.F	Parcelrack	561716	female	A107	EngineCmpt.	560336	male
A69.G	Parcelrack	561716	female	A108	RJB	562766	male
A69.H	Parcelrack	561716	female	A109A	FJB	564141	male
A69L.A	Parcelrack	563025	male	A113.A	Parcel_Rack_LH	563960	male
A69L.B1	Parcelrack	bidon	male	A113.B	Parcel_Rack_LH	563962	male
A69L.B2	Parcelrack	bidon	male	A113.C1	Parcel_Rack_LH	563956	male
A69L.B3	Parcelrack	bidon	male	A113.C2	Parcel_Rack_LH	563957	male
A69L.B4	Parcelrack	bidon	male	A113.C3	Parcel_Rack_LH	563958	male
A69L.C	Parcelrack	bidon	male	A114A	Dash	564252	male
A69R.A	Parcelrack	563025	male	A120.A	Dashboard	563960	male
A69R.B1	Parcelrack	bidon	male	A120.B	Dashboard	563962	male
A69R.B2	Parcelrack	bidon	male	A120.C1	Dashboard	563956	male
A69R.B3	Parcelrack	bidon	male	A120.C2	Dashboard	563957	male
A69R.B4	Parcelrack	bidon	male	A120.C3	Dashboard	563958	male
A69R.C	Parcelrack	bidon	male	A121.Vsa	Dash	563679	male
A70c	Parcelrack	561540	female	A121.Vsb	Dash	563678	male
A77	Parcelrack	564547	male	A121.Vsc	Dash	564037	male
A78	Parcelrack	562583	female	A121.Vsd	Dash	564118	male
A79	Parcelrack	562583	female	A130	Driver_Area	563226	male
A80	Parcelrack	562479	female	A131.A	Engine_Cmpt	561782	male
A81.JA	FJB	562767	male	A131.B	Engine_Cmpt	561781	female
A81.JB	FJB	562765	male	A137A	Condensercmpt.	20429843	male
A81.JC	FJB	562957	male	A138	Cond_Cmpt	563787	male
A83	Parcelrack	565970	female	A139	Dash	564501	male
A84.A	Parcelrack	563071	male	A151.A	Parcelrack	561582	female
A96.A		564205	male	A151.B	Parcelrack	561582	female
A96S	FJB	564073	female	A152.J	Parcelrack	563071	male
A97	Dash	563226	male	A153.A	Parcelrack	562465	male
A97A	FJB	563226	male	A153.B	Parcelrack	561716	female
A97A	FJB	563613	female	A153.C	Parcelrack	561716	female
A97B	FJB	563226	male	A153.D	Parcelrack	561716	female
A97B	FJB	563613	female	A160.A	WCLcmpt	562477	male
A97S.A1	Dash	564401	male	A160.B	WCLcmpt	562884	female
A97S.A2	Dash	564402	male	A162.A	FrontCab	561690	male
A97S.A3	Dash	564403	male	A162.B	FrontCab	561782	male
A99	FJB	564205	male	A164.A	RH_Trapezoidal_Window	561690	male
A100	Front_Axle_Cmpt	563758	female	A164.B	RH_Trapezoidal_Window	561782	male
A100S	Front_Axle_Cmpt	563758	female	A175	RJB	563226	male

# CONNECTORS LIST

No	Location	Part #	Gender	No	Location	Part #	Gender
AE41.J1	FJB	563679	male	AE55.J2	Dash	564037	female
AE41.J2	FJB	564037	female	AE55.J3	Dash	564004	male
AE41.J3	FJB	564004	male	AE56.J1	Dash	563679	male
AE42.J1	FJB	563679	male	AE56.J2	Dash	564037	male
AE42.J2	FJB	564037	female	AE56.J3	Dash	564004	male
AE42.J3	FJB	564004	male	AE57.J1	WCLcmt.	563679	male
AE43.J1	FJB	563679	male	AE57.J2	WCLcmt.	564037	male
AE43.J2	FJB	564037	male	AE57.J3	WCLcmt.	564004	male
AE43.J3	FJB	565957	male	Alt_LL.A	Enginecmt.	563746	female
AE44.J1	FJB	563679	male	Alt_LL.B	Enginecmt.	560815	female
AE44.J2	FJB	564037	female	Alt_LL.C	Enginecmt.	564469	female
AE44.J3	FJB	565957	male	Alt_LR.A	enginecmt.	563746	female
AE45.J1	FJB	563679	male	Alt_LR.B	Enginecmt.	560815	female
AE45.J2	FJB	564037	female	Alt_LR.C	Enginecmt.	564469	female
AE45.J3	FJB	565957	male	Alt_UR.A	Enginecmt.	563746	female
AE46.J1	FJB	563679	male	Alt_UR.B	Enginecmt.	560815	female
AE46.J2	FJB	564037	female	Alt_UR.C	Enginecmt.	564469	female
AE46.J3	FJB	565957	male	B85	Engine_Cmpt	563815	male
AE47.J1	RH_console	563679	male	B96	Engine_Cmpt	563821	male
AE47.J2	RH_console	564037	female	B96B	Engine_Cmpt	563823	male
AE47.J3	RH_console	565957	male	B97	Engine_Cmpt	563816	male
AE48.J1	RH_console	563679	male	B98	Engine_Cmpt	563817	male
AE48.J2	RH_console	564037	female	B99	Engine_Cmpt	563815	male
AE48.J3	RH_console	565957	male	B115A	Enginecmt.	564226	male
AE49.J1	RJB	563679	male	B142C	Enginecmt.	563793	male
AE49.J2	RJB	564037	male	B310	Enginecmt.	565967	male
AE49.J3	RJB	565957	male	C.381	Parcel_Rack	561847	male
AE50.J1	RJB	563679	male	C.381	Parcel_Rack	561924	female
AE50.J2	RJB	564037	male	C1	FJB	563589	male
AE50.J3	RJB	565957	male	C1	FJB	563590	female
AE51.J1	RJB	563679	male	C1S	FJB	563589	male
AE51.J2	RJB	564037	female	C1S	FJB	563590	female
AE51.J3	RJB	565957	male	C2	Service_Cmpt	563580	male
AE52.J1	RJB	563679	male	C2	Service_Cmpt	563581	female
AE52.J2	RJB	564037	female	C2A	FJB	563580	male
AE52.J3	RJB	565957	male	C2A	FJB	563581	female
AE53.J1	RJB	563679	male	C2B	FJB	564034	male
AE53.J2	RJB	564037	female	C2B	FJB	564035	female
AE53.J3	RJB	565957	male	C3_plug	RJB	563589	male
AE54.J1	Evaporatorcmt.	563679	male	C3_socket	RJB	563590	female
AE54.J2	Evaporatorcmt.	564037	female	C3AP	FJB	563589	male
AE54.J3	Evaporatorcmt.	565957	male	C3AP	FJB	563590	female
AE55.J1	Dash	563679	male	C3AS	FJB	563589	male



# CONNECTORS LIST

No	Location	Part #	Gender	No	Location	Part #	Gender
C3AS	FJB	563590	female	C24_plug	Evap_Cmpt	561690	male
C3S	RJB	563593	male	C24_socket	Evap_Cmpt	561566	female
C3S	RJB	563590	female	C25	Parcel_Rack_LH	561550	male
C4	FJB	563580	male	C25	Parcel_Rack_LH	561667	female
C4	FJB	563581	female	C25.	Parcel_Rack_LH	561669	male
C5	FJB	563589	male	C25.	Parcel_Rack_LH	561670	female
C5	FJB	563590	female	C25A	Parcel_Rack_RH	561669	male
C5S	FJB	563589	male	C25A	Parcel_Rack_RH	561670	female
C5S	FJB	563590	female	C26	Ureacmpt.	563226	male
C6	FJB	563582	male	C26	Ureacmpt.	563613	female
C6	FJB	563583	female	C26A	Ureacmpt.	568110	male
C7	Service_Cmpt	562566	male	C26A	Ureacmpt.	568109	female
C7	Service_Cmpt	562565	female	C26B	Ureacmpt.	563227	male
C8	FJB	563227	male	C26B	Ureacmpt.	563614	female
C8	FJB	563614	female	C29	4rd_Lugg_Cmpt	563651	male
C9	RJB	561986	male	C29	3rd_Lugg_Cmpt	563652	female
C9	RJB	561987	female	C30	3rd_Lugg_Cmpt	561710	male
C10	Engine_Cmpt	562477	male	C30	3rd_Lugg_Cmpt	561709	female
C10	Engine_Cmpt	562479	female	C31S	Parcelrack	561515	male
C11	Service_Cmpt	563580	male	C31S	Parcelrack	561552	female
C11	Service_Cmpt	563581	female	C31W	WCL_Parcel_Rack	563227	male
C12	Engine_Cmpt	562581	male	C31W	WCL_Parcel_Rack	563614	female
C12	Engine_Cmpt	562583	female	C32	lavatory	561734	male
C13_plug	RH_Console	563589	male	C32	Lavatory	561735	female
C13_socket	RH_Console	563590	female	C32.	Lavatory	561515	male
C13S	RH_Console	563589	male	C32.	Lavatory	561552	female
C13S	RH_Console	563590	female	C32L	Lavatory	562006	male
C15A	Evapotatorcmpt.	568110	male	C32L	Lavatory	560908	female
C15A	Evaporatotcmpt.	568109	female	C32W	WCLcmpt.	561640	male
C16	RJB	561577	male	C32W	WCLcmpt.	561639	female
C16	RJB	561605	female	C32X	Lavatory	561247	male
C17	RJB	560195	male	C32X	Lavatory	561248	female
C17	RJB	560169	female	C33	WCLcmpt.	564034	male
C18	FJB	561986	male	C33	WCLcmpt.	564035	female
C18	FJB	561987	female	C34	RH_Console	561986	male
C19	RJB	561986	male	C34	RH_Console	561987	female
C19	RJB	561987	female	C35	Lavatory	561669	male
C20A	Evap_Cmpt	562485	male	C35	Lavatory	561670	female
C20A	Evap_Cmpt	562486	female	C36	FJB	561986	male
C20B	Evap_Cmpt	562485	male	C36	FJB	561987	female
C20B	Evap_Cmpt	562486	female	C37	Parcel_Rack_LH	562557	male
C23	Evaporatorcmpt.	564034	male	C37	Parcel_Rack_LH	562558	female
C23	Evaporatorcmpt.	564035	female	C37.	Parcel_Rack	561734	male

# CONNECTORS LIST

No	Location	Part #	Gender	No	Location	Part #	Gender
C37.	Parcel_Rack	561735	female	C62	Fr_Service_Door	562566	male
C38	Parcelrack	562555	male	C62	Fr_Service_Door	562565	female
C38	Parcelrack	562556	female	C63	Entrance_Door	562477	male
C38.	Parcelrack	561734	male	C63	Entrance_Door	562479	female
C38.	Parcelrack	561735	female	C64	Enginecmpt.	568110	male
C39A	Firesuppressioncmpt.	561782	male	C64	Enginecmpt.	568109	female
C39A	Firesuppressioncmpt.	561781	female	C66_plug	Evap_Cmpt	561577	male
C40	Dash	562485	male	C66_socket	Evap_Cmpt	561605	female
C40	Dash	562486	female	C68_plug	Parcel_Rack_LH	562503	male
C41	RJB	561782	male	C68_socket	Parcel_Rack_LH	562507	female
C41	RJB	561781	female	C69_plug	Parcel_Rack_LH	561690	male
C42	FJB	561668	male	C69_socket	Parcel_Rack_LH	561566	female
C42	FJB	561551	female	C70	Over_Head_Driver_Area	561550	male
C44_plug	FJB	561577	male	C70	Over_Head_Driver_Area	561667	female
C44_socket	FJB	561605	female	C71	FJB	561646	male
C45	FJB	561643	male	C71	FJB	561645	female
C45	FJB	561642	female	C71A	FJB	561646	male
C46	WCLCmpt.	564228	male	C71A	FJB	561644	female
C46	WCLCmpt.	564229	female	C72	FJB	561646	male
C47	FJB	565207	male	C72	FJB	561645	female
C48	Unican	565208	male	C74	FJB	561645	female
C49	FJB	562005	male	C74	FJB	561646	male
C49	FJB	561714	female	C81	1st_Lugg_Cmpt	562477	male
C50	RJB	563226	male	C81	1st_Lugg_Cmpt	562479	female
C50	RJB	563613	female	C82	1st_Lugg_Cmpt	562477	male
C51	Enginecmpt.	564034	male	C82	1st_Lugg_Cmpt	562479	female
C51	Enginecmpt.	560034	female	C82A	1st_Lugg_Cmpt	563589	male
C52	Evaporatorcmpt.	563618	male	C82A	1st_Lugg_Cmpt	563590	female
C52	Evaporatorcmpt.	563616	female	C83	2nd_Lugg_Cmpt	562477	male
C54	Enginecmpt.	563226	male	C83	2nd_Lugg_Cmpt	562479	female
C54	Enginecmpt.	563613	female	C84	2nd_Lugg_Cmpt	562477	male
C54A	Ureacmpt.	568110	male	C84	2nd_Lugg_Cmpt	562479	female
C54A	Ureacmpt.	568109	female	C85	4thlugg.cmpt.	562477	male
C54B	Enginecmpt.	563589	male	C85	4thlugg.cmpt.	562479	female
C54B	Enginecmpt.	563590	female	C86	4thlugg.cmpt.	563618	male
C55	Evap_Cmpt	561577	male	C86	4thlugg.cmpt.	563616	female
C55	Evap_Cmpt	561605	female	C87	Engine_Cmpt	562485	male
C58	Condensorcmt.	564567	male	C87	Engine_Cmpt	562486	female
C58	Condensorcmt.	564568	female	C88	FJB	563618	male
C59	RJB	561643	male	C88	FJB	563616	female
C59	RJB	561642	female	C91	RJB	564619	male
C61	Fr_Service_Door	561669	male	C91	RJB	562282	female
C61	Fr_Service_Door	561670	female	C92A	Enginecmpt.	563226	male

# CONNECTORS LIST

No	Location	Part #	Gender	No	Location	Part #	Gender
C92A	Enginecmpt.	563613	female	C140	Dash	562477	male
C92C	Enginecmpt.	562581	male	C140	Dash	562479	female
C92C	Enginecmpt.	562583	female	C144	RJB	560852	male
C94_plug	FJB	563589	male	C144	RJB	560851	female
C94_socket	FJB	563590	female	C152	Cond_Cmpt	561611	male
C96	FJB	561643	male	C152	Cond_Cmpt	561610	female
C96	FJB	561642	female	C158	Condensorcmt.	562477	male
C97	FJB	561643	male	C158	Condensorcmt.	562479	female
C97	FJB	561642	female	C162	FrontCab	561690	male
C100	Evaporatorcmpt.	562477	male	C162	FrontCab	561566	female
C100	Evaporatorcmpt.	562479	female	C164A	RH_Trapezoidal_Window	561690	male
C100S	EvaporatorCmpt.	562477	male	C164A	RH_Trapezoidal_Window	561566	female
C100S	EvaporatorCmpt.	562479	female	C164B	RH_Trapezoidal_Window	561782	male
C101	Service_Cmpt	561690	male	C164B	RH_Trapezoidal_Window	561781	female
C101	Service_Cmpt	561566	female	C167	FJB	561577	male
C102A	Condensorcmt.	563226	male	C167	FJB	561605	female
C102A	Condensorcmt.	563613	female	C170	LH_Console	561637	male
C103_plug	FJB	562485	male	C170	LH_Console	561636	female
C103_socket	FJB	562486	female	C171	LH_Console	561646	male
C105_plug	FJB	562581	male	C171	LH_Console	561645	female
C105_socket	FJB	562583	female	C175	RJB	563226	male
C106_plug	FJB	562581	male	C175	RJB	563613	female
C106_socket	FJB	562583	female	C187	RJB	561577	male
C107A	Enginecmpt.	562885	female	C187	RJB	561605	female
C107A	Enginecmpt.	562884	female	C188	Evap_Cmpt	561577	male
C107B	Enginecmpt.	562885	female	C188	Evap_Cmpt	561605	female
C107B	Enginecmpt.	562884	female	C189	RJB	561986	male
C107C	Enginecmpt.	562885	female	C189	RJB	561987	female
C107C	Enginecmpt.	562884	female	C193_plug	RJB	563589	male
C110	Dash	568110	male	C193_socket	RJB	563590	female
C110	Dash	568109	female	C194	FJB	563589	male
C119A	Rearenginedoor	568110	male	C194	FJB	563590	female
C119A	Rearenginedoor	568109	female	C195	Dash	563347	male
C121	Rearenginedoor	562566	male	C195	Dash	560489	female
C121	Rearenginedoor	562565	female	C206	Parcel_Rack_RH	562503	male
C122	Rearenginedoor	562566	male	C206	Parcel_Rack_RH	562507	female
C122	Rearenginedoor	562565	female	C207	Parcel_Rack_LH	562503	male
C124	DashBoard	562503	male	C207	Parcel_Rack_LH	562507	female
C124	DashBoard	562507	female	C212	WCLArea	561515	male
C131A	Engine_Cmpt	561782	male	C212	WCLArea	561552	female
C131A	Engine_Cmpt	561781	female	C213	Parcel_Rack_LH	561515	male
C131B	Engine_Cmpt	561782	male	C213	Parcel_Rack_LH	561552	female
C131B	Engine_Cmpt	561781	female	C222	FJB	562477	male

# CONNECTORS LIST

No	Location	Part #	Gender	No	Location	Part #	Gender
C222	FJB	562479	female	C357	Parcelrack	561847	male
C223	FJB	563227	male	C357	Parcelrack	561862	female
C223	FJB	563614	female	C380A	Dash	564222	male
C224	FJB	561637	male	C380A	Dash	564224	female
C224	FJB	561636	female	C381	Parcel_Rack	561847	male
C225	FJB	562650	male	C381	Parcel_Rack	561862	female
C225	FJB	562649	female	C382	Under_Seat	561580	male
C226	FJB	562650	male	C382	Under_Seat	561582	female
C226	FJB	562649	female	C397	RJB	562285	male
C242	Service_Cmpt	562789	male	C397	RJB	562282	female
C242	Service_Cmpt	565131	female	C430	LH_Console	562363	male
C243	FrontVehicle	563347	male	C430	LH_Console	561188	female
C243	FrontVehicle	563180	female	C452	Dash	561669	male
C243.	FrontVehicule	562789	male	C452	Dash	561670	female
C243.	FrontVehicule	565131	female	C452.	Dash	561734	male
C259	3rd_LH_Lugg_Cmpt	561637	male	C452.	Dash	561735	female
C259	3rd_LH_Lugg_Cmpt	561636	female	C463	Rearaxlecmpt.	568111	male
C266	Parcelrack	561782	male	C463	Rearaxlecmpt.	568112	female
C266	Parcelrack	561781	female	C464	FJB	564222	male
C267	Parcelrack	561782	male	C464	FJB	564224	female
C267	Parcelrack	561781	female	C464A	Dash	564222	male
C279	Service_Cmpt	562477	male	C464A	Dash	564224	female
C279	Service_Cmpt	562479	female	C464B	FJB	564222	male
C284	Parcelrack	561247	male	C464B	FJB	564224	female
C284	Parcelrack	561248	female	C465	Parcelrack	562581	male
C284_1	Parcelrack	561247	male	C465	Parcelrack	562583	female
C284_1	Parcelrack	561248	female	C506	FJB	561687	male
C284_2	Parcelrack	561247	male	C506	FJB	561685	female
C284_2	Parcelrack	561248	female	C506spA	FJB	561687	male
C284_3	Parcelrack	561247	male	C506spA	FJB	561685	female
C284_3	Parcelrack	561248	female	C506spB	FJB	561687	male
C284_4	Parcelrack	561247	male	C506spB	FJB	561685	female
C284_4	Parcelrack	561248	female	C542	Parcelrack	561550	male
C284_5	Parcelrack	561247	male	C542	Parcelrack	561667	female
C284_5	Parcelrack	561248	female	C558	Parcelrack	562503	male
C290	Rear_Vehicle	562477	male	C558	Parcelrack	562507	female
C290	Rear_Vehicle	562479	female	C564	Parcelrack	562503	male
C298	Parcelrack	561782	male	C564	Parcelrack	562507	female
C298	Parcelrack	561781	female	C564-Sp	Parcelrack	562503	male
C355	RJB	563582	male	C564-Sp	Parcelrack	562507	female
C355	RJB	563583	female	C566	Parcelrack	562503	male
C356	Parcelrack	561710	male	C566	Parcelrack	562507	female
C356	Parcelrack	561709	female	C567	Parcelrack	562503	male

# CONNECTORS LIST

No	Location	Part #	Gender	No	Location	Part #	Gender
C567	Parcelrack	562507	female	C620	FJB	562477	male
C575	Parcel_Rack_RH	562503	male	C620	FJB	562479	female
C575	Parcel_Rack_RH	562507	female	C662_plug	FJB	562477	male
C576	Parcelrack	561515	male	C662_socket	FJB	562479	female
C576	Parcelrack	561552	female	C680_plug	WCL system	566031	male
C576A	Parcel_Rack_RH	561515	male	C680_socket	WCL system	566028	female
C576A	Parcel_Rack_RH	561552	female	C700	FJB	561637	male
C576B	Parcel_Rack_RH	562006	male	C700	FJB	561636	female
C576B	Parcel_Rack_RH	560908	female	C700A_plug	FJB	561637	male
C576BB	Parcelrack	562006	male	C700A_socket	FJB	561636	female
C576BB	Parcelrack	560908	female	C752_plug	Parcelrack	901062	male
C577	Parcel_Rack	561515	male	C752_socket	Parcelrack	901283	female
C577	Parcel_Rack	561552	female	C753_plug	Parcelrack	901062	male
C577A	Parcel_Rack	562006	male	C753_socket	Parcelrack	901283	female
C577A	Parcel_Rack	560908	female	C766	Parcelrack	561662	male
C577AA	Parcelrack	562006	male	C766	Parcelrack	561661	female
C577AA	Parcelrack	560908	female	C768	Parcelrack	901283	female
C578	Parcel_Rack_LH	562503	male	C769	Parcelrack	901283	female
C578	Parcel_Rack_LH	562507	female	C777	Dash	562477	male
C582	FJB	561690	female	C777	Dash	562479	female
C582	FJB	561566	female	C_A60DB	Parcelrack	563071	male
C600	Dash	563226	male	C_A60DB	Parcelrack	563040	female
C600	Dash	563613	female	C_A69R	Parcel rack	563025	male
C601	LHRoofWinAjar	561476	male	C_A97	Dash	563226	male
C601	LHRoofWinAjar	561477	female	C_A97	Dash	563613	female
C602	Parcel_Rack_LH	561668	male	C_ALT	Enginectmpt.	562581	male
C602	Parcel_Rack_LH	561551	female	C_ALT	Enginectmpt.	562583	female
C603	RHRoofWinAjar	561476	male	C_ALT3	Enginectmpt.	562477	male
C603	RHRoofWinAjar	561477	female	C_ALT3	Enginectmpt.	562479	female
C608	Parcel_Rack_LH	561577	male	C_AUDIO_AUX	Parcelrack	562557	male
C608	Parcel_Rack_LH	561605	female	C_AUDIO_AUX	Parcelrack	562558	female
C609	Parcel_Rack_LH	561550	male	C_Audio_HDMI_L	Parcelrack	901062	male
C609	Parcel_Rack_LH	561667	female	C_Audio_HDMI_L	Parcelrack	901283	female
C612	Parcel_Rack_LH	561687	male	C_Audio_HDMI_R	Parcelrack	901062	male
C612	Parcel_Rack_LH	561685	female	C_Audio_HDMI_R	Parcelrack	901283	female
C614	Passenger_Area	563071	male	C_AUX	Parcelrack	563071	male
C614	Passenger_Area	563040	female	C_AUX	Parcelrack	563040	female
C615	Passenger_Area	563071	male	C_INV1	Parcelrack	562337	male
C615	Passenger_Area	563040	female	C_INV1	Parcelrack	562338	male
C617	Mirror_LH	563801	male	C_INV1A	Parcel rack	562337	male
C617	Mirror_LH	563800	female	C_INV1A	Parcel rack	562338	female
C618	Mirror_RH	563801	male	C_INV2	Parcelrack	562337	male
C618	Mirror_RH	563800	female	C_INV2	Parcelrack	562338	male

# CONNECTORS LIST

No	Location	Part #	Gender	No	Location	Part #	Gender
C_LineOut	Parcelrack	563962	male	CP5	Passenger_Area	561782	male
C_LineOut	Parcelrack	564489	female	CP5	Passenger_Area	561781	female
C_Mo9	Evap_Cmpt	561577	male	CP5A	Passenger_Area	561782	male
C_Mo9	Evap_Cmpt	561605	female	CP5A	Passenger_Area	561781	female
C_Mo9:2	Evap_Cmpt	561577	male	CP6	Passengersarea	562337	male
C_Mo9:2	Evap_Cmpt	561605	female	CP6	Passengersarea	562338	male
C_Se51	FJB	563589	male	CR72	RearSeat	563409	male
C_Se51	FJB	563590	female	CR72	RearSeat	563410	female
C_USB	Parcelrack	562069	male	CSe80	RJB	562477	male
C_USB	Parcelrack	562070	female	CSe80	RJB	562479	female
CCAN1	FJB	562650	male	CSw102	EngineCmpt.	562549	male
CCAN1	FJB	562649	female	CSw102	EngineCmpt.	562550	female
CCAN2	FJB	562650	male	CSX1	Engine_Cmpt	563135	male
CCAN2	FJB	562649	female	CSX1	Engine_Cmpt	563134	female
CCAN3	FJB	562650	male	CSX3	Engine_Cmpt	563135	male
CCAN3	FJB	562649	female	CSX3	Engine_Cmpt	563134	female
CCAN4	FJB	562650	male	CT_IN	Rear_Vehicle	563582	male
CCAN4	FJB	562649	female	CT_IN	Rear_Vehicle	563583	female
CCust	Parcel_Rack_Fr_WCL	562477	male	CT_IN1	Rear_Vehicle	560167	male
CCust	RJB	562479	female	CT_IN1	Rear_Vehicle	560159	female
CFHPR1	Parcelrack	564560	male	CT_Out	Rear_Vehicle	560478	female
CIND-1.A	Parcelrack	560908	female	CXC1	Service_Cmpt	562477	male
CIND-1.B	Parcelrack	560908	female	CXC1	Service_Cmpt	562479	female
CIND-2.A	Parcelrack	560908	female	D92	Parcelrack	564496	male
CIND-2.B	Parcelrack	560908	female	EI	Enginecmpt.	563739	male
CIND-11.A	Parcelrack	560908	female	L.21	Front_Cap	562486	female
CIND-11.B	Parcelrack	560908	female	L.22	Front_Cap	562486	female
CINDWC-1.A	Parcelrack	560908	female	L.23	Front_Cap	562486	female
CINDWC-1.B	Parcelrack	560908	female	L.24	Front_Cap	562486	female
CL1	Service_Cmpt	562485	male	L.25	Front_Cap	562486	female
CL1	Service_Cmpt	562486	female	L.26	Front_Cap	562486	female
CL142	Lavatory	562006	male	L.27	Front_Cap	562486	female
CL142	Lavatory	560908	female	L1A	Engine_Cmpt	560774	male
CL142A	Lavatory	562006	male	L16.A	Frontroof	562615	female
CL142A	Lavatory	560908	female	L16.B	Frontroof	562615	female
CP1	Passenger_Area	561782	male	L17.A	Frontroof	562615	female
CP1	Passenger_Area	561781	female	L17.B	Frontroof	562615	female
CP2	Passenger_Area	561782	male	L19	Entrance_Door	562549	male
CP2	Passenger_Area	561781	female	L20	Entrance_Door_Step	562549	male
CP3	Passengersarea	561782	male	L28	Parcelrack	560898	male
CP3	Passengersarea	561781	female	L29	Parcelrack	560898	male
CP4	Passenger_Area	561782	male	L30	Parcelrack	560898	male
CP4	Passenger_Area	561781	female	L30A.A	Parcel rack	560898	male

# CONNECTORS LIST

No	Location	Part #	Gender	No	Location	Part #	Gender
L30B.A	Parcelrack	560898	male	L59	Out_Side_Front_RH	562623	male
L31	Parcelrack	560898	male	L59A	OutsideFrontRH	563366	male
L32	Parcelrack	560898	male	L59B	Out_Side_Front_RH	562623	male
L33	Parcelrack	560898	male	L60	OutsideFrontLH	562623	male
L34	Parcelrack	560898	male	L60A	OutsideFrontLH	563366	male
L35	Parcelrack	560898	male	L60B	Out_Side_Front_LH	562623	male
L36	Parcelrack	560898	male	L61	Out_Side_Front_RH	562601	male
L37	Parcelrack	560898	male	L62	Out_Side_Front_LH	562601	male
L38	Parcelrack	560898	male	L63	Front_Side_LH	562155	male
L39	Parcelrack	560898	male	L64	Outside_Front_RH	562155	male
L40	Parcelrack	560898	male	L65	Outside_Front_LH	562155	male
L41	Parcelrack	560898	male	L66	Outside_Front_LH	562155	male
L42	Parcelrack	560898	male	L71A	Rearenginedoor	562601	male
L43	Parcelrack	560898	male	L72	Radiator_Door	562155	male
L44	Parcelrack	560898	male	L73A	Rearenginedoor	562601	male
L45	Parcelrack	560898	male	L74	Radiator_Door	562155	male
L46	Parcelrack	560898	male	L75	Radiator_Door	562155	male
L47	Parcelrack	560898	male	L76	Radiator_Door	562155	male
L48	Parcelrack	560898	male	L77A	Rearvehicule	562601	male
L49	Parcelrack	560898	male	L78A	Rearvehicule	562601	male
L50	Parcelrack	560898	male	L79A	Rearvehicule	562601	male
L51	Parcelrack	560898	male	L80A	Rearvehicule	562601	male
L52	Parcelrack	560898	male	L81.A	Rear_Vehicle	562835	female
L52	Parcelrack	560900	female	L81.B	Rear_Vehicle	562834	male
L52A	Parcelrack	560898	male	L82A	Rearvehicule	562348	female
L53	Parcelrack	560898	male	L83A	Rearvehicule	562348	female
L53	Parcelrack	560900	female	L91A	Rearvehicule	562601	male
L53A	Parcelrack	560898	male	L92A	Rearvehicule	562601	male
L54	Parcelrack	560898	male	L95	Outside_Front_LH	562902	female
L54	Parcelrack	560900	female	L96	Outside_Front_RH	562902	female
L54A	Parcelrack	560898	male	L97.A	Outside_Front_LH	563069	female
L55	Parcelrack	560898	male	L97.B	Outside_Front_LH	563069	female
L55	Parcelrack	560900	female	L98.A	Entrance_Door	563069	female
L55A	Parcelrack	560898	male	L98.B	Outside_Front_RH	563069	female
L56	Parcelrack	560898	male	L140	Lavatory	561247	male
L56	Parcelrack	560900	female	L142	Lavatory	562006	male
L56A	Parcelrack	560898	male	L142B	Lavatory	562006	male
L57	Parcelrack	560898	male	L143	Parcelrack	561186	male
L57	Parcelrack	560900	female	L144	Parcelrack	561186	male
L57A	Parcelrack	560898	male	L145	Parcelrack	561186	male
L58	Parcelrack	560898	male	L146	Parcelrack	561186	male
L58	Parcelrack	560900	female	L147	Parcelrack	561186	male
L58A	Parcelrack	560898	male	L148	Parcelrack	561186	male

# CONNECTORS LIST

No	Location	Part #	Gender	No	Location	Part #	Gender
L149	Parcelrack	561186	male	L207.D	WCLCmpt.	561699	female
L150	Parcelrack	561186	male	L207.E	WCLCmpt.	561701	female
L151	Parcelrack	561186	male	L207.F	WCLCmpt.	561699	female
L152	Parcelrack	561186	male	L207.G	WCLCmpt.	561699	female
L153	Parcelrack	561186	male	L207.H	WCLCmpt.	563536	female
L154	Parcelrack	561186	male	L207.I	WCLCmpt.	563536	female
L155	Parcelrack	561186	male	L212	Roof	563589	male
L156	Parcelrack	561186	male	L212A	roof	563589	male
L157	Parcelrack	561186	male	L213	roof	563589	male
L158	Parcelrack	561186	male	L213A	roof	563589	male
L170	Lugg_cmpt	561690	male	L214	roof	563589	male
L173	Parcelrack	563590	female	L214A	roof	563589	male
L174A	Parcelrack	563590	female	L243	Parcelrack	561186	male
L176	3rd_Lugg_Cmpt	561247	male	L244	Parcelrack	561186	male
L177	3rd_Lugg_Cmpt	561247	male	L245	Parcelrack	561186	male
L177A	WCLCmpt.	561690	male	L246	Parcelrack	561186	male
L177B	WCLCmpt.	561690	male	L247	Parcelrack	561186	male
L180	2nd_Lugg_Cmpt	561247	male	L248	Parcelrack	561186	male
L181	2nd_Lugg_Cmpt	561247	male	L249	Parcelrack	561186	male
L182	1st_Lugg_Cmpt	561247	male	L250	Parcelrack	561186	male
L183	1st_Lugg_Cmpt	561247	male	L251	Parcelrack	561186	male
L184	Servicecmpt.	561247	male	L252	Parcelrack	561186	male
L185.A	Servicecmpt.	561539	male	L253	Parcelrack	561186	male
L185.B	Servicecmpt.	561539	male	L254	Parcelrack	561186	male
L186.A	Dash	561539	male	L255	Parcelrack	561186	male
L186.B	Dash	561539	male	L256	Parcelrack	561186	male
L187	Engine_Cmpt	561690	male	L257	Parcelrack	561186	male
L188	Service_Cmpt	562486	female	L258	Parcelrack	561186	male
L189	Mirror_RH	564513	female	L282	Engine_Cmpt	561690	male
L193.A	Dash	560488	female	L283	Service_Cmpt	562485	male
L193.B	Dash	560488	female	L285.A	Rear_Vehicle	562835	female
L194.A	Dash	562019	female	L285.B	Rear_Vehicle	562834	male
L194.B	Dash	560488	female	L286.A	Rear_Vehicle	562835	female
L195.A	Dash	560488	female	L286.B	Rear_Vehicle	562834	male
L195.B	Dash	560488	female	L296	Refrigerator	561248	female
L199	Enginecmpt.	562848	male	L298A	Enginecmpt.	563590	female
L203	RH_Console	561690	male	L306	RJBcmpt.	561247	male
L204	Parcel_Rack_RH	562803	male	L309.	Behind_Lavatory	564576	male
L205	Enginecmpt.	562485	male	L309D	Drivers_Area	564576	male
L206	Parcel_Rack_RH	562803	male	L310.	Behind_Lavatory	564576	male
L207.A	WCLCmpt.	561699	female	L310D	Drivers_Area	564576	male
L207.B	WCLCmpt.	561701	female	L313	Rr_Roof	562549	male
L207.C	WCLCmpt.	561701	female	L350A.A	Rearaxlecmpt.	564552	male



# CONNECTORS LIST

No	Location	Part #	Gender	No	Location	Part #	Gender
L350A.B	Rearaxlcempt.	563340	male	Mo70	Enginecmpt.	568089	male
L350A.C	Rearaxlcempt.	562251	male	Mo71	Enginecmpt.	568089	male
L391	Drivers_Area	560898	male	Mo72	Enginecmpt.	568089	male
L400.A	Enginecmpt.	562251	male	Mo73	Enginecmpt.	568089	male
L606	Rr_Roof	560898	male	P_In1	Passenger_Area	561782	male
L606	Rr_Roof	560900	female	P_In1	Passenger_Area	561781	female
L606A	Rr_Roof	560898	male	P_Out1	Passenger_Area	561782	male
Mo3	Dash	561667	female	P_Out1	Passenger_Area	561781	female
Mo4	Dash	562076	male	P_Out2	Passenger_Area	561782	male
Mo5	Front_Roof	561515	male	P_Out2	Passenger_Area	561781	female
Mo7	Cond_Cmpt	563691	male	P_Out3	Passenger_Area	561782	male
Mo8	Cond_Cmpt	563691	male	P_Out3	Passenger_Area	561781	female
Mo10	ParcelRack_Lh_Fan	561515	male	PC1	FJB	562650	male
Mo11	ParcelRack_Rh_Fan	561515	male	PC1	FJB	562649	female
Mo12	Engine_Cmpt	561690	male	PF	FJB	561782	male
Mo13	Engine_Cmpt	561690	female	PF	FJB	561781	female
Mo13.	Engine_Cmpt	561690	male	PF1	Passenger_Area	561782	male
Mo14	Engine_Cmpt	561566	female	PF1	Passenger_Area	561781	female
Mo15	Front_Ceiling	560900	female	Pot1.A	Dash	560488	female
Mo16	Front_Ceiling	560900	female	Pot1.B	Dash	560488	female
Mo17	RH_Console	563626	male	Pot1.C	Dash	560488	female
Mo19	Fr_Service_Door	562474	male	PR	Parcelrack	561782	male
Mo20	Fr_Service_Door	562474	male	PR	Parcelrack	561781	female
Mo22	RH_Console	561186	male	PR1	Passenger_Area	561782	male
Mo24	RH_Console	562348	female	PR1	Passenger_Area	561781	female
Mo25	RH_Console	562348	female	R3	RJB	563409	male
Mo27	Cond_Cmpt	563691	male	R4	FJB	564496	male
Mo28	Cond_Cmpt	563691	male	R5	RJB	564496	male
Mo29	RJBcmpt.	563590	female	R12	Evap_Cmpt	563409	male
Mo30	Compr_Door	564161	male	R20	RJB	564496	male
Mo31	Parcelrack	564161	male	R21	FJB	560525	male
Mo32	Parcelrack	564161	male	R21A	FJB	560525	male
Mo33	Parcelrack	564161	male	R23A	FJB	564496	male
Mo34	Parcelrack	564161	male	R26	Evap_Cmpt	564496	male
Mo35	3rd_Lugg_Door	564161	male	R27	Dash	564496	male
Mo36	Parcelrack	564161	male	R28	RearSeat	563409	male
Mo54	Service_Cmpt	562474	male	R29	RJB	563409	male
Mo62	FrontHatch	562486	female	R30	FJB	564496	male
Mo63	RearHatch	562486	female	R31	FJB	564496	male
Mo65	Enginecmpt.	568089	male	R34	RJB	564210	male
Mo67	Enginecmpt.	568089	male	R36	Dash	564496	male
Mo68	Enginecmpt.	568089	male	R37	Dash	564496	male
Mo69	Enginecmpt.	568089	male	R38	FJB	564496	male

# CONNECTORS LIST

No	Location	Part #	Gender	No	Location	Part #	Gender
R38A	RearSeat	563409	male	Se11.B	Cond_Cmpt	560082	female
R40	RJB	564496	male	Se11.C	Cond_Cmpt	560082	female
R47	Parcelrack	564496	male	Se13	Engine_Cmpt	562350	male
R72.A	RearSeat	563409	male	Se14.A	Driver_Area	561782	male
R210	Parcel_Rack_LH	560525	male	Se14.B	Driver_Area	561781	female
R_12VISS	Parcelrack	564496	male	Se15	RH_Console	560898	male
RadioVolvo3_966.A	Parcelrack	563960	male	Se17	RH_Console	560900	female
RadioVolvo3_966.B	Parcelrack	563962	male	Se18	Servicecmpt.	561566	female
RadioVolvo3_966.C1	Parcelrack	563956	male	Se19_P	Service_Cmpt	563677	male
RadioVolvo3_966.C2	Parcelrack	563957	male	Se19_S	Service_Cmpt	563677	male
RadioVolvo3_966.C3	Parcelrack	563958	male	Se20	Evap_Cmpt	562426	male
Res3.A	ParcelRack	563590	female	Se20A	Evap_Cmpt	562426	male
Res4	RH_Console	563590	female	Se21	Dash	561248	female
Res6	FJB	563590	female	Se23	Engine_Cmpt	563159	male
Res6A	FJB	563589	male	Se24	EvaporatorCmpt.	563758	female
Res6A	FJB	563590	female	Se25	Passenger_Area	561248	female
Res6B	FJB	563589	male	Se29	Engine_Cmpt	561566	female
Res6B	FJB	563590	female	Se30	Enginedoor	562877	female
Res7	dash	563590	female	Se31	Enginedoor	562877	female
Res15	Engine_Cmpt	561782	male	Se32	Rear_Axle_Cmpt	562426	male
Res31	Ureacmpt.	562350	male	Se33	Rear_Axle_Cmpt	562856	male
Res32	Ureacmpt.	563764	female	Se34	Rear_Axle_Cmpt	562426	male
Res46	FJB	563590	female	Se35	Rear_Axle_Cmpt	562426	male
Res47	FJB	563590	female	Se36	Rear_Axle_Cmpt	562427	male
Res53.A	FJB	563590	female	Se37	Front_Axle_LH	641132	female
Res99	FJB	563590	female	Se38	Front_Axle_RH	641132	female
Se2	LH_Console	561566	female	Se39	Rear_Axle_LH	641132	female
Se3	Window_RH	561477	female	Se40	Rear_Axle_LH	641132	female
Se4	Window_RH	561477	female	Se45	Servicecmpt.	563409	male
Se4.	Window_RH	561477	female	Se46	Rearaxlecmpt.	562348	female
Se5	Window_RH	561477	female	Se49	Engine_Cmpt	561690	male
Se5.	Window_RH	561477	female	Se51	UnderDriverSeat	563589	male
Se6	Window_RH	561477	female	Se53	Service_Cmpt	563159	female
Se6.	Window_RH	561477	female	Se54	Service_Cmpt	563159	female
Se7	Window_LH	561477	female	Se55	Service_Cmpt	563159	female
Se7.	Window_LH	561477	female	Se56	WCLCmpt.	562479	female
Se8	Window_LH	561477	female	Se60	Service_Cmpt	563409	male
Se8.	Window_LH	561477	female	Se62	WCL_System	561690	male
Se9	Window_LH	561477	female	Se63	Rearaxlecmpt.	641132	female
Se9.	Window_LH	561477	female	Se64	Rearaxlecmpt.	641132	female
Se10	Window_LH	561477	female	Se65	Dash	564042	female
Se10.	Window_LH	561477	female	Se66	FJB	564039	female
Se11.A	Cond_Cmpt	560082	female	Se67	Frontaxlecmpt.	563159	female

# CONNECTORS LIST

No	Location	Part #	Gender	No	Location	Part #	Gender
Se69	Frontaxlecmpt.	563159	female	spBar7	Enginectmpt.	564135	male
Se74	Rear_Axle_Cmpt	563340	male	spBar11	Rearvehicule	564135	male
Se75	Service_Cmpt	563159	female	spBar12	Rearvehicule	564135	male
Se76	EntranceDoor	562479	female	spBar13	Enginectmpt.	564135	male
Se77	FJB	563159	female	spBar14	Enginectmpt.	564135	male
Se78	Pneumaticplate	563159	female	spBar15	Enginectmpt.	564135	male
Se79	Front_Axle	563340	male	spBar16	Enginectmpt.	564135	male
Se80	Rear_Axle	563159	female	spBar19	Condensorcmpt.	564135	male
Se89	Enginectmpt.	562350	male	spBar20	Condensorcmpt.	564135	male
Se94	WCLUpperDoor	562877	female	spBar21	Condensorcmpt.	564135	male
Se100	WCLdoor	562479	female	spBar22	Enginectmpt.	564135	male
shell1_1640	Driver_Area	562471	male	spBar23	Enginectmpt.	564135	male
So3	RH_Console	641385	male	spBar24	Enginectmpt.	564135	male
So4	RH_Console	641385	male	Spk1_L	Parcel_Rack_LH	563994	male
So5	RH_Console	641385	male	Spk1_R	Parcel_Rack_RH	563994	male
So6	RH_Console	641385	male	Spk2_L	Parcel_Rack_LH	563994	male
So7	Service_Cmpt	561566	female	Spk2_R	Parcel_Rack_RH	563994	male
So8	Servicecmpt.	641385	male	Spk3_L	Parcel_Rack_LH	563994	male
So9	Enginectmpt.	560016	female	Spk3_R	Parcel_Rack_RH	563994	male
So10.A	Condensorcmpt.	562485	male	Spk4_L	Parcel_Rack_LH	563994	male
So11	Cond_Cmpt	561566	female	Spk4_R	Parcel_Rack_RH	563994	male
So13	Evap_Cmpt	563204	female	Spk5_L	Parcel_Rack_LH	563994	male
So14	Servicecmpt.	641385	male	Spk5_R	Parcel_Rack_RH	563994	male
So15	Servicecmpt.	641385	male	Spk6_L	Parcel_Rack_LH	563994	male
So16	Servicecmpt.	641385	male	Spk6_R	Parcel_Rack_RH	563994	male
So17	Servicecmpt.	562848	male	Spk7_L	Parcel_Rack_LH	563994	male
So20	Servicecmpt.	641385	male	Spk7_R	Parcel_Rack_RH	563994	male
So21	Front_Axle_Cmpt	564046	female	Spk8_L	Parcel_Rack_LH	563994	male
So22	Front_Axle_Cmpt	564046	female	Spk8_R	Parcel_Rack_RH	563994	male
So23	Rear_Axle_Cmpt	564046	female	Spk9_L	Parcel_Rack_LH	563994	male
So24	Rear_Axle_Cmpt	564046	female	Spk9_R	Parcel_Rack_RH	563994	male
So27	Rearaxlecmpt.	564045	female	Spk10_L	Parcel_Rack_LH	563994	male
So29	Parcelrack	641385	male	Spk10_R	Parcel_Rack_RH	563994	male
So50	Rearaxlecmpt.	564046	female	Spk11_L	Parcel_Rack_LH	563994	male
So52	Rearaxlecmpt.	564045	female	Spk11_R	Parcel_Rack_RH	563994	male
So53	Rear_Axle_Cmpt	641385	male	Spk12_L	Parcel_Rack_LH	563994	male
So54	Enginectmpt.	564045	female	Spk12_R	Parcel_Rack_RH	563994	male
So55	Pneumaticplate	562848	male	Spk13_L	Parcel_Rack_LH	563994	male
So56	Rear_Axle_Cmpt	562350	male	Spk13_R	Parcel_Rack_RH	563994	male
So57	Engine_Cmpt	562350	male	Spk14_L	Parcel_Rack_LH	563994	male
spBar4	Enginectmpt.	564135	male	Spk14_R	Parcel_Rack_RH	563994	male
spBar5	Enginectmpt.	564135	male	Spk15_L	Parcel_Rack_LH	563994	male
spBar6	Enginectmpt.	564135	male	Spk15_R	Parcel_Rack_RH	563994	male

# CONNECTORS LIST

No	Location	Part #	Gender	No	Location	Part #	Gender
Spk16_L	Parcel_Rack_LH	563994	male	Sw55..B	Lavatory	560488	female
Spk16_R	Parcel_Rack_RH	563994	male	Sw55.A	Lavatory	560488	female
SpkDr_L	Driver_Area	563994	male	Sw55.B	Lavatory	560488	female
SpkDr_R	Driver_Area	563994	male	Sw56..A	Lavatory	560488	female
Sub1.A	Passenger_Area	564004	female	Sw56..B	Lavatory	560488	female
Sub2	Passenger_Area	564004	male	Sw56.A	Lavatory	560488	female
Sw1.C258	Driver_Area	561188	female	Sw56.B	Lavatory	560488	female
Sw1.C259	Driver_Area	561186	male	Sw58	EngineCmpt.	563135	male
Sw2	Dash	562763	male	Sw59	Enginecmpt.	563135	male
Sw3	Dash	562763	male	Sw63A	LHConsole	562763	male
Sw4	Dash	562763	male	Sw64.A	Service_Cmpt	560815	female
Sw6	Dash	562763	male	Sw64.B	Service_Cmpt	560815	female
Sw10A	LH_Console	562763	male	Sw80A	Dash	562763	male
Sw14	Dash	562763	male	Sw82	RJB	563135	male
Sw16	Dash	562763	male	Sw83.A	Dash	560082	female
Sw17	Dash	562763	male	Sw83.B	Dash	560815	female
Sw18A	LH_Console	562763	male	Sw83.C	Dash	560082	female
Sw20	Dash	562763	male	Sw83.D	Dash	560815	female
Sw21	Dash	562763	male	Sw83A	Dash	562581	male
Sw24	Dash	562763	male	Sw85	LH_Console	562749	male
Sw25	Dash	562763	male	Sw95.A	WCLdoor	562615	female
Sw26	Dash	562763	male	Sw95.B	WCLdoor	562615	female
Sw27	Dash	562763	male	Sw95.C	WCLdoor	562615	female
Sw29	Dash	562763	male	Sw96.A	WCL_Door	562615	female
Sw30	RJB	563135	male	Sw96.B	WCL_Door	562615	female
Sw32	Dash	561477	female	Sw96.C	WCLdoor	562615	female
Sw33	Dash	561476	male	Sw97.A	WCLsystem	562615	female
Sw34	Outside_Front_RH	562477	male	Sw97.B	WCLsystem	562615	female
Sw35	Console	562763	male	Sw97.C	WCLsystem	562615	female
Sw38	LH_Console	562763	male	Sw98.A	WCLsystem	562615	female
Sw40	LH_Console	561690	male	Sw98.B	WCLsystem	562615	female
Sw41	LH_Console	562749	male	Sw98.C	WCLsystem	562615	female
Sw42	WCLCmpt.	561635	female	Sw100A	Dash	562763	male
Sw43	LH_Console	561690	male	Sw102	RJB	561566	female
Sw44.A	Servicecmpt.	562403	female	Sw109.A	1st_Lugg_LH	560079	female
Sw45.A	3rd_Lugg_Cmpt	562403	female	Sw109.B	1st_Lugg_LH	560079	female
Sw46.A	3rd_Lugg_Cmpt	562403	female	Sw110.A	1st_Lugg_RH	560079	female
Sw46A.A	3rdlugg.cmpt.	562403	female	Sw110.B	1st_Lugg_RH	560079	female
Sw49.A	2nd_Lugg_Cmpt	562403	female	Sw111.A	2ndlugg.cmpt.	560079	female
Sw50.A	2nd_Lugg_Cmpt	562403	female	Sw111.B	2ndlugg.cmpt.	560079	female
Sw51.A	1st_Lugg_Cmpt	562403	female	Sw112.A	2ndlugg.cmpt.	560079	female
Sw52.A	1st_Lugg_Cmpt	562403	female	Sw112.B	2ndlugg.cmpt.	560079	female
Sw55..A	Lavatory	560488	female	Sw113.A	2ndlugg.cmpt.	560079	female

# CONNECTORS LIST

No	Location	Part #	Gender	No	Location	Part #	Gender
Sw113.B	2ndlugg.cmpt.	560079	female	VECF3	FJB	563185	male
Sw114.A	3rd_Lugg_RH	560079	female	VECF4	FJB	563182	male
Sw114.B	3rd_Lugg_RH	560079	female	VECF9	FJB	563448	male
Sw115.A	Compr_Door	560079	female	VECF10	FJB	563181	male
Sw115.B	Compr_Door	560079	female	VECF11	FJB	563184	male
Sw125.A	Service_Cmpt	561457	female	VECF12	FJB	563187	male
Sw125.B	Service_Cmpt	561457	female	VECPR1	Parcelrack_LH	563715	male
Sw134.A	WCLArea	562615	female	VECPR2_plug	Parcelrack_LH	563716	male
Sw134.B	WCLArea	562615	female	VECPR3_plug	Parcelrack_LH	563718	male
Sw134.C	WCLArea	562615	female	VECPR4	Parcelrack_LH	563714	male
Sw135.A	WCLdoor	562119	female	VECPR5	Parcelrack_LH	566021	male
Sw135.B	WCLdoor	562119	female	VECPR6	Parcelrack_LH	566020	male
Sw135.C	WCLdoor	562119	female	VECR1	RJB	563186	male
Sw137	Dash	562763	male	VECR2	RJB	563183	male
Sw140	FJB	561566	female	VECR3	RJB	563185	male
Sw142	LHConsole	562763	male	VECR4	RJB	563182	male
Sw149	Dash	562763	male	VECR9	RJB	563448	male
Sw153	Dash	562763	male	VECR10	RJB	563181	male
Sw156	LH_Console	562763	male	VECR11	RJB	563184	male
Sw157	Dash	562763	male	VECR12	RJB	563187	male
Sw158	Dash	562763	male	VECT2_plug	RearVehicle	563716	male
Sw313..A	Lavatory	562615	female	VECT3	RearVehicle	563718	male
Sw313..B	Lavatory	562615	female	VECT4	RearVehicle	563714	male
Sw313..C	Lavatory	562615	female	Y80	Engine_Cmpt	563789	male
Sw313.A	Lavatory	562615	female	Y81	Cond_Cmpt	563793	male
Sw313.B	Lavatory	562615	female				
Sw313.C	Lavatory	562615	female				
sym760_162.A	Parcelrack_LH	564489	female				
sym760_162.B	Parcelrack_LH	562706	female				
sym760_162.C	Parcelrack_LH	562706	female				
sym761_162.A	Parcelrack_LH	564489	female				
sym761_162.B	Parcelrack_LH	562706	female				
sym761_162.C	Parcelrack_LH	562706	female				
sym762_162.A	Parcelrack_LH	564489	female				
sym762_162.B	Parcelrack_LH	562706	female				
sym762_162.C	Parcelrack_LH	562706	female				
sym812_291.A	Parcelrack	565180	female				
tab69	Parcelrack	561626	N/A				
Tab70a	Parcelrack	561626	N/A				
Tab70b	Parcelrack	561626	N/A				
tab71a	Parcelrack	561626	N/A				
VECF1	FJB	563186	male				
VECF2	FJB	563183	male				

# CONNECTORS LIST

No	Location	Part #	Gender	No	Location	Part #	Gender
24SS_OP	P_Rack	563071	male	A34.2	EngineCmpt.	564258	male
24SS_OP	P_Rack	563040	female	A34.3	EngineCmpt.	564258	male
120V_inlet	RearVehicle	561572	male	A34.4	EngineCmpt.	564258	male
120VAC_Inlet	Enginecmpt.	561572	male	A34.5	EngineCmpt.	564258	male
A1	RJB	563975	male	A34.6	EngineCmpt.	564258	male
A2	FJB	563984	male	A34.7	EngineCmpt.	564258	male
A3	Dash	562363	male	A34.8	EngineCmpt.	564258	male
A4.A	Service_Cmpt	562428	female	A34.J	Enginecmpt.	568118	male
A4.B	Service_Cmpt	561188	female	A34.K	Enginecmpt.	564270	male
A5	Service_Cmpt	562428	female	A34.L	Enginecmpt.	564269	male
A6	Engine_Cmpt	562427	male	A36.JA	FJB	562767	male
A7	Rear_Axle_Cmpt	563979	male	A36.JB	FJB	562765	male
A9.Cx1	FJB	564041	female	A36.JC	FJB	562957	male
A9.Cx2	FJB	563678	male	A36A.JA	FJB	562767	male
A9.Cx3	FJB	564037	female	A36A.JB	FJB	562765	male
A9.Cx4	FJB	564038	female	A36A.JC	FJB	562957	male
A10.X1	Engine_Cmpt	563135	male	A39.P101	Parcelrack	563201	male
A10.X3	Engine_Cmpt	563134	female	A39.P901	Parcelrack	563953	male
A11	LH_Console	563142	male	A40.A	FJB	561668	male
A14.A	Dash	562766	male	A60.A	Parcelrack	563071	male
A14.B	Dash	562767	male	A60.B	Parcelrack	562706	female
A14.C	Dash	562765	male	A60.C	Parcelrack	901110	male
A15	Dash	562464	male	A60.D	Parcelrack	901110	male
A16A	FrontCeiling	561637	male	A61.A	Parcelrack	562464	male
A17.D	RJB	561932	male	A61.B	Parcelrack	562465	male
A18.J1	FJB	562794	male	A65.B	Parcelrack	901110	male
A18.J2	FJB	562650	male	A65.C	Parcelrack	901110	male
A19	LH_Console	562878	female	A65.Csv	Parcelrack	562465	male
A20	Parcel_Rack_LH	561477	female	A65.D	Parcelrack	901110	male
A24.A	RH_Console	561890	male	A65A.A	Parcelrack	563025	male
A24.B	RH_Console	561566	female	A65A.B4	Parcelrack	bidon	male
A25	Parcelrack	563025	male	A65A.B5	Parcelrack	bidon	male
A26.P1	Enginecmpt.	562350	male	A65A.B6	Parcelrack	bidon	male
A26.P2	Enginecmpt.	563322	female	A65A.D	Parcelrack	bidon	male
A26.P4	Enginecmpt.	568088	male	A65A.E	Parcelrack	563071	male
A27	Service_Cmpt	562929	male	A65A.G1	Parcelrack	563071	male
A28	Service_Cmpt	562928	male	A65A.G2	Parcelrack	563071	male
A29	Dash	562464	male	A65A.G3	Parcelrack	563071	male
A29.	Dash	562464	male	A65A.H1	Parcelrack	561716	female
A29.	Dash	565871	female	A65A.H2	Parcelrack	561716	female
A33.A	Parcelrack	563071	male	A65A.H3	Parcelrack	561716	female
A33.B	Parcelrack	562330	female	A65A.J	Parcelrack	562465	male
A34.1	EngineCmpt.	564258	male	A69.A	Parcelrack	563071	male

# CONNECTORS LIST

No	Location	Part #	Gender	No	Location	Part #	Gender
A69.B	Parcelrack	561716	female	A107	EngineCmpt.	560336	male
A69.C	Parcelrack	561716	female	A108	RJB	562766	male
A69.D	Parcelrack	561716	female	A109A	FJB	564141	male
A69.E	Parcelrack	561716	female	A113.A	Parcel_Rack_LH	563960	male
A69.F	Parcelrack	561716	female	A113.B	Parcel_Rack_LH	563962	male
A69.G	Parcelrack	561716	female	A113.C1	Parcel_Rack_LH	563956	male
A69.H	Parcelrack	561716	female	A113.C2	Parcel_Rack_LH	563957	male
A69L.A	Parcelrack	563025	male	A113.C3	Parcel_Rack_LH	563958	male
A69L.B1	Parcelrack	bidon	male	A114A	Dash	564252	male
A69L.B2	Parcelrack	bidon	male	A120.A	Dashboard	563960	male
A69L.B3	Parcelrack	bidon	male	A120.B	Dashboard	563962	male
A69L.B4	Parcelrack	bidon	male	A120.C1	Dashboard	563956	male
A69L.C	Parcelrack	bidon	male	A120.C2	Dashboard	563957	male
A69R.A	Parcelrack	563025	male	A120.C3	Dashboard	563958	male
A69R.B1	Parcelrack	bidon	male	A121.Vsa	Dash	563679	male
A69R.B2	Parcelrack	bidon	male	A121.Vsb	Dash	563678	male
A69R.B3	Parcelrack	bidon	male	A121.Vsc	Dash	564037	male
A69R.B4	Parcelrack	bidon	male	A121.Vsd	Dash	564118	male
A69R.C	Parcelrack	bidon	male	A130	Driver_Area	563226	male
A70c	Parcelrack	561540	female	A131.A	Engine_Cmpt	561782	male
A77	Parcelrack	564547	male	A131.B	Engine_Cmpt	561781	female
A78	Parcelrack	562583	female	A137A	Condensercmpt.	20429843	male
A79	Parcelrack	562583	female	A138	Cond_Cmpt	563787	male
A80	Parcelrack	562479	female	A139	Dash	564501	male
A81.JA	FJB	562767	male	A151.A	Parcelrack	561582	female
A81.JB	FJB	562765	male	A151.B	Parcelrack	561582	female
A81.JC	FJB	562957	male	A152.J	Parcelrack	563071	male
A83	Parcelrack	565970	female	A153.A	Parcelrack	562465	male
A84.A	Parcelrack	563071	male	A153.B	Parcelrack	561716	female
A96S	FJB	564073	female	A153.C	Parcelrack	561716	female
A97	Dash	563226	male	A153.D	Parcelrack	561716	female
A97A	FJB	563226	male	A160.A	WCLcmpt	562477	male
A97A	FJB	563613	female	A160.B	WCLcmpt	562884	female
A97B	FJB	563226	male	A162.A	FrontCab	561690	male
A97B	FJB	563613	female	A162.B	FrontCab	561782	male
A97S.A1	Dash	564401	male	A164.A	RH_Trapezoidal_Window	561690	male
A97S.A2	Dash	564402	male	A164.B	RH_Trapezoidal_Window	561782	male
A97S.A3	Dash	564403	male	A165		560461	male
A99	FJB	564205	male	A166		561637	male
A100S	Front_Axle_Cmpt	563758	female	A175	RJB	563226	male
A101S	Rear_RH_Axle_Cmpt	563758	female	AE41.J1	FJB	563679	male
A102S	Rear_RH_Axle_Cmpt	563758	female	AE41.J2	FJB	564037	female
A103	Dash	562070	female	AE41.J3	FJB	564004	male

# CONNECTORS LIST

No	Location	Part #	Gender	No	Location	Part #	Gender
AE42.J1	FJB	563679	male	AE56.J2	Dash	564037	male
AE42.J2	FJB	564037	female	AE56.J3	Dash	564004	male
AE42.J3	FJB	564004	male	AE57.J1	WCLcmpt.	563679	male
AE43.J1	FJB	563679	male	AE57.J2	WCLcmpt.	564037	male
AE43.J2	FJB	564037	male	AE57.J3	WCLcmpt.	564004	male
AE43.J3	FJB	565957	male	Alt_LL.A	Enginecmpt.	563746	female
AE44.J1	FJB	563679	male	Alt_LL.B	Enginecmpt.	560815	female
AE44.J2	FJB	564037	female	Alt_LL.C	Enginecmpt.	564469	female
AE44.J3	FJB	565957	male	Alt_LR.A	enginecmpt.	563746	female
AE45.J1	FJB	563679	male	Alt_LR.B	Enginecmpt.	560815	female
AE45.J2	FJB	564037	female	Alt_LR.C	Enginecmpt.	564469	female
AE45.J3	FJB	565957	male	Alt_UR.A	Enginecmpt.	563746	female
AE46.J1	FJB	563679	male	Alt_UR.B	Enginecmpt.	560815	female
AE46.J2	FJB	564037	female	Alt_UR.C	Enginecmpt.	564469	female
AE46.J3	FJB	565957	male	B85	Engine_Cmpt	563815	male
AE47.J1	RH_console	563679	male	B96	Engine_Cmpt	563821	male
AE47.J2	RH_console	564037	female	B96B	Engine_Cmpt	563823	male
AE47.J3	RH_console	565957	male	B97	Engine_Cmpt	563816	male
AE48.J1	RH_console	563679	male	B98	Engine_Cmpt	563817	male
AE48.J2	RH_console	564037	female	B99	Engine_Cmpt	563815	male
AE48.J3	RH_console	565957	male	B115A	Enginecmpt.	564226	male
AE49.J1	RJB	563679	male	B142C	Enginecmpt.	563793	male
AE49.J2	RJB	564037	male	B310	Enginecmpt.	565967	male
AE49.J3	RJB	565957	male	C.381	Parcel_Rack	561847	male
AE50.J1	RJB	563679	male	C.381	Parcel_Rack	561924	female
AE50.J2	RJB	564037	male	C1	FJB	563589	male
AE50.J3	RJB	565957	male	C1	FJB	563590	female
AE51.J1	RJB	563679	male	C1S	FJB	563589	male
AE51.J2	RJB	564037	female	C1S	FJB	563590	female
AE51.J3	RJB	565957	male	C2	Service_Cmpt	563580	male
AE52.J1	RJB	563679	male	C2	Service_Cmpt	563581	female
AE52.J2	RJB	564037	female	C2A	FJB	563580	male
AE52.J3	RJB	565957	male	C2A	FJB	563581	female
AE53.J1	RJB	563679	male	C2B	FJB	564034	male
AE53.J2	RJB	564037	female	C2B	FJB	564035	female
AE53.J3	RJB	565957	male	C3_plug	RJB	563589	male
AE54.J1	Evaporatorcmpt.	563679	male	C3_socke	RJB	563590	female
AE54.J2	Evaporatorcmpt.	564037	female	C3AP	FJB	563589	male
AE54.J3	Evaporatorcmpt.	565957	male	C3AP	FJB	563590	female
AE55.J1	Dash	563679	male	C3AS	FJB	563589	male
AE55.J2	Dash	564037	female	C3AS	FJB	563590	female
AE55.J3	Dash	564004	male	C3S	RJB	563593	male
AE56.J1	Dash	563679	male	C3S	RJB	563590	female



# CONNECTORS LIST

No	Location	Part #	Gender	No	Location	Part #	Gender
C4	FJB	563580	male	C25	Parcel_Rack_LH	561667	female
C4	FJB	563581	female	C25.	Parcel_Rack_LH	561669	male
C5	FJB	563589	male	C25.	Parcel_Rack_LH	561670	female
C5	FJB	563590	female	C25A	Parcel_Rack_RH	561669	male
C5S	FJB	563589	male	C25A	Parcel_Rack_RH	561670	female
C5S	FJB	563590	female	C26	Ureacmpt.	563226	male
C6	FJB	563582	male	C26	Ureacmpt.	563613	female
C6	FJB	563583	female	C26A	Ureacmpt.	568110	male
C7	Service_Cmpt	562566	male	C26A	Ureacmpt.	568109	female
C7	Service_Cmpt	562565	female	C26B	Ureacmpt.	563227	male
C8	FJB	563227	male	C26B	Ureacmpt.	563614	female
C8	FJB	563614	female	C29	4rd_Lugg_Cmpt	563651	male
C9	RJB	561986	male	C29	3rd_Lugg_Cmpt	563652	female
C9	RJB	561987	female	C30	3rd_Lugg_Cmpt	561710	male
C10	Engine_Cmpt	562477	male	C30	3rd_Lugg_Cmpt	561709	female
C10	Engine_Cmpt	562479	female	C31S	Parcelrack	561515	male
C11	Service_Cmpt	563580	male	C31S	Parcelrack	561552	female
C11	Service_Cmpt	563581	female	C31W	WCL_Parcel_Rack	563227	male
C12	Engine_Cmpt	562581	male	C31W	WCL_Parcel_Rack	563614	female
C12	Engine_Cmpt	562583	female	C32	lavatory	561734	male
C13_plug	RH_Console	563589	male	C32	Lavatory	561735	female
C13_socket	RH_Console	563590	female	C32.	Lavatory	561515	male
C13S	RH_Console	563589	male	C32.	Lavatory	561552	female
C13S	RH_Console	563590	female	C32L	Lavatory	562006	male
C15A	EvaporatorCmpt	568110	male	C32L	Lavatory	560908	female
C15A	EvaporatorCmpt	568109	female	C32W	WCLcmpt.	561640	male
C16	RJB	561577	male	C32W	WCLcmpt.	561639	female
C16	RJB	561605	female	C32X	Lavatory	561247	male
C17	RJB	560195	male	C32X	Lavatory	561248	female
C17	RJB	560169	female	C33	WCLcmpt.	564034	male
C18	FJB	561986	male	C33	WCLcmpt.	564035	female
C18	FJB	561987	female	C34	RH_Console	561986	male
C19	RJB	561986	male	C34	RH_Console	561987	female
C19	RJB	561987	female	C35	Lavatory	561669	male
C20A	Evap_Cmpt	562485	male	C35	Lavatory	561670	female
C20A	Evap_Cmpt	562486	female	C36	FJB	561986	male
C20B	Evap_Cmpt	562485	male	C36	FJB	561987	female
C20B	Evap_Cmpt	562486	female	C37	Parcel_Rack_LH	562557	male
C23	Evaporatorcmpt.	564034	male	C37	Parcel_Rack_LH	562558	female
C23	Evaporatorcmpt.	564035	female	C37.	Parcel_Rack	561734	male
C24_plug	Evap_Cmpt	561690	male	C37.	Parcel_Rack	561735	female
C24_socket	Evap_Cmpt	561566	female	C38	Parcelrack	562555	male
C25	Parcel_Rack_LH	561550	male	C38	Parcelrack	562556	female

# CONNECTORS LIST

No	Location	Part #	Gender	No	Location	Part #	Gender
C38.	Parcelrack	561734	male	C63	Entrance_Door	562479	female
C38.	Parcelrack	561735	female	C64	Enginectmpt.	568110	male
C39A	Firesuppressioncmt.	561782	male	C64	Enginectmpt.	568109	female
C39A	Firesuppressioncmt.	561781	female	C66_plug	Evap_Cmpt	561577	male
C40	Dash	562485	male	C66_socket	Evap_Cmpt	561605	female
C40	Dash	562486	female	C68_plug	Parcel_Rack_LH	562503	male
C41	RJB	561782	male	C68_socket	Parcel_Rack_LH	562507	female
C41	RJB	561781	female	C69_plug	Parcel_Rack_LH	561690	male
C42	FJB	561668	male	C69_socket	Parcel_Rack_LH	561566	female
C42	FJB	561551	female	C70	Over_Head_Driver_Area	561550	male
C44_plug	FJB	561577	male	C70	Over_Head_Driver_Area	561667	female
C44_socket	FJB	561605	female	C71	FJB	561646	male
C45	FJB	561643	male	C71	FJB	561645	female
C45	FJB	561642	female	C71A	FJB	561646	male
C46	WCLCmpt.	564228	male	C71A	FJB	561644	female
C46	WCLCmpt.	564229	female	C72	FJB	561646	male
C47	FJB	565207	male	C72	FJB	561645	female
C48	Unican	565208	male	C74	FJB	561645	female
C49	FJB	562005	male	C74	FJB	561646	male
C49	FJB	561714	female	C81	1st_Lugg_Cmpt	562477	male
C50	RJB	563226	male	C81	1st_Lugg_Cmpt	562479	female
C50	RJB	563613	female	C82	1st_Lugg_Cmpt	562477	male
C51	Enginectmpt.	564034	male	C82	1st_Lugg_Cmpt	562479	female
C51	Enginectmpt.	560034	female	C82A	1st_Lugg_Cmpt	563589	male
C52	Evaporatorcmt.	563618	male	C82A	1st_Lugg_Cmpt	563590	female
C52	Evaporatorcmt.	563616	female	C83	2nd_Lugg_Cmpt	562477	male
C54	Enginectmpt.	563226	male	C83	2nd_Lugg_Cmpt	562479	female
C54	Enginectmpt.	563613	female	C84	2nd_Lugg_Cmpt	562477	male
C54A	Ureacmpt.	568110	male	C84	2nd_Lugg_Cmpt	562479	female
C54A	Ureacmpt.	568109	female	C85	4thlugg.cmpt.	562477	male
C54B	Enginectmpt.	563589	male	C85	4thlugg.cmpt.	562479	female
C54B	Enginectmpt.	563590	female	C86	4thlugg.cmpt.	563618	male
C55	Evap_Cmpt	561577	male	C86	4thlugg.cmpt.	563616	female
C55	Evap_Cmpt	561605	female	C87	Engine_Cmpt	562485	male
C58	Condensorcmt.	564567	male	C87	Engine_Cmpt	562486	female
C58	Condensorcmt.	564568	female	C88	FJB	563618	male
C59	RJB	561643	male	C88	FJB	563616	female
C59	RJB	561642	female	C91	RJB	564619	male
C61	Fr_Service_Door	561669	male	C91	RJB	562282	female
C61	Fr_Service_Door	561670	female	C92A	Enginectmpt.	563226	male
C62	Fr_Service_Door	562566	male	C92A	Enginectmpt.	563613	female
C62	Fr_Service_Door	562565	female	C92C	Enginectmpt.	562581	male
C63	Entrance_Door	562477	male	C92C	Enginectmpt.	562583	female

# CONNECTORS LIST

No	Location	Part #	Gender	No	Location	Part #	Gender
C94_plug	FJB	563589	male	C140	Dash	562479	female
C94_socket	FJB	563590	female	C144	RJB	560852	male
C96	FJB	561643	male	C144	RJB	560851	female
C96	FJB	561642	female	C152	Cond_Cmpt	561611	male
C97	FJB	561643	male	C152	Cond_Cmpt	561610	female
C97	FJB	561642	female	C158	Condensorcmt.	562477	male
C100	Evaporatorcmt.	562477	male	C158	Condensorcmt.	562479	female
C100	EvaporatorCmpt.	562479	female	C162	FrontCab	561690	male
C100S	EvaporatorCmpt.	562477	male	C162	FrontCab	561566	female
C100S	EvaporatorCmpt.	562479	female	C164A	RH_Trapezoidal_Window	561690	male
C101	Service_Cmpt	561690	male	C164A	RH_Trapezoidal_Window	561566	female
C101	Service_Cmpt	561566	female	C164B	RH_Trapezoidal_Window	561782	male
C102A	Condensorcmt.	563226	male	C164B	RH_Trapezoidal_Window	561781	female
C102A	Condensorcmt.	563613	female	C167	FJB	561577	male
C103_plug	FJB	562485	male	C167	FJB	561605	female
C103_socket	FJB	562486	female	C170	LH_Console	561637	male
C104S_plug	3rdLuggCmpt.	563589	male	C170	LH_Console	561636	female
C104S_socket	3rdLuggCmpt.	563590	female	C171	LH_Console	561646	male
C105_plug	FJB	562581	male	C171	LH_Console	561645	female
C105_socket	FJB	562583	female	C175	RJB	563226	male
C106_plug	FJB	562581	male	C175	RJB	563613	female
C106_socket	FJB	562583	female	C187	RJB	561577	male
C107A	Enginect.	562885	female	C187	RJB	561605	female
C107A	Enginect.	562884	female	C188	Evap_Cmpt	561577	male
C107B	Enginect.	562885	female	C188	Evap_Cmpt	561605	female
C107B	Enginect.	562884	female	C189	RJB	561986	male
C107C	Enginect.	562885	female	C189	RJB	561987	female
C107C	Enginect.	562884	female	C193_plt	RJB	563589	male
C110	Dash	568110	male	C193_so	RJB	563590	female
C110	Dash	568109	female	C194	FJB	563589	male
C119A	Rearenginedoor	568110	male	C194	FJB	563590	female
C119A	Rearenginedoor	568109	female	C195	Dash	563347	male
C121	Rearenginedoor	562566	male	C195	Dash	560489	female
C121	Rearenginedoor	562565	female	C206	Parcel_Rack_RH	562503	male
C122	Rearenginedoor	562566	male	C206	Parcel_Rack_RH	562507	female
C122	Rearenginedoor	562565	female	C207	Parcel_Rack_LH	562503	male
C124	DashBoard	562503	male	C207	Parcel_Rack_LH	562507	female
C124	DashBoard	562507	female	C212	WCLArea	561515	male
C131A	Engine_Cmpt	561782	male	C212	WCLArea	561552	female
C131A	Engine_Cmpt	561781	female	C213	Parcel_Rack_LH	561515	male
C131B	Engine_Cmpt	561782	male	C213	Parcel_Rack_LH	561552	female
C131B	Engine_Cmpt	561781	female	C222	FJB	562477	male
C140	Dash	562477	male	C222	FJB	562479	female

# CONNECTORS LIST

No	Location	Part #	Gender	No	Location	Part #	Gender
C223	FJB	563227	male	C357	Parcelrack	561862	female
C223	FJB	563614	female	C380A	Dash	564222	male
C224	FJB	561637	male	C380A	Dash	564224	female
C224	FJB	561636	female	C381	Parcel_Rack	561847	male
C225	FJB	562650	male	C381	Parcel_Rack	561862	female
C225	FJB	562649	female	C382	Under_Seat	561580	male
C226	FJB	562650	male	C382	Under_Seat	561582	female
C226	FJB	562649	female	C397	RJB	562285	male
C242	Service_Cmpt	562789	male	C397	RJB	562282	female
C242	Service_Cmpt	565131	female	C430	LH_Console	562363	male
C243	FrontVehicle	563347	male	C430	LH_Console	561188	female
C243	FrontVehicle	563180	female	C452	Dash	561669	male
C243.	FrontVehicule	562789	male	C452	Dash	561670	female
C243.	FrontVehicule	565131	female	C452.	Dash	561734	male
C259	3rd_LH_Lugg_Cmpt	561637	male	C452.	Dash	561735	female
C259	3rd_LH_Lugg_Cmpt	561636	female	C463	Rearaxlecompt.	568112	male
C266	Parcelrack	561782	male	C463	Rearaxlecompt.	568111	female
C266	Parcelrack	561781	female	C464	FJB	564222	male
C267	Parcelrack	561782	male	C464	FJB	564224	female
C267	Parcelrack	561781	female	C464A	Dash	564222	male
C279	Service_Cmpt	562477	male	C464A	Dash	564224	female
C279	Service_Cmpt	562479	female	C464B	FJB	564222	male
C284	Parcelrack	561247	male	C464B	FJB	564224	female
C284	Parcelrack	561248	female	C465	Parcelrack	562581	male
C284_1	Parcelrack	561247	male	C465	Parcelrack	562583	female
C284_1	Parcelrack	561248	female	C506	FJB	561687	male
C284_2	Parcelrack	561247	male	C506	FJB	561685	female
C284_2	Parcelrack	561248	female	C506spA	FJB	561687	male
C284_3	Parcelrack	561247	male	C506spA	FJB	561685	female
C284_3	Parcelrack	561248	female	C506spB	FJB	561687	male
C284_4	Parcelrack	561247	male	C506spB	FJB	561685	female
C284_4	Parcelrack	561248	female	C542	Parcelrack	561550	male
C284_5	Parcelrack	561247	male	C542	Parcelrack	561667	female
C284_5	Parcelrack	561248	female	C558	Parcelrack	562503	male
C290	Rear_Vehicle	562477	male	C558	Parcelrack	562507	female
C290	Rear_Vehicle	562479	female	C564	Parcelrack	562503	male
C298	Parcelrack	561782	male	C564	Parcelrack	562507	female
C298	Parcelrack	561781	female	C564-Sp	Parcelrack	562503	male
C355	RJB	563582	male	C564-Sp	Parcelrack	562507	female
C355	RJB	563583	female	C566	Parcelrack	562503	male
C356	Parcelrack	561710	male	C566	Parcelrack	562507	female
C356	Parcelrack	561709	female	C567	Parcelrack	562503	male
C357	Parcelrack	561847	male	C567	Parcelrack	562507	female

# CONNECTORS LIST

No	Location	Part #	Gender	No	Location	Part #	Gender
C574	Parcel_Rack_RH	562549	male	C615	Passenger_Area	563040	female
C574	Parcel_Rack_RH	562550	female	C617	Mirror_LH	563801	male
C575	Parcel_Rack_RH	562503	male	C617	Mirror_LH	563800	female
C575	Parcel_Rack_RH	562507	female	C618	Mirror_RH	563801	male
C576	Parcelrack	561515	male	C618	Mirror_RH	563800	female
C576	Parcelrack	561552	female	C620	FJB	562477	male
C576A	Parcel_Rack_RH	561515	male	C620	FJB	562479	female
C576A	Parcel_Rack_RH	561552	female	C662_plug	FJB	562477	male
C576B	Parcel_Rack_RH	562006	male	C662_socket	FJB	562479	female
C576B	Parcel_Rack_RH	560908	female	C680_plug	WCLsystem	566031	male
C576BB	Parcelrack	562006	male	C680_socket	WCLsystem	566028	female
C576BB	Parcelrack	560908	female	C700	FJB	561637	male
C577	Parcel_Rack	561515	male	C700	FJB	561636	female
C577	Parcel_Rack	561552	female	C700A_plug	FJB	561637	male
C577A	Parcel_Rack	562006	male	C700A_socket	FJB	561636	female
C577A	Parcel_Rack	560908	female	C752_plug	Parcelrack	901062	male
C577AA	Parcelrack	562006	male	C752_socket	Parcelrack	901283	female
C577AA	Parcelrack	560908	female	C753_plug	Parcelrack	901062	male
C578	Parcel_Rack_LH	562503	male	C753_socket	Parcelrack	901283	female
C578	Parcel_Rack_LH	562507	female	C766	Parcelrack	561662	male
C579	Parcel_Rack_LH	562549	male	C766	Parcelrack	561661	female
C579	Parcel_Rack_LH	562550	female	C768	Parcelrack	901283	female
C582	FJB	561690	female	C769	Parcelrack	901283	female
C582	FJB	561566	female	C777	Dash	562477	male
C600	Dash	563226	male	C777	Dash	562479	female
C600	Dash	563613	female	C_A60DB	Parcelrack	563071	male
C601	LHRoofWinAjar	561476	male	C_A60DB	Parcelrack	563040	female
C601	LHRoofWinAjar	561477	female	C_A69R	Parcelrack	563025	male
C602	Parcel_Rack_LH	561668	male	C_A97	Dash	563226	male
C602	Parcel_Rack_LH	561551	female	C_A97	Dash	563613	female
C603	RHRoofWinAjar	561476	male	C_ALT	Enginecmt.	562581	male
C603	RHRoofWinAjar	561477	female	C_ALT	Enginecmt.	562583	female
C603.	Parcelrack	561669	male	C_ALT3	Enginecmt.	562477	male
C603.	Parcelrack	561670	female	C_ALT3	Enginecmt.	562479	female
C608	Parcel_Rack_LH	561577	male	C_AUDIO_AUX	Parcelrack	562557	male
C608	Parcel_Rack_LH	561605	female	C_AUDIO_AUX	Parcelrack	562558	female
C609	Parcel_Rack_LH	561550	male	C_Audio_HDM	Parcelrack	901062	male
C609	Parcel_Rack_LH	561667	female	C_Audio_HDM	Parcelrack	901283	female
C612	Parcel_Rack_LH	561687	male	C_Audio_HDM	Parcelrack	901062	male
C612	Parcel_Rack_LH	561685	female	C_Audio_HDM	Parcelrack	901283	female
C614	Passenger_Area	563071	male	C_AUX	Parcelrack	563071	male
C614	Passenger_Area	563040	female	C_AUX	Parcelrack	563040	female
C615	Passenger_Area	563071	male	C_INV1	Parcelrack	562337	male

# CONNECTORS LIST

No	Location	Part #	Gender	No	Location	Part #	Gender
C_INV1	Parcelrack	562338	male	CP2	Passenger_Area	561781	female
C_INV1A	Parcelrack	562337	male	CP3	Passengersarea	561782	male
C_INV1A	Parcelrack	562338	female	CP3	Passengersarea	561781	female
C_INV2	Parcelrack	562337	male	CP4	Passenger_Area	561782	male
C_INV2	Parcelrack	562338	male	CP4	Passenger_Area	561781	female
C_LineOut	Parcelrack	563962	male	CP5	Passenger_Area	561782	male
C_LineOut	Parcelrack	564489	female	CP5	Passenger_Area	561781	female
C_Mo9	Evap_Cmpt	561577	male	CP5A	Passenger_Area	561782	male
C_Mo9	Evap_Cmpt	561605	female	CP5A	Passenger_Area	561781	female
C_Mo9:2	Evap_Cmpt	561577	male	CP6	Passengersarea	562337	male
C_Mo9:2	Evap_Cmpt	561605	female	CP6	Passengersarea	562338	male
C_Se51	Driverseat	563589	male	CR72	RearSeat	563409	male
C_Se51	Driverseat	563590	female	CR72	RearSeat	563410	female
C_USB	Parcelrack	562069	male	CSe80	RJB	562477	male
C_USB	Parcelrack	562070	female	CSe80	RJB	562479	female
CCAN1	FJB	562650	male	CSw102	EngineCmpt.	562549	male
CCAN1	FJB	562649	female	CSw102	EngineCmpt.	562550	female
CCAN2	FJB	562650	male	CSX1	Engine_Cmpt	563135	male
CCAN2	FJB	562649	female	CSX1	Engine_Cmpt	563134	female
CCAN3	FJB	562650	male	CSX3	Engine_Cmpt	563135	male
CCAN3	FJB	562649	female	CSX3	Engine_Cmpt	563134	female
CCAN4	FJB	562650	male	CT_IN	Rear_Vehicle	563582	male
CCAN4	FJB	562649	female	CT_IN	Rear_Vehicle	563583	female
CCust	Parcel_Rack_Fr_WCL	562477	male	CT_IN1	Rear_Vehicle	560167	male
CCust	RJB	562479	female	CT_IN1	Rear_Vehicle	560159	female
CFHPR1	Parcelrack	564560	male	CT_Out	Rear_Vehicle	560478	female
CIND-1.A	Parcelrack	560908	female	CXC1	Service_Cmpt	562477	male
CIND-1.B	Parcelrack	560908	female	CXC1	Service_Cmpt	562479	female
CIND-2.A	Parcelrack	560908	female	D92	Parcelrack	564496	male
CIND-2.B	Parcelrack	560908	female	EI	Enginectmpt.	563739	male
CIND-11.A	Parcelrack	560908	female	L.21	Front_Cap	562486	female
CIND-11.B	Parcelrack	560908	female	L.22	Front_Cap	562486	female
CINDWC-1.A	Parcelrack	560908	female	L.23	Front_Cap	562486	female
CINDWC-1.B	Parcelrack	560908	female	L.24	Front_Cap	562486	female
CL1	Service_Cmpt	562485	male	L.25	Front_Cap	562486	female
CL1	Service_Cmpt	562486	female	L.26	Front_Cap	562486	female
CL142	Lavatory	562006	male	L.27	Front_Cap	562486	female
CL142	Lavatory	560908	female	L1A	Engine_Cmpt	560774	male
CL142A	Lavatory	562006	male	L10	Parcel_Rack_RH	560898	male
CL142A	Lavatory	560908	female	L11	Parcel_Rack_RH	560898	male
CP1	Passenger_Area	561782	male	L16.A	Frontroof	562615	female
CP1	Passenger_Area	561781	female	L16.B	Frontroof	562615	female
CP2	Passenger_Area	561782	male	L17.A	Frontroof	562615	female

# CONNECTORS LIST

No	Location	Part #	Gender	No	Location	Part #	Gender
L17.B	Frontroof	562615	female	L56A	Parcelrack	560898	male
L19	Entrance_Door	562549	male	L57	Parcelrack	560898	male
L20	Entrance_Door_Step	562549	male	L57	Parcelrack	560900	female
L28	Parcelrack	560898	male	L57A	Parcelrack	560898	male
L29	Parcelrack	560898	male	L58	Parcelrack	560898	male
L30	Parcelrack	560898	male	L58	Parcelrack	560900	female
L30A.A	Parcelrack	560898	male	L58A	Parcelrack	560898	male
L30B.A	Parcelrack	560898	male	L59	Out_Side_Front_RH	562623	male
L31	Parcelrack	560898	male	L59A	OutsideFrontRH	563366	male
L32	Parcelrack	560898	male	L59B	Out_Side_Front_RH	562623	male
L33	Parcelrack	560898	male	L60	OutsideFrontLH	562623	male
L34	Parcelrack	560898	male	L60A	OutsideFrontLH	563366	male
L35	Parcelrack	560898	male	L60B	Out_Side_Front_LH	562623	male
L36	Parcelrack	560898	male	L61	Out_Side_Front_RH	562601	male
L37	Parcelrack	560898	male	L62	Out_Side_Front_LH	562601	male
L38	Parcelrack	560898	male	L63	Front_Side_LH	562155	male
L39	Parcelrack	560898	male	L64	Outside_Front_RH	562155	male
L40	Parcelrack	560898	male	L65	Outside_Front_LH	562155	male
L41	Parcelrack	560898	male	L66	Outside_Front_LH	562155	male
L42	Parcelrack	560898	male	L71A	Rearenginedoor	562601	male
L43	Parcelrack	560898	male	L72	Radiator_Door	562155	male
L44	Parcelrack	560898	male	L73A	Rearenginedoor	562601	male
L45	Parcelrack	560898	male	L74	Radiator_Door	562155	male
L46	Parcelrack	560898	male	L75	Radiator_Door	562155	male
L47	Parcelrack	560898	male	L76	Radiator_Door	562155	male
L48	Parcelrack	560898	male	L77A	Rearvehicule	562601	male
L49	Parcelrack	560898	male	L78A	Rearvehicule	562601	male
L50	Parcelrack	560898	male	L79A	Rearvehicule	562601	male
L51	Parcelrack	560898	male	L80A	Rearvehicule	562601	male
L52	Parcelrack	560898	male	L81.A	Rear_Vehicle	562835	female
L52	Parcelrack	560900	female	L81.B	Rear_Vehicle	562834	male
L52A	Parcelrack	560898	male	L82A	Rearvehicule	562348	female
L53	Parcelrack	560898	male	L83A	Rearvehicule	562348	female
L53	Parcelrack	560900	female	L91A	Rearvehicule	562601	male
L53A	Parcelrack	560898	male	L92A	Rearvehicule	562601	male
L54	Parcelrack	560898	male	L95	Outside_Front_LH	562902	female
L54	Parcelrack	560900	female	L96	Outside_Front_RH	562902	female
L54A	Parcelrack	560898	male	L97.A	Outside_Front_LH	563069	female
L55	Parcelrack	560898	male	L97.B	Outside_Front_LH	563069	female
L55	Parcelrack	560900	female	L98.A	Entrance_Door	563069	female
L55A	Parcelrack	560898	male	L98.B	Outside_Front_RH	563069	female
L56	Parcelrack	560898	male	L140	Lavatory	561247	male
L56	Parcelrack	560900	female	L142	Lavatory	562006	male

# CONNECTORS LIST

No	Location	Part #	Gender	No	Location	Part #	Gender
L142B	Lavatory	562006	male	L203	RH_Console	561690	male
L143	Parcelrack	561186	male	L204	Parcel_Rack_RH	562803	male
L144	Parcelrack	561186	male	L205	Enginectmpt.	562485	male
L145	Parcelrack	561186	male	L206	Parcel_Rack_RH	562803	male
L146	Parcelrack	561186	male	L207.A	WCLCmpt.	561699	female
L147	Parcelrack	561186	male	L207.B	WCLCmpt.	561701	female
L148	Parcelrack	561186	male	L207.C	WCLCmpt.	561701	female
L149	Parcelrack	561186	male	L207.D	WCLCmpt.	561699	female
L150	Parcelrack	561186	male	L207.E	WCLCmpt.	561701	female
L151	Parcelrack	561186	male	L207.F	WCLCmpt.	561699	female
L152	Parcelrack	561186	male	L207.G	WCLCmpt.	561699	female
L153	Parcelrack	561186	male	L207.H	WCLCmpt.	563536	female
L154	Parcelrack	561186	male	L207.I	WCLCmpt.	563536	female
L155	Parcelrack	561186	male	L212	Roof	563589	male
L156	Parcelrack	561186	male	L212A	roof	563589	male
L157	Parcelrack	561186	male	L213	roof	563589	male
L158	Parcelrack	561186	male	L213A	roof	563589	male
L170	Lugg_cmpt	561690	male	L214	roof	563589	male
L173	Parcelrack	563590	female	L214A	roof	563589	male
L174A	Parcelrack	563590	female	L243	Parcelrack	561186	male
L176	3rd_Lugg_Cmpt	561247	male	L244	Parcelrack	561186	male
L177	3rd_Lugg_Cmpt	561247	male	L245	Parcelrack	561186	male
L177A	WCLCmpt.	561690	male	L246	Parcelrack	561186	male
L177B	WCLCmpt.	561690	male	L247	Parcelrack	561186	male
L180	2nd_Lugg_Cmpt	561247	male	L248	Parcelrack	561186	male
L181	2nd_Lugg_Cmpt	561247	male	L249	Parcelrack	561186	male
L182	1st_Lugg_Cmpt	561247	male	L250	Parcelrack	561186	male
L183	1st_Lugg_Cmpt	561247	male	L251	Parcelrack	561186	male
L184	Servicecmpt.	561247	male	L252	Parcelrack	561186	male
L185.A	Servicecmpt.	561539	male	L253	Parcelrack	561186	male
L185.B	Servicecmpt.	561539	male	L254	Parcelrack	561186	male
L186.A	Dash	561539	male	L255	Parcelrack	561186	male
L186.B	Dash	561539	male	L256	Parcelrack	561186	male
L187	Engine_Cmpt	561690	male	L257	Parcelrack	561186	male
L188	Service_Cmpt	562486	female	L258	Parcelrack	561186	male
L189	Mirror_RH	564513	female	L282	Engine_Cmpt	561690	male
L193.A	Dash	560488	female	L283	Service_Cmpt	562485	male
L193.B	Dash	560488	female	L285.A	Rear_Vehicle	562835	female
L194.A	Dash	562019	female	L285.B	Rear_Vehicle	562834	male
L194.B	Dash	560488	female	L286.A	Rear_Vehicle	562835	female
L195.A	Dash	560488	female	L286.B	Rear_Vehicle	562834	male
L195.B	Dash	560488	female	L296	Refrigerator	561248	female
L199	Enginectmpt.	562848	male	L298A	Enginectmpt.	563590	female



# CONNECTORS LIST

No	Location	Part #	Gender	No	Location	Part #	Gender
L306	RJBcmt.	561247	male	Mo63	RearHatch	562486	female
L309.	Behind_Lavatory	564576	male	Mo65	Enginectpt.	568089	male
L309D	Drivers_Area	564576	male	Mo67	Enginectpt.	568089	male
L310.	Behind_Lavatory	564576	male	Mo68	Enginectpt.	568089	male
L310D	Drivers_Area	564576	male	Mo69	Enginectpt.	568089	male
L313	Rr_Roof	562549	male	Mo70	Enginectpt.	568089	male
L350A.A	Rearaxlecmpt.	564552	male	Mo71	Enginectpt.	568089	male
L350A.B	Rearaxlecmpt.	563340	male	Mo72	Enginectpt.	568089	male
L350A.C	Rearaxlecmpt.	562251	male	Mo73	Enginectpt.	568089	male
L391	Drivers_Area	560898	male	P_In1	Passenger_Area	561782	male
L400.A	Enginectpt.	562251	male	P_In1	Passenger_Area	561781	female
L606	Rr_Roof	560898	male	P_Out1	Passenger_Area	561782	male
L606	Rr_Roof	560900	female	P_Out1	Passenger_Area	561781	female
L606A	Rr_Roof	560898	male	P_Out2	Passenger_Area	561782	male
Mo3	Dash	561667	female	P_Out2	Passenger_Area	561781	female
Mo4	Dash	562076	male	P_Out3	Passenger_Area	561782	male
Mo5	Front_Roof	561515	male	P_Out3	Passenger_Area	561781	female
Mo7	Cond_Cmpt	563691	male	PC1	FJB	562650	male
Mo8	Cond_Cmpt	563691	male	PC1	FJB	562649	female
Mo10	ParcelRack_Lh_Fan	561515	male	PF	FJB	561782	male
Mo11	ParcelRack_Rh_Fan	561515	male	PF	FJB	561781	female
Mo12	Engin_Cmpt	561690	male	PF1	Passenger_Area	561782	male
Mo13	Engin_Cmpt	561690	female	PF1	Passenger_Area	561781	female
Mo13.	Engin_Cmpt	561690	male	Pot1.A	Dash	560488	female
Mo14	Engin_Cmpt	561566	female	Pot1.B	Dash	560488	female
Mo15	Front_Ceiling	560900	female	Pot1.C	Dash	560488	female
Mo16	Front_Ceiling	560900	female	PR	Parcelrack	561782	male
Mo17	RH_Console	563626	male	PR	Parcelrack	561781	female
Mo19	Fr_Service_Door	562474	male	PR1	Passenger_Area	561782	male
Mo20	Fr_Service_Door	562474	male	PR1	Passenger_Area	561781	female
Mo22	RH_Console	561186	male	R1	RJB	562486	female
Mo27	Cond_Cmpt	563691	male	R3	RJB	563409	male
Mo28	Cond_Cmpt	563691	male	R4	FJB	564496	male
Mo29	RJBcmt.	563590	female	R5	RJB	564496	male
Mo30	Compr_Door	564161	male	R12	Evap_Cmpt	563409	male
Mo31	Parcelrack	564161	male	R20	RJB	564496	male
Mo32	Parcelrack	564161	male	R21	FJB	560525	male
Mo33	Parcelrack	564161	male	R21A	FJB	560525	male
Mo34	Parcelrack	564161	male	R23A	FJB	564496	male
Mo35	3rd_Lugg_Door	564161	male	R26	Evap_Cmpt	564496	male
Mo36	Parcelrack	564161	male	R27	Dash	564496	male
Mo54	Service_Cmpt	562474	male	R28	RearSeat	563409	male
Mo62	FrontHatch	562486	female	R29	RJB	563409	male

# CONNECTORS LIST

No	Location	Part #	Gender	No	Location	Part #	Gender
R30	FJB	564496	male	Se14.A	Driver_Area	561782	male
R31	FJB	564496	male	Se14.B	Driver_Area	561781	female
R34	RJB	564210	male	Se15	RH_Console	560898	male
R36	Dash	564496	male	Se17	RH_Console	560900	female
R37	Dash	564496	male	Se18	Servicecmpt.	561566	female
R38	FJB	564496	male	Se19_P	Service_Cmpt	563677	male
R38A	RearSeat	563409	male	Se19_S	Service_Cmpt	563677	male
R40	RJB	564496	male	Se20	Evap_Cmpt	562426	male
R47	Parcelrack	564496	male	Se20A	Evap_Cmpt	562426	male
R72.A	RearSeat	563409	male	Se21	Dash	561248	female
R210	Parcel_Rack_LH	560525	male	Se23	Engine_Cmpt	563159	male
R_12VI	Parcelrack	564496	female	Se24	EvaporatorCmpt.	563758	female
RadioV	Parcelrack	563960	female	Se25	Passenger_Area	561248	female
RadioV	Parcelrack	563962	female	Se29	Engine_Cmpt	561566	female
RadioV	Parcelrack	563956	female	Se30	Enginedoor	562877	female
RadioV	Parcelrack	563957	female	Se31	Enginedoor	562877	female
RadioV	Parcelrack	563958	male	Se32	Rear_Axle_Cmpt	562426	male
Res3.A	ParcelRack	563590	male	Se33	Rear_Axle_Cmpt	562856	male
Res4	RH_Console	563590	male	Se34	Rear_Axle_Cmpt	562426	male
Res6	FJB	563590	male	Se35	Rear_Axle_Cmpt	562426	male
Res6A	FJB	563589	male	Se36	Rear_Axle_Cmpt	562427	male
Res6A	FJB	563590	male	Se37	Front_Axle_LH	641132	female
Res6B	FJB	563589	female	Se38	Front_Axle_RH	641132	female
Res6B	FJB	563590	male	Se39	Rear_Axle_LH	641132	female
Res7	dash	563590	male	Se40	Rear_Axle_LH	641132	female
Res15	Engine_Cmpt	561782	male	Se45	Servicecmpt.	563409	male
Res31	Ureacmpt.	562350	male	Se46	Rearaxlecmpt.	562348	female
Res32	Ureacmpt.	563764	male	Se49	Engine_Cmpt	561690	male
Res46	RJB	563590	female	Se51	UnderDriverSeat	563589	male
Res53.A	FJB	563590	female	Se53	Service_Cmpt	563159	female
Res99	FJB	563590	female	Se54	Service_Cmpt	563159	female
Se2	LH_Console	561566	female	Se55	Service_Cmpt	563159	female
Se4	Window_RH	561477	female	Se56	WCLCmpt.	562479	female
Se5	Window_RH	561477	female	Se60	Service_Cmpt	563409	male
Se6	Window_RH	561477	female	Se62	WCL_System	561690	male
Se7	Window_LH	561477	female	Se63	Rearaxlecmpt.	641132	female
Se8	Window_LH	561477	female	Se64	Rearaxlecmpt.	641132	female
Se9	Window_LH	561477	female	Se65	Dash	564042	female
Se10	Window_LH	561477	female	Se66	FJB	564039	female
Se11.A	Cond_Cmpt	560082	female	Se67	Frontaxlecmpt.	563159	female
Se11.B	Cond_Cmpt	560082	female	Se69	Frontaxlecmpt.	563159	female
Se11.C	Cond_Cmpt	560082	female	Se74	Rear_Axle_Cmpt	563340	male
Se13	Engine_Cmpt	562350	male	Se75	Service_Cmpt	563159	female

# CONNECTORS LIST

No	Location	Part #	Gender	No	Location	Part #	Gender
Se76	EntranceDoor	562479	female	spBar13	Enginectmpt.	564135	male
Se77	FJB	563159	female	spBar14	Enginectmpt.	564135	male
Se78	Pneumaticplate	563159	female	spBar15	Enginectmpt.	564135	male
Se79	Front_Axle	563340	male	spBar16	Enginectmpt.	564135	male
Se80	Rear_Axle	563159	female	spBar19	Condensorcmt.	564135	male
Se89	Enginectmpt.	562350	male	spBar20	Condensorcmt.	564135	male
Se94	WCLUpperDoor	562877	female	spBar21	Condensorcmt.	564135	male
Se100	WCLdoor	562479	female	spBar22	Enginectmpt.	564135	male
shell1_1640	Driver_Area	562471	male	spBar23	Enginectmpt.	564135	male
So3	RH_Console	641385	male	spBar24	Enginectmpt.	564135	male
So4	RH_Console	641385	male	Spk1_L	Parcel_Rack_LH	563994	male
So5	RH_Console	641385	male	Spk1_R	Parcel_Rack_RH	563994	male
So6	RH_Console	641385	male	Spk2_L	Parcel_Rack_LH	563994	male
So7	Service_Cmpt	561566	female	Spk2_R	Parcel_Rack_RH	563994	male
So8	Servicecmpt.	641385	male	Spk3_L	Parcel_Rack_LH	563994	male
So9	Enginectmpt.	560016	female	Spk3_R	Parcel_Rack_RH	563994	male
So10.A	Condensorcmt.	562485	male	Spk4_L	Parcel_Rack_LH	563994	male
So11	Cond_Cmpt	561566	female	Spk4_R	Parcel_Rack_RH	563994	male
So13	Evap_Cmpt	563204	female	Spk5_L	Parcel_Rack_LH	563994	male
So14	Servicecmpt.	641385	male	Spk5_R	Parcel_Rack_RH	563994	male
So15	Servicecmpt.	641385	male	Spk6_L	Parcel_Rack_LH	563994	male
So16	Servicecmpt.	641385	male	Spk6_R	Parcel_Rack_RH	563994	male
So17	Servicecmpt.	562848	male	Spk7_L	Parcel_Rack_LH	563994	male
So20	Servicecmpt.	641385	male	Spk7_R	Parcel_Rack_RH	563994	male
So21	Front_Axle_Cmpt	564046	female	Spk8_L	Parcel_Rack_LH	563994	male
So22	Front_Axle_Cmpt	564046	female	Spk8_R	Parcel_Rack_RH	563994	male
So23	Rear_Axle_Cmpt	564046	female	Spk9_L	Parcel_Rack_LH	563994	male
So24	Rear_Axle_Cmpt	564046	female	Spk9_R	Parcel_Rack_RH	563994	male
So27	Rearaxlecmpt.	564045	female	Spk10_L	Parcel_Rack_LH	563994	male
So29	Parcelrack	641385	male	Spk10_R	Parcel_Rack_RH	563994	male
So50	Rearaxlecmpt.	564046	female	Spk11_L	Parcel_Rack_LH	563994	male
So52	Rearaxlecmpt.	564045	female	Spk11_R	Parcel_Rack_RH	563994	male
So53	Rear_Axle_Cmpt	641385	male	Spk12_L	Parcel_Rack_LH	563994	male
So54	Enginectmpt.	564045	female	Spk12_R	Parcel_Rack_RH	563994	male
So55	Pneumaticplate	562848	male	Spk13_L	Parcel_Rack_LH	563994	male
So56	Rear_Axle_Cmpt	562350	male	Spk13_R	Parcel_Rack_RH	563994	male
So57	Engine_Cmpt	562350	male	Spk14_L	Parcel_Rack_LH	563994	male
spBar4	Enginectmpt.	564135	male	Spk14_R	Parcel_Rack_RH	563994	male
spBar5	Enginectmpt.	564135	male	Spk15_L	Parcel_Rack_LH	563994	male
spBar6	Enginectmpt.	564135	male	Spk15_R	Parcel_Rack_RH	563994	male
spBar7	Enginectmpt.	564135	male	Spk16_L	Parcel_Rack_LH	563994	male
spBar11	Rearvehicule	564135	male	Spk16_R	Parcel_Rack_RH	563994	male
spBar12	Rearvehicule	564135	male	SpkDr_L	Driver_Area	563994	male

# CONNECTORS LIST

No	Location	Part #	Gender	No	Location	Part #	Gender
SpkDr_R	Driver_Area	563994	male	Sw56..A	Lavatory	560488	female
Sub1.A	Passenger_Area	564004	female	Sw56..B	Lavatory	560488	female
Sub2	Passenger_Area	564004	male	Sw56.A	Lavatory	560488	female
Sw1.C258	Driver_Area	561188	female	Sw56.B	Lavatory	560488	female
Sw1.C259	Driver_Area	561186	male	Sw58	EngineCmpt.	563135	male
Sw2	Dash	562763	male	Sw59	Enginecmpt.	563135	male
Sw3	Dash	562763	male	Sw63A	LHConsole	562763	male
Sw4	Dash	562763	male	Sw64.A	Service_Cmpt	560815	female
Sw6	Dash	562763	male	Sw64.B	Service_Cmpt	560815	female
Sw10A	LH_Console	562763	male	Sw80A	Dash	562763	male
Sw14	Dash	562763	male	Sw82	RJB	563135	male
Sw16	Dash	562763	male	Sw83.A	Dash	560082	female
Sw17	Dash	562763	male	Sw83.B	Dash	560815	female
Sw18A	LH_Console	562763	male	Sw83.C	Dash	560082	female
Sw20	Dash	562763	male	Sw83.D	Dash	560815	female
Sw21	Dash	562763	male	Sw83A	Dash	562581	male
Sw24	Dash	562763	male	Sw85	LH_Console	562749	male
Sw25	Dash	562763	male	Sw95.A	WCLdoor	562615	female
Sw26	Dash	562763	male	Sw95.B	WCLdoor	562615	female
Sw27	Dash	562763	male	Sw95.C	WCLdoor	562615	female
Sw29	Dash	562763	male	Sw96.A	WCL_Door	562615	female
Sw30	RJB	563135	male	Sw96.B	WCL_Door	562615	female
Sw32	Dash	561477	female	Sw96.C	WCLdoor	562615	female
Sw33	Dash	561476	male	Sw97.A	WCLsystem	562615	female
Sw34	Outside_Front_RH	562477	male	Sw97.B	WCLsystem	562615	female
Sw35	Console	562763	male	Sw97.C	WCLsystem	562615	female
Sw38	LH_Console	562763	male	Sw98.A	WCLsystem	562615	female
Sw40	LH_Console	561690	male	Sw98.B	WCLsystem	562615	female
Sw41	LH_Console	562749	male	Sw98.C	WCLsystem	562615	female
Sw42	WCLCmpt.	561635	female	Sw100A	Dash	562763	male
Sw43	LH_Console	561690	male	Sw102	RJB	561566	female
Sw44.A	Servicecmpt.	562403	female	Sw109.A	1st_Lugg_LH	560079	female
Sw45.A	3rd_Lugg_Cmpt	562403	female	Sw109.B	1st_Lugg_LH	560079	female
Sw46.A	3rd_Lugg_Cmpt	562403	female	Sw110.A	1st_Lugg_RH	560079	female
Sw46A.A	3rdlugg.cmpt.	562403	female	Sw110.B	1st_Lugg_RH	560079	female
Sw49.A	2nd_Lugg_Cmpt	562403	female	Sw111.A	2ndlugg.cmpt.	560079	female
Sw50.A	2nd_Lugg_Cmpt	562403	female	Sw111.B	2ndlugg.cmpt.	560079	female
Sw51.A	1st_Lugg_Cmpt	562403	female	Sw112.A	2ndlugg.cmpt.	560079	female
Sw52.A	1st_Lugg_Cmpt	562403	female	Sw112.B	2ndlugg.cmpt.	560079	female
Sw55..A	Lavatory	560488	female	Sw113.A	2ndlugg.cmpt.	560079	female
Sw55..B	Lavatory	560488	female	Sw113.B	2ndlugg.cmpt.	560079	female
Sw55.A	Lavatory	560488	female	Sw114.A	3rd_Lugg_RH	560079	female
Sw55.B	Lavatory	560488	female	Sw114.B	3rd_Lugg_RH	560079	female

# CONNECTORS LIST

No	Location	Part #	Gender	No	Location	Part #	Gender
Sw115.A	Compr_Door	560079	female	VECF10	FJB	563181	male
Sw115.B	Compr_Door	560079	female	VECF11	FJB	563184	male
Sw125.A	Service_Cmpt	561457	female	VECF12	FJB	563187	male
Sw125.B	Service_Cmpt	561457	female	VECP1	Parcelrack_LH	563715	male
Sw134.A	WCLArea	562615	female	VECP2	Parcelrack_LH	563716	male
Sw134.B	WCLArea	562615	female	VECP3	Parcelrack_LH	563718	male
Sw134.C	WCLArea	562615	female	VECP4	Parcelrack_LH	563714	male
Sw135.A	WCLdoor	562119	female	VECP5	Parcelrack_LH	566021	male
Sw135.B	WCLdoor	562119	female	VECP6	Parcelrack_LH	566020	male
Sw135.C	WCLdoor	562119	female	VECR1	RJB	563186	male
Sw137	Dash	562763	male	VECR2	RJB	563183	male
Sw140	FJB	561566	female	VECR3	RJB	563185	male
Sw142	LHConsole	562763	male	VECR4	RJB	563182	male
Sw149	Dash	562763	male	VECR9	RJB	563448	male
Sw153	Dash	562763	male	VECR10	RJB	563181	male
Sw156	LH_Console	562763	male	VECR11	RJB	563184	male
Sw157	Dash	562763	male	VECR12	RJB	563187	male
Sw158	Dash	562763	male	VECT2_pl	RearVehicle	563716	male
Sw313..A	Lavatory	562615	female	VECT3	RearVehicle	563718	male
Sw313..B	Lavatory	562615	female	VECT4	RearVehicle	563714	male
Sw313..C	Lavatory	562615	female	Y80	Engine_Cmpt	563789	male
Sw313.A	Lavatory	562615	female	Y81	Cond_Cmpt	563793	male
Sw313.B	Lavatory	562615	female				
Sw313.C	Lavatory	562615	female				
sym760_16	Parcelrack_LH	564489	female				
sym760_16	Parcelrack_LH	562706	female				
sym760_16	Parcelrack_LH	562706	female				
sym761_16	Parcelrack_LH	564489	female				
sym761_16	Parcelrack_LH	562706	female				
sym761_16	Parcelrack_LH	562706	female				
sym762_16	Parcelrack_LH	564489	female				
sym762_16	Parcelrack_LH	562706	female				
sym762_16	Parcelrack_LH	562706	female				
sym812_29	Parcelrack	565180	female				
tab69	Parcelrack	561626	N/A				
Tab70a	Parcelrack	561626	N/A				
Tab70b	Parcelrack	561626	N/A				
tab71a	Parcelrack	561626	N/A				
VECF1	FJB	563186	male				
VECF2	FJB	563183	male				
VECF3	FJB	563185	male				
VECF4	FJB	563182	male				
VECF9	FJB	563448	male				

# CONNECTORS LIST

No	Location	Part #	Gender	No	Location	Part #	Gender
24SS_OP	P_Rack	563071	male	A34.2	EngineCmpt.	564258	male
24SS_OP	P_Rack	563040	female	A34.3	EngineCmpt.	564258	male
120V_inlet	RearVehicle	561572	male	A34.4	EngineCmpt.	564258	male
120VAC_Inlet	Enginecmpt.	561572	male	A34.5	EngineCmpt.	564258	male
A1	RJB	563975	male	A34.6	EngineCmpt.	564258	male
A2	FJB	563984	male	A34.7	EngineCmpt.	564258	male
A3	Dash	562363	male	A34.8	EngineCmpt.	564258	male
A4.A	Service_Cmpt	562428	female	A34.J	Enginecmpt.	568118	male
A4.B	Service_Cmpt	561188	female	A34.K	Enginecmpt.	564270	male
A5	Service_Cmpt	562428	female	A34.L	Enginecmpt.	564269	male
A6	Engine_Cmpt	562427	male	A36.JA	FJB	562767	male
A7	Rear_Axle_Cmpt	563979	male	A36.JB	FJB	562765	male
A9.Cx1	FJB	564041	female	A36.JC	FJB	562957	male
A9.Cx2	FJB	563678	male	A36A.JA	FJB	562767	male
A9.Cx3	FJB	564037	female	A36A.JB	FJB	562765	male
A9.Cx4	FJB	564038	female	A36A.JC	FJB	562957	male
A10.X1	Engine_Cmpt	563135	male	A39.P101	Parcelrack	563201	male
A10.X3	Engine_Cmpt	563134	female	A39.P901	Parcelrack	563953	male
A11	LH_Console	563142	male	A40.A	FJB	561668	male
A14.A	Dash	562766	male	A60.A	Parcelrack	563071	male
A14.B	Dash	562767	male	A60.B	Parcelrack	562706	female
A14.C	Dash	562765	male	A60.C	Parcelrack	901110	male
A15	Dash	562464	male	A60.D	Parcelrack	901110	male
A16A	FrontCeiling	561637	male	A61.A	Parcelrack	562464	male
A17.D	RJB	561932	male	A61.B	Parcelrack	562465	male
A18.J1	FJB	562794	male	A65.B	Parcelrack	901110	male
A18.J2	FJB	562650	male	A65.C	Parcelrack	901110	male
A19	LH_Console	562878	female	A65.Csv	Parcelrack	562465	male
A20	Parcel_Rack_LH	561477	female	A65.D	Parcelrack	901110	male
A24.A	RH_Console	561890	male	A65A.A	Parcelrack	563025	male
A24.B	RH_Console	561566	female	A65A.B4	Parcelrack	bidon	male
A25	Parcelrack	563025	male	A65A.B5	Parcelrack	bidon	male
A26.P1	Enginecmpt.	562350	male	A65A.B6	Parcelrack	bidon	male
A26.P2	Enginecmpt.	563322	female	A65A.D	Parcelrack	bidon	male
A26.P4	Enginecmpt.	568088	male	A65A.E	Parcelrack	563071	male
A27	Service_Cmpt	562929	male	A65A.G1	Parcelrack	563071	male
A28	Service_Cmpt	562928	male	A65A.G2	Parcelrack	563071	male
A29	Dash	562464	male	A65A.G3	Parcelrack	563071	male
A29.	Dash	562464	male	A65A.H1	Parcelrack	561716	female
A29.	Dash	565871	female	A65A.H2	Parcelrack	561716	female
A33.A	Parcelrack	563071	male	A65A.H3	Parcelrack	561716	female
A33.B	Parcelrack	562330	female	A65A.J	Parcelrack	562465	male
A34.1	EngineCmpt.	564258	male	A69.A	Parcelrack	563071	male

# CONNECTORS LIST

No	Location	Part #	Gender	No	Location	Part #	Gender
A69.B	Parcelrack	561716	female	A100S	Front_Axle_Cmpt	563758	female
A69.C	Parcelrack	561716	female	A101S	Rear_RH_Axle_Cmpt	563758	female
A69.D	Parcelrack	561716	female	A102S	Rear_RH_Axle_Cmpt	563758	female
A69.E	Parcelrack	561716	female	A103	Dash	562070	female
A69.F	Parcelrack	561716	female	A107	EngineCmpt.	560336	male
A69.G	Parcelrack	561716	female	A108	RJB	562766	male
A69.H	Parcelrack	561716	female	A109A	FJB	564141	male
A69L.A	Parcelrack	563025	male	A113.A	Parcel_Rack_LH	563960	male
A69L.B1	Parcelrack	bidon	male	A113.B	Parcel_Rack_LH	563962	male
A69L.B2	Parcelrack	bidon	male	A113.C1	Parcel_Rack_LH	563956	male
A69L.B3	Parcelrack	bidon	male	A113.C2	Parcel_Rack_LH	563957	male
A69L.B4	Parcelrack	bidon	male	A113.C3	Parcel_Rack_LH	563958	male
A69L.C	Parcelrack	bidon	male	A114A	Dash	564252	male
A69R.A	Parcelrack	563025	male	A120.A	Dashboard	563960	male
A69R.B1	Parcelrack	bidon	male	A120.B	Dashboard	563962	male
A69R.B2	Parcelrack	bidon	male	A120.C1	Dashboard	563956	male
A69R.B3	Parcelrack	bidon	male	A120.C2	Dashboard	563957	male
A69R.B4	Parcelrack	bidon	male	A120.C3	Dashboard	563958	male
A69R.C	Parcelrack	bidon	male	A121.Vsa	Dash	563679	male
A70c	Parcelrack	561540	female	A121.Vsb	Dash	563678	male
A77	Parcelrack	564547	male	A121.Vsc	Dash	564037	male
A78	Parcelrack	562583	female	A121.Vsd	Dash	564118	male
A79	Parcelrack	562583	female	A130	Driver_Area	563226	male
A80	Parcelrack	562479	female	A131.A	Engine_Cmpt	561782	male
A81.JA	FJB	562767	male	A131.B	Engine_Cmpt	561781	female
A81.JB	FJB	562765	male	A137A	Condensercmpt.	20429843	male
A81.JC	FJB	562957	male	A138	Cond_Cmpt	563787	male
A83	Parcelrack	565970	female	A139	Dash	564501	male
A84.A	Parcelrack	563071	male	A151.A	Parcelrack	561582	female
A96S	FJB	564073	female	A151.B	Parcelrack	561582	female
A97	Dash	563226	male	A152.J	Parcelrack	563071	male
A97A	FJB	563226	male	A153.A	Parcelrack	562465	male
A97A	FJB	563613	female	A153.B	Parcelrack	561716	female
A97B	FJB	563226	male	A153.C	Parcelrack	561716	female
A97B	FJB	563613	female	A153.D	Parcelrack	561716	female
A97S.A1	Dash	564401	male	A160.A	WCLcmpt	562477	male
A97S.A2	Dash	564402	male	A160.B	WCLcmpt	562884	female
A97S.A3	Dash	564403	male	A162.A	FrontCab	561690	male
A99	FJB	564205	male	A162.B	FrontCab	561782	male

# CONNECTORS LIST

No	Location	Part #	Gender	No	Location	Part #	Gender
A164.A	RH_Trapezoidal_Window	561690	male	AE54.J1	Evaporatorcmpt.	563679	male
A164.B	RH_Trapezoidal_Window	561782	male	AE54.J2	Evaporatorcmpt.	564037	female
A166	RearCab	561637	male	AE54.J3	Evaporatorcmpt.	565957	male
A175	RJB	563226	male	AE55.J1	Dash	563679	male
AE41.J1	FJB	563679	male	AE55.J2	Dash	564037	female
AE41.J2	FJB	564037	female	AE55.J3	Dash	564004	male
AE41.J3	FJB	564004	male	AE56.J1	Dash	563679	male
AE42.J1	FJB	563679	male	AE56.J2	Dash	564037	male
AE42.J2	FJB	564037	female	AE56.J3	Dash	564004	male
AE42.J3	FJB	564004	male	AE57.J1	WCLcmpt.	563679	male
AE43.J1	FJB	563679	male	AE57.J2	WCLcmpt.	564037	male
AE43.J2	FJB	564037	male	AE57.J3	WCLcmpt.	564004	male
AE43.J3	FJB	565957	male	Alt_LL.A	Enginecmpt.	563746	female
AE44.J1	FJB	563679	male	Alt_LL.B	Enginecmpt.	560815	female
AE44.J2	FJB	564037	female	Alt_LL.C	Enginecmpt.	564469	female
AE44.J3	FJB	565957	male	Alt_LR.A	enginecmpt.	563746	female
AE45.J1	FJB	563679	male	Alt_LR.B	Enginecmpt.	560815	female
AE45.J2	FJB	564037	female	Alt_LR.C	Enginecmpt.	564469	female
AE45.J3	FJB	565957	male	Alt_UR.A	Enginecmpt.	563746	female
AE46.J1	FJB	563679	male	Alt_UR.B	Enginecmpt.	560815	female
AE46.J2	FJB	564037	female	Alt_UR.C	Enginecmpt.	564469	female
AE46.J3	FJB	565957	male	B85	Engine_Cmpt	563815	male
AE47.J1	RH_console	563679	male	B96	Engine_Cmpt	563821	male
AE47.J2	RH_console	564037	female	B96B	Engine_Cmpt	563823	male
AE47.J3	RH_console	565957	male	B97	Engine_Cmpt	563816	male
AE48.J1	RH_console	563679	male	B98	Engine_Cmpt	563817	male
AE48.J2	RH_console	564037	female	B99	Engine_Cmpt	563815	male
AE48.J3	RH_console	565957	male	B115A	Enginecmpt.	564226	male
AE49.J1	RJB	563679	male	B142C	Enginecmpt.	563793	male
AE49.J2	RJB	564037	male	B310	Enginecmpt.	565967	male
AE49.J3	RJB	565957	male	C.381	Parcel_Rack	561847	male
AE50.J1	RJB	563679	male	C.381	Parcel_Rack	561924	female
AE50.J2	RJB	564037	male	C1	FJB	563589	male
AE50.J3	RJB	565957	male	C1	FJB	563590	female
AE51.J1	RJB	563679	male	C1S	FJB	563589	male
AE51.J2	RJB	564037	female	C1S	FJB	563590	female
AE51.J3	RJB	565957	male	C2	Service_Cmpt	563580	male
AE52.J1	RJB	563679	male	C2	Service_Cmpt	563581	female
AE52.J2	RJB	564037	female	C2A	FJB	563580	male
AE52.J3	RJB	565957	male	C2A	FJB	563581	female
AE53.J1	RJB	563679	male	C2B	FJB	564034	male
AE53.J2	RJB	564037	female	C2B	FJB	564035	female
AE53.J3	RJB	565957	male	C3_plug	RJB	563589	male



# CONNECTORS LIST

No	Location	Part #	Gender	No	Location	Part #	Gender
C3_socket	RJB	563590	female	C20B	Evap_Cmpt	562485	male
C3AP	FJB	563589	male	C20B	Evap_Cmpt	562486	female
C3AP	FJB	563590	female	C23	Evaporatorcmpt.	564034	male
C3AS	FJB	563589	male	C23	Evaporatorcmpt.	564035	female
C3AS	FJB	563590	female	C24_plug	Evap_Cmpt	561690	male
C3S	RJB	563593	male	C24_socket	Evap_Cmpt	561566	female
C3S	RJB	563590	female	C25	Parcel_Rack_LH	561550	male
C4	FJB	563580	male	C25	Parcel_Rack_LH	561667	female
C4	FJB	563581	female	C25.	Parcel_Rack_LH	561669	male
C5	FJB	563589	male	C25.	Parcel_Rack_LH	561670	female
C5	FJB	563590	female	C25A	Parcel_Rack_RH	561669	male
C5S	FJB	563589	male	C25A	Parcel_Rack_RH	561670	female
C5S	FJB	563590	female	C26	Ureacmpt.	563226	male
C6	FJB	563582	male	C26	Ureacmpt.	563613	female
C6	FJB	563583	female	C26A	Ureacmpt.	568110	male
C7	Service_Cmpt	562566	male	C26A	Ureacmpt.	568109	female
C7	Service_Cmpt	562565	female	C26B	Ureacmpt.	563227	male
C8	FJB	563227	male	C26B	Ureacmpt.	563614	female
C8	FJB	563614	female	C29	4rd_Lugg_Cmpt	563651	male
C9	RJB	561986	male	C29	3rd_Lugg_Cmpt	563652	female
C9	RJB	561987	female	C30	3rd_Lugg_Cmpt	561710	male
C10	Engine_Cmpt	562477	male	C30	3rd_Lugg_Cmpt	561709	female
C10	Engine_Cmpt	562479	female	C31S	Parcelrack	561515	male
C11	Service_Cmpt	563580	male	C31S	Parcelrack	561552	female
C11	Service_Cmpt	563581	female	C31W	WCL_Parcel_Rack	563227	male
C12	Engine_Cmpt	562581	male	C31W	WCL_Parcel_Rack	563614	female
C12	Engine_Cmpt	562583	female	C32	lavatory	561734	male
C13_plug	RH_Console	563589	male	C32	Lavatory	561735	female
C13_socket	RH_Console	563590	female	C32.	Lavatory	561515	male
C13S	RH_Console	563589	male	C32.	Lavatory	561552	female
C13S	RH_Console	563590	female	C32L	Lavatory	562006	male
C15A	EvaporatorCmpt	568110	male	C32L	Lavatory	560908	female
C15A	EvaporatorCmpt	568109	female	C32W	WCLcmpt.	561640	male
C16	RJB	561577	male	C32W	WCLcmpt.	561639	female
C16	RJB	561605	female	C32X	Lavatory	561247	male
C17	RJB	560195	male	C32X	Lavatory	561248	female
C17	RJB	560169	female	C33	WCLcmpt.	564034	male
C18	FJB	561986	male	C33	WCLcmpt.	564035	female
C18	FJB	561987	female	C34	RH_Console	561986	male
C19	RJB	561986	male	C34	RH_Console	561987	female
C19	RJB	561987	female	C35	Lavatory	561669	male
C20A	Evap_Cmpt	562485	male	C35	Lavatory	561670	female
C20A	Evap_Cmpt	562486	female	C36	FJB	561986	male

# CONNECTORS LIST

No	Location	Part #	Gender	No	Location	Part #	Gender
C36	FJB	561987	female	C59	RJB	561643	male
C37	Parcel_Rack_LH	562557	male	C59	RJB	561642	female
C37	Parcel_Rack_LH	562558	female	C61	Fr_Service_Door	561669	male
C37.	Parcel_Rack	561734	male	C61	Fr_Service_Door	561670	female
C37.	Parcel_Rack	561735	female	C62	Fr_Service_Door	562566	male
C38	Parcelrack	562555	male	C62	Fr_Service_Door	562565	female
C38	Parcelrack	562556	female	C63	Entrance_Door	562477	male
C38.	Parcelrack	561734	male	C63	Entrance_Door	562479	female
C38.	Parcelrack	561735	female	C64	Enginecmpt.	568110	male
C39A	Firesuppressioncmpt.	561782	male	C64	Enginecmpt.	568109	female
C39A	Firesuppressioncmpt.	561781	female	C66_plug	Evap_Cmpt	561577	male
C40	Dash	562485	male	C66_socket	Evap_Cmpt	561605	female
C40	Dash	562486	female	C68_plug	Parcel_Rack_LH	562503	male
C41	RJB	561782	male	C68_socket	Parcel_Rack_LH	562507	female
C41	RJB	561781	female	C69_plug	Parcel_Rack_LH	561690	male
C42	FJB	561668	male	C69_socket	Parcel_Rack_LH	561566	female
C42	FJB	561551	female	C70	Over_Head_Driver_Area	561550	male
C44_plug	FJB	561577	male	C70	Over_Head_Driver_Area	561667	female
C44_socket	FJB	561605	female	C71	FJB	561646	male
C45	FJB	561643	male	C71	FJB	561645	female
C45	FJB	561642	female	C71A	FJB	561646	male
C46	WCLCmpt.	564228	male	C71A	FJB	561644	female
C46	WCLCmpt.	564229	female	C72	FJB	561646	male
C47	FJB	565207	male	C72	FJB	561645	female
C48	Unican	565208	male	C74	FJB	561645	female
C49	FJB	562005	male	C74	FJB	561646	male
C49	FJB	561714	female	C81	1st_Lugg_Cmpt	562477	male
C50	RJB	563226	male	C81	1st_Lugg_Cmpt	562479	female
C50	RJB	563613	female	C82	1st_Lugg_Cmpt	562477	male
C51	Enginecmpt.	564034	male	C82	1st_Lugg_Cmpt	562479	female
C51	Enginecmpt.	560034	female	C82A	1st_Lugg_Cmpt	563589	male
C52	Evaporatorcmpt.	563618	male	C82A	1st_Lugg_Cmpt	563590	female
C52	Evaporatorcmpt.	563616	female	C83	2nd_Lugg_Cmpt	562477	male
C54	Enginecmpt.	563226	male	C83	2nd_Lugg_Cmpt	562479	female
C54	Enginecmpt.	563613	female	C84	2nd_Lugg_Cmpt	562477	male
C54A	Ureacmpt.	568110	male	C84	2nd_Lugg_Cmpt	562479	female
C54A	Ureacmpt.	568109	female	C85	4thlugg.cmpt.	562477	male
C54B	Enginecmpt.	563589	male	C85	4thlugg.cmpt.	562479	female
C54B	Enginecmpt.	563590	female	C86	4thlugg.cmpt.	563618	male
C55	Evap_Cmpt	561577	male	C86	4thlugg.cmpt.	563616	female
C55	Evap_Cmpt	561605	female	C87	Engine_Cmpt	562485	male
C58	Condensorcmpt.	564567	male	C87	Engine_Cmpt	562486	female
C58	Condensorcmpt.	564568	female	C88	FJB	563618	male

# CONNECTORS LIST

No	Location	Part #	Gender	No	Location	Part #	Gender
C88	FJB	563616	female	C131A	Engine_Cmpt	561782	male
C91	RJB	564619	male	C131A	Engine_Cmpt	561781	female
C91	RJB	562282	female	C131B	Engine_Cmpt	561782	male
C92A	Enginectmpt.	563226	male	C131B	Engine_Cmpt	561781	female
C92A	Enginectmpt.	563613	female	C140	Dash	562477	male
C92C	Enginectmpt.	562581	male	C140	Dash	562479	female
C92C	Enginectmpt.	562583	female	C144	RJB	560852	male
C94_plug	FJB	563589	male	C144	RJB	560851	female
C94_socket	FJB	563590	female	C152	Cond_Cmpt	561611	male
C96	FJB	561643	male	C152	Cond_Cmpt	561610	female
C96	FJB	561642	female	C158	Condensorcmt.	562477	male
C97	FJB	561643	male	C158	Condensorcmt.	562479	female
C97	FJB	561642	female	C162	FrontCab	561690	male
C100	Evaporatorcmt.	562477	male	C162	FrontCab	561566	female
C100	Evaporatorcmt.	562479	female	C164A	RH_Trapezoidal_Window	561690	male
C100S	EvaporatorCmpt.	562477	male	C164A	RH_Trapezoidal_Window	561566	female
C100S	EvaporatorCmpt.	562479	female	C164AA	RH_Trapezoidal_Window	561690	male
C101	Service_Cmpt	561690	male	C164AA	RH_Trapezoidal_Window	561566	female
C101	Service_Cmpt	561566	female	C164B	RH_Trapezoidal_Window	561782	male
C102A	Condensorcmt.	563226	male	C164B	RH_Trapezoidal_Window	561781	female
C102A	Condensorcmt.	563613	female	C164BB	RH_Trapezoidal_Window	561782	male
C103_plug	FJB	562485	male	C164BB	RH_Trapezoidal_Window	561781	female
C103_socket	FJB	562486	female	C167	FJB	561577	male
C105_plug	FJB	562581	male	C167	FJB	561605	female
C105_socket	FJB	562583	female	C170	LH_Console	561637	male
C106_plug	FJB	562581	male	C170	LH_Console	561636	female
C106_socket	FJB	562583	female	C171	LH_Console	561646	male
C107A	Enginectmpt.	562885	female	C171	LH_Console	561645	female
C107A	Enginectmpt.	562884	female	C175	RJB	563226	male
C107B	Enginectmpt.	562885	female	C175	RJB	563613	female
C107B	Enginectmpt.	562884	female	C187	RJB	561577	male
C107C	Enginectmpt.	562885	female	C187	RJB	561605	female
C107C	Enginectmpt.	562884	female	C188	Evap_Cmpt	561577	male
C110	Dash	568110	male	C188	Evap_Cmpt	561605	female
C110	Dash	568109	female	C189	RJB	561986	male
C119A	Rear_engine_door	568110	male	C189	RJB	561987	female
C119A	Rear_engine_door	568109	female	C193_plu	RJB	563589	male
C121	Rearenginedoor	562566	male	C193_so	RJB	563590	female
C121	Rearenginedoor	562565	female	C194	FJB	563589	male
C122	Rearenginedoor	562566	male	C194	FJB	563590	female
C122	Rearenginedoor	562565	female	C195	Dash	563347	male
C124	DashBoard	562503	male	C195	Dash	560489	female
C124	DashBoard	562507	female	C206	Parcel_Rack_RH	562503	male

# CONNECTORS LIST

No	Location	Part #	Gender	No	Location	Part #	Gender
C206	Parcel_Rack_RH	562507	female	C284_5	Parcelrack	561247	male
C207	Parcel_Rack_LH	562503	male	C284_5	Parcelrack	561248	female
C207	Parcel_Rack_LH	562507	female	C290	Rear_Vehicle	562477	male
C212	WCLArea	561515	male	C290	Rear_Vehicle	562479	female
C212	WCLArea	561552	female	C298	Parcelrack	561782	male
C213	Parcel_Rack_LH	561515	male	C298	Parcelrack	561781	female
C213	Parcel_Rack_LH	561552	female	C355	RJB	563582	male
C222	FJB	562477	male	C355	RJB	563583	female
C222	FJB	562479	female	C356	Parcelrack	561710	male
C222	FJB	562477	male	C356	Parcelrack	561709	female
C223	FJB	563227	male	C357	Parcelrack	561847	male
C223	FJB	563614	female	C357	Parcelrack	561862	female
C224	FJB	561637	male	C380A	Dash	564222	male
C224	FJB	561636	female	C380A	Dash	564224	female
C224	FJB	561636	female	C381	Parcel_Rack	561847	male
C225	FJB	562650	male	C381	Parcel_Rack	561862	female
C225	FJB	562649	female	C382	Under_Seat	561580	male
C226	FJB	562650	male	C382	Under_Seat	561582	female
C226	FJB	562649	female	C397	RJB	562285	male
C242	Service_Cmpt	562789	male	C397	RJB	562282	female
C242	Service_Cmpt	565131	female	C430	LH_Console	562363	male
C243	FrontVehicle	563347	male	C430	LH_Console	561188	female
C243	FrontVehicle	563180	female	C452	Dash	561669	male
C243.	FrontVehicule	562789	male	C452	Dash	561670	female
C243.	FrontVehicule	565131	female	C452.	Dash	561734	male
C259	3rd_LH_Lugg_Cmpt	561637	male	C452.	Dash	561735	female
C259	3rd_LH_Lugg_Cmpt	561636	female	C463	Rearaxlecmpt	568112	male
C266	Parcelrack	561782	male	C463	Rearaxlecmpt	568111	female
C266	Parcelrack	561781	female	C464	FJB	564222	male
C267	Parcelrack	561782	male	C464	FJB	564224	female
C267	Parcelrack	561781	female	C464A	Dash	564222	male
C279	Service_Cmpt	562477	male	C464A	Dash	564224	female
C279	Service_Cmpt	562479	female	C464B	FJB	564222	male
C284	Parcelrack	561247	male	C464B	FJB	564224	female
C284	Parcelrack	561248	female	C465	Parcelrack	562581	male
C284_1	Parcelrack	561247	male	C465	Parcelrack	562583	female
C284_1	Parcelrack	561248	female	C506	FJB	561687	male
C284_2	Parcelrack	561247	male	C506	FJB	561685	female
C284_2	Parcelrack	561248	female	C506spA	FJB	561687	male
C284_3	Parcelrack	561247	male	C506spA	FJB	561685	female
C284_3	Parcelrack	561248	female	C506spB	FJB	561687	male
C284_4	Parcelrack	561247	male	C506spB	FJB	561685	female
C284_4	Parcelrack	561248	female	C542	Parcelrack	561550	male

# CONNECTORS LIST

No	Location	Part #	Gender	No	Location	Part #	Gender
C542	Parcelrack	561667	female	C608	Parcel_Rack_LH	561577	male
C558	Parcelrack	562503	male	C608	Parcel_Rack_LH	561605	female
C558	Parcelrack	562507	female	C609	Parcel_Rack_LH	561550	male
C564	Parcelrack	562503	male	C609	Parcel_Rack_LH	561667	female
C564	Parcelrack	562507	female	C612	Parcel_Rack_LH	561687	male
C564-Sp	Parcelrack	562503	male	C612	Parcel_Rack_LH	561685	female
C564-Sp	Parcelrack	562507	female	C614	Passenger_Area	563071	male
C566	Parcelrack	562503	male	C614	Passenger_Area	563040	female
C566	Parcelrack	562507	female	C615	Passenger_Area	563071	male
C567	Parcelrack	562503	male	C615	Passenger_Area	563040	female
C567	Parcelrack	562507	female	C617	Mirror_LH	563801	male
C574	Parcel_Rack_RH	562549	male	C617	Mirror_LH	563800	female
C574	Parcel_Rack_RH	562550	female	C618	Mirror_RH	563801	male
C575	Parcel_Rack_RH	562503	male	C618	Mirror_RH	563800	female
C575	Parcel_Rack_RH	562507	female	C620	FJB	562477	male
C576	Parcelrack	561515	male	C620	FJB	562479	female
C576	Parcelrack	561552	female	C662_plug	FJB	562477	male
C576A	Parcel_Rack_RH	561515	male	C662_socket	FJB	562479	female
C576A	Parcel_Rack_RH	561552	female	C680_plug	WCLsystem	566031	male
C576B	Parcel_Rack_RH	562006	male	C680_socket	WCLsystem	566028	female
C576B	Parcel_Rack_RH	560908	female	C700	FJB	561637	male
C576BB	Parcelrack	562006	male	C700	FJB	561636	female
C576BB	Parcelrack	560908	female	C700A_plug	FJB	561637	male
C577	Parcel_Rack	561515	male	C700A_socket	FJB	561636	female
C577	Parcel_Rack	561552	female	C710_plug		561637	male
C577A	Parcel_Rack	562006	male	C710_socket		561636	female
C577A	Parcel_Rack	560908	female	C752_plug	Parcelrack	901062	male
C577AA	Parcelrack	562006	male	C752_socket	Parcelrack	901283	female
C577AA	Parcelrack	560908	female	C753_plug	Parcelrack	901062	male
C578	Parcel_Rack_LH	562503	male	C753_socket	Parcelrack	901283	female
C578	Parcel_Rack_LH	562507	female	C766	Parcelrack	561662	male
C579	Parcel_Rack_LH	562549	male	C766	Parcelrack	561661	female
C579	Parcel_Rack_LH	562550	female	C768	Parcelrack	901283	female
C582	FJB	561690	female	C769	Parcelrack	901283	female
C582	FJB	561566	female	C777	Dash	562477	male
C600	Dash	563226	male	C777	Dash	562479	female
C600	Dash	563613	female	C999		564619	male
C601	LHRoofWinAjar	561476	male	C999		562282	female
C601	LHRoofWinAjar	561477	female	C_A60DB	Parcelrack	563071	male
C602	Parcel_Rack_LH	561668	male	C_A60DB	Parcelrack	563040	female
C602	Parcel_Rack_LH	561551	female	C_A69R	Parcelrack	563025	male
C603	RHRoofWinAjar	561476	male	C_A97	Dash	563226	male
C603	RHRoofWinAjar	561477	female	C_A97	Dash	563613	female

# CONNECTORS LIST

No	Location	Part #	Gender	No	Location	Part #	Gender
C_ALT	Enginecmt.	562581	male	CIND-2.A	Parcelrack	560908	female
C_ALT	Enginecmt.	562583	female	CIND-2.B	Parcelrack	560908	female
C_ALT3	Enginecmt.	562477	male	CIND-11.A	Parcelrack	560908	female
C_ALT3	Enginecmt.	562479	female	CIND-11.B	Parcelrack	560908	female
C_AUDIO_AUX	Parcelrack	562557	male	CINDWC-1.A	Parcelrack	560908	female
C_AUDIO_AUX	Parcelrack	562558	female	CINDWC-1.B	Parcelrack	560908	female
C_Audio_HDMI_L	Parcelrack	901062	male	CL1	Service_Cmpt	562485	male
C_Audio_HDMI_L	Parcelrack	901283	female	CL1	Service_Cmpt	562486	female
C_Audio_HDMI_R	Parcelrack	901062	male	CL142	Lavatory	562006	male
C_Audio_HDMI_R	Parcelrack	901283	female	CL142	Lavatory	560908	female
C_AUX	Parcelrack	563071	male	CL142A	Lavatory	562006	male
C_AUX	Parcelrack	563040	female	CL142A	Lavatory	560908	female
C_INV1	Parcelrack	562337	male	CP1	Passenger_Area	561782	male
C_INV1	Parcelrack	562338	male	CP1	Passenger_Area	561781	female
C_INV1A	Parcelrack	562337	male	CP2	Passenger_Area	561782	male
C_INV1A	Parcelrack	562338	female	CP2	Passenger_Area	561781	female
C_INV2	Parcelrack	562337	male	CP3	Passengersarea	561782	male
C_INV2	Parcelrack	562338	male	CP3	Passengersarea	561781	female
C_LineOut	Parcelrack	563962	male	CP4	Passenger_Area	561782	male
C_LineOut	Parcelrack	564489	female	CP4	Passenger_Area	561781	female
C_Mo9	Evap_Cmpt	561577	male	CP5	Passenger_Area	561782	male
C_Mo9	Evap_Cmpt	561605	female	CP5	Passenger_Area	561781	female
C_Mo9:2	Evap_Cmpt	561577	male	CP5A	Passenger_Area	561782	male
C_Mo9:2	Evap_Cmpt	561605	female	CP5A	Passenger_Area	561781	female
C_Se51	FJB	563589	male	CP6	Passengersarea	562337	male
C_Se51	FJB	563590	female	CP6	Passengersarea	562338	male
C_USB	Parcelrack	562069	male	CR72	RearSeat	563409	male
C_USB	Parcelrack	562070	female	CR72	RearSeat	563410	female
CCAN1	FJB	562650	male	CSe80	RJB	562477	male
CCAN1	FJB	562649	female	CSe80	RJB	562479	female
CCAN2	FJB	562650	male	CSw102	EngineCmpt.	562549	male
CCAN2	FJB	562649	female	CSw102	EngineCmpt.	562550	female
CCAN3	FJB	562650	male	CSX1	Engine_Cmpt	563135	male
CCAN3	FJB	562649	female	CSX1	Engine_Cmpt	563134	female
CCAN4	FJB	562650	male	CSX3	Engine_Cmpt	563135	male
CCAN4	FJB	562649	female	CSX3	Engine_Cmpt	563134	female
CCust	Parcel_Rack_Fr_WCL	562477	male	CT_IN	Rear_Vehicle	563582	male
CCust	RJB	562479	female	CT_IN	Rear_Vehicle	563583	female
CFHPR1	Parcelrack	564560	male	CT_IN1	Rear_Vehicle	560167	male
CIND-1.A	Parcelrack	560908	female	CT_IN1	Rear_Vehicle	560159	female
CIND-1.B	Parcelrack	560908	female	CT_Out	Rear_Vehicle	560478	female

# CONNECTORS LIST

No	Location	Part #	Gender	No	Location	Part #	Gender
CXC1	Service_Cmpt	562477	male	L49	Parcelrack	560898	male
CXC1	Service_Cmpt	562479	female	L50	Parcelrack	560898	male
D92	Parcelrack	564496	male	L51	Parcelrack	560898	male
EI	Enginectmpt.	563739	male	L52	Parcelrack	560898	male
L.21	Front_Cap	562486	female	L52	Parcelrack	560900	female
L.22	Front_Cap	562486	female	L52A	Parcelrack	560898	male
L.23	Front_Cap	562486	female	L53	Parcelrack	560898	male
L.24	Front_Cap	562486	female	L53	Parcelrack	560900	female
L.25	Front_Cap	562486	female	L53A	Parcelrack	560898	male
L.26	Front_Cap	562486	female	L54	Parcelrack	560898	male
L.27	Front_Cap	562486	female	L54	Parcelrack	560900	female
L1A	Engine_Cmpt	560774	male	L54A	Parcelrack	560898	male
L10	Parcel rack	560898	male	L55	Parcelrack	560898	male
L11	Parcel rack	560898	male	L55	Parcelrack	560900	female
L16.A	Frontroof	562615	female	L55A	Parcelrack	560898	male
L16.B	Frontroof	562615	female	L56	Parcelrack	560898	male
L17.A	Frontroof	562615	female	L56	Parcelrack	560900	female
L17.B	Frontroof	562615	female	L56A	Parcelrack	560898	male
L19	Entrance_Door	562549	male	L57	Parcelrack	560898	male
L20	Entrance_Door_Step	562549	male	L57	Parcelrack	560900	female
L28	Parcelrack	560898	male	L57A	Parcelrack	560898	male
L29	Parcelrack	560898	male	L58	Parcelrack	560898	male
L30	Parcelrack	560898	male	L58	Parcelrack	560900	female
L30A.A	Parcelrack	560898	male	L58A	Parcelrack	560898	male
L30B.A	Parcelrack	560898	male	L59	Out_Side_Front_RH	562623	male
L31	Parcelrack	560898	male	L59A	OutsideFrontRH	563366	male
L32	Parcelrack	560898	male	L59B	Out_Side_Front_RH	562623	male
L33	Parcelrack	560898	male	L60	OutsideFrontLH	562623	male
L34	Parcelrack	560898	male	L60A	OutsideFrontLH	563366	male
L35	Parcelrack	560898	male	L60B	Out_Side_Front_LH	562623	male
L36	Parcelrack	560898	male	L61	Out_Side_Front_RH	562601	male
L37	Parcelrack	560898	male	L62	Out_Side_Front_LH	562601	male
L38	Parcelrack	560898	male	L63	Front_Side_LH	562155	male
L39	Parcelrack	560898	male	L64	Outside_Front_RH	562155	male
L40	Parcelrack	560898	male	L65	Outside_Front_LH	562155	male
L41	Parcelrack	560898	male	L66	Outside_Front_LH	562155	male
L42	Parcelrack	560898	male	L71A	Rearenginedoor	562601	male
L43	Parcelrack	560898	male	L72	Radiator_Door	562155	male
L44	Parcelrack	560898	male	L73A	Rearenginedoor	562601	male
L45	Parcelrack	560898	male	L74	Radiator_Door	562155	male
L46	Parcelrack	560898	male	L75	Radiator_Door	562155	male
L47	Parcelrack	560898	male	L76	Radiator_Door	562155	male
L48	Parcelrack	560898	male	L77A	Rearvehicule	562601	male

# CONNECTORS LIST

No	Location	Part #	Gender	No	Location	Part #	Gender
L78A	Rearvehicule	562601	male	L182	1st_Lugg_Cmpt	561247	male
L79A	Rearvehicule	562601	male	L183	1st_Lugg_Cmpt	561247	male
L80A	Rearvehicule	562601	male	L184	Servicecmpt.	561247	male
L81.A	Rear_Vehicle	562835	female	L185.A	Servicecmpt.	561539	male
L81.B	Rear_Vehicle	562834	male	L185.B	Servicecmpt.	561539	male
L82A	Rearvehicule	562348	female	L186.A	Dash	561539	male
L83A	Rearvehicule	562348	female	L186.B	Dash	561539	male
L91A	Rearvehicule	562601	male	L187	Engine_Cmpt	561690	male
L92A	Rearvehicule	562601	male	L188	Service_Cmpt	562486	female
L95	Outside_Front_LH	562902	female	L189	Mirror_RH	564513	female
L96	Outside_Front_RH	562902	female	L193.A	Dash	560488	female
L97.A	Outside_Front_LH	563069	female	L193.B	Dash	560488	female
L97.B	Outside_Front_LH	563069	female	L194.A	Dash	562019	female
L98.A	Entrance_Door	563069	female	L194.B	Dash	560488	female
L98.B	Outside_Front_RH	563069	female	L195.A	Dash	560488	female
L140	Lavatory	561247	male	L195.B	Dash	560488	female
L142	Lavatory	562006	male	L199	Enginecmpt.	562848	male
L142B	Lavatory	562006	male	L203	RH_Console	561690	male
L143	Parcelrack	561186	male	L204	Parcel_Rack_RH	562803	male
L144	Parcelrack	561186	male	L205	Enginecmpt.	562485	male
L145	Parcelrack	561186	male	L206	Parcel_Rack_RH	562803	male
L146	Parcelrack	561186	male	L207.A	WCLCmpt.	561699	female
L147	Parcelrack	561186	male	L207.B	WCLCmpt.	561701	female
L148	Parcelrack	561186	male	L207.C	WCLCmpt.	561701	female
L149	Parcelrack	561186	male	L207.D	WCLCmpt.	561699	female
L150	Parcelrack	561186	male	L207.E	WCLCmpt.	561701	female
L151	Parcelrack	561186	male	L207.F	WCLCmpt.	561699	female
L152	Parcelrack	561186	male	L152	Parcelrack	561186	male
L153	Parcelrack	561186	male	L153	Parcelrack	561186	male
L154	Parcelrack	561186	male	L154	Parcelrack	561186	male
L155	Parcelrack	561186	male	L155	Parcelrack	561186	male
L156	Parcelrack	561186	male	L156	Parcelrack	561186	male
L157	Parcelrack	561186	male	L157	Parcelrack	561186	male
L158	Parcelrack	561186	male	L158	Parcelrack	561186	male
L170	Lugg_compt	561690	male	L170	Lugg_compt	561690	male
L173	Parcelrack	563590	female	L173	Parcelrack	563590	female
L174A	Parcelrack	563590	female	L174A	Parcelrack	563590	female
L176	3rd_Lugg_Cmpt	561247	male	L176	3rd_Lugg_Cmpt	561247	male
L177	3rd_Lugg_Cmpt	561247	male	L177	3rd_Lugg_Cmpt	561247	male
L177A	WCLCmpt.	561690	male	L177A	WCLCmpt.	561690	male
L177B	WCLCmpt.	561690	male	L177B	WCLCmpt.	561690	male
L180	2nd_Lugg_Cmpt	561247	male	L180	2nd_Lugg_Cmpt	561247	male
L181	2nd_Lugg_Cmpt	561247	male	L181	2nd_Lugg_Cmpt	561247	male



# CONNECTORS LIST

No	Location	Part #	Gender	No	Location	Part #	Gender
L182	1st_Lugg_Cmpt	561247	male	L250	Parcelrack	561186	male
L183	1st_Lugg_Cmpt	561247	male	L251	Parcelrack	561186	male
L184	Servicecmpt.	561247	male	L252	Parcelrack	561186	male
L185.A	Servicecmpt.	561539	male	L253	Parcelrack	561186	male
L185.B	Servicecmpt.	561539	male	L254	Parcelrack	561186	male
L186.A	Dash	561539	male	L255	Parcelrack	561186	male
L186.B	Dash	561539	male	L256	Parcelrack	561186	male
L187	Engine_Cmpt	561690	male	L257	Parcelrack	561186	male
L188	Service_Cmpt	562486	female	L258	Parcelrack	561186	male
L189	Mirror_RH	564513	female	L282	Engine_Cmpt	561690	male
L193.A	Dash	560488	female	L283	Service_Cmpt	562485	male
L193.B	Dash	560488	female	L285.A	Rear_Vehicle	562835	female
L194.A	Dash	562019	female	L285.B	Rear_Vehicle	562834	male
L194.B	Dash	560488	female	L286.A	Rear_Vehicle	562835	female
L195.A	Dash	560488	female	L286.B	Rear_Vehicle	562834	male
L195.B	Dash	560488	female	L296	Refrigerator	561248	female
L199	Enginectmpt.	562848	male	L298A	Enginectmpt.	563590	female
L203	RH_Console	561690	male	L306	RJBcmpt.	561247	male
L204	Parcel_Rack_RH	562803	male	L309.	Behind_Lavatory	564576	male
L205	Enginectmpt.	562485	male	L309D	Drivers_Area	564576	male
L206	Parcel_Rack_RH	562803	male	L310.	Behind_Lavatory	564576	male
L207.A	WCLCmpt.	561699	female	L310D	Drivers_Area	564576	male
L207.B	WCLCmpt.	561701	female	L313	Rr_Roof	562549	male
L207.C	WCLCmpt.	561701	female	L350A.A	Rearaxlcempt.	564552	male
L207.D	WCLCmpt.	561699	female	L350A.B	Rearaxlcempt.	563340	male
L207.E	WCLCmpt.	561701	female	L350A.C	Rearaxlcempt.	562251	male
L207.F	WCLCmpt.	561699	female	L391	Drivers_Area	560898	male
L207.G	WCLCmpt.	561699	female	L400.A	Enginectmpt.	562251	male
L207.H	WCLCmpt.	563536	female	L606	Rr_Roof	560898	male
L207.I	WCLCmpt.	563536	female	L606	Rr_Roof	560900	female
L212	Roof	563589	male	L606A	Rr_Roof	560898	male
L212A	roof	563589	male	Mo3	Dash	561667	female
L213	roof	563589	male	Mo4	Dash	562076	male
L213A	roof	563589	male	Mo5	Front_Roof	561515	male
L214	roof	563589	male	Mo7	Cond_Cmpt	563691	male
L214A	roof	563589	male	Mo8	Cond_Cmpt	563691	male
L243	Parcelrack	561186	male	Mo10	ParcelRack_Lh_Fan	561515	male
L244	Parcelrack	561186	male	Mo11	ParcelRack_Rh_Fan	561515	male
L245	Parcelrack	561186	male	Mo12	Engine_Cmpt	561690	male
L246	Parcelrack	561186	male	Mo13	Engine_Cmpt	561690	female
L247	Parcelrack	561186	male	Mo13.	Engine_Cmpt	561690	male
L248	Parcelrack	561186	male	Mo14	Engine_Cmpt	561566	female
L249	Parcelrack	561186	male	Mo15	Front_Ceiling	560900	female

# CONNECTORS LIST

No	Location	Part #	Gender	No	Location	Part #	Gender
Mo16	Front_Ceiling	560900	female	PR	Parcelrack	561782	male
Mo17	RH_Console	563626	male	PR	Parcelrack	561781	female
Mo19	Fr_Service_Door	562474	male	PR1	Passenger_Area	561782	male
Mo20	Fr_Service_Door	562474	male	PR1	Passenger_Area	561781	female
Mo22	RH_Console	561186	male	R3	RJB	563409	male
Mo27	Cond_Cmpt	563691	male	R4	FJB	564496	male
Mo28	Cond_Cmpt	563691	male	R5	RJB	564496	male
Mo29	RJBcmpt.	563590	female	R12	Evap_Cmpt	563409	male
Mo30	Compr_Door	564161	male	R16	RJB	564496	male
Mo31	Parcelrack	564161	male	R20	RJB	564496	male
Mo32	Parcelrack	564161	male	R21	FJB	560525	male
Mo33	Parcelrack	564161	male	R21A	FJB	560525	male
Mo34	Parcelrack	564161	male	R23A	FJB	564496	male
Mo35	3rd_Lugg_Door	564161	male	R26	Evap_Cmpt	564496	male
Mo36	Parcelrack	564161	male	R27	Dash	564496	male
Mo54	Service_Cmpt	562474	male	R28	RearSeat	563409	male
Mo62	FrontHatch	562486	female	R29	RJB	563409	male
Mo63	RearHatch	562486	female	R30	FJB	564496	male
Mo65	Enginecmpt.	568089	male	R31	FJB	564496	male
Mo67	Enginecmpt.	568089	male	R34	RJB	564210	male
Mo68	Enginecmpt.	568089	male	R36	Dash	564496	male
Mo69	Enginecmpt.	568089	male	R37	Dash	564496	male
Mo70	Enginecmpt.	568089	male	R38	FJB	564496	male
Mo71	Enginecmpt.	568089	male	R38A	RearSeat	563409	male
Mo72	Enginecmpt.	568089	male	R40	RJB	564496	male
Mo73	Enginecmpt.	568089	male	R47	Parcelrack	564496	male
P_In1	Passenger_Area	561782	male	R72.A	RearSeat	563409	male
P_In1	Passenger_Area	561781	female	R210	Parcel_Rack_LH	560525	male
P_Out1	Passenger_Area	561782	male	R_12VISS	Parcelrack	564496	male
P_Out1	Passenger_Area	561781	female	RadioVolvo3_966.A	Parcelrack	563960	male
P_Out2	Passenger_Area	561782	male	RadioVolvo3_966.B	Parcelrack	563962	male
P_Out2	Passenger_Area	561781	female	RadioVolvo3_966.C1	Parcelrack	563956	male
P_Out3	Passenger_Area	561782	male	RadioVolvo3_966.C2	Parcelrack	563957	male
P_Out3	Passenger_Area	561781	female	RadioVolvo3_966.C3	Parcelrack	563958	male
PC1	FJB	562650	male	Res3.A	ParcelRack	563590	female
PC1	FJB	562649	female	Res4	RH_Console	563590	female
PF	FJB	561782	male	Res6	FJB	563590	female
PF	FJB	561781	female	Res6A	FJB	563589	male
PF1	Passenger_Area	561782	male	Res6A	FJB	563590	female
PF1	Passenger_Area	561781	female	Res6B	FJB	563589	male
Pot1.A	Dash	560488	female	Res6B	FJB	563590	female
Pot1.B	Dash	560488	female	Res7	dash	563590	female
Pot1.C	Dash	560488	female	Res15	Engine_Cmpt	561782	male

# CONNECTORS LIST

No	Location	Part #	Gender	No	Location	Part #	Gender
Res31	Ureacmpt.	562350	male	Se46	Rearaxlecmpt.	562348	female
Res32	Ureacmpt.	563764	female	Se49	Engine_Cmpt	561690	male
Res46	FJB	563590	female	Se51	UnderDriverSeat	563589	male
Res53.A	FJB	563590	female	Se53	Service_Cmpt	563159	female
Res99	FJB	563590	female	Se54	Service_Cmpt	563159	female
Se2	LH_Console	561566	female	Se55	Service_Cmpt	563159	female
Se4	Window_RH	561477	female	Se56	WCLCmpt.	562479	female
Se5	Window_RH	561477	female	Se60	Service_Cmpt	563409	male
Se6	Window_RH	561477	female	Se62	WCL_System	561690	male
Se7	Window_LH	561477	female	Se63	Rearaxlecmpt.	641132	female
Se8	Window_LH	561477	female	Se64	Rearaxlecmpt.	641132	female
Se9	Window_LH	561477	female	Se65	Dash	564042	female
Se10	Window_LH	561477	female	Se66	FJB	564039	female
Se11.A	Cond_Cmpt	560082	female	Se67	Frontaxlecmpt.	563159	female
Se11.B	Cond_Cmpt	560082	female	Se69	Frontaxlecmpt.	563159	female
Se11.C	Cond_Cmpt	560082	female	Se74	Rear_Axle_Cmpt	563340	male
Se13	Engine_Cmpt	562350	male	Se75	Service_Cmpt	563159	female
Se14.A	Driver_Area	561782	male	Se76	EntranceDoor	562479	female
Se14.B	Driver_Area	561781	female	Se77	FJB	563159	female
Se15	RH_Console	560898	male	Se78	Pneumaticplate	563159	female
Se17	RH_Console	560900	female	Se79	Front_Axle	563340	male
Se18	Servicecmpt.	561566	female	Se80	Rear_Axle	563159	female
Se19_P	Service_Cmpt	563677	male	Se89	Enginecmpt.	562350	male
Se19_S	Service_Cmpt	563677	male	Se94	WCLUpperDoor	562877	female
Se20	Evap_Cmpt	562426	male	Se100	WCLdoor	562479	female
Se20A	Evap_Cmpt	562426	male	shell1_1640	Driver_Area	562471	male
Se21	Dash	561248	female	So3	RH_Console	641385	male
Se23	Engine_Cmpt	563159	male	So4	RH_Console	641385	male
Se24	EvaporatorCmpt.	563758	female	So5	RH_Console	641385	male
Se25	Passenger_Area	561248	female	So6	RH_Console	641385	male
Se29	Engine_Cmpt	561566	female	So7	Service_Cmpt	561566	female
Se30	Enginedoor	562877	female	So8	Servicecmpt.	641385	male
Se31	Enginedoor	562877	female	So9	Enginecmpt.	560016	female
Se32	Rear_Axle_Cmpt	562426	male	So10.A	Condensorcmpt.	562485	male
Se33	Rear_Axle_Cmpt	562856	male	So11	Cond_Cmpt	561566	female
Se34	Rear_Axle_Cmpt	562426	male	So13	Evap_Cmpt	563204	female
Se35	Rear_Axle_Cmpt	562426	male	So14	Servicecmpt.	641385	male
Se36	Rear_Axle_Cmpt	562427	male	So15	Servicecmpt.	641385	male
Se37	Front_Axle_LH	641132	female	So16	Servicecmpt.	641385	male
Se38	Front_Axle_RH	641132	female	So17	Servicecmpt.	562848	male
Se39	Rear_Axle_LH	641132	female	So20	Servicecmpt.	641385	male
Se40	Rear_Axle_LH	641132	female	So21	Front_Axle_Cmpt	564046	female
Se45	Servicecmpt.	563409	male	So22	Front_Axle_Cmpt	564046	female

# CONNECTORS LIST

No	Location	Part #	Gender	No	Location	Part #	Gender
So23	Rear_Axle_Cmpt	564046	female	Spk9_L	Parcel_Rack_LH	563994	male
So24	Rear_Axle_Cmpt	564046	female	Spk9_R	Parcel_Rack_RH	563994	male
So27	Rearaxlecmpt.	564045	female	Spk10_L	Parcel_Rack_LH	563994	male
So29	Parcelrack	641385	male	Spk10_R	Parcel_Rack_RH	563994	male
So50	Rearaxlecmpt.	564046	female	Spk11_L	Parcel_Rack_LH	563994	male
So52	Rearaxlecmpt.	564045	female	Spk11_R	Parcel_Rack_RH	563994	male
So53	Rear_Axle_Cmpt	641385	male	Spk12_L	Parcel_Rack_LH	563994	male
So54	Enginectmpt.	564045	female	Spk12_R	Parcel_Rack_RH	563994	male
So55	Pneumaticplate	562848	male	Spk13_L	Parcel_Rack_LH	563994	male
So56	Rear_Axle_Cmpt	562350	male	Spk13_R	Parcel_Rack_RH	563994	male
So57	Engine_Cmpt	562350	male	Spk14_L	Parcel_Rack_LH	563994	male
spBar4	Enginectmpt.	564135	male	Spk14_R	Parcel_Rack_RH	563994	male
spBar5	Enginectmpt.	564135	male	Spk15_L	Parcel_Rack_LH	563994	male
spBar6	Enginectmpt.	564135	male	Spk15_R	Parcel_Rack_RH	563994	male
spBar7	Enginectmpt.	564135	male	Spk16_L	Parcel_Rack_LH	563994	male
spBar11	Rearvehicule	564135	male	Spk16_R	Parcel_Rack_RH	563994	male
spBar12	Rearvehicule	564135	male	SpkDr_L	Driver_Area	563994	male
spBar13	Enginectmpt.	564135	male	SpkDr_R	Driver_Area	563994	male
spBar14	Enginectmpt.	564135	male	Sub1.A	Passenger_Area	564004	female
spBar15	Enginectmpt.	564135	male	Sub2	Passenger_Area	564004	male
spBar16	Enginectmpt.	564135	male	Sw1.C258	Driver_Area	561188	female
spBar19	Condensorcmt.	564135	male	Sw1.C259	Driver_Area	561186	male
spBar20	Condensorcmt.	564135	male	Sw2	Dash	562763	male
spBar21	Condensorcmt.	564135	male	Sw3	Dash	562763	male
spBar22	Enginectmpt.	564135	male	Sw4	Dash	562763	male
spBar23	Enginectmpt.	564135	male	Sw6	Dash	562763	male
spBar24	Enginectmpt.	564135	male	Sw10A	LH_Console	562763	male
Spk1_L	Parcel_Rack_LH	563994	male	Sw12	Dash	562763	male
Spk1_R	Parcel_Rack_RH	563994	male	Sw14	Dash	562763	male
Spk2_L	Parcel_Rack_LH	563994	male	Sw16	Dash	562763	male
Spk2_R	Parcel_Rack_RH	563994	male	Sw17	Dash	562763	male
Spk3_L	Parcel_Rack_LH	563994	male	Sw18A	LH_Console	562763	male
Spk3_R	Parcel_Rack_RH	563994	male	Sw20	Dash	562763	male
Spk4_L	Parcel_Rack_LH	563994	male	Sw21	Dash	562763	male
Spk4_R	Parcel_Rack_RH	563994	male	Sw24	Dash	562763	male
Spk5_L	Parcel_Rack_LH	563994	male	Sw25	Dash	562763	male
Spk5_R	Parcel_Rack_RH	563994	male	Sw26	Dash	562763	male
Spk6_L	Parcel_Rack_LH	563994	male	Sw27	Dash	562763	male
Spk6_R	Parcel_Rack_RH	563994	male	Sw29	Dash	562763	male
Spk7_L	Parcel_Rack_LH	563994	male	Sw30	RJB	563135	male
Spk7_R	Parcel_Rack_RH	563994	male	Sw32	Dash	561477	female
Spk8_L	Parcel_Rack_LH	563994	male	Sw33	Dash	561476	male
Spk8_R	Parcel_Rack_RH	563994	male	Sw34	Outside_Front_RH	562477	male

# CONNECTORS LIST

No	Location	Part #	Gender	No	Location	Part #	Gender
Sw35	Console	562763	male	Sw97.C	WCLsystem	562615	female
Sw38	LH_Console	562763	male	Sw98.A	WCLsystem	562615	female
Sw40	LH_Console	561690	male	Sw98.B	WCLsystem	562615	female
Sw41	LH_Console	562749	male	Sw98.C	WCLsystem	562615	female
Sw42	WCLCmpt.	561635	female	Sw100A	Dash	562763	male
Sw43	LH_Console	561690	male	Sw102	RJB	561566	female
Sw44.A	Servicecmpt.	562403	female	Sw109.A	1st_Lugg_LH	560079	female
Sw45.A	3rd_Lugg_Cmpt	562403	female	Sw109.B	1st_Lugg_LH	560079	female
Sw46.A	3rd_Lugg_Cmpt	562403	female	Sw110.A	1st_Lugg_RH	560079	female
Sw46A.A	3rdlugg.cmpt.	562403	female	Sw110.B	1st_Lugg_RH	560079	female
Sw49.A	2nd_Lugg_Cmpt	562403	female	Sw111.A	2ndlugg.cmpt.	560079	female
Sw50.A	2nd_Lugg_Cmpt	562403	female	Sw111.B	2ndlugg.cmpt.	560079	female
Sw51.A	1st_Lugg_Cmpt	562403	female	Sw112.A	2ndlugg.cmpt.	560079	female
Sw52.A	1st_Lugg_Cmpt	562403	female	Sw112.B	2ndlugg.cmpt.	560079	female
Sw55..A	Lavatory	560488	female	Sw113.A	2ndlugg.cmpt.	560079	female
Sw55..B	Lavatory	560488	female	Sw113.B	2ndlugg.cmpt.	560079	female
Sw55.A	Lavatory	560488	female	Sw114.A	3rd_Lugg_RH	560079	female
Sw55.B	Lavatory	560488	female	Sw114.B	3rd_Lugg_RH	560079	female
Sw56..A	Lavatory	560488	female	Sw115.A	Compr_Door	560079	female
Sw56..B	Lavatory	560488	female	Sw115.B	Compr_Door	560079	female
Sw56.A	Lavatory	560488	female	Sw124	Dash	562763	male
Sw56.B	Lavatory	560488	female	Sw125.A	Service_Cmpt	561457	female
Sw58	EngineCmpt.	563135	male	Sw125.B	Service_Cmpt	561457	female
Sw59	Enginecmpt.	563135	male	Sw134.A	WCLArea	562615	female
Sw63A	LHConsole	562763	male	Sw134.B	WCLArea	562615	female
Sw64.A	Service_Cmpt	560815	female	Sw134.C	WCLArea	562615	female
Sw64.B	Service_Cmpt	560815	female	Sw135.A	WCLdoor	562119	female
Sw80A	Dash	562763	male	Sw135.B	WCLdoor	562119	female
Sw82	RJB	563135	male	Sw135.C	WCLdoor	562119	female
Sw83.A	Dash	560082	female	Sw137	Dash	562763	male
Sw83.B	Dash	560815	female	Sw140	FJB	561566	female
Sw83.C	Dash	560082	female	Sw142	LHConsole	562763	male
Sw83.D	Dash	560815	female	Sw149	Dash	562763	male
Sw83A	Dash	562581	male	Sw153	Dash	562763	male
Sw85	LH_Console	562749	male	Sw156	LH_Console	562763	male
Sw95.A	WCLdoor	562615	female	Sw157	Dash	562763	male
Sw95.B	WCLdoor	562615	female	Sw158	Dash	562763	male
Sw95.C	WCLdoor	562615	female	Sw313..A	Lavatory	562615	female
Sw96.A	WCL_Door	562615	female	Sw313..B	Lavatory	562615	female
Sw96.B	WCL_Door	562615	female	Sw313..C	Lavatory	562615	female
Sw96.C	WCLdoor	562615	female	Sw313.A	Lavatory	562615	female
Sw97.A	WCLsystem	562615	female	Sw313.B	Lavatory	562615	female
Sw97.B	WCLsystem	562615	female	Sw313.C	Lavatory	562615	female

# CONNECTORS LIST

No	Location	Part #	Gender	No	Location	Part #	Gender
sym760_162.A	Parcelrack_LH	564489	female				
sym760_162.B	Parcelrack_LH	562706	female				
sym760_162.C	Parcelrack_LH	562706	female				
sym761_162.A	Parcelrack_LH	564489	female				
sym761_162.B	Parcelrack_LH	562706	female				
sym761_162.C	Parcelrack_LH	562706	female				
sym762_162.A	Parcelrack_LH	564489	female				
sym762_162.B	Parcelrack_LH	562706	female				
sym762_162.C	Parcelrack_LH	562706	female				
sym812_291.A	Parcelrack	565180	female				
tab69	Parcelrack	561626	N/A				
Tab70a	Parcelrack	561626	N/A				
Tab70b	Parcelrack	561626	N/A				
tab71a	Parcelrack	561626	N/A				
VECF1	FJB	563186	male				
VECF2	FJB	563183	male				
VECF3	FJB	563185	male				
VECF4	FJB	563182	male				
VECF9	FJB	563448	male				
VECF10	FJB	563181	male				
VECF11	FJB	563184	male				
VECF12	FJB	563187	male				
VECPR1	Parcelrack_LH	563715	male				
VECPR2_plug	Parcelrack_LH	563716	male				
VECPR3_plug	Parcelrack_LH	563718	male				
VECPR4	Parcelrack_LH	563714	male				
VECPR5	Parcelrack_LH	566021	male				
VECPR6	Parcelrack_LH	566020	male				
VECR1	RJB	563186	male				
VECR2	RJB	563183	male				
VECR3	RJB	563185	male				
VECR4	RJB	563182	male				
VECR9	RJB	563448	male				
VECR10	RJB	563181	male				
VECR11	RJB	563184	male				
VECR12	RJB	563187	male				
VECT2_plug	RearVehicle	563716	male				
VECT3	RearVehicle	563718	male				
VECT4	RearVehicle	563714	male				
Y80	Engine_Cmpt	563789	male				
Y81	Cond_Cmpt	563793	male				

# CONNECTORS LIST

No	Location	Part #	Gender	No	Location	Part #	Gender
*req*			outofrange.	A28	Service_Cmpt	562928	male
*req*			outofrange.	A29.	Dash	562464	male
*req*			outofrange.	A29.	Dash	565871	female
*req*			outofrange.	A33.A	Parcelrack	563071	male
*req*			outofrange.	A33.B	Parcelrack	562330	female
*req*			outofrange.	A34.1	EngineCmpt.	564258	male
*req*			outofrange.	A34.2	EngineCmpt.	564258	male
24SS_OP	P_Rack	563071	male	A34.3	EngineCmpt.	564258	male
24SS_OP	P_Rack	563040	female	A34.4	EngineCmpt.	564258	male
120V_inlet	RearVehicle	561572	male	A34.5	EngineCmpt.	564258	male
120VAC_Inlet	Enginecmpt.	561572	male	A34.6	EngineCmpt.	564258	male
A1	RJB	563975	male	A34.7	EngineCmpt.	564258	male
A2	FJB	563984	male	A34.8	EngineCmpt.	564258	male
A3	Dash	562363	male	A34.J	Enginecmpt.	568118	male
A4.A	Service_Cmpt	562428	female	A34.K	Enginecmpt.	564270	male
A4.B	Service_Cmpt	561188	female	A34.L	Enginecmpt.	564269	male
A5	Service_Cmpt	562428	female	A36.JA	FJB	562767	male
A6	Engine_Cmpt	562427	male	A36.JB	FJB	562765	male
A7	Rear_Axle_Cmpt	563979	male	A36.JC	FJB	562957	male
A9.Cx1	FJB	564041	female	A36A.JA	FJB	562767	male
A9.Cx2	FJB	563678	male	A36A.JB	FJB	562765	male
A9.Cx3	FJB	564037	female	A36A.JC	FJB	562957	male
A9.Cx4	FJB	564038	female	A39.P101	Parcelrack	563201	male
A10.X1	Engine_Cmpt	563135	male	A39.P901	Parcelrack	563953	male
A10.X3	Engine_Cmpt	563134	female	A40.A	FJB	561668	male
A11	LH_Console	563142	male	A60.A	Parcelrack	563071	male
A14.A	Dash	562766	male	A60.B	Parcelrack	562706	female
A14.B	Dash	562767	male	A60.C	Parcelrack	901110	male
A14.C	Dash	562765	male	A60.D	Parcelrack	901110	male
A15	Dash	562464	male	A61.A	Parcelrack	562464	male
A16A	Front_Cap	561690	male	A61.B	Parcelrack	562465	male
A17.D	RJB	561932	male	A65.B	Parcelrack	901110	male
A18.J1	FJB	562794	male	A65.C	Parcelrack	901110	male
A18.J2	FJB	562650	male	A65.Csv	Parcelrack	562465	male
A19	LH_Console	562878	female	A65.D	Parcelrack	901110	male
A20	Parcel_Rack_LH	561477	female	A65A.A	Parcelrack	563025	male
A24.A	RH_Console	561890	male	A65A.B4	Parcelrack	bidon	male
A24.B	RH_Console	561566	female	A65A.B5	Parcelrack	bidon	male
A25	Parcelrack	563025	male	A65A.B6	Parcelrack	bidon	male
A26.P1	Enginecmpt.	562350	male	A65A.D	Parcelrack	bidon	male
A26.P2	Enginecmpt.	563322	female	A65A.E	Parcelrack	563071	male
A26.P4	Enginecmpt.	568088	male	A65A.G1	Parcelrack	563071	male
A27	Service_Cmpt	562929	male	A65A.G2	Parcelrack	563071	male

# CONNECTORS LIST

No	Location	Part #	Gender	No	Location	Part #	Gender
A65A.G3	Parcelrack	563071	male	A97S.A1	Dash	564401	male
A65A.H1	Parcelrack	561716	female	A97S.A2	Dash	564402	male
A65A.H2	Parcelrack	561716	female	A97S.A3	Dash	564403	male
A65A.H3	Parcelrack	561716	female	A99	FJB	564205	male
A65A.J	Parcelrack	562465	male	A100	Front_Axle	563632	male
A69.A	Parcelrack	563071	male	A100.1	N/A	563515	male
A69.B	Parcelrack	561716	female	A100.2	N/A	563515	male
A69.C	Parcelrack	561716	female	A100.3	N/A	563515	male
A69.D	Parcelrack	561716	female	A101	Rear_Axle	563632	male
A69.E	Parcelrack	561716	female	A102	Rear_Axle	563632	male
A69.F	Parcelrack	561716	female	A103	Dash	562070	female
A69.G	Parcelrack	561716	female	A107	EngineCmpt.	560336	male
A69.H	Parcelrack	561716	female	A108	RJB	562766	male
A69L.A	Parcelrack	563025	male	A109A	FJB	564141	male
A69L.B1	Parcelrack	bidon	male	A113.A	Parcel_Rack_LH	563960	male
A69L.B2	Parcelrack	bidon	male	A113.B	Parcel_Rack_LH	563962	male
A69L.B3	Parcelrack	bidon	male	A113.C1	Parcel_Rack_LH	563956	male
A69L.B4	Parcelrack	bidon	male	A113.C2	Parcel_Rack_LH	563957	male
A69L.C	Parcelrack	bidon	male	A113.C3	Parcel_Rack_LH	563958	male
A69R.A	Parcelrack	563025	male	A114A	Dash	564252	male
A69R.B1	Parcelrack	bidon	male	A120.A	Dashboard	563960	male
A69R.B2	Parcelrack	bidon	male	A120.B	Dashboard	563962	male
A69R.B3	Parcelrack	bidon	male	A120.C1	Dashboard	563956	male
A69R.B4	Parcelrack	bidon	male	A120.C2	Dashboard	563957	male
A69R.C	Parcelrack	bidon	male	A120.C3	Dashboard	563958	male
A70a	Front_roof	561540	female	A121.Vsa	Dash	563679	male
A77	Parcelrack	564547	male	A121.Vsb	Dash	563678	male
A78	Parcelrack	562583	female	A121.Vsc	Dash	564037	male
A79	Parcelrack	562583	female	A121.Vsd	Dash	564118	male
A80	Parcelrack	562479	female	A130	Driver_Area	563226	male
A81.JA	FJB	562767	male	A131.A	Engine_Cmpt	561782	male
A81.JB	FJB	562765	male	A131.B	Engine_Cmpt	561781	female
A81.JC	FJB	562957	male	A137A	Condensercmpt.	20429843	male
A83.A	FJB	565970	female	A138	Cond_Cmpt	563787	male
A84.A	Parcelrack	563071	male	A139	Dash	564501	male
A96	FJB	564205	male	A151.A	Parcelrack	561582	female
A96..A	FJB	563678	male	A151.B	Parcelrack	561582	female
A96..B	FJB	562795	male	A152.J	Parcelrack	563071	male
A97	Dash	563226	male	A153.A	Parcelrack	562465	male
A97A	FJB	563226	male	A153.B	Parcelrack	561716	female
A97A	FJB	563613	female	A153.C	Parcelrack	561716	female
A97B	FJB	563226	male	A153.D	Parcelrack	561716	female
A97B	FJB	563613	female	A160.A	WCLcmpt	562477	male



# CONNECTORS LIST

No	Location	Part #	Gender	No	Location	Part #	Gender
A160.B	WCLcmpt	562884	female	AE53.J1	RJB	563679	male
A162.A	FrontCab	561566	female	AE53.J2	RJB	564037	female
A162.B	FrontCab	561781	female	AE53.J3	RJB	565957	male
A164.A	RH_Trapezoidal_Window	561566	female	AE54.J1	Evaporatorcmpt.	563679	male
A164.B	RH_Trapezoidal_Window	561781	female	AE54.J2	Evaporatorcmpt.	564037	female
A165	Driver_Area	560641	male	AE54.J3	Evaporatorcmpt.	565957	male
A166	RearCab	561637	male	AE55.J1	Dash	563679	male
AE41.J1	FJB	563679	male	AE55.J2	Dash	564037	female
AE41.J2	FJB	564037	female	AE55.J3	Dash	564004	male
AE41.J3	FJB	564004	male	AE56.J1	Dash	563679	male
AE42.J1	FJB	563679	male	AE56.J2	Dash	564037	male
AE42.J2	FJB	564037	female	AE56.J3	Dash	564004	male
AE42.J3	FJB	564004	male	AE57.J1	WCLcmpt.	563679	male
AE43.J1	FJB	563679	male	AE57.J2	WCLcmpt.	564037	male
AE43.J2	FJB	564037	male	AE57.J3	WCLcmpt.	564004	male
AE43.J3	FJB	565957	male	Alt_LL.A	Enginecmpt.	563746	female
AE44.J1	FJB	563679	male	Alt_LL.B	Enginecmpt.	560815	female
AE44.J2	FJB	564037	female	Alt_LL.C	Enginecmpt.	564469	female
AE44.J3	FJB	565957	male	Alt_LR.A	enginecmpt.	563746	female
AE45.J1	FJB	563679	male	Alt_LR.B	Enginecmpt.	560815	female
AE45.J2	FJB	564037	female	Alt_LR.C	Enginecmpt.	564469	female
AE45.J3	FJB	565957	male	Alt_UR.A	Enginecmpt.	563746	female
AE46.J1	FJB	563679	male	Alt_UR.B	Enginecmpt.	560815	female
AE46.J2	FJB	564037	female	Alt_UR.C	Enginecmpt.	564469	female
AE46.J3	FJB	565957	male	B85	Engine_Cmpt	563815	male
AE47.J1	RH_console	563679	male	B96	Engine_Cmpt	563821	male
AE47.J2	RH_console	564037	female	B96B	Engine_Cmpt	563823	male
AE47.J3	RH_console	565957	male	B97	Engine_Cmpt	563816	male
AE48.J1	RH_console	563679	male	B98	Engine_Cmpt	563817	male
AE48.J2	RH_console	564037	female	B99	Engine_Cmpt	563815	male
AE48.J3	RH_console	565957	male	B115A	Enginecmpt.	564226	male
AE49.J1	RJB	563679	male	B142C	Enginecmpt.	563793	male
AE49.J2	RJB	564037	male	B310	Enginecmpt.	565967	male
AE49.J3	RJB	565957	male	C1	FJB	563589	male
AE50.J1	RJB	563679	male	C1	FJB	563590	female
AE50.J2	RJB	564037	male	C1k	N/A	563407	female
AE50.J3	RJB	565957	male	C1k	N/A	563408	male
AE51.J1	RJB	563679	male	C1S	FJB	563589	male
AE51.J2	RJB	564037	female	C1S	FJB	563590	female
AE51.J3	RJB	565957	male	C2	Service_Cmpt	563580	male
AE52.J1	RJB	563679	male	C2	Service_Cmpt	563581	female
AE52.J2	RJB	564037	female	C2A	FJB	563580	male
AE52.J3	RJB	565957	male	C2A	FJB	563581	female

# CONNECTORS LIST

No	Location	Part #	Gender	No	Location	Part #	Gender
C2B	FJB	564034	male	C19	RJB	561987	female
C2B	FJB	564035	female	C20A	Evap_Cmpt	562485	male
C3_plug	RJB	563589	male	C20A	Evap_Cmpt	562486	female
C3_socket	RJB	563590	female	C20B	Evap_Cmpt	562485	male
C3AP	FJB	563589	male	C20B	Evap_Cmpt	562486	female
C3AP	FJB	563590	female	C23	Evaporatorcmpt.	564034	male
C3AS	FJB	563589	male	C23	Evaporatorcmpt.	564035	female
C3AS	FJB	563590	female	C24_plug	Evap_Cmpt	561690	male
C3S	RJB	563593	male	C24_socket	Evap_Cmpt	561566	female
C3S	RJB	563590	female	C25	Parcel_Rack_LH	561550	male
C4	FJB	563580	male	C25	Parcel_Rack_LH	561667	female
C4	FJB	563581	female	C25.	Parcel_Rack_LH	561669	male
C5	FJB	563589	male	C25.	Parcel_Rack_LH	561670	female
C5	FJB	563590	female	C25A	Parcel_Rack_RH	561669	male
C5S	FJB	563589	male	C25A	Parcel_Rack_RH	561670	female
C5S	FJB	563590	female	C26	Ureacmpt.	563226	male
C6	FJB	563582	male	C26	Ureacmpt.	563613	female
C6	FJB	563583	female	C26A	Ureacmpt	568110	male
C7	Service_Cmpt	562566	male	C26A	Ureacmpt	568109	female
C7	Service_Cmpt	562565	female	C26B	Ureacmpt.	563227	male
C8	FJB	563227	male	C26B	Ureacmpt.	563614	female
C8	FJB	563614	female	C29	4rd_Lugg_Cmpt	563651	male
C9	RJB	561986	male	C29	3rd_Lugg_Cmpt	563652	female
C9	RJB	561987	female	C30	3rd_Lugg_Cmpt	561710	male
C10	Engine_Cmpt	562477	male	C30	3rd_Lugg_Cmpt	561709	female
C10	Engine_Cmpt	562479	female	C31S	Parcelrack	561515	male
C11	Service_Cmpt	563580	male	C31S	Parcelrack	561552	female
C11	Service_Cmpt	563581	female	C31W	WCL_Parcel_Rack	563227	male
C12	Engine_Cmpt	562581	male	C31W	WCL_Parcel_Rack	563614	female
C12	Engine_Cmpt	562583	female	C32	lavatory	561734	male
C13_plug	RH_Console	563589	male	C32	Lavatory	561735	female
C13_socket	RH_Console	563590	female	C32.	Lavatory	561515	male
C13S	RH_Console	563589	male	C32.	Lavatory	561552	female
C13S	RH_Console	563590	female	C32L	Lavatory	562006	male
C15A	EvaporatorCmpt	568110	male	C32L	Lavatory	560908	female
C15A	EvaporatorCmpt	568109	female	C32W	WCLcmpt.	561640	male
C16	RJB	561577	male	C32W	WCLcmpt.	561639	female
C16	RJB	561605	female	C32X	Lavatory	561247	male
C17	RJB	560195	male	C32X	Lavatory	561248	female
C17	RJB	560169	female	C33	WCLcmpt.	564034	male
C18	FJB	561986	male	C33	WCLcmpt.	564035	female
C18	FJB	561987	female	C34	RH_Console	561986	male
C19	RJB	561986	male	C34	RH_Console	561987	female

# CONNECTORS LIST

No	Location	Part #	Gender	No	Location	Part #	Gender
C35	Lavatory	561669	male	C55	Evap_Cmpt	561605	female
C35	Lavatory	561670	female	C58	Condensorcmt.	564567	male
C36	FJB	561986	male	C58	Condensorcmt.	564568	female
C36	FJB	561987	female	C59	RJB	561643	male
C37	Parcel_Rack_LH	562557	male	C59	RJB	561642	female
C37	Parcel_Rack_LH	562558	female	C61	Fr_Service_Door	561669	male
C37.	Parcel_Rack	561734	male	C61	Fr_Service_Door	561670	female
C37.	Parcel_Rack	561735	female	C62	Fr_Service_Door	562566	male
C38	Parcelrack	562555	male	C62	Fr_Service_Door	562565	female
C38	Parcelrack	562556	female	C63	Entrance_Door	562477	male
C38.	Parcelrack	561734	male	C63	Entrance_Door	562479	female
C38.	Parcelrack	561735	female	C64	Enginecmt	568110	male
C39A	Firesuppressioncmt.	561782	male	C64	Enginecmt	568109	female
C39A	Firesuppressioncmt.	561781	female	C66_plug	Evap_Cmpt	561577	male
C40	Dash	562485	male	C66_socket	Evap_Cmpt	561605	female
C40	Dash	562486	female	C68_plug	Parcel_Rack_LH	562503	male
C41	RJB	561782	male	C68_socket	Parcel_Rack_LH	562507	female
C41	RJB	561781	female	C69_plug	Parcel_Rack_LH	561690	male
C42	FJB	561668	male	C69_socket	Parcel_Rack_LH	561566	female
C42	FJB	561551	female	C70	Over_Head_Driver_Area	561550	male
C44_plug	FJB	561577	male	C70	Over_Head_Driver_Area	561667	female
C44_socket	FJB	561605	female	C71	FJB	561646	male
C45	FJB	561643	male	C71	FJB	561645	female
C45	FJB	561642	female	C71A	FJB	561646	male
C46	WCLCmpt.	564228	male	C71A	FJB	561644	female
C46	WCLCmpt.	564229	female	C72	FJB	561646	male
C47	FJB	565207	male	C72	FJB	561645	female
C48	Unican	565208	male	C74	FJB	561645	female
C49	FJB	562005	male	C74	FJB	561646	male
C49	FJB	561714	female	C81	1st_Lugg_Cmpt	562477	male
C50	RJB	563226	male	C81	1st_Lugg_Cmpt	562479	female
C50	RJB	563613	female	C82	1st_Lugg_Cmpt	562477	male
C51	Enginecmt.	564034	male	C82	1st_Lugg_Cmpt	562479	female
C51	Enginecmt.	560034	female	C82A	1st_Lugg_Cmpt	563589	male
C52	Evaporatorcmt.	563618	male	C82A	1st_Lugg_Cmpt	563590	female
C52	Evaporatorcmt.	563616	female	C83	2nd_Lugg_Cmpt	562477	male
C54	Enginecmt.	563226	male	C83	2nd_Lugg_Cmpt	562479	female
C54	Enginecmt.	563613	female	C84	2nd_Lugg_Cmpt	562477	male
C54A	Ureacmpt	568110	male	C84	2nd_Lugg_Cmpt	562479	female
C54A	Ureacmpt	568109	female	C85	4thlugg.cmpt.	562477	male
C54B	Enginecmt.	563589	male	C85	4thlugg.cmpt.	562479	female
C54B	Enginecmt.	563590	female	C86	4thlugg.cmpt.	563618	male
C55	Evap_Cmpt	561577	male	C86	4thlugg.cmpt.	563616	female

# CONNECTORS LIST

No	Location	Part #	Gender	No	Location	Part #	Gender
C87	Engine_Cmpt	562485	male	C121	Rearenginedoor	562565	female
C87	Engine_Cmpt	562486	female	C122	Rearenginedoor	562566	male
C88	FJB	563618	male	C122	Rearenginedoor	562565	female
C88	FJB	563616	female	C124	DashBoard	562503	male
C91	RJB	564619	male	C124	DashBoard	562507	female
C91	RJB	562282	female	C129	Dash	563858	male
C92A	Enginectmpt.	563226	male	C129	Dash	563859	female
C92A	Enginectmpt.	563613	female	C131A	Engine_Cmpt	561782	male
C92C	Enginectmpt.	562581	male	C131A	Engine_Cmpt	561781	female
C92C	Enginectmpt.	562583	female	C131B	Engine_Cmpt	561782	male
C94_plug	FJB	563589	male	C131B	Engine_Cmpt	561781	female
C94_socket	FJB	563590	female	C140	Dash	562477	male
C96	FJB	561643	male	C140	Dash	562479	female
C96	FJB	561642	female	C144	RJB	560852	male
C97	FJB	561643	male	C144	RJB	560851	female
C97	FJB	561642	female	C152	Cond_Cmpt	561611	male
C100	Evaporatorcmpt.	562477	male	C152	Cond_Cmpt	561610	female
C100	Evaporatorcmpt.	562479	female	C158	Condensorcmt.	562477	male
C100S	EvaporatorCmpt.	562477	male	C158	Condensorcmt.	562479	female
C100S	EvaporatorCmpt.	562479	female	C162	FrontCab	561690	male
C101	Service_Cmpt	561690	male	C162	FrontCab	561566	female
C101	Service_Cmpt	561566	female	C164A	RH_Trapezoidal_Window	561690	male
C102A	Condensorcmt.	563226	male	C164A	RH_Trapezoidal_Window	561566	female
C102A	Condensorcmt.	563613	female	C164AA	RH_Trapezoidal_Window	561690	male
C103_plug	FJB	562485	male	C164AA	RH_Trapezoidal_Window	561566	female
C103_socket	FJB	562486	female	C164B	RH_Trapezoidal_Window	561782	male
C104S_plug	Luggages	563589	male	C164B	RH_Trapezoidal_Window	561781	female
C104S_socket	Luggages	563590	female	C164BB	RH_Trapezoidal_Window	561782	male
C105_plug	FJB	562581	male	C164BB	RH_Trapezoidal_Window	561781	female
C105_socket	FJB	562583	female	C166	RH_Trapezoidal_Window	561637	male
C106_plug	FJB	562581	male	C166	RH_Trapezoidal_Window	561636	female
C106_socket	FJB	562583	female	C167	FJB	561577	male
C107A	Enginectmpt.	562885	female	C167	FJB	561605	female
C107A	Enginectmpt.	562884	female	C170	LH_Console	561637	male
C107B	Enginectmpt.	562885	female	C170	LH_Console	561636	female
C107B	Enginectmpt.	562884	female	C171	LH_Console	561646	male
C107C	Enginectmpt.	562885	female	C171	LH_Console	561645	female
C107C	Enginectmpt.	562884	female	C175	RJB	563226	male
C110	Dash	568110	male	C175	RJB	563613	female
C110	Dash	568109	female	C187	RJB	561577	male
C119A	Rear_engine_door	568110	male	C187	RJB	561605	female
C119A	Rear_engine_door	568109	female	C188	Evap_Cmpt	561577	male
C121	Rearenginedoor	562566	male	C188	Evap_Cmpt	561605	female

# CONNECTORS LIST

No	Location	Part #	Gender	No	Location	Part #	Gender
C189	RJB	561986	male	C224:2	N/A		outofrange.
C189	RJB	561987	female	C225	FJB	562650	male
C193_plug	RJB	563589	male	C225	FJB	562649	female
C193_socket	RJB	563590	female	C226	FJB	562650	male
C194	FJB	563589	male	C226	FJB	562649	female
C194	FJB	563590	female	C242	Service_Cmpt	562789	male
C195	Dash	563347	male	C242	Service_Cmpt	565131	female
C195	Dash	560489	female	C243	FrontVehicle	563347	male
C206	Parcel_Rack_RH	562503	male	C243	FrontVehicle	563180	female
C206	Parcel_Rack_RH	562507	female	C243.	FrontVehicule	562789	male
C207	Parcel_Rack_LH	562503	male	C243.	FrontVehicule	565131	female
C207	Parcel_Rack_LH	562507	female	C259	3rd_LH_Lugg_Cmpt	561637	male
C212	WCLArea	561515	male	C259	3rd_LH_Lugg_Cmpt	561636	female
C212	WCLArea	561552	female	C266	Parcelrack	561782	male
C213	Parcel_Rack_LH	561515	male	C266	Parcelrack	561781	female
C213	Parcel_Rack_LH	561552	female	C267	Parcelrack	561782	male
C222	FJB	562477	male	C267	Parcelrack	561781	female
C222	FJB	562479	female	C279	Service_Cmpt	562477	male
C222	N/A	562477	male	C279	Service_Cmpt	562479	female
C222:1	FJB		outofrange.	C284	Parcelrack	561247	male
C222:2	FJB		outofrange.	C284	Parcelrack	561248	female
C222:3	FJB		outofrange.	C284_1	Parcelrack	561247	male
C222:4	FJB		outofrange.	C284_1	Parcelrack	561248	female
C223	FJB	563227	male	C284_2	Parcelrack	561247	male
C223	FJB	563614	female	C284_2	Parcelrack	561248	female
C223.	N/A	563227	male	C284_3	Parcelrack	561247	male
C223.	N/A	563614	female	C284_3	Parcelrack	561248	female
C223.:1	N/A		outofrange.	C284_4	Parcelrack	561247	male
C223.:2	N/A		outofrange.	C284_4	Parcelrack	561248	female
C223.:3	N/A		outofrange.	C284_5	Parcelrack	561247	male
C223.:4	N/A		outofrange.	C284_5	Parcelrack	561248	female
C223.:5	N/A		outofrange.	C290	Rear_Vehicle	562477	male
C223.:6	N/A		outofrange.	C290	Rear_Vehicle	562479	female
C223.:7	N/A		outofrange.	C298	Parcelrack	561611	male
C223.:8	N/A		outofrange.	C298	Parcelrack	561610	female
C223.:9	N/A		outofrange.	C355	RJB	563582	male
C223.:10	N/A		outofrange.	C355	RJB	563583	female
C223.:11	N/A		outofrange.	C356	Parcelrack	561710	male
C223.:12	N/A		outofrange.	C356	Parcelrack	561709	female
C224	FJB	561637	male	C357	Parcelrack	561847	male
C224	FJB	561636	female	C357	Parcelrack	561862	female
C224		561636	female	C380A	Dash	564222	male
C224:1			outofrange.	C380A	Dash	564224	female

# CONNECTORS LIST

No	Location	Part #	Gender	No	Location	Part #	Gender
C381	Parcel_Rack	561847	male	C564-Sp	Parcelrack	562507	female
C381	Parcel_Rack	561924	female	C566	Parcelrack	562503	male
C382	Under_Seat	561580	male	C566	Parcelrack	562507	female
C382	Under_Seat	561582	female	C567	Parcelrack	562503	male
C397	RJB	562285	male	C567	Parcelrack	562507	female
C397	RJB	562282	female	C574	RHP.Rack	562549	male
C430	LH_Console	562363	male	C574	RHP.Rack	562550	female
C430	LH_Console	561188	female	C575	Parcel_Rack_RH	562503	male
C452.	Dash	561643	male	C575	Parcel_Rack_RH	562507	female
C452.	Dash	561642	female	C576	Parcelrack	561515	male
C463	Rearaxlecmpt	568112	male	C576	Parcelrack	561552	female
C463	Rearaxlecmpt	568111	female	C576A	Parcel_Rack_RH	561515	male
C464	FJB	564222	male	C576A	Parcel_Rack_RH	561552	female
C464	FJB	564224	female	C576B	Parcel_Rack_RH	562006	male
C464A	Dash	564222	male	C576B	Parcel_Rack_RH	560908	female
C464A	Dash	564224	female	C576BB	Parcelrack	562006	male
C464B	FJB	564222	male	C576BB	Parcelrack	560908	female
C464B	FJB	564224	female	C577	Parcel_Rack	561515	male
C465	Parcelrack	562581	male	C577	Parcel_Rack	561552	female
C465	Parcelrack	562583	female	C577A	Parcel_Rack	562006	male
C506	FJB	561687	male	C577A	Parcel_Rack	560908	female
C506	FJB	561685	female	C577AA	Parcelrack	562006	male
C506spA	FJB	561687	male	C577AA	Parcelrack	560908	female
C506spA	FJB	561685	female	C578	Parcel_Rack_LH	562503	male
C506spB	FJB	561687	male	C578	Parcel_Rack_LH	562507	female
C506spB	FJB	561685	female	C579	LHP.Rack	562549	male
C540	Parcel_Rack	562477	male	C579	LHP.Rack	562550	female
C540	Parcel_Rack	562479	female	C582	FJB	561690	female
C541	Parcel_Rack	563226	male	C582	FJB	561566	female
C541	Parcel_Rack	563613	female	C600	Dash	563226	male
C542	Parcelrack	561550	male	C600	Dash	563613	female
C542	Parcelrack	561667	female	C601	LHRoofWinAjar	561476	male
C543	Parcel_Rack	561607	male	C601	LHRoofWinAjar	561477	female
C543	Parcel_Rack	561606	female	C602	Parcel_Rack_LH	561668	male
C545	Parcel_Rack	561550	male	C602	Parcel_Rack_LH	561551	female
C545	Parcel_Rack	561667	female	C603.	Parcel_Rack	561669	male
C558	Parcelrack	562503	male	C603.	Parcel_Rack	561670	female
C558	Parcelrack	562507	female	C608	Parcel_Rack_LH	561577	male
C564	Parcelrack	562503	male	C608	Parcel_Rack_LH	561605	female
C564	Parcelrack	562507	female	C609	Parcel_Rack_LH	561550	male
C564-Sp	Parcelrack	562503	male	C609	Parcel_Rack_LH	561667	female

# CONNECTORS LIST

No	Location	Part #	Gender	No	Location	Part #	Gender
C612	Parcel_Rack_LH	561687	male	C_ALT	Enginectmpt.	562581	male
C612	Parcel_Rack_LH	561685	female	C_ALT	Enginectmpt.	562583	female
C614	Passenger_Area	563071	male	C_ALT3	Enginectmpt.	562477	male
C614	Passenger_Area	563040	female	C_ALT3	Enginectmpt.	562479	female
C615	Passenger_Area	563071	male	C_AUDIO_AUX	Parcelrack	562557	male
C615	Passenger_Area	563040	female	C_AUDIO_AUX	Parcelrack	562558	female
C617	Mirror_LH	563801	male	C_Audio_HDMI_L	Parcelrack	901062	male
C617	Mirror_RH	563800	female	C_Audio_HDMI_L	Parcelrack	901283	female
C618	Mirror_RH	563801	male	C_Audio_HDMI_R	Parcelrack	901062	male
C618	Mirror_RH	563800	female	C_Audio_HDMI_R	Parcelrack	901283	female
C620	FJB	562477	male	C_AUX	Parcelrack	563071	male
C620	FJB	562479	female	C_AUX	Parcelrack	563040	female
C662_plug	FJB	562477	male	C_INV1	Parcelrack	562337	male
C662_socket	FJB	562479	female	C_INV1	Parcelrack	562338	male
C680_plug	WCLsystem	566031	male	C_INV1A	Parcelrack	562337	male
C680_socket	WCLsystem	566028	female	C_INV1A	Parcelrack	562338	female
C700	FJB	561637	male	C_INV2	Parcelrack	562337	male
C700	FJB	561636	female	C_INV2	Parcelrack	562338	male
C700:2	FJB		outofrange.	C_LineOut	Parcelrack	563962	male
C700:3	FJB		outofrange.	C_LineOut	Parcelrack	564489	female
C700:4	FJB		outofrange.	C_Mo9	Evap_Cmpt	561577	male
C700:7	FJB		outofrange.	C_Mo9	Evap_Cmpt	561605	female
C700A_plug	FJB	561637	male	C_Mo9:2	Evap._Cmpt	561577	male
C700A_socket	FJB	561636	female	C_Mo9:2	Evap._Cmpt	561605	female
C710_plug	Parcelrack	561637	male	C_Se51	FJB	563589	male
C710_socket	Parcelrack	561636	female	C_Se51	FJB	563590	female
C752_plug	Parcelrack	901062	male	C_USB	Parcelrack	562069	male
C752_socket	Parcelrack	901283	female	C_USB	Parcelrack	562070	female
C753_plug	Parcelrack	901062	male	CCAN1	FJB	562650	male
C753_socket	Parcelrack	901283	female	CCAN1	FJB	562649	female
C766	Parcelrack	561662	male	CCAN2	FJB	562650	male
C766	Parcelrack	561661	female	CCAN2	FJB	562649	female
C768	Parcelrack	901283	female	CCAN3	FJB	562650	male
C769	Parcelrack	901283	female	CCAN3	FJB	562649	female
C777	Dash	562477	male	CCAN4	FJB	562650	male
C777	Dash	562479	female	CCAN4	FJB	562649	female
C999		564619	male	CCust	Parcel_Rack_Fr_WCL	562477	male
C999		562282	female	CCust	RJB	562479	female
C_A60DB	Parcelrack	563071	male	CFHPR1	Parcelrack	564560	male
C_A60DB	Parcelrack	563040	female	CIND-1.A	Parcelrack	560908	female
C_A69R	Parcelrack	563025	male	CIND-1.B	Parcelrack	560908	female
C_A97	Dash	563226	male	CIND-2.A	Parcelrack	560908	female
C_A97	Dash	563613	female	CIND-2.B	Parcelrack	560908	female

# CONNECTORS LIST

No	Location	Part #	Gender	No	Location	Part #	Gender
CIND-11.A	Parcelrack	560908	female	EI	Enginemcpt.	563739	male
CIND-11.B	Parcelrack	560908	female	FLC20.A		563227	male
CINDWC-1.A	Parcelrack	560908	female	FLC20.B		562370	male
CINDWC-1.B	Parcelrack	560908	female	FLR21		564252	male
CL1	Service_Cmpt	562485	male	L.21	Front_Cap	560605	female
CL1	Service_Cmpt	562486	female	L.22	Front_Cap	560605	female
CL142	Lavatory	562006	male	L.23	Front_Cap	560605	female
CL142	Lavatory	560908	female	L.24	Front_Cap	560605	female
CL142A	Lavatory	562006	male	L.25	Front_Cap	560605	female
CL142A	Lavatory	560908	female	L.26	Front_Cap	560605	female
CP1	Passenger_Area	561782	male	L.27	Front_Cap	560605	female
CP1	Passenger_Area	561781	female	L1A	Engine_Cmpt	560774	male
CP2	Passenger_Area	561782	male	L10	Parcelrack	560898	male
CP2	Passenger_Area	561781	female	L11	Parcelrack	560898	male
CP3	Passengersarea	561782	male	L16.A	Frontroof	562615	female
CP3	Passengersarea	561781	female	L16.B	Frontroof	562615	female
CP4	Passenger_Area	561782	male	L17.A	Frontroof	562615	female
CP4	Passenger_Area	561781	female	L17.B	Frontroof	562615	female
CP5	Passenger_Area	561782	male	L19	Entrance_Door	562549	male
CP5	Passenger_Area	561781	female	L20	Entrance_Door_Step	562549	male
CP5A	Passenger_Area	561782	male	L28	Parcelrack	560898	male
CP5A	Passenger_Area	561781	female	L29	Parcelrack	560898	male
CP6	Passengersarea	562337	male	L30	Parcelrack	560898	male
CP6	Passengersarea	562338	male	L30A.A	Parcelrack	560898	male
CR72	RearSeat	563409	male	L31	Parcelrack	560898	male
CR72	RearSeat	563410	female	L32	Parcelrack	560898	male
CSe80	RJB	562477	male	L33	Parcelrack	560898	male
CSe80	RJB	562479	female	L34	Parcelrack	560898	male
CSw102	EngineCmpt.	562549	male	L35	Parcelrack	560898	male
CSw102	EngineCmpt.	562550	female	L36	Parcelrack	560898	male
CSX1	Engine_Cmpt	563135	male	L37	Parcelrack	560898	male
CSX1	Engine_Cmpt	563134	female	L38	Parcelrack	560898	male
CSX3	Engine_Cmpt	563135	male	L39	Parcelrack	560898	male
CSX3	Engine_Cmpt	563134	female	L40	Parcelrack	560898	male
CT_IN	Rear_Vehicle	563582	male	L41	Parcelrack	560898	male
CT_IN	Rear_Vehicle	563583	female	L42	Parcelrack	560898	male
CT_IN1	Rear_Vehicle	560167	male	L43	Parcelrack	560898	male
CT_IN1	Rear_Vehicle	560159	female	L44	Parcelrack	560898	male
CT_Out	Rear_Vehicle	560478	female	L45	Parcelrack	560898	male
CXC1	Service_Cmpt	562477	male	L46	Parcelrack	560898	male
CXC1	Service_Cmpt	562479	female	L47	Parcelrack	560898	male
D92	Parcelrack	564496	male	L48	Parcelrack	560898	male
DIU		563616	female	L49	Parcelrack	560898	male



# CONNECTORS LIST

No	Location	Part #	Gender	No	Location	Part #	Gender
L50	Parcelrack	560898	male	L79A	Rearvehicule	562601	male
L51	Parcelrack	560898	male	L80A	Rearvehicule	562601	male
L52	Parcelrack	560898	male	L81.A	Rear_Vehicle	562835	female
L52	Parcelrack	560900	female	L81.B	Rear_Vehicle	562834	male
L52A	Parcelrack	560898	male	L82A	Rearvehicule	562348	female
L53	Parcelrack	560898	male	L83A	Rearvehicule	562348	female
L53	Parcelrack	560900	female	L91A	Rearvehicule	562601	male
L53A	Parcelrack	560898	male	L92A	Rearvehicule	562601	male
L54	Parcelrack	560898	male	L95	Outside_Front_LH	562902	female
L54	Parcelrack	560900	female	L96	Outside_Front_RH	562902	female
L54A	Parcelrack	560898	male	L97.A	Outside_Front_LH	563069	female
L55	Parcelrack	560898	male	L97.B	Outside_Front_LH	563069	female
L55	Parcelrack	560900	female	L98.A	Entrance_Door	563069	female
L55A	Parcelrack	560898	male	L98.B	Outside_Front_RH	563069	female
L56	Parcelrack	560898	male	L140	Lavatory	561247	male
L56	Parcelrack	560900	female	L142	Lavatory	562006	male
L56A	Parcelrack	560898	male	L142B	Lavatory	562006	male
L57	Parcelrack	560898	male	L143	Parcelrack	561186	male
L57	Parcelrack	560900	female	L144	Parcelrack	561186	male
L57A	Parcelrack	560898	male	L145	Parcelrack	561186	male
L58	Parcelrack	560898	male	L146	Parcelrack	561186	male
L58	Parcelrack	560900	female	L147	Parcelrack	561186	male
L58A	Parcelrack	560898	male	L148	Parcelrack	561186	male
L59	Out_Side_Front_RH	562623	male	L149	Parcelrack	561186	male
L59A	OutsideFrontRH	563366	male	L150	Parcelrack	561186	male
L59B	Out_Side_Front_RH	562623	male	L151	Parcelrack	561186	male
L60	OutsideFrontLH	562623	male	L152	Parcelrack	561186	male
L60A	OutsideFrontLH	563366	male	L153	Parcelrack	561186	male
L60B	Out_Side_Front_LH	562623	male	L154	Parcelrack	561186	male
L61	Out_Side_Front_RH	562601	male	L155	Parcelrack	561186	male
L62	Out_Side_Front_LH	562601	male	L156	Parcelrack	561186	male
L63	Front_Side_LH	562155	male	L157	Parcelrack	561186	male
L64	Outside_Front_RH	562155	male	L158	Parcelrack	561186	male
L65	Outside_Front_LH	562155	male	L170	Lugg_compt	561690	male
L66	Outside_Front_LH	562155	male	L173	Parcelrack	563590	female
L71A	Rearenginedoor	562601	male	L174A	Parcelrack	563590	female
L72	Radiator_Door	562155	male	L176	3rd_Lugg_Cmpt	561247	male
L73A	Rearenginedoor	562601	male	L177	3rd_Lugg_Cmpt	561247	male
L74	Radiator_Door	562155	male	L177A	WCLCmpt.	561690	male
L75	Radiator_Door	562155	male	L177B	WCLCmpt.	561690	male
L76	Radiator_Door	562155	male	L180	2nd_Lugg_Cmpt	561247	male
L77A	Rearvehicule	562601	male	L181	2nd_Lugg_Cmpt	561247	male
L78A	Rearvehicule	562601	male	L182	1st_Lugg_Cmpt	561247	male

# CONNECTORS LIST

No	Location	Part #	Gender	No	Location	Part #	Gender
L183	1st_Lugg_Cmpt	561247	male	L251	Parcelrack	561186	male
L184	Servicecmpt.	561247	male	L252	Parcelrack	561186	male
L185.A	Servicecmpt.	561539	male	L253	Parcelrack	561186	male
L185.B	Servicecmpt.	561539	male	L254	Parcelrack	561186	male
L186.A	Dash	561539	male	L255	Parcelrack	561186	male
L186.B	Dash	561539	male	L256	Parcelrack	561186	male
L187	Engine_Cmpt	561690	male	L257	Parcelrack	561186	male
L188	Service_Cmpt	562486	female	L258	Parcelrack	561186	male
L189	Mirror_RH	564513	female	L282	Engine_Cmpt	561690	male
L193.A	Dash	560488	female	L283	Service_Cmpt	562485	male
L193.B	Dash	560488	female	L285.A	Rear_Vehicle	562835	female
L194.A	Dash	562019	female	L285.B	Rear_Vehicle	562834	male
L194.B	Dash	560488	female	L286.A	Rear_Vehicle	562835	female
L195.A	Dash	560488	female	L286.B	Rear_Vehicle	562834	male
L195.B	Dash	560488	female	L296	Refrigerator	561248	female
L199	Enginectmpt.	562848	male	L298A	Enginectmpt.	563590	female
L203	RH_Console	561690	male	L306	RJBcmpt.	561247	male
L204	Parcel_Rack_RH	562803	male	L309.	Behind_Lavatory	564576	male
L205	Enginectmpt.	562485	male	L309D	Drivers_Area	564576	male
L206	Parcel_Rack_RH	562803	male	L310.	Behind_Lavatory	564576	male
L207.A	WCLCmpt.	561699	female	L310D	Drivers_Area	564576	male
L207.B	WCLCmpt.	561701	female	L313	Rr_Roof	562549	male
L207.C	WCLCmpt.	561701	female	L350A.A	Rearaxlecmpt.	564552	male
L207.D	WCLCmpt.	561699	female	L350A.B	Rearaxlecmpt.	563340	male
L207.E	WCLCmpt.	561701	female	L350A.C	Rearaxlecmpt.	562251	male
L207.F	WCLCmpt.	561699	female	L391	Drivers_Area	560898	male
L207.G	WCLCmpt.	561699	female	L400.A	Enginectmpt.	562251	male
L207.H	WCLCmpt.	563536	female	L606	Rr_Roof	560898	male
L207.I	WCLCmpt.	563536	female	L606	Rr_Roof	560900	female
L212	Roof	563589	male	L606A	Rr_Roof	560898	male
L212A	roof	563589	male	Mo3	Dash	561667	female
L213	roof	563589	male	Mo4	Dash	562076	male
L213A	roof	563589	male	Mo5	Front_Roof	561515	male
L214	roof	563589	male	Mo7	Cond_Cmpt	563691	male
L214A	roof	563589	male	Mo8	Cond_Cmpt	563691	male
L243	Parcelrack	561186	male	Mo10	ParcelRack_Lh_Fan	561515	male
L244	Parcelrack	561186	male	Mo11	ParcelRack_Rh_Fan	561515	male
L245	Parcelrack	561186	male	Mo12	Engine_Cmpt	561690	male
L246	Parcelrack	561186	male	Mo13.	Engine_Cmpt	561690	male
L247	Parcelrack	561186	male	Mo14	Engine_Cmpt	561566	female
L248	Parcelrack	561186	male	Mo15.	Front Ceiling	563517	female
L249	Parcelrack	561186	male	Mo16.	Front Ceiling	563517	female
L250	Parcelrack	561186	male	Mo17	RH_Console	563626	male

# CONNECTORS LIST

No	Location	Part #	Gender	No	Location	Part #	Gender
Mo19	Fr_Service_Door	562474	male	PR1	Passenger_Area	561782	male
Mo20	Fr_Service_Door	562474	male	PR1	Passenger_Area	561781	female
Mo22	RH_Console	561186	male	R3	RJB	563409	male
Mo27	Cond_Cmpt	563691	male	R4	FJB	564496	male
Mo28	Cond_Cmpt	563691	male	R5	RJB	564496	male
Mo29	RJBcmpt.	563590	female	R12	Evap_Cmpt	563409	male
Mo30	Compr_Door	564161	male	R16	RJB	564496	male
Mo31	Parcelrack	564161	male	R20	RJB	564496	male
Mo32	Parcelrack	564161	male	R21	FJB	560525	male
Mo33	Parcelrack	564161	male	R21A	FJB	560525	male
Mo34	Parcelrack	564161	male	R23A	FJB	564496	male
Mo35	3rd_Lugg_Door	564161	male	R26	Evap_Cmpt	564496	male
Mo36	Parcelrack	564161	male	R27	Dash	564496	male
Mo54	Service_Cmpt	562474	male	R28	RearSeat	563409	male
Mo62	FrontHatch	562486	female	R29	RJB	563409	male
Mo63	RearHatch	562486	female	R30	FJB	564496	male
Mo65	Enginecmpt.	568089	male	R31	FJB	564496	male
Mo67	Enginecmpt.	568089	male	R34	RJB	564210	male
Mo68	Enginecmpt.	568089	male	R36	Dash	564496	male
Mo69	Enginecmpt.	568089	male	R37	Dash	564496	male
Mo70	Enginecmpt.	568089	male	R38	FJB	564496	male
Mo71	Enginecmpt.	568089	male	R38A	RearSeat	563409	male
Mo72	Enginecmpt.	568089	male	R40	RJB	564496	male
Mo73	Enginecmpt.	568089	male	R47	Parcelrack	564496	male
P_In1	Passenger_Area	561782	male	R72.A	RearSeat	563409	male
P_In1	Passenger_Area	561781	female	R210	Parcel_Rack_LH	560525	male
P_Out1	Passenger_Area	561782	male	R_12VISS	Parcelrack	564496	male
P_Out1	Passenger_Area	561781	female	Res3.A	ParcelRack	563590	female
P_Out2	Passenger_Area	561782	male	Res4	RH_Console	563590	female
P_Out2	Passenger_Area	561781	female	Res6	FJB	563590	female
P_Out3	Passenger_Area	561782	male	Res6A	FJB	563589	male
P_Out3	Passenger_Area	561781	female	Res6A	FJB	563590	female
PC1	FJB	562650	male	Res6B	FJB	563589	male
PC1	FJB	562649	female	Res6B	FJB	563590	female
PF	FJB	561782	male	Res7	dash	563590	female
PF	FJB	561781	female	Res7A		563593	male
PF1	Passenger_Area	561782	male	Res7A		563590	female
PF1	Passenger_Area	561781	female	Res7B		563590	female
Pot1.A	Dash	560488	female	Res15	Engine_Cmpt	561782	male
Pot1.B	Dash	560488	female	Res31	Ureacmpt.	562350	male
Pot1.C	Dash	560488	female	Res32	Ureacmpt.	563764	female
PR	Parcelrack	561782	male	Res46	FJB	563590	female
PR	Parcelrack	561781	female	Res53.A	FJB	563590	female

# CONNECTORS LIST

No	Location	Part #	Gender	No	Location	Part #	Gender
Res99	FJB	563590	female	Se38	Front_Axle_RH	641132	female
SAE_IV		561782	male	Se39	Rear_Axle_LH	641132	female
SAE_IV		561781	female	Se40	Rear_Axle_LH	641132	female
SDP.A		563678	male	Se45	Servicecmpt.	563409	male
Se2	LH_Console	561566	female	Se46	Rearaxlecmpt.	562348	female
Se3.A	LH_Window	561626	female	Se49	Engine_Cmpt	561690	male
Se4..A	LH_Window	561626	female	Se51	UnderDriverSeat	563589	male
Se5..A	LH_Window	561626	female	Se53	Service_Cmpt	563159	female
Se6..A	LH_Window	561626	female	Se54	Service_Cmpt	563159	female
Se7..A	LH_Window	561626	female	Se55	Service_Cmpt	563159	female
Se8..A	LH_Window	561626	female	Se56	WCLCmpt.	562479	female
Se9..A	LH_Window	561626	female	Se60	Service_Cmpt	563409	male
Se10..A	RH_Window	561626	female	Se62	WCL_System	561690	male
Se11.A	Cond_Cmpt	560082	female	Se63	Rearaxlecmpt.	641132	female
Se11.B	Cond_Cmpt	560082	female	Se64	Rearaxlecmpt.	641132	female
Se11.C	Cond_Cmpt	560082	female	Se65	Dash	564042	female
Se12.A	RH_Window	561626	female	Se66	FJB	564039	female
Se13	Engine_Cmpt	562350	male	Se67	Frontaxlecmpt.	563159	female
Se14.A	Driver_Area	561782	male	Se69	Frontaxlecmpt.	563159	female
Se14.B	Driver_Area	561781	female	Se74	Rear_Axle_Cmpt	563340	male
Se15	RH_Console	560898	male	Se75	Service_Cmpt	563159	female
Se16.A	RH_Window	561626	female	Se76	EntranceDoor	562479	female
Se17	RH_Console	560900	female	Se77	FJB	563159	female
Se18	Servicecmpt.	561566	female	Se78	Pneumaticplate	563159	female
Se19_P	Service_Cmpt	563677	male	Se79	Front_Axle	563340	male
Se19_S	Service_Cmpt	563677	male	Se80	Rear_Axle	563159	female
Se20A	Evap_Cmpt	562426	male	Se89	Enginecmpt.	562350	male
Se21	Dash	561248	female	Se94	WCLUpperDoor	562877	female
Se23	Engine_Cmpt	563159	male	Se100	WCLdoor	562479	female
Se24	EvaporatorCmpt.	563758	female	shell1_633		561626	female
Se25	Passenger_Area	561248	female	shell1_1104		562486	female
Se26.A	RH_Window	561626	female	shell1_1640	Driver_Area	562471	male
Se27.A	RH_Window	561626	female	So3	RH_Console	641385	male
Se28.A	RH_Window	561626	female	So4	RH_Console	641385	male
Se29	Engine_Cmpt	561566	female	So5	RH_Console	641385	male
Se30	Enginedoor	562877	female	So6	RH_Console	641385	male
Se31	Enginedoor	562877	female	So7	Service_Cmpt	561566	female
Se32	Rear_Axle_Cmpt	562426	male	So8	Servicecmpt.	641385	male
Se33	Rear_Axle_Cmpt	562856	male	So9	Enginecmpt.	560016	female
Se34	Rear_Axle_Cmpt	562426	male	So10.A	Condensorcmt.	562485	male
Se35	Rear_Axle_Cmpt	562426	male	So11	Cond_Cmpt	561566	female
Se36	Rear_Axle_Cmpt	562427	male	So13	Evap_Cmpt	563204	female
Se37	Front_Axle_LH	641132	female	So14	Servicecmpt.	641385	male

# CONNECTORS LIST

No	Location	Part #	Gender	No	Location	Part #	Gender
So15	Servicecmpt.	641385	male	Spk5_L	Parcel_Rack_LH	563994	male
So16	Servicecmpt.	641385	male	Spk5_R	Parcel_Rack_RH	563994	male
So17	Servicecmpt.	562848	male	Spk6_L	Parcel_Rack_LH	563994	male
So20	Servicecmpt.	641385	male	Spk6_R	Parcel_Rack_RH	563994	male
So21	Front_Axle_Cmpt	564046	female	Spk7_L	Parcel_Rack_LH	563994	male
So22	Front_Axle_Cmpt	564046	female	Spk7_R	Parcel_Rack_RH	563994	male
So23	Rear_Axle_Cmpt	564046	female	Spk8_L	Parcel_Rack_LH	563994	male
So24	Rear_Axle_Cmpt	564046	female	Spk8_R	Parcel_Rack_RH	563994	male
So27	Rearaxlecmpt.	564045	female	Spk9_L	Parcel_Rack_LH	563994	male
So29	Parcelrack	641385	male	Spk9_R	Parcel_Rack_RH	563994	male
So50	Rearaxlecmpt.	564046	female	Spk10_L	Parcel_Rack_LH	563994	male
So52	Rearaxlecmpt.	564045	female	Spk10_R	Parcel_Rack_RH	563994	male
So53	Rear_Axle_Cmpt	641385	male	Spk11_L	Parcel_Rack_LH	563994	male
So54	Enginecmpt.	564045	female	Spk11_R	Parcel_Rack_RH	563994	male
So55	Pneumaticplate	562848	male	Spk12_L	Parcel_Rack_LH	563994	male
So56	Rear_Axle_Cmpt	562350	male	Spk12_R	Parcel_Rack_RH	563994	male
So57	Engine_Cmpt	562350	male	Spk13_L	Parcel_Rack_LH	563994	male
spBar4	Enginecmpt.	564135	male	Spk13_R	Parcel_Rack_RH	563994	male
spBar5	Enginecmpt.	564135	male	Spk14_L	Parcel_Rack_LH	563994	male
spBar6	Enginecmpt.	564135	male	Spk14_R	Parcel_Rack_RH	563994	male
spBar7	Enginecmpt.	564135	male	Spk15_L	Parcel_Rack_LH	563994	male
spBar11	Rearvehicule	564135	male	Spk15_R	Parcel_Rack_RH	563994	male
spBar12	Rearvehicule	564135	male	Spk16_L	Parcel_Rack_LH	563994	male
spBar13	Enginecmpt.	564135	male	Spk16_R	Parcel_Rack_RH	563994	male
spBar14	Enginecmpt.	564135	male	SpkDr_L	Driver_Area	563994	male
spBar15	Enginecmpt.	564135	male	SpkDr_R	Driver_Area	563994	male
spBar16	Enginecmpt.	564135	male	Sub1.A	Passenger_Area	564004	female
spBar19	Condensormcpt.	564135	male	Sub2	Passenger_Area	564004	male
spBar20	Condensormcpt.	564135	male	Sw1.C258	Driver_Area	561188	female
spBar21	Condensormcpt.	564135	male	Sw1.C259	Driver_Area	561186	male
spBar22	Enginecmpt.	564135	male	Sw2	Dash	562763	male
spBar23	Enginecmpt.	564135	male	Sw3	Dash	562763	male
spBar24	Enginecmpt.	564135	male	Sw4	Dash	562763	male
spBar26	Front_Axle_Cmpt	564135	male	Sw6	Dash	562763	male
spBar27	Rear_Axle_Cmpt	564135	male	Sw10A	LH_Console	562763	male
Spk1_L	Parcel_Rack_LH	563994	male	Sw12	Dash	562763	male
Spk1_R	Parcel_Rack_RH	563994	male	Sw14	Dash	562763	male
Spk2_L	Parcel_Rack_LH	563994	male	Sw16	Dash	562763	male
Spk2_R	Parcel_Rack_RH	563994	male	Sw17	Dash	562763	male
Spk3_L	Parcel_Rack_LH	563994	male	Sw18A	LH_Console	562763	male
Spk3_R	Parcel_Rack_RH	563994	male	Sw20	Dash	562763	male
Spk4_L	Parcel_Rack_LH	563994	male	Sw21	Dash	562763	male
Spk4_R	Parcel_Rack_RH	563994	male	Sw24	Dash	562763	male

# CONNECTORS LIST

No	Location	Part #	Gender	No	Location	Part #	Gender
Sw25	Dash	562763	male	Sw96.B	WCL_Door	562615	female
Sw26	Dash	562763	male	Sw96.C	WCLdoor	562615	female
Sw27	Dash	562763	male	Sw97.A	WCLsystem	562615	female
Sw29	Dash	562763	male	Sw97.B	WCLsystem	562615	female
Sw30	RJB	563135	male	Sw97.C	WCLsystem	562615	female
Sw32	Dash	561477	female	Sw98.A	WCLsystem	562615	female
Sw33	Dash	561476	male	Sw98.B	WCLsystem	562615	female
Sw34	Outside_Front_RH	562477	male	Sw98.C	WCLsystem	562615	female
Sw35	Console	562763	male	Sw100A	Dash	562763	male
Sw38	LH_Console	562763	male	Sw102	RJB	561566	female
Sw40	LH_Console	561690	male	Sw109.A	1st_Lugg_LH	560079	female
Sw41	LH_Console	562749	male	Sw109.B	1st_Lugg_LH	560079	female
Sw42	WCLCmpt.	561635	female	Sw110.A	1st_Lugg_RH	560079	female
Sw43	LH_Console	561690	male	Sw110.B	1st_Lugg_RH	560079	female
Sw44.A	Servicecmpt.	562403	female	Sw111.A	2ndlugg.cmpt.	560079	female
Sw45.A	3rd_Lugg_Cmpt	562403	female	Sw111.B	2ndlugg.cmpt.	560079	female
Sw46.A	3rd_Lugg_Cmpt	562403	female	Sw112.A	2ndlugg.cmpt.	560079	female
Sw46A.A	3rdlugg.cmpt.	562403	female	Sw112.B	2ndlugg.cmpt.	560079	female
Sw49.A	2nd_Lugg_Cmpt	562403	female	Sw113.A	2ndlugg.cmpt.	560079	female
Sw50.A	2nd_Lugg_Cmpt	562403	female	Sw113.B	2ndlugg.cmpt.	560079	female
Sw51.A	1st_Lugg_Cmpt	562403	female	Sw114.A	3rd_Lugg_RH	560079	female
Sw52.A	1st_Lugg_Cmpt	562403	female	Sw114.B	3rd_Lugg_RH	560079	female
Sw55..A	Lavatory	560488	female	Sw115.A	Compr_Door	560079	female
Sw55..B	Lavatory	560488	female	Sw115.B	Compr_Door	560079	female
Sw56..A	Lavatory	560488	female	Sw124	Dash	562763	male
Sw56..B	Lavatory	560488	female	Sw125.A	Service_Cmpt	561457	female
Sw58	Engincmpt.	563135	male	Sw125.B	Service_Cmpt	561457	female
Sw59	Engincmpt.	563135	male	Sw134.A	WCLArea	562615	female
Sw63A	LHConsole	562763	male	Sw134.B	WCLArea	562615	female
Sw64.A	Service_Cmpt	560815	female	Sw134.C	WCLArea	562615	female
Sw64.B	Service_Cmpt	560815	female	Sw135.A	WCLdoor	562119	female
Sw80A	Dash	562763	male	Sw135.B	WCLdoor	562119	female
Sw82	RJB	563135	male	Sw135.C	WCLdoor	562119	female
Sw83.A	Dash	560082	female	Sw137	Dash	562763	male
Sw83.B	Dash	560815	female	Sw140	FJB	561566	female
Sw83.C	Dash	560082	female	Sw142	LHConsole	562763	male
Sw83.D	Dash	560815	female	Sw149	Dash	562763	male
Sw83A	Dash	562581	male	Sw153	Dash	562763	male
Sw85	LH_Console	562749	male	Sw156	LH_Console	562763	male
Sw95.A	WCLdoor	562615	female	Sw157	Dash	562763	male
Sw95.B	WCLdoor	562615	female	Sw158	Dash	562763	male
Sw95.C	WCLdoor	562615	female	Sw221	Dash	562763	male
Sw96.A	WCL_Door	562615	female	Sw313..A	Lavatory	562615	female

# CONNECTORS LIST

No	Location	Part #	Gender	No	Location	Part #	Gender
Sw313..B	Lavatory	562615	female	VECR9	RJB	563448	male
Sw313..C	Lavatory	562615	female	VECR10	RJB	563181	male
sym770_34.A		561566	female	VECR11	RJB	563184	male
sym770_34.B		561781	female	VECR12	RJB	563187	male
sym807_496	Parcel_Rack_RH	3MEPS400	outofrange.	VECT2_plug	RearVehicle	563716	male
sym812_291.A	Parcelrack	565180	female	VECT3	RearVehicle	563718	male
sym812_496	Parcel_Rack_RH	3MEPS400	outofrange.	VECT4	RearVehicle	563714	male
sym813_496	Parcel_Rack_RH	3MEPS400	outofrange.	Y80	Engine_Cmpt	563789	male
tab69	Parcelrack	561626	N/A	Y81	Cond_Cmpt	563793	male
Tab70a	Parcelrack	561626	N/A				
Tab70b	Parcelrack	561626	N/A				
Tab600		561904	N/A				
Tab601		561108	N/A				
Tab602		561108	N/A				
Tab603		561108	N/A				
Tab604		561108	N/A				
Term_WCL		562505	N/A				
TermL248B1		562505	N/A				
TermL248B2		562505	N/A				
TermL248B3		562505	N/A				
TermL249B2		562505	N/A				
TermL249B5		562505	N/A				
TermL250B		562505	N/A				
V_P		563071	male				
V_P		563040	female				
VECF1	FJB	563186	male				
VECF2	FJB	563183	male				
VECF3	FJB	563185	male				
VECF4	FJB	563182	male				
VECF9	FJB	563448	male				
VECF10	FJB	563181	male				
VECF11	FJB	563184	male				
VECF12	FJB	563187	male				
VECPR1	Parcelrack_LH	563715	male				
VECPR2_plug	Parcelrack_LH	563716	male				
VECPR3_plug	Parcelrack_LH	563718	male				
VECPR4	Parcelrack_LH	563714	male				
VECPR5	Parcelrack_LH	566021	male				
VECPR6	Parcelrack_LH	566020	male				
VECR1	RJB	563186	male				
VECR2	RJB	563183	male				
VECR3	RJB	563185	male				
VECR4	RJB	563182	male				

# CONNECTORS LIST

No	Location	Part #	Gender	No	Location	Part #	Gender
C189	RJB	561987	female	C225	FJB	562650	male
C193_plug	RJB	563589	male	C225	FJB	562649	female
C193_socket	RJB	563590	female	C226	FJB	562650	male
C194	FJB	563589	male	C226	FJB	562649	female
C194	FJB	563590	female	C242	Service_Cmpt	562789	male
C195	Dash	563347	male	C242	Service_Cmpt	565131	female
C195	Dash	560489	female	C243	FrontVehicle	563347	male
C206	Parcel_Rack_RH	562503	male	C243	FrontVehicle	563180	female
C206	Parcel_Rack_RH	562507	female	C243.	FrontVehicule	562789	male
C207	Parcel_Rack_LH	562503	male	C243.	FrontVehicule	565131	female
C207	Parcel_Rack_LH	562507	female	C259	3rd_LH_Lugg_Cmpt	561637	male
C212	WCLArea	561515	male	C259	3rd_LH_Lugg_Cmpt	561636	female
C212	WCLArea	561552	female	C266	Parcelrack	561782	male
C213	Parcel_Rack_LH	561515	male	C266	Parcelrack	561781	female
C213	Parcel_Rack_LH	561552	female	C267	Parcelrack	561782	male
C222	FJB	562477	male	C267	Parcelrack	561781	female
C222	FJB	562479	female	C279	Service_Cmpt	562477	male
C222		562477	male	C279	Service_Cmpt	562479	female
C222:1	FJB		outofrange.	C284	Parcelrack	561247	male
C222:2	FJB		outofrange.	C284	Parcelrack	561248	female
C222:3	FJB		outofrange.	C284_1	Parcelrack	561247	male
C222:4	FJB		outofrange.	C284_1	Parcelrack	561248	female
C223	FJB	563227	male	C284_2	Parcelrack	561247	male
C223	FJB	563614	female	C284_2	Parcelrack	561248	female
C223.		563227	male	C284_3	Parcelrack	561247	male
C223.		563614	female	C284_3	Parcelrack	561248	female
C223.:1			outofrange.	C284_4	Parcelrack	561247	male
C223.:2			outofrange.	C284_4	Parcelrack	561248	female
C223.:3			outofrange.	C284_5	Parcelrack	561247	male
C223.:4			outofrange.	C284_5	Parcelrack	561248	female
C223.:5			outofrange.	C290	Rear_Vehicle	562477	male
C223.:6			outofrange.	C290	Rear_Vehicle	562479	female
C223.:7			outofrange.	C298		561611	male
C223.:8			outofrange.	C298		561610	female
C223.:9			outofrange.	C355	RJB	563582	male
C223.:10			outofrange.	C355	RJB	563583	female
C223.:11			outofrange.	C356	Parcelrack	561710	male
C223.:12			outofrange.	C356	Parcelrack	561709	female
C224	FJB	561637	male	C357	Parcelrack	561847	male
C224	FJB	561636	female	C357	Parcelrack	561862	female
C224		561636	female	C380A	Dash	564222	male
C224:1			outofrange.	C380A	Dash	564224	female
C224:2			outofrange.	C381	Parcel_Rack	561847	male



# CONNECTORS LIST

No	Location	Part #	Gender	No	Location	Part #	Gender
*req*			outofrange.	A28	Service_Cmpt	562928	male
*req*			outofrange.	A29.	Dash	562464	male
*req*			outofrange.	A29.	Dash	565871	female
*req*			outofrange.	A33.A	Parcelrack	563071	male
*req*			outofrange.	A33.B	Parcelrack	562330	female
*req*			outofrange.	A34.1	EngineCmpt.	564258	male
*req*			outofrange.	A34.2	EngineCmpt.	564258	male
24SS_OP	P_Rack	563071	male	A34.3	EngineCmpt.	564258	male
24SS_OP	P_Rack	563040	female	A34.4	EngineCmpt.	564258	male
120V_inlet	RearVehicle	561572	male	A34.5	EngineCmpt.	564258	male
120VAC_Inlet	Enginecmpt.	561572	male	A34.6	EngineCmpt.	564258	male
A1	RJB	563975	male	A34.7	EngineCmpt.	564258	male
A2	FJB	563984	male	A34.8	EngineCmpt.	564258	male
A3	Dash	562363	male	A34.J	Enginecmpt.	568118	male
A4.A	Service_Cmpt	562428	female	A34.K	Enginecmpt.	564270	male
A4.B	Service_Cmpt	561188	female	A34.L	Enginecmpt.	564269	male
A5	Service_Cmpt	562428	female	A36.JA	FJB	562767	male
A6	Engine_Cmpt	562427	male	A36.JB	FJB	562765	male
A7	Rear_Axle_Cmpt	563979	male	A36.JC	FJB	562957	male
A9.Cx1	FJB	564041	female	A36A.JA	FJB	562767	male
A9.Cx2	FJB	563678	male	A36A.JB	FJB	562765	male
A9.Cx3	FJB	564037	female	A36A.JC	FJB	562957	male
A9.Cx4	FJB	564038	female	A39.P101	Parcelrack	563201	male
A10.X1	Engine_Cmpt	563135	male	A39.P901	Parcelrack	563953	male
A10.X3	Engine_Cmpt	563134	female	A40.A	FJB	561668	male
A11	LH_Console	563142	male	A60.A	Parcelrack	563071	male
A14.A	Dash	562766	male	A60.B	Parcelrack	562706	female
A14.B	Dash	562767	male	A60.C	Parcelrack	901110	male
A14.C	Dash	562765	male	A60.D	Parcelrack	901110	male
A15	Dash	562464	male	A61.A	Parcelrack	562464	male
A16A		561690	male	A61.B	Parcelrack	562465	male
A17.D	RJB	561932	male	A65.B	Parcelrack	901110	male
A18.J1	FJB	562794	male	A65.C	Parcelrack	901110	male
A18.J2	FJB	562650	male	A65.Csv	Parcelrack	562465	male
A19	LH_Console	562878	female	A65.D	Parcelrack	901110	male
A20	Parcel_Rack_LH	561477	female	A65A.A	Parcelrack	563025	male
A24.A	RH_Console	561890	male	A65A.B4	Parcelrack	bidon	male
A24.B	RH_Console	561566	female	A65A.B5	Parcelrack	bidon	male
A25	Parcelrack	563025	male	A65A.B6	Parcelrack	bidon	male
A26.P1	Enginecmpt.	562350	male	A65A.D	Parcelrack	bidon	male
A26.P2	Enginecmpt.	563322	female	A65A.E	Parcelrack	563071	male
A26.P4	Enginecmpt.	568088	male	A65A.G1	Parcelrack	563071	male
A27	Service_Cmpt	562929	male	A65A.G2	Parcelrack	563071	male

# CONNECTORS LIST

No	Location	Part #	Gender	No	Location	Part #	Gender
A65A.G3	Parcelrack	563071	male	A97S.A1	Dash	564401	male
A65A.H1	Parcelrack	561716	female	A97S.A2	Dash	564402	male
A65A.H2	Parcelrack	561716	female	A97S.A3	Dash	564403	male
A65A.H3	Parcelrack	561716	female	A99	FJB	564205	male
A65A.J	Parcelrack	562465	male	A100	Front_Axle_Cmpt	563632	male
A69.A	Parcelrack	563071	male	A100.1		563515	male
A69.B	Parcelrack	561716	female	A100.2		563515	male
A69.C	Parcelrack	561716	female	A100.3		563515	male
A69.D	Parcelrack	561716	female	A101	Rear_Axle_Cmpt	563632	male
A69.E	Parcelrack	561716	female	A102	Rear_Axle_Cmpt	563632	male
A69.F	Parcelrack	561716	female	A103	Dash	562070	female
A69.G	Parcelrack	561716	female	A107	EngineCmpt.	560336	male
A69.H	Parcelrack	561716	female	A108	RJB	562766	male
A69L.A	Parcelrack	563025	male	A109A	FJB	564141	male
A69L.B1	Parcelrack	bidon	male	A113.A	Parcel_Rack_LH	563960	male
A69L.B2	Parcelrack	bidon	male	A113.B	Parcel_Rack_LH	563962	male
A69L.B3	Parcelrack	bidon	male	A113.C1	Parcel_Rack_LH	563956	male
A69L.B4	Parcelrack	bidon	male	A113.C2	Parcel_Rack_LH	563957	male
A69L.C	Parcelrack	bidon	male	A113.C3	Parcel_Rack_LH	563958	male
A69R.A	Parcelrack	563025	male	A120.A	Dashboard	563960	male
A69R.B1	Parcelrack	bidon	male	A120.B	Dashboard	563962	male
A69R.B2	Parcelrack	bidon	male	A120.C1	Dashboard	563956	male
A69R.B3	Parcelrack	bidon	male	A120.C2	Dashboard	563957	male
A69R.B4	Parcelrack	bidon	male	A120.C3	Dashboard	563958	male
A69R.C	Parcelrack	bidon	male	A121.Vsa	Dash	563679	male
A70a		561540	female	A121.Vsb	Dash	563678	male
A77	Parcelrack	564547	male	A121.Vsc	Dash	564037	male
A78	Parcelrack	562583	female	A121.Vsd	Dash	564118	male
A79	Parcelrack	562583	female	A130	Driver_Area	563226	male
A80	Parcelrack	562479	female	A131.A	Engine_Cmpt	561782	male
A81.JA	FJB	562767	male	A131.B	Engine_Cmpt	561781	female
A81.JB	FJB	562765	male	A137A	Condensercmpt.	20429843	male
A81.JC	FJB	562957	male	A138	Cond_Cmpt	563787	male
A83.A		565970	female	A139	Dash	564501	male
A84.A	Parcelrack	563071	male	A151.A	Parcelrack	561582	female
A96	FJB	564205	male	A151.B	Parcelrack	561582	female
A96..A		563678	male	A152.J	Parcelrack	563071	male
A96..B		562795	male	A153.A	Parcelrack	562465	male
A97	Dash	563226	male	A153.B	Parcelrack	561716	female
A97A	FJB	563226	male	A153.C	Parcelrack	561716	female
A97A	FJB	563613	female	A153.D	Parcelrack	561716	female
A97B	FJB	563226	male	A160.A	WCLcmpt	562477	male
A97B	FJB	563613	female	A160.B	WCLcmpt	562884	female

# CONNECTORS LIST

No	Location	Part #	Gender	No	Location	Part #	Gender
A162.A	FrontCab	561566	female	AE53.J2	RJB	564037	female
A162.B	FrontCab	561781	female	AE53.J3	RJB	565957	male
A164.A	RH_Trapezoidal_Window	561566	female	AE54.J1	Evaporatorcmpt.	563679	male
A164.B	RH_Trapezoidal_Window	561781	female	AE54.J2	Evaporatorcmpt.	564037	female
A165		560641	male	AE54.J3	Evaporatorcmpt.	565957	male
A166	RearCab	561637	male	AE55.J1	Dash	563679	male
AE41.J1	FJB	563679	male	AE55.J2	Dash	564037	female
AE41.J2	FJB	564037	female	AE55.J3	Dash	564004	male
AE41.J3	FJB	564004	male	AE56.J1	Dash	563679	male
AE42.J1	FJB	563679	male	AE56.J2	Dash	564037	male
AE42.J2	FJB	564037	female	AE56.J3	Dash	564004	male
AE42.J3	FJB	564004	male	AE57.J1	WCLcmpt.	563679	male
AE43.J1	FJB	563679	male	AE57.J2	WCLcmpt.	564037	male
AE43.J2	FJB	564037	male	AE57.J3	WCLcmpt.	564004	male
AE43.J3	FJB	565957	male	Alt_LL.A	Enginecmpt.	563746	female
AE44.J1	FJB	563679	male	Alt_LL.B	Enginecmpt.	560815	female
AE44.J2	FJB	564037	female	Alt_LL.C	Enginecmpt.	564469	female
AE44.J3	FJB	565957	male	Alt_LR.A	enginecmpt.	563746	female
AE45.J1	FJB	563679	male	Alt_LR.B	Enginecmpt.	560815	female
AE45.J2	FJB	564037	female	Alt_LR.C	Enginecmpt.	564469	female
AE45.J3	FJB	565957	male	Alt_UR.A	Enginecmpt.	563746	female
AE46.J1	FJB	563679	male	Alt_UR.B	Enginecmpt.	560815	female
AE46.J2	FJB	564037	female	Alt_UR.C	Enginecmpt.	564469	female
AE46.J3	FJB	565957	male	B85	Engine_Cmpt	563815	male
AE47.J1	RH_console	563679	male	B96	Engine_Cmpt	563821	male
AE47.J2	RH_console	564037	female	B96B	Engine_Cmpt	563823	male
AE47.J3	RH_console	565957	male	B97	Engine_Cmpt	563816	male
AE48.J1	RH_console	563679	male	B98	Engine_Cmpt	563817	male
AE48.J2	RH_console	564037	female	B99	Engine_Cmpt	563815	male
AE48.J3	RH_console	565957	male	B115A	Enginecmpt.	564226	male
AE49.J1	RJB	563679	male	B142C	Enginecmpt.	563793	male
AE49.J2	RJB	564037	male	B310	Enginecmpt.	565967	male
AE49.J3	RJB	565957	male	C1	FJB	563589	male
AE50.J1	RJB	563679	male	C1	FJB	563590	female
AE50.J2	RJB	564037	male	C1k		563407	female
AE50.J3	RJB	565957	male	C1k		563408	male
AE51.J1	RJB	563679	male	C1S	FJB	563589	male
AE51.J2	RJB	564037	female	C1S	FJB	563590	female
AE51.J3	RJB	565957	male	C2	Service_Cmpt	563580	male
AE52.J1	RJB	563679	male	C2	Service_Cmpt	563581	female
AE52.J2	RJB	564037	female	C2A	FJB	563580	male
AE52.J3	RJB	565957	male	C2A	FJB	563581	female
AE53.J1	RJB	563679	male	C2B	FJB	564034	male

# CONNECTORS LIST

No	Location	Part #	Gender	No	Location	Part #	Gender
C2B	FJB	564035	female	C20A	Evap_Cmpt	562485	male
C3_plug	RJB	563589	male	C20A	Evap_Cmpt	562486	female
C3_socket	RJB	563590	female	C20B	Evap_Cmpt	562485	male
C3AP	FJB	563589	male	C20B	Evap_Cmpt	562486	female
C3AP	FJB	563590	female	C23	Evaporatorcmpt.	564034	male
C3AS	FJB	563589	male	C23	Evaporatorcmpt.	564035	female
C3AS	FJB	563590	female	C24_plug	Evap_Cmpt	561690	male
C3S	RJB	563593	male	C24_socket	Evap_Cmpt	561566	female
C3S	RJB	563590	female	C25	Parcel_Rack_LH	561550	male
C4	FJB	563580	male	C25	Parcel_Rack_LH	561667	female
C4	FJB	563581	female	C25.	Parcel_Rack_LH	561669	male
C5	FJB	563589	male	C25.	Parcel_Rack_LH	561670	female
C5	FJB	563590	female	C25A	Parcel_Rack_RH	561669	male
C5S	FJB	563589	male	C25A	Parcel_Rack_RH	561670	female
C5S	FJB	563590	female	C26	Ureacmpt.	563226	male
C6	FJB	563582	male	C26	Ureacmpt.	563613	female
C6	FJB	563583	female	C26A	Ureacmpt	568110	male
C7	Service_Cmpt	562566	male	C26A	Ureacmpt	568109	female
C7	Service_Cmpt	562565	female	C26B	Ureacmpt.	563227	male
C8	FJB	563227	male	C26B	Ureacmpt.	563614	female
C8	FJB	563614	female	C29	4rd_Lugg_Cmpt	563651	male
C9	RJB	561986	male	C29	3rd_Lugg_Cmpt	563652	female
C9	RJB	561987	female	C30	3rd_Lugg_Cmpt	561710	male
C10	Engine_Cmpt	562477	male	C30	3rd_Lugg_Cmpt	561709	female
C10	Engine_Cmpt	562479	female	C31S	Parcelrack	561515	male
C11	Service_Cmpt	563580	male	C31S	Parcelrack	561552	female
C11	Service_Cmpt	563581	female	C31W	WCL_Parcel_Rack	563227	male
C12	Engine_Cmpt	562581	male	C31W	WCL_Parcel_Rack	563614	female
C12	Engine_Cmpt	562583	female	C32	lavatory	561734	male
C13_plug	RH_Console	563589	male	C32	Lavatory	561735	female
C13_socket	RH_Console	563590	female	C32.	Lavatory	561515	male
C13S	RH_Console	563589	male	C32.	Lavatory	561552	female
C13S	RH_Console	563590	female	C32L	Lavatory	562006	male
C15A	EvaporatorCmpt	568110	male	C32L	Lavatory	560908	female
C15A	EvaporatorCmpt	568109	female	C32W	WCLcmpt.	561640	male
C16	RJB	561577	male	C32W	WCLcmpt.	561639	female
C16	RJB	561605	female	C32X	Lavatory	561247	male
C17	RJB	560195	male	C32X	Lavatory	561248	female
C17	RJB	560169	female	C33	WCLcmpt.	564034	male
C18	FJB	561986	male	C33	WCLcmpt.	564035	female
C18	FJB	561987	female	C34	RH_Console	561986	male
C19	RJB	561986	male	C34	RH_Console	561987	female
C19	RJB	561987	female	C35	Lavatory	561669	male

# CONNECTORS LIST

No	Location	Part #	Gender	No	Location	Part #	Gender
C35	Lavatory	561670	female	C58	Condensorcmt.	564567	male
C36	FJB	561986	male	C58	Condensorcmt.	564568	female
C36	FJB	561987	female	C59	RJB	561643	male
C37	Parcel_Rack_LH	562557	male	C59	RJB	561642	female
C37	Parcel_Rack_LH	562558	female	C61	Fr_Service_Door	561669	male
C37.	Parcel_Rack	561734	male	C61	Fr_Service_Door	561670	female
C37.	Parcel_Rack	561735	female	C62	Fr_Service_Door	562566	male
C38	Parcelrack	562555	male	C62	Fr_Service_Door	562565	female
C38	Parcelrack	562556	female	C63	Entrance_Door	562477	male
C38.	Parcelrack	561734	male	C63	Entrance_Door	562479	female
C38.	Parcelrack	561735	female	C64	Enginecmt	568110	male
C39A	Firesuppressioncmt.	561782	male	C64	Enginecmt	568109	female
C39A	Firesuppressioncmt.	561781	female	C66_plug	Evap_Cmpt	561577	male
C40	Dash	562485	male	C66_socket	Evap_Cmpt	561605	female
C40	Dash	562486	female	C68_plug	Parcel_Rack_LH	562503	male
C41	RJB	561782	male	C68_socket	Parcel_Rack_LH	562507	female
C41	RJB	561781	female	C69_plug	Parcel_Rack_LH	561690	male
C42	FJB	561668	male	C69_socket	Parcel_Rack_LH	561566	female
C42	FJB	561551	female	C70	Over_Head_Driver_Area	561550	male
C44_plug	FJB	561577	male	C70	Over_Head_Driver_Area	561667	female
C44_socket	FJB	561605	female	C71	FJB	561646	male
C45	FJB	561643	male	C71	FJB	561645	female
C45	FJB	561642	female	C71A	FJB	561646	male
C46	WCLCmpt.	564228	male	C71A	FJB	561644	female
C46	WCLCmpt.	564229	female	C72	FJB	561646	male
C47	FJB	565207	male	C72	FJB	561645	female
C48	Unican	565208	male	C74	FJB	561645	female
C49	FJB	562005	male	C74	FJB	561646	male
C49	FJB	561714	female	C81	1st_Lugg_Cmpt	562477	male
C50	RJB	563226	male	C81	1st_Lugg_Cmpt	562479	female
C50	RJB	563613	female	C82	1st_Lugg_Cmpt	562477	male
C51	Enginecmt.	564034	male	C82	1st_Lugg_Cmpt	562479	female
C51	Enginecmt.	560034	female	C82A	1st_Lugg_Cmpt	563589	male
C52	Evaporatorcmt.	563618	male	C82A	1st_Lugg_Cmpt	563590	female
C52	Evaporatorcmt.	563616	female	C83	2nd_Lugg_Cmpt	562477	male
C54	Enginecmt.	563226	male	C83	2nd_Lugg_Cmpt	562479	female
C54	Enginecmt.	563613	female	C84	2nd_Lugg_Cmpt	562477	male
C54A	Ureacmt	568110	male	C84	2nd_Lugg_Cmpt	562479	female
C54A	Ureacmt	568109	female	C85	4thlugg.cmpt.	562477	male
C54B	Enginecmt.	563589	male	C85	4thlugg.cmpt.	562479	female
C54B	Enginecmt.	563590	female	C86	4thlugg.cmpt.	563618	male
C55	Evap_Cmpt	561577	male	C86	4thlugg.cmpt.	563616	female
C55	Evap_Cmpt	561605	female	C87	Engine_Cmpt	562485	male

# CONNECTORS LIST

No	Location	Part #	Gender	No	Location	Part #	Gender
C87	Engine_Cmpt	562486	female	C122	Rearenginedoor	562566	male
C88	FJB	563618	male	C122	Rearenginedoor	562565	female
C88	FJB	563616	female	C124	DashBoard	562503	male
C91	RJB	564619	male	C124	DashBoard	562507	female
C91	RJB	562282	female	C129		563858	male
C92A	Enginectmpt.	563226	male	C129		563859	female
C92A	Enginectmpt.	563613	female	C131A	Engine_Cmpt	561782	male
C92C	Enginectmpt.	562581	male	C131A	Engine_Cmpt	561781	female
C92C	Enginectmpt.	562583	female	C131B	Engine_Cmpt	561782	male
C94_plug	FJB	563589	male	C131B	Engine_Cmpt	561781	female
C94_socket	FJB	563590	female	C140	Dash	562477	male
C96	FJB	561643	male	C140	Dash	562479	female
C96	FJB	561642	female	C144	RJB	560852	male
C97	FJB	561643	male	C144	RJB	560851	female
C97	FJB	561642	female	C152	Cond_Cmpt	561611	male
C100	Evaporatorcmpt.	562477	male	C152	Cond_Cmpt	561610	female
C100	Evaporatorcmpt.	562479	female	C158	Condensorcmt.	562477	male
C100S	EvaporatorCmpt.	562477	male	C158	Condensorcmt.	562479	female
C100S	EvaporatorCmpt.	562479	female	C162	FrontCab	561690	male
C101	Service_Cmpt	561690	male	C162	FrontCab	561566	female
C101	Service_Cmpt	561566	female	C164A	RH_Trapezoidal_Window	561690	male
C102A	Condensorcmt.	563226	male	C164A	RH_Trapezoidal_Window	561566	female
C102A	Condensorcmt.	563613	female	C164AA	RH_Trapezoidal_Window	561690	male
C103_plug	FJB	562485	male	C164AA	RH_Trapezoidal_Window	561566	female
C103_socket	FJB	562486	female	C164B	RH_Trapezoidal_Window	561782	male
C104S_plug		563589	male	C164B	RH_Trapezoidal_Window	561781	female
C104S_socket		563590	female	C164BB	RH_Trapezoidal_Window	561782	male
C105_plug	FJB	562581	male	C164BB	RH_Trapezoidal_Window	561781	female
C105_socket	FJB	562583	female	C166		561637	male
C106_plug	FJB	562581	male	C166		561636	female
C106_socket	FJB	562583	female	C167	FJB	561577	male
C107A	Enginectmpt.	562885	female	C167	FJB	561605	female
C107A	Enginectmpt.	562884	female	C170	LH_Console	561637	male
C107B	Enginectmpt.	562885	female	C170	LH_Console	561636	female
C107B	Enginectmpt.	562884	female	C171	LH_Console	561646	male
C107C	Enginectmpt.	562885	female	C171	LH_Console	561645	female
C107C	Enginectmpt.	562884	female	C175	RJB	563226	male
C110	Dash	568110	male	C175	RJB	563613	female
C110	Dash	568109	female	C187	RJB	561577	male
C119A	Rear_engine_door	568110	male	C187	RJB	561605	female
C119A	Rear_engine_door	568109	female	C188	Evap_Cmpt	561577	male
C121	Rearenginedoor	562566	male	C188	Evap_Cmpt	561605	female
C121	Rearenginedoor	562565	female	C189	RJB	561986	male

# CONNECTORS LIST

No	Location	Part #	Gender	No	Location	Part #	Gender
C381	Parcel_Rack	561924	female	C567	Parcelrack	562503	male
C382	Under_Seat	561580	male	C567	Parcelrack	562507	female
C382	Under_Seat	561582	female	C574	RHP.Rack	562549	male
C397	RJB	562285	male	C574	RHP.Rack	562550	female
C397	RJB	562282	female	C575	Parcel_Rack_RH	562503	male
C430	LH_Console	562363	male	C575	Parcel_Rack_RH	562507	female
C430	LH_Console	561188	female	C576	Parcelrack	561515	male
C452.	Dash	561643	male	C576	Parcelrack	561552	female
C452.	Dash	561642	female	C576A	Parcel_Rack_RH	561515	male
C463	Rearaxlecmpt	568112	male	C576A	Parcel_Rack_RH	561552	female
C463	Rearaxlecmpt	568111	female	C576B	Parcel_Rack_RH	562006	male
C464	FJB	564222	male	C576B	Parcel_Rack_RH	560908	female
C464	FJB	564224	female	C576BB	Parcelrack	562006	male
C464A	Dash	564222	male	C576BB	Parcelrack	560908	female
C464A	Dash	564224	female	C577	Parcel_Rack	561515	male
C464B	FJB	564222	male	C577	Parcel_Rack	561552	female
C464B	FJB	564224	female	C577A	Parcel_Rack	562006	male
C465	Parcelrack	562581	male	C577A	Parcel_Rack	560908	female
C465	Parcelrack	562583	female	C577AA	Parcelrack	562006	male
C506	FJB	561687	male	C577AA	Parcelrack	560908	female
C506	FJB	561685	female	C578	Parcel_Rack_LH	562503	male
C506spA	FJB	561687	male	C578	Parcel_Rack_LH	562507	female
C506spA	FJB	561685	female	C579	LHP.Rack	562549	male
C506spB	FJB	561687	male	C579	LHP.Rack	562550	female
C506spB	FJB	561685	female	C582	FJB	561690	female
C540		562477	male	C582	FJB	561566	female
C540		562479	female	C600	Dash	563226	male
C541		563226	male	C600	Dash	563613	female
C541		563613	female	C601	LHRoofWinAjar	561476	male
C542	Parcelrack	561550	male	C601	LHRoofWinAjar	561477	female
C542	Parcelrack	561667	female	C602	Parcel_Rack_LH	561668	male
C543		561607	male	C602	Parcel_Rack_LH	561551	female
C543		561606	female	C603.	ParcelRack	561669	male
C545		561550	male	C603.	Parcel_Rack	561670	female
C545		561667	female	C608	Parcel_Rack_LH	561577	male
C558	Parcelrack	562503	male	C608	Parcel_Rack_LH	561605	female
C558	Parcelrack	562507	female	C609	Parcel_Rack_LH	561550	male
C564	Parcelrack	562503	male	C609	Parcel_Rack_LH	561667	female
C564	Parcelrack	562507	female	C612	Parcel_Rack_LH	561687	male
C564-Sp	Parcelrack	562503	male	C612	Parcel_Rack_LH	561685	female
C564-Sp	Parcelrack	562507	female	C614	Passenger_Area	563071	male
C566	Parcelrack	562503	male	C614	Passenger_Area	563040	female
C566	Parcelrack	562507	female	C615	Passenger_Area	563071	male

# CONNECTORS LIST

No	Location	Part #	Gender	No	Location	Part #	Gender
C615	Passenger_Area	563040	female	C_AUDIO_AUX	Parcelrack	562558	female
C617	Mirror_LH	563801	male	C_Audio_HDMI_L	Parcelrack	901062	male
C617	Mirror_LH	563800	female	C_Audio_HDMI_L	Parcelrack	901283	female
C618	Mirror_RH	563801	male	C_Audio_HDMI_R	Parcelrack	901062	male
C618	Mirror_RH	563800	female	C_Audio_HDMI_R	Parcelrack	901283	female
C620	FJB	562477	male	C_AUX	Parcelrack	563071	male
C620	FJB	562479	female	C_AUX	Parcelrack	563040	female
C662_plug	FJB	562477	male	C_INV1	Parcelrack	562337	male
C662_socket	FJB	562479	female	C_INV1	Parcelrack	562338	male
C680_plug	WCLsystem	566031	male	C_INV1A	Parcelrack	562337	male
C680_socket	WCLsystem	566028	female	C_INV1A	Parcelrack	562338	female
C700	FJB	561637	male	C_INV2	Parcelrack	562337	male
C700	FJB	561636	female	C_INV2	Parcelrack	562338	male
C700:2	FJB		outofrange.	C_LineOut	Parcelrack	563962	male
C700:3			outofrange.	C_LineOut	Parcelrack	564489	female
C700:4			outofrange.	C_Mo9	Evap_Cmpt	561577	male
C700:7			outofrange.	C_Mo9	Evap_Cmpt	561605	female
C700A_plug	FJB	561637	male	C_Mo9:2	Evap._Cmpt	561577	male
C700A_socket	FJB	561636	female	C_Mo9:2	Evap._Cmpt	561605	female
C710_plug		561637	male	C_Se51	FJB	563589	male
C710_socket		561636	female	C_Se51	FJB	563590	female
C752_plug	Parcelrack	901062	male	C_USB	Parcelrack	562069	male
C752_socket	Parcelrack	901283	female	C_USB	Parcelrack	562070	female
C753_plug	Parcelrack	901062	male	CCAN1	FJB	562650	male
C753_socket	Parcelrack	901283	female	CCAN1	FJB	562649	female
C766	Parcelrack	561662	male	CCAN2	FJB	562650	male
C766	Parcelrack	561661	female	CCAN2	FJB	562649	female
C768	Parcelrack	901283	female	CCAN3	FJB	562650	male
C769	Parcelrack	901283	female	CCAN3	FJB	562649	female
C777	Dash	562477	male	CCAN4	FJB	562650	male
C777	Dash	562479	female	CCAN4	FJB	562649	female
C999		564619	male	CCust	Parcel_Rack_Fr_WCL	562477	male
C999		562282	female	CCust	RJB	562479	female
C_A60DB	Parcelrack	563071	male	CFHPR1	Parcelrack	564560	male
C_A60DB	Parcelrack	563040	female	CIND-1.A	Parcelrack	560908	female
C_A69R	Parcelrack	563025	male	CIND-1.B	Parcelrack	560908	female
C_A97	Dash	563226	male	CIND-2.A	Parcelrack	560908	female
C_A97	Dash	563613	female	CIND-2.B	Parcelrack	560908	female
C_ALT	Enginecmpt.	562581	male	CIND-11.A	Parcelrack	560908	female
C_ALT	Enginecmpt.	562583	female	CIND-11.B	Parcelrack	560908	female
C_ALT3	Enginecmpt.	562477	male	CINDWC-1.A	Parcelrack	560908	female
C_ALT3	Enginecmpt.	562479	female	CINDWC-1.B	Parcelrack	560908	female
C_AUDIO_AUX	Parcelrack	562557	male	CL1	Service_Cmpt	562485	male



# CONNECTORS LIST

No	Location	Part #	Gender	No	Location	Part #	Gender
CL1	Service_Cmpt	562486	female	L.23	Front_Cap	560605	female
CL142	Lavatory	562006	male	L.24	Front_Cap	560605	female
CL142	Lavatory	560908	female	L.25	Front_Cap	560605	female
CL142A	Lavatory	562006	male	L.26	Front_Cap	560605	female
CL142A	Lavatory	560908	female	L.27	Front_Cap	560605	female
CP1	Passenger_Area	561782	male	L1A	Engine_Cmpt	560774	male
CP1	Passenger_Area	561781	female	L10	Parcelrack	560898	male
CP2	Passenger_Area	561782	male	L11	Parcelrack	560898	male
CP2	Passenger_Area	561781	female	L16.A	Frontroof	562615	female
CP3	Passengersarea	561782	male	L16.B	Frontroof	562615	female
CP3	Passengersarea	561781	female	L17.A	Frontroof	562615	female
CP4	Passenger_Area	561782	male	L17.B	Frontroof	562615	female
CP4	Passenger_Area	561781	female	L19	Entrance_Door	562549	male
CP5	Passenger_Area	561782	male	L20	Entrance_Door_Step	562549	male
CP5	Passenger_Area	561781	female	L28	Parcelrack	560898	male
CP5A	Passenger_Area	561782	male	L29	Parcelrack	560898	male
CP5A	Passenger_Area	561781	female	L30	Parcelrack	560898	male
CP6	Passengersarea	562337	male	L30A.A	Parcelrack	560898	male
CP6	Passengersarea	562338	male	L31	Parcelrack	560898	male
CR72	RearSeat	563409	male	L32	Parcelrack	560898	male
CR72	RearSeat	563410	female	L33	Parcelrack	560898	male
CSe80	RJB	562477	male	L34	Parcelrack	560898	male
CSe80	RJB	562479	female	L35	Parcelrack	560898	male
CSw102	EngineCmpt.	562549	male	L36	Parcelrack	560898	male
CSw102	EngineCmpt.	562550	female	L37	Parcelrack	560898	male
CSX1	Engine_Cmpt	563135	male	L38	Parcelrack	560898	male
CSX1	Engine_Cmpt	563134	female	L39	Parcelrack	560898	male
CSX3	Engine_Cmpt	563135	male	L40	Parcelrack	560898	male
CSX3	Engine_Cmpt	563134	female	L41	Parcelrack	560898	male
CT_IN	Rear_Vehicle	563582	male	L42	Parcelrack	560898	male
CT_IN	Rear_Vehicle	563583	female	L43	Parcelrack	560898	male
CT_IN1	Rear_Vehicle	560167	male	L44	Parcelrack	560898	male
CT_IN1	Rear_Vehicle	560159	female	L45	Parcelrack	560898	male
CT_Out	Rear_Vehicle	560478	female	L46	Parcelrack	560898	male
CXC1	Service_Cmpt	562477	male	L47	Parcelrack	560898	male
CXC1	Service_Cmpt	562479	female	L48	Parcelrack	560898	male
D92	Parcelrack	564496	male	L49	Parcelrack	560898	male
EI	Enginecmpt.	563739	male	L50	Parcelrack	560898	male
FLC20.A		563227	male	L51	Parcelrack	560898	male
FLC20.B		562370	male	L52	Parcelrack	560898	male
FLR21	Dash	564252	male	L52	Parcelrack	560900	female
L.21	Front_Cap	560605	female	L52A	Parcelrack	560898	male
L.22	Front_Cap	560605	female	L53	Parcelrack	560898	male

# CONNECTORS LIST

No	Location	Part #	Gender	No	Location	Part #	Gender
L53	Parcelrack	560900	female	L91A	Rearvehicule	562601	male
L53A	Parcelrack	560898	male	L92A	Rearvehicule	562601	male
L54	Parcelrack	560898	male	L95	Outside_Front_LH	562902	female
L54	Parcelrack	560900	female	L96	Outside_Front_RH	562902	female
L54A	Parcelrack	560898	male	L97.A	Outside_Front_LH	563069	female
L55	Parcelrack	560898	male	L97.B	Outside_Front_LH	563069	female
L55	Parcelrack	560900	female	L98.A	Entrance_Door	563069	female
L55A	Parcelrack	560898	male	L98.B	Outside_Front_RH	563069	female
L56	Parcelrack	560898	male	L140	Lavatory	561247	male
L56	Parcelrack	560900	female	L142	Lavatory	562006	male
L56A	Parcelrack	560898	male	L142B	Lavatory	562006	male
L57	Parcelrack	560898	male	L143	Parcelrack	561186	male
L57	Parcelrack	560900	female	L144	Parcelrack	561186	male
L57A	Parcelrack	560898	male	L145	Parcelrack	561186	male
L58	Parcelrack	560898	male	L146	Parcelrack	561186	male
L58	Parcelrack	560900	female	L147	Parcelrack	561186	male
L58A	Parcelrack	560898	male	L148	Parcelrack	561186	male
L59	Out_Side_Front_RH	562623	male	L149	Parcelrack	561186	male
L59A	OutsideFrontRH	563366	male	L150	Parcelrack	561186	male
L59B	Out_Side_Front_RH	562623	male	L151	Parcelrack	561186	male
L60	OutsideFrontLH	562623	male	L152	Parcelrack	561186	male
L60A	OutsideFrontLH	563366	male	L153	Parcelrack	561186	male
L60B	Out_Side_Front_LH	562623	male	L154	Parcelrack	561186	male
L61	Out_Side_Front_RH	562601	male	L155	Parcelrack	561186	male
L62	Out_Side_Front_LH	562601	male	L156	Parcelrack	561186	male
L63	Front_Side_LH	562155	male	L157	Parcelrack	561186	male
L64	Outside_Front_RH	562155	male	L158	Parcelrack	561186	male
L65	Outside_Front_LH	562155	male	L170	Lugg_cmpt	561690	male
L66	Outside_Front_LH	562155	male	L173	Parcelrack	563590	female
L71A	Rearenginedoor	562601	male	L174A	Parcelrack	563590	female
L72	Radiator_Door	562155	male	L176	3rd_Lugg_Cmpt	561247	male
L73A	Rearenginedoor	562601	male	L177	3rd_Lugg_Cmpt	561247	male
L74	Radiator_Door	562155	male	L177A	WCLCmpt.	561690	male
L75	Radiator_Door	562155	male	L177B	WCLCmpt.	561690	male
L76	Radiator_Door	562155	male	L180	2nd_Lugg_Cmpt	561247	male
L77A	Rearvehicule	562601	male	L181	2nd_Lugg_Cmpt	561247	male
L78A	Rearvehicule	562601	male	L182	1st_Lugg_Cmpt	561247	male
L79A	Rearvehicule	562601	male	L183	1st_Lugg_Cmpt	561247	male
L80A	Rearvehicule	562601	male	L184	Servicecmpt.	561247	male
L81.A	Rear_Vehicle	562835	female	L185.A	Servicecmpt.	561539	male
L81.B	Rear_Vehicle	562834	male	L185.B	Servicecmpt.	561539	male
L82A	Rearvehicule	562348	female	L186.A	Dash	561539	male
L83A	Rearvehicule	562348	female	L186.B	Dash	561539	male

# CONNECTORS LIST

No	Location	Part #	Gender	No	Location	Part #	Gender
L187	Engine_Cmpt	561690	male	L257	Parcelrack	561186	male
L188	Service_Cmpt	562486	female	L258	Parcelrack	561186	male
L189	Mirror_RH	564513	female	L282	Engine_Cmpt	561690	male
L193.A	Dash	560488	female	L283	Service_Cmpt	562485	male
L193.B	Dash	560488	female	L285.A	Rear_Vehicle	562835	female
L194.A	Dash	562019	female	L285.B	Rear_Vehicle	562834	male
L194.B	Dash	560488	female	L286.A	Rear_Vehicle	562835	female
L195.A	Dash	560488	female	L286.B	Rear_Vehicle	562834	male
L195.B	Dash	560488	female	L296	Refrigerator	561248	female
L199	Enginectmpt.	562848	male	L298A	Enginectmpt.	563590	female
L203	RH_Console	561690	male	L306	RJBcmpt.	561247	male
L204	Parcel_Rack_RH	562803	male	L309.	Behind_Lavatory	564576	male
L205	Enginectmpt.	562485	male	L309D	Drivers_Area	564576	male
L206	Parcel_Rack_RH	562803	male	L310.	Behind_Lavatory	564576	male
L207.A	WCLCmpt.	561699	female	L310D	Drivers_Area	564576	male
L207.B	WCLCmpt.	561701	female	L313	Rr_Roof	562549	male
L207.C	WCLCmpt.	561701	female	L350A.A	Rearaxlecmpt.	564552	male
L207.D	WCLCmpt.	561699	female	L350A.B	Rearaxlecmpt.	563340	male
L207.E	WCLCmpt.	561701	female	L350A.C	Rearaxlecmpt.	562251	male
L207.F	WCLCmpt.	561699	female	L391	Drivers_Area	560898	male
L207.G	WCLCmpt.	561699	female	L400.A	Enginectmpt.	562251	male
L207.H	WCLCmpt.	563536	female	L606	Rr_Roof	560898	male
L207.I	WCLCmpt.	563536	female	L606	Rr_Roof	560900	female
L212	Roof	563589	male	L606A	Rr_Roof	560898	male
L212A	roof	563589	male	Mo3	Dash	561667	female
L213	roof	563589	male	Mo4		564161	male
L213A	roof	563589	male	Mo5	Front_Roof	561515	male
L214	roof	563589	male	Mo7	Cond_Cmpt	563691	male
L214A	roof	563589	male	Mo8	Cond_Cmpt	563691	male
L243	Parcelrack	561186	male	Mo10	ParcelRack_Lh_Fan	561515	male
L244	Parcelrack	561186	male	Mo11	ParcelRack_Rh_Fan	561515	male
L245	Parcelrack	561186	male	Mo12	Engine_Cmpt	561690	male
L246	Parcelrack	561186	male	Mo13.	Engine_Cmpt	561690	male
L247	Parcelrack	561186	male	Mo14	Engine_Cmpt	561566	female
L248	Parcelrack	561186	male	Mo15.	FrontCeiling	563517	female
L249	Parcelrack	561186	male	Mo16.	FrontCeiling	563517	female
L250	Parcelrack	561186	male	Mo17	RH_Console	563626	male
L251	Parcelrack	561186	male	Mo19	Fr_Service_Door	562474	male
L252	Parcelrack	561186	male	Mo20	Fr_Service_Door	562474	male
L253	Parcelrack	561186	male	Mo22	RH_Console	561186	male
L254	Parcelrack	561186	male	Mo27	Cond_Cmpt	563691	male
L255	Parcelrack	561186	male	Mo28	Cond_Cmpt	563691	male
L256	Parcelrack	561186	male	Mo29	RJBcmpt.	563590	female

# CONNECTORS LIST

No	Location	Part #	Gender	No	Location	Part #	Gender
Mo30	Compr_Door	564161	male	R16	RJB	564496	male
Mo31	Parcelrack	564161	male	R20	RJB	564496	male
Mo32	Parcelrack	564161	male	R21	FJB	560525	male
Mo33	Parcelrack	564161	male	R21A	FJB	560525	male
Mo34	Parcelrack	564161	male	R23A	FJB	564496	male
Mo35	3rd_Lugg_Door	564161	male	R26	Evap_Cmpt	564496	male
Mo36	Parcelrack	564161	male	R27	Dash	564496	male
Mo54	Service_Cmpt	562474	male	R28	RearSeat	563409	male
Mo62	FrontHatch	562486	female	R29	RJB	563409	male
Mo63	RearHatch	562486	female	R30	FJB	564496	male
Mo65	Enginectmpt.	568089	male	R31	FJB	564496	male
Mo67	Enginectmpt.	568089	male	R34	RJB	564210	male
Mo68	Enginectmpt.	568089	male	R36	Dash	564496	male
Mo69	Enginectmpt.	568089	male	R37	Dash	564496	male
Mo70	Enginectmpt.	568089	male	R38	FJB	564496	male
Mo71	Enginectmpt.	568089	male	R38A	RearSeat	563409	male
Mo72	Enginectmpt.	568089	male	R40	RJB	564496	male
Mo73	Enginectmpt.	568089	male	R47	Parcelrack	564496	male
P_In1	Passenger_Area	561782	male	R72.A	RearSeat	563409	male
P_In1	Passenger_Area	561781	female	R210	Parcel_Rack_LH	560525	male
P_Out1	Passenger_Area	561782	male	R_12VISS	Parcelrack	564496	male
P_Out1	Passenger_Area	561781	female	Res3.A	ParcelRack	563590	female
P_Out2	Passenger_Area	561782	male	Res4	RH_Console	563590	female
P_Out2	Passenger_Area	561781	female	Res6	FJB	563590	female
P_Out3	Passenger_Area	561782	male	Res6A	FJB	563589	male
P_Out3	Passenger_Area	561781	female	Res6A	FJB	563590	female
PC1	FJB	562650	male	Res6B	FJB	563589	male
PC1	FJB	562649	female	Res6B	FJB	563590	female
PF	FJB	561782	male	Res7	dash	563590	female
PF	FJB	561781	female	Res7A		563593	male
PF1	Passenger_Area	561782	male	Res7A		563590	female
PF1	Passenger_Area	561781	female	Res7B		563590	female
Pot1.A	Dash	560488	female	Res15	Engine_Cmpt	561782	male
Pot1.B	Dash	560488	female	Res31	Ureacmpt.	562350	male
Pot1.C	Dash	560488	female	Res32	Ureacmpt.	563764	female
PR	Parcelrack	561782	male	Res46	Rear_Axle_Cmpt	563590	female
PR	Parcelrack	561781	female	Res53.A	FJB	563590	female
PR1	Passenger_Area	561782	male	Res99	FJB	563590	female
PR1	Passenger_Area	561781	female	SAE_IV		561782	male
R3	RJB	563409	male	SAE_IV		561781	female
R4	FJB	564496	male	Se2	LH_Console	561566	female
R5	RJB	564496	male	Se3.A	LH_Window	561626	female
R12	Evap_Cmpt	563409	male	Se4..A	LH_Window	561626	female

# CONNECTORS LIST

No	Location	Part #	Gender	No	Location	Part #	Gender
Se5..A	LH_Window	561626	female	Se53	Service_Cmpt	563159	female
Se6..A	LH_Window	561626	female	Se54	Service_Cmpt	563159	female
Se7..A	LH_Window	561626	female	Se55	Service_Cmpt	563159	female
Se8..A	LH_Window	561626	female	Se56	WCLCmpt.	562479	female
Se9..A	LH_Window	561626	female	Se60	Service_Cmpt	563409	male
Se10..A	RH_Window	561626	female	Se62	WCL_System	561690	male
Se11.A	Cond_Cmpt	560082	female	Se63	Rearaxlecmpt.	641132	female
Se11.B	Cond_Cmpt	560082	female	Se64	Rearaxlecmpt.	641132	female
Se11.C	Cond_Cmpt	560082	female	Se65	Dash	564042	female
Se12.A	RH_Window	561626	female	Se66	FJB	564039	female
Se13	Engine_Cmpt	562350	male	Se67	Frontaxlecmpt.	563159	female
Se14.A	Driver_Area	561782	male	Se69	Frontaxlecmpt.	563159	female
Se14.B	Driver_Area	561781	female	Se74	Rear_Axle_Cmpt	563340	male
Se15	RH_Console	560898	male	Se75	Service_Cmpt	563159	female
Se16.A	RH_Window	561626	female	Se76	EntranceDoor	562479	female
Se17	RH_Console	560900	female	Se77	FJB	563159	female
Se18	Servicecmpt.	561566	female	Se78	Pneumaticplate	563159	female
Se19_P	Service_Cmpt	563677	male	Se79	Front_Axle	563340	male
Se19_S	Service_Cmpt	563677	male	Se80	Rear_Axle	563159	female
Se20A	Evap_Cmpt	562426	male	Se89	Enginecmpt.	562350	male
Se21	Dash	561248	female	Se94	WCLUpperDoor	562877	female
Se23	Engine_Cmpt	563159	male	Se100	WCLdoor	562479	female
Se24	EvaporatorCmpt.	563758	female	shell1_633		561626	female
Se25	Passenger_Area	561248	female	shell1_1104		562486	female
Se26.A	RH_Window	561626	female	shell1_1640	Driver_Area	562471	male
Se27.A	RH_Window	561626	female	So3	RH_Console	641385	male
Se28.A	RH_Window	561626	female	So4	RH_Console	641385	male
Se29	Engine_Cmpt	561566	female	So5	RH_Console	641385	male
Se30	Enginedoor	562877	female	So6	RH_Console	641385	male
Se31	Enginedoor	562877	female	So7	Service_Cmpt	561566	female
Se32	Rear_Axle_Cmpt	562426	male	So8	Servicecmpt.	641385	male
Se33	Rear_Axle_Cmpt	562856	male	So9	Enginecmpt.	560016	female
Se34	Rear_Axle_Cmpt	562426	male	So10.A	Condensorcmpt.	562485	male
Se35	Rear_Axle_Cmpt	562426	male	So11	Cond_Cmpt	561566	female
Se36	Rear_Axle_Cmpt	562427	male	So13	Evap_Cmpt	563204	female
Se37	Front_Axle_LH	641132	female	So14	Servicecmpt.	641385	male
Se38	Front_Axle_RH	641132	female	So15	Servicecmpt.	641385	male
Se39	Rear_Axle_LH	641132	female	So16	Servicecmpt.	641385	male
Se40	Rear_Axle_LH	641132	female	So17	Servicecmpt.	562848	male
Se45	Servicecmpt.	563409	male	So20	Servicecmpt.	641385	male
Se46	Rearaxlecmpt.	562348	female	So21	Front_Axle_Cmpt	564046	female
Se49	Engine_Cmpt	561690	male	So22	Front_Axle_Cmpt	564046	female
Se51	UnderDriverSeat	563589	male	So23	Rear_Axle_Cmpt	564046	female

# CONNECTORS LIST

No	Location	Part #	Gender	No	Location	Part #	Gender
So24	Rear_Axle_Cmpt	564046	female	Spk8_R	Parcel_Rack_RH	563994	male
So27	Rearaxlecmpt.	564045	female	Spk9_L	Parcel_Rack_LH	563994	male
So29	Parcelrack	641385	male	Spk9_R	Parcel_Rack_RH	563994	male
So50	Rearaxlecmpt.	564046	female	Spk10_L	Parcel_Rack_LH	563994	male
So52	Rearaxlecmpt.	564045	female	Spk10_R	Parcel_Rack_RH	563994	male
So53	Rear_Axle_Cmpt	641385	male	Spk11_L	Parcel_Rack_LH	563994	male
So54	Enginecmpt.	564045	female	Spk11_R	Parcel_Rack_RH	563994	male
So55	Pneumaticplate	562848	male	Spk12_L	Parcel_Rack_LH	563994	male
So56	Rear_Axle_Cmpt	562350	male	Spk12_R	Parcel_Rack_RH	563994	male
So57	Engine_Cmpt	562350	male	Spk13_L	Parcel_Rack_LH	563994	male
spBar4	Enginecmpt.	564135	male	Spk13_R	Parcel_Rack_RH	563994	male
spBar5	Enginecmpt.	564135	male	Spk14_L	Parcel_Rack_LH	563994	male
spBar6	Enginecmpt.	564135	male	Spk14_R	Parcel_Rack_RH	563994	male
spBar7	Enginecmpt.	564135	male	Spk15_L	Parcel_Rack_LH	563994	male
spBar11	Rearvehicule	564135	male	Spk15_R	Parcel_Rack_RH	563994	male
spBar12	Rearvehicule	564135	male	Spk16_L	Parcel_Rack_LH	563994	male
spBar13	Enginecmpt.	564135	male	Spk16_R	Parcel_Rack_RH	563994	male
spBar14	Enginecmpt.	564135	male	SpkDr_L	Driver_Area	563994	male
spBar15	Enginecmpt.	564135	male	SpkDr_R	Driver_Area	563994	male
spBar16	Enginecmpt.	564135	male	Sub1.A	Passenger_Area	564004	female
spBar19	Condensorcmt.	564135	male	Sub2	Passenger_Area	564004	male
spBar20	Condensorcmt.	564135	male	Sw1.C258	Driver_Area	561188	female
spBar21	Condensorcmt.	564135	male	Sw1.C259	Driver_Area	561186	male
spBar22	Enginecmpt.	564135	male	Sw2	Dash	562763	male
spBar23	Enginecmpt.	564135	male	Sw3	Dash	562763	male
spBar24	Enginecmpt.	564135	male	Sw4	Dash	562763	male
spBar26	Rear_Axle_Cmpt	564135	male	Sw6	Dash	562763	male
spBar27	Rear_Axle_Cmpt	564135	male	Sw10A	LH_Console	562763	male
Spk1_L	Parcel_Rack_LH	563994	male	Sw12	Dash	562763	male
Spk1_R	Parcel_Rack_RH	563994	male	Sw14	Dash	562763	male
Spk2_L	Parcel_Rack_LH	563994	male	Sw16	Dash	562763	male
Spk2_R	Parcel_Rack_RH	563994	male	Sw17	Dash	562763	male
Spk3_L	Parcel_Rack_LH	563994	male	Sw18A	LH_Console	562763	male
Spk3_R	Parcel_Rack_RH	563994	male	Sw20	Dash	562763	male
Spk4_L	Parcel_Rack_LH	563994	male	Sw21	Dash	562763	male
Spk4_R	Parcel_Rack_RH	563994	male	Sw24	Dash	562763	male
Spk5_L	Parcel_Rack_LH	563994	male	Sw25	Dash	562763	male
Spk5_R	Parcel_Rack_RH	563994	male	Sw26	Dash	562763	male
Spk6_L	Parcel_Rack_LH	563994	male	Sw27	Dash	562763	male
Spk6_R	Parcel_Rack_RH	563994	male	Sw29	Dash	562763	male
Spk7_L	Parcel_Rack_LH	563994	male	Sw30	RJB	563135	male
Spk7_R	Parcel_Rack_RH	563994	male	Sw32	Dash	561477	female
Spk8_L	Parcel_Rack_LH	563994	male	Sw33	Dash	561476	male

# CONNECTORS LIST

No	Location	Part #	Gender	No	Location	Part #	Gender
Sw34	Outside_Front_RH	562477	male	Sw98.C	WCLsystem	562615	female
Sw35	Console	562763	male	Sw100A	Dash	562763	male
Sw38	LH_Console	562763	male	Sw102	RJB	561566	female
Sw40	LH_Console	561690	male	Sw109.A	1st_Lugg_LH	560079	female
Sw41	LH_Console	562749	male	Sw109.B	1st_Lugg_LH	560079	female
Sw42	WCLCmpt.	561635	female	Sw110.A	1st_Lugg_RH	560079	female
Sw43	LH_Console	561690	male	Sw110.B	1st_Lugg_RH	560079	female
Sw44.A	Servicecmpt.	562403	female	Sw111.A	2ndlugg.cmpt.	560079	female
Sw45.A	3rd_Lugg_Cmpt	562403	female	Sw111.B	2ndlugg.cmpt.	560079	female
Sw46.A	3rd_Lugg_Cmpt	562403	female	Sw112.A	2ndlugg.cmpt.	560079	female
Sw46A.A	3rdlugg.cmpt.	562403	female	Sw112.B	2ndlugg.cmpt.	560079	female
Sw49.A	2nd_Lugg_Cmpt	562403	female	Sw113.A	2ndlugg.cmpt.	560079	female
Sw50.A	2nd_Lugg_Cmpt	562403	female	Sw113.B	2ndlugg.cmpt.	560079	female
Sw51.A	1st_Lugg_Cmpt	562403	female	Sw114.A	3rd_Lugg_RH	560079	female
Sw52.A	1st_Lugg_Cmpt	562403	female	Sw114.B	3rd_Lugg_RH	560079	female
Sw55..A	Lavatory	560488	female	Sw115.A	Compr_Door	560079	female
Sw55..B	Lavatory	560488	female	Sw115.B	Compr_Door	560079	female
Sw56..A	Lavatory	560488	female	Sw124	Dash	562763	male
Sw56..B	Lavatory	560488	female	Sw125.A	Service_Cmpt	561457	female
Sw58	EngineCmpt.	563135	male	Sw125.B	Service_Cmpt	561457	female
Sw59	Enginecmpt.	563135	male	Sw134.A	WCLArea	562615	female
Sw63A	LHConsole	562763	male	Sw134.B	WCLArea	562615	female
Sw64.A	Service_Cmpt	560815	female	Sw134.C	WCLArea	562615	female
Sw64.B	Service_Cmpt	560815	female	Sw135.A	WCLdoor	562119	female
Sw80A	Dash	562763	male	Sw135.B	WCLdoor	562119	female
Sw82	RJB	563135	male	Sw135.C	WCLdoor	562119	female
Sw83.A	Dash	560082	female	Sw137	Dash	562763	male
Sw83.B	Dash	560815	female	Sw140	FJB	561566	female
Sw83.C	Dash	560082	female	Sw142	LHConsole	562763	male
Sw83.D	Dash	560815	female	Sw149	Dash	562763	male
Sw83A	Dash	562581	male	Sw153	Dash	562763	male
Sw85	LH_Console	562749	male	Sw156	LH_Console	562763	male
Sw95.A	WCLdoor	562615	female	Sw157	Dash	562763	male
Sw95.B	WCLdoor	562615	female	Sw158	Dash	562763	male
Sw95.C	WCLdoor	562615	female	Sw313..A	Lavatory	562615	female
Sw96.A	WCL_Door	562615	female	Sw313..B	Lavatory	562615	female
Sw96.B	WCL_Door	562615	female	Sw313..C	Lavatory	562615	female
Sw96.C	WCLdoor	562615	female	sym770_34.A		561566	female
Sw97.A	WCLsystem	562615	female	sym770_34.B		561781	female
Sw97.B	WCLsystem	562615	female	sym807_496	Parcel_Rack_RH	3MEPS400	outofrange.
Sw97.C	WCLsystem	562615	female	sym812_291.A	Parcelrack	565180	female
Sw98.A	WCLsystem	562615	female	sym812_496	Parcel_Rack_RH	3MEPS400	outofrange.
Sw98.B	WCLsystem	562615	female	sym813_496	Parcel_Rack_RH	3MEPS400	outofrange.

# CONNECTORS LIST

No	Location	Part #	Gender	No	Location	Part #	Gender
tab69	Parcelrack	561626	N/A	Y81	Cond_Cmpt	563793	male
Tab70a	Parcelrack	561626	N/A				
Tab70b	Parcelrack	561626	N/A				
Tab600		561904	N/A				
Tab601		561108	N/A				
Tab602		561108	N/A				
Tab603		561108	N/A				
Tab604		561108	N/A				
Term_WCL		562505	N/A				
TermL248B1		562505	N/A				
TermL248B2		562505	N/A				
TermL248B3		562505	N/A				
TermL249B2		562505	N/A				
TermL249B5		562505	N/A				
TermL250B		562505	N/A				
V_P		563071	male				
V_P		563040	female				
VECF1	FJB	563186	male				
VECF2	FJB	563183	male				
VECF3	FJB	563185	male				
VECF4	FJB	563182	male				
VECF9	FJB	563448	male				
VECF10	FJB	563181	male				
VECF11	FJB	563184	male				
VECF12	FJB	563187	male				
VECPR1	Parcelrack_LH	563715	male				
VECPR2_plug	Parcelrack_LH	563716	male				
VECPR3_plug	Parcelrack_LH	563718	male				
VECPR4	Parcelrack_LH	563714	male				
VECPR5	Parcelrack_LH	566021	male				
VECPR6	Parcelrack_LH	566020	male				
VECR1	RJB	563186	male				
VECR2	RJB	563183	male				
VECR3	RJB	563185	male				
VECR4	RJB	563182	male				
VECR9	RJB	563448	male				
VECR10	RJB	563181	male				
VECR11	RJB	563184	male				
VECR12	RJB	563187	male				
VECT2_plug	RearVehicle	563716	male				
VECT3	RearVehicle	563718	male				
VECT4	RearVehicle	563714	male				
Y80	Engine_Cmpt	563789	male				



# CONNECTORS LIST

No	Location	Part #	Gender	No	Location	Part #	Gender
24SS_OP	Parcel_Rack_LH	563071	male	A34.K	Enginectmpt.	564270	male
24SS_OP	Parcel_Rack_LH	563040	female	A34.L	Enginectmpt.	564269	male
24SS_OP_2	Parcel_Rack_LH	563071	male	A36.JA	FJB	562767	male
24SS_OP_2	Parcel_Rack_LH	563040	female	A36.JB	FJB	562765	male
120V_inlet	Rearvehicule	561572	male	A36.JC	FJB	562957	male
A1	RJB	563975	male	A39.P101	Parcel_Rack_LH	563201	male
A2	FJB	563984	male	A39.P901	Parcel_Rack_LH	563953	male
A3	Dash	562363	male	A40	FJB	563884	male
A4.A	Service_Cmpt	562428	female	A41.J1	FJB	563679	male
A4.B	Service_Cmpt	561188	female	A41.J2	FJB	564037	male
A5	Service_Cmpt	562428	female	A41.J3	FJB	564004	male
A6	Engine_Cmpt	562427	male	A60.A	Parcel_Rack_LH	563071	male
A7	Rear_Axle_Cmpt	563979	male	A60.B	Parcel_Rack_LH	562706	female
A9.Cx1	FJB	564041	female	A60.C	Parcel_Rack_LH	901110	male
A9.Cx2	FJB	563678	male	A60.D	Parcel_Rack_LH	901110	male
A9.Cx3	FJB	564037	female	A61.A	Parcel_Rack_LH	562464	male
A9.Cx4	FJB	564038	female	A61.B	Parcel_Rack_LH	562465	male
A10.X1	Engine_Cmpt	563135	male	A65.A	Parcel_Rack_LH	563025	male
A10.X3	Engine_Cmpt	563134	female	A65.B4	Parcel_Rack_LH	bidon	male
A11	LH_Console	563142	male	A65.B5	Parcel_Rack_LH	bidon	male
A14.A	Dash	562766	male	A65.B6	Parcel_Rack_LH	bidon	male
A14.B	Dash	562767	male	A65.D	Parcel_Rack_LH	bidon	male
A14.C	Dash	562765	male	A65.E	Parcelrack	563071	male
A15	Dash	562464	male	A65.G1	Parcel_Rack_LH	563071	male
A17.D	RJB	561932	male	A65.G2	Parcel_Rack_LH	563071	male
A18.J1	FJB	562794	male	A65.G3	Parcel_Rack_LH	563071	male
A18.J2	FJB	562650	male	A65.H1	Parcel_Rack_LH	561716	female
A19	LH_Console	562878	female	A65.H2	Parcel_Rack_LH	561716	female
A20	Parcel_Rack_LH	561477	female	A65.H3	Parcel_Rack_LH	561716	female
A24.A	RH_Console	561890	male	A65.J	Parcel_Rack_LH	562465	male
A24.B	RH_Console	561566	female	A69L.A	Parcel_Rack_LH	563025	male
A24.C	RH_Console	561889	female	A69L.B1	Parcel_Rack_LH	bidon	male
A25	Parcel_Rack_LH	563025	male	A69L.B2	Parcel_Rack_LH	bidon	male
A26.P1	Enginectmpt.	562350	male	A69L.B3	Parcel_Rack_LH	bidon	male
A26.P2	Enginectmpt.	563322	female	A69L.B4	Parcel_Rack_LH	bidon	male
A26.P4	Enginectmpt.	568088	male	A69L.C	Parcel_Rack_LH	bidon	male
A27	Service_Cmpt	562929	male	A69R.A	Parcel_Rack_LH	563025	male
A28	Service_Cmpt	562928	male	A69R.B1	Parcel_Rack_LH	bidon	male
A29.	Dash	562464	male	A69R.B2	Parcel_Rack_LH	bidon	male
A29.	Dash	565871	female	A69R.B3	Parcel_Rack_LH	bidon	male
A33.A	Parcel_Rack_LH	563071	male	A69R.B4	Parcel_Rack_LH	bidon	male
A33.B	Parcel_Rack_LH	562330	female	A69R.C	Parcel_Rack_LH	bidon	male
A34.J	Enginectmpt.	568118	male	A70a	Front_Roof	561540	female

# CONNECTORS LIST

No	Location	Part #	Gender	No	Location	Part #	Gender
A70b	Front_Roof	561540	female	A121.Vsb	Dash	563678	male
A77	Parcelrack	564547	male	A121.Vsc	Dash	564037	male
A78	Parcelrack	562583	female	A121.Vsd	Dash	564118	male
A79	Parcelrack	562583	female	A122.A	Parcelrack	563960	male
A80	Parcelrack	562479	female	A122.B	Parcelrack	563962	male
A81.JA	FJB	562767	male	A122.C1	Parcelrack	563956	male
A81.JB	FJB	562765	male	A122.C2	Parcelrack	563957	male
A81.JC	FJB	562957	male	A122.C3	Parcelrack	563958	male
A83.A	FJB	565970	female	A123.A	Parcelrack	563960	male
A95.A	Parcelrack	564489	female	A123.B	Parcelrack	563962	male
A95.B	Parcelrack	562706	female	A123.C1	Parcelrack	563956	male
A95.C	Parcelrack	562706	female	A123.C2	Parcelrack	563957	male
A96.A	FJB	564205	male	A123.C3	Parcelrack	563958	male
A97	Dash	563226	male	A124.A	Parcelrack	563960	male
A97A	FJB	563226	male	A124.B	Parcelrack	563962	male
A97A	FJB	563613	female	A124.C1	Parcelrack	563956	male
A97B	FJB	563226	male	A124.C2	Parcelrack	563957	male
A97B	FJB	563613	female	A124.C3	Parcelrack	563958	male
A97S.A1	Dash	564401	male	A130	Driver_Area	563226	male
A97S.A2	Dash	564402	male	A131.A	Engine_Cmpt	561782	male
A97S.A3	Dash	564403	male	A131.B	Engine_Cmpt	561781	female
A99	FJB	564205	male	A137A	Condensercmpt.	20429843	male
A100	Front_Axle	563632	male	A138	Cond_Cmpt	563787	male
A101	Rear_Axle	563632	male	A139	Dash	564501	male
A102	Rear_Axle	563632	male	A150	Parcelrack	21280133	male
A103	Dash	562070	female	A152.A	Parcelrack	561550	male
A107	EngineCmpt.	560336	male	A152.B	Parcelrack	563071	male
A108	RJB	562766	male	A152.C	Parcelrack	563071	male
A109A	FJB	564141	male	A152.D	Parcelrack	563071	male
A111	RJB	562550	female	A152.E	Parcelrack	563071	male
A113.A	Parcel_Rack_LH	563960	male	A152.F	Parcelrack	563071	male
A113.B	Parcel_Rack_LH	563962	male	A152.G	Parcelrack	563071	male
A113.C1	Parcel_Rack_LH	563956	male	A152.H	Parcelrack	563071	male
A113.C2	Parcel_Rack_LH	563957	male	A152.I	Parcelrack	563071	male
A113.C3	Parcel_Rack_LH	563958	male	A152.J	Parcelrack	563071	male
A114A	Dash	564252	male	A152.K	Parcelrack	562779	male
A120.A	Dashboard	563960	male	A152.L	Parcelrack	562779	male
A120.B	Dashboard	563962	male	A162.A	FrontCab	561566	female
A120.C1	Dashboard	563956	male	A162.B	FrontCab	561782	male
A120.C2	Dashboard	563957	male	A164.A	RH_trapezoidal_window	561566	female
A120.C3	Dashboard	563958	male	A164.B	RH_trapezoidal_window	561782	male
A121.Vsa	Dash	563679	male	A165	Driver_Area	560641	male

# CONNECTORS LIST

No	Location	Part #	Gender	No	Location	Part #	Gender
A166	RearCab	561637	male	AE52.J1	RJB	563679	male
AE41.J1	FJB	563679	male	AE52.J2	RJB	564037	female
AE41.J2	FJB	564037	female	AE52.J3	RJB	565957	male
AE41.J3	FJB	564004	male	AE53.J1	LH_ParcelRack	563679	male
AE42.J1	FJB	563679	male	AE53.J2	LH_ParcelRack	564037	female
AE42.J2	FJB	564037	female	AE53.J3	LH_ParcelRack	565957	male
AE42.J3	FJB	564004	male	AE54.J1	Evaporatorcmpt.	563679	male
AE43.J1	FJB	563679	male	AE54.J2	Evaporatorcmpt.	564037	female
AE43.J2	FJB	564037	male	AE54.J3	Evaporatorcmpt.	565957	male
AE43.J3	FJB	565957	male	AE55.J1	Dash	563679	male
AE44.J1	FJB	563679	male	AE55.J2	Dash	564037	female
AE44.J2	FJB	564037	female	AE55.J3	Dash	564004	male
AE44.J3	FJB	565957	male	AE56.J1	Dash	563679	male
AE45.J1	FJB	563679	male	AE56.J2	Dash	564037	male
AE45.J2	FJB	564037	female	AE56.J3	Dash	564004	male
AE45.J3	FJB	565957	male	AE57.J1	WCLcmpt.	563679	male
AE46.J1	FJB	563679	male	AE57.J2	WCLcmpt.	564037	male
AE46.J2	FJB	564037	female	AE57.J3	WCLcmpt.	564004	male
AE46.J3	FJB	565957	male	AltLL.A	Enginecmpt.	563746	female
AE47.J1	RH_console	563679	male	AltLL.B	Enginecmpt.	560815	female
AE47.J2	RH_console	564037	female	AltLL.C	Enginecmpt.	564469	female
AE47.J3	RH_console	565957	male	AltLR.A	enginecmpt.	563746	female
AE48.J1	RH_console	563679	male	AltLR.B	Enginecmpt.	560815	female
AE48.J2	RH_console	564037	female	AltLR.C	Enginecmpt.	564469	female
AE48.J3	RH_console	565957	male	AltUR.A	Enginecmpt.	563746	female
AE49..J1	RJB	563679	male	AltUR.B	Enginecmpt.	560815	female
AE49..J2	RJB	564037	male	AltUR.C	Enginecmpt.	564469	female
AE49..J3	RJB	565957	male	B85	Engine_Cmpt	563815	male
AE49.J1	RJB	563679	male	B96	Engine_Cmpt	563821	male
AE49.J2	RJB	564037	male	B96B	Engine_Cmpt	563823	male
AE49.J3	RJB	565957	male	B97	Engine_Cmpt	563816	male
AE50..J1	RJB	563679	male	B98	Engine_Cmpt	563817	male
AE50..J2	RJB	564037	male	B99	Engine_Cmpt	563815	male
AE50..J3	RJB	565957	male	B115A	Enginecmpt.	564226	male
AE50.J1	RJB	563679	male	B142C	Condensercmpt.	563793	male
AE50.J2	RJB	564037	male	B310	Enginecmpt.	565967	male
AE50.J3	RJB	565957	male	C1	FJB	563589	male
AE51.J1	RJB	563679	male	C1	FJB	563590	female
AE51.J2	RJB	564037	female	C1S	FJB	563589	male
AE51.J3	RJB	565957	male	C1S	FJB	563590	female
AE52..J1	RJB	563679	male	C2	Service_Cmpt	563580	male
AE52..J2	RJB	564037	male	C2	Service_Cmpt	563581	female
AE52..J3	RJB	565957	male	C2A	FJB	563580	male

# CONNECTORS LIST

No	Location	Part #	Gender	No	Location	Part #	Gender
C2A	FJB	563581	female	C19	RJB	561986	male
C2B	FJB	564034	male	C19	RJB	561987	female
C2B	FJB	564035	female	C20A	Evap_Cmpt	562485	male
C3_plug	RJB	563589	male	C20A	Evap_Cmpt	562486	female
C3_socket	RJB	563590	female	C20B	Evap_Cmpt	562485	male
C3AP	FJB	563589	male	C20B	Evap_Cmpt	562486	female
C3AP	FJB	563590	female	C23	Evaporatorcmpt.	564034	male
C3AS	FJB	563589	male	C23	Evaporatorcmpt.	564035	female
C3AS	FJB	563590	female	C24_plug	Evap_Cmpt	561690	male
C3S	RJB	563593	male	C24_socket	Evap_Cmpt	561566	female
C3S	RJB	563590	female	C25	Parcel_Rack_LH	561550	male
C4	FJB	563580	male	C25	Parcel_Rack_LH	561667	female
C4	FJB	563581	female	C26	Ureacmpt.	563226	male
C5	FJB	563589	male	C26	Ureacmpt.	563613	female
C5	FJB	563590	female	C26A	Ureacmpt	568110	male
C5S	FJB	563589	male	C26A	Ureacmpt	568109	female
C5S	FJB	563590	female	C26B	Ureacmpt.	563227	male
C6	FJB	563582	male	C26B	Ureacmpt.	563614	female
C6	FJB	563583	female	C29	4rd_Lugg_Cmpt	563651	male
C7	Service_Cmpt	562581	male	C29	3rd_Lugg_Cmpt	563652	female
C7	Service_Cmpt	562583	female	C30	3rd_Lugg_Cmpt	561710	male
C8	FJB	563227	male	C30	3rd_Lugg_Cmpt	561709	female
C8	FJB	563614	female	C31W	Parcelrack	563227	male
C9	RJB	561986	male	C31W	Parcelrack	563614	female
C9	RJB	561987	female	C32	lavatory	561734	male
C10	Engine_Cmpt	562581	male	C32	Lavatory	561735	female
C10	Engine_Cmpt	562583	female	C32W	WCLcmpt.	561669	male
C11	Service_Cmpt	563580	male	C32W	WCLcmpt.	561670	female
C11	Service_Cmpt	563581	female	C33	WCLcmpt.	564034	male
C12	Engine_Cmpt	562581	male	C33	WCLcmpt.	564035	female
C12	Engine_Cmpt	562583	female	C34	RH_Console	561986	male
C13_plug	RH_Console	563589	male	C34	RH_Console	561987	female
C13_socket	RH_Console	563590	female	C36	FJB	561986	male
C13S	RH_Console	563589	male	C36	FJB	561987	female
C13S	RH_Console	563590	female	C37.	Parcel_Rack_LH	561734	male
C15A	EvaporatorCmpt	568110	male	C37.	Parcel_Rack_LH	561735	female
C15A	EvaporatorCmpt	568109	female	C38.	Parcelrack	561734	male
C16	RJB	561577	male	C38.	Parcelrack	561735	female
C16	RJB	561605	female	C39	Parcelrack	562503	male
C17	RJB	560195	male	C39	Parcelrack	562507	female
C17	RJB	560169	female	C39A	Firesuppressioncmpt.	561782	male
C18	FJB	561986	male	C39A	Firesuppressioncmpt.	561781	female
C18	FJB	561987	female	C40	Dash	562485	male

# CONNECTORS LIST

No	Location	Part #	Gender	No	Location	Part #	Gender
C40	Dash	562486	female	C74	FJB	561645	female
C41	RJB	561782	male	C74	FJB	561646	male
C41	RJB	561781	female	C87	Engine_Cmpt	562485	male
C44_plug	FJB	561577	male	C87	Engine_Cmpt	562486	female
C44_socket	FJB	561605	female	C88	WCL_Cmpt.	563226	male
C45	FJB	561643	male	C88	WCL_Cmpt.	563613	female
C45	FJB	561642	female	C90	RJB	563582	male
C46	3rdlugg.cmpt.	562549	male	C90	RJB	563583	female
C46	3rdlugg.cmpt.	562550	female	C91	RJB	562285	male
C47	FJB	565207	male	C91	RJB	562282	female
C48	RJB	565208	male	C94_plug	FJB	563589	male
C49	FJB	562005	male	C94_socket	FJB	563590	female
C49	FJB	561714	female	C96	FJB	561646	male
C50	RJB	563933	male	C96	FJB	561645	female
C50	RJB	563932	female	C97	FJB	561643	male
C54	Engine_Cmpt.	563226	male	C97	FJB	561642	female
C54	Engine_Cmpt.	563613	female	C99	Enginecmpt.	562581	male
C54A	Ureacmpt	568110	male	C99	Enginecmpt.	562583	female
C54A	Ureacmpt	568109	female	C100	Evaporatorcmpt.	562477	male
C54B	Engine_Cmpt.	562477	male	C100	Evaporatorcmpt.	562479	female
C54B	Engine_Cmpt.	562479	female	C100S	Evaporator_Cmpt.	562477	male
C55	Evap_Cmpt	561577	male	C100S	Evaporator_Cmpt.	562479	female
C55	Evap_Cmpt	561605	female	C101	Service_Cmpt	561690	male
C59	RJB	561643	male	C101	Service_Cmpt	561566	female
C59	RJB	561642	female	C103_plug	FJB	562485	male
C63	Entrance_Door	562581	male	C103_socket	FJB	562486	female
C63	Entrance_Door	562583	female	C105_plug	FJB	562581	male
C64	Engine_Cmpt	568110	male	C105_socket	FJB	562583	female
C64	Engine_Cmpt	568109	female	C106_plug	FJB	562581	male
C64X	Aisle_section	560898	male	C106_socket	FJB	562583	female
C64X	Aisle_section	560900	female	C107A	Enginecmpt.	562885	female
C66_plug	Evap_Cmpt	561577	male	C107A	Enginecmpt.	562884	female
C66_socket	Evap_Cmpt	561605	female	C107B	Enginecmpt.	562885	female
C67	Parcelrack	561734	male	C107B	Enginecmpt.	562884	female
C67	Parcelrack	561735	female	C107C	Enginecmpt.	562885	female
C69_plug	FJB	561690	male	C107C	Enginecmpt.	562884	female
C69_socket	FJB	561566	female	C108	Dash	562557	male
C70	FJB	562557	male	C108	dash	562558	female
C70	FJB	562558	female	C110	Dash	568110	male
C71	FJB	561646	male	C110	Dash	568109	female
C71	FJB	561645	female	C119A	Rear_engine_door	568110	male
C72	FJB	561646	male	C119A	Rear_engine_door	568109	female
C72	FJB	561645	female	C124	DashBoard	562503	male

# CONNECTORS LIST

No	Location	Part #	Gender	No	Location	Part #	Gender
C124	DashBoard	562507	female	C195	dash	563347	male
C129	DashBoard	563858	male	C195	dash	560489	female
C129	DashBoard	563859	female	C206	Parcel_Rack_RH	562503	male
C131A	Engine_Cmpt	561782	male	C206	Parcel_Rack_RH	562507	female
C131A	Engine_Cmpt	561781	female	C207	Parcel_Rack_LH	562503	male
C131B	Engine_Cmpt	561782	male	C207	Parcel_Rack_LH	562507	female
C131B	Engine_Cmpt	561781	female	C213	Parcel_Rack_LH	561515	male
C144	RJB	560852	male	C213	Parcel_Rack_LH	561552	female
C144	RJB	560851	female	C222	FJB	562477	male
C152	Cond_Cmpt	561611	male	C222	FJB	562479	female
C152	Cond_Cmpt	561610	female	C223	FJB	563227	male
C162	FrontCab	561690	male	C223	FJB	563614	female
C162	FrontCab	561566	female	C224	FJB	561637	male
C164A	RH_Trapezoidal_Window	561690	male	C224	FJB	561636	female
C164A	RH_Trapezoidal_Window	561566	female	C225	FJB	562650	male
C164AA	RH_Trapezoidal_Window	561690	male	C225	FJB	562649	female
C164AA	RH_Trapezoidal_Window	561566	female	C226	FJB	562650	male
C164B	RH_Trapezoidal_Window	561782	male	C226	FJB	562649	female
C164B	RH_Trapezoidal_Window	561781	female	C226a_plug	FJB	562650	male
C164BB	RH_Trapezoidal_Window	561782	male	C226a_socket	FJB	562649	female
C164BB	RH_Trapezoidal_Window	561781	female	C279	Service_Cmpt	562477	male
C166	RH_Trapezoidal_Window	561637	male	C279	Service_Cmpt	562479	female
C166	RH_Trapezoidal_Window	561636	female	C279A	Service_Cmpt	562477	male
C167	FJB	561577	male	C279A	Service_Cmpt	562479	female
C167	FJB	561605	female	C284	Parcel_Rack	561782	male
C170	LH_Console	561637	male	C284	Parcel_Rack	561781	female
C170	LH_Console	561636	female	C284_1	Parcel_Rack	561782	male
C171	LH_Console	561646	male	C284_1	Parcel_Rack	561781	female
C171	LH_Console	561645	female	C284_2	Parcel_Rack	561782	male
C175	RJB	563226	male	C284_2	Parcel_Rack	561781	female
C175	RJB	563613	female	C284_3	Parcel_Rack	561782	male
C175.	RJB	563226	male	C284_3	Parcel_Rack	561781	female
C175.	RJB	563613	female	C284_4	Parcel_Rack	561782	male
C187	RJB	561577	male	C284_4	Parcel_Rack	561781	female
C187	RJB	561605	female	C284_5	Parcel_Rack	561782	male
C188	Evap_Cmpt	561577	male	C284_5	Parcel_Rack	561781	female
C188	Evap_Cmpt	561605	female	C284_6	Parcel_Rack	561782	male
C189	RJB	561986	male	C284_6	Parcel_Rack	561781	female
C189	RJB	561987	female	C298	Parcelrack	561611	male
C193_plug	RJB	563589	male	C298	Parcelrack	561610	female
C193_socket	RJB	563590	female	C333	Upper_front	561550	male
C194	FJB	563589	male	C333	Upper_front	561667	female
C194	FJB	563590	female	C355	RJB	563582	male

# CONNECTORS LIST

No	Location	Part #	Gender	No	Location	Part #	Gender
C355	RJB	565887	female	C564	Parcelrack	562503	male
C356	Parcelrack	561710	male	C564	Parcelrack	562507	female
C356	Parcelrack	561709	female	C564_Sp	Parcelrack	562503	male
C357	Parcelrack	561847	male	C564_Sp	Parcelrack	562507	female
C357	Parcelrack	561862	female	C566	Parcelrack	562503	male
C380A	Dash	564222	male	C566	Parcelrack	562507	female
C380A	Dash	564224	female	C567	Parcelrack	562503	male
C381	Parcel_Rack	561847	male	C567	Parcelrack	562507	female
C381	Parcel_Rack	561862	female	C574	Parcel_Rack_RH	562549	male
C382	Under_Seat	561580	male	C574	Parcel_Rack_RH	562550	female
C382	Under_Seat	561582	female	C575	Parcel_Rack_RH	562503	male
C397	RJB	562285	male	C575	Parcel_Rack_RH	562507	female
C397	RJB	562282	female	C576B	Parcel_Rack_RH	562006	male
C397.	RJB	562285	male	C576B	Parcel_Rack_RH	560908	female
C397.	RJB	562282	female	C576BB	Parcelrack	562006	male
C430	LH_Console	562363	male	C576BB	Parcelrack	560908	female
C430	LH_Console	561188	female	C577A	Parcel_Rack	562006	male
C452	Dash	561986	male	C577A	Parcel_Rack	560908	female
C452	Dash	561987	female	C577AA	Parcelrack	562006	male
C463	Rearaxlecmpt	568112	male	C577AA	Parcelrack	560908	female
C463	Rearaxlecmpt	568111	female	C578	Parcel_Rack_LH	562503	male
C464	FJB	564222	male	C578	Parcel_Rack_LH	562507	female
C464	FJB	564224	female	C579	Parcel_Rack_LH	562549	male
C464A	Dash	564222	male	C579	Parcel_Rack_LH	562550	female
C464A	Dash	564224	female	C582	FJB	561690	female
C464B	FJB	564222	male	C582	FJB	561566	female
C464B	FJB	564224	female	C600	Dash	563226	male
C465	Parcelrack	562581	male	C600	Dash	563613	female
C465	Parcelrack	562583	female	C600A	Dash	563226	male
C506	FJB	561687	male	C600A	Dash	563613	female
C506	FJB	561685	female	C600B	Dash	563226	male
C540	Parcelrack	562477	male	C600B	Dash	563613	female
C540	Parcelrack	562479	female	C601	LHRoofWinAjar	561476	male
C541	Parcelrack	563226	male	C601	LHRoofWinAjar	561477	female
C541	Parcelrack	563613	female	C602	RH_Roof_Win_Ajar	561476	male
C542	Parcelrack	561550	male	C602	RH_Roof_Win_Ajar	561477	female
C542	Parcelrack	561667	female	C603	RHRoofWinAjar	561476	male
C543	Parcelrack	561607	male	C603	RHRoofWinAjar	561477	female
C543	Parcelrack	561606	female	C612_plug	arcel_Rack_LH	561687	male
C545	Parcelrack	561550	male	C612_socket	arcel_Rack_LH	561685	female
C545	Parcelrack	561667	female	C614	Passenger_Area	563071	male
C558	Parcelrack	562503	male	C614	Passenger_Area	563040	female
C558	Parcelrack	562507	female	C615	Passenger_Area	563071	male

# CONNECTORS LIST

No	Location	Part #	Gender	No	Location	Part #	Gender
C615	Passenger_Area	563040	female	C_AUX	Parcelrack	563040	female
C617	Mirror_LH	563801	male	C_AUX_2	Parcelrack	563071	male
C617	Mirror_LH	563800	female	C_AUX_2	Parcelrack	563040	female
C618	Mirror_RH	563801	male	C_INV1	Parcelrack	562337	male
C618	Mirror_RH	563800	female	C_INV1	Parcelrack	562338	male
C620	FJB	562477	male	C_INV2	Parcelrack	562337	male
C620	FJB	562479	female	C_INV2	Parcelrack	562338	male
C660	Rear_Galley	562646	male	C_LineOut	Parcelrack	563962	male
C660	Rear_Galley	562647	female	C_LineOut	Parcelrack	564489	female
C662	FJB	562477	male	C_Mo9	Evap_Cmpt	561577	male
C662	FJB	562479	female	C_Mo9	Evap_Cmpt	561605	female
C700	FJB	561637	male	C_Mo9:2	Evap_Cmpt	561577	male
C700	FJB	561636	female	C_Mo9:2	Evap_Cmpt	561605	female
C710	Front_LH_ParcelRack	561637	male	C_Se51	dash	563589	male
C710	Front_LH_ParcelRack	561636	female	C_Se51	dash	563590	female
C752_plug	Parcel_Rack	901062	male	C_USB	Parcel_Rack	562069	male
C752_socket	Parcel_Rack	901283	female	C_USB	Parcel_Rack	562070	female
C753_plug	Parcel_Rack	901062	male	CCAN1	FJB	562650	male
C753_socket	Parcel_Rack	901283	female	CCAN1	FJB	562649	female
C766	Parcelrack	561662	male	CCAN2	FJB	562650	male
C766	Parcelrack	561661	female	CCAN2	FJB	562649	female
C768	Parcel_Rack	901062	male	CCAN3	FJB	562650	male
C768	Parcel_Rack	901283	female	CCAN3	FJB	562649	female
C769	Parcel_Rack	901062	male	CCAN4	FJB	562650	male
C769	Parcel_Rack	901283	female	CCAN4	FJB	562649	female
C777	Dash	562477	male	CCust	RJB	562477	male
C777	Dash	562479	female	CCust	RJB	562479	female
C_A60DB	Parcel_Rack	563071	male	CCust.	RJB	562477	male
C_A60DB	Parcel_Rack	563040	female	CCust.	RJB	562479	female
C_A69R	Parcel_Rack	563025	male	CFHPR1	Parcelrack	564560	male
C_A97	Dash	563226	male	CIND-1.A	Parcelrack	560908	female
C_A97	Dash	563613	female	CIND-1.B	Parcelrack	560908	female
C_ALT	Enginecmpt.	562581	male	CIND-2.A	Parcelrack	560908	female
C_ALT	Enginecmpt.	562583	female	CIND-2.B	Parcelrack	560908	female
C_ALT3	Enginecmpt.	562477	male	CIND-11.A	Parcelrack	560908	female
C_ALT3	Enginecmpt.	562479	female	CIND-11.B	Parcelrack	560908	female
C_AUDIO_AUX	Parcel_Rack	562557	male	CINDWC-1.A	Parcelrack	560908	female
C_AUDIO_AUX	Parcel_Rack	562558	female	CINDWC-1.B	Parcelrack	560908	female
C_Audio_HDMI_L	Parcel_Rack	901062	male	CL1	FJB	562485	male
C_Audio_HDMI_L	Parcel_Rack	901283	female	CL1	FJB	562486	female
C_Audio_HDMI_R	Parcel_Rack	901062	male	CP1	Passenger_Area	561782	male
C_Audio_HDMI_R	Parcel_Rack	901283	female	CP1	Passenger_Area	561781	female
C_AUX	Parcelrack	563071	male	CP2	Passenger_Area	561782	male



# CONNECTORS LIST

No	Location	Part #	Gender	No	Location	Part #	Gender
CP2	Passenger_Area	561781	female	L33	Parcelrack	560898	male
CP3	Passengersarea	561782	male	L34	Parcelrack	560898	male
CP3	Passengersarea	561781	female	L35	Parcelrack	560898	male
CP4	Passenger_Area	561782	male	L36	Parcelrack	560898	male
CP4	Passenger_Area	561781	female	L37	Parcelrack	560898	male
CP5	Passenger_Area	561782	male	L38	Parcelrack	560898	male
CP5	Passenger_Area	561781	female	L39	Parcelrack	560898	male
CPA17B	RJB	562337	male	L40	Parcelrack	560898	male
CPA17B	RJB	562338	female	L41	Parcelrack	560898	male
CSw102	Rear_vehicle	562549	male	L42	Parcelrack	560898	male
CSw102	Rear_vehicle	562550	female	L43	Parcelrack	560898	male
CSX1	Engine_Cmpt	563135	male	L44	Parcelrack	560898	male
CSX1	Engine_Cmpt	563134	female	L45	Parcelrack	560898	male
CSX3	Engine_Cmpt	563135	male	L46	Parcelrack	560898	male
CSX3	Engine_Cmpt	563134	female	L47	Parcelrack	560898	male
CT_IN	Rear_Vehicle	560167	male	L48	Parcelrack	560898	male
CT_IN	Rear_Vehicle	560159	female	L49	Parcelrack	560898	male
CT_IN2	Engine_Cmpt	560167	male	L50	Parcelrack	560898	male
CT_IN2	Engine_Cmpt	560159	female	L51	Parcelrack	560898	male
CT_Out	Rear_Vehicle	560233	female	L52	Parcelrack	560898	male
EI	Enginectmpt.	563739	male	L52	Parcelrack	560900	female
L1A	Engine_Cmpt	560774	male	L52A	Parcelrack	560898	male
L16.A	Frontroof	562615	female	L53	Parcelrack	560898	male
L16.B	Frontroof	562615	female	L53	Parcelrack	560900	female
L17.A	Frontroof	562615	female	L53A	Parcelrack	560898	male
L17.B	Frontroof	562615	female	L54	Parcelrack	560898	male
L18	Entrance_Door	562549	male	L54	Parcelrack	560900	female
L19	Entracedoor	562486	female	L54A	Parcelrack	560898	male
L20	Entracedoorstep	562486	female	L55	Parcelrack	560898	male
L21	Upper_front	560605	female	L55	Parcelrack	560900	female
L22	Upper_front	560605	female	L55A	Parcelrack	560898	male
L23	Upper_front	560605	female	L56	Parcelrack	560898	male
L24	Upper_front	560605	female	L56	Parcelrack	560900	female
L25	Upper_front	560605	female	L56A	Parcelrack	560898	male
L26	Upper_front	560605	female	L57	Parcelrack	560898	male
L27	Upper_front	560605	female	L57	Parcelrack	560900	female
L28	Parcelrack	560898	male	L57A	Parcelrack	560898	male
L29	Parcelrack	560898	male	L58	Parcelrack	560898	male
L30	Parcelrack	560898	male	L58	Parcelrack	560900	female
L30A.A	Parcelrack	560898	male	L58A	Parcelrack	560898	male
L30B.A	Parcelrack	560898	male	L63	Front_Side_LH	562155	male
L31	Parcelrack	560898	male	L64	Outside_Front_RH	562155	male
L32	Parcelrack	560898	male	L64X	Aisle_Section	560898	male

# CONNECTORS LIST

No	Location	Part #	Gender	No	Location	Part #	Gender
L65	Outside_Front_LH	562155	male	L153	Parcelrack	561186	male
L66	Out_Side_Front_LH	562155	male	L154	Parcelrack	561186	male
L67	4th_Lugg_Cmpt	562155	male	L155	Parcelrack	561186	male
L68	4th_Lugg_Cmpt	562155	male	L156	Parcelrack	561186	male
L69	4th_Lugg_Cmpt	562155	male	L157	Parcelrack	561186	male
L70	4th_Lugg_Cmpt	562155	male	L158	Parcelrack	561186	male
L72	Rear_Vehicle	562155	male	L173	Parcelrack	563590	female
L74	Rear_Vehicle	562155	male	L174A	Parcelrack	563590	female
L75	Rearenginedoor	562155	male	L175	Engine_Cmpt.	563590	female
L76	Rear_engine_door	562155	male	L176	5th_Lugg_Cmpt	561247	male
L81.A	Rear_Vehicle	562835	female	L177	5th_Lugg_Cmpt	561247	male
L81.B	Rear_Vehicle	562834	male	L178	3rd_Lugg_Cmpt	561247	male
L82A	Rearvehicule	562348	female	L179	3rd_Lugg_Cmpt	561247	male
L83A	Rearvehicule	562348	female	L180	2nd_Lugg_Cmpt	561247	male
L84	Rear_roof	562486	female	L181	2nd_Lugg_Cmpt	561247	male
L85	Rear_roof	562486	female	L182	1st_Lugg_Cmpt	561247	male
L86	Rear_roof	562486	female	L183	1st_Lugg_Cmpt	561247	male
L87	Rear_roof	562486	female	L184	Servicecmpt.	561247	male
L88	Rear_roof	562486	female	L185.A	Servicecmpt.	561539	male
L89	Rear_roof	562486	female	L185.B	Servicecmpt.	561539	male
L91A	Rearvehicule	562601	male	L186.A	Dash	561539	male
L92A	Rearvehicule	562601	male	L186.B	Dash	561539	male
L95	Outside_Front_LH	562485	male	L187	Engine_Cmpt	561690	male
L95A	Outside_Front_LH	562485	male	L188	Service_Cmpt	562486	female
L96	Outside_Front_RH	562485	male	L193.A	Dash	560488	female
L96A	Outside_Front_RH	562485	male	L193.B	Dash	560488	female
L97.A	Outside_Front_LH	563069	female	L194.A	Dash	562019	female
L97.B	Outside_Front_LH	563069	female	L194.B	Dash	560488	female
L98.A	Outside_Front_RH	563069	female	L195.A	Dash	560488	female
L98.B	Outside_Front_RH	563069	female	L195.B	Dash	560488	female
L140	Lavatory	561247	male	L199	Enginecmpt.	562848	male
L141	Upper_front	561247	male	L201	Upper_front	561247	male
L142	Lavatory	562006	male	L202	Upper_front	561247	male
L143	Parcel_rack	561186	male	L203	RH_Console	561690	male
L144	Parcelrack	561186	male	L204	Parcel_Rack_RH	562803	male
L145	Parcelrack	561186	male	L205	Enginecmpt.	562485	male
L146	Parcelrack	561186	male	L206	Parcel_Rack_RH	562803	male
L147	Parcelrack	561186	male	L211	Entrance_Door_step	562486	female
L148	Parcelrack	561186	male	L212	outside_rear_LH_RH	563589	male
L149	Parcelrack	561186	male	L213	outside_rear_LH_RH	563589	male
L150	Parcelrack	561186	male	L214	outside_rear_LH_RH	563589	male
L151	Parcelrack	561186	male	L243	Parcelrack	561186	male
L152	Parcelrack	561186	male	L244	Parcelrack	561186	male

# CONNECTORS LIST

No	Location	Part #	Gender	No	Location	Part #	Gender
L245	Parcelrack	561186	male	L650.A	Aisle_Section	560898	male
L246	Parcelrack	561186	male	L660_1	Rear_Galley	560898	male
L247	Parcel_rack	561186	male	L660_2	Rear_Galley	560898	male
L248	Parcelrack	561186	male	L660_3	Rear_Galley	560898	male
L249	Parcelrack	561186	male	L661.A	Rear_Galley	560081	female
L250	Parcel_rack	561186	male	L661.B	Rear_Galley	560081	female
L251	Parcel_rack	561186	male	Mic_Driver_1.A	Parcel_rack	560999	male
L252	Parcelrack	561186	male	Mic_Driver_2.A	Parcel_rack	560999	male
L253	Parcel_rack	561186	male	Mic_Driver_3.A	Parcel_rack	560999	male
L254	Parcelrack	561186	male	Mic_Guide_1.A	Parcel_rack	560999	male
L255	Parcel_rack	561186	male	Mic_Guide_2.A	Parcel_rack	560999	male
L256	Parcelrack	561186	male	Mic_Guide_3.A	Parcel_rack	560999	male
L257	Parcelrack	561186	male	Mo3	Dash	561667	female
L258	Parcel_rack	561186	male	Mo4	Dash	564161	male
L282	Engine_Cmpt	561690	male	Mo5	Upper_front	561550	male
L285.A	Rear_Vehicle	562835	female	Mo6	Front_vehicle	561690	male
L285.B	Rear_Vehicle	562834	male	Mo7	Cond_Cmpt	563691	male
L286.A	Rear_Vehicle	562835	female	Mo8	Cond_Cmpt	563691	male
L286.B	Rear_Vehicle	562834	male	Mo10	Parcel_rack	561515	male
L290	Engine_door	562565	female	Mo11	Parcel_rack	561515	male
L291	Engine_door	562565	female	Mo12	Engine_Cmpt	561690	male
L298A	Enginecmpt.	563590	female	Mo13	Engine_Cmpt	561690	female
L306	RJBcmpt.	561247	male	Mo14	Engine_Cmpt	561566	female
L309.	Rear_LH_Lugg	564576	male	Mo15	Front_Ceiling	560900	female
L309D.	Drivers_Area	564576	male	Mo16	Front_Ceiling	560900	female
L310.	Rear_LH_Lugg	564576	male	Mo17	RH_Console	563626	male
L310D.	Drivers_Area	564576	male	Mo19	Fr_Service_Door	562474	male
L314	Front_vehicle	562789	male	Mo20	Fr_Service_Door	562474	male
L315	Front_vehicle	562789	male	Mo21	Upper_front	561186	male
L319	Under_WCL_platform	561247	male	Mo22	RH_Console	561186	male
L350A.A	Rearaxlecmpt.	564552	male	Mo24	RH_Console	562348	female
L350A.B	Rearaxlecmpt.	563340	male	Mo25	RH_Console	562348	female
L350A.C	Rearaxlecmpt.	562251	male	Mo27	Cond_Cmpt	563691	male
L600	Luggage_Cmpt	562155	male	Mo28	Cond_Cmpt	563691	male
L601	Luggage_Cmpt	562155	male	Mo54	Service_Cmpt	562474	male
L602	Luggage_Cmpt	562155	male	Mo61	Parcel_rack	561248	female
L603	Luggage_Cmpt	562155	male	Mo62	FrontHatch	562486	female
L604	Luggage_Cmpt	562155	male	Mo63	RearHatch	562486	female
L605	Luggage_Cmpt	562155	male	Mo65	Enginecmpt.	568089	male
L606	Luggage_Cmpt	562155	male	Mo67	Enginecmpt.	568089	male
L607	Luggage_Cmpt	562155	male	Mo68	Enginecmpt.	568089	male
L634	Aisle_Section	560898	male	Mo69	Enginecmpt.	568089	male
L635	Aisle_Section	560898	male	Mo70	Enginecmpt.	568089	male

# CONNECTORS LIST

No	Location	Part #	Gender	No	Location	Part #	Gender
Mo71	Enginectpt.	568089	male	Res3.A	ParcelRack	563590	female
Mo72	Enginectpt.	568089	male	Res4	RH_Console	563590	female
Mo73	Enginectpt.	568089	male	Res6	FJB	563590	female
PC1	FJB	562650	male	Res6A	FJB	563589	male
PC1	FJB	562649	female	Res6A	FJB	563590	female
PF	FJB	561782	male	Res6B	FJB	563589	male
PF	FJB	561781	female	Res6B	FJB	563590	female
PF1	Passenger_Area	561782	male	Res7	dash	563590	female
PF1	Passenger_Area	561781	female	Res15	Engine_Cmpt	561782	male
PF1A	Passenger_Area	561782	male	Res31	Ureacmpt.	562350	male
PF1A	Passenger_Area	561781	female	Res32	Ureacmpt.	563764	female
Pot2	Dash	561550	male	Res46	FJB	563590	female
PR	Parcelrack	561782	male	Res53	dash	563590	female
PR	Parcelrack	561781	female	Res99	dash	563590	female
PR1	Passenger_Area	561782	male	Se2	Service_Cmpt	561566	female
PR1	Passenger_Area	561781	female	Se4	Window_RH	561477	female
PR1A	Passenger_Area	561782	male	Se5	Window_RH	561477	female
PR1A	Passenger_Area	561781	female	Se6	Window_RH	561477	female
R1	RJB	562486	female	Se7	Window_LH	561477	female
R3	RJB	563409	male	Se8	Window_LH	561477	female
R4	FJB	564496	male	Se9	Window_LH	561477	female
R5	RJB	564496	male	Se10	FJB	561477	female
R12	Evap_Cmpt	563409	male	Se11.A	Cond_Cmpt	560082	female
R16	RJB	564496	male	Se11.B	Cond_Cmpt	560082	female
R20	RJB	564496	male	Se11.C	Cond_Cmpt	560082	female
R21	FJB	560525	male	Se13	Engine_Cmpt	562350	male
R23A	FJB	564496	male	Se14.A	Driver_Area	561782	male
R26	Evap_Cmpt	564496	male	Se14.B	Driver_Area	561781	female
R27	Dash	564496	male	Se15	RH_Console	560898	male
R28	FJB	564496	male	Se17	Entrance_Door	560081	female
R29	RJB	563409	male	Se18	Servicecmpt.	561566	female
R30	FJB	564496	male	Se19_P	Service_Cmpt	563677	male
R31	FJB	564496	male	Se19_S	Service_Cmpt	563677	male
R34	RJB	564210	male	Se20	Evap_Cmpt	562426	male
R36	Dash	564496	male	Se21	Dash	561248	female
R37	Dash	564496	male	Se23	Engine_Cmpt	563159	male
R38	FJB	564496	male	Se24	Evap_Cmpt	563758	female
R40	RJB	564496	male	Se25	Passenger_Area	561248	female
R47	Parcelrack	564496	male	Se28	Pneumatic_plate	561690	male
R72	5th_Bay	563409	male	Se29	Engine_Cmpt	561566	female
R73	5th_Bay	563409	male	Se30	Enginedoor	562877	female
R210	Parcelrack	560525	male	Se31	Enginedoor	562877	female
R_12VIS	Parcel_rack	564496	male	Se32	Rear_Axle_Cmpt	562426	male

# CONNECTORS LIST

No	Location	Part #	Gender	No	Location	Part #	Gender
Se33	Rear_Axle_Cmpt	562856	male	So18	Pneumatic_plate	641385	male
Se34	Rear_Axle_Cmpt	562426	male	So19	Pneumatic_plate	641385	male
Se35	Rear_Axle_Cmpt	562426	male	So20	Servicecmpt.	641385	male
Se36	Rear_Axle_Cmpt	562427	male	So21	Front_Axle_Cmpt	564046	female
Se37	Front_Axle_LH	641132	female	So22	Front_Axle_Cmpt	564046	female
Se38	Front_Axle_RH	641132	female	So23	Rear_Axle_Cmpt	564046	female
Se39	Rear_Axle_LH	641132	female	So24	Rear_Axle_Cmpt	564046	female
Se40	Rear_Axle_LH	641132	female	So27	Rearaxlecmpt.	564045	female
Se41	Condensor_cmpt.	562877	female	So50	Rearaxlecmpt.	564046	female
Se45	Servicecmpt.	563409	male	So52	Rearaxlecmpt.	564045	female
Se46	Rearaxlecmpt.	562348	female	So54	Enginecmpt.	564045	female
Se49	Engine_Cmpt	561690	male	spBar4	Enginecmpt.	564135	male
Se51	Driverseat	563589	male	spBar5	Enginecmpt.	564135	male
Se53	Service_Cmpt	563159	female	spBar6	Enginecmpt.	564135	male
Se54	Service_Cmpt	563159	female	spBar7	Enginecmpt.	564135	male
Se55	Service_Cmpt	563159	female	spBar11	Engine_Cmpt.	564135	male
Se56	WCLdoor	562479	female	spBar12	Engine_Cmpt.	564135	male
Se60	Service_Cmpt	563409	male	spBar13	Enginecmpt.	564135	male
Se63	Rearaxlecmpt.	641132	female	spBar14	Enginecmpt.	564135	male
Se64	Rearaxlecmpt.	641132	female	spBar15	Enginecmpt.	564135	male
Se65	Dash	564042	female	spBar16	Enginecmpt.	564135	male
Se66	FJB	564039	female	spBar19	Condensorcmt.	564135	male
Se67	Frontaxlecmpt.	563159	female	spBar20	Condensorcmt.	564135	male
Se69	Frontaxlecmpt.	563159	female	spBar21	Condensorcmt.	564135	male
Se74	Rear_Axle_Cmpt	563340	male	spBar22	Enginecmpt.	564135	male
Se79	Front_Axle	563340	male	spBar23	Enginecmpt.	564135	male
Se89	EngineCmpt	562350	male	spBar24	Enginecmpt.	564135	male
Se94	WCLdoor	562877	female	spBar26	Front_Axle_Cmpt	564135	male
Se100	WCLdoor	562479	female	spBar27	Rear_Axle_Cmpt	564135	male
So3	RH_Console	641385	male	Spk1_L	Parcel_Rack_LH	563994	male
So4	RH_Console	641385	male	Spk1_R	Parcel_Rack_RH	563994	male
So5	RH_Console	641385	male	Spk2_L	Parcel_Rack_LH	563994	male
So6	RH_Console	641385	male	Spk2_R	Parcel_Rack_RH	563994	male
So7	Service_Cmpt	561566	female	Spk3_L	Parcel_Rack_LH	563994	male
So8	Servicecmpt.	641385	male	Spk3_R	Parcel_Rack_RH	563994	male
So9	Enginecmpt.	560016	female	Spk4_L	Parcel_Rack_LH	563994	male
So10	Cond_Cmpt	562485	male	Spk4_R	Parcel_Rack_RH	563994	male
So11	Cond_Cmpt	561566	female	Spk5_L	Parcel_Rack_LH	563994	male
So13	Evap_Cmpt	563204	female	Spk5_R	Parcel_Rack_RH	563994	male
So14	Servicecmpt.	641385	male	Spk6_L	Parcel_Rack_LH	563994	male
So15	Servicecmpt.	641385	male	Spk6_R	Parcel_Rack_RH	563994	male
So16	Servicecmpt.	641385	male	Spk7_L	Parcel_Rack_LH	563994	male
So17	Servicecmpt.	562848	male	Spk7_R	Parcel_Rack_RH	563994	male

# CONNECTORS LIST

No	Location	Part #	Gender	No	Location	Part #	Gender
Spk8_L	Parcel_Rack_LH	563994	male	Sw32	Dash	561477	female
Spk8_R	Parcel_Rack_RH	563994	male	Sw33	Dash	561476	male
Spk9_L	Parcel_Rack_LH	563994	male	Sw34	Outside_Front_RH	562477	male
Spk9_R	Parcel_Rack_RH	563994	male	Sw35	Console	562763	male
Spk10_L	Parcel_Rack_LH	563994	male	Sw38	LH_Console	562763	male
Spk10_R	Parcel_Rack_RH	563994	male	Sw39.A	RJB	562403	female
Spk11_L	Parcel_Rack_LH	563994	male	Sw39.B	RJB	562403	female
Spk11_R	Parcel_Rack_RH	563994	male	Sw40	LH_Console	561690	male
Spk12_L	Parcel_Rack_LH	563994	male	Sw41	LH_Console	562749	male
Spk12_R	Parcel_Rack_RH	563994	male	Sw42	Lugg_Cmpt	561636	female
Spk13_L	Parcel_Rack_LH	563994	male	Sw43	LH_Console	561690	male
Spk13_R	Parcel_Rack_RH	563994	male	Sw44.A	FJB	562403	female
Spk14_L	Parcel_Rack_LH	563994	male	Sw44.B	FJB	562403	female
Spk14_R	Parcel_Rack_RH	563994	male	Sw45.A	5th_Lugg_Cmpt	562485	male
Spk15_L	Parcel_Rack_LH	563994	male	Sw45.B	5th_Lugg_Cmpt	562486	female
Spk15_R	Parcel_Rack_RH	563994	male	Sw46.A	5th_Lugg_Cmpt	562485	male
Spk16_L	Parcel_Rack_LH	563994	male	Sw46.B	5th_Lugg_Cmpt	562486	female
Spk16_R	Parcel_Rack_RH	563994	male	Sw47.A	3rd_Lugg_Cmpt	562485	male
SpkDr_L	Parcel_Rack_LH	563994	male	Sw47.B	3rd_Lugg_Cmpt	562486	female
SpkDr_R	Parcel_Rack_RH	563994	male	Sw48.A	3rd_Lugg_Cmpt	562485	male
Sub1.A	Passenger_Area	564004	female	Sw48.B	3rd_Lugg_Cmpt	562486	female
Sub2.A	Passenger_Area	564004	female	Sw49.A	2nd_Lugg_Cmpt	562485	male
Sw1.C258	Driver_Area	561188	female	Sw49.B	2nd_Lugg_Cmpt	562486	female
Sw1.C259	Driver_Area	561186	male	Sw50.A	2nd_Lugg_Cmpt	562485	male
Sw2	Dash	562763	male	Sw50.B	2nd_Lugg_Cmpt	562486	female
Sw3	Dash	562763	male	Sw51.A	1st_Lugg_Cmpt	562485	male
Sw4	Dash	562763	male	Sw51.B	1st_Lugg_Cmpt	562486	female
Sw5	Dash	562763	male	Sw52.A	1st_Lugg_Cmpt	562485	male
Sw6	Dash	562763	male	Sw52.B	1st_Lugg_Cmpt	562486	female
Sw10A	LH_Console	562763	male	Sw55.A	Lavatory	560488	female
Sw12	Dash	562763	male	Sw55.B	Lavatory	560488	female
Sw14	Dash	562763	male	Sw56.A	Lavatory	560488	female
Sw16	Dash	562763	male	Sw56.B	Lavatory	560488	female
Sw17	Dash	562763	male	Sw58	Engine_Cmpt.	563135	male
Sw18A	LH_Console	562763	male	Sw59	Enginecmpt.	563135	male
Sw20	Dash	562763	male	Sw63A	LHConsole	562763	male
Sw21	Dash	562763	male	Sw64.A	Service_Cmpt	560815	female
Sw24	Dash	562763	male	Sw64.B	Service_Cmpt	560815	female
Sw25	Dash	562763	male	Sw82	RJB	563135	male
Sw26	Dash	562763	male	Sw83.A	Dash	560082	female
Sw27	Dash	562763	male	Sw83.B	Dash	560815	female
Sw29	Dash	562763	male	Sw83.C	Dash	560082	female
Sw30	RJB	563135	male	Sw83.D	Dash	560815	female

# CONNECTORS LIST

No	Location	Part #	Gender	No	Location	Part #	Gender
Sw85	LH_Console	562749	male	VECR2	RJB	563183	male
Sw95.A	WCLdoor	562615	female	VECR3	RJB	563185	male
Sw95.B	WCLdoor	562615	female	VECR4	RJB	563182	male
Sw95.C	WCLdoor	562615	female	VECR9	RJB	563448	male
Sw96.A	WCL_Door	562615	female	VECR10	RJB	563181	male
Sw96.B	WCL_Door	562615	female	VECR11	RJB	563184	male
Sw96.C	WCLdoor	562615	female	VECR12	RJB	563187	male
Sw97.A	WCLsystem	562615	female	VECT3	Rear_vehicule	563718	male
Sw97.B	WCLsystem	562615	female	VECT4	Rear_vehicule	563714	male
Sw97.C	WCLsystem	562615	female	Y80	Engine_Cmpt	563789	male
Sw98.A	WCLsystem	562615	female	Y81	Cond_Cmpt	563793	male
Sw98.B	WCLsystem	562615	female				
Sw98.C	WCLsystem	562615	female				
Sw100	dash	562763	male				
Sw107	dash	562763	male				
Sw108	dash	562763	male				
Sw124	dash	562763	male				
Sw125	Service_Cmpt	561457	female				
Sw137	Dash	562763	male				
Sw149	Dash	562763	male				
Sw156	LH_Console	562763	male				
Sw157	Dash	562763	male				
Sw158	Dash	562763	male				
Sw162	Dash	562763	male				
Sw629	Dash	562763	male				
Sw660	Rear_Galley	562763	male				
Sw661	Rear_Galley	562763	male				
Sw663	Rear_Galley	562763	male				
Sw670	dash	562763	male				
tab69	Parcelrack	561626	N/A				
Tab70a	Parcelrack	561626	N/A				
Tab70b	Parcelrack	561626	N/A				
tab71a	Parcelrack	561626	N/A				
TermL248	Parcel_rack	562505	N/A				
VECF1	FJB	563186	male				
VECF2	FJB	563183	male				
VECF3	FJB	563185	male				
VECF4	FJB	563182	male				
VECF9	FJB	563448	male				
VECF10	FJB	563181	male				
VECF11	FJB	563184	male				
VECF12	FJB	563187	male				
VECR1	RJB	563186	male				

# CONNECTORS LIST

No	Location	Part #	Gender	No	Location	Part #	Gender
24SS_OP	Parcel_Rack_LH	563071	male	A34.K	Enginectmpt.	564270	male
24SS_OP	Parcel_Rack_LH	563040	female	A34.L	Enginectmpt.	564269	male
24SS_OP_2	Parcel_Rack_LH	563071	male	A36.JA	FJB	562767	male
24SS_OP_2	Parcel_Rack_LH	563040	female	A36.JB	FJB	562765	male
120V_inlet	Rearvehicule	561572	male	A36.JC	FJB	562957	male
A1	RJB	563975	male	A39.P101	Parcel_Rack_LH	563201	male
A2	FJB	563984	male	A39.P901	Parcel_Rack_LH	563953	male
A3	Dash	562363	male	A40	FJB	563884	male
A4.A	Service_Cmpt	562428	female	A41.J1	FJB	563679	male
A4.B	Service_Cmpt	561188	female	A41.J2	FJB	564037	male
A5	Service_Cmpt	562428	female	A41.J3	FJB	564004	male
A6	Engine_Cmpt	562427	male	A60.A	Parcel_Rack_LH	563071	male
A7	Rear_Axle_Cmpt	563979	male	A60.B	Parcel_Rack_LH	562706	female
A9.Cx1	FJB	564041	female	A60.C	Parcel_Rack_LH	901110	male
A9.Cx2	FJB	563678	male	A60.D	Parcel_Rack_LH	901110	male
A9.Cx3	FJB	564037	female	A61.A	Parcel_Rack_LH	562464	male
A9.Cx4	FJB	564038	female	A61.B	Parcel_Rack_LH	562465	male
A10.X1	Engine_Cmpt	563135	male	A65.A	Parcel_Rack_LH	563025	male
A10.X3	Engine_Cmpt	563134	female	A65.B4	Parcel_Rack_LH	bidon	male
A11	LH_Console	563142	male	A65.B5	Parcel_Rack_LH	bidon	male
A14.A	Dash	562766	male	A65.B6	Parcel_Rack_LH	bidon	male
A14.B	Dash	562767	male	A65.D	Parcel_Rack_LH	bidon	male
A14.C	Dash	562765	male	A65.E	Parcelrack	563071	male
A15	Dash	562464	male	A65.G1	Parcel_Rack_LH	563071	male
A17.D	RJB	561932	male	A65.G2	Parcel_Rack_LH	563071	male
A18.J1	FJB	562794	male	A65.G3	Parcel_Rack_LH	563071	male
A18.J2	FJB	562650	male	A65.H1	Parcel_Rack_LH	561716	female
A19	LH_Console	562878	female	A65.H2	Parcel_Rack_LH	561716	female
A20	Parcel_Rack_LH	561477	female	A65.H3	Parcel_Rack_LH	561716	female
A24.A	RH_Console	561890	male	A65.J	Parcel_Rack_LH	562465	male
A24.B	RH_Console	561566	female	A69L.A	Parcel_Rack_LH	563025	male
A24.C	RH_Console	561889	female	A69L.B1	Parcel_Rack_LH	bidon	male
A25	Parcel_Rack_LH	563025	male	A69L.B2	Parcel_Rack_LH	bidon	male
A26.P1	Enginectmpt.	562350	male	A69L.B3	Parcel_Rack_LH	bidon	male
A26.P2	Enginectmpt.	563322	female	A69L.B4	Parcel_Rack_LH	bidon	male
A26.P4	Enginectmpt.	568088	male	A69L.C	Parcel_Rack_LH	bidon	male
A27	Service_Cmpt	562929	male	A69R.A	Parcel_Rack_LH	563025	male
A28	Service_Cmpt	562928	male	A69R.B1	Parcel_Rack_LH	bidon	male
A29.	Dash	562464	male	A69R.B2	Parcel_Rack_LH	bidon	male
A29.	Dash	565871	female	A69R.B3	Parcel_Rack_LH	bidon	male
A33.A	Parcel_Rack_LH	563071	male	A69R.B4	Parcel_Rack_LH	bidon	male
A33.B	Parcel_Rack_LH	562330	female	A69R.C	Parcel_Rack_LH	bidon	male
A34.J	Enginectmpt.	568118	male	A70a	Front_Roof	561540	female



# CONNECTORS LIST

No	Location	Part #	Gender	No	Location	Part #	Gender
A70b	Front_Roof	561540	female	A121.Vsb	Dash	563678	male
A77	Parcelrack	564547	male	A121.Vsc	Dash	564037	male
A78	Parcelrack	562583	female	A121.Vsd	Dash	564118	male
A79	Parcelrack	562583	female	A122.A	Parcelrack	563960	male
A80	Parcelrack	562479	female	A122.B	Parcelrack	563962	male
A81.CN1	FJB	562767	male	A122.C1	Parcelrack	563956	male
A81.CN3A	FJB	564741	male	A122.C2	Parcelrack	563957	male
A81.CN3B	FJB	564742	male	A122.C3	Parcelrack	563958	male
A83.A	FJB	565970	female	A123.A	Parcelrack	563960	male
A95.A	Parcelrack	564489	female	A123.B	Parcelrack	563962	male
A95.B	Parcelrack	562706	female	A123.C1	Parcelrack	563956	male
A95.C	Parcelrack	562706	female	A123.C2	Parcelrack	563957	male
A96.A	FJB	564205	male	A123.C3	Parcelrack	563958	male
A97	Dash	563226	male	A124.A	Parcelrack	563960	male
A97A	FJB	563226	male	A124.B	Parcelrack	563962	male
A97A	FJB	563613	female	A124.C1	Parcelrack	563956	male
A97B	FJB	563226	male	A124.C2	Parcelrack	563957	male
A97B	FJB	563613	female	A124.C3	Parcelrack	563958	male
A97S.A1	Dash	564401	male	A130	Driver_Area	563226	male
A97S.A2	Dash	564402	male	A131.A	Engine_Cmpt	561782	male
A97S.A3	Dash	564403	male	A131.B	Engine_Cmpt	561781	female
A99	FJB	564205	male	A137A	Condensercmpt.	20429843	male
A100	Front_Axle	563632	male	A138	Cond_Cmpt	563787	male
A101	Rear_Axle	563632	male	A139	Dash	564501	male
A102	Rear_Axle	563632	male	A150	Parcelrack	21280133	male
A103	Dash	562070	female	A152.A	Parcelrack	561550	male
A107	EngineCmpt.	560336	male	A152.B	Parcelrack	563071	male
A108	RJB	562766	male	A152.C	Parcelrack	563071	male
A109A	FJB	564141	male	A152.D	Parcelrack	563071	male
A111	RJB	562550	female	A152.E	Parcelrack	563071	male
A113.A	Parcel_Rack_LH	563960	male	A152.F	Parcelrack	563071	male
A113.B	Parcel_Rack_LH	563962	male	A152.G	Parcelrack	563071	male
A113.C1	Parcel_Rack_LH	563956	male	A152.H	Parcelrack	563071	male
A113.C2	Parcel_Rack_LH	563957	male	A152.I	Parcelrack	563071	male
A113.C3	Parcel_Rack_LH	563958	male	A152.J	Parcelrack	563071	male
A114A	Dash	564252	male	A152.K	Parcelrack	562779	male
A120.A	Dashboard	563960	male	A152.L	Parcelrack	562779	male
A120.B	Dashboard	563962	male	A162.A	FrontCab	561566	female
A120.C1	Dashboard	563956	male	A162.B	FrontCab	561782	male
A120.C2	Dashboard	563957	male	A164.A	RH_trapezoidal_window	561566	female
A120.C3	Dashboard	563958	male	A164.B	RH_trapezoidal_window	561782	male
A121.Vsa	Dash	563679	male	A165	Driver_Area	560641	male

# CONNECTORS LIST

No	Location	Part #	Gender	No	Location	Part #	Gender
A166	RearCab	561637	male	AE52.J1	RJB	563679	male
AE41.J1	FJB	563679	male	AE52.J2	RJB	564037	female
AE41.J2	FJB	564037	female	AE52.J3	RJB	565957	male
AE41.J3	FJB	564004	male	AE53.J1	LH_ParcelRack	563679	male
AE42.J1	FJB	563679	male	AE53.J2	LH_ParcelRack	564037	female
AE42.J2	FJB	564037	female	AE53.J3	LH_ParcelRack	565957	male
AE42.J3	FJB	564004	male	AE54.J1	Evaporatorcmpt.	563679	male
AE43.J1	FJB	563679	male	AE54.J2	Evaporatorcmpt.	564037	female
AE43.J2	FJB	564037	male	AE54.J3	Evaporatorcmpt.	565957	male
AE43.J3	FJB	565957	male	AE55.J1	Dash	563679	male
AE44.J1	FJB	563679	male	AE55.J2	Dash	564037	female
AE44.J2	FJB	564037	female	AE55.J3	Dash	564004	male
AE44.J3	FJB	565957	male	AE56.J1	Dash	563679	male
AE45.J1	FJB	563679	male	AE56.J2	Dash	564037	male
AE45.J2	FJB	564037	female	AE56.J3	Dash	564004	male
AE45.J3	FJB	565957	male	AE57.J1	WCLcmpt.	563679	male
AE46.J1	FJB	563679	male	AE57.J2	WCLcmpt.	564037	male
AE46.J2	FJB	564037	female	AE57.J3	WCLcmpt.	564004	male
AE46.J3	FJB	565957	male	AltLL.A	Enginecmpt.	563746	female
AE47.J1	RH_console	563679	male	AltLL.B	Enginecmpt.	560815	female
AE47.J2	RH_console	564037	female	AltLL.C	Enginecmpt.	564469	female
AE47.J3	RH_console	565957	male	AltLR.A	enginecmpt.	563746	female
AE48.J1	RH_console	563679	male	AltLR.B	Enginecmpt.	560815	female
AE48.J2	RH_console	564037	female	AltLR.C	Enginecmpt.	564469	female
AE48.J3	RH_console	565957	male	AltUR.A	Enginecmpt.	563746	female
AE49..J1	RJB	563679	male	AltUR.B	Enginecmpt.	560815	female
AE49..J2	RJB	564037	male	AltUR.C	Enginecmpt.	564469	female
AE49..J3	RJB	565957	male	B85	Engine_Cmpt	563815	male
AE49.J1	RJB	563679	male	B96	Engine_Cmpt	563821	male
AE49.J2	RJB	564037	male	B96B	Engine_Cmpt	563823	male
AE49.J3	RJB	565957	male	B97	Engine_Cmpt	563816	male
AE50..J1	RJB	563679	male	B98	Engine_Cmpt	563817	male
AE50..J2	RJB	564037	male	B99	Engine_Cmpt	563815	male
AE50..J3	RJB	565957	male	B115A	Enginecmpt.	564226	male
AE50.J1	RJB	563679	male	B142C	Condensercmpt.	563515	male
AE50.J2	RJB	564037	male	B310	Enginecmpt.	565967	male
AE50.J3	RJB	565957	male	C1	FJB	563589	male
AE51.J1	RJB	563679	male	C1	FJB	563590	female
AE51.J2	RJB	564037	female	C1S	FJB	563589	male
AE51.J3	RJB	565957	male	C1S	FJB	563590	female
AE52..J1	RJB	563679	male	C2	Service_Cmpt	563580	male
AE52..J2	RJB	564037	male	C2	Service_Cmpt	563581	female
AE52..J3	RJB	565957	male	C2A	FJB	563580	male

# CONNECTORS LIST

No	Location	Part #	Gender	No	Location	Part #	Gender
C2A	FJB	563581	female	C19	RJB	561986	male
C2B	FJB	564034	male	C19	RJB	561987	female
C2B	FJB	564035	female	C20A	Evap_Cmpt	562485	male
C3_plug	RJB	563589	male	C20A	Evap_Cmpt	562486	female
C3_socket	RJB	563590	female	C20B	Evap_Cmpt	562485	male
C3AP	FJB	563589	male	C20B	Evap_Cmpt	562486	female
C3AP	FJB	563590	female	C23	Evaporatorcmpt.	564034	male
C3AS	FJB	563589	male	C23	Evaporatorcmpt.	564035	female
C3AS	FJB	563590	female	C24_plug	Evap_Cmpt	561690	male
C3S	RJB	563593	male	C24_socket	Evap_Cmpt	561566	female
C3S	RJB	563590	female	C25	Parcel_Rack_LH	561550	male
C4	FJB	563580	male	C25	Parcel_Rack_LH	561667	female
C4	FJB	563581	female	C26	Ureacmpt.	563226	male
C5	FJB	563589	male	C26	Ureacmpt.	563613	female
C5	FJB	563590	female	C26A	Ureacmpt	568110	male
C5S	FJB	563589	male	C26A	Ureacmpt	568109	female
C5S	FJB	563590	female	C26B	Ureacmpt.	563227	male
C6	FJB	563582	male	C26B	Ureacmpt.	563614	female
C6	FJB	563583	female	C29	4rd_Lugg_Cmpt	563651	male
C7	Service_Cmpt	562581	male	C29	3rd_Lugg_Cmpt	563652	female
C7	Service_Cmpt	562583	female	C30	3rd_Lugg_Cmpt	561710	male
C8	FJB	563227	male	C30	3rd_Lugg_Cmpt	561709	female
C8	FJB	563614	female	C31W	Parcelrack	563227	male
C9	RJB	561986	male	C31W	Parcelrack	563614	female
C9	RJB	561987	female	C32	lavatory	561734	male
C10	Engine_Cmpt	562581	male	C32	Lavatory	561735	female
C10	Engine_Cmpt	562583	female	C32W	WCLcmpt.	561669	male
C11	Service_Cmpt	563580	male	C32W	WCLcmpt.	561670	female
C11	Service_Cmpt	563581	female	C33	WCLcmpt.	564034	male
C12	Engine_Cmpt	562581	male	C33	WCLcmpt.	564035	female
C12	Engine_Cmpt	562583	female	C34	RH_Console	561986	male
C13_plug	RH_Console	563589	male	C34	RH_Console	561987	female
C13_socket	RH_Console	563590	female	C36	FJB	561986	male
C13S	RH_Console	563589	male	C36	FJB	561987	female
C13S	RH_Console	563590	female	C37.	Parcel_Rack_LH	561734	male
C15A	EvaporatorCmpt	568110	male	C37.	Parcel_Rack_LH	561735	female
C15A	EvaporatorCmpt	568109	female	C38.	Parcelrack	561734	male
C16	RJB	561577	male	C38.	Parcelrack	561735	female
C16	RJB	561605	female	C39	Parcelrack	562503	male
C17	RJB	560195	male	C39	Parcelrack	562507	female
C17	RJB	560169	female	C39A	Firesuppressioncmpt.	561782	male
C18	FJB	561986	male	C39A	Firesuppressioncmpt.	561781	female
C18	FJB	561987	female	C40	Dash	562485	male

# CONNECTORS LIST

No	Location	Part #	Gender	No	Location	Part #	Gender
C40	Dash	562486	female	C74	FJB	561645	female
C41	RJB	561782	male	C74	FJB	561646	male
C41	RJB	561781	female	C87	Engine_Cmpt	562485	male
C44_plug	FJB	561577	male	C87	Engine_Cmpt	562486	female
C44_socket	FJB	561605	female	C88	WCL_Cmpt.	563226	male
C45	FJB	561643	male	C88	WCL_Cmpt.	563613	female
C45	FJB	561642	female	C90	RJB	563582	male
C46	3rdlugg.cmpt.	562549	male	C90	RJB	563583	female
C46	3rdlugg.cmpt.	562550	female	C91	RJB	562285	male
C47	FJB	565207	male	C91	RJB	562282	female
C48	RJB	565208	male	C94_plug	FJB	563589	male
C49	FJB	562005	male	C94_socket	FJB	563590	female
C49	FJB	561714	female	C96	FJB	561646	male
C50	RJB	563933	male	C96	FJB	561645	female
C50	RJB	563932	female	C97	FJB	561643	male
C54	Engine_Cmpt.	563226	male	C97	FJB	561642	female
C54	Engine_Cmpt.	563613	female	C99	Enginecmpt.	562581	male
C54A	Ureacmpt	568110	male	C99	Enginecmpt.	562583	female
C54A	Ureacmpt	568109	female	C100	Evaporatorcmpt.	562477	male
C54B	Engine_Cmpt.	562477	male	C100	Evaporatorcmpt.	562479	female
C54B	Engine_Cmpt.	562479	female	C100S	Evaporator_Cmpt.	562477	male
C55	Evap_Cmpt	561577	male	C100S	Evaporator_Cmpt.	562479	female
C55	Evap_Cmpt	561605	female	C101	Service_Cmpt	561690	male
C59	RJB	561643	male	C101	Service_Cmpt	561566	female
C59	RJB	561642	female	C103_plug	FJB	562485	male
C63	Entrance_Door	562581	male	C103_socket	FJB	562486	female
C63	Entrance_Door	562583	female	C105_plug	FJB	562581	male
C64	Engine_Cmpt	568110	male	C105_socket	FJB	562583	female
C64	Engine_Cmpt	568109	female	C106_plug	FJB	562581	male
C64X	Aisle_section	560898	male	C106_socket	FJB	562583	female
C64X	Aisle_section	560900	female	C107A	Enginecmpt.	562885	female
C66_plug	Evap_Cmpt	561577	male	C107A	Enginecmpt.	562884	female
C66_socket	Evap_Cmpt	561605	female	C107B	Enginecmpt.	562885	female
C67	Parcelrack	561734	male	C107B	Enginecmpt.	562884	female
C67	Parcelrack	561735	female	C107C	Enginecmpt.	562885	female
C69_plug	FJB	561690	male	C107C	Enginecmpt.	562884	female
C69_socket	FJB	561566	female	C108	Dash	562557	male
C70	FJB	562557	male	C108	dash	562558	female
C70	FJB	562558	female	C110	Dash	568110	male
C71	FJB	561646	male	C110	Dash	568109	female
C71	FJB	561645	female	C119A	Rear_engine_door	568110	male
C72	FJB	561646	male	C119A	Rear_engine_door	568109	female
C72	FJB	561645	female	C124	DashBoard	562503	male

# CONNECTORS LIST

No	Location	Part #	Gender	No	Location	Part #	Gender
C124	DashBoard	562507	female	C195	dash	563347	male
C129	DashBoard	563858	male	C195	dash	560489	female
C129	DashBoard	563859	female	C206	Parcel_Rack_RH	562503	male
C131A	Engine_Cmpt	561782	male	C206	Parcel_Rack_RH	562507	female
C131A	Engine_Cmpt	561781	female	C207	Parcel_Rack_LH	562503	male
C131B	Engine_Cmpt	561782	male	C207	Parcel_Rack_LH	562507	female
C131B	Engine_Cmpt	561781	female	C213	Parcel_Rack_LH	561515	male
C144	RJB	560852	male	C213	Parcel_Rack_LH	561552	female
C144	RJB	560851	female	C222	FJB	562477	male
C152	Cond_Cmpt	561611	male	C222	FJB	562479	female
C152	Cond_Cmpt	561610	female	C223	FJB	563227	male
C162	FrontCab	561690	male	C223	FJB	563614	female
C162	FrontCab	561566	female	C224	FJB	561637	male
C164A	RH_Trapezoidal_Window	561690	male	C224	FJB	561636	female
C164A	RH_Trapezoidal_Window	561566	female	C225	FJB	562650	male
C164AA	RH_Trapezoidal_Window	561690	male	C225	FJB	562649	female
C164AA	RH_Trapezoidal_Window	561566	female	C226	FJB	562650	male
C164B	RH_Trapezoidal_Window	561782	male	C226	FJB	562649	female
C164B	RH_Trapezoidal_Window	561781	female	C226a_plug	FJB	562650	male
C164BB	RH_Trapezoidal_Window	561782	male	C226a_socket	FJB	562649	female
C164BB	RH_Trapezoidal_Window	561781	female	C279	Service_Cmpt	562477	male
C166	RH_Trapezoidal_Window	561637	male	C279	Service_Cmpt	562479	female
C166	RH_Trapezoidal_Window	561636	female	C279A	Service_Cmpt	562477	male
C167	FJB	561577	male	C279A	Service_Cmpt	562479	female
C167	FJB	561605	female	C284	Parcel_Rack	561782	male
C170	LH_Console	561637	male	C284	Parcel_Rack	561781	female
C170	LH_Console	561636	female	C284_1	Parcel_Rack	561782	male
C171	LH_Console	561646	male	C284_1	Parcel_Rack	561781	female
C171	LH_Console	561645	female	C284_2	Parcel_Rack	561782	male
C175	RJB	563226	male	C284_2	Parcel_Rack	561781	female
C175	RJB	563613	female	C284_3	Parcel_Rack	561782	male
C175.	RJB	563226	male	C284_3	Parcel_Rack	561781	female
C175.	RJB	563613	female	C284_4	Parcel_Rack	561782	male
C187	RJB	561577	male	C284_4	Parcel_Rack	561781	female
C187	RJB	561605	female	C284_5	Parcel_Rack	561782	male
C188	Evap_Cmpt	561577	male	C284_5	Parcel_Rack	561781	female
C188	Evap_Cmpt	561605	female	C284_6	Parcel_Rack	561782	male
C189	RJB	561986	male	C284_6	Parcel_Rack	561781	female
C189	RJB	561987	female	C298	Parcelrack	561611	male
C193_plug	RJB	563589	male	C298	Parcelrack	561610	female
C193_socket	RJB	563590	female	C333	Upper_front	561550	male
C194	FJB	563589	male	C333	Upper_front	561667	female
C194	FJB	563590	female	C355	RJB	563582	male

# CONNECTORS LIST

No	Location	Part #	Gender	No	Location	Part #	Gender
C355	RJB	565887	female	C564	Parcelrack	562503	male
C356	Parcelrack	561710	male	C564	Parcelrack	562507	female
C356	Parcelrack	561709	female	C564_Sp	Parcelrack	562503	male
C357	Parcelrack	561847	male	C564_Sp	Parcelrack	562507	female
C357	Parcelrack	561862	female	C566	Parcelrack	562503	male
C380A	Dash	564222	male	C566	Parcelrack	562507	female
C380A	Dash	564224	female	C567	Parcelrack	562503	male
C381	Parcel_Rack	561847	male	C567	Parcelrack	562507	female
C381	Parcel_Rack	561862	female	C574	Parcel_Rack_RH	562549	male
C382	Under_Seat	561580	male	C574	Parcel_Rack_RH	562550	female
C382	Under_Seat	561582	female	C575	Parcel_Rack_RH	562503	male
C397	RJB	562285	male	C575	Parcel_Rack_RH	562507	female
C397	RJB	562282	female	C576B	Parcel_Rack_RH	562006	male
C397.	RJB	562285	male	C576B	Parcel_Rack_RH	560908	female
C397.	RJB	562282	female	C576BB	Parcelrack	562006	male
C430	LH_Console	562363	male	C576BB	Parcelrack	560908	female
C430	LH_Console	561188	female	C577A	Parcel_Rack	562006	male
C452	Dash	561986	male	C577A	Parcel_Rack	560908	female
C452	Dash	561987	female	C577AA	Parcelrack	562006	male
C463	Rearaxlecmpt	568112	male	C577AA	Parcelrack	560908	female
C463	Rearaxlecmpt	568111	female	C578	Parcel_Rack_LH	562503	male
C464	FJB	564222	male	C578	Parcel_Rack_LH	562507	female
C464	FJB	564224	female	C579	Parcel_Rack_LH	562549	male
C464A	Dash	564222	male	C579	Parcel_Rack_LH	562550	female
C464A	Dash	564224	female	C582	FJB	561690	female
C464B	FJB	564222	male	C582	FJB	561566	female
C464B	FJB	564224	female	C600	Dash	563226	male
C465	Parcelrack	562581	male	C600	Dash	563613	female
C465	Parcelrack	562583	female	C600A	Dash	563226	male
C506	FJB	561687	male	C600A	Dash	563613	female
C506	FJB	561685	female	C600B	Dash	563226	male
C540	Parcelrack	562477	male	C600B	Dash	563613	female
C540	Parcelrack	562479	female	C601	LHRoofWinAjar	561476	male
C541	Parcelrack	563226	male	C601	LHRoofWinAjar	561477	female
C541	Parcelrack	563613	female	C602	RH_Roof_Win_Ajar	561476	male
C542	Parcelrack	561550	male	C602	RH_Roof_Win_Ajar	561477	female
C542	Parcelrack	561667	female	C603	RHRoofWinAjar	561476	male
C543	Parcelrack	561607	male	C603	RHRoofWinAjar	561477	female
C543	Parcelrack	561606	female	C612_plug	arcel_Rack_LH	561687	male
C545	Parcelrack	561550	male	C612_socket	arcel_Rack_LH	561685	female
C545	Parcelrack	561667	female	C614	Passenger_Area	563071	male
C558	Parcelrack	562503	male	C614	Passenger_Area	563040	female
C558	Parcelrack	562507	female	C615	Passenger_Area	563071	male

# CONNECTORS LIST

No	Location	Part #	Gender	No	Location	Part #	Gender
C615	Passenger_Area	563040	female	C_AUX	Parcelrack	563040	female
C617	Mirror_LH	563801	male	C_AUX_2	Parcelrack	563071	male
C617	Mirror_LH	563800	female	C_AUX_2	Parcelrack	563040	female
C618	Mirror_RH	563801	male	C_INV1	Parcelrack	562337	male
C618	Mirror_RH	563800	female	C_INV1	Parcelrack	562338	male
C620	FJB	562477	male	C_INV2	Parcelrack	562337	male
C620	FJB	562479	female	C_INV2	Parcelrack	562338	male
C660	Rear_Galley	562646	male	C_LineOut	Parcelrack	563962	male
C660	Rear_Galley	562647	female	C_LineOut	Parcelrack	564489	female
C662	FJB	562477	male	C_Mo9	Evap_Cmpt	561577	male
C662	FJB	562479	female	C_Mo9	Evap_Cmpt	561605	female
C700	FJB	561637	male	C_Mo9:2	Evap_Cmpt	561577	male
C700	FJB	561636	female	C_Mo9:2	Evap_Cmpt	561605	female
C710	Front_LH_ParcelRack	561637	male	C_Se51	dash	563589	male
C710	Front_LH_ParcelRack	561636	female	C_Se51	dash	563590	female
C752_plug	Parcel_Rack	901062	male	C_USB	Parcel_Rack	562069	male
C752_socket	Parcel_Rack	901283	female	C_USB	Parcel_Rack	562070	female
C753_plug	Parcel_Rack	901062	male	CCAN1	FJB	562650	male
C753_socket	Parcel_Rack	901283	female	CCAN1	FJB	562649	female
C766	Parcelrack	561662	male	CCAN2	FJB	562650	male
C766	Parcelrack	561661	female	CCAN2	FJB	562649	female
C768	Parcel_Rack	901062	male	CCAN3	FJB	562650	male
C768	Parcel_Rack	901283	female	CCAN3	FJB	562649	female
C769	Parcel_Rack	901062	male	CCAN4	FJB	562650	male
C769	Parcel_Rack	901283	female	CCAN4	FJB	562649	female
C777	Dash	562477	male	CCust	RJB	562477	male
C777	Dash	562479	female	CCust	RJB	562479	female
C_A60DB	Parcel_Rack	563071	male	CCust.	RJB	562477	male
C_A60DB	Parcel_Rack	563040	female	CCust.	RJB	562479	female
C_A69R	Parcel_Rack	563025	male	CFHPR1	Parcelrack	564560	male
C_A97	Dash	563226	male	CIND-1.A	Parcelrack	560908	female
C_A97	Dash	563613	female	CIND-1.B	Parcelrack	560908	female
C_ALT	Enginecmpt.	562581	male	CIND-2.A	Parcelrack	560908	female
C_ALT	Enginecmpt.	562583	female	CIND-2.B	Parcelrack	560908	female
C_ALT3	Enginecmpt.	562477	male	CIND-11.A	Parcelrack	560908	female
C_ALT3	Enginecmpt.	562479	female	CIND-11.B	Parcelrack	560908	female
C_AUDIO_AUX	Parcel_Rack	562557	male	CINDWC-1.A	Parcelrack	560908	female
C_AUDIO_AUX	Parcel_Rack	562558	female	CINDWC-1.B	Parcelrack	560908	female
C_Audio_HDMI_L	Parcel_Rack	901062	male	CL1	FJB	562485	male
C_Audio_HDMI_L	Parcel_Rack	901283	female	CL1	FJB	562486	female
C_Audio_HDMI_R	Parcel_Rack	901062	male	CP1	Passenger_Area	561782	male
C_Audio_HDMI_R	Parcel_Rack	901283	female	CP1	Passenger_Area	561781	female
C_AUX	Parcelrack	563071	male	CP2	Passenger_Area	561782	male

# CONNECTORS LIST

No	Location	Part #	Gender	No	Location	Part #	Gender
CP2	Passenger_Area	561781	female	L33	Parcelrack	560898	male
CP3	Passengersarea	561782	male	L34	Parcelrack	560898	male
CP3	Passengersarea	561781	female	L35	Parcelrack	560898	male
CP4	Passenger_Area	561782	male	L36	Parcelrack	560898	male
CP4	Passenger_Area	561781	female	L37	Parcelrack	560898	male
CP5	Passenger_Area	561782	male	L38	Parcelrack	560898	male
CP5	Passenger_Area	561781	female	L39	Parcelrack	560898	male
CPA17B	RJB	562337	male	L40	Parcelrack	560898	male
CPA17B	RJB	562338	female	L41	Parcelrack	560898	male
CSw102	Rear_vehicle	562549	male	L42	Parcelrack	560898	male
CSw102	Rear_vehicle	562550	female	L43	Parcelrack	560898	male
CSX1	Engine_Cmpt	563135	male	L44	Parcelrack	560898	male
CSX1	Engine_Cmpt	563134	female	L45	Parcelrack	560898	male
CSX3	Engine_Cmpt	563135	male	L46	Parcelrack	560898	male
CSX3	Engine_Cmpt	563134	female	L47	Parcelrack	560898	male
CT_IN	Rear_Vehicle	560167	male	L48	Parcelrack	560898	male
CT_IN	Rear_Vehicle	560159	female	L49	Parcelrack	560898	male
CT_IN2	Engine_Cmpt	560167	male	L50	Parcelrack	560898	male
CT_IN2	Engine_Cmpt	560159	female	L51	Parcelrack	560898	male
CT_Out	Rear_Vehicle	560233	female	L52	Parcelrack	560898	male
EI	Enginect.	563739	male	L52	Parcelrack	560900	female
L1A	Engine_Cmpt	560774	male	L52A	Parcelrack	560898	male
L16.A	Frontroof	562615	female	L53	Parcelrack	560898	male
L16.B	Frontroof	562615	female	L53	Parcelrack	560900	female
L17.A	Frontroof	562615	female	L53A	Parcelrack	560898	male
L17.B	Frontroof	562615	female	L54	Parcelrack	560898	male
L18	Entrance_Door	562549	male	L54	Parcelrack	560900	female
L19	Entracedoor	562486	female	L54A	Parcelrack	560898	male
L20	Entracedoorstep	562486	female	L55	Parcelrack	560898	male
L21	Upper_front	560605	female	L55	Parcelrack	560900	female
L22	Upper_front	560605	female	L55A	Parcelrack	560898	male
L23	Upper_front	560605	female	L56	Parcelrack	560898	male
L24	Upper_front	560605	female	L56	Parcelrack	560900	female
L25	Upper_front	560605	female	L56A	Parcelrack	560898	male
L26	Upper_front	560605	female	L57	Parcelrack	560898	male
L27	Upper_front	560605	female	L57	Parcelrack	560900	female
L28	Parcelrack	560898	male	L57A	Parcelrack	560898	male
L29	Parcelrack	560898	male	L58	Parcelrack	560898	male
L30	Parcelrack	560898	male	L58	Parcelrack	560900	female
L30A.A	Parcelrack	560898	male	L58A	Parcelrack	560898	male
L30B.A	Parcelrack	560898	male	L63	Front_Side_LH	562155	male
L31	Parcelrack	560898	male	L64	Outside_Front_RH	562155	male
L32	Parcelrack	560898	male	L64X	Aisle_Section	560898	male



# CONNECTORS LIST

No	Location	Part #	Gender	No	Location	Part #	Gender
L65	Outside_Front_LH	562155	male	L153	Parcelrack	561186	male
L66	Out_Side_Front_LH	562155	male	L154	Parcelrack	561186	male
L67	4th_Lugg_Cmpt	562155	male	L155	Parcelrack	561186	male
L68	4th_Lugg_Cmpt	562155	male	L156	Parcelrack	561186	male
L69	4th_Lugg_Cmpt	562155	male	L157	Parcelrack	561186	male
L70	4th_Lugg_Cmpt	562155	male	L158	Parcelrack	561186	male
L72	Rear_Vehicle	562155	male	L173	Parcelrack	563590	female
L74	Rear_Vehicle	562155	male	L174A	Parcelrack	563590	female
L75	Rearenginedoor	562155	male	L175	Engine_Cmpt.	563590	female
L76	Rear_engine_door	562155	male	L176	5th_Lugg_Cmpt	561247	male
L81.A	Rear_Vehicle	562835	female	L177	5th_Lugg_Cmpt	561247	male
L81.B	Rear_Vehicle	562834	male	L178	3rd_Lugg_Cmpt	561247	male
L82A	Rearvehicule	562348	female	L179	3rd_Lugg_Cmpt	561247	male
L83A	Rearvehicule	562348	female	L180	2nd_Lugg_Cmpt	561247	male
L84	Rear_roof	562486	female	L181	2nd_Lugg_Cmpt	561247	male
L85	Rear_roof	562486	female	L182	1st_Lugg_Cmpt	561247	male
L86	Rear_roof	562486	female	L183	1st_Lugg_Cmpt	561247	male
L87	Rear_roof	562486	female	L184	Servicecmpt.	561247	male
L88	Rear_roof	562486	female	L185.A	Servicecmpt.	561539	male
L89	Rear_roof	562486	female	L185.B	Servicecmpt.	561539	male
L91A	Rearvehicule	562601	male	L186.A	Dash	561539	male
L92A	Rearvehicule	562601	male	L186.B	Dash	561539	male
L95	Outside_Front_LH	562485	male	L187	Engine_Cmpt	561690	male
L95A	Outside_Front_LH	562485	male	L188	Service_Cmpt	562486	female
L96	Outside_Front_RH	562485	male	L193.A	Dash	560488	female
L96A	Outside_Front_RH	562485	male	L193.B	Dash	560488	female
L97.A	Outside_Front_LH	563069	female	L194.A	Dash	562019	female
L97.B	Outside_Front_LH	563069	female	L194.B	Dash	560488	female
L98.A	Outside_Front_RH	563069	female	L195.A	Dash	560488	female
L98.B	Outside_Front_RH	563069	female	L195.B	Dash	560488	female
L140	Lavatory	561247	male	L199	Enginecmpt.	562848	male
L141	Upper_front	561247	male	L201	Upper_front	561247	male
L142	Lavatory	562006	male	L202	Upper_front	561247	male
L143	Parcel_rack	561186	male	L203	RH_Console	561690	male
L144	Parcelrack	561186	male	L204	Parcel_Rack_RH	562803	male
L145	Parcelrack	561186	male	L205	Enginecmpt.	562485	male
L146	Parcelrack	561186	male	L206	Parcel_Rack_RH	562803	male
L147	Parcelrack	561186	male	L211	Entrance_Door_step	562486	female
L148	Parcelrack	561186	male	L212	outside_rear_LH_RH	563589	male
L149	Parcelrack	561186	male	L213	outside_rear_LH_RH	563589	male
L150	Parcelrack	561186	male	L214	outside_rear_LH_RH	563589	male
L151	Parcelrack	561186	male	L243	Parcelrack	561186	male
L152	Parcelrack	561186	male	L244	Parcelrack	561186	male

# CONNECTORS LIST

No	Location	Part #	Gender	No	Location	Part #	Gender
L245	Parcelrack	561186	male	L650.A	Aisle_Section	560898	male
L246	Parcelrack	561186	male	L660_1	Rear_Galley	560898	male
L247	Parcel_rack	561186	male	L660_2	Rear_Galley	560898	male
L248	Parcelrack	561186	male	L660_3	Rear_Galley	560898	male
L249	Parcelrack	561186	male	L661.A	Rear_Galley	560081	female
L250	Parcel_rack	561186	male	L661.B	Rear_Galley	560081	female
L251	Parcel_rack	561186	male	Mic_Driver_1.A	Parcel_rack	560999	male
L252	Parcelrack	561186	male	Mic_Driver_2.A	Parcel_rack	560999	male
L253	Parcel_rack	561186	male	Mic_Driver_3.A	Parcel_rack	560999	male
L254	Parcelrack	561186	male	Mic_Guide_1.A	Parcel_rack	560999	male
L255	Parcel_rack	561186	male	Mic_Guide_2.A	Parcel_rack	560999	male
L256	Parcelrack	561186	male	Mic_Guide_3.A	Parcel_rack	560999	male
L257	Parcelrack	561186	male	Mo3	Dash	561667	female
L258	Parcel_rack	561186	male	Mo4	Dash	564161	male
L282	Engine_Cmpt	561690	male	Mo5	Upper_front	561550	male
L285.A	Rear_Vehicle	562835	female	Mo6	Front_vehicle	561690	male
L285.B	Rear_Vehicle	562834	male	Mo7	Cond_Cmpt	563691	male
L286.A	Rear_Vehicle	562835	female	Mo8	Cond_Cmpt	563691	male
L286.B	Rear_Vehicle	562834	male	Mo10	Parcel_rack	561515	male
L290	Engine_door	562565	female	Mo11	Parcel_rack	561515	male
L291	Engine_door	562565	female	Mo12	Engine_Cmpt	561690	male
L298A	Enginecmpt.	563590	female	Mo13	Engine_Cmpt	561690	female
L306	RJBcmpt.	561247	male	Mo14	Engine_Cmpt	561566	female
L309.	Rear_LH_Lugg	564576	male	Mo15	Front_Ceiling	560900	female
L309D.	Drivers_Area	564576	male	Mo16	Front_Ceiling	560900	female
L310.	Rear_LH_Lugg	564576	male	Mo17	RH_Console	563626	male
L310D.	Drivers_Area	564576	male	Mo19	Fr_Service_Door	562474	male
L314	Front_vehicle	562789	male	Mo20	Fr_Service_Door	562474	male
L315	Front_vehicle	562789	male	Mo21	Upper_front	561186	male
L319	Under_WCL_platform	561247	male	Mo22	RH_Console	561186	male
L350A.A	Rearaxlecmpt.	564552	male	Mo24	RH_Console	562348	female
L350A.B	Rearaxlecmpt.	563340	male	Mo25	RH_Console	562348	female
L350A.C	Rearaxlecmpt.	562251	male	Mo27	Cond_Cmpt	563691	male
L600	Luggage_Cmpt	562155	male	Mo28	Cond_Cmpt	563691	male
L601	Luggage_Cmpt	562155	male	Mo54	Service_Cmpt	562474	male
L602	Luggage_Cmpt	562155	male	Mo61	Parcel_rack	561248	female
L603	Luggage_Cmpt	562155	male	Mo62	FrontHatch	562486	female
L604	Luggage_Cmpt	562155	male	Mo63	RearHatch	562486	female
L605	Luggage_Cmpt	562155	male	Mo65	Enginecmpt.	568089	male
L606	Luggage_Cmpt	562155	male	Mo67	Enginecmpt.	568089	male
L607	Luggage_Cmpt	562155	male	Mo68	Enginecmpt.	568089	male
L634	Aisle_Section	560898	male	Mo69	Enginecmpt.	568089	male
L635	Aisle_Section	560898	male	Mo70	Enginecmpt.	568089	male

# CONNECTORS LIST

No	Location	Part #	Gender	No	Location	Part #	Gender
Mo71	Enginectpt.	568089	male	Res3.A	ParcelRack	563590	female
Mo72	Enginectpt.	568089	male	Res4	RH_Console	563590	female
Mo73	Enginectpt.	568089	male	Res6	FJB	563590	female
PC1	FJB	562650	male	Res6A	FJB	563589	male
PC1	FJB	562649	female	Res6A	FJB	563590	female
PF	FJB	561782	male	Res6B	FJB	563589	male
PF	FJB	561781	female	Res6B	FJB	563590	female
PF1	Passenger_Area	561782	male	Res7	dash	563590	female
PF1	Passenger_Area	561781	female	Res15	Engine_Cmpt	561782	male
PF1A	Passenger_Area	561782	male	Res31	Ureacmpt.	562350	male
PF1A	Passenger_Area	561781	female	Res32	Ureacmpt.	563764	female
Pot2	Dash	561550	male	Res46	FJB	563590	female
PR	Parcelrack	561782	male	Res53	dash	563590	female
PR	Parcelrack	561781	female	Res99	dash	563590	female
PR1	Passenger_Area	561782	male	Se2	Service_Cmpt	561566	female
PR1	Passenger_Area	561781	female	Se4	Window_RH	561477	female
PR1A	Passenger_Area	561782	male	Se5	Window_RH	561477	female
PR1A	Passenger_Area	561781	female	Se6	Window_RH	561477	female
R1	RJB	562486	female	Se7	Window_LH	561477	female
R3	RJB	563409	male	Se8	Window_LH	561477	female
R4	FJB	564496	male	Se9	Window_LH	561477	female
R5	RJB	564496	male	Se10	FJB	561477	female
R12	Evap_Cmpt	563409	male	Se11.A	Cond_Cmpt	560082	female
R16	RJB	564496	male	Se11.B	Cond_Cmpt	560082	female
R20	RJB	564496	male	Se11.C	Cond_Cmpt	560082	female
R21	FJB	560525	male	Se13	Engine_Cmpt	562350	male
R23A	FJB	564496	male	Se14.A	Driver_Area	561782	male
R26	Evap_Cmpt	564496	male	Se14.B	Driver_Area	561781	female
R27	Dash	564496	male	Se15	RH_Console	560898	male
R28	FJB	564496	male	Se17	Entrance_Door	560081	female
R29	RJB	563409	male	Se18	Servicecmpt.	561566	female
R30	FJB	564496	male	Se19_P	Service_Cmpt	563677	male
R31	FJB	564496	male	Se19_S	Service_Cmpt	563677	male
R34	RJB	564210	male	Se20	Evap_Cmpt	562426	male
R36	Dash	564496	male	Se21	Dash	561248	female
R37	Dash	564496	male	Se23	Engine_Cmpt	563159	male
R38	FJB	564496	male	Se24	Evap_Cmpt	563758	female
R40	RJB	564496	male	Se25	Passenger_Area	561248	female
R47	Parcelrack	564496	male	Se28	Pneumatic_plate	561690	male
R72	5th_Bay	563409	male	Se29	Engine_Cmpt	561566	female
R73	5th_Bay	563409	male	Se30	Enginedoor	562877	female
R210	Parcelrack	560525	male	Se31	Enginedoor	562877	female
R_12VIS	Parcel_rack	564496	male	Se32	Rear_Axle_Cmpt	562426	male

# CONNECTORS LIST

No	Location	Part #	Gender	No	Location	Part #	Gender
Se33	Rear_Axle_Cmpt	562856	male	So18	Pneumatic_plate	641385	male
Se34	Rear_Axle_Cmpt	562427	male	So19	Pneumatic_plate	641385	male
Se35	Rear_Axle_Cmpt	562426	male	So20	Servicecmpt.	641385	male
Se36	Rear_Axle_Cmpt	562427	male	So21	Front_Axle_Cmpt	564046	female
Se37	Front_Axle_LH	641132	female	So22	Front_Axle_Cmpt	564046	female
Se38	Front_Axle_RH	641132	female	So23	Rear_Axle_Cmpt	564046	female
Se39	Rear_Axle_LH	641132	female	So24	Rear_Axle_Cmpt	564046	female
Se40	Rear_Axle_LH	641132	female	So27	Rearaxlecmpt.	564045	female
Se45	Servicecmpt.	563409	male	So50	Rearaxlecmpt.	564046	female
Se46	Rearaxlecmpt.	562348	female	So52	Rearaxlecmpt.	564045	female
Se49	Engine_Cmpt	561690	male	So54	Enginecmpt.	564045	female
Se51	Driverseat	563589	male	spBar4	Enginecmpt.	564135	male
Se53	Service_Cmpt	563159	female	spBar5	Enginecmpt.	564135	male
Se54	Service_Cmpt	563159	female	spBar6	Enginecmpt.	564135	male
Se55	Service_Cmpt	563159	female	spBar7	Enginecmpt.	564135	male
Se56	WCLdoor	562479	female	spBar11	Engine_Cmpt.	564135	male
Se57	Pneumatic Panel	563159	female	spBar12	Engine_Cmpt.	564135	male
Se60	Service_Cmpt	563409	male	spBar13	Enginecmpt.	564135	male
Se63	Rearaxlecmpt.	641132	female	spBar14	Enginecmpt.	564135	male
Se64	Rearaxlecmpt.	641132	female	spBar15	Enginecmpt.	564135	male
Se65	Dash	564042	female	spBar16	Enginecmpt.	564135	male
Se66	FJB	564039	female	spBar19	Condensorcmt.	564135	male
Se67	Frontaxlecmpt.	563159	female	spBar20	Condensorcmt.	564135	male
Se69	Frontaxlecmpt.	563159	female	spBar21	Condensorcmt.	564135	male
Se74	Rear_Axle_Cmpt	563340	male	spBar22	Enginecmpt.	564135	male
Se79	Front_Axle	563340	male	spBar23	Enginecmpt.	564135	male
Se89	EngineCmpt	562350	male	spBar24	Enginecmpt.	564135	male
Se94	WCLdoor	562877	female	spBar26	Front_Axle_Cmpt	564135	male
Se100	WCLdoor	562479	female	spBar27	Rear_Axle_Cmpt	564135	male
So3	RH_Console	641385	male	Spk1_L	Parcel_Rack_LH	563994	male
So4	RH_Console	641385	male	Spk1_R	Parcel_Rack_RH	563994	male
So5	RH_Console	641385	male	Spk2_L	Parcel_Rack_LH	563994	male
So6	RH_Console	641385	male	Spk2_R	Parcel_Rack_RH	563994	male
So7	Service_Cmpt	561566	female	Spk3_L	Parcel_Rack_LH	563994	male
So8	Servicecmpt.	641385	male	Spk3_R	Parcel_Rack_RH	563994	male
So9	Enginecmpt.	560016	female	Spk4_L	Parcel_Rack_LH	563994	male
So10	Cond_Cmpt	562485	male	Spk4_R	Parcel_Rack_RH	563994	male
So11	Cond_Cmpt	561566	female	Spk5_L	Parcel_Rack_LH	563994	male
So13	Evap_Cmpt	563204	female	Spk5_R	Parcel_Rack_RH	563994	male
So14	Servicecmpt.	641385	male	Spk6_L	Parcel_Rack_LH	563994	male
So15	Servicecmpt.	641385	male	Spk6_R	Parcel_Rack_RH	563994	male
So16	Servicecmpt.	641385	male	Spk7_L	Parcel_Rack_LH	563994	male
So17	Servicecmpt.	562848	male	Spk7_R	Parcel_Rack_RH	563994	male

# CONNECTORS LIST

No	Location	Part #	Gender	No	Location	Part #	Gender
Spk8_L	Parcel_Rack_LH	563994	male	Sw32	Dash	561477	female
Spk8_R	Parcel_Rack_RH	563994	male	Sw33	Dash	561476	male
Spk9_L	Parcel_Rack_LH	563994	male	Sw34	Outside_Front_RH	562477	male
Spk9_R	Parcel_Rack_RH	563994	male	Sw35	Console	562763	male
Spk10_L	Parcel_Rack_LH	563994	male	Sw38	LH_Console	562763	male
Spk10_R	Parcel_Rack_RH	563994	male	Sw39.A	RJB	562403	female
Spk11_L	Parcel_Rack_LH	563994	male	Sw39.B	RJB	562403	female
Spk11_R	Parcel_Rack_RH	563994	male	Sw40	LH_Console	561690	male
Spk12_L	Parcel_Rack_LH	563994	male	Sw41	LH_Console	562749	male
Spk12_R	Parcel_Rack_RH	563994	male	Sw42	Lugg_Cmpt	561636	female
Spk13_L	Parcel_Rack_LH	563994	male	Sw43	LH_Console	561690	male
Spk13_R	Parcel_Rack_RH	563994	male	Sw44.A	FJB	562403	female
Spk14_L	Parcel_Rack_LH	563994	male	Sw44.B	FJB	562403	female
Spk14_R	Parcel_Rack_RH	563994	male	Sw45.A	5th_Lugg_Cmpt	562485	male
Spk15_L	Parcel_Rack_LH	563994	male	Sw45.B	5th_Lugg_Cmpt	562486	female
Spk15_R	Parcel_Rack_RH	563994	male	Sw46.A	5th_Lugg_Cmpt	562485	male
Spk16_L	Parcel_Rack_LH	563994	male	Sw46.B	5th_Lugg_Cmpt	562486	female
Spk16_R	Parcel_Rack_RH	563994	male	Sw47.A	3rd_Lugg_Cmpt	562485	male
SpkDr_L	Parcel_Rack_LH	563994	male	Sw47.B	3rd_Lugg_Cmpt	562486	female
SpkDr_R	Parcel_Rack_RH	563994	male	Sw48.A	3rd_Lugg_Cmpt	562485	male
Sub1.A	Passenger_Area	564004	female	Sw48.B	3rd_Lugg_Cmpt	562486	female
Sub2.A	Passenger_Area	564004	female	Sw49.A	2nd_Lugg_Cmpt	562485	male
Sw1.C258	Driver_Area	561188	female	Sw49.B	2nd_Lugg_Cmpt	562486	female
Sw1.C259	Driver_Area	561186	male	Sw50.A	2nd_Lugg_Cmpt	562485	male
Sw2	Dash	562763	male	Sw50.B	2nd_Lugg_Cmpt	562486	female
Sw3	Dash	562763	male	Sw51.A	1st_Lugg_Cmpt	562485	male
Sw4	Dash	562763	male	Sw51.B	1st_Lugg_Cmpt	562486	female
Sw5	Dash	562763	male	Sw52.A	1st_Lugg_Cmpt	562485	male
Sw6	Dash	562763	male	Sw52.B	1st_Lugg_Cmpt	562486	female
Sw10A	LH_Console	562763	male	Sw55.A	Lavatory	560488	female
Sw12	Dash	562763	male	Sw55.B	Lavatory	560488	female
Sw14	Dash	562763	male	Sw56.A	Lavatory	560488	female
Sw16	Dash	562763	male	Sw56.B	Lavatory	560488	female
Sw17	Dash	562763	male	Sw58	Engine_Cmpt.	563135	male
Sw18A	LH_Console	562763	male	Sw59	Enginecmpt.	563135	male
Sw20	Dash	562763	male	Sw63A	LHConsole	562763	male
Sw21	Dash	562763	male	Sw64.A	Service_Cmpt	560815	female
Sw24	Dash	562763	male	Sw64.B	Service_Cmpt	560815	female
Sw25	Dash	562763	male	Sw82	RJB	563135	male
Sw26	Dash	562763	male	Sw83.A	Dash	560082	female
Sw27	Dash	562763	male	Sw83.B	Dash	560815	female
Sw29	Dash	562763	male	Sw83.C	Dash	560082	female
Sw30	RJB	563135	male	Sw83.D	Dash	560815	female

# CONNECTORS LIST

No	Location	Part #	Gender	No	Location	Part #	Gender
Sw85	LH_Console	562749	male	VECR2	RJB	563183	male
Sw95.A	WCLdoor	562615	female	VECR3	RJB	563185	male
Sw95.B	WCLdoor	562615	female	VECR4	RJB	563182	male
Sw95.C	WCLdoor	562615	female	VECR9	RJB	563448	male
Sw96.A	WCL_Door	562615	female	VECR10	RJB	563181	male
Sw96.B	WCL_Door	562615	female	VECR11	RJB	563184	male
Sw96.C	WCLdoor	562615	female	VECR12	RJB	563187	male
Sw97.A	WCLsystem	562615	female	VECT3	Rear_vehicule	563718	male
Sw97.B	WCLsystem	562615	female	VECT4	Rear_vehicule	563714	male
Sw97.C	WCLsystem	562615	female	Y80	Engine_Cmpt	563789	male
Sw98.A	WCLsystem	562615	female	Y81	Cond_Cmpt	563793	male
Sw98.B	WCLsystem	562615	female				
Sw98.C	WCLsystem	562615	female				
Sw100	dash	562763	male				
Sw107	dash	562763	male				
Sw108	dash	562763	male				
Sw124	dash	562763	male				
Sw125	Service_Cmpt	561457	female				
Sw137	Dash	562763	male				
Sw149	Dash	562763	male				
Sw156	LH_Console	562763	male				
Sw157	Dash	562763	male				
Sw158	Dash	562763	male				
Sw162	Dash	562763	male				
Sw629	Dash	562763	male				
Sw660	Rear_Galley	562763	male				
Sw661	Rear_Galley	562763	male				
Sw663	Rear_Galley	562763	male				
Sw670	dash	562763	male				
tab69	Parcelrack	561626	N/A				
Tab70a	Parcelrack	561626	N/A				
Tab70b	Parcelrack	561626	N/A				
tab71a	Parcelrack	561626	N/A				
TermL248	Parcel_rack	562505	N/A				
VECF1	FJB	563186	male				
VECF2	FJB	563183	male				
VECF3	FJB	563185	male				
VECF4	FJB	563182	male				
VECF9	FJB	563448	male				
VECF10	FJB	563181	male				
VECF11	FJB	563184	male				
VECF12	FJB	563187	male				
VECR1	RJB	563186	male				

# CONNECTORS LIST

No	Location	Part #	Gender	No	Location	Part #	Gender
24SS_OP	Parcel_Rack_LH	563071	male	A34.K	Enginectmpt.	564270	male
24SS_OP	Parcel_Rack_LH	563040	female	A34.L	Enginectmpt.	564269	male
24SS_OP_2	Parcel_Rack_LH	563071	male	A36.JA	FJB	562767	male
24SS_OP_2	Parcel_Rack_LH	563040	female	A36.JB	FJB	562765	male
120V_inlet	Rearvehicule	561572	male	A36.JC	FJB	562957	male
A1	RJB	563975	male	A39.P101	Parcel_Rack_LH	563201	male
A2	FJB	563984	male	A39.P901	Parcel_Rack_LH	563953	male
A3	Dash	562363	male	A40	FJB	563884	male
A4.A	Service_Cmpt	562428	female	A41.J1	FJB	563679	male
A4.B	Service_Cmpt	561188	female	A41.J2	FJB	564037	male
A5	Service_Cmpt	562428	female	A41.J3	FJB	564004	male
A6	Engine_Cmpt	562427	male	A60.A	Parcel_Rack_LH	563071	male
A7	Rear_Axle_Cmpt	563979	male	A60.B	Parcel_Rack_LH	562706	female
A9.Cx1	FJB	564041	female	A60.C	Parcel_Rack_LH	901110	male
A9.Cx2	FJB	563678	male	A60.D	Parcel_Rack_LH	901110	male
A9.Cx3	FJB	564037	female	A61.A	Parcel_Rack_LH	562464	male
A9.Cx4	FJB	564038	female	A61.B	Parcel_Rack_LH	562465	male
A10.X1	Engine_Cmpt	563135	male	A65.A	Parcel_Rack_LH	563025	male
A10.X3	Engine_Cmpt	563134	female	A65.B4	Parcel_Rack_LH	bidon	male
A11	LH_Console	563142	male	A65.B5	Parcel_Rack_LH	bidon	male
A14.A	Dash	562766	male	A65.B6	Parcel_Rack_LH	bidon	male
A14.B	Dash	562767	male	A65.D	Parcel_Rack_LH	bidon	male
A14.C	Dash	562765	male	A65.E	Parcelrack	563071	male
A15	Dash	562464	male	A65.G1	Parcel_Rack_LH	563071	male
A17.D	RJB	561932	male	A65.G2	Parcel_Rack_LH	563071	male
A18.J1	FJB	562794	male	A65.G3	Parcel_Rack_LH	563071	male
A18.J2	FJB	562650	male	A65.H1	Parcel_Rack_LH	561716	female
A19	LH_Console	562878	female	A65.H2	Parcel_Rack_LH	561716	female
A20	Parcel_Rack_LH	561477	female	A65.H3	Parcel_Rack_LH	561716	female
A24.A	RH_Console	561890	male	A65.J	Parcel_Rack_LH	562465	male
A24.B	RH_Console	561566	female	A69L.A	Parcel_Rack_LH	563025	male
A24.C	RH_Console	561889	female	A69L.B1	Parcel_Rack_LH	bidon	male
A25	Parcel_Rack_LH	563025	male	A69L.B2	Parcel_Rack_LH	bidon	male
A26.P1	Enginectmpt.	562350	male	A69L.B3	Parcel_Rack_LH	bidon	male
A26.P2	Enginectmpt.	563322	female	A69L.B4	Parcel_Rack_LH	bidon	male
A26.P4	Enginectmpt.	568088	male	A69L.C	Parcel_Rack_LH	bidon	male
A27	Service_Cmpt	562929	male	A69R.A	Parcel_Rack_LH	563025	male
A28	Service_Cmpt	562928	male	A69R.B1	Parcel_Rack_LH	bidon	male
A29.	Dash	562464	male	A69R.B2	Parcel_Rack_LH	bidon	male
A29.	Dash	565871	female	A69R.B3	Parcel_Rack_LH	bidon	male
A33.A	Parcel_Rack_LH	563071	male	A69R.B4	Parcel_Rack_LH	bidon	male
A33.B	Parcel_Rack_LH	562330	female	A69R.C	Parcel_Rack_LH	bidon	male
A34.J	Enginectmpt.	568118	male	A70a	Front_Roof	561540	female

# CONNECTORS LIST

No	Location	Part #	Gender	No	Location	Part #	Gender
A70b	Front_Roof	561540	female	A121.Vsc	Dash	564037	male
A77	Parcelrack	564547	male	A121.Vsd	Dash	564118	male
A78	Parcelrack	562583	female	A122.A	Parcelrack	563960	male
A79	Parcelrack	562583	female	A122.B	Parcelrack	563962	male
A80	Parcelrack	562479	female	A122.C1	Parcelrack	563956	male
A81.CN1	FJB	562767	male	A122.C2	Parcelrack	563957	male
A81.CN3A	FJB	564741	male	A122.C3	Parcelrack	563958	male
A81.CN3B	FJB	564742	male	A123.A	Parcelrack	563960	male
A83.A	FJB	565970	female	A123.B	Parcelrack	563962	male
A95.A	Parcelrack	564489	female	A123.C1	Parcelrack	563956	male
A95.B	Parcelrack	562706	female	A123.C2	Parcelrack	563957	male
A95.C	Parcelrack	562706	female	A123.C3	Parcelrack	563958	male
A96.A	FJB	563678	male	A124.A	Parcelrack	563960	male
A97	Dash	563226	male	A124.B	Parcelrack	563962	male
A97A	FJB	563226	male	A124.C1	Parcelrack	563956	male
A97A	FJB	563613	female	A124.C2	Parcelrack	563957	male
A97B	FJB	563226	male	A124.C3	Parcelrack	563958	male
A97B	FJB	563613	female	A130	Driver_Area	563226	male
A97S.A1	Dash	564401	male	A131.A	Engine_Cmpt	561782	male
A97S.A2	Dash	564402	male	A131.B	Engine_Cmpt	561781	female
A97S.A3	Dash	564403	male	A137A	Condensercmpt.	20429843	male
A99	FJB	564205	male	A138	Cond_Cmpt	563787	male
A100.1	Front_Axle	563515	male	A139	Dash	564501	male
A100.2	Dash	563515	male	A150	Parcelrack	21280133	male
A100.3	Rear_Axle	563515	male	A152.A	Parcelrack	561550	male
A107	EngineCmpt.	560336	male	A152.B	Parcelrack	563071	male
A108	RJB	562766	male	A152.C	Parcelrack	563071	male
A109A	FJB	564141	male	A152.D	Parcelrack	563071	male
A113.A	Parcel_Rack_LH	563960	male	A152.E	Parcelrack	563071	male
A113.B	Parcel_Rack_LH	563962	male	A152.F	Parcelrack	563071	male
A113.C1	Parcel_Rack_LH	563956	male	A152.G	Parcelrack	563071	male
A113.C2	Parcel_Rack_LH	563957	male	A152.H	Parcelrack	563071	male
A113.C3	Parcel_Rack_LH	563958	male	A152.I	Parcelrack	563071	male
A114A	Dash	564252	male	A152.J	Parcelrack	563071	male
A120.A	Dashboard	563960	male	A152.K	Parcelrack	562779	male
A120.B	Dashboard	563962	male	A152.L	Parcelrack	562779	male
A120.C1	Dashboard	563956	male	A162.A	FrontCab	561566	female
A120.C2	Dashboard	563957	male	A162.B	FrontCab	561782	male
A120.C3	Dashboard	563958	male	A164.A	RH_trapezoidal_window	561566	female
A121.Vsa	Dash	563679	male	A164.B	RH_trapezoidal_window	561782	male
A121.Vsb	Dash	563678	male	A165	Driver_Area	560641	male



# CONNECTORS LIST

No	Location	Part #	Gender	No	Location	Part #	Gender
A166	RearCab	561637	male	AE52.J1	RJB	563679	male
AE41.J1	FJB	563679	male	AE52.J2	RJB	564037	female
AE41.J2	FJB	564037	female	AE52.J3	RJB	565957	male
AE41.J3	FJB	564004	male	AE53.J1	LH_ParcelRack	563679	male
AE42.J1	FJB	563679	male	AE53.J2	LH_ParcelRack	564037	female
AE42.J2	FJB	564037	female	AE53.J3	LH_ParcelRack	565957	male
AE42.J3	FJB	564004	male	AE54.J1	Evaporatorcmpt.	563679	male
AE43.J1	FJB	563679	male	AE54.J2	Evaporatorcmpt.	564037	female
AE43.J2	FJB	564037	male	AE54.J3	Evaporatorcmpt.	565957	male
AE43.J3	FJB	565957	male	AE55.J1	Dash	563679	male
AE44.J1	FJB	563679	male	AE55.J2	Dash	564037	female
AE44.J2	FJB	564037	female	AE55.J3	Dash	564004	male
AE44.J3	FJB	565957	male	AE56.J1	Dash	563679	male
AE45.J1	FJB	563679	male	AE56.J2	Dash	564037	male
AE45.J2	FJB	564037	female	AE56.J3	Dash	564004	male
AE45.J3	FJB	565957	male	AE57.J1	WCLcmpt.	563679	male
AE46.J1	FJB	563679	male	AE57.J2	WCLcmpt.	564037	male
AE46.J2	FJB	564037	female	AE57.J3	WCLcmpt.	564004	male
AE46.J3	FJB	565957	male	AltLL.A	Enginecmpt.	563746	female
AE47.J1	RH_console	563679	male	AltLL.B	Enginecmpt.	560815	female
AE47.J2	RH_console	564037	female	AltLL.C	Enginecmpt.	564469	female
AE47.J3	RH_console	565957	male	AltLR.A	enginecmpt.	563746	female
AE48.J1	RH_console	563679	male	AltLR.B	Enginecmpt.	560815	female
AE48.J2	RH_console	564037	female	AltLR.C	Enginecmpt.	564469	female
AE48.J3	RH_console	565957	male	AltUR.A	Enginecmpt.	563746	female
AE49..J1	RJB	563679	male	AltUR.B	Enginecmpt.	560815	female
AE49..J2	RJB	564037	male	AltUR.C	Enginecmpt.	564469	female
AE49..J3	RJB	565957	male	B85	Engine_Cmpt	563815	male
AE49.J1	RJB	563679	male	B96	Engine_Cmpt	563821	male
AE49.J2	RJB	564037	male	B96B	Engine_Cmpt	563823	male
AE49.J3	RJB	565957	male	B97	Engine_Cmpt	563816	male
AE50..J1	RJB	563679	male	B98	Engine_Cmpt	563817	male
AE50..J2	RJB	564037	male	B99	Engine_Cmpt	563815	male
AE50..J3	RJB	565957	male	B115A	Enginecmpt.	564226	male
AE50.J1	RJB	563679	male	B142C	Condensercmpt.	563515	male
AE50.J2	RJB	564037	male	B310	Enginecmpt.	565967	male
AE50.J3	RJB	565957	male	C1	FJB	563589	male
AE51.J1	RJB	563679	male	C1	FJB	563590	female
AE51.J2	RJB	564037	female	C1S	FJB	563589	male
AE51.J3	RJB	565957	male	C1S	FJB	563590	female
AE52..J1	RJB	563679	male	C2	Service_Cmpt	563580	male
AE52..J2	RJB	564037	male	C2	Service_Cmpt	563581	female
AE52..J3	RJB	565957	male	C2A	FJB	563580	male

# CONNECTORS LIST

No	Location	Part #	Gender	No	Location	Part #	Gender
C2A	FJB	563581	female	C19	RJB	561986	male
C2B	FJB	564034	male	C19	RJB	561987	female
C2B	FJB	564035	female	C20A	Evap_Cmpt	562485	male
C3_plug	RJB	563589	male	C20A	Evap_Cmpt	562486	female
C3_socket	RJB	563590	female	C20B	Evap_Cmpt	562485	male
C3AP	FJB	563589	male	C20B	Evap_Cmpt	562486	female
C3AP	FJB	563590	female	C23	Evaporatorcmpt.	564034	male
C3AS	FJB	563589	male	C23	Evaporatorcmpt.	564035	female
C3AS	FJB	563590	female	C24_plug	Evap_Cmpt	561690	male
C3S	RJB	563593	male	C24_socket	Evap_Cmpt	561566	female
C3S	RJB	563590	female	C25	Parcel_Rack_LH	561550	male
C4	FJB	563580	male	C25	Parcel_Rack_LH	561667	female
C4	FJB	563581	female	C26	Ureacmpt.	563226	male
C5	FJB	563589	male	C26	Ureacmpt.	563613	female
C5	FJB	563590	female	C26A	Ureacmpt	568110	male
C5S	FJB	563589	male	C26A	Ureacmpt	568109	female
C5S	FJB	563590	female	C26B	Ureacmpt.	563227	male
C6	FJB	563582	male	C26B	Ureacmpt.	563614	female
C6	FJB	563583	female	C29	4rd_Lugg_Cmpt	563651	male
C7	Service_Cmpt	562581	male	C29	3rd_Lugg_Cmpt	563652	female
C7	Service_Cmpt	562583	female	C30	3rd_Lugg_Cmpt	561710	male
C8	FJB	563227	male	C30	3rd_Lugg_Cmpt	561709	female
C8	FJB	563614	female	C31W	Parcelrack	563227	male
C9	RJB	561986	male	C31W	Parcelrack	563614	female
C9	RJB	561987	female	C32	lavatory	561734	male
C10	Engine_Cmpt	562581	male	C32	Lavatory	561735	female
C10	Engine_Cmpt	562583	female	C32W	WCLcmpt.	561669	male
C11	Service_Cmpt	563580	male	C32W	WCLcmpt.	561670	female
C11	Service_Cmpt	563581	female	C33	WCLcmpt.	564034	male
C12	Engine_Cmpt	562581	male	C33	WCLcmpt.	564035	female
C12	Engine_Cmpt	562583	female	C34	RH_Console	561986	male
C13_plug	RH_Console	563589	male	C34	RH_Console	561987	female
C13_socket	RH_Console	563590	female	C36	FJB	561986	male
C13S	RH_Console	563589	male	C36	FJB	561987	female
C13S	RH_Console	563590	female	C37.	Parcel_Rack_LH	561734	male
C15A	EvaporatorCmpt	568110	male	C37.	Parcel_Rack_LH	561735	female
C15A	EvaporatorCmpt	568109	female	C38.	Parcelrack	561734	male
C16	RJB	561577	male	C38.	Parcelrack	561735	female
C16	RJB	561605	female	C39	Parcelrack	562503	male
C17	RJB	560195	male	C39	Parcelrack	562507	female
C17	RJB	560169	female	C39A	Firesuppressioncmpt.	561782	male
C18	FJB	561986	male	C39A	Firesuppressioncmpt.	561781	female
C18	FJB	561987	female	C40	Dash	562485	male

# CONNECTORS LIST

No	Location	Part #	Gender	No	Location	Part #	Gender
C40	Dash	562486	female	C74	FJB	561645	female
C41	RJB	561782	male	C74	FJB	561646	male
C41	RJB	561781	female	C87	Engine_Cmpt	562485	male
C44_plug	FJB	561577	male	C87	Engine_Cmpt	562486	female
C44_socket	FJB	561605	female	C88	WCL_Cmpt.	563226	male
C45	FJB	561643	male	C88	WCL_Cmpt.	563613	female
C45	FJB	561642	female	C90	RJB	563582	male
C46	3rdlugg.cmpt.	562549	male	C90	RJB	563583	female
C46	3rdlugg.cmpt.	562550	female	C91	RJB	562285	male
C47	FJB	565207	male	C91	RJB	562282	female
C48	RJB	565208	male	C94_plug	FJB	563589	male
C49	FJB	562005	male	C94_socket	FJB	563590	female
C49	FJB	561714	female	C96	FJB	561646	male
C50	RJB	563933	male	C96	FJB	561645	female
C50	RJB	563932	female	C97	FJB	561643	male
C54	Engine_Cmpt.	563226	male	C97	FJB	561642	female
C54	Engine_Cmpt.	563613	female	C99	Enginecmpt.	562581	male
C54A	Ureacmpt	568110	male	C99	Enginecmpt.	562583	female
C54A	Ureacmpt	568109	female	C100	Evaporatorcmpt.	562477	male
C54B	Engine_Cmpt.	562477	male	C100	Evaporatorcmpt.	562479	female
C54B	Engine_Cmpt.	562479	female	C100S	Evaporator_Cmpt.	562477	male
C55	Evap_Cmpt	561577	male	C100S	Evaporator_Cmpt.	562479	female
C55	Evap_Cmpt	561605	female	C101	Service_Cmpt	561690	male
C59	RJB	561643	male	C101	Service_Cmpt	561566	female
C59	RJB	561642	female	C103_plug	FJB	562485	male
C63	Entrance_Door	562581	male	C103_socket	FJB	562486	female
C63	Entrance_Door	562583	female	C105_plug	FJB	562581	male
C64	Engine_Cmpt	568110	male	C105_socket	FJB	562583	female
C64	Engine_Cmpt	568109	female	C106_plug	FJB	562581	male
C64X	Aisle_section	560898	male	C106_socket	FJB	562583	female
C64X	Aisle_section	560900	female	C107A	Enginecmpt.	562885	female
C66_plug	Evap_Cmpt	561577	male	C107A	Enginecmpt.	562884	female
C66_socket	Evap_Cmpt	561605	female	C107B	Enginecmpt.	562885	female
C67	Parcelrack	561734	male	C107B	Enginecmpt.	562884	female
C67	Parcelrack	561735	female	C107C	Enginecmpt.	562885	female
C69_plug	FJB	561690	male	C107C	Enginecmpt.	562884	female
C69_socket	FJB	561566	female	C108	Dash	562557	male
C70	FJB	562557	male	C108	dash	562558	female
C70	FJB	562558	female	C110	Dash	568110	male
C71	FJB	561646	male	C110	Dash	568109	female
C71	FJB	561645	female	C119A	Rear_engine_door	568110	male
C72	FJB	561646	male	C119A	Rear_engine_door	568109	female
C72	FJB	561645	female	C124	DashBoard	562503	male

# CONNECTORS LIST

No	Location	Part #	Gender	No	Location	Part #	Gender
C124	DashBoard	562507	female	C195	dash	563347	male
C129	DashBoard	563858	male	C195	dash	560489	female
C129	DashBoard	563859	female	C206	Parcel_Rack_RH	562503	male
C131A	Engine_Cmpt	561782	male	C206	Parcel_Rack_RH	562507	female
C131A	Engine_Cmpt	561781	female	C207	Parcel_Rack_LH	562503	male
C131B	Engine_Cmpt	561782	male	C207	Parcel_Rack_LH	562507	female
C131B	Engine_Cmpt	561781	female	C213	Parcel_Rack_LH	561515	male
C144	RJB	560852	male	C213	Parcel_Rack_LH	561552	female
C144	RJB	560851	female	C222	FJB	562477	male
C152	Cond_Cmpt	561611	male	C222	FJB	562479	female
C152	Cond_Cmpt	561610	female	C223	FJB	563227	male
C162	FrontCab	561690	male	C223	FJB	563614	female
C162	FrontCab	561566	female	C224	FJB	561637	male
C164A	RH_Trapezoidal_Window	561690	male	C224	FJB	561636	female
C164A	RH_Trapezoidal_Window	561566	female	C225	FJB	562650	male
C164AA	RH_Trapezoidal_Window	561690	male	C225	FJB	562649	female
C164AA	RH_Trapezoidal_Window	561566	female	C226	FJB	562650	male
C164B	RH_Trapezoidal_Window	561782	male	C226	FJB	562649	female
C164B	RH_Trapezoidal_Window	561781	female	C226a_plug	FJB	562650	male
C164BB	RH_Trapezoidal_Window	561782	male	C226a_socket	FJB	562649	female
C164BB	RH_Trapezoidal_Window	561781	female	C279	Service_Cmpt	562477	male
C166	RH_Trapezoidal_Window	561637	male	C279	Service_Cmpt	562479	female
C166	RH_Trapezoidal_Window	561636	female	C279A	Service_Cmpt	562477	male
C167	FJB	561577	male	C279A	Service_Cmpt	562479	female
C167	FJB	561605	female	C284	Parcel_Rack	561782	male
C170	LH_Console	561637	male	C284	Parcel_Rack	561781	female
C170	LH_Console	561636	female	C284_1	Parcel_Rack	561782	male
C171	LH_Console	561646	male	C284_1	Parcel_Rack	561781	female
C171	LH_Console	561645	female	C284_2	Parcel_Rack	561782	male
C175	RJB	563226	male	C284_2	Parcel_Rack	561781	female
C175	RJB	563613	female	C284_3	Parcel_Rack	561782	male
C175.	RJB	563226	male	C284_3	Parcel_Rack	561781	female
C175.	RJB	563613	female	C284_4	Parcel_Rack	561782	male
C187	RJB	561577	male	C284_4	Parcel_Rack	561781	female
C187	RJB	561605	female	C284_5	Parcel_Rack	561782	male
C188	Evap_Cmpt	561577	male	C284_5	Parcel_Rack	561781	female
C188	Evap_Cmpt	561605	female	C284_6	Parcel_Rack	561782	male
C189	RJB	561986	male	C284_6	Parcel_Rack	561781	female
C189	RJB	561987	female	C298	Parcelrack	561611	male
C193_plug	RJB	563589	male	C298	Parcelrack	561610	female
C193_socket	RJB	563590	female	C333	Upper_front	561550	male
C194	FJB	563589	male	C333	Upper_front	561667	female
C194	FJB	563590	female	C355	RJB	563582	male

# CONNECTORS LIST

No	Location	Part #	Gender	No	Location	Part #	Gender
C355	RJB	565887	female	C564	Parcelrack	562503	male
C356	Parcelrack	561710	male	C564	Parcelrack	562507	female
C356	Parcelrack	561709	female	C564_Sp	Parcelrack	562503	male
C357	Parcelrack	561847	male	C564_Sp	Parcelrack	562507	female
C357	Parcelrack	561862	female	C566	Parcelrack	562503	male
C380A	Dash	564222	male	C566	Parcelrack	562507	female
C380A	Dash	564224	female	C567	Parcelrack	562503	male
C381	Parcel_Rack	561847	male	C567	Parcelrack	562507	female
C381	Parcel_Rack	561862	female	C574	Parcel_Rack_RH	562549	male
C382	Under_Seat	561580	male	C574	Parcel_Rack_RH	562550	female
C382	Under_Seat	561582	female	C575	Parcel_Rack_RH	562503	male
C397	RJB	562285	male	C575	Parcel_Rack_RH	562507	female
C397	RJB	562282	female	C576B	Parcel_Rack_RH	562006	male
C397.	RJB	562285	male	C576B	Parcel_Rack_RH	560908	female
C397.	RJB	562282	female	C576BB	Parcelrack	562006	male
C430	LH_Console	562363	male	C576BB	Parcelrack	560908	female
C430	LH_Console	561188	female	C577A	Parcel_Rack	562006	male
C452	Dash	561986	male	C577A	Parcel_Rack	560908	female
C452	Dash	561987	female	C577AA	Parcelrack	562006	male
C463	Rearaxlecmpt	568112	male	C577AA	Parcelrack	560908	female
C463	Rearaxlecmpt	568111	female	C578	Parcel_Rack_LH	562503	male
C464	FJB	564222	male	C578	Parcel_Rack_LH	562507	female
C464	FJB	564224	female	C579	Parcel_Rack_LH	562549	male
C464A	Dash	564222	male	C579	Parcel_Rack_LH	562550	female
C464A	Dash	564224	female	C582	FJB	561690	female
C464B	FJB	564222	male	C582	FJB	561566	female
C464B	FJB	564224	female	C600	Dash	563226	male
C465	Parcelrack	562581	male	C600	Dash	563613	female
C465	Parcelrack	562583	female	C600A	Dash	563226	male
C506	FJB	561687	male	C600A	Dash	563613	female
C506	FJB	561685	female	C600B	Dash	563226	male
C540	Parcelrack	562477	male	C600B	Dash	563613	female
C540	Parcelrack	562479	female	C601	LHRoofWinAjar	561476	male
C541	Parcelrack	563226	male	C601	LHRoofWinAjar	561477	female
C541	Parcelrack	563613	female	C602	RH_Roof_Win_Ajar	561476	male
C542	Parcelrack	561550	male	C602	RH_Roof_Win_Ajar	561477	female
C542	Parcelrack	561667	female	C603	RHRoofWinAjar	561476	male
C543	Parcelrack	561607	male	C603	RHRoofWinAjar	561477	female
C543	Parcelrack	561606	female	C612_plug	arcel_Rack_LH	561687	male
C545	Parcelrack	561550	male	C612_socket	arcel_Rack_LH	561685	female
C545	Parcelrack	561667	female	C614	Passenger_Area	563071	male
C558	Parcelrack	562503	male	C614	Passenger_Area	563040	female
C558	Parcelrack	562507	female	C615	Passenger_Area	563071	male

# CONNECTORS LIST

No	Location	Part #	Gender	No	Location	Part #	Gender
C615	Passenger_Area	563040	female	C_AUX	Parcelrack	563040	female
C617	Mirror_LH	563801	male	C_AUX_2	Parcelrack	563071	male
C617	Mirror_LH	563800	female	C_AUX_2	Parcelrack	563040	female
C618	Mirror_RH	563801	male	C_INV1	Parcelrack	562337	male
C618	Mirror_RH	563800	female	C_INV1	Parcelrack	562338	male
C620	FJB	562477	male	C_INV2	Parcelrack	562337	male
C620	FJB	562479	female	C_INV2	Parcelrack	562338	male
C660	Rear_Galley	562646	male	C_LineOut	Parcelrack	563962	male
C660	Rear_Galley	562647	female	C_LineOut	Parcelrack	564489	female
C662	FJB	562477	male	C_Mo9	Evap_Cmpt	561577	male
C662	FJB	562479	female	C_Mo9	Evap_Cmpt	561605	female
C700	FJB	561637	male	C_Mo9:2	Evap_Cmpt	561577	male
C700	FJB	561636	female	C_Mo9:2	Evap_Cmpt	561605	female
C710	Front_LH_ParcelRack	561637	male	C_Se51	dash	563589	male
C710	Front_LH_ParcelRack	561636	female	C_Se51	dash	563590	female
C752_plug	Parcel_Rack	901062	male	C_USB	Parcel_Rack	562069	male
C752_socket	Parcel_Rack	901283	female	C_USB	Parcel_Rack	562070	female
C753_plug	Parcel_Rack	901062	male	CCAN1	FJB	562650	male
C753_socket	Parcel_Rack	901283	female	CCAN1	FJB	562649	female
C766	Parcelrack	561662	male	CCAN2	FJB	562650	male
C766	Parcelrack	561661	female	CCAN2	FJB	562649	female
C768	Parcel_Rack	901062	male	CCAN3	FJB	562650	male
C768	Parcel_Rack	901283	female	CCAN3	FJB	562649	female
C769	Parcel_Rack	901062	male	CCAN4	FJB	562650	male
C769	Parcel_Rack	901283	female	CCAN4	FJB	562649	female
C777	Dash	562477	male	CCust	RJB	562477	male
C777	Dash	562479	female	CCust	RJB	562479	female
C_A60DB	Parcel_Rack	563071	male	CCust.	RJB	562477	male
C_A60DB	Parcel_Rack	563040	female	CCust.	RJB	562479	female
C_A69R	Parcel_Rack	563025	male	CFHPR1	Parcelrack	564560	male
C_A97	Dash	563226	male	CIND-1.A	Parcelrack	560908	female
C_A97	Dash	563613	female	CIND-1.B	Parcelrack	560908	female
C_ALT	Enginecmpt.	562581	male	CIND-2.A	Parcelrack	560908	female
C_ALT	Enginecmpt.	562583	female	CIND-2.B	Parcelrack	560908	female
C_ALT3	Enginecmpt.	562477	male	CIND-11.A	Parcelrack	560908	female
C_ALT3	Enginecmpt.	562479	female	CIND-11.B	Parcelrack	560908	female
C_AUDIO_AUX	Parcel_Rack	562557	male	CINDWC-1.A	Parcelrack	560908	female
C_AUDIO_AUX	Parcel_Rack	562558	female	CINDWC-1.B	Parcelrack	560908	female
C_Audio_HDMI_L	Parcel_Rack	901062	male	CL1	FJB	562485	male
C_Audio_HDMI_L	Parcel_Rack	901283	female	CL1	FJB	562486	female
C_Audio_HDMI_R	Parcel_Rack	901062	male	CP1	Passenger_Area	561782	male
C_Audio_HDMI_R	Parcel_Rack	901283	female	CP1	Passenger_Area	561781	female
C_AUX	Parcelrack	563071	male	CP2	Passenger_Area	561782	male

# CONNECTORS LIST

No	Location	Part #	Gender	No	Location	Part #	Gender
CP2	Passenger_Area	561781	female	L33	Parcelrack	560898	male
CP3	Passengersarea	561782	male	L34	Parcelrack	560898	male
CP3	Passengersarea	561781	female	L35	Parcelrack	560898	male
CP4	Passenger_Area	561782	male	L36	Parcelrack	560898	male
CP4	Passenger_Area	561781	female	L37	Parcelrack	560898	male
CP5	Passenger_Area	561782	male	L38	Parcelrack	560898	male
CP5	Passenger_Area	561781	female	L39	Parcelrack	560898	male
CPA17B	RJB	562337	male	L40	Parcelrack	560898	male
CPA17B	RJB	562338	female	L41	Parcelrack	560898	male
CSw102	Rear_vehicule	562549	male	L42	Parcelrack	560898	male
CSw102	Rear_vehicule	562550	female	L43	Parcelrack	560898	male
CSX1	Engine_Cmpt	563135	male	L44	Parcelrack	560898	male
CSX1	Engine_Cmpt	563134	female	L45	Parcelrack	560898	male
CSX3	Engine_Cmpt	563135	male	L46	Parcelrack	560898	male
CSX3	Engine_Cmpt	563134	female	L47	Parcelrack	560898	male
CT_IN	Rear_Vehicle	560167	male	L48	Parcelrack	560898	male
CT_IN	Rear_Vehicle	560159	female	L49	Parcelrack	560898	male
CT_IN2	Engine_Cmpt	560167	male	L50	Parcelrack	560898	male
CT_IN2	Engine_Cmpt	560159	female	L51	Parcelrack	560898	male
CT_Out	Rear_Vehicle	560233	female	L52	Parcelrack	560898	male
EI	Enginectmpt.	563739	male	L52	Parcelrack	560900	female
L1A	Engine_Cmpt	560774	male	L52A	Parcelrack	560898	male
L16.A	Frontroof	562615	female	L53	Parcelrack	560898	male
L16.B	Frontroof	562615	female	L53	Parcelrack	560900	female
L17.A	Frontroof	562615	female	L53A	Parcelrack	560898	male
L17.B	Frontroof	562615	female	L54	Parcelrack	560898	male
L18	Entrance_Door	562549	male	L54	Parcelrack	560900	female
L19	Entracedoor	562486	female	L54A	Parcelrack	560898	male
L20	Entracedoorstep	562486	female	L55	Parcelrack	560898	male
L21	Upper_front	560605	female	L55	Parcelrack	560900	female
L22	Upper_front	560605	female	L55A	Parcelrack	560898	male
L23	Upper_front	560605	female	L56	Parcelrack	560898	male
L24	Upper_front	560605	female	L56	Parcelrack	560900	female
L25	Upper_front	560605	female	L56A	Parcelrack	560898	male
L26	Upper_front	560605	female	L57	Parcelrack	560898	male
L27	Upper_front	560605	female	L57	Parcelrack	560900	female
L28	Parcelrack	560898	male	L57A	Parcelrack	560898	male
L29	Parcelrack	560898	male	L58	Parcelrack	560898	male
L30	Parcelrack	560898	male	L58	Parcelrack	560900	female
L30A.A	Parcelrack	560898	male	L58A	Parcelrack	560898	male
L30B.A	Parcelrack	560898	male	L63	Front_Side_LH	562155	male
L31	Parcelrack	560898	male	L64	Outside_Front_RH	562155	male
L32	Parcelrack	560898	male	L64X	Aisle_Section	560898	male

# CONNECTORS LIST

No	Location	Part #	Gender	No	Location	Part #	Gender
L65	Outside_Front_LH	562155	male	L153	Parcelrack	561186	male
L66	Out_Side_Front_LH	562155	male	L154	Parcelrack	561186	male
L67	4th_Lugg_Cmpt	562155	male	L155	Parcelrack	561186	male
L68	4th_Lugg_Cmpt	562155	male	L156	Parcelrack	561186	male
L69	4th_Lugg_Cmpt	562155	male	L157	Parcelrack	561186	male
L70	4th_Lugg_Cmpt	562155	male	L158	Parcelrack	561186	male
L72	Rear_Vehicle	562155	male	L173	Parcelrack	563590	female
L74	Rear_Vehicle	562155	male	L174A	Parcelrack	563590	female
L75	Rearenginedoor	562155	male	L175	Engine_Cmpt.	563590	female
L76	Rear_engine_door	562155	male	L176	5th_Lugg_Cmpt	561247	male
L81.A	Rear_Vehicle	562835	female	L177	5th_Lugg_Cmpt	561247	male
L81.B	Rear_Vehicle	562834	male	L178	3rd_Lugg_Cmpt	561247	male
L82A	Rearvehicule	562348	female	L179	3rd_Lugg_Cmpt	561247	male
L83A	Rearvehicule	562348	female	L180	2nd_Lugg_Cmpt	561247	male
L84	Rear_roof	562486	female	L181	2nd_Lugg_Cmpt	561247	male
L85	Rear_roof	562486	female	L182	1st_Lugg_Cmpt	561247	male
L86	Rear_roof	562486	female	L183	1st_Lugg_Cmpt	561247	male
L87	Rear_roof	562486	female	L184	Servicecmpt.	561247	male
L88	Rear_roof	562486	female	L185.A	Servicecmpt.	561539	male
L89	Rear_roof	562486	female	L185.B	Servicecmpt.	561539	male
L91A	Rearvehicule	562601	male	L186.A	Dash	561539	male
L92A	Rearvehicule	562601	male	L186.B	Dash	561539	male
L95	Outside_Front_LH	562485	male	L187	Engine_Cmpt	561690	male
L95A	Outside_Front_LH	562485	male	L188	Service_Cmpt	562486	female
L96	Outside_Front_RH	562485	male	L193.A	Dash	560488	female
L96A	Outside_Front_RH	562485	male	L193.B	Dash	560488	female
L97.A	Outside_Front_LH	563069	female	L194.A	Dash	562019	female
L97.B	Outside_Front_LH	563069	female	L194.B	Dash	560488	female
L98.A	Outside_Front_RH	563069	female	L195.A	Dash	560488	female
L98.B	Outside_Front_RH	563069	female	L195.B	Dash	560488	female
L140	Lavatory	561247	male	L199	Enginecmpt.	562848	male
L141	Upper_front	561247	male	L201	Upper_front	561247	male
L142	Lavatory	562006	male	L202	Upper_front	561247	male
L143	Parcel_rack	561186	male	L203	RH_Console	561690	male
L144	Parcelrack	561186	male	L204	Parcel_Rack_RH	562803	male
L145	Parcelrack	561186	male	L205	Enginecmpt.	562485	male
L146	Parcelrack	561186	male	L206	Parcel_Rack_RH	562803	male
L147	Parcelrack	561186	male	L211	Entrance_Door_step	562486	female
L148	Parcelrack	561186	male	L212	outside_rear_LH_RH	563589	male
L149	Parcelrack	561186	male	L213	outside_rear_LH_RH	563589	male
L150	Parcelrack	561186	male	L214	outside_rear_LH_RH	563589	male
L151	Parcelrack	561186	male	L243	Parcelrack	561186	male
L152	Parcelrack	561186	male	L244	Parcelrack	561186	male



# CONNECTORS LIST

No	Location	Part #	Gender	No	Location	Part #	Gender
L245	Parcelrack	561186	male	L650.A	Aisle_Section	560898	male
L246	Parcelrack	561186	male	L660_1	Rear_Galley	560898	male
L247	Parcel_rack	561186	male	L660_2	Rear_Galley	560898	male
L248	Parcelrack	561186	male	L660_3	Rear_Galley	560898	male
L249	Parcelrack	561186	male	L661.A	Rear_Galley	560081	female
L250	Parcel_rack	561186	male	L661.B	Rear_Galley	560081	female
L251	Parcel_rack	561186	male	Mic_Driver_1.A	Parcel_rack	560999	male
L252	Parcelrack	561186	male	Mic_Driver_2.A	Parcel_rack	560999	male
L253	Parcel_rack	561186	male	Mic_Driver_3.A	Parcel_rack	560999	male
L254	Parcelrack	561186	male	Mic_Guide_1.A	Parcel_rack	560999	male
L255	Parcel_rack	561186	male	Mic_Guide_2.A	Parcel_rack	560999	male
L256	Parcelrack	561186	male	Mic_Guide_3.A	Parcel_rack	560999	male
L257	Parcelrack	561186	male	Mo3	Dash	561667	female
L258	Parcel_rack	561186	male	Mo4	Dash	564161	male
L282	Engine_Cmpt	561690	male	Mo5	Upper_front	561550	male
L285.A	Rear_Vehicle	562835	female	Mo6	Front_vehicle	561690	male
L285.B	Rear_Vehicle	562834	male	Mo7	Cond_Cmpt	563691	male
L286.A	Rear_Vehicle	562835	female	Mo8	Cond_Cmpt	563691	male
L286.B	Rear_Vehicle	562834	male	Mo10	Parcel_rack	561515	male
L290	Engine_door	562565	female	Mo11	Parcel_rack	561515	male
L291	Engine_door	562565	female	Mo12	Engine_Cmpt	561690	male
L298A	Enginecmpt.	563590	female	Mo13	Engine_Cmpt	561690	female
L306	RJBcmpt.	561247	male	Mo14	Engine_Cmpt	561566	female
L309.	Rear_LH_Lugg	564576	male	Mo15	Front_Ceiling	560900	female
L309D.	Drivers_Area	564576	male	Mo16	Front_Ceiling	560900	female
L310.	Rear_LH_Lugg	564576	male	Mo17	RH_Console	563626	male
L310D.	Drivers_Area	564576	male	Mo19	Fr_Service_Door	562474	male
L314	Front_vehicle	562789	male	Mo20	Fr_Service_Door	562474	male
L315	Front_vehicle	562789	male	Mo21	Upper_front	561186	male
L319	Under_WCL_platform	561247	male	Mo22	RH_Console	561186	male
L350A.A	Rearaxlecmpt.	564552	male	Mo24	RH_Console	562348	female
L350A.B	Rearaxlecmpt.	563340	male	Mo25	RH_Console	562348	female
L350A.C	Rearaxlecmpt.	562251	male	Mo27	Cond_Cmpt	563691	male
L600	Luggage_Cmpt	562155	male	Mo28	Cond_Cmpt	563691	male
L601	Luggage_Cmpt	562155	male	Mo54	Service_Cmpt	562474	male
L602	Luggage_Cmpt	562155	male	Mo61	Parcel_rack	561248	female
L603	Luggage_Cmpt	562155	male	Mo62	FrontHatch	562486	female
L604	Luggage_Cmpt	562155	male	Mo63	RearHatch	562486	female
L605	Luggage_Cmpt	562155	male	Mo65	Enginecmpt.	568089	male
L606	Luggage_Cmpt	562155	male	Mo67	Enginecmpt.	568089	male
L607	Luggage_Cmpt	562155	male	Mo68	Enginecmpt.	568089	male
L634	Aisle_Section	560898	male	Mo69	Enginecmpt.	568089	male
L635	Aisle_Section	560898	male	Mo70	Enginecmpt.	568089	male

# CONNECTORS LIST

No	Location	Part #	Gender	No	Location	Part #	Gender
Mo71	Enginectpt.	568089	male	Res3.A	ParcelRack	563590	female
Mo72	Enginectpt.	568089	male	Res4	RH_Console	563590	female
Mo73	Enginectpt.	568089	male	Res6	FJB	563590	female
PC1	FJB	562650	male	Res6A	FJB	563589	male
PC1	FJB	562649	female	Res6A	FJB	563590	female
PF	FJB	561782	male	Res6B	FJB	563589	male
PF	FJB	561781	female	Res6B	FJB	563590	female
PF1	Passenger_Area	561782	male	Res7	dash	563590	female
PF1	Passenger_Area	561781	female	Res15	Engine_Cmpt	561782	male
PF1A	Passenger_Area	561782	male	Res31	Ureacmpt.	562350	male
PF1A	Passenger_Area	561781	female	Res32	Ureacmpt.	563764	female
Pot2	Dash	561550	male	Res46	FJB	563590	female
PR	Parcelrack	561782	male	Res53	dash	563590	female
PR	Parcelrack	561781	female	Res99	dash	563590	female
PR1	Passenger_Area	561782	male	Se2	Service_Cmpt	561566	female
PR1	Passenger_Area	561781	female	Se4	Window_RH	561477	female
PR1A	Passenger_Area	561782	male	Se5	Window_RH	561477	female
PR1A	Passenger_Area	561781	female	Se6	Window_RH	561477	female
R1	RJB	562486	female	Se7	Window_LH	561477	female
R3	RJB	563409	male	Se8	Window_LH	561477	female
R4	FJB	564496	male	Se9	Window_LH	561477	female
R5	RJB	564496	male	Se10	FJB	561477	female
R12	Evap_Cmpt	563409	male	Se11.A	Cond_Cmpt	560082	female
R16	RJB	564496	male	Se11.B	Cond_Cmpt	560082	female
R20	RJB	564496	male	Se11.C	Cond_Cmpt	560082	female
R21	FJB	560525	male	Se13	Engine_Cmpt	562350	male
R23A	FJB	564496	male	Se14.A	Driver_Area	561782	male
R26	Evap_Cmpt	564496	male	Se14.B	Driver_Area	561781	female
R27	Dash	564496	male	Se15	RH_Console	560898	male
R28	FJB	564496	male	Se17	Entrance_Door	560081	female
R29	RJB	563409	male	Se18	Servicecmpt.	561566	female
R30	FJB	564496	male	Se19_P	Service_Cmpt	563677	male
R31	FJB	564496	male	Se19_S	Service_Cmpt	563677	male
R34	RJB	564210	male	Se20	Evap_Cmpt	562426	male
R36	Dash	564496	male	Se21	Dash	561248	female
R37	Dash	564496	male	Se23	Engine_Cmpt	563159	male
R38	FJB	564496	male	Se24	Evap_Cmpt	563758	female
R40	RJB	564496	male	Se25	Passenger_Area	561248	female
R47	Parcelrack	564496	male	Se28	Pneumatic_plate	561690	male
R72	5th_Bay	563409	male	Se29	Engine_Cmpt	561566	female
R73	5th_Bay	563409	male	Se30	Enginedoor	562877	female
R210	Parcelrack	560525	male	Se31	Enginedoor	562877	female
R_12VIS	Parcel_rack	564496	male	Se32	Rear_Axle_Cmpt	562426	male

# CONNECTORS LIST

No	Location	Part #	Gender	No	Location	Part #	Gender
Se33	Rear_Axle_Cmpt	562856	male	So18	Pneumatic_plate	641385	male
Se34	Rear_Axle_Cmpt	562427	male	So19	Pneumatic_plate	641385	male
Se35	Rear_Axle_Cmpt	562426	male	So20	Servicecmpt.	641385	male
Se36	Rear_Axle_Cmpt	562427	male	So21	Front_Axle_Cmpt	564046	female
Se37	Front_Axle_LH	641132	female	So22	Front_Axle_Cmpt	564046	female
Se38	Front_Axle_RH	641132	female	So23	Rear_Axle_Cmpt	564046	female
Se39	Rear_Axle_LH	641132	female	So24	Rear_Axle_Cmpt	564046	female
Se40	Rear_Axle_LH	641132	female	So27	Rearaxlecmpt.	564045	female
Se45	Servicecmpt.	563409	male	So50	Rearaxlecmpt.	564046	female
Se46	Rearaxlecmpt.	562348	female	So52	Rearaxlecmpt.	564045	female
Se49	Engine_Cmpt	561690	male	So54	Enginecmpt.	564045	female
Se51	Driverseat	563589	male	spBar4	Enginecmpt.	564135	male
Se53	Service_Cmpt	563159	female	spBar5	Enginecmpt.	564135	male
Se54	Service_Cmpt	563159	female	spBar6	Enginecmpt.	564135	male
Se55	Service_Cmpt	563159	female	spBar7	Enginecmpt.	564135	male
Se56	WCLdoor	562479	female	spBar11	Engine_Cmpt.	564135	male
Se57	Pneumatic Panel	563159	female	spBar12	Engine_Cmpt.	564135	male
Se60	Service_Cmpt	563409	male	spBar13	Enginecmpt.	564135	male
Se63	Rearaxlecmpt.	641132	female	spBar14	Enginecmpt.	564135	male
Se64	Rearaxlecmpt.	641132	female	spBar15	Enginecmpt.	564135	male
Se65	Dash	564042	female	spBar16	Enginecmpt.	564135	male
Se66	FJB	564039	female	spBar19	Condensorcmt.	564135	male
Se67	Frontaxlecmpt.	563159	female	spBar20	Condensorcmt.	564135	male
Se69	Frontaxlecmpt.	563159	female	spBar21	Condensorcmt.	564135	male
Se74	Rear_Axle_Cmpt	563340	male	spBar22	Enginecmpt.	564135	male
Se79	Front_Axle	563340	male	spBar23	Enginecmpt.	564135	male
Se89	EngineCmpt	562350	male	spBar24	Enginecmpt.	564135	male
Se94	WCLdoor	562877	female	spBar26	Front_Axle_Cmpt	564135	male
Se100	WCLdoor	562479	female	spBar27	Rear_Axle_Cmpt	564135	male
So3	RH_Console	641385	male	Spk1_L	Parcel_Rack_LH	563994	male
So4	RH_Console	641385	male	Spk1_R	Parcel_Rack_RH	563994	male
So5	RH_Console	641385	male	Spk2_L	Parcel_Rack_LH	563994	male
So6	RH_Console	641385	male	Spk2_R	Parcel_Rack_RH	563994	male
So7	Service_Cmpt	561566	female	Spk3_L	Parcel_Rack_LH	563994	male
So8	Servicecmpt.	641385	male	Spk3_R	Parcel_Rack_RH	563994	male
So9	Enginecmpt.	560016	female	Spk4_L	Parcel_Rack_LH	563994	male
So10	Cond_Cmpt	562485	male	Spk4_R	Parcel_Rack_RH	563994	male
So11	Cond_Cmpt	561566	female	Spk5_L	Parcel_Rack_LH	563994	male
So13	Evap_Cmpt	563204	female	Spk5_R	Parcel_Rack_RH	563994	male
So14	Servicecmpt.	641385	male	Spk6_L	Parcel_Rack_LH	563994	male
So15	Servicecmpt.	641385	male	Spk6_R	Parcel_Rack_RH	563994	male
So16	Servicecmpt.	641385	male	Spk7_L	Parcel_Rack_LH	563994	male
So17	Servicecmpt.	562848	male	Spk7_R	Parcel_Rack_RH	563994	male

# CONNECTORS LIST

No	Location	Part #	Gender	No	Location	Part #	Gender
Spk8_L	Parcel_Rack_LH	563994	male	Sw32	Dash	561477	female
Spk8_R	Parcel_Rack_RH	563994	male	Sw33	Dash	561476	male
Spk9_L	Parcel_Rack_LH	563994	male	Sw34	Outside_Front_RH	562477	male
Spk9_R	Parcel_Rack_RH	563994	male	Sw35	Console	562763	male
Spk10_L	Parcel_Rack_LH	563994	male	Sw38	LH_Console	562763	male
Spk10_R	Parcel_Rack_RH	563994	male	Sw39.A	RJB	562403	female
Spk11_L	Parcel_Rack_LH	563994	male	Sw39.B	RJB	562403	female
Spk11_R	Parcel_Rack_RH	563994	male	Sw40	LH_Console	561690	male
Spk12_L	Parcel_Rack_LH	563994	male	Sw41	LH_Console	562749	male
Spk12_R	Parcel_Rack_RH	563994	male	Sw42	Lugg_Cmpt	561636	female
Spk13_L	Parcel_Rack_LH	563994	male	Sw43	LH_Console	561690	male
Spk13_R	Parcel_Rack_RH	563994	male	Sw44.A	FJB	562403	female
Spk14_L	Parcel_Rack_LH	563994	male	Sw44.B	FJB	562403	female
Spk14_R	Parcel_Rack_RH	563994	male	Sw45.A	5th_Lugg_Cmpt	562485	male
Spk15_L	Parcel_Rack_LH	563994	male	Sw45.B	5th_Lugg_Cmpt	562486	female
Spk15_R	Parcel_Rack_RH	563994	male	Sw46.A	5th_Lugg_Cmpt	562485	male
Spk16_L	Parcel_Rack_LH	563994	male	Sw46.B	5th_Lugg_Cmpt	562486	female
Spk16_R	Parcel_Rack_RH	563994	male	Sw47.A	3rd_Lugg_Cmpt	562485	male
SpkDr_L	Parcel_Rack_LH	563994	male	Sw47.B	3rd_Lugg_Cmpt	562486	female
SpkDr_R	Parcel_Rack_RH	563994	male	Sw48.A	3rd_Lugg_Cmpt	562485	male
Sub1.A	Passenger_Area	564004	female	Sw48.B	3rd_Lugg_Cmpt	562486	female
Sub2.A	Passenger_Area	564004	female	Sw49.A	2nd_Lugg_Cmpt	562485	male
Sw1.C258	Driver_Area	561188	female	Sw49.B	2nd_Lugg_Cmpt	562486	female
Sw1.C259	Driver_Area	561186	male	Sw50.A	2nd_Lugg_Cmpt	562485	male
Sw2	Dash	562763	male	Sw50.B	2nd_Lugg_Cmpt	562486	female
Sw3	Dash	562763	male	Sw51.A	1st_Lugg_Cmpt	562485	male
Sw4	Dash	562763	male	Sw51.B	1st_Lugg_Cmpt	562486	female
Sw5	Dash	562763	male	Sw52.A	1st_Lugg_Cmpt	562485	male
Sw6	Dash	562763	male	Sw52.B	1st_Lugg_Cmpt	562486	female
Sw10A	LH_Console	562763	male	Sw55.A	Lavatory	560488	female
Sw12	Dash	562763	male	Sw55.B	Lavatory	560488	female
Sw14	Dash	562763	male	Sw56.A	Lavatory	560488	female
Sw16	Dash	562763	male	Sw56.B	Lavatory	560488	female
Sw17	Dash	562763	male	Sw58	Engine_Cmpt.	563135	male
Sw18A	LH_Console	562763	male	Sw59	Enginecmpt.	563135	male
Sw20	Dash	562763	male	Sw63A	LHConsole	562763	male
Sw21	Dash	562763	male	Sw64.A	Service_Cmpt	560815	female
Sw24	Dash	562763	male	Sw64.B	Service_Cmpt	560815	female
Sw25	Dash	562763	male	Sw82	RJB	563135	male
Sw26	Dash	562763	male	Sw83.A	Dash	560082	female
Sw27	Dash	562763	male	Sw83.B	Dash	560815	female
Sw29	Dash	562763	male	Sw83.C	Dash	560082	female
Sw30	RJB	563135	male	Sw83.D	Dash	560815	female

# CONNECTORS LIST

No	Location	Part #	Gender	No	Location	Part #	Gender
Sw85	LH_Console	562749	male	VECR2	RJB	563183	male
Sw95.A	WCLdoor	562615	female	VECR3	RJB	563185	male
Sw95.B	WCLdoor	562615	female	VECR4	RJB	563182	male
Sw95.C	WCLdoor	562615	female	VECR9	RJB	563448	male
Sw96.A	WCL_Door	562615	female	VECR10	RJB	563181	male
Sw96.B	WCL_Door	562615	female	VECR11	RJB	563184	male
Sw96.C	WCLdoor	562615	female	VECR12	RJB	563187	male
Sw97.A	WCLsystem	562615	female	VECT3	Rear_vehicule	563718	male
Sw97.B	WCLsystem	562615	female	VECT4	Rear_vehicule	563714	male
Sw97.C	WCLsystem	562615	female	Y80	Engine_Cmpt	563789	male
Sw98.A	WCLsystem	562615	female	Y81	Cond_Cmpt	563793	male
Sw98.B	WCLsystem	562615	female				
Sw98.C	WCLsystem	562615	female				
Sw100	dash	562763	male				
Sw107	dash	562763	male				
Sw108	dash	562763	male				
Sw124	dash	562763	male				
Sw125	Service_Cmpt	561457	female				
Sw137	Dash	562763	male				
Sw149	Dash	562763	male				
Sw156	LH_Console	562763	male				
Sw157	Dash	562763	male				
Sw158	Dash	562763	male				
Sw162	Dash	562763	male				
Sw629	Dash	562763	male				
Sw660	Rear_Galley	562763	male				
Sw661	Rear_Galley	562763	male				
Sw663	Rear_Galley	562763	male				
Sw670	dash	562763	male				
tab69	Parcelrack	561626	N/A				
Tab70a	Parcelrack	561626	N/A				
Tab70b	Parcelrack	561626	N/A				
tab71a	Parcelrack	561626	N/A				
TermL248	Parcel_rack	562505	N/A				
VECF1	FJB	563186	male				
VECF2	FJB	563183	male				
VECF3	FJB	563185	male				
VECF4	FJB	563182	male				
VECF9	FJB	563448	male				
VECF10	FJB	563181	male				
VECF11	FJB	563184	male				
VECF12	FJB	563187	male				
VECR1	RJB	563186	male				

# CONNECTORS LIST

No	Location	Part #	Gender	No	Location	Part #	Gender
24SS_OP	Parcel_Rack_LH	563071	male	A34.K	Enginectmpt.	564270	male
24SS_OP	Parcel_Rack_LH	563040	female	A34.L	Enginectmpt.	564269	male
24SS_OP_2	Parcel_Rack_LH	563071	male	A36.JA	FJB	562767	male
24SS_OP_2	Parcel_Rack_LH	563040	female	A36.JB	FJB	562765	male
120V_inlet	Rearvehicule	561572	male	A36.JC	FJB	562957	male
A1	RJB	563975	male	A39.P101	Parcel_Rack_LH	563201	male
A2	FJB	563984	male	A39.P901	Parcel_Rack_LH	563953	male
A3	Dash	562363	male	A40	FJB	563884	male
A4.A	Service_Cmpt	562428	female	A41.J1	FJB	563679	male
A4.B	Service_Cmpt	561188	female	A41.J2	FJB	564037	male
A5	Service_Cmpt	562428	female	A41.J3	FJB	564004	male
A6	Engine_Cmpt	562427	male	A60.A	Parcel_Rack_LH	563071	male
A7	Rear_Axle_Cmpt	563979	male	A60.B	Parcel_Rack_LH	562706	female
A9.Cx1	FJB	564041	female	A60.C	Parcel_Rack_LH	901110	male
A9.Cx2	FJB	563678	male	A60.D	Parcel_Rack_LH	901110	male
A9.Cx3	FJB	564037	female	A61.A	Parcel_Rack_LH	562464	male
A9.Cx4	FJB	564038	female	A61.B	Parcel_Rack_LH	562465	male
A10.X1	Engine_Cmpt	563135	male	A65.A	Parcel_Rack_LH	563025	male
A10.X3	Engine_Cmpt	563134	female	A65.B4	Parcel_Rack_LH	bidon	male
A11	LH_Console	563142	male	A65.B5	Parcel_Rack_LH	bidon	male
A14.A	Dash	562766	male	A65.B6	Parcel_Rack_LH	bidon	male
A14.B	Dash	562767	male	A65.D	Parcel_Rack_LH	bidon	male
A14.C	Dash	562765	male	A65.E	Parcelrack	563071	male
A15	Dash	562464	male	A65.G1	Parcel_Rack_LH	563071	male
A17.D	RJB	561932	male	A65.G2	Parcel_Rack_LH	563071	male
A18.J1	FJB	562794	male	A65.G3	Parcel_Rack_LH	563071	male
A18.J2	FJB	562650	male	A65.H1	Parcel_Rack_LH	561716	female
A19	LH_Console	562878	female	A65.H2	Parcel_Rack_LH	561716	female
A20	Parcel_Rack_LH	561477	female	A65.H3	Parcel_Rack_LH	561716	female
A24.A	RH_Console	561890	male	A65.J	Parcel_Rack_LH	562465	male
A24.B	RH_Console	561566	female	A69L.A	Parcel_Rack_LH	563025	male
A24.C	RH_Console	561889	female	A69L.B1	Parcel_Rack_LH	bidon	male
A25	Parcel_Rack_LH	563025	male	A69L.B2	Parcel_Rack_LH	bidon	male
A26.P1	Enginectmpt.	562350	male	A69L.B3	Parcel_Rack_LH	bidon	male
A26.P2	Enginectmpt.	563322	female	A69L.B4	Parcel_Rack_LH	bidon	male
A26.P4	Enginectmpt.	568088	male	A69L.C	Parcel_Rack_LH	bidon	male
A27	Service_Cmpt	562929	male	A69R.A	Parcel_Rack_LH	563025	male
A28	Service_Cmpt	562928	male	A69R.B1	Parcel_Rack_LH	bidon	male
A29.	Dash	562464	male	A69R.B2	Parcel_Rack_LH	bidon	male
A29.	Dash	565871	female	A69R.B3	Parcel_Rack_LH	bidon	male
A33.A	Parcel_Rack_LH	563071	male	A69R.B4	Parcel_Rack_LH	bidon	male
A33.B	Parcel_Rack_LH	562330	female	A69R.C	Parcel_Rack_LH	bidon	male
A34.J	Enginectmpt.	568118	male	A70a	Front_Roof	561540	female

# CONNECTORS LIST

No	Location	Part #	Gender	No	Location	Part #	Gender
A70b	Front_Roof	561540	female	A131.A	Engine_Cmpt	561782	male
A77	Parcelrack	564547	male	A131.B	Engine_Cmpt	561781	female
A78	Parcelrack	562583	female	A137A	Condensercmpt.	20429843	male
A79	Parcelrack	562583	female	A138	Cond_Cmpt	563787	male
A80	Parcelrack	562479	female	A139	Dash	564501	male
A81.CN1	FJB	562767	male	A150	Parcelrack	21280133	male
A81.CN3A	FJB	564741	male	A152.A	Parcelrack	561550	male
A81.CN3B	FJB	564742	male	A152.B	Parcelrack	563071	male
A83.A	FJB	565970	female	A162.A	FrontCab	561566	female
A95.A	Parcelrack	564489	female	A162.B	FrontCab	561782	male
A95.B	Parcelrack	562706	female	A164.A	RH_trapezoidal_window	561566	female
A95.C	Parcelrack	562706	female	A164.B	RH_trapezoidal_window	561782	male
A96.A	FJB	563678	male	A165	Driver_Area	560641	male
A97	Dash	563226	male	AE41.J1	FJB	563679	male
A97A	FJB	563226	male	AE41.J2	FJB	564037	female
A97A	FJB	563613	female	AE41.J3	FJB	564004	male
A97B	FJB	563226	male	AE42.J1	FJB	563679	male
A97B	FJB	563613	female	AE42.J2	FJB	564037	female
A97S.A1	Dash	564401	male	AE42.J3	FJB	564004	male
A97S.A2	Dash	564402	male	AE43.J1	FJB	563679	male
A97S.A3	Dash	564403	male	AE43.J2	FJB	564037	male
A99	FJB	564205	male	AE43.J3	FJB	565957	male
A100.1	Front_Axle	563515	male	AE44.J1	FJB	563679	male
A100.2	Dash	563515	male	AE44.J2	FJB	564037	female
A100.3	Rear_Axle	563515	male	AE44.J3	FJB	565957	male
A107	EngineCmpt.	560336	male	AE45.J1	FJB	563679	male
A108	RJB	562766	male	AE45.J2	FJB	564037	female
A109A	FJB	564141	male	AE45.J3	FJB	565957	male
A113.A	Parcel_Rack_LH	563960	male	AE46.J1	FJB	563679	male
A113.B	Parcel_Rack_LH	563962	male	AE46.J2	FJB	564037	female
A114A	Dash	564252	male	AE46.J3	FJB	565957	male
A120.A	Dashboard	563960	male	AE47.J1	RH_console	563679	male
A120.B	Dashboard	563962	male	AE47.J2	RH_console	564037	female
A121.Vsa	Dash	563679	male	AE47.J3	RH_console	565957	male
A121.Vsb	Dash	563678	male	AE48.J1	RH_console	563679	male
A121.Vsc	Dash	564037	male	AE48.J2	RH_console	564037	female
A121.Vsd	Dash	564118	male	AE48.J3	RH_console	565957	male
A122.A	Parcelrack	563960	male	AE49..J1	RJB	563679	male
A122.B	Parcelrack	563962	male	AE49..J2	RJB	564037	male
A123.A	Parcelrack	563960	male	AE49..J3	RJB	565957	male
A124.A	Parcelrack	563960	male	AE49.J1	RJB	563679	male

# CONNECTORS LIST

No	Location	Part #	Gender	No	Location	Part #	Gender
AE49.J2	RJB	564037	male	B96B	Engine_Cmpt	563823	male
AE49.J3	RJB	565957	male	B97	Engine_Cmpt	563816	male
AE50..J1	RJB	563679	male	B98	Engine_Cmpt	563817	male
AE50..J2	RJB	564037	male	B99	Engine_Cmpt	563815	male
AE50..J3	RJB	565957	male	B115A	Enginecmpt.	564226	male
AE50.J1	RJB	563679	male	B310	Enginecmpt.	565967	male
AE50.J2	RJB	564037	male	C1	FJB	563589	male
AE50.J3	RJB	565957	male	C1	FJB	563590	female
AE51.J2	RJB	564037	female	C1S	FJB	563589	male
AE51.J3	RJB	565957	male	C1S	FJB	563590	female
AE52.J1	RJB	563679	male	C2	Service_Cmpt	563580	male
AE52.J2	RJB	564037	female	C2	Service_Cmpt	563581	female
AE52.J3	RJB	565957	male	C2A	FJB	563580	male
AE53.J1	RJB	563679	male	C2A	FJB	563581	female
AE53.J2	RJB	564037	female	C2B	FJB	564034	male
AE53.J3	RJB	565957	male	C2B	FJB	564035	female
AE54.J1	Evaporatorcmpt.	563679	male	C3_plug	RJB	563589	male
AE54.J2	Evaporatorcmpt.	564037	female	C3_socket	RJB	563590	female
AE54.J3	Evaporatorcmpt.	565957	male	C3AP	FJB	563589	male
AE55.J1	Dash	563679	male	C3AP	FJB	563590	female
AE55.J2	Dash	564037	female	C3AS	FJB	563589	male
AE55.J3	Dash	564004	male	C3AS	FJB	563590	female
AE56.J1	Dash	563679	male	C3S	RJB	563593	male
AE56.J2	Dash	564037	male	C3S	RJB	563590	female
AE56.J3	Dash	564004	male	C4	FJB	563580	male
AE57.J1	WCLcmpt.	563679	male	C4	FJB	563581	female
AE57.J2	WCLcmpt.	564037	male	C5	FJB	563589	male
AE57.J3	WCLcmpt.	564004	male	C5	FJB	563590	female
Alt_LL.A	Enginecmpt.	563746	female	C5S	FJB	563589	male
Alt_LL.B	Enginecmpt.	560815	female	C5S	FJB	563590	female
Alt_LL.C	Enginecmpt.	564469	female	C6	FJB	563582	male
Alt_LR.A	enginecmpt.	563746	female	C6	FJB	563583	female
Alt_LR.B	Enginecmpt.	560815	female	C7	FJB	562566	male
Alt_LR.C	Enginecmpt.	564469	female	C7	FJB	562565	female
Alt_UR.A	Enginecmpt.	563746	female	C7A	FJB	562789	male
Alt_UR.B	Enginecmpt.	560815	female	C7A	FJB	565131	female
Alt_UR.C	Enginecmpt.	564469	female	C7AA	FJB	562789	male
B85	Engine_Cmpt	563815	male	C7AA	FJB	565131	female
B96	Engine_Cmpt	563821	male	C8	FJB	563227	male



# CONNECTORS LIST

No	Location	Part #	Gender	No	Location	Part #	Gender
C8	FJB	563614	female	C26B	Ureacmpt.	563614	female
C9	RJB	561986	male	C29	4rd_Lugg_Cmpt	563651	male
C9	RJB	561987	female	C29	3rd_Lugg_Cmpt	563652	female
C10	Engine_Cmpt	562477	male	C30	3rd_Lugg_Cmpt	561710	male
C10	Engine_Cmpt	562479	female	C30	3rd_Lugg_Cmpt	561709	female
C11	Service_Cmpt	563580	male	C31S	Parcelrack	561515	male
C11	Service_Cmpt	563581	female	C31S	Parcelrack	561552	female
C12	Engine_Cmpt	562581	male	C31W	WCL_Parcel_Rack	563227	male
C12	Engine_Cmpt	562583	female	C31W	WCL_Parcel_Rack	563614	female
C13_plug	RH_Console	563589	male	C32	lavatory	561734	male
C13_socket	RH_Console	563590	female	C32	Lavatory	561735	female
C13S	RH_Console	563589	male	C32.	Lavatory	561515	male
C13S	RH_Console	563590	female	C32.	Lavatory	561552	female
C15A	EvaporatorCmpt	568110	male	C32L	Lavatory	562006	male
C15A	EvaporatorCmpt	568109	female	C32L	Lavatory	560908	female
C16	RJB	561577	male	C32W	WCLcmpt.	561640	male
C16	RJB	561605	female	C32W	WCLcmpt.	561639	female
C17	RJB	560195	male	C32X	Lavatory	561247	male
C17	RJB	560169	female	C32X	Lavatory	561248	female
C18	FJB	561986	male	C33	WCLcmpt.	564034	male
C18	FJB	561987	female	C33	WCLcmpt.	564035	female
C19	RJB	561986	male	C34	RH_Console	561986	male
C19	RJB	561987	female	C34	RH_Console	561987	female
C20_socket	Evap_Cmpt	564891	female	C35	Lavatory	561669	male
C20A	Evap_Cmpt	562485	male	C35	Lavatory	561670	female
C20A	Evap_Cmpt	562486	female	C36	FJB	561986	male
C20B	Evap_Cmpt	562485	male	C36	FJB	561987	female
C20B	Evap_Cmpt	562486	female	C37	Parcel_Rack_LH	562557	male
C23	Evaporatorcmpt.	564034	male	C37	Parcel_Rack_LH	562558	female
C23	Evaporatorcmpt.	564035	female	C37.	Parcel_Rack	561734	male
C24_plug	Evap_Cmpt	561690	male	C37.	Parcel_Rack	561735	female
C24_socket	Evap_Cmpt	561566	female	C38.	Parcelrack	561734	male
C25	Parcel_Rack_LH	561550	male	C38.	Parcelrack	561735	female
C25	Parcel_Rack_LH	561667	female	C39A	Firesuppressioncmpt.	561782	male
C25.	Parcel_Rack_LH	561669	male	C39A	Firesuppressioncmpt.	561781	female
C25.	Parcel_Rack_LH	561670	female	C39AA	Firesuppressioncmpt.	561782	male
C25A	Parcel_Rack_RH	561669	male	C39AA	Firesuppressioncmpt.	561781	female
C25A	Parcel_Rack_RH	561670	female	C40	Dash	562485	male
C26	Ureacmpt.	563226	male	C40	Dash	562486	female
C26	Ureacmpt.	563613	female	C41	RJB	561782	male
C26A	Ureacmpt	568110	male	C41	RJB	561781	female
C26A	Ureacmpt	568109	female	C42	FJB	561668	male
C26B	Ureacmpt.	563227	male	C42	FJB	561551	female

# CONNECTORS LIST

No	Location	Part #	Gender	No	Location	Part #	Gender
C44_plug	FJB	561577	male	C70	Over_Head_Driver_Area	561667	female
C44_socket	FJB	561605	female	C71	FJB	561646	male
C45	FJB	561643	male	C71	FJB	561645	female
C45	FJB	561642	female	C71A	FJB	561646	male
C46	WCLCmpt.	564228	male	C71A	FJB	561644	female
C46	WCLCmpt.	564229	female	C72	FJB	561646	male
C47	FJB	565207	male	C72	FJB	561645	female
C48	Unican	565208	male	C74	FJB	561645	female
C49	FJB	562005	male	C74	FJB	561646	male
C49	FJB	561714	female	C81	1st_Lugg_Cmpt	562477	male
C50	RJB	563931	male	C81	1st_Lugg_Cmpt	562479	female
C50	RJB	563930	female	C82	1st_Lugg_Cmpt	562477	male
C51	Enginecmpt.	564034	male	C82	1st_Lugg_Cmpt	562479	female
C51	Enginecmpt.	560034	female	C82A	1st_Lugg_Cmpt	563589	male
C52	Evaporatorcmpt.	563618	male	C82A	1st_Lugg_Cmpt	563590	female
C52	Evaporatorcmpt.	563616	female	C83	2nd_Lugg_Cmpt	562477	male
C54	Enginecmpt.	563226	male	C83	2nd_Lugg_Cmpt	562479	female
C54	Enginecmpt.	563613	female	C84	2nd_Lugg_Cmpt	562477	male
C54A	Ureacmpt	568110	male	C84	2nd_Lugg_Cmpt	562479	female
C54A	Ureacmpt	568109	female	C85	4thlugg.cmpt.	562477	male
C54B	Enginecmpt.	563589	male	C85	4thlugg.cmpt.	562479	female
C54B	Enginecmpt.	563590	female	C86	4thlugg.cmpt.	563618	male
C55	Evap_Cmpt	561577	male	C86	4thlugg.cmpt.	563616	female
C55	Evap_Cmpt	561605	female	C87	Engine_Cmpt	562485	male
C58	Condensorcmt.	564567	male	C87	Engine_Cmpt	562486	female
C58	Condensorcmt.	564568	female	C88	FJB	563618	male
C59	RJB	561643	male	C88	FJB	563616	female
C59	RJB	561642	female	C91	RJB	564619	male
C61	Fr_Service_Door	561669	male	C91	RJB	562282	female
C61	Fr_Service_Door	561670	female	C92A	Enginecmpt.	563226	male
C62	Fr_Service_Door	562566	male	C92A	Enginecmpt.	563613	female
C62	Fr_Service_Door	562565	female	C92C	Enginecmpt.	562581	male
C63	Entrance_Door	562477	male	C92C	Enginecmpt.	562583	female
C63	Entrance_Door	562479	female	C94_plug	FJB	563589	male
C64	Enginecmpt	568110	male	C94_socket	FJB	563590	female
C64	Enginecmpt	568109	female	C96	FJB	561643	male
C66_plug	Evap_Cmpt	561577	male	C96	FJB	561642	female
C66_socket	Evap_Cmpt	561605	female	C97	FJB	561643	male
C68_plug	Parcel_Rack_LH	562503	male	C97	FJB	561642	female
C68_socket	Parcel_Rack_LH	562507	female	C100	Evaporatorcmpt.	562477	male
C69_plug	Parcel_Rack_LH	561690	male	C100	Evaporatorcmpt.	562479	female
C69_socket	Parcel_Rack_LH	561566	female	C100S	EvaporatorCmpt.	562477	male
C70	Over_Head_Driver_Area	561550	male	C100S	EvaporatorCmpt.	562479	female

# CONNECTORS LIST

No	Location	Part #	Gender	No	Location	Part #	Gender
C101	Service_Cmpt	561690	male	C158	Condensorcmt.	562479	female
C101	Service_Cmpt	561566	female	C159	Condensorcmt.	561577	male
C102A	Condensorcmt.	563226	male	C159	Condensorcmt.	561605	female
C102A	Condensorcmt.	563613	female	C159_LH	Condensorcmt.	561247	male
C103_plug	FJB	562485	male	C159_LH	Condensorcmt.	561248	female
C103_socket	FJB	562486	female	C159_RH	Condensorcmt.	561247	male
C104S_plug	FJB	563589	male	C159_RH	Condensorcmt.	561248	female
C104S_socket	FJB	563590	female	C162	FrontCab	561690	male
C105_plug	FJB	562581	male	C162	FrontCab	561566	female
C105_socket	FJB	562583	female	C162.	FrontCab	561566	female
C106_plug	FJB	562581	male	C164A	RH_Trapezoidal_Window	561690	male
C106_socket	FJB	562583	female	C164A	RH_Trapezoidal_Window	561566	female
C107A	Enginectmpt.	562885	female	C164AA	RH_Trapezoidal_Window	561690	male
C107A	Enginectmpt.	562884	female	C164AA	RH_Trapezoidal_Window	561566	female
C107B	Enginectmpt.	562885	female	C164B	RH_Trapezoidal_Window	561782	male
C107B	Enginectmpt.	562884	female	C164B	RH_Trapezoidal_Window	561781	female
C107C	Enginectmpt.	562885	female	C164BB	RH_Trapezoidal_Window	561782	male
C107C	Enginectmpt.	562884	female	C164BB	RH_Trapezoidal_Window	561781	female
C110	Dash	568110	male	C166	RH_Trapezoidal_Window	561637	male
C110	Dash	568109	female	C166	RH_Trapezoidal_Window	561636	female
C119A	Rear_engine_door	568110	male	C167	FJB	561577	male
C119A	Rear_engine_door	568109	female	C167	FJB	561605	female
C121	Rearenginedoor	562566	male	C170	LH_Console	561637	male
C121	Rearenginedoor	562565	female	C170	LH_Console	561636	female
C122	Rearenginedoor	562566	male	C171	LH_Console	561646	male
C122	Rearenginedoor	562565	female	C171	LH_Console	561645	female
C124	DashBoard	562503	male	C175	RJB	563226	male
C124	DashBoard	562507	female	C175	RJB	563613	female
C129	DashBoard	563858	male	C175.	RJB	563226	male
C129	DashBoard	563859	female	C175.	RJB	563613	female
C131A	Engine_Cmpt	561782	male	C187	RJB	561577	male
C131A	Engine_Cmpt	561781	female	C187	RJB	561605	female
C131B	Engine_Cmpt	561782	male	C188	Evap_Cmpt	561577	male
C131B	Engine_Cmpt	561781	female	C188	Evap._Cmpt	561605	female
C140	Dash	562477	male	C189	RJB	561986	male
C140	Dash	562479	female	C189	RJB	561987	female
C144	RJB	560852	male	C193_plug	RJB	563589	male
C144	RJB	560851	female	C193_socket	RJB	563590	female
C152	Cond_Cmpt	561611	male	C194	FJB	563589	male
C152	Cond_Cmpt	561610	female	C194	FJB	563590	female
C157	Cond_Cmpt	561637	male	C195	Dash	563347	male
C157	Cond_Cmpt	561636	female	C195	Dash	560489	female
C158	Condensorcmt.	562477	male	C206	Parcel_Rack_RH	562503	male

# CONNECTORS LIST

No	Location	Part #	Gender	No	Location	Part #	Gender
C206	Parcel_Rack_RH	562507	female	C284_3	Parcelrack	561247	male
C207	Parcel_Rack_LH	562503	male	C284_3	Parcelrack	561248	female
C207	Parcel_Rack_LH	562507	female	C284_4	Parcelrack	561247	male
C212	WCLArea	561515	male	C284_4	Parcelrack	561248	female
C212	WCLArea	561552	female	C284_5	Parcelrack	561247	male
C213	Parcel_Rack_LH	561515	male	C284_5	Parcelrack	561248	female
C213	Parcel_Rack_LH	561552	female	C290	Rear_Vehicle	562477	male
C222	FJB	562477	male	C290	Rear_Vehicle	562479	female
C222	FJB	562479	female	C298	Parcelrack	561611	male
C222	FJB	562477	male	C298	Parcelrack	561610	female
C223	FJB	563227	male	C355	RJB	563582	male
C223	FJB	563614	female	C355	RJB	563583	female
C223.	FJB	563227	male	C356	Parcelrack	561710	male
C223.	FJB	563614	female	C356	Parcelrack	561709	female
C224	FJB	561637	male	C357	Parcelrack	561847	male
C224	FJB	561636	female	C357	Parcelrack	561862	female
C224	FJB	561636	female	C380A	Dash	564222	male
C225	FJB	562650	male	C380A	Dash	564224	female
C225	FJB	562649	female	C381	Parcel_Rack	561847	male
C226	FJB	562650	male	C381	Parcel_Rack	561924	female
C226	FJB	562649	female	C382	Under_Seat	561580	male
C228	FJB	562477	male	C382	Under_Seat	561582	female
C228	FJB	562479	female	C382.B	Under_Seat	561637	male
C242	Service_Cmpt	562789	male	C382.B	Under_Seat	561636	female
C242	Service_Cmpt	565131	female	C383	Under_Seat	562464	male
C243	FrontVehicle	563347	male	C383	Under_Seat	565871	female
C243	FrontVehicle	563180	female	C397	RJB	562285	male
C243.	FrontVehicule	562789	male	C397	RJB	562282	female
C243.	FrontVehicule	565131	female	C397.	RJB	562285	male
C259	3rd_LH_Lugg_Cmpt	561637	male	C397.	RJB	562282	female
C259	3rd_LH_Lugg_Cmpt	561636	female	C430	LH_Console	562363	male
C266	Parcelrack	561782	male	C430	LH_Console	561188	female
C266	Parcelrack	561781	female	C452.	Dash	561643	male
C267	Parcelrack	561782	male	C452.	Dash	561642	female
C267	Parcelrack	561781	female	C463	Rearaxlecmpt	568112	male
C279	Service_Cmpt	562477	male	C463	Rearaxlecmpt	568111	female
C279	Service_Cmpt	562479	female	C464	FJB	564222	male
C284	Parcelrack	561247	male	C464	FJB	564224	female
C284	Parcelrack	561248	female	C464A	Dash	564222	male
C284_1	Parcelrack	561247	male	C464A	Dash	564224	female
C284_1	Parcelrack	561248	female	C464B	FJB	564222	male
C284_2	Parcelrack	561247	male	C464B	FJB	564224	female
C284_2	Parcelrack	561248	female	C465	Parcelrack	562581	male

# CONNECTORS LIST

No	Location	Part #	Gender	No	Location	Part #	Gender
C465	Parcelrack	562583	female	C577AA	Parcelrack	562006	male
C506	FJB	561687	male	C577AA	Parcelrack	560908	female
C506	FJB	561685	female	C578	Parcel_Rack_LH	562503	male
C506spA	FJB	561687	male	C578	Parcel_Rack_LH	562507	female
C506spA	FJB	561685	female	C579	LHP.Rack	562549	male
C506spB	FJB	561687	male	C579	LHP.Rack	562550	female
C506spB	FJB	561685	female	C582	FJB	561690	female
C540	Parcelrack	562477	male	C582	FJB	561566	female
C540	Parcelrack	562479	female	C600	Dash	563226	male
C541	Parcelrack	563226	male	C600	Dash	563613	female
C541	Parcelrack	563613	female	C601	LHRoofWinAjar	561476	male
C542	Parcelrack	561550	male	C601	LHRoofWinAjar	561477	female
C542	Parcelrack	561667	female	C602	Parcel_Rack_LH	561668	male
C543	Parcelrack	561607	male	C602	Parcel_Rack_LH	561551	female
C543	Parcelrack	561606	female	C603.	ParcelRack	561669	male
C545	Parcelrack	561550	male	C603.	Parcel_Rack	561670	female
C545	Parcelrack	561667	female	C608	Parcel_Rack_LH	561577	male
C558	Parcelrack	562503	male	C608	Parcel_Rack_LH	561605	female
C558	Parcelrack	562507	female	C609	Parcel_Rack_LH	561550	male
C564	Parcelrack	562503	male	C609	Parcel_Rack_LH	561667	female
C564	Parcelrack	562507	female	C612	Parcel_Rack_LH	561687	male
C564-Sp	Parcelrack	562503	male	C612	Parcel_Rack_LH	561685	female
C564-Sp	Parcelrack	562507	female	C614	Passenger_Area	563071	male
C566	Parcelrack	562503	male	C614	Passenger_Area	563040	female
C566	Parcelrack	562507	female	C615	Passenger_Area	563071	male
C567	Parcelrack	562503	male	C615	Passenger_Area	563040	female
C567	Parcelrack	562507	female	C617	Mirror_LH	563801	male
C574	RHP.Rack	562549	male	C617	Mirror_LH	563800	female
C574	RHP.Rack	562550	female	C618	Mirror_RH	563801	male
C575	Parcel_Rack_RH	562503	male	C618	Mirror_RH	563800	female
C575	Parcel_Rack_RH	562507	female	C620	FJB	562477	male
C576	Parcelrack	561515	male	C620	FJB	562479	female
C576	Parcelrack	561552	female	C662	FJB	562477	male
C576A	Parcel_Rack_RH	561515	male	C662	FJB	562479	female
C576A	Parcel_Rack_RH	561552	female	C680_plug	WCLsystem	566031	male
C576B	Parcel_Rack_RH	562006	male	C680_socket	WCLsystem	566028	female
C576B	Parcel_Rack_RH	560908	female	C700	FJB	561637	male
C576BB	Parcelrack	562006	male	C700	FJB	561636	female
C576BB	Parcelrack	560908	female	C700A_plug	FJB	561637	male
C577	Parcel_Rack	561515	male	C700A_socket	FJB	561636	female
C577	Parcel_Rack	561552	female	C710_plug	FJB	561637	male
C577A	Parcel_Rack	562006	male	C710_socket	FJB	561636	female
C577A	Parcel_Rack	560908	female	C766	Parcelrack	561662	male

# CONNECTORS LIST

No	Location	Part #	Gender	No	Location	Part #	Gender
C766	Parcelrack	561661	female	C_Se51	FJB	563589	male
C768	Parcelrack	901283	female	C_Se51	FJB	563590	female
C769	Parcelrack	901283	female	C_USB	Parcelrack	562069	male
C777	Dash	562477	male	C_USB	Parcelrack	562070	female
C777	Dash	562479	female	CCAN1	FJB	562650	male
C999	Dash	564619	male	CCAN1	FJB	562649	female
C999	Dash	562282	female	CCAN2	FJB	562650	male
C_A60DB	Parcelrack	563071	male	CCAN2	FJB	562649	female
C_A60DB	Parcelrack	563040	female	CCAN3	FJB	562650	male
C_A69R	Parcelrack	563025	male	CCAN3	FJB	562649	female
C_A69R	Parcelrack	563221	female	CCAN4	FJB	562650	male
C_A97	Dash	563226	male	CCAN4	FJB	562649	female
C_A97	Dash	563613	female	CCust	Parcel_Rack_Fr_WCL	562477	male
C_ALT	Engincompt.	562581	male	CCust	RJB	562479	female
C_ALT	Engincompt.	562583	female	CFH_FAN	RJB	564891	female
C_ALT3	Engincompt.	562477	male	CFHPR1	Parcelrack	564560	male
C_ALT3	Engincompt.	562479	female	CIND-1.A	Parcelrack	560908	female
C_AUDIO_AUX	Parcelrack	562557	male	CIND-1.B	Parcelrack	560908	female
C_AUDIO_AUX	Parcelrack	562558	female	CIND-2.A	Parcelrack	560908	female
C_Audio_HDMI_L	Parcelrack	901062	male	CIND-2.B	Parcelrack	560908	female
C_Audio_HDMI_L	Parcelrack	901283	female	CIND-11.A	Parcelrack	560908	female
C_Audio_HDMI_R	Parcelrack	901062	male	CIND-11.B	Parcelrack	560908	female
C_Audio_HDMI_R	Parcelrack	901283	female	CINDWC-1.A	Parcelrack	560908	female
C_AUX	Parcelrack	563071	male	CINDWC-1.B	Parcelrack	560908	female
C_AUX	Parcelrack	563040	female	CL1	Service_Cmpt	562485	male
C_AVL	Parcelrack	561782	male	CL1	Service_Cmpt	562486	female
C_AVL	Parcelrack	561781	female	CL142	Lavatory	562006	male
C_INV1	Parcelrack	562337	male	CL142	Lavatory	560908	female
C_INV1	Parcelrack	562338	male	CL142A	Lavatory	562006	male
C_INV1A	Parcelrack	562337	male	CL142A	Lavatory	560908	female
C_INV1A	Parcelrack	562338	female	CP1	Passenger_Area	561782	male
C_INV2	Parcelrack	562337	male	CP1	Passenger_Area	561781	female
C_INV2	Parcelrack	562338	male	CP2	Passenger_Area	561782	male
C_LineOut	Parcelrack	563962	male	CP2	Passenger_Area	561781	female
C_LineOut	Parcelrack	564489	female	CP3	Passengersarea	561782	male
C_Mo9	Evap_Cmpt	561577	male	CP3	Passengersarea	561781	female
C_Mo9	Evap_Cmpt	561605	female	CP4	Passenger_Area	561782	male
C_Mo9:2	Evap._Cmpt	561577	male	CP4	Passenger_Area	561781	female
C_Mo9:2	Evap._Cmpt	561605	female	CP5	Passenger_Area	561782	male

# CONNECTORS LIST

No	Location	Part #	Gender	No	Location	Part #	Gender
CP5	Passenger_Area	561781	female	L.25	Front_Cap	560605	female
CP5A	Passenger_Area	561782	male	L.26	Front_Cap	560605	female
CP5A	Passenger_Area	561781	female	L.27	Front_Cap	560605	female
CP6	Passengersarea	562337	male	L1A	Engine_Cmpt	560774	male
CP6	Passengersarea	562338	male	L10	Parcelrack	560898	male
CPot1b	Passenger_Area	561626	female	L11	Parcelrack	560898	male
CPot1b	Passenger_Area	561904	female	L16.A	Frontroof	562615	female
CPot1c	Passengersarea	561626	female	L16.B	Frontroof	562615	female
CPot1c	Passengersarea	561904	female	L17.A	Frontroof	562615	female
CR72	RearSeat	563409	male	L17.B	Frontroof	562615	female
CR72	RearSeat	563410	female	L19	Entrance_Door	562549	male
CS1	RearSeat	568089	male	L20	Entrance_Door_Step	562549	male
CS1	RearSeat	568092	female	L28	Parcelrack	560898	male
CS2	RearSeat	568089	male	L29	Parcelrack	560898	male
CS2	RearSeat	568092	female	L30	Parcelrack	560898	male
CSe80	RJB	562477	male	L30A.A	Parcelrack	560898	male
CSe80	RJB	562479	female	L31	Parcelrack	560898	male
CSw102	EngineCmpt.	562549	male	L32	Parcelrack	560898	male
CSw102	EngineCmpt.	562550	female	L33	Parcelrack	560898	male
CSX1	Engine_Cmpt	563135	male	L34	Parcelrack	560898	male
CSX1	Engine_Cmpt	563134	female	L35	Parcelrack	560898	male
CSX1P	EngineCmpt.	563135	male	L36	Parcelrack	560898	male
CSX1P	EngineCmpt.	563134	female	L37	Parcelrack	560898	male
CSX1S	Engine_Cmpt	563135	male	L38	Parcelrack	560898	male
CSX1S	Engine_Cmpt	563134	female	L39	Parcelrack	560898	male
CSX3	Engine_Cmpt	563135	male	L40	Parcelrack	560898	male
CSX3	Engine_Cmpt	563134	female	L41	Parcelrack	560898	male
CSX3P	Engine_Cmpt	563135	male	L42	Parcelrack	560898	male
CSX3P	Engine_Cmpt	563134	female	L43	Parcelrack	560898	male
CSX3S	Engine_Cmpt	563135	male	L44	Parcelrack	560898	male
CSX3S	Engine_Cmpt	563134	female	L45	Parcelrack	560898	male
CT_IN	Rear_Vehicle	563582	male	L46	Parcelrack	560898	male
CT_IN	Rear_Vehicle	563583	female	L47	Parcelrack	560898	male
CT_IN1	Rear_Vehicle	560167	male	L48	Parcelrack	560898	male
CT_IN1	Rear_Vehicle	560159	female	L49	Parcelrack	560898	male
CT_Out	Rear_Vehicle	560478	female	L50	Parcelrack	560898	male
CXC1	Service_Cmpt	562477	male	L51	Parcelrack	560898	male
CXC1	Service_Cmpt	562479	female	L52	Parcelrack	560898	male
EI	Enginecmpt.	563739	male	L52	Parcelrack	560900	female
L.21	Front_Cap	560605	female	L52A	Parcelrack	560898	male
L.22	Front_Cap	560605	female	L53	Parcelrack	560898	male
L.23	Front_Cap	560605	female	L53	Parcelrack	560900	female
L.24	Front_Cap	560605	female	L53A	Parcelrack	560898	male

# CONNECTORS LIST

No	Location	Part #	Gender	No	Location	Part #	Gender
L54	Parcelrack	560898	male	L83A	Rearvehicule	562348	female
L54	Parcelrack	560900	female	L91A	Rearvehicule	562601	male
L54A	Parcelrack	560898	male	L92A	Rearvehicule	562601	male
L55	Parcelrack	560898	male	L95	Outside_Front_LH	562902	female
L55	Parcelrack	560900	female	L96	Outside_Front_LH	562902	female
L55A	Parcelrack	560898	male	L97.A	Outside_Front_LH	563069	female
L56	Parcelrack	560898	male	L97.B	Outside_Front_LH	563069	female
L56	Parcelrack	560900	female	L98.A	Outside_Front_RH	563069	female
L56A	Parcelrack	560898	male	L98.B	Outside_Front_RH	563069	female
L57	Parcelrack	560898	male	L140	Lavatory	561247	male
L57	Parcelrack	560900	female	L142	Lavatory	562006	male
L57A	Parcelrack	560898	male	L142B	Lavatory	562006	male
L58	Parcelrack	560898	male	L143	Parcelrack	561186	male
L58	Parcelrack	560900	female	L144	Parcelrack	561186	male
L58A	Parcelrack	560898	male	L145	Parcelrack	561186	male
L59	Out_Side_Front_RH	562623	male	L146	Parcelrack	561186	male
L59A	OutsideFrontRH	563366	male	L147	Parcelrack	561186	male
L59B	Out_Side_Front_RH	562623	male	L148	Parcelrack	561186	male
L60	OutsideFrontLH	562623	male	L149	Parcelrack	561186	male
L60A	OutsideFrontLH	563366	male	L150	Parcelrack	561186	male
L60B	Out_Side_Front_LH	562623	male	L151	Parcelrack	561186	male
L61	Out_Side_Front_RH	562601	male	L152	Parcelrack	561186	male
L62	Out_Side_Front_LH	562601	male	L153	Parcelrack	561186	male
L63	Front_Side_LH	562155	male	L154	Parcelrack	561186	male
L64	Outside_Front_RH	562155	male	L155	Parcelrack	561186	male
L65	Outside_Front_LH	562155	male	L156	Parcelrack	561186	male
L66	Outside_Front_LH	562155	male	L157	Parcelrack	561186	male
L67	Outside_Center_RH	562155	male	L158	Parcelrack	561186	male
L68	Outside_Center_RH	562155	male	L163.A	Parcelrack	562615	female
L69	Outside_Center_LH	562155	male	L163.B	Parcelrack	562615	female
L71A	Rearenginedoor	562601	male	L164.A	Parcelrack	562615	female
L72	Radiator_Door	562155	male	L164.B	Parcelrack	562615	female
L73A	Rearenginedoor	562601	male	L165.A	Parcelrack	562615	female
L74	Radiator_Door	562155	male	L165.B	Parcelrack	562615	female
L75	Radiator_Door	562155	male	L166.A	Parcelrack	562615	female
L76	Radiator_Door	562155	male	L166.B	Parcelrack	562615	female
L77A	Rearvehicule	562601	male	L167.A	Parcelrack	562615	female
L78A	Rearvehicule	562601	male	L167.B	Parcelrack	562615	female
L79A	Rearvehicule	562601	male	L168.A	Parcelrack	562615	female
L80A	Rearvehicule	562601	male	L168.B	Parcelrack	562615	female
L81.A	Rear_Vehicle	562835	female	L169.A	Parcelrack	562615	female
L81.B	Rear_Vehicle	562834	male	L169.B	Parcelrack	562615	female
L82A	Rearvehicule	562348	female	L170	Lugg_compt	561690	male



# CONNECTORS LIST

No	Location	Part #	Gender	No	Location	Part #	Gender
L173	Parcelrack	563590	female	L214A	roof	563589	male
L174A	Parcelrack	563590	female	L243	Parcelrack	561186	male
L176	3rd_Lugg_Cmpt	561247	male	L244	Parcelrack	561186	male
L177	3rd_Lugg_Cmpt	561247	male	L245	Parcelrack	561186	male
L177A	WCLCmpt.	561690	male	L246	Parcelrack	561186	male
L177B	WCLCmpt.	561690	male	L247	Parcelrack	561186	male
L180	2nd_Lugg_Cmpt	561247	male	L248	Parcelrack	561186	male
L181	2nd_Lugg_Cmpt	561247	male	L249	Parcelrack	561186	male
L182	1st_Lugg_Cmpt	561247	male	L250	Parcelrack	561186	male
L183	1st_Lugg_Cmpt	561247	male	L251	Parcelrack	561186	male
L184	Servicecmpt.	561247	male	L252	Parcelrack	561186	male
L185.A	Servicecmpt.	561539	male	L253	Parcelrack	561186	male
L185.B	Servicecmpt.	561539	male	L254	Parcelrack	561186	male
L186.A	Dash	561539	male	L255	Parcelrack	561186	male
L186.B	Dash	561539	male	L256	Parcelrack	561186	male
L187	Engine_Cmpt	561690	male	L257	Parcelrack	561186	male
L188	Service_Cmpt	562486	female	L258	Parcelrack	561186	male
L189	Mirror_RH	564513	female	L262.A	Parcelrack	562615	female
L193.A	Dash	560488	female	L262.B	Parcelrack	562615	female
L193.B	Dash	560488	female	L263.A	Parcelrack	562615	female
L194.A	Dash	560488	female	L263.B	Parcelrack	562615	female
L194.B	Dash	560488	female	L264.A	Parcelrack	562615	female
L195.A	Dash	560488	female	L264.B	Parcelrack	562615	female
L195.B	Dash	560488	female	L265.A	Parcelrack	562615	female
L199	Enginecmpt.	562848	male	L265.B	Parcelrack	562615	female
L203	RH_Console	561690	male	L266.A	Parcelrack	562615	female
L204	Parcel_Rack_RH	562803	male	L266.B	Parcelrack	562615	female
L205	Enginecmpt.	562485	male	L267.A	Parcelrack	562615	female
L206	Parcel_Rack_RH	562803	male	L267.B	Parcelrack	562615	female
L207.A	WCLCmpt.	561699	female	L268.A	Parcelrack	562615	female
L207.B	WCLCmpt.	561701	female	L268.B	Parcelrack	562615	female
L207.C	WCLCmpt.	561701	female	L269.A	Parcelrack	562615	female
L207.D	WCLCmpt.	561699	female	L269.B	Parcelrack	562615	female
L207.E	WCLCmpt.	561701	female	L282	Engine_Cmpt	561690	male
L207.F	WCLCmpt.	561699	female	L283	Service_Cmpt	562485	male
L207.G	WCLCmpt.	561699	female	L285.A	Rear_Vehicle	562835	female
L207.H	WCLCmpt.	563536	female	L285.B	Rear_Vehicle	562834	male
L207.I	WCLCmpt.	563536	female	L286.A	Rear_Vehicle	562835	female
L212	Roof	563589	male	L286.B	Rear_Vehicle	562834	male
L212A	roof	563589	male	L296	Refrigerator	561248	female
L213	roof	563589	male	L298A	Enginecmpt.	563590	female
L213A	roof	563589	male	L306	RJBcmpt.	561247	male
L214	roof	563589	male	L309.	Behind_Lavatory	564576	male

# CONNECTORS LIST

No	Location	Part #	Gender	No	Location	Part #	Gender
L309D	Drivers_Area	564576	male	Mo67	Enginecmpt.	568089	male
L310.	Behind_Lavatory	564576	male	Mo68	Enginecmpt.	568089	male
L310D	Drivers_Area	564576	male	Mo69	Enginecmpt.	568089	male
L313	Rr_Roof	562549	male	Mo70	Enginecmpt.	568089	male
L350A.A	Rearaxlcmt.	564552	male	Mo71	Enginecmpt.	568089	male
L350A.B	Rearaxlcmt.	563340	male	Mo72	Enginecmpt.	568089	male
L350A.C	Rearaxlcmt.	562251	male	Mo73	Enginecmpt.	568089	male
L391	Drivers_Area	560898	male	P_In1	Passenger_Area	561782	male
L400.A	Enginecmpt.	562251	male	P_In1	Passenger_Area	561781	female
L606	Rr_Roof	560898	male	P_Out1	Passenger_Area	561782	male
L606	Rr_Roof	560900	female	P_Out1	Passenger_Area	561781	female
L606A	Rr_Roof	560898	male	P_Out2	Passenger_Area	561782	male
Mo3	Dash	561667	female	P_Out2	Passenger_Area	561781	female
Mo4	Dash	564161	male	P_Out3	Passenger_Area	561782	male
Mo5	Front_Roof	561515	male	P_Out3	Passenger_Area	561781	female
Mo7	Cond cmpt	560159	female	PC1	FJB	562650	male
Mo8	Cond cmpt	560159	female	PC1	FJB	562649	female
Mo9..B	Evap_Cmpt	561605	female	PF	FJB	561782	male
Mo10	ParcelRack_Lh_Fan	561515	male	PF	FJB	561781	female
Mo11	ParcelRack_Rh_Fan	561515	male	PF1	Passenger_Area	561782	male
Mo12	Engine_Cmpt	561690	male	PF1	Passenger_Area	561781	female
Mo13.	Engine_Cmpt	561690	male	Pot1..A	Dash	560488	female
Mo14	Engine_Cmpt	561566	female	Pot1..B	Dash	562291	female
Mo15.	FrontCeiling	563517	female	Pot1..C	Dash	560488	female
Mo16.	FrontCeiling	563517	female	PR	Parcelrack	561782	male
Mo17	RH_Console	563626	male	PR	Parcelrack	561781	female
Mo19	Fr_Service_Door	562474	male	PR1	Passenger_Area	561782	male
Mo20	Fr_Service_Door	562474	male	PR1	Passenger_Area	561781	female
Mo22	RH_Console	561186	male	R3	RJB	563409	male
Mo27	Cond cmpt	560159	female	R4	FJB	564496	male
Mo28	Cond cmpt	560159	female	R5	RJB	564496	male
Mo29	RJBcmpt.	563590	female	R12	Evap_Cmpt	563409	male
Mo30	Compr_Door	564161	male	R16	RJB	564496	male
Mo31	Parcelrack	564161	male	R20	RJB	564496	male
Mo32	Parcelrack	564161	male	R21	FJB	560525	male
Mo33	Parcelrack	564161	male	R21A	FJB	560525	male
Mo34	Parcelrack	564161	male	R23A	FJB	564496	male
Mo35	3rd_Lugg_Door	564161	male	R26	Evap_Cmpt	564496	male
Mo36	Parcelrack	564161	male	R27	Dash	564496	male
Mo54	Service_Cmpt	562474	male	R28	RearSeat	563409	male
Mo62	FrontHatch	562486	female	R29	RJB	563409	male
Mo63	RearHatch	562486	female	R30	FJB	564496	male
Mo65	Enginecmpt.	568089	male	R31	FJB	564496	male

# CONNECTORS LIST

No	Location	Part #	Gender	No	Location	Part #	Gender
R34	RJB	564210	male	Se14.B	Driver_Area	561781	female
R36	Dash	564496	male	Se15	RH_Console	560898	male
R37	Dash	564496	male	Se16.A	RH_Window	561626	female
R38	FJB	564496	male	Se17	RH_Console	560900	female
R38A	RearSeat	563409	male	Se19_P	Service_Cmpt	563677	male
R40	RJB	564496	male	Se19_S	Service_Cmpt	563677	male
R47	Parcelrack	564496	male	Se20A	Evap_Cmpt	562426	male
R72.A	RearSeat	563409	male	Se21	Dash	561248	female
R210	Parcel_Rack_LH	560525	male	Se23	Engine_Cmpt	563159	male
R_12VISS	Parcelrack	564496	male	Se24	EvaporatorCmpt.	563758	female
Res3.A	ParcelRack	563590	female	Se25	Passenger_Area	561248	female
Res4	RH_Console	563590	female	Se26.A	RH_Window	561626	female
Res5	FJB	563593	male	Se27.A	RH_Window	561626	female
Res6	FJB	563590	female	Se28.A	RH_Window	561626	female
Res6A	FJB	563589	male	Se30	Enginedoor	562877	female
Res6A	FJB	563590	female	Se31	Enginedoor	562877	female
Res6B	FJB	563589	male	Se32	Rear_Axle_Cmpt	562426	male
Res6B	FJB	563590	female	Se33	Rear_Axle_Cmpt	562856	male
Res7	dash	563590	female	Se34	Rear_Axle_Cmpt	562427	male
Res7A	dash	563593	male	Se35	Rear_Axle_Cmpt	562426	male
Res7A	dash	563590	female	Se36	Rear_Axle_Cmpt	562427	male
Res7B	dash	563589	male	Se37	Front_Axle_LH	641132	female
Res7B	dash	563590	female	Se38	Front_Axle_RH	641132	female
Res15	Engine_Cmpt	561782	male	Se39	Rear_Axle_LH	641132	female
Res31	Ureacmpt.	562350	male	Se40	Rear_Axle_LH	641132	female
Res32	Ureacmpt.	563764	female	Se45	Servicecmpt.	563409	male
Res53.A	FJB	563590	female	Se46	Rearaxlecmpt.	562348	female
Res99	FJB	563590	female	Se49	Engine_Cmpt	561690	male
Se3.A	LH_Window	561626	female	Se51	UnderDriverSeat	563589	male
Se4..A	LH_Window	561626	female	Se53	Service_Cmpt	563159	female
Se5..A	LH_Window	561626	female	Se54	Service_Cmpt	563159	female
Se6..A	LH_Window	561626	female	Se55	Service_Cmpt	563159	female
Se7..A	LH_Window	561626	female	Se56	WCLCmpt.	562479	female
Se8..A	LH_Window	561626	female	Se57	WCLCmpt.	563159	female
Se9..A	LH_Window	561626	female	Se60	Service_Cmpt	563409	male
Se10..A	RH_Window	561626	female	Se62	WCL_System	561690	male
Se11.A	Cond_Cmpt	560815	female	Se63	Rearaxlecmpt.	641132	female
Se11.B	Cond_Cmpt	560815	female	Se64	Rearaxlecmpt.	641132	female
Se11.C	Cond_Cmpt	560815	female	Se65	Dash	564042	female
Se12.A	RH_Window	561626	female	Se66	FJB	564039	female
Se13	Engine_Cmpt	562350	male	Se67	Frontaxlecmpt.	563159	female
Se14.A	Driver_Area	561782	male	Se69	Frontaxlecmpt.	563159	female

# CONNECTORS LIST

No	Location	Part #	Gender	No	Location	Part #	Gender
Se74	Rear_Axle_Cmpt	563340	male	spBar6	Enginectmpt.	564135	male
Se75	Service_Cmpt	563159	female	spBar7	Enginectmpt.	564135	male
Se76	EntranceDoor	562479	female	spBar11	Rearvehicule	564135	male
Se77	FJB	563159	female	spBar12	Rearvehicule	564135	male
Se78	Pneumaticplate	563159	female	spBar13	Enginectmpt.	564135	male
Se79	Front_Axle	563340	male	spBar14	Enginectmpt.	564135	male
Se80	Rear_Axle	563159	female	spBar15	Enginectmpt.	564135	male
Se89	Enginectmpt.	562350	male	spBar16	Enginectmpt.	564135	male
Se94	WCLUpperDoor	562877	female	spBar19	Condensorcmpt.	564135	male
Se100	WCLdoor	562479	female	spBar20	Condensorcmpt.	564135	male
So3	RH_Console	641385	male	spBar21	Condensorcmpt.	564135	male
So4	RH_Console	641385	male	spBar22	Enginectmpt.	564135	male
So5	RH_Console	641385	male	spBar23	Enginectmpt.	564135	male
So6	RH_Console	641385	male	spBar24	Enginectmpt.	564135	male
So7	Service_Cmpt	561566	female	SpK1_L.A	Parcel_Rack_LH	561626	female
So8	Servicecmpt.	641385	male	SpK1_L.B	Parcel_Rack_LH	561624	female
So9	Enginectmpt.	560016	female	SpK1_R.A	Parcel_Rack_RH	561626	female
So10.A	Condensorcmpt.	562485	male	SpK1_R.B	Parcel_Rack_RH	561624	female
So11	Cond_Cmpt	561566	female	SpK2_L.A	Parcel_Rack_LH	561626	female
So13	Evap_Cmpt	563204	female	SpK2_L.B	Parcel_Rack_LH	561624	female
So14	Servicecmpt.	641385	male	SpK2_R.A	Parcel_Rack_RH	561626	female
So15	Servicecmpt.	641385	male	SpK2_R.B	Parcel_Rack_RH	561624	female
So16	Servicecmpt.	641385	male	SpK3_L.A	Parcel_Rack_LH	561626	female
So17	Servicecmpt.	562848	male	SpK3_L.B	Parcel_Rack_LH	561624	female
So20	Servicecmpt.	641385	male	SpK3_R.A	Parcel_Rack_RH	561626	female
So21	Front_Axle_Cmpt	564046	female	SpK3_R.B	Parcel_Rack_RH	561624	female
So22	Front_Axle_Cmpt	564046	female	SpK4_L.A	Parcel_Rack_LH	561626	female
So23	Rear_Axle_Cmpt	564046	female	SpK4_L.B	Parcel_Rack_LH	561624	female
So24	Rear_Axle_Cmpt	564046	female	SpK4_R.A	Parcel_Rack_RH	561626	female
So27	Rearaxlecmpt.	564045	female	SpK4_R.B	Parcel_Rack_RH	561624	female
So29	Parcelrack	641385	male	SpK5_L.A	Parcel_Rack_LH	561626	female
So50	Rearaxlecmpt.	564046	female	SpK5_L.B	Parcel_Rack_LH	561624	female
So52	Rearaxlecmpt.	564045	female	SpK5_R.A	Parcel_Rack_RH	561626	female
So53	Rear_Axle_Cmpt	641385	male	SpK5_R.B	Parcel_Rack_RH	561624	female
So54	Enginectmpt.	564045	female	SpK6_L.A	Parcel_Rack_LH	561626	female
So55	Pneumaticplate	562848	male	SpK6_L.B	Parcel_Rack_LH	561624	female
So56	Rear_Axle_Cmpt	562350	male	SpK6_R.A	Parcel_Rack_RH	561626	female
So57	Engine_Cmpt	562350	male	SpK6_R.B	Parcel_Rack_RH	561624	female
So60	Pneumaticplate	562848	male	SpK7_L.A	Parcel_Rack_LH	561626	female
spBar4	Enginectmpt.	564135	male	SpK7_L.B	Parcel_Rack_LH	561624	female
spBar5	Enginectmpt.	564135	male	SpK7_R.A	Parcel_Rack_RH	561626	female
spBar5	Enginectmpt.	564135	male	SpK7_R.B	Parcel_Rack_RH	561624	female

# CONNECTORS LIST

No	Location	Part #	Gender	No	Location	Part #	Gender
SpK8_L.A	Parcel_Rack_LH	561626	female	Sw6	Dash	562763	male
SpK8_L.B	Parcel_Rack_LH	561624	female	Sw10A	LH_Console	562763	male
SpK8_R.A	Parcel_Rack_RH	561626	female	Sw12	Dash	562763	male
SpK8_R.B	Parcel_Rack_RH	561624	female	Sw14	Dash	562763	male
SpK9_L.A	Parcel_Rack_LH	561626	female	Sw16	Dash	562763	male
SpK9_L.B	Parcel_Rack_LH	561624	female	Sw17	Dash	562763	male
SpK9_R.A	Parcel_Rack_RH	561626	female	Sw18A	LH_Console	562763	male
SpK9_R.B	Parcel_Rack_RH	561624	female	Sw20	Dash	562763	male
SpK10_L.A	Parcel_Rack_LH	561626	female	Sw21	Dash	562763	male
SpK10_L.B	Parcel_Rack_LH	561624	female	Sw24	Dash	562763	male
SpK10_R.A	Parcel_Rack_RH	561626	female	Sw25	Dash	562763	male
SpK10_R.B	Parcel_Rack_RH	561624	female	Sw26	Dash	562763	male
SpK11_L.A	Parcel_Rack_LH	561626	female	Sw27	Dash	562763	male
SpK11_L.B	Parcel_Rack_LH	561624	female	Sw29	Dash	562763	male
SpK11_R.A	Parcel_Rack_RH	561626	female	Sw30	RJB	563135	male
SpK11_R.B	Parcel_Rack_RH	561624	female	Sw32	Dash	561477	female
SpK12_L.A	Parcel_Rack_LH	561626	female	Sw33	Dash	561476	male
SpK12_L.B	Parcel_Rack_LH	561624	female	Sw34	Outside_Front_RH	562477	male
SpK12_R.A	Parcel_Rack_RH	561626	female	Sw35	Console	562763	male
SpK12_R.B	Parcel_Rack_RH	561624	female	Sw38	LH_Console	562763	male
SpK13_L.A	Parcel_Rack_LH	561626	female	Sw40	LH_Console	561690	male
SpK13_L.B	Parcel_Rack_LH	561624	female	Sw41	LH_Console	562749	male
SpK13_R.A	Parcel_Rack_RH	561626	female	Sw42	WCLCmpt.	561635	female
SpK13_R.B	Parcel_Rack_RH	561624	female	Sw43	Service_Cmpt	561690	male
SpK14_L.A	Parcel_Rack_LH	561626	female	Sw44.A	Servicecmpt.	562403	female
SpK14_L.B	Parcel_Rack_LH	561624	female	Sw45.A	3rd_Lugg_Cmpt	562403	female
SpK14_R.A	Parcel_Rack_RH	561626	female	Sw46.A	3rd_Lugg_Cmpt	562403	female
SpK14_R.B	Parcel_Rack_RH	561624	female	Sw46A.A	3rdlugg.cmpt.	562403	female
SpK15_L.A	Parcel_Rack_LH	561626	female	Sw49.A	2nd_Lugg_Cmpt	562403	female
SpK15_L.B	Parcel_Rack_LH	561624	female	Sw50.A	2nd_Lugg_Cmpt	562403	female
SpK15_R.A	Parcel_Rack_RH	561626	female	Sw51.A	1st_Lugg_Cmpt	562403	female
SpK15_R.B	Parcel_Rack_RH	561624	female	Sw52.A	1st_Lugg_Cmpt	562403	female
SpK16_L.A	Parcel_Rack_LH	561626	female	Sw55..A	Lavatory	560488	female
SpK16_L.B	Parcel_Rack_LH	561624	female	Sw55..B	Lavatory	560488	female
SpK16_R.A	Parcel_Rack_RH	561626	female	Sw56..A	Lavatory	560488	female
SpK16_R.B	Parcel_Rack_RH	561624	female	Sw56..B	Lavatory	560488	female
Sub1.A	Passenger_Area	564004	female	Sw58	EngineCmpt.	563135	male
Sub2	Passenger_Area	564004	male	Sw59	Enginectmpt.	563135	male
Sw1.C258	Driver_Area	561188	female	Sw63A	LHConsole	562763	male
Sw1.C259	Driver_Area	561186	male	Sw64.A	Service_Cmpt	560815	female
Sw2	Dash	562763	male	Sw64.B	Service_Cmpt	560815	female
Sw3	Dash	562763	male	Sw80A	Dash	562763	male
Sw4	Dash	562763	male	Sw82	RJB	563135	male

# CONNECTORS LIST

No	Location	Part #	Gender	No	Location	Part #	Gender
Sw83.A	Dash	560082	female	VECF1	FJB	563186	male
Sw83.B	Dash	560815	female	VECF2	FJB	563183	male
Sw83.C	Dash	560082	female	VECF3	FJB	563185	male
Sw83.D	Dash	560815	female	VECF4	FJB	563182	male
Sw83A	Dash	562581	male	VECF9	FJB	563448	male
Sw85	LH_Console	562749	male	VECF10	FJB	563181	male
Sw95.A	WCLdoor	562615	female	VECF11	FJB	563184	male
Sw95.B	WCLdoor	562615	female	VECF12	FJB	563187	male
Sw95.C	WCLdoor	562615	female	VECPR1	Parcelrack_LH	563715	male
Sw96.A	WCL_Door	562615	female	VECPR2_plug	Parcelrack_LH	563716	male
Sw96.B	WCL_Door	562615	female	VECPR3_plug	Parcelrack_LH	563718	male
Sw96.C	WCLdoor	562615	female	VECPR4	Parcelrack_LH	563714	male
Sw97.A	WCLsystem	562615	female	VECPR5	Parcelrack_LH	566021	male
Sw97.B	WCLsystem	562615	female	VECPR6	Parcelrack_LH	566020	male
Sw97.C	WCLsystem	562615	female	VECR1	RJB	563186	male
Sw98.A	WCLsystem	562615	female	VECR2	RJB	563183	male
Sw98.B	WCLsystem	562615	female	VECR3	RJB	563185	male
Sw98.C	WCLsystem	562615	female	VECR4	RJB	563182	male
Sw100A	Dash	562763	male	VECR9	RJB	563448	male
Sw102	RJB	561566	female	VECR10	RJB	563181	male
Sw124	Dash	562763	male	VECR11	RJB	563184	male
Sw125.A	Service_Cmpt	561457	female	VECR12	RJB	563187	male
Sw125.B	Service_Cmpt	561457	female	VECT2_plug	RearVehicle	563716	male
Sw134.A	WCLArea	562615	female	VECT3	RearVehicle	563718	male
Sw134.B	WCLArea	562615	female	VECT4	RearVehicle	563714	male
Sw134.C	WCLArea	562615	female	Y80	Engine_Cmpt	563789	male
Sw135.A	WCLdoor	562119	female	Y81	Cond_Cmpt	563793	male
Sw135.B	WCLdoor	562119	female				
Sw135.C	WCLdoor	562119	female				
Sw137	Dash	562763	male				
Sw140	FJB	561566	female				
Sw142	LHConsole	562763	male				
Sw149	Dash	562763	male				
Sw153	Dash	562763	male				
Sw156	LH_Console	562763	male				
Sw157	Dash	562763	male				
Sw158	Dash	562763	male				
Sw162	Dash	562763	male				
Sw313..A	Lavatory	562615	female				













































# CONNECTORS LIST

No	Location	Part #	Gender	No	Location	Part #	Gender
24SS_OP	P_Rack	563071	male	A34.5	EngineCmpt.	564258	male
24SS_OP	P_Rack	563040	female	A34.6	EngineCmpt.	564258	male
i20V_inlet	RearVehicle	561572	male	A34.7	EngineCmpt.	564258	male
i20VAC_Inlet	Enginecmpt.	561572	male	A34.8	EngineCmpt.	564258	male
A1	RJB	563975	male	A34.J	Enginecmpt.	568118	male
A2A	FJB	563984	male	A34.K	Enginecmpt.	564270	male
A3		561188	female	A34.L	Enginecmpt.	564269	male
A4.A	Dash	562428	female	A36.JA	FJB	562767	male
A4.B	Dashboard	562363	male	A36.JB	FJB	562765	male
A5A	Service_Cmpt	562428	female	A36.JC	FJB	562957	male
A6	Engine_Cmpt	562427	male	A36A.JA	FJB	564325	male
A7	Rear_Axle_Cmpt	563979	male	A36A.JB	FJB	562767	male
A9.Cx1	FJB	564041	female	A36B.JA	FJB	562767	male
A9.Cx2	FJB	563678	male	A36B.JB	FJB	562765	male
A9.Cx3	FJB	564037	female	A36B.JC	FJB	562957	male
A9.Cx4	FJB	564038	female	A37	Dash	563884	male
A10.A1	Above_Rear_Axle	563207	male	A39.P101	Parceltrack	563201	male
A10.A2	Above_Rear_Axle	564161	male	A39.P901	Parceltrack	563953	male
A10.A3	Above_Rear_Axle	564798	female	A40.A	FJB	561668	male
A11	Dashboard	565940	male	A60.A	Parceltrack	563071	male
A14.A	Dash	562766	male	A60.B	Parceltrack	562706	female
A14.B	Dash	562767	male	A60.C	Parceltrack	901110	male
A14.C	Dash	562765	male	A60.D	Parceltrack	901110	male
A15	Dash	562464	male	A61.A	Parceltrack	562464	male
A17.D	RJB	561932	male	A61.B	Parceltrack	562465	male
A19	LH_Console	562878	female	A65A.A		563025	male
A20	Parcel_Rack_LH	561477	female	A65A.E		563071	male
A24.A	RH_Console	561890	male	A65A.G1		563071	male
A24.B	RH_Console	561566	female	A65A.J		562465	male
A25	Parcelrack	563025	male	A69L.A	Parceltrack	563025	male
A26.P1	Enginecmpt.	562350	male	A69R.A	Parceltrack	563025	male
A26.P2	Enginecmpt.	563322	female	A70a	Front_Roof	561540	female
A26.P4	Enginecmpt.	563324	female	A77	Parceltrack	564547	male
A27	Service_Cmpt	562929	male	A78	Parceltrack	562583	female
A28	Service_Cmpt	562928	male	A79	Parceltrack	562583	female
A29.	Dash	562464	male	A80	Parceltrack	562479	female
A29.	Dash	565871	female	A81.CN1	FJB	562767	male
A33.A	Parcelrack	563071	male	A81.CN3A		564741	male
A33.B	Parcelrack	562330	female	A81.CN3B	FJB	564742	male
A34.1	EngineCmpt.	564258	male	A83.A	FJB	565970	female
A34.2	EngineCmpt.	564258	male	A96.A	Front_Hood	563678	male
A34.3	EngineCmpt.	564258	male	A96.B	Front_Hood	562795	male
A34.4	EngineCmpt.	564258	male	A97	Dash	563226	male

# CONNECTORS LIST

No	Location	Part #	Gender	No	Location	Part #	Gender
A97A	FJB	563226	male	A160.B	WCLcmpt	562884	female
A97A	FJB	563613	female	A162.A	FrontCab	561566	female
A97B	FJB	563226	male	A162.B	FrontCab	561781	female
A97B	FJB	563613	female	A164.A	RH_Trapezoidal_Window	561566	female
A99	FJB	564205	male	A164.B	RH_Trapezoidal_Window	561781	female
A100	Front_Axle	563515	male	A165	Driver_Area	560641	male
A100.3	Front_Axle	563515	male	A166	RearCab	561637	male
A102	Front_Axle	563515	male	AE41.J1	FJB	563679	male
A103	Dash	562070	female	AE41.J2	FJB	564037	female
A107	EngineCmpt.	560336	male	AE41.J3	FJB	564004	male
A108	RJB	562766	male	AE42.J1	FJB	563679	male
A109A	FJB	564141	male	AE42.J2	FJB	564037	female
A113.A	Parcel_Rack_LH	563960	male	AE42.J3	FJB	564004	male
A113.B	Parcel_Rack_LH	563962	male	AE43.J1	FJB	563679	male
A113.C1	Parcel_Rack_LH	563956	male	AE43.J2	FJB	564037	male
A113.C2	Parcel_Rack_LH	563957	male	AE43.J3	FJB	565957	male
A113.C3	Parcel_Rack_LH	563958	male	AE44.J1	FJB	563679	male
A114A	Front_Bumper	564252	male	AE44.J2	FJB	564037	female
A116	Dash	563872	female	AE44.J3	FJB	565957	male
A120.A	Dashboard	563960	male	AE44_1_759.J1	Evaporatorcmpt.	563679	male
A120.B	Dashboard	563962	male	AE44_1_759.J2	Evaporatorcmpt.	564037	female
A120.C1	Dashboard	563956	male	AE44_1_759.J3	Evaporatorcmpt.	565957	male
A120.C2	Dashboard	563957	male	AE45.J1	FJB	563679	male
A120.C3	Dashboard	563958	male	AE45.J2	FJB	564037	female
A121.Vsa	Parcelrack	563679	male	AE45.J3	FJB	565957	male
A121.Vsb		563678	male	AE46.J1	FJB	563679	male
A121.Vsc		564037	male	AE46.J2	FJB	564037	female
A121.Vsd		564118	male	AE46.J3	FJB	565957	male
A130	Driver_Area	563226	male	AE47.J1	RH_console	563679	male
A131.A	Engine_Cmpt	561782	male	AE47.J2	RH_console	564037	female
A131.B	Engine_Cmpt	561781	female	AE47.J3	RH_console	565957	male
A137A	Condensercmpt.	20429843	male	AE48.J1	RH_console	563679	male
A138	Cond_Cmpt	563787	male	AE48.J2	RH_console	564037	female
A139	Dash	564501	male	AE48.J3	RH_console	565957	male
A152.J	Parcelrack	563071	male	AE49..J2		564037	male
A154	Parcelrack	562465	male	AE49.J1	RJB	563679	male
A155		563070	male	AE49.J2	RJB	564037	male
A156	1st_LH_Lugg_Cmpt	563070	male	AE49.J3	RJB	565957	male
A157	5th_LH_Lugg_Cmpt	563070	male	AE50..J2		564037	male
A158.A	Passenger_Area	563070	male	AE50.J1	RJB	563679	male
A159.A	Parcelrack	564343	female	AE50.J2	RJB	564037	male
A159.B	Parcelrack	564345	female	AE50.J3	RJB	565957	male
A160.A	WCLcmpt	562477	male	AE51.J1	RJB	563679	male

# CONNECTORS LIST

No	Location	Part #	Gender	No	Location	Part #	Gender
AE51.J2	RJB	564037	female	C1	FJB	563589	male
AE51.J3	RJB	565957	male	C1	FJB	563590	female
AE52..J2		564037	male	C1HLD_plug		561476	male
AE52.J1	RJB	563679	male	C1HLD_socket		561477	female
AE52.J2	RJB	564037	female	C1k		563407	female
AE52.J3	RJB	565957	male	C1k		563408	male
AE53.J1	RJB	563679	male	C1S	FJB	563589	male
AE53.J2	RJB	564037	female	C1S	FJB	563590	female
AE53.J3	RJB	565957	male	C2	Service_Cmpt	563580	male
AE54.J1	Evaporatorcmpt.	563679	male	C2	Service_Cmpt	563581	female
AE54.J2	Evaporatorcmpt.	564037	female	C2A	FJB	563580	male
AE54.J3	Evaporatorcmpt.	565957	male	C2A	FJB	563581	female
AE55.J1	Dash	563679	male	C2B	FJB	564034	male
AE55.J2	Dash	564037	female	C2B	FJB	564035	female
AE55.J3	Dash	564004	male	C2HLD_plug		561476	male
AE56.J1	Dash	563679	male	C2HLD_socket		561477	female
AE56.J2	Dash	564037	male	C3_plug	RJB	563589	male
AE56.J3	Dash	564004	male	C3_socket	RJB	563590	female
AE57.J1	WCLcmpt.	563679	male	C3AP	FJB	563589	male
AE57.J2	WCLcmpt.	564037	male	C3AP	FJB	563590	female
AE57.J3	WCLcmpt.	564004	male	C3AS	FJB	563589	male
Alt_LL.A	Enginectmpt.	563746	female	C3AS	FJB	563590	female
Alt_LL.B	Enginectmpt.	560815	female	C3HLD_plug		561476	male
Alt_LL.C	Enginectmpt.	564469	female	C3HLD_socket		561477	female
Alt_LR.A	enginectmpt.	563746	female	C3S	RJB	563593	male
Alt_LR.B	Enginectmpt.	560815	female	C3S	RJB	563590	female
Alt_LR.C	Enginectmpt.	564469	female	C4	FJB	563580	male
Alt_UR.A	Enginectmpt.	563746	female	C4	FJB	563581	female
Alt_UR.B	Enginectmpt.	560815	female	C4HLD_plug		561476	male
Alt_UR.C	Enginectmpt.	564469	female	C4HLD_socket		561477	female
B85	Engine_Cmpt	563815	male	C5	FJB	563589	male
B96	Engine_Cmpt	563821	male	C5	FJB	563590	female
B96B	Engine_Cmpt	563823	male	C5S	FJB	563589	male
B97	Engine_Cmpt	563816	male	C5S	FJB	563590	female
B98	Engine_Cmpt	563817	male	C6	FJB	563582	male
B99	Engine_Cmpt	563815	male	C6	FJB	563583	female
B115A	Enginectmpt.	564226	male	C7	FJB	562566	male
B142C	Enginectmpt	563515	male	C7	FJB	562565	female
B310	Enginectmpt.	565967	male	C7A	Front_Bumper	562789	male
C-A11		562363	male	C7A	Front_Bumper	565131	female
C-A11		561188	female	C7AA		562789	male
COHLD		562549	male	C7AA		565131	female
COHLD		562550	female	C8	FJB	563227	male

# CONNECTORS LIST

No	Location	Part #	Gender	No	Location	Part #	Gender
C8	FJB	563614	female	C26B	Ureacmpt.	563614	female
C9	RJB	561986	male	C29	4rd_Lugg_Cmpt	563651	male
C9	RJB	561987	female	C29	3rd_Lugg_Cmpt	563652	female
C10	Engine_Cmpt	562477	male	C30	3rd_Lugg_Cmpt	561710	male
C10	Engine_Cmpt	562479	female	C30	3rd_Lugg_Cmpt	561709	female
C11	Service_Cmpt	563580	male	C31S	Parcelrack	561515	male
C11	Service_Cmpt	563581	female	C31S	Parcelrack	561552	female
C12	Engine_Cmpt	562581	male	C31W	WCL_Parcel_Rack	563227	male
C12	Engine_Cmpt	562583	female	C31W	WCL_Parcel_Rack	563614	female
C13_plug	RH_Console	563589	male	C32	lavatory	561734	male
C13_socket	RH_Console	563590	female	C32	Lavatory	561735	female
C13S	RH_Console	563589	male	C32.	Lavatory	561515	male
C13S	RH_Console	563590	female	C32.	Lavatory	561552	female
C15A	EvaporatorCmpt	568110	male	C32L	Lavatory	562006	male
C15A	EvaporatorCmpt	568109	female	C32L	Lavatory	560908	female
C16	RJB	561577	male	C32W	WCLcmpt.	561640	male
C16	RJB	561605	female	C32W	WCLcmpt.	561639	female
C17	RJB	560195	male	C32X	Lavatory	561247	male
C17	RJB	560169	female	C32X	Lavatory	561248	female
C18	FJB	561986	male	C33	WCLcmpt.	564034	male
C18	FJB	561987	female	C33	WCLcmpt.	564035	female
C19	RJB	561986	male	C34	RH_Console	561986	male
C19	RJB	561987	female	C34	RH_Console	561987	female
C20_socket		564891	female	C35	Lavatory	561669	male
C20A	Evap_Cmpt	562485	male	C35	Lavatory	561670	female
C20A	Evap_Cmpt	562486	female	C36	FJB	561986	male
C20B	Evap_Cmpt	562485	male	C36	FJB	561987	female
C20B	Evap_Cmpt	562486	female	C37	Parcel_Rack_LH	562557	male
C23	Evaporatorcmpt.	564034	male	C37	Parcel_Rack_LH	562558	female
C23	Evaporatorcmpt.	564035	female	C37.	Parcel_Rack	561734	male
C24_plug	Evap_Cmpt	561690	male	C37.	Parcel_Rack	561735	female
C24_socket	Evap_Cmpt	561566	female	C38.	Parcelrack	561734	male
C25	Parcel_Rack_LH	561550	male	C38.	Parcelrack	561735	female
C25	Parcel_Rack_LH	561667	female	C39.		561782	male
C25.	Parcel_Rack_LH	561669	male	C39.		561781	female
C25.	Parcel_Rack_LH	561670	female	C39A	Firesuppressioncmpt.	561782	male
C25A	Parcel_Rack_RH	561669	male	C39A	Firesuppressioncmpt.	561781	female
C25A	Parcel_Rack_RH	561670	female	C39A.		561782	male
C26	Ureacmpt.	563226	male	C39A.		561781	female
C26	Ureacmpt.	563613	female	C39AA		561782	male
C26A	Ureacmpt	568110	male	C39AA		561781	female
C26A	Ureacmpt	568109	female	C39AA.		561782	male
C26B	Ureacmpt.	563227	male	C39AA.		561781	female

# CONNECTORS LIST

No	Location	Part #	Gender	No	Location	Part #	Gender
C40	Dash	562485	male	C66_socket	Evap_Cmpt	561605	female
C40	Dash	562486	female	C68_plug	Parcel_Rack_LH	562503	male
C41	RJB	561782	male	C68_socket	Parcel_Rack_LH	562507	female
C41	RJB	561781	female	C69_plug	Parcel_Rack_LH	561690	male
C42	FJB	561668	male	C69_socket	Parcel_Rack_LH	561566	female
C42	FJB	561551	female	C70	Over_Head_Driver_Area	561550	male
C44_plug	FJB	561577	male	C70	Over_Head_Driver_Area	561667	female
C44_socket	FJB	561605	female	C71	FJB	561646	male
C45	FJB	561643	male	C71	FJB	561645	female
C45	FJB	561642	female	C71A	FJB	561646	male
C46	WCLCmpt.	564228	male	C71A	FJB	561644	female
C46	WCLCmpt.	564229	female	C72	FJB	561646	male
C47	FJB	565207	male	C72	FJB	561645	female
C48	Unican	565208	male	C74	FJB	561645	female
C49	FJB	562005	male	C74	FJB	561646	male
C49	FJB	561714	female	C81	1st_Lugg_Cmpt	562477	male
C50	RJB	563931	male	C81	1st_Lugg_Cmpt	562479	female
C50	RJB	563930	female	C82	1st_Lugg_Cmpt	562477	male
C51	Enginecmpt.	564034	male	C82	1st_Lugg_Cmpt	562479	female
C51	Enginecmpt.	560034	female	C82A	1st_Lugg_Cmpt	563589	male
C52	Evaporatorcmpt.	563618	male	C82A	1st_Lugg_Cmpt	563590	female
C52	Evaporatorcmpt.	563616	female	C83	2nd_Lugg_Cmpt	562477	male
C54	Enginecmpt.	563226	male	C83	2nd_Lugg_Cmpt	562479	female
C54	Enginecmpt.	563613	female	C84	2nd_Lugg_Cmpt	562477	male
C54A	Ureacmpt	568110	male	C84	2nd_Lugg_Cmpt	562479	female
C54A	Ureacmpt	568109	female	C85	4thlugg.cmpt.	562477	male
C54B	Enginecmpt.	563589	male	C85	4thlugg.cmpt.	562479	female
C54B	Enginecmpt.	563590	female	C86	4thlugg.cmpt.	563618	male
C55	Evap_Cmpt	561577	male	C86	4thlugg.cmpt.	563616	female
C55	Evap_Cmpt	561605	female	C87	Engine_Cmpt	562485	male
C58	Condensorcmt.	564567	male	C87	Engine_Cmpt	562486	female
C58	Condensorcmt.	564568	female	C88	FJB	563618	male
C59	RJB	561643	male	C88	FJB	563616	female
C59	RJB	561642	female	C91	RJB	564619	male
C61	Fr_Service_Door	561669	male	C91	RJB	562282	female
C61	Fr_Service_Door	561670	female	C92A	Enginecmpt.	563226	male
C62	Fr_Service_Door	562566	male	C92A	Enginecmpt.	563613	female
C62	Fr_Service_Door	562565	female	C92C	Enginecmpt.	562581	male
C63	Entrance_Door	562477	male	C92C	Enginecmpt.	562583	female
C63	Entrance_Door	562479	female	C94_plug	FJB	563589	male
C64	Enginecmpt	568110	male	C94_socket	FJB	563590	female
C64	Enginecmpt	568109	female	C96	FJB	561643	male
C66_plug	Evap_Cmpt	561577	male	C96	FJB	561642	female

# CONNECTORS LIST

No	Location	Part #	Gender	No	Location	Part #	Gender
C97	FJB	561643	male	C144	RJB	560851	female
C97	FJB	561642	female	C152	Cond_Cmpt	561611	male
C100	Evaporatorcmpt.	562477	male	C152	Cond_Cmpt	561610	female
C100	Evaporatorcmpt.	562479	female	C157	Condensorcmt	561637	male
C100S	EvaporatorCmpt.	562477	male	C157	Condensorcmt.	561636	female
C100S	EvaporatorCmpt.	562479	female	C158	Condensorcmt.	562477	male
C101	Service_Cmpt	561690	male	C158	Condensorcmt.	562479	female
C101	Service_Cmpt	561566	female	C159		561577	male
C102A	Condensorcmt.	563226	male	C159		561605	female
C102A	Condensorcmt.	563613	female	C159_LH	Condensorcmt.	561247	male
C103_plug	FJB	562485	male	C159_LH	Condensorcmt.	561248	female
C103_socket	FJB	562486	female	C159_RH		561247	male
C104S_plug		563589	male	C159_RH		561248	female
C104S_socket		563590	female	C162	FrontCab	561690	male
C105_plug	FJB	562581	male	C162	FrontCab	561566	female
C105_socket	FJB	562583	female	C162.		561566	female
C106_plug	FJB	562581	male	C164A	RH_Trapezoidal_Window	561690	male
C106_socket	FJB	562583	female	C164A	RH_Trapezoidal_Window	561566	female
C107A	Enginectmpt.	562885	female	C164AA	RH_Trapezoidal_Window	561690	male
C107A	Enginectmpt.	562884	female	C164AA	RH_Trapezoidal_Window	561566	female
C107B	Enginectmpt.	562885	female	C164B	RH_Trapezoidal_Window	561782	male
C107B	Enginectmpt.	562884	female	C164B	RH_Trapezoidal_Window	561781	female
C107C	Enginectmpt.	562885	female	C164BB	RH_Trapezoidal_Window	561782	male
C107C	Enginectmpt.	562884	female	C164BB	RH_Trapezoidal_Window	561781	female
C110	Dash	568110	male	C166	RH_Trapezoidal_Window	561637	male
C110	Dash	568109	female	C166	RH_Trapezoidal_Window	561636	female
C119A	Rear_engine_door	568110	male	C167	FJB	561577	male
C119A	Rear_engine_door	568109	female	C167	FJB	561605	female
C121	Rearenginedoor	562566	male	C170	LH_Console	561637	male
C121	Rearenginedoor	562565	female	C170	LH_Console	561636	female
C122	Rearenginedoor	562566	male	C171	LH_Console	561646	male
C122	Rearenginedoor	562565	female	C171	LH_Console	561645	female
C124	DashBoard	562503	male	C175	RJB	563226	male
C124	DashBoard	562507	female	C175	RJB	563613	female
C129	DashBoard	563858	male	C175.	RJB	563226	male
C129	DashBoard	563859	female	C175.	RJB	563613	female
C131A	Engine_Cmpt	561782	male	C187		561611	male
C131A	Engine_Cmpt	561781	female	C187		561610	female
C131B	Engine_Cmpt	561782	male	C188		561611	male
C131B	Engine_Cmpt	561781	female	C188		561610	female
C140	Dash	562477	male	C189	RJB	561986	male
C140	Dash	562479	female	C189	RJB	561987	female
C144	RJB	560852	male	C193_plug	RJB	563589	male

# CONNECTORS LIST

No	Location	Part #	Gender	No	Location	Part #	Gender
C193_socket	RJB	563590	female	C284	Parceltrack	561247	male
C194	FJB	563589	male	C284	Parceltrack	561248	female
C194	FJB	563590	female	C284_1	Parceltrack	561247	male
C195	Dash	563347	male	C284_1	Parceltrack	561248	female
C195	Dash	560489	female	C284_2	Parceltrack	561247	male
C206	Parcel_Rack_RH	562503	male	C284_2	Parceltrack	561248	female
C206	Parcel_Rack_RH	562507	female	C284_3	Parceltrack	561247	male
C207	Parcel_Rack_LH	562503	male	C284_3	Parceltrack	561248	female
C207	Parcel_Rack_LH	562507	female	C284_4	Parceltrack	561247	male
C212	WCLArea	561515	male	C284_4	Parceltrack	561248	female
C212	WCLArea	561552	female	C284_5	Parceltrack	561247	male
C213	Parcel_Rack_LH	561515	male	C284_5	Parceltrack	561248	female
C213	Parcel_Rack_LH	561552	female	C290	Rear_Vehicle	562477	male
C222	FJB	562477	male	C290	Rear_Vehicle	562479	female
C222	FJB	562479	female	C298	Parceltrack	561611	male
C222		562477	male	C298	Parceltrack	561610	female
C223	FJB	563227	male	C355	RJB	563582	male
C223	FJB	563614	female	C355	RJB	563583	female
C223.		563227	male	C356	Parceltrack	561710	male
C223.		563614	female	C356	Parceltrack	561709	female
C224	FJB	561637	male	C357	Parceltrack	561847	male
C224	FJB	561636	female	C357	Parceltrack	561862	female
C224		561636	female	C380A	Dash	564222	male
C225	FJB	562650	male	C380A	Dash	564224	female
C225	FJB	562649	female	C381	Parcel_Rack	561847	male
C226	FJB	562650	male	C381	Parcel_Rack	561924	female
C226	FJB	562649	female	C382	Under_Seat	561580	male
C228		562477	male	C382	Under_Seat	561582	female
C228		562479	female	C382.B		561637	male
C242	Service_Cmpt	562789	male	C382.B		561636	female
C242	Service_Cmpt	565131	female	C383		562464	male
C243	FrontVehicle	563347	male	C383		565871	female
C243	FrontVehicle	563180	female	C397	RJB	562285	male
C243.	FrontVehicule	562789	male	C397	RJB	562282	female
C243.	FrontVehicule	565131	female	C397.		562285	male
C259	3rd_LH_Lugg_Cmpt	561637	male	C397.		562282	female
C259	3rd_LH_Lugg_Cmpt	561636	female	C430	LH_Console	562363	male
C266	Parceltrack	561782	male	C430	LH_Console	561188	female
C266	Parceltrack	561781	female	C452.	Dash	561643	male
C267	Parceltrack	561782	male	C452.	Dash	561642	female
C267	Parceltrack	561781	female	C463	Rearaxlecmpt	568112	male
C279	Service_Cmpt	562477	male	C463	Rearaxlecmpt	568111	female
C279	Service_Cmpt	562479	female	C464	FJB	564222	male



# CONNECTORS LIST

No	Location	Part #	Gender	No	Location	Part #	Gender
C464	FJB	564224	female	C576BB	Parcelrack	562006	male
C464A	Dash	564222	male	C576BB	Parcelrack	560908	female
C464A	Dash	564224	female	C577	Parcel_Rack	561515	male
C464B	FJB	564222	male	C577	Parcel_Rack	561552	female
C464B	FJB	564224	female	C577A	Parcel_Rack	562006	male
C465	Parcelrack	562581	male	C577A	Parcel_Rack	560908	female
C465	Parcelrack	562583	female	C577AA	Parcelrack	562006	male
C506	FJB	561687	male	C577AA	Parcelrack	560908	female
C506	FJB	561685	female	C578	Parcel_Rack_LH	562503	male
C506spA	FJB	561687	male	C578	Parcel_Rack_LH	562507	female
C506spA	FJB	561685	female	C579	LHP.Rack	562549	male
C506spB	FJB	561687	male	C579	LHP.Rack	562550	female
C506spB	FJB	561685	female	C582	FJB	561690	female
C540	Parcelrack	562477	male	C582	FJB	561566	female
C540	Parcelrack	562479	female	C600	Dash	563226	male
C541	Parcelrack	563226	male	C600	Dash	563613	female
C541	Parcelrack	563613	female	C601	LHRoofWinAjar	561476	male
C542	Parcelrack	561550	male	C601	LHRoofWinAjar	561477	female
C542	Parcelrack	561667	female	C602	Parcel_Rack_LH	561668	male
C543	Parcelrack	561607	male	C602	Parcel_Rack_LH	561551	female
C543	Parcelrack	561606	female	C603.	ParcelRack	561669	male
C545	Parcelrack	561550	male	C603.	Parcel_Rack	561670	female
C545	Parcelrack	561667	female	C608	Parcel_Rack_LH	561577	male
C558	Parcelrack	562503	male	C608	Parcel_Rack_LH	561605	female
C558	Parcelrack	562507	female	C609	Parcel_Rack_LH	561550	male
C564	Parcelrack	562503	male	C609	Parcel_Rack_LH	561667	female
C564	Parcelrack	562507	female	C612	Parcel_Rack_LH	561687	male
C564-Sp	Parcelrack	562503	male	C612	Parcel_Rack_LH	561685	female
C564-Sp	Parcelrack	562507	female	C614	Passenger_Area	563071	male
C566	Parcelrack	562503	male	C614	Passenger_Area	563040	female
C566	Parcelrack	562507	female	C615	Passenger_Area	563071	male
C567	Parcelrack	562503	male	C615	Passenger_Area	563040	female
C567	Parcelrack	562507	female	C617	Mirror_LH	563801	male
C574	RHP.Rack	562549	male	C617	Mirror_LH	563800	female
C574	RHP.Rack	562550	female	C618	Mirror_RH	563801	male
C575	Parcel_Rack_RH	562503	male	C618	Mirror_RH	563800	female
C575	Parcel_Rack_RH	562507	female	C620	FJB	562477	male
C576	Parcelrack	561515	male	C620	FJB	562479	female
C576	Parcelrack	561552	female	C662	FJB	562477	male
C576A	Parcel_Rack_RH	561515	male	C662	FJB	562479	female
C576A	Parcel_Rack_RH	561552	female	C680_plug	WCLsystem	566031	male
C576B	Parcel_Rack_RH	562006	male	C680_socket	WCLsystem	566028	female
C576B	Parcel_Rack_RH	560908	female	C700	FJB	561637	male

# CONNECTORS LIST

No	Location	Part #	Gender	No	Location	Part #	Gender
C700	FJB	561636	female	C_LineOut	Parcelrack	563962	male
C700A_plug	FJB	561637	male	C_LineOut	Parcelrack	564489	female
C700A_socket	FJB	561636	female	C_Mo9	Evap_Cmpt	561577	male
C710_plug		561637	male	C_Mo9	Evap_Cmpt	561605	female
C710_socket		561636	female	C_Mo9:2	Evap_Cmpt	561577	male
C766_plug	Parcelrack	561662	male	C_Mo9:2	Evap_Cmpt	561605	female
C766_socket	Parcelrack	561661	female	C_Se51	FJB	563589	male
C768	Parcelrack	901283	female	C_Se51	FJB	563590	female
C769	Parcelrack	901283	female	C_USB	Parcelrack	562069	male
C777	Dash	562477	male	C_USB	Parcelrack	562070	female
C777	Dash	562479	female	CCAN1	FJB	562650	male
C999		564619	male	CCAN1	FJB	562649	female
C999		562282	female	CCAN2	FJB	562650	male
C_A60DB	Parcelrack	563071	male	CCAN2	FJB	562649	female
C_A60DB	Parcelrack	563040	female	CCAN3	FJB	562650	male
C_A69R	Parcelrack	563025	male	CCAN3	FJB	562649	female
C_A69R		563221	female	CCAN4	FJB	562650	male
C_A97	Dash	563226	male	CCAN4	FJB	562649	female
C_A97	Dash	563613	female	CCust	Parcel_Rack_Fr_WCL	562477	male
C_ALT	Enginectmpt.	562581	male	CCust	RJB	562479	female
C_ALT	Enginectmpt.	562583	female	CEDITH		561186	male
C_ALT3	Enginectmpt.	562477	male	CEDITH		561672	female
C_ALT3	Enginectmpt.	562479	female	CFH_FAN	RJB	564891	female
C_AUDIO_AUX	Parcelrack	562557	male	CFHPR1	Parcelrack	564560	male
C_AUDIO_AUX	Parcelrack	562558	female	CIND-1.A	Parcelrack	560908	female
C_Audio_HDMI_L	Parcelrack	901062	male	CIND-1.B	Parcelrack	560908	female
C_Audio_HDMI_L	Parcelrack	901283	female	CIND-2.A	Parcelrack	560908	female
C_Audio_HDMI_R	Parcelrack	901062	male	CIND-2.B	Parcelrack	560908	female
C_Audio_HDMI_R	Parcelrack	901283	female	CIND-11.A	Parcelrack	560908	female
C_AUX	Parcelrack	563071	male	CIND-11.B	Parcelrack	560908	female
C_AUX	Parcelrack	563040	female	CINDWC-1.A	Parcelrack	560908	female
C_AVL		561782	male	CINDWC-1.B	Parcelrack	560908	female
C_AVL		561781	female	CL1	Service_Cmpt	562485	male
C_CAM		561986	male	CL1	Service_Cmpt	562486	female
C_CAM		561987	female	CL142	Lavatory	562006	male
C_Fare_Box		561782	male	CL142	Lavatory	560908	female
C_Fare_Box		561781	female	CL142A	Lavatory	562006	male
C_INV1	Parcelrack	562337	male	CL142A	Lavatory	560908	female
C_INV1	Parcelrack	562338	male	CL212_plug		563589	male
C_INV1A	Parcelrack	562337	male	CL212_socket		563590	female
C_INV1A	Parcelrack	562338	female	CL212A_plug		563589	male
C_INV2	Parcelrack	562337	male	CL212A_socket		563590	female
C_INV2	Parcelrack	562338	male	CL213_plug		563589	male

# CONNECTORS LIST

No	Location	Part #	Gender	No	Location	Part #	Gender
CL213_socket		563590	female	CSX3	Engine_Cmpt	563135	male
CL213A_plug		563589	male	CSX3	Engine_Cmpt	563134	female
CL213A_socket		563590	female	CSX3P		563135	male
CL214_plug		563589	male	CSX3P		563134	female
CL214_socket		563590	female	CSX3S		563135	male
CL214A_plug		563589	male	CSX3S		563134	female
CL214A_socket		563590	female	CT_IN	Rear_Vehicle	563582	male
CMo		563691	male	CT_IN	Rear_Vehicle	563583	female
CMo		563695	female	CT_IN1	Rear_Vehicle	560167	male
CP1	Passenger_Area	561782	male	CT_IN1	Rear_Vehicle	560159	female
CP1	Passenger_Area	561781	female	CT_Out	Rear_Vehicle	560478	female
CP2	Passenger_Area	561782	male	CXC1	Service_Cmpt	562477	male
CP2	Passenger_Area	561781	female	CXC1	Service_Cmpt	562479	female
CP3	Passengersarea	561782	male	EI	Enginectmpt.	563739	male
CP3	Passengersarea	561781	female	L.21	Front_Cap	560605	female
CP4	Passenger_Area	561782	male	L.22	Front_Cap	560605	female
CP4	Passenger_Area	561781	female	L.23	Front_Cap	560605	female
CP5	Passenger_Area	561782	male	L.24	Front_Cap	560605	female
CP5	Passenger_Area	561781	female	L.25	Front_Cap	560605	female
CP5A	Passenger_Area	561782	male	L.26	Front_Cap	560605	female
CP5A	Passenger_Area	561781	female	L.27	Front_Cap	560605	female
CP6	Passengersarea	562337	male	L.101.A		563589	male
CP6	Passengersarea	562338	male	L.104.A		563589	male
CPot1b		561626	female	L1A	Engine_Cmpt	560774	male
CPot1b		561904	female	L10	Parcelrack	560898	male
CPot1c		561626	female	L11	Parcelrack	560898	male
CPot1c		561904	female	L16.A	Frontroof	562615	female
CR72	RearSeat	563409	male	L16.B	Frontroof	562615	female
CR72	RearSeat	563410	female	L17.A	Frontroof	562615	female
CS1		568089	male	L17.B	Frontroof	562615	female
CS1		568092	female	L19	Entrance_Door	562549	male
CS2		568089	male	L20	Entrance_Door_Step	562549	male
CS2		568092	female	L28	Parcelrack	560898	male
CSe80	RJB	562477	male	L29	Parcelrack	560898	male
CSe80	RJB	562479	female	L30	Parcelrack	560898	male
CSw102	EngineCmpt.	562549	male	L30A.A	Parcelrack	560898	male
CSw102	EngineCmpt.	562550	female	L31	Parcelrack	560898	male
CSX1	Engine_Cmpt	563135	male	L32	Parcelrack	560898	male
CSX1	Engine_Cmpt	563134	female	L33	Parcelrack	560898	male
CSX1P		563135	male	L34	Parcelrack	560898	male
CSX1P		563134	female	L35	Parcelrack	560898	male
CSX1S		563135	male	L36	Parcelrack	560898	male
CSX1S		563134	female	L37	Parcelrack	560898	male

# CONNECTORS LIST

No	Location	Part #	Gender	No	Location	Part #	Gender
L38	Parcelrack	560898	male	L63	Front_Side_LH	562155	male
L39	Parcelrack	560898	male	L64	Outside_Front_RH	562155	male
L40	Parcelrack	560898	male	L65	Outside_Front_LH	562155	male
L41	Parcelrack	560898	male	L66	Outside_Front_LH	562155	male
L42	Parcelrack	560898	male	L67		562155	male
L43	Parcelrack	560898	male	L68		562155	male
L44	Parcelrack	560898	male	L69		562155	male
L45	Parcelrack	560898	male	L71A	Rearenginedoor	562601	male
L46	Parcelrack	560898	male	L72	Radiator_Door	562155	male
L47	Parcelrack	560898	male	L73A	Rearenginedoor	562601	male
L48	Parcelrack	560898	male	L74	Radiator_Door	562155	male
L49	Parcelrack	560898	male	L75	Radiator_Door	562155	male
L50	Parcelrack	560898	male	L76	Radiator_Door	562155	male
L51	Parcelrack	560898	male	L77A	Rearvehicule	562601	male
L52	Parcelrack	560898	male	L78A	Rearvehicule	562601	male
L52	Parcelrack	560900	female	L79A	Rearvehicule	562601	male
L52A	Parcelrack	560898	male	L80A	Rearvehicule	562601	male
L53	Parcelrack	560898	male	L81.A	Rear_Vehicle	562835	female
L53	Parcelrack	560900	female	L81.B	Rear_Vehicle	562834	male
L53A	Parcelrack	560898	male	L82A	Rearvehicule	562348	female
L54	Parcelrack	560898	male	L83A	Rearvehicule	562348	female
L54	Parcelrack	560900	female	L91A	Rearvehicule	562601	male
L54A	Parcelrack	560898	male	L92A	Rearvehicule	562601	male
L55	Parcelrack	560898	male	L95	Outside_Front_LH	562902	female
L55	Parcelrack	560900	female	L96		562902	female
L55A	Parcelrack	560898	male	L97.A	Outside_Front_LH	563069	female
L56	Parcelrack	560898	male	L97.B	Outside_Front_LH	563069	female
L56	Parcelrack	560900	female	L98.A	Outside_Front_RH	563069	female
L56A	Parcelrack	560898	male	L98.B	Outside_Front_RH	563069	female
L57	Parcelrack	560898	male	L140	Lavatory	561247	male
L57	Parcelrack	560900	female	L142	Lavatory	562006	male
L57A	Parcelrack	560898	male	L142B	Lavatory	562006	male
L58	Parcelrack	560898	male	L143	Parcelrack	561186	male
L58	Parcelrack	560900	female	L144	Parcelrack	561186	male
L58A	Parcelrack	560898	male	L145	Parcelrack	561186	male
L59	Out_Side_Front_RH	562623	male	L146	Parcelrack	561186	male
L59A	OutsideFrontRH	563366	male	L147	Parcelrack	561186	male
L59B	Out_Side_Front_RH	562623	male	L148	Parcelrack	561186	male
L60	OutsideFrontLH	562623	male	L149	Parcelrack	561186	male
L60A	OutsideFrontLH	563366	male	L150	Parcelrack	561186	male
L60B	Out_Side_Front_LH	562623	male	L151	Parcelrack	561186	male
L61	Out_Side_Front_RH	562601	male	L152	Parcelrack	561186	male
L62	Out_Side_Front_LH	562601	male	L153	Parcelrack	561186	male

# CONNECTORS LIST

No	Location	Part #	Gender	No	Location	Part #	Gender
L154	Parcelrack	561186	male	L195.B	Dash	560488	female
L155	Parcelrack	561186	male	L199	Enginecmt.	562848	male
L156	Parcelrack	561186	male	L203	RH_Console	561690	male
L157	Parcelrack	561186	male	L204	Parcel_Rack_RH	562803	male
L158	Parcelrack	561186	male	L205	Enginecmt.	562485	male
L163.A		562615	female	L206	Parcel_Rack_RH	562803	male
L163.B		562615	female	L207.A	WCLCmpt.	561699	female
L164.A		562615	female	L207.B	WCLCmpt.	561701	female
L164.B		562615	female	L207.C	WCLCmpt.	561701	female
L165.A		562615	female	L207.D	WCLCmpt.	561699	female
L165.B		562615	female	L207.E	WCLCmpt.	561701	female
L166.A		562615	female	L207.F	WCLCmpt.	561699	female
L166.B		562615	female	L207.G	WCLCmpt.	561699	female
L167.A		562615	female	L207.H	WCLCmpt.	563536	female
L167.B		562615	female	L207.I	WCLCmpt.	563536	female
L168.A		562615	female	L212	Roof	563589	male
L168.B		562615	female	L212A	roof	563589	male
L169.A		562615	female	L213	roof	563589	male
L169.B		562615	female	L213A	roof	563589	male
L170	Lugg_compt	561690	male	L214	roof	563589	male
L173	Parcelrack	563590	female	L214A	roof	563589	male
L174A	Parcelrack	563590	female	L243	Parcelrack	561186	male
L176	3rd_Lugg_Cmpt	561247	male	L244	Parcelrack	561186	male
L177	3rd_Lugg_Cmpt	561247	male	L245	Parcelrack	561186	male
L177A	WCLCmpt.	561690	male	L246	Parcelrack	561186	male
L177B	WCLCmpt.	561690	male	L247	Parcelrack	561186	male
L180	2nd_Lugg_Cmpt	561247	male	L248	Parcelrack	561186	male
L181	2nd_Lugg_Cmpt	561247	male	L249	Parcelrack	561186	male
L182	1st_Lugg_Cmpt	561247	male	L250	Parcelrack	561186	male
L183	1st_Lugg_Cmpt	561247	male	L251	Parcelrack	561186	male
L184	Servicecmt.	561247	male	L252	Parcelrack	561186	male
L185.A	Servicecmt.	561539	male	L253	Parcelrack	561186	male
L185.B	Servicecmt.	561539	male	L254	Parcelrack	561186	male
L186.A	Dash	561539	male	L255	Parcelrack	561186	male
L186.B	Dash	561539	male	L256	Parcelrack	561186	male
L187	Engine_Cmpt	561690	male	L257	Parcelrack	561186	male
L188	Service_Cmpt	562486	female	L258	Parcelrack	561186	male
L189	Mirror_RH	564513	female	L262.A		562615	female
L193.A	Dash	560488	female	L262.B		562615	female
L193.B	Dash	560488	female	L263.A		562615	female
L194.A	Dash	560488	female	L263.B		562615	female
L194.B	Dash	560488	female	L264.A		562615	female
L195.A	Dash	560488	female	L264.B		562615	female

# CONNECTORS LIST

No	Location	Part #	Gender	No	Location	Part #	Gender
L265.A		562615	female	Mo15.	FrontCeiling	563517	female
L265.B		562615	female	Mo16.	FrontCeiling	563517	female
L266.A		562615	female	Mo17	RH_Console	563626	male
L266.B		562615	female	Mo19	Fr_Service_Door	562474	male
L267.A		562615	female	Mo20	Fr_Service_Door	562474	male
L267.B		562615	female	Mo22	RH_Console	561186	male
L268.A		562615	female	Mo27		560159	female
L268.B		562615	female	Mo28		560159	female
L269.A		562615	female	Mo29	RJBcmpt.	563590	female
L269.B		562615	female	Mo30	Compr_Door	564161	male
L282	Engine_Cmpt	561690	male	Mo31	Parcelrack	564161	male
L283	Service_Cmpt	562485	male	Mo32	Parcelrack	564161	male
L285.A	Rear_Vehicle	562835	female	Mo33	Parcelrack	564161	male
L285.B	Rear_Vehicle	562834	male	Mo34	Parcelrack	564161	male
L286.A	Rear_Vehicle	562835	female	Mo35	3rd_Lugg_Door	564161	male
L286.B	Rear_Vehicle	562834	male	Mo36	Parcelrack	564161	male
L296	Refrigerator	561248	female	Mo54	Service_Cmpt	562474	male
L298A	Enginectmpt.	563590	female	Mo62	FrontHatch	562486	female
L306	RJBcmpt.	561247	male	Mo63	RearHatch	562486	female
L309.	Behind_Lavatory	564576	male	Mo65	Enginectmpt.	568089	male
L309D	Drivers_Area	564576	male	Mo67	Enginectmpt.	568089	male
L310.	Behind_Lavatory	564576	male	Mo68	Enginectmpt.	568089	male
L310D	Drivers_Area	564576	male	Mo69	Enginectmpt.	568089	male
L313	Rr_Roof	562549	male	Mo70	Enginectmpt.	568089	male
L350A.A	Rearaxlecmpt.	564552	male	Mo71	Enginectmpt.	568089	male
L350A.B	Rearaxlecmpt.	563340	male	Mo72	Enginectmpt.	568089	male
L350A.C	Rearaxlecmpt.	562251	male	Mo73	Enginectmpt.	568089	male
L391	Drivers_Area	560898	male	P_In1	Passenger_Area	561782	male
L400.A	Enginectmpt.	562251	male	P_In1	Passenger_Area	561781	female
L606	Rr_Roof	560898	male	P_Out1	Passenger_Area	561782	male
L606	Rr_Roof	560900	female	P_Out1	Passenger_Area	561781	female
L606A	Rr_Roof	560898	male	P_Out2	Passenger_Area	561782	male
Mo3	Dash	561667	female	P_Out2	Passenger_Area	561781	female
Mo4		564161	male	P_Out3	Passenger_Area	561782	male
Mo5	Front_Roof	561515	male	P_Out3	Passenger_Area	561781	female
Mo7		560159	female	PC1	FJB	562650	male
Mo8		560159	female	PC1	FJB	562649	female
Mo9..B		561605	female	PF	FJB	561782	male
Mo10	ParcelRack_Lh_Fan	561515	male	PF	FJB	561781	female
Mo11	ParcelRack_Rh_Fan	561515	male	PF1	Passenger_Area	561782	male
Mo12	Engine_Cmpt	561690	male	PF1	Passenger_Area	561781	female
Mo13.	Engine_Cmpt	561690	male	Pot1..A		560488	female
Mo14	Engine_Cmpt	561566	female	Pot1..B		562291	female

# CONNECTORS LIST

No	Location	Part #	Gender	No	Location	Part #	Gender
Pot1..C		560488	female	Res7B		563589	male
PR	Parcelrack	561782	male	Res7B		563590	female
PR	Parcelrack	561781	female	Res15	Engine_Cmpt	561782	male
PR1	Passenger_Area	561782	male	Res16.A	ParcelRack	563590	female
PR1	Passenger_Area	561781	female	Res17.A	ParcelRack	563590	female
R1	RJB	562486	female	Res31	Ureacmpt.	562350	male
R3	RJB	563409	male	Res32	Ureacmpt.	563764	female
R4	FJB	564496	male	Res53.A	FJB	563590	female
R5	RJB	564496	male	Res99	FJB	563590	female
R12	Evap_Cmpt	563409	male	SAE_IV		561782	male
R16	RJB	564496	male	SAE_IV		561781	female
R20	RJB	564496	male	Se2A		561566	female
R21	FJB	560525	male	Se3.A	LH_Window	561626	female
R21A	FJB	560525	male	Se4..A	LH_Window	561626	female
R23A	FJB	564496	male	Se5..A	LH_Window	561626	female
R26	Evap_Cmpt	564496	male	Se6..A	LH_Window	561626	female
R27	Dash	564496	male	Se7..A	LH_Window	561626	female
R28	RearSeat	563409	male	Se8..A	LH_Window	561626	female
R29	RJB	563409	male	Se9..A	LH_Window	561626	female
R30	FJB	564496	male	Se10..A	RH_Window	561626	female
R31	FJB	564496	male	Se11.A	Cond_Cmpt	560815	female
R34	RJB	564210	male	Se11.B	Cond_Cmpt	560815	female
R35		564210	male	Se11.C	Cond_Cmpt	560815	female
R36	Dash	564496	male	Se12.A	RH_Window	561626	female
R37	Dash	564496	male	Se13		563764	female
R38	FJB	564496	male	Se14.A	Driver_Area	561782	male
R38A	RearSeat	563409	male	Se14.B	Driver_Area	561781	female
R40	RJB	564496	male	Se15	RH_Console	560898	male
R47	Parcelrack	564496	male	Se16.A	RH_Window	561626	female
R72.A	RearSeat	563409	male	Se17	RH_Console	560900	female
R210	Parcel_Rack_LH	560525	male	Se19_P	Service_Cmpt	563677	male
R_12VISS	Parcelrack	564496	male	Se19_S	Service_Cmpt	563677	male
Res3.A	ParcelRack	563590	female	Se20A	Evap_Cmpt	562426	male
Res4	RH_Console	563590	female	Se21	Dash	561248	female
Res5		563590	female	Se23	Engine_Cmpt	563159	male
Res6	FJB	563590	female	Se24	EvaporatorCmpt.	563758	female
Res6A	FJB	563589	male	Se25	Passenger_Area	561248	female
Res6A	FJB	563590	female	Se26.A	RH_Window	561626	female
Res6B	FJB	563589	male	Se27.A	RH_Window	561626	female
Res6B	FJB	563590	female	Se28.A	RH_Window	561626	female
Res7	dash	563590	female	Se30	Enginedoor	562877	female
Res7A		563593	male	Se31	Enginedoor	562877	female
Res7A		563590	female	Se32	Rear_Axle_Cmpt	562426	male

# CONNECTORS LIST

No	Location	Part #	Gender	No	Location	Part #	Gender
Se33	Rear_Axle_Cmpt	562856	male	So10.A	Condensorcmt.	562485	male
Se34		562427	male	So11	Cond_Cmpt	561566	female
Se35	Rear_Axle_Cmpt	562426	male	So13	Evap_Cmpt	563204	female
Se36	Rear_Axle_Cmpt	562427	male	So14	Servicecmt.	641385	male
Se37	Front_Axle_LH	641132	female	So15	Servicecmt.	641385	male
Se38	Front_Axle_RH	641132	female	So16	Servicecmt.	641385	male
Se39	Rear_Axle_LH	641132	female	So17	Servicecmt.	562848	male
Se40	Rear_Axle_LH	641132	female	So20	Servicecmt.	641385	male
Se45	Servicecmt.	563409	male	So21	Front_Axle_Cmpt	564046	female
Se46	Rearaxlecmt.	562348	female	So22	Front_Axle_Cmpt	564046	female
Se51	UnderDriverSeat	563589	male	So23	Rear_Axle_Cmpt	564046	female
Se53	Service_Cmpt	563159	female	So24	Rear_Axle_Cmpt	564046	female
Se54	Service_Cmpt	563159	female	So27	Rearaxlecmt.	564045	female
Se55	Service_Cmpt	563159	female	So29	Parceltrack	641385	male
Se56	WCLCmpt.	562479	female	So50	Rearaxlecmt.	564046	female
Se57		563159	female	So52	Rearaxlecmt.	564045	female
Se60	Service_Cmpt	563409	male	So53	Rear_Axle_Cmpt	641385	male
Se62	WCL_System	561690	male	So54	Enginecmt.	564045	female
Se63	Rearaxlecmt.	641132	female	So55	Pneumaticplate	562848	male
Se64	Rearaxlecmt.	641132	female	So56	Rear_Axle_Cmpt	562350	male
Se65	Dash	564042	female	So57	Engine_Cmpt	562350	male
Se66	FJB	564039	female	So60		562848	male
Se67	Frontaxlecmt.	563159	female	spBar4	Enginecmt.	564135	male
Se69	Frontaxlecmt.	563159	female	spBar5	Enginecmt.	564135	male
Se74	Rear_Axle_Cmpt	563340	male	spBar6	Enginecmt.	564135	male
Se75	Service_Cmpt	563159	female	spBar7	Enginecmt.	564135	male
Se76	EntranceDoor	562479	female	spBar11	Rearvehicule	564135	male
Se77	FJB	563159	female	spBar12	Rearvehicule	564135	male
Se78	Pneumaticplate	563159	female	spBar13	Enginecmt.	564135	male
Se79	Front_Axle	563340	male	spBar14	Enginecmt.	564135	male
Se80	Rear_Axle	563159	female	spBar15	Enginecmt.	564135	male
Se89		563764	female	spBar16	Enginecmt.	564135	male
Se94	WCLUpperDoor	562877	female	spBar19	Condensorcmt.	564135	male
Se100	WCLdoor	562479	female	spBar20	Condensorcmt.	564135	male
shell1_633		561626	female	spBar21	Condensorcmt.	564135	male
shell1_1640	Driver_Area	562471	male	spBar22	Enginecmt.	564135	male
So3	RH_Console	641385	male	spBar23	Enginecmt.	564135	male
So4	RH_Console	641385	male	spBar24	Enginecmt.	564135	male
So5	RH_Console	641385	male	SpK1_L.A		561626	female
So6	RH_Console	641385	male	SpK1_L.B		561624	female
So7	Service_Cmpt	561566	female	SpK1_R.A		561626	female
So8	Servicecmt.	641385	male	SpK1_R.B		561624	female
So9	Enginecmt.	560016	female	SpK2_L.A		561626	female



# CONNECTORS LIST

No	Location	Part #	Gender	No	Location	Part #	Gender
SpK2_L.B		561624	female	SpK13_L.A		561626	female
SpK2_R.A		561626	female	SpK13_L.B		561624	female
SpK2_R.B		561624	female	SpK13_R.A		561626	female
SpK3_L.A		561626	female	SpK13_R.B		561624	female
SpK3_L.B		561624	female	SpK14_L.A		561626	female
SpK3_R.A		561626	female	SpK14_L.B		561624	female
SpK3_R.B		561624	female	SpK14_R.A		561626	female
SpK4_L.A		561626	female	SpK14_R.B		561624	female
SpK4_L.B		561624	female	SpK15_L.A		561626	female
SpK4_R.A		561626	female	SpK15_L.B		561624	female
SpK4_R.B		561624	female	SpK15_R.A		561626	female
SpK5_L.A		561626	female	SpK15_R.B		561624	female
SpK5_L.B		561624	female	SpK16_L.A		561626	female
SpK5_R.A		561626	female	SpK16_L.B		561624	female
SpK5_R.B		561624	female	SpK16_R.A		561626	female
SpK6_L.A		561626	female	SpK16_R.B		561624	female
SpK6_L.B		561624	female	Sub1.A	Passenger_Area	564004	female
SpK6_R.A		561626	female	Sub2	Passenger_Area	564004	male
SpK6_R.B		561624	female	Sw1.C258	Driver_Area	561188	female
SpK7_L.A		561626	female	Sw1.C259	Driver_Area	561186	male
SpK7_L.B		561624	female	Sw2	Dash	562763	male
SpK7_R.A		561626	female	Sw3	Dash	562763	male
SpK7_R.B		561624	female	Sw4	Dash	562763	male
SpK8_L.A		561626	female	Sw6	Dash	562763	male
SpK8_L.B		561624	female	Sw10A	LH_Console	562763	male
SpK8_R.A		561626	female	Sw12	Dash	562763	male
SpK8_R.B		561624	female	Sw14	Dash	562763	male
SpK9_L.A		561626	female	Sw16	Dash	562763	male
SpK9_L.B		561624	female	Sw17	Dash	562763	male
SpK9_R.A		561626	female	Sw18A	LH_Console	562763	male
SpK9_R.B		561624	female	Sw20	Dash	562763	male
SpK10_L.A		561626	female	Sw21	Dash	562763	male
SpK10_L.B		561624	female	Sw24	Dash	562763	male
SpK10_R.A		561626	female	Sw25	Dash	562763	male
SpK10_R.B		561624	female	Sw26	Dash	562763	male
SpK11_L.A		561626	female	Sw27	Dash	562763	male
SpK11_L.B		561624	female	Sw29	Dash	562763	male
SpK11_R.A		561626	female	Sw30	RJB	563135	male
SpK11_R.B		561624	female	Sw32	Dash	561477	female
SpK12_L.A		561626	female	Sw33	Dash	561476	male
SpK12_L.B		561624	female	Sw34	Outside_Front_RH	562477	male
SpK12_R.A		561626	female	Sw35	Console	562763	male
SpK12_R.B		561624	female	Sw38	LH_Console	562763	male

# CONNECTORS LIST

No	Location	Part #	Gender	No	Location	Part #	Gender
Sw40	LH_Console	561690	male	Sw122		562763	male
Sw41	LH_Console	562749	male	Sw124	Dash	562763	male
Sw42	WCLCmpt.	561635	female	Sw125.A	Service_Cmpt	561457	female
Sw43		561690	male	Sw125.B	Service_Cmpt	561457	female
Sw44.A	Servicecmpt.	562403	female	Sw134.A	WCLArea	562615	female
Sw45.A	3rd_Lugg_Cmpt	562403	female	Sw134.B	WCLArea	562615	female
Sw46.A	3rd_Lugg_Cmpt	562403	female	Sw134.C	WCLArea	562615	female
Sw46A.A	3rdlugg.cmpt.	562403	female	Sw135.A	WCLdoor	562119	female
Sw49.A	2nd_Lugg_Cmpt	562403	female	Sw135.B	WCLdoor	562119	female
Sw50.A	2nd_Lugg_Cmpt	562403	female	Sw135.C	WCLdoor	562119	female
Sw51.A	1st_Lugg_Cmpt	562403	female	Sw137	Dash	562763	male
Sw52.A	1st_Lugg_Cmpt	562403	female	Sw140	FJB	561566	female
Sw55..A	Lavatory	560488	female	Sw142	LHConsole	562763	male
Sw55..B	Lavatory	560488	female	Sw149	Dash	562763	male
Sw56..A	Lavatory	560488	female	Sw153	Dash	562763	male
Sw56..B	Lavatory	560488	female	Sw156	LH_Console	562763	male
Sw58	EngineCmpt.	563135	male	Sw157	Dash	562763	male
Sw59	Enginecmpt.	563135	male	Sw158	Dash	562763	male
Sw63A	LHConsole	562763	male	Sw161		562763	male
Sw64.A	Service_Cmpt	560815	female	Sw162	Dash	562763	male
Sw64.B	Service_Cmpt	560815	female	SW164.		562763	male
Sw80A	Dash	562763	male	Sw164.A	Dash	562763	male
Sw82	RJB	563135	male	Sw313..A	Lavatory	562615	female
Sw83.A	Dash	560815	female	Sw313..B	Lavatory	562615	female
Sw83.B	Dash	560815	female	Sw313..C	Lavatory	562615	female
Sw83.C	Dash	560815	female	sym770_34.A		561566	female
Sw83.D	Dash	560815	female	sym770_34.B		561781	female
Sw83A	Dash	562581	male	sym812_291.A	Parcelrack	565180	female
Sw85	LH_Console	562749	male	sym912_1142.A		563589	male
Sw95.A	WCLdoor	562615	female	sym913_1142.A		563589	male
Sw95.B	WCLdoor	562615	female	sym914_1142.A		563589	male
Sw95.C	WCLdoor	562615	female	sym920_1142.A		563589	male
Sw96.A	WCL_Door	562615	female	sym921_1142.A		563589	male
Sw96.B	WCL_Door	562615	female	sym923_1142.A		563589	male
Sw96.C	WCLdoor	562615	female	sym924_1142.A		563589	male
Sw97.A	WCLsystem	562615	female	sym925_1142.A		563589	male
Sw97.B	WCLsystem	562615	female	sym980_759	Evap_Cmpt	564496	male
Sw97.C	WCLsystem	562615	female	sym983_759	Evap_Cmpt	563409	male
Sw98.A	WCLsystem	562615	female	sym996_801		564891	female
Sw98.B	WCLsystem	562615	female	sym998_759		564891	female
Sw98.C	WCLsystem	562615	female	sym1015_1148	Parcelrack	564496	male
Sw100A	Dash	562763	male	T0SS.	Parcel_Rack_LH	560106	N/A
Sw102	RJB	561566	female	T0SS1.	Parcel_Rack_LH	560103	N/A

# CONNECTORS LIST

No	Location	Part #	Gender	No	Location	Part #	Gender
tab69	Parcelrack	561626	N/A	Term00R1	RJB	560086	N/A
Tab70a	Parcelrack	561626	N/A	Term0R1.	RJBChassisGndStud	560083	N/A
Tab70b	Parcelrack	561626	N/A	Term00R2	RJB	563354	N/A
Tab600		561904	N/A	Term00R3	RJB	563354	N/A
Tab601		561108	N/A	Term00R4	RJB	563354	N/A
Tab602		561108	N/A	Term00R5	RJB	563354	N/A
Tab603		561108	N/A	Term0RFG	RJBChassisGndStud	561246	N/A
Tab604		561108	N/A	Term3	RJBChassisGndStud	560105	N/A
TBat9	RJB	560895	N/A	Term4	RJB(RelayR3)	563538	N/A
TBat10	RJB	560895	N/A	Term12vd		560815	N/A
TBat11	RJB	560895	N/A	Term12VD4	RJBMasterRelay	561964	N/A
TBat12	RJB	560895	N/A	Term12vi		560815	N/A
TBat13	RJB	560111	N/A	Term24v	FJB	561246	N/A
TBat15	RJB	565164	N/A	Term24V_Inv	Rear_Seat	561696	N/A
TBat20	RJB	560891	N/A	Term28	Evap_Cmpt	560587	N/A
TBat21	RJB	560891	N/A	Term36	FJBGndStud	560895	N/A
TBat22	RJB	560891	N/A	Term37	FJBGndStud	560894	N/A
TBat23	RJB	560891	N/A	Term43	FJBGndStud	563662	N/A
TBat24	RJB	560895	N/A	Term47	RJB	561560	N/A
TBat25	RJBMasterRelay	562880	N/A	Term50	RJB	561626	N/A
TBat39	RJB	562880	N/A	Term59	EvapCmpt.ChassisGndStud	560108	N/A
TBat40	RJB	564166	N/A	Term64	Evap_Cmpt	560108	N/A
TBat_12V_Equ	RJB	563538	N/A	Term75	Engine_Cmpt	564115	N/A
TBat_24V_Equ	RJB	563538	N/A	Term76	Engine_Cmpt	565165	N/A
TBat_GND_Equ	RJB	563538	N/A	Term103-A	Engine_Cmpt	568125	N/A
Term00A	FJB	560928	N/A	Term103-B	Engine_Cmpt	564026	N/A
Term0A.	FJBGndStud	560083	N/A	Term106	RJB	565166	N/A
Term0A1	FJBGndStud	561964	N/A	Term107	EvapCmpt.ChassisGndStud	564203	N/A
Term00A1	FJB	560928	N/A	Term116	Engine_Cmpt	563538	N/A
Term00A2	FJB	560587	N/A	Term117	Engine_Cmpt	563538	N/A
Term0CND.	Cond.Cmpt.ChassisGndStud	561560	N/A	Term130	RJB	560894	N/A
Term0EV2.	EvapCmpt.ChassisGndStud	560083	N/A	Term131	FJBGndStud	561696	N/A
Term00F	RJB	560086	N/A	Term132	FJBGndStud	560895	N/A
Term0F.	FJBGndStud	561246	N/A	Term139	EvaporatorCmpt.	560104	N/A
Term00F1	FJB	563354	N/A	Term141	Engine_Cmpt	565166	N/A
Term00F2	FJB	563354	N/A	Term149.	UreaCmpt.	561964	N/A
Term00F3	FJB	560928	N/A	Term149A.	UreaCmpt.	561964	N/A
Term00F5	FJB	560086	N/A	Term151	RJBBreakersPanel	560105	N/A
Term00FH	FJB	560928	N/A	Term151a	Parcel_Rack_LH	562286	N/A
Term0FH.	FJBGndStud	560083	N/A	Term151e	RJBBreakersPanel	560105	N/A
Term00FH1	FJB	560086	N/A	Term152	RJBBreakersPanel	560105	N/A
Term00FH2	FJB	563354	N/A	Term152B	5thLuggageCmpt	561696	N/A
Term00R	RJB	560096	N/A	Term153	RJBBreakersPanel	561696	N/A

# CONNECTORS LIST

No	Location	Part #	Gender	No	Location	Part #	Gender
Term153A	RJBBreakersPanel	561696	N/A	Term199	Driver_Area	560094	N/A
Term154	EvapCmpt.ChassisGndStud	560587	N/A	Term200	Engine_Cmpt	560027	N/A
Term154A	EvapCmpt.ChassisGndStud	561696	N/A	Term201	FJBGndStud	564116	N/A
Term155	Parcel_Rack_LH	560587	N/A	Term203	Driver_Area	560094	N/A
Term156	Fr_L_P_Rack	560094	N/A	Term210	Engine_Cmpt	560840	N/A
Term157	Fr_L_P_Rack	560094	N/A	Term211	Engine_Cmpt	563503	N/A
Term158	Fr_L_P_Rack	560094	N/A	Term212	Engine_Cmpt	565165	N/A
Term159	Fr_L_P_Rack	560094	N/A	Term213	Engine_Cmpt	561458	N/A
Term160	Fr_L_P_Rack	560094	N/A	Term214	Engine_Cmpt	565166	N/A
Term161	Fr_L_P_Rack	560094	N/A	Term215	Engine_Cmpt	565166	N/A
Term163A	Fr_L_P_Rack	560094	N/A	Term216	FJBGndStud	560837	N/A
Term163B	Fr_L_P_Rack	560094	N/A	Term217	FJBGndStud	560826	N/A
Term163C	Fr_L_P_Rack	560094	N/A	Term218	Engine_Cmpt	560082	N/A
Term164A	Fr_L_P_Rack	560094	N/A	Term219	Engine_Cmpt	560082	N/A
Term164B	Fr_L_P_Rack	560094	N/A	Term220	Engine_Cmpt	560082	N/A
Term164C	Fr_L_P_Rack	560094	N/A	Term221	Engine_Cmpt	560082	N/A
Term165A	Fr_L_P_Rack	560094	N/A	Term230	RJB	560895	N/A
Term165B	Fr_L_P_Rack	560094	N/A	Term254		563623	N/A
Term165C	Fr_L_P_Rack	560094	N/A	Term255		560082	N/A
Term166	Fr_RL_1_Lugg	560094	N/A	Term256		560082	N/A
Term167	Fr_RL_1_Lugg	560094	N/A	Term257		560082	N/A
Term168	Fr_RL_1_Lugg	560094	N/A	Term261		Nothing	N/A
Term169A	Fr_L_P_Rack	560094	N/A	Term262		Nothing	N/A
Term169B	Fr_L_P_Rack	560094	N/A	Term263		Nothing	N/A
Term169C	Fr_L_P_Rack	560094	N/A	Term264		Nothing	N/A
Term170A	Fr_L_P_Rack	560094	N/A	Term265		Nothing	N/A
Term170B	Fr_L_P_Rack	560094	N/A	Term266		Nothing	N/A
Term170C	Fr_L_P_Rack	560094	N/A	Term267		Nothing	N/A
Term172		560082	N/A	Term268		Nothing	N/A
Term173		560082	N/A	Term271		Nothing	N/A
Term174	Driver_Area	560094	N/A	Term272		Nothing	N/A
Term175	Driver_Area	560094	N/A	Term273		Nothing	N/A
Term176		560094	N/A	Term274		Nothing	N/A
Term177		560094	N/A	Term275		Nothing	N/A
Term178		560094	N/A	Term276		Nothing	N/A
Term179		560094	N/A	Term277		Nothing	N/A
Term180	Engine_Cmpt	560894	N/A	Term278		Nothing	N/A
Term180.		560094	N/A	Term614	FJBGndStud	560083	N/A
Term181		560094	N/A	Term617		560082	N/A
Term194A		560096	N/A	Term618	Fr_LH_P_Rack	563623	N/A
Term196		560082	N/A	Term619	Fr_LH_P_Rack	563623	N/A
Term197	Driver_Area	560094	N/A	Term628	Fr_LH_P_Rack	563622	N/A
Term198	Driver_Area	560094	N/A	Term629	Fr_LH_P_Rack	564005	N/A

# CONNECTORS LIST

No	Location	Part #	Gender	No	Location	Part #	Gender
Term646	Fr_LH_P_Rack	563622	N/A	Term_VECF_12VD	FJB	560104	N/A
Term647	Fr_LH_P_Rack	564005	N/A	Term_VECF_12WUP	FJB	563538	N/A
Term648	Fr_LH_P_Rack	563622	N/A	Term_VECF_24WUP	FJB	563537	N/A
Term649	Fr_LH_P_Rack	563622	N/A	Term_VECR_12WUP	RJB	564025	N/A
Term654	Fr_LH_P_Rack	563623	N/A	Term_VECR_24VD	RJB	564024	N/A
Term_12V_Block	RJB	564026	N/A	Term_VECR_24WUP	RJB	564025	N/A
Term_12V_ECU	RJB	560926	N/A	Term_WCL		562505	N/A
Term_24V_Block	RJBBreakersPanel	563538	N/A	TermA16ANeg	Front_Dest_Sign	561018	N/A
Term_CB1	RJBBreakersPanel	564025	N/A	TermA16APwr	Front_Dest_Sign	561018	N/A
Term_CB2	RJB	564024	N/A	TermA16AShield	FJB	560083	N/A
Term_CB2A	RJBBreakersPanel	561560	N/A	TermA55J1.13		564629	N/A
Term_CB3	RJBBreakersPanel	564025	N/A	TermA85	RJB	561725	N/A
Term_CB5	RJBBreakersPanel	564025	N/A	TermAFSS	Luggage_Cmpt	560076	N/A
Term_CB6	RJB	564024	N/A	TermCB13	Rear_Seat	564071	N/A
Term_CB6A	RJBBreakersPanel	561560	N/A	TermF1	3rd_LH_Lugg_Cmpt	560264	N/A
Term_CB8	RJBBreakersPanel	564025	N/A	TermF1A	3rd_LH_Lugg_Cmpt	560264	N/A
Term_CB9	RJBBreakersPanel	564024	N/A	TermF102	RJBBreakersPanel	562880	N/A
Term_CB9A	RJBBreakersPanel	561560	N/A	TermF103	3rd_LH_Lugg_Cmpt	560268	N/A
Term_CB10	RJBBreakersPanel	564026	N/A	TermF103A	3rd_LH_Lugg_Cmpt	560268	N/A
Term_CB11	RJBBreakersPanel	564024	N/A	TermF116	RJB	561246	N/A
Term_CB13	RJBBreakersPanel	561696	N/A	TermF117	RJB	561246	N/A
Term_CB13A1	Rear_Seat	561696	N/A	TermGal3	5thLuggageCmpt	561955	N/A
Term_CB13A2	Rear_Seat	564023	N/A	Termgnd.	FJB	560086	N/A
Term_CB13B1	Rear_Seat	564023	N/A	TermGnd00F	FJB	560096	N/A
Term_CB15	RJB	561696	N/A	TermGND_Inv	Rear_Seat	560895	N/A
Term_CB15A	RJB	561560	N/A	TermL248B1		562505	N/A
Term_CB30A		563969	N/A	TermL248B2		562505	N/A
Term_CB30B		563969	N/A	TermL248B3		562505	N/A
Term_Evap_Fan	Evap_Cmpt	560108	N/A	TermL249B2		562505	N/A
Term_Evap_Relay	Evap_Cmpt	561788	N/A	TermL249B5		562505	N/A
Term_FJB_GND_Jump	FJB	561458	N/A	TermL250B		562505	N/A
Term_GND_RJB_Block	RJB	561789	N/A	TermNeg	Engine_Cmpt	560086	N/A
Term_Inv_24V_Stud	RJBBreakersPanel	561696	N/A	TermPos	Engine_Cmpt	560086	N/A
Term_PH_Rly	RJB(RelayR3)	561789	N/A	TermR12-5	Evap_Cmpt	561788	N/A
Term_R_Melco_Block	RJBBreakersPanel	560104	N/A	TermR21-A	FJB	560076	N/A
Term_R_Melco_Starter	Engine_Cmpt	560103	N/A	TermR21-B	FJB	560076	N/A
Term_R_Starter	Engine_Cmpt	560103	N/A	TermR21A-A	FJB	560076	N/A
Term_RJB_Ctrl_12VD	RJBMasterRelay	563536	N/A	TermR21A-B	FJB	560076	N/A
Term_RJB_Ctrl_Start	RJB	560587	N/A	TermR28-3	Rear_Seat	561789	N/A
Term_RJB_GND_Jump	RJB	561458	N/A	TermR38-3	Rear_Seat	561789	N/A
Term_So2_Starter	Engine_Cmpt	564573	N/A	TermR72-3	Rear_Seat	561789	N/A
Term_Start_Bat_Block	RJB	562880	N/A	TermR73-2	5thLuggageCmpt(R73)	563123	N/A
Term_Start_Bat_Start	Engine_Cmpt	564280	N/A	TermR210-A	Parcelrack	563536	N/A

# CONNECTORS LIST

No	Location	Part #	Gender	No	Location	Part #	Gender
TermR210-B	Parcelrack	563536	N/A	VECR12	RJB	563187	male
TermR210.A	Parcelrack	560076	N/A	VECT2_plug	RearVehicle	563716	male
TermR210.B	Parcelrack	560076	N/A	VECT3	RearVehicle	563718	male
TermR_Inv	Rear_Seat	561789	N/A	VECT4	RearVehicle	563714	male
TermRad1	FJBGndStud	561955	N/A	Y80	Engine_Cmpt	563789	male
TermRad2	FJBGndStud	561955	N/A	Y81	Cond_Cmpt	563793	male
TermStpG1		560082	N/A				
TermStpG3		560082	N/A				
TermStpG4		560082	N/A				
TermSw122Pot1		563623	N/A				
TermSw1225B		562771	N/A				
TGLI1		560086	N/A				
TGLI16		560082	N/A				
TGLI17		560082	N/A				
TGLI18		560082	N/A				
TGLI19		560082	N/A				
TGLI20		560082	N/A				
TGND_TR	RJBChassisGndStud	560083	N/A				
TGNDR4	RJB	561458	N/A				
V_P		563071	male				
V_P		563040	female				
VECF1	FJB	563186	male				
VECF2	FJB	563183	male				
VECF3	FJB	563185	male				
VECF4	FJB	563182	male				
VECF9	FJB	563448	male				
VECF10	FJB	563181	male				
VECF11	FJB	563184	male				
VECF12	FJB	563187	male				
VECPR1	Parcelrack_LH	563715	male				
VECPR2_plug	Parcelrack_LH	563716	male				
VECPR3_plug	Parcelrack_LH	563718	male				
VECPR4	Parcelrack_LH	563714	male				
VECPR5	Parcelrack_LH	566021	male				
VECPR6	Parcelrack_LH	566020	male				
VECR1	RJB	563186	male				
VECR2	RJB	563183	male				
VECR3	RJB	563185	male				
VECR4	RJB	563182	male				
VECR4.		563182	male				
VECR9	RJB	563448	male				
VECR10	RJB	563181	male				
VECR11	RJB	563184	male				

## Diodes list

No	Location	Part #	Function	Page
D1	FJB	561740	Protects another signal to get through	3.2_Ign_Start 3 B
D2	FJB	561740	Protects another signal to get through	18.1_Defroster 2 D
D4	RH Console	561740	Flyback diode wipers motor	34.1_wiper_washer 4 D
D5	RH Console	561740	Flyback diode wipers motor	34.1_wiper_washer 4 D
D6	RJB	561740	Flyback diode Master relay	3.1_Main_Disti 1 B
D7	RH_Console	561740	Protects another voltage to get through	29.1_Entrance_door 1 B
D8	Evap_Cmpt	561740	Protects another signal to get through	18.3_Parcel_Rack_Vent 2 D
D9	Evap_Cmpt	561740	Protects another signal to get through	17.1_Pre_Heat 3 B
D10	Evap_Cmpt	561740	Protects another signal to get through	17.1_Pre_Heat 3 B
D11	Evap_Cmpt	561740	Protects another signal to get through	18.2_HvacPass 2 B
D12	FJB	565973	Protects another signal to get through	9.1_Horn 2 A
D13	FJB	561740	Protects another signal to get through	26.1_Front_Lighting 2 D
D14	FJB	561740	Protects another signal to get through	9.1_Horn 2 A
D26	LH P-Rack	561740	Flyback diode Parcel rack fan	18.3_Parcel_Rack_Vent 3 C
D27	RH P-Rack	561740	Flyback diode Parcel rack fan	18.3_Parcel_Rack_Vent 3 C
D29	RJB	561740	Flyback diode Unloader	18.2_HvacPass 3 D
D30	Evap_Cmpt	561740	Flyback diode Water pump	18.2_HvacPass 1 D
D31	RJB	561740	Flyback diode A/C clutch	18.2_HvacPass 3 D
D32	Engine_Cmpt	561740	Flyback diode Air exhaust	11.1_Lavatory 2 D
D33	RJB	561740	Flyback diode Flushing pump	11.1_Lavatory 3 C
D34	Entrance Door Ceiling	561740	Flyback diode Upper defrost	18.4_Upper_Defrost 3 C
D44	FJB	561740	Protects another signal to get through	3.2_Ign_Start 3 B
D73	Evap_Cmpt	561740	Protects another signal to get through	18.2_HvacPass 4 C
D80	Evap_Cmpt	561740	Protects another signal to get through	38.1_Fire_Supp 3 B
D92	Parcel_Rack_LH	901200	Protects another signal to get through	35.6_VSS05 9 D





# DIODES LIST

No	Location	Part #	Function	Page					
D1	FJB	561740	AccessoriesDiode	3.2					
D2	FJB	561740	DiodeDriverLiq.Sol.	18.1					
D4	RHConsole	561740	SuppressorDiodeLowerWiper2ndSpeed	34.1					
D5	RHConsole	561740	SuppressorDiodeLowerWiper1stSpeed	34.1					
D7	RH_Console	561740	EntranceDoorDiode	29.1					
D8	Evap_Cmpt	561740	A/CP.RACK	18.3					
D9	Evap_Cmpt	561740	WaterPump	17.1					
D10	Evap_Cmpt	561740	WaterPump	17.1					
D11	Evap_Cmpt	561740	pass.Liq	18.2					
D12	FJB	565973	ElecHorn	9.1					
D13	FJB	561740	FrClearanceLgts	26.1					
D14	FJB	561740	FrClearanceLgts	9.1					
D16	RJB	561740	MaxTemp	17.1					
D26	LHP-Rack	561740	SuppressordiodeP-RackfanLH	18.3					
D27	RHP-Rack	561740	SuppressordiodeP-RackfanRH	18.3					
D29	RJB	561740	Unloader	18.2					
D30	Evap_Cmpt	561740	SuppressordiodeWaterPump	18.2					
D31	RJB	561740	Clutch	18.2					
D32	Engine_Cmpt	561740	SuppressorDiodeLavFan	11.1					
D33	RJB	561740	SuppressordiodeFlushingPump	11.1					
D34	EntranceDoorCeiling	561740	SuppressordiodeUpperdefrost	18.4					
D44	FJB	561740	IgnitionDiode	3.2					
D45	FJB	561740	Ultracap	43.1					
D55	FJB	561740	IndirectandReadingLgts	23.1					
D60	RJB	560931	Offshoreheatingsystem	17.1					
D61	RJB	381145	Offshoreheatingsystem	18.2					
D65	RJB	381145	Offshoreheatingsystem	18.2					
D73	Evap_Cmpt	561740	PreHeater	18.2					
D80	Evap_Cmpt	561740	CutOffwaterPreheat	38.1					
D92	Parcel_Rack_LH	901200	VSS	35.6					



# DIODES LIST

No	Location	Part #	Function	Page					
D1	FJB	561740	AccessoriesDiode	3.2					
D2	FJB	561740	DiodeDriverLiq.Sol.	18.1					
D4	RHConsole	561740	SuppressorDiodeLowerWiper2ndSpeed	34.1					
D5	RHConsole	561740	SuppressorDiodeLowerWiper1stSpeed	34.1					
D6	RHConsole	561740	PwrWiper	34.1					
D7	RH_Console	561740	EntranceDoorDiode	29.1					
D8	Evap_Cmpt	561740	A/CP.RACK	18.3					
D9	Evap_Cmpt	561740	WaterPump	17.1					
D10	Evap_Cmpt	561740	WaterPump	17.1					
D11	Evap_Cmpt	561740	pass.Liq	18.2					
D12	FJB	565973	ElecHorn	9.1					
D13	FJB	561740	FrClearanceLgts	26.1					
D14	FJB	561740	FrClearanceLgts	9.1					
D16	RJB	561740	MaxTemp	17.1					
D26	LHP-Rack	561740	SuppressordiodeP-RackfanLH	18.3					
D27	RHP-Rack	561740	SuppressordiodeP-RackfanRH	18.3					
D29	RJB	561740	Unloader	18.2					
D30	Evap_Cmpt	561740	SuppressordiodeWaterPump	18.2					
D31	RJB	561740	Clutch	18.2					
D32	Engine_Cmpt	561740	SuppressorDiodeLavFan	11.1					
D33	RJB	561740	SuppressordiodeFlushingPump	11.1					
D34	EntranceDoorCeiling	561740	SuppressordiodeUpperdefrost	18.4					
D44	FJB	561740	IgnitionDiode	3.2					
D45	FJB	561740	Ultracap	43.1					
D55	FJB	561740	IndirectandReadingLgts	23.1					
D60	RJB	560931	Offshoreheatingsystem	17.1					
D61	RJB	381145	Offshoreheatingsystem	18.2					
D65	RJB	381145	Offshoreheatingsystem	18.2					
D73	Evap_Cmpt	561740	PreHeater	18.2					
D80	Evap_Cmpt	561740	CutOffwaterPreheat	38.1					
D92	Parcel_Rack_LH	901200	VSS	35.6					

# DIODES LIST

No	Location	Part #	Function	Page					
D1	FJB	561740	AccessoriesDiode	3.2					
D2	FJB	561740	DiodeDriverLiq.Sol.	18.1					
D4	RHConsole	561740	SuppressorDiodeLowerWiper2ndSpeed	34.1					
D5	RHConsole	561740	SuppressorDiodeLowerWiper1stSpeed	34.1					
D6	RHConsole	561740	*opt*	34.1					
D7	RH_Console	561740	EntranceDoorDiode	29.1					
D8	Evap_Cmpt	561740	A/CP.RACK	18.3					
D9	Evap_Cmpt	561740	WaterPump	17.1					
D10	Evap_Cmpt	561740	WaterPump	17.1					
D11	Evap_Cmpt	561740	pass.Liq	18.2					
D12	FJB	565973	ElecHorn	9.1					
D13	FJB	561740	FrClearanceLgts	26.1					
D14	FJB	561740	FrClearanceLgts	9.1					
D15	Evap_Cmpt	561740	*opt*	18.2					
D16	Evap_Cmpt	561740	*opt*	18.2					
D26	LHP-Rack	561740	SuppressordiodeP-RackfanLH	18.3					
D27	RHP-Rack	561740	SuppressordiodeP-RackfanRH	18.3					
D29	RJB	561740	Unloader	18.2					
D30	Evap_Cmpt	561740	SuppressordiodeWaterPump	18.2					
D31	RJB	561740	Clutch	18.2					
D32	Engine_Cmpt	561740	SuppressorDiodeLavFan	11.1					
D33	RJB	561740	SuppressordiodeFlushingPump	11.1					
D34	EntranceDoorCeiling	561740	SuppressordiodeUpperdefrost	18.4					
D44	FJB	561740	IgnitionDiode	3.2					
D45	FJB	561740	Ultracap	43.1					
D46	RJB	561740	*opt*	43.2					
D47	FJB	565973	*opt*	43.1					
D55	FJB	561740	IndirectandReadingLgts	23.1					
D56	FJB	561740	*opt*	22.2					
D60	RJB	565267	Offshoreheatingsystem	17.1					
D61	RJB	381145	Offshoreheatingsystem	18.2					
D62	RJB	561740	Roof_Hatches	60.1					
D63		561740	Roof_Hatches	60.1					
D65	RJB	381145	Offshoreheatingsystem	18.2					
D73	Evap_Cmpt	561740	PreHeater	18.2					
D80	Evap_Cmpt	561740	CutOffwaterPreheat	38.1					
D83	Dash	561740	redledswitch	19.1					
D622		561740	1N5408	60.3					
D623		561740	1N5408	60.3					

## Resistors list

No	Location	Part #	Function	Page
Res3	RJB	563593	End of line resistance BBUS network	6.1_MuxNetwork 0 B
Res4	FJB	563593	End of line resistance BBUS network	6.1_MuxNetwork 4 C
Res6	FJB	563593	End of line resistance DBUS network	6.2_Network 3 E
Res7	FJB	563593	End of line resistance J1939 network	6.2_Network 4 B
Res9	Dash	564164	Reduce voltage to Sw24	19.1_Driver_Lights 1 D
Res14	Evap_Cmpt	563205	Pull down resistance on pwm output	38.1_Fire_Supp 4 C
Res15	Engine_Cmpt	563587	End of line resistance Flame detec. device	38.1_Fire_Supp 4 C
Res19	FJB	563593	End of line resistance J1939 network	42.3_Gateway_J1939 1 B
Res20	FJB	563593	End of line resistance J1939 network	42.3_Gateway_J1939 4 B
Res21	Lavatory	563205	Pull up resistance on light output	11.1_Lavatory 3 A
Res31	Cmpt_fuel_tank	041123	Heating element (Heated hose for urea tank)	14.2_Urea 3 B
Res32	Cmpt_fuel_tank	041123	Heating element (Heated hose for urea tank)	14.2_Urea 3 B
Res53	FJB	563593	End of line resistance J2284 network	6.2_Network 4 C
Res140	Lavatory	562903	Reduce voltage to L140	11.1_Lavatory 3 B









## Relays list

No	Location	Part #	Function	Page
R-12VISS	RJB	563332	VSS	35.6_VSS05 6 F
R1	RJB	562364	Master Relay	3.1_Main_Disti 2 A
R3	RJB	563348	12v Ign & Acc Relay	3.1_Main_Disti 2 B
R4	RJB	563332	Cut off water preheater	38.1_Fire_Supp 3 B
R5	RJB	563332	Charging_Relay_Optionnal	17.1_Pre_Heat 3 C
R12	Evap_Cmpt	563348	Evaporator Relay	18.2_HvacPass 4 C
R20	RJB	563332	Water Pump Relay	17.1_Pre_Heat 3 B
R21	FJB_VECF	563269	Emergency cutout relay	4.1_Dist_12V_FJB 1 B
R22	FJB_VECF	563269	Ecu Ign	4.1_Dist_12V_FJB 1 C
R23	FJB_VECF	563269	Shutdown	4.1_Dist_12V_FJB 1 D
R24	FJB_VECF	563269	Ecu IShift	4.1_Dist_12V_FJB 1 D
R25	FJB_VECF	563269	24V Ign	4.2_Dist_24V_FJB 1 C
R26	Evap_Cmpt	563332	Pre-Heat Relay	18.2_HvacPass 3 B
R27	RH Console	563332	Wipers	34.1_wiper_washer 3 C
R29	RJB	563348	Preheater Volvo	14.1_Engine_Ecu 2 E
R30	RJB	563269	12v ENG RUN	4.1_Dist_12V_FJB 4 A
R31	RJB	563269	12v IGN	4.1_Dist_12V_FJB 4 B
R34	RJB	564218	12v Rr Engine Ecu	3.2_Ign_Start 3 C
R36	RJB	563269	Fire extinguisher	9.1_Horn 1 A
R37	RJB	563269	Electric horn	9.1_Horn 2 B
R38	RJB	563269	Cigar lighter relay / 12V Outlet	30.2_Outlet_12v 1 B
R40	RJB	563332	Transmission IShift	15.2_Trans_IShift 1 D
R47	WCL Pump	563332	WCL Door Open	36.1_WCL_Ricon 6 C
R52	RJB_VECT	563270	Position lights & side markers (Trailer interface)	26.4_Trailler_interface
R53	RJB_VECT	563270	Flashers left side (Trailer interface)	26.4_Trailler_interface
R54	RJB_VECT	563270	Brake lights (Trailer interface)	26.4_Trailler_interface
R55	RJB_VECT	563270	Flashers right side (Trailer interface)	26.4_Trailler_interface
R56	RJB_VECT	563270	Tail lights & licence lights (Trailer interface)	26.4_Trailler_interface
R72	Under lavatory	563348	Inverter Relay 1	40.1_Inverters 3 C
R73	Under lavatory	563348	Inverter Relay 2	40.1_Inverters 3 C
R_Starter	RJB	564095	Starter Relay Ctr	3.2_Ign_Start 3 D

# RELAYS LIST

No	Location	Part #	Function	Page					
R1	RJB	562364	MasterR1	2A					
R3	RJB	563348	12Vlgn/Acc	2B					
R4	FJB	563332	CutPreheat	3B					
R5	RJB	563332	Charging_Relay_Optionnal	3C					
R12	Evap_cmpt.	563348	Evaporator	4C					
R20	RJB	563332	WatPump	3B					
R21	FJB	560493	24vRelayLatching	2B					
R22	FJB_VECF	563269	Eculgn	1C					
R23	FJB_VECF	563269	Shutdown	1D					
R24	FJB_VECF	563269	EcuShift	1D					
R25	FJB_VECF	563269	24Vlgn	1C					
R26	Evap_Cmpt	563332	Pre-Heat	3B					
R27	RHConsole	563332	Wipers	3C					
R28	RrSeat	563348	InverterRelay2	2C					
R29	RJB	563348	Preheater	2E					
R30	RJB	563269	12vENGRUN	3A					
R31	RJB	563269	12vIGN	4B					
R34	RJB	564218	12vEngEcu	3D					
R36	RJB	563269	Fire_Extin	1A					
R37	RJB	563269	Electhorn	2B					
R38	RJB	563269	Ciga/Outle	1B					
R40	RJB	563332	IShiftPwr	1D					
R47	WCLPump	563332	WCLDoorOpen	6C					
R51	VECT	563270	Backuplights	3E					
R52	VECT	563270	Taillights&runninglights	3D					
R53	VECT	563270	Flashersleftside	3C					
R54	VECT	563270	Brakelights	3B					
R55	VECT	563270	Flashersrightside	3C					
R56	RJB_VECT	563270	Tail&licencelights	3D					
R60	VECPR	563269		1B					
R61	VECPR	563269	*opt*	1C					
R62	VECPR	563269	*opt*	1D					
R63	VECPR	563269	*opt*	1D					
R72	5th_Bay	563348	InverterRelay1	3C					
R73	5th_Bay	563348	InverterRelay2	3C					
R85		560462	*opt*	3C					
R210	Parcel_Rack_LH	561991	24vRelayLatching	0B					
R_12VISS	RJB	563332	12Vignition	6F					
R_Starter	RJB	564095	StartCtrl	3D					
R38A	RrSeat	563348	InverterRelay3	2D					

# RELAYS LIST

No	Location	Part #	Function	Page					
R1	RJB	562364	MasterR1	3.1					
R3	RJB	563348	12Vlgn/Acc	3.1					
R4	FJB	563332	CutPreheat	38.1					
R5	RJB	563332	Charging_Relay_Optionnal	17.1					
R12	Evap_cmpt.	563348	Evaporator	18.2					
R20	RJB	563332	WatPump	17.1					
R21	FJB	560493	24vRelayLatching	3.2					
R22	FJB_VECF	563269	Eculgn	4.1					
R23	FJB_VECF	563269	Shutdown	4.1					
R24	FJB_VECF	563269	EculShift	4.1					
R25	FJB_VECF	563269	24Vlgn	4.2					
R26	Evap_Cmpt	563332	Pre-Heat	18.2					
R27	RHConsole	563332	Wipers	34.1					
R28	RrSeat	563348	InverterRelay2	40.2					
R29	RJB	563348	Preheater	14.1					
R30	RJB	563269	12vENGRUN	4.1					
R31	RJB	563269	12vIGN	4.1					
R34	RJB	564218	12vEngEcu	3.2					
R36	RJB	563269	Fire_Extin	9.1					
R37	RJB	563269	Electhorn	9.1					
R38	RJB	563269	Ciga/Outle	30.2					
R40	RJB	563332	IShiftPwr	15.2					
R47	WCLPump	563332	WCLDoorOpen	36.1					
R51	VECT	563270	Backuplights	26.6					
R52	VECT	563270	Taillights&runninglights	26.4					
R53	VECT	563270	Flashersleftside	26.4					
R54	VECT	563270	Brakelights	26.4					
R55	VECT	563270	Flashersrightside	26.4					
R56	RJB_VECT	563270	Tail&licencelights	26.4					
R60	VECPR	563269	VECPR	60.3					
R61	VECPR	563269	VECPR	60.3					
R62	VECPR	563269	VECPR	60.3					
R63	VECPR	563269	VECPR	60.3					
R72	RearSeat	563348	InverterRelay1	40.1					
R73	5th_Bay	563348	InverterRelay2	40.1					
R210	Parcel_Rack_LH	561991	24vRelayLatching	60.3					
R_12VISS	RJB	563332	12Vignition	35.6					
R_Starter	RJB	564095	StartCtrl	3.2					
R38A	RrSeat	563348	InverterRelay3	40.2					
RadioVolvo1_966		23000462	Radio	35.7					
RadioVolvo2_966		23000462	Radio	35.7					
RadioVolvo3_966		23000462	Radio	35.7					

# RELAYS LIST

No	Location	Part #	Function	Page
R1	RJB	562364	MasterR1	3.1
R3	RJB	563348	12vIgn/Acc	3.1
R4	FJB	563332	CutPreheat	38.1
R5	RJB	563332	Charging_Relay_Optionnal	17.1
R12	Evap_cmpt.	563348	Evaporator	18.2
R20	RJB	563332	WatPump	17.1
R21	FJB	560493	24vRelayLatching	3.2
R22	FJB_VECF	563269	Eculgn	4.1
R23	FJB_VECF	563269	Shutdown	4.1
R23A	FJB_VECF	563269	Shutdown	4.1
R24	FJB_VECF	563269	EculShift	4.1
R25	FJB_VECF	563269	24VIgn	4.2
R26	Evap_Cmpt	563332	Pre-Heat	18.2
R27	RHConsole	563332	Wipers	34.1
R28	RrSeat	563348	InverterRelay2	40.2
R29	RJB	563348	Preheater	14.1
R30	RJB	563269	12vENGRUN	4.1
R31	RJB	563269	12vIGN	4.1
R34	RJB	564218	12vEngEcu	3.2
R36	RJB	563269	Fire_Extin	9.1
R37	RJB	563269	Electhorn	9.1
R38	RJB	563269	Ciga/Outle	30.2
R40	RJB	563332	IShiftPwr	15.2
R47	WCLPump	563332	WCLDoorOpen	36.1
R51	VECT	563270	Backuplights	26.6
R52	VECT	563270	Taillights&runninglights	26.4
R53	VECT	563270	Flashersleftside	26.4
R54	VECT	563270	Brakelights	26.4
R55	VECT	563270	Flashersrightside	26.4
R56	RJB_VECT	563270	Tail&licencelights	26.4
R60	VECPR	563269	VECPR	60.3
R61	VECPR	563269	VECPR	60.3
R62	VECPR	563269	VECPR	60.3
R63	VECPR	563269	VECPR	60.3
R72	RearSeat	563348	InverterRelay1	40.1
R73	5th_Bay	563348	InverterRelay2	40.1
R210	Parcel_Rack_LH	561991	24vRelayLatching	60.3
R_12VISS	RJB	563332	12Vignition	35.6
R_Starter	RJB	564095	StartCtrl	3.2
R38A	RrSeat	563348	InverterRelay3	40.2
RadioVolvo1_966		23000462	Radio	35.7
RadioVolvo2_966		23000462	Radio	35.7
RadioVolvo3_966		23000462	Radio	35.7

# RELAYS LIST

No	Location	Part #	Function	Page
R1	RJB	562364	MasterR1	3.1
R3	RJB	563348	12vIgn/Acc	3.1
R4	FJB	563332	CutPreheat	38.1
R5	RJB	563332	Charging_Relay_Optionnal	17.1
R12	Evap_cmpt.	563348	Evaporator	18.2
R16	RJB	563332	Preheat Max Temp	17.1
R20	Evap_cmpt.	563332	WatPump	17.1
R21	FJB	560493	24vRelayLatching	3.2
R22	FJB_VECF	563269	Eculgn	4.1
R23	FJB_VECF	563269	Shutdown	4.1
R23A	FJB	563269	Shutdown	4.1
R24	FJB_VECF	563269	EcuShift	4.1
R25	FJB_VECF	563269	24VIgn	4.2
R26	Evap_Cmpt	563332	Pre-Heat	18.2
R27	RHConsole	563332	Wipers	34.1
R28	RrSeat	563348	InverterRelay2	40.2
R29	RJB	563348	Preheater	14.1
R30	FJB	563269	12vENGRUN	4.1
R31	FJB	563269	12vIGN	4.1
R34	RJB	564218	12vEngEcu	3.2
R36	FJB	563269	Fire_Extin	9.1
R37	FJB	563269	Electhorn	9.1
R38	FJB	563269	Cigar Lighter/12V Outlets	30.2
R40	FJB	563332	IShiftPwr	15.2
R47	WCLPump	563332	WCLDoorOpen	36.1
R51	VECT	563270	Backuplights	26.6
R52	VECT	563270	Taillights&runninglights	26.4
R53	VECT	563270	Flashersleftside	26.4
R54	VECT	563270	Brakelights	26.4
R55	VECT	563270	Flashersrightside	26.4
R56	VECT	563270	Tail&licencelights	26.4
R60	VECPR	563269	VECPR	60.3
R61	VECPR	563269	VECPR	60.3
R62	VECPR	563269	VECPR	60.3
R63	VECPR	563269	VECPR	60.3
R72	RrSeat	563348	InverterRelay1	40.1
R73	RrSeat	563348	InverterRelay2	40.1
R210	Parcel_Rack_LH	561991	24vRelayLatching	60.3
R_12VISS	Parcelrack	563332	12Vignition	35.6
R_Starter	RJB	564095	StartCtrl	3.2
R38A	RrSeat	563348	InverterRelay3	40.2

# RELAYS LIST

No	Location	Part #	Function	Page
R1	RJB	560843	MasterRelay	3.1
R3	RJB	563348	12vIgn/Acc	3.1
R4	FJB	563332	CutPreheat	38.1
R5	RJB	563332	Charging_Relay_Optionnal	17.1
R12	Evap_cmpt.	563348	Evaporator	18.2
R16	RJB	563332	MaxTemp	17.1
R20	Evap_Cmpt	563332	WatPump	17.1
R21	FJB	560493	24vRelayLatching	3.2
R22	FJB_VECF	563269	Eculgn	4.1
R23	FJB_VECF	563269	Shutdown	4.1
R24	FJB_VECF	563269	EculShift	4.1
R25	FJB_VECF	563269	24VIgn	4.2
R26	Evap_Cmpt	563332	Pre-Heat	18.2
R27	RHConsole	563332	Wipers	34.1
R28	RrSeat	563348	InverterRelay2	40.2
R29	RJB	563348	Preheater	14.1
R30	FJB	563269	12vENGRUN	4.1
R31	FJB	563269	12vIGN	4.1
R34	RJB	564218	12vEngEcu	3.2
R35	RJB	564218	24vEngEcu	3.2
R36	FJB	563269	Fire_Extin	9.1
R37	FJB	563269	Electhorn	9.1
R38	FJB	563269	Ciga/Outle	30.2
R40	FJB	563332	IShiftPwr	15.2
R47	WCLPump	563332	WCLDoorOpen	36.1
R51	VECT	563270	Backuplights	26.6
R52	VECT	563270	Taillights&runninglights	26.6
R53	VECT	563270	Flashersleftside	26.6
R54	VECT	563270	Brakelights	26.6
R55	VECT	563270	Flashersrightside	26.6
R56	VECT	563270	Tail&licencelights	26.4
R60	VECPR	563269		60.3
R61	VECPR	563269	*opt*	60.3
R62	VECPR	563269	*opt*	60.3
R63	VECPR	563269	*opt*	60.3
R72	RrSeat	563348	InverterRelay1	40.1
R73	RrSeat	563348	InverterRelay2	40.1
R210	Parcel_Rack_LH	560493	24vRelayLatching	60.3
R_12VISS	Parcelrack	563332	12Vignition	35.6
R_Starter	RJB	564095	StartCtrl	3.2
R23A	FJB	563269	24V_Shutdown	4.1
R38A	RrSeat	563348	InverterRelay3	40.2

# RELAYS LIST

No	Location	Part #	Function	Page	No	Location	Part #	Function	Page
R1	RJB	560843	MasterRelay	3.1	R_Starter	RJB	564095	StartCtrl	3.2
R3	RJB	563348	12Vlgn/Acc	3.1	R21A	FJB	560493	*opt*	201.1
R4	FJB	563332	CutPreheat	38.1	R23A	FJB	563269	24V_Shutdown	4.1
R5	RJB	563332	Charging_Relay_Optionnal	17.1	R38A	RrSeat	563348	InverterRelay3	40.2
R12	Evap_cmpt.	563348	Evaporator	18.2					
R16	RJB	563332	MaxTemp	17.1					
R20	Evap_Cmpt	563332	WatPump	17.1					
R21	FJB	560493	24vRelayLatching	3.2					
R22	FJB_VECF	563269	EcuIgn	4.1					
R23	FJB_VECF	563269	Shutdown	4.1					
R24	FJB_VECF	563269	EcuIShift	4.1					
R25	FJB_VECF	563269	24Vlgn	4.2					
R26	Evap_Cmpt	563332	Pre-Heat	18.2					
R27	RHConsole	563332	Wipers	34.1					
R28	RrSeat	563348	InverterRelay2	40.2					
R29	RJB	563348	Preheater	14.1					
R30	FJB	563269	12vENGRUN	4.1					
R31	FJB	563269	12vIGN	4.1					
R34	RJB	564218	12vEngEcu	3.2					
R35	RJB	564218	24vEngEcu	3.2					
R36	FJB	563269	Fire_Extin	9.1					
R37	FJB	563269	Electhorn	9.1					
R38	FJB	563269	Ciga/Outle	30.2					
R40	FJB	563332	IShiftPwr	15.2					
R47	WCLPump	563332	WCLDoorOpen	36.1					
R51	VECT	563270	Backuplights	26.6					
R52	VECT	563270	Taillights&runninglights	26.6					
R53	VECT	563270	Flashersleftside	26.6					
R54	VECT	563270	Brakelights	26.6					
R55	VECT	563270	Flashersrightside	26.6					
R56	VECT	563270	Tail&licencelights	26.4					
R60	VECPR	563269		60.3					
R61	VECPR	563269	*opt*	60.3					
R62	VECPR	563269	*opt*	60.3					
R63	VECPR	563269	*opt*	60.3					
R72	RrSeat	563348	InverterRelay1	40.1					
R73	RrSeat	563348	InverterRelay2	40.1					
R85		560843	*opt*	43.2					
R210	Parcel_Rack_LH	560493	24vRelayLatching	60.3					
R622		563332	LHTurnRelay	60.3					
R623		563332	RHTurnRelay	60.3					
R624		563337	eMirrors	60.3					
R_12VISS	Parceltrack	563332	12Vignition	35.6					

## Fuses list

No	Location	Part #	Function	Rating	Page
F4	Fuse Box FJB	563280	Trans IShift & Volvo link	5 A	4.2_Dist_24V_FJB 2 B
F10	Fuse Box FJB	563280	Networks, Cluster & lights	5 A	4.1_Dist_12V_FJB 1 A
F11	Fuse Box FJB	563284	Horn	15 A	4.1_Dist_12V_FJB 1 A
F12	Fuse Box FJB	563284	Spares VECF	15 A	4.1_Dist_12V_FJB 1 A
F13	Fuse Box FJB	563284	12VD Customer	15 A	4.1_Dist_12V_FJB 1 A
F14	Fuse Box FJB	563280	Spares VECF	5 A	4.1_Dist_12V_FJB 1 A
F15	Fuse Box FJB	563280	Spares VECF	5 A	4.1_Dist_12V_FJB 1 A
F16	Fuse Box FJB	563284	12V Eng. run	15 A	4.1_Dist_12V_FJB 1 A
F17	Fuse Box FJB	563165	Multiplex power	30 A	4.1_Dist_12V_FJB 1 A
F18	Fuse Box FJB	563165	Multiplex power	30 A	4.1_Dist_12V_FJB 1 A
F19	Fuse Box FJB	563165	Multiplex power	30 A	4.1_Dist_12V_FJB 1 A
F20	Fuse Box FJB	563280	Multiplex power	5 A	4.1_Dist_12V_FJB 1 A
F21	Fuse Box FJB	563165	Multiplex power	30 A	4.1_Dist_12V_FJB 1 B
F22	Fuse Box FJB	563280	Cadec	5 A	4.1_Dist_12V_FJB 1 B
F23	Fuse Box FJB	563165	ESP	30 A	4.1_Dist_12V_FJB 1 B
F24	Fuse Box FJB	563280	12V Ign	5 A	4.1_Dist_12V_FJB 1 B
F25	Fuse Box FJB	563284	12V outlets	15 A	4.1_Dist_12V_FJB 1 B
F26	Fuse Box FJB	563284	Spares VECF	15 A	4.1_Dist_12V_FJB 1 B
F27	Fuse Box FJB	563283	Spares VECF	10 A	4.1_Dist_12V_FJB 1 B
F29	Fuse Box FJB	563283	Networks	10 A	4.1_Dist_12V_FJB 1 C
F30	Fuse Box FJB	563280	Networks	5 A	4.1_Dist_12V_FJB 1 C
F33	Fuse Box FJB	563280	Multiplex power	5 A	4.2_Dist_24V_FJB 2 B
F34	Fuse Box FJB	563280	Multiplex power	5 A	4.2_Dist_24V_FJB 2 B
F35	Fuse Box FJB	563280	Multiplex power	5 A	4.2_Dist_24V_FJB 2 A
F36	Fuse Box FJB	563280	Start switch	5 A	4.2_Dist_24V_FJB 2 A
F37	Fuse Box FJB	563280	24 VD	5 A	4.2_Dist_24V_FJB 2 A
F39	Fuse Box FJB	563284	24 VD	15 A	4.2_Dist_24V_FJB 2 B
F40	Fuse Box FJB	563280	Fire suppression	5 A	4.2_Dist_24V_FJB 2 B
F41	Fuse Box FJB	563280	Spares VEF	5 A	4.2_Dist_24V_FJB 2 B
F42	Fuse Box FJB	563283	Transmission IShift	10 A	4.1_Dist_12V_FJB 1 D
F43	Fuse Box FJB	563282	Transmission IShift	20 A	4.1_Dist_12V_FJB 1 D
F44	Fuse Box FJB	563165	Multiplex power	30 A	4.2_Dist_24V_FJB 2 B
F45	Fuse Box FJB	563165	Multiplex power	30 A	4.2_Dist_24V_FJB 2 B



## Fuses list

No	Location	Part #	Function	Rating	Page
F46	Fuse Box FJB	563280	Multiplex power	5 A	4.2_Dist_24V_FJB 2 B
F47	Fuse Box FJB	563280	Multiplex power	5 A	4.2_Dist_24V_FJB 2 B
F50	Fuse Box FJB	563165	HVAC defroster	30 A	4.2_Dist_24V_FJB 2 C
F51	Fuse Box FJB	563280	Destination signs	5 A	4.2_Dist_24V_FJB 2 C
F52	Fuse Box FJB	563280	Spares VEF	5 A	4.2_Dist_24V_FJB 2 C
F53	Fuse Box FJB	563283	Clock & VSS	10 A	4.2_Dist_24V_FJB 2 C
F54	Fuse Box FJB	563284	Spares VEF	15 A	4.2_Dist_24V_FJB 2 C
F55	Fuse Box FJB	563283	Spares VEF	10 A	4.2_Dist_24V_FJB 2 D
F56	Fuse Box FJB	563284	Spares VEF	15 A	4.2_Dist_24V_FJB 2 D
F57	Fuse Box FJB	563283	Spares VEF	10 A	4.2_Dist_24V_FJB 2 D
F58	Fuse Box FJB	563284	Spares VEF	15 A	4.2_Dist_24V_FJB 2 D
F73	Fuse Box RJB	563282	Engine ECU Volvo	20 A	5.1_Dist_RJB 2 B
F90	Fuse Box RJB	563282	Urea system	20 A	5.1_Dist_RJB 1 A
F91	Fuse Box RJB	563282	Engine ECU Volvo	20 A	5.1_Dist_RJB 2 A
F95	Fuse Box FJB	563280	Trans Alisson & Volvo link	5 A	4.2_Dist_24V_FJB 2 C
F96	Fuse Box RJB	563282	Urea system	20 A	5.1_Dist_RJB 1 C
F99	Fuse Box RJB	563165	Engine ECU Volvo	30 A	5.1_Dist_RJB 1 A
F100	Fuse Box RJB	563283	Engine ECU Volvo	10 A	5.1_Dist_RJB 2 A
F101	Fuse Box RJB	564520	Power for Master relay	300 A	3.1_Main_Disti 3 A
F105	Fuse Box RJB	563282	Spares VECR	20 A	5.1_Dist_RJB 2 A
F106	Fuse Box RJB	563163	Multiplex power	30 A	5.1_Dist_RJB 1 A
F107	Fuse Box RJB	563163	Multiplex power	30 A	5.1_Dist_RJB 2 A
F108	Fuse Box RJB	563280	Networks	5 A	5.1_Dist_RJB 1 B
F109	Fuse Box RJB	563280	Engine & RJB cmpt. lights	5 A	5.1_Dist_RJB 2 B
F110	Fuse Box RJB	563283	Transmission Alisson	10 A	5.1_Dist_RJB 1 B
F112	Fuse Box RJB	563165	Trailer interface	30 A	5.1_Dist_RJB 1 B
F113	Fuse Box RJB	563283	Spares VECR	10 A	5.1_Dist_RJB 2 B
F114	Fuse Box RJB	563284	Spares VECR	15 A	5.1_Dist_RJB 1 B
F115	Fuse Box RJB	563283	Spares VECR	10 A	5.1_Dist_RJB 2 B
F116	Fuse Box RJB	563284	Spares VECR	15 A	5.1_Dist_RJB 1 B
F117	Fuse Box RJB	563283	Spares VECR	10 A	5.1_Dist_RJB 2 B
F118	Fuse Box RJB	563284	Spares VECR	15 A	5.1_Dist_RJB 1 B
F119	Fuse Box RJB	563283	Spares VECR	10 A	5.1_Dist_RJB 2 B

## Fuses list

No	Location	Part #	Function	Rating	Page
F120	Fuse Box RJB	563284	Spares VECR	15 A	5.1_Dist_RJB 1 B
F121	Fuse Box RJB	563284	Power for customer	15 A	5.1_Dist_RJB 2 B
F122	Fuse Box RJB	563283	Spares VECR	10 A	5.1_Dist_RJB 2 C
F123	Fuse Box RJB	563153	Pre-heat	25 A	5.1_Dist_RJB 1 C
F124	Fuse Box RJB	563153	Pre-heat	25 A	5.1_Dist_RJB 2 C
F126	Fuse Box RJB	563280	Engine ECU & HVAC	5 A	5.1_Dist_RJB 2 C
F127	Fuse Box RJB	563284	Pre-heat	15 A	5.1_Dist_RJB 1 C
F129	Fuse Box RJB	563284	Spares VECR	15 A	5.1_Dist_RJB 1 C
F130	Fuse Box RJB	563284	Spares VECR	15 A	5.1_Dist_RJB 2 C
F131	Fuse Box RJB	563280	Power for customer	5 A	5.1_Dist_RJB 1 C
F132	Fuse Box RJB	563280	Multiplex power	5 A	5.1_Dist_RJB 1 C
F133	Fuse Box RJB	563165	Multiplex power	30 A	5.1_Dist_RJB 2 D
F134	Fuse Box RJB	563165	Multiplex power	30 A	5.1_Dist_RJB 1 D
F135	Fuse Box RJB	563165	Multiplex power	30 A	5.1_Dist_RJB 2 D
F136	Fuse Box RJB	563165	Multiplex power	30 A	5.1_Dist_RJB 1 D
F137	Fuse Box RJB	563280	Equalizer	5 A	5.1_Dist_RJB 2 D
F138	Fuse Box RJB	563280	Reading lamps & chime	5 A	5.1_Dist_RJB 1 D
F139	Fuse Box RJB	563283	Alternators	10 A	5.1_Dist_RJB 2 D
F140	Fuse Box RJB	563283	Spares VECR	10 A	5.1_Dist_RJB 1 D
F141	Fuse Box RJB	563284	Spares VECR	15 A	5.1_Dist_RJB 2 D
F142	Fuse Box RJB	563283	Spares VECR	10 A	5.1_Dist_RJB 1 D
F143	Fuse Box RJB	563284	Spares VECR	15 A	5.1_Dist_RJB 2 D
F144	Fuse Box RJB	563283	Spares VECR	10 A	5.1_Dist_RJB 1 D
F145	Fuse Box RJB	563284	Spares VECR	15 A	5.1_Dist_RJB 2 D
F146	Fuse Box RJB	563283	Spares VECR	10 A	5.1_Dist_RJB 1 D
F147	Fuse Box RJB	563284	Power for customer	15 A	5.1_Dist_RJB 2 D
F148	Fuse Box RJB	563165	VSS	30 A	5.1_Dist_RJB 2 E
F149	Fuse Box RJB	563284	Spares VECR	15 A	5.1_Dist_RJB 1 E
F150	Fuse Box RJB	563283	Spares VECR	10 A	5.1_Dist_RJB 2 E
F151	Fuse Box RJB	563284	Spares VECR	15 A	5.1_Dist_RJB 1 E
F152	Fuse Box RJB	563283	Spares VECR	10 A	5.1_Dist_RJB 2 E
F199	RJB	564520	Fans electric drive	300 A	13.1_FanDriveElectric 0 B
F200	Parcel_Rack_LH_1st_Cmpt_	563284	12V VSS power	15 A	35.6_VSS05 4 F

## Fuses list

No	Location	Part #	Function	Rating	Page
F201	Parcel_Rack_LH_1st_Cmpt_	563284	12V VSS power	15 A	35.6_VSS05 4 G
F202	Parcel_Rack_LH_1st_Cmpt_	563284	24V VSS power	15 A	35.6_VSS05 4 G
F203	Parcel_Rack_LH_1st_Cmpt_	563282	24V VSS power	20 A	35.6_VSS05 4 G
F209	RJB	564174	Engine pre-heater power	150 A	14.1_Engine_Ecu 3 E
F243	RJB	560893	24V while Evap. relay powered	3 A	18.2_HvacPass 4 C
F250	Parcel_Rack_LH	563283	Cadec Fuse box 3	10 A	42.1_Cadec_SP1 1 B
F251	Parcel_Rack_LH	563283	Cadec Fuse box 3	10 A	42.1_Cadec_SP1 1 B
F252	Parcel_Rack_LH	563283	Cadec Fuse box 3	10 A	42.1_Cadec_SP1 1 B
F253	Parcel_Rack_LH	563283	Cadec Fuse box 3	10 A	42.1_Cadec_SP1 1 B
F254	Parcel_Rack_LH	563283	Cadec Fuse box 4	10 A	42.1_Cadec_SP1 1 C
F255	Parcel_Rack_LH	563283	Cadec Fuse box 4	10 A	42.1_Cadec_SP1 1 C
F256	Parcel_Rack_LH	563283	Cadec Fuse box 4	10 A	42.1_Cadec_SP1 1 C
F257	Parcel_Rack_LH	563283	Cadec Fuse box 4	10 A	42.1_Cadec_SP1 1 C
F258	Parcel_Rack_LH	563283	Cadec Fuse box 5	10 A	42.1_Cadec_SP1 1 D
F259	Parcel_Rack_LH	563283	Cadec Fuse box 5	10 A	42.1_Cadec_SP1 1 D
F300	VECT (Spare)	563153	Trailer interface	25 A	26.4_Trailler_interface
F301	VECT (Spare)	563284	Trailer interface	15 A	26.4_Trailler_interface
F302	VECT (Position lights & side markers)	563284	Trailer interface	15 A	26.4_Trailler_interface
F303	VECT (Flashers left side)	563284	Trailer interface	15 A	26.4_Trailler_interface
F304	VECT (Brake lights)	563284	Trailer interface	15 A	26.4_Trailler_interface
F305	VECT (Flashers right side)	563284	Trailer interface	15 A	26.4_Trailler_interface
F306	VECT (Tail & licence lights)	563284	Trailer interface	15 A	26.4_Trailler_interface
F307	VECT (Aux. & ABS power)	563153	Trailer interface	25 A	26.4_Trailler_interface
F308	VECT (Spare)	563284	Trailer interface	15 A	26.4_Trailler_interface
F309	VECT (Spare)	563284	Trailer interface	15 A	26.4_Trailler_interface
F310	VECT (Spare)	563284	Trailer interface	15 A	26.4_Trailler_interface
F311	VECT (Spare)	563283	Trailer interface	10 A	26.4_Trailler_interface
F312	VECT (Spare)	563283	Trailer interface	10 A	26.4_Trailler_interface
F313	VECT (Spare)	563283	Trailer interface	10 A	26.4_Trailler_interface
F314	VECT (Spare)	563283	Trailer interface	10 A	26.4_Trailler_interface

# FUSES LIST

No	Location	Part #	Function	Rating	Page
F1	RJB	564520	Ultracap	300A	43.2
F4	FuseBoxFJB	563280	TGW/IShPwr	5amp	4.2
F10	FuseBoxFJB	563280	OBD&Clust	5amp	4.1
F11	FuseBoxFJB	563282	Horn	20amp	4.1
F12	FuseBoxFJB	563284	Spare	15amp	4.1
F13	FuseBoxFJB	563284	12VDCust	15amp	4.1
F14	FuseBoxFJB	563165	Spare	30amp	4.1
F15	FuseBoxFJB	563280	Spare	5amp	4.1
F16	FuseBoxFJB	563284	12EngRunCu	15amp	4.1
F17	FuseBoxFJB	563165	A43Pwr	30amp	4.1
F18	FuseBoxFJB	563165	A45Pwr	30amp	4.1
F19	FuseBoxFJB	563165	A46Pwr	30amp	4.1
F20	FuseBoxFJB	563280	A55/A15Pwr	5amp	4.1
F21	FuseBoxFJB	563165	A48Pwr	30amp	4.1
F22	FuseBoxFJB	563280	WIFIOPT	5amp	4.1
F23	FuseBoxFJB	563165	ESP	30amp	4.1
F24	FuseBoxFJB	563284	12VICust	15amp	4.1
F25	FuseBoxFJB	563284	12VOutlet	15amp	4.1
F26	FuseBoxFJB	563284	BifoldSe	15amp	4.1
F27	FuseBoxFJB	563165	Spare	30amp	4.1
F29	FuseBoxFJB	563283	Shutdown	10amp	4.1
F30	FuseBoxFJB	563280	OBDCon	5amp	4.1
F33	FuseBoxFJB	563280	A41Pwr	5amp	4.2
F34	FuseBoxFJB	563280	A42Pwr	5amp	4.2
F35	FuseBoxFJB	563280	MCMPwr	5amp	4.2
F36	FuseBoxFJB	563280	StartSw	5amp	4.2
F37	FuseBoxFJB	563280	Haz/ExtDoorSw	5amp	4.2
F39	FuseBoxFJB	563284	24VDCust	15amp	4.2
F40	FuseBoxFJB	563284	AFSSPwr	15amp	4.2
F41	FuseBoxFJB	563280	Spare	5amp	4.2
F42	FuseBoxFJB	563283	IShiftPwr	10amp	4.1
F43	FuseBoxFJB	563282	IShiftPwr	20amp	4.1
F44	FuseBoxFJB	563165	A44Pwr	30amp	4.2
F45	FuseBoxFJB	563165	A47Pwr	30amp	4.2
F46	FuseBoxFJB	563280	A56Pwr	5amp	4.2
F47	FuseBoxFJB	563280	MCM	5amp	4.2
F50	FuseBoxFJB	563165	Defrost	30amp	4.2
F51	FuseBoxFJB	563280	DestSigns	5amp	4.2
F52	FuseBoxFJB	563280	Spare	5amp	4.2
F53	FuseBoxFJB	563283	Clock/VSS	10amp	4.2
F54	FuseBoxFJB	563284	Spare	15Amp	4.2
F55	FuseBoxFJB	563283	B-UpCam	10amp	4.2
F56	FuseBoxFJB	563284	Spare	15amp	4.2

# FUSES LIST

No	Location	Part #	Function	Rating	Page
F57	FuseBoxFJB	563283	Spare	10amp	4.2
F58	FuseBoxFJB	563284	Spare	15amp	4.2
F73	FuseBoxRJB	563283	EngECU	20amp	5.1
F90	FuseBoxRJB	563282	UreaSys	20amp	5.1
F91	FuseBoxRJB	563282	EngECU	20amp	5.1
F95	FuseBoxFJB	563280	TGW/IShPwr	5amp	4.2
F96	FuseBoxRJB	563282	ACM24VD	20amp	5.1
F99	FuseBoxRJB	563165	EngECU	30amp	5.1
F100	FuseBoxRJB	563283	EngECU	10amp	5.1
F101	FuseBoxRJB	564520	PwrR1	300Amp	3.1
F103	RJB	564520	Ultracap	300A	3.1
F105	FuseBoxRJB	563282	Spare	20amp	5.1
F106	FuseBoxRJB	563153	A50Pwr	30amp	5.1
F107	FuseBoxRJB	563153	A51Pwr	30amp	5.1
F108	FuseBoxRJB	563280	OBDConPwr	5amp	5.1
F109	FuseBoxRJB	563280	RrProxSw	5amp	5.1
F110	FuseBoxRJB	563283	TransPwr	10amp	5.1
F112	FuseBoxRJB	563165	Trailer	30amp	5.1
F113	FuseBoxRJB	563283	Spare	10amp	5.1
F114	FuseBoxRJB	563284	Spare	15amp	5.1
F115	FuseBoxRJB	563283	Spare	10amp	5.1
F116	FuseBoxRJB	563284	Spare	15amp	5.1
F117	FuseBoxRJB	563283	Spare	10amp	5.1
F118	FuseBoxRJB	563284	Spare	15amp	5.1
F119	FuseBoxRJB	563283	Spare	10amp	5.1
F120	FuseBoxRJB	563284	Spare	15amp	5.1
F121	FuseBoxRJB	563284	12WUPCust	15amp	5.1
F122	FuseBoxRJB	563283	Spare	10amp	5.1
F123	FuseBoxRJB	563153	Pre-heat	25amp	5.1
F124	FuseBoxRJB	563153	Pre-heat	25amp	5.1
F126	FuseBoxRJB	563280	R29/So11	5amp	5.1
F127	FuseBoxRJB	563284	WaterPump	15amp	5.1
F129	FuseBoxRJB	563284	Spare	15amp	5.1
F130	FuseBoxRJB	563284	Spare	15amp	5.1
F131	FuseBoxRJB	563280	24VDCust	5amp	5.1
F132	FuseBoxRJB	563280	A57Pwr	5amp	5.1
F133	FuseBoxRJB	563165	A49Pwr	30amp	5.1
F134	FuseBoxRJB	563165	A52Pwr	30amp	5.1
F135	FuseBoxRJB	563165	A54Pwr	30amp	5.1
F136	FuseBoxRJB	563165	A53Pwr	30amp	5.1
F137	FuseBoxRJB	563280	Equalizer	5amp	5.1
F138	FuseBoxRJB	563280	LampChime	5amp	5.1
F139	FuseBoxRJB	563283	Altern	10amp	5.1

# FUSES LIST

No	Location	Part #	Function	Rating	Page
F140	FuseBoxRJB	563283	Spare	10amp	5.1
F141	FuseBoxRJB	563284	Mo7Cond	15amp	5.1
F142	FuseBoxRJB	563284	Mo8Cond	15amp	5.1
F143	FuseBoxRJB	563284	Mo27Cond	15amp	5.1
F144	FuseBoxRJB	563284	Mo28Cond	15amp	5.1
F145	FuseBoxRJB	563284	Spare	15amp	5.1
F146	FuseBoxRJB	563283	Spare	10amp	5.1
F147	FuseBoxRJB	563284	24Wupcust	15amp	5.1
F148	FuseBoxRJB	563165	VSS	30amp	5.1
F149	FuseBoxRJB	563284	Spare	15amp	5.1
F150	FuseBoxRJB	563283	Spare	10amp	5.1
F151	FuseBoxRJB	563284	Spare	15amp	5.1
F152	FuseBoxRJB	563283	Spare	10amp	5.1
F156	RJB	560893	Unican	3Amp	200.7
F180	RJB	562259	StartingAid	5A	43.2
F181	RJB	563165	StartingAid	30A	43.2
F199	RJB	564520	RADFans	300Amp	13.1
F200	Parcel_Rack_LH_1st_Cmpt_	563284	12VDmemory	15Amp	35.6
F201	Parcel_Rack_LH_1st_Cmpt_	563284	12Vignition	15Amp	35.6
F202	Parcel_Rack_LH_1st_Cmpt_	563284	24Vignitions spare	15Amp	35.6
F203	Parcel_Rack_LH_1st_Cmpt_	563282	24Vmonitors	20Amp	35.6
F209	RJB	564174	PreHeat	150Amp	14.1
F243	RJB	560893	24VwhileEvap.relaypowered	3Amp	18.2
F250	Parcel_Rack_LH	563283	CadecSystem	10amp	42.1
F251	Parcel_Rack_LH	563283	CadecSystem	10amp	42.1
F252	Parcel_Rack_LH	563283	CadecSystem	10amp	42.1
F253	Parcel_Rack_LH	563283	CadecSystem	10amp	42.1
F254	Parcel_Rack_LH	563283	CadecSystem	10amp	42.1
F255	Parcel_Rack_LH	563283	CadecSystem	10amp	42.1
F256	Parcel_Rack_LH	563283	CadecSystem	10amp	42.1
F257	Parcel_Rack_LH	563283	CadecSystem	10amp	42.1
F258	Parcel_Rack_LH	563283	CadecSystem	10amp	42.1
F259	Parcel_Rack_LH	563283	CadecSystem	10amp	42.1
F301	VECT	563284	Trailer	15amp	26.4
F302	VECT	563284	Trailer	15amp	26.4
F303	VECT	563284	Trailer	15amp	26.4
F304	VECT	563284	Trailer	15amp	26.4
F305	VECT	563284	Trailer	15amp	26.4
F306	VECT	563284	Trailer	15amp	26.4
F307	VECT	563284	Trailer	15amp	26.4

# FUSES LIST

No	Location	Part #	Function	Rating	Page
F1	RJB	564520	Ultracap	300A	4C
F4	FuseBoxFJB	563280	TGW/IshPwr	5amp	2B
F10	FuseBoxFJB	563280	OB&Clust	5amp	1A
F11	FuseBoxFJB	563282	Horn	20amp	1A
F12	FuseBoxFJB	563284	Spare	15amp	1A
F13	FuseBoxFJB	563284	12VDCust	15amp	1A
F14	FuseBoxFJB	563165	Spare	30amp	1A
F15	FuseBoxFJB	563280	Spare	5amp	1A
F16	FuseBoxFJB	563284	12EngRunCu	15amp	1A
F17	FuseBoxFJB	563165	A43Pwr	30amp	1A
F18	FuseBoxFJB	563165	A45Pwr	30amp	1A
F19	FuseBoxFJB	563165	A46Pwr	30amp	1B
F20	FuseBoxFJB	563280	A55/A15Pwr	5amp	1B
F21	FuseBoxFJB	563165	A48Pwr	30amp	1B
F22	FuseBoxFJB	563280	WIFIOPT	5amp	1B
F23	FuseBoxFJB	563165	ESP	30amp	1B
F24	FuseBoxFJB	563284	12VICust	15amp	1B
F25	FuseBoxFJB	563284	12VOutlet	15amp	1B
F26	FuseBoxFJB	563284	BifoldSe	15amp	1B
F27	FuseBoxFJB	563165	Spare	30amp	1B
F29	FuseBoxFJB	563283	Shutdown	10amp	1C
F30	FuseBoxFJB	563280	OB&Con	5amp	1C
F33	FuseBoxFJB	563280	A41Pwr	5amp	2B
F34	FuseBoxFJB	563280	A42Pwr	5amp	2B
F35	FuseBoxFJB	563280	M&MPwr	5amp	2A
F36	FuseBoxFJB	563280	StartSw	5amp	2A
F37	FuseBoxFJB	563280	Haz/ExtDoorSw	5amp	2A
F39	FuseBoxFJB	563284	24VDCust	15amp	2B
F40	FuseBoxFJB	563284	AFSSPwr	15amp	2B
F41	FuseBoxFJB	563280	Spare	5amp	2B
F42	FuseBoxFJB	563283	IShiftPwr	10amp	1D
F43	FuseBoxFJB	563282	IShiftPwr	20amp	1D
F44	FuseBoxFJB	563165	A44Pwr	30amp	2B
F45	FuseBoxFJB	563165	A47Pwr	30amp	2B
F46	FuseBoxFJB	563280	A56Pwr	5amp	2B
F47	FuseBoxFJB	563280	M&M	5amp	2B
F50	FuseBoxFJB	563165	Defrost	30amp	2C
F51	FuseBoxFJB	563280	DestSigns	5amp	2C
F52	FuseBoxFJB	563280	Spare	5amp	2C
F53	FuseBoxFJB	563283	Clock/VSS	10amp	2C
F54	FuseBoxFJB	563284	Spare	15Amp	2C
F55	FuseBoxFJB	563283	B-UpCam	10amp	2D
F56	FuseBoxFJB	563284	Spare	15amp	2D

# FUSES LIST

No	Location	Part #	Function	Rating	Page
F57	FuseBoxFJB	563283	Spare	10amp	2D
F58	FuseBoxFJB	563284	Spare	15amp	2D
F73	FuseBoxRJB	563283	EngECU	20amp	2B
F90	FuseBoxRJB	563282	UreaSys	20amp	1A
F91	FuseBoxRJB	563282	EngECU	20amp	2A
F95	FuseBoxFJB	563280	TGW/IShPwr	5amp	2C
F96	FuseBoxRJB	563282	ACM24VD	20amp	1C
F99	FuseBoxRJB	563165	EngECU	30amp	1A
F100	FuseBoxRJB	563283	EngECU	10amp	2A
F101	FuseBoxRJB	564520	PwrR1	300Amp	3A
F102	RJB	564520	Invertes	300A	3C
F103	RJB	564520	Ultracap	300A	3A
F105	FuseBoxRJB	563282	Spare	20amp	2A
F106	FuseBoxRJB	563153	A50Pwr	30amp	1A
F107	FuseBoxRJB	563153	A51Pwr	30amp	2B
F108	FuseBoxRJB	563280	OBDConPwr	5amp	1B
F109	FuseBoxRJB	563280	RrProxSw	5amp	2B
F110	FuseBoxRJB	563283	TransPwr	10amp	1B
F112	FuseBoxRJB	563165	Spare	30amp	1B
F113	FuseBoxRJB	563283	Spare	10amp	2B
F114	FuseBoxRJB	563284	Spare	15amp	1B
F115	FuseBoxRJB	563282	Spare	20amp	2B
F116	FuseBoxRJB	563284	Spare	15amp	1B
F118	FuseBoxRJB	563284	Trailer	15amp	1B
F120	FuseBoxRJB	563284	Spare	15amp	1B
F121	FuseBoxRJB	563284	12WUPCust	15amp	2B
F122	FuseBoxRJB	563283	Equalizer	10amp	2C
F123	FuseBoxRJB	563153	Pre-heat	25amp	1C
F124	FuseBoxRJB	563153	Pre-heat	25amp	2C
F126	FuseBoxRJB	563280	R29/So11	5amp	2C
F127	FuseBoxRJB	563284	WaterPump	15amp	1C
F129	FuseBoxRJB	563284	Spare	15amp	1C
F130	FuseBoxRJB	563284	Spare	15amp	2C
F131	FuseBoxRJB	563280	24VDCust	5amp	1C
F132	FuseBoxRJB	563280	A57Pwr	5amp	1C
F133	FuseBoxRJB	563165	A49Pwr	30amp	2D
F134	FuseBoxRJB	563165	A52Pwr	30amp	1D
F135	FuseBoxRJB	563165	A54Pwr	30amp	2D
F136	FuseBoxRJB	563165	A53Pwr	30amp	1D
F137	FuseBoxRJB	563280	Spare	5amp	2D
F138	FuseBoxRJB	563280	LampChime	5amp	1D
F139	FuseBoxRJB	563283	Altern	10amp	2D
F140	FuseBoxRJB	563283	Spare	10amp	1D



# FUSES LIST

No	Location	Part #	Function	Rating	Page
F141	FuseBoxRJB	563284	Mo7Cond	15amp	2D
F142	FuseBoxRJB	563284	Mo8Cond	15amp	1D
F143	FuseBoxRJB	563284	Mo27Cond	15amp	2D
F144	FuseBoxRJB	563284	Mo28Cond	15amp	1D
F145	FuseBoxRJB	563284	Spare	15amp	2D
F146	FuseBoxRJB	563283	Spare	10amp	1D
F147	FuseBoxRJB	563284	24Wupcust	15amp	2D
F148	FuseBoxRJB	563165	VSS	30amp	2E
F149	FuseBoxRJB	563284	Spare	15amp	1E
F150	FuseBoxRJB	563283	Spare	10amp	2E
F151	FuseBoxRJB	563284	Spare	15amp	1E
F152	FuseBoxRJB	563283	Spare	10amp	2E
F156	RJB	560893	Unican	3Amp	3A
F180	RJB	562259	*opt*	5A	3C
F181	RJB	563165	*opt*	30A	4C
F199	RJB	564520	RADFans	300Amp	1B
F200	Parcel_Rack_LH_1st_Cmpt_	563284	12VDmemory	15Amp	4F
F201	Parcel_Rack_LH_1st_Cmpt_	563284	12Vignition	15Amp	4G
F202	Parcel_Rack_LH_1st_Cmpt_	563284	24Vignitionspare	15Amp	4G
F203	Parcel_Rack_LH_1st_Cmpt_	563282	24Vmonitors	20Amp	4G
F209	RJB	564174	PreHeat	150Amp	3E
F243	RJB	560893	24VwhileEvap.relaypowered	3Amp	4C
F302	VECT	563282	VECTTrailerinterface	20amp	3B
F303	VECT	563282	VECTTrailerinterface	20amp	3D
F304	VECT	563282	VECTTrailerinterface	20amp	3E
F305	VECT	563284	VECTTrailerinterface	15amp	2C
F306	VECT	563284	VECTTrailerinterface	15amp	2D
F307	VECT	563284	VECTTrailerinterface	15amp	2A
F302A	VECT	563284	VECTTrailerinterface	15amp	2B
F303A	VECT	563284	VECTTrailerinterface	15amp	2B
F304A	VECT	563284	VECTTrailerinterface	15amp	2C

# FUSES LIST

No	Location	Part #	Function	Rating	Page
F1	RJB	564520	Ultracap	300A	43.2
F4	FuseBoxFJB	563280	TGW/IShPwr	5amp	4.2
F10	FuseBoxFJB	563280	OBD&Clust	5amp	4.1
F11	FuseBoxFJB	563282	Horn	20amp	4.1
F12	FuseBoxFJB	563284	Spare	15amp	4.1
F13	FuseBoxFJB	563284	12VDCust	15amp	4.1
F14	FuseBoxFJB	563165	Spare	30amp	4.1
F15	FuseBoxFJB	563280	Spare	5amp	4.1
F16	FuseBoxFJB	563284	12EngRunCu	15amp	4.1
F17	FuseBoxFJB	563165	A43Pwr	30amp	4.1
F18	FuseBoxFJB	563165	A45Pwr	30amp	4.1
F19	FuseBoxFJB	563165	A46Pwr	30amp	4.1
F20	FuseBoxFJB	563280	A55/A15Pwr	5amp	4.1
F21	FuseBoxFJB	563165	A48Pwr	30amp	4.1
F22	FuseBoxFJB	563280	ELD/ITS Gateway	5amp	4.1
F23	FuseBoxFJB	563165	ESP	30amp	4.1
F24	FuseBoxFJB	563284	12VICust	15amp	4.1
F25	FuseBoxFJB	563284	12VOutlet	15amp	4.1
F26	FuseBoxFJB	563284	BifoldSe	15amp	4.1
F27	FuseBoxFJB	563165	Spare	30amp	4.1
F29	FuseBoxFJB	563283	Shutdown	10amp	4.1
F30	FuseBoxFJB	563280	OBDCon	5amp	4.1
F33	FuseBoxFJB	563280	A41Pwr	5amp	4.2
F34	FuseBoxFJB	563280	A42Pwr	5amp	4.2
F35	FuseBoxFJB	563280	MCMPwr	5amp	4.2
F36	FuseBoxFJB	563280	StartSw	5amp	4.2
F37	FuseBoxFJB	563280	Haz/ExtDoorSw	5amp	4.2
F39	FuseBoxFJB	563284	24VDCust	15amp	4.2
F40	FuseBoxFJB	563284	AFSSPwr	15amp	4.2
F41	FuseBoxFJB	563280	Spare	5amp	4.2
F42	FuseBoxFJB	563283	IShiftPwr	10amp	4.1
F43	FuseBoxFJB	563282	IShiftPwr	20amp	4.1
F44	FuseBoxFJB	563165	A44Pwr	30amp	4.2
F45	FuseBoxFJB	563165	A47Pwr	30amp	4.2
F46	FuseBoxFJB	563280	A56Pwr	5amp	4.2
F47	FuseBoxFJB	563280	MCM	5amp	4.2
F50	FuseBoxFJB	563165	Defrost	30amp	4.2
F51	FuseBoxFJB	563280	DestSigns	5amp	4.2
F52	FuseBoxFJB	563280	FMSGW	5amp	4.2
F53	FuseBoxFJB	563283	Clock/VSS	10amp	4.2
F54	FuseBoxFJB	563284	Spare	15Amp	4.2
F55	FuseBoxFJB	563283	B-UpCam	10amp	4.2
F56	FuseBoxFJB	563284	Spare	15amp	4.2

# FUSES LIST

No	Location	Part #	Function	Rating	Page
F57	FuseBoxFJB	563283	Spare	10amp	4.2
F58	FuseBoxFJB	563284	Spare	15amp	4.2
F73	FuseBoxRJB	563283	EngECU	20amp	5.1
F90	FuseBoxRJB	563282	UreaSys	20amp	5.1
F91	FuseBoxRJB	563282	EngECU	20amp	5.1
F95	FuseBoxFJB	563280	TGW/IShPwr	5amp	4.2
F96	FuseBoxRJB	563282	ACM24VD	20amp	5.1
F99	FuseBoxRJB	563165	EngECU	30amp	5.1
F100	FuseBoxRJB	563283	EngECU	10amp	5.1
F101	FuseBoxRJB	564520	PwrR1	300Amp	3.1
F102	RJB	564520	Invertes	300A	3.1
F103	RJB	564520	Ultracap	300A	5.1
F105	FuseBoxRJB	563282	Spare	20amp	5.1
F106	FuseBoxRJB	563153	A50Pwr	30amp	5.1
F107	FuseBoxRJB	563153	A51Pwr	30amp	5.1
F108	FuseBoxRJB	563280	OBDConPwr	5amp	5.1
F109	FuseBoxRJB	563280	RrProxSw	5amp	5.1
F110	FuseBoxRJB	563283	TransPwr	10amp	5.1
F112	FuseBoxRJB	563165	Spare	30amp	5.1
F113	FuseBoxRJB	563283	Spare	10amp	5.1
F114	FuseBoxRJB	563284	Spare	15amp	5.1
F115	FuseBoxRJB	563282	Spare	20amp	5.1
F116	FuseBoxRJB	563284	Spare	15amp	5.1
F118	FuseBoxRJB	563284	Trailer	15amp	5.1
F120	FuseBoxRJB	563284	Spare	15amp	5.1
F121	FuseBoxRJB	563284	12WUPCust	15amp	5.1
F122	FuseBoxRJB	563283	Equalizer	10amp	5.1
F123	FuseBoxRJB	563153	Pre-heat	25amp	5.1
F124	FuseBoxRJB	563153	Pre-heat	25amp	5.1
F126	FuseBoxRJB	563280	R29/So11	5amp	5.1
F127	FuseBoxRJB	563284	WaterPump	15amp	5.1
F129	FuseBoxRJB	563284	Spare	15amp	5.1
F130	FuseBoxRJB	563284	Spare	15amp	5.1
F131	FuseBoxRJB	563280	24VDCust	5amp	5.1
F132	FuseBoxRJB	563280	A57Pwr	5amp	5.1
F133	FuseBoxRJB	563165	A49Pwr	30amp	5.1
F134	FuseBoxRJB	563165	A52Pwr	30amp	5.1
F135	FuseBoxRJB	563165	A54Pwr	30amp	5.1
F136	FuseBoxRJB	563165	A53Pwr	30amp	5.1
F137	FuseBoxRJB	563280	Spare	5amp	5.1
F138	FuseBoxRJB	563280	LampChime	5amp	5.1
F139	FuseBoxRJB	563283	Altern	10amp	5.1
F140	FuseBoxRJB	563283	Spare	10amp	5.1

# FUSES LIST

No	Location	Part #	Function	Rating	Page
F141	FuseBoxRJB	563284	Mo7Cond	15amp	5.1
F142	FuseBoxRJB	563284	Mo8Cond	15amp	5.1
F143	FuseBoxRJB	563284	Mo27Cond	15amp	5.1
F144	FuseBoxRJB	563284	Mo28Cond	15amp	5.1
F145	FuseBoxRJB	563284	Spare	15amp	5.1
F146	FuseBoxRJB	563283	Spare	10amp	5.1
F147	FuseBoxRJB	563284	24Wupcust	15amp	5.1
F148	FuseBoxRJB	563165	VSS	30amp	5.1
F149	FuseBoxRJB	563284	Spare	15amp	5.1
F150	FuseBoxRJB	563283	Spare	10amp	5.1
F151	FuseBoxRJB	563284	Spare	15amp	5.1
F152	FuseBoxRJB	563283	Spare	10amp	5.1
F156	RJB	560893	Unican	3Amp	200.7
F180	RJB	562259	*opt*	5A	
F181	RJB	563165	*opt*	30A	
F199	RJB	564520	RADFans	300Amp	13.1
F200	Parcel_Rack_LH_1st_Cmpt_	563284	12VDmemory	15Amp	35.6
F201	Parcel_Rack_LH_1st_Cmpt_	563284	12Vignition	15Amp	35.6
F202	Parcel_Rack_LH_1st_Cmpt_	563284	24Vignitionspare	15Amp	35.6
F203	Parcel_Rack_LH_1st_Cmpt_	563282	24Vmonitors	20Amp	35.6
F209	RJB	564174	PreHeat	150Amp	14.1
F210	FuseBoxP-RACK	563283	24VD ISM	10amp	60.3
F211	FuseBoxP-RACK	563283	24VD ISM	10amp	60.3
F212	FuseBoxP-RACK	563283	24VD ISM	10amp	60.3
F214	FuseBoxP-RACK	563283	24VD	10amp	60.3
F215	FuseBoxP-RACK	563283	24VD	10amp	60.3
F216	FuseBoxP-RACK	563283	24VD	10amp	60.3
F218	FuseBoxP-RACK	563283	12VD ISM	10amp	60.3
F219	FuseBoxP-RACK	563283	12VD ISM	10amp	60.3
F220	FuseBoxP-RACK	563283	12VD ISM	10amp	60.3
F222	FuseBoxP-RACK	563283	12VI	10amp	60.3
F223	FuseBoxP-RACK	563283	12VI	10amp	60.3
F224	FuseBoxP-RACK	563283	12VI	10amp	60.3
F243	RJB	560893	24VwhileEvap.relaypowered	3Amp	18.2
F302	VECT	563282	VECTTrailerinterface	20amp	26.4
F303	VECT	563282	VECTTrailerinterface	20amp	26.4
F304	VECT	563282	VECTTrailerinterface	20amp	26.4
F305	VECT	563284	VECTTrailerinterface	15amp	26.4
F306	VECT	563284	VECTTrailerinterface	15amp	26.4
F307	VECT	563284	VECTTrailerinterface	15amp	26.4
F302A	VECT	563284	VECTTrailerinterface	15amp	26.4
F303A	VECT	563284	VECTTrailerinterface	15amp	26.4
F304A	VECT	563284	VECTTrailerinterface	15amp	26.4

# FUSES LIST

No	Location	Part #	Function	Rating	Page
F1	RJB	564520	Ultracap OPT	300A	43.2
F4	FuseBoxFJB	563280	IShPwr	5amp	4.2
F10	FuseBoxFJB	563280	OBD&Clust	5amp	4.1
F11	FuseBoxFJB	563282	Horn	20amp	4.1
F12	FuseBoxFJB	563284	Spare	15amp	4.1
F13	FuseBoxFJB	563284	12VDCust	15amp	4.1
F14	FuseBoxFJB	563165	Spare	30amp	4.1
F15	FuseBoxFJB	563280	TGW	5amp	4.1
F16	FuseBoxFJB	563284	12EngRunCu	15amp	4.1
F17	FuseBoxFJB	563165	A43Pwr	30amp	4.1
F18	FuseBoxFJB	563165	A45Pwr	30amp	4.1
F19	FuseBoxFJB	563165	A46Pwr	30amp	4.1
F20	FuseBoxFJB	563280	A55/A15Pwr	5amp	4.1
F21	FuseBoxFJB	563165	A48Pwr	30amp	4.1
F22	FuseBoxFJB	563280	ELD	5amp	4.1
F23	FuseBoxFJB	563165	ESP	30amp	4.1
F24	FuseBoxFJB	563284	12VICust	15amp	4.1
F25	FuseBoxFJB	563284	12VOutlet	15amp	4.1
F26	FuseBoxFJB	563284	BifoldSe	15amp	4.1
F27	FuseBoxFJB	563165	Spare	30amp	4.1
F29	FuseBoxFJB	563283	Shutdown	10amp	4.1
F30	FuseBoxFJB	563280	OBDCon	5amp	4.1
F33	FuseBoxFJB	563280	A41Pwr	5amp	4.2
F34	FuseBoxFJB	563280	A42Pwr	5amp	4.2
F35	FuseBoxFJB	563280	MCMPwr	5amp	4.2
F36	FuseBoxFJB	563280	StartSw	5amp	4.2
F37	FuseBoxFJB	563280	Haz/ExtDoorSw	5amp	4.2
F39	FuseBoxFJB	563284	24VDCust	15amp	4.2
F40	FuseBoxFJB	563284	AFSSPwr	15amp	4.2
F41	FuseBoxFJB	563280	Spare	5amp	4.2
F42	FuseBoxFJB	563283	IShiftPwr	10amp	4.1
F43	FuseBoxFJB	563282	IShiftPwr	20amp	4.1
F44	FuseBoxFJB	563165	A44Pwr	30amp	4.2
F45	FuseBoxFJB	563165	A47Pwr	30amp	4.2
F46	FuseBoxFJB	563280	A56Pwr	5amp	4.2
F47	FuseBoxFJB	563280	MCM	5amp	4.2
F50	FuseBoxFJB	563165	Defrost	30amp	4.2
F51	FuseBoxFJB	563280	DestSigns	5amp	4.2
F52	FuseBoxFJB	563280	FMSGW	5amp	4.2
F53	FuseBoxFJB	563283	Clock/VSS	10amp	4.2
F54	FuseBoxFJB	563284	Spare	15Amp	4.2
F55	FuseBoxFJB	563283	B-UpCam	10amp	4.2
F56	FuseBoxFJB	563284	Spare	15amp	4.2

# FUSES LIST

No	Location	Part #	Function	Rating	Page
F57	FuseBoxFJB	563283	Spare	10amp	4.2
F58	FuseBoxFJB	563284	Spare	15amp	4.2
F73	FuseBoxRJB	563283	EngECU	20amp	5.1
F90	FuseBoxRJB	563282	UreaSys	20amp	5.1
F91	FuseBoxRJB	563282	EngECU	20amp	5.1
F95	FuseBoxFJB	563280	FMS GW/IShPwr	5amp	4.2
F96	FuseBoxRJB	563282	ACM24VD	20amp	5.1
F99	FuseBoxRJB	563165	EngECU	30amp	5.1
F100	FuseBoxRJB	563283	EngECU	10amp	5.1
F101	FuseBoxRJB	564520	PwrR1	300Amp	3.1
F102	RJB	564520	3 Invertes OPT	300A	3.1
F103	RJB	564520	Ultracap OPT	300A	5.1
F105	FuseBoxRJB	563282	Spare	20amp	5.1
F106	FuseBoxRJB	563153	A50Pwr	30amp	5.1
F107	FuseBoxRJB	563153	A51Pwr	30amp	5.1
F108	FuseBoxRJB	563280	OBDConPwr	5amp	5.1
F109	FuseBoxRJB	563280	RrProxSw	5amp	5.1
F110	FuseBoxRJB	563283	TransPwr	10amp	5.1
F112	FuseBoxRJB	563165	Spare	30amp	5.1
F113	FuseBoxRJB	563283	Spare	10amp	5.1
F114	FuseBoxRJB	563284	Spare	15amp	5.1
F115	FuseBoxRJB	563282	Spare	20amp	5.1
F116	FuseBoxRJB	563284	Spare	15amp	5.1
F117	FuseBoxRJB	563282	Trailer	20amp	5.1
F118	FuseBoxRJB	563284	Trailer	15amp	5.1
F119	FuseBoxRJB	563165	Trailer	30amp	5.1
F120	FuseBoxRJB	563284	Spare	15amp	5.1
F121	FuseBoxRJB	563284	12WUPCust	15amp	5.1
F122	FuseBoxRJB	563283	Equalizer	10amp	5.1
F123	FuseBoxRJB	563153	Spare	25amp	5.1
F124	FuseBoxRJB	563153	Spare	25amp	5.1
F126	FuseBoxRJB	563280	R29/So11	5amp	5.1
F127	FuseBoxRJB	563284	WaterPump	15amp	5.1
F129	FuseBoxRJB	563284	Preheat	15amp	5.1
F130	FuseBoxRJB	563284	Preheat	15amp	5.1
F131	FuseBoxRJB	563280	24VDCust	5amp	5.1
F132	FuseBoxRJB	563280	A57Pwr	5amp	5.1
F133	FuseBoxRJB	563165	A49Pwr	30amp	5.1
F134	FuseBoxRJB	563165	A52Pwr	30amp	5.1
F135	FuseBoxRJB	563165	A54Pwr	30amp	5.1
F136	FuseBoxRJB	563165	A53Pwr	30amp	5.1
F137	FuseBoxRJB	563280	R Max Temp	5amp	5.1
F138	FuseBoxRJB	563280	LampChime	5amp	5.1
F139	FuseBoxRJB	563283	Altern	10amp	5.1
F140	FuseBoxRJB	563283	Spare	10amp	5.1

# FUSES LIST

No	Location	Part #	Function	Rating	Page
F141	FuseBoxRJB	563284	Mo7Cond	15amp	5.1
F142	FuseBoxRJB	563284	Mo8Cond	15amp	5.1
F143	FuseBoxRJB	563284	Mo27Cond	15amp	5.1
F144	FuseBoxRJB	563284	Mo28Cond	15amp	5.1
F145	FuseBoxRJB	563284	Spare	15amp	5.1
F146	FuseBoxRJB	563283	Spare	10amp	5.1
F147	FuseBoxRJB	563284	24Wupcust	15amp	5.1
F148	FuseBoxRJB	563165	VSS	30amp	5.1
F149	FuseBoxRJB	563284	Spare	15amp	5.1
F150	FuseBoxRJB	563283	Spare	10amp	5.1
F151	FuseBoxRJB	563284	Spare	15amp	5.1
F152	FuseBoxRJB	563283	Spare	10amp	5.1
F199	RJB	564520	RADFans	300Amp	13.1
F200	Parcel_Rack_LH_1st_Cmpt_	563284	12VDmemory	15Amp	35.6
F201	Parcel_Rack_LH_1st_Cmpt_	563284	12Vignition	15Amp	35.6
F202	Parcel_Rack_LH_1st_Cmpt_	563284	24Vignitionspare	15Amp	35.6
F203	Parcel_Rack_LH_1st_Cmpt_	563282	24Vmonitors	20Amp	35.6
F209	RJB	564174	PreHeat	150Amp	14.1
F210	FuseBoxP-RACK	563283	24VD ISM	10amp	60.3
F211	FuseBoxP-RACK	563283	24VD ISM	10amp	60.3
F212	FuseBoxP-RACK	563283	24VD ISM	10amp	60.3
F214	FuseBoxP-RACK	563283	24VD	10amp	60.3
F215	FuseBoxP-RACK	563283	24VD	10amp	60.3
F216	FuseBoxP-RACK	563283	24VD	10amp	60.3
F218	FuseBoxP-RACK	563283	12VD ISM	10amp	60.3
F219	FuseBoxP-RACK	563283	12VD ISM	10amp	60.3
F220	FuseBoxP-RACK	563283	12VD ISM	10amp	60.3
F222	FuseBoxP-RACK	563283	12VI	10amp	60.3
F223	FuseBoxP-RACK	563283	12VI	10amp	60.3
F224	FuseBoxP-RACK	563283	12VI	10amp	60.3
F243	RJB	560893	24VwhileEvap.relaypowered	3Amp	18.2
F302	VECT	563282	VECTTrailerinterface	20amp	26.4
F303	VECT	563282	VECTTrailerinterface	20amp	26.4
F304	VECT	563282	VECTTrailerinterface	20amp	26.4
F305	VECT	563284	VECTTrailerinterface	15amp	26.4
F306	VECT	563284	VECTTrailerinterface	15amp	26.4
F307	VECT	563284	VECTTrailerinterface	15amp	26.4
F302A	VECT	563284	VECTTrailerinterface	15amp	26.4
F303A	VECT	563284	VECTTrailerinterface	15amp	26.4
F304A	VECT	563284	VECTTrailerinterface	15amp	26.4

# FUSES LIST

No	Location	Part #	Function	Rating	Page
F1	RJB	564520	Ultracap	300A	43.2
F4	FuseBoxFJB	563280	TGW/IShPwr	5amp	4.2
F10	FuseBoxFJB	563280	OBDC&Clust	5amp	4.1
F11	FuseBoxFJB	563282	Horn	20amp	4.1
F12	FuseBoxFJB	563284	Spare	15amp	4.1
F13	FuseBoxFJB	563284	12VDCust	15amp	4.1
F14	FuseBoxFJB	563165	Spare	30amp	4.1
F15	FuseBoxFJB	563280	Spare	5amp	4.1
F16	FuseBoxFJB	563284	12EngRunCu	15amp	4.1
F17	FuseBoxFJB	563165	A43Pwr	30amp	4.1
F18	FuseBoxFJB	563165	A45Pwr	30amp	4.1
F19	FuseBoxFJB	563165	A46Pwr	30amp	4.1
F20	FuseBoxFJB	563280	A55/A15Pwr	5amp	4.1
F21	FuseBoxFJB	563165	A48Pwr	30amp	4.1
F22	FuseBoxFJB	563280	ELD/ITS Gateway	5amp	4.1
F23	FuseBoxFJB	563165	ESP	30amp	4.1
F24	FuseBoxFJB	563284	12VICust	15amp	4.1
F25	FuseBoxFJB	563284	12VOutlet	15amp	4.1
F26	FuseBoxFJB	563284	BifoldSe	15amp	4.1
F27	FuseBoxFJB	563165	Spare	30amp	4.1
F29	FuseBoxFJB	563283	Shutdown	10amp	4.1
F30	FuseBoxFJB	563280	OBDCcon	5amp	4.1
F33	FuseBoxFJB	563280	A41Pwr	5amp	4.2
F34	FuseBoxFJB	563280	A42Pwr	5amp	4.2
F35	FuseBoxFJB	563280	MCMPwr	5amp	4.2
F36	FuseBoxFJB	563280	StartSw	5amp	4.2
F37	FuseBoxFJB	563280	Haz/ExtDoorSw	5amp	4.2
F39	FuseBoxFJB	563284	24VDCust	15amp	4.2
F40	FuseBoxFJB	563284	AFSSPwr	15amp	4.2
F41	FuseBoxFJB	563280	Spare	5amp	4.2
F42	FuseBoxFJB	563283	IShiftPwr	10amp	4.1
F43	FuseBoxFJB	563282	IShiftPwr	20amp	4.1
F44	FuseBoxFJB	563165	A44Pwr	30amp	4.2
F45	FuseBoxFJB	563165	A47Pwr	30amp	4.2
F46	FuseBoxFJB	563280	A56Pwr	5amp	4.2
F47	FuseBoxFJB	563280	MCM	5amp	4.2
F50	FuseBoxFJB	563165	Defrost	30amp	4.2
F51	FuseBoxFJB	563280	DestSigns	5amp	4.2
F52	FuseBoxFJB	563280	FMSGW	5amp	4.2
F53	FuseBoxFJB	563283	Clock/VSS	10amp	4.2
F54	FuseBoxFJB	563284	Spare	15amp	4.2
F55	FuseBoxFJB	563283	B-UpCam	10amp	4.2
F56	FuseBoxFJB	563284	Spare	15amp	4.2



# FUSES LIST

No	Location	Part #	Function	Rating	Page
F57	FuseBoxFJB	563283	Spare	10amp	4.2
F58	FuseBoxFJB	563284	Spare	15amp	4.2
F73	FuseBoxRJB	563283	EngECU	20amp	5.1
F90	FuseBoxRJB	563282	UreaSys	20amp	5.1
F91	FuseBoxRJB	563282	EngECU	20amp	5.1
F95	FuseBoxFJB	563280	TGW/ISHPwr	5amp	4.2
F96	FuseBoxRJB	563282	ACM24VD	20amp	5.1
F99	FuseBoxRJB	563165	EngECU	30amp	5.1
F100	FuseBoxRJB	563283	EngECU	10amp	5.1
F101	FuseBoxRJB	564520	PwrR1	300Amp	3.1
F102	RJB	564520	Invertes	300A	3.1
F103	RJB	564520	Ultracap	300A	5.1
F105	FuseBoxRJB	563282	Spare	20amp	5.1
F106	FuseBoxRJB	563153	A50Pwr	30amp	5.1
F107	FuseBoxRJB	563153	A51Pwr	30amp	5.1
F108	FuseBoxRJB	563280	OBDConPwr	5amp	5.1
F109	FuseBoxRJB	563280	RrProxSw	5amp	5.1
F110	FuseBoxRJB	563283	TransPwr	10amp	5.1
F112	FuseBoxRJB	563165	Spare	30amp	5.1
F113	FuseBoxRJB	563283	Spare	10amp	5.1
F114	FuseBoxRJB	563284	Spare	15amp	5.1
F115	FuseBoxRJB	563282	Spare	20amp	5.1
F116	FuseBoxRJB	563284	Spare	15amp	5.1
F118	FuseBoxRJB	563284	Trailer	15amp	5.1
F120	FuseBoxRJB	563284	Spare	15amp	5.1
F121	FuseBoxRJB	563284	12WUPCust	15amp	5.1
F122	FuseBoxRJB	563283	Equalizer	10amp	5.1
F123	FuseBoxRJB	563153	Pre-heat	25amp	5.1
F124	FuseBoxRJB	563153	Pre-heat	25amp	5.1
F126	FuseBoxRJB	563280	R29/So11	5amp	5.1
F127	FuseBoxRJB	563284	WaterPump	15amp	5.1
F129	FuseBoxRJB	563284	Spare	15amp	5.1
F130	FuseBoxRJB	563284	Spare	15amp	5.1
F131	FuseBoxRJB	563280	24VDCust	5amp	5.1
F132	FuseBoxRJB	563280	A57Pwr	5amp	5.1
F133	FuseBoxRJB	563165	A49Pwr	30amp	5.1
F134	FuseBoxRJB	563165	A52Pwr	30amp	5.1
F135	FuseBoxRJB	563165	A54Pwr	30amp	5.1
F136	FuseBoxRJB	563165	A53Pwr	30amp	5.1
F137	FuseBoxRJB	563280	Spare	5amp	5.1
F138	FuseBoxRJB	563280	LampChime	5amp	5.1
F139	FuseBoxRJB	563283	Altern	10amp	5.1
F140	FuseBoxRJB	563283	Spare	10amp	5.1

# FUSES LIST

No	Location	Part #	Function	Rating	Page
F145	FuseBoxRJB	563284	Spare	15amp	5.1
F146	FuseBoxRJB	563283	Spare	10amp	5.1
F147	FuseBoxRJB	563284	24Wupcust	15amp	5.1
F148	FuseBoxRJB	563165	VSS	30amp	5.1
F149	FuseBoxRJB	563284	Spare	15amp	5.1
F150	FuseBoxRJB	563283	Spare	10amp	5.1
F151	FuseBoxRJB	563284	Spare	15amp	5.1
F152	FuseBoxRJB	563283	Spare	10amp	5.1
F156	RJB	560893	Unican	3Amp	200.7
F199	RJB	564520	RADFans	300Amp	13.1
F200	Parcel_Rack_LH_1st_Cmpt_	563284	12VDmemory	15Amp	35.6
F201	Parcel_Rack_LH_1st_Cmpt_	563284	12Vignition	15Amp	35.6
F202	Parcel_Rack_LH_1st_Cmpt_	563284	24Vignitionspare	15Amp	35.6
F203	Parcel_Rack_LH_1st_Cmpt_	563282	24Vmonitors	20Amp	35.6
F209	RJB	564174	PreHeat	150Amp	14.1
F210	FuseBoxP-RACK	563283	24VD ISM	10amp	60.3
F211	FuseBoxP-RACK	563283	24VD ISM	10amp	60.3
F212	FuseBoxP-RACK	563283	24VD ISM	10amp	60.3
F214	FuseBoxP-RACK	563283	24VD	10amp	60.3
F215	FuseBoxP-RACK	563283	24VD	10amp	60.3
F216	FuseBoxP-RACK	563283	24VD	10amp	60.3
F218	FuseBoxP-RACK	563283	12VD ISM	10amp	60.3
F219	FuseBoxP-RACK	563283	12VD ISM	10amp	60.3
F220	FuseBoxP-RACK	563283	12VD ISM	10amp	60.3
F222	FuseBoxP-RACK	563283	12VI	10amp	60.3
F223	FuseBoxP-RACK	563283	12VI	10amp	60.3
F224	FuseBoxP-RACK	563283	12VI	10amp	60.3
F243	RJB	560893	24VwhileEvap.relaypowered	3Amp	18.2
F302	VECT	563282	VECTTrailerinterface	20amp	26.4
F303	VECT	563282	VECTTrailerinterface	20amp	26.4
F304	VECT	563282	VECTTrailerinterface	20amp	26.4
F305	VECT	563284	VECTTrailerinterface	15amp	26.4
F306	VECT	563284	VECTTrailerinterface	15amp	26.4
F307	VECT	563284	VECTTrailerinterface	15amp	26.4
F302A	VECT	563284	VECTTrailerinterface	15amp	26.4
F303A	VECT	563284	VECTTrailerinterface	15amp	26.4
F304A	VECT	563284	VECTTrailerinterface	15amp	26.4
F400	FuseBoxRJB	563153	Mo7Cond	15amp	3.1
F401	FuseBoxRJB	563153	Mo8Cond	15amp	3.1
F402	FuseBoxRJB	563153	Mo27Cond	15amp	3.1
F403	FuseBoxRJB	563153	Mo28Cond	15amp	3.1

## Breakers list

Circuit ID	Location	Part #	Function	Rating	Page
CB1	RJB	563708	24 WUP FJB	90 A	3.1_Main_Disti 2 C
CB2	RJB	568113	12ECU & 12VD FJB	70 A	3.1_Main_Disti 2 C
CB3	RJB	563708	HVAC passengers	90 A	3.1_Main_Disti 2 C
CB5	RJB	563708	24 WUP RJB	90 A	3.1_Main_Disti 2 C
CB6	RJB	568113	24VD RJB & WCL	70 A	3.1_Main_Disti 2 C
CB8	RJB	563708	12 WUP RJB	90 A	3.1_Main_Disti 3 C
CB9	RJB	563707	Battery charger	70 A	3.1_Main_Disti 2 C
CB11	RJB	568127	VSS	50 A	3.1_Main_Disti 3 C
CB13	RJB	568114	120VAC outlets	150 A	3.1_Main_Disti 3 C
CB15	RJB	563708	Cust. Adapt. aux. batt. In lugg. compt	90 A	3.1_Main_Disti 4 C
CB48	FJB_VECF	564464	Wipers	20 A	4.2_Dist_24V_FJB 2 C
CB128	FJB_VECF	564342	24VD FJB	30 A	5.1_Dist_RJB 1 C
CB215	FJB_VECF	564340	Power cond. axial fan	15 A	18.2_HvacPass 3 A
CB216	FJB_VECF	564340	Power cond. axial fan	15 A	18.2_HvacPass 3 A
CB217	FJB_VECF	564340	Power cond. axial fan	15 A	18.2_HvacPass 3 A
CB218	FJB_VECF	564340	Power cond. axial fan	15 A	18.2_HvacPass 3 A

# FUSES LIST

No	Location	Part #	Function	Rating	Page
F1	RJB	564520	Ultracap	300A	43.2
F4	FuseBoxFJB	563280	TGW/IShPwr	5amp	4.2
F10	FuseBoxFJB	563280	OBDC&Clust	5amp	4.1
F11	FuseBoxFJB	563282	Horn	20amp	4.1
F12	FuseBoxFJB	563284	Spare	15amp	4.1
F13	FuseBoxFJB	563284	12VDCust	15amp	4.1
F14	FuseBoxFJB	563165	Spare	30amp	4.1
F15	FuseBoxFJB	563280	Spare	5amp	4.1
F16	FuseBoxFJB	563284	12EngRunCu	15amp	4.1
F17	FuseBoxFJB	563165	A43Pwr	30amp	4.1
F18	FuseBoxFJB	563165	A45Pwr	30amp	4.1
F19	FuseBoxFJB	563165	A46Pwr	30amp	4.1
F20	FuseBoxFJB	563280	A55/A15Pwr	5amp	4.1
F21	FuseBoxFJB	563165	A48Pwr	30amp	4.1
F22	FuseBoxFJB	563280	ELD/ITS Gateway	5amp	4.1
F23	FuseBoxFJB	563165	ESP	30amp	4.1
F24	FuseBoxFJB	563284	12VICust	15amp	4.1
F25	FuseBoxFJB	563284	12VOutlet	15amp	4.1
F26	FuseBoxFJB	563284	BifoldSe	15amp	4.1
F27	FuseBoxFJB	563165	Spare	30amp	4.1
F29	FuseBoxFJB	563283	Shutdown	10amp	4.1
F30	FuseBoxFJB	563280	OBDCcon	5amp	4.1
F33	FuseBoxFJB	563280	A41Pwr	5amp	4.2
F34	FuseBoxFJB	563280	A42Pwr	5amp	4.2
F35	FuseBoxFJB	563280	MCMPwr	5amp	4.2
F36	FuseBoxFJB	563280	StartSw	5amp	4.2
F37	FuseBoxFJB	563280	Haz/ExtDoorSw	5amp	4.2
F39	FuseBoxFJB	563284	24VDCust	15amp	4.2
F40	FuseBoxFJB	563284	AFSSPwr	15amp	4.2
F41	FuseBoxFJB	563280	Spare	5amp	4.2
F42	FuseBoxFJB	563283	IShiftPwr	10amp	4.1
F43	FuseBoxFJB	563282	IShiftPwr	20amp	4.1
F44	FuseBoxFJB	563165	A44Pwr	30amp	4.2
F45	FuseBoxFJB	563165	A47Pwr	30amp	4.2
F46	FuseBoxFJB	563280	A56Pwr	5amp	4.2
F47	FuseBoxFJB	563280	MCM	5amp	4.2
F50	FuseBoxFJB	563165	Defrost	30amp	4.2
F51	FuseBoxFJB	563280	DestSigns	5amp	4.2
F52	FuseBoxFJB	563280	FMSGW	5amp	4.2
F53	FuseBoxFJB	563283	Clock/VSS	10amp	4.2
F54	FuseBoxFJB	563284	Spare	15amp	4.2
F55	FuseBoxFJB	563283	B-UpCam	10amp	4.2
F56	FuseBoxFJB	563284	Spare	15amp	4.2

# FUSES LIST

No	Location	Part #	Function	Rating	Page
F57	FuseBoxFJB	563283	Spare	10amp	4.2
F58	FuseBoxFJB	563284	Spare	15amp	4.2
F73	FuseBoxRJB	563283	EngECU	20amp	5.1
F90	FuseBoxRJB	563282	UreaSys	20amp	5.1
F91	FuseBoxRJB	563282	EngECU	20amp	5.1
F95	FuseBoxFJB	563280	TGW/ISHPwr	5amp	4.2
F96	FuseBoxRJB	563282	ACM24VD	20amp	5.1
F99	FuseBoxRJB	563165	EngECU	30amp	5.1
F100	FuseBoxRJB	563283	EngECU	10amp	5.1
F101	FuseBoxRJB	564520	PwrR1	300Amp	3.1
F102	RJB	564520	Invertes	300A	3.1
F103	RJB	564520	Ultracap	300A	5.1
F105	FuseBoxRJB	563282	Spare	20amp	5.1
F106	FuseBoxRJB	563153	A50Pwr	30amp	5.1
F107	FuseBoxRJB	563153	A51Pwr	30amp	5.1
F108	FuseBoxRJB	563280	OBDConPwr	5amp	5.1
F109	FuseBoxRJB	563280	RrProxSw	5amp	5.1
F110	FuseBoxRJB	563283	TransPwr	10amp	5.1
F112	FuseBoxRJB	563165	Spare	30amp	5.1
F113	FuseBoxRJB	563283	Spare	10amp	5.1
F114	FuseBoxRJB	563284	Spare	15amp	5.1
F115	FuseBoxRJB	563282	Spare	20amp	5.1
F116	FuseBoxRJB	563284	Spare	15amp	5.1
F118	FuseBoxRJB	563284	Trailer	15amp	5.1
F120	FuseBoxRJB	563284	Spare	15amp	5.1
F121	FuseBoxRJB	563284	12WUPCust	15amp	5.1
F122	FuseBoxRJB	563283	Equalizer	10amp	5.1
F123	FuseBoxRJB	563153	Spare	25amp	5.1
F124	FuseBoxRJB	563153	Spare	25amp	5.1
F126	FuseBoxRJB	563280	R29/So11	5amp	5.1
F127	FuseBoxRJB	563284	Spare	15amp	5.1
F129	FuseBoxRJB	563284	Spare	15amp	5.1
F130	FuseBoxRJB	563284	Spare	25amp	5.1
F131	FuseBoxRJB	563280	24VDCust	5amp	5.1
F132	FuseBoxRJB	563280	A57Pwr	5amp	5.1
F133	FuseBoxRJB	563165	A49Pwr	30amp	5.1
F134	FuseBoxRJB	563165	A52Pwr	30amp	5.1
F135	FuseBoxRJB	563165	A54Pwr	30amp	5.1
F136	FuseBoxRJB	563165	A53Pwr	30amp	5.1
F137	FuseBoxRJB	563280	Spare	5amp	5.1
F138	FuseBoxRJB	563280	LampChime	5amp	5.1
F139	FuseBoxRJB	563283	Altern	10amp	5.1
F140	FuseBoxRJB	563283	Spare	10amp	5.1

# FUSES LIST

No	Location	Part #	Function	Rating	Page
F145	FuseBoxRJB	563284	Spare	15amp	5.1
F146	FuseBoxRJB	563283	Spare	10amp	5.1
F147	FuseBoxRJB	563284	24Wupcust	15amp	5.1
F148	FuseBoxRJB	563165	VSS	30amp	5.1
F149	FuseBoxRJB	563284	Urea	20amp	5.1
F150	FuseBoxRJB	563283	Pre-heat	25amp	5.1
F151	FuseBoxRJB	563284	Pre-heat	25amp	5.1
F152	FuseBoxRJB	563283	WaterPump	15amp	5.1
F156	RJB	560893	Unican	3Amp	200.7
F199	RJB	564520	RADFans	300Amp	13.1
F200	Parcel_Rack_LH_1st_Cmpt_	563284	12VDmemory	15Amp	35.6
F201	Parcel_Rack_LH_1st_Cmpt_	563284	12Vignition	15Amp	35.6
F202	Parcel_Rack_LH_1st_Cmpt_	563284	24Vignitionspare	15Amp	35.6
F203	Parcel_Rack_LH_1st_Cmpt_	563282	24Vmonitors	20Amp	35.6
F209	RJB	564174	PreHeat	150Amp	14.1
F210	FuseBoxP-RACK	563283	24VD ISM	10amp	60.3
F211	FuseBoxP-RACK	563283	24VD ISM	10amp	60.3
F212	FuseBoxP-RACK	563283	24VD ISM	10amp	60.3
F214	FuseBoxP-RACK	563283	24VD	10amp	60.3
F215	FuseBoxP-RACK	563283	24VD	10amp	60.3
F216	FuseBoxP-RACK	563283	24VD	10amp	60.3
F218	FuseBoxP-RACK	563283	12VD ISM	10amp	60.3
F219	FuseBoxP-RACK	563283	12VD ISM	10amp	60.3
F220	FuseBoxP-RACK	563283	12VD ISM	10amp	60.3
F222	FuseBoxP-RACK	563283	12VI	10amp	60.3
F223	FuseBoxP-RACK	563283	12VI	10amp	60.3
F224	FuseBoxP-RACK	563283	12VI	10amp	60.3
F243	RJB	560893	24VwhileEvap.relaypowered	3Amp	18.2
F302	VECT	563282	VECTTrailerinterface	20amp	26.4
F303	VECT	563282	VECTTrailerinterface	20amp	26.4
F304	VECT	563282	VECTTrailerinterface	20amp	26.4
F305	VECT	563284	VECTTrailerinterface	15amp	26.4
F306	VECT	563284	VECTTrailerinterface	15amp	26.4
F307	VECT	563284	VECTTrailerinterface	15amp	26.4
F302A	VECT	563284	VECTTrailerinterface	15amp	26.4
F303A	VECT	563284	VECTTrailerinterface	15amp	26.4
F304A	VECT	563284	VECTTrailerinterface	15amp	26.4
F400	FuseBoxRJB	563153	Mo7Cond	15amp	3.1
F401	FuseBoxRJB	563153	Mo8Cond	15amp	3.1
F402	FuseBoxRJB	563153	Mo27Cond	15amp	3.1
F403	FuseBoxRJB	563153	Mo28Cond	15amp	3.1

# FUSES LIST

No	Location	Part #	Function	Rating	Page
F1	RJB	564520	Ultracap	300A	43.2
F2	RJB	562396	*opt*	3Amp	sheet1
F3	RJB	562396	*opt*	3Amp	sheet1
F4	FuseBoxFJB	563280	IShPwr	5amp	4.2
F10	FuseBoxFJB	563280	OBD&Clust	5amp	4.1
F11	FuseBoxFJB	563282	Horn	20amp	4.1
F12	FuseBoxFJB	563284	Spare	15amp	4.1
F13	FuseBoxFJB	563284	12VDCust	15amp	4.1
F14	FuseBoxFJB	563165	Spare	30amp	4.1
F15	FuseBoxFJB	563280	TGW	5amp	4.1
F16	FuseBoxFJB	563284	12EngRunCu	15amp	4.1
F17	FuseBoxFJB	563165	A43Pwr	30amp	4.1
F18	FuseBoxFJB	563165	A45Pwr	30amp	4.1
F19	FuseBoxFJB	563165	A46Pwr	30amp	4.1
F20	FuseBoxFJB	563280	A55/A15Pwr	5amp	4.1
F21	FuseBoxFJB	563165	A48Pwr	30amp	4.1
F22	FuseBoxFJB	563280	ELD	5amp	4.1
F23	FuseBoxFJB	563165	ESP	30amp	4.1
F24	FuseBoxFJB	563284	12VICust	15amp	4.1
F25	FuseBoxFJB	563284	12VOutlet	15amp	4.1
F26	FuseBoxFJB	563284	BifoldSe	15amp	4.1
F27	FuseBoxFJB	563165	Spare	30amp	4.1
F29	FuseBoxFJB	563283	Shutdown	10amp	4.1
F30	FuseBoxFJB	563280	OBDCon	5amp	4.1
F33	FuseBoxFJB	563280	A41Pwr	5amp	4.2
F34	FuseBoxFJB	563280	A42Pwr	5amp	4.2
F35	FuseBoxFJB	563280	MCMPwr	5amp	4.2
F36	FuseBoxFJB	563280	StartSw	5amp	4.2
F37	FuseBoxFJB	563280	Haz/ExtDoorSw	5amp	4.2
F39	FuseBoxFJB	563284	24VDCust	15amp	4.2
F40	FuseBoxFJB	563284	AFSSPwr	15amp	4.2
F41	FuseBoxFJB	563280	Spare	5amp	4.2
F42	FuseBoxFJB	563283	IShiftPwr	10amp	4.1
F43	FuseBoxFJB	563282	IShiftPwr	20amp	4.1
F44	FuseBoxFJB	563165	A44Pwr	30amp	4.2
F45	FuseBoxFJB	563165	A47Pwr	30amp	4.2
F46	FuseBoxFJB	563280	A56Pwr	5amp	4.2
F47	FuseBoxFJB	563280	MCM	5amp	4.2
F50	FuseBoxFJB	563165	Defrost	30amp	4.2
F51	FuseBoxFJB	563280	DestSigns	5amp	4.2
F52	FuseBoxFJB	563280	FMSGW	5amp	4.2
F53	FuseBoxFJB	563283	Clock/VSS	10amp	4.2
F54	FuseBoxFJB	563284	Spare	15Amp	4.2

# FUSES LIST

No	Location	Part #	Function	Rating	Page
F55	FuseBoxFJB	563283	B-UpCam	10amp	4.2
F56	FuseBoxFJB	563284	Spare	15amp	4.2
F57	FuseBoxFJB	563283	Spare	10amp	4.2
F58	FuseBoxFJB	563284	Spare	15amp	4.2
F73	FuseBoxRJB	563282	EngECU	20amp	5.1
F90	FuseBoxRJB	563282	UreaSys	20amp	5.1
F91	FuseBoxRJB	563282	EngECU	20amp	5.1
F95	FuseBoxFJB	563280	FMSGW/ISHIFT	5amp	4.2
F96	FuseBoxRJB	563280	VECUPwr	5amp	5.1
F99	FuseBoxRJB	563165	EngECU	30amp	5.1
F100	FuseBoxRJB	563283	Spare	10amp	5.1
F101	FuseBoxRJB	564520	PwrR1	300Amp	3.1
F102	RJB	564520	Inverters	300A	3.1
F103	RJB	564520	Ultracap	300A	3.1
F105	FuseBoxRJB	563282	Spare	20amp	5.1
F106	FuseBoxRJB	563165	A50Pwr	30amp	5.1
F107	FuseBoxRJB	563165	A51Pwr	30amp	5.1
F108	FuseBoxRJB	563280	OBDConPwr	5amp	5.1
F109	FuseBoxRJB	563280	RrProxSw	5amp	5.1
F110	FuseBoxRJB	563283	TransPwr	10amp	5.1
F112	FuseBoxRJB	563165	Spare	30amp	5.1
F113	FuseBoxRJB	563283	Spare	10amp	5.1
F114	FuseBoxRJB	563284	Spare	15amp	5.1
F115	FuseBoxRJB	563282	Spare	20amp	5.1
F116	FuseBoxRJB	563284	Spare	15amp	5.1
F117	FuseBoxRJB	563282	Trailer	20amp	5.1
F118	FuseBoxRJB	563284	Trailer	15amp	5.1
F119	FuseBoxRJB	563165	Trailer	30amp	5.1
F120	FuseBoxRJB	563284	Spare	15amp	5.1
F121	FuseBoxRJB	563284	12WUPCust	15amp	5.1
F122	FuseBoxRJB	563283	Equalizer	10amp	5.1
F123	FuseBoxRJB	563153	Spare	25amp	5.1
F124	FuseBoxRJB	563153	Spare	25amp	5.1
F126	FuseBoxRJB	563280	R29/So11	5amp	5.1
F127	FuseBoxRJB	563284	WaterPump	15amp	5.1
F129	FuseBoxRJB	563284	Preheat	15amp	5.1
F130	FuseBoxRJB	563284	Preheat	25amp	5.1
F131	FuseBoxRJB	563280	24VDCust	5amp	5.1
F132	FuseBoxRJB	563280	A57Pwr	5amp	5.1
F133	FuseBoxRJB	563165	A49Pwr	30amp	5.1
F134	FuseBoxRJB	563165	A52Pwr	30amp	5.1
F135	FuseBoxRJB	563165	A54Pwr	30amp	5.1
F136	FuseBoxRJB	563165	A53Pwr	30amp	5.1



# FUSES LIST

No	Location	Part #	Function	Rating	Page
F137	FuseBoxRJB	563280	RMaxTemp	5amp	5.1
F138	FuseBoxRJB	563280	LampChime	5amp	5.1
F139	FuseBoxRJB	563283	Altern	10amp	5.1
F140	FuseBoxRJB	563283	Spare	10amp	5.1
F141	FuseBoxRJB	563153	Mo7Cond	25amp	5.1
F142	FuseBoxRJB	563153	Mo8Cond	25amp	5.1
F143	FuseBoxRJB	563153	Mo27Cond	25amp	5.1
F144	FuseBoxRJB	563153	Mo28Cond	25amp	5.1
F145	FuseBoxRJB	563153	Spare	25amp	5.1
F146	FuseBoxRJB	563283	Spare	10amp	5.1
F147	FuseBoxRJB	563284	24Wupcust	15amp	5.1
F148	FuseBoxRJB	563165	VSS	30amp	5.1
F149	FuseBoxRJB	563282	UreaSystem	20amp	5.1
F150	FuseBoxRJB	563283	Spare	25amp	5.1
F151	FuseBoxRJB	563284	Spare	25amp	5.1
F152	FuseBoxRJB	563283	Spare	15amp	5.1
F156	RJB	560893	Unican	3Amp	200.7
F180	RJB	562259	*opt*	5A	43.2
F181	RJB	563165	*opt*	30A	43.2
F199	RJB	564520	RADFans	300Amp	13.1
F200	Parcel_Rack_LH_1st_Cmpt_	563284	VSSHDMI	15Amp	35.6
F201	Parcel_Rack_LH_1st_Cmpt_	563284	VSSHDMI	15Amp	35.6
F202	Parcel_Rack_LH_1st_Cmpt_	563284	VSSHDMI	15Amp	35.6
F203	Parcel_Rack_LH_1st_Cmpt_	563282	VSSHDMI	20Amp	35.6
F209	RJB	564174	*opt*	150Amp	3.1
F210	FuseBoxP-RACK	563283	24VDISM	10amp	60.3
F211	FuseBoxP-RACK	563283	24VDISM	10amp	60.3
F212	FuseBoxP-RACK	563283	24VDISM	10amp	60.3
F214	FuseBoxP-RACK	563283	24VI	10amp	60.3
F215	FuseBoxP-RACK	563283	24VI	10amp	60.3
F216	FuseBoxP-RACK	563283	24VI	10amp	60.3
F218	FuseBoxP-RACK	563283	12VDISM	10amp	60.3
F219	FuseBoxP-RACK	563283	12VDISM	10amp	60.3
F220	FuseBoxP-RACK	563283	12VDISM	10amp	60.3
F222	FuseBoxP-RACK	563283	12VI	10amp	60.3
F223	FuseBoxP-RACK	563283	12VI	10amp	60.3
F224	FuseBoxP-RACK	563283	12VI	10amp	60.3
F243	RJB	560893	24VwhileEvap.relaypowered	3Amp	18.2
F302	VECT	563282	*opt*	20amp	26.6
F303	VECT	563282	*opt*	20amp	26.6
F304	VECT	563282	*opt*	20amp	26.6
F305	VECT	563284	VECTTrailerinterface	15amp	26.4
F306	VECT	563284	VECTTrailerinterface	15amp	26.4



# Wire identification chart

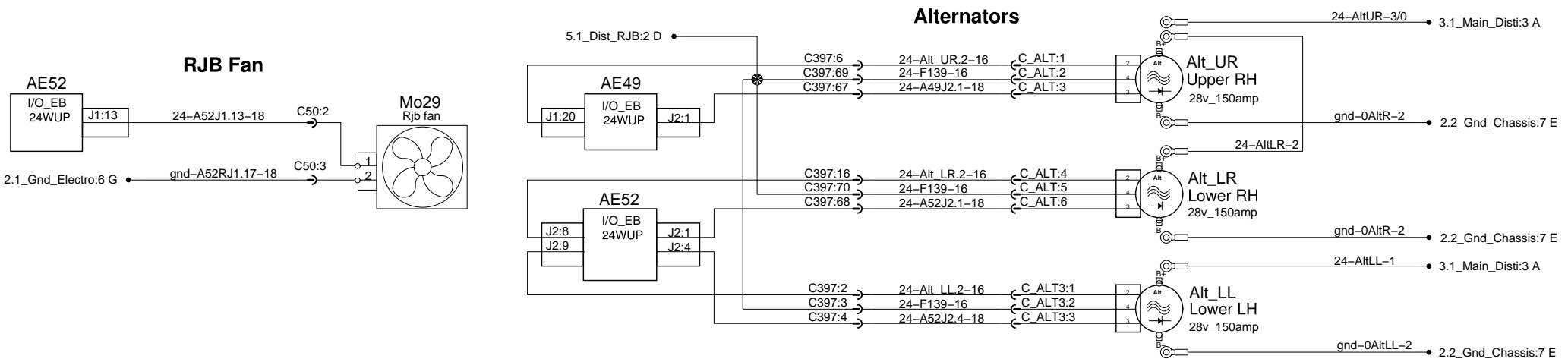
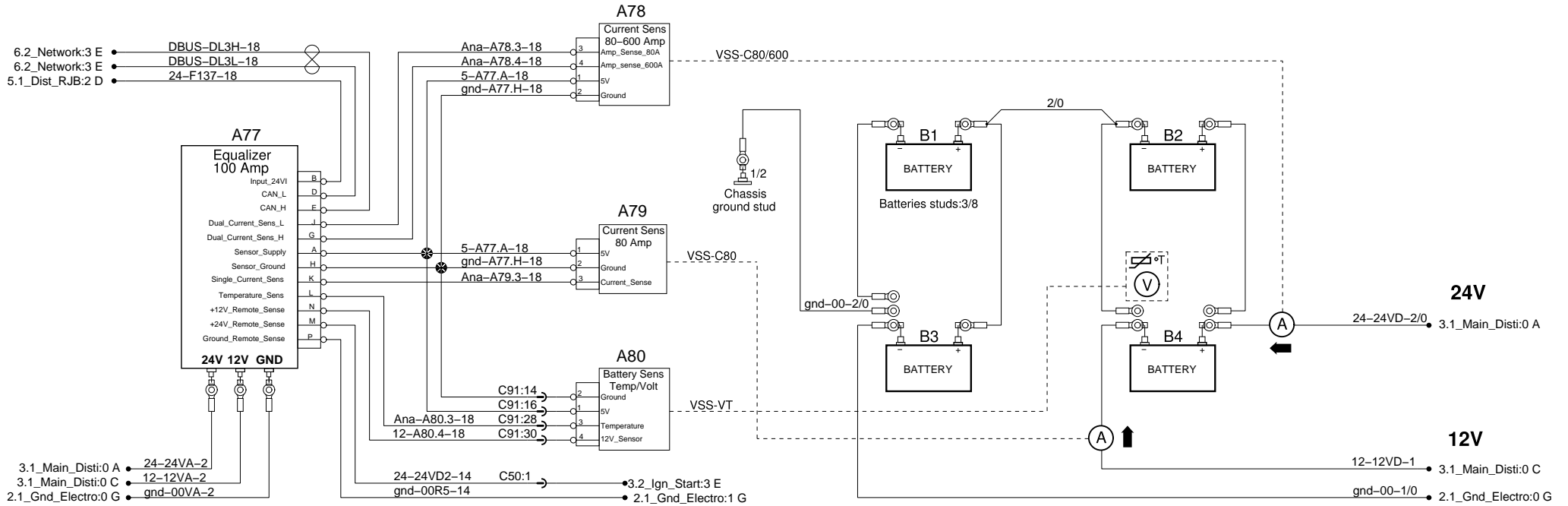
*\*Note that the identification comes from the uphill component.*

Wire identification exemple: 12 - A47J1.8 - 16

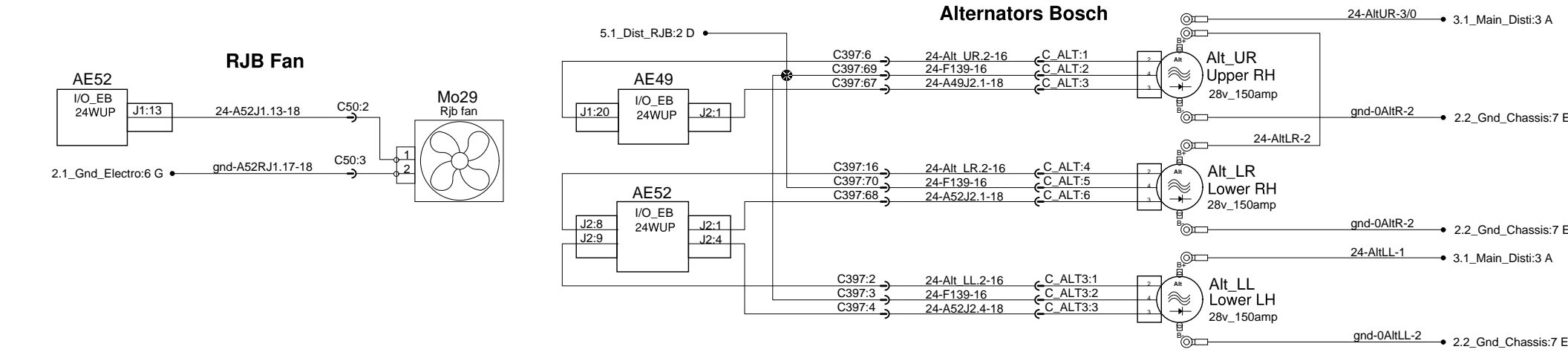
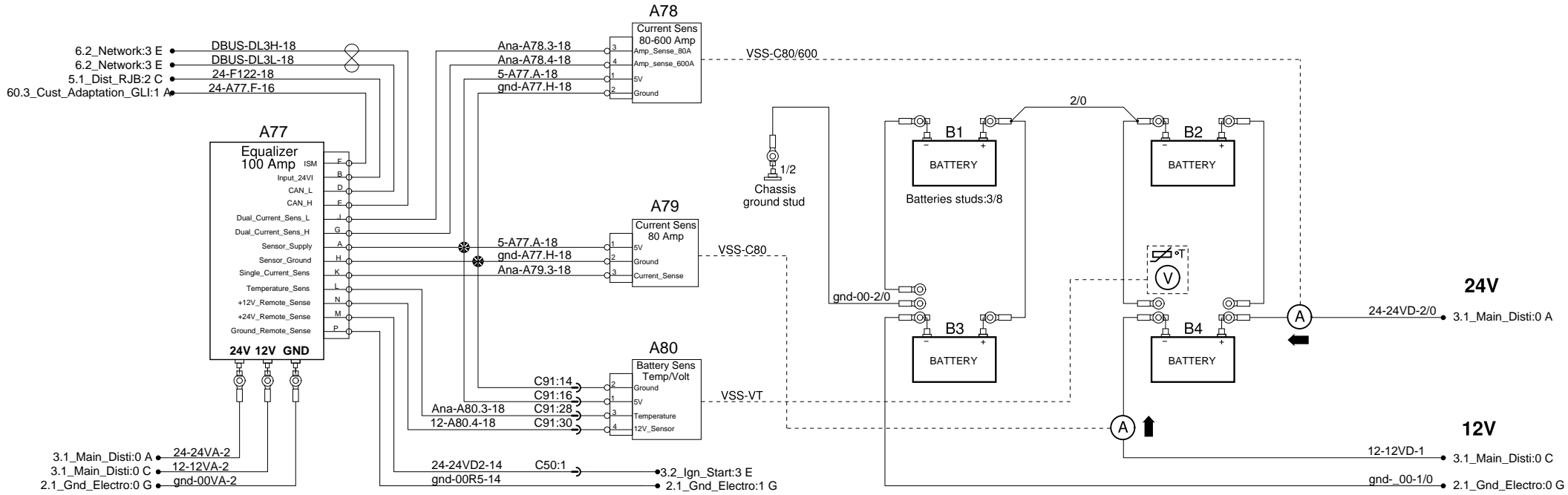


Voltage	Circuit number	Wire size
0		0000
5	<b>Ground circuits:</b>	000
0/12	Electronic = Use I/O module number followed by an "R" and pin number. (ex: A47RJ1.8, A54RJ2.14)	00
0/24	Electronic ground studs = Use number "00" followed with the stud location and sequential number. (ex: 00R1, 00F4)	0
12	Chassis = Use number "0" followed by the ground stud location and sequential number. (ex: 0EV1, 0FH2)	1
24		2
120	<b>Power and voltage carrying circuits:</b>	3
ANA	Power distribution = Use uphill component identification as circuit name. (ex: F96, CB22)	4
BBUS	Multiplex outputs = Use output module number and pin number as circuit name. (ex: A55J1.4, A49J2.9)	6
DATA	Relays, diodes, resistors and any other component outputs =	8
DBUS	Use component name and pin number as circuit name. (ex: Sw55.A, R30.87, D12.B)	10
J1587	<b>Networks:</b>	12
J1939	DL0 = Bbus mux                      DL7 = Engine subnet	14
J2284	DL1 = J1939                              DL9 = Power train subnet	16
LIN	DL2 = J2284                              900 / 901 = J1587	18
PWM	DL3 = Dbus mux	20
GND		22
...OTHER		24

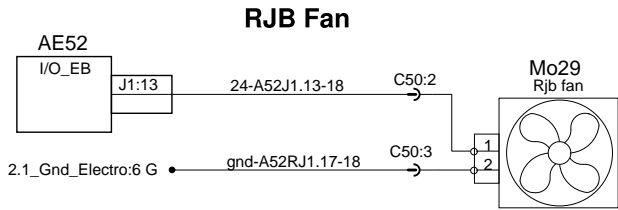
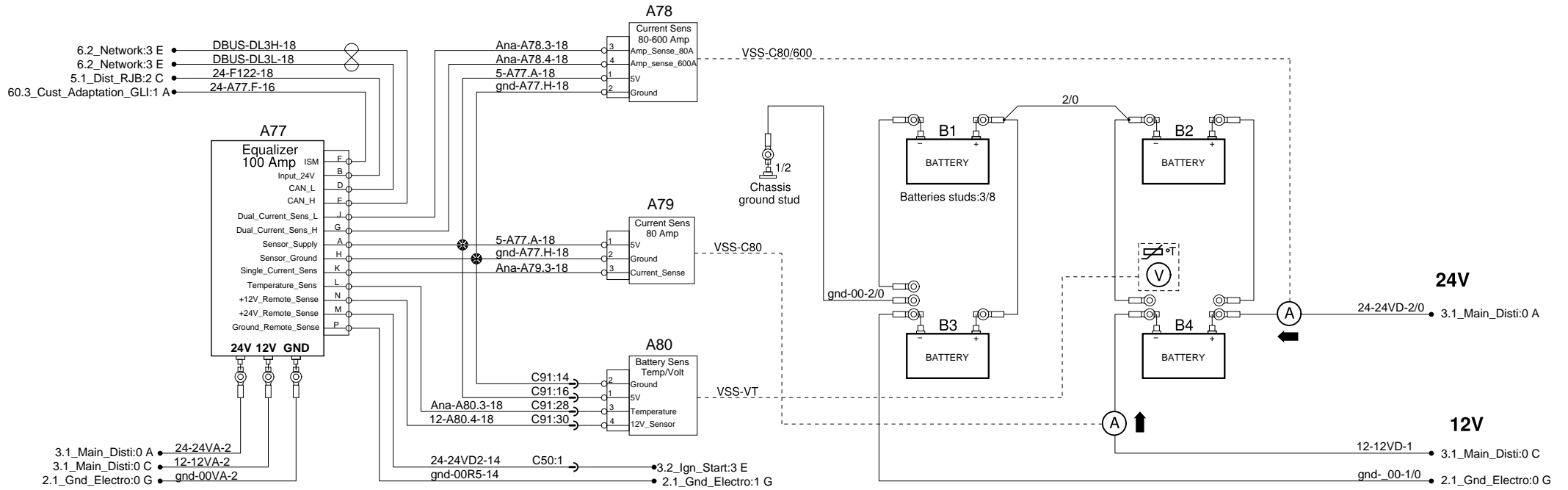
# Batteries and alternators



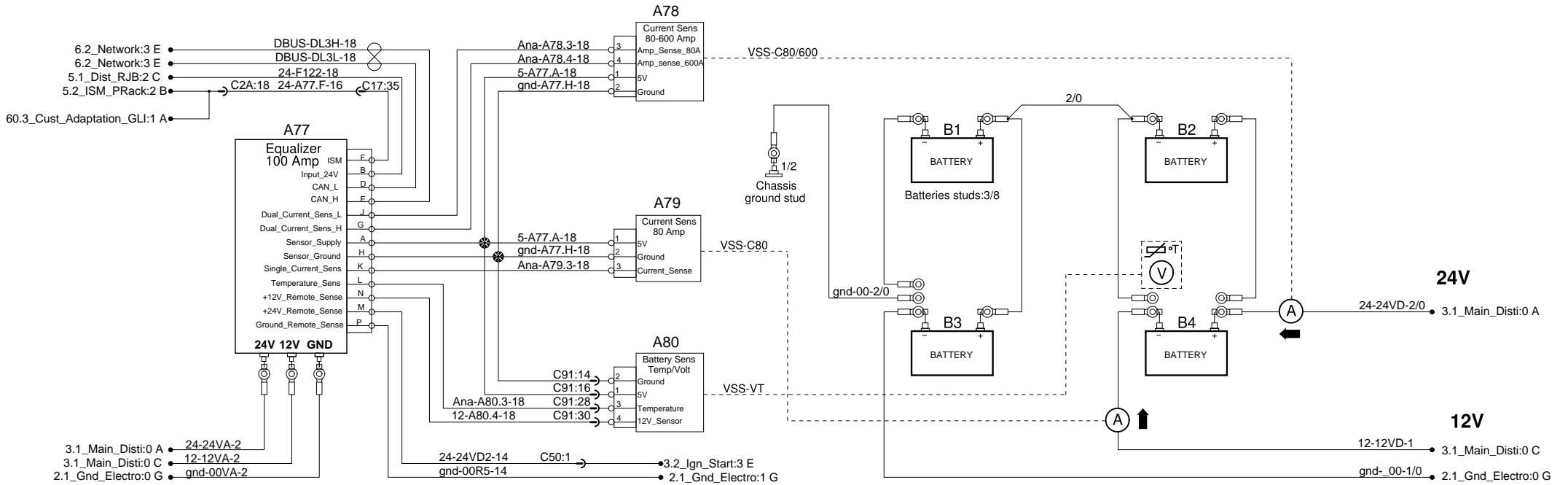
# Batteries and alternators



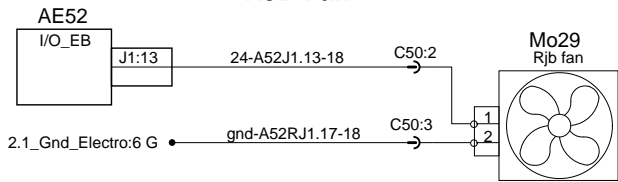
# Batteries and alternators



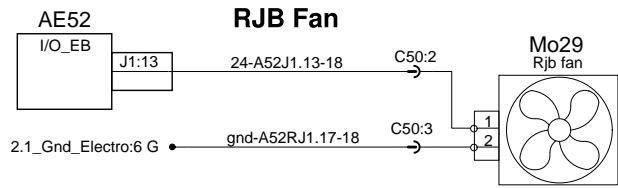
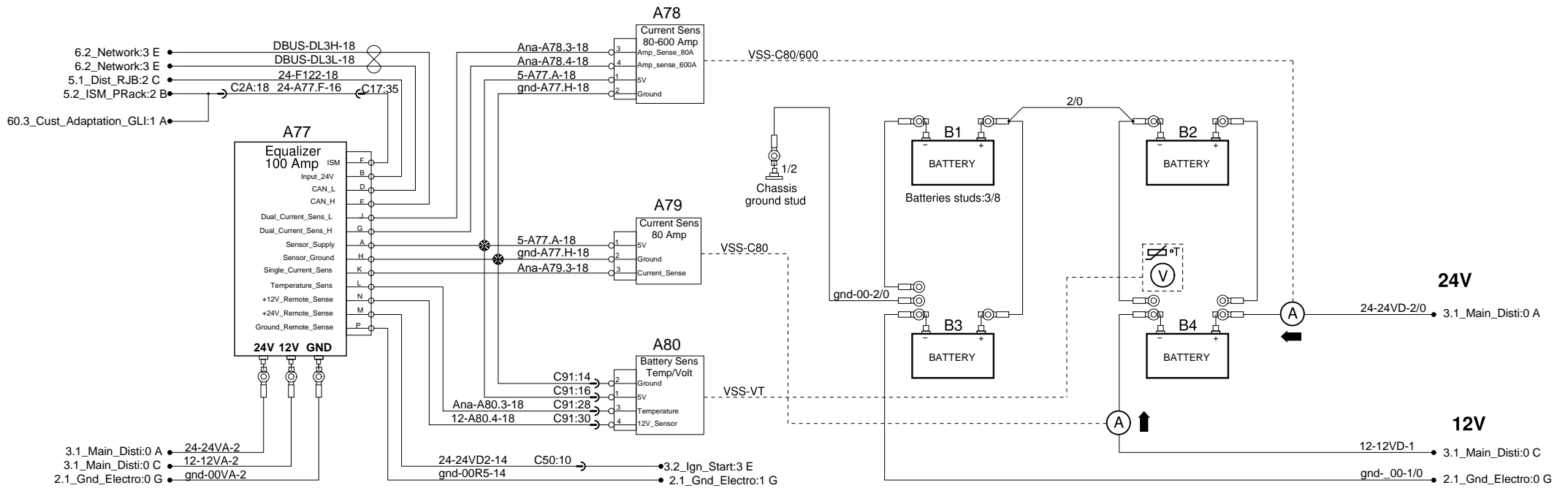
# Batteries and alternators



## RJB Fan

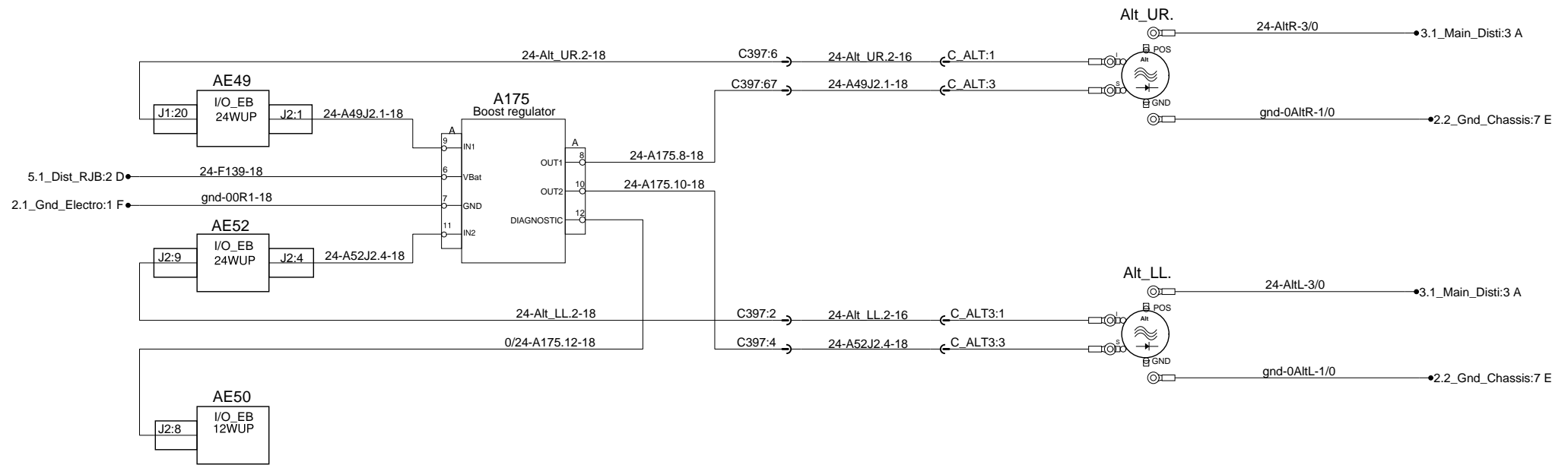


# Batteries and alternators





# Alternators Remy



0

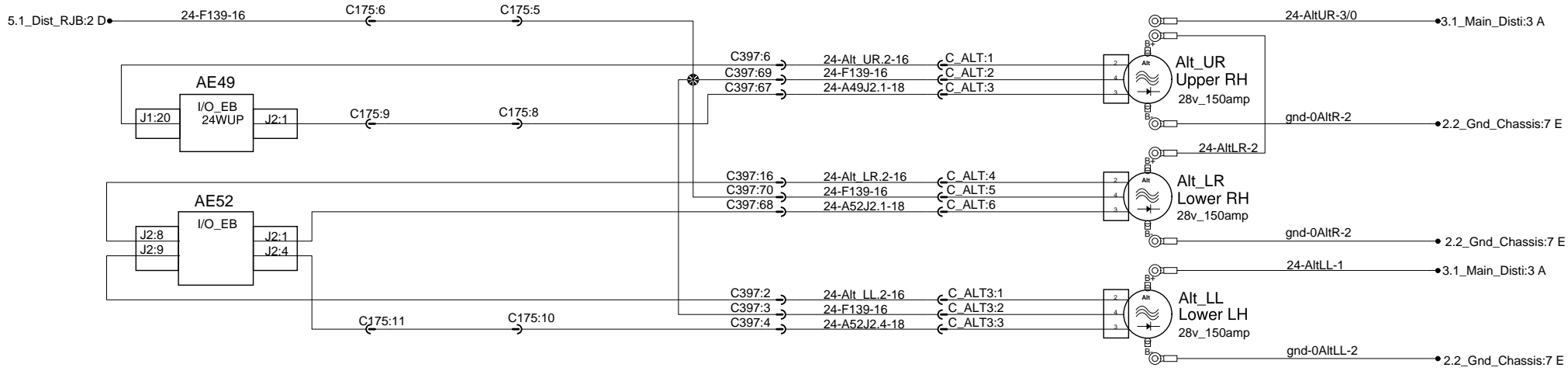
1

2

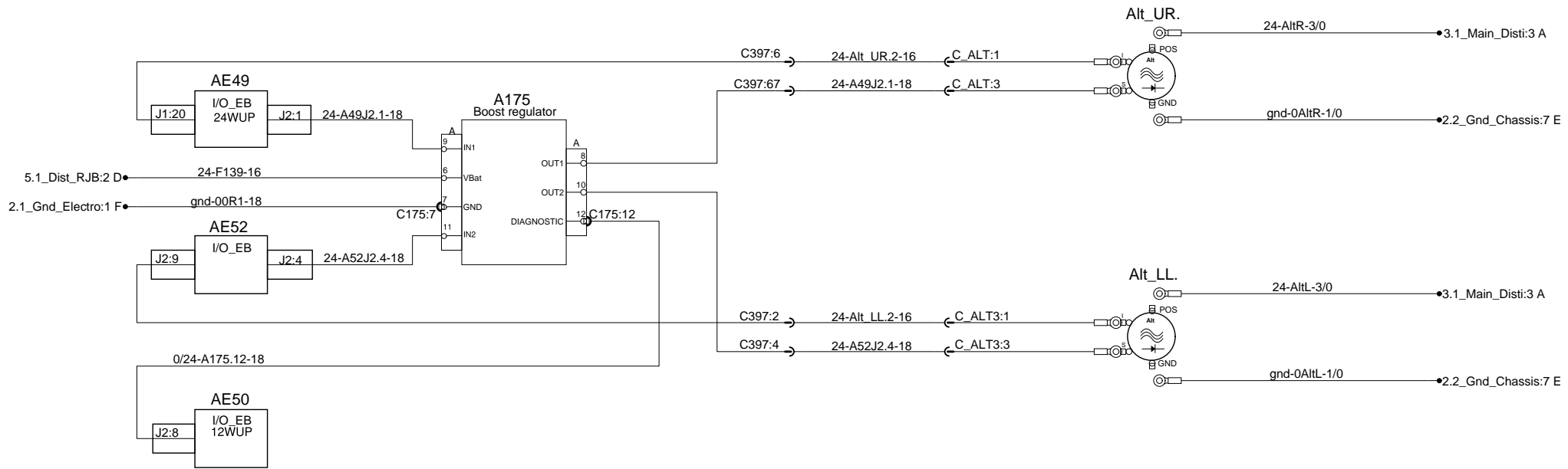
3

4

### Alternators Bosch



### Alternators Remy



0

1

2

3

4

0

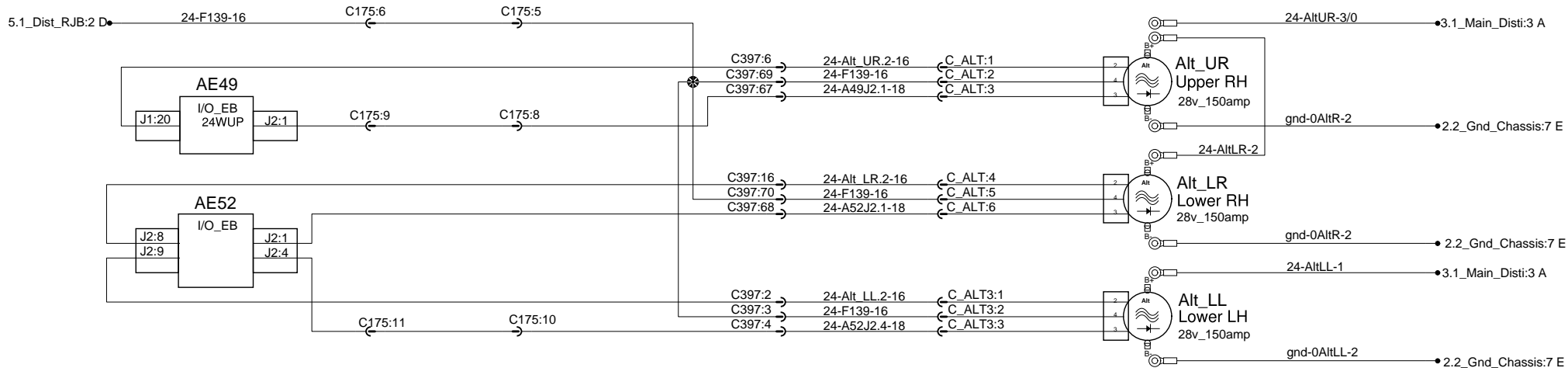
1

2

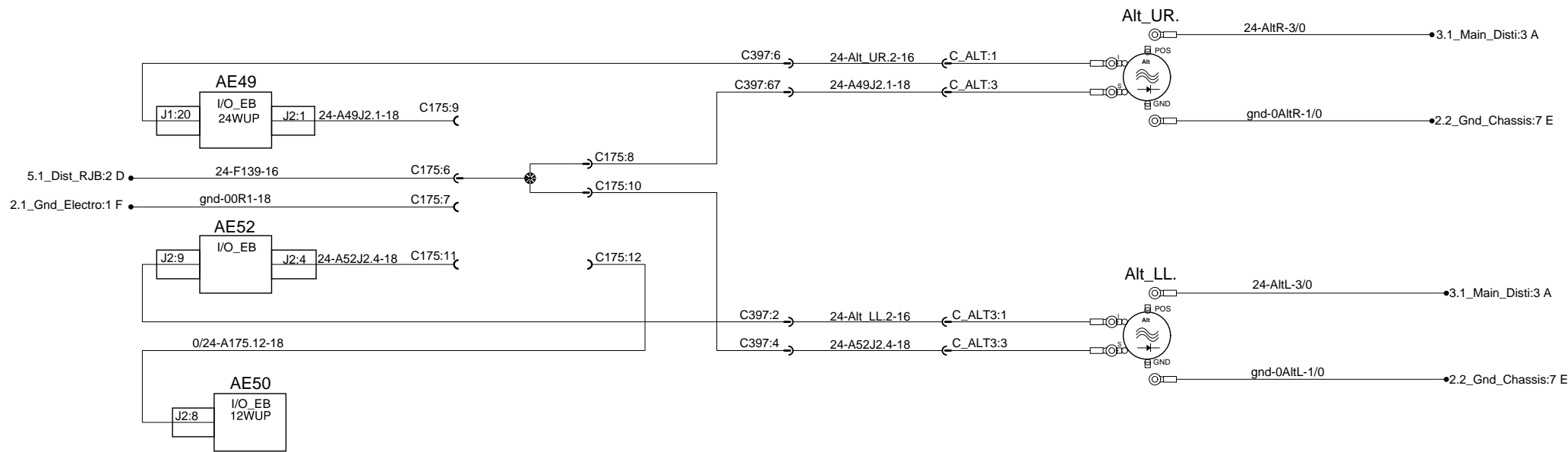
3

4

### Alternators Bosch



### Alternators Remy



0

1

2

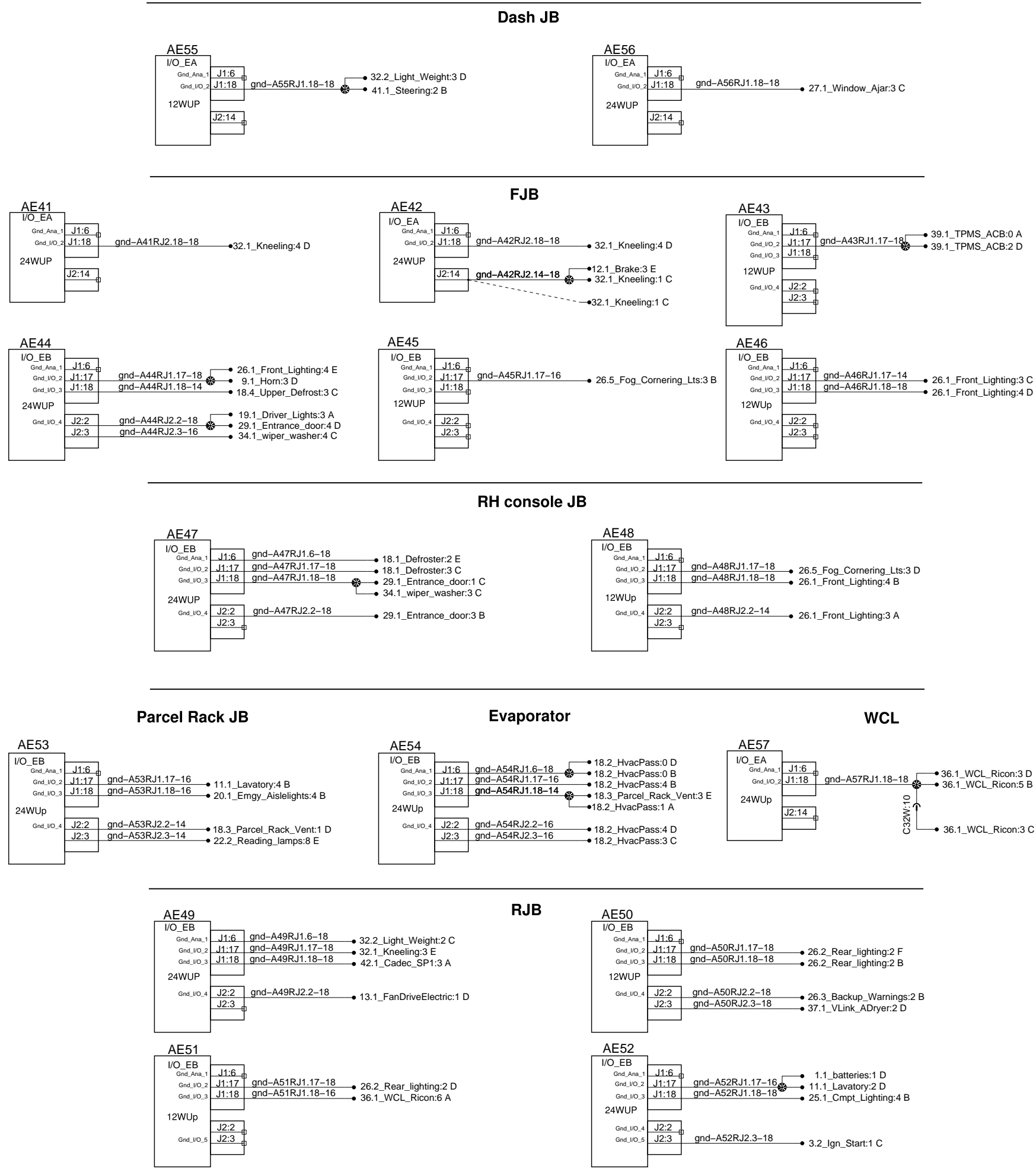
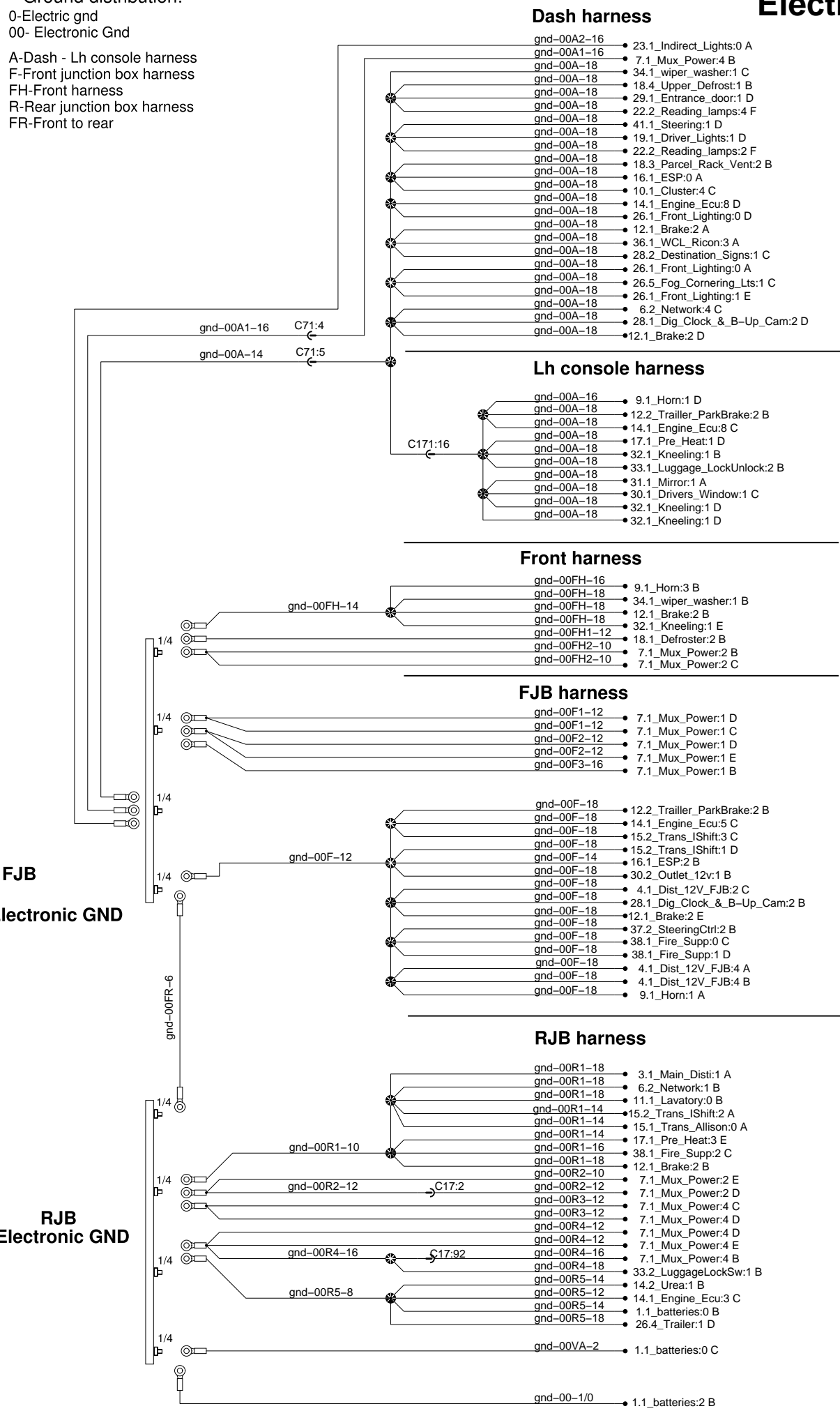
3

4

# Electronic ground distribution

**\*\*Ground distribution:\*\***

- 0-Electric gnd
- 00- Electronic Gnd
- A-Dash - Lh console harness
- F-Front junction box harness
- FH-Front harness
- R-Rear junction box harness
- FR-Front to rear



**\*\*Ground distribution:\*\***

- 0-Electric gnd
- 00- Electronic Gnd
- A-Dash - Lh console harness
- F-Front junction box harness
- FH-Front harness
- R-Rear junction box harness
- FR-Front to rear

# Electronic ground distribution

## Dash harness

- gnd-00A2-16 ● 23.1\_Indirect\_Lights:0 A
- gnd-00A1-16 ● 7.1\_Mux\_Power:4 B
- gnd-00A-18 ● 43.2\_Auxiliary\_Batteries:0 C 43.1\_Ultracap:0 C
- gnd-00A-18 ● 34.1\_wiper\_washer:1 C
- gnd-00A-18 ● 18.4\_Upper\_Defrost:1 B
- gnd-00A-18 ● 29.1\_Entrance\_door:1 D
- gnd-00A-18 ● 22.2\_Reading\_lamps:4 F
- gnd-00A-18 ● 41.1\_Steering:1 D
- gnd-00A-18 ● 19.1\_Driver\_Lights:1 D
- gnd-00A-18 ● 22.2\_Reading\_lamps:2 F
- gnd-00A-18 ● 18.3\_Parcel\_Rack\_Vent:2 B
- gnd-00A-16 ● 16.1\_ESP:0 A
- gnd-00A-18 ● 10.1\_Cluster:3 B
- gnd-00A-18 ● 14.1\_Engine\_Ecu:8 D
- gnd-00A-18 ● 26.1\_Front\_Lighting:0 D
- gnd-00A-18 ● 12.1\_Brake:2 A
- gnd-00A-18 ● 36.1\_WCL\_Ricon:3 A
- gnd-00A-18 ● 28.2\_Destination\_Signs:1 C
- gnd-00A-18 ● 26.1\_Front\_Lighting:0 A
- gnd-00A-18 ● 26.5\_Fog\_Cornering\_Lts:1 C
- gnd-00A-18 ● 26.1\_Front\_Lighting:1 E
- gnd-00A-18 ● 6.2\_Network:4 C
- gnd-00A-18 ● 28.1\_Dig\_Clock\_&\_B-Up\_Cam:2 D
- gnd-00A-18 ● 12.1\_Brake:2 D

## Lh console harness

- gnd-00A-16 ● 9.1\_Horn:1 D
- gnd-00A-18 ● 12.2\_Traillier\_ParkBrake:2 B
- gnd-00A-18 ● 14.1\_Engine\_Ecu:8 C
- gnd-00A-18 ● 17.1\_Pre\_Heat:1 D
- gnd-00A-18 ● 32.1\_Kneeling:1 B
- gnd-00A-18 ● 33.1\_Luggage\_LockUnlock:2 B
- gnd-00A-18 ● 31.1\_Mirror:1 A
- gnd-00A-18 ● 30.1\_Drivers\_Window:1 C
- gnd-00A-18 ● 32.1\_Kneeling:1 D
- gnd-00A-18 ● 32.1\_Kneeling:1 D

## Front harness

- gnd-00FH-16 ● 9.1\_Horn:3 B
- gnd-00FH-18 ● 34.1\_wiper\_washer:1 B
- gnd-00FH-18 ● 12.1\_Brake:2 B
- gnd-00FH-18 ● 32.1\_Kneeling:1 E
- gnd-00FH1-12 ● 18.1\_Defroster:2 B
- gnd-00FH2-10 ● 7.1\_Mux\_Power:2 B
- gnd-00FH2-10 ● 7.1\_Mux\_Power:2 C

## FJB harness

- gnd-00F1-12 ● 7.1\_Mux\_Power:1 D
- gnd-00F1-12 ● 7.1\_Mux\_Power:1 C
- gnd-00F2-12 ● 7.1\_Mux\_Power:1 D
- gnd-00F3-16 ● 7.1\_Mux\_Power:1 E
- gnd-00F3-16 ● 7.1\_Mux\_Power:1 B

- gnd-00F-18 ● 12.2\_Traillier\_ParkBrake:2 B
- gnd-00F-18 ● 14.1\_Engine\_Ecu:5 C
- gnd-00F-18 ● 15.2\_Trans\_IShift:3 C
- gnd-00F-18 ● 15.2\_Trans\_IShift:1 D
- gnd-00F-18 ● 16.1\_ESP:2 B
- gnd-00F-18 ● 30.2\_Outlet\_12v:1 B
- gnd-00F-18 ● 4.1\_Dist\_12V\_FJB:2 C
- gnd-00F-18 ● 28.1\_Dig\_Clock\_&\_B-Up\_Cam:2 B
- gnd-00F-18 ● 12.1\_Brake:2 E
- gnd-00F-18 ● 37.2\_SteeringCtrl:2 B
- gnd-00F-18 ● 38.1\_Fire\_Supp:0 C
- gnd-00F-18 ● 38.1\_Fire\_Supp:1 D
- gnd-00F-18 ● 4.1\_Dist\_12V\_FJB:4 A
- gnd-00F-18 ● 4.1\_Dist\_12V\_FJB:4 B
- gnd-00F-18 ● 9.1\_Horn:1 A

## RJB harness

- gnd-00R1-18 ● 3.1\_Main\_Disti:1 A
- gnd-00R1-18 ● 6.2\_Network:1 B
- gnd-00R1-18 ● 11.1\_Lavatory:0 B
- gnd-00R1-14 ● 15.2\_Trans\_IShift:2 A
- gnd-00R1-14 ● 15.1\_Trans\_Allison:0 A
- gnd-00R1-16 ● 17.1\_Pre\_Heat:3 E
- gnd-00R1-18 ● 38.1\_Fire\_Supp:2 C
- gnd-00R1-18 ● 12.1\_Brake:2 B
- gnd-00R2-10 ● 7.1\_Mux\_Power:2 E
- gnd-00R2-12 ● 7.1\_Mux\_Power:2 D
- gnd-00R3-12 ● 7.1\_Mux\_Power:4 C
- gnd-00R3-12 ● 7.1\_Mux\_Power:4 D
- gnd-00R4-12 ● 7.1\_Mux\_Power:4 E
- gnd-00R4-16 ● 7.1\_Mux\_Power:4 B
- gnd-00R4-18 ● 33.2\_LuggageLockSw:1 B
- gnd-00R5-14 ● 14.2\_Urea:1 B
- gnd-00R5-12 ● 14.1\_Engine\_Ecu:3 C
- gnd-00R5-14 ● 1.1\_batteries:0 B
- gnd-00R5-18 ● 26.4\_Trailer:1 D

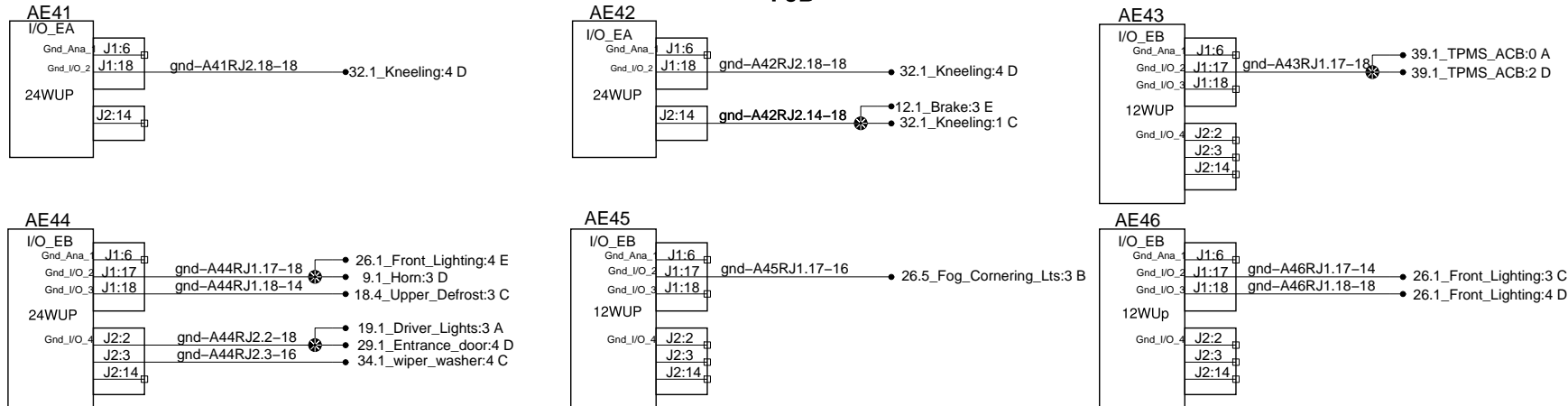
- gnd-00VA-2 ● 1.1\_batteries:0 C

- gnd-00-1/0 ● 1.1\_batteries:2 B

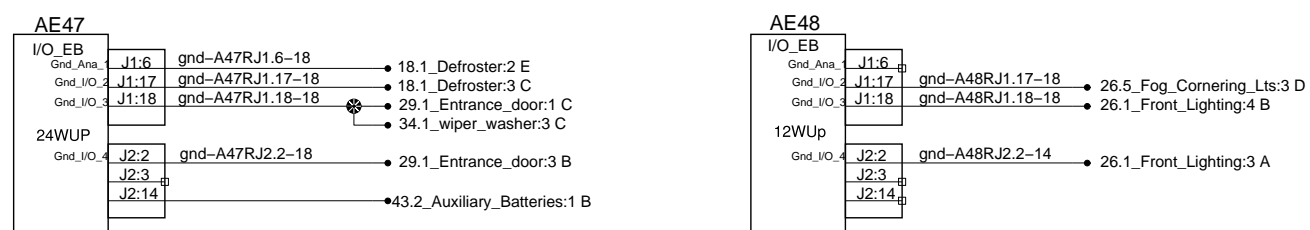
## Dash JB



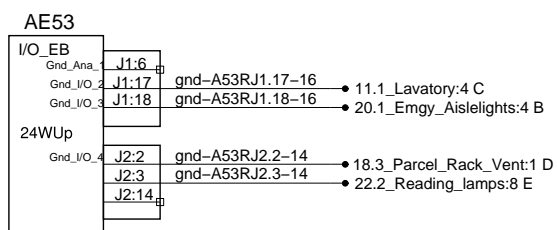
## FJB



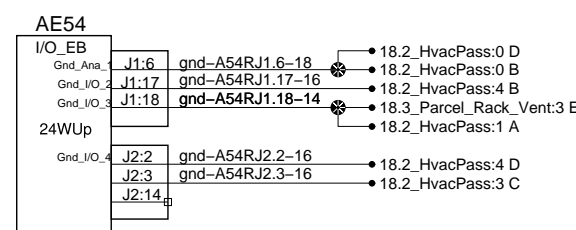
## RH console JB



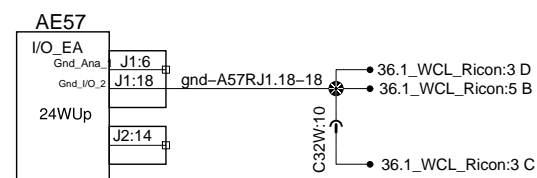
## Parcel Rack JB



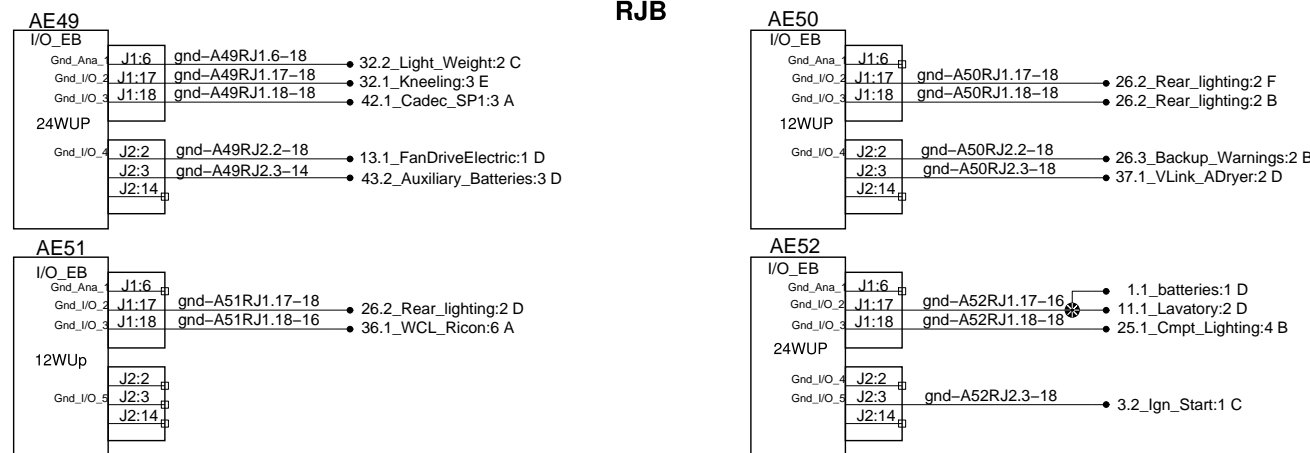
## Evaporator



## WCL



## RJB



## FJB Electronic GND

gnd-00FR-6

## RJB Electronic GND

C17:2, C17:92

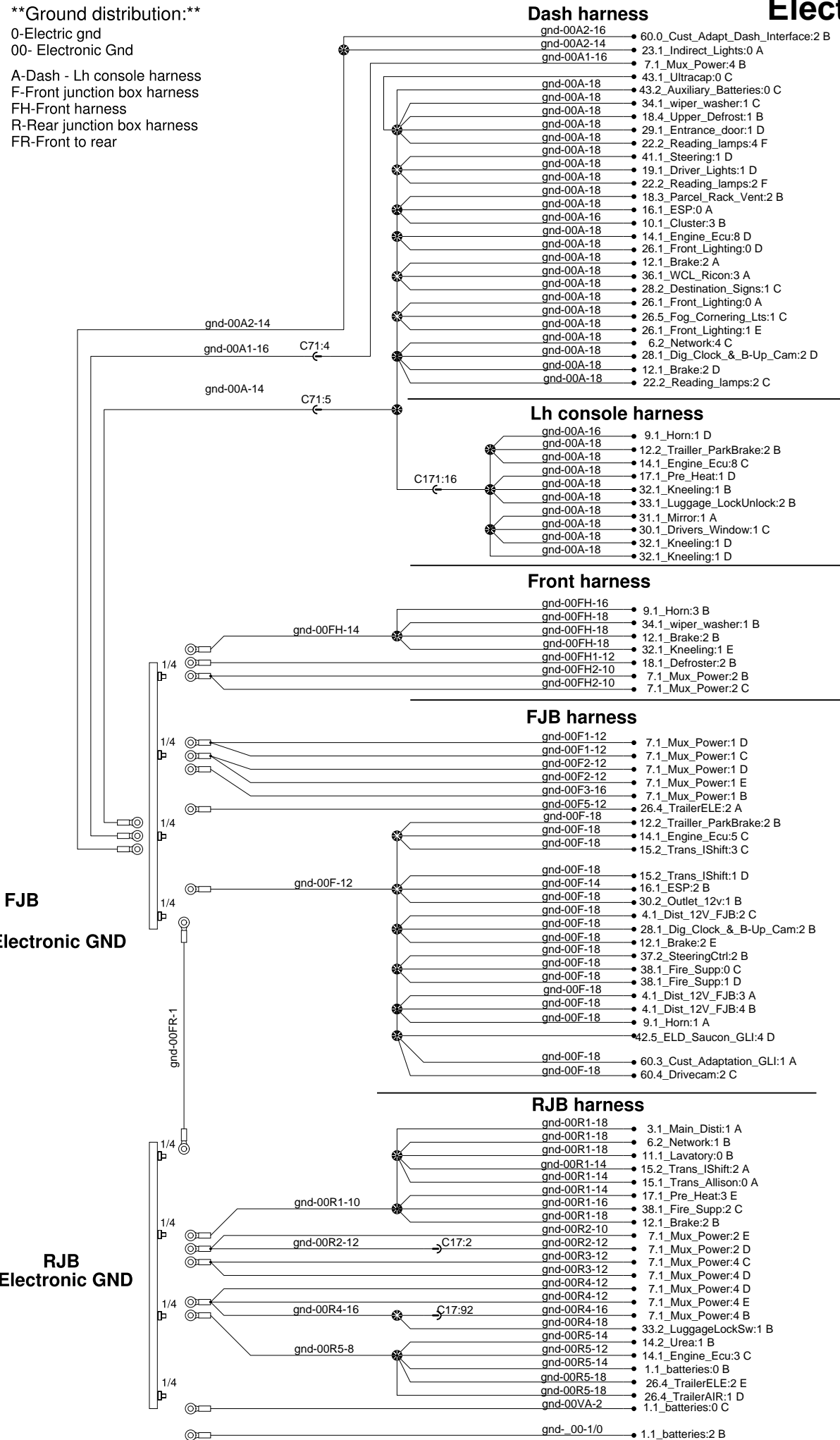
\*\*Ground distribution:\*\*

0-Electric gnd  
00- Electronic Gnd

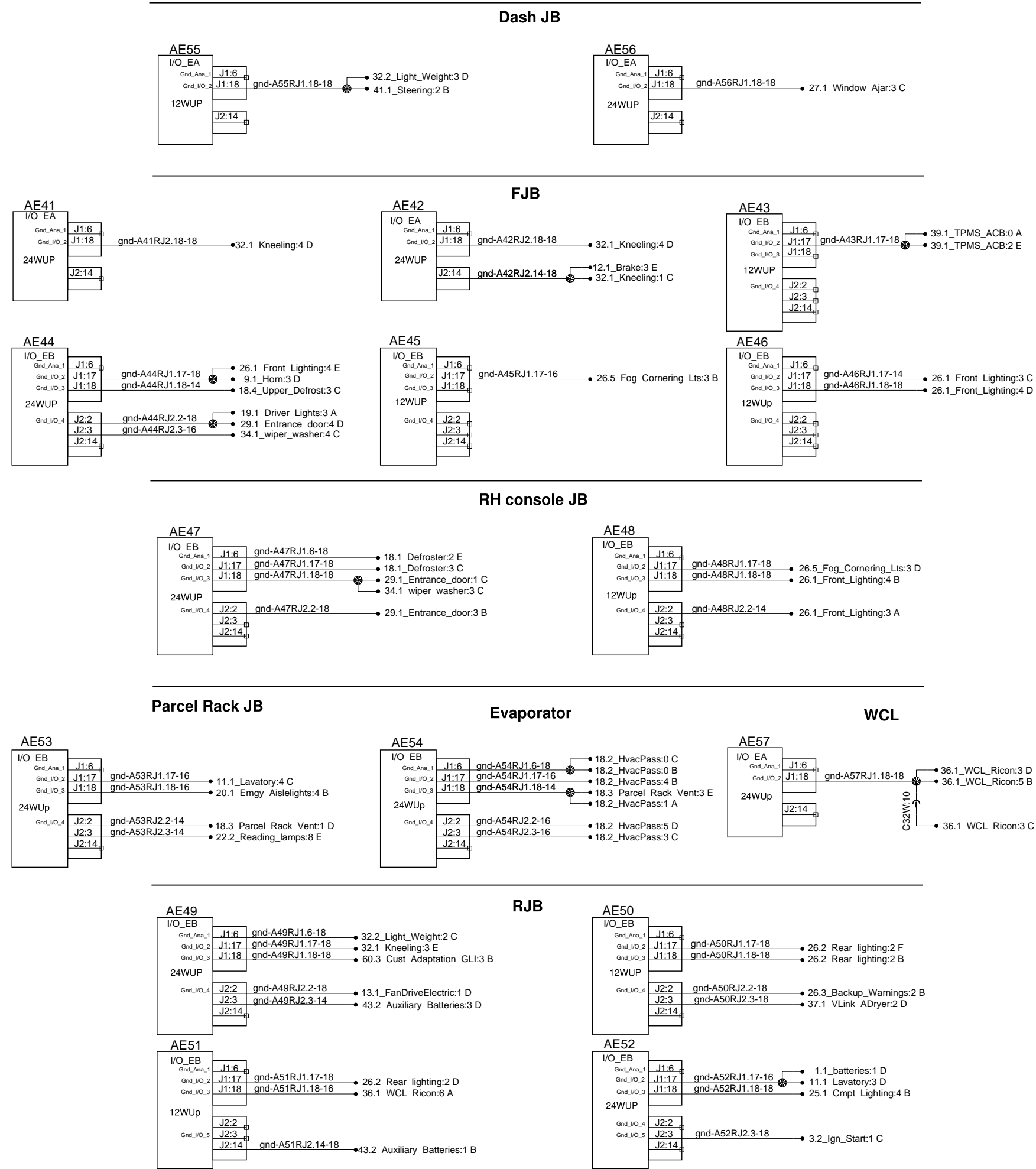
A-Dash - Lh console harness  
F-Front junction box harness  
FH-Front harness  
R-Rear junction box harness  
FR-Front to rear

FJB  
Electronic GND

RJB  
Electronic GND



# Electronic ground distribution

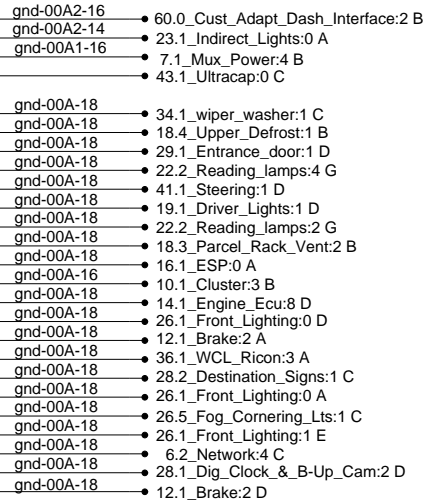


\*\*Ground distribution:\*\*

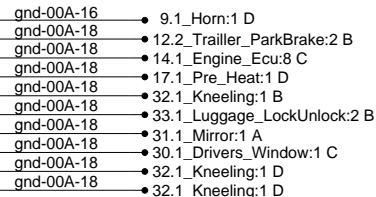
0-Electric gnd  
00- Electronic Gnd

A-Dash - Lh console harness  
F-Front junction box harness  
FH-Front harness  
R-Rear junction box harness  
FR-Front to rear

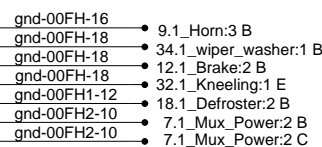
### Dash harness



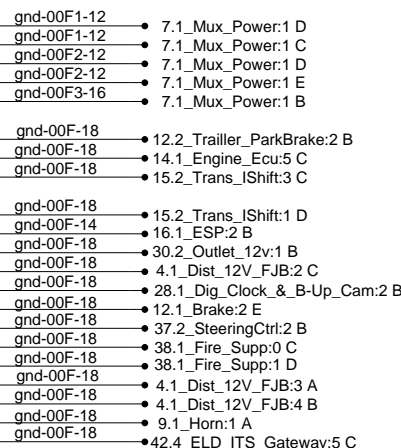
### Lh console harness



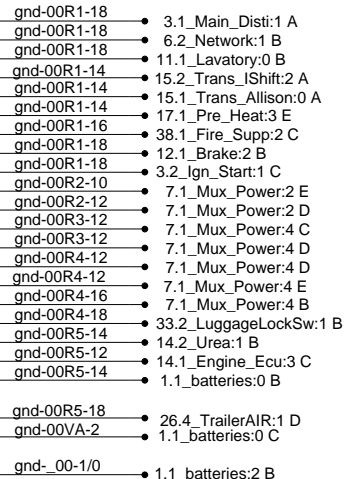
### Front harness



### FJB harness



### RJB harness

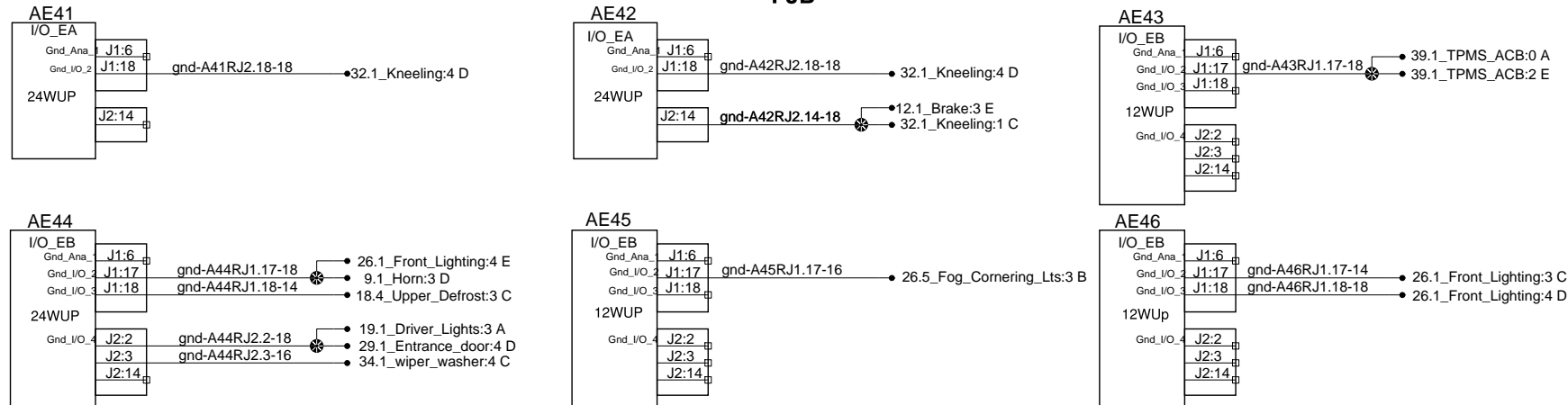


## Electronic ground distribution

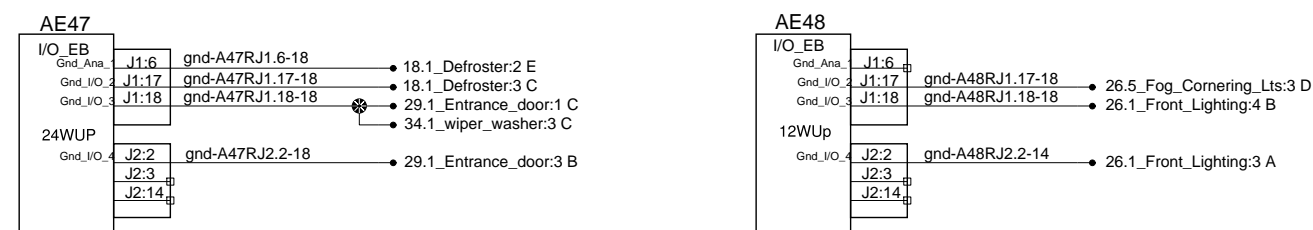
### Dash JB



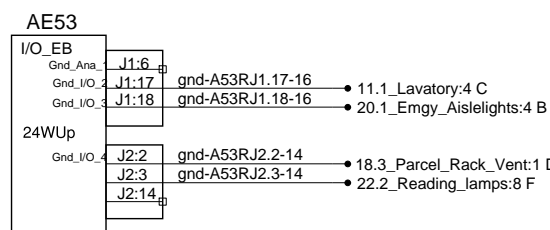
### FJB



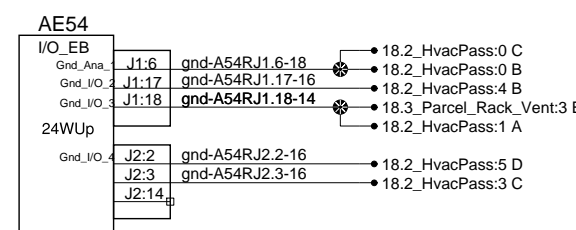
### RH console JB



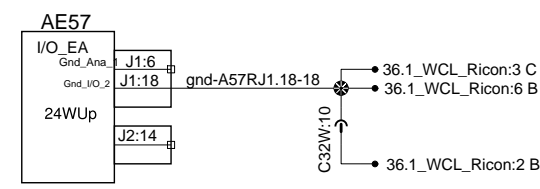
### Parcel Rack JB



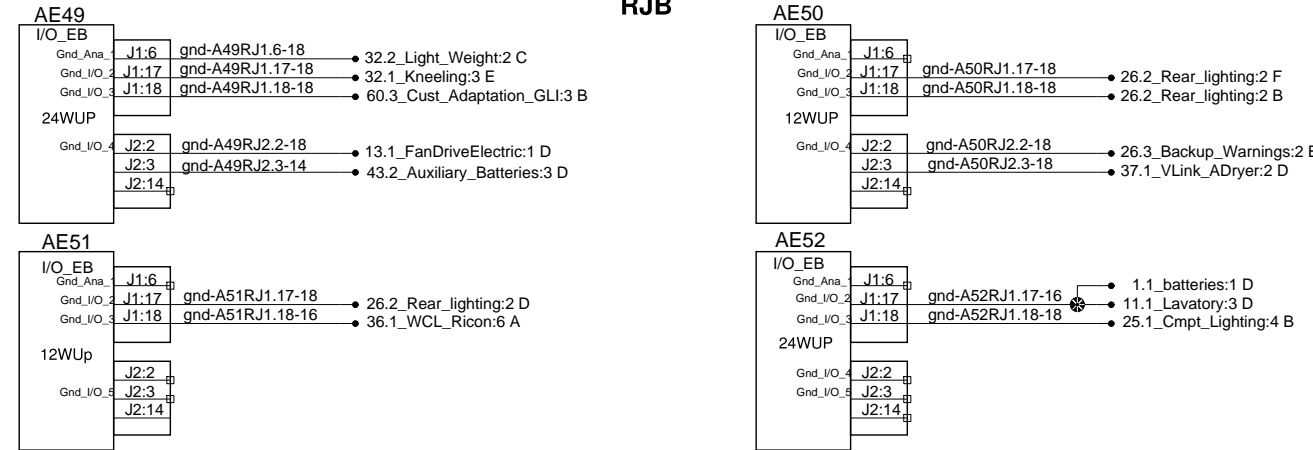
### Evaporator



### WCL



### RJB



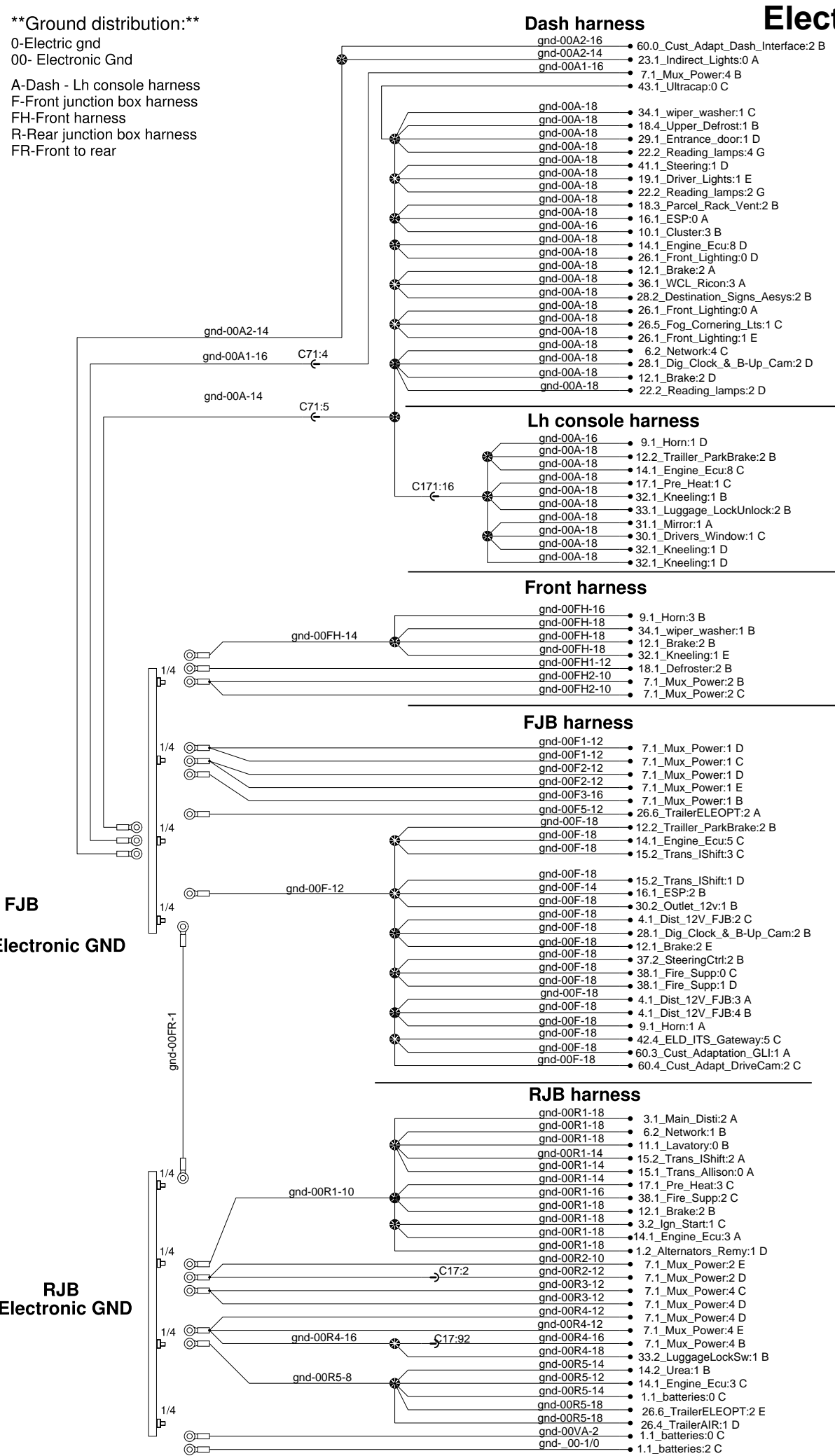
\*\*Ground distribution:\*\*

0-Electric gnd  
00- Electronic Gnd

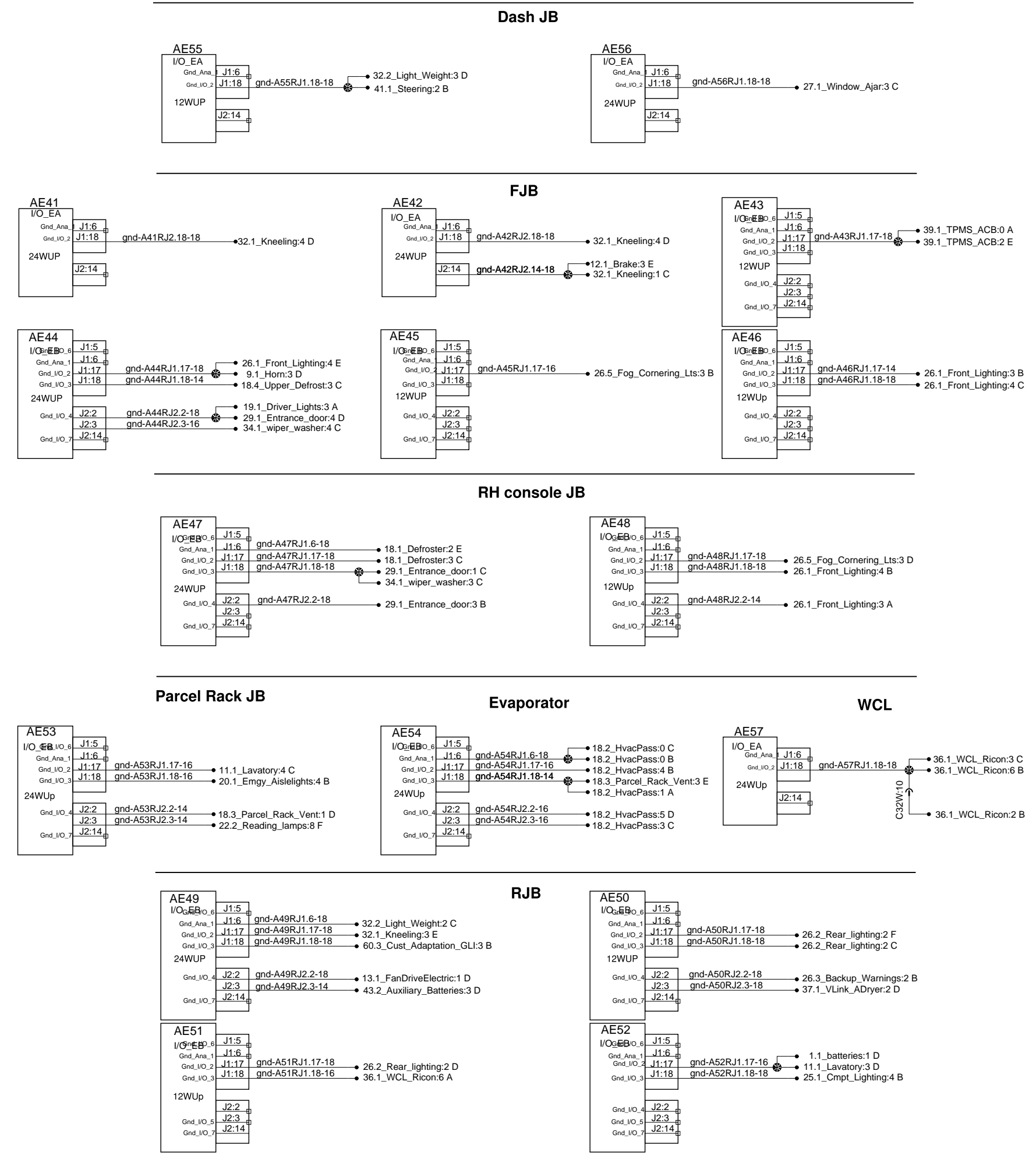
A-Dash - Lh console harness  
F-Front junction box harness  
FH-Front harness  
R-Rear junction box harness  
FR-Front to rear

FJB  
Electronic GND

RJB  
Electronic GND



# Electronic ground distribution





**\*\*Ground distribution:\*\***

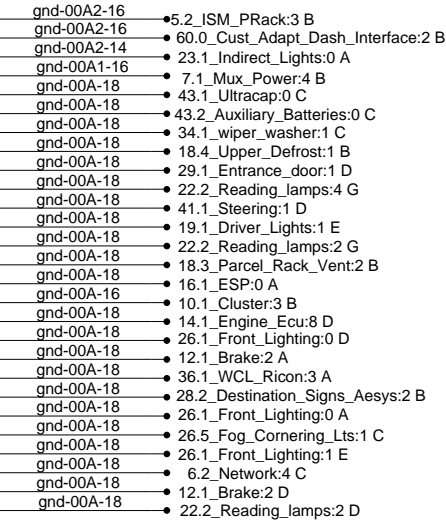
0- Electric gnd  
00- Electronic Gnd

A-Dash - Lh console harness  
F-Front junction box harness  
FH-Front harness  
R-Rear junction box harness  
FR-Front to rear

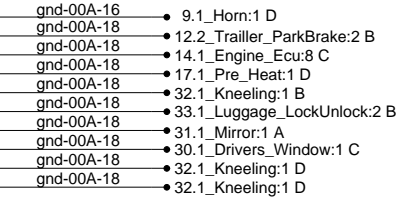
FJB  
Electronic GND

RJB  
Electronic GND

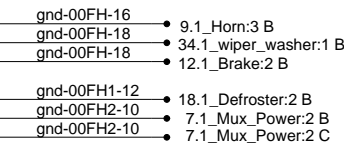
### Dash harness



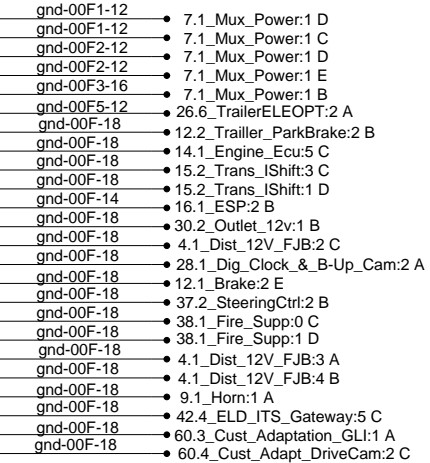
### Lh console harness



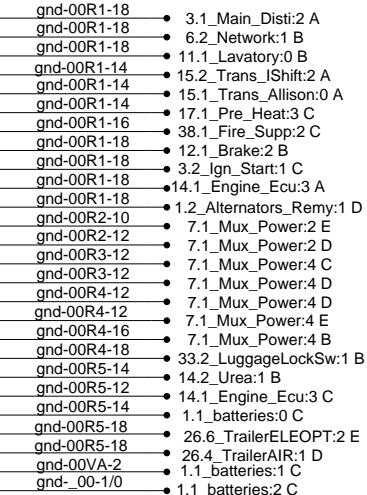
### Front harness



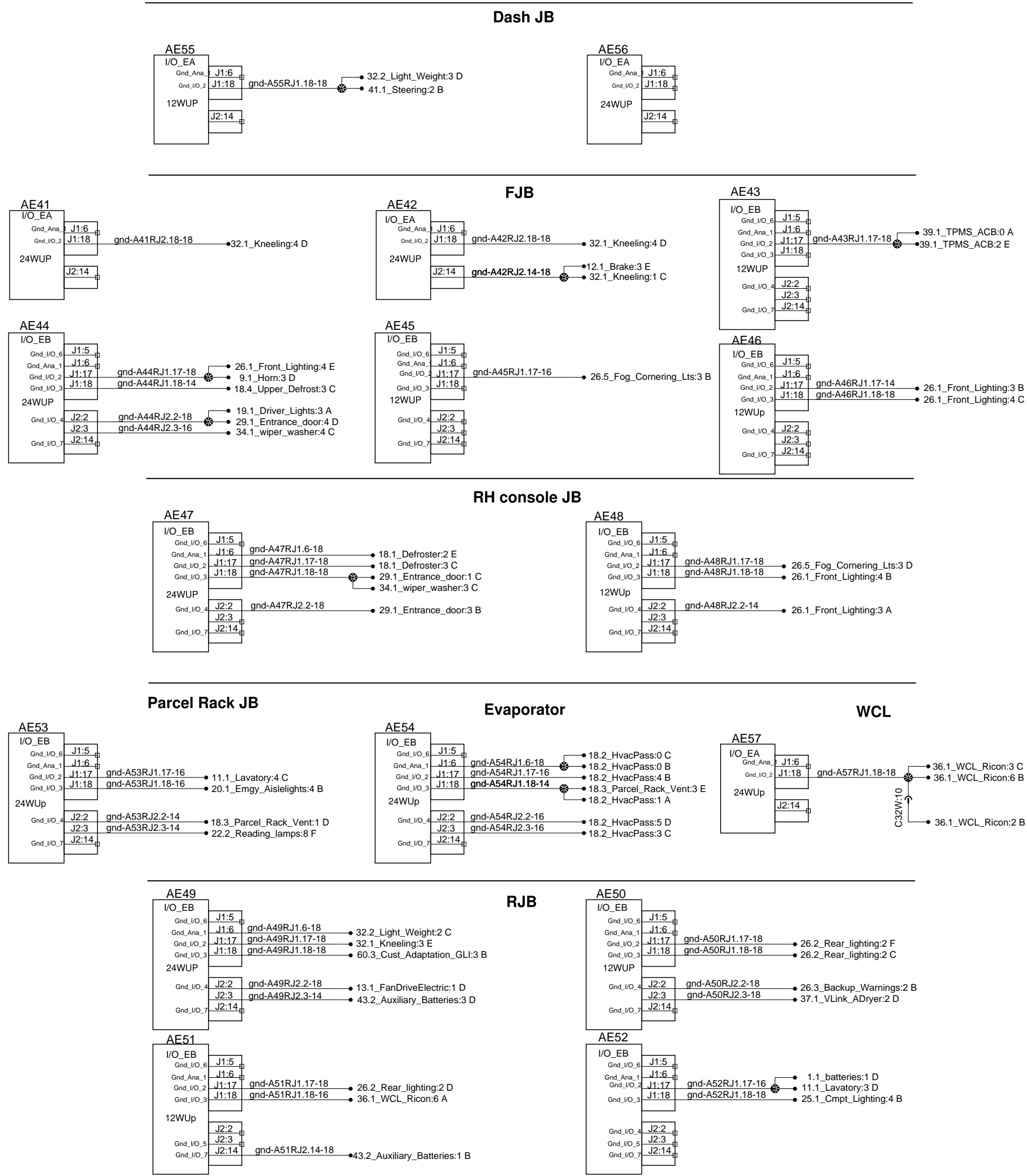
### FJB harness



### RJB harness



## Electronic ground distribution

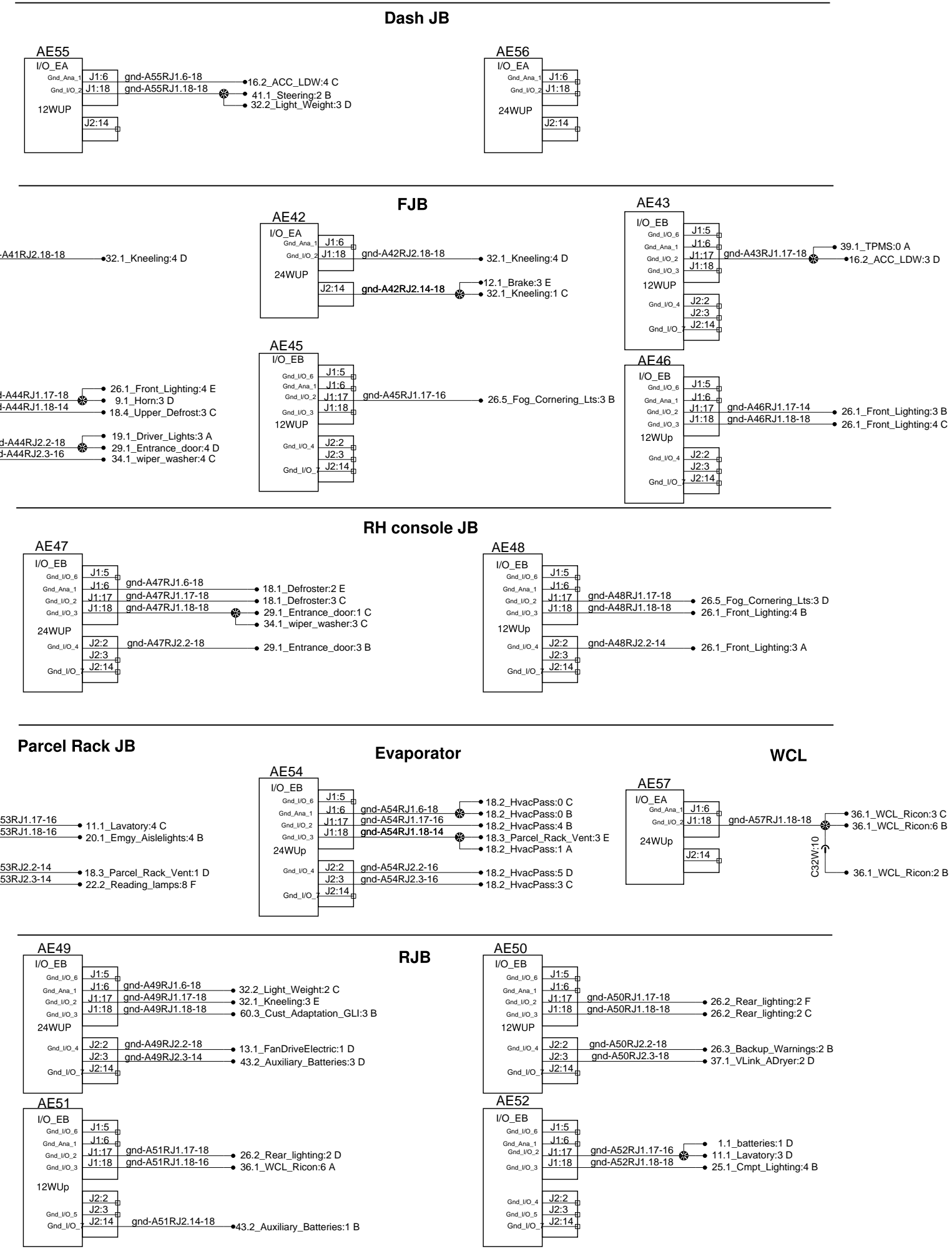
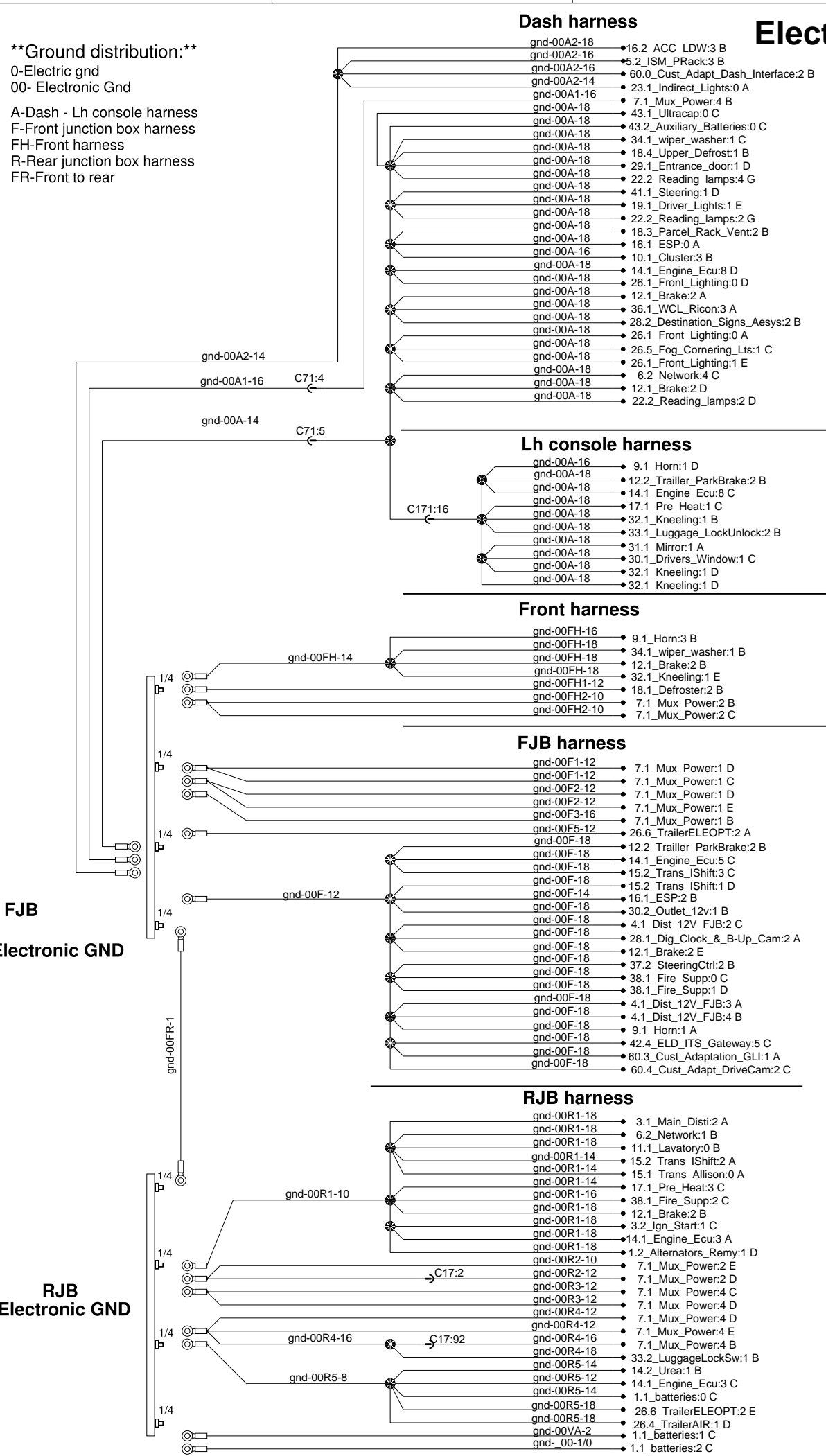


# Electronic ground distribution

**\*\*Ground distribution:\*\***

0-Electric gnd  
00- Electronic Gnd

A-Dash - Lh console harness  
F-Front junction box harness  
FH-Front harness  
R-Rear junction box harness  
FR-Front to rear



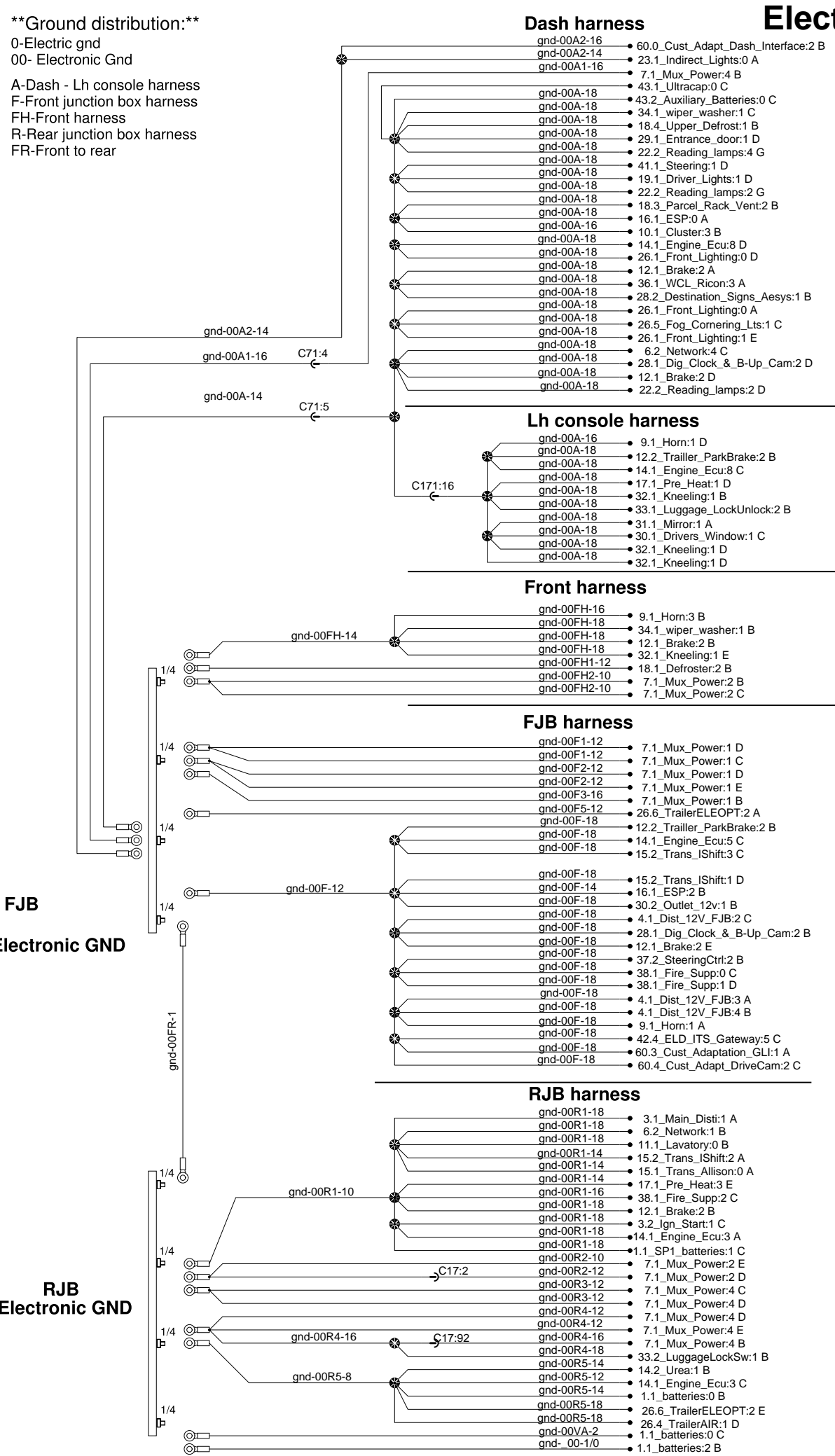
\*\*Ground distribution:\*\*

0-Electric gnd  
00- Electronic Gnd

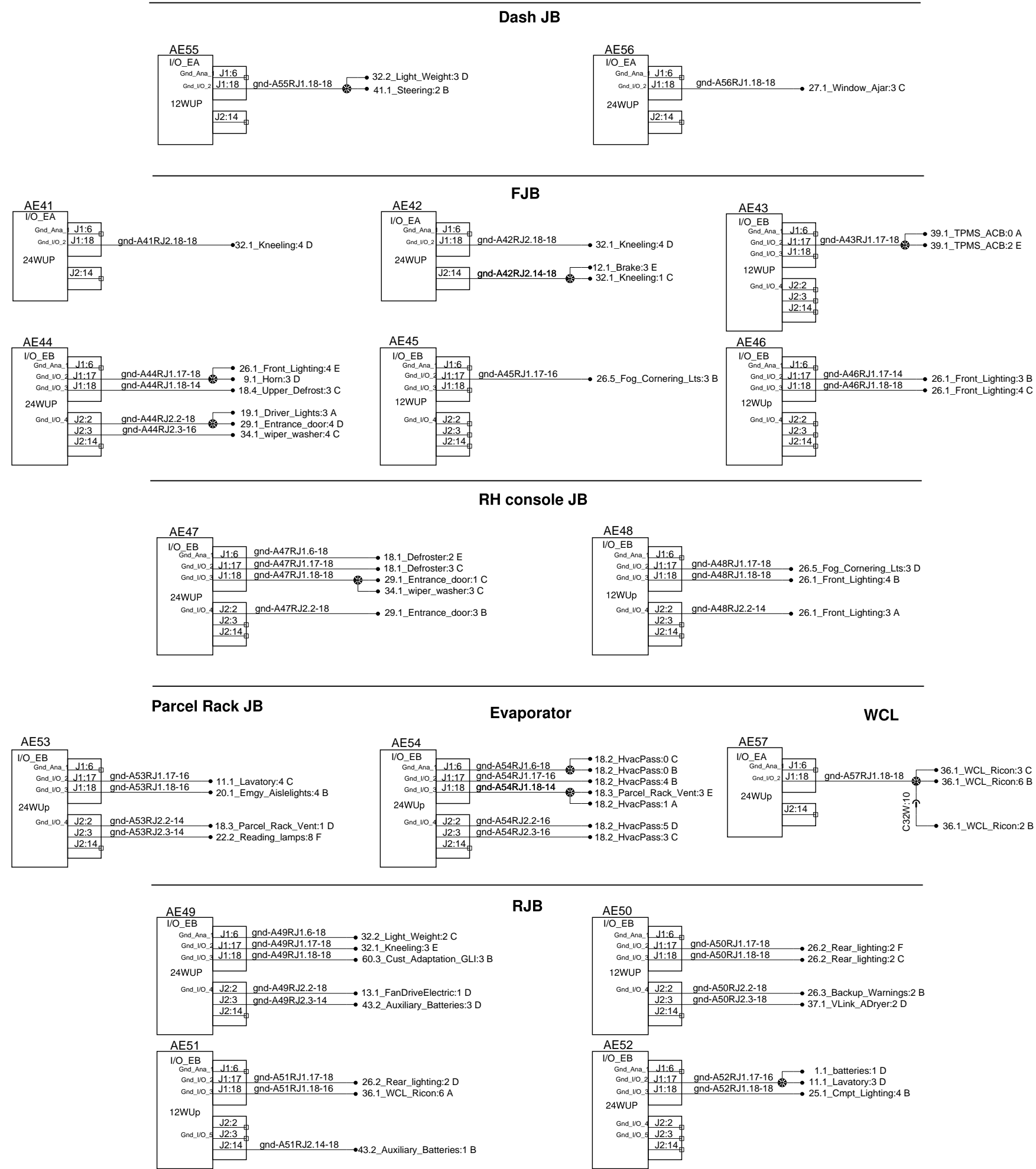
A-Dash - Lh console harness  
F-Front junction box harness  
FH-Front harness  
R-Rear junction box harness  
FR-Front to rear

FJB  
Electronic GND

RJB  
Electronic GND



# Electronic ground distribution



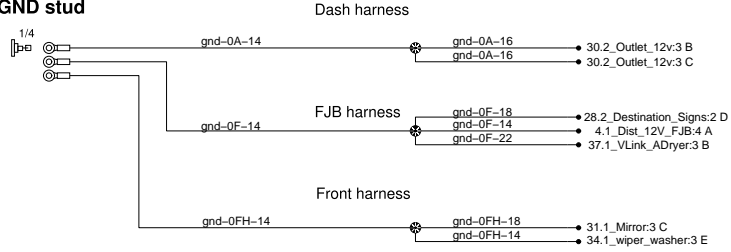
**\*\*Ground distribution:\*\***

0- Electric gnd  
00- Electronic Gnd

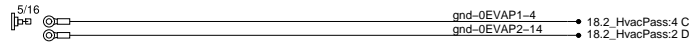
A-Dash - Lh console harness  
F-Front junction box harness  
FH-Front harness  
R-Rear junction box harness  
FR-Front to rear

# Chassis ground distribution

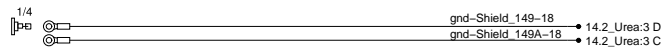
## Front GND stud



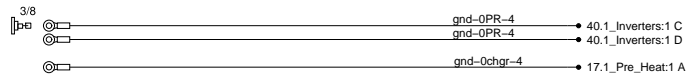
## Evaporator cmpt. stud



## Urea cmpt. stud



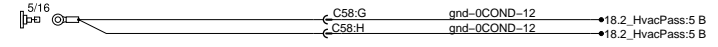
## Parcel rack stud #1



Located on the top of the luggage compartment



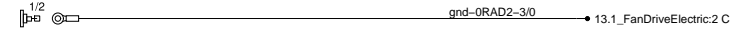
## Condensor cmpt. stud



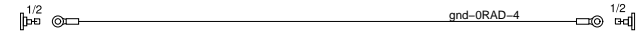
## RJB stud



## Front radiator stud



## Rear radiator stud

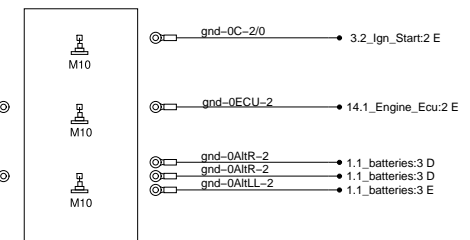
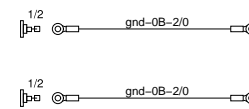


## Trailer stud



## Engine studs

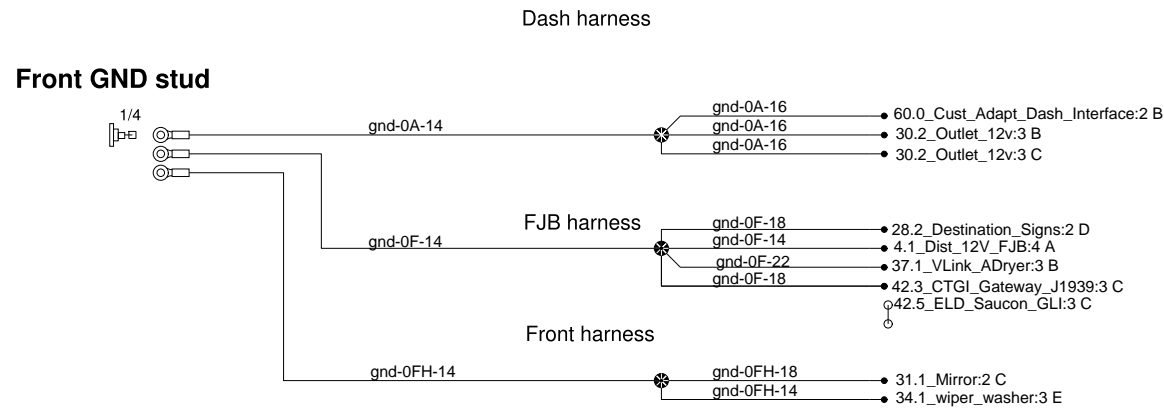
### Engine cmpt. studs



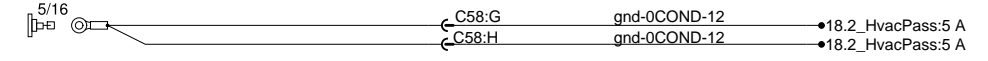
**\*\*Ground distribution:\*\***

- 0-Electric gnd
- 00- Electronic Gnd
- A-Dash - Lh console harness
- F-Front junction box harness
- FH-Front harness
- R-Rear junction box harness
- FR-Front to rear

# Chassis ground distribution



**Condensor cmpt. stud**



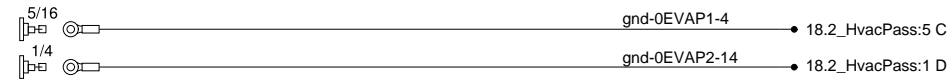
**RJB stud**



**Front radiator stud**



**Evaporator cmpt. stud**



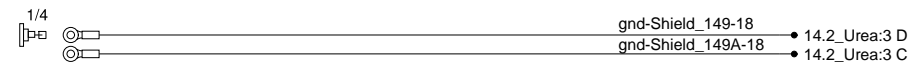
**Rear radiator stud**



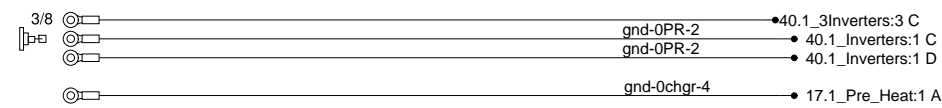
**Rad door stud**



**Urea cmpt. stud**



**Parcel rack stud #1**



**Parcel rack stud #2**



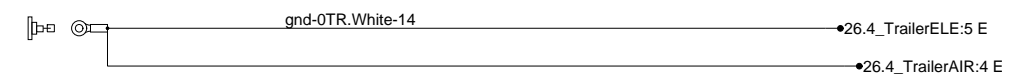
**Located on the top of the luggage compartment**



**Luggage chassis stud**

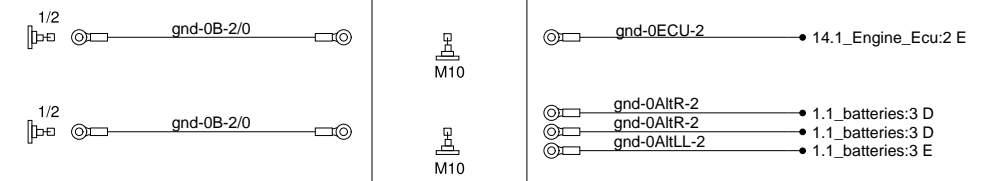


**Trailer stud**



**Engine studs**

**Engine cmpt. studs**

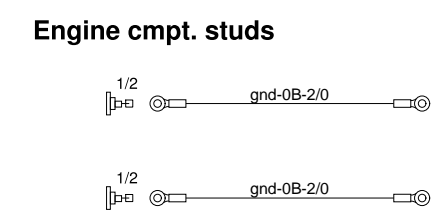
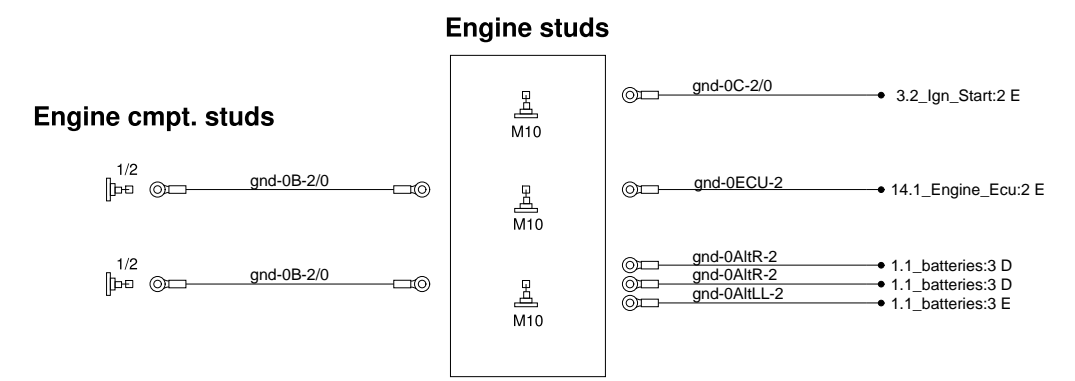
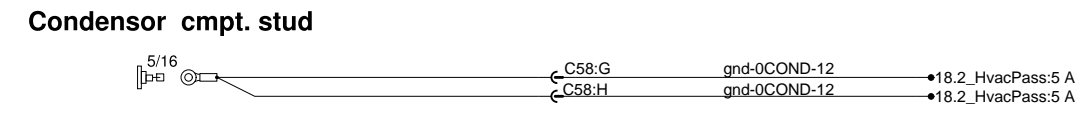
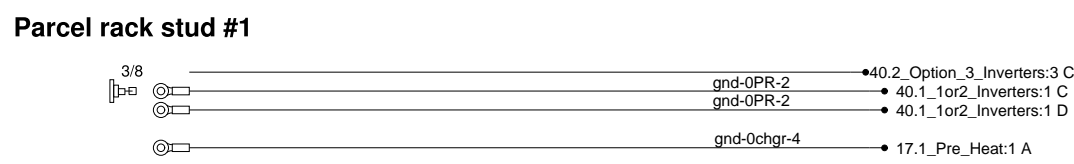
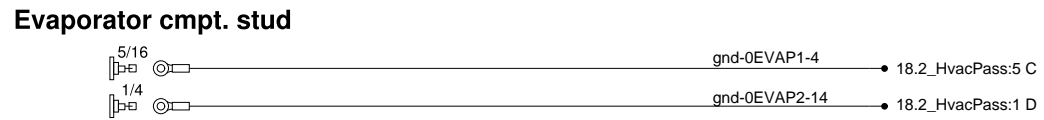
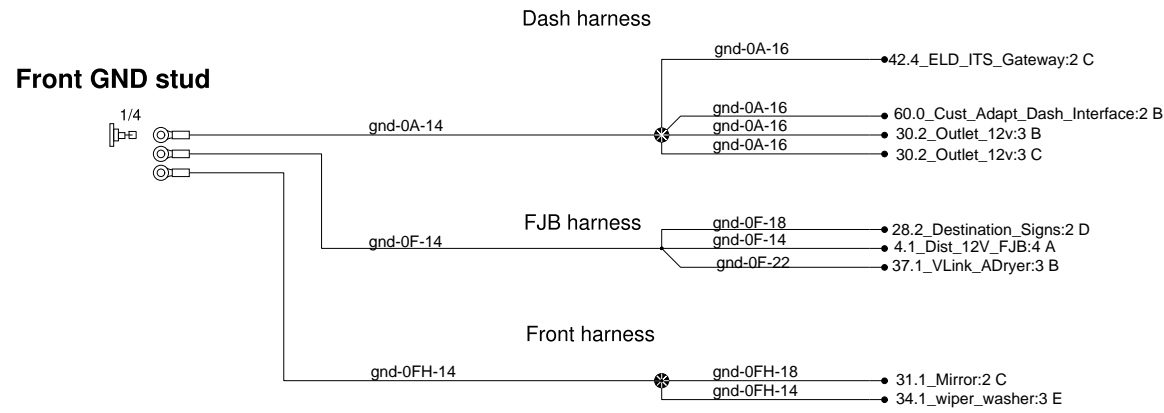


**\*\*Ground distribution:\*\***

0-Electric gnd  
00- Electronic Gnd

A-Dash - Lh console harness  
F-Front junction box harness  
FH-Front harness  
R-Rear junction box harness  
FR-Front to rear

# Chassis ground distribution



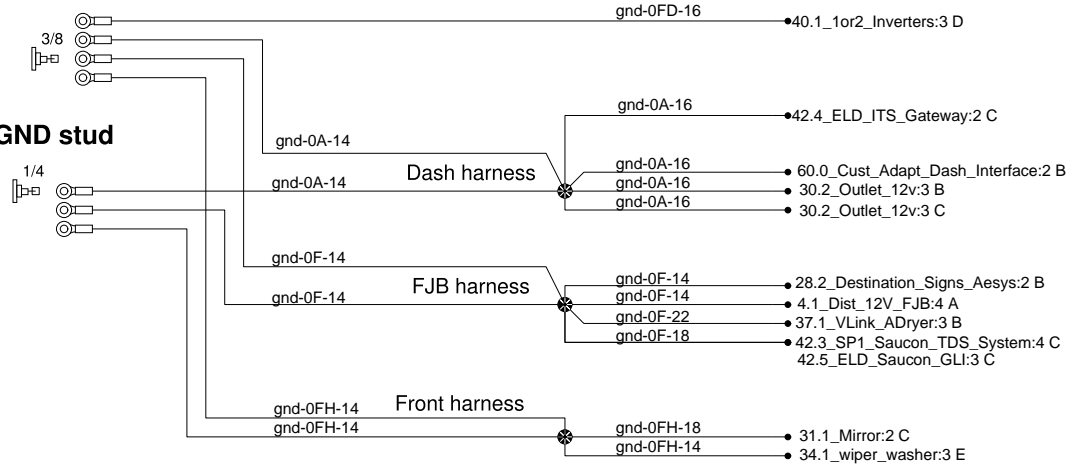
**\*\*Ground distribution:\*\***

0-Electric gnd  
00- Electronic Gnd

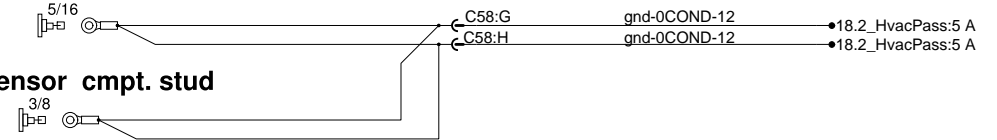
A-Dash - Lh console harness  
F-Front junction box harness  
FH-Front harness  
R-Rear junction box harness  
FR-Front to rear

# Chassis ground distribution

## Front GND stud



## Condensor cmpt. stud



## Condensor cmpt. stud

## RJB stud



## RJB stud



## Front radiator stud



## Rear radiator stud



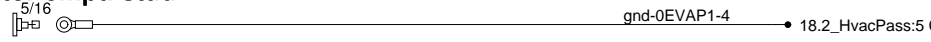
## Rad door stud



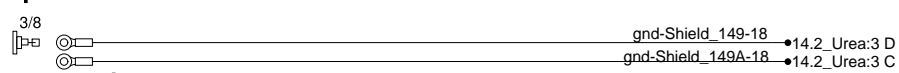
## Evaporator cmpt. stud



## Evaporator cmpt. stud



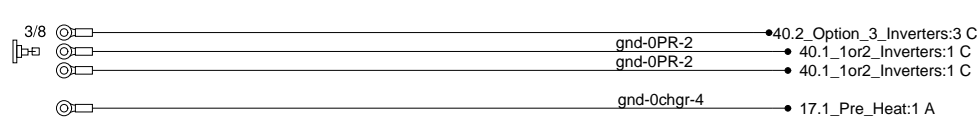
## Urea cmpt. stud



## Urea cmpt. stud



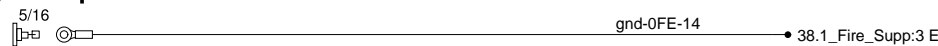
## Parcel rack stud #1



## Parcel rack stud #2



Located on the top of the luggage compartment



## Luggage chassis stud

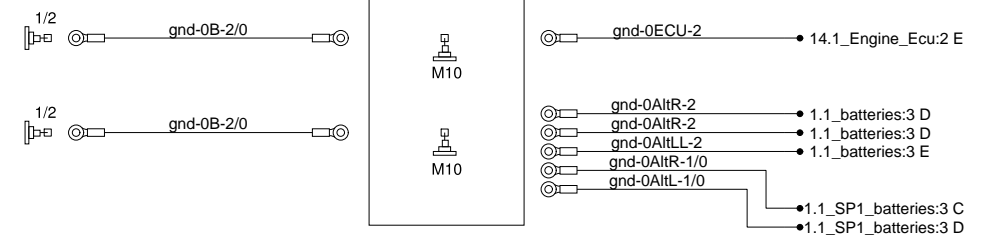


## Trailer stud



## Engine studs

## Engine cmpt. studs

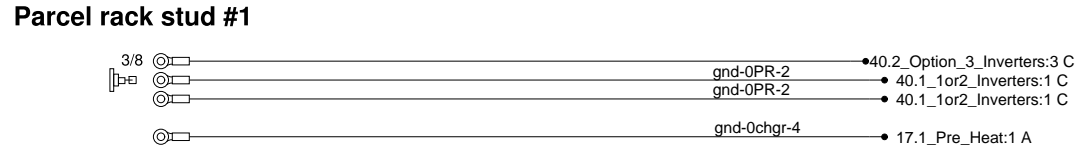
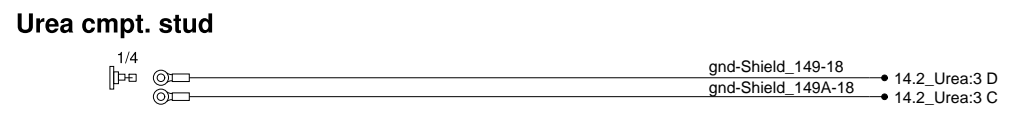
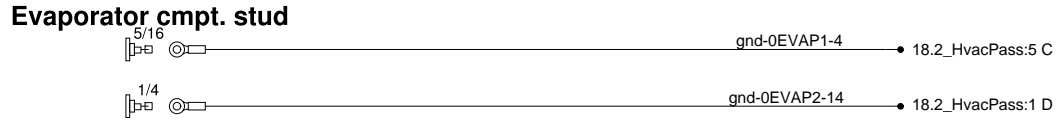
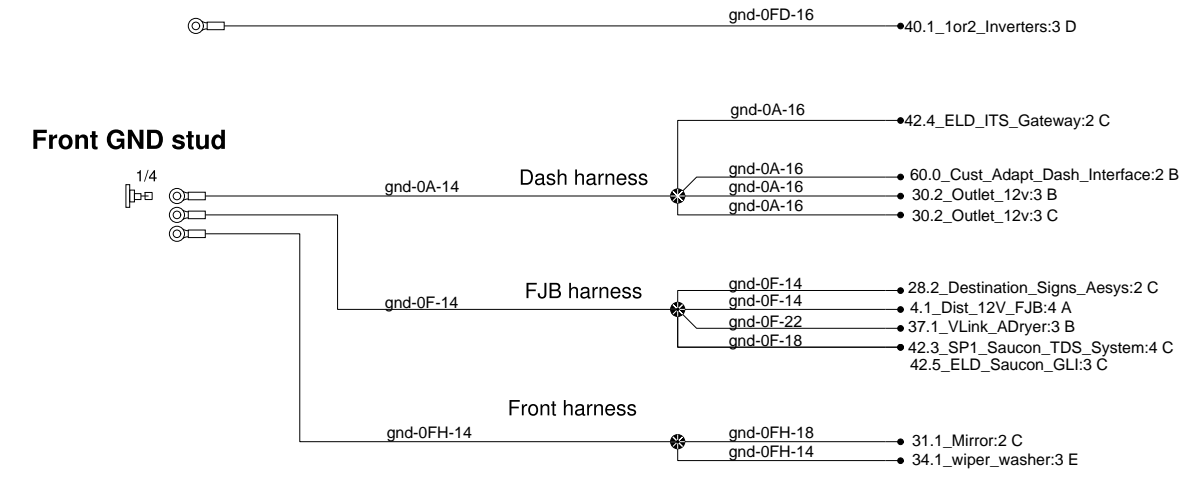


**\*\*Ground distribution:\*\***

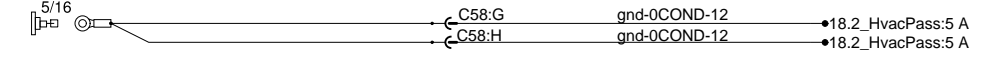
0-Electric gnd  
00- Electronic Gnd

A-Dash - Lh console harness  
F-Front junction box harness  
FH-Front harness  
R-Rear junction box harness  
FR-Front to rear

# Chassis ground distribution



**Condensor cmpt. stud**



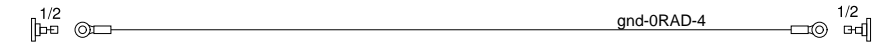
**RJB stud**



**Front radiator stud**



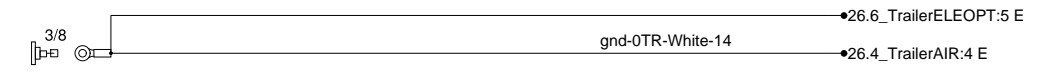
**Rear radiator stud**



**Rad door stud**

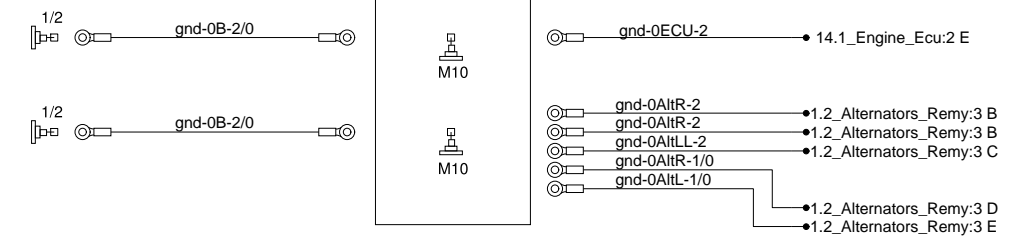


**Trailer stud**



**Engine studs**

**Engine cmpt. studs**



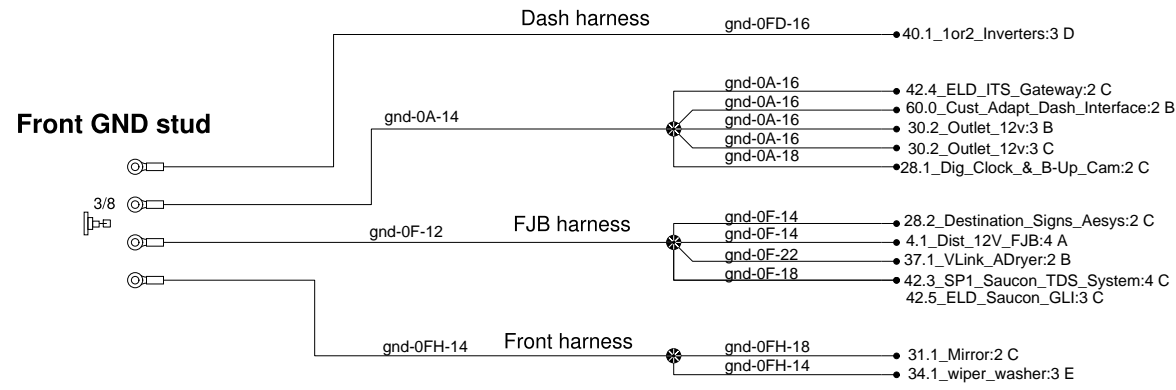


**\*\*Ground distribution:\*\***

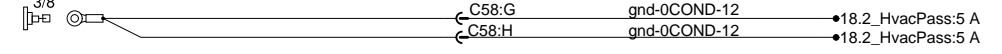
0-Electric gnd  
00- Electronic Gnd

A-Dash - Lh console harness  
F-Front junction box harness  
FH-Front harness  
R-Rear junction box harness  
FR-Front to rear

# Chassis ground distribution



**Condensor cmpt. stud**



**RJB stud**



**Front radiator stud**

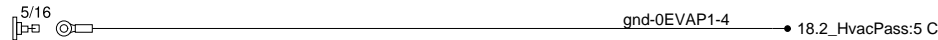


**Rear radiator stud**



**Rad door stud**

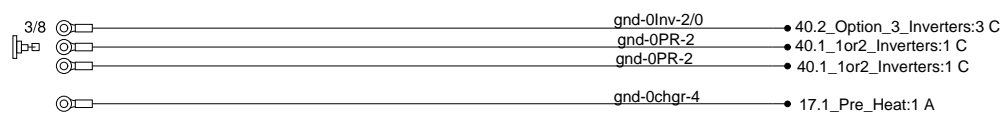
**Evaporator cmpt. stud**



**Urea cmpt. stud**



**Parcel rack stud #1**



**Parcel rack stud #2**



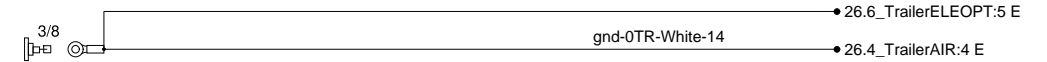
**Located on the top of the luggage compartment**



**Luggage chassis stud**

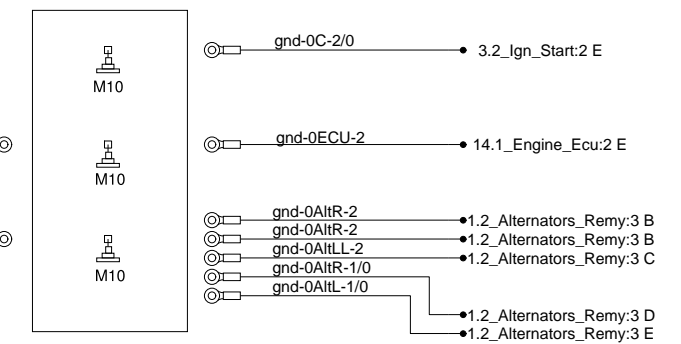
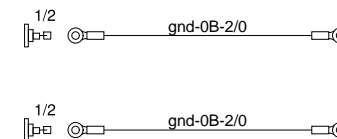


**Trailer stud**



**Engine studs**

**Engine cmpt. studs**

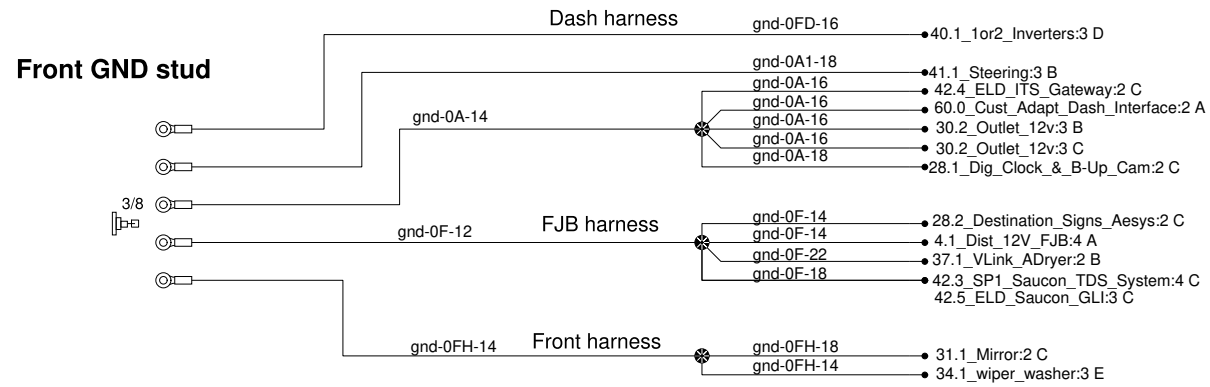


**\*\*Ground distribution:\*\***

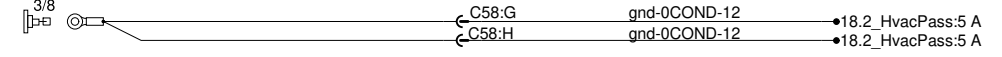
0-Electric gnd  
00- Electronic Gnd

A-Dash - Lh console harness  
F-Front junction box harness  
FH-Front harness  
R-Rear junction box harness  
FR-Front to rear

# Chassis ground distribution



**Condensor cmpt. stud**



**RJB stud**



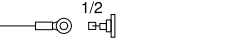
**Front radiator stud**



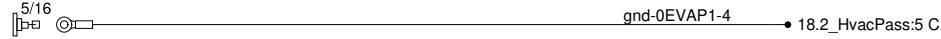
**Rear radiator stud**



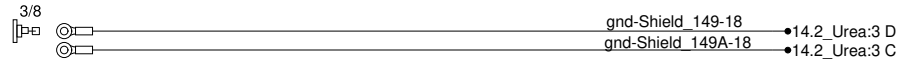
**Rad door stud**



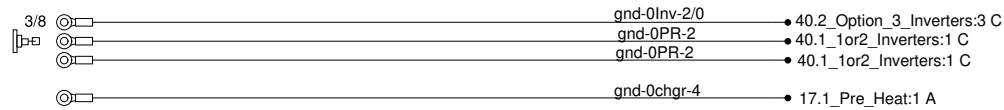
**Evaporator cmpt. stud**



**Urea cmpt. stud**



**Parcel rack stud #1**



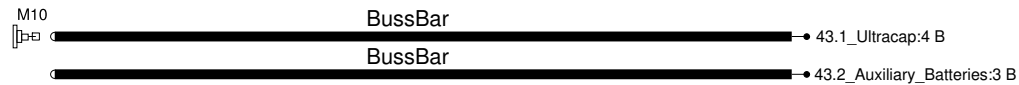
**Parcel rack stud #2**



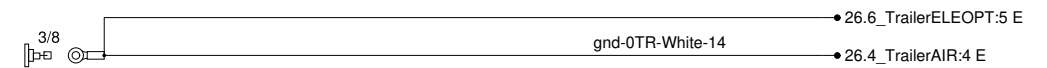
**Located on the top of the luggage compartment**



**Luggage chassis stud**

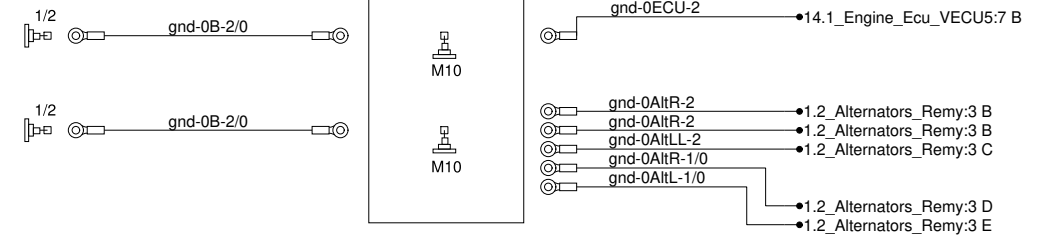


**Trailer stud**



**Engine studs**

**Engine cmpt. studs**

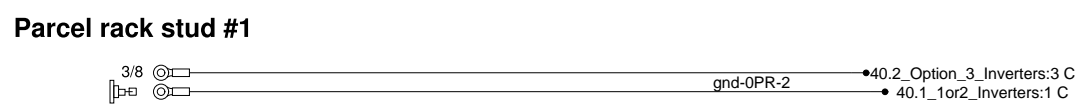
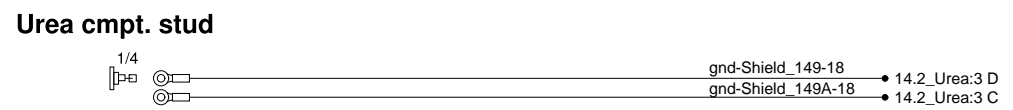
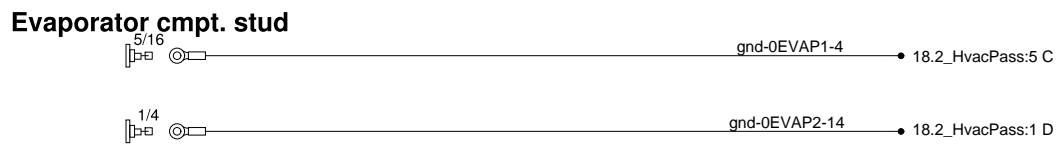
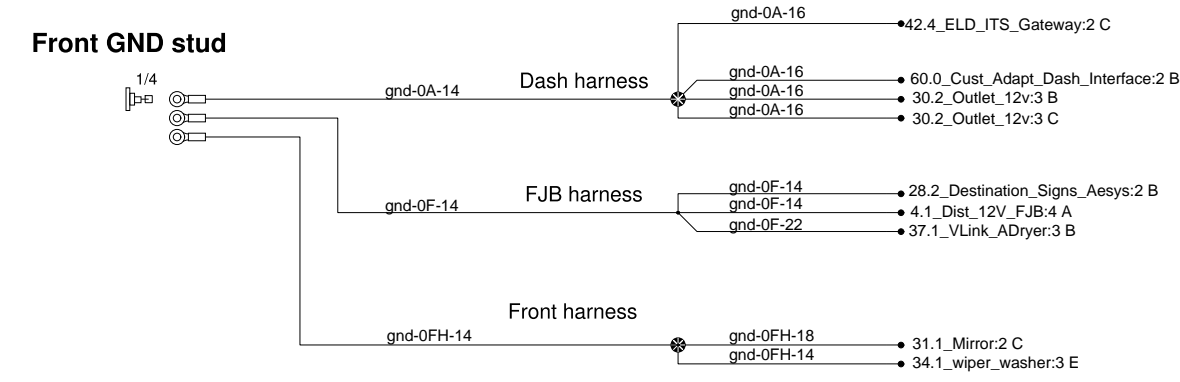


**\*\*Ground distribution:\*\***

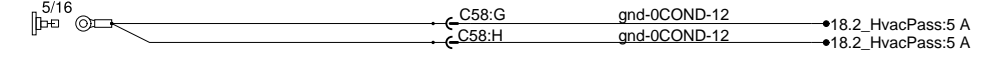
0-Electric gnd  
00- Electronic Gnd

A-Dash - Lh console harness  
F-Front junction box harness  
FH-Front harness  
R-Rear junction box harness  
FR-Front to rear

# Chassis ground distribution



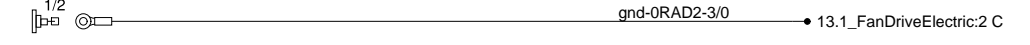
**Condensor cmpt. stud**



**RJB stud**



**Front radiator stud**



**Rear radiator stud**



**Rad door stud**

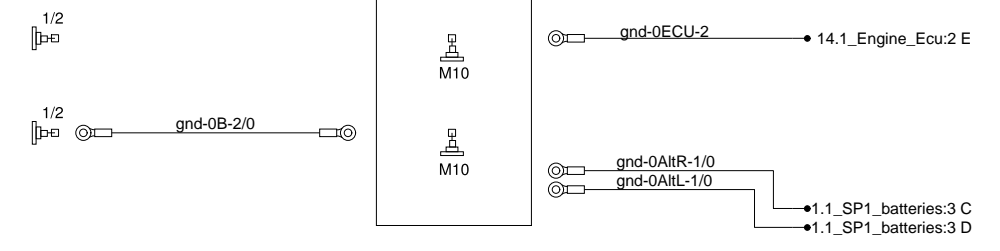


**Trailer stud**



**Engine studs**

**Engine cmpt. studs**

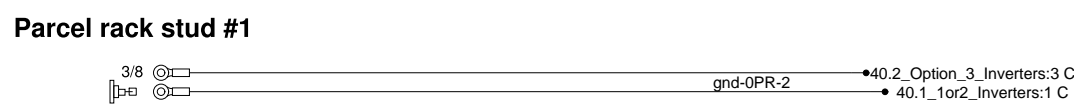
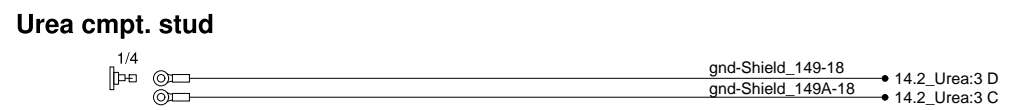
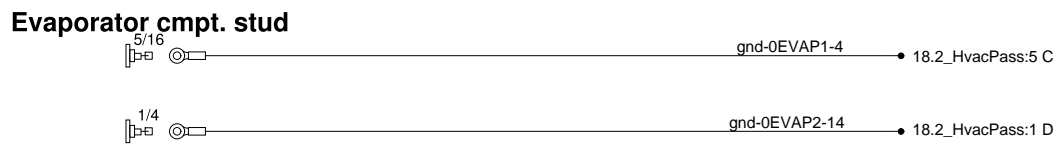
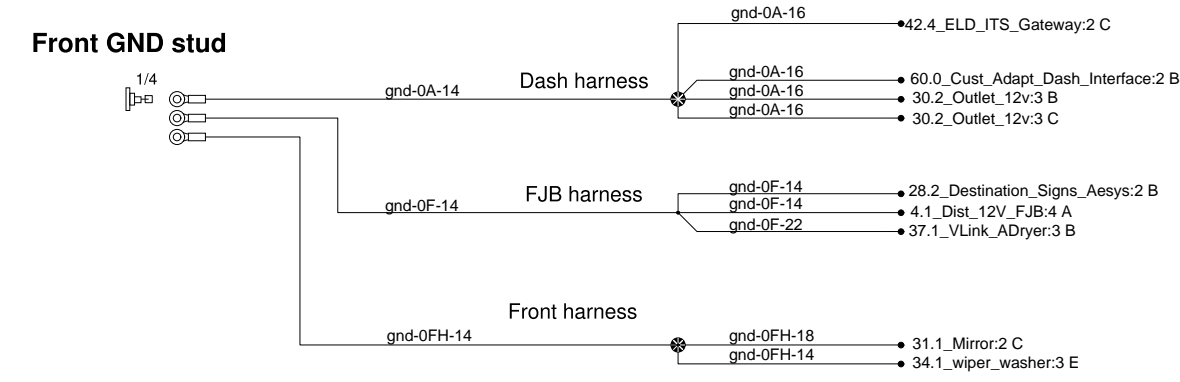


**\*\*Ground distribution:\*\***

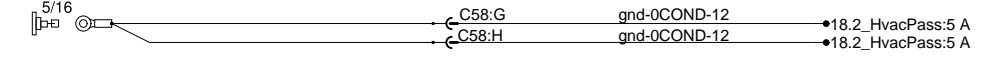
0-Electric gnd  
00- Electronic Gnd

A-Dash - Lh console harness  
F-Front junction box harness  
FH-Front harness  
R-Rear junction box harness  
FR-Front to rear

# Chassis ground distribution



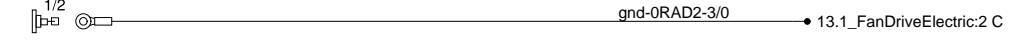
**Condensor cmpt. stud**



**RJB stud**



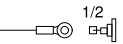
**Front radiator stud**



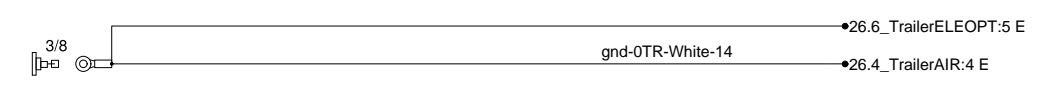
**Rear radiator stud**



**Rad door stud**

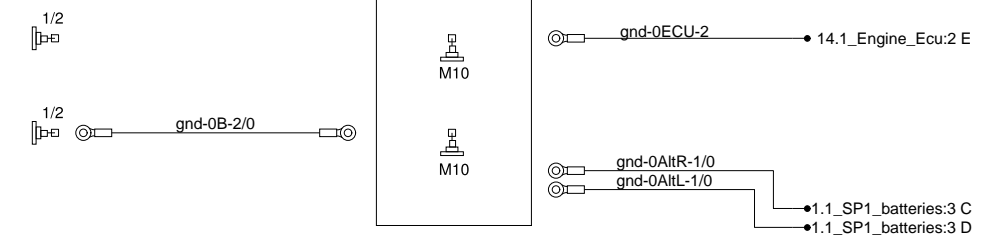


**Trailer stud**

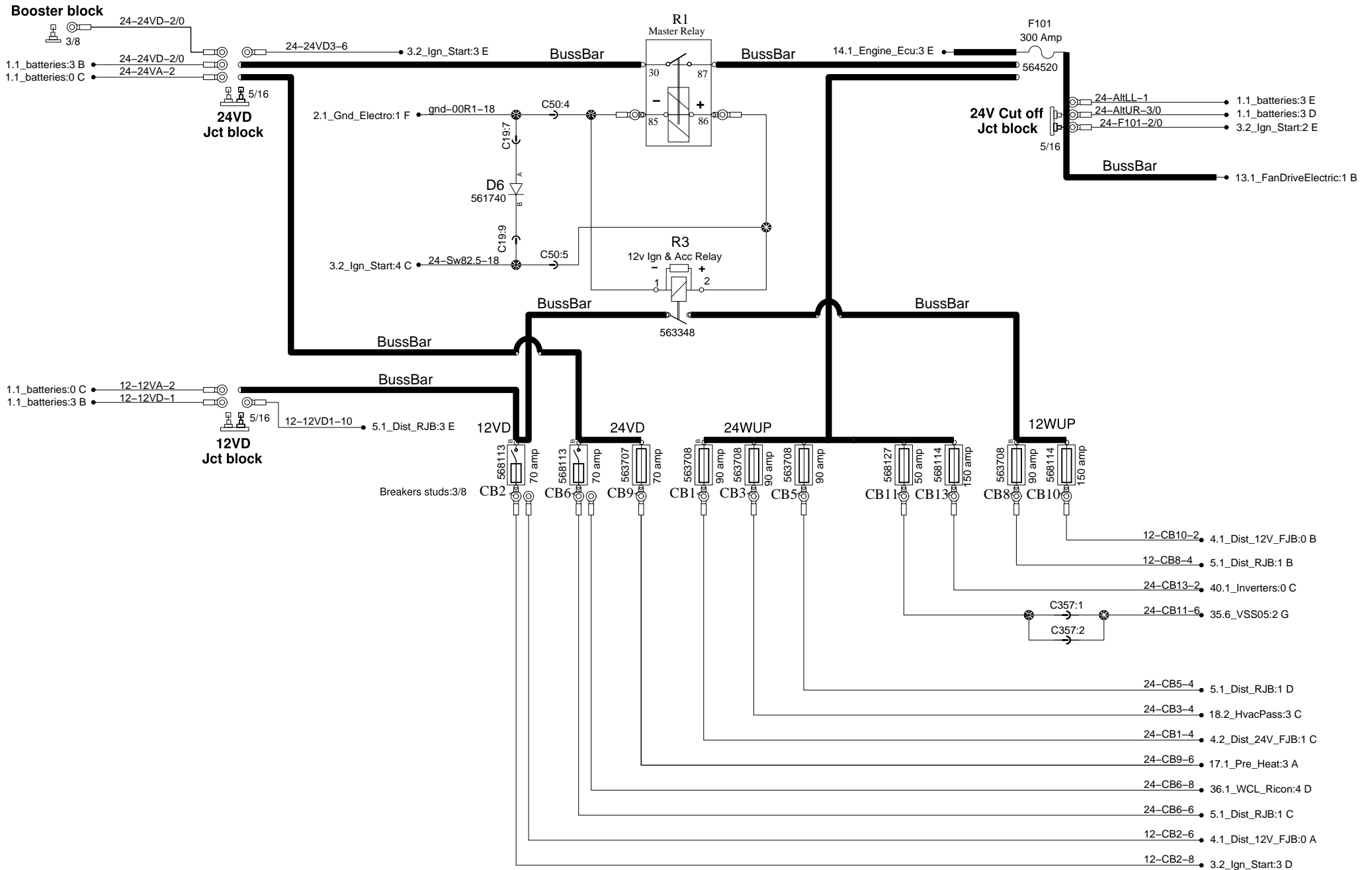


**Engine studs**

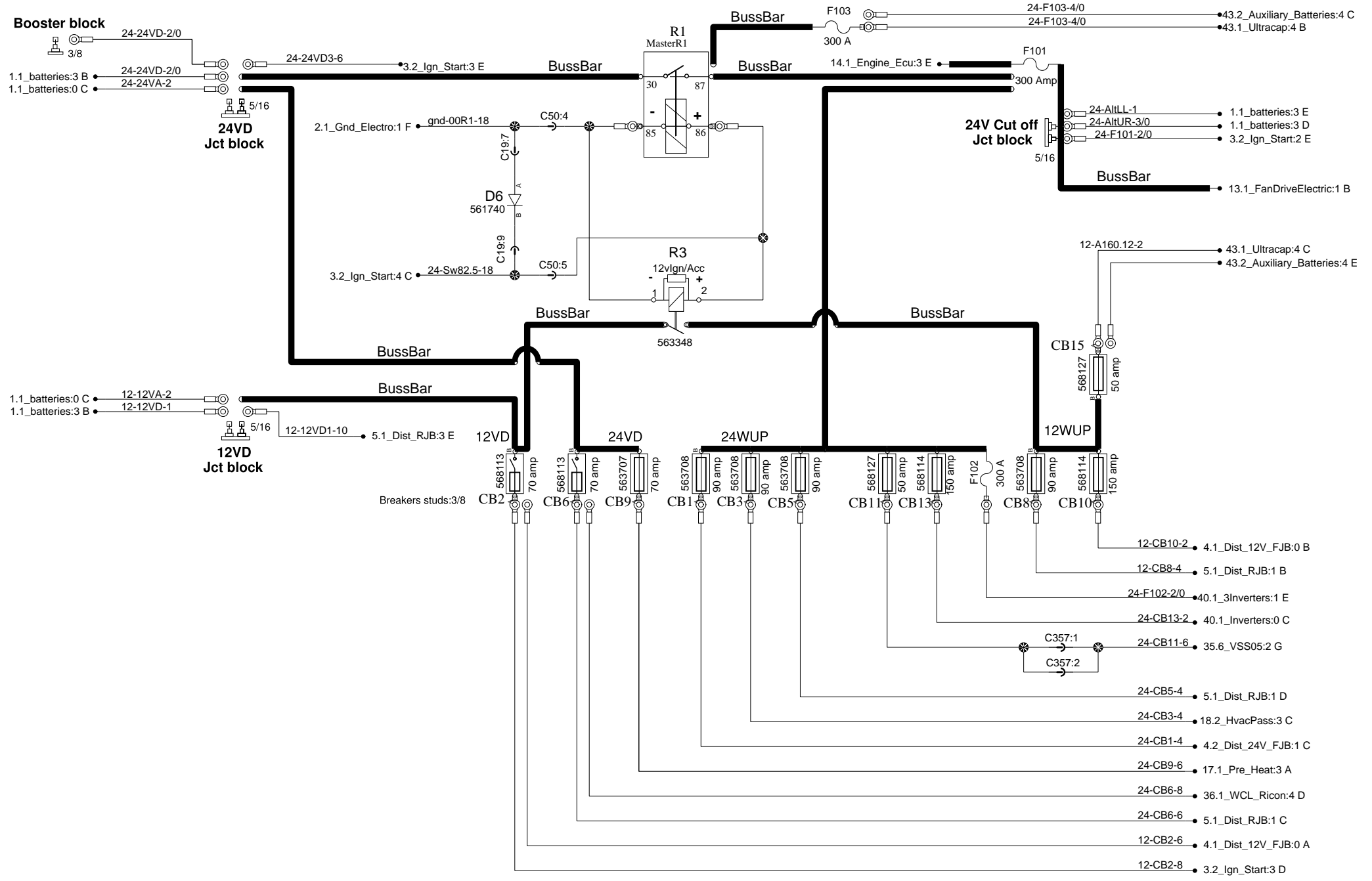
**Engine cmpt. studs**



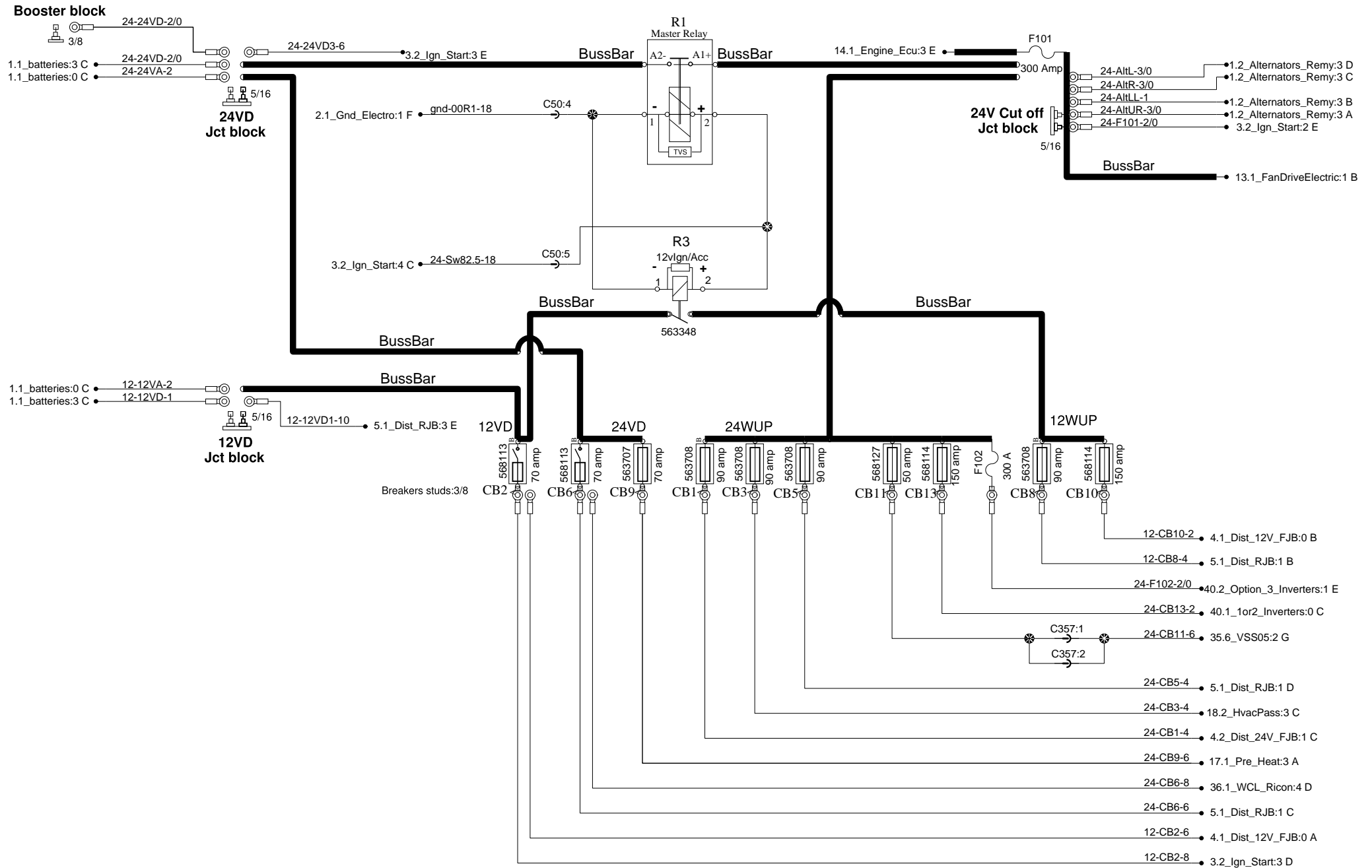
# Main distribution batteries & ignition



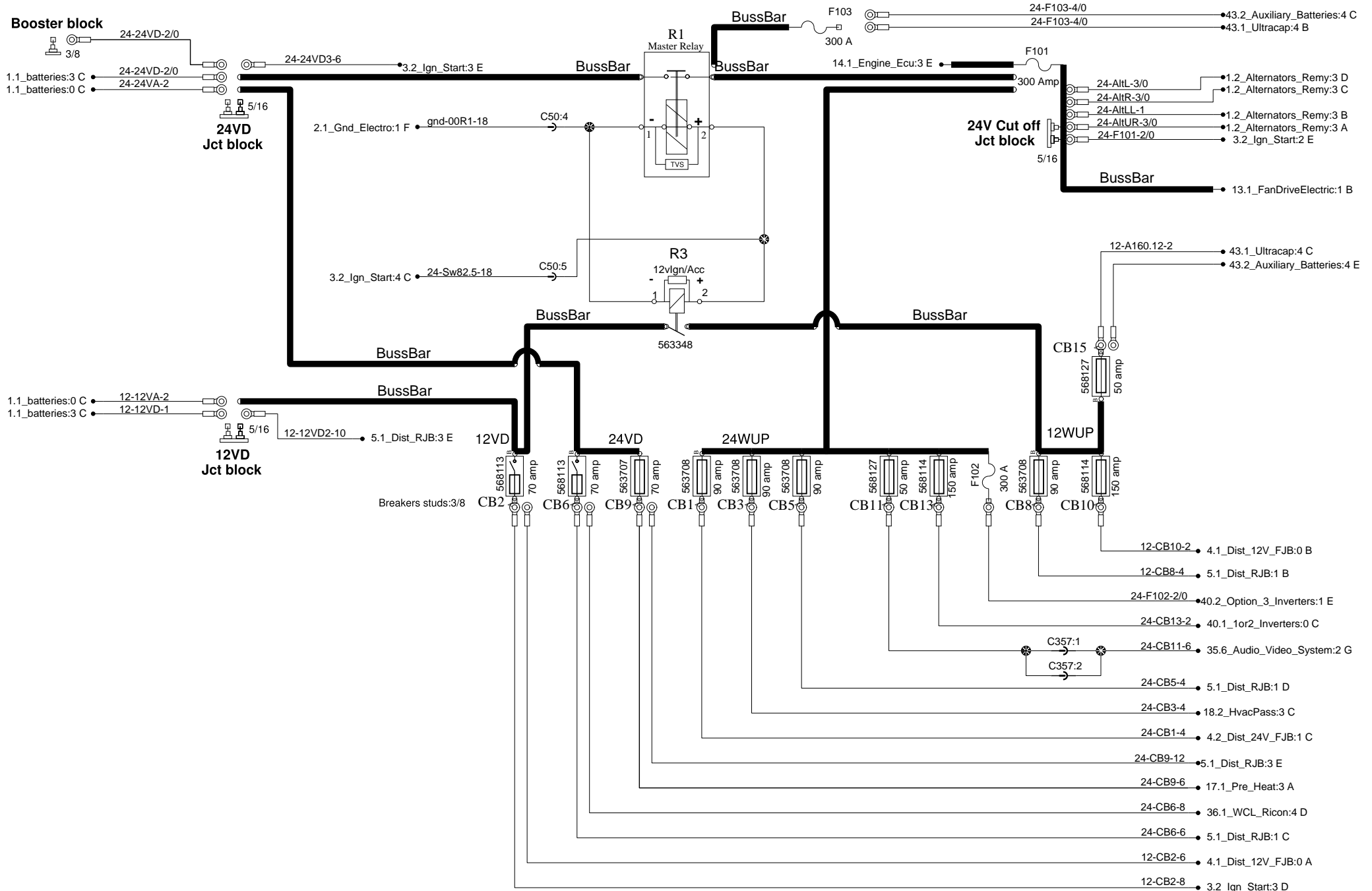
# Main distribution batteries & ignition



# Main distribution batteries & ignition

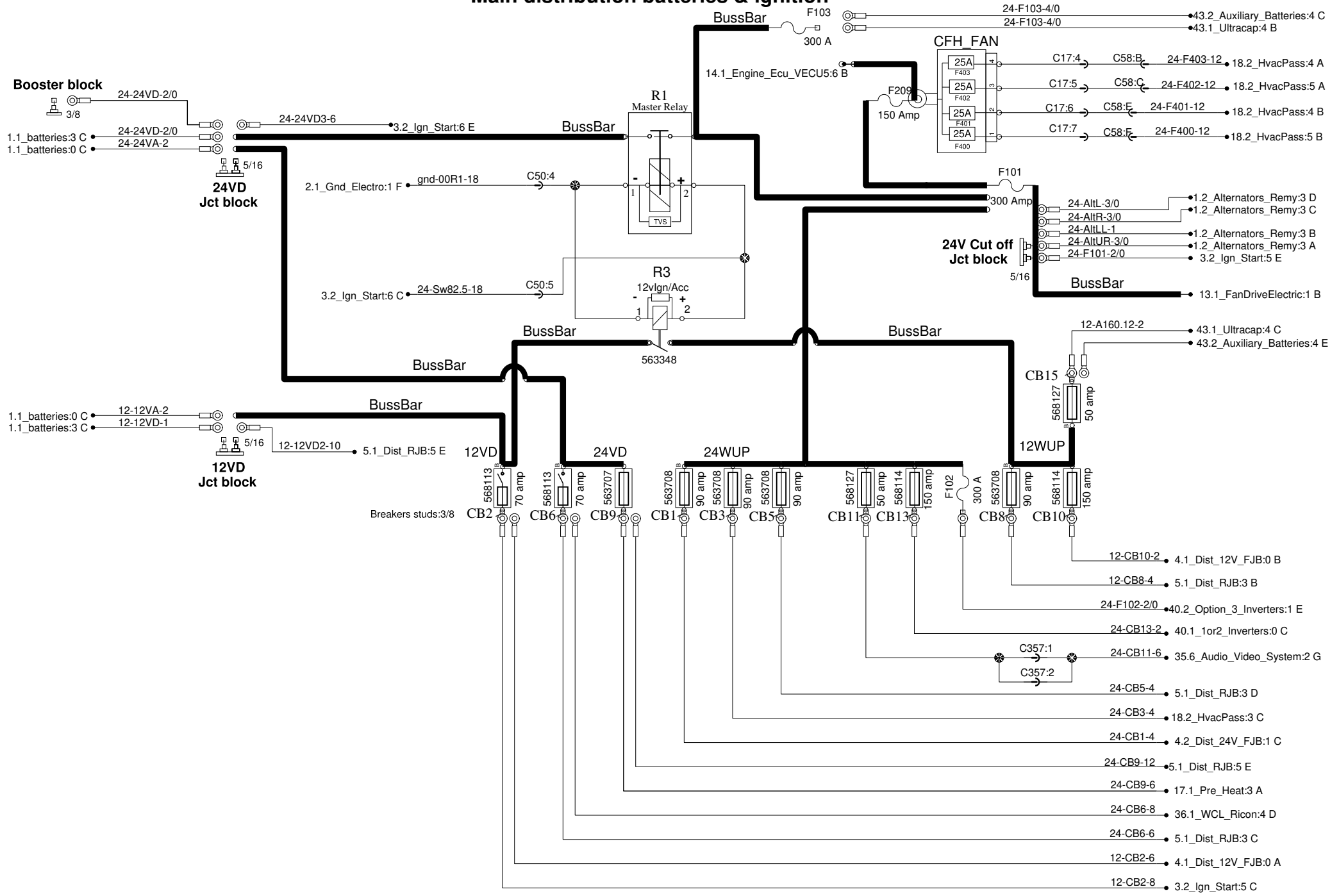


# Main distribution batteries & ignition





# Main distribution batteries & ignition



0

1

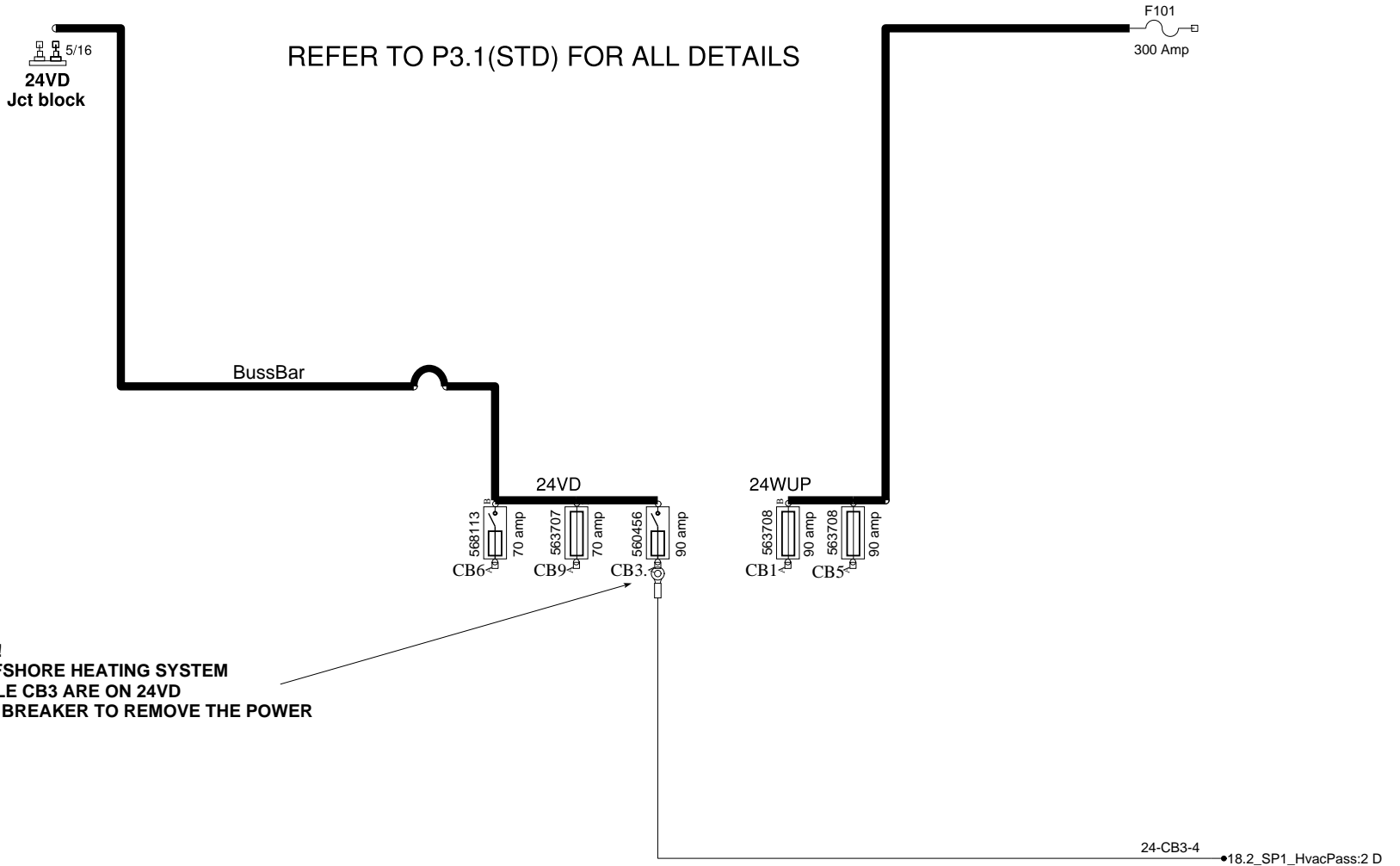
2

3

4

# Main distribution batteries & ignition Customer Adaptation Offshore Heating Sys.

REFER TO P3.1(STD) FOR ALL DETAILS



**CAUTION !**  
**WITH OFFSHORE HEATING SYSTEM**  
**MAIN CABLE CB3 ARE ON 24VD**  
**OPEN CB3 BREAKER TO REMOVE THE POWER**

0

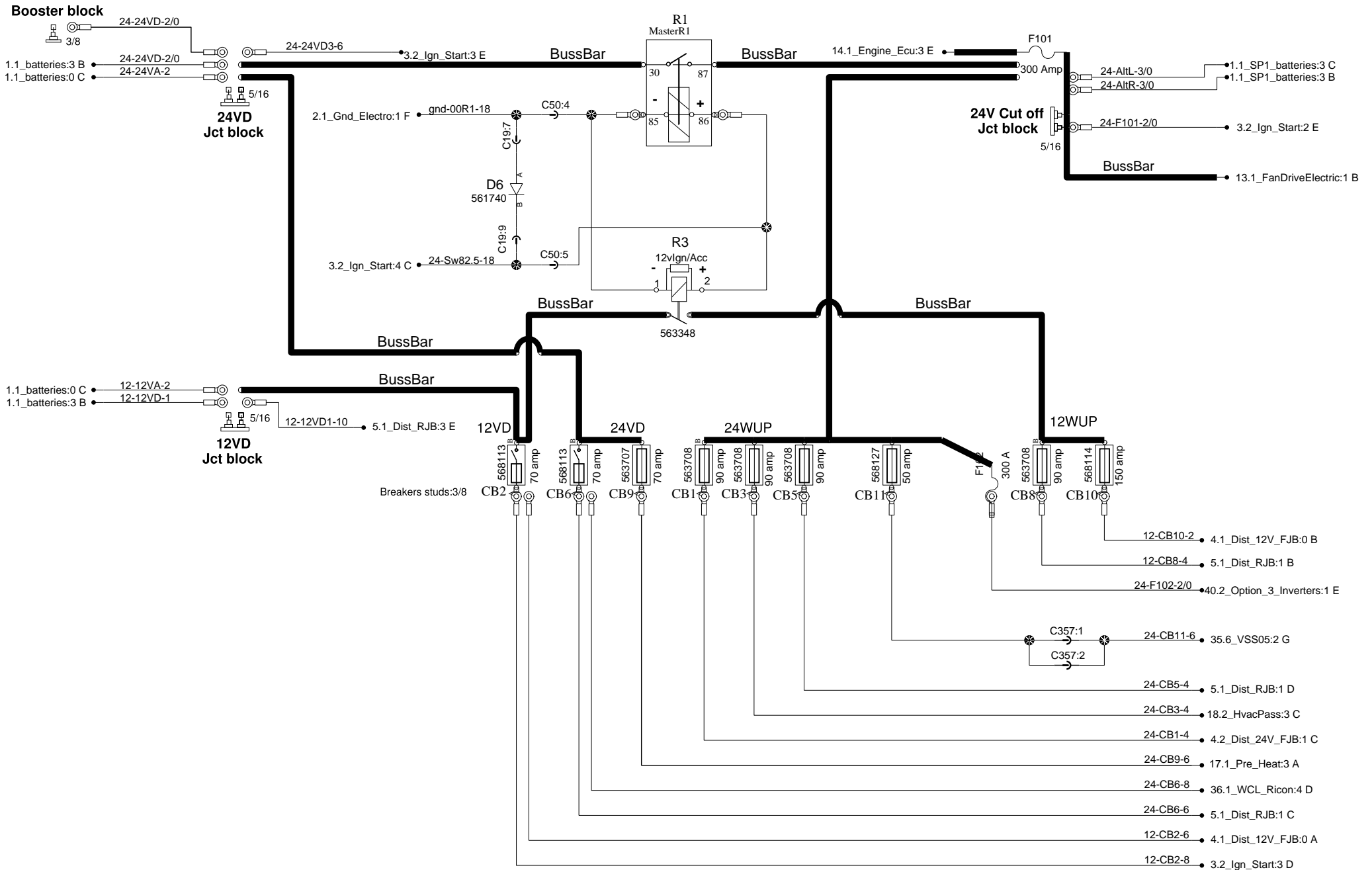
1

2

3

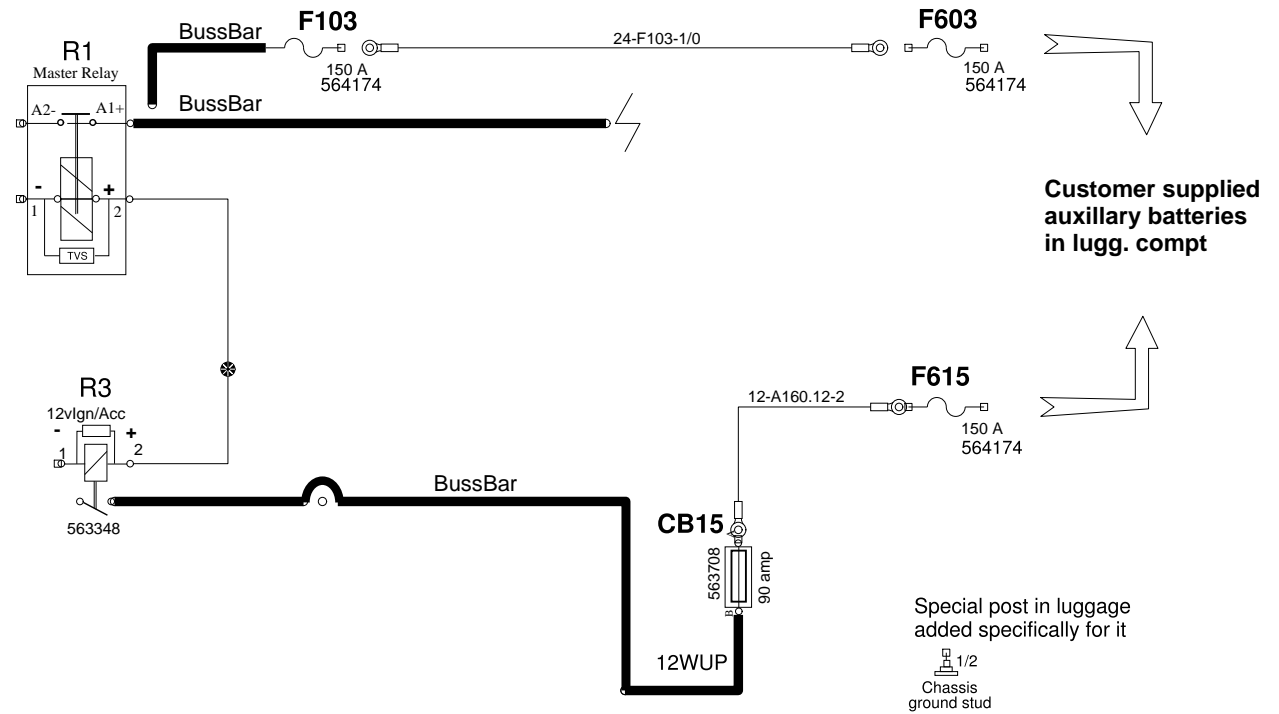
4

# Main distribution batteries & ignition



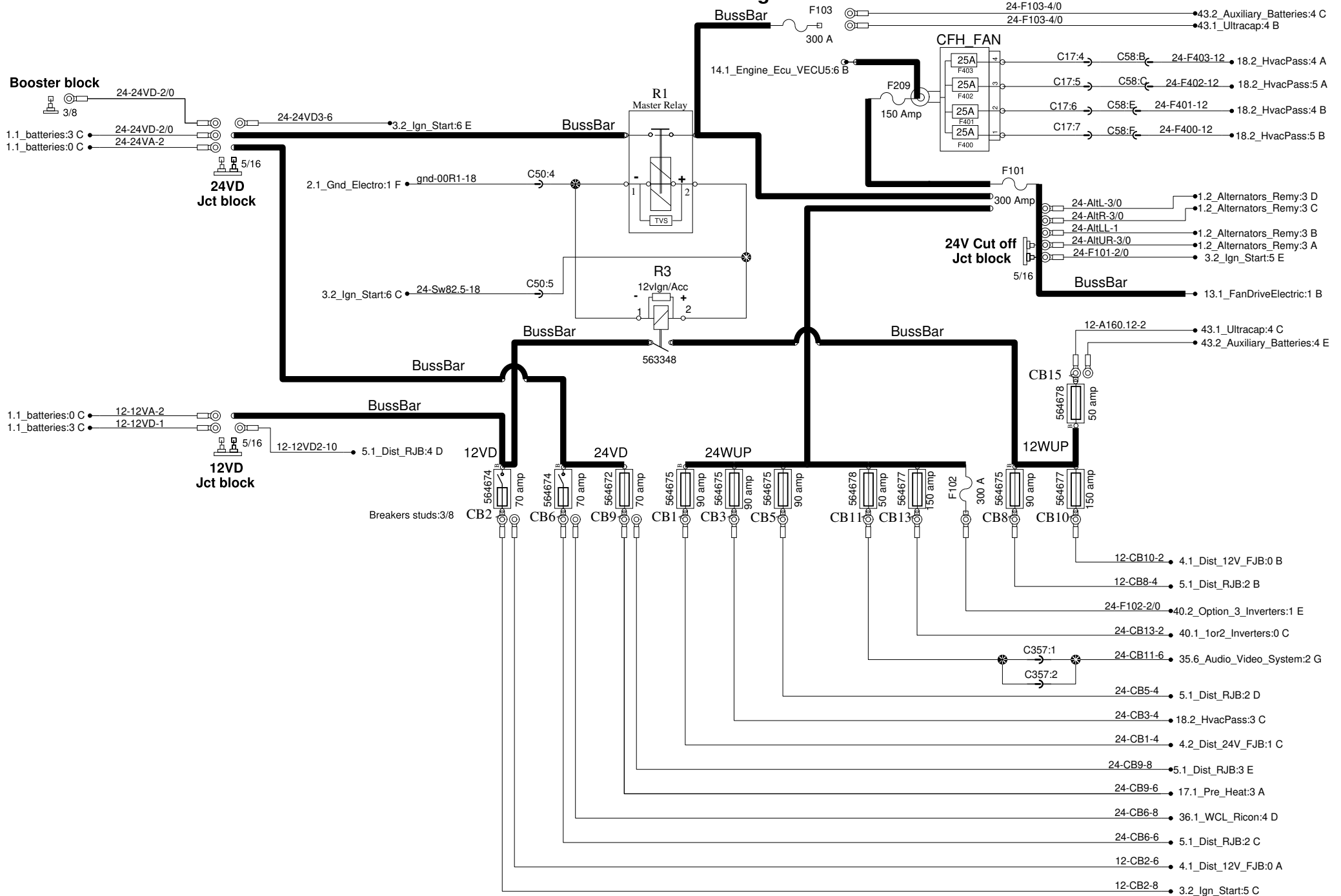
**Main distribution batteries & ignition  
Customer Adaptation Aux. batteries in lugg. compt**

REFER TO P3.1(STD) FOR ALL DETAILS

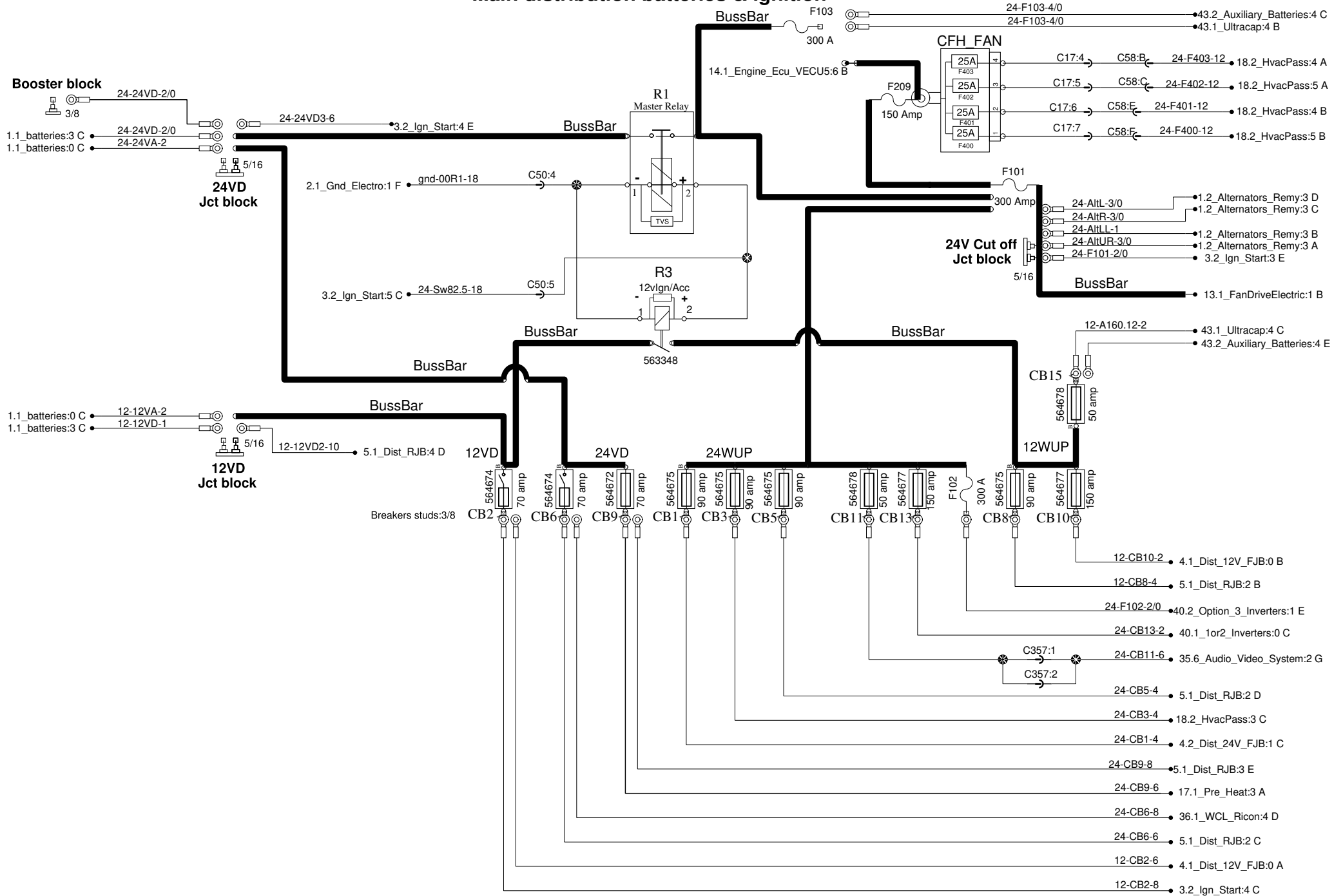


**Note: Will be delivered F103 & CB15 unplugged in RJB**

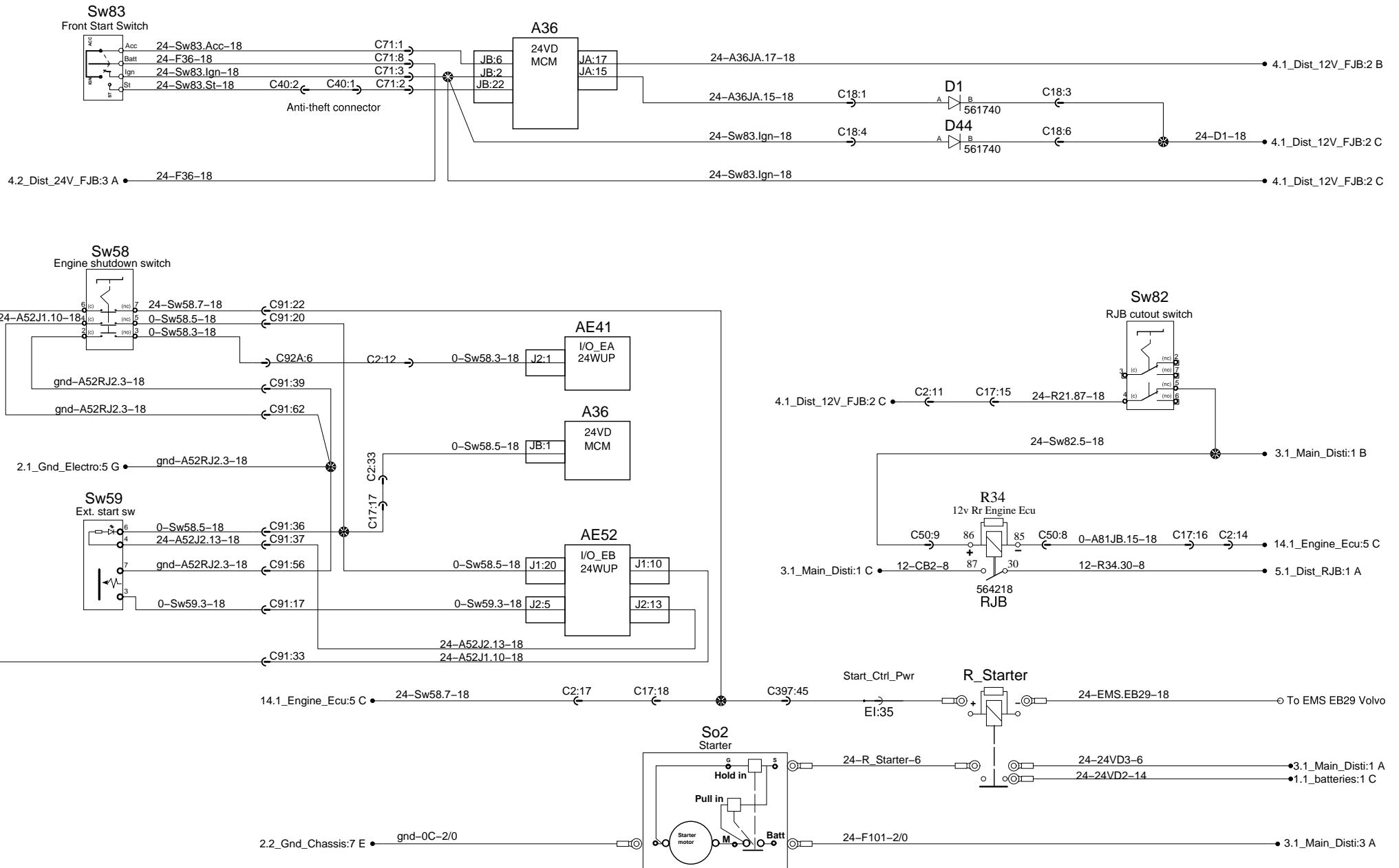
# Main distribution batteries & ignition



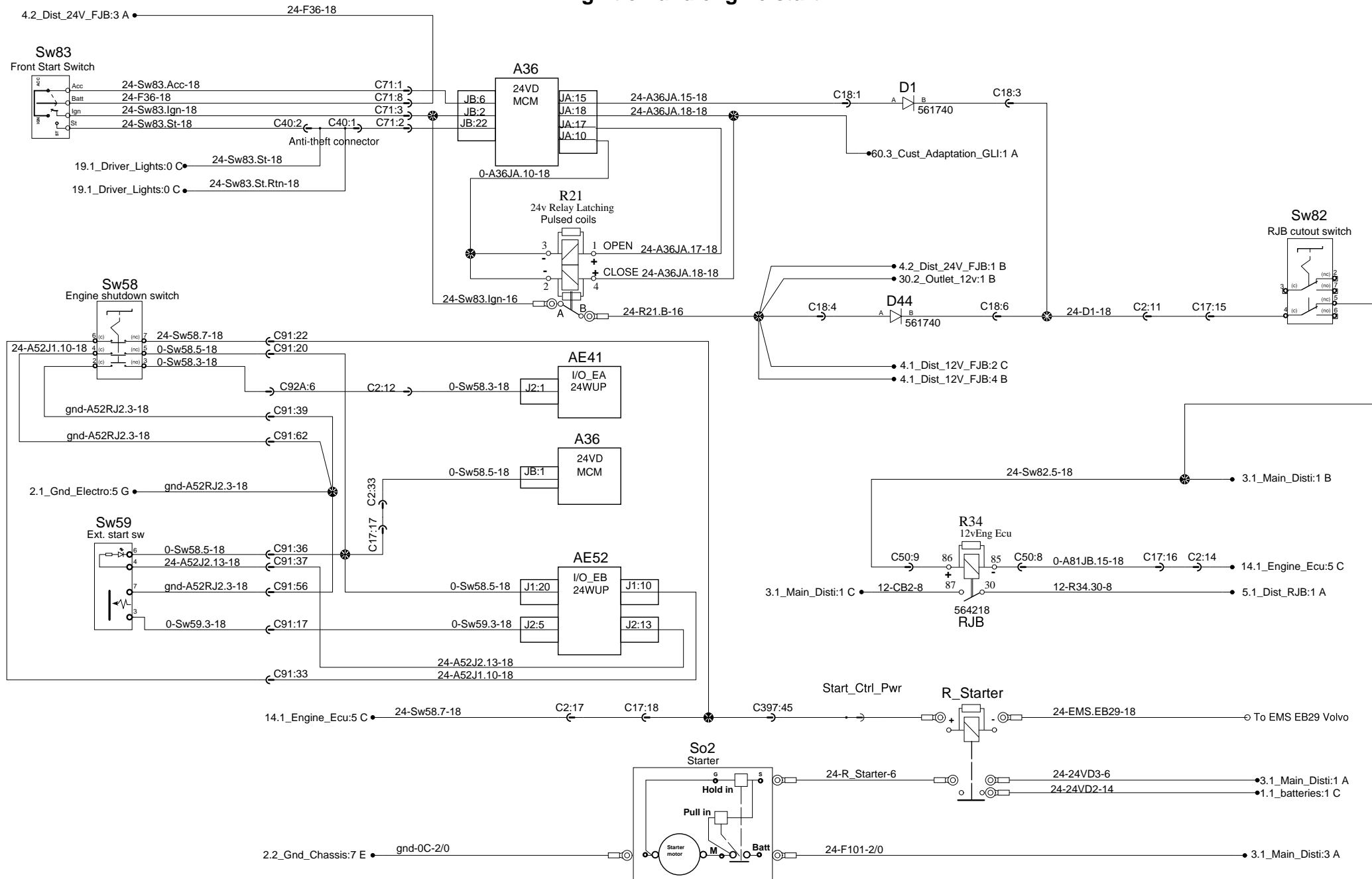
# Main distribution batteries & ignition



# Ignition and engine start

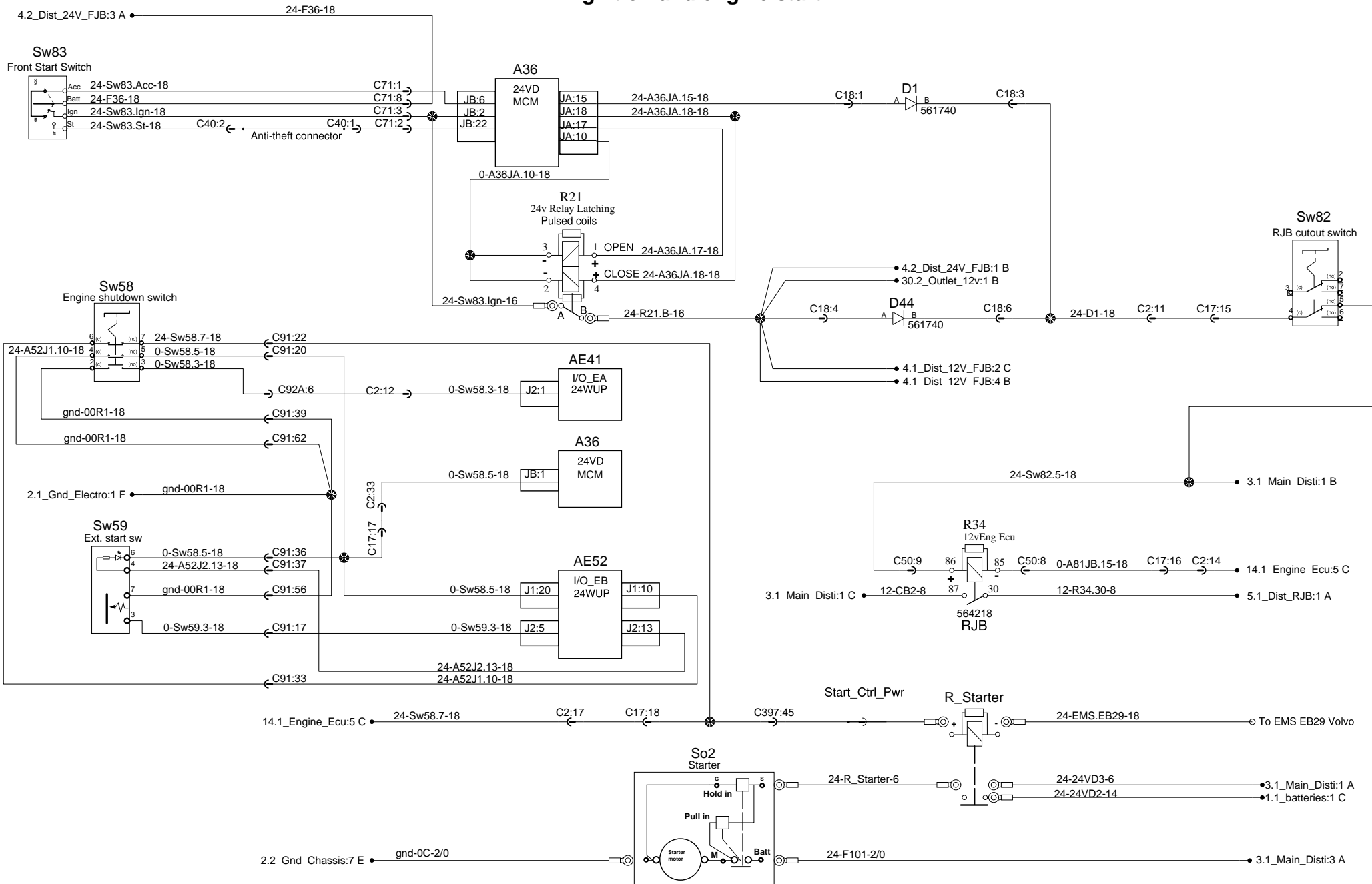


# Ignition and engine start

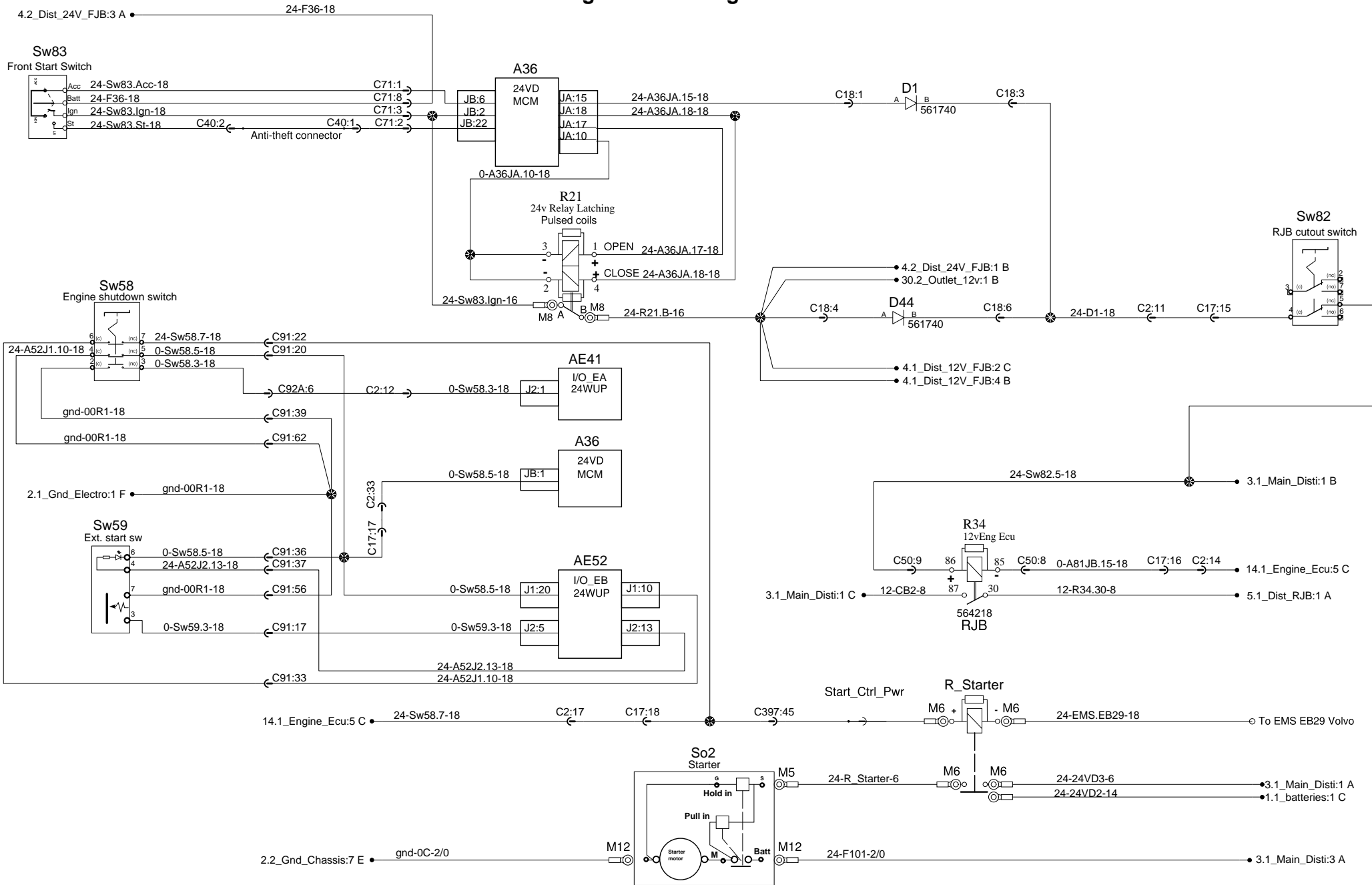




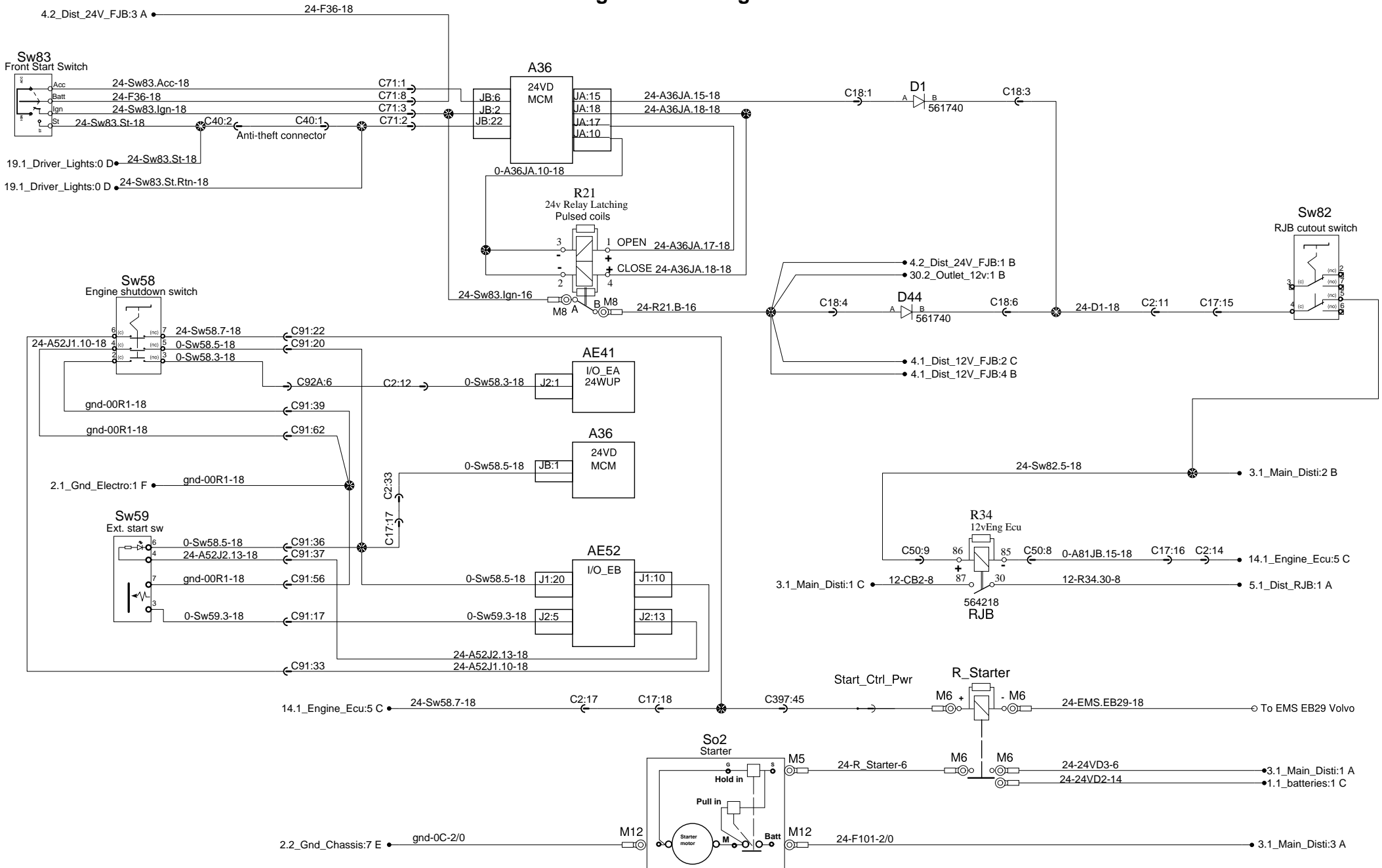
# Ignition and engine start



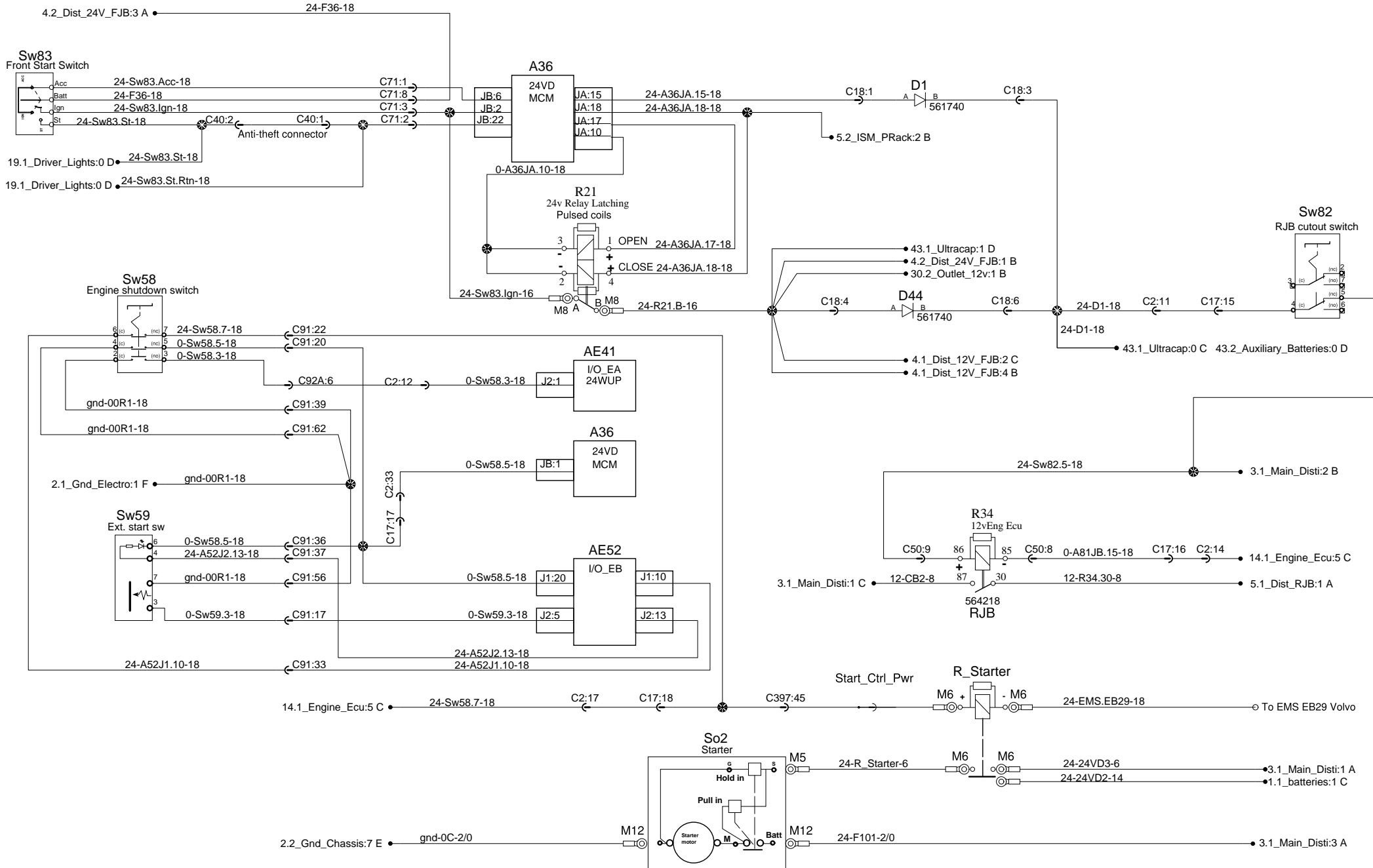
# Ignition and engine start



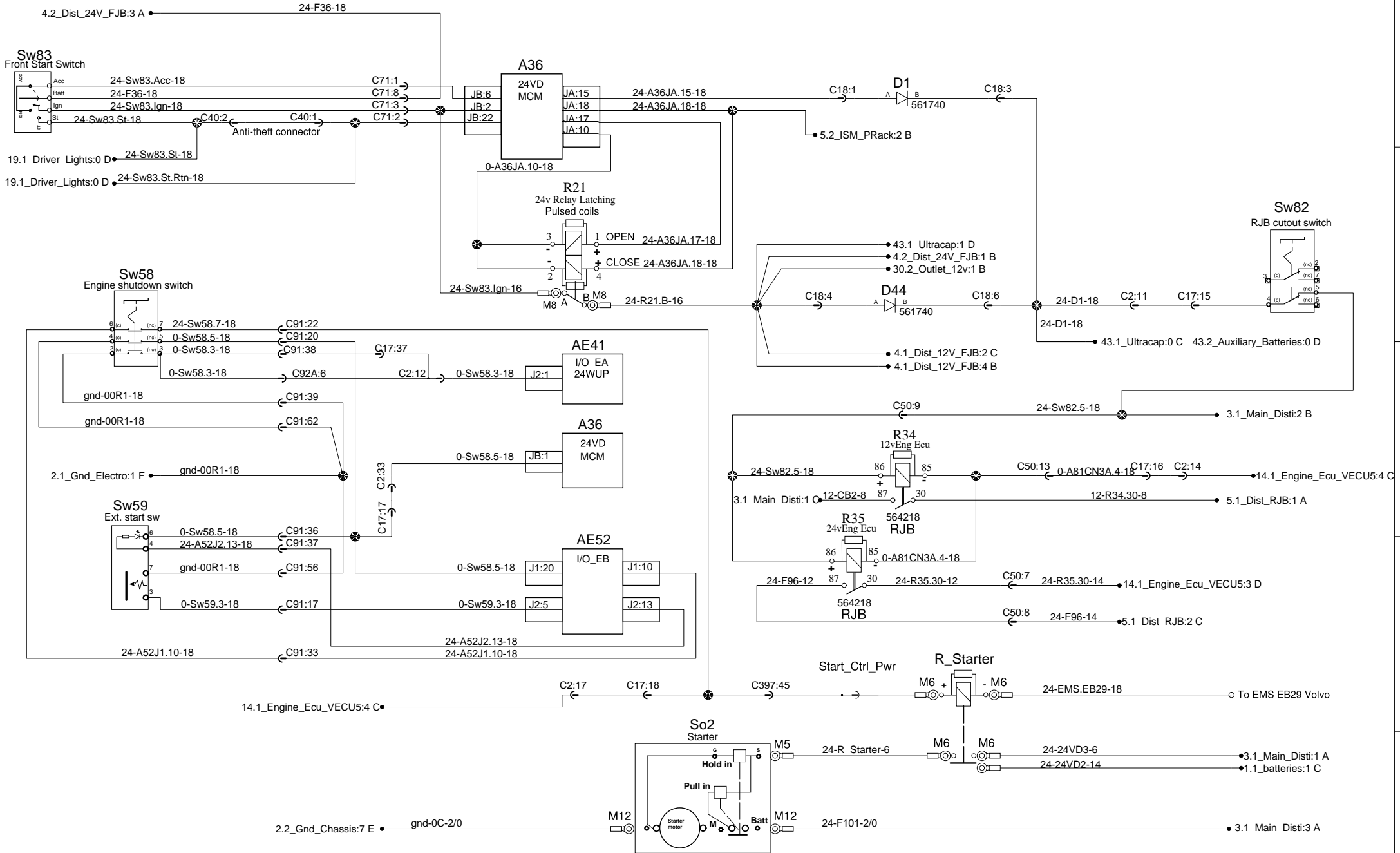
# Ignition and engine start



# Ignition and engine start

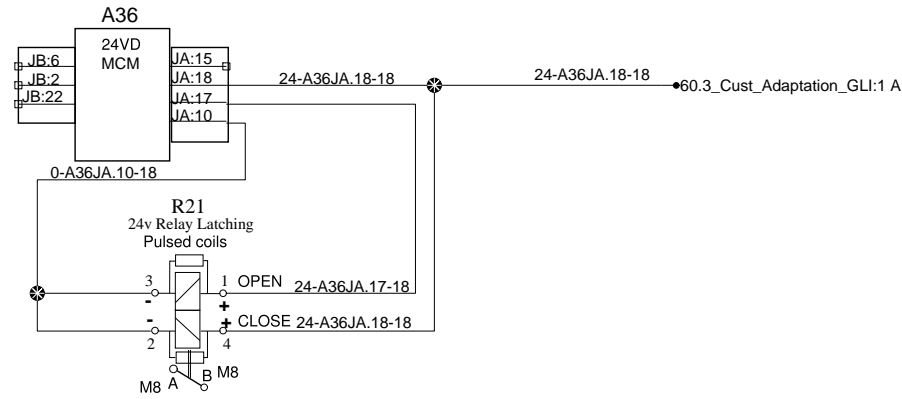


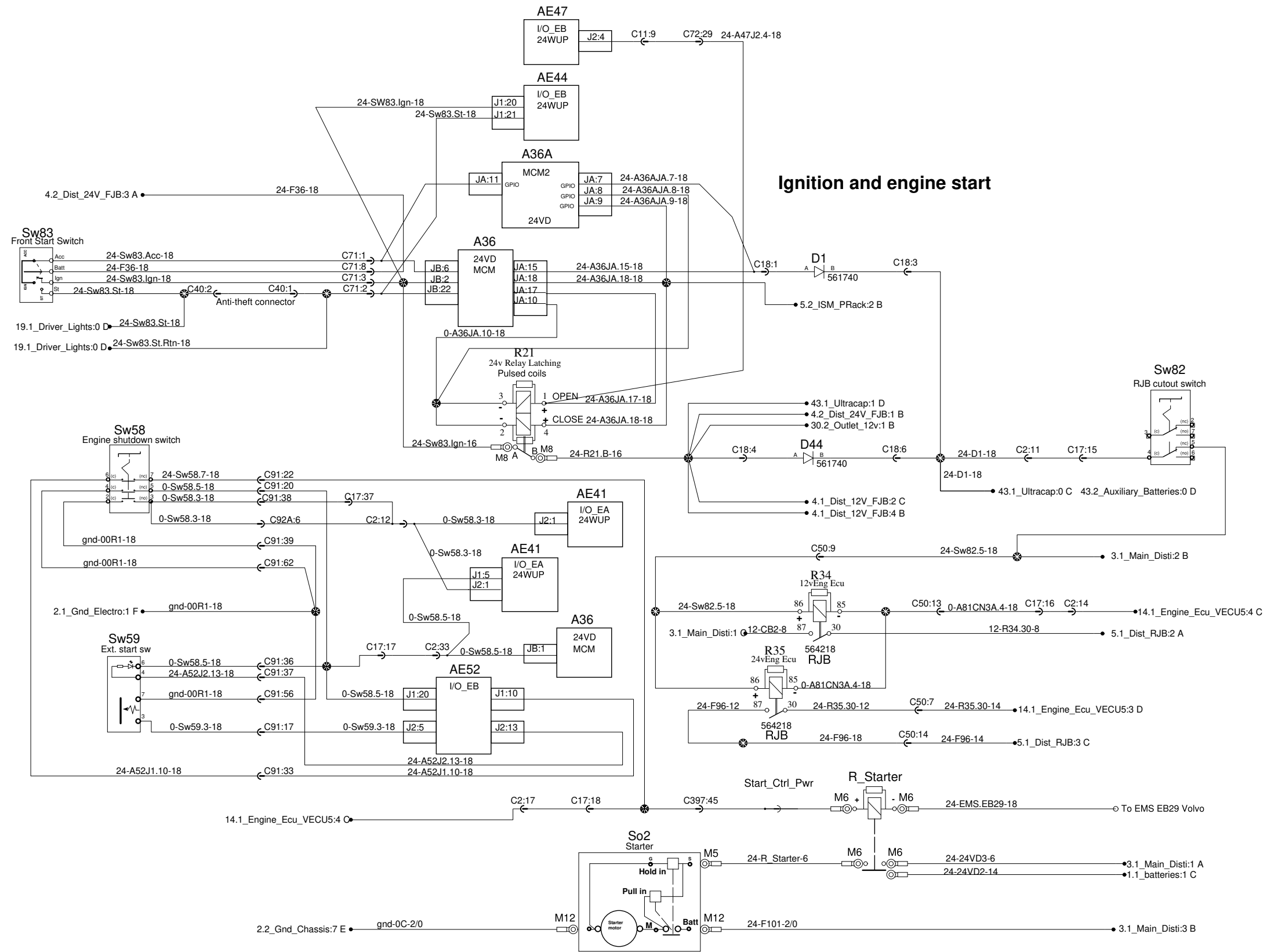
# Ignition and engine start



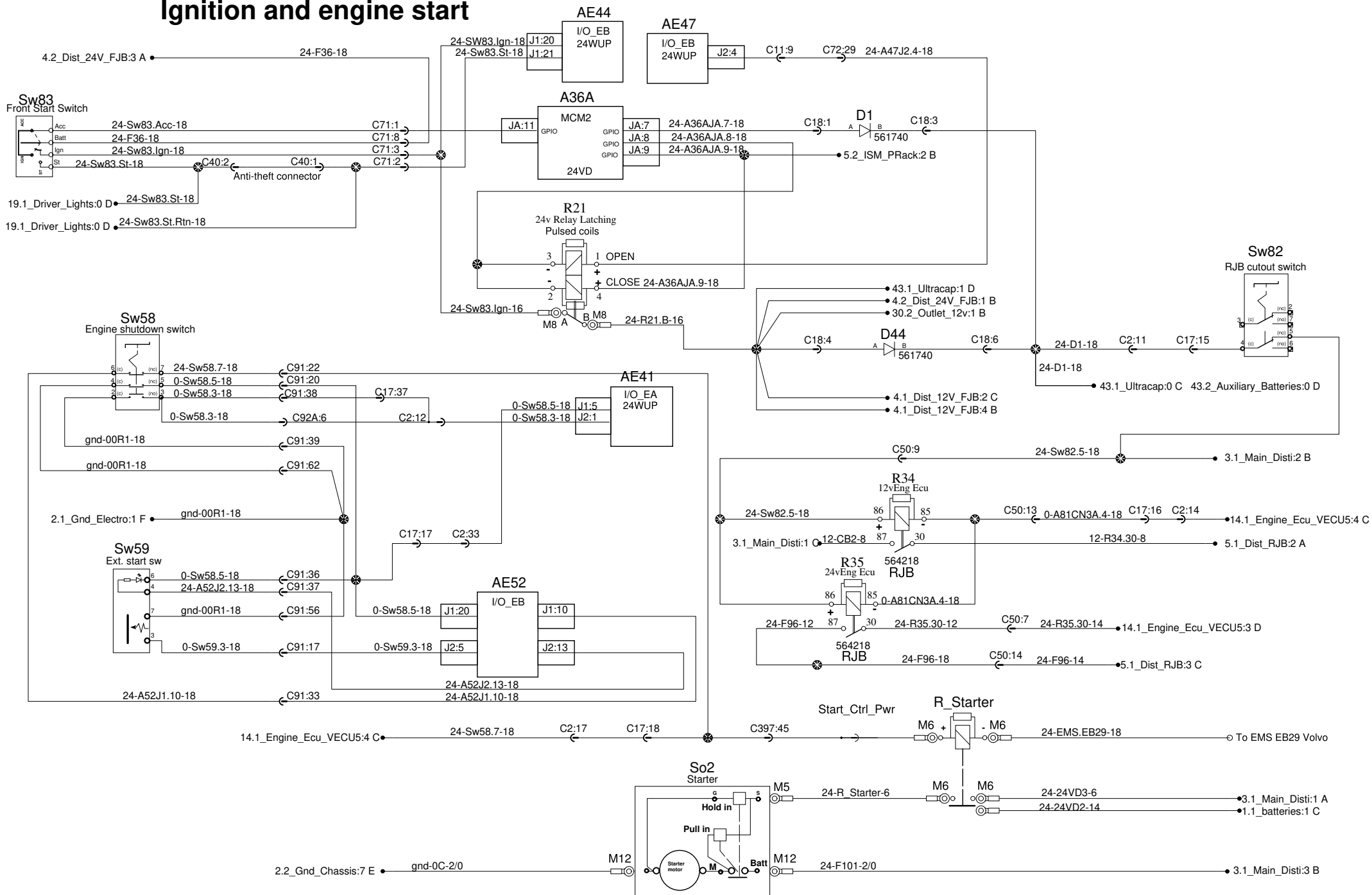
# Ignition and engine start Customer Adaptation

REFER TO P3.2(STD) FOR ALL DETAILS



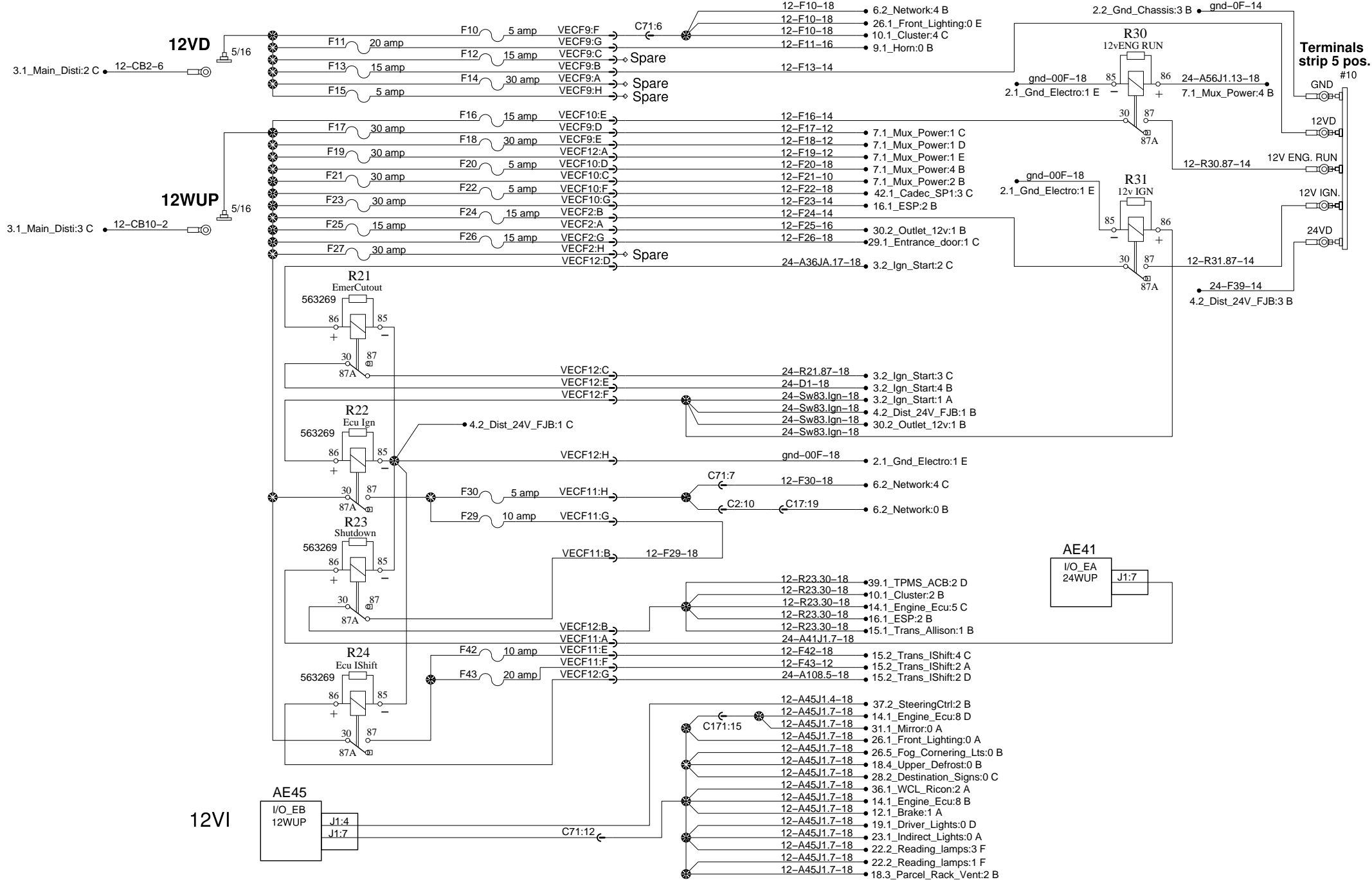


# Ignition and engine start

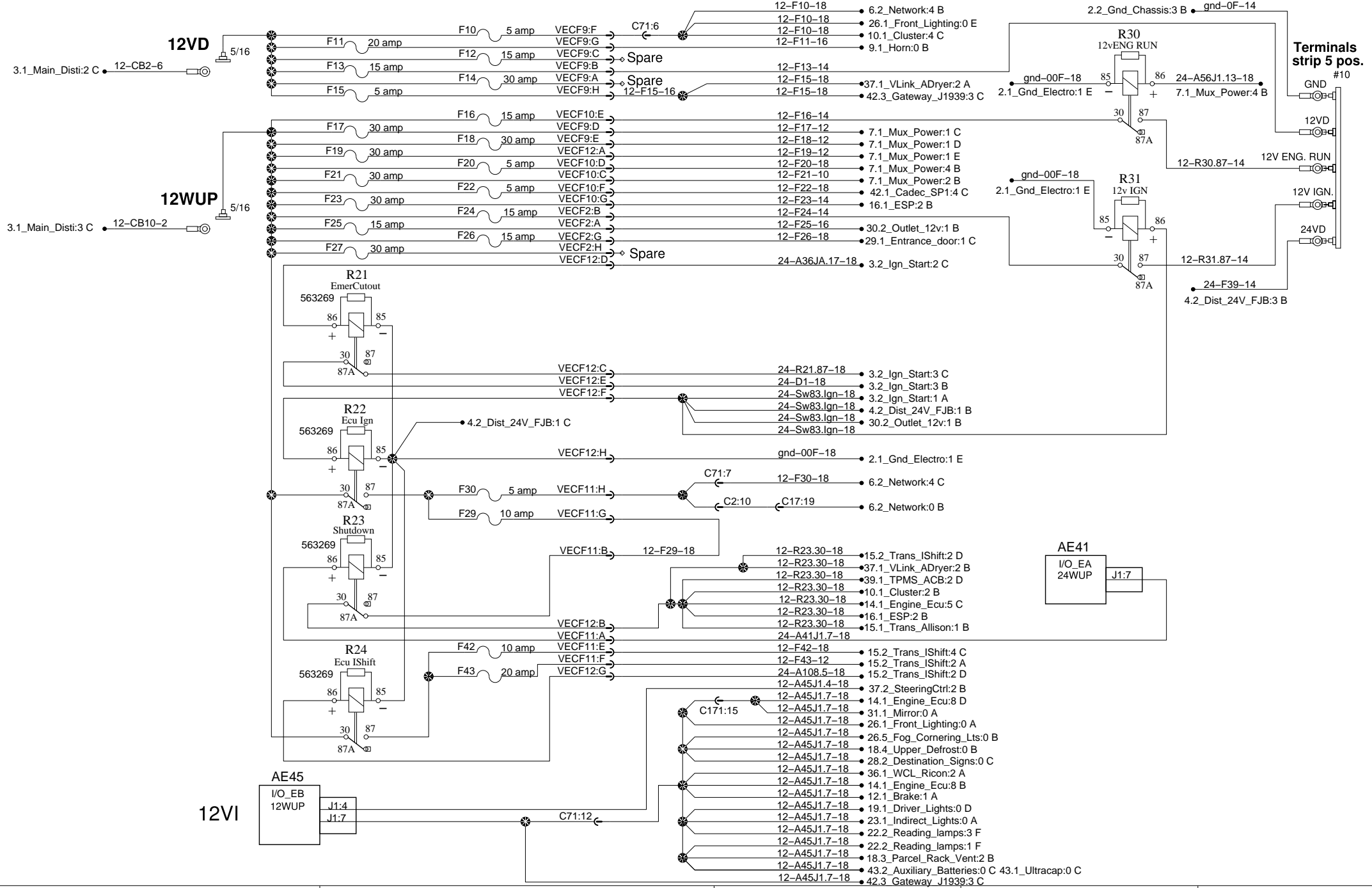




# 12V Power distribution front junction box

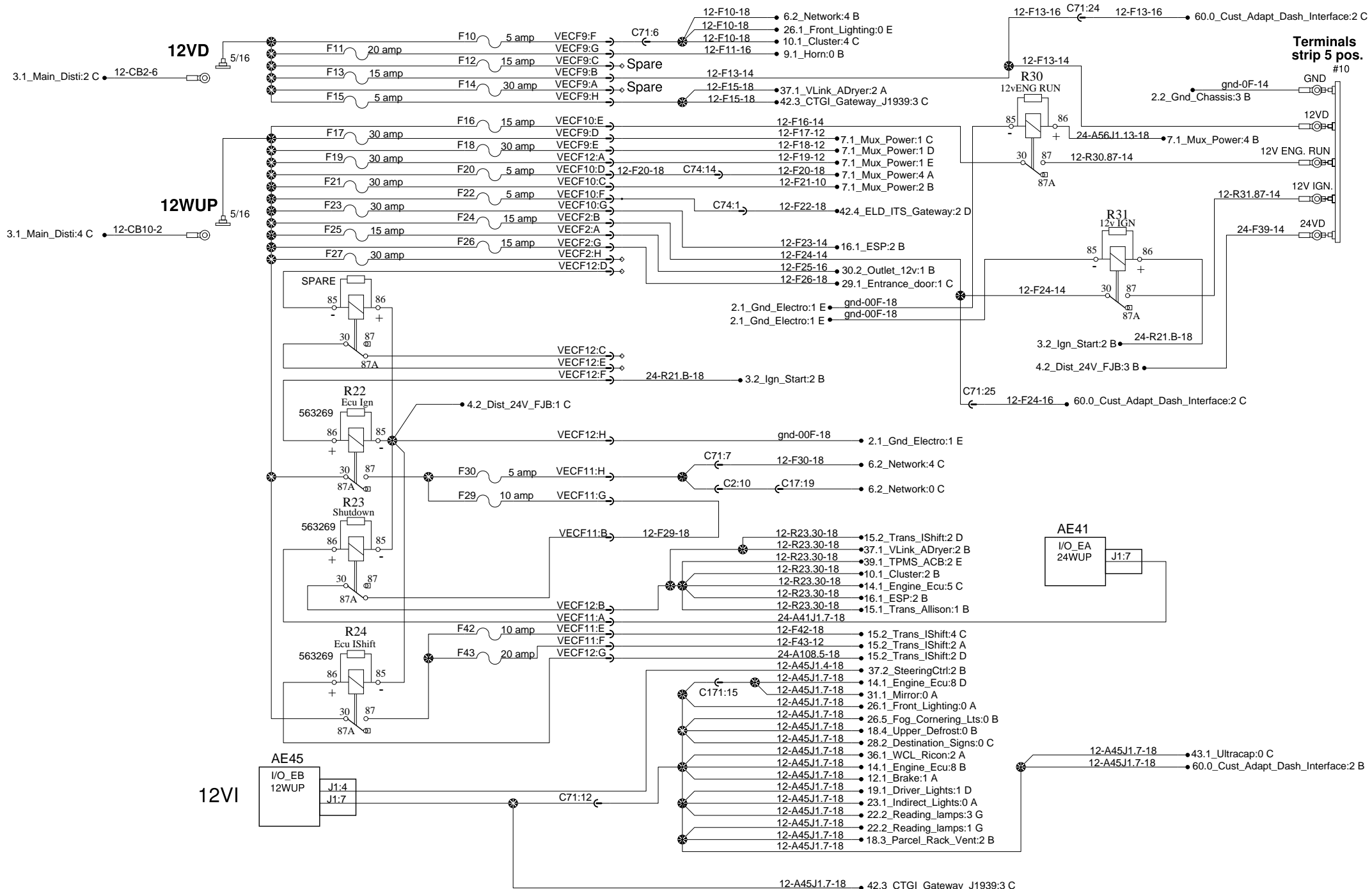


# 12V Power distribution front junction box

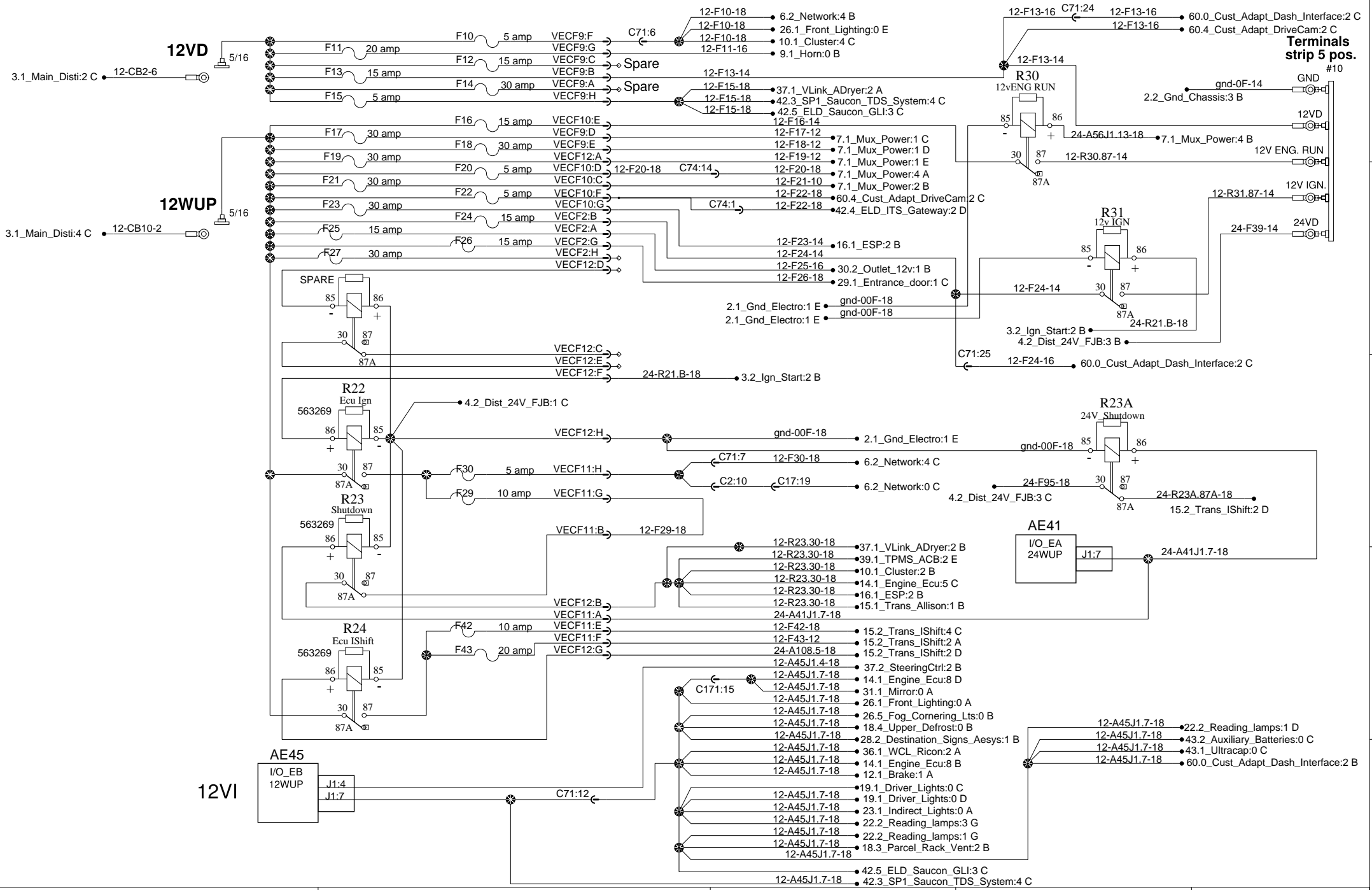




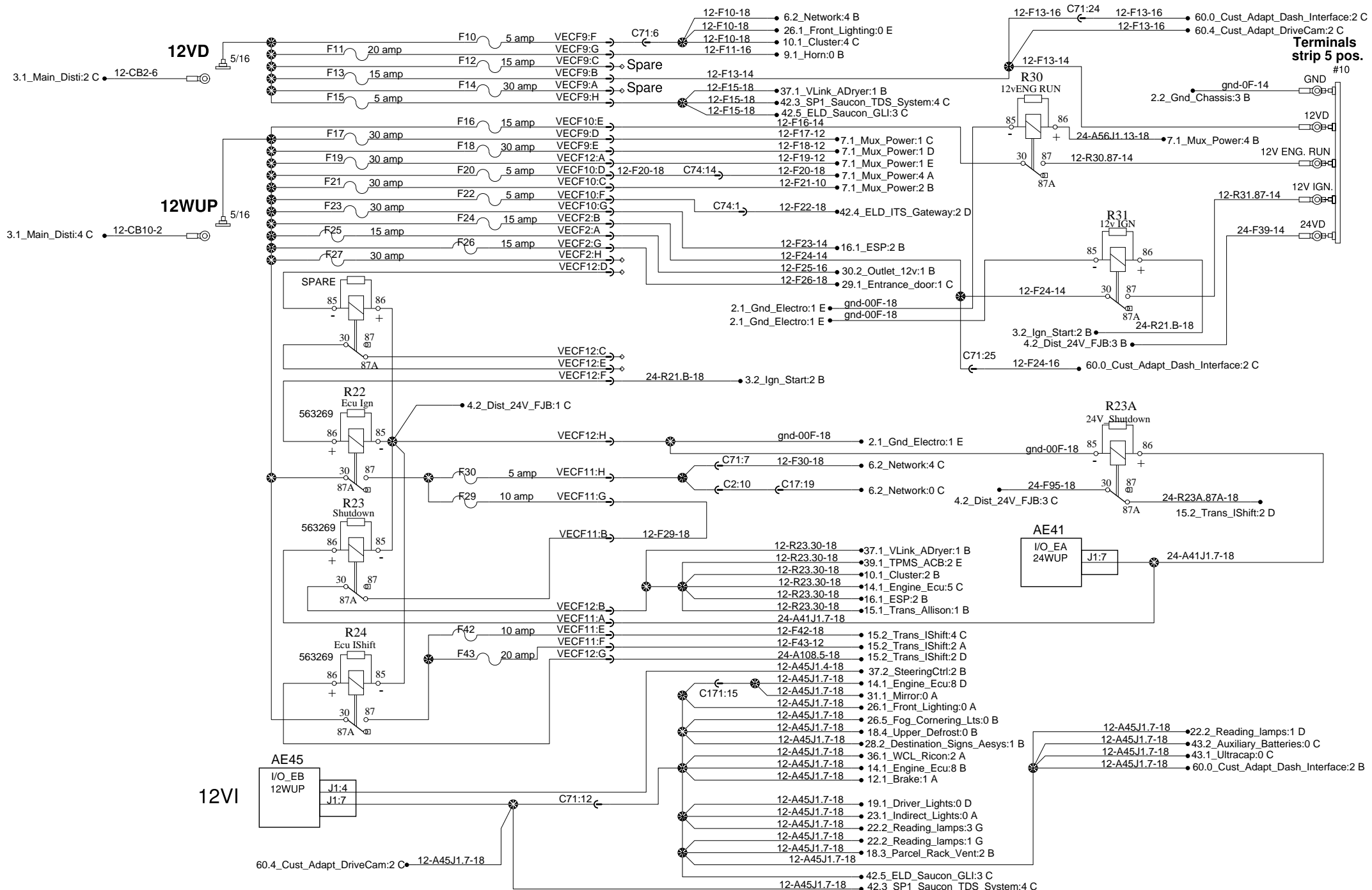
# 12V Power distribution front junction box



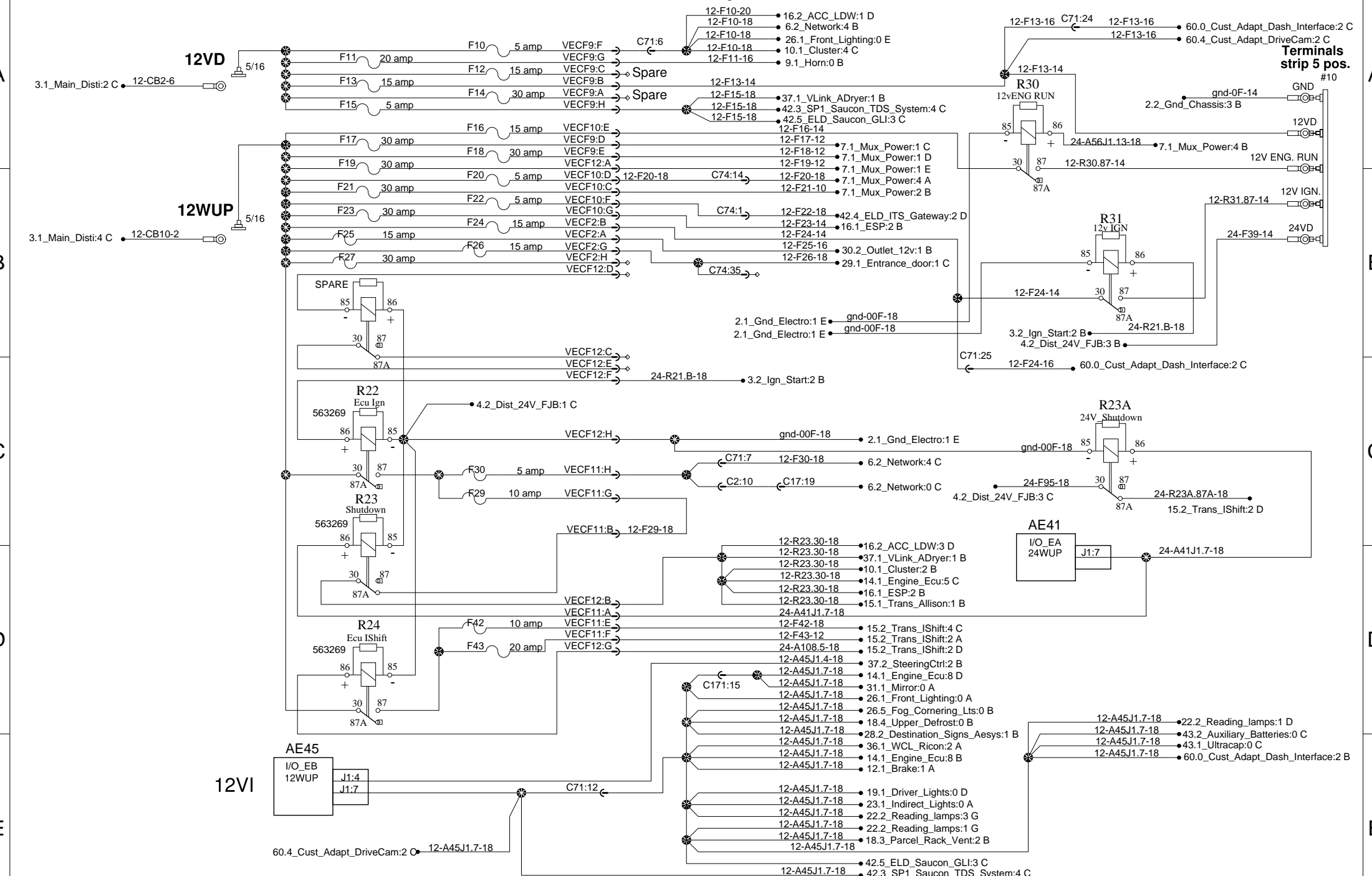
# 12V Power distribution front junction box



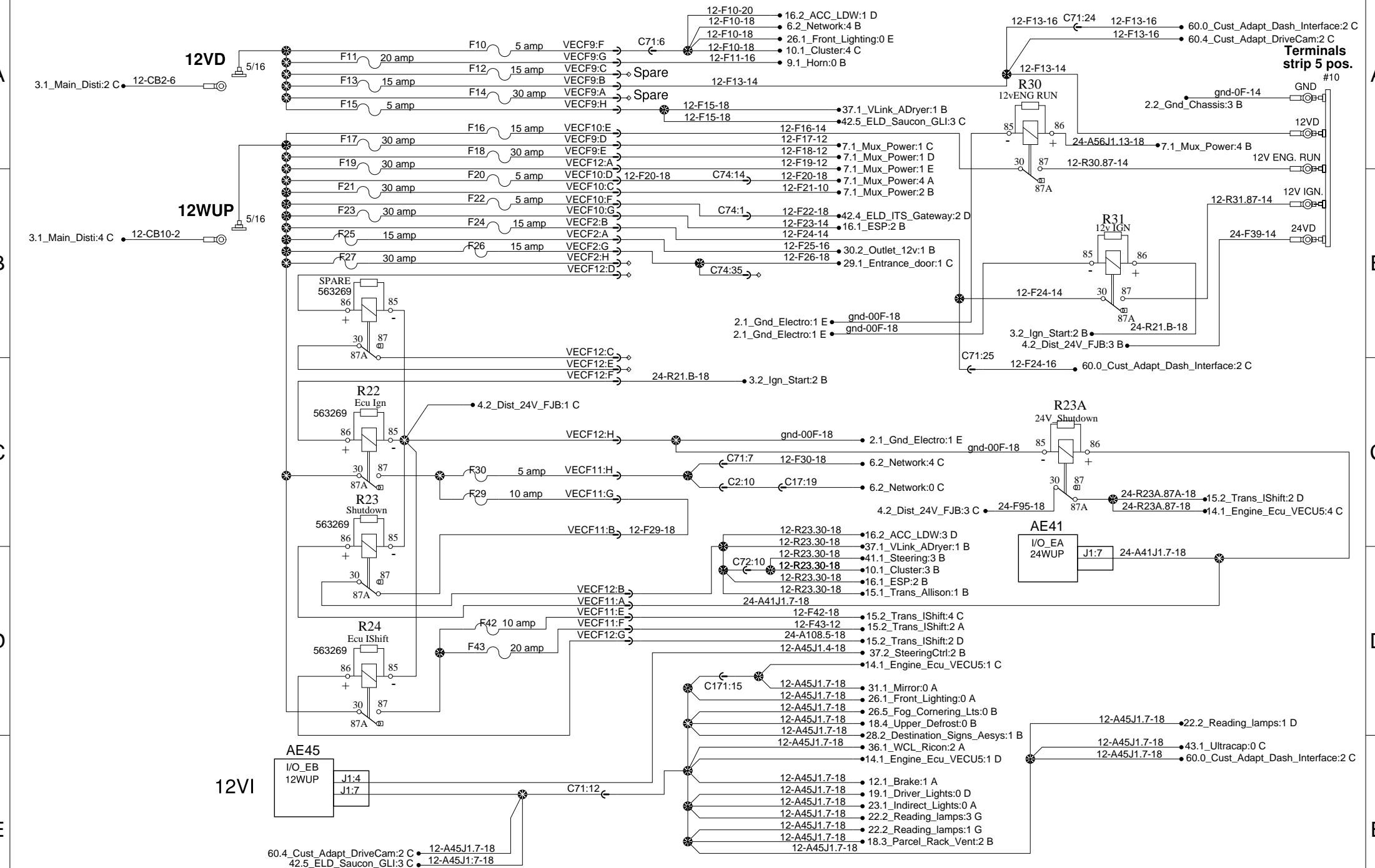
# 12V Power distribution front junction box



# 12V Power distribution front junction box



# 12V Power distribution front junction box





### Power distribution front junction box Cutomer Adaptation

A

A

B

B

C

C

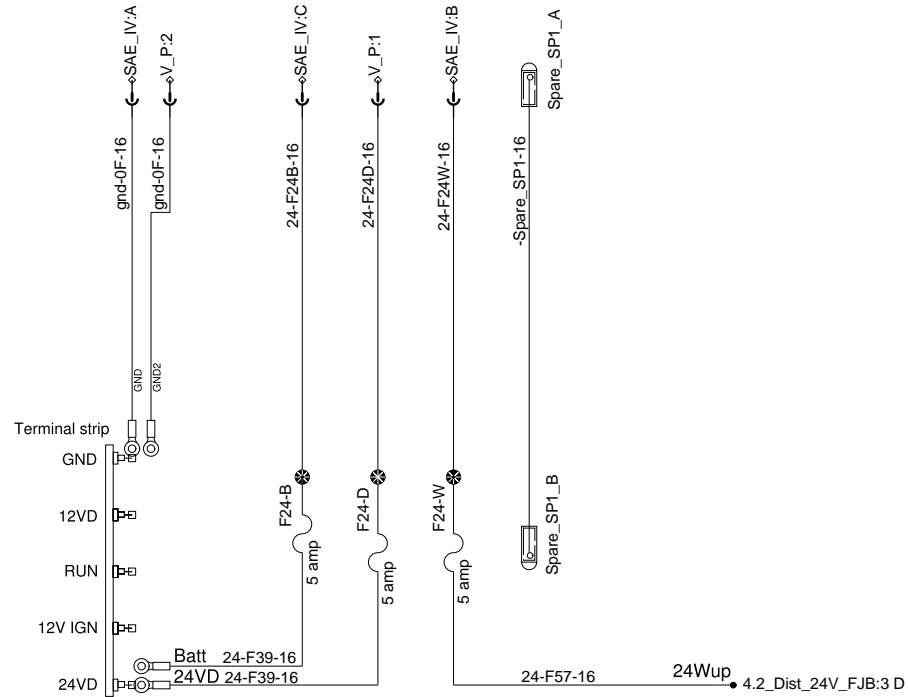
D

D

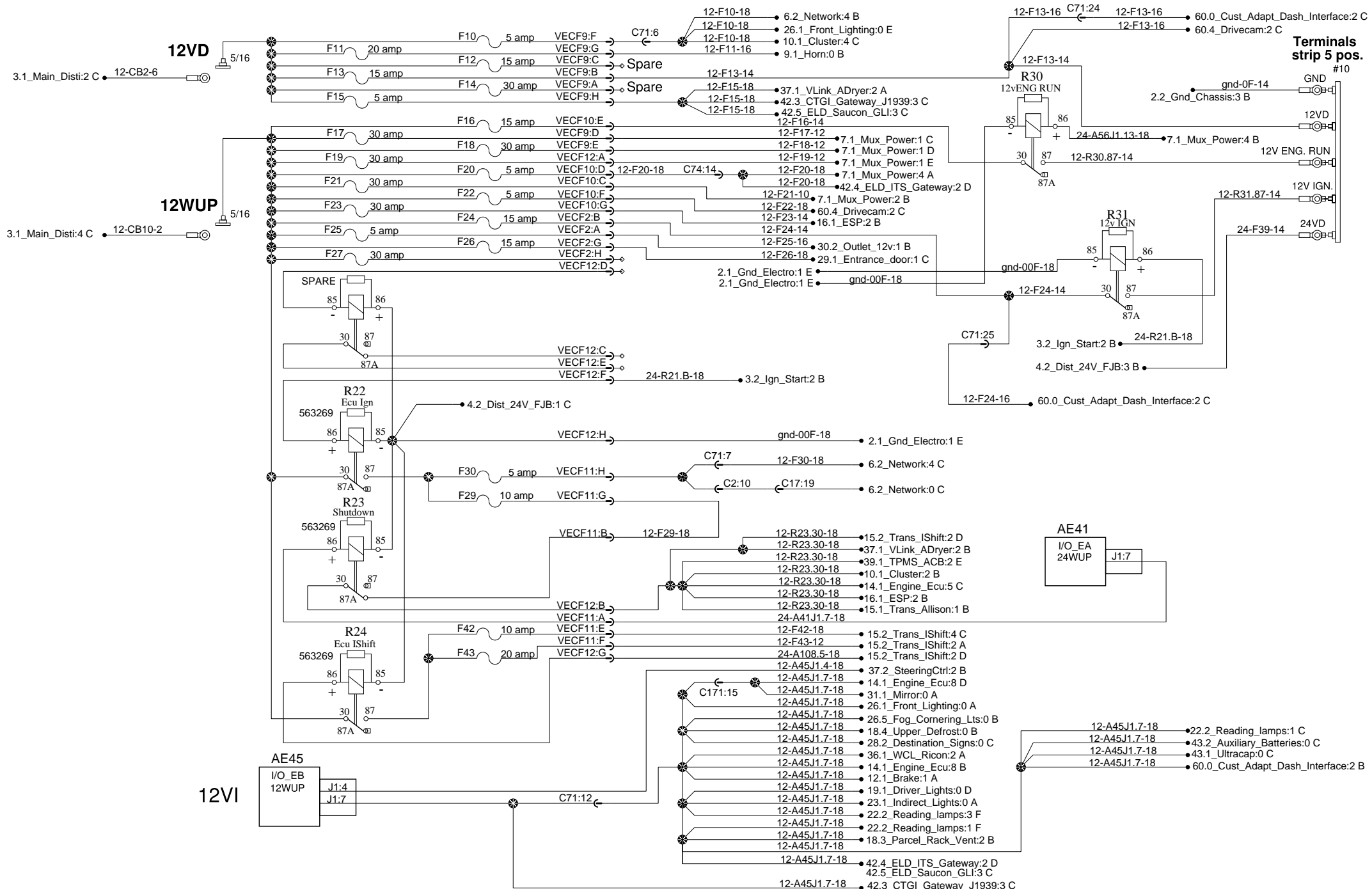
E

E

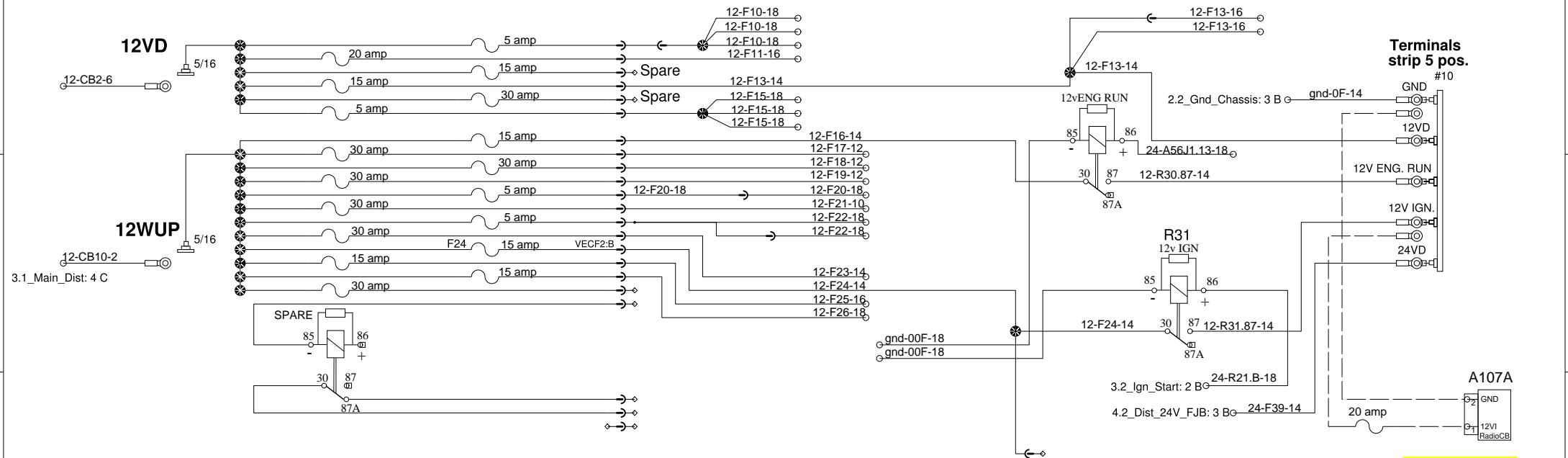
REFER TO P4.1 (A-4) FOR ALL DETAILS



# 12V Power distribution front junction box



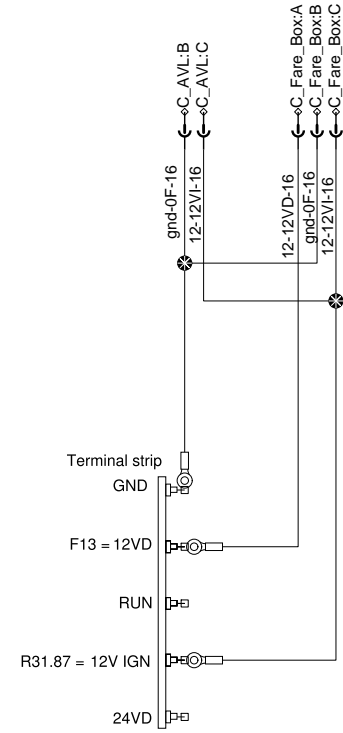
# 12V Power distribution front junction box



Refer to page 4.1 STD for all details

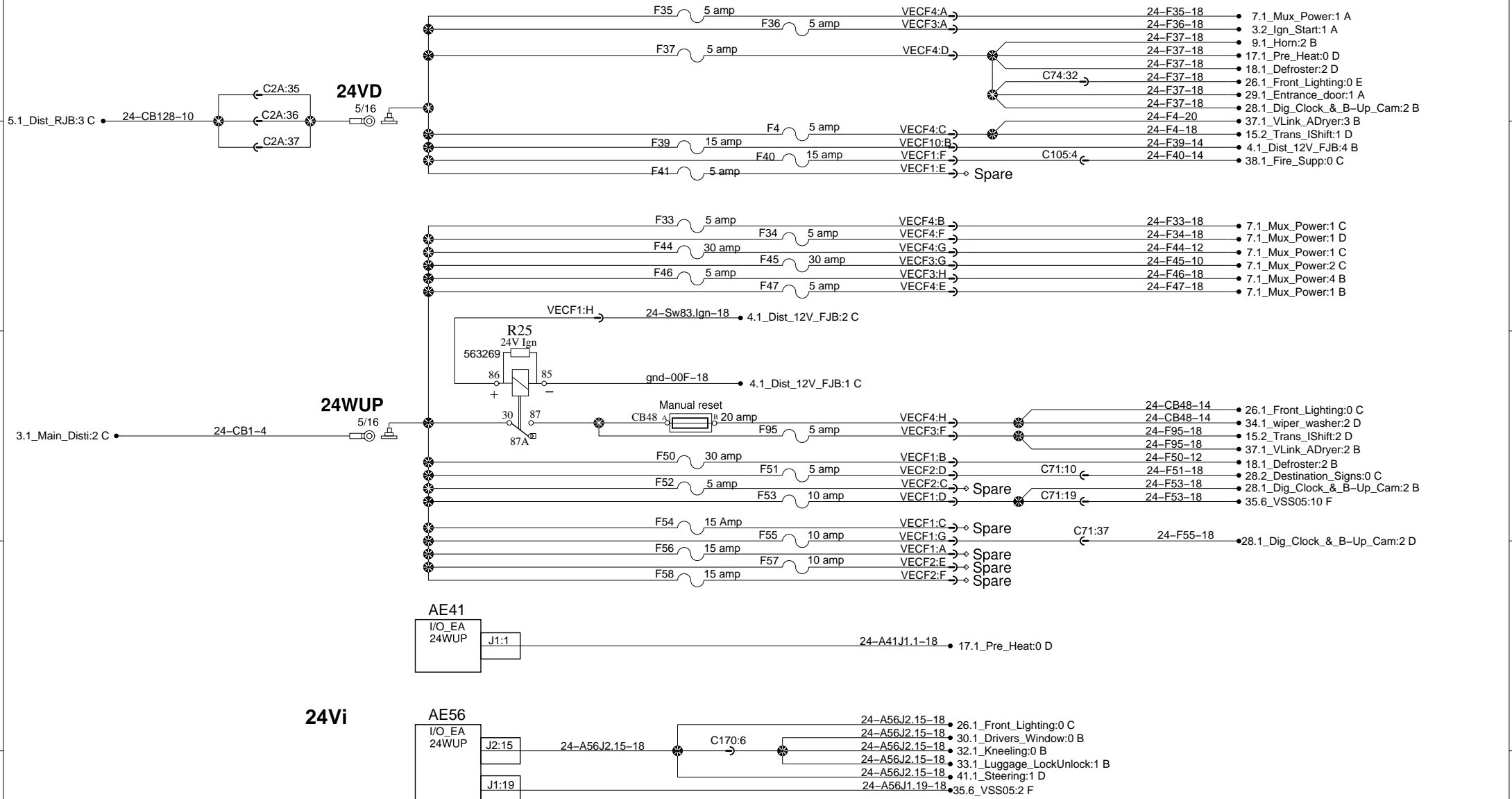
CB Radio Option

Power distribution front junction box  
Customer Adaptation

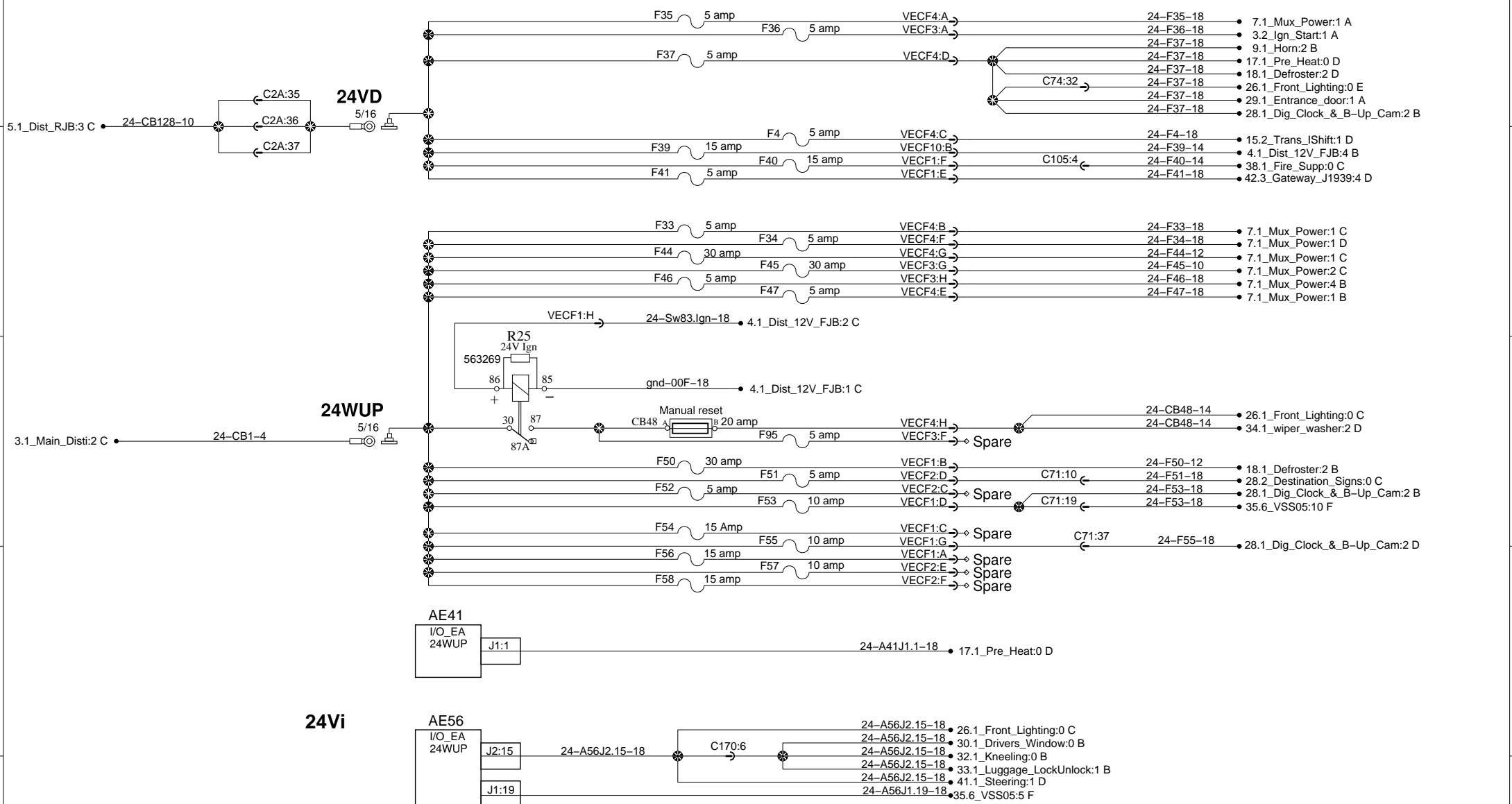


BIDDEFORD  
fare box supply

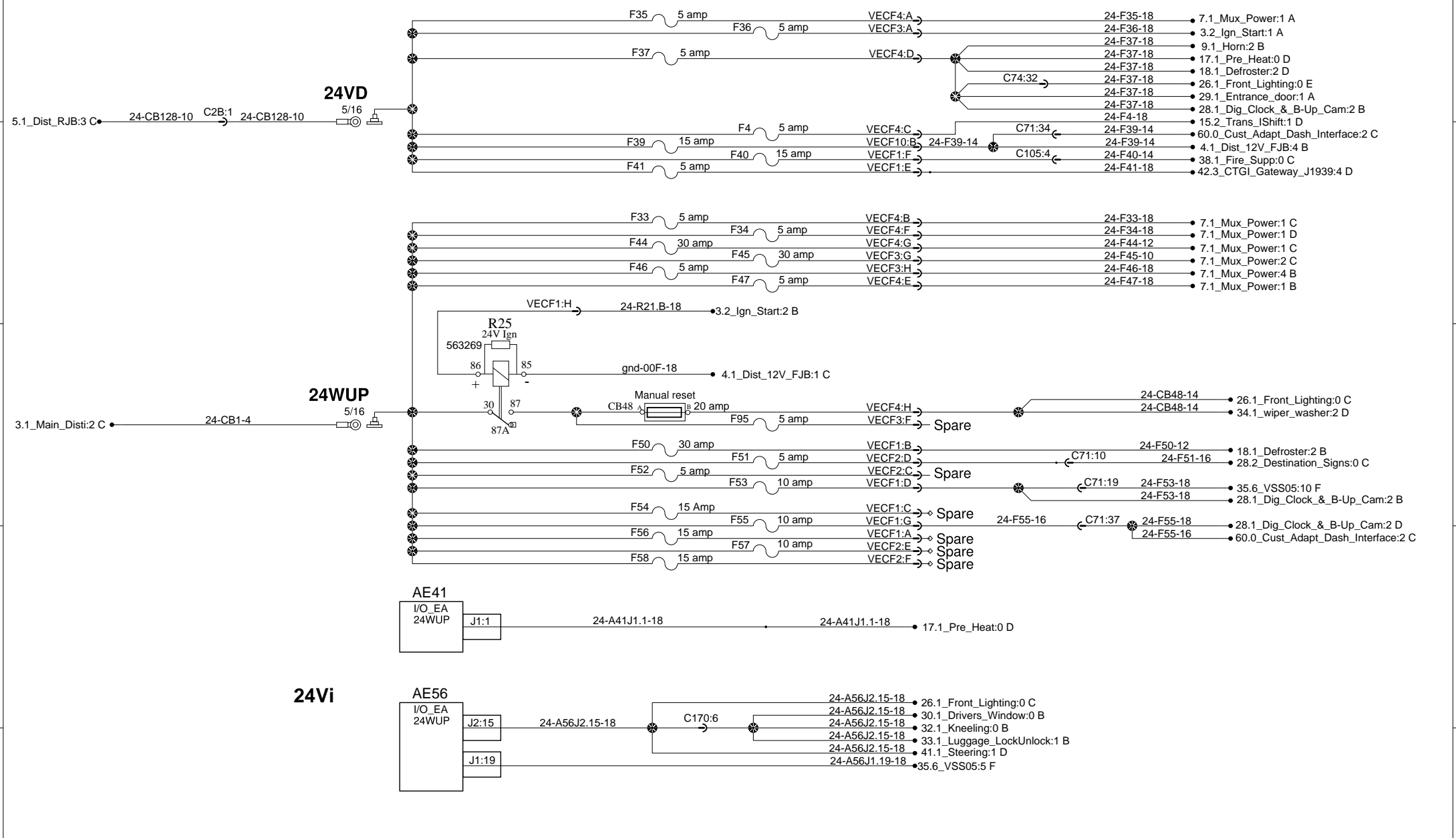
# 24V Power distribution front junction box



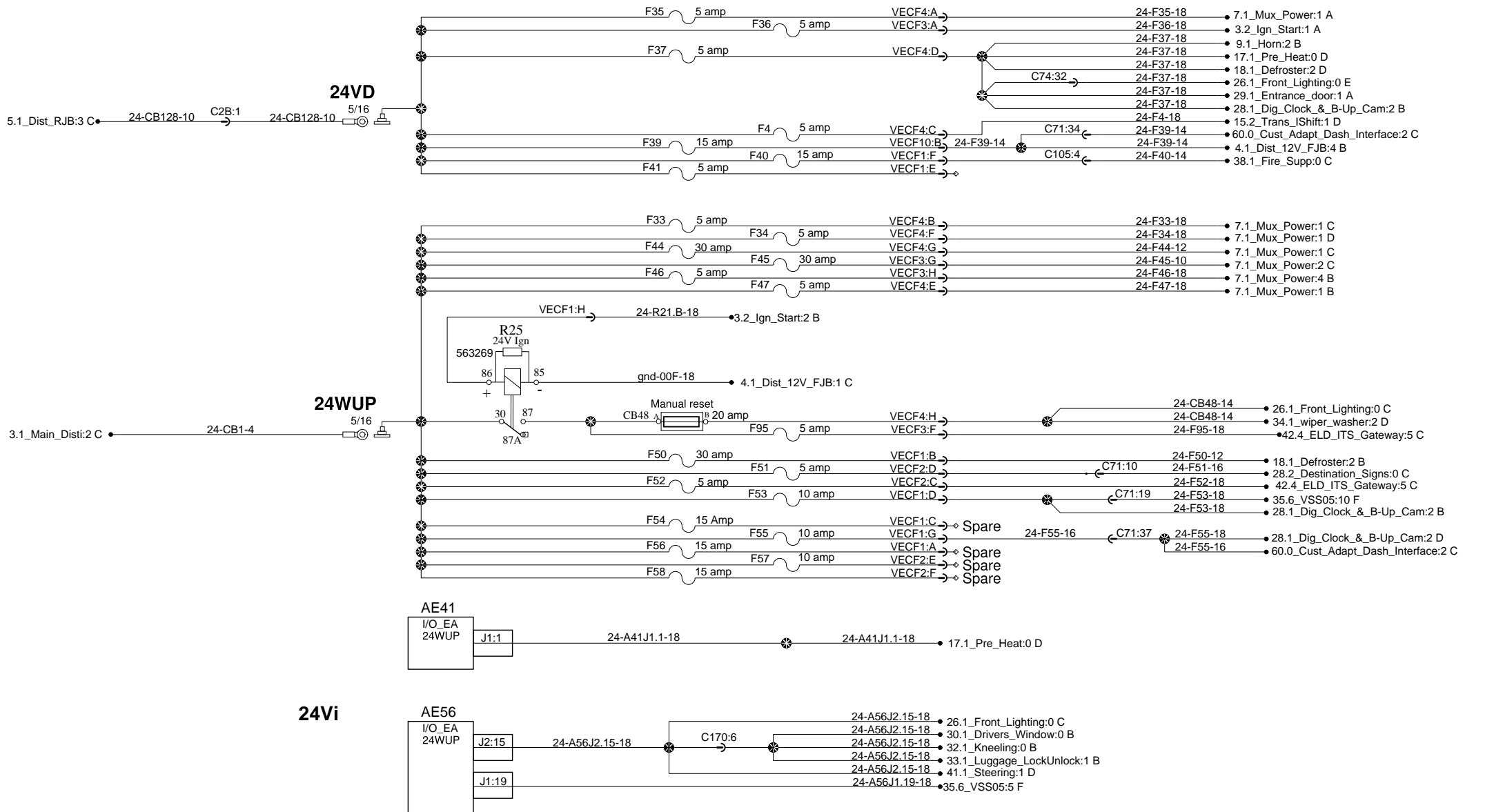
# 24V Power distribution front junction box



# 24V Power distribution front junction box

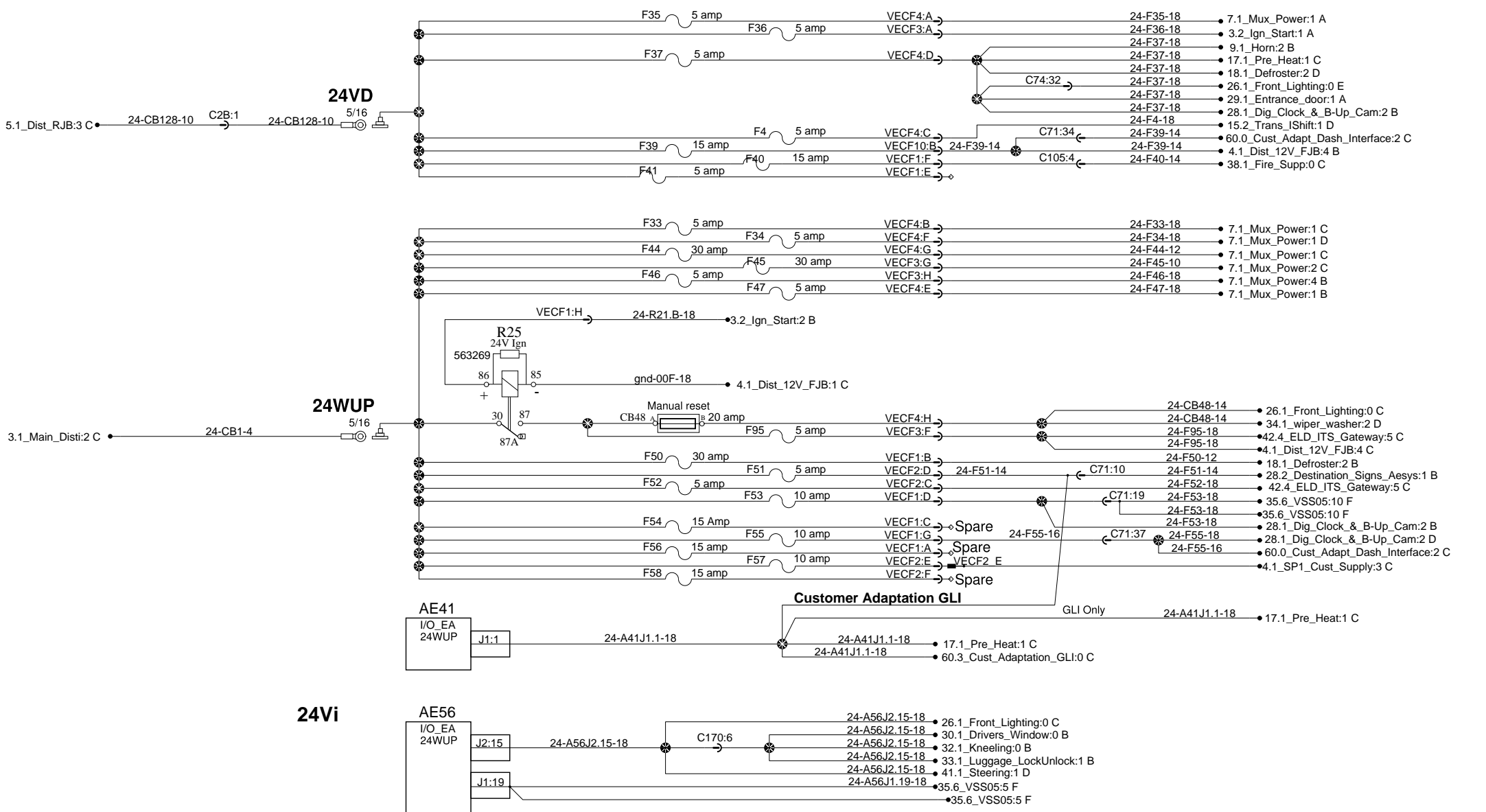


# 24V Power distribution front junction box

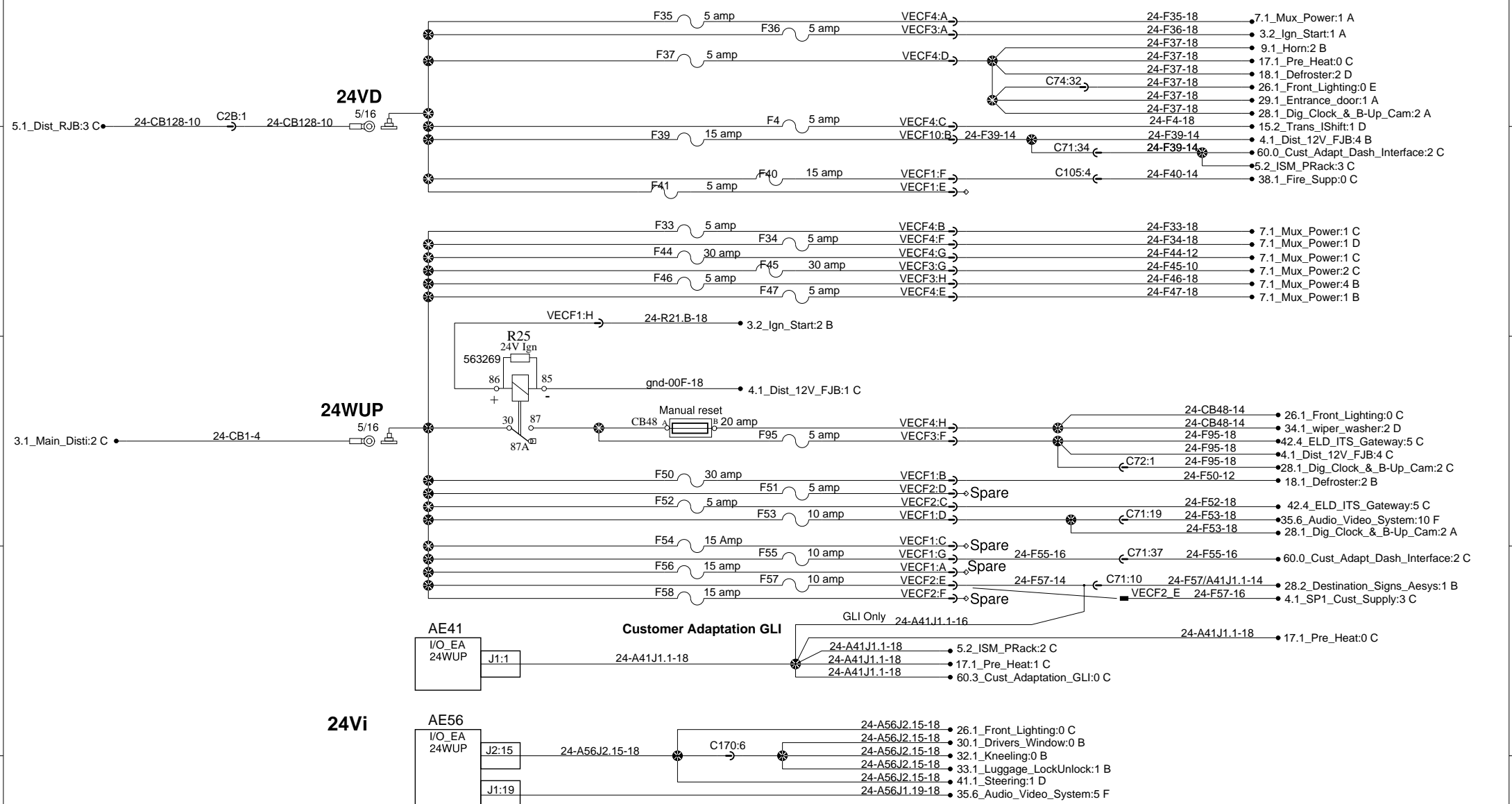




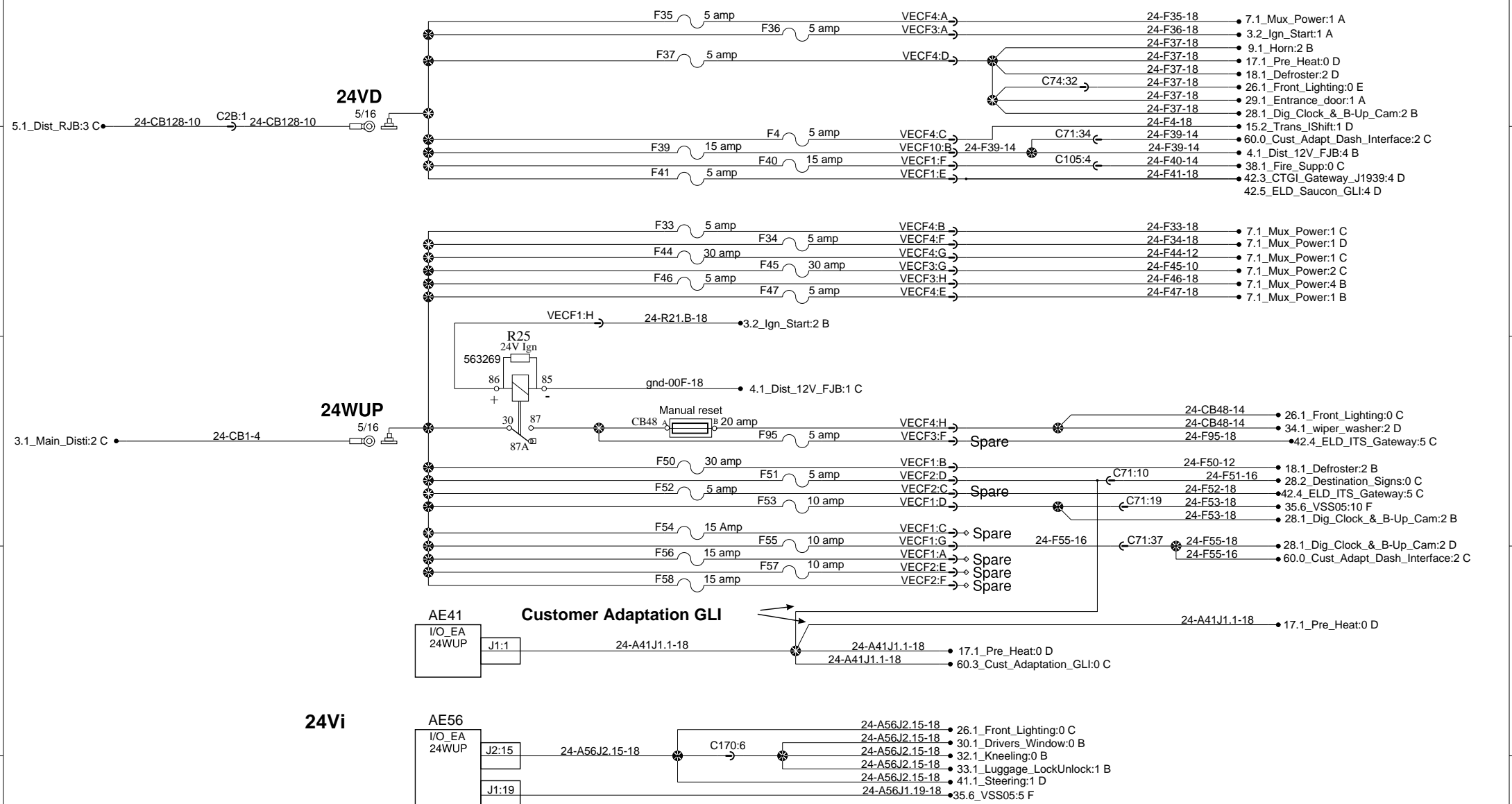
# 24V Power distribution front junction box



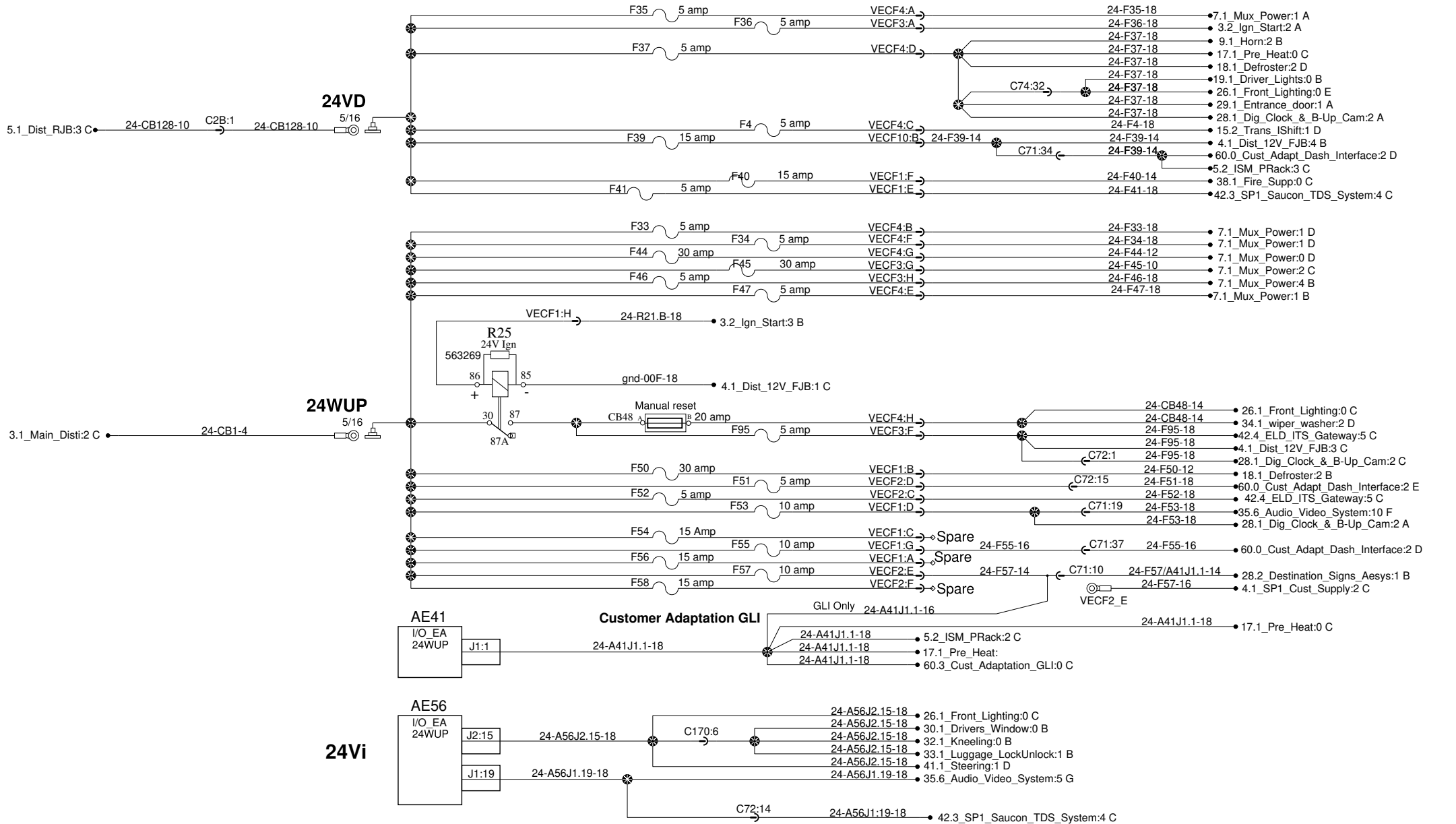
# 24V Power distribution front junction box



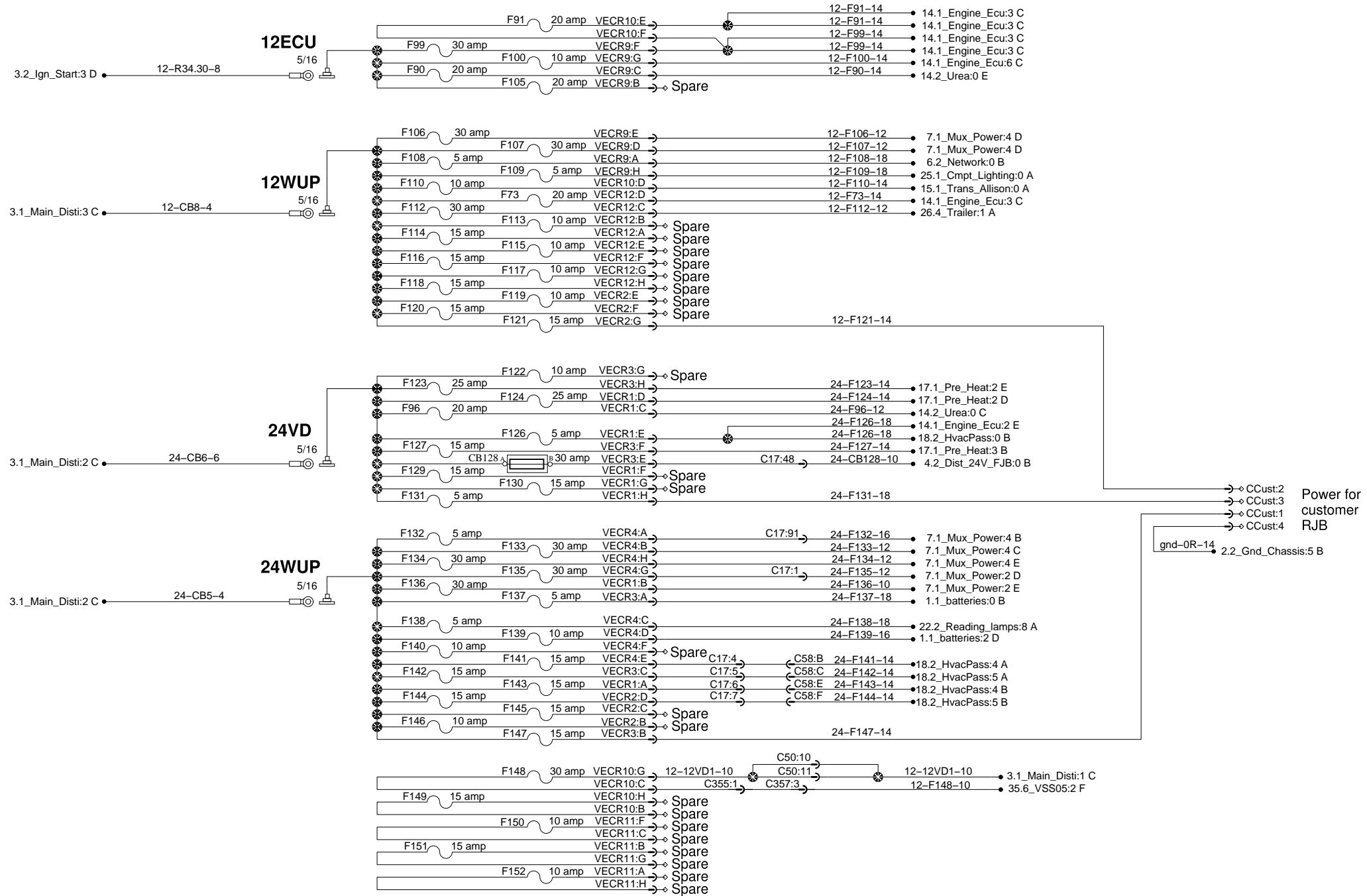
# 24V Power distribution front junction box



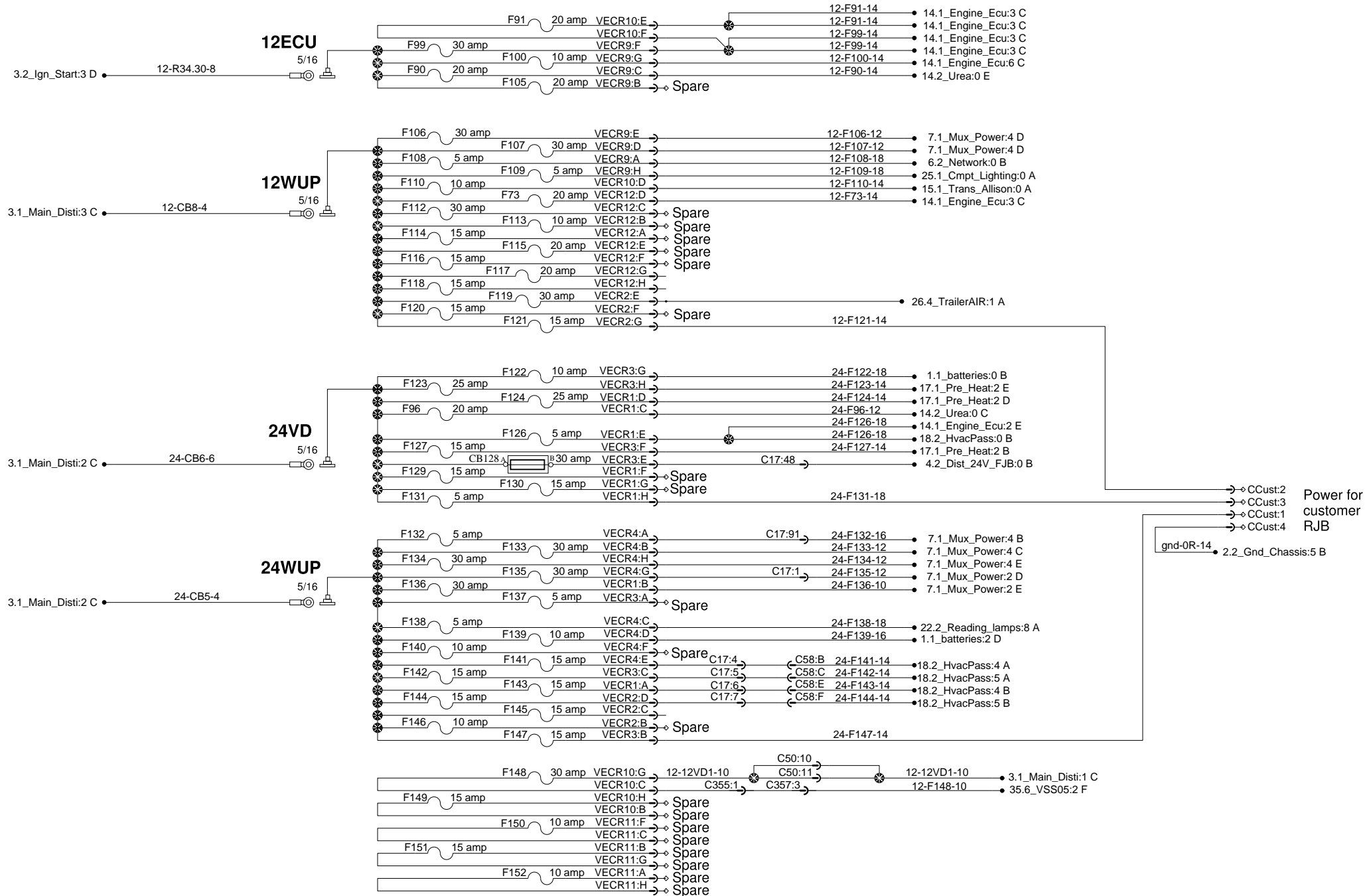
# 24V Power distribution front junction box



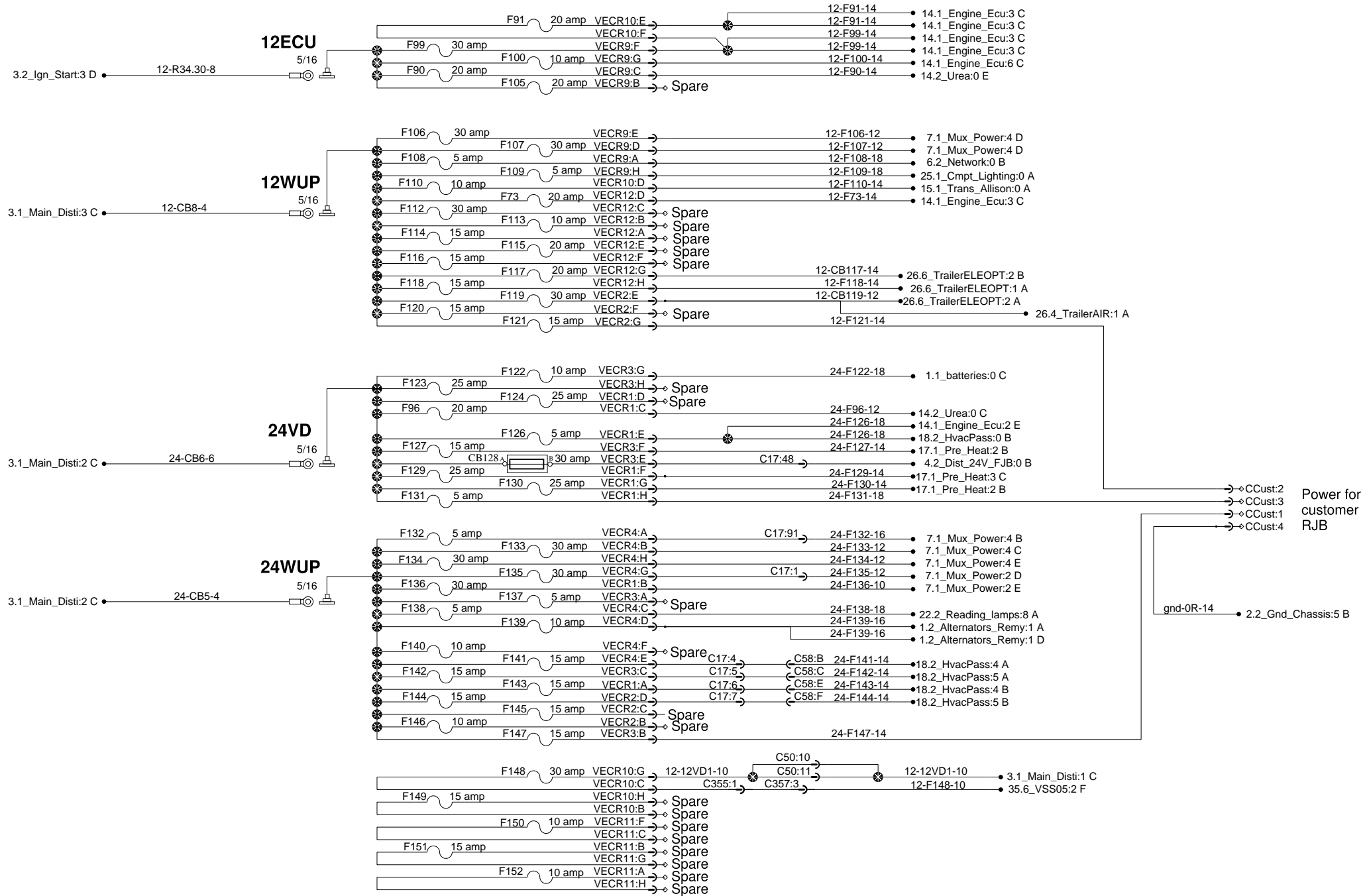
# Power distribution rear junction box



# Power distribution rear junction box

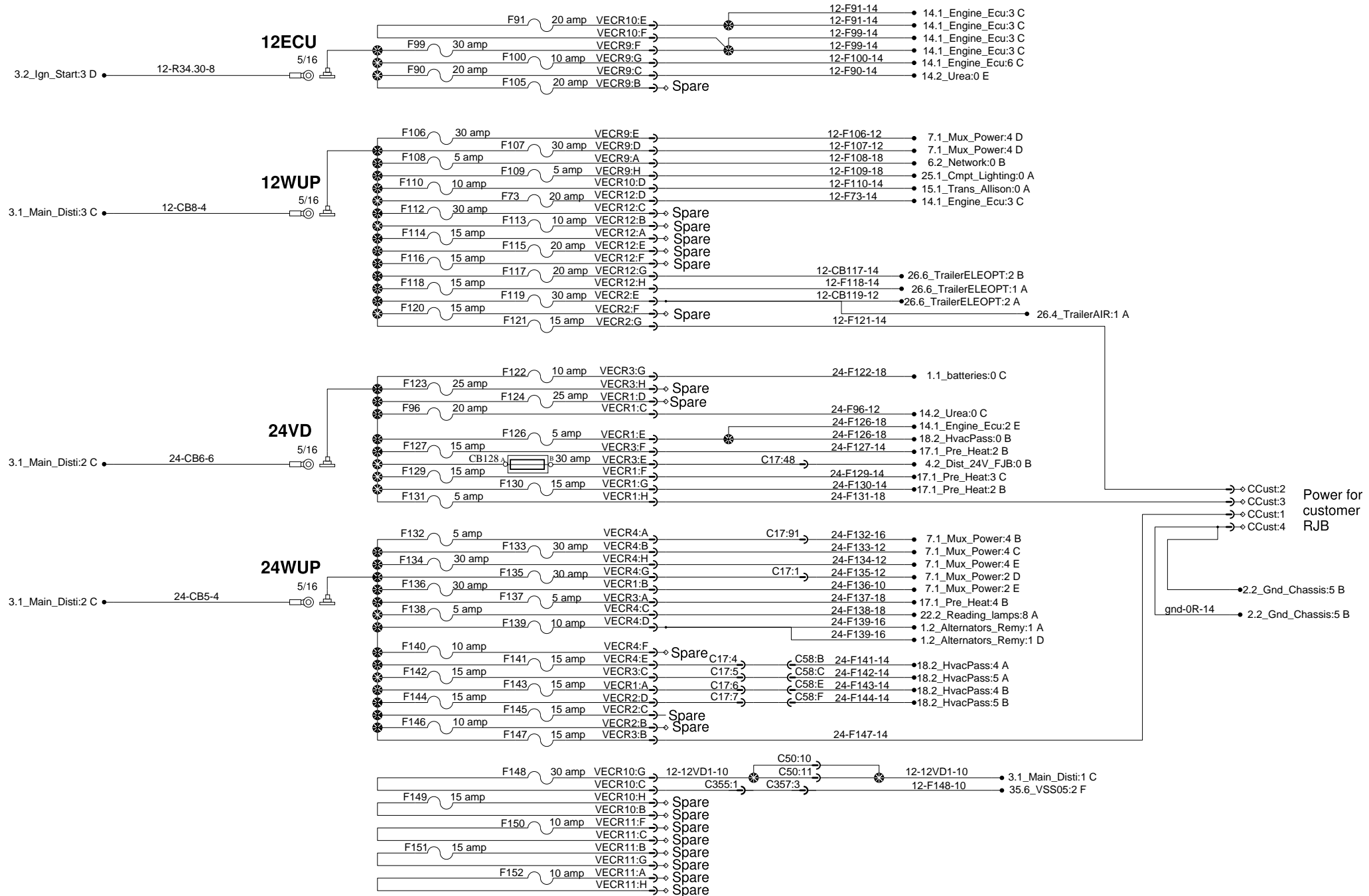


# Power distribution rear junction box



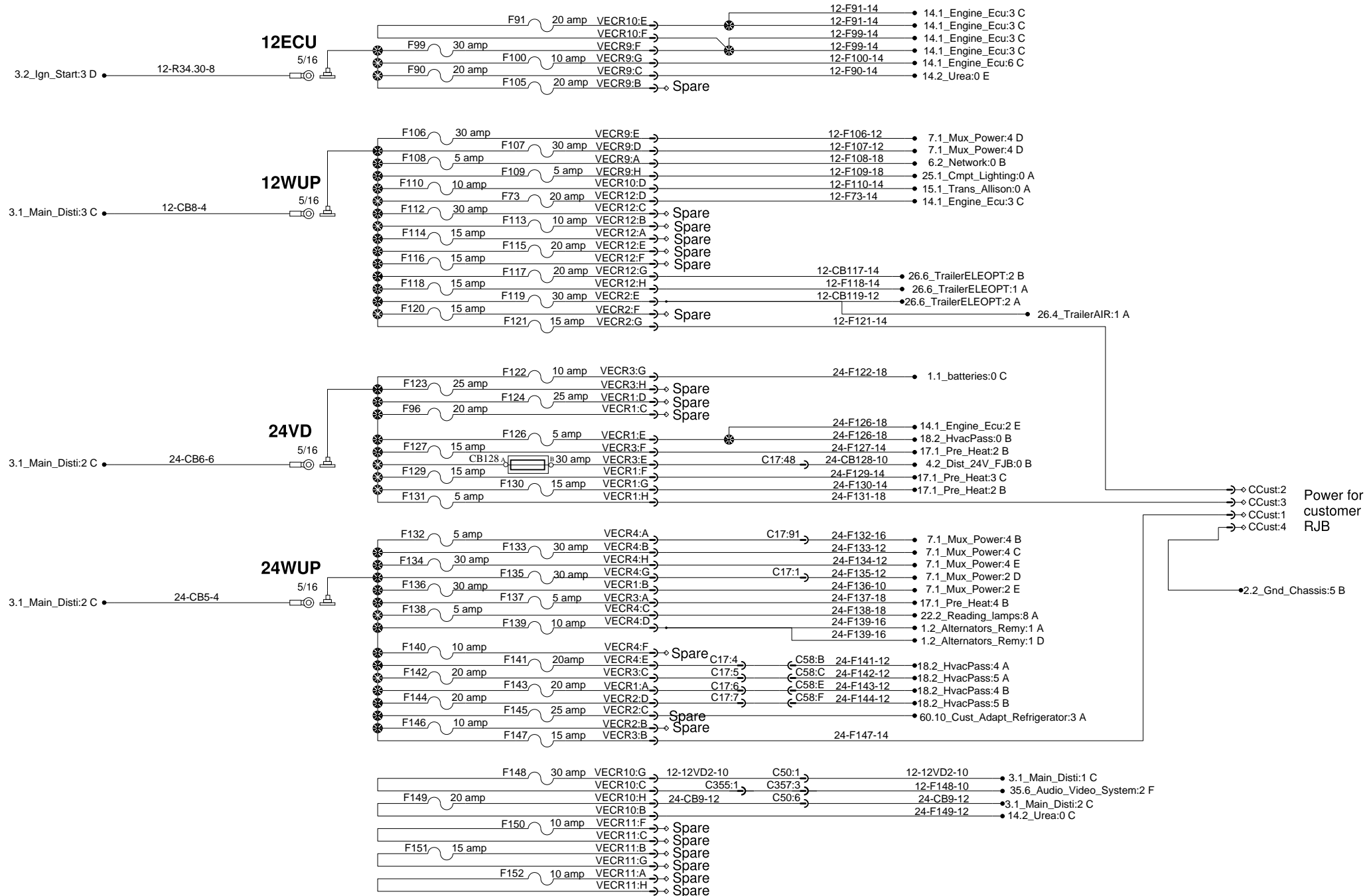
→ CCust:2  
 → CCust:3  
 → CCust:1  
 → CCust:4  
 Power for customer RJB  
 gnd-0R-14 → 2.2\_Gnd\_Chassis:5 B

# Power distribution rear junction box

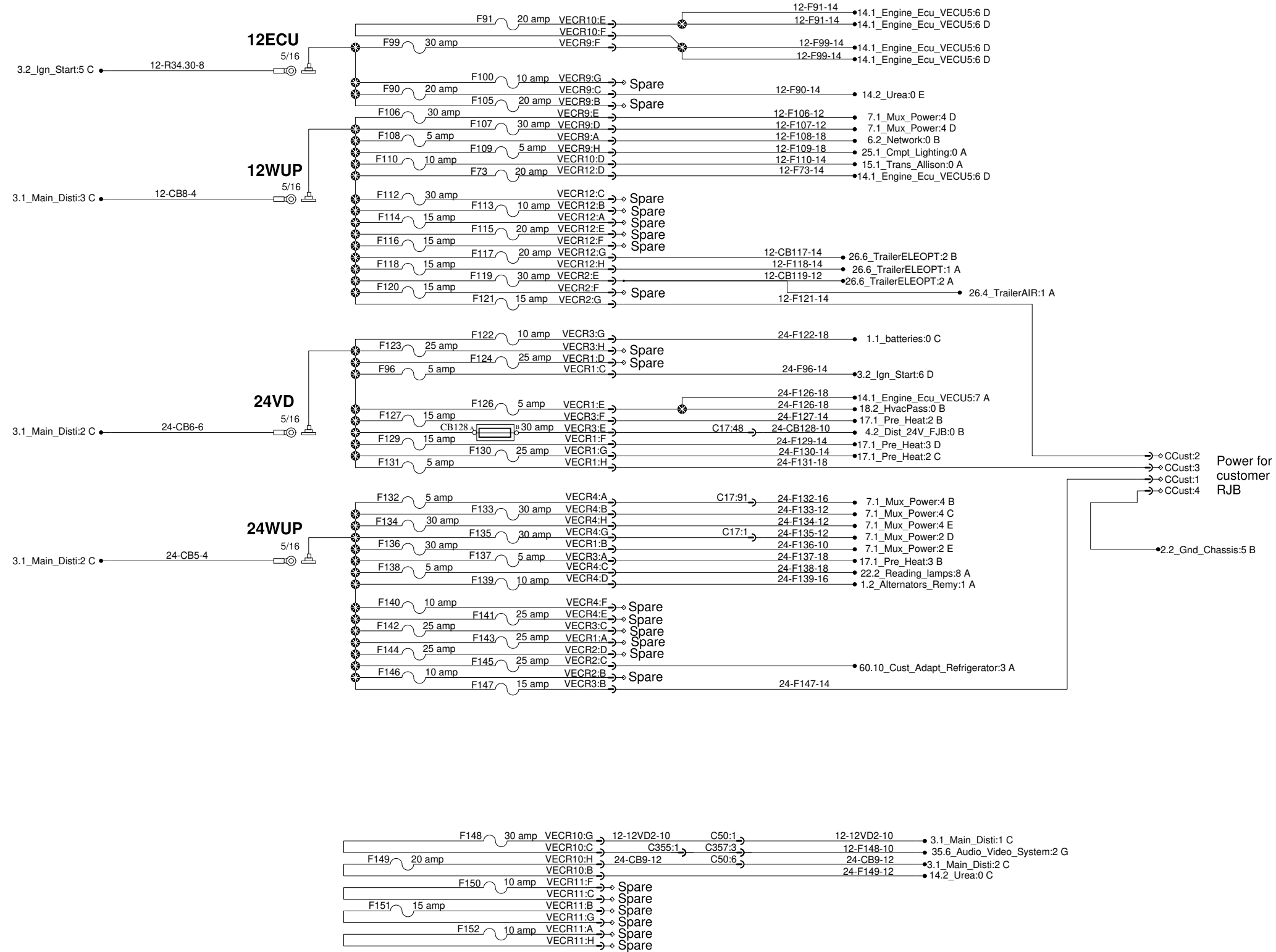




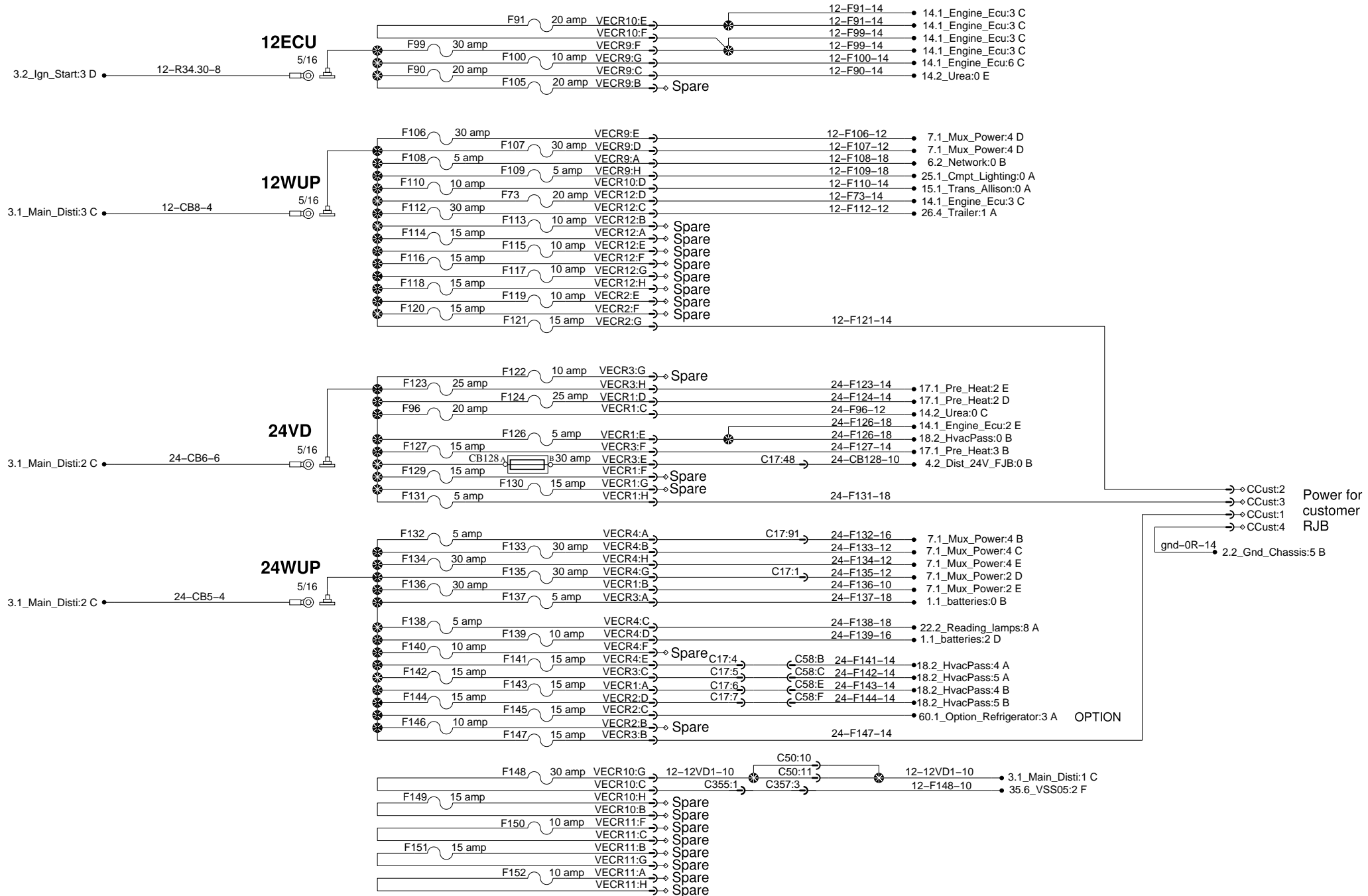
# Power distribution rear junction box



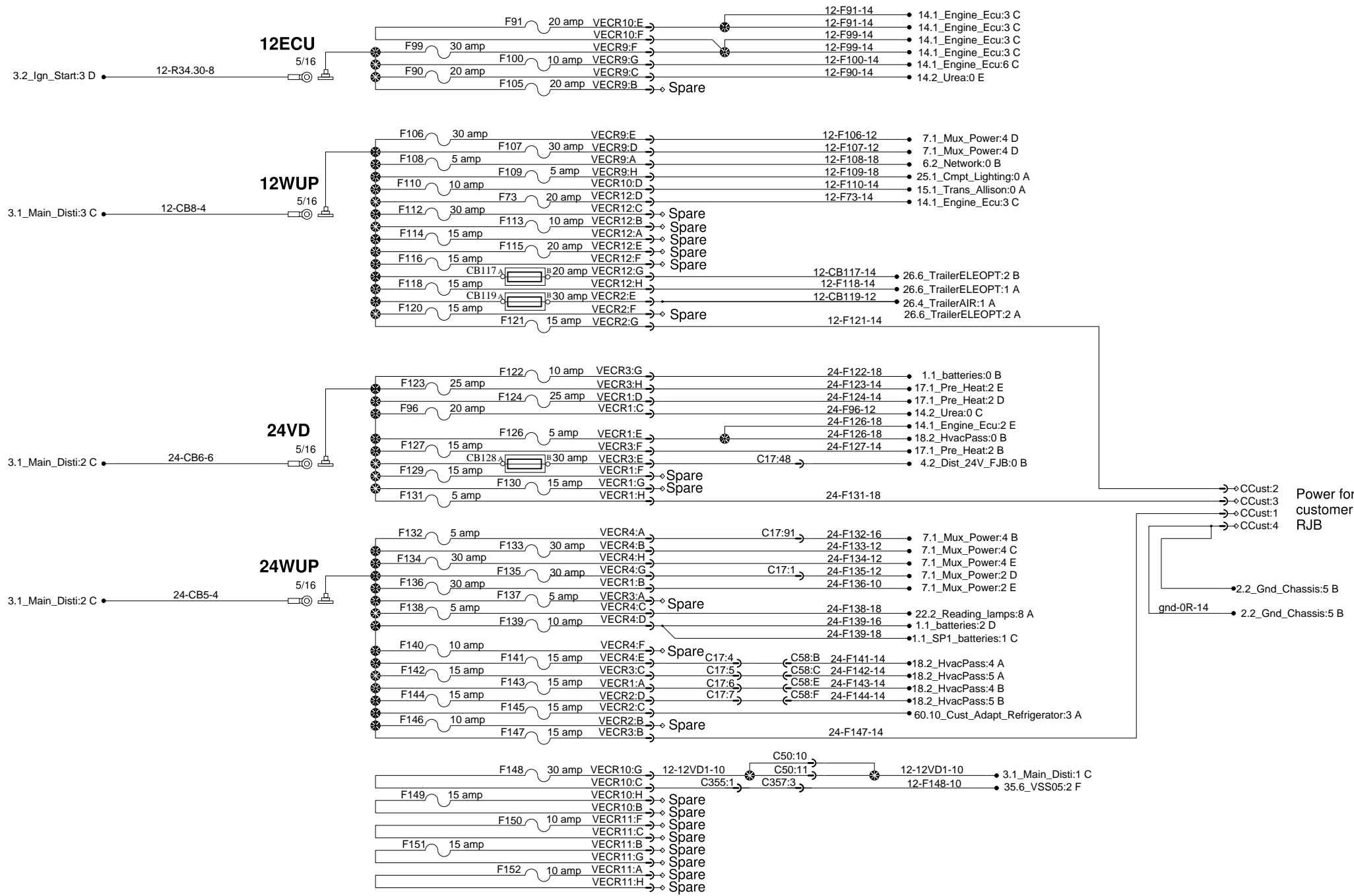
### Power distribution rear junction box



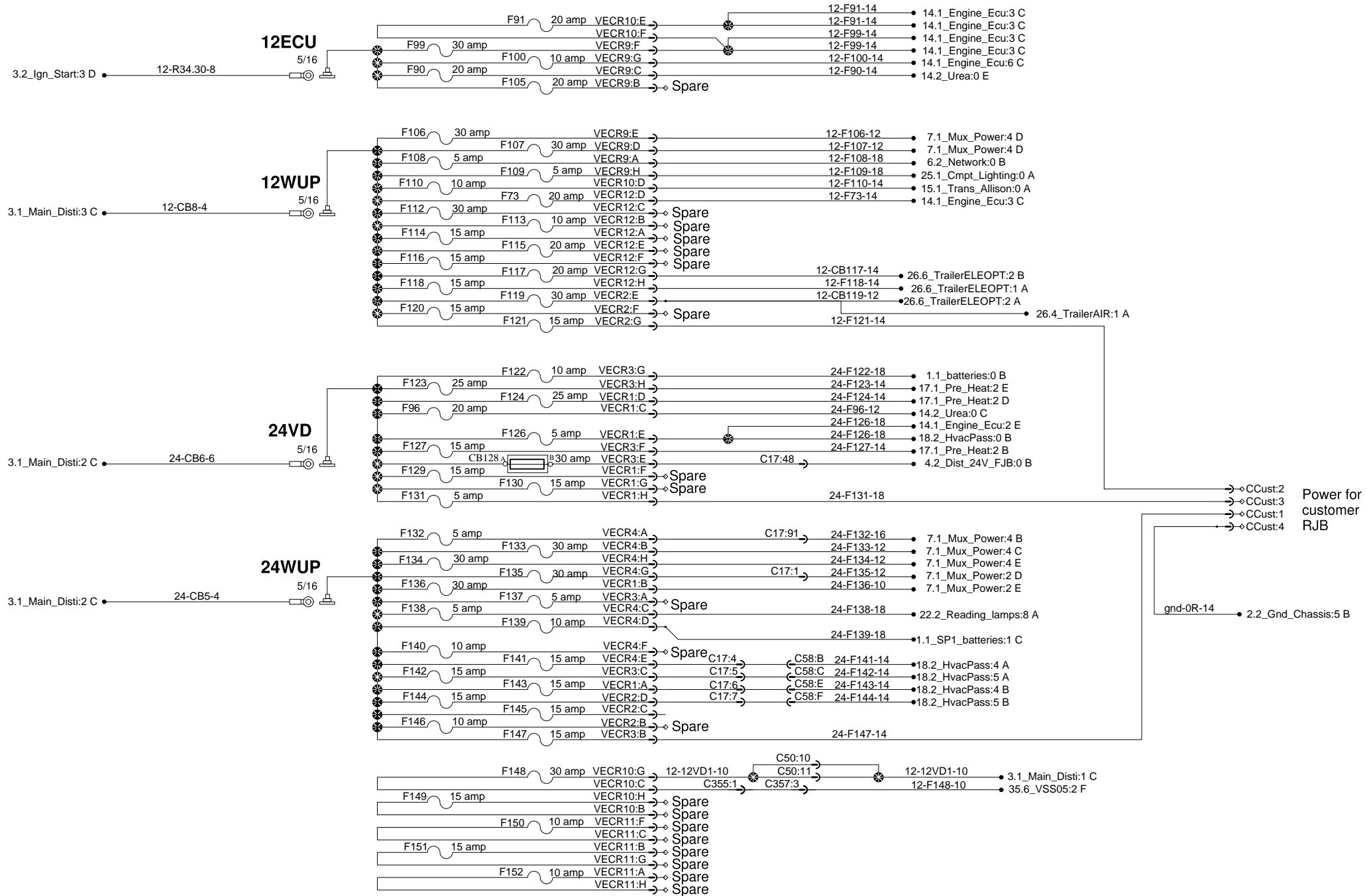
# Power distribution rear junction box



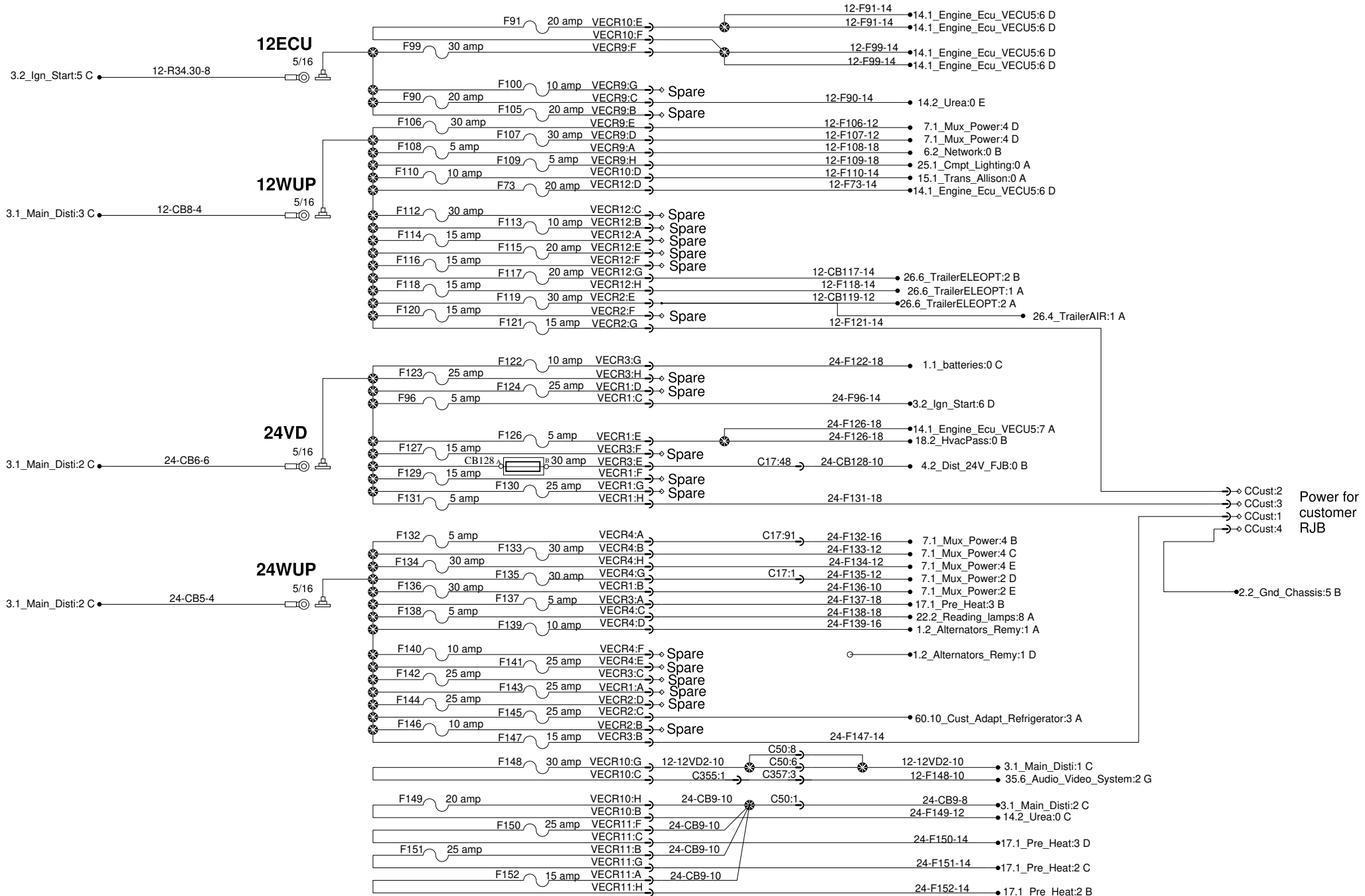
# Power distribution rear junction box



# Power distribution rear junction box



# Power distribution rear junction box



1

2

3

4

5

# ISM Parcel Rack

A

A

B

B

C

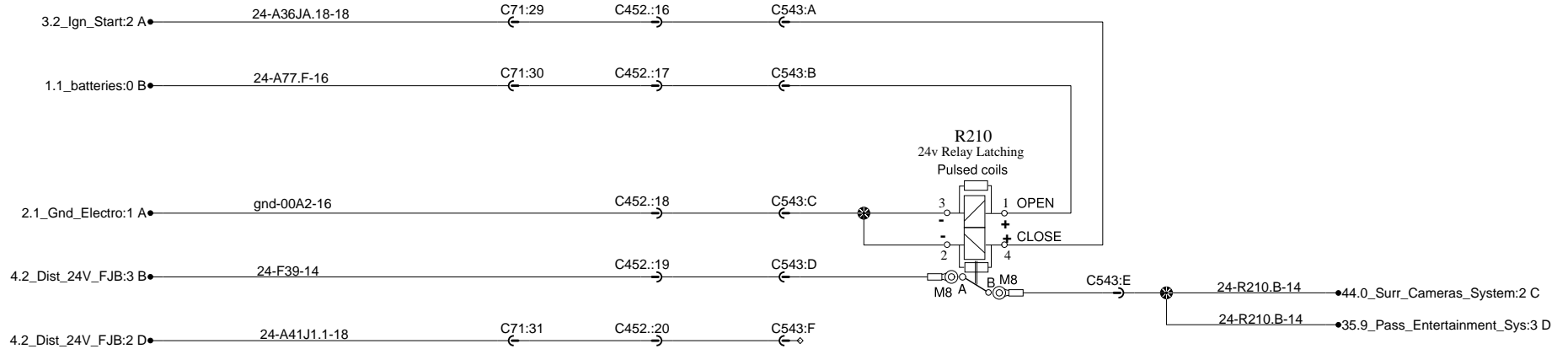
C

D

D

E

E



1

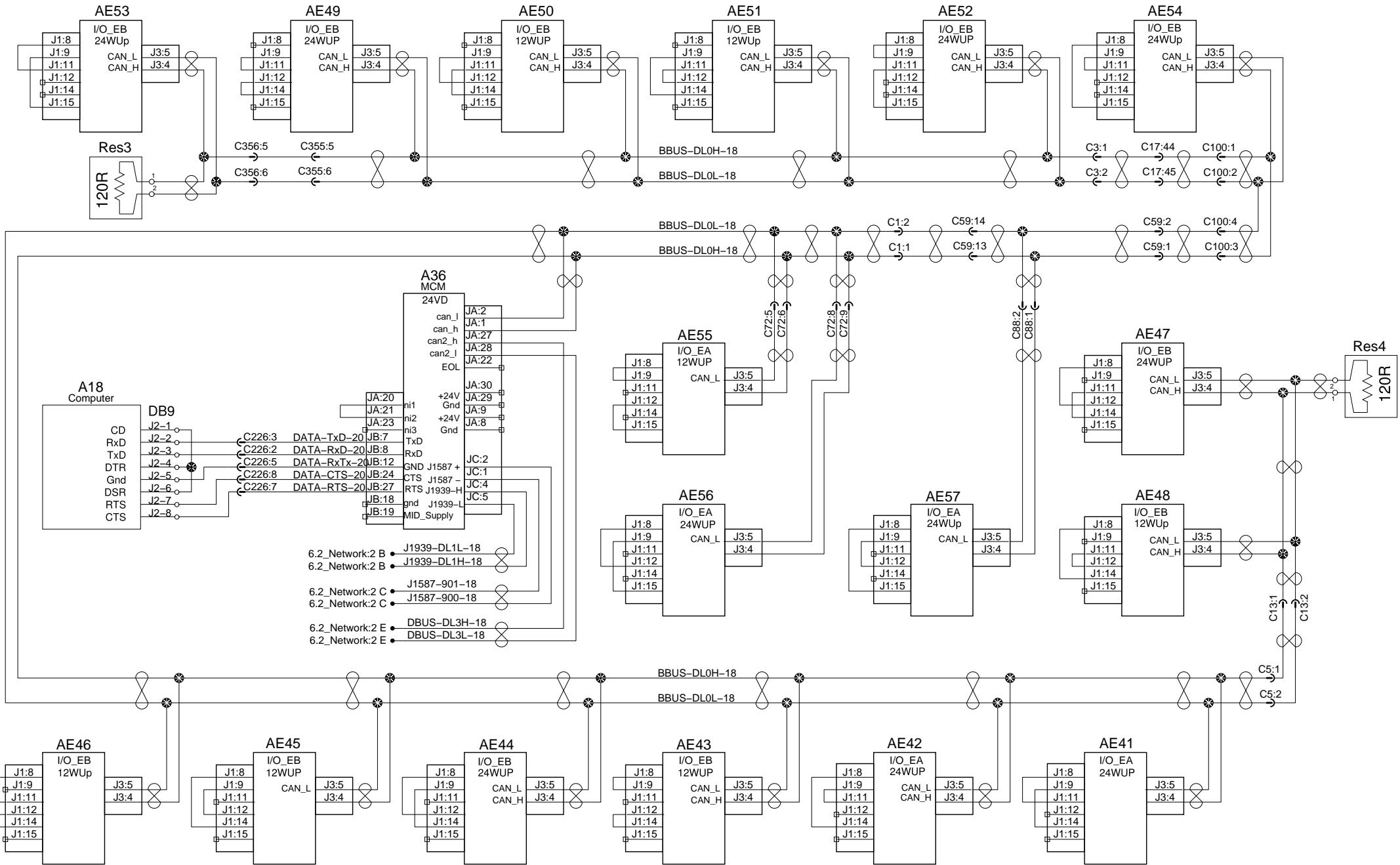
2

3

4

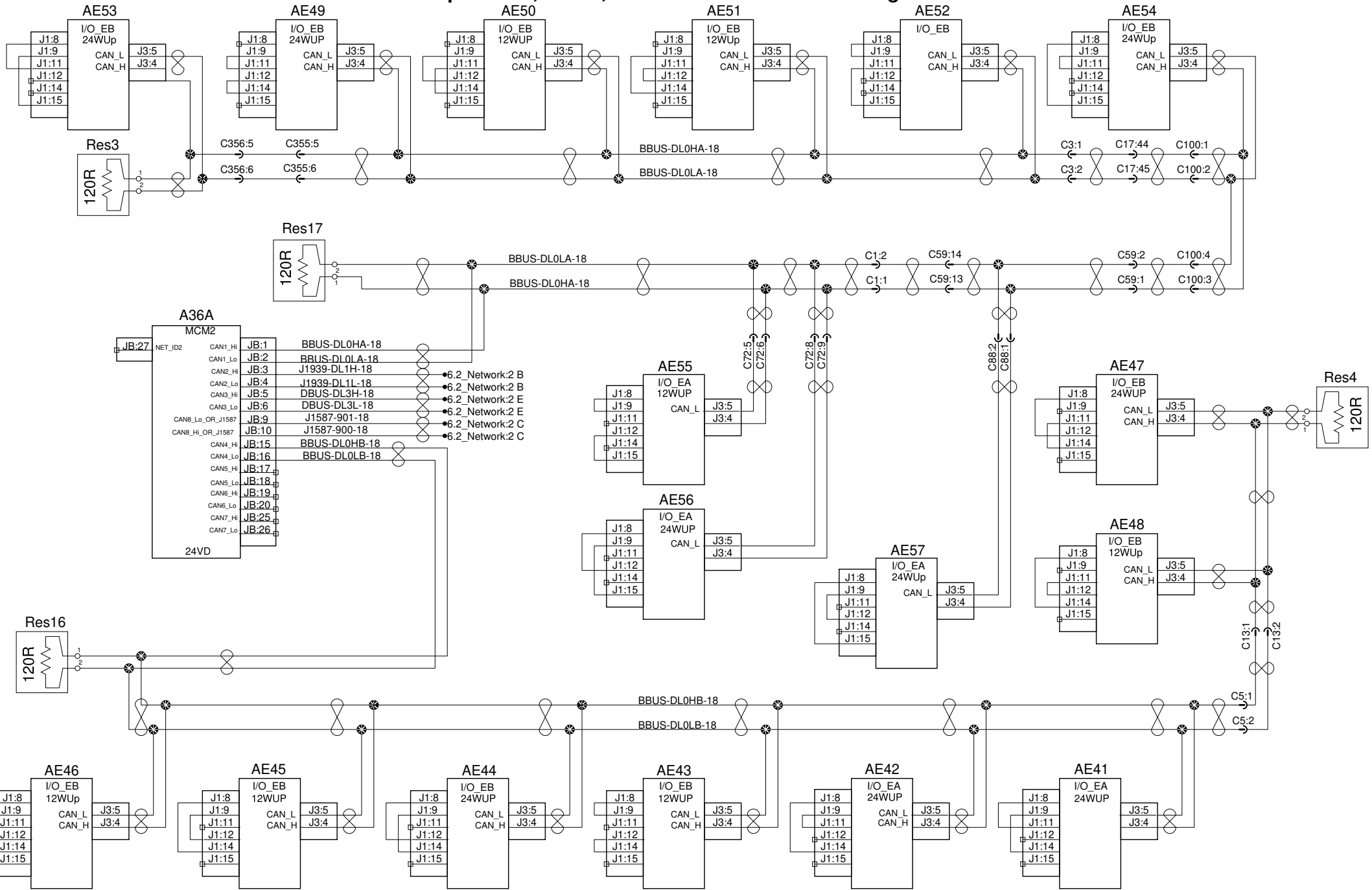
5

# Multiplex Can, J1587, 1939 network and addressing



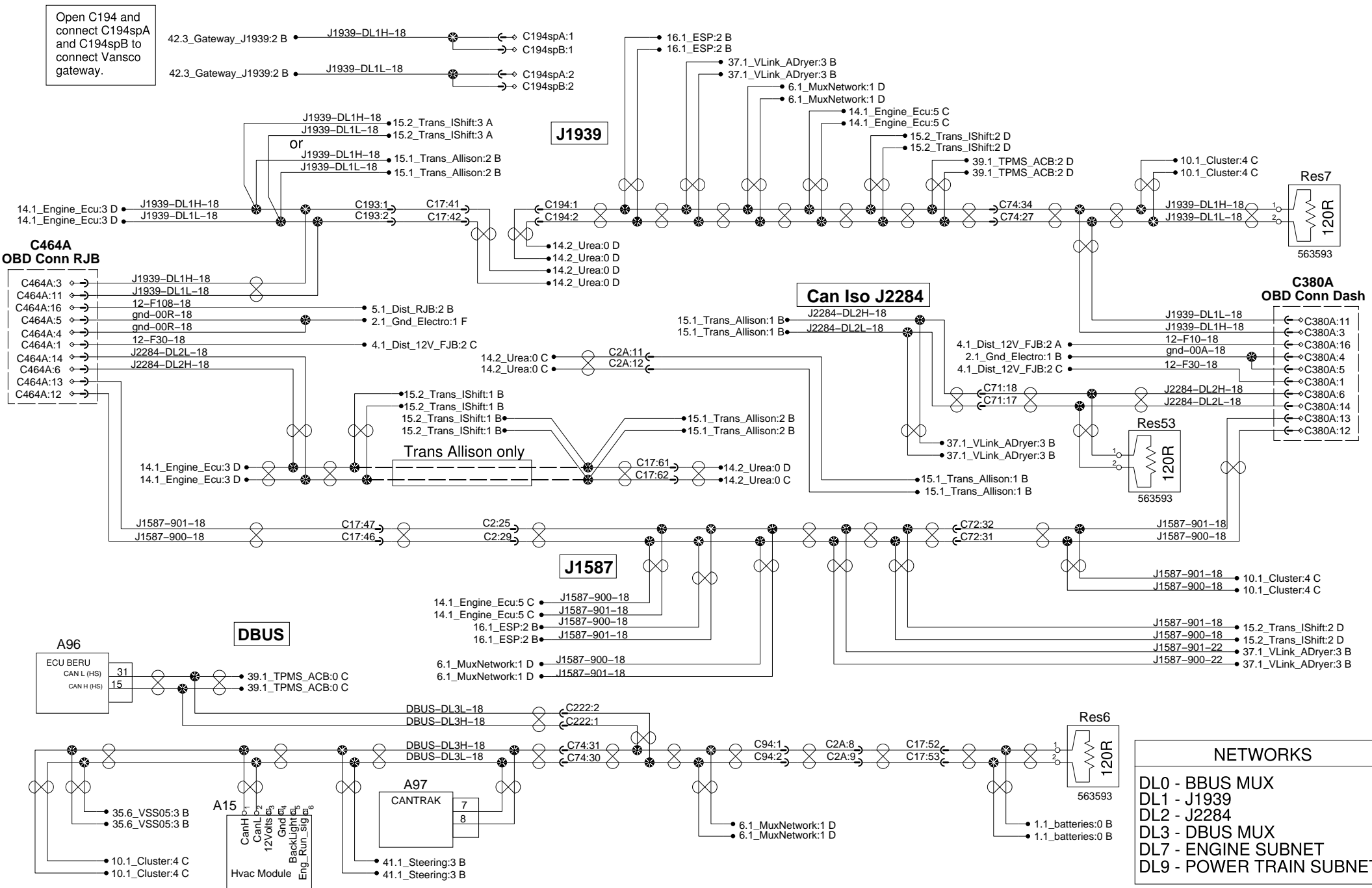


# Multiplex Can, J1587, 1939 network and addressing



# J1939, Can Iso J2284, J1587 and DBUS

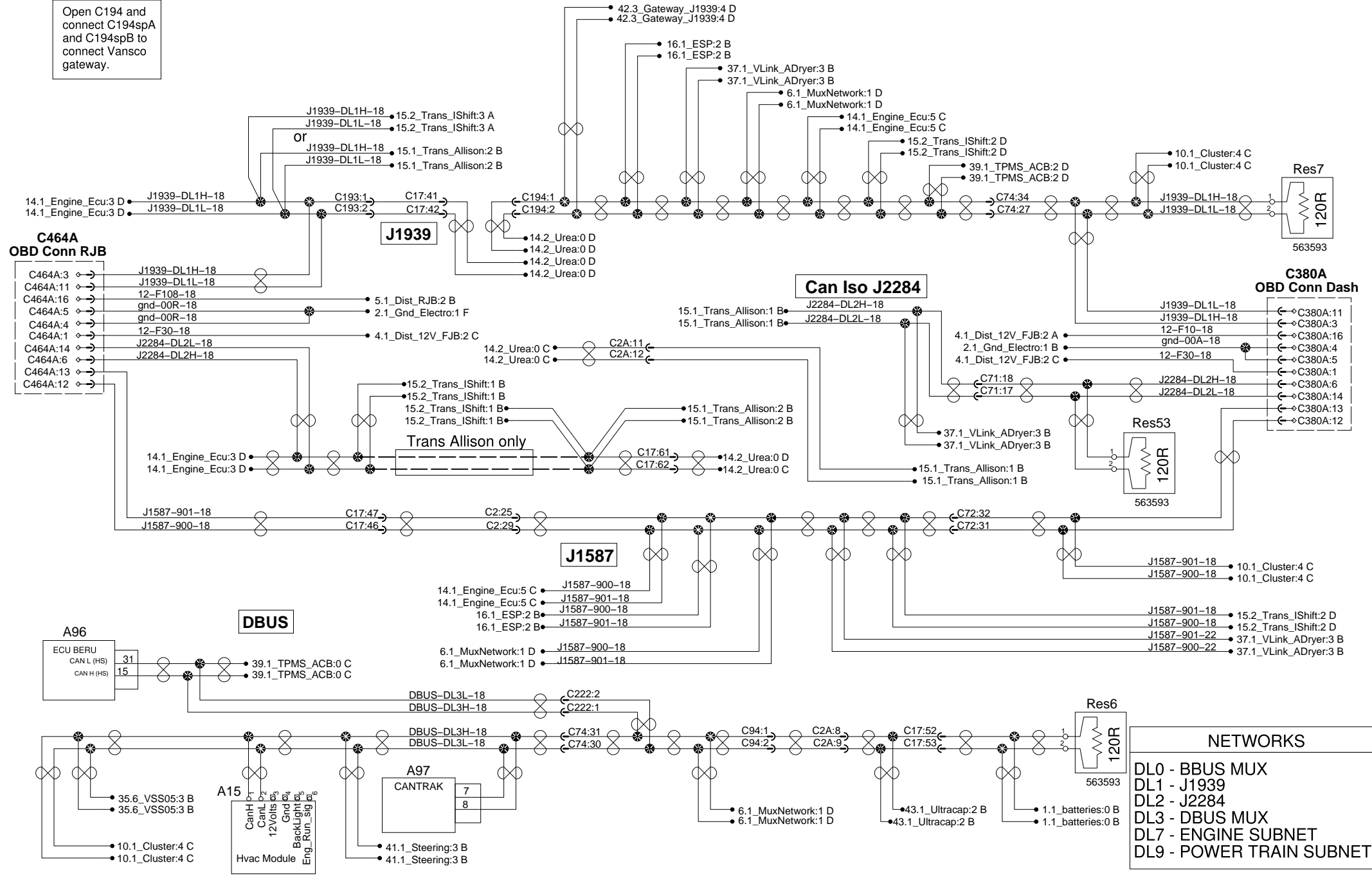
Open C194 and connect C194spA and C194spB to connect Vansco gateway.



NETWORKS	
DL0	- BBUS MUX
DL1	- J1939
DL2	- J2284
DL3	- DBUS MUX
DL7	- ENGINE SUBNET
DL9	- POWER TRAIN SUBNET

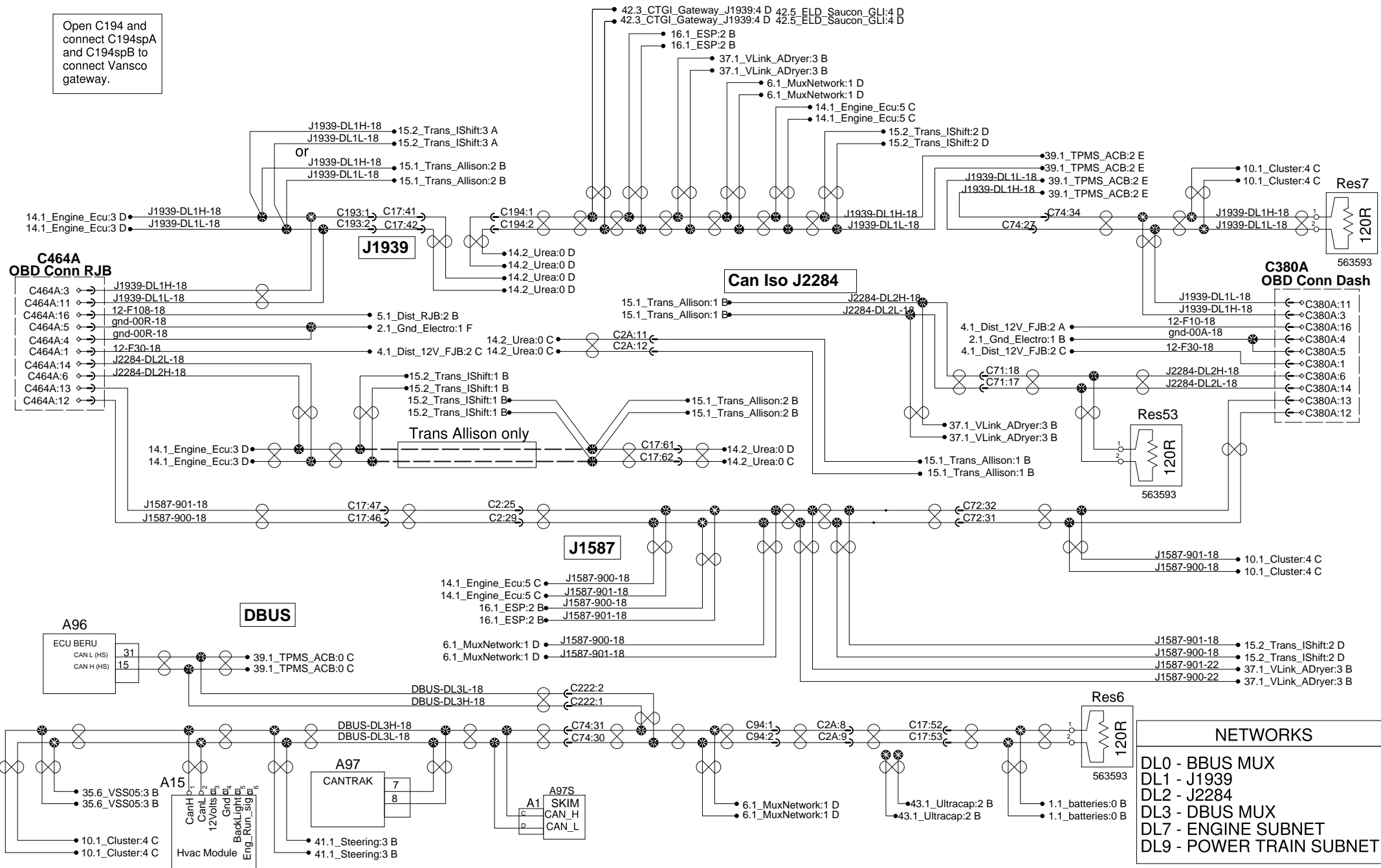
# J1939, Can Iso J2284, J1587 and DBUS

Open C194 and connect C194spA and C194spB to connect Vansco gateway.



# J1939, Can Iso J2284, J1587 and DBUS

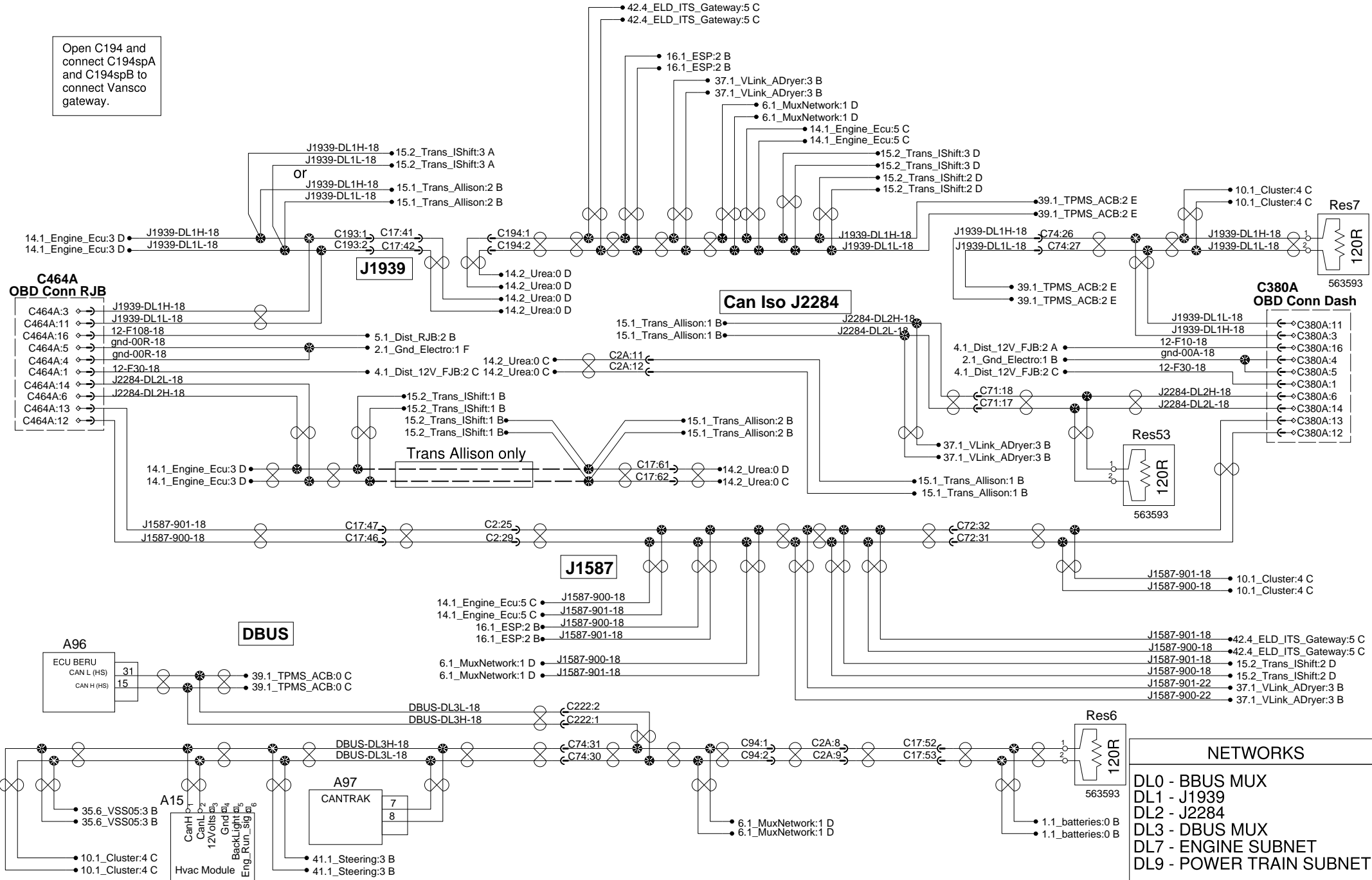
Open C194 and connect C194spA and C194spB to connect Vansco gateway.



NETWORKS	
DL0	- BBUS MUX
DL1	- J1939
DL2	- J2284
DL3	- DBUS MUX
DL7	- ENGINE SUBNET
DL9	- POWER TRAIN SUBNET

# J1939, Can Iso J2284, J1587 and DBUS

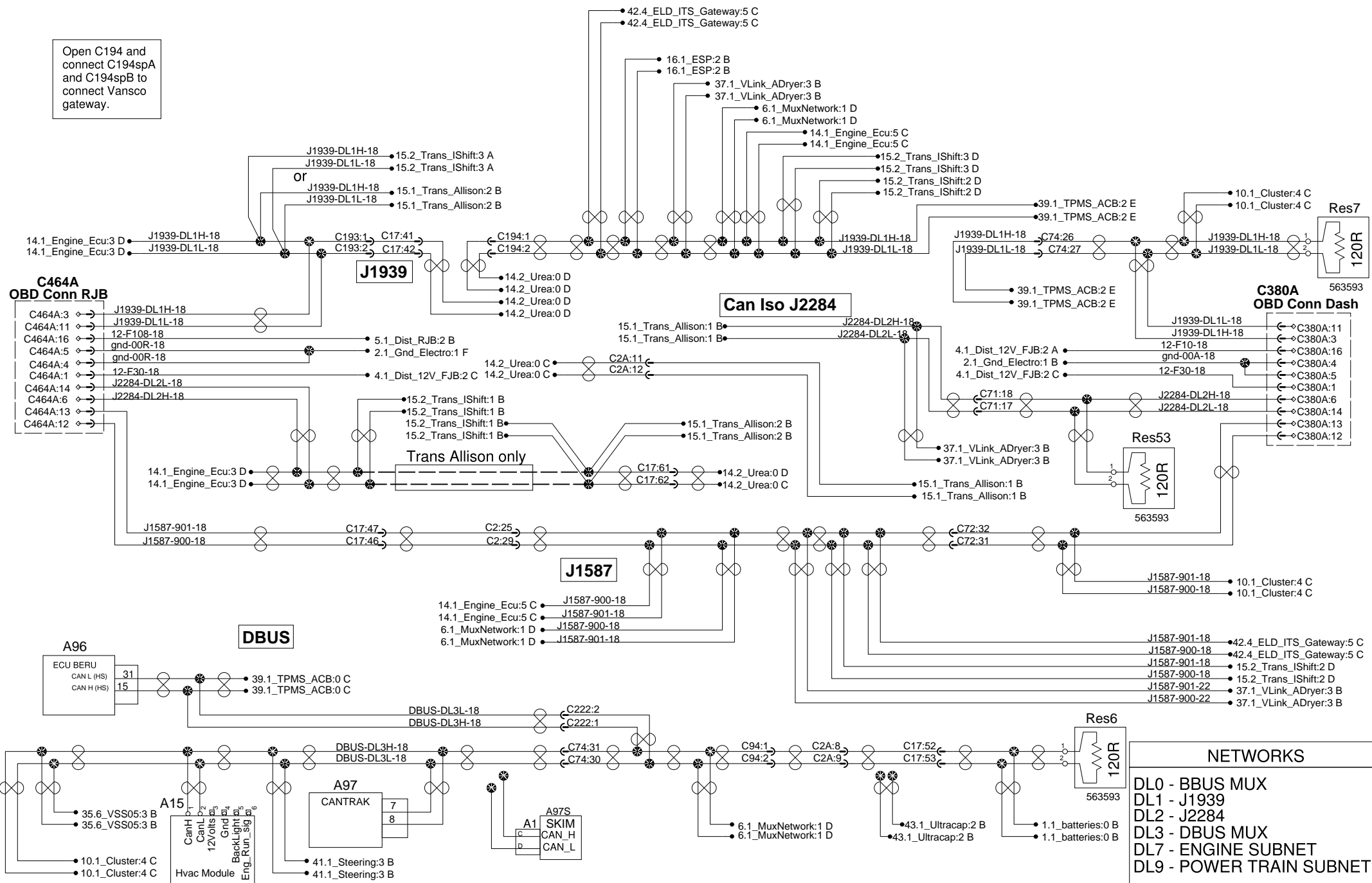
Open C194 and connect C194spA and C194spB to connect Vansco gateway.



NETWORKS	
DL0	- BBUS MUX
DL1	- J1939
DL2	- J2284
DL3	- DBUS MUX
DL7	- ENGINE SUBNET
DL9	- POWER TRAIN SUBNET

# J1939, Can Iso J2284, J1587 and DBUS

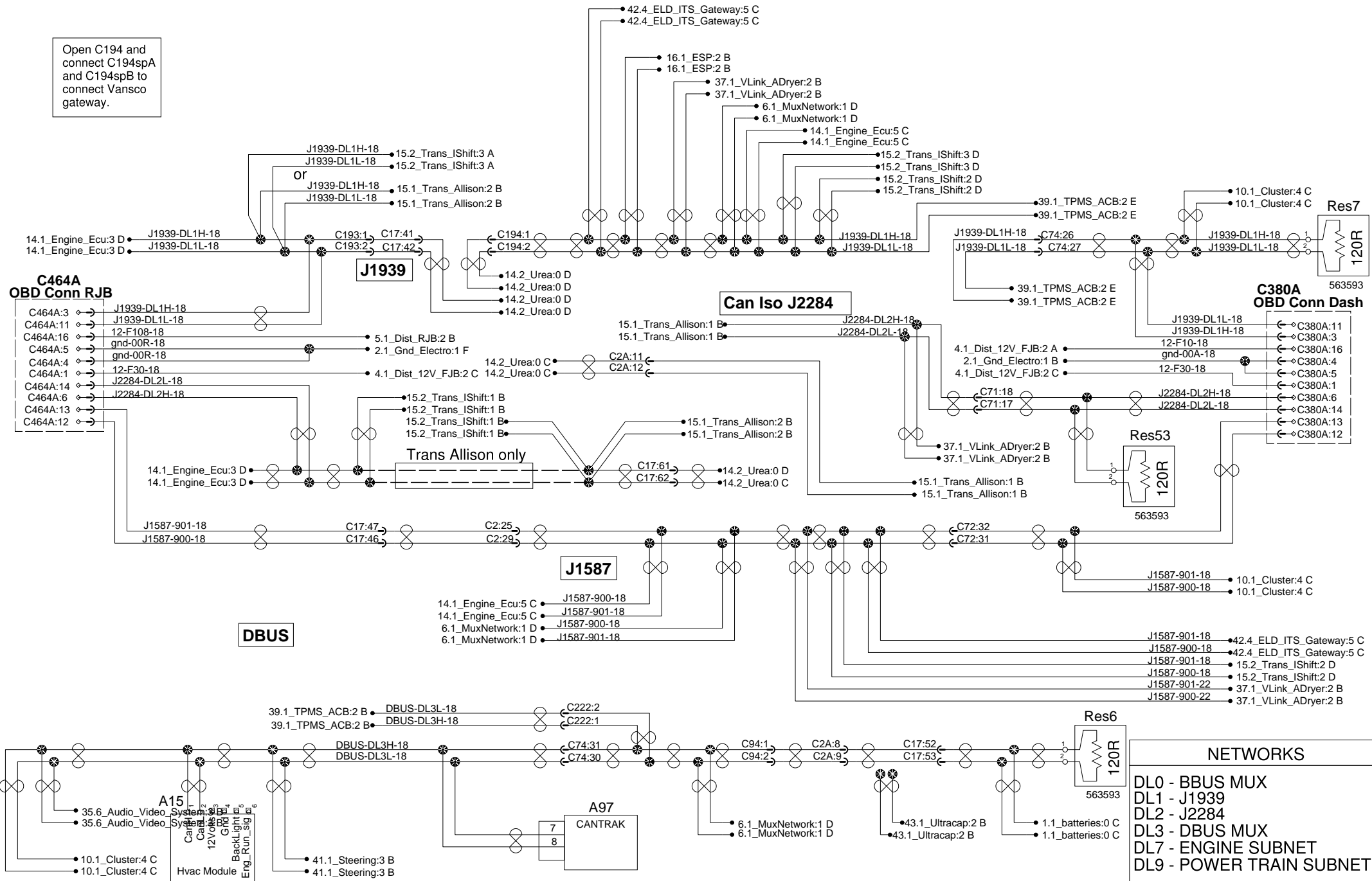
Open C194 and connect C194spA and C194spB to connect Vansco gateway.



NETWORKS	
DL0	- BBUS MUX
DL1	- J1939
DL2	- J2284
DL3	- DBUS MUX
DL7	- ENGINE SUBNET
DL9	- POWER TRAIN SUBNET

# J1939, Can Iso J2284, J1587 and DBUS

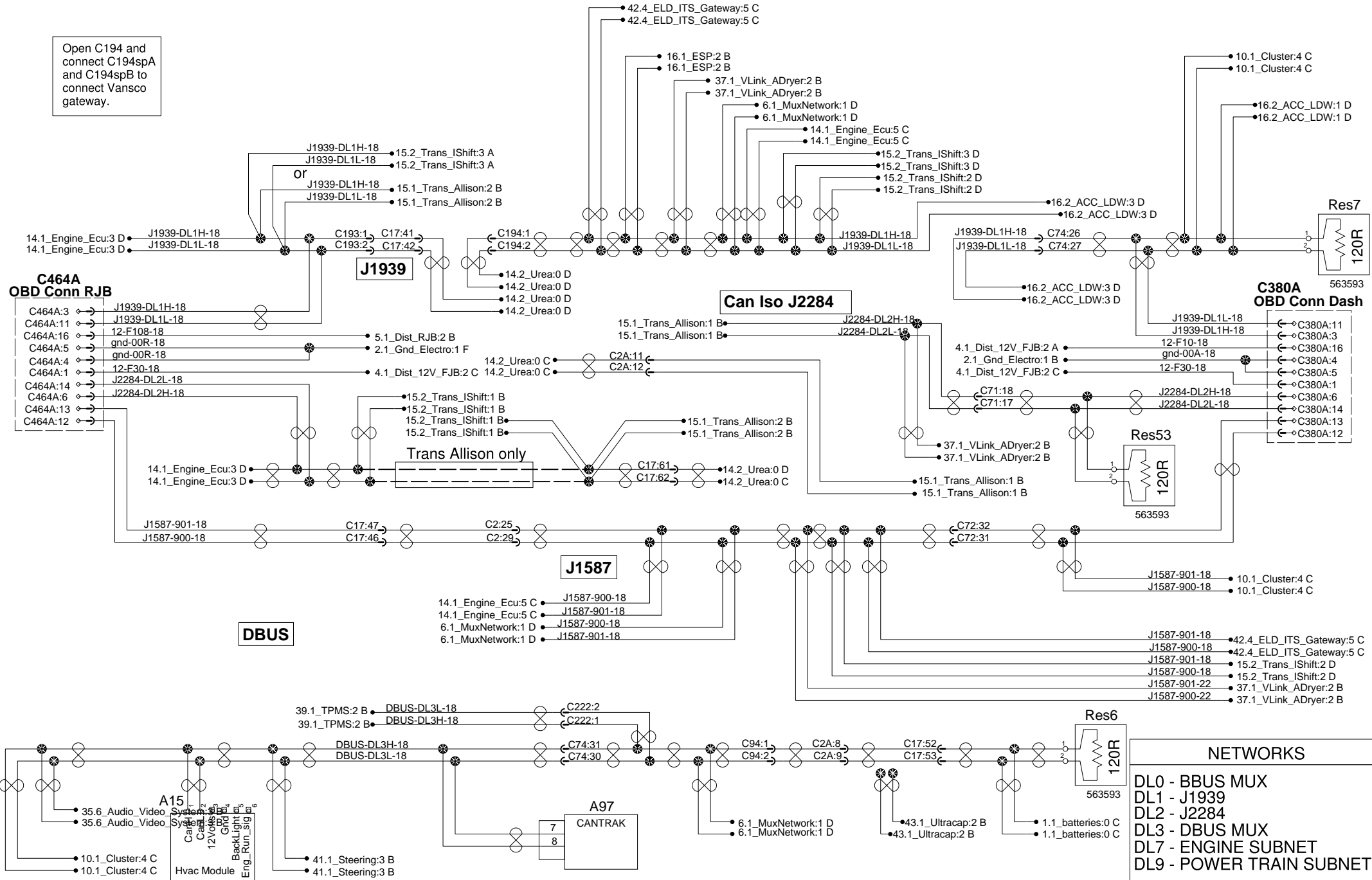
Open C194 and connect C194spA and C194spB to connect Vansco gateway.



NETWORKS	
DL0	- BBUS MUX
DL1	- J1939
DL2	- J2284
DL3	- DBUS MUX
DL7	- ENGINE SUBNET
DL9	- POWER TRAIN SUBNET

# J1939, Can Iso J2284, J1587 and DBUS

Open C194 and connect C194spA and C194spB to connect Vansco gateway.

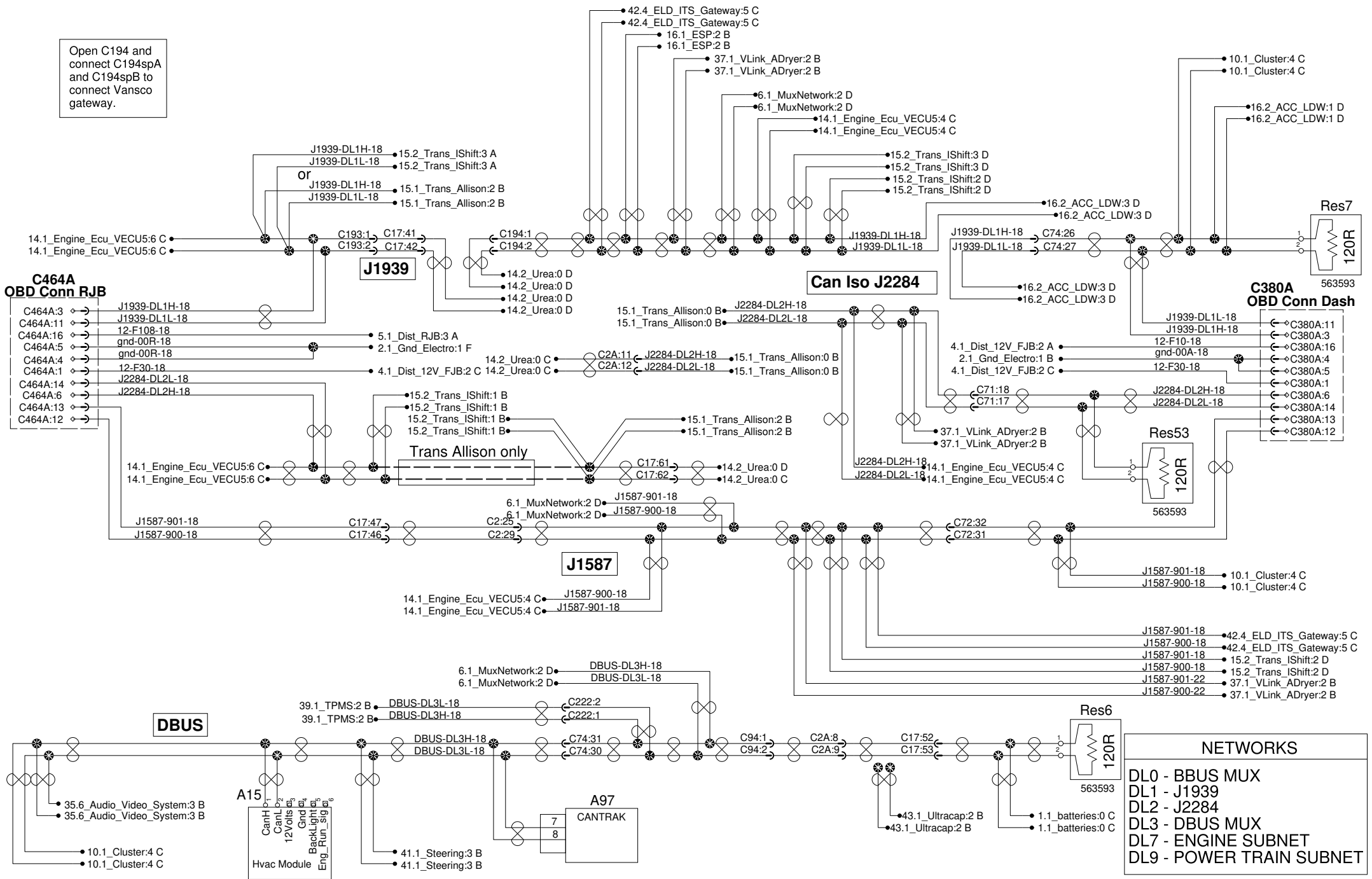


NETWORKS	
DL0	- BBUS MUX
DL1	- J1939
DL2	- J2284
DL3	- DBUS MUX
DL7	- ENGINE SUBNET
DL9	- POWER TRAIN SUBNET



# J1939, Can Iso J2284, J1587 and DBUS

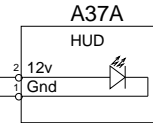
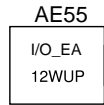
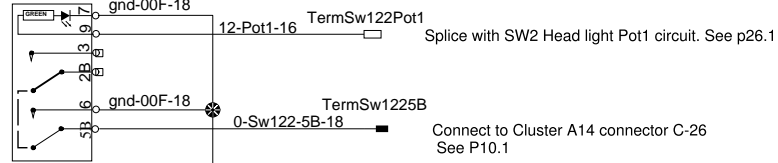
Open C194 and connect C194spA and C194spB to connect Vansco gateway.



NETWORKS	
DL0 -	BBUS MUX
DL1 -	J1939
DL2 -	J2284
DL3 -	DBUS MUX
DL7 -	ENGINE SUBNET
DL9 -	POWER TRAIN SUBNET

# Forward collision warning

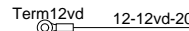
Sw122A  
LDW



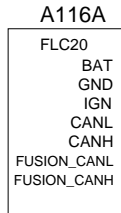
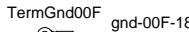
Connect to the terminal strip with 12V Ign stud. See P4.1



Connect to the terminal strip with 12V Bat stud. See p4.1

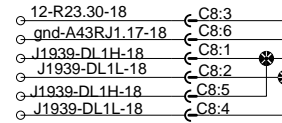


Connect to the front electronic terminal strip. See p2.1

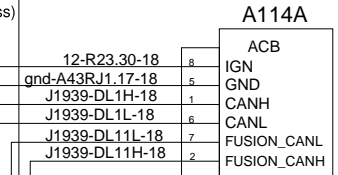
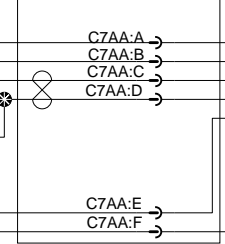


Camera

See p6.2 existing wiring

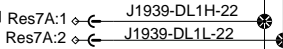


Move pins from connector C7A (existing harness) pins A,B,C and D to C7AA (Service Fusion X harness)

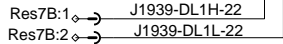


Radar

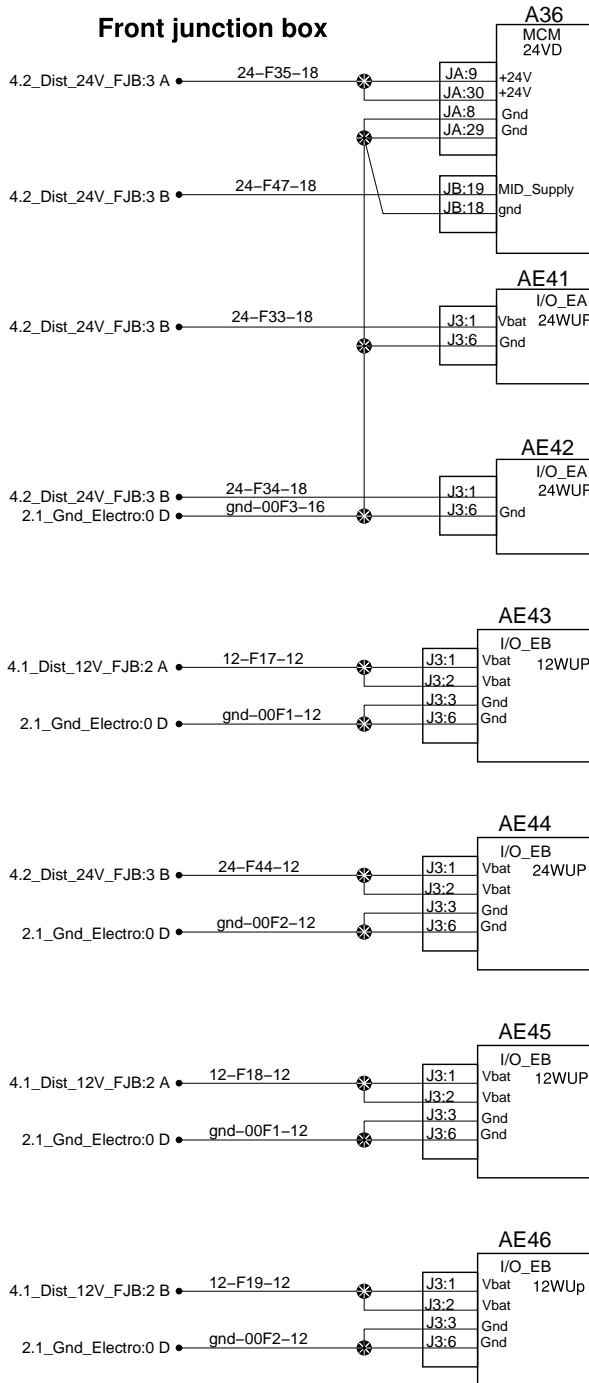
Unplug the Res7 to the Dash board and plug at the Res7A. See P6.2



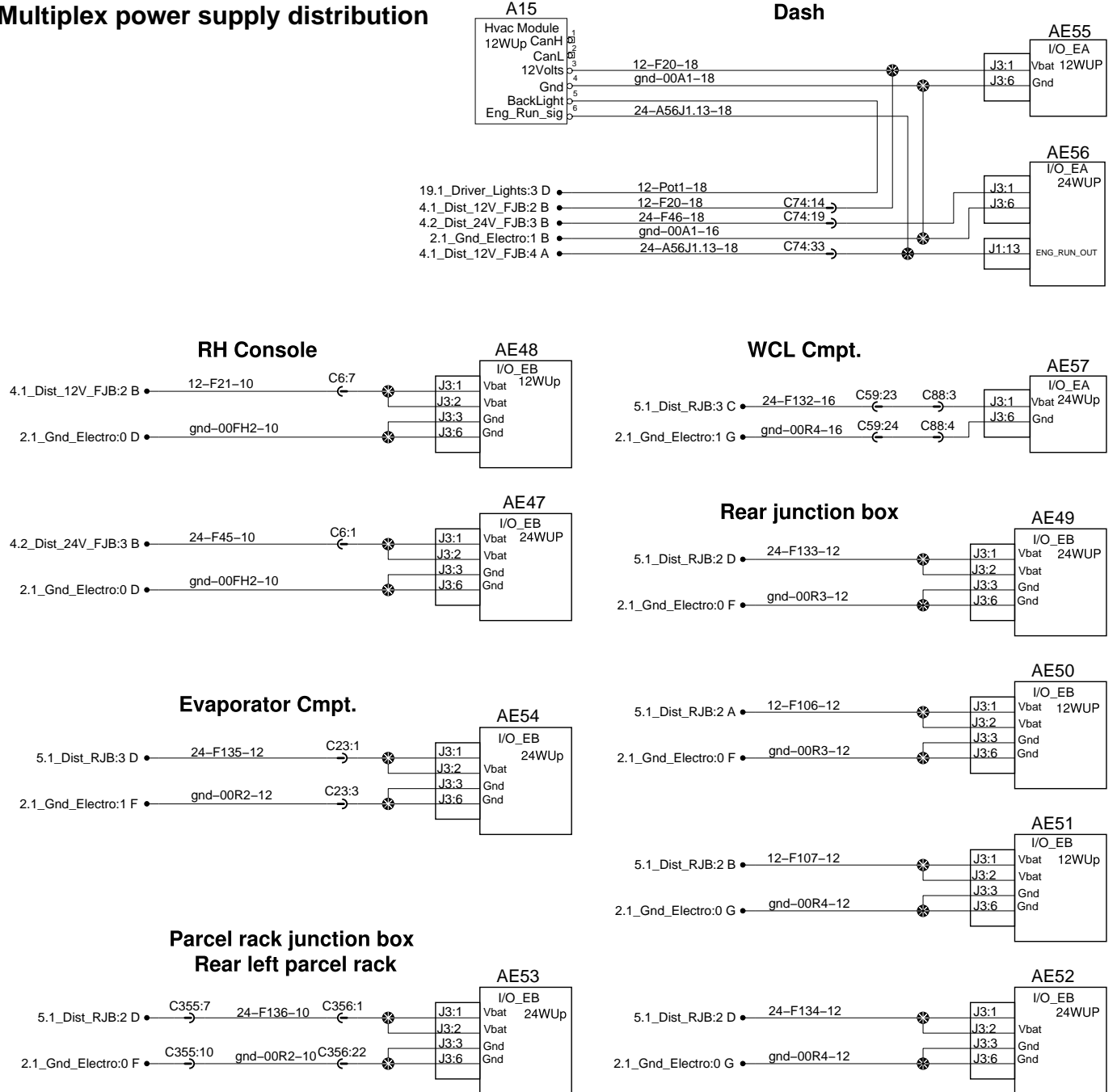
Connect Res7 to Res7B See p6.2



### Front junction box

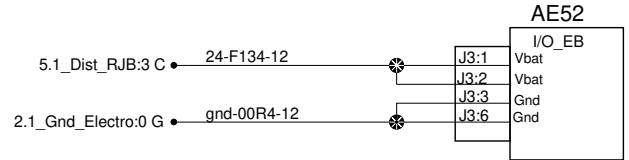
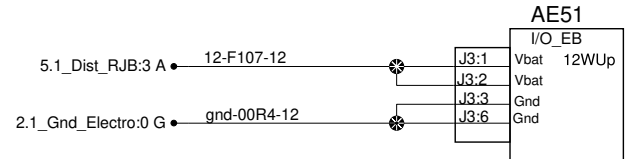
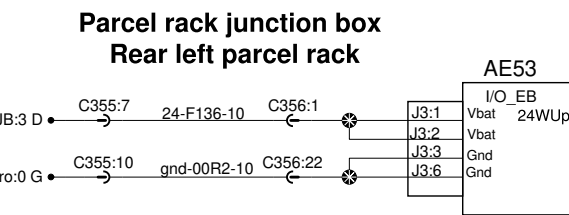
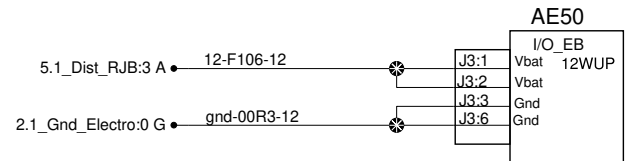
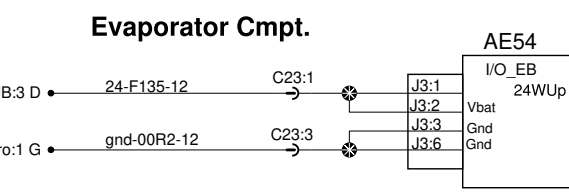
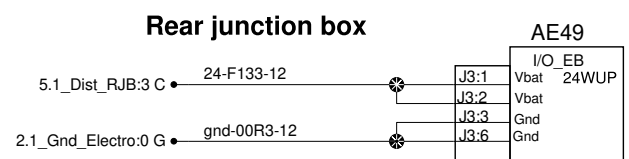
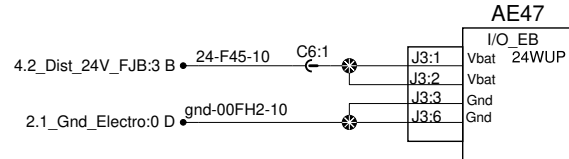
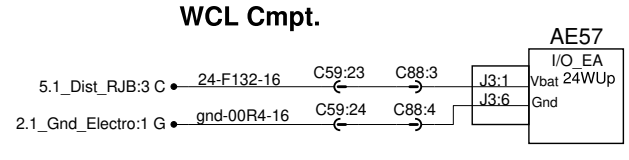
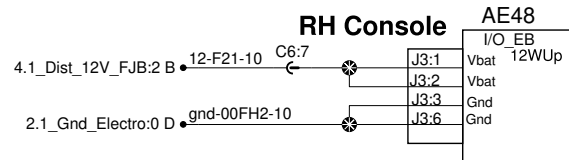
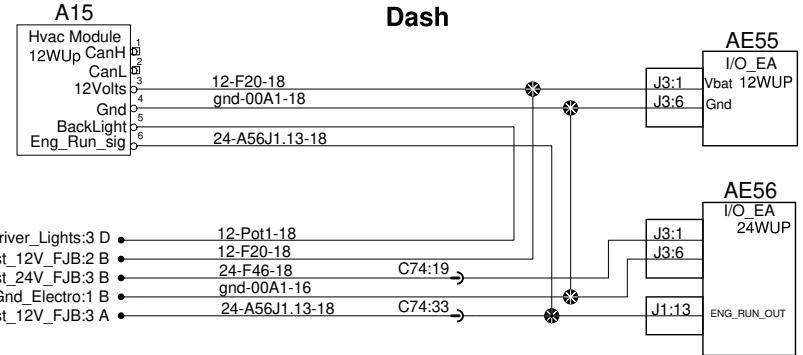
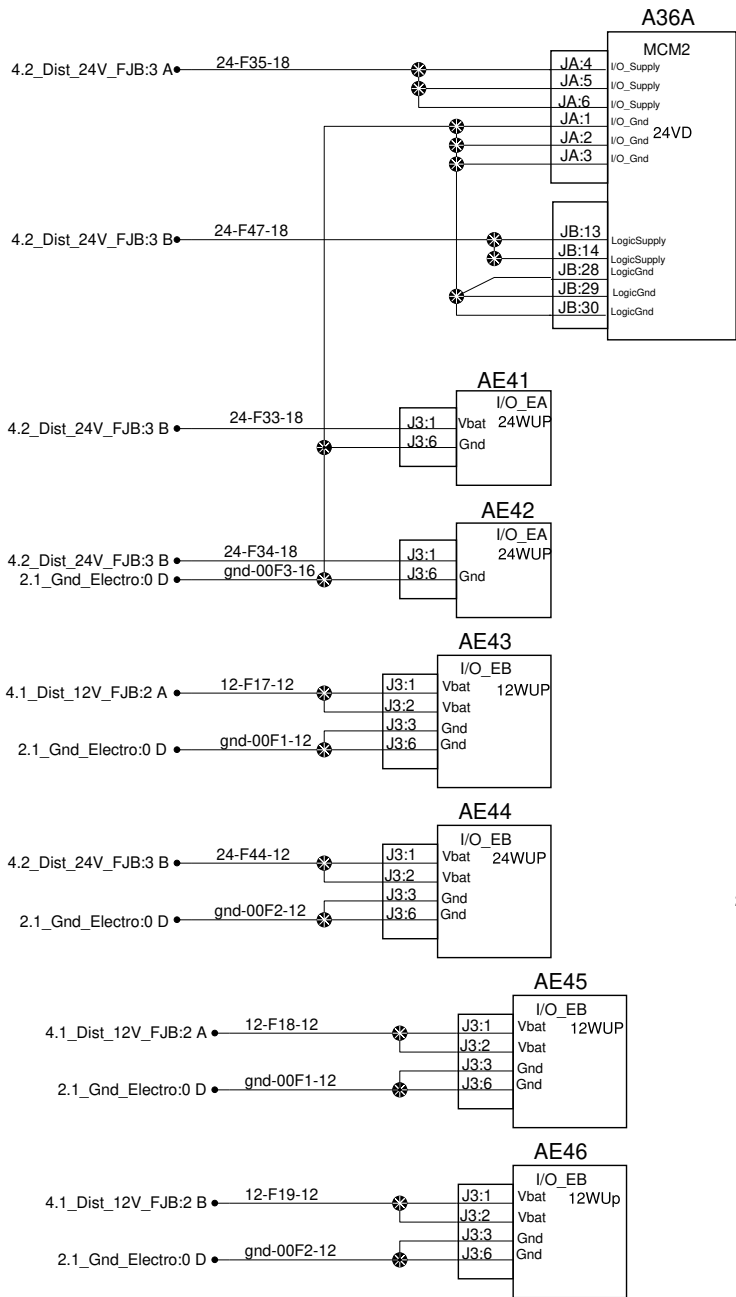


### Multiplex power supply distribution

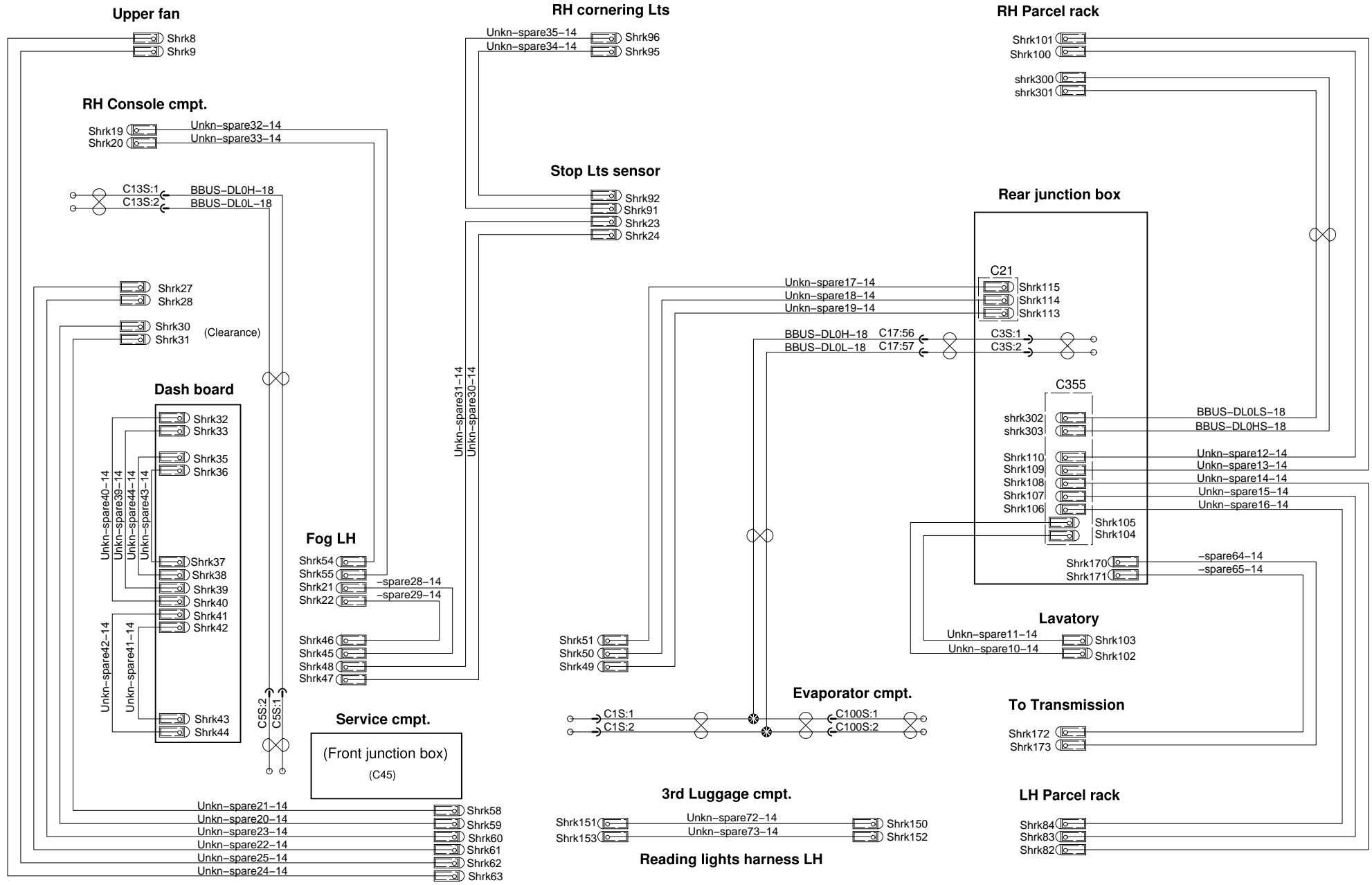


# Front junction box

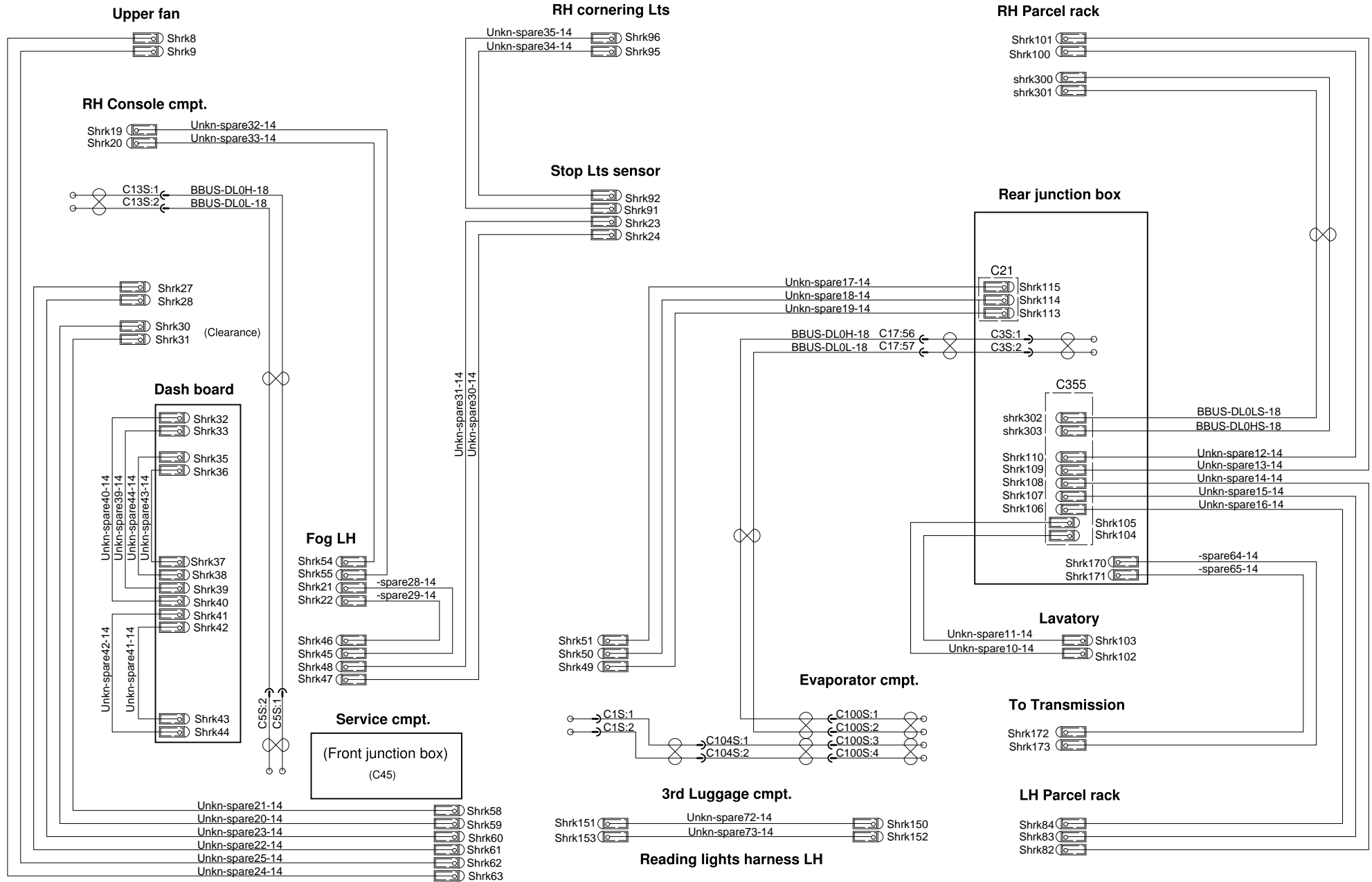
# Multiplex power supply distribution

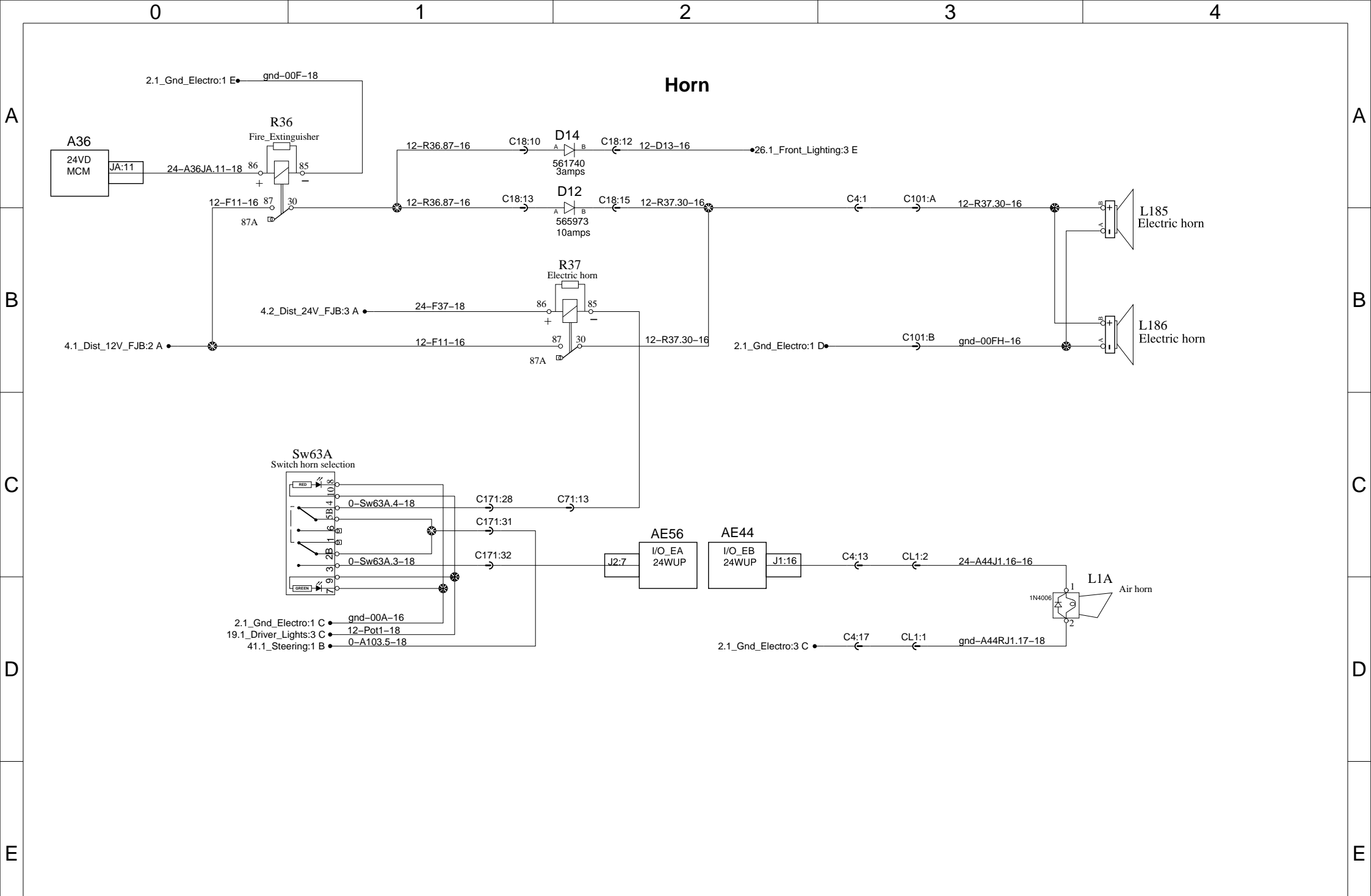


# Spares wires



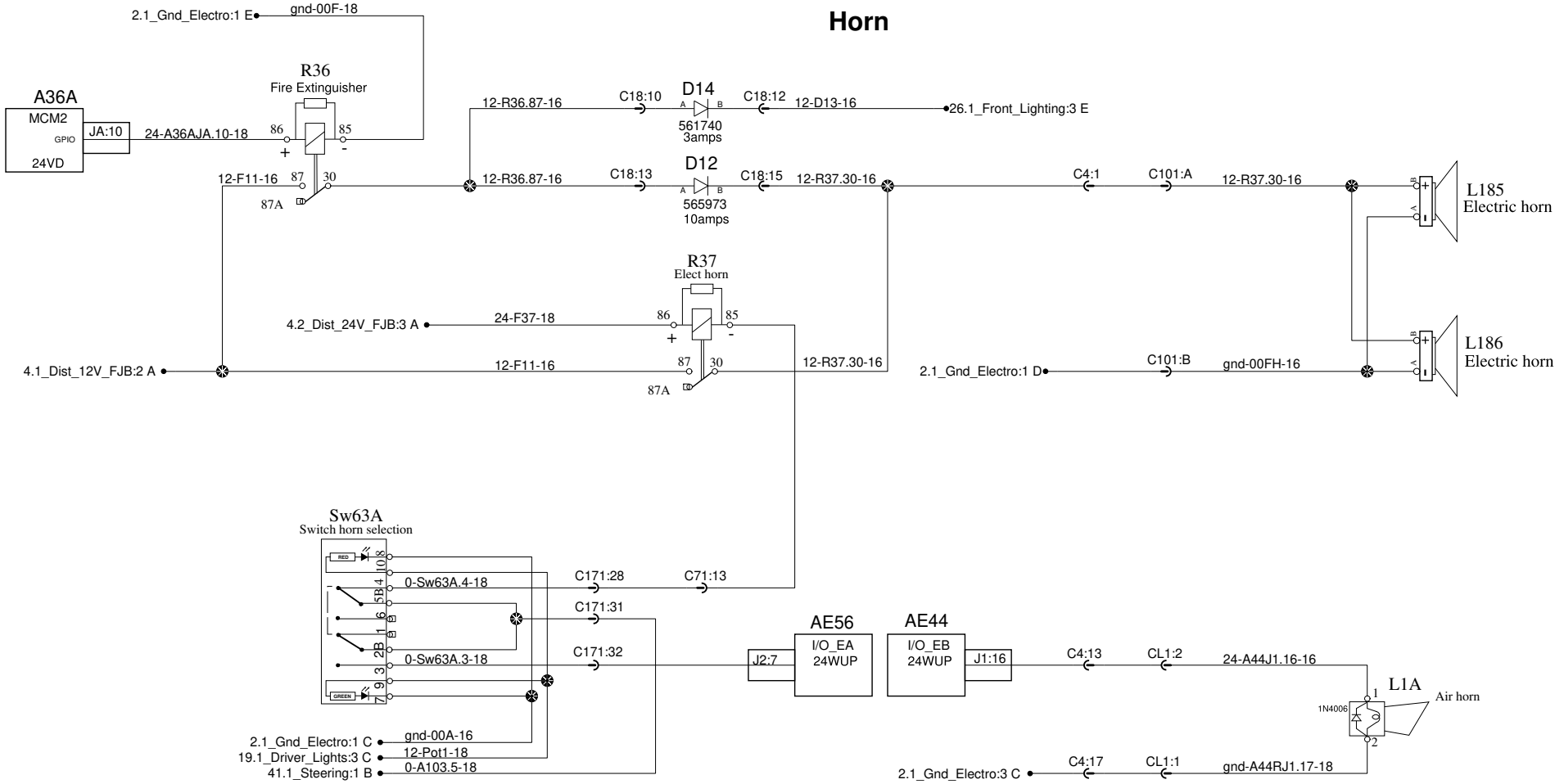
# Spares wires





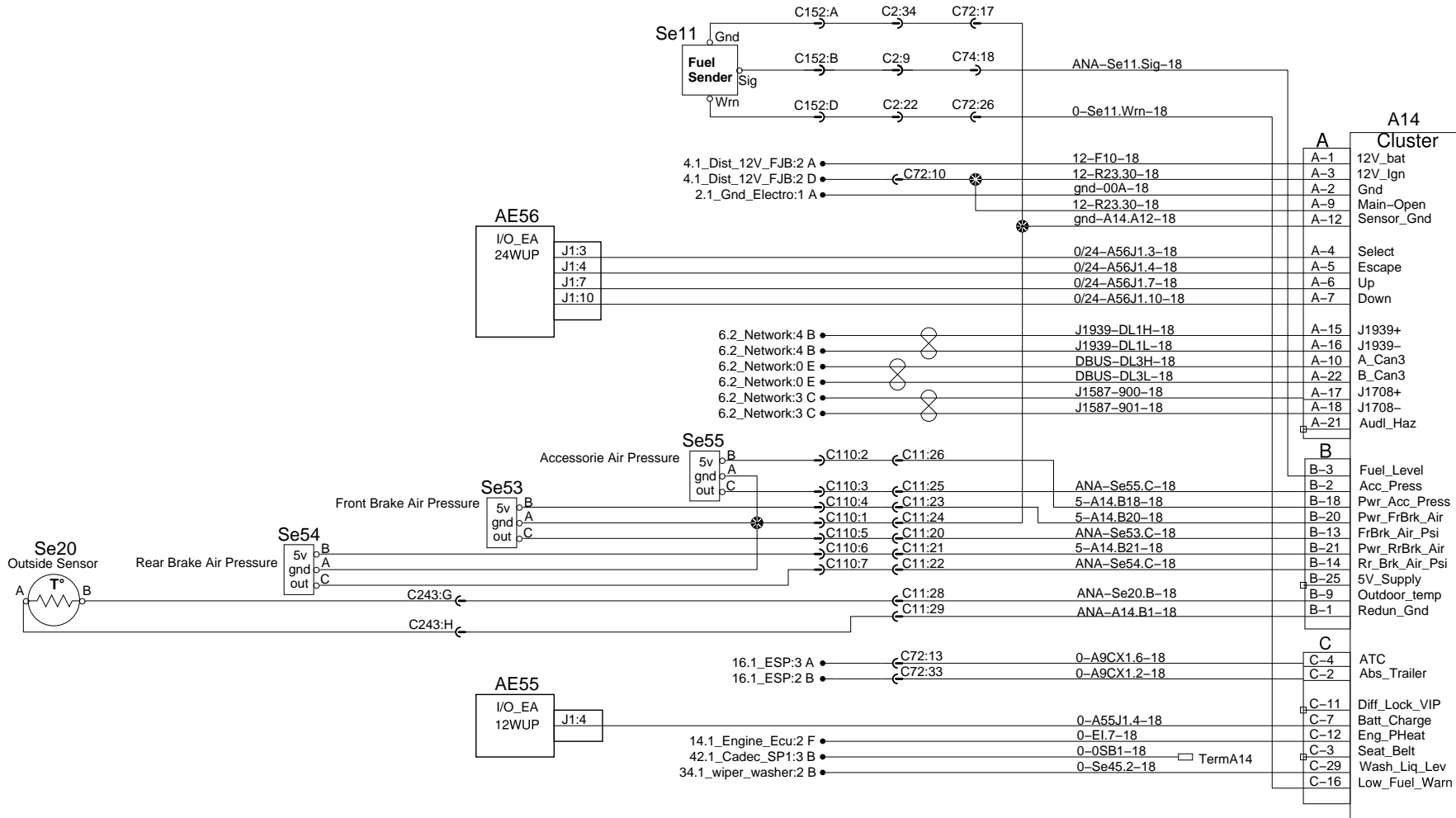
### Horn

Horn

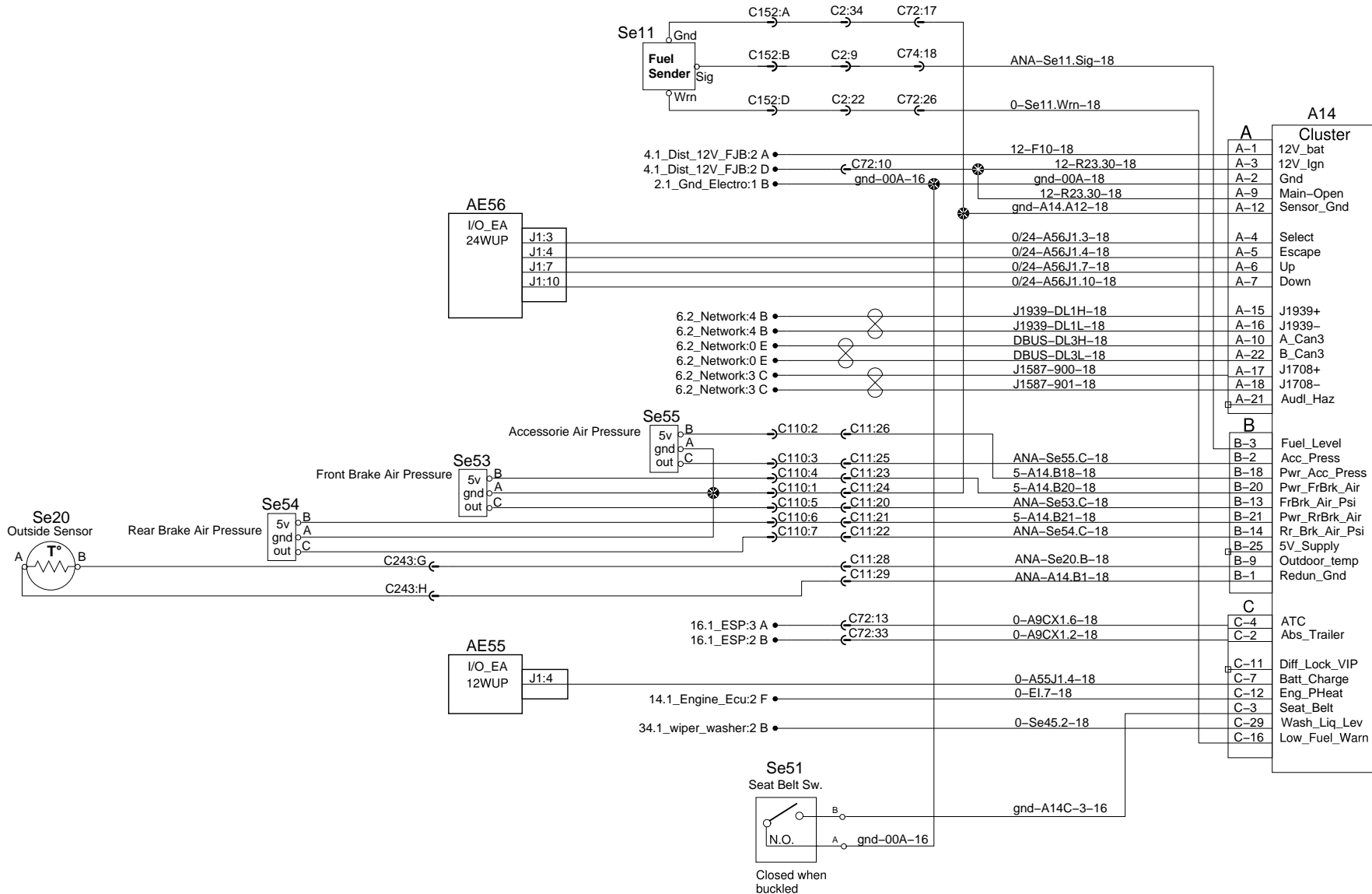




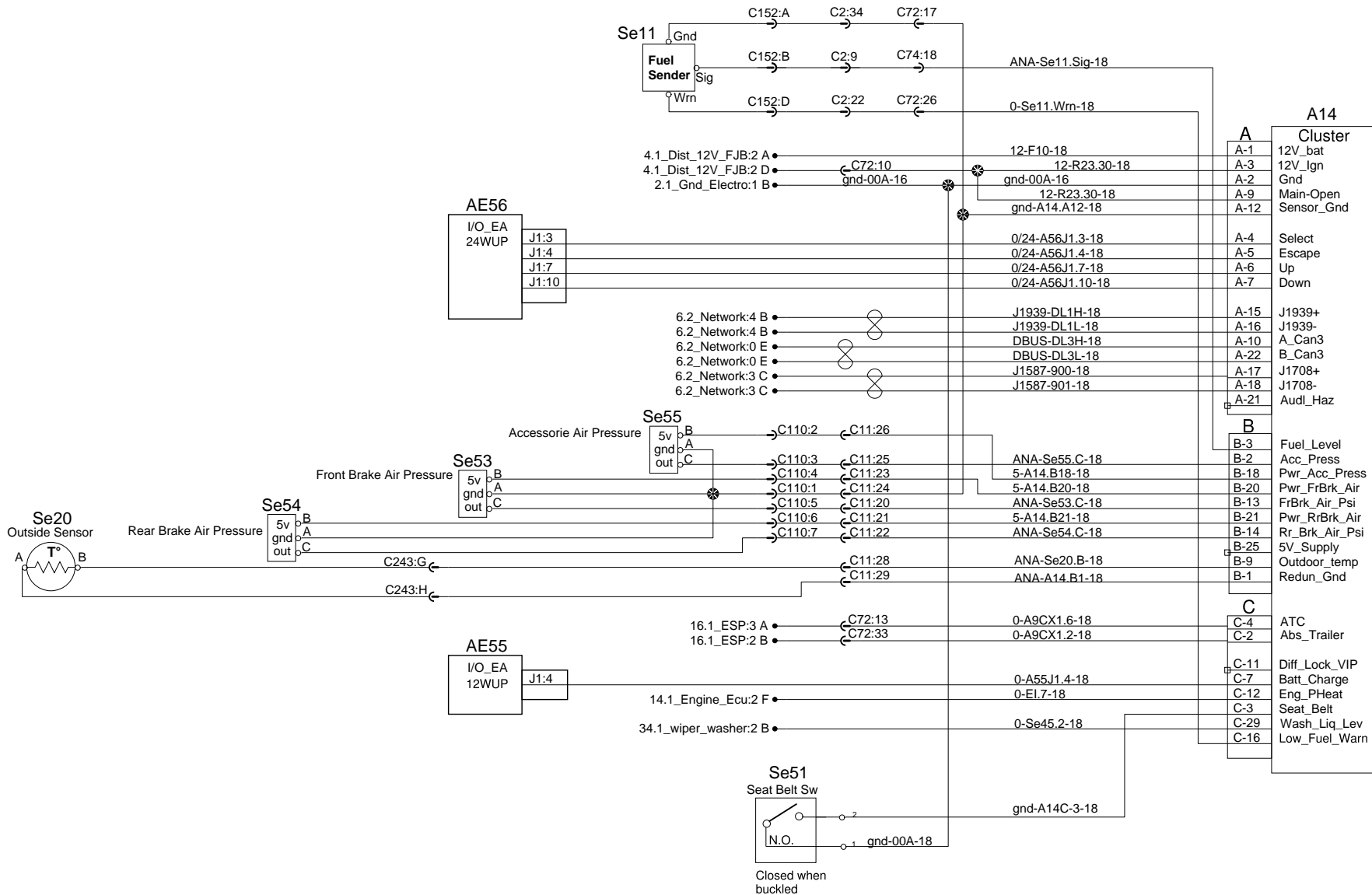
# Cluster



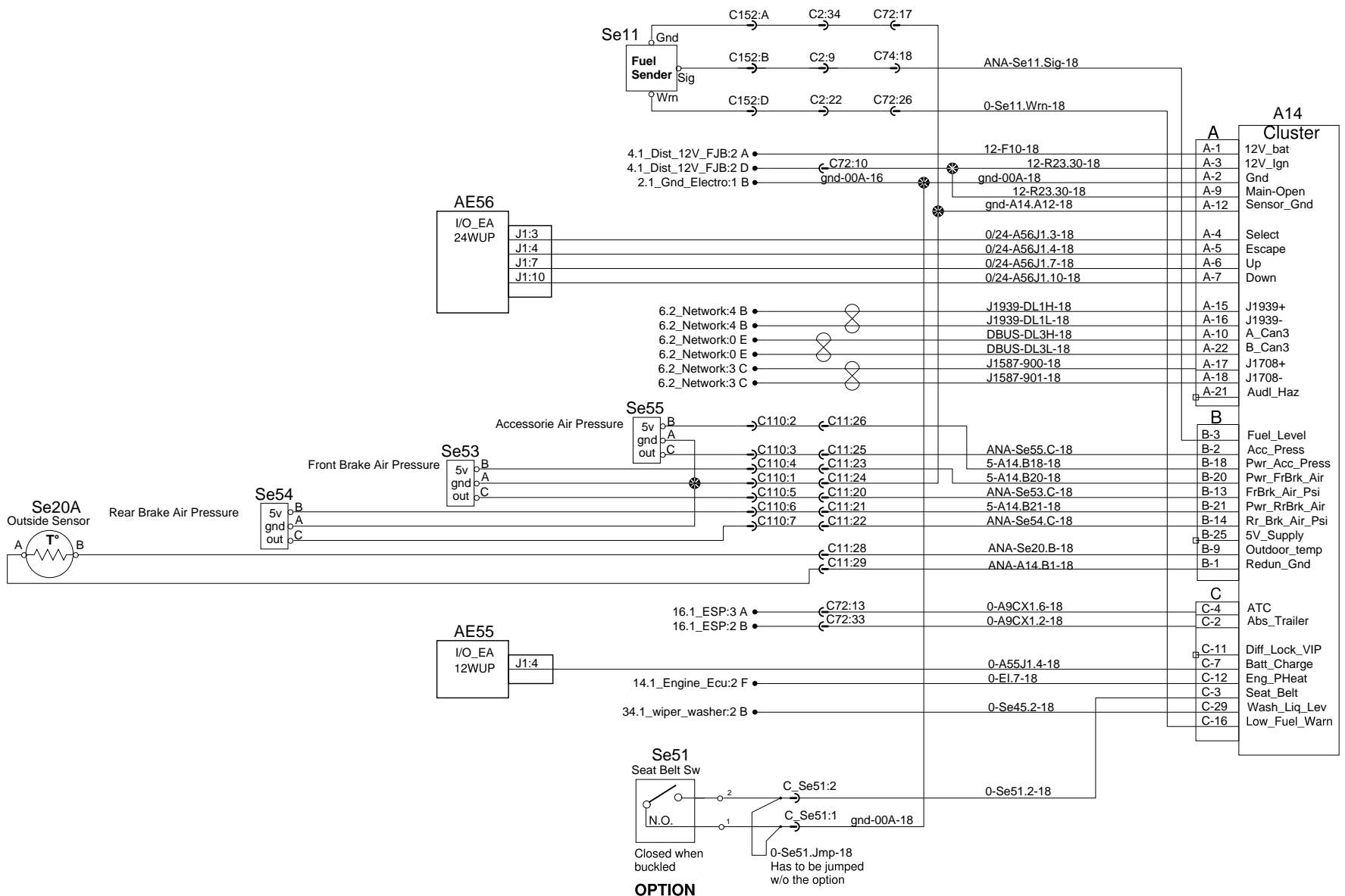
# Cluster



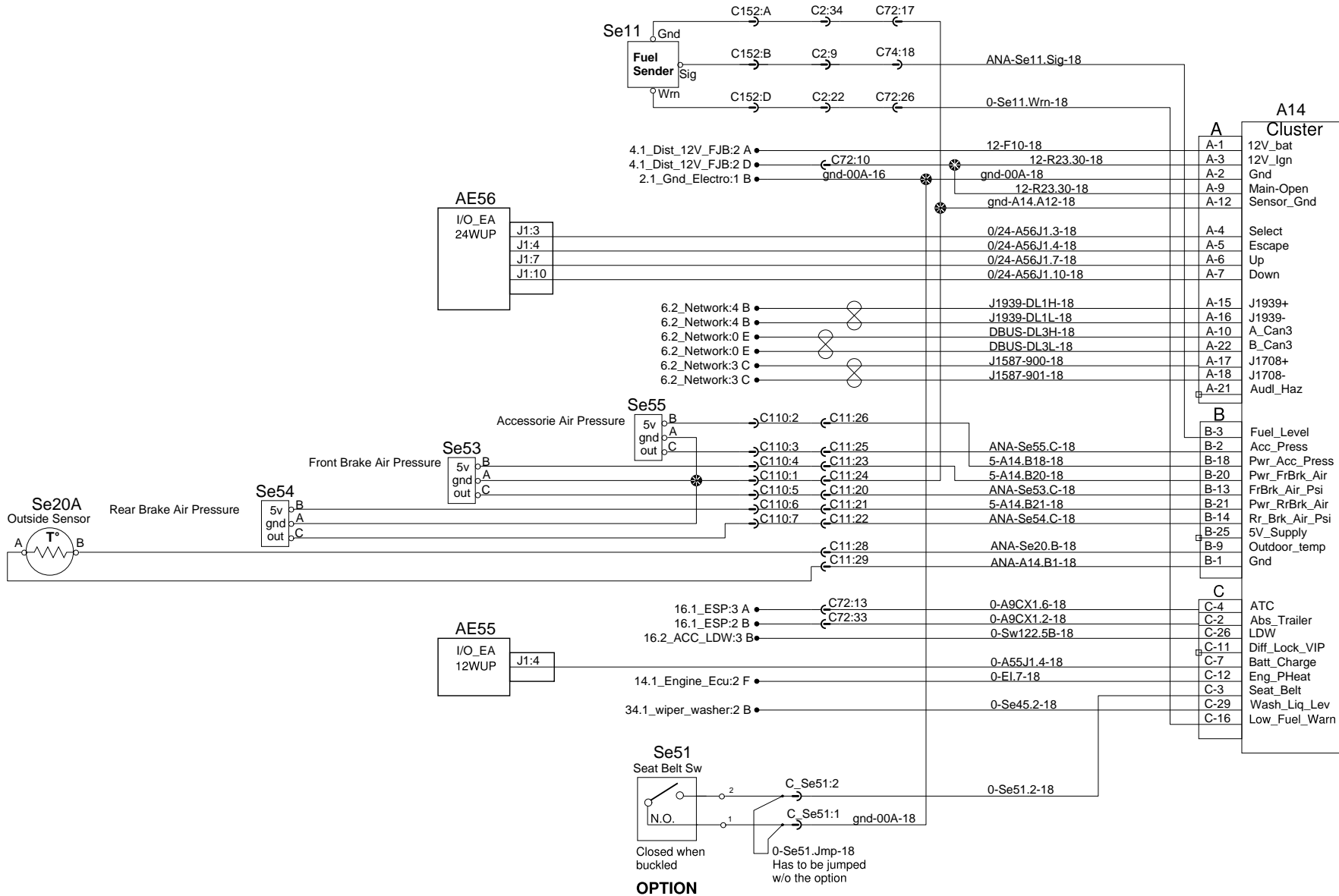
# Cluster



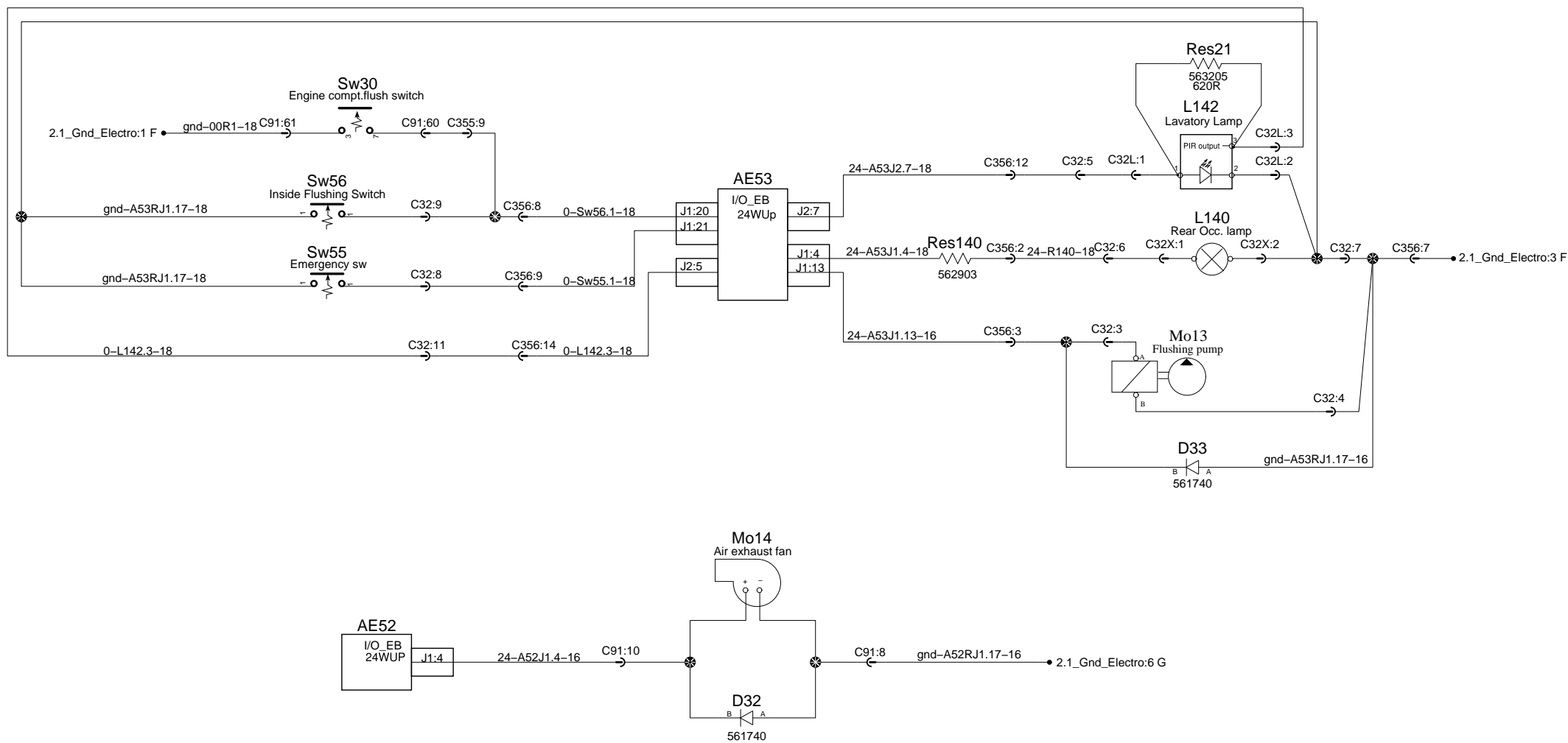
# Cluster



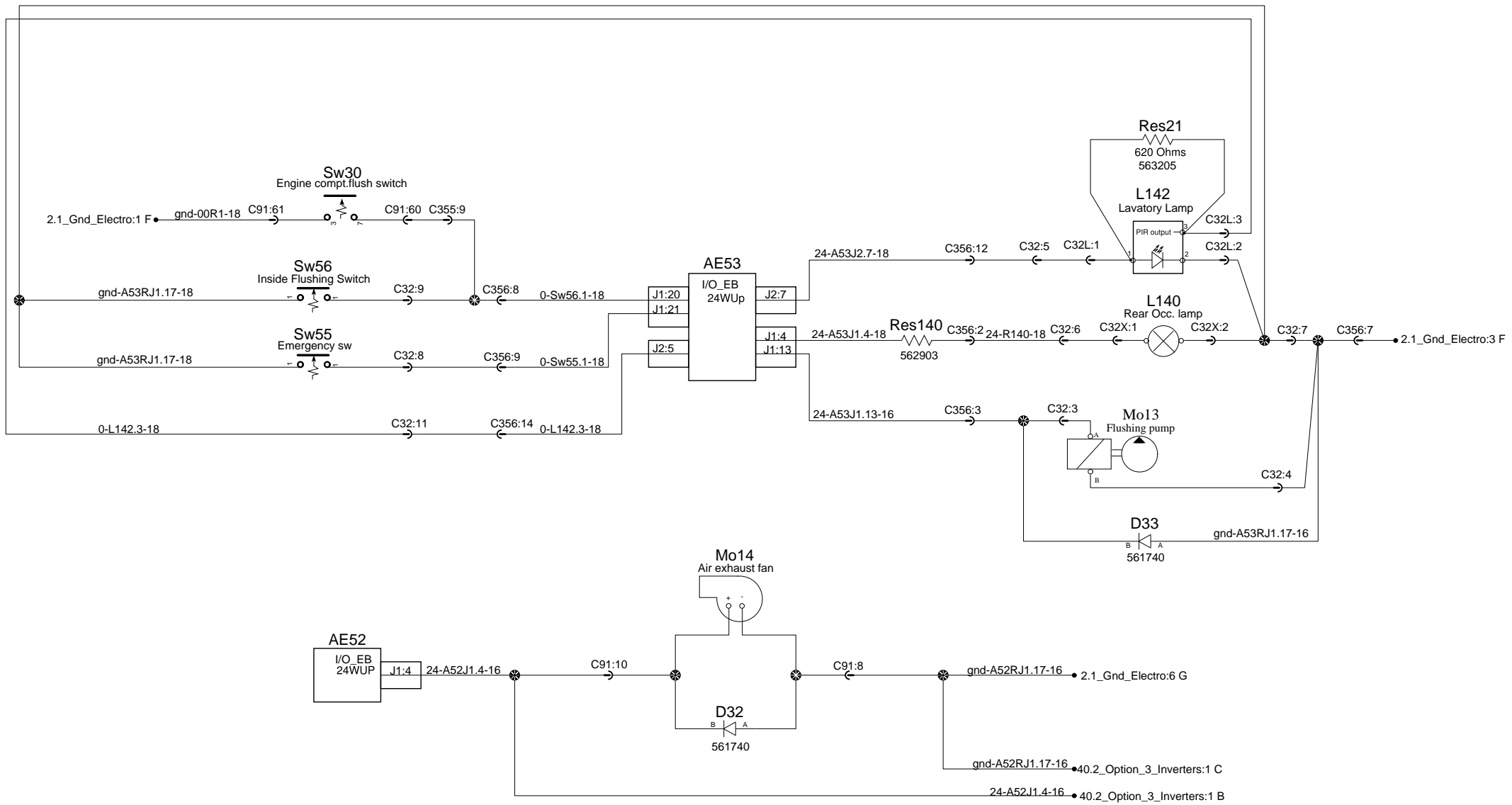
# Cluster



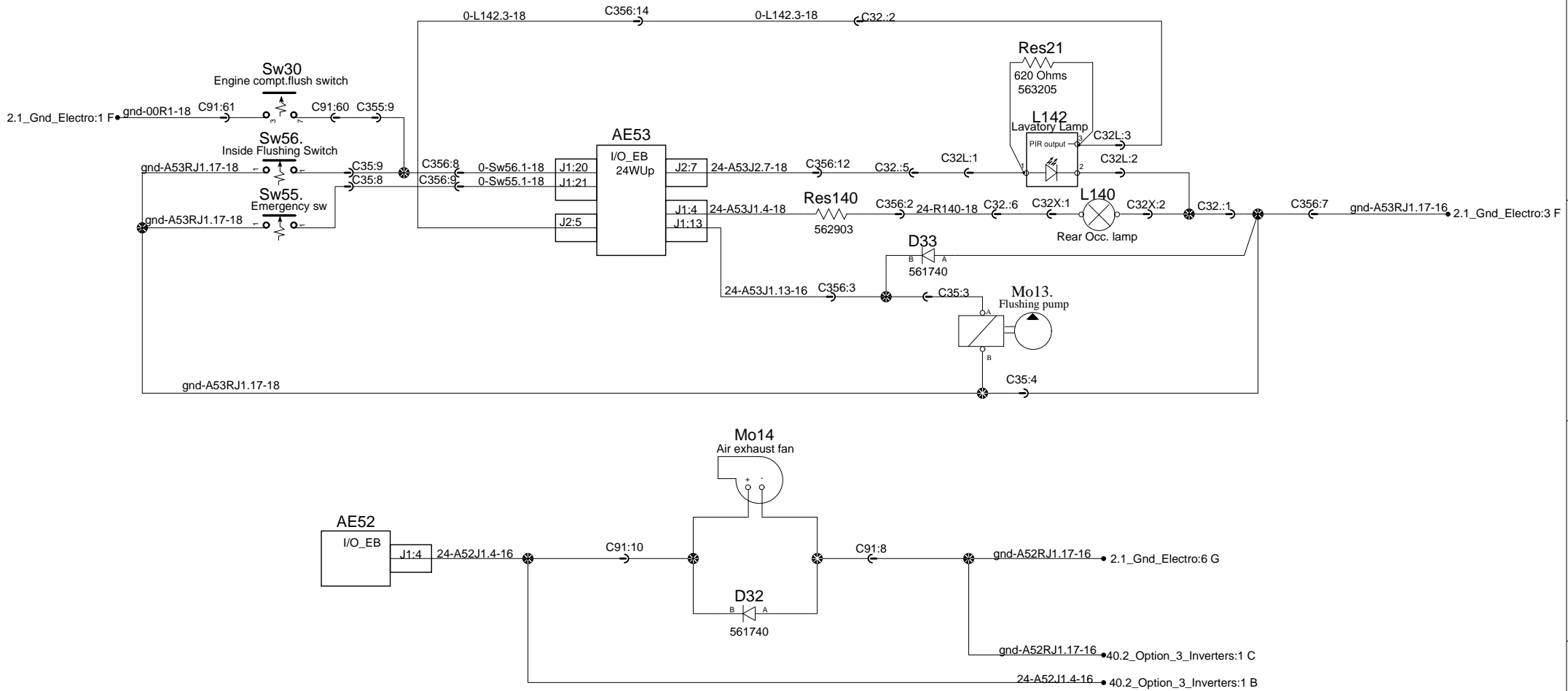
# Lavatory and No Smoking sign



# Lavatory and No Smoking sign

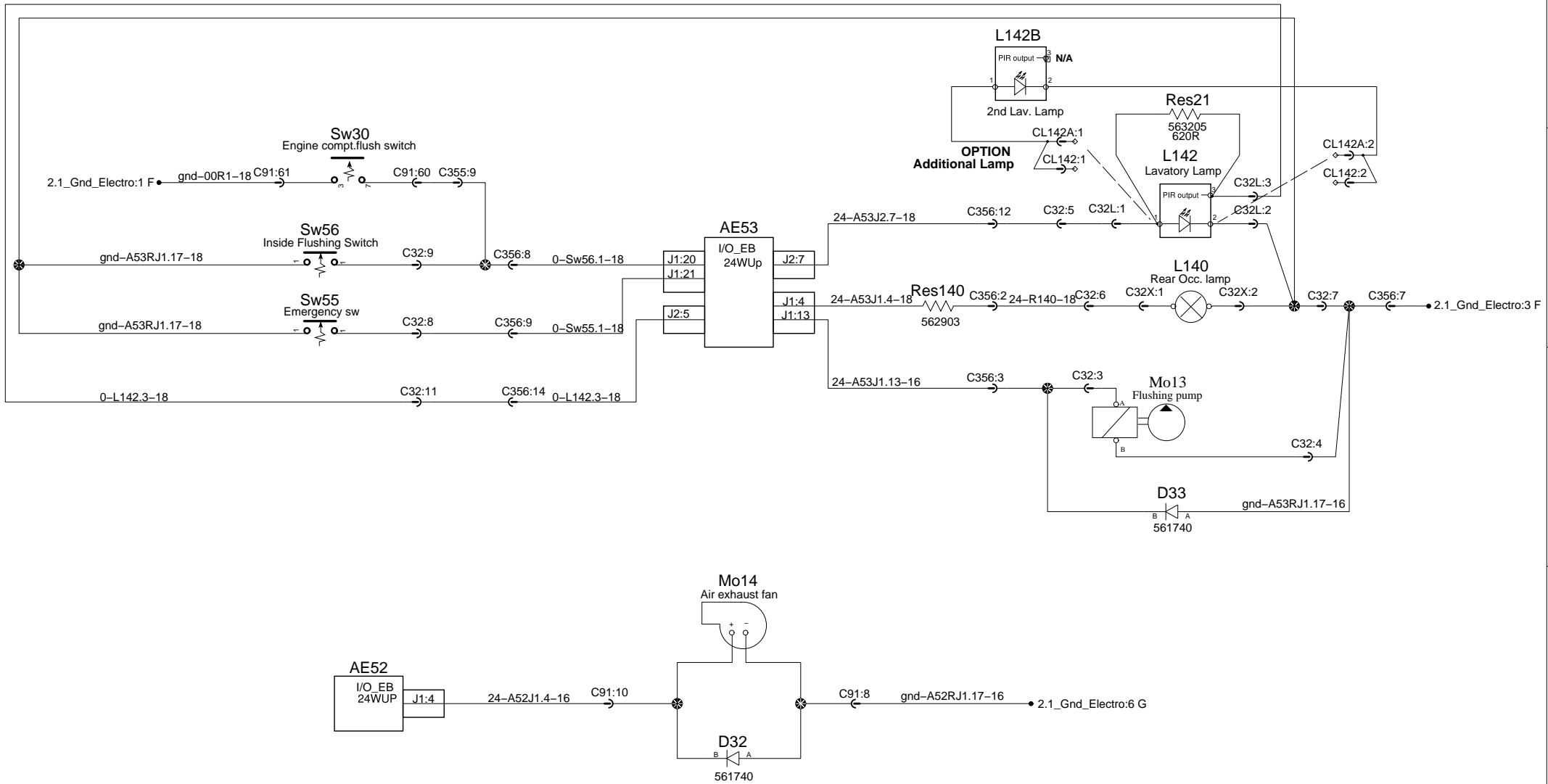


# Lavatory and No Smoking sign

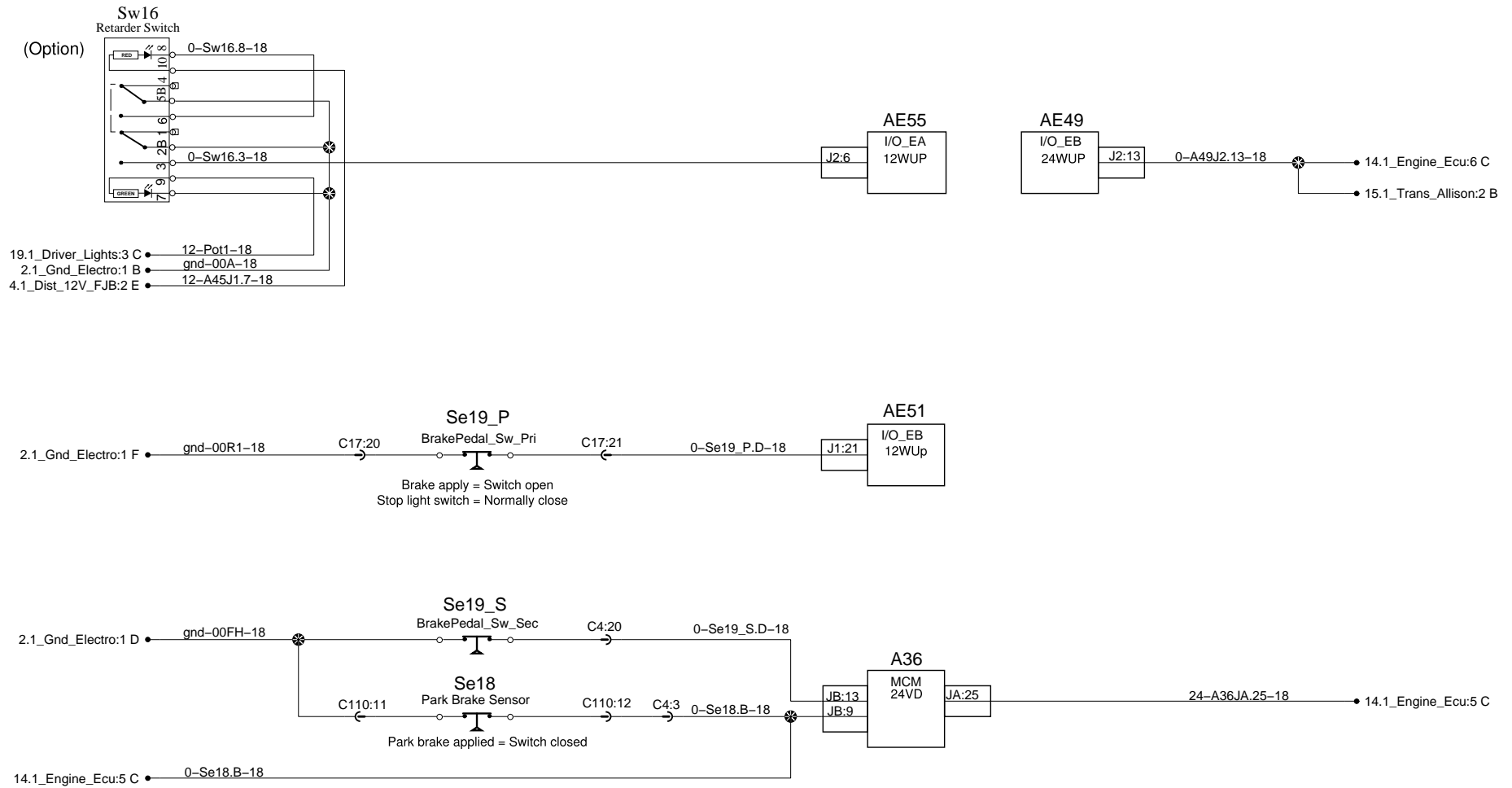




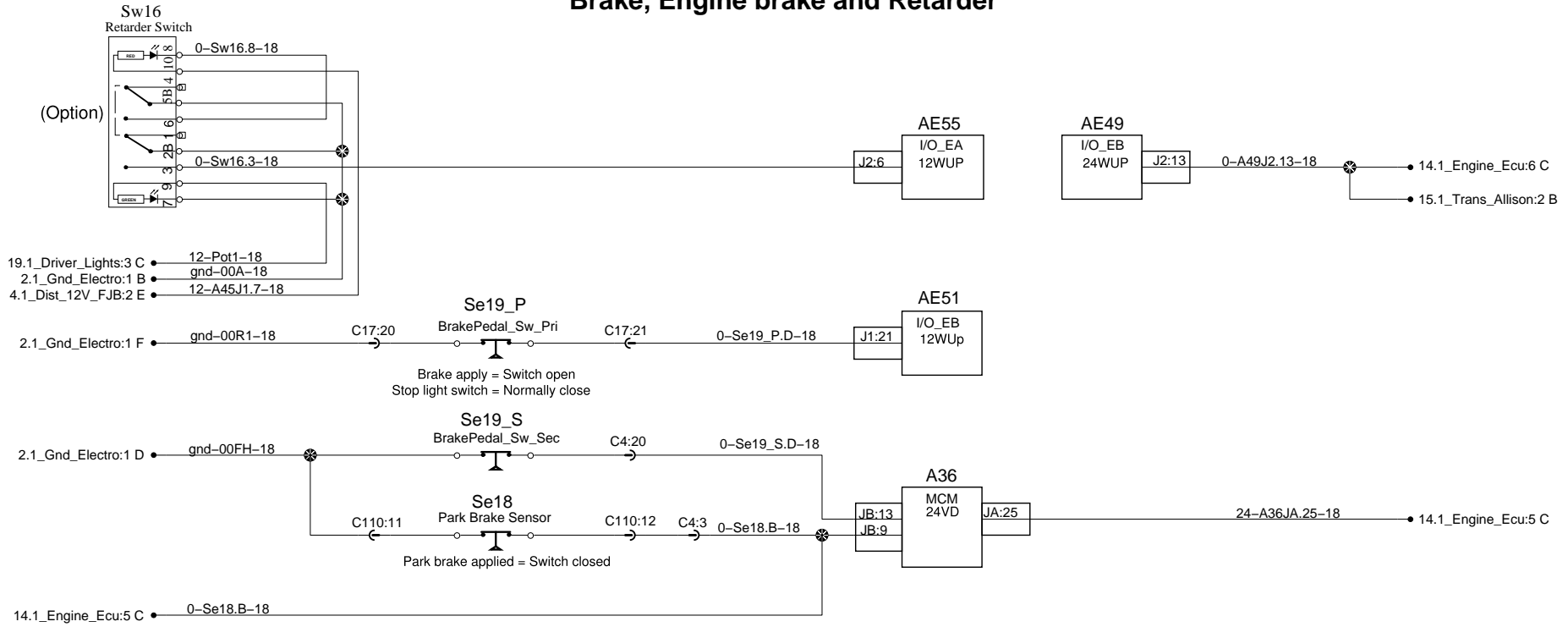
# Lavatory and No Smoking sign



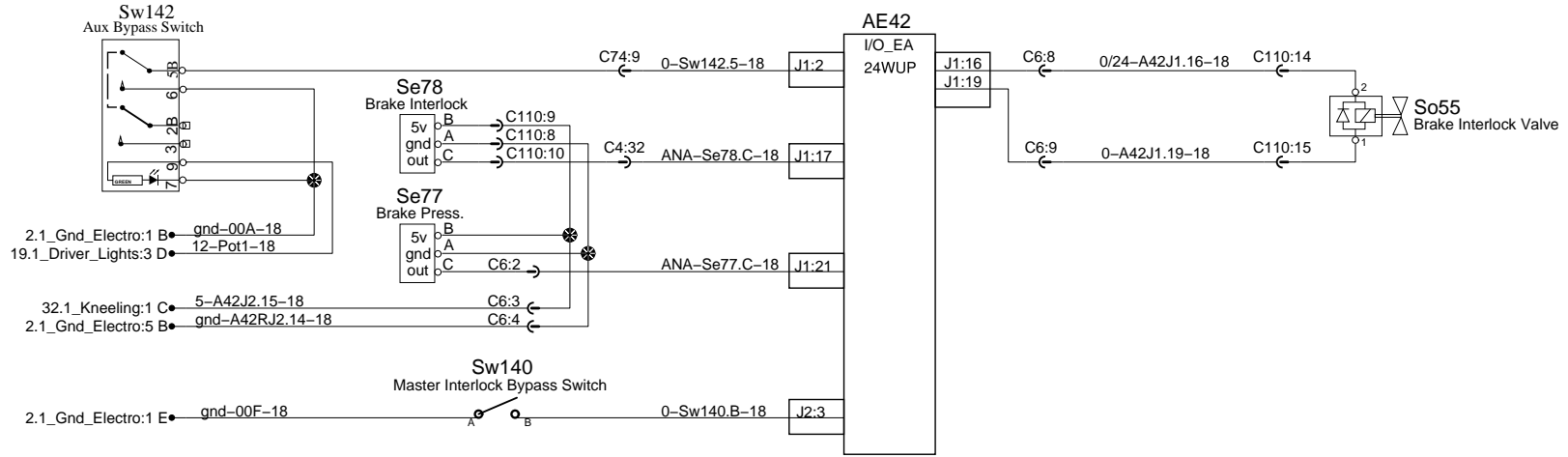
# Brake, Engine brake and Retarder



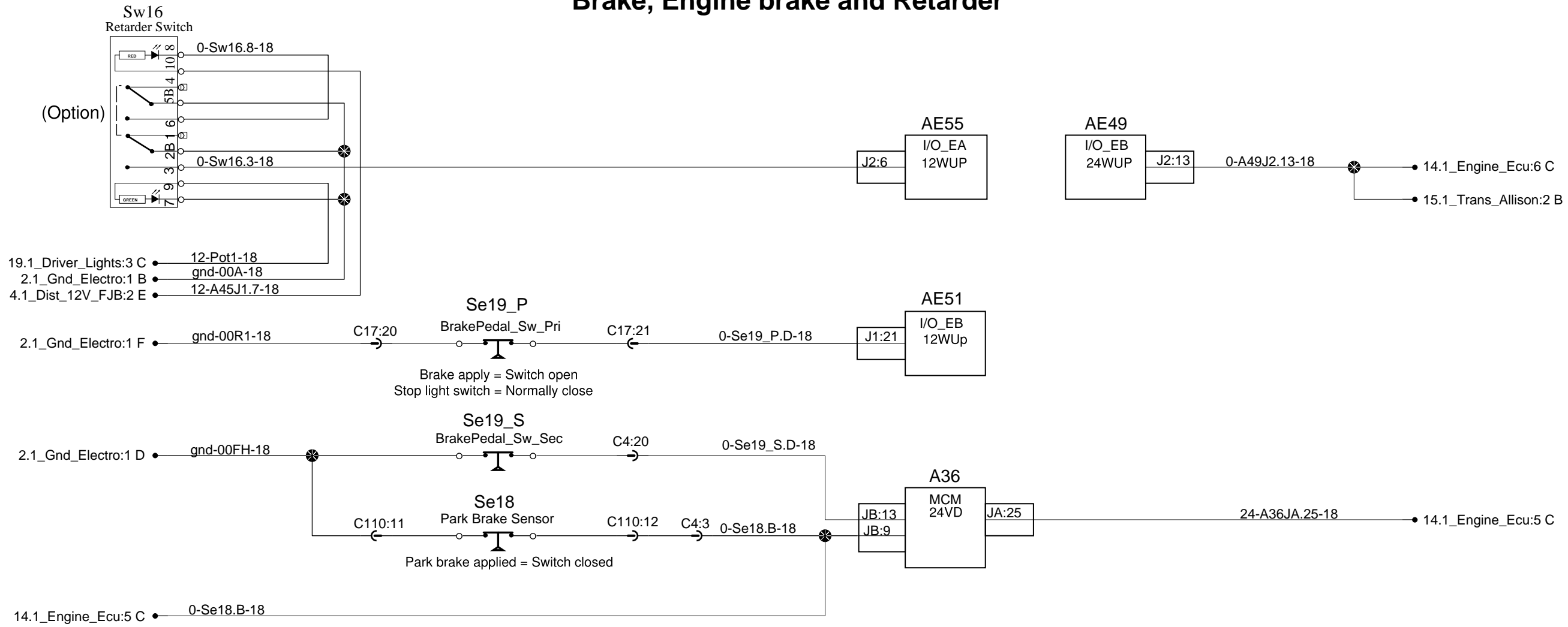
### Brake, Engine brake and Retarder



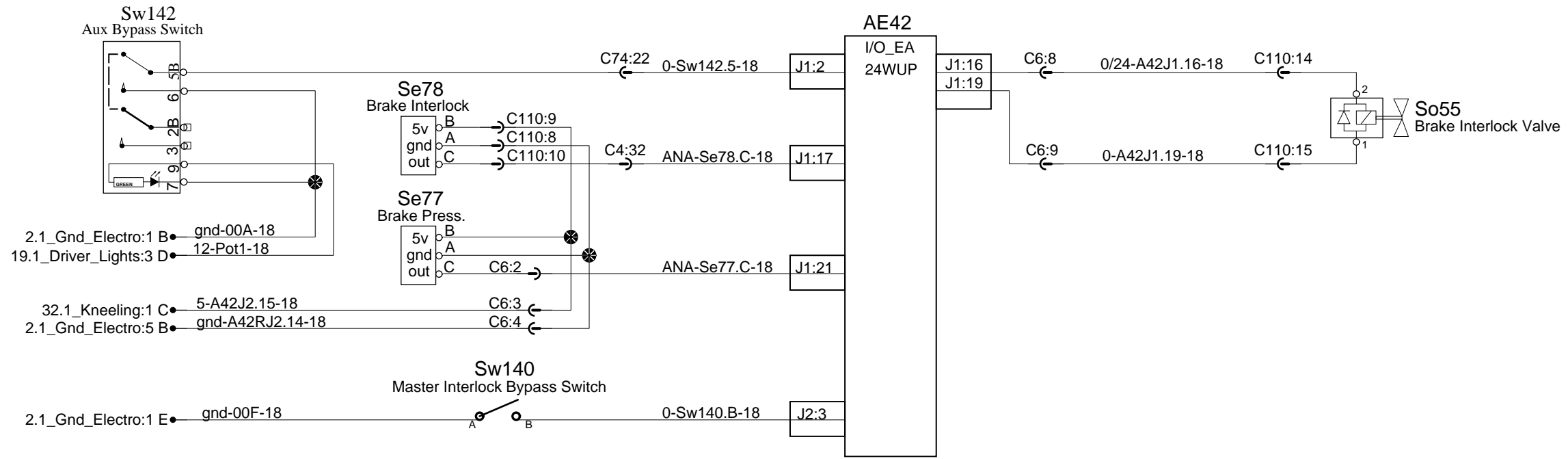
### Bifold Door option Brake Interlock



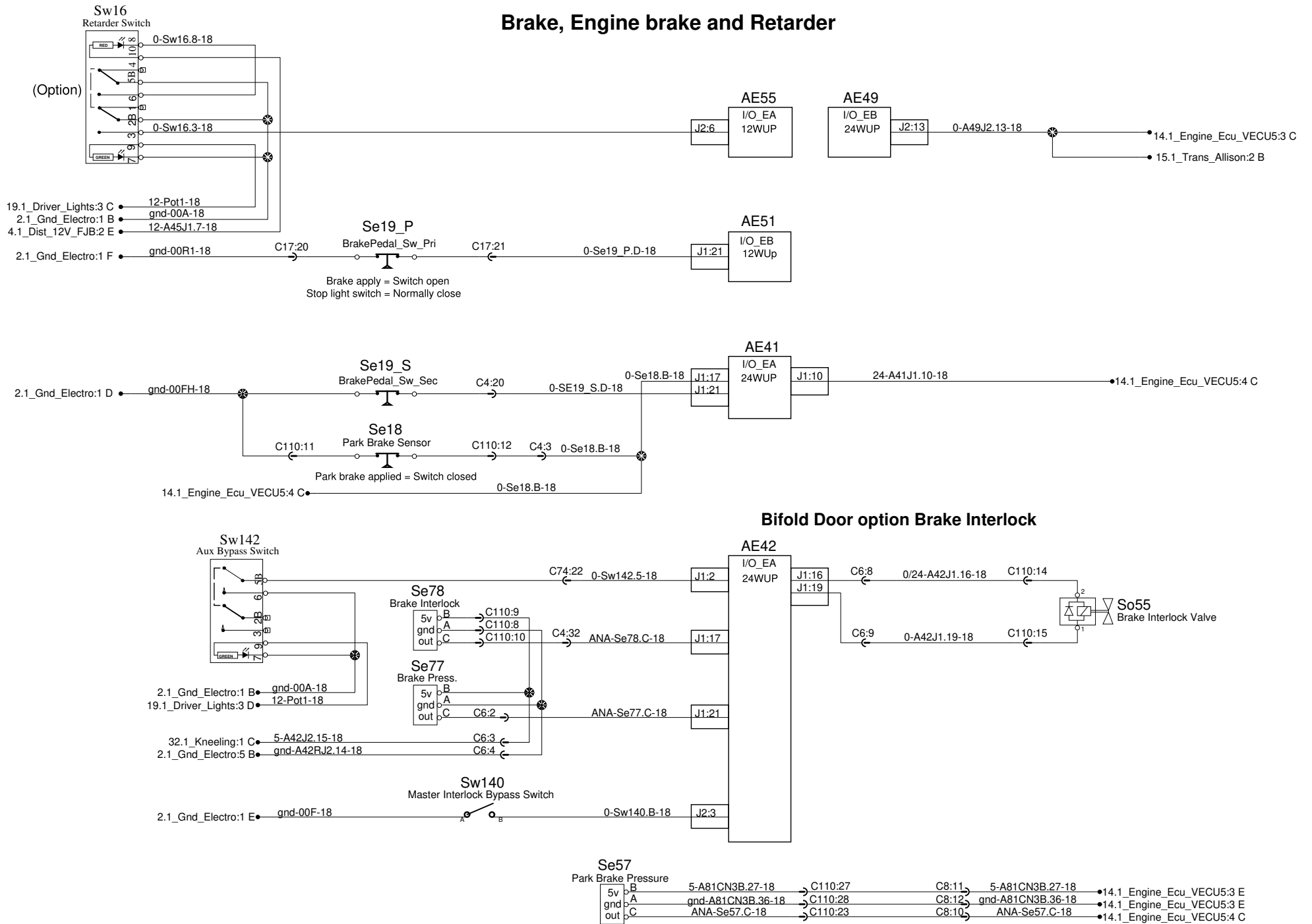
### Brake, Engine brake and Retarder



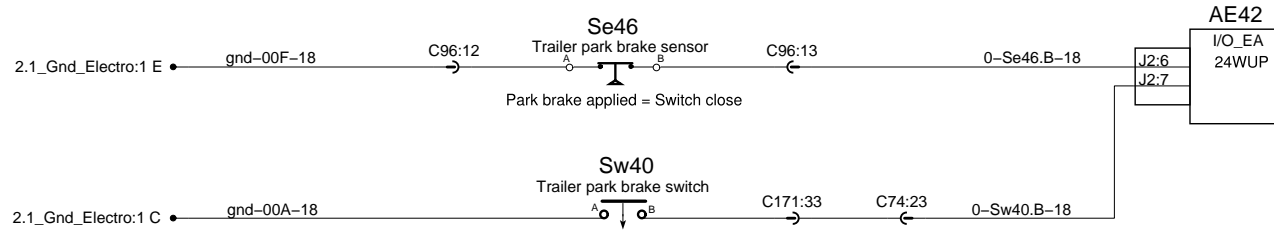
### Bifold Door option Brake Interlock



# Brake, Engine brake and Retarder



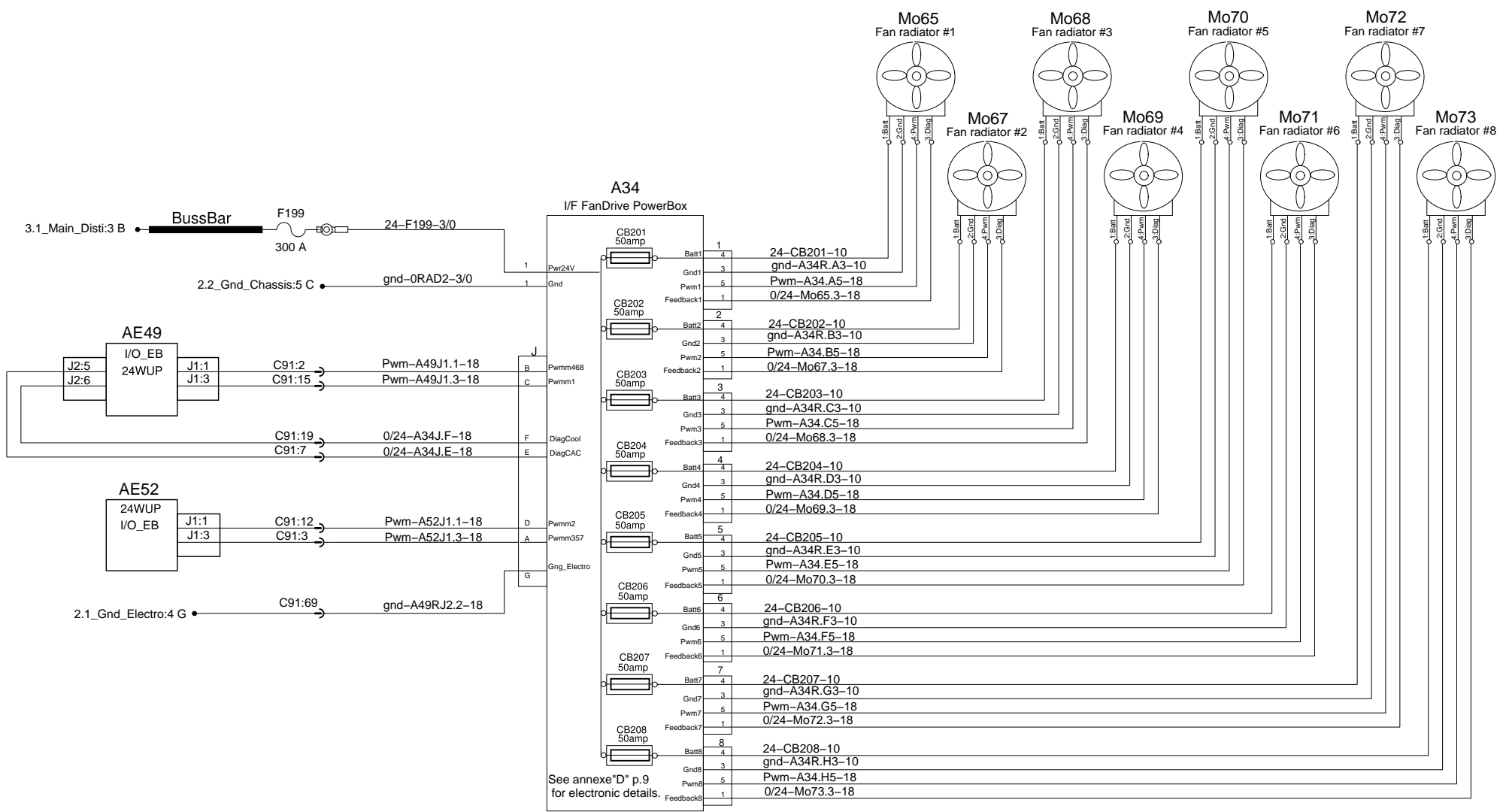
# Trailer park brake



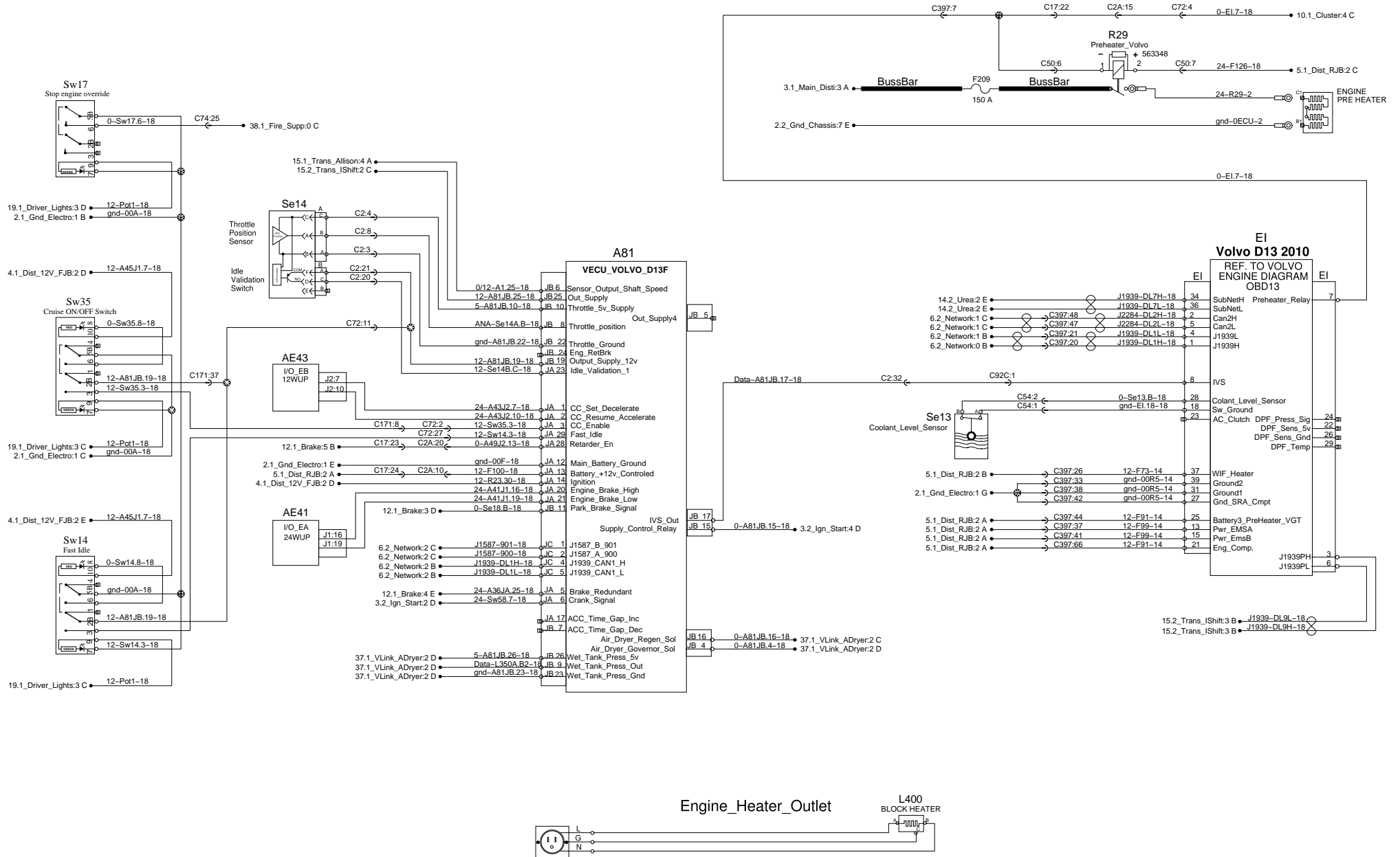
# Electric fans drive

CAC

Engine

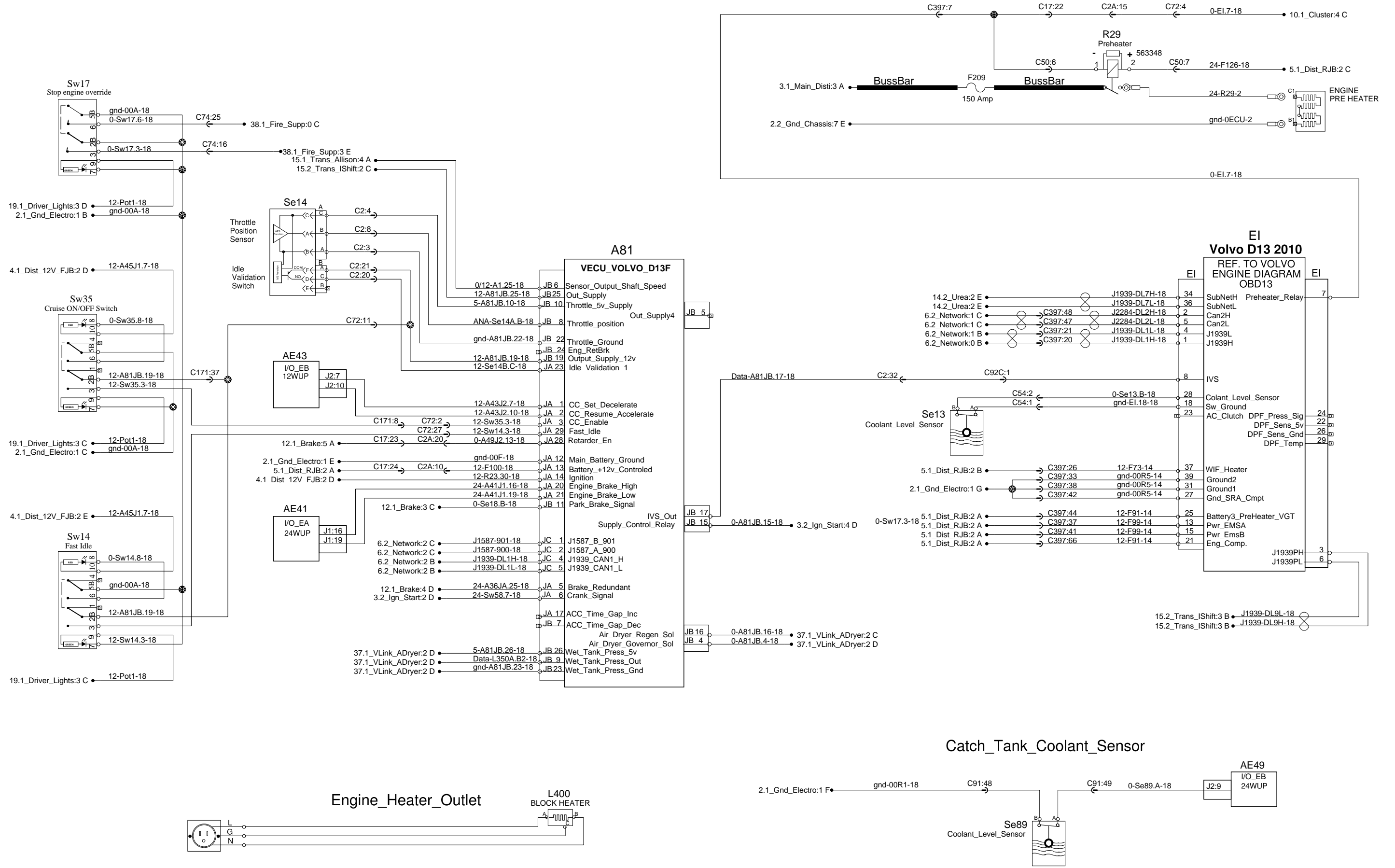


# Engine ECU Volvo





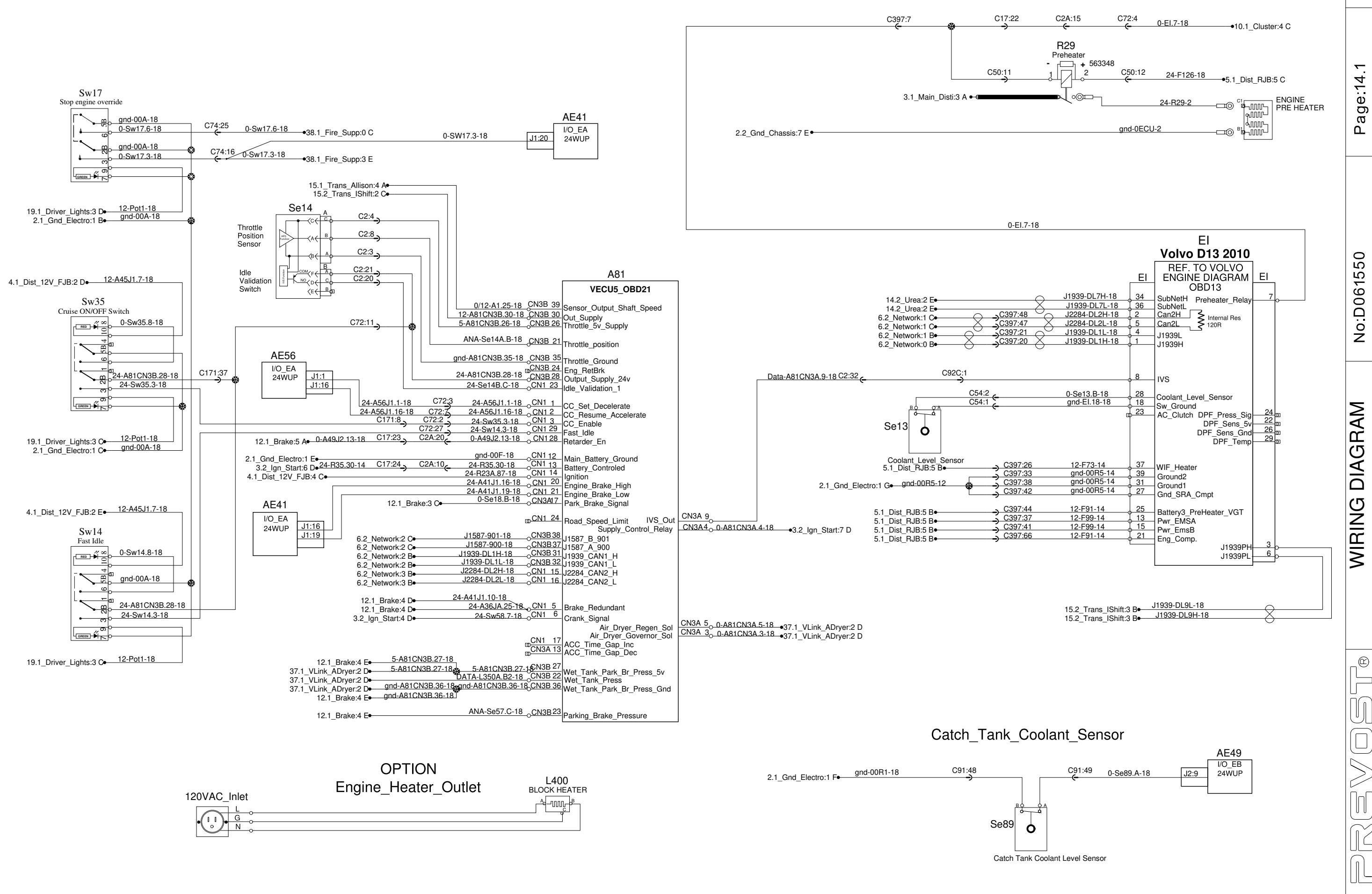
# Engine ECU Volvo



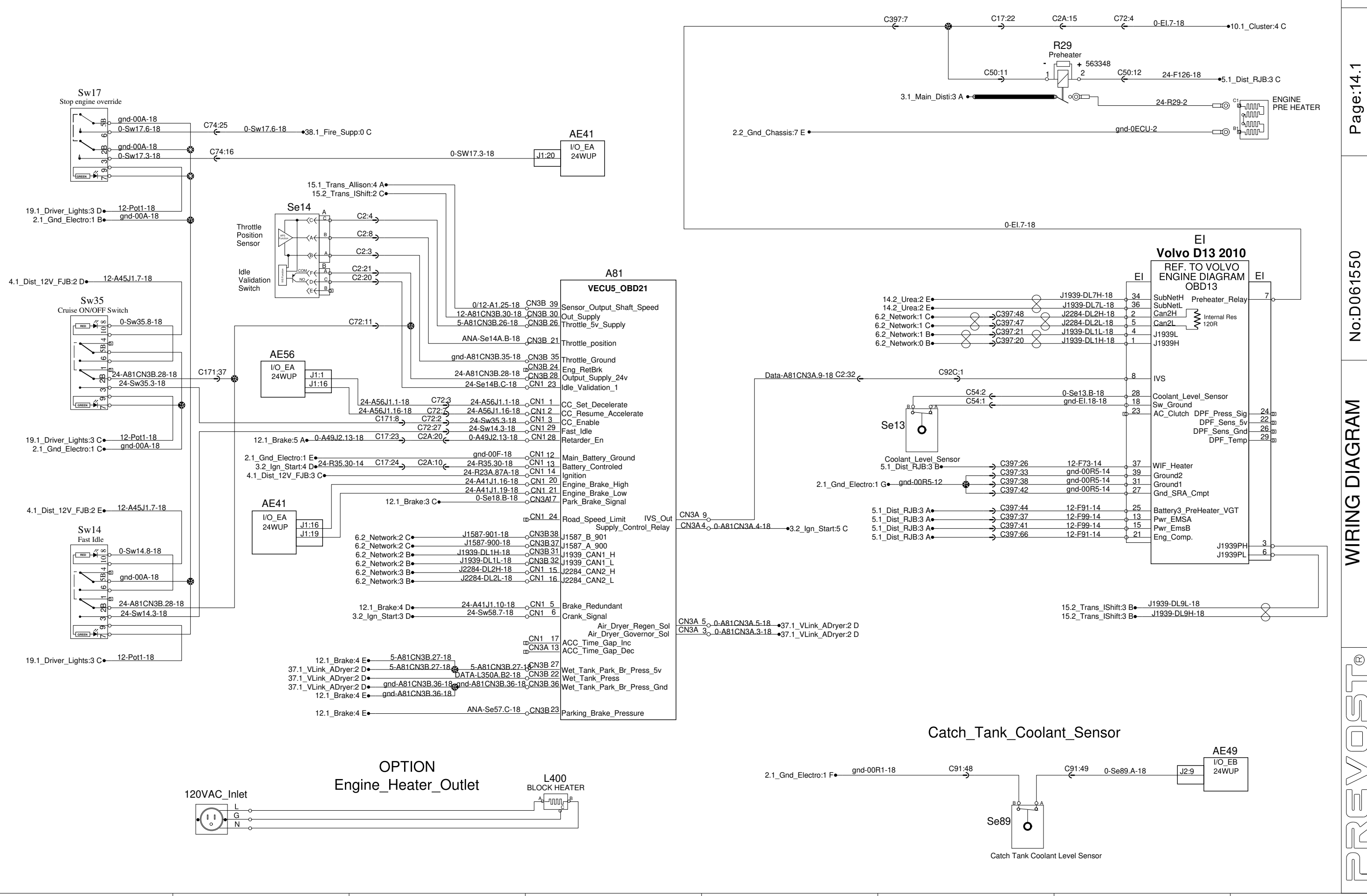
Engine\_Heater\_Outlet

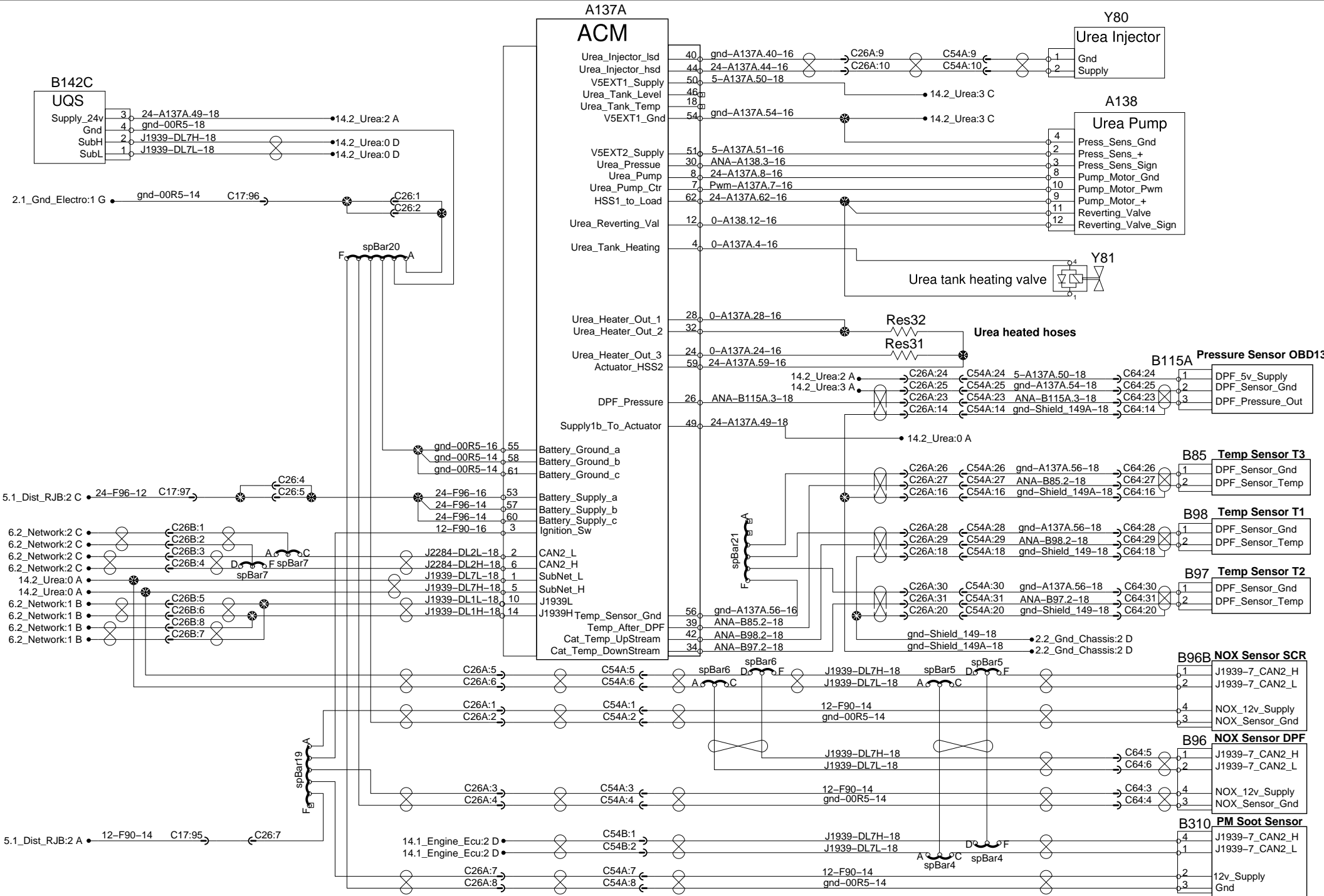
Catch\_Tank\_Coolant\_Sensor

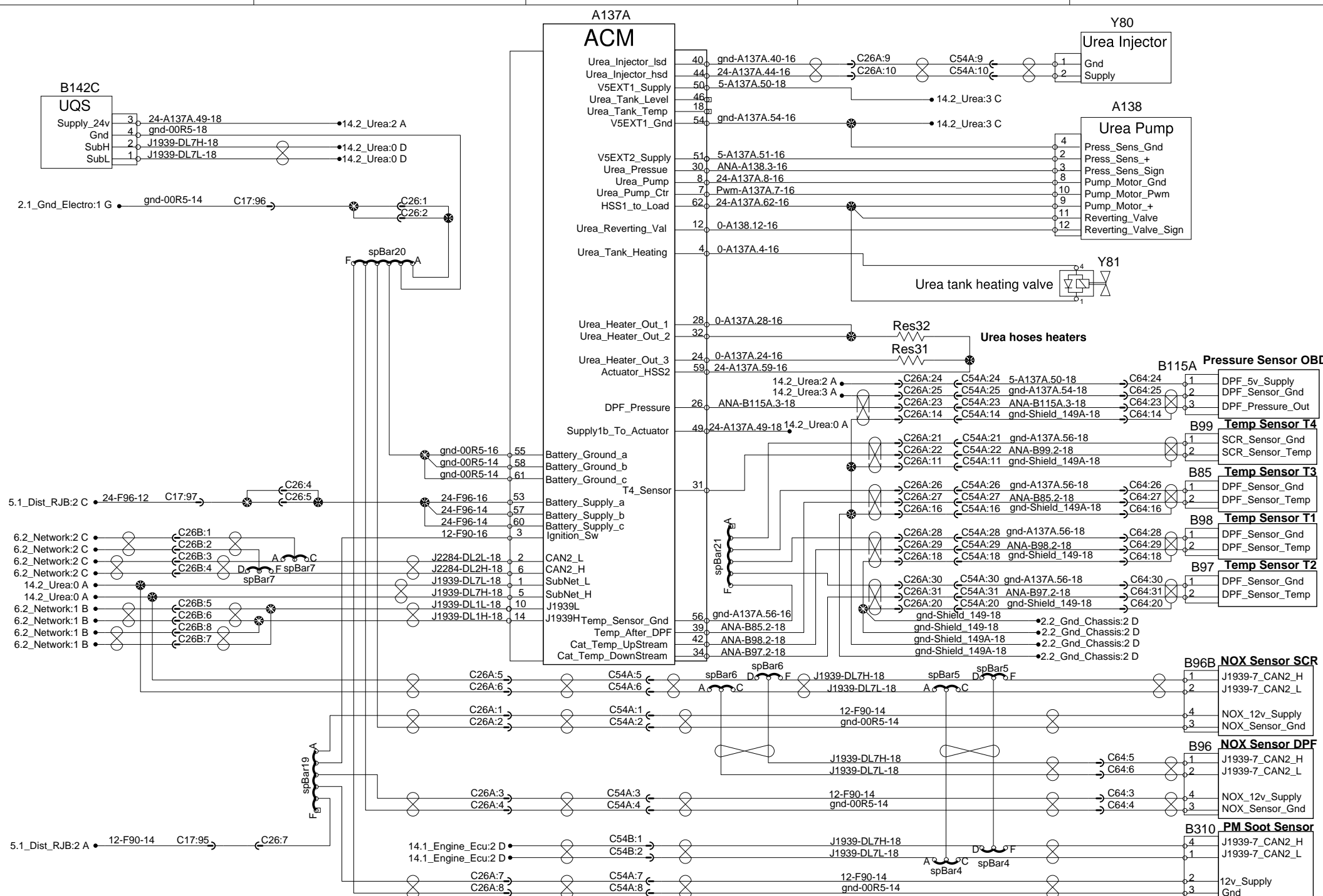
# Engine ECU Volvo

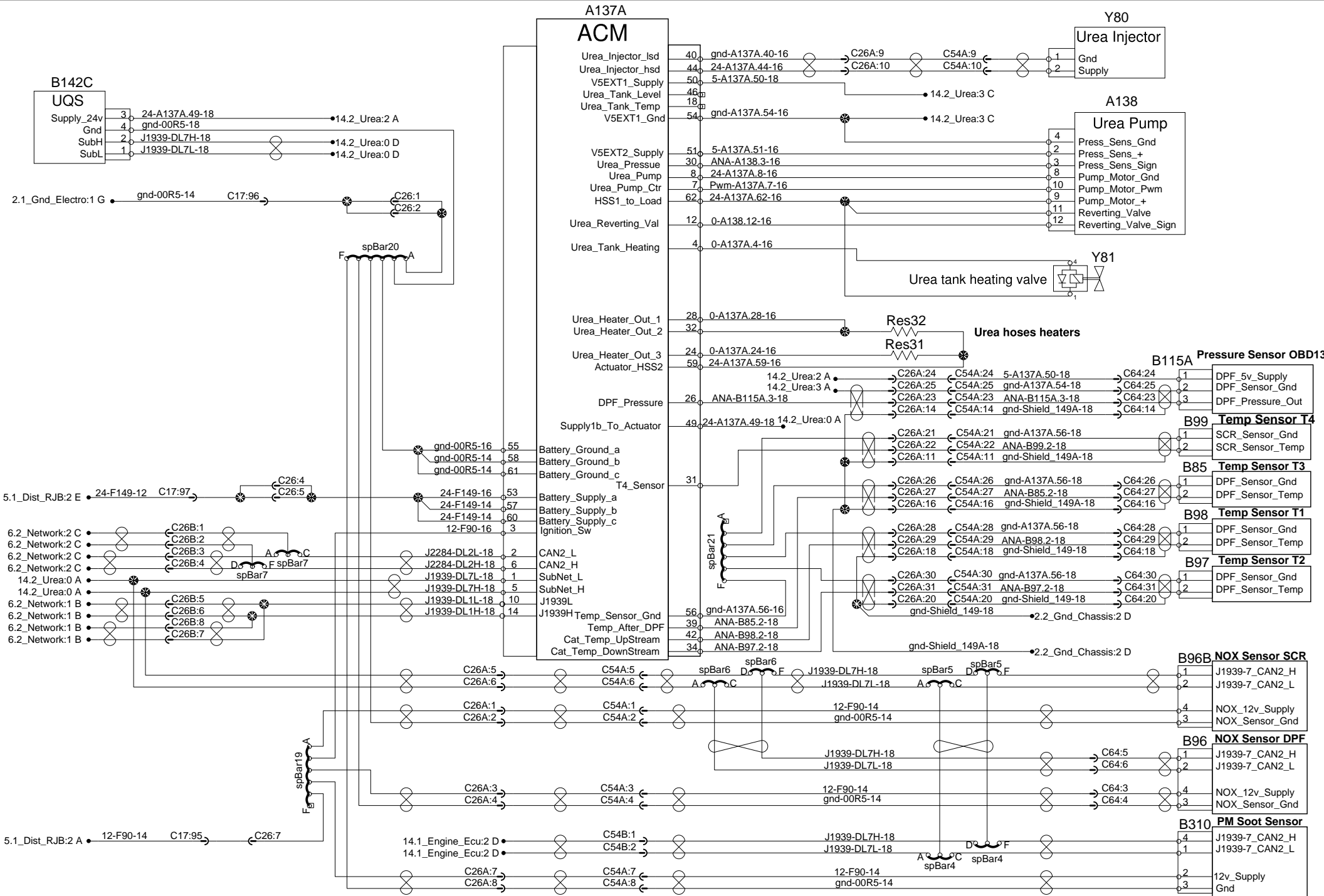


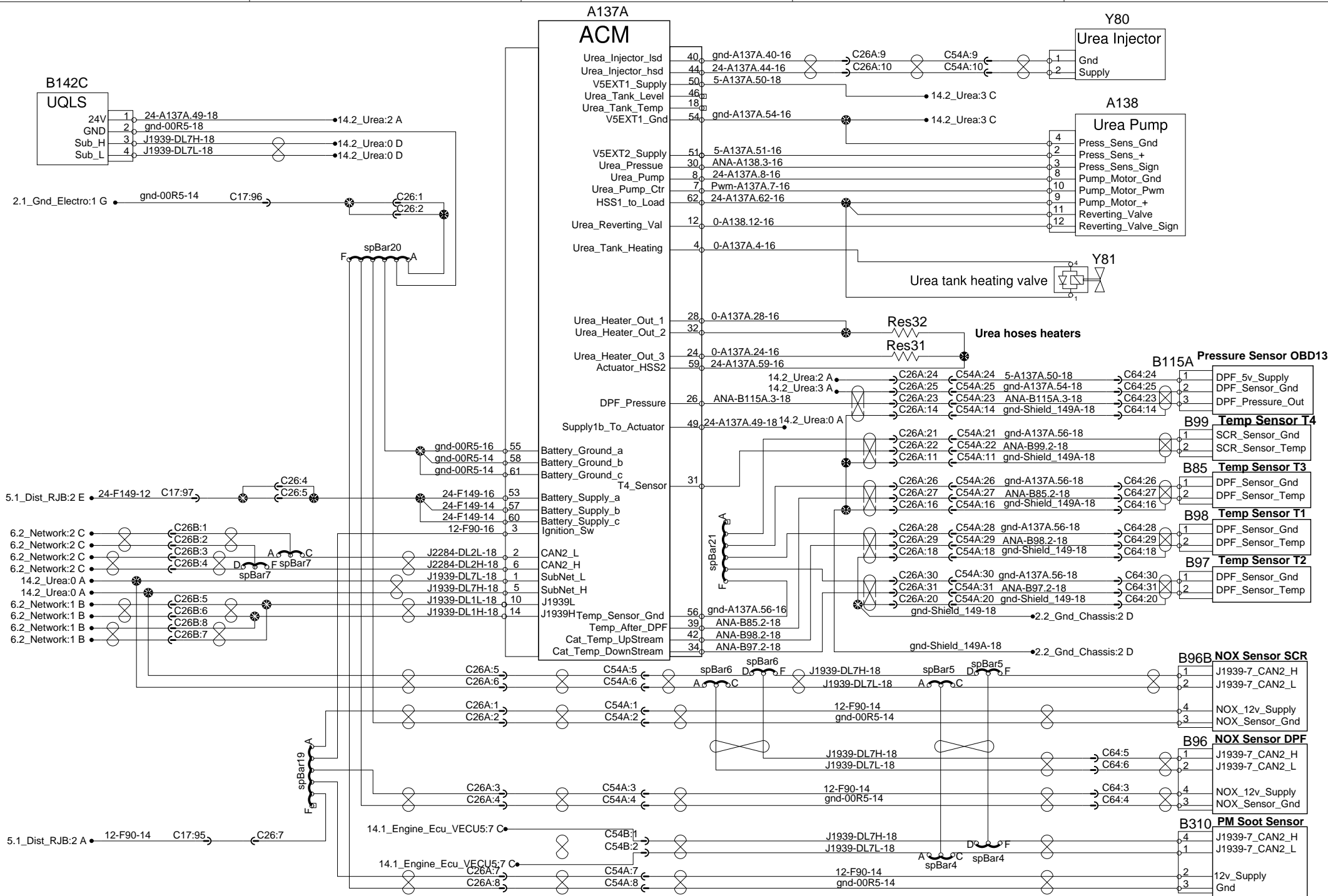
# Engine ECU Volvo



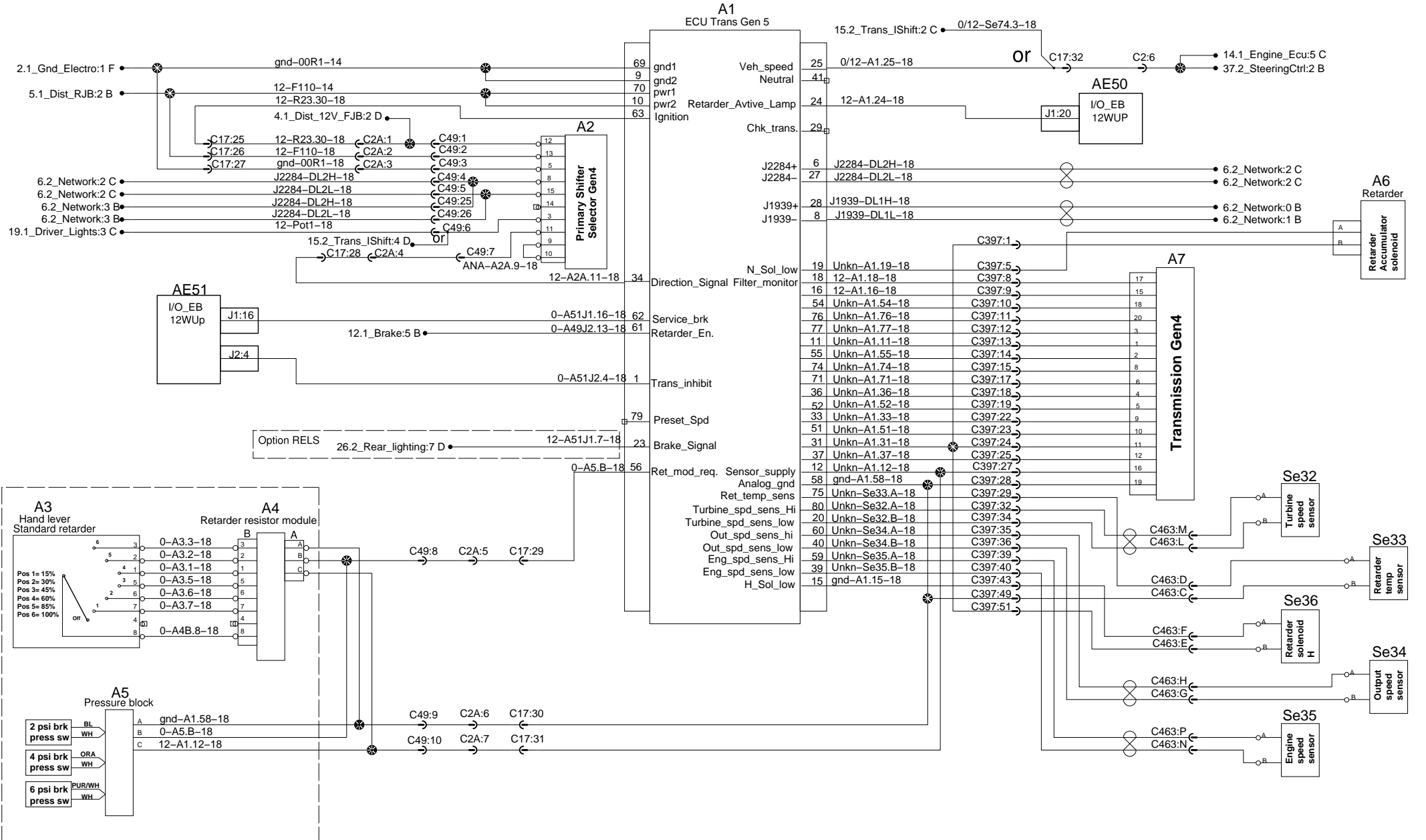






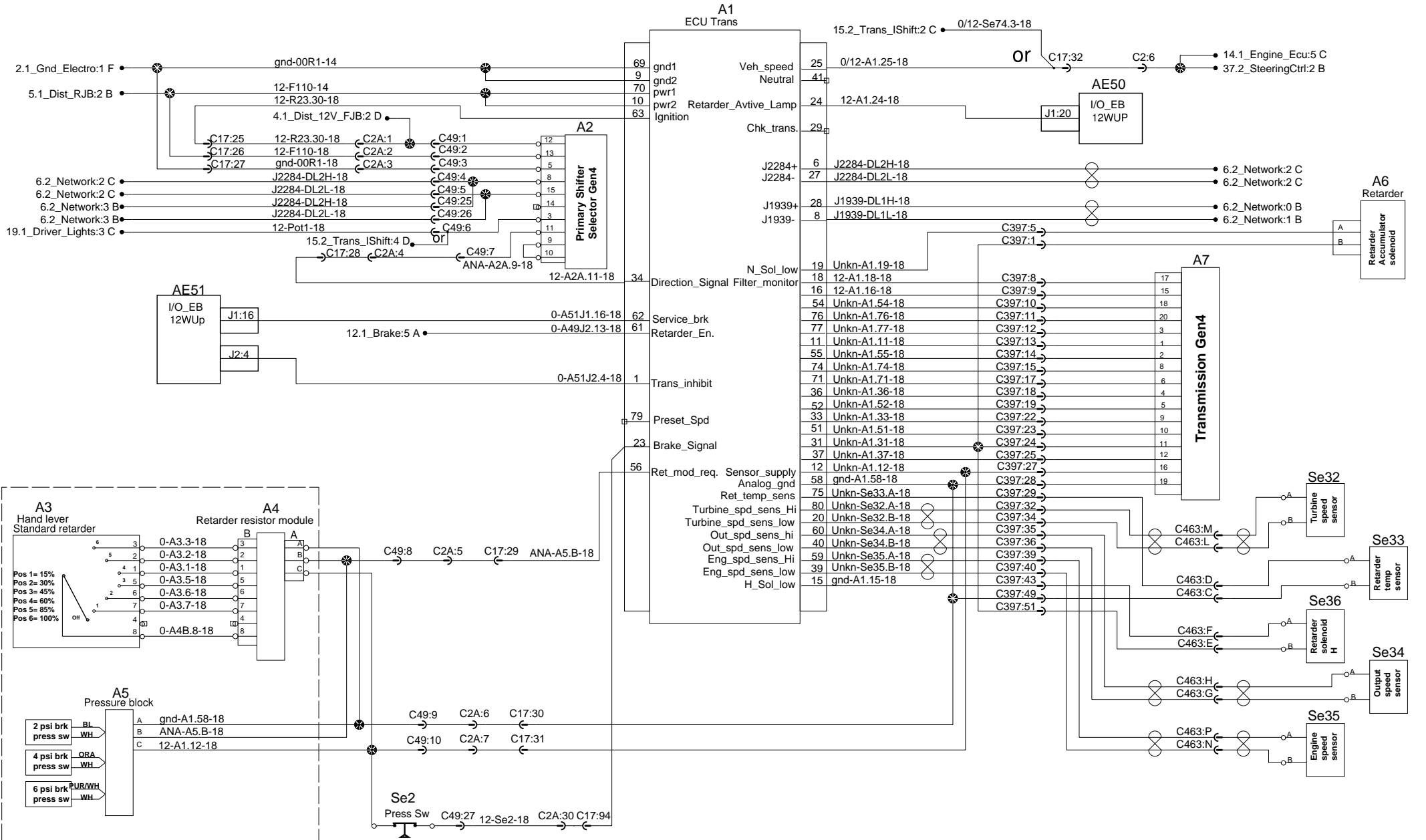


# Transmission Alisson Gen 5

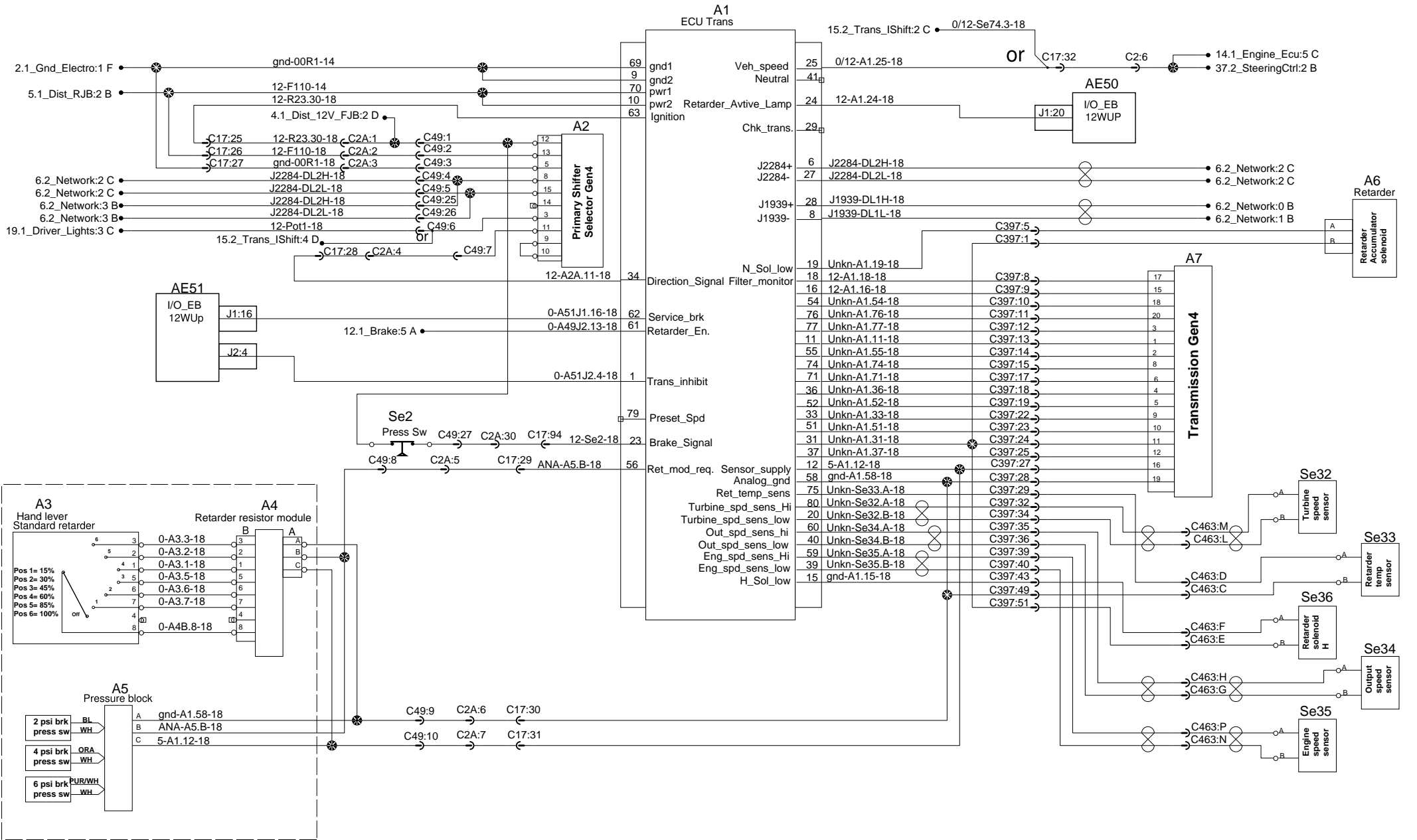




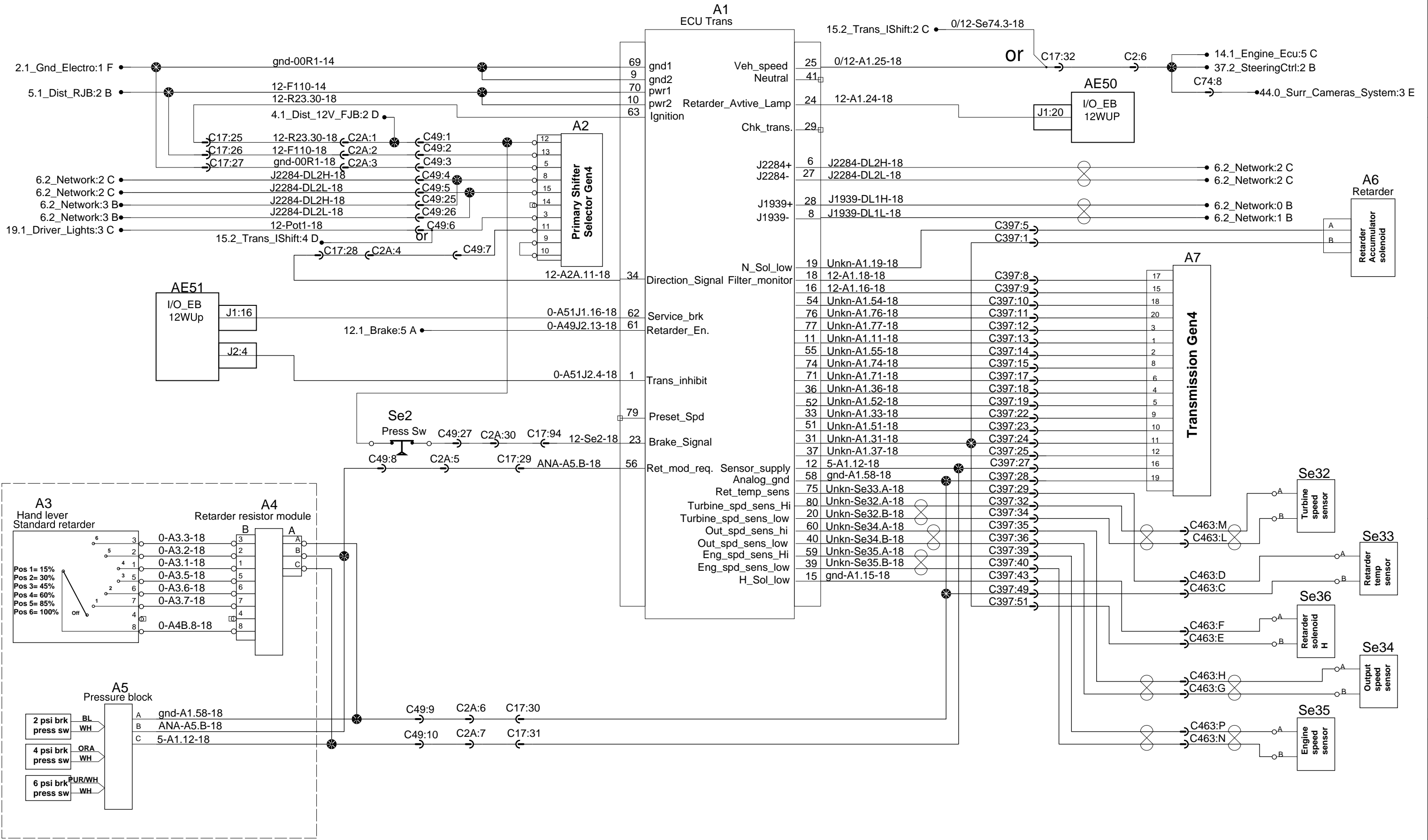
# Transmission Alisson Gen 5



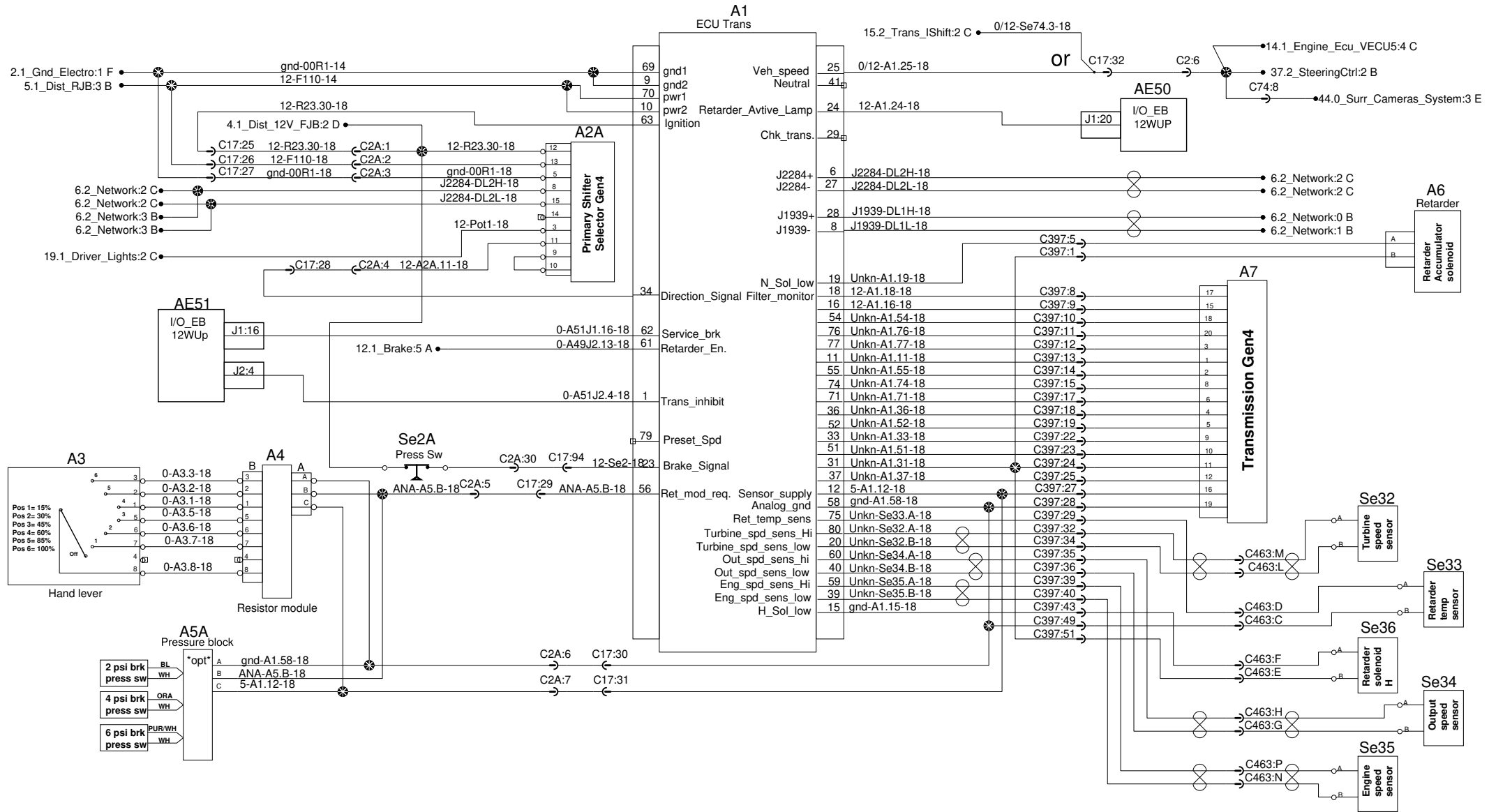
# Transmission Alisson Gen 5



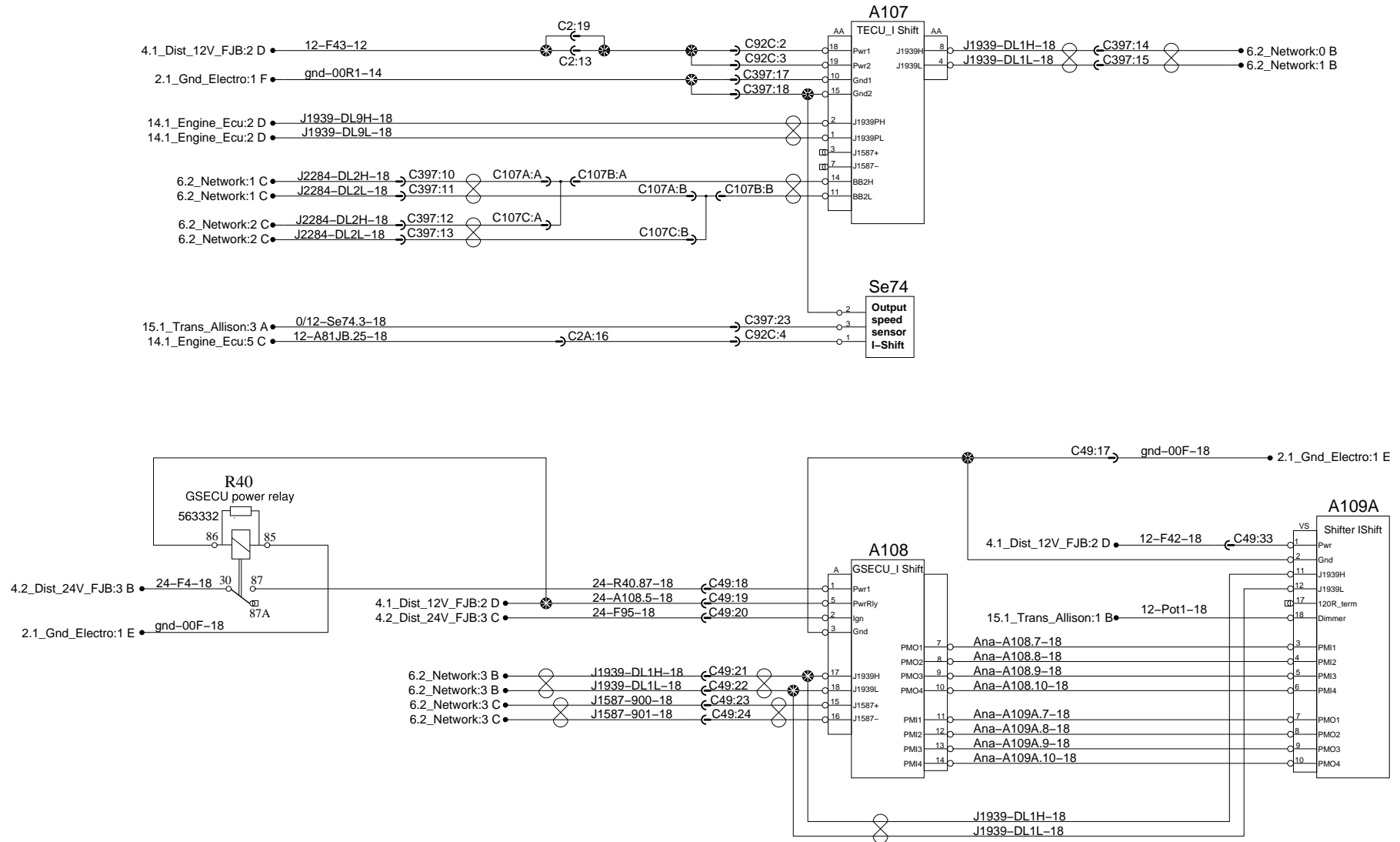
# Transmission Alisson Gen 5



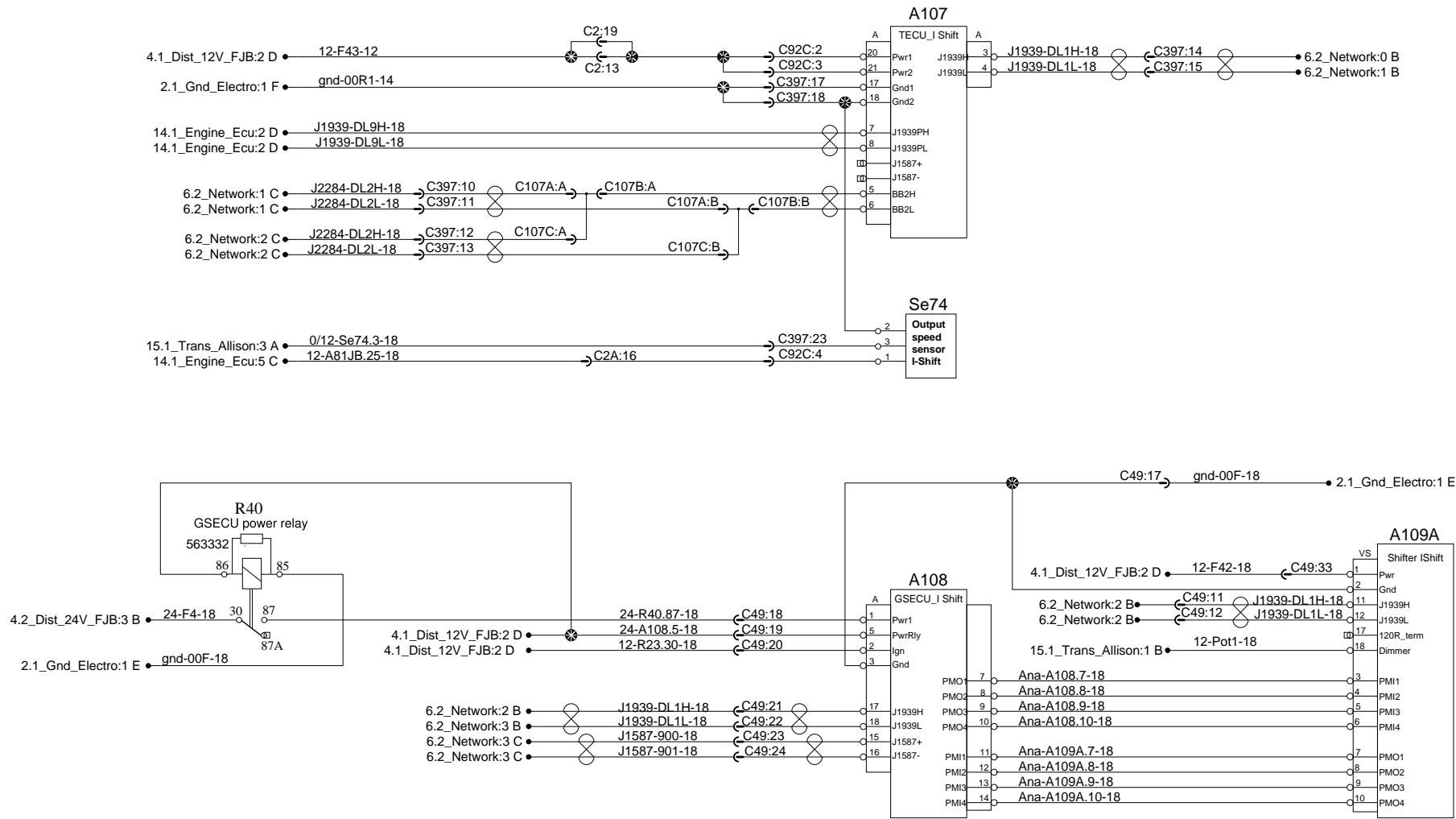
# Transmission Alisson Gen 5



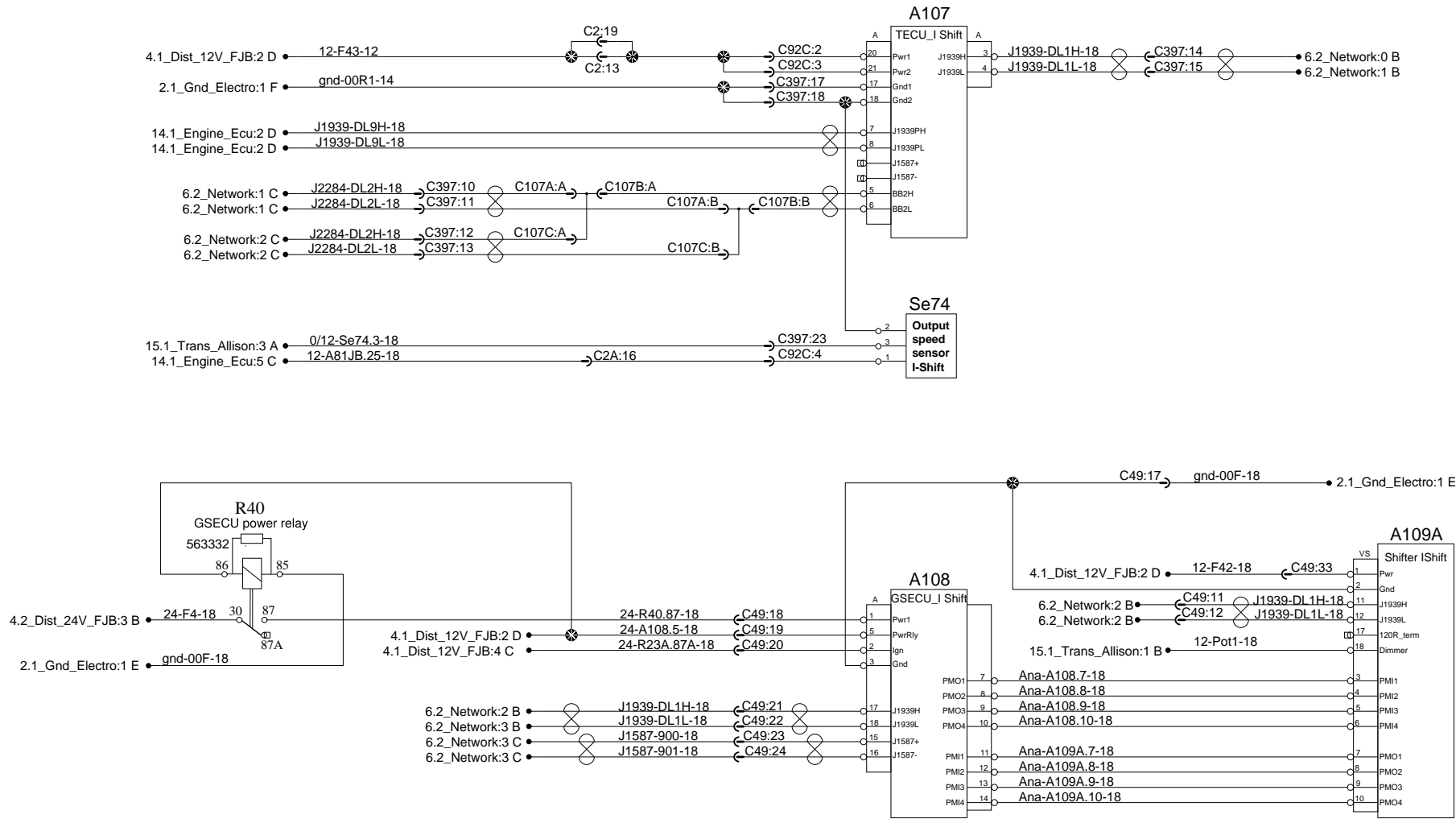
# Transmission I\_Shift



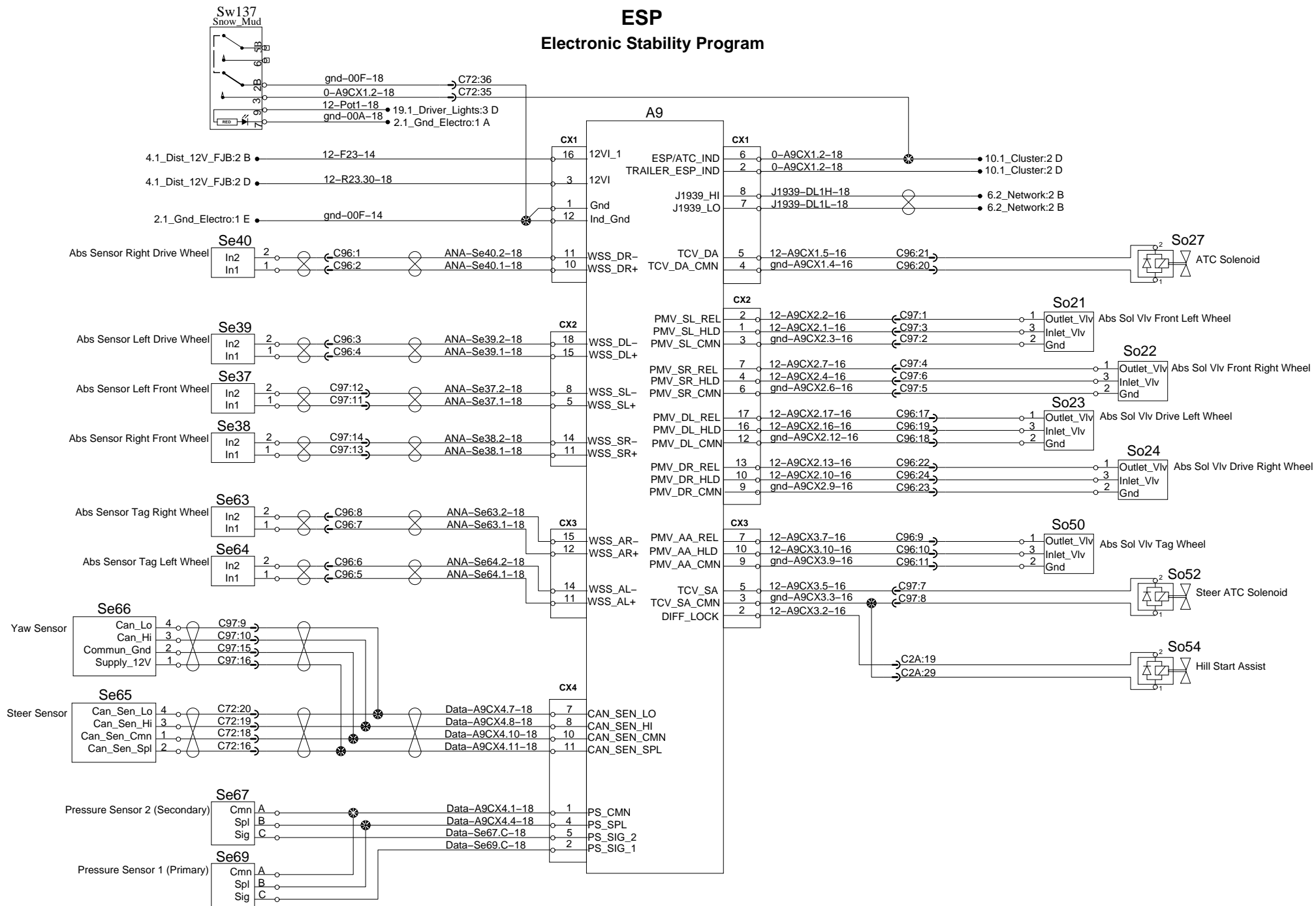
# Transmission I\_Shift



# Transmission I\_Shift

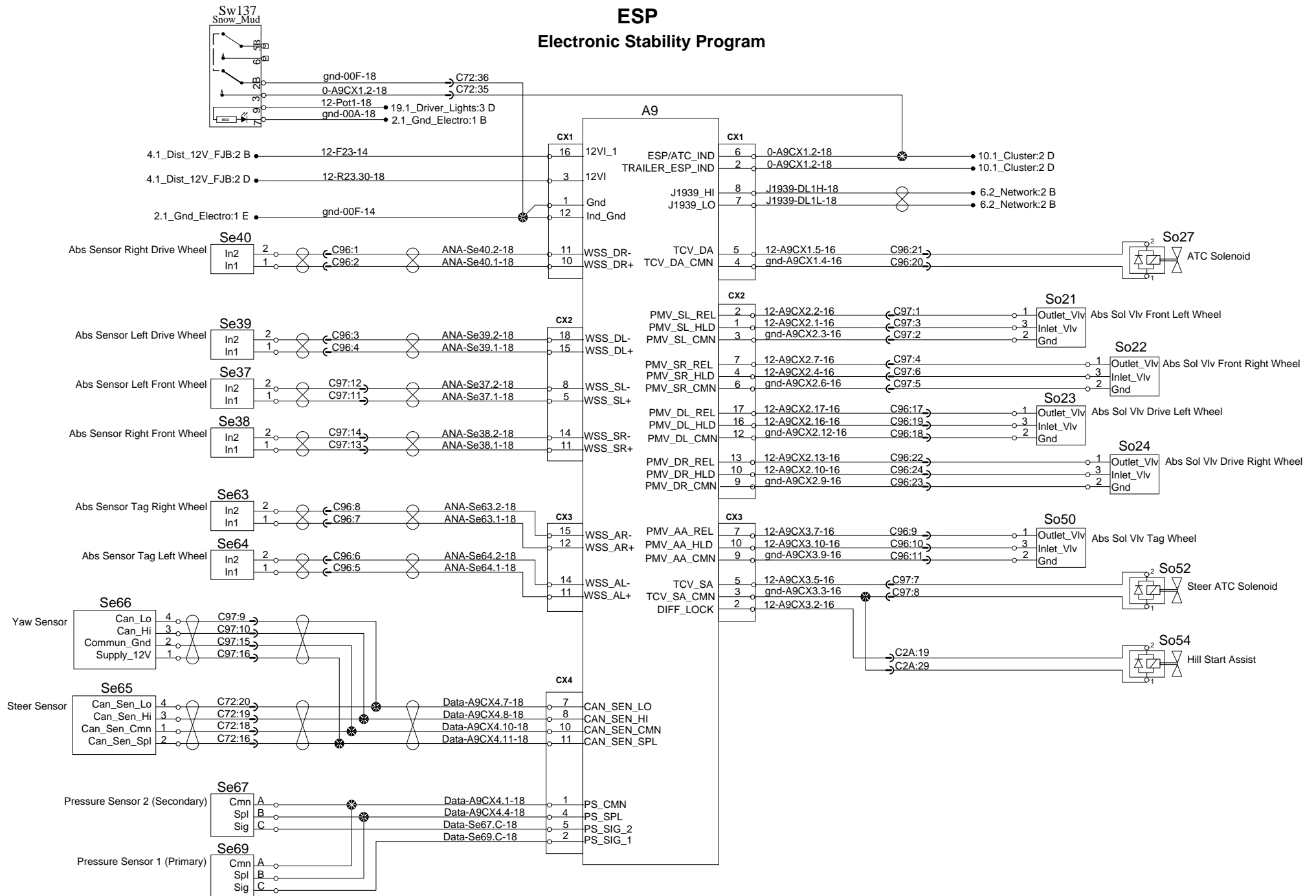


# ESP Electronic Stability Program

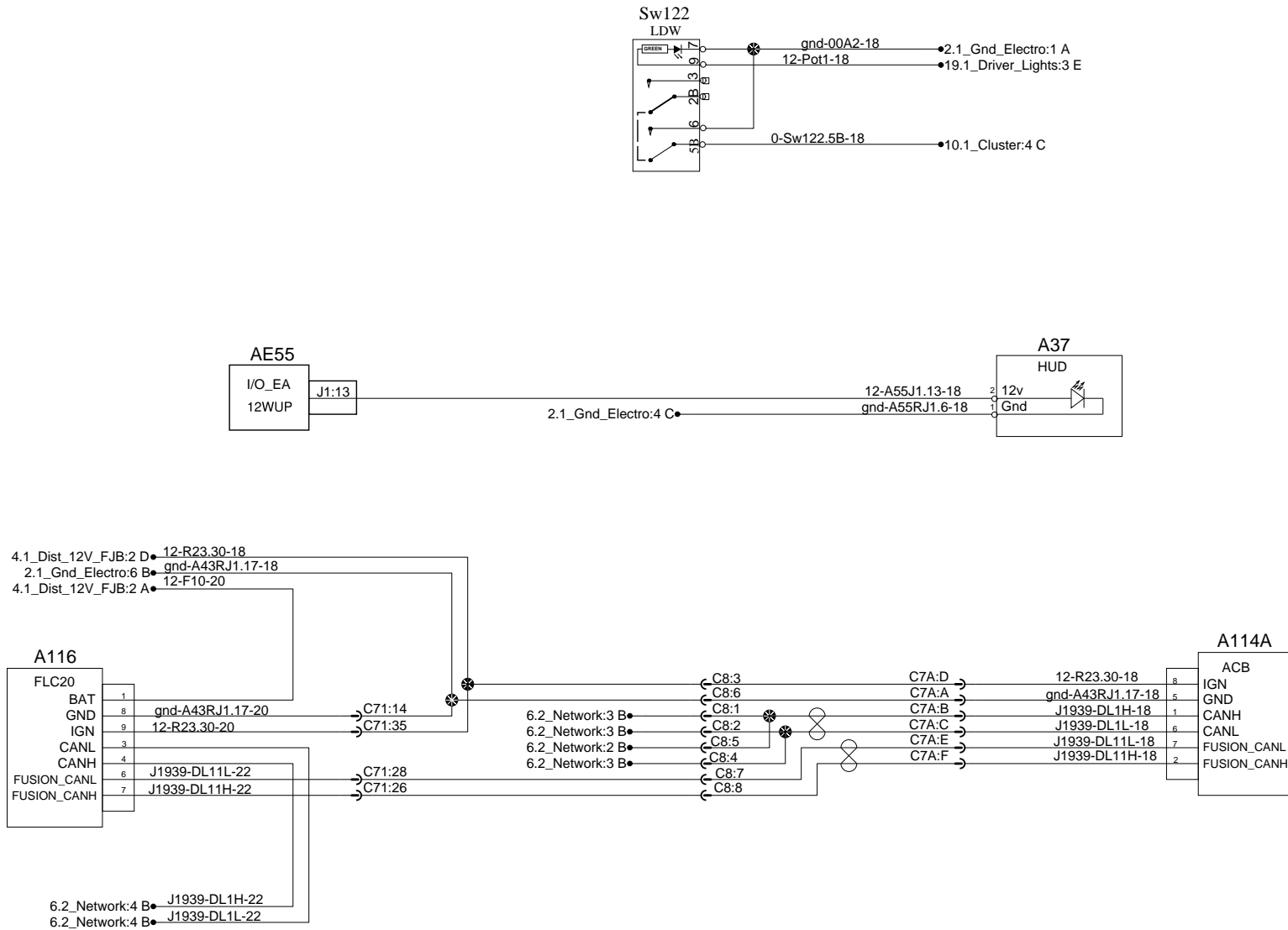




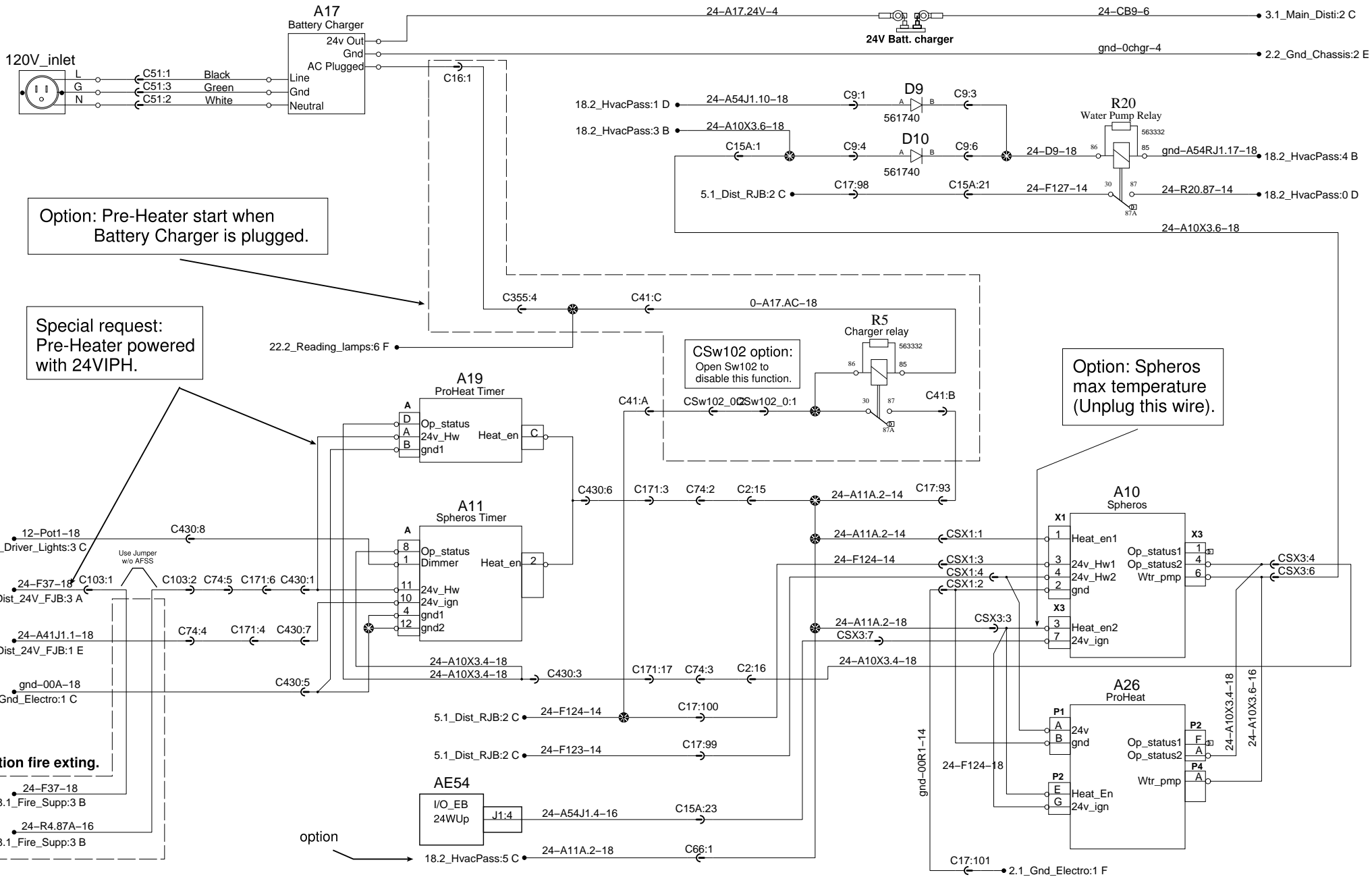
# ESP Electronic Stability Program



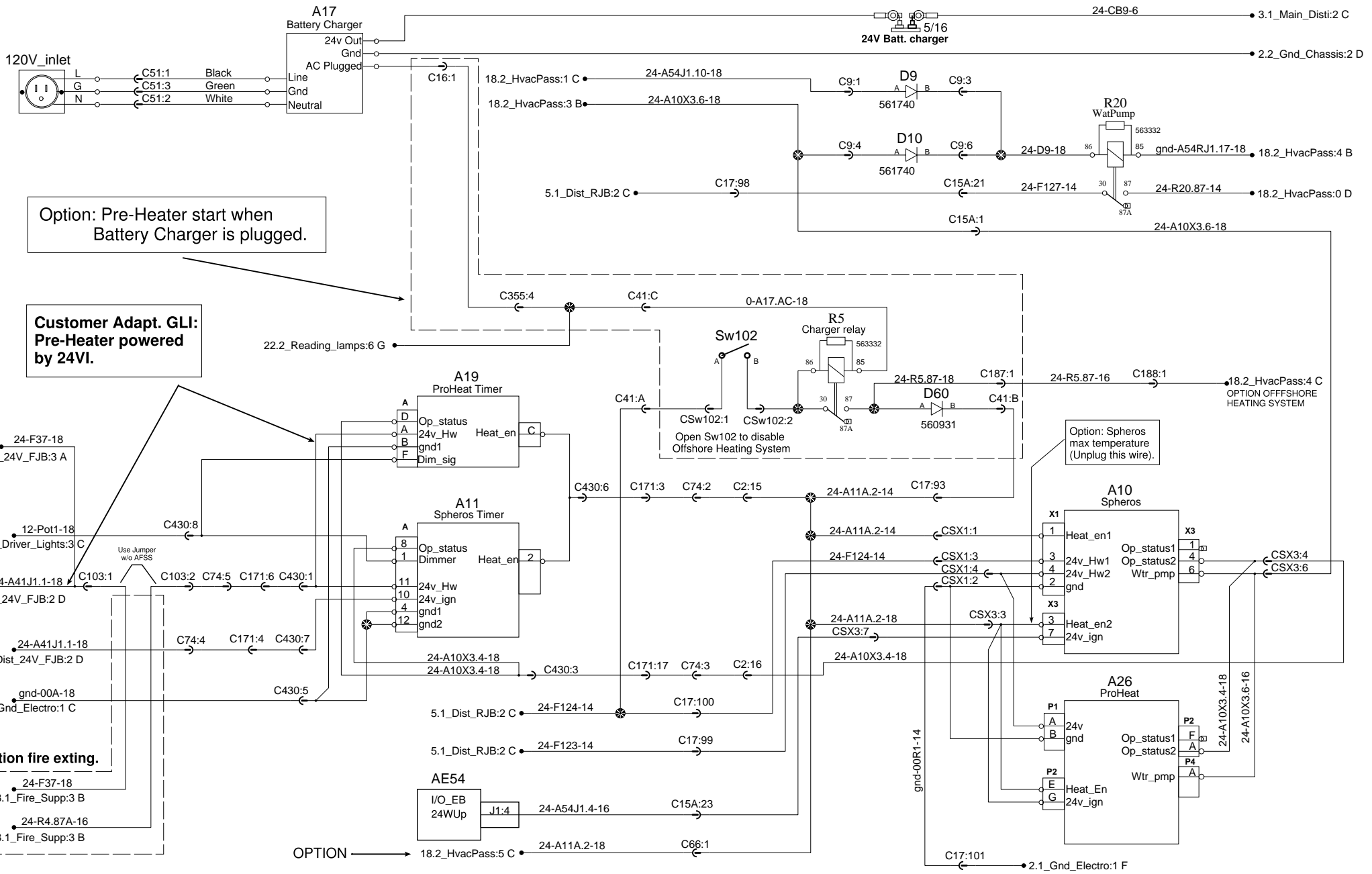
# Driver assist (FCM-ACC-LDW)



# Water PreHeater (Spheros or Pro-Heat)



# Water PreHeater (Spheros or Pro-Heat)



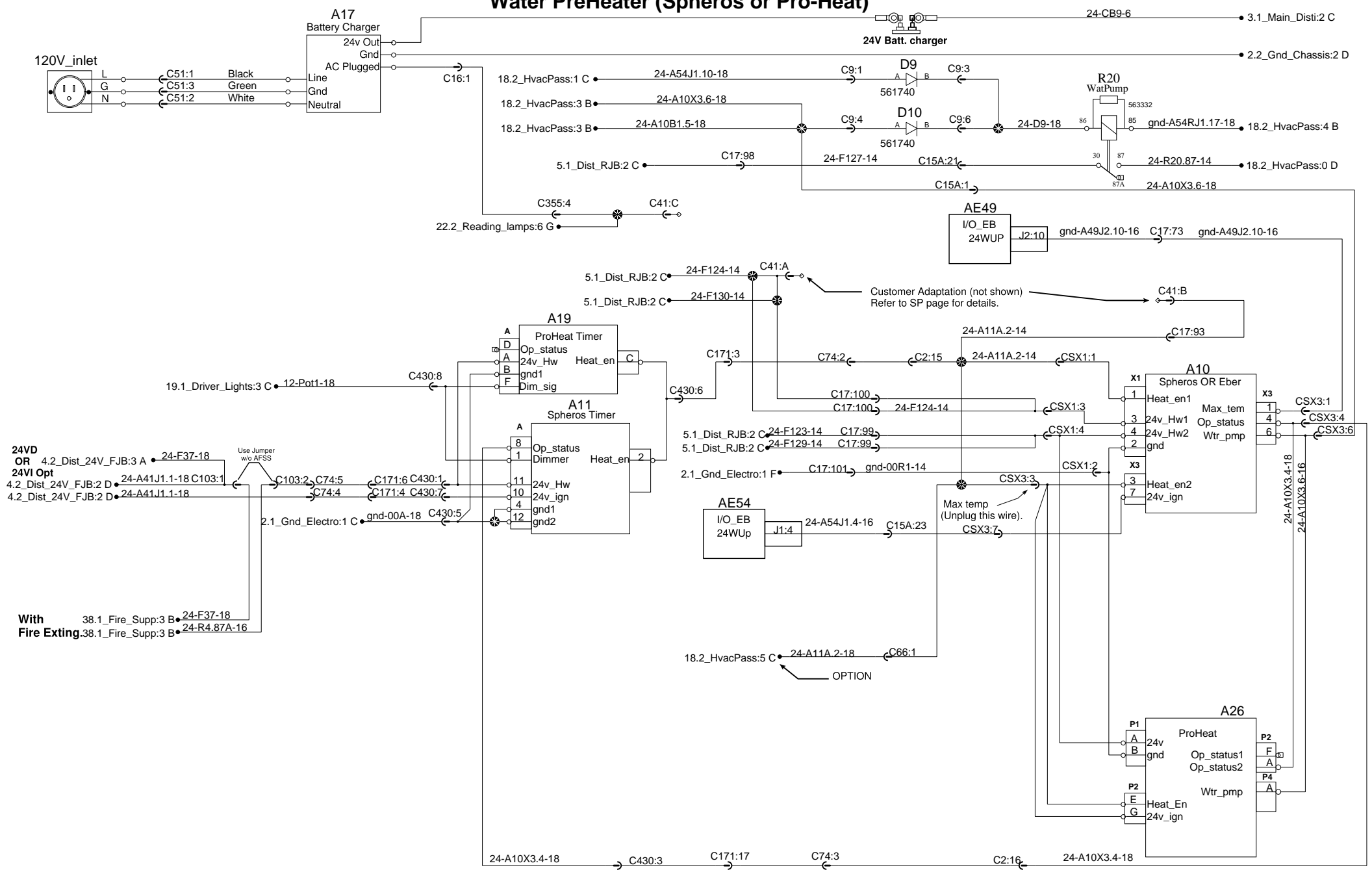
Option: Pre-Heater start when Battery Charger is plugged.

Customer Adapt. GLI: Pre-Heater powered by 24VI.

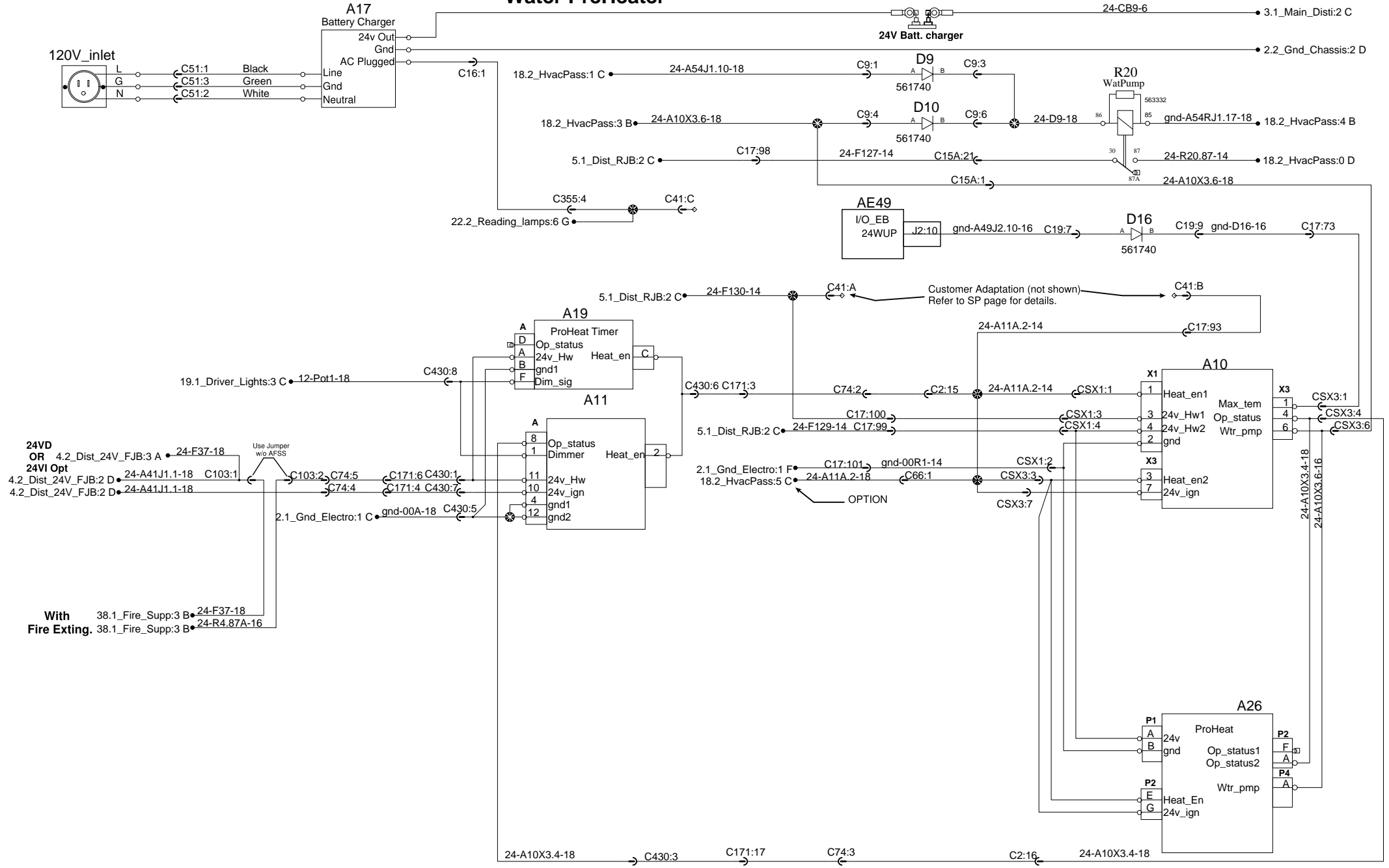
Option: Spheros max temperature (Unplug this wire).

Option fire exting.

# Water PreHeater (Spheros or Pro-Heat)

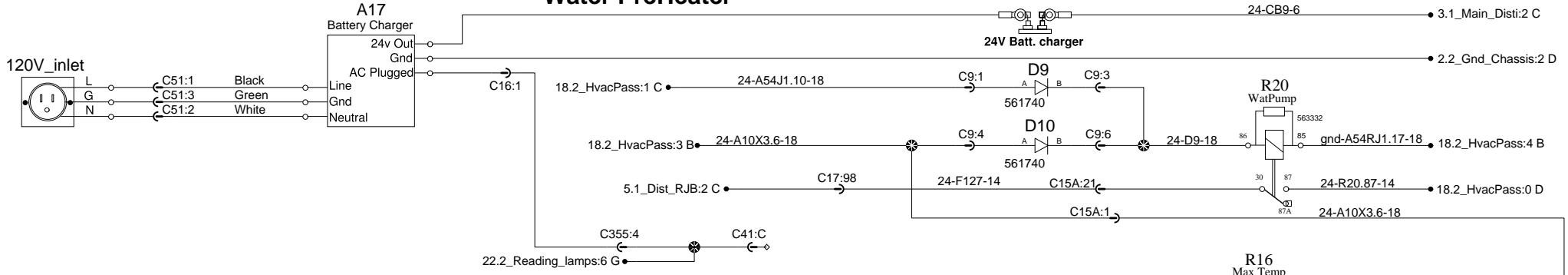


# Water PreHeater



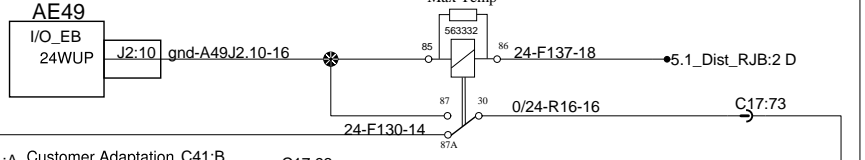
# Water PreHeater

A



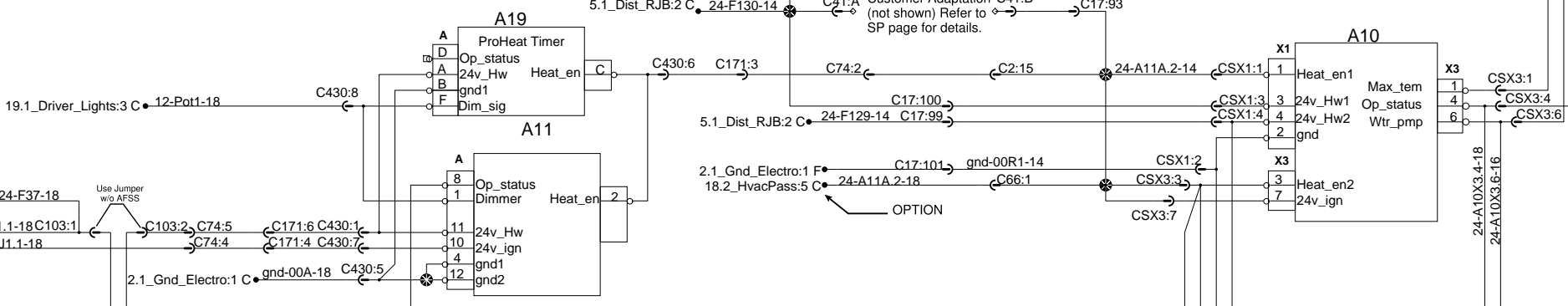
A

B



B

C



C

D

24VD OR 4.2\_Dist\_24V\_FJB:3 A 24-F37-18  
 24VI Opt 4.2\_Dist\_24V\_FJB:2 D 24-A41J1.1-18 C103:1  
 4.2\_Dist\_24V\_FJB:2 D 24-A41J1.1-18

Use Jumper w/o AFSS

With Fire Exting. 38.1\_Fire\_Supp:3 B 24-F37-18  
 38.1\_Fire\_Supp:3 B 24-R4.87A-16

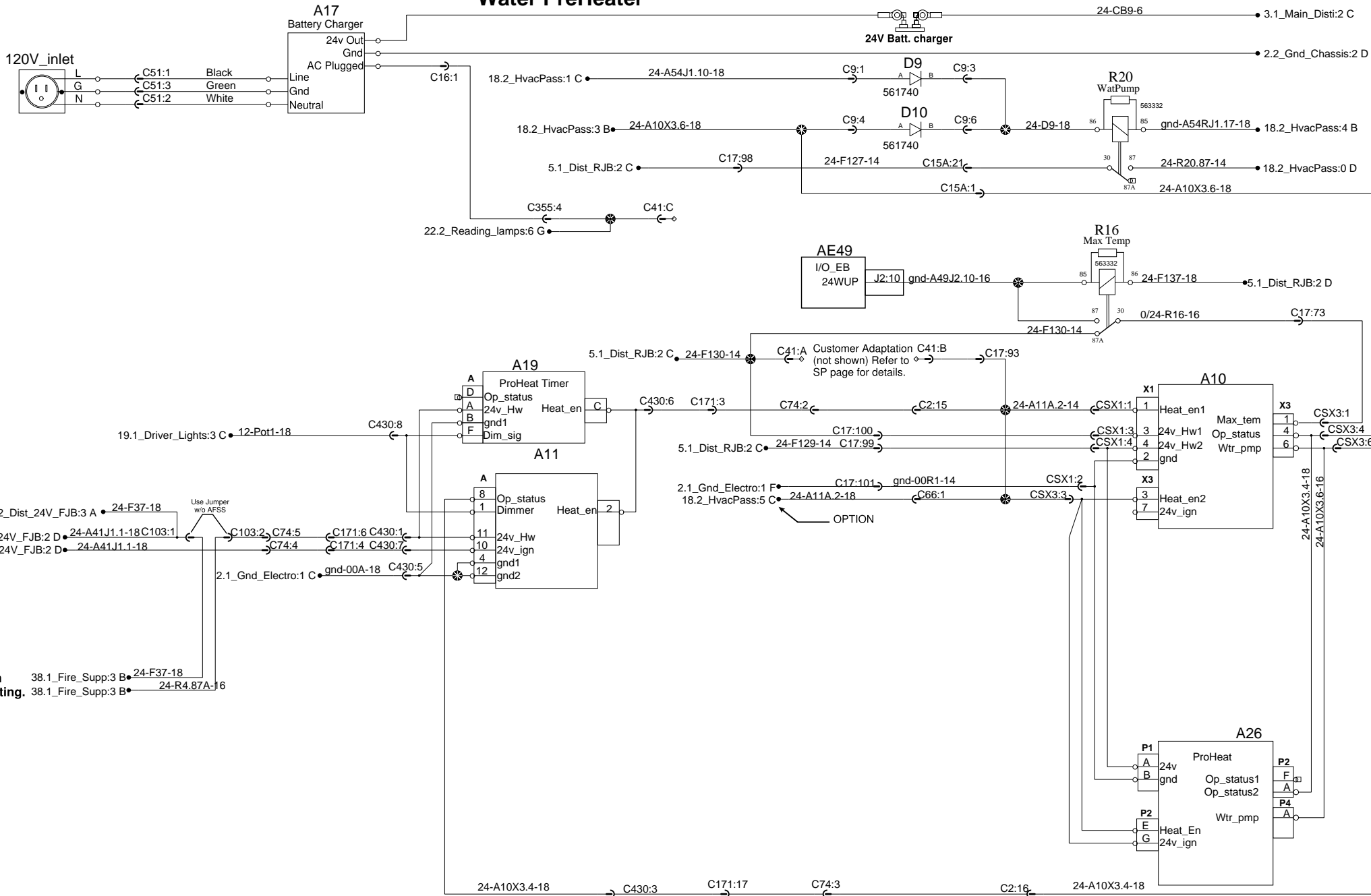
D

E



E

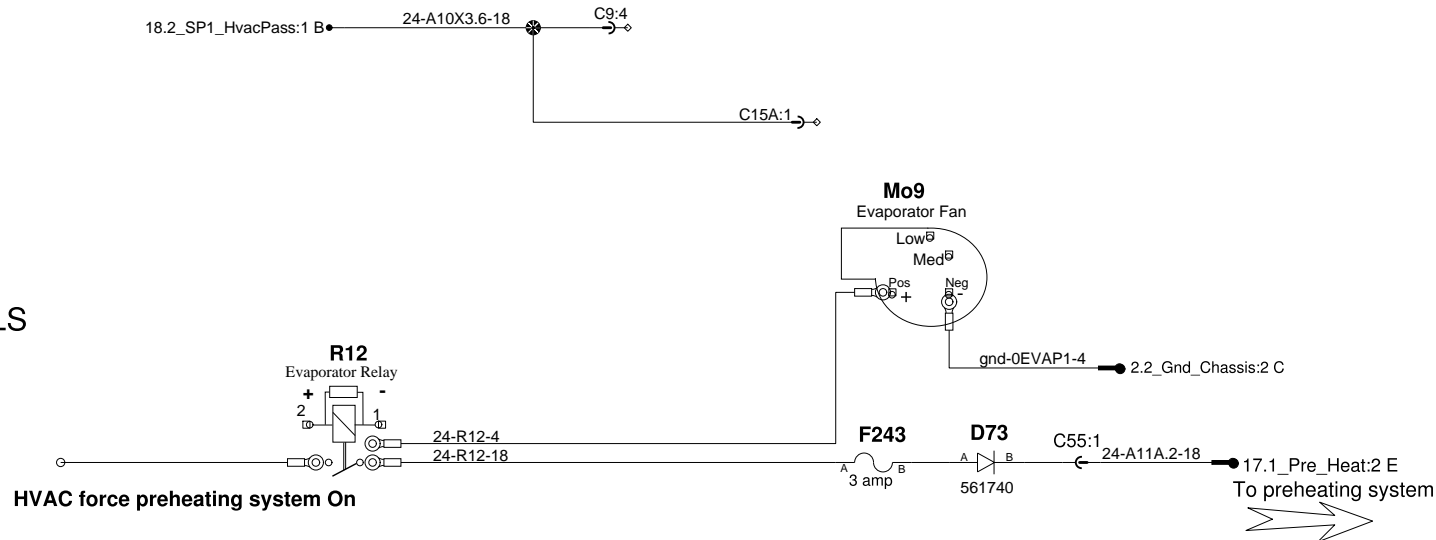
# Water PreHeater





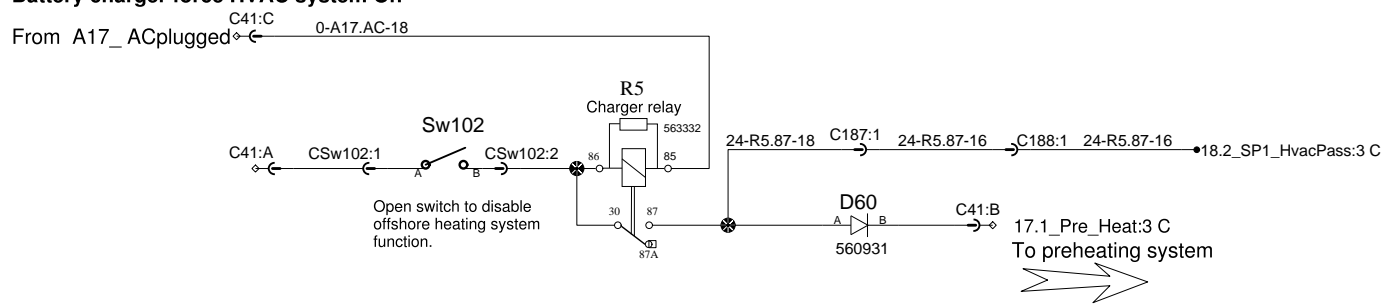
# Water PreHeater System Forced Customer Adaptation Offshore Heating Function

REFER TO P18.2 (STD) FOR ALL DETAILS

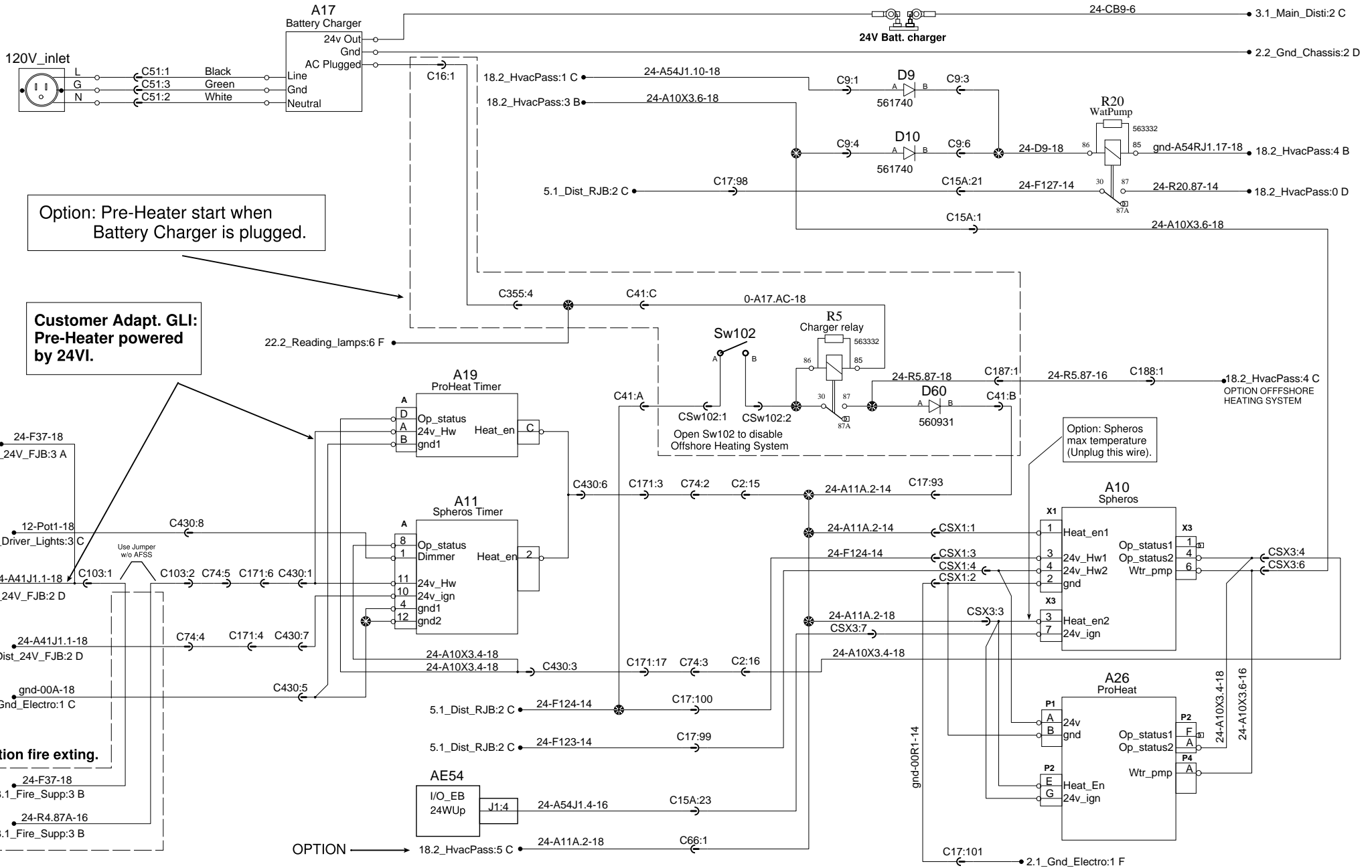


REFER TO P17.1 (STD) FOR ALL DETAILS

**Battery charger force HVAC system On**

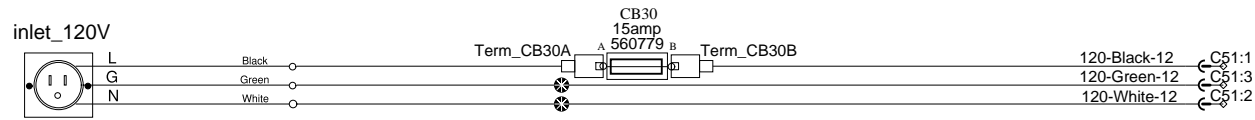


# Water PreHeater (Spheros or Pro-Heat)



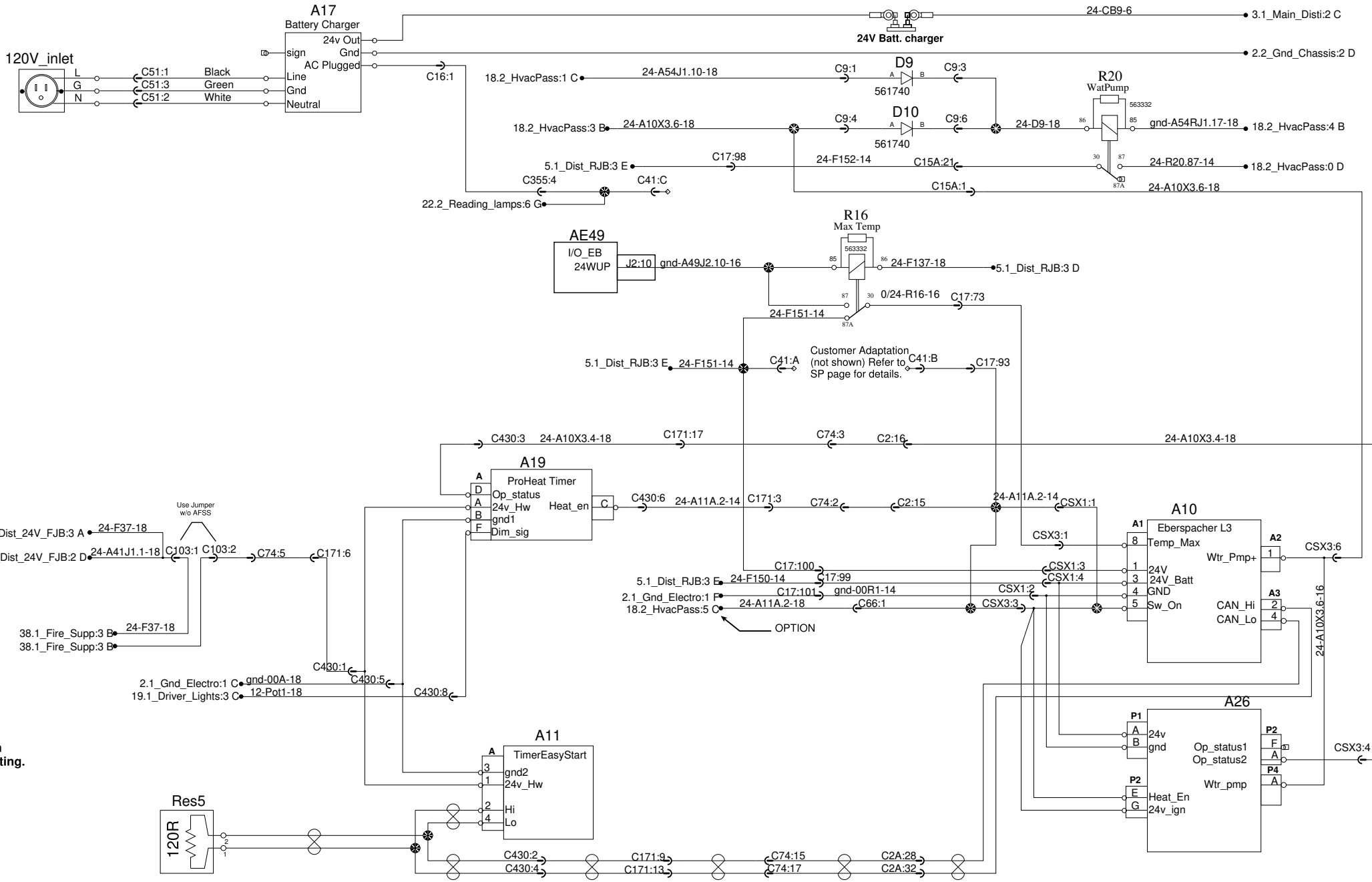
### Battery charger, Service front door Cutomer Adaptation

REFER TO P17.1(STD) FOR ALL DETAILS



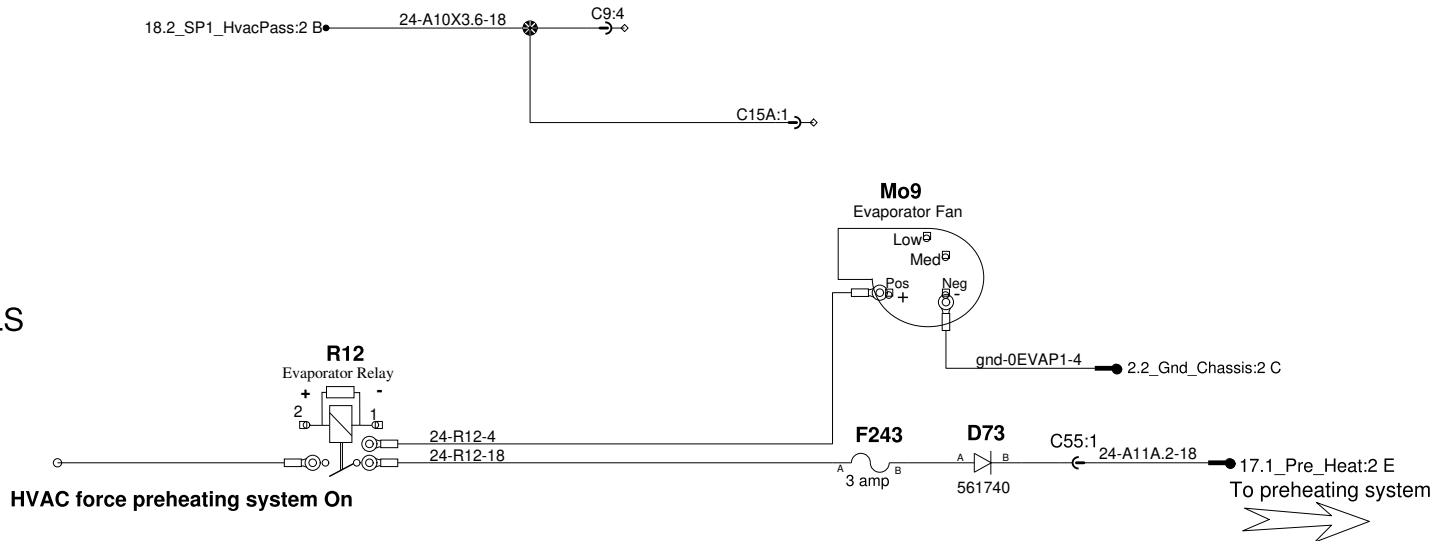
REFER TO P17.1 (A-0)

# Water PreHeater



# Water PreHeater System Forced Customer Adaptation Offshore Heating Function

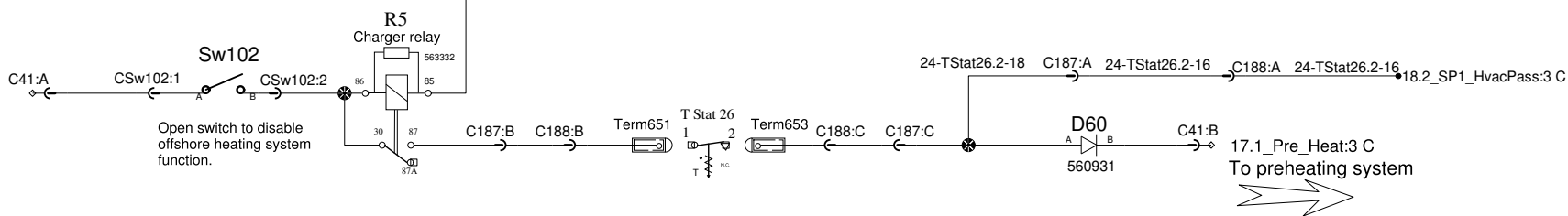
REFER TO P18.2 (STD) FOR ALL DETAILS



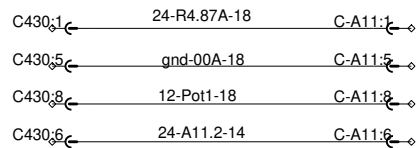
REFER TO P17.1 (STD) FOR ALL DETAILS

## Battery charger force HVAC system On

From A17\_ACplugged ← C41:C 0-A17.AC-18

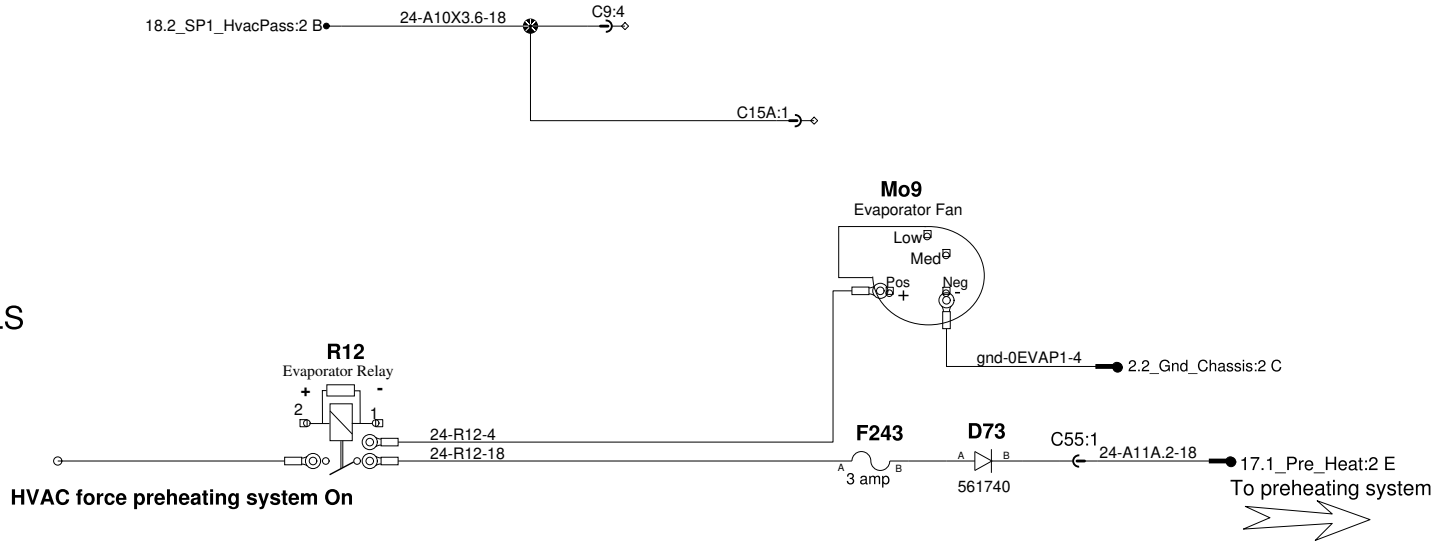


## Timer in FJB



# Water PreHeater System Forced Customer Adaptation Offshore Heating Function

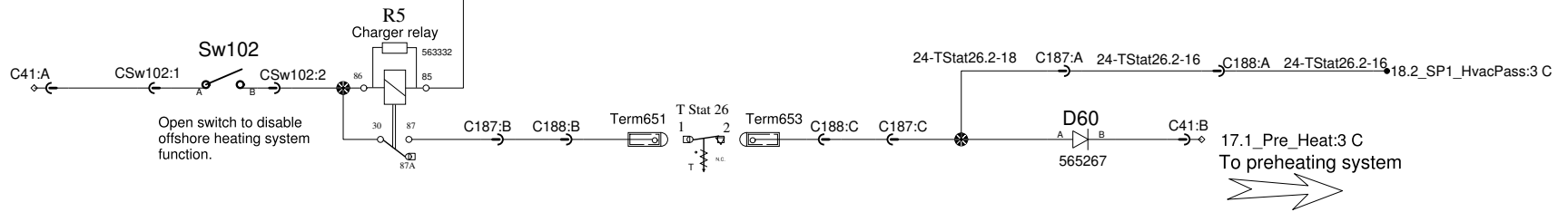
REFER TO P18.2 (STD) FOR ALL DETAILS



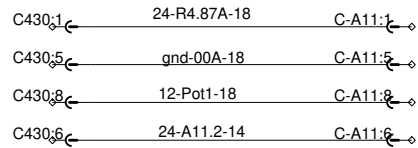
REFER TO P17.1 (STD) FOR ALL DETAILS

## Battery charger force HVAC system On

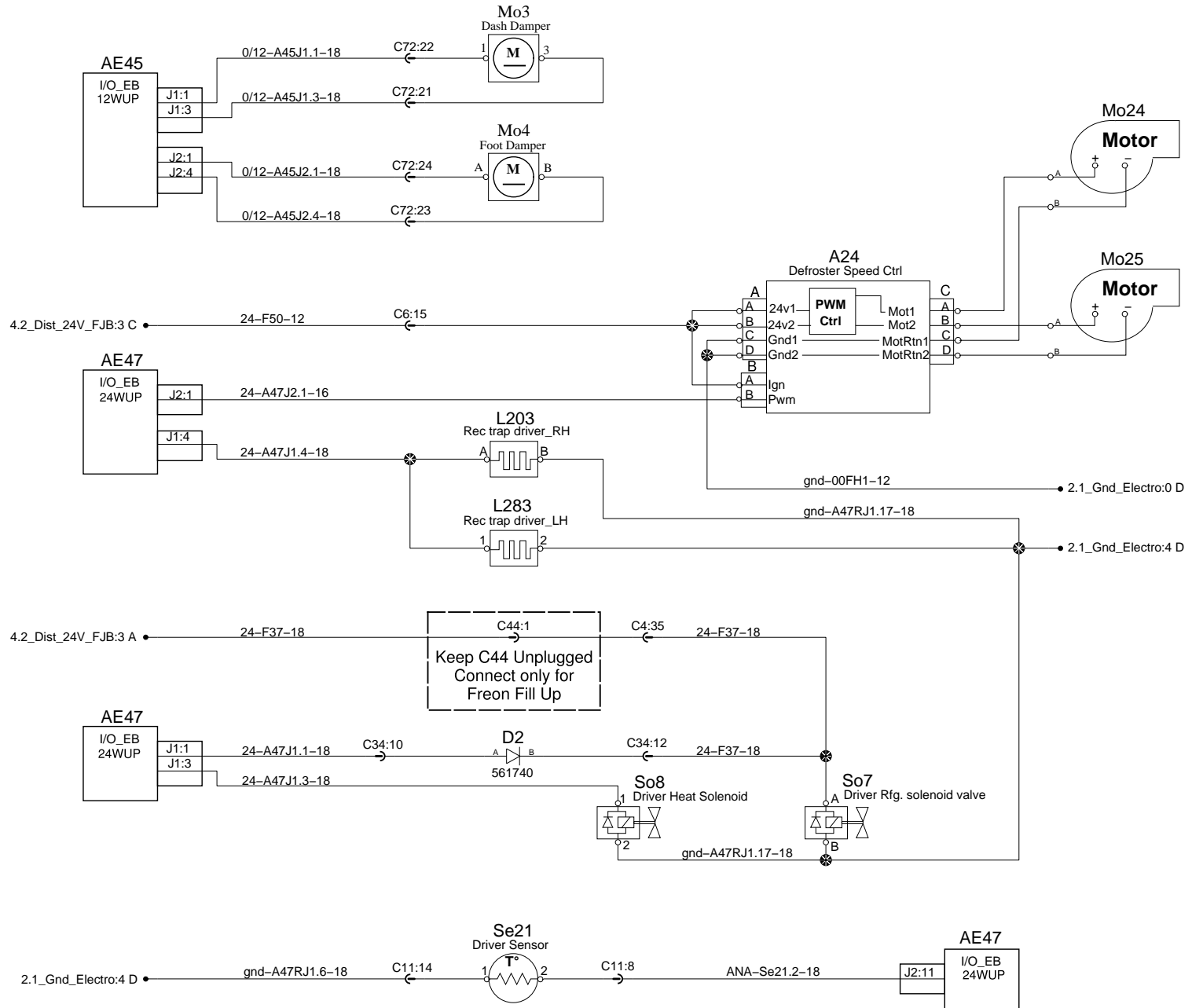
From A17\_ACplugged ← C41:C 0-A17.AC-18



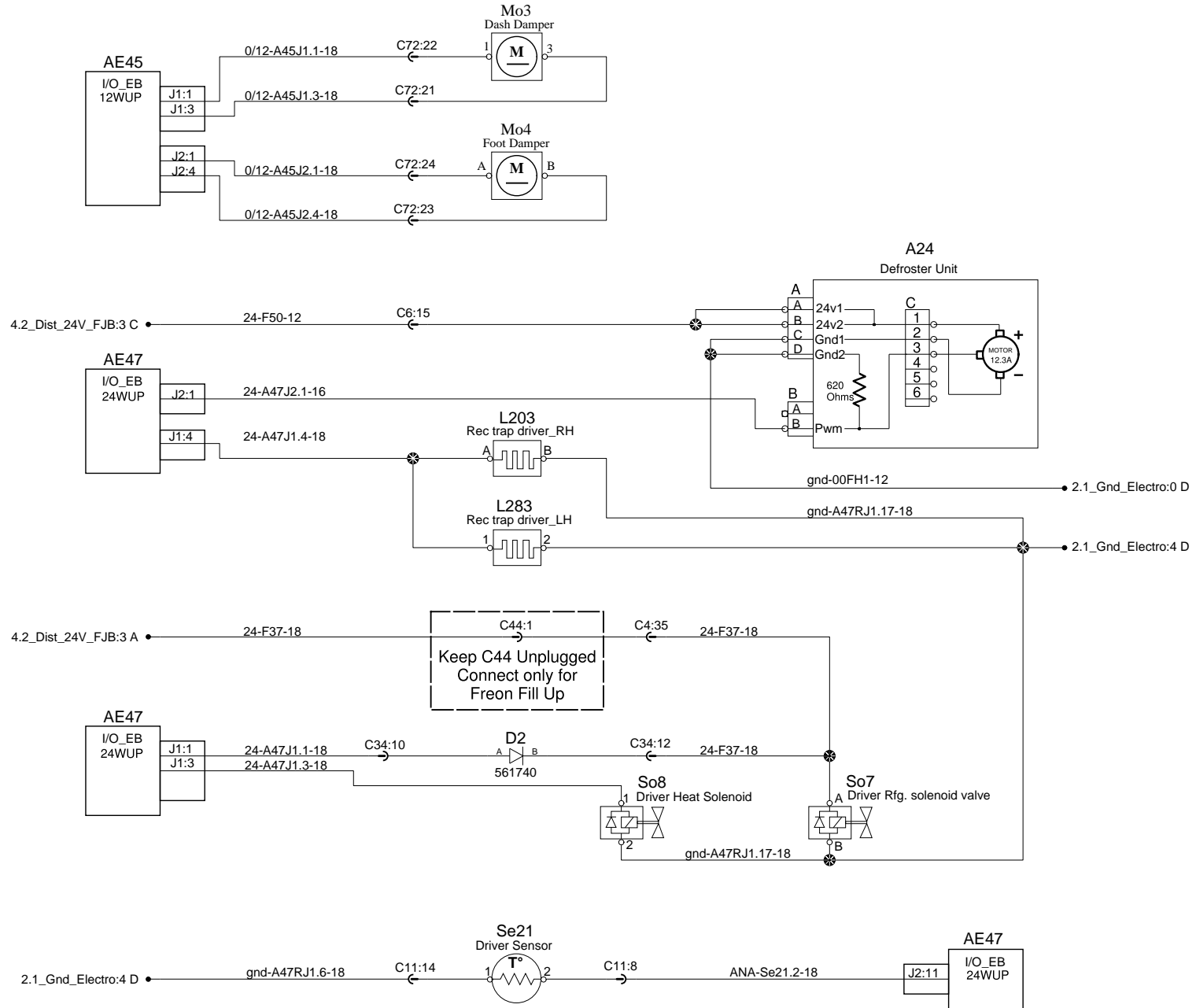
## Timer in FJB



# Hvac defroster

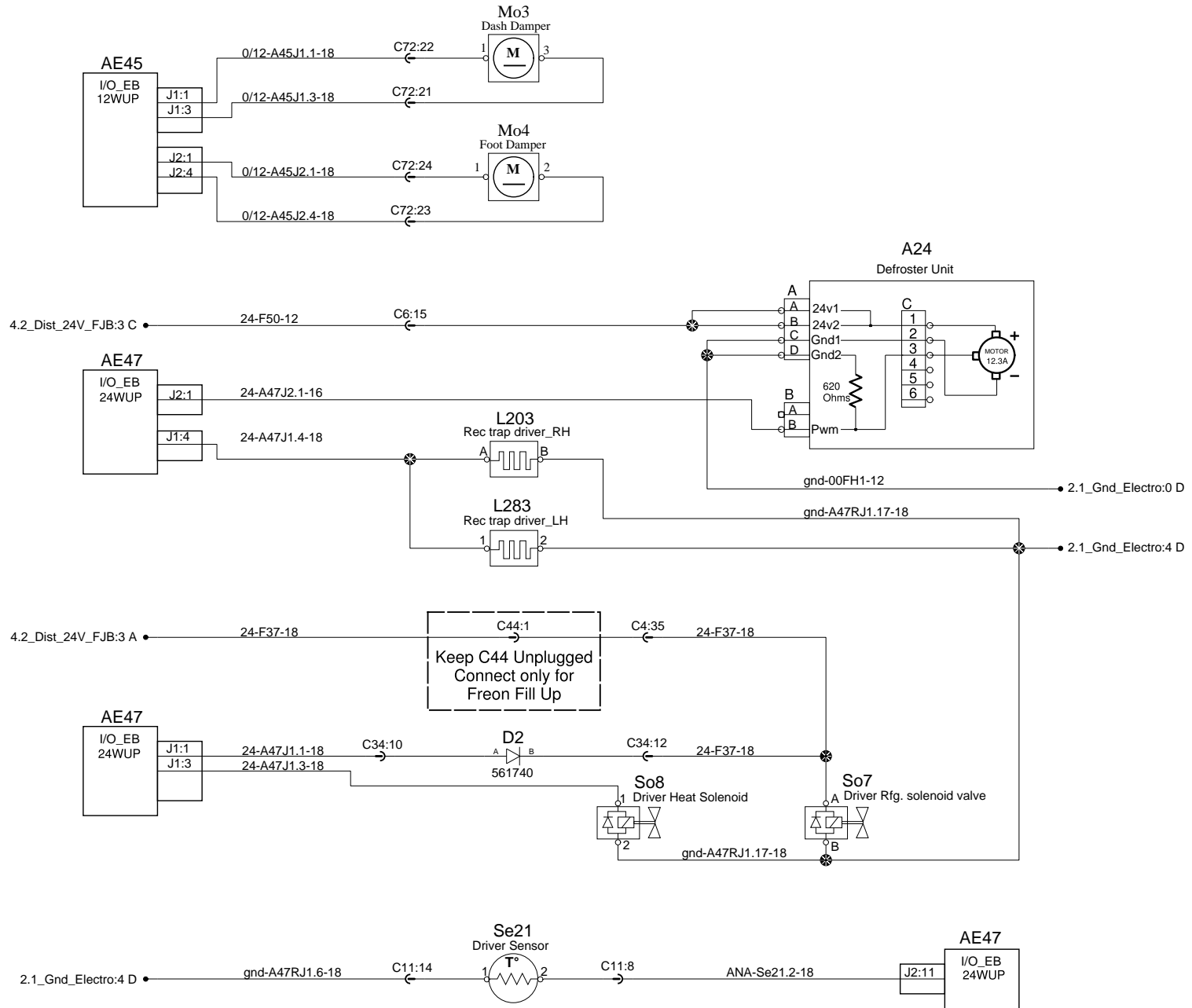


# Hvac defroster

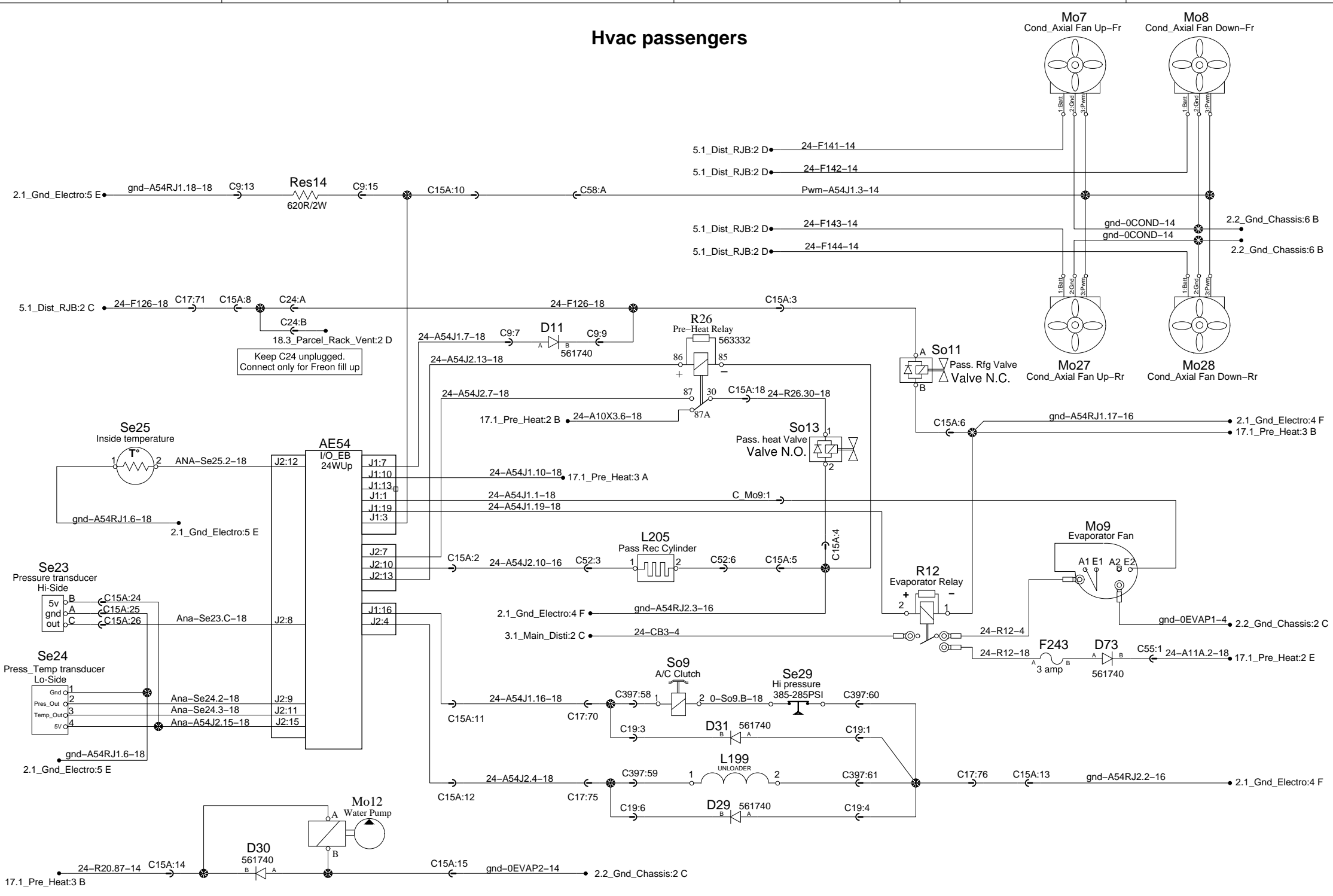




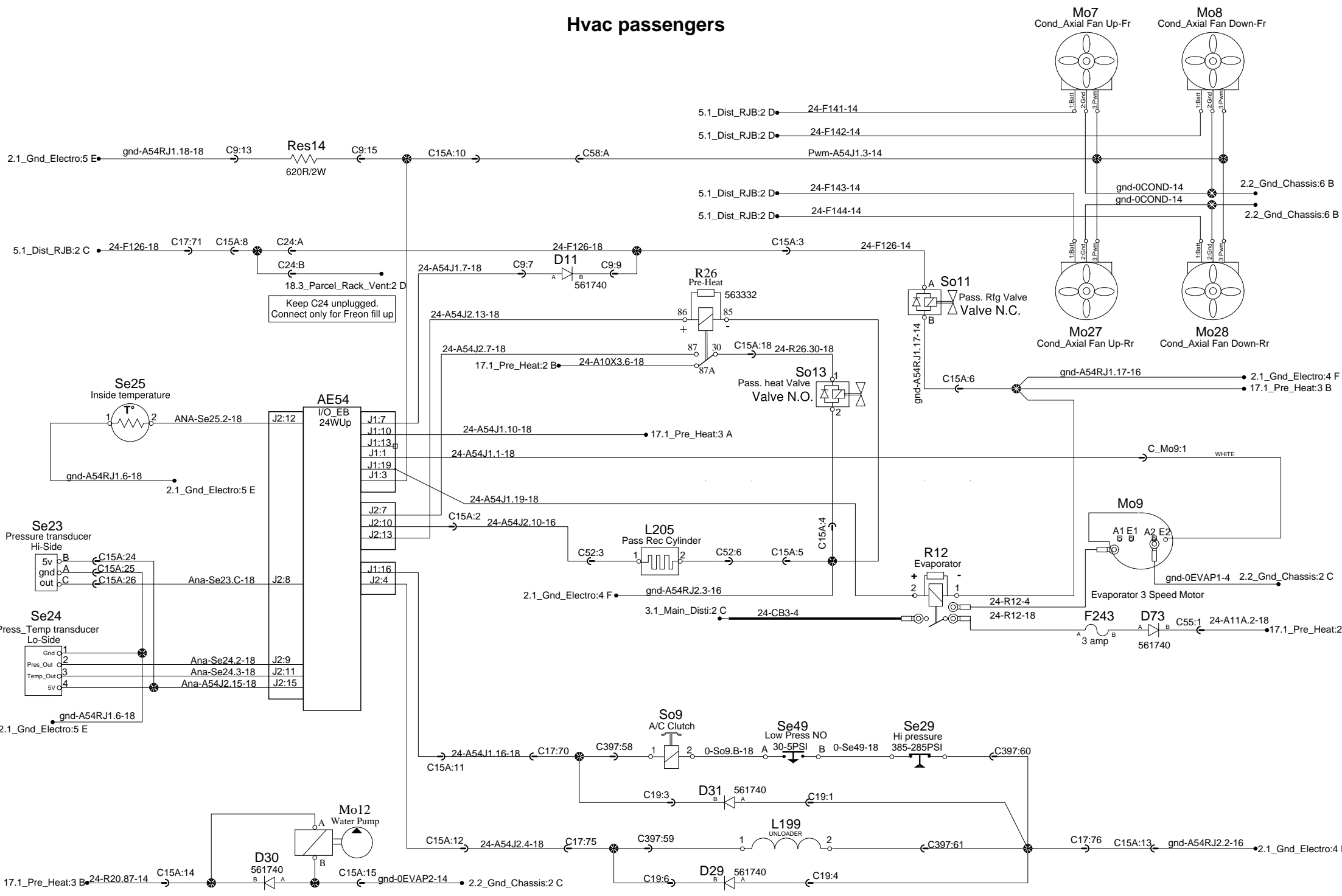
# Hvac defroster



# Hvac passengers

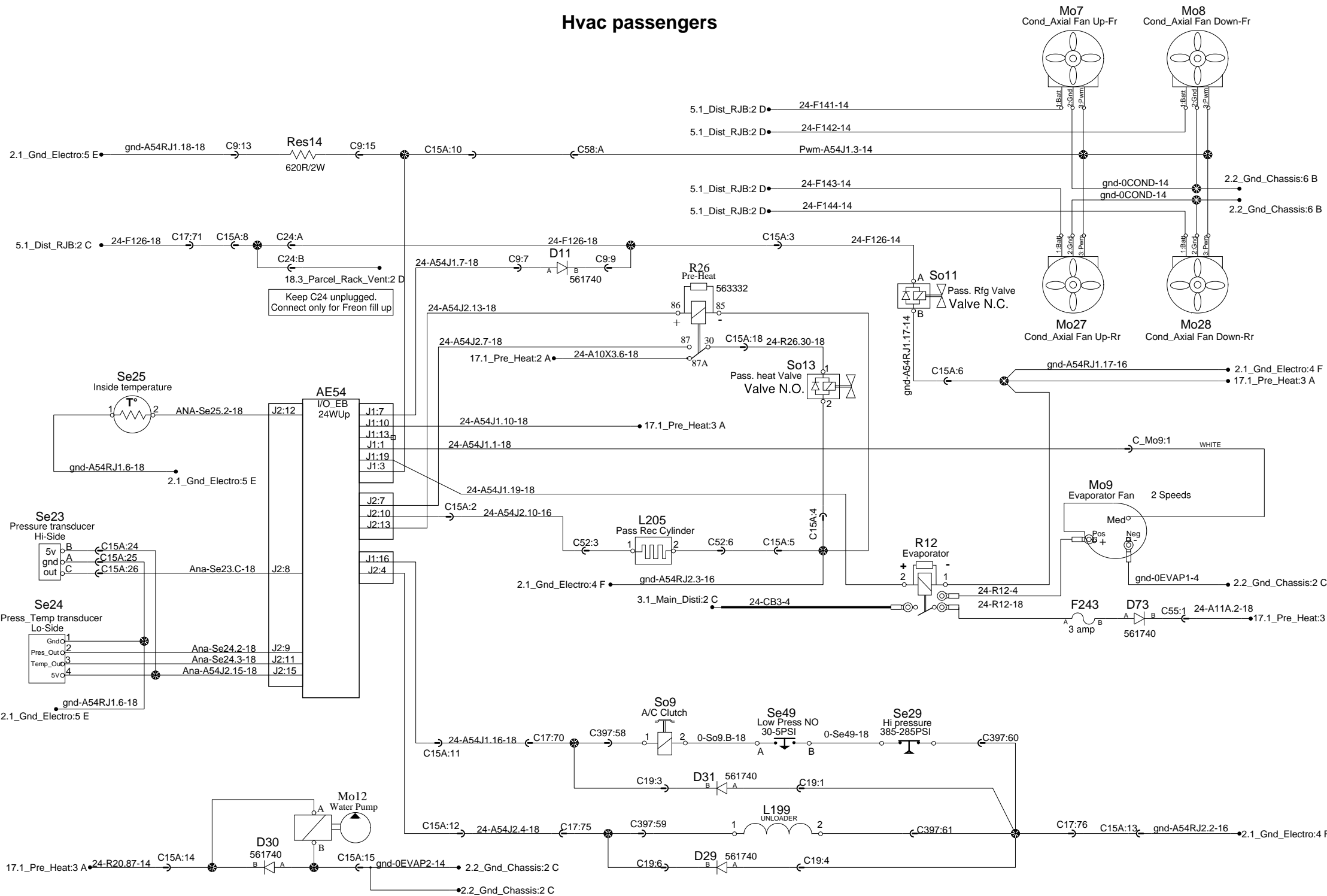


# Hvac passengers

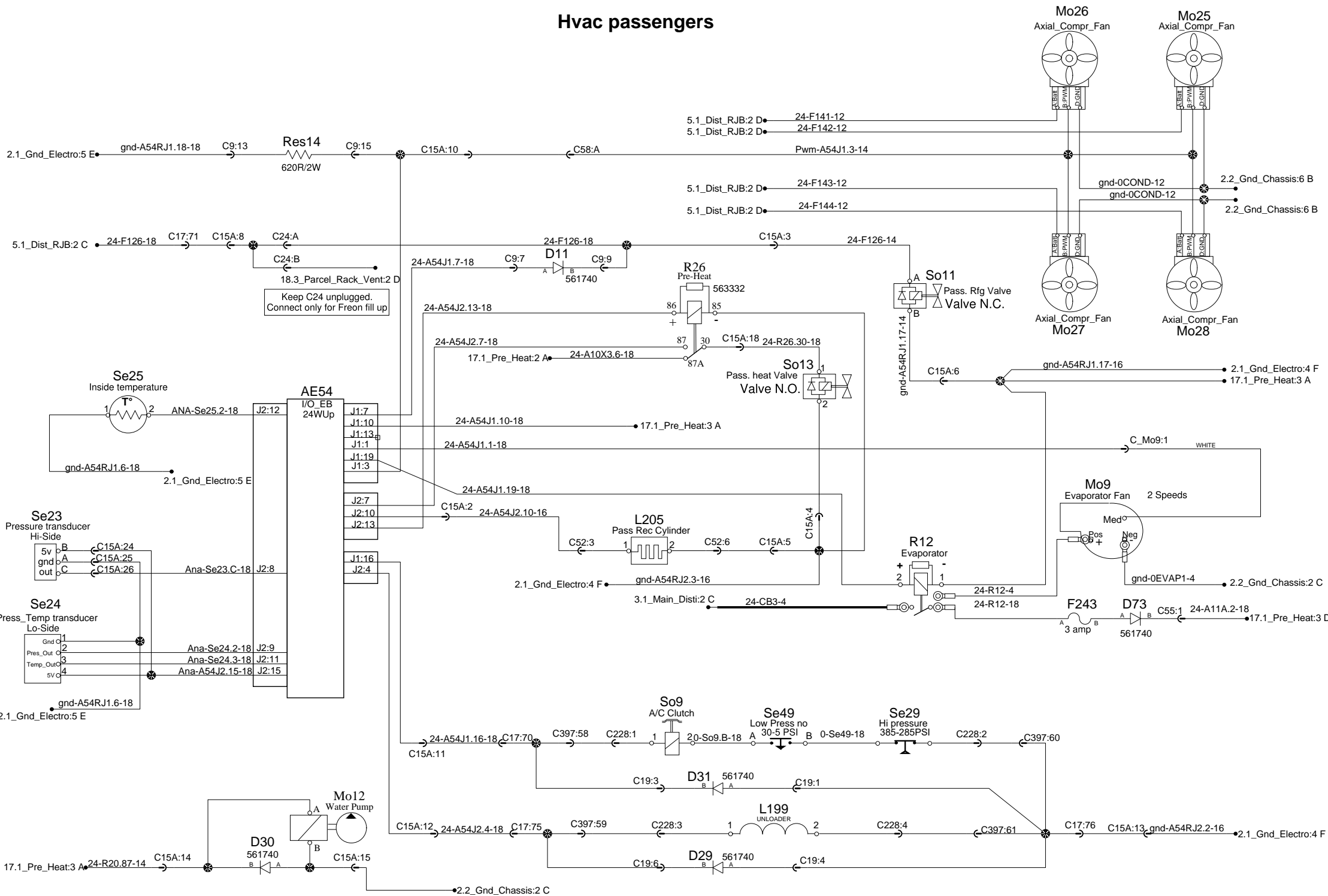


Keep C24 unplugged.  
Connect only for Freon fill up

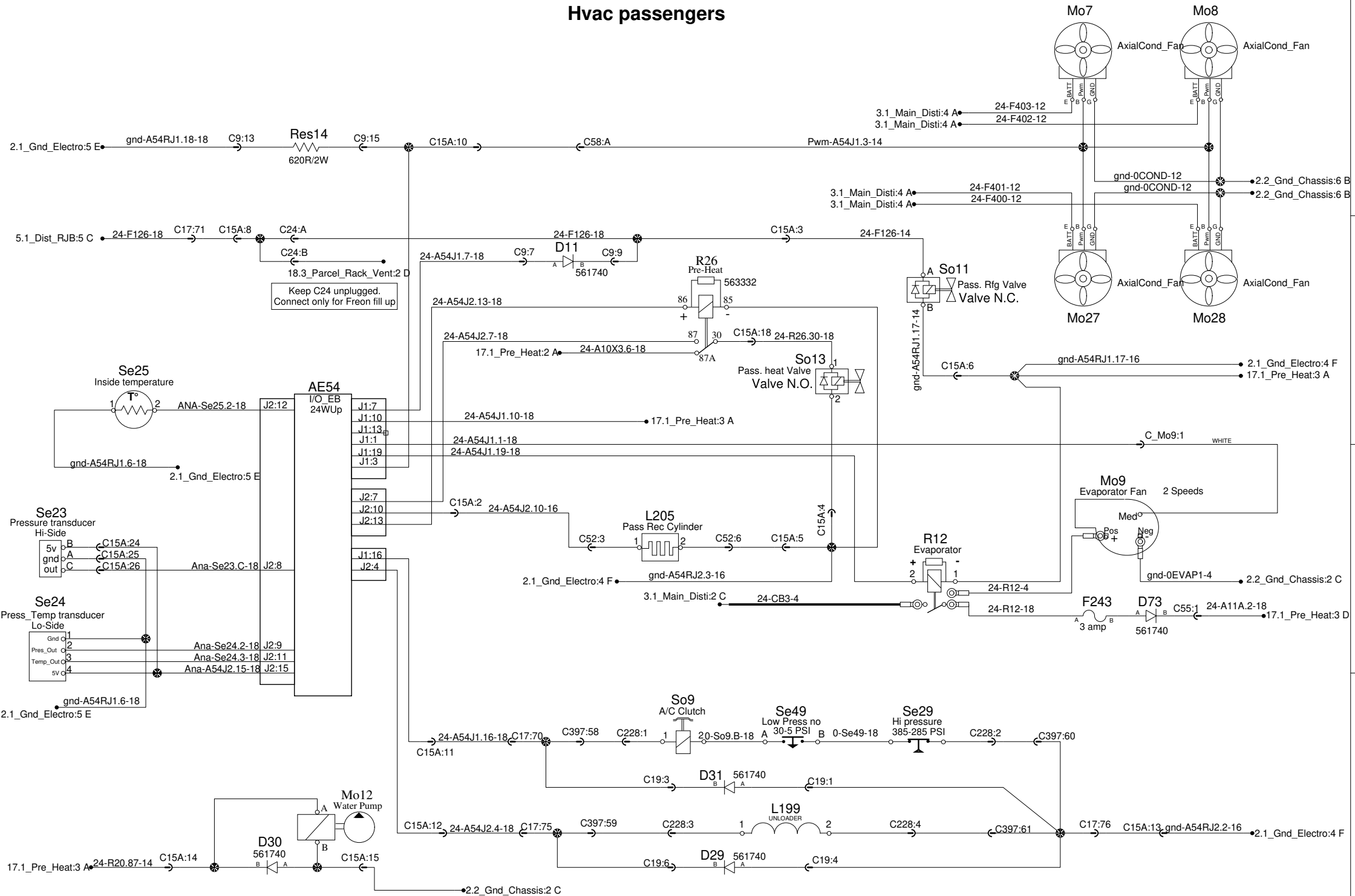
# Hvac passengers



# Hvac passengers

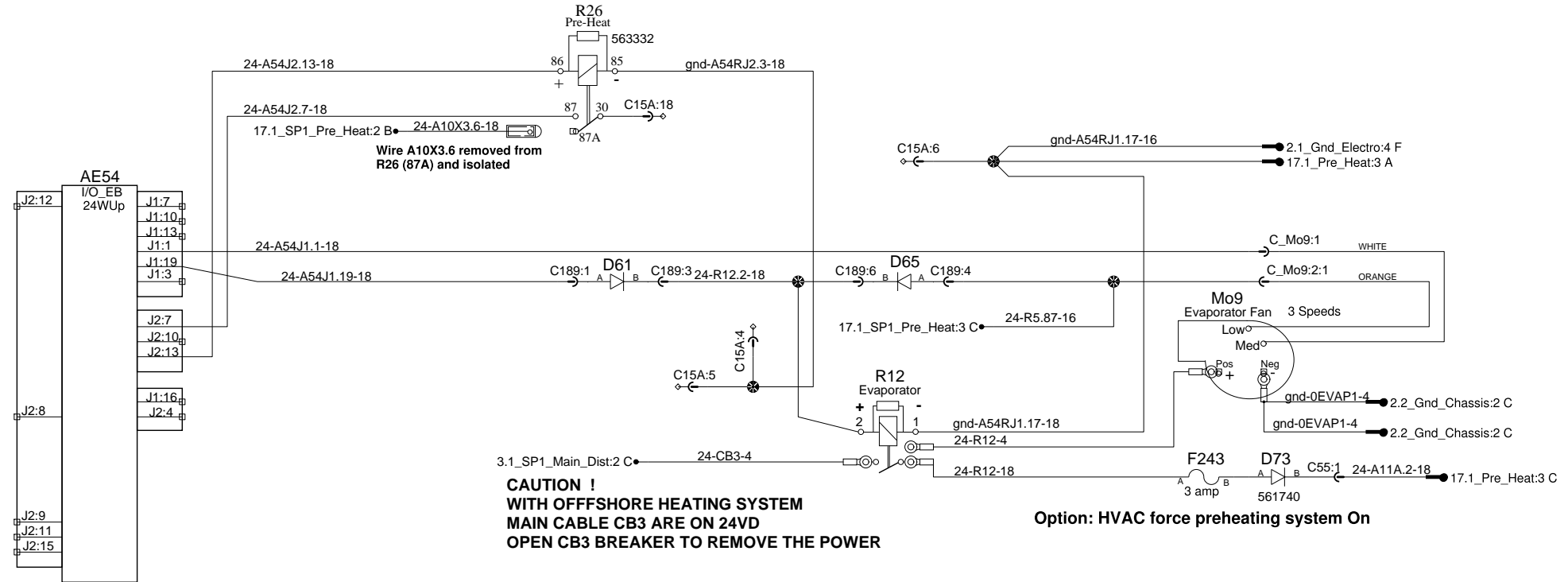


# Hvac passengers

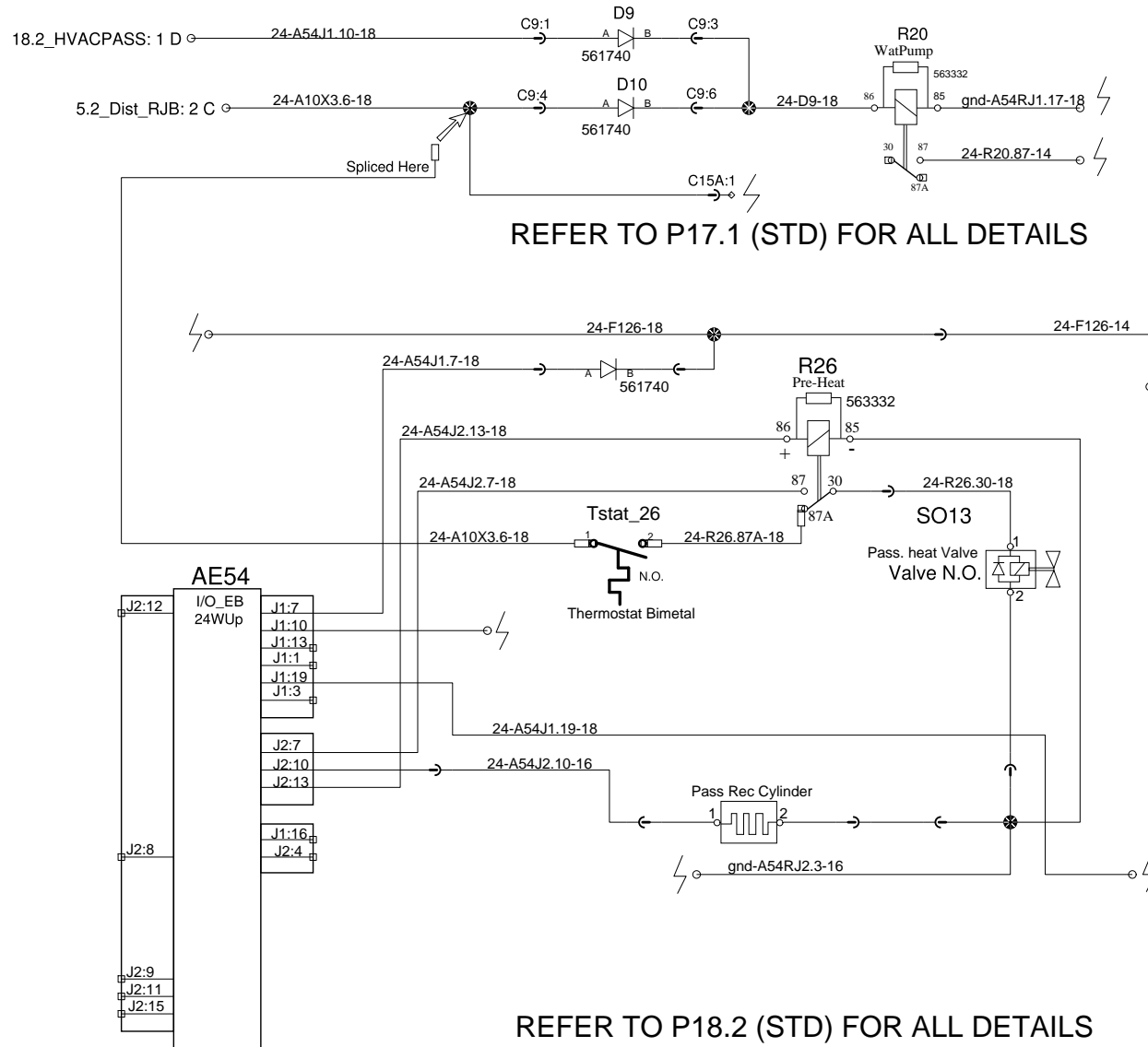


# HVAC Passengers Customer Adaptation Offshore Heating Sys. 3 Speed Motor

REFER TO P18.2(STD) FOR ALL DETAILS



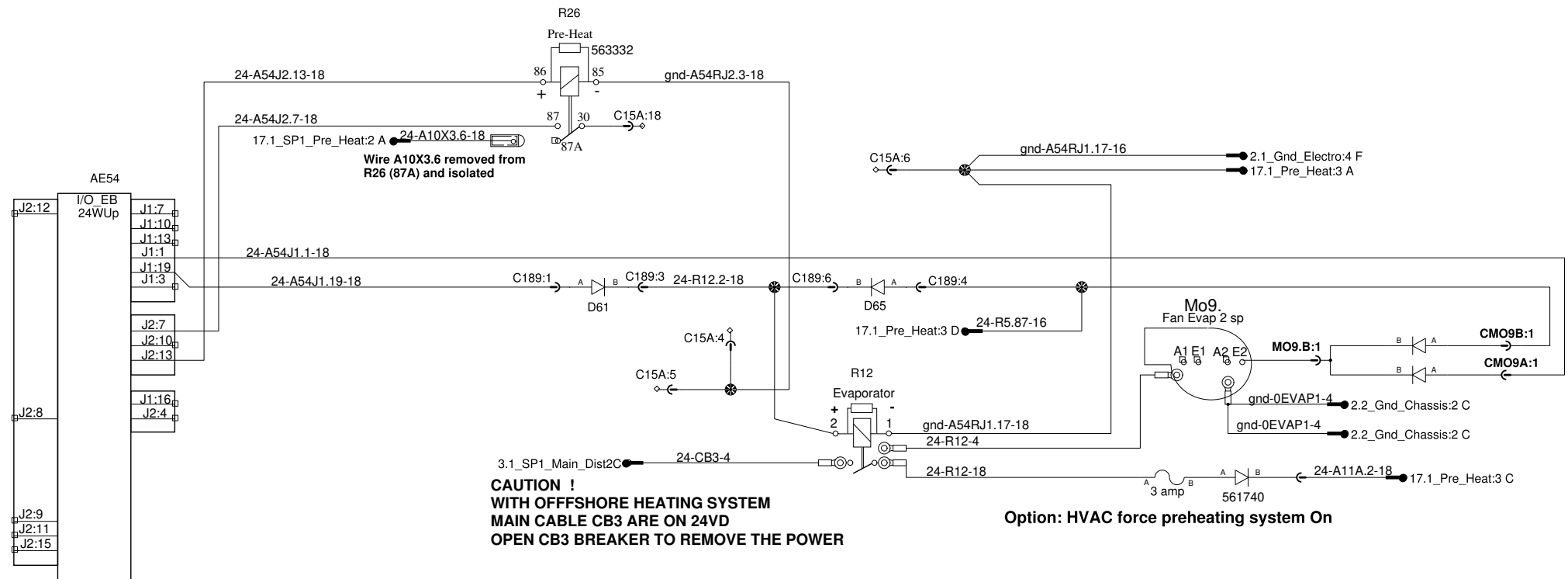
**Hvac passengers**  
**Customer Adaptation**  
**Thermostat active SO13 when the setpoint is reached**





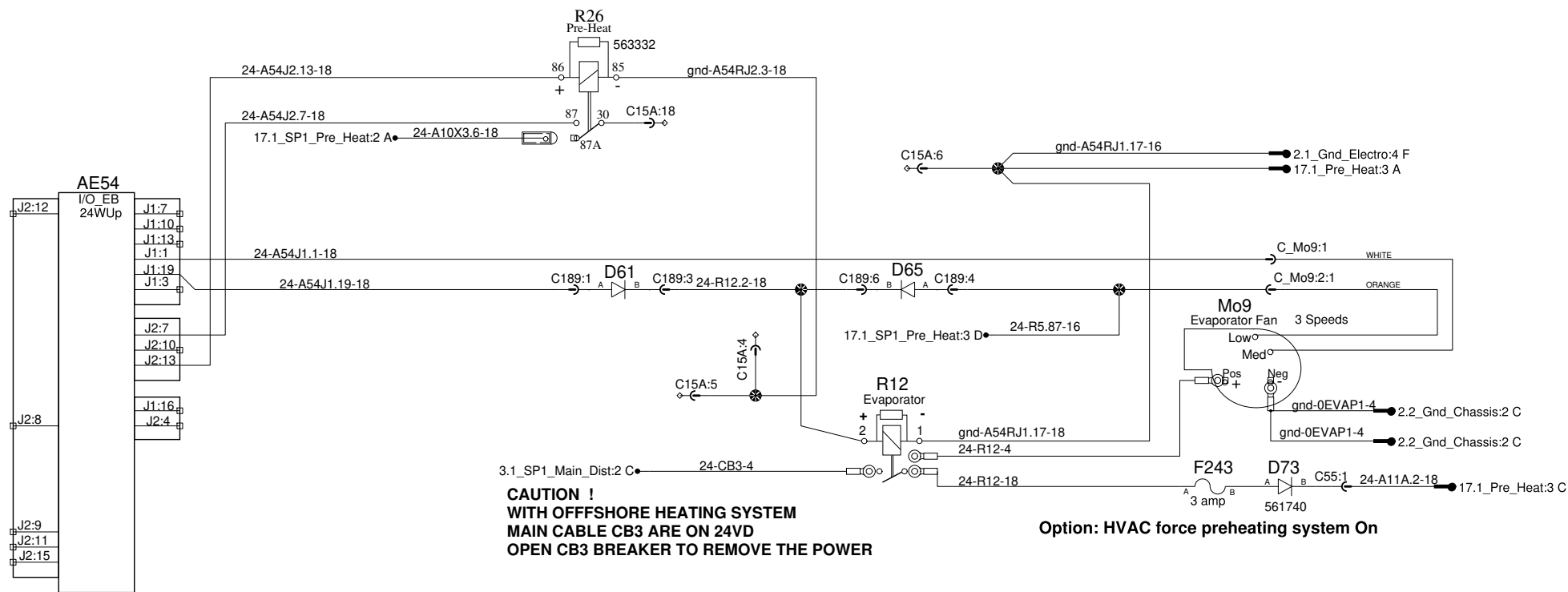
# HVAC Passengers Customer Adaptation Offshore Heating Sys. 2 Speed Motor

REFER TO P18.2(STD) FOR ALL DETAILS



# HVAC Passengers Customer Adaptation Offshore Heating Sys. 3 Speed Motor

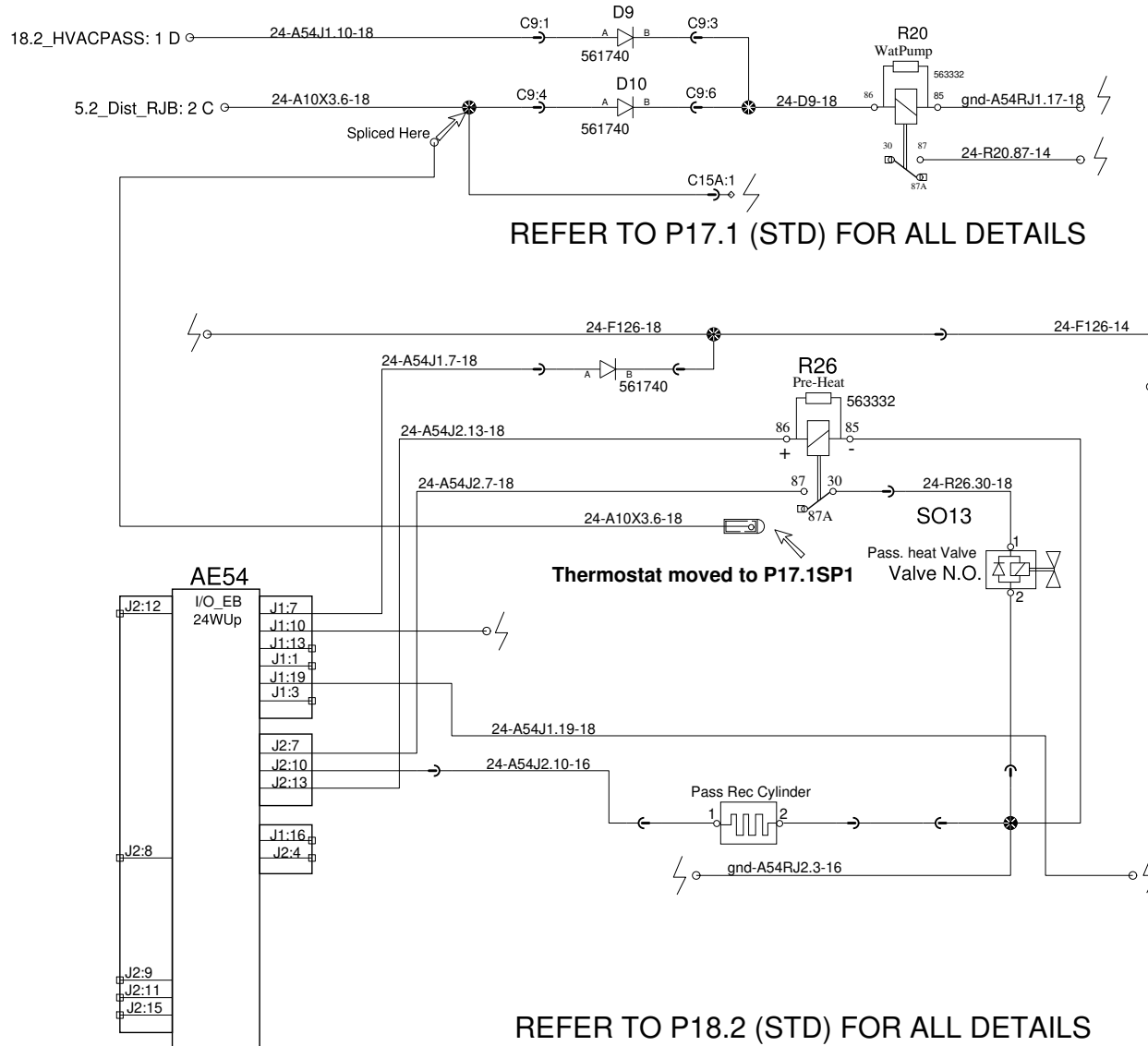
REFER TO P18.2(STD) FOR ALL DETAILS



### Hvac passengers

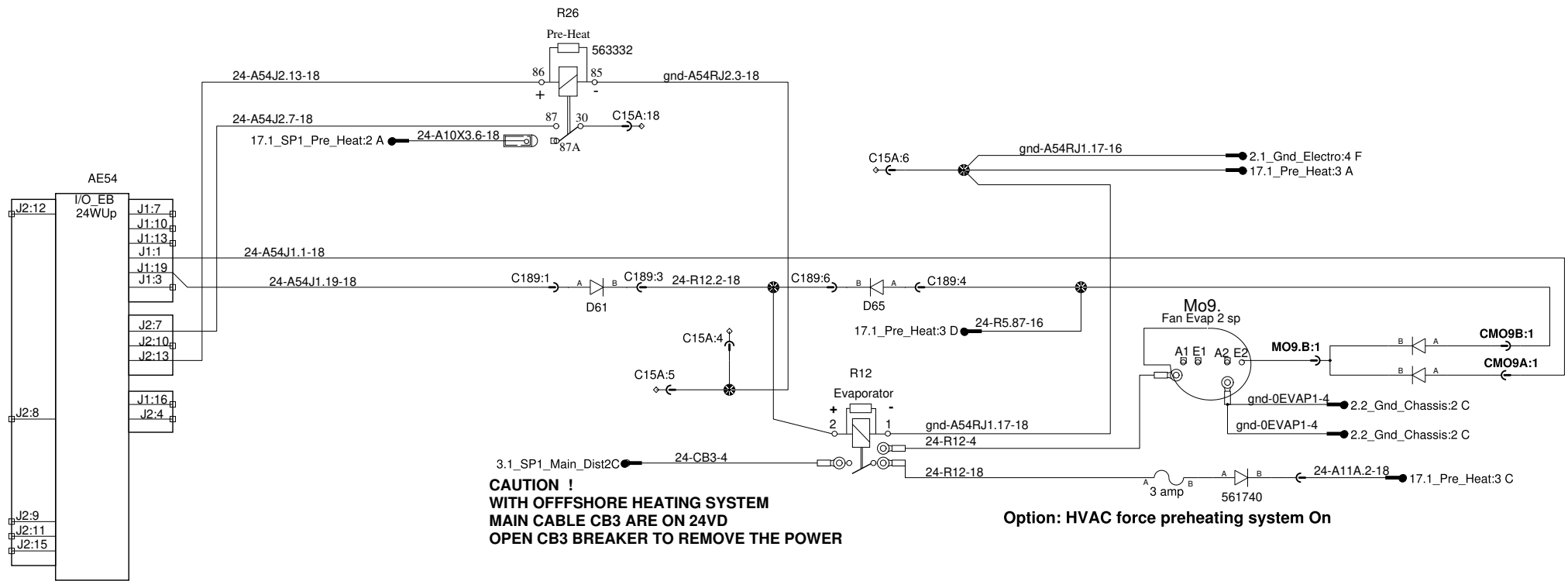
### Customer Adaptation

### Thermostat moved to P17.1SP1, now shuts off whole Heater system

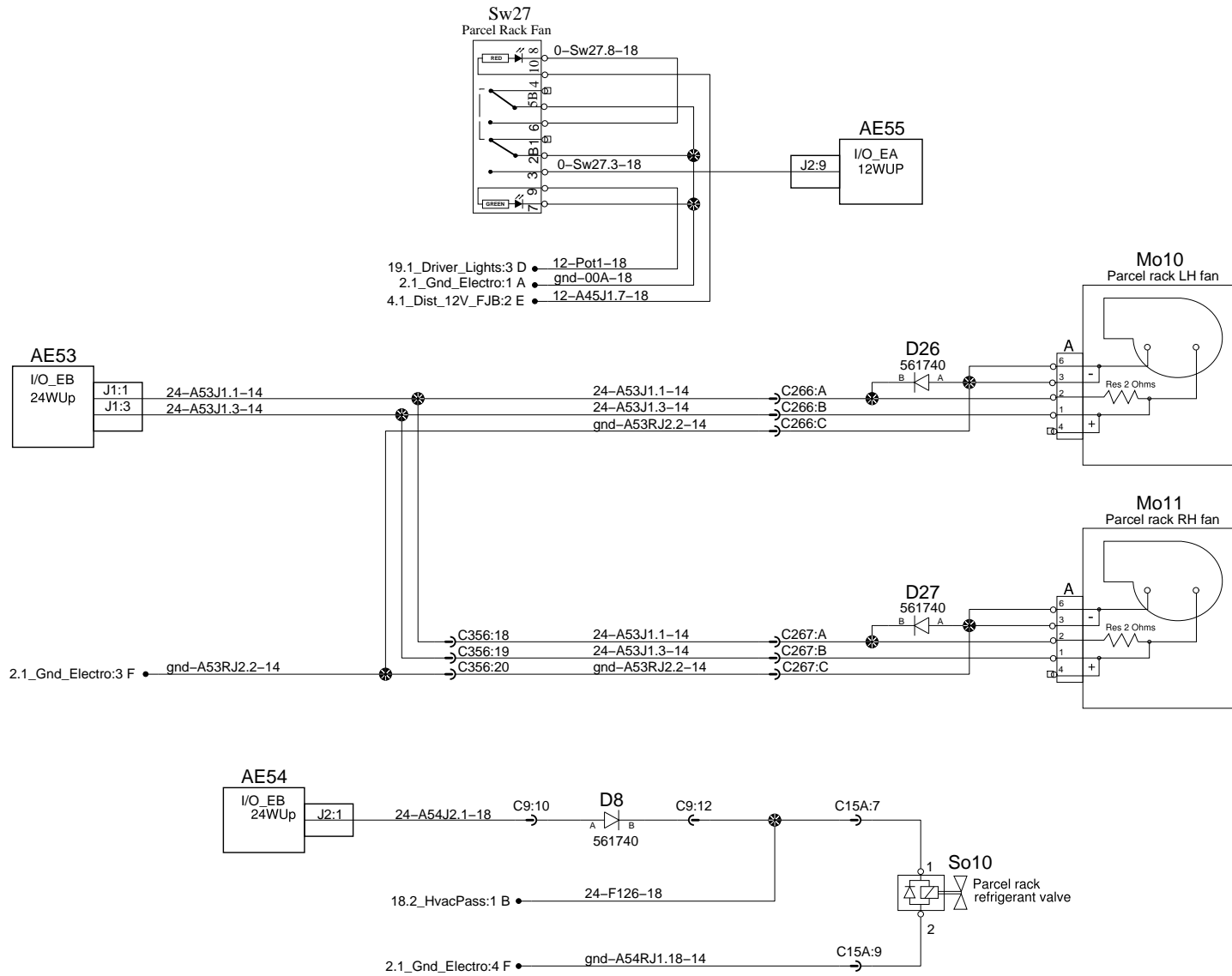


# HVAC Passengers Customer Adaptation Offshore Heating Sys. 2 Speed Motor

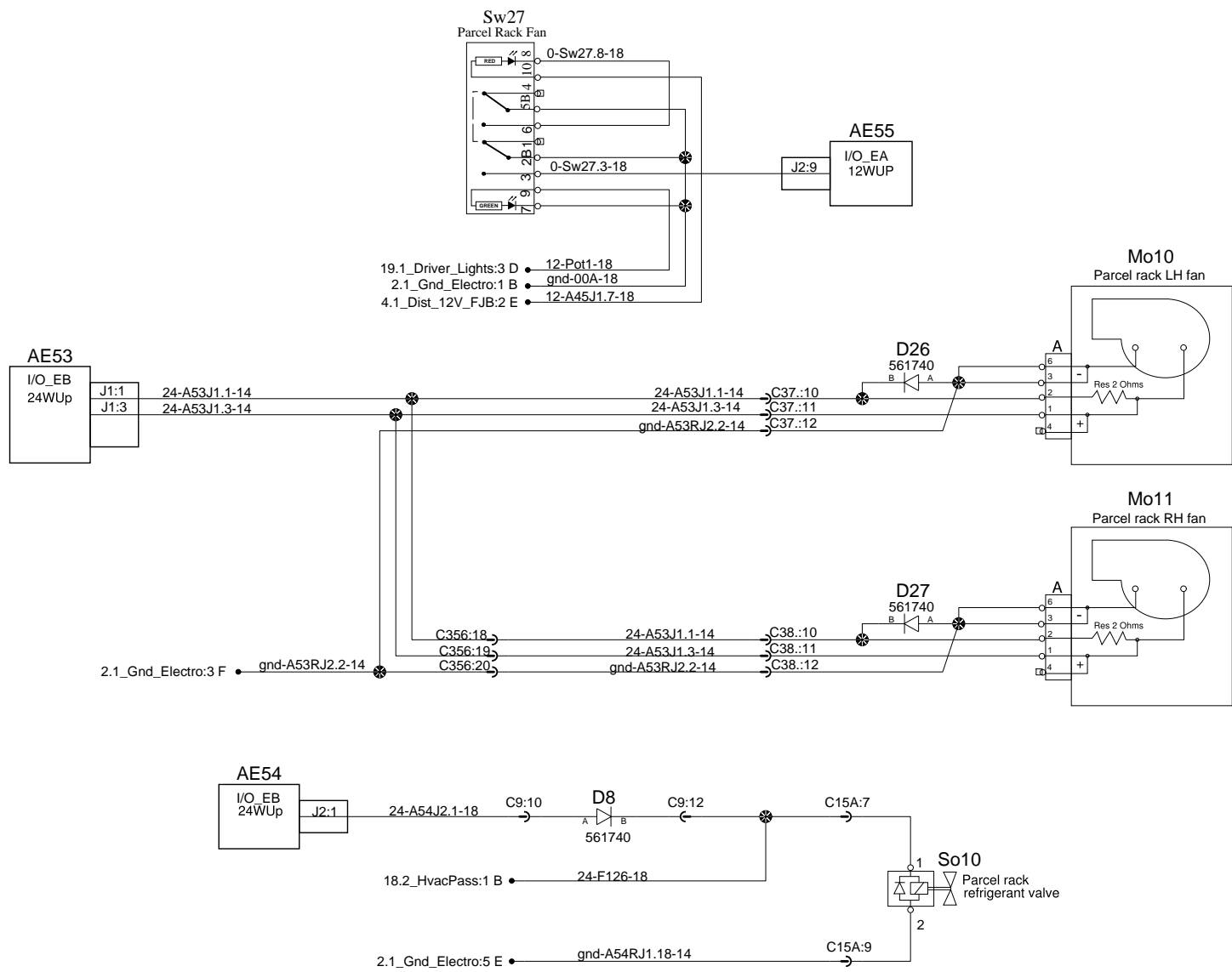
REFER TO P18.2(STD) FOR ALL DETAILS



# Parcel rack A/C system



# Parcel rack A/C system



0

1

2

3

4

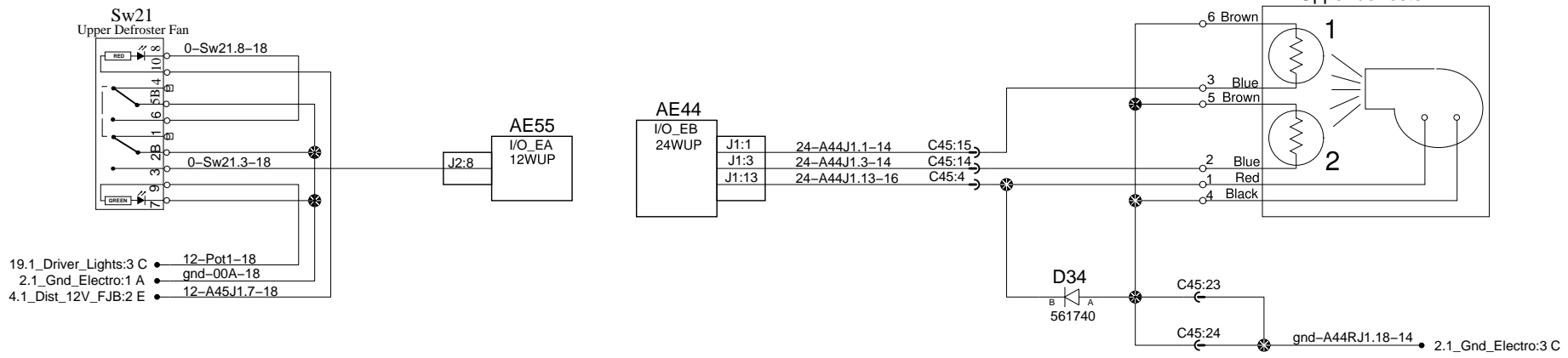
A

A

# Upper defrost

B

B



C

C

D

D

E

E

0

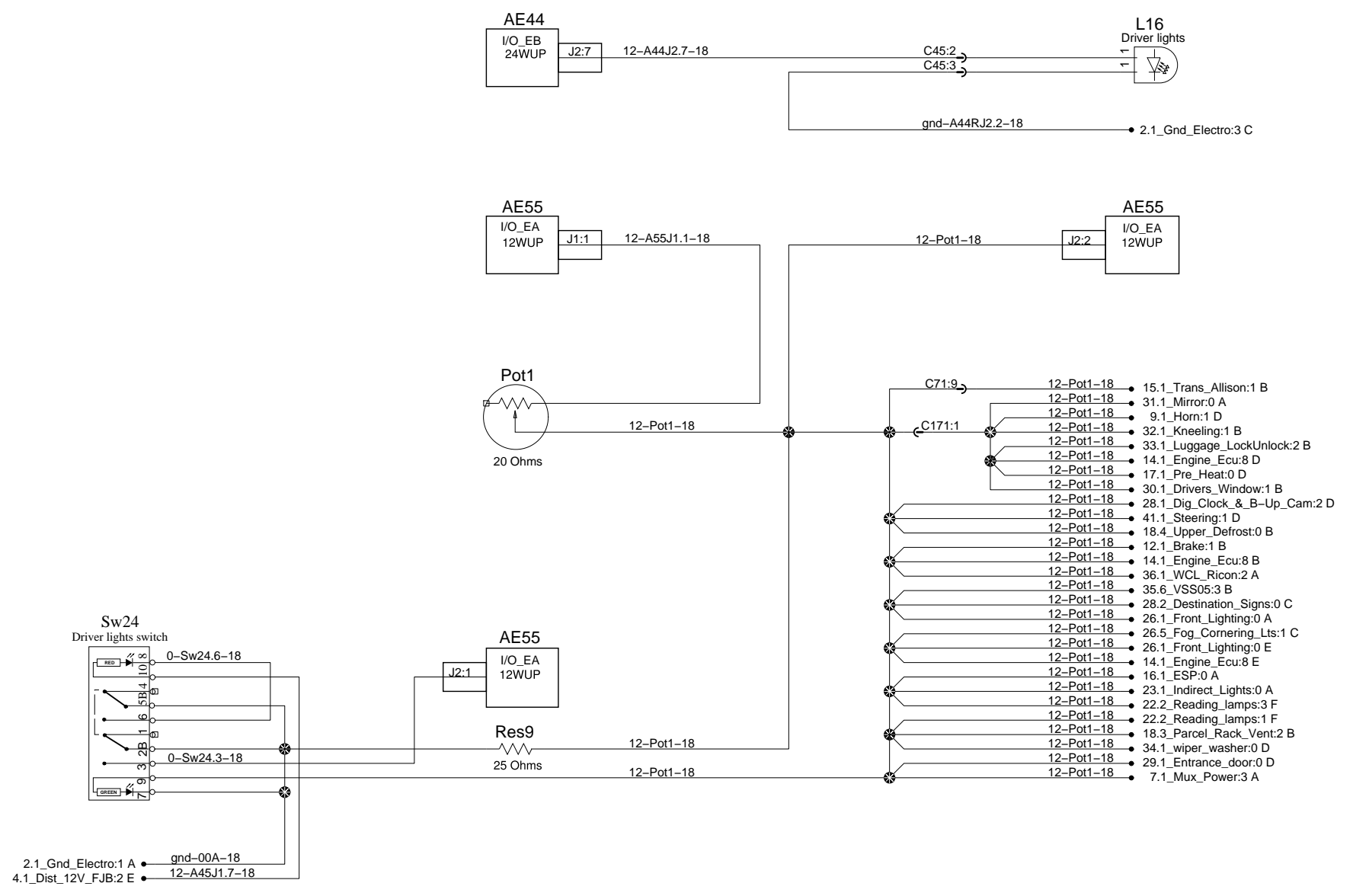
1

2

3

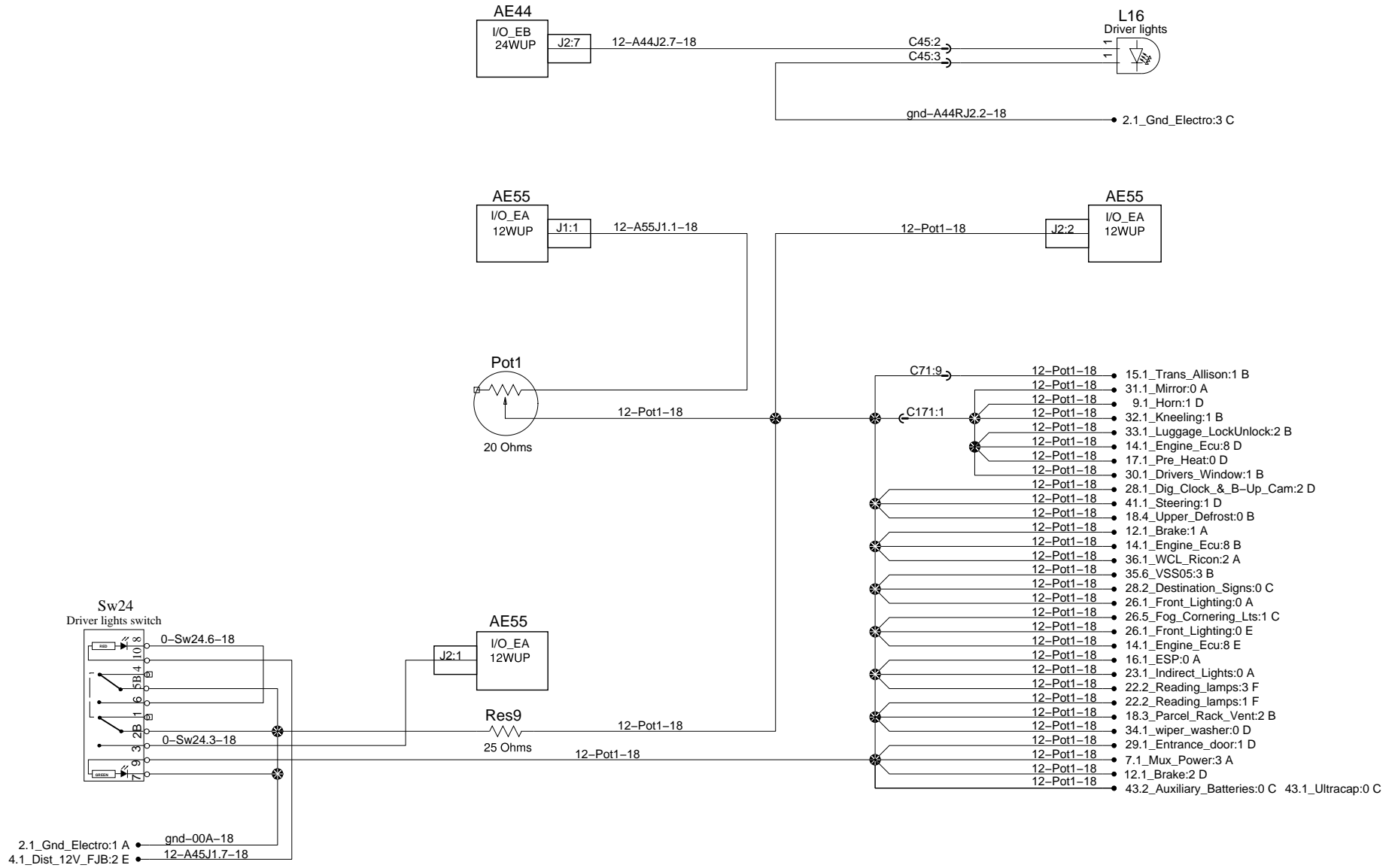
4

# Driver lights





# Driver's lights

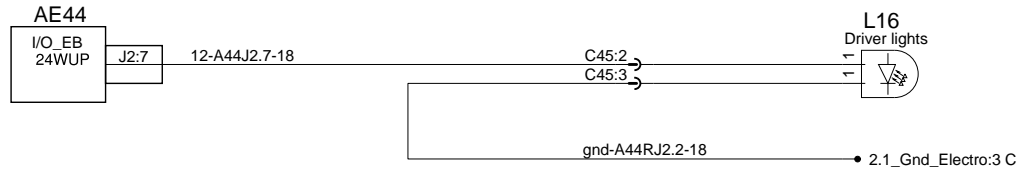


# Driver's lights

0 1 2 3 4

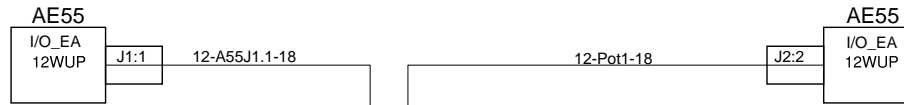
A

A



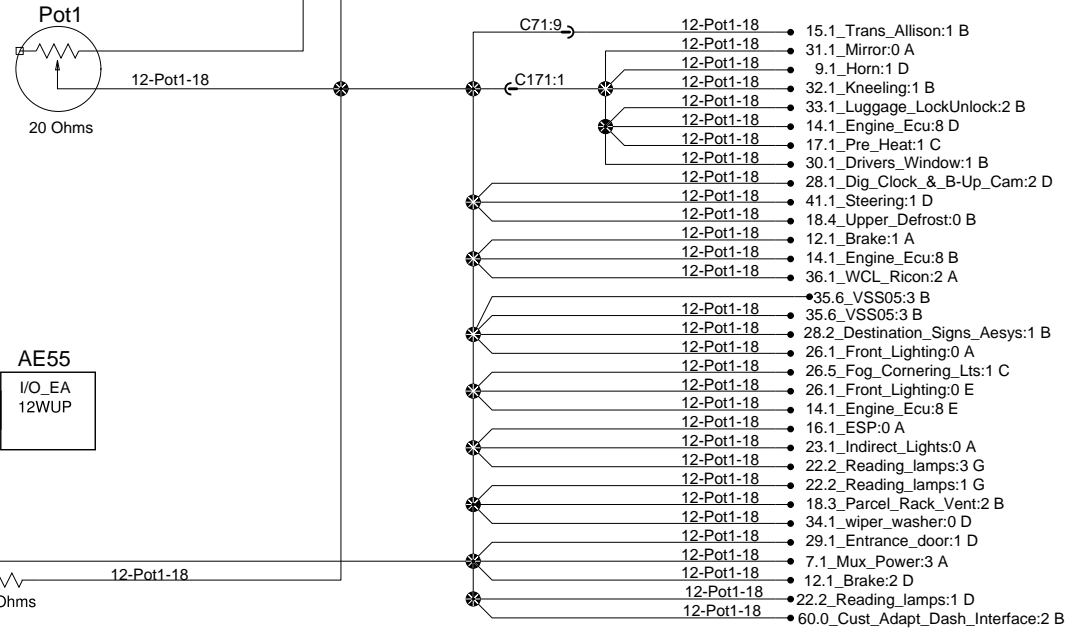
B

B



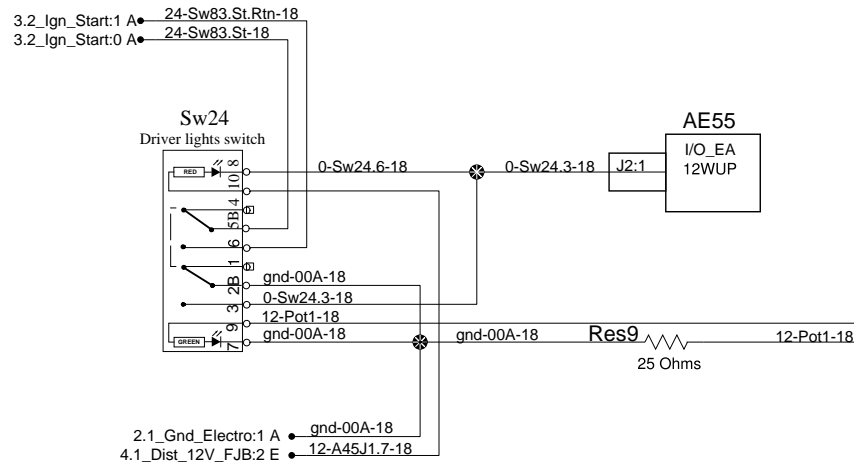
C

C



D

D

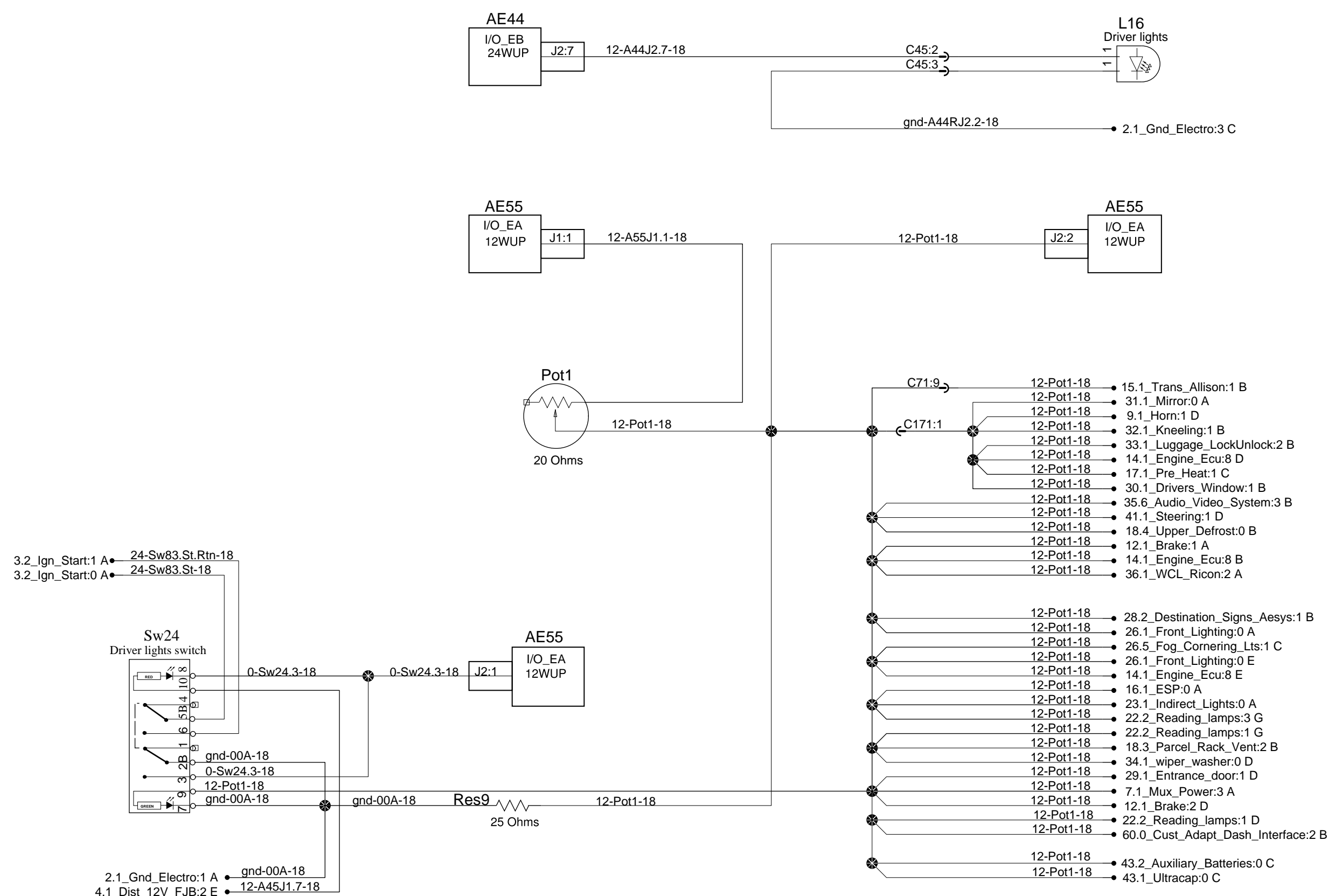


E

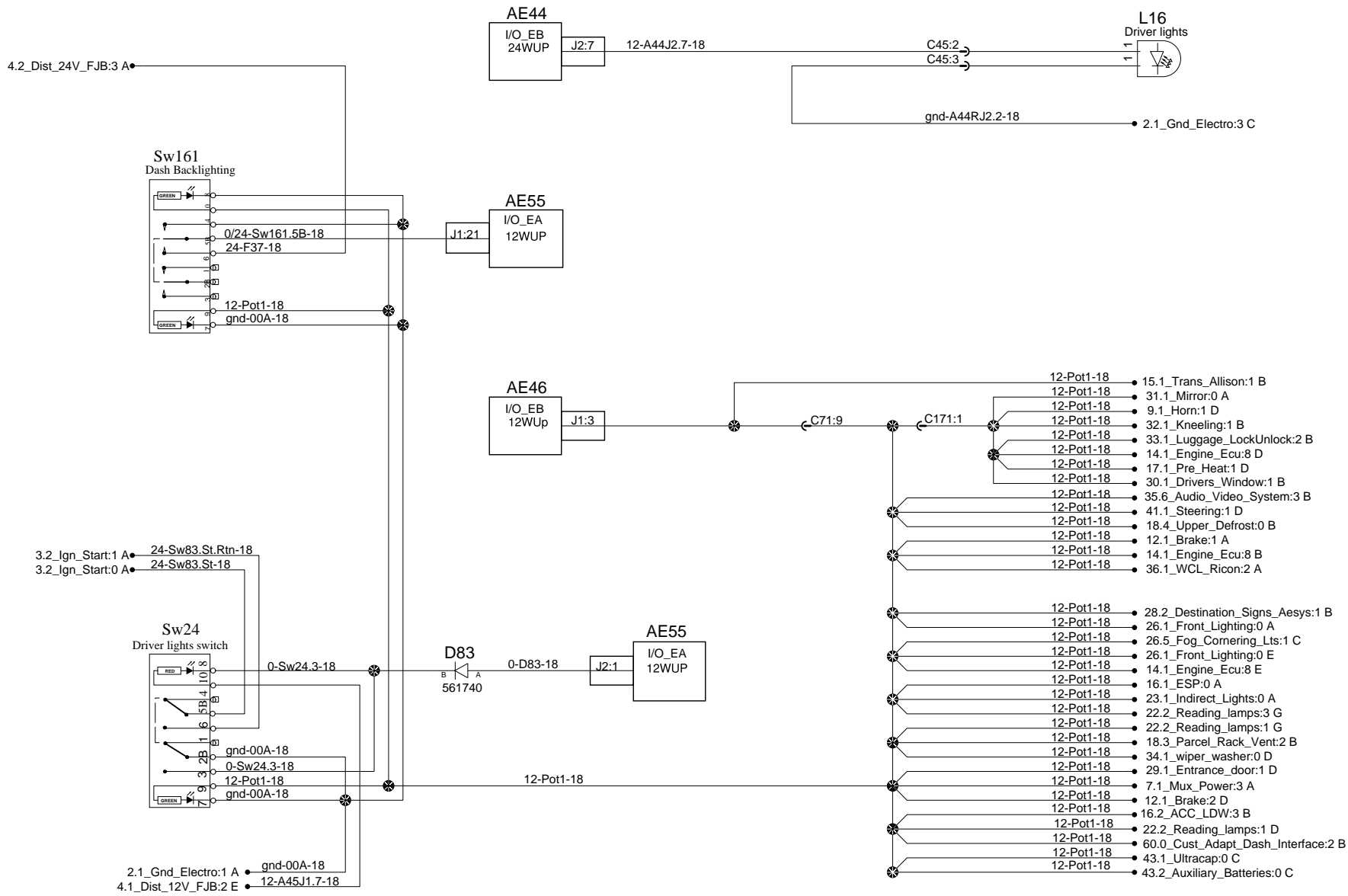
E

0 1 2 3 4

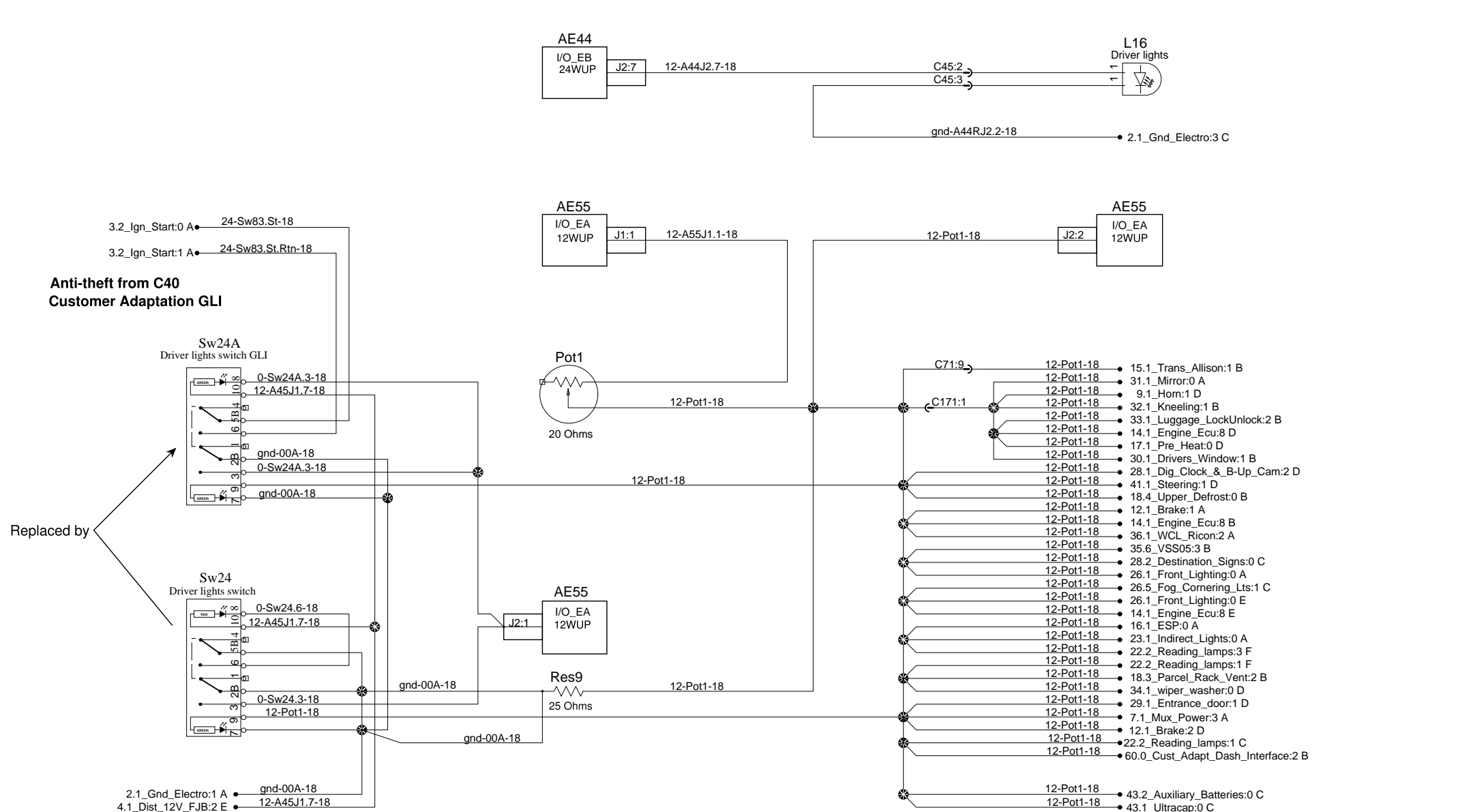
# Driver's lights



# Driver's lights



# Driver's lights



0

1

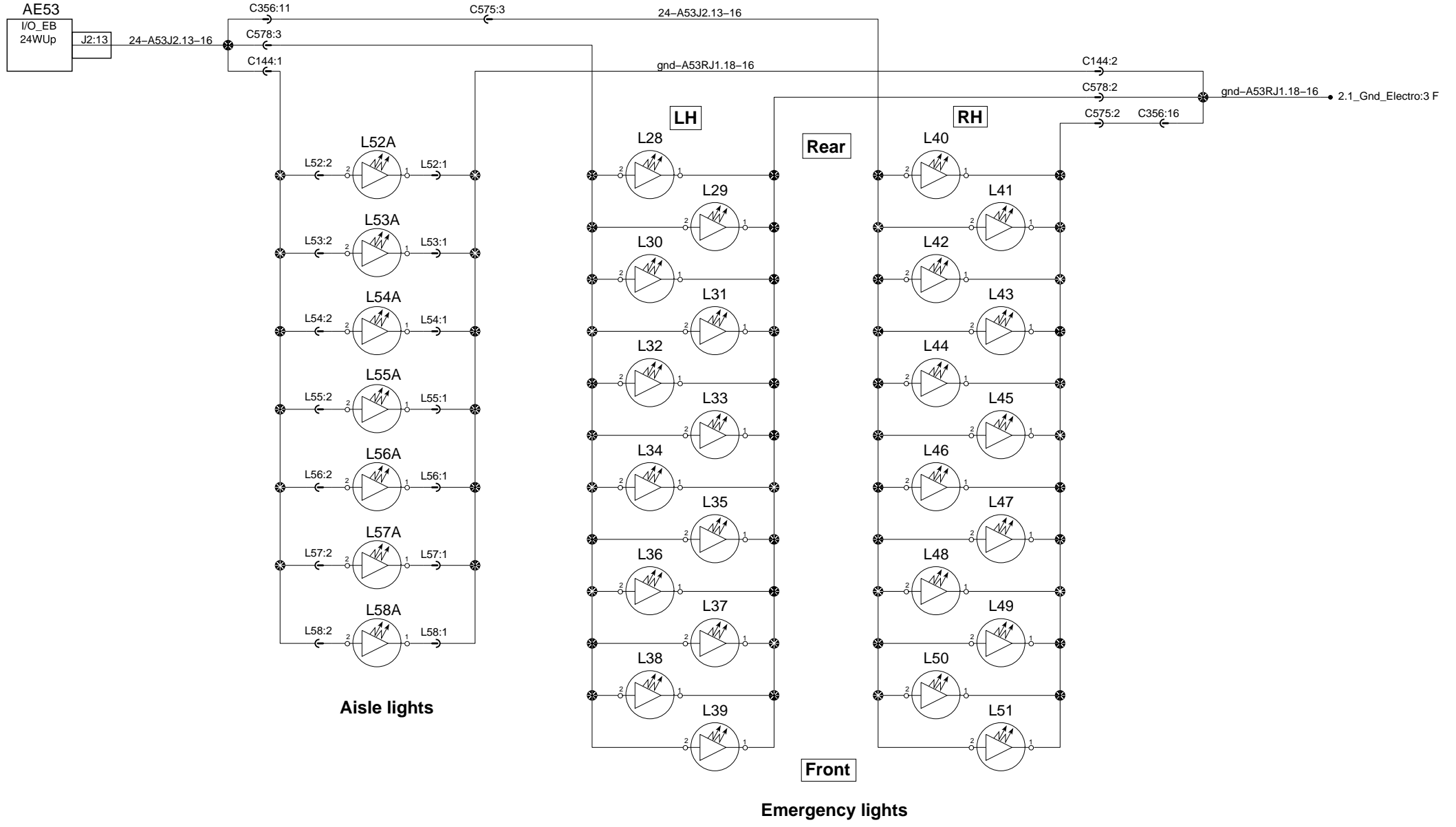
2

3

4

### Emergency & Aisle lights

A



A

B

C

D

E

0

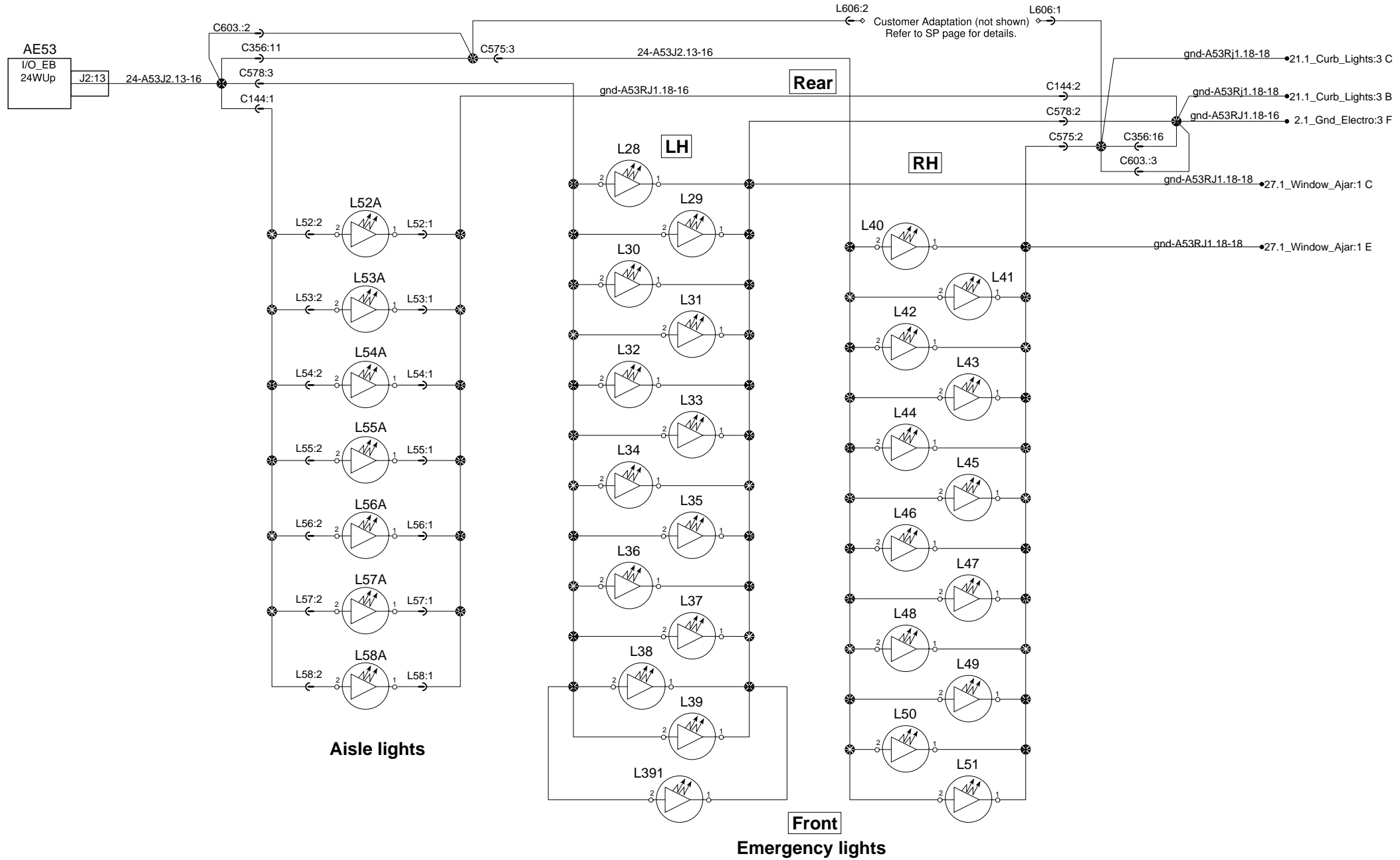
1

2

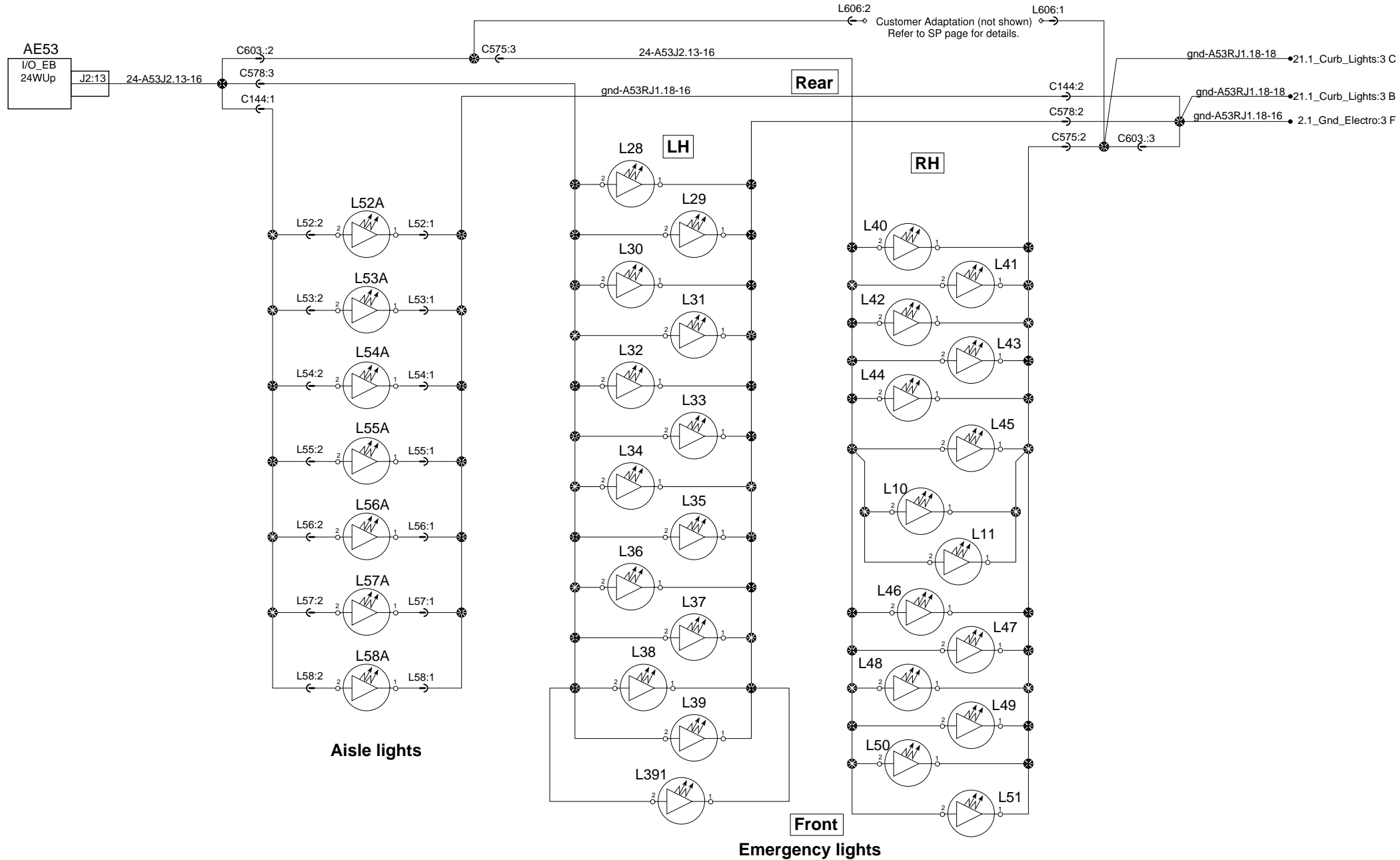
3

4

# Emergency & Aisle lights



# Emergency & Aisle lights





0

1

2

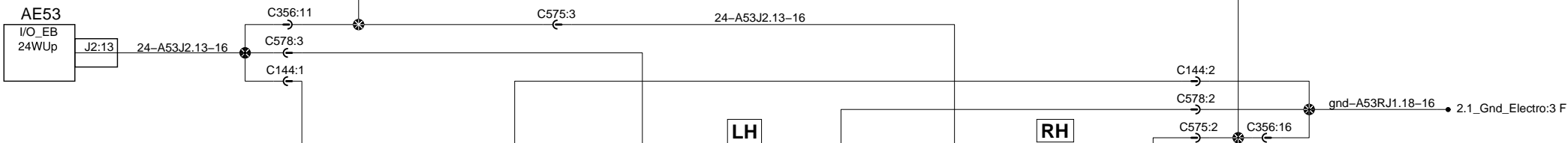
3

4

# Emergency & Aisle lights

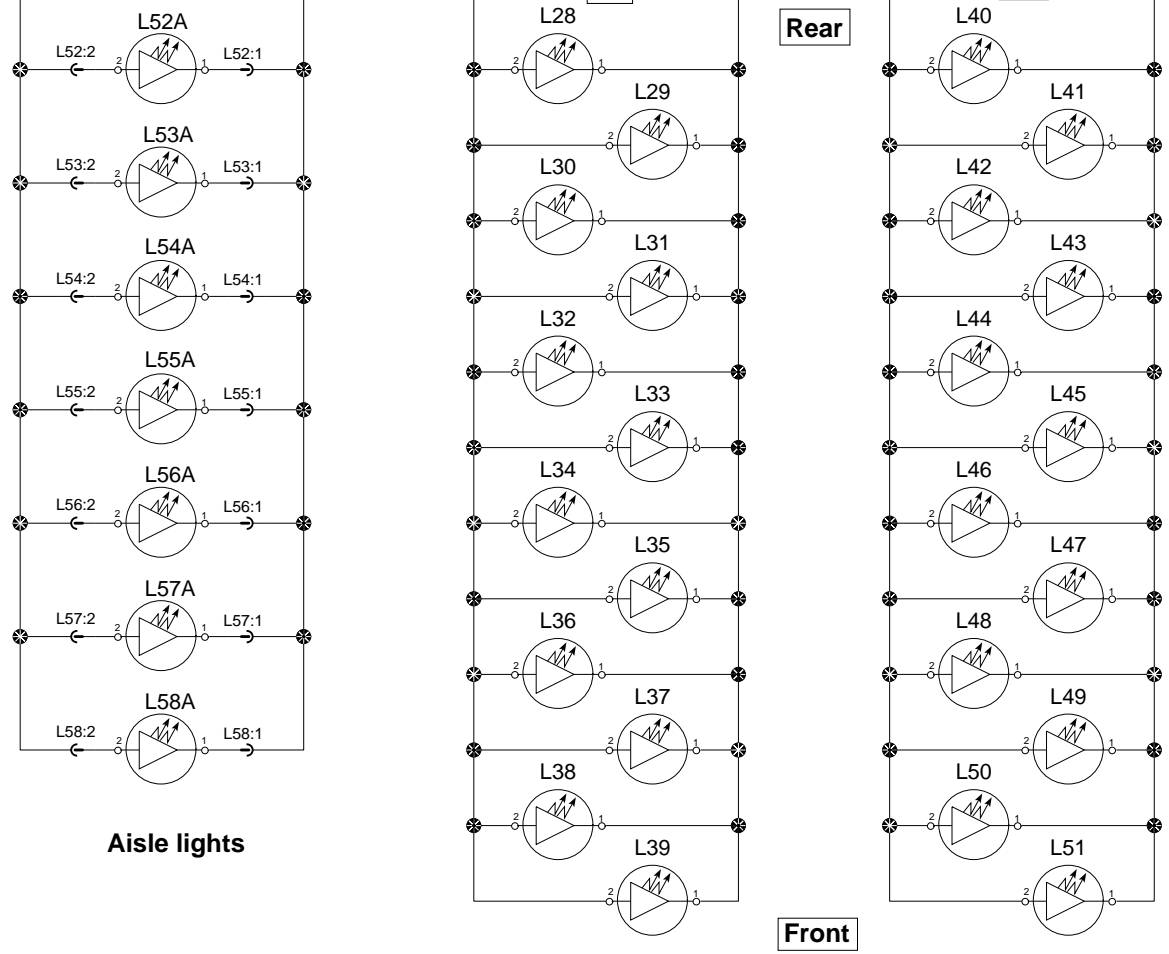
A

A



B

B



D

D

## Emergency lights

E

E

0

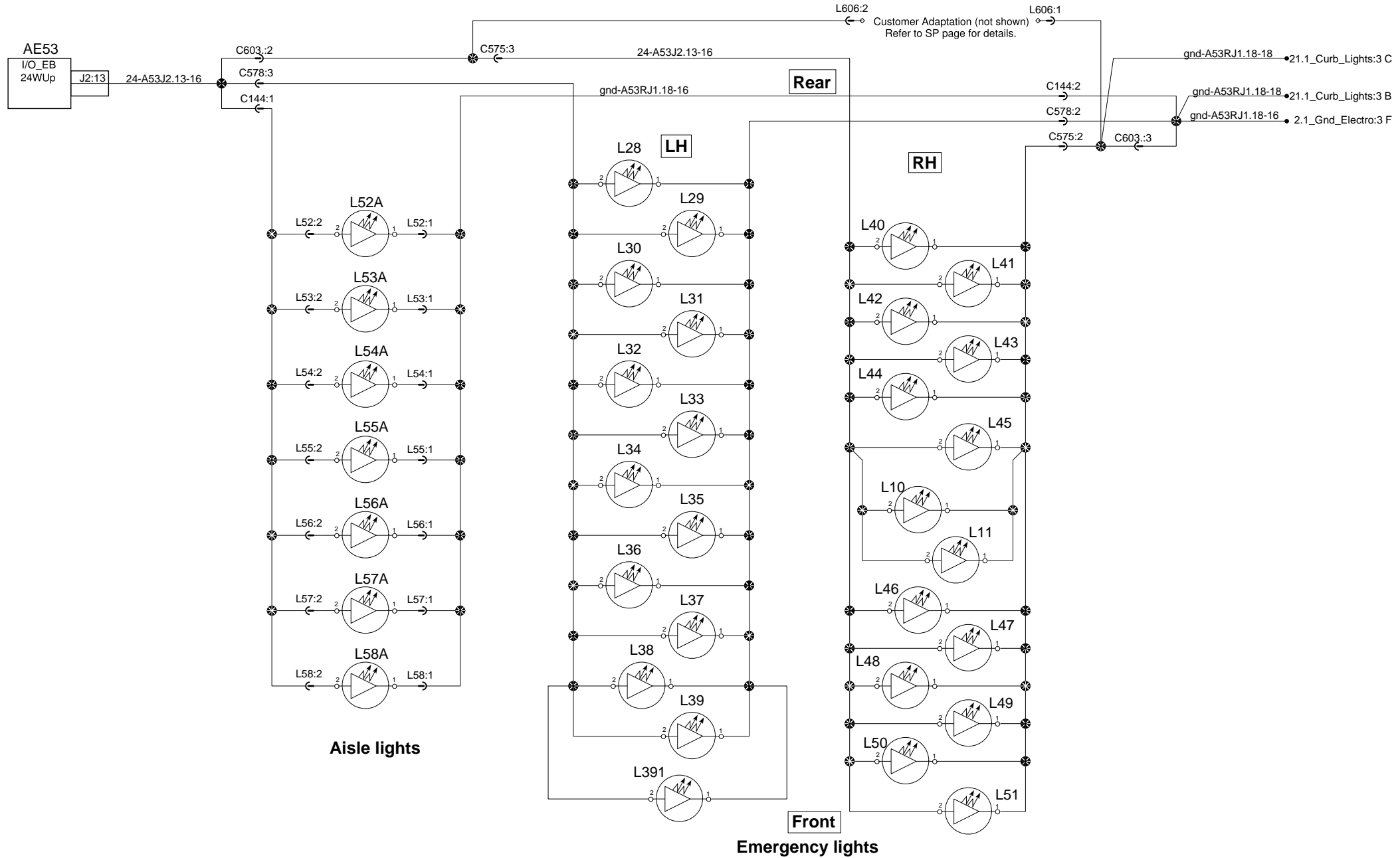
1

2

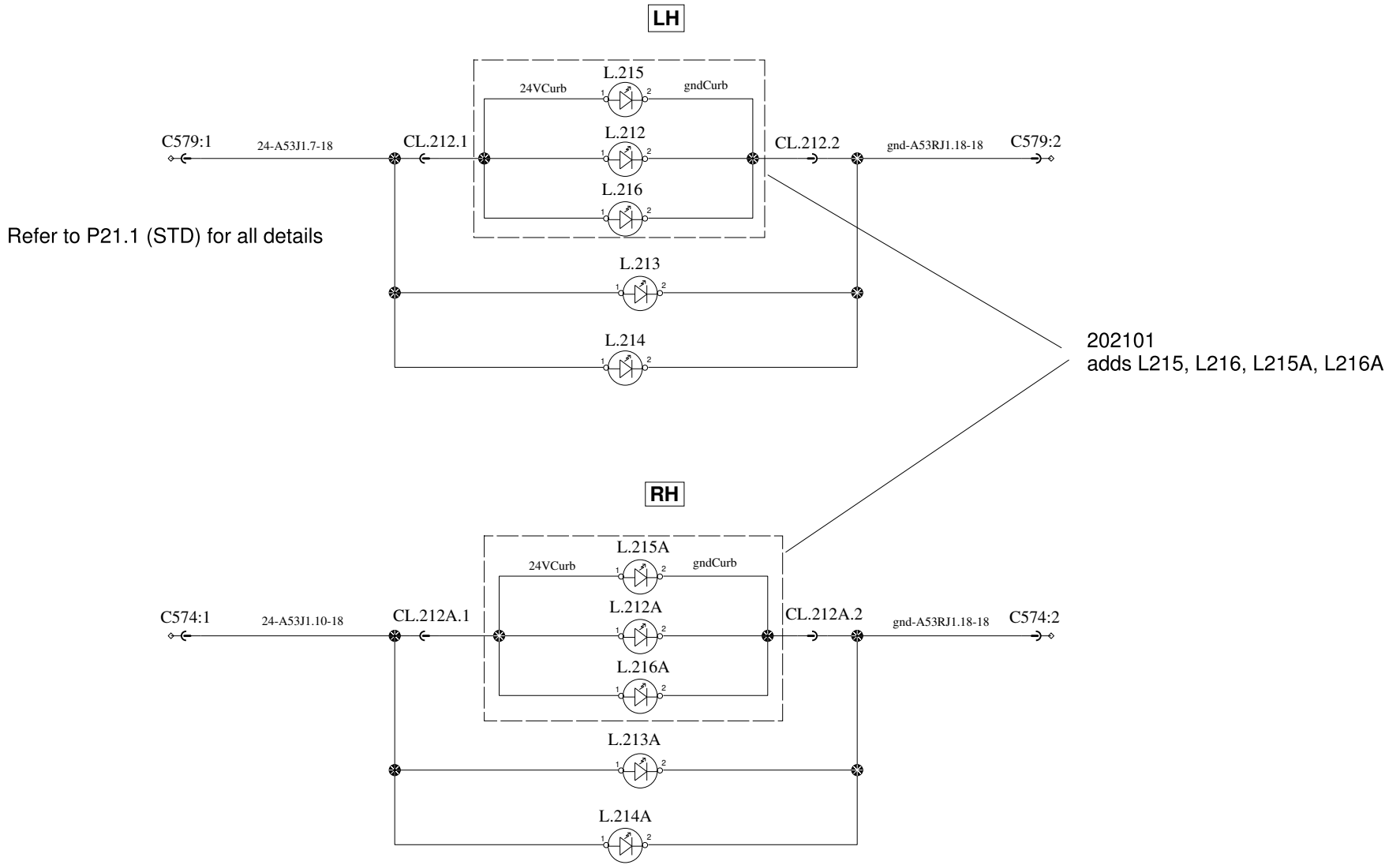
3

4

# Emergency & Aisle lights

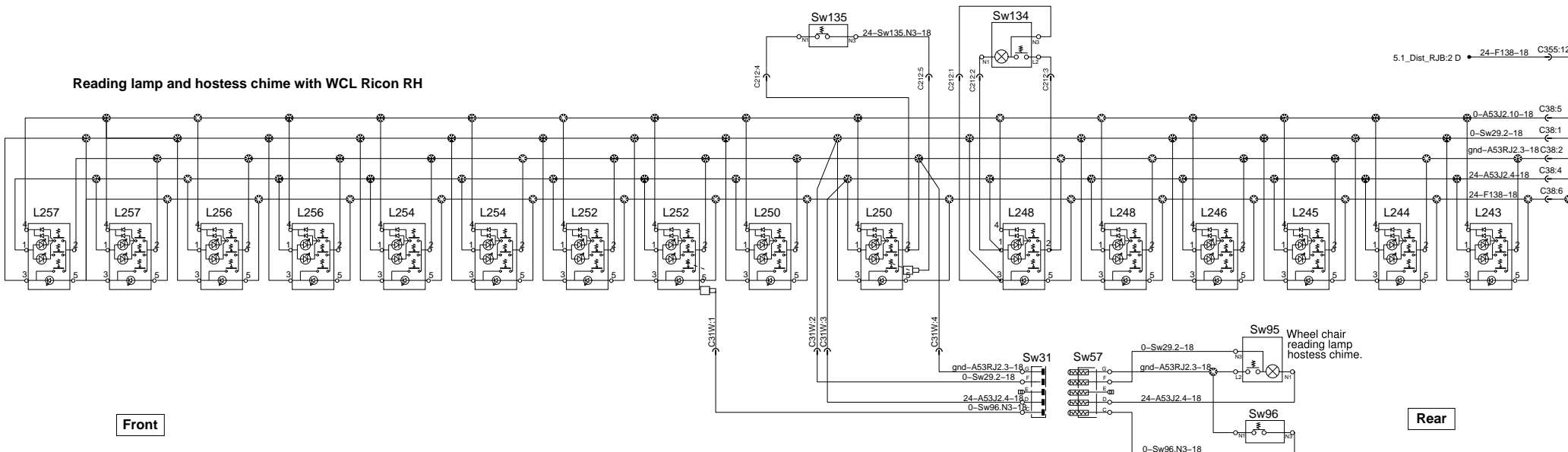


# Additional perimeter lights on both side of the coach

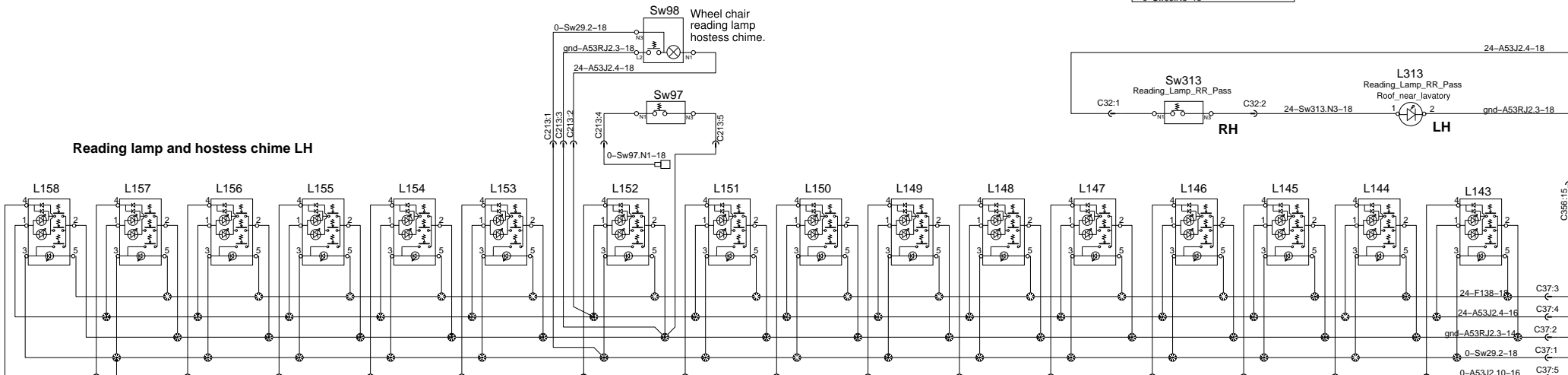


# Reading lamp and hostess chime

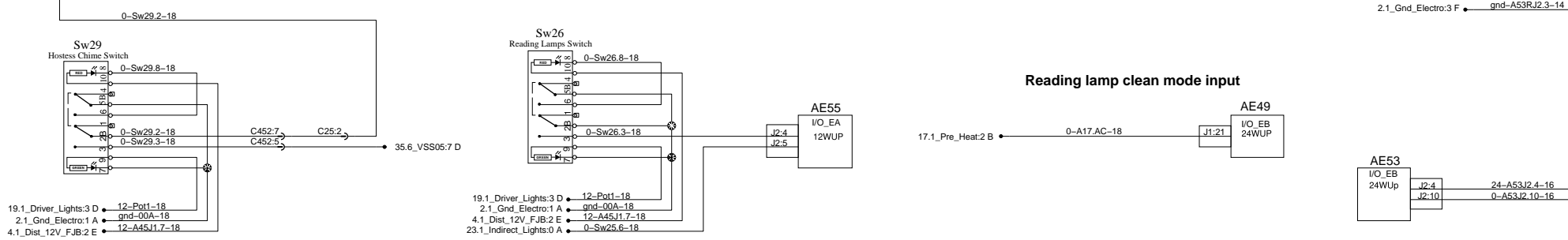
## Reading lamp and hostess chime with WCL Ricon RH



## Reading lamp and hostess chime LH



## Reading lamp clean mode input



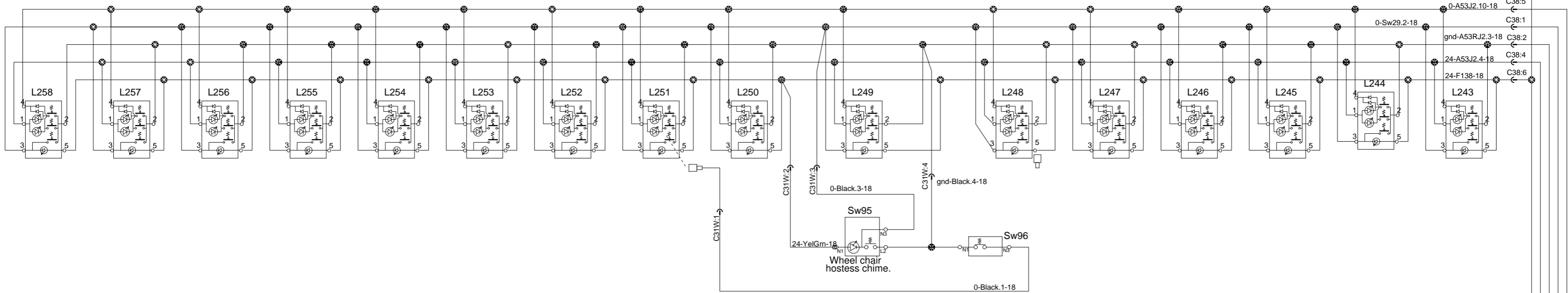


Reading lamp and hostess chime

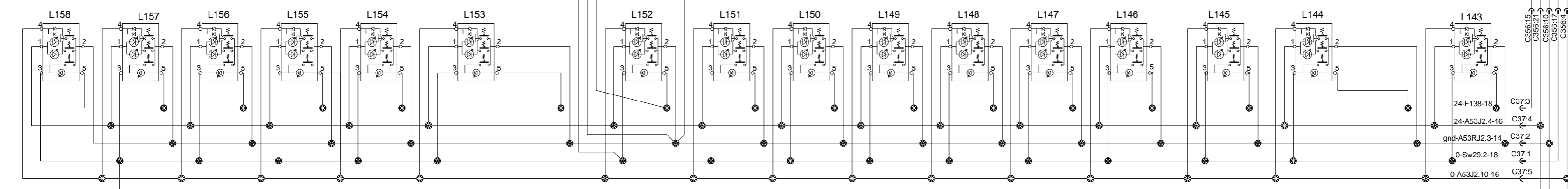
Front

Rear

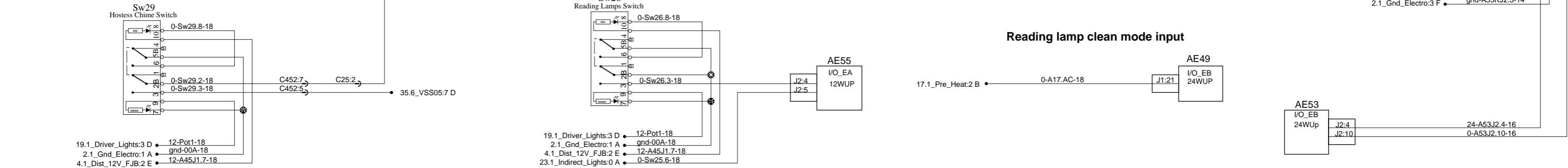
Reading lamp and hostess chime with WCL Ricon RH



Reading lamp and hostess chime LH



Reading lamp clean mode input



19.1\_Driver\_Lights:3 D ● 12-Pot1-18  
 2.1\_Gnd\_Electro:1 A ● gnd-00A-18  
 4.1\_Dist\_12V\_FJB:2 E ● 12-A45J1.7-18

19.1\_Driver\_Lights:3 D ● 12-Pot1-18  
 2.1\_Gnd\_Electro:1 A ● gnd-00A-18  
 4.1\_Dist\_12V\_FJB:2 E ● 12-A45J1.7-18  
 23.1\_Indirect\_Lights:0 A ● 0-Sw25.6-18

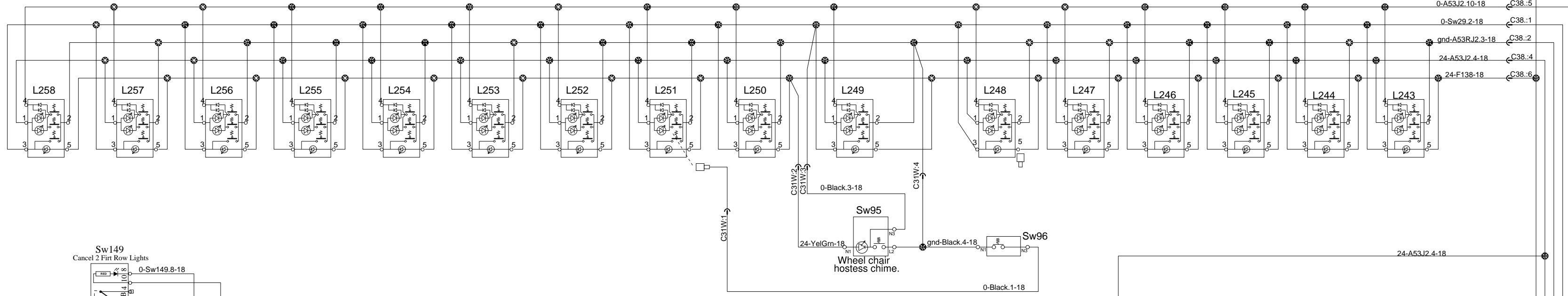
Rev:10  
 Page:22.2  
 No:D061550  
 WIRING DIAGRAM

# Reading lamp and hostess chime

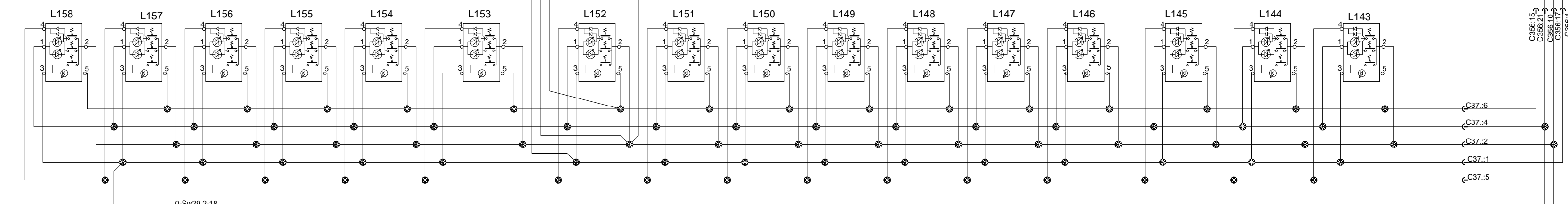
Rear

Front

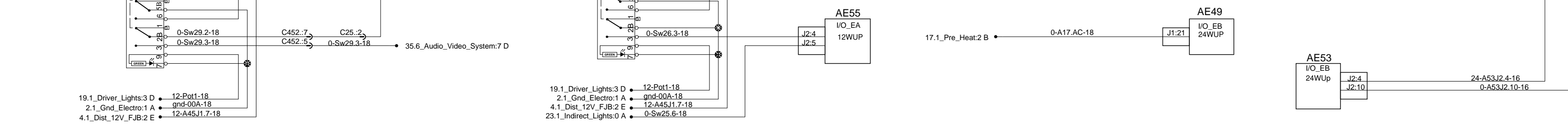
## Reading lamp and hostess chime with WCL Ricon RH



## Reading lamp and hostess chime LH



## Reading lamp clean mode input



Rev:21

Page:22.2

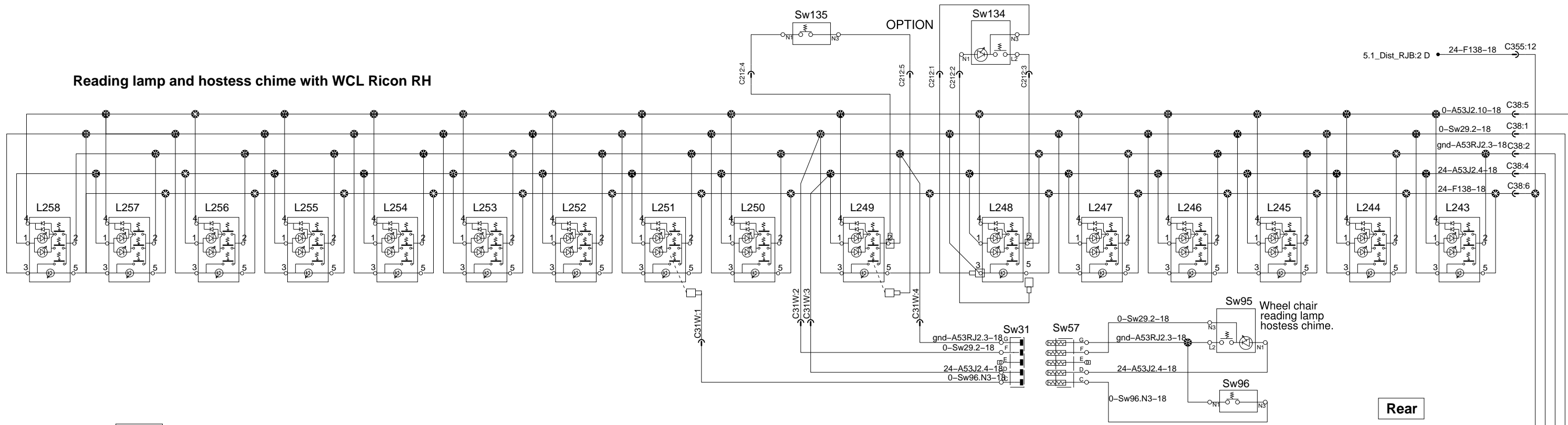
No:D061550

WIRING DIAGRAM

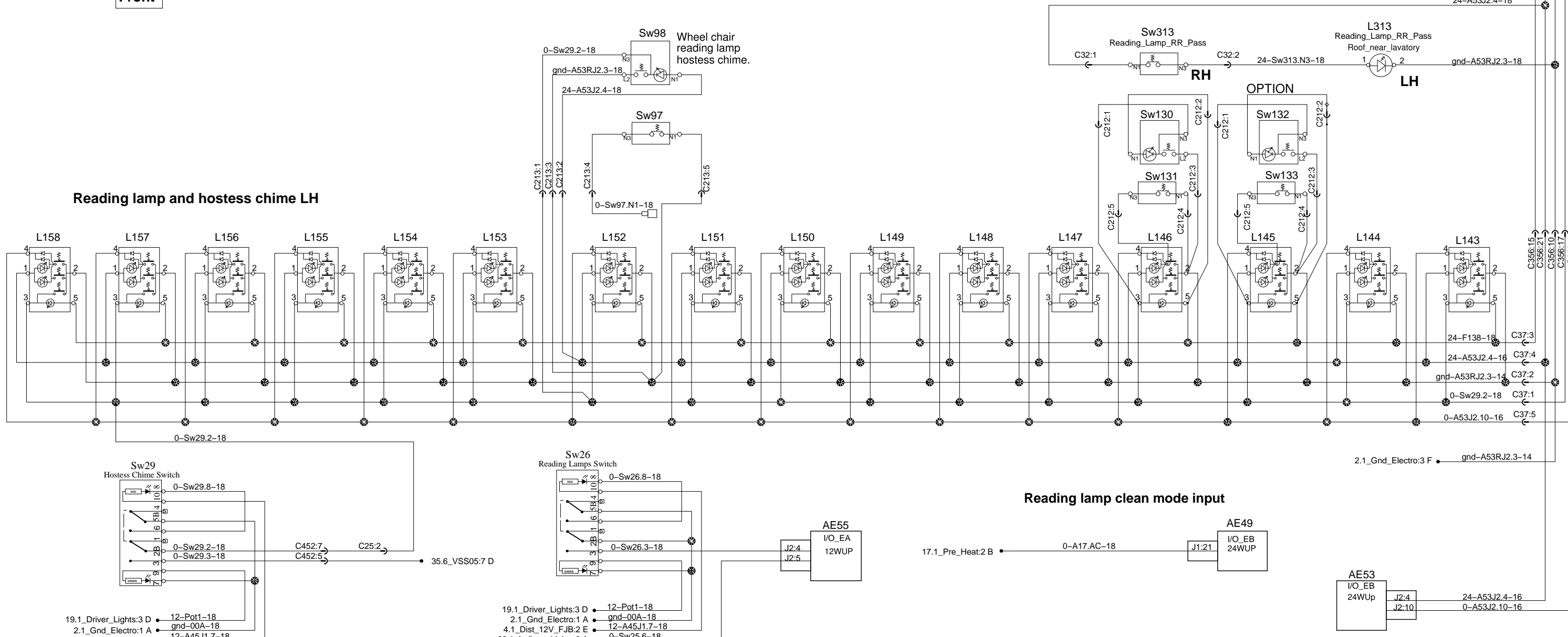
PREVOST®

Reading lamp and hostess chime

Reading lamp and hostess chime with WCL Ricon RH



Reading lamp and hostess chime LH



- 19.1\_Driver\_Lights:3 D ● 12-Pot1-18
- 2.1\_Gnd\_Electro:1 A ● gnd-00A-18
- 4.1\_Dist\_12V\_FJB:2 E ● 12-A45J1.7-18
- 4.1\_Dist\_12V\_FJB:2 E ● 12-A45J1.7-18
- 19.1\_Driver\_Lights:3 D ● 12-Pot1-18
- 2.1\_Gnd\_Electro:1 A ● gnd-00A-18
- 4.1\_Dist\_12V\_FJB:2 E ● 12-A45J1.7-18
- 23.1\_Indirect\_Lights:0 A ● 0-Sw25.6-18

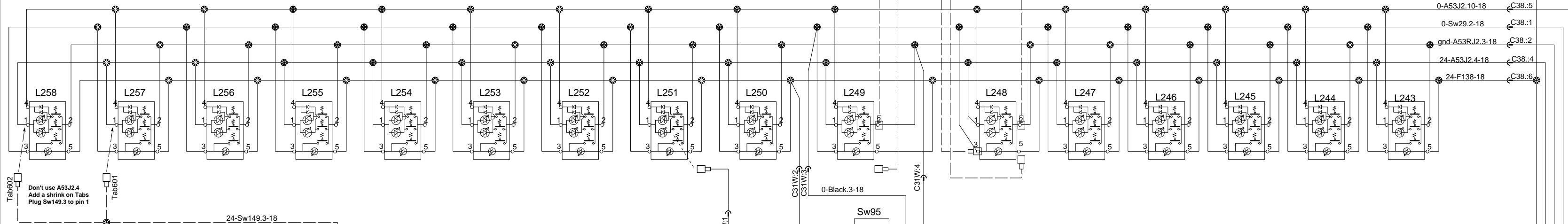


Reading lamp and hostess chime

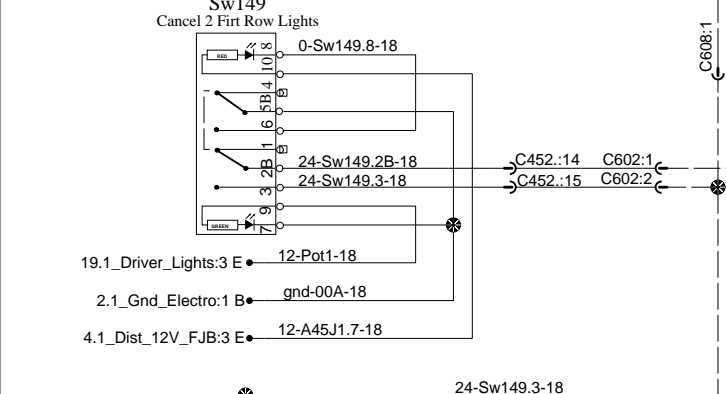
Rear

Front

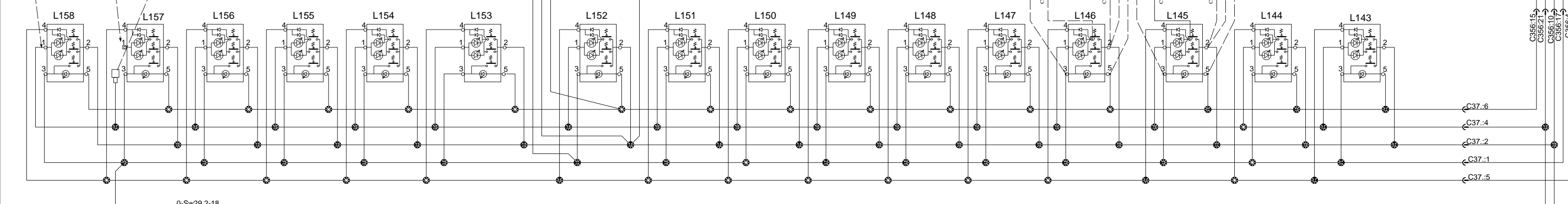
Reading lamp and hostess chime with WCL Ricon RH



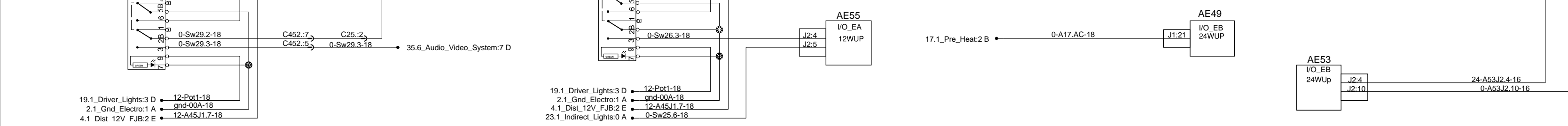
Customer Adaptation



Reading lamp and hostess chime LH

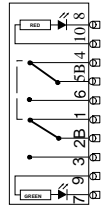


Reading lamp clean mode input



# Reading lamps Customer Adaptation (Diversified)

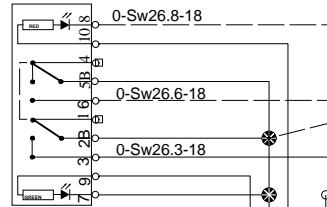
Sw26  
Reading Lamps Switch



Was 562697



Sw26A  
Reading Lamps Switch + Direct Lights



Becomes 562696

Unchanged  
12-Pot1-18  
gnd-00A-18  
12-A45J1.7-18

From P23.1SP1 ~~X~~ 0-Sw25.6-18

Diode added

D626

561740

3amps

0-Sw26.3-18

wire added

~~X~~ Shrink added

A55E

I/O\_EA

12WUP

J2:4

J2:5

**Notes and dotted lines represent modifications  
which must be done in order to meet the customer's requirements**

0

1

2

3

4

A

A

B

B

C

C

D

D

E

E

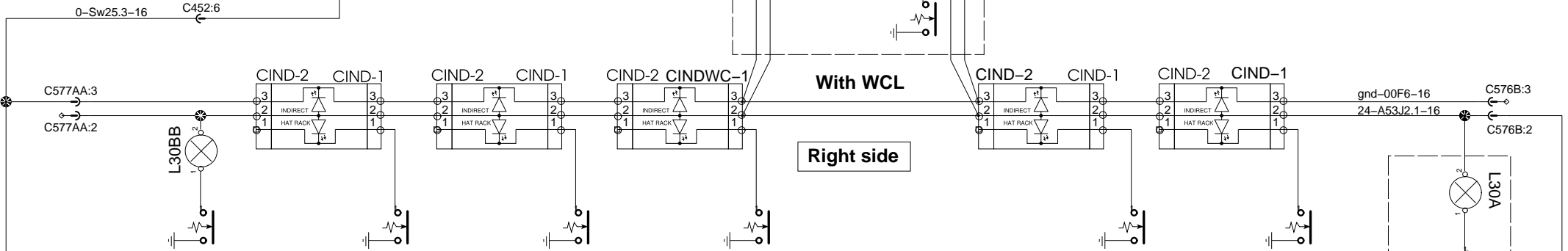
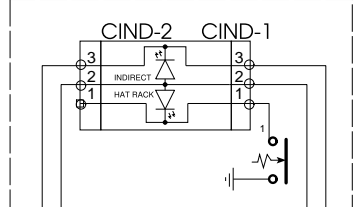
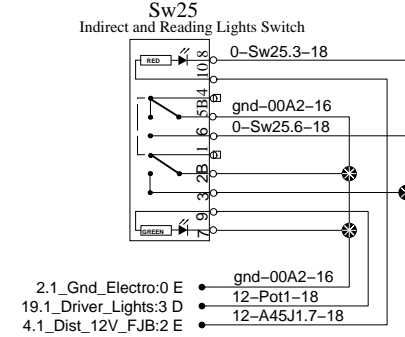
### Indirect lighting

### Without WCL

### With WCL

### Right side

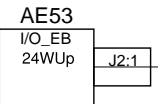
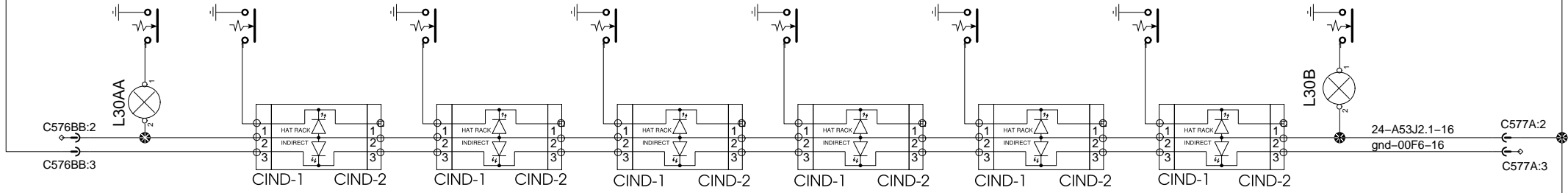
### Left side



### Front

### Rear

### With WCL



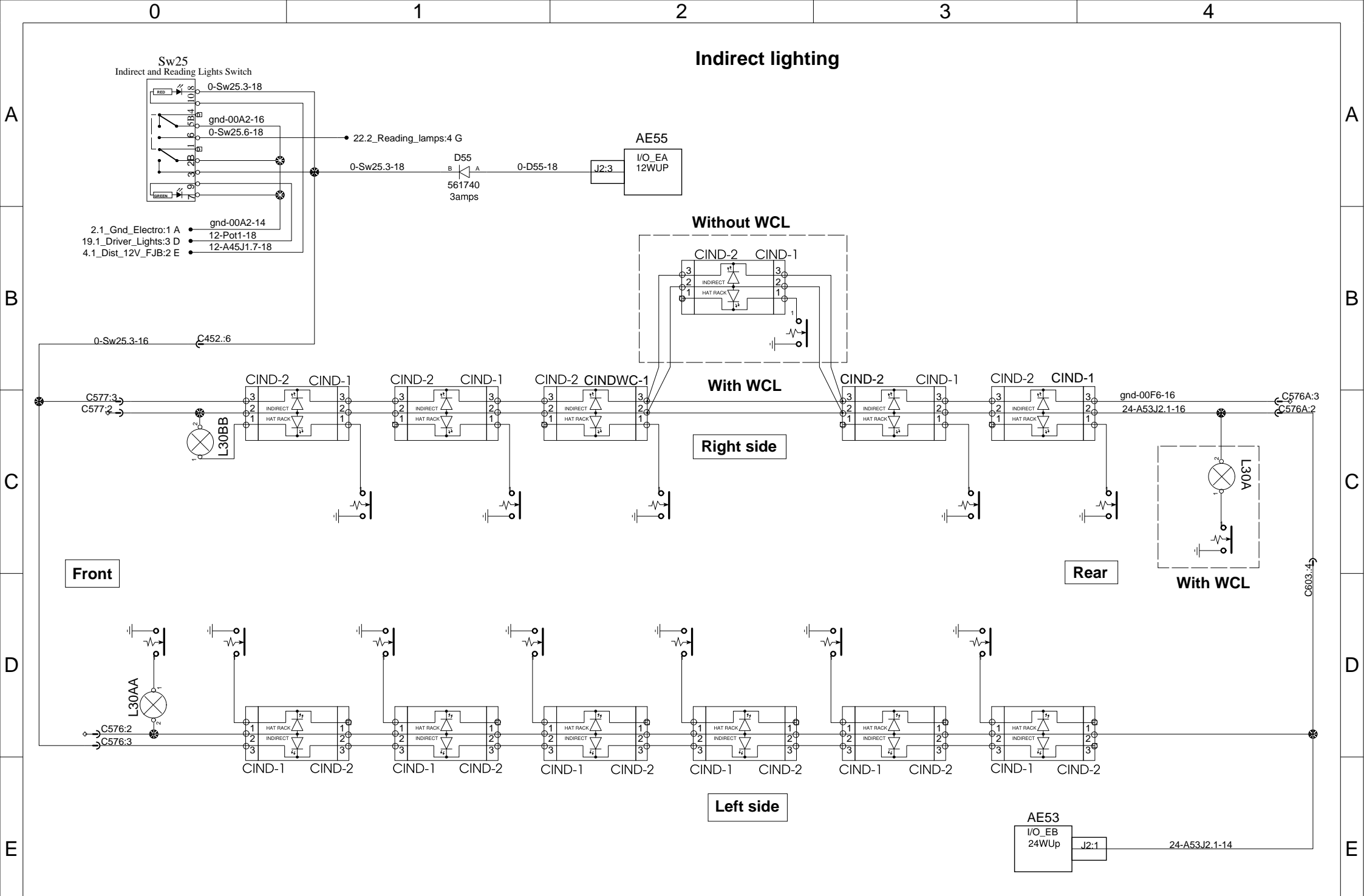
0

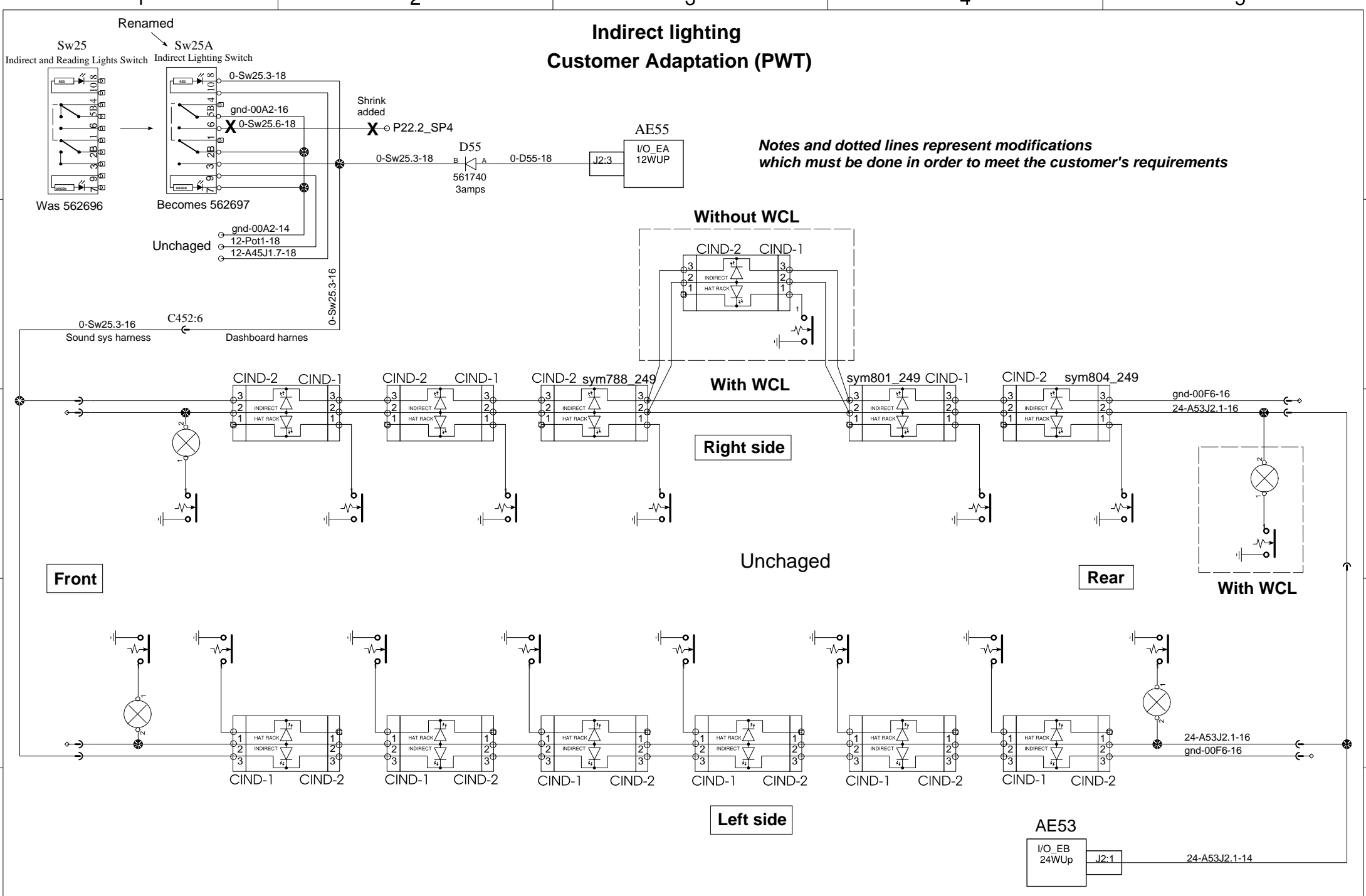
1

2

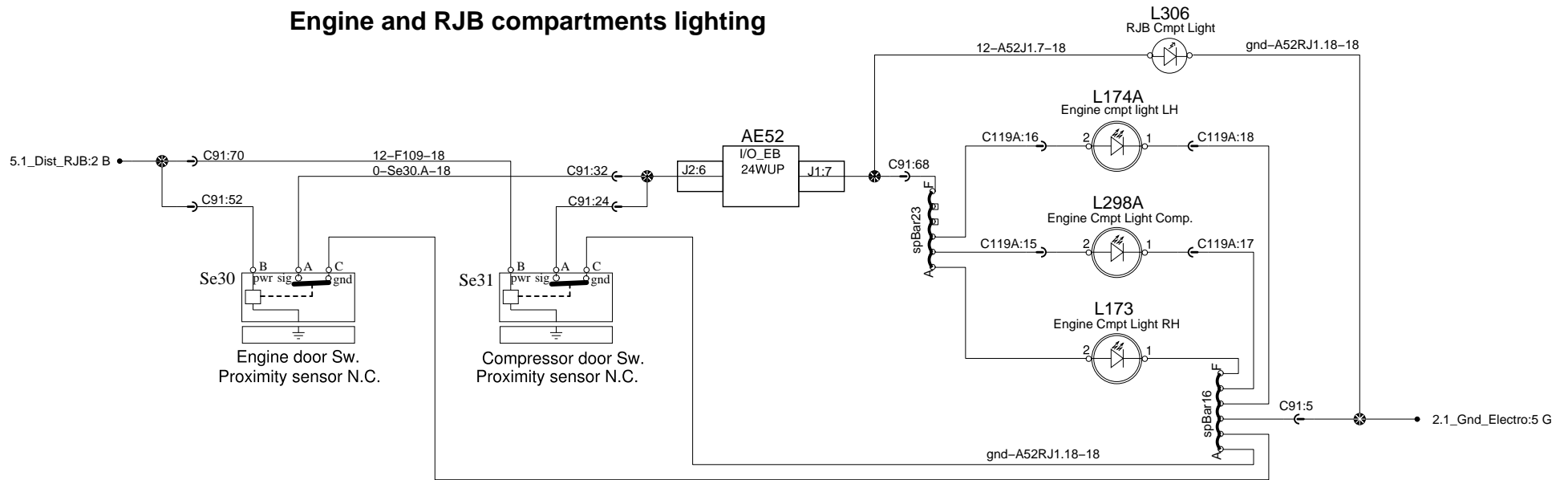
3

4

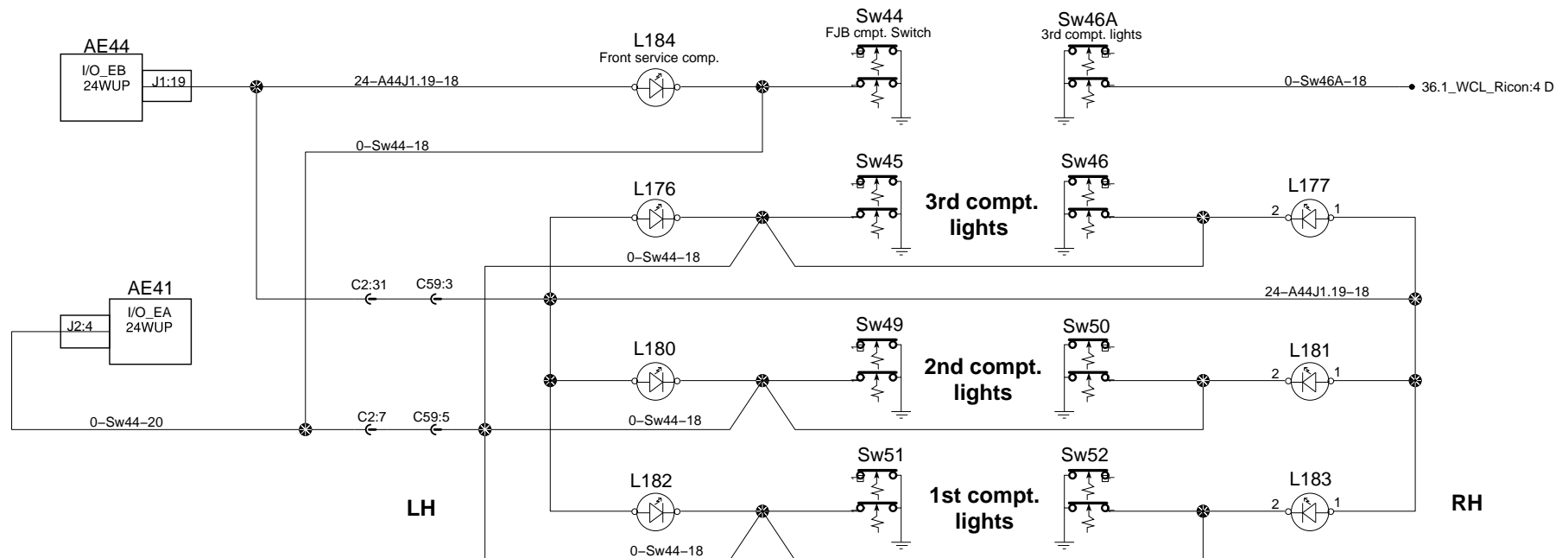




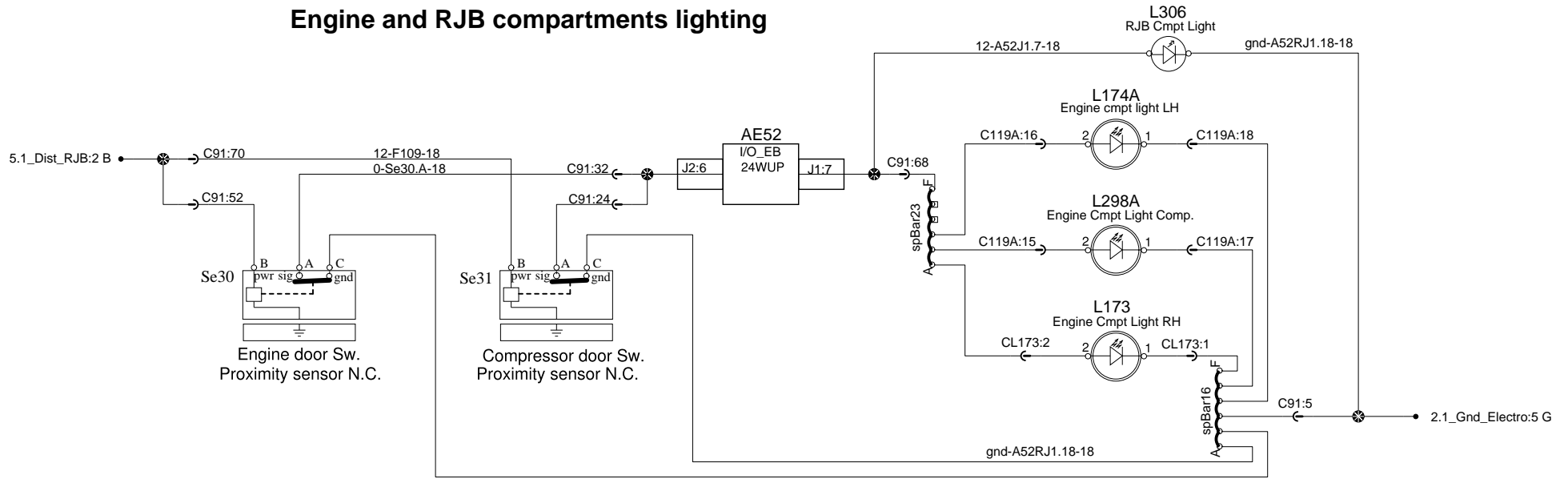
## Engine and RJB compartments lighting



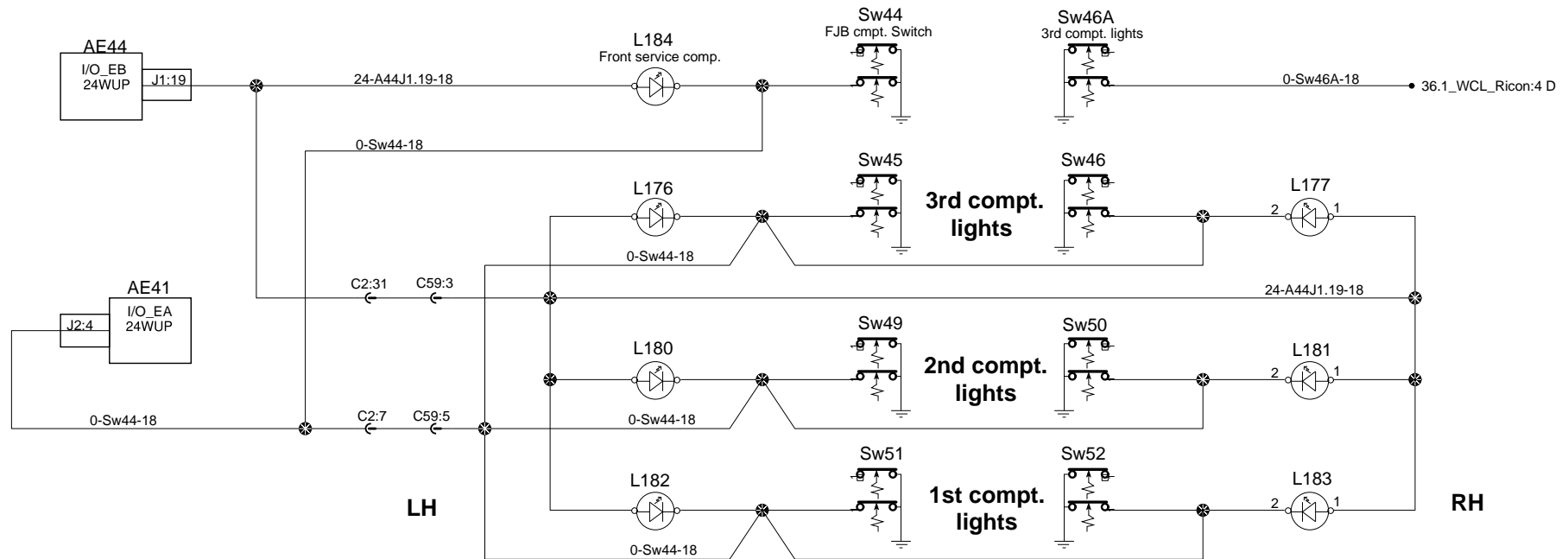
## Luggages compartment lighting



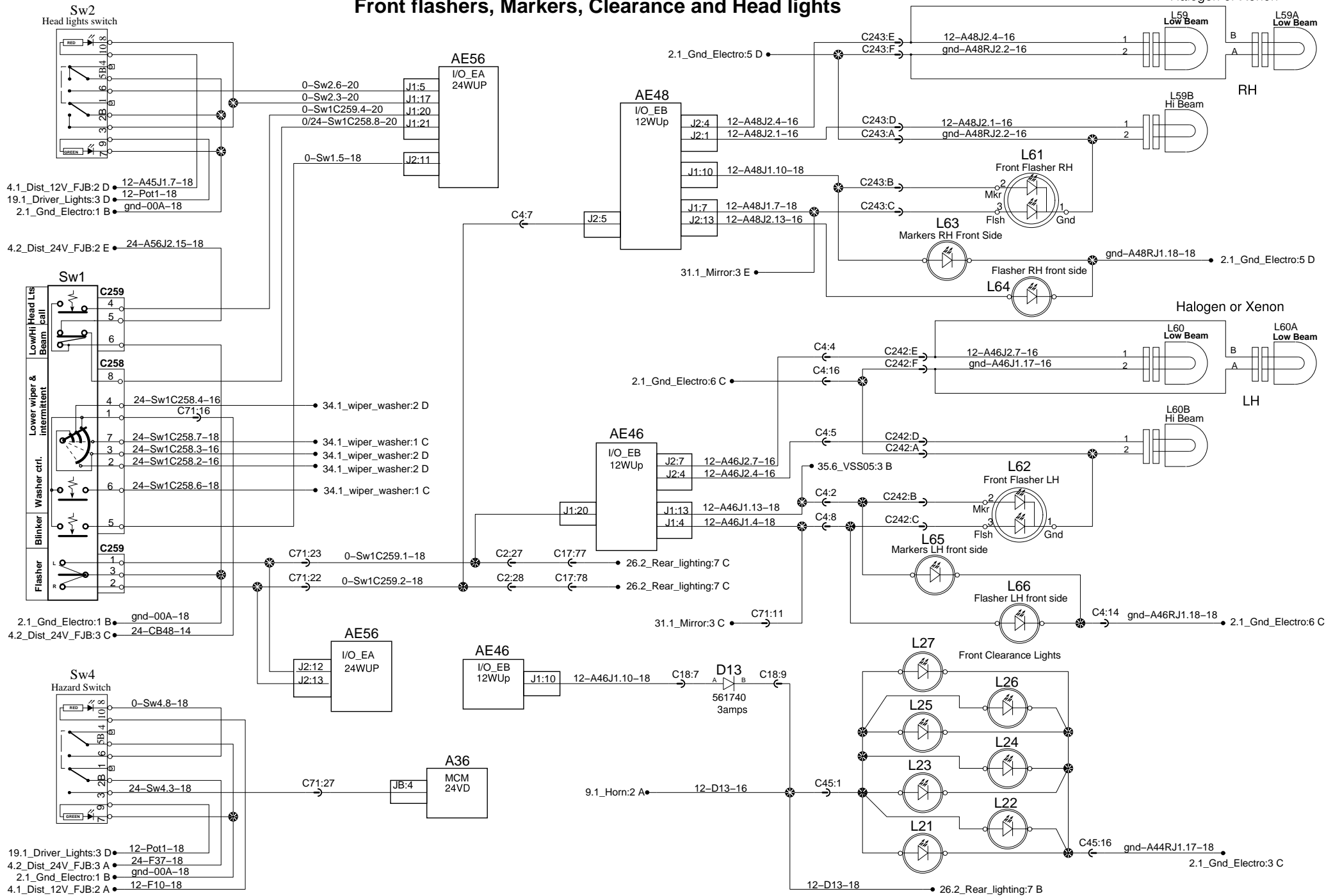
## Engine and RJB compartments lighting



## Luggages compartment lighting

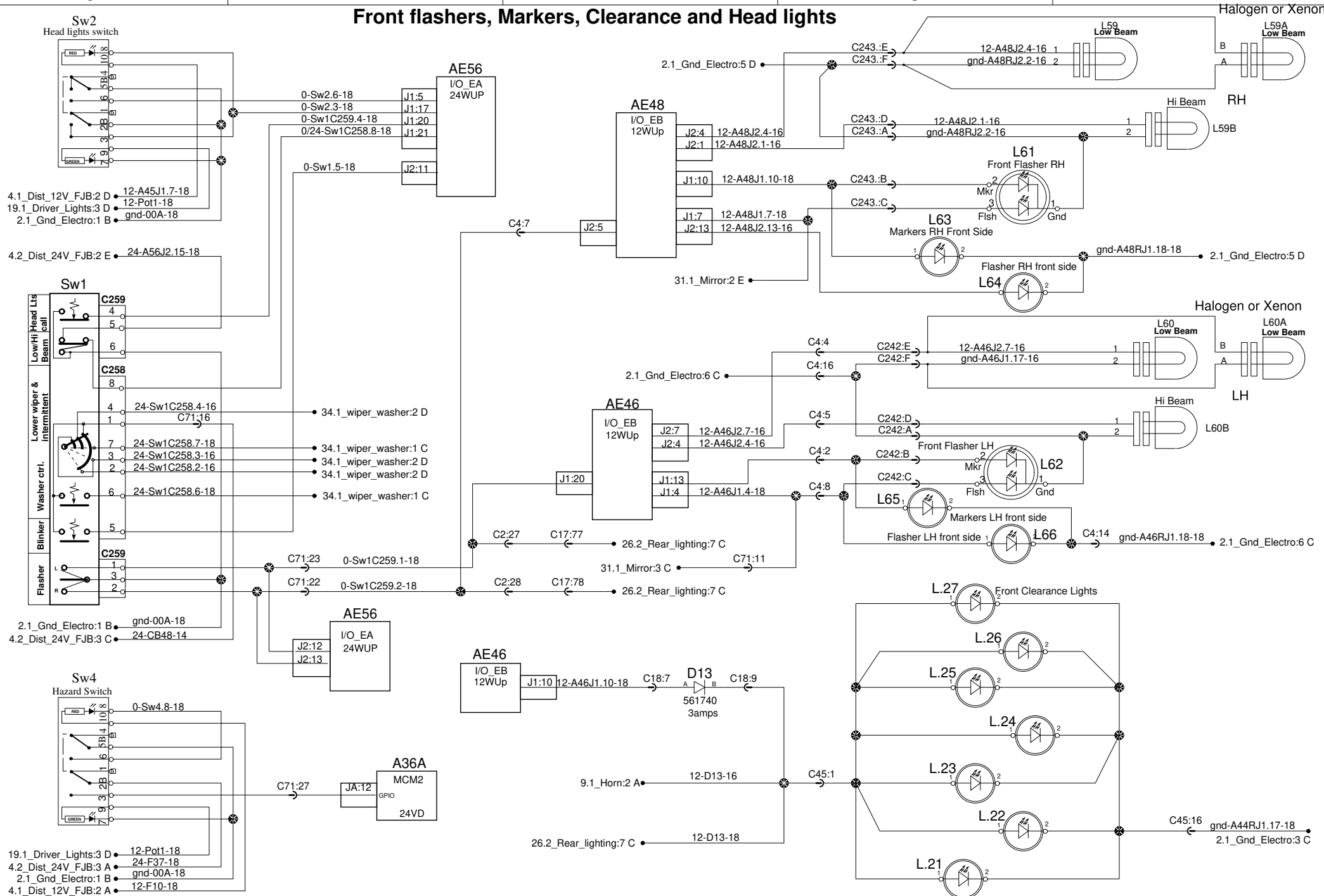


# Front flashers, Markers, Clearance and Head lights

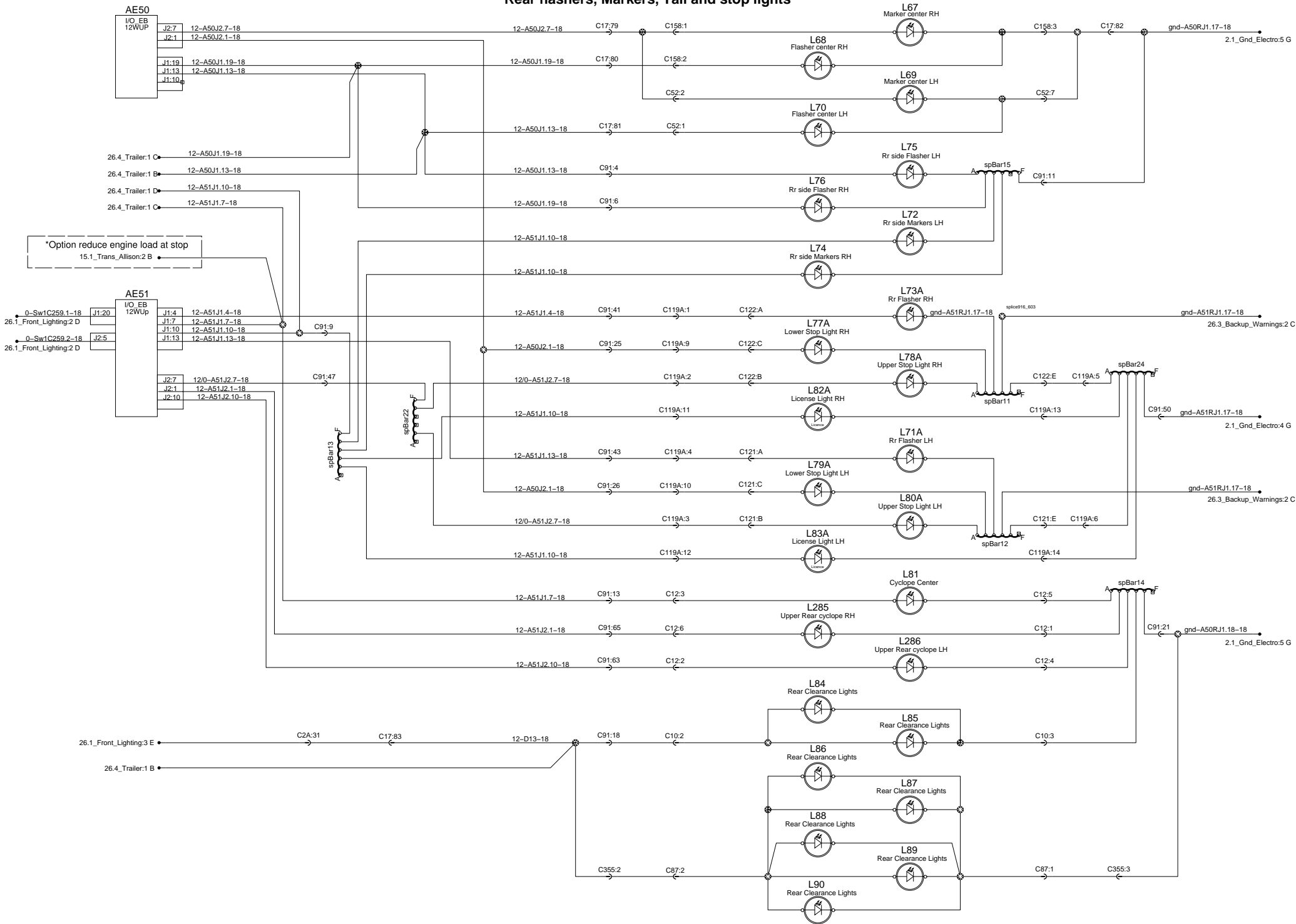




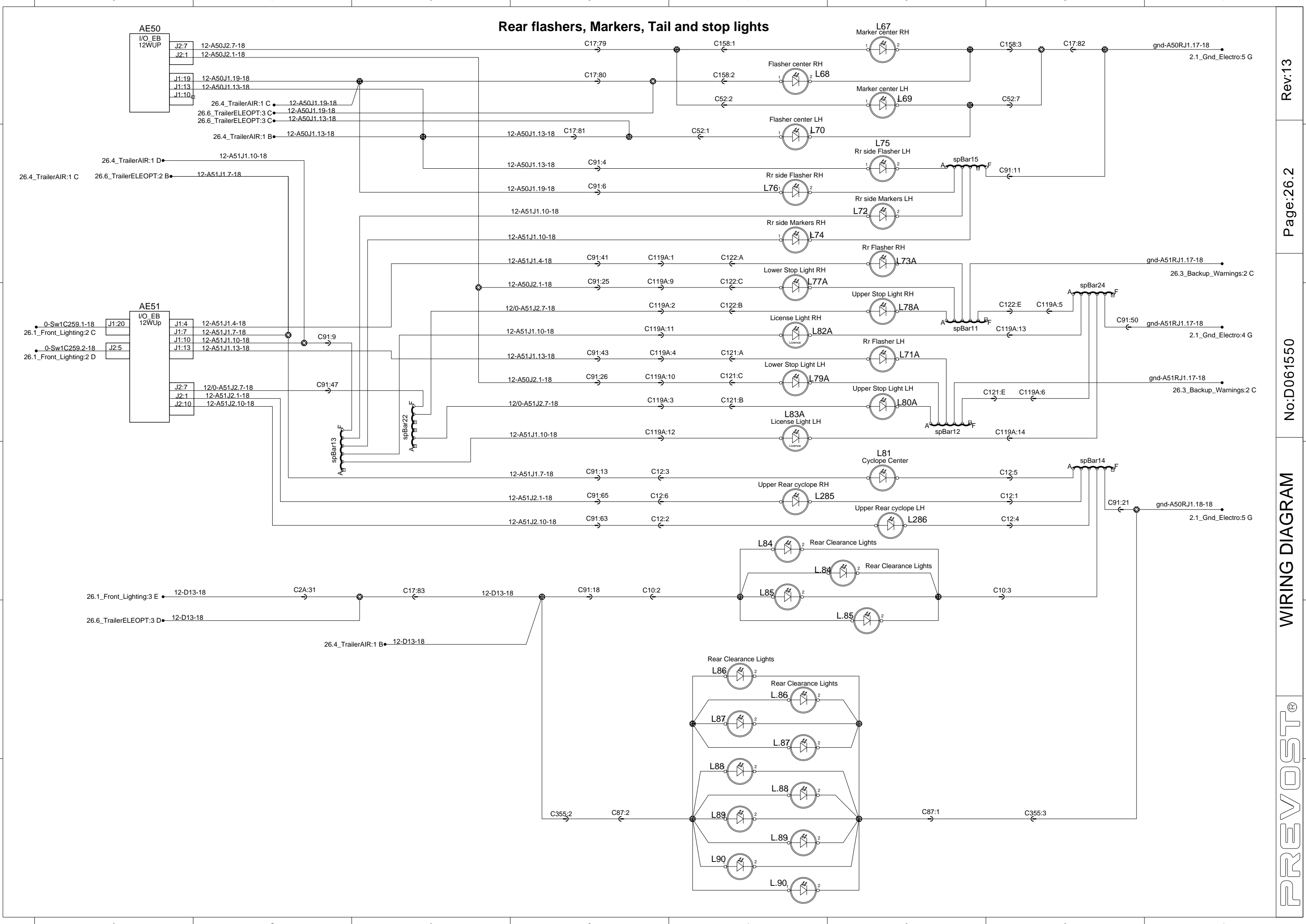
# Front flashers, Markers, Clearance and Head lights



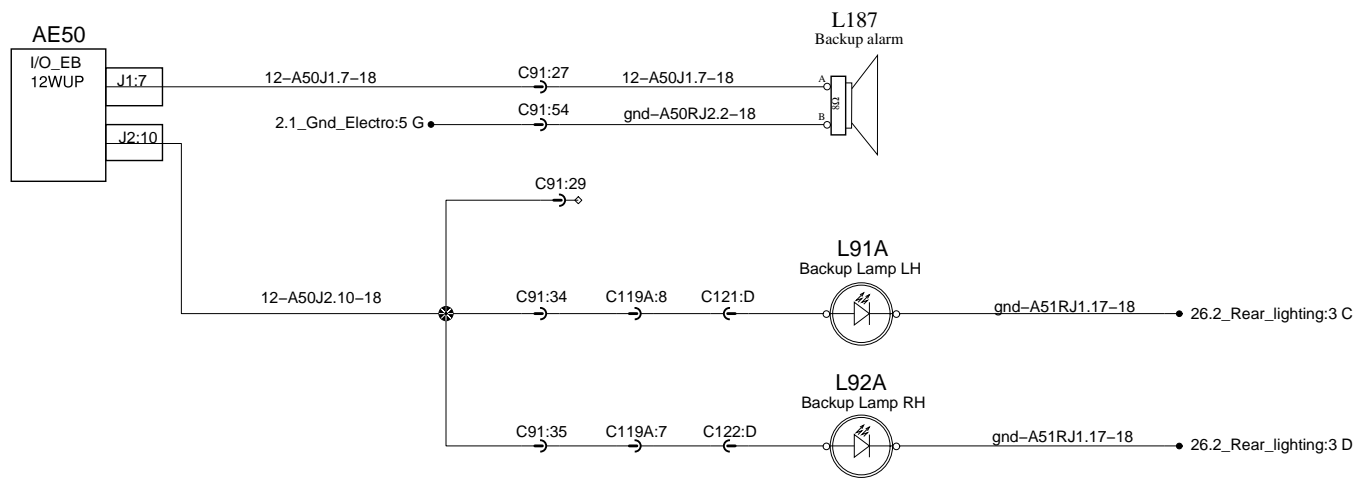
# Rear flashers, Markers, and stop lights



# Rear flashers, Markers, Tail and stop lights

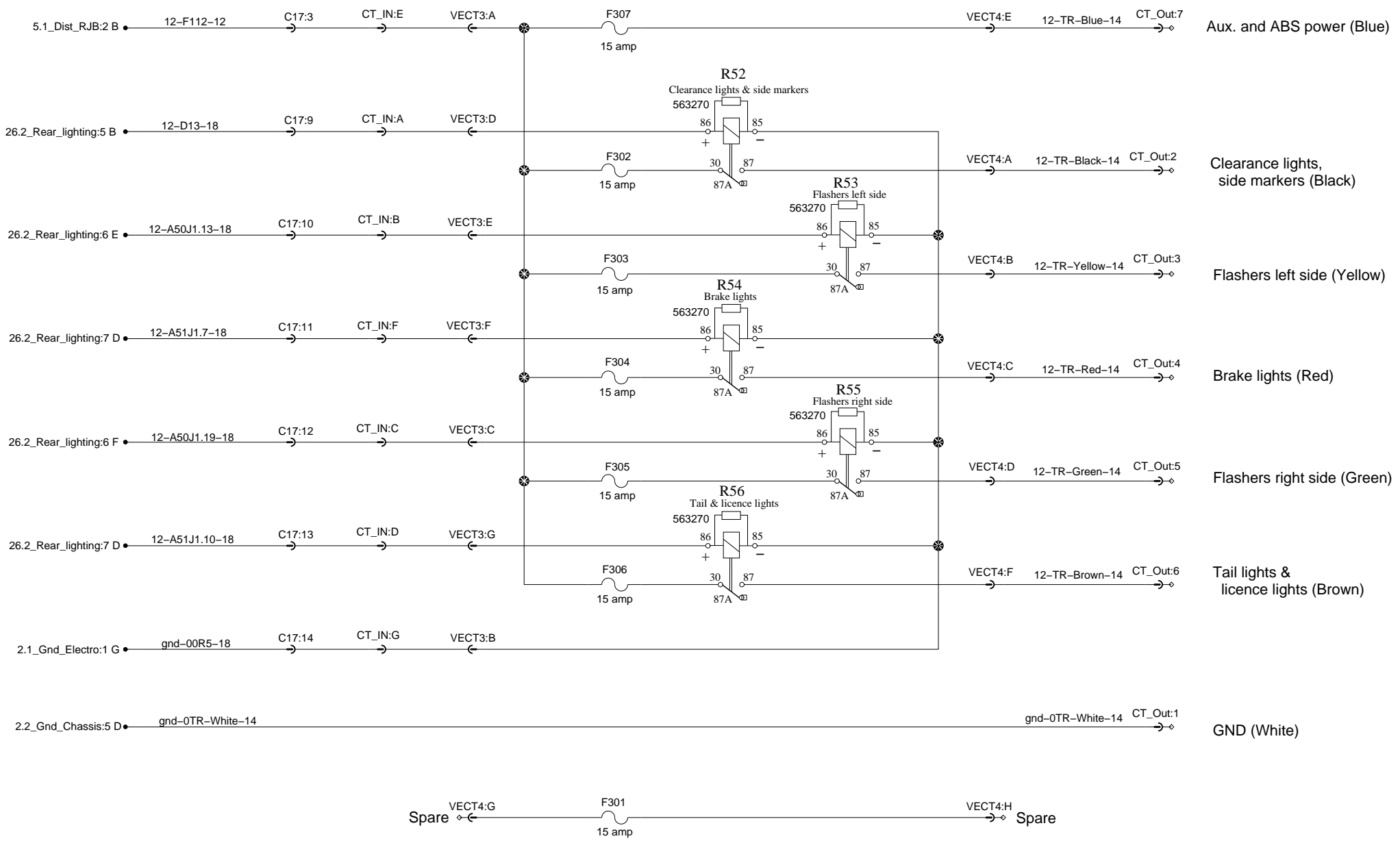


# Backup warnings

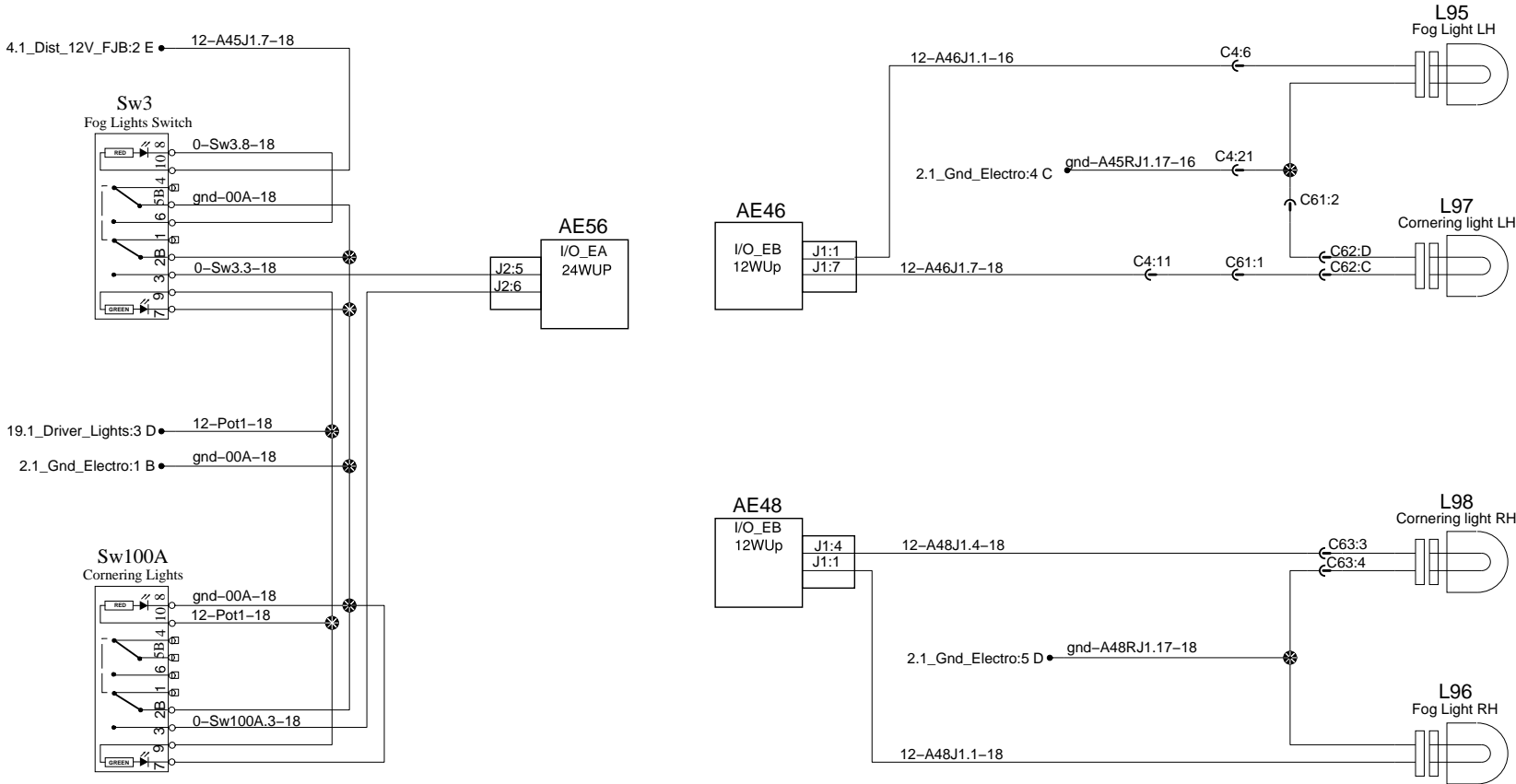


# Trailer interface

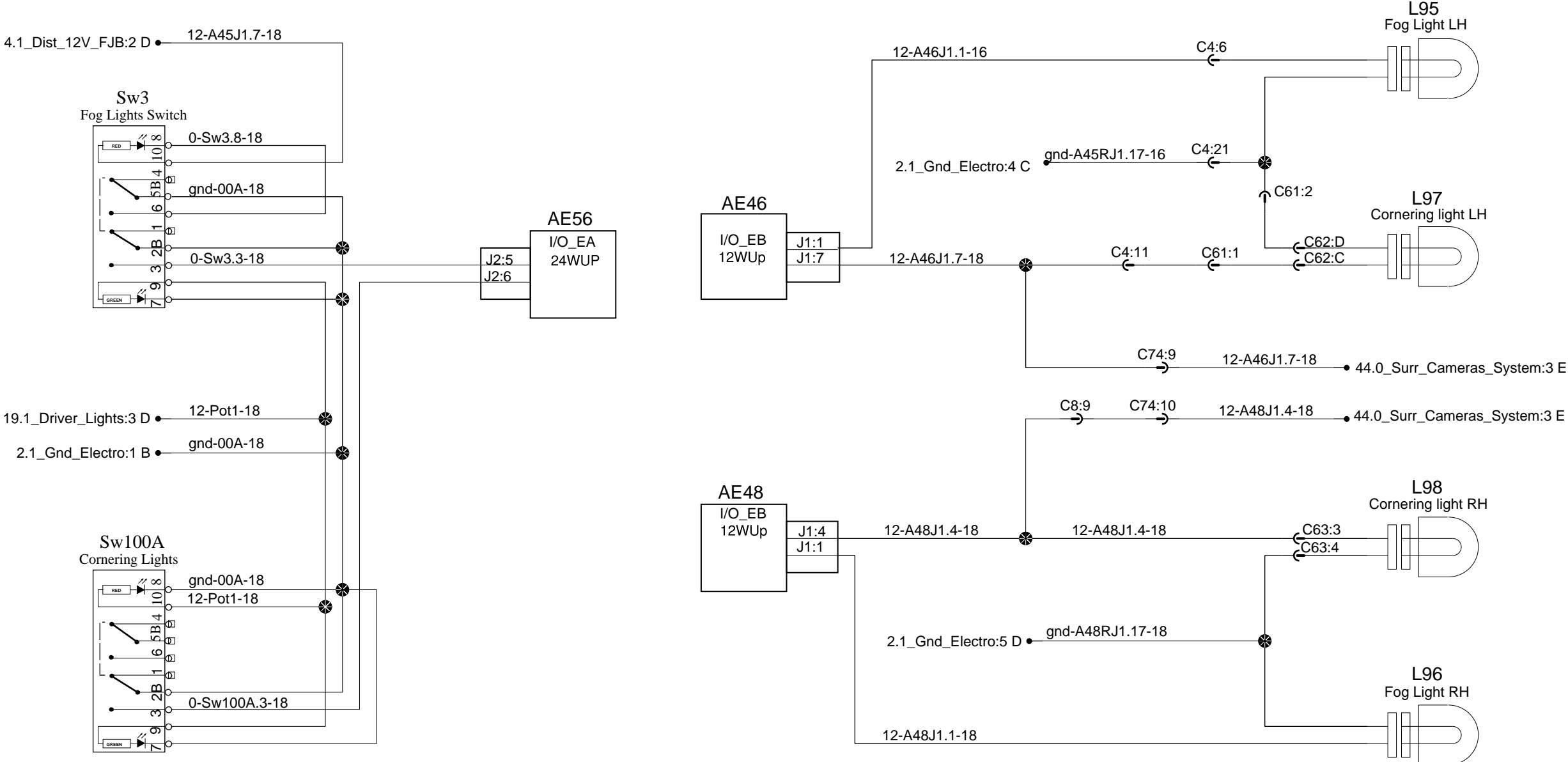
SAE J560 Standard  
Trailer socket



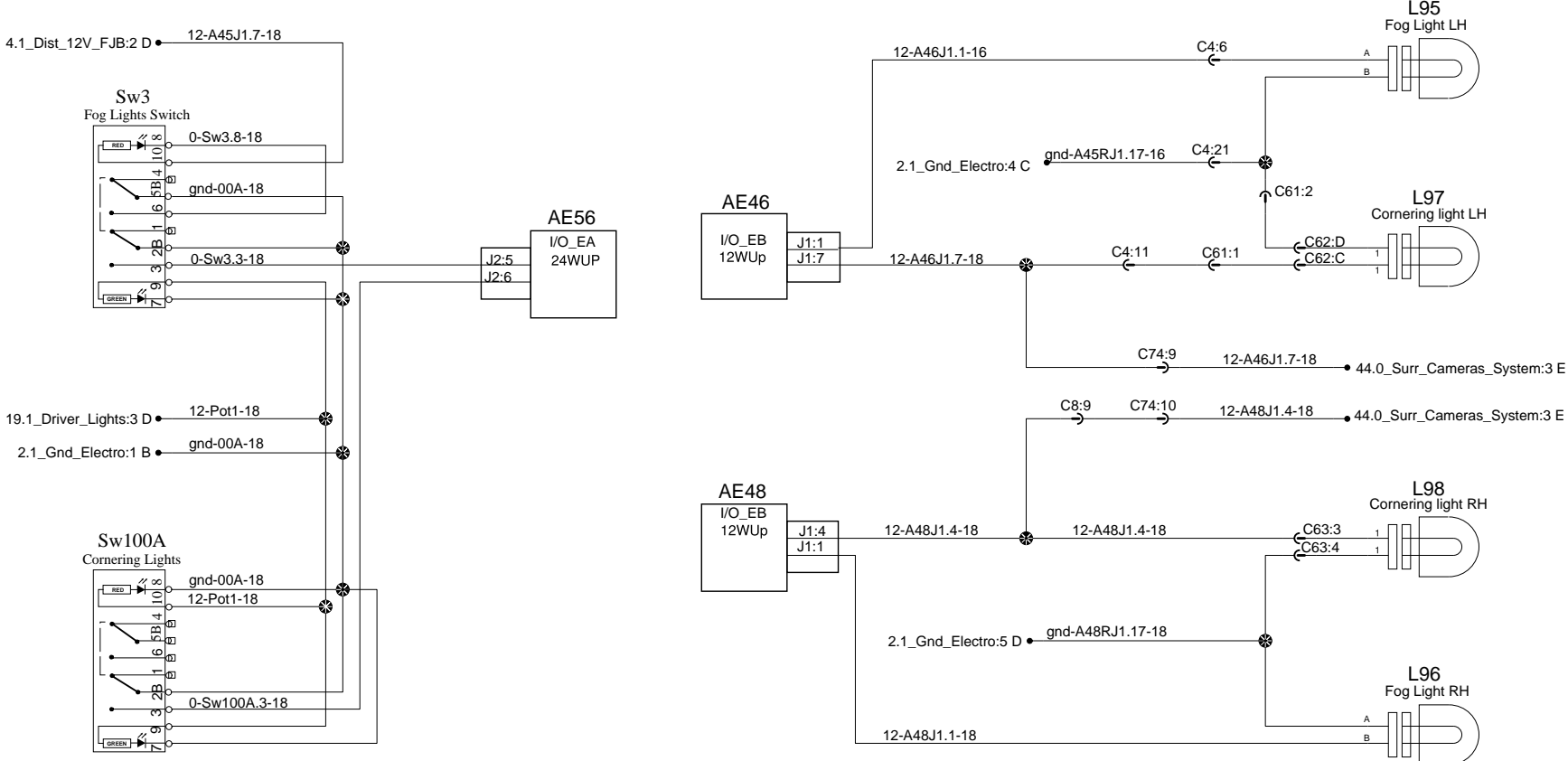
# Cornering and Fog lights (Option)



# Cornering and Fog lights (Option)



# Cornering and Fog lights (Option)





1

2

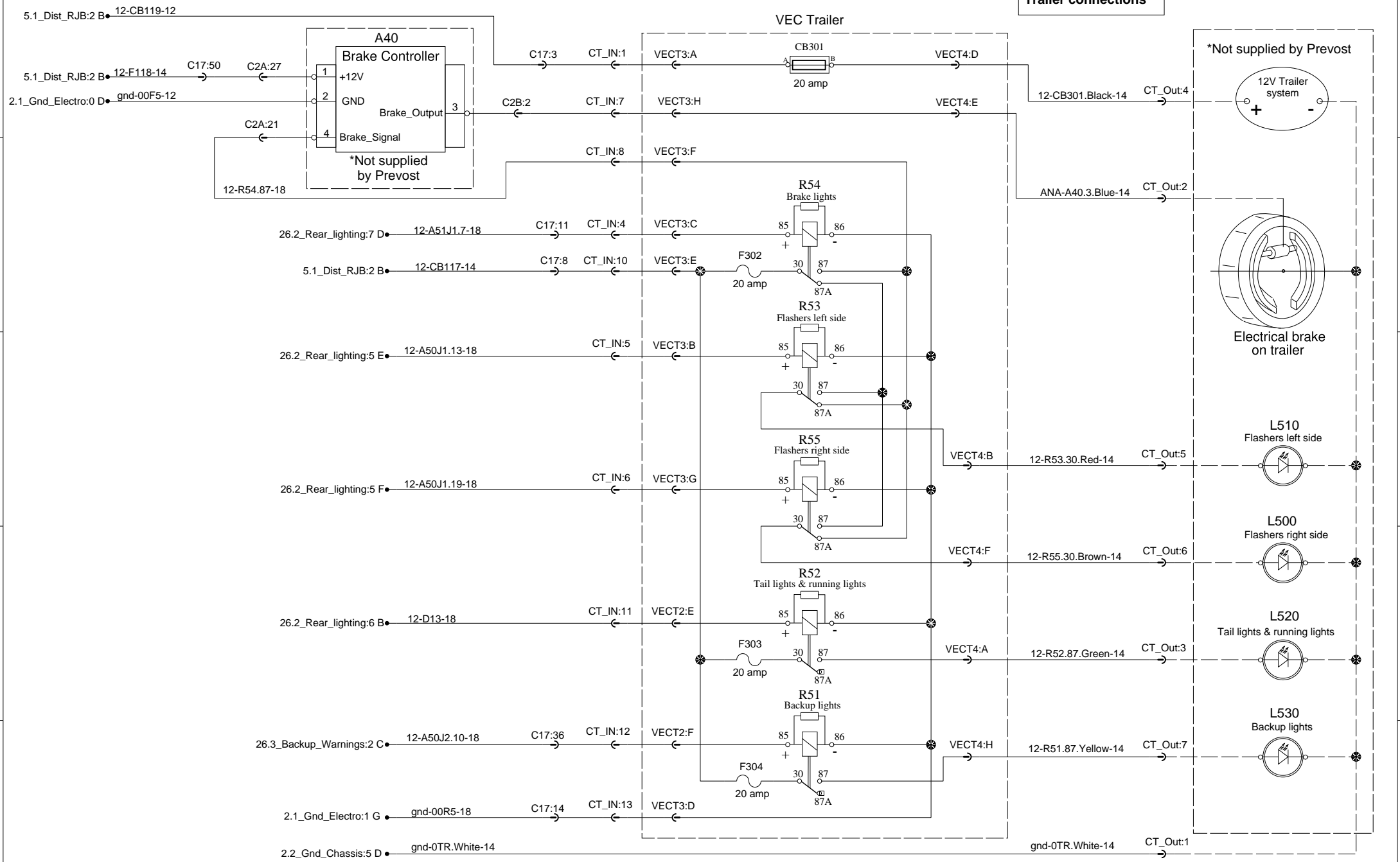
3

4

5

### Trailer interface

### 7-way RV style Trailer connections



1

2

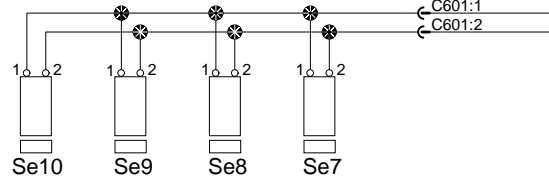
3

4

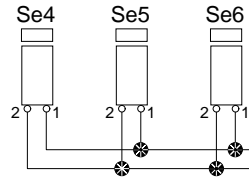
5

# Windows ajar

## Magnetic sensors window ajar LH



Window open = contact close  
 Window close = contact open



## Magnetic sensors window ajar RH

## AE56

I/O\_EA  
24WUP

J2:1

C582:A

0-Se4.1-20

C601:1

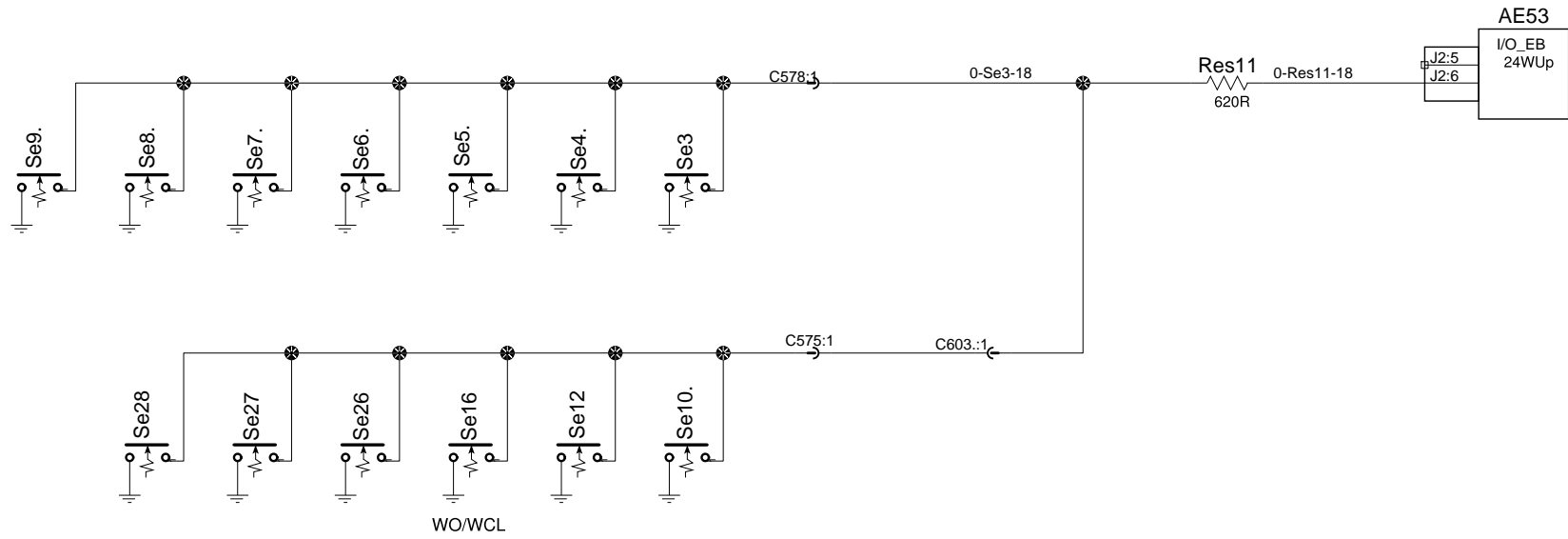
C601:2

gnd-A56RJ1.18-18

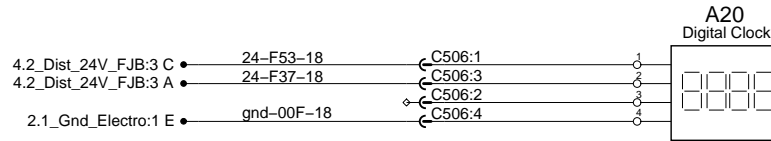
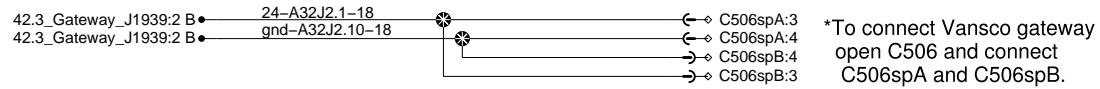
C582:B

2.1\_Gnd\_Electro:5 C

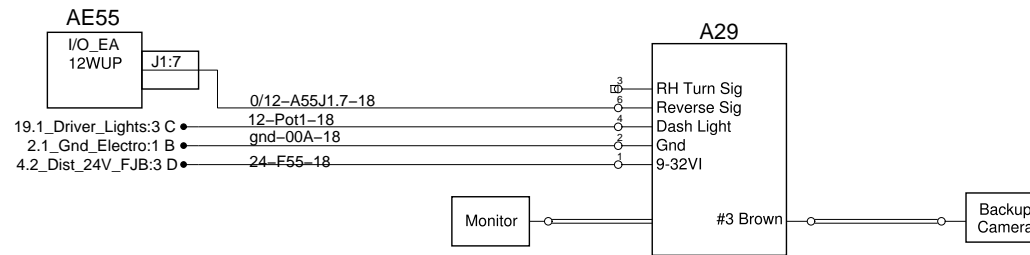
# Windows ajar



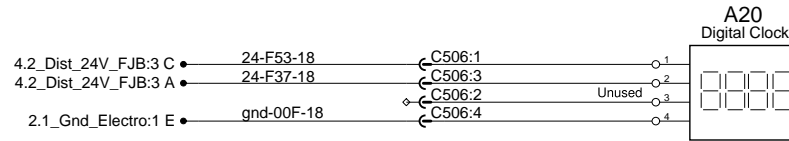
### 12/24 Hours digital clock



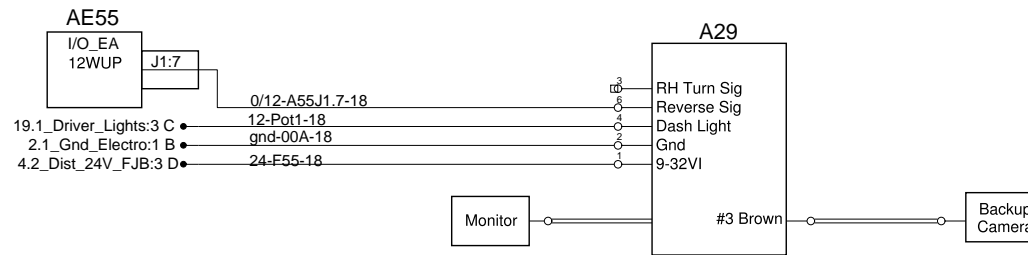
### Back-up camera



### 12/24 Hours digital clock



### Back-up camera



0

1

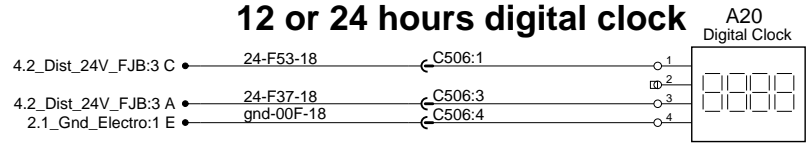
2

3

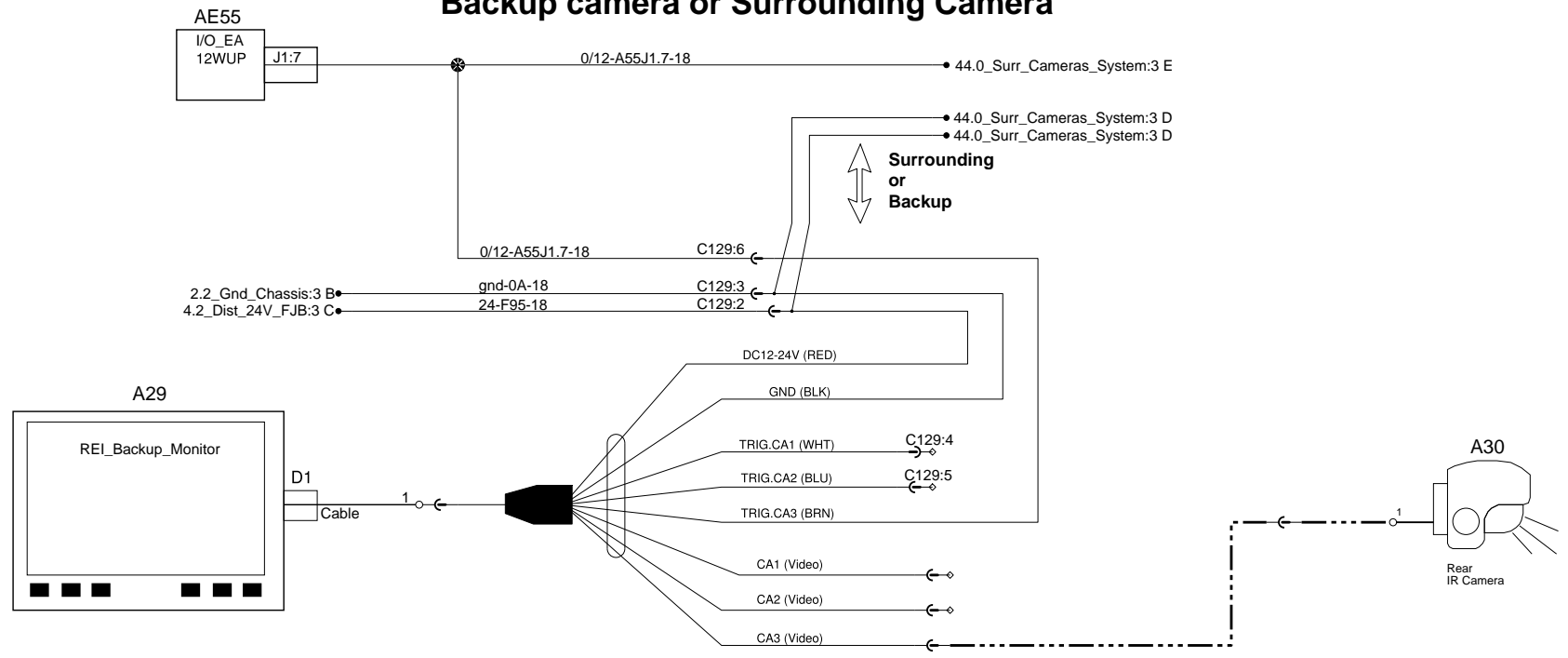
4

### Digital clock & Backup camera

#### 12 or 24 hours digital clock



#### Backup camera or Surrounding Camera



0

1

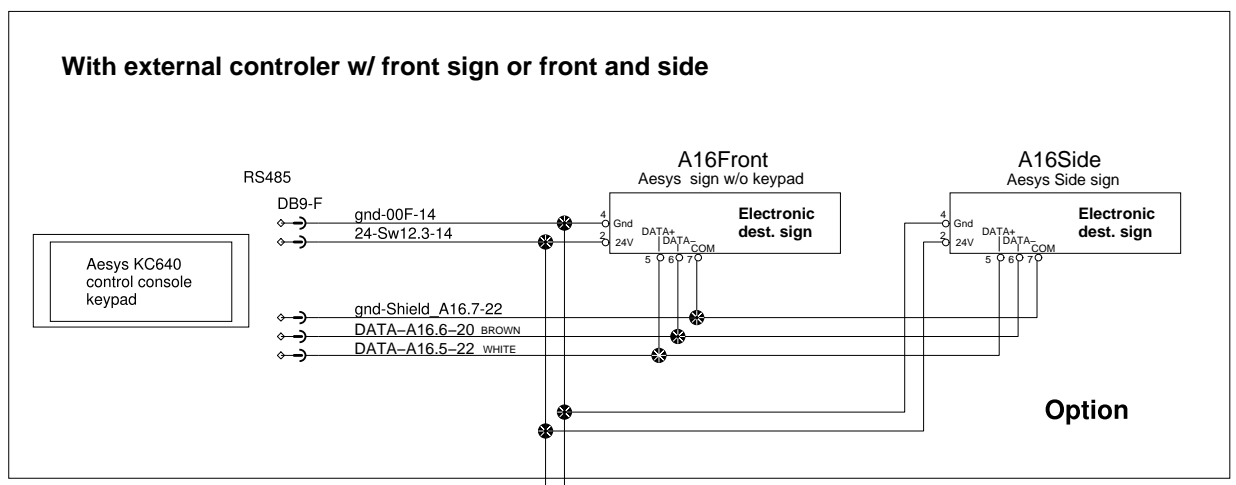
2

3

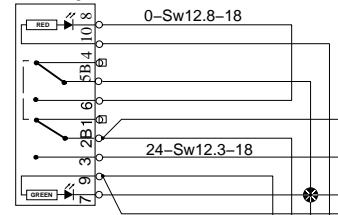
4

# Electronic destination signs

With external controller w/ front sign or front and side

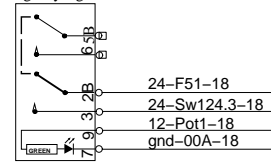


Sw12  
Destination sign switch



- 19.1\_Driver\_Lights:3 D
- 4.2\_Dist\_24V\_FJB:3 C
- 2.1\_Gnd\_Electro:1 B
- 4.1\_Dist\_12V\_FJB:2 E
- 2.2\_Gnd\_Chassis:3 B
- 12-Pot1-18
- 24-F51-18
- gnd-00A-18
- 12-A45J1.7-18
- gnd-0F-18

Sw124  
Emergency sign switch



# Electronic destination signs

A

A

B

B

C

C

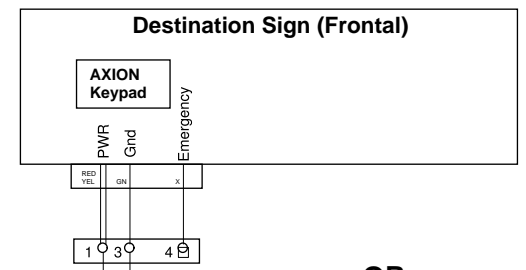
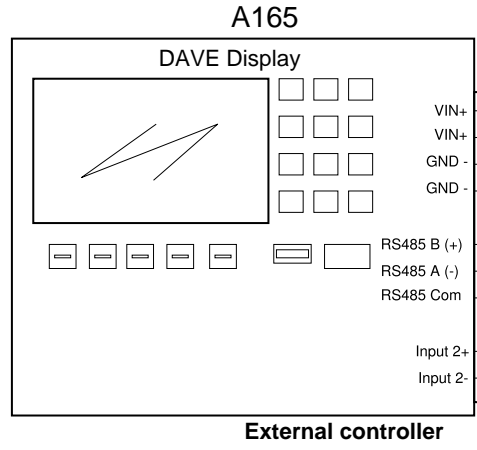
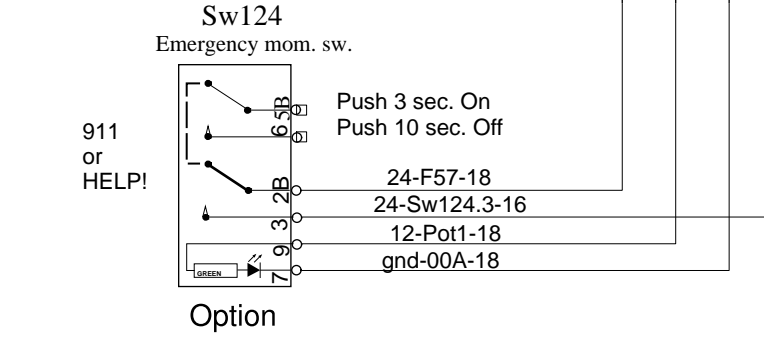
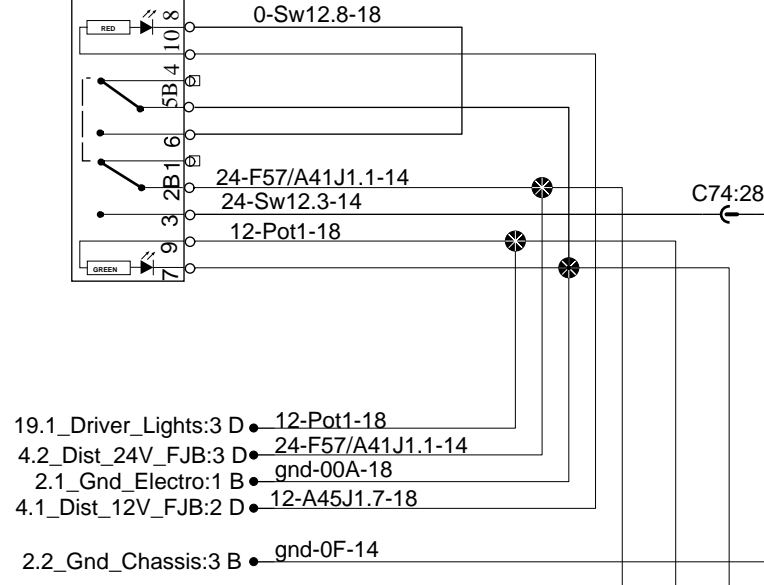
D

D

E

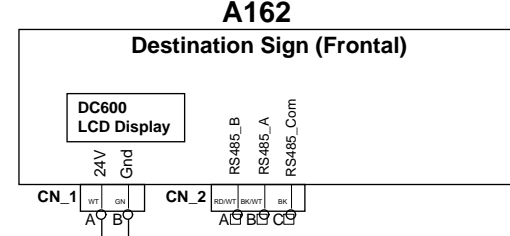
E

Sw12  
Destination sign switch



Front sign could be Aesys or Axion

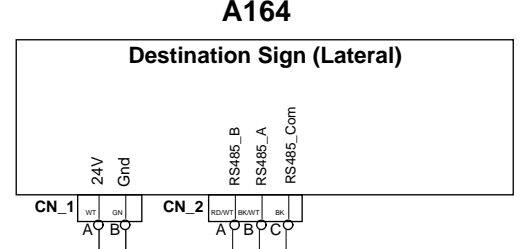
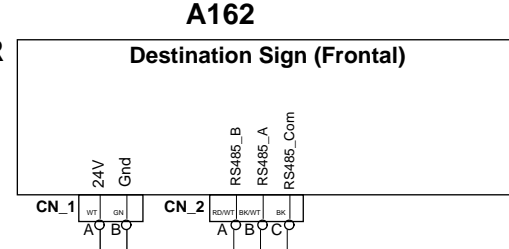
OR



In option, it could be Aesys single lateral sign w/ext. display

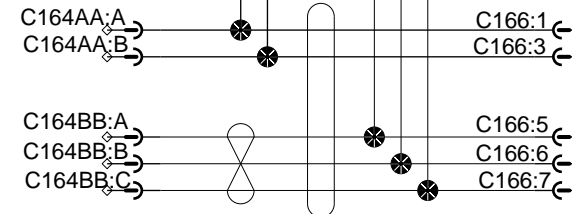
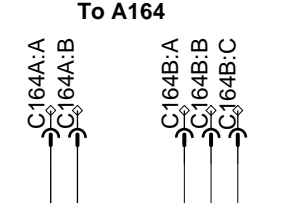
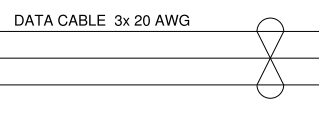
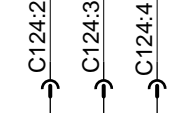
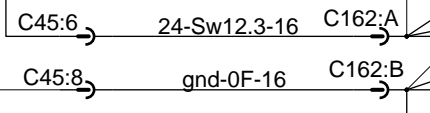
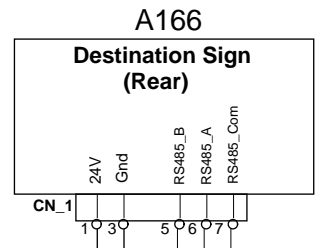
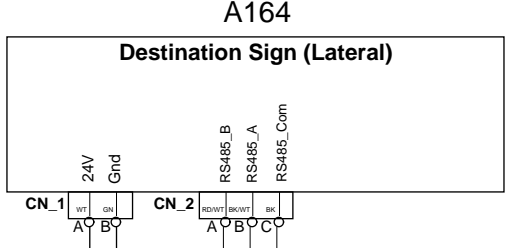
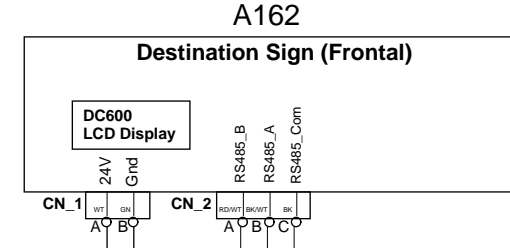
Directly Connected

OR



White  
Green  
Brown

OR

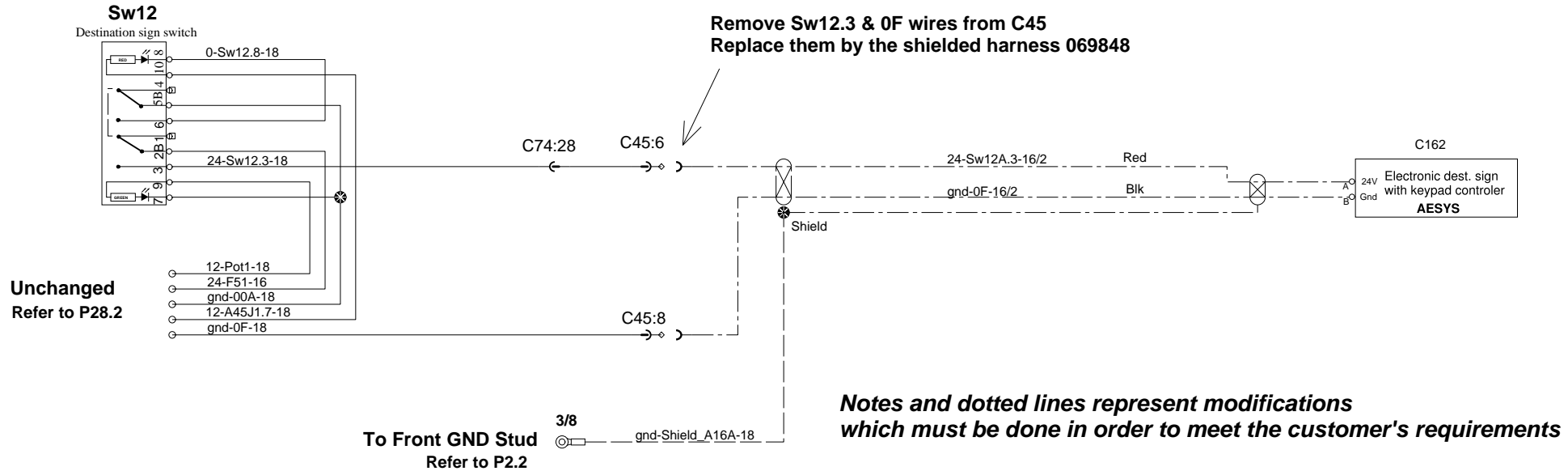


With Rear Sign Option



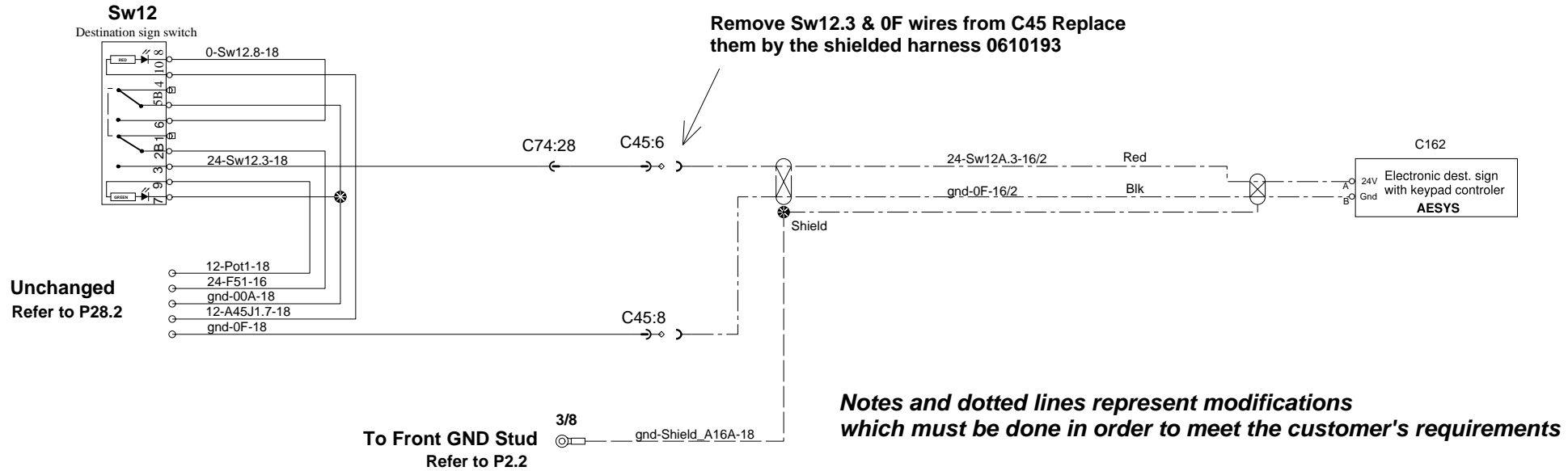
# Electronic destination sign

## Customer Adaptation (Sign Shielded Power Cable)

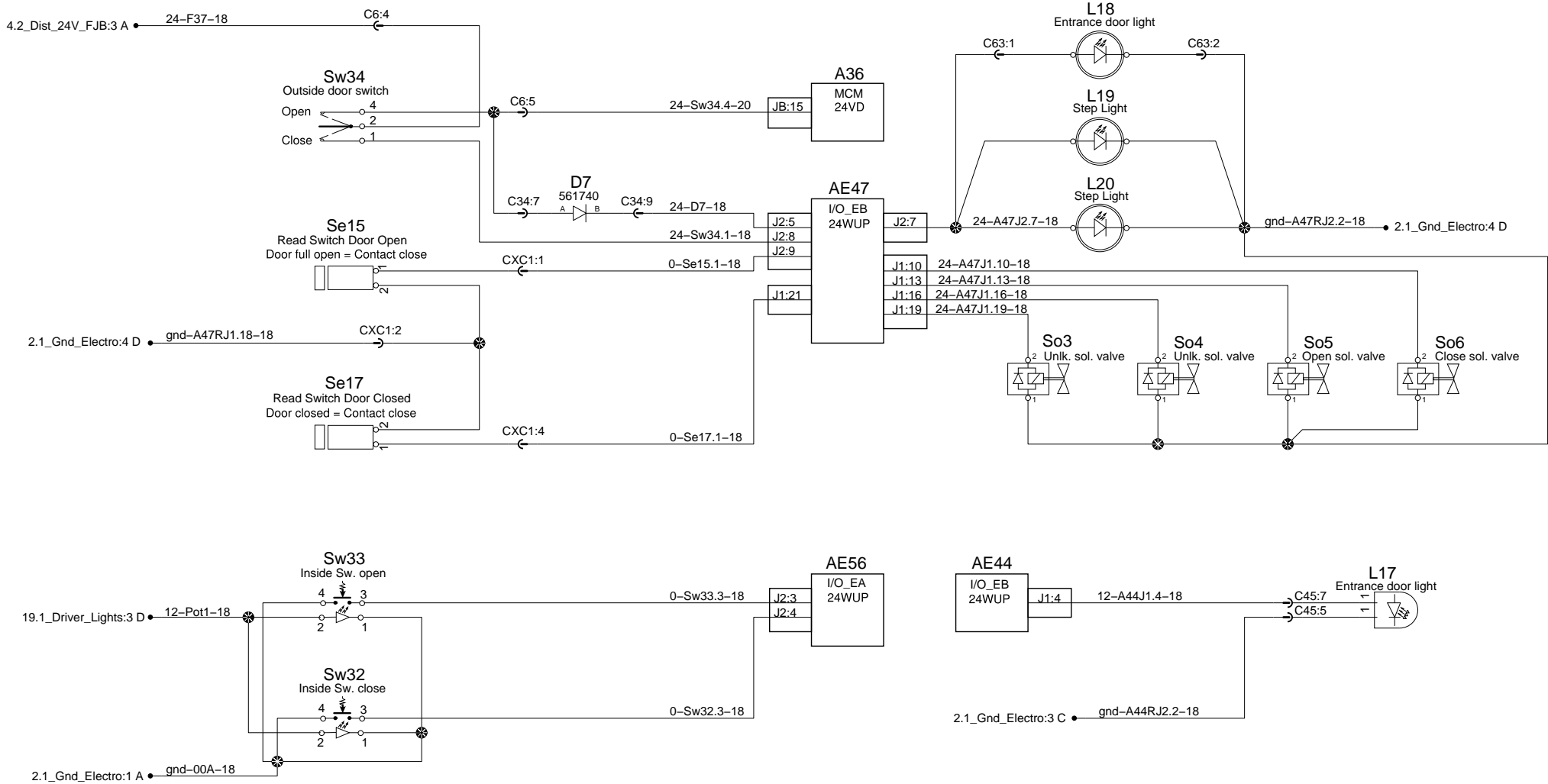


# Electronic destination sign

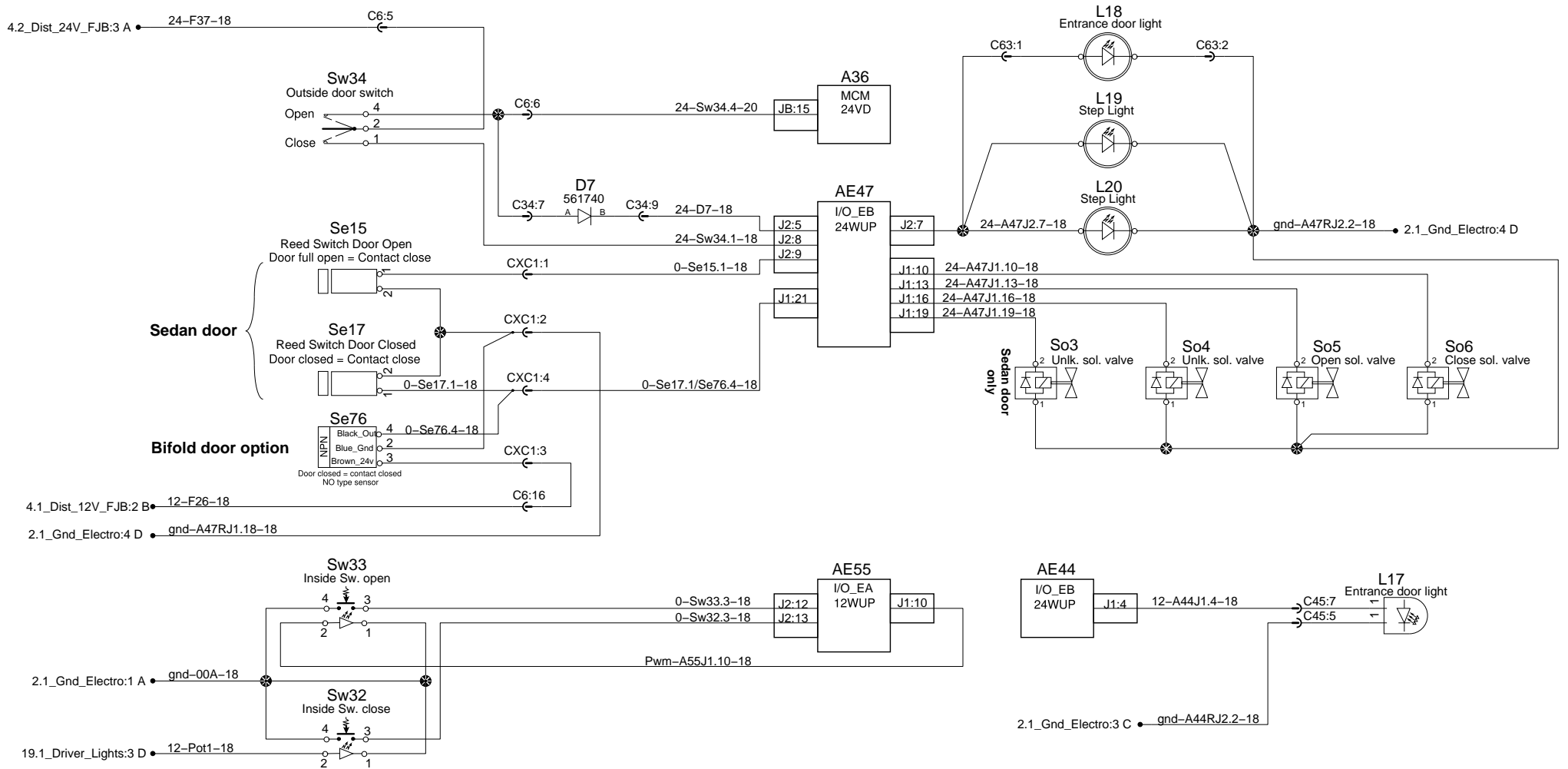
## Customer Adaptation (Sign Shielded Power Cable)



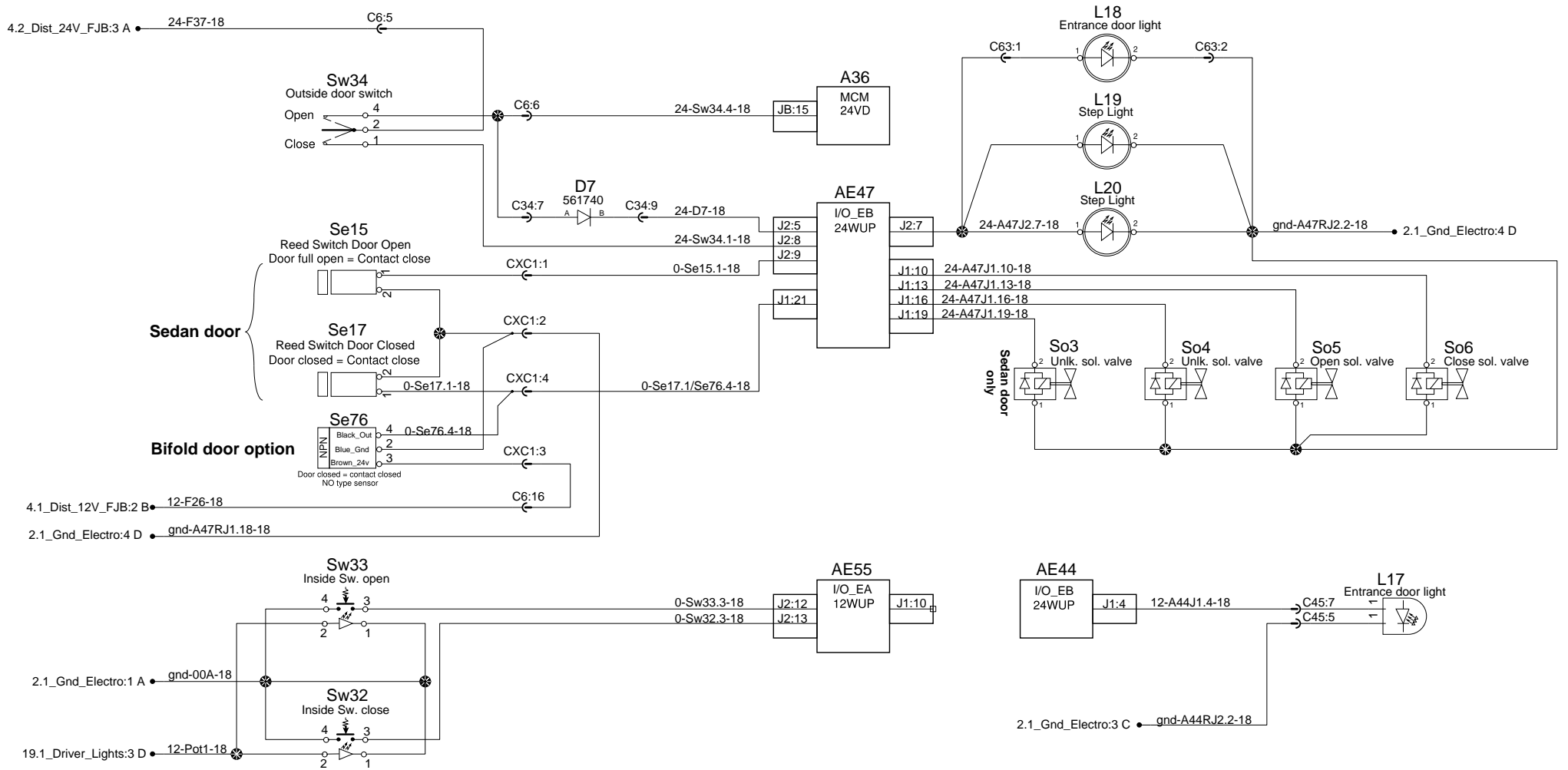
# Entrance door



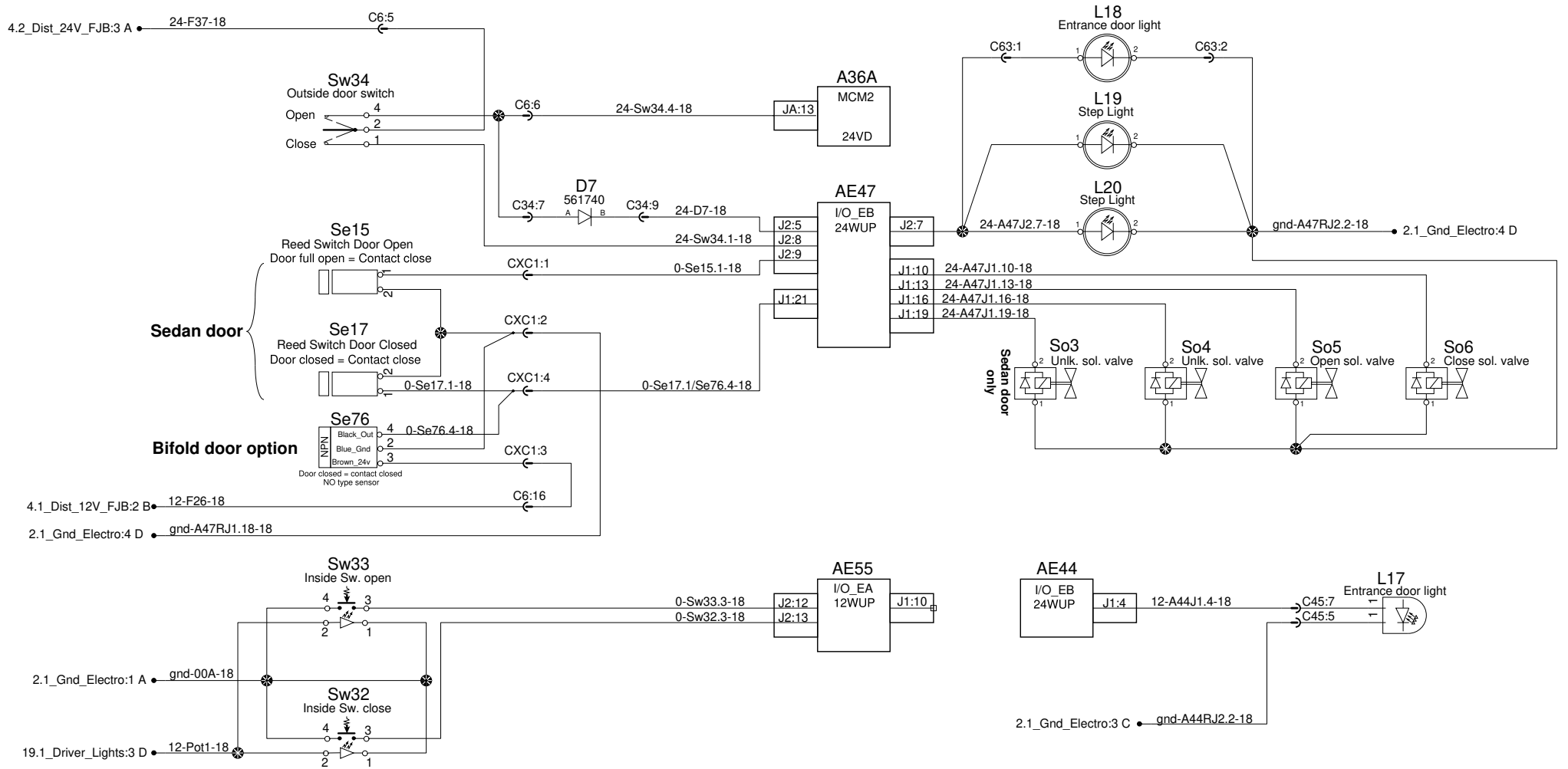
# Entrance door



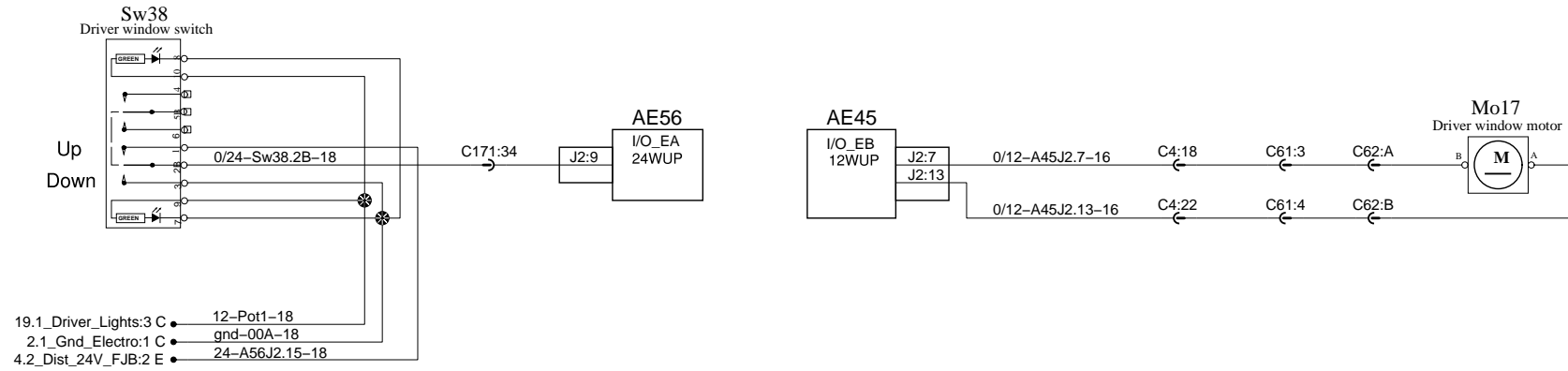
# Entrance door



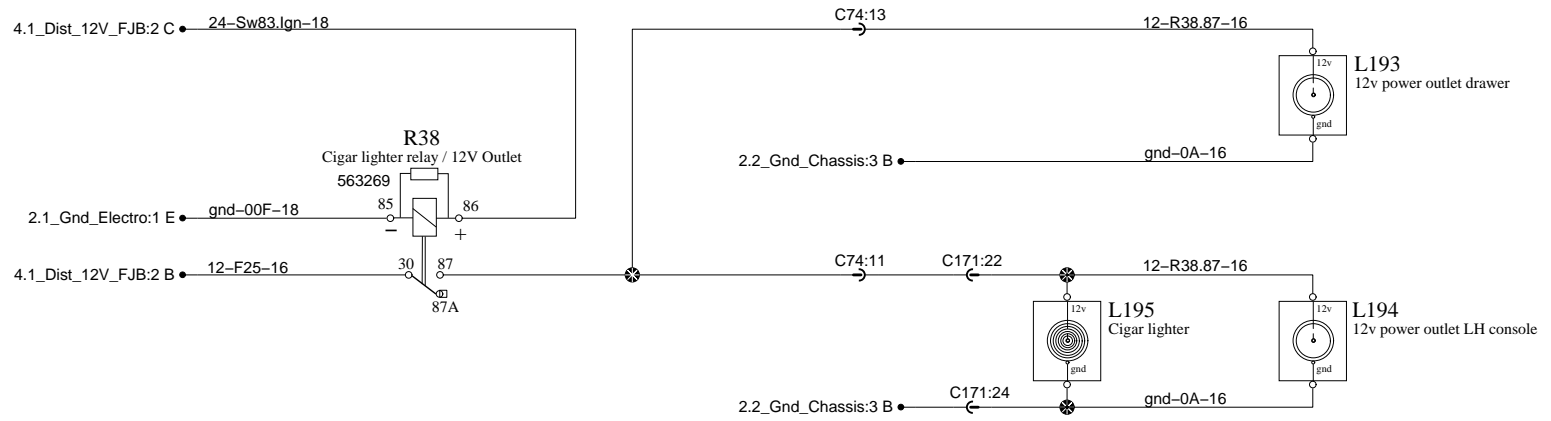
# Entrance door



# Driver Window

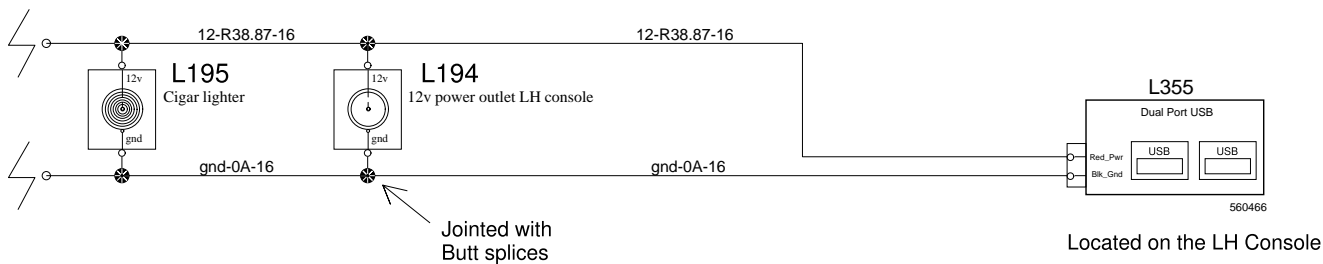


# 12V Outlets

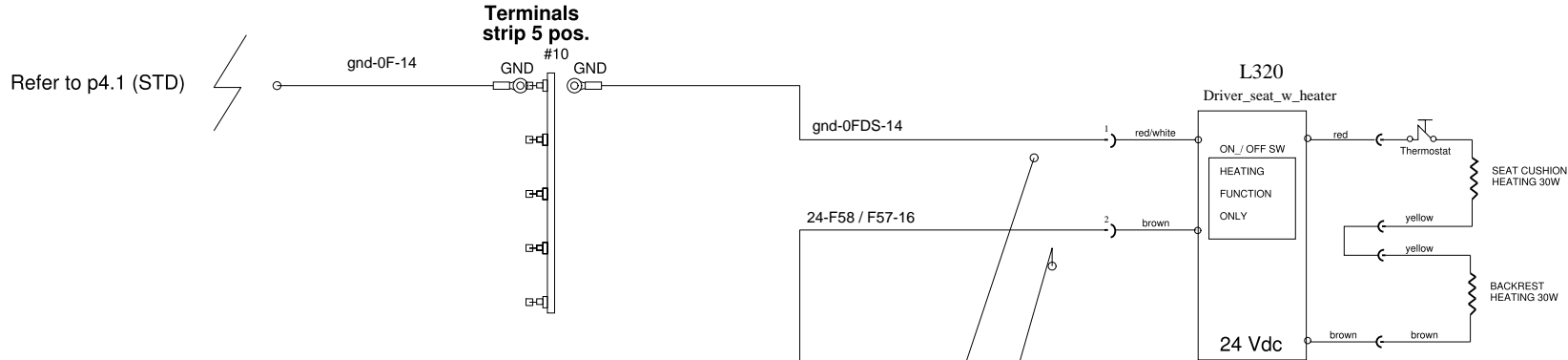




USB Dual Port Outlets  
Customer Adaptation



# Driver seat with heating function

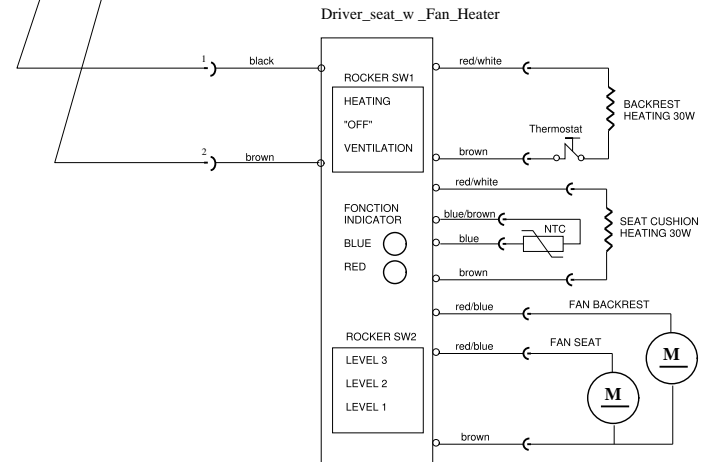


Refer to p4.1 (STD)

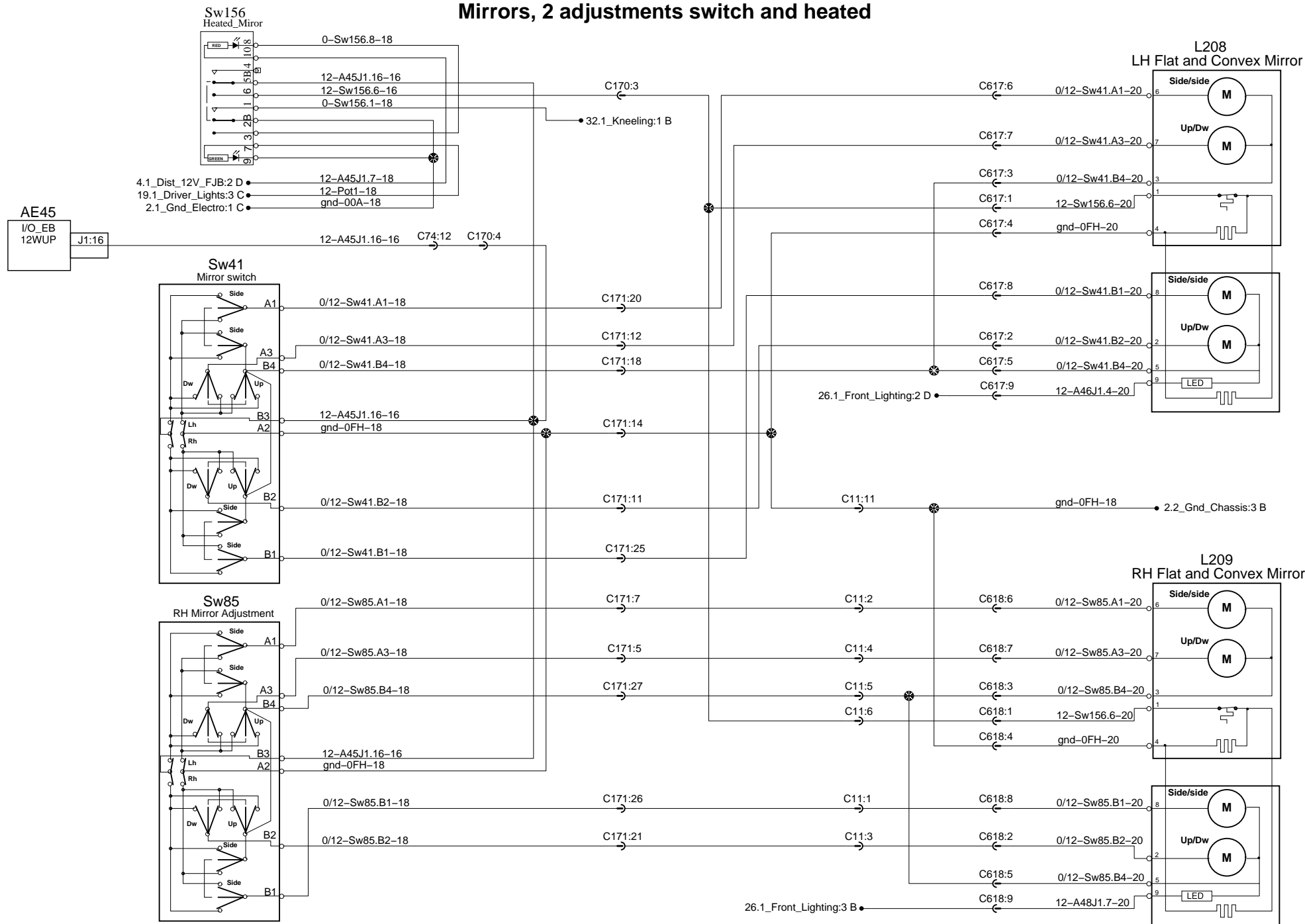
Refer to p4.2 (STD)

TO :  
VECF2:F  
RED Connector

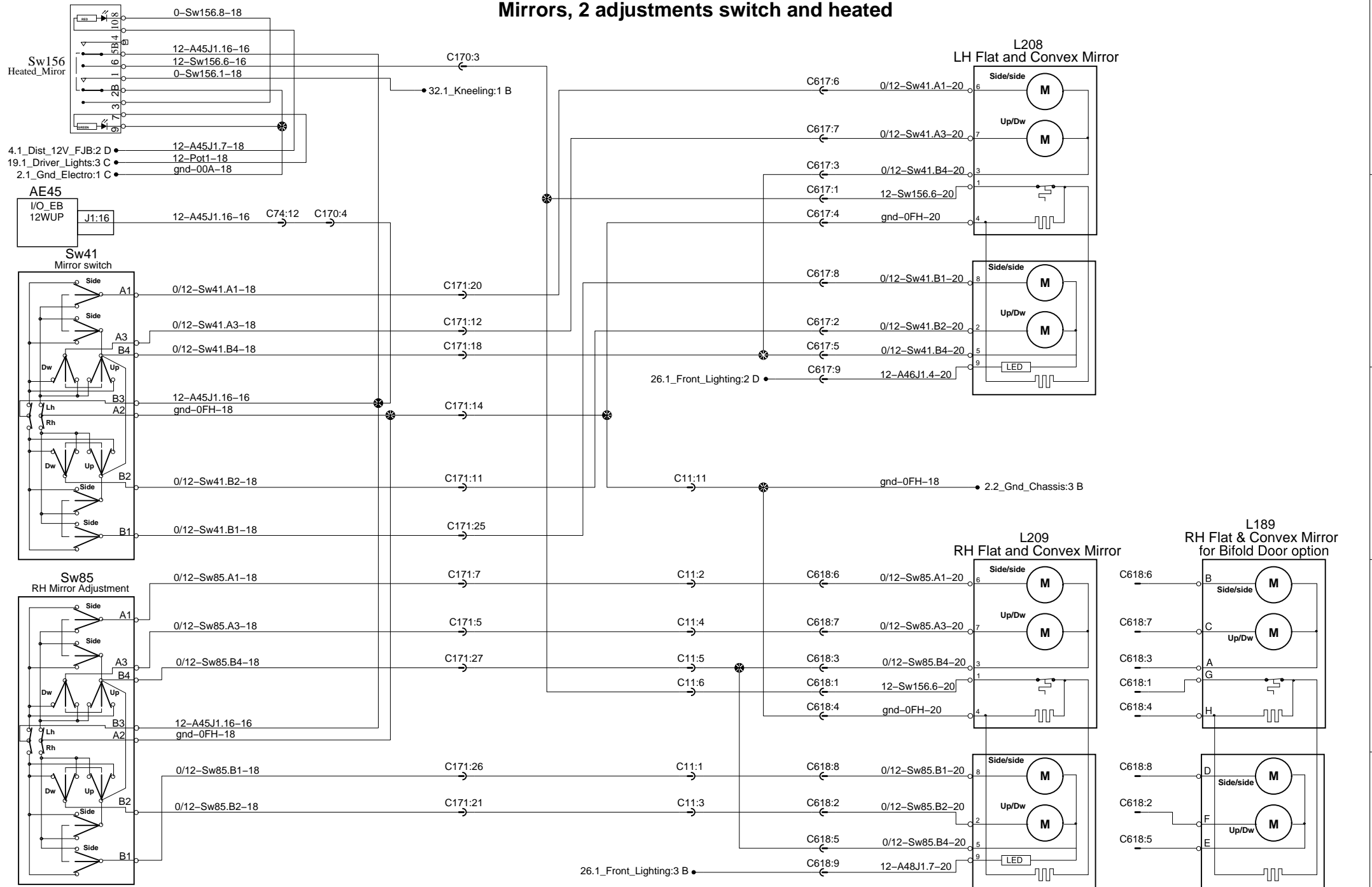
OR



# Mirrors, 2 adjustments switch and heated



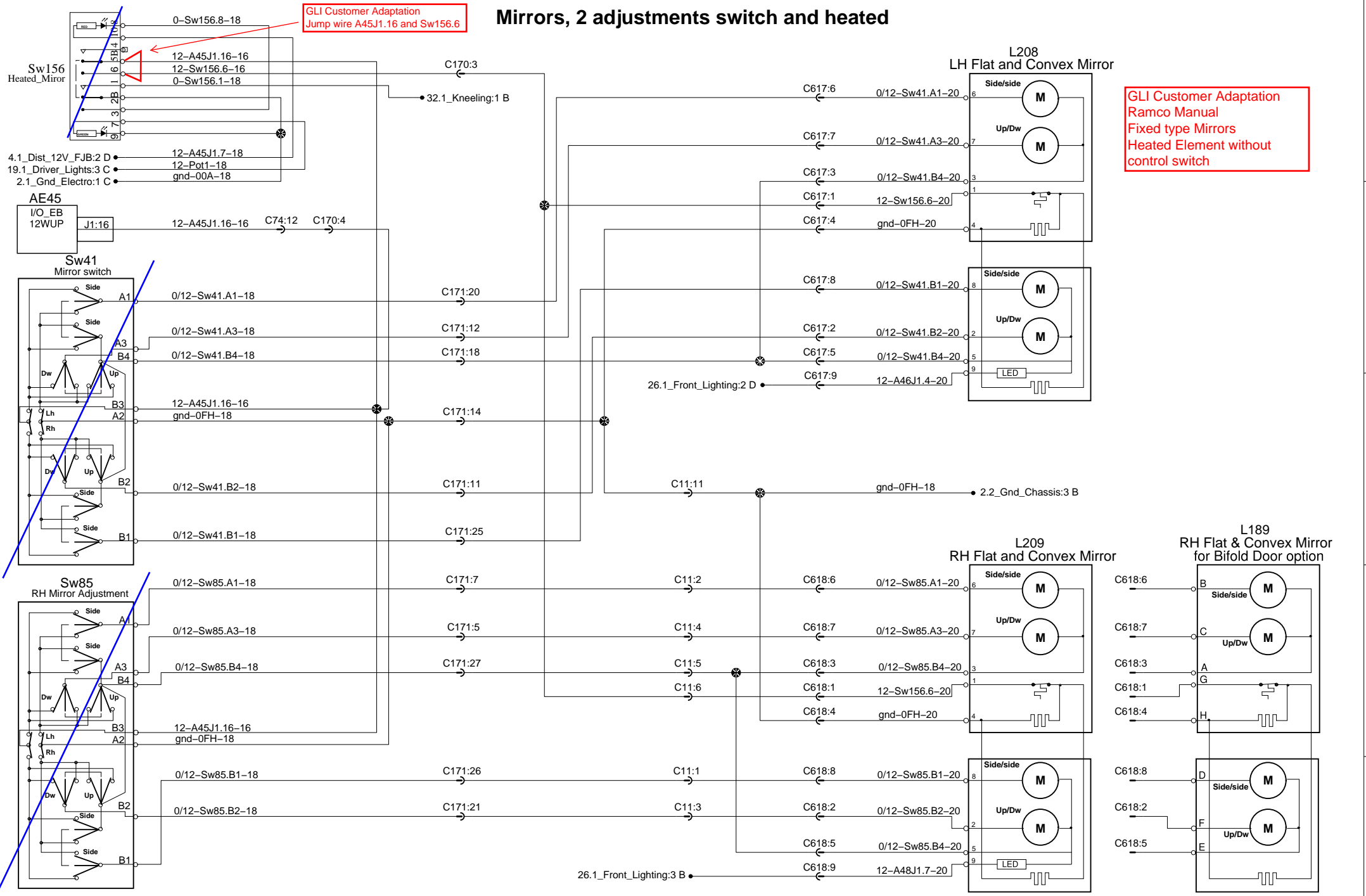
# Mirrors, 2 adjustments switch and heated



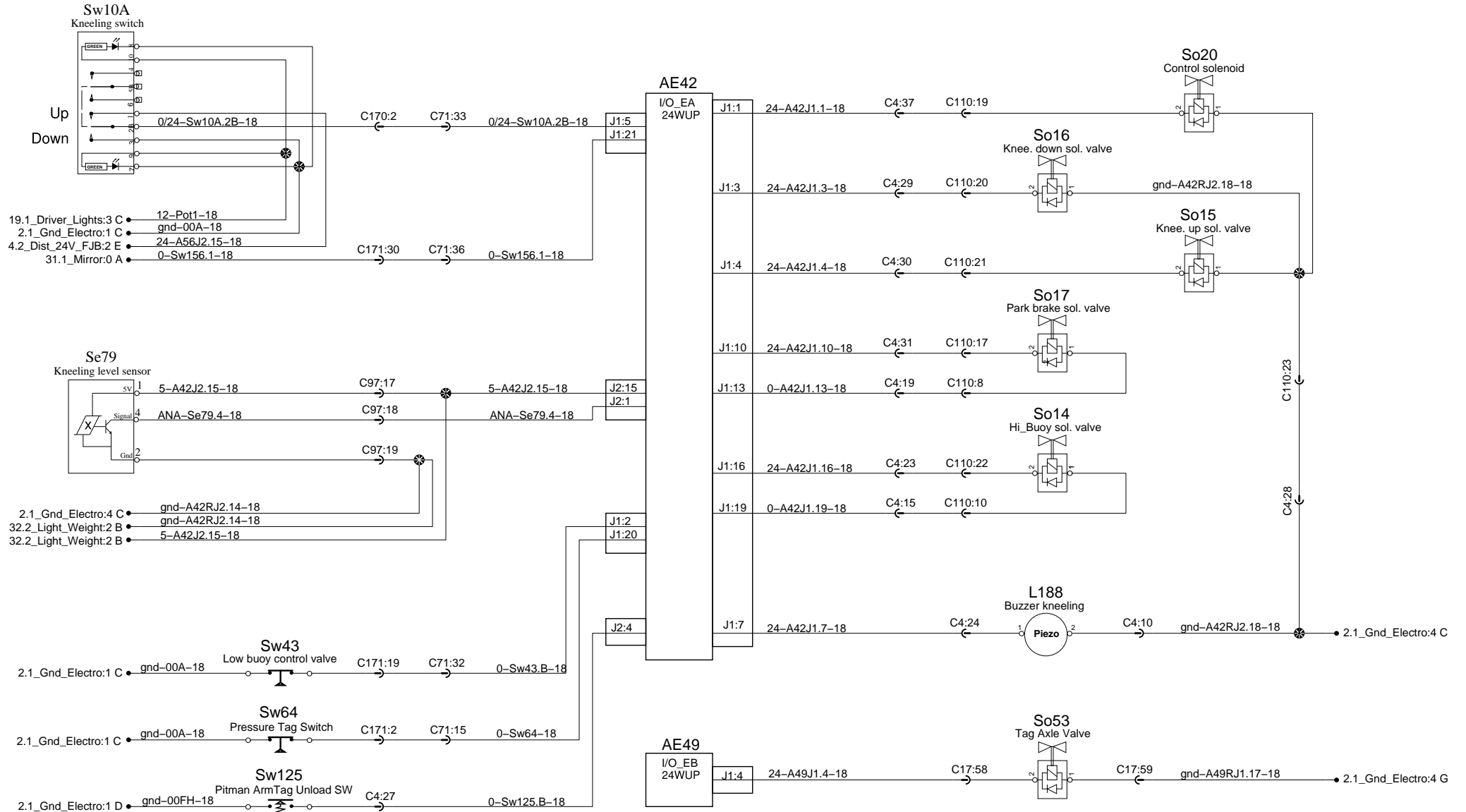
# Mirrors, 2 adjustments switch and heated

GLI Customer Adaptation  
Jump wire A45J1.16 and Sw156.6

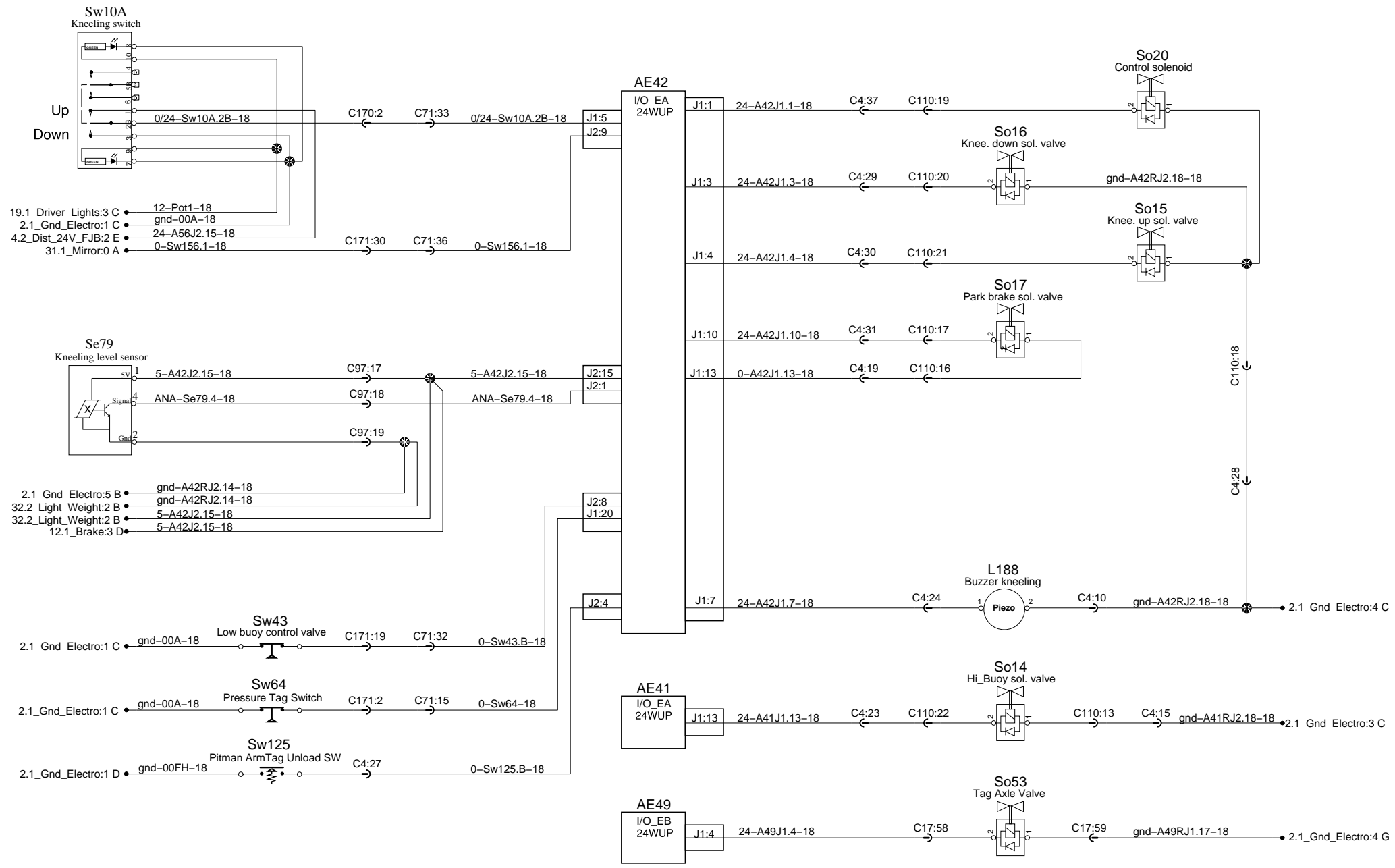
GLI Customer Adaptation  
Ramco Manual  
Fixed type Mirrors  
Heated Element without  
control switch



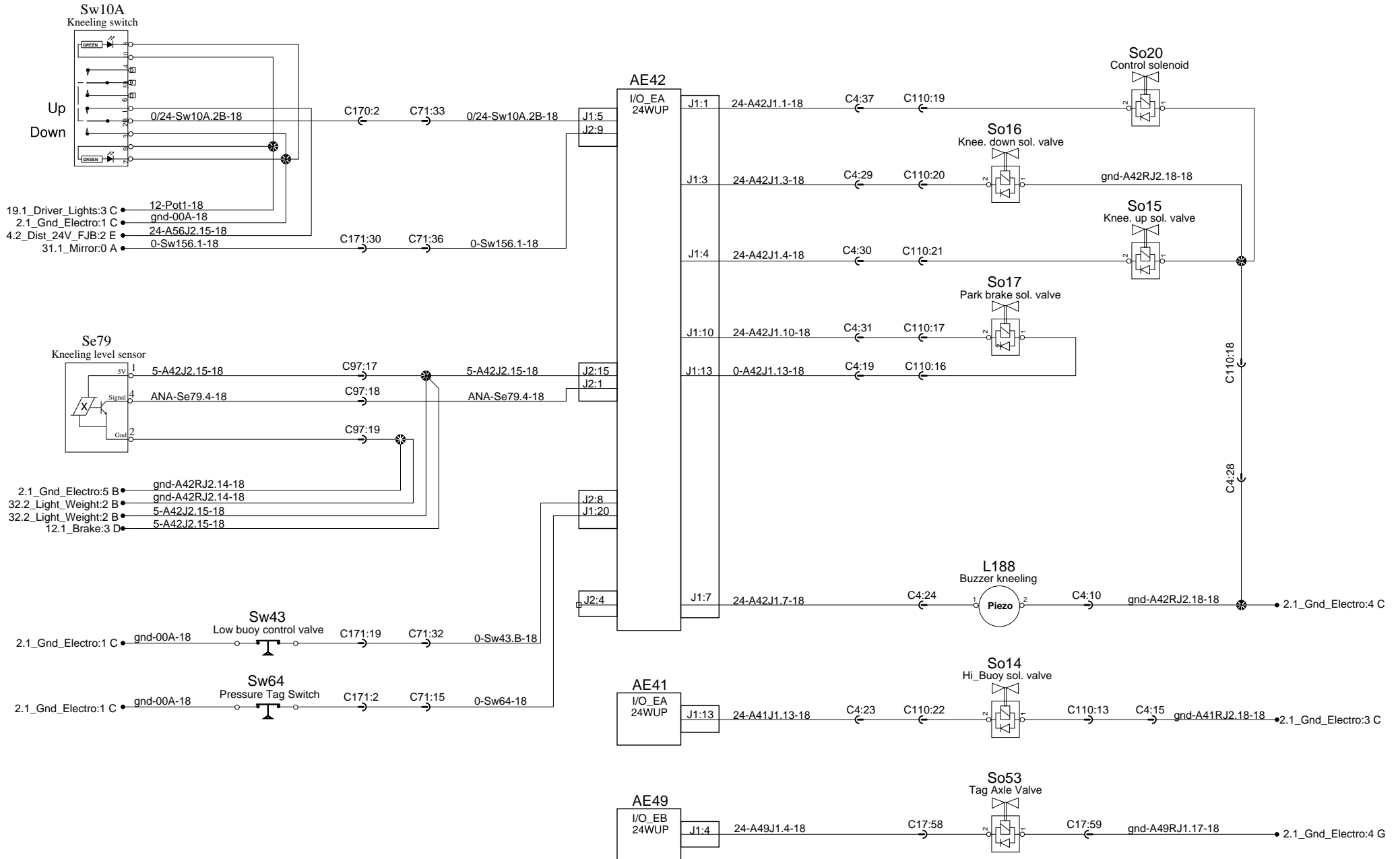
# Kneeling, tag and low buoy control



# Kneeling, tag and low buoy control



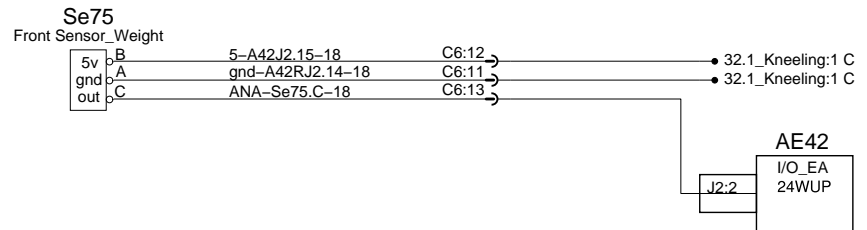
# Kneeling, tag and low buoy control



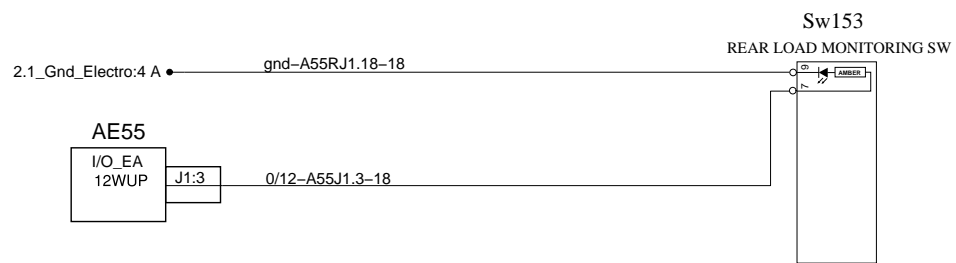
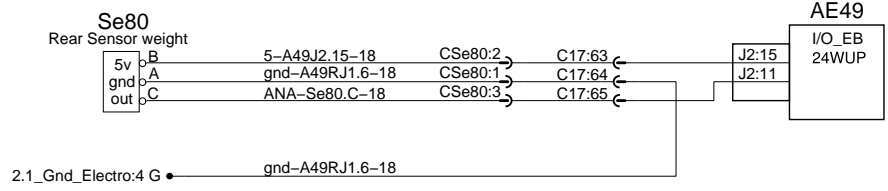


# Indicator light weight (option)

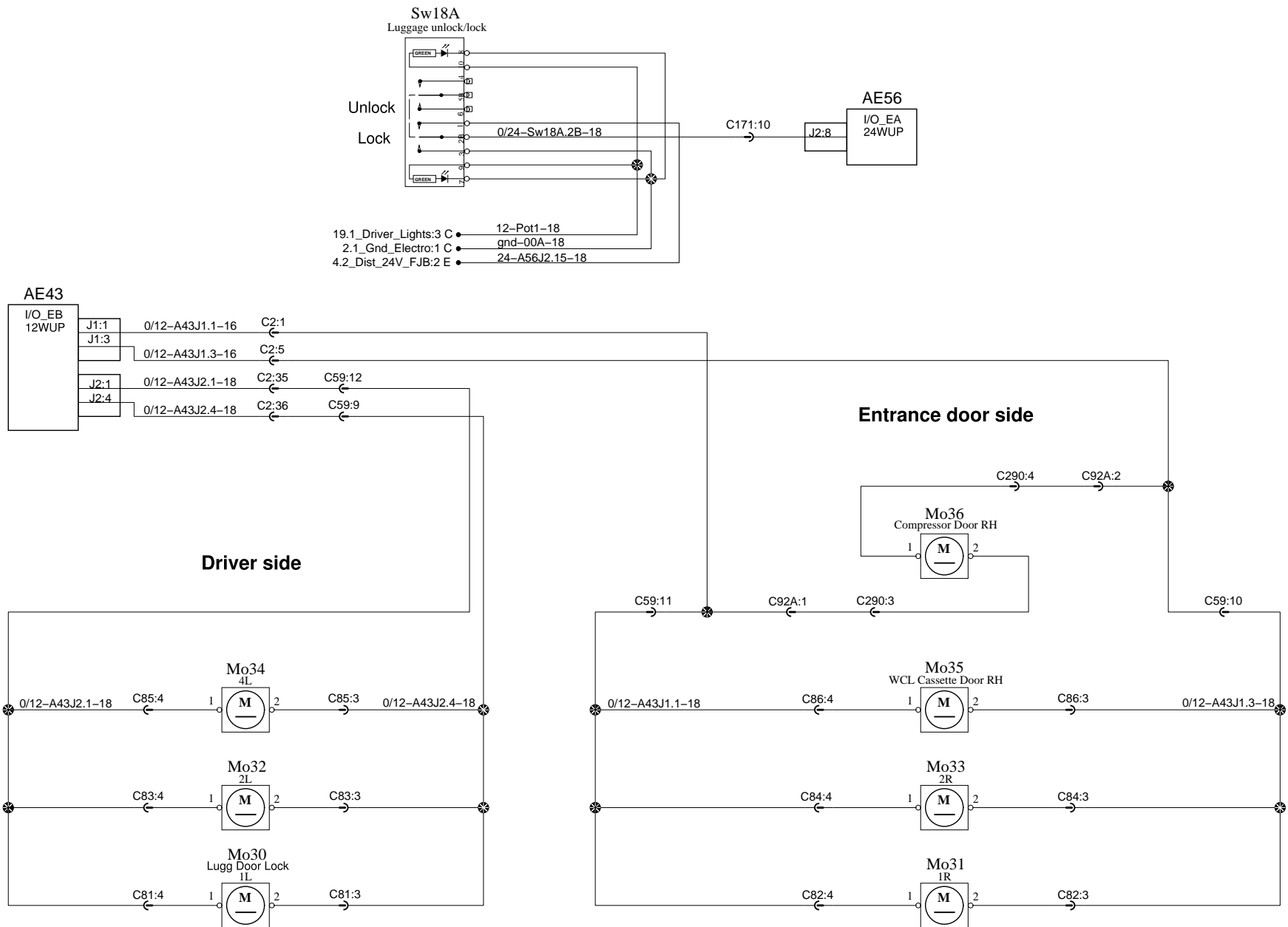
## Front weight axle



## Rear weight axle



# Luggage door Lock/Unlock



0

1

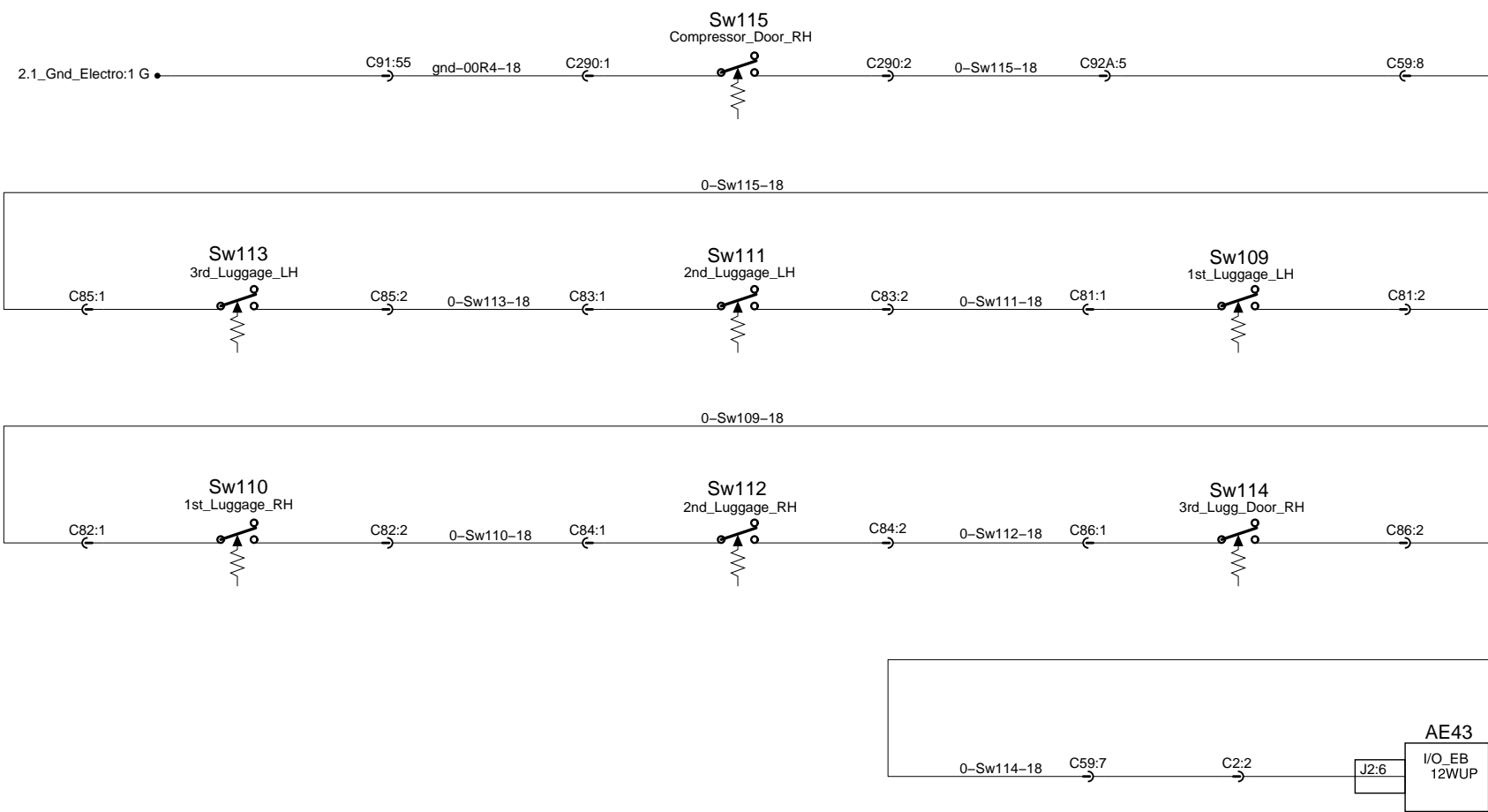
2

3

4

# Luggage door lock switches

Switch closed = Door locked



0

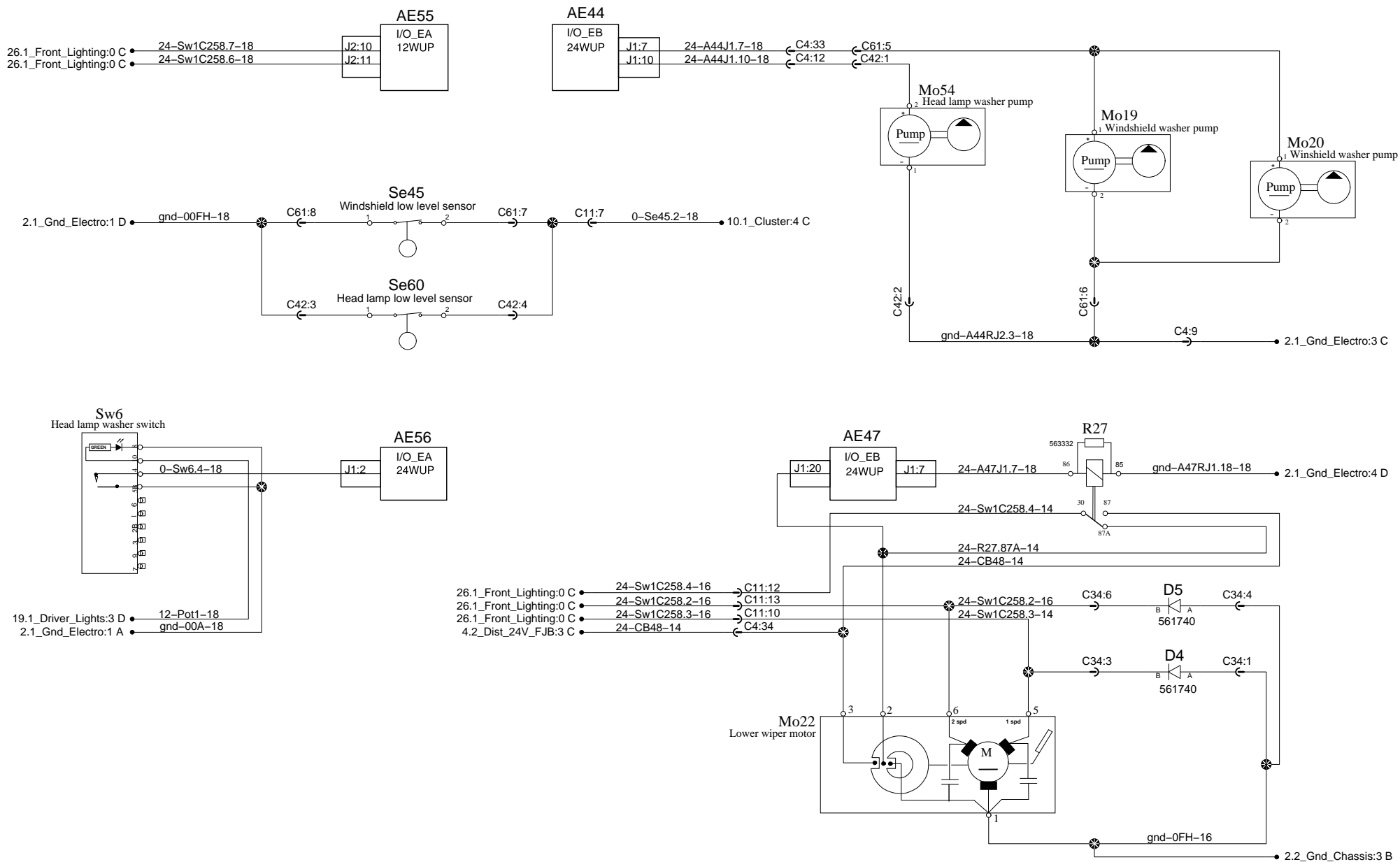
1

2

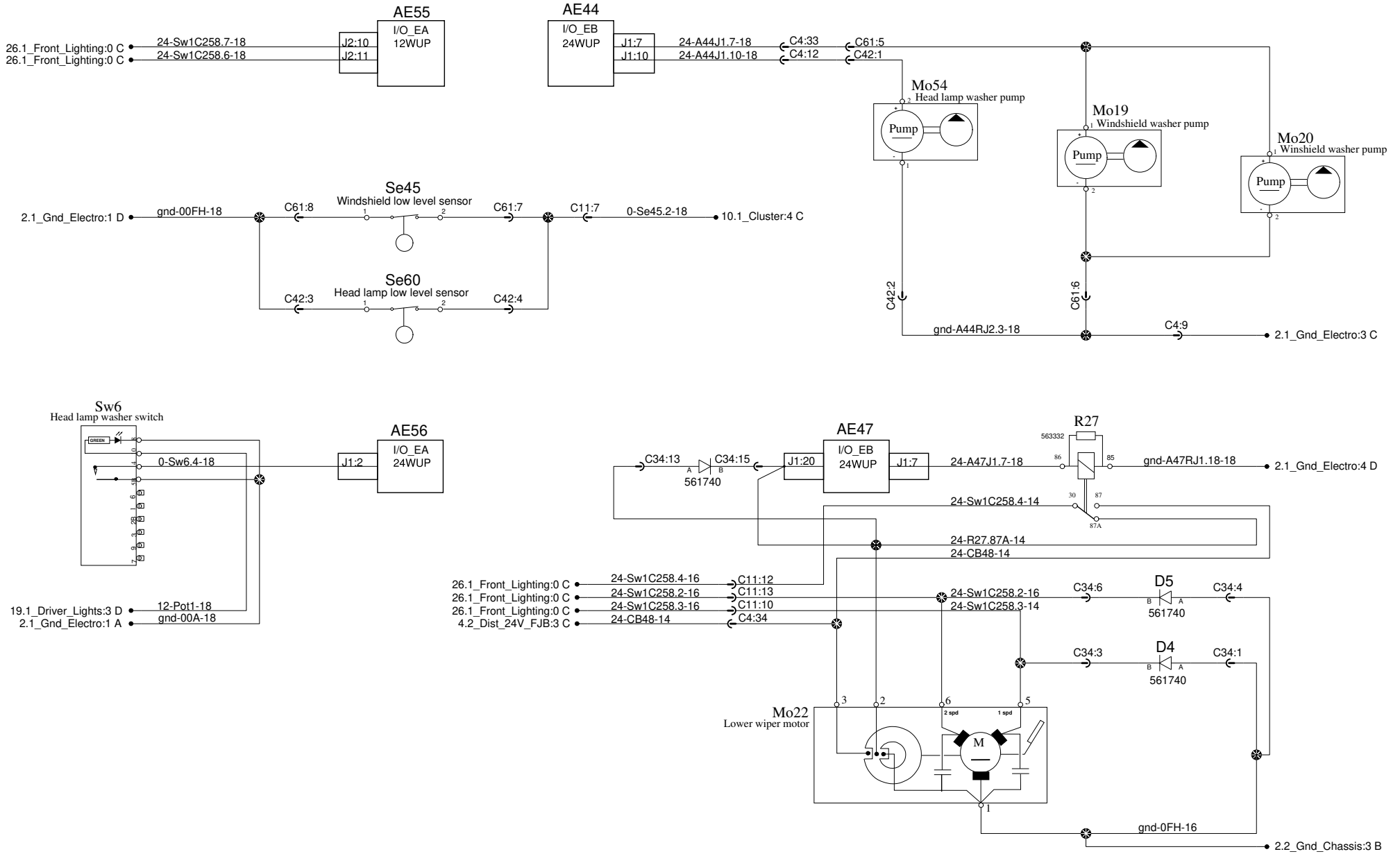
3

4

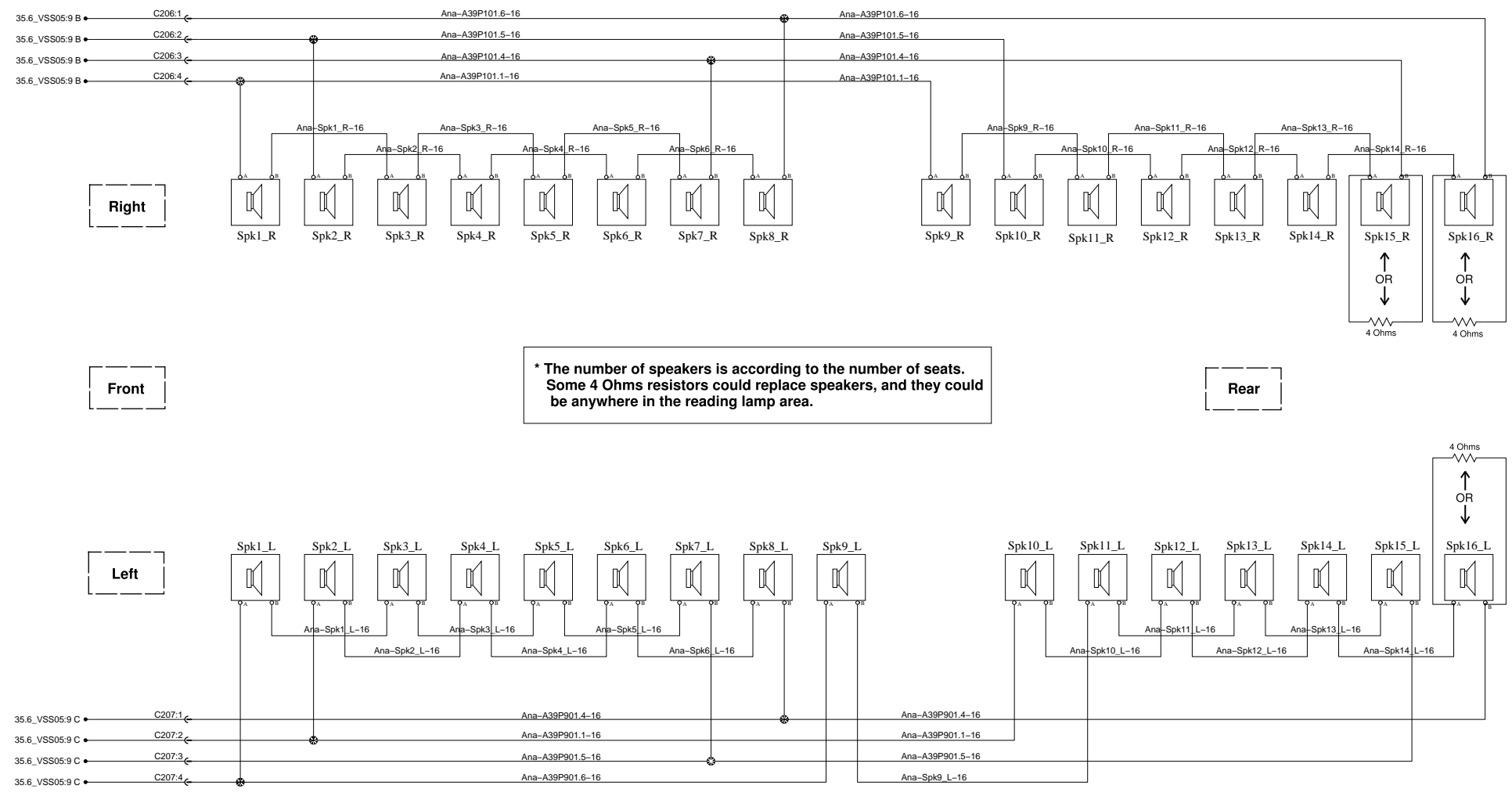
# Wipers and washer



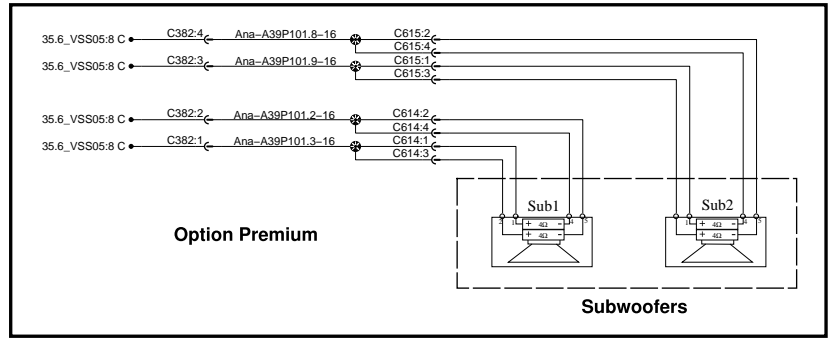
# Wipers and washer



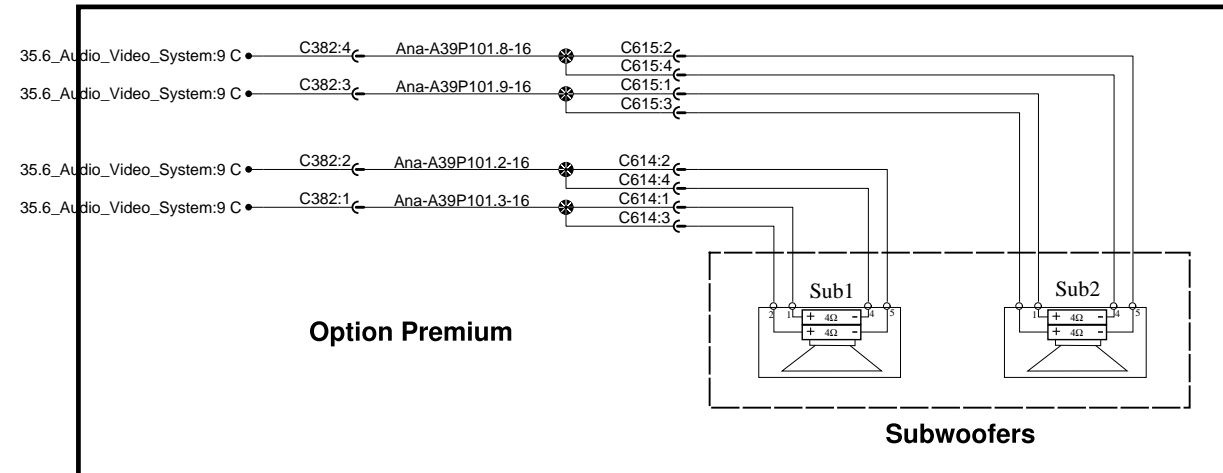
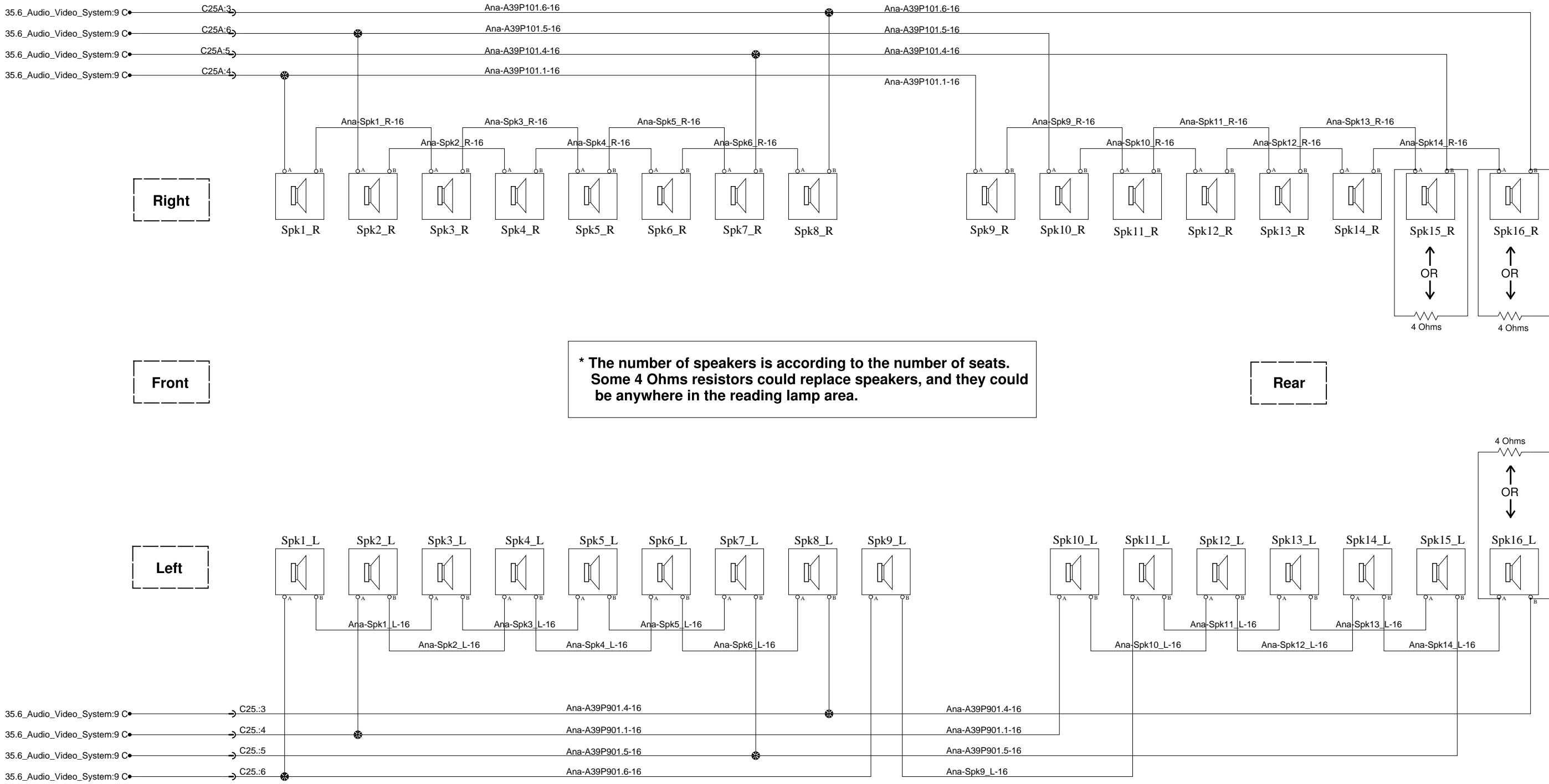
### Speakers arrangement (Delta configuration)



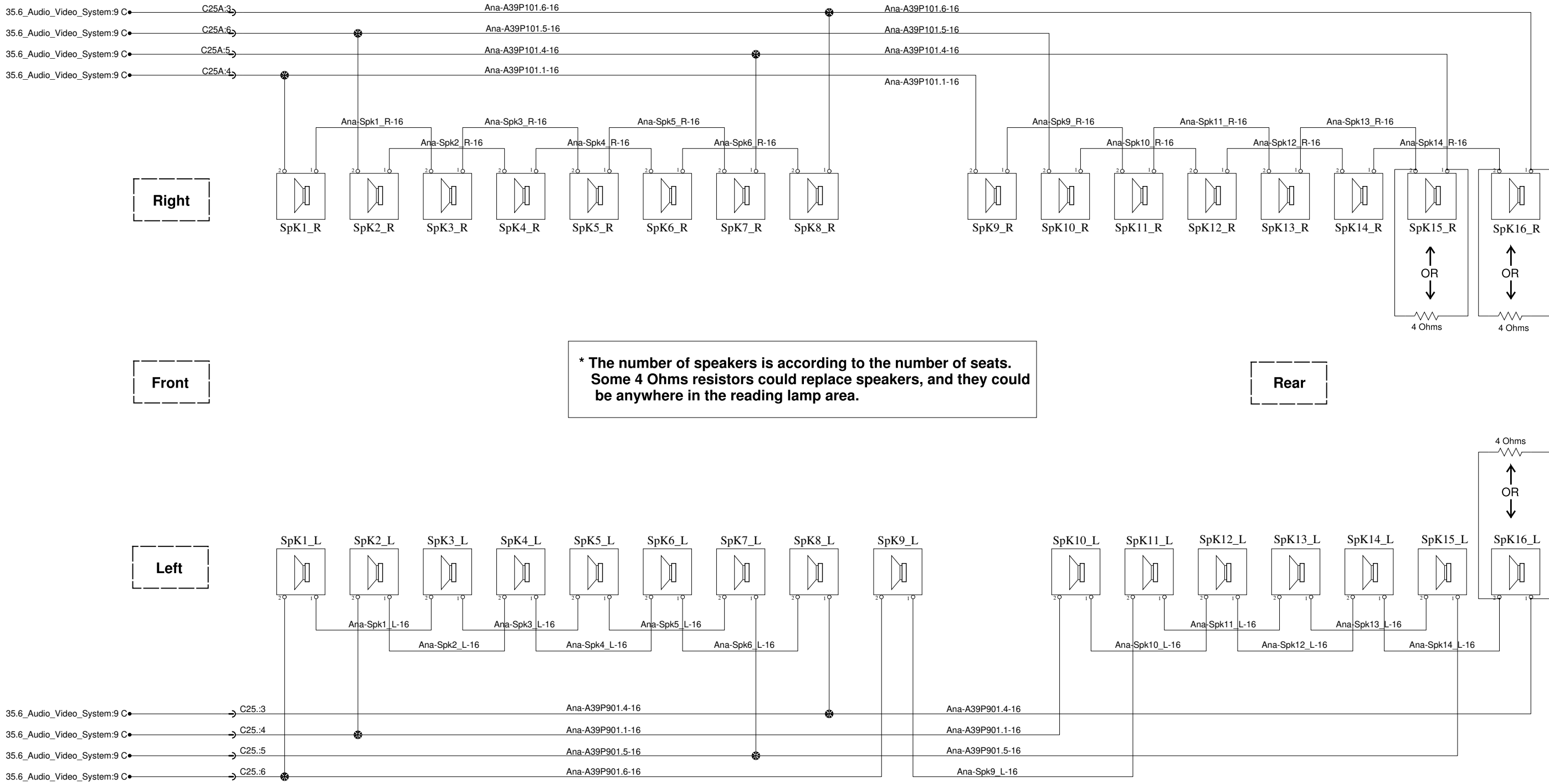
\* The number of speakers is according to the number of seats.  
Some 4 Ohms resistors could replace the speakers, and they could be anywhere in the reading lamp area.



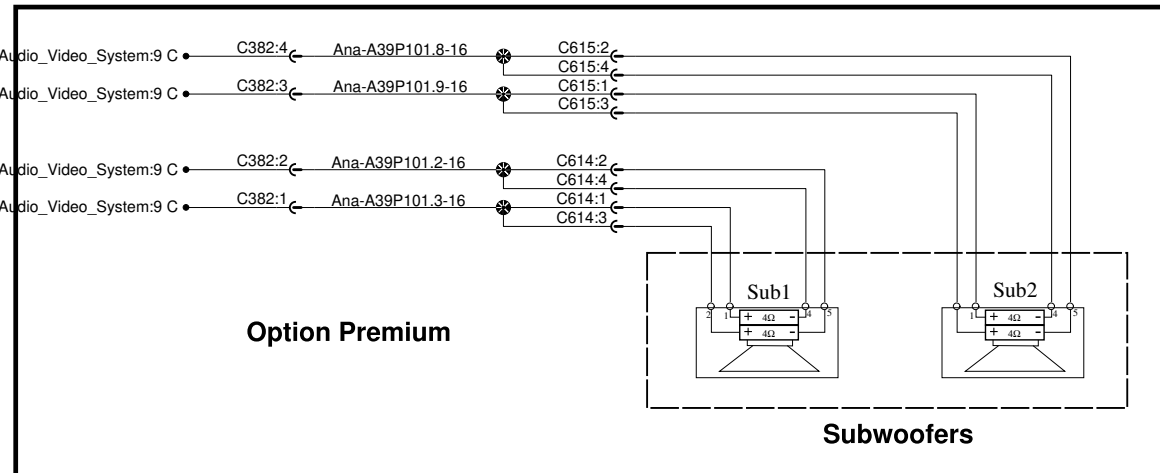
# Speakers arrangement (Delta configuration)



# Speakers arrangement (Delta configuration)

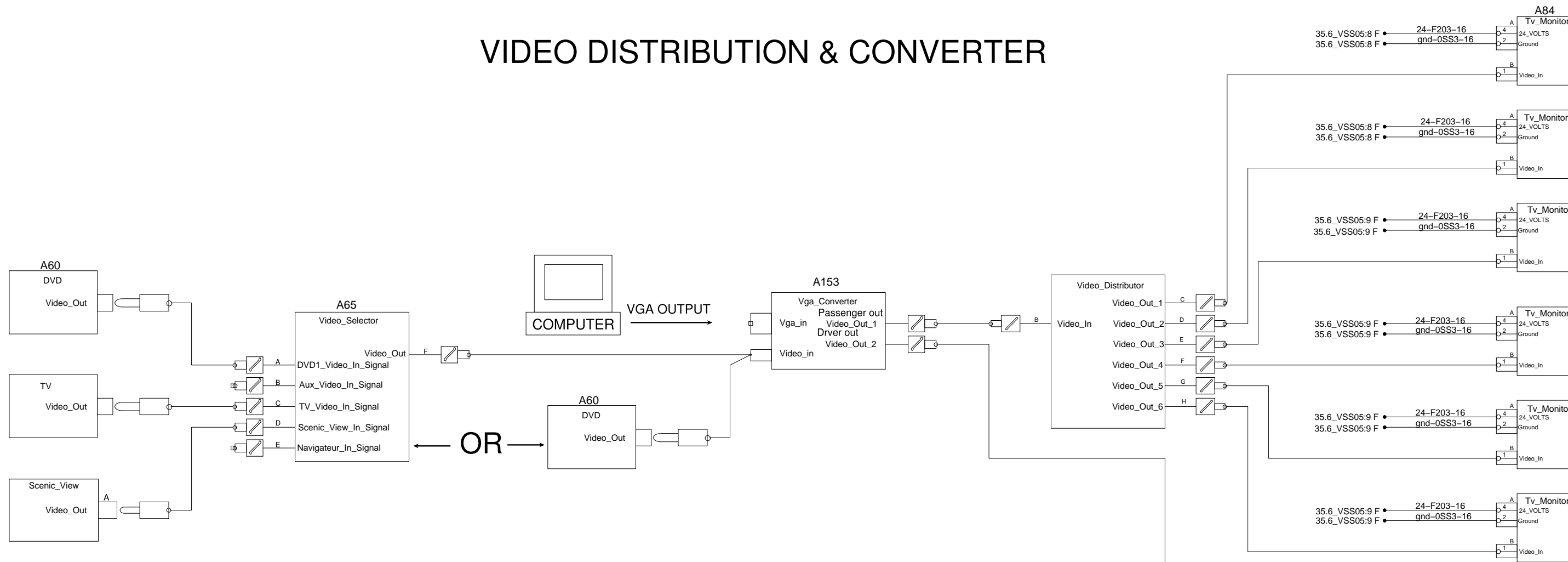


\* The number of speakers is according to the number of seats.  
Some 4 Ohms resistors could replace speakers, and they could be anywhere in the reading lamp area.

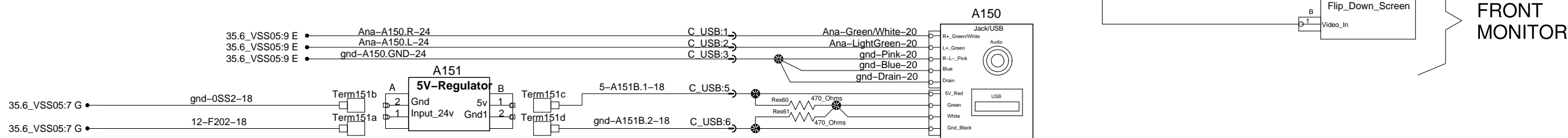


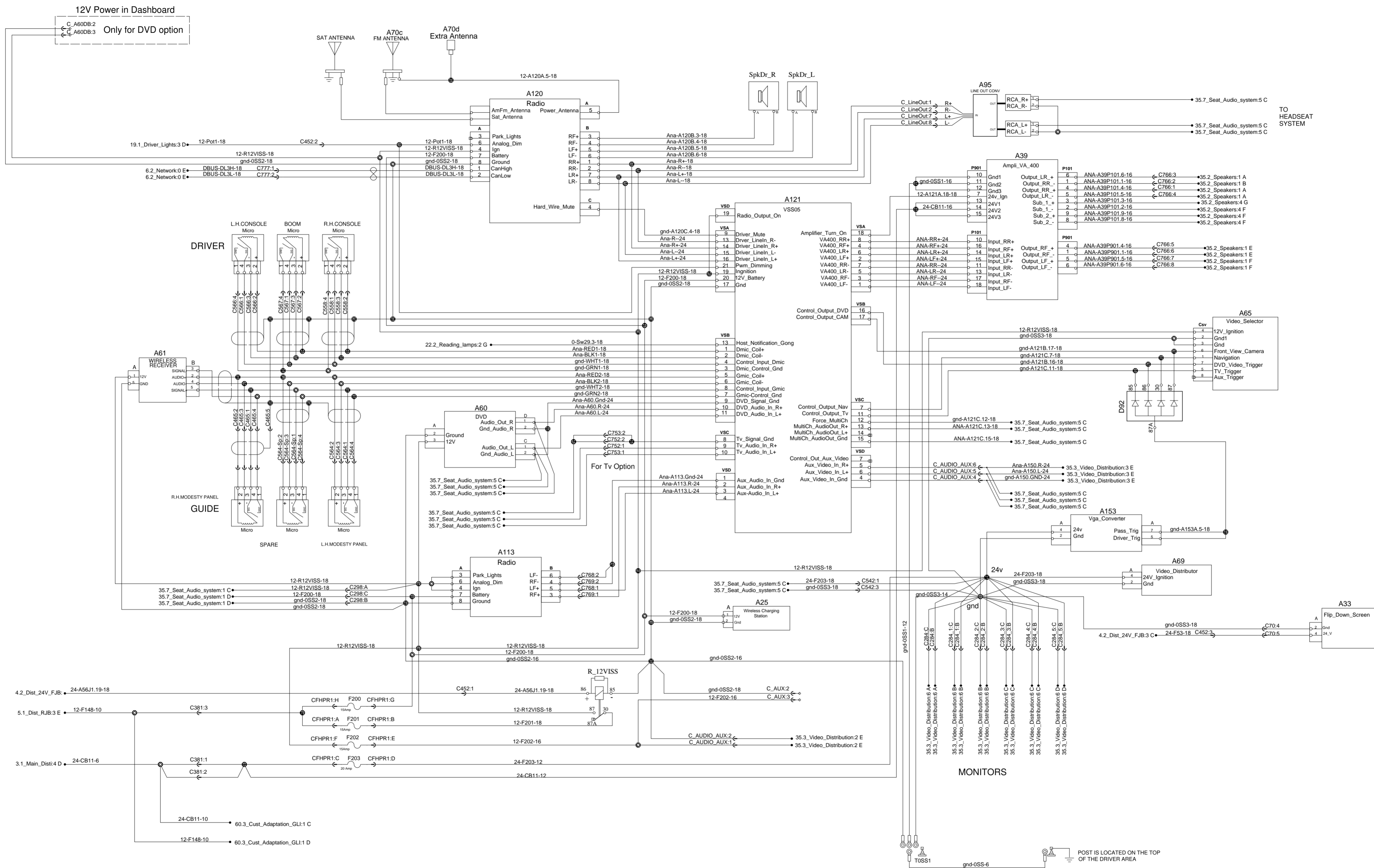


# VIDEO DISTRIBUTION & CONVERTER

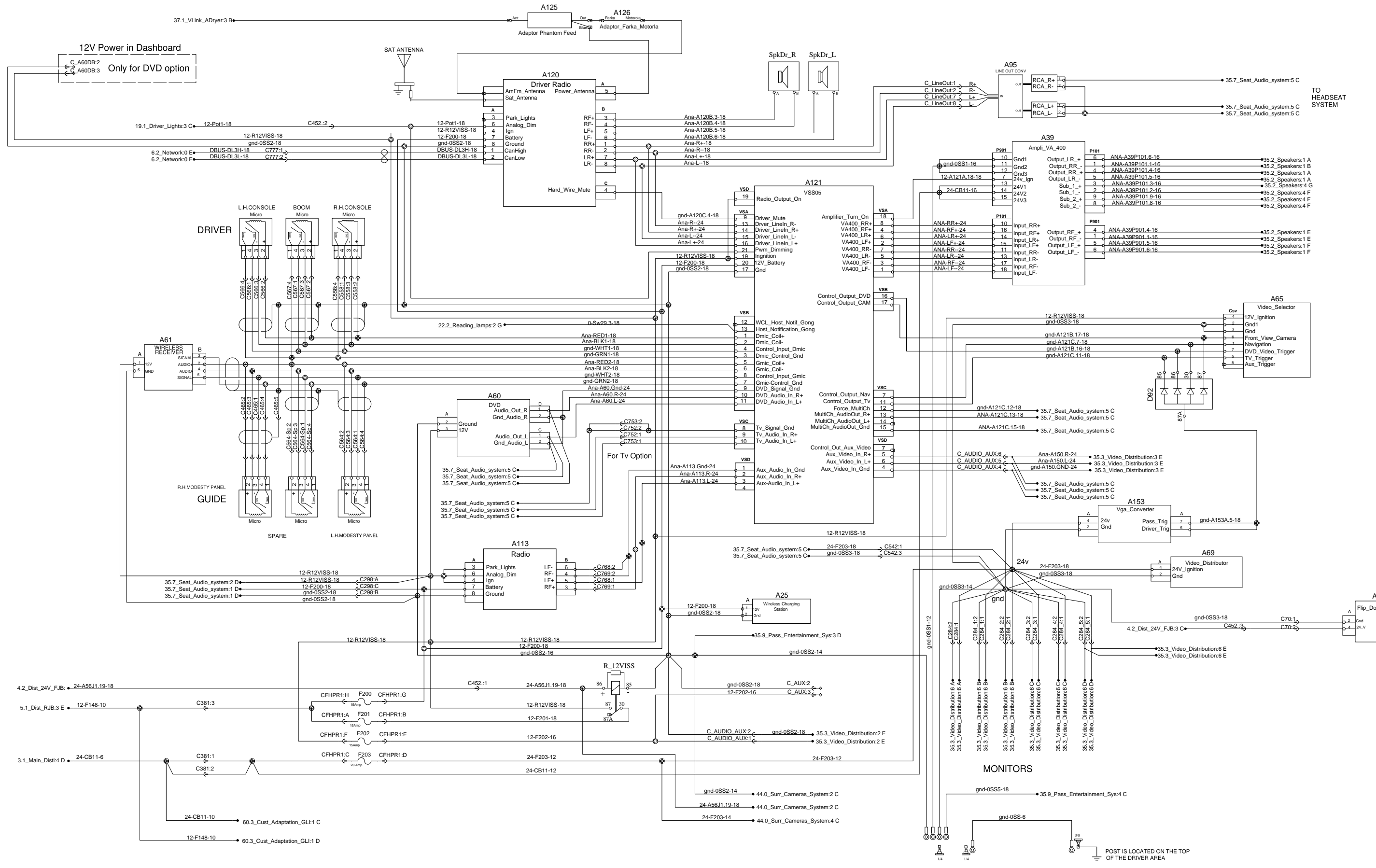


# 5 VDC REGULATOR & AUDIO INPUT



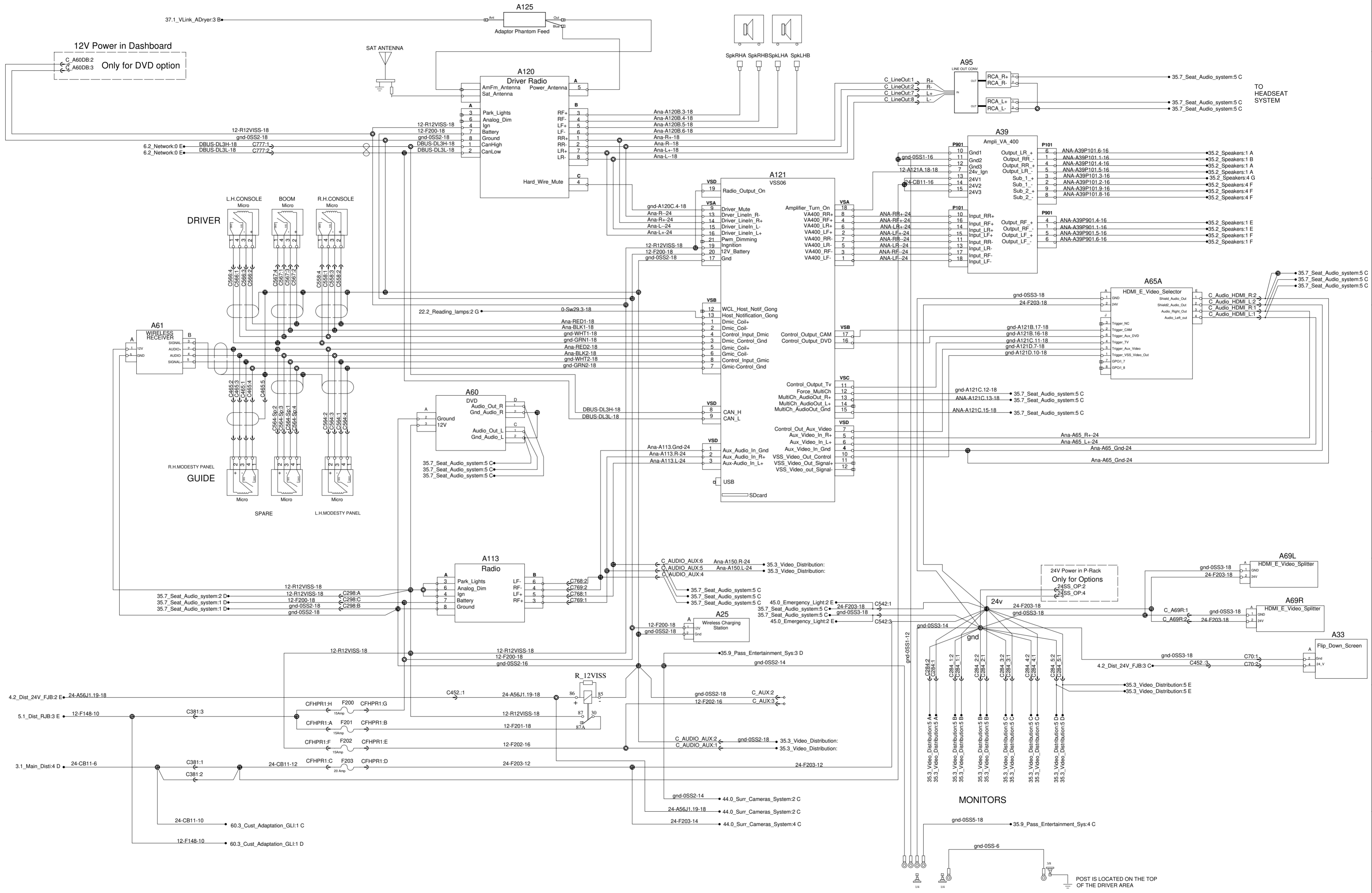


# Sound System (also called Audio Video System)



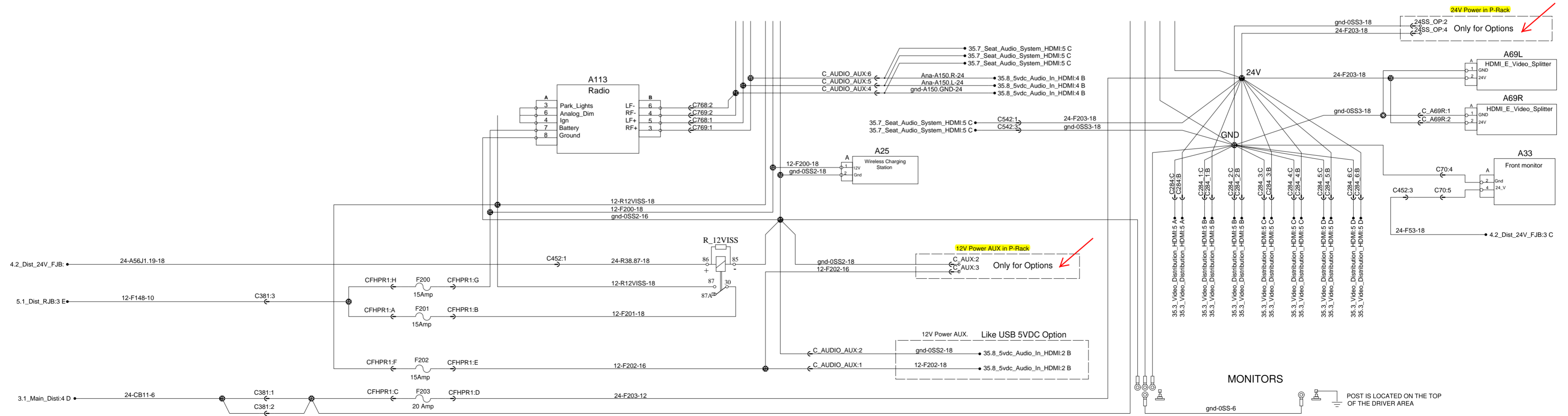
Chassis ground video plate

# Sound System (also called Audio Video System)

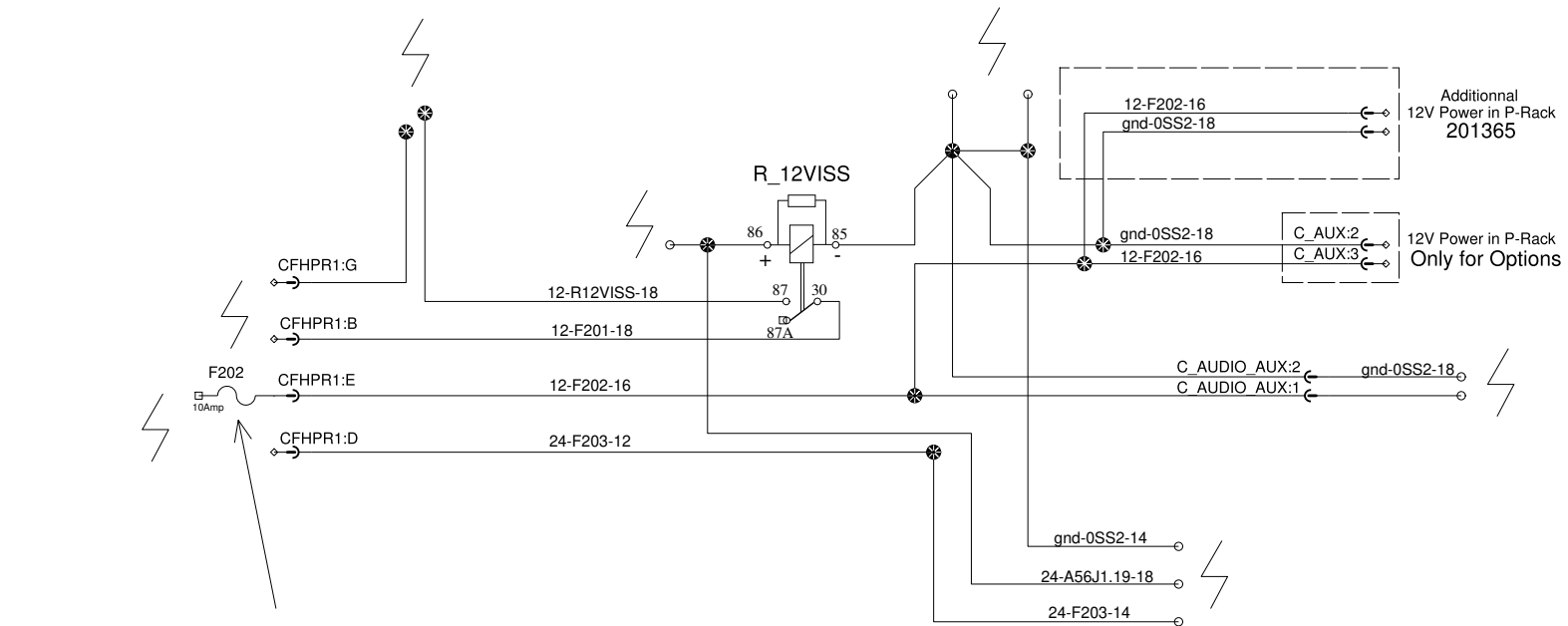


Chassis ground video plate

# VSS HDMI

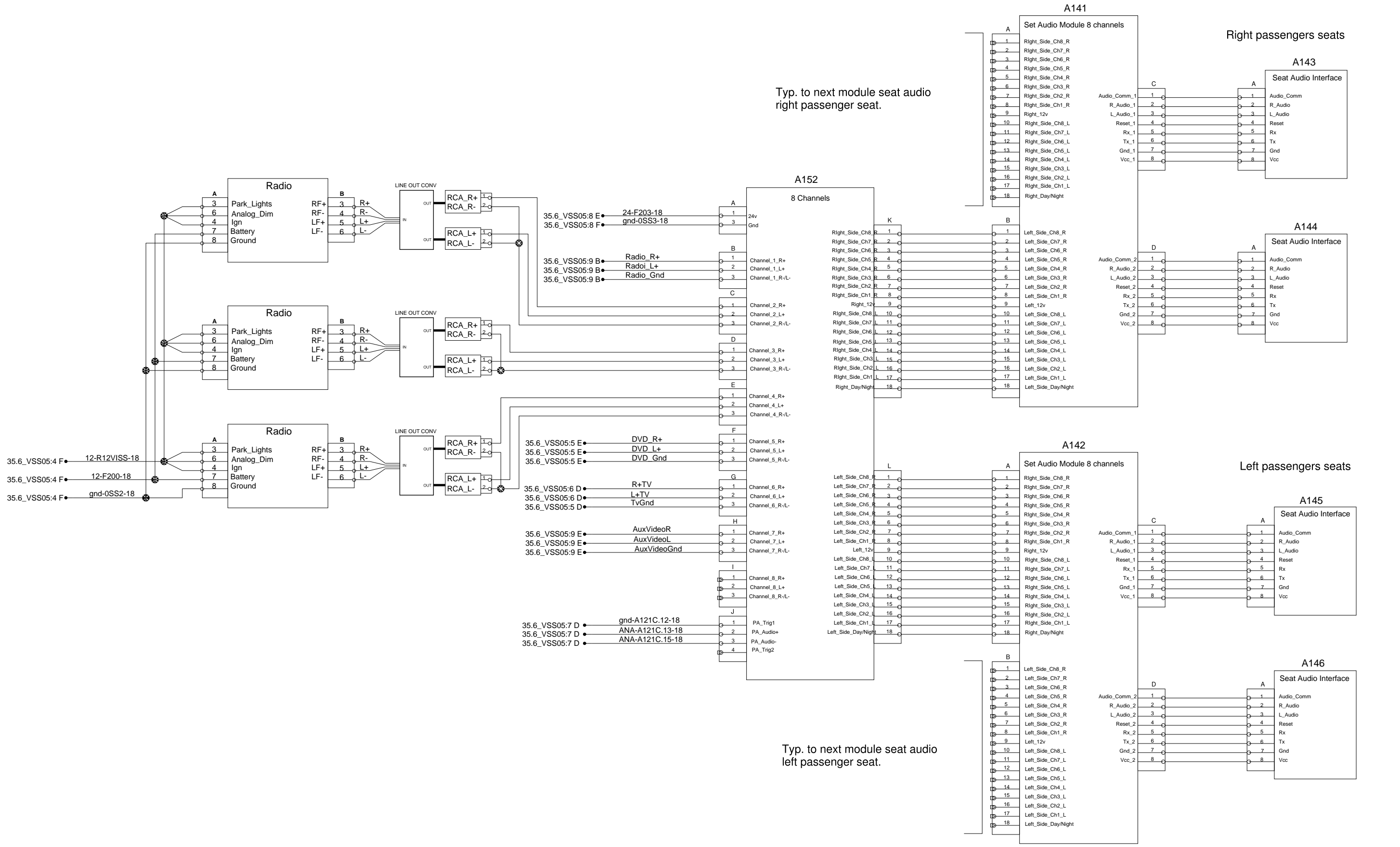


Cust adapt. add 2nd 12V Power outlet in P-Rack

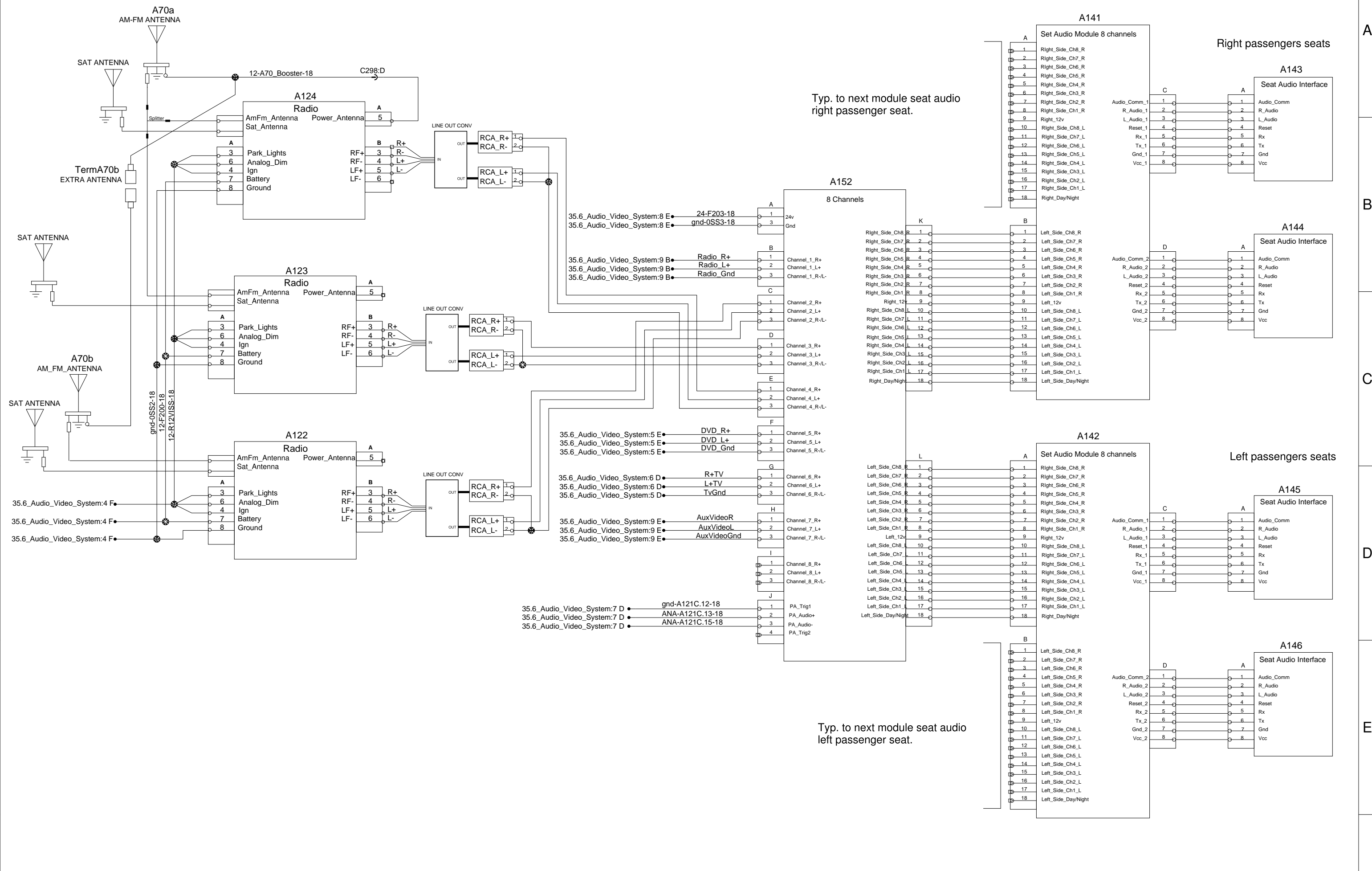


REPLACE F202 (15A) WITH A 10A FUSE

# 8 CHANNEL SEAT AUDIO SYSTEM



# 8 Channel Seat Audio System

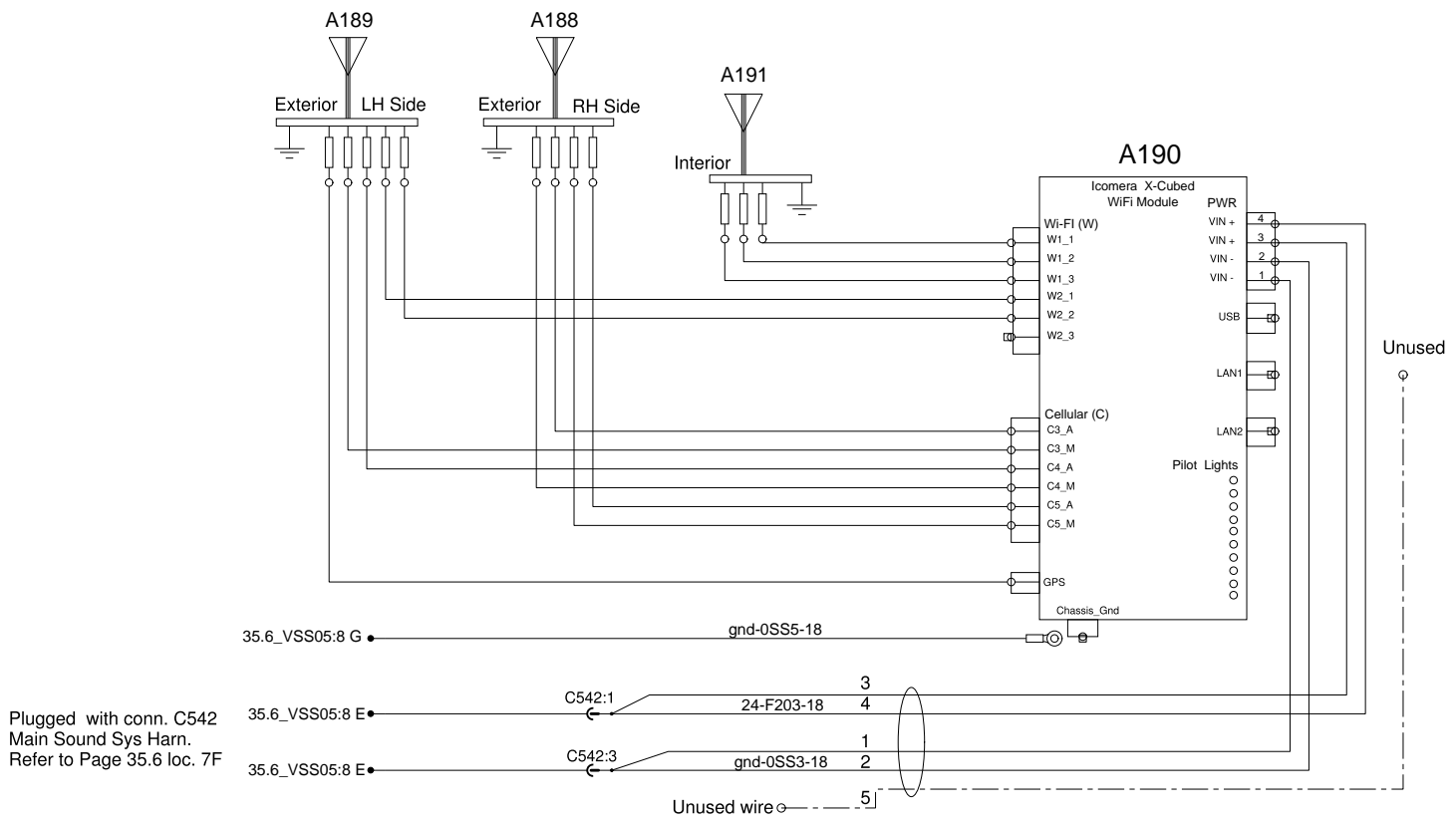


Typ. to next module seat audio right passenger seat.

Typ. to next module seat audio left passenger seat.

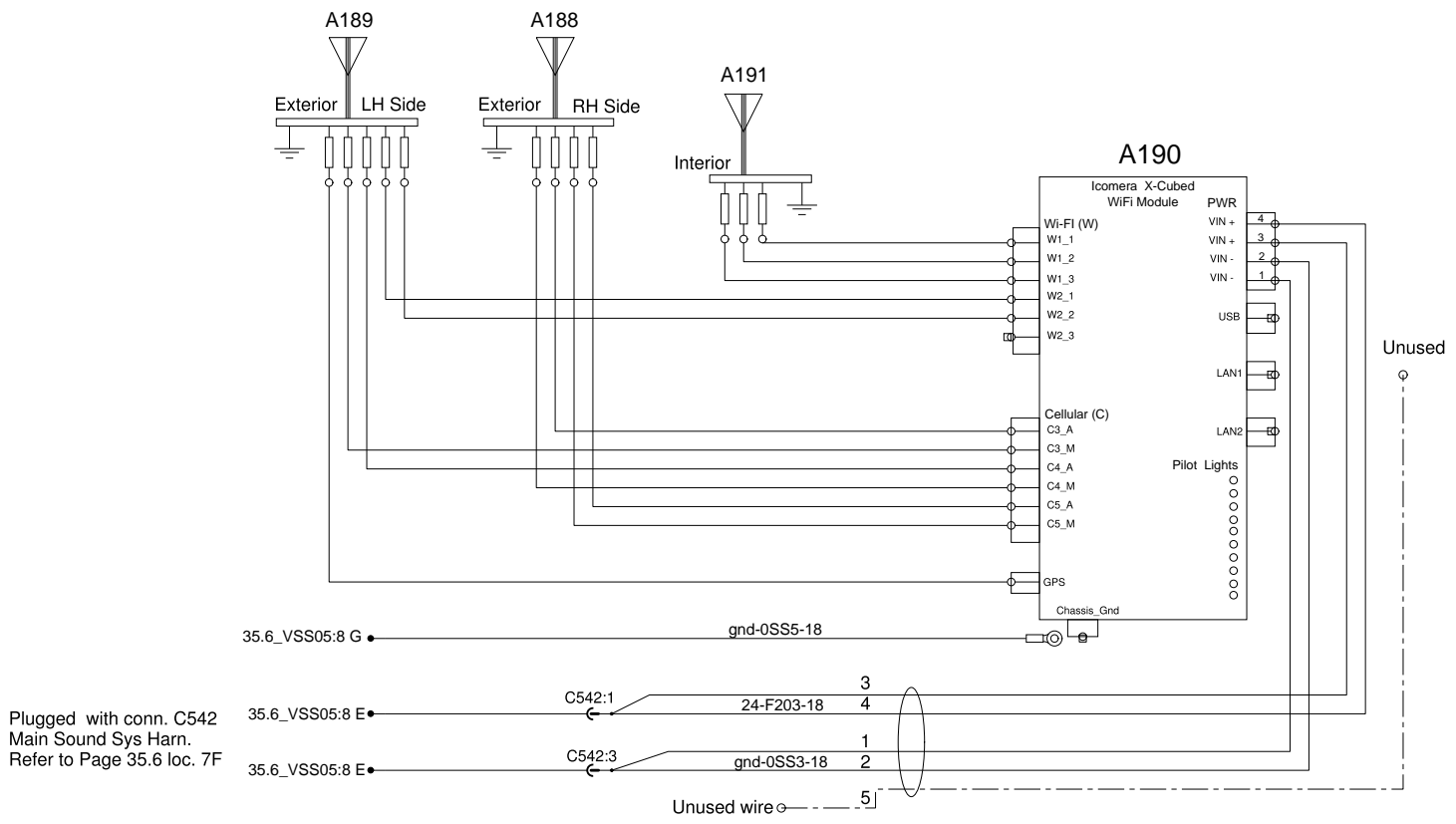


# Passenger Entertainment System



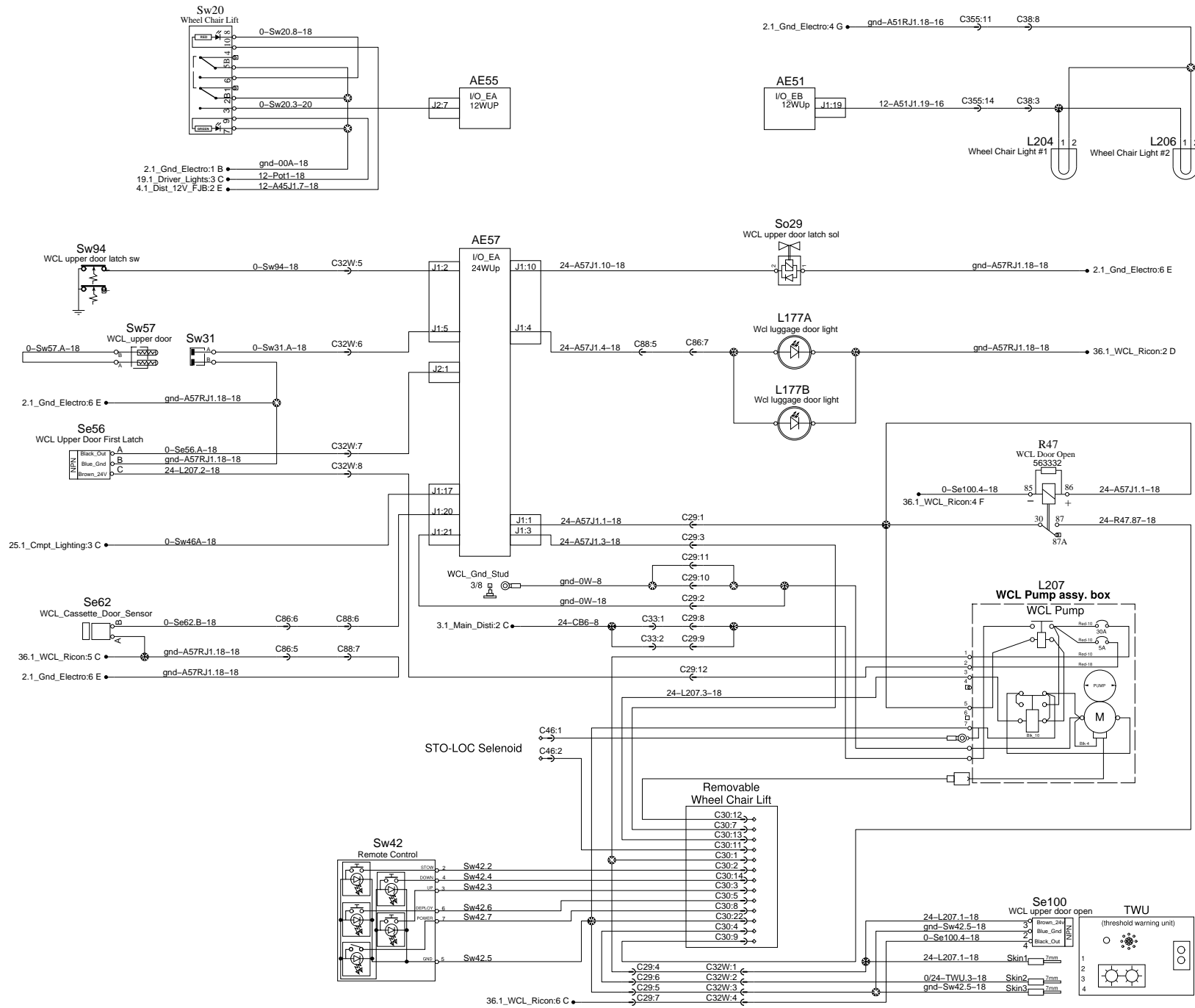
Plugged with conn. C542  
Main Sound Sys Harn.  
Refer to Page 35.6 loc. 7F

# Passenger Entertainment System

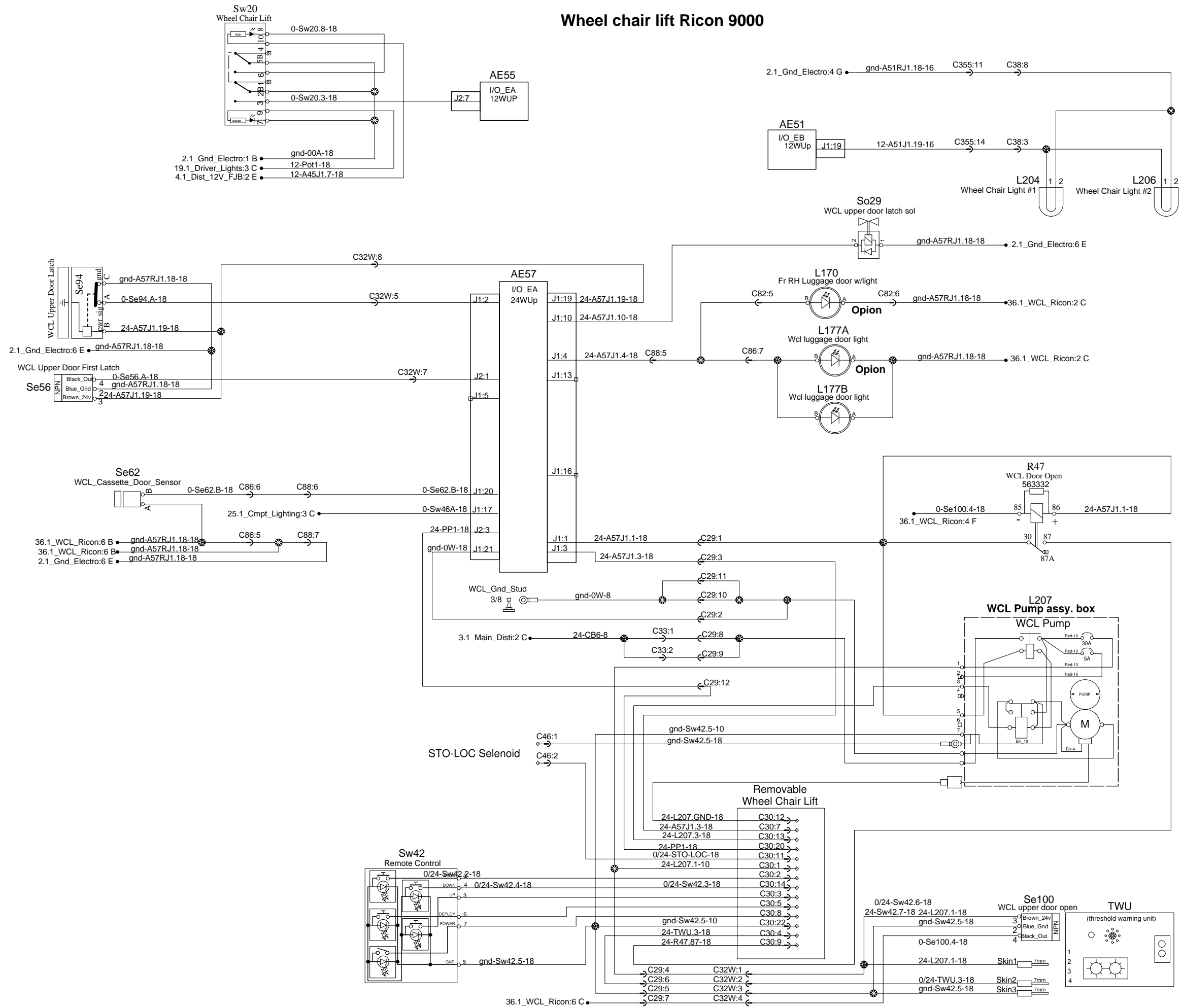


Plugged with conn. C542  
Main Sound Sys Harn.  
Refer to Page 35.6 loc. 7F

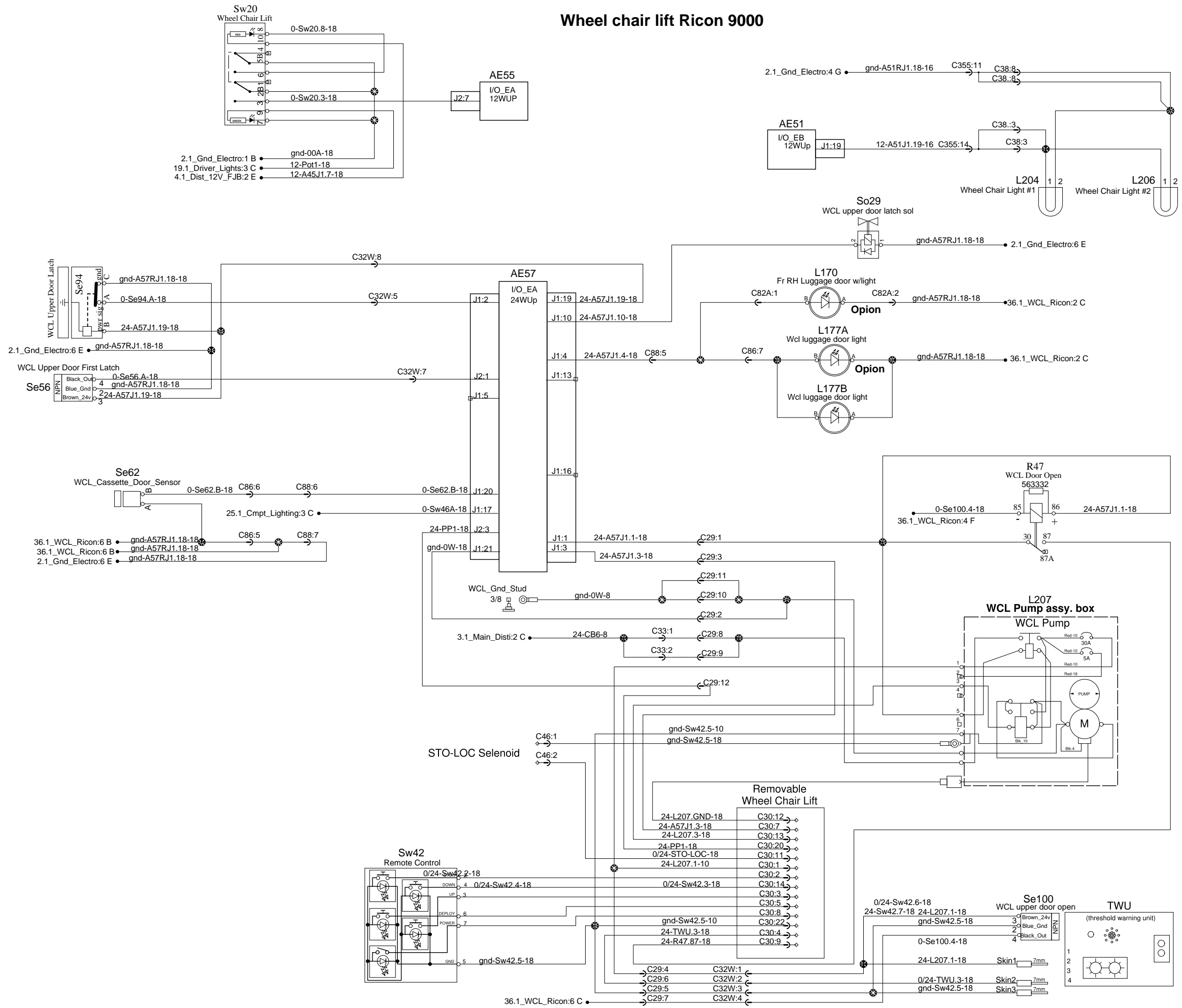
# Wheel chair lift Ricon 9000



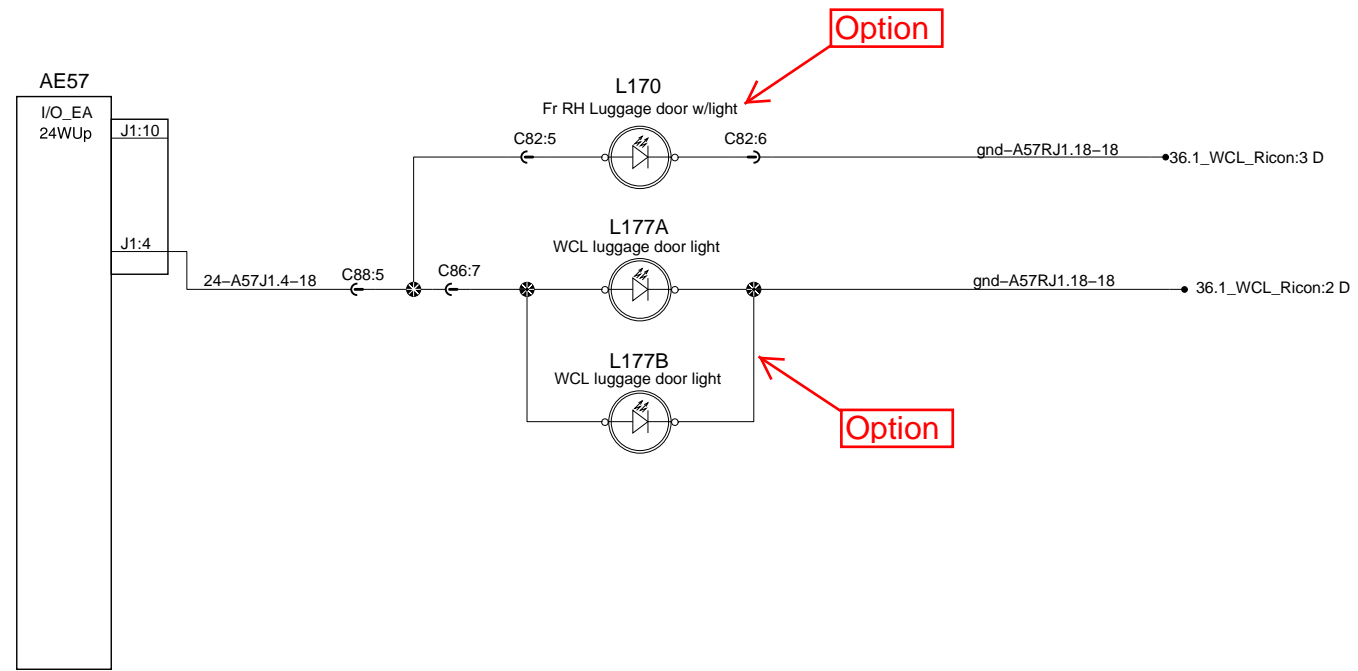
# Wheel chair lift Ricon 9000



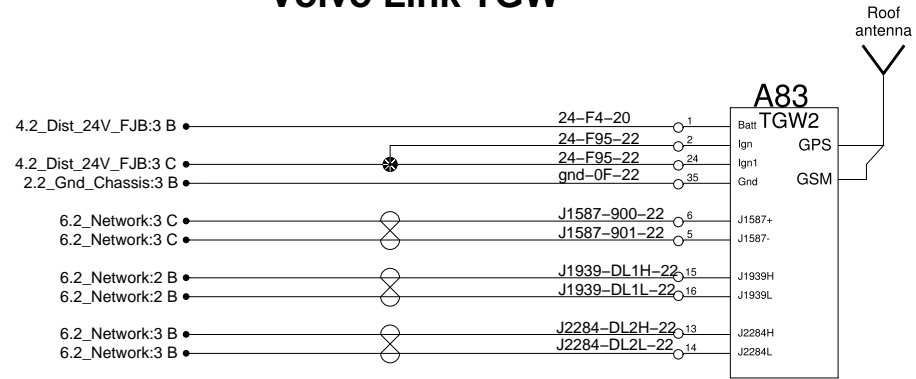
# Wheel chair lift Ricon 9000



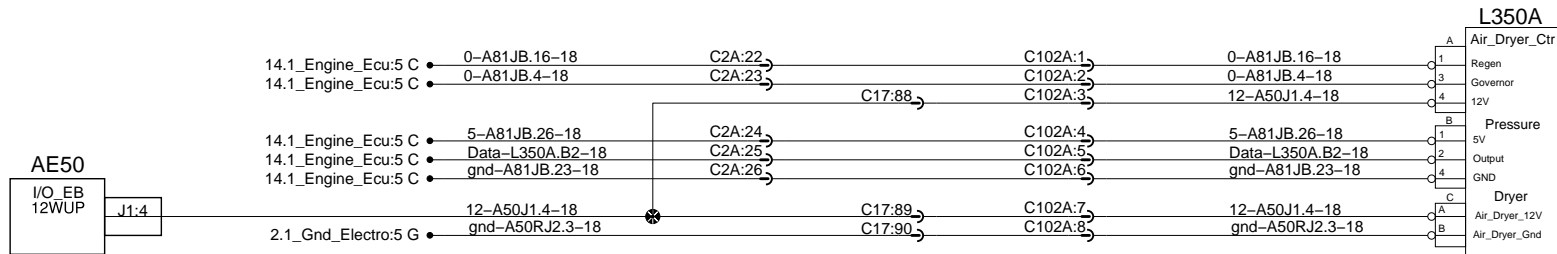
# Wheel chair lift Ricon 9000



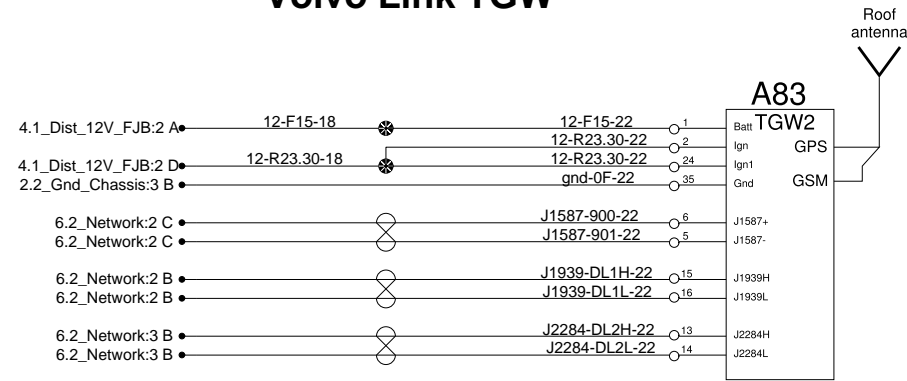
# Volvo Link TGW



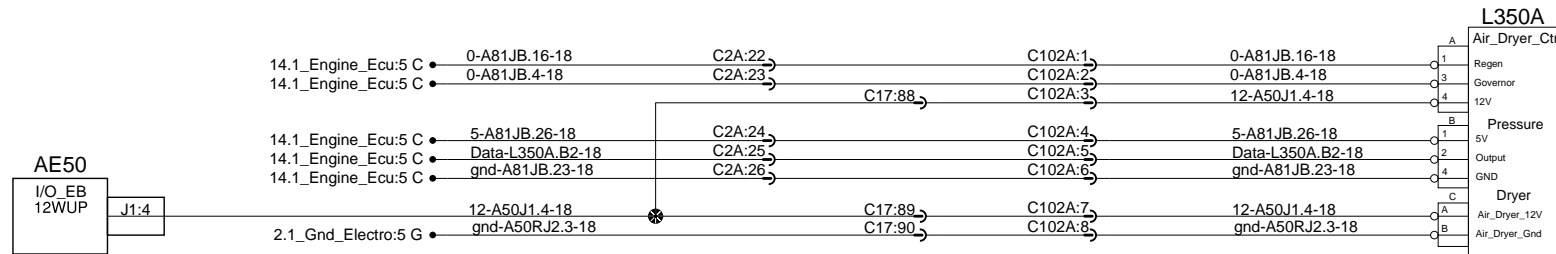
# Air Dryer Electric Control and Heater



# Volvo Link TGW

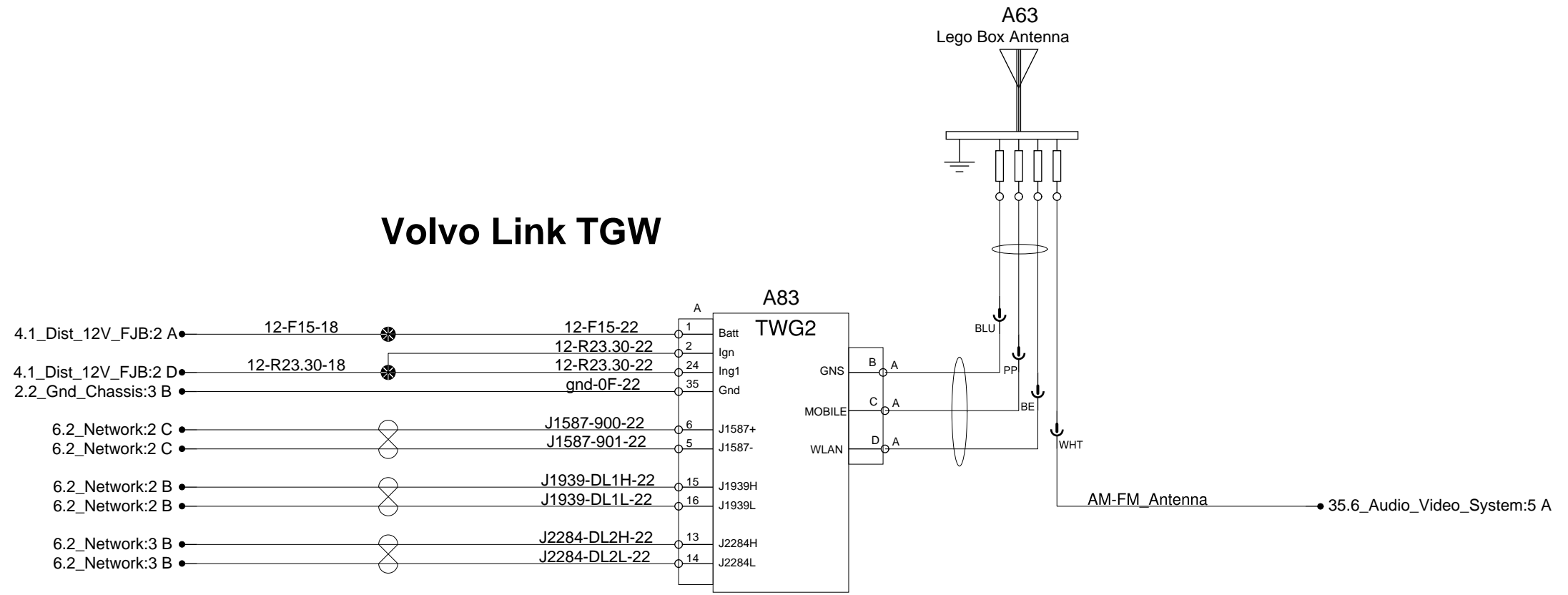


# Air Dryer Electric Control and Heater

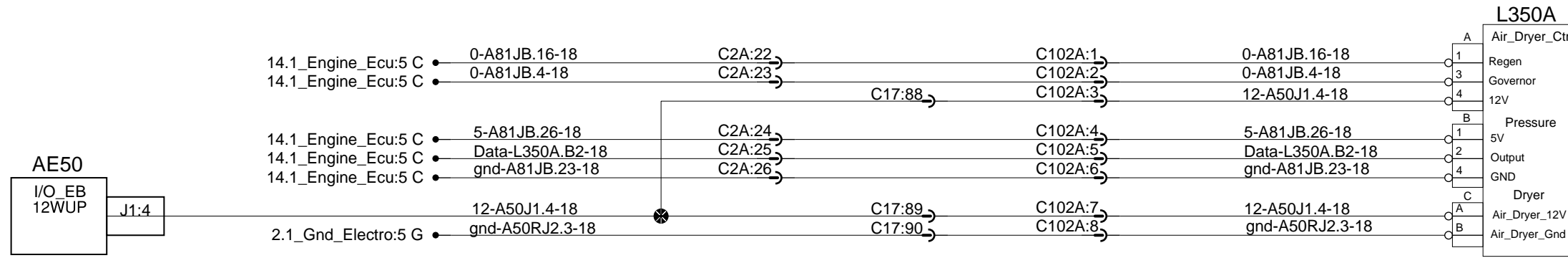




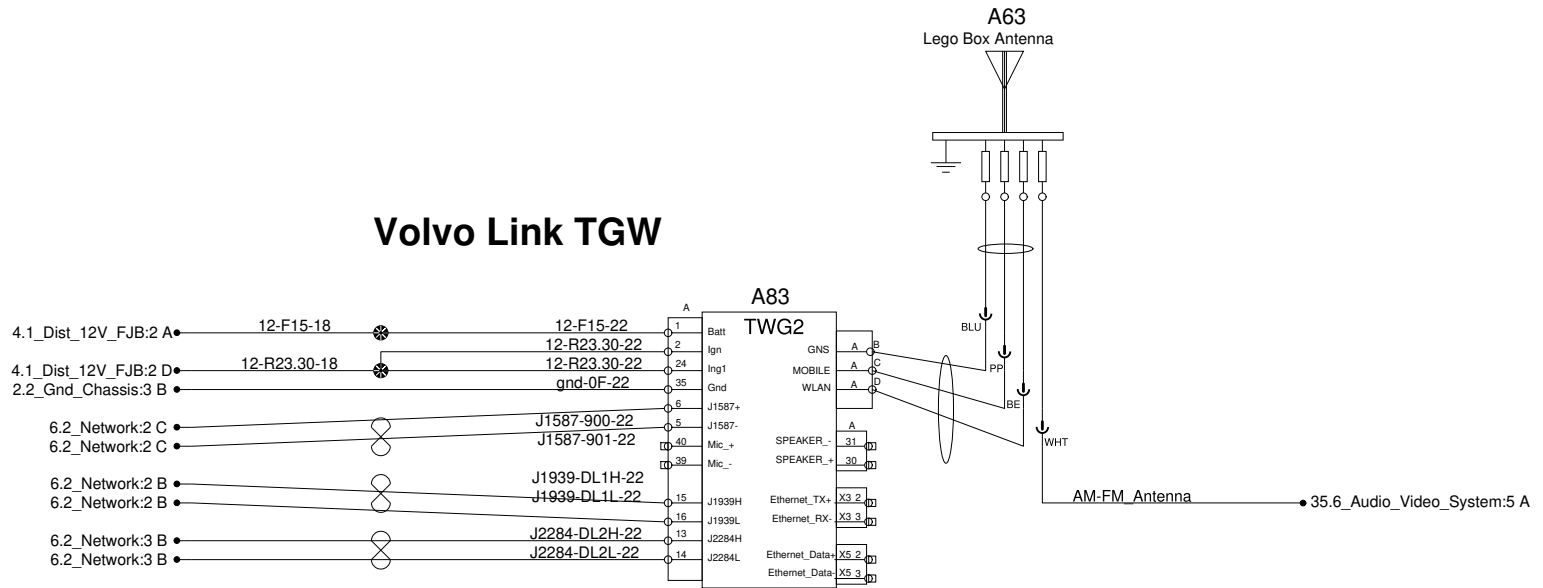
### Volvo Link TGW



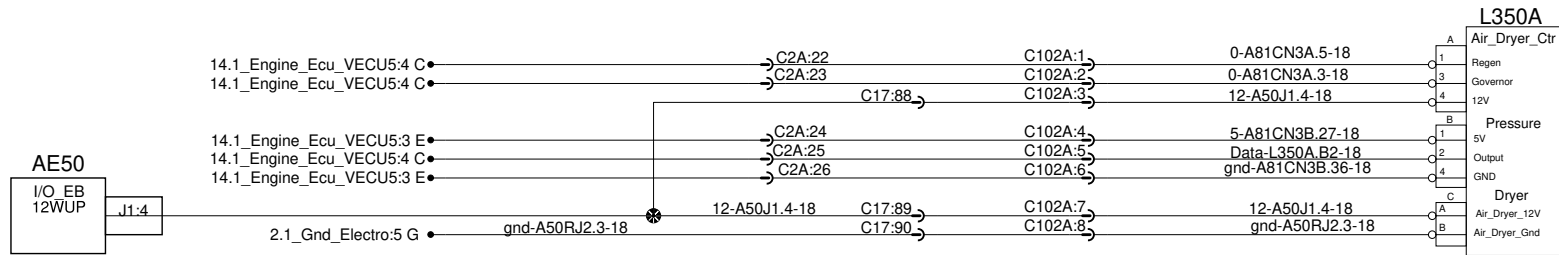
### Air Dryer Electric Control and Heater



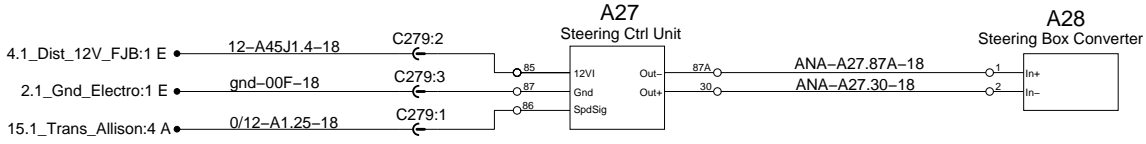
## Volvo Link TGW



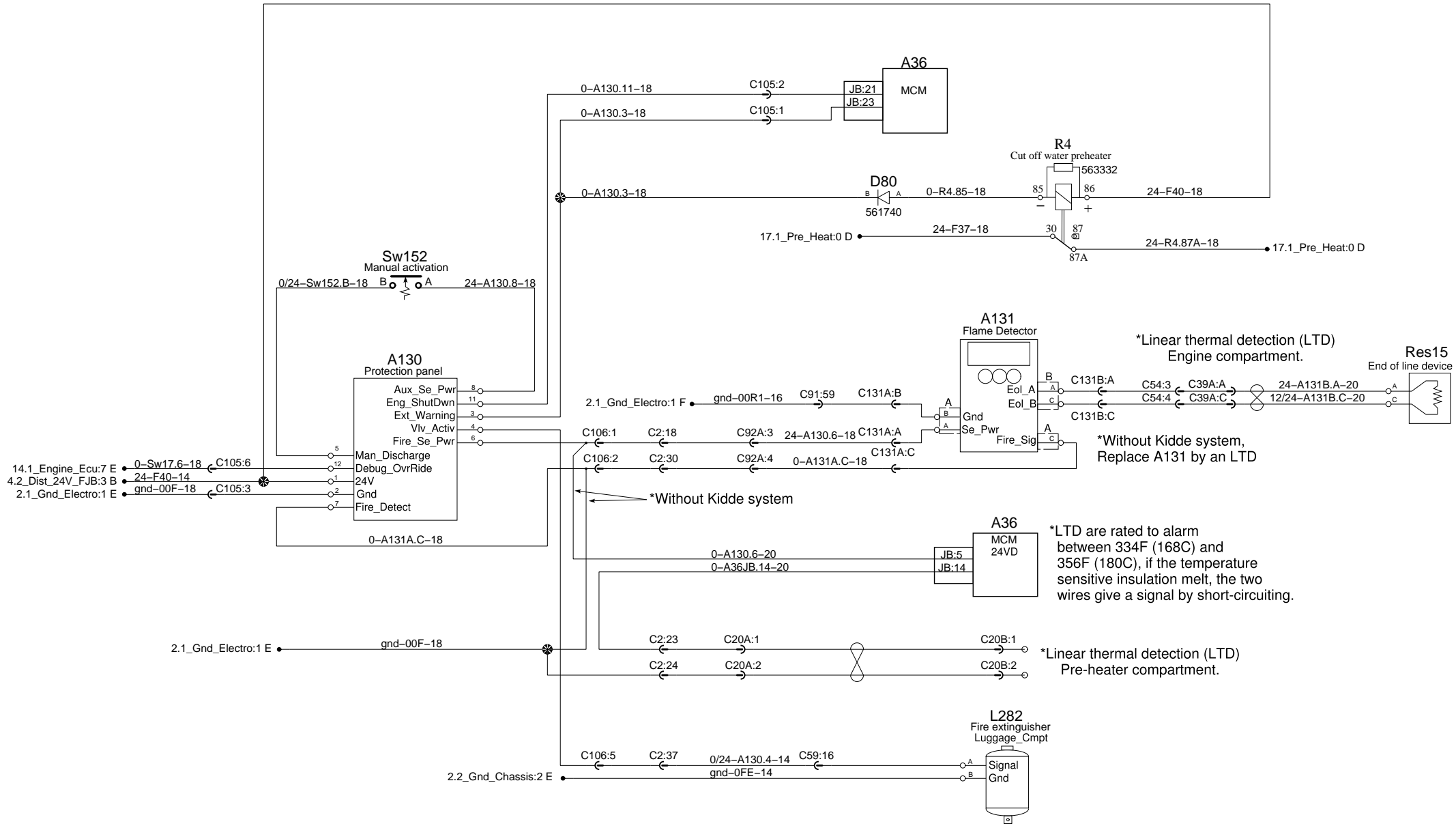
## Air Dryer Electric Control and Heater



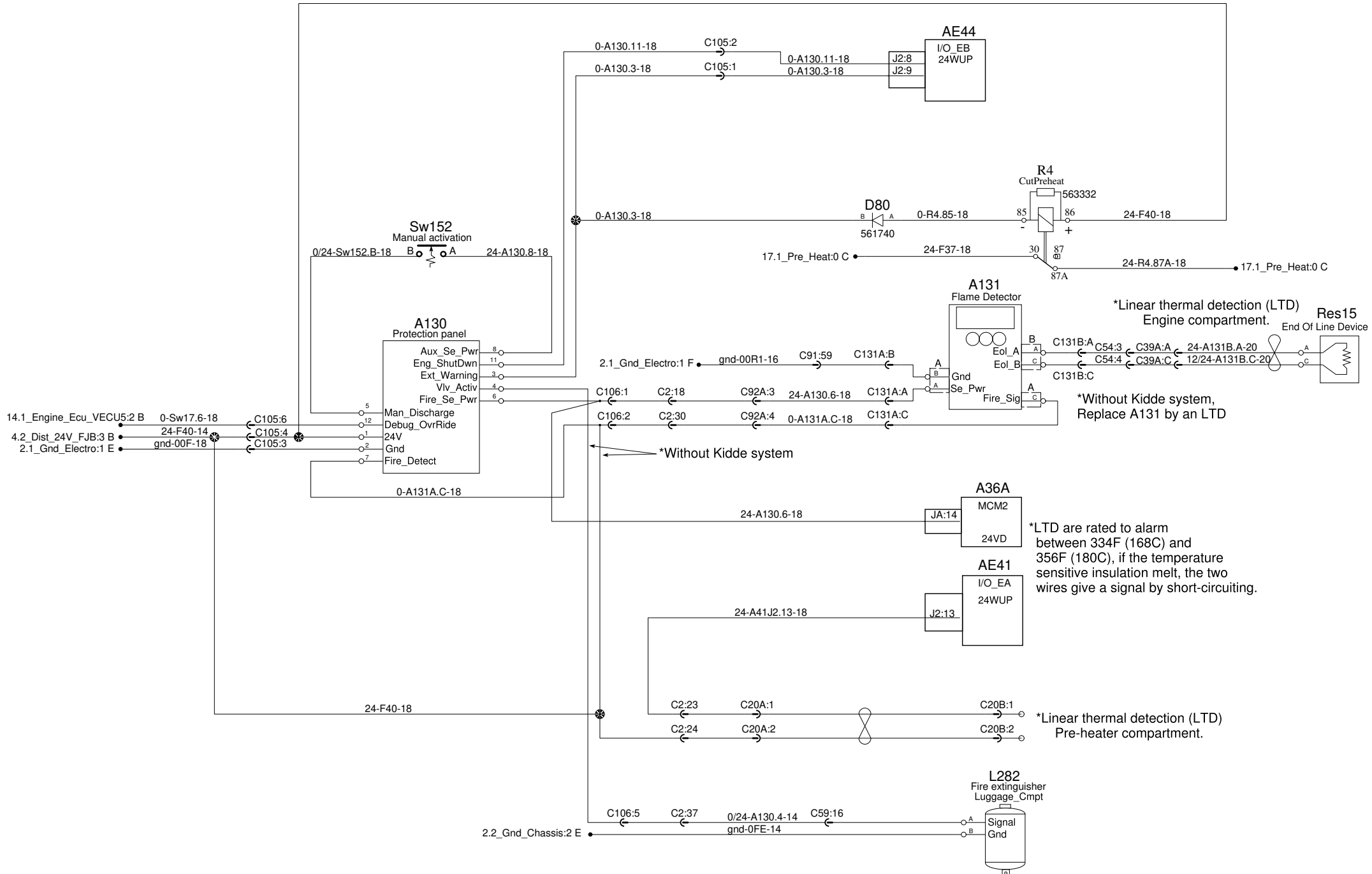
### ZF Steering control



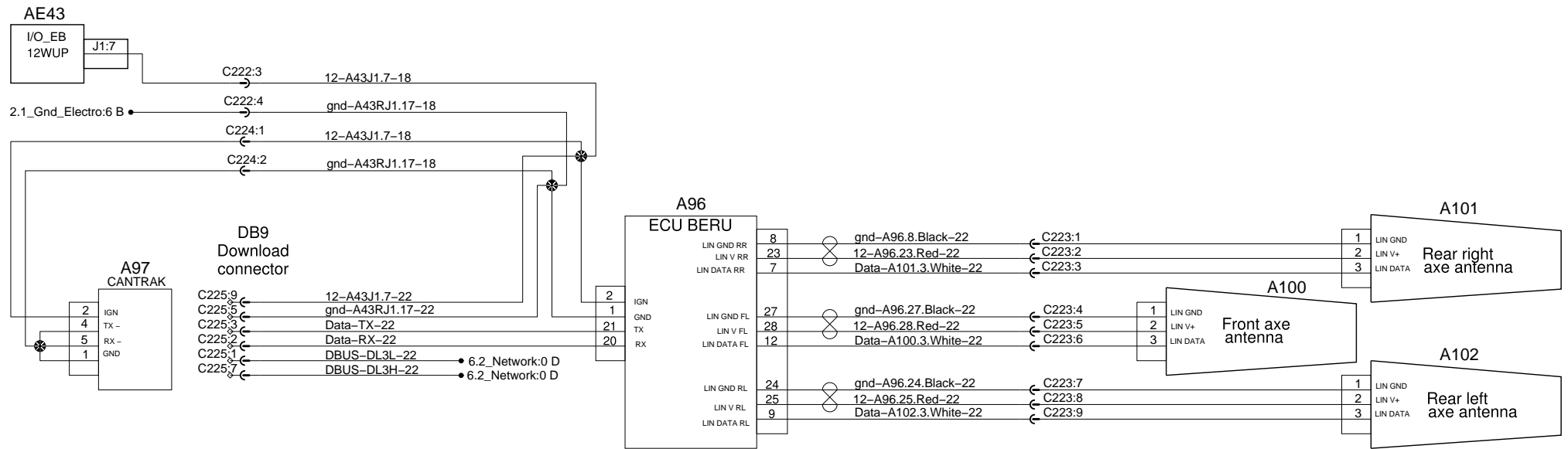
# Automatic fire suppression system



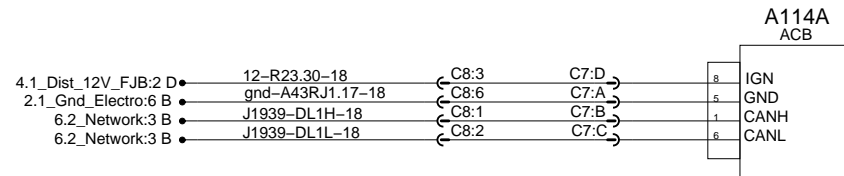
# Automatic fire suppression system



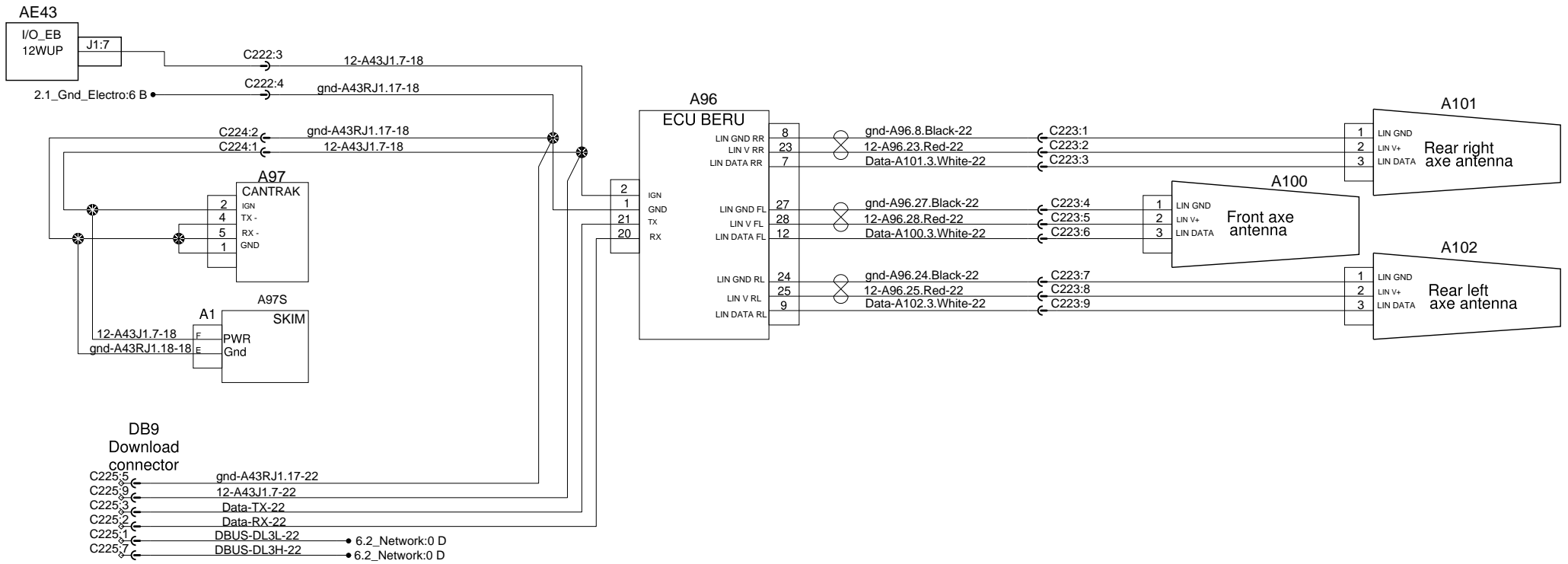
## Tire pressure monitoring system



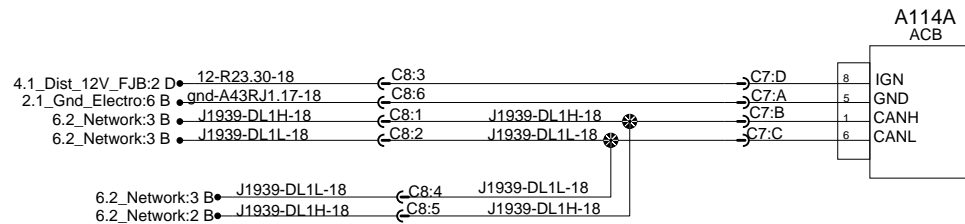
## Adaptative cruise control breaking



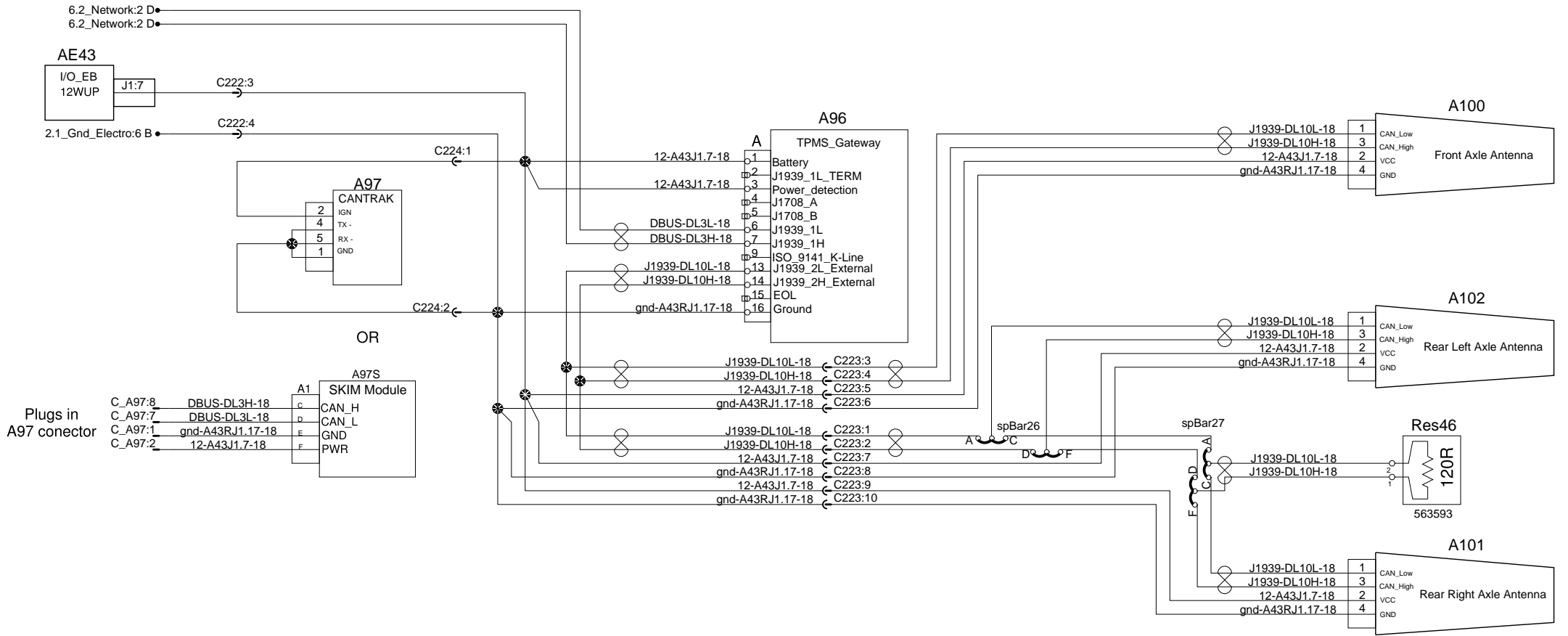
# Tire pressure monitoring system



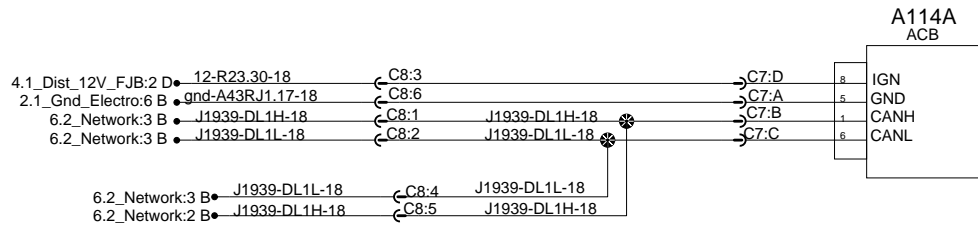
# Adaptative cruise control breaking



# Tire pressure monitoring system

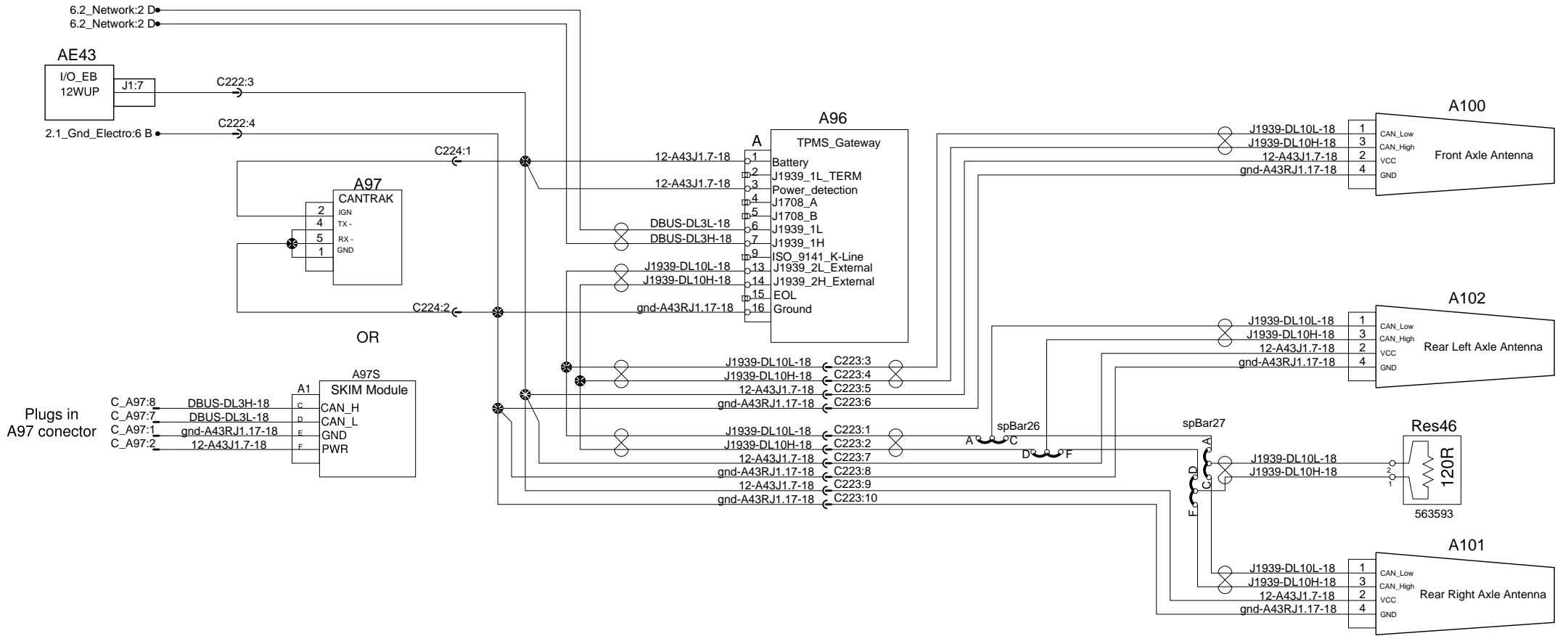


# Adaptative cruise control breaking

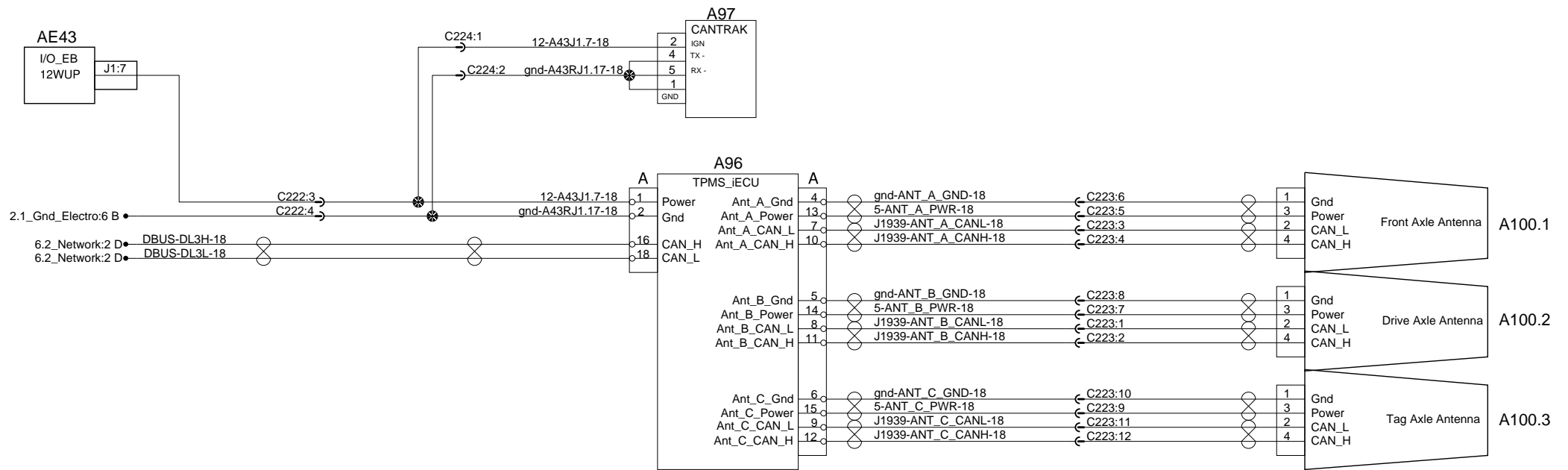




# Tire pressure monitoring system



# Tire pressure monitoring system



# Inverter (1 or 2) & 120VAC outlets

\*\*Typical representation - Quantity change with Seat Layout\*\*

A

B

C

D

E

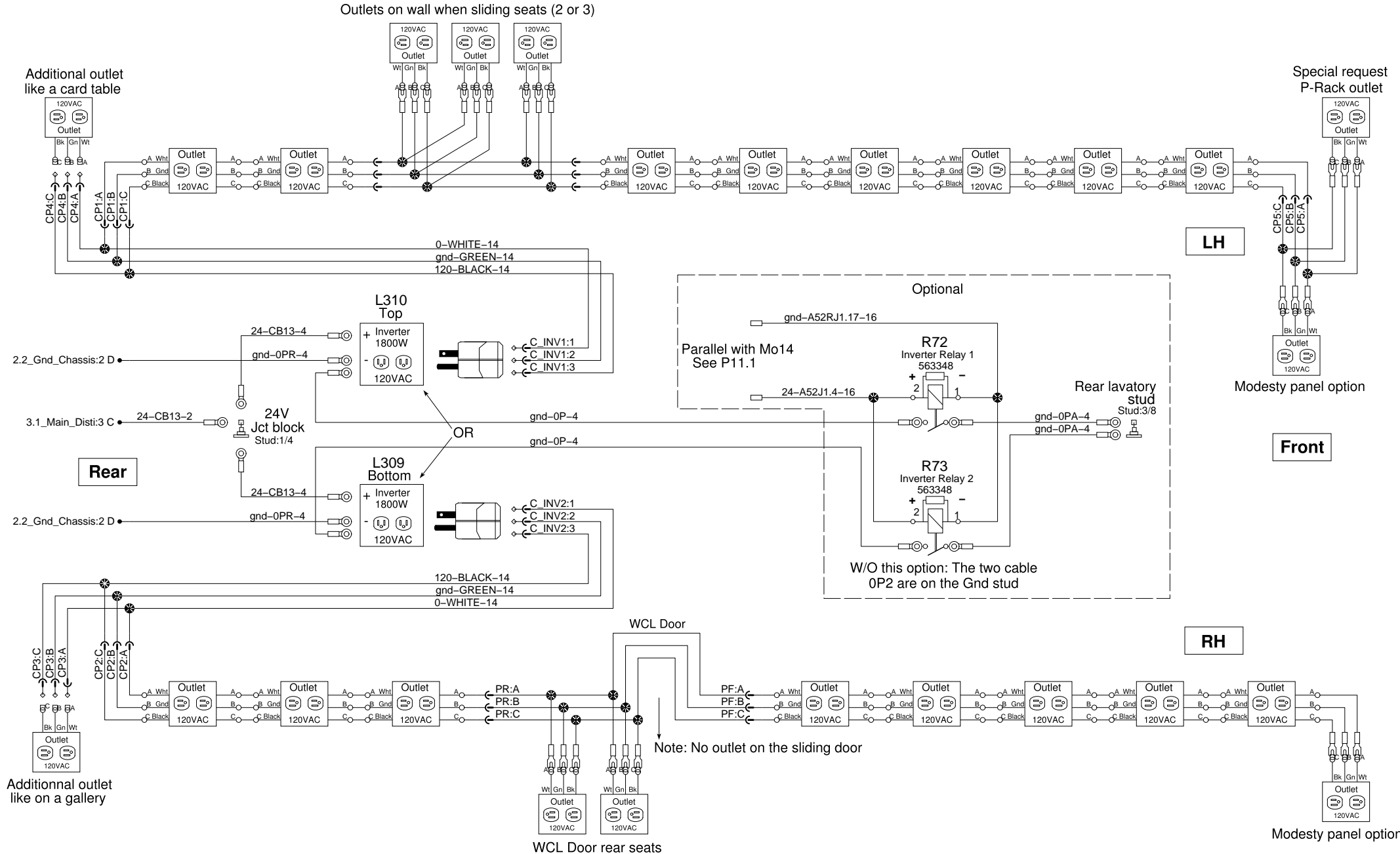
A

B

C

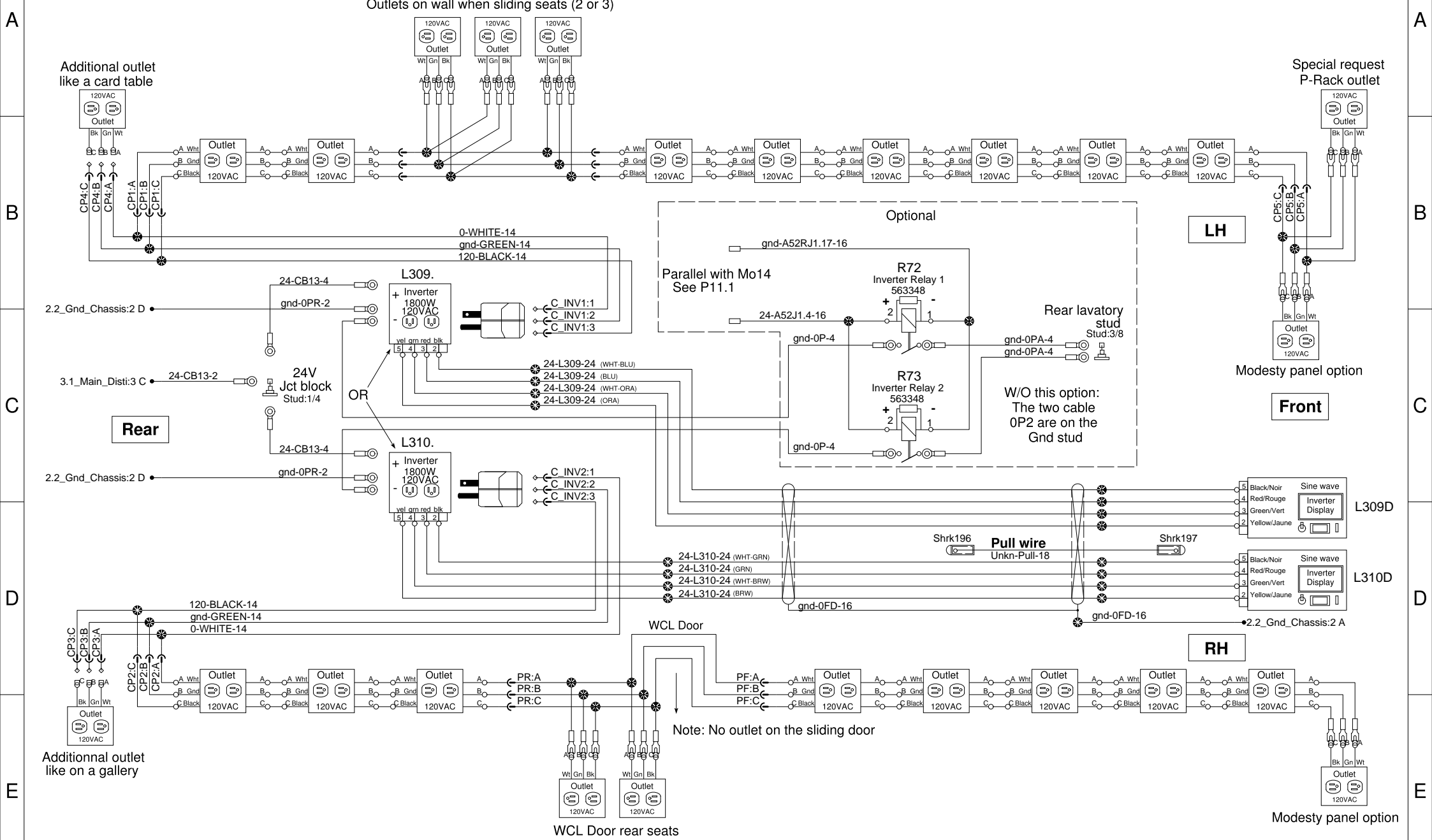
D

E



# Inverter (1 or 2) & 120VAC outlets

\*\*Typical representation - Quantity change with Seat Layout\*\*



1

2

3

4

5

A

A

B

B

C

C

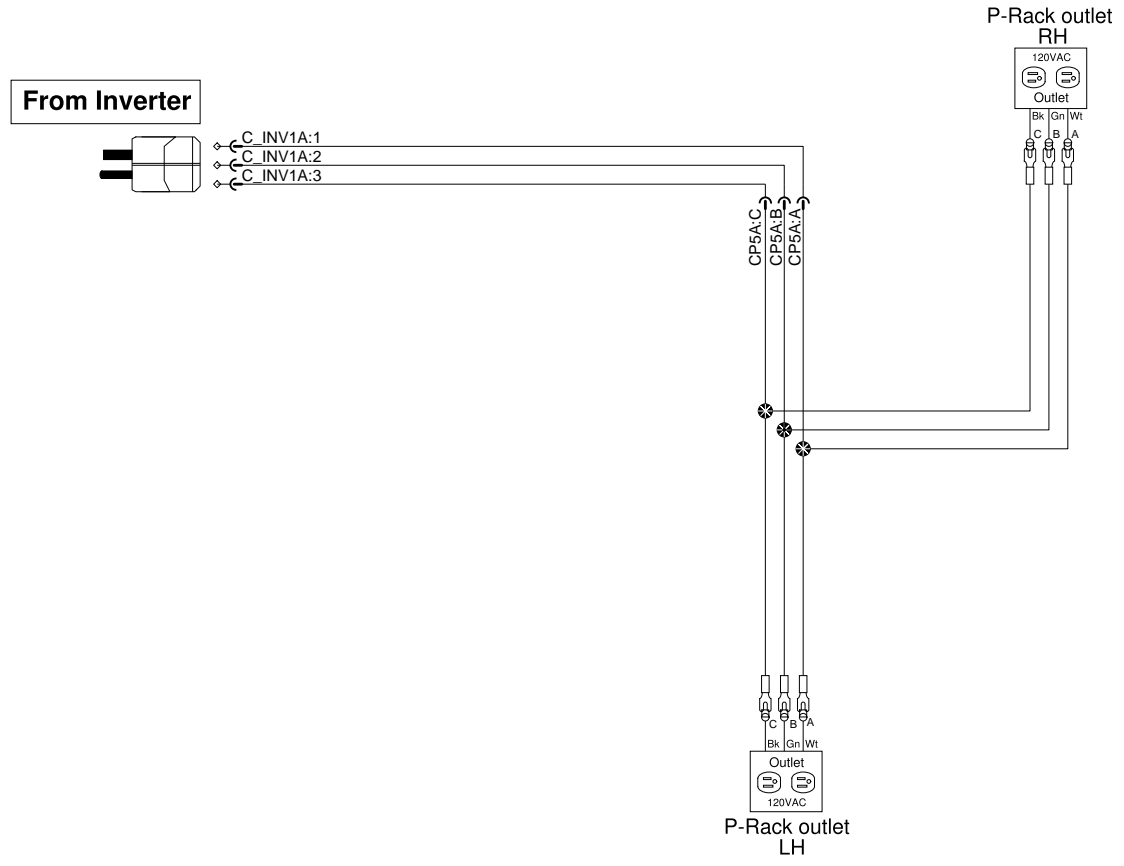
D

D

E

E

# 120VAC ParcelRack Outlet RH & LH



1

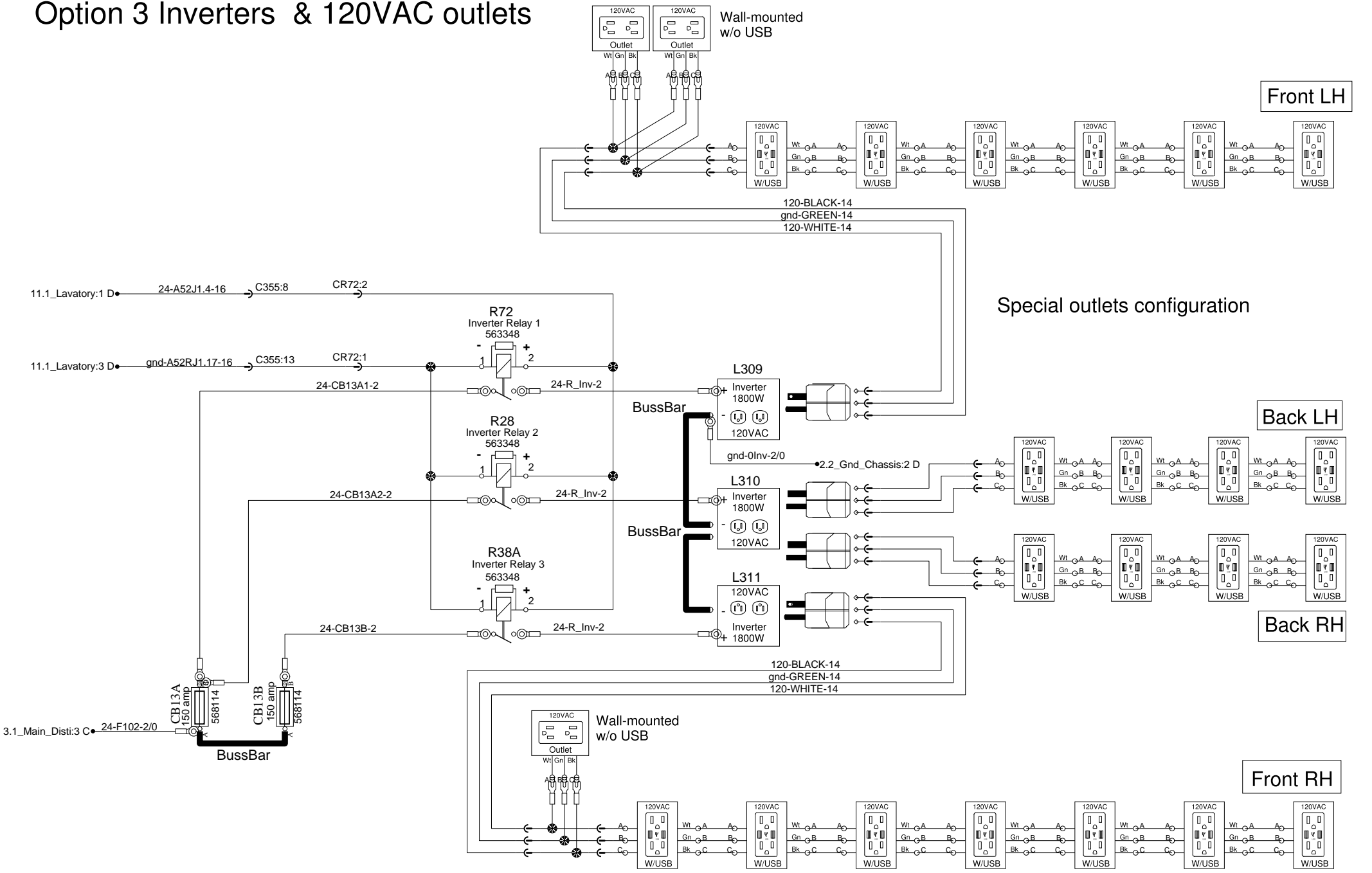
2

3

4

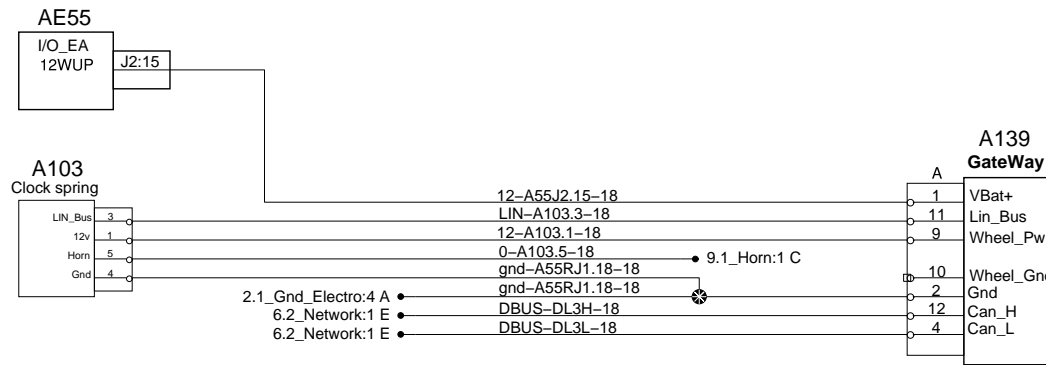
5

# Option 3 Inverters & 120VAC outlets

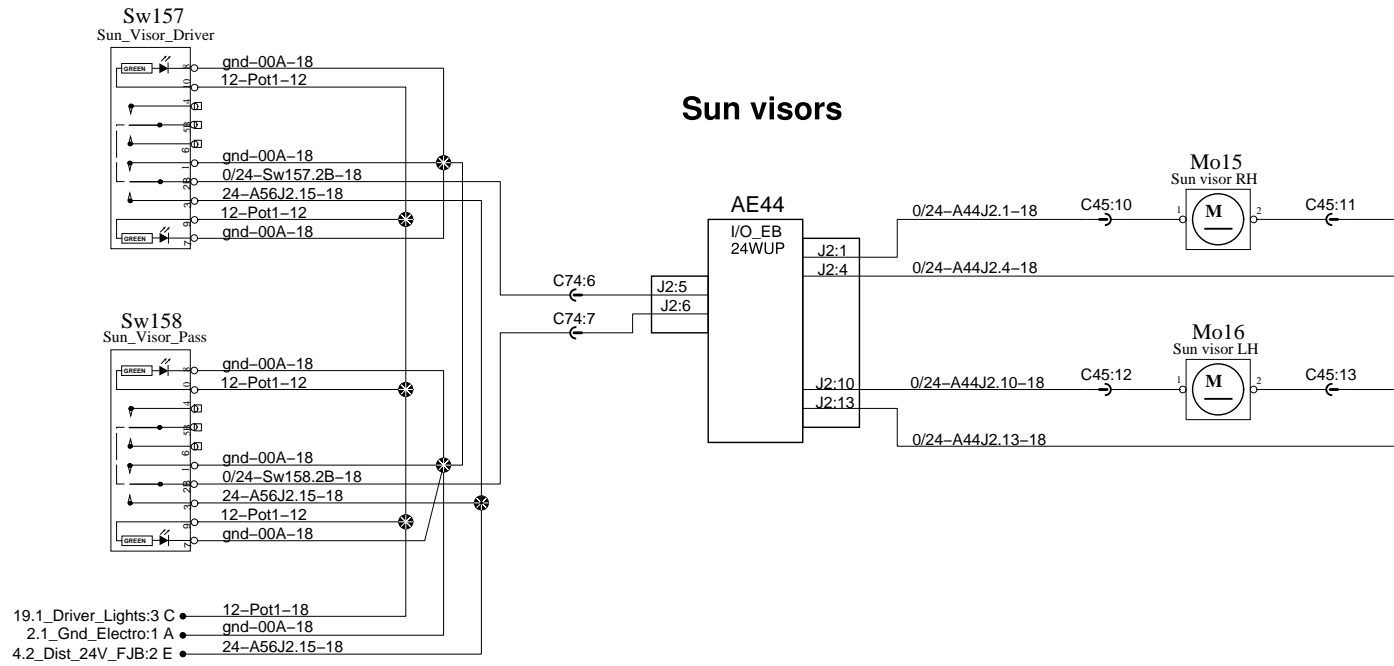


Special outlets configuration

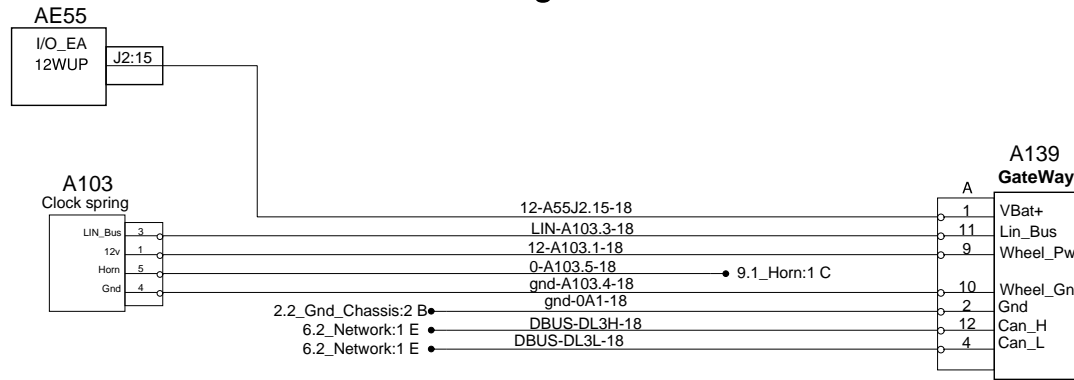
# Steering multifunctions



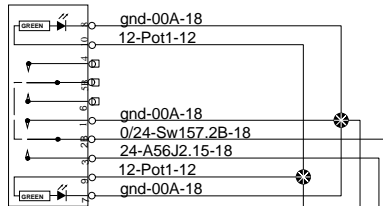
# Sun visors



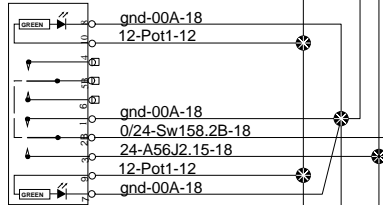
# Steering multifunctions



## Sw157 Sun\_Visor\_Driver

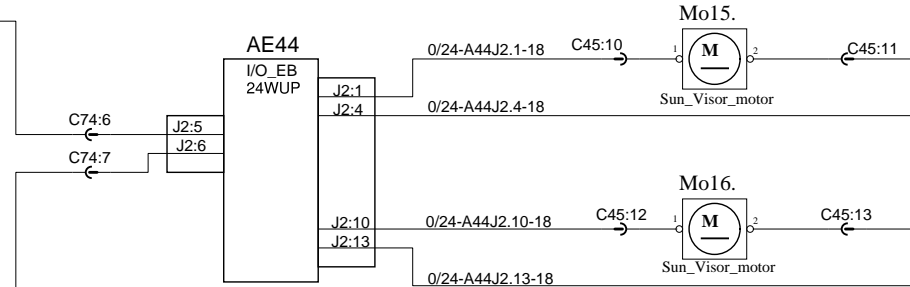


## Sw158 Sun\_Visor\_Pass



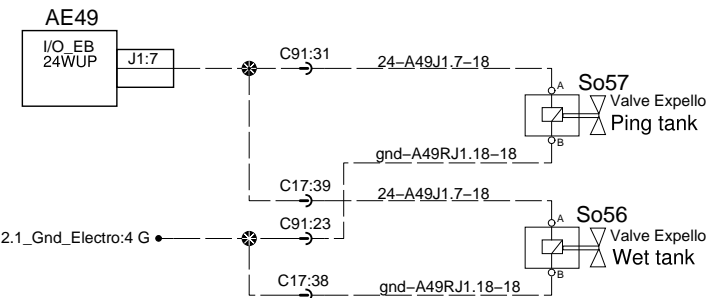
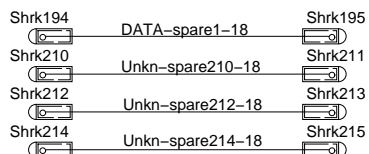
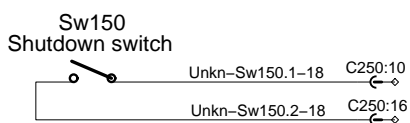
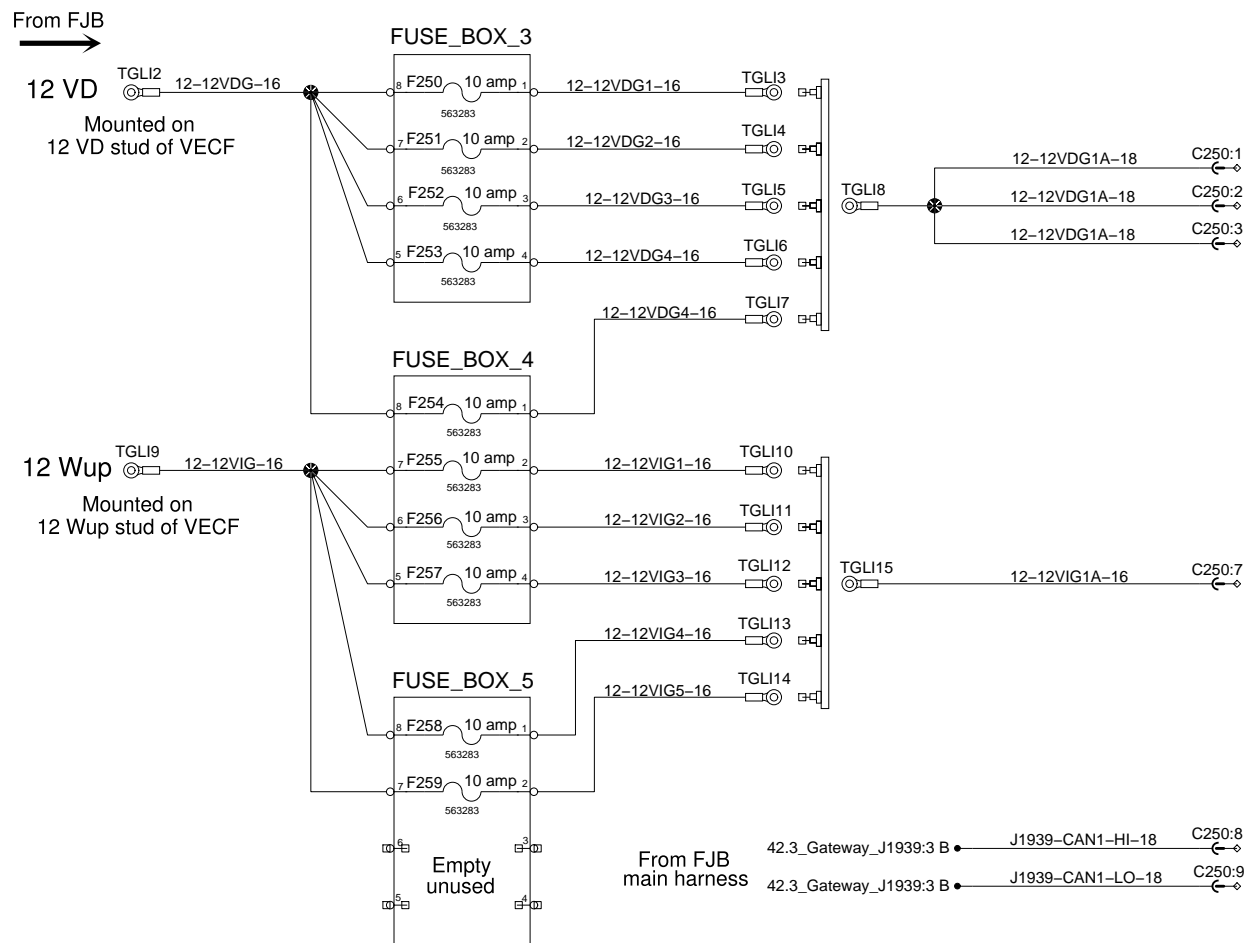
- 19.1\_Driver\_Lights:3 C
- 2.1\_Gnd\_Electro:1 A
- 4.2\_Dist\_24V\_FJB:2 E
- 12-Pot1-18
- gnd-00A-18
- 24-A56J2.15-18

# Sun visors

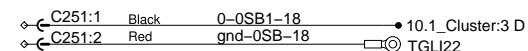




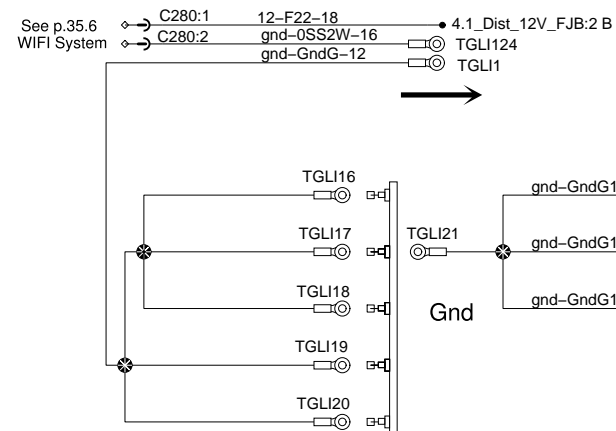
### Cadec and seat belt alarm



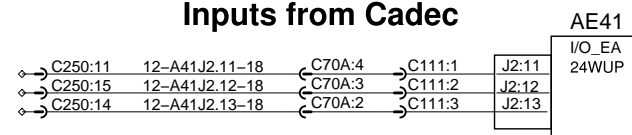
### USSC Seat belt switch



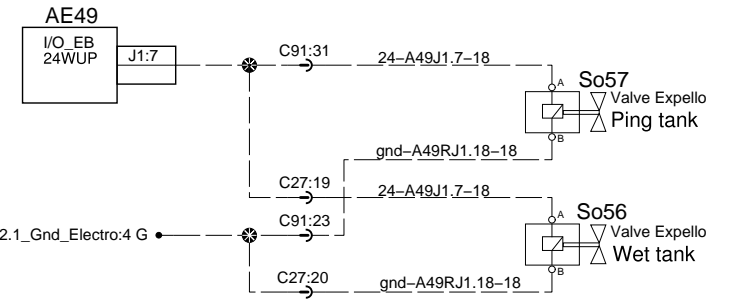
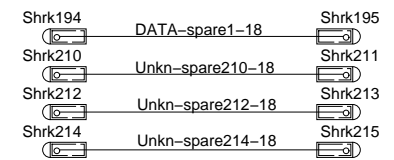
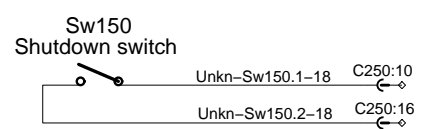
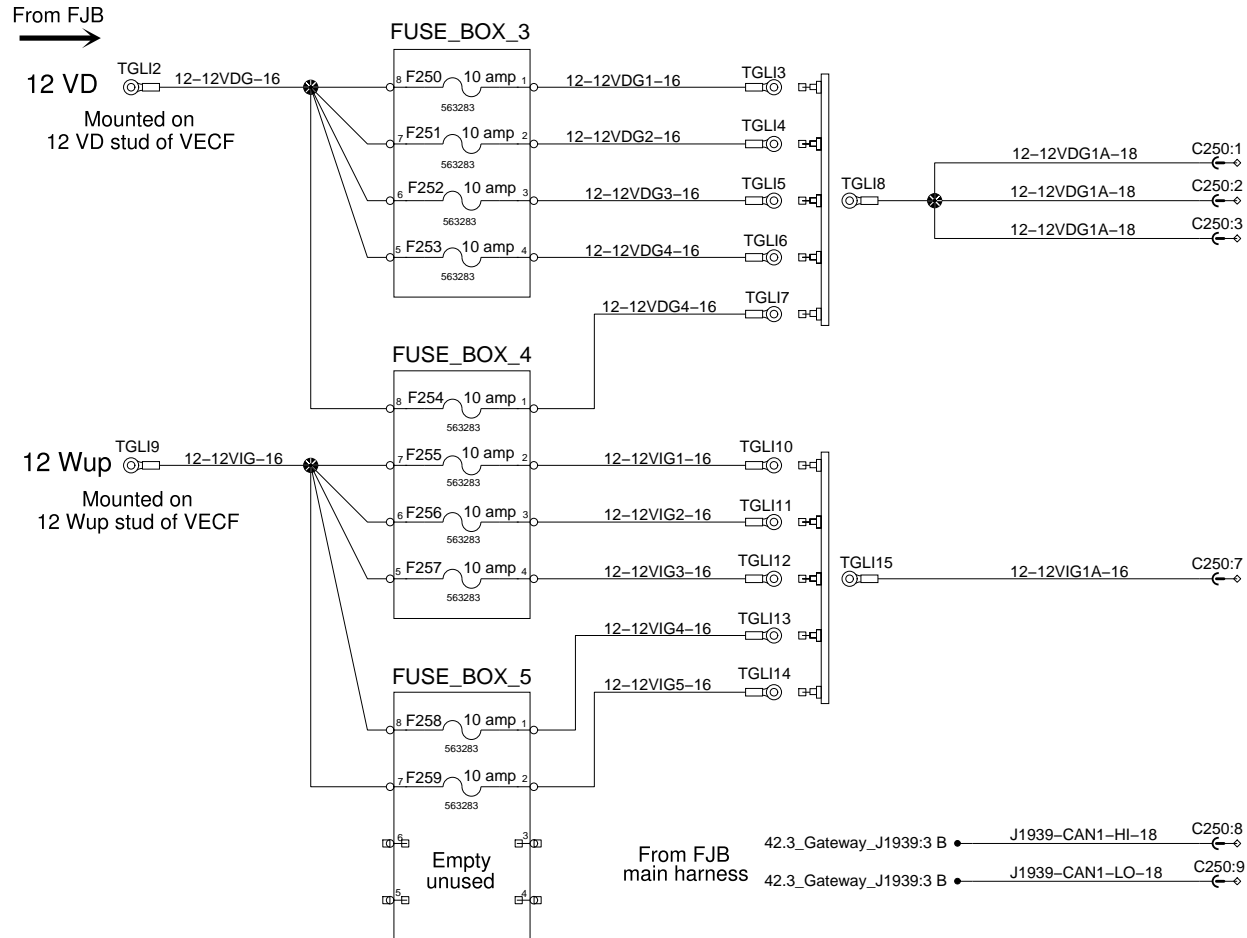
### Wireless system power



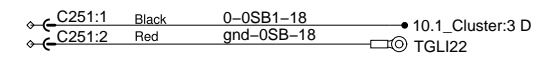
### Inputs from Cadec



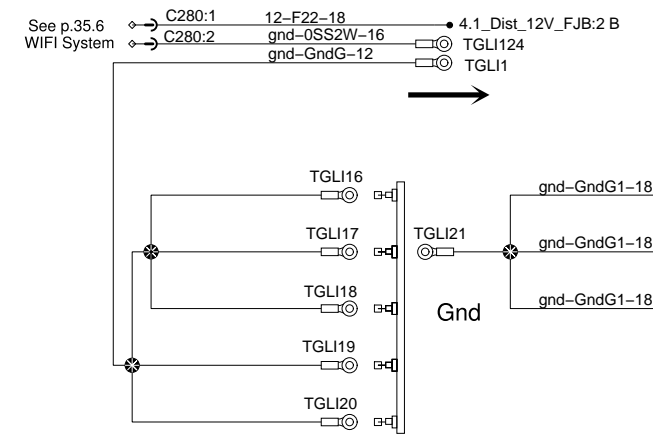
### Cadec and seat belt alarm



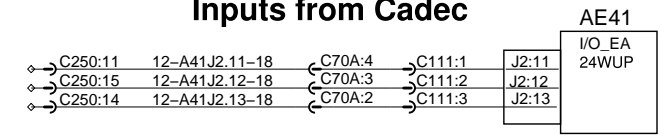
### USSC Seat belt switch



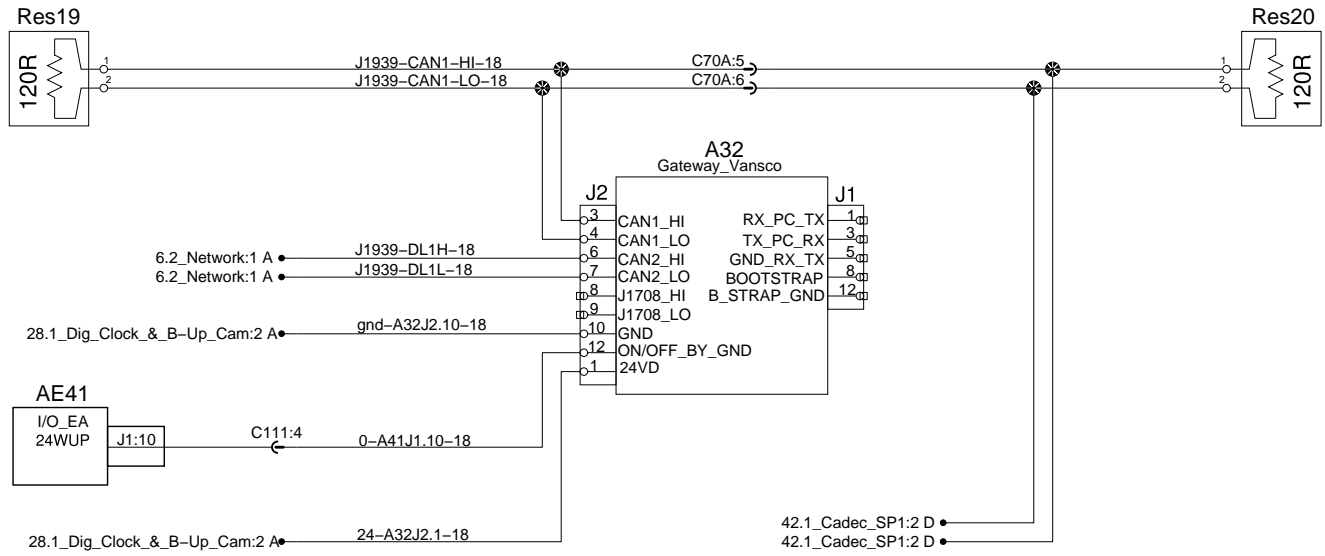
### Wireless system power



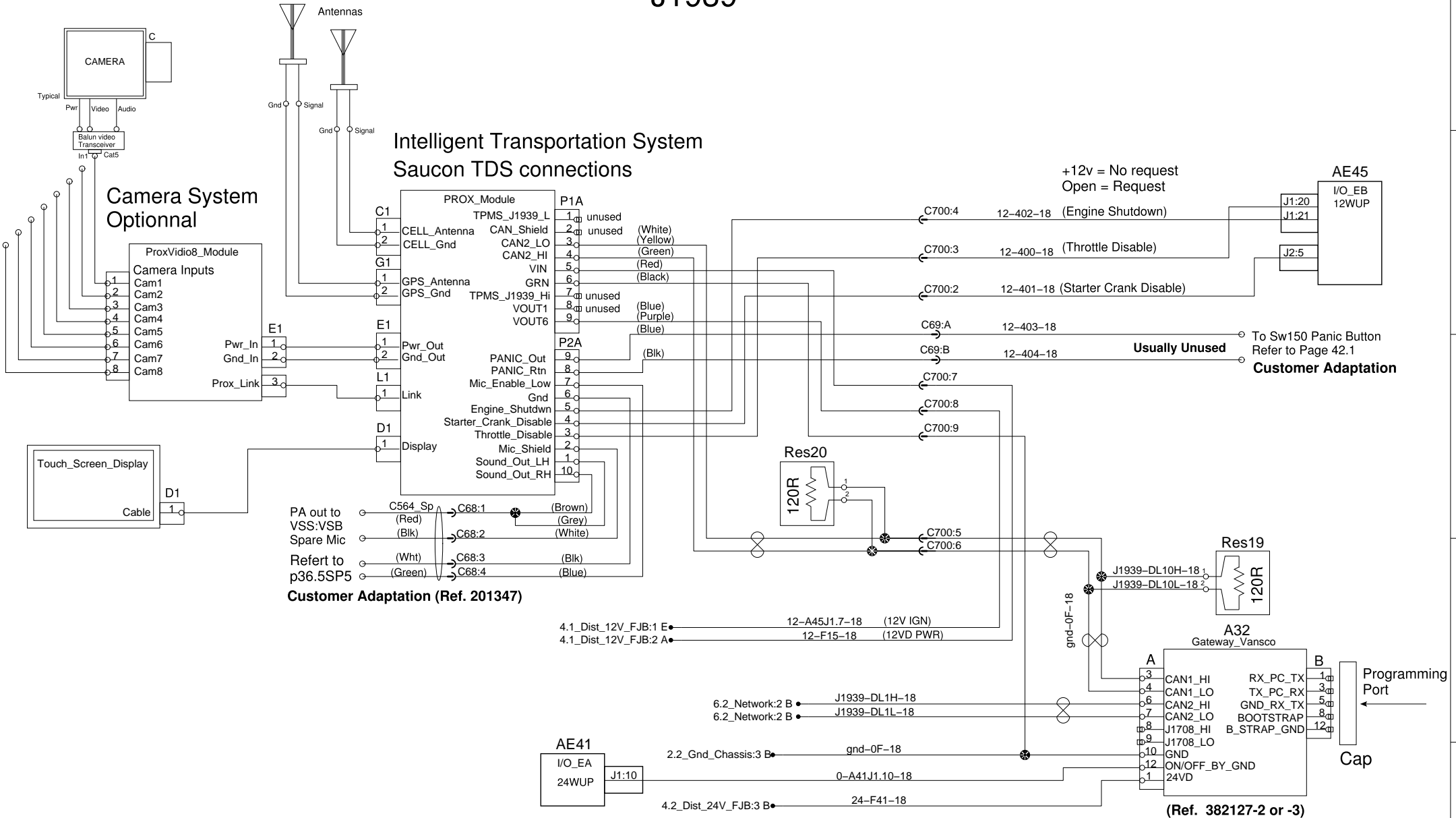
### Inputs from Cadec



# Gateway J1939

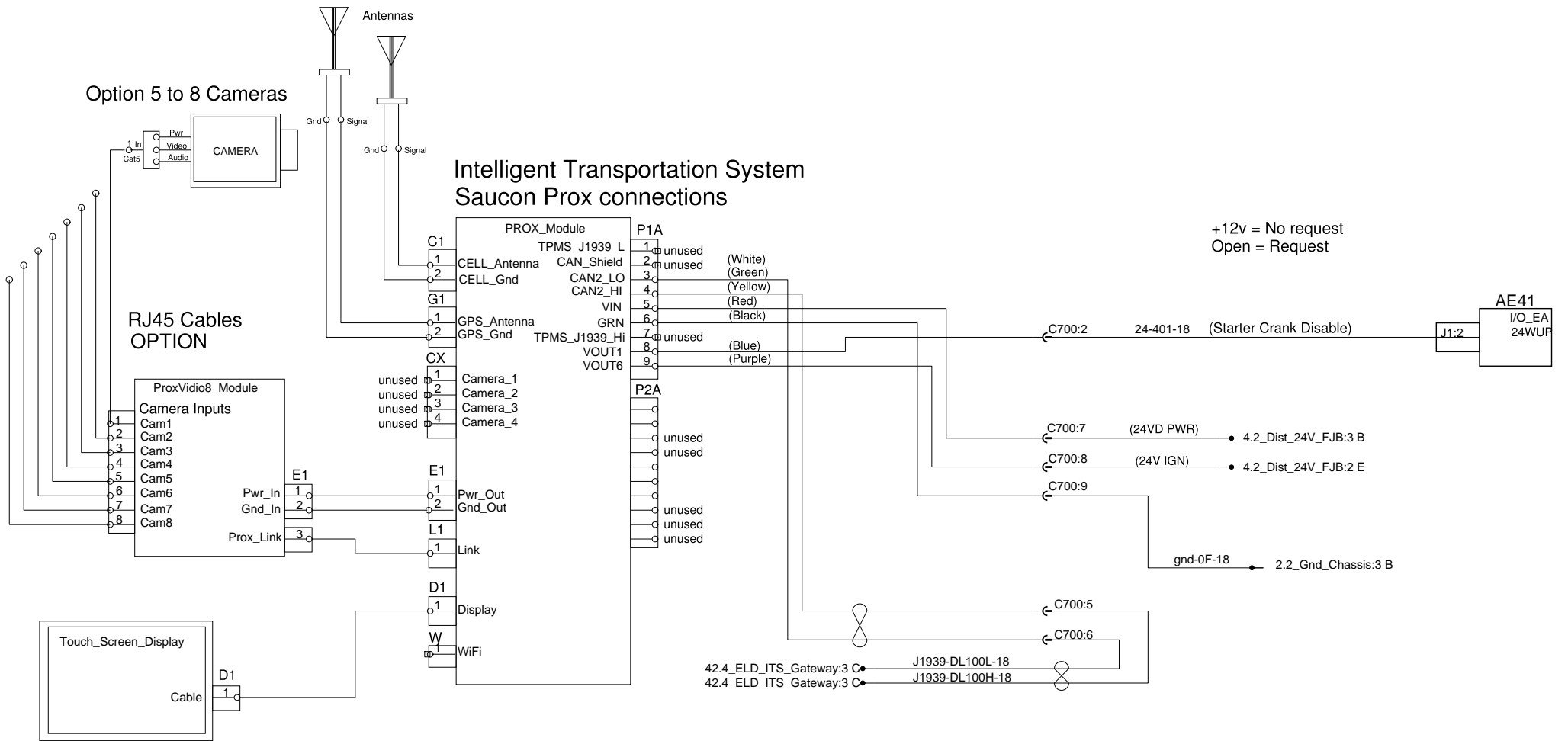


# CTGI - Customer Telematic Gateway Interface J1939

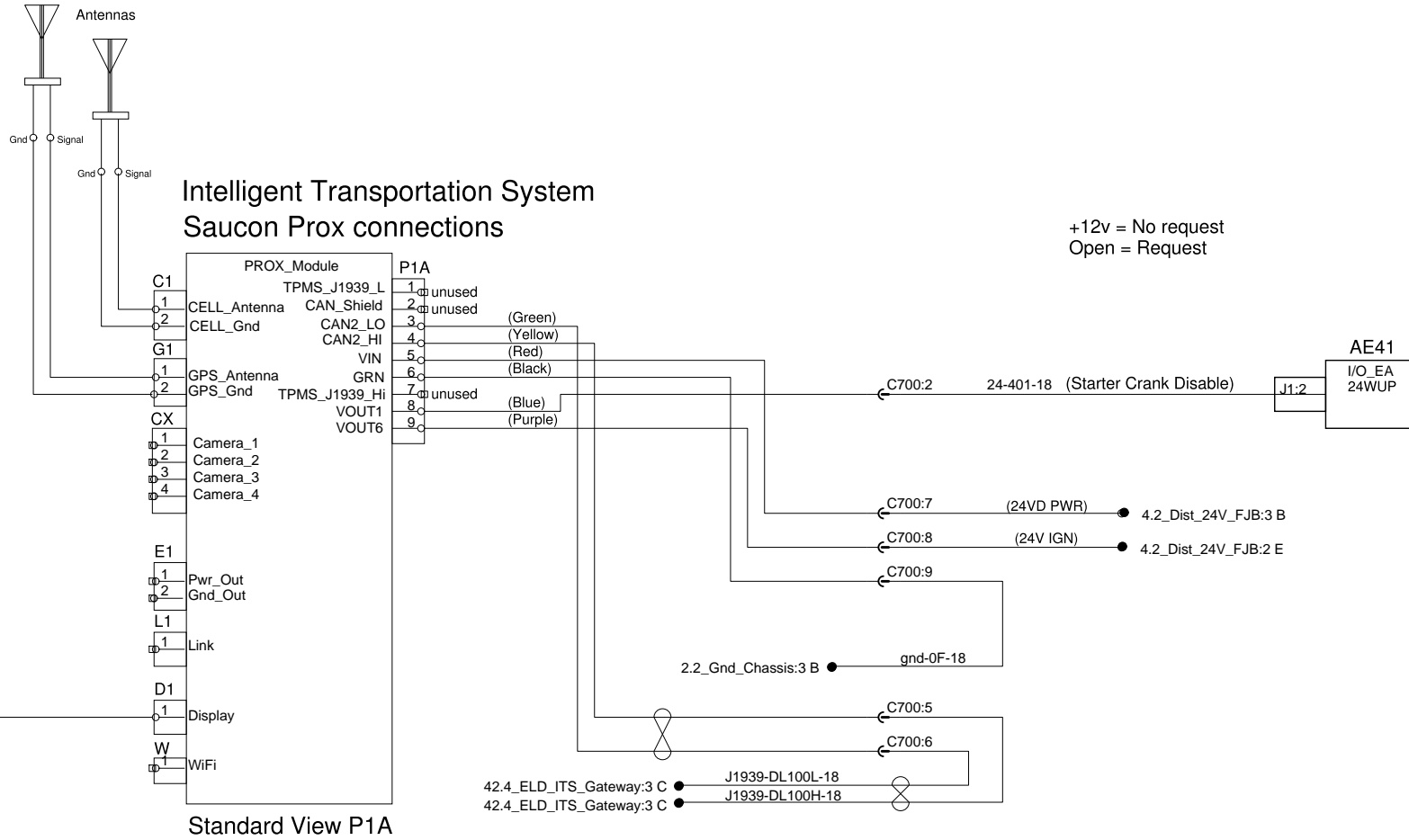


## CUSTOMER ADAPTATION

# Saucon Prox - Intelligent Transp. System Customer Adaptation

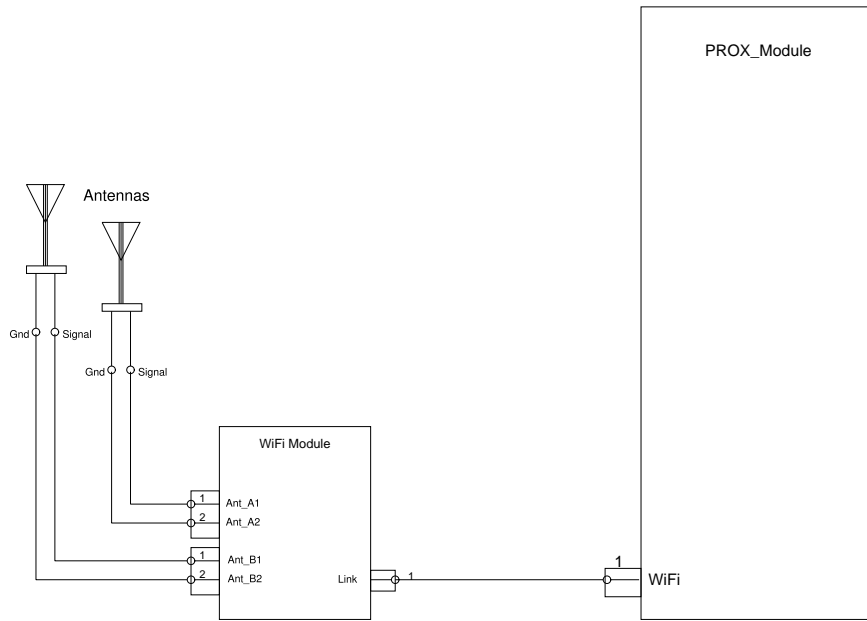


# Saucon - Basic ELD Customer Adaptation

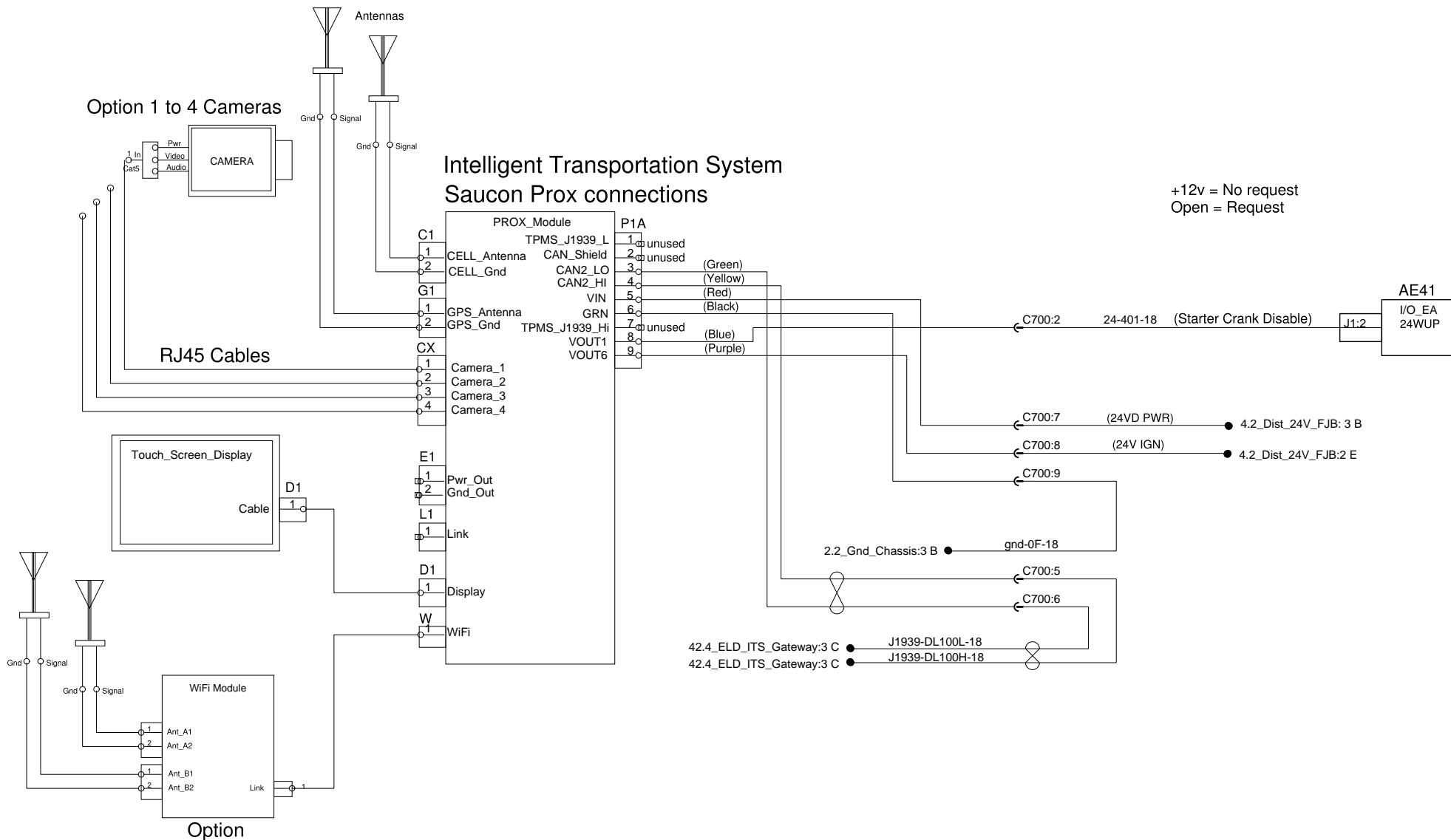


# Saucon Prox ELD - With WiFi Option Customer Adaptation

## Intelligent Transportation System Saucon Prox connections

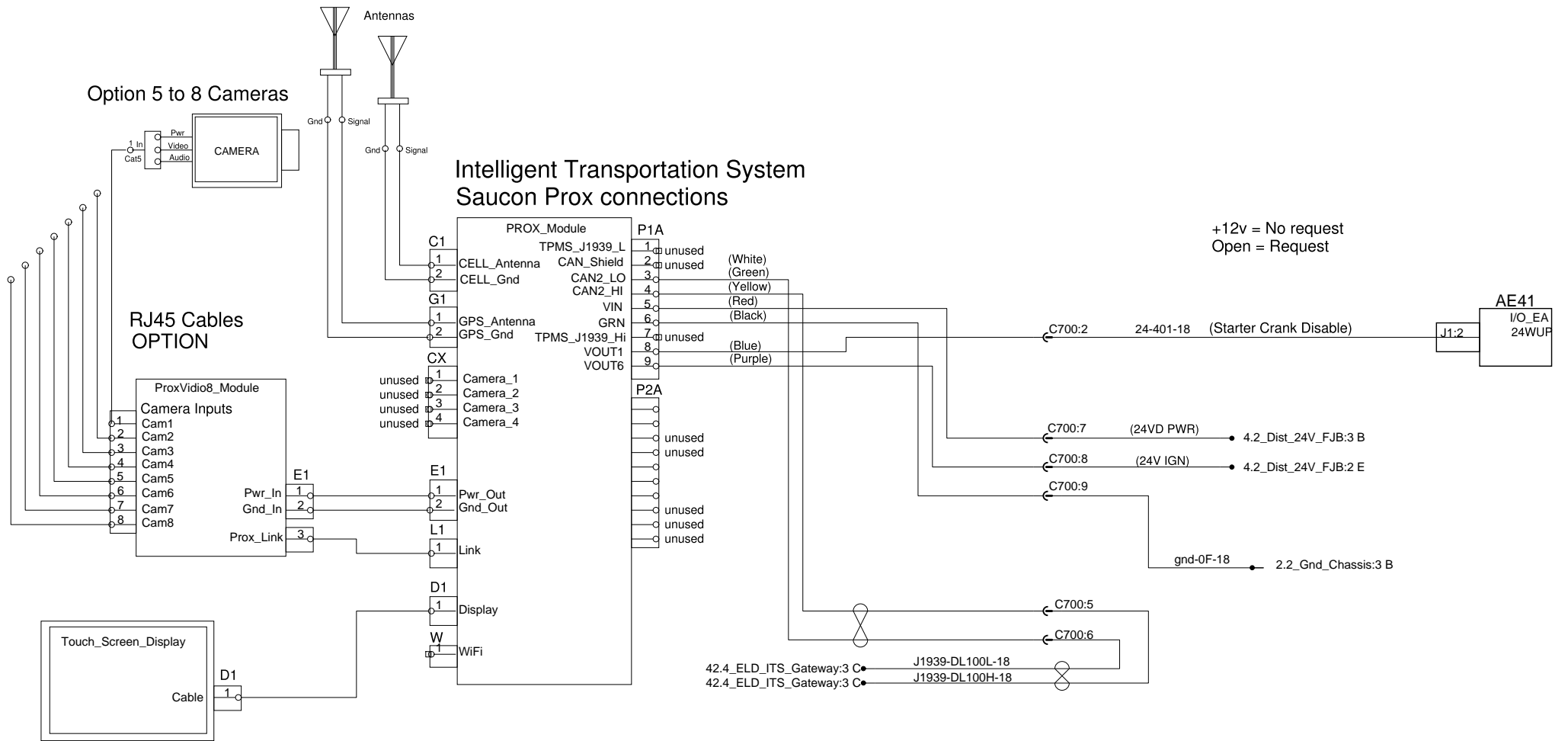


# Saucon Prox ELD - with 4 Cameras Customer Adaptation

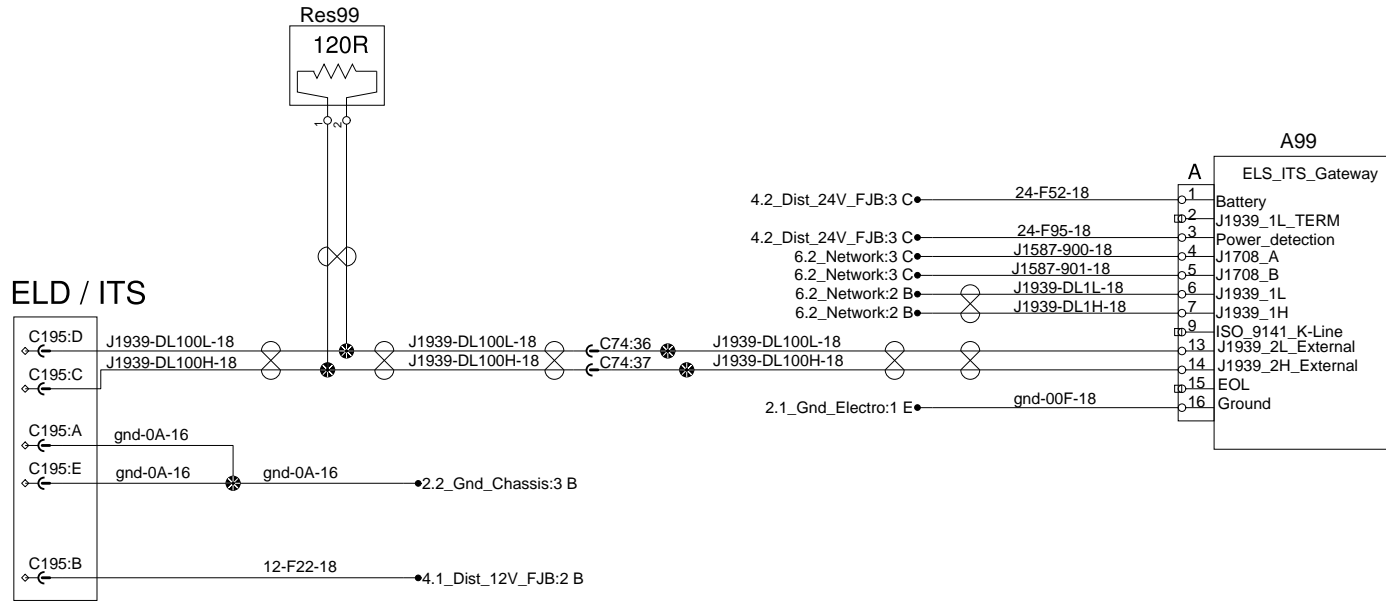




# Saucon Prox - Intelligent Transp. System Customer Adaptation

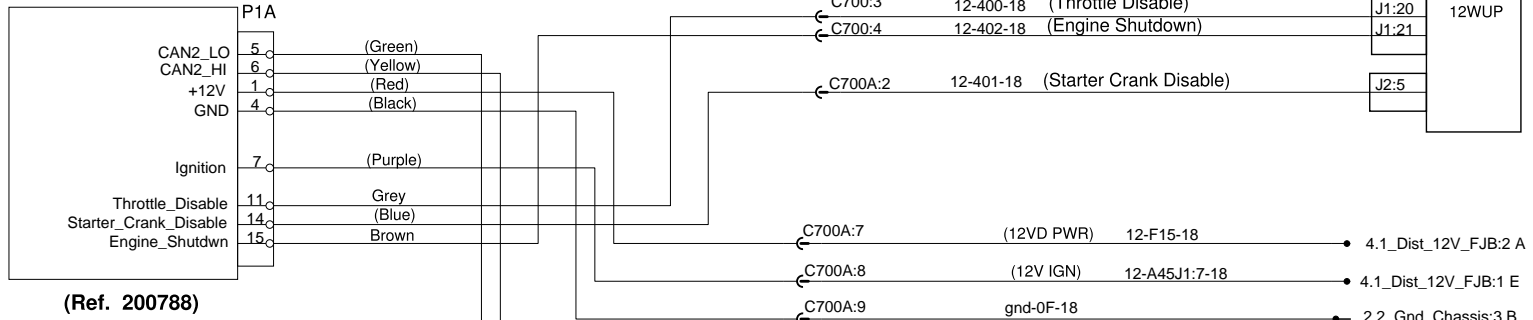


# ELD / ITS J1939 Gateway



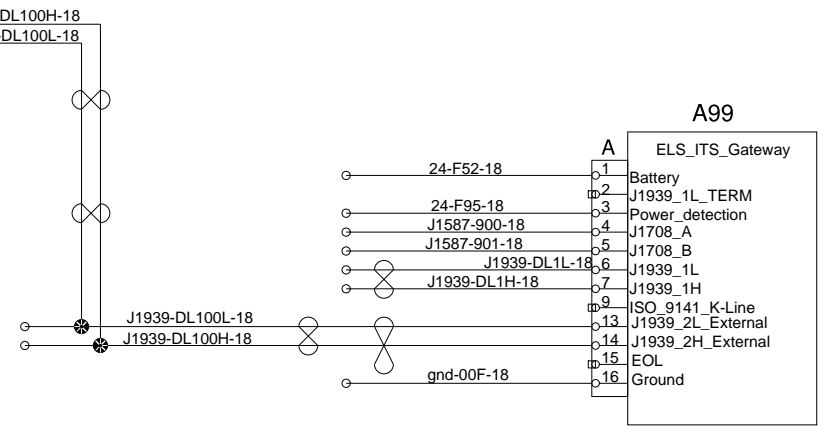
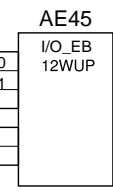
# CUSTOMER ADAPTATION FOR GLI SPECIAL SAUCON ELD

## Saucon ELD connections Prox M

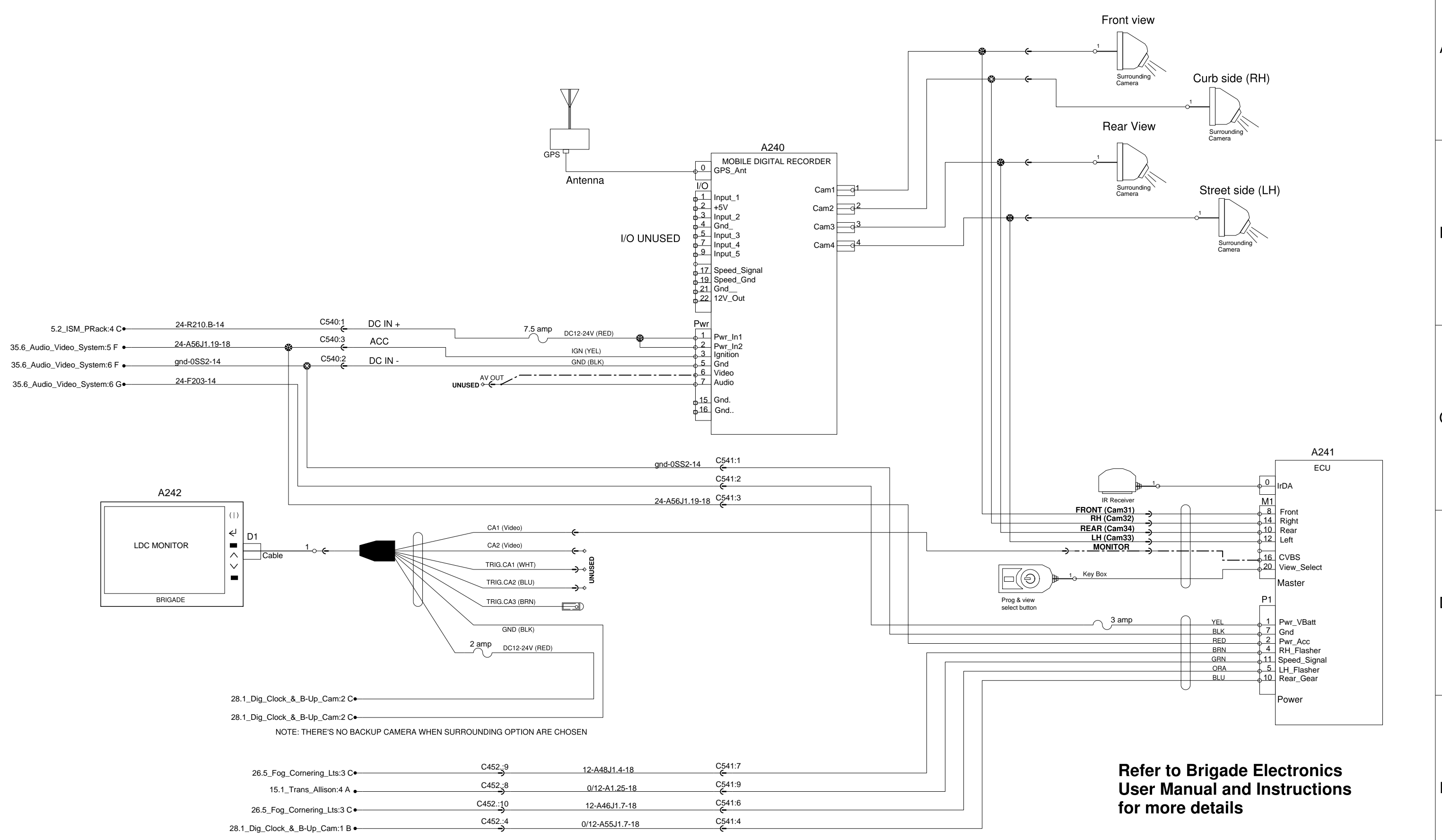


(Ref. 200788)

+12v = No request  
Open = Request

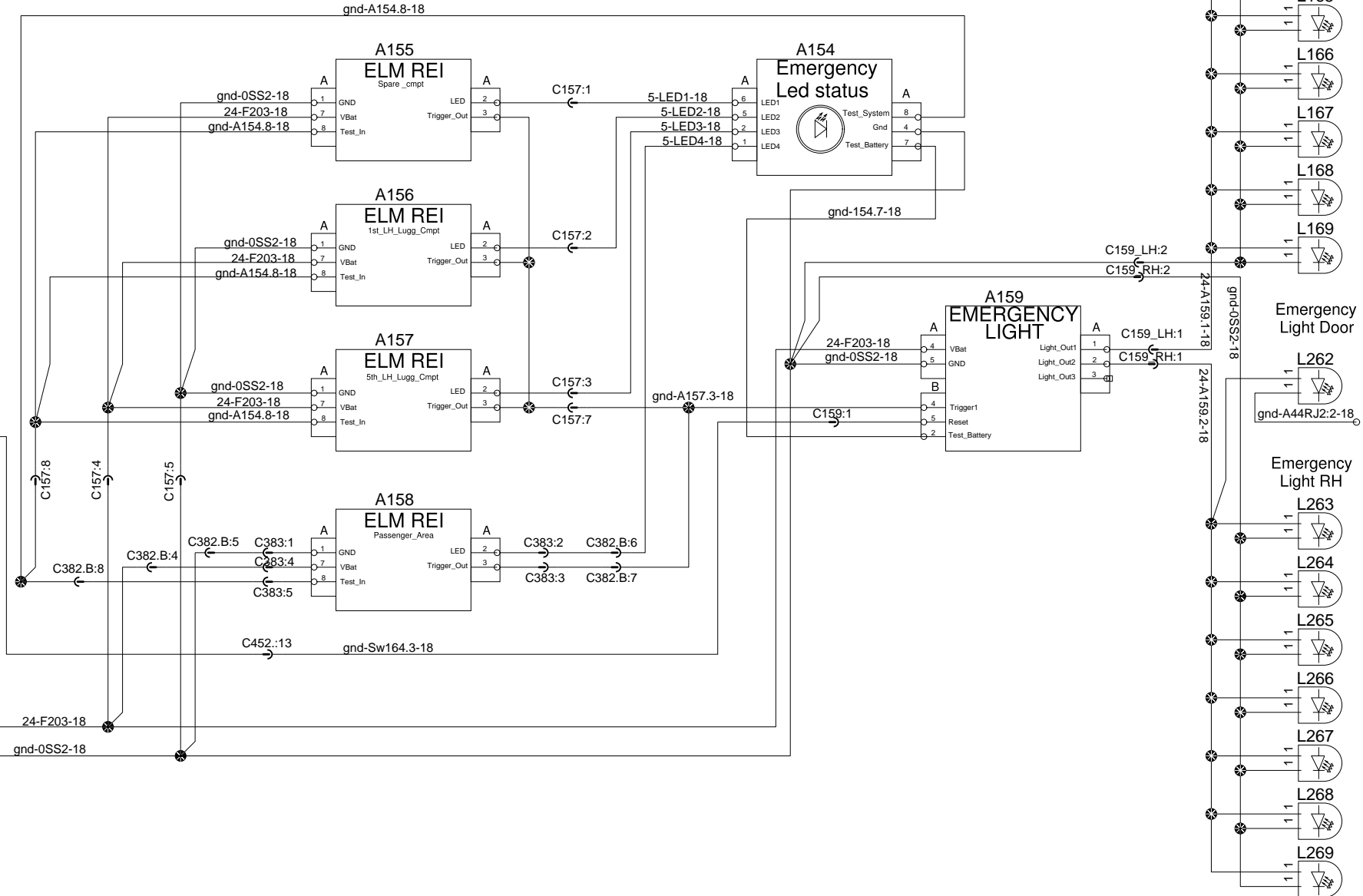
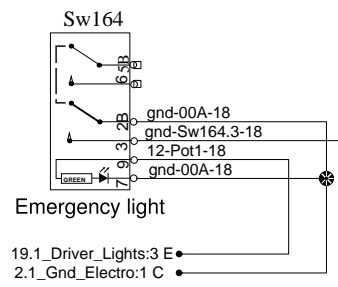


# Surrounding Cameras System

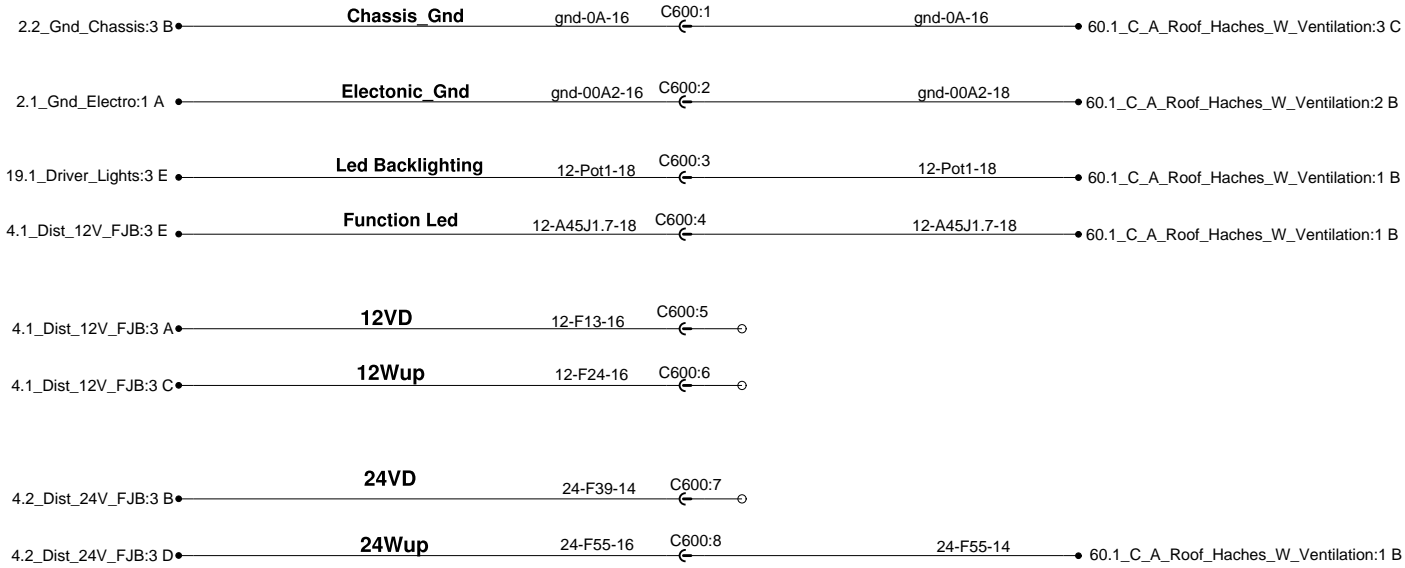


**Refer to Brigade Electronics  
User Manual and Instructions  
for more details**

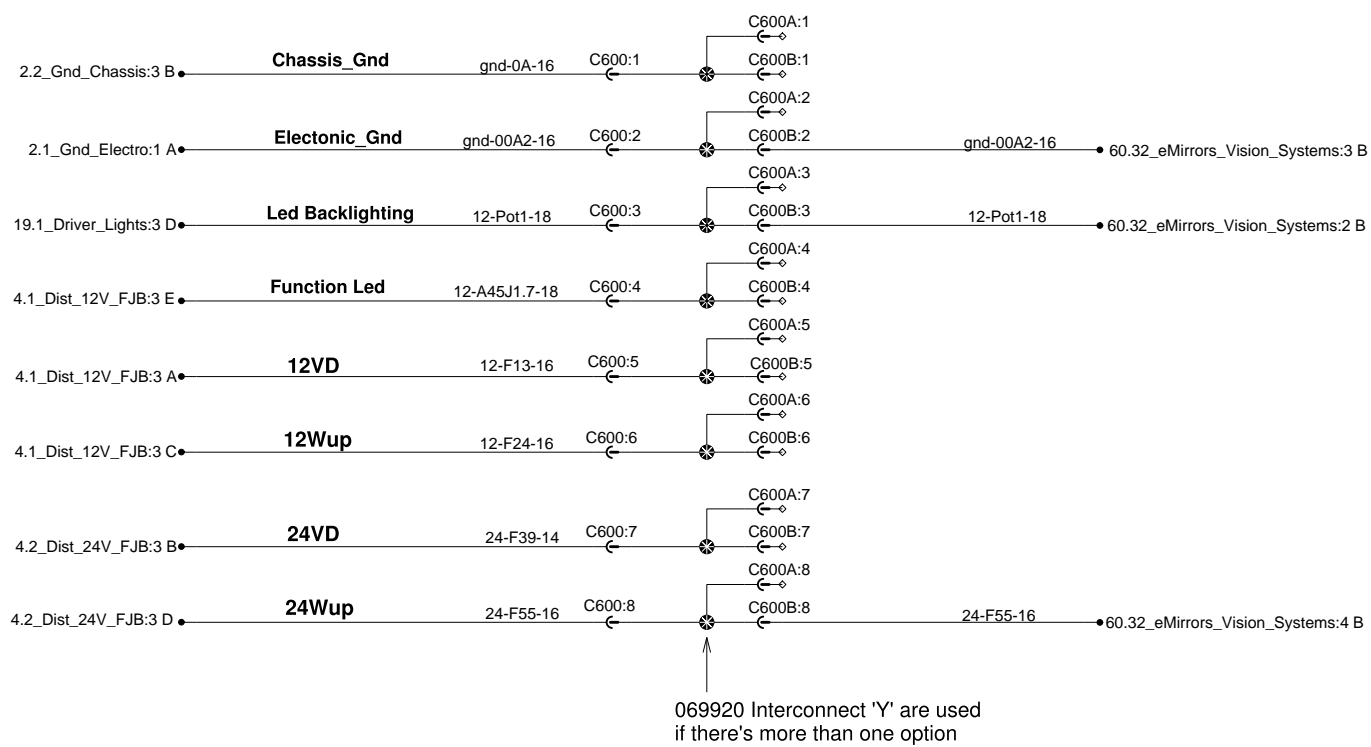
# Emergency Lights



# Customer Adaptation Dash Interface (Central Dashboard Connector)

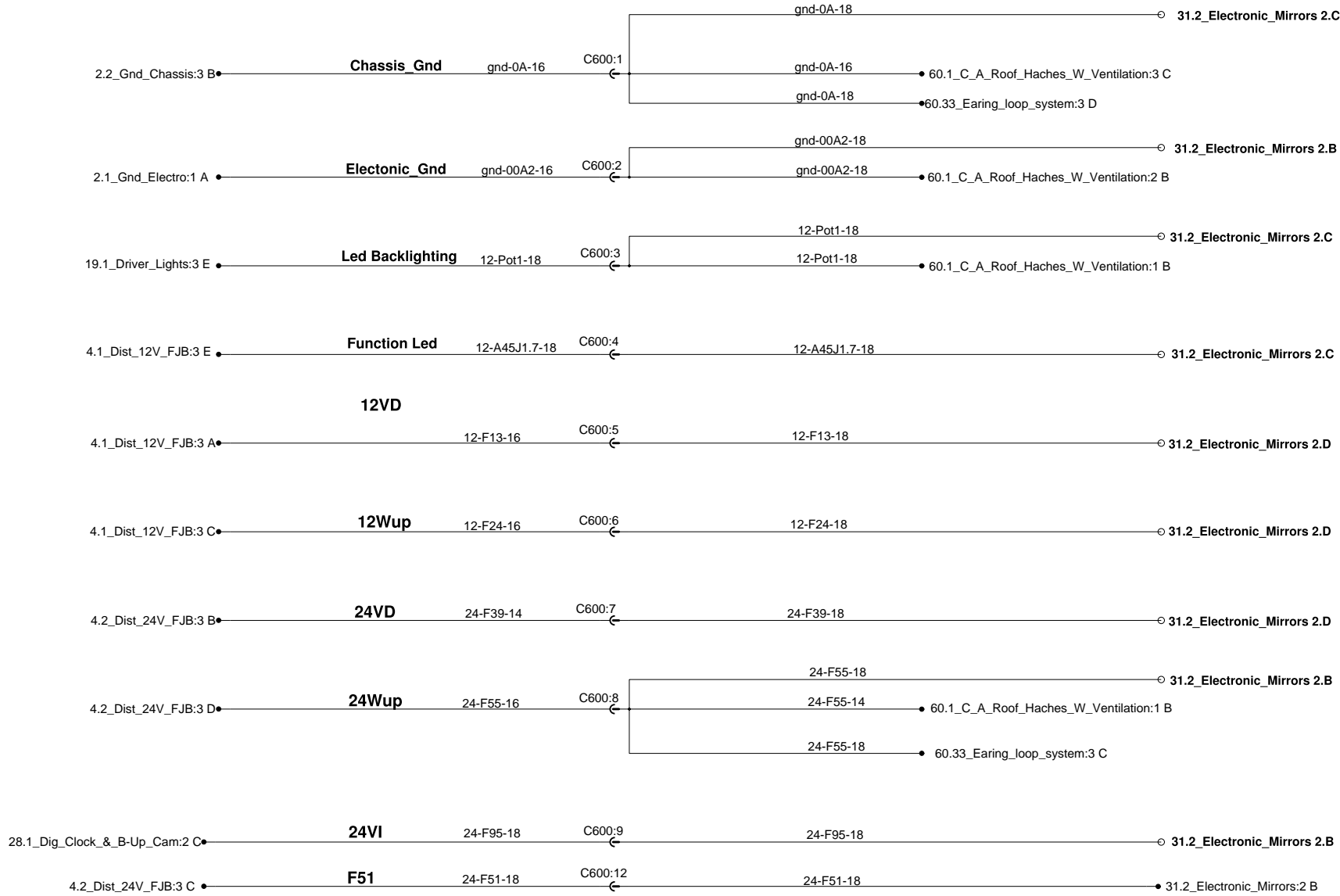


# Customer Adaptation Dash Interface (Central Dashboard Connector)



069920 Interconnect 'Y' are used  
if there's more than one option

# Customer Adaptation Dash Interface (Central Dashboard Connector)





1

2

3

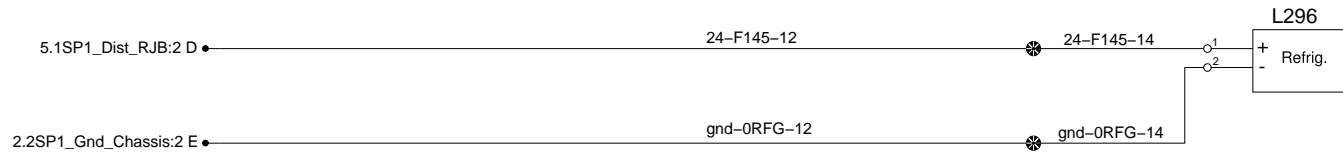
4

5

A

A

### REFRIGERATOR 24VDC



B

B

C

C

D

D

E

E

1

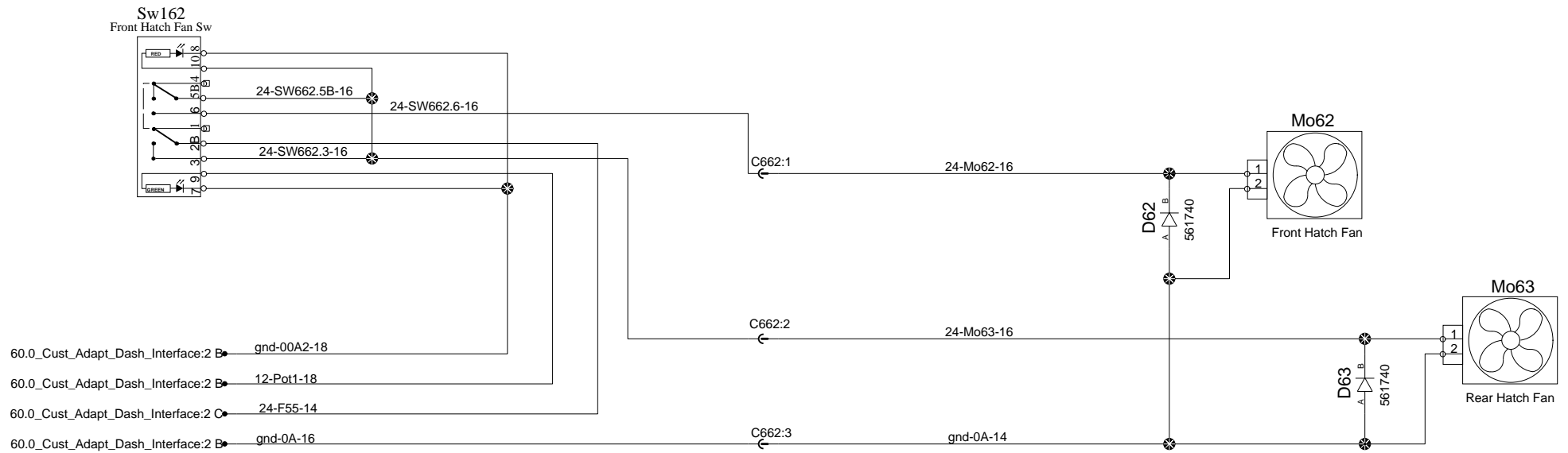
2

3

4

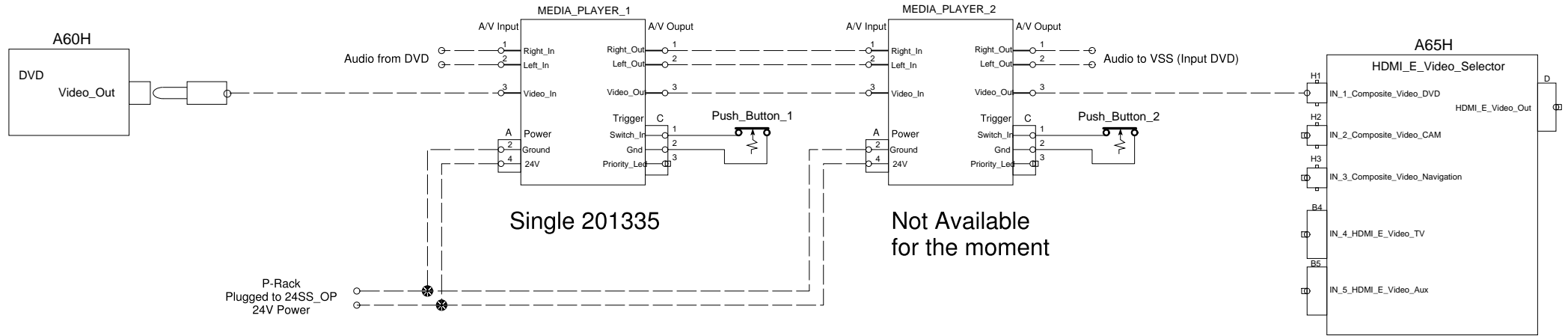
5

# Roof Hatches with ventilation Customer Adaptation

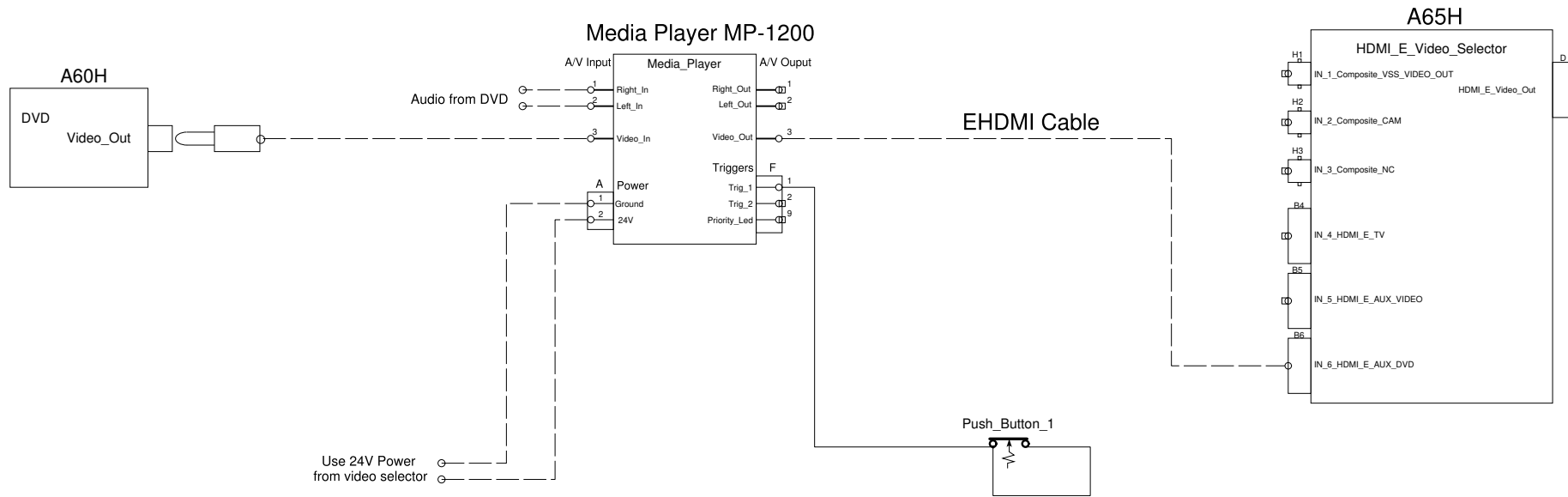


# CUSTOMER ADAPTATION

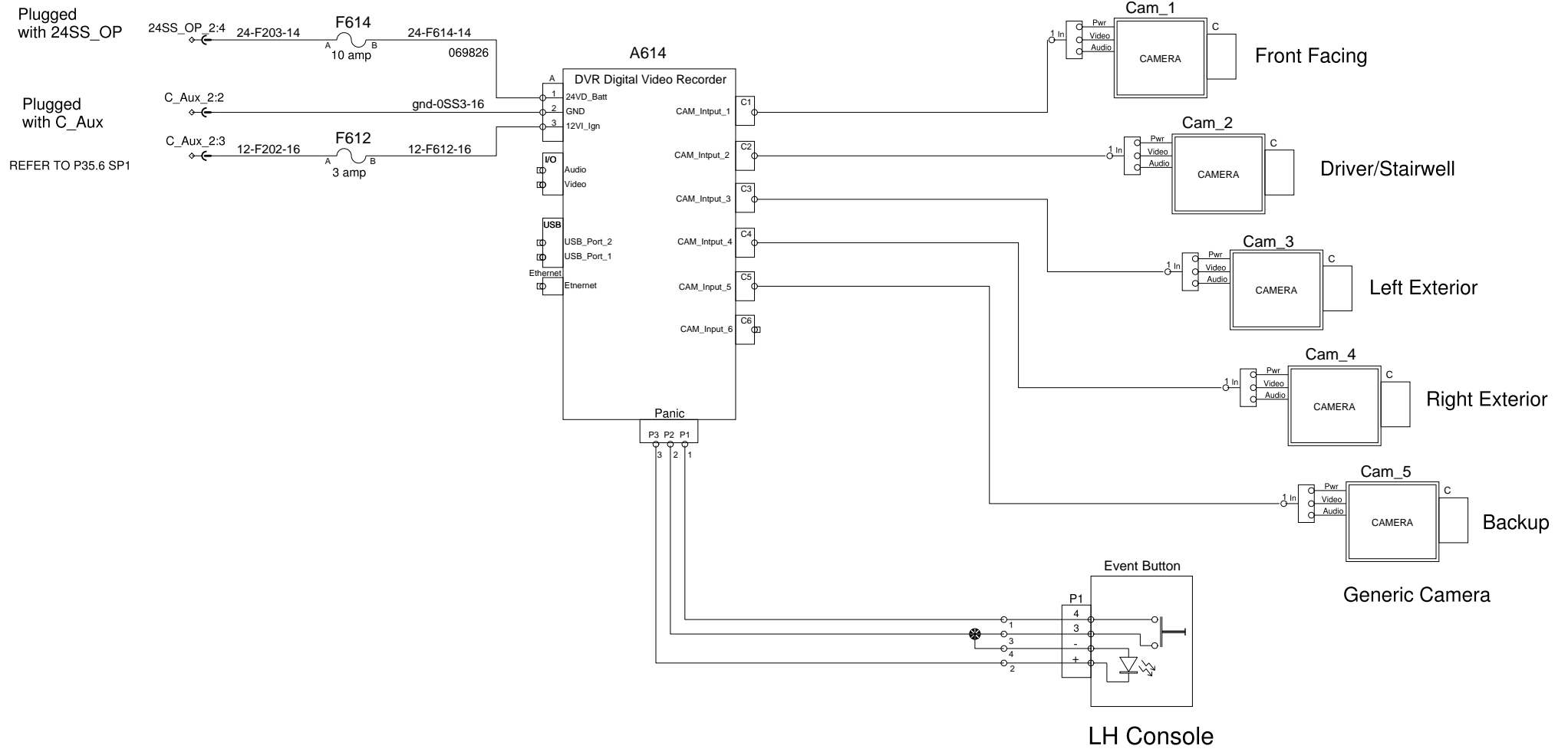
## MEDIA PLAYER MP-1000 (SINGLE OR DUAL)



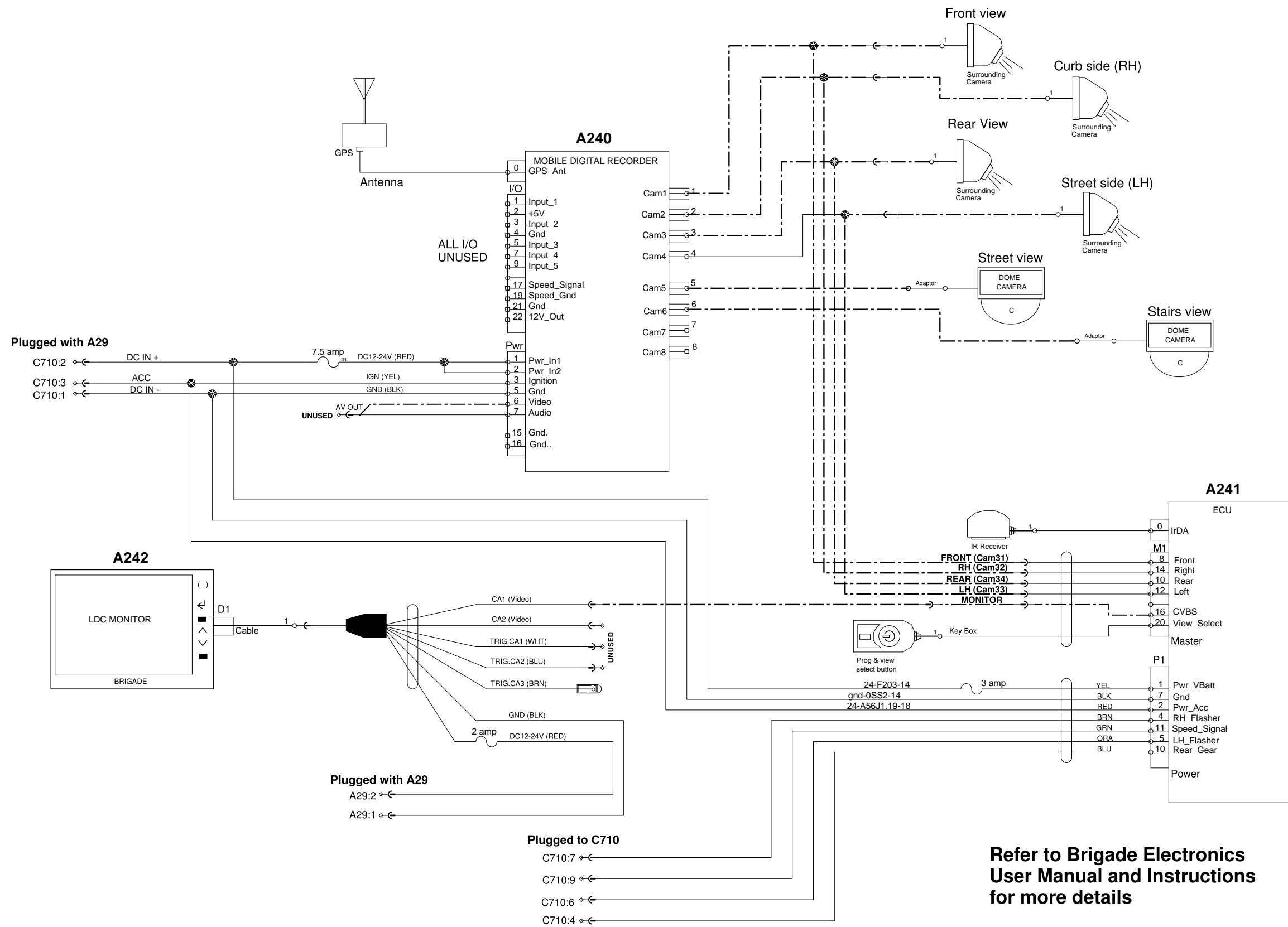
# Media Player MP-1200 Customer Adaptation



# REI Cust. Supply REI DVR system w/ 5 cameras Customer Adaptation

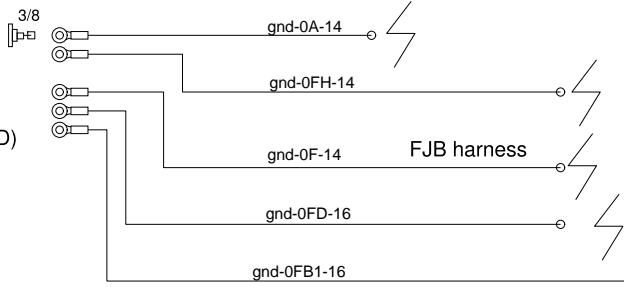


**Brigade Surrounding System 24H recording - without ISM protection**  
**Service Only**  
**Complementary to page 60.19 SP1**



### Front GND stud

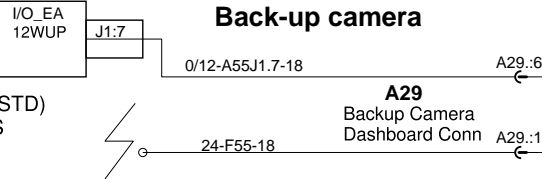
### Brigade Interface Connector



REFER TO P2.2(STD)  
FOR ALL DETAILS

### AE55

### Back-up camera

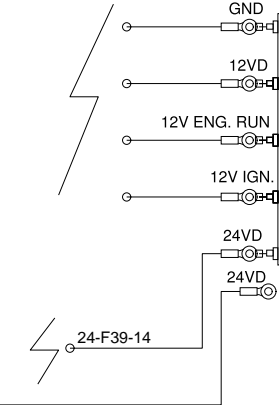


REFER TO P28.1(STD)  
FOR ALL DETAILS

### A29

Backup Camera  
Dashboard Conn

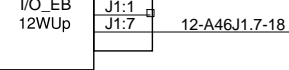
### Terminals strip 5 pos. #10



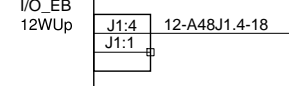
FJB  
REFER TO P4.1(STD)  
FOR ALL DETAILS

### Cornering Lights

### AE46



### AE48

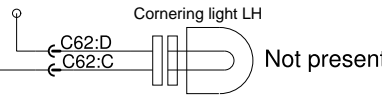


REFER TO P26.5(STD)  
FOR ALL DETAILS

Splices

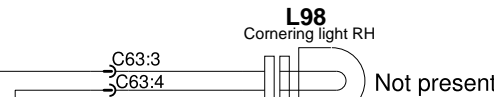
### L97

Cornering light LH



### L98

Cornering light RH

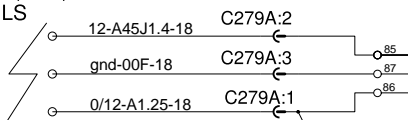
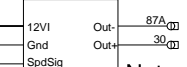


### ZF Steering control

REFER TO P37.2(STD)  
FOR ALL DETAILS

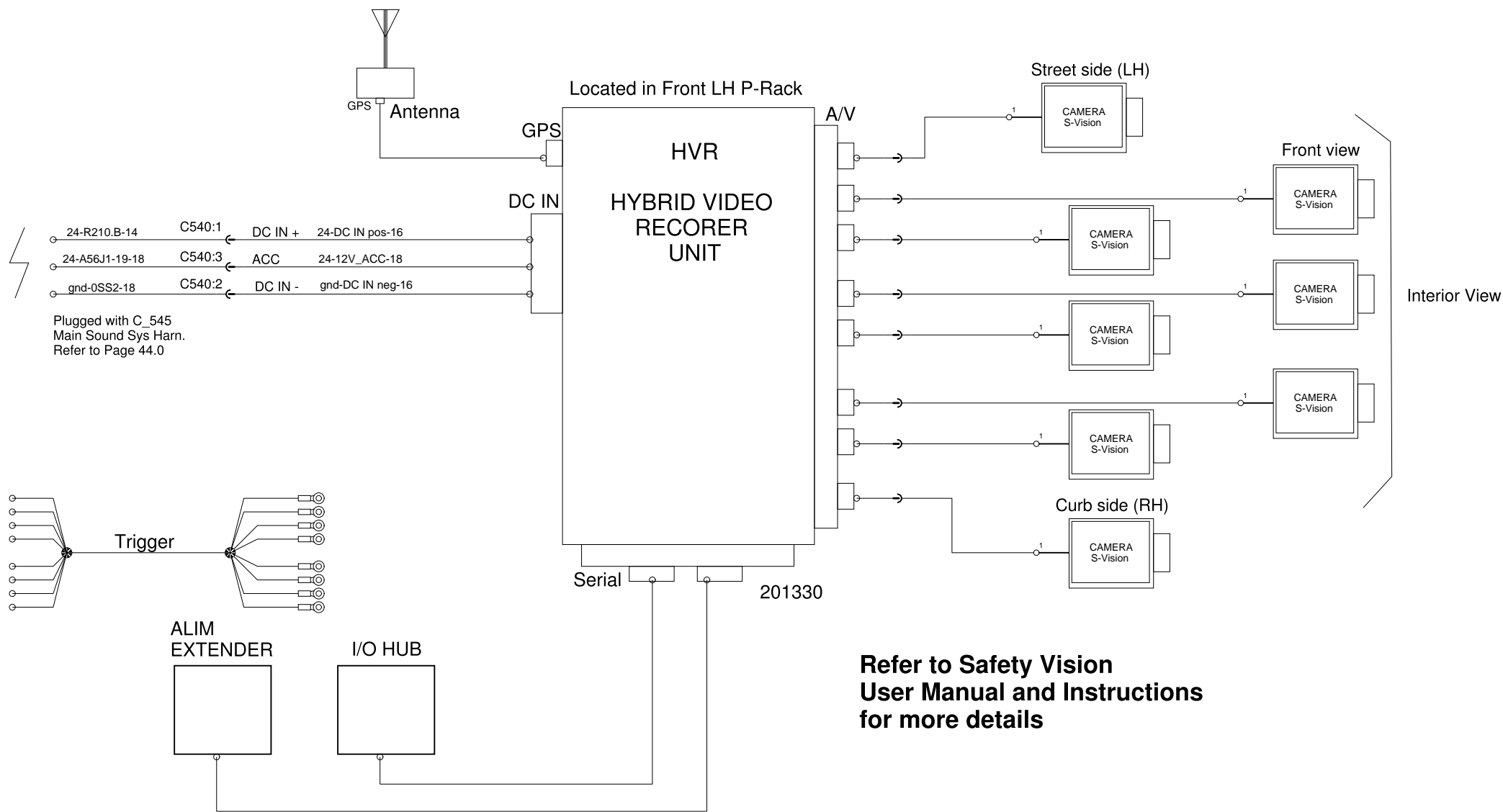
### A27

Steering Ctrl Unit



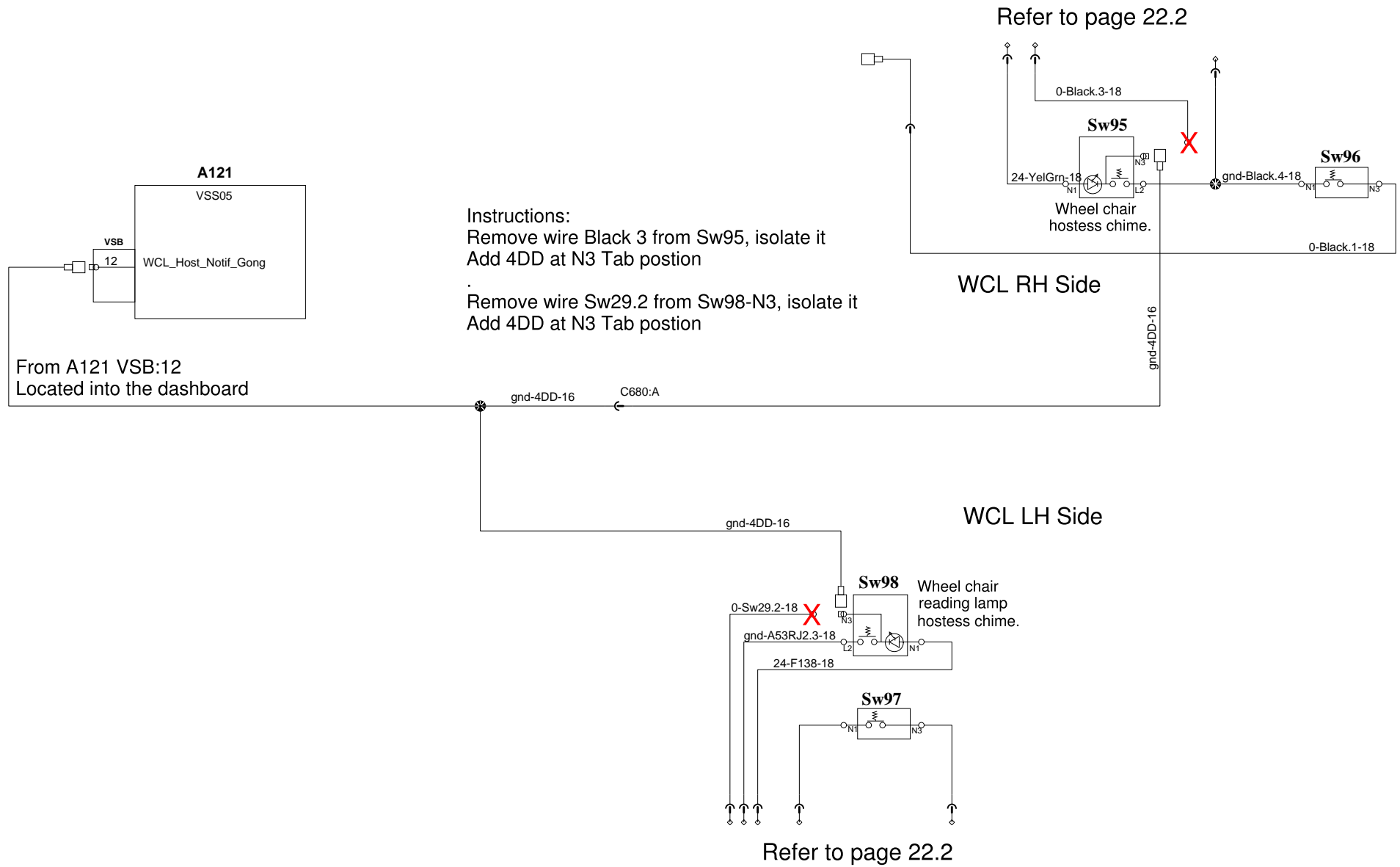
Not present

# Hybrid Video Recorder (HVR) Customer Adaptation



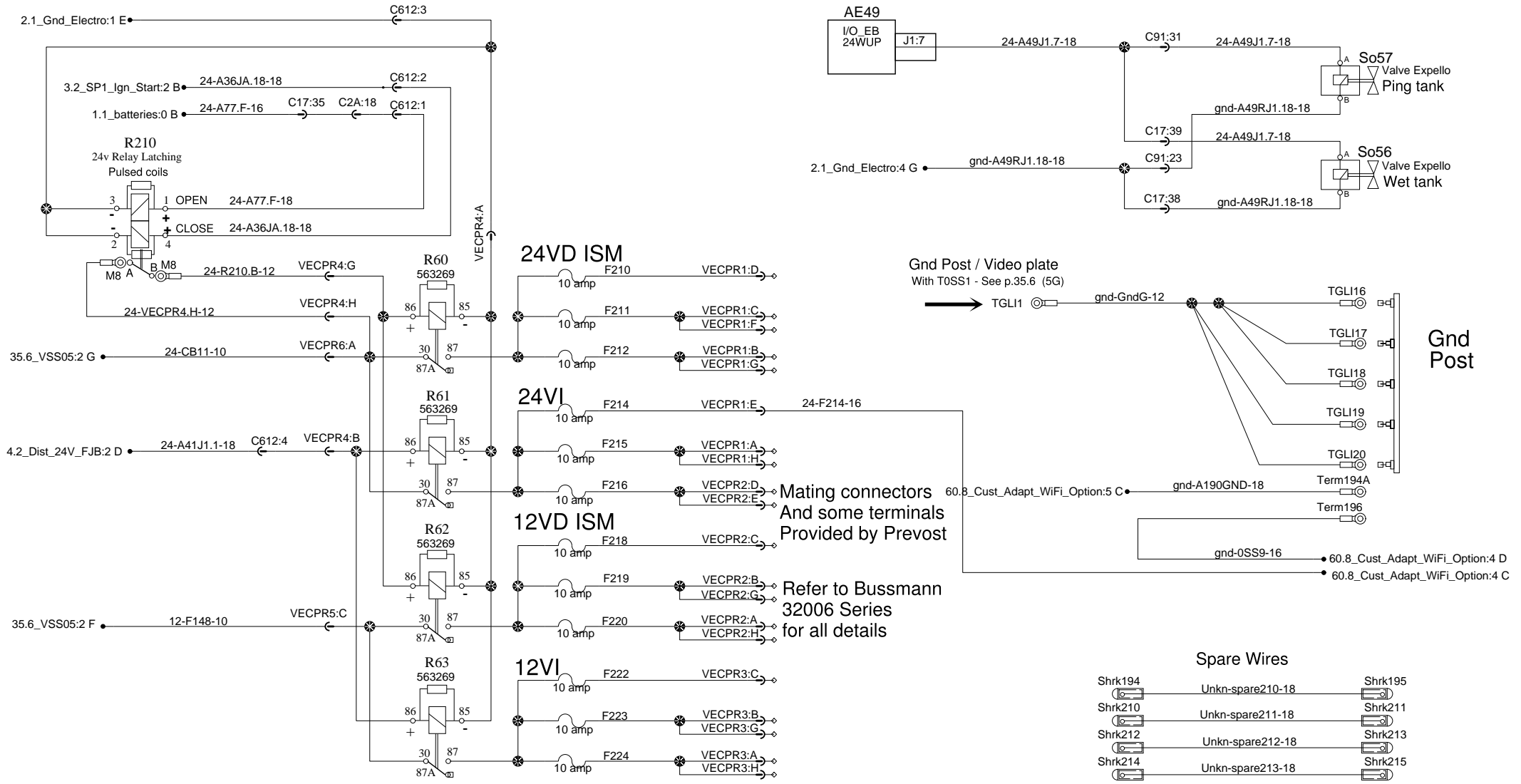


# WCL Distinct Hostess Notification Gong



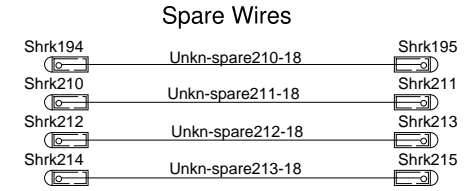
# Customer Adaptation GLI

## Pink & Wet Tank Solenoids



Mating connectors  
And some terminals  
Provided by Prevost

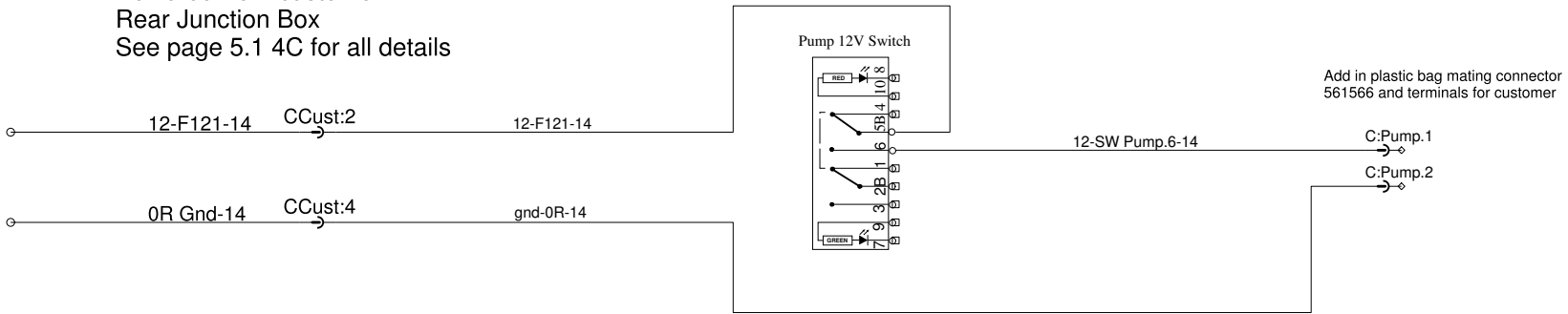
Refer to Bussmann  
32006 Series  
for all details



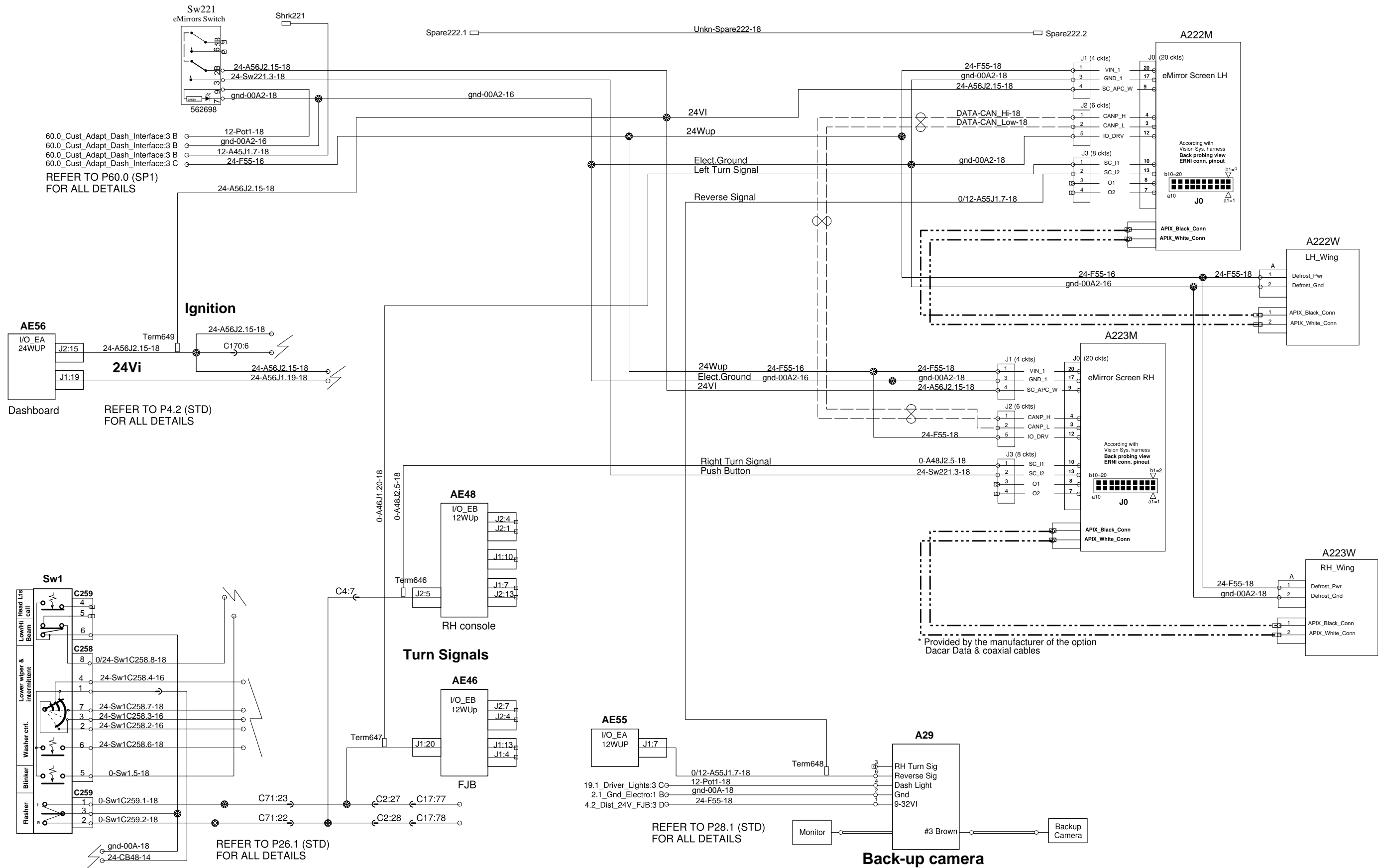
### Customer Adaptation Rear Galley Curb side W / Switch 12V

Powered from customer  
Rear Junction Box  
See page 5.1 4C for all details

Located inside galley

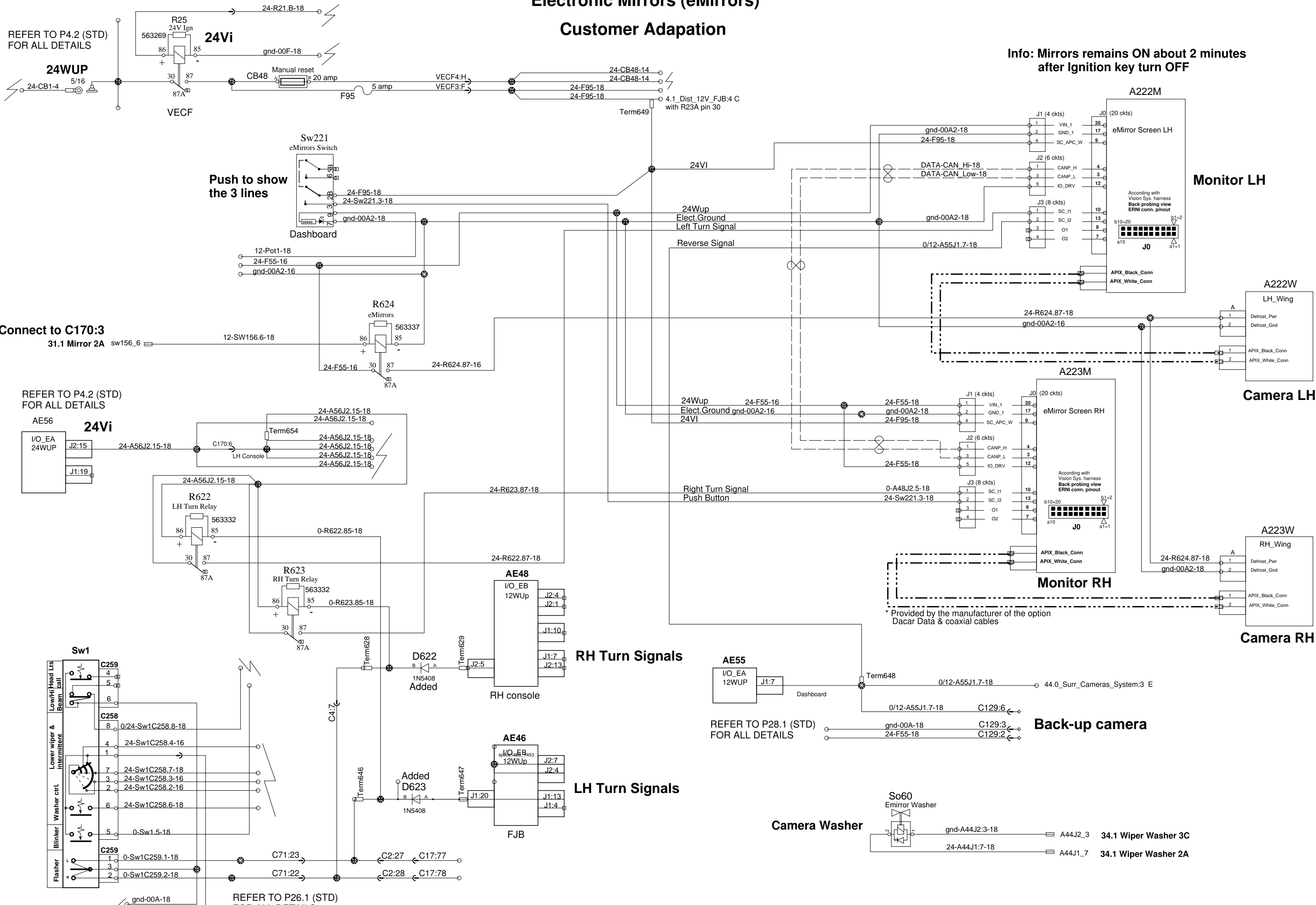


# Customer Adaption - eMirrors (Preliminary VIN K-6460 & 6467)



# Electronic Mirrors (eMirrors)

## Customer Adaption



Info: Mirrors remains ON about 2 minutes after Ignition key turn OFF

Push to show the 3 lines

Connect to C170:3  
31.1 Mirror 2A sw156\_6

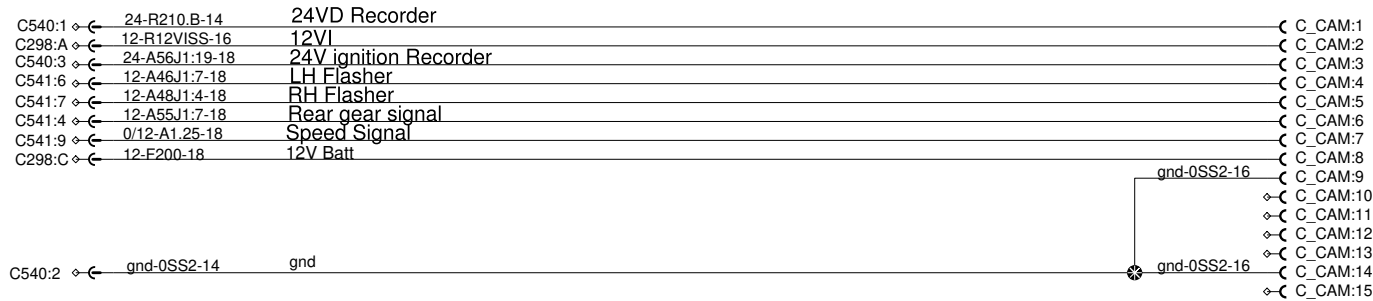
REFER TO P4.2 (STD) FOR ALL DETAILS

REFER TO P28.1 (STD) FOR ALL DETAILS

REFER TO P26.1 (STD) FOR ALL DETAILS

\* Provided by the manufacturer of the option Dacar Data & coaxial cables

# Customer adaptation Signals and power for camera system

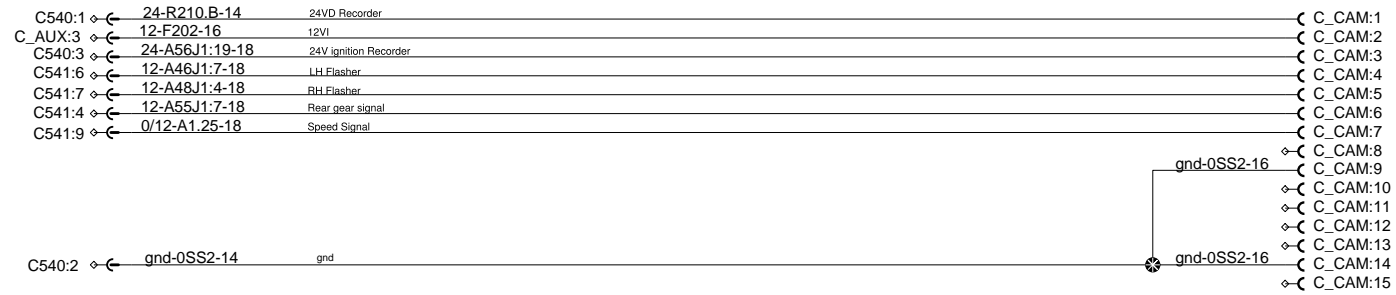


To supplier camera system

To connect the following connector, refer to pages below:

- Connector C540 - page 44.0 2 C
- Connector C541 - page 44.0 5 E
- Connector C298 - page 35.6 4 F

# Customer adaptation Signals and power for camera system

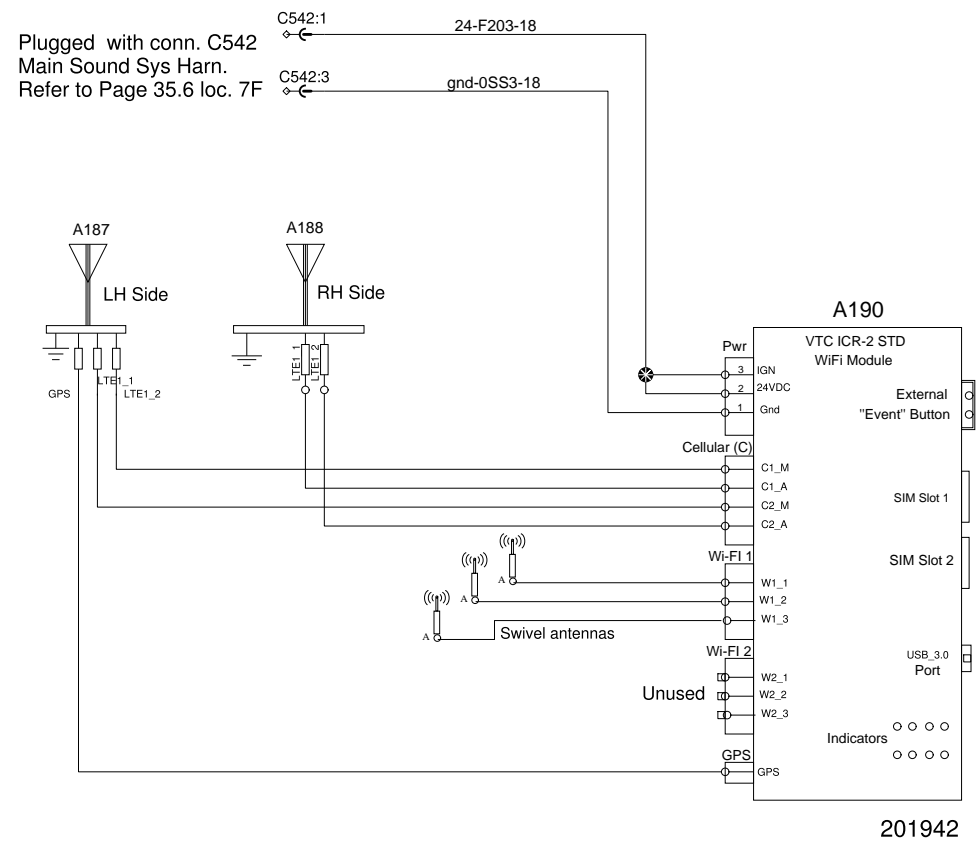


To supplier camera system

To connect the following connector, refer to pages below:

- Connector C540 - page 44.0 2 C
- Connector C541 - page 44.0 5 E
- Connector C\_AUX - page 35.6 7 G

# Customer Adaptation - WIFI System Option VTC ICR-2

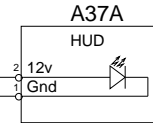
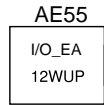
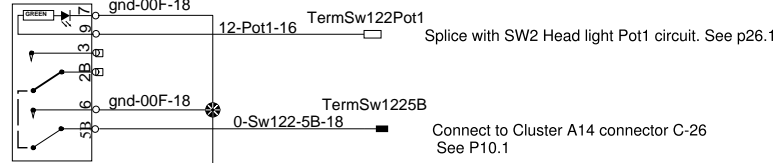


REFER TO ICOMERA INSTRUCTIONS & MANUAL  
NEXCOM VTC ICR-2 STANDARD US AT&T



# Forward collision warning

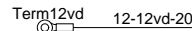
Sw122A  
LDW



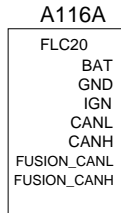
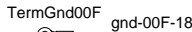
Connect to the terminal strip with 12V Ign stud. See P4.1



Connect to the terminal strip with 12V Bat stud. See p4.1

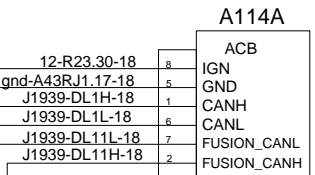
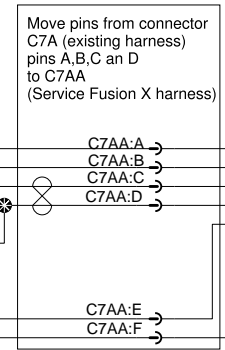
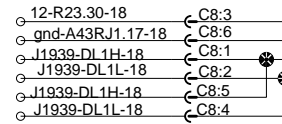


Connect to the front electronic terminal strip. See p2.1



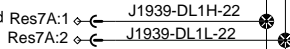
Camera

See p6.2 existing wiring

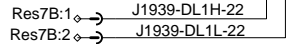


Radar

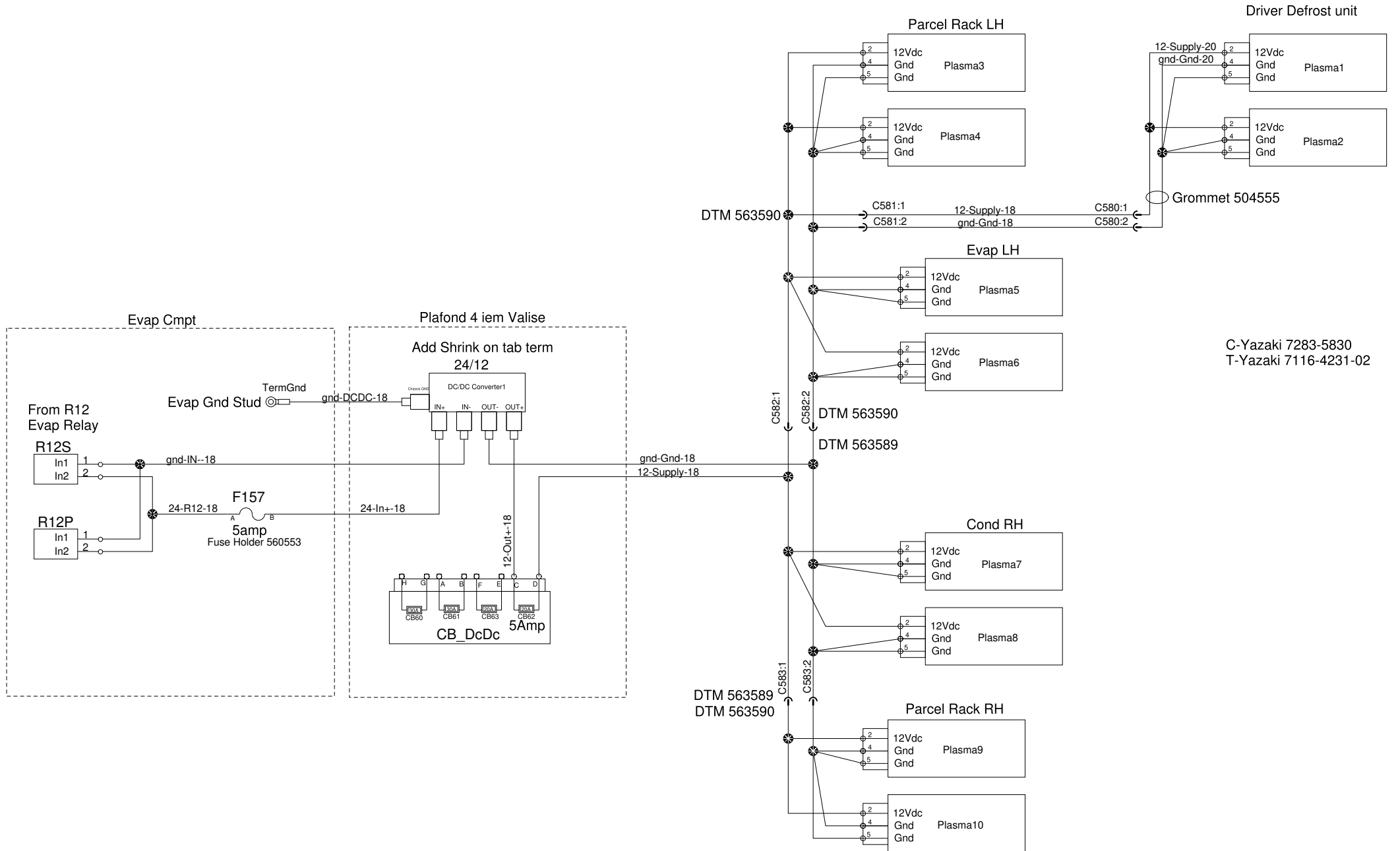
Unplug the Res7 to the Dash board and plug at the Res7A. See P6.2



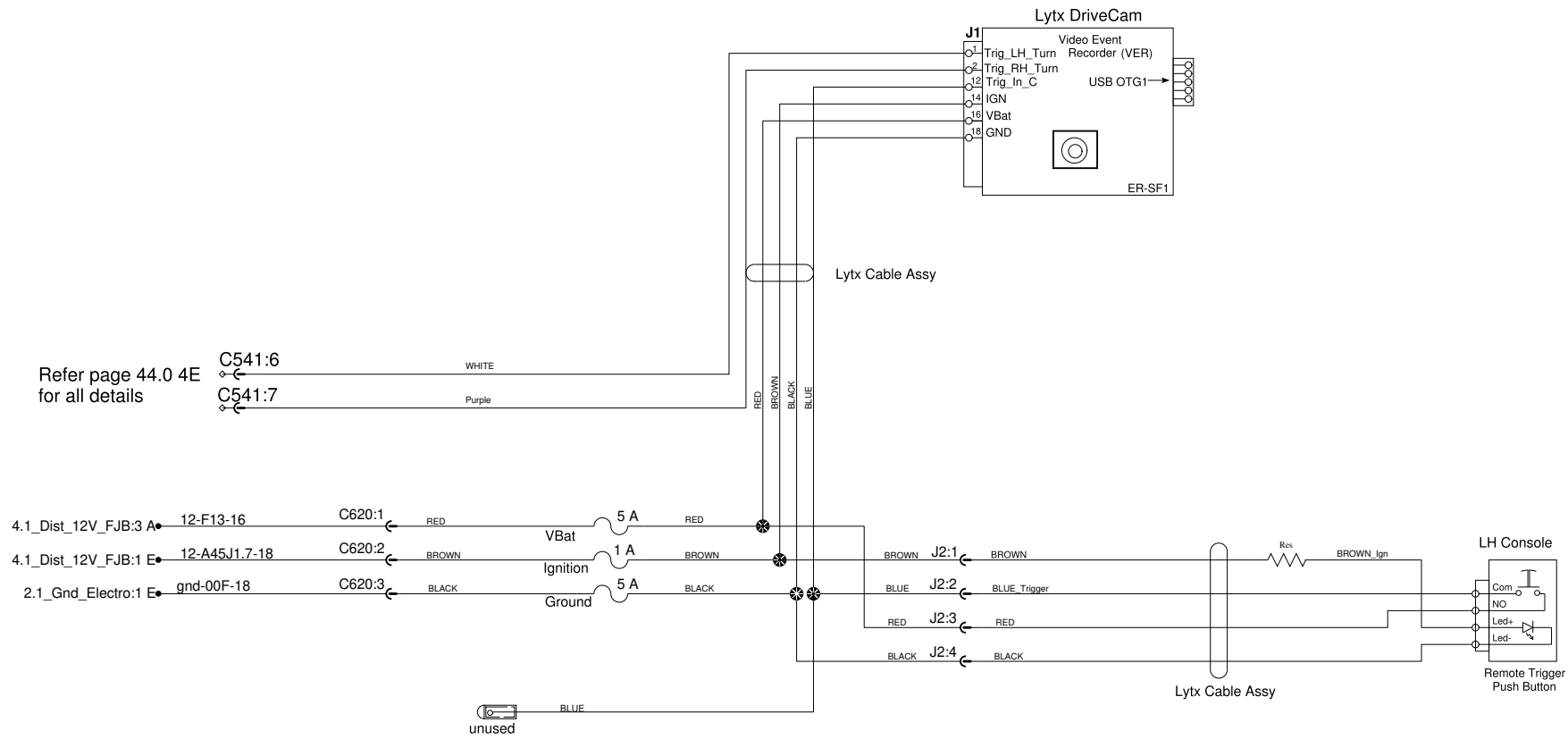
Connect Res7 to Res7B See p6.2



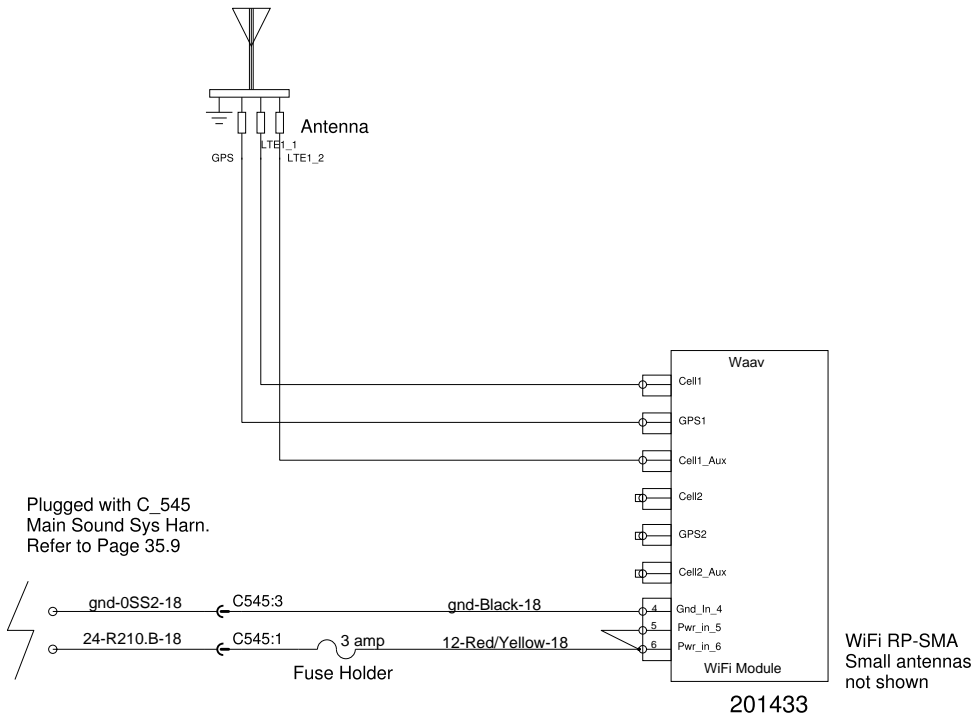
# Plasma Cluster Prevost X3 Series



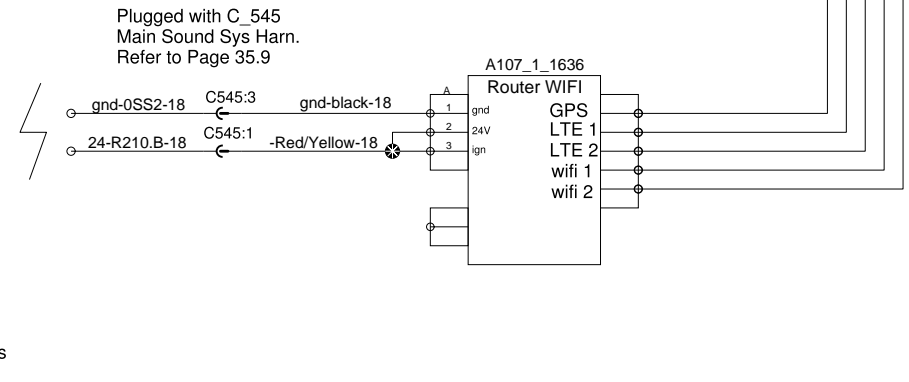
# Customer Adaptation GLI - DriveCam



# Customer Adaptation - WIFI WAAV et CRADDLE POINT WIFI

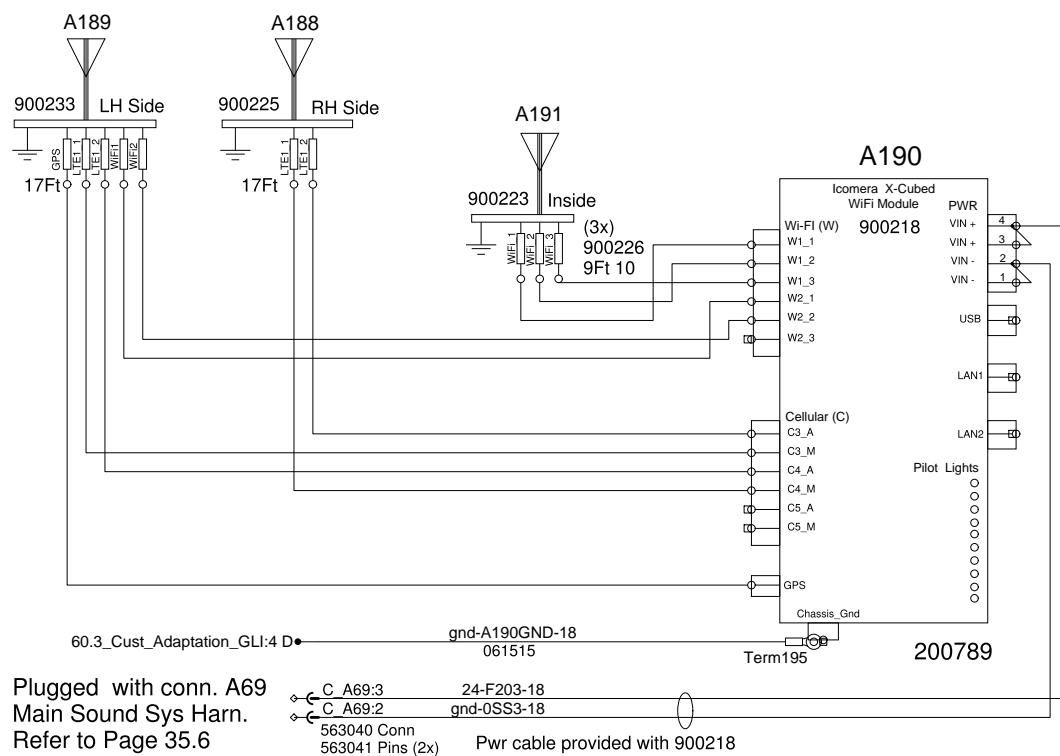
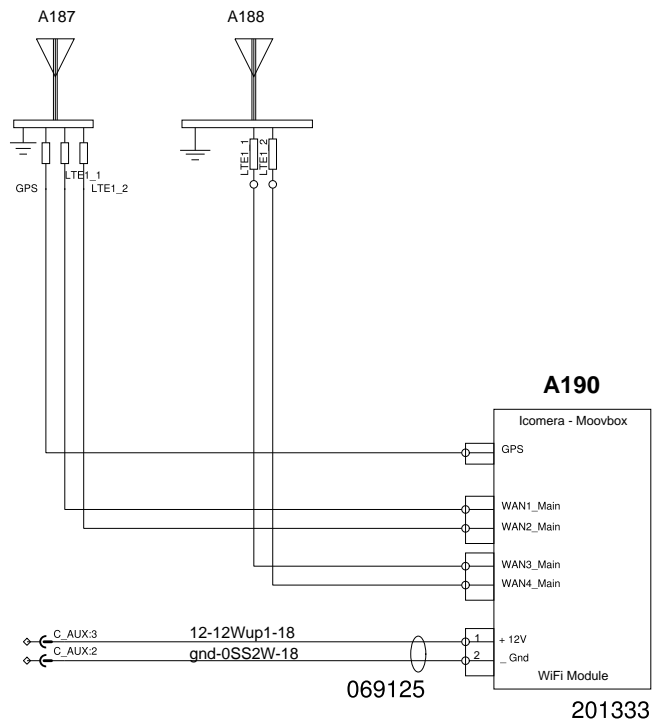


**WAAV Airbox X1n WiFi**

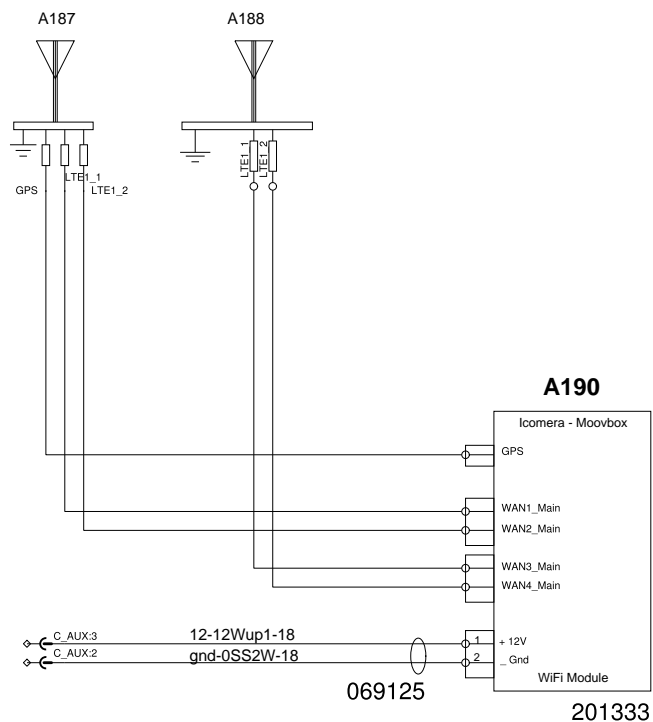


**WiFi CRADDLE POINT**

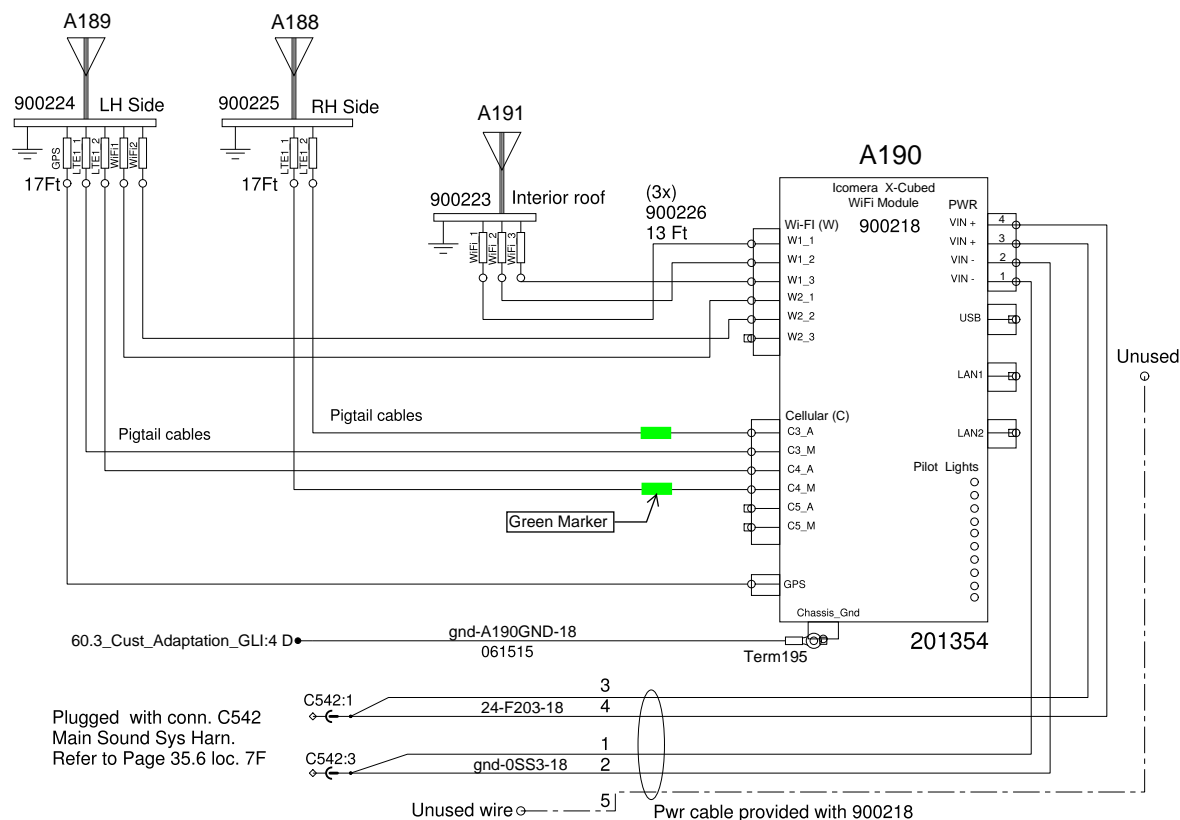
# Customer Adaptation - WIFI System Option



# Customer Adaptation - WIFI System Option

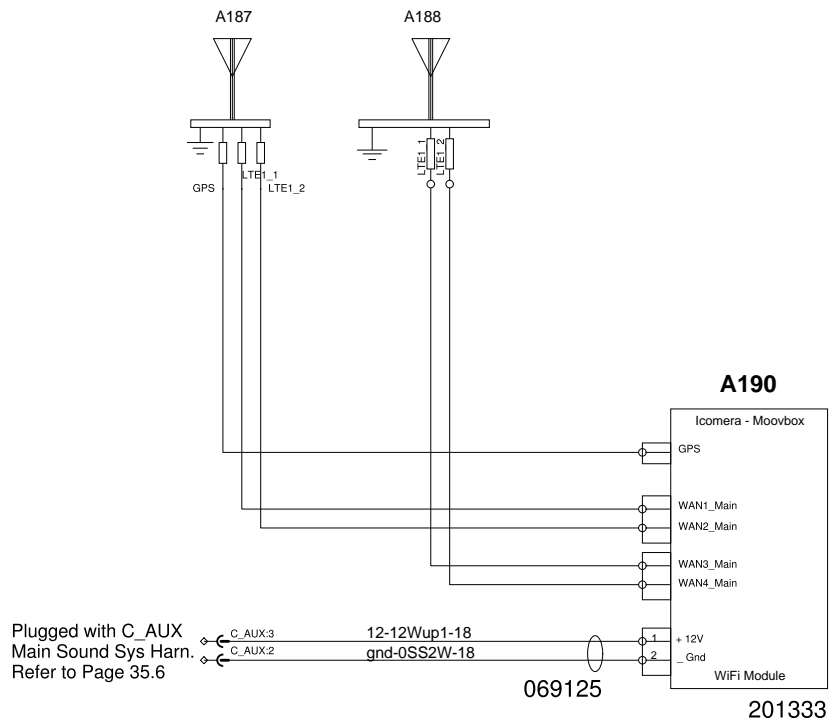


**Moovbox M3X0**

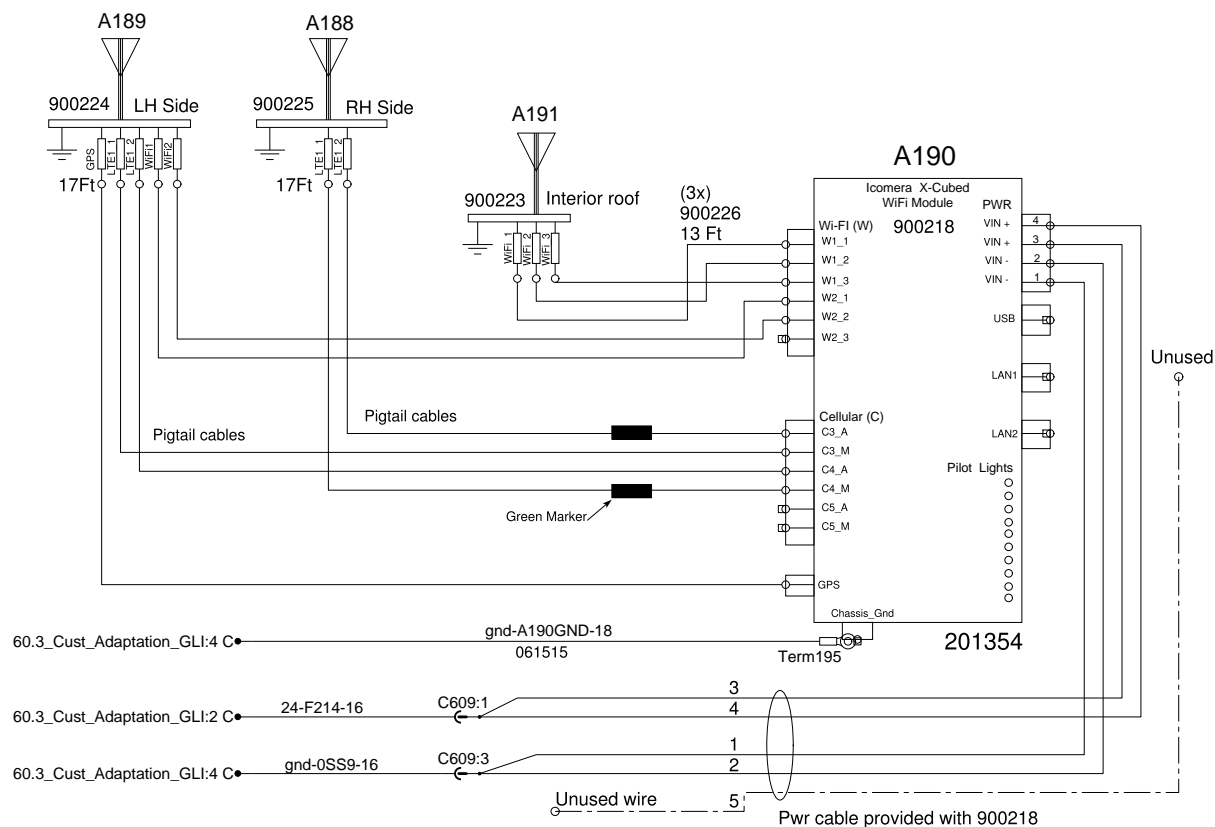


**X-Cubed**

# Customer Adaptation - WIFI System Option

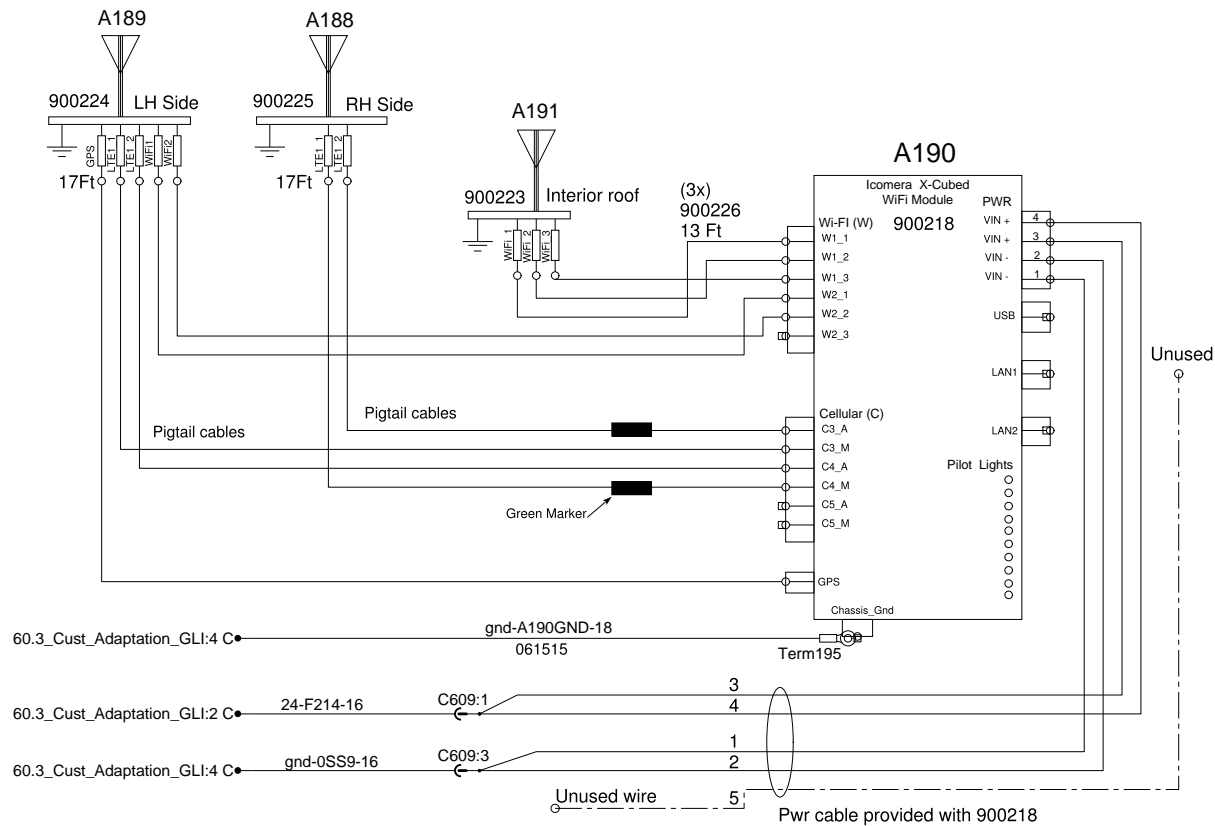


**Moovbox M3X0**



**X-Cubed**

# Customer Adaptation - WIFI System Option



**X-Cubed**



**Brigade Surrounding System 24H recording - without ISM protection**  
**Service Only**  
**Complementary to page 60.19 SP1**

