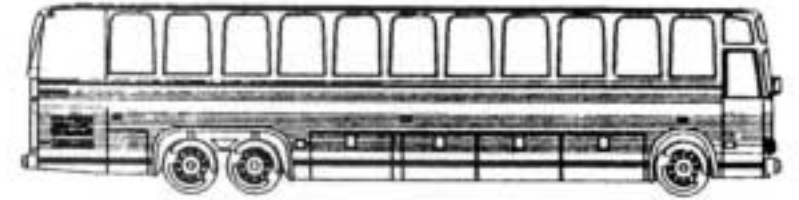


# WIRING DIAGRAM

PREVOST CAR INC.

## Le Mirage 45 Bus



REFERENCE:  
S60 DDEC III & WORLD TRANSMISSION

NO: D060853

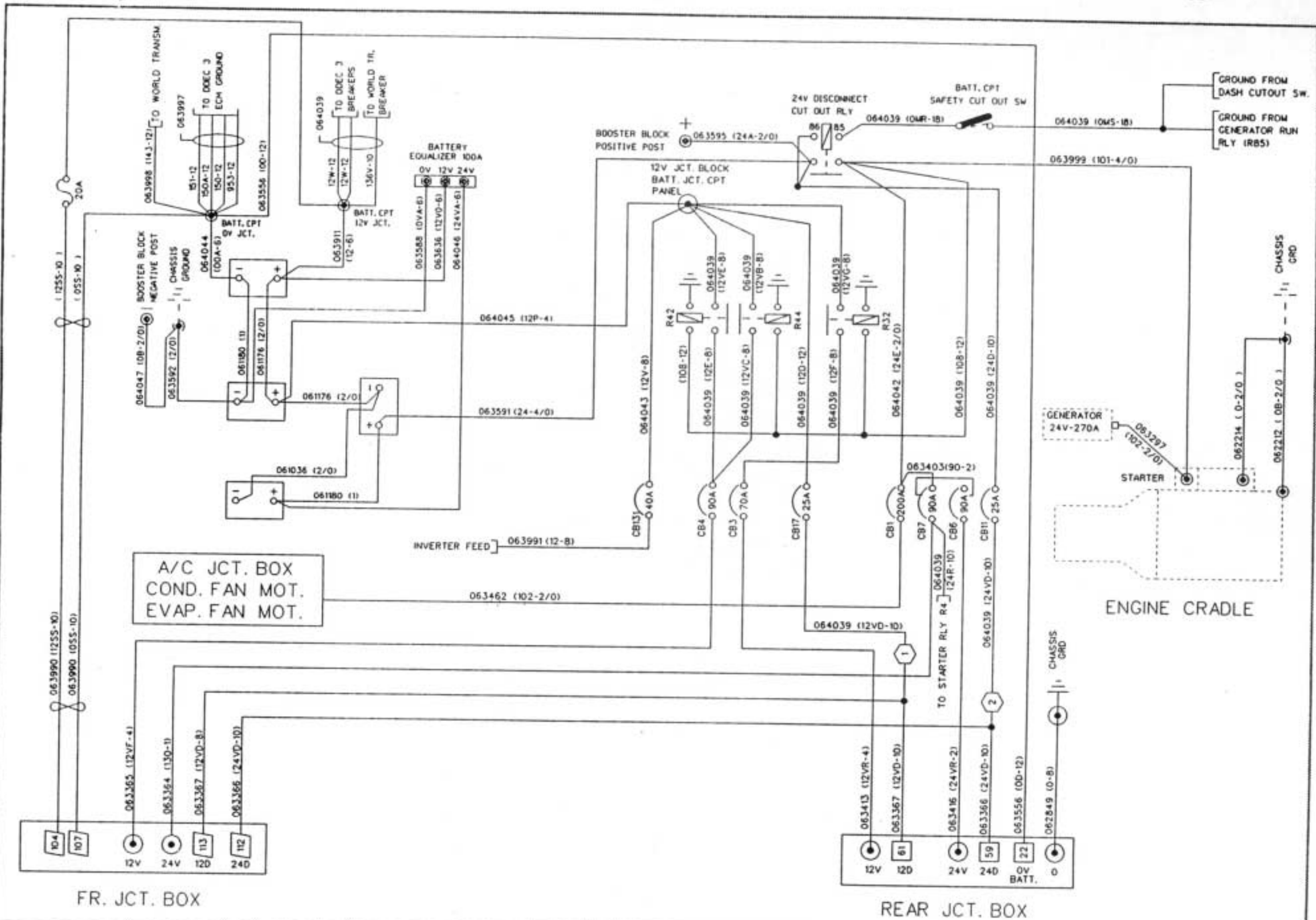
EFF. W/ OC# 94121 PRIOR TO / OC#  
EFF. W/ VEH.# R497, S570... PRIOR TO / VEH.# TS666 (not included)

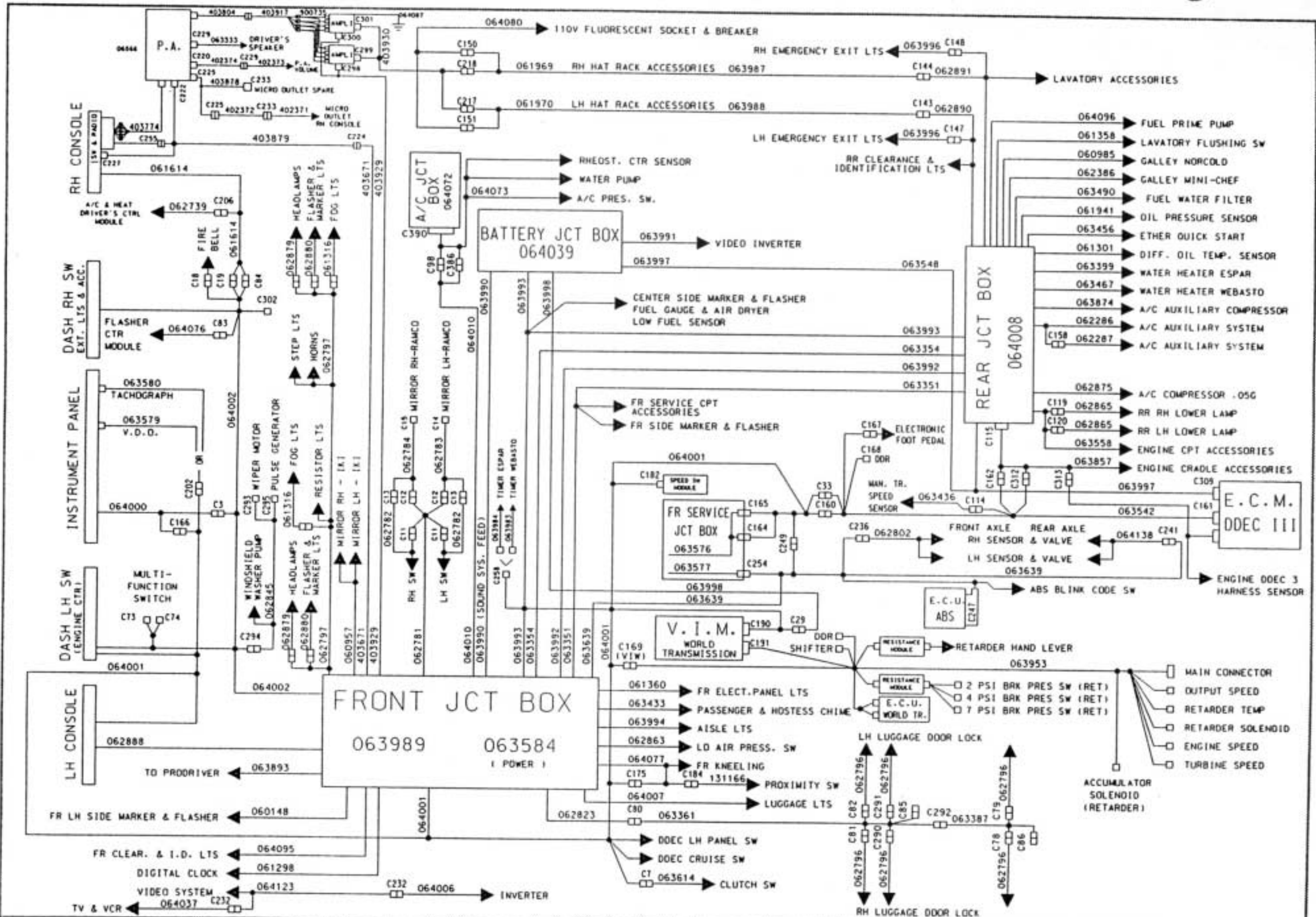
DR. MARTIN LAFLAMME DATE: 94-11-11  
CK. ROCH CHAMPAGNE APPR. ROLAND LAPOINTE

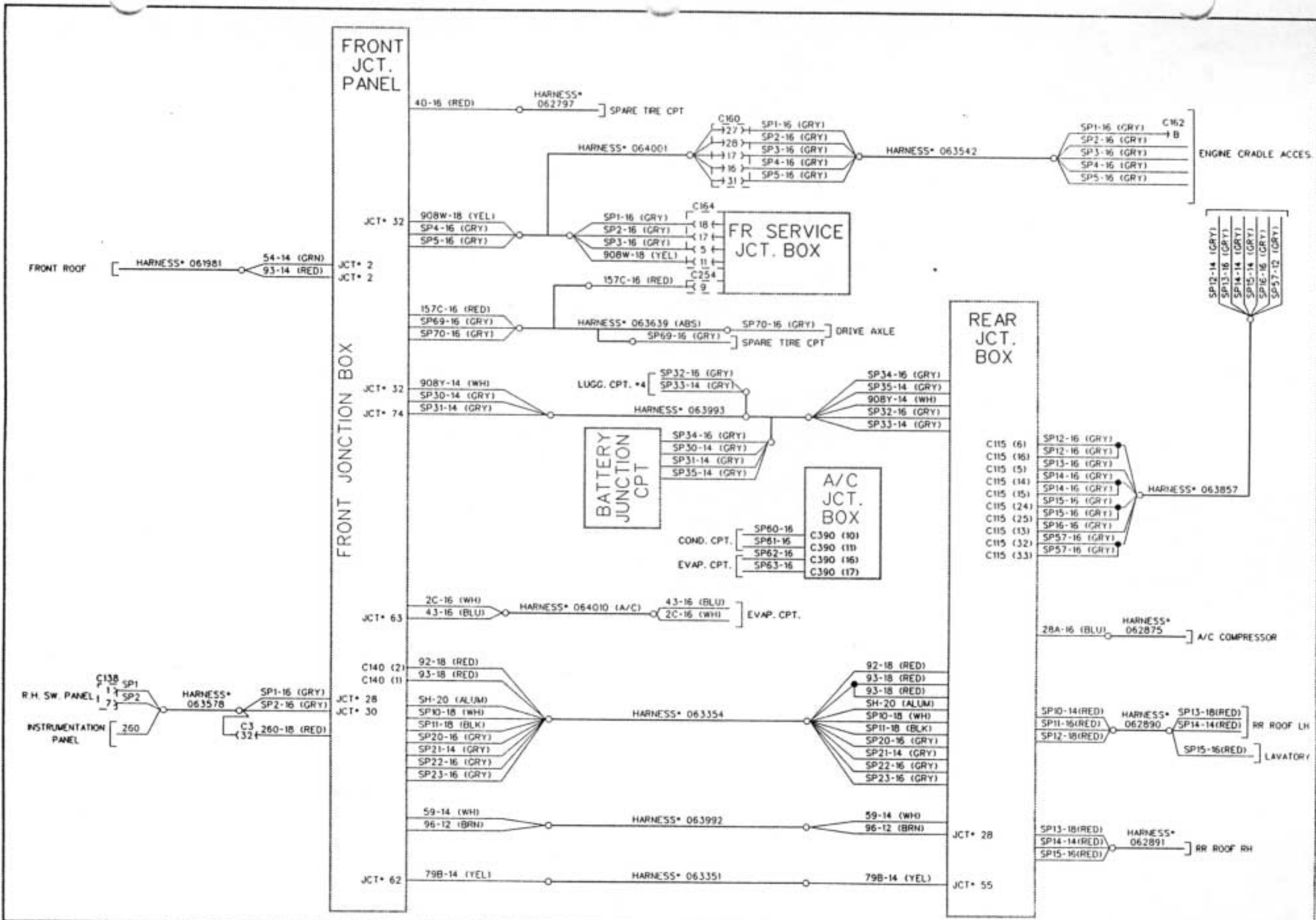
REVISION DATE	DESCRIPTION	PAGE	BY	CK.	APPR.
94-12-02	A/C CONDENSER FAN NEW ARRANGEMENT PRIOR TO S570	C,15,16	MW		
94-12-02	A/C CONDENSER FAN NEW ARRANGEMENT EFF.W/ S570	Ca,15a,16a	MW		
95-03-09	UPDATE PAGES: Ca, G 1/3, H, J, 2, 5, 15a, 28, 29, 30	← SEE	S.G.		
95-03-15	ABS IN CARRIER PRIOR TO S570 OC*94162	24	MW		
95-03-15	ABS IN CARRIER EFF. W/S570 OC*94162	24a	MW		
95-03-15	UPDATE PAGES: B, Ca, G, 5, 11, 15a, 16A	← SEE	MW		
95-04-04	RESISTANCE LAVATORY FAN PRIOR TO S598 OC*95014	20	MW		
95-04-04	RESISTANCE LAVATORY FAN EFF. W/S598 OC*95014	20a	MW		
95-04-07	UPDATE KNEELING SYSTEM PRIOR TO S601	21	MW		
95-04-07	UPDATE KNEELING SYSTEM EFF. W/S601	21a	MW		
95-05-17	UPDATE	H, 9, 28, 29	MW		
95-06-01	UPDATE PAGES: E, 11, 16a, 20, 20a	← SEE	MW		
95-07-18	UPDATE PAGES: F, G p.2/3, 9, 12, 15, 15a, 17, 21, 21a, 28	← SEE	S.G.		

# INDEX

A	A/C & HEAT SYSTEM	P. 15,16	D	D.D.E.C. III	P. 3	M	*MIRROR-RR VIEW ADJUST, & HEATED	P. 18
	A/C AUXILIARY SYSTEM	P. 16		DIFFERENTIAL OIL TEMP.	P. 5	P	PARKING BRAKE SWITCH	P. 5
	AIR DRYER	P. 5		DIGITAL CLOCK	P. 9		PASSENGER CHIME	P. 14
	ALARM AND SIGNAL	P. 5	E	ENGINE BLOCK HEATER	P. 14		PRODRIVER	P. 16
	ABS	P. 24		ENGINE CONTROL	P. 2		PYROMETER	P. 25
	ARRANGEMENT - CABLE	P. B		ENGINE BRAKE SYSTEM	P. 23	R	RETARDER (WT)	P. 23
	ARRANGEMENT - HARNESS	P. C		ETHER COLD START	P. 5	S	SPEEDOMETER (VDO)	P. 19
	ARRANGEMENT - SPARE WIRE	P. D		EXTERIOR LIGHTING	P. 6		SOUND SYSTEM-P.A. ONLY	P. 28
B	BACK-UP ALARM	P. 8	F	FAN CLUTCH-RADIATOR	P. 5		SOUND SYSTEM-RADIO & P.A.	P. 29
	BACK-UP MONITOR	P. 31		FRONT DESTINATION SIGN	P. 31	T	TACHOMETER (VDO)	P. 19
C	CB OPTION	P. 25		FUEL-LOW WARNING LTS	P. 5		TACHOGRAPH ELECTRONIC	P. 19
	CHARGING SYSTEM	P. 1		FUEL PRIME PUMP	P. 25		TRANSMISSION MANUAL	P. 25
	CIGAR LIGHTER	P. 18		FUEL WATER FILTER	P. 5	V	TRANSMISSION WORLD	P. 4
	CODE - CIRCUIT NUMBER	P. E	G	GALLEY	P. 26	W	VIDEO SYSTEM	P. 30
	CODE - CIRCUIT BREAKER	P. F		GALLEY WITH FRIGO	P. 27		WATER HEATER PRE-HEAT	P. 17
	CODE - CONNECTOR	P. G	H	HIGH BUOY	P. 21		WATER TANK HEATER	P. 14
	CODE - DIODE	P. H		HOSTESS CHIME	P. 14		WIPER & WASHER WINDSHIELD	P. 9
	CODE - RELAY	P. I	I	INTERIOR LIGHTING	P. 10			
	CODE - RESISTOR	P. J	K	KNEELING SYSTEM	P. 21			
	CODE - WIRING KEY	P. K	L	LAVATORY	P. 20			
	CRUISE CONTROL - D.D.E.C.	P. 3		LUGGAGE DOOR LOCK	P. 22			







No.	SYSTEM	No.	SYSTEM	No.	SYSTEM	No.	SYSTEM
0	GRD BATTERY A TO GRD STUD			17A	EXTERIOR LTS-FLASHER UNIT		
0	GRD BATTERY A1 TO GRD STUD	9	INTERIOR LTS-ENGINE CPT	18	ETHER COLD START SYST.	32M	BACK-UP MONITOR
0	GRD STARTER MOTOR TO GRD STUD	9	INTERIOR LTS-RR JCT BOX	20	SPEEDOMETER SIGNAL (-)	34	A/C & HEAT SYSTEM-CONDENSER
0	FJP - GRD	9	INTERIOR LTS-FR SERVICE CPT	20T	SPEED SW SIGNAL IN (-)	34A	A/C & HEAT SYSTEM-CONDENSER
0	RJB - GRD	9	INTERIOR LTS-FR SERVICE CPT	21	EXTERIOR LTS-DIRECTIONNAL LH	34B	A/C & HEAT SYSTEM-CONDENSER
0	BJP - GRD	9A	INTERIOR LTS-FR JCT PANEL	21A	EXTERIOR LTS-DIRECTIONNAL LH	34C	A/C & HEAT SYSTEM-CONDENSER
0A	RJB - GRD	9E	CHIME-PASSENGER & HOSTESS	21B	EXTERIOR LTS-DIRECTIONNAL LH	34D	A/C & HEAT SYSTEM-CONDENSER
0A	FH SERV JCT BOX - GRD	10	A/C & HEAT SYSTEM-LO PRES.	21H	EXTERIOR LTS-HAZARD SIGNAL	34E	A/C & HEAT SYSTEM-CONDENSER
0B	FJP - GRD	10	INTERIOR LTS-LUGGAGE CPT	23	EXTERIOR LTS-DIRECTIONNAL RH	34F	A/C & HEAT SYSTEM-CONDENSER
0B	RJB - GRD	10A	INTERIOR LTS-LUGGAGE CPT	23A	EXTERIOR LTS-DIRECTIONNAL RH	34G	A/C & HEAT SYSTEM-CONDENSER
0B	BOOSTER BLK TO GRD STUD	10A	A/C AUXILIARY-CLUTCH	23B	EXTERIOR LTS-DIRECTIONNAL RH	34H	A/C & HEAT SYSTEM-CONDENSER
0BE	OV BATTERY MONITOR	10B	INTERIOR LTS-LUGGAGE CPT	23E	EXTERIOR LTS-DIRECTIONNAL RH	34J	A/C & HEAT SYSTEM-CONDENSER
0C	RJB - GRD	10C	INTERIOR LTS-LUGGAGE CPT	23F	KNEELING-RH EXT. FLASHING LTS	35	INTERIOR LTS-STEPWELL LTS
0S	AMPLI - GRD	10D	INTERIOR LTS-LUGGAGE CPT	23H	KNEELING-RH EXT. FLASHING LTS	36	ENGINE BRAKE SYSTEM & RETARDER
0CR	24V DISC. SW RLY GRD SIGNAL	11	FR. DESTINATION SIGN	24	EXTERIOR LTS-HAZARD SIGNAL	36A	ENGINE BRAKE SYSTEM
0DS	24V DISC. SW RLY GRD SIGNAL	11A	FR. DESTINATION SIGN	24A	BATTERY TO 24V CUT OUT RLY	36C	ENGINE BRAKE SYSTEM-ABS CANCEL
0D	RJB - GRD	11B	FR. DESTINATION SIGN	24A	RR JCT BOX 24V DISC SW	37	LAVATORY-OCCUPIED LTS
0E	RJB - GRD	11C	FR. DESTINATION SIGN	24A	FR JCT PANEL 24V DISC SW	38	FUEL WATER FILTER
0F	RJB - GRD	11D	FR. DESTINATION SIGN	24B	FR JCT PANEL 24V DISC SW	38	INTERIOR LTS-24V FLUORESCENT
0H	FJP - GRD	11E	FR. DESTINATION SIGN	24BE	BATTERY MONITOR	38A	INTERIOR LTS-24V FLUORESCENT
0M	BACK-UP MONITOR	11K	FR. DESTINATION SIGN	24C	FR JCT PANEL 24V DISC SW	38B	INTERIOR LTS-24V FLUORESCENT
0P	RJB - GRD	11P	FR. DESTINATION SIGN	24D	FR & RR JCT PANEL 24V HOT WIRE	38C	INTERIOR LTS-24V FLUORESCENT
0MR	24V DISC. SW RLY GRD SIGNAL	12	12V BATTERY TO JCT BLOCK	24DA	A/C & HEAT. SYS.-WATER PUMP	38E	INTERIOR LTS-24V FLUORESCENT
0MS	24V DISC. SW RLY GRD SIGNAL	12	12V VIDEO SYSTEM	24E	24V CUT OUT RLY TO 24V DIST.	38F	INTERIOR LTS-24V FLUORESCENT
0SA	FJB - BATTERY GRD-SOUND SYS.	12A	FR JCT PANEL 12V DISC SW	24F	FR JCT PANEL 24V DISC SW	39	INTERIOR LTS-24V FLUORESCENT
0SE	FJB - BATTERY GRD-SOUND SYS.	12A	RR JCT BOX 12V DISC SW	24I	FR JCT PANEL 24V IGNITION	39A	INTERIOR LTS-DRIVER'S LTS
0SF	FJB - BATTERY GRD-SOUND SYS.	12B	FR JCT PANEL 12V DISC SW	24I	RR JCT BOX 24V IGNITION	39B	INTERIOR LTS-DRIVER'S LTS
0SS	FJB - BATTERY GRD-SOUND SYS.	12BE	12V BATTERY MONITOR	24IA	FR JCT PANEL 24V IGNITION	44	EXTERIOR LTS-FOG
0T	FJP - GRD	12C	RR JCT BOX 12V DISC SW	24IB	FR JCT PANEL 24V IGNITION	44A	EXTERIOR LTS-FOG
0T	FR SERVICE CPT-GRD	12D	FR & RR JCT PANEL 12V HOT WIRE	24K	FR JCT PANEL 24V DISC SW	44B	EXTERIOR LTS-FOG
0V	FJP - GRD	12E	FR JCT PANEL 12V DISC SW	24P	FR JCT PANEL 24V DISC SW	44C	EXTERIOR LTS-FOG & HAZARD SW
0VA	GRD STUD TO BAT.EQUALIZER	12F	RR JCT BOX 12V DISC SW	24R	BATT. CPT TO START RLY	45	A/C & HEAT SYSTEM-DRIVER'S CTRL
0W	FJP - GRD	12G	FR JCT PANEL 12V DISC SW	24S	RR JCT BOX 24V DISC SW	45	A/C & HEAT SYSTEM-WATER VALVE
0W	WORLD TRANSM. VIM CHASSIS GRD	12I	FR JCT PANEL 12V IGNITION	24T	RR JCT BOX 24V DISC SW	45A	A/C & HEAT SYSTEM-WATER VALVE
0WA	PRE_HEAT WATER HEATER WEBASTO	12IF	FR JCT PANEL 12V IGNITION	24VA	24V BATTERY POST TO EQUALIZER	45B	A/C & HEAT SYSTEM-WATER VALVE
0WB	PRE_HEAT WATER HEATER WEBASTO	12IM	BACK-UP MONITOR	24VI	RR JCT BOX 24V IGNITION	45E	A/C & HEAT SYSTEM-BYPASS VALVE
0X	RJB - GRD	12P	FR & RR JCT PANEL 12V DISC SW	24VIF	FR JCT PANEL 24V IGNITION	46	EXTERIOR LTS-MARKER
0Y	ABS SYSTEM-GRD	12P	12V VIDEO SYSTEM	24VD	FR & RR JCTY BOX 24V HOT WIRE	46A	EXTERIOR LTS-MARKER
0Y1	ABS SYSTEM-GRD	12SA	12V BATTERY-SOUND SYSTEM	24VF	FR JCT PANEL 24V DISC SW	46B	EXTERIOR LTS-MARKER
2	A/C & HEAT SYSTEM-CONDENSER	12SB	12V BATTERY-SOUND SYSTEM	24VR	RR JCT PANEL 24V DISC SW	46C	EXTERIOR LTS-MARKER
2A	A/C & HEAT SYSTEM-CONDENSER	12SC	12V BATTERY-SOUND SYSTEM	24X	24V SPEED SW & KNEELING	47	A/C & HEAT SYSTEM-DRIVER'S HTR
2C	A/C & HEAT SYSTEM-CONDENSER	12SE	12V BATTERY-SOUND SYSTEM	25	12VAC GEN RLY ON SIGNAL	47	A/C & HEAT SYSTEM-FULL AIR
2D	A/C & HEAT SYSTEM-CONDENSER	12SF	12V BATTERY-SOUND SYSTEM	25A	NOT GENERATOR-WARNING LT	48	INTERIOR LTS-STEPWELL LTS
2E	A/C & HEAT SYSTEM-CONDENSER	12SS	12V BATTERY-SOUND SYSTEM	25B	EXTERIOR LTS-DAYTIME RUN LTS	50	AIR DRYER
3	A/C & HEAT SYSTEM-EVAPORATOR	12T	12V BATTERY-SOUND SYSTEM	25L	12VAC GEN RLY ON SIGNAL	51	INTERIOR LTS-READING LTS
3A	A/C & HEAT SYSTEM-EVAPORATOR	12T	RR JCT BOX 12V DISC SW	27	LAVATORY-EMERGENCY BUZZER	52	ALARM & SIGNAL-ELEC. HORN
3B	A/C & HEAT SYSTEM-EVAPORATOR	12VD	FR & RR JCT BOX 12V HOT WIRE	28	A/C & HEAT SYSTEM-WARNING LT	52A	ALARM & SIGNAL-ELEC. HORN
4	CHIME-PASSENGER & HOSTESS	12VD	12V BATTERY POST TO EQUALIZER	29	A/C & HEAT SYSTEM-DRIVER'S HTR	53	ALARM & SIGNAL-ELEC. HORN
4A	CHIME-PASSENGER & HOSTESS	12VF	12V FR JCT PANEL	29A	A/C & HEAT SYSTEM-DRIVER'S HTR	53B	WIPER & WASHER SYSTEM
4B	CHIME-PASSENGER & HOSTESS	12VI	RR JCT BOX 12V IGNITION	29B	A/C & HEAT SYSTEM-DRIVER'S HTR	53C	WIPER & WASHER SYSTEM
4C	CHIME-PASSENGER & HOSTESS	12VR	RR JCT BOX 12V DISC SW	30	GALLEY SYSTEM	53E	WIPER & WASHER SYSTEM
4C	CHIME-PASSENGER & HOSTESS	12W	12V HOT WIRE DDEC III FEED	30A	GALLEY SYSTEM	53F	WIPER & WASHER SYSTEM
4D	CHIME-PASSENGER & HOSTESS	13A	ALARM & SIGNAL-LO AIR PRIM.	31A	A/C & HEAT SYSTEM-PRESSURE SW	53J	WIPER & WASHER SYSTEM
4E	CHIME-PASSENGER & HOSTESS	13B	ALARM & SIGNAL-LO AIR SEC.	31B	A/C & HEAT SYSTEM-PRESSURE SW	54	SPARE-F.J.B. TO FR ROOF
5	INTERIOR LTS-EMERGENCY EXIT LTS	14	LAVATORY-FLUSHING SW	31B	WIPER & WASHER SYSTEM	55	EXTERIOR LTS-HI BEAM
5A	INTERIOR LTS-EMERGENCY EXIT LTS	15	EXTERIOR LTS-MULTI FUNC LEVEL	32	EXTERIOR LTS-BACK-UP	56	TRANSM. OIL TEMP GAUGE
5C	INTERIOR LTS-EMERGENCY EXIT LTS	15	ALARM & SIGNAL-DIF. OIL TEMP	32D	BACK-UP MONITOR	57	EXTERIOR LTS-HI BEAM
6	INTERIOR LTS-AISLE LTS	15	WIPER & WASHER SYSTEM	32B	EXTERIOR LTS-BACK-UP	57	A/C & HEAT SYSTEM-WATER PUMP
7	INTERIOR LTS-STEPWELL LTS	15A	ALARM & SIGNAL-DIF. OIL TEMP	32D	BACK-UP ALARM	57A	EXTERIOR LTS-HI BEAM
8A	INTERIOR LTS-AISLE & EMERG. LTS	16	SPEEDOMETER SIGNAL (+)				
8B	INTERIOR LTS-AISLE & EMERG. LTS	16T	SPEED SW SIGNAL IN (+)				
		17	EXTERIOR LTS-FLASHER UNIT				

No.	SYSTEM	No.	SYSTEM
57A	A/C & HEAT SYSTEM-WATER PUMP	82A	EXTERIOR LTS-STOP SIGNAL
57B	A/C & HEAT SYSTEM-WATER PUMP	82B	EXTERIOR LTS-STOP LTS
57C	PRE-HEAT WATER HEATER	82K	EXTERIOR LTS-STOP RETARDER
57D	PRE-HEAT WATER HEATER	82L	EXTERIOR LTS-STOP LTS
57E	PRE-HEAT WTR HTR PUMP	82R	EXTERIOR LTS-STOP LTS
57F	PRE-HEAT WATER HEATER	83	ENGINE CTR-MAST KEY SW ACCES
57W	PRE-HEAT WATER HEATER	84	ENGINE CTR-MAST KEY SW START
58	EXTERIOR LTS-LO BEAM	84A	ENGINE CTR-MAST KEY SW START
58A	EXTERIOR LTS-LO BEAM	85	ENGINE CTR-MAST KEY SW IGN
58B	EXTERIOR LTS-LO BEAM	85A	24V IGN DASH INSTRUMENTATION
58E	EXTERIOR LTS-LO BEAM	85B	24V IGN DASH INSTRUMENTATION
59A	ENGINE BRAKE SYSTEM	85C	ENGINE CTR-24V IGNITION
60	EXTERIOR LTS-RR & FR ROOF GRD	85C	PARKING BRAKE SWITCH
61	EXTERIOR LTS-24V FEED SW	85F	LO AIR SONALERT
61A	EXTERIOR LTS-HEAD SIGNAL	85W	ABS-24V IGN
62	LAVATORY-OCCUPIED LTS	85X	ABS-24V IGN
62B	LAVATORY-OCCUPIED LTS	85Y	ABS-WARNING LT
63	EXTERIOR LTS-CLEARANCE	86	ENGINE CTR-STARTER SOL SIGN
63A	EXTERIOR LTS-CLEARANCE	86A	ENGINE CTR-STARTER SOL SIGN
63B	EXTERIOR LTS-CLEARANCE	87B	ENGINE CTR-24V IGNITION
63C	EXTERIOR LTS-MARKER SIGNAL	88	ENGINE CTR-RR START SIGNAL
63D	EXTERIOR LTS-MARKER & TAIL	89	ENGINE CTR-RR START SIGNAL
63E	EXTERIOR LTS-CLEARANCE	90	A/C & HEAT SYSTEM-WATER PUMP
63F	EXTERIOR LTS-MARKER BLINKER	90	GALLEY SYSTEM
63H	EXTERIOR LTS-TAIL	90	DIGITAL CLOCK
63K	EXTERIOR LTS-TAIL	90A	GALLEY SYSTEM
64	DIFFERENTIAL OIL TEMP GAUGE	90B	ENGINE CTR-MAST KEY SW FEED
65A	PRE-HEAT WATER HEATER	90B	GALLEY SYSTEM
66B	RR JCT BOX 12V HOT WIRE	90B	FR JCT PANEL 24V DISC SW
67	A/C & HEAT SYSTEM	90C	ALARM & SIGNAL-FIRE DETECTOR
67A	A/C & HEAT SYSTEM	90E	GALLEY SYSTEM
67B	A/C & HEAT SYSTEM	90F	GALLEY SYSTEM
67C	A/C & HEAT SYSTEM	91	PARKING BRAKE SW SIGNAL
69	RR JCT BOX 24V HOT WIRE	91A	PARKING BRAKE SW SIGNAL
70	INTERIOR LTS-HAT RACK LTS	91B	DDEC III-FAST IDLE SIGNAL
70A	INTERIOR LTS-HAT RACK LTS	91B	EXTERIOR LTS-RUN LTS CANCEL
70C	INTERIOR LTS-HAT RACK LTS	91C	PRE-HEAT WATER HEATER
71	A/C AUXILIARY-DASH SW	92	BATTERY MONITOR-CHECK BALANCE
71B	R J B GRD-BACK UP ALARM	92A	BATTERY MONITOR-CHECK BALANCE
71H	A/C AUXILIARY-DASH SW	93	BATTERY MONITOR-CHECK LO/HI
72A	A/C AUXILIARY-DASH SW	93A	BATTERY MONITOR-CHECK LO/HI
72H	A/C AUXILIARY-DASH SW	94	HIGH BUDY SYSTEM
73	LAVATORY-NIGHT LTS	94A	HIGH BUDY SYSTEM
74	INTERIOR LTS-READING LTS	95	ENGINE BRAKE & RETARDER SYSTEM
74A	INTERIOR LTS-READING LTS	95A	ENGINE BRAKE & RETARDER SYSTEM
74B	INTERIOR LTS-READING LTS	95B	ENGINE BRAKE & RETARDER SYSTEM
75	INTERIOR LTS-READING LTS	97	TACHOMETER (-)
76	FUEL TANK GAUGE	99	A/C AUXILIARY-DASH SW
76A	LOW FUEL LT	100	INTERIOR LTS-GENERAL LTS
76B	LOW FUEL LT	100A	INTERIOR LTS-GENERAL LTS
76C	LOW FUEL LT	100B	INTERIOR LTS-GENERAL LTS
76L	LOW FUEL LT	100C	INTERIOR LTS-GENERAL LTS
76M	FUEL PRIME PUMP	101	WORLD TRANSM-LO SIGNAL SOL. LO
76P	FUEL PRIME PUMP	102	A/C JCT BOX-24V DISC. SW
77H	A/C & HEAT SYSTEM-CLUTCH	102	24V STARTER TO GENERATOR
77B	A/C AUXILIARY-LIO. SOL.	102	WORLD TRANSM-SOL. GRD 1
77C	A/C AUXILIARY-LIO. SOL.	102	WORLD TRANSM-SOL. C3
77H	A/C & HEAT SYSTEM-FAN CLUTCH	102	WORLD TRANSM-SOL. FORWARD
80	WORLD TRANSM-NEUTRAL SIGNAL GRD	104	WORLD TRANSM-RETARDER & SUMP
81	EXTERIOR LTS-STOP SW	105	
82	EXTERIOR LTS-STOP SIGNAL		

No.	SYSTEM	No.	SYSTEM
105W	WORLD TRANSM-RETARDER & SUMP	126B	KNEELING SYSTEM
106	WORLD TRANSM-OIL LEVEL HI	126C	KNEELING SYSTEM
107	CHARG SYST-VOLTAGE REGUL. "F"	126G	KNEELING SYSTEM
107	WORLD TRANSM-LOCKUP SOL. HI	126H	KNEELING SYSTEM
108	WORLD TRANSM-REMOTE PWR WAKE UP	127	WORLD TRANSM-RETARDER FEED SOL.
108	24V DISC SW TO 24V SYSTEM	127	PRE-HEAT WATER HEATER
108A	CHARG SYST-VOLTAGE REGUL. "B"	127A	PRE-HEAT WATER HEATER
109	WORLD TRANSM-RET. SOL. LO	127B	PRE-HEAT WATER HEATER
110	ALARM & SIGNAL-WATER TEMP	127W	PRE-HEAT WATER HEATER
110	WORLD TRANSM-LOCKUP SOL. LO	127X	PRE-HEAT WATER HEATER
111	BATTERY GRD	128	WORLD TRANSM-SOL. C2
111	WORLD TRANSM-SOL. C6	128A	PRE-HEAT WATER HEATER
112	WORLD TRANSM-SPARE OUTPUT (+)	128B	PRE-HEAT WATER HEATER
113	ALARM & SIGNAL-OIL PRESS.	128C	PRE-HEAT WATER HEATER
113	WORLD TRANSM-REVERSE WARNING	128D	PRE-HEAT WATER HEATER
114	WORLD TRANSM-SPARE OUTPUT (-)	128E	PRE-HEAT WATER HEATER
114	INTERIOR LTS-DASH LT REGUL.	128F	PRE-HEAT WATER HEATER
114A	INTERIOR LTS-DASH LT	128W	PRE-HEAT WATER HEATER
114B	INTERIOR LTS-DASH LT REGUL.	128X	PRE-HEAT WATER HEATER
114C	INTERIOR LTS-DASH LT	129	WORLD TRANSM-SOL. C5
115	ALARM & SIGNAL-TAG PRESS	129	PRE-HEAT WATER HEATER
115	DDEC III-COOLANT LEVEL	129A	PRE-HEAT WATER HEATER
115	WORLD TRANSM-DO NOT SHIFT SIGNAL	129B	PRE-HEAT WATER HEATER
115A	ALARM & SIGNAL-TAG PRESS	130	WORLD TRANSM-SOL. GRD 3
115B	ALARM & SIGNAL-TAG PRESS	130A	A/C & HEAT SYSTEM-EVAPORATOR
115C	DDEC III-COOLANT LEVEL	130	A/C & HEAT SYSTEM-EVAPORATOR
115W	WORLD TRANSM-DO NOT SHIFT SIGNAL	131	24V DISC SW TO FR JCT PANEL
116	WORLD TRANSM-LO SIGNAL SOL. HI	131	WORLD TRANSM-SOL. C4
116	A/C & HEAT SYSTEM-DRIVER'S HTR	132	WORLD TRANSM-ENG BRK OUTPUT (-)
116A	A/C & HEAT SYSTEM-DRIVER'S HTR	132W	WORLD TRANSM-ENG BRK OUTPUT (-)
116B	A/C & HEAT SYSTEM-DRIVER'S HTR	133	WORLD TRANSM-RET. ACTUATOR HI
117	WORLD TRANSM-SPARE INPUT (-)	133	GALLEY SYSTEM-CONTAINER RH
117	ALARM & SIGNAL-TRANSM OIL TEMP	133A	GALLEY SYSTEM-CONTAINER RH
117A	ALARM & SIGNAL-TRANSM OIL TEMP	134	WORLD TRANSM-RET. APPLY SOL. HI
118	WORLD TRANSM-SPARE INPUT (+)	134	GALLEY SYSTEM-CONTAINER RH
119	CHIME-HOSTESS & PASSENGER	134A	GALLEY SYSTEM-CONTAINER RH
119	WORLD TRANSM-ENG BRK INPUT (+)	135	WORLD TRANSM-ANALOG GRD
119A	CHIME-HOSTESS & PASSENGER	135	A/C AUXILIARY-FAN
119B	CHIME-HOSTESS & PASSENGER	135A	A/C AUXILIARY-FAN
120	12V HOT WIRE	135B	A/C AUXILIARY-COIL SENSING
120	WORLD TRANSM-SOL. C1	135C	WORLD TRANSM-RETARDER TEMP
120D	12V HOT WIRE	135D	WORLD TRANSM-RETARDER RES MOD
120Y	VIDEO SYSTEM	136	GALLEY SYSTEM-LAMP
120Z	VIDEO SYSTEM	136	WORLD TRANSM-ECU POWER
121	WORLD TRANSM-SOL. GRD 2	136V	WORLD TRANSM-12V BATTERY
121	CIGAR LIGHTER	136W	WORLD TRANSM-12V BATTERY
122	A/C & HEAT SYSTEM-DRIVER'S HTR	136X	WORLD TRANSM-12V BATTERY
122	A/C & HEAT SYSTEM-FRESH AIR	137	WORLD TRANSM-RETARDER
122	WORLD TRANSM-SOL. GRD 4	137	RR VIEW MIRROR
123	WORLD TRANSM-NEUTRAL START	137A	RR VIEW MIRROR
123	ALARM & SIGNAL-FIRE DETECTOR	138	WORLD TRANSM-RETARDER TEMP
123	ALARM & SIGNAL-FIRE DETECTOR	138	ABS SYSTEM
123A	ALARM & SIGNAL-FIRE DETECTOR	138	A/C AUXILIARY-FAN
124	WORLD TRANSM-THROTTLE (HI)	138A	ABS SYSTEM
124	LAVATORY-FAN	138A	A/C AUXILIARY-FAN
125	WORLD TRANSM-RETARDER INDICATOR	139	ABS SYSTEM
125	WORLD TRANSM-RETARDER INDICATOR	139	A/C AUXILIARY-FAN
125W	WORLD TRANSM-RETARDER INDICATOR	139	A/C AUXILIARY-FAN
126	WORLD TRANSM-LUBE PRESS SW.	139	WORLD TRANSM-OUTPUT SPEED HI
126	KNEELING SYSTEM	139	A/C AUXILIARY-FAN
126A	KNEELING SYSTEM	139A	A/C AUXILIARY-FAN

No.	SYSTEM	No.	SYSTEM	No.	SYSTEM	No.	SYSTEM
140	A/C AUXILIARY-SHUTTER	165	WORLD TRANSM-OIL LEVEL SIGNAL	563	DDEC III-FAN CLUTCH SPEED# 2	SP12	SPARE
140	WORLD TRANSM-OUTPUT SPEED LO	168	WORLD TRANSM-SER. INTERFACE (+)	583	DDEC III-ENGINE BRAKE 4 CYL.	SP13	SPARE
140	ABS SYSTEM	170C	LUGGAGE DOOR LOCK	750	PRODRIVER-ILLUMINATION LIGHT	SP14	SPARE
141	ABS SYSTEM	170D	LUGGAGE DOOR LOCK	900	DDEC III-DATA LINK (+)	SP15	SPARE
141	WORLD TRANSM-ENGINE SPEED HI	170E	LUGGAGE DOOR LOCK	901	DDEC III-DATA LINK (-)	SP16	SPARE
142	WORLD TRANSM-SERIAL COM. A	170F	LUGGAGE DOOR LOCK	908	DDEC III-HYDRAULIC TRANSM. MOD.	SP20	SPARE
142	ABS SYSTEM	170G	LUGGAGE DOOR LOCK	916	DDEC III-SENSOR SUPPLY (5VDC)	SP21	SPARE
143	ABS SYSTEM	170H	LUGGAGE DOOR LOCK	952	DDEC III-SENSOR RETURN	SP22	SPARE
143A	ABS SYSTEM	170J	LUGGAGE DOOR LOCK	953	DDEC III-BATTERY GRD	SP23	SPARE
143	WORLD TRANSM-ECU BATTERY GRD	170L	LUGGAGE DOOR LOCK	953C	DDEC III-BATTERY GRD	SP30	SPARE
143W	WORLD TRANSM-BATTERY GRD	170M	LUGGAGE DOOR LOCK	979	DDEC III-ENGINE BRAKE 2 CYL.	SP31	SPARE
143X	WORLD TRANSM-BATTERY GRD	170N	LUGGAGE DOOR LOCK	A	A/C & HEAT SYSTEM-HI PRES.	SP32	SPARE
144	WORLD TRANSM-ECU CHASSIS GRD	170P	LUGGAGE DOOR LOCK	A1	A/C & HEAT SYSTEM-LO PRES.	SP33	SPARE
144	ABS SYSTEM	170R	LUGGAGE DOOR LOCK	A4	A/C & HEAT SYSTEM-CONTROL SW	SP34	SPARE
144A	ABS SYSTEM	170S	LUGGAGE DOOR LOCK	A5	A/C & HEAT SYSTEM-CONTROL SW	SP35	SPARE
145	ABS SYSTEM	170V	LUGGAGE DOOR LOCK	A6	A/C & HEAT SYSTEM-CONTROL SW	SP57	SPARE
146	ABS SYSTEM	170W	LUGGAGE DOOR LOCK	D1	SOUND SYSTEM-RH SPEAKER	SP60	SPARE
146	WORLD TRANSM-IGNITION SENSE	170X	LUGGAGE DOOR LOCK	D2	SOUND SYSTEM-RH SPEAKER	SP61	SPARE
146W	WORLD TRANSM-12V IGNITION	170Y	LUGGAGE DOOR LOCK	D3	SOUND SYSTEM-RH SPEAKER	SP62	SPARE
146X	WORLD TRANSM-12V IGNITION	170Z	LUGGAGE DOOR LOCK	D4	SOUND SYSTEM-RH SPEAKER	SP63	SPARE
147	WORLD TRANSM-OIL TEMP	182	PYROMETER	D5	SOUND SYSTEM-RH SPEAKER	SP69	SPARE
147	ABS SYSTEM	182A	PYROMETER	D6	SOUND SYSTEM-RH SPEAKER	SP70	SPARE
147	ETHER COLD START	197A	FUEL WATER FILTER	D7	SOUND SYSTEM-RH SPEAKER	V5	A/C & HEAT SYSTEM-DRIVER'S HTR
147A	ETHER COLD START	197B	FUEL WATER FILTER	D8	SOUND SYSTEM-RH SPEAKER	V7	A/C & HEAT SYSTEM-DRIVER'S HTR
148	ABS SYSTEM	201	WORLD TRANSM-SPARE	G1	SOUND SYSTEM-LH SPEAKER		
148	WORLD TRANSM-OUTPUT SPEED LO	202	WORLD TRANSM-SPARE	G2	SOUND SYSTEM-LH SPEAKER		
149	WORLD TRANSM-TURBINE SPEED HI	203	WORLD TRANSM-SPARE	G3	SOUND SYSTEM-LH SPEAKER		
149	ABS SYSTEM	204	WORLD TRANSM-SPARE	G4	SOUND SYSTEM-LH SPEAKER		
149A	ABS SYSTEM	205	WORLD TRANSM-SPARE	G5	SOUND SYSTEM-LH SPEAKER		
150	ABS SYSTEM-SPARE	206	WORLD TRANSM-SPARE	G6	SOUND SYSTEM-LH SPEAKER		
150	WORLD TRANSM-ENGINE SPEED LO	214	WORLD TRANSM-BACK UP SIGNAL	G7	SOUND SYSTEM-LH SPEAKER		
150	DDEC III-ECM BATTERY GRD	214A	BACK UP SIGNAL	G8	SOUND SYSTEM-LH SPEAKER		
150A	DDEC III-ECM BATTERY GRD	231	NEUTRAL SIGNAL GRD	J4	A/C & HEAT SYSTEM-DRIVER'S HTR		
151	DDEC III-ECM BATTERY GRD	240	DDEC III-ECM 12V FEEDING	L1	VIDEO SYSTEM- 110V		
151	DDEC III-ECM BATTERY GRD	241	DDEC III-ECM 12V FEEDING	L1	INTERIOR LTS-110V FLUORESCENT		
151	WORLD TRANSM-SERIAL COM. B	241	DDEC III-ECM 12V FEEDING	L1A	INTERIOR LTS-110V FLUORESCENT		
151	ABS SYSTEM-SPARE	251	PRODRIVER-12V HOT WIRE	L1C	INTERIOR LTS-110V FLUORESCENT		
152	ABS SYSTEM-SPARE	290	FAN CLUTCH RADIATOR	L2A	INTERIOR LTS-110V FLUORESCENT		
153	ABS SYSTEM	291	FAN CLUTCH RADIATOR SPD 1	L2C	INTERIOR LTS-110V FLUORESCENT		
153	WORLD TRANSM-SPARE INPUT (-)	292	FAN CLUTCH RADIATOR SPD 2	L8	ENG. BLK & WATER TANK-HAETER		
154	WORLD TRANSM-ABS RETARDER INPUT	417	DDEC III-LIMIT SPEED GOVERNOR	L9	ENG. BLK & WATER TANK-HAETER		
155	WORLD TRANSM-SPARE INPUT (-)	419	DDEC III-CHECK ENGINE LIGHT	N1	VIDEO SYSTEM- 110V		
155	ABS SYSTEM	439	DDEC III-12V IGNITION	N2	INTERIOR LTS-110V FLUORESCENT		
156	WORLD TRANSM-THROTTLE POS.	440	DDEC III-12V IGNITION	O3	A/C & HEAT SYSTEM-DRIVER'S HTR		
156	ABS SYSTEM	440A	DDEC III-12V IGNITION	R1	A/C & HEAT SYSTEM-DRIVER'S HTR		
156A	ABS SYSTEM	451	DDEC III-12V IGNITION	R6	A/C & HEAT SYSTEM-DRIVER'S HTR		
156C	ABS SYSTEM	505	DDEC III-A/C FAN CLUTCH	SH1	SHIELD WIRE GRD		
156W	ABS SYSTEM	509	DDEC III-TACHOMETER DRIVE	SH2	SHIELD WIRE GRD		
157	WORLD TRANSM-SPEEDOMETER SIGNAL	510	DDEC III-STOP ENGINE LIGHT	SH3	SHIELD WIRE GRD		
157	ABS SYSTEM	524	DDEC III-FAST IDLE SIGNAL	SP1	SPARE		
157A	ABS SYSTEM	525	DDEC III-ENGINE BRAKE DISABLE	SP2	SPARE		
157B	ABS SYSTEM	528	DDEC III-FAST IDLE SIGNAL	SP3	SPARE		
157C	ABS SYST.-CANCEL SEC. BRK	531	DDEC III-STOP ENG. OVERRIDE	SP4	SPARE		
158	WORLD TRANSM-DIMMER	541	DDEC III-CRUISE CLUTCH RELEASE	SP5	SPARE		
160	WORLD TRANSM-SER. INTERFACE (-)	543	DDEC III-CRUISE SET SW	SP10	SPARE		
161	WORLD TRANSM-SIGNAL GRD	544	DDEC III-CRUISE STOP SW CUT IN	SP11	SPARE		
161B	WORLD TRANSM-SIGNAL GRD	545	DDEC III-CRUISE ON/OFF SW				
162	WORLD TRANSM-PRESS. SW C3	555	DDEC III-CRUISE RESUME SW				
163	WORLD TRANSM-RETARDER ENABLE	556	DDEC III-FAN CLUTCH SPEED# 1				
164	WORLD TRANSM-RET. ACTUATOR SIGN	557	DDEC III-VEHICLE SPEED (+)				
			DDEC III-VEHICLE SPEED (-)				



## CIRCUIT BREAKER CODE (CB)

Page F : 1

NO.	PAGE	AMPERE	#PREVOST	LOCATION	FUNCTION
CB1	1	200A	560838	BAT JCT CPT	24V FEED A/C JCT BOX
CB3	1	70A	561767	BAT JCT CPT	12V FEED RR JCT BOX
CB4	1	90A	560298	BAT JCT CPT	12V FEED FR JCT BOX
CB6	1	90A	560298	BAT JCT CPT	24V FEED RR JCT BOX
CB7	1	90A	560298	BAT JCT CPT	24V FEED FR JCT BOX
CB9	1	120A	560465	A/C JCT CPT	EVAPORATOR FAN MOTOR
CB10	2	8A	561791	FR JCT PANEL	MASTER SWITCH
CB11	1	25A	561795	BAT JCT PANEL	24V HOT WIRE FEED RR & FR
CB12	15	15A	561793	FR JCT PANEL	WATER BOOSTER PUMP
CB13	10	8A	561791	FR JCT PANEL	LUGGAGE CPT LTS
CB16	2	8A	561791	RR JCT BOX	ENGINE-RR CTR & START SW
CB17	1	25A	561795	BAT JCT PANEL	12V HOT WIRE FEED RR & FR
CB18	2	8A	561791	RR JCT BOX	ENGINE-FR CTR SW
CB19	3	15A	561793	RR JCT BOX	DDEC III E.C.M. POWER
CB20	3	15A	561793	RR JCT BOX	DDEC III E.C.M. POWER
CB21	3	6A	561790	RR JCT BOX	DDEC III 12V IGNITION
CB22	27	15A	561793	GALLEY	GALLEY BATTERY CHARGER
CB23	26-27	8A	560828	GALLEY	GALLEY CONTAINER RH
CB24	26-27	8A	560828	GALLEY	GALLEY CONTAINER LH
CB25	26-27	6A	560827	GALLEY	GALLEY LAMP
CB26	8	10A	561792	RR JCT BOX	BACK-UP LTS & ALARM
CB27	5	8A	561791	FR JCT PANEL	24V IGN DASH ACCESSORIES
CB29	5	20A	561794	FR JCT PANEL	ELECTRICAL HORNS
CB30	5	10A	561793	FR JCT PANEL	FIRE ALARM & WATER HTR TIMER
CB31	5	8A	561791	FR JCT PANEL	AIR DRYER
CB35	6	6A	561790	FR JCT PANEL	FOG & HAZARD SW
CB36	6	15A	561793	FR JCT PANEL	FOG LTS
CB37	6	8A	561791	FR JCT PANEL	HEAD & MULTI-FUNC. SW
CB38	6	10A	561792	FR JCT PANEL	MARKER LTS
CB39	6	6A	561791	FR JCT PANEL	12VI DASHBOARD-SPEEDO & TACHO
CB40	6	8A	561791	FR JCT PANEL	FR & RR CLEARANCE & ID. LTS
CB42	6	10A	561792	FR JCT PANEL	RR MARKER, TAIL, LICENCE LTS
CB43	6	20A	561794	FR JCT PANEL	HEADLAMP (HI)
CB44	6	15A	561793	FR JCT PANEL	HEADLAMP (LO)
CB45	7	10A	561792	FR JCT PANEL	MULTI-FUNC. SW (WIPER CTR)
CB48	8	6A	561790	FR JCT PANEL	STOP SW
CB49	8	15A	561793	RR JCT BOX	LH STOP LTS
CB50	11	6A	561790	RR JCT BOX	HAT RACK LIGHTING
CB51	8	20A	561794	FR JCT PANEL	RH STOP & CYCLOP LTS
CB52	14	6A	561790	FR JCT PANEL	HOSTESS & PASSENGER CHIME
CB55	11	10A	561792	FR JCT PANEL	aisle LTS
CB56	11	8A	561791	RR JCT BOX	EMERGENCY EXIT LTS
CB59	12	8A	561791	FR JCT PANEL	DRIVER'S LTS SW.
CB60	12	15A	561793	RR JCT BOX	READING LTS LH
CB61	12	15A	561793	RR JCT BOX	READING LTS RH
CB63	13	8A	562293	FR SERVICE CPT	110V FLUORESCENT LH
CB64	13	8A	562293	FR SERVICE CPT	110V FLUORESCENT RH
CB65	13	15A	561793	RR JCT BOX	24V FLUORESCENT RH
CB66	13	15A	561793	RR JCT BOX	24V FLUORESCENT LH
CB67	16	10A	561792	A/C AUX UNIT	AUXILIARY A/C FAN
CB68	16	10A	561792	A/C AUX UNIT	AUXILIARY A/C FAN
CB70	15-16	8A	561791	FR JCT PANEL	BLOWER CUT-IN RELAY
CB71	16	8A	561791	A/C AUX UNIT	AUXILIARY A/C TEMP CTRL
CB72	16	6A	561790	RR JCT BOX	AUXILIARY A/C COMPR. CLUTCH
CB74	16	20A	561794	RR JCT BOX	AUXILIARY A/C UNIT POWER
CB75	26-27	20A	561794	RR JCT BOX	GALLEY
CB79	15-16	10A	561792	FR JCT PANEL	DRIVER'S HTR FAN

## CIRCUIT BREAKER CODE (CB)

Page F : 1

NO.	PAGE	AMPERE	#PREVOST	LOCATION	FUNCTION
CB83	4	20A	561794	RR JCT BOX	WORLD TRANSMISSION VIM POWER
CB86	20	8A	561791	RR JCT BOX	LAVATORY PUMP
CB89	20	8A	561791	RR JCT BOX	LAVATORY LIGHTING
CB92	19	6A	561790	FR JCT PANEL	SPEED SW & KNEELING SYST.
CB94	12	8A	561791	FR JCT PANEL	READING LTS & GENERAL LTS MAIN SW
CB102	28-29	15A	561793	FR JCT PANEL	SOUND SYSTEM
CB104	24	6A	561790	FR JCT PANEL	ABS E.C.U.
CB105	24	20A	561794	FR JCT PANEL	ABS E.C.U.
CB106	24	10A	561792	FR SERV JCT BOX	ABS E.C.U.
CB107	24	10A	561792	FR SERV JCT BOX	ABS E.C.U.
CB109	20	8A	561791	RR JCT PANEL	LAVATORY EXH. FAN
CB117	18	8A	561791	FR JCT PANEL	RR VIEW MIRROR
CB118	22	20A	561794	FR JCT PANEL	LUGGAGE DOOR LOCK MOTOR
CB119	22	3A	561797	FR JCT PANEL	LUGGAGE UNLOCK TT LT & SW
CB120	22	20A	561794	FR JCT PANEL	LUGGAGE DOOR LOCK MOTOR
CB121	18	10A	561792	FR JCT PANEL	CIGAR LIGHTER
CB125	7	20A	561794	FR JCT PANEL	DIRECTIONAL LTS LH
CB126	7	20A	561794	FR JCT PANEL	DIRECTIONAL LTS RH
CB129	17	15A	561793	RR JCT BOX	WATER HEATER
CB130	5	6A	561790	RR JCT BOX	FAN CLUTCH RADIATOR
CB131	30	40A	560703	BAT JCT CPT	INVERTER
CB132	17	15A	561793	RR JCT BOX	WATER HEATER
CB133	28-29	15A	561793	FR JCT PANEL	SOUND SYSTEM
CB134	16	15A	561793	A/C JCT BOX	CONDENSER FAN MOTOR
CB135	16	15A	561793	A/C JCT BOX	CONDENSER FAN MOTOR
CB136	16	15A	561793	A/C JCT BOX	CONDENSER FAN MOTOR
CB137	16	15A	561793	A/C JCT BOX	CONDENSER FAN MOTOR

No.	LOCATION	TYPE	(NBI) CAVITY	#PIN HOUSING	#SOCKET HOUSING
C3	UNDER DASH-LH	AMP CPC	37	561645	561646
C7	FR SERVICE COMPT.-CLUTCH SW	ITT SS	3	561111	561080
C8	FR JCT PANEL VCR FEED	AMP MNL	2	561248	561247
C11	LH CONSOLE SW-MIRROR	AMP MNL	3	561667	561550
C12	LH CONSOLE SW-MIRROR HTR	AMP MNL	2	561248	561247
C13	LH CONSOLE SW-MIRROR	AMP MNL	6	561552	561515
C14	UNDER DASH LH-MIRROR	AMP MNL	9	561670	561669
C15	UNDER DASH RH-MIRROR	AMP MNL	9	561670	561669
C18	UNDER DASH-FIRE ALARM	AMP MNL	2	560900	560898
C19	UNDER DASH-A/C & HEAT SYST.	TC	10	561072	561110
C20	RR JCT BOX DIODES	AMP MNL	9	561670	561669
C21	LUGGAGE COMPT.-LOCK DOOR MOT.	PED	2	-----	562076
C22	ENGINE COMPT.-CYCLOP LT	PED WP	2	561566	561690
C26	UNDER INSTRUMENT.-PANEL RHED.	TC	2	561030	560997
C29	FR SERVICE COMPT.-VIM FEED	PED WP	3	561781	561782
C31	RH CONSOLE-DRV TEMP SENSOR	BURNDY	3	-----	561104
C32	FR SERVICE COMPT. DDEC VSS	PED WP	2	561566	561690
C34	RH CONSOLE-DRV TEMP CTRL	BURNDY	6	-----	561103
C35	RECIRCULATED AIR GRIL.-SENER	BURNDY	3	-----	561104
C36	LH CONSOLE SW-CRUISE ON/OFF	SWF	8	-----	561107
C37	LH CONSOLE SW-CRUISE SET	SWF	8	-----	561107
C38	LH CONSOLE SW-CRUISE RESUME	SWF	8	-----	561107
C41	UNDER DASH-FLASHER UNIT	TC	2	-----	561940
C49	LAVATORY NIGHT LTS	AMP MNL	2	560900	560898
C50	RH CONSOLE-PAS. TEMP CTRL	BURNDY	6	-----	561103
C51	RH CONSOLE SW-A/C & HEAT	SWF	8	-----	561107
C52	ENGINE COMPT.-COMPRESSOR O5G	PED WP	2	561566	561690
C53	ENGINE COMPT.-COMPRESSOR O5G	PED WP	2	561566	561690
C54	ENGINE COMPT.-COMPRESSOR O5G	TC	1	560098	560697
C61	ENGINE COMPT.-FUEL FILTER	PED WP	2	561566	561690
C67	LH UNDER DASH-AMPLIF. RH SPK	BLAUPUNKT	2	561988	-----
C68	LH UNDER DASH-AMPLIF. RH SPK	BLAUPUNKT	2	561988	-----
C73	LH SW PANEL-MULTI FUNC. LEV.	AMP FF	8	561188	-----
C74	LH SW PANEL-MULTI FUNC. LEV.	AMP FF	6	-----	561108
C78	LUGGAGE COMPT.-DOOR LOCK 4 LH	AMP MNL	4	560851	560852
C79	LUGGAGE COMPT.-DOOR LOCK 4 RH	AMP MNL	4	560851	560852
C80	FR JCT PANEL-LUG. DOOR LOCK	AMP MNL	6	561552	561515
C81	LUGGAGE COMPT.-DOOR LOCK 1 LH	AMP MNL	4	560851	560852
C82	LUGGAGE COMPT.-DOOR LOCK 1 RH	AMP MNL	4	560851	560852
C83	UNDER DASH-FLASHER MODULE	TC	10	561072	561110
C84	UNDER DASH-A/C SYSTEM	TC	3	561091	561071
C85	LUGGAGE COMPT.-DOOR LOCK 3 RH	AMP MNL	4	560851	560852
C86	LUGGAGE COMPT.-DOOR LOCK 3 LH	AMP MNL	4	560851	560852
C88	RR END ROOF-CLEARANCE LTS	AMP MNL	2	560900	560898
C90	RR ROOF AUX. A/C THERMOST.	BURNDY	6	-----	561103
C91	RR ROOF AUX. A/C TMP SENSOR	BURNDY	6	-----	561104
C92	RR ROOF AUX. A/C FAN RH	TC	2	561030	560997
C93	RR ROOF AUX. A/C FAN LH	TC	2	561030	560997
C94	RR ROOF AUX. A/C FAN RES LH	AMP MNL	2	560900	560898
C95	RR ROOF AUX. A/C FAN RES RH	AMP MNL	2	560900	560898
C96	RR ROOF AUX. A/C L10 SOL VAL	TC	2	561030	560997
C97	RR ROOF AUX. A/C SHUT SOL VAL	AMPHENOL	2	-----	560412
C98	CONDENSER CPT.	ITT SS	4	561998	561999
C99	A/C JCT BOX	ITT SS	3	561111	561080
C100	A/C JCT BOX	ITT SS	2	561813	561812
C101	CONDENSER CPT.-A/C PRESS. SW	PED WP	2	561566	561690
C105	UNDER DASH RH-DRV L10 SOL VL	TC	2	561030	560997
C106	UNDER DASH RH-DRV WTR VALVE	TC	2	561030	560997
C107	UNDER DASH RH-DRV HTR RH FAN	TC	2	561030	560997
C108	UNDER DASH RH-DRV HTR LH FAN	TC	2	561030	560997

No.	LOCATION	TYPE	(NBI) CAVITY	#PIN HOUSING	#SOCKET HOUSING
C111	LH CONSOLE SW-DRIVER LTS	SWF	8	-----	561107
C112	LH CONSOLE SW-GENERAL LTS	SWF	8	-----	561107
C114	ENGINE DDEC-SPEED SIGNAL	PED WP	2	561566	561590
C115	RR JCT BOX-ENGINE ACCES.	DEUTSCH	40	562281	562284
C116	DRIVE AXLE COMPT.-AIR DRYER	PED MP	2	-----	562251
C119	ENGINE COMPT.-LH LOWER LAMP	PED WP	6	561606	561607
C120	ENGINE COMPT.-LH LOWER LAMP	PED WP	6	561606	561607
C123	HAT RACK-BALLAST RH	AMP MNL	6	561552	561515
C123	HAT RACK-BALLAST RH	AMP MNL	6	561552	561515
C124	HAT RACK-FLUORESCENT	AMP MNL	4	561551	561668
C125	HAT RACK-FLUORESCENT	AMP MNL	4	561551	561668
C126	HAT RACK-READING LTS	AMP MNL	2	560900	560898
C130	LH CONSOLE SW-READING LTS	SWF	8	-----	561107
C131	LH CONSOLE SW-LUG-DOOR LOCK	SWF	8	-----	561107
C132	LH CONSOLE SW-PAS & HOS CHIME	SWF	8	-----	561107
C133	LH CONSOLE SW-JACOB DR RET.	SWF	8	-----	561107
C134	LH CONSOLE SW-GALLEY	SWF	8	-----	561107
C135	LH SW PANEL-ETHER	SWF	8	-----	561107
C136	LH CONSOLE SW-MIRROR HTR	SWF	8	-----	561107
C137	RH SW PANEL-HEAD LAMP	SWF	8	-----	561107
C138	RH SW PANEL-SPARE	SWF	8	-----	561107
C139	RH SW PANEL-FOG LAMP	SWF	8	-----	561107
C140	FR JCT PANEL-BAT. HI/LO	AMP MNL	2	560900	560898
C141	ENGINE COMPT.-B/UP ALARM	PED WP	2	561566	561590
C142	FR SERVICE CPT-LH MARKER LTS	ITT SS	3	561111	561080
C143	RR LH HAT RACK-FEEDING	AMP MNL	9	561661	561662
C144	RR RH HAT RACK-FEEDING	AMP MNL	9	561661	561662
C145	RR HAT RACK-BALLAST	AMP MNL	4	560851	560852
C146	FR SERVICE CPT-RH MARKER LTS	ITT SS	3	561111	561080
C147	RR ROOF LH-EMERGENCY EXIT LTS	AMP MNL	2	560900	560898
C148	RR ROOF RH-EMERGENCY EXIT LTS	AMP MNL	2	560900	560898
C149	LH HAT RACK-BALLAST	AMP MNL	4	560851	560852
C150	FR RH HAT RACK-110V FLUOR	AMP MNL	2	561248	561247
C151	FR LH HAT RACK-110V FLUOR	AMP MNL	2	561248	561247
C152	LH HAT RACK-GENERAL LTS	AMP MNL	3	561667	561550
C153	RH HAT RACK-GENERAL LTS	AMP MNL	3	561667	561550
C154	RH SW PANEL-HAZARD	SWF	8	-----	561107
C155	LH SW PANEL-FAST IDLE	SWF	8	-----	561107
C156	LH SW PANEL-STP ENG. OVER.	SWF	8	-----	561107
C158	RR ROOF AUX. A/C FEEDING	AMP MNL	3	561667	561550
C160	FR SERVICE CPT-INTERFACE	AMP CPC	37	561644	561646
C161	ENGINE DDEC III-ECM	PED	30	-----	561600
C162	ENGINE DDEC III-ACCESSORIES	PED WP	4	561610	561611
C163	ENGINE CPT-COOLANT PROBE	PED MP	2	-----	562350
C164	FR SERVICE JCT BOX	AMP CPC	22	561709	561710
C165	FR SERVICE JCT BOX	AMP CPC	16	561693	561695
C166	UNDER INSTRUMENT PANEL	AMP CPC	16	561639	561640
C167	FR SERVICE CPT-EL. FOOT PEDAL	PED WP	3	561781	561782
C168	FR SERVICE CPT-DDR	DEUTSCH	6	562360	-----
C169	FR SERVICE CPT-WORLD TR. VIM	AMP CPC	16	561638	561640
C172	ENGINE COMPT-WATER TANK HEAT.	PED WP	2	561566	561690
C173	LAV. PORTABLE-WATER TANK HEAT.	AMP MNL	2	560900	560898
C175	FR SERV CPT-KNEELING FEEDING	PED WP	3	561781	561782
C177	GALLEY-REFRIGERATOR	AMP MNL	2	561248	561247

No.	LOCATION	TYPE	(NB) CAVITY	#PIN HOUSING	#SOCKET HOUSING
C179	RH HAT RACK-110V MONITOR	MOLEX	4	561477	561476
C180	FR SERV. CPT-KNEEL. DIODE	AMP MHL	9	561670	561699
C181	FR SERV CPT-KNEELING MODULE	AMP MNL	12	561735	561734
C182	FR SERVICE CPT-SPEED SW	AMP HOP	15	-----	562012
C184	FR SERV CPT-KNEEL. MOD. CTRL	AMP MNL	3	-----	561550
C184	FR AXLE-KNEELING PROXIMITY SW	AMP MNL	3	561667	561550
C185	FR SERV CPT-KNEEL. MOD. EXH.	AMP MNL	3	-----	561550
C187	FR SERV CPT-KNEEL. MOD. BRK	AMP MNL	3	-----	561550
C187	FR SERVICE JCT BOX-RESISTORS	AMP MNL	6	561552	561515
C188	LH CONSOLE SW-KNEELING	SWF	8	-----	561107
C190	FR SERVICE CPT.-WORLD TR VIM	PED WP	30	-----	561600
C192	GALLEY-FEEDING	AMP CPC	3	561862	561847
C194	GALLEY SW-CONTAINER RH	SWF	8	-----	561107
C195	GALLEY SW-CONTAINER LH	SWF	8	-----	561107
C199	FR SERV. JCT BOX-SERVICE BRK	AMP MNL	3	561667	561550
C200	LH CONSOLE SW-24V FLUOR	SWF	8	-----	561107
C201	UNDER INSTRUMENT PANEL	AMP MNL	2	560900	560898
C202	UNDER INSTRUMENT PANEL	AMP CPC	9	561636	561637
C205	LH UNDER DASH-AMPLIF. LH SPK	BLAUPUNKT	2	561988	-----
C206	RH CONSOLE-FR DEFROSTER	TC	2	561030	560997
C207	RH CONSOLE-DRV RHEOSTAT	AMP MNL	6	561552	561515
C208	UNDER DASH-DRV HTR MODULE	AMP MNL	9	561670	561669
C209	UNDER DASH-DRV HTR MODULE	AMP MNL	9	561670	561669
C210	LH UNDER DASH-AMPLIF. LH SPK	BLAUPUNKT	2	561988	-----
C211	RH CONSOLE-VCR VOLUME	AMP MNL	4	561551	561668
C212	LH CONSOLE SW-VCR VIDED	SWF	8	-----	561107
C213	FR ROOF-CLEARANCE LT	AMP MNL	2	560900	560898
C214	UNDER DASH PANEL-TACHOGRAPH	V.D.O.	8	-----	562041
C215	UNDER DASH PANEL-TACHOGRAPH	V.D.O.	8	-----	562043
C216	UNDER DASH PANEL-TACHOGRAPH	AMP MNL	4	560851	560852
C217	FR LH HAT RACK-SPEAKER	AMP MNL	4	561659	561660
C218	FR RH HAT RACK-SPEAKER	AMP MNL	4	561659	561660
C219	DASH RHEOSTAT-P.A. VOLUME	MOLEX	4	561477	561476
C220	LH UNDER DASH-P.A. VOLUME	AMP MNL	3	561667	561550
C221	LH UNDER DASH-AMPLIFIER FEED	AMP MNL	3	561550	561667
C222	LH UNDER DASH-P.A. RADIO	AMP MNL	9	561670	561669
C223	LH UNDER DASH-P.A. RADIO	AMP MNL	9	561670	561669
C224	LH UNDER DASH-PA & RADIO FEED	AMP MNL	6	561552	561515
C225	LH UNDER DASH-PA MICRO OUTLET	AMP MNL	3	561667	561550
C226	LH UNDER DASH-PA MICRO OUTLET	AMP MNL	3	561667	561550
C227	RH CONSOLE-SPEAKER CONTROL SW	SWF	8	-----	561107
C229	LH UNDER DASH-PA DRV SPEAKERS	AMP MNL	4	561551	561668
C230	ENG.CPT.-FUEL PRIME PUMP SW.	PED WP	2	561566	561690
C231	ENG.CPT.-FUEL PRIME PUMP	PED WP	2	561566	561690
C232	UNDER L.H. CONSOLE	MOLEX	4	561477	561476
C233	MICRO OUTLET SOCKET	MOLEX	4	561477	561476
C234	UNDER INSTRUMENT PANEL-VDD	AMP MNL	4	560851	560852
C235	UNDER INSTRUMENT PANEL-VDD	AMP MNL	4	560851	560852
C236	FR SERVICE CPT CENTER-ABS	AMP CPC	14	561585	561583
C237	FR AXLE CPT-ABS RH SENSOR	WABCO	2	641132	-----
C238	FR AXLE CPT-ABS RH VALVE	WABCO	3	-----	641098
C239	FR AXLE CPT-ABS LH VALVE	WABCO	3	-----	641098
C240	FR AXLE CPT-ABS LH SENSOR	WABCO	2	641132	-----
C241	DRIVE AXLE CPT-ABS	PED WP	6	561606	561607
C242	DRIVE AXLE CPT-ABS LH SENSOR	WABCO	2	641132	-----
C242	DRIVE AXLE CPT-ABS LH SENSOR	DEUTSCH	2	562486	562485
C243	DRIVE AXLE CPT-ABS LH VALVE	WABCO	3	-----	641098
C244	DRIVE AXLE CPT-ABS RH VALVE	WABCO	3	-----	641098

No.	LOCATION	TYPE	(NB) CAVITY	#PIN HOUSING	#SOCKET HOUSING
C245	DRIVE AXLE CPT-ABS RH SENSOR	WABCO	2	641132	-----
C245	DRIVE AXLE CPT-ABS RH SENSOR	DEUTSCH	2	562486	562485
C246	DRIVE AXLE CPT-ABS SPARE	PED WP	4	561610	561611
C247	FR SERVICE CPT-ABS MODULE	WABCO	35	-----	561094
C248	DRIVE AXLE CPT-ABS	PED WP	6	561606	561607
C249	FR SERVICE CPT-ABS/DOEC	PED WP	2	561566	561690
C250	RH SW PANEL-B/UP CANCEL	SWF	8	-----	561107
C251	RH SW PANEL-SEAT HTR	SWF	8	-----	561107
C252	LH SW PANEL-SWITCH LT	SWF	2	-----	561837
C254	FR SERVICE JCT BOX-ABS	AMP CPC	16	561693	561695
C255	RH CONSOLE-RADIO	AMP MNL	9	561670	561669
C257	ENGINE COMPT-WATER HEATER	AMP FF	6	-----	561186
C258	DRIVER GUARD WATER HTR TIMER	AMP FF	8	561188	562363
C259	ENGINE COMPT-WATER HEATER	TC	2	561597	-----
C260	ENGINE COMPT-WATER HEATER	TC	1	561073	-----
C261	ENGINE COMPT-WATER HEATER	TC	2	561597	-----
C266	BATTERY COMPT. LTS	AMP MNL	2	561248	561247
C267	LUGGAGE COMPT. LTS - 1	AMP MNL	2	561248	561247
C268	LUGGAGE COMPT. LTS - 2	AMP MNL	2	561248	561247
C269	LUGGAGE COMPT. LTS - 3 RH	AMP MNL	2	561248	561247
C270	LUGGAGE COMPT. LTS - 3 LH	AMP MNL	2	561248	561247
C271	LUGGAGE COMPT. LTS - 4	AMP MNL	2	561248	561247
C272	FR SERVICE CPT LTS	AMP MNL	2	561248	561247
C274	FR JCT PANEL-DIODES	AMP MNL	15	561987	561986
C276	FR JCT PANEL-ALARM BUZZER	BOSCH	5	-----	561183
C290	LUGGAGE CPT-DOOR LOCK	AMP MNL	4	560851	560852
C291	LUGGAGE CPT-DOOR LOCK	AMP MNL	4	560851	560852
C292	LUGGAGE CPT-DOOR LOCK	AMP MNL	4	560851	560852
C293	WIPER MOTOR	AMP FF	6	-----	561186
C294	UNDER DASH-WIPER SYST. FEED	AMP MNL	6	561552	561515
C295	UNDER DASH-WIPER PULSE GEN.	AMP FF	6	-----	561186
C296	FR SERVICE CPT-HEAD LTS	ITT SS	3	561111	561080
C298	FR LH HAT RACK-AMPLI	MOLEX	6	-----	562464
C299	FR LH HAT RACK-AMPLI	MOLEX	10	-----	562465
C300	FR LH HAT RACK-AMPLI	MOLEX	6	-----	562464
C301	FR LH HAT RACK-AMPLI	MOLEX	10	-----	562465
C302	UNDER DASH-FLASHER MODULE	AMP MNL	2	560900	560898
C309	ENGINE DOEC III-ECM POWER	PED WP	5	-----	562345
C312	ENGINE DOEC III-ECM SIGNAL	PED WP	3	561781	561782
C313	ENGINE DOEC III-OUTPUT	PED WP	4	562398	-----
C326	ENGINE DOEC III-MANUAL TR.	PED WP	4	561610	561611
C364	FR ROOF-DESTINATION SIGN	AMP MNL	3	561667	561550
C365	FR ROOF-DESTINATION SIGN	AMP MNL	2	560900	560898
C368	FR ROOF-DEST. SIGN BALLAST	AMP MNL	3	561667	561550
C369	FR ROOF-DEST. SIGN OPER. SW.	TORRIX	5	-----	562110
C370	FR ROOF-DEST. SIGN FLUOR.	AMP MNL	2	560900	560898
C371	FR ROOF-DEST. SIGN FLUOR.	AMP MNL	2	560900	560898
C372	FR ROOF-DEST. SIGN SPEED SW.	MOLEX	4	561477	561476

No.	LOCATION	TYPE	(NB) CAVITY	#PIN HOUSING	#SOCKET HOUSING
C382	ENGINE GENERATOR 12 VAC RLY	PED WP	1	561605	561577
C383	LH UNDER DASH-MICRO W/O WIRE	AMP MNL	2	561248	561247
C384	LH UNDER DASH-MICRO W/O WIRE	AMP MNL	3	561550	561667
C385	BATTERY COMPT. ACC.	AMP MNL	12	561735	561734
C386	CONDENSER CPT-BYPASS VALVE	PED WP	2	561566	561590
C387	EVAPORATOR CPT-BYPASS VALVE	PED WP	2	561566	561590
C388	LH SW PANEL-MASTER SW	SWF	8	-----	561107
C389	EVAPORATOR CPT-WATER PUMP	PED WP	2	561566	561590
C390	CONDENSER CPT.-A/C JCT BOX	DEUTSCH	24	562280	562283
C391	CONDENSER CPT.-PRESS.SW	PED WP	2	561566	561590
C392	CONDENSER CPT.- MOTOR FAN	PED WP	2	561566	561590
C393	CONDENSER CPT.- MOTOR FAN	PED WP	2	561566	561590
C394	LH OVER CONSOLE- B/U MONITOR	AMP MNL	4	560851	560852
C395	LH OVER CONSOLE- B/U MONITOR	AMP MNL	5	-----	-----
C396	CONDENSER CPT.- MOTOR FAN	PED WP	2	561566	561590
C397	CONDENSER CPT.- MOTOR FAN	PED WP	2	561566	561590
C426	ENGINE S60 RAD. FAN CLUTCH	PED WP	3	561781	561782
C430	DRIVER GUARD WATER HTR TIMER	AMP FF	8	561188	562363
C500	FR JCT PANEL-PRODRIVER	MOLEX	6	562070	562069
C501	RH CONSOLE-PRODRIVER	PED MP	7	562433	-----
C502	DRIVER GUARD PRE-HTR SW.	SWF	8	-----	561107
C503	DRIVER GUARD PRE-HTR SW.	SWF	2	-----	561837
C504	DRIVER GUARD WEBASTO TIMER	AMP FF	8	561188	562363
C505	DRIVER GUARD ESPAR TIMER	AMP FF	3	-----	562034

No.	LOCATION	TYPE	(NB) CAVITY	#PIN HOUSING	#SOCKET HOUSING
-----	----------	------	----------------	-----------------	--------------------

NO.	PAGE	AMP	#PREVOST	LOCATION	FUNCTION
D1	5	3A	561740	FR JCT PANEL	PRIMARY LO-AIR SONALERT
D2	5	3A	561740	FR JCT PANEL	SECONDARY LO-AIR SONALERT
D3	15	3A	063849	FR JCT PANEL	A/C & HEAT CONTROL SW
D4	15	3A	063849	FR JCT PANEL	WATER HEATER ON SIGNAL
D5	1	3A	062120	FR JCT PANEL	DASH MASTER CUT OUT SW
D6	1	3A	060798	BATTERY CPT.	STARTER- SUPPRESSOR COIL RLY
D7	15	3A	060798	A/C JCT. BOX	EVAP. MOT.- SUPPRESSOR COIL RLY
D9	14	3A	561740	CHIME	CHIME SUPPRESSOR
D10	21	3A	062120	FR JCT PANEL	KNEELING SYSTEM FEED BACK
D11	7	3A	062120	FR JCT PANEL	FR RH. SIDE DIRECTIONNAL LTS
D12	21	3A	062588	FR SERVICE CPT.	KNEELING SYSTEM
D13	21	3A	062588	FR SERVICE CPT.	KNEELING SYSTEM
D14	21	3A	062588	FR SERVICE CPT.	KNEELING SYSTEM
D15	31	3A	561740	FR DEST. SIGN	FR. DESTINATION SIGN
D16	31	3A	561740	FR DEST. SIGN	FR. DESTINATION SIGN
D17	7	3A	561740	FR JCT PANEL	HAZARD LH
D18	7	3A	561740	FR JCT PANEL	HAZARD RH
D19	6	3A	561740	FR JCT PANEL	DAYTIME RUNNING LTS
D20	6	3A	561740	FR JCT PANEL	DAYTIME RUNNING LTS
D21	7	3A	561740	UNDER DASH	AUDIBLE FLASHER RLY LH
D22	7	3A	561740	UNDER DASH	AUDIBLE FLASHER RLY RH
D23	15	3A	060798	FR JCT PANEL	WATER VALVE SUPPRESSOR
D24	15	3A	561740	FR JCT PANEL	BYPASS VALVE SUPPRESSOR
D60	16	3A	561740	RR JCT BOX	AUX. A/C COMPRESSOR CLUTCH
D61	15&16	3A	561740	RR JCT BOX	A/C COMPRESSOR CLUTCH
D78	17	3A	561740	LH CONSOLE	WATER HEATER TIMER & SW
D79	17	3A	561740	LH CONSOLE	WATER HEATER TIMER & SW

NO.	PAGE	AMP	#PREVOST	LOCATION	FUNCTION
-----	------	-----	----------	----------	----------

NO.	PAGE	COIL V	#PREVOST	LOCATION	FUNCTION
R1	2	24V	561991	FR JCT PANEL	ENGINE RUN (24) FR
R2	2	24V	561991	FR JCT PANEL	ENGINE RUN (12) FR
R3	1	24V	561707	BATTERY CPT.	FIELD RELAY
R4	1	24V	561005	BATTERY CPT.	STARTING MOTOR
R9	8	24V	561707	RR JCT BOX	BACK-UP LTS
R12	5	12V	562092	FR JCT PANEL	ELECTRICAL HORNS
R13	6	24V	561707	FR JCT PANEL	FOG LTS
R14	6	24V	561707	FR JCT PANEL	NIGHT'S BLINKER
R15	6	24V	561707	FR JCT PANEL	FR MARKER LTS
R16	6	24V	561707	FR JCT PANEL	IDENT. & CLEARANCE LTS
R17	6	24V	561707	RR JCT BOX	TAIL.LICENCE.MARKER-RR LTS
R18	6	24V	561707	FR JCT PANEL	DAYTIME RUN LTS-CANCEL
R19	6	24V	561707	FR JCT PANEL	HI-BEAM
R20	6	24V	561707	FR JCT PANEL	LO-BEAM
R22	3	24V	561707	FR SERV JCT BOX	DDEC III FAST IDLE SIGNAL
R23	3	24V	561707	RR JCT BOX	DDEC III 12V IGNITION
R24	4	24V	561707	BATTERY CPT.	WORLD TRANSMISSION 12V IGN.
R25	3	24V	561707	FR SERV JCT BOX	BRAKE SW-DDEC CRUISE CTR
R26	8	24V	561707	RR JCT BOX	STOP LTS
R27	27	24V	560407	GALLEY	GALLEY CHARGER
R28	27	24V	561014	GALLEY	GALLEY CHARGER
R31	15	24V	561707	FR JCT PANEL	WATER HEATER-BYPASS VALVE
R32	1	24V	561991	BAT JCT PANEL	12V RR CUT-IN RLY
R33	15	12V	561538	FR JCT PANEL	A/C BLOWER CUT-IN
R34	15	24V	561707	RR JCT BOX	A/C WARNING LT
R35	15	24V	561707	FR JCT PANEL	A/C WATER PUMP
R36	16	24V	561707	RR JCT BOX	AUX. A/C COMPRESSOR CLUTCH
R37	1	24V	561707	RR JCT BOX	GENERATOR-12VAC RLY SIGN
R38	15	24V	561005	A/C JCT BOX	A/C EVAPORATOR FAN
R38	16	24V	561707	RR JCT BOX	AUX. A/C FAN MOTOR
R39	13	24V	561707	RR JCT BOX	24V FLUORESCENT
R40	15	24V	561707	FR JCT BOX	A/C WATER VALVE
R42	1	24V	561991	BATTERY CPT.	12V FRONT CUT-IN RLY
R43	15	24V	561707	FR JCT BOX	WATER HEATER-BYPASS VALVE
R44	1	24V	561991	BATTERY CPT	12V FRONT CUT-IN RLY
R45	12	24V	561707	RR JCT BOX	READING LTS
R46	7	24V	561707	UNDER INST PANEL	LH DIRECTIONNAL LTS
R47	7	24V	561707	UNDER INST PANEL	RH DIRECTIONNAL LTS
R49	24	24V	561707	FR SERV JCT BOX	ABS - SERVICE BRAKE RLY
R50	24	24V	561707	FR SERV JCT BOX	ABS - VR2 RLY
R51	24	24V	561707	FR SERV JCT BOX	ABS - WARNING RLY
R52	24	24V	561707	FR SERV JCT BOX	ABS - VR1 RLY
R53	2	24V	561991	RR JCT BOX	ENGINE RUN 24V RR
R54	2	24V	561991	RR JCT BOX	ENGINE RUN 12V RR
R57	6	24V	561707	FR JCT PANEL	DAY'S BLINKER
R60	6	12V	561538	FR JCT PANEL	DAYTIME RUN LTS
R62	7	24V	561707	BEHIND RH CONS	RH CORNERING
R63	7	24V	561707	BEHIND RH CONS	LH CORNERING
R66	19	24V	562341	RR JCT BOX	UNLOAD TAG-TIME DELAY OFF
R67	19	24V	561707	RR JCT BOX	UNLOAD TAG SYSTEM
R69	22	12V	562092	FR JCT PANEL	LUGG DOOR LOCK
R70	22	12V	562092	FR JCT PANEL	LUGG DOOR UNLOCK
R71	22	12V	562092	FR JCT PANEL	LUGG DOOR LOCK TT LT
R72	11	24V	561707	FR JCT PANEL	DASH EMERGENCY AISLE-LTS
R73	28-29	24V	561557	FR JCT PANEL	SOUND SYSTEM
R74	22	12V	562092	RR JCT BOX	LUGG DOOR LOCK
R75	22	12V	562092	RR JCT BOX	LUGG DOOR UNLOCK
R76	8	24V	561707	RR JCT BOX	STOP LTS-ENG. BRK & RET. SYST.

NO.	PAGE	COIL V	#PREVOST	LOCATION	FUNCTION
R77	7	12V	562092	UNDER DASH	AUDIBLE FLASHER RLY
R78	5	24V	561707	RR JCT BOX	DDEC3 FAN CONTROL SPEED#1
R78	30	24V	561707	LUGG.CPT.#4	INVERTER CUT OUT RLY
R79	5	24V	561707	RR JCT BOX	DDEC3 FAN CONTROL SPEED#2
R80	23	24V	561707	FR SERV JCT BOX	ENGINE BRAKE SYSTEM-WT CONTROL
R81	23	24V	561707	FR SERV JCT BOX	ENGINE BRAKE SYSTEM-WT CONTROL
R82	23	24V	561707	FR SERV JCT BOX	RETARDER SYSTEM
R83	17	24V	561707	RR JCT BOX	WATER HEATER WEBASTO-PUMP
R84	16	24V	561707	RR JCT BOX	AUX. A/C RAD. FAN CLUTCH CTRL
R85	1	12V	561538	BATTERY CPT.	MASTER SWITCH
R86	21	24V	561707	FR SERVICE CPT	KNEELING SYSTEM
R87	21	24V	561707	FR SERVICE CPT	KNEELING SYSTEM
R88	21	24V	561707	FR SERVICE CPT	KNEELING SYSTEM
R91	30	24V	561707	FR JCT PANEL	VIDEO SYSTEM & TV RECEIVER
R92	16	24V	561707	A/C JCT BOX	A/C CONDENSER FAN
R93	16	24V	561707	A/C JCT BOX	A/C CONDENSER FAN
R94	16	24V	561707	A/C JCT BOX	A/C CONDENSER FAN
R95	16	24V	561707	A/C JCT BOX	A/C CONDENSER FAN

## RESISTOR CODE (RS)

Page J : 1

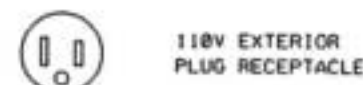
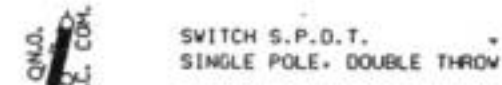
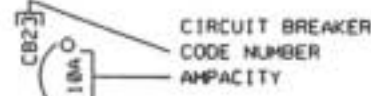
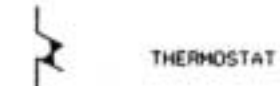
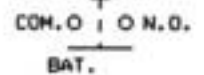
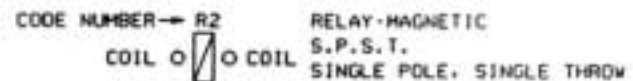
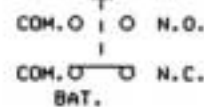
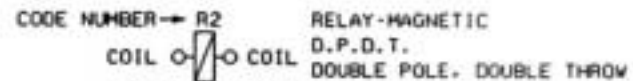
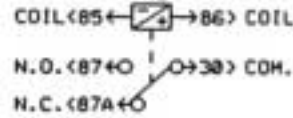
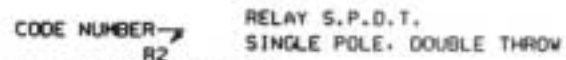
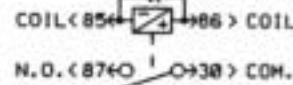
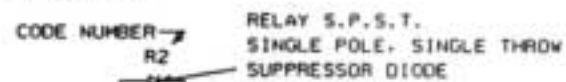
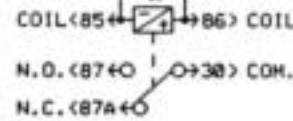
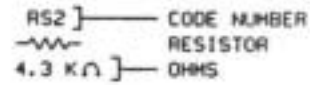
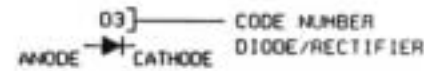
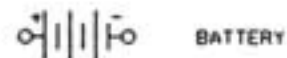
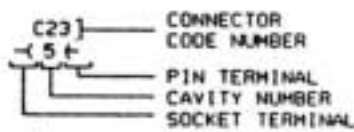
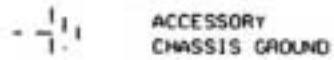
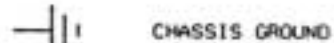
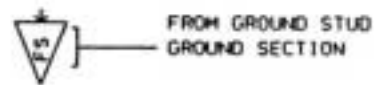
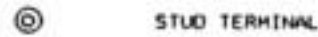
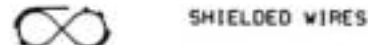
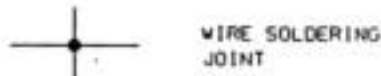
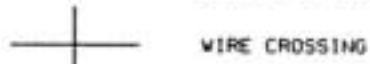
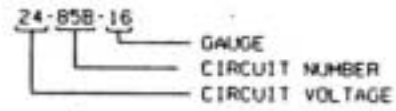
NO.	PAGE	DHM(S)	#PREVOST	LOCATION	FUNCTION
RS1	3	11 K	562307	FR SERV JCT BOX	DDEC III-FAST IDLE
RS2	3	3.6 K	562306	FR SERV JCT BOX	DDEC III-FAST IDLE
RS3	6	1 (2)	561537	FR SERV. COMPT.	FOG LT - RH
RS4	6	1 (2)	561537	FR SERV. COMPT.	FOG LT - LH
RS11	16	2	062289	REAR A/C AUX.	A/C AUXILIAIRE FAN
RS12	16	2	062289	REAR A/C AUX.	A/C AUXILIAIRE FAN
RS13	16	470 K	061962	RR JCT BOX	AUX. A/C TO COMPR. CLUTCH
RS14	6	.82 (2)	060806	FR SERV. COMPT.	DAYTIME RUN LTS
RS15	12	33	063073	RR JCT BOX	COMPR CLUTCH TIME DELAY ON
RS16	31	80	562108	FR DEST. SIGN	FR DESTINATION SIGN
RS17	5	220	562498	UNDER DASH	FIRE ALARM

## RESISTOR CODE (RS)

Page J : 1

NO.	PAGE	DHM(S)	#PREVOST	LOCATION	FUNCTION
-----	------	--------	----------	----------	----------

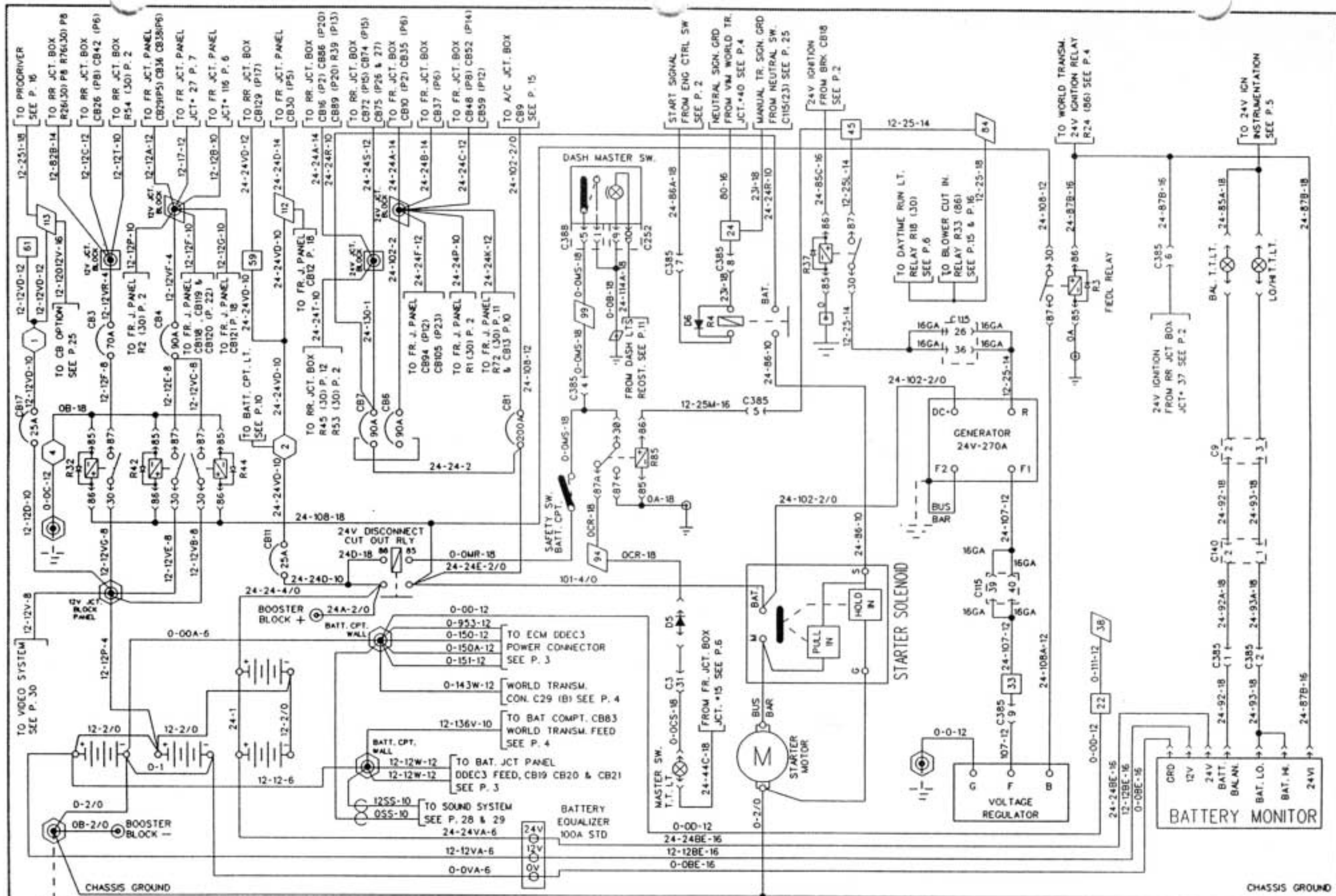
# WIRING DIAGRAM KEYS



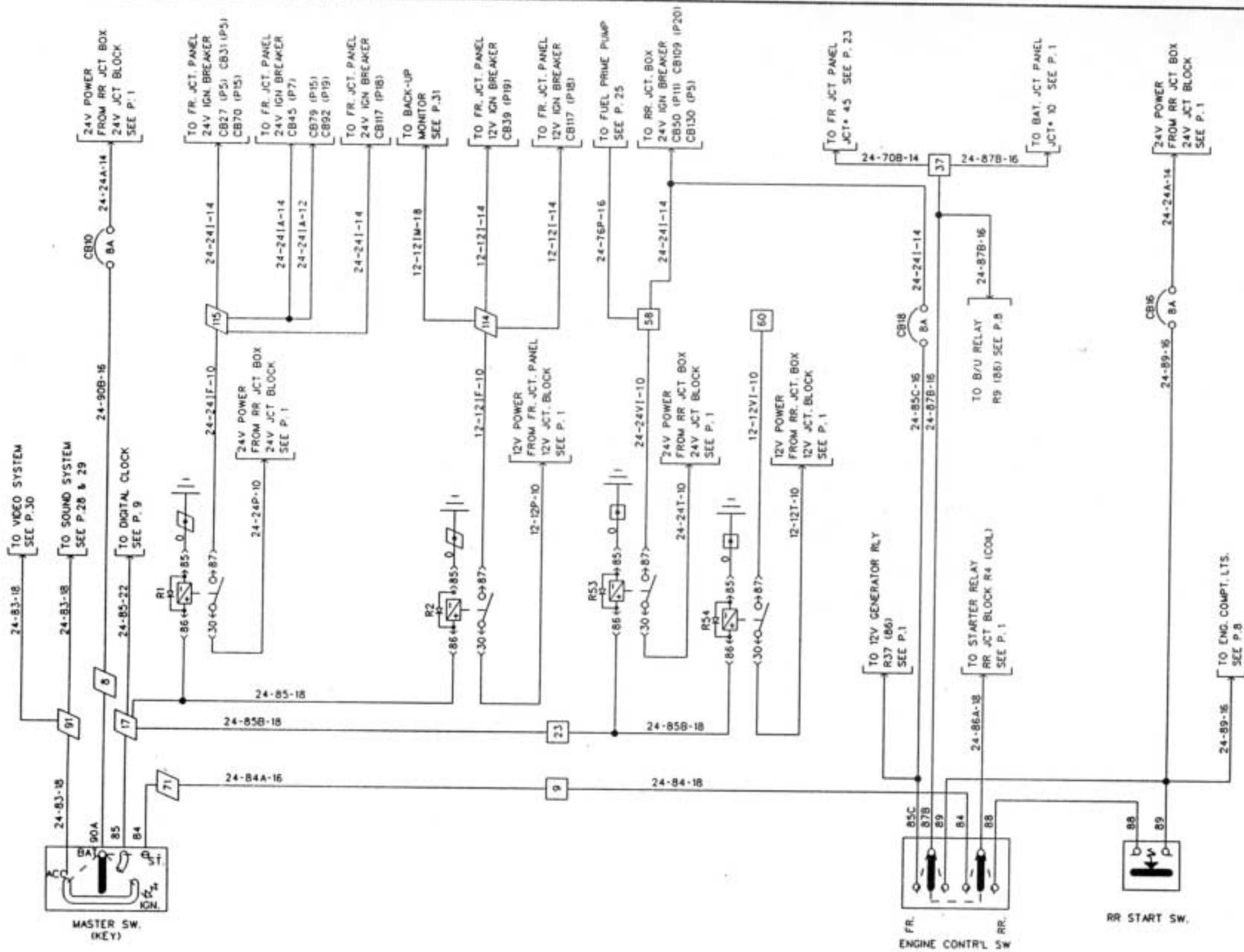
- BLK BLACK
- YEL YELLOW
- RED RED
- WH WHITE
- GRY GREY
- ORA ORANGE
- BLU BLUE
- GRN GREEN
- BRN BROWN
- PUR PURPLE
- PK PINK

- RR. JCT BOX - JUNCTION BLOCK
- ▭ FR. JCT PANEL - JUNCTION BLOCK
- ⬡ BATT. CPT - JUNCTION BLOCK
- △ A/C JCT BOX - JUNCTION BLOCK





CHARGING SYSTEM



CHASSIS GROUND

CHASSIS GROUND

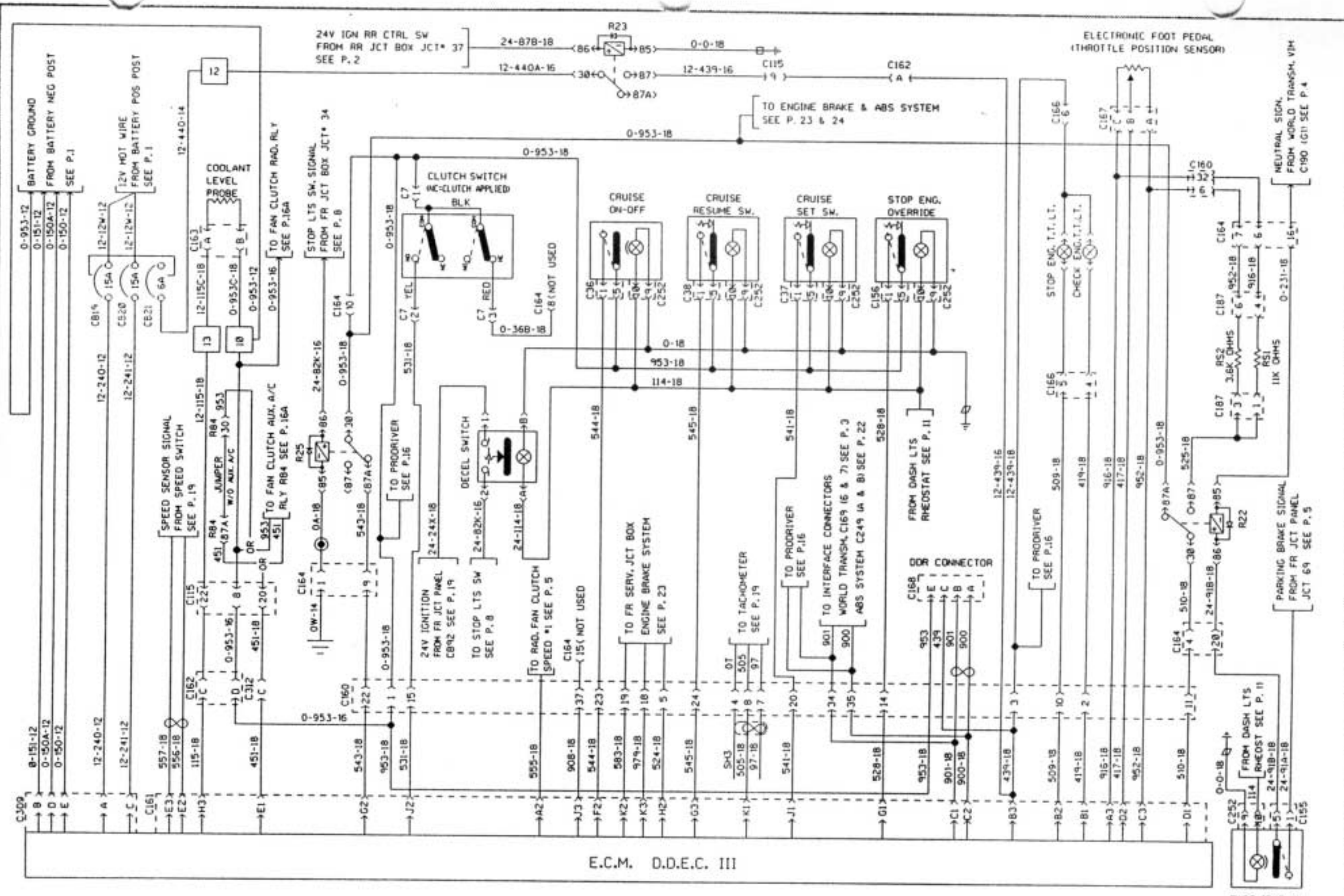
### ENGINE CONTROL

PREVOST CAR inc.

WIRING DIAGRAM

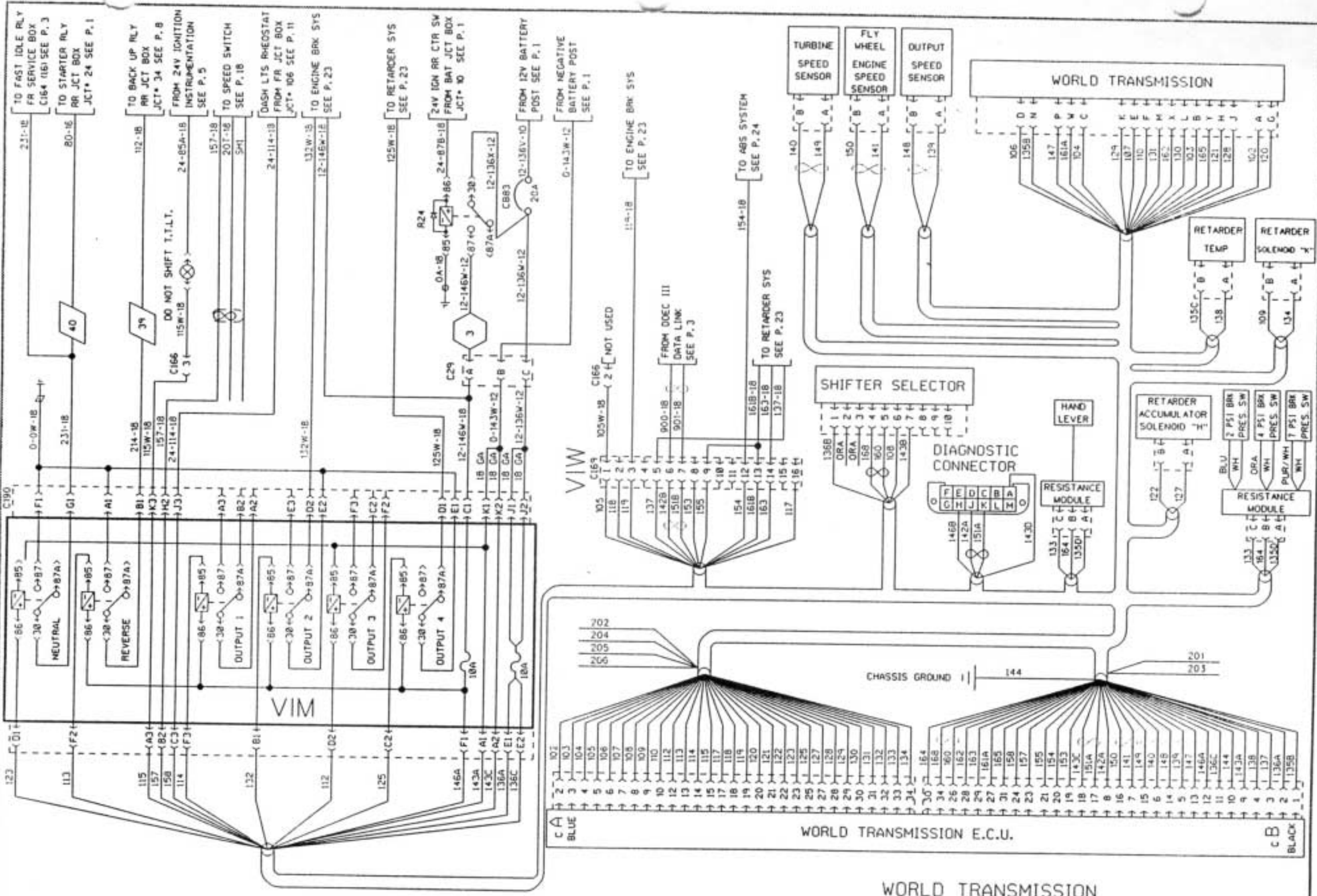
NO: D060853

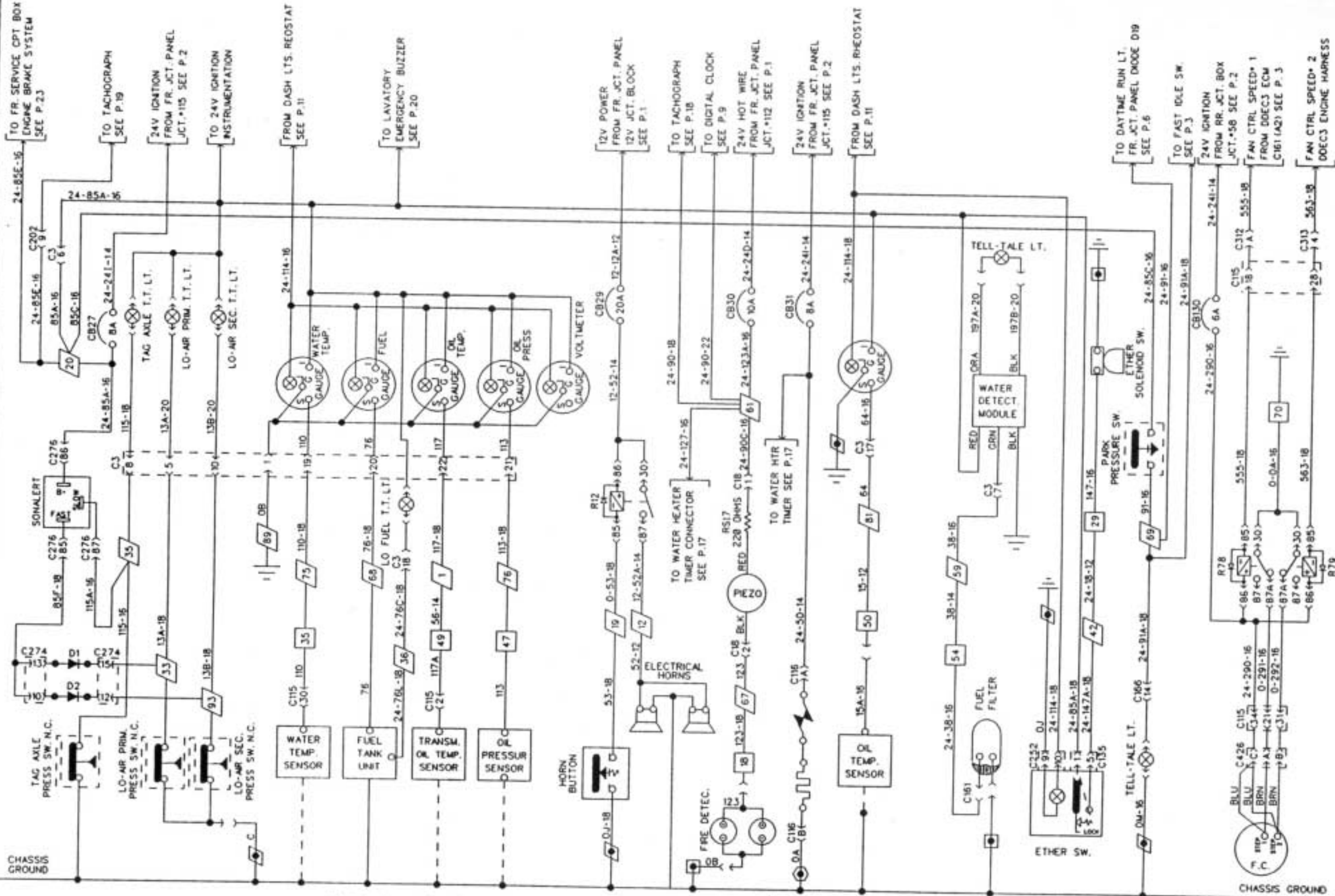
REVISION DATE 95-03-09 P. 2



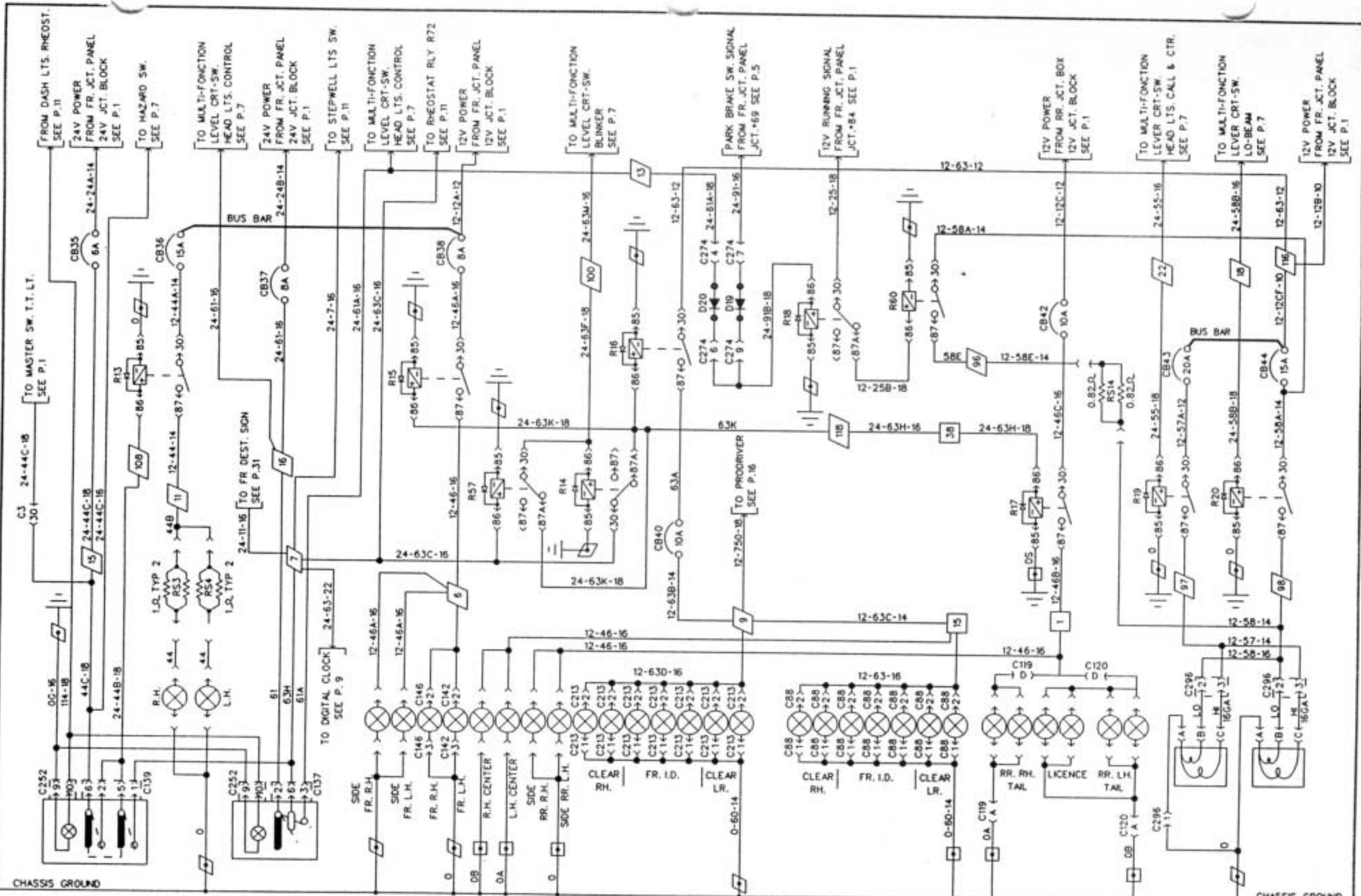
E.C.M. D.D.E.C. III

D.D.E.C. III



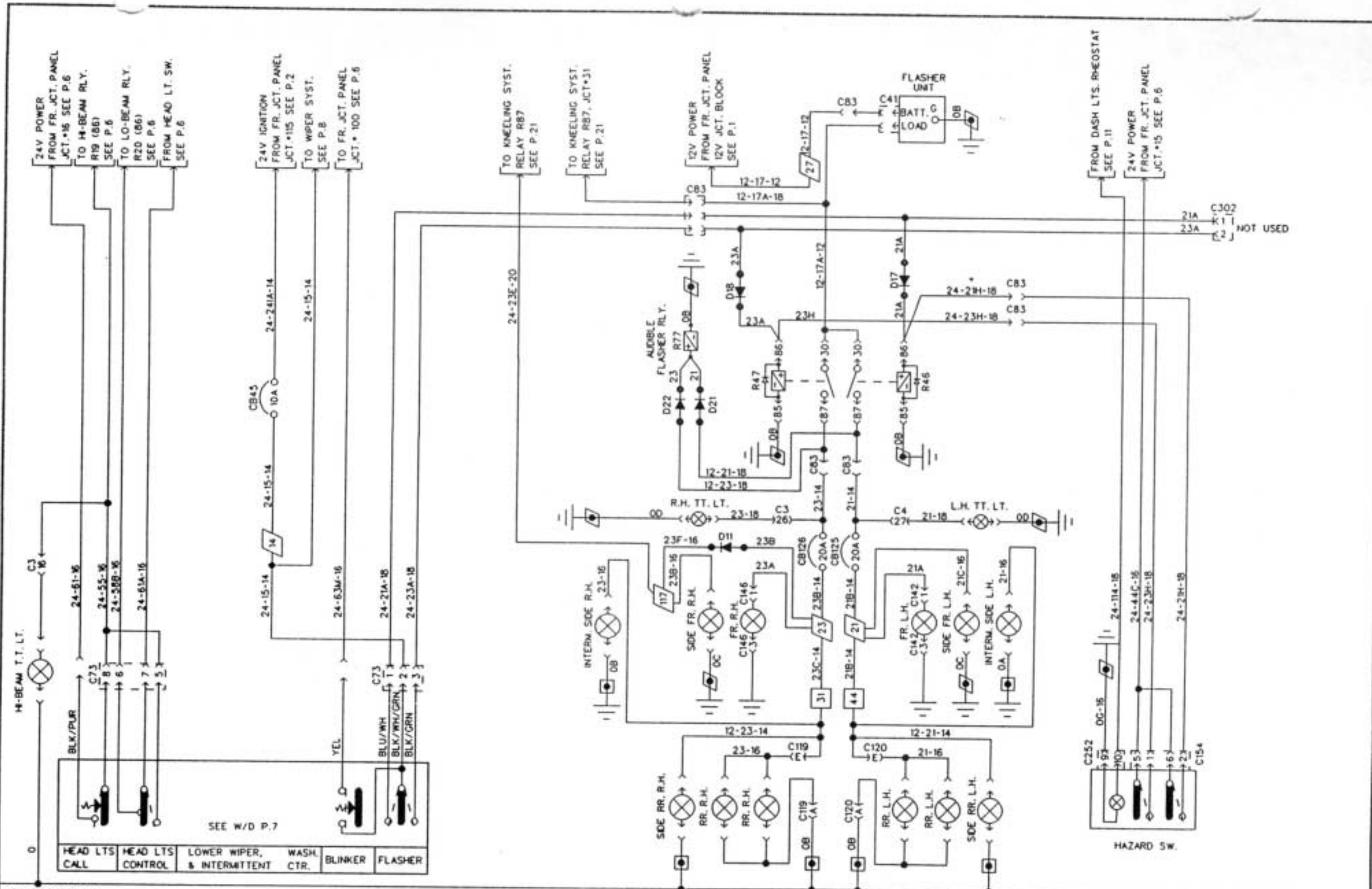


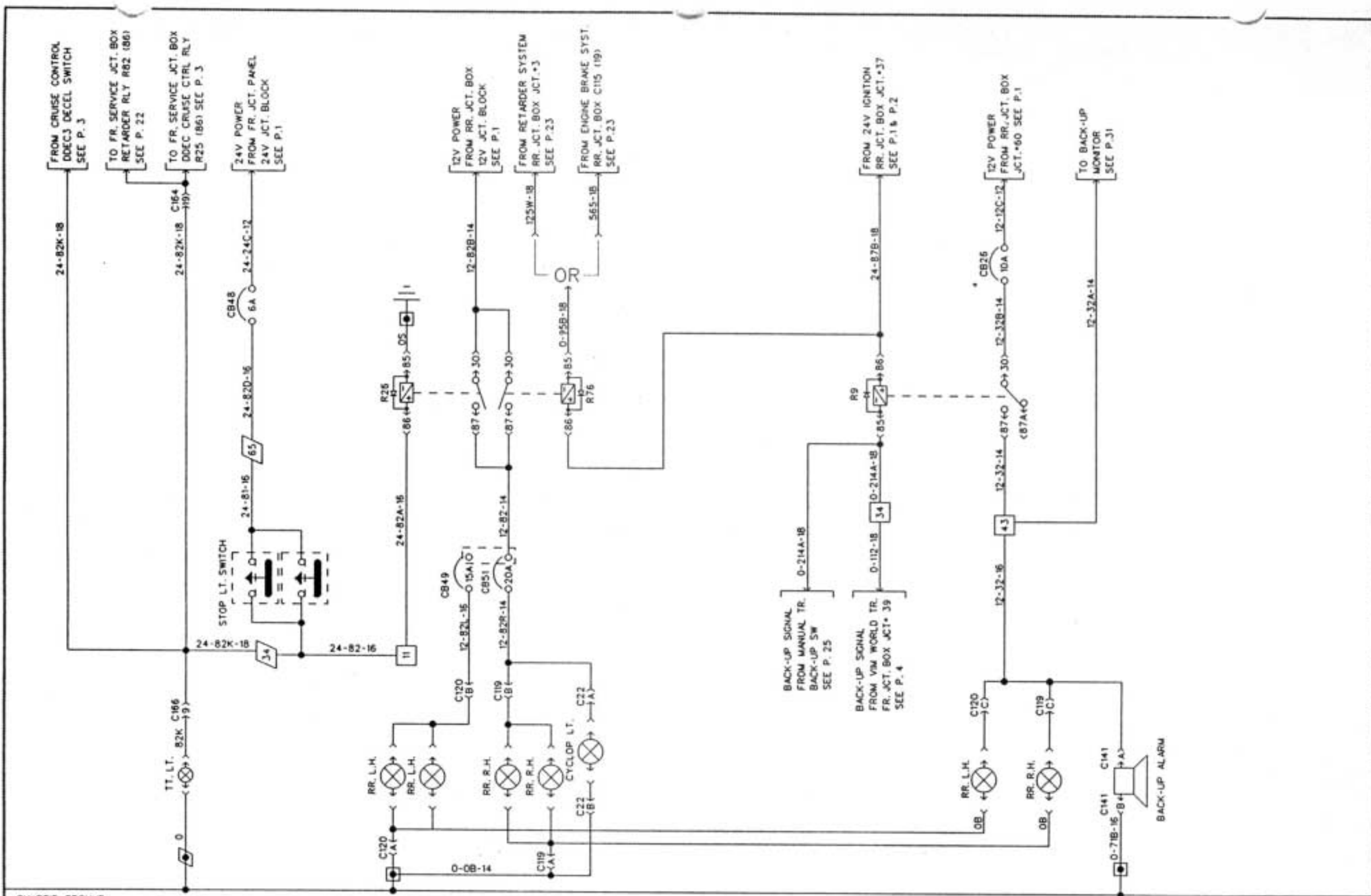
ALARM AND SIGNAL



FOG LTS. | HEAD LTS. SW. | MARKER LTS. | FR. - IDENTIFICATION & CLEARANCE LTS. - RR. | RR. TAIL & LICENCE LTS. | HEAD LTS.

EXTERIOR LIGHTING

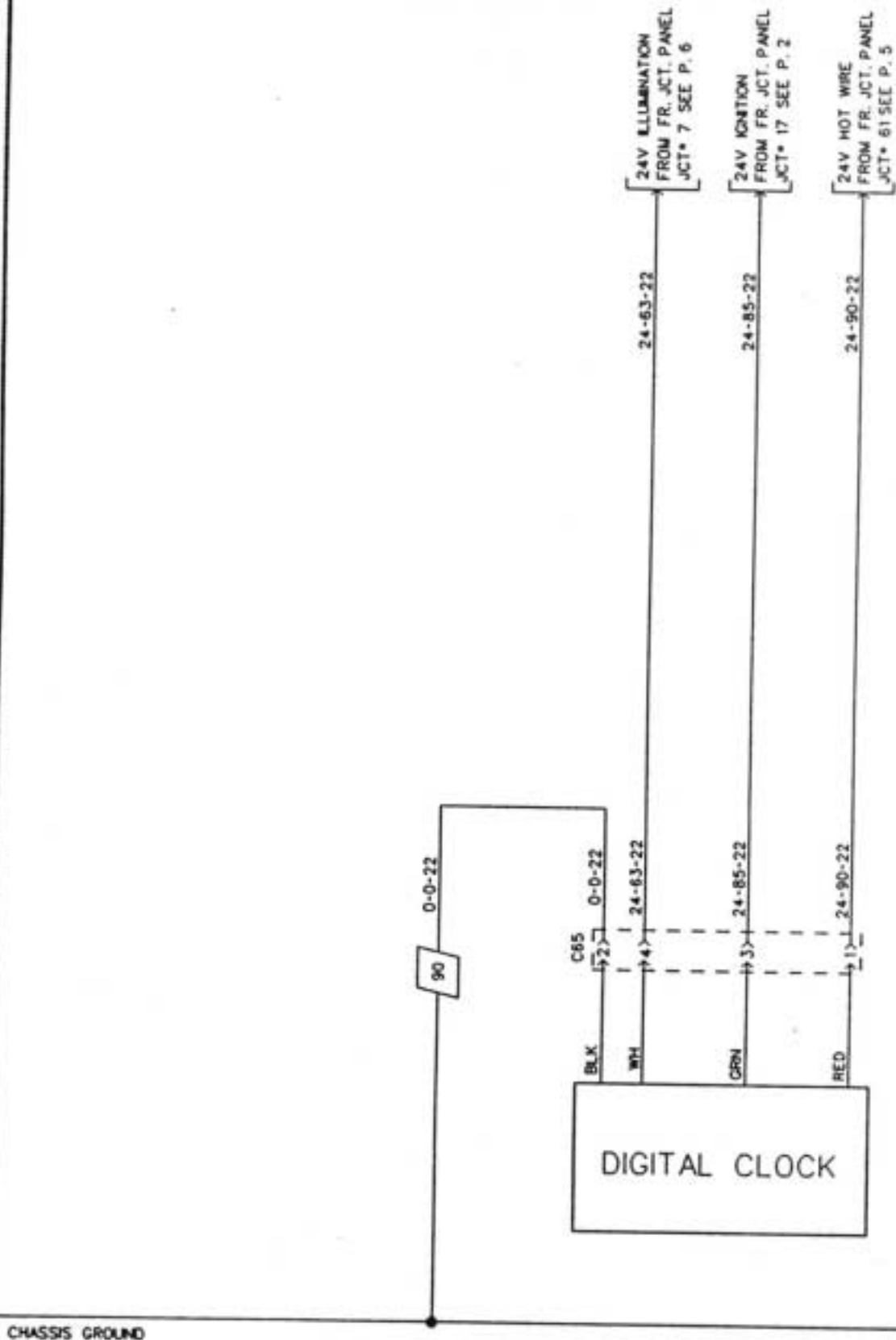




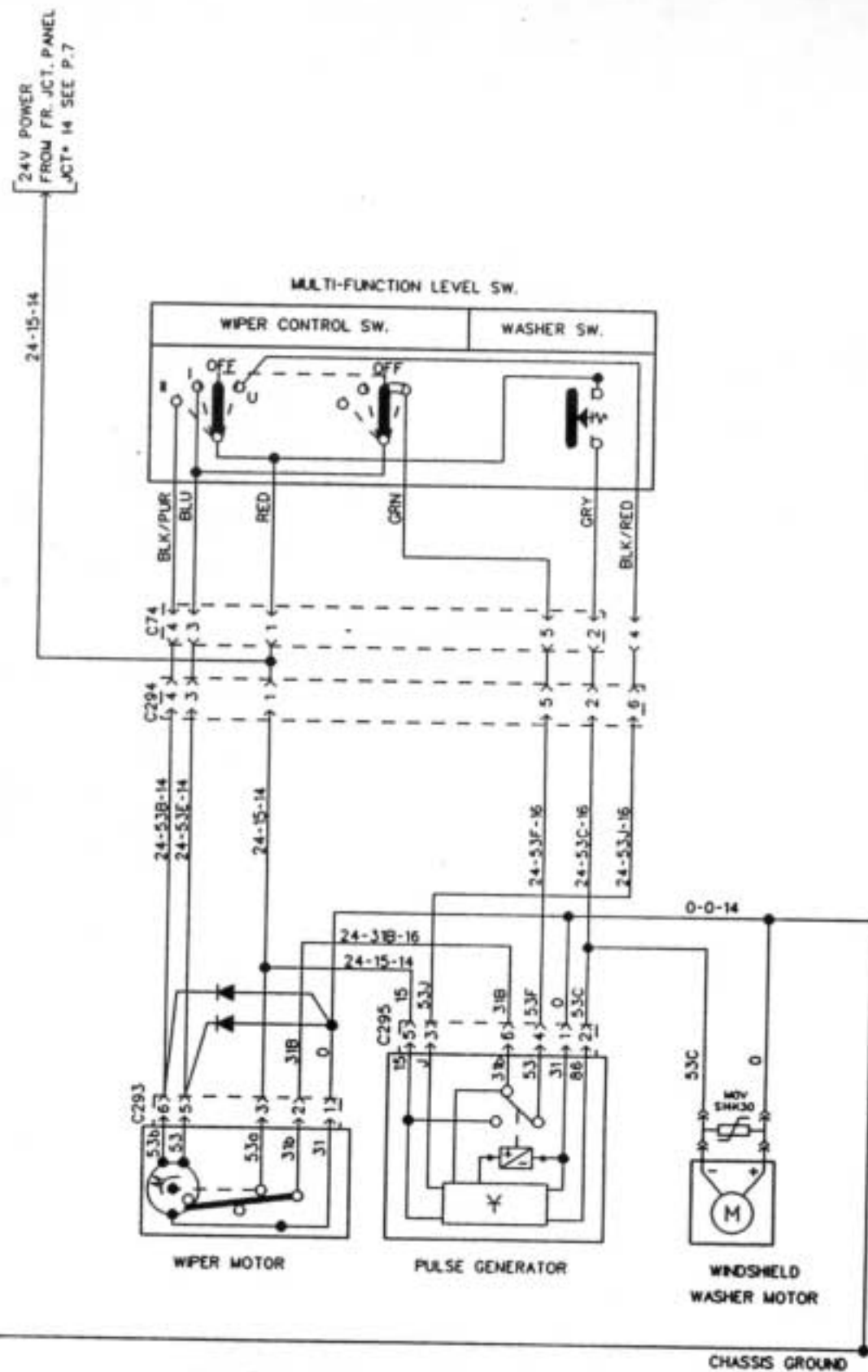
STOP LIGHTS | BACK-UP LIGHTS

EXTERIOR LIGHTING

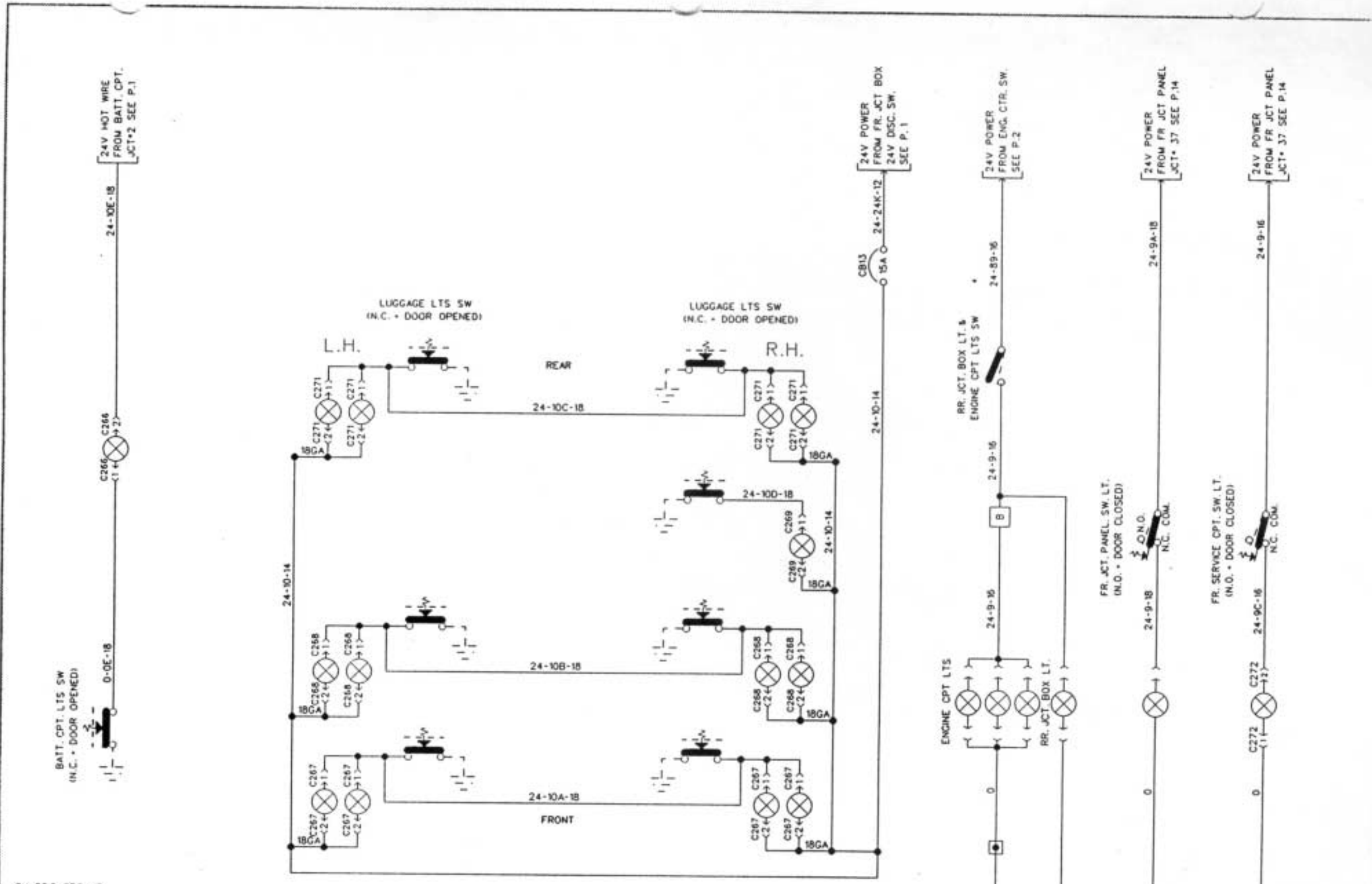




DIGITAL CLOCK

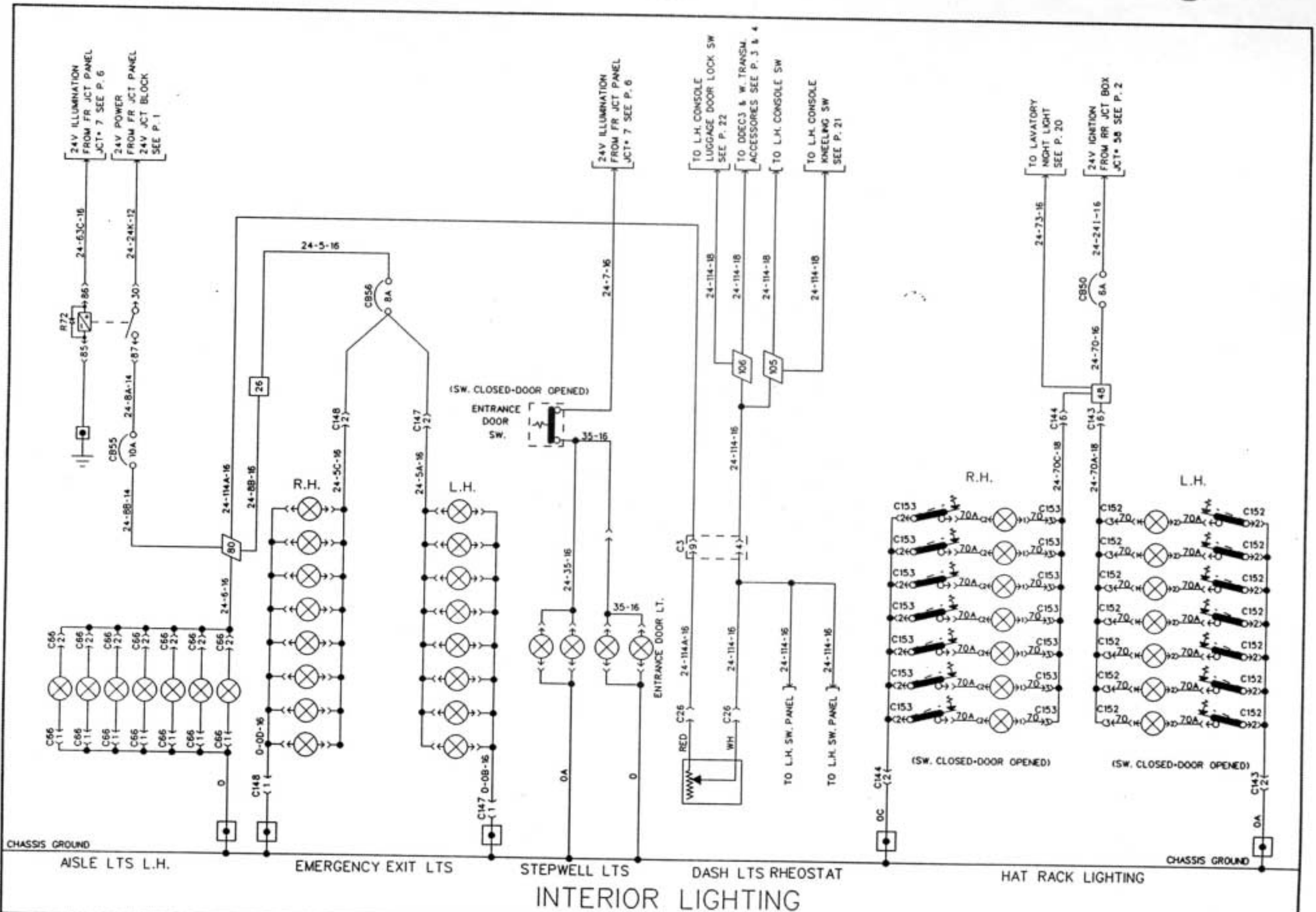


WINDSHIELD WIPER AND WASHER



CHASSIS GROUND | BATT. CPT. LT. | LUGGAGE COMPARTMENT LTS | ENGINE CPT. & RR. JCT. BOX LTS | FR. JCT. PANEL LT. | FR. SERVICE CPT. LT. | CHASSIS GROUND

INTERIOR LIGHTING

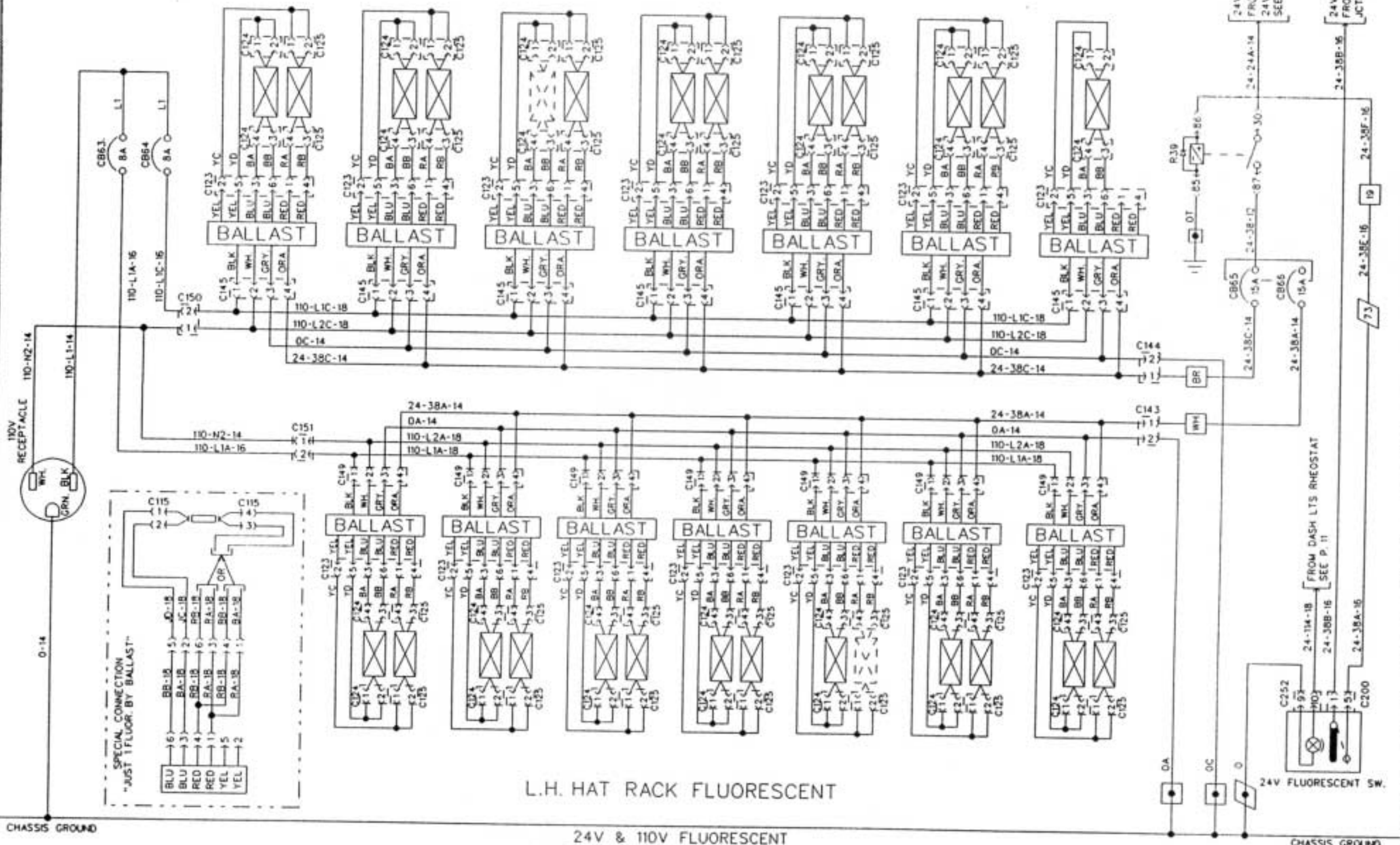


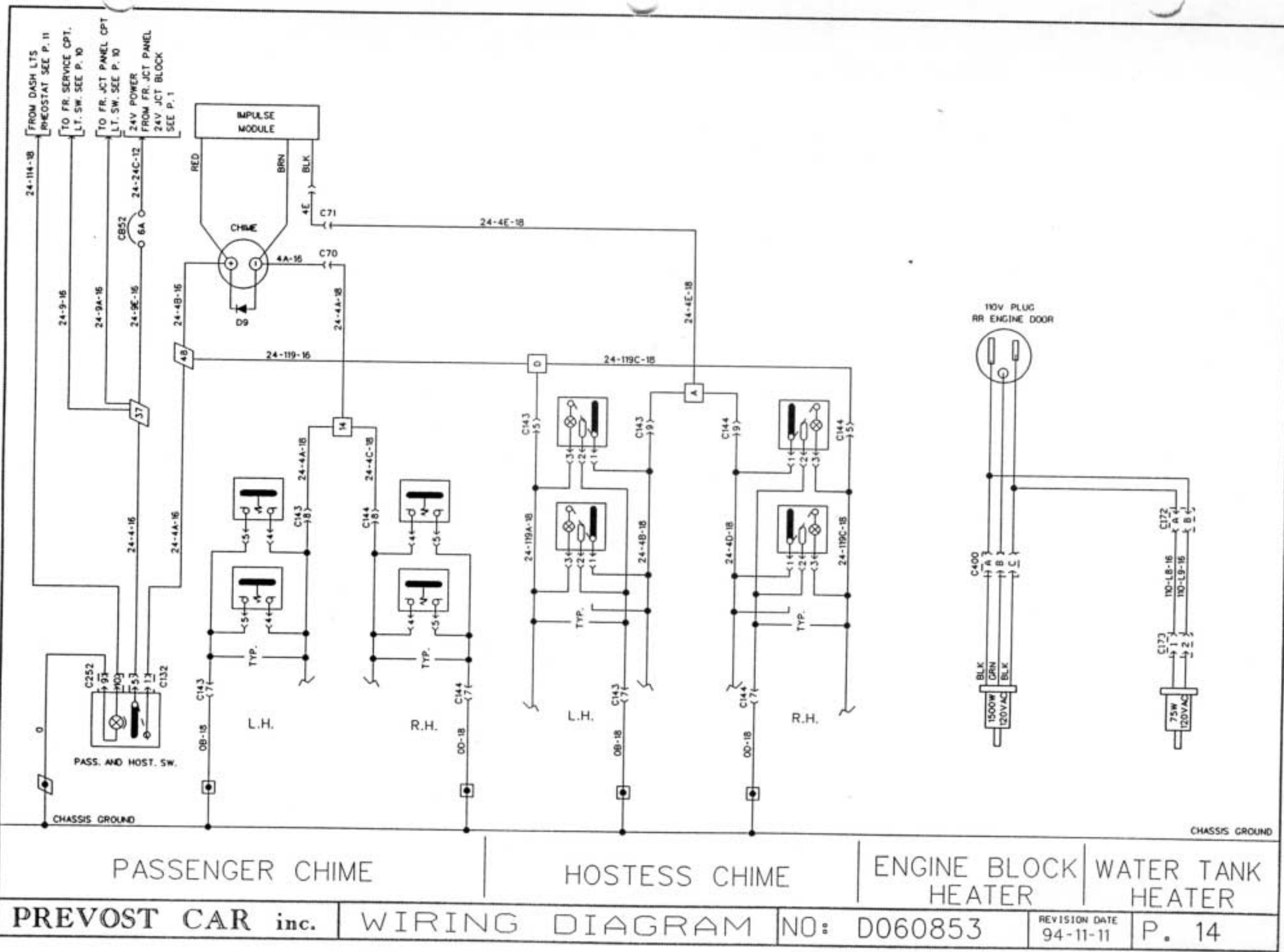


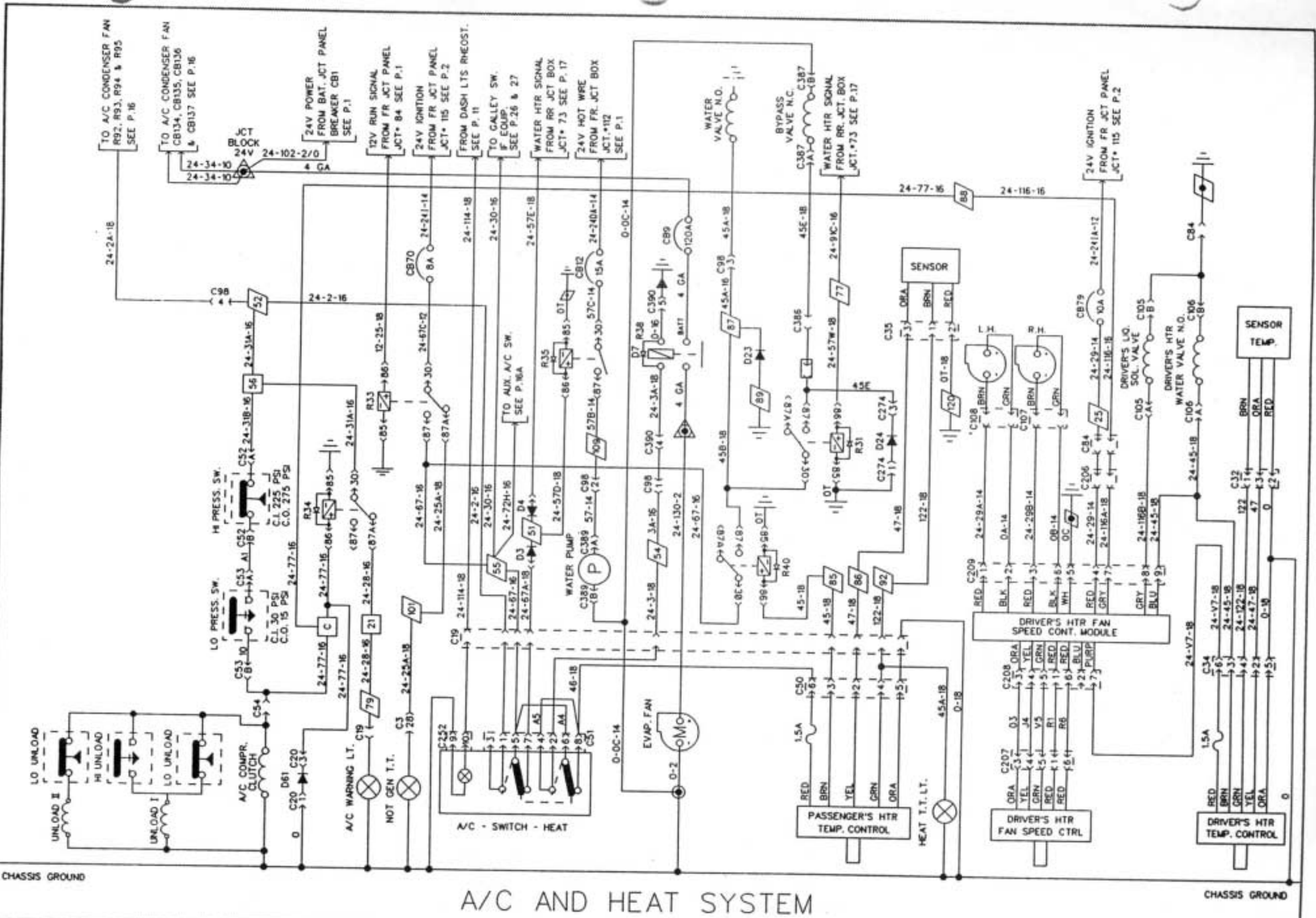
R.H. HAT RACK FLUORESCENT

L.H. HAT RACK FLUORESCENT

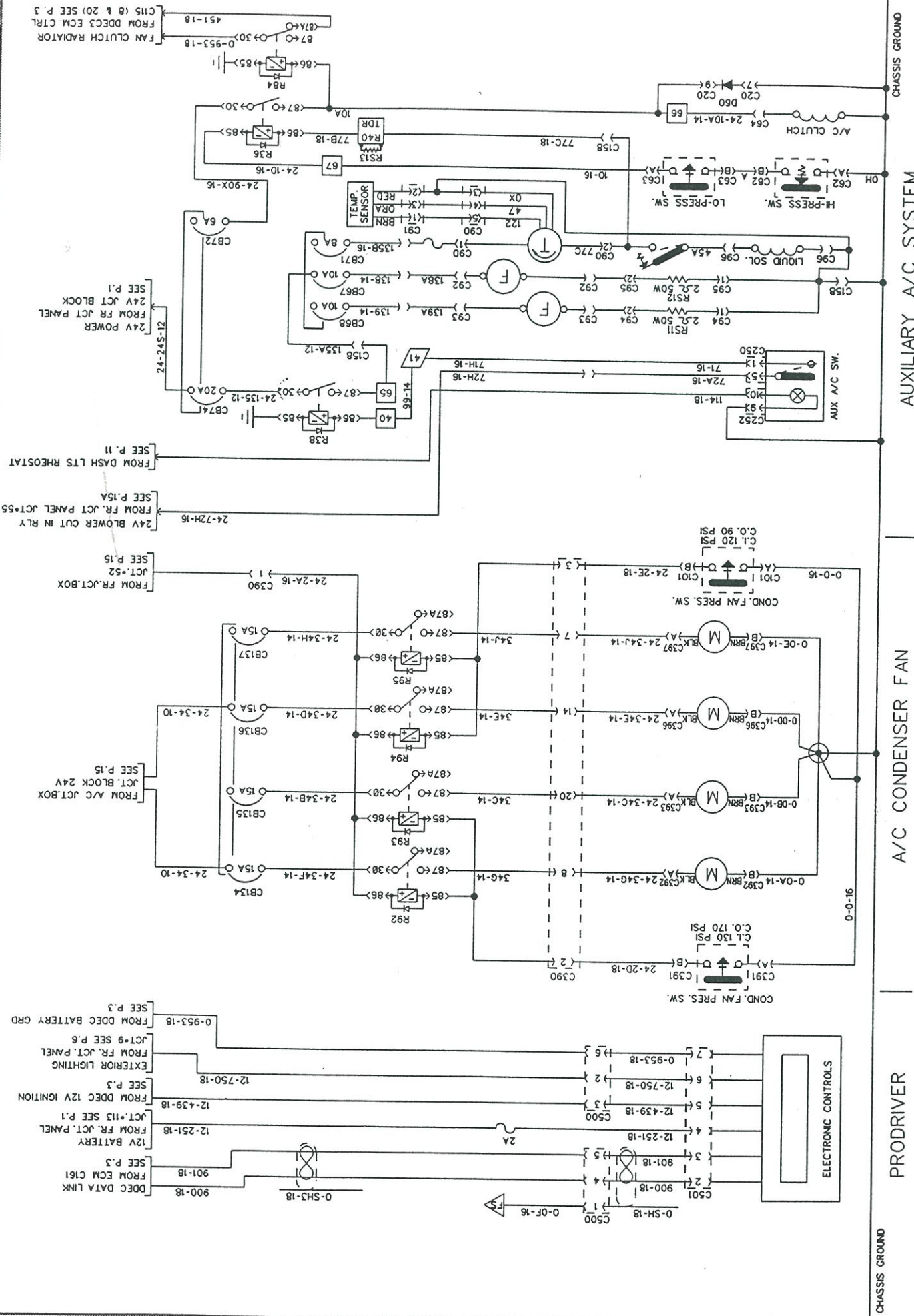
24V & 110V FLUORESCENT INTERIOR LIGHTING





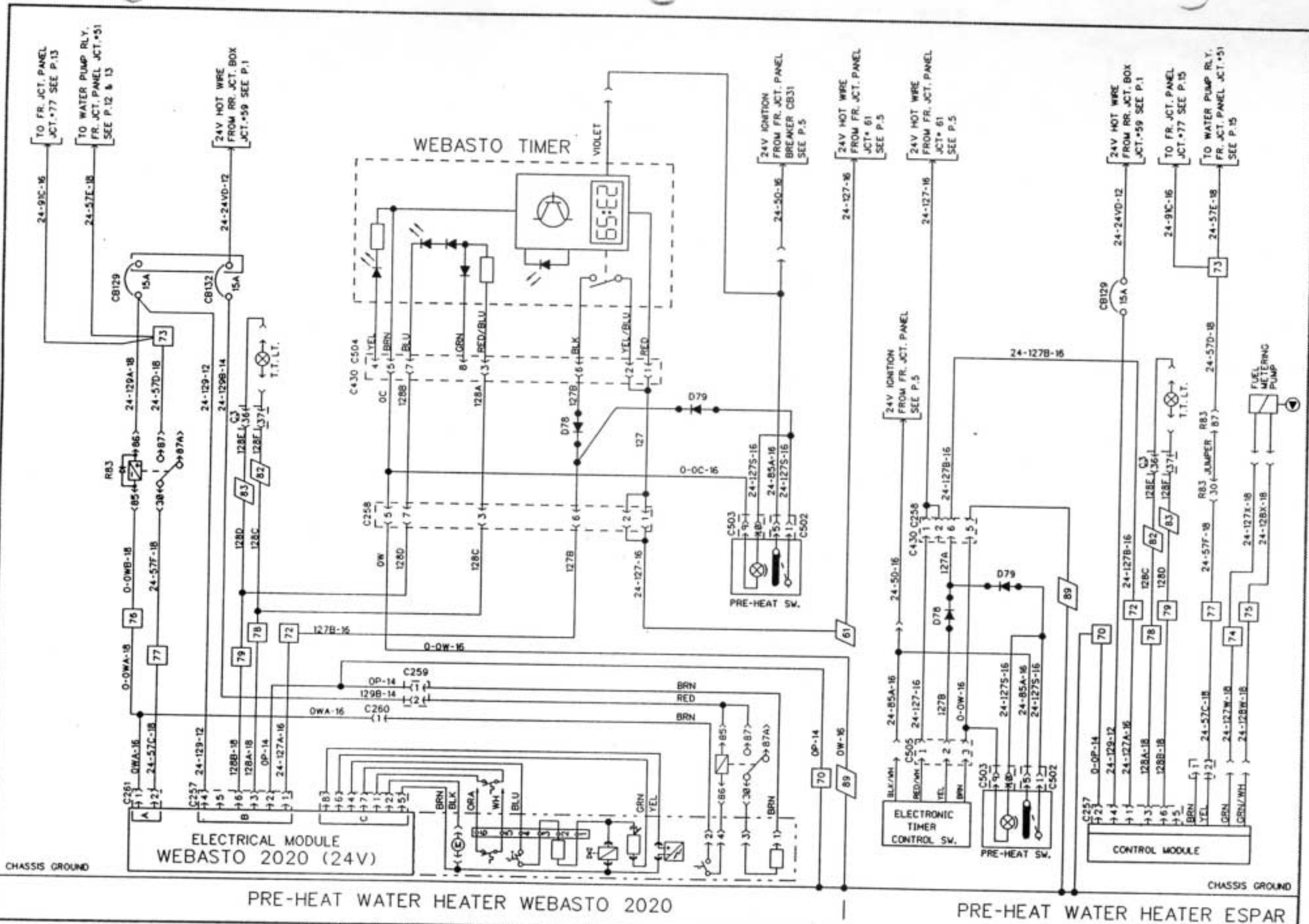


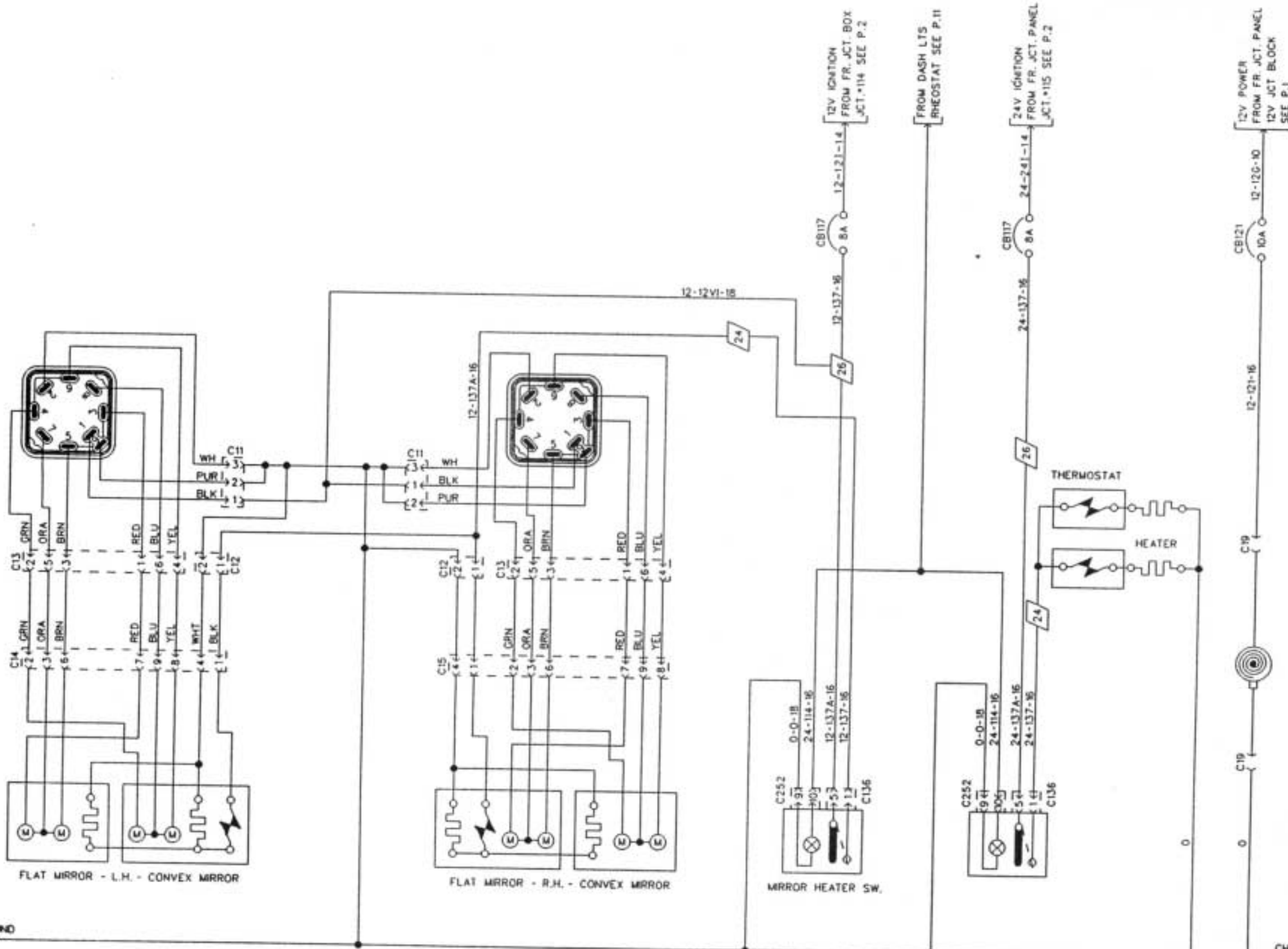
Avec D060872



CHASSIS GROUND PRODRIVER AUXILIARY A/C SYSTEM CHASSIS GROUND



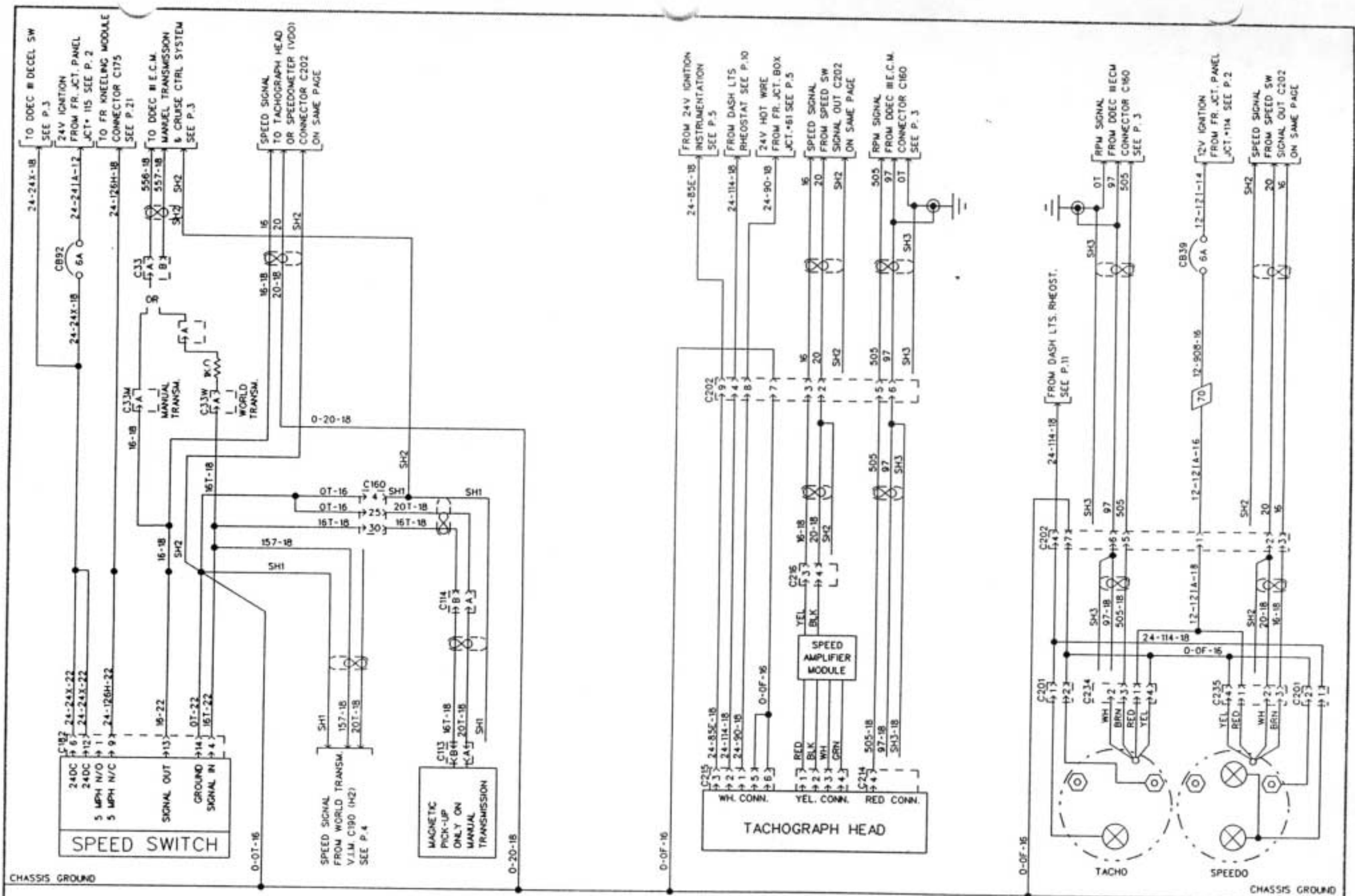


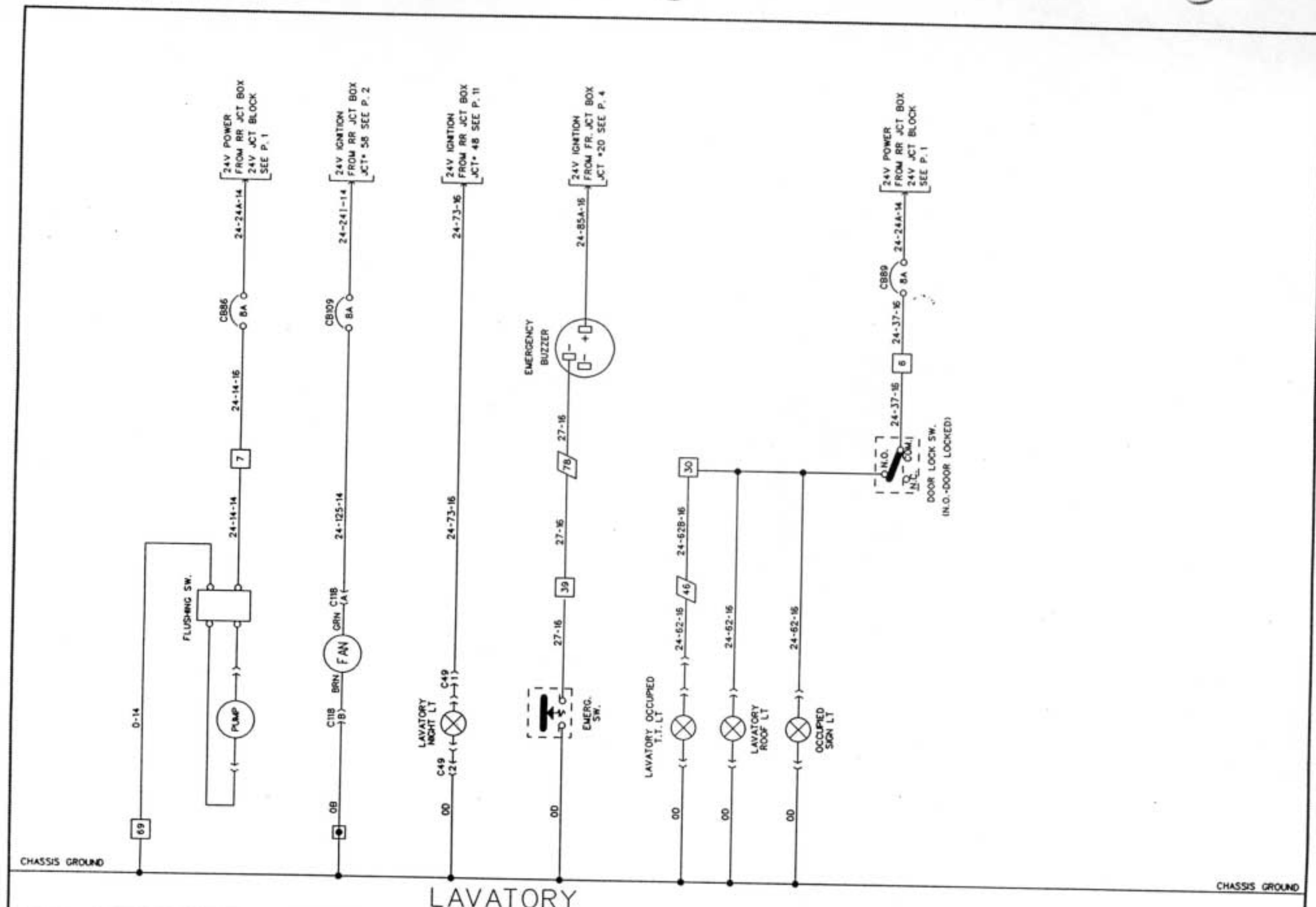


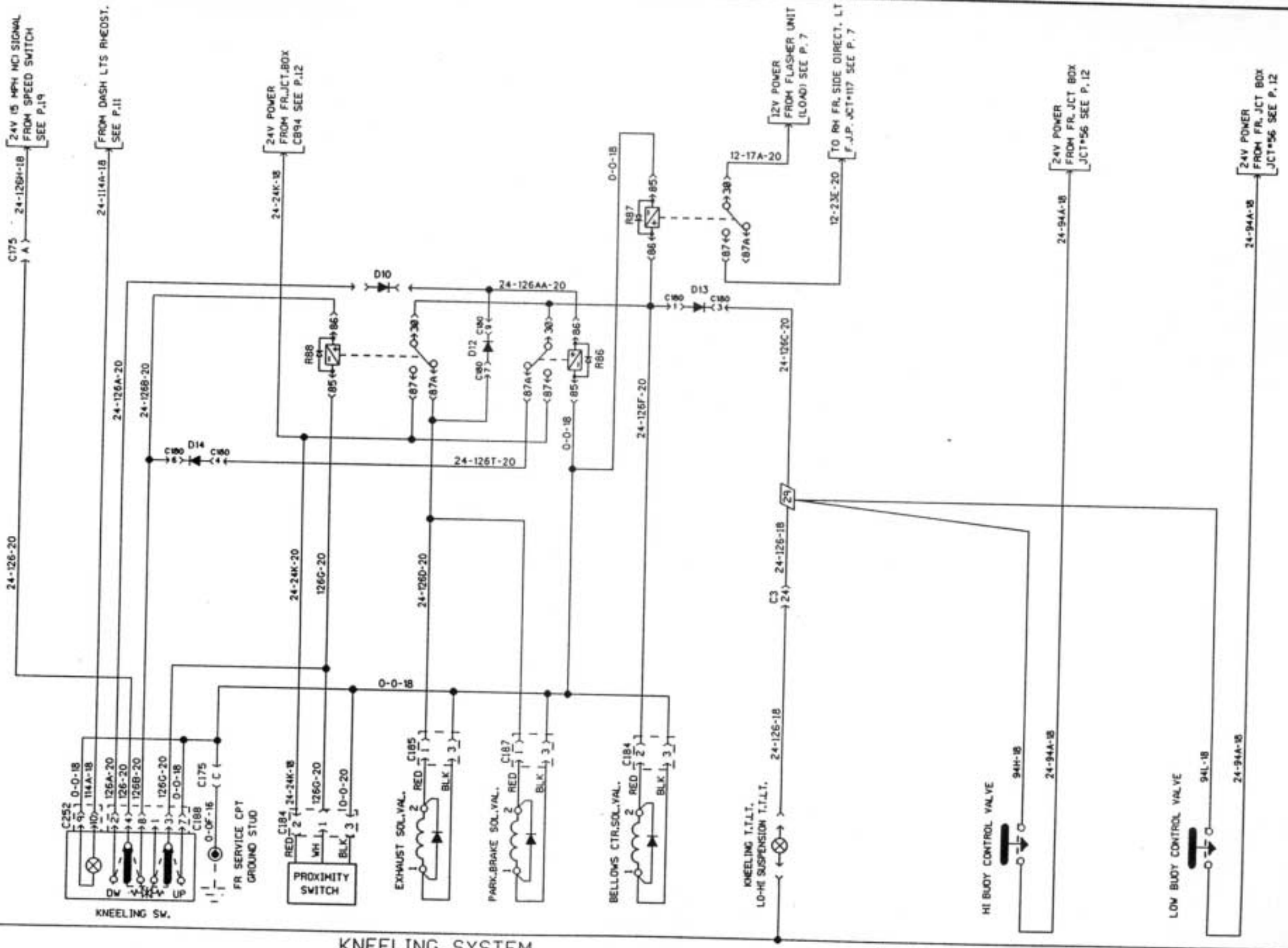
REAR VIEW MIRROR - ADJUSTMENT & HEATER SW. (RAMCO)

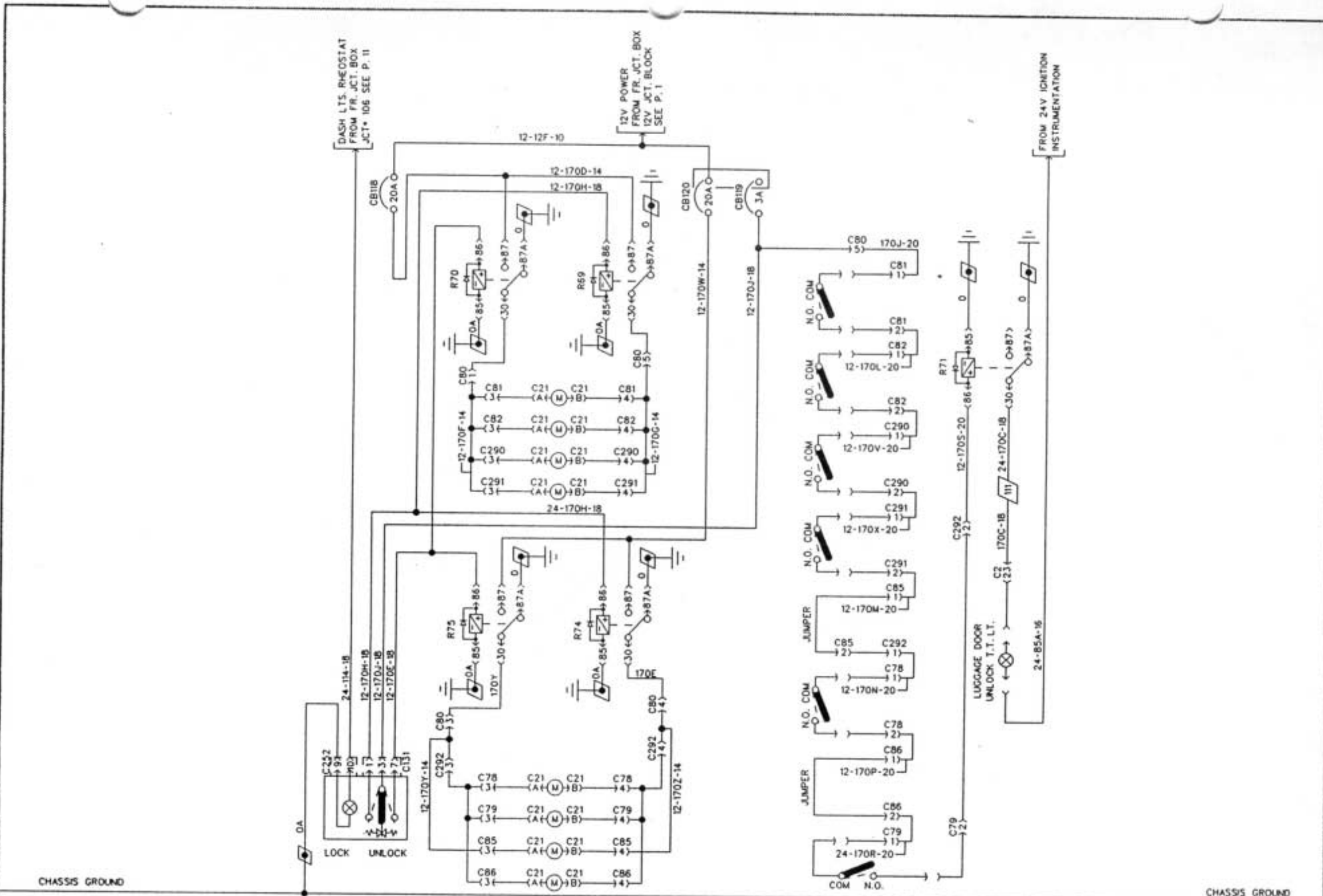
MIRROR (IKI)

CIGAR LIGHTER

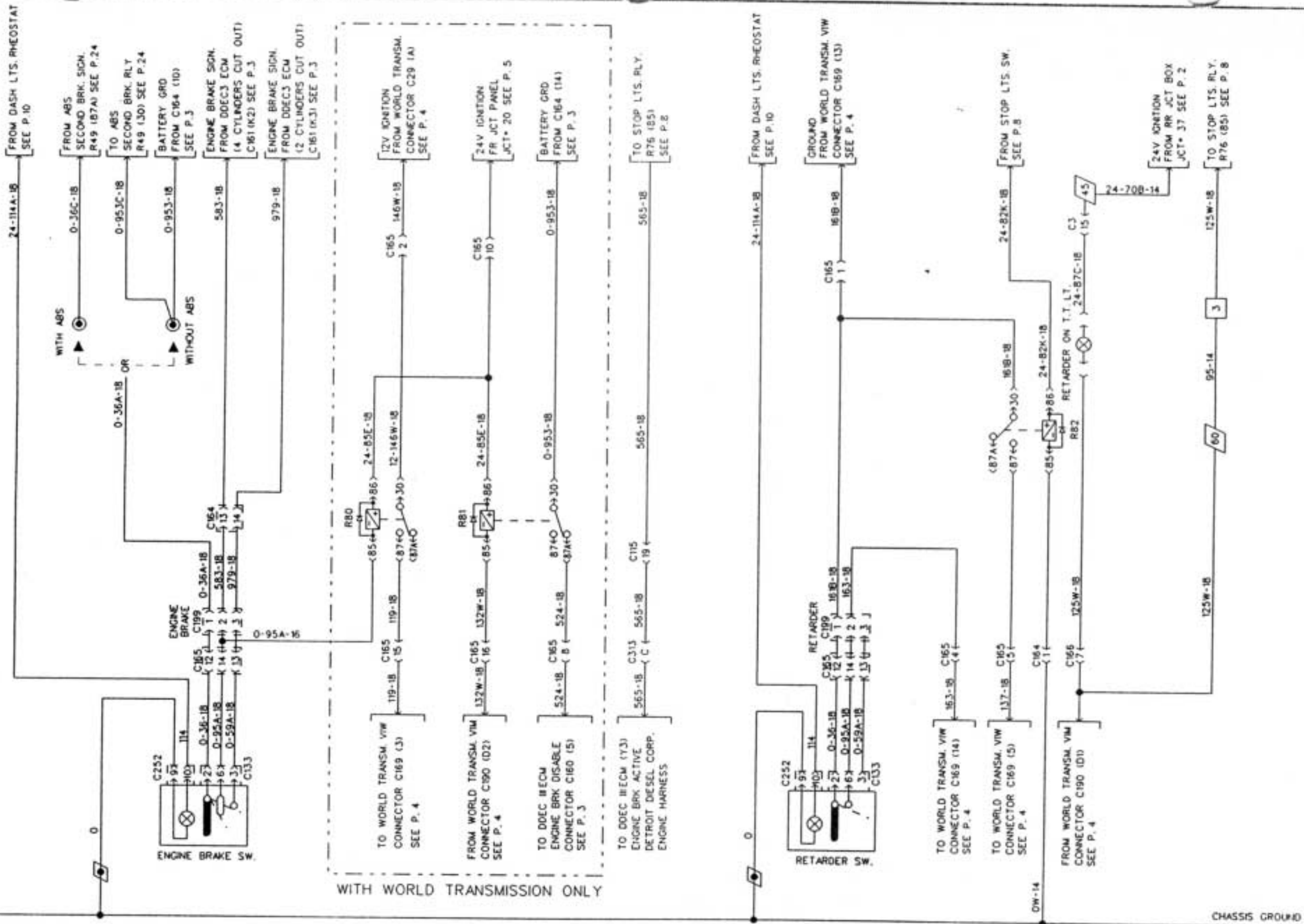


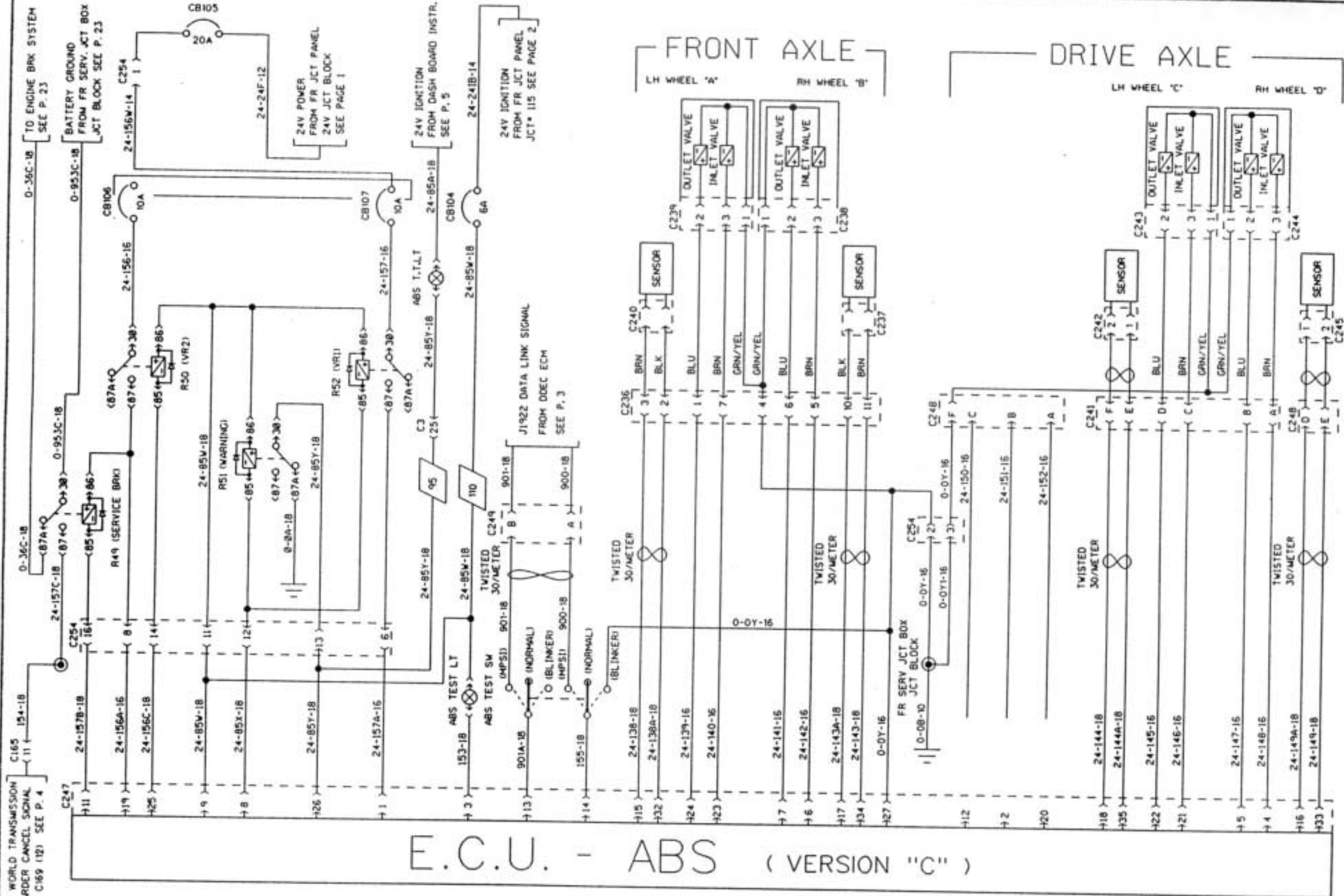






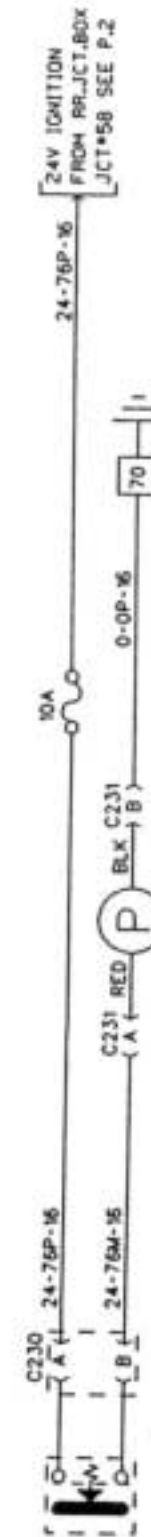
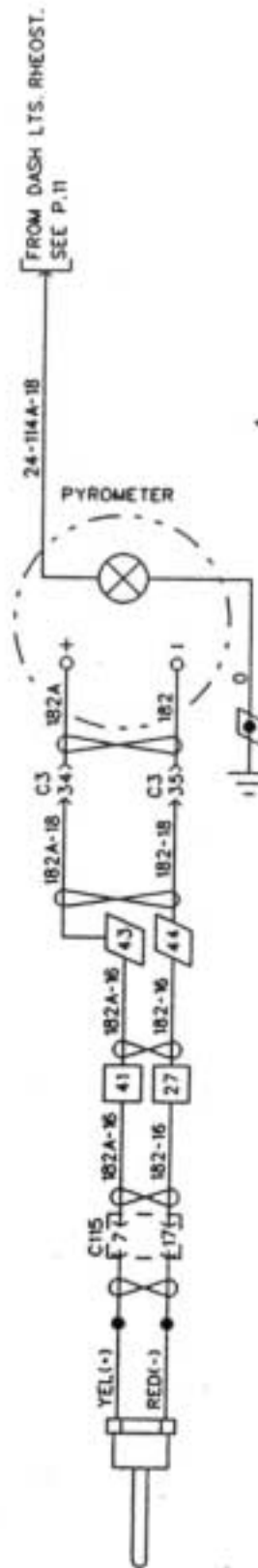
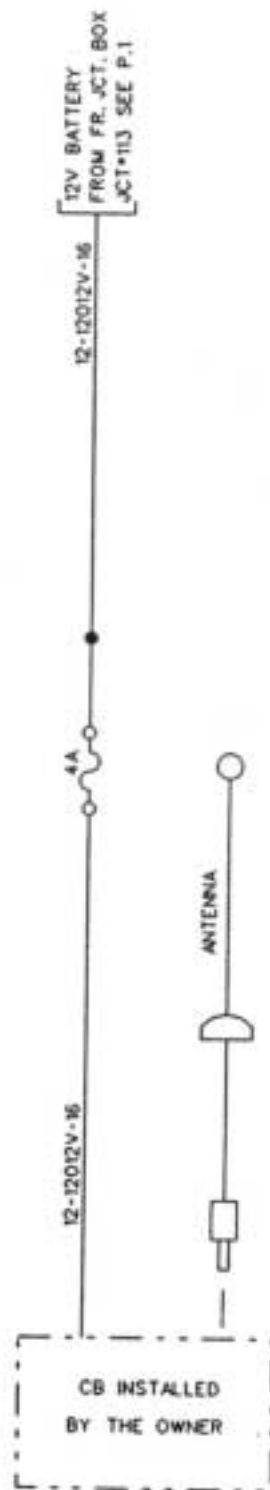
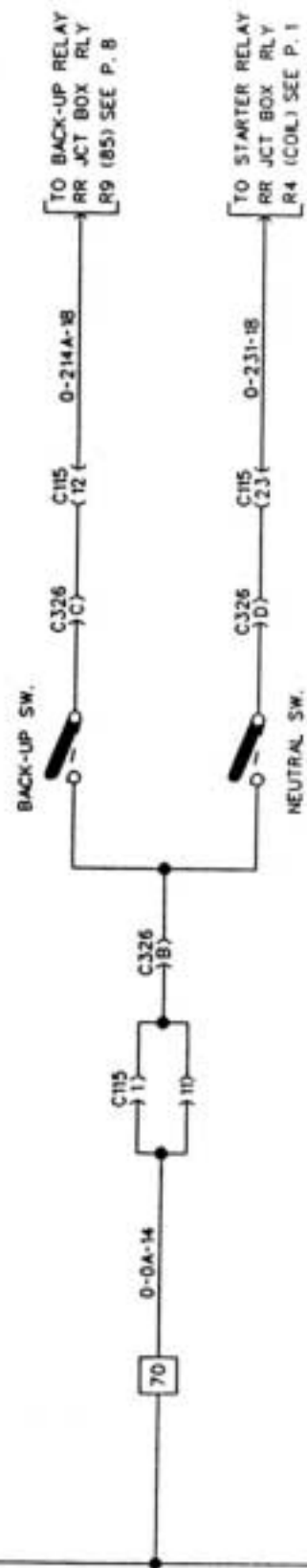
LUGGAGE DOOR LOCK.





E.C.U. - ABS (VERSION "C")





CHASSIS GROUND

CHASSIS GROUND

MANUAL TRANSMISSION

CB OPTION

PYROMETER

FUEL PRIME PUMP

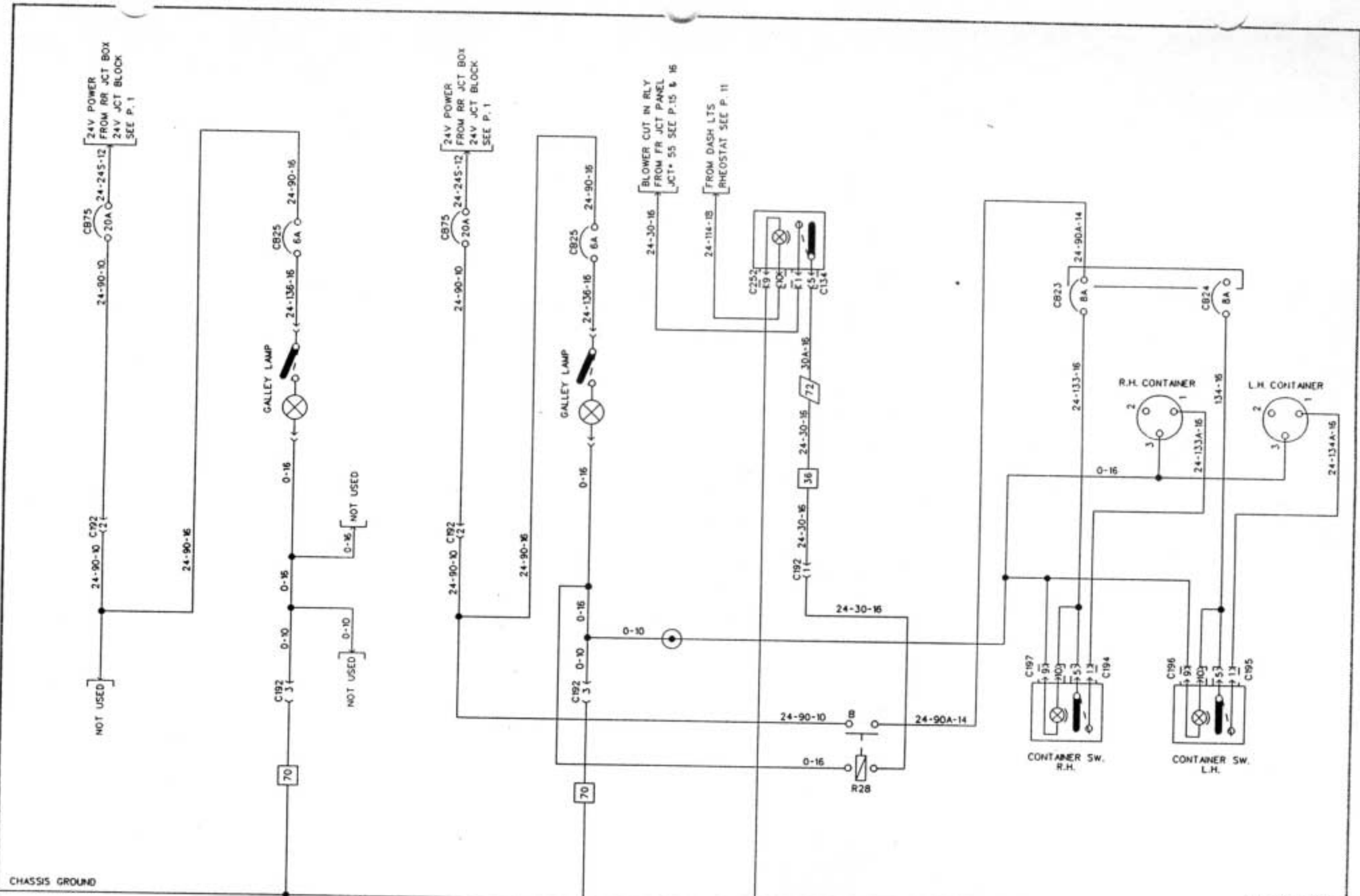
PREVOST CAR inc.

WIRING DIAGRAM

NO: D060853

REVISION DATE  
94-11-11

P. 25



CHASSIS GROUND

CHASSIS GROUND

GALLEY "MINICHEF 100"

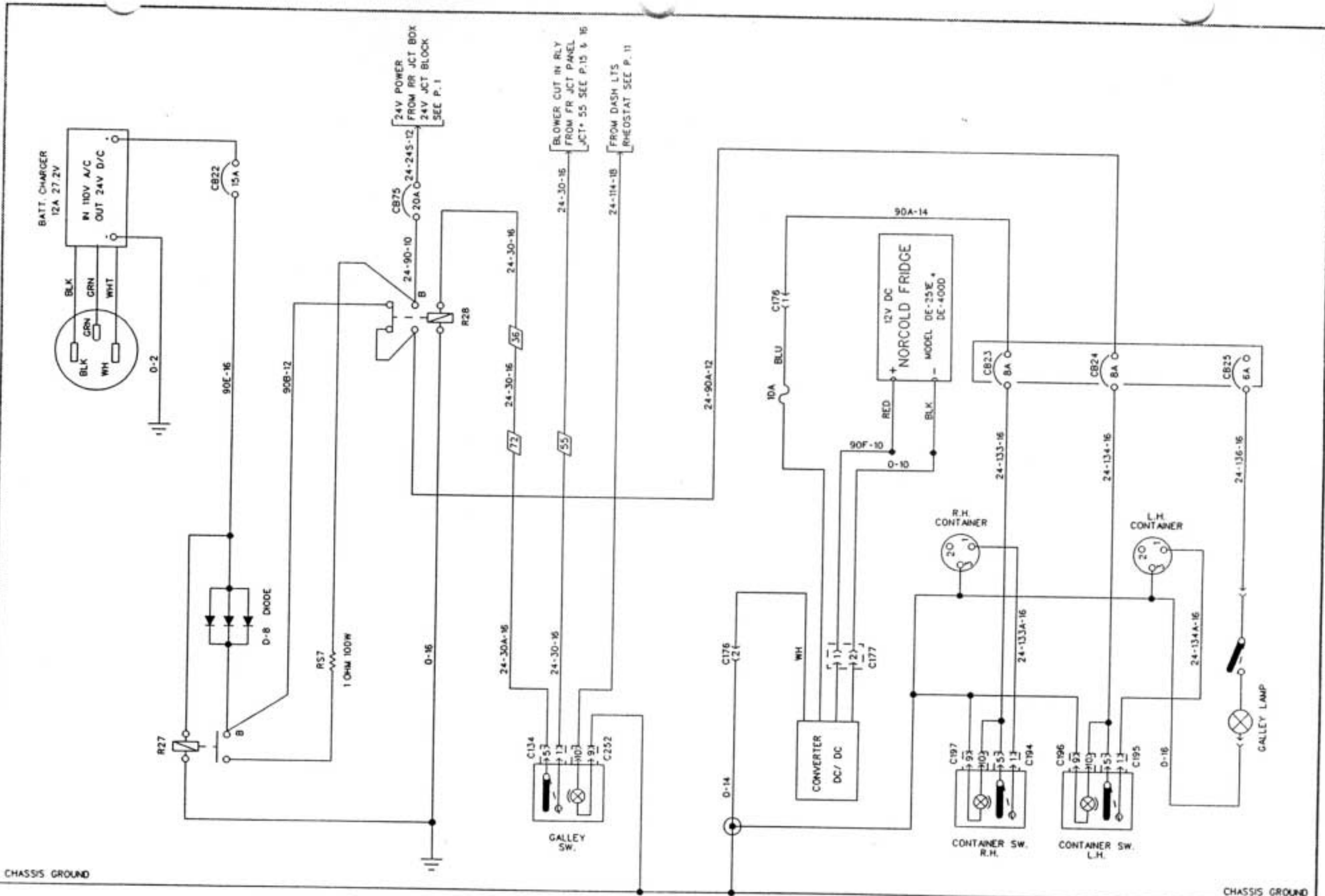
GALLEY "MINICHEF 200"

PREVOST CAR inc.

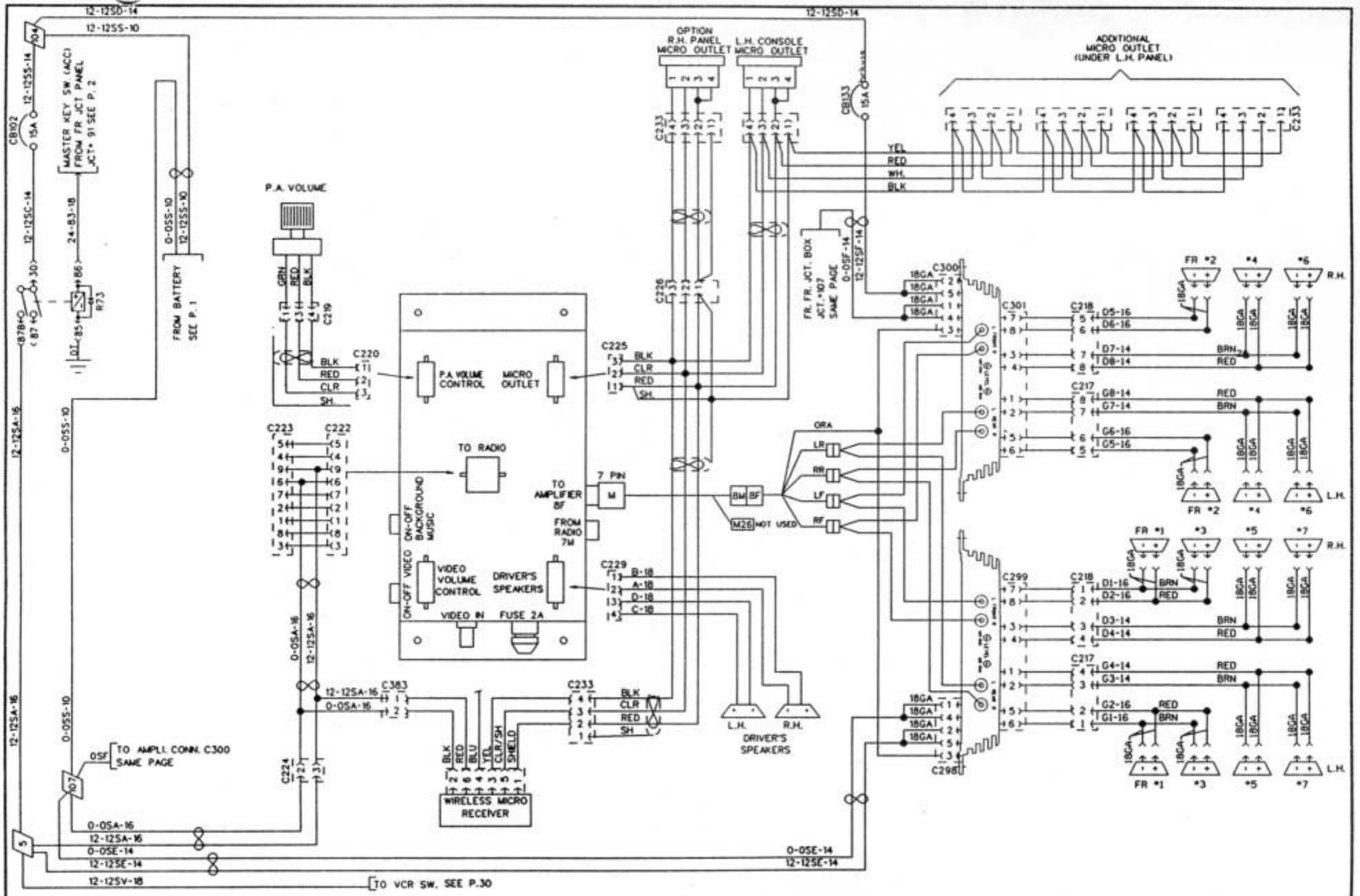
WIRING DIAGRAM NO: D060853

REVISION DATE  
94-11-11

P. 26



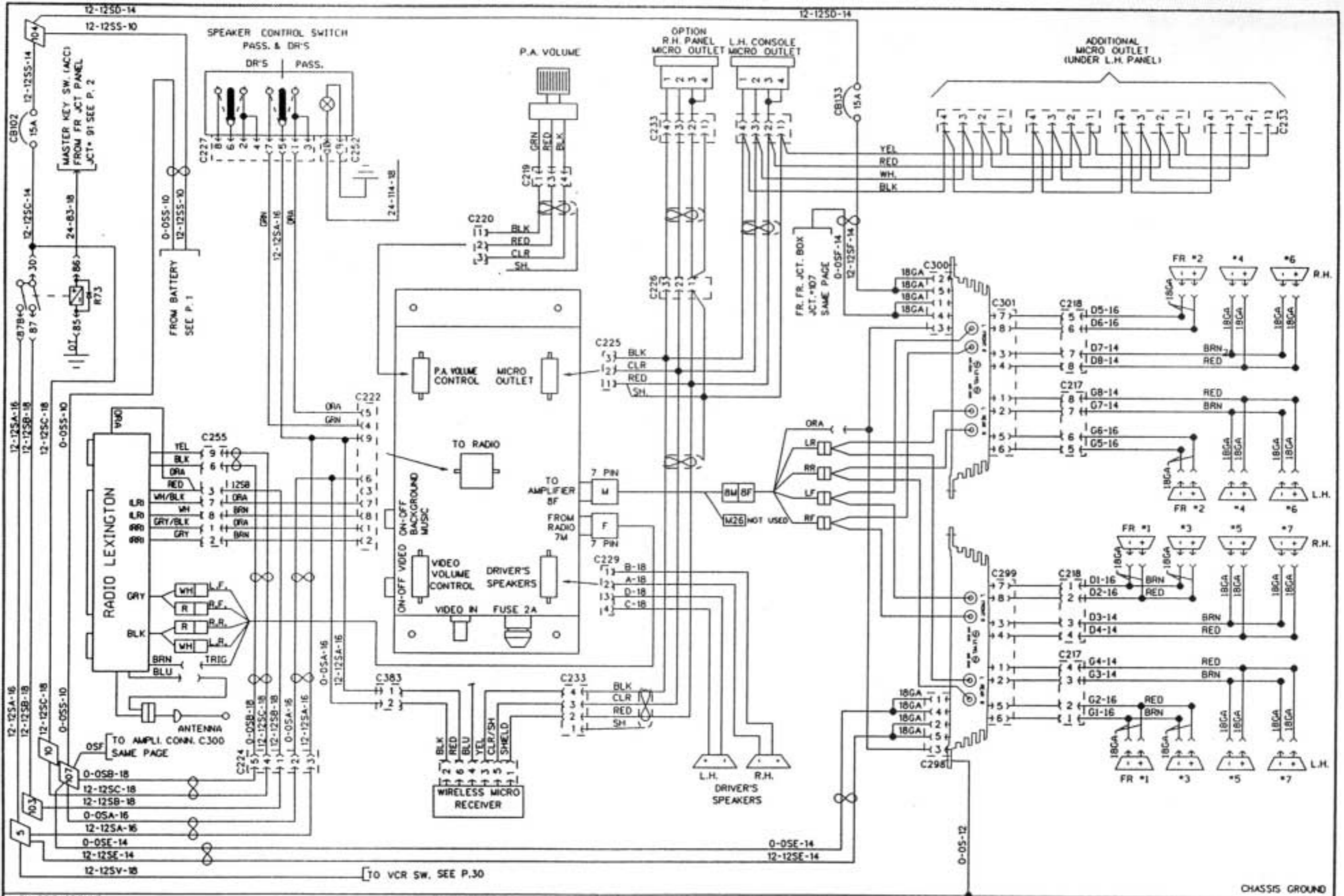
GALLEY "MINI-CHEF" NORCOLD REFRIGERATOR



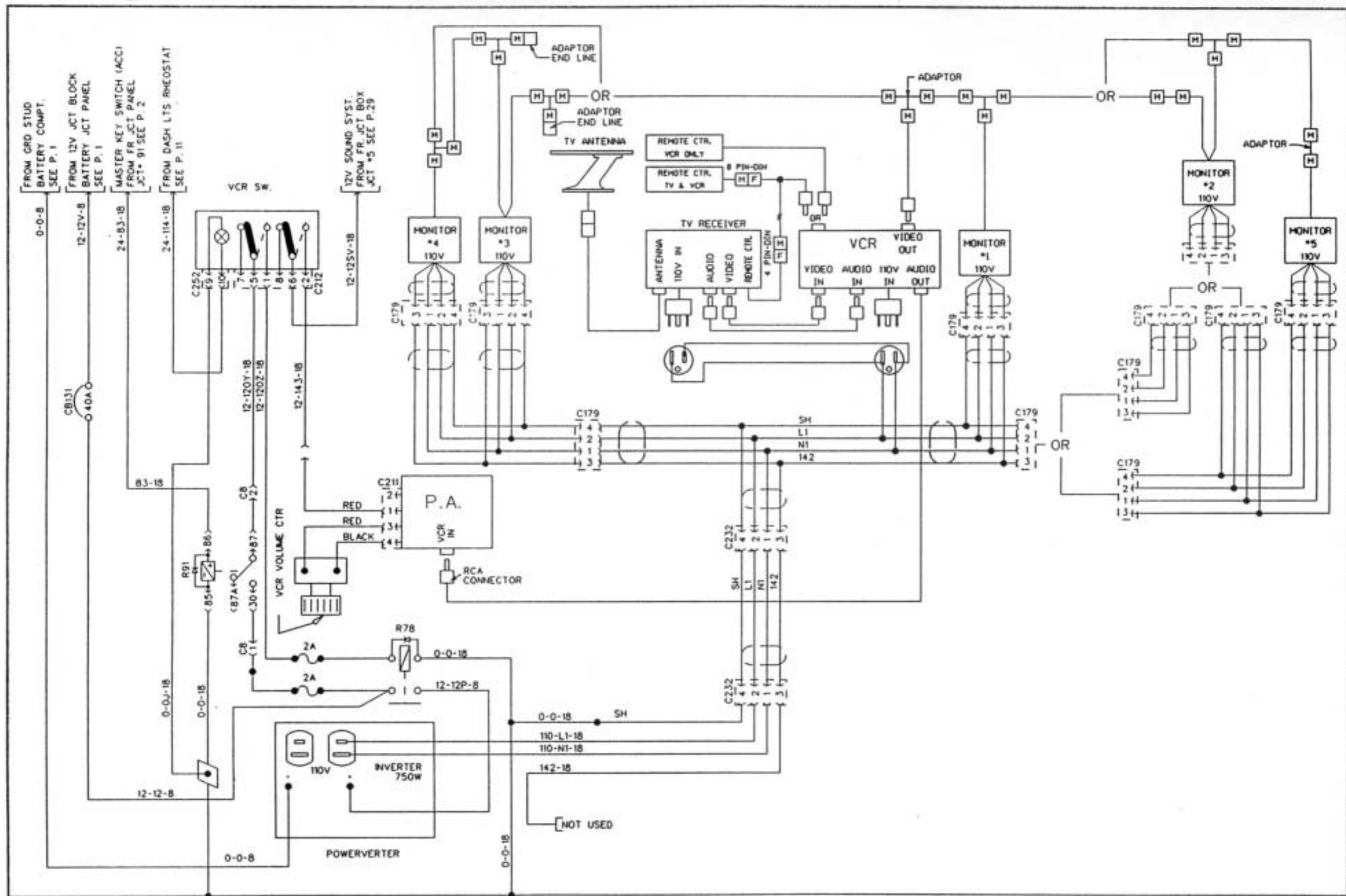
CHASSIS GROUND

### SOUND SYSTEM (P.A. ONLY)

CHASSIS GROUND



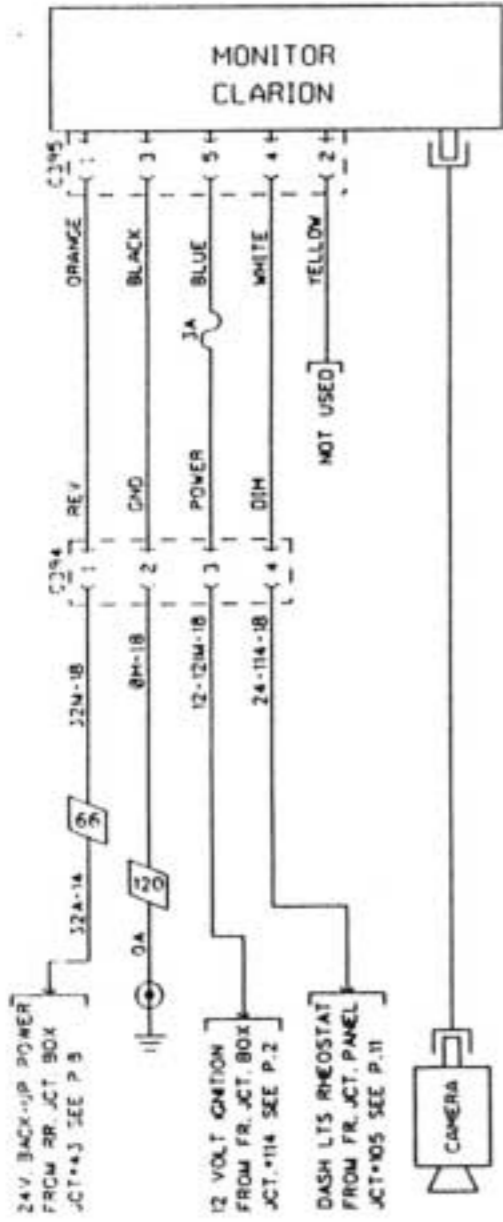
SOUND SYSTEM (RADIO & P.A.)



CHASSIS GROUND

### VIDEO SYSTEM & TV RECEIVER

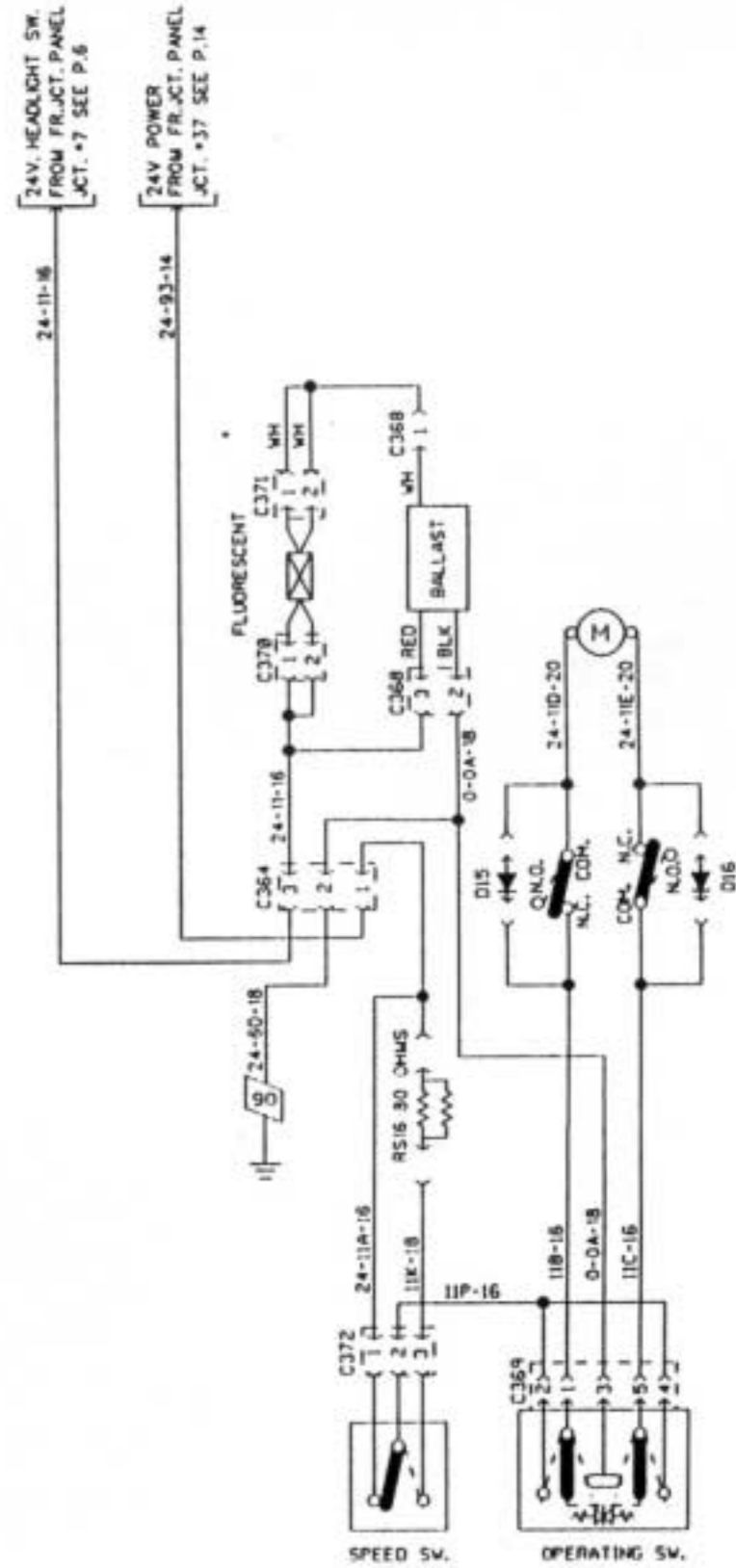
CHASSIS GROUND



BACK-UP MONITOR (CLARION)



FRONT DESTINATION SIGN (MANUAL)



FRONT DESTINATION SIGN (ELECTRICAL)