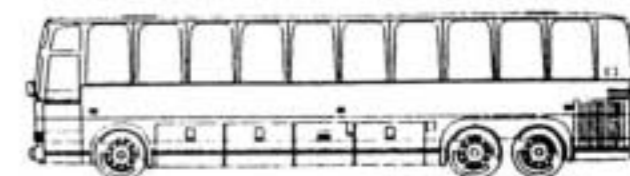


5-41*

WIRING DIAGRAM

PREVOST CAR INC.

Le Mirage 40 Bus



REFERENCE: S60 DDEC III & WORLD TRANSMISSION	NO: D060811 p. 1/2
EFF. W/ OC# 93042 PRIOR TO / OC#	DR. MARTIN LAFLAMME DATE: 93-11-11
EFF. W/ VEH.# R820 PRIOR TO / VEH.#	CK. ROCH CHAMPAGNE APPR. ROLAND LAPOINTE

REVISION DATE	DESCRIPTION	PAGE	BY	CK.	APPR.
94-01-15	UPDATE PAGES: F, H, I, 1, 2, 3, 4, 5, 15, 16, 19, 23, 25	← SEE	R.C.	<i>h</i>	<i>R</i>
94-01-17	RADIATOR FAN CLUTCH PRIOR TO R919 OC# 94005 PAGES: C, F, H, I, 3, 5, 15, 16	← SEE	R.C.	<i>h</i>	<i>R</i>
94-01-17	RADIATOR FAN CLUTCH EFF.W/ R919 OC# 94005 PAGES: Ca, Fa, Ha, Ia, 3a, 5a, 15a, 16a	← SEE	R.C.	<i>h</i>	<i>R</i>
94-04-19	UPDATE PAGES: A, C, Ca, E, F, Fa, G, K, 3a, 5, 5a, 6, 7, 10, 15, 15a, 16, 16a, 17, 23, 24, 26	← SEE	S.G.	<i>h</i>	<i>R</i>
94-05-17	UPDATE PAGES: 5, 5a, 15, 15a, 17, 22, 23, 26, 28, 29, 30	← SEE	S.G.	<i>h</i>	<i>R</i>
94-05-17	FREON 134A PRIOR TO R934 OC#94022 PAGES: 15a	← SEE	S.G.	<i>h</i>	<i>R</i>
94-05-17	FREON 134A EFF.W/ R934 OC#94022 PAGES: 15b	← SEE	S.G.	<i>h</i>	<i>R</i>
94-05-17	EVAPORATOR CABLE FAN PRIOR TO S409, EFF.W/S409 OC#94069	B, Ba	MLAF	<i>h</i>	<i>R</i>
94-05-23	LUGGAGE CPT LTS & SW. NEW ARRANG. PRIOR TO S462 OC#94067	Cc, 10	MLAF	<i>h</i>	<i>R</i>
94-05-23	LUGGAGE CPT LTS & SW. NEW ARRANG. EFF.W/ S462 OC#94067	Cd, 10a	MLAF	<i>h</i>	<i>R</i>
94-06-14	UPDATE PAGES: F, Fa, 3a, 5, 5a, 6, 11, 16, 16a	← SEE	S.G.	<i>h</i>	<i>R</i>
94-07-20	UPDATE PAGES: 30	← SEE	S.G.	<i>h</i>	<i>R</i>
94-09-12	WORLD TRANSMISSION HARNESS (P.E.D. CONNECTOR) PRIOR TO S425 OC#94099	Ca, 4	S.G.	<i>h</i>	<i>R</i>
94-09-12	WORLD TRANSMISSION HARNESS (DEUTSCH CONNECTOR) EFF. W/S425 OC#94099	Cb, 4a	S.G.	<i>h</i>	<i>R</i>
94-09-13	RADIO CHEYENNE (BLAUPUNKT) PRIOR TO S447 OC#94116	Cb, 28, 29	S.G.	<i>h</i>	<i>R</i>
94-09-13	RADIO LEXINGTON (BLAUPUNKT) EFF. W/S447 OC#94116	Cc, 28a, 29a	S.G.	<i>h</i>	<i>R</i>

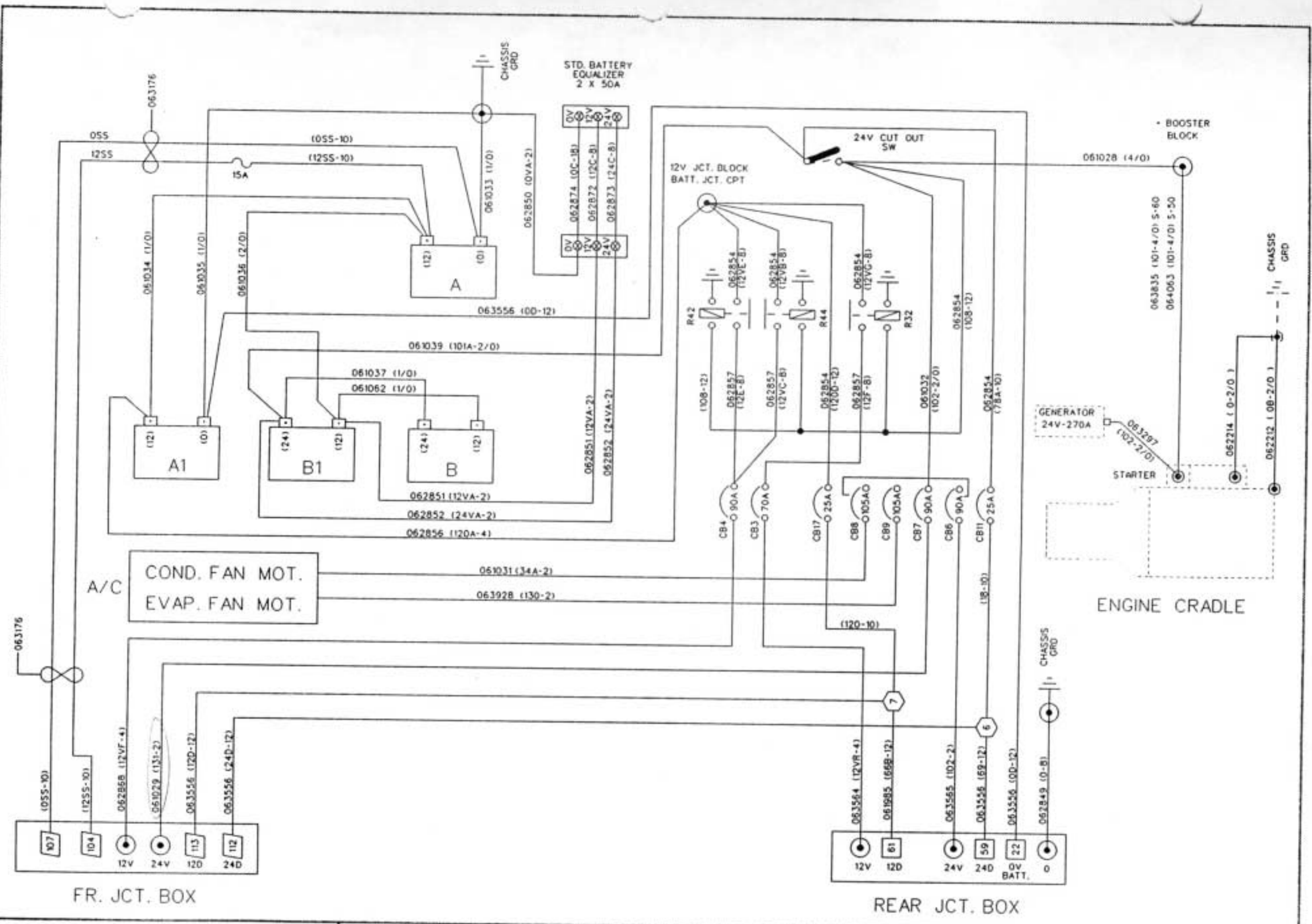
PREVOST CAR inc. LE MIRAGE 40 BUS

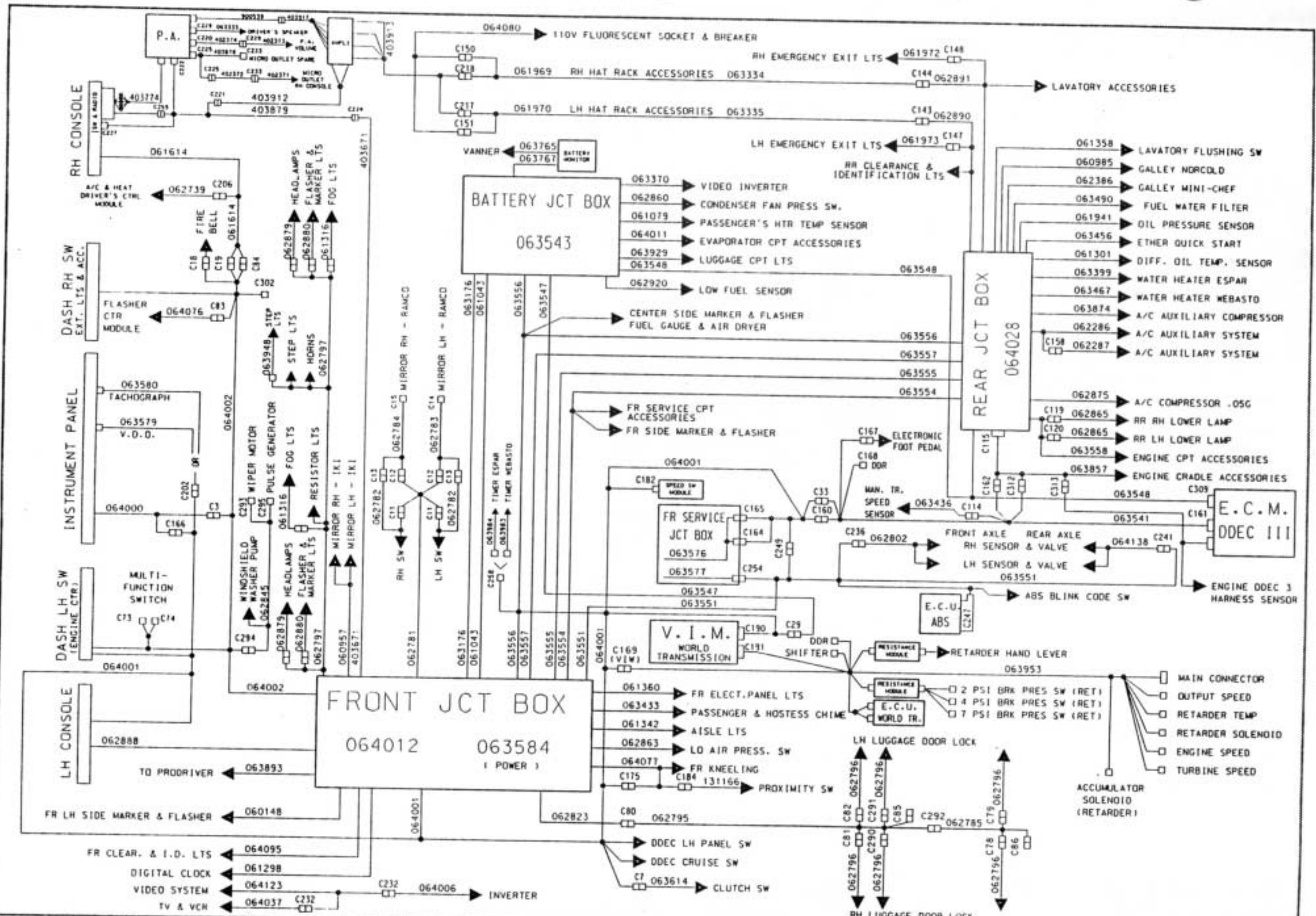
NO: D060811 p. 2/2

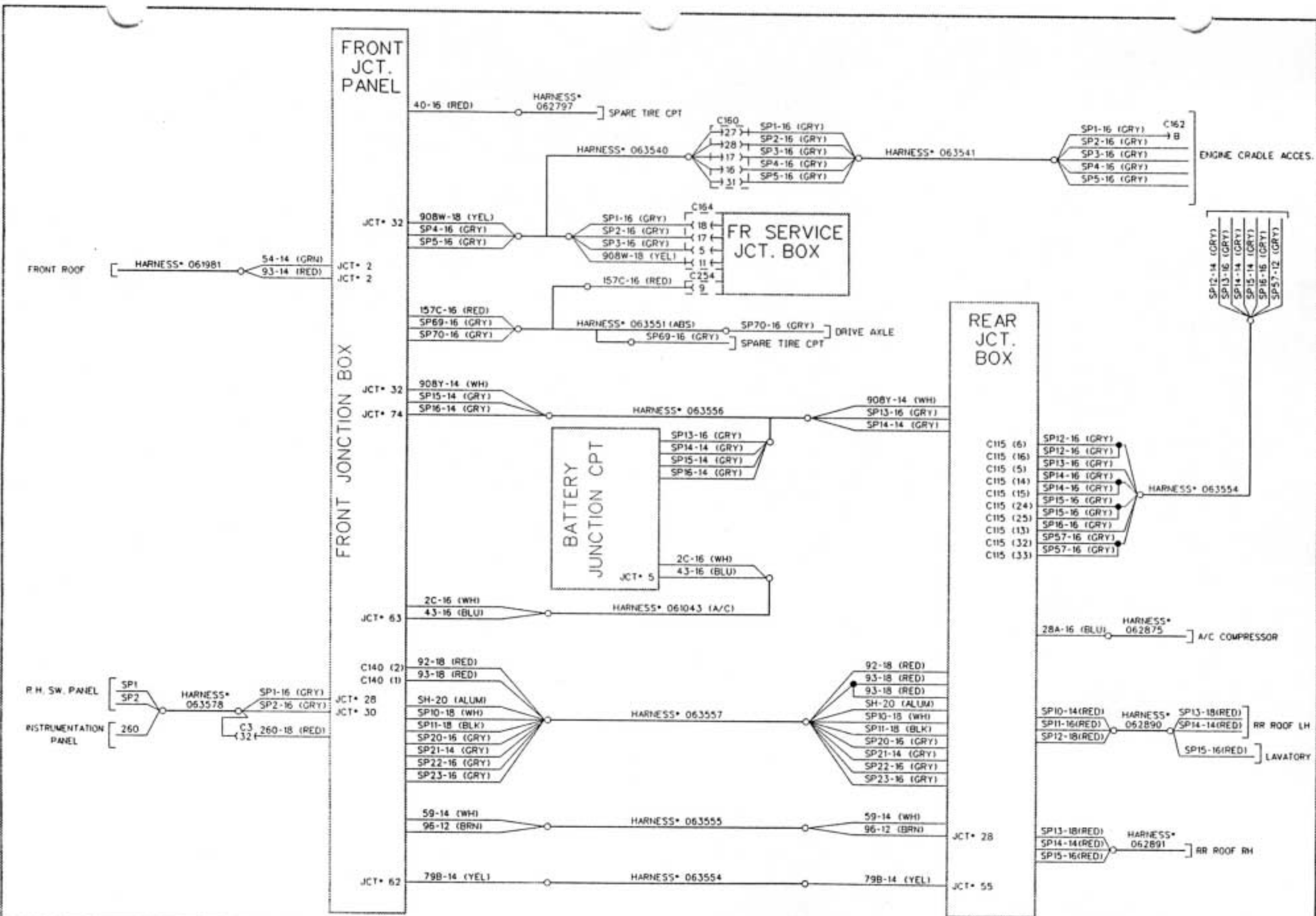
REVISION DATE	DESCRIPTION	PAGE	BY	CK.	APPR.
94-09-15	WATER HEATER W/O BYPASS VALVE PRIOR TO S476, OC*94129 PAGES: Ba, Cd, 15b, 16a, 17		R.C.	<i>R</i>	<i>R</i>
94-09-15	WATER HEATER W/ BYPASS VALVE EFF.W/ S476, OC*94129 PAGES: Bb, Ce, 15c, 16b, 17a	← SEE	R.C.	<i>R</i>	<i>R</i>
94-09-15	UPDATE PAGES: A, D, E p1/3, E p2/3, Fa, G p2/2, Ha, Ia, 1, 3a, 4a, 5a, 6, 8, 21, 22, 30	← SEE	R.C.	<i>R</i>	<i>R</i>
94-10-20	UPDATE PAGES: Ce, G p2/2, Ha, 15c, 17a, 20	← SEE	R.C.	<i>R</i>	<i>R</i>
94-11-08	UPDATE PAGES: A, Ce, 1, 4, 4a, 25, 28a, 29a	← SEE	R.C.	<i>R</i>	<i>R</i>
94-11-10	WORLD TRANSM. ECU V7 PRIOR TO S464, OC*94157	← SEE	NH	<i>R</i>	<i>R</i>
94-11-10	WORLD TRANSM. ECU V7 EFF.W/ S464	19	NH	<i>R</i>	<i>R</i>
94-11-15	JACOB OR RETARDER SWITCH PRIOR TO S547, OC*94155	19a	NH	<i>R</i>	<i>R</i>
94-11-15	JACOB OR RETARDER SWITCH EFF.W/ S547, OC*94155	Ce	S.G.	<i>R</i>	<i>R</i>
94-11-16	UPDATE PAGES: G, 15c, 19a, 21	Cf	S.G.	<i>R</i>	<i>R</i>
94-11-24	UPDATE	← SEE	NH	<i>R</i>	<i>R</i>
95-01-10	BACK-UP CAMERA NEW OPTION	29a	NH	<i>R</i>	<i>R</i>
95-01-10	UPDATE PAGES: A, Bb, D, E p1/3, F, Fa, G p2/2, 1, 2, 5a, 8, 17a	31	S.G.	<i>R</i>	<i>R</i>
95-02-08	UPDATE PAGES: A, Cf, F, Fa, G, Ha, Ia, j, 2, 6, 14, 30, 31	← SEE	S.G.	<i>R</i>	<i>R</i>
95-03-03	KNEELING (ELECTRONIC CTR MODULE) PRIOR TO S592, OC*94174	← SEE	S.G.	<i>R</i>	<i>R</i>
95-03-03	KNEELING (ELECTRIC CTR) EFF.W/S592, OC*94174	Cf, 7, 19a, 21	NH	<i>R</i>	<i>R</i>
95-03-28	FIRE ALARM PRIOR TO S592, OC*95025	Cg, 7a, 19b, 21a	NH	<i>R</i>	<i>R</i>
95-03-28	FIRE ALARM EFF. W/S592, OC*95025	5a	S.G.	<i>R</i>	<i>R</i>
95-03-28	UPDATE PAGES: A, Cg, E, G, Ha, J, 15c, 28a, 29a, 30, 31	5b	S.G.	<i>R</i>	<i>R</i>
95-03-29	ABS IN CARRIER PRIOR TO S592, OC*94162	← SEE	S.G.	<i>R</i>	<i>R</i>
95-03-29	ABS IN CARRIER EFF. W/S592, OC*94162	24	NH	<i>R</i>	<i>R</i>
95-03-29	UPDATE PAGES: Cg, G, 2, 5, 5a, 5b, 11, 19, 19a, 19b, 31	24a	NH	<i>R</i>	<i>R</i>
95-04-04	RESISTANCE LAVATORY FAN PRIOR TO S598 OC*95014	← SEE	NH	<i>R</i>	<i>R</i>
95-04-04	RESISTANCE LAVATORY FAN EFF. W/S598 OC*95014	20	NH	<i>R</i>	<i>R</i>
95-04-07	UPDATE KNEELING SYSTEM PRIOR TO S601	20a	NH	<i>R</i>	<i>R</i>
95-04-07	UPDATE KNEELING SYSTEM EFF. W/S601	21a	NH	<i>R</i>	<i>R</i>
95-04-07	UPDATE	21b	NH	<i>R</i>	<i>R</i>
95-07-18	UPDATE PAGES: G p.1/2, 9, 12, 17a, 21a, 21b	Ha, 9, 29a	NH	<i>R</i>	<i>R</i>
		← SEE	S.G.	<i>R</i>	<i>R</i>

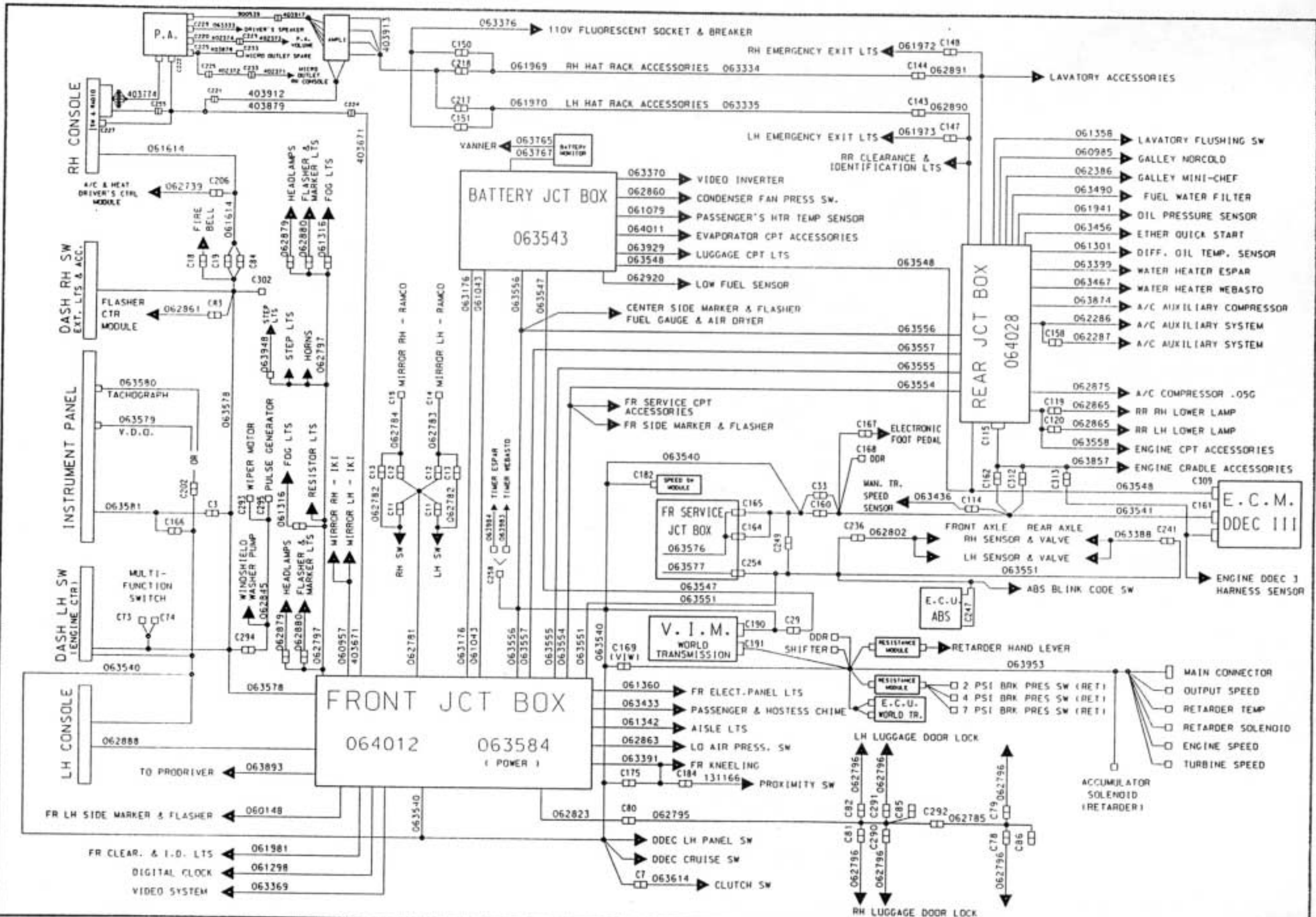
INDEX

A	A/C & HEAT SYSTEM	P. 15	D	D.D.E.C. III	P. 3	M	MIRROR-RR VIEW ADJUST. & HEATED	P. 18
	A/C AUXILIARY SYSTEM	P. 16		DIFFERENTIAL OIL TEMP.	P. 5	P	PARKING BRAKE SWITCH	P. 5
	AIR DRYER	P. 5		DIGITAL CLOCK	P. 9		PASSENGER CHIME	P. 14
	ALARM AND SIGNAL	P. 5	E	ENGINE BLOCK HEATER	P. 14		PRODRIVER	P. 16
	ABS	P. 24		ENGINE CONTROL	P. 2		PYROMETER	P. 25
	ARRANGEMENT - CABLE	P. B		ENGINE BRAKE SYSTEM	P. 23	R	RETARDER (WT)	P. 23
	ARRANGEMENT - HARNESS	P. C		ETHER COLD START	P. 5	S	SPEEDOMETER (VDO)	P. 19
	ARRANGEMENT - SPARE WIRE	P. D		EXTERIOR LIGHTING	P. 6		SOUND SYSTEM-P.A. ONLY	P. 28
B	BACK-UP ALARM	P. 8	F	FAN CLUTCH-RADIATOR	P. 5		SOUND SYSTEM-RADIO & P.A.	P. 29
	BACK-UP MONITOR	P. 31		FUEL-LOW WARNING LTS	P. 5	T	TACHOMETER (VDO)	P. 19
C	CB OPTION	P. 25		FUEL PRIME PUMP	P. 31		TACHOGRAPH ELECTRONIC	P. 19
	CHARGING SYSTEM	P. 1		FUEL WATER FILTER	P. 5		TRANSMISSION MANUAL	P. 25
	CIGAR LIGHTER	P. 18		FRONT DESTINATION SIGN	P. 31		TRANSMISSION WORLD	P. 4
	CODE - CIRCUIT NUMBER	P. E	G	GALLEY	P. 26	V	VIDEO SYSTEM	P. 30
	CODE - CIRCUIT BREAKER	P. F		GALLEY WITH FRIGO	P. 27	W	WATER HEATER PRE-HEAT	P. 17
	CODE - CONNECTOR	P. G		HIGH BUOY	P. 21		WATER TANK HEATER	P. 14
	CODE - DIODE	P. H	H	HOSTESS CHIME	P. 14		WIPER & WASHER WINDSHIELD	P. 9
	CODE - RELAY	P. I		INTERIOR LIGHTING	P. 10			
	CODE - RESISTOR	P. J	I	KNEELING SYSTEM	P. 21			
	CODE - WIRING KEY	P. K		LAVATORY	P. 20			
	CRUISE CONTROL - D.D.E.C.	P. 3	L	LUGGAGE DOOR LOCK	P. 22			









CIRCUIT BREAKER CODE (CB)

Page F : 1

NO.	PAGE	AMPERE	#PREVOST	LOCATION	FUNCTION
CB3	1	70A	561767	BAT JCT CPT	12V FEED RR JCT BOX
CB4	1	90A	560298	BAT JCT CPT	12V FEED FR JCT BOX
CB6	1	90A	560298	BAT JCT CPT	24V FEED RR JCT BOX
CB7	1	90A	560298	BAT JCT CPT	24V FEED FR JCT BOX
CB8	1	105A	560465	BAT JCT CPT	CONDENSER FAN MOTOR
CB9	1	105A	560465	BAT JCT CPT	EVAPORATOR FAN MOTOR
CB10	2	8A	561791	FR JCT PANEL	MASTER SWITCH
CB11	1	25A	561795	BAT JCT PANEL	24V HDT WIRE FEED RR & FR
CB12	15	15A	561793	BAT JCT PANEL	WATER BOOSTER PUMP
CB13	10	8A	561791	BAT JCT PANEL	LUGGAGE CPT LTS
CB16	2	8A	561791	RR JCT BOX	ENGINE-RR CTR & START SW
CB17	1	25A	561795	BAT JCT PANEL	12V HDT WIRE FEED RR & FR
CB18	2	8A	561791	RR JCT BOX	ENGINE-FR CTR SW
CB19	3	15A	561793	RR JCT BOX	DDEC III E.C.M. POWER
CB20	3	15A	561793	RR JCT BOX	DDEC III E.C.M. POWER
CB21	3	6A	561790	RR JCT BOX	DDEC III 12V IGNITION
CB22	27	15A	561793	GALLEY	GALLEY BATTERY CHARGER
CB23	26-27	8A	560828	GALLEY	GALLEY CONTAINER RH
CB24	26-27	8A	560828	GALLEY	GALLEY CONTAINER LH
CB25	26-27	6A	560827	GALLEY	GALLEY LAMP
CB26	8	10A	561792	RR JCT BOX	BACK-UP LTS & ALARM
CB27	5	8A	561791	FR JCT PANEL	24V IGN DASH ACCESSORIES
CB29	5	20A	561794	FR JCT PANEL	ELECTRICAL HORNS
CB30	5	10A	561793	FR JCT PANEL	FIRE ALARM & WATER HTR TIMER
CB31	5	8A	561791	FR JCT PANEL	AIR DRYER
CB32	5	6A	561790	BAT JCT PANEL	LOW FUEL WARNING LT
CB35	6	6A	561790	FR JCT PANEL	FOG & HAZARD SW
CB36	6	15A	561793	FR JCT PANEL	FOG LTS
CB37	6	8A	561791	FR JCT PANEL	HEAD & MULTI-FUNC. SW
CB38	6	10A	561792	FR JCT PANEL	MARKER LTS
CB39	19	6A	561790	FR JCT PANEL	DASHBOARD - SPEEDO & TACHO
CB40	6	8A	561791	FR JCT PANEL	FR & RR CLEARANCE & ID. LTS
CB42	6	10A	561792	FR JCT PANEL	RR MARKER, TAIL-LICENCE LTS
CB43	6	20A	561794	FR JCT PANEL	HEADLAMP (HI)
CB44	6	15A	561793	FR JCT PANEL	HEADLAMP (LO)
CB45	7	10A	561792	FR JCT PANEL	MULTI-FUNC. SW (WIPER CTR)
CB48	8	6A	561790	FR JCT PANEL	STOP SW
CB49	8	15A	561793	RR JCT BOX	LH STOP LTS
CB50	11	6A	561790	RR JCT BOX	HAT RACK LIGHTING
CB51	8	20A	561794	FR JCT PANEL	RH STOP & CYCLOP LTS
CB52	14	6A	561790	FR JCT PANEL	HOSTESS & PASSENGER CHIME
CB55	11	10A	561792	FR JCT PANEL	AISLE LTS
CB56	11	8A	561791	RR JCT BOX	EMERGENCY EXIT LTS
CB59	12	8A	561791	FR JCT PANEL	DRIVER'S LTS SW.
CB60	12	15A	561793	RR JCT BOX	READING LTS LH
CB61	12	15A	561793	RR JCT BOX	READING LTS RH
CB63	13	8A	562293	FR SERVICE CPT	110V FLUORESCENT LH
CB64	13	8A	562293	FR SERVICE CPT	110V FLUORESCENT RH
CB65	13	15A	561793	RR JCT BOX	24V FLUORESCENT RH
CB66	13	15A	561793	RR JCT BOX	24V FLUORESCENT LH
CB67	16	10A	561792	A/C AUX UNIT	AUXILIARY A/C FAN
CB68	16	10A	561792	A/C AUX UNIT	AUXILIARY A/C FAN
CB70	15-16	8A	561791	FR JCT PANEL	BLOWER CUT-IN RELAY
CB71	16	8A	561791	A/C AUX UNIT	AUXILIARY A/C TEMP CTRL
CB72	16	6A	561790	RR JCT BOX	AUXILIARY A/C COMPR. CLUTCH
CB74	16	20A	561794	RR JCT BOX	AUXILIARY A/C UNIT POWER
CB75	26-27	20A	561794	RR JCT BOX	GALLEY
CB79	15-16	10A	561792	FR JCT PANEL	DRIVER'S HTR FAN

CIRCUIT BREAKER CODE (CB)

Page F : 1

NO.	PAGE	AMPERE	#PREVOST	LOCATION	FUNCTION
CB83	4	20A	561794	RR JCT BOX	WORLD TRANSMISSION VIM POWER
CB86	20	8A	561791	RR JCT BOX	LAVATORY PUMP
CB89	20	8A	561791	RR JCT BOX	LAVATORY LIGHTING
CB92	19	6A	561790	FR JCT PANEL	SPEED SW & KNEELING SYST.
CB94	12	8A	561791	FR JCT PANEL	READING LTS & GENERAL LTS MAIN SW
CB102	28-29	10A	561792	FR JCT PANEL	SOUND SYSTEM
CB104	24	6A	561790	FR JCT PANEL	ABS E.C.U.
CB105	24	20A	561794	FR JCT PANEL	ABS E.C.U.
CB106	24	10A	561792	FR SERV JCT BOX	ABS E.C.U.
CB107	24	10A	561792	FR SERV JCT BOX	ABS E.C.U.
CB109	20	8A	561791	RR JCT BOX	LAVATORY EXH.FAN
CB117	18	8A	561791	FR JCT PANEL	RR VIEW MIRROR
CB118	22	20A	561794	FR JCT PANEL	LUGGAGE DOOR LOCK MOTOR
CB119	22	3A	561797	FR JCT PANEL	LUGGAGE UNLOCK TT LT & SW
CB120	22	20A	561794	FR JCT PANEL	LUGGAGE DOOR LOCK MOTOR
CB121	18	10A	561792	FR JCT PANEL	CIGAR LIGHTER
CB125	7	20A	561794	FR JCT PANEL	DIRECTIONAL LTS LH
CB126	7	20A	561794	FR JCT PANEL	DIRECTIONAL LTS RH
CB129	17	15A	561793	RR JCT BOX	WATER HEATER
CB130	5	6A	561790	RR JCT BOX	FAN CLUTCH RADIATOR
CB132	17	15A	561793	RR JCT BOX	WATER HEATER

No.	LOCATION	TYPE	(NB) CAVITY	#PIN HOUSING	#SOCKET HOUSING
C3	UNDER DASH-LH	AMP CPC	37	561645	561646
C7	FR SERVICE COMPT.-CLUTCH SW	ITT SS	3	561111	561080
C8	FR JCT PANEL VCR FEED	AMP MNL	2	561248	561247
C11	LH CONSOLE SW-MIRROR	AMP MNL	3	561667	561550
C12	LH CONSOLE SW-MIRROR HTR	AMP MNL	2	561248	561247
C13	LH CONSOLE SW-MIRROR	AMP MNL	6	561552	561515
C14	UNDER DASH LH-MIRROR	AMP MNL	9	561670	561669
C15	UNDER DASH RH-MIRROR	AMP MNL	9	561670	561669
C18	UNDER DASH-FIRE ALARM	TC	2	561030	560997
C18	UNDER DASH-FIRE ALARM	AMP MNL	2	560900	560898
C19	UNDER DASH-A/C & HEAT SYST.	TC	10	561072	561110
C20	RR JCT BOX DIODES	AMP MNL	9	561670	561669
C21	LUGGAGE COMPT.-LOCK DOOR M01.	PED	2	-----	562076
C22	ENGINE COMPT.-CYCLOP LT	PED WP	2	561566	561690
C26	UNDER INSTRUMENT.-PANEL RHLO.	TC	2	561030	560997
C29	FR SERVICE COMPT.-VIM FEED	PED WP	3	561781	561782
C32	RH CONSOLE-DRV TEMP SENSOR	BURNDY	3	-----	561104
C33	FRSERVICE COMPT. DDEC VSS	PED WP	2	561566	561690
C34	RH CONSOLE-DRV TEMP CTRL	BURNDY	6	-----	561103
C35	RECIRCULATED AIR GRIL.-SENER	BURNDY	3	-----	561104
C36	LH CONSOLE SW-CRUISE ON/OFF	SWF	8	-----	561107
C37	LH CONSOLE SW-CRUISE SET	SWF	8	-----	561107
C38	LH CONSOLE SW-CRUISE RESUME	SWF	8	-----	561107
C41	UNDER DASH-FLASHER UNIT	TC	2	-----	561940
C49	LAVATORY NIGHT LTS	AMP MNL	2	560900	560898
C50	RH CONSOLE-PAS. TEMP CTRL	BURNDY	6	-----	561103
C51	RH CONSOLE SW-A/C & HEAT	SWF	8	-----	561107
C52	ENGINE COMPT.-COMPRESSOR OSG	PED WP	2	561566	561690
C53	ENGINE COMPT.-COMPRESSOR OSG	PED WP	2	561566	561690
C54	ENGINE COMPT.-COMPRESSOR OSG	TC	1	560098	560697
C61	ENGINE COMPT.-FUEL FILTER	PED WP	2	561566	561690
C67	LH UNDER DASH-AMPLIF. RH SPK	BLAUPUNKT	2	561988	-----
C68	LH UNDER DASH-AMPLIF. RH SPK	BLAUPUNKT	2	561988	-----
C73	LH SW PANEL-MULTI FUNC. LEV.	AMP FF	8	561188	-----
C74	LH SW PANEL-MULTI FUNC. LEV.	AMP FF	6	-----	561108
C78	LUGGAGE COMPT.-DOOR LOCK 4 LH	AMP MNL	4	560851	560852
C79	LUGGAGE COMPT.-DOOR LOCK 4 RH	AMP MNL	4	560851	560852
C80	FR JCT PANEL-LUG. DOOR LOCK	AMP MNL	6	561552	561515
C81	LUGGAGE COMPT.-DOOR LOCK 1 LH	AMP MNL	4	560851	560852
C82	LUGGAGE COMPT.-DOOR LOCK 1 RH	AMP MNL	4	560851	560852
C83	UNDER DASH-FLASHER MODULE	TC	10	561072	561110
C84	UNDER DASH-A/C SYSTEM	TC	3	561091	561071
C85	LUGGAGE COMPT.-DOOR LOCK 3 RH	AMP MNL	4	560851	560852
C86	LUGGAGE COMPT.-DOOR LOCK 3 LH	AMP MNL	4	560851	560852
C88	RR END ROOF-CLEARANCE LTS	AMP MNL	2	560900	560898
C90	RR ROOF AUX. A/C THERMOST.	BURNDY	6	-----	561103
C91	RR ROOF AUX. A/C TMP SENSOR	BURNDY	6	-----	561104
C92	RR ROOF AUX. A/C FAN RH	TC	2	561030	560997
C93	RR ROOF AUX. A/C FAN LH	TC	2	561030	560997
C94	RR ROOF AUX. A/C FAN RES LH	AMP MNL	2	560900	560898
C95	RR ROOF AUX. A/C FAN RES RH	AMP MNL	2	560900	560898
C96	RR ROOF AUX. A/C LIG SOL VAL	TC	2	561030	560997
C97	RR ROOF AUX. A/C SHUT SOL VAL	AMPHENOL	2	-----	560412
C105	UNDER DASH RH-DRV LIO SOL VL	TC	2	561030	560997
C106	UNDER DASH RH-DRV MTR VALVE	TC	2	561030	560997
C107	UNDER DASH RH-DRV HTR RH FAN	TC	2	561030	560997
C108	UNDER DASH RH-DRV HTR LH FAN	TC	2	561030	560997
C111	LH CONSOLE SW-DRIVER'LTS	SWF	8	-----	561107
C112	LH CONSOLE SW-GENERAL LTS	SWF	8	-----	561107

PRIOR S592
EFF. W/S592

No.	LOCATION	TYPE	(NB) CAVITY	#PIN HOUSING	#SOCKET HOUSING
C114	ENGINE DDEC-SPEED SIGNAL	PED WP	2	561566	561590
C115	RR JCT BOX-ENGINE ACCES.	DEUTSCH	40	562281	562284
C116	DRIVE AXLE COMPT.-AIR DRYER	PED MP	2	-----	562251
C119	ENGINE COMPT.-LH LOWER LAMP	PED WP	6	561606	561607
C120	ENGINE COMPT.-LH LOWER LAMP	PED WP	6	561606	561607
C123	HAT RACK-BALLAST RH	AMP MNL	6	561552	561515
C123	HAT RACK-BALLAST RH	AMP MNL	6	561552	561515
C124	HAT RACK-FLUORESCENT	AMP MNL	4	561551	561668
C125	HAT RACK-FLUORESCENT	AMP MNL	4	561551	561668
C126	HAT RACK-READING LTS	AMP MNL	2	560900	560898
C130	LH CONSOLE SW-READING LTS	SWF	8	-----	561107
C131	LH CONSOLE SW-LUG.DOOR LOCK	SWF	8	-----	561107
C132	LH CONSOLE SW-PAS & HOS CHIME	SWF	8	-----	561107
C133	LH SW PANEL-JACOB OR RETARDER	SWF	8	-----	561107
C133	LH CONSOLE SW-JACOB OR RET.	SWF	8	-----	561107
C134	LH CONSOLE SW-GALLEY	SWF	8	-----	561107
C135	LH SW PANEL-ETHER	SWF	8	-----	561107
C136	LH CONSOLE SW-MIRROR HTR	SWF	8	-----	561107
C137	RH SW PANEL-HEAD LAMP	SWF	8	-----	561107
C138	RH SW PANEL-SPARE	SWF	8	-----	561107
C139	RH SW PANEL-FOG LAMP	SWF	8	-----	561107
C140	FR JCT PANEL-BAT. HI/LO	AMP MNL	2	560900	560898
C141	ENGINE COMPT.-B/UP ALARM	PED WP	2	561566	561590
C142	FR SERVICE CPT-LH MARKER LTS	ITT SS	3	561111	561080
C143	RR LH HAT RACK-FEEDING	AMP MNL	9	561661	561662
C144	RR RH HAT RACK-FEEDING	AMP MNL	9	561661	561662
C145	RH HAT RACK-BALLAST	AMP MNL	4	560851	560852
C146	FR SERVICE CPT-RH MARKER LTS	ITT SS	3	561111	561080
C147	RR ROOF LH-EMERGENCY EXIT LTS	AMP MNL	2	560900	560898
C148	RR ROOF RH-EMERGENCY EXIT LTS	AMP MNL	2	560900	560898
C149	LH HAT RACK-BALLAST	AMP MNL	4	560851	560852
C150	FR RH HAT RACK-110V FLUOR	AMP MNL	2	561248	561247
C151	FR LH HAT RACK-110V FLUOR	AMP MNL	2	561248	561247
C152	LH HAT RACK-GENERAL LTS	AMP MNL	3	561667	561550
C153	RH HAT RACK-GENERAL LTS	AMP MNL	3	561667	561550
C154	RH SW PANEL-HAZARD	SWF	8	-----	561107
C155	LH SW PANEL-FAST IDLE	SWF	8	-----	561107
C156	LH SW PANEL-STP ENG. OVER.	SWF	8	-----	561107
C158	RR ROOF AUX. A/C FEEDING	AMP MNL	3	561667	561550
C160	FR SERVICE CPT-INTERFACE	AMP CPC	37	561644	561646
C161	ENGINE DDEC III-ECM	PED	30	-----	561600
C162	ENGINE DDEC III-ACCESSORIES	PED WP	4	561610	561611
C163	ENGINE CPT-COOLANT PROBE	PED MP	2	-----	562350
C164	FR SERVICE JCT BOX	AMP CPC	22	561709	561710
C165	FR SERVICE JCT BOX	AMP CPC	16	561693	561695
C166	UNDER INSTRUMENT PANEL	AMP CPC	16	561639	561640
C167	FR SERVICE CPT-EL. FOOT PEDAL	PED WP	3	561781	561782
C168	FR SERVICE CPT-DDR	DEUTSCH	6	562360	-----
C169	FR SERVICE CPT-WORLD TR. VIW	AMP CPC	16	561638	561640
C172	ENGINE COMPT-WATER TANK HEAT.	PED WP	2	561566	561690
C173	LAV.POTABLE-WATER TANK HEAT.	AMP MNL	2	560900	560898
C175	FR SERV CPT-KNEELING FEEDING	PED WP	3	561781	561782
C177	GALLEY-REFRIGERATOR	AMP MNL	2	561248	561247
C179	RH HAT RACK-110V MONITOR	MOLEX	4	561477	561476
C180	FR SERV CPT-KNEEL. DIODE	AMP MNL	9	561670	561699
C181	FR SERV CPT-KNEELING MODULE	AMP MNL	12	561735	561734
C182	FR SERVICE CPT-SPEED SW	AMP HDP	15	-----	562012
C184	FR AXLE-KNEELING PROXIMITY SW	AMP MNL	3	561667	561550
C185	FR SERV CPT-KNEEL. MOD. EXH.	AMP MNL	3	-----	561550

PRIOR S547
EFF. W/S547

EFF. W/S592

No.	LOCATION	TYPE	(NB) CAVITY	#PIN HOUSING	#SOCKET HOUSING
C187	FR SERV CPT-KNEEL. MOD. BRK	AMP MNL	3	-----	561550
C187	FR SERVICE JCT BOX-RESISTORS	AMP MNL	6	561552	561515
C188	LH CONSOLE SW-KNEELING	SWF	8	-----	561107
C190	FR SERVICE CPT.-WORLD TR VIM	PED WP	30	-----	561600
C192	GALLEY-FEEDING	AMP CPC	3	561862	561847
C194	GALLEY SW-CONTAINER RH	SWF	8	-----	561107
C195	GALLEY SW-CONTAINER LH	SWF	8	-----	561107
C199	FR SERV. JCT BOX-SERVICE BRK	AMP MNL	3	561667	561550
C200	LH CONSOLE SW-24V FLUOR	SWF	8	-----	561107
C201	UNDER INSTRUMENT PANEL	AMP MNL	2	560900	560898
C202	UNDER INSTRUMENT PANEL	AMP CPC	9	561636	561637
C205	LH UNDER DASH-AMPLIF. LH SPK	BLAUPUNKT	2	561988	-----
C206	RH CONSOLE-FR DEFROSTER	TC	2	561030	560997
C207	RH CONSOLE-DRV RHEOSTAT	AMP MNL	6	561552	561515
C208	UNDER DASH-DRV HTR MODULE	AMP MNL	9	561670	561669
C209	UNDER DASH-DRV HTR MODULE	AMP MNL	9	561670	561669
C210	LH UNDER DASH-AMPLIF. LH SPK	BLAUPUNKT	2	561988	-----
C211	RH CONSOLE-VCR VOLUME	AMP MNL	4	561551	561668
C212	LH CONSOLE SW-VCR VIDEO	SWF	8	-----	561107
C213	FR ROOF-CLEARANCE LT	AMP MNL	2	560900	560898
C214	UNDER DASH PANEL-TACHOGRAPH	V.D.O.	8	-----	562041
C215	UNDER DASH PANEL-TACHOGRAPH	V.D.O.	8	-----	562043
C216	UNDER DASH PANEL-TACHOGRAPH	AMP MNL	4	560851	560852
C217	FR LH HAT RACK-SPEAKER	AMP MNL	4	561659	561660
C218	FR RH HAT RACK-SPEAKER	AMP MNL	4	561659	561660
C219	DASH RHEOSTAT-P.A. VOLUME	MOLEX	4	561477	561476
C220	LH UNDER DASH-P.A. VOLUME	AMP MNL	3	561667	561550
C221	LH UNDER DASH-AMPLIFIER FEED	AMP MNL	3	561550	561667
C222	LH UNDER DASH-P.A. RADIO	AMP MNL	9	561670	561669
C223	LH UNDER DASH-P.A. RADIO	AMP MNL	9	561670	561669
C224	LH UNDER DASH-PA & RADIO FEED	AMP MNL	6	561552	561515
C225	LH UNDER DASH-PA MICRO OUTLET	AMP MNL	3	561667	561550
C226	LH UNDER DASH-PA MICRO OUTLET	AMP MNL	3	561667	561550
C227	RH CONSOLE-SPEAKER CONTROL SW	SWF	8	-----	561107
C229	LH UNDER DASH-PA DRV SPEAKERS	AMP MNL	4	561551	561668
C230	ENG.CPT.-FUEL PRIME PUMP SW.	PED WP	2	561566	561690
C231	ENG.CPT.-FUEL PRIME PUMP	PED WP	2	561566	561690
C232	LAST LUGGAGE-INVERTER	AMP MNL	4	561551	561668
C233	MICRO OUTLET SOCKET	MOLEX	4	561477	561476
C234	UNDER INSTRUMENT PANEL-VDD	AMP MNL	4	560851	560852
C235	UNDER INSTRUMENT PANEL-VDD	AMP MNL	4	560851	560852
C236	FR SERVICE CPT CENTER-ABS	AMP CPC	14	561585	561583
C237	FR AXLE CPT-ABS RH SENSOR	WABCO	2	641132	-----
C238	FR AXLE CPT-ABS RH VALVE	WABCO	3	-----	641098
C239	FR AXLE CPT-ABS LH VALVE	WABCO	3	-----	641098
C240	FR AXLE CPT-ABS LH SENSOR	WABCO	2	641132	-----
C241	DRIVE AXLE CPT-ABS	PED WP	6	561606	561607
C242	DRIVE AXLE CPT-ABS LH SENSOR	WABCO	2	641132	-----
C242	DRIVE AXLE CPT-ABS LH SENSOR	DEUTSCH	2	562486	562485
C243	DRIVE AXLE CPT-ABS LH VALVE	WABCO	3	-----	641098
C244	DRIVE AXLE CPT-ABS RH VALVE	WABCO	3	-----	641098
C245	DRIVE AXLE CPT-ABS RH SENSOR	WABCO	2	641132	-----
C245	DRIVE AXLE CPT-ABS RH SENSOR	DEUTSCH	2	562486	562485
C246	DRIVE AXLE CPT-ABS SPARE	PED WP	4	561610	561611
C247	FR SERVICE CPT-ABS MODULE	WABCO	35	-----	561094
C248	DRIVE AXLE CPT-ABS	PED WP	6	561606	561607
C249	FR SERVICE CPT-ABS/DDEC	PED WP	2	561566	561690
C250	RH SW PANEL-B/UP CANCEL	SWF	8	-----	561107

PRIOR TO 5592
EFF. W/5592PRIOR TO 5592
EFF. W/5592

No.	LOCATION	TYPE	(NB) CAVITY	#PIN HOUSING	#SOCKET HOUSING
C251	RH SW PANEL-SEAT HTR	SWF	8	-----	561107
C252	LH SW PANEL-SWITCH LT	SWF	2	-----	561837
C254	FR SERVICE JCT BOX-ABS	AMP CPC	16	561693	561695
C255	RH CONSOLE-RADIO	AMP MNL	9	561670	561669
C257	ENGINE COMPT-WATER HEATER	AMP FF	6	-----	561186
C258	DRIVER GUARD WATER HTR TIMER	AMP FF	8	561188	562363
C259	ENGINE COMPT-WATER HEATER	TC	2	561597	-----
C260	ENGINE COMPT-WATER HEATER	TC	1	561073	-----
C261	ENGINE COMPT-WATER HEATER	TC	2	561597	-----
C267	LUGGAGE COMPT. LTS - 1	AMP MNL	2	561248	561247
C268	LUGGAGE COMPT. LTS - 2	AMP MNL	2	561248	561247
C269	LUGGAGE COMPT. LTS - 3 RH	AMP MNL	2	561248	561247
C270	LUGGAGE COMPT. LTS - 3 LH	AMP MNL	2	561248	561247
C271	LUGGAGE COMPT. LTS - 4	AMP MNL	2	561248	561247
C272	FR SERVICE CPT LTS	AMP MNL	2	561248	561247
C274	FR JCT PANEL-DIDDES	AMP MNL	15	561987	561986
C276	FR JCT PANEL-ALARM BUZZER	BOSCH	5	-----	561183
C290	LUGGAGE CPT-DOOR LOCK	AMP MNL	4	560851	560852
C291	LUGGAGE CPT-DOOR LOCK	AMP MNL	4	560851	560852
C292	LUGGAGE CPT-DOOR LOCK	AMP MNL	4	560851	560852
C293	WIPER MOTOR	AMP FF	6	-----	561186
C294	UNDER DASH-WIPER SYST. FEED	AMP MNL	6	561552	561515
C295	UNDER DASH-WIPER PULSE GEN.	AMP FF	6	-----	561186
C296	FR SERVICE CPT-HEAD LTS	ITT SS	3	561111	561080
C298	FR LH HAT RACK-AMPLI	MOLEX	6	-----	562464
C299	FR LH HAT RACK-AMPLI	MOLEX	10	-----	562465
C302	UNDER DASH-FLASHER MODULE	AMP MNL	2	560900	560898
C309	ENGINE DDEC III-ECM POWER	PED WP	5	-----	562345
C312	ENGINE DDEC III-ECM SIGNAL	PED WP	3	561781	561782
C313	ENGINE DDEC III-OUTPUT	PED WP	4	562398	-----
C326	ENGINE DDEC III- MANUAL TR.	PED WP	4	561610	561611
C364	FR ROOF-DESTINATION SIGN	AMP MNL	3	561667	561550
C365	FR ROOF-DESTINATION SIGN	AMP MNL	2	560900	560898
C368	FR ROOF-DEST. SIGN BALLAST	AMP MNL	3	561667	561550
C369	FR ROOF-DEST. SIGN OPER. SW.	TORRIX	5	-----	562110
C370	FR ROOF-DEST. SIGN FLUOR.	AMP MNL	2	560900	560898
C371	FR ROOF-DEST. SIGN FLUOR.	AMP MNL	2	560900	560898
C372	FR ROOF-DEST. SIGN SPEED SW.	MOLEX	4	561477	561476
C382	ENGINE GENERATOR 12 VAC RLY	PED WP	1	561605	561577
C383	LH UNDER DASH-MICRO W/O WIRE	AMP MNL	2	561248	561247
C384	LH UNDER DASH-MICRO W/O WIRE	AMP MNL	3	561550	561667
C385	EVAPORATOR CPT-WATER PUMP	PED WP	2	561566	561590
C386	EVAPORATOR CPT-BYPASS VALVE	PED WP	2	561566	561590
C387	CONDENSER CPT-FAN PRES. SW.	PED WP	2	561566	561590
C394	LH OVER CONSOLE - B/U MONITOR	AMP MNL	4	560851	560852
C395	LH OVER CONSOLE - B/U MONITOR	AMP	5	-----	-----
C400	ENGINE CPT.BLOCK HEATER	PED WP	3	561781	561782
C426	ENGINE S60 RAD. FAN CLUTCH	PED WP	3	561781	561782
C430	DRIVER GUARD WATER HTR TIMER	AMP FF	8	561188	562363
C500	FR JCT PANEL-PRODRIVER	MOLEX	6	562070	562069
C501	RH CONSOLE-PRODRIVER	PED MP	7	562433	-----
C502	DRIVER GUARD PRE-HTR SW.	SWF	8	-----	561107
C503	DRIVER GUARD PRE-HTR SW.	SWF	2	-----	561837
C504	DRIVER GUARD WEBASTO TIMER	AMP FF	8	561188	562363
C505	DRIVER GUARD ESPAR TIMER	AMP FF	3	-----	562034

NO.	PAGE	AMP	#PREVOST	LOCATION	FUNCTION
D1	5	3A	561740	FR JCT PANEL	PRIMARY LO-AIR SONALERT
D2	5	3A	561740	FR JCT PANEL	SECONDARY LO-AIR SONALERT
D3	15	3A	063849	FR JCT PANEL	A/C & HEAT CONTROL SW
D4	15	3A	063849	FR JCT PANEL	WATER HEATER ON SIGNAL
D5	15	3A	060798	BATT.JCT PANEL	CONDENSER FAN RLY SUPPRESSOR
D6	15	3A	060798	BATT.JCT PANEL	EVAPORATOR FAN RLY SUPPRESSOR
D7	15	3A	560931	BATT.JCT PANEL	WATER VALVE SUPPRESSOR
D8	15	3A	560931	BATT.JCT PANEL	BYPASS VALVE SUPPRESSOR
D9	14	3A	561740	CHIME	CHIME SUPPRESSOR
D10	21	3A	062120	FR JCT PANEL	KNEELING SYSTEM FEED BACK
D11	7	3A	062120	FR JCT PANEL	FR RH, SIDE DIRECTIONAL LTS
D12	21	3A	062588	FR SERVICE CPT	KNEELING SYSTEM
D13	21	3A	062588	FR SERVICE CPT	KNEELING SYSTEM
D14	21	3A	062588	FR SERVICE CPT	KNEELING SYSTEM
D15	31	3A	561740	FR DEST. SIGN	FR. DESTINATION SIGN
D16	31	3A	561740	FR DEST. SIGN	FR. DESTINATION SIGN
D17	7	3A	561740	FR JCT PANEL	HAZARD LH
D18	7	3A	561740	FR JCT PANEL	HAZARD RH
D19	6	3A	561740	FR JCT PANEL	DAYTIME RUNNING LTS
D20	6	3A	561740	FR JCT PANEL	DAYTIME RUNNING LTS
D21	7	3A	561740	UNDER DASH	AUDIBLE FLASHER RLY LH
D22	7	3A	561740	UNDER DASH	AUDIBLE FLASHER RLY RH
D60	16	3A	561740	RR JCT BOX	AUX. A/C COMPRESSOR CLUTCH
D61	15&16	3A	561740	RR JCT BOX	A/C COMPRESSOR CLUTCH
D78	17	3A	561740	LH CONSOLE	WATER HEATER TIMER & SW
D79	17	3A	561740	LH CONSOLE	WATER HEATER TIMER & SW

NO.	PAGE	AMP	#PREVOST	LOCATION	FUNCTION
-----	------	-----	----------	----------	----------

NO.	PAGE	COIL V	#PREVOST	LOCATION	FUNCTION
R1	2	24V	561991	FR JCT PANEL	ENGINE RUN (24) FR
R2	2	24V	561991	FR JCT PANEL	ENGINE RUN (12) FR
R3	1	24V	561707	RR JCT BOX	FIELD RELAY
R4	1	24V	561005	RR JCT BOX	STARTING MOTOR
R9	8	24V	561707	RR JCT BOX	BACK-UP LTS
R12	5	12V	562092	FR JCT PANEL	ELECTRICAL HORNS
R13	6	24V	561707	FR JCT PANEL	FOG LTS
R14	6	24V	561707	FR JCT PANEL	NIGHT'S BLINKER
R15	6	24V	561707	FR JCT PANEL	FR MARKER LTS
R16	6	24V	561707	FR JCT PANEL	IDENT. & CLEARANCE LTS
R17	6	24V	561707	RR JCT BOX	TAIL.LICENCE.MARKER-RR LTS
R18	6	24V	561707	FR JCT PANEL	DAYTIME RUN LTS-CANCEL
R19	6	24V	561707	FR JCT PANEL	H1-BEAM
R20	6	24V	561707	FR JCT PANEL	LO-BEAM
R22	3	24V	561707	FR SERV JCT BOX	DDEC III FAST IDLE SIGNAL
R23	3	24V	561707	RR JCT BOX	DDEC III 12V IGNITION
R24	4	24V	561707	BAT JCT PANEL	WORLD TRANSMISSION 12V IGN.
R25	3	24V	561707	FR SERV JCT BOX	BRAKE SW-DDEC CRUISE CTR
R26	8	24V	561707	RR JCT BOX	STOP LTS
R27	27	24V	560407	GALLEY	GALLEY CHARGER
R28	27	24V	561014	GALLEY	GALLEY CHARGER
R29	15	24V	561005	BAT JCT PANEL	A/C CONDENSER FAN
R30	15	24V	561005	BAT JCT PANEL	A/C EVAPORATOR FAN
R31	15	24V	561707	BAT JCT PANEL	A/C WATER PUMP
R32	1	24V	561991	BAT JCT PANEL	12V RR CUT-IN RLY
R33	15	12V	561538	FR JCT PANEL	A/C BLOWER CUT-IN
R34	15	24V	561707	RR JCT BOX	A/C WARNING LT
R35	15	24V	561707	FR JCT BOX	A/C WATER VALVE
R36	16	24V	561707	RR JCT BOX	AUX. A/C COMPRESSOR CLUTCH
R37	1	24V	561707	RR JCT BOX	GENERATOR-12VAC RLY SIGN
R38	16	24V	561707	RR JCT BOX	AUX. A/C FAN MOTOR
R39	13	24V	561707	RR JCT BOX	24V FLUORESCENT
R42	1	24V	561991	BAT JCT PANEL	12V FRONT CUT-IN RLY
R43	15	24V	561707	FR JCT BOX	WATER HEATER-BYPASS VALVE
R44	1	24V	561991	BAT JCT PANEL	12V FRONT CUT-IN RLY
R45	12	24V	561707	RR JCT BOX	READING LTS
R46	7	24V	561707	UNDER INST PANEL	LH DIRECTIONNAL LTS
R47	7	24V	561707	UNDER INST PANEL	RH DIRECTIONNAL LTS
R49	24	24V	561707	FR SERV JCT BOX	ABS - SERVICE BRAKE RLY
R50	24	24V	561707	FR SERV JCT BOX	ABS - VR2 RLY
R51	24	24V	561707	FR SERV JCT BOX	ABS - WARNING RLY
R52	24	24V	561707	FR SERV JCT BOX	ABS - VR1 RLY
R53	2	24V	561991	RR JCT BOX	ENGINE RUN 24V RR
R54	2	24V	561991	RR JCT BOX	ENGINE RUN 12V RR
R57	6	24V	561707	FR JCT PANEL	DAY'S BLINKER
R60	6	12V	561538	FR JCT PANEL	DAYTIME RUN LTS
R62	7	24V	561707	BEHIND RH CONS	RH CORNERING
R63	7	24V	561707	BEHIND RH CONS	LH CORNERING
R66	19	24V	562341	RR JCT BOX	UNLOAD TAG-TIME DELAY OFF
R67	19	24V	561707	RR JCT BOX	UNLOAD TAG SYSTEM
R69	22	12V	562092	FR JCT PANEL	LUGG DOOR LOCK
R70	22	12V	562092	FR JCT PANEL	LUGG DOOR UNLOCK
R71	22	12V	562092	FR JCT PANEL	LUGG DOOR LOCK TT LT
R72	11	24V	561707	FR JCT PANEL	DASH EMERGENCY AISLE-LTS
R73	28-29	24V	561557	FR JCT PANEL	SOUND SYSTEM
R74	22	12V	562092	RR JCT BOX	LUGG DOOR LOCK
R75	22	12V	562092	RR JCT BOX	LUGG DOOR UNLOCK
R76	8	24V	561707	RR JCT BOX	STOP LTS-ENG. BRK & RET. SYST.

NO.	PAGE	COIL V	#PREVOST	LOCATION	FUNCTION
R77	7	12V	562092	UNDER DASH	AUDIBLE FLASHER RLY
R78	5	24V	561707	RR JCT BOX	DDEC3 FAN CONTROL SPEED#1
R79	5	24V	561707	RR JCT BOX	DDEC3 FAN CONTROL SPEED#2
R80	23	24V	561707	FR SERV JCT BOX	ENGINE BRAKE SYSTEM-WT CONTROL
R81	23	24V	561707	FR SERV JCT BOX	ENGINE BRAKE SYSTEM-WT CONTROL
R82	23	24V	561707	FR SERV JCT BOX	RETARDER SYSTEM
R83	17	24V	561707	RR JCT BOX	WATER HEATER WEBASTO-PUMP
R84	16	24V	561707	RR JCT BOX	AUX. A/C RAD. FAN CLUTCH CTRL
R86	21	24V	561707	FR SERVICE CPT	KNEELING SYSTEM
R87	21	24V	561707	FR SERVICE CPT	KNEELING SYSTEM
R88	21	24V	561707	FR SERVICE CPT	KNEELING SYSTEM
R91	30	24V	561707*	FR JCT PANEL	VIDEO SYSTEM & TV RECEIVER

RESISTOR CODE (RS)

Page J : 1

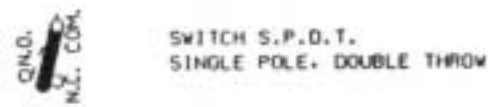
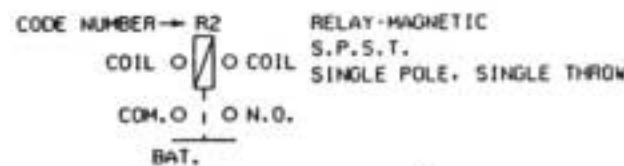
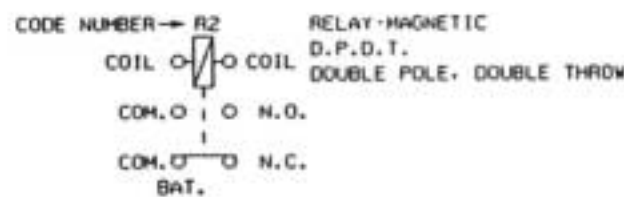
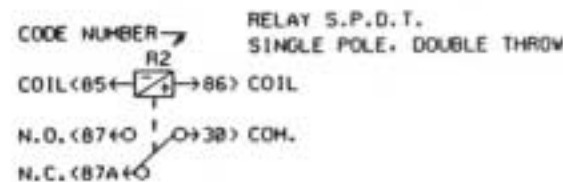
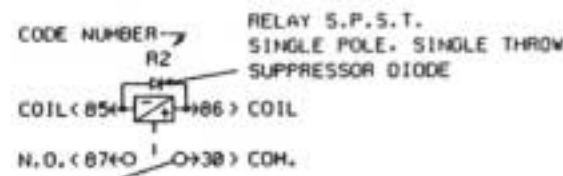
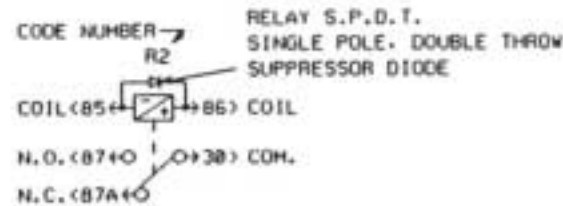
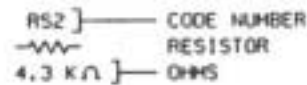
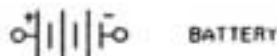
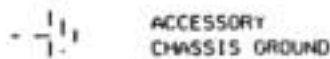
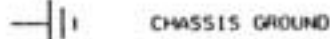
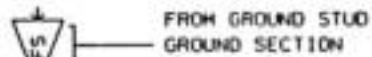
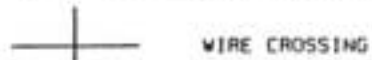
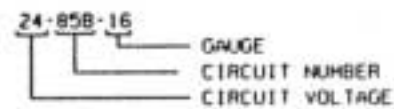
NO.	PAGE	OHM(S)	#PREVOST	LOCATION	FUNCTION
RS1	3	11 K	562307	FR SERV JCT BOX	DDEC III-FAST IDLE
RS2	3	3.6 K	562306	FR SERV JCT BOX	DDEC III-FAST IDLE
RS3	6	1 (2)	561537	FR SERV. COMPT.	FOG LT - RH
RS4	6	1 (2)	561537	FR SERV. COMPT.	FOG LT - LH
RS11	16	2	062289	REAR A/C AUX.	A./C AUXILIARY
RS12	16	2	062289	REAR A/C AUX.	A./C AUXILIARY
RS13	16	470 K	061962	RR JCT BOX	AUX. A/C TD COMPR. CLUTCH
RS14	6	.82 (2)	060806	FR SERV. COMPT.	DAYTIME RUN LTS
RS15	12	33	063073	RR JCT BOX	COMPR CLUTCH TIME DELAY ON
RS16	31	80	562108	FRONT TOP	FR. DESTINATION SIGN
RS17	5	220	562498	UNDER DASH	FIRE ALARM

RESISTOR CODE (RS)

Page J : 1

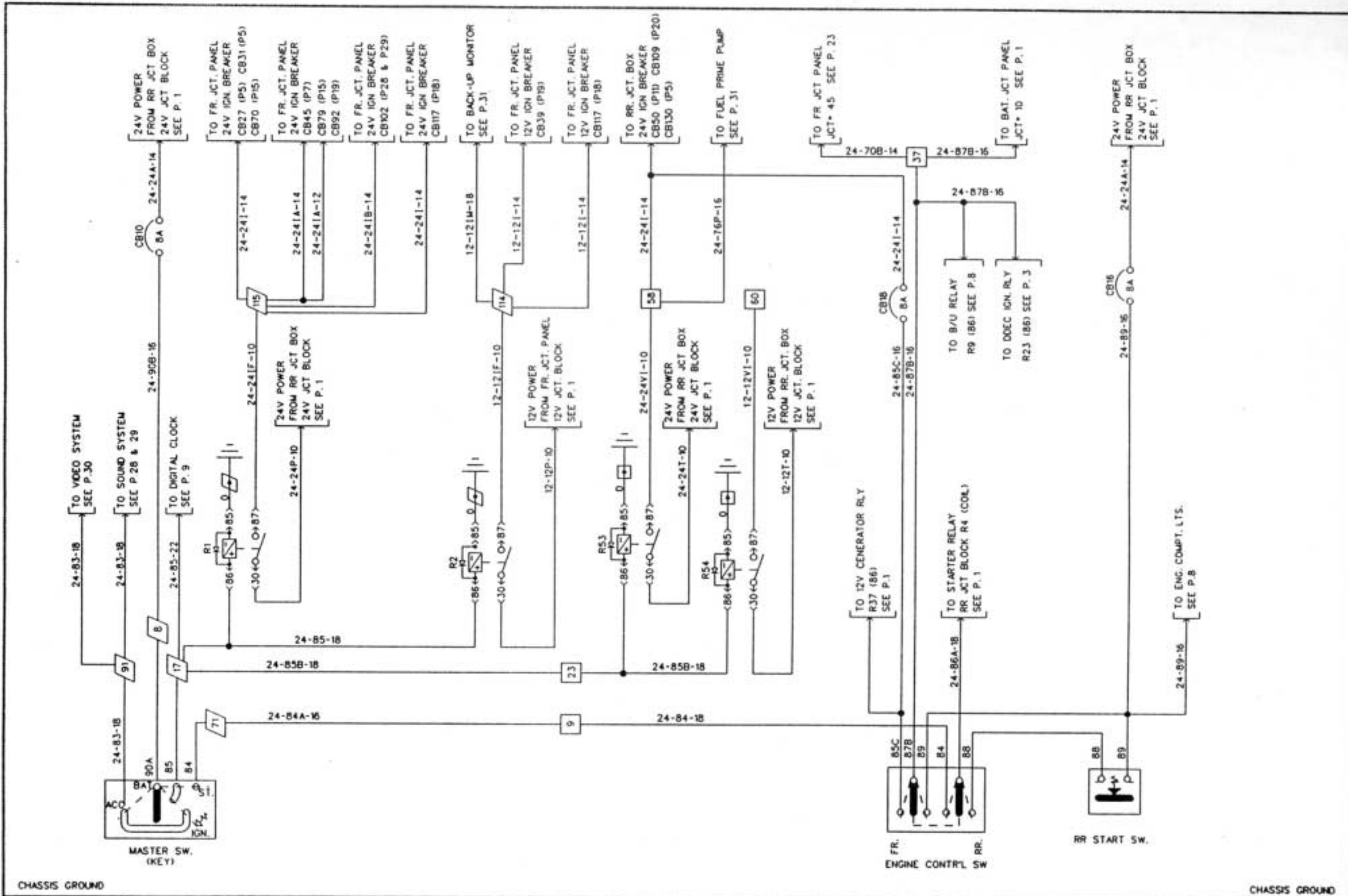
NO.	PAGE	OHM(S)	#PREVOST	LOCATION	FUNCTION
-----	------	--------	----------	----------	----------

WIRING DIAGRAM KEYS

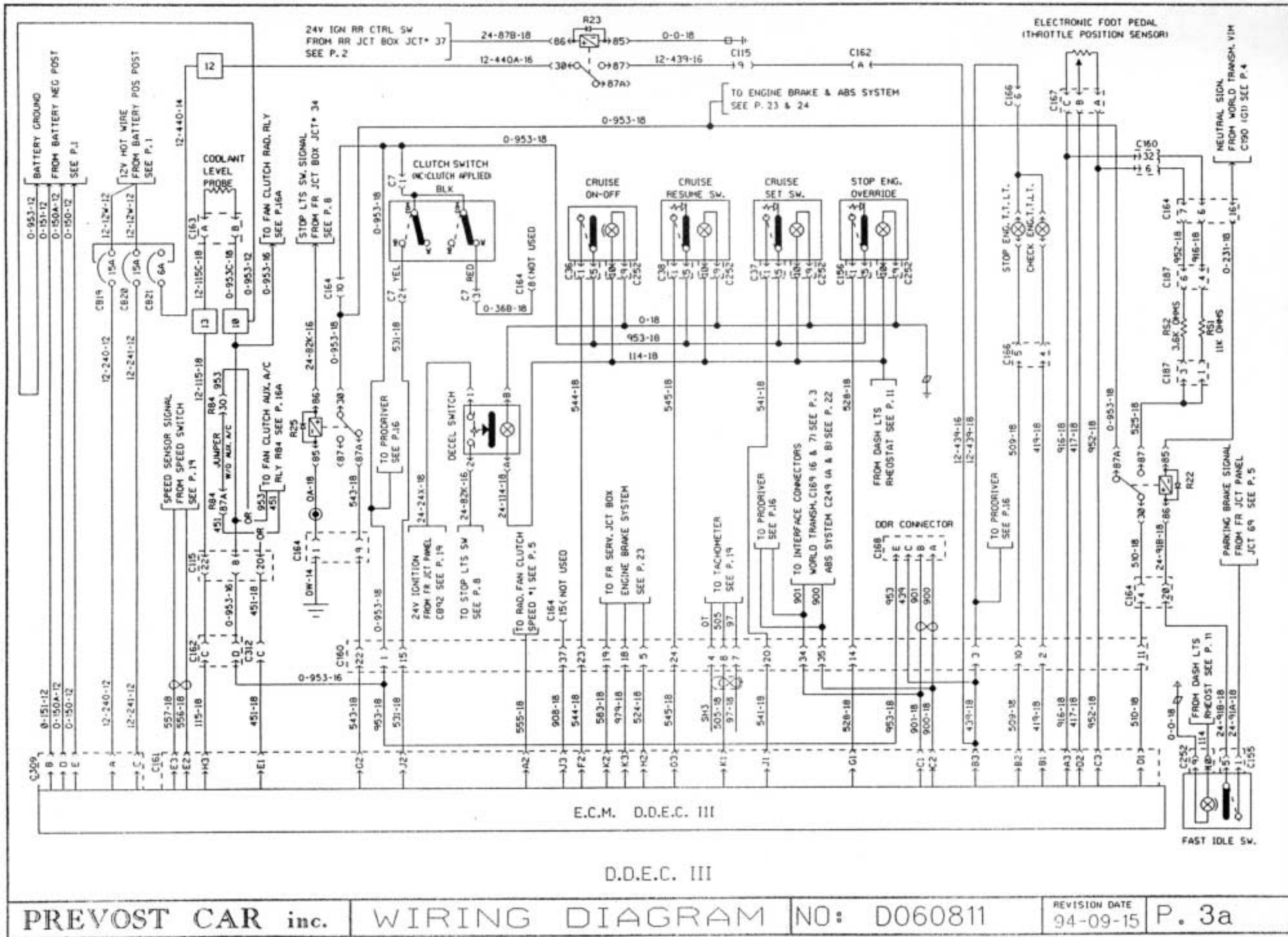


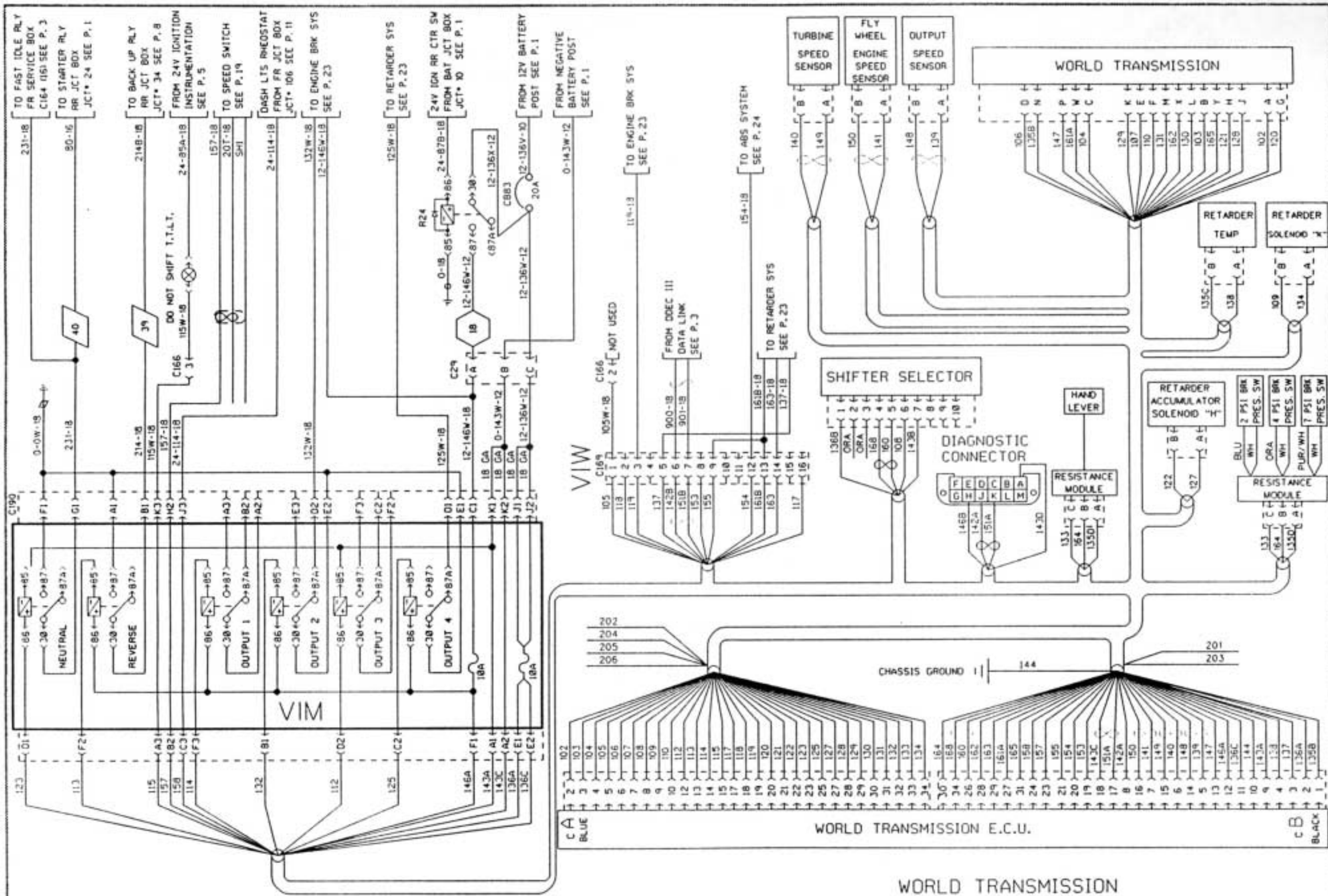
BLK	BLACK
YEL	YELLOW
RED	RED
WH	WHITE
GRY	GREY
ORA	ORANGE
BLU	BLUE
GRN	GREEN
BRN	BROWN
PUR	PURPLE
PK	PINK

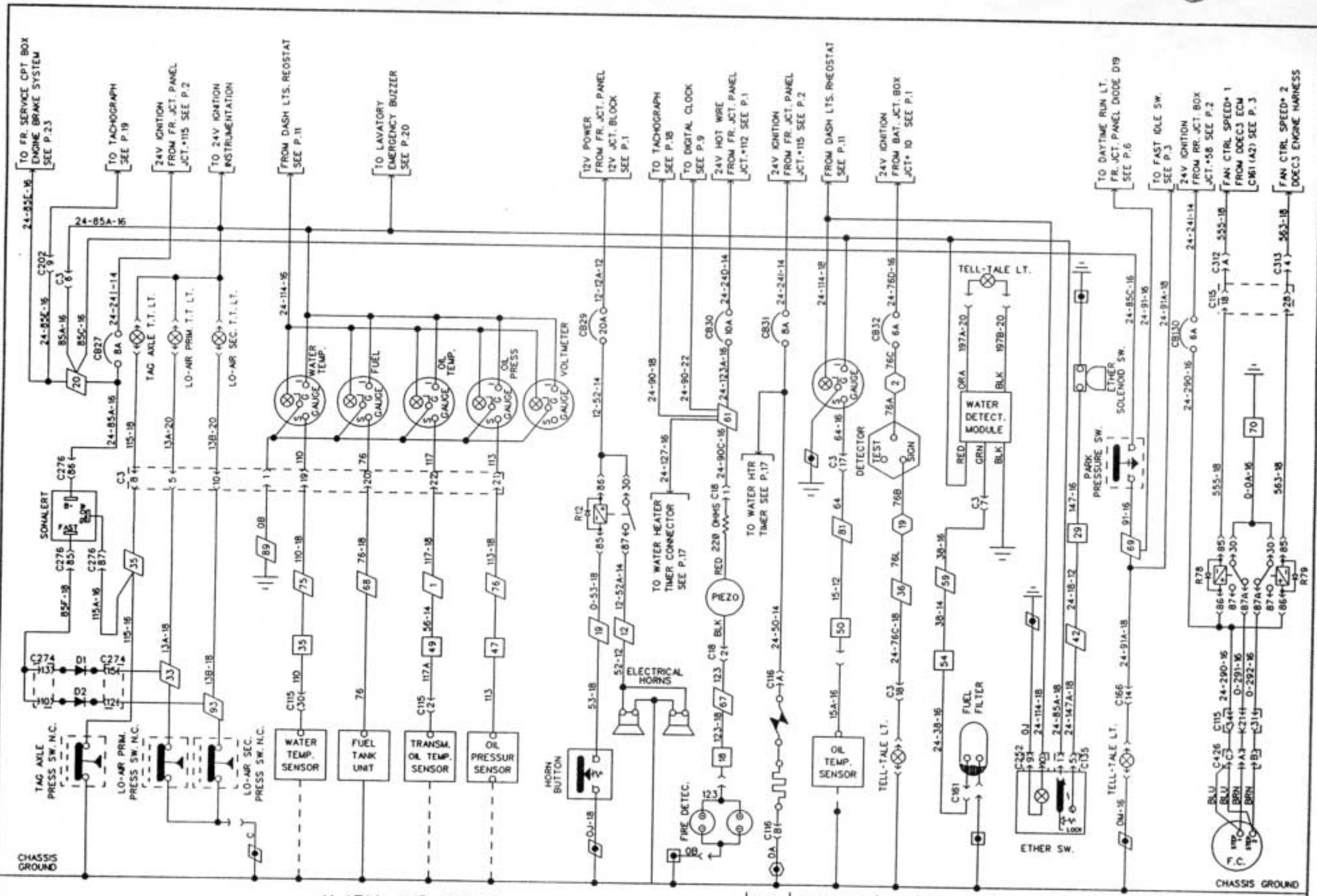
	RR. JCT BOX - JUNCTION BLOCK
	FR. JCT PANEL - JUNCTION BLOCK
	BATT. CPT - JUNCTION BLOCK



ENGINE CONTROL

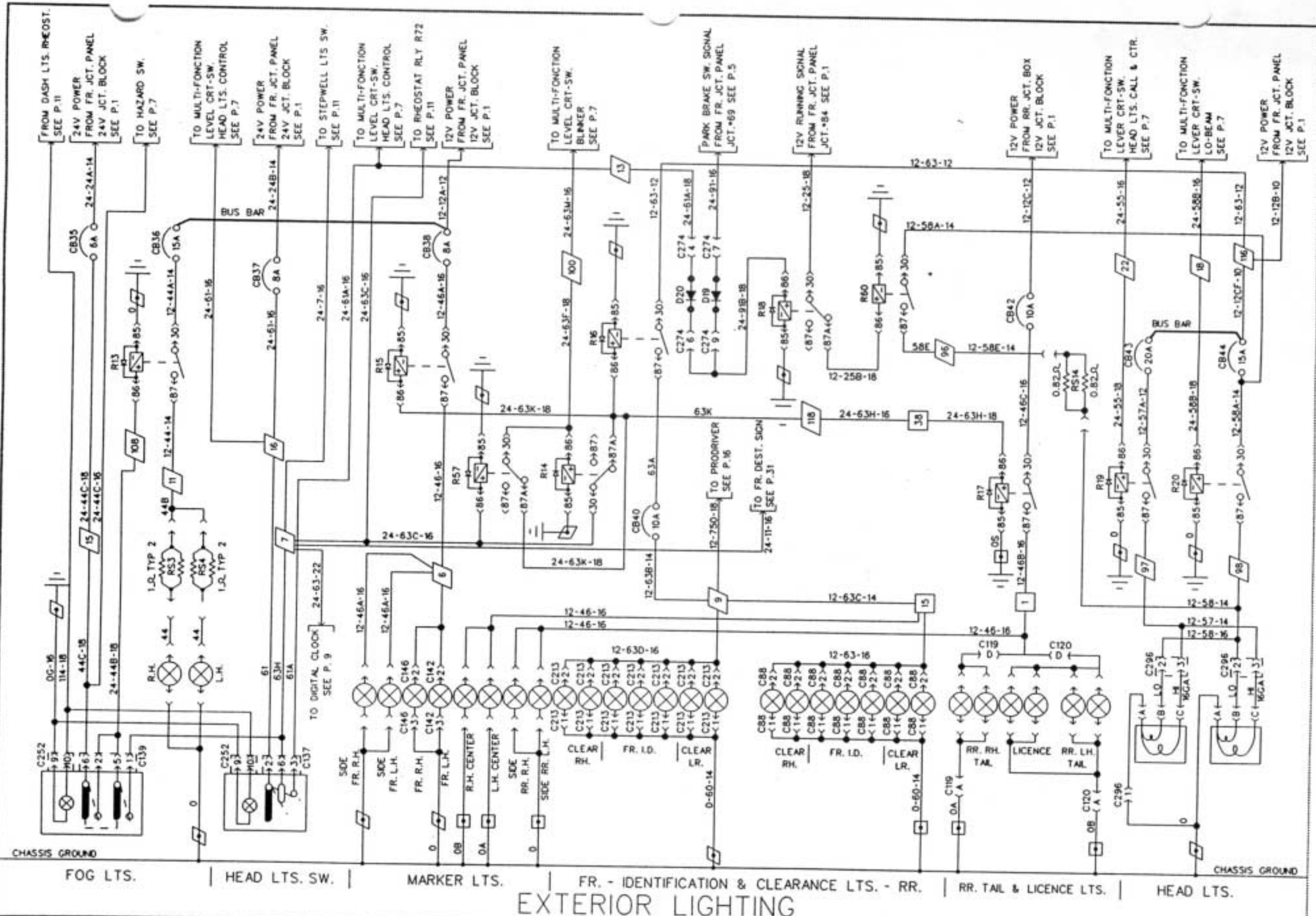


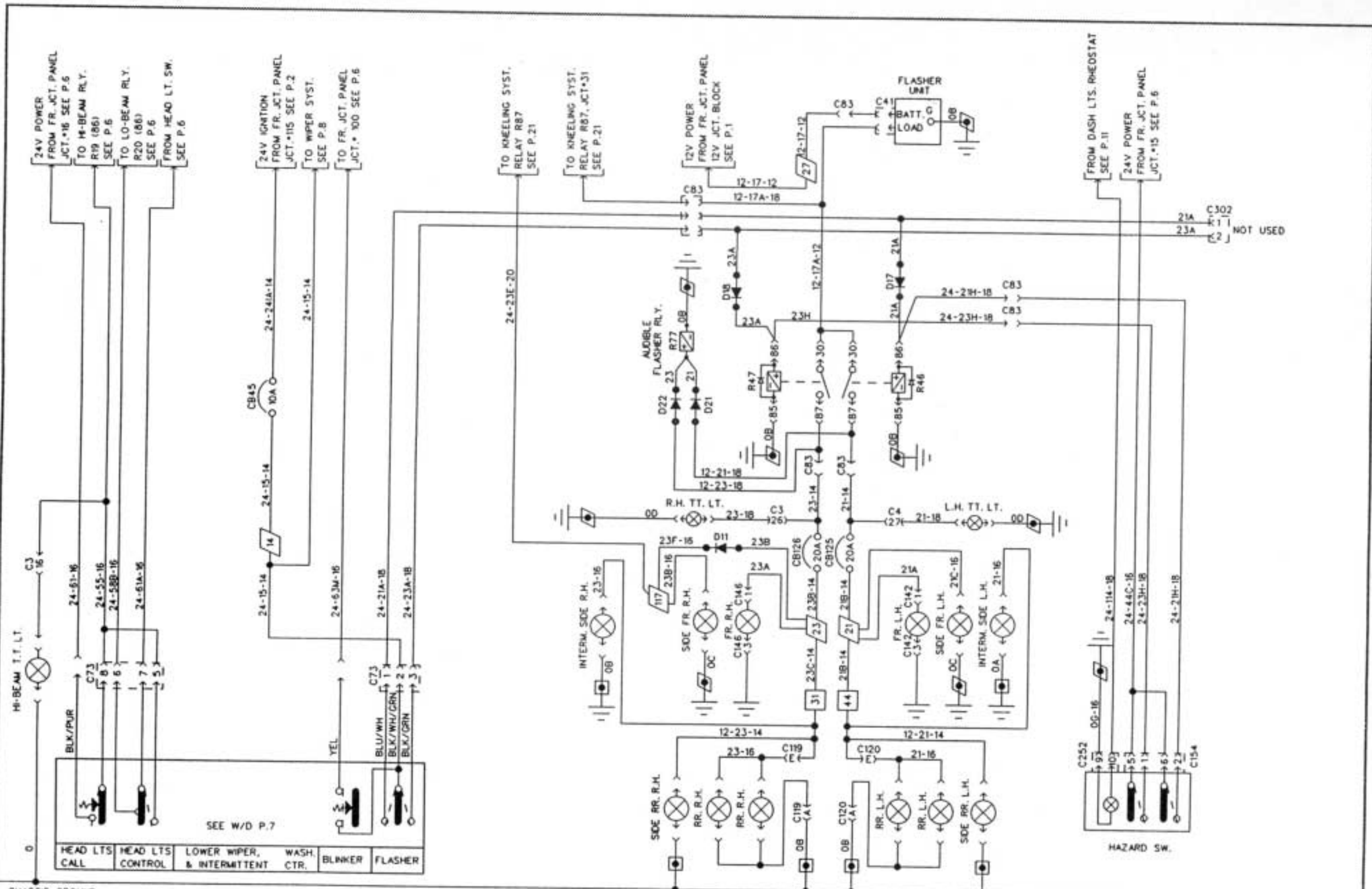




ALARM AND SIGNAL

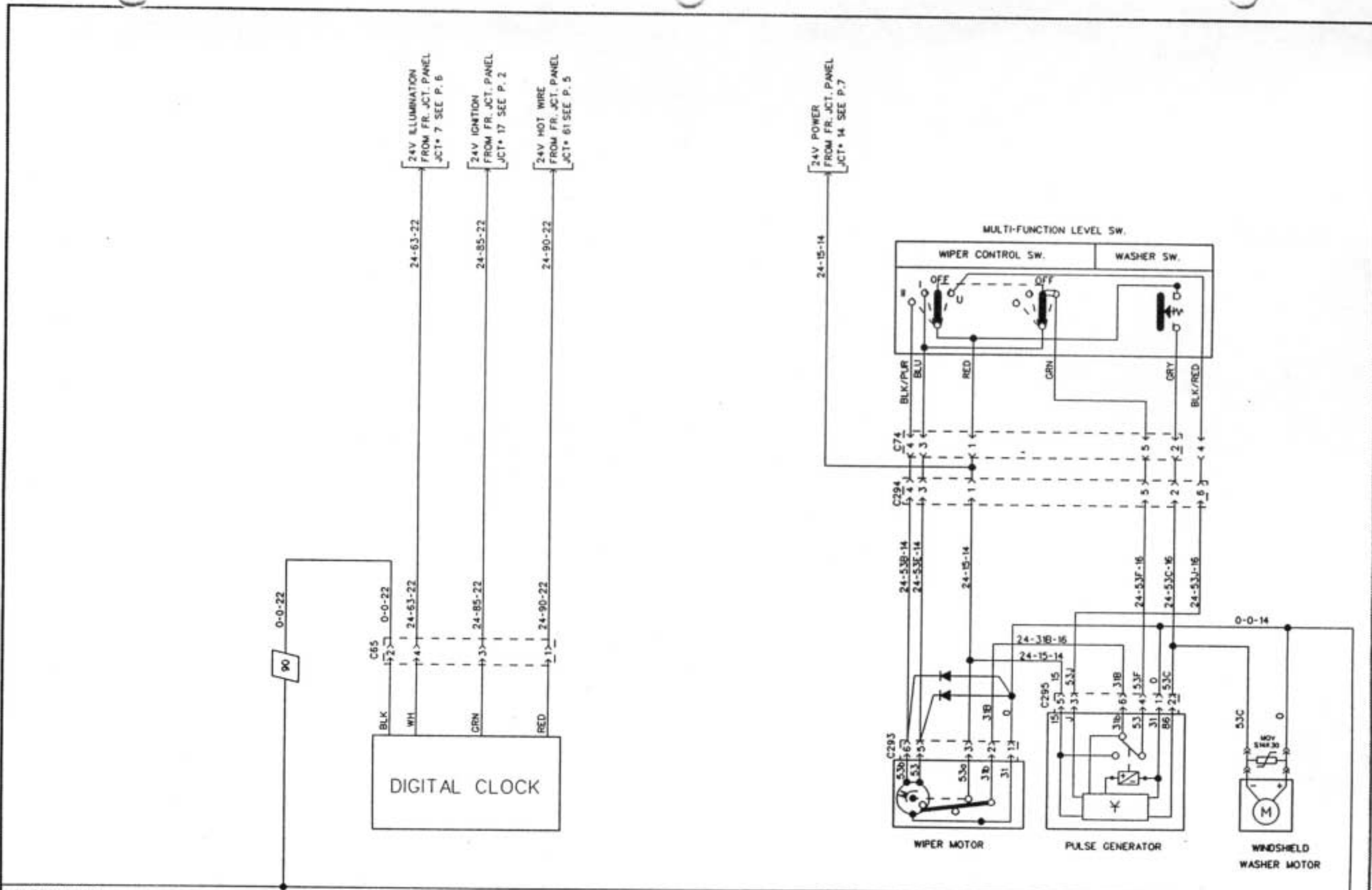
AR DRYER
DIFFERENTIAL OIL TEMP.
LOW FUEL
FUEL WATER FILTER
ETHER COLD START
PARKING BRAKE SW.
RADIATOR FAN CLUTCH



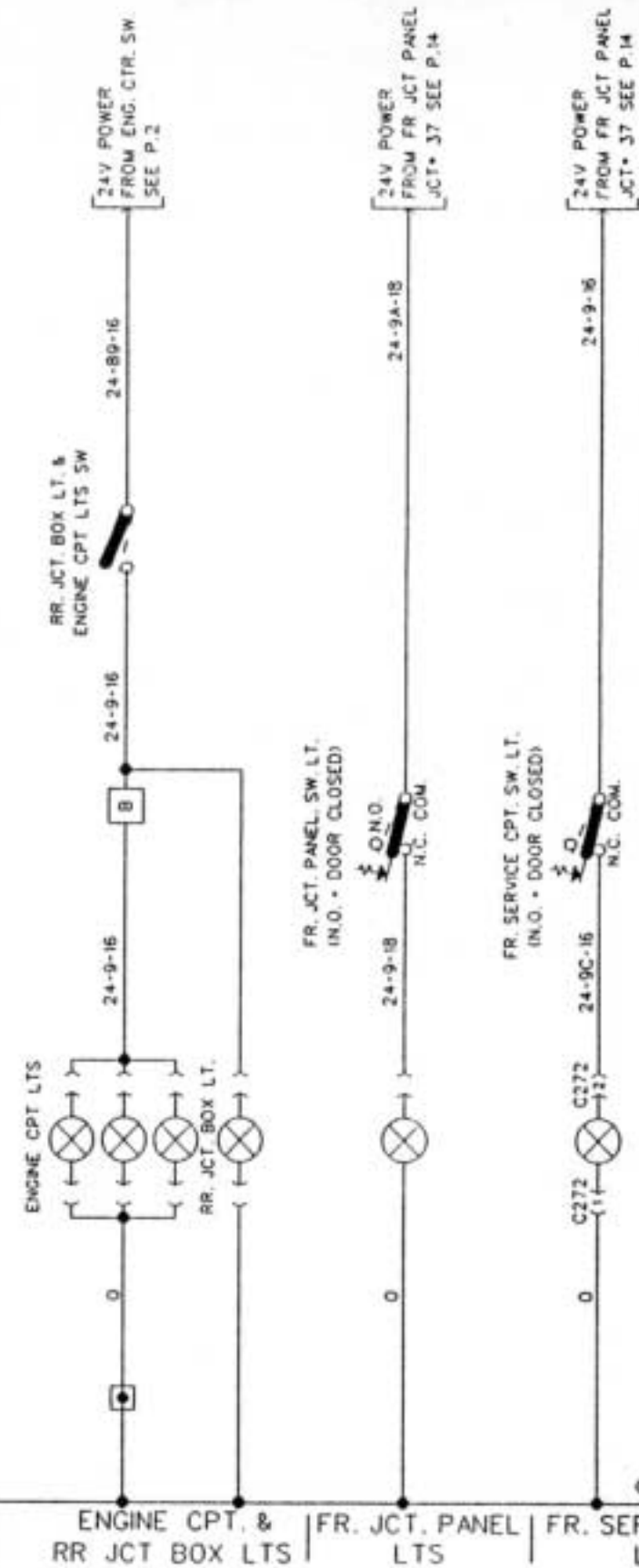
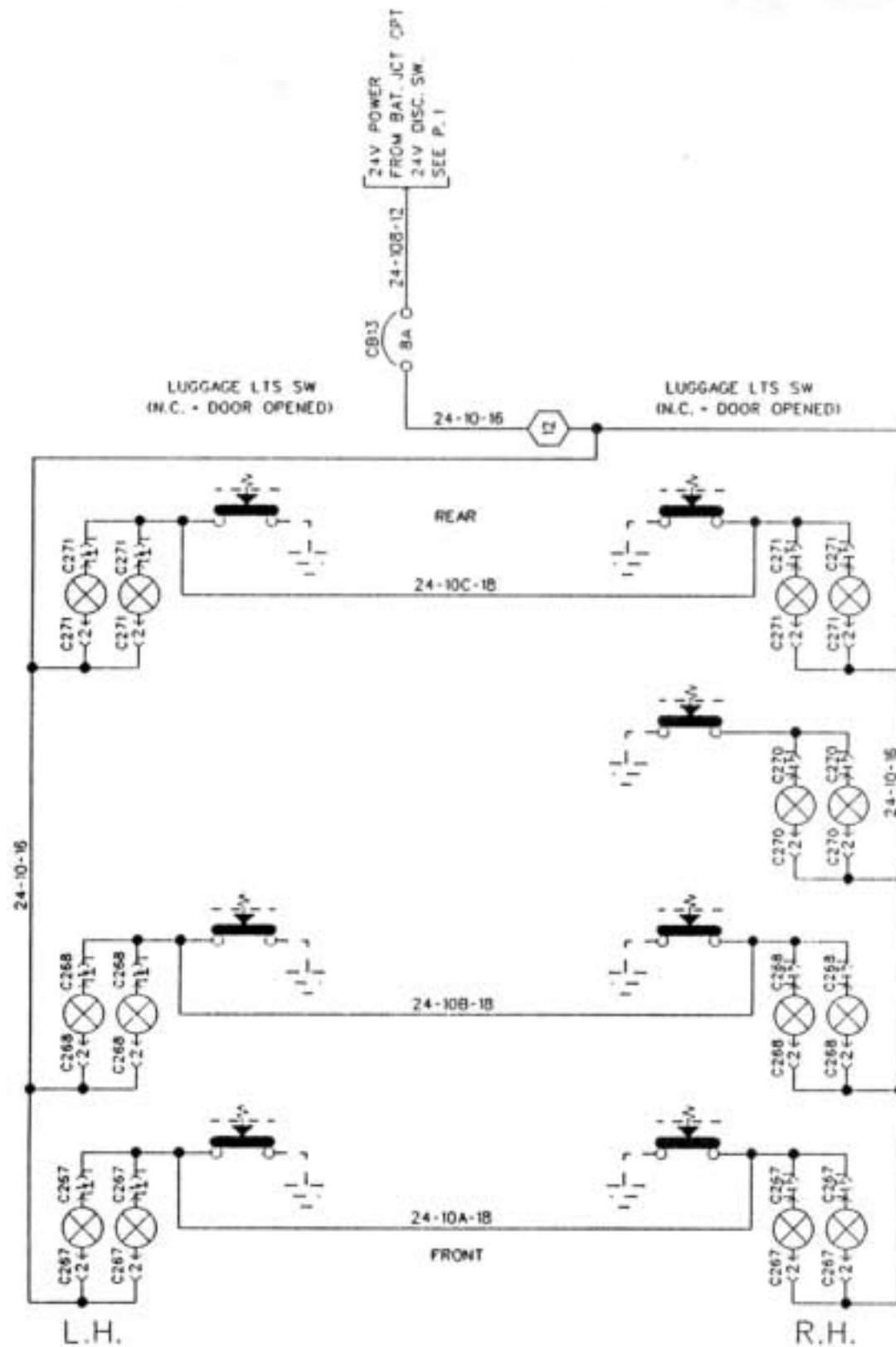


CHASSIS GROUND | MULTI-FUNCTION LEVEL CTR. SW. | DIRECTIONAL AND HAZARD LTS. | CHASSIS GROUND

EXTERIOR LIGHTING



CHASSIS GROUND | DIGITAL CLOCK | WINDSHIELD WIPER AND WASHER | CHASSIS GROUND



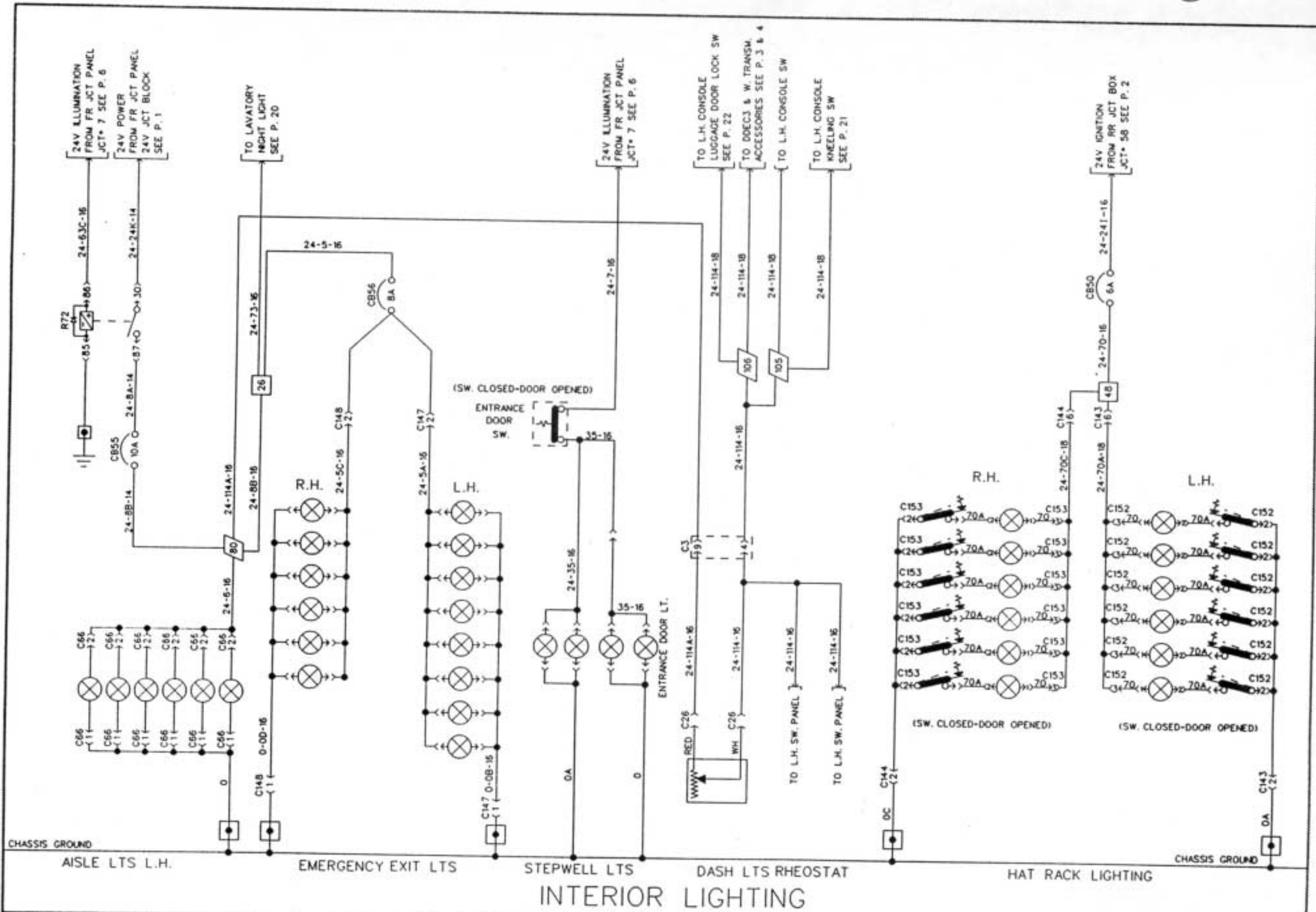
CHASSIS GROUND

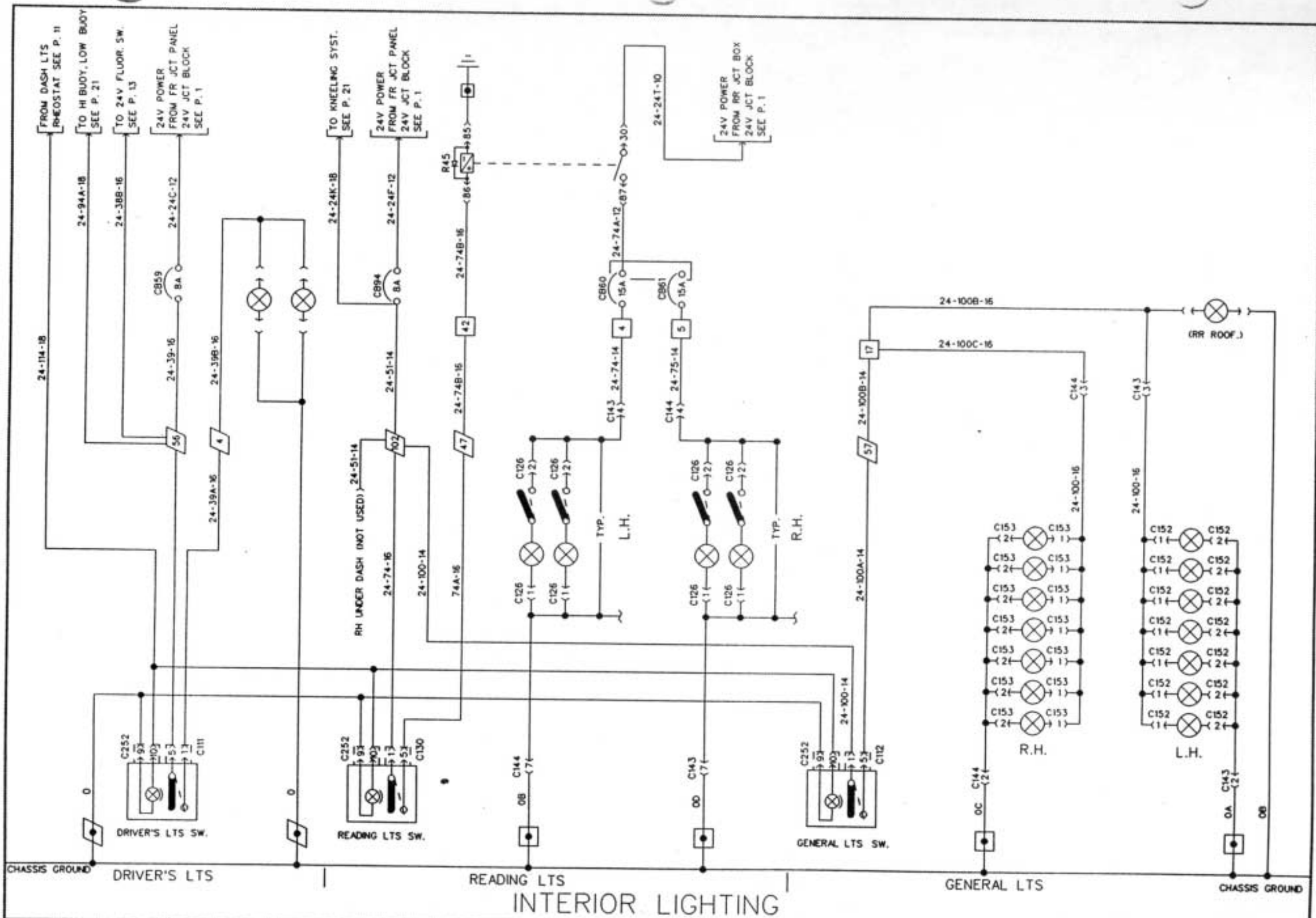
CHASSIS GROUND

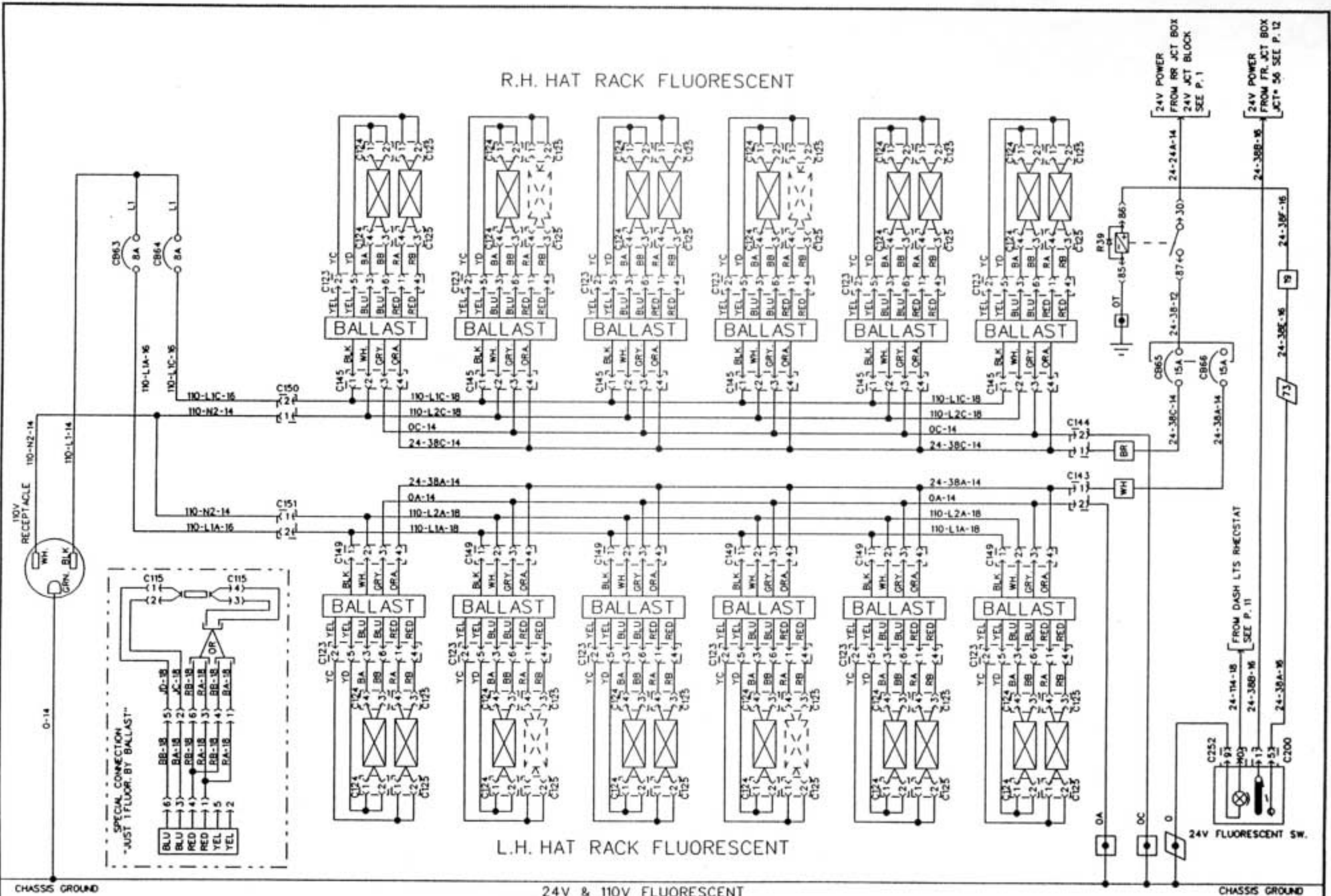
LUGGAGE COMPARTMENT LTS

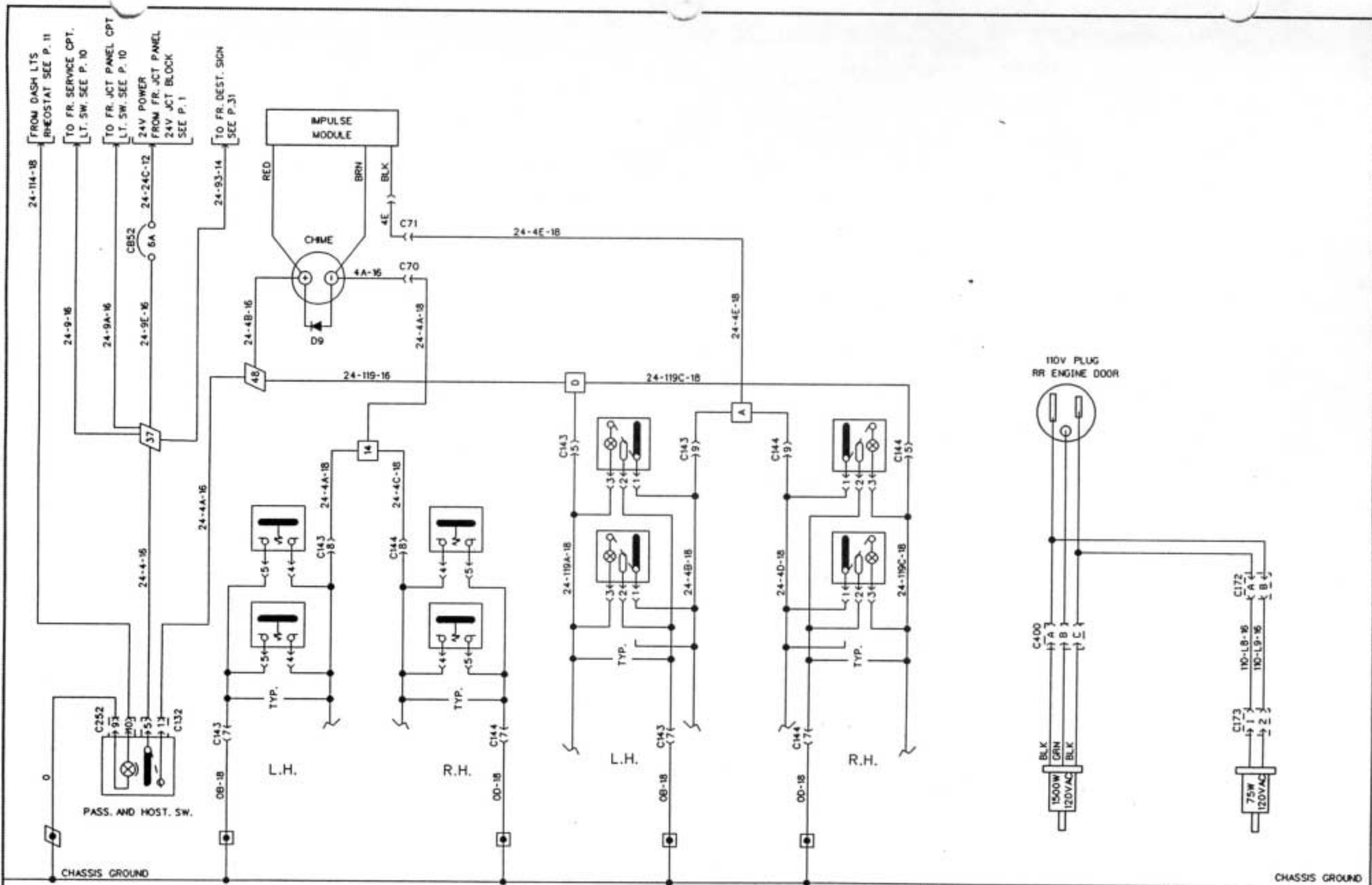
ENGINE CPT. & RR JCT BOX LTS | FR. JCT. PANEL LTS | FR. SERVICE CPT LTS

INTERIOR LIGHTING







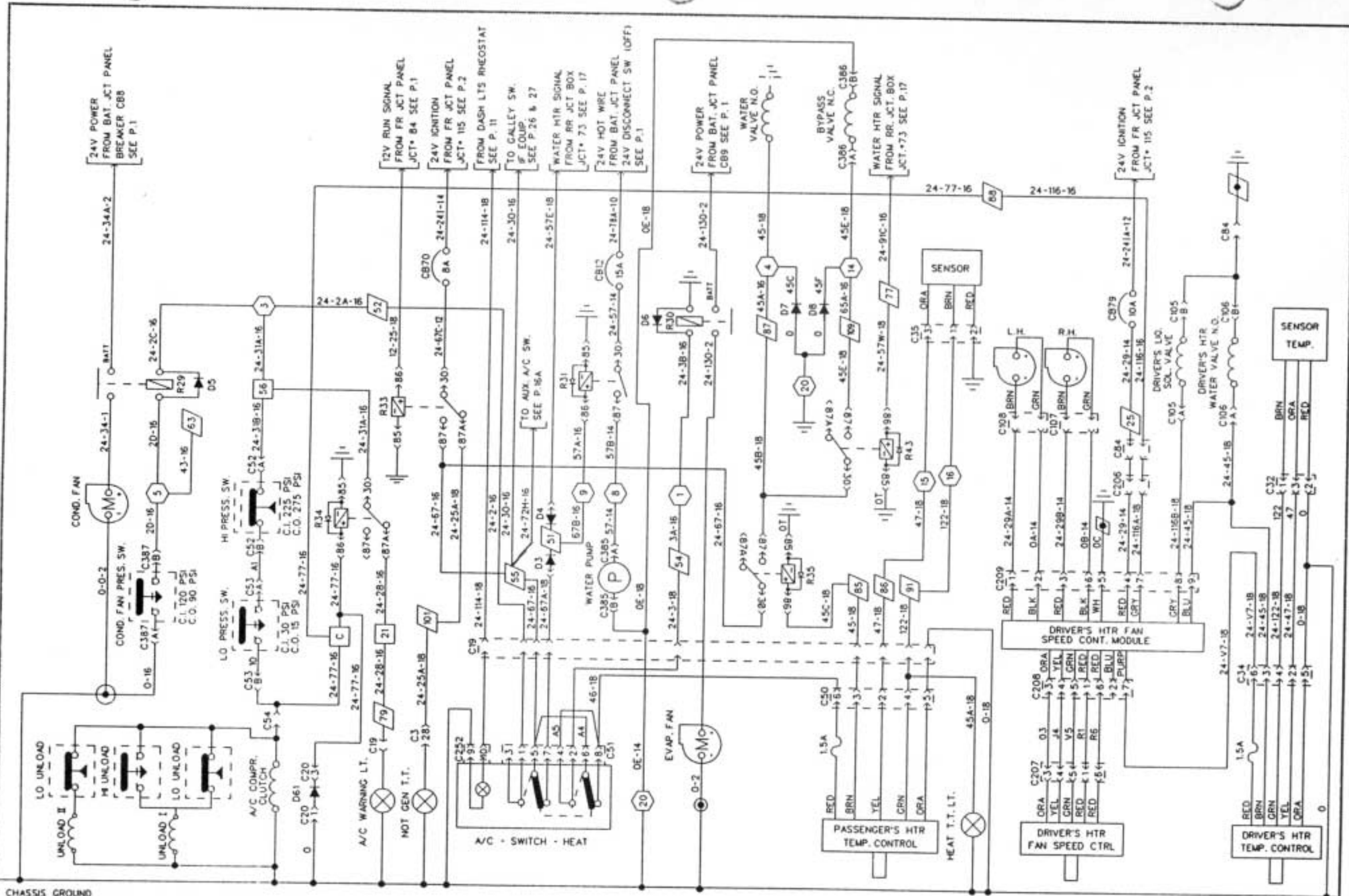


PASSENGER CHIME

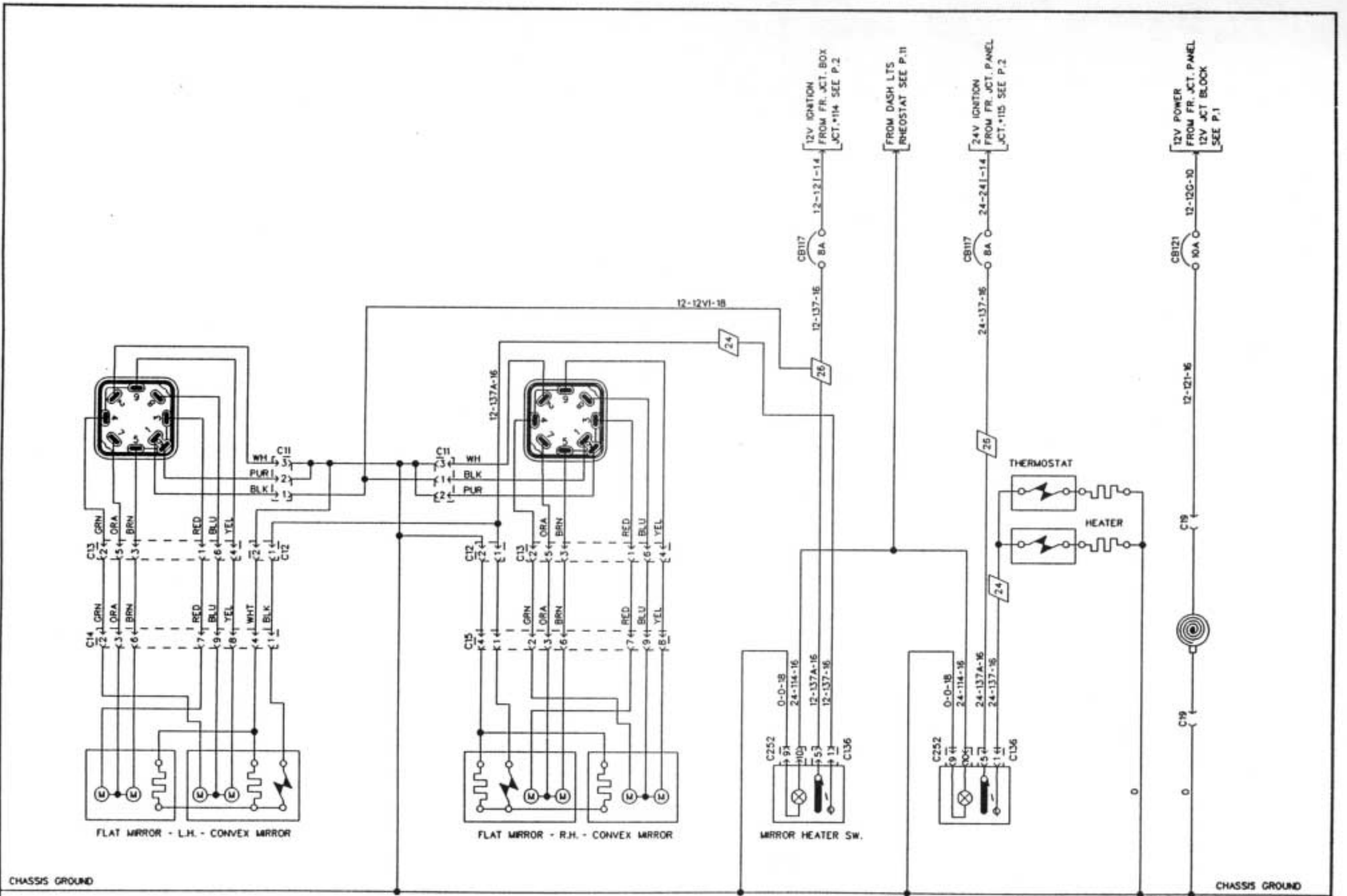
HOSTESS CHIME

ENGINE BLOCK HEATER

WATER TANK HEATER



A/C AND HEAT SYSTEM

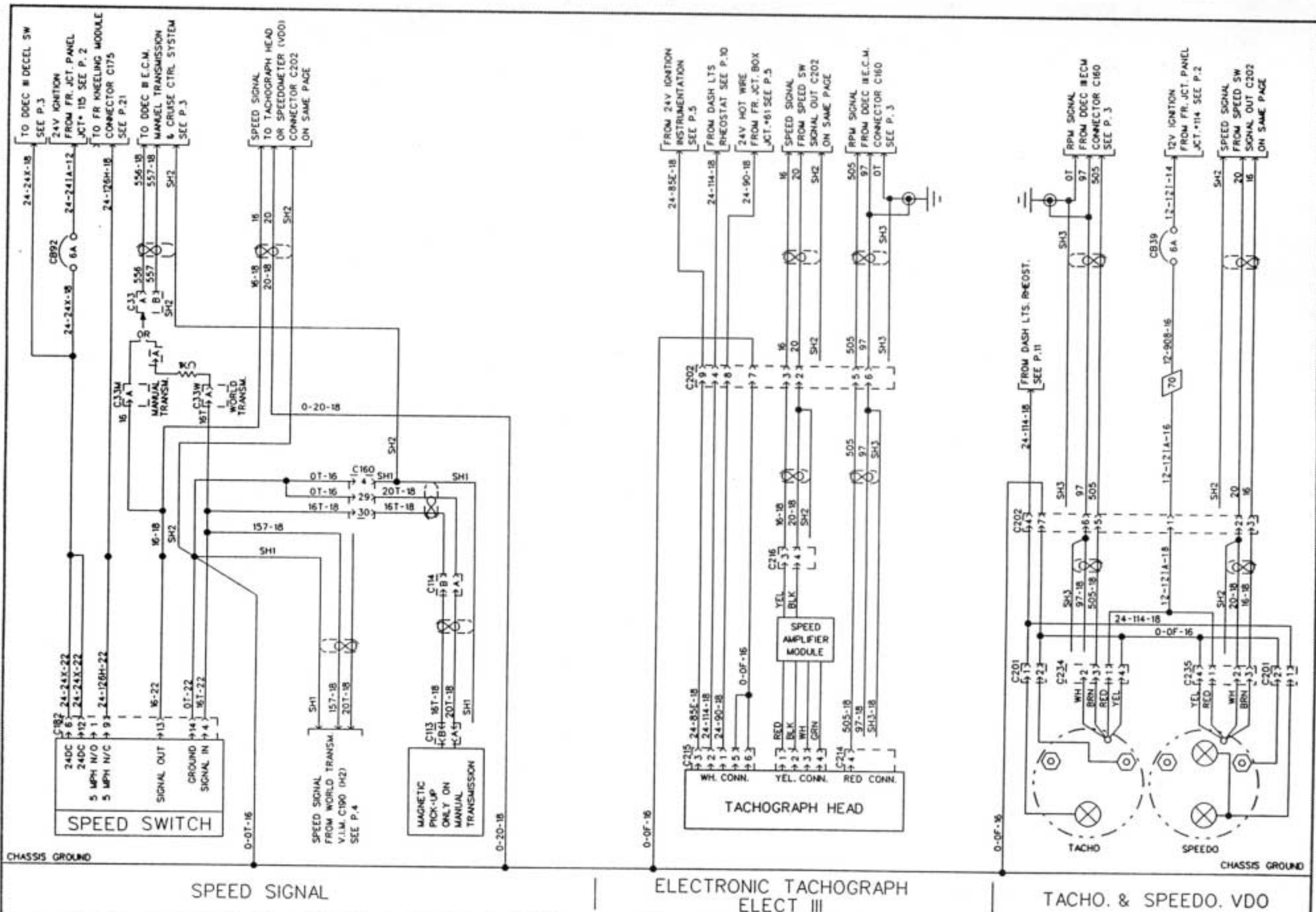


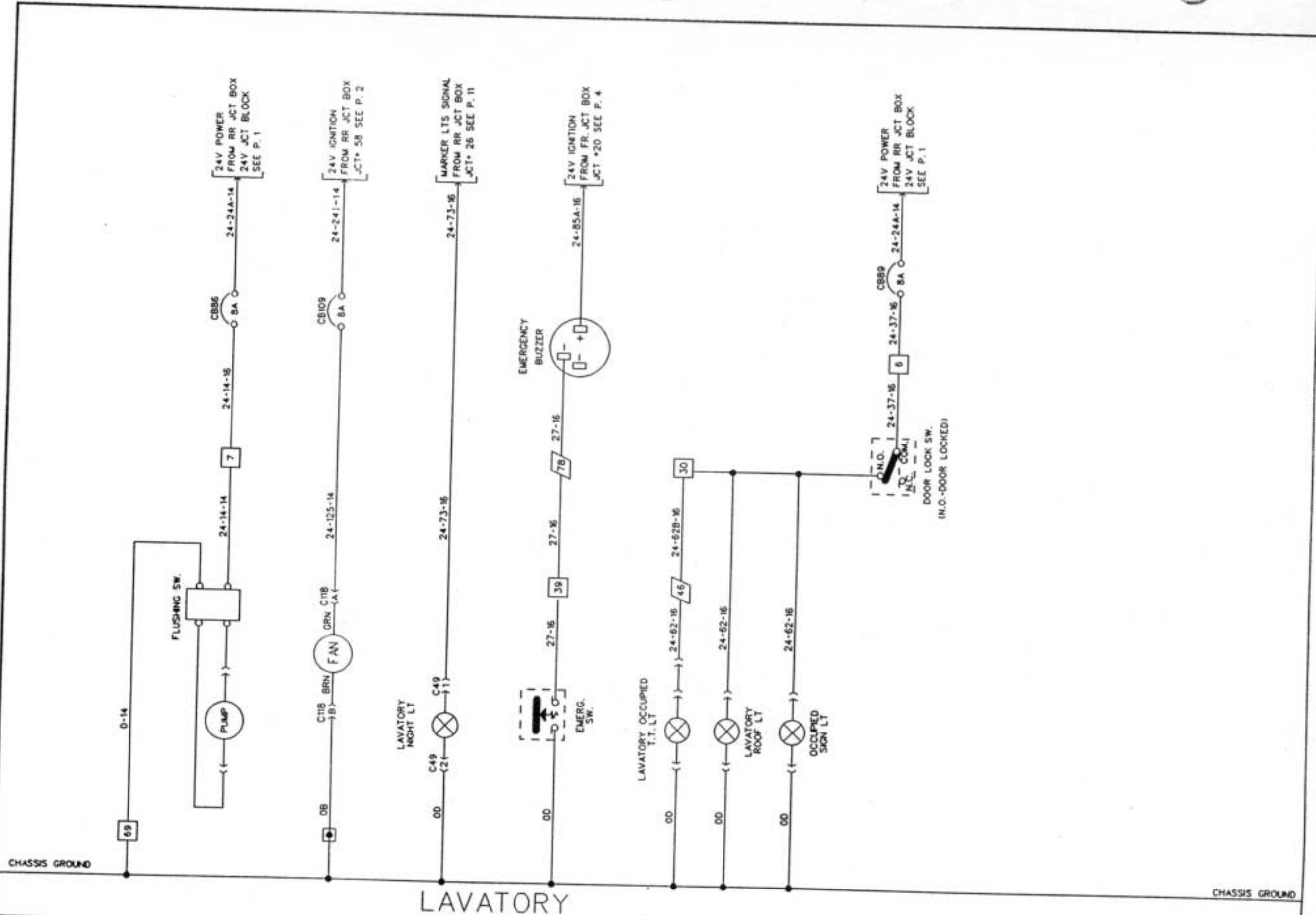
CHASSIS GROUND

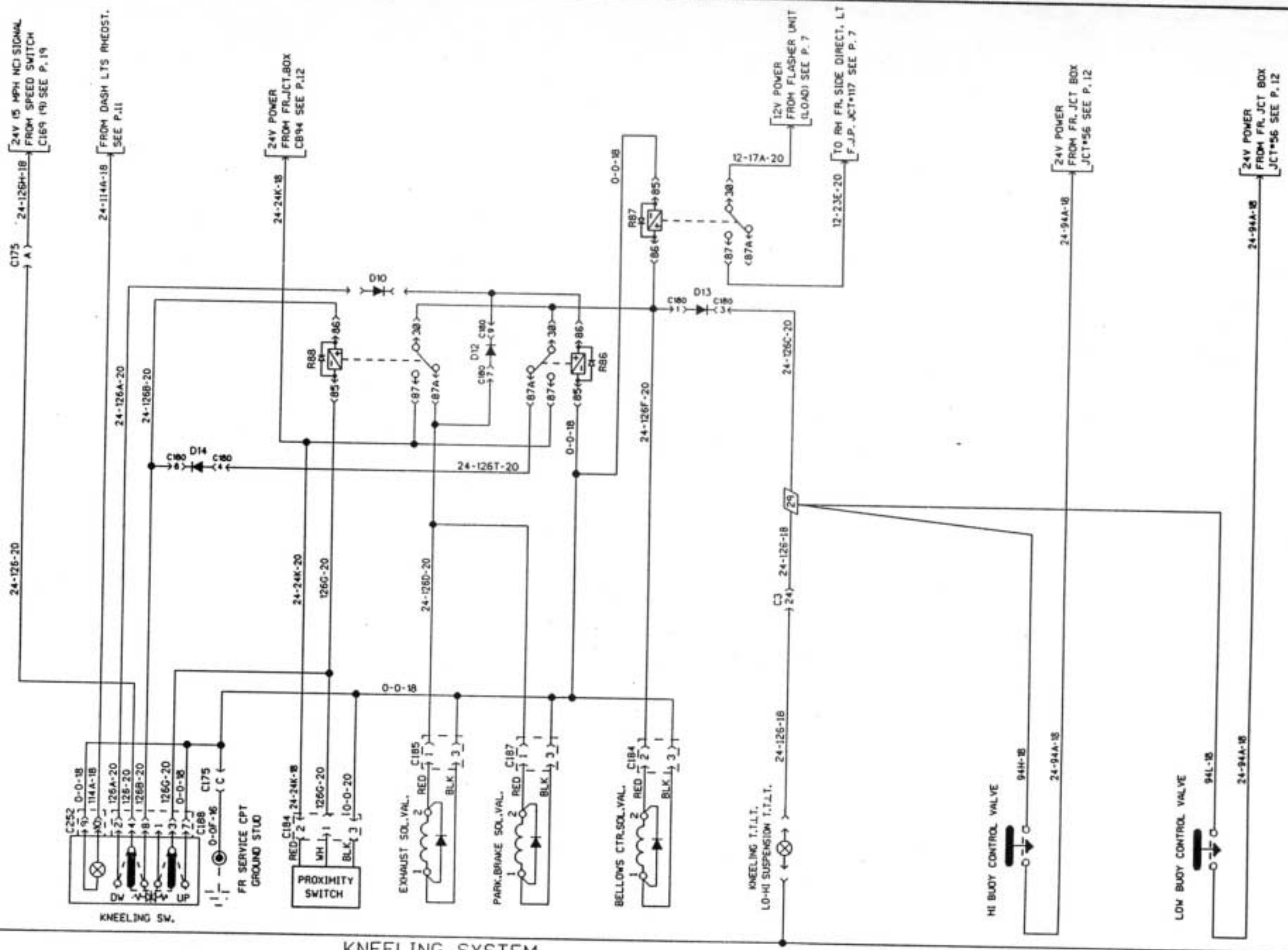
REAR VIEW MIRROR - ADJUSTMENT & HEATER SW. (RAMCO)

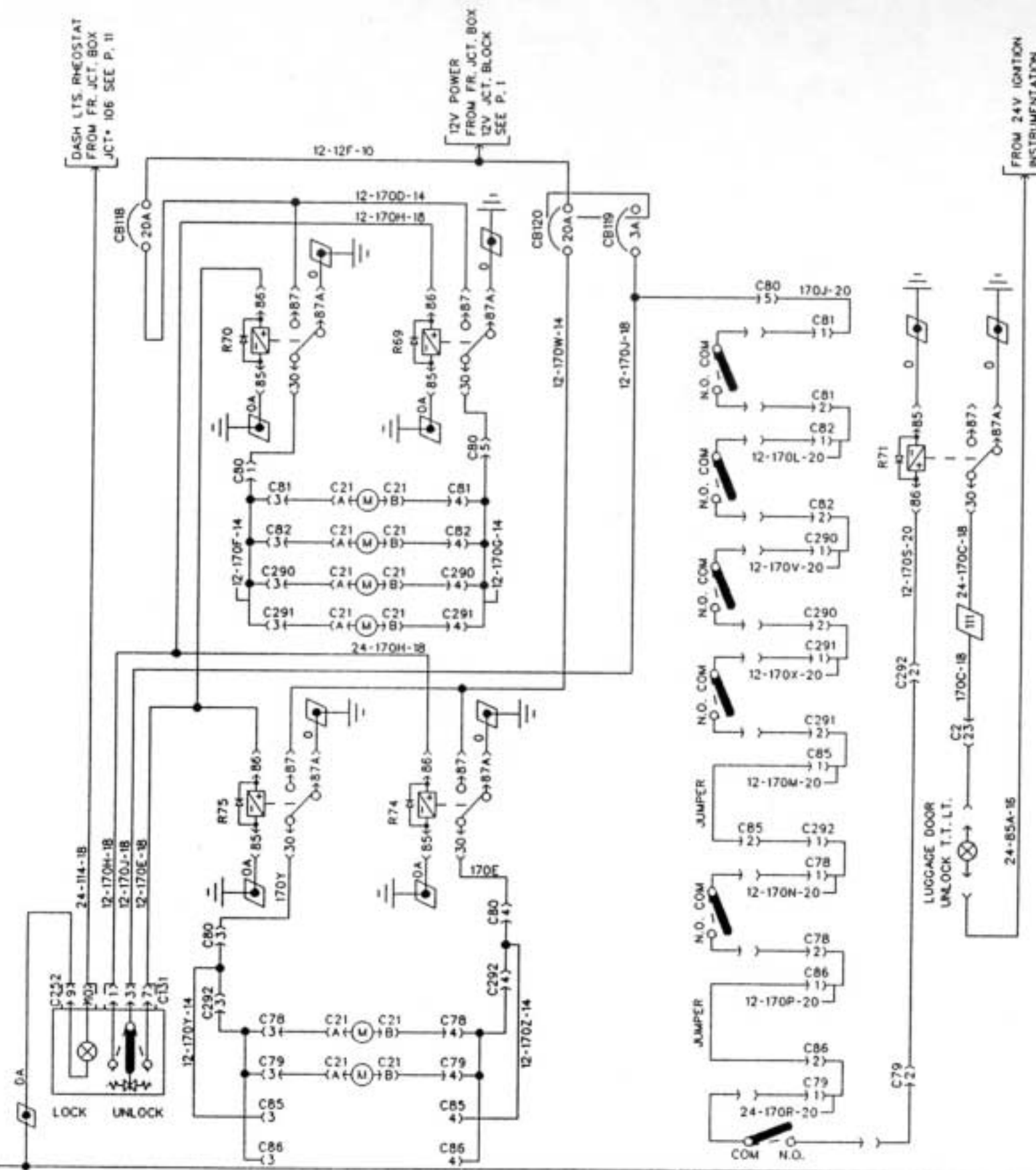
MIRROR (IKI)

CIGAR LIGHTER

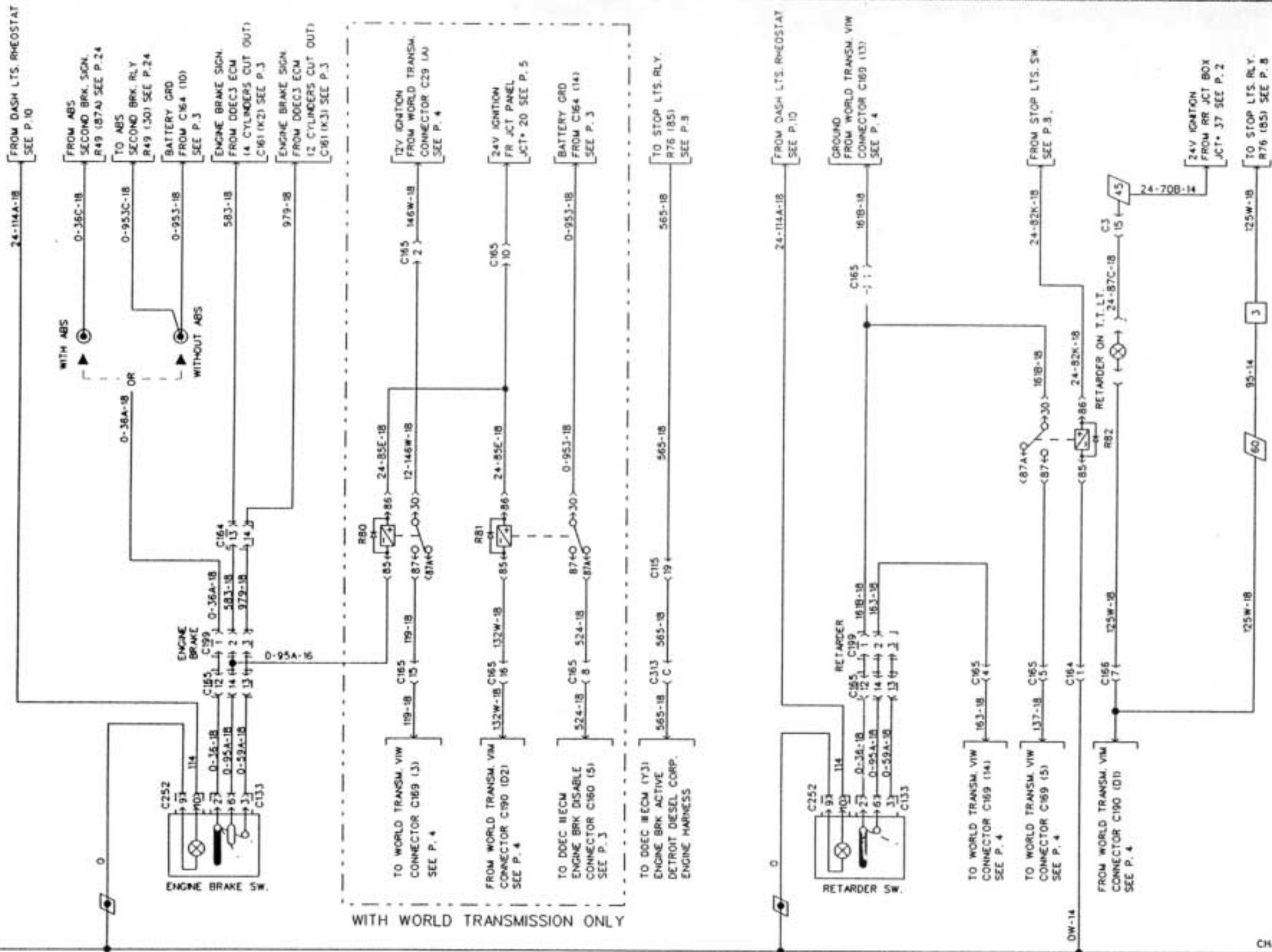






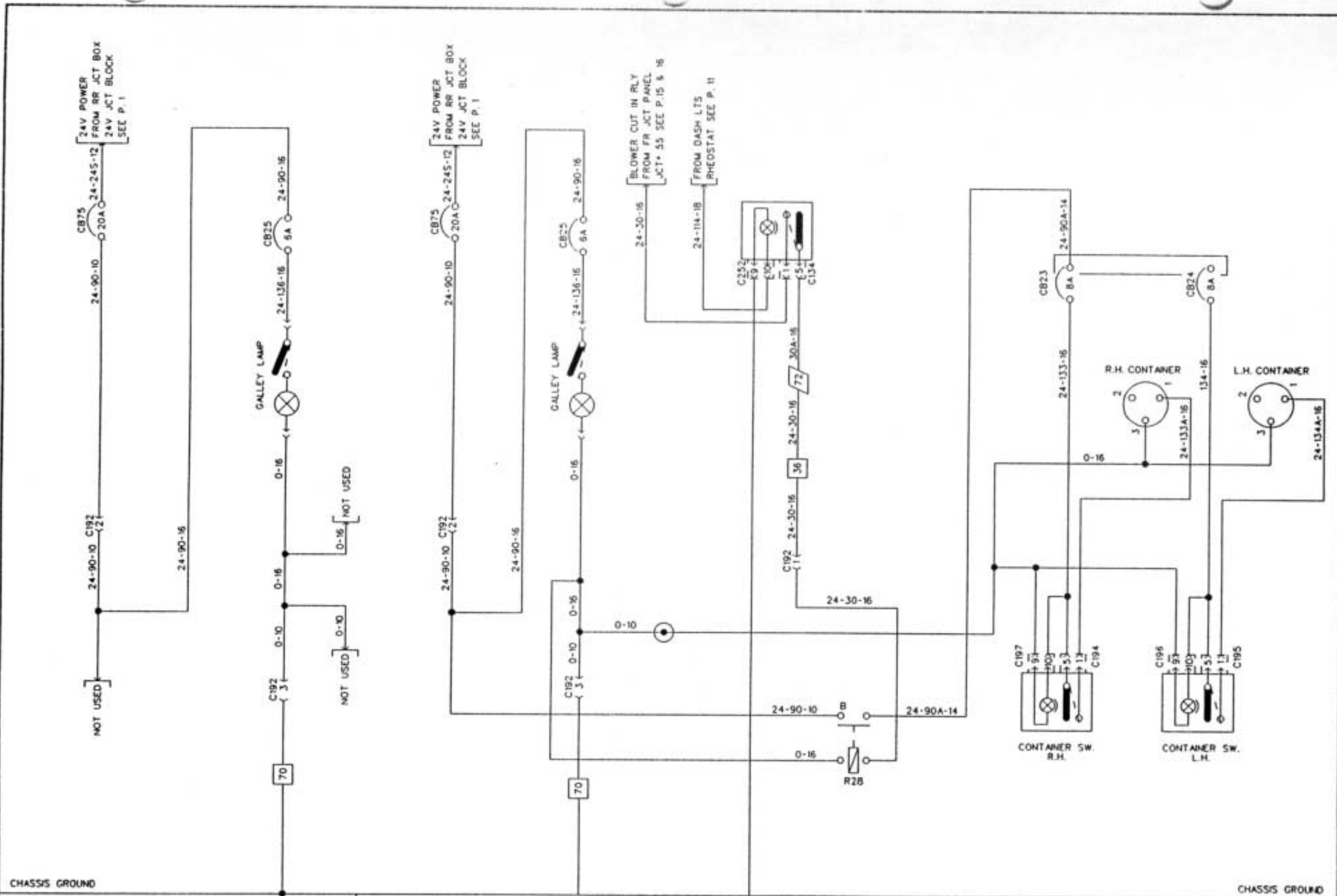


LUGGAGE DOOR LOCK.



ENGINE BRAKE SYSTEM

RETARDER SYSTEM
(WORLD TRANSMISSION)



CHASSIS GROUND

CHASSIS GROUND

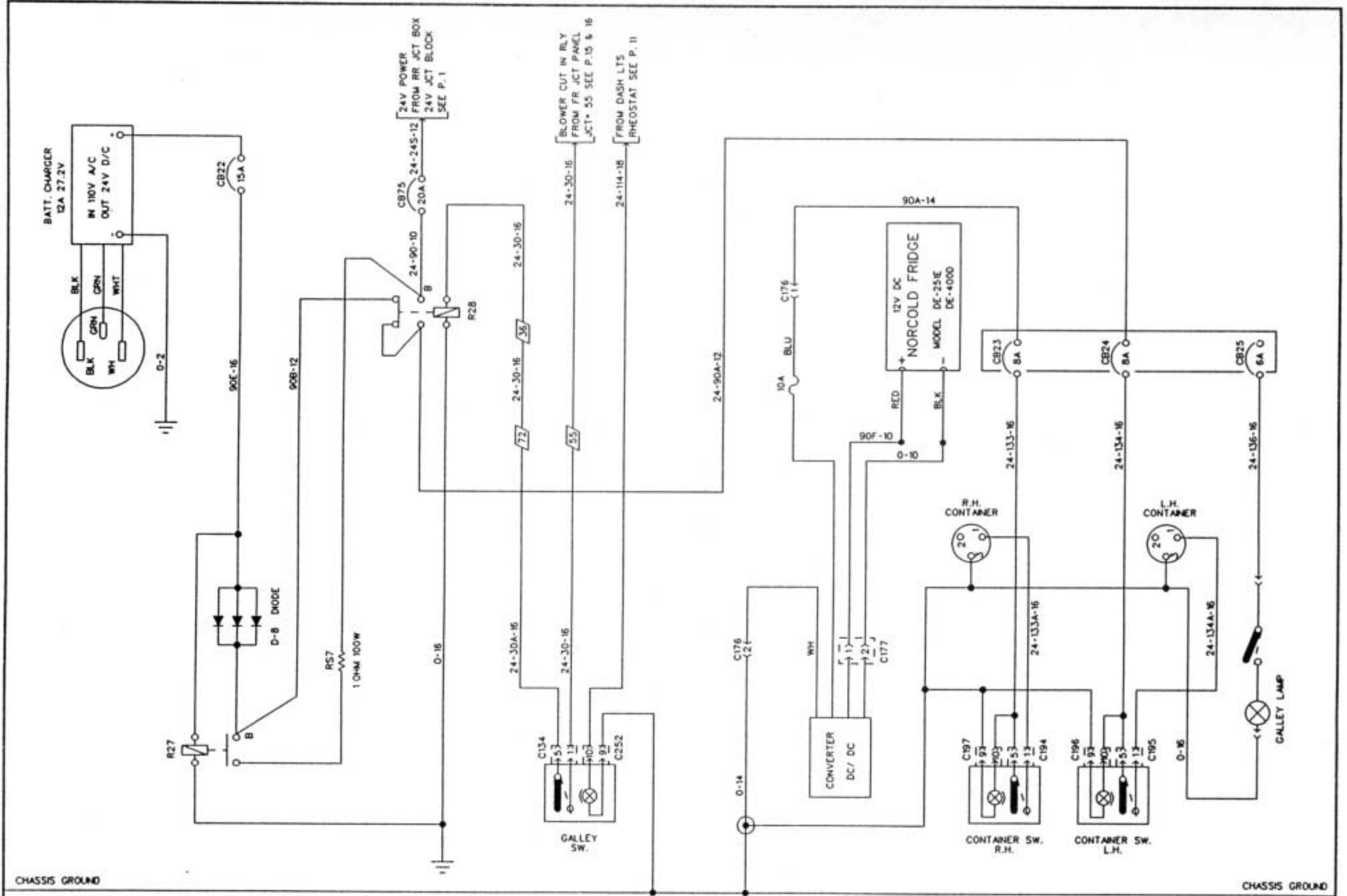
GALLEY "MINI CHEF 100"

GALLEY "MINI CHEF 200"

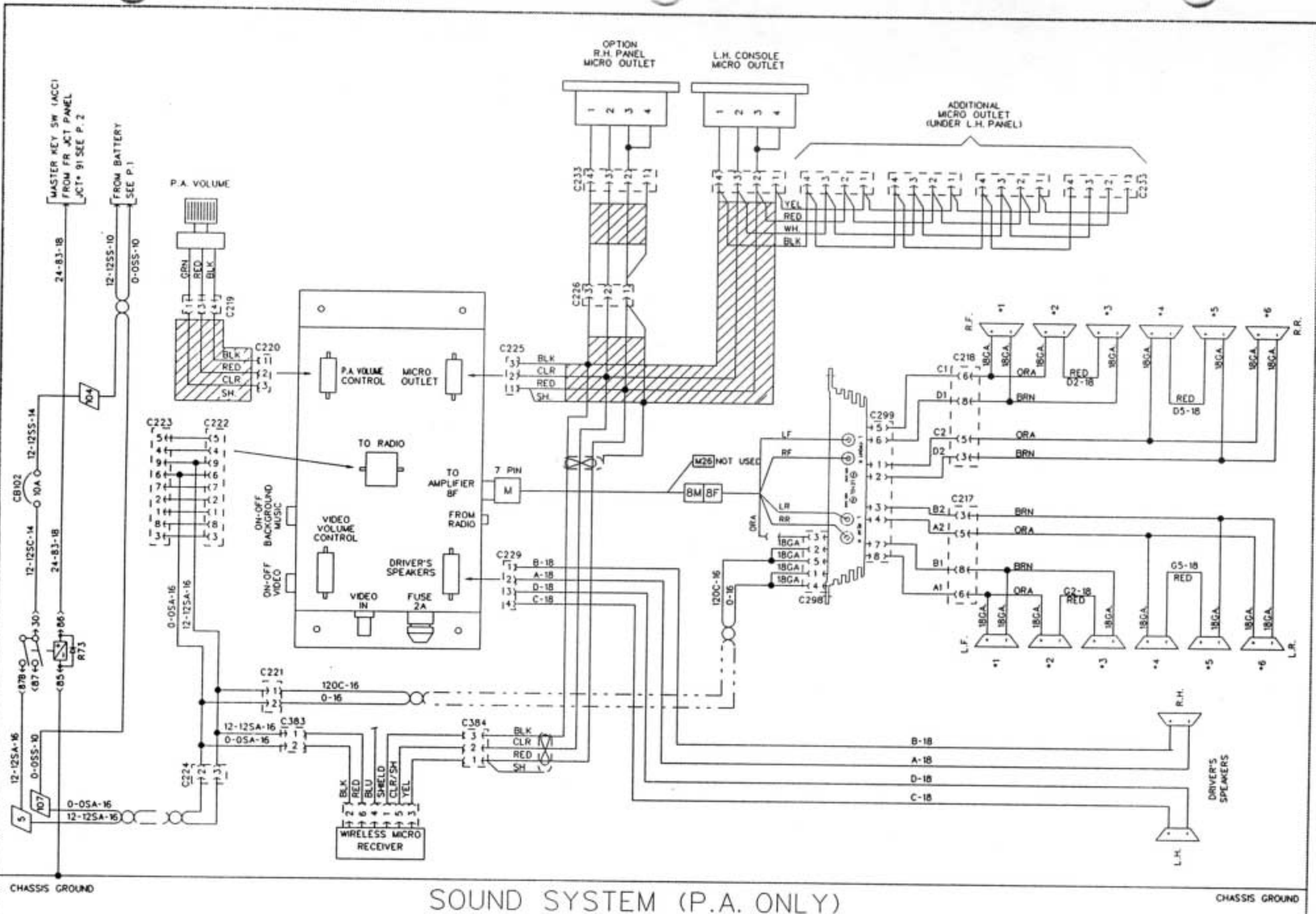
PREVOST CAR inc.

WIRING DIAGRAM NO: D060811

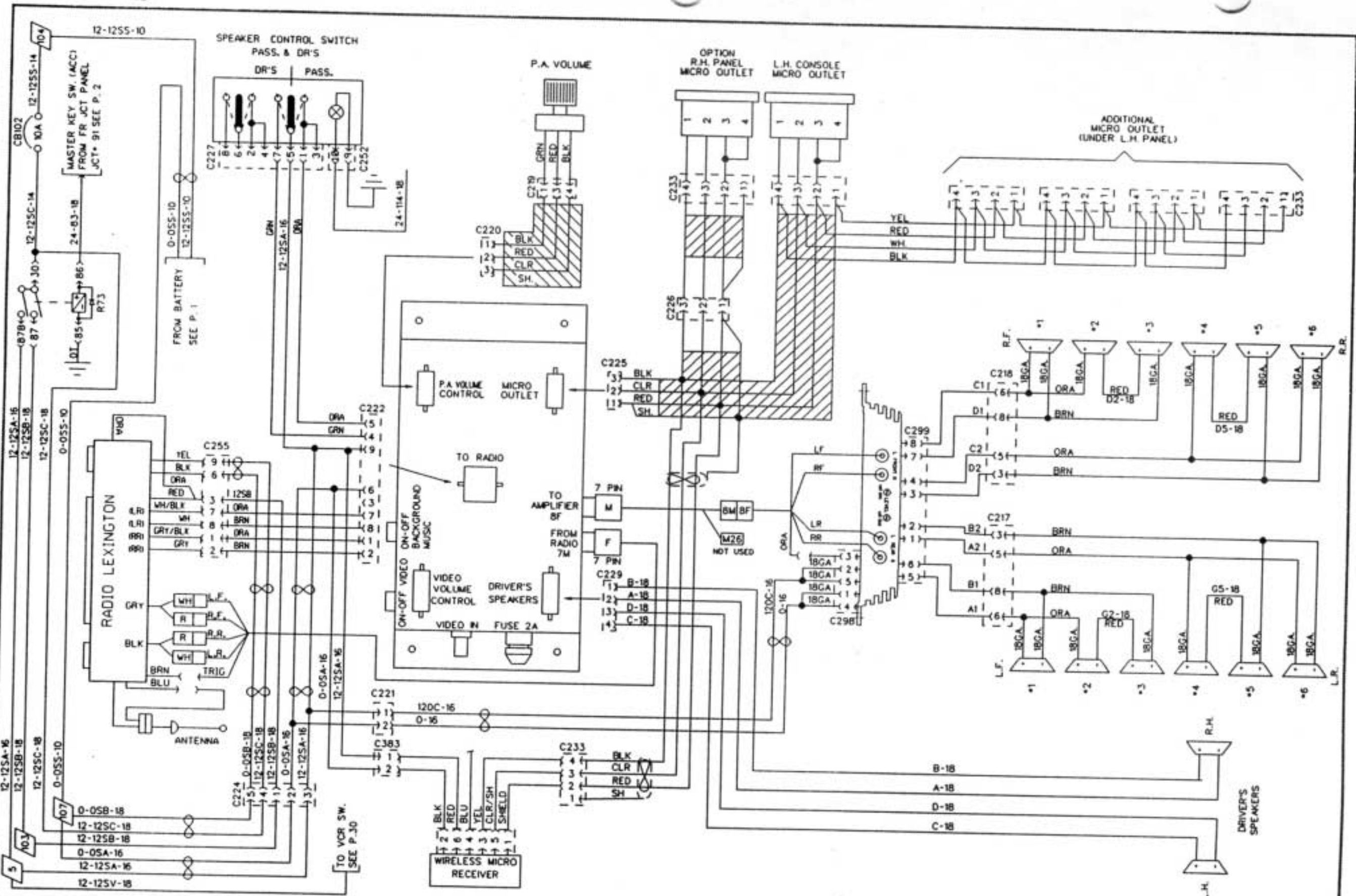
REVISION DATE 94-05-13 P. 26



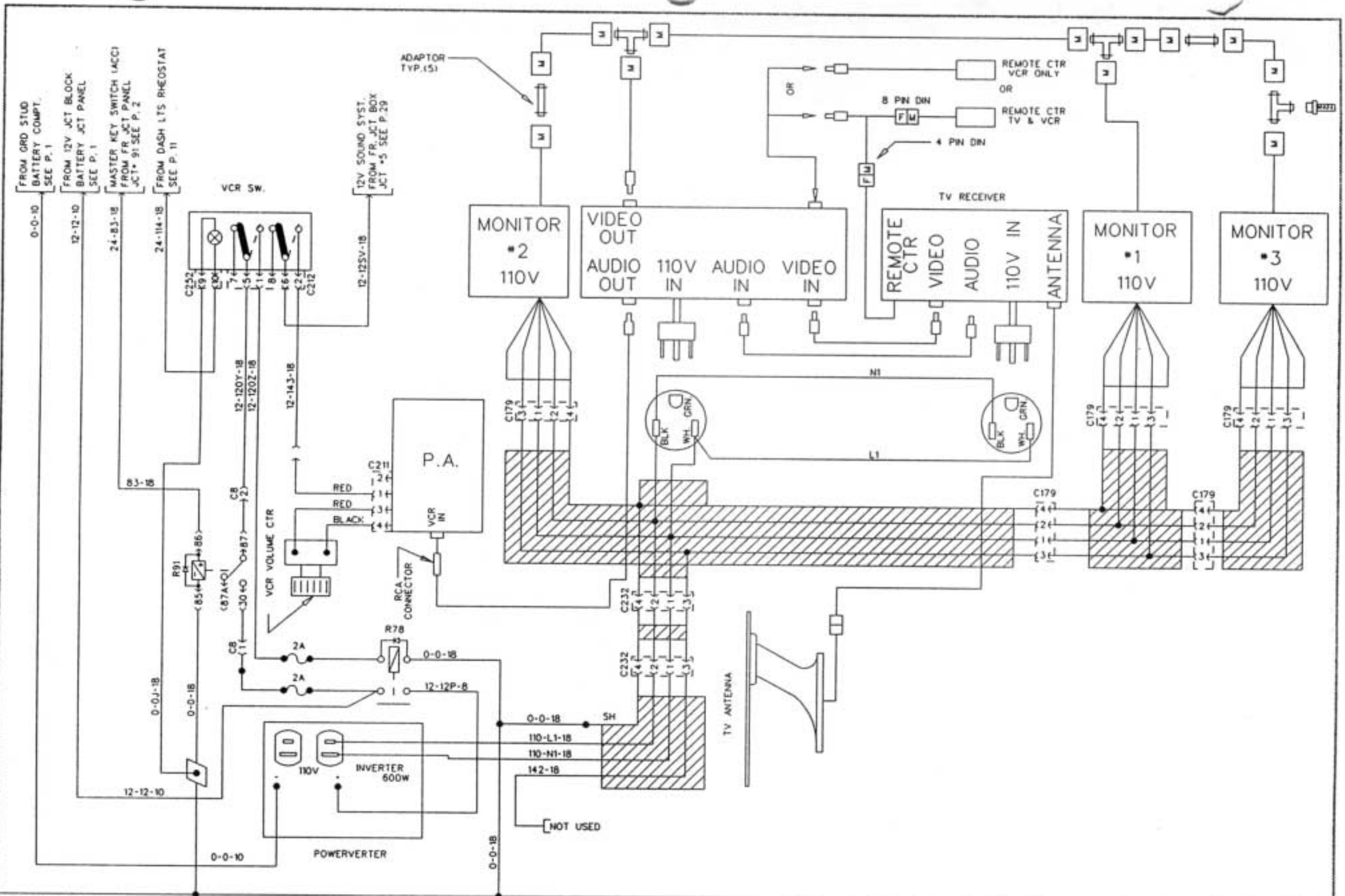
GALLEY "MINI-CHEF" NORCOLD REFRIGERATOR



SOUND SYSTEM (P.A. ONLY)



CHASSIS GROUND SOUND SYSTEM (RADIO & P.A.) CHASSIS GROUND



VIDEO SYSTEM & TV RECEIVER

