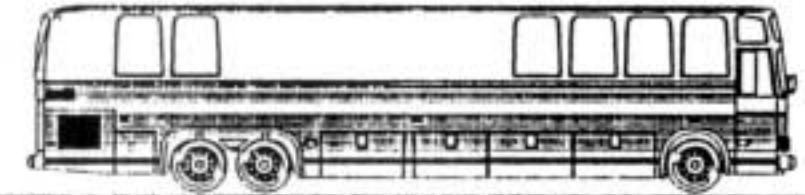


# WIRING DIAGRAM

PREVOST CAR INC. Le Mirage Bus Shell 45'



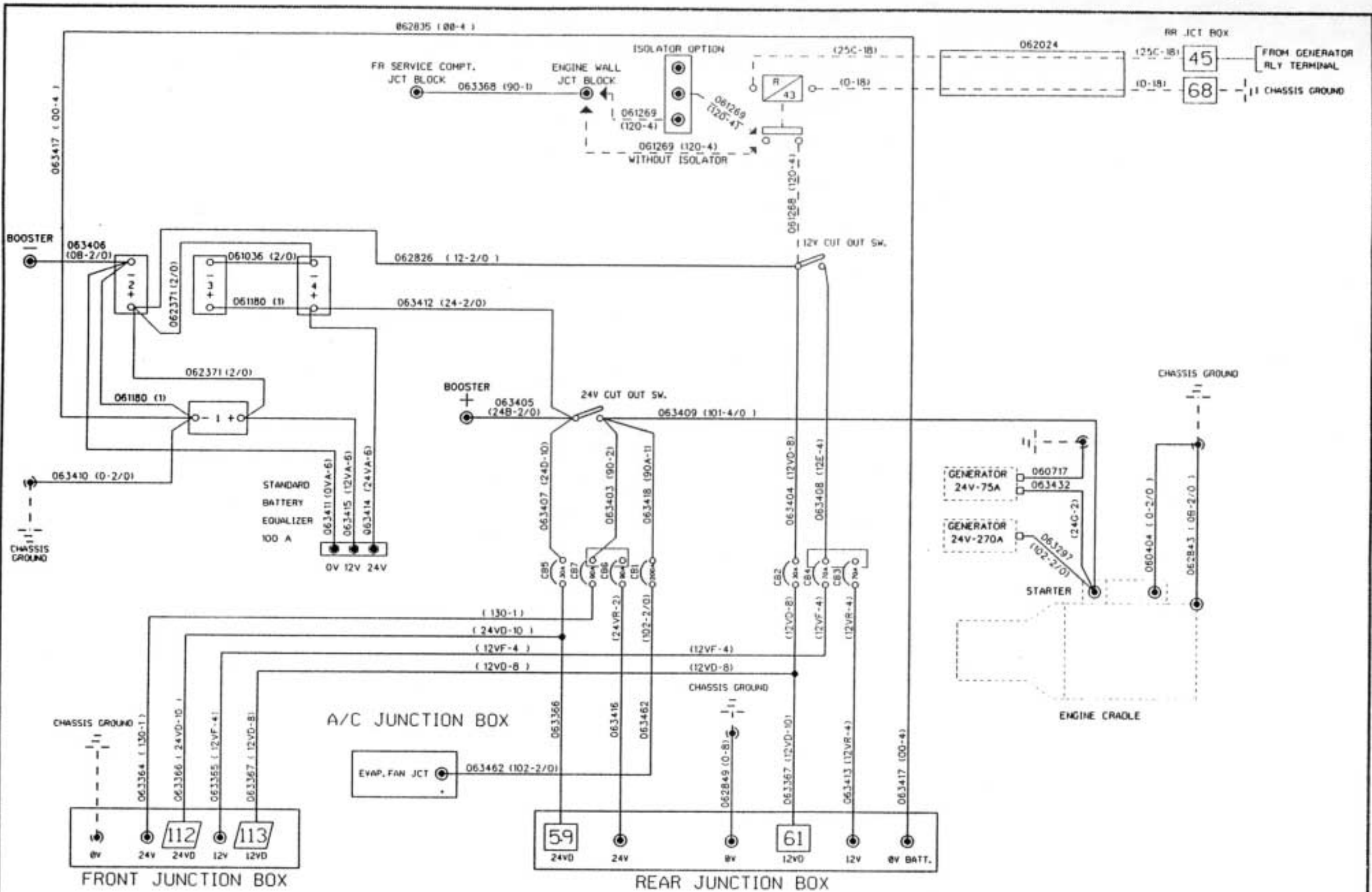
REFERENCE:	ENGINE DDEC II S60 (M5)	NO:	D060789
------------	-------------------------	-----	---------

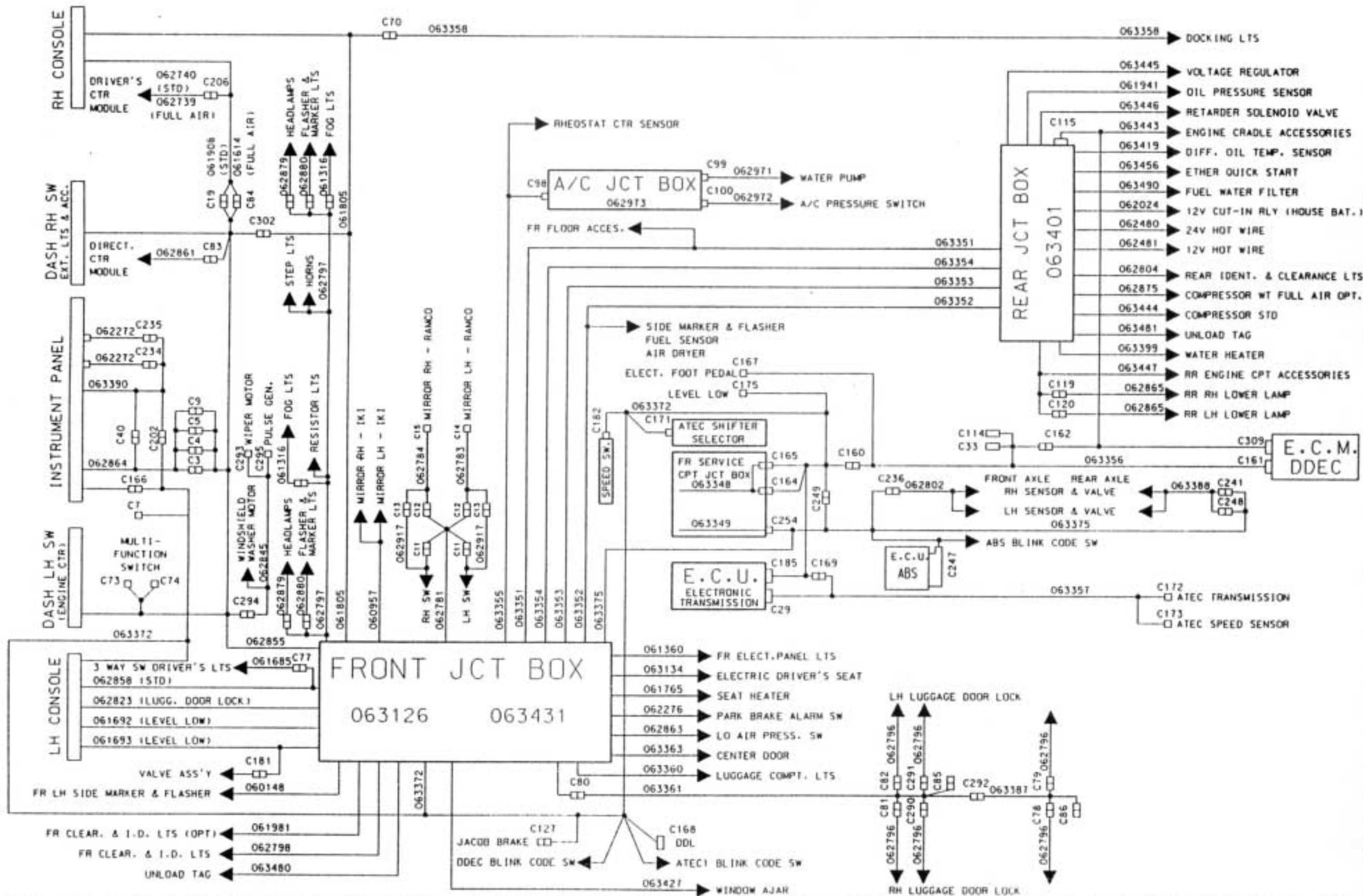
EFF. W/ OC#	92088	PRIOR TO / OC#	93042	DR.	MARTIN LAFLAMME	DATE:	93-07-01
EFF. W/ VEH.#	P646, P722	PRIOR TO / VEH.#	R823	CK.	ROCH CHAMPAGNE	APPR.	ROLAND LAPOINTE

REVISION DATE	DESCRIPTION	PAGE	BY	CK.	APPR.
93-11-08	BATTERY MONITOR CONNECTION PRIOR TO/VEH.# R797	1 & 2	S.G.	<i>[Signature]</i>	
93-11-08	BATTERY MONITOR CONNECTION EFF. W/VEH.# R797	1A & 2A	S.G.	<i>[Signature]</i>	
94-05-02	UPDATE PAGES: 8, 11, 12, 13, 16, 17, 18	← SEE	S.G.	<i>[Signature]</i>	

# INDEX

A	A/C & HEAT SYSTEM-STANDARD	P. 12	D	D.D.E.C. II	P. 3	R	RETARDER	P. 15
	A/C & HEAT SYSTEM-FULL AIR	P. 13		DIFFERENTIAL OIL TEMP.	P. 5	S	SPEEDOMETER (VDO)	P. 16
	AIR DRYER	P. 5		DRIVER'S SEAT ELEC. ADJUST.	P. 15	T	TACHOMETER (VDO)	P. 16
	ALARM AND SIGNAL	P. 5		DRIVER'S SEAT HEATER	P. 15		TAG-UNLOAD SYSTEM	P. 19
	ABS	P. 17	E	ENGINE BLOCK HEATER	P. 11	W	WATER HEATER PRE-HEAT	P. 18
	ARRANGEMENT - CABLE	P. B		ENGINE CONTROL	P. 2		WINDOW AJAR	P. 11
	ARRANGEMENT - HARNESS	P. C		ENTRANCE DOOR (AIR LOCK)	P. 11		WIPER & WASHER LO & UP	
	ARRANGEMENT - SPARE WIRE	P. D		ETHER COLD START	P. 5		WINDSHIELD	P. 8
	A.T.E.C.	P. 4		EXTERIOR LIGHTING	P. 6			
B	BACK-UP ALARM	P. 5	F	FAN CLUTCH-RADIATOR	P. 5			
C	CHARGING SYSTEM	P. 1		FUEL WATER FILTER	P. 5			
	CENTER DOOR-AIR LOCK	P. 11	I	INTERIOR LIGHTING	P. 9			
	CIGAR LIGHTER	P. 14	J	ENGINE BRAKE SYSTEM	P. 15			
	CODE - CIRCUIT NUMBER	P. E	L	LEVEL-LOW SYSTEM	P. 20			
	CODE - CIRCUIT BREAKER	P. F		LUGGAGE DOOR LOCK	P. 16			
	CODE - CONNECTOR	P. G	M	MIRROR-RR VIEW ADJUST. & HEATED	P. 14			
	CODE - DIODE	P. H	P	PARKING BRAKE SWITCH	P. 5			
	CODE - RELAY	P. I		PARKING BRAKE ALARM	P. 11			
	CODE - RESISTOR	P. J		PYROMETER	P. 16			
	CODE - WIRING KEY	P. K						
	CO-PILOT SEAT HEATER	P. 15						
	CRUISE CONTROL - D.D.E.C.	P. 3						







No.	SYSTEM	No.	SYSTEM
0	GRD BATTERY 1 TO BATTERY 2	10	INTERIOR LTS-LUGGAGE CPT
0	GRD BATTERY 1 TO GRD STUD	10A	INTERIOR LTS-LUGGAGE CPT
0	GRD STARTER MOTOR TO GRD STUD	10A	A/C & HEAT SYSTEM-HI PRES.
0	FJP - INSIDE GRD	10B	INTERIOR LTS-LUGGAGE CPT
0	RJB - INSIDE GRD	10D	INTERIOR LTS-LUGGAGE CPT
0	ATEC1 TEST SW GRD	10E	INTERIOR LTS-LUGGAGE CPT
0A	A/C - A/C JCT BOX GRD	12	12V CUT OUT SW TO BATTERY
0A	FJP - GRD	12	FR JCT PANEL 12V DISC SW
0A	RJB - GRD	12	ENTRANCE DOOR AIR LOCK
0AA	VOLTAGE REGULATOR GRD	12A	FR JCT PANEL 12V DISC SW
0B	FJP - GRD	12A	RR JCT BOX 12V DISC SW
0B	RJB - GRD	12A	ENTRANCE DOOR AIR LOCK
0BE	OV BATTERY MONITOR	12B	FR JCT PANEL 12V DISC SW
0C	FJP - GRD	12B	RR JCT BOX 12V DISC SW
0C	RJB - GRD	12BE	12V BATTERY MONITOR
0D	FJP - GRD	12C	FR JCT PANEL 12V DISC SW
0D	RJB - GRD	12C	RR JCT BOX 12V DISC SW
0E	FJP - GRD	12D	FR JCT PANEL 12V DISC SW
0E	RJB - GRD	12D	RR JCT BOX 12V DISC SW
0G	FJP - GRD	12E	FR JCT PANEL 12V DISC SW
0J	FJP - GRD	12E	RR JCT BOX 12V DISC SW
0P	RJB - GRD	12F	FR JCT PANEL 12V DISC SW
0T	RJB - UNLOAD TAG GRD	12F	RR JCT BOX 12V DISC SW
0T	FR SERVICE CPT-GRD	12G	FR JCT PANEL 12V DISC SW
0VA	GRD BATTERY 2 TO BAT.EQUALIZER	12I	RR JCT BOX 12V IGNITION
0W	FJP - GRD	12I	FR JCT PANEL 12V IGNITION
0W	DDEC II-COOLANT MODULE GRD	12IA	FR JCT PANEL 12V IGNITION
0WA	PRE-HEAT WATER HEATER	12IF	FR JCT PANEL 12V IGNITION
0WB	PRE-HEAT WATER HEATER	12T	RR JCT BOX 12V DISC SW
0X	DDEC II-COOLANT MODULE GRD	12T	RR JCT BOX 12V DISC SW
0Y	ABS SYSTEM-GRD	12V	RR JCT BOX 12V DISC SW
0Y1	ABS SYSTEM-GRD	12VA	12V BATTERY POST TO EQUALIZER
0Z	DDEC II-COOLANT MODULE GRD	12VD	12V HOT WIRE
00	BATTERY GRD	12VDF	12V HOT WIRE FJB
2	A/C & HEAT SYSTEM-CONDENSER	12VDR	12V HOT WIRE RJB
2A	A/C & HEAT SYSTEM-CONDENSER	12VF	12V FR JCT PANEL
2D	A/C & HEAT SYSTEM-CONDENSER	12VIF	FR JCT PANEL 12V IGNITION
3	A/C & HEAT SYSTEM-EVAPORATOR	12VIR	RR JCT BOX 12V IGNITION
3	A/C & HEAT SYSTEM-CLUTCH SW	12VR	12V RR JCT BOX
3A	A/C & HEAT SYSTEM-EVAPORATOR	13A	ALARM & SIGNAL-LO AIR PRIM.
6	EXTERIOR LTS-DOCKING	13B	ALARM & SIGNAL-LO AIR SEC.
6A	EXTERIOR LTS-CORNERING	15	EXTERIOR LTS-MULTI FUNC LEVEL
6B	EXTERIOR LTS-CORNERING	15	ALARM & SIGNAL-DIF. OIL TEMP
6B1	EXTERIOR LTS-CORNERING RH	15	WIPER & WASHER SYSTEM
6C	EXTERIOR LTS-CORNERING	15A	ALARM & SIGNAL-DIF. OIL TEMP
6C1	EXTERIOR LTS-CORNERING LH	16	SPEEDOMETER SIGNAL (+)
6D	EXTERIOR LTS-DOCKING	16T	SPEED SW SIGNAL IN (+)
6E2	EXTERIOR LTS-CORNERING LH	17	EXTERIOR LTS-FLASHER UNIT
6F1	EXTERIOR LTS-CORNERING RH	17A	EXTERIOR LTS-FLASHER UNIT
7	ENTRANCE DOOR	18	ETHER COLD START SYST.
8A	DDEC II-STP ENG. OVERRIDE	19	SPARE - RJB TO RR ROOF RH
9	INTERIOR LTS-ENGINE CPT	20	SPEEDOMETER SIGNAL (-)
9	INTERIOR LTS-RR JCT BOX	20T	SPEED SW SIGNAL IN (-)
9	INTERIOR LTS-FR SERVICE CPT	21	EXTERIOR LTS-DIRECTIONNAL LH
9A	INTERIOR LTS-FR JCT PANEL	21A	EXTERIOR LTS-DIRECTIONNAL LH
9B	INTERIOR LTS-FR JCT PANEL	21B	EXTERIOR LTS-DIRECTIONNAL LH
9C	INTERIOR LTS-FR SERVICE CPT	21C	EXTERIOR LTS-DIRECTIONNAL LH
9E	INTERIOR LTS-LUGGAGE CPT	21H	EXTERIOR LTS-HAZARD SIGNAL
10	A/C & HEAT SYSTEM-LO PRES.	23	EXTERIOR LTS-DIRECTIONNAL RH

No.	SYSTEM	No.	SYSTEM
23A	EXTERIOR LTS-DIRECTIONNAL RH	32D	BACK-UP ALARM
23B	EXTERIOR LTS-DIRECTIONNAL RH	34	A/C & HEAT SYSTEM-CONDENSER
23C	EXTERIOR LTS-DIRECTIONNAL RH	35	INTERIOR LTS-ENTRANCE DOOR
23H	EXTERIOR LTS-HAZARD SIGNAL	35B	ENTRANCE DOOR (SEDAN)
24	BATTERY 3 TO BATTERY 4	35BB	ENTRANCE DOOR (SEDAN)
24	BATTERY 4 TO 24V DISC SW	35D	ENTRANCE DOOR (SEDAN)
24A	RR JCT BOX 24V DISC SW	36	JACOB BRAKE SYSTEM & RETARDER
24A	FR JCT PANEL 24V DISC SW	36A	JACOB BRAKE SYSTEM
24B	RR JCT BOX 24V DISC SW	36B	JACOB BRAKE SYSTEM
24B	FR JCT PANEL 24V DISC SW	38	FUEL WATER FILTER
24BE	BATTERY MONITOR	39	INTERIOR LTS-DRIVER'S LTS
24C	RR JCT BOX 24V DISC SW	39A	INTERIOR LTS-DRIVER'S LTS
24C	FR JCT PANEL 24V DISC SW	39B	INTERIOR LTS-DRIVER'S LTS
24E	FR JCT PANEL 24V DISC SW	39C	INTERIOR LTS-DRIVER'S LTS
24E	RR JCT BOX 24V DISC SW	40	SPARE - F.J.PANEL TO F.SERV CPT
24F	FR JCT PANEL 24V DISC SW	43	A/C & HEAT SYSTEM-FULL AIR
24G	FR JCT PANEL 24V DISC SW	44	EXTERIOR LTS-FOG
24I	FR JCT PANEL 24V IGNITION	44A	EXTERIOR LTS-FOG
24I	RR JCT BOX 24V IGNITION	44B	EXTERIOR LTS-FOG
24IA	FR JCT PANEL 24V IGNITION	44C	EXTERIOR LTS-FOG & HAZARD SW
24IA	RR JCT BOX 24V IGNITION	45	A/C & HEAT SYSTEM-DRIVER'S CTRL
24IB	FR JCT PANEL 24V IGNITION	45	A/C & HEAT SYSTEM-FULL AIR
24IB	RR JCT BOX 24V IGNITION	45A	A/C & HEAT SYSTEM-FULL AIR
24IF	FR JCT PANEL 24V IGNITION	45G	A/C & HEAT SYSTEM-DRIVER'S HTR
24P	FR JCT PANEL 24V DISC SW	46	EXTERIOR LTS-MARKER
24R	24V RR JCT BLK TO STARTER	46A	EXTERIOR LTS-MARKER
24T	FR JCT PANEL 24V DISC SW	46B	EXTERIOR LTS-MARKER
24VA	24V BATTERY POST TO EQUALIZER	46C	EXTERIOR LTS-MARKER
24VI	FR JCT PANEL 24V IGNITION	47	A/C & HEAT SYSTEM-DRIVER'S HTR
24VIF	FR JCT PANEL 24V IGNITION	47	A/C & HEAT SYSTEM-FULL AIR
24VIR	RR JCT BOX 24V IGNITION	50	AIR DRYER
24VD	24V HOT WIRE	52	ALARM & SIGNAL-ELEC. HORN
24VF	FR JCT PANEL 24V DISC SW	52A	ALARM & SIGNAL-ELEC. HORN
24VR	RR JCT BOX 24V DISC SW	53	ALARM & SIGNAL-ELEC. HORN
24X	24V SPEED SW & LEVEL LOW	53B	WIPER & WASHER SYSTEM
25	12VAC GEN RLY ON SIGNAL	53C	WIPER & WASHER SYSTEM
25A	NOT GENERATOR-WARNING LT	53E	WIPER & WASHER SYSTEM
25B	EXTERIOR LTS-DAYTIME RUN LTS	53F	WIPER & WASHER SYSTEM
25C	EXTERIOR LTS-DAYTIME RUN LTS	53J	WIPER & WASHER SYSTEM
25K	12VAC GEN RLY ON SIGNAL	54	SPARE-F.J.B. TO FR ROOF
25L	12VAC GEN RLY ON SIGNAL	55	EXTERIOR LTS-HI BEAM
26A	ATEC1-NEUTRAL SIGNAL	56	TRANSM. OIL TEMP GAUGE
28	A/C & HEAT SYSTEM-WARNING LT	57	EXTERIOR LTS-HI BEAM
28A	A/C & HEAT SYSTEM-WARNING LT	57	A/C & HEAT SYSTEM-WATER PUMP
29	A/C & HEAT SYSTEM-DRIVER'S HTR	57A	EXTERIOR LTS-HI BEAM
29A	A/C & HEAT SYSTEM-DRIVER'S HTR	57B	A/C & HEAT SYSTEM-WATER PUMP
29B	A/C & HEAT SYSTEM-DRIVER'S HTR	57C	PRE-HEAT WATER HEATER
31	A/C & HEAT SYSTEM-WARNING LT	57C	A/C & HEAT SYSTEM-WATER PUMP
31A	A/C & HEAT SYSTEM-WARNING LT	57D	PRE-HEAT WATER HEATER
31A	A/C & HEAT SYSTEM-PRESSURE SW	57E	PRE-HEAT WTR HTR PUMP
31B	A/C & HEAT SYSTEM-PRESSURE SW	57F	PRE-HEAT WATER HEATER
31B	WIPER & WASHER SYSTEM	58	EXTERIOR LTS-LO BEAM
31C	WIPER & WASHER SYSTEM	58A	EXTERIOR LTS-LO BEAM
31D	WIPER & WASHER SYSTEM	58B	EXTERIOR LTS-LO BEAM
31E	WIPER & WASHER SYSTEM	58E	EXTERIOR LTS-LO BEAM
31J	WIPER & WASHER SYSTEM	59	JACOB BRAKE SYSTEM
31X	WIPER & WASHER SYSTEM	59A	JACOB BRAKE SYSTEM
32	EXTERIOR LTS-BACK-UP	60	EXTERIOR LTS-RR & FR ROOF GRD
32B	EXTERIOR LTS-BACK-UP	61	EXTERIOR LTS-24V FEED SW

No.	SYSTEM	No.	SYSTEM
61A	EXTERIOR LTS-HEAD SIGNAL	90B	A/C & HEAT SYSTEM-COND FAN MOT
62	LEVEL-LOW SYSTEM	90B	ENGINE CTR-MAST KEY SW FEED
63	EXTERIOR LTS-CLEARANCE	90B	FR JCT PANEL 24V DISC SW
63A	EXTERIOR LTS-CLEARANCE	90C	ALARM & SIGNAL-FIRE DETECTOR
63B	EXTERIOR LTS-CLEARANCE	90F	CHARG SYST-VOLTAGE REGUL. "B"
63C	EXTERIOR LTS-MARKER SIGNAL	91	PARKING BRAKE SW SIGNAL
63D	EXTERIOR LTS-MARKER & TAIL	91A	PARKING BRAKE SW SIGNAL
63E	EXTERIOR LTS-CLEARANCE	91B	DDEC II-FAST IDLE SIGNAL
63F	EXTERIOR LTS-MARKER BLINKER	91B	EXTERIOR LTS-RUN LTS CANCEL
63H	EXTERIOR LTS-TAIL	91M	PARKING BRAKE ALARM
63K	EXTERIOR LTS-TAIL	91N	PARKING BRAKE ALARM
64	DIFFERENTIAL OIL TEMP GAUGE	92	BATTERY EQUALIZER-CHECK BALANCE
65A	CENTER DOOR AIR LOCK	93	BATTERY EQUALIZER-CHECK LO/HI
65A	LOW FUEL T.T. LT.	95	JACOB BRAKE SYSTEM
67	A/C & HEAT SYSTEM	95A	JACOB BRAKE SYSTEM
67A	A/C & HEAT SYSTEM	97	TACHOMETER-NOT USE
67B	A/C & HEAT SYSTEM	99	UNLOAD TAG SYSTEM
67C	A/C & HEAT SYSTEM	99A	FR SERVICE JCT BOX 12V HOT WIRE
70B	DDEC II & ATEC1 24V IGN.	100B	BACK-UP CANCEL SW
71	BACK-UP CANCEL SW	101	24V DISC SW TO STARTER
71B	BACK-UP CANCEL SW	101	ATEC1 TRANSM-TO ECU
72	BACK-UP CANCEL SW	102	24V STARTER TO GENERATOR
72	SPARE F.J.B. TO R.J.B.	102	24V DISC SW TO A/C JCT BOX
76	FUEL TANK GAUGE	104	LEVEL-LOW SYSTEM
76A	CENTER DOOR AJAR LT	104	ATEC1 DDEC INTERFACE
76L	LOW FUEL LT	105	ATEC1 TRANSM-TO ECU
77	A/C & HEAT SYSTEM	106A	ATEC1 DDEC II INTERFACE
77B	A/C & HEAT SYSTEM	107	CHARG SYST-VOLTAGE REGUL. "F"
77C	A/C & HEAT SYSTEM-COMPRESSOR	107A	ATEC1 TRANSM-TO ECU
77H	A/C & HEAT SYSTEM-FAN CLUTCH	108	ATEC1 TRANSM-TO ECU
80	ATEC1-NEUTRAL SIGNAL	109A	ATEC1 TRANSM-TO ECU
81	EXTERIOR LTS-STOP SW	110	ALARM & SIGNAL-WATER TEMP
82	EXTERIOR LTS-STOP SIGNAL	110A	ATEC1 TRANSM-TO ECU
82A	EXTERIOR LTS-STOP SIGNAL	111	DDEC II & ATEC1 BATTERY GRD
82B	EXTERIOR LTS-STOP LTS	111A	ATEC1 TRANSM-TO ECU
82C	EXTERIOR LTS-STOP SIGNAL	111B	DDEC II & ATEC1 BATTERY GRD
82K	EXTERIOR LTS-STOP RETARDER	112	ATEC1 TRANSM-BACK-UP SIGNAL
82L	EXTERIOR LTS-STOP LTS	112A	ATEC1 TRANSM-SPEED SENSOR
82R	EXTERIOR LTS-STOP LTS	113	ALARM & SIGNAL-OIL PRESS
82S	EXTERIOR LTS-STOP SIGNAL	113A	ATEC1 TRANSM-SPEED SENSOR
83	ENGINE CTR-MAST KEY SW ACCES	114	ATEC1 TRANSM-TO ECU
83A	DDEC II-COOLANT LEVEL PROBE	114	INTERIOR LTS-DASH LT REGUL.
84	ENGINE CTR-MAST KEY SW START	114A	INTERIOR LTS-DASH LT
84A	ENGINE CTR-MAST KEY SW START	114B	INTERIOR LTS-DASH LT REGUL.
85	ENGINE CTR-MAST KEY SW IGN	114C	INTERIOR LTS-DASH LT
85A	24V IGN DASH INSTRUMENTATION	115	ALARM & SIGNAL-TAG PRESS
85B	ENGINE CTR-24V IGNITION	115	DDEC II-COOLANT LEVEL MODULE
85C	PARKING BRAKE SWITCH	115A	ALARM & SIGNAL-TAG PRESS
85F	LO AIR SONALERT	115A	ATEC1 TRANSM-TO ECU
85W	ABS-24V IGN	115A	DDEC II-COOLANT LEVEL MODULE
85X	ABS-24V IGN	116	ATEC1 TRANSM-TO ECU
85Y	ABS-WARNING LT	116A	A/C & HEAT SYSTEM-DRIVER'S HTR
86	ENGINE CTR-STARTER SOL SIGN	116B	A/C & HEAT SYSTEM-DRIVER'S HTR
86A	ENGINE CTR-STARTER SOL SIGN	117	ATEC1 TRANSM-TO ECU
87B	ENGINE CTR-24V IGNITION	117	ALARM & SIGNAL-TRANSM OIL TEMP
88	ENGINE CTR-RR START SIGNAL	117A	ALARM & SIGNAL-TRANSM OIL TEMP
89	ENGINE CTR-RR START SIGNAL	118	ATEC1 TRANSM-TO ECU
90	A/C & HEAT SYSTEM-WATER PUMP	118	DRIVER'S & CO-PILOT SEAT HTR
90A	ENGINE CTR-MAST KEY SW FEED	118A	DRIVER'S & CO-PILOT SEAT HTR

No.	SYSTEM	No.	SYSTEM
119	ATEC1 TRANSM-TO ECU	148	ABS SYSTEM
120	12V HOT WIRE-DISC SW TO FJP	149	ABS SYSTEM
120A	ATEC1 TRANSM-TO ECU	149A	ABS SYSTEM
121	ATEC1 TRANSM-TO ECU	150	ABS SYSTEM-SPARE
121	CIGAR LIGHTER	150	DDEC II ECM BATTERY GRD
122	A/C & HEAT SYSTEM-DRIVER'S HTR	150A	DDEC II ECM BATTERY GRD
122	A/C & HEAT SYSTEM-FRESH AIR	151	ABS SYSTEM-SPARE
122D	ATEC1 TRANSM-TO ECU	152	ABS SYSTEM-SPARE
123	ATEC1 TRANSM-TO ECU	153	ABS SYSTEM
123	ALARM & SIGNAL-FIRE DETECTOR	153	ELECTRICAL DRIVER'S SEAT
123A	ALARM & SIGNAL-FIRE DETECTOR	155	ABS SYSTEM
124	ATEC1 DDEC INTERFACE	156	ABS SYSTEM
126	CENTER DOOR AIR LOCK	156A	ABS SYSTEM
127	PRE-HEAT WATER HEATER	156C	ABS SYSTEM
127A	PRE-HEAT WATER HEATER	156W	ABS SYSTEM
127W	PRE-HEAT WATER HEATER	157	ABS SYSTEM
128A	PRE-HEAT WATER HEATER	157A	ABS SYSTEM
128B	PRE-HEAT WATER HEATER	157B	ABS SYSTEM
128C	PRE-HEAT WATER HEATER	157C	ABS SYST.-CANCEL SEC. BRK
128D	PRE-HEAT WATER HEATER	161	UNLOAD TAG SYSTEM
128W	PRE-HEAT WATER HEATER	161	ATEC1 TRANSM-RETARDER
128X	PRE-HEAT WATER HEATER	161A	ATEC1 TRANSM-RETARDER
129	PRE-HEAT WATER HEATER	161B	ATEC1 TRANSM-RETARDER
129A	PRE-HEAT WATER HEATER	161C	ATEC1 TRANSM-RETARDER
129B	PRE-HEAT WATER HEATER	170C	LUGGAGE DOOR LOCK
130	A/C & HEAT SYSTEM-EVAPORATOR	170D	LUGGAGE DOOR LOCK
131	24V DISC SW TO FR JCT PANEL	170E	LUGGAGE DOOR LOCK
132B	LEVEL-LOW SYSTEM	170F	LUGGAGE DOOR LOCK
132C	LEVEL-LOW SYSTEM	170G	LUGGAGE DOOR LOCK
132D	LEVEL-LOW SYSTEM	170H	LUGGAGE DOOR LOCK
132E	LEVEL-LOW SYSTEM	170J	LUGGAGE DOOR LOCK
132-1A	LEVEL-LOW SYSTEM	170L	LUGGAGE DOOR LOCK
132-1B	LEVEL-LOW SYSTEM	170M	LUGGAGE DOOR LOCK
132-1C	LEVEL-LOW SYSTEM	170N	LUGGAGE DOOR LOCK
132-2A	LEVEL-LOW SYSTEM	170P	LUGGAGE DOOR LOCK
132-2B	LEVEL-LOW SYSTEM	170R	LUGGAGE DOOR LOCK
132-2C	LEVEL-LOW SYSTEM	170S	LUGGAGE DOOR LOCK
135	A/C & HEAT SYSTEM-AIR SENSOR	170V	LUGGAGE DOOR LOCK
135A	A/C & HEAT SYSTEM-AIR SENSOR	170W	LUGGAGE DOOR LOCK
135C	A/C & HEAT SYSTEM-AIR SENSOR	170X	LUGGAGE DOOR LOCK
135D	A/C & HEAT SYSTEM-AIR SENSOR	170Y	LUGGAGE DOOR LOCK
136	GALLEY-ACCESSORIES	170Z	LUGGAGE DOOR LOCK
137	RR VIEW MIRROR	182	PYROMETER
137A	RR VIEW MIRROR	182A	PYROMETER
138	ABS SYSTEM	185	UNLOAD TAG SYSTEM
138A	ABS SYSTEM	185A	UNLOAD TAG SYSTEM
139	ABS SYSTEM	186	UNLOAD TAG SYSTEM
140	ABS SYSTEM	186A	UNLOAD TAG SYSTEM
141	ABS SYSTEM	187	UNLOAD TAG SYSTEM
142	ABS SYSTEM	187C	UNLOAD TAG SYSTEM
143	ABS SYSTEM	188	UNLOAD TAG SYSTEM
143A	ABS SYSTEM	188A	UNLOAD TAG SYSTEM
144	ABS SYSTEM	188B	UNLOAD TAG SYSTEM
144A	ABS SYSTEM	201	ATEC1 TRANSM-CHASSIS GRD
145	ABS SYSTEM	202	DDEC II & ATEC1 12V HOT WIRE
146	ABS SYSTEM	203	ATEC1 TRANSM-MEMORY
147	ABS SYSTEM	204	ATEC1 TRANSM-TO SHIFTER
147	ETHER COLD START	205	ATEC1 TRANSM-SPEED SIGNAL
147C	ETHER COLD START	206	ATEC1 TRANSM-TO SHIFTER



No.	SYSTEM	No.	SYSTEM	No.	SYSTEM	No.	SYSTEM
207	ATEC1 TRANSM-TO DDL DATA	916	DDEC 11-PEDAL SENSOR SUPPLY 5V				
208	ATEC1 TRANSM-BATT GRD	952	DDEC 11-PEDAL SENSOR RETURN				
209	ATEC1 TRANSM-BATT GRD	953	DDEC 11-BATTERY GRD				
210	ATEC1 TRANSM-TO DDL GRD	972	DDEC 11-TACHOMETER #2				
211	ATEC1 TRANSM-RETARDER	A	LEVEL-LOW SYSTEM				
211A	ATEC1 TRANSM-RETARDER	A	A/C & HEAT SYSTEM-HI PRES.				
211B	ATEC1 RET. & DDEC CR-24V IGN	A1	A/C & HEAT SYSTEM-LO PRES.				
212	ATEC1 TRANSM-TO SHIFTER	A2	INTERIOR LTS-DRIVER'S LTS				
213	ATEC1 RETARDER SIGNAL GRD	B	LEVEL-LOW SYSTEM				
213A	ATEC1 RETARDER SIGNAL GRD	B00	RR JCT BOX CPT BATT GRD				
213B	ATEC1 RETARDER SIGNAL GRD	B000	RR JCT BOX CPT BATT GRD				
214	ATEC1 TRANSM-BACK UP SIGN GRD	C	LEVEL-LOW SYSTEM				
214A	ATEC1 TRANSM-BACK UP SIGN GRD	J4	A/C & HEAT SYSTEM-DRIVER'S HTR				
215	ATEC1 WARNING SIGNAL GRD	Q3	A/C & HEAT SYSTEM-DRIVER'S HTR				
215A	ATEC1 CHECK TRANSM T.T.LT.	R1	A/C & HEAT SYSTEM-DRIVER'S HTR				
216	ATEC1 TRANSM-TO DDL TEST	R6	A/C & HEAT SYSTEM-DRIVER'S HTR				
218	ATEC1 TRANSM-TO SHIFTER	SH1	SHIELD WIRE GRD				
219	ATEC1 TRANSM-TO SHIFTER	SH2	SHIELD WIRE GRD				
220	ATEC1 TRANSM-TO SHIFTER	SH3	SHIELD WIRE GRD				
221	ATEC1 TRANSM-TO SHIFTER	V5	A/C & HEAT SYSTEM-DRIVER'S HTR				
222	ATEC1 DDEC 11-THROT. INTERFACE	V7	A/C & HEAT SYSTEM-DRIVER'S HTR				
230	ATEC1 DDEC 11-DASH LTS REGUL.						
231	ATEC1 -NEUTRAL SIGNAL GRD						
235	ATEC1 TRANSM-24V IGNITION						
240	DDEC 11-ECM 12V FEEDING						
241	DDEC 11-ECM 12V FEEDING						
260	WINDOW AJAR						
290	FAN CLUTCH RADIATOR						
291	FAN CLUTCH RADIATOR SPD 1						
292	FAN CLUTCH RADIATOR SPD 2						
417	DDEC 11-PEDAL LIMIT. SPEED						
419	DDEC 11-CHECK ENG T.T.LT.						
439	DDEC 11-12V IGNITION						
451	DDEC 11-DDL						
505	DDEC 11-TACHO DRIVE SIGNAL						
508	DDEC 11-JACOB SIGNAL GRD						
508A	DDEC 11-JACOB SIGNAL GRD CLUTCH						
509	DDEC 11-STOP ENG T.T.LT.						
510	DDEC 11-FAST IDLE SIGNAL						
523	DDEC 11-SPEED GOVERNOR SIGN POS						
524	DDEC 11-ACCEL.ENABL SIGN GRD						
525	DDEC 11-FAST IDLE SIGNAL						
528	DDEC 11-STOP ENG OVERRIDE						
531	DDEC 11-CRUISE CUT OUT						
538	DDEC 11-CRUISE MAINE						
538A	DDEC 11-CRUISE CANCEL SIGN						
538B	DDEC 11-CRUISE CANCEL SIGN						
541	DDEC 11-CRUISE SET SW						
542	DDEC 11-CRUISE SET SW						
543	DDEC 11-CRUISE CUT IN						
544	DDEC 11-CRUISE RESUME SW						
545	DDEC 11-CRUISE RESUME SW						
555	DDEC 11-CRUISE ANABLE T.T.LT.						
556	DDEC 11-SPEED SIGNAL POS						
900	DDEC 11-DDL SERIAL DATA LINK POS						
901	DDEC 11-DDL SERIAL DATA LINK NEG						
902	DDEC 11-DDL CRANK POSITION SIGNAL						
903	DDEC 11-CRUISE SPEED SIGNAL						
908	ATEC1 DDEC 11-THROTTLE INTERFACE						

NO.	PAGE	AMPERE	#PREVOST	LOCATION	FUNCTION
CB1	1	200A	560838	ENGINE CPT	A/C FULL AIR
CB2	1	30A	870630	ENGINE CPT	12V HOT WIRE RR JCT BOX
CB3	1	70A	561767	ENGINE CPT	12V FEED RR JCT BOX
CB4	1	70A	561767	ENGINE CPT	12V FEED FR JCT BOX
CB5	1	30A	870630	ENGINE CPT	24V HOT WIRE RR JCT BOX
CB6	1	90A	560298	ENGINE CPT	24V FEED RR JCT BOX
CB7	1	90A	560298	ENGINE CPT	24V FEED FR JCT BOX
CB8	13	105A	560465	A/C JCT BOX	CONDENSER FAN MOTOR
CB9	13	105A	560465	A/C JCT BOX	EVAPORATOR FAN MOTOR
CB10	2	8A	561791	FR JCT BOX	MASTER SWITCH
CB14	15	10A	561792	FR JCT BOX	JACOB BRAKE SYSTEM
CB16	2	8A	561791	RR JCT BOX	ENGINE-RR CTR & START SW
CB18	2	8A	561791	RR JCT BOX	ENGINE-FR CTR SW
CB19	3	20A	561794	RR JCT BOX	E.C.M. DDEC II
CB20	3	20A	561794	RR JCT BOX	E.C.M. DDEC II
CB21	3	6A	561790	RR JCT BOX	LOW COOLANT MODULE
CB26	8	10A	561792	FR JCT BOX	BACK-UP LTS
CB27	5	8A	561791	FR JCT BOX	24V IGN DASH ACCESSORIES
CB29	5	10A	561792	FR JCT BOX	ELECTRICAL HORNS
CB30	5	6A	561790	FR JCT BOX	FIRE ALARM
CB31	5	8A	561791	FR JCT BOX	AIR DRYER
CB35	6	6A	561790	FR JCT BOX	FOG & HAZARD SW
CB36	6	15A	561793	FR JCT BOX	FOG LTS
CB37	6	8A	561791	FR JCT BOX	HEAD & MULTI-FUNC. SW
CB38	6	10A	561792	FR JCT BOX	MARKER LTS
CB40	6	8A	561791	FR JCT BOX	FR & RR CLEARANCE & ID. LTS
CB42	6	10A	561792	FR JCT BOX	RR MARKER, TAIL, LICENCE LTS
CB43	6	20A	561794	FR JCT BOX	HEADLAMP (HI)
CB44	6	15A	561793	FR JCT BOX	HEADLAMP (LO)
CB45	7	10A	561792	FR JCT BOX	MULTI-FUNC. SW (WIPER CTR)
CB47	7	15A	561793	FR JCT BOX	CORNERING LTS
CB48	8	6A	561790	FR JCT BOX	STOP SW
CB49	8	15A	561793	RR JCT BOX	LH STOP LTS
CB51	8	20A	561794	FR JCT BOX	RH STOP & CYCLOP LTS
CB52	9	15A	561793	FR JCT BOX	LUGGAGE LTS
CB55	10	8A	561791	FR JCT BOX	DASH LTS RHEOSTAT
CB59	10	8A	561791	FR JCT BOX	DRIVER'S LTS SW.
CB69	3	8A	561791	FR SERV JCT BOX	ATEC1 & DDEC IGNITION
CB70	12-13	8A	561791	FR JCT BOX	BLOWER CUT-IN RELAY
CB72	12	10A	561792	RR JCT BOX	A/C COMPRESSOR CLUTCH
CB73	12	15A	561793	FR JCT BOX	WATER PUMP
CB75	13	15A	561793	A/C JCT BOX	WATER PUMP
CB79	12-13	10A	561792	FR JCT BOX	DRIVER'S HTR FAN
CB83	4	6A	561790	FR SERV JCT BOX	ECU ATEC1
CB91	15	8A	561791	FR JCT BOX	DRIVER'S SEAT HEATER
CB92	16	6A	561790	FR JCT BOX	LEVEL-LOW
CB104	17	6A	561790	FR JCT BOX	ABS E.C.U.
CB105	17	20A	561794	FR JCT BOX	ABS E.C.U.
CB106	17	10A	561792	FR SERV JCT BOX	ABS E.C.U.
CB107	17	10A	561792	FR SERV JCT BOX	ABS E.C.U.
CB117	14	8A	561791	FR JCT BOX	RR VIEW MIRROR
CB118	16	20A	561794	FR JCT BOX	LUGGAGE DOOR LOCK MOTOR
CB119	16	3A	561797	FR JCT BOX	LUGGAGE UNLOCK TT LT & SW
CB120	16	20A	561794	FR JCT BOX	LUGGAGE DOOR LOCK MOTOR
CB121	14	10A	561792	FR JCT BOX	CIGAR LIGHTER
CB122	11	6A	561790	FR JCT BOX	ENTRANCE DOOR AIR LOCK
CB125	7	20A	561794	FR JCT BOX	DIRECTIONAL LTS LH
CB126	7	20A	561794	FR JCT BOX	DIRECTIONAL LTS LH

NO.	PAGE	AMPERE	#PREVOST	LOCATION	FUNCTION
CB127	15	25A	561795	FR JCT BOX	ELECTRIC DRIVER'S SEAT
CB128	15	6A	561790	RR JCT BOX	RETARDER SYSTEM
CB129	18	15A	561793	RR JCT BOX	WATER HEATER
CB130	5	3A	561797	RR JCT BOX	FAN CLUTCH RADIATOR
CB131	12	3A	561797	RR JCT BOX	A/C STD-FAN CLUTCH RADIATOR
CB132	18	15A	561797 3	RR JCT BOX	WATER HEATER WEBASTO



No.	LOCATION	TYPE	(NB) CAVITY	#PIN HOUSING	#SOCKET HOUSING
C3	UNDER DASH-LH	TC	10	561072	561110
C4	UNDER DASH-LH	TC	10	561072	561110
C5	UNDER DASH-LH	TC	10	561072	561110
C9	UNDER DASH-LH	TC	10	561072	561110
C10	DDEC II-ECM POWER	PED MP	6	-----	561962
C11	LH CONSOLE SW-MIRROR	AMP MNL	3	561667	561550
C12	LH CONSOLE SW-MIRROR HTR	AMP MNL	2	561248	561247
C13	LH CONSOLE SW-MIRROR	AMP MNL	6	561552	561515
C14	UNDER DASH LH-MIRROR	AMP MNL	9	561670	561669
C15	UNDER DASH RH-MIRROR	AMP MNL	9	561670	561669
C18	UNDER DASH-FIRE ALARM	TC	2	561030	560997
C19	UNDER DASH-A/C & HEAT SYST.	TC	10	561072	561110
C21	LUGGAGE COMPT.-LOCK DOOR MOT.	PED	2	-----	562076
C22	ENGINE COMPT.-CYCLOP LT	PED WP	2	561566	561690
C23	FR SERVICE COMPT.-WTR PUMP	PED WP	2	561566	561690
C26	UNDER INSTRUMENT.-PANEL RHEO.	TC	2	561030	560997
C28	FR SERVICE COMPT.-SEAT HTR	AMP MNL	2	560900	560898
C29	FR SERVICE COMPT.-ECU ATECI	PED	30	-----	561603
C30	FR SERVICE COMPT.-SEAT ELECT.	PED WP	2	561566	561690
C32	RH CONSOLE-DRV TEMP SENSOR	BURNDY	3	-----	561104
C33	ENGINE DDEC II-SPARE GOV.	PED WP	2	561566	561690
C34	RH CONSOLE-DRV TEMP CTRL	BURNDY	6	-----	561103
C35	RECIRCULATED AIR GRIL.-SENER	BURNDY	3	-----	561104
C36	LH CONSOLE SW-CRUISE ON/OFF	SWF	8	-----	561107
C37	LH CONSOLE SW-CRUISE SET	SWF	8	-----	561107
C38	LH CONSOLE SW-CRUISE RESUME	SWF	8	-----	561107
C40	UNDER INSTRUMENT PANEL	TC	10	561072	561110
C41	UNDER DASH-FLASHER UNIT	TC	2	-----	561940
C49	FR JCT PANEL-PARK BRK ALARM	AMP MNL	2	560900	560898
C50	RH CONSOLE-PAS. TEMP CTRL	BURNDY	6	-----	561103
C51	RH CONSOLE SW-A/C & HEAT	SWF	8	-----	561107
C52	ENGINE COMPT.-COMPRESSOR OSG	PED WP	2	561566	561690
C53	ENGINE COMPT.-COMPRESSOR OSG	PED WP	2	561566	561690
C54	ENGINE COMPT.-COMPRESSOR OSG	TC	1	560098	560697
C55	CENTRAL DOOR	PED WP	2	561566	561690
C61	ENGINE COMPT.-FUEL FILTER	PED WP	2	561566	561690
C62	ENGINE COMPT.-COMPRESSOR STD	PED WP	2	561566	561690
C63	ENGINE COMPT.-COMPRESSOR STD	PED WP	2	561566	561690
C64	ENGINE COMPT.-COMPRESSOR STD	TC	1	560098	560697
C70	FR JCT PANEL-DOCKING LTS	TC	1	560098	560697
C73	LH SW PANEL-MULTI FUNC. LEV.	AMP FF	8	561188	-----
C74	LH SW PANEL-MULTI FUNC. LEV.	AMP FF	6	-----	561108
C77	UNDER DASH-3 WAY SW	TC	2	561030	560997
C78	LUGGAGE COMPT.-DOOR LOCK 4 LH	AMP MNL	4	560851	560852
C79	LUGGAGE COMPT.-DOOR LOCK 4 RH	AMP MNL	4	560851	560852
C80	FR JCT PANEL-LUG. DOOR LOCK	AMP MNL	6	561552	561515
C81	LUGGAGE COMPT.-DOOR LOCK 1 LH	AMP MNL	4	560851	560852
C82	LUGGAGE COMPT.-DOOR LOCK 1 RH	AMP MNL	4	560851	560852
C83	UNDER DASH-FLASHER MODULE	TC	10	561072	561110
C84	UNDER DASH-A/C SYSTEM	TC	3	561091	561071
C85	LUGGAGE COMPT.-DOOR LOCK 3 RH	AMP MNL	4	560851	560852
C86	LUGGAGE COMPT.-DOOR LOCK 3 LH	AMP MNL	4	560851	560852
C88	RR END ROOF-CLEARANCE LTS	AMP MNL	2	560900	560898
C98	A/C JCT BOX	ITT SS	4	561998	561999
C99	A/C JCT BOX	ITT SS	3	561111	561080
C100	A/C JCT BOX	ITT SS	2	561813	561812
C101	CONDENSER COMPT.-A/C PRES. SW	PED WP	2	561566	561690
C105	UNDER DASH RH-DRV L10 SOL VL	TC	2	561030	560997

No.	LOCATION	TYPE	(NB) CAVITY	#PIN HOUSING	#SOCKET HOUSING
C106	UNDER DASH RH-DRV WTR VALVE	TC	2	561030	560997
C107	UNDER DASH RH-DRV HTR RH FAN	TC	2	561030	560997
C108	UNDER DASH RH-DRV HTR LH FAN	TC	2	561030	560997
C109	RH CONSOLE SW-A/C CLUTCH SW	SWF	8	-----	561107
C114	ENGINE DDEC II-SPEED SIGNAL	PED WP	2	561566	561590
C115	RR JCT BOX	DEUTSCH	40	562281	562284
C116	DRIVE AXLE COMPT.-AIR DRYER	PED MP	2	-----	562251
C119	ENGINE COMPT.-LH LOWER LAMP	PED WP	6	561606	561607
C120	ENGINE COMPT.-LH LOWER LAMP	PED WP	6	561606	561607
C127	FR SERVICE COMPT.-JACOB	PED WP	4	561610	561783
C131	LH CONSOLE SW-LUG.DOOR LOCK	SWF	8	-----	561107
C132	LH CONSOLE SW-DRIVER'S LTS	SWF	8	-----	561107
C133	LH CONSOLE SW-JACOB	SWF	8	-----	561107
C135	LH SW PANEL-ETHER	SWF	8	-----	561107
C136	LH CONSOLE SW-MIRROR HTR	SWF	8	-----	561107
C137	RH SW PANEL-HEAD LAMP	SWF	8	-----	561107
C138	RH SW PANEL-SPARE	SWF	8	-----	561107
C139	RH SW PANEL-FOG LAMP	SWF	8	-----	561107
C140	FR JCT PANEL-BAT. HI/LO	AMP MNL	2	560900	560898
C141	ENGINE COMPT.-B/UP ALARM	PED WP	2	561566	561590
C142	FR SERVICE CPT-LH MARKER LTS	ITT SS	3	561111	561080
C146	FR SERVICE CPT-RH MARKER LTS	ITT SS	3	561111	561080
C154	RH SW PANEL-HAZARD	SWF	8	-----	561107
C155	LH SW PANEL-FAST IDLE	SWF	8	-----	561107
C156	LH SW PANEL-STP ENG. OVER.	SWF	8	-----	561107
C157	RH SW PANEL-ENTRANCE DOOR LCK	SWF	8	-----	561107
C160	FR SERVICE CPT-INTERFACE	AMP CPC	37	561644	561646
C161	ENGINE DDEC II-ECM	PED	30	-----	561600
C162	ENGINE DDEC II-COOLANT SIGN	PED WP	1	561605	561577
C163	RR JCT BOX-COOLANT MODULEE	PED WP	6	561606	561607
C164	FR SERVICE JCT BOX	AMP CPC	22	561709	561710
C165	FR SERVICE JCT BOX	AMP CPC	16	561693	561695
C166	UNDER INSTRUMENT PANEL	AMP MNL	6	561552	561515
C167	FR SERVICE CPT-EL. FOOT PEDAL	PED WP	3	561781	561782
C168	FR SERVICE CPT-DDR	PED	12	-----	561817
C169	FR SERVICE JCT BOX-THROT.MOD.	PED WP	3	561781	561782
C170	FR SERVICE JCT BOX-THROT.MOD.	PED WP	1	561605	561577
C171	LH CONSOLE-ATECI SHIFTER	AMP CPC	16	561693	561695
C172	ATECI TRANSMISSION-MAINE	DEUTSCH	23	-----	562263
C173	ATECI TRANSMISSION-SPD SENS.	PED WP	2	561566	561590
C180	FR JCT PANEL-DIODES	MOLEX	10	-----	561251
C181	FR SERVICE CPT-LEVEL LOW	AMP MNL	6	561552	561515
C182	FR SERVICE CPT-SPEED SW	AMP HDP	15	-----	562012
C185	FR SERVICE CPT-ATECI ECU	PED	30	-----	561602
C187	FR SERVICE JCT BOX-RESISTORS	AMP MNL	6	561552	561515
C190	FR SERVICE JCT BOX-THROT.MOD.	PED WP	6	-----	561946
C191	FR SERVICE JCT BOX-THROT.MOD.	PED WP	2	561566	561690
C199	FR SERVICE JCT BOX-DIODES	AMP MNL	9	561670	561669
C201	UNDER INSTRUMENT PANEL	AMP MNL	2	560900	560898
C202	UNDER INSTRUMENT PANEL	AMP MNL	6	561552	561515
C206	RH CONSOLE-FR DEFROSTER	TC	2	561030	560997
C207	RH CONSOLE-DRV RHEOSTAT	AMP MNL	6	561552	561515
C208	UNDER DASH-DRV HTR MODULE	AMP MNL	9	561670	561669
C209	UNDER DASH-DRV HTR MODULE	AMP MNL	9	561670	561669
C213	FR ROOF-CLEARANCE LT	AMP MNL	2	560900	560898
C234	UNDER INSTRUMENT PANEL-VDO	AMP MNL	4	560851	560852
C235	UNDER INSTRUMENT PANEL-VDO	AMP MNL	4	560851	560852
C236	FR SERVICE CPT CENTER-ABS	AMP CPC	14	561585	561583

No.	LOCATION	TYPE	(NB) CAVITY	#PIN HOUSING	#SOCKET HOUSING
C237	FR AXLE CPT-ABS RH SENSOR	WABCO	2	641132	-----
C238	FR AXLE CPT-ABS RH VALVE	WABCO	3	-----	641098
C239	FR AXLE CPT-ABS LH VALVE	WABCO	3	-----	641098
C240	FR AXLE CPT-ABS LH SENSOR	WABCO	2	641132	-----
C241	DRIVE AXLE CPT-ABS	PED WP	6	561606	561607
C242	DRIVE AXLE CPT-ABS LH SENSOR	WABCO	2	641132	-----
C243	DRIVE AXLE CPT-ABS LH VALVE	WABCO	3	-----	641098
C244	DRIVE AXLE CPT-ABS RH VALVE	WABCO	3	-----	641098
C245	DRIVE AXLE CPT-ABS RH SENSOR	WABCO	2	641132	-----
C246	DRIVE AXLE CPT-ABS SPARE	PED WP	4	561610	561611
C247	FR SERVICE CPT-ABS MODULE	WABCO	35	-----	561094
C248	DRIVE AXLE CPT-ABS	PED WP	6	561606	561607
C249	FR SERVICE CPT-ABS/DDEC	AMP MNL	2	560900	560898
C250	RH SW PANEL-B/UP CANCEL	SWF	8	-----	561107
C251	RH SW PANEL-SEAT HTR	SWF	8	-----	561107
C252	LH SW PANEL-SWITCH LT	SWF	2	-----	561837
C253	LUGGAGE COMPT.-WINDOW AJAR	MOLEX	4	561477	561476
C254	FR SERVICE JCT BOX-ABS	AMP CPC	16	561693	561695
C257	ENGINE COMPT-WATER HEATER	AMP FF	6	-----	561186
C258	ENGINE COMPT-WATER HEATER	AMP FF	2	-----	561597
C259	ENGINE COMPT-UNLOAD TAG VALVE	PED WP	2	561566	561690
C260	ENGINE COMPT-UNLOAD TAG VALVE	PED WP	2	561566	561690
C262	ENGINE COMPT-UNLOAD TAG VALVE	PED WP	2	561566	561690
C267	LUGGAGE COMPT. LTS - 1	AMP MNL	2	561248	561247
C268	LUGGAGE COMPT. LTS - 2	AMP MNL	2	561248	561247
C269	LUGGAGE COMPT. LTS - 3 RH	AMP MNL	2	561248	561247
C270	LUGGAGE COMPT. LTS - 3 LH	AMP MNL	2	561248	561247
C271	LUGGAGE COMPT. LTS - 4	AMP MNL	2	561248	561247
C272	FR SERVICE CPT LTS	AMP MNL	2	561248	561247
C273	LH CONSOLE SW-UNLOAD TAG	SWF	8	-----	561107
C274	FR JCT PANEL-DIODES	AMP MNL	15	561987	561986
C275	FR JCT PANEL-DIODES	AMP MNL	15	561987	561986
C276	FR JCT PANEL-ALARM BUZZER	BOSCH	5	-----	561183
C280	ENGINE COMPT-COMPRESSOR STD	PED WP	2	561566	561690
C290	LUGGAGE CPT-DOOR LOCK	AMP MNL	4	560851	560852
C291	LUGGAGE CPT-DOOR LOCK	AMP MNL	4	560851	560852
C292	LUGGAGE CPT-DOOR LOCK	AMP MNL	4	560851	560852
C293	WIPER MOTOR	AMP FF	6	-----	561186
C294	UNDER DASH-WIPER SYST. FEED	AMP MNL	6	561552	561515
C295	UNDER DASH-WIPER PULSE GEN.	AMP FF	6	-----	561186
C296	FR SERVICE CPT-HEAD LTS	ITT SS	3	561111	561080
C302	UNDER DASH-FLASHER MODULE	AMP MNL	2	560900	560898
C303	RR JCT BOX-DIODES	AMP MNL	15	561987	561986
C304	ENGINE COMPT-RETARDER VALVE	AMPHENOL	2	-----	560412
C308	LH MINI CONSOLE-WTR HTR TIMER	AMP FF	3	-----	562034
C381	ENGINE S60 AIR TEMP SW	PED WP	2	561566	561690
C382	ENGINE GENERATOR 12 VAC RLY	PED WP	1	561605	561577
C396	ENGINE DDEC 11-JACOB BANKS	PED WP	2	561566	561690
C426	ENGINE S60 RAD. FAN CLUTCH	PED WP	3	561781	561782
C427	ENGINE S60 TEMP SENSOR	BEHR	3	-----	562310

No.	LOCATION	TYPE	(NB) CAVITY	#PIN HOUSING	#SOCKET HOUSING
-----	----------	------	----------------	-----------------	--------------------

NO.	PAGE	AMP	#PREVOST	LOCATION	FUNCTION
D1	5	3A	561740	FR JCT BOX	PRIMARY LO-AIR SONALERT
D2	5	3A	561740	FR JCT BOX	SECONDARY LO-AIR SONALERT
D17	7	3A	561740	FR JCT BOX	HAZARD LH
D18	7	3A	561740	FR JCT BOX	HAZARD RH
D19	6	3A	561740	FR JCT BOX	DAYTIME RUNNING LTS
D20	6	3A	561740	FR JCT BOX	DAYTIME RUNNING LTS
D21	7	3A	561740	UNDER DASH	AUDIBLE FLASHER RLY LH
D22	7	3A	561740	UNDER DASH	AUDIBLE FLASHER RLY RH
D23	18	3A	561740	RR JCT BOX	PRE WATER HEATER (ESPAR)
D24	5	3A	561740	FR JCT BOX	UNLOAD TAG SYSTEM
D25	19	3A	561740	FR JCT BOX	UNLOAD TAG SYSTEM
D31	15	3A	561740	FR JCT BOX	RETARDER - ATEC1 (24V IGN SIGN)
D32	15	3A	561740	FR JCT BOX	RETARDER -ATEC (STP SW SIGN)
D33	15	3A	561740	RR JCT BOX	RETARDER STOP LTS SIGN
D34	12	3A	561740	RR JCT BOX	A/C STD - FAN CLUTCH
D35	3	3A	561740	FR SERV JCT BOX	DDEC II CRUISE-STOP SW SIGNAL
D36	3	3A	561740	FR SERV JCT BOX	DDEC II CRUISE-DECEL SW
D37	8	3A	561740	RR JCT BOX	RETARDER STOP LTS SIGNAL
D60	12	3A	561740	RR JCT BOX	A/C STD - COMPR. CLUTCH

NO.	PAGE	AMP	#PREVOST	LOCATION	FUNCTION
-----	------	-----	----------	----------	----------



NO.	PAGE	COIL V	#PREVOST	LOCATION	FUNCTION
R1	2	24V	561991	FR JCT BOX	ENGINE RUN (24) FR
R2	2	24V	561991	FR JCT BOX	ENGINE RUN (12) FR
R3	1	24V	561707	RR JCT BOX	FIELD RELAY
R4	1	24V	561005	RR JCT BOX	STARTING MOTOR
R9	8	24V	561707	RR JCT BOX	BACK-UP LTS
R12	5	12V	562092	FR JCT BOX	ELECTRICAL HORNS
R13	6	24V	561707	FR JCT BOX	FOG LTS - 12V
R14	6	24V	561707	FR JCT BOX	NIGHT'S BLINKER
R15	6	24V	561707	FR JCT BOX	FR MARKER LTS
R16	6	24V	561707	FR JCT BOX	IDENT. & CLEARANCE LTS
R17	6	24V	561707	RR JCT BOX	TAIL,LICENCE,MARKER-RR LTS
R18	6	24V	561707	FR JCT BOX	DAYTIME RUN LTS-PARK BRK
R19	6	24V	561707	FR JCT BOX	HI-BEAM
R20	6	24V	561707	FR JCT BOX	LO-BEAM
R22	3	24V	561707	FR SERV JCT BOX	DDEC II FAST IDLE SIGNAL
R23	3	24V	561707	FR SERV JCT BOX	ATEC1 & DDEC II 12V IGN
R24	4	24V	561707	FR SERV JCT BOX	CHECK TRANSM. ATEC1
R25	3	24V	561707	FR SERV JCT BOX	BRAKE SW-DDEC CRUISE CTR
R26	8	24V	561707	RR JCT BOX	STOP LTS
R32	12	24V	560772	RR JCT BOX	COMPR. CLUTCH TIME DELAY ON
R33	12-13	12V	561538	FR JCT BOX	BLOWER CUT-IN
R34	13	24V	561707	RR JCT BOX	A/C WARNING LT
R35	12	24V	561707	FR JCT BOX	WATER PUMP A/C STD
R36	12	24V	561707	RR JCT BOX	A/C COMPR. CLUTCH STD
R37	1	24V	561707	RR JCT BOX	GENERATOR-12VAC RLY SIGN
R38	13	24V	560407	A/C JCT BOX	EVAP. FAN MOTOR (FULL AIR)
R39	13	24V	560407	A/C JCT BOX	COND. FAN MOTOR (FULL AIR)
R40	13	24V	561707	A/C JCT BOX	WATER PUMP (FULL AIR)
R43	1	12V	560271	ENGINE COMPT	12V HOUSE
R46	7	24V	561707	UNDER INST PANEL	LH DIRECTIONNAL LTS
R47	7	24V	561707	UNDER INST PANEL	RH DIRECTIONNAL LTS
R49	17	24V	561707	FR SERV JCT BOX	ABS - BRAKE RLY
R50	17	24V	561707	FR SERV JCT BOX	ABS - VR2 RLY
R51	17	24V	561707	FR SERV JCT BOX	ABS - WARNING RLY
R52	17	24V	561707	FR SERV JCT BOX	ABS - VR1 RLY
R53	2	24V	561991	RR JCT BOX	ENGINE RUN 24V RR
R54	2	24V	561991	RR JCT BOX	ENGINE RUN 12V RR
R56	15	12V	562092	FR JCT BOX	JACOB BRAKE SYSTEM
R57	6	24V	561707	FR JCT BOX	DAY'S BLINKER
R60	6	12V	561538	FR JCT BOX	DAYTIME RUN LTS
R62	7	24V	561707	BEHIND RH CONS	RH CORNERING
R63	7	24V	561707	BEHIND RH CONS	LH CORNERING
R66	19	24V	562341	RR JCT BOX	UNLOAD TAG-TIME DELAY OFF
R67	19	24V	561707	RR JCT BOX	UNLOAD TAG SYSTEM
R68	11	24V	561707	FR JCT BOX	PARK BRAKE ALARM
R69	16	12V	562092	FR JCT BOX	LUGG DOOR LOCK
R70	16	12V	562092	FR JCT BOX	LUGG DOOR UNLOCK
R71	16	24V	561707	FR JCT BOX	LUGG DOOR LOCK TT LT
R72	10	24V	561707	FR JCT BOX	DASH LTS RHEOSTAT
R74	16	12V	562092	RR JCT BOX	LUGG DOOR LOCK
R75	16	12V	562092	RR JCT BOX	LUGG DOOR UNLOCK
R76	8	12V	562092	RR JCT BOX	JACOB BRAKE SIGNAL
R77	7	12V	562092	UNDER DASH	AUDIBLE FLASHER RLY
R79	15	24V	561707	FR JCT BOX	ENG BRAKE - ABS CUT OUT
R80	15	24V	561707	FR JCT BOX	RETARDER - ABS CUT OUT
R81	15	24V	561707	RR JCT BOX	RETARDER - SOL VALVE
R83	18	24V	561707	RR JCT BOX	WATER HEATER-WEBASTO

NO.	PAGE	COIL V	#PREVOST	LOCATION	FUNCTION
-----	------	--------	----------	----------	----------

## RESISTOR CODE (RS)

Page J : 1

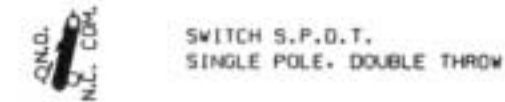
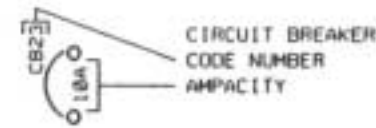
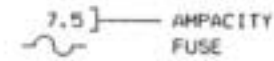
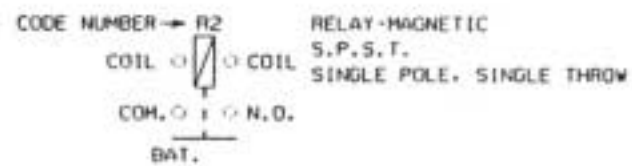
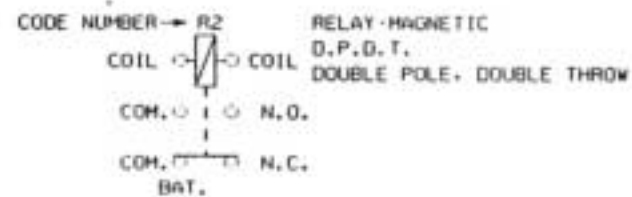
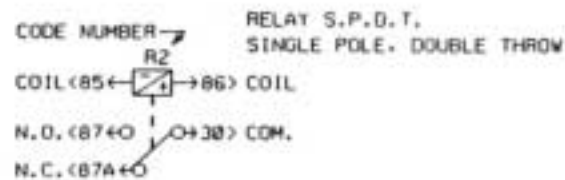
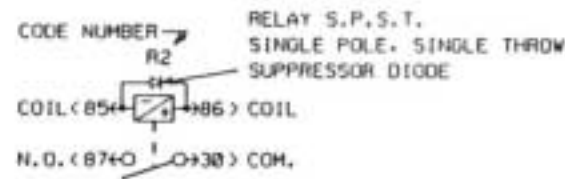
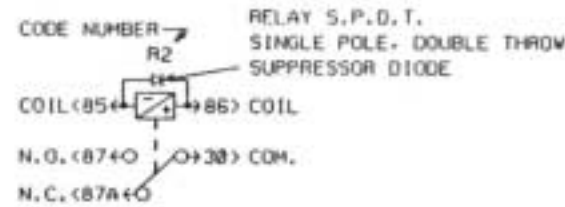
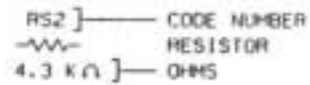
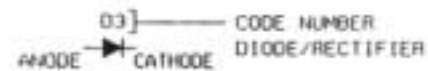
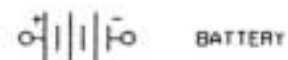
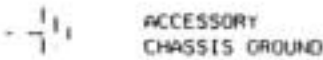
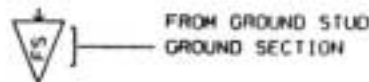
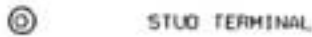
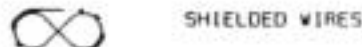
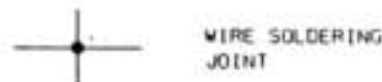
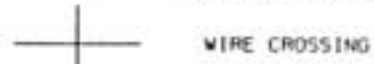
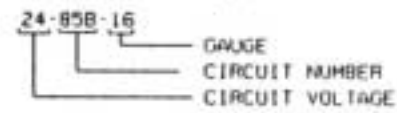
NO.	PAGE	OHM(S)	#PREVOST	LOCATION	FUNCTION
RS1	3	11 K	562307	FR SERV JCT BOX	DDEC II-FAST IDLE
RS2	3	3.6 K	562306	FR SERV JCT BOX	DDEC II-FAST IDLE
RS3	6	1 (2)	561537	FR SERV. COMPT.	FOG LT - RH
RS4	6	1 (2)	561537	FR SERV. COMPT.	FOG LT - LH
RS5	7	1 (2)	561537	LAMP ASM	CORNERING LT - LH
RS8	7	1 (2)	561537	LAMP ASM	CORNERING LT - RH
RS9	7	1 (2)	561537	LAMP ASM	DOCKING LT - RH
RS10	7	1 (2)	561537	LAMP ASM	DOCKING LT - LH
RS14	6	.82 (2)	560822	FR SERV. COMPT.	DAYTIME RUN LTS
RS15	12	470 K	560805	RR JCT BOX	COMPR CLUTCH TIME DELAY ON
RS16	19	75 K	562342	RR JCT BOX	UNLOAD TAG TIME DELAY OFF

## RESISTOR CODE (RS)

Page J : 1

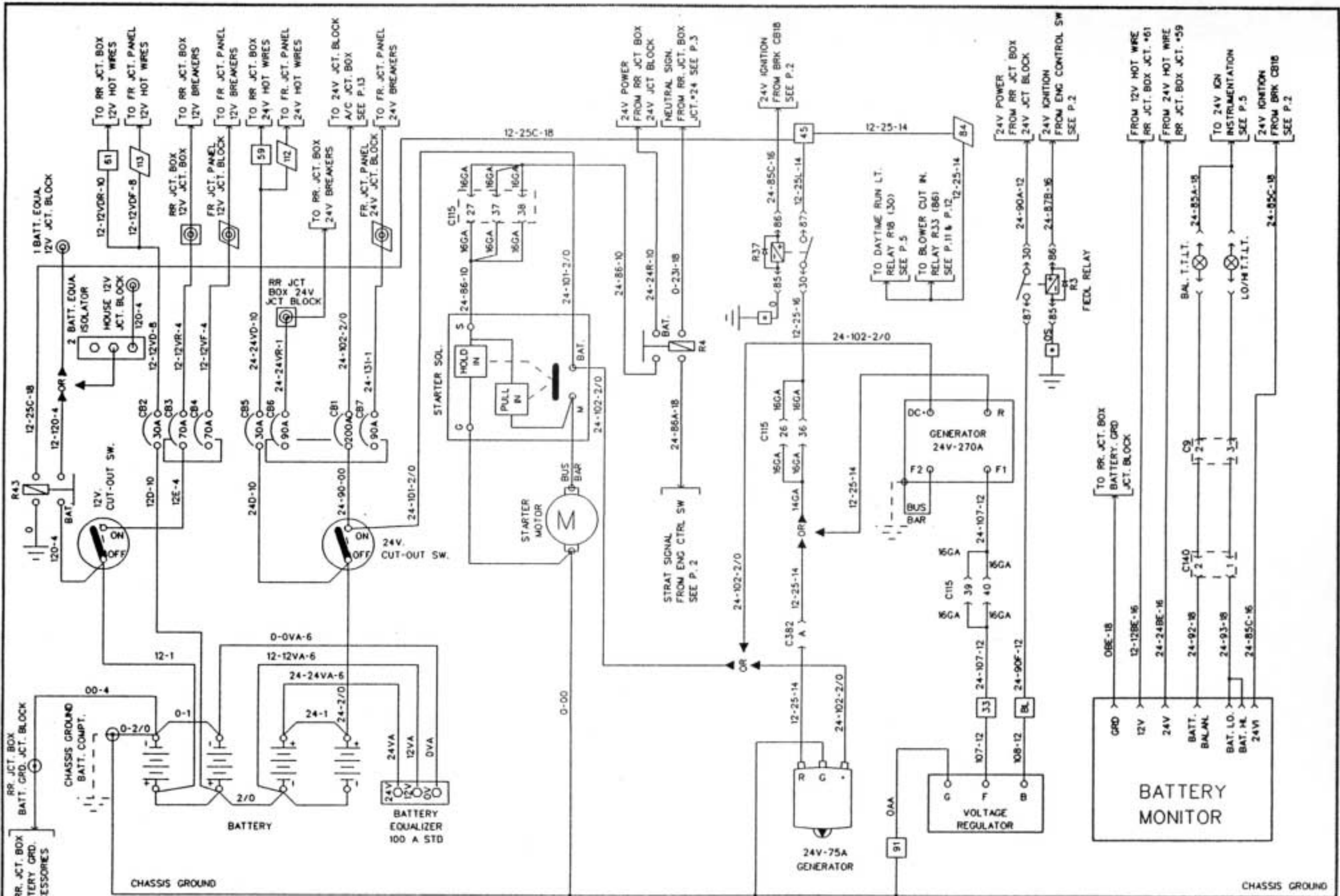
NO.	PAGE	OHM(S)	#PREVOST	LOCATION	FUNCTION
-----	------	--------	----------	----------	----------

# WIRING DIAGRAM KEYS



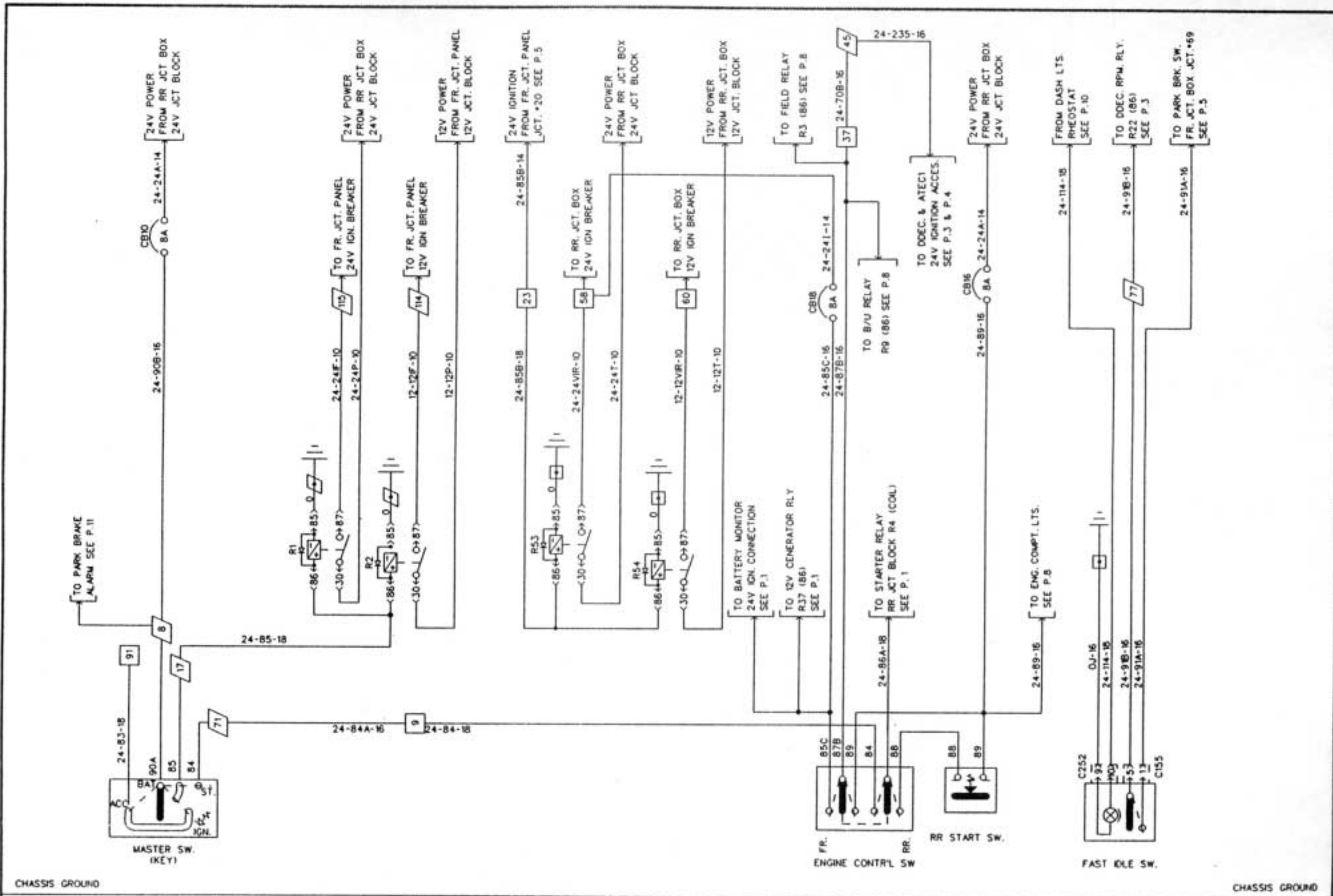
- |     |        |
|-----|--------|
| BLK | BLACK  |
| YEL | YELLOW |
| RED | RED    |
| WH  | WHITE  |
| GRY | GREY   |
| ORA | ORANGE |
| BLU | BLUE   |
| GRN | GREEN  |
| BRN | BROWN  |
| PUR | PURPLE |
| PK  | PINK   |



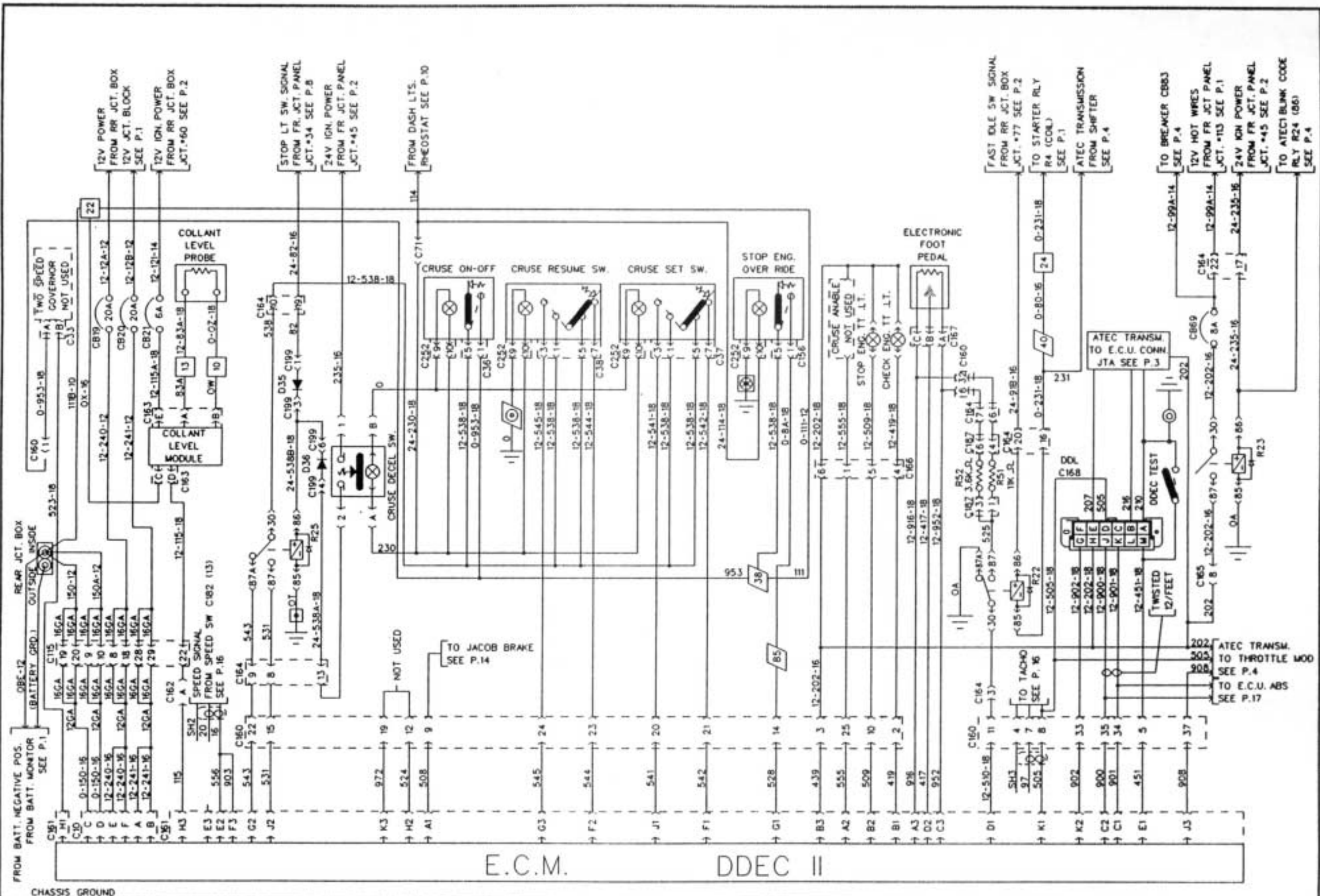


CHARGING SYSTEM

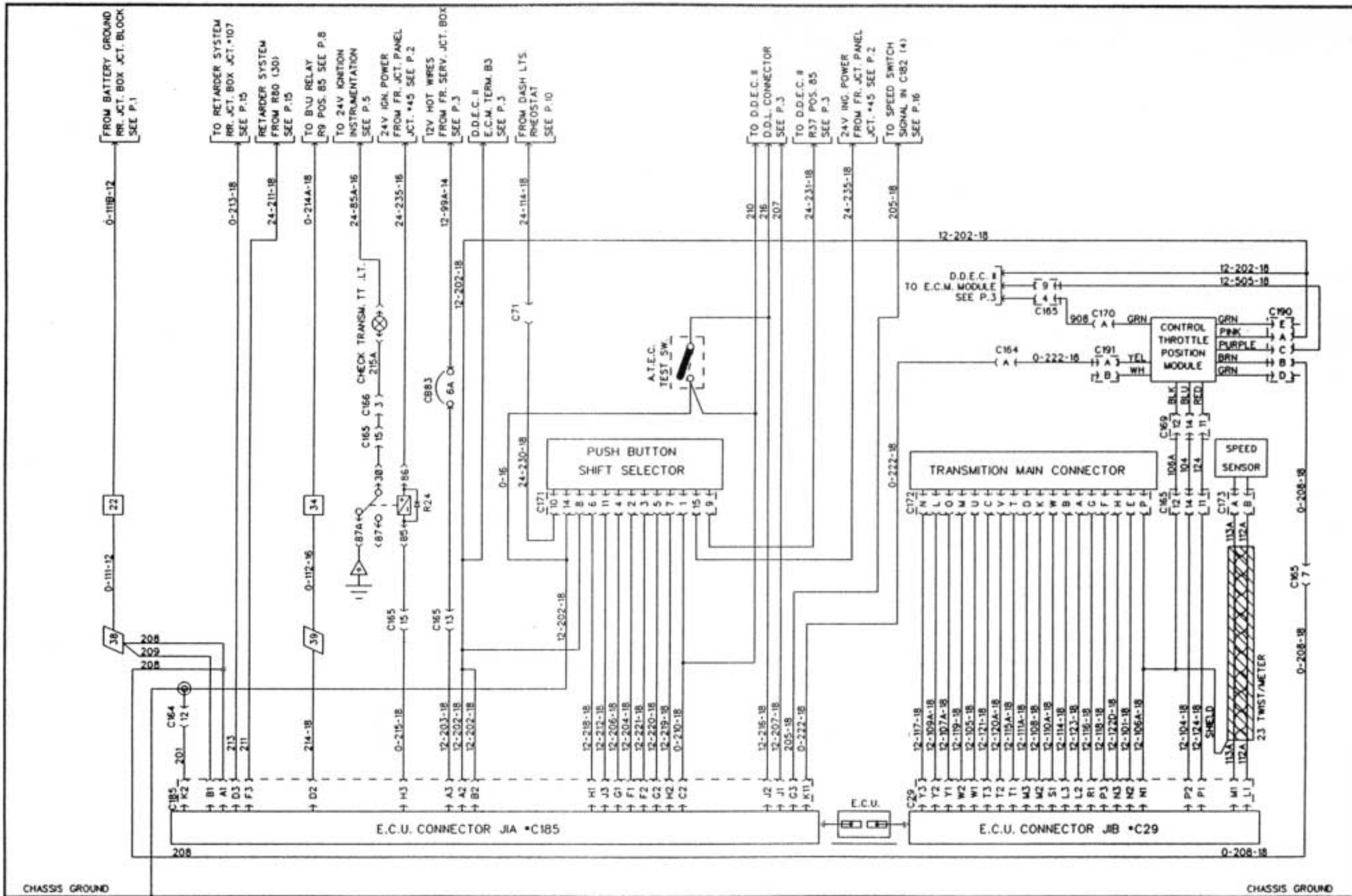
| W/24V 75A | W/24V 270A |



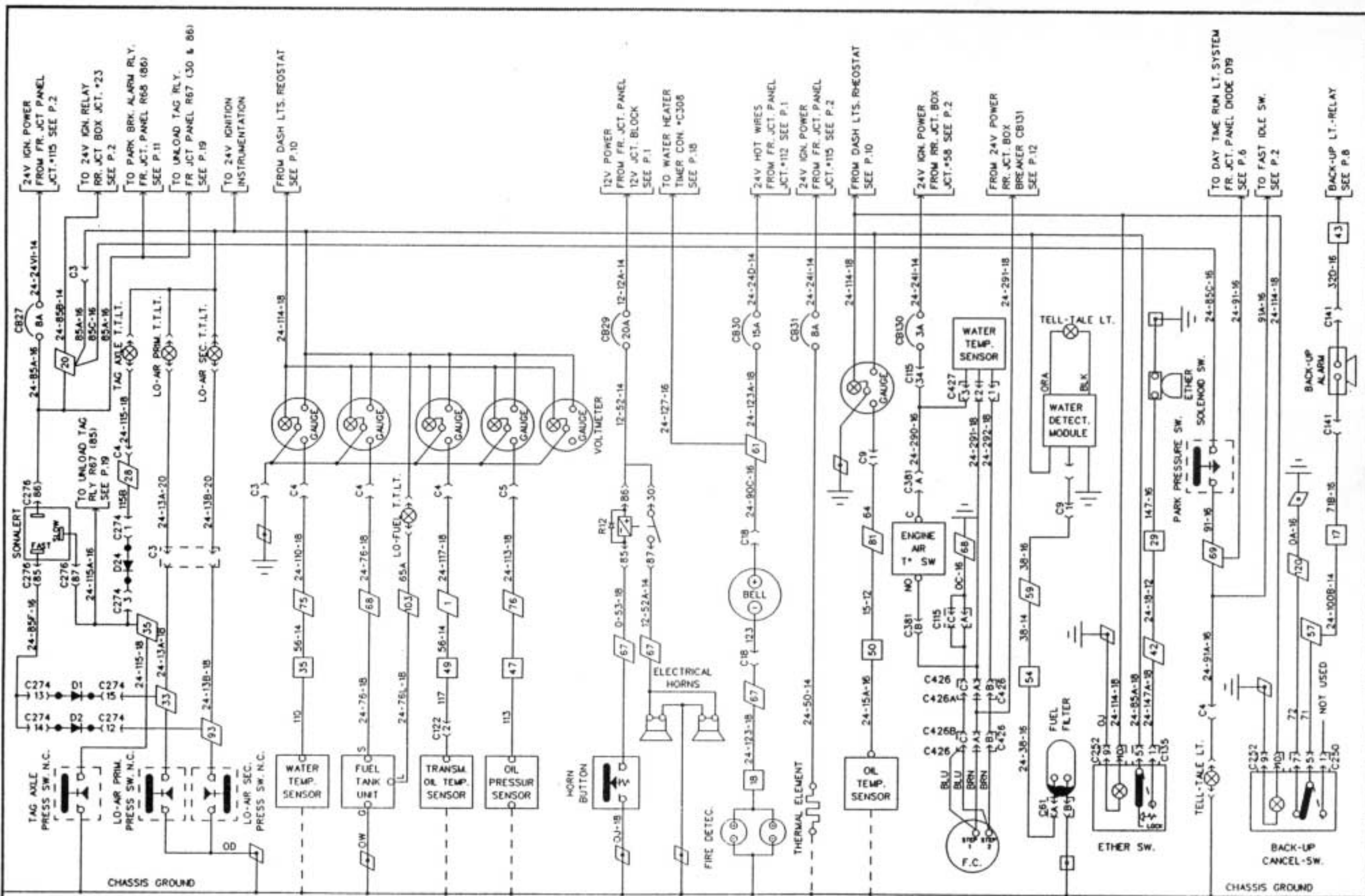
### ENGIN CONTROL





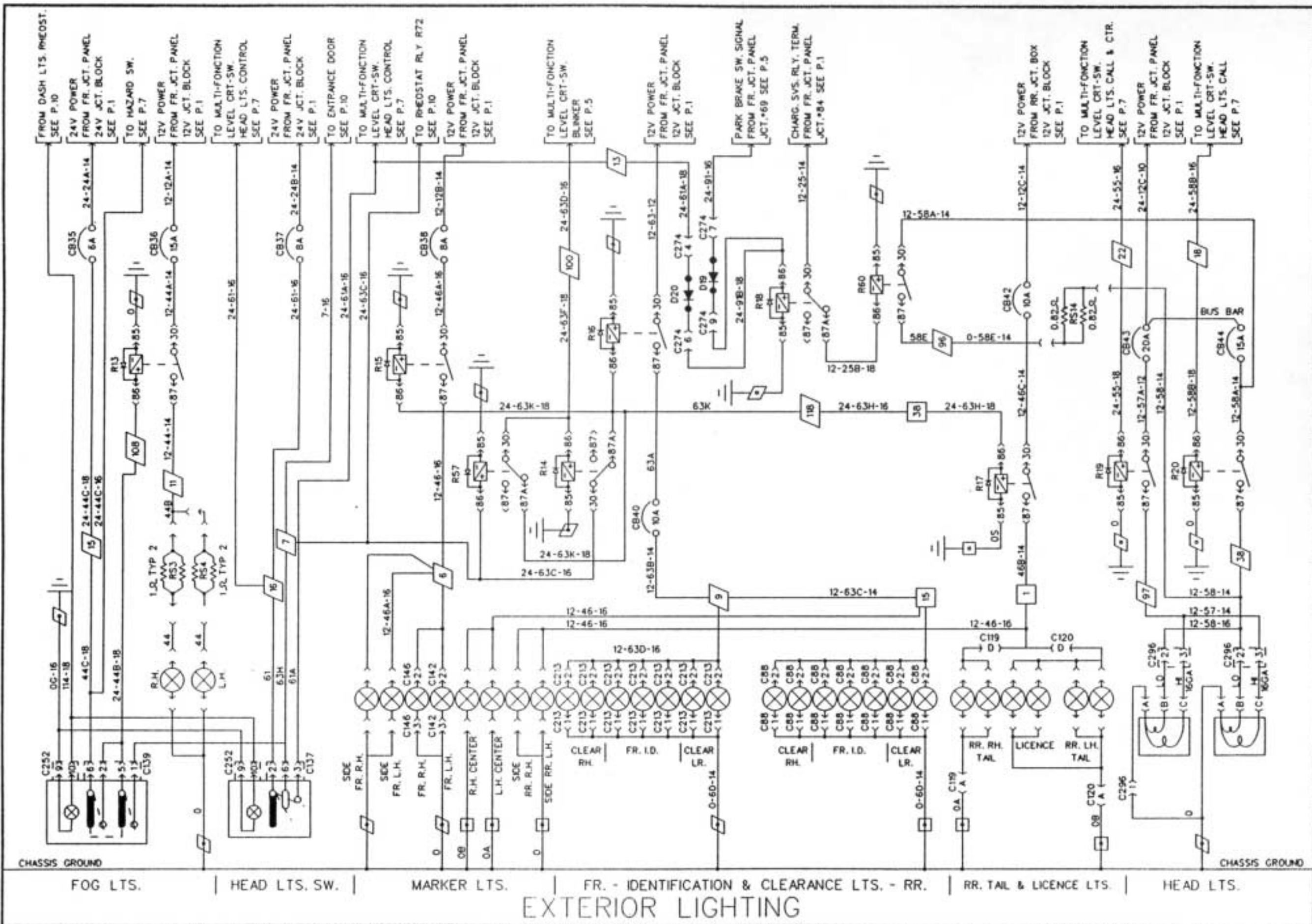


A.T.E.C.

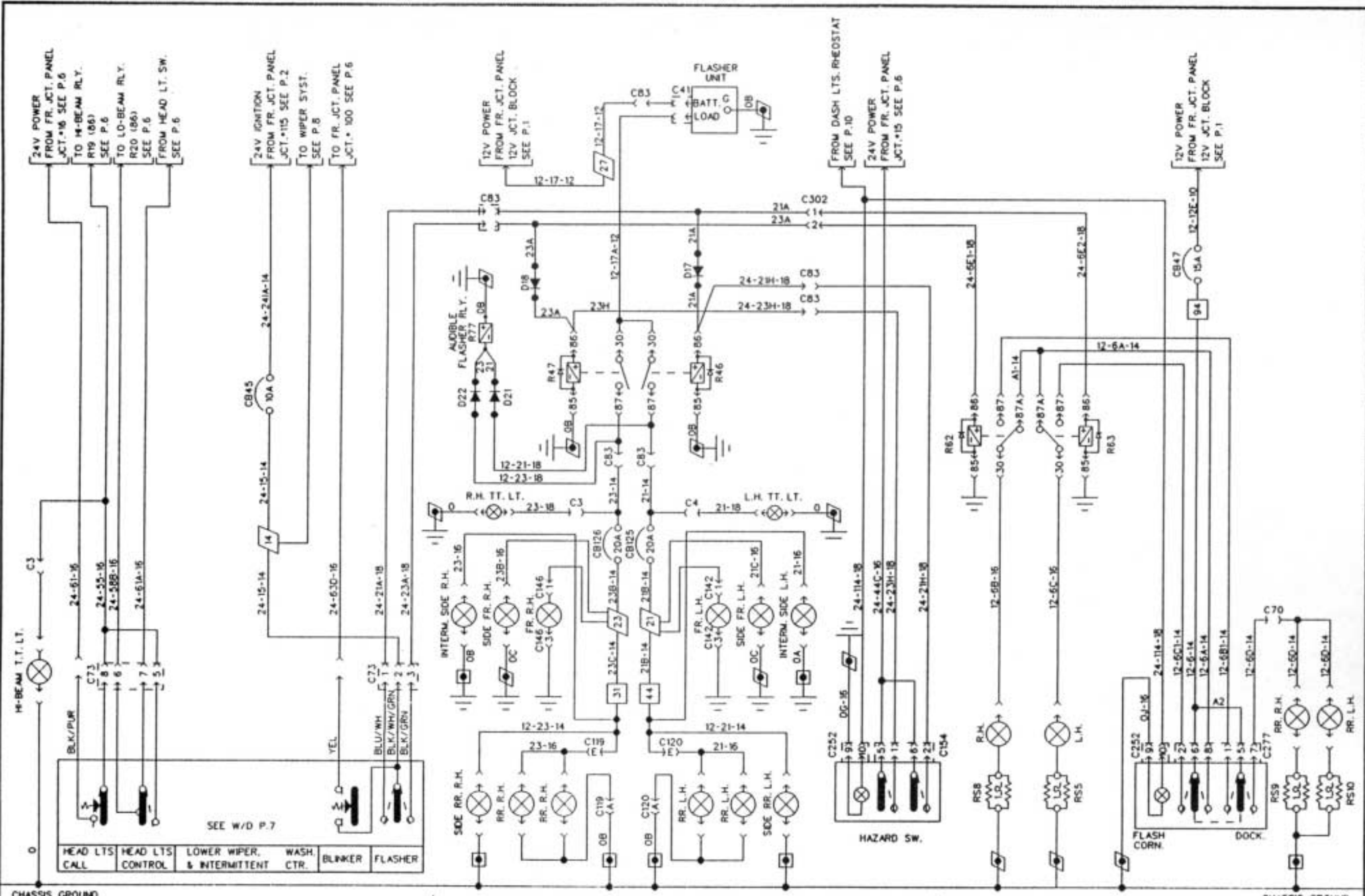


ALARM AND SIGNAL

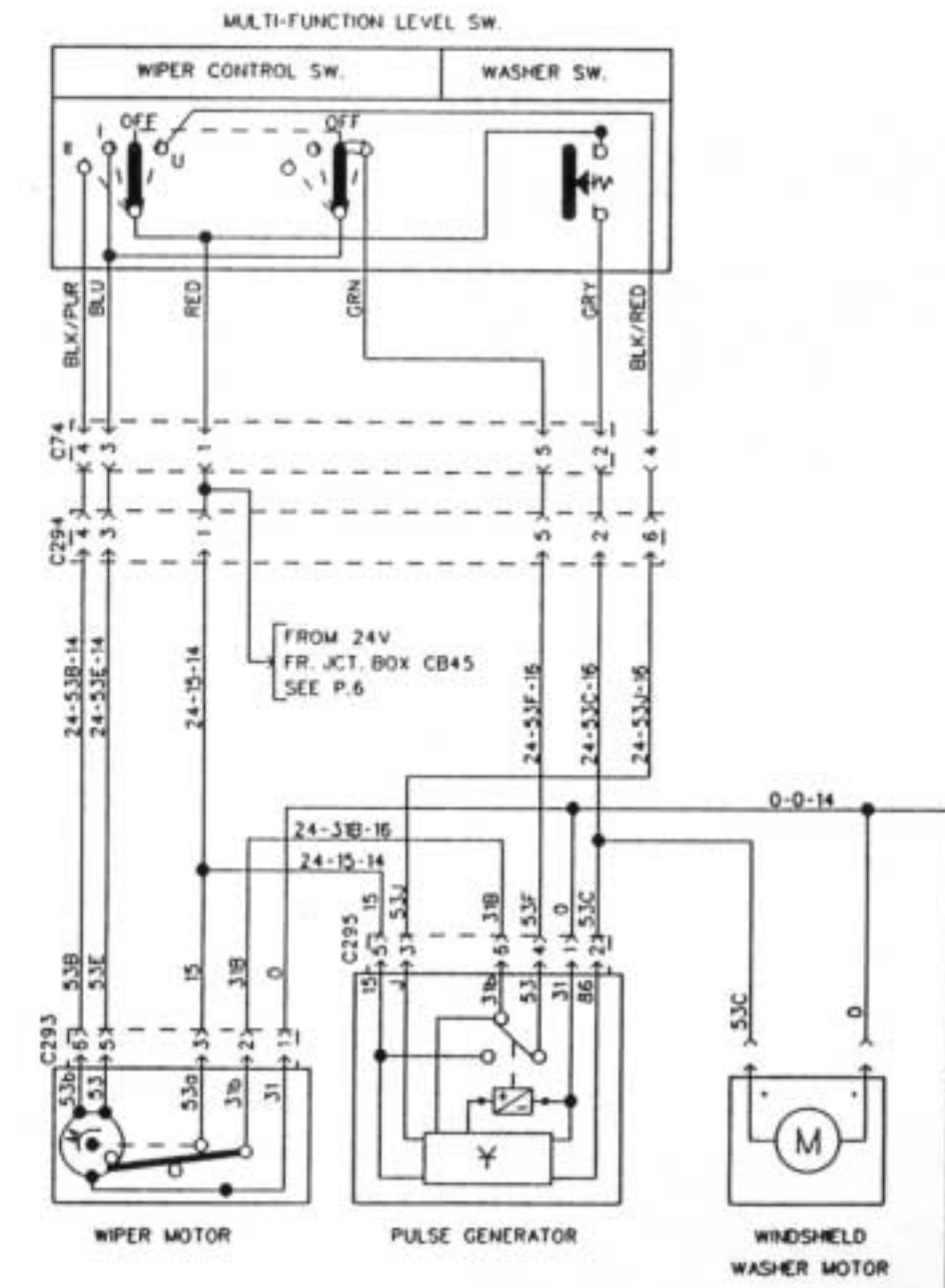
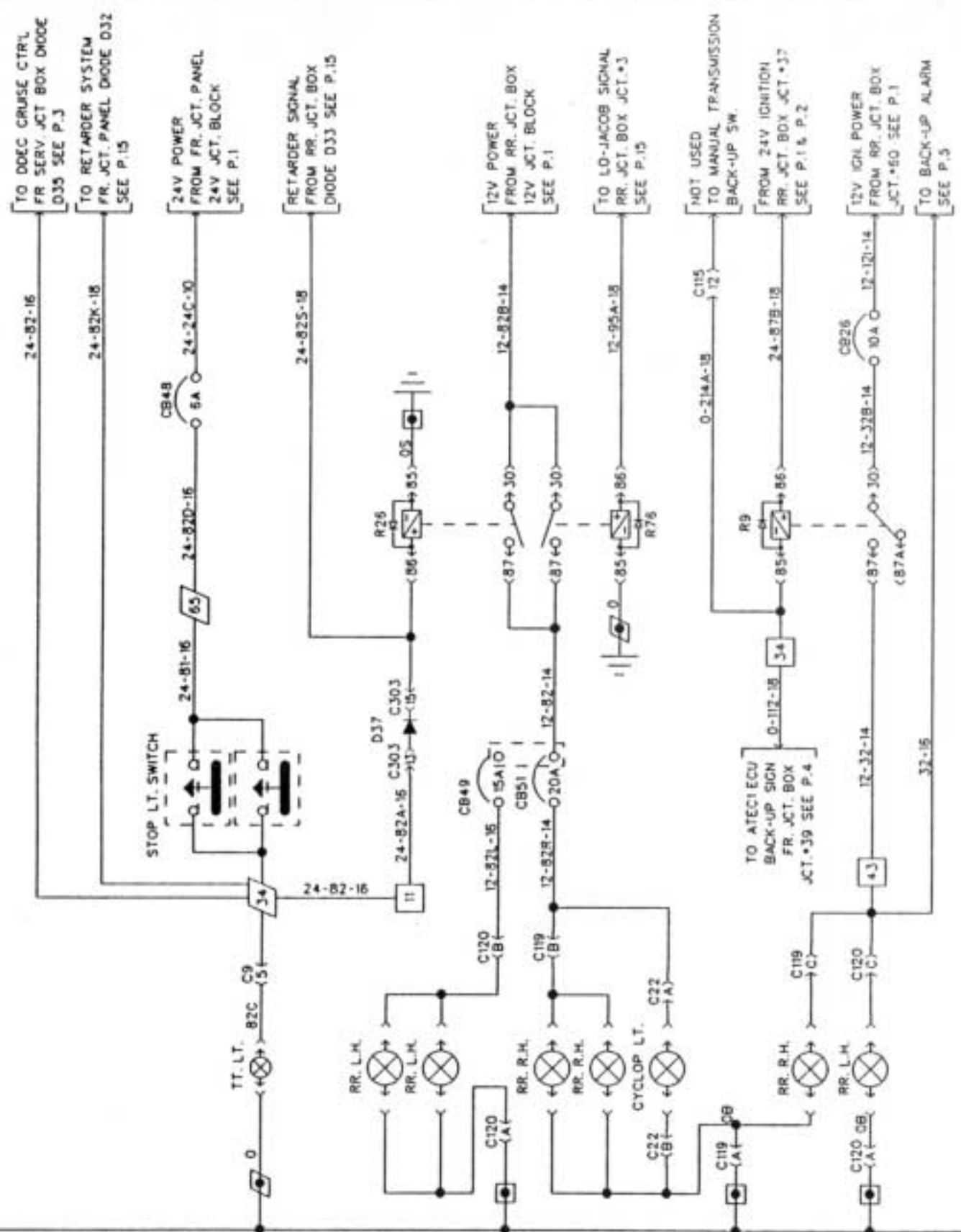
- AIR DRYER
- DIFFERENTIAL OIL TEMP.
- FAN CLUTCH
- FUEL WATER FILTER
- ETHER COLD START
- PARKING BRAKE SW
- BACK-UP ALARM







PREVOST CAR inc. | WIRING DIAGRAM NO: D060789 | REVISION DATE 93-07-01 | P. 7

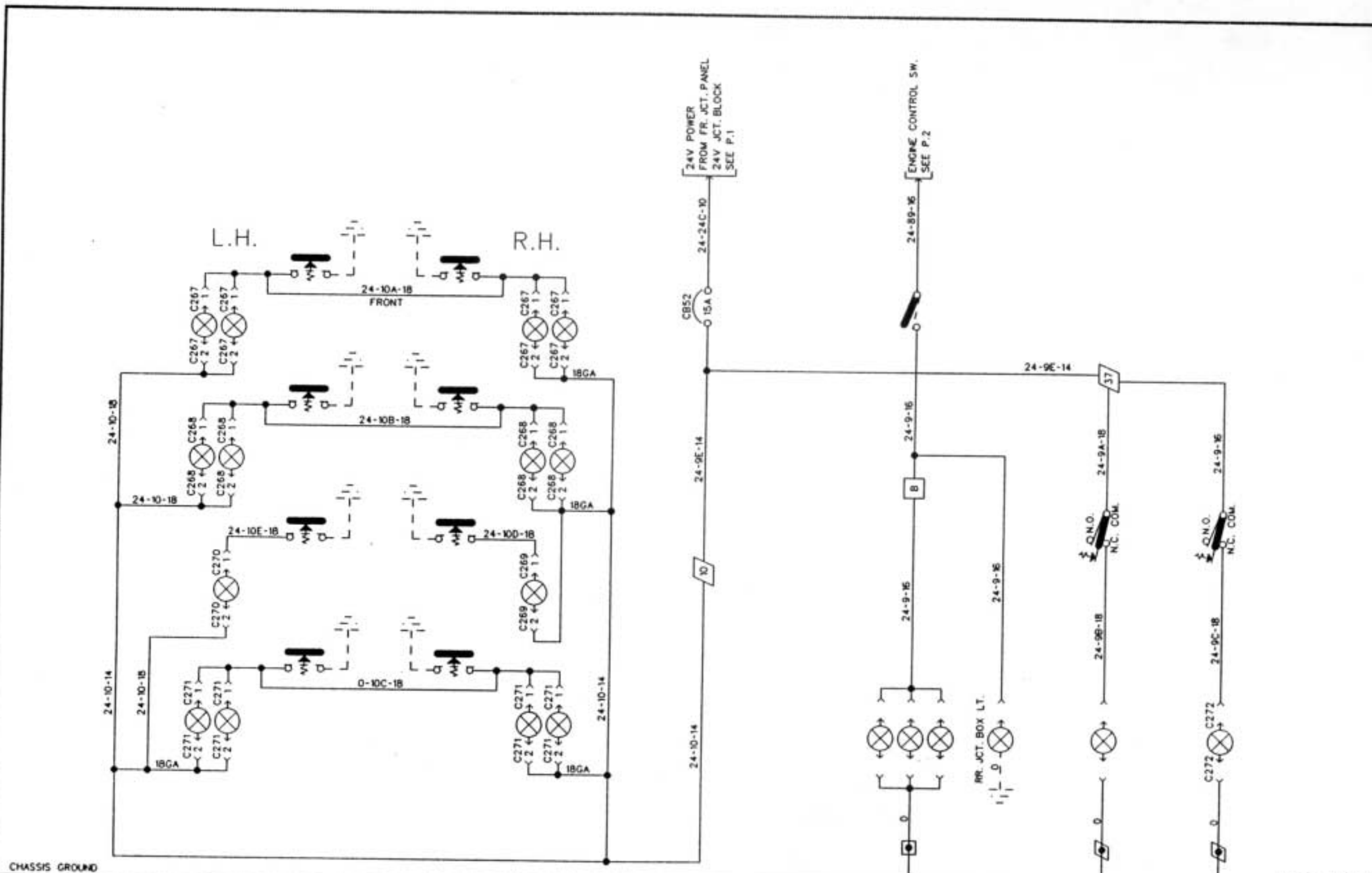


CHASSIS GROUND

STOP LIGHTS | BACK-UP LIGHTS | WINDSHIELD WIPER AND WASHER

EXTERIOR LIGHTING

CHASSIS GROUND



LUGGAGE COMPARTMENT LTS.

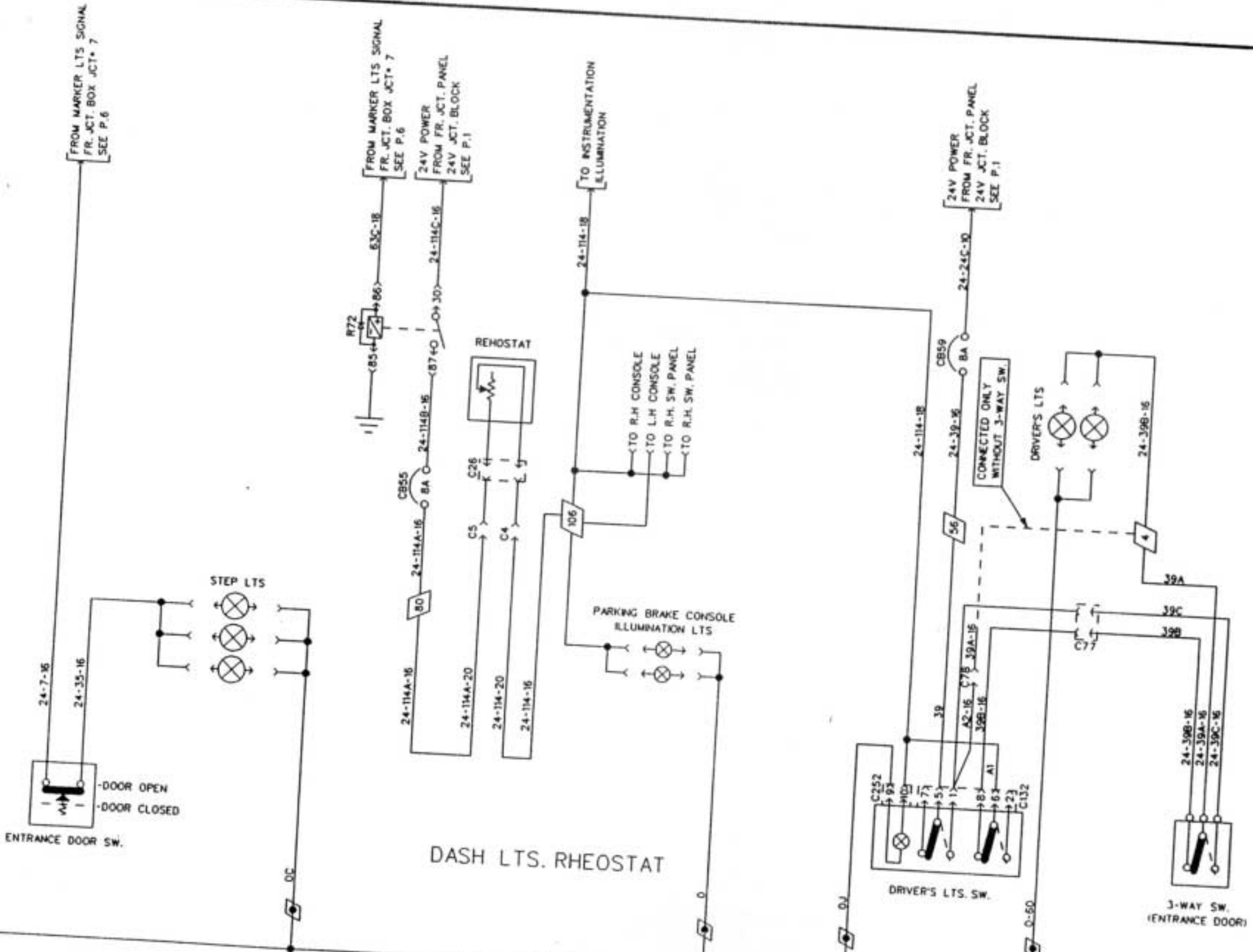
ENGINE COMPT. LTS.

FR. JCT. CPT

FR. SERVICE COMPT.

INTERIOR LIGHTING

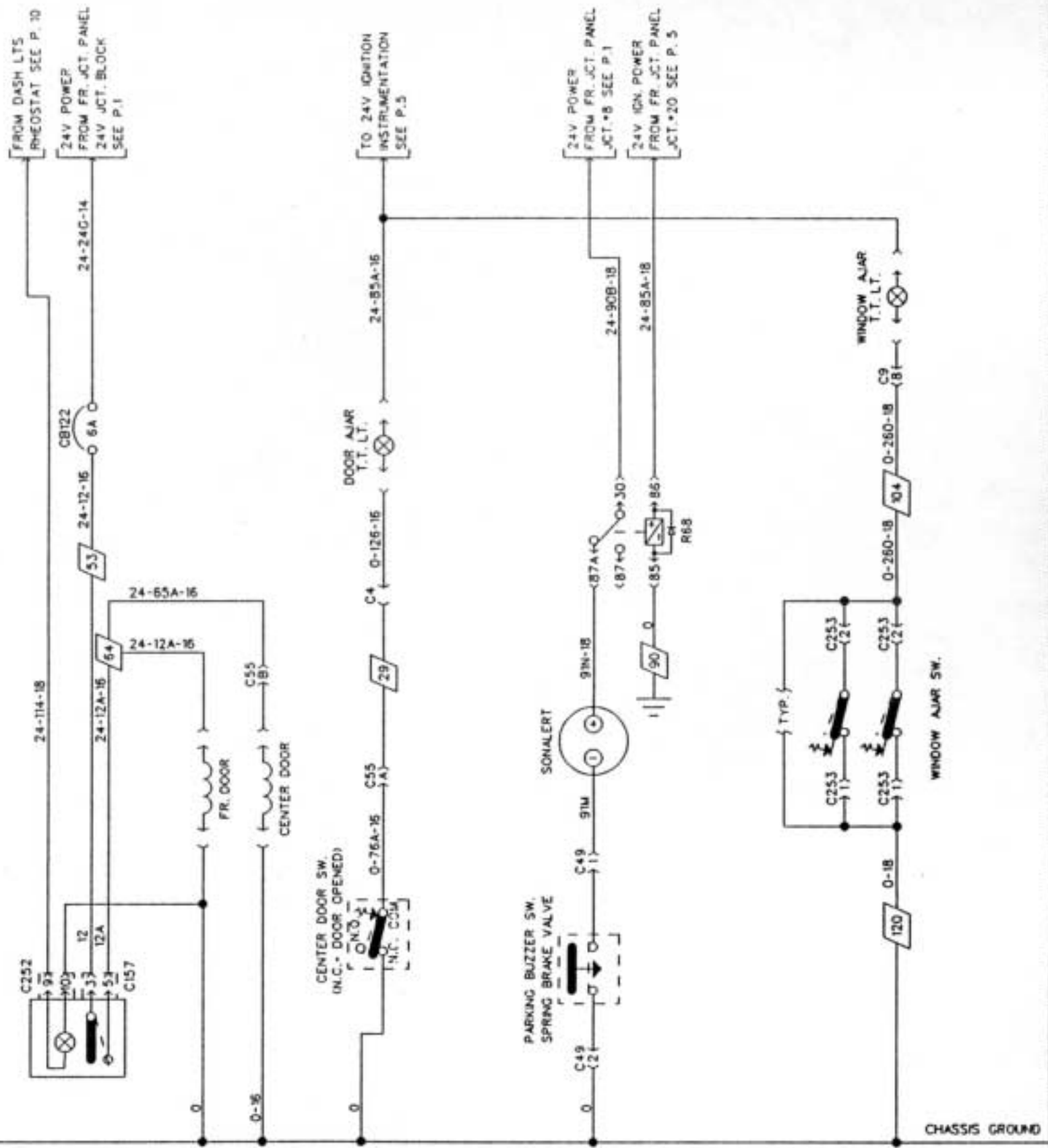
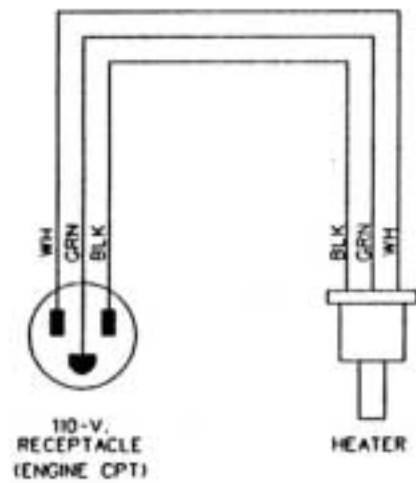




INTERIOR LIGHTING DO60789

P. 10

CHASSIS GROUND



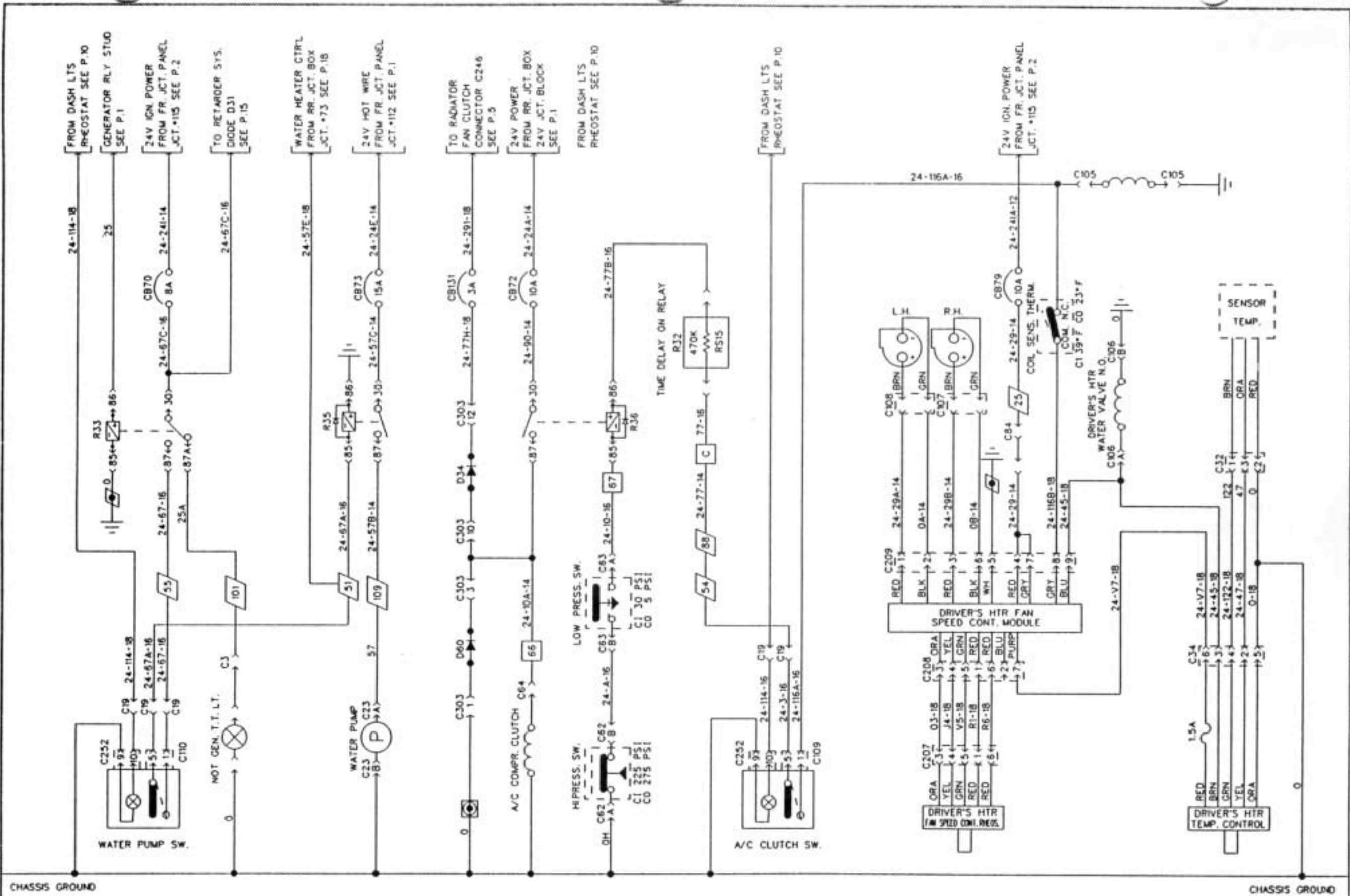
ENGINE BLOCK HEATER

ENTRANCE DOOR AIR LOCK

CENTER DOOR AIR LOCK

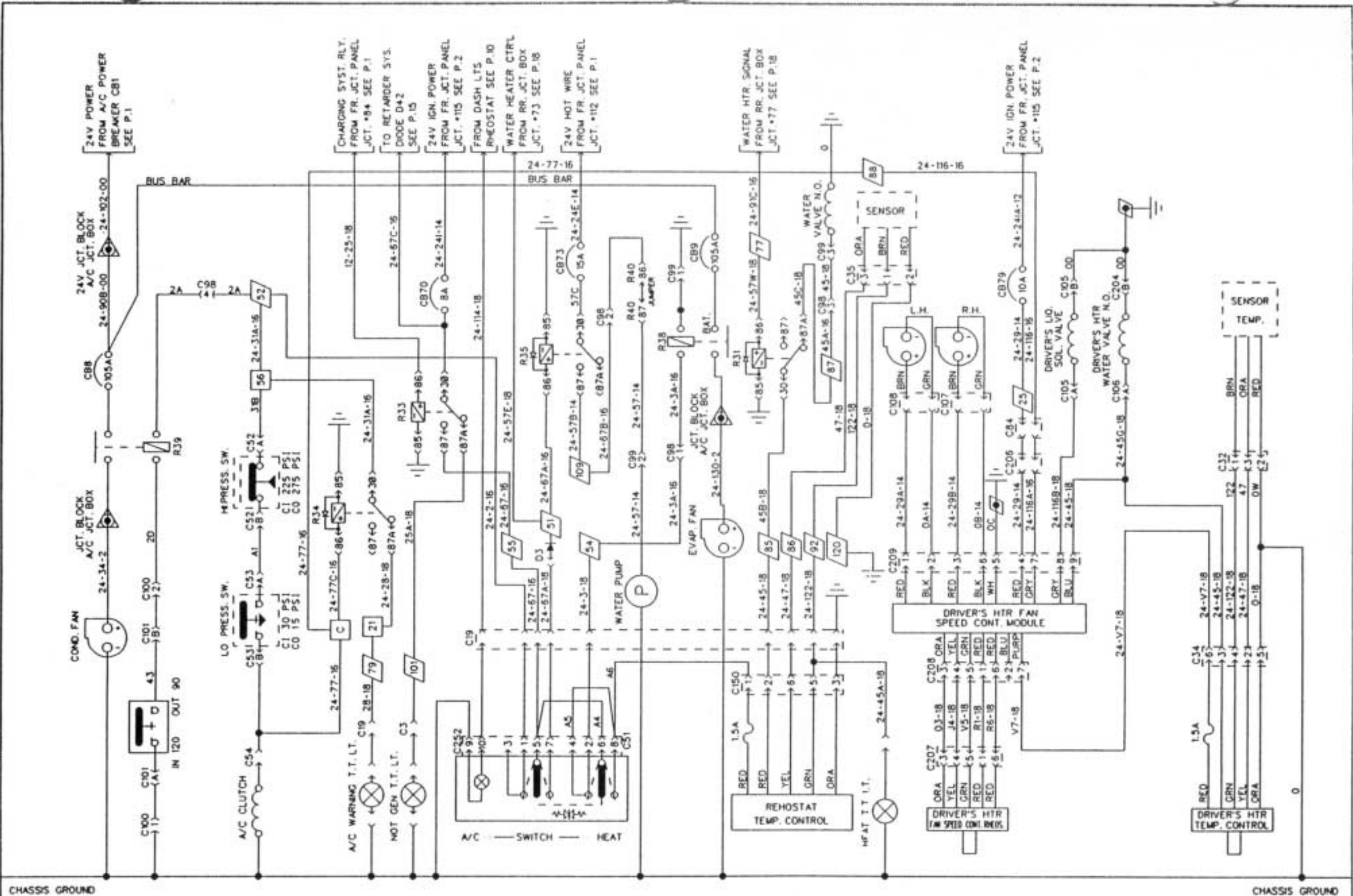
PARKING BRAKE ALARM

WINDOW AJAR

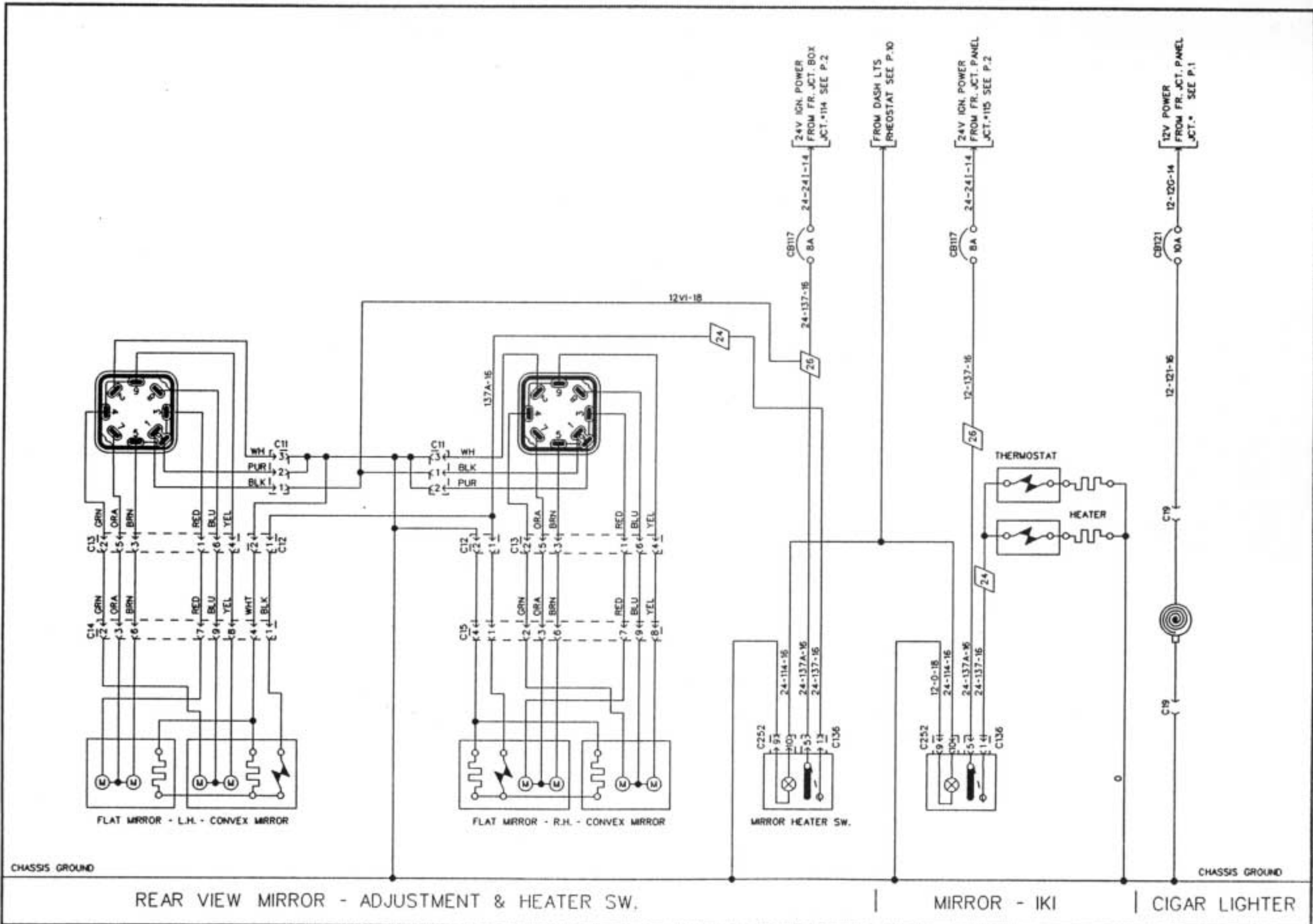


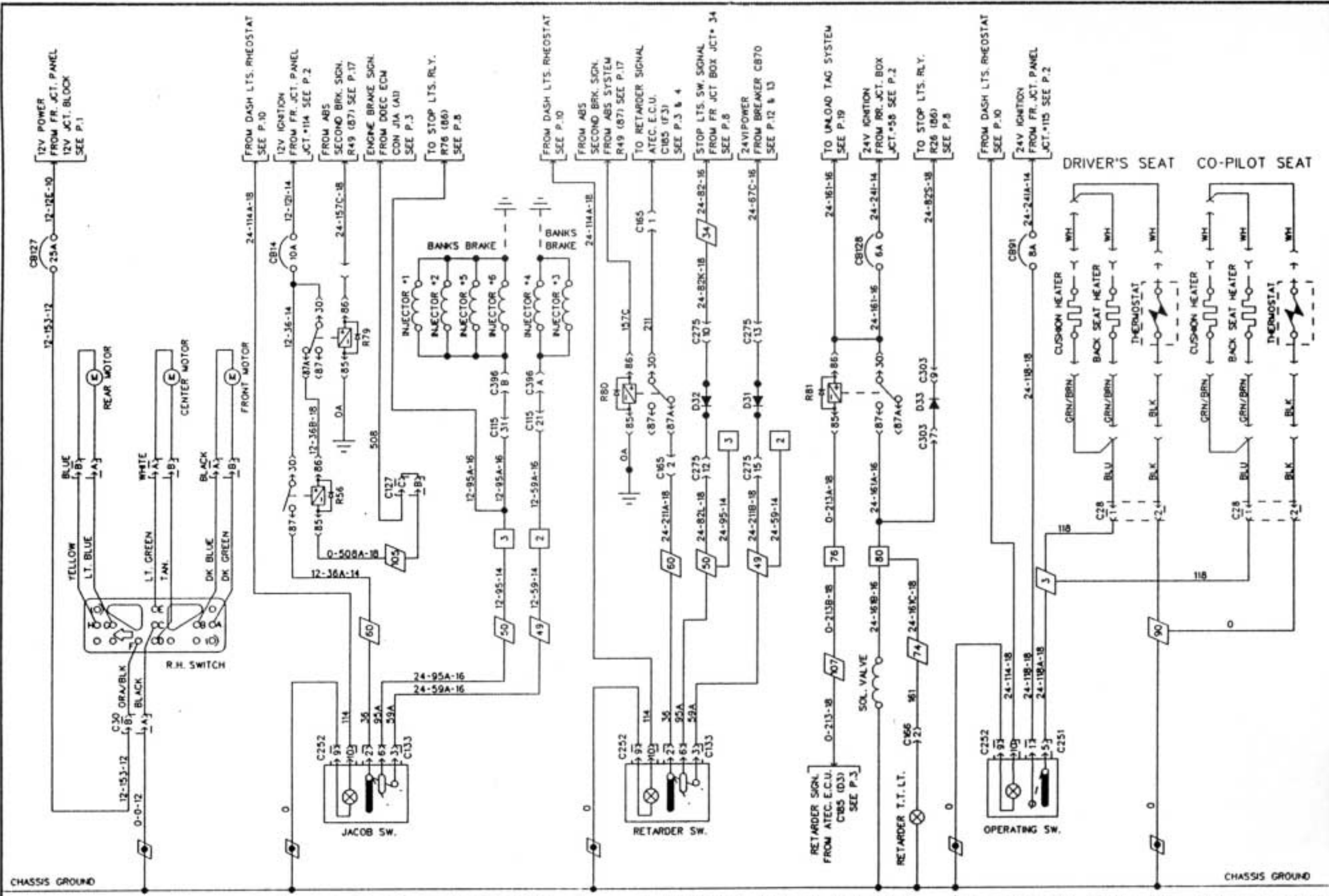
STANDARD A/C AND HEAT SYSTEM





## A/C AND HEAT SYSTEM (FULL AIR)





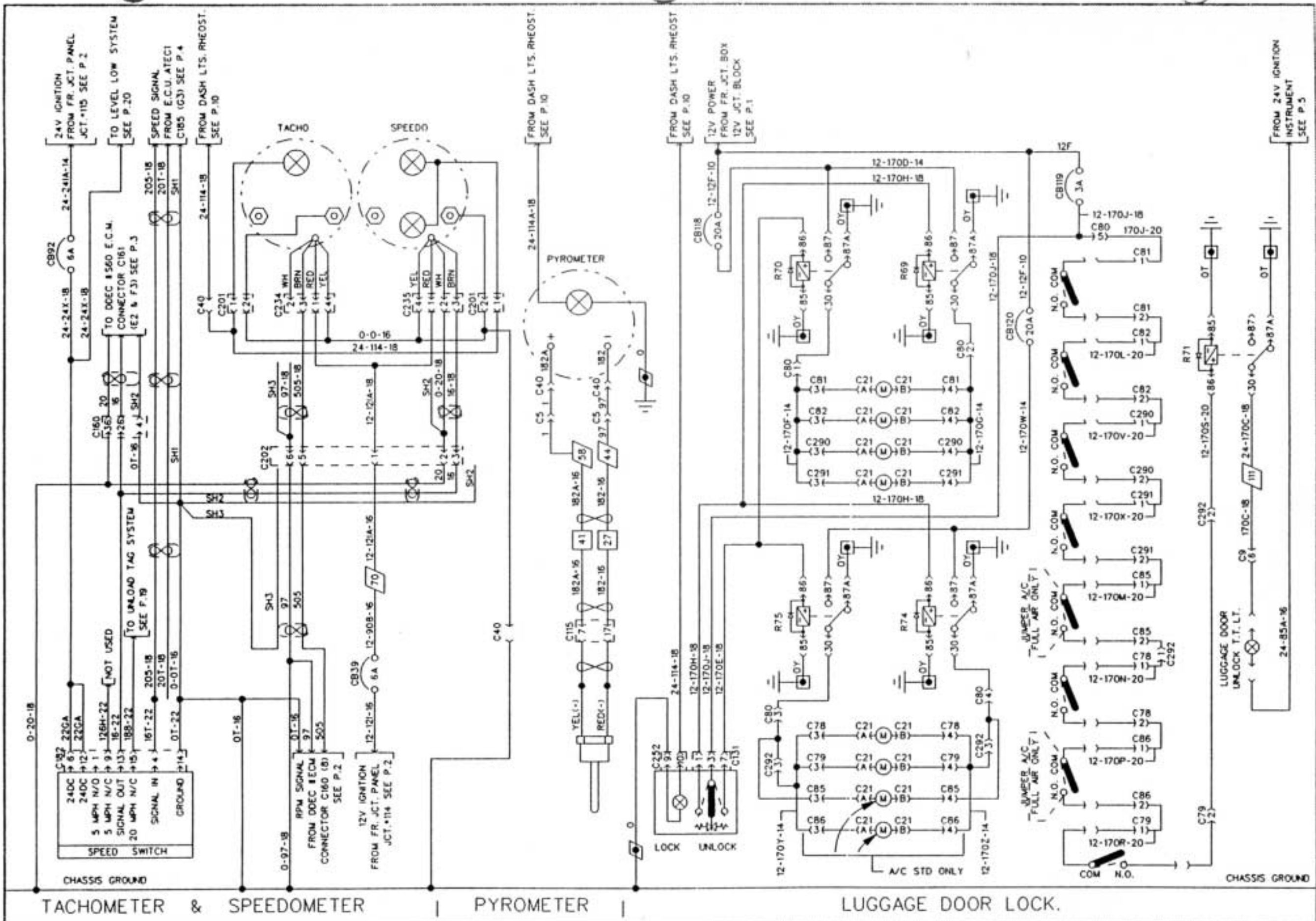
ELECTRIC DRIVER'S SEAT

ENGINE BRAKE SYSTEM

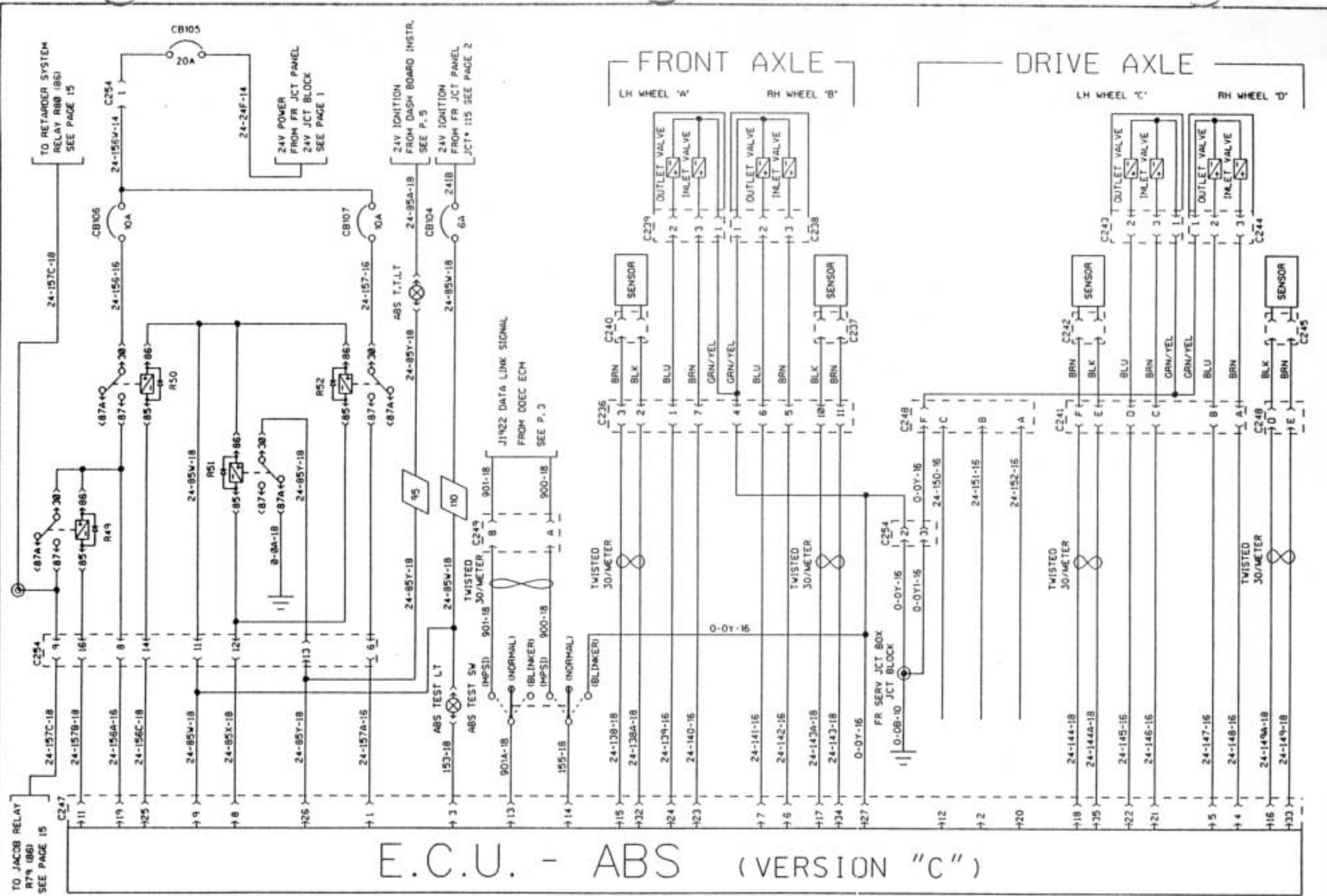
RETARDER (ATEC) SYSTEM

DRIVER'S & CO-PILOT SEAT HEATER

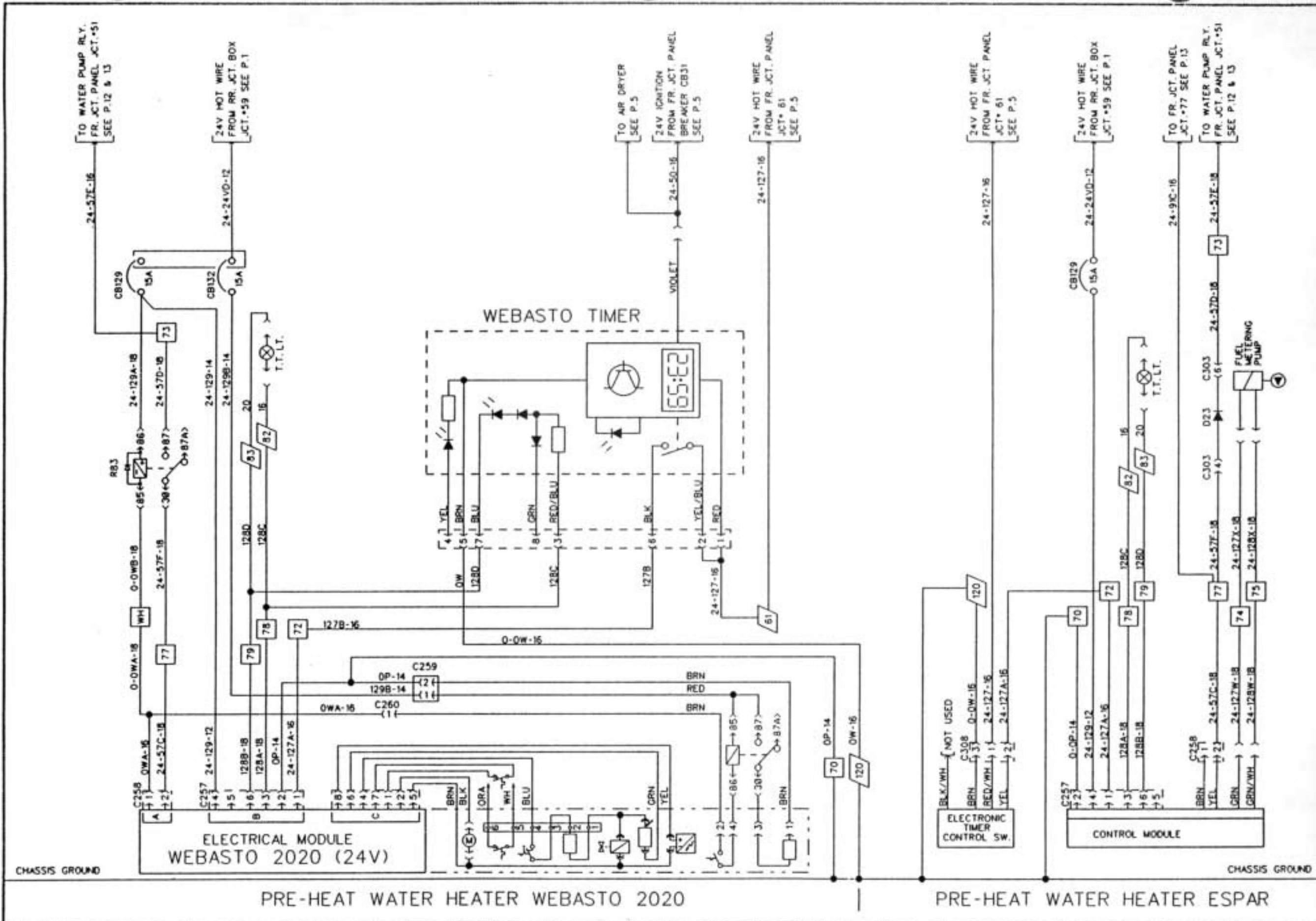


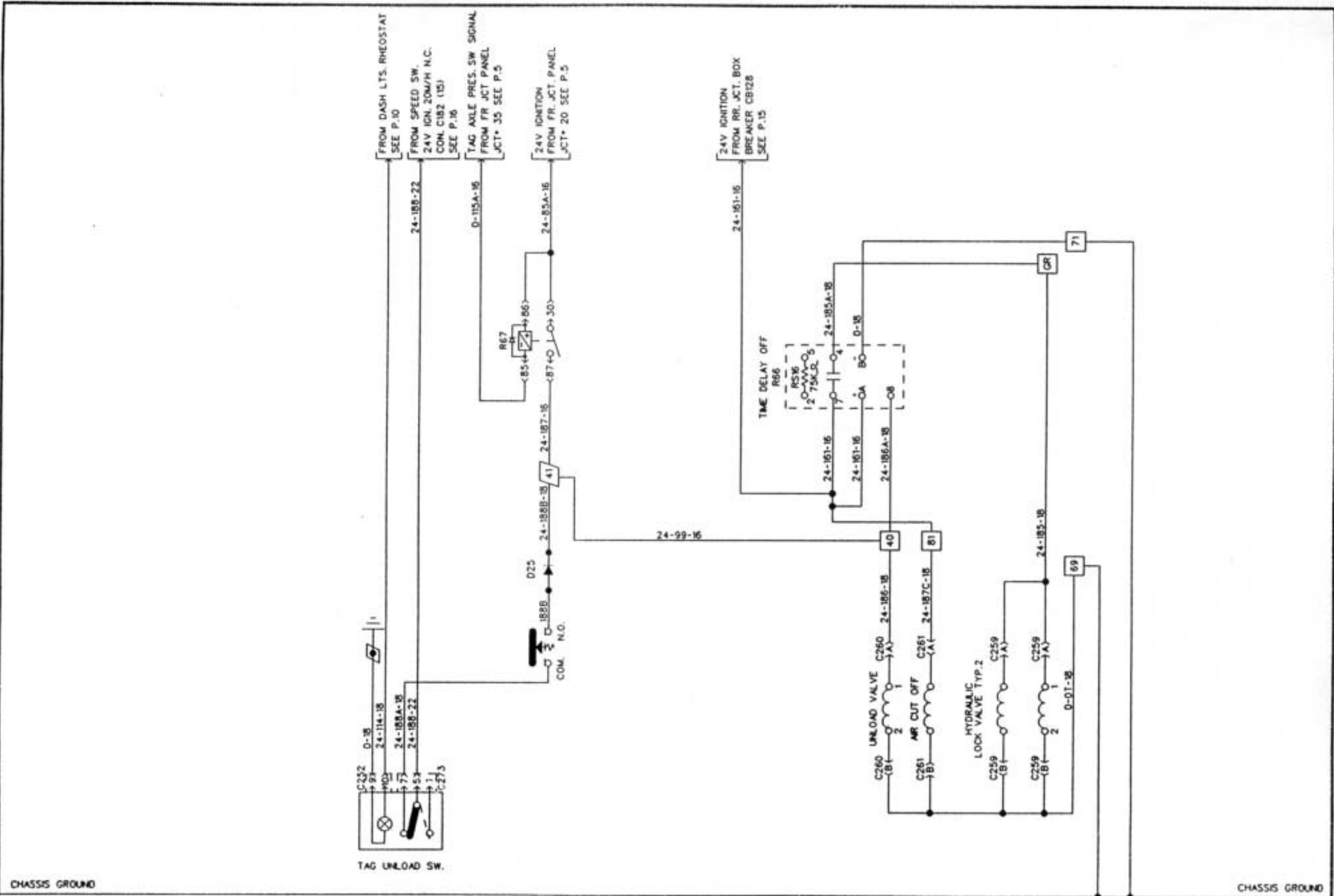






E.C.U. - ABS (VERSION "C")

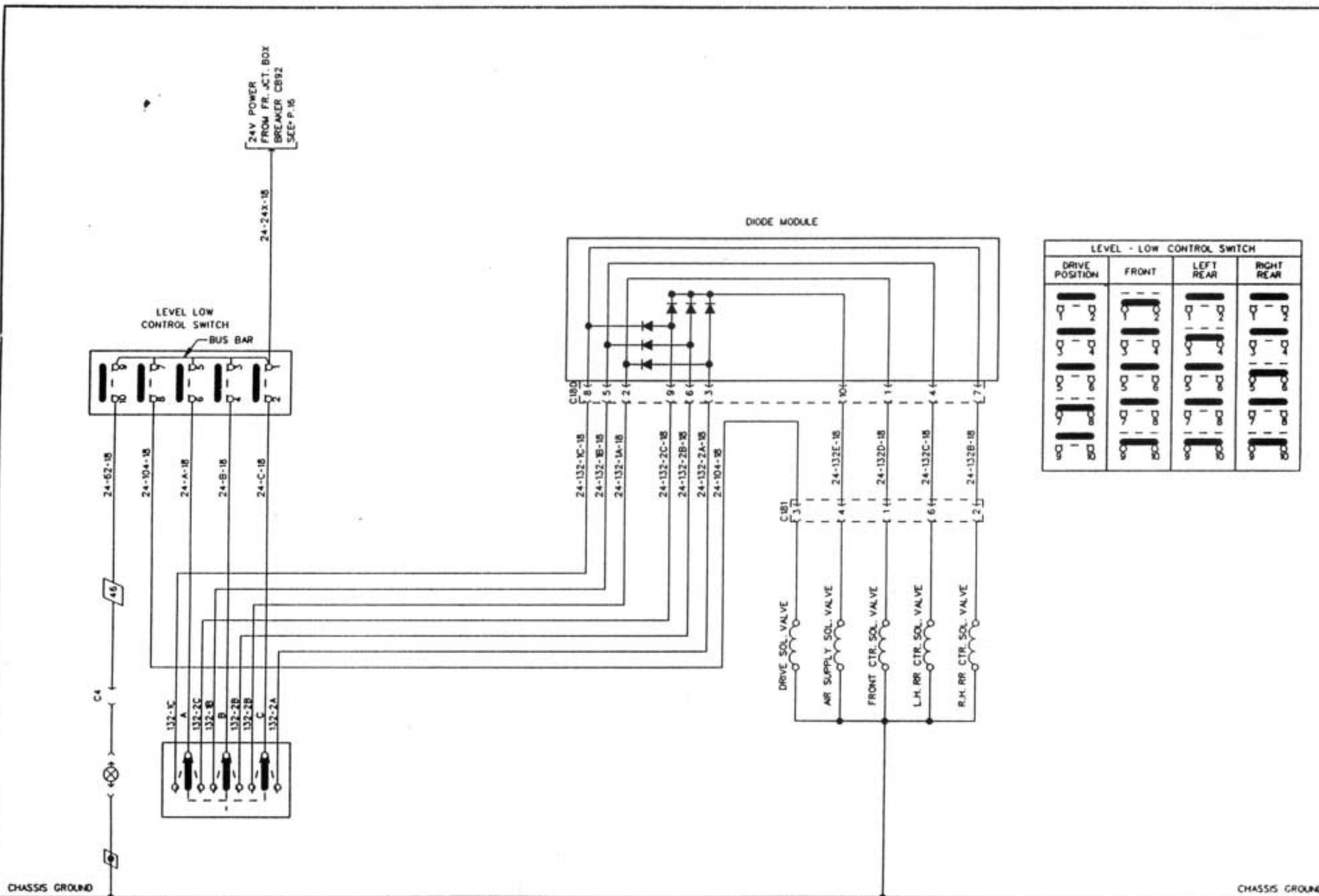




CHASSIS GROUND

CHASSIS GROUND

UNLOAD TAG SYSTEM



LEVEL - LOW CONTROL SWITCH

DRIVE POSITION	FRONT	LEFT REAR	RIGHT REAR

LEVEL - LOW SYSTEM