

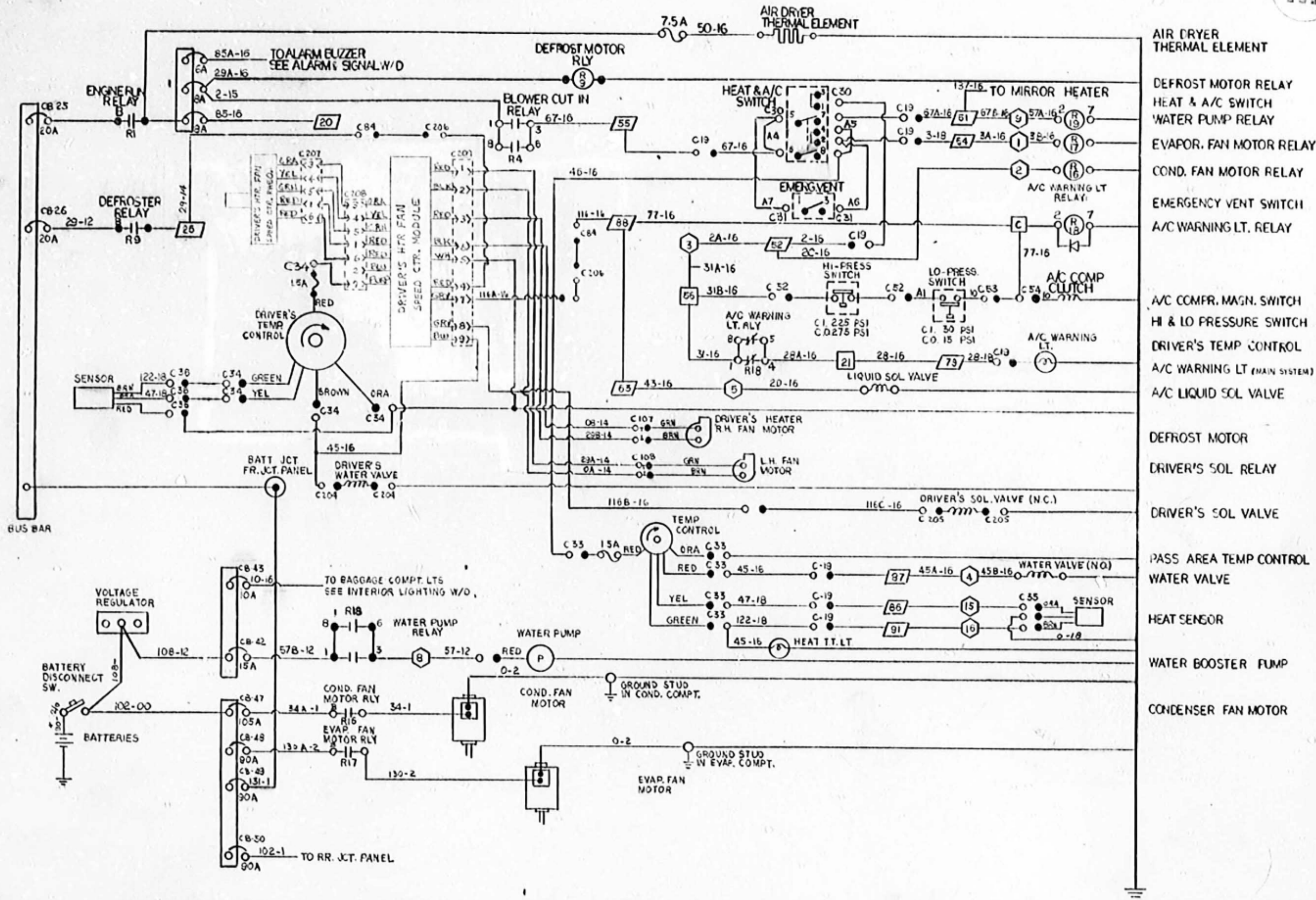
- AIR DRYER THERMAL ELEMENT
- AUX A/C UNIT RELAY
- DEFROST MOTOR RELAY
- HEAT & A/C SWITCH
- WATER PUMP RELAY
- EVAPOR. FAN MOTOR RELAY
- COND. FAN MOTOR RELAY
- Aux A/C UNIT SWITCH
- EMERGENCY VENT SWITCH
- A/C WARNING LT. RELAY
- A/C COMP. MAGN. SWITCH
- HI B LO PRESSURE SWITCH
- DRIVER'S TEMP CONTROL
- A/C WARNING LT. (EVS SYSTEM)
- A/C LIQUID SOL VALVE
- DEFROST MOTOR
- DRIVER'S SOL. RELAY
- DRIVER'S SOL VALVE
- PASS AREA TEMP CONTROL
- WATER VALVE
- HEAT SENSOR
- WATER BOOSTER PUMP
- CONDENSER FAN MOTOR
- EVAPORATOR FAN MOTOR

PREVOST		LEGEND	
	FRONT JUNCTION PANEL		BATTERY JUNCTION BLOCK
	REAR JUNCTION PANEL		SINGLE CONNECTOR
	BATTERY COMPARTMENT		DIODE (RECTIFIER)
	CIRCUIT BREAKER		OPTION
	HARNESS CONNECTOR		

**AIR CONDITIONING WIRING DIAGRAM**  
 WITH A/C AUXILIARY COACHES 102  
 EFF. W/L 545 PRIOR TO L-706  
 DATE: 87-07

DESS: DV	DATE: 89-07
VER: <i>[Signature]</i>	APPR: <i>[Signature]</i>

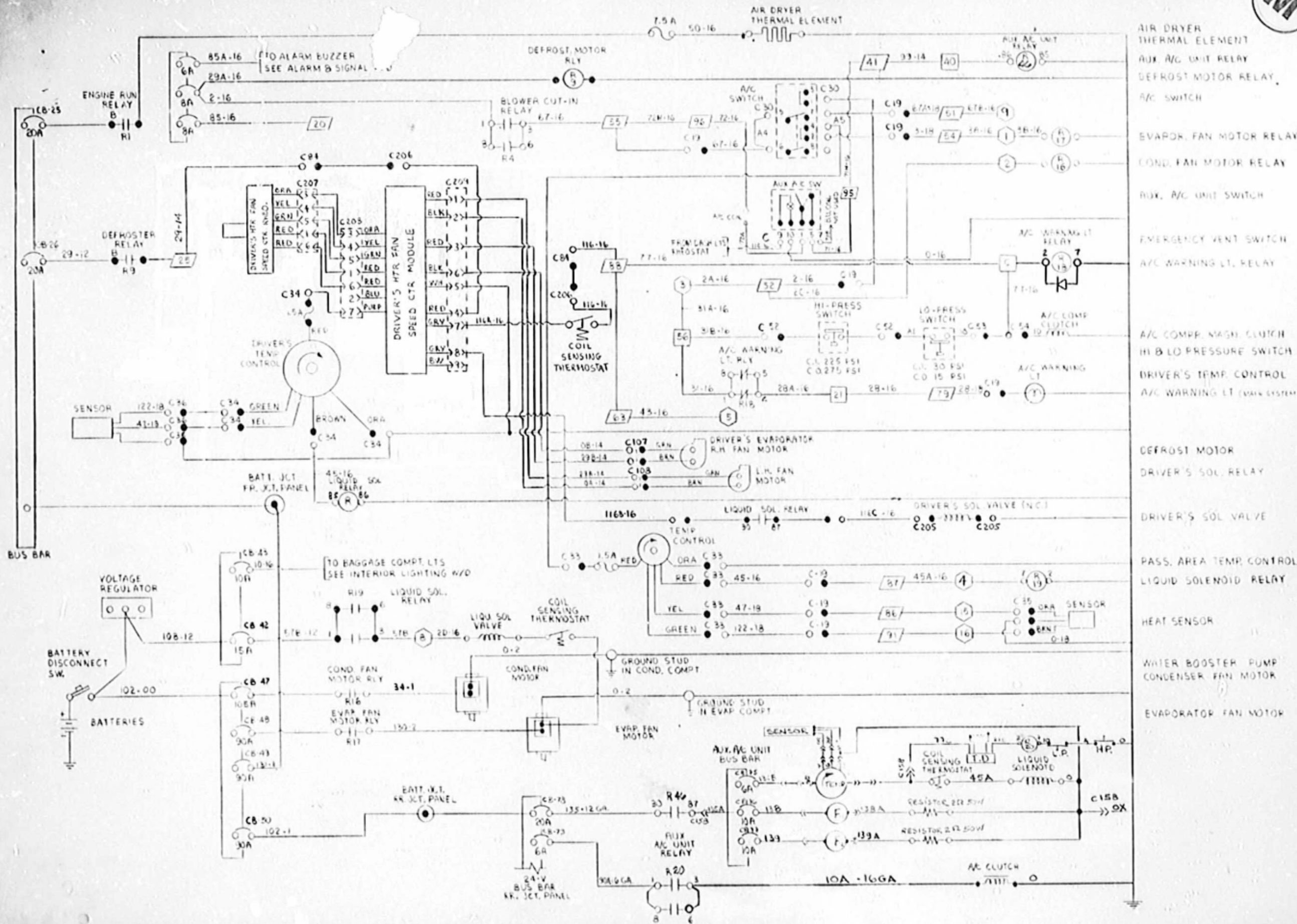
D-060707



- AIR DRYER THERMAL ELEMENT
- DEFROST MOTOR RELAY
- HEAT & A/C SWITCH
- WATER PUMP RELAY
- EVAPOR. FAN MOTOR RELAY
- COND. FAN MOTOR RELAY
- EMERGENCY VENT SWITCH
- A/C WARNING LT. RELAY
- A/C COMP. MAGN. SWITCH
- HI & LO PRESSURE SWITCH
- DRIVER'S TEMP CONTROL
- A/C WARNING LT. (MAIN SYSTEM)
- A/C LIQUID SOL VALVE
- DEFROST MOTOR
- DRIVER'S SOL RELAY
- DRIVER'S SOL VALVE
- PASS AREA TEMP CONTROL
- WATER VALVE
- HEAT SENSOR
- WATER BOOSTER PUMP
- CONDENSER FAN MOTOR

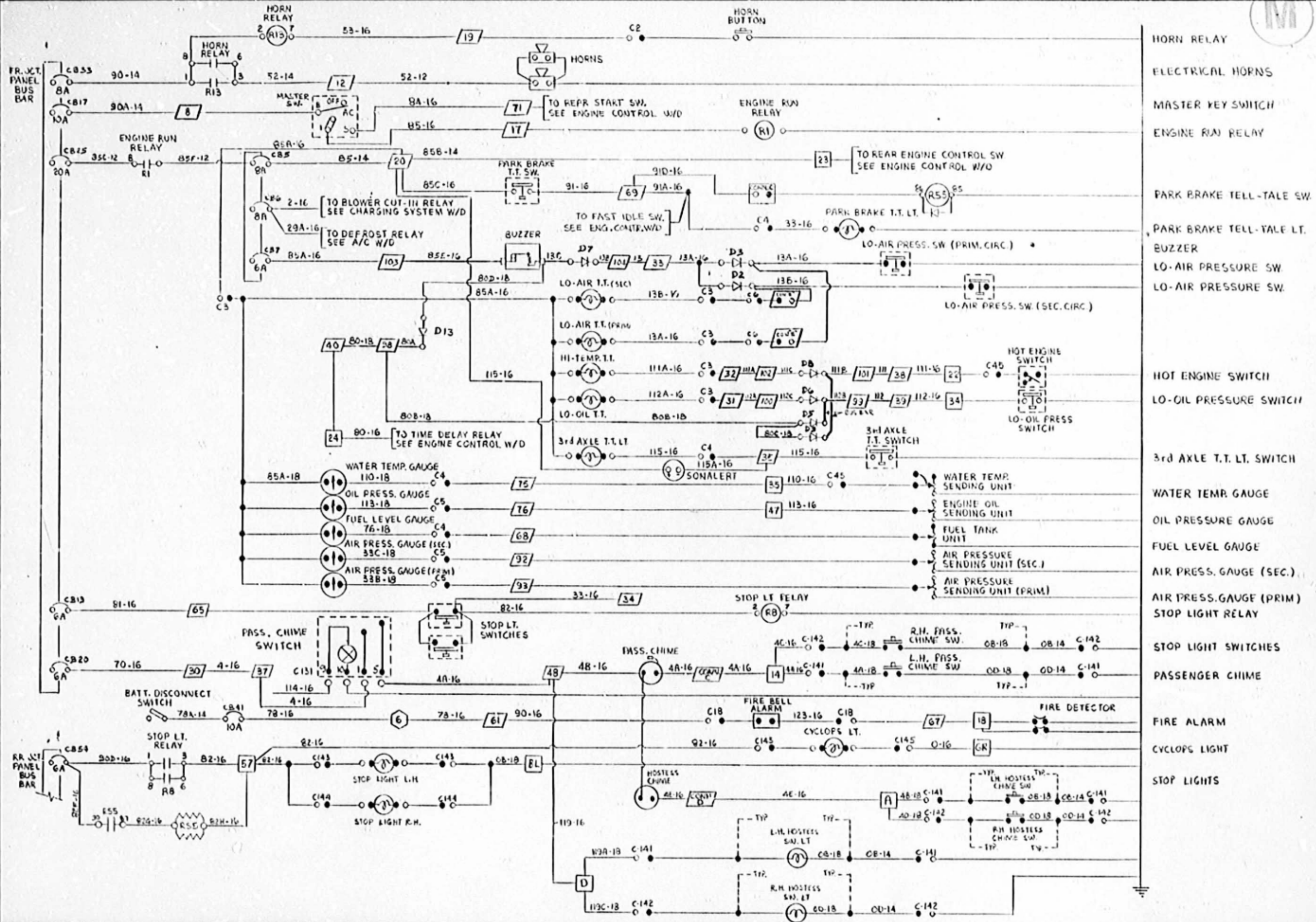
<b>LEGEND</b> FRONT JUNCTION PANEL REAR JUNCTION PANEL BATTERY COMPARTMENT CIRCUIT BREAKER HARNESS CONNECTOR BATTERY JUNCTION BLOCK SINGLE CONNECTOR DIODE (RECTIFIER) OPTION		<b>TITLE:</b> AIR CONDITIONING WIRING DIAGRAM <b>DESS:</b> DT <b>DATE:</b> 89/07 <b>VER.:</b> <i>[Signature]</i> <b>APPR.:</b> <i>[Signature]</i>	
<b>APPL:</b> EFF. W/L-545 <b>REF:</b> COACHES 102		<b>NO:</b> D-060706	





- AIR DRYER THERMAL ELEMENT
- AUX. A/C UNIT RELAY
- DEFROST MOTOR RELAY
- A/C SWITCH
- EVAPOR. FAN MOTOR RELAY
- COND. FAN MOTOR RELAY
- AUX. A/C UNIT SWITCH
- EMERGENCY VENT SWITCH
- A/C WARNING LT. RELAY
- A/C COMP. MAGN. CLUTCH
- HI B LO PRESSURE SWITCH
- DRIVER'S TEMP. CONTROL
- A/C WARNING LT (MAIN SYSTEM)
- DEFROST MOTOR
- DRIVER'S SOL. RELAY
- DRIVER'S SOL. VALVE
- PASS. AREA TEMP. CONTROL
- LIQUID SOLENOID RELAY
- HEAT SENSOR
- WATER BOOSTER PUMP
- CONDENSER FAN MOTOR
- EVAPORATOR FAN MOTOR

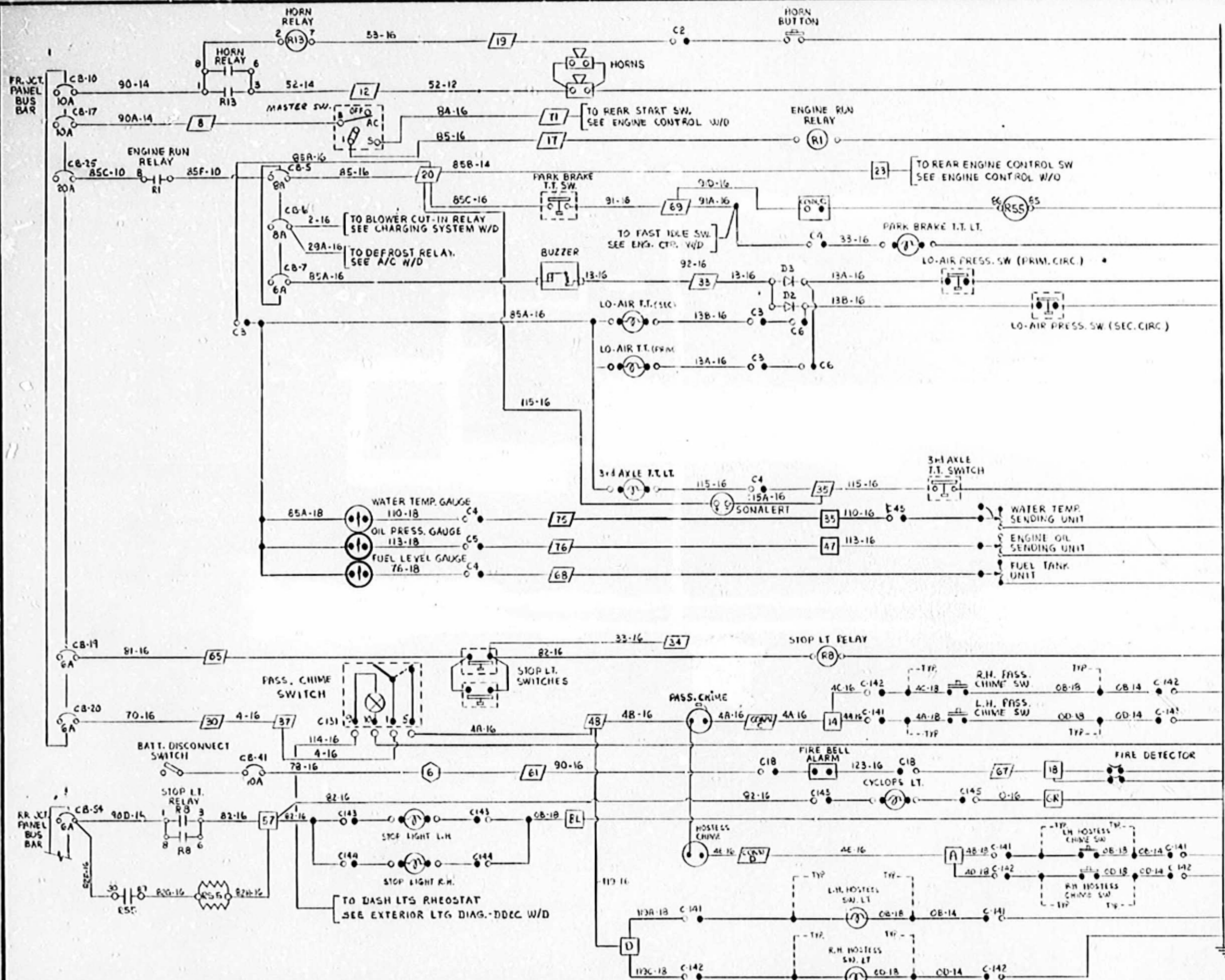
LEGEND		TITLE:		DESS:	DATE:
	FRONT JUNCTION PANEL	AIR CONDITIONING WIRING DIAGRAM WITH AUXILIARY A/C UNIT, w/o HEATING		DT	89-07
	REAR JUNCTION PANEL			VER. -	APPR -
	BATTERY COMPARTMENT CIRCUIT BREAKER	APPL: EFF. W/L-545 PRIOR TO L-706		REF: CONCHES 102 (OPTION)	NO: D-060708 C
	HARNESS CONNECTOR	REV. DATE: 20-08 PRIOR TO ADJUST		PAR	



- HORN RELAY
- ELECTRICAL HORNS
- MASTER KEY SWITCH
- ENGINE RUN RELAY
- PARK BRAKE TELL-TALE SW.
- PARK BRAKE TELL-TALE LT.
- BUZZER
- LO-AIR PRESSURE SW.
- LO-AIR PRESSURE SW.
- HOT ENGINE SWITCH
- LO-OIL PRESSURE SWITCH
- 3rd AXLE T.T. LT. SWITCH
- WATER TEMP. GAUGE
- OIL PRESSURE GAUGE
- FUEL LEVEL GAUGE
- AIR PRESS. GAUGE (SEC.)
- AIR PRESS. GAUGE (PRIM.)
- STOP LIGHT RELAY
- STOP LIGHT SWITCHES
- PASSENGER CHIME
- FIRE ALARM
- CYCLOPS LIGHT
- STOP LIGHTS

<b>LEGEND</b>		<b>TITRE:</b> ALARM & SIGNAL WIRING DIAGRAM		DESS: M.J.	DATE: 8/10/09
	FRONT JUNCTION PANEL		BATTERY JUNCTION BLOCK	VER: Kc	APPR: [Signature]
	REAR JUNCTION PANEL		SINGLE CONNECTOR	APPL: EFF. W/L 507 ENGR. TO E-706 REF: COACHES-102 NONE DDEC	
	BATTERY COMPARTMENT		DIODE (RECTIFIER)	NO: D-060720	C
	CIRCUIT BREAKER		OPTION	REVISION: 1 2008 PRIOR TO ABOVE	
	HARNESS CONNECTOR	<p>THIS DOCUMENT IS THE PROPERTY OF AIRBUS HELICOPTERS. IT IS TO BE USED ONLY FOR THE PURPOSES AND IN THE MANNER SPECIFIED BY THE ORIGINAL INSTRUCTIONS. IT IS NOT TO BE REPRODUCED, COPIED, OR TRANSMITTED IN ANY FORM OR BY ANY MEANS, ELECTRONIC OR MECHANICAL, INCLUDING PHOTOCOPYING, RECORDING, OR BY ANY INFORMATION STORAGE AND RETRIEVAL SYSTEM, WITHOUT THE EXPRESS WRITTEN PERMISSION OF AIRBUS HELICOPTERS.</p>			





- HORN RELAY
- ELECTRICAL HORNS
- MASTER KEY SWITCH
- ENGINE RUN RELAY
- PARK BRAKE TELL-TALE SW
- PARK BRAKE TELL-TALE LT.
- BUZZER
- LO-AIR PRESSURE SW
- LO-AIR PRESSURE SW (PRIM. CIRC.)
- LO-AIR PRESSURE SW (SEC. CIRC.)
- 3rd AXLE T.T. LT. SWITCH
- WATER TEMP. GAUGE
- OIL PRESSURE GAUGE
- FUEL LEVEL GAUGE
- STOP LIGHT RELAY
- STOP LIGHT SWITCHES
- PASSENGER CHIME
- FIRE ALARM
- CYCLOPS LIGHT
- STOP LIGHTS

LEGEND	
	FRONT JUNCTION PANEL
	REAR JUNCTION PANEL
	BATTERY COMPARTMENT
	CIRCUIT BREAKER
	HARNESS CONNECTOR
	BATTERY JUNCTION BLOCK
	SINGLE CONNECTOR
	DIODE (RECTIFIER)
	OPTION

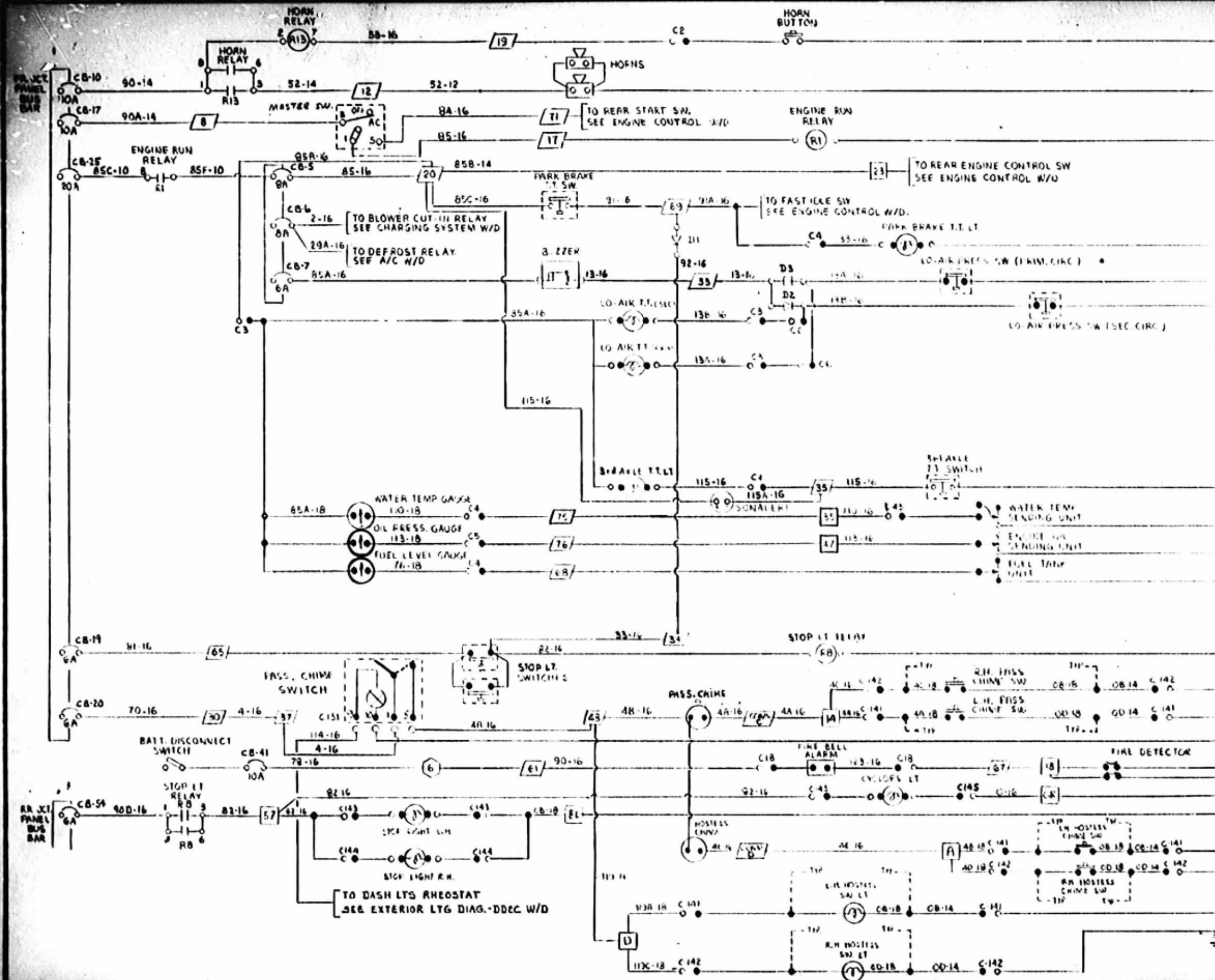
ITEM	DATE	REVISION	PAR
A	30-08	PRIOR TO REVISE	SL

TITRE: ALARM & SIGNAL WIRING DIAGRAM-DDEC

APPLS: EFF. W/L 507 PRIOR TO L-706

REF: AUTOCAR XL

DESS: <i>KC</i>	DATE: 8/7/07
VER: <i>KC</i>	APPR: <i>R</i>
NO: D-060722	C



- HORN RELAY
- ELECTRICAL HORNS
- MASTER KEY SWITCH
- ENGINE RUN RELAY
- PARK BRAKE TELL-TALE SW
- PARK BRAKE TELL-TALE LT. BUZZER
- LO-AIR PRESSURE SW
- LO-AIR PRESSURE SW
- 3rd AXLE T.I. LT. SWITCH
- WATER TEMP GAUGE
- OIL PRESSURE GAUGE
- FULL LEVEL GAUGE
- STOP LIGHT RELAY
- STOP LIGHT SWITCHES
- PASSENGER CHIME
- FIRE ALARM
- CYCLOPS LIGHT
- STOP LIGHTS

**LEGEND**

BATTERY JUNCTION PANEL	BATTERY JUNCTION BLOCK
WIRE CONNECTOR	DOUBLE CONNECTOR
CIRCUIT BREAKER	HOSE (RECTIFIER)
HARNESS CONNECTOR	OPTION

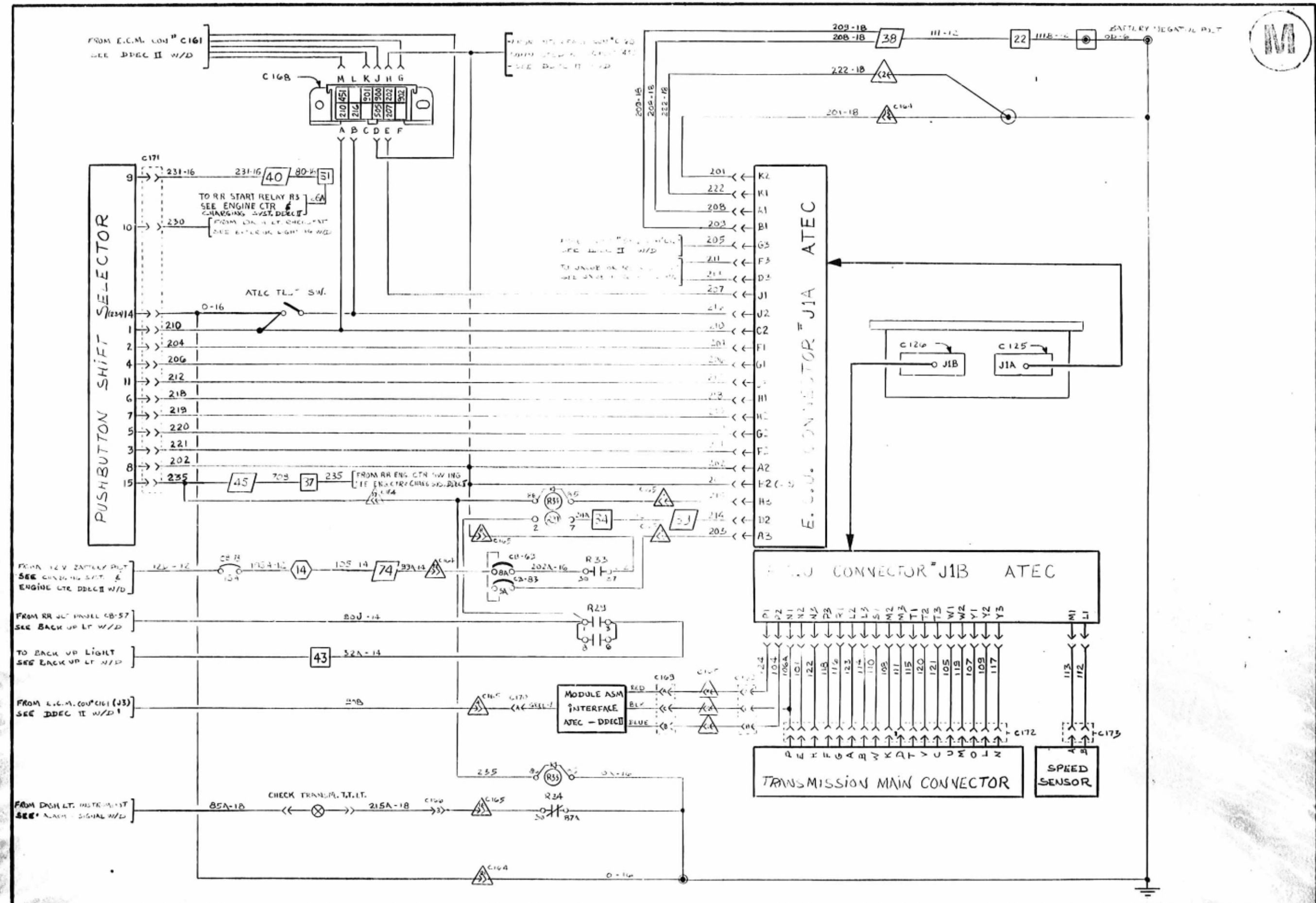
ITEM	DATE	REVISION	PAR
B	09-09	PRIOR TO L506 ADJUST	EC
A	88-03	ADJUSTER EFF TO J-726	BC

TITLE: **ALARM & SIGNAL WIRING DIAGRAM-DDEC**

APPL: EFF TO J-726 PRIOR TO L506 REF: AUTOCAR XL

DESS: <i>[Signature]</i>	DATE: 88-07-07
VER: <i>[Signature]</i>	APPR: <i>[Signature]</i>
NO: D-060687	C





LEGEND	
	FRONT JUNCTION PANEL
	REAR JUNCTION PANEL
	BATTERY COMPARTMENT
	CIRCUIT BREAKER
	HARNESS CONNECTOR
	BATTERY JUNCTION BLOCK
	SINGLE CONNECTOR
	DIODE (RECTIFIER)
	OPTION

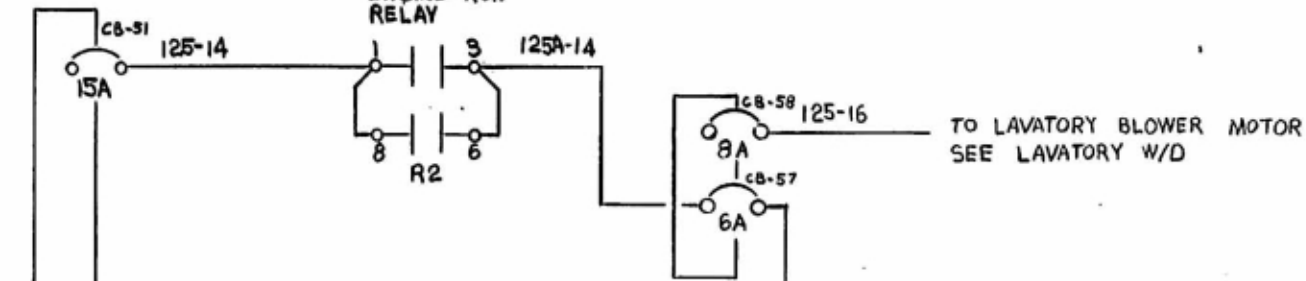
ITEM	DATE	REVISION	PAR
C	88/09	ADJUTER EFF TO J726	BC
B	88/08	CD # 14764	BC
A	88/03		

TITRE: ATEC "DDEC II" W/D  
 APPL: EFF TO J726  
 REF: AUTOCAR XL

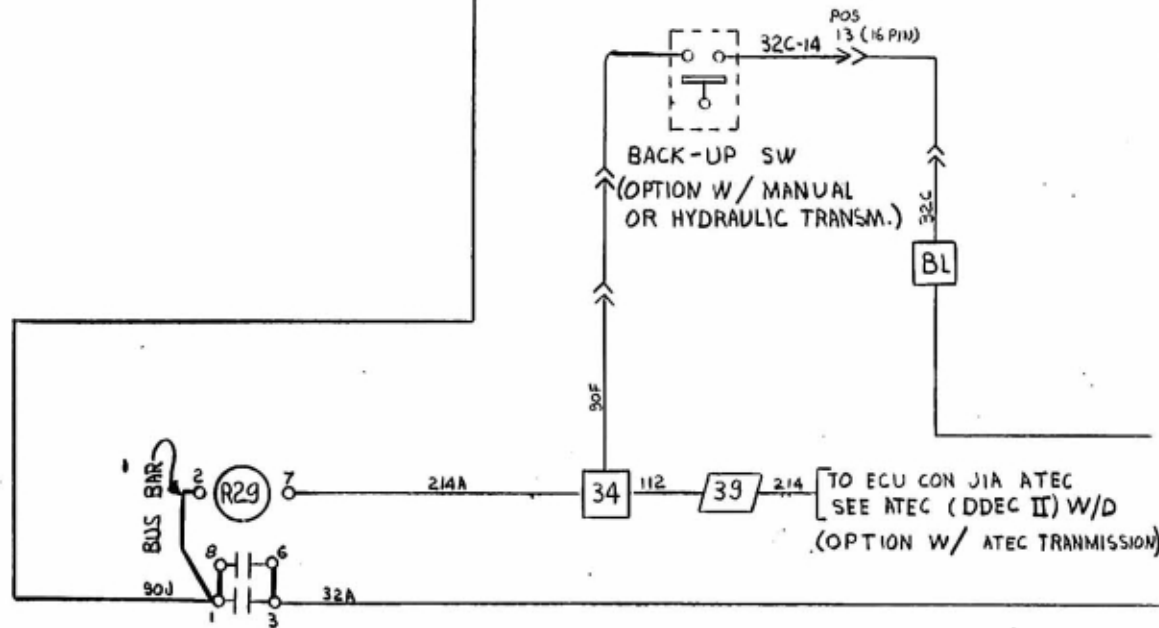
DESS: BC  
 VER:   
 DATE: 24-03-88  
 APPR:   
 NO: D-060665  
 C

24-V  
BUS BAR  
RR. JCT. PANEL

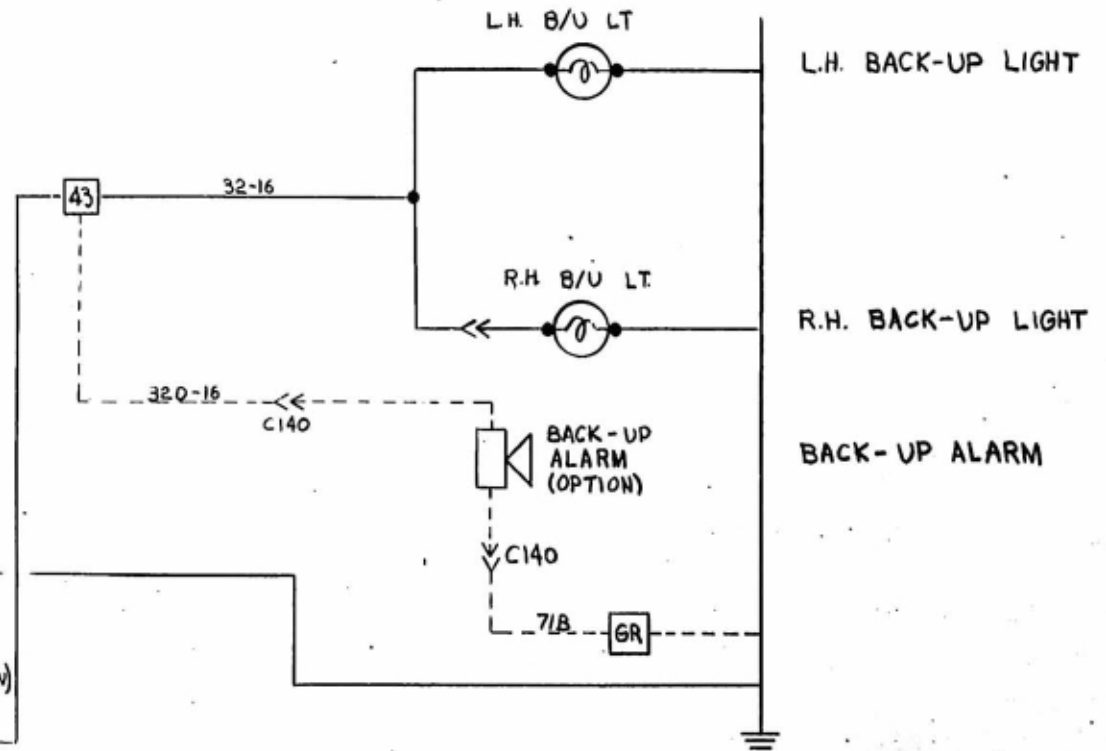
REAR  
ENGINE RUN  
RELAY



TO LAVATORY BLOWER MOTOR  
SEE LAVATORY W/D



TO ECU CON J1A ATEC  
SEE ATEC (DDEC II) W/D  
(OPTION W/ ATEC TRANSMISSION)



L.H. BACK-UP LIGHT

R.H. BACK-UP LIGHT

BACK-UP ALARM

LEGEND

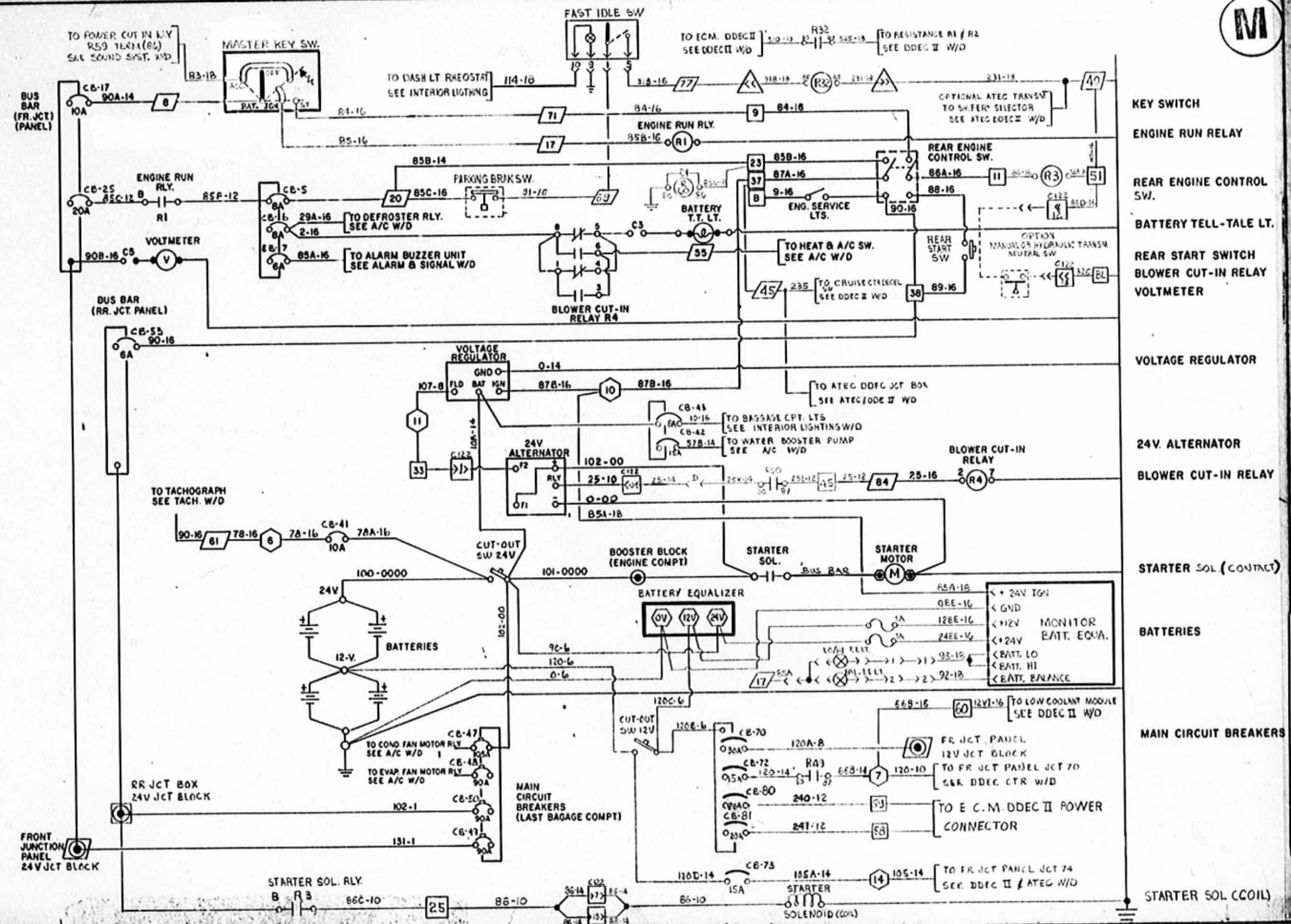
	24-V BUS BAR
	RR. JCT. PANEL
	BATTERY JUNCTION BLOCK
	SINGLE CONNECTOR
	FUSE (RESISTOR)
	OPTION

ITEM	DATE	REVISION
A	88 09	MISE A JOUR

TITRE :	BACK-UP LT. WIRING DIAGRAM
APPL:	J 613, J615, J617, J-726
REF:	AUTOCAR XL

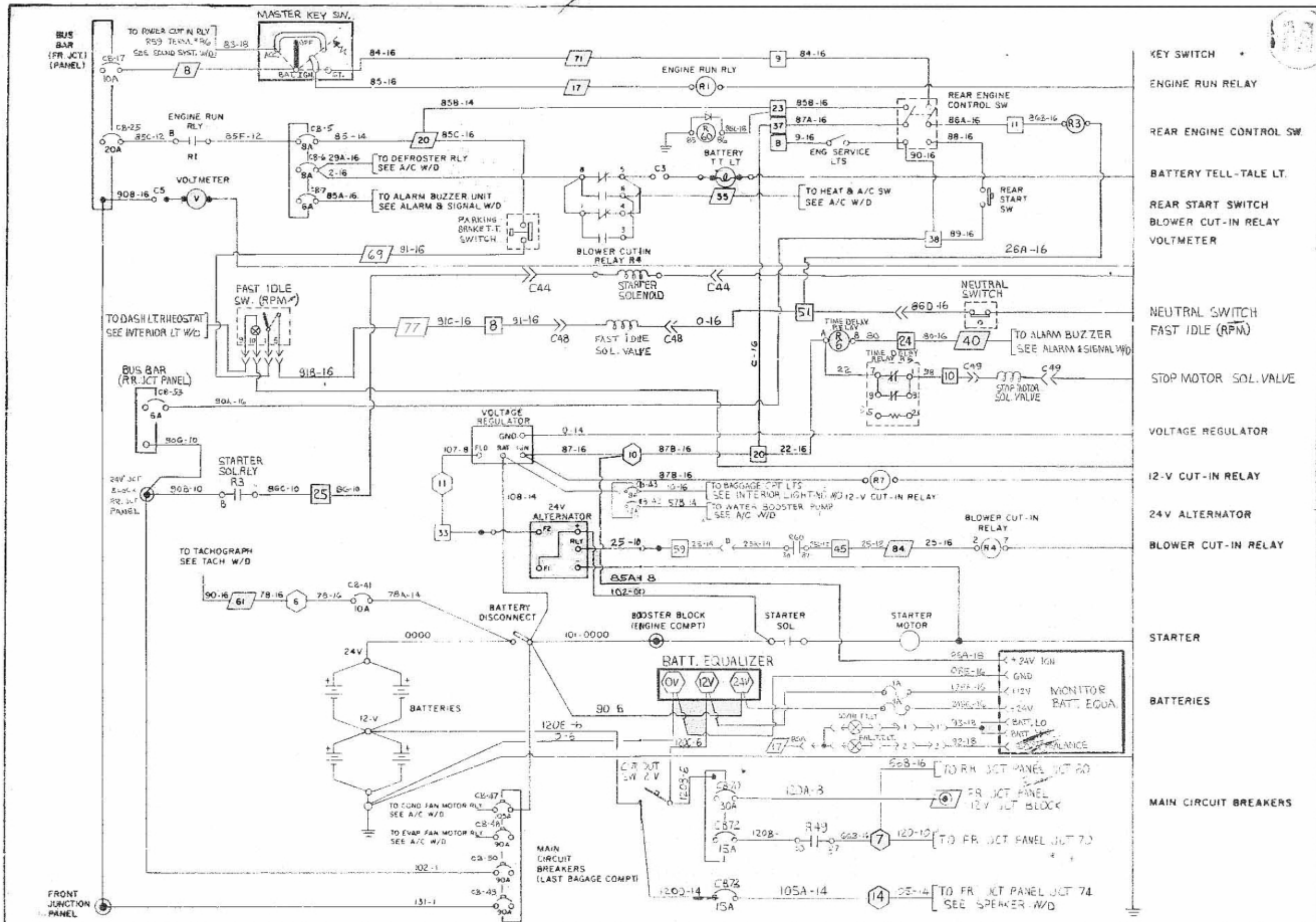
DESS:	B.C.	DATE:	28-03-88
VER.:	C	APPR.:	
NO:	D-060669		C





- KEY SWITCH
- ENGINE RUN RELAY
- REAR ENGINE CONTROL SW.
- BATTERY TELL-TALE LT.
- REAR START SWITCH
- BLOWER CUT-IN RELAY
- VOLTMETER
- VOLTAGE REGULATOR
- 24V. ALTERNATOR
- BLOWER CUT-IN RELAY
- STARTER SOL. (CONTACT)
- BATTERIES
- MAIN CIRCUIT BREAKERS
- STARTER SOL. (COIL)

<b>LEGEND</b> FRONT JUNCTION PANEL REAR JUNCTION PANEL BATTERY EQUALIZER FRONT BAGAGE COMPARTMENT REAR BAGAGE COMPARTMENT BATTERY JUNCTION BLOCK SINGLE CONNECTOR BUSH (MULTIPLEX) OPTION		TITLE: CHARGING SYST. & ENGINE CTR. DDEC II WIRING DIAGRAM APPL: EFF. W/ L-599 L-706 REF: AUTOCAR XL	DESS: M/J VER: K/C NO: D-060742	DATE: '89-11 APPR: - C
ITEM: B DATE: 89-11 REVISION: 01-891172, 891804 & 891335	PAR: 52 52	PRIORITY: PRIOR TO ADJUST.	REF: AUTOCAR XL	C



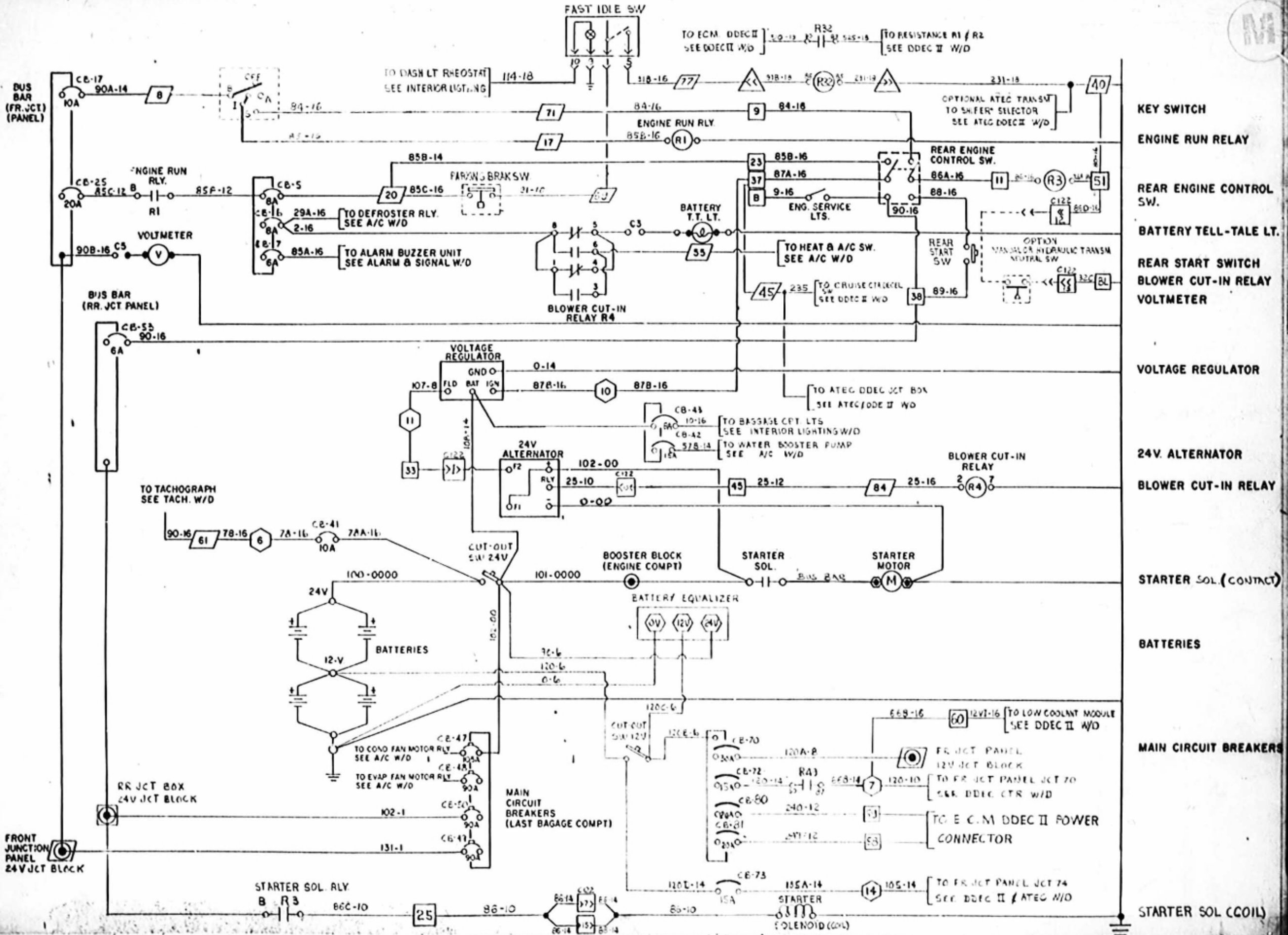
LEGEND		REVISIONS		TITRE	DESS	DATE
[Symbol]	FRONT JUNCTION PANEL	[Symbol]	BATTERY JUNCTION BLOCK	C 91-10	M/	80-11
[Symbol]	REAR JUNCTION PANEL	[Symbol]	WAGLE CONNECTOR	B 90-08	/	
[Symbol]	BATTERY COMPARTMENT	[Symbol]	SHIELD CONNECTOR	A 89-11		
[Symbol]	WIRE BREAKER	[Symbol]	SPRING			
[Symbol]	WIRE 15 CONNECTOR					
				CHARGING SYST & ENGINE CTR. MOT. 6T-37 REG		
				WIRING DIAGRAM		
				APPL. EFF. W/ L599 PRIOR TO L-706	REF. AUTOCAD NONE	NO: D-060741
						C

11  
58  
8.5"  
11"

11  
58  
11"



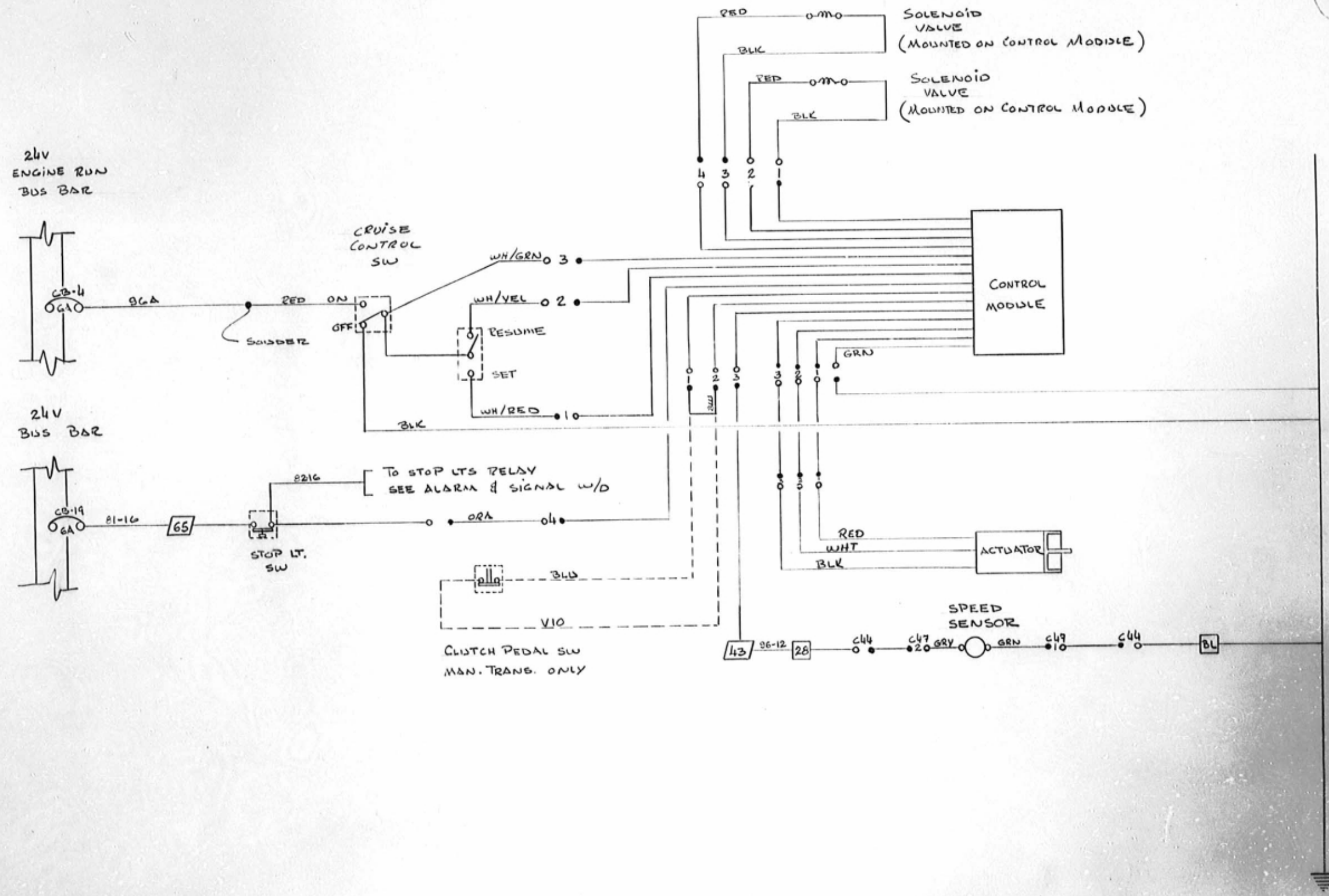




ITEM	DATE	REVISION	PAR	APPL:	REF:	NO:
C	89-11	PRIOR TO	ROUTE	J 613, J 615, J 617, J 726	REF1, AUTOCAR XL	D-060666
B	88-03	VOIR CD # 15266	BC			
A	88-03	LANCE OC# 8848	DT			

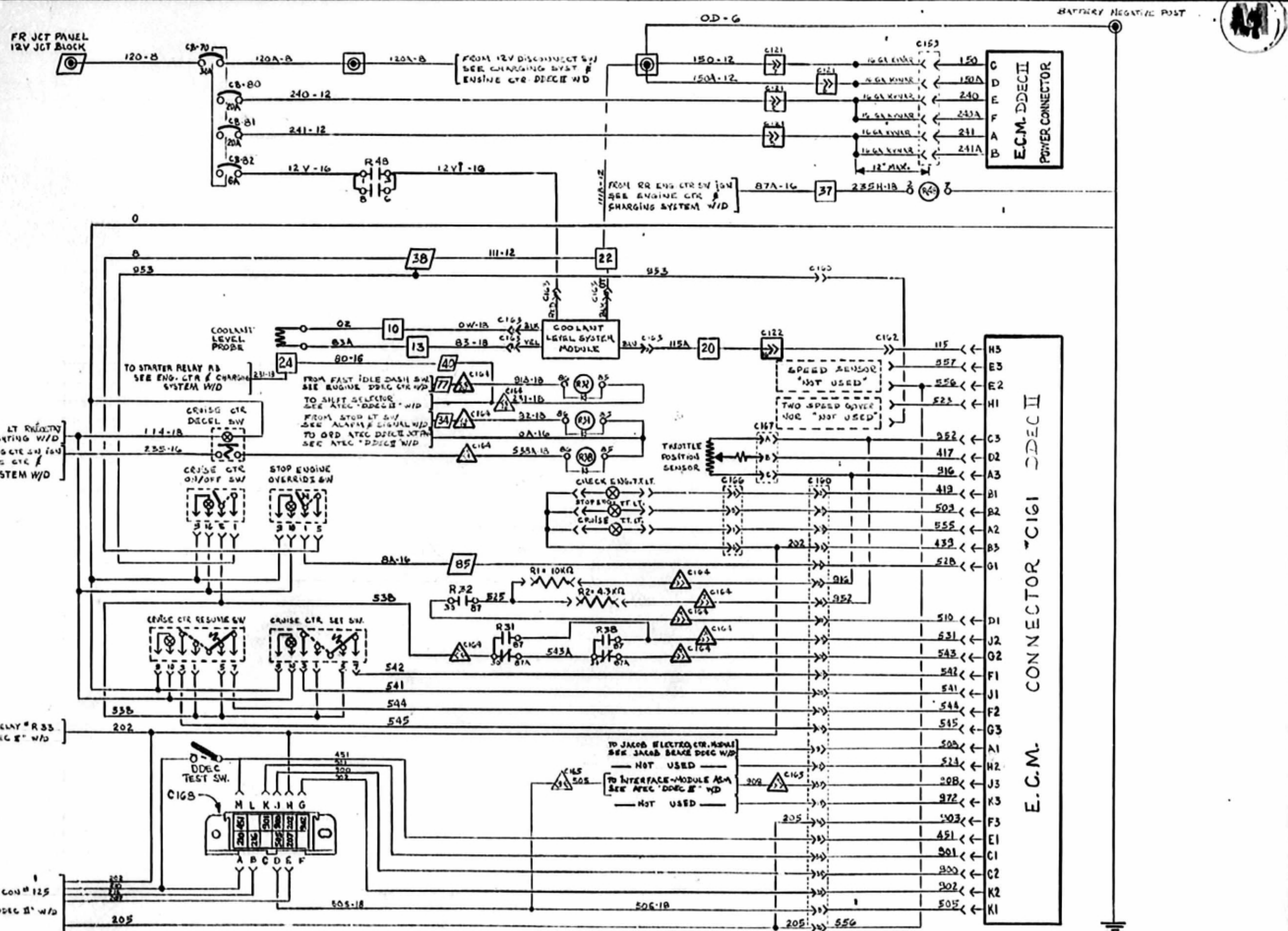
<b>LEGEND</b> BATTERY JUNCTION BLOCK SINGLE CONDUCTOR DOUBLE CONDUCTOR OPTION	<b>CHARGING SYST. / ENGINE CTR. DDEC II WIRING DIAGRAM</b> DESS: B.C. VER: <i>lc</i> DATE: 24-03-88 APPR: <i>[Signature]</i>
-------------------------------------------------------------------------------------------	------------------------------------------------------------------------------------------------------------------------------------------



PREVOST		LEGEND	
	FRONT JUNCTION PANEL		BATTERY JUNCTION BLOCK
	REAR JUNCTION PANEL		SINGLE CONNECTOR
	BATTERY COMPARTMENT		DIODE (RECTIFIER)
	CIRCUIT BREAKER		OPTION
	HARNESS CONNECTOR		

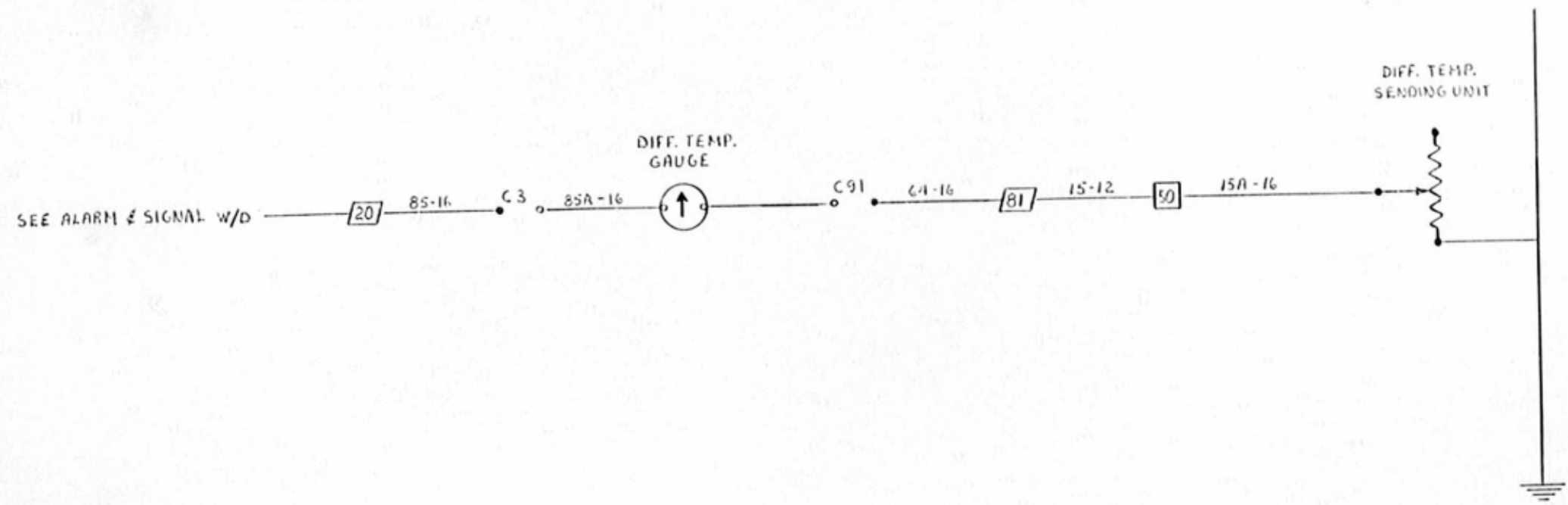
BENDIX CRUISE CONTROL WIRING DIAGRAM.  
EFF. XL NONE DDEC





LEGEND		REVISION		TITLE		DESS		DATE	
FRONT JUNCTION PANEL	BATTERY JUNCTION BLOCK	E	90-08	PRIOR TO ASSEMBLY	G.L.				
REAR JUNCTION PANEL	SINGLE CONNECTOR	D	89/05	DDEC TEST SW. ADJUST	M/				87-11-26
BATTERY COMPARTMENT	SHOE (RECTIFIER)	C	88/05	MISE @ JOUR	M/				
CIRCUIT BREAKER	OPTION	B	88/04	MISE @ JOUR	B.C				
WIRING CONNECTOR		A	88/03	MISE @ JOUR	M/				
		ITEM	DATE	REVISION	PAR				
APPL: J523, J540. PRIOR TO L-684						REF: CAROLSERIE D'AUTOCAR		NO: D-060644	

17

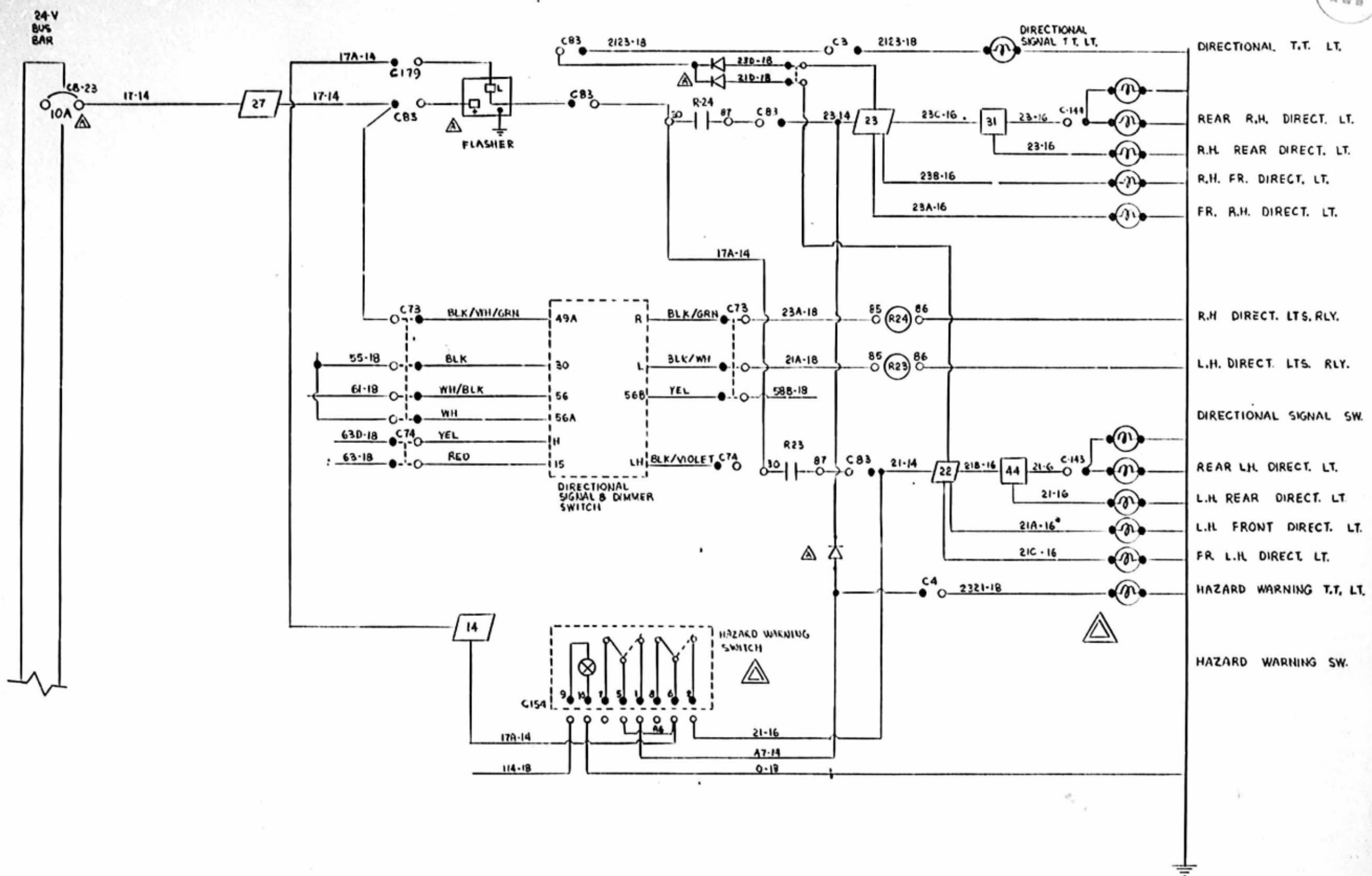


PREVOST		LEGEND	
	FRONT JUNCTION PANEL		BATTERY JUNCTION BLOCK
	REAR JUNCTION PANEL		SINGLE CONNECTOR
	BATTERY COMPARTMENT		DIODE (RECTIFIER)
	CIRCUIT BREAKER		OPTION
	HARNESS CONNECTOR		

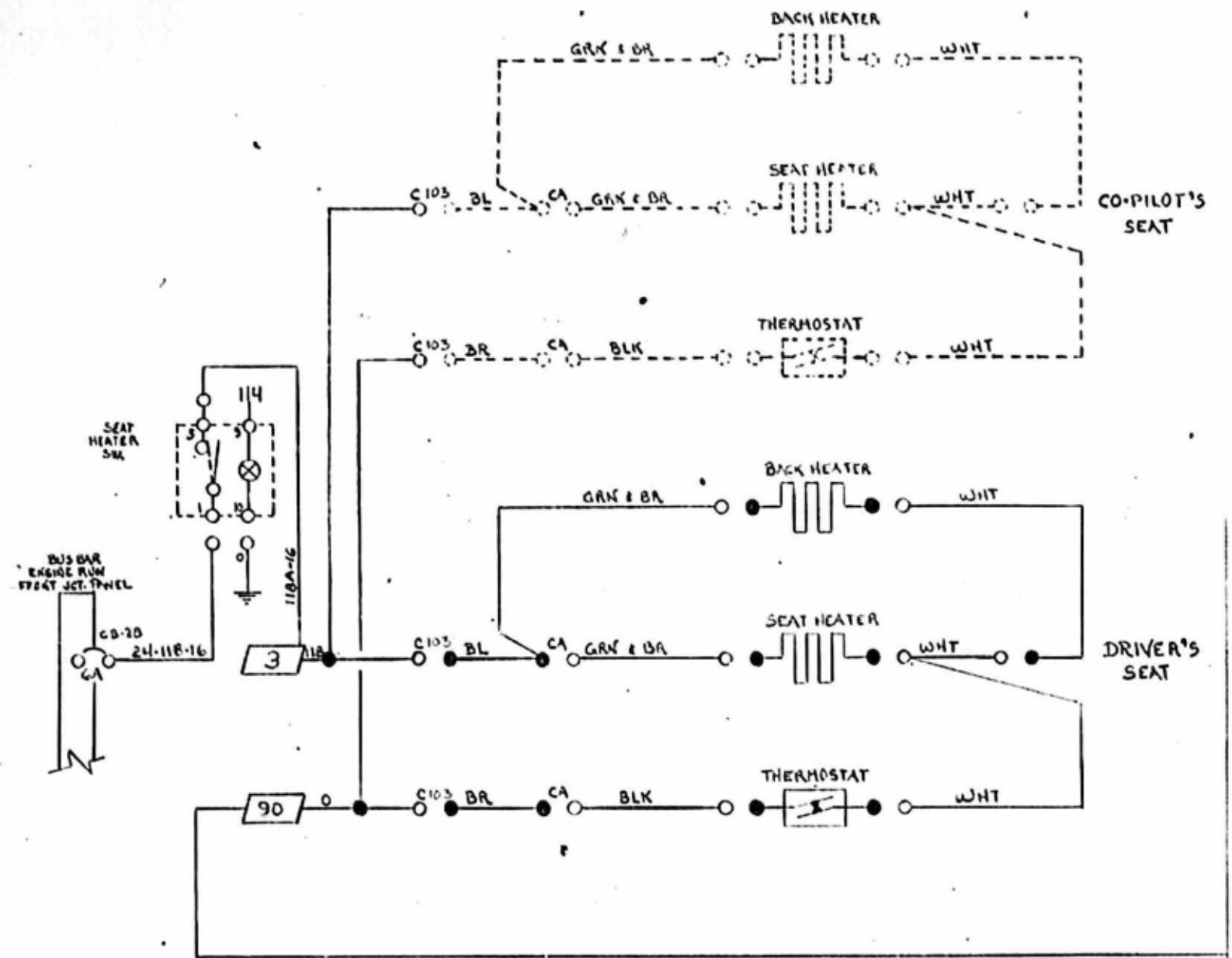
DIFFERENTIAL OIL TEMP. WIRING DIAGRAM  
 EFF W/E-638 MODEL "XL" PRIOR TO L-706  
 DATE: 86-02


D-060519




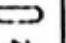

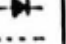







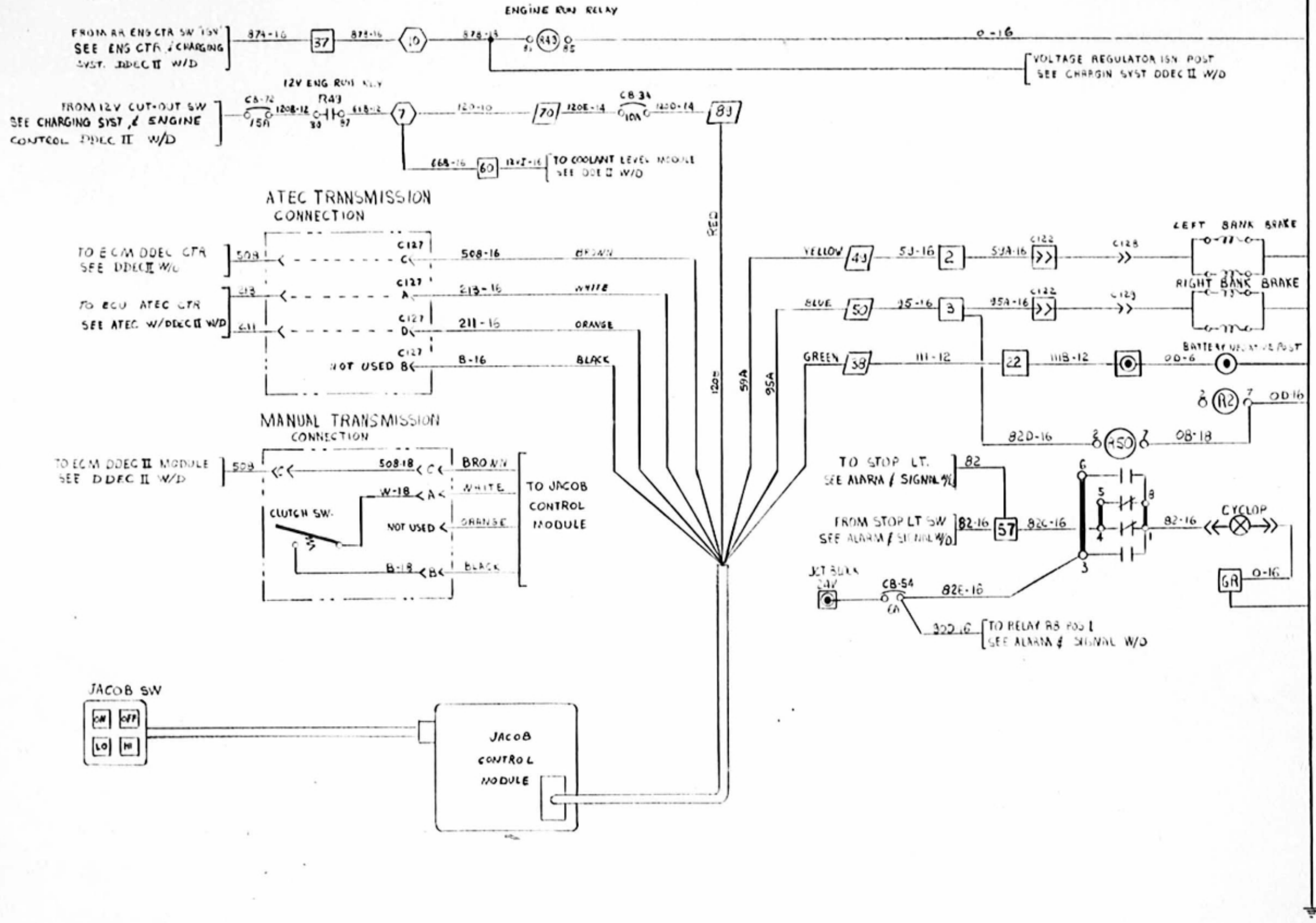
<b>LEGEND</b>				TITRE: DIRECTIONAL SIGNAL LT. WIRING DIAGRAM		DESS: M. L. J.	DATE: 87-02
□	FRONT JUNCTION PANEL	⊙	BATTERY JUNCTION BLOCK	B	20-00	PRIOR TO ADJUST	G.L.
□	REAR JUNCTION PANEL	○	SINGLE CONNECTOR	A	88/0A	CD # 14029 AC # 8866	17/
□	BATTERY COMPARTMENT	— —	DIODE (RECTIFIER)	ITEM	DATE	REVISION	PAR
□	CIRCUIT BREAKER	---	OPTION	APPLIEFF, W/H-285 PRIOR TO L-704 REF:			
□	HAIRNESS CONNECTOR			NO: D-060607			
							C



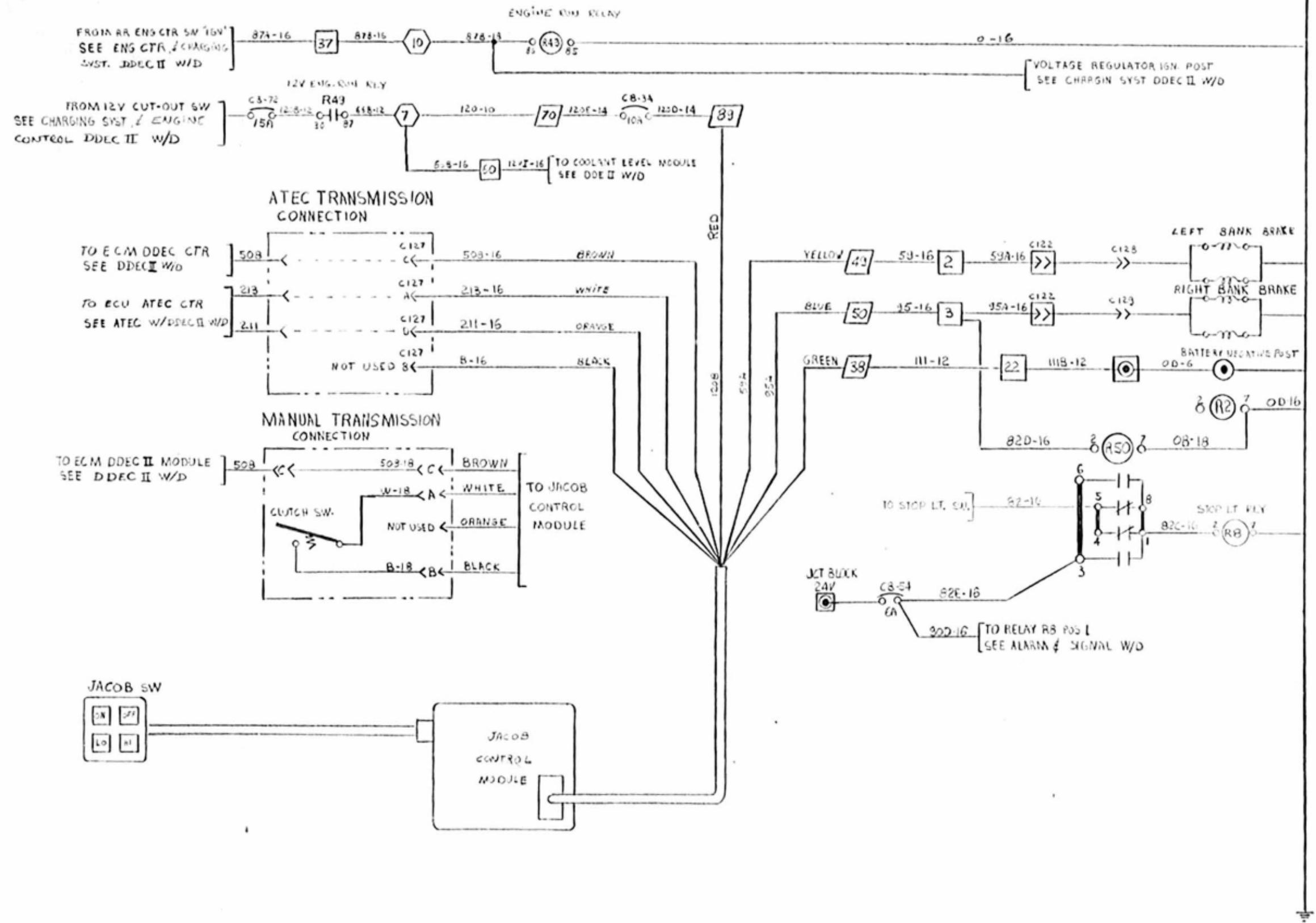
SEAT HEATER WIRING DIAGRAM  
 EFF. W/E. XL PRIOR TO L-706 

PREVOST		LEGEND	
	FRONT JUNCTION PANEL		BATTERY JUNCTION BLOCK
	REAR JUNCTION PANEL		SINGLE CONNECTOR
	BATTERY COMPARTMENT		DIODE (RECTIFIER)
	CIRCUIT BREAKER		OPTION
	HARNESS CONNECTOR		



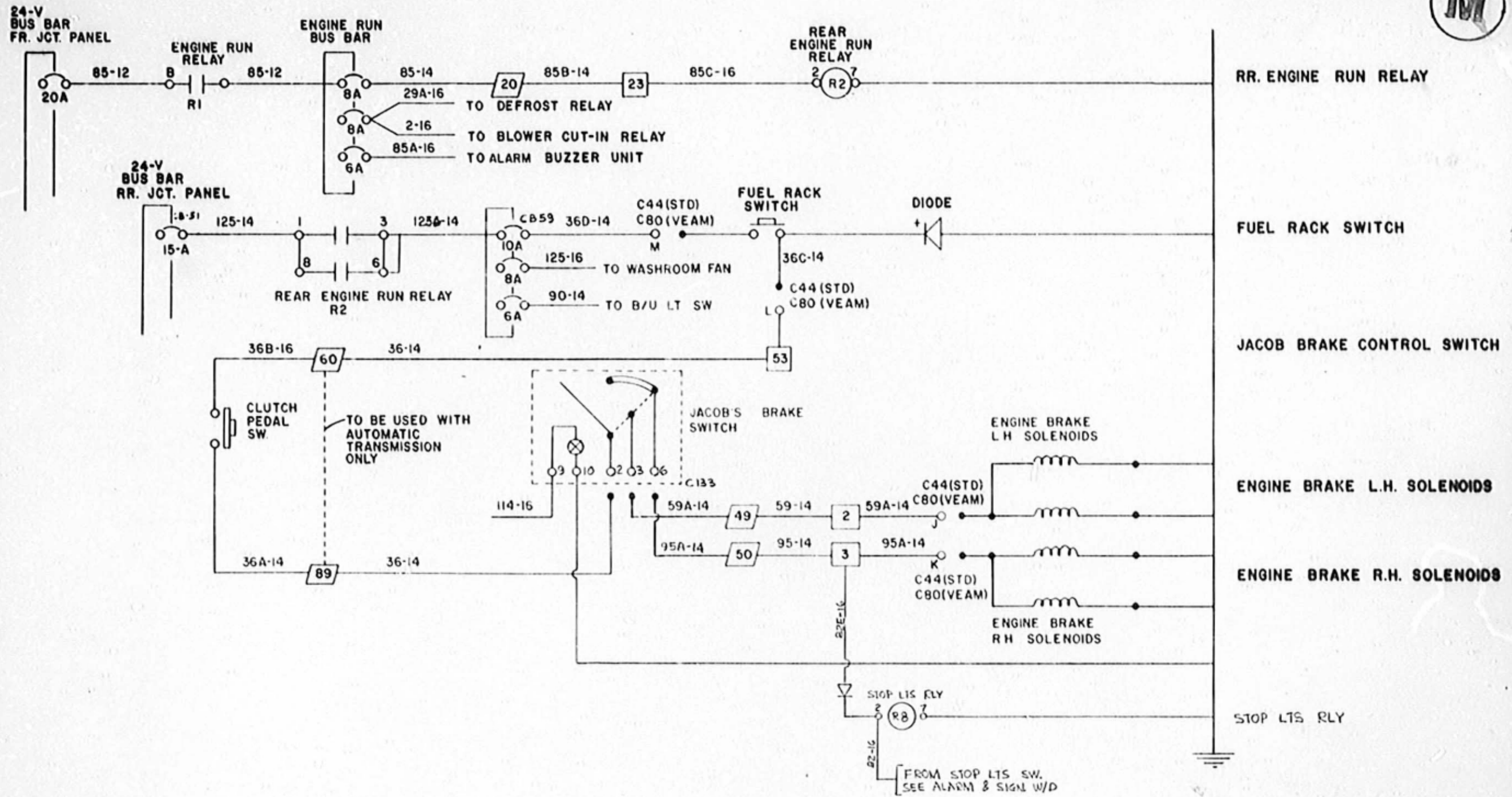


<b>LEGEND</b> 		<b>TITRE:</b> JACOB "DDEC II" W/D		<b>DESS:</b> BC	<b>DATE:</b> 28-03-88
<b>FRONT JUNCTION PANEL</b> <b>REAR JUNCTION PANEL</b> <b>BATTERY COMPARTMENT</b> <b>CONSOLE PRESSER</b> <b>HARNESS CONNECTOR</b>		<b>ITEM DATE</b> B 85-09 A 88-07		<b>RC:</b> SC PAR	<b>APPR.:</b> K...
<b>LEGEND</b> BATTERY (15V) (15V) SINGLE CONNECTOR DOUBLE CONNECTOR		<b>PRIOR TO L50G AJOUTÉ</b> <b>MISE A JOUR REVISION</b>		<b>APPL:</b> K... EFF TO J-726 PRIOR TO L50G	<b>REF:</b> AUTOCAR XL
				<b>NO:</b> D-060670	<b>C</b>

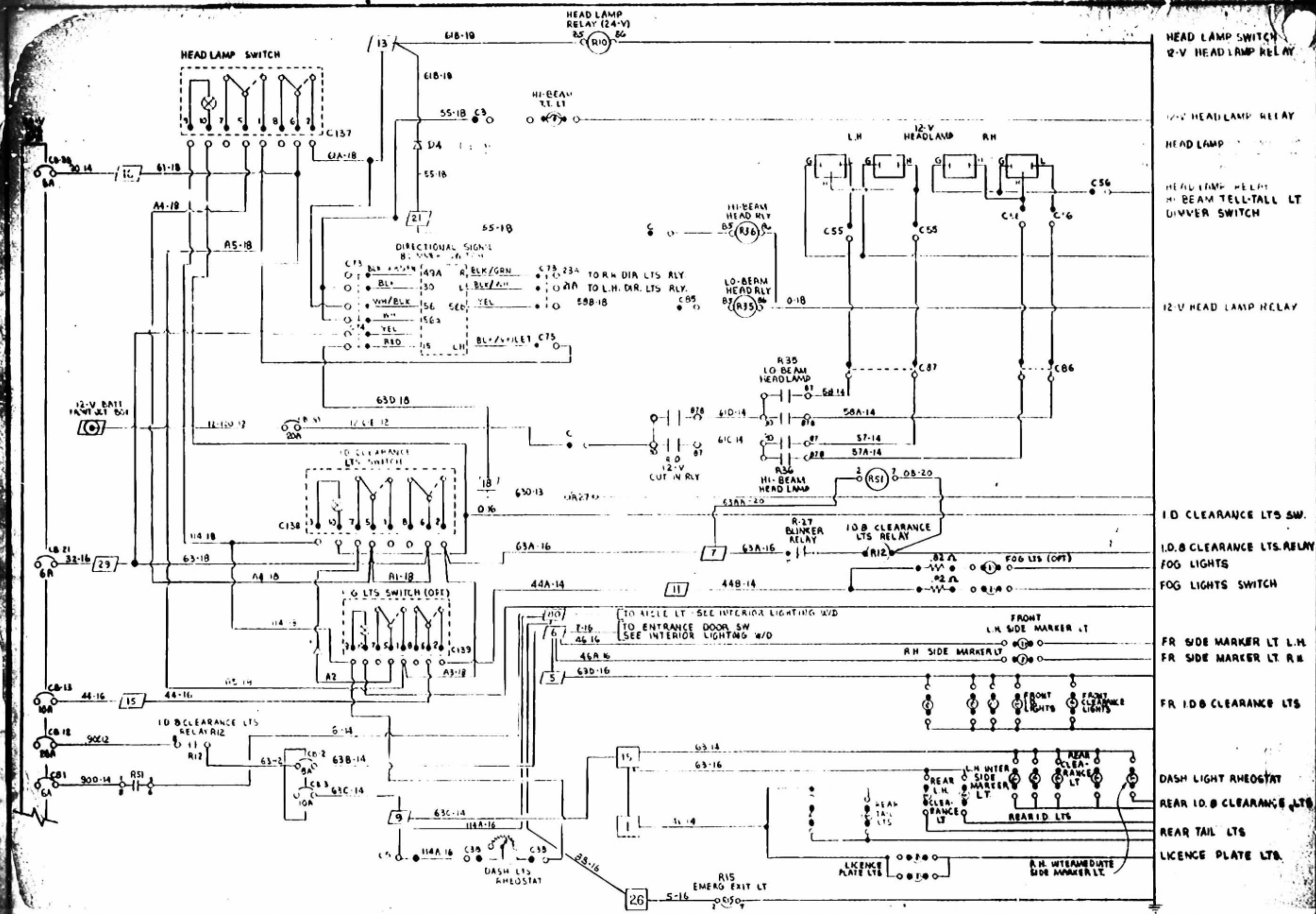


<b>PREVOST</b>		<b>LEGEND</b>		THIS DOCUMENT IS THE PROPERTY OF PREVOST CAR INC. IT IS TO BE KEPT IN THE VEHICLE AND RETURNED TO THE COMPANY IF IT IS FOUND IN ANY OTHER VEHICLE. THIS DOCUMENT IS THE PROPERTY OF PREVOST CAR INC. IT IS TO BE KEPT IN THE VEHICLE AND RETURNED TO THE COMPANY IF IT IS FOUND IN ANY OTHER VEHICLE.			TITLE: JACOB "DDEC II" W/D DATE: 20-08 REVISION: 1		DESS: BC DATE: 8/10	
□ FRONT JUNCTION PANEL □ REAR JUNCTION PANEL □ BATTERY COMPARTMENT □ CIRCUIT BREAKER ○ HARNESS CONNECTOR	○ BATTERY JUNCTION BLOCK ○ SINGLE CONNECTOR -M- DIODE (RECTIFIER) -D- OPTION	6 20-08 P1010 TO ABOVE A 09-12 P1012 500 R50 ABOVE TEM DATE REVISION PAR	APP: EFF. W/L501 PRIOR TO L700 REF: AUTOCAR XL	VER: /C APPR: [Signature]	NO: D-060724 C					





					DESCRIPTION:	DR.-	DATE-89/09
					JACOB-ENGINE BRAKE W/D	CR.-	APPR.-
B	23-08	PRIOR TO ADJUST	G.L.				
A	89-11	DIODE ADJUST & RB	M				
TSM	DATE	REVISION	BY	APPL: EFF. W/L 507 PRIOR TO: L-706	REF: 'XL' NONE DDEC	NO: D-060723	C



HEAD LAMP SWITCH  
 12-V HEADLAMP RELAY  
 HEAD LAMP  
 HEAD LAMP RELAY  
 HI-BEAM TELL-TALL LT  
 DIMMER SWITCH  
 12-V HEAD LAMP RELAY  
 I.D. CLEARANCE LTS SW.  
 I.D.B CLEARANCE LTS.RELAY  
 FOG LIGHTS  
 FOG LIGHTS SWITCH  
 FR SIDE MARKER LT L.H.  
 FR SIDE MARKER LT R.H.  
 FR ID.B CLEARANCE LTS  
 DASH LIGHT RHEOSTAT  
 REAR I.D.B CLEARANCE LTS  
 REAR TAIL LTS  
 LICENCE PLATE LTS.

**LEGEND**

12-V BATT  
 SWITCH  
 RELAY  
 LAMP  
 FUSE  
 GND  
 WIRE  
 TERMINAL  
 CONNECTOR  
 GND SYMBOL  
 OPEN

B	89-09	PRICE TO L506 N307E	CC
A	88-03	K753 DEVIENT J726	3C
TEM	DATE	REVISION	PAR

TITLE: EXTERIOR LIGHTING WIRING DIAGRAM-DDEC

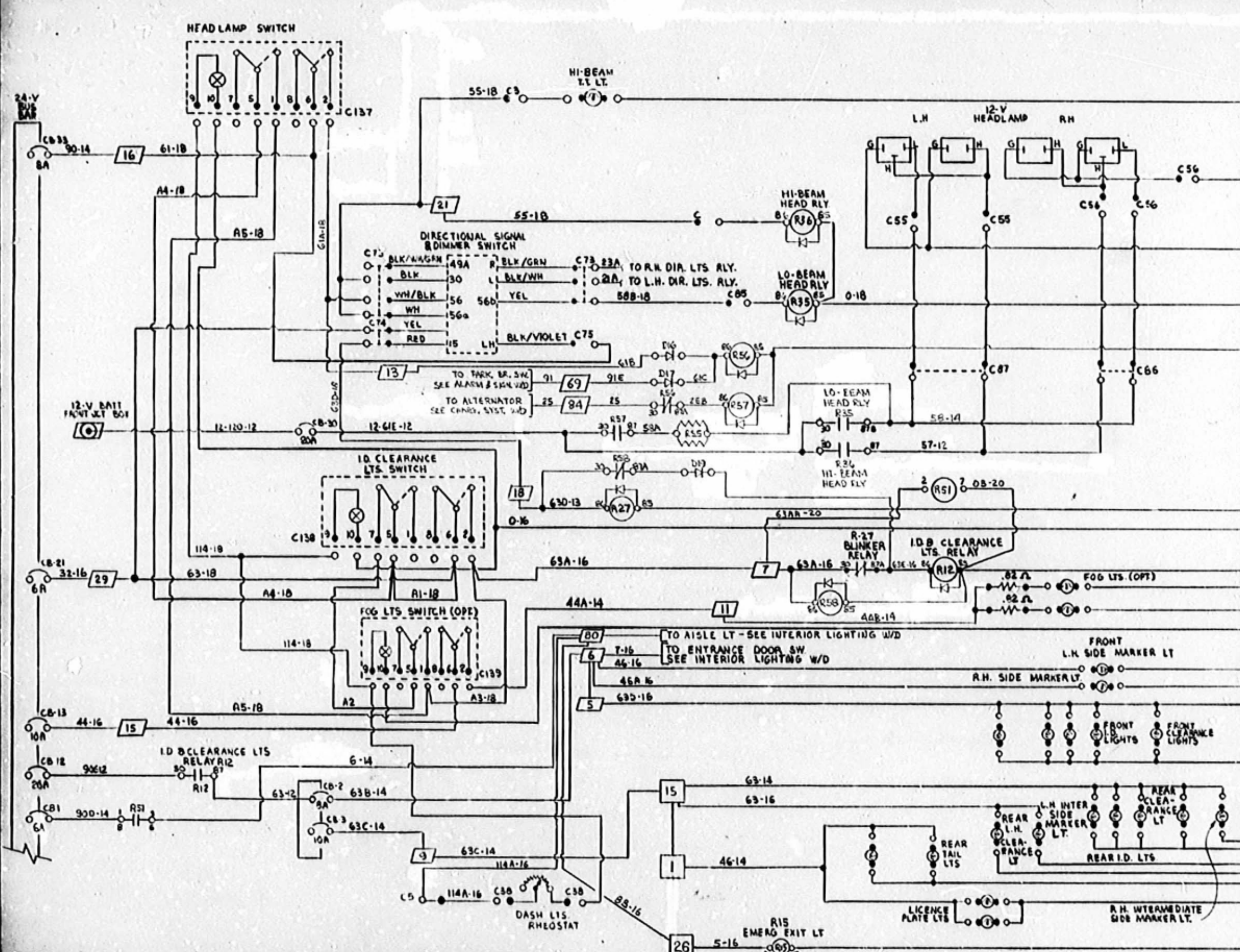
APPL. 413, 415, 617, 726 PRIOR TO L506 REF: AUTOCAR XL

DESS: M.L.S DATE: 86/11/85

VER: *LC* APPR: *[Signature]*

NO: D-060685





- HEAD LAMP SWITCH
- HI-BEAM TELL-TALL LT. HEAD LAMP
- HEAD LAMP RELAY DIMMER SWITCH
- 12-V HEAD LAMP RELAY
- I.D. CLEARANCE LTS SW.
- I.D.B. CLEARANCE LTS. RELAY
- FOG LIGHTS
- FOG LIGHTS SWITCH
- FR. SIDE MARKER LT L.H.
- FR. SIDE MARKER LT R.H.
- FR. I.D.B. CLEARANCE LTS
- DASH LIGHT RHEOSTAT
- REAR I.D.B. CLEARANCE LTS
- REAR TAIL LTS
- LICENCE PLATE LTS.

**LEGEND**

24V JUNCTION PANEL  
 12V JUNCTION PANEL  
 BATTERY EQUIPMENT  
 RELAY  
 SWITCH  
 LAMP  
 FUSE  
 RESISTOR  
 DIODE  
 SOLENOID  
 MOTOR  
 HORN  
 BELL  
 ALARM  
 SIREN  
 SPEAKER  
 ANTENNA  
 HORN RELAY  
 ALARM RELAY  
 SIREN RELAY  
 SPEAKER RELAY  
 ANTENNA RELAY

ITEM	DATE	REVISION	PAR
8	91-01	ENLARGE DEC DAYS	17
1A	90-08	FRONT TO ADJUST	22

TITRE: EXTERIOR LIGHTING WIRING DIAGRAM (DAY LTS.)

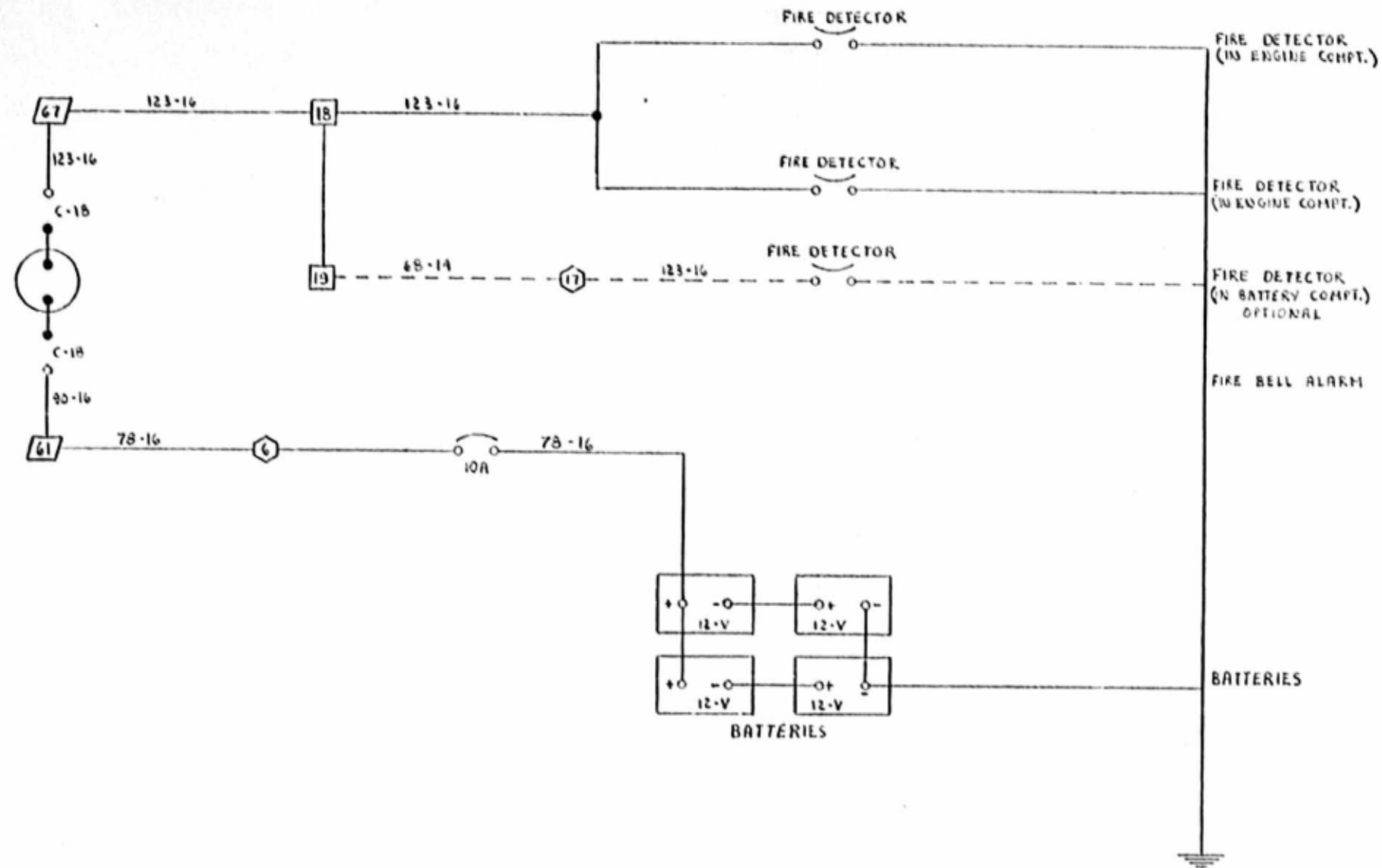
APPLI EFF. W/L 507, PROR TO L-706 REF: AUTOCAR XL

DESS: M.L.S. DATE: 89/09

VER: *lc* APPR: *lc*

NO: D-060716 C



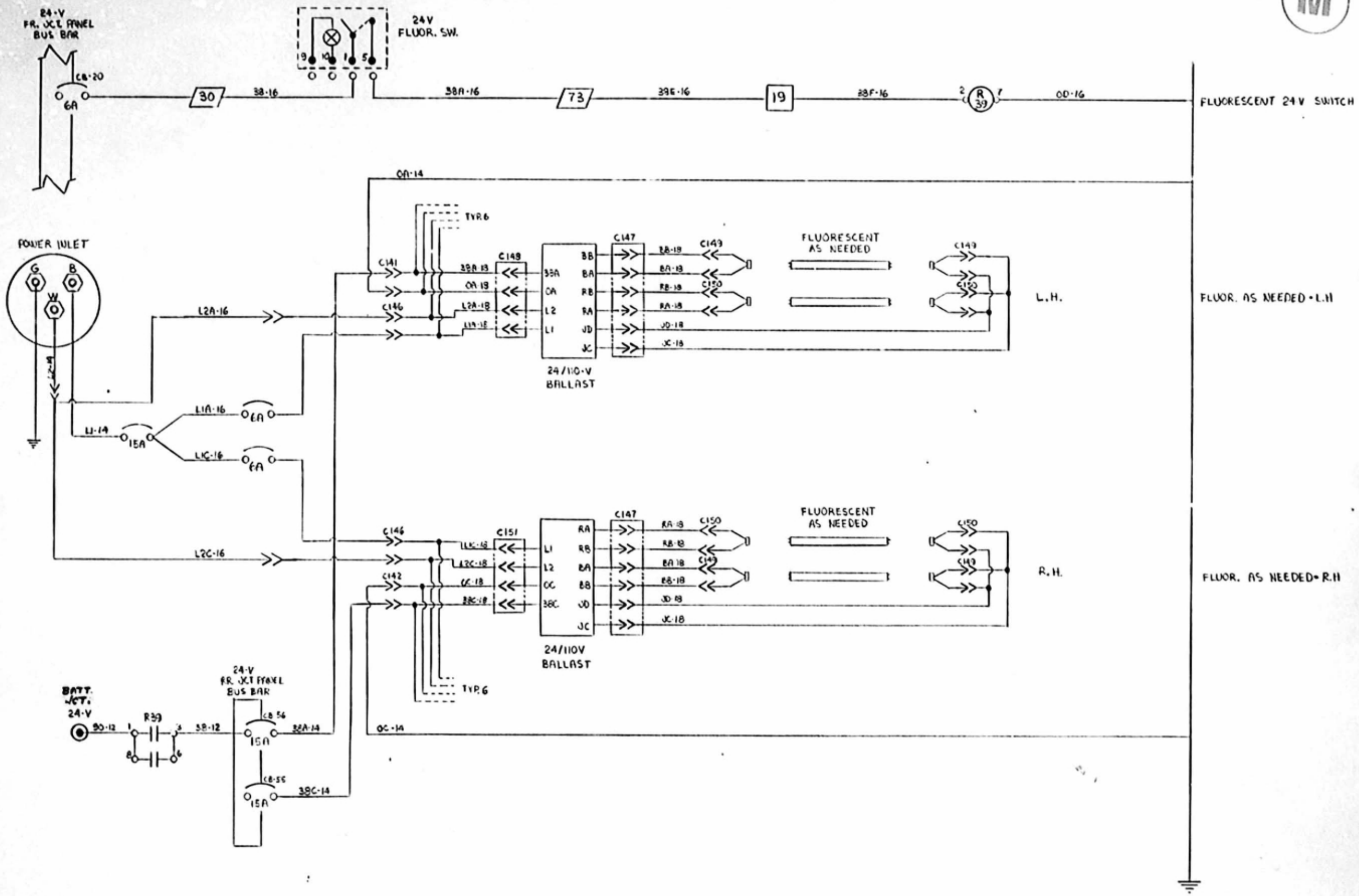


PREVOST		LEGEND	
	FRONT JUNCTION PANEL		BATTERY JUNCTION BLOCK
	REAR JUNCTION PANEL		SINGLE CONNECTOR
	BATTERY COMPARTMENT		DIODE (RECTIFIER)
	CIRCUIT BREAKER		OPTION
	HARNESS CONNECTOR		

112 (C-1)

FIRE ALARM WIRING DIAGRAM  
 EFF. W/E-730 P. 104-84  
 DATE 1-04-84

D-060442

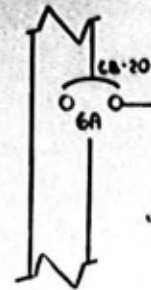


LEGEND		TITLE:		DESS: M.d.f	DATE: 87-02
	FRONT JUNCTION PANEL	B	90-08 PRIORITY TO ADJUST	VER.-	APPR.-
	REAR JUNCTION PANEL	A	88/02		
	BATTERY COMPARTMENT		DEVIENT ->		
	CIRCUIT BREAKER	ITEM	REVISION	APPL: EFF. W/11-290 PRIOR TO L-706	REF: 'XL'
	HARNESS CONNECTOR				
	BATTERY JUNCTION BLOCK				
	SINGLE CONNECTOR				
	DIODE (RECTIFIER)				
	OPTION				

NO: D-060611 C



64-V  
FR. JCT. PANEL  
BUS BAR



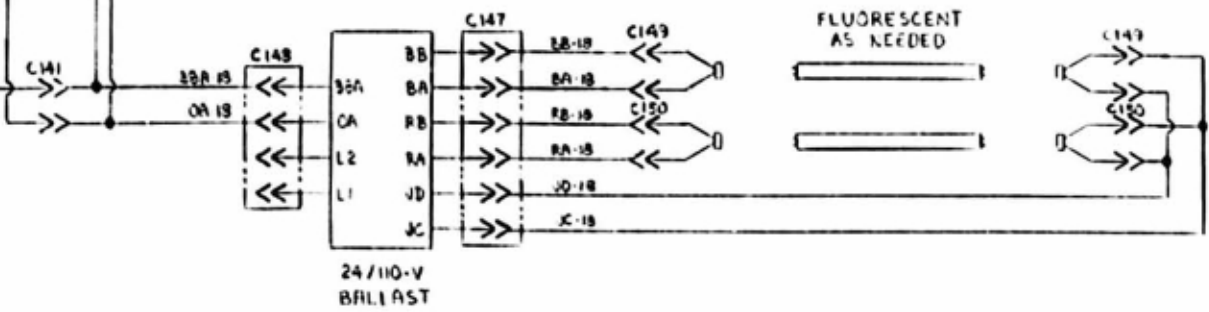
24V  
FLUOR. SW.



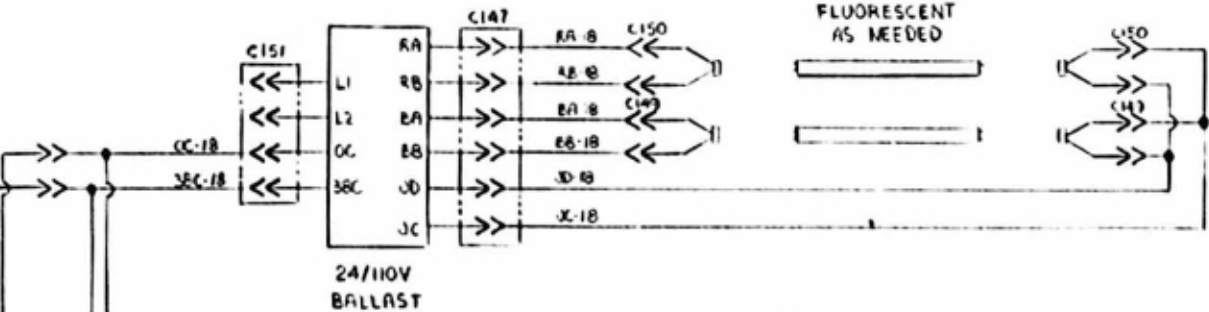
FLUORESCENT 24-V SWITCH

0A-14

TYR 6

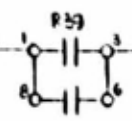


FLUOR. AS NEEDED L.H.

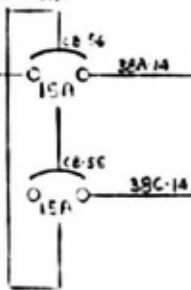


FLUOR. AS NEEDED R.H.

BATTERY  
JUNCTION  
24-V



24-V  
R.R. JCT. PANEL  
BUS BAR



TYR 6

0C-14



**LEGEND**

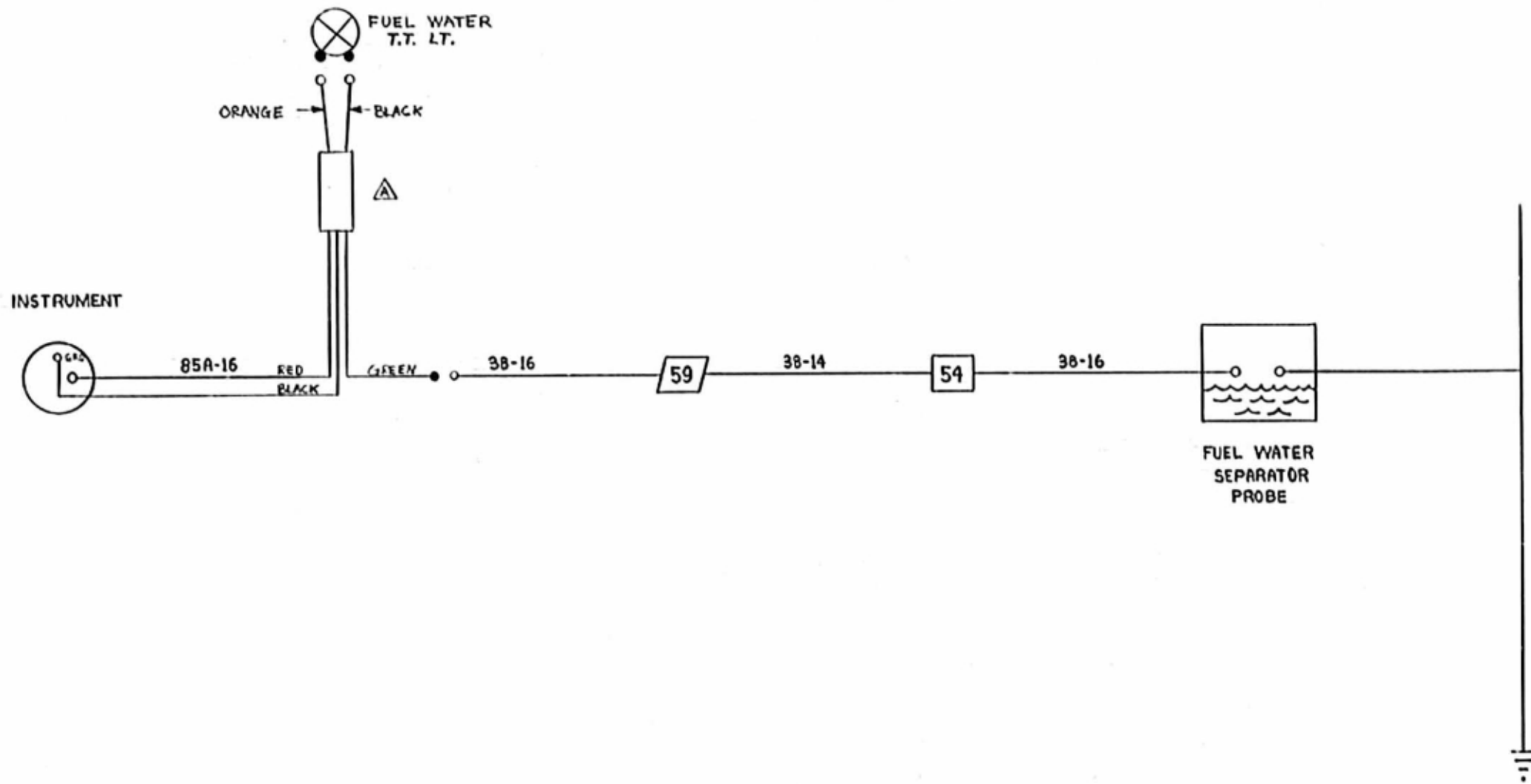
- FRONT JUNCTION PANEL
- REAR JUNCTION PANEL
- BATTERY COMPARTMENT
- CIRCUIT BREAKER
- HARNESS CONNECTOR
- BATTERY JUNCTION BLOCK
- SINGLE CONNECTOR
- DIODE (RECTIFIER)
- OPTION

ITEM	DATE	REVISION	PAR
A	90-08	PRIOR TO ADJUST	G.L.

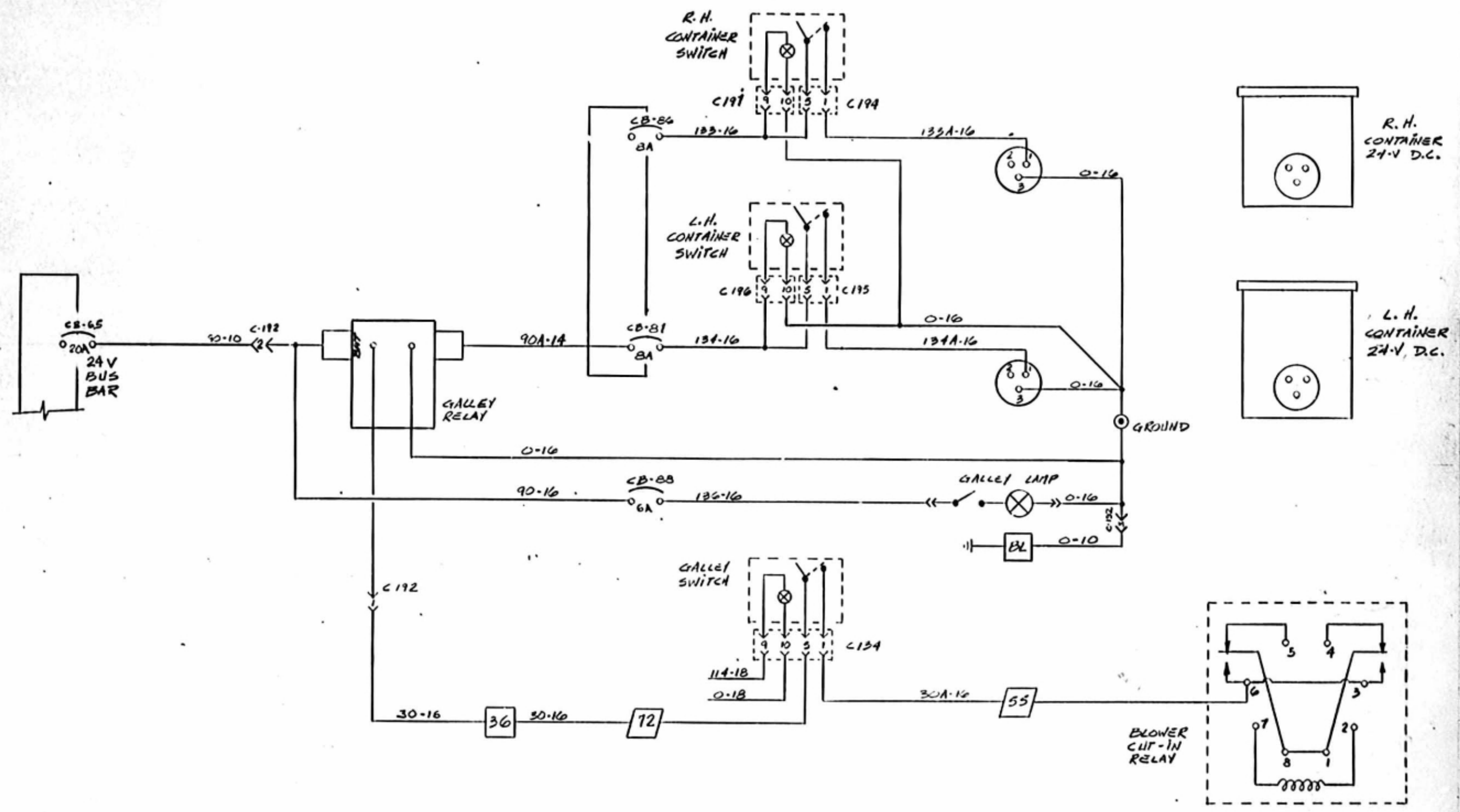
TITLE: FLUORESCENT 24V W/D  
 APPL: EFF. W/H-290 PRIOR TO L-706  
 REF: '51'

DESS: M.d.f. DATE: 87-02  
 VER: APPR: [Signature]  
 NO: D-060612 C





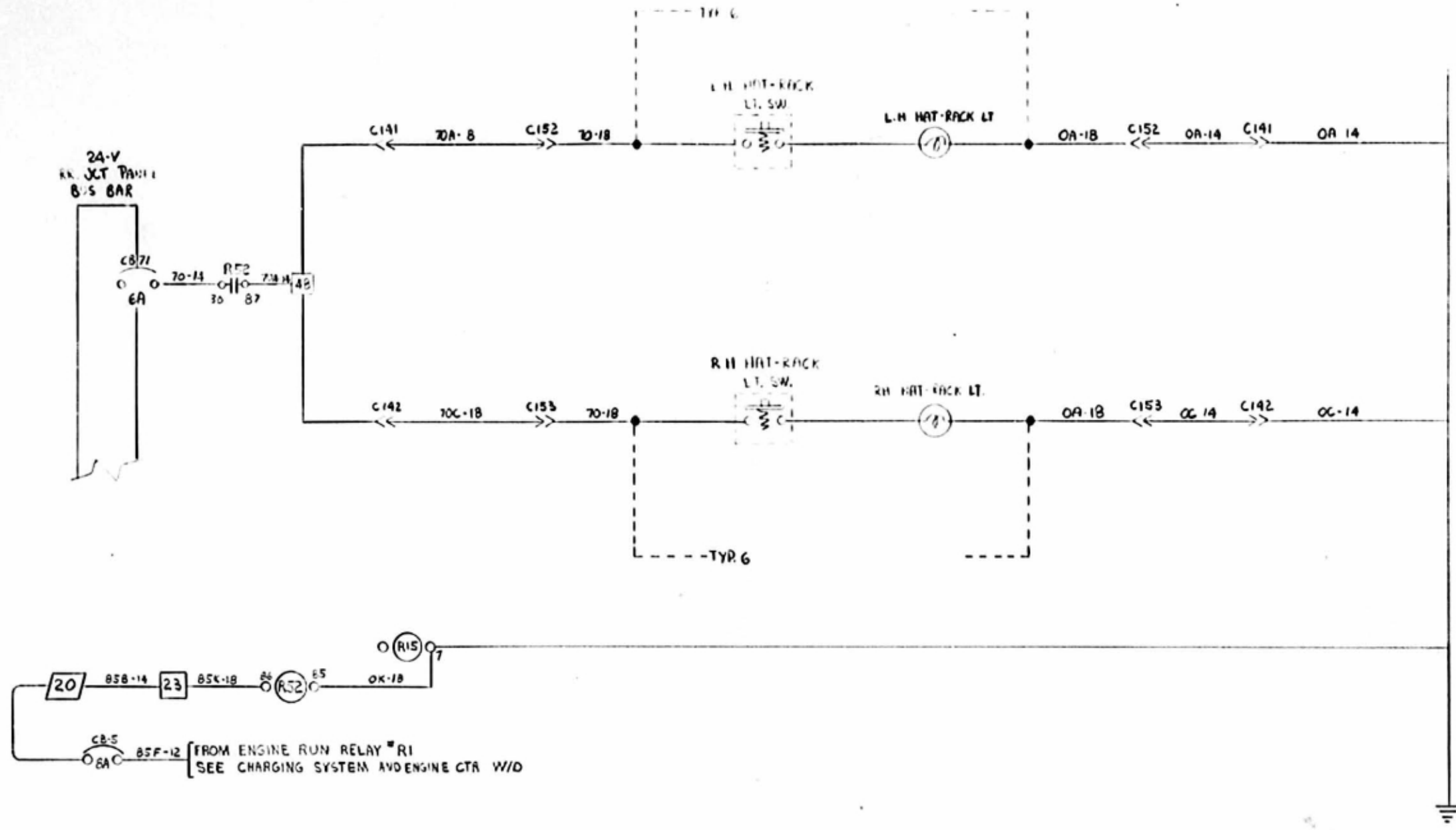
<b>PRIVOSTA</b> FRONT JUNCTION PANEL REAR JUNCTION PANEL BATTERY COMPARTMENT CIRCUIT BREAKER HARNESS CONNECTOR		<b>LEGEND</b> BATTERY JUNCTION BLOCK SINGLE CONNECTOR DIODE (RECTIFIER) OPTION		<small>REPRODUCED BY THE PROPERTY OF PRIVOSTA CAN INC. THIS DOCUMENT IS THE SOLE PROPERTY OF PRIVOSTA CAN INC. AND IS NOT TO BE REPRODUCED, COPIED, OR TRANSMITTED IN ANY FORM OR BY ANY MEANS, WITHOUT THE EXPRESS WRITTEN PERMISSION OF PRIVOSTA CAN INC.</small> <small>THIS DOCUMENT IS THE SOLE PROPERTY OF PRIVOSTA CAN INC. AND IS NOT TO BE REPRODUCED, COPIED, OR TRANSMITTED IN ANY FORM OR BY ANY MEANS, WITHOUT THE EXPRESS WRITTEN PERMISSION OF PRIVOSTA CAN INC.</small>		TITLE: <b>FUEL WATER ALARM WIRING DIAGRAM</b>		DESS: M.L. DATE: 86/06/20	
C 91-01 ENLEVER "BUS SHELL" DRAUS LA CASE ABE. DT		B 90-02 PRIOR TO ASOUTE GL		A 88/04 T.T MODULE ADDED M/		APPL: EFF. W/E-652 PRIOR TO L-706 REF: "XL"		NO: D-060491 C	
ITEM	DATE	REVISION	PAR						



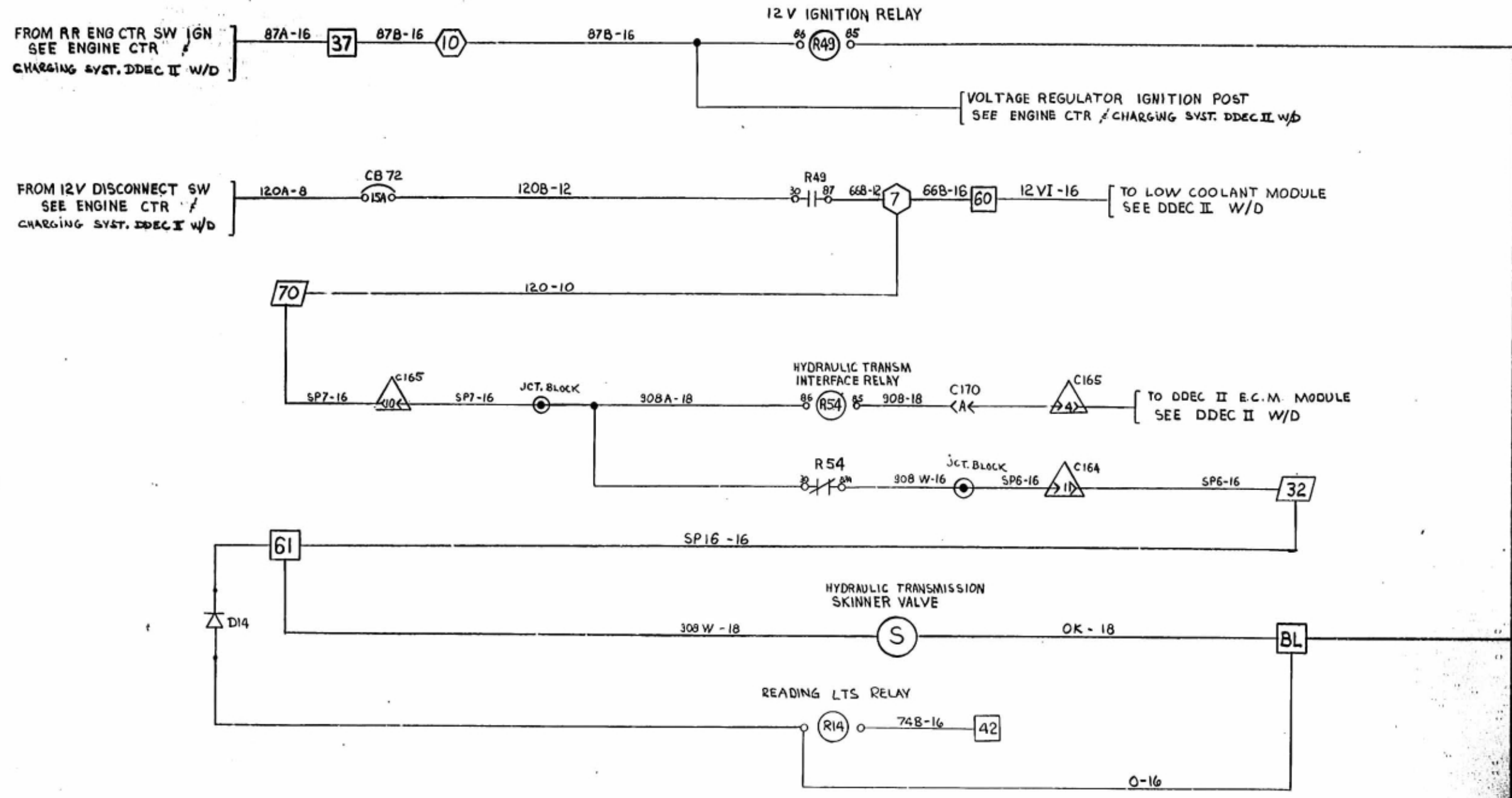
LEGEND		TITRE: GALLEY WIRING DIAGRAM				DESS: AB	DATE: 88.05
FRONT JUNCTION PANEL	BATTERY JUNCTION BLOCK	ITEM	DATE	REVISION	PAR	VER: KC	APPR: [Signature]
REAR JUNCTION PANEL	SINGLE CONNECTOR	A	9008	PRIOR TO AJOUTÉ	G.L		
BATTERY COMPARTMENT	DIODE (RECTIFIER)						
CIRCUIT BREAKER	OPTION						
WIRING CONNECTOR							
APPL: L-706 EFi. W/ J-634					REF: SERIE MINI-CHEF SANS FRIGO	NO: D-060683	C







<b>LEGEND</b> FRONT JUNCTION PANEL REAR JUNCTION PANEL BATTERY COMPARTMENT CIRCUIT BREAKER HARNESS CONNECTOR		BATTERY JUNCTION BLOCK SINGLE CONNECTOR DIODE (RECTIFIER) OPTION		TITLE: <b>HAT-RACK LIGHTING W/D</b>	CLASS: M J.f DATE: 87-02
FROM ENGINE RUN RELAY "R1" SEE CHARGING SYSTEM AND ENGINE CTR W/D		REV: B 20-08 DATE: 88-03	REVISION: PRIOR TO ADJUST K-733 DEVIANT J726	PAR: G.L. B.C.	APPR: [Signature] REF: "XL"
PART NUMBER: [REDACTED] PART NAME: [REDACTED] PART QUANTITY: [REDACTED] PART UNIT OF MEASURE: [REDACTED]				APPL: J613, J615, J617, J726 PRIOR TO 706	PART NUMBER: D-060684 PART QUANTITY: C



LEGEND

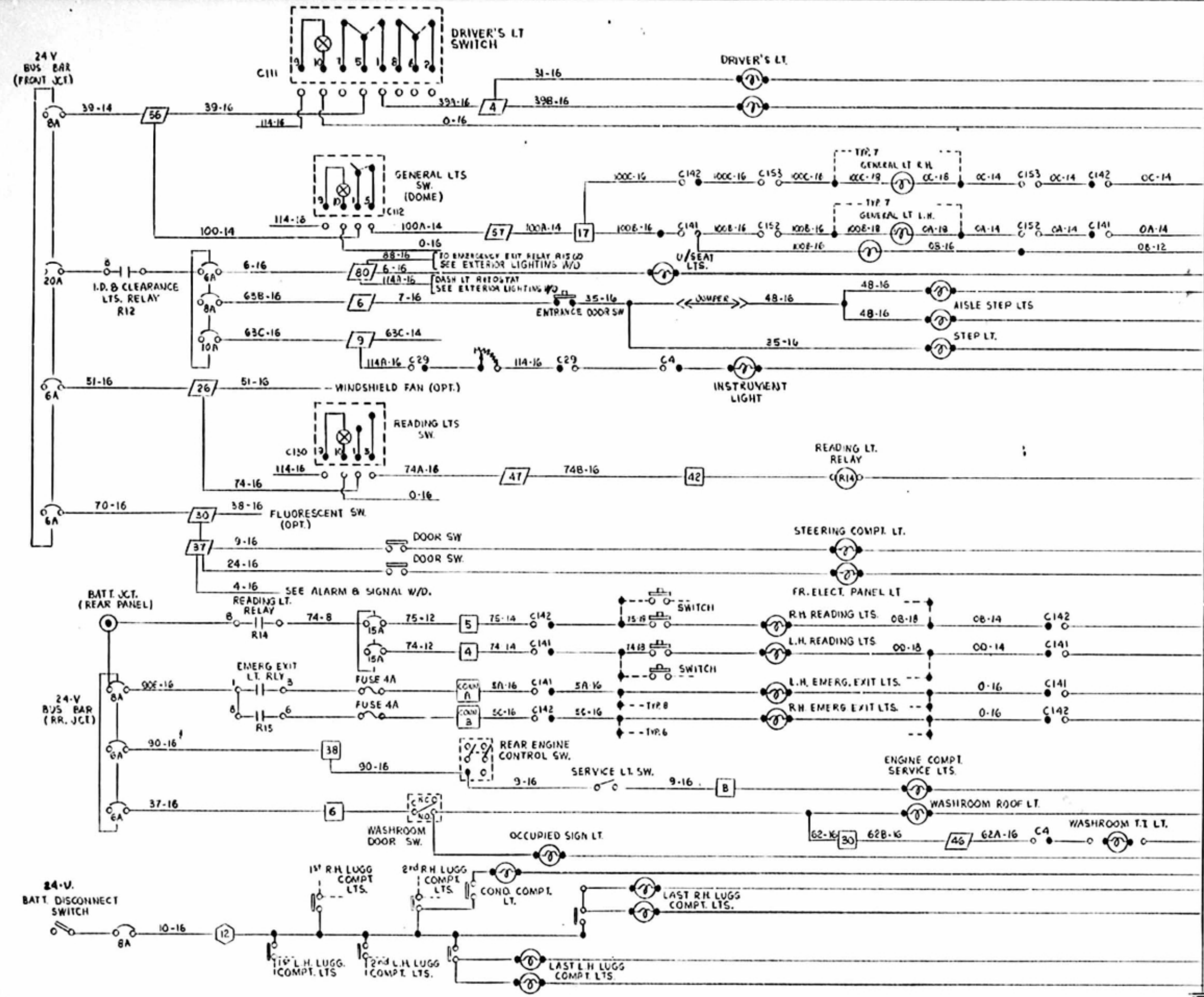
- WIRE JUNCTION PANEL
- WIRE JUNCTION PANEL
- WIRE JUNCTION PANEL
- WIRE JUNCTION PANEL
- WIRE JUNCTION PANEL
- WIRE JUNCTION PANEL
- WIRE JUNCTION PANEL
- WIRE JUNCTION PANEL

ITEM	DATE	REVISION	PAR
B	89-01	D14 AUCUTE	m.j
A	88-09	R54 STAY RED. AUOTER J326	BC

TITRE: HYDRAULIC TRANSMISSION DDEC II W/D

APPL: EFF J613, J615, J617, J-726 K ... REF: AUTOCAR XL

DESS: B.C  
VER: LC  
DATE: 28-03-88  
APPR: [Signature]  
NO: D-060668

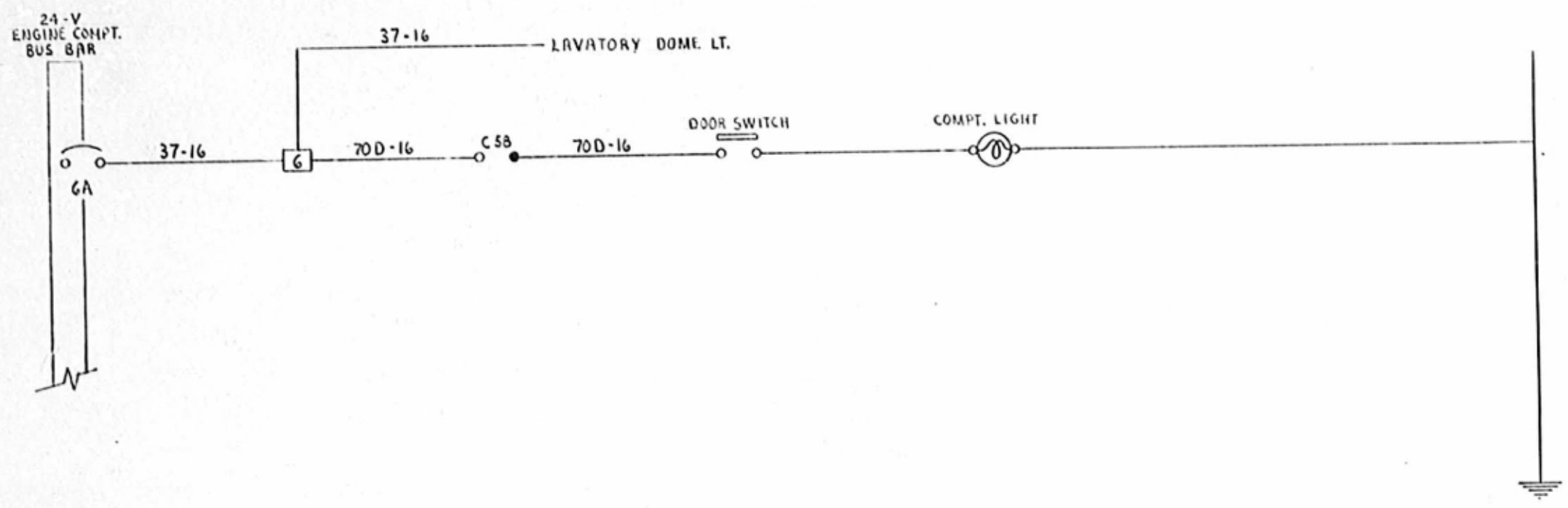


- DRIVER'S LIGHTS
- GENERAL LIGHT SWITCH
- DOME LIGHTS (GENERAL)
- UNDERSEAT LIGHTS
- STEPWELL LIGHTS
- INSTRUMENT LIGHTS & RHEOSTAT
- READING LIGHT SWITCH
- READING LIGHT RELAY
- STEERING COMPT. LT.
- FR. ELECT. COMPT. LT.
- R.H. READING LTS.
- L.H. READING LTS.
- EMERG. EXIT LTS.
- ENGINE COMPT. SER. LTS.
- WASHROOM LTS.
- LUGG. COMPT. LTS.

<b>BUKUSA</b>		<b>LEGEND</b>		<b>TITRE:</b>		DESS: <i>Md.J</i>	DATE: 87-02	
	FRONT JUNCTION PANEL		BATTERY JUNCTION BLOCK	C	20-08	PRUS TO ADJUVÉ	SL	
	REAR JUNCTION PANEL		SINGLE CONNECTOR	B	88-03	MISE A JOUR	BC	
	BATTERY COMPARTMENT CIRCUIT BREAKER		DIODE (RECTIFIER)	A	88/05	LANCE DC 88866	7/ PAR	
	CIRCUIT BREAKER		OPTION	ITEM	DATE	REVISION		
	HARNESS CONNECTOR			APPL: EFF. W/J-639 PRIOR TO L-706 REF: "XL"				
							NO: D-060678	C



(101)



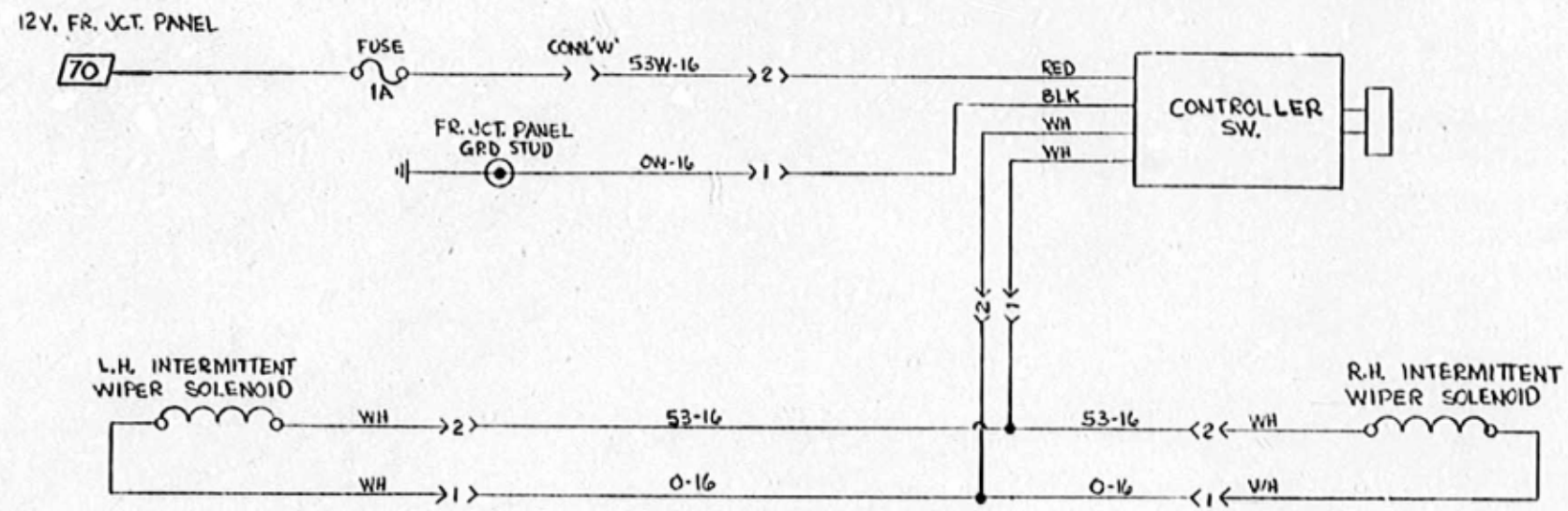
PREVOST		LEGEND	
	FRONT JUNCTION PANEL		BATTERY JUNCTION BLOCK
	REAR JUNCTION PANEL		SINGLE CONNECTOR
	BATTERY COMPARTMENT		DIODE (RECTIFIER)
	CIRCUIT BREAKER		OPTION
	HARNESS CONNECTOR		

332 (04-84)

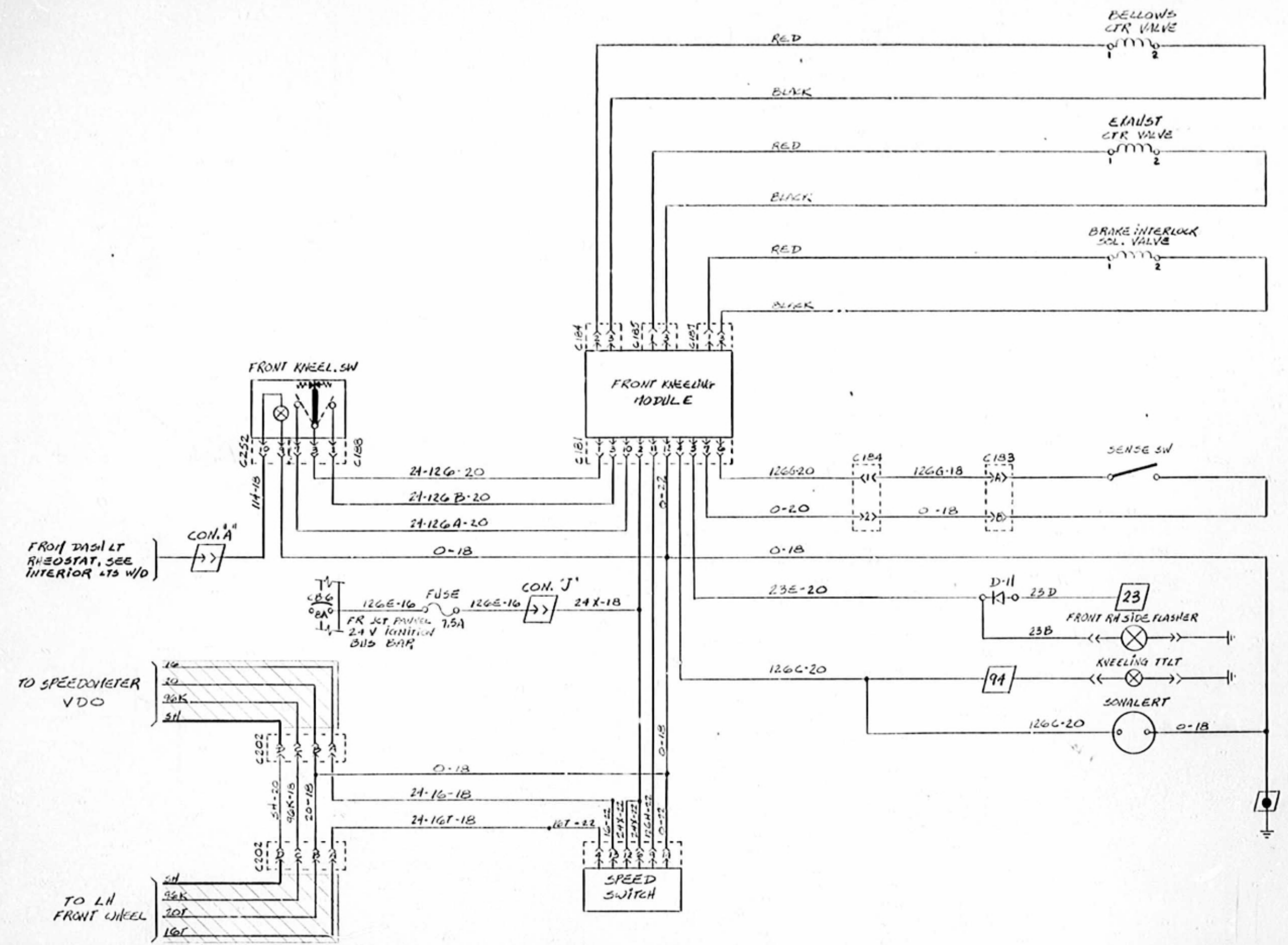
INTERIOR REAR COMPT. LT. WIRING DIAGRAM  
EFF. W./ D-639 RE: MARATHON  
DATE: 04-84 PRIOR TO L-706

D-060457

M

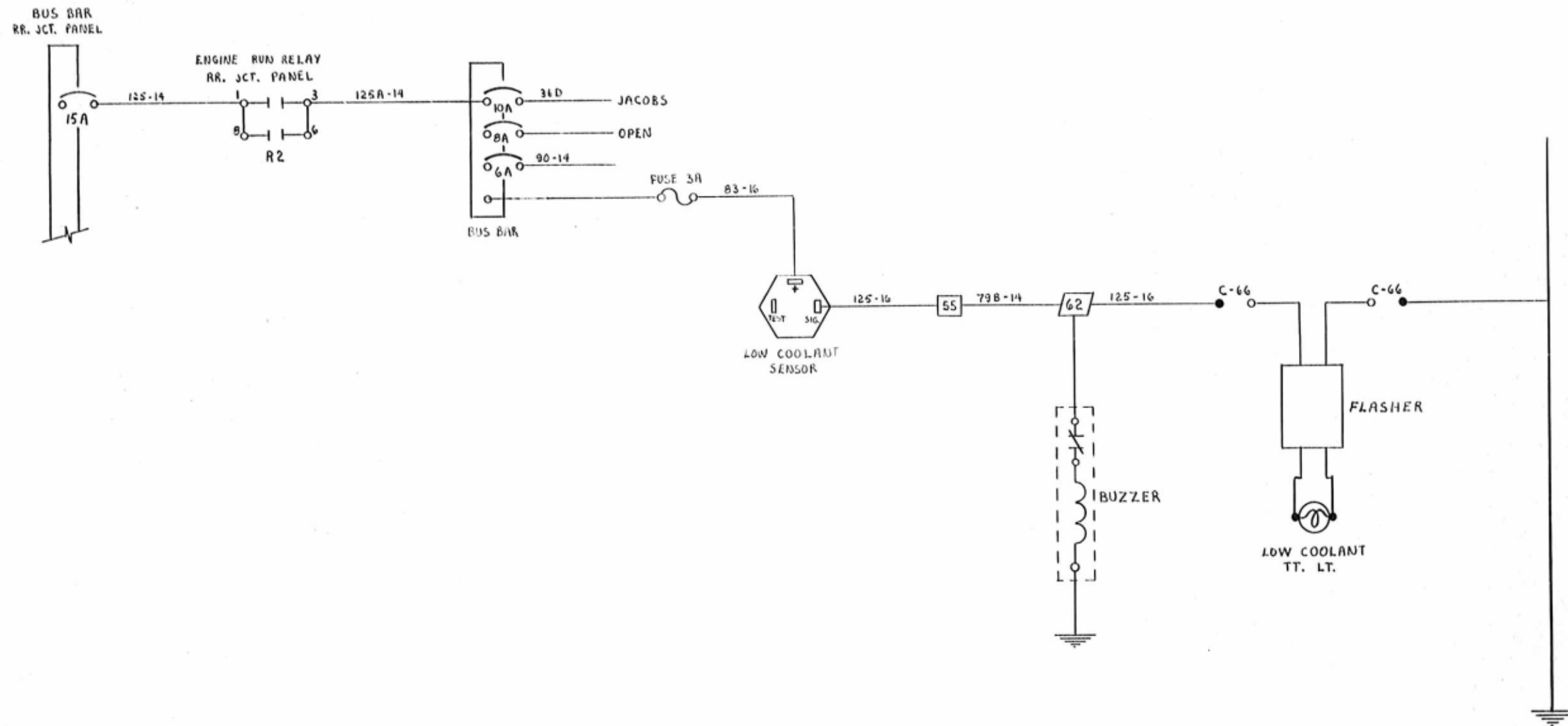


				DESCRIPTION:			DR. <i>M.H.</i>	DATE: 89/09
				INTERMITTENT WIPER (AIR) W/D			CR. <i>KC</i>	APPR. <i>KB</i>
B	91-01	PRIOR TO L 706						
A	90/07	WAS 12V-JCT BLOCK	BY	APPL: EFF. W/K653	PRIOR TO: L 706	REF: COACHES 102	NO: D-060728	
ITEM	DATE	REVISION	BY					C



<b>LEGEND</b> 		<b>REVISION</b> A 70-03 CD # 18135 REVISION		<b>TITLE</b> FRONT KNEELING WIRING DIAGRAM		<b>DESS:</b> AB <b>DATE:</b> 89-10	
<b>FRONT JUNCTION PANEL</b> <b>FRONT JUNCTION PANEL</b> <b>BATTERY COMPARTMENT</b> <b>CIRCUIT BREAKER</b> <b>HARNESS CONNECTOR</b>		<b>ITEM</b> <b>DATE</b> <b>REVISION</b>		<b>APPL:</b> EFF W/L 589		<b>VER.:</b> <b>APPR.:</b>	
				<b>REF:</b> AUTOCAR XL		<b>NO:</b> D-060137 <b>C</b>	





PREVOST		LEGEND	
	FRONT JUNCTION PANEL		BATTERY JUNCTION BLOCK
	REAR JUNCTION PANEL		SINGLE CONNECTOR
	BATTERY COMPARTMENT		DIODE (RECTIFIER)
	CIRCUIT BREAKER		OPTION
	HARNESS CONNECTOR		

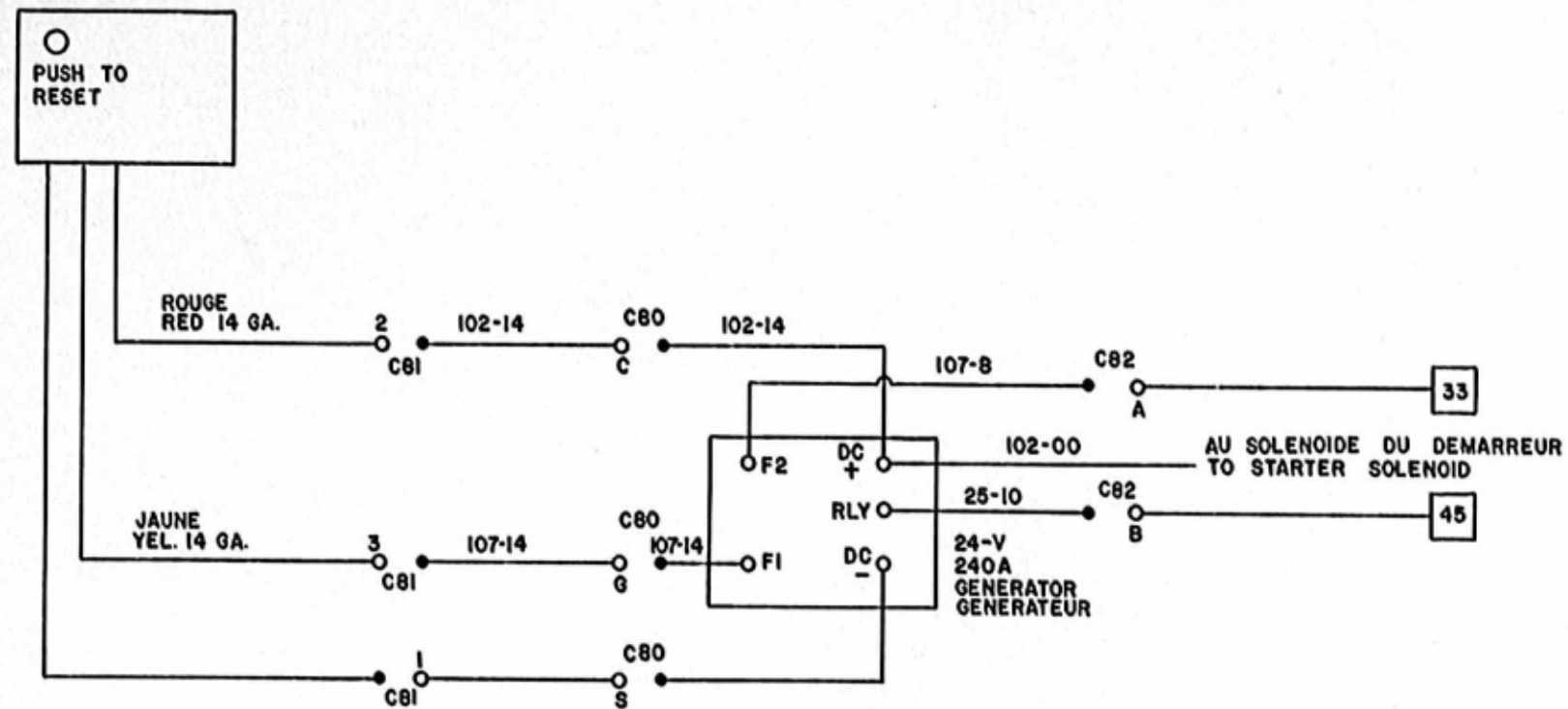
392 (04-84)

LOW WATER LEVEL WIRING DIAGRAM  
 EFF. W/E-638 MODEL "XL"  
 DATE : 04-84

D-060441

PROTECTEUR  
DE SUR-TENSION

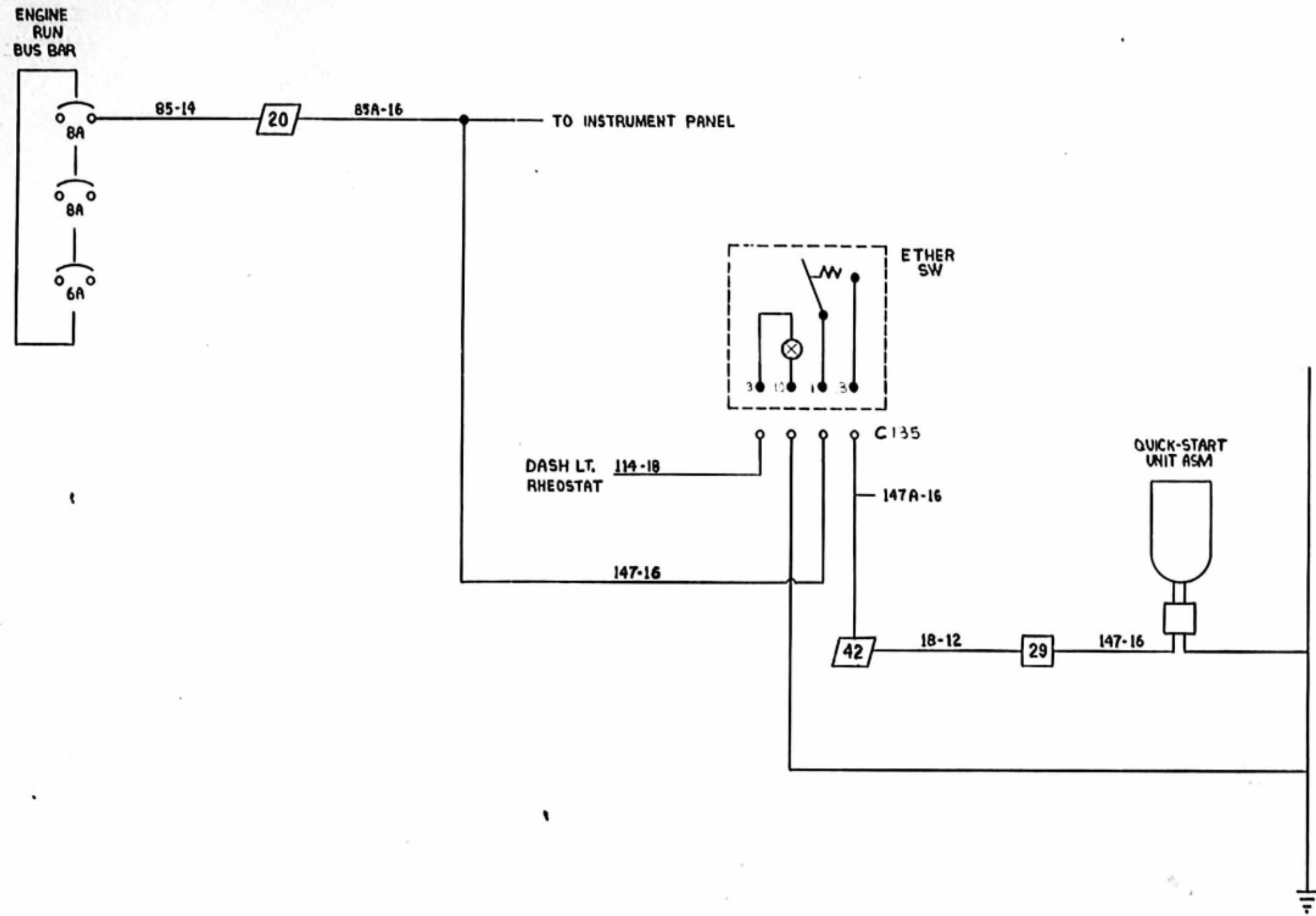
OVERVOLTAGE  
PROTECTION



PREVOST		LEGEND	
	FRONT JUNCTION PANEL		BATTERY JUNCTION BLOCK
	REAR JUNCTION PANEL		SINGLE CONNECTOR
	BATTERY COMPARTMENT		DIODE (RECTIFIER)
	CIRCUIT BREAKER		OPTION
	HARNESS CONNECTOR		

3W (94-91)

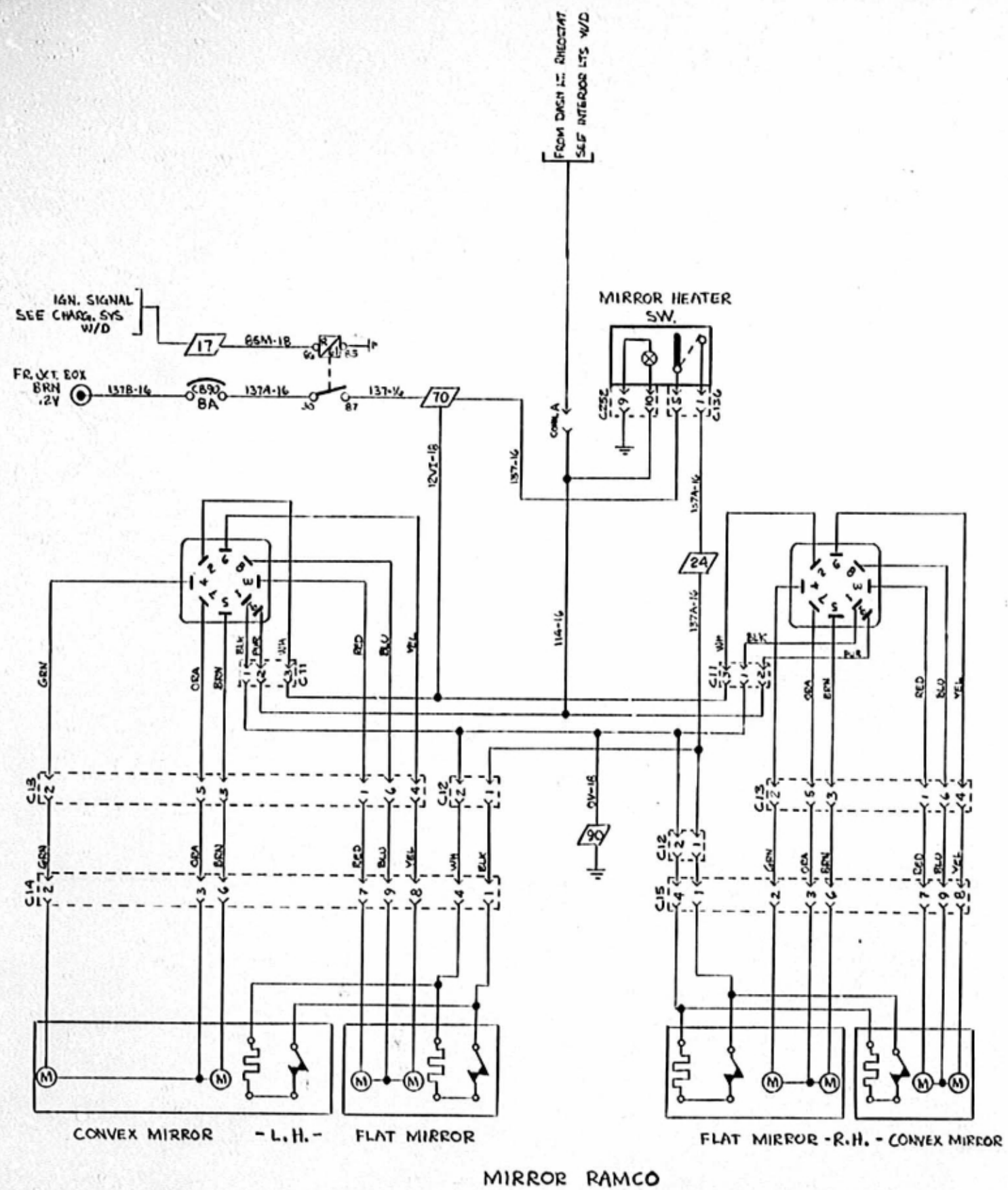
SCHEMA DE PRINCIPE POUR PROTECTEUR DE SUR-TENSION  
OVERVOLTAGE PROTECTION WIRING DIAGRAM  
EFF. W/E-730 "XL" OPTION  
PRIOR TO L-706



 FRONT JUNCTION PANEL REAR JUNCTION PANEL BATTERY COMPARTMENT CIRCUIT BREAKER HARNESS CONNECTOR	<b>LEGEND</b> BATTERY JUNCTION BLOCK SINGLE CONNECTOR SHOCK (RECTIFIER) OPTION	TITLE: QUICK-START (ETHER) WIRING DIAGRAM				DESS: M.L.	DATE: 8/7/02
		VER. - <i>[Signature]</i>				APPR. - <i>[Signature]</i>	NO: D-060597
THE APPROVED IS THE ENGINEER, PROPERTY OF GENERAL MOTORS CORPORATION, AND IS NOT TO BE REPRODUCED OR TRANSMITTED IN ANY FORM OR BY ANY MEANS, ELECTRONIC OR MECHANICAL, INCLUDING PHOTOCOPYING, RECORDING, OR BY ANY INFORMATION STORAGE AND RETRIEVAL SYSTEM, WITHOUT THE EXPRESS WRITTEN PERMISSION OF GENERAL MOTORS CORPORATION.		A 20-08	PRIOR TO ADOUTÉ	GL	APPL: EFF. W/H-235	PRIOR TO L-706	REF: SWF
ITEM	DATE	REVISION	PAR	REF: SWF	NO: D-060597	C	



100

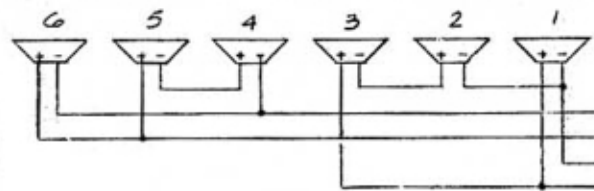


MIRROR RAMCO

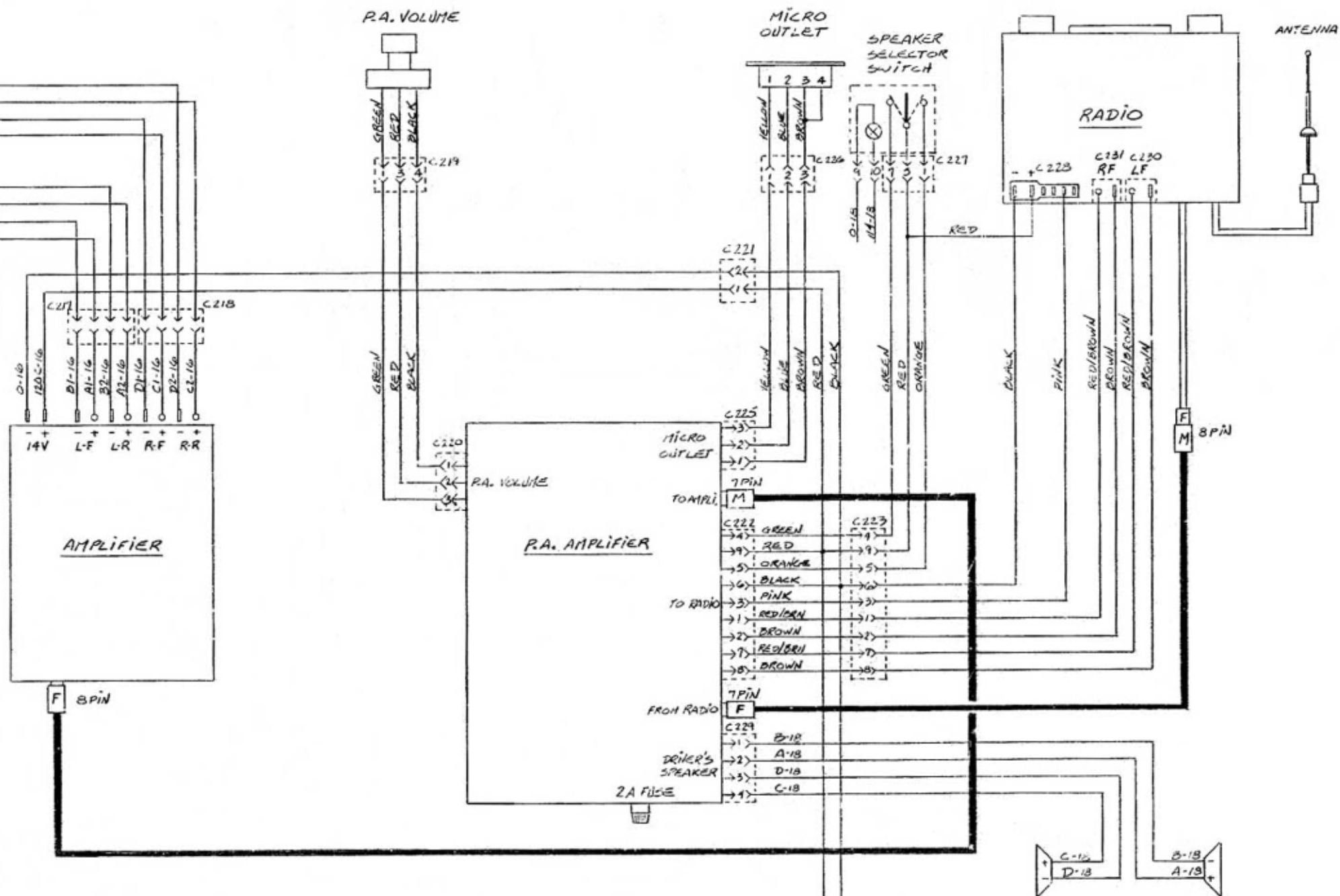
				DESCRIPTION:		DR - M.H.	DATE - 90/04
				REAR VIEW MIRROR - ADJUS. & HEATER SW.		CK - [Signature]	APPR. - [Signature]
ITEM	DATE	REVISION	BY	APPL: EFF. W/L-611	PRIOR TO L-705	REF: LE MIRAGE BUS SHELL	NO: D-060759
							C

LE MIRAGE XL

R.H. PASSENGER SPEAKER - LE MIRAGE XL

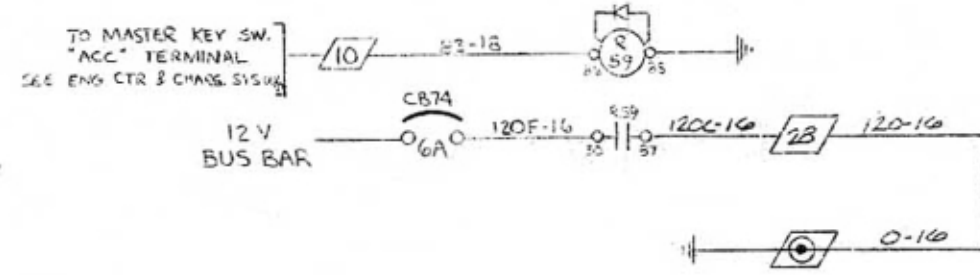
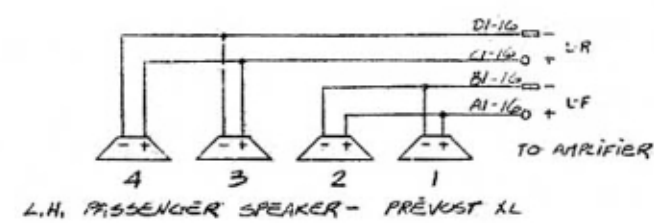
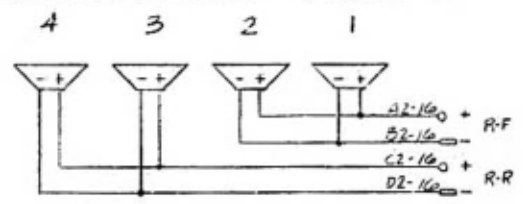


L.H. PASSENGER SPEAKER - LE MIRAGE XL

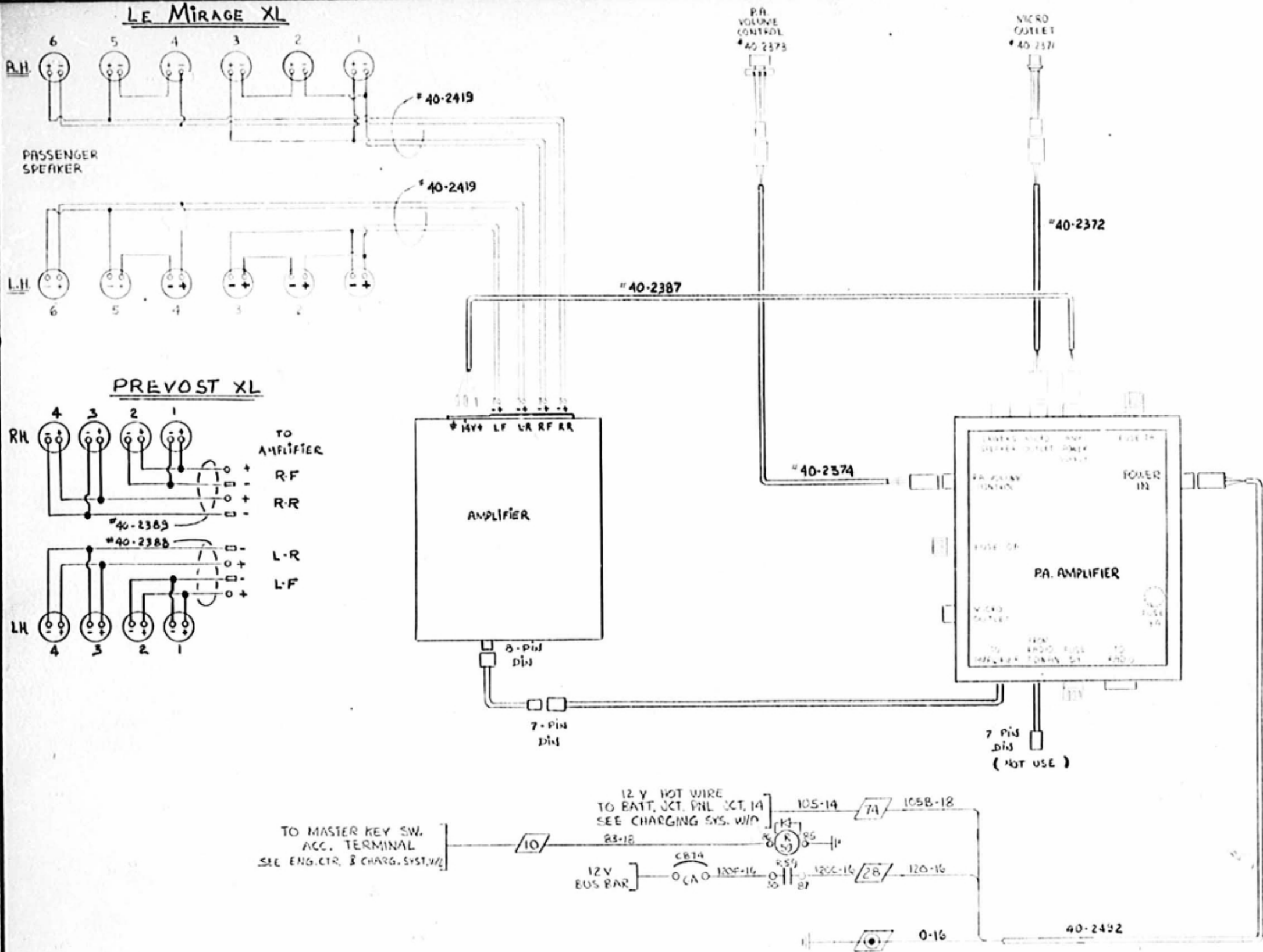


PRÉVOST XL

L.H. PASSENGER SPEAKER - PRÉVOST XL



<b>PRÉVOST</b>		<b>LEGEND</b>		TITRE: <b>SPEAKER WIRING - BASIC SYSTEM P.A. &amp; RADIO</b>		DESIG: <b>AB</b>	DATE: <b>89-09</b>
	FRONT JUNCTION PANEL		BATTERY JUNCTION BLOCK	APP: <b>EFF.W) L-650</b>		REF: <b>AUTOCAR XL</b>	NO: <b>D-060731</b>
	REAR JUNCTION PANEL		SINGLE CONNECTOR	APPR:			
	BATTERY COMPARTMENT		DIODE (RECTIFIER)	REV: <b>1</b>			
	CIRCUIT BREAKER		OPTION	REV: <b>1</b>			
	HARNESS CONNECTOR	<p>THIS DOCUMENT IS THE EXCLUSIVE PROPERTY OF THE U.S. AIR FORCE. IT IS TO BE KEPT UNCLASSIFIED AND UNCONTROLLED BY ANY PERSON OR ORGANIZATION UNLESS SO ORDERED BY THE U.S. AIR FORCE. IT IS TO BE DESTROYED WHEN IT IS OBSOLETE OR SUPERSEDED BY A NEWER VERSION. IT IS TO BE KEPT IN A SAFE PLACE AND NOT TO BE LOANED TO OTHERS WITHOUT THE EXPRESS WRITTEN PERMISSION OF THE U.S. AIR FORCE.</p>		<p>APPROVED FOR RELEASE BY THE U.S. AIR FORCE ON 08-28-2014</p>			



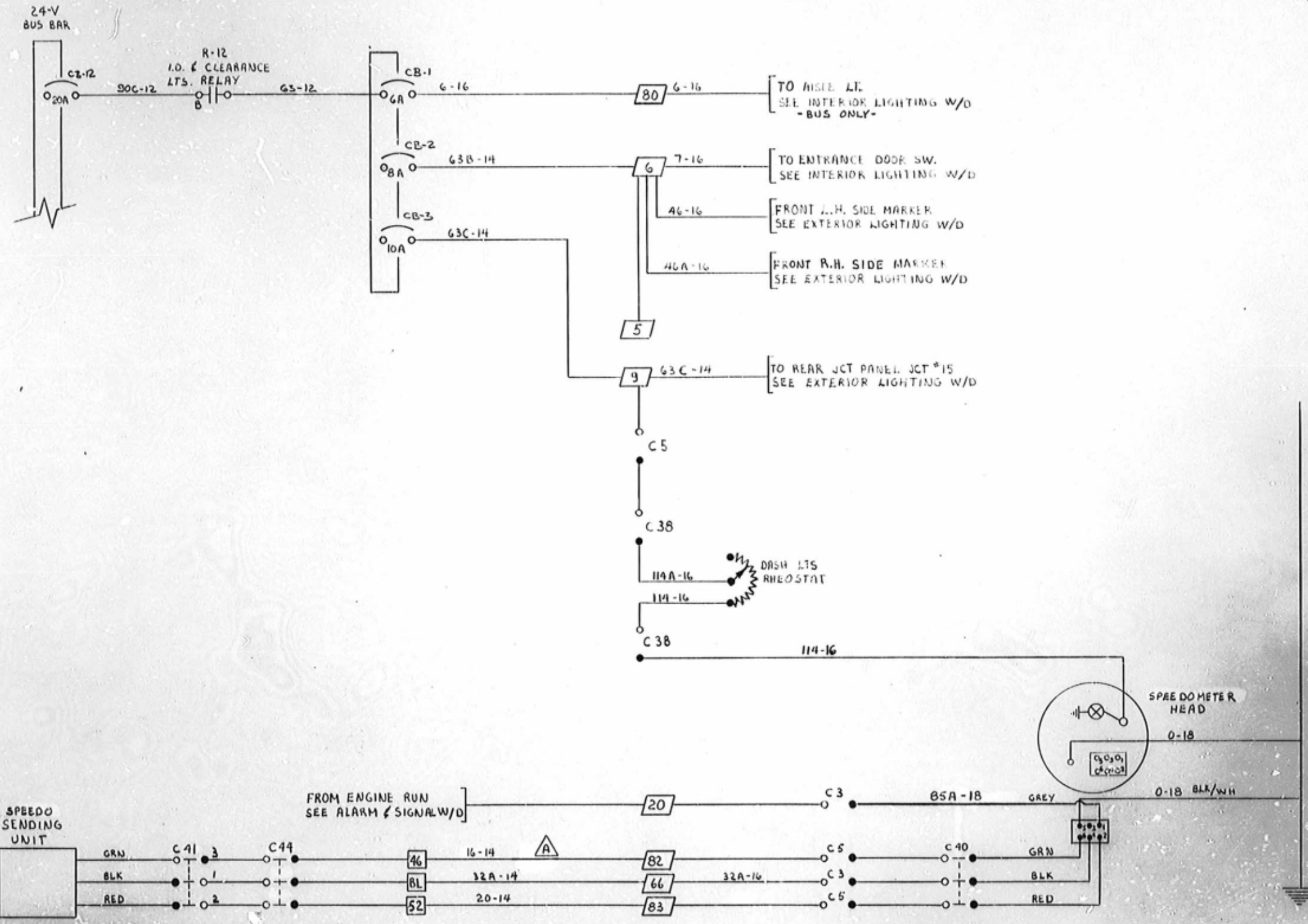
	FRONT JUNCTION PANEL		BATTERY JUNCTION BLOCK
	REAR JUNCTION PANEL		SINGLE CONNECTOR
	BATTERY COMPARTMENT		DIODE (RECTIFIER)
	CIRCUIT BREAKER		OPTION
	HARNESS CONNECTOR		

<p>THIS DOCUMENT IS THE PROPERTY OF PRINCEPS AIR AND IS LOANED TO YOU BY THE PRINCEPS AIR. IT IS TO BE USED ONLY FOR THE PURPOSES FOR WHICH IT IS LOANED TO YOU. IT IS NOT TO BE REPRODUCED OR TRANSMITTED IN ANY FORM OR BY ANY MEANS, ELECTRONIC OR MECHANICAL, INCLUDING PHOTOCOPYING, RECORDING, OR BY ANY INFORMATION STORAGE AND RETRIEVAL SYSTEM. WITHOUT THE EXPRESS WRITTEN PERMISSION OF PRINCEPS AIR.</p>	<p>ITEM: 23-11 DATE: R59 AMULE OC 82122</p>
----------------------------------------------------------------------------------------------------------------------------------------------------------------------------------------------------------------------------------------------------------------------------------------------------------------------------------------------------------------------------------------------------------------------	-------------------------------------------------

TITLE: SPEAKER WIRING - BASIC SYSTEM P.A. ONLY	DESS: M.L.	DATE: 89/09
APPR: EFF. W/ J-587 PRIOR TO L650	VER: Kc	APPR: R
REF: COACILES 102"	NO: D-060733	



M



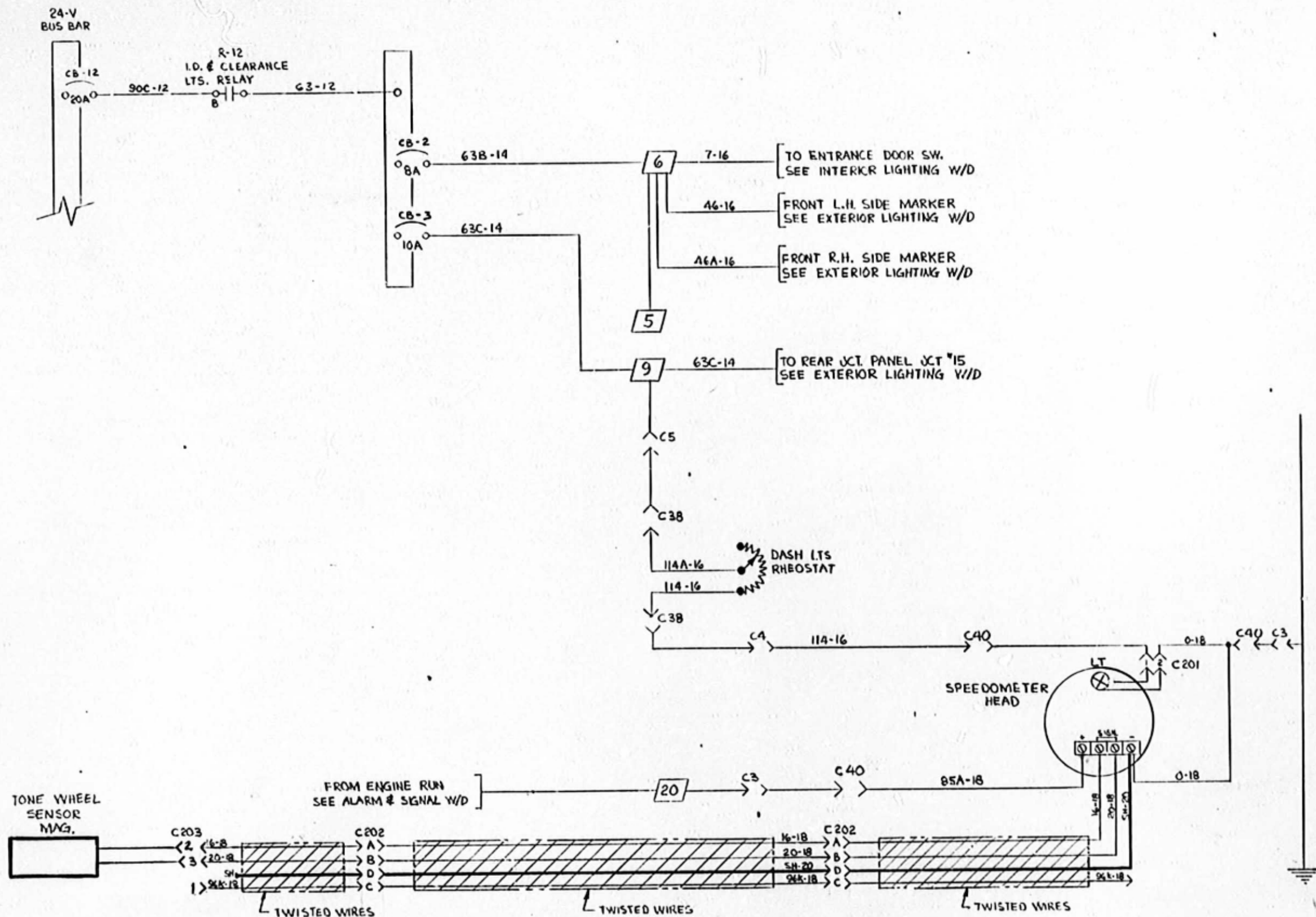
**LEGEND**

	FRONT JUNCTION PANEL		BATTERY JUNCTION BLOCK
	REAR JUNCTION PANEL		SINGLE CONNECTOR
	BATTERY COMPARTMENT		DIODE (RECTIFIER)
	CIRCUIT BREAKER		OPTION
	HARNESS CONNECTOR		

ITEM	DATE	REVISION	PAR
B	88-11	PRIOR TO OC 88165	
A	86-09	C.D. # 8837	

**ENGLER SPEEDOMETER WIRING DIAGRAM**  
 EFF. W/UNIT E-638 MODEL XL PRIOR TO:  
 DATE: 86-04

D-060515



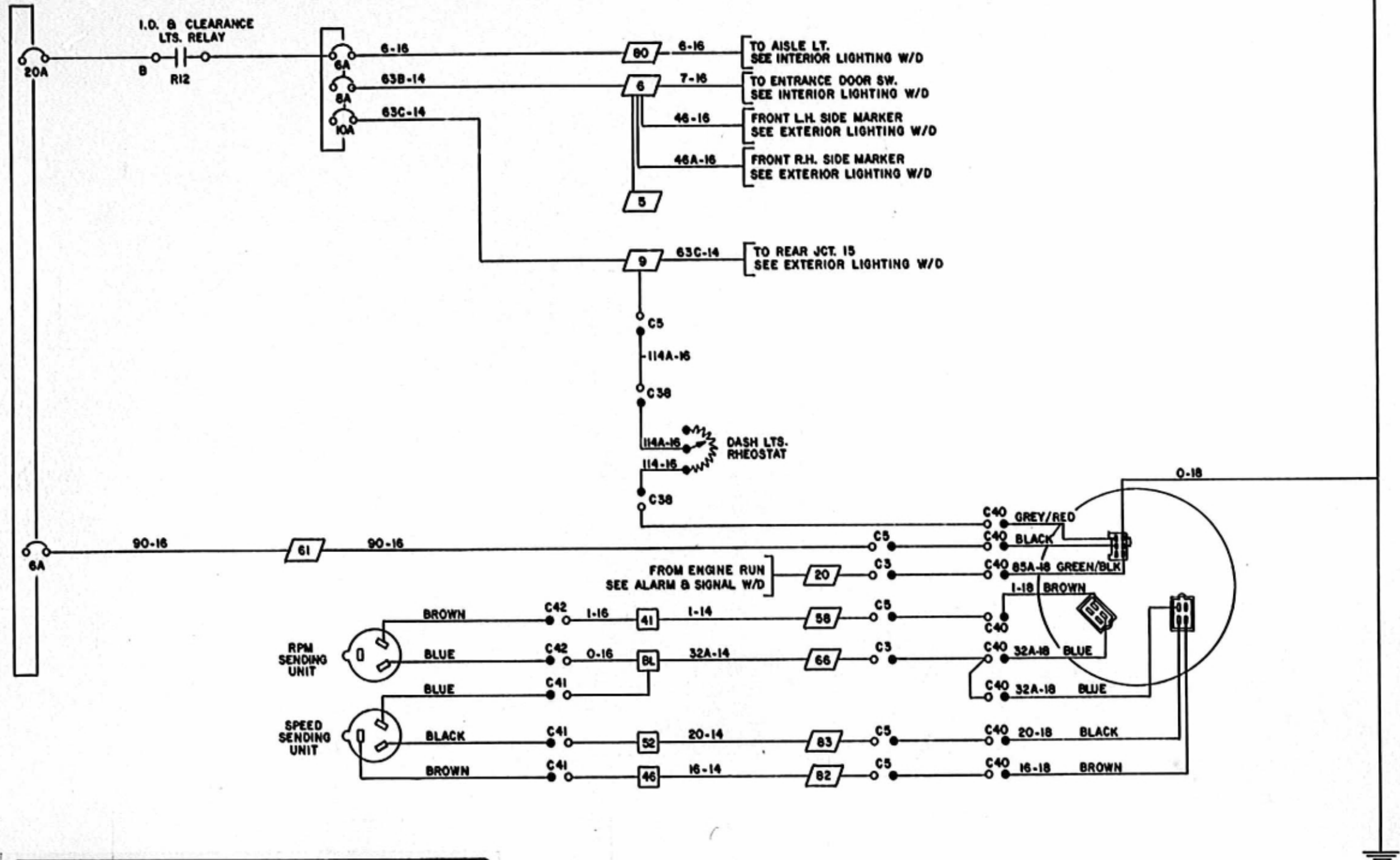
				DESCRIPTION: DIXSON SPEEDOMETER W/D		DR. - <i>M.J.</i>	DATE - 88/10
				APPL: EFF. W/K705 PRIOR TO: L 678		CK - <i>K.C.</i>	APPR. - <i>llc</i>
				REF: MODEL "XL"		NO: D-060693	C
ITEM	DATE	REVISION	BY				
B	08/12	VOIR CD 15836	<i>GC</i>				
A		LANCE OC 88165	<i>M.J.</i>				

THIS DOCUMENT IS THE PROPERTY OF THE U.S. GOVERNMENT AND IS LOANED TO YOUR ORGANIZATION BY THE U.S. GOVERNMENT. IT IS TO BE REPRODUCED AND TRANSMITTED IN ANY FORM AND BY ANY MEANS, ELECTRONIC OR MECHANICAL, INCLUDING PHOTOCOPYING, RECORDING, OR BY ANY INFORMATION STORAGE AND RETRIEVAL SYSTEM, WITHOUT PERMISSION IN WRITING FROM THE U.S. GOVERNMENT.



M

LJ



PREVOST		LEGEND	
	FRONT JUNCTION PANEL		BATTERY JUNCTION BLOCK
	REAR JUNCTION PANEL		SINGLE CONNECTOR
	BATTERY COMPARTMENT		DIODE (RECTIFIER)
	CIRCUIT BREAKER		OPTION
	HARNESS CONNECTOR		

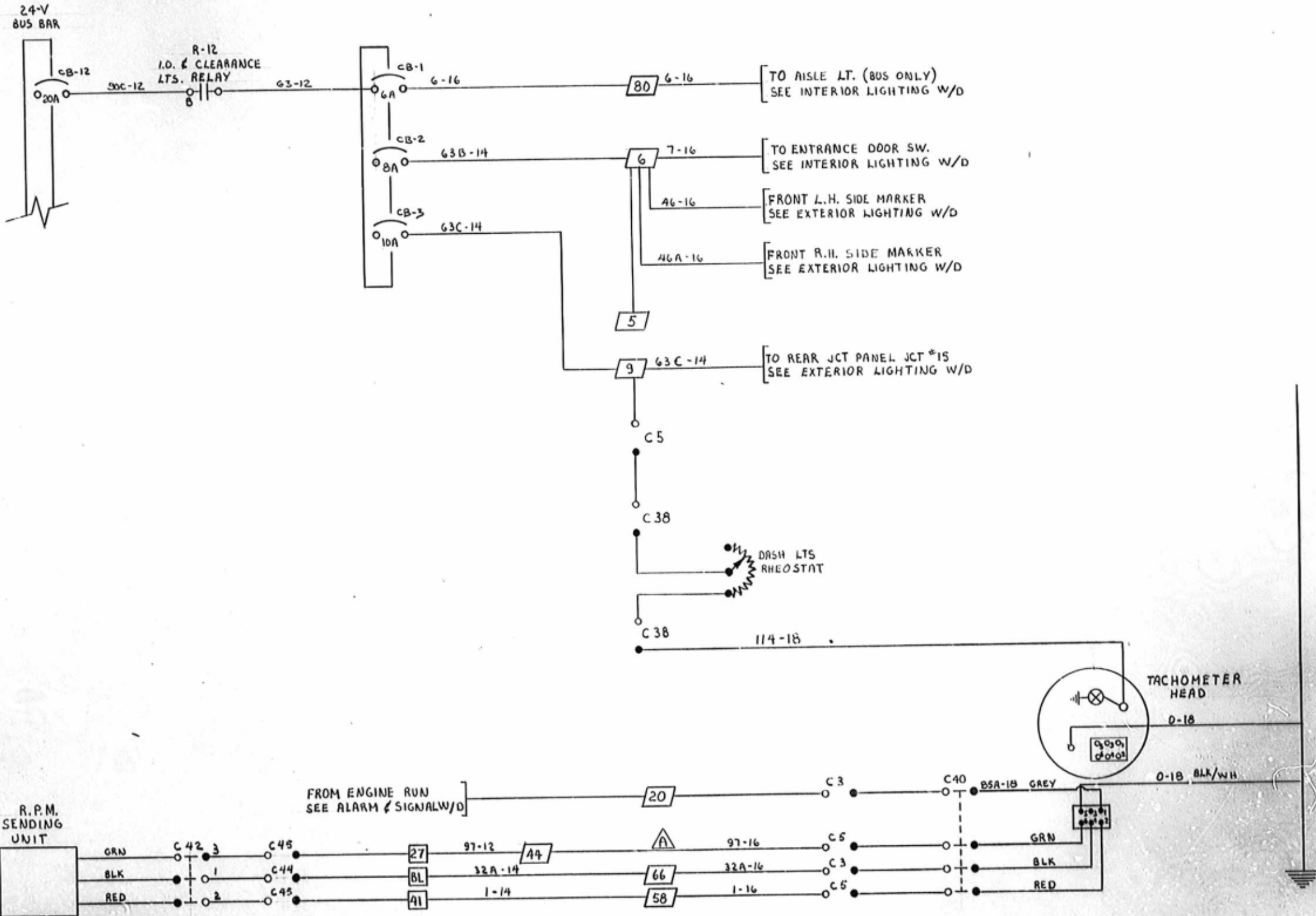
**ELECTRONIC TACHOGRAPH WIRING DIAGRAM**

EFF. W/UNIT E-638 PRIOR TO L703

85/01/21

D-060493





**LEGEND**

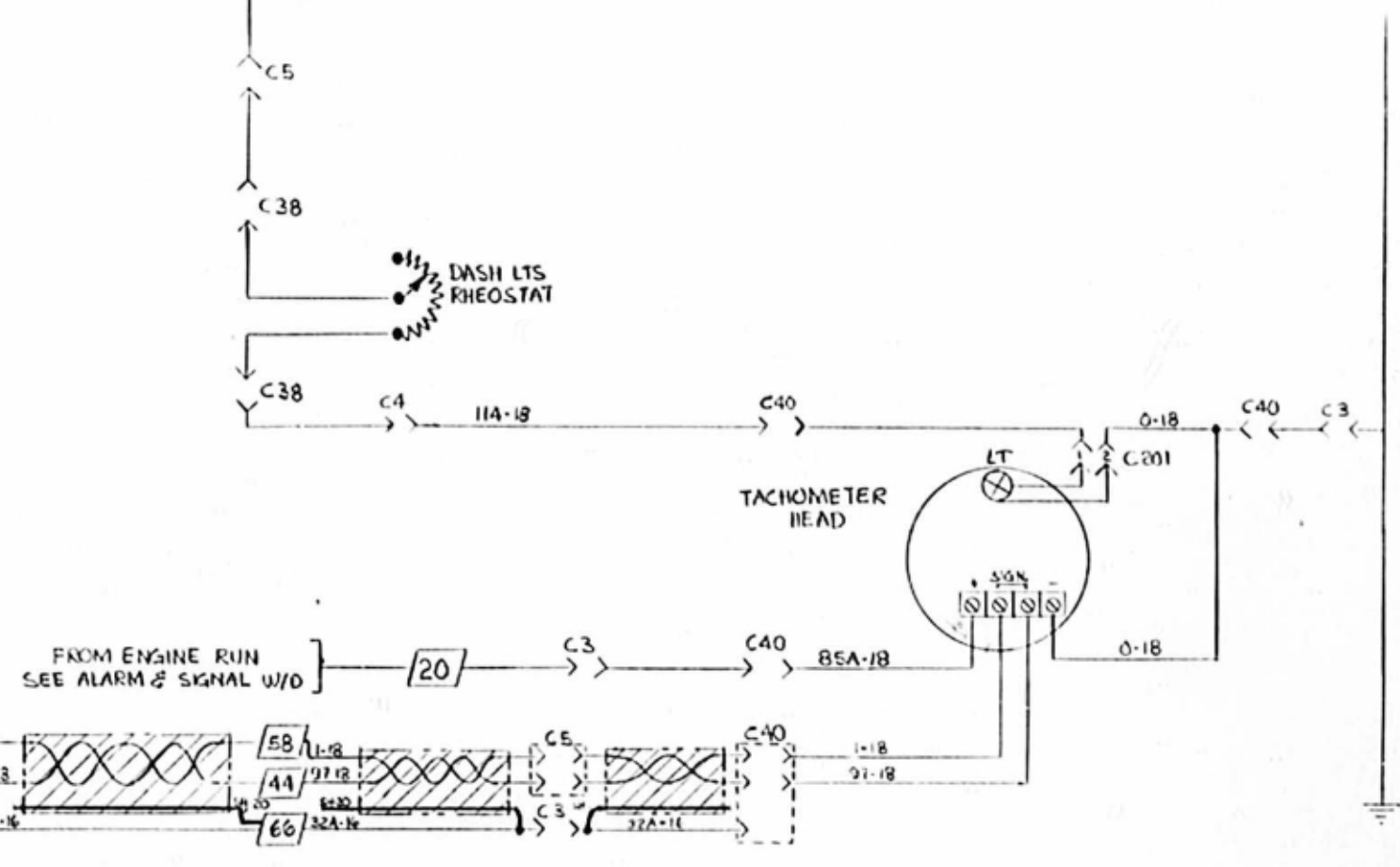
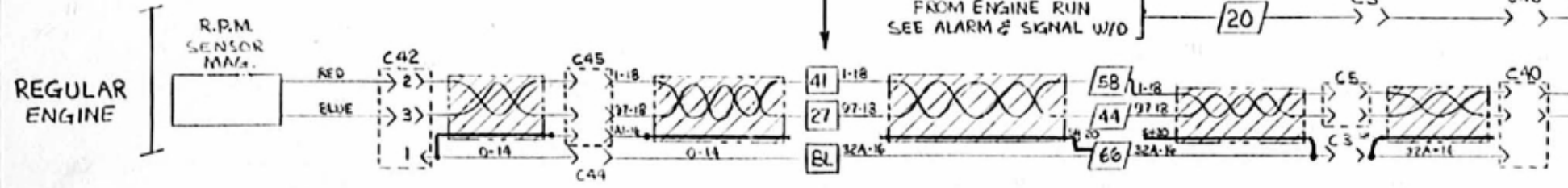
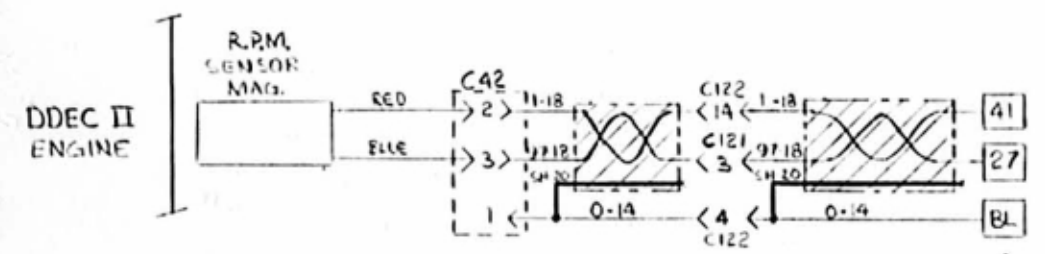
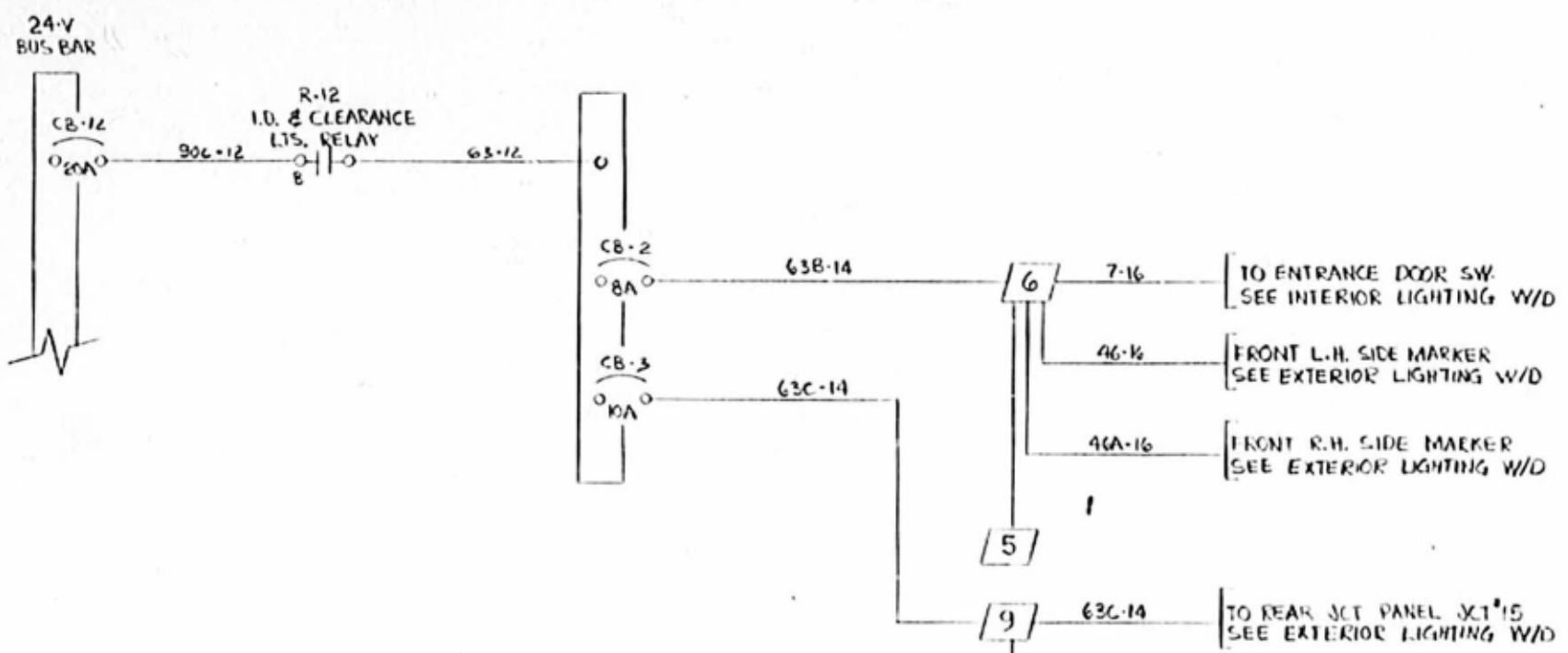
	FRONT JUNCTION PANEL		BATTERY JUNCTION BLOCK
	REAR JUNCTION PANEL		SINGLE CONNECTOR
	BATTERY COMPARTMENT		DIODE (RECTIFIER)
	CIRCUIT BREAKER		OPTION
	HARNESS CONNECTOR		

392 (04-84)

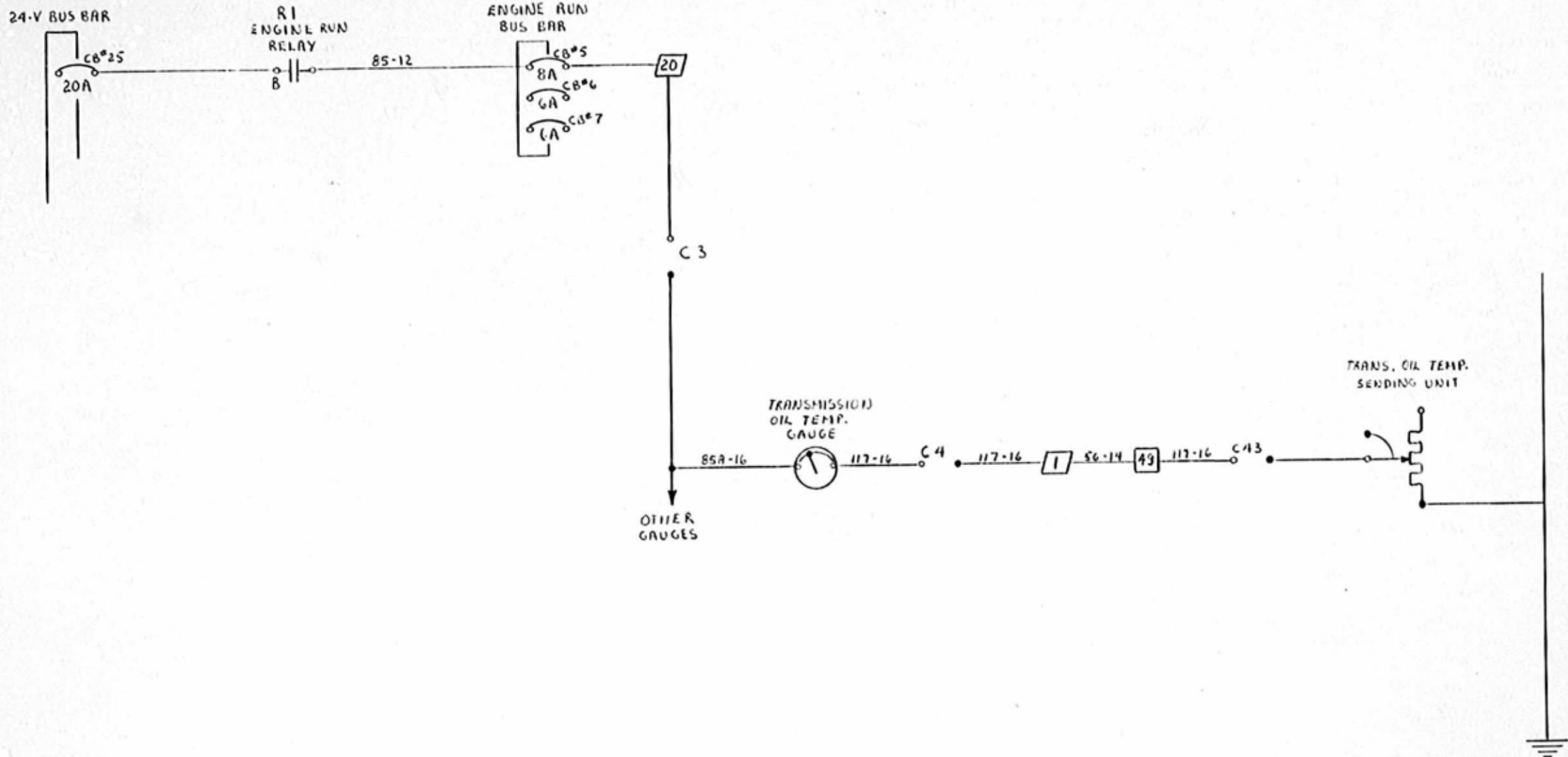
ITEM	DATE	REVISION	PAR
B	89-11	Prior to OC 88165	
A	86-09	C.D. # 8838	M.L

**ENGLER TACHOMETER WIRING DIAGRAM**  
 EFF. W/UNIT E-63B MODEL XL PRIOR TO:  
 DATE: 86-04

D-060516



			THIS DOCUMENT IS THE EXCLUSIVE PROPERTY OF PREPOST CAR INC. IT IS LOANED TO YOU. IT IS NOT TO BE REPRODUCED OR TRANSMITTED IN ANY FORM OR BY ANY MEANS, WITHOUT THE EXPRESS WRITTEN PERMISSION OF PREPOST CAR INC.		DESCRIPTION: <b>DIXSON TACHOMETER W/D</b>		I.R. - <i>MJ</i> DATE - 88/10
B 90-08 A 88/10 ITEM DATE REVISION	PRIOR TO ROUTE LANCE OC # 88165		C.L. M. BY	APPL: EFF. W/ K705 PRIOR TO: L678 REF: MODEL "XL"		CK - <i>LC</i> APPR. - <i>PL</i>	NO: D-060692 C



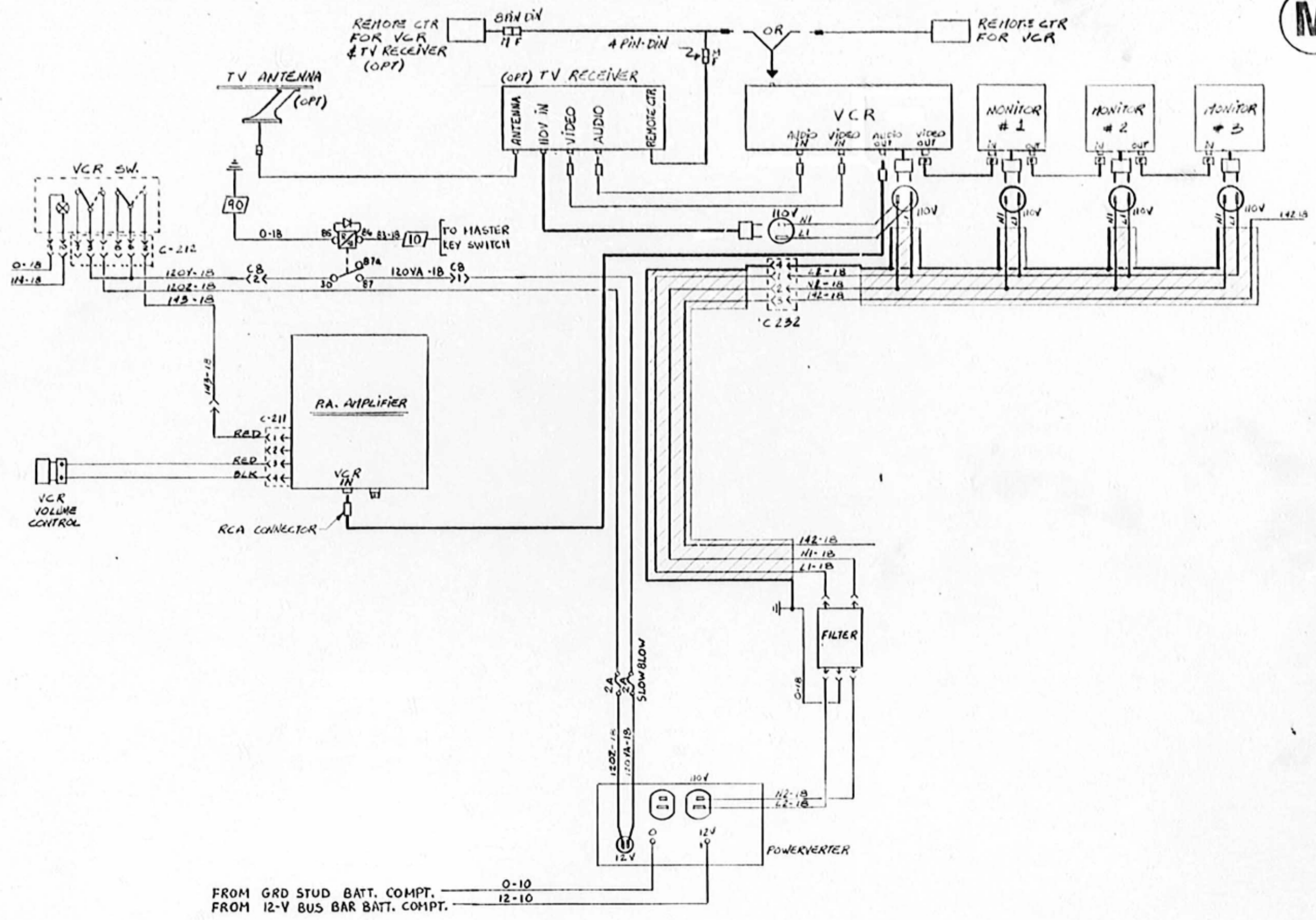
PREVOST		LEGEND	
	FRONT JUNCTION PANEL		BATTERY JUNCTION BLOCK
	REAR JUNCTION PANEL		SINGLE CONNECTOR
	BATTERY COMPARTMENT		DIODE (RECTIFIER)
	CIRCUIT BREAKER		OPTION
	HARNESS CONNECTOR		

TRANSMISSION OIL TEMP. GAUGE WIRING DIAGRAM  
 EFF. W/E-638 MODEL "XL" PRIOR TO L-706   
 DATE: 86-02

D-060518

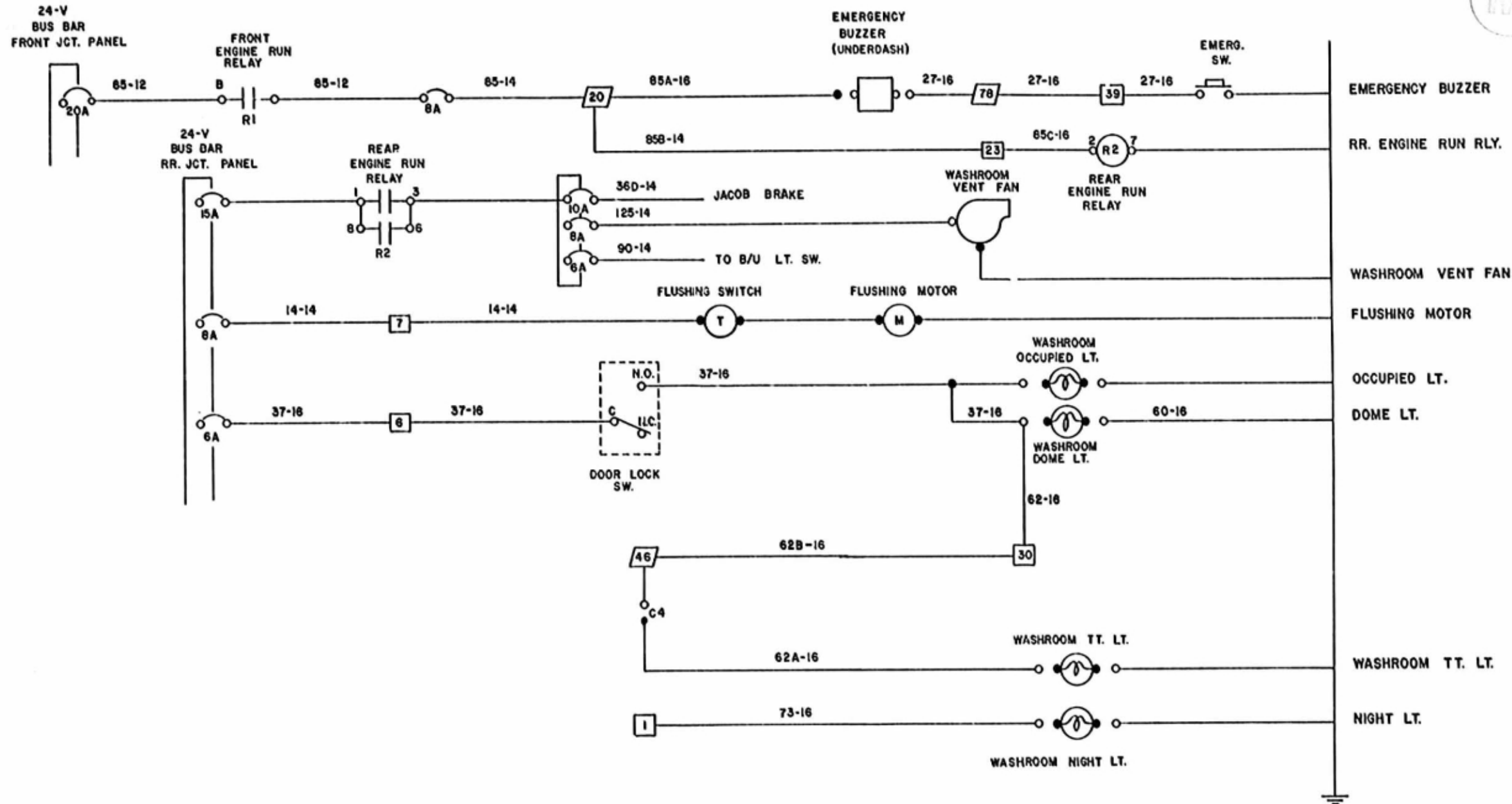


M



FROM GRD STUD BATT. COMPT. 0-10  
 FROM 12-V BUS BAR BATT. COMPT. 12-10

<b>LEGEND</b> FRONT JUNCTION PANEL REAR JUNCTION PANEL BATTERY COMPARTMENT CIRCUIT BREAKER HARNESS CONNECTOR		BATTERY JUNCTION PLUG SINGLE CONNECTOR DIODE (RECTIFIER) OPTION		TITLE: <b>VIDEO SYSTEM &amp; TV RECEIVER W/D</b>	DESS: AB DATE: 89-12
FROM GRD STUD BATT. COMPT. 0-10 FROM 12-V BUS BAR BATT. COMPT. 12-10				VER: C APR: DR.	NO: D-060747
APPL: EFF W/2-650 PRIOR L-706		HEL: AUTOCAR XL		REVISION: A 92-01 HISE@JOUR O.C. #92002	



PREVOST		LEGEND	
	FRONT JUNCTION PANEL		BATTERY JUNCTION BLOCK
	REAR JUNCTION PANEL		SINGLE CONNECTOR
	BATTERY COMPARTMENT		DIODE (RECTIFIER)
	CIRCUIT BREAKER		OPTION
	HARNESS CONNECTOR		

WASHROOM WIRING DIAGRAM  
EFF W/E-638 "XL" PRIOR TO L-706