

Engineering Release Notice (ERN)	Location	Change Description	A = Added D = Deleted	W = Was	Document Release Status <b>RELEASED</b>
					Date
					Modification Count

## WIRING DIAGRAM INDEX

### VOLUME 1

NAME	PAGE
INSTRUCTIONS	2
ABBREVIATION LIST	6

### VOLUME 2

NAME	DESCRIPTION	PAGE
AA	BBI INTERFACE	1
AA2	BBI INTERFACE	2
AD	VPDU ISTART USCAN	3
AH2	ELECTRICAL OUTLET SYSTEM 110V	4
AI1-1	I/O MODULES B36, A41 & A42	5
AI1-2	I/O MODULES A45+, B48 & B49	6
AI1-3	I/O MODULES B50, B51 & B53	7
AI1-4	I/O MODULES B54, A55 & B56	8
AI1-5	I/O MODULE B60	9
BD	BODY ARMS	10
BE	AUXILIARY LINES	11
BG2	BODY DIAGNOSTIC CONNECTOR	12
GC3-1	FRONT MARKING LIGHTS	13
GC3-2	MIDDLE MARKING LIGHTS	14
GC3-3	REAR MARKING LIGHTS	15
GC4	DAY RUNNING LIGHT	16
GC5	KNEELING LAMPS & BUZZER	17
GC6	REAR LIGHTS	18
GC7	ROAD SIDE LIGHT EXLIGHT	19
HA	ROOF HATCHES	20
HA2	AIR CONDITIONING SYSTEM	21
HA3	RE-HEATING SYSTEM	22
HA4C	AIR CONDITIONING- DEFROSTER	23
HA4C-1	AIR CONDITIONING	24
HA5C	OUTDOOR TEMPERATURE SENSORS	25
HB1D	MIRROR HEATING	26
HC1	AUXILIARY HEATER	27
HE1	DRIVER AND GUIDE FAN	28
IA1A	CABIN LIGHT	29

The copying, distribution and utilization of this document as well as the communication of its contents to others without expressed authorization is prohibited. Offenders will be held liable for payment of damages. All rights reserved in the event of the grant of a patent, utility model or ornamental design registration.

# VOLVO

Volvo Bus Corporation

Document title  
**WIRING DIAGRAM  
 BODY 9700  
 USCAN**

Document type  
**PRODUCT SCHEMATIC**

Owner domain: Document prefix

Document No <b>23458767</b>	Issue <b>01</b>	Volume No <b>01(03)</b>	Page No <b>1(10)</b>
--------------------------------	--------------------	----------------------------	-------------------------

# WIRING DIAGRAM INDEX

## VOLUME 2

NAME	DESCRIPTION	PAGE
IB1	LIGHTS UNDER SEATS	30
IC1A	STEP LIGHTS DOOR 2	31
ID1	ENGINE ROOM LIGHT	32
ID3	LUGGAGE LOCK SENSORS	33
ID3A	LUGGAGE LIGHTS	34
IE1	SNAKE LAMP	35
IE3	DRIVER LIGHTS	36
IF1	SPEEDING ALARM	37
JA1A	LOUDSPEAKERS	38
JB1	MULTIMEDIA AND AUDIO	39
JB2	VIDEO FOR FIVE SCREENS	40
JB3	FOUR FIXED SCREENS	41
JC	AUDIO AND VIDEO ANTENNA	42
JD	WIRELESS MICROPHONE PREPARATION	43
OA1	LUGGAGE DOOR CONTROL	44
OA1-3	TOILET ACTIVATION SWITCH	45
OA2-1	REAR TOILET	46
OA2-2	MIDDLE TOILET	47
OA3	TOILET MIDDLE DISPLAY & BUZZER	48
OD1	ELECTRICAL DASHBOARD OUTLET 12V & 24V	49
OJ2	ELECTRICAL SUN VISOR	50
OK1	TIRE PRESSURE MONITORING SYSTEM	51
OO1	WIPER AND WASHER	52
OP1-1	JERICO HORN	53
OV1	TACHOGRAPH PREPARATION	54
PA	DOOR CONTROL	55
PA1	DOOR 1 OPERATING BUTTONS	56
PA2	DOOR 2 OPERATING BUTTONS	57
PC1A	MIDDLE DOOR	58
SA	DESTINATION SIGN	59
SA3	CO-DRIVER, VIGIA AND MOBITEC CONTROL	60
SB2	READING LIGHTS	61
SB2A	PASSANGER SERVICE KIT	62
SB2B	READING LIGHTS WCL	63
SC2	TIME, TEMPEATURE & WC DISPLAY	64
UB1A	CENTRAL LOCK LUGGAGE HATCHES	65
UC3	REVERSE CAMERA	66
VA	WHEELCHAIR LIFT	67
VA1	WCL-MD DHOLLANDIA	68
VB	HOST CALL-WCL	69
VB1	PARK PILOT	70

# VOLVO

Volvo Bus Corporation

Document title  
**WIRING DIAGRAM**

Document type  
**PRODUCT SCHEMATIC**

Document No  
**23458767**

Issue  
**01**

Volume No  
**01(03)**

Page No  
**2(10)**

# WIRING DIAGRAM INDEX

## VOLUME 2

NAME	DESCRIPTION	PAGE
VC1	AUTOMATIC FIRE SUPPRESSION	71
VD	TIRE PRESSURE MONITORING SYSTEM	72
VD4	ENGINEE ROOM HATCH SENSOR	73
VE	EMERGENCY WINDOW	74
VF	SEAT BELT INDICATOR	75
XJ1	CAN D-BUS	76
XJ2	CAN B-BUS	77
ZA1	GROUND BODY 1	78
ZA2	GROUND BODY 2	79

**VOLVO**

Volvo Bus Corporation

Document title

WIRING DIAGRAM

Document type

PRODUCT SCHEMATIC

Document No

23458767

Issue

01

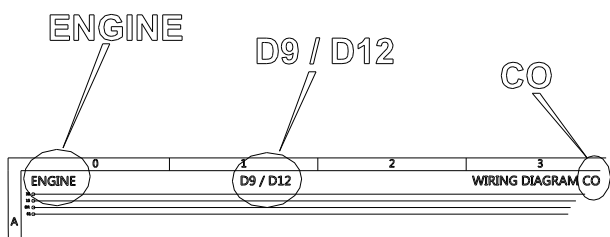
Volume No

01(03)

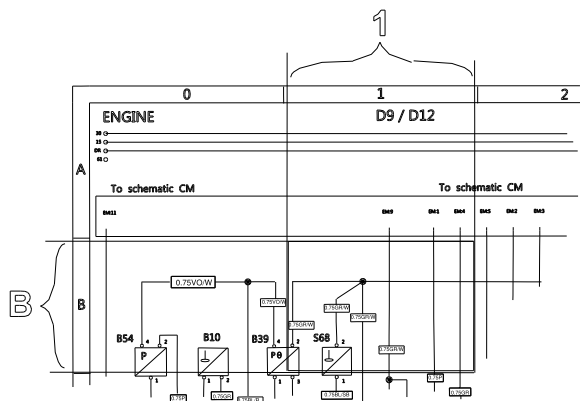
Page No

3(10)

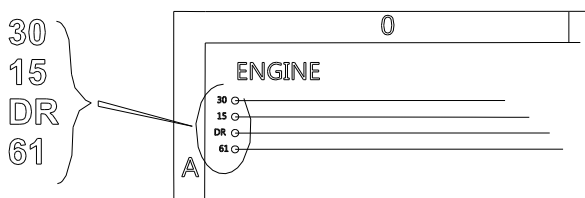
# Example of Wiring Diagram



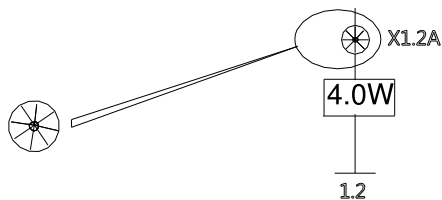
Component wiring diagram title, variant/subtitle and sheet number.



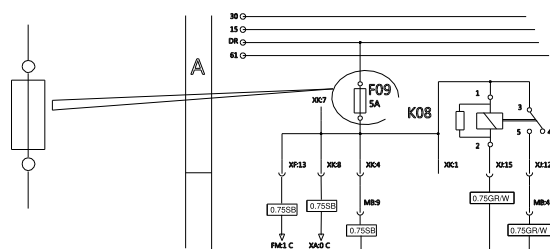
Coordinates (B 1).



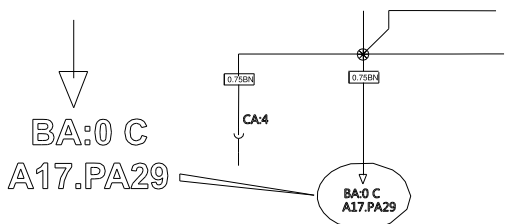
B+ Voltage battery with switch in ON position.  
30 Voltage battery with main switch on, kl.30.  
15 Voltage with starter key in drive position, kl.15.  
DR Voltage with starter key in drive position, preheat position and start position, kl.DR.



Splice.



Fuse.



Reference arrow, for Diagram BA, coordinates 0 C, component A17, connector PA pin 29.

# VOLVO

Volvo Bus Corporation

Document title  
**WIRING DIAGRAM**

Document type  
**PRODUCT SCHEMATIC**

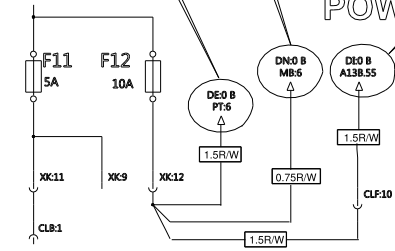
Document No  
**23458767**

Issue  
**01**

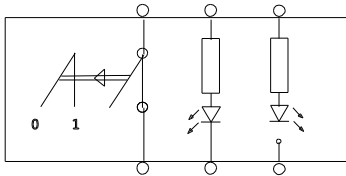
Volume No  
**01(03)**

Page No  
**4(10)**

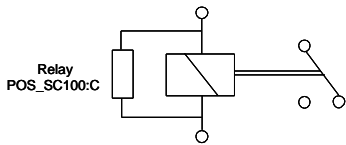
GEARTRONIC  
I-SHIFT  
POWERTRONIC



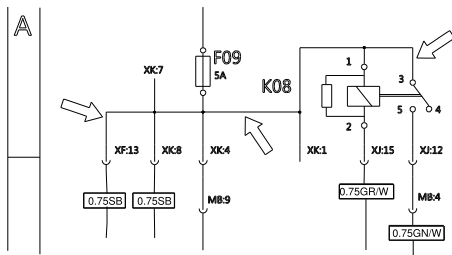
The maximum of variants are drawn, think about that all wires and components are not standard for all markets or vehicle models.



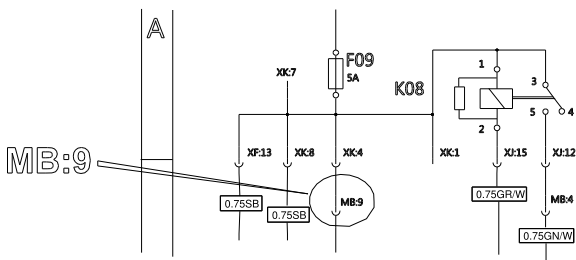
Switch.



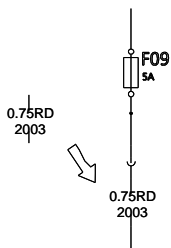
Relay with position.



Conductor on circuit card.



Connector MB terminal 9.



Wire area, colour and equipotential.

**VOLVO**

Volvo Bus Corporation

Document title  
**WIRING DIAGRAM**

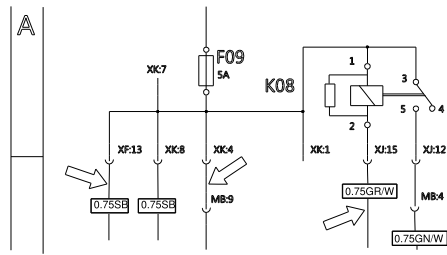
Document type  
**PRODUCT SCHEMATIC**

Document No  
**23458767**

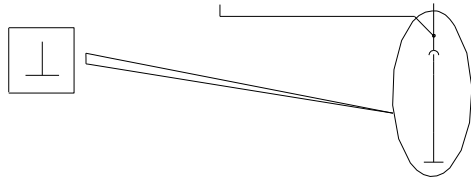
Issue  
**01**

Volume No  
**01(03)**

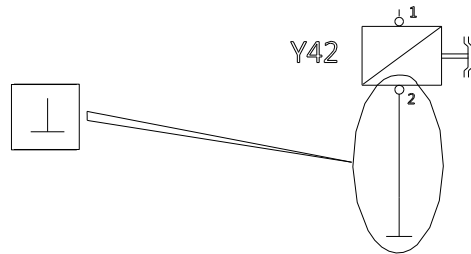
Page No  
**5(10)**



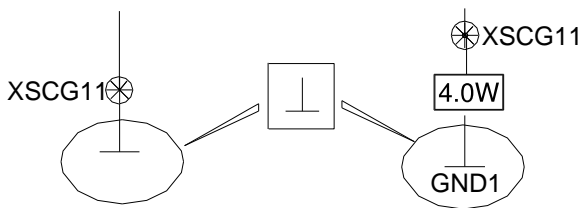
Thin lines, wires.



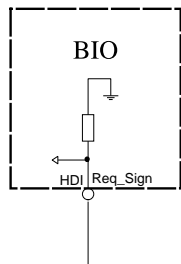
Earth connection to circuit card.



Earth connection without wire.



Same splice can be drawn on several diagrams. The wire from the splice to the earth connection point will only be drawn and coded on one diagram. On the other diagrams will only the earth connection point be written besides the splice.



An ECU symbol with a dashed box describes that the ECU exists in several different sheets.

**VOLVO**

Volvo Bus Corporation

Document title  
WIRING DIAGRAM

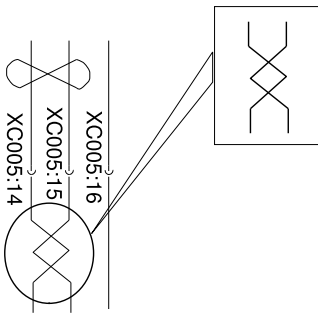
Document type  
PRODUCT SCHEMATIC

Document No  
23458767

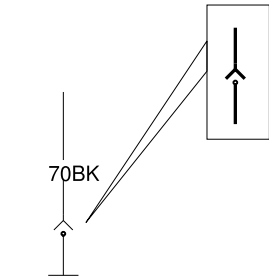
Issue  
01

Volume No  
01(03)

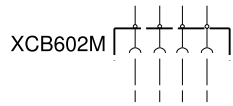
Page No  
6(10)



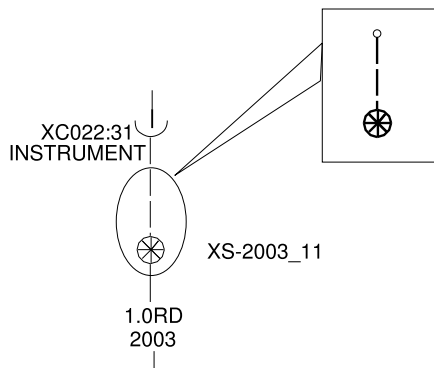
Twisted wires.



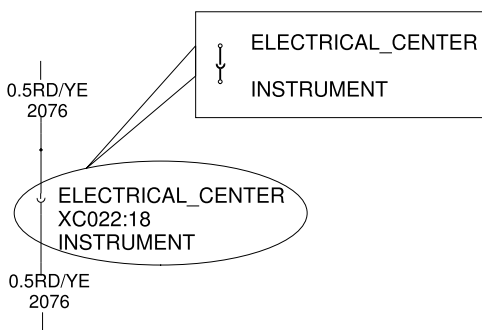
inline connector symbol for power cable ring terminal.



Interface symbol.



Splice with dotted line indicates that wire already exists in some other sheet and splice is shared.



The text on either side of the inline incates that wire belongs to stated harness.

**VOLVO**  
Volvo Bus Corporation

Document title <b>WIRING DIAGRAM</b>			
Document type <b>PRODUCT SCHEMATIC</b>			
Document No <b>23458767</b>	Issue <b>01</b>	Volume No <b>01(03)</b>	Page No <b>7(10)</b>

# ABBREVIATION LIST

ABBREVIATION	DESCRIPTION
+15	VOLTAGE WITH STARTER KEY IN DRIVE POSITION
+30	VOLTAGE BATTERY WITH MAIN SWITCH ON
+30C	VOLTAGE BATTERY WITH MAIN SWITCH ON
AC	AIR CONDITION
Acp	ACCELERATOR PEDAL
AI	ANALOG INPUT
AIC	ADVANCED INFORMATION CENTER
Amb	AMBIENT
An.IN	ANALOGUE INPUT
AO	ANALOG OUTPUT
APBE	AUTOMATIC PARKING BRAKE EVACUATION
ARC	AIR REGENERATION CONTROL
ARMS	AUTOMATIC RESET MAIN SWITCH
B+	VOLTAGE BATTERY WITH SWITCH IN ON POSITION
BB	BODY BUILDER
BBM	BODY BUILDER MODULE
BHSA	BRAKE HILL START AID
Bpole	BATTERY POSITIVE BEFORE MAIN SWITCH
Brk	BRAKE
Buf	BUFFERED
C	CLOSING
CampL	CAMPIGN LIGHTS
Cent	CENTERING
CICU	Charging
Ctrl	CONTROL
Cyl	CYLINDER
Dash	DASHBOARD
Deliv	DELIVERY
DI	DIGITAL INPUT
Diag	DIAGNOSTIC
Dig.OUT	DIGITAL OUTPUT
Dir	DIRECTION
Dis	DISABLE
DO	DIGITAL OUTPUT
DRL_RMC	DAYTIME RUNNING LIGTH/REDUCED MODE CONTROL
EACC	ELECTRIC AIR COMPRESSOR CONTROL
EBS	ELECTRONIC BRAKE SYSTEM
ECB	VBC ENGINE COMPRESSOR BRAKE
ECU	ELECTRONIC CONTROL UNIT
ECU_GND	EXTERNAL GROUND
EGR	EXHAUST REDIRECTION VALVE
ELC	ELECTRICAL CENTER
EMT	EXHAUST MANIFOLD TEMPERATURE
Eng	ENGINE
EPG	EXHAUST PRESSURE GOVERNOR
ES	ENGINE SYNCHRONIZATION
ESS	ENERGY STORAGE SYSTEM
ETCC	EXHAUST TEMPERATURE CATALYTIC CONVERTER
Ext	EXTERNAL
FRC	FRONT RELAY CENTER
GECU	GEAR SELECTOR ELECTRONIC CONTROL UNIT
GND	SIGNAL GROUND
H	HIGH
Haz	HAZARD

**VOLVO**

Volvo Bus Corporation

Document title  
**WIRING DIAGRAM**

Document type  
**PRODUCT SCHEMATIC**

Document No  
**23458767**

Issue  
**01**

Volume No  
**01(03)**

Page No  
**8(10)**



ABBREVIATION	DESCRIPTION
HDI	HIGH_DIGITAL_INPUT
HDO	HIGH_DIGITAL_OUTPUT
HLa	HEADLAMPS
HPCU	HYBRID_POWER_TRAIN_CONTROL_UNIT
HS	HIGH_SIDE
HSA	HILL_START_AID
HSD	HIGH_SIDE_DRIVER
HVAC	HEATING_VENTILATION_AIR_CONDITION_SYSTEM
Hyd	HYDRAULIC
IJ	INLET_JET
Ind	INDICATOR
Inj	INJECTION
JK	JACK_KNIFE
KL	KEY_LINE
L	LOW
LCM	LIGHT_CONTROL_MODULE
LCP	LIGHT_CONTROL_PANEL
LDI	LOW_DIGITAL_INPUT
LDO	LOW_DIGITAL_OUTPUT
LS	LOW_SIDE
Nd	NEEDLE
O	OUTPUT
OBD	ON_BOARD_DIAGNOSTIC
OLS	OIL_LEVEL_SENSOR
OP	OPENING
OV	OVERFLOW
PCM	POWER_TRAIN_CONTROL_MODULE
PCS	PRESSURE_CONTROL_SOLENOID
PCV	PRESSURE_CONTROL_VALVE
Plo	PLOUGH
Pos	POSITION
PR	PRESSURE_REGULATOR
Pres	PRESSURE
PS	PRESSURE
PWM	PULSE_WIDTH_MODULATION
Rad	RADIATOR
RAI	RESISTANCE_ANALOGUE_INPUT
Red	REDUCTOR
Rel	RELAY
Req	REQUEST
RES	INPUT_FOR_SENSORS_WITH_VARIABLE_RESISTANCE
Ret	RETARDER
RX	SIGNAL_RECEIVER
Sen	SENSOR
Sign	SIGNAL
Sno	SNOW
Sp	SPEED
SS	SENSOR_SUPPLY
St	START
Stp	STOP
SV	SUPPLY_VOLTAGE
Sw	SWITCH
TCC	TORQUE_CONVERTER_CLUTCH
Temp	TEMPERATURE

**VOLVO**

Volvo Bus Corporation

Document title  
**WIRING DIAGRAM**

Document type  
**PRODUCT SCHEMATIC**

Document No  
**23458767**

Issue  
**01**

Volume No  
**01(03)**

Page No  
**9(10)**

ABBREVIATION	DESCRIPTION
Tor	TORQUE
TX	SIGNAL_TRANSMITTER
UBat	FEED_DIRECTLY_FROM_BATTERY
VEB	VOLVO_ENGINE_BRAKE
Veh	VEHICLE

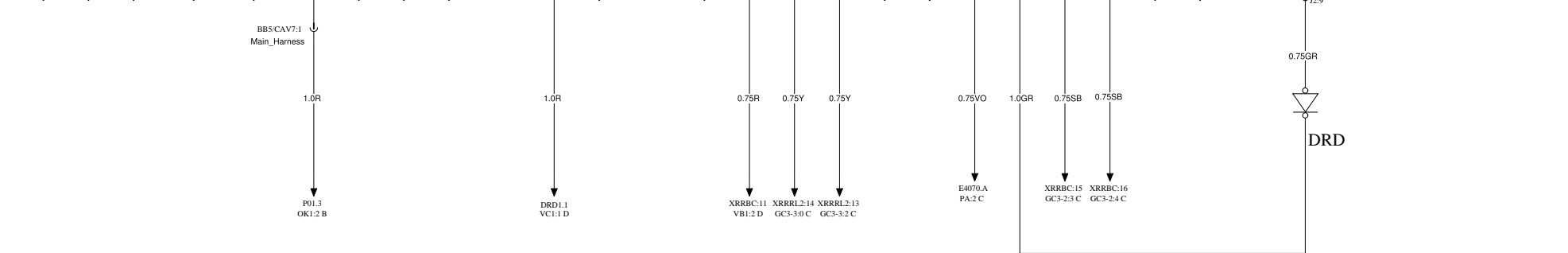
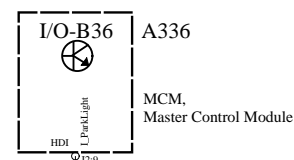
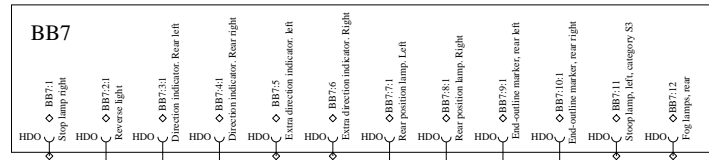
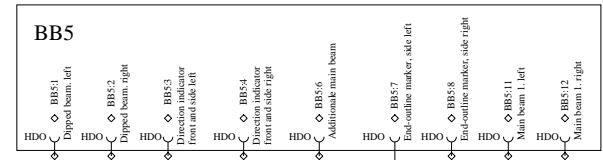
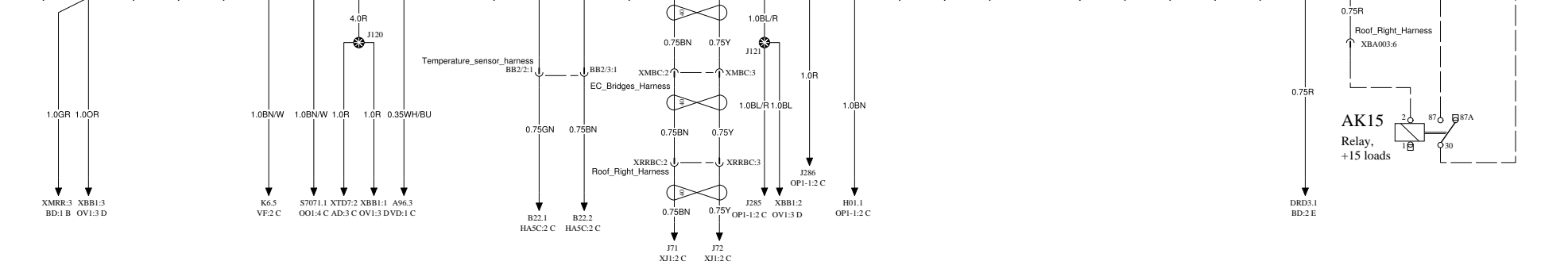
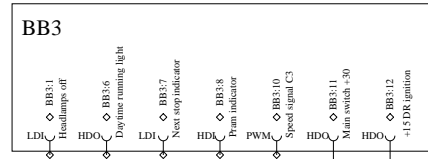
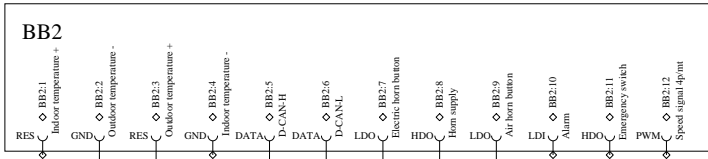
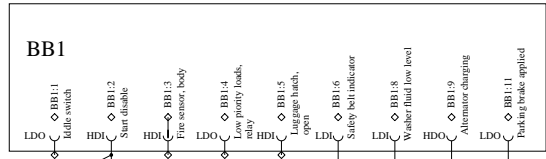
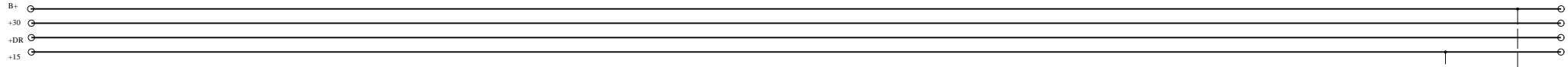
**VOLVO**

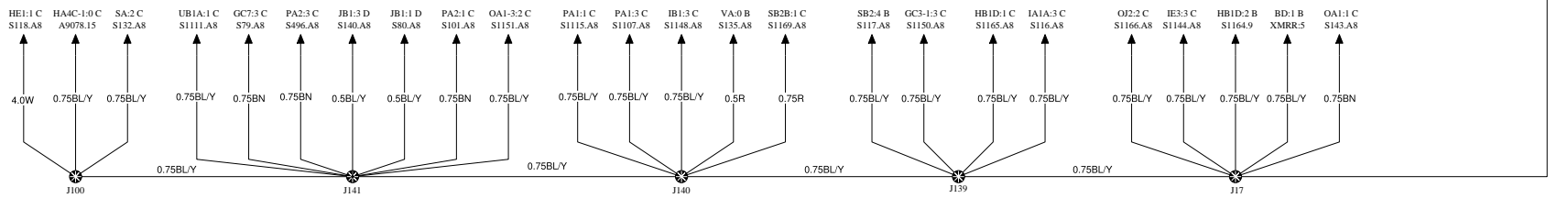
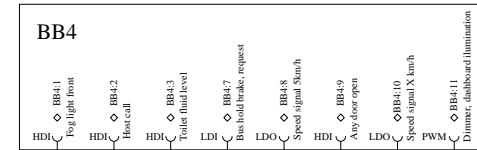
Volvo Bus Corporation

Document title  
WIRING DIAGRAM

Document type  
PRODUCT SCHEMATIC

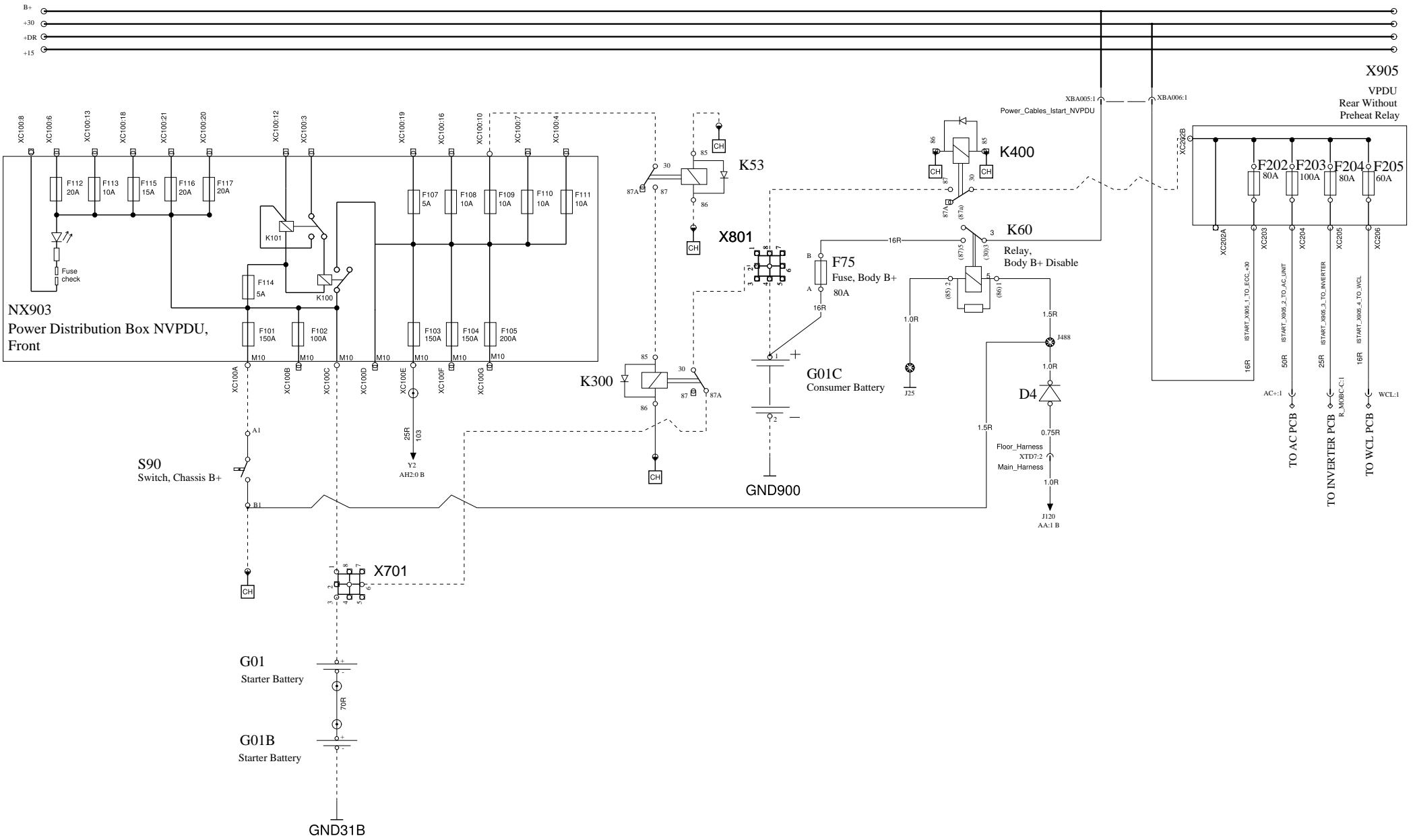
Document No <b>23458767</b>	Issue <b>01</b>	Volume No <b>01(03)</b>	Page No <b>10(10)</b>
--------------------------------	--------------------	----------------------------	--------------------------

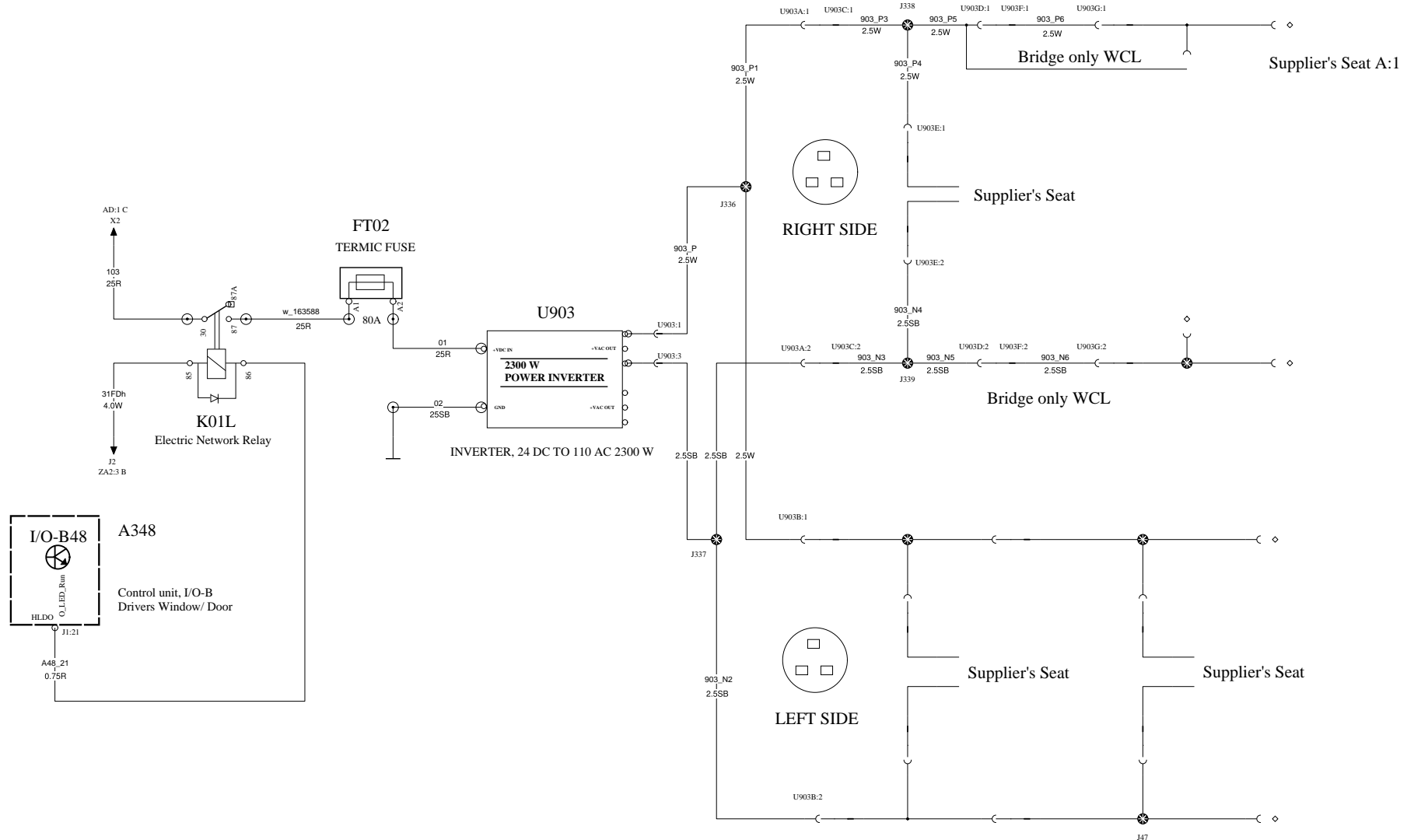




VPDU ISTART USCAN

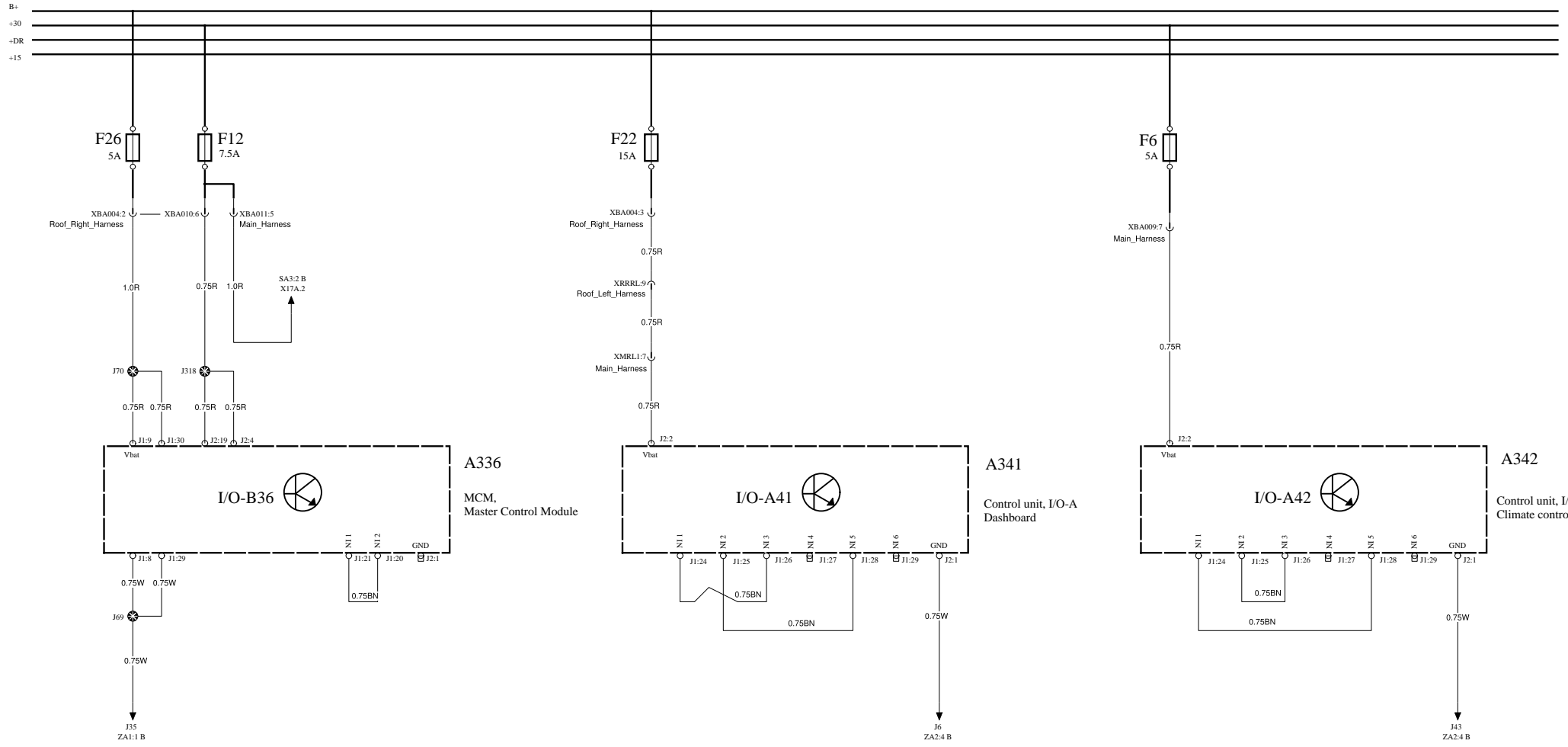
WIRING DIAGRAM AD





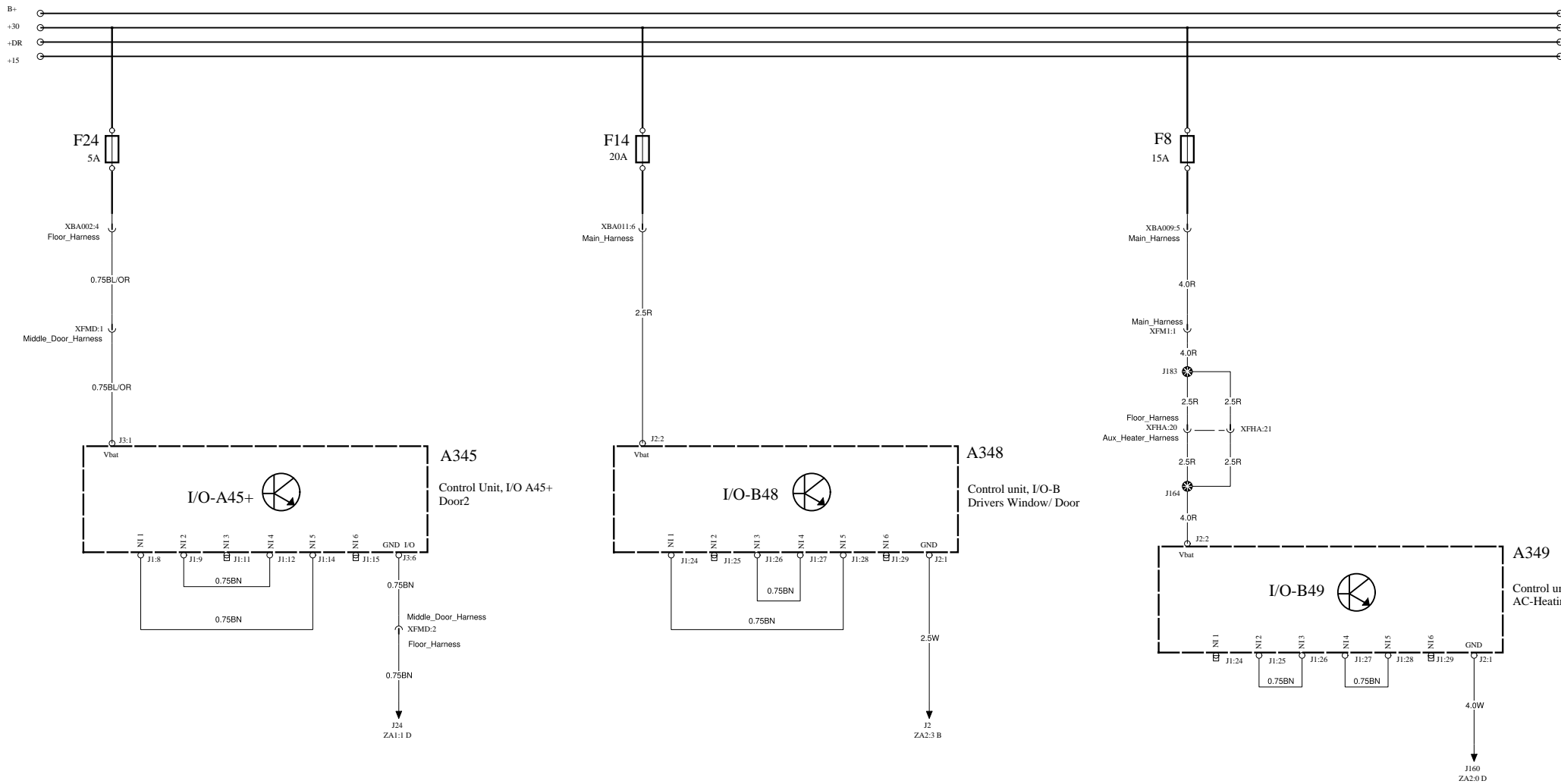
I/O MODULES B36, A41 & A42

WIRING DIAGRAM AI1-1



I/O MODULES A45+, B48 & B49

WIRING DIAGRAM AI1-2



**VOLVO**

Volvo Bus Corporation

Document title  
WIRING DIAGRAM

Document type  
PRODUCT SCHEMATIC

Document No

23458767

Issue

01

Volume

02(03)

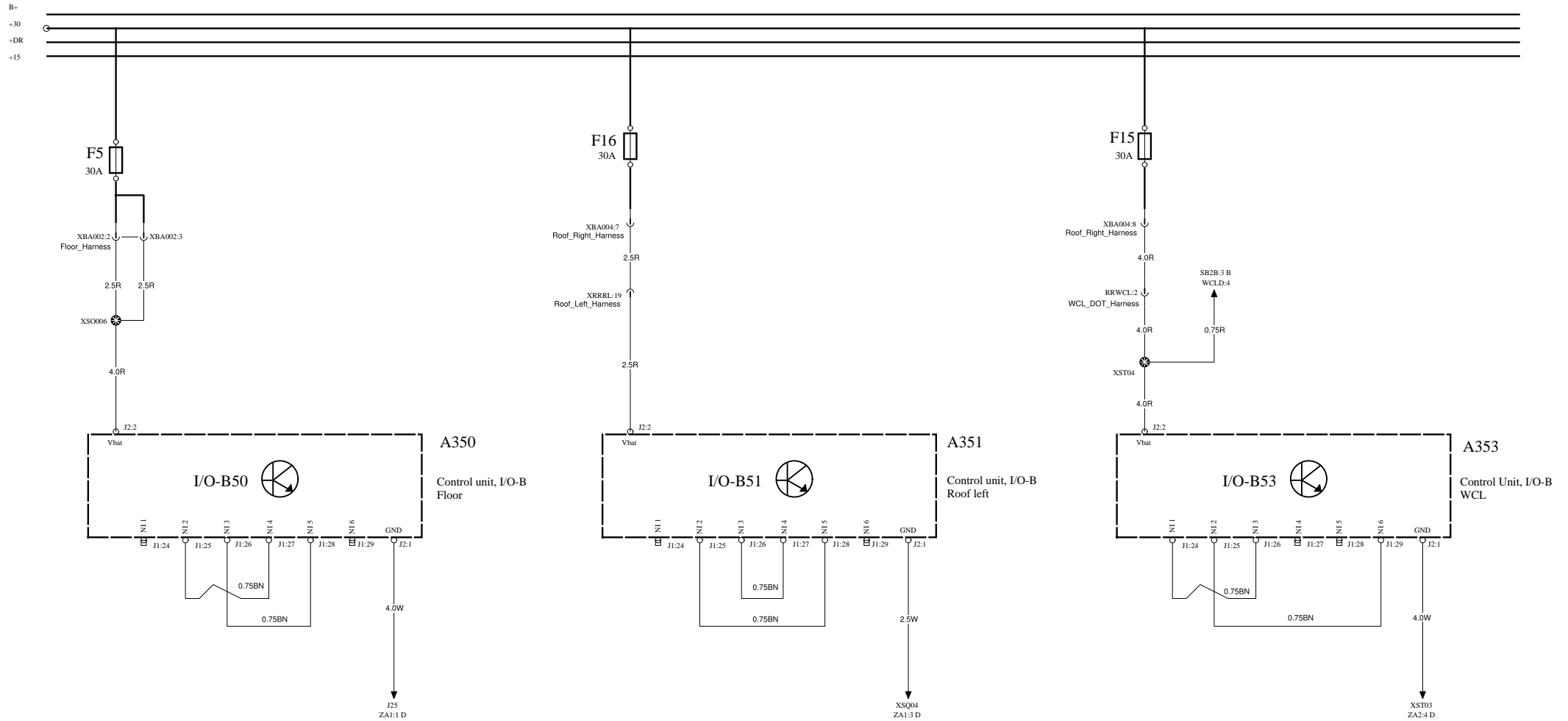
Page

6(79)



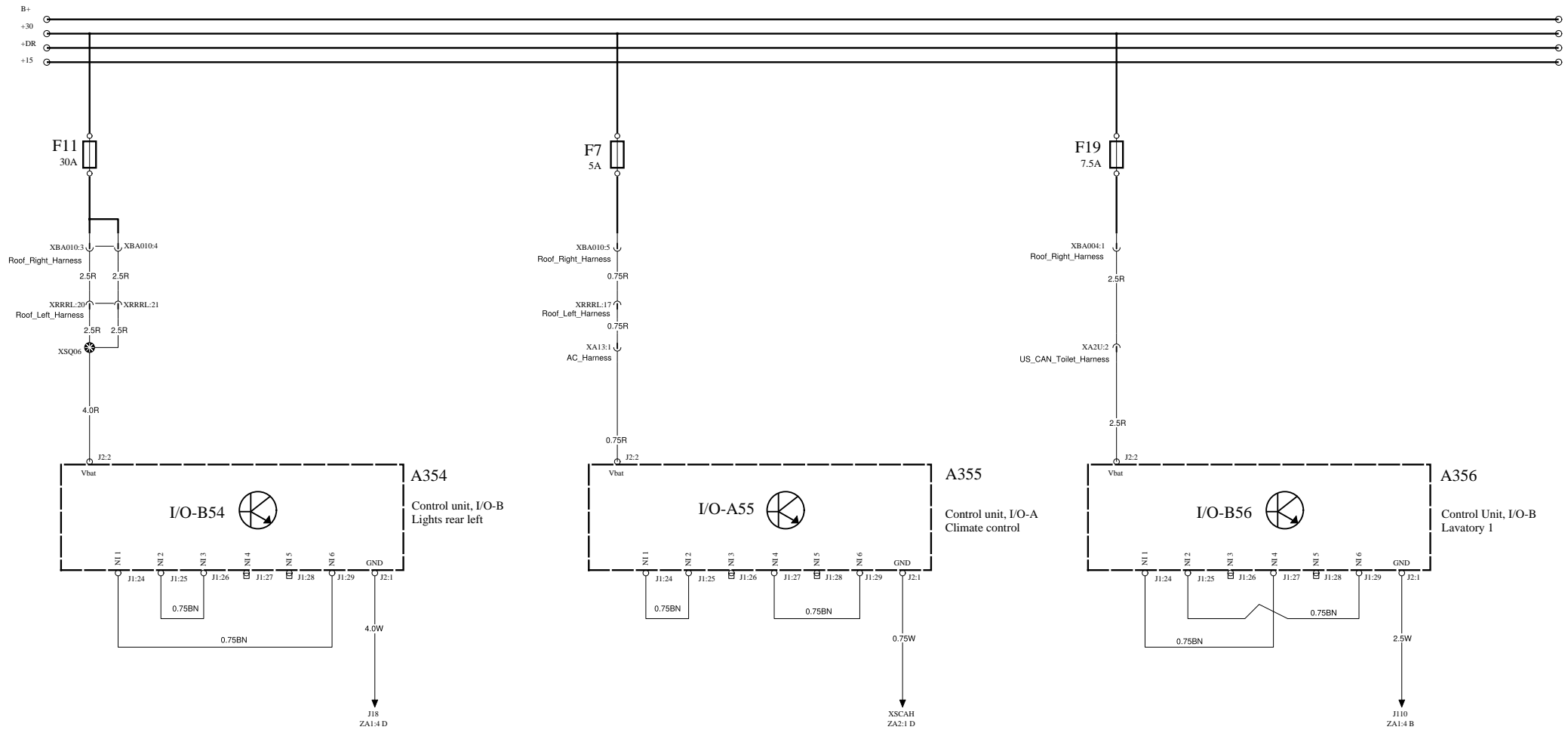
I/O MODULES B50, B51 & B53

WIRING DIAGRAM AI1-3



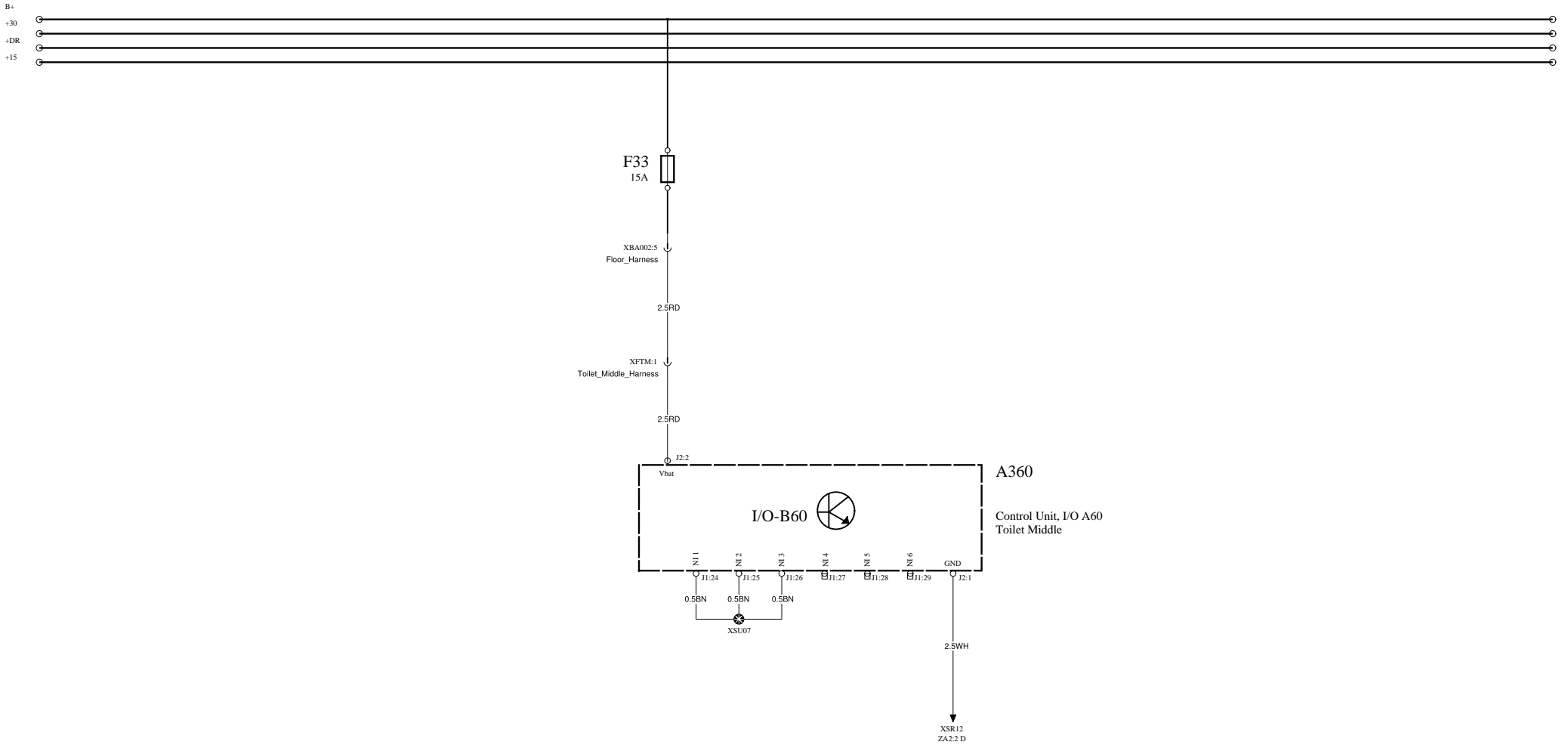
I/O MODULES B54,A55 & B56

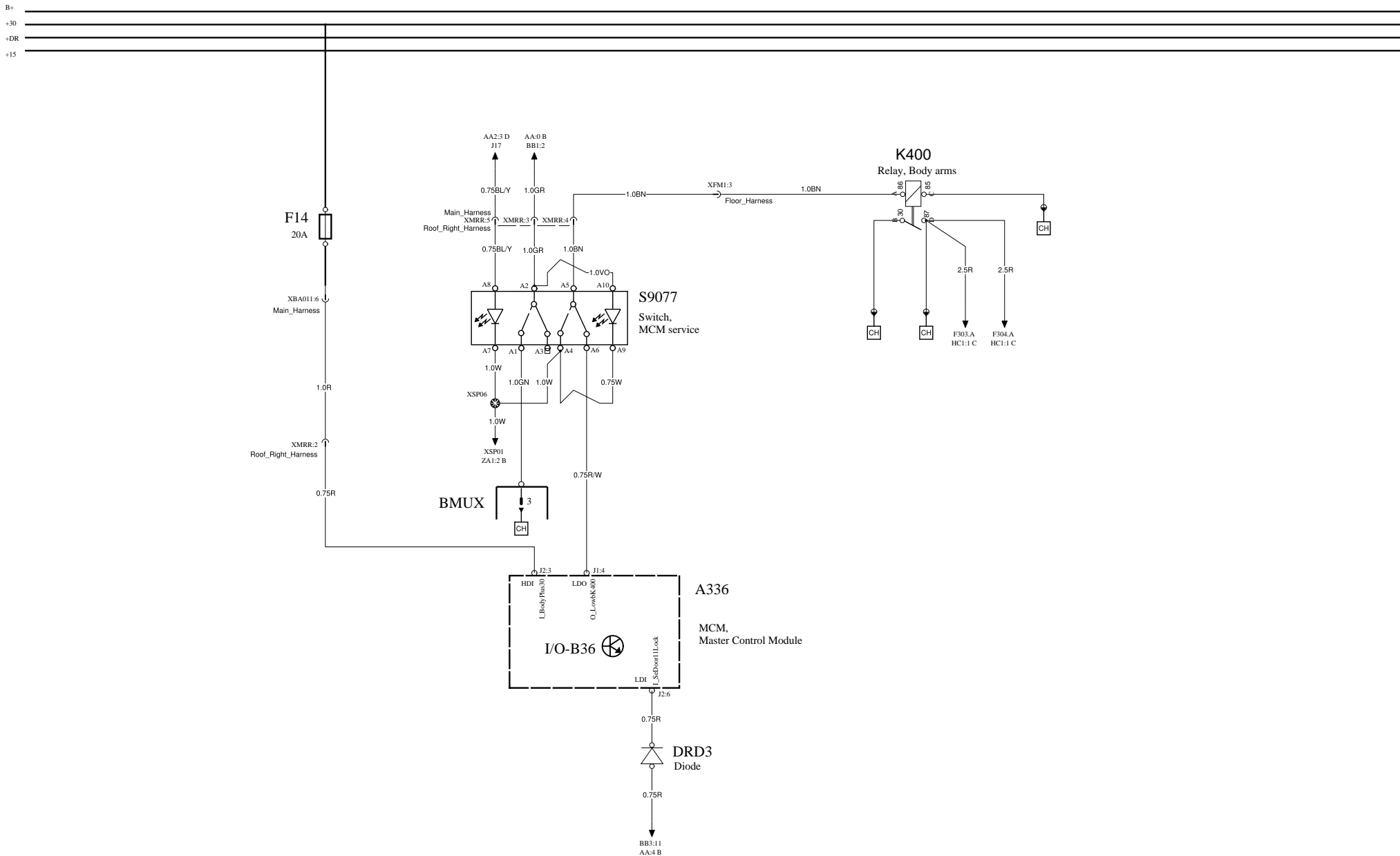
WIRING DIAGRAM AI1-4



I/O MODULE B60

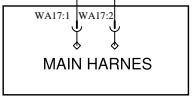
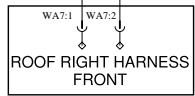
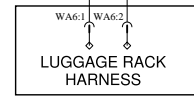
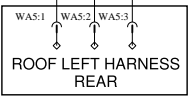
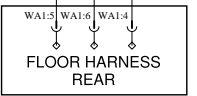
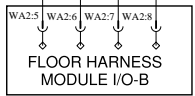
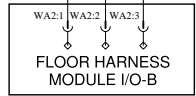
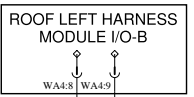
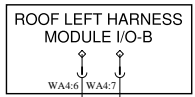
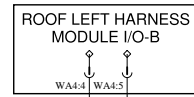
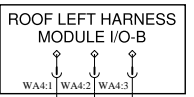
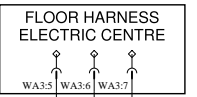
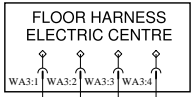
WIRING DIAGRAM AI1-5





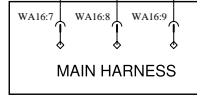
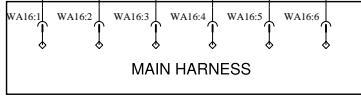
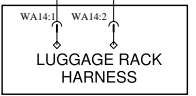
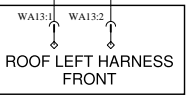
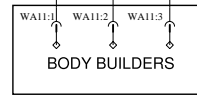
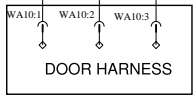
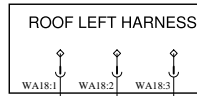
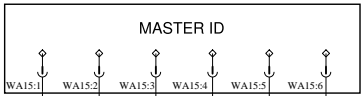
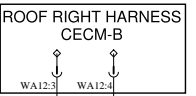
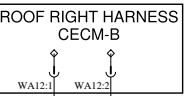
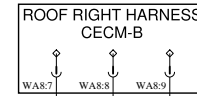
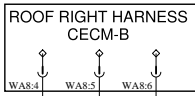
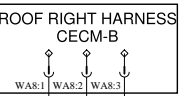
AUXILIARY LINES

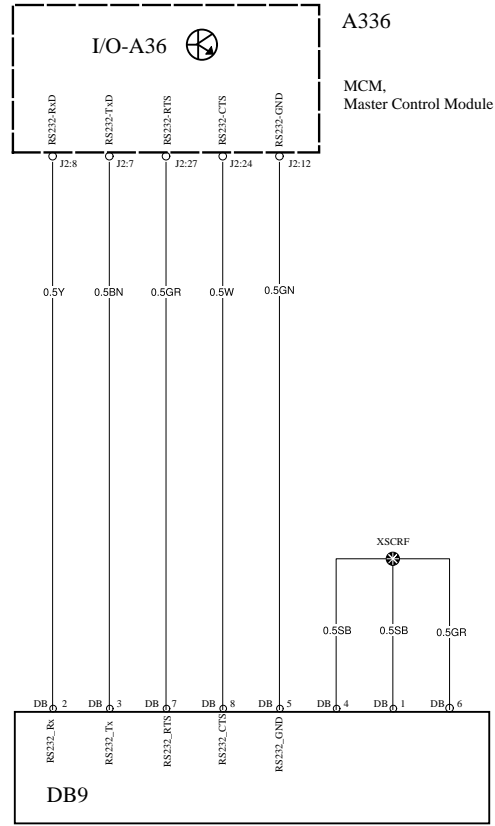
WIRING DIAGRAM BE



ROOF RIGHT HARNESS

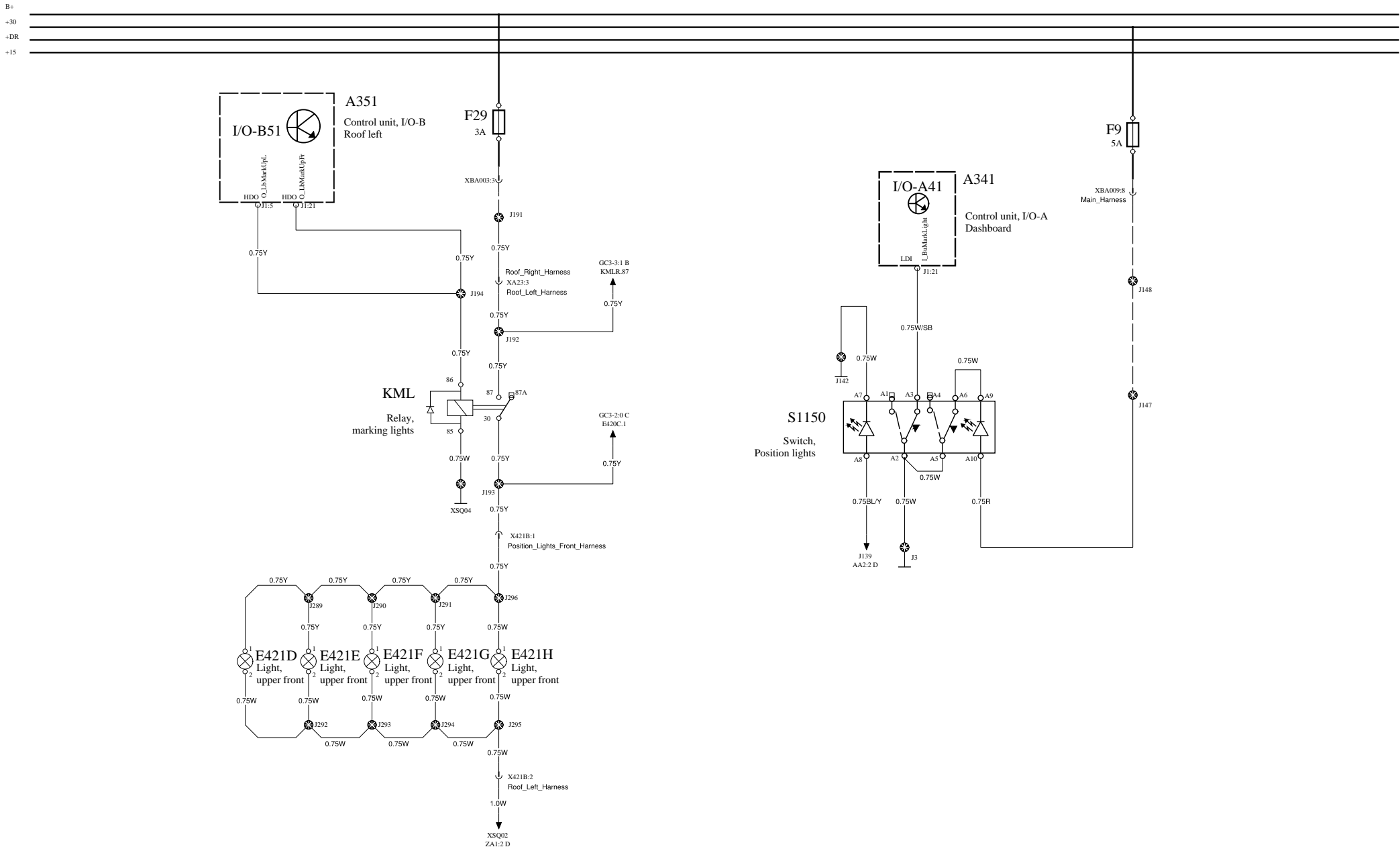
MAIN HARNESS





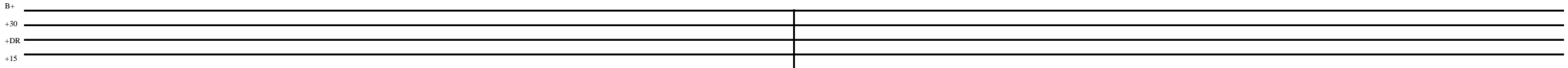
FRONT MARKING LIGHTS

WIRING DIAGRAM GC3-1



MIDDLE MARKING LIGHTS

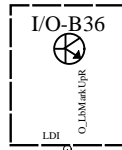
WIRING DIAGRAM GC3-2



UPPER LIGHTS

LOWER LIGHTS

A336  
MCM,  
Master Control Module



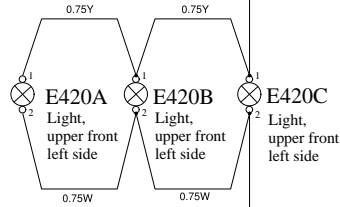
F29  
3A

XBA003:2  
Roof\_Right\_Harness

J191



J36  
ZA1:2 B

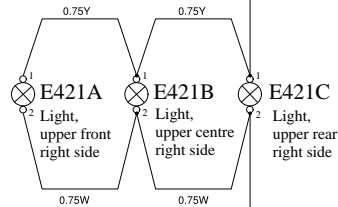


GC3-1:1 C  
J193

0.75Y

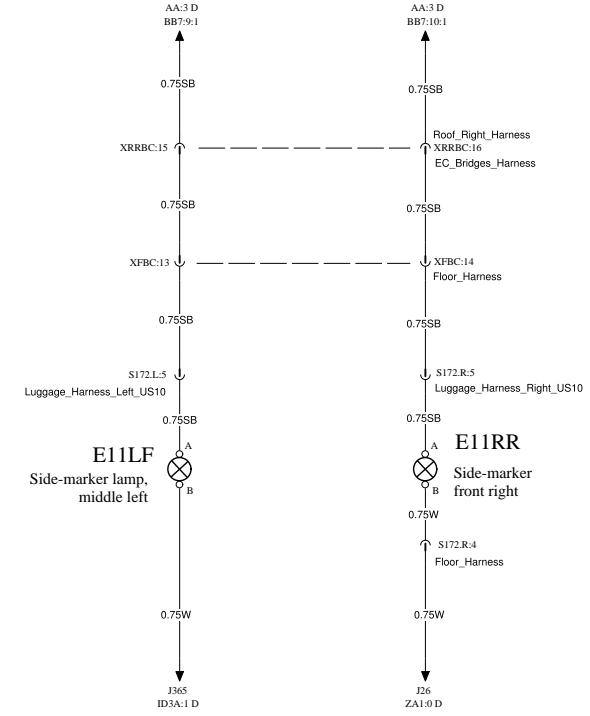
0.75W

XSQ03  
ZA1:2 D



0.75W

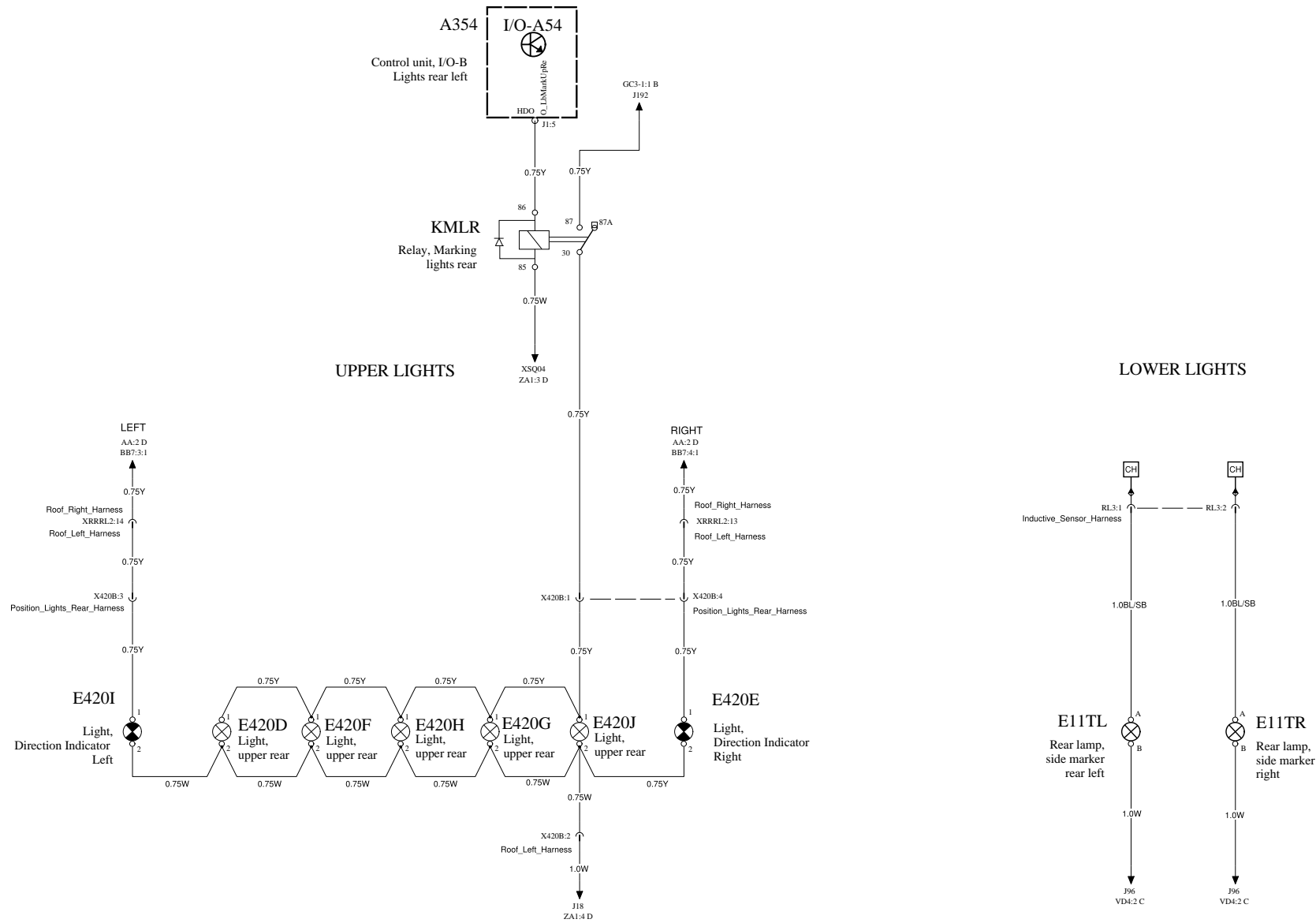
XSP01  
ZA1:2 B





REAR MARKING LIGHTS

WIRING DIAGRAM GC3-3



**VOLVO**  
Volvo Bus Corporation

Document title  
WIRING DIAGRAM

Document type  
PRODUCT SCHEMATIC

Document No

23458767

Issue

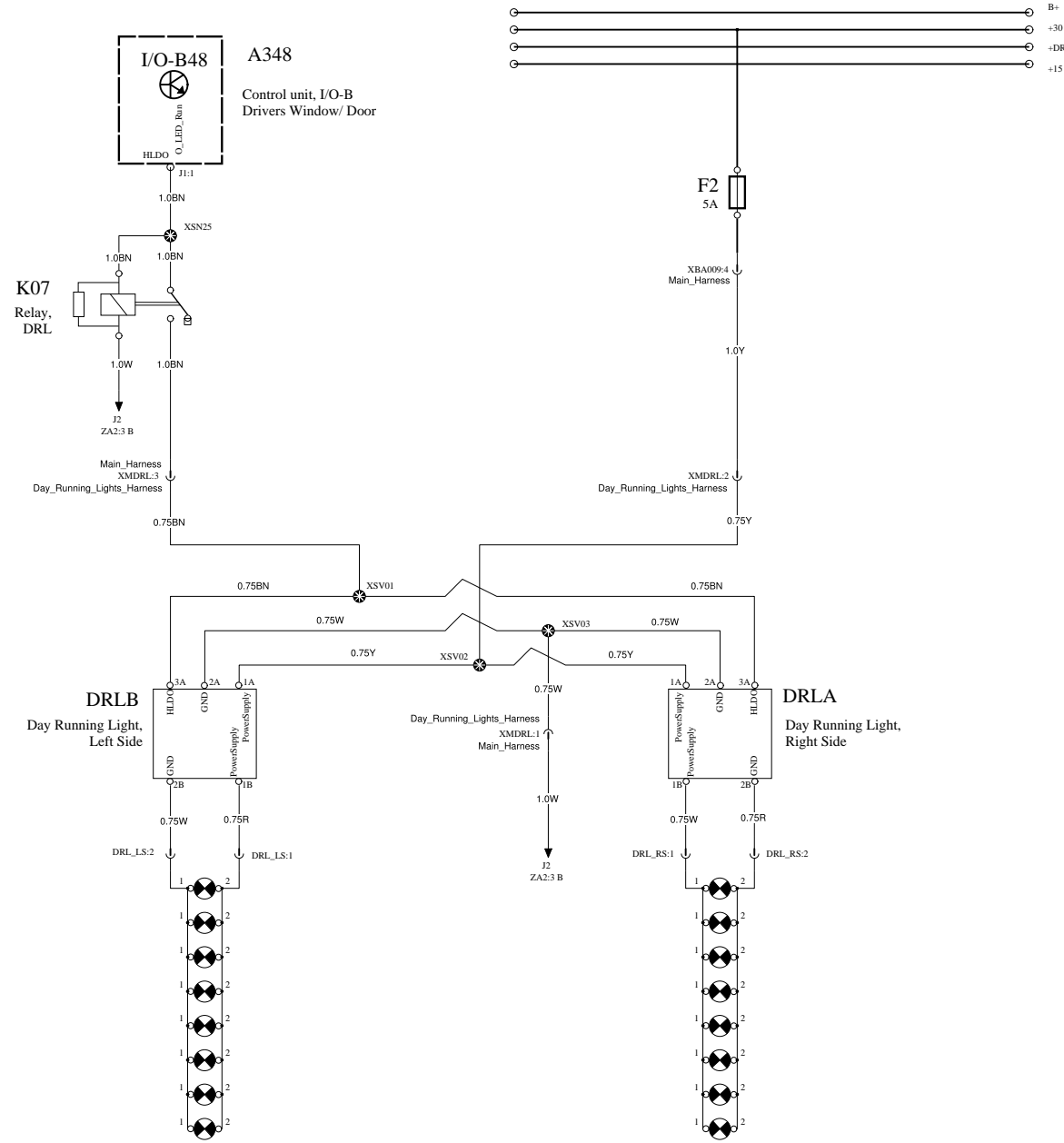
01

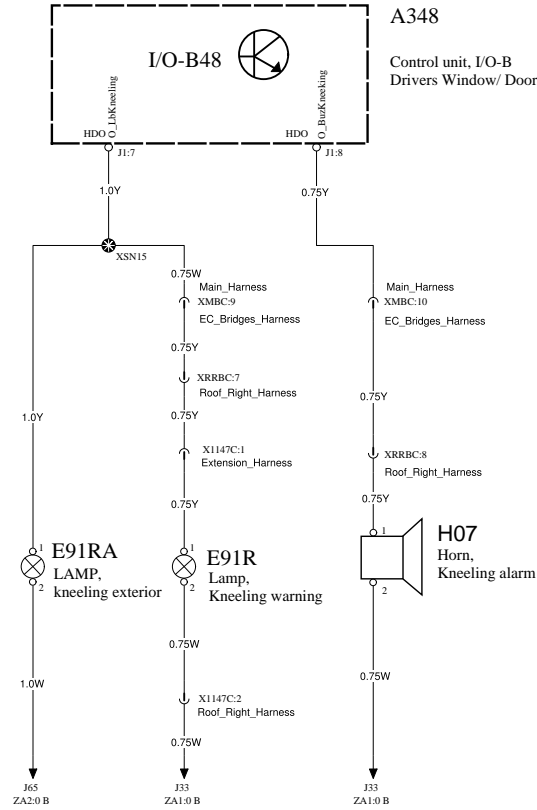
Volume

02(03)

Page

15(79)



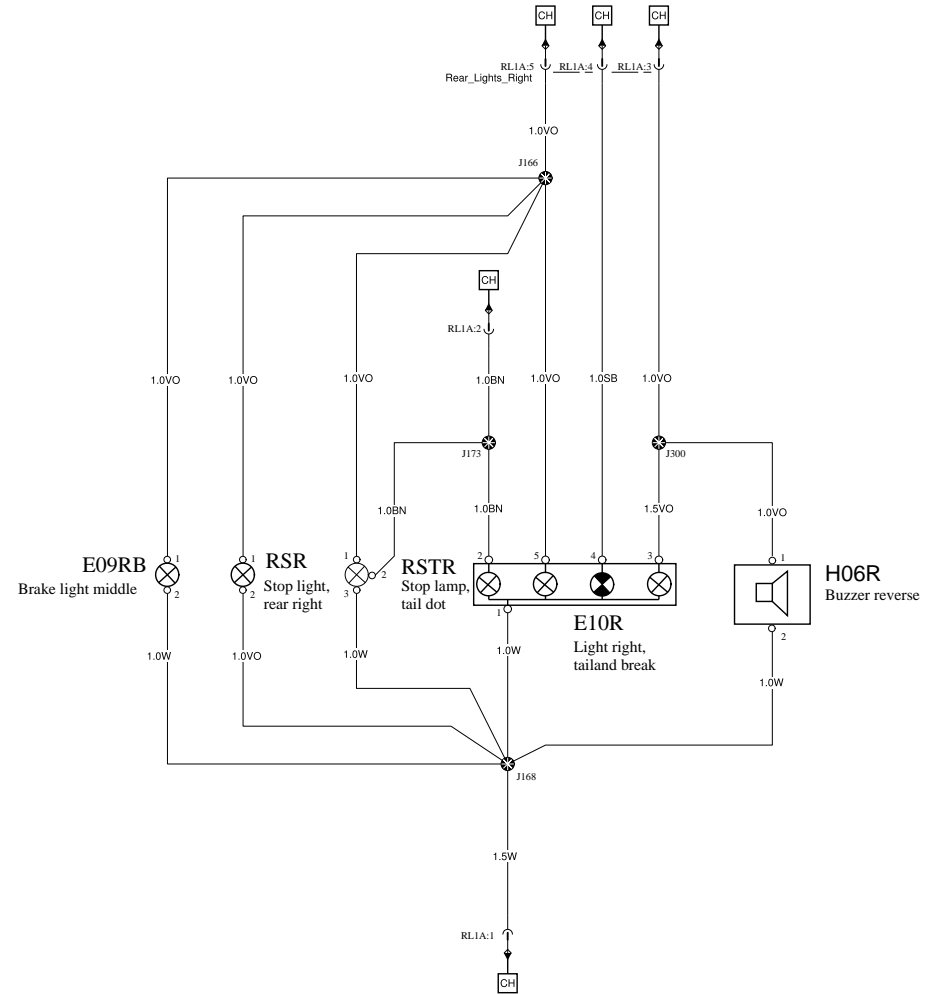
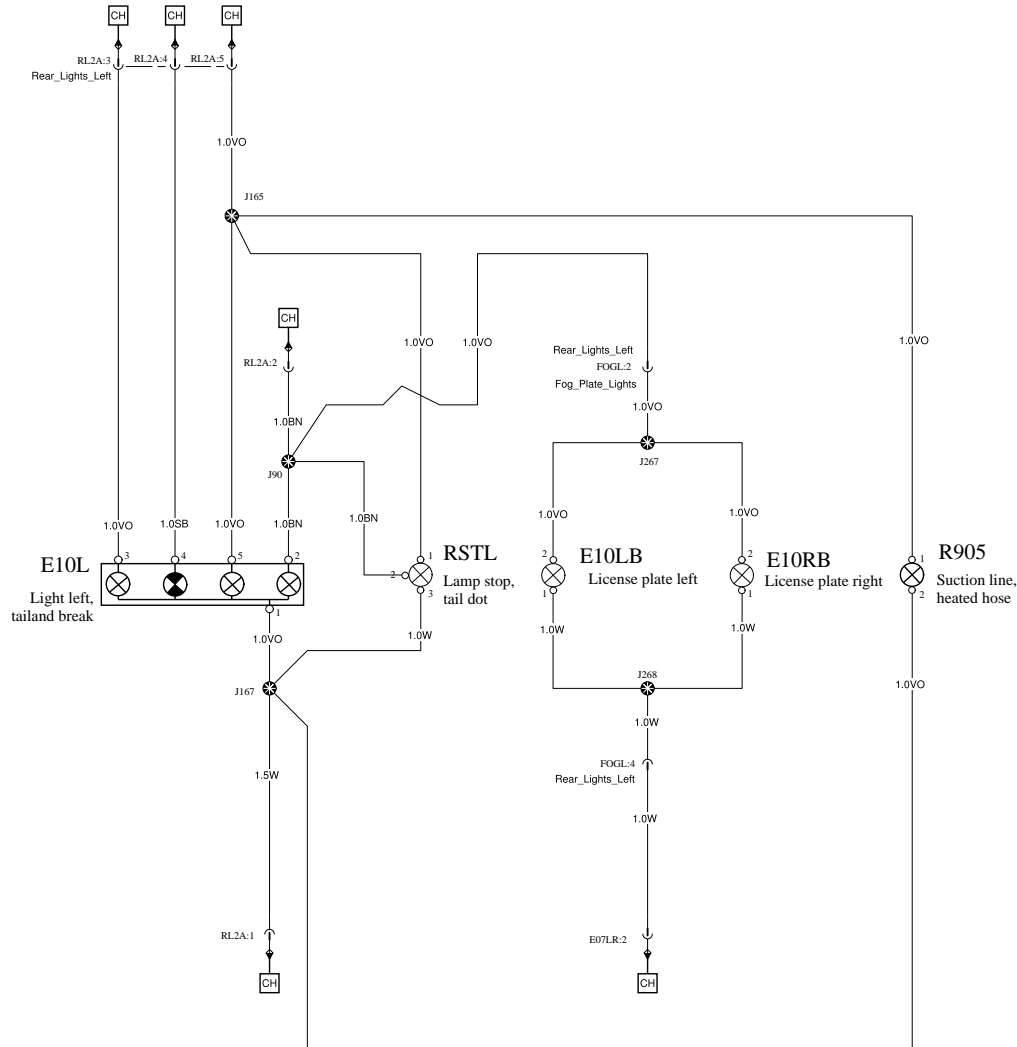


REAR LIGHTS

WIRING DIAGRAM GC6

LEFT SIDE

RIGHT SIDE



**VOLVO**

Volvo Bus Corporation

Document title  
WIRING DIAGRAM

Document type  
PRODUCT SCHEMATIC

Document No

23458767

Issue

01

Volume

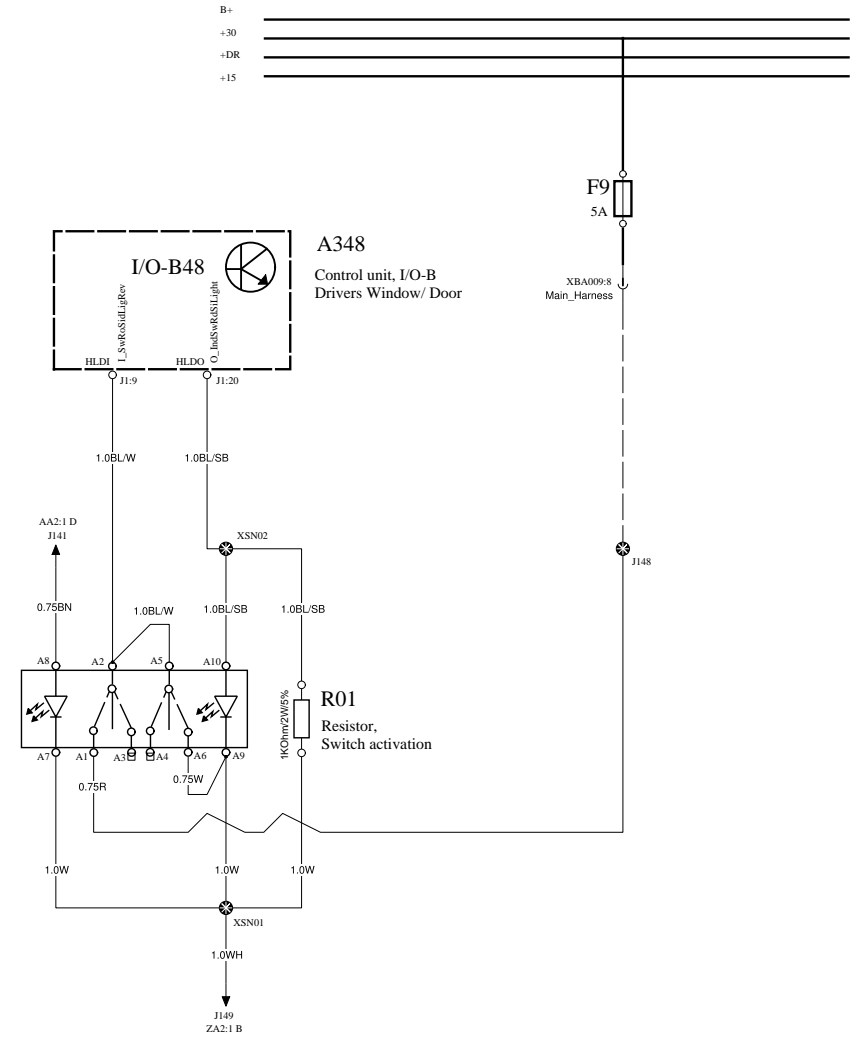
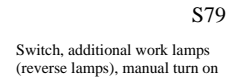
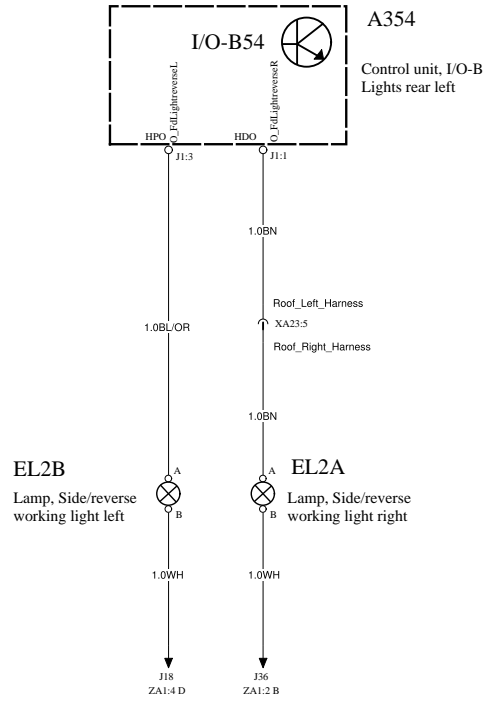
02(03)

Page

18(79)

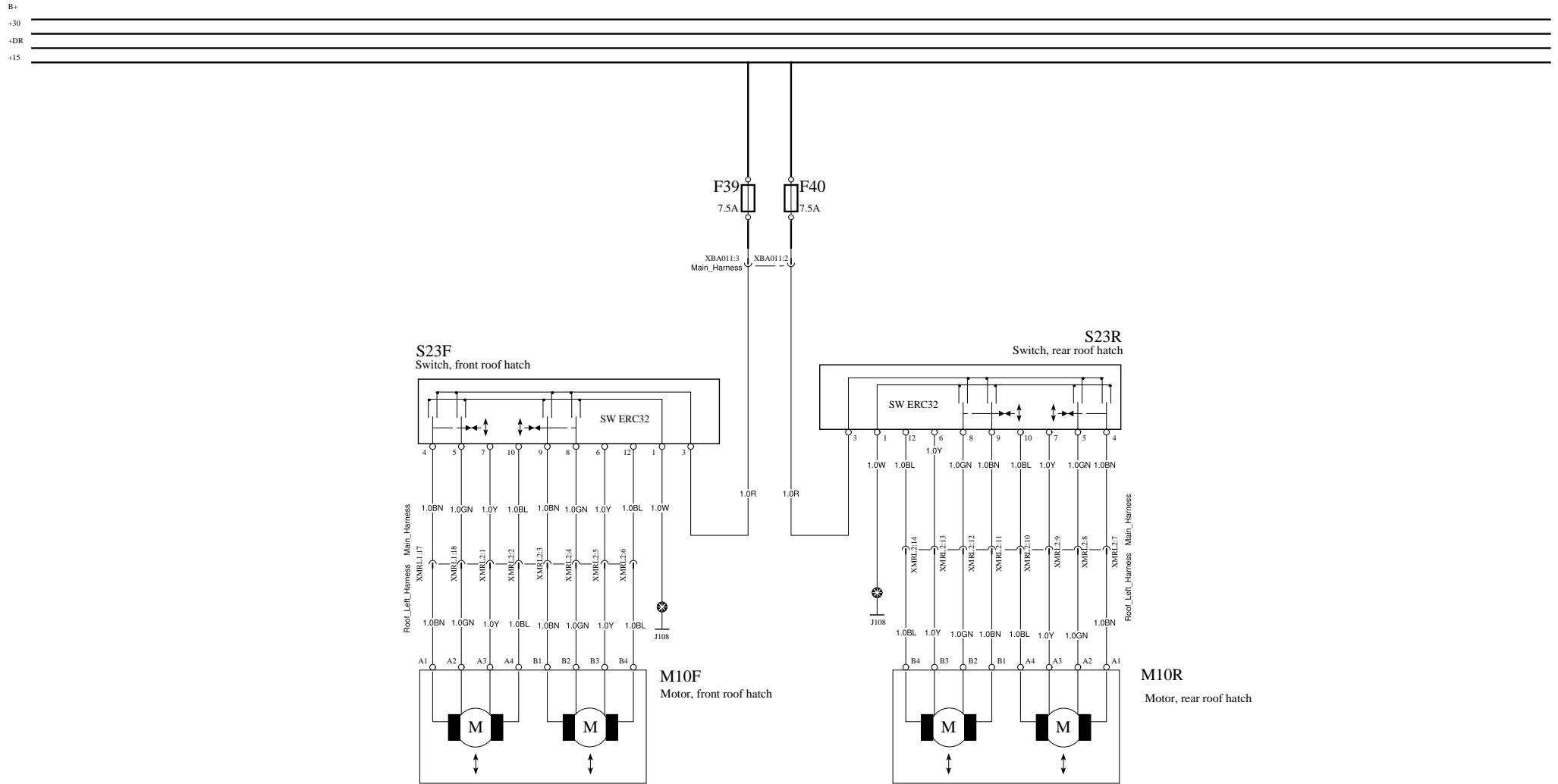
ROAD SIDE LIGHT EXLIGHT

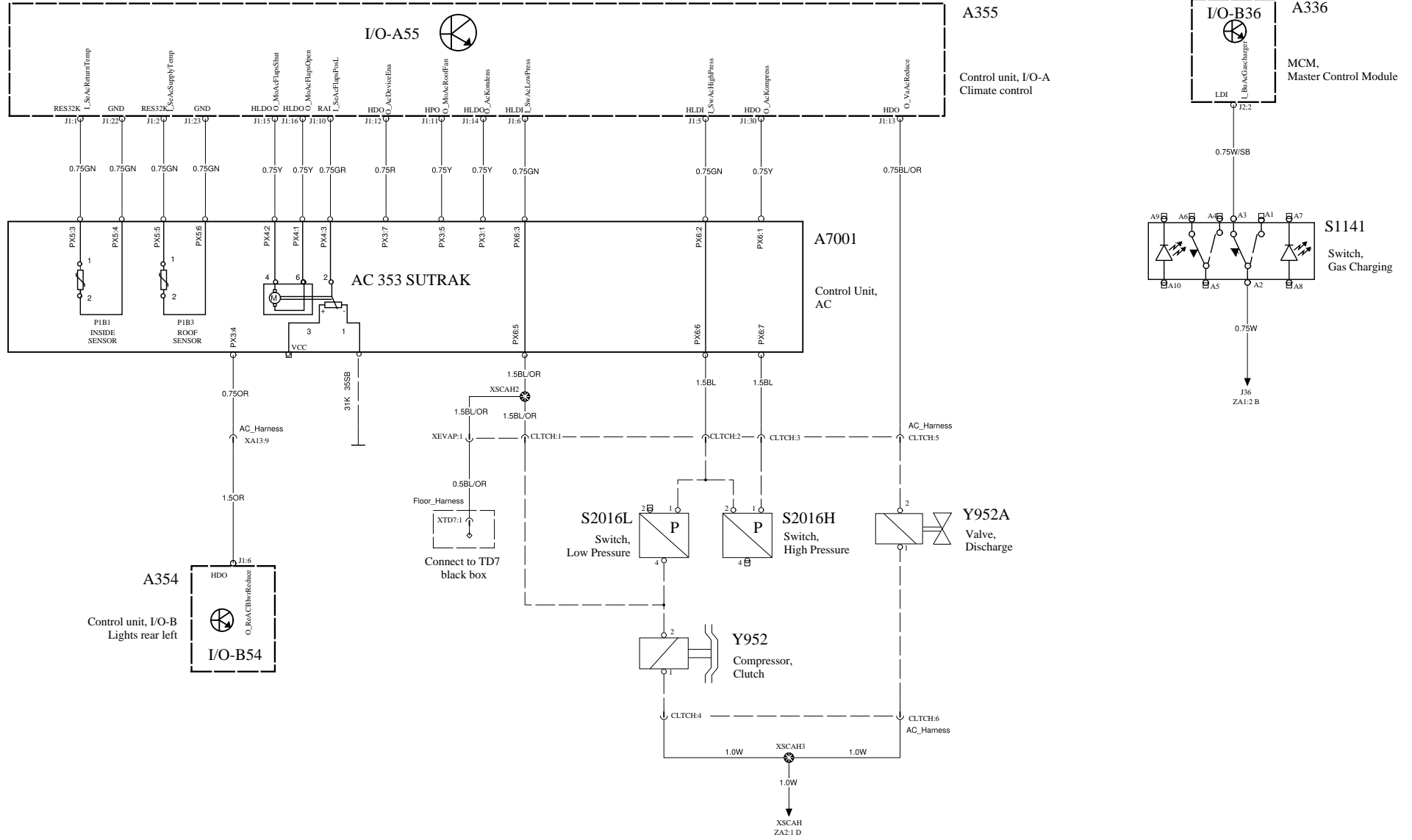
WIRING DIAGRAM GC7

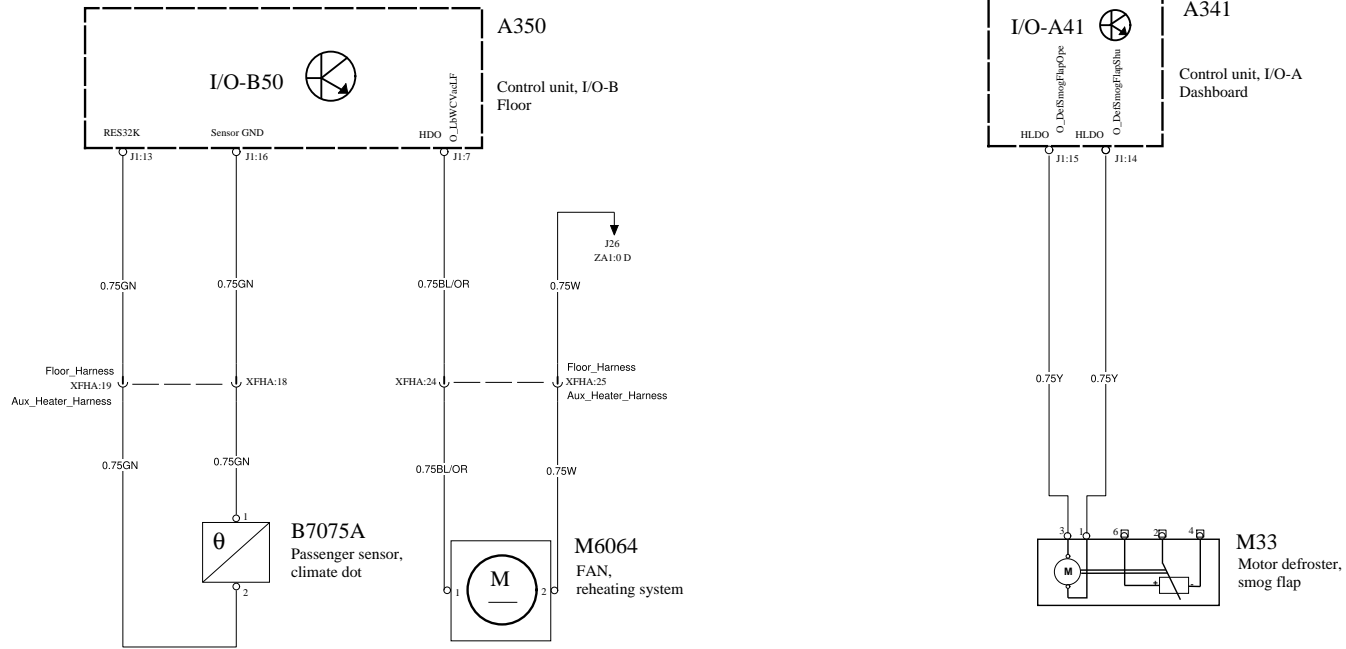


ROOF HATCHES

WIRING DIAGRAM HA



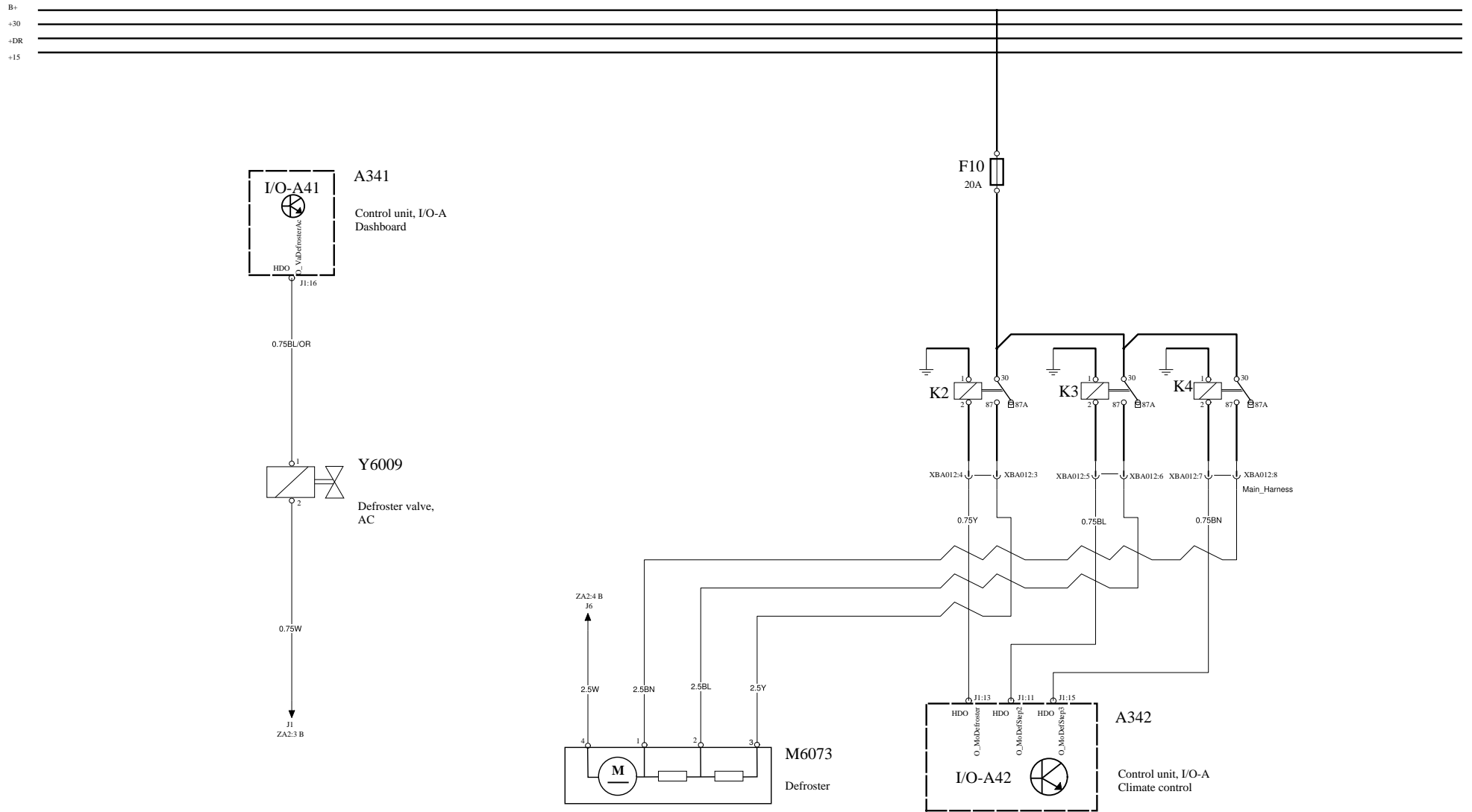


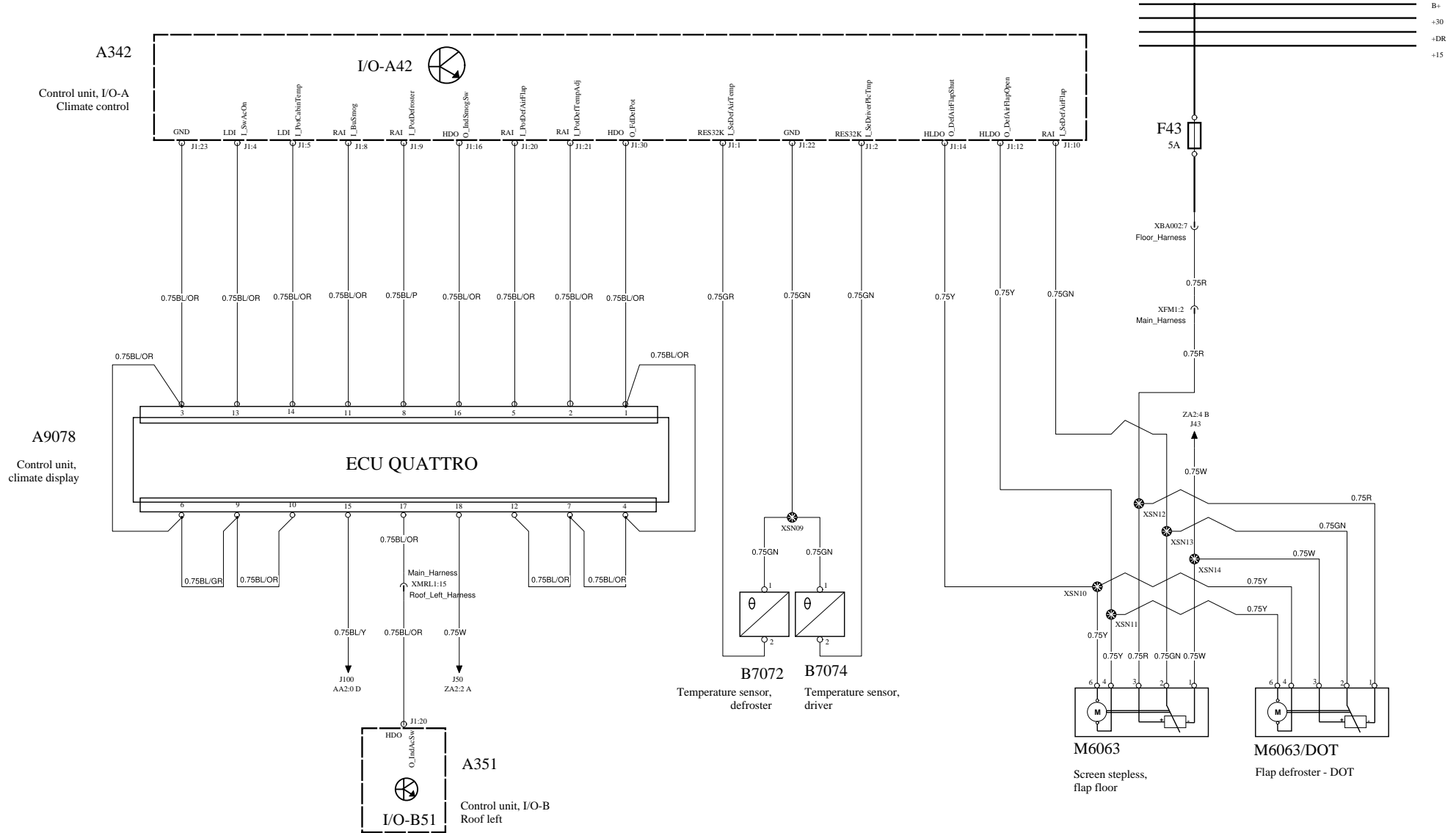




AIR CONDITIONING- DEFROSTER

WIRING DIAGRAM HA4C

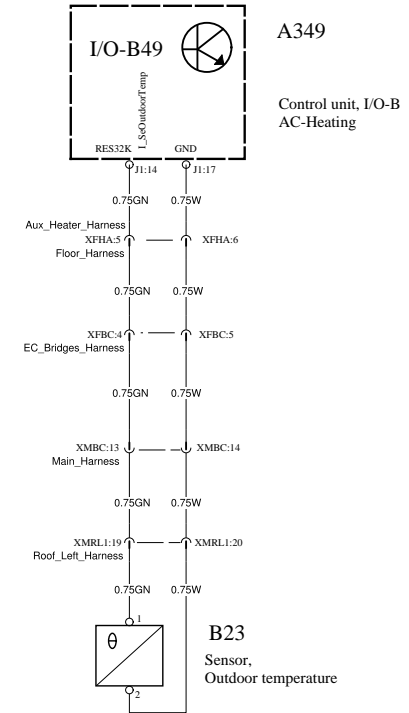
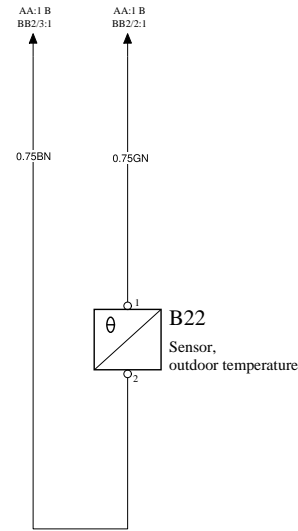
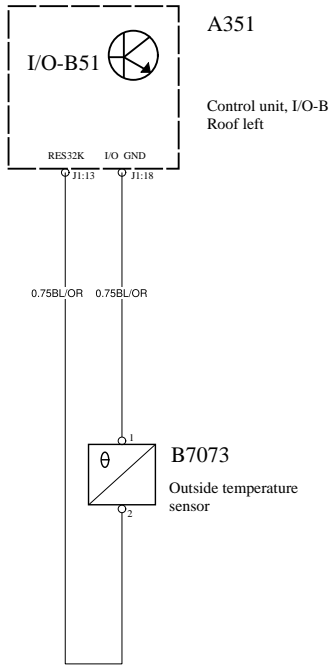




 Volvo Bus Corporation	Document title WIRING DIAGRAM	Document No <b>23458767</b>	Issue 01	Volume 02(03)	Page 24(79)
	Document type PRODUCT SCHEMATIC				

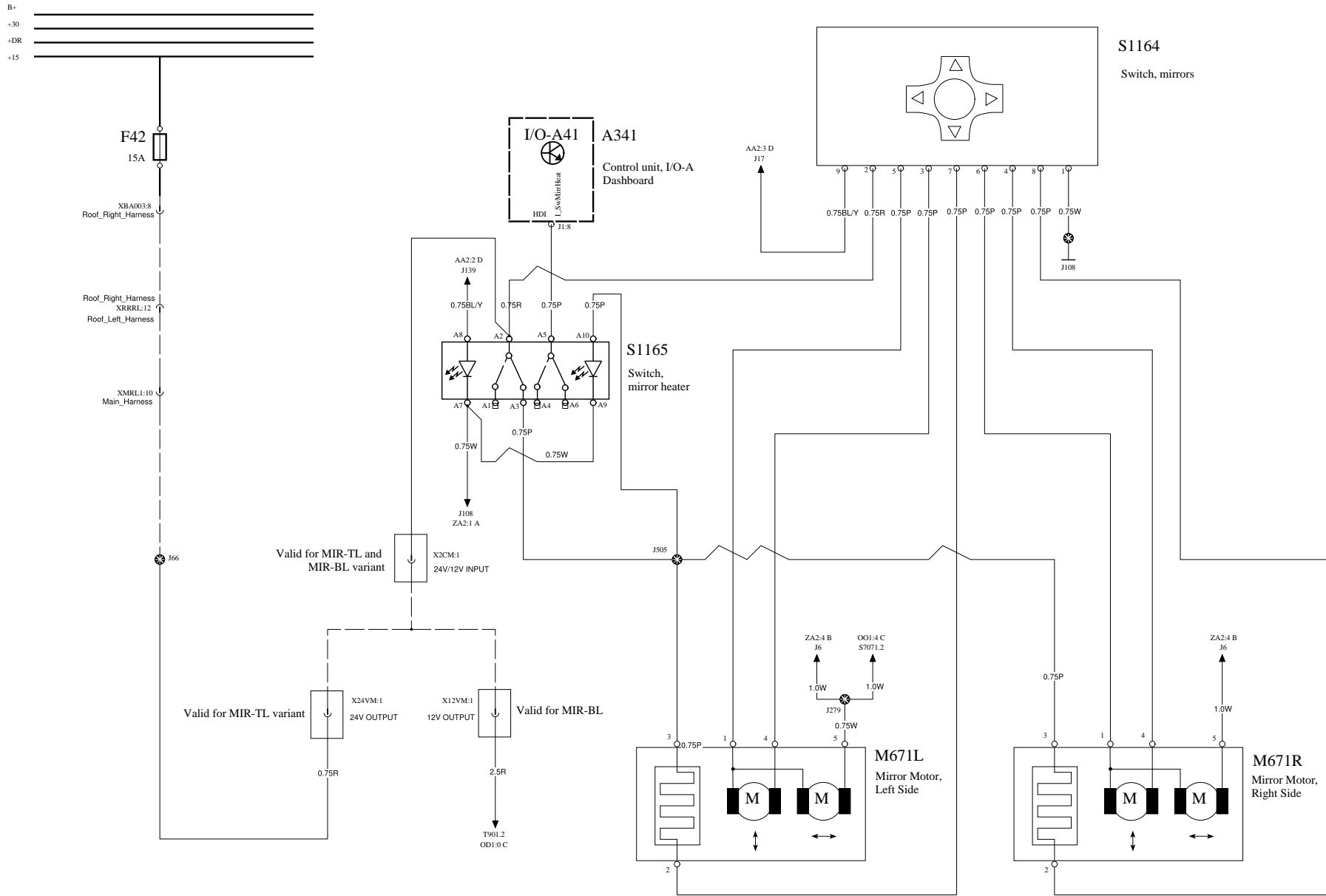
OUTDOOR TEMPERATURE SENSORS

WIRING DIAGRAM HA5C



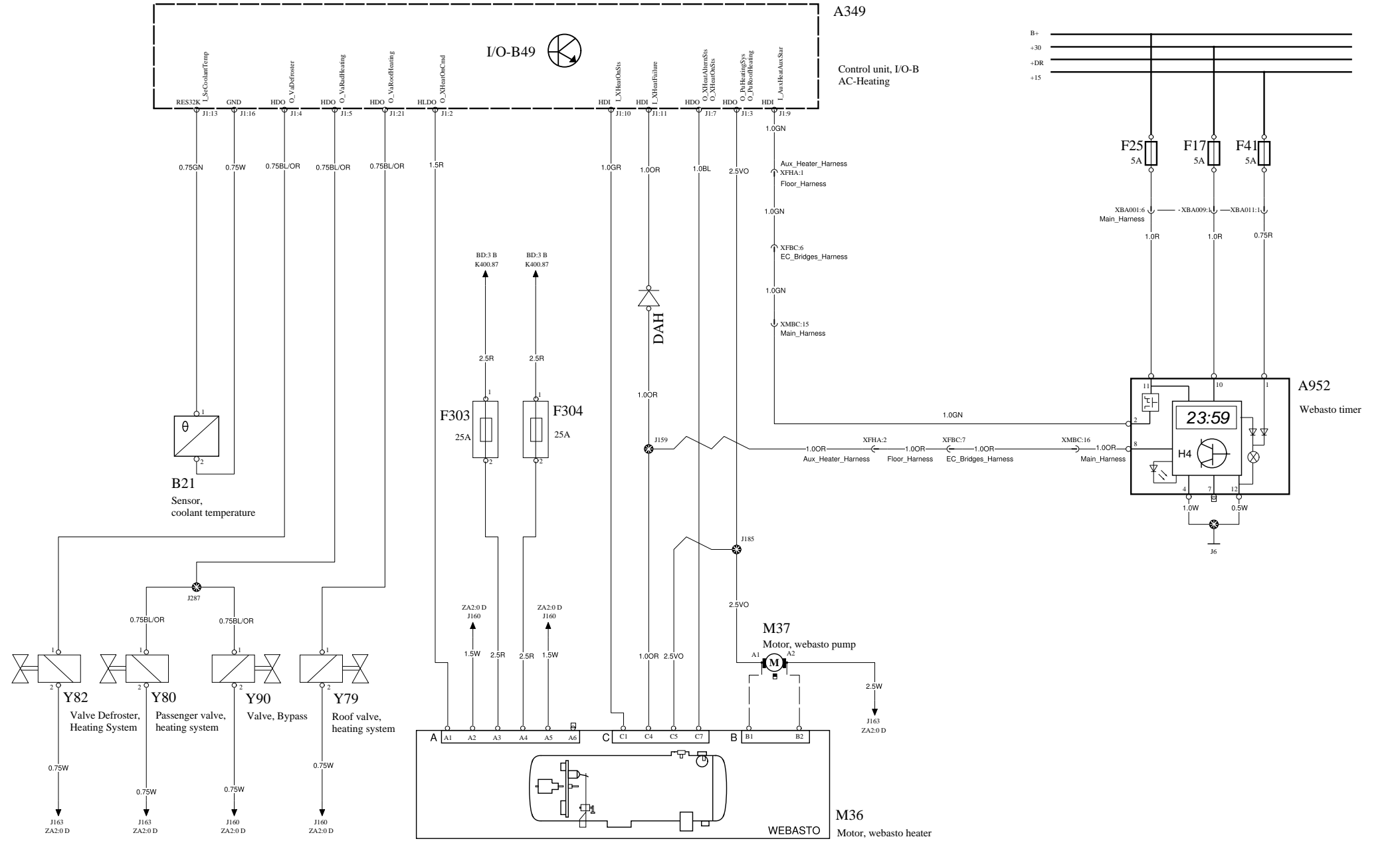
# MIRROR HEATING

# WIRING DIAGRAM HB1D



# AUXILIARY HEATER

# WIRING DIAGRAM HC1



**VOLVO**

Volvo Bus Corporation

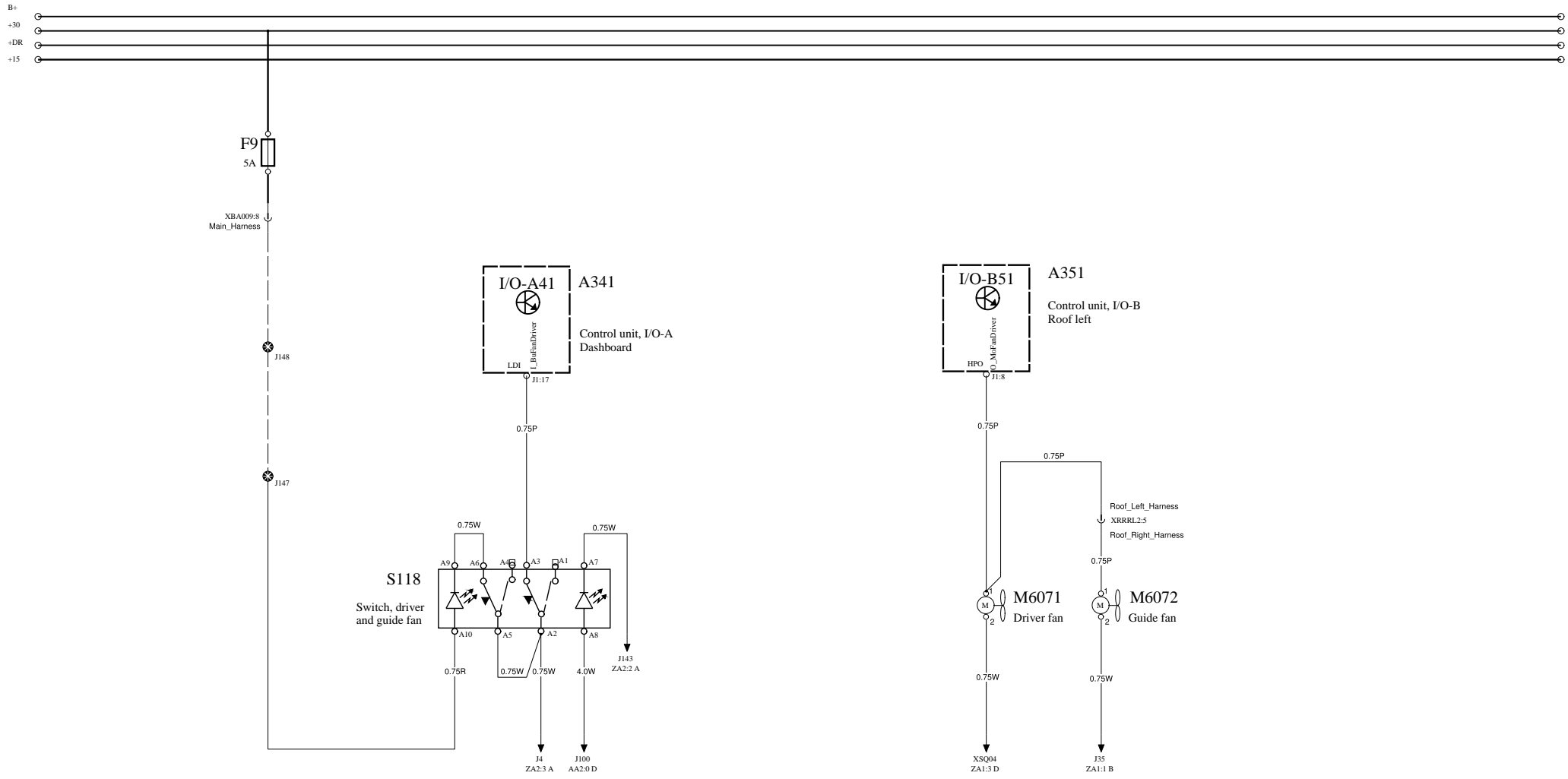
Document title  
WIRING DIAGRAM  
Document type  
PRODUCT SCHEMATIC

Document No  
**23458767**

Issue	Volume	Page
01	02(03)	27(79)

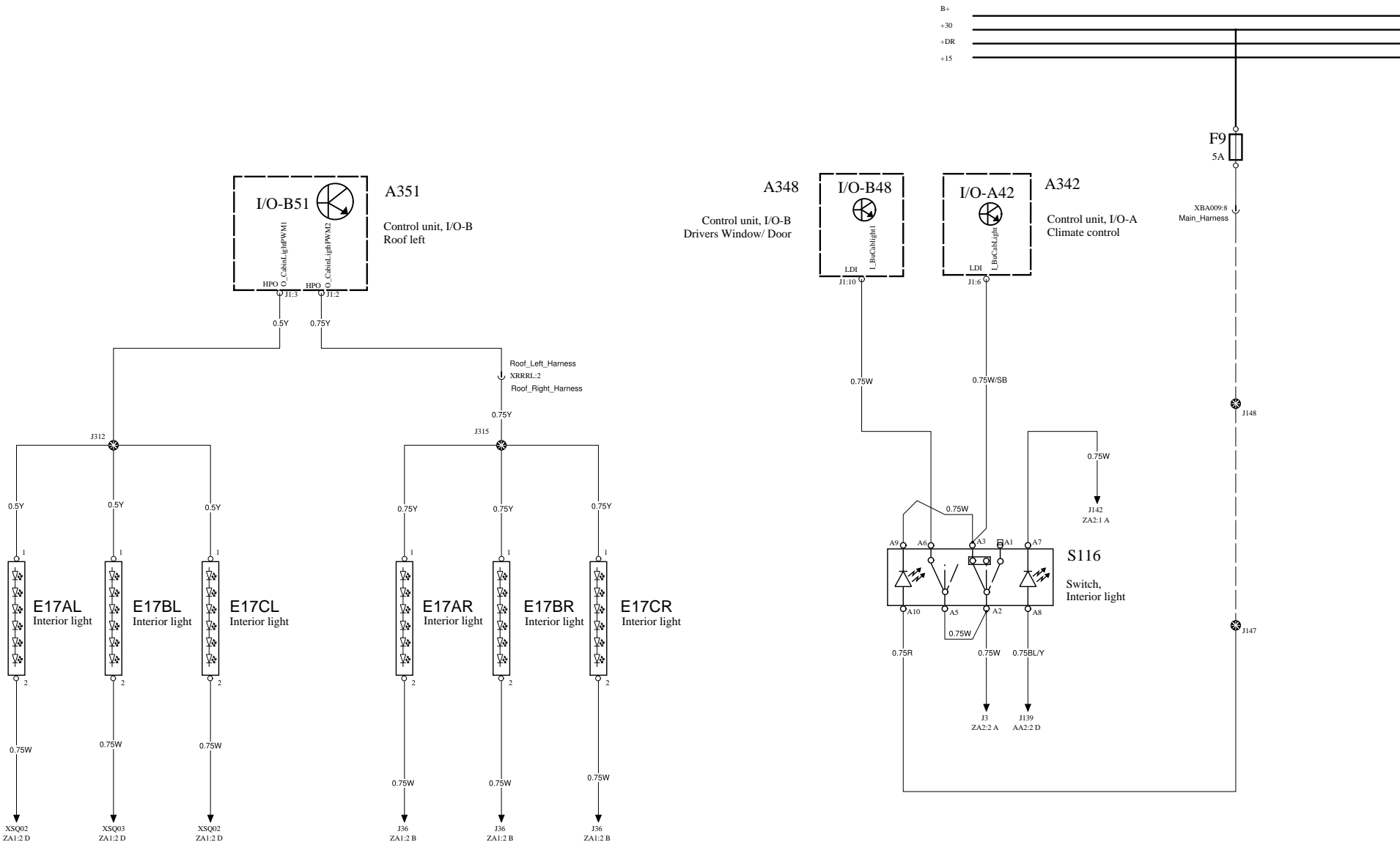
DRIVER AND GUIDE FAN

WIRING DIAGRAM HE1



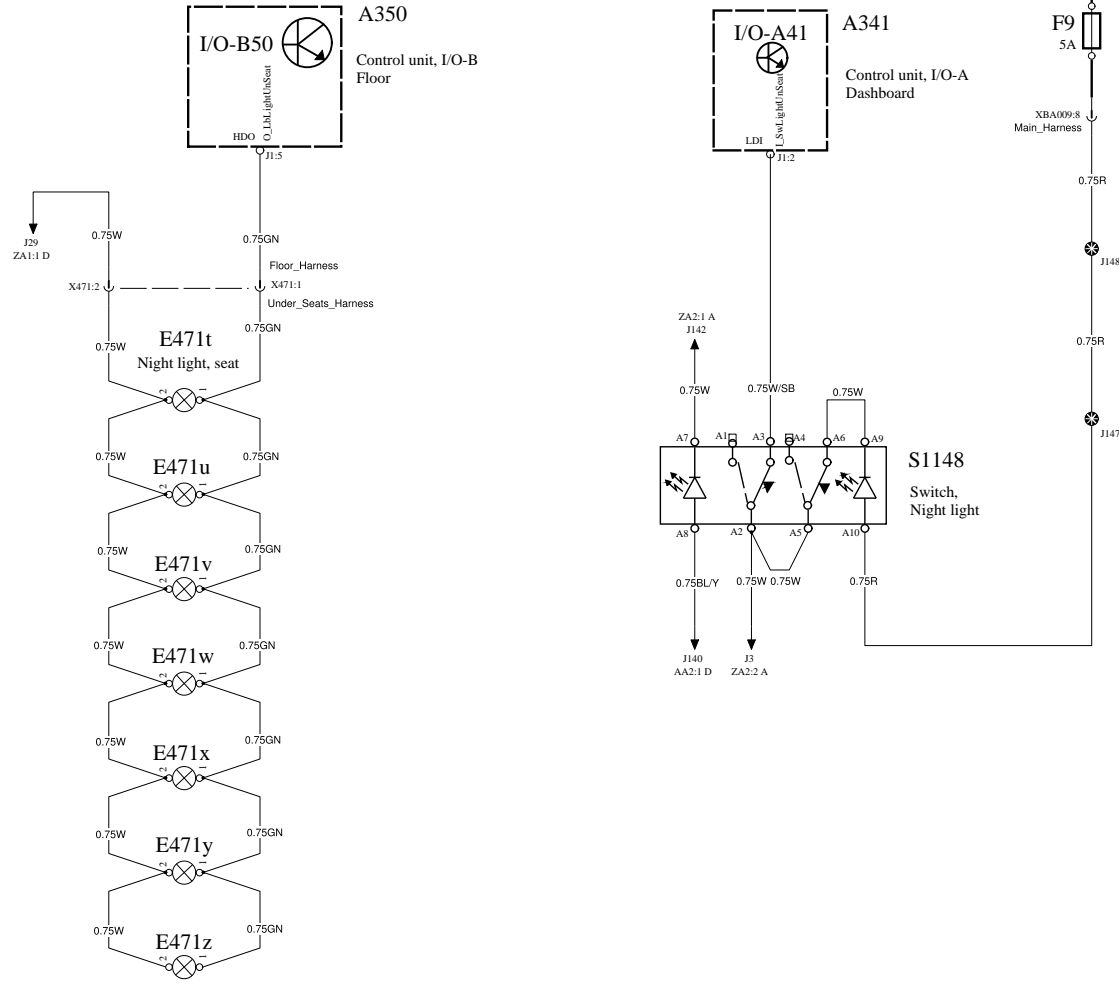
CABIN LIGHT

WIRING DIAGRAM IA1A

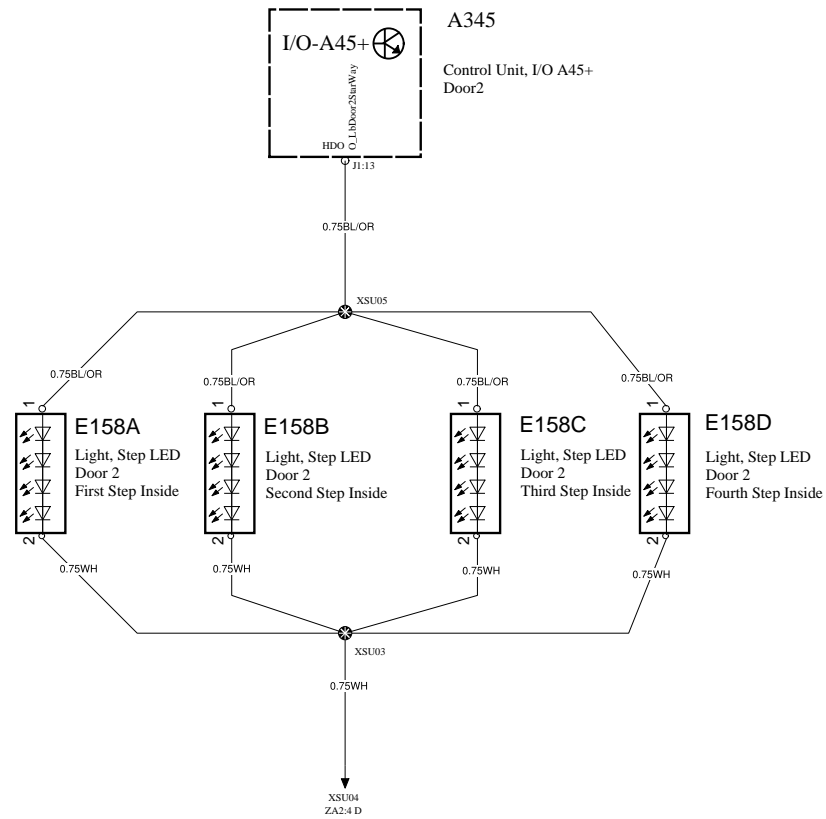


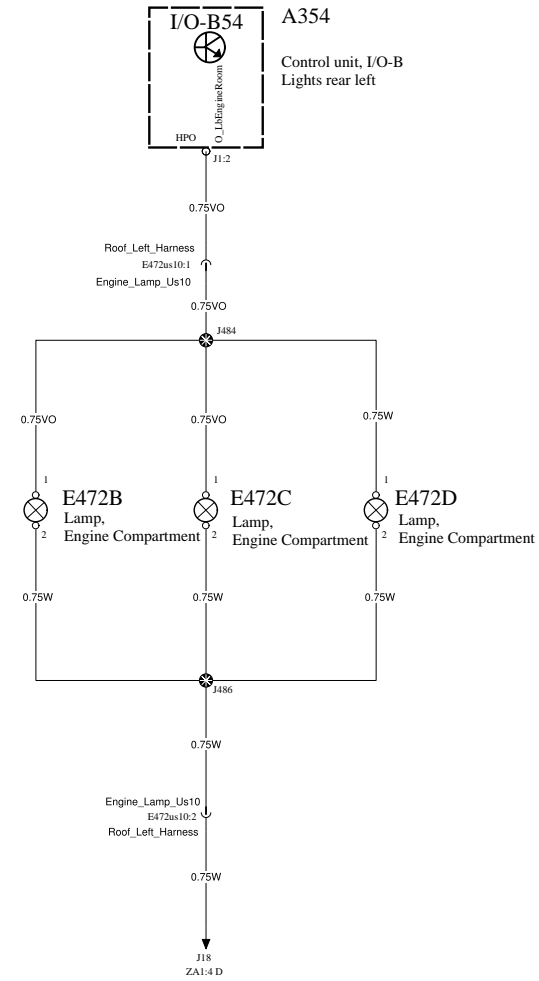
LIGHTS UNDER SEATS

WIRING DIAGRAM IB1



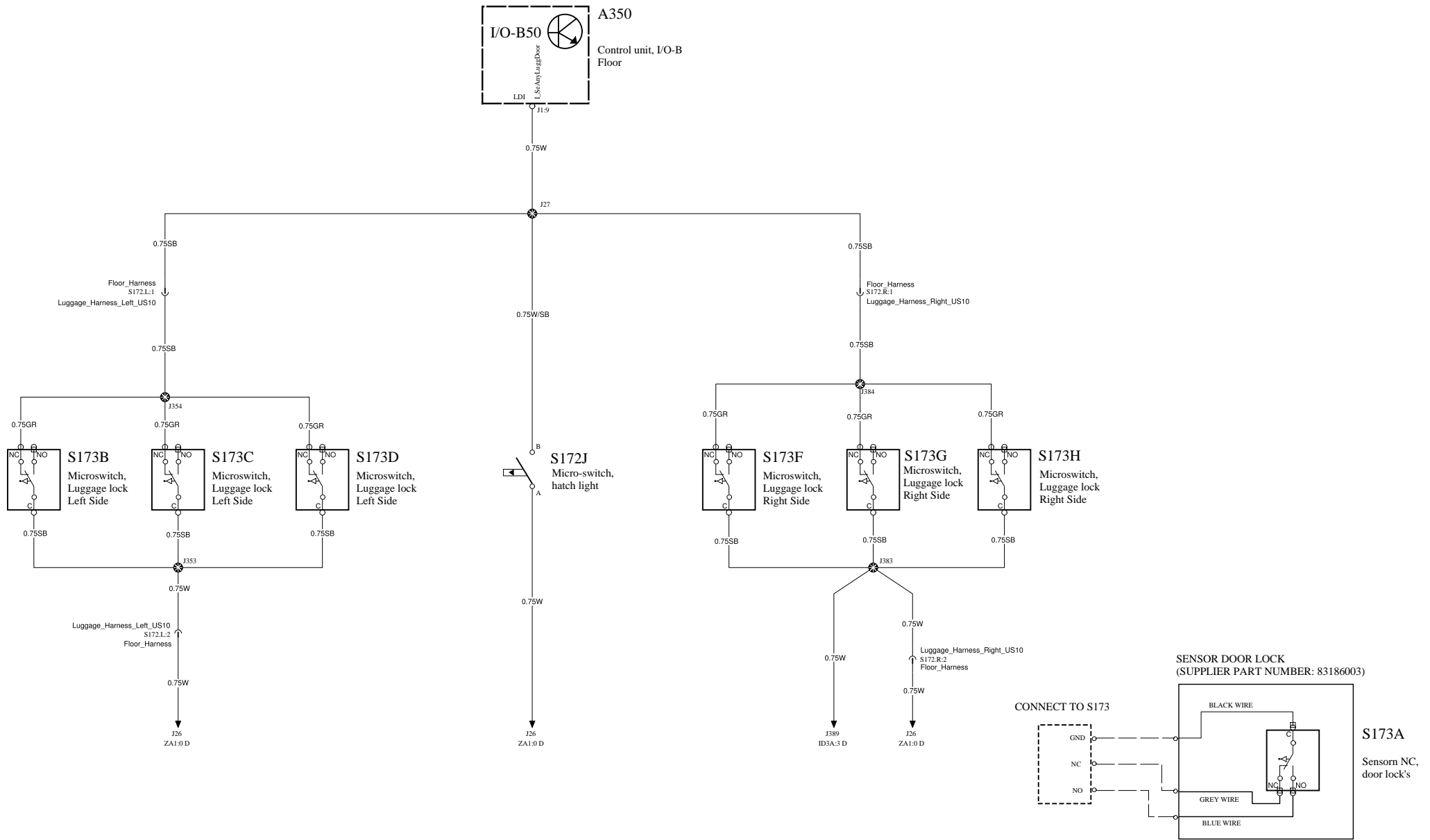


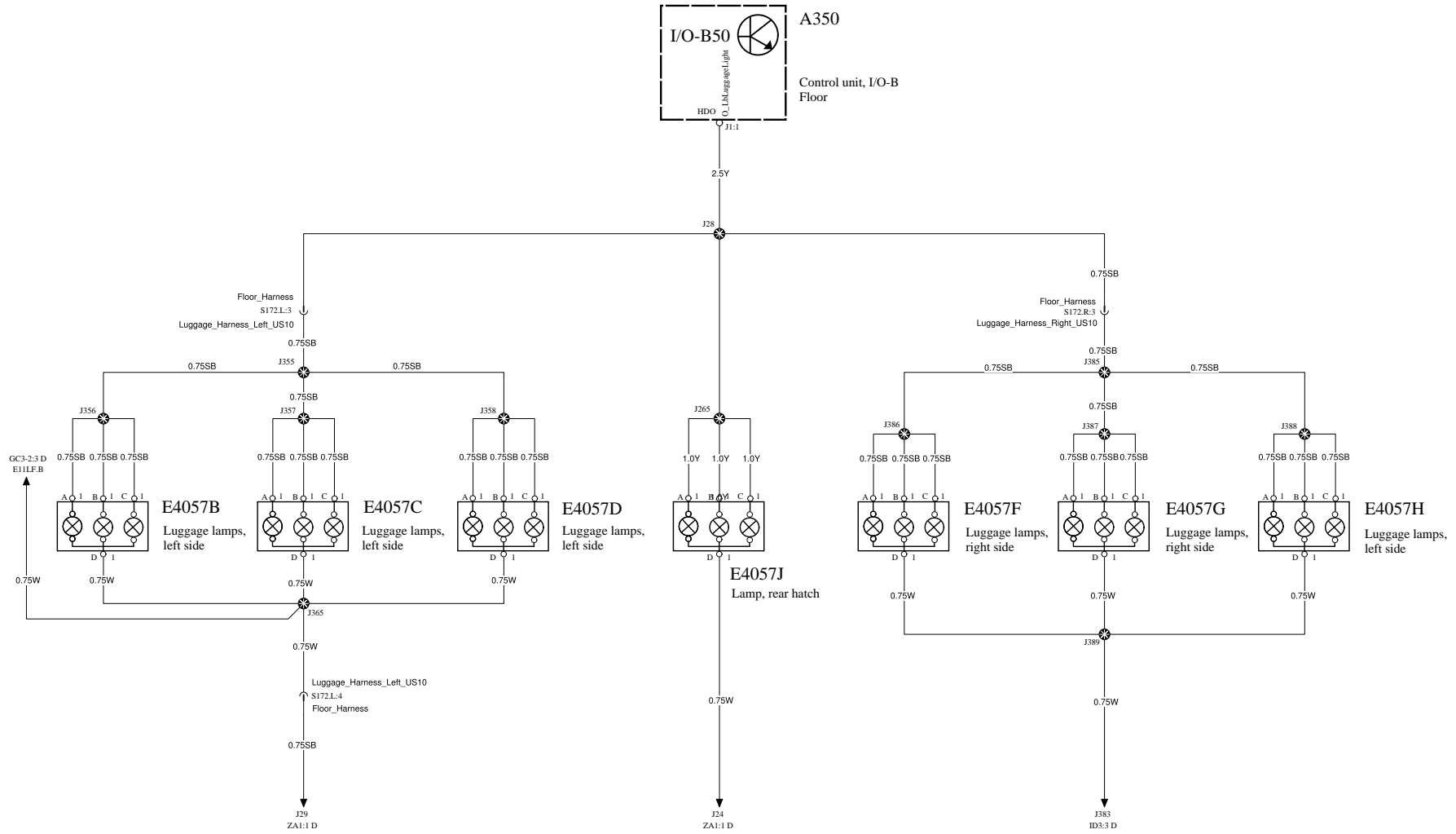


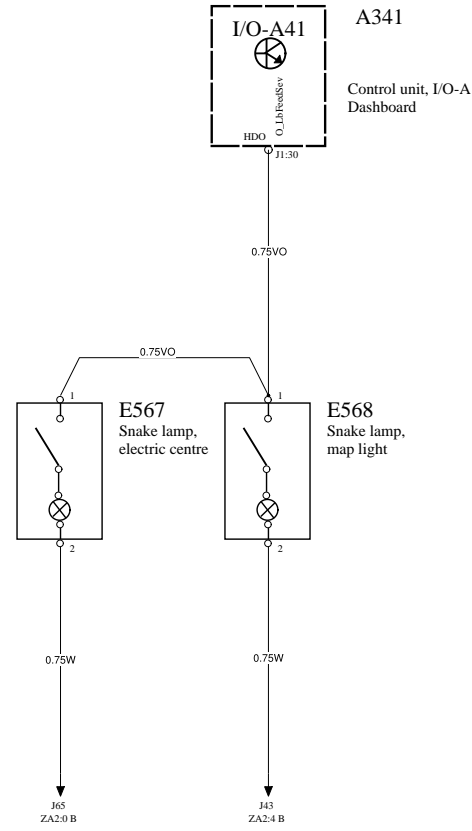


LUGGAGE LOCK SENSORS

WIRING DIAGRAM ID3

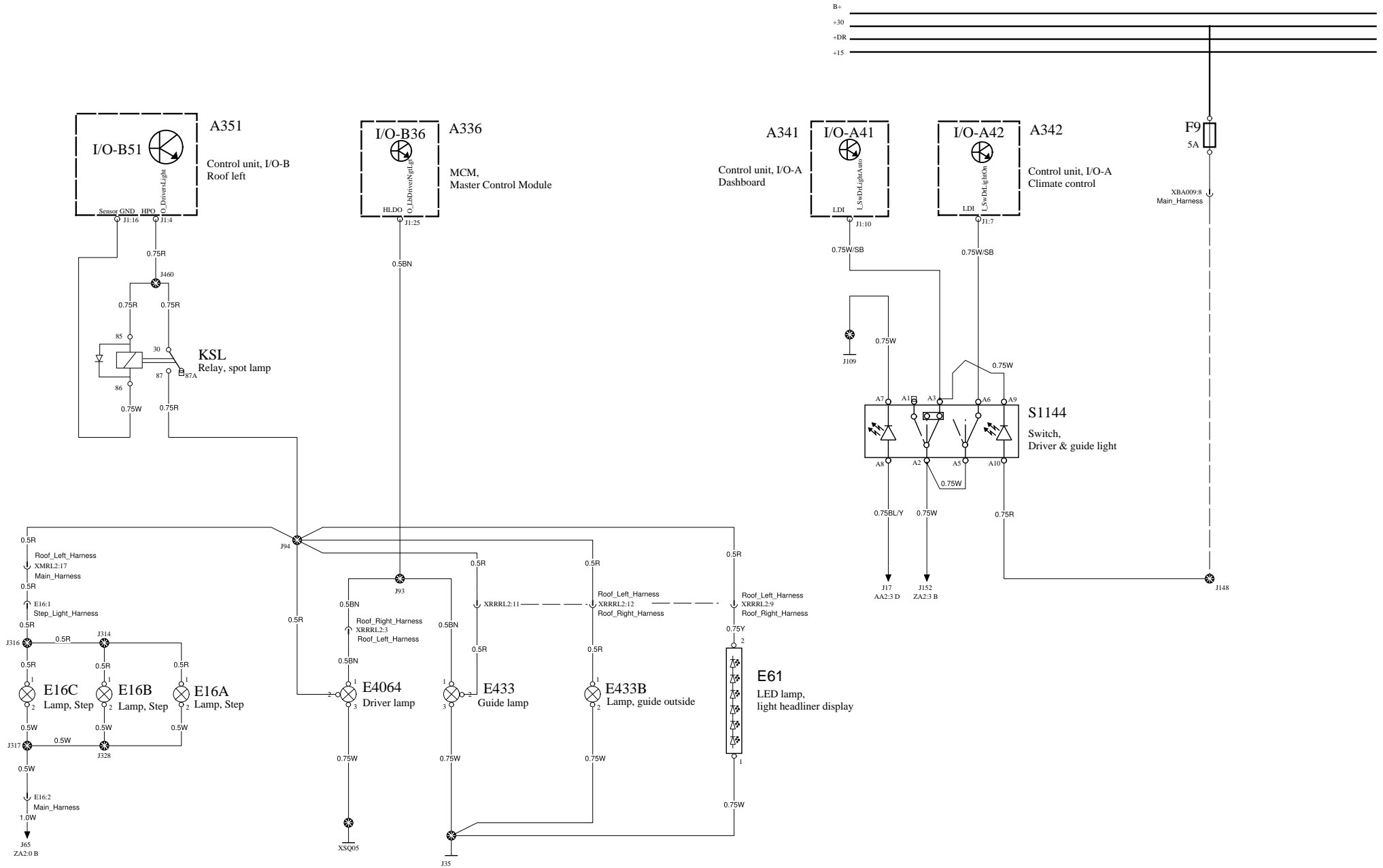


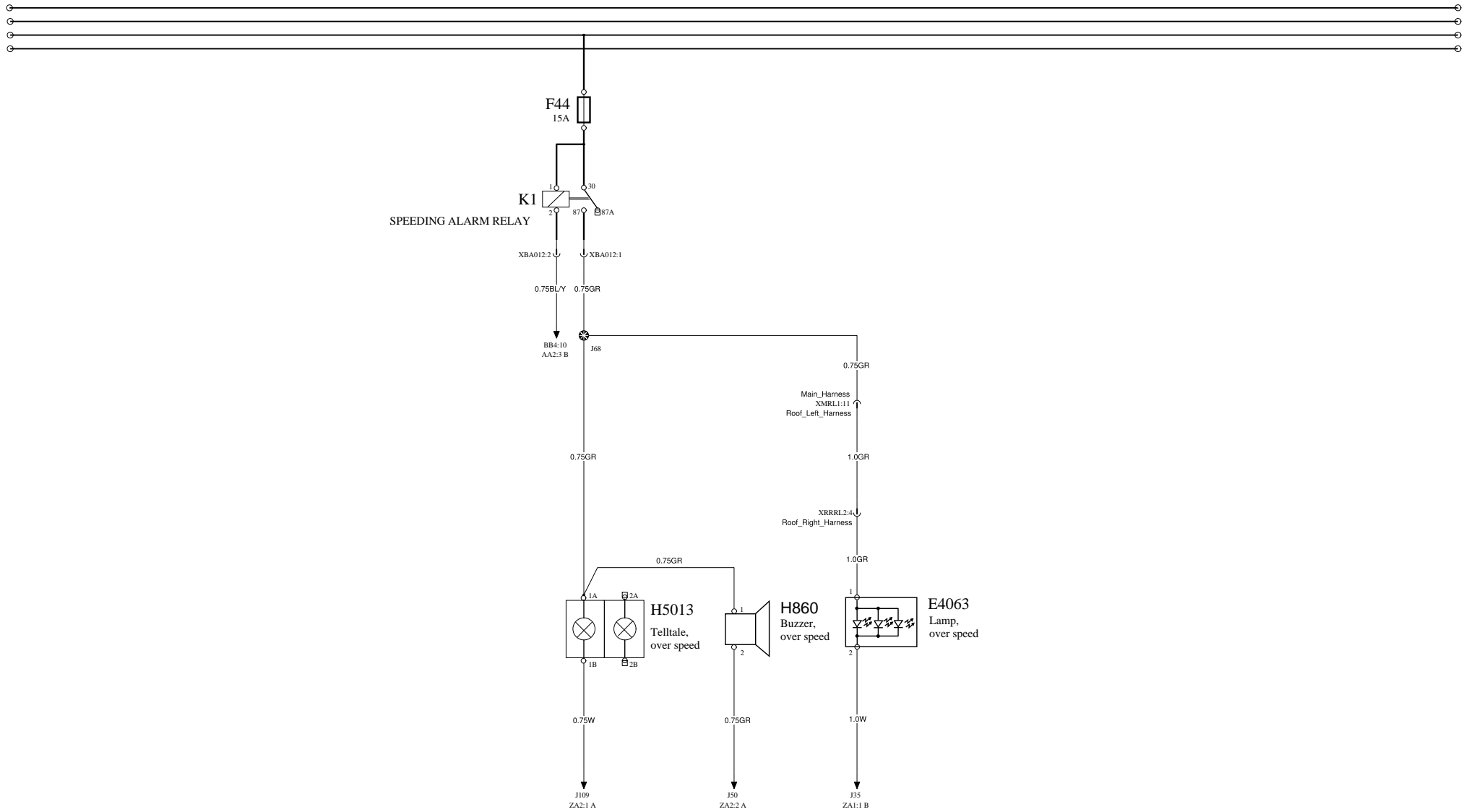




DRIVER LIGHTS

WIRING DIAGRAM IE3

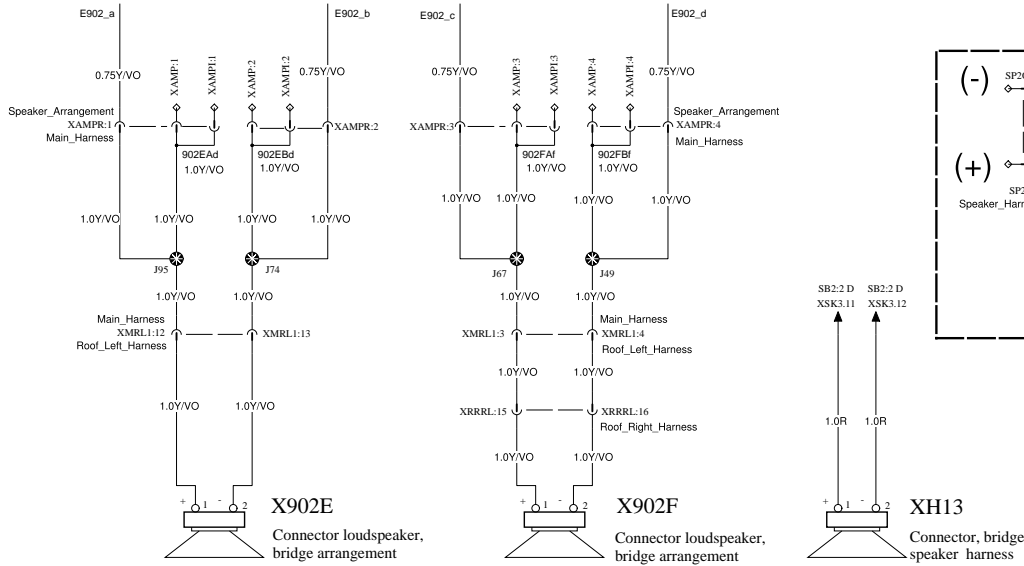




# LOUDSPEAKERS

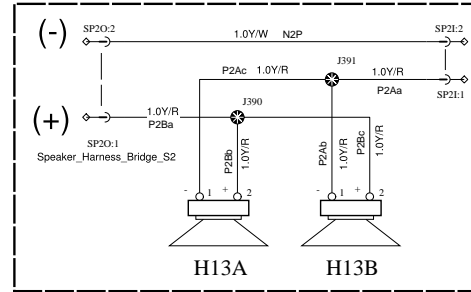
# WIRING DIAGRAM JA1A

## CABIN AREA

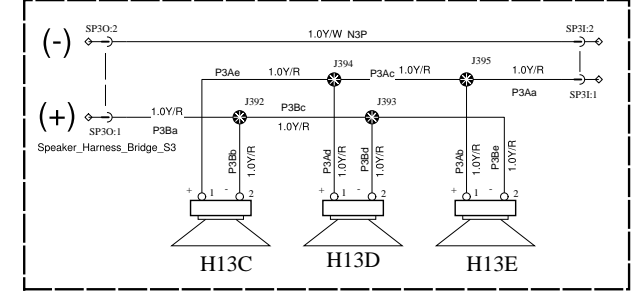


## LOUDSPEAKER'S BRIDGES BY ENVIRONMENTAL SOUND

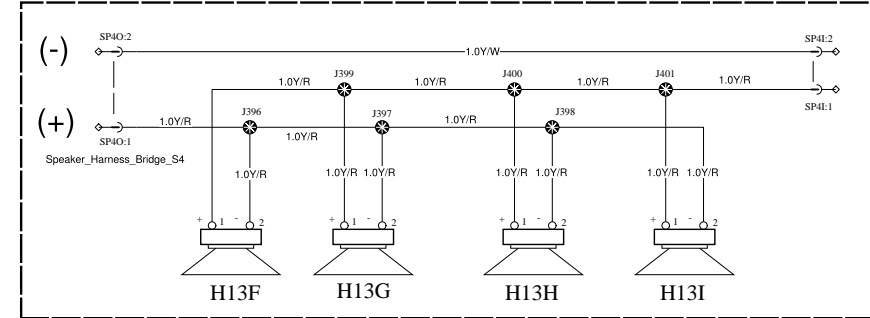
### ARRANGEMENT TYPE 1



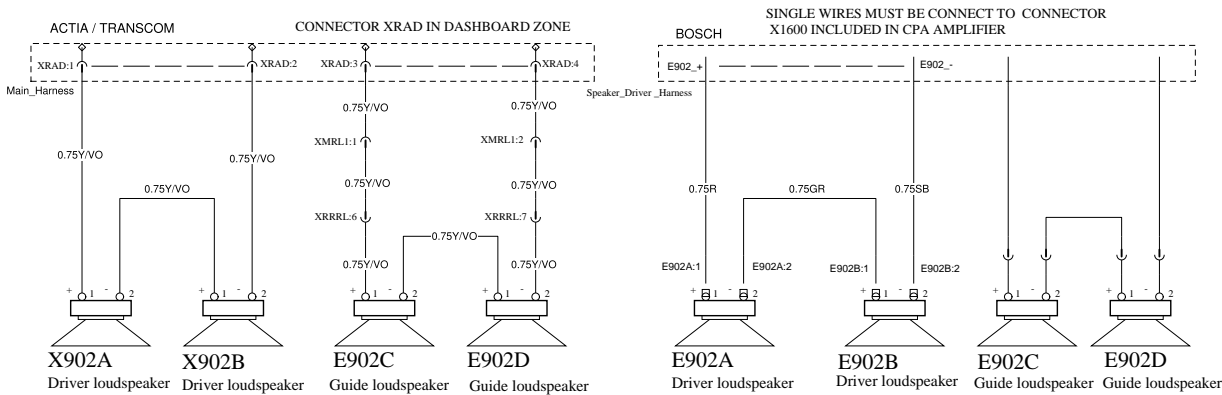
### ARRANGEMENT TYPE 2



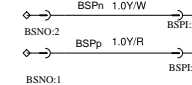
### ARRANGEMENT TYPE 3



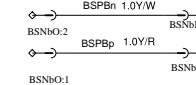
## DRIVER AREA



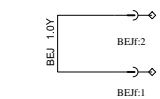
### BRIDGE A



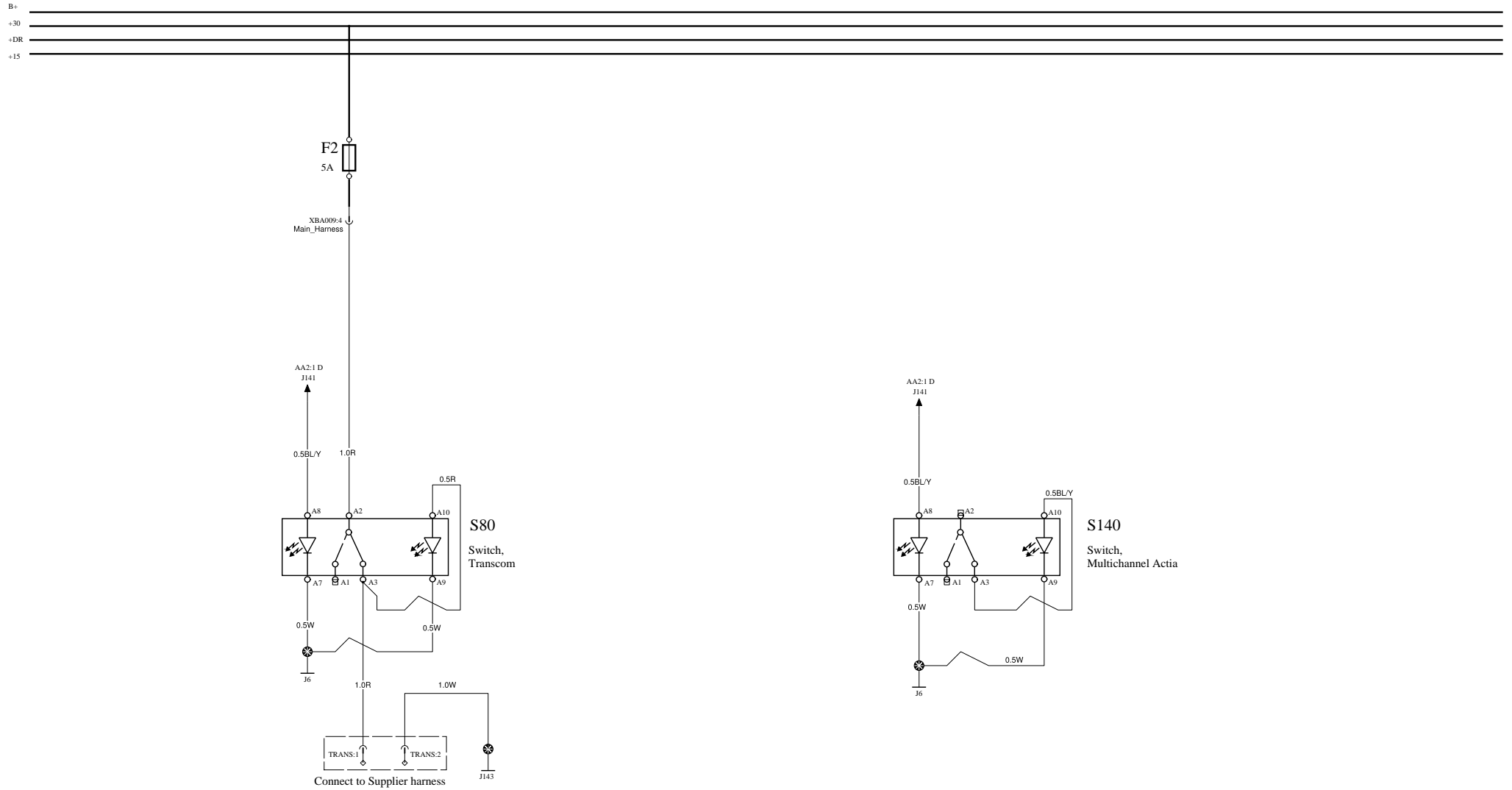
### BRIDGE B (WCL & DL-110)

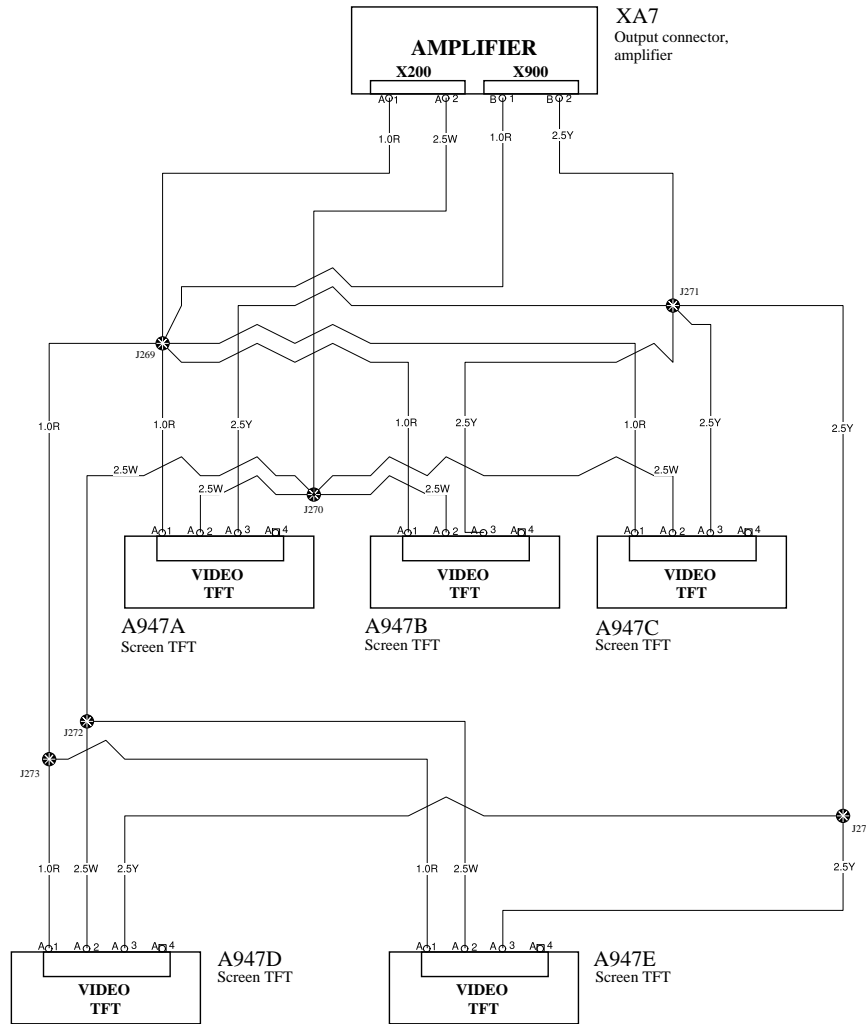


### BRIDGE END JOINT

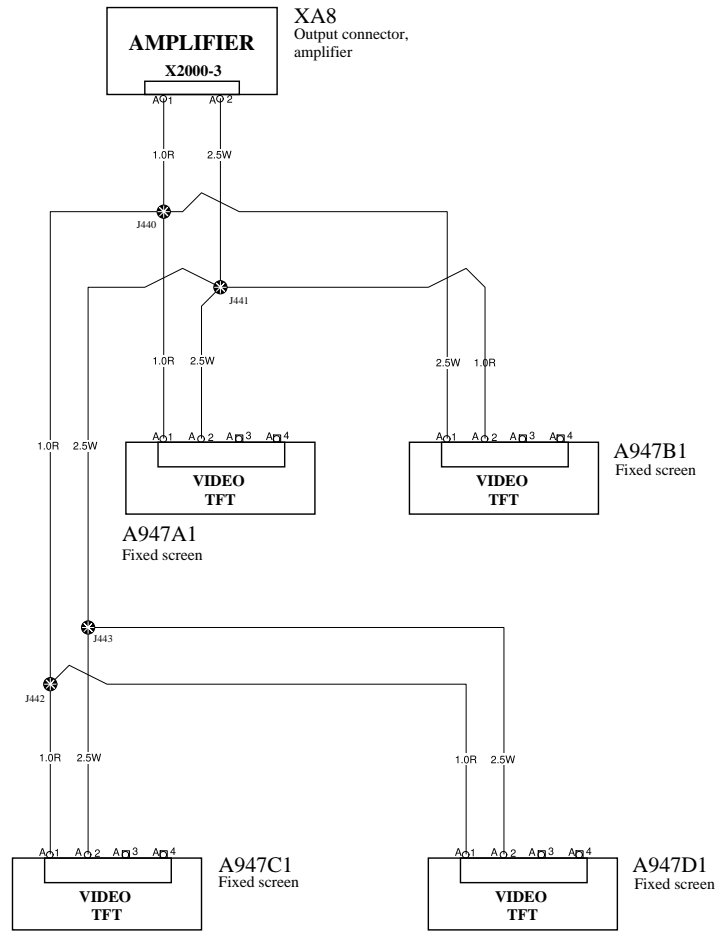








**XA7**  
Output connector,  
amplifier



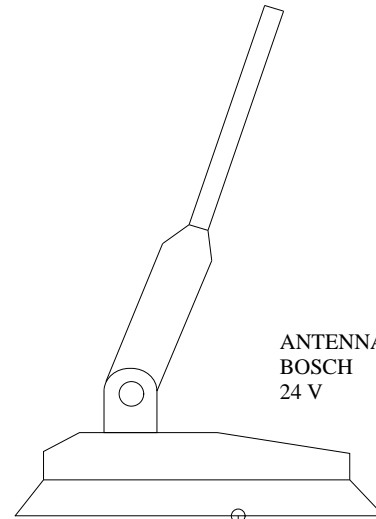
A

A

ANTENNA'S SATELLITE MODULES FEEDING 127 v

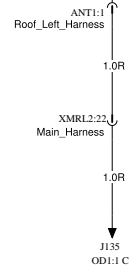
B

B



C

C



D

D

E

E

WIRELESS MICROPHONE PREPARATION

WIRING DIAGRAM JD

A

A

B

B

C

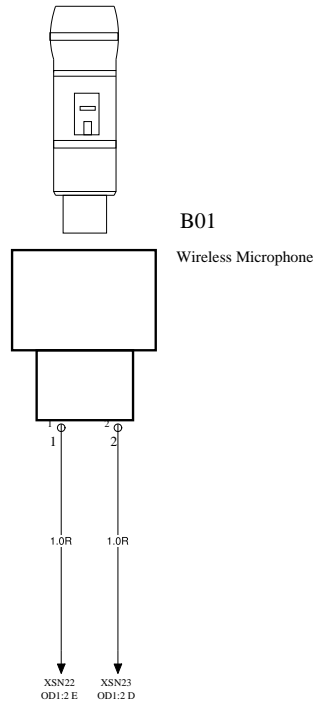
C

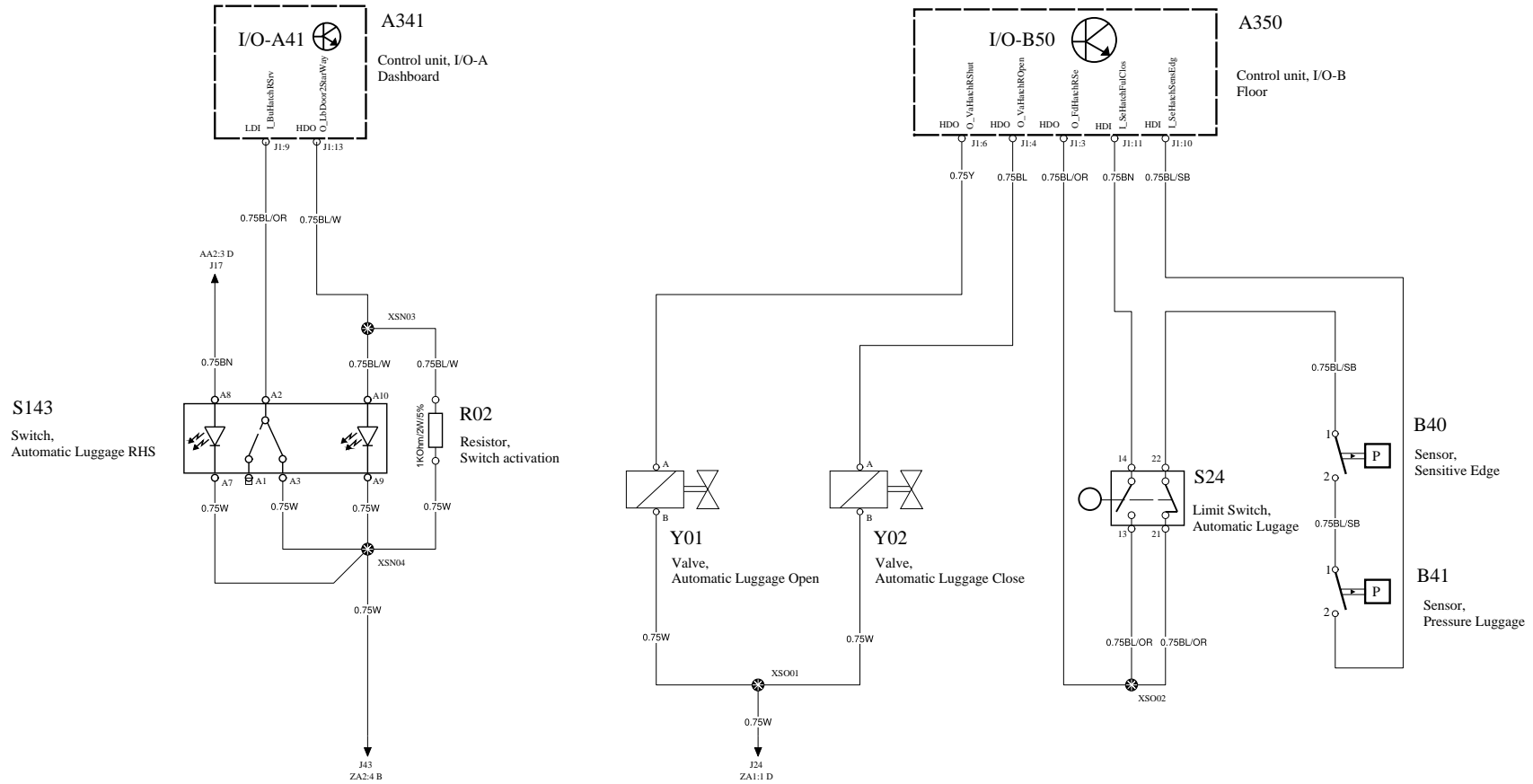
D

D

E

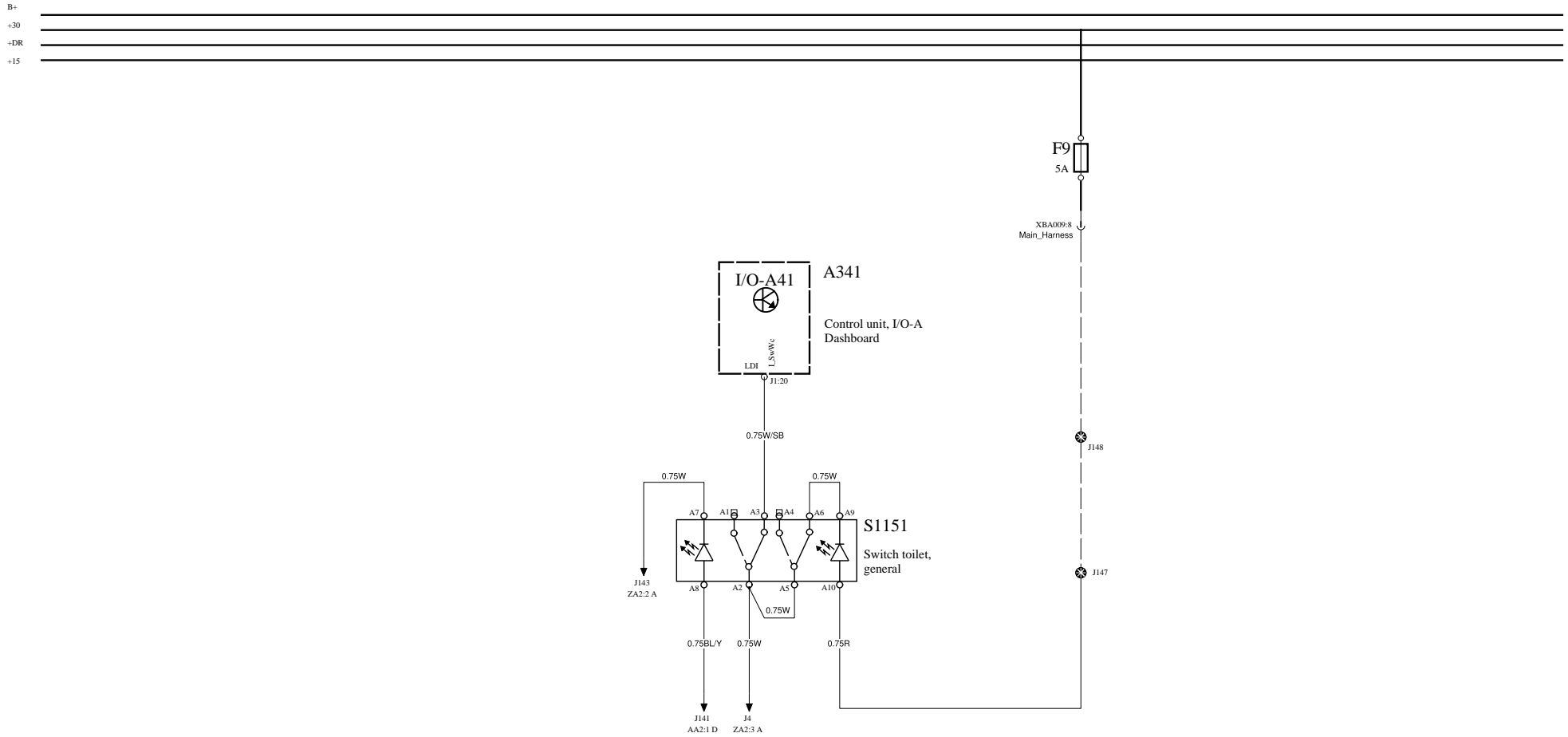
E

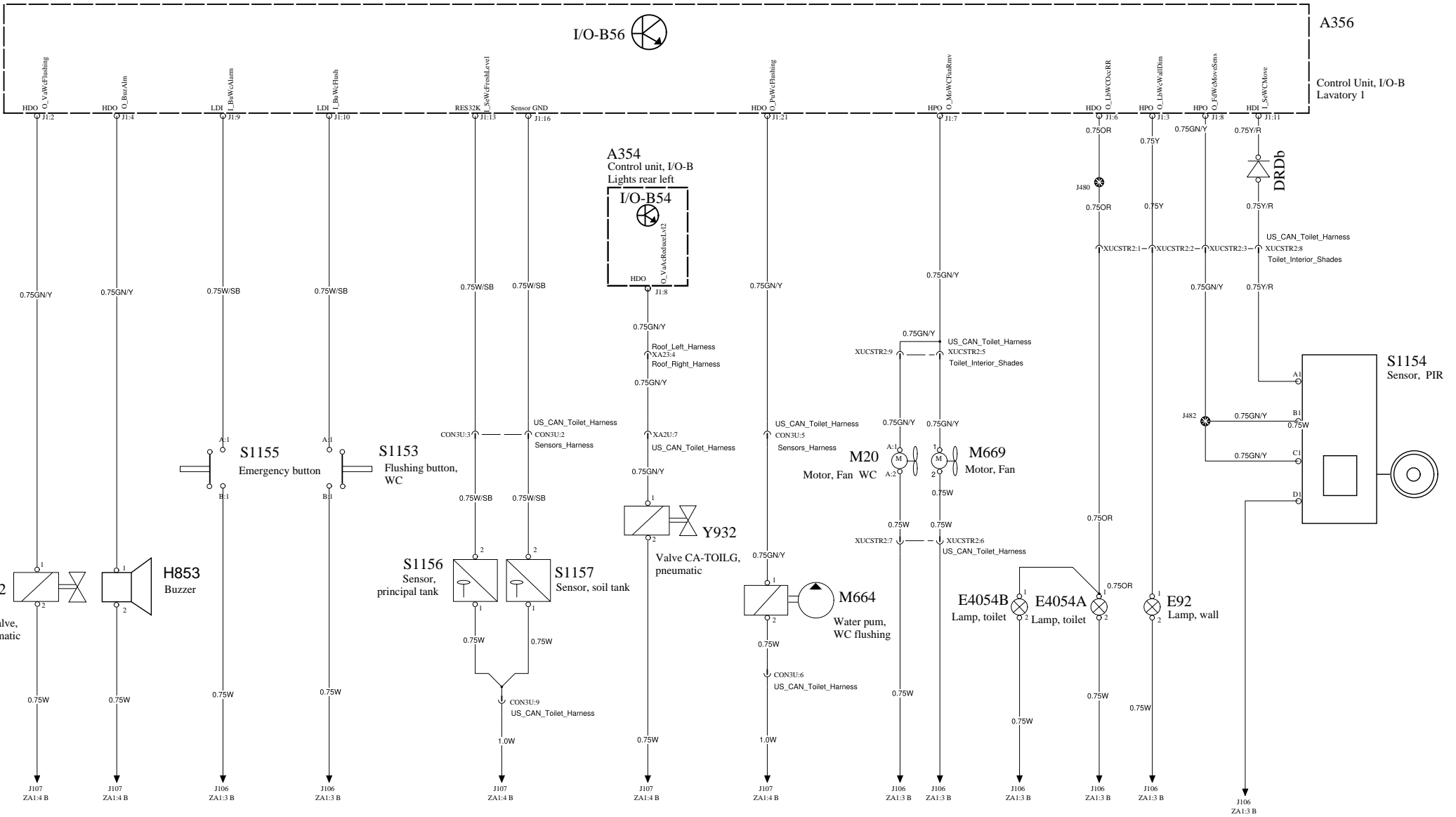




TOILET ACTIVATION SWITCH

WIRING DIAGRAM OA1-3





**VOLVO**

Volvo Bus Corporation

Document title  
WIRING DIAGRAM

Document type  
PRODUCT SCHEMATIC

Document No

23458767

Issue

01

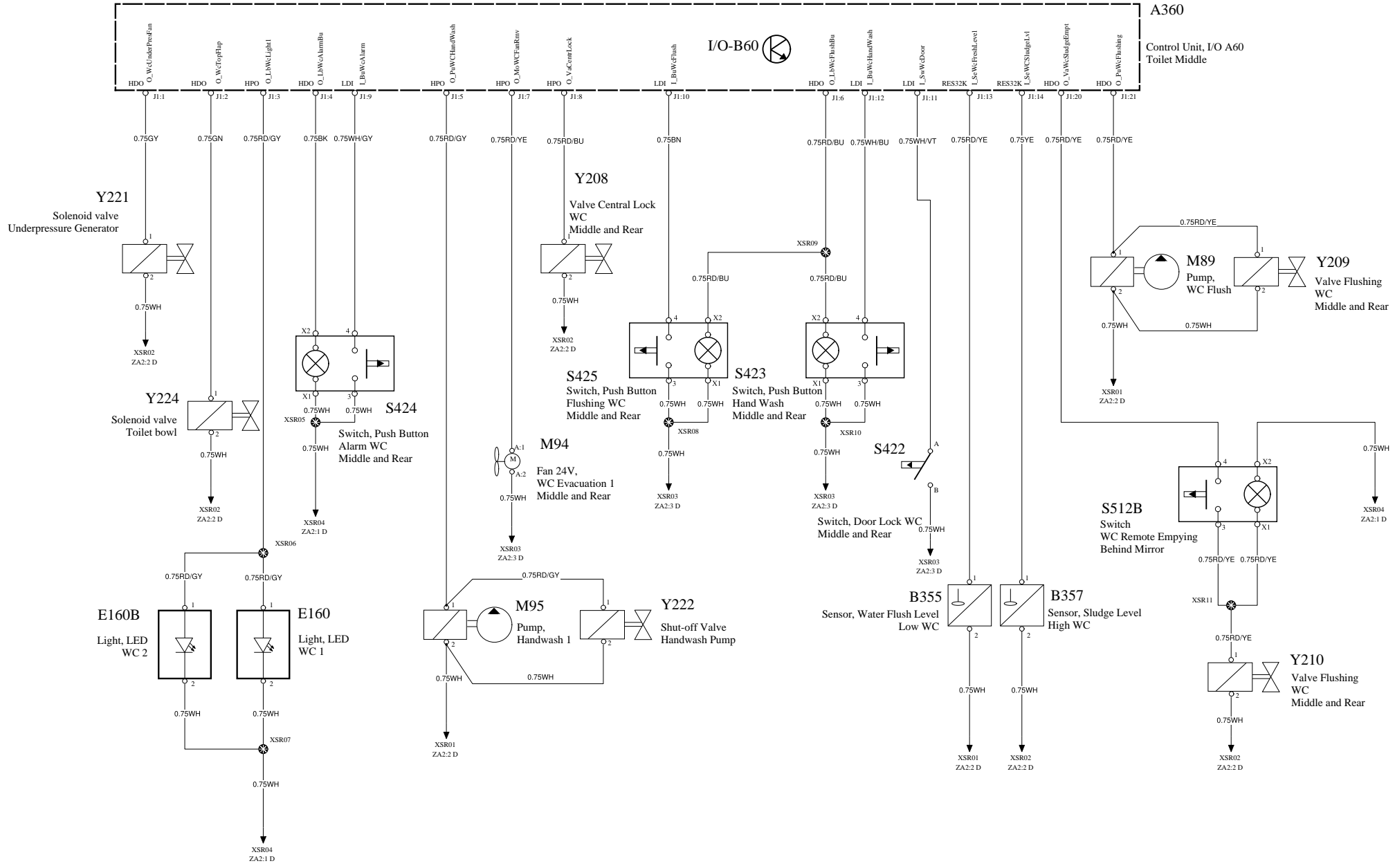
Volume

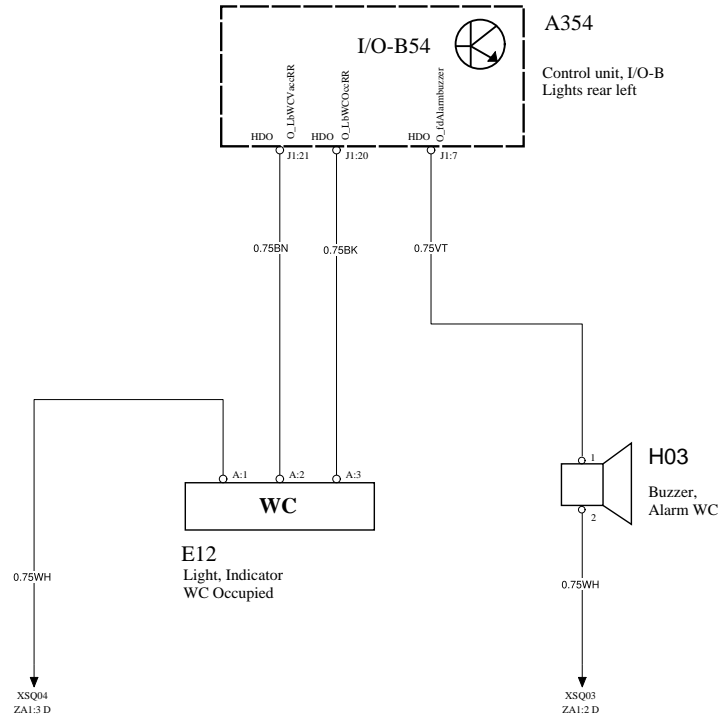
02(03)

Page

46(79)

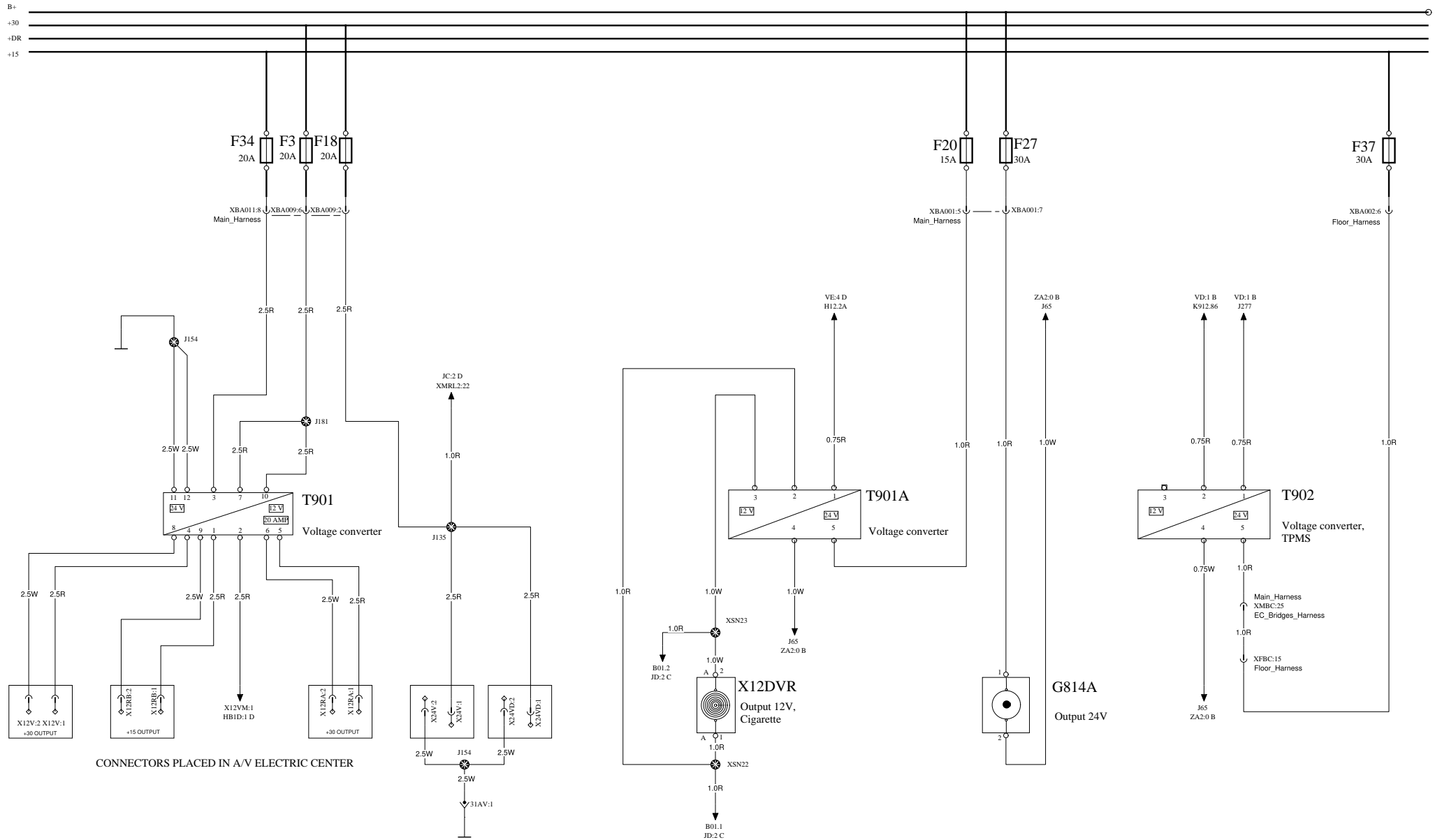




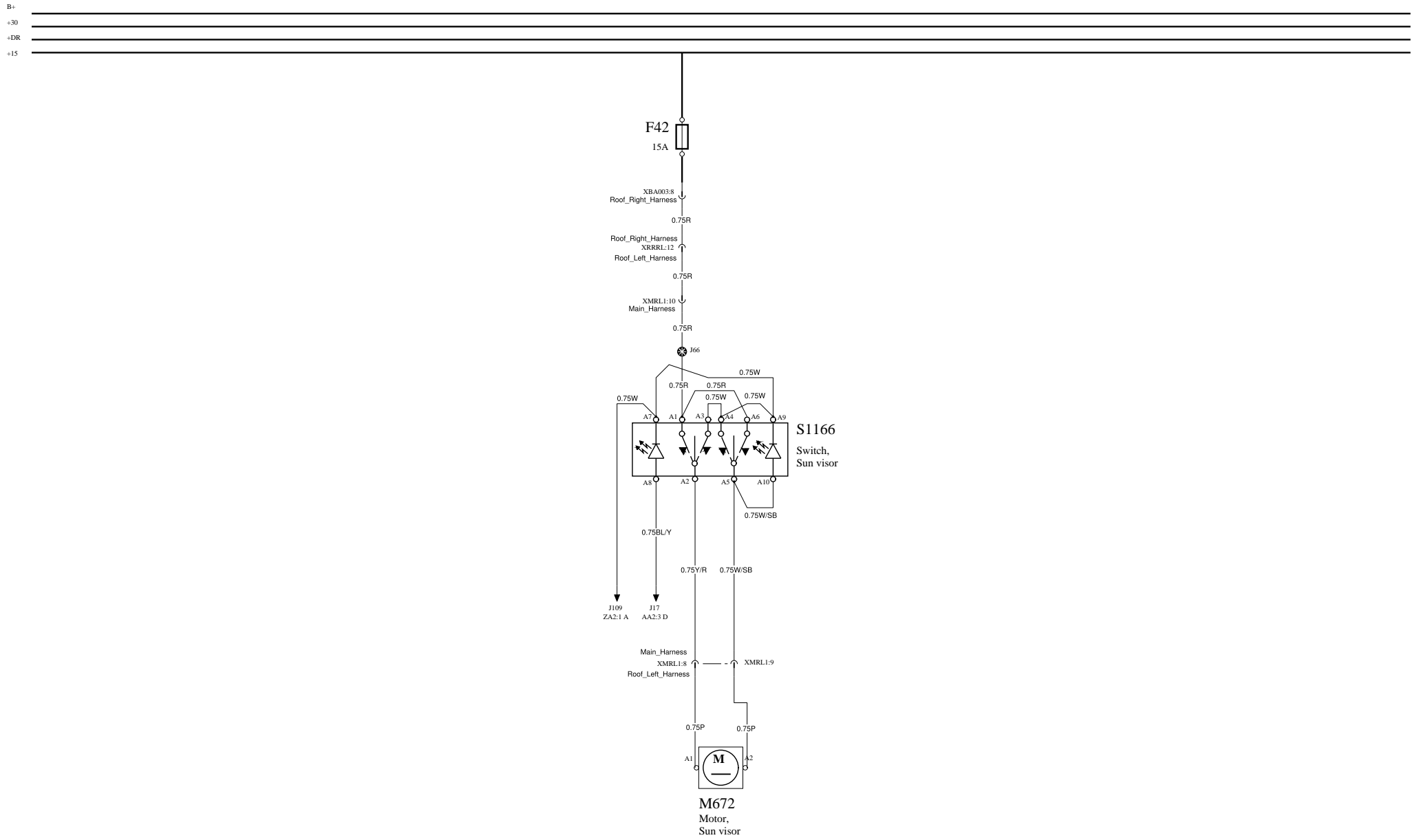


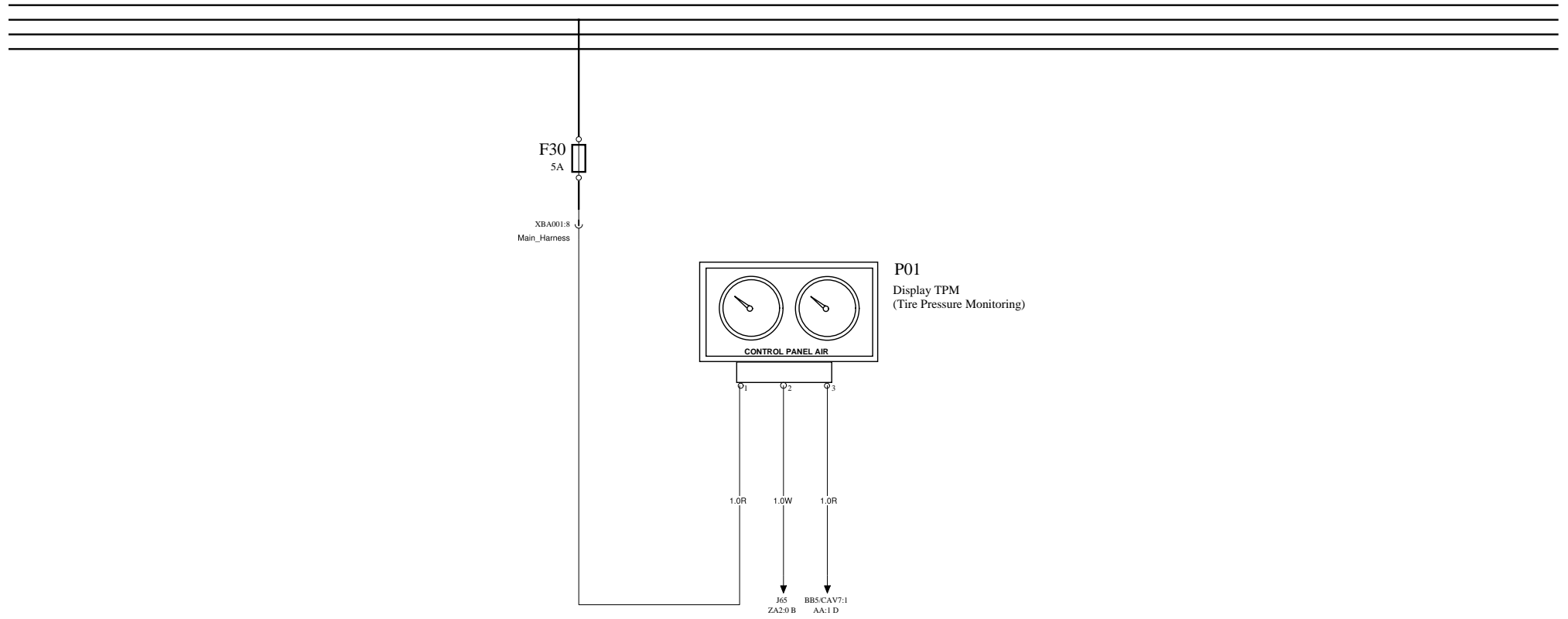
ELECTRICAL DASHBOARD OUTLET 12V & 24V

WIRING DIAGRAM OD1



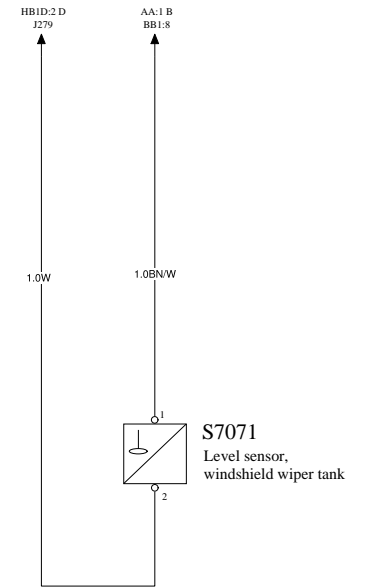
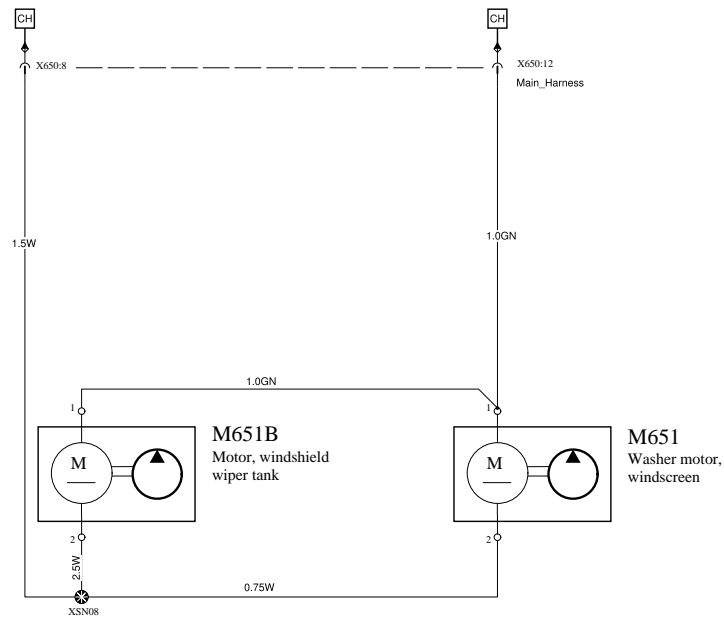
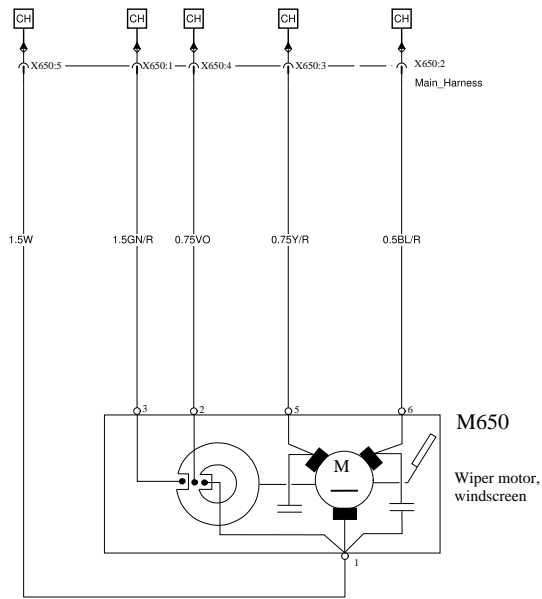
CONNECTORS PLACED IN A/V ELECTRIC CENTER

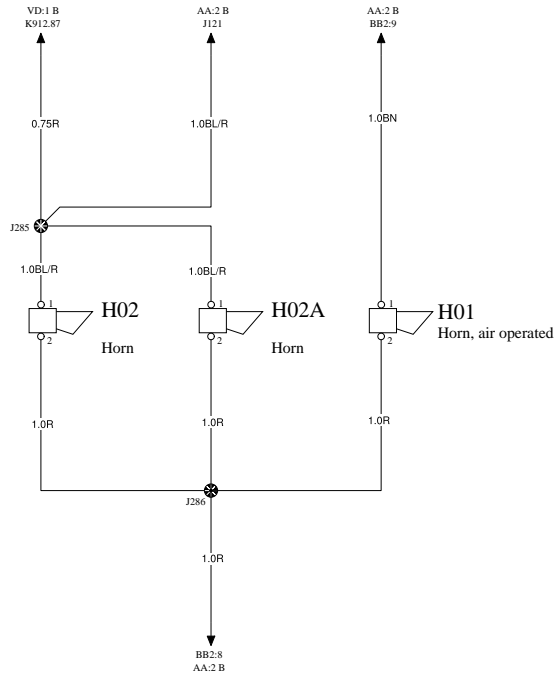


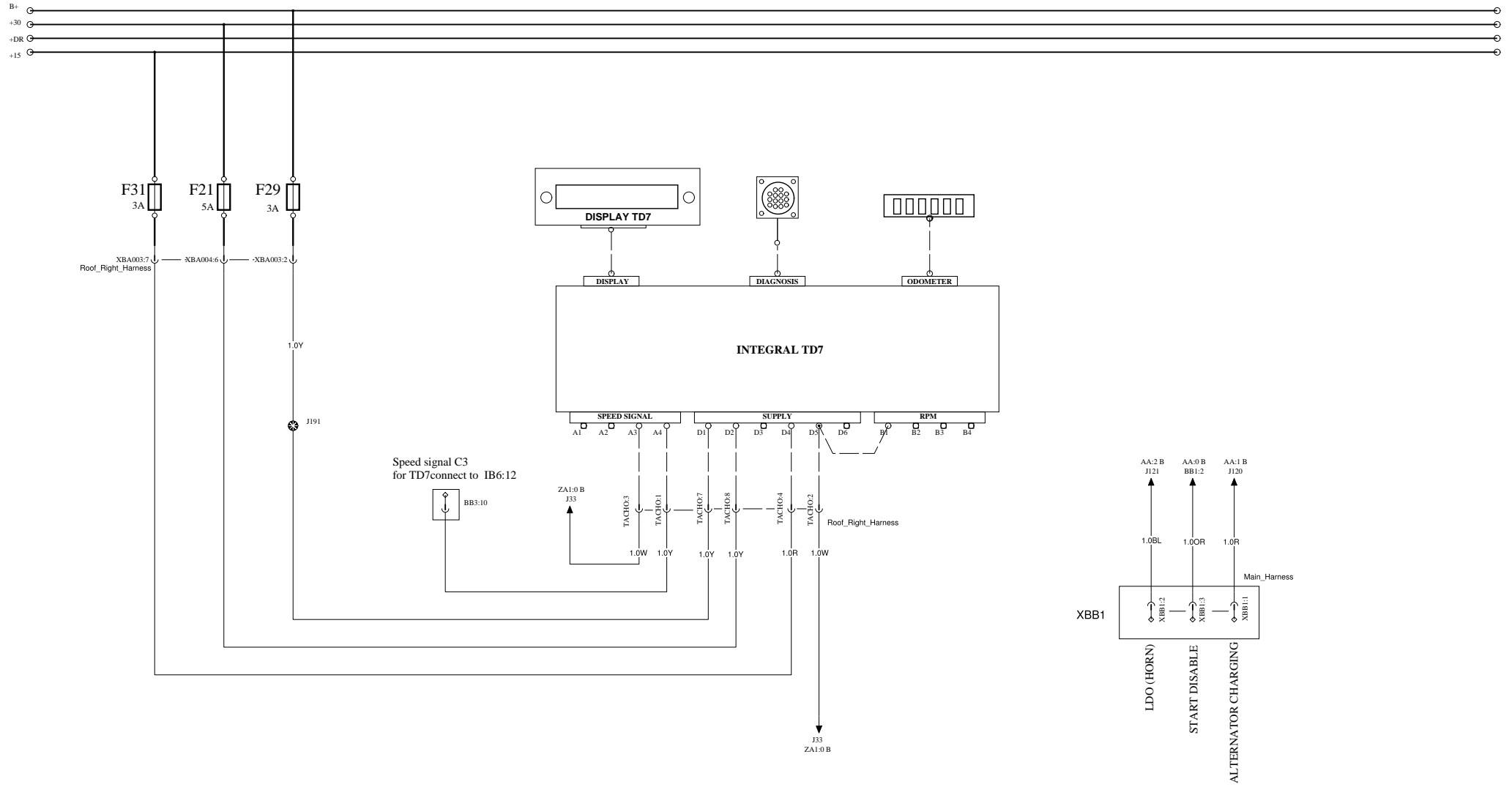


WIPER AND WASHER

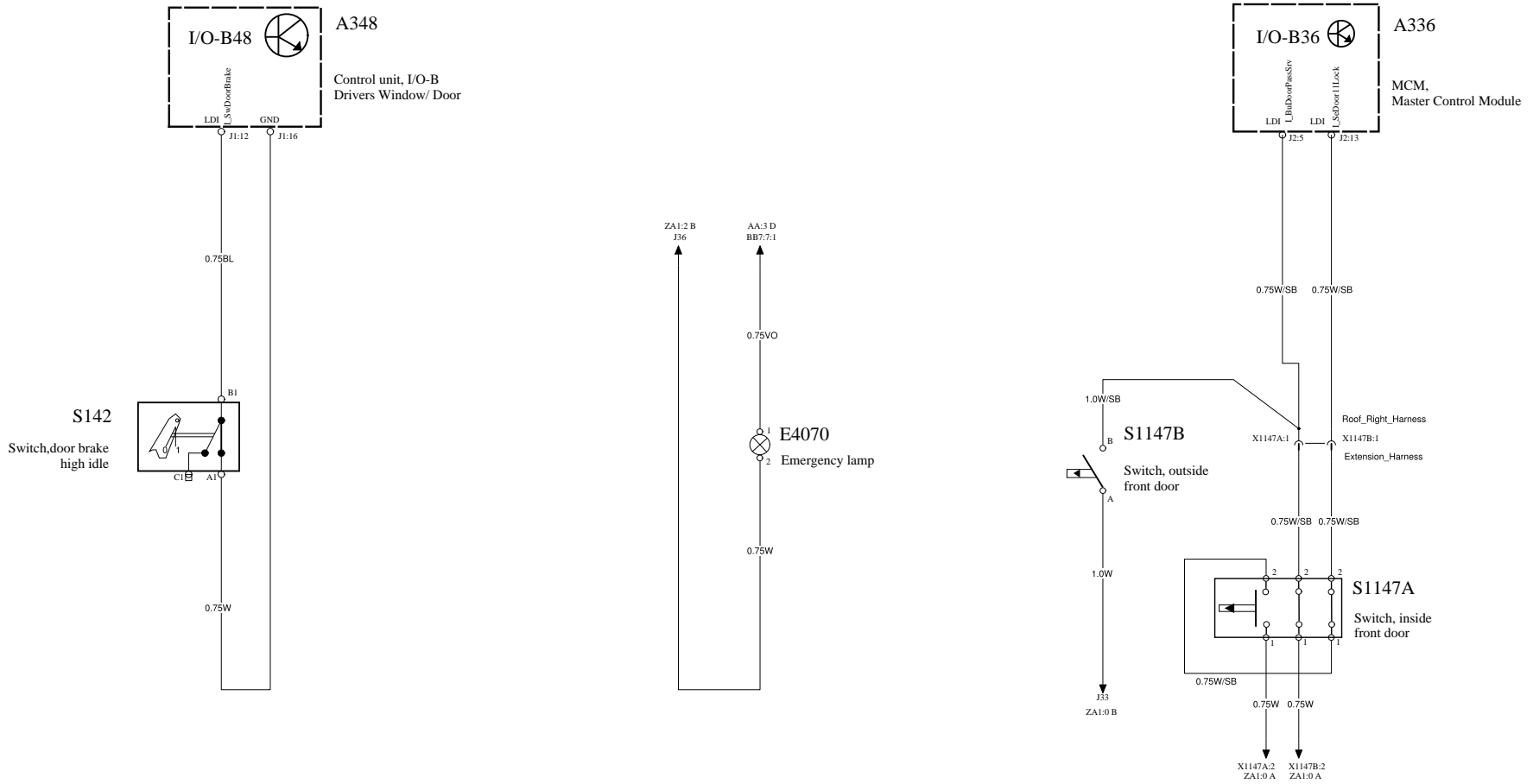
WIRING DIAGRAM OO1







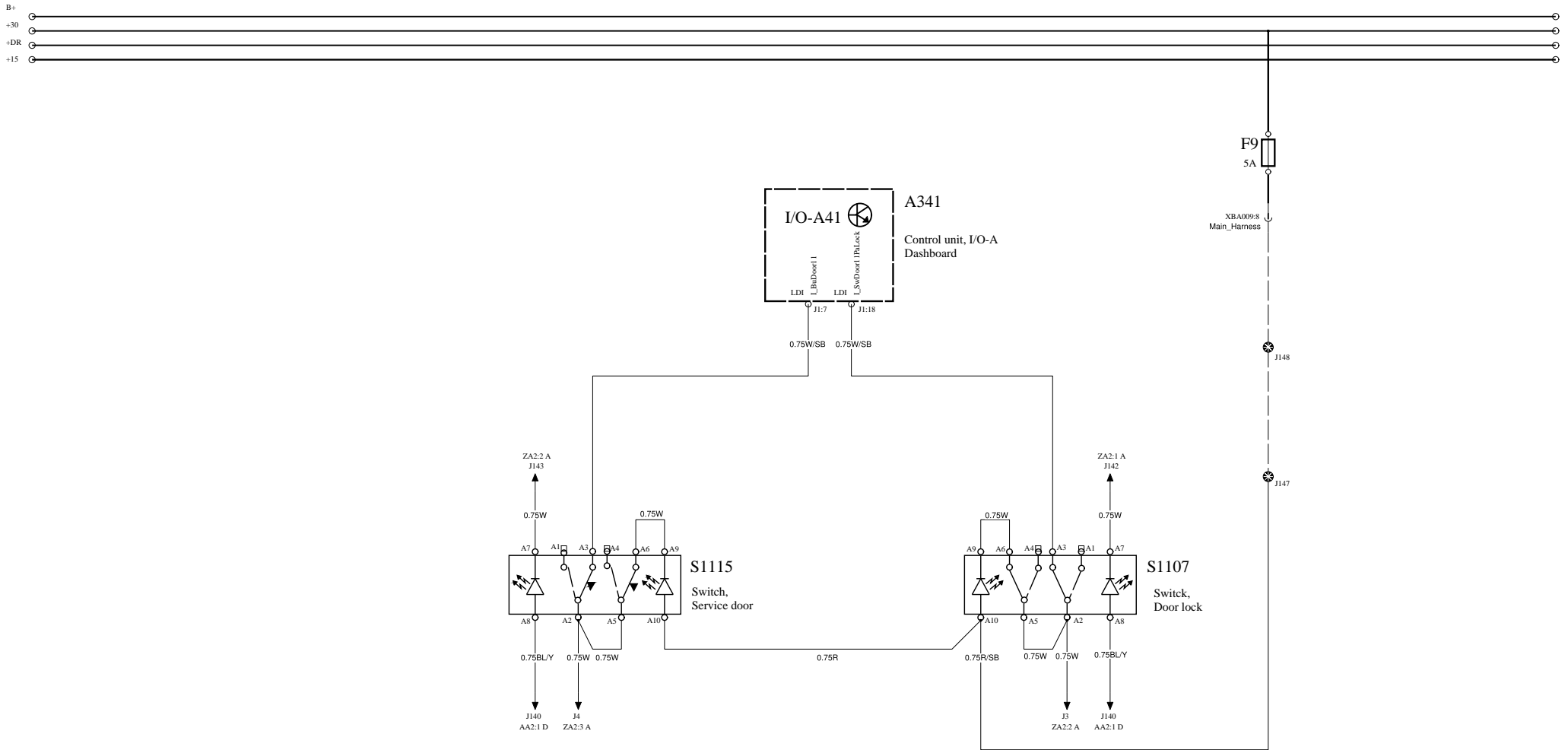


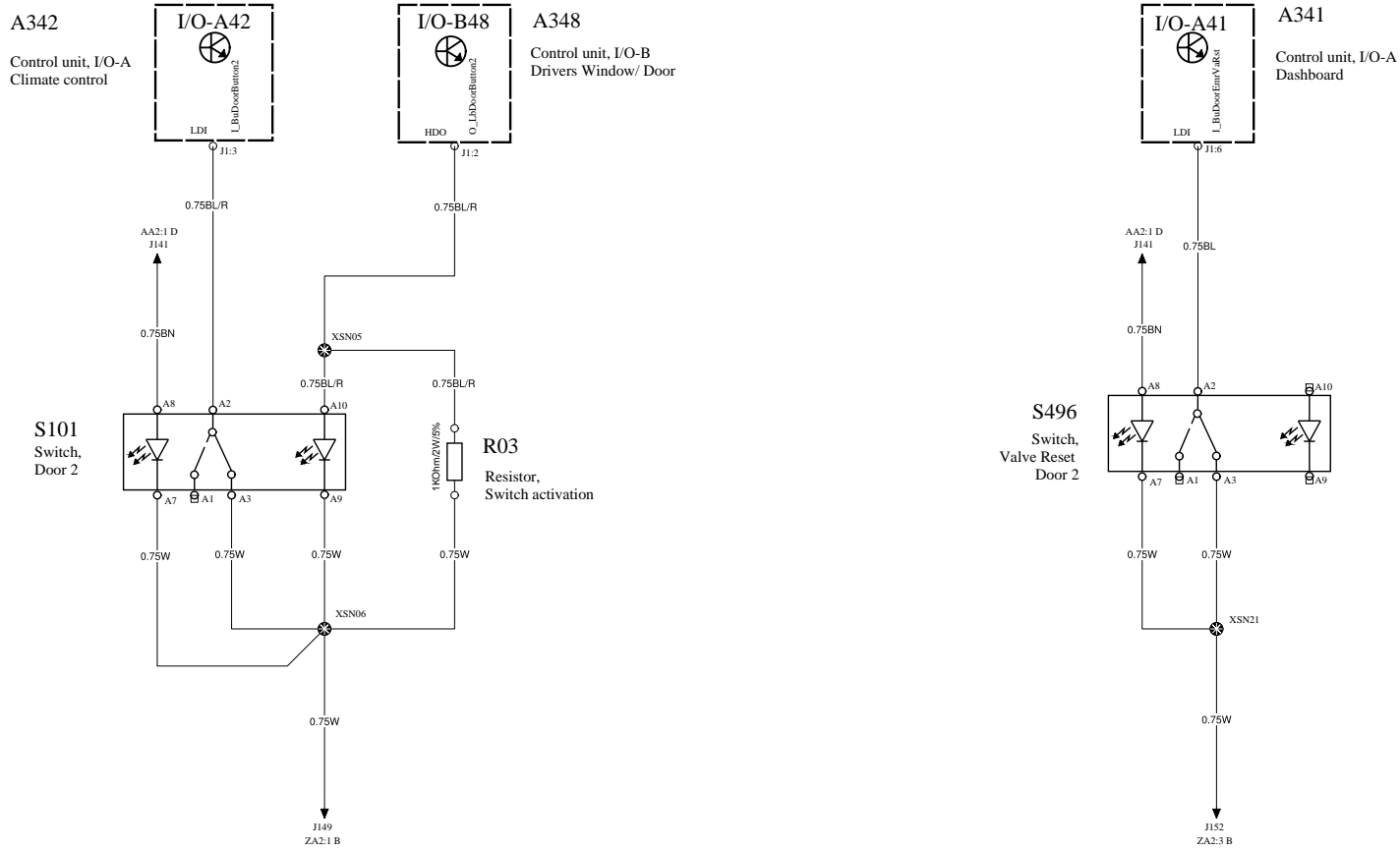


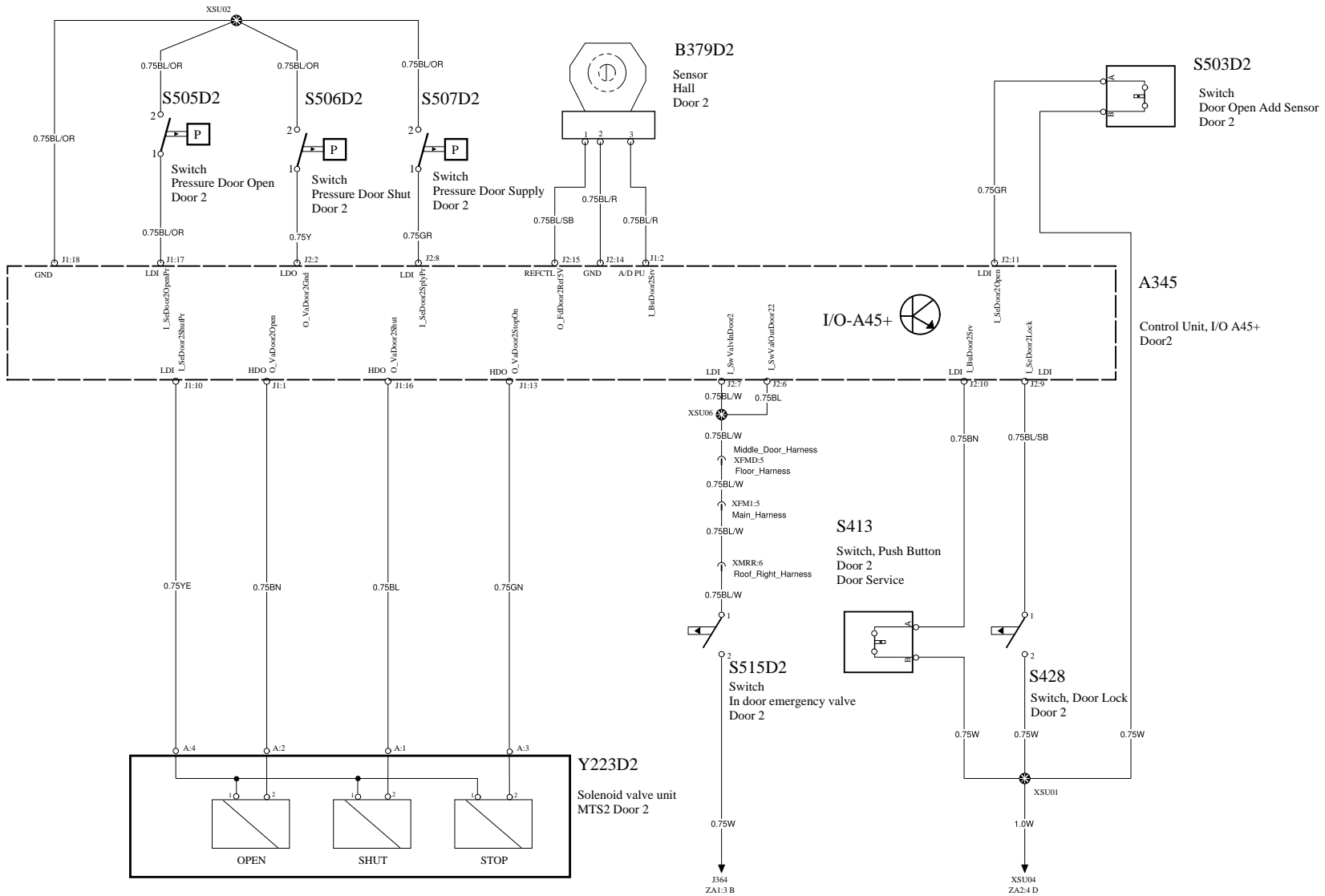
 Volvo Bus Corporation	Document title WIRING DIAGRAM	Document No  <b>23458767</b>	Issue  01	Volume  02(03)	Page  55(79)
	Document type PRODUCT SCHEMATIC				

DOOR 1 OPERATING BUTTONS

WIRING DIAGRAM PA1

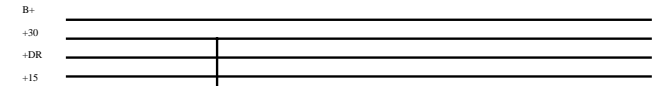
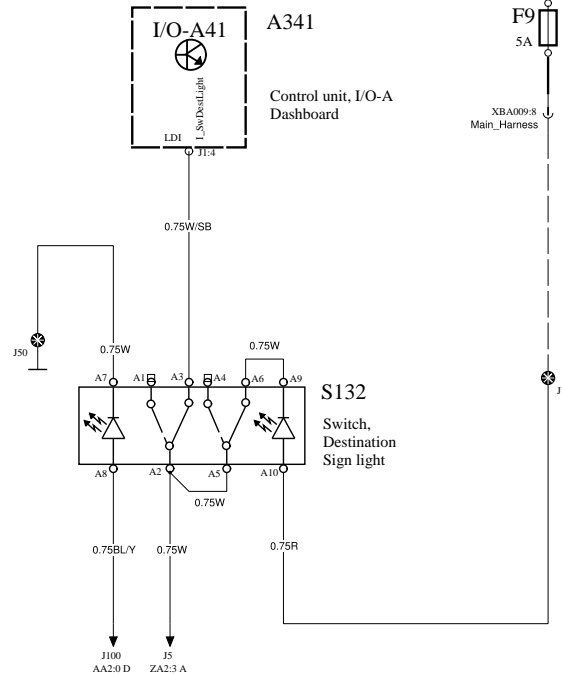
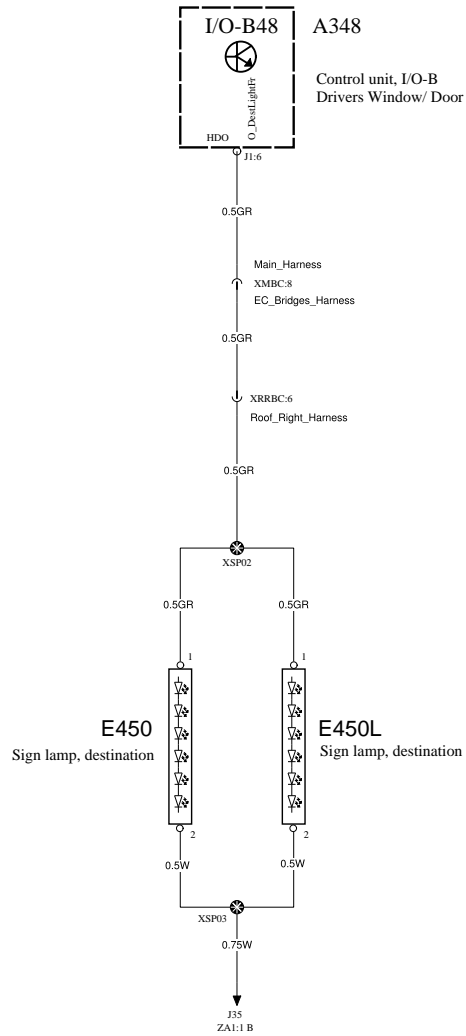


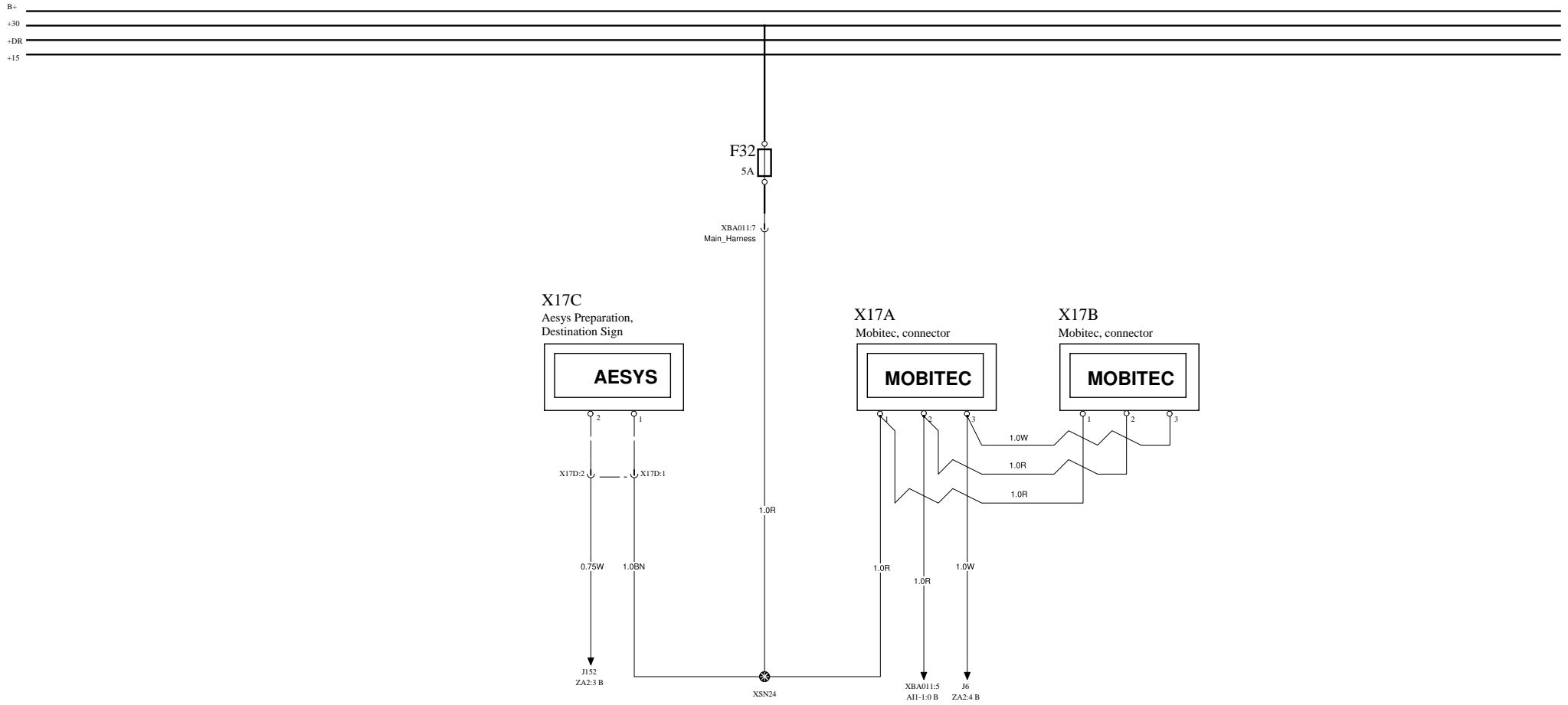




DESTINATION SIGN

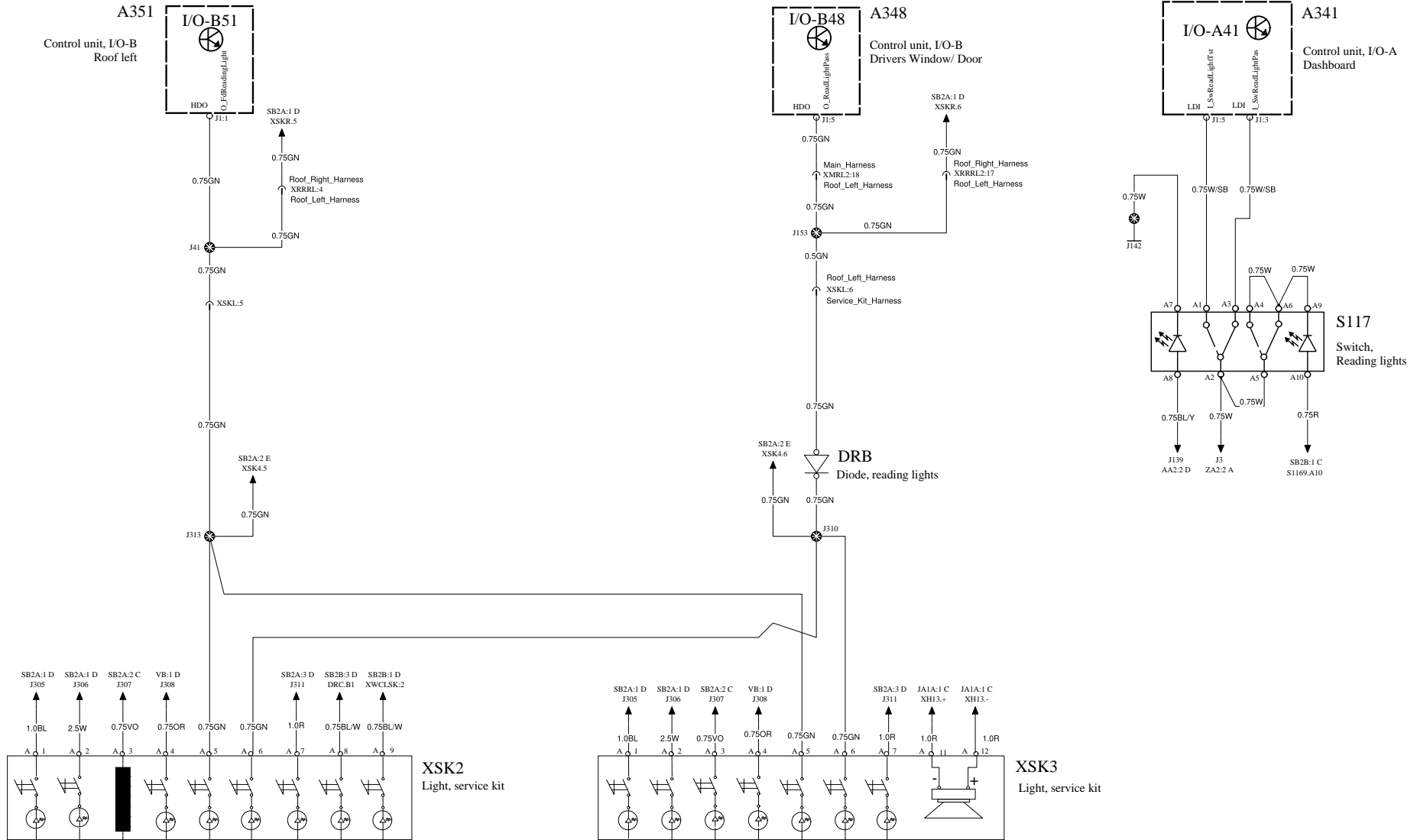
WIRING DIAGRAM SA





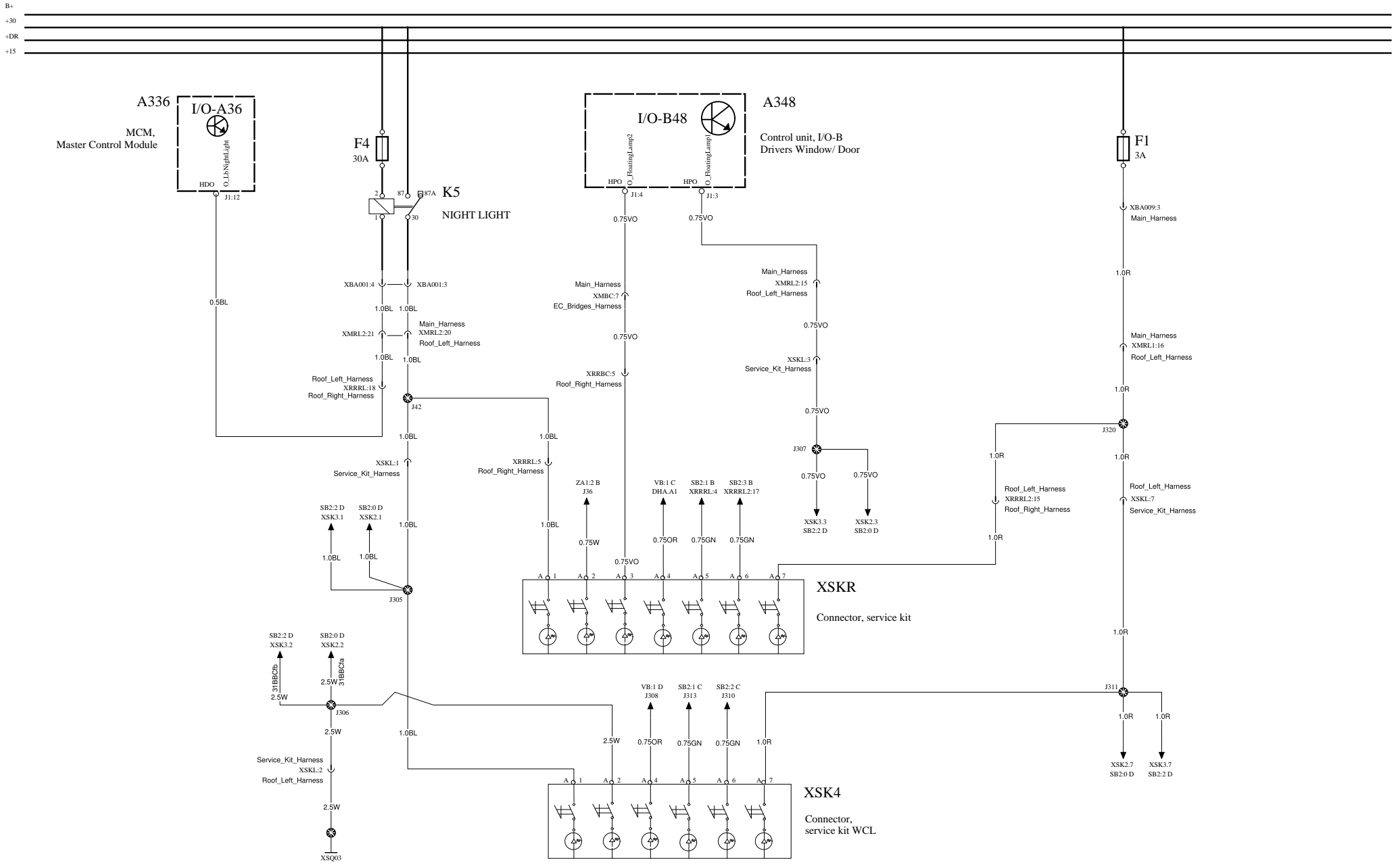
READING LIGHTS

WIRING DIAGRAM SB2

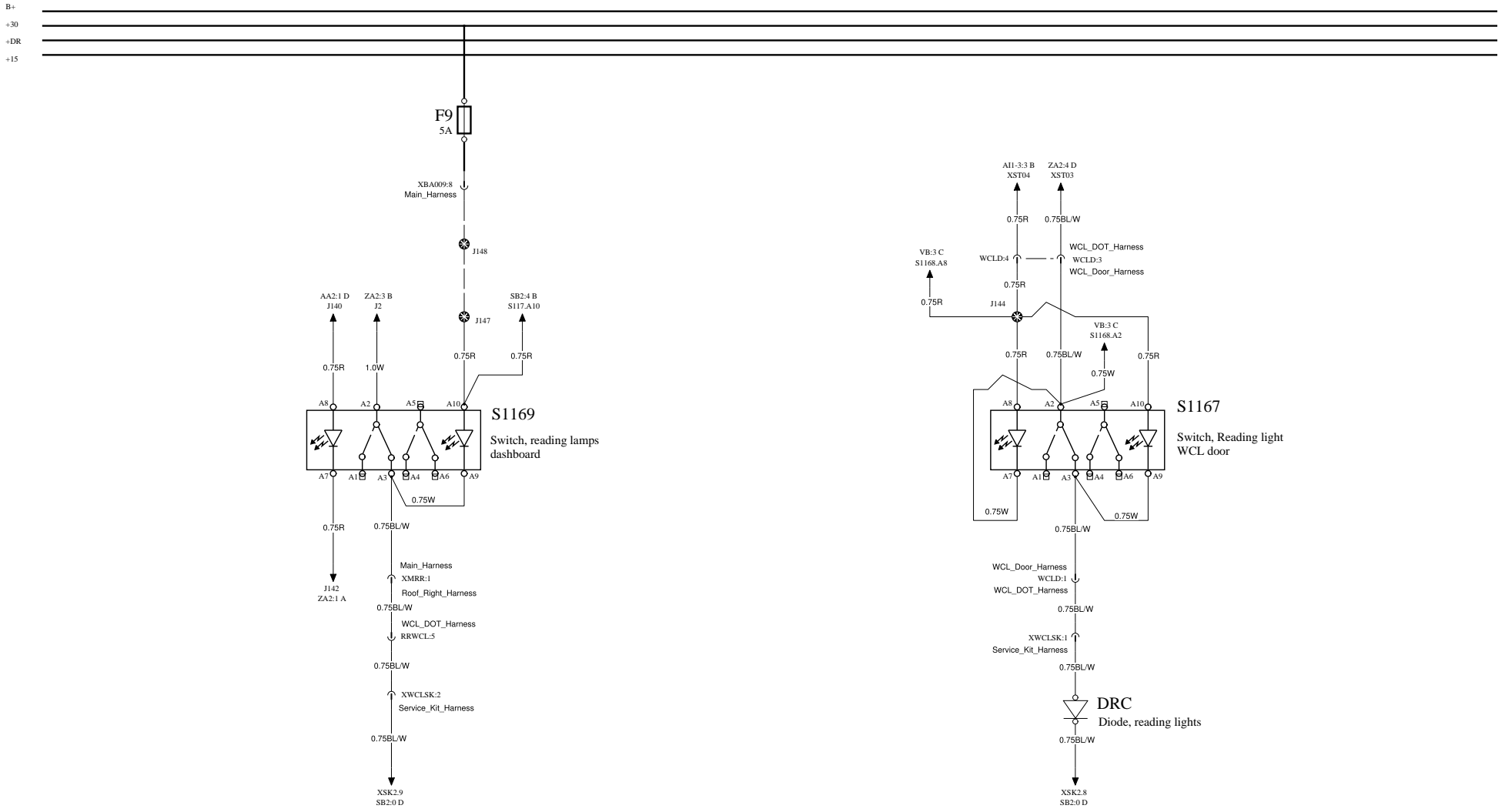


PASSANGER SERVICE KIT

WIRING DIAGRAM SB2A

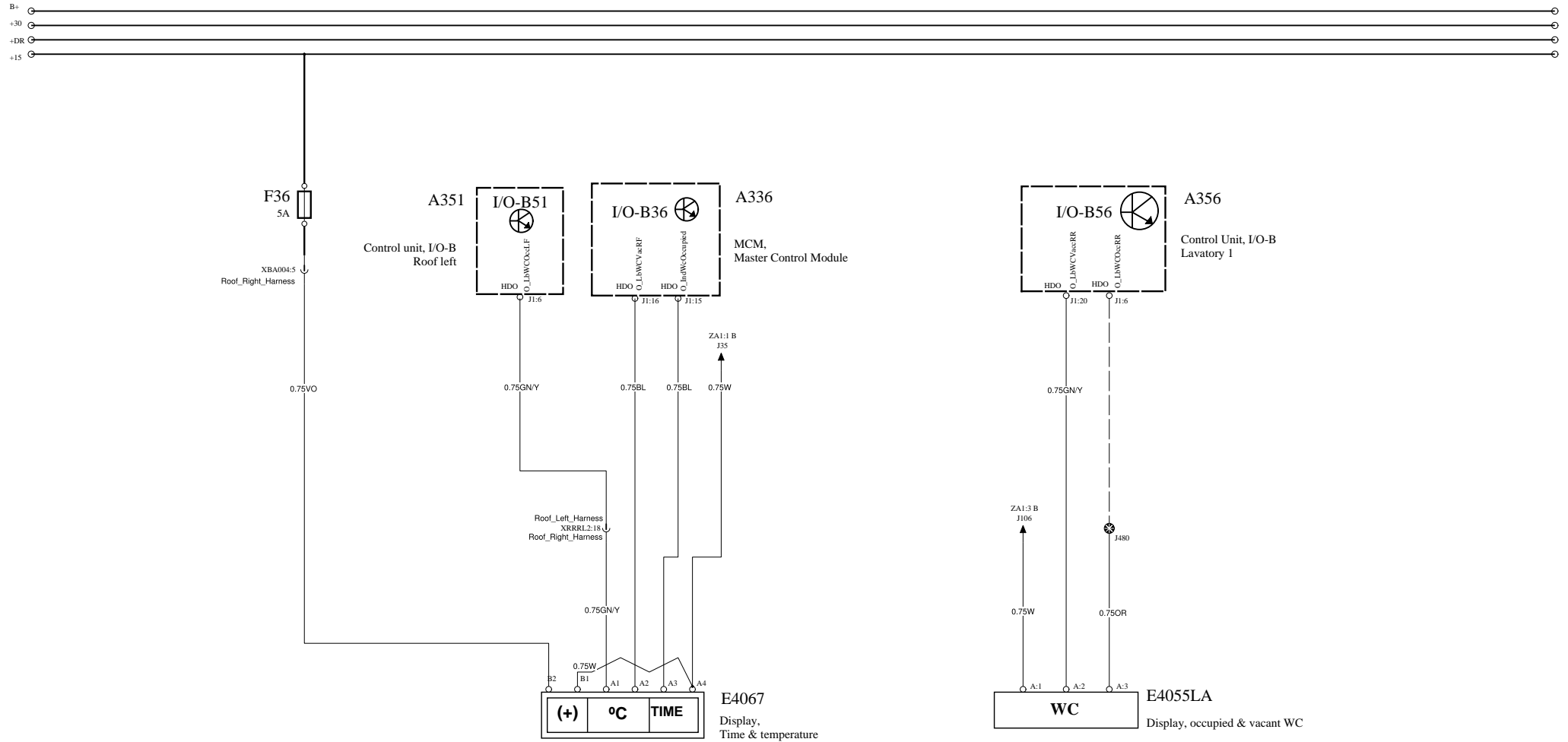






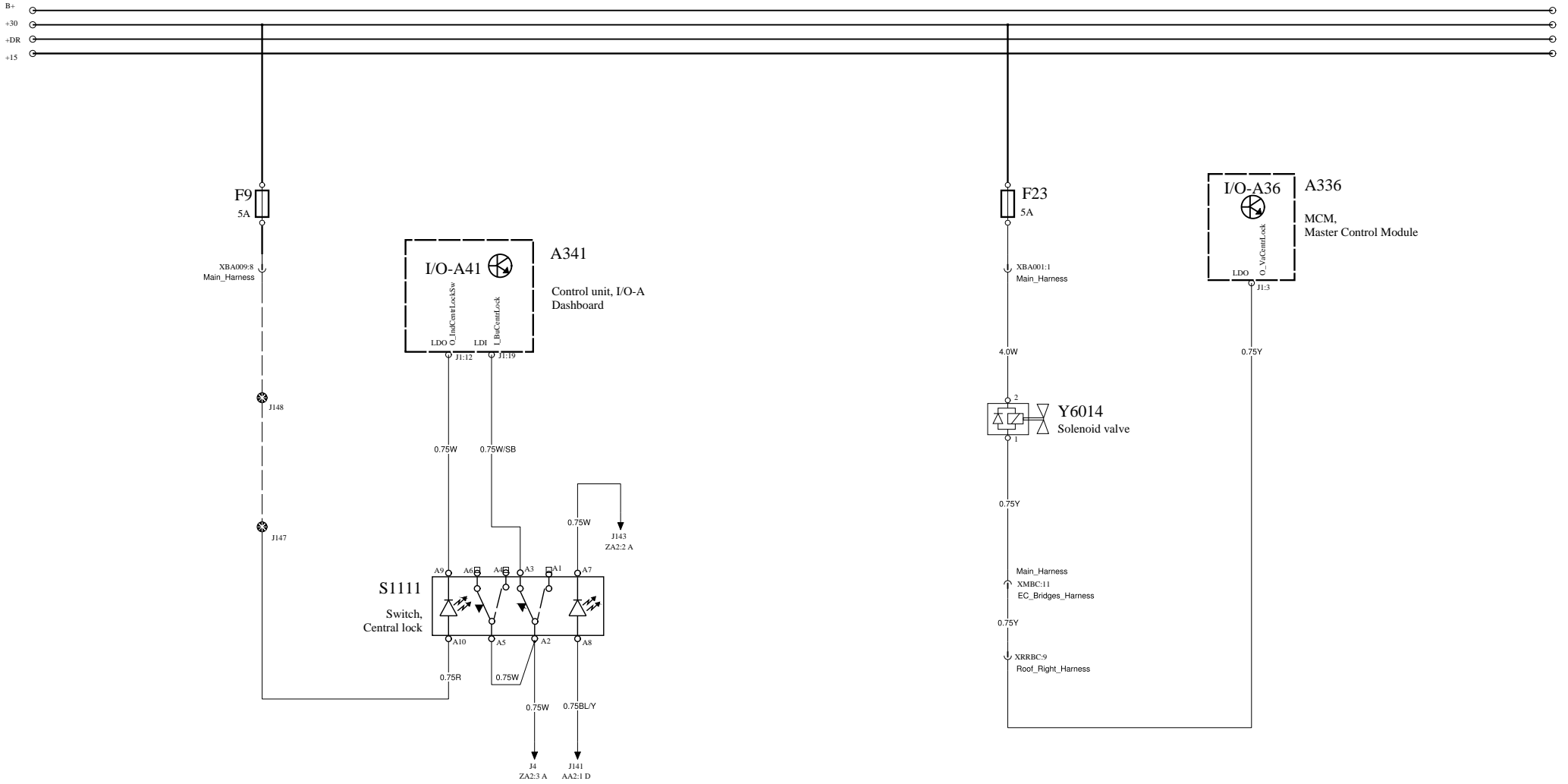
TIME, TEMPERATURE & WC DISPLAY

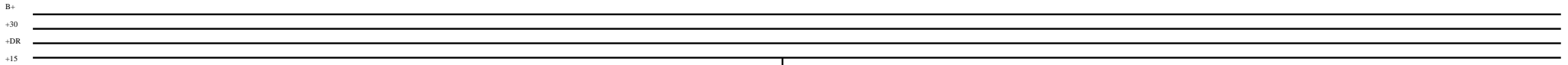
WIRING DIAGRAM SC2



CENTRAL LOCK LUGGAGE HATCHES

WIRING DIAGRAM UB1A





F42  
15A

XBA003:8  
Roof\_Right\_Harness

Roof\_Right\_Harness  
XRRRL:12  
Roof\_Left\_Harness

XMRL1:10  
Main\_Harness

VB1:3 D  
XSN16

366

0.75W

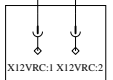
0.75R

K05  
Reverse Camera Relay

0.75BL

XSN17  
VB1:3 D

0.75R



Reverse camera preparation

0.75W

J108  
ZA2:1 A



Group Trucks Technology

Document title  
WIRING DIAGRAM

Document type  
PRODUCT SCHEMATIC

Document No

23458767

Issue

01

Volume

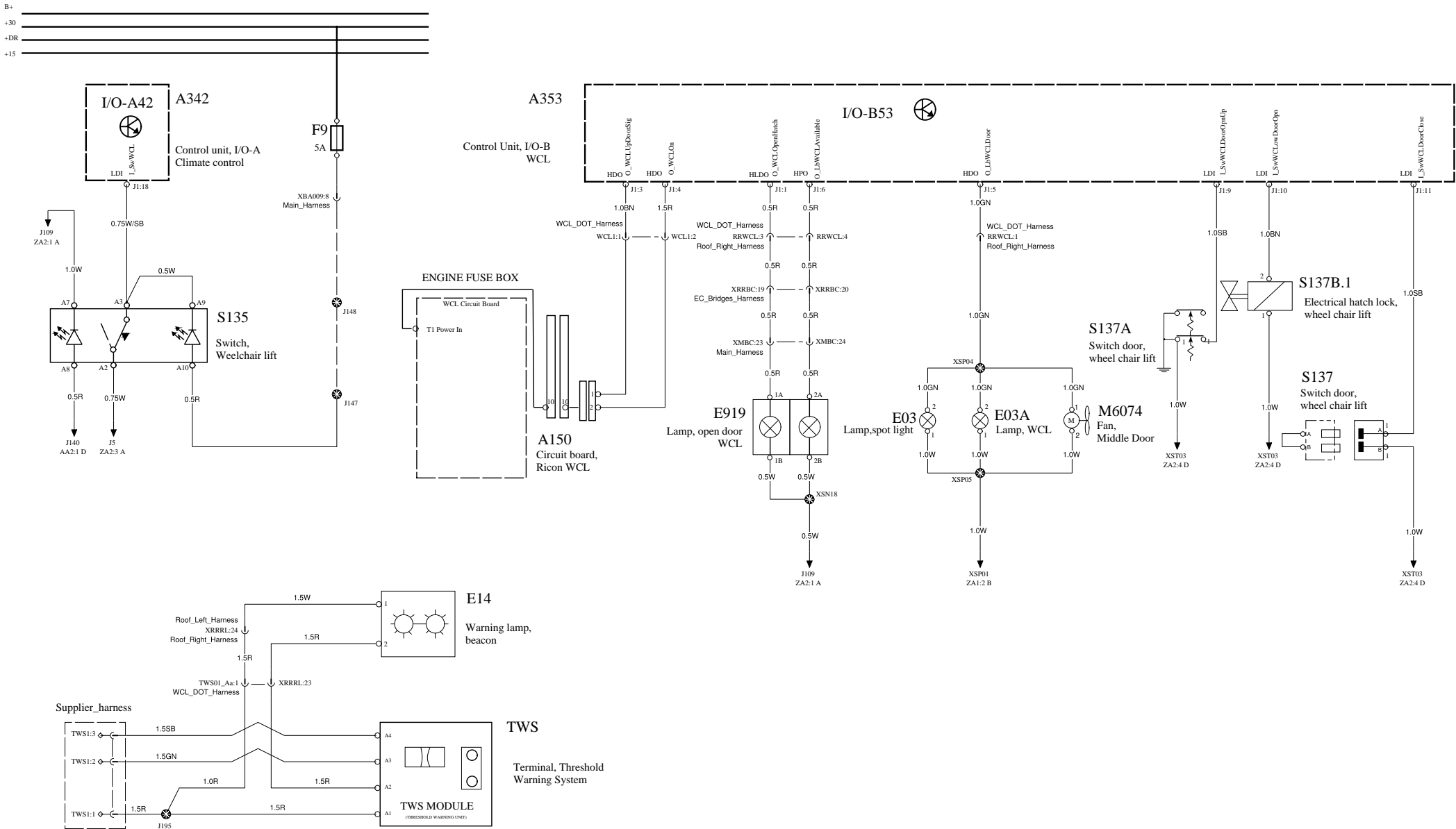
02(03)

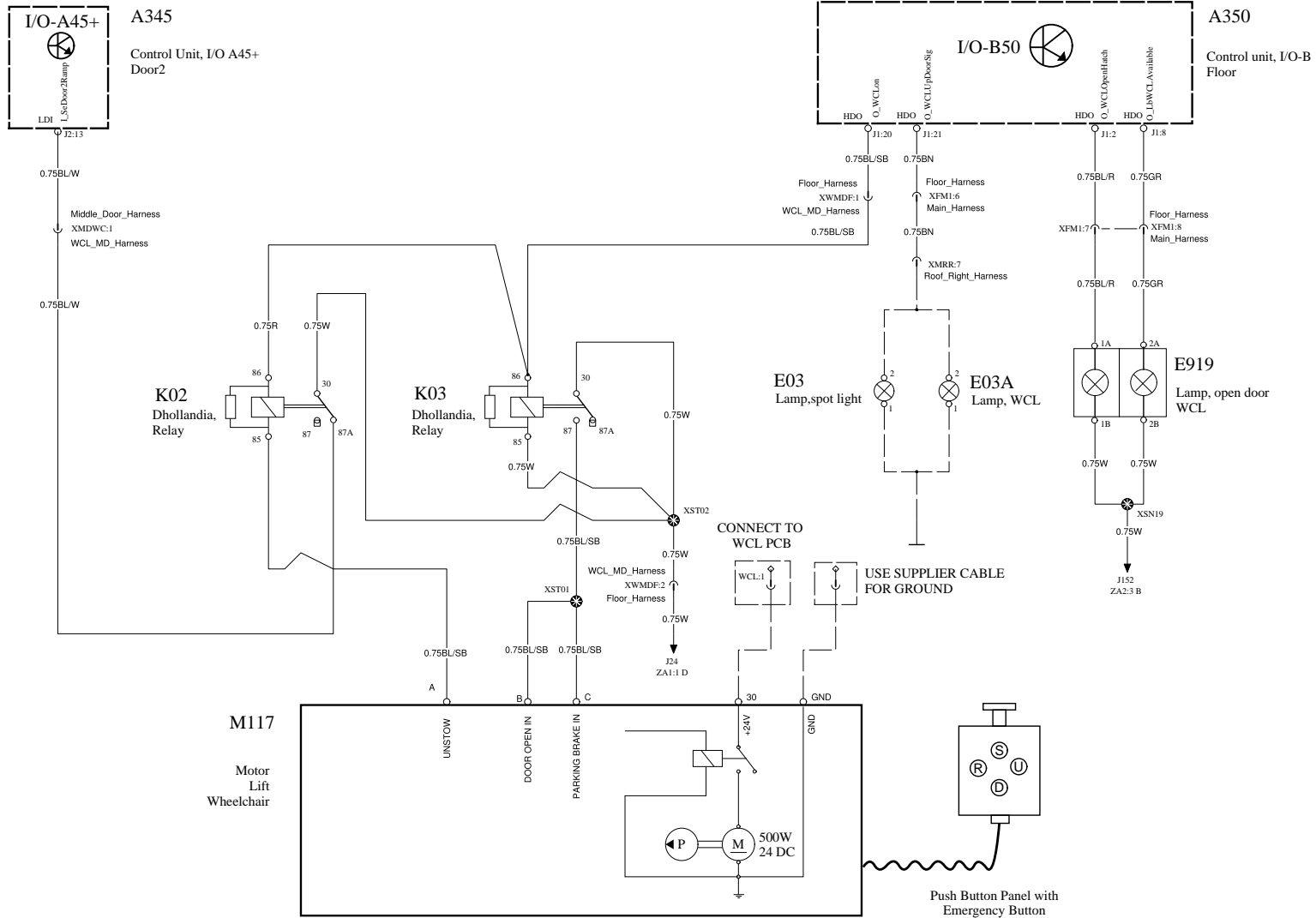
Page

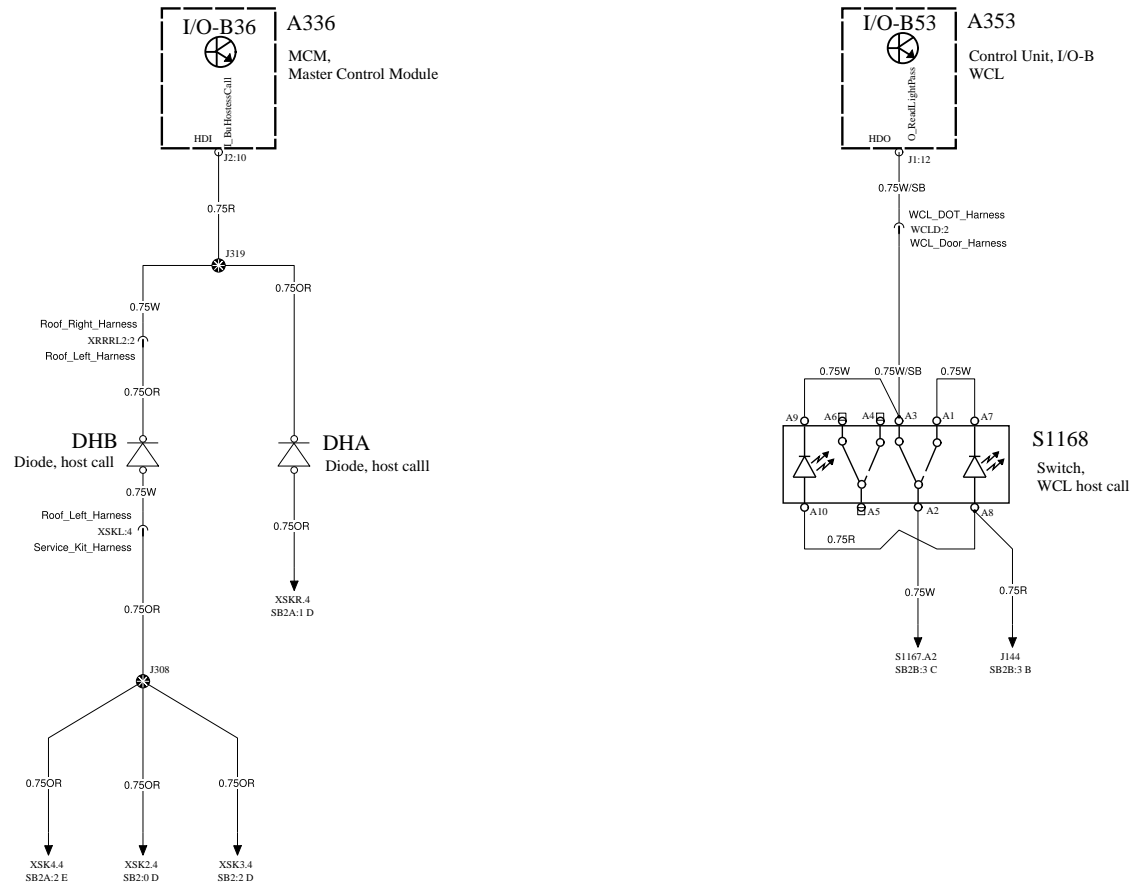
66(79)

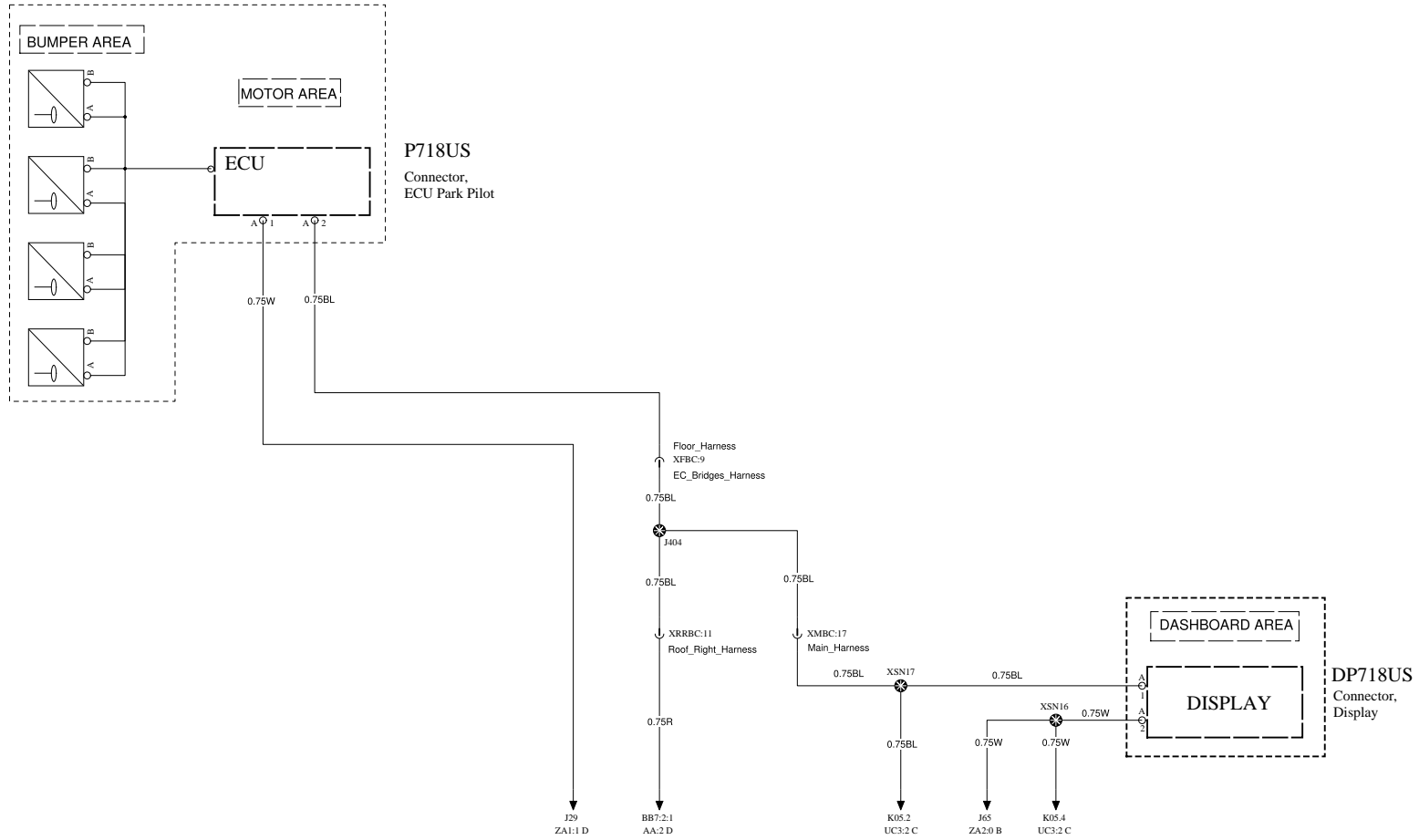
# WHEELCHAIR LIFT

# WIRING DIAGRAM VA





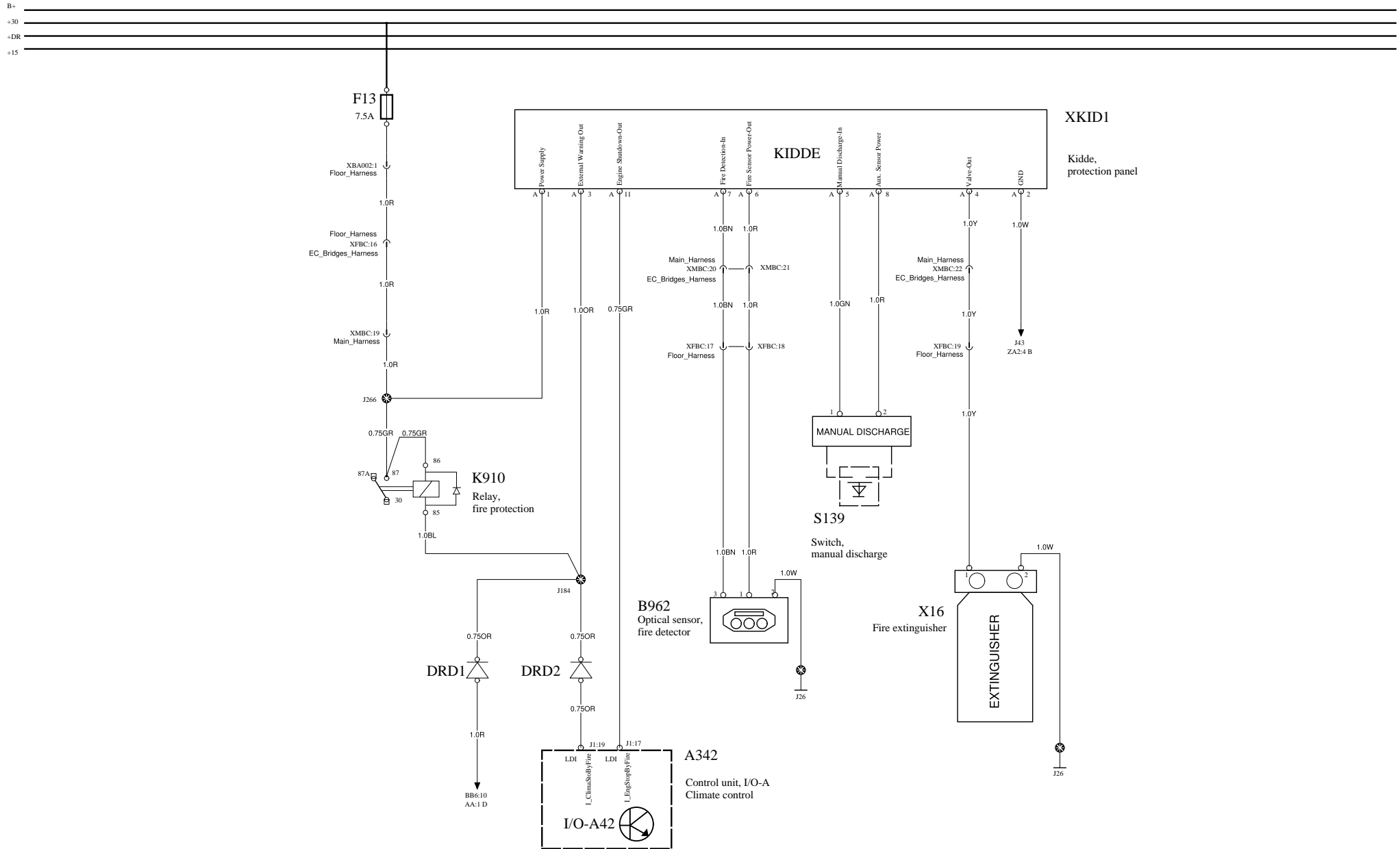






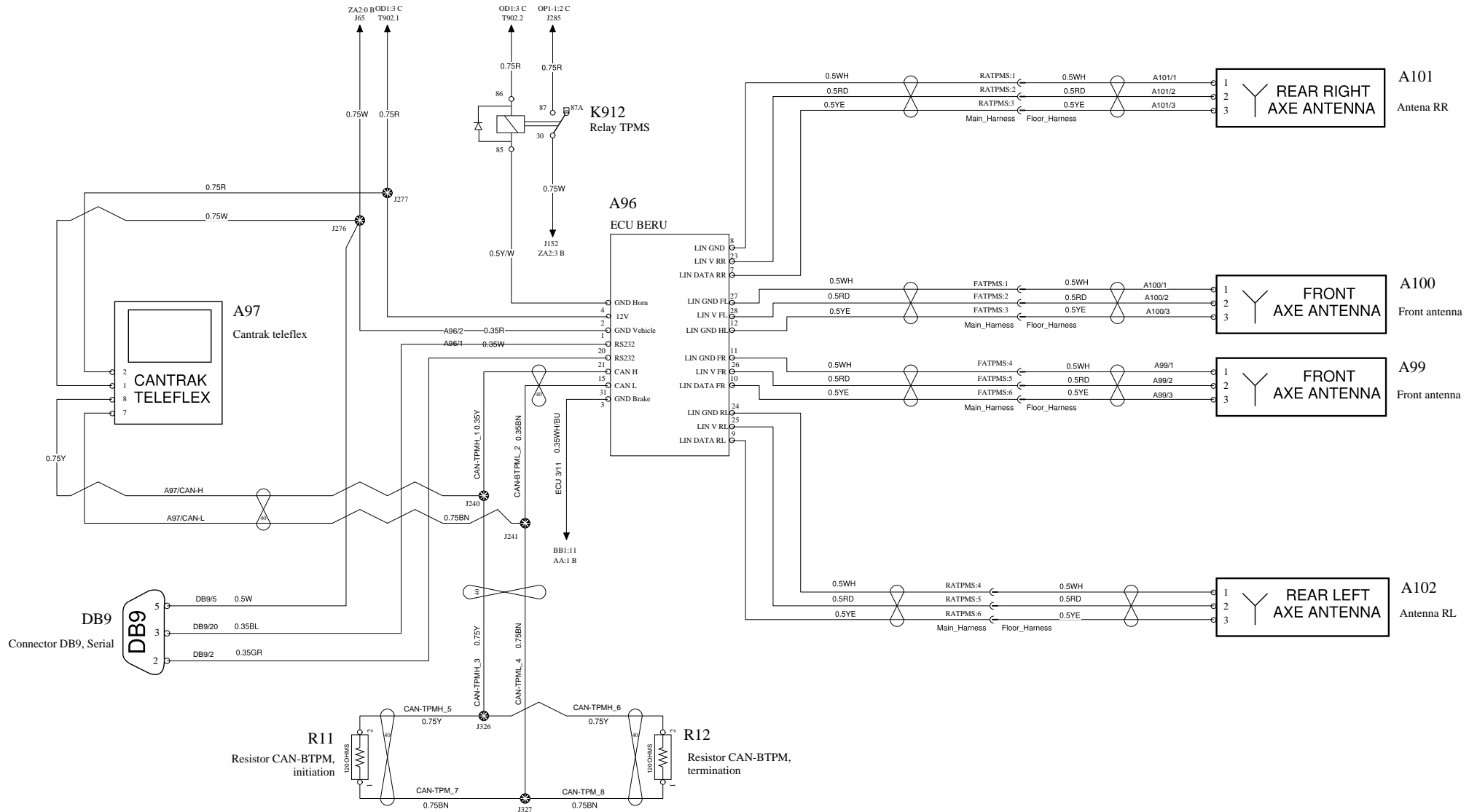
AUTOMATIC FIRE SUPPRESSION

WIRING DIAGRAM VC1

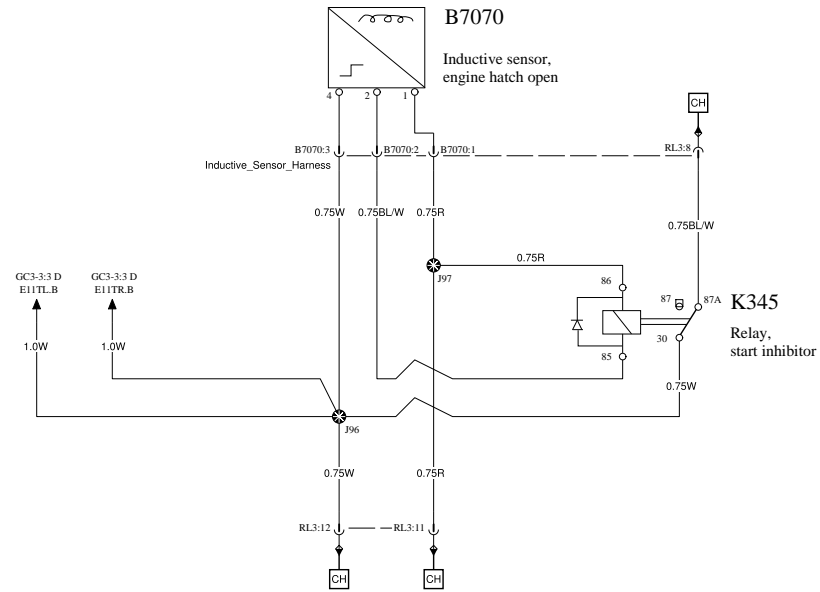


# TIRE PRESSURE MONITORING SYSTEM

# WIRING DIAGRAM VD

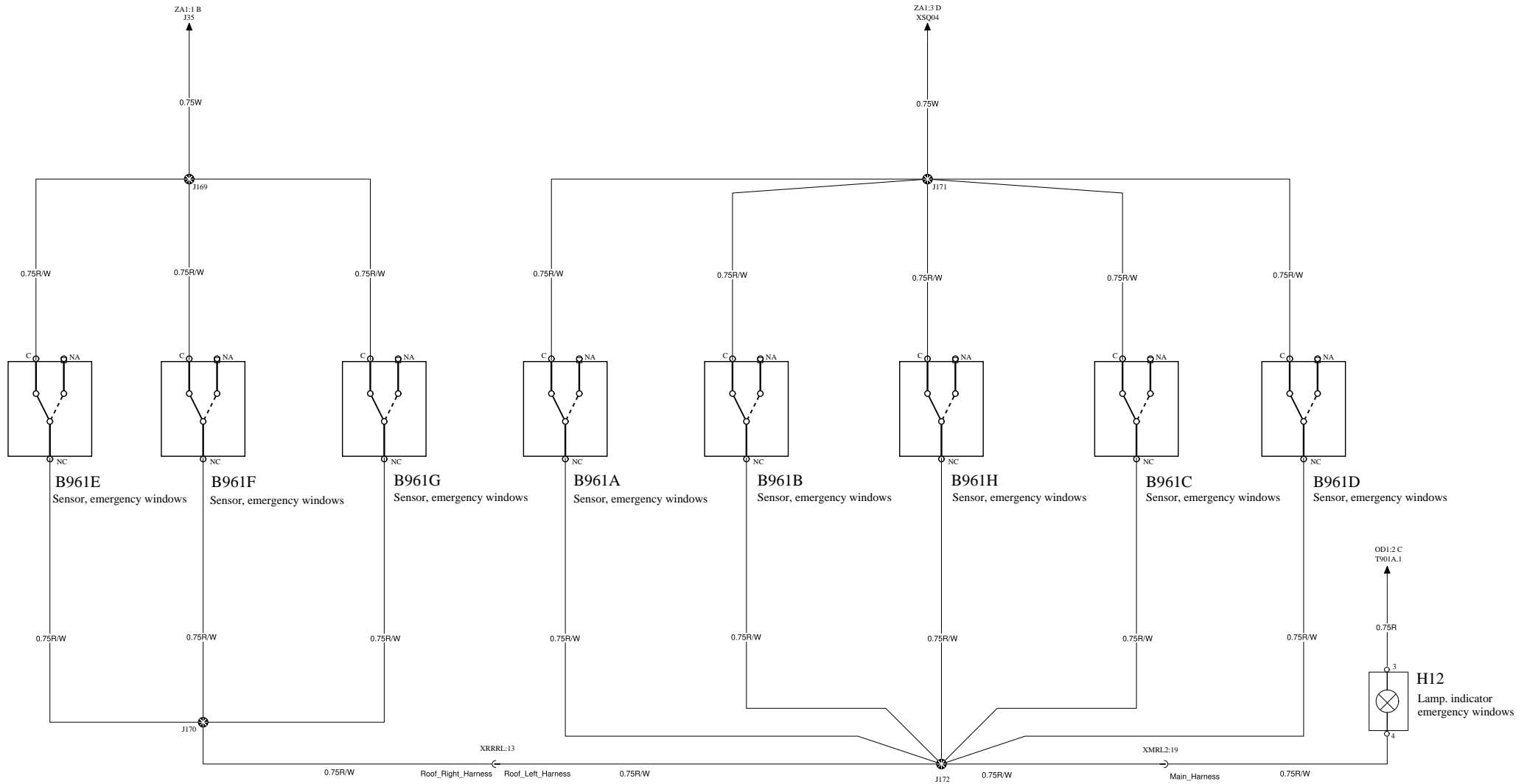


 Volvo Bus Corporation	Document title WIRING DIAGRAM	Document No <b>23458767</b>	Issue	Volume	Page
	Document type PRODUCT SCHEMATIC		01	02(03)	72(79)



EMERGENCY WINDOW

WIRING DIAGRAM VE

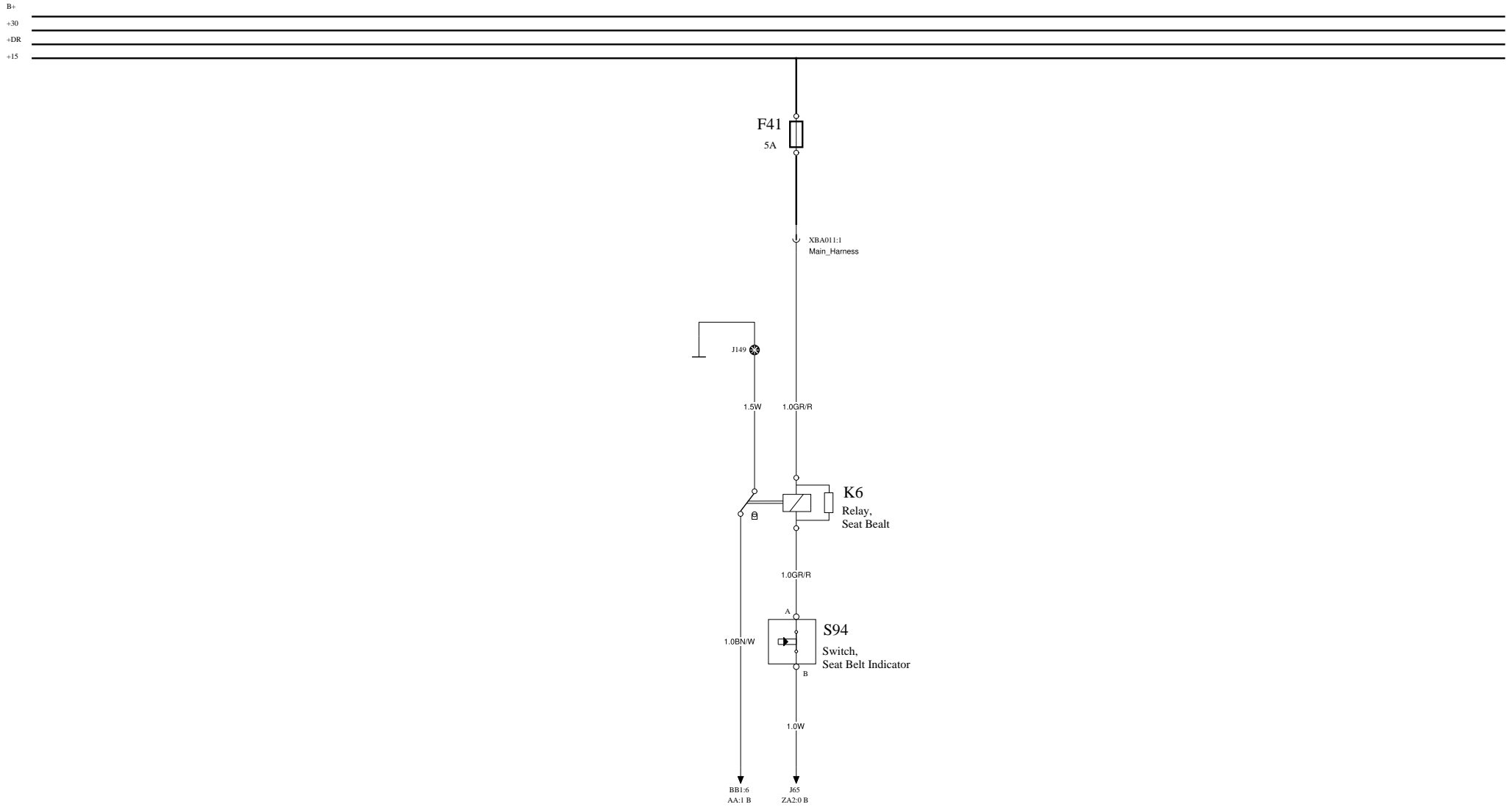


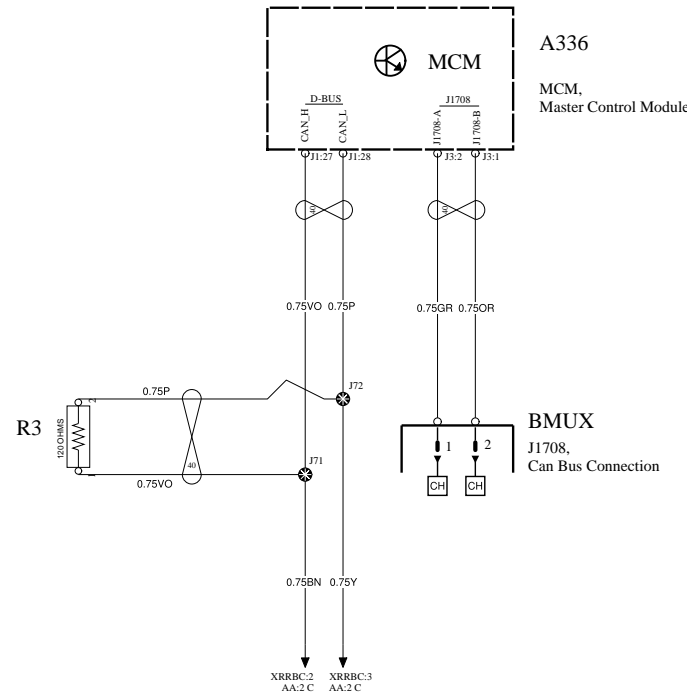
**VOLVO**  
Volvo Bus Corporation

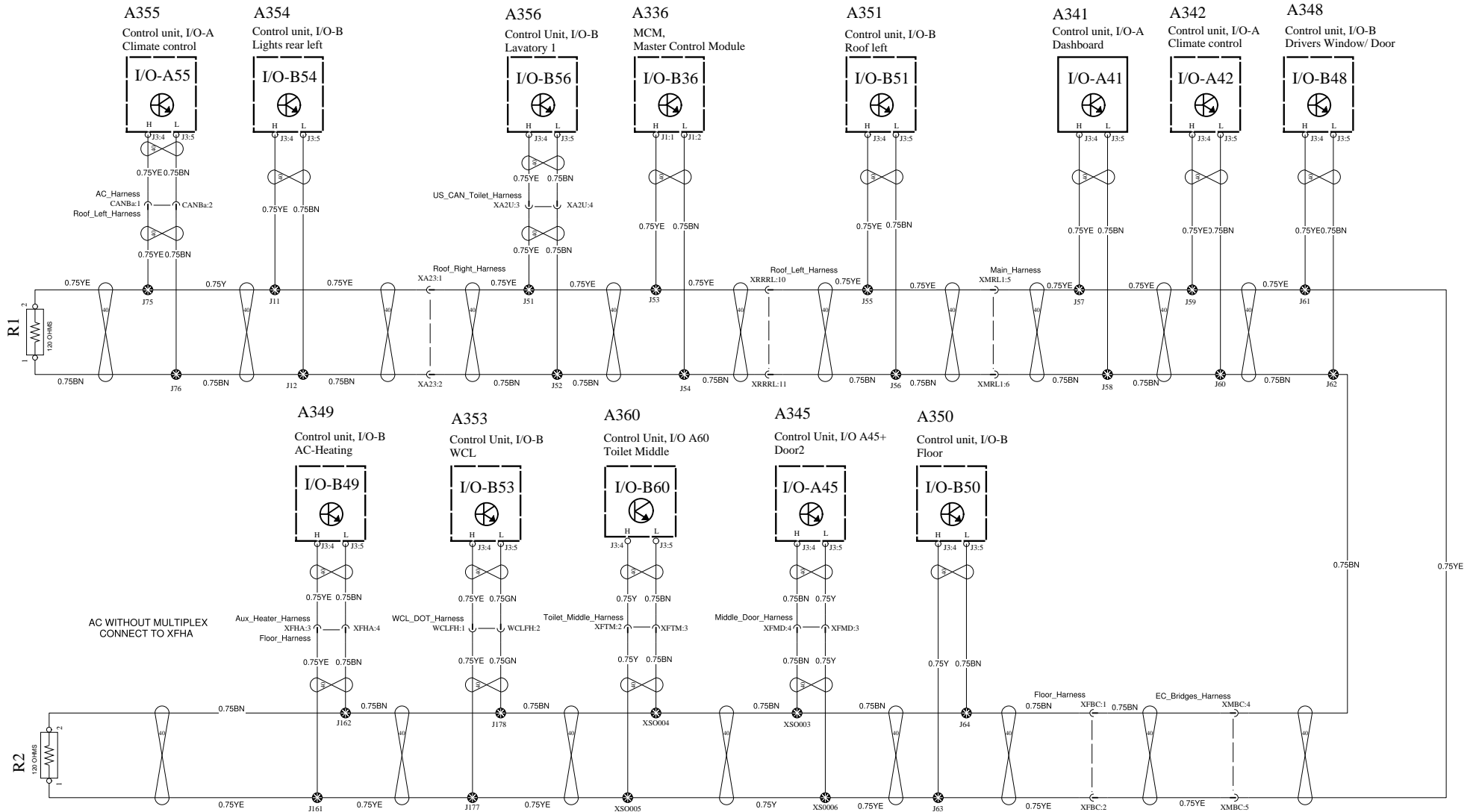
Document title  
WIRING DIAGRAM  
Document type  
PRODUCT SCHEMATIC

Document No  
**23458767**

Issue	Volume	Page
01	02(03)	74(79)







Volvo Bus Corporation

Document title  
WIRING DIAGRAM

Document type  
PRODUCT SCHEMATIC

Document No

23458767

Issue

01

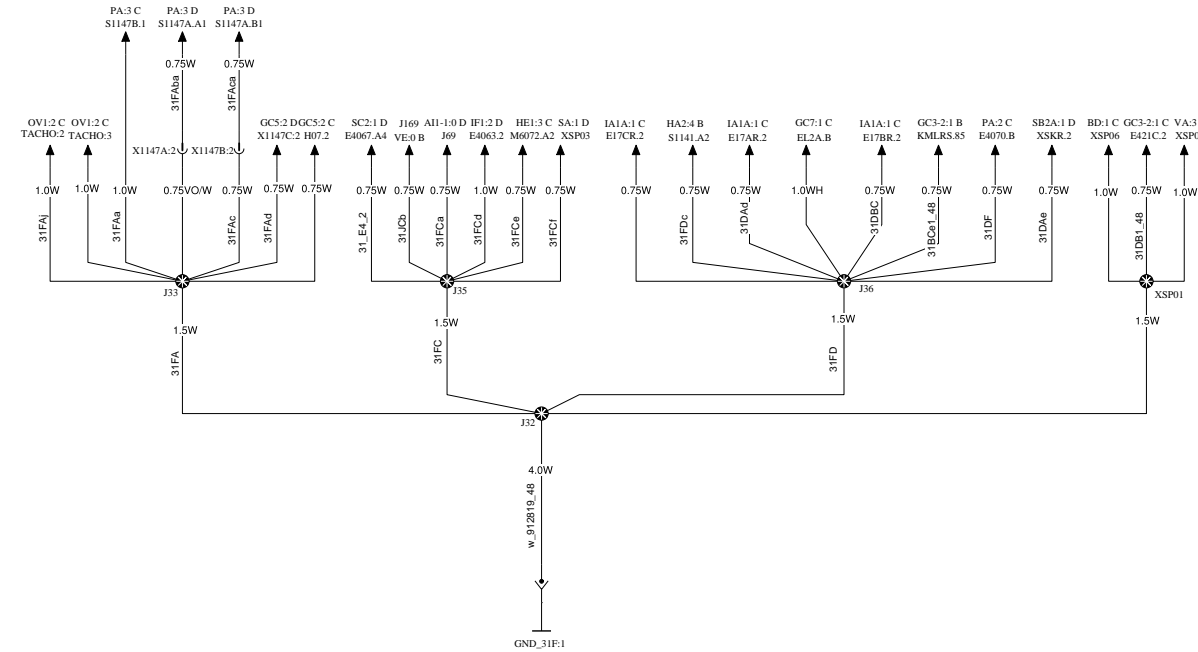
Volume

02(03)

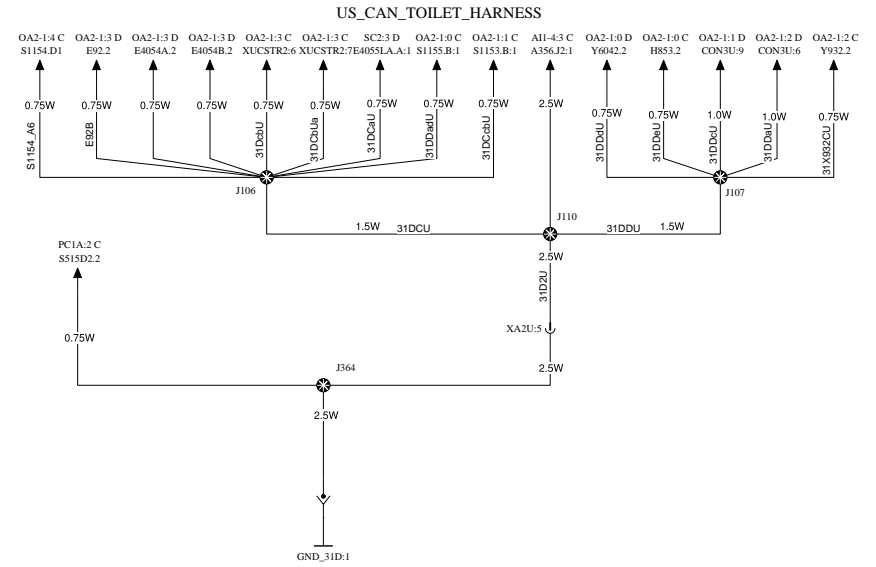
Page

77(79)

# GROUND BODY 1

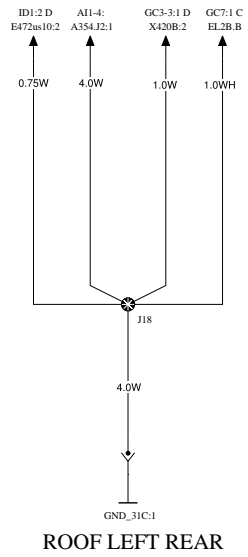
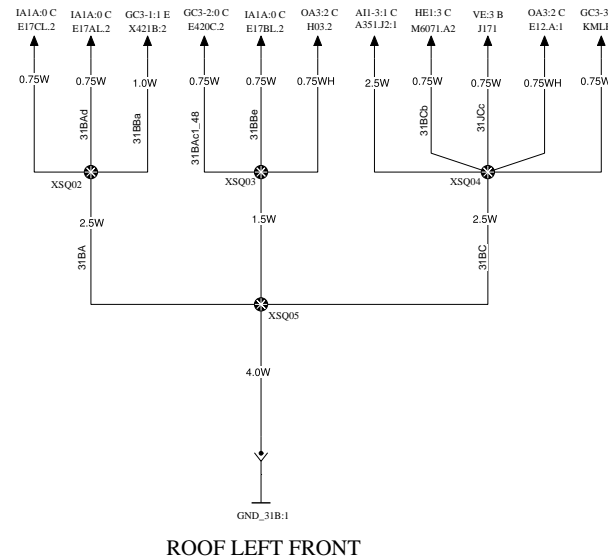
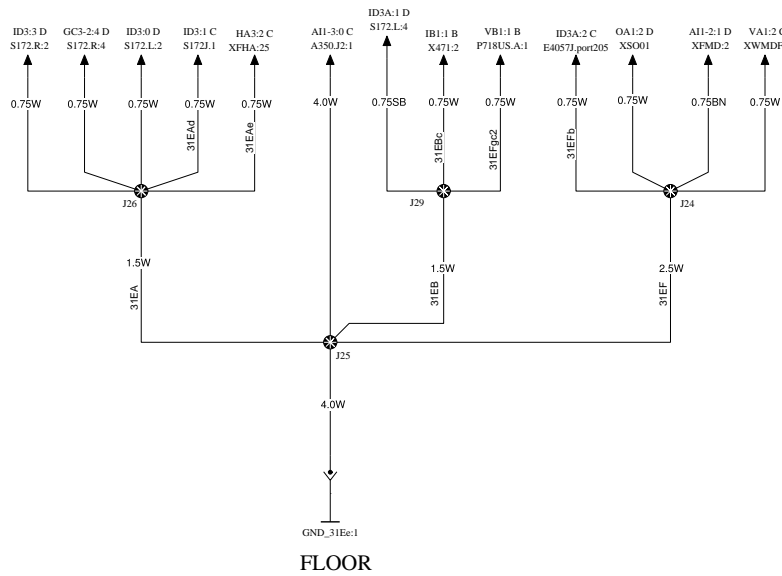


# WIRING DIAGRAM ZA1



## ROOF RIGHT

## ROOF RIGHT REAR



## FLOOR

## ROOF LEFT FRONT

## ROOF LEFT REAR



Document title  
WIRING DIAGRAM

Document type  
PRODUCT SCHEMATIC

Document No  
**23458767**

Issue	Volume	Page
01	02(03)	78(79)

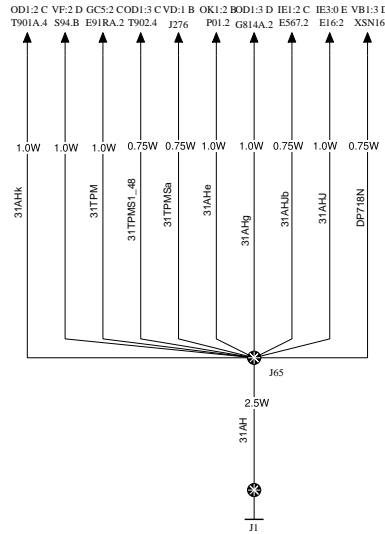


# GROUND BODY 2

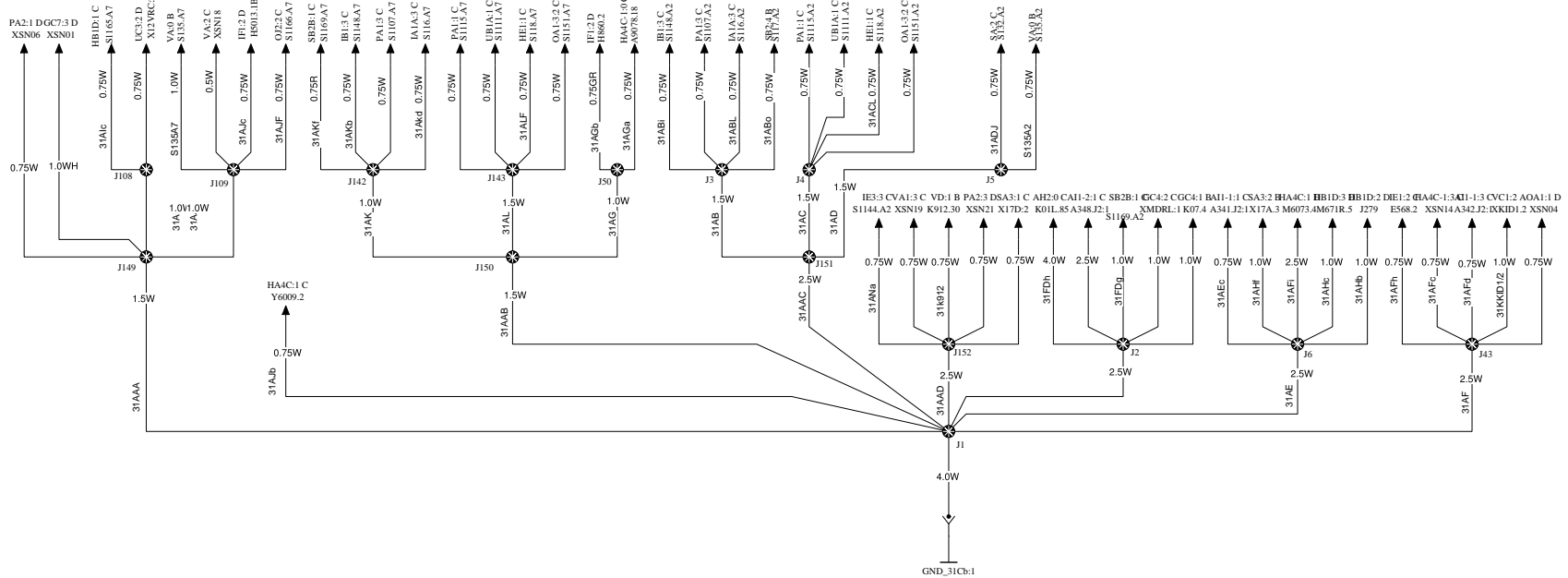
## SWITCHES LED, GND

## SWITCHES CONTROL, GND

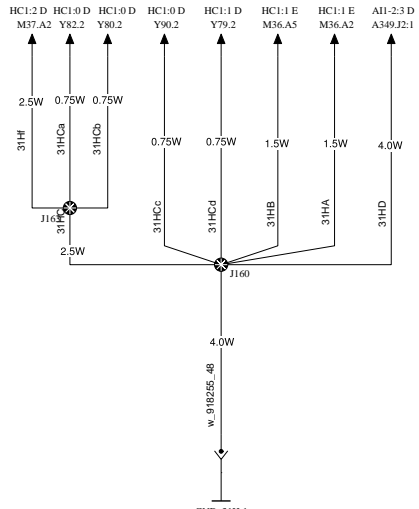
# WIRING DIAGRAM ZA2



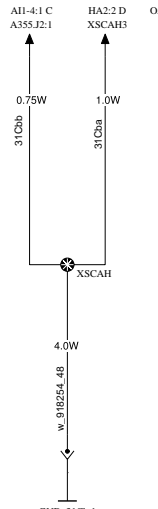
MAIN HARNESS



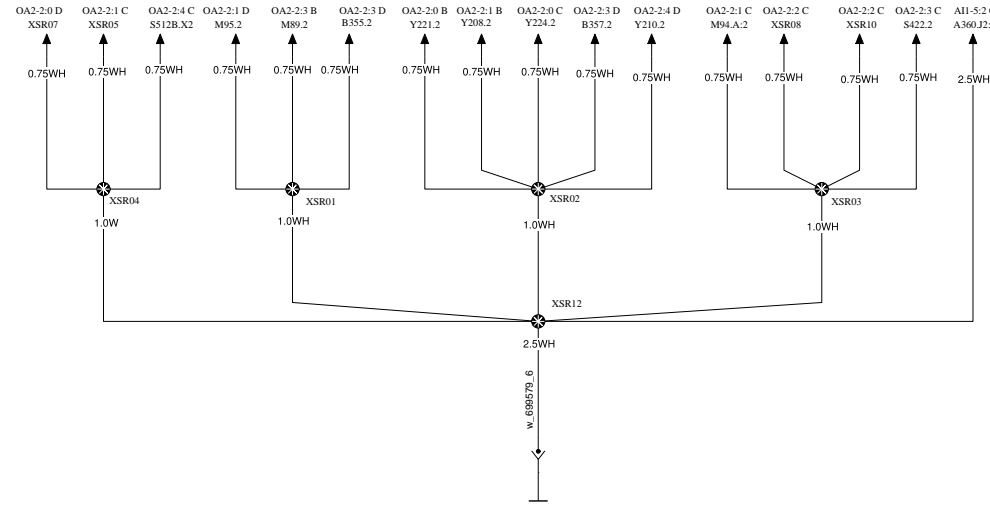
MAIN HARNESS



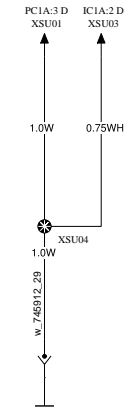
AUXILIARY HEATER HARNESS



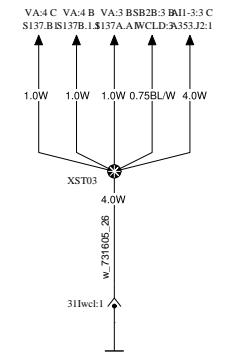
A/C HARNESS



TOILET MIDDLE



MIDDLE DOOR



WCL DOT

# REFERENCE INDEX

NAME	PAGE
FUSES AND CIRCUIT BREAKERS	2
COMPONENTS	4
INLINES	13
SPLICES	25

**VOLVO**

Volvo Bus Corporation

Document title <b>WIRING DIAGRAM</b>			
Document type <b>PRODUCT SCHEMATIC</b>			
Document No <b>23458767</b>	Issue <b>01</b>	Volume No <b>03(03)</b>	Page No <b>1(30)</b>

# FUSES AND CIRCUIT BREAKERS

FUSE	DESCRIPTION	PAGE
F1 (3A)	SERVICE KIT (3A)	SB2A 3 A
F2 (5A)	TRANSCOM/ DRL (5A)	GC4 3 A
F2 (5A)	TRANSCOM/ DRL (5A)	JB1 1 B
F3 (20A)	AUDIO & VIDEO 12V (20A)	OD1 1 B
F4 (30A)	NIGHT LIGHT RELAY (30A)	SB2A 1 A
F5 (30A)	I/O B FLOOR (A50) (30A)	AI1-3 0 A
F6 (5A)	I/O A A/C (A42) (5V)	AI1-1 3 A
F7 (5A)	I/O A CLIMATE (A55) (5A)	AI1-4 1 A
F8 (15A)	I/O B A/C HEAT (A49) (15A)	AI1-2 3 A
F9 (5A)	SWITCHES ACTIVATION SIGNAL (5A)	GC3-1 3 A
F9 (5A)	SWITCHES ACTIVATION SIGNAL (5A)	GC7 4 A
F9 (5A)	SWITCHES ACTIVATION SIGNAL (5A)	HE1 0 A
F9 (5A)	SWITCHES ACTIVATION SIGNAL (5A)	IA1A 4 A
F9 (5A)	SWITCHES ACTIVATION SIGNAL (5A)	IB1 3 A
F9 (5A)	SWITCHES ACTIVATION SIGNAL (5A)	IE3 4 A
F9 (5A)	SWITCHES ACTIVATION SIGNAL (5A)	OA1-3 3 A
F9 (5A)	SWITCHES ACTIVATION SIGNAL (5A)	PA1 3 A
F9 (5A)	SWITCHES ACTIVATION SIGNAL (5A)	SA 3 A
F9 (5A)	SWITCHES ACTIVATION SIGNAL (5A)	SB2B 1 A
F9 (5A)	SWITCHES ACTIVATION SIGNAL (5A)	UB1A 0 B
F9 (5A)	SWITCHES ACTIVATION SIGNAL (5A)	VA 1 A
F10 (20A)	DEFROSTER (20A)	HA4C 3 B
F11 (30A)	I/O B ROOF LEFT (A54) (30A)	AI1-4 0 A
F12 (7.5A)	I/O B MCM (A36) (7.5A)	AI1-1 0 A
F13 (7.5A)	AFES/FOGMAKER (7.5A)	VC1 1 A
F14 (20A)	I/O B DRIVER DOOR/ SIDE PANEL (A48) (20A)	AI1-2 1 A
F14 (20A)	I/O B DRIVER DOOR/ SIDE PANEL (A48) (20A)	BD 1 B
F15 (30A)	I/O B WCL (A53) (30A)	AI1-3 3 A
F16 (30A)	I/O ROOF LEFT (A51) (30A)	AI1-3 2 A
F17 (5A)	WEBASTO TIMER 2 (5A)	HC1 4 A
F18 (20A)	AUDIO & VIDEO 24V (20A)	OD1 1 B
F19 (7.5A)	I/O B TOILET REAR (A56) (7.5A)	AI1-4 3 A
F20 (15A)	DASHBOARD CONVERTER CIGARRATE OUTPUT (15A)	OD1 3 B
F21 (5A)	TD7 (5A)	OV1 0 B
F22 (15A)	I/O A DASHBOARD (A41) (15A)	AI1-1 2 A
F23 (5A)	LIGHT UNDER SEATS	UB1A 3 B
F24 (5A)	I/O A DOOR2 (A45) (5A)	AI1-2 0 A
F25 (5A)	WEBASTO TIMER 3 (5A)	HC1 4 A
F26 (5A)	I/O B MCM (A36) (5A)	AI1-1 0 A
F27 (30A)	DRIVER SIDE 24V OUTPUT (30A)	OD1 3 B
F29 (3A)	MARKING L./ TD7 (3A)	GC3-1 1 A
F29 (3A)	MARKING L./ TD7 (3A)	GC3-2 2 A
F29 (3A)	MARKING L./ TD7 (3A)	OV1 1 B
F30 (5A)	TPMS DISPLAY (30A)	OK1 1 A
F31 (3A)	TD7 (3A)	OV1 0 B
F32 (5A)	MOBITEC (+15)	SA3 2 B
F33 (15A)	I/O B TOILET MIDDLE (A60) (15A)	AI1-5 2 A
F34 (20A)	AUDIO & VIDEO (20A)	OD1 0 B
F36 (5A)	TIME & TEMPERATURE DISPLAY	SC2 1 B
F37 (30A)	TPMS (30A)	OD1 4 B
F39 (7.5A)	ROOF HATCH FRONT (7.5A)	HA 2 B
F40 (7.5A)	REAR ROOF HATCH (7.5A)	HA 2 B
F41 (5A)	WEBASTO TIMER 1 (5A)	HC1 4 A
F41 (5A)	WEBASTO TIMER 1 (5A)	VF 2 A

# VOLVO

Volvo Bus Corporation

Document title  
**WIRING DIAGRAM**

Document type  
**PRODUCT SCHEMATIC**

Document No  
**23458767**

Issue  
**01**

Volume No  
**03(03)**

Page No  
**2(30)**

FUSE	DESCRIPTION	PAGE
F42 (15A)	SUN VISOR/MIRROR HEATING/REVERSE CAMERA	HB1D 0 A
F42 (15A)	SUN VISOR/MIRROR HEATING/REVERSE CAMERA	OJ2 2 A
F42 (15A)	SUN VISOR/MIRROR HEATING/REVERSE CAMERA	UC3 2 A
F43 (5A)	DEFROSTER FLAPS (5A)	HA4C-1 3 A
F44 (15A)	OVER SPEED RELAY (15A)	IF1 2 A
F75 (80A)	Fuse, Body B+	AD 2 B
F202 (80A)	Fuse in X905	AD 4 B
F203 (100A)	Fuse in X905	AD 4 B
F204 (80A)	Fuse in X905	AD 4 B
F205 (60A)	Fuse in X905	AD 4 B
F303 (25A)	Fuse Holder, Auxiliary Heater, 1st Supply	HC1 1 C
F304 (25A)	Fuse Holder, Additional Heater, 2nd Suppl	HC1 1 C

**VOLVO**

Volvo Bus Corporation

Document title  
**WIRING DIAGRAM**

Document type  
**PRODUCT SCHEMATIC**

Document No  
**23458767**

Issue  
**01**

Volume No  
**03(03)**

Page No  
**3(30)**

# COMPONENTS

COMPONENT	DESCRIPTION	PAGE
31A	GROUND DASHBOARD	ZA2 3 C
31B	GROUND, ROOF LEFT FRONT	ZA1 2 E
31C	GROUND, ROOF LEFT REAR	ZA1 4 E
31Cb	GROUND, AIR CONDITION HARNESS	ZA2 1 E
31D	GROUND, ROOF RIGHT REAR	ZA1 3 C
31Ee	Ground Floor	ZA1 1 E
31H	Ground, Auxiliary Heater	ZA2 0 E
A96	ECU BERU	VD 1 C
A97	Cantrak teleflex	VD 0 C
A99	Front antenna	VD 3 C
A100	Front antenna	VD 3 B
A101	Antena RR	VD 3 A
A102	Antenna RL	VD 3 D
A150	Circuit board, Ricon WCL	VA 1 B
A336	MCM, Master Control Module	AA 3 C
A336	MCM, Master Control Module	AI1-1 0 C
A336	MCM, Master Control Module	BD 1 D
A336	MCM, Master Control Module	BG2 2 B
A336	MCM, Master Control Module	GC3-2 1 B
A336	MCM, Master Control Module	HA2 3 A
A336	MCM, Master Control Module	IE3 1 B
A336	MCM, Master Control Module	PA 3 B
A336	MCM, Master Control Module	SB2A 0 A
A336	MCM, Master Control Module	SC2 1 B
A336	MCM, Master Control Module	UB1A 3 B
A336	MCM, Master Control Module	VB 1 B
A336	MCM, Master Control Module	XJ1 2 B
A336	MCM, Master Control Module	XJ2 2 A
A341	Control unit, I/O-A Dashboard	AI1-1 1 C
A341	Control unit, I/O-A Dashboard	GC3-1 3 B
A341	Control unit, I/O-A Dashboard	HA3 2 B
A341	Control unit, I/O-A Dashboard	HA4C 0 B
A341	Control unit, I/O-A Dashboard	HB1D 1 A
A341	Control unit, I/O-A Dashboard	HE1 1 B
A341	Control unit, I/O-A Dashboard	IB1 3 B
A341	Control unit, I/O-A Dashboard	IE1 2 B
A341	Control unit, I/O-A Dashboard	IE3 2 B
A341	Control unit, I/O-A Dashboard	OA1 0 B
A341	Control unit, I/O-A Dashboard	OA1-3 2 B
A341	Control unit, I/O-A Dashboard	PA1 2 B
A341	Control unit, I/O-A Dashboard	PA2 3 B
A341	Control unit, I/O-A Dashboard	SA 2 B
A341	Control unit, I/O-A Dashboard	SB2 3 A
A341	Control unit, I/O-A Dashboard	UB1A 1 B
A341	Control unit, I/O-A Dashboard	XJ2 3 A
A342	Control unit, I/O-A Climate control	AI1-1 3 C
A342	Control unit, I/O-A Climate control	HA4C 3 D
A342	Control unit, I/O-A Climate control	HA4C-1 1 A
A342	Control unit, I/O-A Climate control	IA1A 3 B
A342	Control unit, I/O-A Climate control	IE3 3 B
A342	Control unit, I/O-A Climate control	PA2 1 B
A342	Control unit, I/O-A Climate control	VA 0 A
A342	Control unit, I/O-A Climate control	VC1 2 E
A342	Control unit, I/O-A Climate control	XJ2 3 A

**VOLVO**

Volvo Bus Corporation

Document title  
**WIRING DIAGRAM**

Document type  
**PRODUCT SCHEMATIC**

Document No  
**23458767**

Issue  
**01**

Volume No  
**03(03)**

Page No  
**4(30)**

COMPONENT	DESCRIPTION	PAGE
A345	Control Unit, I/O A45+ Door2	IC1A 2 B
A345	Control Unit, I/O A45+ Door2	PC1A 2 B
A345	Control Unit, I/O A45+ Door2	VA1 0 A
A345	Control Unit, I/O A45+ Door2	XJ2 2 C
A348	Control unit, I/O-B Drivers Window/ Door	AH2 0 C
A348	Control unit, I/O-B Drivers Window/ Door	AI1-2 1 C
A348	Control unit, I/O-B Drivers Window/ Door	GC4 1 A
A348	Control unit, I/O-B Drivers Window/ Door	GC5 1 B
A348	Control unit, I/O-B Drivers Window/ Door	GC7 2 B
A348	Control unit, I/O-B Drivers Window/ Door	IA1A 2 B
A348	Control unit, I/O-B Drivers Window/ Door	PA 0 A
A348	Control unit, I/O-B Drivers Window/ Door	PA2 1 B
A348	Control unit, I/O-B Drivers Window/ Door	SA 1 B
A348	Control unit, I/O-B Drivers Window/ Door	SB2 2 A
A348	Control unit, I/O-B Drivers Window/ Door	SB2A 2 A
A348	Control unit, I/O-B Drivers Window/ Door	XJ2 4 A
A349	Control unit, I/O-B AC-Heating	AI1-2 3 D
A349	Control unit, I/O-B AC-Heating	HA5C 3 B
A349	Control unit, I/O-B AC-Heating	HC1 1 A
A349	Control unit, I/O-B AC-Heating	XJ2 1 C
A350	Control unit, I/O-B Floor	AI1-3 0 C
A350	Control unit, I/O-B Floor	HA3 0 B
A350	Control unit, I/O-B Floor	IB1 1 A
A350	Control unit, I/O-B Floor	ID3 1 A
A350	Control unit, I/O-B Floor	ID3A 1 A
A350	Control unit, I/O-B Floor	OA1 2 B
A350	Control unit, I/O-B Floor	VA1 2 A
A350	Control unit, I/O-B Floor	XJ2 2 C
A351	Control unit, I/O-B Roof left	AI1-3 1 C
A351	Control unit, I/O-B Roof left	HA4C-1 1 D
A351	Control unit, I/O-B Roof left	HA5C 0 B
A351	Control unit, I/O-B Roof left	HE1 2 B
A351	Control unit, I/O-B Roof left	IA1A 1 B
A351	Control unit, I/O-B Roof left	IE3 0 B
A351	Control unit, I/O-B Roof left	SB2 0 A
A351	Control unit, I/O-B Roof left	SC2 1 B
A351	Control unit, I/O-B Roof left	XJ2 2 B
A353	Control Unit, I/O-B WCL	AI1-3 3 C
A353	Control Unit, I/O-B WCL	VA 2 A
A353	Control Unit, I/O-B WCL	VB 3 B
A353	Control Unit, I/O-B WCL	XJ2 1 C
A354	Control unit, I/O-B Lights rear left	GC3-3 1 A
A354	Control unit, I/O-B Lights rear left	GC7 1 B
A354	Control unit, I/O-B Lights rear left	HA2 0 D
A354	Control unit, I/O-B Lights rear left	ID1 2 A
A354	Control unit, I/O-B Lights rear left	OA2-1 2 B
A354	Control unit, I/O-B Lights rear left	OA3 1 B
A354	Control unit, I/O-B Lights rear left	XJ2 0 A
A355	Control unit, I/O-A Climate control	AI1-4 1 C
A355	Control unit, I/O-A Climate control	HA2 1 A
A355	Control unit, I/O-A Climate control	XJ2 0 B
A356	Control Unit, I/O-B Lavatory 1	AI1-4 3 C
A356	Control Unit, I/O-B Lavatory 1	OA2-1 0 A
A356	Control Unit, I/O-B Lavatory 1	SC2 3 B

**VOLVO**

Volvo Bus Corporation

Document title  
**WIRING DIAGRAM**

Document type  
**PRODUCT SCHEMATIC**

Document No  
**23458767**

Issue  
**01**

Volume No  
**03(03)**

Page No  
**5(30)**

COMPONENT	DESCRIPTION	PAGE
A356	Control Unit, I/O-B Lavatory 1	XJ2 1 B
A360	Control Unit, I/O A60 Toilet Middle	AI1-5 2 C
A360	Control Unit, I/O A60 Toilet Middle	OA2-2 1 A
A360	Control Unit, I/O A60 Toilet Middle	XJ2 1 C
A947A	Screen TFT	JB2 1 C
A947A1	Fixed screen	JB3 2 B
A947B	Screen TFT	JB2 2 C
A947B1	Fixed screen	JB3 3 B
A947C	Screen TFT	JB2 2 C
A947C1	Fixed screen	JB3 2 D
A947D	Screen TFT	JB2 1 D
A947D1	Fixed screen	JB3 3 D
A947E	Screen TFT	JB2 2 D
A952	Webasto timer	HC1 4 C
A7001	Control Unit, AC	HA2 0 C
A9078	Control unit, climate display	HA4C-1 0 C
AK15	Relay, +15 loads	AA 4 C
B01	Wireless Microphone	JD 2 C
B21	Sensor, coolant temperature	HC1 0 C
B22	Sensor, outdoor temperature	HA5C 2 C
B23	Sensor, Outdoor temperature	HA5C 3 D
B40	Sensor, Sensitive Edge	OA1 3 C
B41	Sensor, Pressure Luggage	OA1 3 D
B355	Sensor, Water Flush Level Low WC	OA2-2 3 D
B357	Sensor, Sludge Level High WC	OA2-2 3 D
B379D2	Sensor Hall Door 2	PC1A 2 B
B961A	Sensor, emergency windows	VE 2 B
B961B	Sensor, emergency windows	VE 2 B
B961C	Sensor, emergency windows	VE 3 B
B961D	Sensor, emergency windows	VE 4 B
B961E	Sensor, emergency windows	VE 0 B
B961F	Sensor, emergency windows	VE 0 B
B961G	Sensor, emergency windows	VE 1 B
B961H	Sensor, emergency windows	VE 3 B
B962	Optical sensor, fire detector	VC1 1 D
B7070	Inductive sensor, engine hatch open	VD4 2 B
B7072	Temperature sensor, defroster	HA4C-1 2 D
B7073	Outside temperature sensor	HA5C 1 C
B7074	Temperature sensor, driver	HA4C-1 2 D
B7075A	Passenger sensor, climate dot	HA3 1 C
BMUX	J1708, Can Bus Connection	BD 1 C
BMUX	J1708, Can Bus Connection	XJ1 2 C
CH	Chassis	AD 2 B
D4	Diode	AD 3 C
DAH	DIODE, AUXILIARY HEATER	HC1 2 B
DB9	Connector DB9, Serial	VD 0 D
DB92	Connector DB9, Serial female	BG2 2 D
DHA	Diode, host call1	VB 1 C
DHB	Diode, host call	VB 1 C
DP718US	Connector, Display	VB1 3 D
DRB	Diode, reading lights	SB2 2 C
DRC	Diode, reading lights	SB2B 3 D
DRD	DIODE	AA 4 D
DRD3	Diode	BD 2 E

# VOLVO

Volvo Bus Corporation

Document title  
**WIRING DIAGRAM**

Document type  
**PRODUCT SCHEMATIC**

Document No  
**23458767**

Issue  
**01**

Volume No  
**03(03)**

Page No  
**6(30)**

COMPONENT	DESCRIPTION	PAGE
DRDb	DIODE	OA2-1 4 B
DRLA	Day Running Light, Right Side	GC4 3 C
DRLB	Day Running Light, Left Side	GC4 1 C
E03	Lamp,spot light	VA 3 C
E03	Lamp,spot light	VA1 3 C
E03A	Lamp, WCL	VA 3 C
E03A	Lamp, WCL	VA1 3 C
E09RB	Brake light middle	GC6 3 C
E10L	Light left, tailand break	GC6 0 C
E10LB	License plate left	GC6 1 C
E10R	Light right, tailand break	GC6 3 C
E10RB	License plate right	GC6 1 C
E11LF	Side-marker lamp, middle left	GC3-2 3 D
E11RR	Side-marker front right	GC3-2 4 D
E11TL	Rear lamp, side marker rear left	GC3-3 3 D
E11TR	Rear lamp, side marker right	GC3-3 3 D
E12	Light, Indicator WC Occupied	OA3 2 C
E14	Warning lamp, beacon	VA 1 D
E16A	Lamp, Step	IE3 0 D
E16B	Lamp, Step	IE3 0 D
E16C	Lamp, Step	IE3 0 D
E17AL	Interior light	IA1A 0 C
E17AR	Interior light	IA1A 1 C
E17BL	Interior light	IA1A 0 C
E17BR	Interior light	IA1A 1 C
E17CL	Interior light	IA1A 0 C
E17CR	Interior light	IA1A 1 C
E61	LED lamp, light headliner display	IE3 2 D
E91R	Lamp, Kneeling warning	GC5 2 C
E91RA	LAMP, kneeling exterior	GC5 2 C
E92	Lamp, wall	OA2-1 3 D
E158A	Light, Step LED Door 2 First Step Inside	IC1A 1 C
E158B	Light, Step LED Door 2 Second Step Inside	IC1A 2 C
E158C	Light, Step LED Door 2 Third Step Inside	IC1A 2 C
E158D	Light, Step LED Door 2 Fourth Step Inside	IC1A 3 C
E160	Light, LED WC 1	OA2-2 0 D
E160B	Light, LED WC 2	OA2-2 0 D
E420A	Light, upper front left side	GC3-2 0 C
E420B	Light, upper front left side	GC3-2 0 C
E420C	Light, upper front left side	GC3-2 0 C
E420D	Light, upper rear	GC3-3 0 D
E420E	Light, Direction Indicator Right	GC3-3 2 D
E420F	Light, upper rear	GC3-3 1 D
E420G	Light, upper rear	GC3-3 1 D
E420H	Light, upper rear	GC3-3 1 D
E420I	Light, Direction Indicator Left	GC3-3 0 D
E420J	Light, upper rear	GC3-3 1 D
E421A	Light, upper front right side	GC3-2 1 C
E421B	Light, upper centre right side	GC3-2 1 C
E421C	Light, upper rear right side	GC3-2 1 C
E421D	Light, upper front	GC3-1 0 D
E421E	Light, upper front	GC3-1 1 D
E421F	Light, upper front	GC3-1 1 D
E421G	Light, upper front	GC3-1 1 D

**VOLVO**

Volvo Bus Corporation

Document title  
**WIRING DIAGRAM**

Document type  
**PRODUCT SCHEMATIC**

Document No  
**23458767**

Issue  
**01**

Volume No  
**03(03)**

Page No  
**7(30)**



COMPONENT	DESCRIPTION	PAGE
E421H	Light, upper front	GC3-1 1 D
E433	Guide lamp	IE3 1 D
E433B	Lamp, guide outside	IE3 2 D
E450	Sign lamp, destination	SA 1 D
E450L	Sign lamp, destination	SA 1 D
E471t	Night light, seat	IB1 1 C
E471u	Night light, seat	IB1 1 C
E471v	Night light, seat	IB1 1 C
E471w	Night light, seat	IB1 1 D
E471x	Night light, seat	IB1 1 D
E471y	Night light, seat	IB1 1 D
E471z	Night light, seat	IB1 1 E
E472B	Lamp, Engine Compartment	ID1 2 C
E472C	Lamp, Engine Compartment	ID1 2 C
E472D	Lamp, Engine Compartment	ID1 2 C
E567	Snake lamp, electric centre	IE1 2 C
E568	Snake lamp, map light	IE1 2 C
E902A	Driver loudspeaker	JA1A 1 D
E902B	Driver loudspeaker	JA1A 2 D
E902C	Guide loudspeaker	JA1A 0 D
E902D	Guide loudspeaker	JA1A 1 D
E919	Lamp, open door WCL	VA 2 C
E919	Lamp, open door WCL	VA1 3 B
E4054A	Lamp, toilet	OA2-1 3 D
E4054B	Lamp, toilet	OA2-1 3 D
E4055LA	Display, occupied & vacant WC	SC2 3 D
E4057B	Luggage lamps, left side	ID3A 0 C
E4057C	Luggage lamps, left side	ID3A 1 C
E4057D	Luggage lamps, left side	ID3A 1 C
E4057F	Luggage lamps, right side	ID3A 2 C
E4057G	Luggage lamps, right side	ID3A 3 C
E4057H	Luggage lamps, left side	ID3A 4 C
E4057J	Lamp, rear hatch	ID3A 2 C
E4063	Lamp, over speed	IF1 2 D
E4064	Driver lamp	IE3 1 D
E4067	Display, Time & temperature	SC2 1 D
E4070	Emergency lamp	PA 2 C
EL2A	Lamp, Side/reverse working light right	GC7 1 C
EL2B	Lamp, Side/reverse working light left	GC7 1 C
G01	Starter Battery	AD 1 D
G01B	Starter Battery	AD 1 D
G01C	Consumer Battery	AD 2 C
G814A	Output 24V	OD1 3 D
H01	Horn, air operated	OP1-1 2 C
H02	Horn	OP1-1 2 C
H02A	Horn	OP1-1 2 C
H03	Buzzer, Alarm WC	OA3 2 C
H06R	Buzzer reverse	GC6 4 C
H07	Horn, Kneeling alarm	GC5 2 C
H12	Lamp. indicator emergency windows	VE 4 D
H13A	SPEAKER SERVICE KIT	JA1A 2 B
H13B	SPEAKER, SERVICE KIT	JA1A 2 B
H13C	SPEAKER, SERVICE KIT	JA1A 3 B
H13D	SPEAKER SERVICE KIT	JA1A 4 B

# VOLVO

Volvo Bus Corporation

Document title  
**WIRING DIAGRAM**

Document type  
**PRODUCT SCHEMATIC**

Document No  
**23458767**

Issue  
**01**

Volume No  
**03(03)**

Page No  
**8(30)**

COMPONENT	DESCRIPTION	PAGE
H13E	SPEAKER, SERVICE KIT	JA1A 4 B
H13F	SPEAKER, SERVICE KIT	JA1A 3 C
H13G	SPEAKER, SERVICE KIT	JA1A 3 C
H13H	SPEAKER, SERVICE KIT	JA1A 4 C
H13I	SPEAKER, SERVICE KIT	JA1A 4 C
H853	Buzzer	OA2-1 0 C
H860	Buzzer, over speed	IF1 2 D
H5013	Telltale, over speed	IF1 2 D
K1	SPEEDING ALARM RELAY	IF1 1 B
K01L	Electric Network Relay	AH2 0 C
K2	Relay, Defroster speed 1	HA4C 3 C
K02	Dhollandia, Relay	VA1 1 C
K3	Relay, Defroster speed 2	HA4C 3 C
K03	Dhollandia, Relay	VA1 2 C
K4	Relay, Defroster speed 3	HA4C 3 C
K5	NIGHT LIGHT	SB2A 1 B
K05	Reverse Camera Relay	UC3 2 C
K6	Relay, Seat Bealt	VF 2 C
K07	Relay, DRL	GC4 1 B
K53	Relay	AD 2 B
K60	Relay, Body B+ Disable	AD 3 B
K300	Relay	AD 2 C
K345	Relay, start inhibitor	VD4 3 C
K400	Relay, Body arms	BD 3 B
K910	Relay, fire protection	VC1 1 C
K912	Relay TPMS	VD 1 B
KML	Relay, marking lights	GC3-1 1 C
KMLR	Relay, Marking lights rear	GC3-3 1 B
KMLRS	Relay, Marking lights right side	GC3-2 1 B
KSL	Relay, spot lamp	IE3 0 C
M10F	Motor, front roof hatch	HA 1 D
M10R	Motor, rear roof hatch	HA 3 D
M20	Motor, Fan WC	OA2-1 3 C
M33	Motor defroster, smog flap	HA3 3 C
M36	Motor, webasto heater	HC1 1 E
M37	Motor, webasto pump	HC1 2 D
M89	Pump, WC Flush	OA2-2 3 B
M94	Fan 24V, WC Evacuation 1 Middle and Rear	OA2-2 1 C
M95	Pump, Handwash 1	OA2-2 1 D
M117	Motor Lift Wheelchair	VA1 1 D
M650	Wiper motor, windscreen	001 0 C
M651	Washer motor, windscreen	001 3 C
M651B	Motor, windshield wiper tank	001 2 C
M664	Water pum, WC flushing	OA2-1 2 D
M669	Motor, Fan	OA2-1 3 C
M671L	Mirror Motor, Left Side	HB1D 2 D
M671R	Mirror Motor, Right Side	HB1D 3 D
M672	Motor, Sun visor	OJ2 2 D
M6063	Screen stepless, flap floor	HA4C-1 3 D
M6064	FAN, reheating system	HA3 1 D
M6071	Driver fan	HE1 3 C
M6072	Guide fan	HE1 3 C
M6073	Defroster	HA4C 1 D
M6074	Fan, Middle Door	VA 3 C

**VOLVO**

Volvo Bus Corporation

Document title  
**WIRING DIAGRAM**

Document type  
**PRODUCT SCHEMATIC**

Document No  
**23458767**

Issue  
**01**

Volume No  
**03(03)**

Page No  
**9(30)**

COMPONENT	DESCRIPTION	PAGE
P01	Display TPM (Tire Pressure Monitoring)	OK1 2 B
P718US	Connector, ECU Park Pilot	VB1 1 B
R1	RESISTOR 120ohms, START CANB	XJ2 0 C
R01	Resistor, Switch activation	GC7 3 C
R2	RESISTOR 120ohms, START CANB	XJ2 0 E
R02	Resistor, Switch activation	OA1 1 C
R03	Resistor, Switch activation	PA2 1 C
R11	Resistor CAN-BTPM, initiation	VD 1 E
R12	Resistor CAN-BTPM, termination	VD 2 E
R905	Suction line, heated hose	GC6 2 C
RSR	Stop light, rear right	GC6 3 C
RSTL	Lamp stop, tail dot	GC6 1 C
RSTR	Stop lamp, tail dot	GC6 3 C
S23F	Switch, front roof hatch	HA 1 C
S23R	Switch, rear roof hatch	HA 3 C
S24	Limit Switch, Automatic Luggage	OA1 3 C
S79	Switch, additional work lamps (reverse 1	GC7 3 C
S80	Switch, Transcom	JB1 1 D
S90	Switch, Chassis B+	AD 0 C
S94	Switch, Seat Belt Indicator	VF 2 D
S101	Switch, Door 2	PA2 1 C
S116	Switch, Interior light	IA1A 3 C
S117	Switch, Reading lights	SB2 4 B
S118	Switch, driver and guide fan	HE1 1 C
S132	Switch, Destination Sign light	SA 2 C
S135	Switch, Wheelchair lift	VA 0 B
S137	Switch door, wheel chair lift	VA 4 C
S137A	Switch door, wheel chair lift	VA 3 B
S137B.1	Electrical hatch lock, wheel chair lift	VA 4 B
S139	Switch, manual discharge	VC1 2 C
S140	Switch, Multichannel Actia	JB1 3 D
S142	Switch,door brake high idle	PA 0 C
S143	Switch, Automatic Luggage RHS	OA1 1 C
S172J	Micro-switch, hatch light	ID3 1 C
S173A	Sensorn NC, door lock's	ID3 4 D
S173B	Microswitch, Luggage lock Left Side	ID3 0 C
S173C	Microswitch, Luggage lock Left Side	ID3 0 C
S173D	Microswitch, Luggage lock Left Side	ID3 1 C
S173F	Microswitch, Luggage lock Right Side	ID3 2 C
S173G	Microswitch, Luggage lock Right Side	ID3 3 C
S173H	Microswitch, Luggage lock Right Side	ID3 3 C
S413	Switch, Push Button Door 2 Door Service	PC1A 3 D
S422	Switch, Door Lock WC Middle and Rear	OA2-2 3 C
S423	Switch, Push Button Hand Wash Middle and	OA2-2 2 C
S424	Switch, Push Button Alarm WC Middle and R	OA2-2 1 C
S425	Switch, Push Button Flushing WC Middle an	OA2-2 2 C
S428	Switch, Door Lock Door 2	PC1A 3 C
S496	Switch, Valve Reset Door 2	PA2 3 C
S503D2	Switch Door Open Add Sensor Door 2	PC1A 3 A
S505D2	Switch Pressure Door Open Door 2	PC1A 1 B
S506D2	Switch Pressure Door Shut Door 2	PC1A 1 B
S507D2	Switch Pressure Door Supply Door 2	PC1A 1 B
S512B	Switch WC Remote Emptying Behind Mirror	OA2-2 4 C
S515D2	Switch In door emergency valve Door 2	PC1A 2 C

# VOLVO

Volvo Bus Corporation

Document title

WIRING DIAGRAM

Document type

PRODUCT SCHEMATIC

Document No

23458767

Issue

01

Volume No

03(03)

Page No

10(30)

COMPONENT	DESCRIPTION	PAGE
S1107	Switch, Door lock	PA1 3 C
S1111	Switch, Central lock	UB1A 1 C
S1115	Switch, Service door	PA1 1 C
S1141	Switch, Gas Charging	HA2 4 B
S1144	Switch, Driver & guide light	IE3 3 C
S1147A	Switch, inside front door	PA 3 D
S1147B	Switch, outside front door	PA 3 C
S1148	Switch, Night light	IB1 3 C
S1150	Switch, Position lights	GC3-1 3 C
S1151	Switch toilet, general	OA1-3 2 C
S1153	Flushing button, WC	OA2-1 1 C
S1154	Sensor, PIR	OA2-1 4 C
S1155	Emergency button	OA2-1 0 C
S1156	Sensor, principal tank	OA2-1 1 D
S1157	Sensor, soil tank	OA2-1 1 D
S1164	Switch, mirrors	HB1D 2 B
S1165	Switch, mirror heater	HB1D 1 C
S1166	Switch, Sun visor	OJ2 2 C
S1167	Switch, Reading light WCL door	SB2B 3 C
S1168	Switch, WCL host call	VB 3 C
S1169	Switch, reading lamps dashboard	SB2B 1 C
S2016H	Switch, High Pressure	HA2 2 C
S2016L	Switch, Low Pressure	HA2 2 C
S7071	Level sensor, windshield wiper tank	OO1 4 C
S9077	Switch, MCM service	BD 2 C
T901	Voltage converter	OD1 0 C
T901A	Voltage converter	OD1 2 C
T902	Voltage converter, TPMS	OD1 3 C
TWS	Terminal, Threshold Warning System	VA 1 D
U903	INVERTER, 24 DC TO 110 AC 2300 W	AH2 1 C
X12DVR	Output 12V, Cigarette	OD1 2 D
X16	Fire extinguisher	VC1 3 D
X17A	Mobitec, connector	SA3 2 B
X17B	Mobitec, connector	SA3 3 B
X17C	Aesys Preparation, Destination Sign	SA3 1 B
X801.A	MEDIA BRACKET ISTART	AD 2 B
X902A	Driver loudspeaker	JA1A 0 D
X902B	Driver loudspeaker	JA1A 0 D
X902E	Connector loudspeaker, bridge arrangement	JA1A 0 C
X902F	Connector loudspeaker, bridge arrangement	JA1A 1 C
X905	VPDU Rear Without Preheat Relay	AD 4 A
XA7	Output connector, amplifier	JB2 2 A
XA8	Output connector, amplifier	JB3 2 A
XH13	Connector, bridge speaker harness	JA1A 1 C
XKID1	Kidde, protection panel	VC1 2 A
XSK2	Light, service kit	SB2 0 D
XSK3	Light, service kit	SB2 2 D
XSK4	Connector, service kit WCL	SB2A 2 E
XSKR	Connector, service kit	SB2A 1 D
Y01	Valve, Automatic Luggage Open	OA1 2 C
Y02	Valve, Automatic Luggage Close	OA1 2 C
Y79	Roof valve, heating system	HC1 1 D
Y80	Passenger valve, heating system	HC1 0 D
Y82	Valve Defroster, Heating System	HC1 0 D

# VOLVO

Volvo Bus Corporation

Document title  
**WIRING DIAGRAM**

Document type  
**PRODUCT SCHEMATIC**

Document No  
**23458767**

Issue  
**01**

Volume No  
**03(03)**

Page No  
**11(30)**

COMPONENT	DESCRIPTION	PAGE
Y90	Valve, Bypass	HC1 0 D
Y208	Valve Central Lock WC Middle and Rear	OA2-2 1 B
Y209	Valve Flushing WC Middle and Rear	OA2-2 4 B
Y210	Valve Flushing WC Middle and Rear	OA2-2 4 D
Y221	Solenoid valve Underpressure Generator	OA2-2 0 B
Y222	Shut-off Valve Handwash Pump	OA2-2 2 D
Y223D2	Solenoid valve unit MTS2 Door 2	PC1A 1 D
Y224	Solenoid valve Toilet bowl	OA2-2 0 C
Y932	Valve CA-TOILG, pneumatic	OA2-1 2 C
Y952	Compressor, Clutch	HA2 2 D
Y952A	Valve, Discharge	HA2 3 D
Y6009	Defroster valve, AC	HA4C 1 C
Y6014	Solenoid valve	UB1A 3 C
Y6042	Valve, Isonic pneumatic	OA2-1 0 D

**VOLVO**

Volvo Bus Corporation

Document title

**WIRING DIAGRAM**

Document type

**PRODUCT SCHEMATIC**

Document No

**23458767**

Issue

**01**

Volume No

**03(03)**

Page No

**12(30)**

# INLINES

INLINE	PAGE
31AV:1	OD1 1 E
31Iwcl:1	ZA2 4 E
AC+:1	AD 4 C
ANT1:1	JC 2 D
B7070:1	VD4 2 C
B7070:2	VD4 2 C
B7070:3	VD4 2 C
BB1:1	AA 0 B
BB1:2	AA 0 B
BB1:3	AA 0 B
BB1:4	AA 0 B
BB1:5	AA 0 B
BB1:6	AA 1 B
BB1:8	AA 1 B
BB1:9	AA 1 B
BB1:11	AA 1 B
BB2/2:1	AA 1 B
BB2/3:1	AA 1 B
BB2:1	AA 1 B
BB2:2	AA 1 B
BB2:3	AA 1 B
BB2:4	AA 2 B
BB2:5	AA 2 B
BB2:6	AA 2 B
BB2:7	AA 2 B
BB2:8	AA 2 B
BB2:9	AA 2 B
BB2:10	AA 2 B
BB2:11	AA 3 B
BB2:12	AA 3 B
BB3:1	AA 3 B
BB3:6	AA 3 B
BB3:7	AA 3 B
BB3:8	AA 3 B
BB3:10	AA 3 B
BB3:10	OV1 1 C
BB3:11	AA 4 B
BB3:12	AA 4 B
BB4:1	AA2 3 B
BB4:2	AA2 3 B
BB4:3	AA2 3 B
BB4:7	AA2 3 B
BB4:8	AA2 3 B
BB4:9	AA2 3 B
BB4:10	AA2 3 B
BB4:11	AA2 4 B
BB5/CAV7:1	AA 1 D
BB5:1	AA 0 D
BB5:2	AA 0 D
BB5:3	AA 0 D
BB5:4	AA 0 D
BB5:6	AA 1 D
BB5:7	AA 1 D
BB5:8	AA 1 D

# VOLVO

Volvo Bus Corporation

Document title

**WIRING DIAGRAM**

Document type

**PRODUCT SCHEMATIC**

Document No

**23458767**

Issue

**01**

Volume No

**03(03)**

Page No

**13(30)**

INLINE	PAGE
BB5:11	AA 1 D
BB5:12	AA 1 D
BB6:4	AA 2 D
BB6:10	AA 1 D
BB7:1	AA 2 D
BB7:2:1	AA 2 D
BB7:3:1	AA 2 D
BB7:4:1	AA 2 D
BB7:5	AA 2 D
BB7:6	AA 2 D
BB7:7:1	AA 3 D
BB7:8:1	AA 3 D
BB7:9:1	AA 3 D
BB7:10:1	AA 3 D
BB7:11	AA 3 D
BB7:12	AA 3 D
BEJf:1	JA1A 4 D
BEJf:2	JA1A 4 D
BSNbI:1	JA1A 4 D
BSNbI:2	JA1A 4 D
BSNbO:1	JA1A 3 D
BSNbO:2	JA1A 3 D
BSNO:1	JA1A 3 D
BSNO:2	JA1A 3 D
BSPI:1	JA1A 3 D
BSPI:2	JA1A 3 D
CANBa:1	XJ2 0 B
CANBa:2	XJ2 0 B
CLTCH:1	HA2 1 C
CLTCH:2	HA2 2 C
CLTCH:3	HA2 2 C
CLTCH:4	HA2 2 D
CLTCH:5	HA2 3 C
CLTCH:6	HA2 3 D
CON3U:2	OA2-1 1 C
CON3U:3	OA2-1 1 C
CON3U:5	OA2-1 2 C
CON3U:6	OA2-1 2 D
CON3U:9	OA2-1 1 D
DRL_LS:1	GC4 1 D
DRL_LS:2	GC4 1 D
DRL_RS:1	GC4 3 D
DRL_RS:2	GC4 3 D
E07LR:2	GC6 1 D
E16:1	IE3 0 D
E16:2	IE3 0 E
E472us10:1	ID1 2 B
E472us10:2	ID1 2 D
FATPMS:1	VD 3 B
FATPMS:2	VD 3 C
FATPMS:3	VD 3 C
FATPMS:4	VD 3 C
FATPMS:5	VD 3 C
FATPMS:6	VD 3 C

**VOLVO**

Volvo Bus Corporation

Document title  
**WIRING DIAGRAM**

Document type  
**PRODUCT SCHEMATIC**

Document No  
**23458767**

Issue  
**01**

Volume No  
**03(03)**

Page No  
**14(30)**

<b>INLINE</b>	<b>PAGE</b>
FOGL:2	GC6 1 C
FOGL:4	GC6 1 D
GND10:1	ZA2 2 E
GND11:1	ZA2 4 E
GND_31B:1	ZA1 2 E
GND_31C:1	ZA1 4 E
GND_31Cb:1	ZA2 1 E
GND_31Cb:1	ZA2 3 C
GND_31D:1	ZA1 3 C
GND_31Ee:1	ZA1 1 E
GND_31F:1	ZA1 1 C
GND_31H:1	ZA2 0 E
R_MOBC-C:1	AD 4 C
RATPMS:1	VD 3 B
RATPMS:2	VD 3 B
RATPMS:3	VD 3 B
RATPMS:4	VD 3 D
RATPMS:5	VD 3 D
RATPMS:6	VD 3 D
RL1A:1	GC6 3 D
RL1A:2	GC6 3 B
RL1A:3	GC6 4 B
RL1A:4	GC6 4 B
RL1A:5	GC6 4 B
RL2A:1	GC6 0 D
RL2A:2	GC6 0 C
RL2A:3	GC6 0 B
RL2A:4	GC6 0 B
RL2A:5	GC6 0 B
RL3:1	GC3-3 3 C
RL3:2	GC3-3 3 C
RL3:8	VD4 3 C
RL3:11	VD4 2 D
RL3:12	VD4 2 D
RRWCL:1	VA 3 B
RRWCL:2	AI1-3 3 B
RRWCL:3	VA 2 B
RRWCL:4	VA 2 B
RRWCL:5	SB2B 1 D
S172.L:1	ID3 0 B
S172.L:2	ID3 0 D
S172.L:3	ID3A 1 B
S172.L:4	ID3A 1 D
S172.L:5	GC3-2 3 C
S172.R:1	ID3 3 B
S172.R:2	ID3 3 D
S172.R:3	ID3A 3 B
S172.R:4	GC3-2 4 D
S172.R:5	GC3-2 4 C
SP2I:1	JA1A 3 B
SP2I:2	JA1A 3 B
SP2O:1	JA1A 2 B
SP2O:2	JA1A 2 B
SP3I:1	JA1A 4 B

**VOLVO**

Volvo Bus Corporation

Document title  
**WIRING DIAGRAM**

Document type  
**PRODUCT SCHEMATIC**

Document No  
**23458767**

Issue  
**01**

Volume No  
**03(03)**

Page No  
**15(30)**



INLINE	PAGE
SP3I:2	JA1A 4 B
SP3O:1	JA1A 3 B
SP3O:2	JA1A 3 B
SP4I:1	JA1A 4 C
SP4I:2	JA1A 4 C
SP4O:1	JA1A 3 C
SP4O:2	JA1A 3 C
TACHO:1	OV1 2 C
TACHO:2	OV1 2 C
TACHO:3	OV1 2 C
TACHO:4	OV1 2 C
TACHO:7	OV1 2 C
TACHO:8	OV1 2 C
TRANS:1	JB1 1 D
TRANS:2	JB1 1 D
TWS1:1	VA 0 E
TWS1:2	VA 0 D
TWS1:3	VA 0 D
TWS01_Aa:1	VA 0 D
U903:1	AH2 2 C
U903:3	AH2 2 C
U903A:1	AH2 2 A
U903A:2	AH2 2 C
U903B:1	AH2 2 C
U903B:2	AH2 2 E
U903C:1	AH2 2 A
U903C:2	AH2 2 C
U903D:1	AH2 3 A
U903D:2	AH2 3 C
U903E:1	AH2 2 B
U903E:2	AH2 2 B
U903F:1	AH2 3 A
U903F:2	AH2 3 C
U903G:1	AH2 3 A
U903G:2	AH2 3 C
WA1:1	BE 0 A
WA1:2	BE 0 A
WA1:3	BE 0 A
WA1:4	BE 1 B
WA1:5	BE 1 B
WA1:6	BE 1 B
WA2:1	BE 0 B
WA2:2	BE 0 B
WA2:3	BE 0 B
WA2:5	BE 0 B
WA2:6	BE 0 B
WA2:7	BE 1 B
WA2:8	BE 1 B
WA3:1	BE 0 A
WA3:2	BE 0 A
WA3:3	BE 1 A
WA3:4	BE 1 A
WA3:5	BE 1 A
WA3:6	BE 1 A

**VOLVO**

Volvo Bus Corporation

Document title  
**WIRING DIAGRAM**

Document type  
**PRODUCT SCHEMATIC**

Document No  
**23458767**

Issue  
**01**

Volume No  
**03(03)**

Page No  
**16(30)**

INLINE	PAGE
WA3:7	BE 1 A
WA4:1	BE 2 A
WA4:2	BE 2 A
WA4:3	BE 2 A
WA4:4	BE 2 A
WA4:5	BE 2 A
WA4:6	BE 3 A
WA4:7	BE 3 A
WA4:8	BE 3 A
WA4:9	BE 3 A
WA5:1	BE 2 B
WA5:2	BE 2 B
WA5:3	BE 2 B
WA6:1	BE 2 B
WA6:2	BE 2 B
WA7:1	BE 3 B
WA7:2	BE 3 B
WA8:1	BE 0 C
WA8:2	BE 0 C
WA8:3	BE 0 C
WA8:4	BE 0 C
WA8:5	BE 0 C
WA8:6	BE 1 C
WA8:7	BE 1 C
WA8:8	BE 1 C
WA8:9	BE 1 C
WA9:1	BE 0 D
WA9:2	BE 0 D
WA9:3	BE 0 D
WA10:1	BE 0 D
WA10:2	BE 0 D
WA10:3	BE 1 D
WA11:1	BE 1 D
WA11:2	BE 1 D
WA11:3	BE 1 D
WA12:1	BE 1 C
WA12:2	BE 2 C
WA12:3	BE 2 C
WA12:4	BE 2 C
WA13:1	BE 1 D
WA13:2	BE 2 D
WA14:1	BE 2 D
WA14:2	BE 2 D
WA15:1	BE 3 C
WA15:2	BE 3 C
WA15:3	BE 3 C
WA15:4	BE 3 C
WA15:5	BE 3 C
WA15:6	BE 3 C
WA16:1	BE 3 D
WA16:2	BE 3 D
WA16:3	BE 3 D
WA16:4	BE 3 D
WA16:5	BE 3 D

**VOLVO**

Volvo Bus Corporation

Document title  
**WIRING DIAGRAM**

Document type  
**PRODUCT SCHEMATIC**

Document No  
**23458767**

Issue  
**01**

Volume No  
**03(03)**

Page No  
**17(30)**

<b>INLINE</b>	<b>PAGE</b>
WA16:6	BE 3 D
WA16:7	BE 4 D
WA16:8	BE 4 D
WA16:9	BE 4 D
WA17:1	BE 3 B
WA17:2	BE 3 B
WA18:1	BE 4 C
WA18:2	BE 4 C
WA18:3	BE 4 C
WCL1:1	VA 2 B
WCL1:2	VA 2 B
WCL:1	AD 4 C
WCL:1	VA1 2 C
WCLD:1	SB2B 3 C
WCLD:2	VB 3 B
WCLD:3	SB2B 3 B
WCLD:4	SB2B 3 B
WCLFH:1	XJ2 1 D
WCLFH:2	XJ2 1 D
X2CM:1	HB1D 1 C
X12RA:1	OD1 1 D
X12RA:2	OD1 1 D
X12RB:1	OD1 0 D
X12RB:2	OD1 0 D
X12V:1	OD1 0 D
X12V:2	OD1 0 D
X12VM:1	HB1D 1 D
X12VRC:1	UC3 2 D
X12VRC:2	UC3 2 D
X17D:1	SA3 2 C
X17D:2	SA3 1 C
X24V:1	OD1 1 D
X24V:2	OD1 1 D
X24VD:1	OD1 1 D
X24VD:2	OD1 1 D
X24VM:1	HB1D 1 D
X420B:1	GC3-3 1 C
X420B:2	GC3-3 1 D
X420B:3	GC3-3 0 C
X420B:4	GC3-3 2 C
X421B:1	GC3-1 1 C
X421B:2	GC3-1 1 E
X471:1	IB1 2 B
X471:2	IB1 1 B
X650:1	OO1 0 B
X650:2	OO1 1 B
X650:3	OO1 1 B
X650:4	OO1 0 B
X650:5	OO1 0 B
X650:8	OO1 2 B
X650:12	OO1 3 B
X1147A:1	PA 3 C
X1147A:2	ZA1 0 A
X1147B:1	PA 3 C

**VOLVO**

Volvo Bus Corporation

Document title

**WIRING DIAGRAM**

Document type

**PRODUCT SCHEMATIC**

Document No

**23458767**

Issue

**01**

Volume No

**03(03)**

Page No

**18(30)**

INLINE	PAGE
X1147B:2	ZA1 0 A
X1147C:1	GC5 2 C
X1147C:2	GC5 2 D
XA2U:2	AI1-4 3 B
XA2U:3	XJ2 1 B
XA2U:4	XJ2 1 B
XA2U:5	ZA1 4 B
XA2U:7	OA2-1 2 C
XA13:1	AI1-4 1 B
XA13:9	HA2 1 C
XA23:1	XJ2 1 B
XA23:2	XJ2 1 C
XA23:3	GC3-1 1 B
XA23:4	OA2-1 2 C
XA23:5	GC7 1 C
XAMP:1	JA1A 0 B
XAMP:2	JA1A 0 B
XAMP:3	JA1A 1 B
XAMP:4	JA1A 1 B
XAMPI:1	JA1A 0 B
XAMPI:2	JA1A 0 B
XAMPI:3	JA1A 1 B
XAMPI:4	JA1A 1 B
XAMPR:1	JA1A 0 B
XAMPR:2	JA1A 0 B
XAMPR:3	JA1A 1 B
XAMPR:4	JA1A 1 B
XBA001:1	UB1A 3 B
XBA001:3	SB2A 1 B
XBA001:4	SB2A 1 B
XBA001:5	OD1 3 B
XBA001:6	HC1 4 B
XBA001:7	OD1 3 B
XBA001:8	OK1 1 B
XBA002:1	VC1 1 B
XBA002:2	AI1-3 0 B
XBA002:3	AI1-3 0 B
XBA002:4	AI1-2 0 B
XBA002:5	AI1-5 2 B
XBA002:6	OD1 4 B
XBA002:7	HA4C-1 3 B
XBA003:2	GC3-2 2 B
XBA003:2	OV1 1 B
XBA003:3	GC3-1 1 B
XBA003:6	AA 4 B
XBA003:7	OV1 0 B
XBA003:8	HB1D 0 B
XBA003:8	OJ2 2 B
XBA003:8	UC3 2 B
XBA004:1	AI1-4 3 B
XBA004:2	AI1-1 0 B
XBA004:3	AI1-1 2 B
XBA004:5	SC2 1 B
XBA004:6	OV1 0 B

**VOLVO**

Volvo Bus Corporation

Document title

**WIRING DIAGRAM**

Document type

**PRODUCT SCHEMATIC**

Document No

**23458767**

Issue

**01**

Volume No

**03(03)**

Page No

**19(30)**

INLINE	PAGE
XBA004:7	AI1-3 2 B
XBA004:8	AI1-3 3 B
XBA005:1	AD 3 A
XBA006:1	AD 3 A
XBA009:1	HC1 4 B
XBA009:2	OD1 1 B
XBA009:3	SB2A 3 B
XBA009:4	GC4 3 B
XBA009:4	JB1 1 B
XBA009:5	AI1-2 3 B
XBA009:6	OD1 1 B
XBA009:7	AI1-1 3 B
XBA009:8	GC3-1 3 B
XBA009:8	GC7 4 B
XBA009:8	HE1 0 B
XBA009:8	IA1A 4 B
XBA009:8	IB1 3 B
XBA009:8	IE3 4 B
XBA009:8	OA1-3 3 B
XBA009:8	PA1 3 B
XBA009:8	SA 3 B
XBA009:8	SB2B 1 B
XBA009:8	UB1A 0 B
XBA009:8	VA 1 B
XBA010:3	AI1-4 0 B
XBA010:4	AI1-4 0 B
XBA010:5	AI1-4 1 B
XBA010:6	AI1-1 0 B
XBA011:1	HC1 4 B
XBA011:1	VF 2 B
XBA011:2	HA 2 B
XBA011:3	HA 2 B
XBA011:5	AI1-1 0 B
XBA011:6	AI1-2 1 B
XBA011:6	BD 1 B
XBA011:7	SA3 2 B
XBA011:8	OD1 0 B
XBA012:1	IF1 2 B
XBA012:2	IF1 1 B
XBA012:3	HA4C 3 C
XBA012:4	HA4C 3 C
XBA012:5	HA4C 3 C
XBA012:6	HA4C 3 C
XBA012:7	HA4C 3 C
XBA012:8	HA4C 3 C
XBB1:1	OV1 3 D
XBB1:2	OV1 3 D
XBB1:3	OV1 3 D
XEVAP:1	HA2 1 C
XFBC:1	XJ2 3 D
XFBC:2	XJ2 3 E
XFBC:4	HA5C 3 C
XFBC:5	HA5C 3 C
XFBC:6	HC1 2 B

**VOLVO**

Volvo Bus Corporation

Document title  
**WIRING DIAGRAM**

Document type  
**PRODUCT SCHEMATIC**

Document No  
**23458767**

Issue  
**01**

Volume No  
**03(03)**

Page No  
**20(30)**

<b>INLINE</b>	<b>PAGE</b>
XFBC:7	HC1 3 C
XFBC:9	VB1 2 C
XFBC:13	GC3-2 3 C
XFBC:14	GC3-2 4 C
XFBC:15	OD1 4 D
XFBC:16	VC1 1 B
XFBC:17	VC1 2 B
XFBC:18	VC1 2 B
XFBC:19	VC1 3 B
XFHA:1	HC1 2 B
XFHA:2	HC1 3 C
XFHA:3	XJ2 1 D
XFHA:4	XJ2 1 D
XFHA:5	HA5C 3 B
XFHA:6	HA5C 3 B
XFHA:18	HA3 1 C
XFHA:19	HA3 1 C
XFHA:20	AI1-2 3 C
XFHA:21	AI1-2 3 C
XFHA:24	HA3 1 C
XFHA:25	HA3 2 C
XFM1:1	AI1-2 3 B
XFM1:2	HA4C-1 3 B
XFM1:3	BD 2 B
XFM1:5	PC1A 2 C
XFM1:6	VA1 3 B
XFM1:7	VA1 3 B
XFM1:8	VA1 3 B
XFMD:1	AI1-2 0 B
XFMD:2	AI1-2 1 D
XFMD:3	XJ2 2 D
XFMD:4	XJ2 2 D
XFMD:5	PC1A 2 C
XFTM:1	AI1-5 2 B
XFTM:2	XJ2 2 D
XFTM:3	XJ2 2 D
XMBC:2	AA 2 B
XMBC:3	AA 2 B
XMBC:4	XJ2 3 D
XMBC:5	XJ2 3 E
XMBC:7	SB2A 2 B
XMBC:8	SA 1 B
XMBC:9	GC5 2 B
XMBC:10	GC5 2 B
XMBC:11	UB1A 3 C
XMBC:13	HA5C 3 C
XMBC:14	HA5C 3 C
XMBC:15	HC1 2 B
XMBC:16	HC1 3 C
XMBC:17	VB1 2 D
XMBC:19	VC1 1 B
XMBC:20	VC1 2 B
XMBC:21	VC1 2 B
XMBC:22	VC1 3 B

**VOLVO**

Volvo Bus Corporation

Document title  
**WIRING DIAGRAM**

Document type  
**PRODUCT SCHEMATIC**

Document No  
**23458767**

Issue  
**01**

Volume No  
**03(03)**

Page No  
**21(30)**

<b>INLINE</b>	<b>PAGE</b>
XMBC:23	VA 2 B
XMBC:24	VA 2 B
XMBC:25	OD1 4 D
XMDRL:1	GC4 2 C
XMDRL:2	GC4 3 C
XMDRL:3	GC4 1 C
XMDWC:1	VA1 0 B
XMRL1:1	JA1A 0 D
XMRL1:2	JA1A 1 D
XMRL1:3	JA1A 1 B
XMRL1:4	JA1A 1 B
XMRL1:5	XJ2 3 B
XMRL1:6	XJ2 3 C
XMRL1:7	AI1-1 2 B
XMRL1:8	OJ2 2 D
XMRL1:9	OJ2 2 D
XMRL1:10	HB1D 0 C
XMRL1:10	OJ2 2 B
XMRL1:10	UC3 2 C
XMRL1:11	IF1 2 C
XMRL1:12	JA1A 0 B
XMRL1:13	JA1A 0 B
XMRL1:15	HA4C-1 1 D
XMRL1:16	SB2A 3 B
XMRL1:17	HA 1 C
XMRL1:18	HA 1 C
XMRL1:19	HA5C 3 C
XMRL1:20	HA5C 3 C
XMRL2:1	HA 1 C
XMRL2:2	HA 1 C
XMRL2:3	HA 1 C
XMRL2:4	HA 1 C
XMRL2:5	HA 1 C
XMRL2:6	HA 2 C
XMRL2:7	HA 3 C
XMRL2:8	HA 3 C
XMRL2:9	HA 3 C
XMRL2:10	HA 3 C
XMRL2:11	HA 3 C
XMRL2:12	HA 3 C
XMRL2:13	HA 2 C
XMRL2:14	HA 2 C
XMRL2:15	SB2A 2 B
XMRL2:17	IE3 0 D
XMRL2:18	SB2 2 B
XMRL2:19	VE 3 E
XMRL2:20	SB2A 1 B
XMRL2:21	SB2A 1 B
XMRL2:22	JC 2 D
XMRR:1	SB2B 1 C
XMRR:2	BD 1 C
XMRR:3	BD 1 B
XMRR:4	BD 2 B
XMRR:5	BD 1 B

**VOLVO**

Volvo Bus Corporation

Document title  
**WIRING DIAGRAM**

Document type  
**PRODUCT SCHEMATIC**

Document No  
**23458767**

Issue  
**01**

Volume No  
**03(03)**

Page No  
**22(30)**

<b>INLINE</b>	<b>PAGE</b>
XMRR:6	PC1A 2 C
XMRR:7	VA1 3 B
XRAD:1	JA1A 0 D
XRAD:2	JA1A 0 D
XRAD:3	JA1A 0 D
XRAD:4	JA1A 1 D
XRRBC:2	AA 2 C
XRRBC:3	AA 2 C
XRRBC:5	SB2A 2 C
XRRBC:6	SA 1 C
XRRBC:7	GC5 2 C
XRRBC:8	GC5 2 C
XRRBC:9	UB1A 3 D
XRRBC:11	VB1 2 D
XRRBC:15	GC3-2 3 C
XRRBC:16	GC3-2 4 C
XRRBC:19	VA 2 B
XRRBC:20	VA 2 B
XRRRL2:2	VB 1 C
XRRRL2:3	IE3 1 D
XRRRL2:4	IF1 2 C
XRRRL2:5	HE1 3 C
XRRRL2:9	IE3 2 D
XRRRL2:11	IE3 1 D
XRRRL2:12	IE3 2 D
XRRRL2:13	GC3-3 2 C
XRRRL2:14	GC3-3 0 C
XRRRL2:15	SB2A 3 C
XRRRL2:17	SB2 3 B
XRRRL2:18	SC2 1 C
XRRRL:2	IA1A 1 C
XRRRL:4	SB2 1 B
XRRRL:5	SB2A 1 C
XRRRL:6	JA1A 0 D
XRRRL:7	JA1A 1 D
XRRRL:9	AI1-1 2 B
XRRRL:10	XJ2 2 B
XRRRL:11	XJ2 2 C
XRRRL:12	HB1D 0 B
XRRRL:12	OJ2 2 B
XRRRL:12	UC3 2 B
XRRRL:13	VE 1 E
XRRRL:15	JA1A 1 C
XRRRL:16	JA1A 1 C
XRRRL:17	AI1-4 1 B
XRRRL:18	SB2A 1 C
XRRRL:19	AI1-3 2 B
XRRRL:20	AI1-4 0 B
XRRRL:21	AI1-4 0 B
XRRRL:23	VA 0 D
XRRRL:24	VA 0 D
XSKL:1	SB2A 1 C
XSKL:2	SB2A 1 E
XSKL:3	SB2A 2 C

**VOLVO**

Volvo Bus Corporation

Document title  
**WIRING DIAGRAM**

Document type  
**PRODUCT SCHEMATIC**

Document No  
**23458767**

Issue  
**01**

Volume No  
**03(03)**

Page No  
**23(30)**



<b>INLINE</b>	<b>PAGE</b>
XSKL:4	VB 1 C
XSKL:5	SB2 1 B
XSKL:6	SB2 2 B
XSKL:7	SB2A 3 C
XTD7:1	HA2 1 C
XTD7:2	AD 3 C
XUCSTR2:1	OA2-1 3 B
XUCSTR2:2	OA2-1 3 B
XUCSTR2:3	OA2-1 4 B
XUCSTR2:5	OA2-1 3 C
XUCSTR2:6	OA2-1 3 C
XUCSTR2:7	OA2-1 3 C
XUCSTR2:8	OA2-1 4 B
XUCSTR2:9	OA2-1 3 C
XWCLSK:1	SB2B 3 D
XWCLSK:2	SB2B 1 D
XWMDF:1	VA1 3 B
XWMDF:2	VA1 2 C

**VOLVO**

Volvo Bus Corporation

Document title  
**WIRING DIAGRAM**

Document type  
**PRODUCT SCHEMATIC**

Document No  
**23458767**

Issue  
**01**

Volume No  
**03(03)**

Page No  
**24(30)**

# SPLICES

SPLICE	PAGE
J1 ( )	ZA2 0 C
J2 ( )	ZA2 3 B
J3 ( )	GC3 -1 3 D
J3 ( )	ZA2 2 A
J4 ( )	ZA2 3 A
J5 ( )	ZA2 3 A
J6 ( )	HC1 4 C
J6 ( )	JB1 1 D
J6 ( )	ZA2 4 B
J11 ( )	XJ2 1 B
J12 ( )	XJ2 1 C
J17 ( )	AA2 3 D
J18 ( )	ZA1 4 D
J24 ( )	ZA1 1 D
J25 ( )	AD 3 C
J25 ( )	ZA1 1 D
J26 ( )	VC1 2 D
J26 ( )	ZA1 0 D
J27 ( )	ID3 1 B
J28 ( )	ID3A 2 B
J29 ( )	ZA1 1 D
J32 ( )	ZA1 1 B
J33 ( )	ZA1 0 B
J35 ( )	IE3 1 E
J35 ( )	ZA1 1 B
J36 ( )	ZA1 2 B
J41 ( )	SB2 1 B
J42 ( )	SB2A 1 C
J43 ( )	ZA2 4 B
J47 ( )	AH2 3 E
J49 ( )	JA1A 1 B
J50 ( )	SA 2 B
J50 ( )	ZA2 2 A
J51 ( )	XJ2 1 B
J52 ( )	XJ2 1 C
J53 ( )	XJ2 2 B
J54 ( )	XJ2 2 C
J55 ( )	XJ2 2 B
J56 ( )	XJ2 2 C
J57 ( )	XJ2 3 B
J58 ( )	XJ2 3 C
J59 ( )	XJ2 3 B
J60 ( )	XJ2 3 C
J61 ( )	XJ2 4 B
J62 ( )	XJ2 4 C
J63 ( )	XJ2 3 E
J64 ( )	XJ2 3 D
J65 ( )	ZA2 0 B
J66 ( )	HB1D 0 C
J66 ( )	OJ2 2 B
J66 ( )	UC3 2 C
J67 ( )	JA1A 1 B
J68 ( )	IF1 2 B
J69 ( )	AI1 -1 0 D

# VOLVO

Volvo Bus Corporation

Document title  
**WIRING DIAGRAM**

Document type  
**PRODUCT SCHEMATIC**

Document No  
**23458767**

Issue  
**01**

Volume No  
**03(03)**

Page No  
**25(30)**

<b>SPLICE</b>	<b>PAGE</b>
J70 ( )	AI1-1 0 C
J71 ( )	XJ1 2 C
J72 ( )	XJ1 2 C
J74 ( )	JA1A 0 B
J75 ( )	XJ2 0 B
J76 ( )	XJ2 0 C
J90 ( )	GC6 0 C
J93 ( )	IE3 1 D
J94 ( )	IE3 1 C
J95 ( )	JA1A 0 B
J96 ( )	VD4 2 C
J97 ( )	VD4 2 C
J100 ( )	AA2 0 D
J106 ( )	ZA1 3 B
J107 ( )	ZA1 4 B
J108 ( )	HA 2 C
J108 ( )	HB1D 3 B
J108 ( )	ZA2 1 A
J109 ( )	IE3 3 B
J109 ( )	ZA2 1 A
J110 ( )	ZA1 4 B
J120 ( )	AA 1 B
J121 ( )	AA 2 B
J135 ( )	OD1 1 C
J139 ( )	AA2 2 D
J140 ( )	AA2 1 D
J141 ( )	AA2 1 D
J142 ( )	GC3-1 2 C
J142 ( )	SB2 3 B
J142 ( )	ZA2 1 A
J143 ( )	JB1 1 D
J143 ( )	ZA2 2 A
J144 ( )	SB2B 3 B
J147 ( )	GC3-1 3 C
J147 ( )	HE1 0 C
J147 ( )	IA1A 4 D
J147 ( )	IB1 3 C
J147 ( )	OA1-3 3 C
J147 ( )	PA1 3 C
J147 ( )	SB2B 1 B
J147 ( )	UB1A 0 C
J147 ( )	VA 1 C
J148 ( )	GC3-1 3 B
J148 ( )	GC7 4 C
J148 ( )	HE1 0 B
J148 ( )	IA1A 4 C
J148 ( )	IB1 3 B
J148 ( )	IE3 4 D
J148 ( )	OA1-3 3 C
J148 ( )	PA1 3 B
J148 ( )	SA 3 C
J148 ( )	SB2B 1 B
J148 ( )	UB1A 0 C
J148 ( )	VA 1 B

**VOLVO**

Volvo Bus Corporation

Document title  
**WIRING DIAGRAM**

Document type  
**PRODUCT SCHEMATIC**

Document No  
**23458767**

Issue  
**01**

Volume No  
**03(03)**

Page No  
**26(30)**

SPLICE	PAGE
J149 ( )	VF 2 B
J149 ( )	ZA2 1 B
J150 ( )	ZA2 2 B
J151 ( )	ZA2 3 B
J152 ( )	ZA2 3 B
J153 ( )	SB2 2 B
J154 ( )	OD1 0 C
J159 ( )	HC1 2 C
J160 ( )	ZA2 0 D
J161 ( )	XJ2 1 E
J162 ( )	XJ2 1 D
J163 ( )	ZA2 0 D
J164 ( )	AI1-2 3 C
J165 ( )	GC6 0 B
J166 ( )	GC6 4 B
J167 ( )	GC6 0 D
J168 ( )	GC6 3 D
J169 ( )	VE 0 B
J170 ( )	VE 0 D
J171 ( )	VE 3 B
J172 ( )	VE 3 E
J173 ( )	GC6 3 C
J177 ( )	XJ2 1 E
J178 ( )	XJ2 1 D
J181 ( )	OD1 1 C
J183 ( )	AI1-2 3 B
J184 ( )	VC1 2 D
J185 ( )	HC1 2 D
J191 ( )	GC3-1 1 B
J191 ( )	GC3-2 2 B
J191 ( )	OV1 1 C
J192 ( )	GC3-1 1 B
J193 ( )	GC3-1 1 C
J194 ( )	GC3-1 1 B
J195 ( )	VA 0 E
J240 ( )	VD 1 C
J241 ( )	VD 1 D
J265 ( )	ID3A 2 C
J266 ( )	VC1 1 C
J267 ( )	GC6 1 C
J268 ( )	GC6 1 D
J269 ( )	JB2 1 B
J270 ( )	JB2 2 C
J271 ( )	JB2 2 B
J272 ( )	JB2 1 D
J273 ( )	JB2 1 D
J274 ( )	JB2 3 D
J276 ( )	VD 1 B
J277 ( )	VD 1 B
J279 ( )	HB1D 2 D
J285 ( )	OP1-1 2 C
J286 ( )	OP1-1 2 C
J287 ( )	HC1 0 D
J289 ( )	GC3-1 1 D

**VOLVO**

Volvo Bus Corporation

Document title

WIRING DIAGRAM

Document type

PRODUCT SCHEMATIC

Document No

23458767

Issue

01

Volume No

03(03)

Page No

27(30)

SPLICE	PAGE
J290 ( )	GC3 -1 1 D
J291 ( )	GC3 -1 1 D
J292 ( )	GC3 -1 1 D
J293 ( )	GC3 -1 1 D
J294 ( )	GC3 -1 1 D
J295 ( )	GC3 -1 1 D
J296 ( )	GC3 -1 1 D
J300 ( )	GC6 4 C
J305 ( )	SB2A 1 D
J306 ( )	SB2A 1 D
J307 ( )	SB2A 2 C
J308 ( )	VB 1 D
J310 ( )	SB2 2 C
J311 ( )	SB2A 3 D
J312 ( )	IA1A 0 C
J313 ( )	SB2 1 C
J314 ( )	IE3 0 D
J315 ( )	IA1A 1 C
J316 ( )	IE3 0 D
J317 ( )	IE3 0 D
J318 ( )	AI1-1 0 C
J319 ( )	VB 1 B
J320 ( )	SB2A 3 C
J326 ( )	VD 1 D
J327 ( )	VD 1 E
J328 ( )	IE3 0 D
J336 ( )	AH2 2 B
J337 ( )	AH2 2 C
J338 ( )	AH2 2 A
J339 ( )	AH2 2 C
J353 ( )	ID3 0 D
J354 ( )	ID3 0 C
J355 ( )	ID3A 1 C
J356 ( )	ID3A 0 C
J357 ( )	ID3A 1 C
J358 ( )	ID3A 1 C
J364 ( )	ZA1 3 B
J365 ( )	ID3A 1 D
J383 ( )	ID3 3 D
J384 ( )	ID3 3 C
J385 ( )	ID3A 3 C
J386 ( )	ID3A 2 C
J387 ( )	ID3A 3 C
J388 ( )	ID3A 4 C
J389 ( )	ID3A 3 D
J390 ( )	JA1A 2 B
J391 ( )	JA1A 2 B
J392 ( )	JA1A 3 B
J393 ( )	JA1A 4 B
J394 ( )	JA1A 4 B
J395 ( )	JA1A 4 B
J396 ( )	JA1A 3 C
J397 ( )	JA1A 3 C
J398 ( )	JA1A 4 C

**VOLVO**

Volvo Bus Corporation

Document title  
**WIRING DIAGRAM**

Document type  
**PRODUCT SCHEMATIC**

Document No  
**23458767**

Issue  
**01**

Volume No  
**03(03)**

Page No  
**28(30)**

<b>SPLICE</b>	<b>PAGE</b>
J399 ( )	JA1A 3 C
J400 ( )	JA1A 4 C
J401 ( )	JA1A 4 C
J404 ( )	VB1 2 C
J440 ( )	JB3 2 B
J441 ( )	JB3 2 B
J442 ( )	JB3 2 C
J443 ( )	JB3 2 C
J460 ( )	IE3 0 B
J480 ( )	OA2-1 3 B
J480 ( )	SC2 3 C
J482 ( )	OA2-1 4 C
J484 ( )	ID1 2 B
J486 ( )	ID1 2 D
J488 ( )	AD 3 C
J505 ( )	HB1D 2 C
XS0006 ( )	XJ2 2 E
XSCAH ( )	ZA2 1 D
XSCAH2 ( )	HA2 1 C
XSCAH3 ( )	HA2 2 D
XSCRF ( )	BG2 2 C
XSN01 ( )	GC7 3 D
XSN02 ( )	GC7 3 C
XSN03 ( )	OA1 1 C
XSN04 ( )	OA1 1 D
XSN05 ( )	PA2 1 C
XSN06 ( )	PA2 1 D
XSN08 ( )	OO1 2 D
XSN09 ( )	HA4C-1 2 C
XSN10 ( )	HA4C-1 3 D
XSN11 ( )	HA4C-1 3 D
XSN12 ( )	HA4C-1 3 C
XSN13 ( )	HA4C-1 3 C
XSN14 ( )	HA4C-1 3 C
XSN15 ( )	GC5 2 B
XSN16 ( )	VB1 3 D
XSN17 ( )	VB1 3 D
XSN18 ( )	VA 2 C
XSN19 ( )	VA1 3 C
XSN21 ( )	PA2 3 D
XSN22 ( )	OD1 2 E
XSN23 ( )	OD1 2 D
XSN24 ( )	SA3 2 D
XSN25 ( )	GC4 1 B
XSO01 ( )	OA1 2 D
XSO02 ( )	OA1 3 D
XSO003 ( )	XJ2 2 D
XSO004 ( )	XJ2 2 D
XSO005 ( )	XJ2 2 E
XSO006 ( )	AI1-3 0 B
XSP01 ( )	ZA1 2 B
XSP02 ( )	SA 1 C
XSP03 ( )	SA 1 D
XSP04 ( )	VA 3 C

**VOLVO**

Volvo Bus Corporation

Document title

**WIRING DIAGRAM**

Document type

**PRODUCT SCHEMATIC**

Document No

**23458767**

Issue

**01**

Volume No

**03(03)**

Page No

**29(30)**

<b>SPLICE</b>	<b>PAGE</b>
XSP05 ( )	VA 3 C
XSP06 ( )	BD 1 C
XSQ02 ( )	ZA1 2 D
XSQ03 ( )	SB2A 1 E
XSQ03 ( )	ZA1 2 D
XSQ04 ( )	GC3-1 1 C
XSQ04 ( )	ZA1 3 D
XSQ05 ( )	IE3 1 E
XSQ05 ( )	ZA1 2 D
XSQ06 ( )	AI1-4 0 B
XSR01 ( )	ZA2 2 D
XSR02 ( )	ZA2 2 D
XSR03 ( )	ZA2 3 D
XSR04 ( )	ZA2 1 D
XSR05 ( )	OA2-2 1 C
XSR06 ( )	OA2-2 0 C
XSR07 ( )	OA2-2 0 D
XSR08 ( )	OA2-2 2 C
XSR09 ( )	OA2-2 2 B
XSR10 ( )	OA2-2 2 C
XSR11 ( )	OA2-2 4 D
XSR12 ( )	ZA2 2 D
XST01 ( )	VA1 2 C
XST02 ( )	VA1 2 C
XST03 ( )	ZA2 4 D
XST04 ( )	AI1-3 3 B
XSU01 ( )	PC1A 3 D
XSU02 ( )	PC1A 1 A
XSU03 ( )	IC1A 2 D
XSU04 ( )	ZA2 4 D
XSU05 ( )	IC1A 2 C
XSU06 ( )	PC1A 2 C
XSU07 ( )	AI1-5 2 D
XSV01 ( )	GC4 2 C
XSV02 ( )	GC4 2 C
XSV03 ( )	GC4 2 C

**VOLVO**

Volvo Bus Corporation

Document title  
**WIRING DIAGRAM**

Document type  
**PRODUCT SCHEMATIC**

Document No  
**23458767**

Issue  
**01**

Volume No  
**03(03)**

Page No  
**30(30)**