

| | | | | | |
|----------------------------------|----------|--------------------|--------------------------|---------|--|
| Engineering Release Notice (ERN) | Location | Change Description | A = Added D = Deleted | W = Was | Document Release Status RELEASED |
| | | See DCN | | | Date Modification Count |

WIRING DIAGRAM INDEX

VOLUME 1

| NAME | PAGE |
|-------------------|------|
| INSTRUCTIONS | 2 |
| ABBREVIATION LIST | 6 |

VOLUME 2

| NAME | DESCRIPTION | PAGE |
|------|-------------------------------|------|
| AA | IGNITION AND STARTING SYSTEM | 1 |
| AB | POWER SUPPLY | 2 |
| AB2 | NVPDUF & NVPDUR | 3 |
| AB3 | STARTER BATTERY | 4 |
| AB4 | CONSUMER BATTERY | 5 |
| AB5 | PRE HEATER | 6 |
| AC | I-START SYSTEM | 7 |
| AF | STARTER MOTOR AND ALTERNATORS | 8 |
| BA | VECU | 9 |
| BB | BBM | 10 |
| BC | BBM | 11 |
| BE | AEBS, LDWS, ACC | 12 |
| CL | BIO | 13 |
| CS | ENGINE INTERFACE D13 | 14 |
| CU | DNOX2 FOR EURO 5 | 15 |
| CX | ACM 2.0 | 16 |
| CZ | RETARDER I-SHIFT | 17 |
| DN | I-SHIFT | 18 |
| DN2 | I-SHIFT | 19 |
| DN3 | I-SHIFT | 20 |
| DN4 | I-SHIFT AND RETARDER | 21 |
| DN5 | ALLISON | 22 |
| DN6 | I-SHIFT | 23 |
| EO | EBS | 24 |
| EP | EBS | 25 |
| FA | AIR SUSPENSION ECS | 26 |
| FB | AIR SUSPENSION ECS | 27 |
| FB2 | AIR SUSPENSION ECS | 28 |
| FC1 | VDS, Volvo Dynamic Steering | 29 |

The copying, distribution and utilization of this document as well as the communication of its contents to others without expressed authorization is prohibited. Offenders will be held liable for payment of damages. All rights reserved in the event of the grant of a patent, utility model or ornamental design registration.

VOLVO

Volvo Bus Corporation

Document title
**WIRING DIAGRAM
 B13R
 EU5 & US/CAN**

Document type
PRODUCT SCHEMATICS

Owner domain: Document prefix

| | | | |
|--------------------------------|--------------------|-------------------------|-------------------------|
| Document No 22610880 | Issue 09 | Volume 01(03) | Sheet No 1(9) |
|--------------------------------|--------------------|-------------------------|-------------------------|

WIRING DIAGRAM INDEX

VOLUME 2

| NAME | DESCRIPTION | PAGE |
|------|--------------------------------|------|
| FC2 | VDS GATEWAY | 30 |
| GA | LCM | 31 |
| GB | LCM | 32 |
| GE | LCM | 33 |
| GM | WIPER, WASHER | 34 |
| IS | HORN, SWM | 35 |
| IU | AUDIO | 36 |
| NA | BUS INSTRUMENT CLUSTER BIC2 | 37 |
| NA2 | OBD, ON BOARD DIAGNOSTICS | 38 |
| NB | TACHOGRAPH | 39 |
| NC | TGW II | 40 |
| ND | ALCOLOCK | 41 |
| NE | FMS GATEWAY | 42 |
| NF | ELD (ELETRONIC LOGGING DEVICE) | 43 |
| TL | AIC POWER SUPPLY | 44 |
| TT | I-COACH | 45 |
| XC | CAN SAE 1939 | 46 |
| XD | CAN SAE1587 | 47 |
| XE | DBUS | 48 |
| XF | CAN 1939_7 | 49 |
| XG | CAN J2284 | 50 |
| XH | CAN ENGINE_SUBNET | 51 |
| XJ | CAN J1939 2/3 | 52 |
| XJ2 | CAN J1939 2/3 | 53 |
| XK | FMS-CAN | 54 |
| XN | ACTIVE SAFETY BACKBONE 2 | 55 |
| XO | CAN VDS | 56 |
| ZC | GROUND | 57 |

VOLVO

Volvo Bus Corporation

Document title
WIRING DIAGRAM

Document type
PRODUCT SCHEMATICS

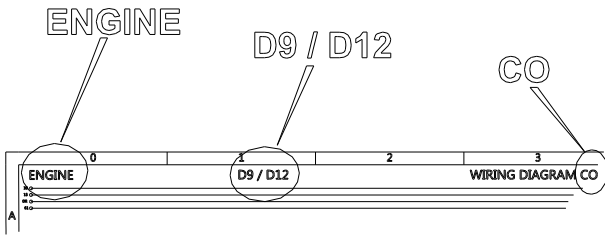
Document No
22610880

Issue
09

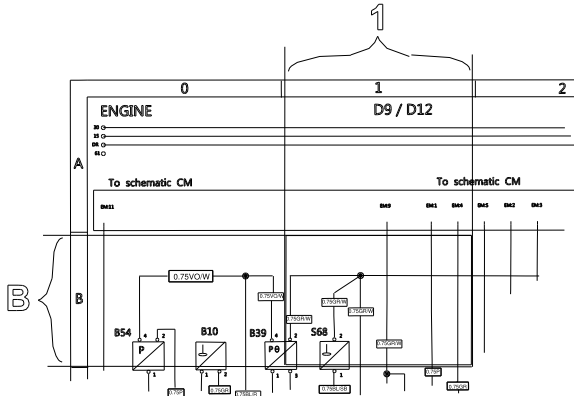
Volume
01(03)

Sheet No
2(9)

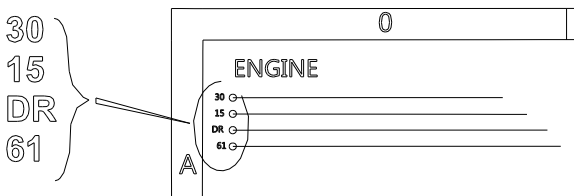
Example of Wiring Diagram



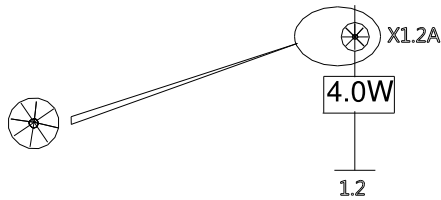
Component wiring diagram title, variant/subtitle and sheet number.



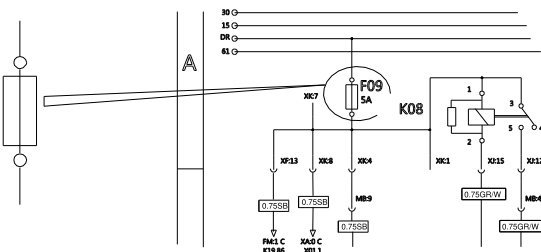
Coordinates (B 1).



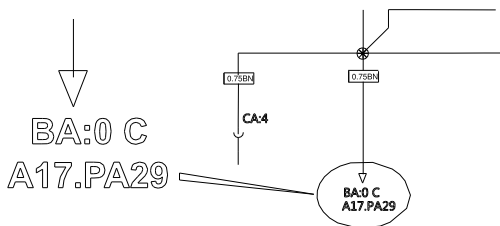
B+ Voltage battery with switch in ON position.
30 Voltage battery with main switch on, kl.30.
15 Voltage with starter key in drive position, kl.15.
DR Voltage with starter key in drive position, preheat position and start position, kl.DR.



Splice.



Fuse.



Reference arrow, for Diagram BA, coordinates 0 C, component A17, connector PA pin 29.

VOLVO

Volvo Bus Corporation

Document title
WIRING DIAGRAM

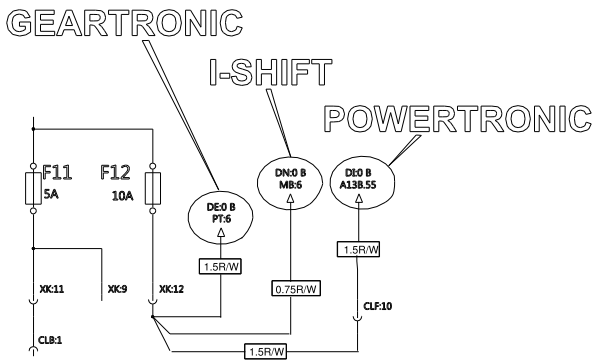
Document type
PRODUCT SCHEMATICS

Document No
22610880

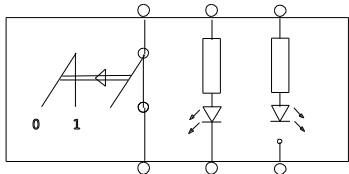
Issue
09

Volume
01(03)

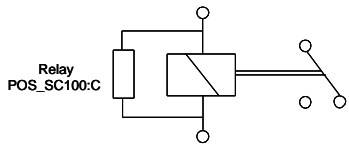
Sheet No
3(9)



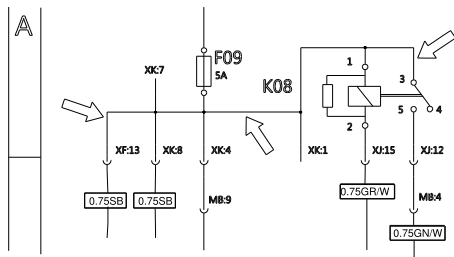
The maximum of variants are drawn, think about that all wires and components are not standard for all markets or vehicle models.



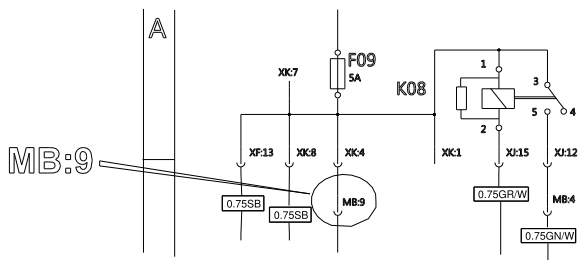
Switch.



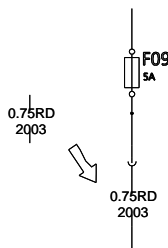
Relay with position.



Conductor on circuit card.



Connector MB terminal 9.



Wire area, colour and equipotential.

VOLVO

Volvo Bus Corporation

Document title
WIRING DIAGRAM

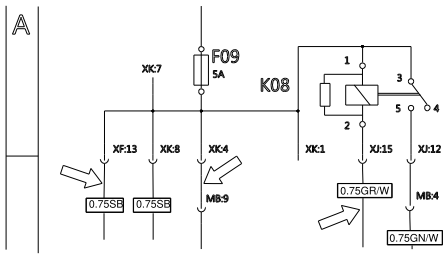
Document type
PRODUCT SCHEMATICS

Document No
22610880

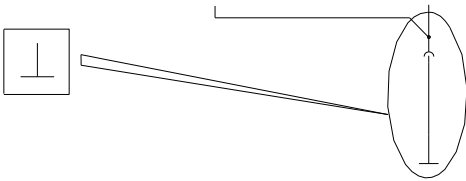
Issue
09

Volume
01(03)

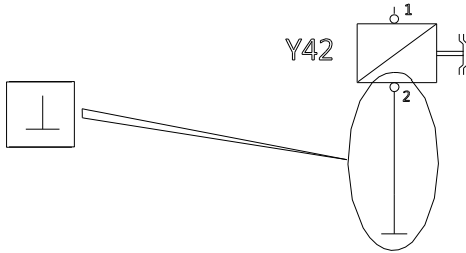
Sheet No
4(9)



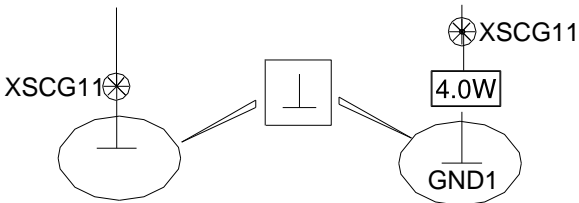
Thin lines, wires.



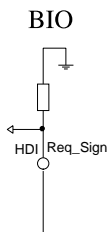
Earth connection to circuit card.



Earth connection without wire.



Same splice can be drawn on several diagrams. The wire from the splice to the earth connection point will only be drawn and coded on one diagram. On the other diagrams will only the earth connection point be written besides the splice.



An ECU symbol with a dashed box describes that the ECU exists in several different sheets.

VOLVO

Volvo Bus Corporation

Document title
WIRING DIAGRAM

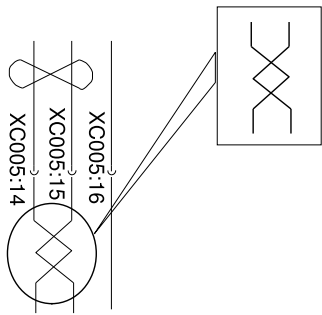
Document type
PRODUCT SCHEMATICS

Document No
22610880

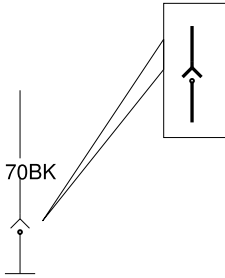
Issue
09

Volume
01(03)

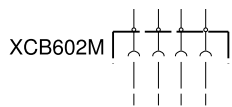
Sheet No
5(9)



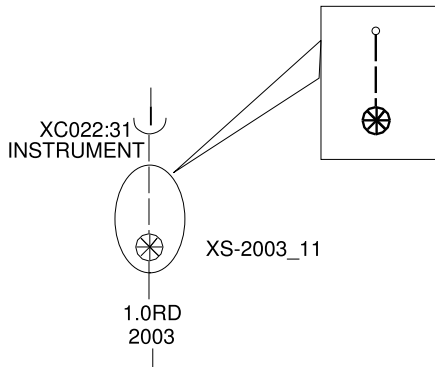
Twisted wires.



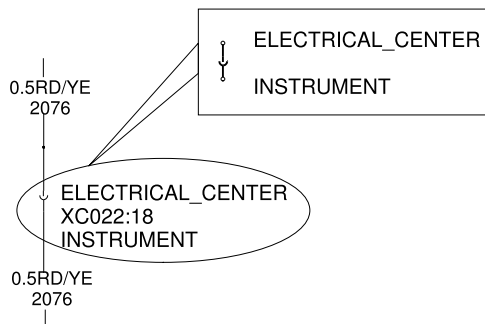
inline connector symbol for power cable ring terminal.



Interface symbol.



Splice with dotted line indicates that wire already exists in some other sheet and splice is shared.



The text on either side of the inline incates that wire belongs to stated harness.

VOLVO

Volvo Bus Corporation

Document title
WIRING DIAGRAM

Document type
PRODUCT SCHEMATICS

Document No
22610880

Issue
09

Volume
01(03)

Sheet No
6(9)

ABBREVIATION LIST

| ABBREVIATION | DESCRIPTION |
|--------------|--|
| +15 | VOLTAGE WITH STARTER KEY IN DRIVE POSITION |
| +30 | VOLTAGE BATTERY WITH MAIN SWITCH ON |
| +30C | VOLTAGE BATTERY WITH MAIN SWITCH ON |
| AC | AIR CONDITION |
| Acp | ACCELERATOR PEDAL |
| AI | ANALOG INPUT |
| AIC | ADVANCED INFORMATION CENTER |
| Amb | AMBIENT |
| An.IN | ANALOGUE INPUT |
| AO | ANALOG OUTPUT |
| APBE | AUTOMATIC PARKING BRAKE EVACUATION |
| ARC | AIR REGENERATION CONTROL |
| ARMS | AUTOMATIC RESET MAIN SWITCH |
| B+ | VOLTAGE BATTERY WITH SWITCH IN ON POSITION |
| BB | BODY BUILDER |
| BBM | BODY BUILDER MODULE |
| BHSA | BRAKE HILL START AID |
| Bpole | BATTERY POSITIVE BEFORE MAIN SWITCH |
| Brk | BRAKE |
| Buf | BUFFERED |
| C | CLOSING |
| CampL | CAMPIGN LIGHTS |
| Cent | CENTERING |
| CICU | Charging |
| Ctrl | CONTROL |
| Cyl | CYLINDER |
| Dash | DASHBOARD |
| Deliv | DELIVERY |
| DI | DIGITAL INPUT |
| Diag | DIAGNOSTIC |
| Dig.OUT | DIGITAL OUTPUT |
| Dir | DIRECTION |
| Dis | DISABLE |
| DO | DIGITAL OUTPUT |
| DRL_RMC | DAYTIME RUNNING LIGTH/REDUCED MODE CONTROL |
| EACC | ELECTRIC AIR COMPRESSOR CONTROL |
| EBS | ELECTRONIC BRAKE SYSTEM |
| ECB | VBC ENGINE COMPRESSOR BRAKE |
| ECU | ELECTRONIC CONTROL UNIT |
| ECU_GND | EXTERNAL GROUND |
| EGR | EXHAUST REDIRECTION VALVE |
| ELC | ELECTRICAL CENTER |
| EMT | EXHAUST MANIFOLD TEMPERATURE |
| Eng | ENGINE |
| EPG | EXHAUST PRESSURE GOVERNOR |
| ES | ENGINE SYNCHRONIZATION |
| ESS | ENERGY STORAGE SYSTEM |
| ETCC | EXHAUST TEMPERATURE CATALYTIC CONVERTER |
| Ext | EXTERNAL |
| FRC | FRONT RELAY CENTER |
| GECU | GEAR SELECTOR ELECTRONIC CONTROL UNIT |
| GND | SIGNAL GROUND |
| H | HIGH |
| Haz | HAZARD |

VOLVO

Volvo Bus Corporation

Document title
WIRING DIAGRAM

Document type
PRODUCT SCHEMATICS

| | | | |
|-----------------|-----------|---------------|-------------|
| Document No | Issue | Volume | Sheet No |
| 22610880 | 09 | 01(03) | 7(9) |

| ABBREVIATION | DESCRIPTION |
|--------------|--|
| HDI | HIGH_DIGITAL_INPUT |
| HDO | HIGH_DIGITAL_OUTPUT |
| HLa | HEADLAMPS |
| HPCU | HYBRID_POWER_TRAIN_CONTROL_UNIT |
| HS | HIGH_SIDE |
| HSA | HILL_START_AID |
| HSD | HIGH_SIDE_DRIVER |
| HVAC | HEATING_VENTILATION_AIR_CONDITION_SYSTEM |
| Hyd | HYDRAULIC |
| IJ | INLET_JET |
| Ind | INDICATOR |
| Inj | INJECTION |
| JK | JACK_KNIFE |
| KL | KEY_LINE |
| L | LOW |
| LCM | LIGHT_CONTROL_MODULE |
| LCP | LIGHT_CONTROL_PANEL |
| LDI | LOW_DIGITAL_INPUT |
| LDO | LOW_DIGITAL_OUTPUT |
| LS | LOW_SIDE |
| Nd | NEEDLE |
| O | OUTPUT |
| OBD | ON_BOARD_DIAGNOSTIC |
| OLS | OIL_LEVEL_SENSOR |
| OP | OPENING |
| OV | OVERFLOW |
| PCM | POWER_TRAIN_CONTROL_MODULE |
| PCS | PRESSURE_CONTROL_SOLENOID |
| PCV | PRESSURE_CONTROL_VALVE |
| Plo | PLOUGH |
| Pos | POSITION |
| PR | PRESSURE_REGULATOR |
| Pres | PRESSURE |
| PS | PRESSURE |
| PWM | PULSE_WIDTH_MODULATION |
| Rad | RADIATOR |
| RAI | RESISTANCE_ANALOGUE_INPUT |
| Red | REDUCTOR |
| Rel | RELAY |
| Req | REQUEST |
| RES | INPUT_FOR_SENSORS_WITH_VARIABLE_RESISTANCE |
| Ret | RETARDER |
| RX | SIGNAL_RECEIVER |
| Sen | SENSOR |
| Sign | SIGNAL |
| Sno | SNOW |
| Sp | SPEED |
| SS | SENSOR_SUPPLY |
| St | START |
| Stp | STOP |
| SV | SUPPLY_VOLTAGE |
| Sw | SWITCH |
| TCC | TORQUE_CONVERTER_CLUTCH |
| Temp | TEMPERATURE |

VOLVO

Volvo Bus Corporation

Document title
WIRING DIAGRAM

Document type
PRODUCT SCHEMATICS

Document No
22610880

Issue
09

Volume
01(03)

Sheet No
8(9)

| ABBREVIATION | DESCRIPTION |
|--------------|----------------------------|
| Tor | TORQUE |
| TX | SIGNAL_TRANSMITTER |
| UBat | FEED_DIRECTLY_FROM_BATTERY |
| VEB | VOLVO_ENGINE_BRAKE |
| Veh | VEHICLE |

VOLVO

Volvo Bus Corporation

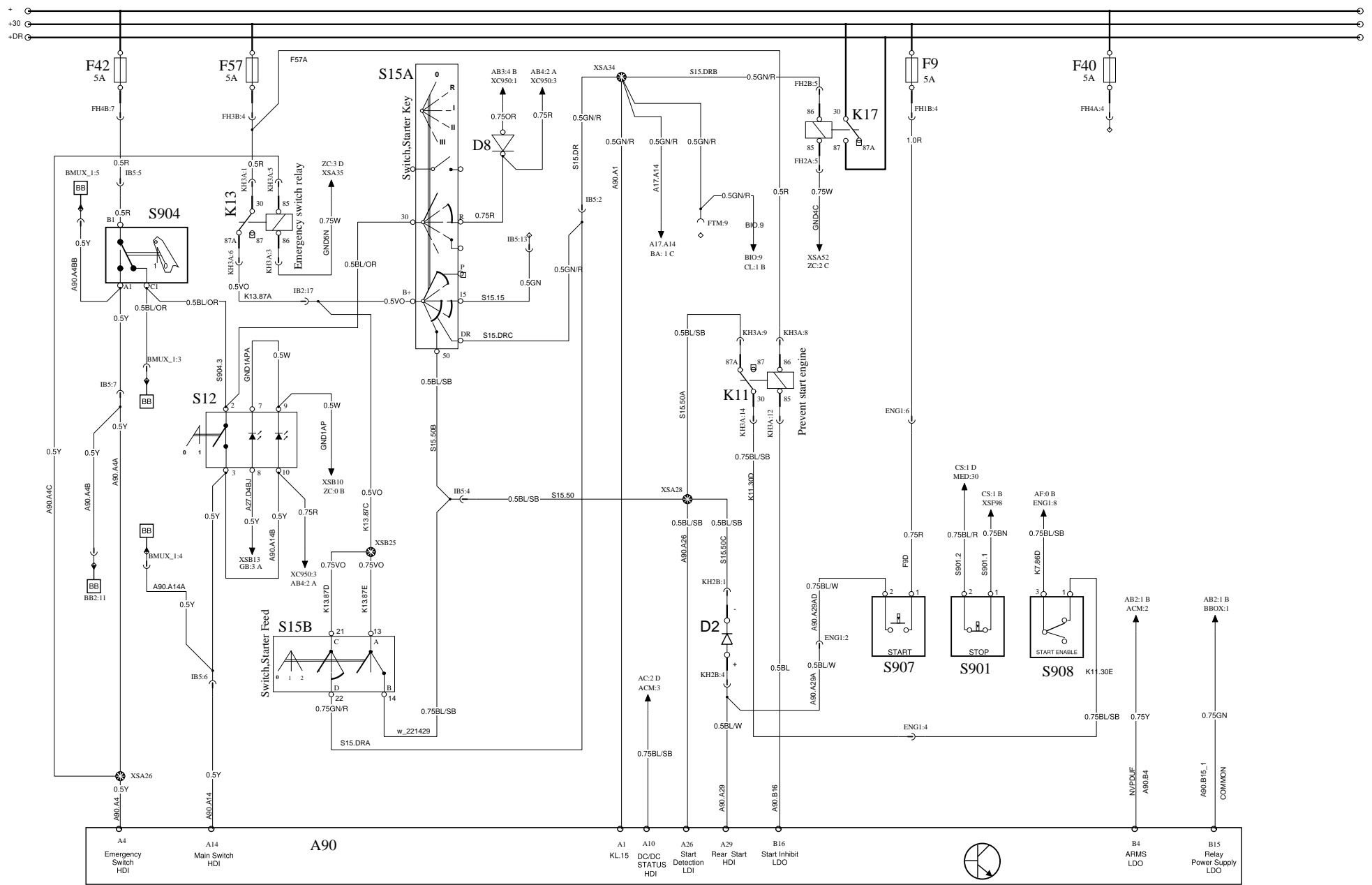
Document title
WIRING DIAGRAM

Document type
PRODUCT SCHEMATICS

| Document No | Issue | Volume | Sheet No |
|-----------------|-----------|---------------|-------------|
| 22610880 | 09 | 01(03) | 9(9) |

IGNITION AND STARTING SYSTEM

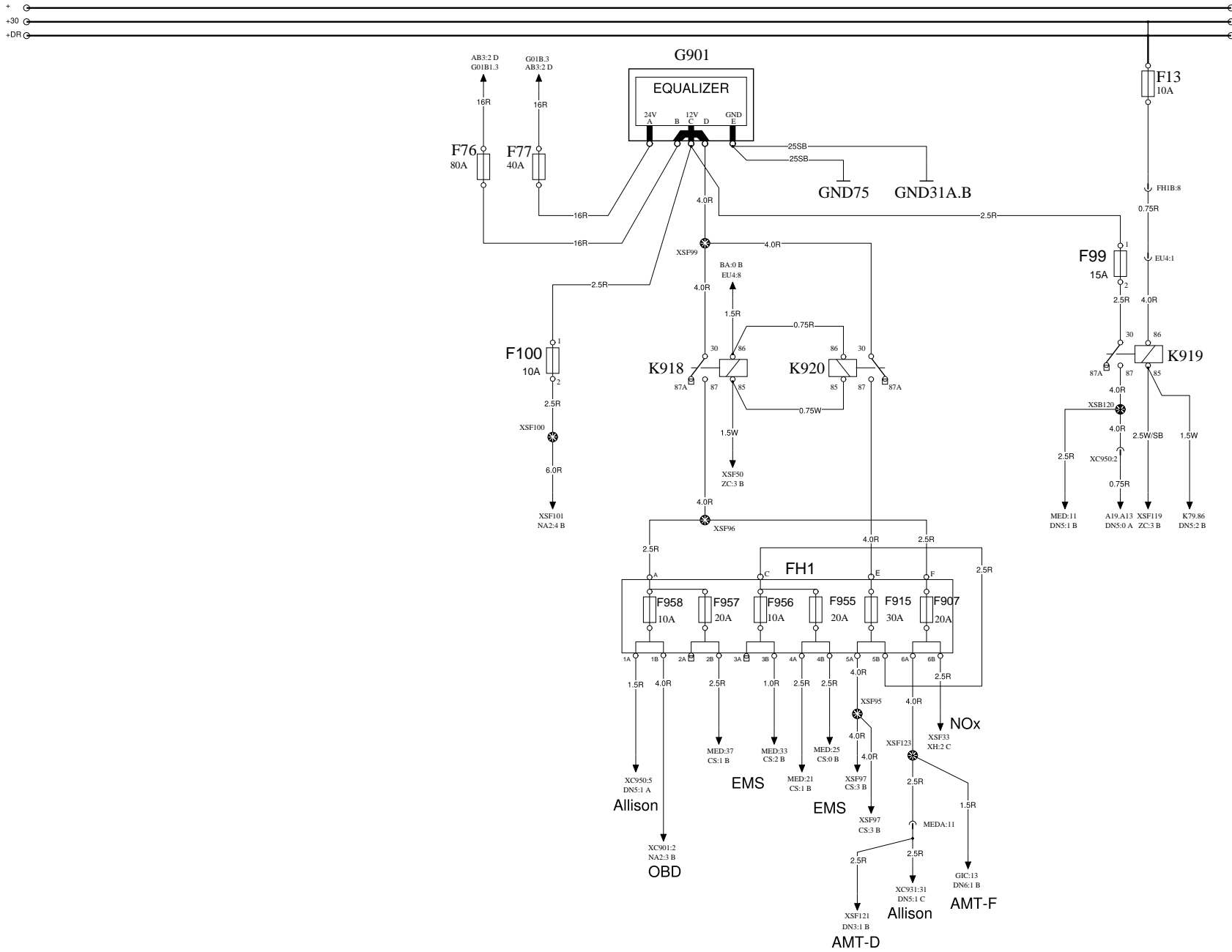
WIRING DIAGRAM AA



0 POWER SUPPLY

1 US/CAN

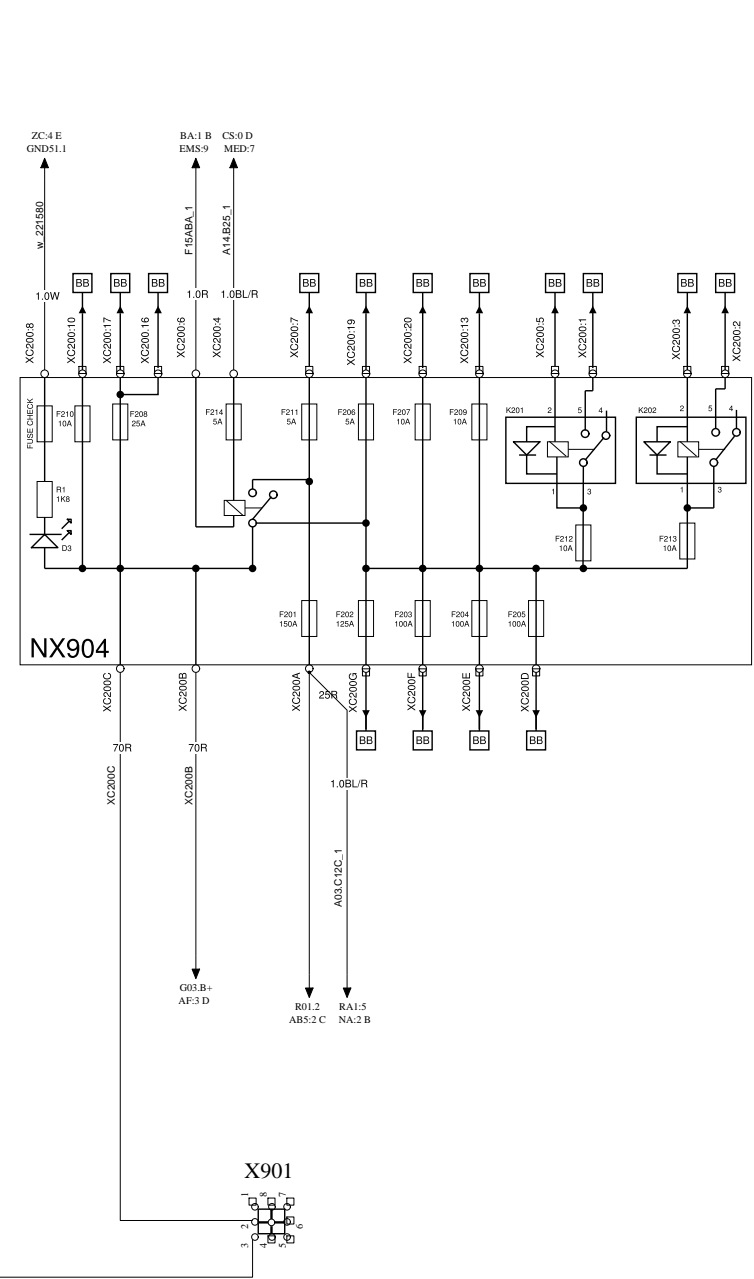
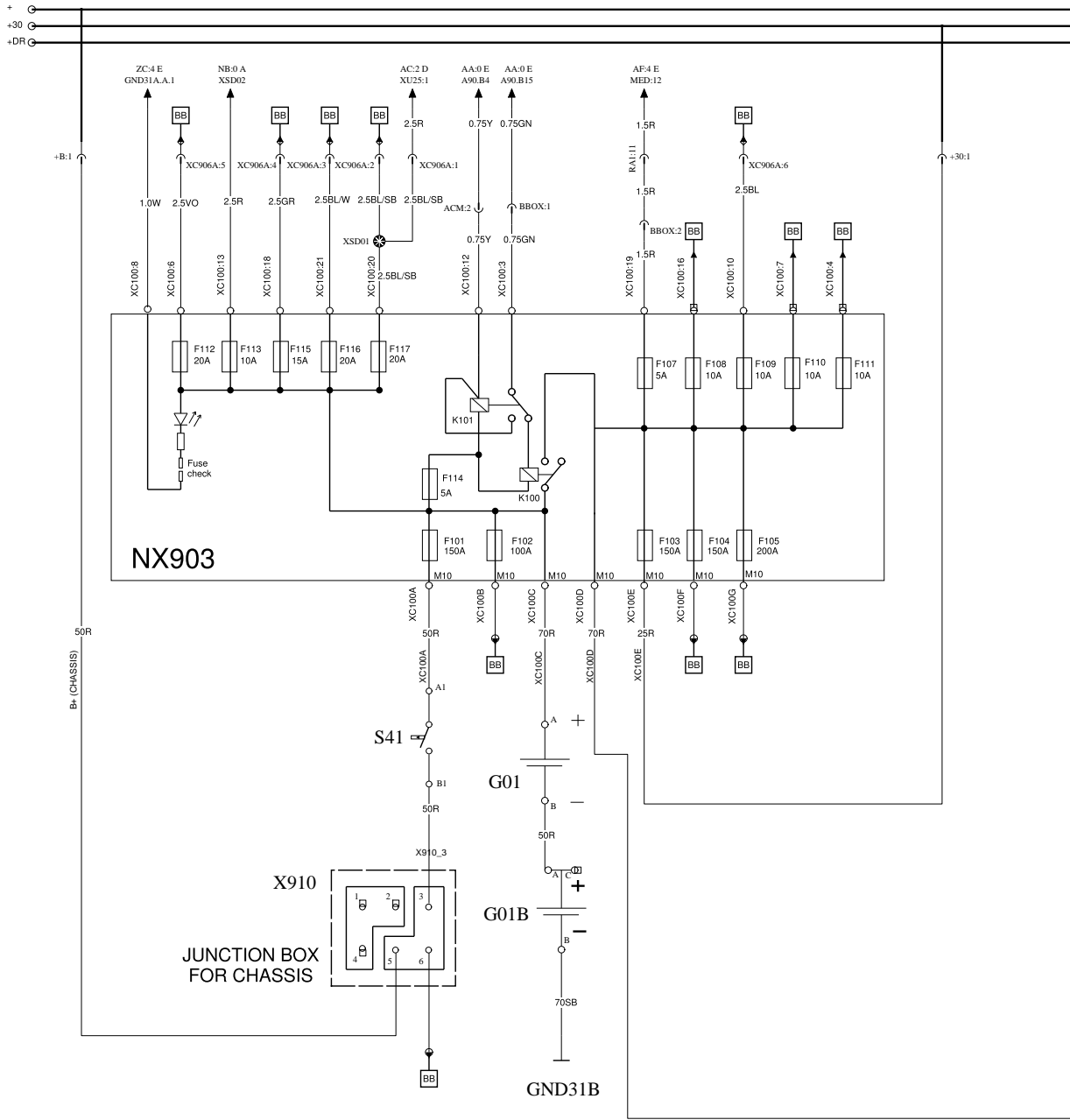
3 WIRING DIAGRAM AB



NVPDUF & NVPDUR

FOR EURO 5 (MEXICO)

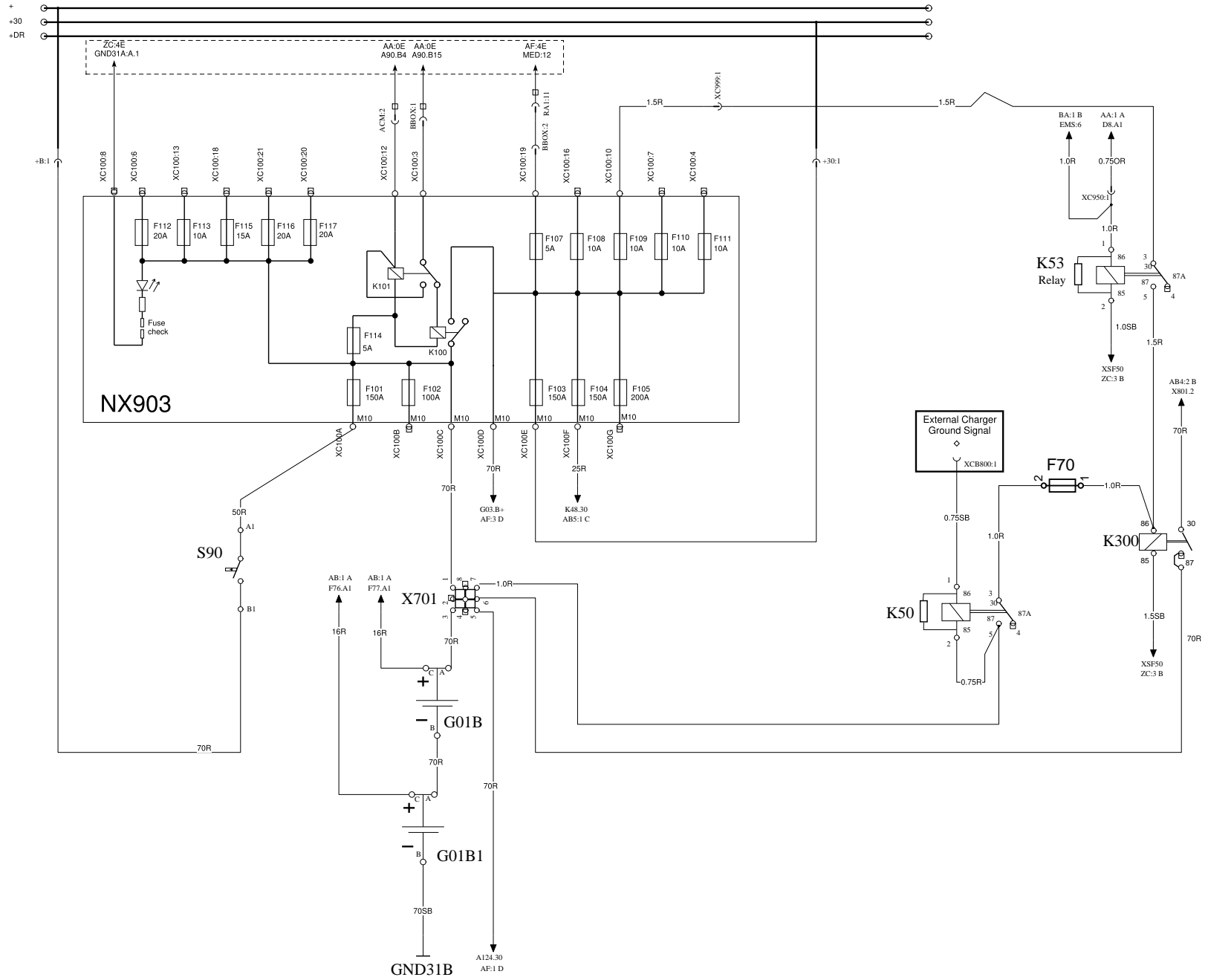
WIRING DIAGRAM AB2

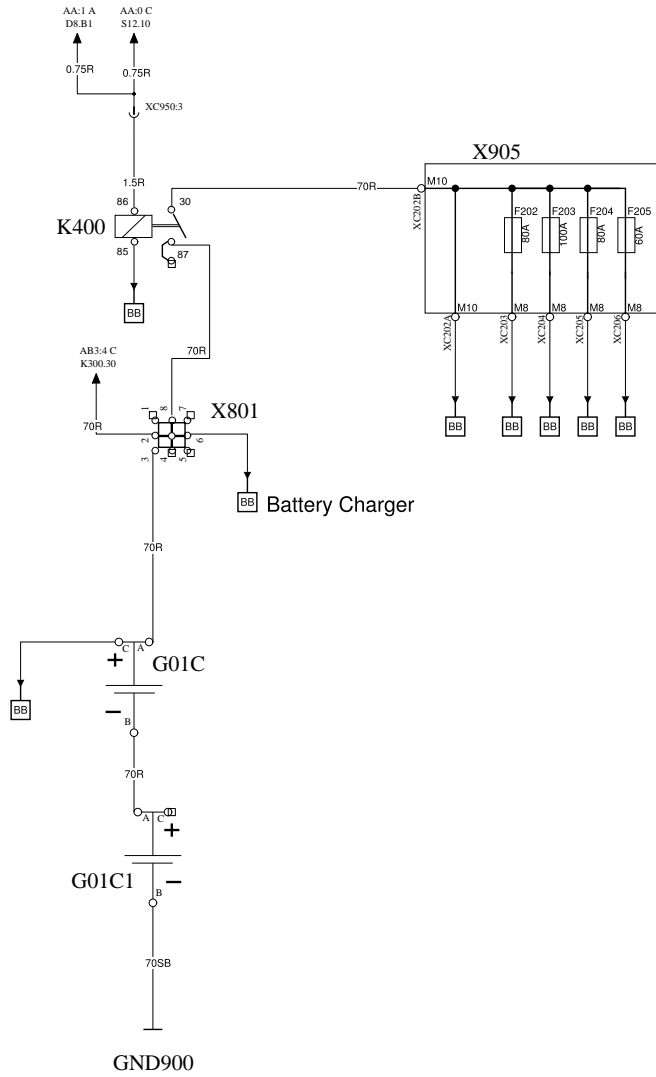


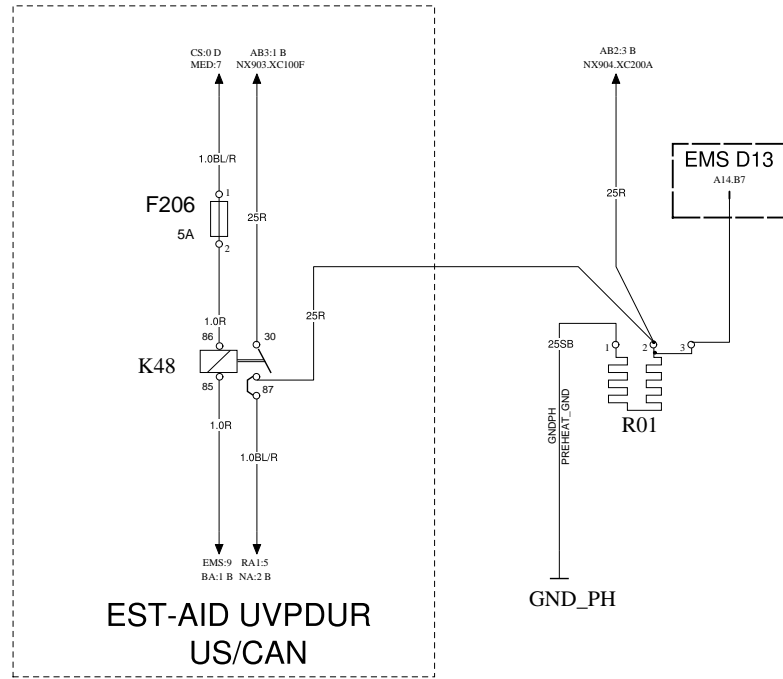
STARTER BATTERY

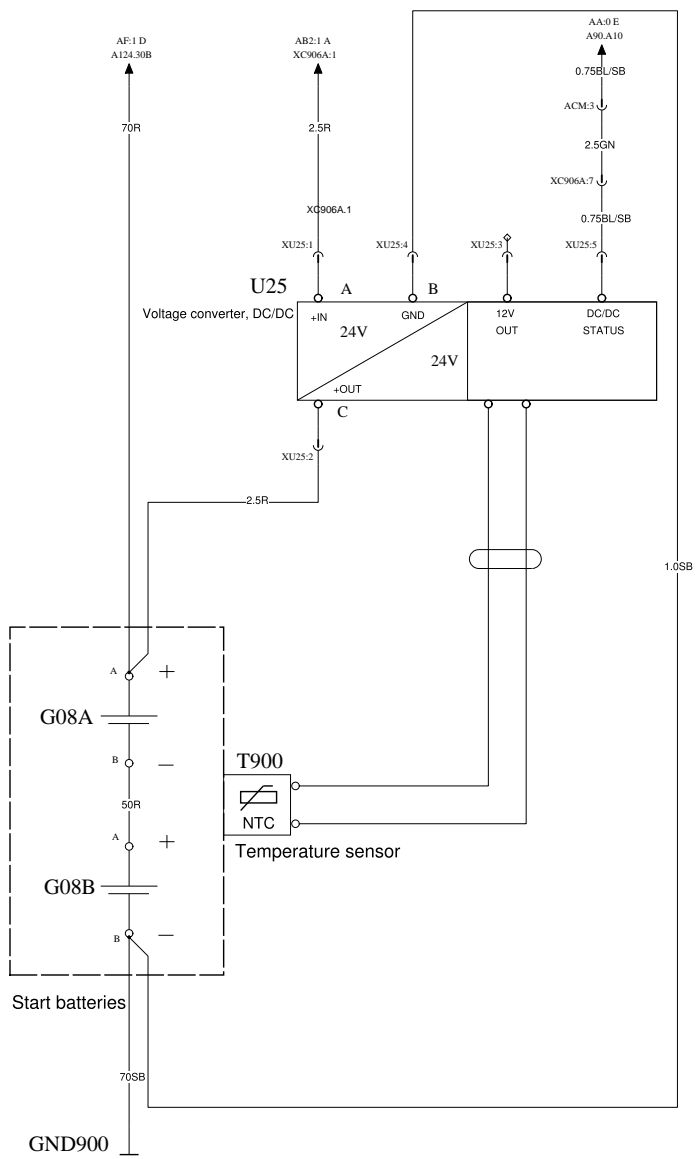
US/CAN

WIRING DIAGRAM AB3



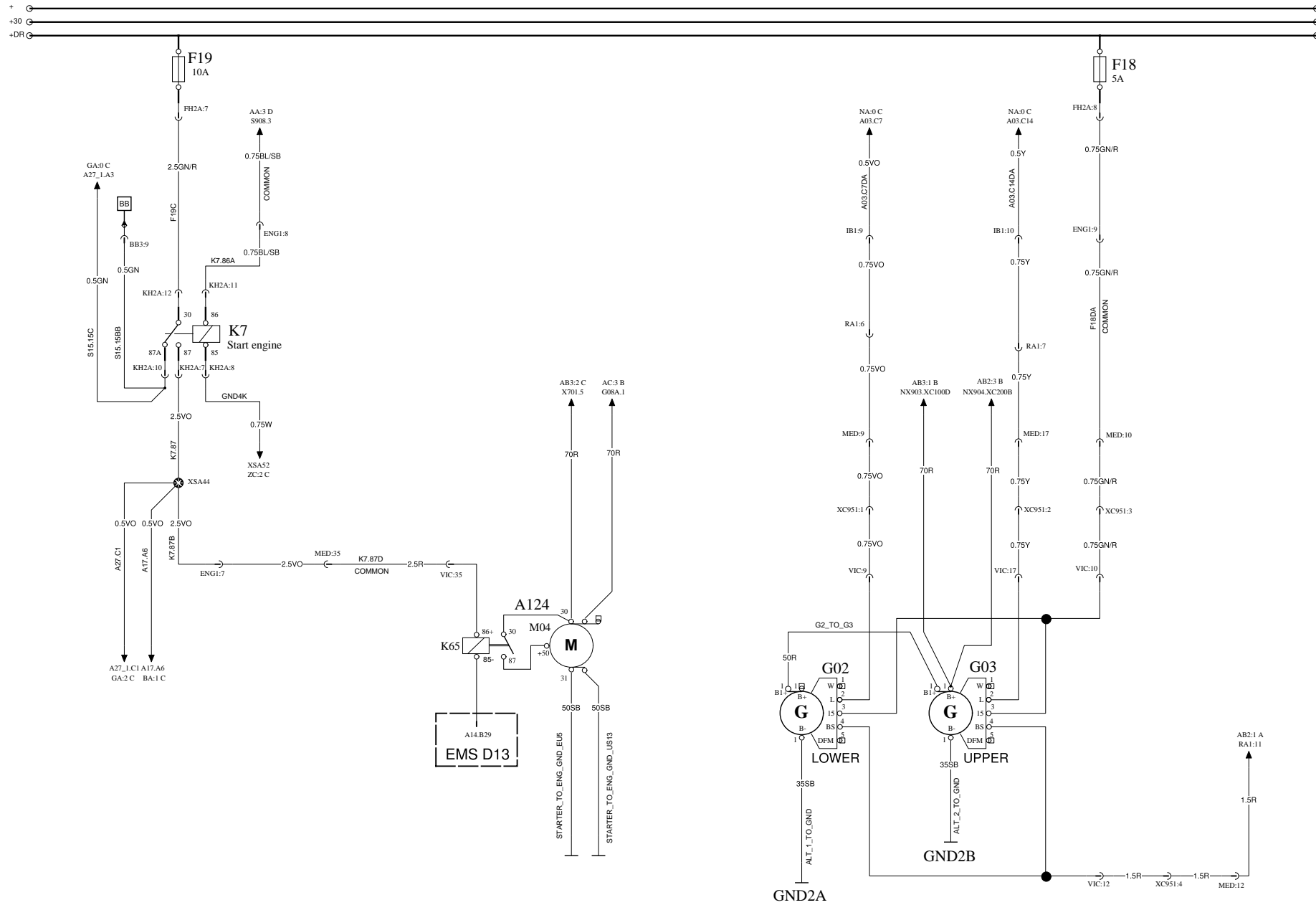




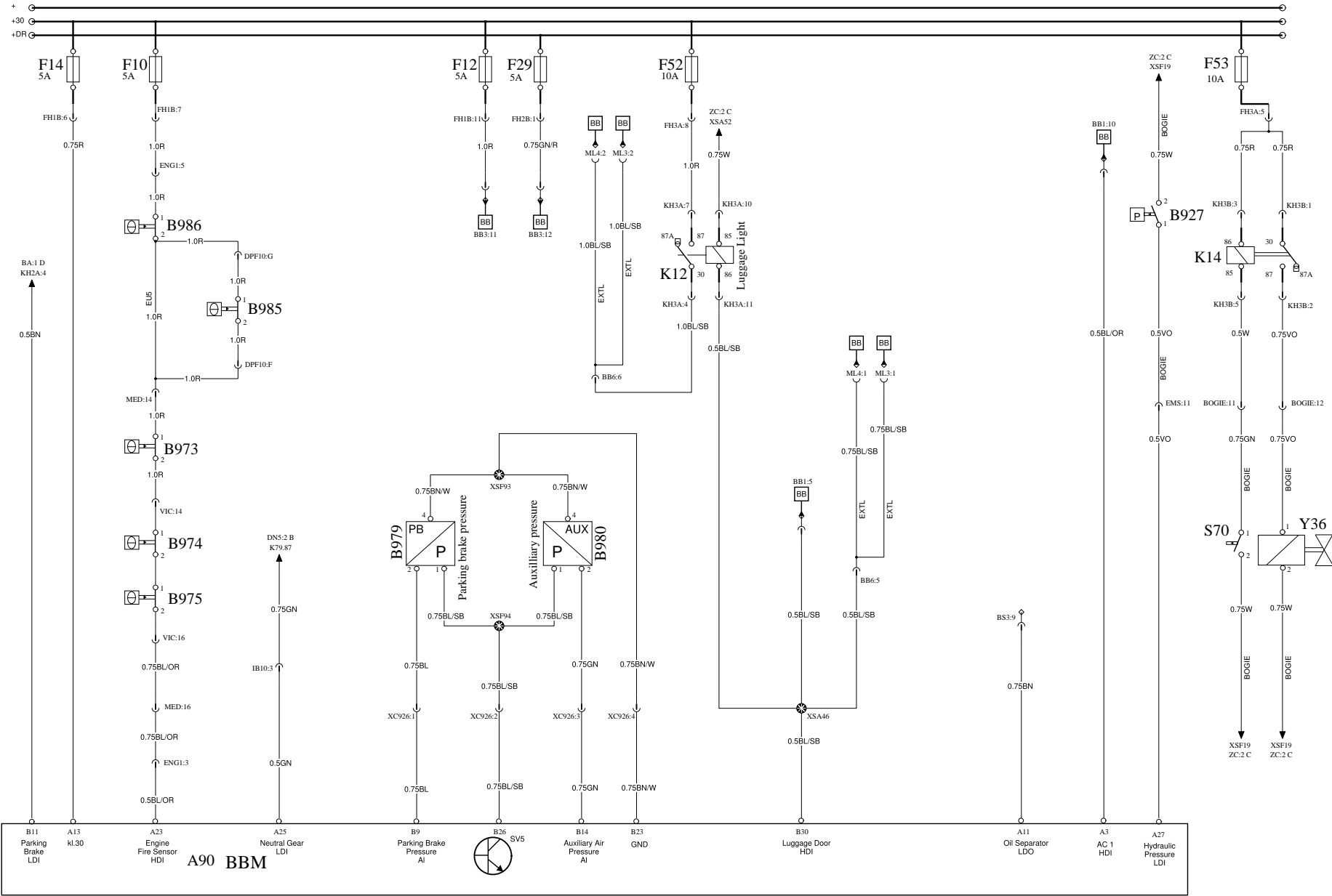


STARTER MOTOR AND ALTERNATORS

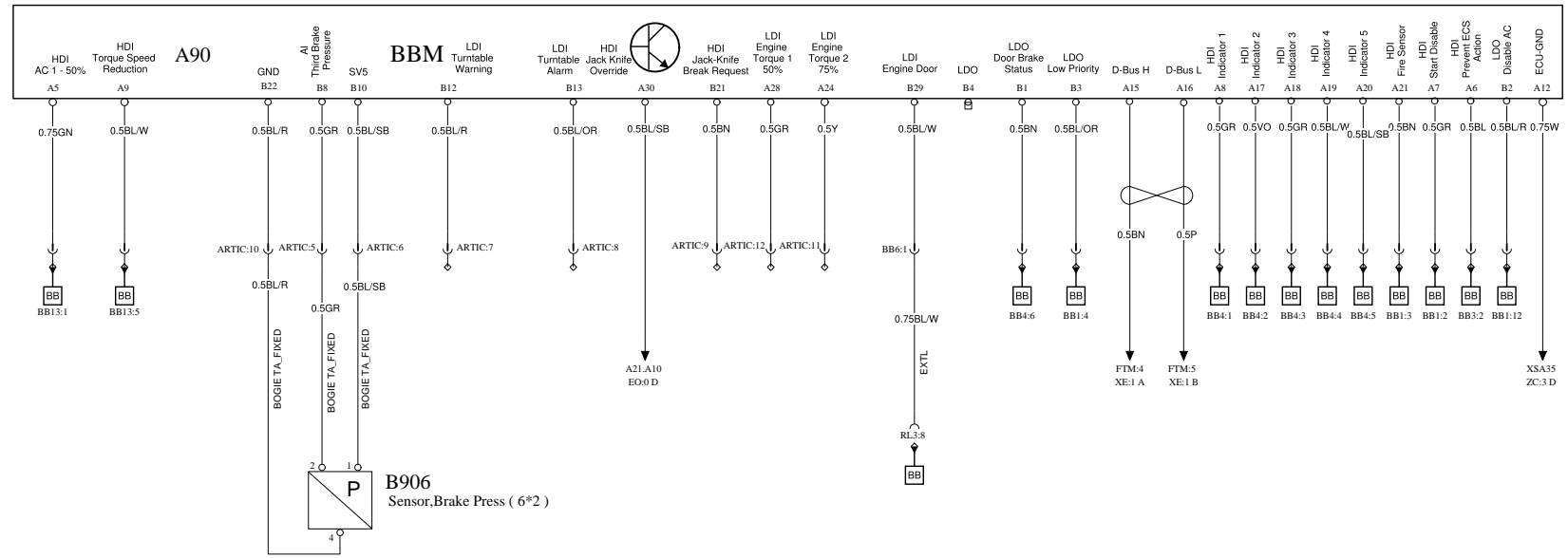
WIRING DIAGRAM AF



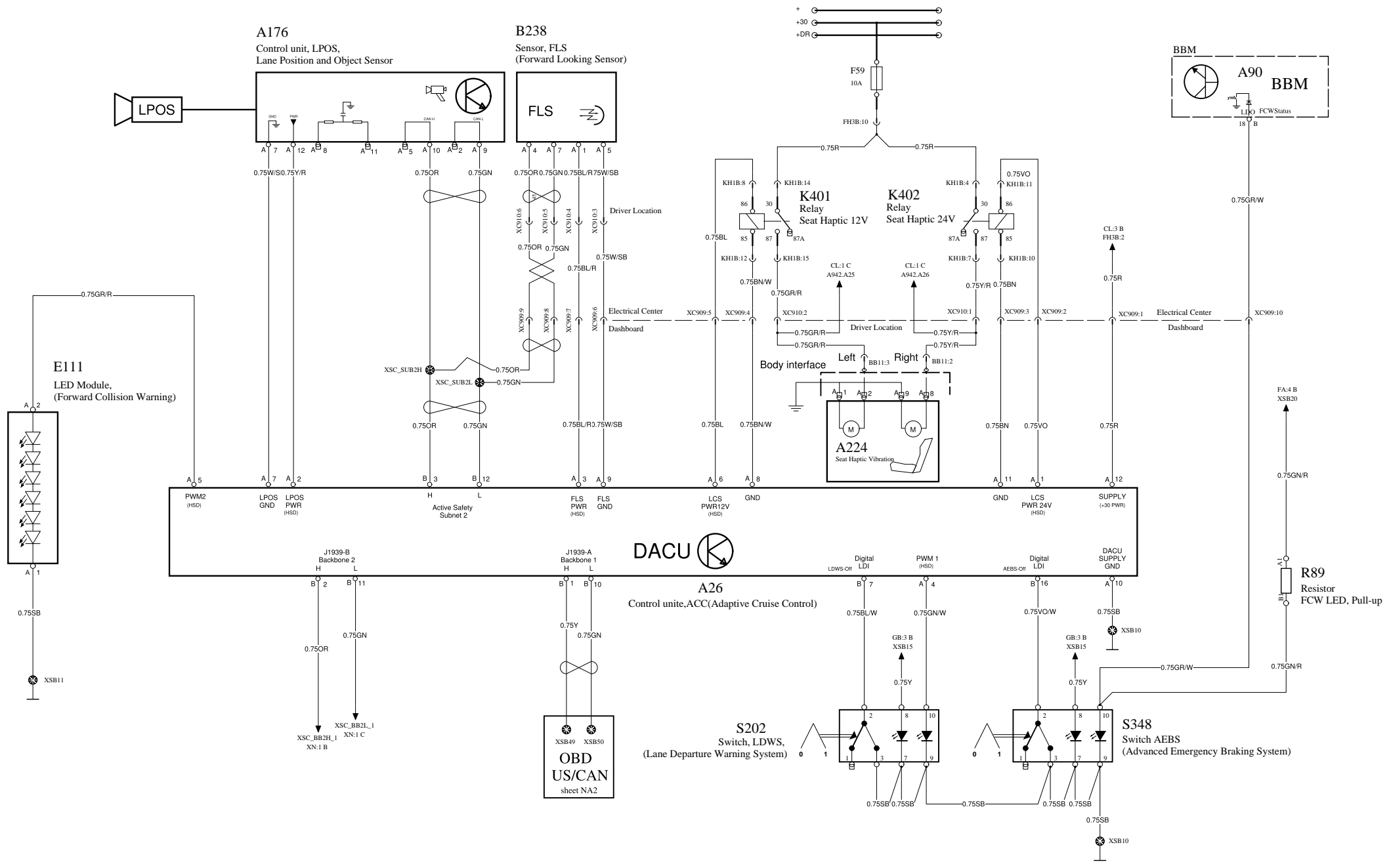
BBM BODY BUILDER MODULE WIRING DIAGRAM BB



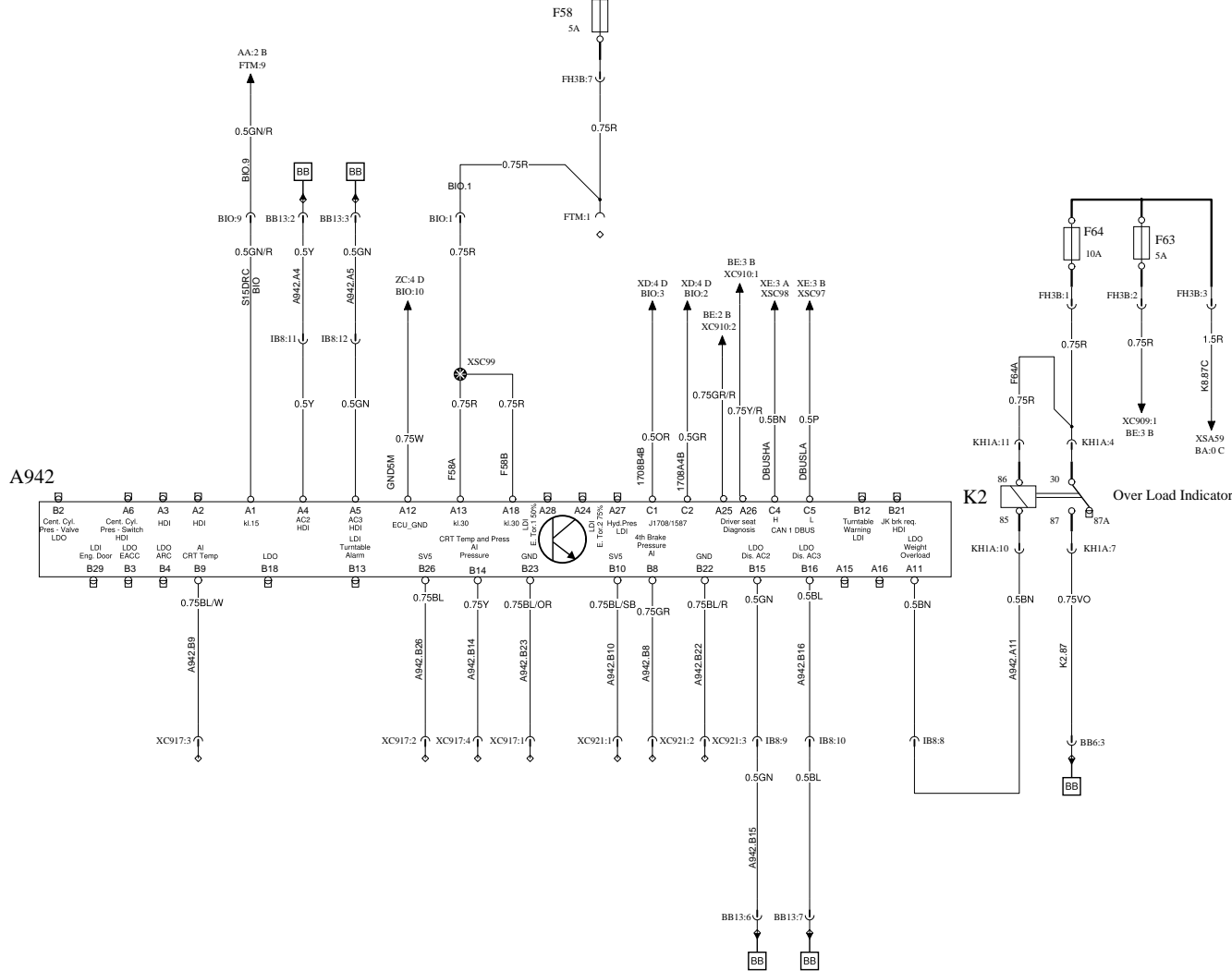
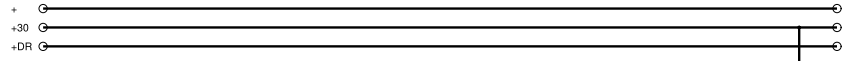
BODY BUILDER MODULE WIRING DIAGRAM BC



| | | | | | |
|---------------------------|------------------------------------|------------------------------------|-----------|---------------|---------------|
| Volvo Bus Corporation | Document title WIRING DIAGRAM | Document No 22610880 | Issue | Volume | Page |
| | Document type PRODUCT SCHEMATIC | | 09 | 02(03) | 11(57) |

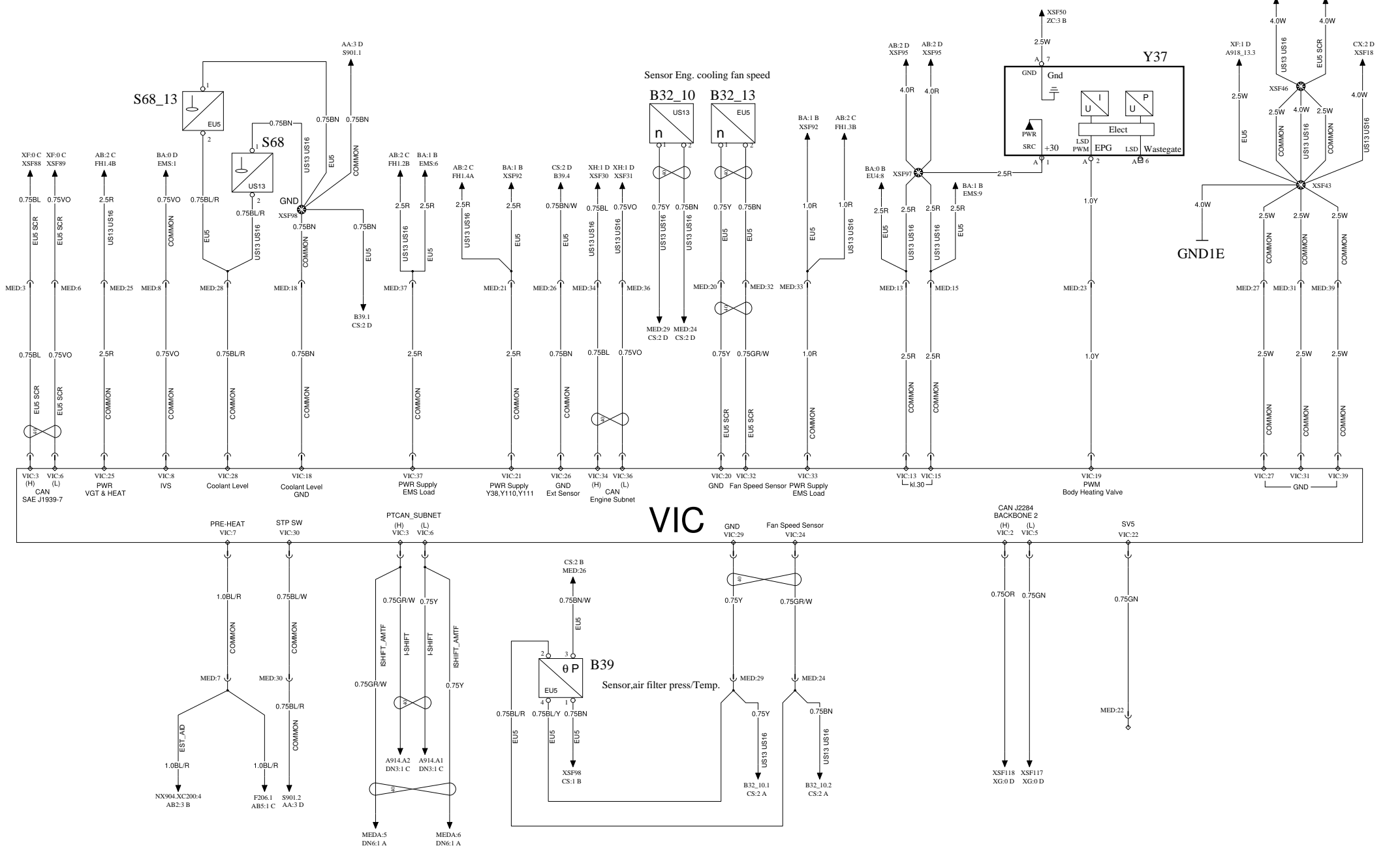


| | | | | | |
|--------------------------------|-------------------|-------------|-------|--------|--------|
| <p>Group Trucks Technology</p> | Document title | Document No | Issue | Volume | Page |
| | WIRING DIAGRAM | 22610880 | 09 | 02(03) | 12(57) |
| | Document type | | | | |
| | PRODUCT SCHEMATIC | | | | |



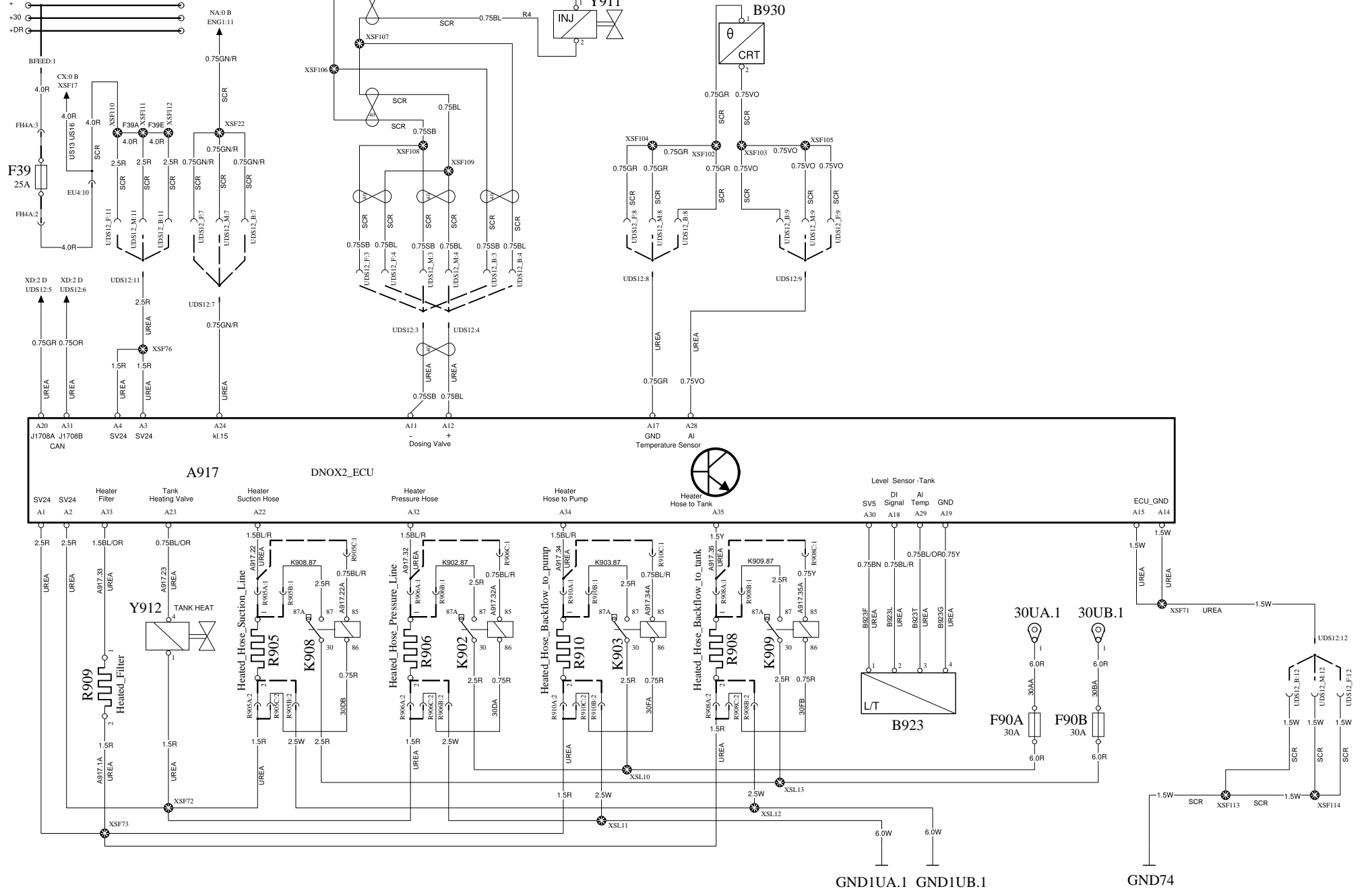
ENGINE INTERFACE D13

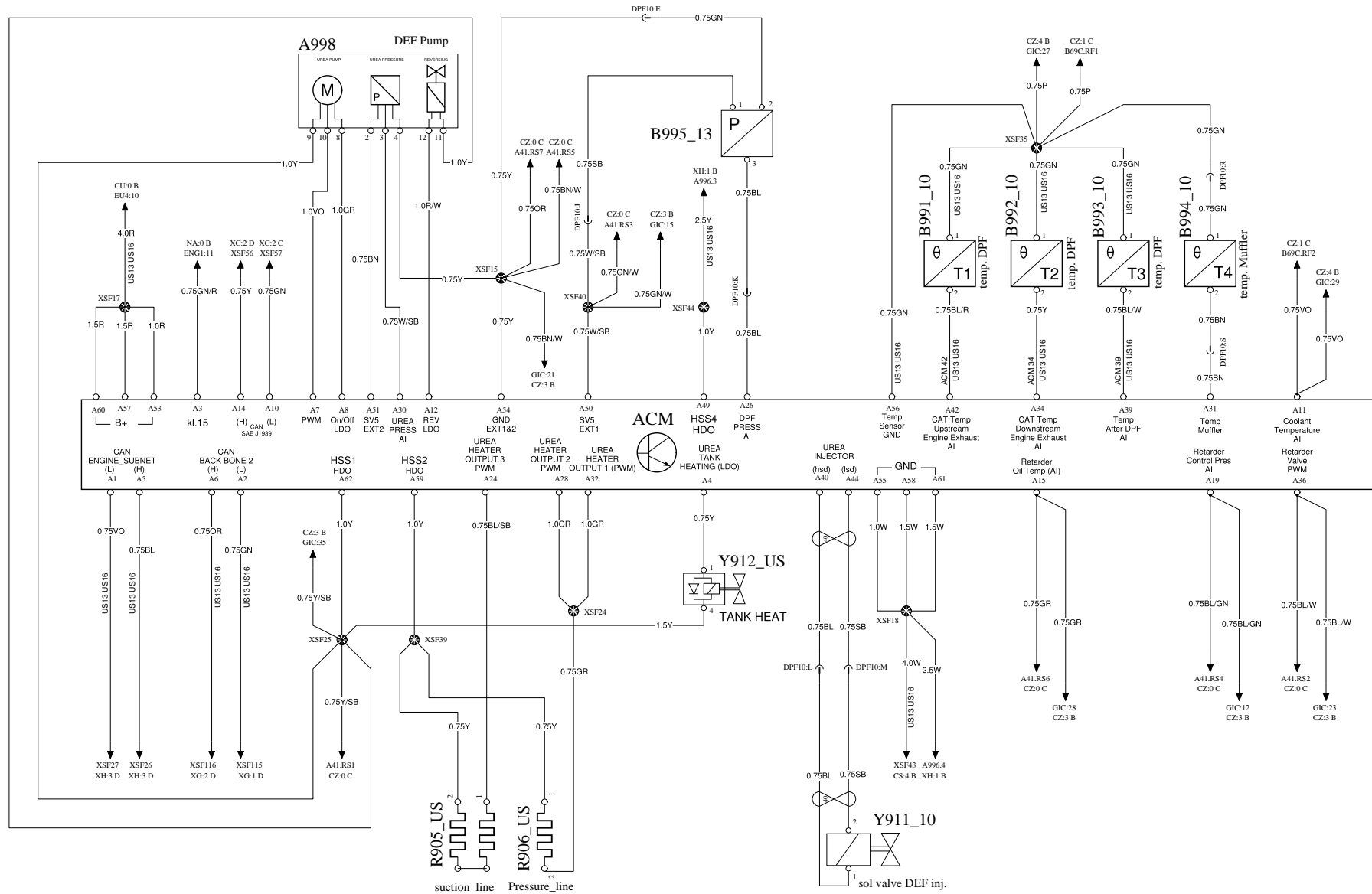
WIRING DIAGRAM CS



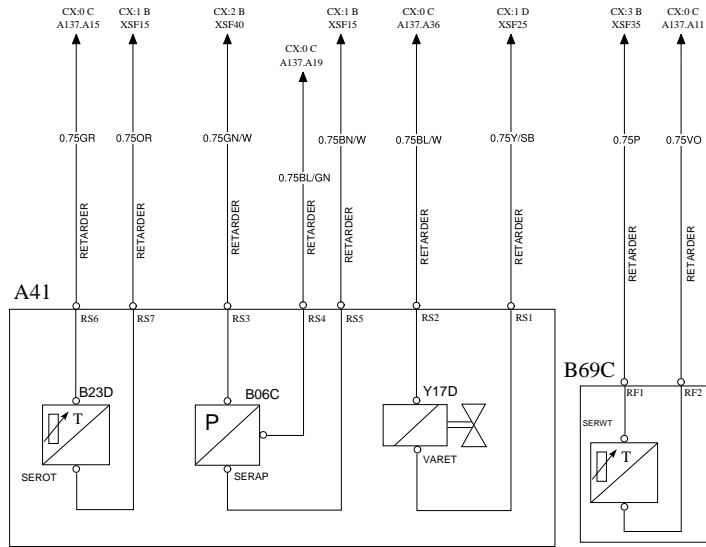
DNOX2 FOR EURO 5

WIRING DIAGRAM CU

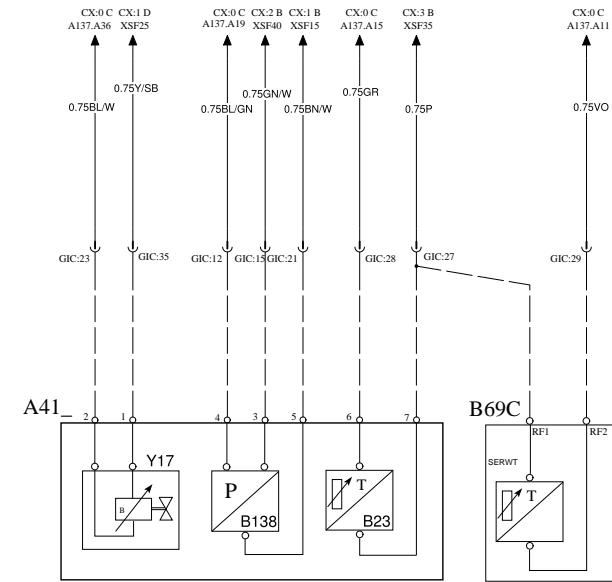




CONNECTIONS FOR AMT-D



CONNECTIONS FOR AMT-F



Group Trucks Technology

Document title
WIRING DIAGRAM

Document type
PRODUCT SCHEMATIC

Document No

22610880

Issue

09

Volume

02(03)

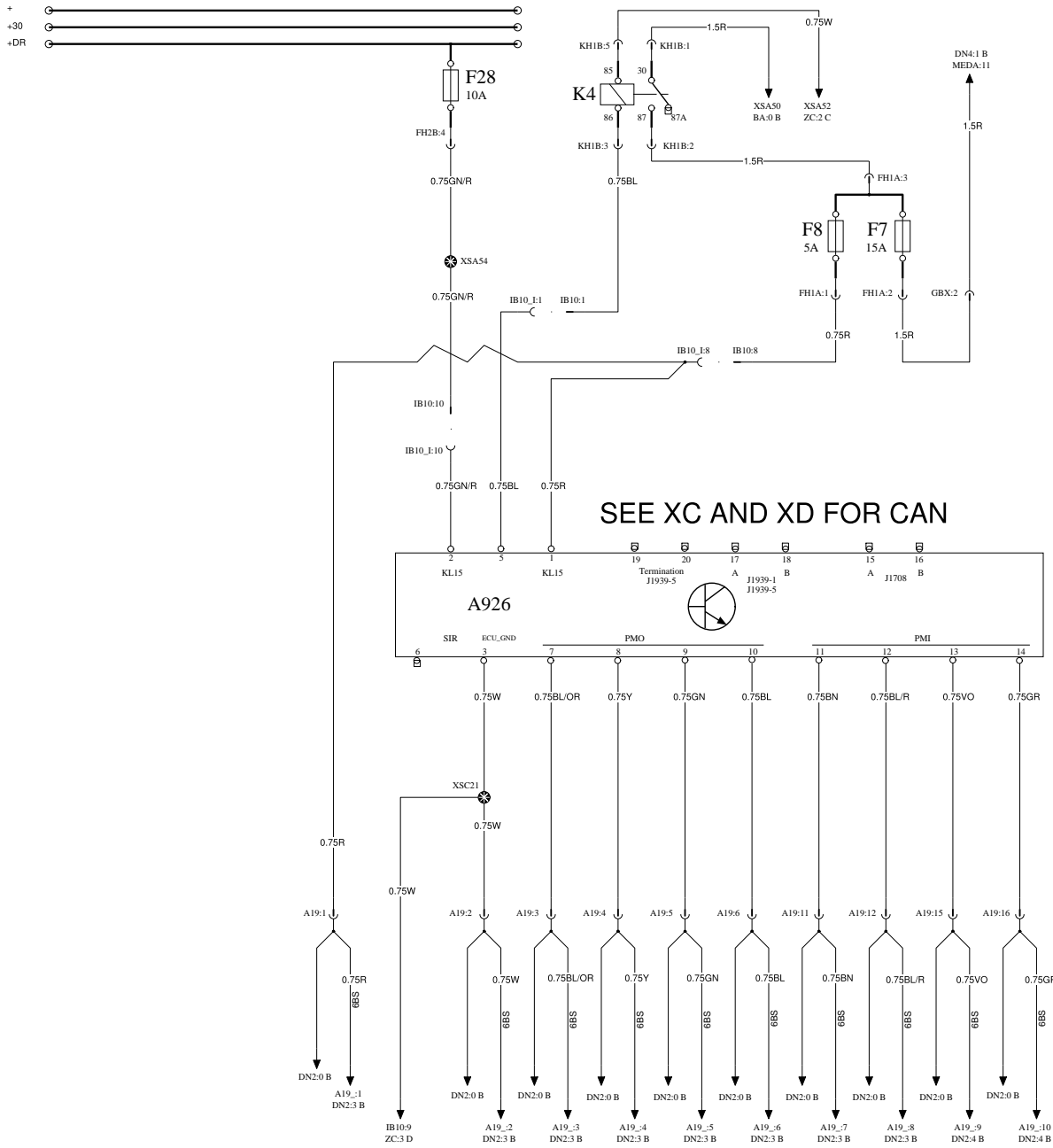
Page

17(57)

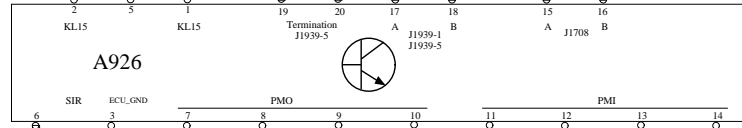
I-SHIFT

GECU

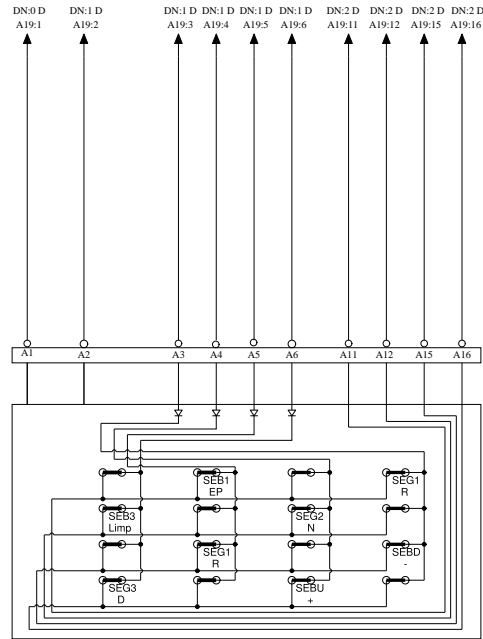
WIRING DIAGRAM DN



SEE XC AND XD FOR CAN



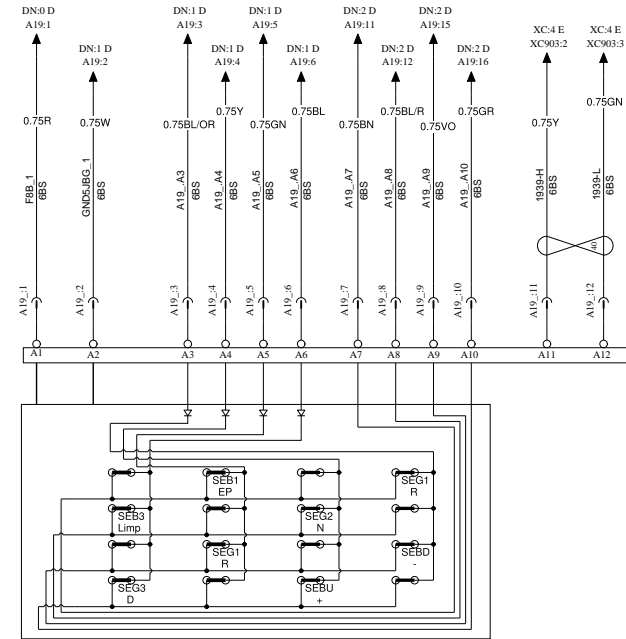
GEAR LEVER GSS-STD, GSS-PRO AND GSS-4BS



CONNECTIONS

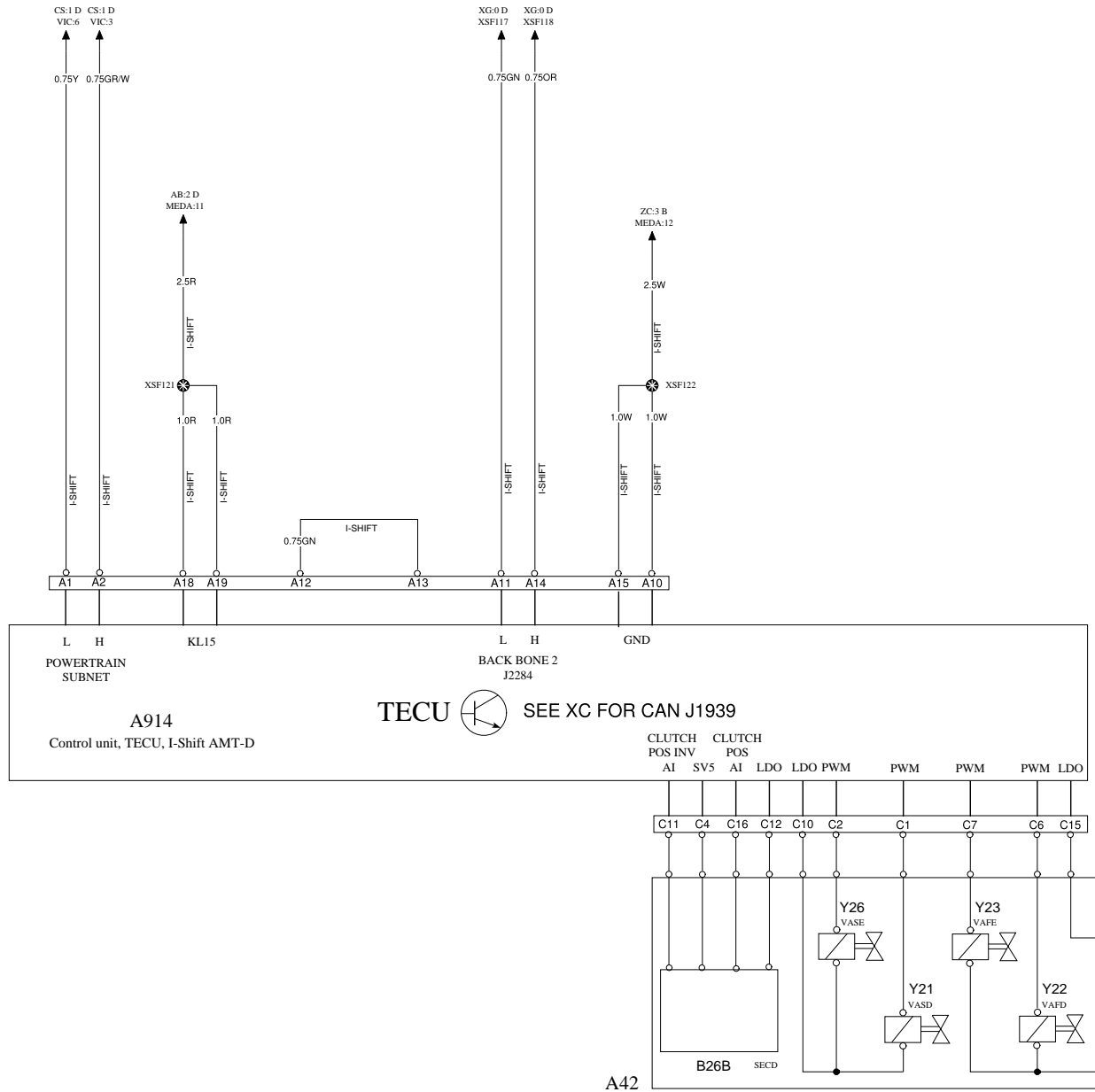
| PIN | SIGNAL NAME | ASSIGNMENT |
|-----|-------------|-----------------|
| 1 | UBATT | MAIN SUPPLY |
| 2 | GND | MAIN GROUND |
| 3 | INP1 | MATRIX INPUT 1 |
| 4 | INP2 | MATRIX INPUT 2 |
| 5 | INP3 | MATRIX INPUT 3 |
| 6 | INP4 | MATRIX INPUT 4 |
| 11 | OUP1 | MATRIX OUTPUT 1 |
| 12 | OUP2 | MATRIX OUTPUT 2 |
| 15 | OUP3 | MATRIX OUTPUT 3 |
| 16 | OUP4 | MATRIX OUTPUT 4 |

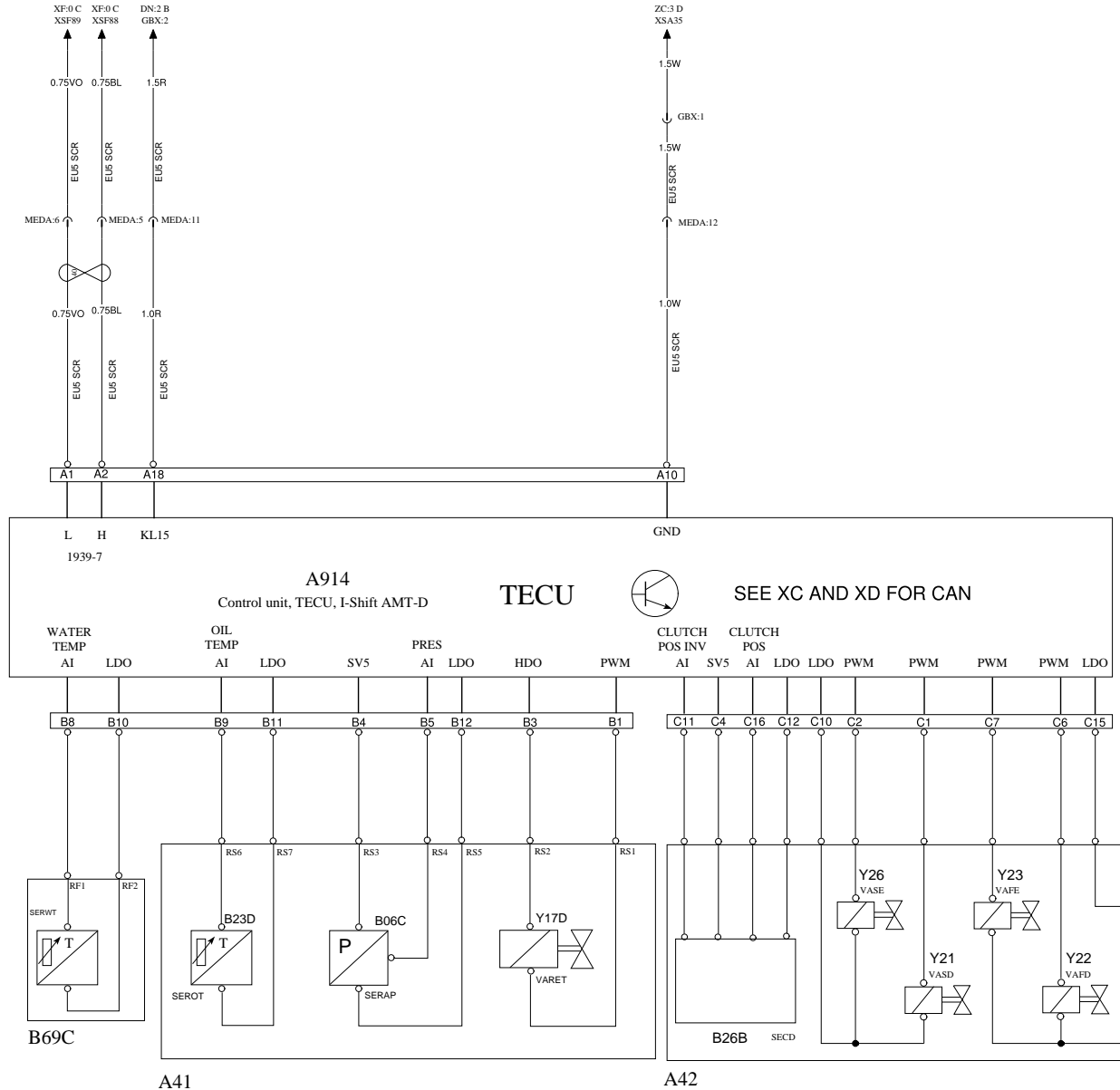
GEAR LEVER GSS-6BS

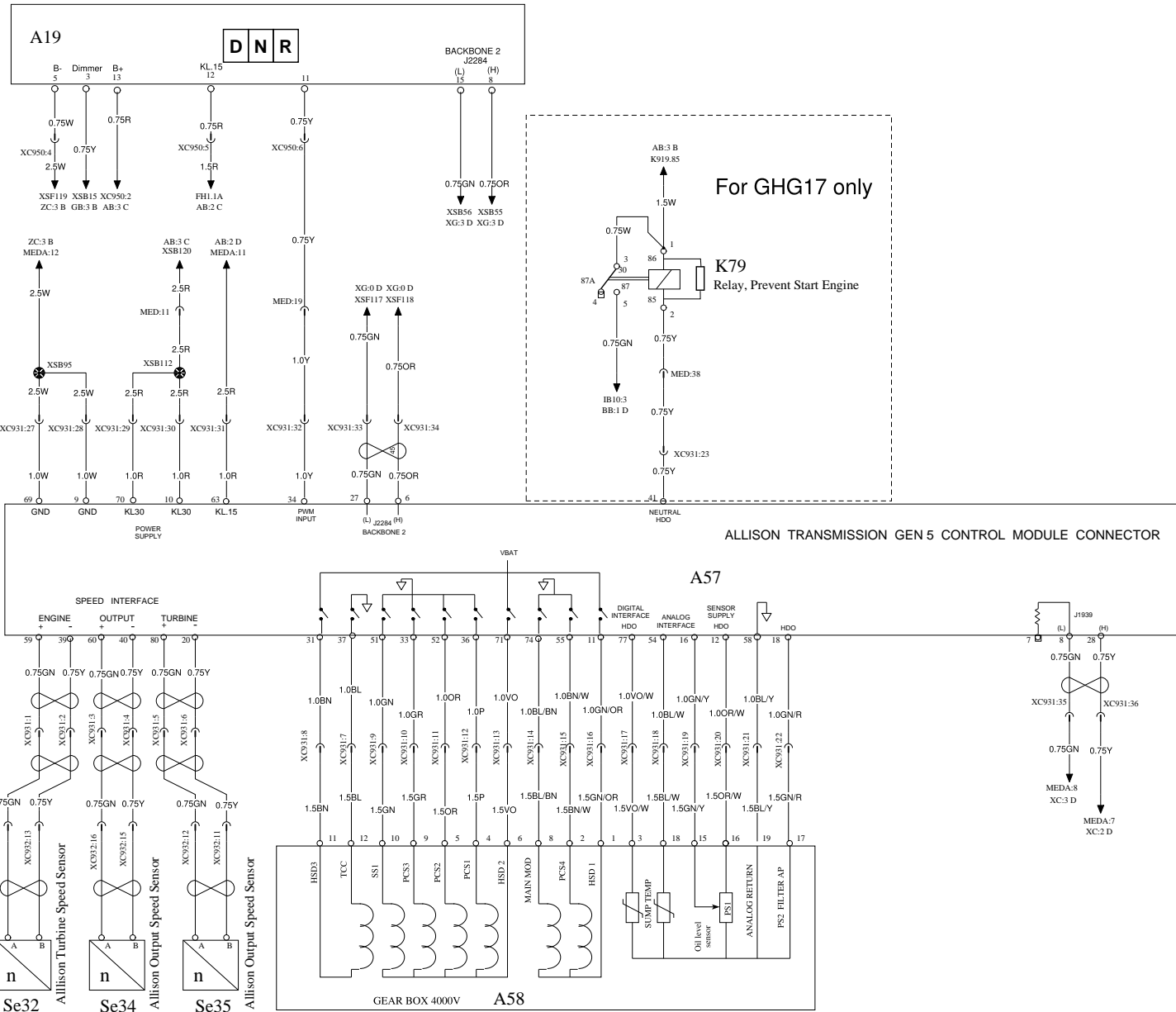


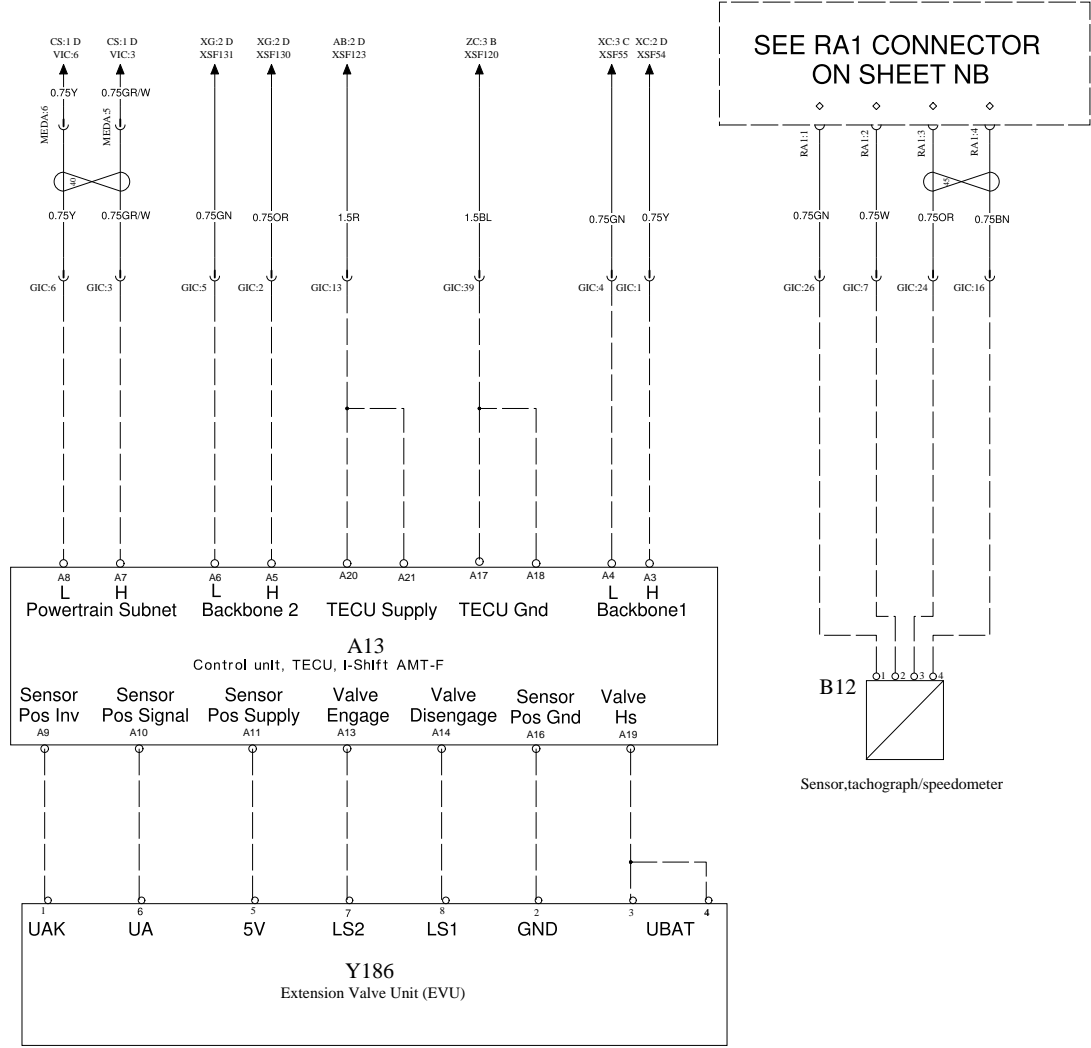
CONNECTIONS

| PIN | SIGNAL NAME | ASSIGNMENT | PIN | SIGNAL NAME |
|-----|-------------|-----------------|-----|-------------|
| 1 | UBATT | MAIN SUPPLY | 11 | J1939-H |
| 2 | GND | MAIN GROUND | 12 | J1939-L |
| 3 | INP1 | MATRIX INPUT 1 | | |
| 4 | INP2 | MATRIX INPUT 2 | | |
| 5 | INP3 | MATRIX INPUT 3 | | |
| 6 | INP4 | MATRIX INPUT 4 | | |
| 7 | OUP1 | MATRIX OUTPUT 1 | | |
| 8 | OUP2 | MATRIX OUTPUT 2 | | |
| 9 | OUP3 | MATRIX OUTPUT 3 | | |
| 10 | OUP4 | MATRIX OUTPUT 4 | | |





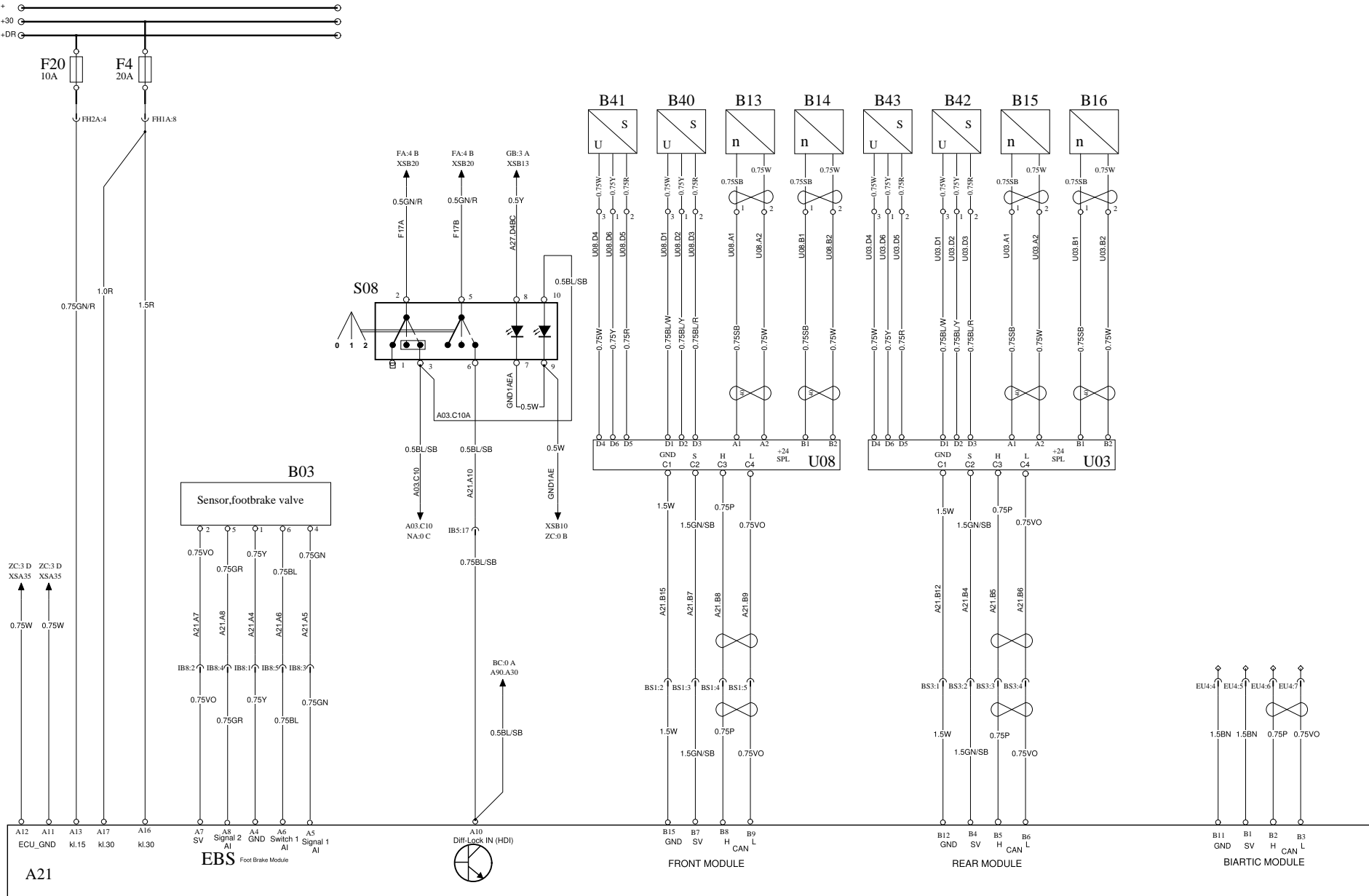


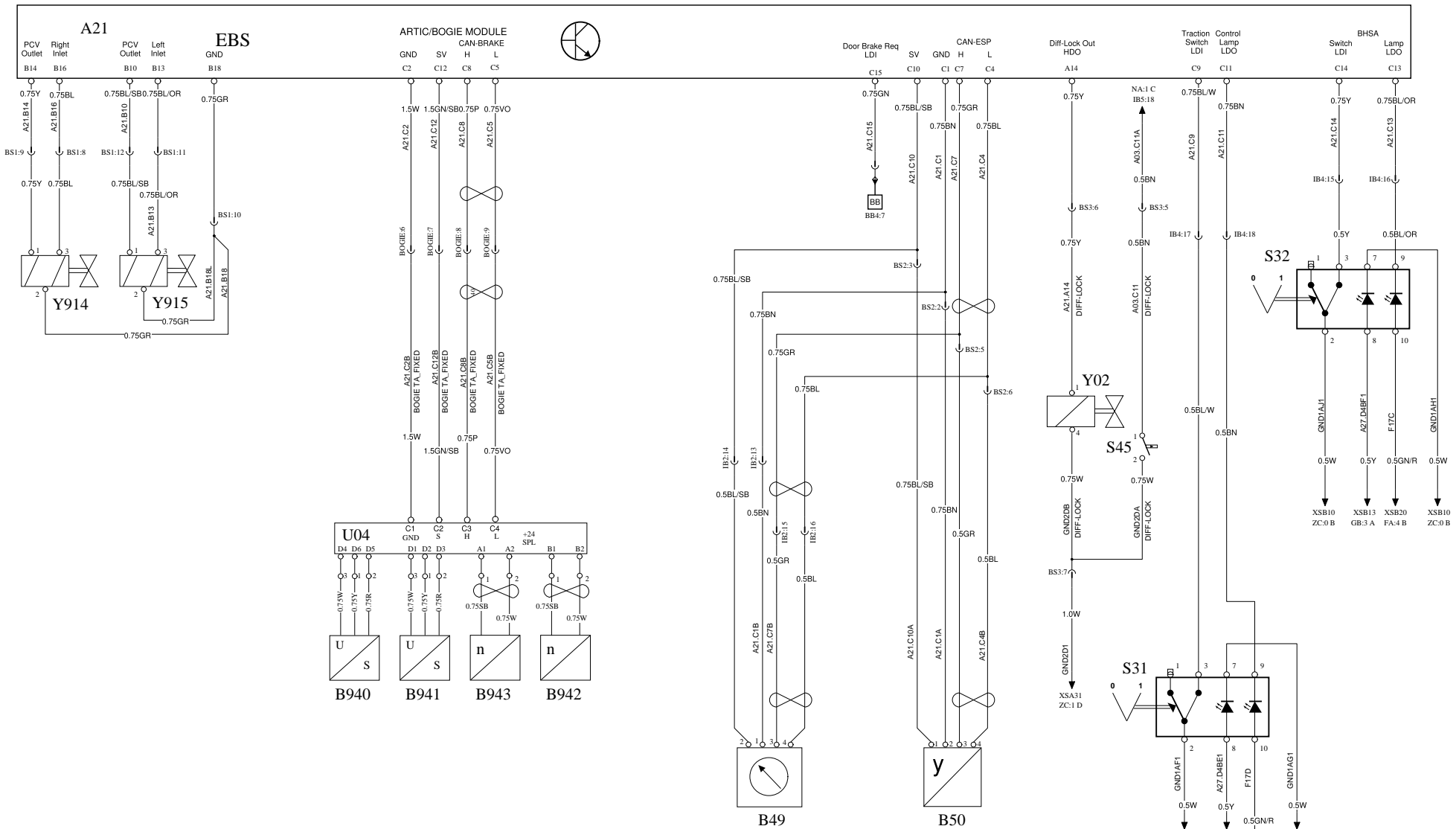


SEE RA1 CONNECTOR
ON SHEET NB

EBS

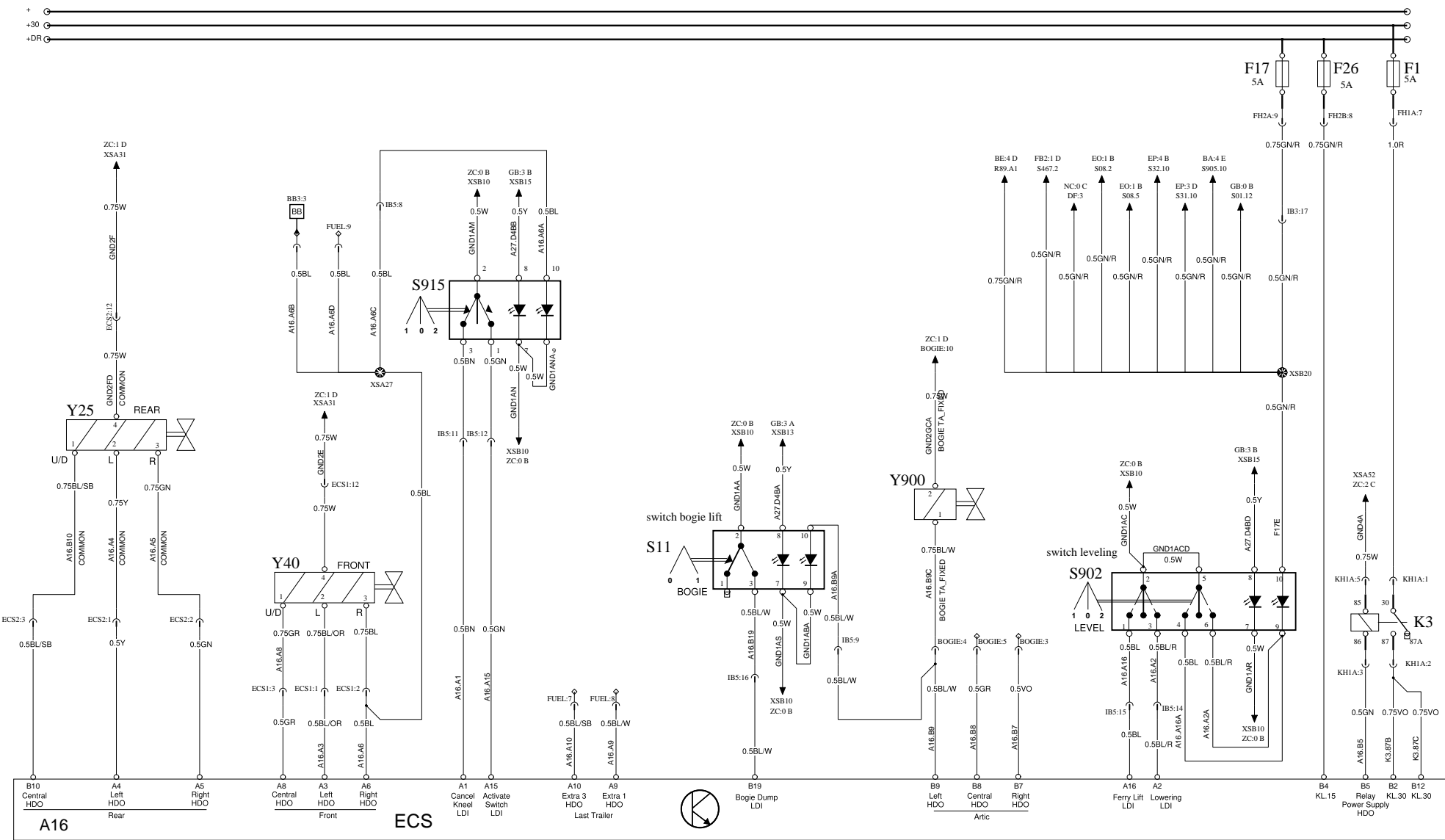
WIRING DIAGRAM EO

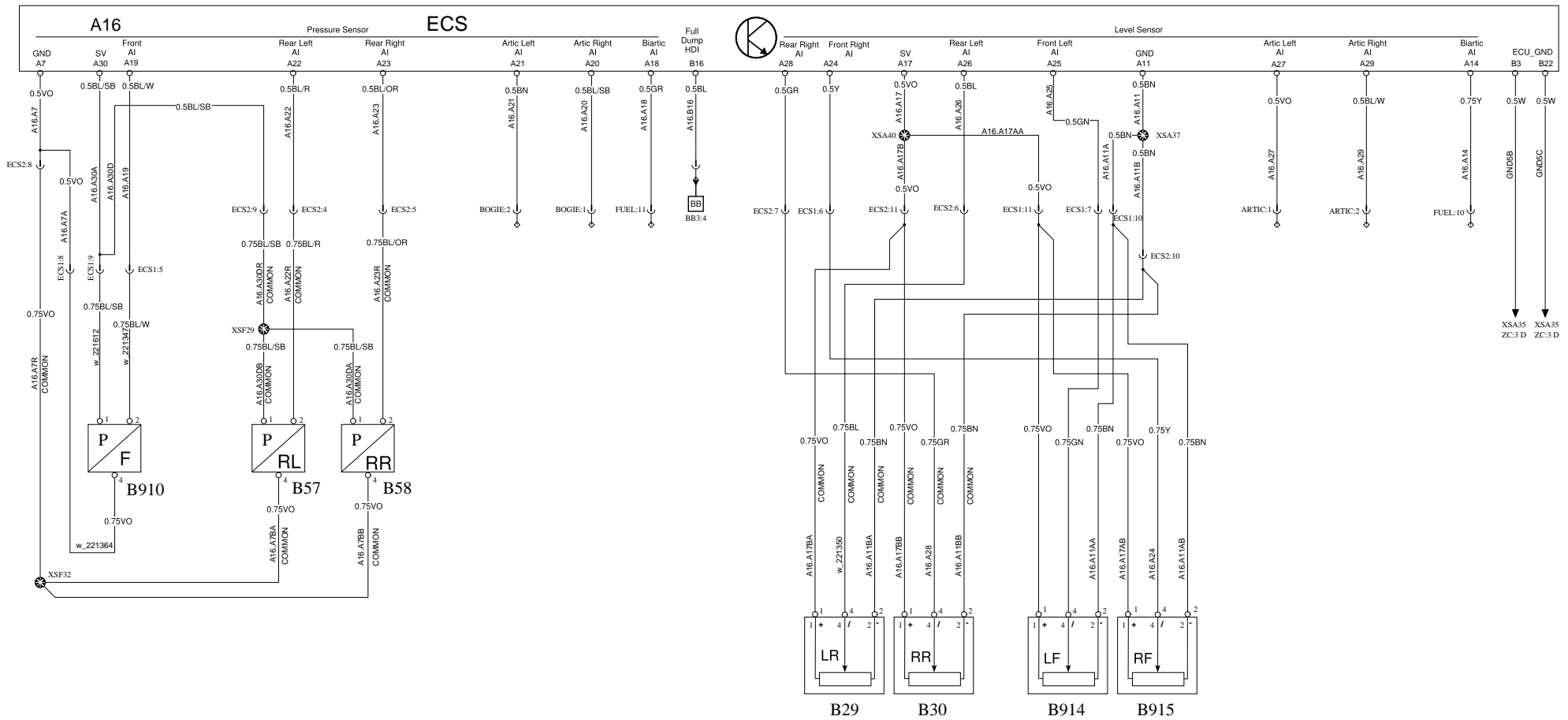




AIR SUSPENSION ECS

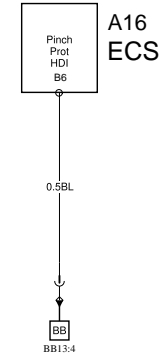
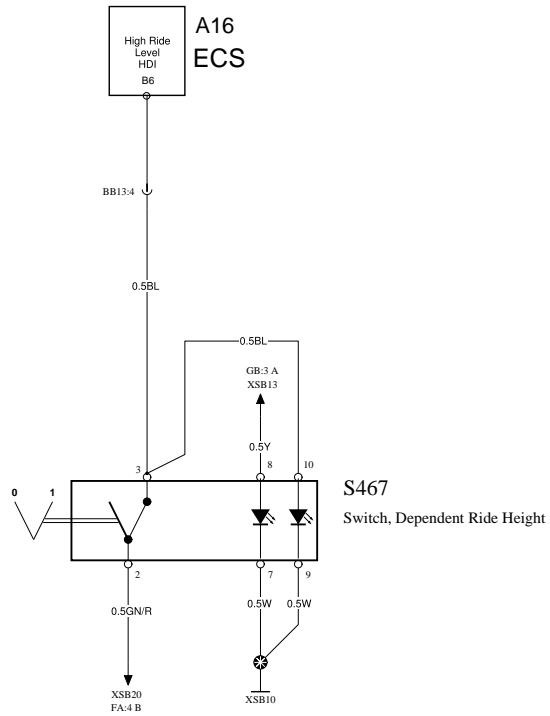
WIRING DIAGRAM FA

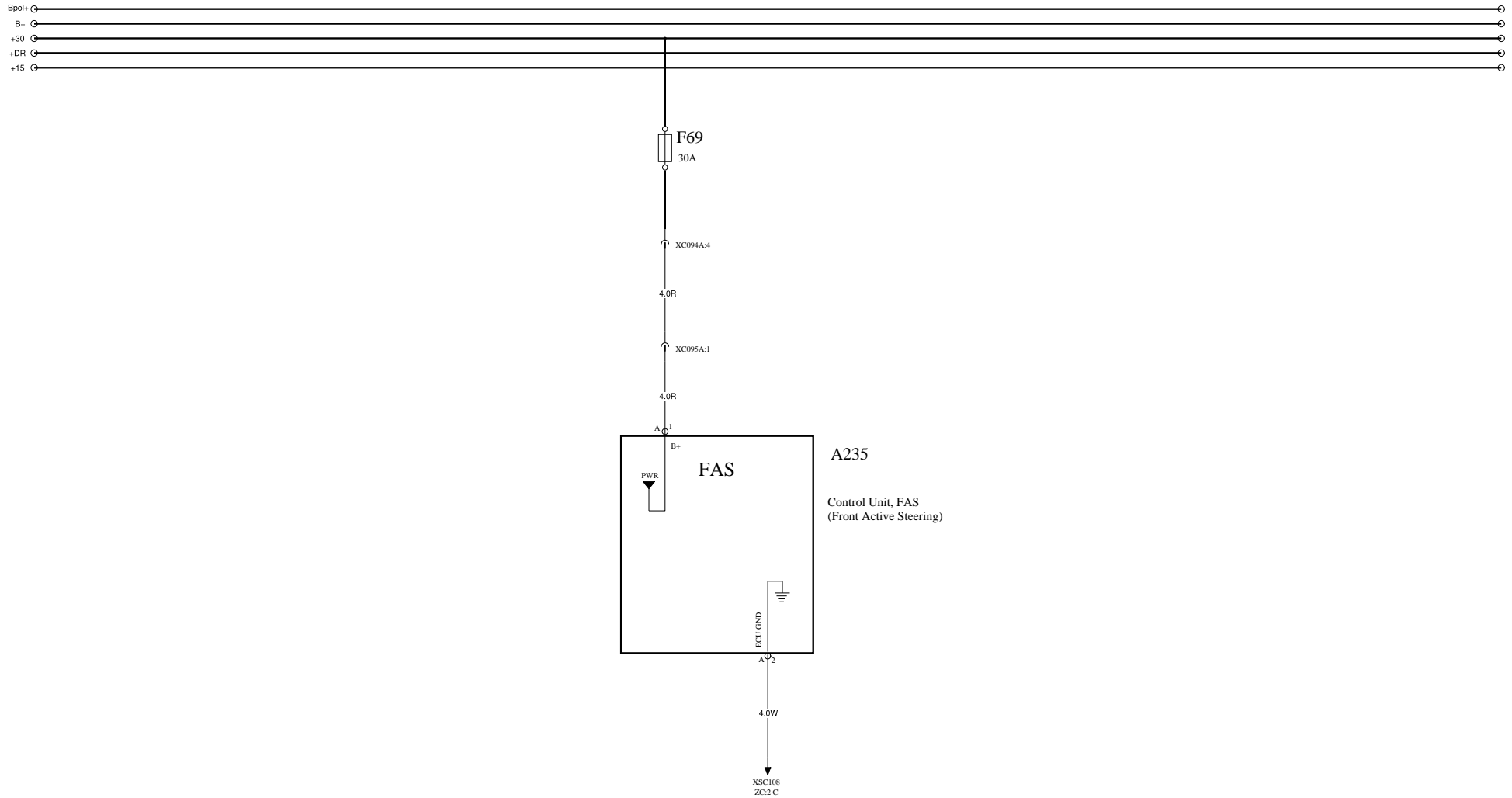


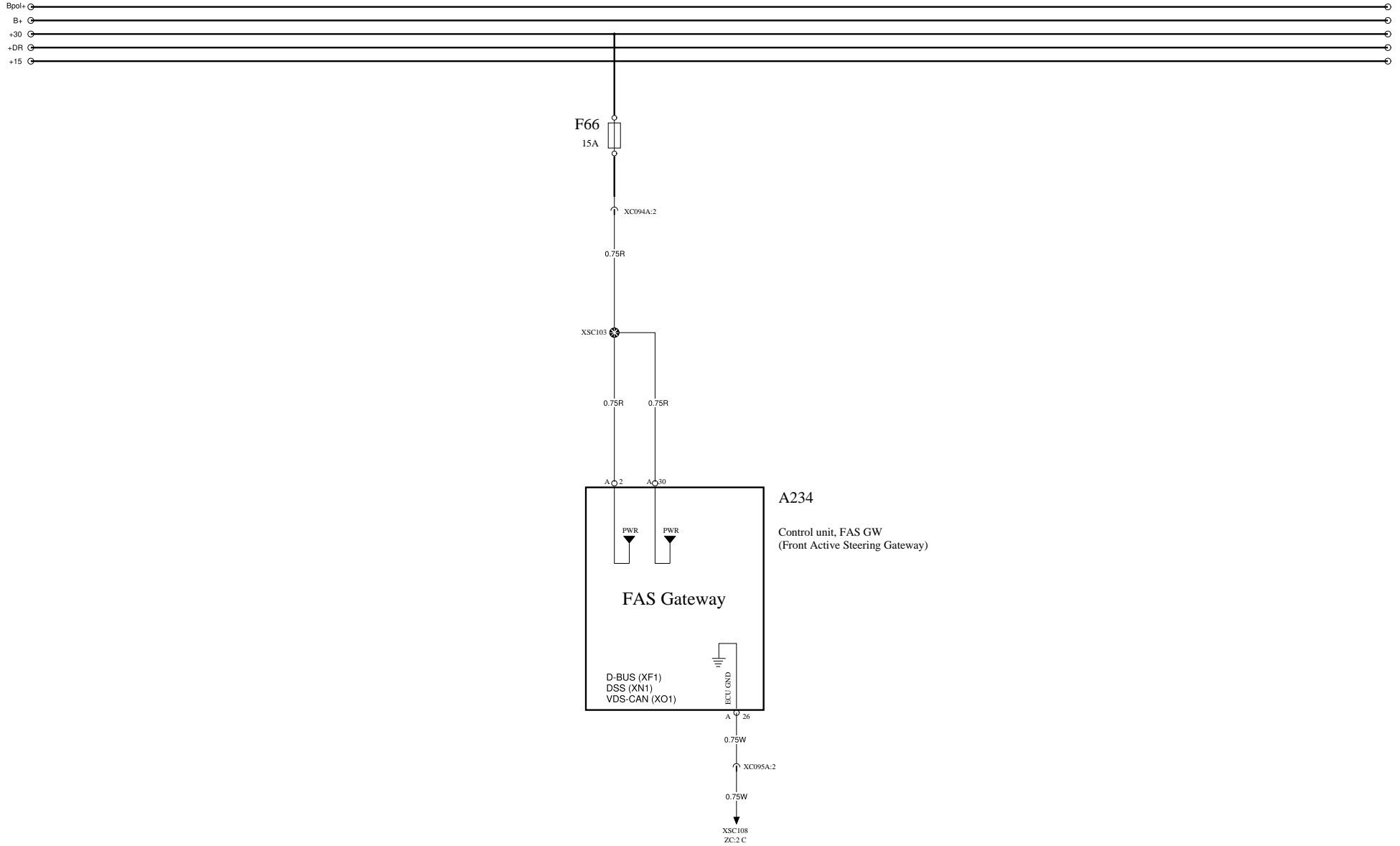


B13R - Switch Speed Dependent Ride Height

B13R - Pinch Protection



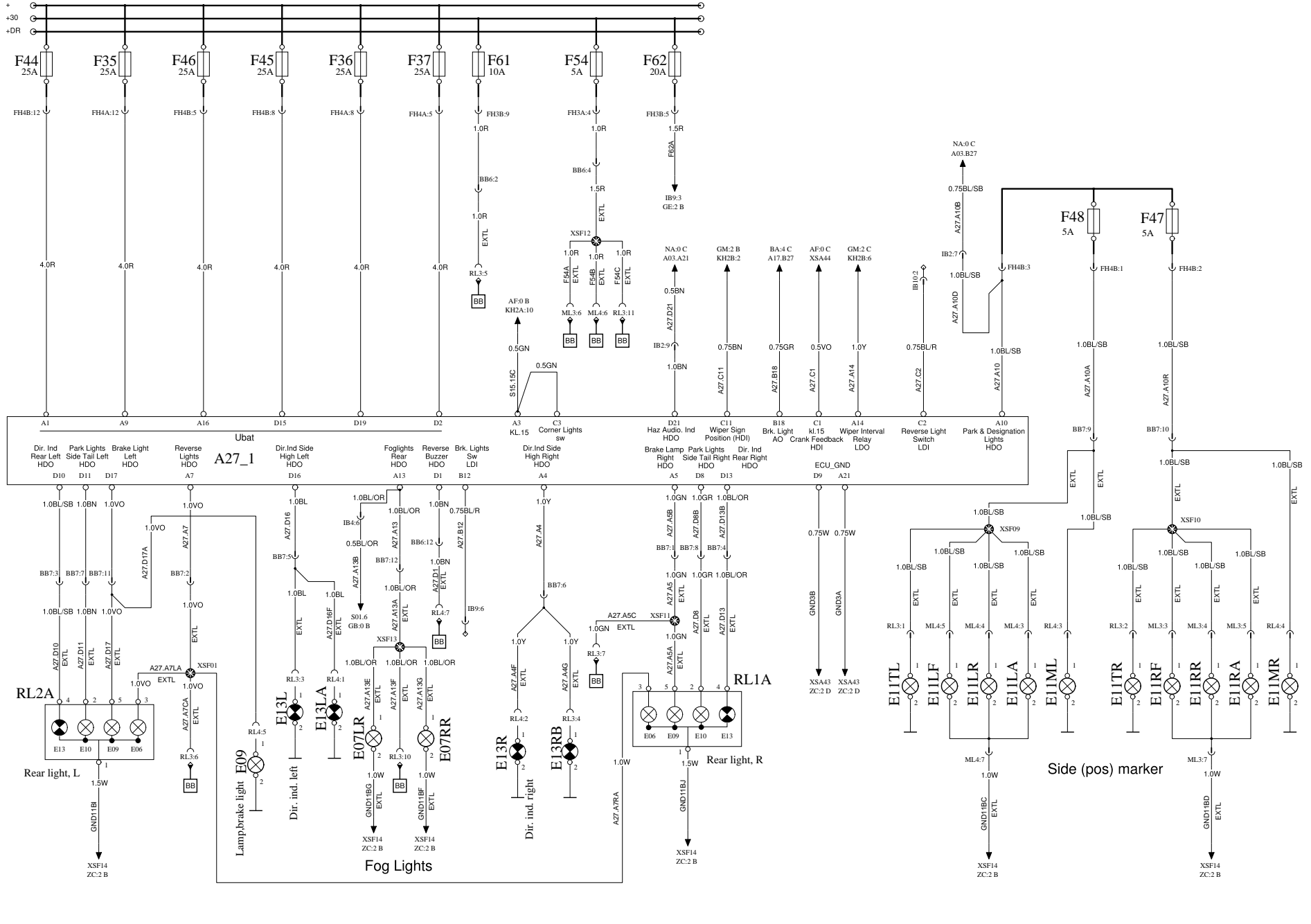


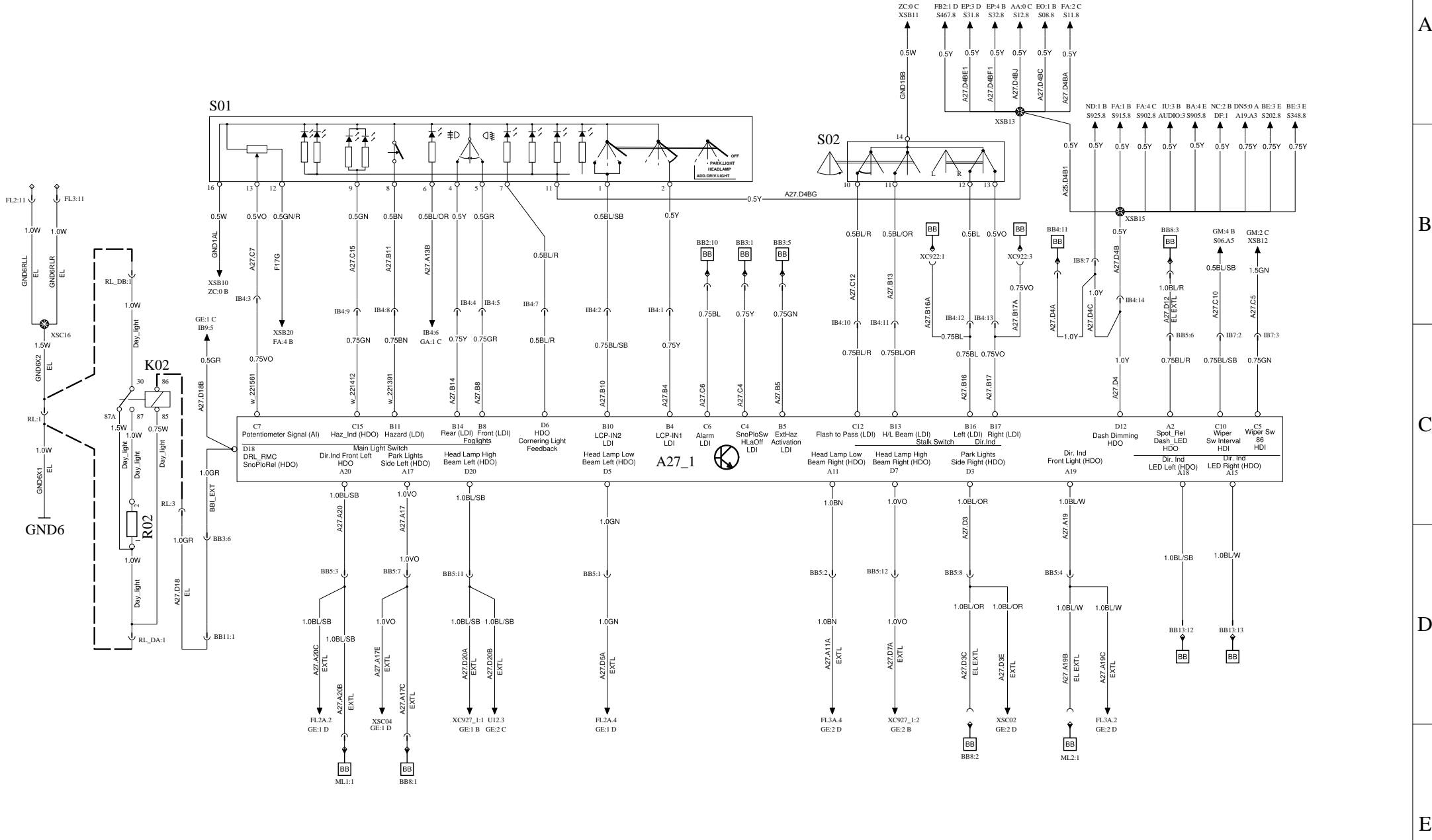


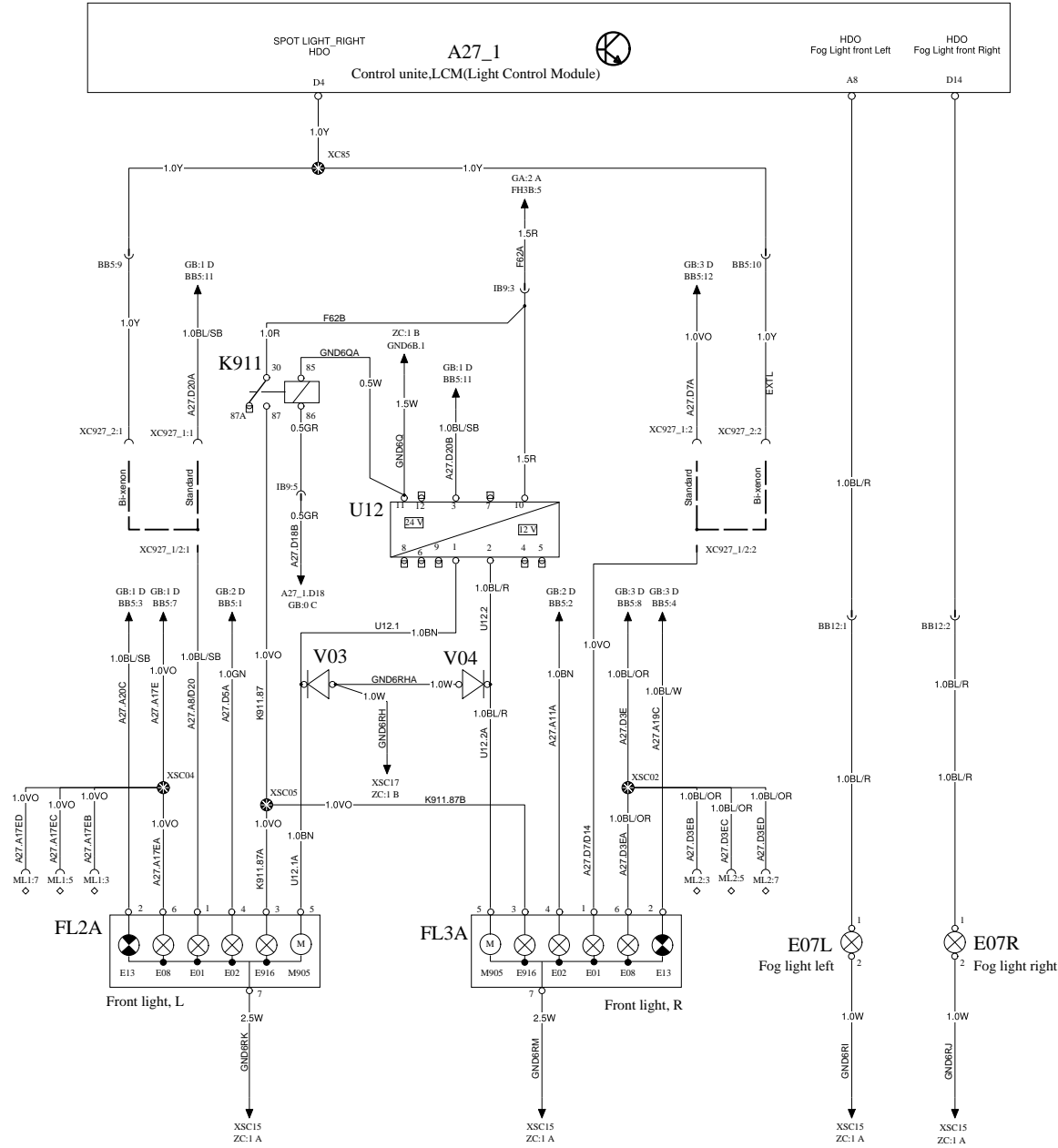
LCM

REAR LIGHTS

WIRING DIAGRAM GA

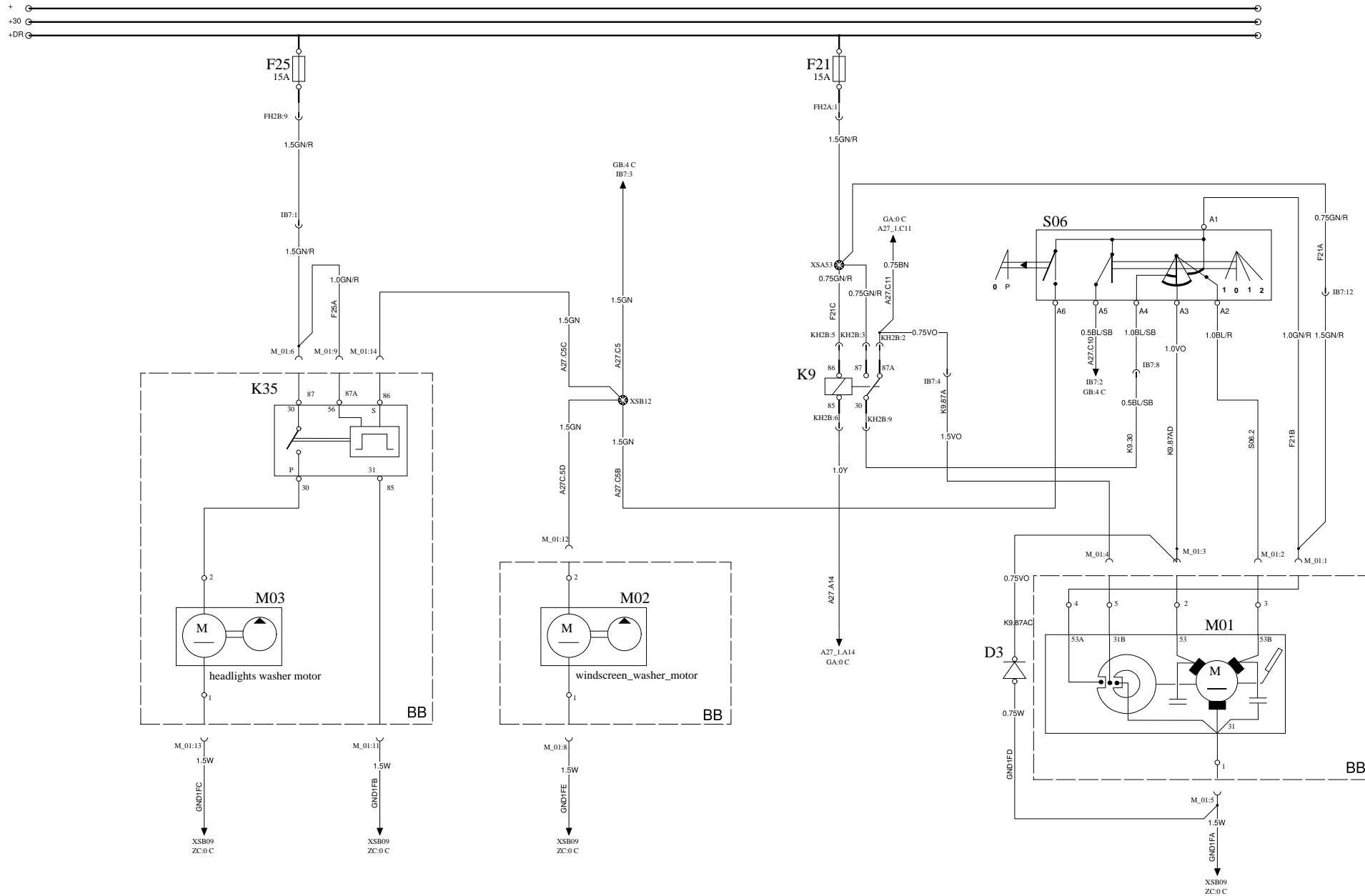


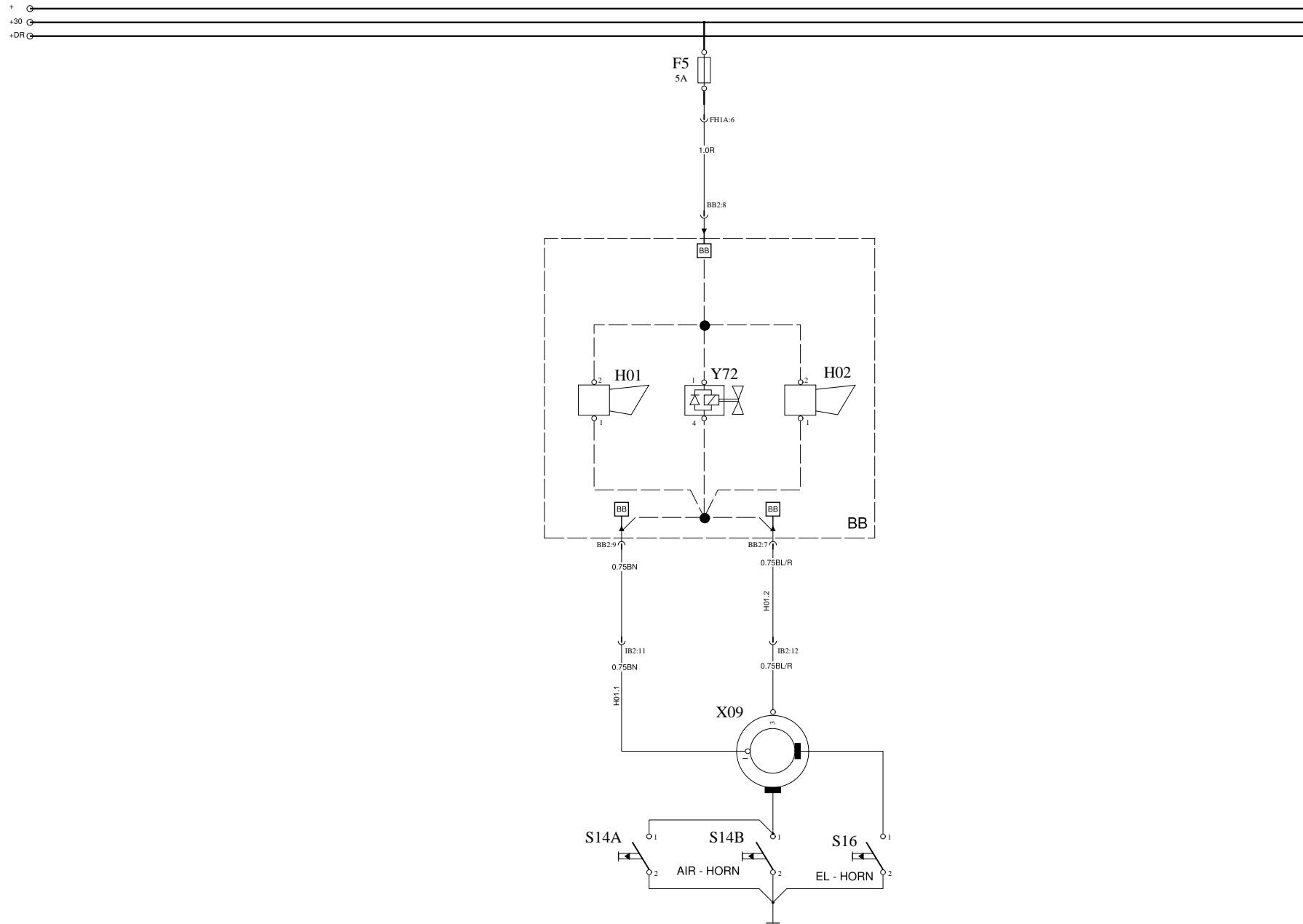




WIPER, WASHER

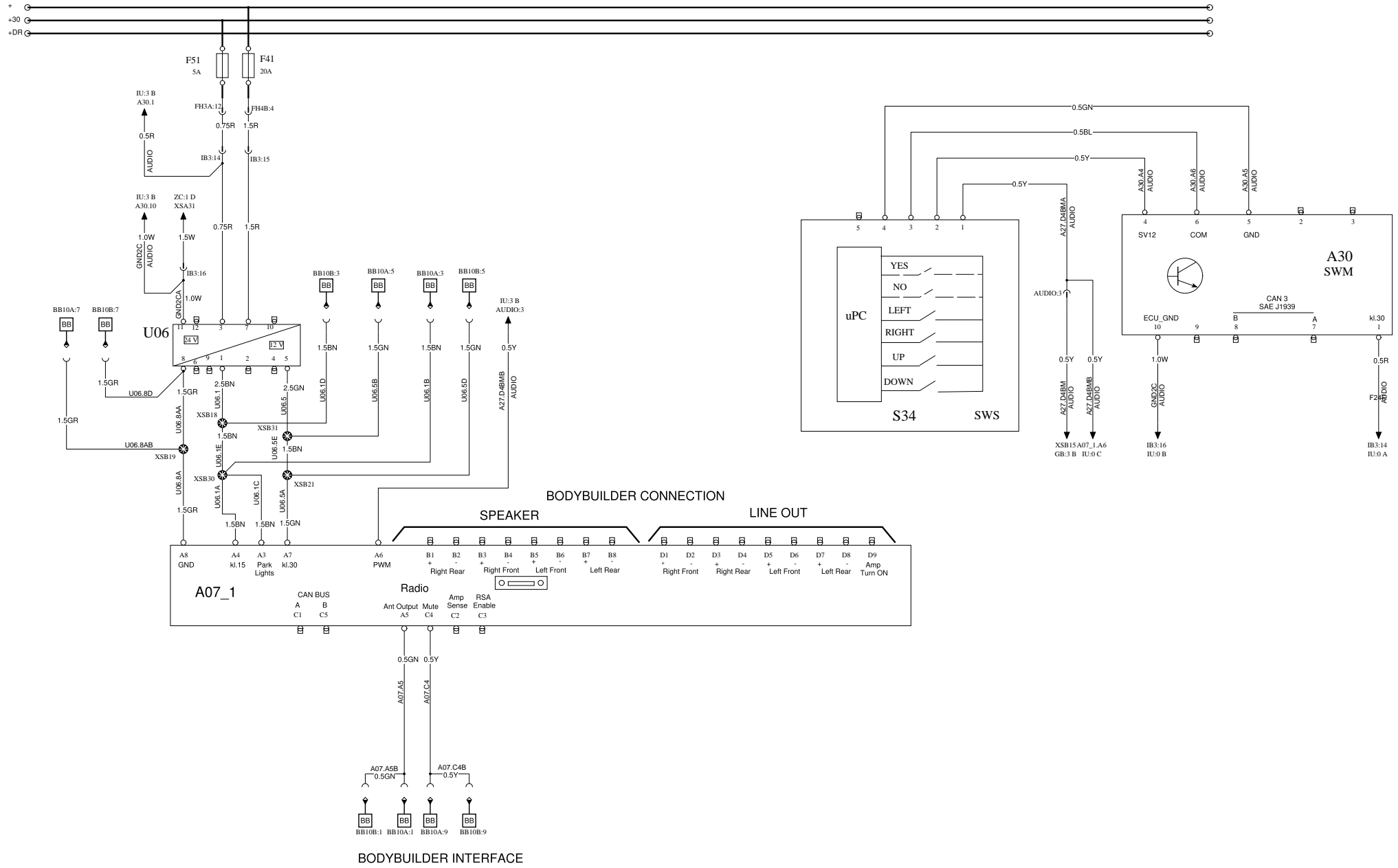
WIRING DIAGRAM GM





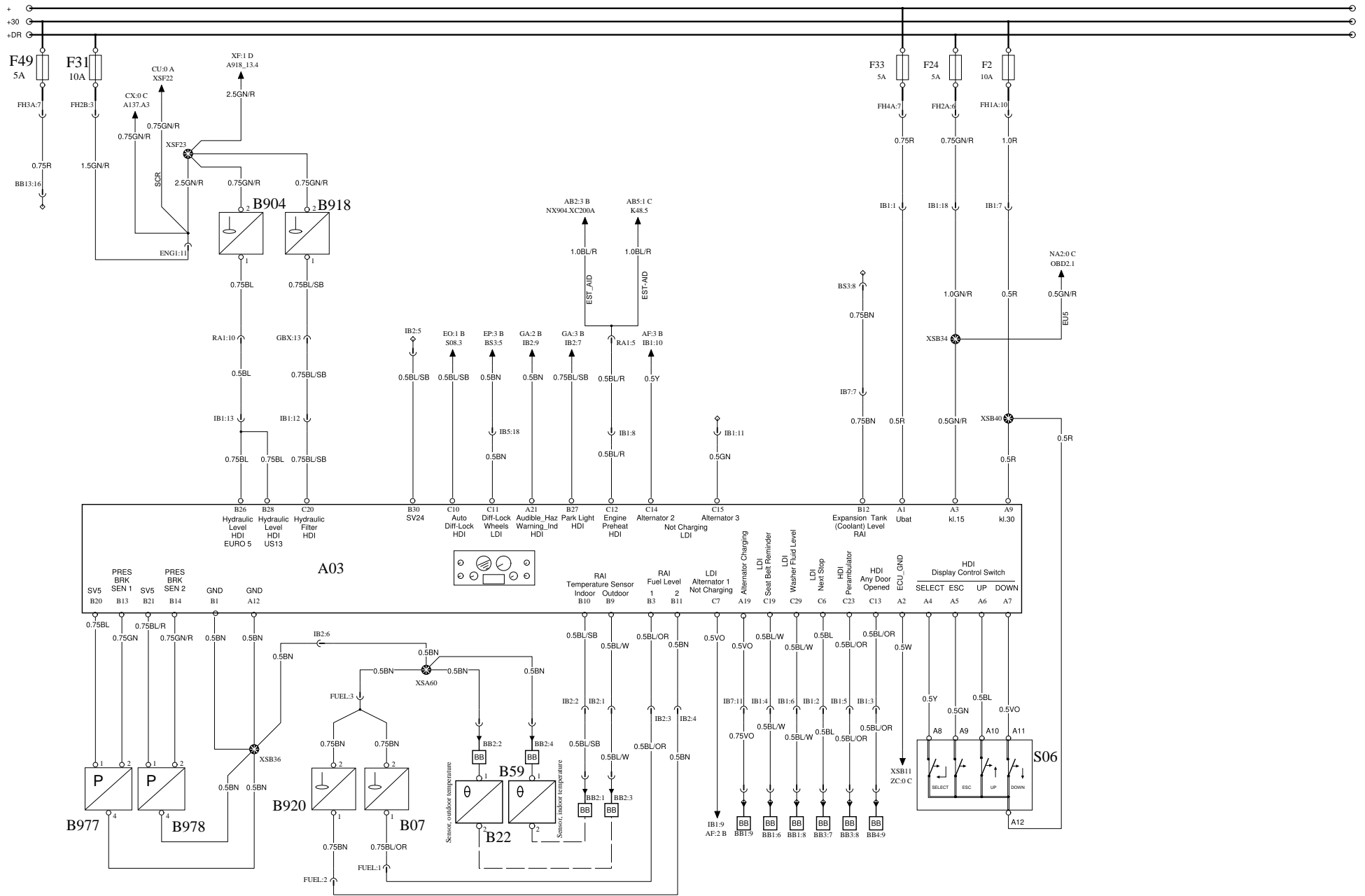
AUDIO

WIRING DIAGRAM IU

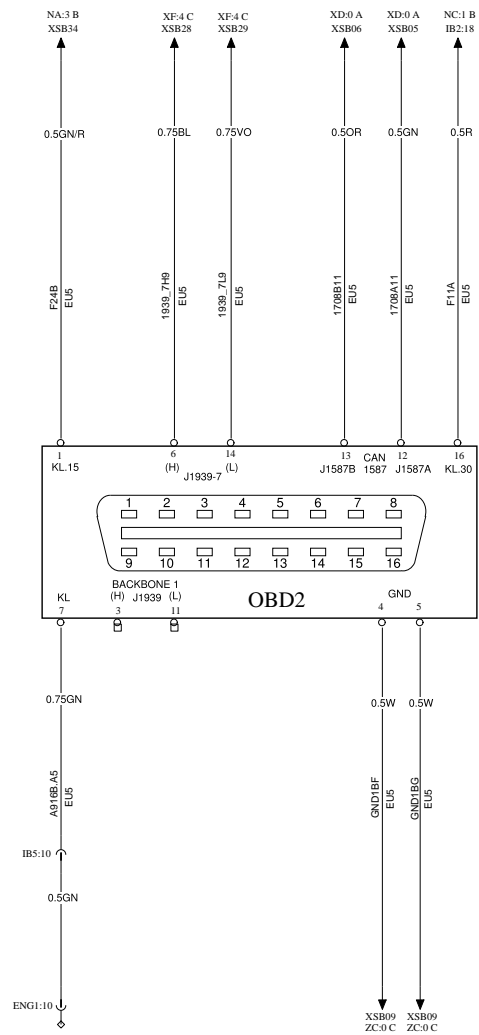


BUS INSTRUMENT CLUSTER BIC2

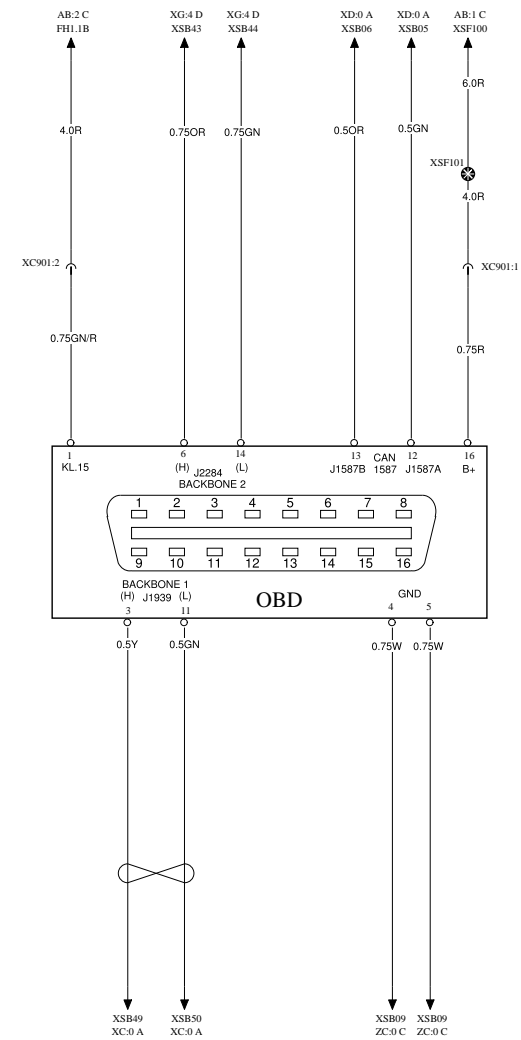
WIRING DIAGRAM NA

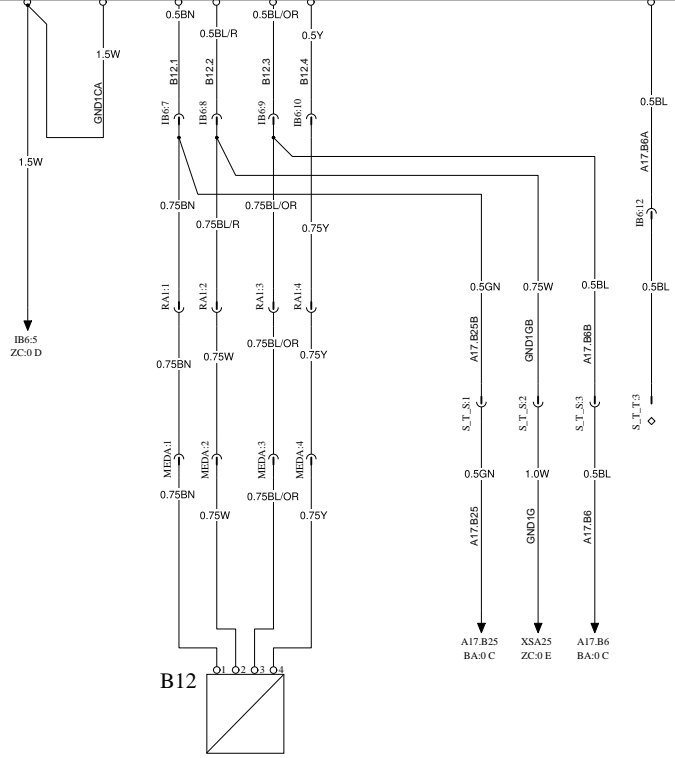
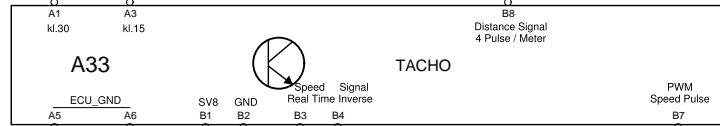
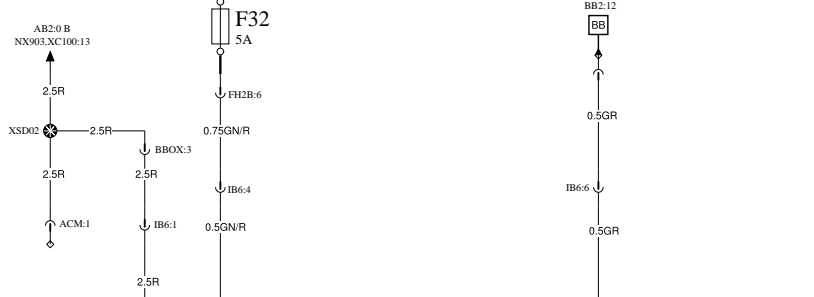
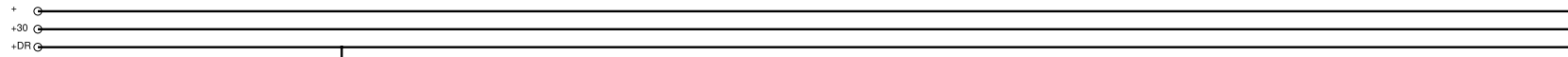


CONNECTIONS FOR EURO 5

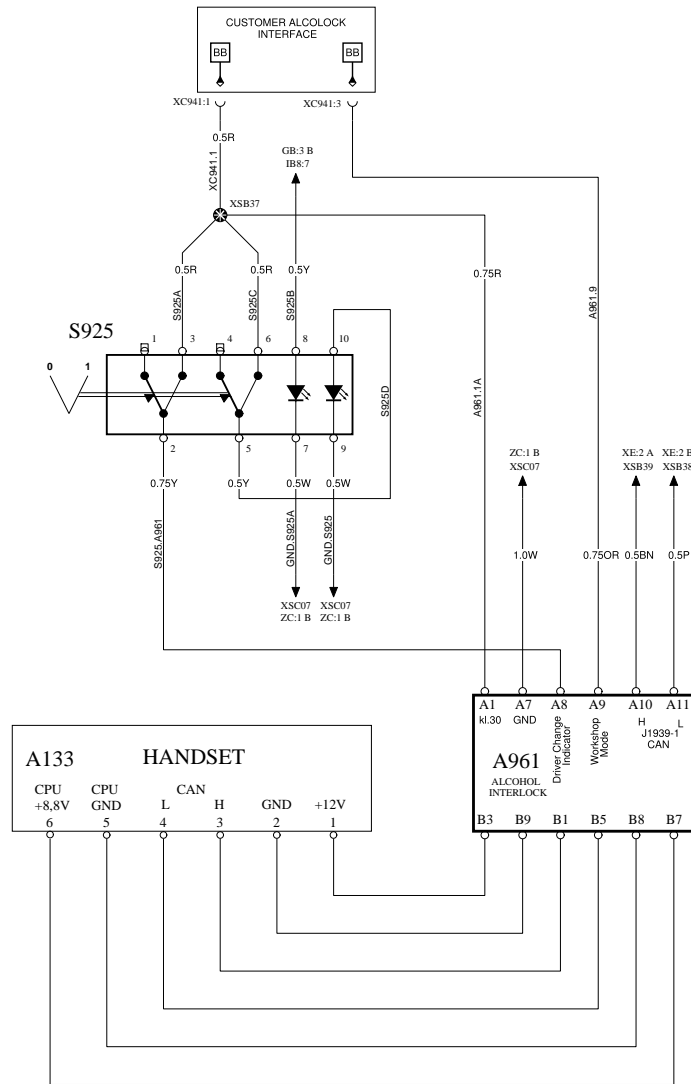


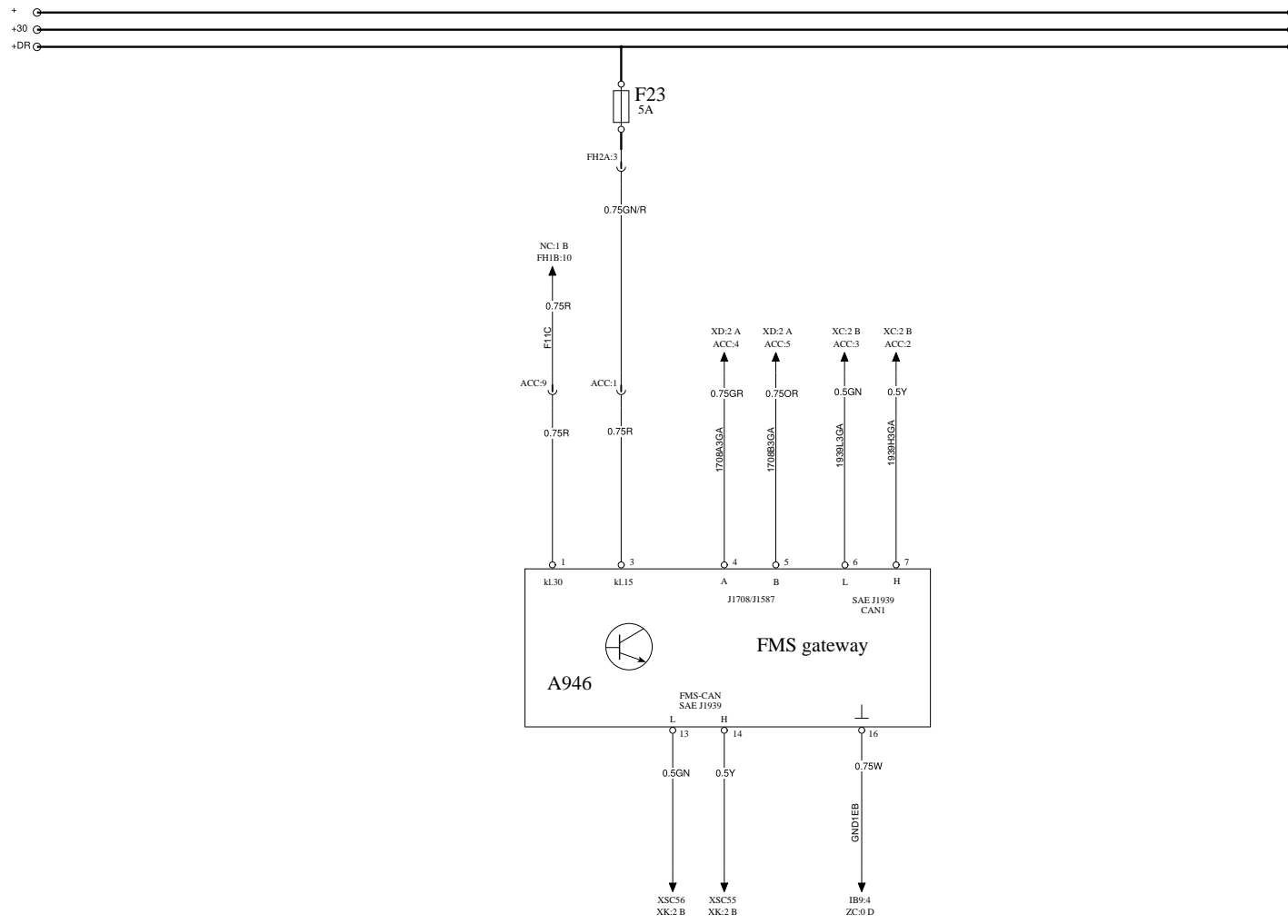
CONNECTIONS FOR US/CAN

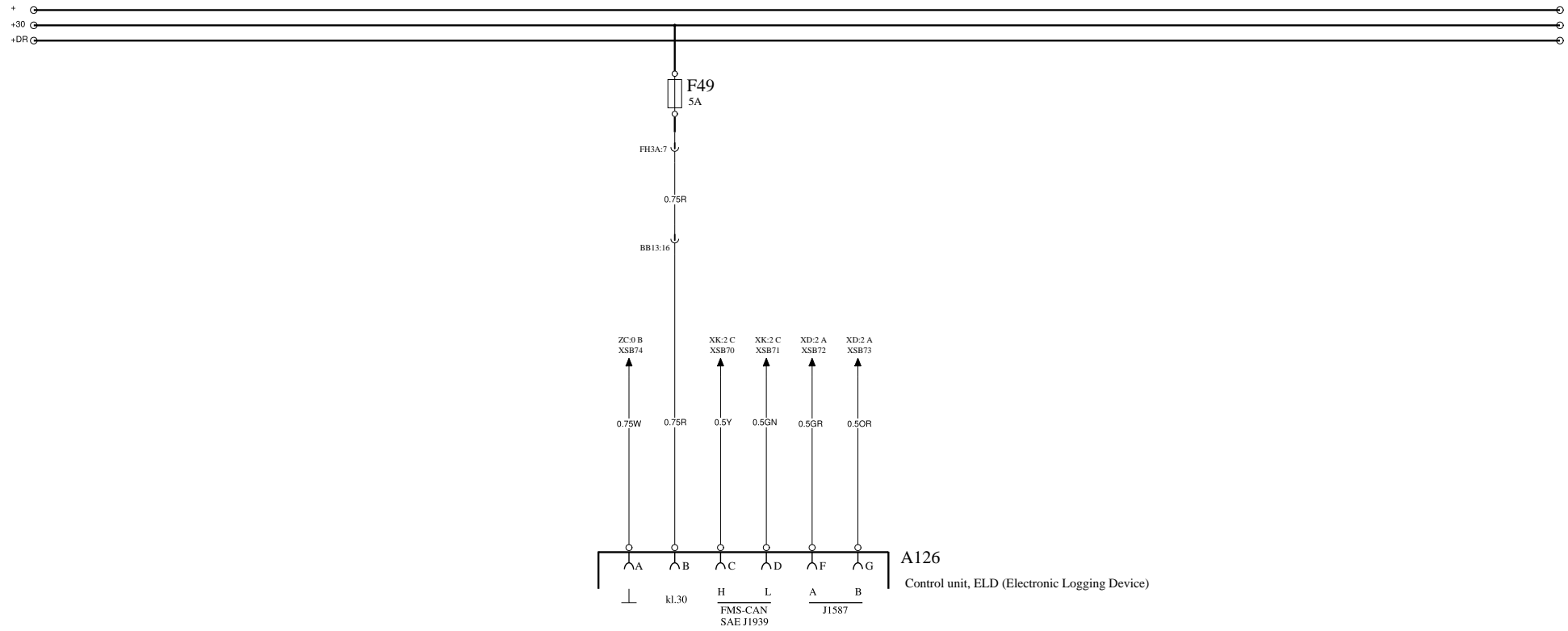


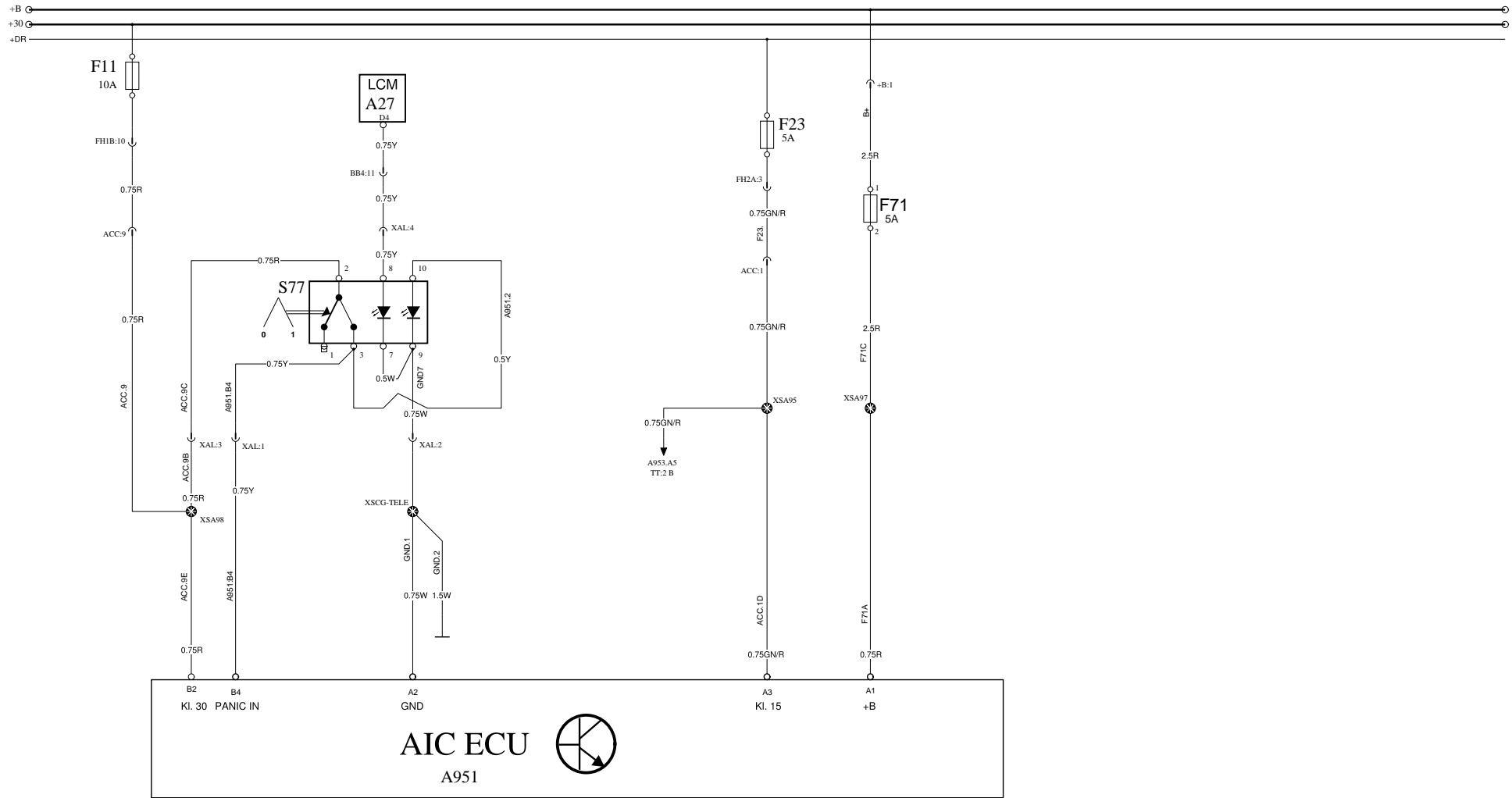


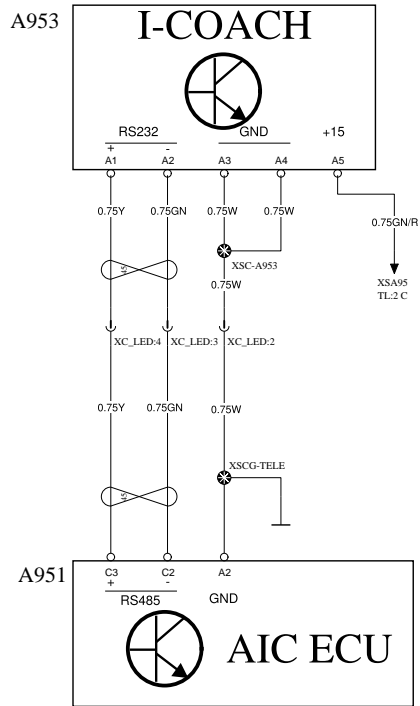
Sensor,tachograph/speedometer







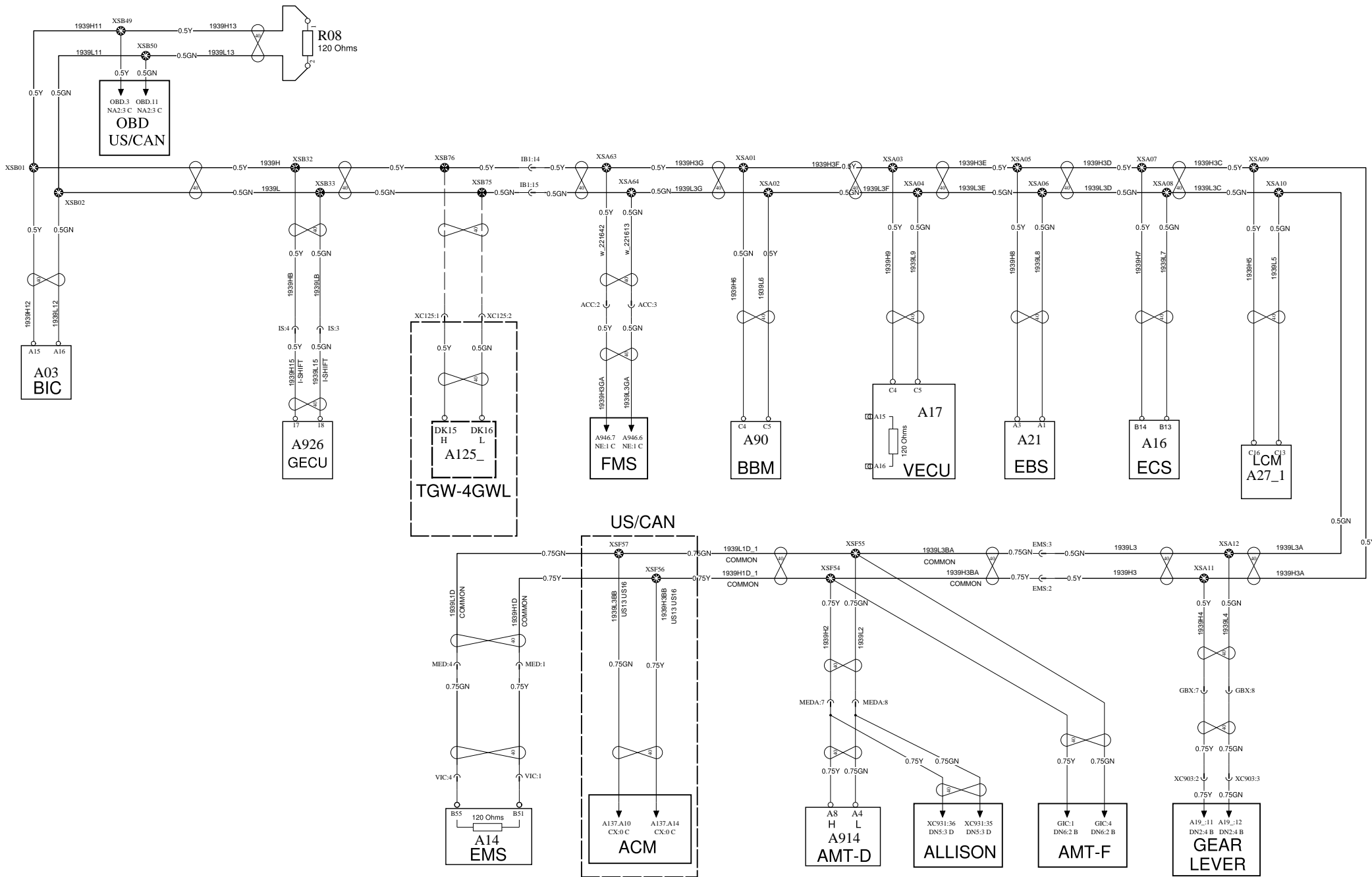


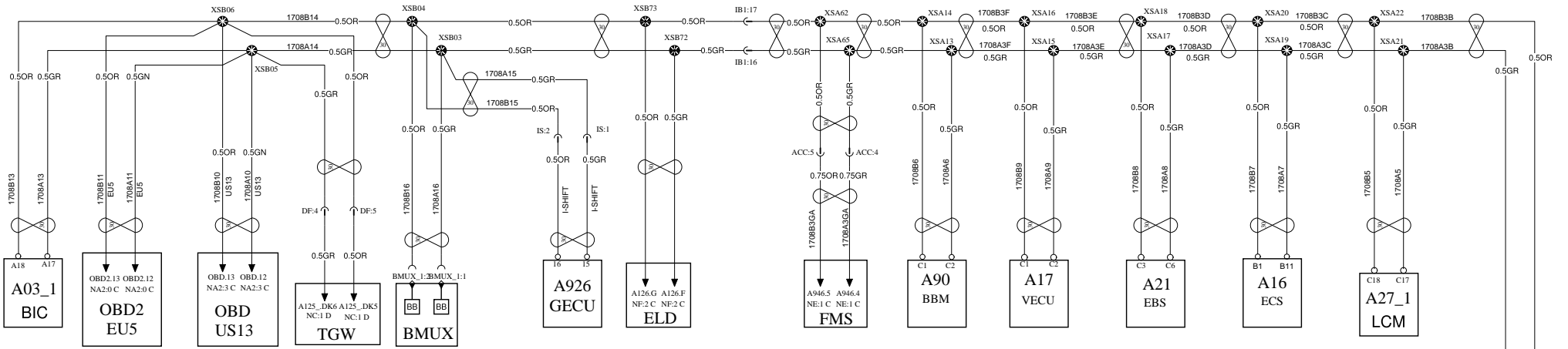


CAN SAE 1939

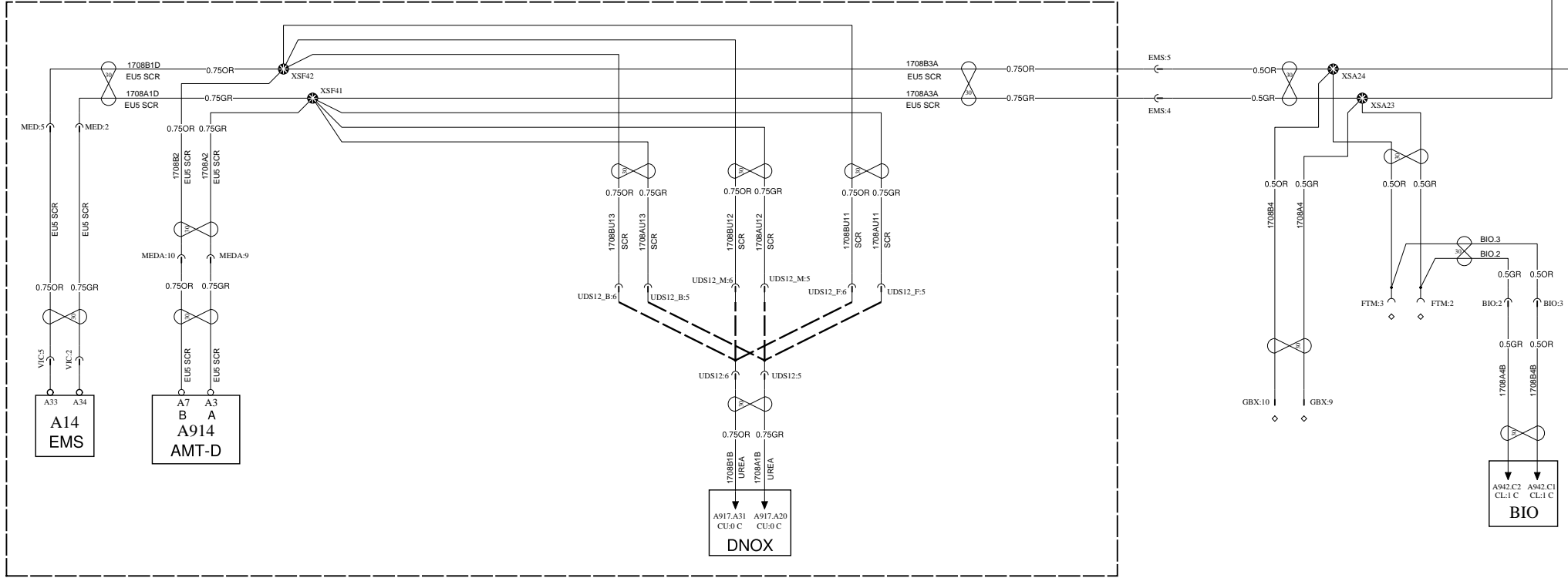
BACKBONE 1

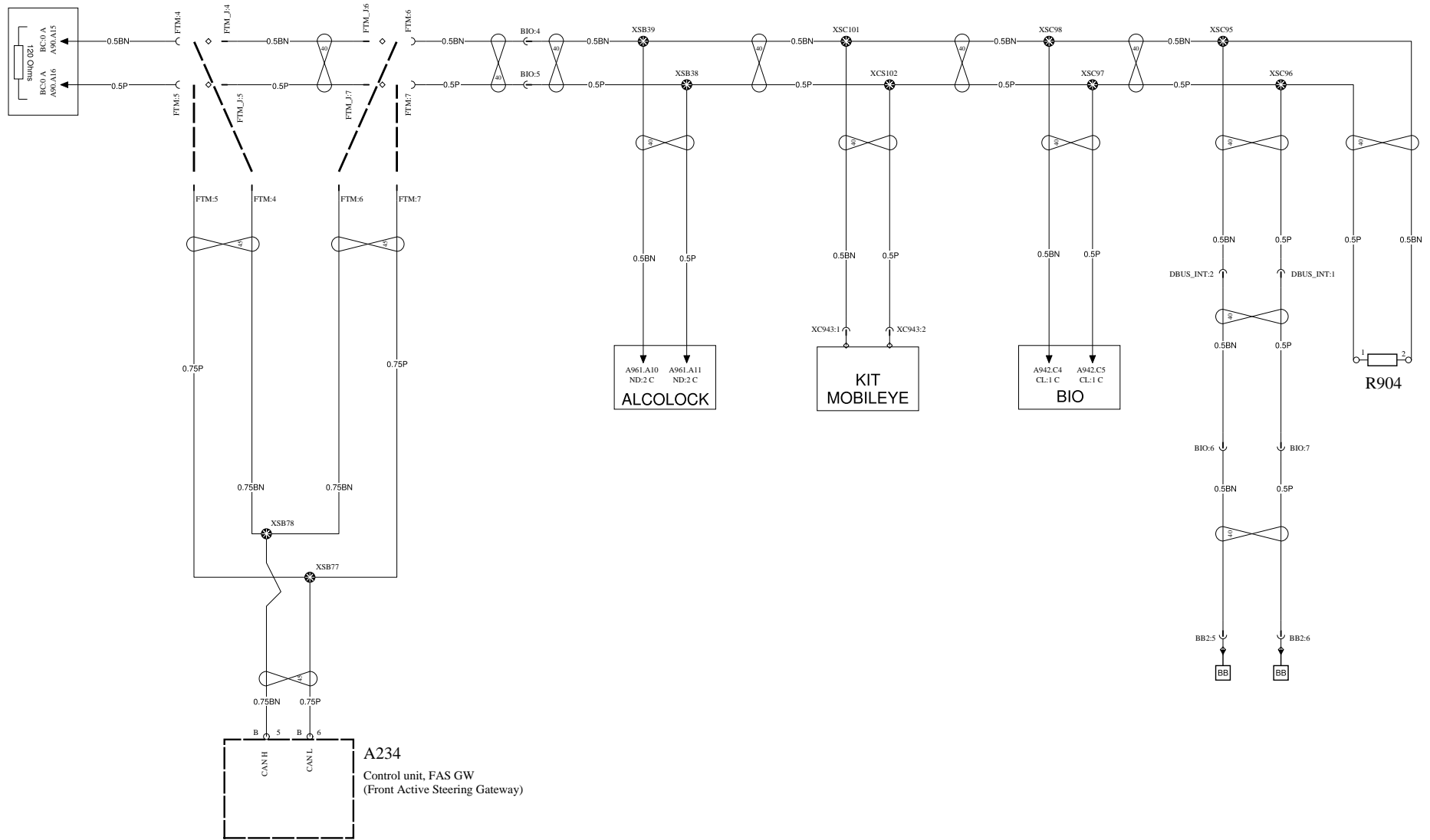
WIRING DIAGRAM XC

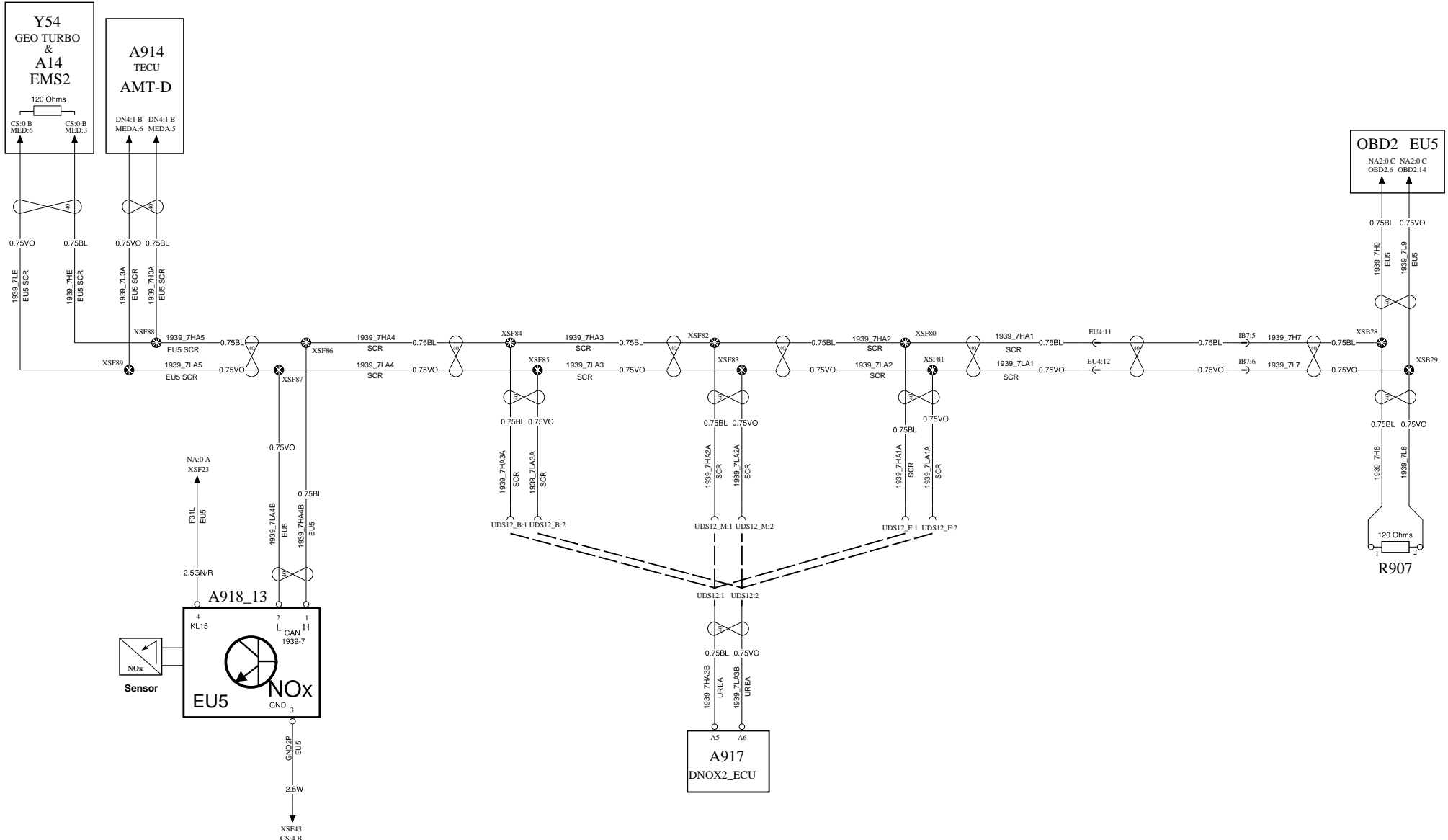


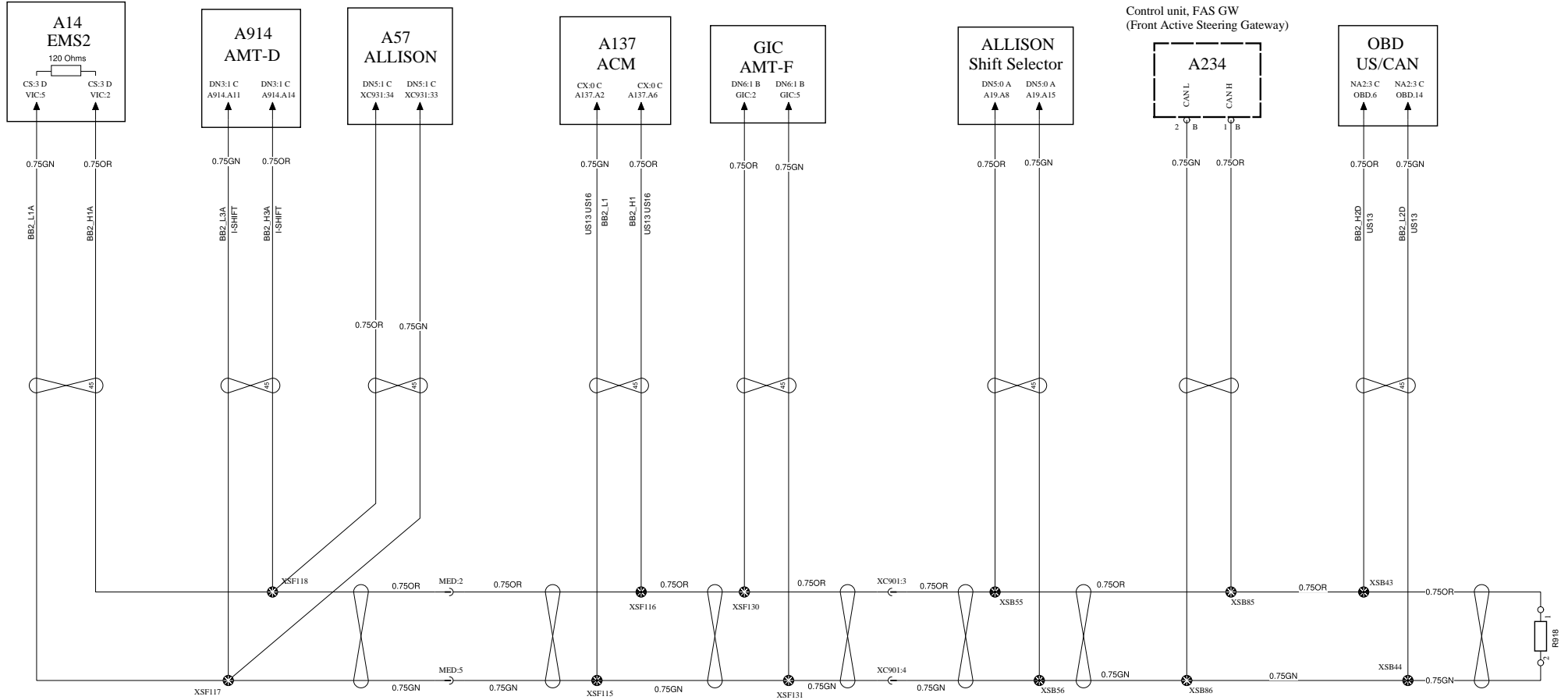


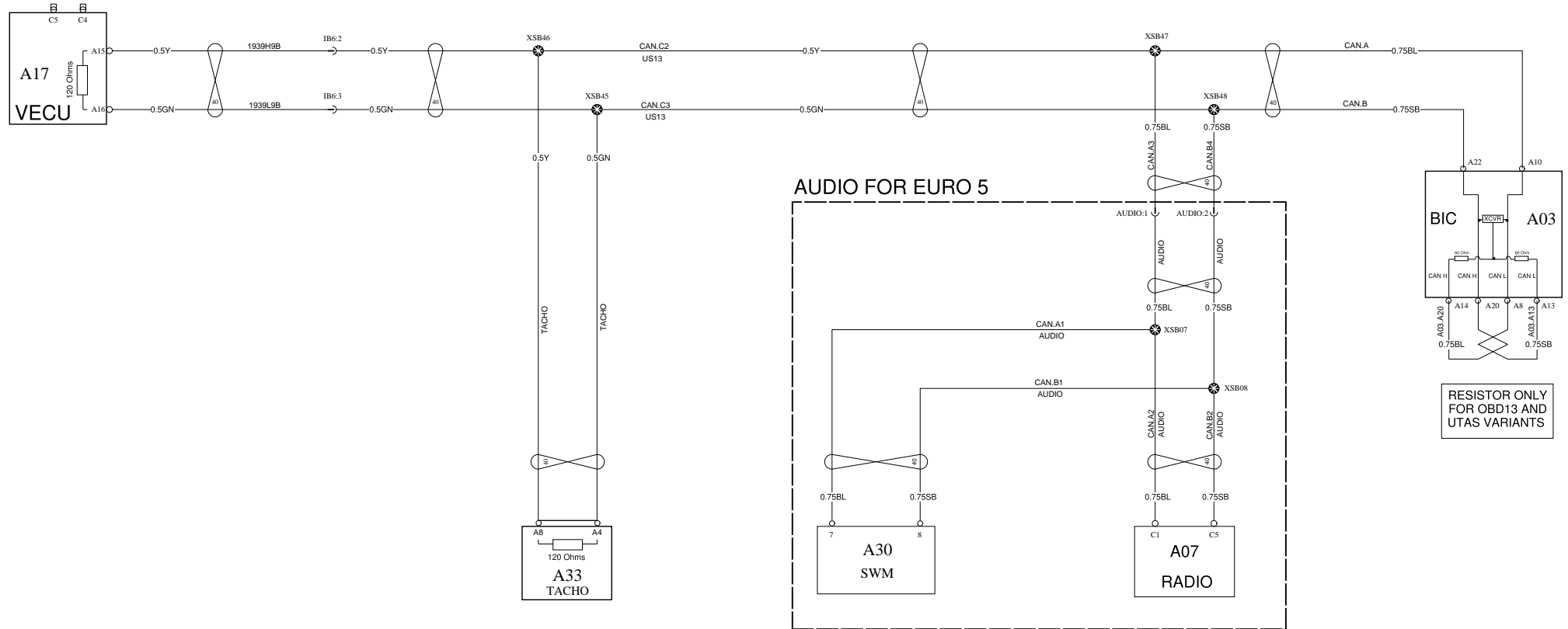
EURO 5



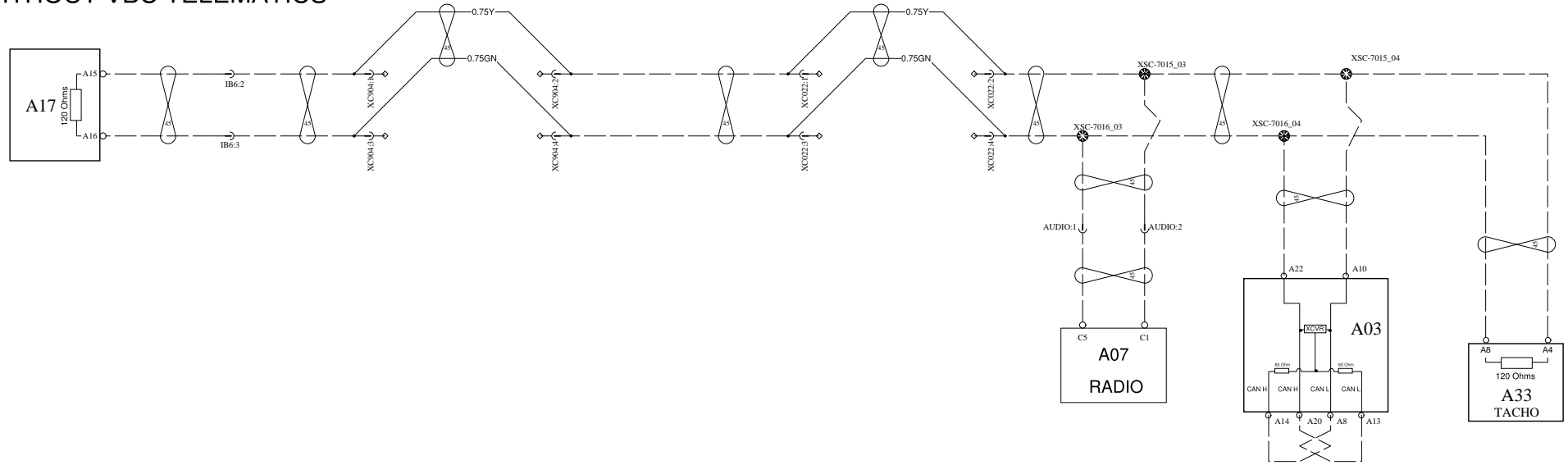




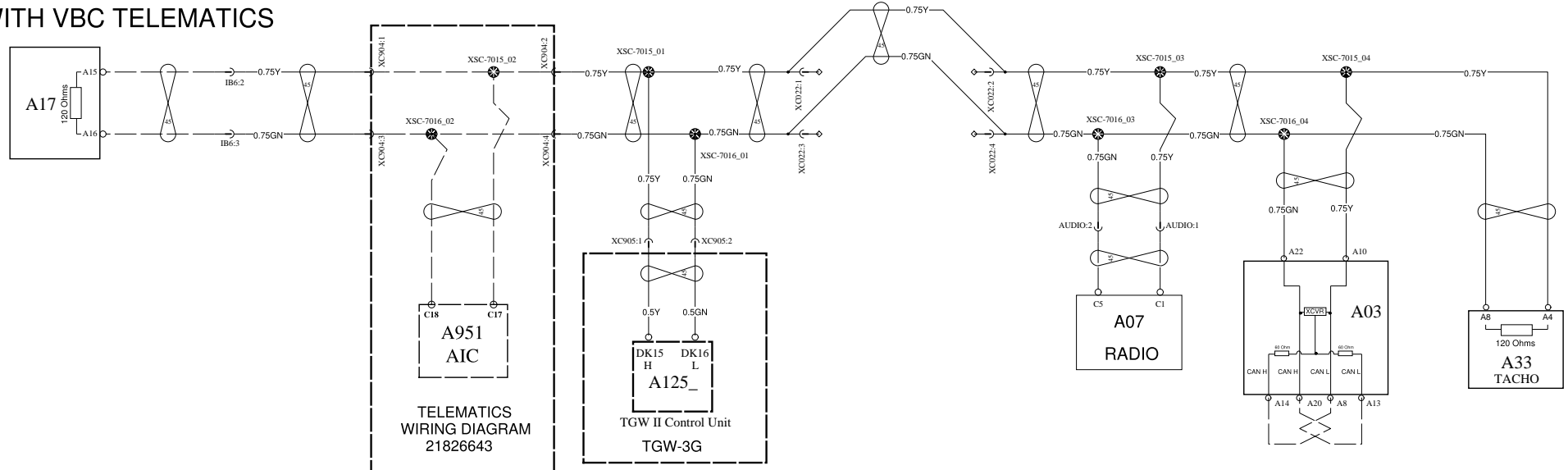


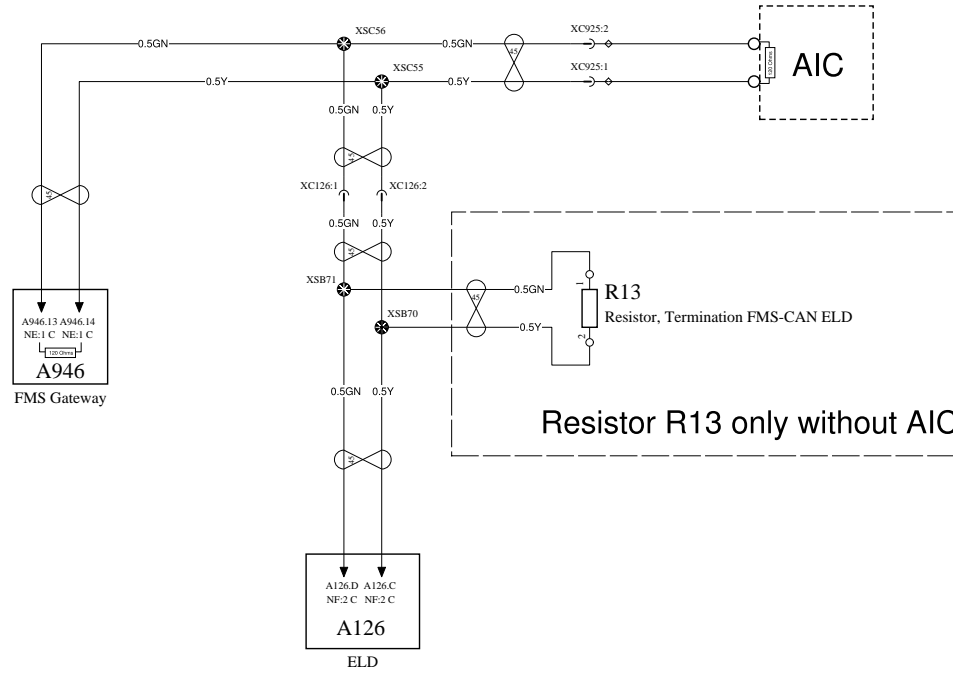


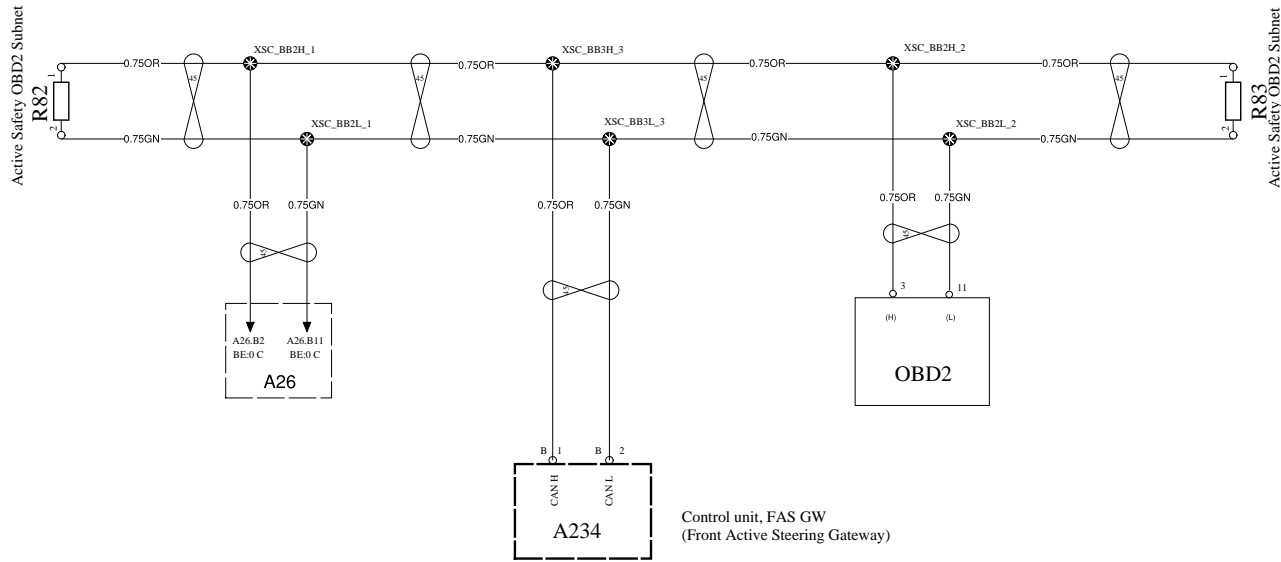
WITHOUT VBC TELEMATICS

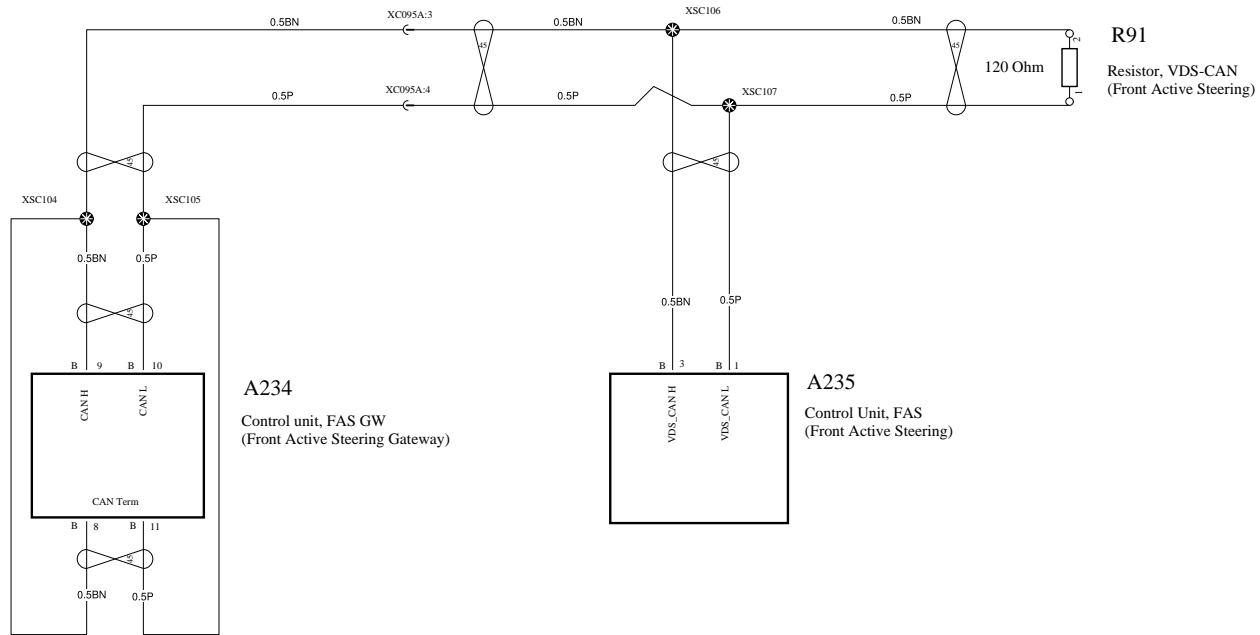


WITH VBC TELEMATICS









REFERENCE INDEX

| NAME | PAGE |
|----------------------------|------|
| GROUNDS | 2 |
| FUSES AND CIRCUIT BREAKERS | 3 |
| COMPONENTS | 5 |
| INLINES | 12 |
| SPLICES | 32 |

VOLVO

Volvo Bus Corporation

Document title
WIRING DIAGRAM

Document type
PRODUCT SCHEMATICS

Document No
22610880

Issue
09

Volume
03(03)

Sheet No
1(36)

GROUNDS

| NAME | PAGE |
|----------|---------|
| GND | BA 2 E |
| GND1A | ZC 2 D |
| GND1B | ZC 1 E |
| GND1C | ZC 2 D |
| GND1D | ZC 4 E |
| GND1E | CS 4 B |
| GND1UA.1 | CU 3 E |
| GND1UB.1 | CU 3 E |
| GND2A | AF 2 E |
| GND2B | AF 3 E |
| GND6 | GB 0 C |
| GND6B | ZC 1 B |
| GND6J | ZC 2 C |
| GND11 | ZC 2 B |
| GND11A | ZC 3 B |
| GND31A | ZC 3 E |
| GND31A.A | ZC 4 E |
| GND31A.B | AB 2 A |
| GND31B | AB2 1 E |
| GND31B | AB3 2 E |
| GND31F | ZC 1 E |
| GND31R | ZC 2 E |
| GND40 | AF 1 E |
| GND41 | AF 2 E |
| GND51 | ZC 4 E |
| GND74 | CU 4 E |
| GND75 | AB 2 A |
| GND900 | AB4 2 D |
| GND900 | AC 3 A |
| GND_PH | AB5 2 D |
| GNDX | ZC 4 C |

VOLVO

Volvo Bus Corporation

Document title
WIRING DIAGRAM

Document type
PRODUCT SCHEMATICS

Document No
22610880

Issue
09

Volume
03(03)

Sheet No
2(36)

FUSES AND CIRCUIT BREAKERS

| FUSE | DESCRIPTION | PAGE |
|-----------|---|--------|
| F1 (5A) | ECS, 5A | FA 4 A |
| F2 (10A) | BIC2,10A | NA 3 A |
| F4 (20A) | EBS,20A | EO 0 A |
| F5 (5A) | Horn,5A | IS 2 A |
| F7 (15A) | Gearbox ECU I-shift, 10A | DN 2 B |
| F8 (5A) | Gear selector ,I-Shift,5A | DN 2 B |
| F9 (5A) | Switchbox start/stop rear, 5A | AA 3 A |
| F10 (5A) | Fire Alarm,5A | BB 0 A |
| F11 (10A) | Dyna fleet, FMS, 10A | NC 1 A |
| F11 (10A) | Dyna fleet, FMS, 10A | TL 0 A |
| F12 (5A) | Body +30,5A | BB 1 A |
| F13 (10A) | Spare | AB 3 A |
| F14 (5A) | BBM,5A | BB 0 A |
| F15 (15A) | +15 signal for K918, K920, Y901, K48 & K5 | BA 0 A |
| F16 (5A) | VECU,5A | BA 0 A |
| F17 (5A) | Switch feed, 5A | FA 4 A |
| F18 (5A) | Alternator, 5A | AF 3 A |
| F19 (10A) | Hymer, 10A | AF 0 A |
| F20 (10A) | EBS,10A | EO 0 A |
| F21 (15A) | Wiper,Washer,15A | GM 2 A |
| F23 (5A) | ACC, FMS,5A | NE 1 A |
| F23 (5A) | ACC, FMS,5A | TL 2 A |
| F24 (5A) | BIC 2,5A | NA 3 A |
| F25 (15A) | Washer motor, 15A | GM 1 A |
| F26 (5A) | ECS,5A | FA 4 A |
| F28 (10A) | Retarder, 10A | DN 1 A |
| F29 (5A) | Body +DR, 5A | BB 1 A |
| F31 (10A) | Hydraulic oil, DNOx2, 10A | NA 0 A |
| F32 (5A) | Tachograph,5A | NB 0 A |
| F33 (5A) | BIC 2,5A | NA 3 A |
| F35 (25A) | LCM ,25A | GA 0 A |
| F36 (25A) | LCM,25A | GA 1 A |
| F37 (25A) | LCM,25A | GA 1 A |
| F39 (25A) | DNOx2, 25A | CU 0 A |
| F40 (5A) | Voltage guard, 5A | AA 3 A |
| F41 (20A) | Radio,20A | IU 0 A |
| F42 (5A) | Maine Switch,5A | AA 0 A |
| F44 (25A) | LCM,25A | GA 0 A |
| F45 (25A) | LCM,25A | GA 1 A |
| F46 (25A) | LCM,25A | GA 0 A |
| F47 (5A) | Side marker L, 5A | GA 3 B |
| F48 (5A) | Side marker R, 5A | GA 3 B |
| F49 (5A) | Fuel cut off valve, 5A | NA 0 A |
| F49 (5A) | Fuel cut off valve, 5A | NF 2 A |
| F51 (5A) | Radio,5A | IU 0 A |
| F52 (10A) | Luggage Light,10A | BB 2 A |
| F53 (10A) | Bogie Valve, Heater waterseperator, 5A | BB 4 A |
| F54 (5A) | Engine/Luggage hatch,5A | GA 2 A |
| F55 (10A) | Engine brake valve, Preheat relay, Fan sp | BA 1 A |
| F56 (10A) | Engine brake, 10A | BA 1 A |
| F57 (5A) | Key switch,5A | AA 0 A |
| F58 (5A) | FTM, 5A | CL 1 A |
| F59 (10A) | Fuse, Active Safety Seat Haptic | BE 3 A |
| F61 (10A) | Light, luggageroom,10A | GA 1 A |

VOLVO

Volvo Bus Corporation

Document title
WIRING DIAGRAM

Document type
PRODUCT SCHEMATICS

| | | | |
|-----------------|-----------|---------------|--------------|
| Document No | Issue | Volume | Sheet No |
| 22610880 | 09 | 03(03) | 3(36) |

| FUSE | DESCRIPTION | PAGE |
|------------|---|---------|
| F62 (20A) | Light sleeping compartment, 20A | GA 2 A |
| F63 (5A) | Starter motor control, 5A | CL 3 B |
| F64 (10A) | Load Indicator | CL 3 B |
| F66 (15A) | Fuse, Extra Fan | FC2 2 A |
| F69 (30A) | Fuse, VDS (Volvo Dynamic Steering) | FC1 2 A |
| F70 (3A) | Fuse, External Charger Starter Battery | AB3 4 C |
| F71 (5A) | Telematics extra fuse | TL 2 B |
| F76 (80A) | FUSE, 12V Equalizer | AB 1 A |
| F77 (40A) | FUSE, 24V Equalizer | AB 1 A |
| F90A (30A) | FUSE - DNOX2RA | CU 3 D |
| F90B (30A) | FUSE - DNOX2RB | CU 3 D |
| F99 (15A) | Fuse, Allison +30 power supply | AB 3 B |
| F100 (10A) | 10A Fuse, OBD connection to B+ | AB 1 B |
| F206 (5A) | External Pre-Heater, 5A | AB5 1 C |
| F907 (20A) | Fuse 12V I-shift | AB 2 C |
| F915 (30A) | Fuse 12V EMS2 | AB 2 C |
| F955 (20A) | Fuse 12V Act. EMS2 | AB 2 C |
| F956 (10A) | Fuse 12V Fuel Pump | AB 2 C |
| F957 (20A) | Fuse 12V Cool Fan | AB 2 C |
| F958 (10A) | FUSE 12V Allison, GBX and OBD connector | AB 2 C |

VOLVO

Volvo Bus Corporation

Document title
WIRING DIAGRAM

Document type
PRODUCT SCHEMATICS

Document No
22610880

Issue
09

Volume
03(03)

Sheet No
4(36)

COMPONENTS

| COMPONENT | DESCRIPTION | PAGE |
|-----------|---|---------|
| 30UA.1 | Terminal - Power for heated hose | CU 3 D |
| 30UB.1 | Terminal - Power for heated hose | CU 3 D |
| A03 | Instrument cluster | NA 0 C |
| A03 | Instrument cluster | XC 0 B |
| A03 | Instrument cluster | XJ 4 B |
| A03 | Instrument cluster | XJ2 3 B |
| A03_1 | Instrument cluster | XD 0 B |
| A07 | Radio | XJ 3 D |
| A07 | Radio | XJ2 2 C |
| A07_1 | Radio | IU 0 C |
| A13 | Control unit, TECU, I-Shift AMT-F | DN6 1 C |
| A14 | Control unit EMS | XC 1 E |
| A14 | Control unit EMS | XD 0 D |
| A16 | ECS | FA 0 D |
| A16 | ECS | FB 0 A |
| A16 | ECS | FB2 3 B |
| A16 | ECS | XC 4 C |
| A16 | ECS | XD 3 B |
| A17 | VECU | BA 0 C |
| A17 | VECU | XC 3 C |
| A17 | VECU | XD 3 B |
| A17 | VECU | XJ 0 A |
| A17 | VECU | XJ2 0 A |
| A19 | Control unit,GECU(gear selector ECU) | DN5 0 A |
| A19_1 | Control unit,GECU(gear selector ECU) | DN2 0 B |
| A19_2 | Control unit,GECU(gear selector ECU) | DN2 3 B |
| A21 | EBS | EO 0 D |
| A21 | EBS | EP 0 A |
| A21 | EBS | XC 3 C |
| A21 | EBS | XD 3 B |
| A26 | Control unite,ACC(Adaptive Cruise Control | BE 0 C |
| A27 | Control unite,LCM(Light Control Module) | TL 1 B |
| A27_1 | Control unite,LCM(Light Control Module) | GA 0 C |
| A27_1 | Control unite,LCM(Light Control Module) | GB 0 C |
| A27_1 | Control unite,LCM(Light Control Module) | GE 2 A |
| A27_1 | Control unite,LCM(Light Control Module) | XC 4 C |
| A27_1 | Control unite,LCM(Light Control Module) | XD 3 B |
| A30 | Control unite,SWM(Steering Wheel Module) | IU 3 B |
| A30 | Control unite,SWM(Steering Wheel Module) | XJ 3 D |
| A33 | TACHO | NB 0 B |
| A33 | TACHO | XJ 1 D |
| A33 | TACHO | XJ2 4 B |
| A41 | Body I/O Module 41 | CZ 0 C |
| A41 | Body I/O Module 41 | DN4 1 D |
| A41_ | | CZ 3 C |
| A42 | Component group transmission.Contains B26 | DN3 2 D |
| A42 | Component group transmission.Contains B26 | DN4 2 D |
| A57 | Control unit, Body | DN5 0 C |
| A58 | Control unit, Body | DN5 1 D |
| A80 | Air Dryer | BA 2 E |
| A90 | BBM | AA 0 E |
| A90 | BBM | BB 0 E |
| A90 | BBM | BC 0 A |
| A90 | BBM | BE 4 A |

VOLVO

Volvo Bus Corporation

Document title
WIRING DIAGRAM

Document type
PRODUCT SCHEMATICS

Document No
22610880

Issue
09

Volume
03(03)

Sheet No
5(36)

| COMPONENT | DESCRIPTION | PAGE |
|-----------|---|---------|
| A90 | BBM | XC 2 C |
| A90 | BBM | XD 2 B |
| A124 | Starter motor with relay | AF 1 D |
| A125_ | TGW II Control Unit | NC 1 D |
| A125_ | TGW II Control Unit | XC 1 C |
| A125_ | TGW II Control Unit | XJ2 2 D |
| A126 | Control unit, ELD (Electronic Logging Dev | NF 2 C |
| A133 | Handset | ND 1 D |
| A137 | DEF CONTROL MODULE | CX 0 C |
| A176 | Control unit, LPOS, Lane Position and Obj | BE 1 A |
| A224 | Seat Haptic Vibration | BE 3 C |
| A234 | Control unit, FAS GW (Front Active Steeri | FC2 2 D |
| A234 | Control unit, FAS GW (Front Active Steeri | XE 1 E |
| A234 | Control unit, FAS GW (Front Active Steeri | XG 3 B |
| A234 | Control unit, FAS GW (Front Active Steeri | XN 2 D |
| A234 | Control unit, FAS GW (Front Active Steeri | XO 1 D |
| A235 | Control Unit, FAS (Front Active Steering) | FC1 2 D |
| A235 | Control Unit, FAS (Front Active Steering) | XO 2 D |
| A914 | Control unit, TECU, I-Shift AMT-D | DN3 1 C |
| A914 | Control unit, TECU, I-Shift AMT-D | DN4 1 C |
| A914 | Control unit, TECU, I-Shift AMT-D | XC 2 E |
| A914 | Control unit, TECU, I-Shift AMT-D | XD 0 D |
| A917 | DNOX2_ECU | CU 0 C |
| A917 | DNOX2_ECU | XF 2 D |
| A918_13 | NOx-sensor | XF 1 D |
| A926 | GearShift_ECU | DN 1 C |
| A926 | GearShift_ECU | XC 1 C |
| A926 | GearShift_ECU | XD 1 B |
| A942 | BIO - Bus I/O | CL 1 C |
| A946 | FMS GATEWAY | NE 1 C |
| A951 | AIC ECU | NC 4 E |
| A951 | AIC ECU | TL 0 D |
| A951 | AIC ECU | TT 2 D |
| A953 | I-COACH | TT 2 B |
| A961 | Control unit, Alcolock Interlock | ND 2 C |
| A996 | UQS | XH 1 B |
| A998 | DEF Pump | CX 1 B |
| B03 | Sensor,footbrake valve | EO 0 C |
| B06 | Wet tank press | BA 4 B |
| B07 | Sensor,fuel level front axle | NA 1 E |
| B12 | Sensor,tachograph/speedometer | DN6 3 C |
| B12 | Sensor,tachograph/speedometer | NB 1 E |
| B13 | Sensor,wheel speed, lhs. 1:st front axle | EO 2 B |
| B14 | Sensor,wheel speed, rhs. 1:st front axle | EO 2 B |
| B15 | Sensor,Wheel speed, lhs. 1:st driven rear | EO 3 B |
| B16 | Sensor,Wheel speed, rhs. 1:st driven rear | EO 3 B |
| B22 | Sensor, outdoor temperature | NA 1 D |
| B25 | Sensor,accelerator pedal | BA 2 B |
| B29 | sensor chassis level rear axle LHS | FB 2 D |
| B30 | sensor chassis level rear axle RHS | FB 2 D |
| B32_10 | Sensor Eng. cooling fan Speed | CS 2 A |
| B32_13 | Sensor Eng. cooling fan speed | CS 2 A |
| B39 | Sensor,air filter press/Temp. | CS 2 D |
| B40 | Sensor,brake lining wear indicator,lhs. 1 | EO 2 B |

VOLVO

Volvo Bus Corporation

Document title
WIRING DIAGRAM

Document type
PRODUCT SCHEMATICS

| | | | |
|-----------------|-----------|---------------|--------------|
| Document No | Issue | Volume | Sheet No |
| 22610880 | 09 | 03(03) | 6(36) |

| COMPONENT | DESCRIPTION | PAGE |
|-----------|---|---------|
| B41 | Sensor,brake lining wear indicator,rhs. 1 | EO 1 B |
| B42 | Sensor,brake lining wear indicator,lhs. 1 | EO 3 B |
| B43 | Sensor,brake lining wear indicator,rhs.1: | EO 2 B |
| B49 | Sensor,steering angle | EP 2 D |
| B50 | Sensor,yaw-rate | EP 2 D |
| B57 | Sensor,air pressure, suspension bellows,l | FB 0 C |
| B58 | Sensor,air perssure,suspension bellow,rhs | FB 1 C |
| B59 | Sensor, indoor temperature | NA 1 D |
| B69C | Sensor,coolant temperature, retarder | CZ 1 C |
| B69C | Sensor,coolant temperature, retarder | DN4 1 D |
| B96A | Pre-Sensor, NOx | XH 2 C |
| B96B | Pos Sensor, NOx | XH 4 C |
| B99 | Sensor, PM soot sensor | XH 2 C |
| B238 | Sensor, FLS (Forward Looking Sensor) | BE 1 A |
| B904 | hydr_oil_level_sens | NA 1 B |
| B906 | Sensor,Brake Press (6*2) | BC 1 C |
| B910 | sensor air press. ECS port 21 | FB 0 C |
| B914 | sensor chassis level front axle LHS | FB 3 D |
| B915 | sensor chassis level front axle RHS | FB 3 D |
| B918 | Hydraulic oil level sensor_2 | NA 1 B |
| B920 | Sensor,fuel level 2 front axle | NA 1 E |
| B923 | Sensor_temp/level_adblue_tank_SCRT_DNOX2 | CU 3 D |
| B927 | Sensor Hydr.oil press | BB 3 B |
| B930 | Sensor_temp upstream scrt_DNOX2 | CU 2 A |
| B940 | Sensor brake lining wear indicator,A/B R | EP 1 D |
| B941 | Sensor brake lining wear indicator,A/B L | EP 1 D |
| B942 | sensor_wheel_speed_A/B_R | EP 1 D |
| B943 | sensor_wheel_speed_A/B_L | EP 1 D |
| B973 | Fire Sensor, 150°C | BB 0 C |
| B974 | Fire sensor | BB 0 C |
| B975 | Fire sensor | BB 0 C |
| B977 | Sensor, brake pressure | NA 0 D |
| B978 | Sensor, brake pressure | NA 0 D |
| B979 | Parking brake pressure | BB 1 C |
| B980 | Auxilliary pressure | BB 1 C |
| B985 | Fire sensor 4, D13 | BB 0 B |
| B986 | Fire sensor 5, D13 | BB 0 B |
| B991_10 | temp. DPF | CX 3 B |
| B992_10 | temp. DPF | CX 3 B |
| B993_10 | temp. DPF | CX 3 B |
| B994_10 | temp. Muffler | CX 3 B |
| B995_13 | SENSOR, DPF PRESSURE | CX 2 B |
| BBI | BodyBuilder Interface Connector | AA 0 C |
| BBI | BodyBuilder Interface Connector | AB2 1 C |
| BBI | BodyBuilder Interface Connector | AB4 2 B |
| BBI | BodyBuilder Interface Connector | AF 0 B |
| BBI | BodyBuilder Interface Connector | BA 0 D |
| BBI | BodyBuilder Interface Connector | BB 2 C |
| BBI | BodyBuilder Interface Connector | BC 3 B |
| BBI | BodyBuilder Interface Connector | CL 1 B |
| BBI | BodyBuilder Interface Connector | EP 2 B |
| BBI | BodyBuilder Interface Connector | FA 1 B |
| BBI | BodyBuilder Interface Connector | FB 2 B |
| BBI | BodyBuilder Interface Connector | FB2 3 C |

VOLVO

Volvo Bus Corporation

Document title
WIRING DIAGRAM

Document type
PRODUCT SCHEMATICS

Document No
22610880

Issue
09

Volume
03(03)

Sheet No
7(36)

| COMPONENT | DESCRIPTION | PAGE |
|-----------|---|---------|
| BBI | BodyBuilder Interface Connector | GA 1 B |
| BBI | BodyBuilder Interface Connector | GB 3 B |
| BBI | BodyBuilder Interface Connector | IS 2 C |
| BBI | BodyBuilder Interface Connector | IU 1 E |
| BBI | BodyBuilder Interface Connector | NA 2 D |
| BBI | BodyBuilder Interface Connector | NB 1 A |
| BBI | BodyBuilder Interface Connector | ND 1 A |
| BBI | BodyBuilder Interface Connector | XD 1 B |
| BBI | BodyBuilder Interface Connector | XE 4 D |
| D1 | Diod | BA 1 E |
| D2 | Diod | AA 2 D |
| D3 | Diode - Wiper motor | GM 3 D |
| D8 | Diode for UMAIN module | AA 1 A |
| E07L | Fog light left | GE 3 D |
| E07LR | Fog light left rear | GA 1 D |
| E07R | Fog light right | GE 3 D |
| E07RR | Fog light right rear | GA 1 D |
| E09 | Lamp,brake light | GA 0 D |
| E11LA | Side marker light left | GA 3 D |
| E11LF | Side marker light left front | GA 3 D |
| E11LR | Side marker light left rear | GA 3 D |
| E11ML | Side marker light middle left | GA 3 D |
| E11MR | Side marker light middle right | GA 4 D |
| E11RA | Side marker light right | GA 4 D |
| E11RF | Side marker light right front | GA 3 D |
| E11RR | Side marker light right rear | GA 4 D |
| E11TL | Position Light,Left(Trailer) | GA 3 D |
| E11TR | Position Light,Right(Trailer) | GA 3 D |
| E13L | Dir. ind. left | GA 1 D |
| E13LA | Dir.indicator left | GA 1 D |
| E13R | Dir. ind. right | GA 1 D |
| E13RB | Dir.indicator right | GA 1 D |
| E111 | LED Module, (Forward Collision Warning) | BE 0 C |
| FH1 | FuseHolder 12V | AB 2 C |
| FL2A | Front light, L | GE 1 D |
| FL3A | Front light, R | GE 2 D |
| G01 | Battery | AB2 1 C |
| G01B | Battery | AB2 1 D |
| G01B | Battery | AB3 2 D |
| G01B1 | I-Start Starter Battery | AB3 2 D |
| G01C | I-Start Consumer Battery | AB4 2 C |
| G01C1 | I-Start Consumer Battery | AB4 2 D |
| G02 | Alternator 1 | AF 2 D |
| G03 | Alternator 2 | AF 3 D |
| G08A | Battery | AC 3 B |
| G08B | Battery | AC 3 B |
| G901 | Battery Equalizer | AB 2 A |
| GND | GDN - Adapter_AHI | BA 2 E |
| GND1A | GND - Electrical Center | ZC 2 D |
| GND1B | GND - Electrical Center | ZC 1 E |
| GND1C | GND4/GND5 - Electrical Center | ZC 2 D |
| GND1D | GND - Batt_Box_NVPDUF | ZC 4 E |
| GND1E | GND - US13 | CS 4 B |
| GND1UA.1 | GND - DNOX2RA | CU 3 E |

VOLVO

Volvo Bus Corporation

Document title
WIRING DIAGRAM

Document type
PRODUCT SCHEMATICS

Document No
22610880

Issue
09

Volume
03(03)

Sheet No
8(36)

| COMPONENT | DESCRIPTION | PAGE |
|-----------|---|---------|
| GND1UB.1 | GND - DNOX2RB | CU 3 E |
| GND2A | GND - ALT_1 | AF 2 E |
| GND2B | GND - ALT_2 | AF 3 E |
| GND6 | GND - Driver Location | GB 0 C |
| GND6B | GND6Q/GND6R - Driver Location | ZC 1 B |
| GND6J | GND, VDS | ZC 2 C |
| GND11 | GND - Rear Axle | ZC 2 B |
| GND11A | Ground | ZC 3 B |
| GND31A | GND - Batt_Box_NVPDUF | ZC 3 E |
| GND31A.A | GND - Batt_Boxx_NVPDUF | ZC 4 E |
| GND31A.B | Ground | AB 2 A |
| GND31B | GND - Battery | AB2 1 E |
| GND31B | GND - Battery | AB3 2 E |
| GND31F | GND - Frame | ZC 1 E |
| GND31R | GND - Rails | ZC 2 E |
| GND40 | GND - STARTER_ENG | AF 1 E |
| GND41 | GND - STARTER_ENG_US | AF 2 E |
| GND51 | Ground | ZC 4 E |
| GND74 | GND - SCR | CU 4 E |
| GND75 | GND - Equalizer | AB 2 A |
| GND900 | GND - Starter Batteries | AB4 2 D |
| GND900 | GND - Starter Batteries | AC 3 A |
| GND_PH | GND - Pre heater | AB5 2 D |
| GNDX | GND - Xenon Lights | ZC 4 C |
| H01 | Air,Operated | IS 1 B |
| H02 | Diaphragm horn | IS 2 B |
| K2 | Over Load Indicator | CL 3 C |
| K02 | Relay - Day Light | GB 0 C |
| K3 | ECS | FA 4 C |
| K4 | I-Shift/Voith | DN 1 A |
| K7 | Start engine | AF 0 B |
| K8 | VECU/EMS | BA 0 C |
| K9 | Wiper/Washer | GM 2 C |
| K11 | Prevent start engine | AA 2 C |
| K12 | Luggage Light | BB 2 B |
| K13 | Emergency switch relay | AA 0 B |
| K14 | Bogie | BB 4 B |
| K17 | Ignition +15 | AA 2 A |
| K35 | relay disconn headlight wash | GM 1 C |
| K48 | Relay Engine Preheating | AB5 1 C |
| K50 | Relay, External Charger Starter Battery | AB3 4 C |
| K53 | Relay | AB3 4 B |
| K79 | Relay, Prevent Start Engine | DN5 2 B |
| K300 | I-Start Main Relay | AB3 4 C |
| K400 | I-Start +30 Relay (Body) | AB4 2 B |
| K401 | Relay Seat Haptic 12V | BE 2 B |
| K402 | Relay Seat Haptic 24V | BE 3 B |
| K902 | Relay heated hose pressure line | CU 1 D |
| K903 | Relay heated hose backflow to pump line | CU 2 D |
| K908 | Relay heated hose suction line | CU 1 D |
| K909 | Relay heated hose backflow to tank line | CU 2 D |
| K911 | Relay, DRL Light | GE 1 B |
| K918 | Relay, 12V Gearbox, OBD and NOx sensor | AB 2 B |
| K919 | Relay, 12V Allison | AB 3 B |

VOLVO

Volvo Bus Corporation

Document title
WIRING DIAGRAM

Document type
PRODUCT SCHEMATICS

Document No
22610880

Issue
09

Volume
03(03)

Sheet No
9(36)

| COMPONENT | DESCRIPTION | PAGE |
|-----------|---|---------|
| K920 | Relay, 12V EMS Main Fuse | AB 2 B |
| M01 | Motor, windscreen wiper | GM 3 D |
| M02 | windscreen washer motor | GM 1 C |
| M03 | headlights washer motor | GM 0 C |
| NX903 | I-Start Front Fuse Box | AB2 0 B |
| NX903 | I-Start Front Fuse Box | AB3 1 B |
| NX904 | I-Start Rear Fuse BOX | AB2 3 B |
| OBD | ON BOARD DIAGNOSTIC CONNECTOR | NA2 3 C |
| OBD2 | On Board Diagnostic | NA2 0 C |
| OBD2 | On Board Diagnostic | XN 2 C |
| R01 | Heater, engine preheat | AB5 2 C |
| R02 | Heater, rear view mirror | GB 0 C |
| R08 | Termination resistor,CAN-bus | XC 1 A |
| R13 | Resistor, Termination FMS-CAN ELD | XK 2 C |
| R82 | Active Safety OBD2 Subnet | XN 1 C |
| R83 | Active Safety OBD2 Subnet | XN 3 C |
| R89 | Resistor FCW LED, Pull-up | BE 4 D |
| R91 | Resistor, VDS-CAN (Front Active Steering) | XO 3 B |
| R904 | Resistor DBUS | XE 4 C |
| R905 | Heated Hose Suction Line | CU 1 D |
| R905_US | suction_line | CX 1 E |
| R906 | Heated Hose Pressure Line | CU 1 D |
| R906_US | Pressure_line | CX 1 E |
| R907 | 1939-7 resistor | XF 4 D |
| R908 | Heated Hose Backflow to tank | CU 2 D |
| R909 | Heated Filter | CU 0 D |
| R910 | Heated Hose Backflow to pump | CU 2 D |
| R918 | Termination resistor 120ohm | XG 4 D |
| RL1A | Rear light, R | GA 2 D |
| RL2A | Rear light, L | GA 0 D |
| S01 | Switch,main lighting,selector type | GB 0 B |
| S02 | Stalk switch LHS | BA 2 B |
| S02 | Stalk switch LHS | GB 2 B |
| S06 | Stalk switch , windscreen wiper, selector | GM 4 B |
| S06 | Stalk switch , windscreen wiper, selector | NA 2 D |
| S08 | Switch,differential gear lock,rear wheels | EO 1 B |
| S11 | switch bogie lift | FA 2 C |
| S12 | Main switch | AA 0 C |
| S14A | Switch, push button, Air horn | IS 2 E |
| S14B | Switch, push button, Air horn | IS 2 E |
| S15A | Switch,Starter Key | AA 1 B |
| S15B | Switch,Starter Feed | AA 1 D |
| S16 | Switch, push button, El. horn | IS 2 E |
| S20 | Dynafleet Switch | NC 1 C |
| S24 | stalk switch retarder | BA 3 B |
| S31 | Switch, TCS (Traction Control System) | EP 3 D |
| S32 | Brake hold | EP 4 B |
| S34 | Switch unit, steering wheel push buttons | IU 3 B |
| S41 | Switch, battery main switch control | AB2 1 C |
| S45 | Position switch,differential gear lock in | EP 3 C |
| S50 | Switch, pressure parking brake indicator, | BA 2 D |
| S58 | clutch switch | BA 2 C |
| S68 | Sensor coolant level | CS 0 A |
| S68_13 | Sensor Coolant level | CS 0 A |

VOLVO

Volvo Bus Corporation

Document title
WIRING DIAGRAM

Document type
PRODUCT SCHEMATICS

Document No
22610880

Issue
09

Volume
03(03)

Sheet No
10(36)

| COMPONENT | DESCRIPTION | PAGE |
|-----------|---|---------|
| S70 | Switch Hydr.oil ,Flow sensor | BB 4 C |
| S77 | Switch emergency call | TL 1 B |
| S90 | Battery Switch | AB3 1 C |
| S202 | Switch, LDWS, (Lane Departure Warning Sy | BE 3 E |
| S348 | Switch AEBS (Advanced Emergency Braking S | BE 3 E |
| S467 | Switch, Dependent Ride Height | FB2 1 D |
| S901 | eng_stop_rear | AA 3 D |
| S902 | switch leveling | FA 4 C |
| S904 | Switch,emergency cut-out | AA 0 B |
| S905 | Switch,Retarder | BA 4 E |
| S907 | eng_start_rear | AA 3 D |
| S908 | eng_start_enable_rear | AA 3 D |
| S915 | Switch,kneeling | FA 1 B |
| S925 | Switch, Alcolock | ND 1 B |
| Se32 | Allison Turbine Speed Sensor | DN5 0 E |
| Se34 | Allison Output Speed Sensor | DN5 1 E |
| Se35 | Allison Output Speed Sensor | DN5 1 E |
| T900 | DC converter temperature sensor | AC 3 B |
| U03 | Modulator,EBS,rear axle(drive axle) | EO 3 C |
| U04 | Modulator EBS, bogie | EP 1 C |
| U06 | Voltage converter | IU 0 B |
| U08 | Modulator,EBS,front | EO 2 C |
| U12 | Voltage converter, Bi-xenon | GE 2 C |
| U25 | Voltage converter, DC/DC | AC 2 C |
| V03 | Diod, Light | GE 1 C |
| V04 | Diod, Light | GE 2 C |
| X701 | I-Start Media Bracket (Chassis) | AB3 2 C |
| X801 | I-Start Media Bracket (Body) | AB4 2 B |
| X901 | Connector Battery + | AB2 3 E |
| X905 | VPDU Rear without preheat relay | AB4 2 B |
| X910 | Junction Box for Chassis | AB2 0 D |
| Y02 | Solenoid valve,Differential lock,rear whe | EP 3 C |
| Y25 | Solenoid valve unit, ECS, Rear axle | FA 0 C |
| Y36 | Solenid valve,Steerable axle,Bogie | BB 4 C |
| Y37 | Solenoid valve AVU, engine brake / EPG (E | CS 3 B |
| Y40 | Solenoid valve unit, ECS, Front axle | FA 1 C |
| Y72 | Valve, Horn | IS 2 B |
| Y186 | Extension Valve Unit (EVU) | DN6 1 D |
| Y900 | solenoid valve unit, ECS, Bogie axle | FA 3 C |
| Y901 | Fuel cut off valve front axle | BA 1 C |
| Y911 | sol_valve_inj_SCRT_DNOX2 | CU 2 A |
| Y911_10 | sol valve DEF inj. | CX 2 E |
| Y912 | sol_valve_adblue_tank_heating_SCRT_DNOX2 | CU 0 D |
| Y912_US | Sol_Valve_Heating_Urea_Tank | CX 2 D |
| Y914 | Pressure control valve(PCU/R) | EP 0 B |
| Y915 | Pressure controll valve (PCU/R) | EP 0 B |
| Y939 | Solenoid Valve AHI | BA 2 E |

VOLVO

Volvo Bus Corporation

Document title
WIRING DIAGRAM

Document type
PRODUCT SCHEMATICS

| | | | |
|--------------------------------|--------------------|-------------------------|---------------------------|
| Document No 22610880 | Issue 09 | Volume 03(03) | Sheet No 11(36) |
|--------------------------------|--------------------|-------------------------|---------------------------|

INLINES

| INLINE | PAGE |
|----------|---------|
| +30:1 | AB2 2 A |
| +30:1 | AB3 3 A |
| +B:1 | AB2 0 A |
| +B:1 | AB3 1 A |
| +B:1 | TL 2 A |
| A19:1 | DN 0 D |
| A19:2 | DN 1 D |
| A19:3 | DN 1 D |
| A19:4 | DN 1 D |
| A19:5 | DN 1 D |
| A19:6 | DN 1 D |
| A19:11 | DN 2 D |
| A19:12 | DN 2 D |
| A19:15 | DN 2 D |
| A19:16 | DN 2 D |
| A19_:1 | DN2 3 B |
| A19_:2 | DN2 3 B |
| A19_:3 | DN2 3 B |
| A19_:4 | DN2 3 B |
| A19_:5 | DN2 3 B |
| A19_:6 | DN2 3 B |
| A19_:7 | DN2 3 B |
| A19_:8 | DN2 3 B |
| A19_:9 | DN2 4 B |
| A19_:10 | DN2 4 B |
| A19_:11 | DN2 4 B |
| A19_:12 | DN2 4 B |
| A80.BY:1 | BA 2 D |
| A80.BY:3 | BA 2 D |
| A80.BY:4 | BA 3 E |
| ACC:1 | NE 1 B |
| ACC:1 | TL 2 B |
| ACC:2 | XC 2 B |
| ACC:3 | XC 2 B |
| ACC:4 | XD 2 A |
| ACC:5 | XD 2 A |
| ACC:6 | ZC 3 D |
| ACC:7 | BA 1 C |
| ACC:8 | BA 1 C |
| ACC:9 | NE 1 B |
| ACC:9 | TL 0 B |
| ACM:1 | NB 0 B |
| ACM:2 | AB2 1 B |
| ACM:3 | AC 2 D |
| ARTIC:1 | FB 3 B |
| ARTIC:2 | FB 4 B |
| ARTIC:5 | BC 1 B |
| ARTIC:6 | BC 1 B |
| ARTIC:7 | BC 1 B |
| ARTIC:8 | BC 1 B |
| ARTIC:9 | BC 2 B |
| ARTIC:10 | BC 0 B |
| ARTIC:11 | BC 2 B |
| ARTIC:12 | BC 2 B |

VOLVO

Volvo Bus Corporation

Document title
WIRING DIAGRAM

Document type
PRODUCT SCHEMATICS

| | | | |
|--------------------------------|--------------------|-------------------------|---------------------------|
| Document No 22610880 | Issue 09 | Volume 03(03) | Sheet No 12(36) |
|--------------------------------|--------------------|-------------------------|---------------------------|

| INLINE | PAGE |
|---------------|-------------|
| AUDIO:1 | XJ 3 B |
| AUDIO:1 | XJ2 3 B |
| AUDIO:1 | XJ2 3 D |
| AUDIO:2 | XJ 3 B |
| AUDIO:2 | XJ2 3 B |
| AUDIO:2 | XJ2 3 D |
| AUDIO:3 | IU 3 B |
| BB1:1 | BA 0 D |
| BB1:2 | BC 3 B |
| BB1:3 | BC 3 B |
| BB1:4 | BC 2 B |
| BB1:5 | BB 2 C |
| BB1:6 | NA 2 D |
| BB1:8 | NA 2 D |
| BB1:9 | NA 2 D |
| BB1:10 | BB 3 B |
| BB1:11 | BA 1 E |
| BB1:12 | BC 3 B |
| BB2:1 | NA 2 D |
| BB2:2 | NA 1 D |
| BB2:3 | NA 2 D |
| BB2:4 | NA 1 D |
| BB2:5 | XE 4 D |
| BB2:6 | XE 4 D |
| BB2:7 | IS 2 C |
| BB2:8 | IS 2 B |
| BB2:9 | IS 2 C |
| BB2:10 | GB 2 B |
| BB2:11 | AA 0 C |
| BB2:12 | NB 1 A |
| BB3:1 | GB 2 B |
| BB3:2 | BC 3 B |
| BB3:3 | FA 1 B |
| BB3:4 | FB 2 B |
| BB3:5 | GB 2 B |
| BB3:6 | GB 0 D |
| BB3:7 | NA 2 D |
| BB3:8 | NA 3 D |
| BB3:9 | AF 0 B |
| BB3:10 | BA 1 D |
| BB3:11 | BB 1 B |
| BB3:12 | BB 1 B |
| BB4:1 | BC 3 B |
| BB4:2 | BC 3 B |
| BB4:3 | BC 3 B |
| BB4:4 | BC 3 B |
| BB4:5 | BC 3 B |
| BB4:6 | BC 2 B |
| BB4:7 | EP 2 B |
| BB4:8 | BA 0 E |
| BB4:9 | NA 3 D |
| BB4:10 | BA 0 D |
| BB4:11 | GB 3 B |
| BB4:11 | TL 1 B |

VOLVO

Volvo Bus Corporation

Document title
WIRING DIAGRAM

Document type
PRODUCT SCHEMATICS

| | | | |
|--------------------------------|--------------------|-------------------------|---------------------------|
| Document No 22610880 | Issue 09 | Volume 03(03) | Sheet No 13(36) |
|--------------------------------|--------------------|-------------------------|---------------------------|

| INLINE | PAGE |
|---------|---------|
| BB5:1 | GB 2 D |
| BB5:2 | GB 2 D |
| BB5:3 | GB 1 D |
| BB5:4 | GB 3 D |
| BB5:6 | GB 4 C |
| BB5:7 | GB 1 D |
| BB5:8 | GB 3 D |
| BB5:9 | GE 1 B |
| BB5:10 | GE 2 B |
| BB5:11 | GB 1 D |
| BB5:12 | GB 3 D |
| BB6:1 | BC 2 B |
| BB6:2 | GA 1 B |
| BB6:3 | CL 3 D |
| BB6:4 | GA 2 A |
| BB6:5 | BB 2 C |
| BB6:6 | BB 2 C |
| BB6:12 | GA 1 C |
| BB7:1 | GA 2 C |
| BB7:2 | GA 0 C |
| BB7:3 | GA 0 C |
| BB7:4 | GA 2 C |
| BB7:5 | GA 1 C |
| BB7:6 | GA 1 D |
| BB7:7 | GA 0 C |
| BB7:8 | GA 2 C |
| BB7:9 | GA 3 C |
| BB7:10 | GA 3 C |
| BB7:11 | GA 0 C |
| BB7:12 | GA 1 C |
| BB8:1 | GB 1 E |
| BB8:2 | GB 3 D |
| BB8:3 | GB 4 B |
| BB10A:1 | IU 1 E |
| BB10A:3 | IU 1 B |
| BB10A:5 | IU 1 B |
| BB10A:7 | IU 0 B |
| BB10A:9 | IU 1 E |
| BB10B:1 | IU 1 E |
| BB10B:3 | IU 1 B |
| BB10B:5 | IU 1 B |
| BB10B:7 | IU 0 B |
| BB10B:9 | IU 1 E |
| BB11:1 | GB 0 D |
| BB11:2 | BE 3 C |
| BB11:3 | BE 3 C |
| BB12:1 | GE 3 C |
| BB12:2 | GE 3 C |
| BB13:1 | BC 0 B |
| BB13:2 | CL 1 B |
| BB13:3 | CL 1 B |
| BB13:4 | FB2 1 C |
| BB13:4 | FB2 3 C |
| BB13:5 | BC 0 B |

VOLVO

Volvo Bus Corporation

Document title

WIRING DIAGRAM

Document type

PRODUCT SCHEMATICS

Document No

22610880

Issue

09

Volume

03(03)

Sheet No

14(36)

| INLINE | PAGE |
|---------------|-------------|
| BB13:6 | CL 2 D |
| BB13:7 | CL 2 D |
| BB13:12 | GB 4 D |
| BB13:13 | GB 4 D |
| BB13:16 | NA 0 B |
| BB13:16 | NF 2 B |
| BBOX:1 | AB2 1 B |
| BBOX:2 | AB2 1 B |
| BBOX:3 | NB 0 A |
| BFEED:1 | CU 0 A |
| BIO:1 | CL 1 B |
| BIO:2 | XD 4 D |
| BIO:3 | XD 4 D |
| BIO:4 | XE 2 A |
| BIO:5 | XE 2 B |
| BIO:6 | XE 4 C |
| BIO:7 | XE 4 C |
| BIO:9 | CL 1 B |
| BIO:10 | ZC 4 D |
| BMUX_1:1 | XD 1 B |
| BMUX_1:2 | XD 1 B |
| BMUX_1:3 | AA 0 B |
| BMUX_1:4 | AA 0 C |
| BMUX_1:5 | AA 0 B |
| BOGIE:1 | FB 1 B |
| BOGIE:2 | FB 1 B |
| BOGIE:3 | FA 3 D |
| BOGIE:4 | FA 3 D |
| BOGIE:5 | FA 3 D |
| BOGIE:6 | EP 1 B |
| BOGIE:7 | EP 1 B |
| BOGIE:8 | EP 1 B |
| BOGIE:9 | EP 1 B |
| BOGIE:10 | ZC 1 D |
| BOGIE:11 | BB 4 C |
| BOGIE:12 | BB 4 C |
| BS1:2 | EO 2 D |
| BS1:3 | EO 2 D |
| BS1:4 | EO 2 D |
| BS1:5 | EO 2 D |
| BS1:8 | EP 0 B |
| BS1:9 | EP 0 B |
| BS1:10 | EP 0 B |
| BS1:11 | EP 0 B |
| BS1:12 | EP 0 B |
| BS2:2 | EP 3 B |
| BS2:3 | EP 2 B |
| BS2:5 | EP 3 C |
| BS2:6 | EP 3 C |
| BS3:1 | EO 3 D |
| BS3:2 | EO 3 D |
| BS3:3 | EO 3 D |
| BS3:4 | EO 3 D |
| BS3:5 | EP 3 B |

VOLVO

Volvo Bus Corporation

Document title

WIRING DIAGRAM

Document type

PRODUCT SCHEMATICS

Document No

22610880

Issue

09

Volume

03(03)

Sheet No

15(36)

| INLINE | PAGE |
|------------|--------|
| BS3:6 | EP 3 B |
| BS3:7 | EP 3 D |
| BS3:8 | NA 3 B |
| BS3:9 | BB 3 D |
| BS3:10 | BA 4 C |
| BS3:11 | BA 4 C |
| BS3:12 | BA 4 C |
| DBUS_INT:1 | XE 4 B |
| DBUS_INT:2 | XE 4 B |
| DF:1 | NC 2 B |
| DF:2 | NC 1 C |
| DF:3 | NC 0 C |
| DF:4 | XD 1 B |
| DF:5 | XD 1 B |
| DF:6 | NC 2 B |
| DF:11 | NC 1 E |
| DPF10:A | XH 2 C |
| DPF10:B | XH 2 B |
| DPF10:C | XH 3 C |
| DPF10:D | XH 3 D |
| DPF10:E | CX 2 A |
| DPF10:F | BB 0 B |
| DPF10:G | BB 0 B |
| DPF10:J | CX 2 B |
| DPF10:K | CX 2 B |
| DPF10:L | CX 2 D |
| DPF10:M | CX 2 D |
| DPF10:N | XH 2 C |
| DPF10:P | XH 2 C |
| DPF10:R | CX 3 B |
| DPF10:S | CX 3 C |
| ECS1:1 | FA 1 D |
| ECS1:2 | FA 1 D |
| ECS1:3 | FA 0 D |
| ECS1:5 | FB 0 B |
| ECS1:6 | FB 2 B |
| ECS1:7 | FB 3 B |
| ECS1:8 | FB 0 B |
| ECS1:9 | FB 0 B |
| ECS1:10 | FB 3 B |
| ECS1:11 | FB 3 B |
| ECS1:12 | FA 1 C |
| ECS2:1 | FA 0 D |
| ECS2:2 | FA 0 D |
| ECS2:3 | FA 0 D |
| ECS2:4 | FB 0 B |
| ECS2:5 | FB 1 B |
| ECS2:6 | FB 2 B |
| ECS2:7 | FB 2 B |
| ECS2:8 | FB 0 B |
| ECS2:9 | FB 0 B |
| ECS2:10 | FB 3 B |
| ECS2:11 | FB 2 B |
| ECS2:12 | FA 0 B |

VOLVO

Volvo Bus Corporation

Document title

WIRING DIAGRAM

Document type

PRODUCT SCHEMATICS

Document No

22610880

Issue

09

Volume

03(03)

Sheet No

16(36)

| INLINE | PAGE |
|---------|---------|
| EMS:1 | BA 0 D |
| EMS:2 | XC 3 D |
| EMS:3 | XC 3 C |
| EMS:4 | XD 3 C |
| EMS:5 | XD 3 C |
| EMS:6 | BA 1 B |
| EMS:7 | BA 1 B |
| EMS:9 | BA 1 B |
| EMS:10 | ZC 1 D |
| EMS:11 | BB 3 C |
| ENG1:2 | AA 2 D |
| ENG1:3 | BB 0 D |
| ENG1:4 | AA 3 D |
| ENG1:5 | BB 0 B |
| ENG1:6 | AA 3 C |
| ENG1:7 | AF 0 C |
| ENG1:8 | AF 0 B |
| ENG1:9 | AF 3 B |
| ENG1:10 | NA2 0 E |
| ENG1:11 | NA 0 B |
| ENG1:12 | ZC 1 D |
| EU4:1 | AB 3 B |
| EU4:4 | EO 3 D |
| EU4:5 | EO 4 D |
| EU4:6 | EO 4 D |
| EU4:7 | EO 4 D |
| EU4:8 | BA 0 B |
| EU4:10 | CU 0 B |
| EU4:11 | XF 3 C |
| EU4:12 | XF 3 C |
| FEED:1 | BA 0 A |
| FH1A:1 | DN 2 B |
| FH1A:2 | DN 2 B |
| FH1A:3 | DN 2 A |
| FH1A:6 | IS 2 A |
| FH1A:7 | FA 4 A |
| FH1A:8 | EO 0 A |
| FH1A:10 | NA 3 A |
| FH1B:1 | BA 0 A |
| FH1B:2 | BA 0 A |
| FH1B:3 | BA 0 A |
| FH1B:4 | AA 3 A |
| FH1B:6 | BB 0 A |
| FH1B:7 | BB 0 A |
| FH1B:8 | AB 3 B |
| FH1B:10 | NC 1 B |
| FH1B:10 | TL 0 B |
| FH1B:11 | BB 1 A |
| FH2A:1 | GM 2 A |
| FH2A:3 | NE 1 A |
| FH2A:3 | TL 2 B |
| FH2A:4 | EO 0 A |
| FH2A:5 | AA 2 B |
| FH2A:6 | NA 3 A |

VOLVO

Volvo Bus Corporation

Document title
WIRING DIAGRAM

Document type
PRODUCT SCHEMATICS

| | | | |
|--------------------------------|--------------------|-------------------------|---------------------------|
| Document No 22610880 | Issue 09 | Volume 03(03) | Sheet No 17(36) |
|--------------------------------|--------------------|-------------------------|---------------------------|

| INLINE | PAGE |
|---------|--------|
| FH2A:7 | AF 0 A |
| FH2A:8 | AF 3 A |
| FH2A:9 | FA 4 A |
| FH2B:1 | BB 1 A |
| FH2B:3 | NA 0 A |
| FH2B:4 | DN 1 A |
| FH2B:5 | AA 2 A |
| FH2B:6 | NB 0 A |
| FH2B:8 | FA 4 A |
| FH2B:9 | GM 1 A |
| FH3A:1 | BA 1 A |
| FH3A:2 | BA 1 A |
| FH3A:3 | BA 1 A |
| FH3A:4 | GA 2 A |
| FH3A:5 | BB 4 A |
| FH3A:7 | NA 0 A |
| FH3A:7 | NF 2 B |
| FH3A:8 | BB 2 A |
| FH3A:12 | IU 0 A |
| FH3B:1 | CL 3 B |
| FH3B:2 | CL 3 B |
| FH3B:3 | CL 3 B |
| FH3B:4 | AA 0 A |
| FH3B:5 | GA 2 A |
| FH3B:7 | CL 1 A |
| FH3B:9 | GA 1 A |
| FH3B:10 | BE 3 A |
| FH4A:2 | CU 0 B |
| FH4A:3 | CU 0 A |
| FH4A:4 | AA 3 A |
| FH4A:5 | GA 1 A |
| FH4A:7 | NA 3 A |
| FH4A:8 | GA 1 A |
| FH4A:12 | GA 0 A |
| FH4B:1 | GA 3 B |
| FH4B:2 | GA 3 B |
| FH4B:3 | GA 3 B |
| FH4B:4 | IU 0 A |
| FH4B:5 | GA 0 A |
| FH4B:7 | AA 0 A |
| FH4B:8 | GA 1 A |
| FH4B:12 | GA 0 A |
| FL2:11 | GB 0 B |
| FL3:11 | GB 0 B |
| FTM:1 | CL 1 B |
| FTM:2 | XD 4 D |
| FTM:3 | XD 4 D |
| FTM:4 | XE 1 A |
| FTM:4 | XE 1 B |
| FTM:5 | XE 1 B |
| FTM:5 | XE 1 B |
| FTM:6 | XE 1 A |
| FTM:6 | XE 1 B |
| FTM:7 | XE 1 B |

VOLVO

Volvo Bus Corporation

Document title
WIRING DIAGRAM

Document type
PRODUCT SCHEMATICS

| | | | |
|--------------------------------|--------------------|-------------------------|---------------------------|
| Document No 22610880 | Issue 09 | Volume 03(03) | Sheet No 18(36) |
|--------------------------------|--------------------|-------------------------|---------------------------|

| INLINE | PAGE |
|---------|---------|
| FTM:7 | XE 1 B |
| FTM:9 | AA 2 B |
| FTM:10 | ZC 4 D |
| FTM J:4 | XE 1 A |
| FTM J:5 | XE 1 B |
| FTM J:6 | XE 1 A |
| FTM J:7 | XE 1 B |
| FUEL:1 | NA 1 E |
| FUEL:2 | NA 1 E |
| FUEL:3 | NA 1 D |
| FUEL:5 | BA 1 B |
| FUEL:6 | BA 1 C |
| FUEL:7 | FA 1 D |
| FUEL:8 | FA 2 D |
| FUEL:9 | FA 1 B |
| FUEL:10 | FB 4 B |
| FUEL:11 | FB 2 B |
| GBX:1 | DN4 2 A |
| GBX:1 | ZC 3 C |
| GBX:2 | DN 2 B |
| GBX:7 | XC 4 D |
| GBX:8 | XC 4 D |
| GBX:9 | XD 3 D |
| GBX:10 | XD 3 D |
| GBX:13 | NA 1 B |
| GBX:17 | BA 2 D |
| GBX:18 | BA 2 D |
| GIC:1 | DN6 2 B |
| GIC:2 | DN6 1 B |
| GIC:3 | DN6 1 B |
| GIC:4 | DN6 2 B |
| GIC:5 | DN6 1 B |
| GIC:6 | DN6 1 B |
| GIC:7 | DN6 3 B |
| GIC:12 | CZ 3 B |
| GIC:13 | DN6 1 B |
| GIC:15 | CZ 3 B |
| GIC:16 | DN6 3 B |
| GIC:21 | CZ 3 B |
| GIC:23 | CZ 3 B |
| GIC:24 | DN6 3 B |
| GIC:26 | DN6 3 B |
| GIC:27 | CZ 4 B |
| GIC:28 | CZ 3 B |
| GIC:29 | CZ 4 B |
| GIC:35 | CZ 3 B |
| GIC:39 | DN6 2 B |
| IB1:1 | NA 3 B |
| IB1:2 | NA 2 D |
| IB1:3 | NA 3 D |
| IB1:4 | NA 2 D |
| IB1:5 | NA 3 D |
| IB1:6 | NA 2 D |
| IB1:7 | NA 3 B |

VOLVO

Volvo Bus Corporation

Document title
WIRING DIAGRAM

Document type
PRODUCT SCHEMATICS

| | | | |
|--------------------------------|--------------------|-------------------------|---------------------------|
| Document No 22610880 | Issue 09 | Volume 03(03) | Sheet No 19(36) |
|--------------------------------|--------------------|-------------------------|---------------------------|

| INLINE | PAGE |
|--------|--------|
| IB1:8 | NA 2 C |
| IB1:9 | AF 2 B |
| IB1:10 | AF 3 B |
| IB1:11 | NA 2 C |
| IB1:12 | NA 1 C |
| IB1:13 | NA 1 C |
| IB1:14 | XC 1 B |
| IB1:15 | XC 1 B |
| IB1:16 | XD 2 A |
| IB1:17 | XD 2 A |
| IB1:18 | NA 3 B |
| IB2:1 | NA 2 D |
| IB2:2 | NA 2 D |
| IB2:3 | NA 2 D |
| IB2:4 | NA 2 D |
| IB2:5 | NA 1 B |
| IB2:6 | NA 1 D |
| IB2:7 | GA 3 B |
| IB2:8 | ZC 0 D |
| IB2:9 | GA 2 B |
| IB2:11 | IS 2 D |
| IB2:12 | IS 2 D |
| IB2:13 | EP 2 C |
| IB2:14 | EP 2 C |
| IB2:15 | EP 2 C |
| IB2:16 | EP 2 C |
| IB2:17 | AA 1 B |
| IB2:18 | NC 1 B |
| IB3:1 | BA 3 C |
| IB3:2 | BA 3 C |
| IB3:3 | BA 3 C |
| IB3:4 | BA 3 C |
| IB3:5 | BA 3 C |
| IB3:6 | BA 3 D |
| IB3:7 | BA 2 C |
| IB3:8 | BA 2 C |
| IB3:9 | BA 1 C |
| IB3:10 | BA 2 C |
| IB3:11 | BA 1 C |
| IB3:12 | BA 1 C |
| IB3:13 | BA 3 C |
| IB3:14 | IU 0 A |
| IB3:15 | IU 0 A |
| IB3:16 | IU 0 B |
| IB3:17 | FA 4 B |
| IB3:18 | ZC 0 D |
| IB4:1 | GB 2 B |
| IB4:2 | GB 2 B |
| IB4:3 | GB 0 B |
| IB4:4 | GB 1 B |
| IB4:5 | GB 1 B |
| IB4:6 | GA 1 C |
| IB4:7 | GB 1 B |
| IB4:8 | GB 1 B |

VOLVO

Volvo Bus Corporation

Document title
WIRING DIAGRAM

Document type
PRODUCT SCHEMATICS

| | | | |
|--------------------------------|--------------------|-------------------------|---------------------------|
| Document No 22610880 | Issue 09 | Volume 03(03) | Sheet No 20(36) |
|--------------------------------|--------------------|-------------------------|---------------------------|

| INLINE | PAGE |
|--------|---------|
| IB4:9 | GB 1 B |
| IB4:10 | GB 3 C |
| IB4:11 | GB 3 C |
| IB4:12 | GB 3 C |
| IB4:13 | GB 3 C |
| IB4:14 | GB 3 B |
| IB4:15 | EP 4 B |
| IB4:16 | EP 4 B |
| IB4:17 | EP 3 B |
| IB4:18 | EP 3 B |
| IB5:2 | AA 2 B |
| IB5:3 | BA 3 C |
| IB5:4 | AA 1 C |
| IB5:5 | AA 0 B |
| IB5:6 | AA 0 D |
| IB5:7 | AA 0 C |
| IB5:8 | FA 1 B |
| IB5:9 | FA 2 D |
| IB5:10 | NA2 0 D |
| IB5:11 | FA 1 C |
| IB5:12 | FA 1 C |
| IB5:13 | AA 1 B |
| IB5:14 | FA 3 D |
| IB5:15 | FA 3 D |
| IB5:16 | FA 2 D |
| IB5:17 | EO 1 C |
| IB5:18 | NA 1 C |
| IB6:1 | NB 0 B |
| IB6:2 | XJ 1 B |
| IB6:2 | XJ2 0 A |
| IB6:2 | XJ2 0 C |
| IB6:3 | XJ 1 B |
| IB6:3 | XJ2 0 D |
| IB6:3 | XJ2 0 A |
| IB6:4 | NB 0 B |
| IB6:5 | ZC 0 D |
| IB6:6 | NB 1 B |
| IB6:7 | NB 1 C |
| IB6:8 | NB 1 C |
| IB6:9 | NB 1 C |
| IB6:10 | NB 1 C |
| IB6:12 | NB 2 C |
| IB7:1 | GM 1 B |
| IB7:2 | GB 4 C |
| IB7:3 | GB 4 C |
| IB7:4 | GM 3 B |
| IB7:5 | XF 4 C |
| IB7:6 | XF 4 C |
| IB7:7 | NA 3 C |
| IB7:8 | GM 3 B |
| IB7:10 | ZC 0 D |
| IB7:11 | NA 2 D |
| IB7:12 | GM 4 B |
| IB8:1 | EO 0 D |

VOLVO

Volvo Bus Corporation

Document title

WIRING DIAGRAM

Document type

PRODUCT SCHEMATICS

Document No

22610880

Issue

09

Volume

03(03)

Sheet No

21(36)

| INLINE | PAGE |
|-----------|--------|
| IB8:2 | EO 0 D |
| IB8:3 | EO 1 D |
| IB8:4 | EO 0 D |
| IB8:5 | EO 0 D |
| IB8:7 | GB 3 B |
| IB8:8 | CL 2 D |
| IB8:9 | CL 2 D |
| IB8:10 | CL 2 D |
| IB8:11 | CL 1 B |
| IB8:12 | CL 1 B |
| IB9:1 | BA 2 D |
| IB9:2 | BA 2 C |
| IB9:3 | GE 2 B |
| IB9:4 | ZC 0 D |
| IB9:5 | GE 1 C |
| IB9:6 | GA 1 D |
| IB9:7 | BA 2 C |
| IB9:8 | BA 2 C |
| IB9:9 | BA 2 C |
| IB9:10 | BA 2 C |
| IB9:11 | BA 3 C |
| IB9:12 | BA 2 C |
| IB10:1 | DN 1 B |
| IB10:2 | GA 3 B |
| IB10:3 | BB 1 D |
| IB10:8 | DN 1 B |
| IB10:9 | ZC 3 D |
| IB10:10 | DN 1 B |
| IB10_I:1 | DN 1 B |
| IB10_I:8 | DN 1 B |
| IB10_I:10 | DN 1 B |
| IS:1 | XD 1 A |
| IS:2 | XD 1 A |
| IS:3 | XC 1 B |
| IS:4 | XC 1 B |
| KH1A:1 | FA 4 C |
| KH1A:2 | FA 4 D |
| KH1A:3 | FA 4 D |
| KH1A:4 | CL 3 C |
| KH1A:5 | FA 4 C |
| KH1A:7 | CL 3 C |
| KH1A:10 | CL 2 C |
| KH1A:11 | CL 2 C |
| KH1B:1 | DN 1 A |
| KH1B:2 | DN 1 A |
| KH1B:3 | DN 1 A |
| KH1B:4 | BE 3 B |
| KH1B:5 | DN 1 A |
| KH1B:7 | BE 3 B |
| KH1B:8 | BE 2 B |
| KH1B:10 | BE 3 B |
| KH1B:11 | BE 3 B |
| KH1B:12 | BE 2 B |
| KH1B:14 | BE 2 B |

VOLVO

Volvo Bus Corporation

Document title
WIRING DIAGRAM

Document type
PRODUCT SCHEMATICS

| | | | |
|--------------------------------|--------------------|-------------------------|---------------------------|
| Document No 22610880 | Issue 09 | Volume 03(03) | Sheet No 22(36) |
|--------------------------------|--------------------|-------------------------|---------------------------|

| INLINE | PAGE |
|---------|--------|
| KH1B:15 | BE 2 B |
| KH2A:1 | BA 1 E |
| KH2A:3 | BA 0 C |
| KH2A:4 | BA 1 D |
| KH2A:5 | BA 0 B |
| KH2A:6 | BA 0 C |
| KH2A:7 | AF 0 B |
| KH2A:8 | AF 0 B |
| KH2A:9 | BA 0 B |
| KH2A:10 | AF 0 B |
| KH2A:11 | AF 0 B |
| KH2A:12 | AF 0 B |
| KH2B:1 | AA 2 D |
| KH2B:2 | GM 2 B |
| KH2B:3 | GM 2 B |
| KH2B:4 | AA 2 D |
| KH2B:5 | GM 2 B |
| KH2B:6 | GM 2 C |
| KH2B:9 | GM 2 C |
| KH3A:1 | AA 0 B |
| KH3A:3 | AA 1 B |
| KH3A:4 | BB 2 B |
| KH3A:5 | AA 1 B |
| KH3A:6 | AA 0 B |
| KH3A:7 | BB 2 B |
| KH3A:8 | AA 2 B |
| KH3A:9 | AA 2 B |
| KH3A:10 | BB 2 B |
| KH3A:11 | BB 2 B |
| KH3A:12 | AA 2 C |
| KH3A:14 | AA 2 C |
| KH3B:1 | BB 4 B |
| KH3B:2 | BB 4 B |
| KH3B:3 | BB 4 B |
| KH3B:5 | BB 4 B |
| M_01:1 | GM 4 C |
| M_01:2 | GM 4 C |
| M_01:3 | GM 3 C |
| M_01:4 | GM 3 C |
| M_01:5 | GM 4 D |
| M_01:6 | GM 1 B |
| M_01:8 | GM 1 D |
| M_01:9 | GM 1 B |
| M_01:11 | GM 1 D |
| M_01:12 | GM 1 C |
| M_01:13 | GM 0 D |
| M_01:14 | GM 1 B |
| MED:1 | XC 1 D |
| MED:2 | XD 0 C |
| MED:2 | XG 1 D |
| MED:3 | CS 0 B |
| MED:4 | XC 1 D |
| MED:5 | XD 0 C |
| MED:5 | XG 1 D |

VOLVO

Volvo Bus Corporation

Document title
WIRING DIAGRAM

Document type
PRODUCT SCHEMATICS

| | | | |
|--------------------------------|--------------------|-------------------------|---------------------------|
| Document No 22610880 | Issue 09 | Volume 03(03) | Sheet No 23(36) |
|--------------------------------|--------------------|-------------------------|---------------------------|

| INLINE | PAGE |
|---------|---------|
| MED:6 | CS 0 B |
| MED:7 | CS 0 D |
| MED:8 | CS 0 B |
| MED:9 | AF 2 C |
| MED:10 | AF 3 C |
| MED:11 | DN5 1 B |
| MED:12 | AF 4 E |
| MED:13 | CS 3 B |
| MED:14 | BB 0 C |
| MED:15 | CS 3 B |
| MED:16 | BB 0 D |
| MED:17 | AF 3 C |
| MED:18 | CS 1 B |
| MED:19 | DN5 1 B |
| MED:20 | CS 2 B |
| MED:21 | CS 1 B |
| MED:22 | CS 4 D |
| MED:23 | CS 3 B |
| MED:24 | CS 2 D |
| MED:25 | CS 0 B |
| MED:26 | CS 2 B |
| MED:27 | CS 4 B |
| MED:28 | CS 0 B |
| MED:29 | CS 2 D |
| MED:30 | CS 1 D |
| MED:31 | CS 4 B |
| MED:32 | CS 2 B |
| MED:33 | CS 2 B |
| MED:34 | CS 2 B |
| MED:35 | AF 1 C |
| MED:36 | CS 2 B |
| MED:37 | CS 1 B |
| MED:38 | DN5 2 B |
| MED:39 | CS 4 B |
| MEDA:1 | NB 1 D |
| MEDA:2 | NB 1 D |
| MEDA:3 | NB 1 D |
| MEDA:4 | NB 1 D |
| MEDA:5 | DN4 1 B |
| MEDA:5 | DN6 1 A |
| MEDA:6 | DN4 1 B |
| MEDA:6 | DN6 1 A |
| MEDA:7 | XC 2 D |
| MEDA:8 | XC 3 D |
| MEDA:9 | XD 0 D |
| MEDA:10 | XD 0 D |
| MEDA:11 | AB 2 D |
| MEDA:11 | DN4 1 B |
| MEDA:12 | DN4 2 B |
| MEDA:12 | ZC 3 B |
| ML1:1 | GB 1 E |
| ML1:2 | ZC 1 A |
| ML1:3 | GE 1 D |
| ML1:4 | ZC 1 A |

VOLVO

Volvo Bus Corporation

Document title
WIRING DIAGRAM

Document type
PRODUCT SCHEMATICS

| | | | |
|--------------------------------|--------------------|-------------------------|---------------------------|
| Document No 22610880 | Issue 09 | Volume 03(03) | Sheet No 24(36) |
|--------------------------------|--------------------|-------------------------|---------------------------|

| INLINE | PAGE |
|---------|---------|
| ML1:5 | GE 1 D |
| ML1:6 | ZC 2 A |
| ML1:7 | GE 1 D |
| ML2:1 | GB 3 D |
| ML2:2 | ZC 2 A |
| ML2:3 | GE 2 D |
| ML2:4 | ZC 2 A |
| ML2:5 | GE 2 D |
| ML2:6 | ZC 2 A |
| ML2:7 | GE 2 D |
| ML3:1 | BB 3 C |
| ML3:2 | BB 2 B |
| ML3:3 | GA 3 D |
| ML3:4 | GA 4 D |
| ML3:5 | GA 4 D |
| ML3:6 | GA 1 B |
| ML3:7 | GA 4 D |
| ML4:1 | BB 2 C |
| ML4:2 | BB 2 B |
| ML4:3 | GA 3 D |
| ML4:4 | GA 3 D |
| ML4:5 | GA 3 D |
| ML4:6 | GA 2 B |
| ML4:7 | GA 3 D |
| R905A:1 | CU 1 D |
| R905A:2 | CU 1 D |
| R905B:1 | CU 1 D |
| R905B:2 | CU 1 D |
| R905C:1 | CU 1 C |
| R905C:2 | CU 1 D |
| R906A:1 | CU 1 D |
| R906A:2 | CU 1 D |
| R906B:1 | CU 1 D |
| R906B:2 | CU 1 D |
| R906C:1 | CU 1 C |
| R906C:2 | CU 1 D |
| R908A:1 | CU 2 D |
| R908A:2 | CU 2 D |
| R908B:1 | CU 2 D |
| R908B:2 | CU 2 D |
| R908C:1 | CU 2 C |
| R908C:2 | CU 2 D |
| R910A:1 | CU 2 D |
| R910A:2 | CU 2 D |
| R910B:1 | CU 2 D |
| R910B:2 | CU 2 D |
| R910C:1 | CU 2 C |
| R910C:2 | CU 2 D |
| RA1:1 | DN6 3 A |
| RA1:1 | NB 1 C |
| RA1:2 | DN6 3 A |
| RA1:2 | NB 1 C |
| RA1:3 | DN6 3 A |
| RA1:3 | NB 1 C |

VOLVO

Volvo Bus Corporation

Document title
WIRING DIAGRAM

Document type
PRODUCT SCHEMATICS

| | | | |
|--------------------------------|--------------------|-------------------------|---------------------------|
| Document No 22610880 | Issue 09 | Volume 03(03) | Sheet No 25(36) |
|--------------------------------|--------------------|-------------------------|---------------------------|

| INLINE | PAGE |
|------------|---------|
| RA1:4 | DN6 3 A |
| RA1:4 | NB 1 C |
| RA1:5 | NA 2 B |
| RA1:6 | AF 2 B |
| RA1:7 | AF 3 B |
| RA1:10 | NA 1 B |
| RA1:11 | AB2 1 A |
| RL3:1 | GA 3 D |
| RL3:2 | GA 3 D |
| RL3:3 | GA 1 D |
| RL3:4 | GA 1 D |
| RL3:5 | GA 1 B |
| RL3:6 | GA 0 D |
| RL3:7 | GA 2 D |
| RL3:8 | BC 2 C |
| RL3:10 | GA 1 D |
| RL3:11 | GA 2 B |
| RL3:12 | ZC 2 A |
| RL4:1 | GA 1 D |
| RL4:2 | GA 1 D |
| RL4:3 | GA 3 D |
| RL4:4 | GA 4 D |
| RL4:5 | GA 0 D |
| RL4:7 | GA 1 D |
| RL:1 | GB 0 C |
| RL:3 | GB 0 C |
| RL_DA:1 | GB 0 D |
| RL_DB:1 | GB 0 B |
| S_T_S:1 | NB 1 D |
| S_T_S:2 | NB 1 D |
| S_T_S:3 | NB 2 D |
| S_T_T:3 | NB 2 D |
| UDS12:1 | XF 2 D |
| UDS12:2 | XF 2 D |
| UDS12:3 | CU 1 B |
| UDS12:4 | CU 1 B |
| UDS12:5 | XD 2 D |
| UDS12:6 | XD 2 D |
| UDS12:7 | CU 0 B |
| UDS12:8 | CU 2 B |
| UDS12:9 | CU 2 B |
| UDS12:11 | CU 0 B |
| UDS12:12 | CU 4 D |
| UDS12_B:1 | XF 1 D |
| UDS12_B:2 | XF 1 D |
| UDS12_B:3 | CU 1 B |
| UDS12_B:4 | CU 1 B |
| UDS12_B:5 | XD 1 D |
| UDS12_B:6 | XD 1 D |
| UDS12_B:7 | CU 0 B |
| UDS12_B:8 | CU 2 B |
| UDS12_B:9 | CU 2 B |
| UDS12_B:11 | CU 0 B |
| UDS12_B:12 | CU 4 D |

VOLVO

Volvo Bus Corporation

Document title

WIRING DIAGRAM

Document type

PRODUCT SCHEMATICS

Document No

22610880

Issue

09

Volume

03(03)

Sheet No

26(36)

| INLINE | PAGE |
|---------------|-------------|
| UDS12_F:1 | XF 3 D |
| UDS12_F:2 | XF 3 D |
| UDS12_F:3 | CU 1 B |
| UDS12_F:4 | CU 1 B |
| UDS12_F:5 | XD 2 D |
| UDS12_F:6 | XD 2 D |
| UDS12_F:7 | CU 0 B |
| UDS12_F:8 | CU 2 B |
| UDS12_F:9 | CU 2 B |
| UDS12_F:11 | CU 0 B |
| UDS12_F:12 | CU 4 D |
| UDS12_M:1 | XF 2 D |
| UDS12_M:2 | XF 2 D |
| UDS12_M:3 | CU 1 B |
| UDS12_M:4 | CU 1 B |
| UDS12_M:5 | XD 2 D |
| UDS12_M:6 | XD 2 D |
| UDS12_M:7 | CU 0 B |
| UDS12_M:8 | CU 2 B |
| UDS12_M:9 | CU 2 B |
| UDS12_M:11 | CU 0 B |
| UDS12_M:12 | CU 4 D |
| VIC:1 | XC 1 E |
| VIC:2 | CS 3 D |
| VIC:2 | XD 0 D |
| VIC:3 | CS 0 C |
| VIC:3 | CS 1 D |
| VIC:4 | XC 1 E |
| VIC:5 | CS 3 D |
| VIC:5 | XD 0 D |
| VIC:6 | CS 0 C |
| VIC:6 | CS 1 D |
| VIC:7 | CS 0 D |
| VIC:8 | CS 0 C |
| VIC:9 | AF 2 C |
| VIC:10 | AF 3 C |
| VIC:12 | AF 3 E |
| VIC:13 | CS 3 C |
| VIC:14 | BB 0 C |
| VIC:15 | CS 3 C |
| VIC:16 | BB 0 D |
| VIC:17 | AF 3 C |
| VIC:18 | CS 1 C |
| VIC:19 | CS 3 C |
| VIC:20 | CS 2 C |
| VIC:21 | CS 1 C |
| VIC:22 | CS 4 D |
| VIC:24 | CS 2 D |
| VIC:25 | CS 0 C |
| VIC:26 | CS 2 C |
| VIC:27 | CS 4 C |
| VIC:28 | CS 0 C |
| VIC:29 | CS 2 D |
| VIC:30 | CS 1 D |

VOLVO

Volvo Bus Corporation

Document title

WIRING DIAGRAM

Document type

PRODUCT SCHEMATICS

Document No

22610880

Issue

09

Volume

03(03)

Sheet No

27(36)

| INLINE | PAGE |
|-------------|---------|
| VIC:31 | CS 4 C |
| VIC:32 | CS 2 C |
| VIC:33 | CS 2 C |
| VIC:34 | CS 2 C |
| VIC:35 | AF 1 C |
| VIC:36 | CS 2 C |
| VIC:37 | CS 1 C |
| VIC:39 | CS 4 C |
| XAL:1 | TL 0 C |
| XAL:2 | TL 1 C |
| XAL:3 | TL 0 C |
| XAL:4 | TL 1 B |
| XC022:1 | XJ2 2 A |
| XC022:1 | XJ2 2 C |
| XC022:2 | XJ2 2 C |
| XC022:2 | XJ2 2 A |
| XC022:3 | XJ2 2 A |
| XC022:3 | XJ2 2 D |
| XC022:4 | XJ2 2 A |
| XC022:4 | XJ2 2 D |
| XC094A:2 | FC2 2 B |
| XC094A:4 | FC1 2 B |
| XC095A:1 | FC1 2 B |
| XC095A:2 | FC2 2 D |
| XC095A:3 | XO 2 B |
| XC095A:4 | XO 2 B |
| XC125:1 | XC 1 B |
| XC125:2 | XC 1 B |
| XC126:1 | XK 2 C |
| XC126:2 | XK 2 C |
| XC901:1 | NA2 4 B |
| XC901:2 | NA2 3 B |
| XC901:3 | XG 2 D |
| XC901:4 | XG 2 D |
| XC901_(2):1 | NC 3 D |
| XC901_(2):2 | NC 3 D |
| XC901_(2):3 | NC 3 C |
| XC901_(2):4 | NC 3 C |
| XC901_(2):5 | NC 3 D |
| XC901_(2):6 | NC 3 D |
| XC901_:1 | NC 3 C |
| XC901_:2 | NC 3 C |
| XC901_:3 | NC 2 C |
| XC901_:4 | NC 2 C |
| XC901_:5 | NC 3 C |
| XC901_:6 | NC 3 C |
| XC903:2 | XC 4 E |
| XC903:3 | XC 4 E |
| XC904:1 | XJ2 1 C |
| XC904:1 | XJ2 1 A |
| XC904:2 | XJ2 1 C |
| XC904:2 | XJ2 1 A |
| XC904:3 | XJ2 1 D |
| XC904:3 | XJ2 1 A |

VOLVO

Volvo Bus Corporation

Document title
WIRING DIAGRAM

Document type
PRODUCT SCHEMATICS

Document No
22610880

Issue
09

Volume
03(03)

Sheet No
28(36)

| INLINE | PAGE |
|-------------|---------|
| XC904:4 | XJ2 1 A |
| XC904:4 | XJ2 1 D |
| XC905:1 | XJ2 2 D |
| XC905:2 | XJ2 2 D |
| XC906A:1 | AB2 1 A |
| XC906A:2 | AB2 1 A |
| XC906A:3 | AB2 0 A |
| XC906A:4 | AB2 0 A |
| XC906A:5 | AB2 0 A |
| XC906A:6 | AB2 1 A |
| XC906A:7 | AC 2 D |
| XC908:4 | BA 0 E |
| XC909:1 | BE 3 B |
| XC909:2 | BE 3 B |
| XC909:3 | BE 3 B |
| XC909:4 | BE 2 B |
| XC909:5 | BE 2 B |
| XC909:6 | BE 2 B |
| XC909:7 | BE 2 B |
| XC909:8 | BE 2 B |
| XC909:9 | BE 1 B |
| XC909:10 | BE 4 B |
| XC910:1 | BE 3 B |
| XC910:2 | BE 2 B |
| XC910:3 | BE 2 B |
| XC910:4 | BE 2 B |
| XC910:5 | BE 2 B |
| XC910:6 | BE 1 B |
| XC917:1 | CL 1 D |
| XC917:2 | CL 1 D |
| XC917:3 | CL 0 D |
| XC917:4 | CL 1 D |
| XC921:1 | CL 1 D |
| XC921:2 | CL 2 D |
| XC921:3 | CL 2 D |
| XC922:1 | GB 3 B |
| XC922:3 | GB 3 B |
| XC925:1 | XK 2 B |
| XC925:2 | XK 2 B |
| XC926:1 | BB 1 D |
| XC926:2 | BB 1 D |
| XC926:3 | BB 2 D |
| XC926:4 | BB 2 D |
| XC927_1/2:1 | GE 1 C |
| XC927_1/2:2 | GE 2 C |
| XC927_1:1 | GE 1 B |
| XC927_1:2 | GE 2 B |
| XC927_2:1 | GE 1 B |
| XC927_2:2 | GE 2 B |
| XC931:1 | DN5 0 D |
| XC931:2 | DN5 1 D |
| XC931:3 | DN5 1 D |
| XC931:4 | DN5 1 D |
| XC931:5 | DN5 1 D |

VOLVO

Volvo Bus Corporation

Document title
WIRING DIAGRAM

Document type
PRODUCT SCHEMATICS

Document No
22610880

Issue
09

Volume
03(03)

Sheet No
29(36)

| INLINE | PAGE |
|----------|---------|
| XC931:6 | DN5 1 D |
| XC931:7 | DN5 1 D |
| XC931:8 | DN5 1 D |
| XC931:9 | DN5 1 D |
| XC931:10 | DN5 1 D |
| XC931:11 | DN5 2 D |
| XC931:12 | DN5 2 D |
| XC931:13 | DN5 2 D |
| XC931:14 | DN5 2 D |
| XC931:15 | DN5 2 D |
| XC931:16 | DN5 2 D |
| XC931:17 | DN5 2 D |
| XC931:18 | DN5 2 D |
| XC931:19 | DN5 2 D |
| XC931:20 | DN5 2 D |
| XC931:21 | DN5 2 D |
| XC931:22 | DN5 3 D |
| XC931:23 | DN5 2 C |
| XC931:27 | DN5 0 C |
| XC931:28 | DN5 1 C |
| XC931:29 | DN5 1 C |
| XC931:30 | DN5 1 C |
| XC931:31 | DN5 1 C |
| XC931:32 | DN5 1 C |
| XC931:33 | DN5 1 C |
| XC931:34 | DN5 1 C |
| XC931:35 | DN5 3 D |
| XC931:36 | DN5 3 D |
| XC932:11 | DN5 1 D |
| XC932:12 | DN5 1 D |
| XC932:13 | DN5 0 D |
| XC932:14 | DN5 0 D |
| XC932:15 | DN5 1 D |
| XC932:16 | DN5 1 D |
| XC941:1 | ND 1 B |
| XC941:3 | ND 2 B |
| XC943:1 | XE 3 C |
| XC943:2 | XE 3 C |
| XC950:1 | AB3 4 B |
| XC950:2 | AB 3 C |
| XC950:3 | AB4 2 A |
| XC950:4 | DN5 0 A |
| XC950:5 | DN5 1 A |
| XC950:6 | DN5 1 A |
| XC951:1 | AF 2 C |
| XC951:2 | AF 3 C |
| XC951:3 | AF 3 C |
| XC951:4 | AF 3 E |
| XC999:1 | AB3 3 A |
| XC_LED:2 | TT 2 C |
| XC_LED:3 | TT 2 C |
| XC_LED:4 | TT 2 C |
| XCB800:1 | AB3 3 C |
| XU25:1 | AC 2 D |

VOLVO

Volvo Bus Corporation

Document title

WIRING DIAGRAM

Document type

PRODUCT SCHEMATICS

Document No

22610880

Issue

09

Volume

03(03)

Sheet No

30(36)

| INLINE | PAGE |
|--------|--------|
| XU25:2 | AC 2 C |
| XU25:3 | AC 2 D |
| XU25:4 | AC 2 D |
| XU25:5 | AC 2 D |

VOLVO

Volvo Bus Corporation

Document title
WIRING DIAGRAM

Document type
PRODUCT SCHEMATICS

| Document No | Issue | Volume | Sheet No |
|-----------------|-----------|---------------|---------------|
| 22610880 | 09 | 03(03) | 31(36) |

SPLICES

| SPLICE | PAGE |
|--------------|--------|
| XC85 () | GE 1 A |
| XCS102 () | XE 3 B |
| XSA01 () | XC 2 B |
| XSA02 () | XC 2 B |
| XSA03 () | XC 3 B |
| XSA04 () | XC 3 B |
| XSA05 () | XC 3 B |
| XSA06 () | XC 3 B |
| XSA07 () | XC 4 B |
| XSA08 () | XC 4 B |
| XSA09 () | XC 4 B |
| XSA10 () | XC 4 B |
| XSA11 () | XC 4 D |
| XSA12 () | XC 4 C |
| XSA13 () | XD 3 A |
| XSA14 () | XD 2 A |
| XSA15 () | XD 3 A |
| XSA16 () | XD 3 A |
| XSA17 () | XD 3 A |
| XSA18 () | XD 3 A |
| XSA19 () | XD 4 A |
| XSA20 () | XD 3 A |
| XSA21 () | XD 4 A |
| XSA22 () | XD 4 A |
| XSA23 () | XD 4 C |
| XSA24 () | XD 4 C |
| XSA25 () | ZC 0 E |
| XSA26 () | AA 0 D |
| XSA27 () | FA 1 B |
| XSA28 () | AA 2 C |
| XSA31 () | ZC 1 D |
| XSA32 () | BA 0 D |
| XSA34 () | AA 2 A |
| XSA35 () | ZC 3 D |
| XSA37 () | FB 3 B |
| XSA40 () | FB 2 B |
| XSA43 () | ZC 2 D |
| XSA44 () | AF 0 C |
| XSA46 () | BB 2 D |
| XSA50 () | BA 0 B |
| XSA52 () | ZC 2 C |
| XSA53 () | GM 2 B |
| XSA54 () | DN 1 B |
| XSA59 () | BA 0 C |
| XSA60 () | NA 1 D |
| XSA61 () | BA 0 B |
| XSA62 () | XD 2 A |
| XSA63 () | XC 2 B |
| XSA64 () | XC 2 B |
| XSA65 () | XD 2 A |
| XSA95 (K115) | TL 2 C |
| XSA97 (+B) | TL 2 C |
| XSA98 (K130) | TL 0 C |
| XSB01 () | XC 0 B |

VOLVO

Volvo Bus Corporation

Document title
WIRING DIAGRAM

Document type
PRODUCT SCHEMATICS

| | | | |
|-----------------|-----------|---------------|---------------|
| Document No | Issue | Volume | Sheet No |
| 22610880 | 09 | 03(03) | 32(36) |

| SPLICE | PAGE |
|---------------|-------------|
| XSB02 () | XC 0 B |
| XSB03 () | XD 1 A |
| XSB04 () | XD 1 A |
| XSB05 () | XD 0 A |
| XSB06 () | XD 0 A |
| XSB07 () | XJ 3 C |
| XSB08 () | XJ 3 C |
| XSB09 () | ZC 0 C |
| XSB10 () | BE 3 D |
| XSB10 () | FB2 1 D |
| XSB10 () | ZC 0 B |
| XSB11 () | BE 0 D |
| XSB11 () | ZC 0 C |
| XSB12 () | GM 2 C |
| XSB13 () | GB 3 A |
| XSB15 () | GB 3 B |
| XSB18 () | IU 0 C |
| XSB19 () | IU 0 C |
| XSB20 () | FA 4 B |
| XSB21 () | IU 1 C |
| XSB22 () | NC 2 B |
| XSB24 () | NC 0 C |
| XSB25 () | AA 1 C |
| XSB26 () | NC 1 C |
| XSB28 () | XF 4 C |
| XSB29 () | XF 4 C |
| XSB30 () | IU 0 C |
| XSB31 () | IU 1 C |
| XSB32 () | XC 1 B |
| XSB33 () | XC 1 B |
| XSB34 () | NA 3 B |
| XSB36 () | NA 1 D |
| XSB37 () | ND 1 B |
| XSB38 () | XE 2 B |
| XSB39 () | XE 2 A |
| XSB40 () | NA 3 C |
| XSB43 () | XG 4 D |
| XSB44 () | XG 4 D |
| XSB45 () | XJ 1 B |
| XSB46 () | XJ 1 B |
| XSB47 () | XJ 3 B |
| XSB48 () | XJ 3 B |
| XSB49 () | BE 2 D |
| XSB49 () | XC 0 A |
| XSB50 () | BE 2 D |
| XSB50 () | XC 0 A |
| XSB51 () | NC 2 C |
| XSB52 () | NC 2 C |
| XSB55 () | XG 3 D |
| XSB56 () | XG 3 D |
| XSB70 () | XK 2 C |
| XSB71 () | XK 2 C |
| XSB72 () | XD 2 A |
| XSB73 () | XD 2 A |

VOLVO

Volvo Bus Corporation

Document title

WIRING DIAGRAM

Document type

PRODUCT SCHEMATICS

Document No

22610880

Issue

09

Volume

03(03)

Sheet No

33(36)

| SPLICE | PAGE |
|-----------------|-------------|
| XSB74 () | ZC 0 B |
| XSB75 () | XC 1 B |
| XSB76 () | XC 1 B |
| XSB77 () | XE 1 D |
| XSB78 () | XE 1 D |
| XSB85 () | XG 3 D |
| XSB86 () | XG 3 D |
| XSB95 () | DN5 0 B |
| XSB112 () | DN5 1 B |
| XSB120 () | AB 3 C |
| XSC-7015_01 () | XJ2 2 C |
| XSC-7015_02 () | XJ2 1 C |
| XSC-7015_03 () | XJ2 3 C |
| XSC-7015_04 () | XJ2 3 C |
| XSC-7016_01 () | XJ2 2 D |
| XSC-7016_02 () | XJ2 1 D |
| XSC-7016_03 () | XJ2 3 A |
| XSC-7016_04 () | XJ2 3 A |
| XSC-A953 (GND) | TT 2 C |
| XSC02 () | GE 2 D |
| XSC04 () | GE 1 D |
| XSC05 () | GE 1 D |
| XSC07 () | ZC 1 B |
| XSC15 () | ZC 1 A |
| XSC16 () | GB 0 C |
| XSC17 () | ZC 1 B |
| XSC21 () | DN 1 D |
| XSC55 () | XK 2 B |
| XSC56 () | XK 2 B |
| XSC95 () | XE 4 A |
| XSC96 () | XE 4 B |
| XSC97 () | XE 3 B |
| XSC98 () | XE 3 A |
| XSC99 () | CL 1 C |
| XSC101 () | XE 3 A |
| XSC103 () | FC2 2 B |
| XSC104 () | XO 1 C |
| XSC105 () | XO 1 C |
| XSC106 () | XO 2 B |
| XSC107 () | XO 2 B |
| XSC108 () | ZC 2 C |
| XSC_BB2H_1 () | XN 1 B |
| XSC_BB2H_2 () | XN 2 B |
| XSC_BB2L_1 () | XN 1 C |
| XSC_BB2L_2 () | XN 3 C |
| XSC_BB3H_3 () | XN 2 B |
| XSC_BB3L_3 () | XN 2 C |
| XSC_SUB2H () | BE 1 C |
| XSC_SUB2L () | BE 1 C |
| XSCG-TELE (GND) | TL 1 C |
| XSCG-TELE (GND) | TT 2 C |
| XSD01 () | AB2 1 B |
| XSD02 () | NB 0 A |
| XSF01 () | GA 0 D |

VOLVO

Volvo Bus Corporation

Document title
WIRING DIAGRAM

Document type
PRODUCT SCHEMATICS

Document No
22610880

Issue
09

Volume
03(03)

Sheet No
34(36)

| SPLICE | PAGE |
|---------------|-------------|
| XSF09 () | GA 3 C |
| XSF10 () | GA 3 C |
| XSF11 () | GA 2 D |
| XSF12 () | GA 2 B |
| XSF13 () | GA 1 D |
| XSF14 () | ZC 2 B |
| XSF15 () | CX 1 B |
| XSF17 () | CX 0 B |
| XSF18 () | CX 2 D |
| XSF19 () | ZC 2 C |
| XSF21 () | XH 2 D |
| XSF22 () | CU 0 A |
| XSF23 () | NA 0 A |
| XSF24 () | CX 1 D |
| XSF25 () | CX 1 D |
| XSF26 () | XH 3 D |
| XSF27 () | XH 3 D |
| XSF28 () | XH 2 D |
| XSF29 () | FB 0 B |
| XSF30 () | XH 1 D |
| XSF31 () | XH 1 D |
| XSF32 () | FB 0 C |
| XSF33 () | XH 2 C |
| XSF35 () | CX 3 B |
| XSF39 () | CX 1 D |
| XSF40 () | CX 2 B |
| XSF41 () | XD 0 C |
| XSF42 () | XD 0 C |
| XSF43 () | CS 4 B |
| XSF44 () | CX 2 B |
| XSF46 () | CS 4 A |
| XSF50 () | ZC 3 B |
| XSF54 () | XC 2 D |
| XSF55 () | XC 3 C |
| XSF56 () | XC 2 D |
| XSF57 () | XC 2 C |
| XSF71 () | CU 4 D |
| XSF72 () | CU 0 E |
| XSF73 () | CU 0 E |
| XSF76 () | CU 0 B |
| XSF80 () | XF 3 C |
| XSF81 () | XF 3 C |
| XSF82 () | XF 2 C |
| XSF83 () | XF 2 C |
| XSF84 () | XF 1 C |
| XSF85 () | XF 1 C |
| XSF86 () | XF 1 C |
| XSF87 () | XF 1 C |
| XSF88 () | XF 0 C |
| XSF89 () | XF 0 C |
| XSF92 () | BA 1 B |
| XSF93 () | BB 1 C |
| XSF94 () | BB 1 D |
| XSF95 () | AB 2 D |

VOLVO

Volvo Bus Corporation

Document title
WIRING DIAGRAM

Document type
PRODUCT SCHEMATICS

| | | | |
|--------------------------------|--------------------|-------------------------|---------------------------|
| Document No 22610880 | Issue 09 | Volume 03(03) | Sheet No 35(36) |
|--------------------------------|--------------------|-------------------------|---------------------------|

| SPLICE | PAGE |
|---------------|-------------|
| XSF96 () | AB 2 C |
| XSF97 () | CS 3 B |
| XSF98 () | CS 1 B |
| XSF99 () | AB 2 B |
| XSF100 () | AB 1 C |
| XSF101 () | NA2 4 B |
| XSF102 () | CU 2 A |
| XSF103 () | CU 2 A |
| XSF104 () | CU 2 A |
| XSF105 () | CU 2 A |
| XSF106 () | CU 1 A |
| XSF107 () | CU 1 A |
| XSF108 () | CU 1 A |
| XSF109 () | CU 1 B |
| XSF110 () | CU 0 A |
| XSF111 () | CU 0 A |
| XSF112 () | CU 0 A |
| XSF113 () | CU 4 E |
| XSF114 () | CU 4 E |
| XSF115 () | XG 1 D |
| XSF116 () | XG 2 D |
| XSF117 () | XG 0 D |
| XSF118 () | XG 0 D |
| XSF119 () | ZC 3 B |
| XSF120 () | ZC 3 B |
| XSF121 () | DN3 1 B |
| XSF122 () | DN3 2 B |
| XSF123 () | AB 2 D |
| XSF130 () | XG 2 D |
| XSF131 () | XG 2 D |
| XSF150 () | XH 3 C |
| XSF151 () | XH 2 B |
| XSF152 () | XH 2 D |
| XSF153 () | XH 2 D |
| XSF155 () | XH 2 B |
| XSL10 () | CU 2 D |
| XSL11 () | CU 2 E |
| XSL12 () | CU 2 E |
| XSL13 () | CU 2 E |
| XSM02 () | ZC 4 C |
| XSN01 () | BA 2 E |

VOLVO

Volvo Bus Corporation

Document title
WIRING DIAGRAM

Document type
PRODUCT SCHEMATICS

| | | | |
|--------------------------------|--------------------|-------------------------|---------------------------|
| Document No 22610880 | Issue 09 | Volume 03(03) | Sheet No 36(36) |
|--------------------------------|--------------------|-------------------------|---------------------------|