

Engineering Release Notice (ERN)	Location	Change Description	A = Added D = Deleted	W = Was	Document Release Status RELEASED
		See DCN			Date Modification Count

WIRING DIAGRAM INDEX

VOLUME 1

NAME	PAGE
INSTRUCTIONS	2
ABBREVIATION LIST	6

VOLUME 2

NAME	DESCRIPTION	PAGE
AA	IGNITION AND STARTING SYSTEM	1
AB	POWER SUPPLY	2
AB2	NVPDUF & NVPDUR	3
AB3	STARTER BATTERY	4
AB4	CONSUMER BATTERY	5
AB5	PRE HEATER	6
AC	I-START SYSTEM	7
AF	STARTER MOTOR AND ALTERNATORS	8
BA	VECU	9
BA2	VECU	10
BB	BBM	11
BC	BBM	12
BE	AEBS, LDWS, ACC	13
CL	BIO	14
CS	ENGINE INTERFACE D13	15
CU	DNOX2 FOR EURO 5	16
CX	ACM 2.0	17
CZ	RETARDER I-SHIFT	18
DN	I-SHIFT	19
DN2	I-SHIFT	20
DN3	I-SHIFT	21
DN4	I-SHIFT AND RETARDER	22
DN5	ALLISON	23
DN6	I-SHIFT	24
EO	EBS	25
EP	EBS	26
FA	AIR SUSPENSION ECS	27
FB	AIR SUSPENSION ECS	28
FB2	AIR SUSPENSION ECS	29

The copying, distribution and utilization of this document as well as the communication of its contents to others without expressed authorization is prohibited. Offenders will be held liable for payment of damages. All rights reserved in the event of the grant of a patent, utility model or ornamental design registration.

VOLVO

Volvo Bus Corporation

Document title
**WIRING DIAGRAM
 B13R
 US/CAN**

Document type
PRODUCT SCHEMATICS

Owner domain: Document prefix

Document No 22610880	Issue 10	Volume 01(03)	Sheet No 1(9)
--------------------------------	--------------------	-------------------------	-------------------------

WIRING DIAGRAM INDEX

VOLUME 2

NAME	DESCRIPTION	PAGE
FC1	VDS, Volvo Dynamic Steering	30
FC2	VDS GATEWAY	31
GA	LCM	32
GB	LCM	33
GE	LCM	34
GM	WIPER, WASHER	35
IS	HORN, SWM	36
IU	AUDIO	37
NA	BUS INSTRUMENT CLUSTER BIC2	38
NA2	OBD, ON BOARD DIAGNOSTICS	39
NB	TACHOGRAPH	40
NC	TGW II	41
ND	ALCOLOCK	42
NE	FMS GATEWAY	43
NF	ELD (ELETRONIC LOGGING DEVICE)	44
TL	AIC POWER SUPPLY	45
TT	I-COACH	46
XC	CAN SAE 1939	47
XD	CAN SAE1587	48
XE	DBUS	49
XF	CAN 1939_7	50
XG	CAN J2284	51
XH	CAN ENGINE SUBNET	52
XJ	CAN J1939 2/3	53
XJ2	CAN J1939 2/3	54
XK	FMS-CAN	55
XN	ACTIVE SAFETY BACKBONE 2	56
XO	CAN VDS	57
ZC	GROUND	58

VOLVO

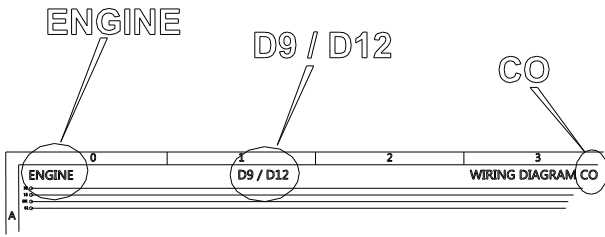
Volvo Bus Corporation

Document title
WIRING DIAGRAM

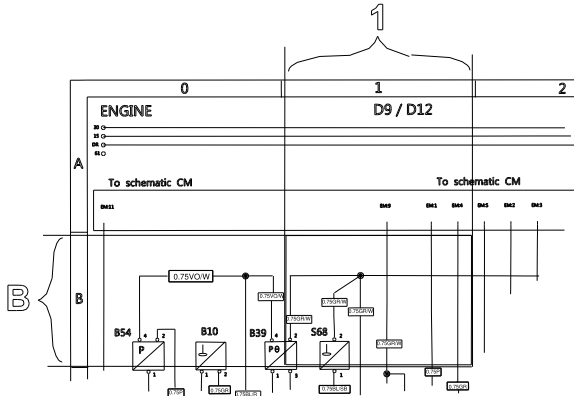
Document type
PRODUCT SCHEMATICS

Document No	Issue	Volume	Sheet No
22610880	10	01(03)	2(9)

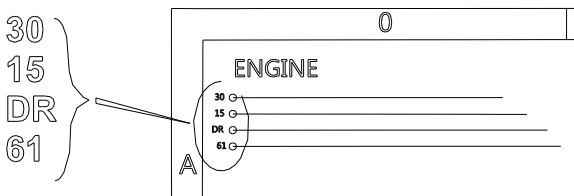
Example of Wiring Diagram



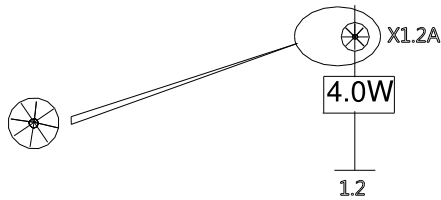
Component wiring diagram title, variant/subtitle and sheet number.



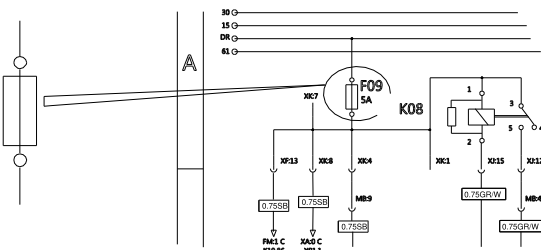
Coordinates (B 1).



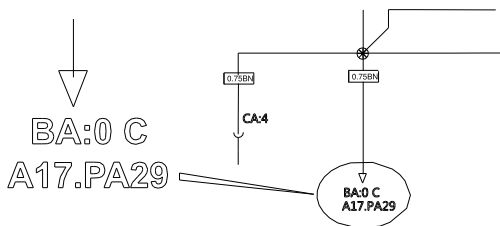
B+ Voltage battery with switch in ON position.
30 Voltage battery with main switch on, kl.30.
15 Voltage with starter key in drive position, kl.15.
DR Voltage with starter key in drive position, preheat position and start position, kl.DR.



Splice.



Fuse.



Reference arrow, for Diagram BA, coordinates 0 C, component A17, connector PA pin 29.

VOLVO

Volvo Bus Corporation

Document title
WIRING DIAGRAM

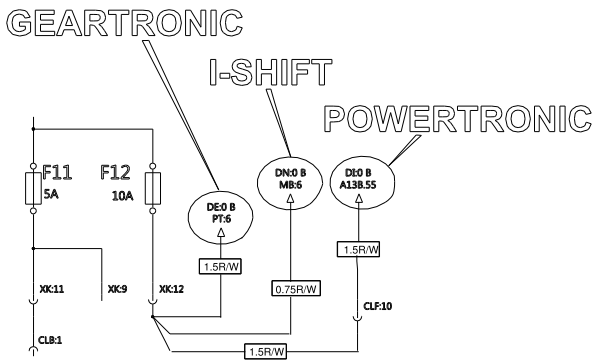
Document type
PRODUCT SCHEMATICS

Document No
22610880

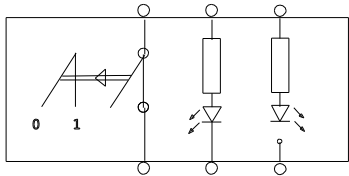
Issue
10

Volume
01(03)

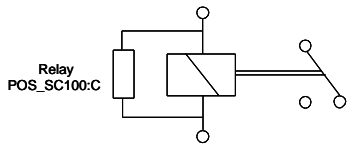
Sheet No
3(9)



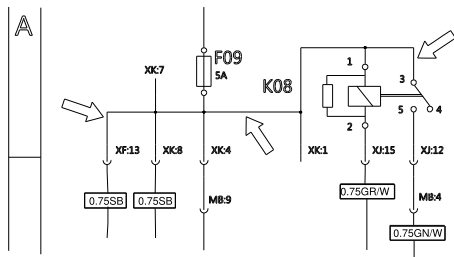
The maximum of variants are drawn, think about that all wires and components are not standard for all markets or vehicle models.



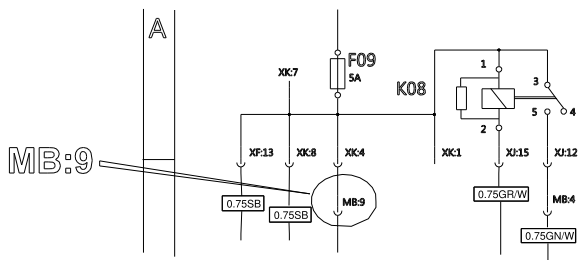
Switch.



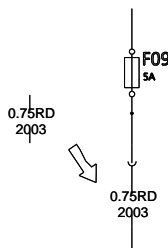
Relay with position.



Conductor on circuit card.



Connector MB terminal 9.



Wire area, colour and equipotential.

VOLVO

Volvo Bus Corporation

Document title
WIRING DIAGRAM

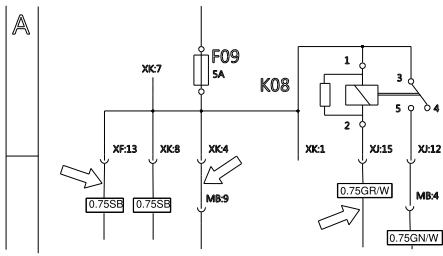
Document type
PRODUCT SCHEMATICS

Document No
22610880

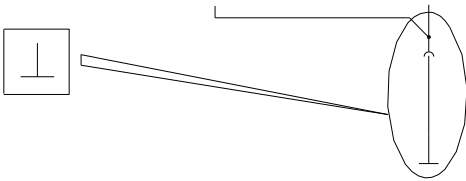
Issue
10

Volume
01(03)

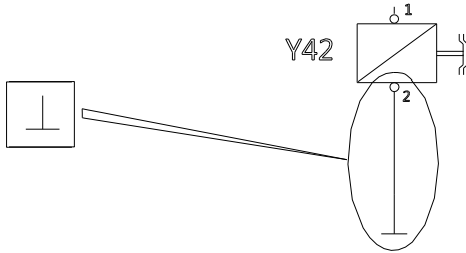
Sheet No
4(9)



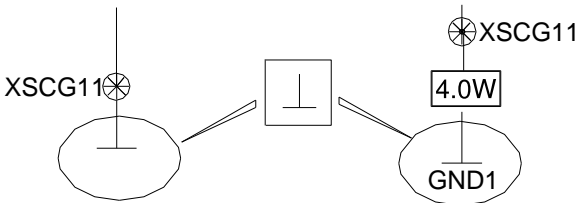
Thin lines, wires.



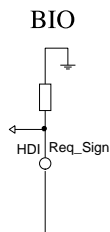
Earth connection to circuit card.



Earth connection without wire.



Same splice can be drawn on several diagrams. The wire from the splice to the earth connection point will only be drawn and coded on one diagram. On the other diagrams will only the earth connection point be written besides the splice.



An ECU symbol with a dashed box describes that the ECU exists in several different sheets.

VOLVO

Volvo Bus Corporation

Document title
WIRING DIAGRAM

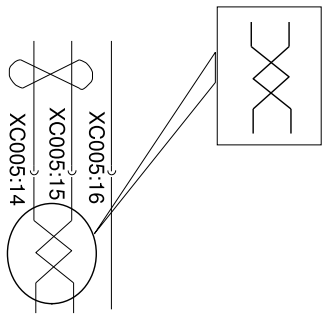
Document type
PRODUCT SCHEMATICS

Document No
22610880

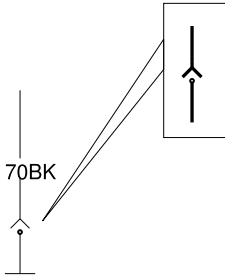
Issue
10

Volume
01(03)

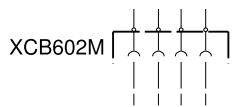
Sheet No
5(9)



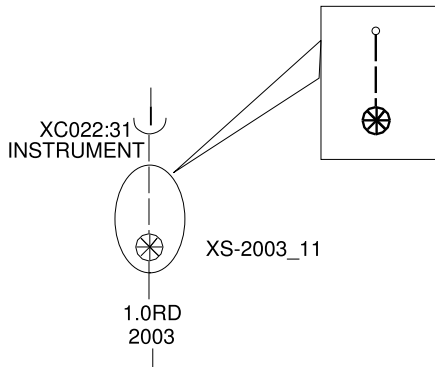
Twisted wires.



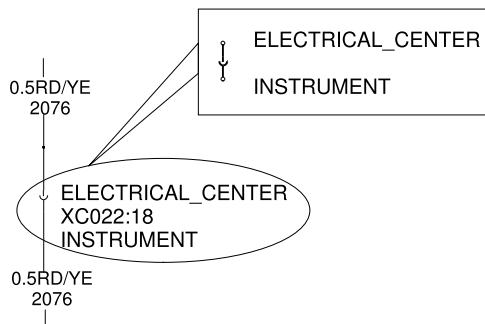
inline connector symbol for power cable ring terminal.



Interface symbol.



Splice with dotted line indicates that wire already exists in some other sheet and splice is shared.



The text on either side of the inline incates that wire belongs to stated harness.

VOLVO

Volvo Bus Corporation

Document title
WIRING DIAGRAM

Document type
PRODUCT SCHEMATICS

Document No
22610880

Issue
10

Volume
01(03)

Sheet No
6(9)

ABBREVIATION LIST

ABBREVIATION	DESCRIPTION
+15	VOLTAGE WITH STARTER KEY IN DRIVE POSITION
+30	VOLTAGE BATTERY WITH MAIN SWITCH ON
+30C	VOLTAGE BATTERY WITH MAIN SWITCH ON
AC	AIR CONDITION
Acp	ACCELERATOR PEDAL
AI	ANALOG INPUT
AIC	ADVANCED INFORMATION CENTER
Amb	AMBIENT
An.IN	ANALOGUE INPUT
AO	ANALOG OUTPUT
APBE	AUTOMATIC PARKING BRAKE EVACUATION
ARC	AIR REGENERATION CONTROL
ARMS	AUTOMATIC RESET MAIN SWITCH
B+	VOLTAGE BATTERY WITH SWITCH IN ON POSITION
BB	BODY BUILDER
BBM	BODY BUILDER MODULE
BHSA	BRAKE HILL START AID
Bpole	BATTERY POSITIVE BEFORE MAIN SWITCH
Brk	BRAKE
Buf	BUFFERED
C	CLOSING
CampL	CAMPIGN LIGHTS
Cent	CENTERING
CICU	Charging
Ctrl	CONTROL
Cyl	CYLINDER
Dash	DASHBOARD
Deliv	DELIVERY
DI	DIGITAL INPUT
Diag	DIAGNOSTIC
Dig.OUT	DIGITAL OUTPUT
Dir	DIRECTION
Dis	DISABLE
DO	DIGITAL OUTPUT
DRL_RMC	DAYTIME RUNNING LIGTH/REDUCED MODE CONTROL
EACC	ELECTRIC AIR COMPRESSOR CONTROL
EBS	ELECTRONIC BRAKE SYSTEM
ECB	VBC ENGINE COMPRESSOR BRAKE
ECU	ELECTRONIC CONTROL UNIT
ECU_GND	EXTERNAL GROUND
EGR	EXHAUST REDIRECTION VALVE
ELC	ELECTRICAL CENTER
EMT	EXHAUST MANIFOLD TEMPERATURE
Eng	ENGINE
EPG	EXHAUST PRESSURE GOVERNOR
ES	ENGINE SYNCHRONIZATION
ESS	ENERGY STORAGE SYSTEM
ETCC	EXHAUST TEMPERATURE CATALYTIC CONVERTER
Ext	EXTERNAL
FRC	FRONT RELAY CENTER
GECU	GEAR SELECTOR ELECTRONIC CONTROL UNIT
GND	SIGNAL GROUND
H	HIGH
Haz	HAZARD

VOLVO

Volvo Bus Corporation

Document title
WIRING DIAGRAM

Document type
PRODUCT SCHEMATICS

Document No	Issue	Volume	Sheet No
22610880	10	01(03)	7(9)

ABBREVIATION	DESCRIPTION
HDI	HIGH_DIGITAL_INPUT
HDO	HIGH_DIGITAL_OUTPUT
HLa	HEADLAMPS
HPCU	HYBRID_POWER_TRAIN_CONTROL_UNIT
HS	HIGH_SIDE
HSA	HILL_START_AID
HSD	HIGH_SIDE_DRIVER
HVAC	HEATING_VENTILATION_AIR_CONDITION_SYSTEM
Hyd	HYDRAULIC
IJ	INLET_JET
Ind	INDICATOR
Inj	INJECTION
JK	JACK_KNIFE
KL	KEY_LINE
L	LOW
LCM	LIGHT_CONTROL_MODULE
LCP	LIGHT_CONTROL_PANEL
LDI	LOW_DIGITAL_INPUT
LDO	LOW_DIGITAL_OUTPUT
LS	LOW_SIDE
Nd	NEEDLE
O	OUTPUT
OBD	ON_BOARD_DIAGNOSTIC
OLS	OIL_LEVEL_SENSOR
OP	OPENING
OV	OVERFLOW
PCM	POWER_TRAIN_CONTROL_MODULE
PCS	PRESSURE_CONTROL_SOLENOID
PCV	PRESSURE_CONTROL_VALVE
Plo	PLOUGH
Pos	POSITION
PR	PRESSURE_REGULATOR
Pres	PRESSURE
PS	PRESSURE
PWM	PULSE_WIDTH_MODULATION
Rad	RADIATOR
RAI	RESISTANCE_ANALOGUE_INPUT
Red	REDUCTOR
Rel	RELAY
Req	REQUEST
RES	INPUT_FOR_SENSORS_WITH_VARIABLE_RESISTANCE
Ret	RETARDER
RX	SIGNAL_RECEIVER
Sen	SENSOR
Sign	SIGNAL
Sno	SNOW
Sp	SPEED
SS	SENSOR_SUPPLY
St	START
Stp	STOP
SV	SUPPLY_VOLTAGE
Sw	SWITCH
TCC	TORQUE_CONVERTER_CLUTCH
Temp	TEMPERATURE

VOLVO

Volvo Bus Corporation

Document title
WIRING DIAGRAM

Document type
PRODUCT SCHEMATICS

Document No	Issue	Volume	Sheet No
22610880	10	01(03)	8(9)

ABBREVIATION	DESCRIPTION
Tor	TORQUE
TX	SIGNAL_TRANSMITTER
UBat	FEED_DIRECTLY_FROM_BATTERY
VEB	VOLVO_ENGINE_BRAKE
Veh	VEHICLE

VOLVO

Volvo Bus Corporation

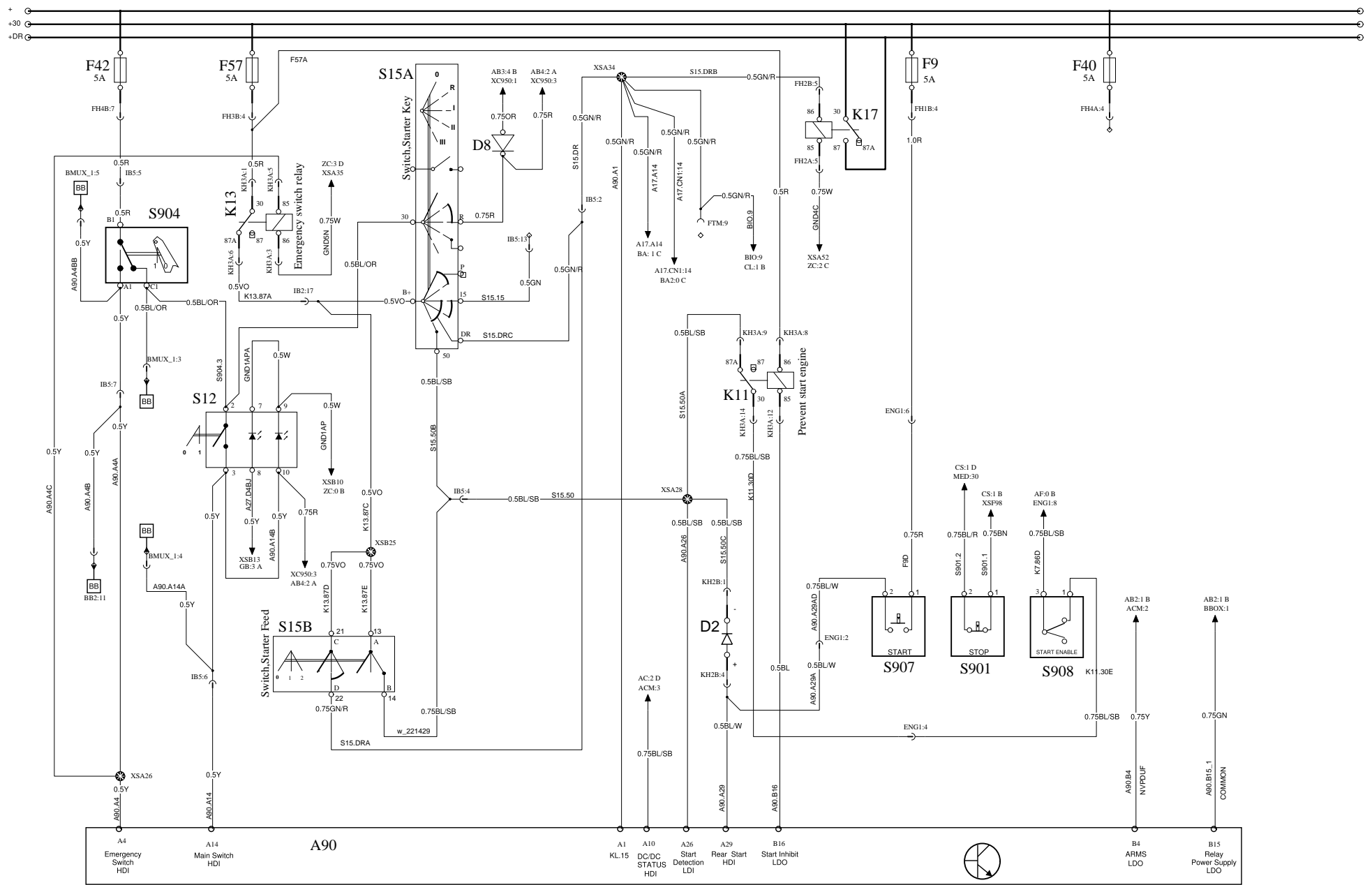
Document title
WIRING DIAGRAM

Document type
PRODUCT SCHEMATICS

Document No	Issue	Volume	Sheet No
22610880	10	01(03)	9(9)

IGNITION AND STARTING SYSTEM

WIRING DIAGRAM AA

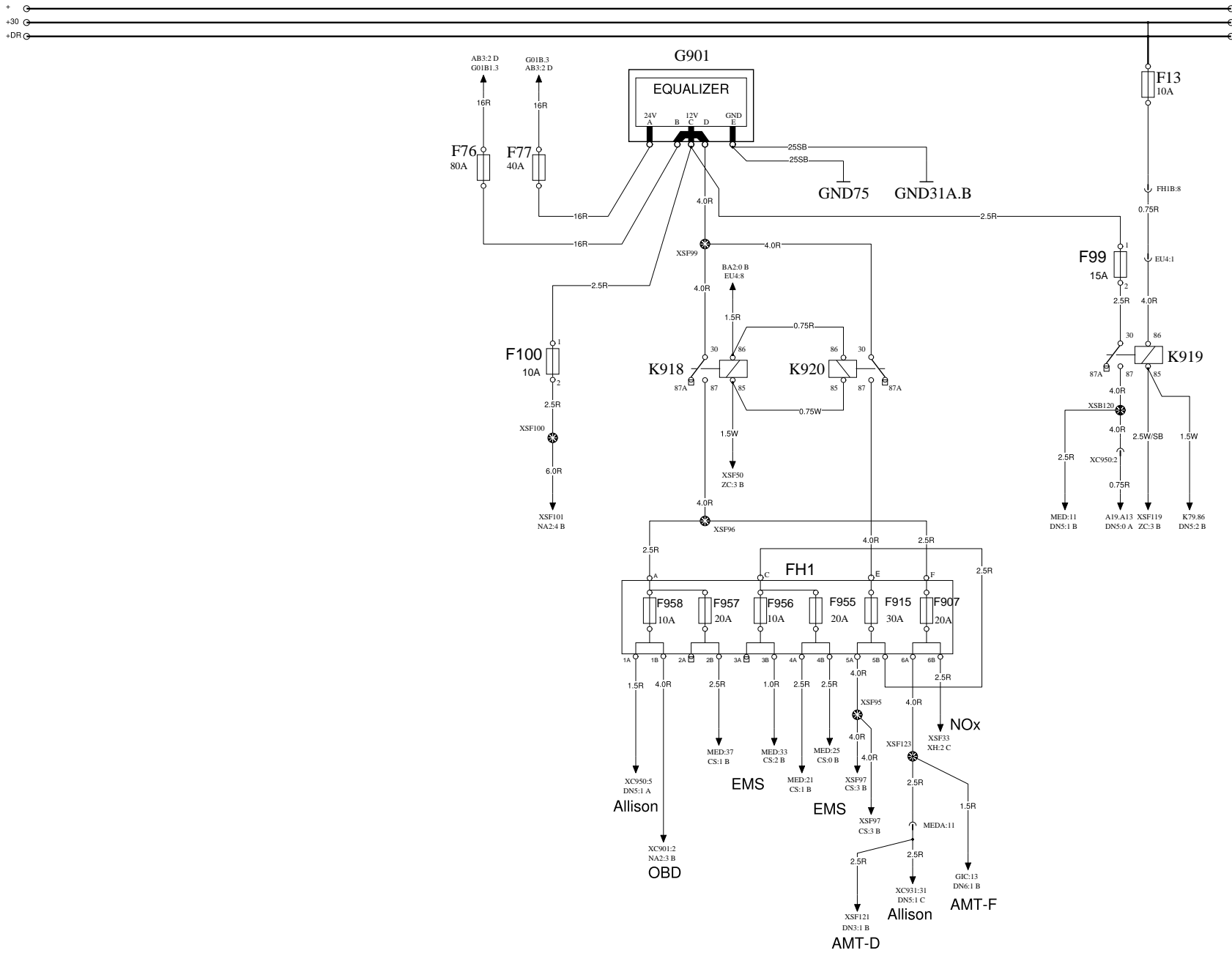


 Volvo Bus Corporation	Document title WIRING DIAGRAM	Document No 22610880	Issue 10	Volume 02(03)	Page 1(58)
	Document type PRODUCT SCHEMATIC				

POWER SUPPLY

US/CAN

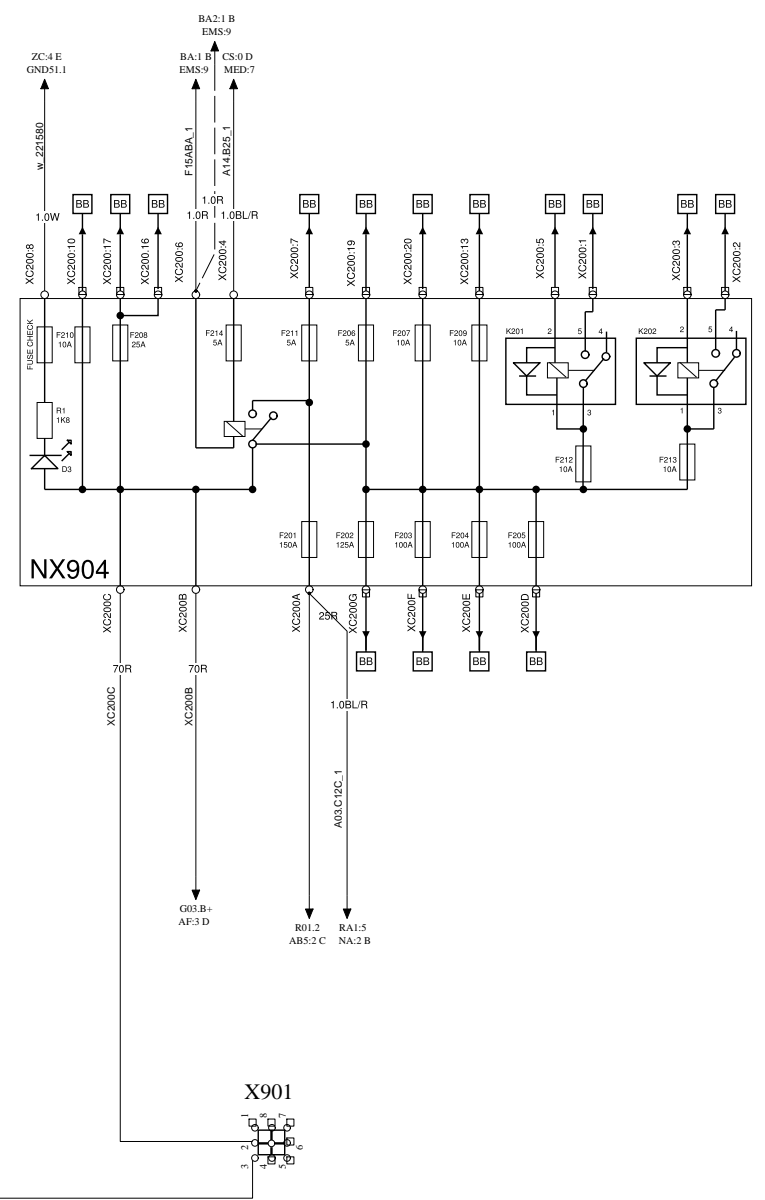
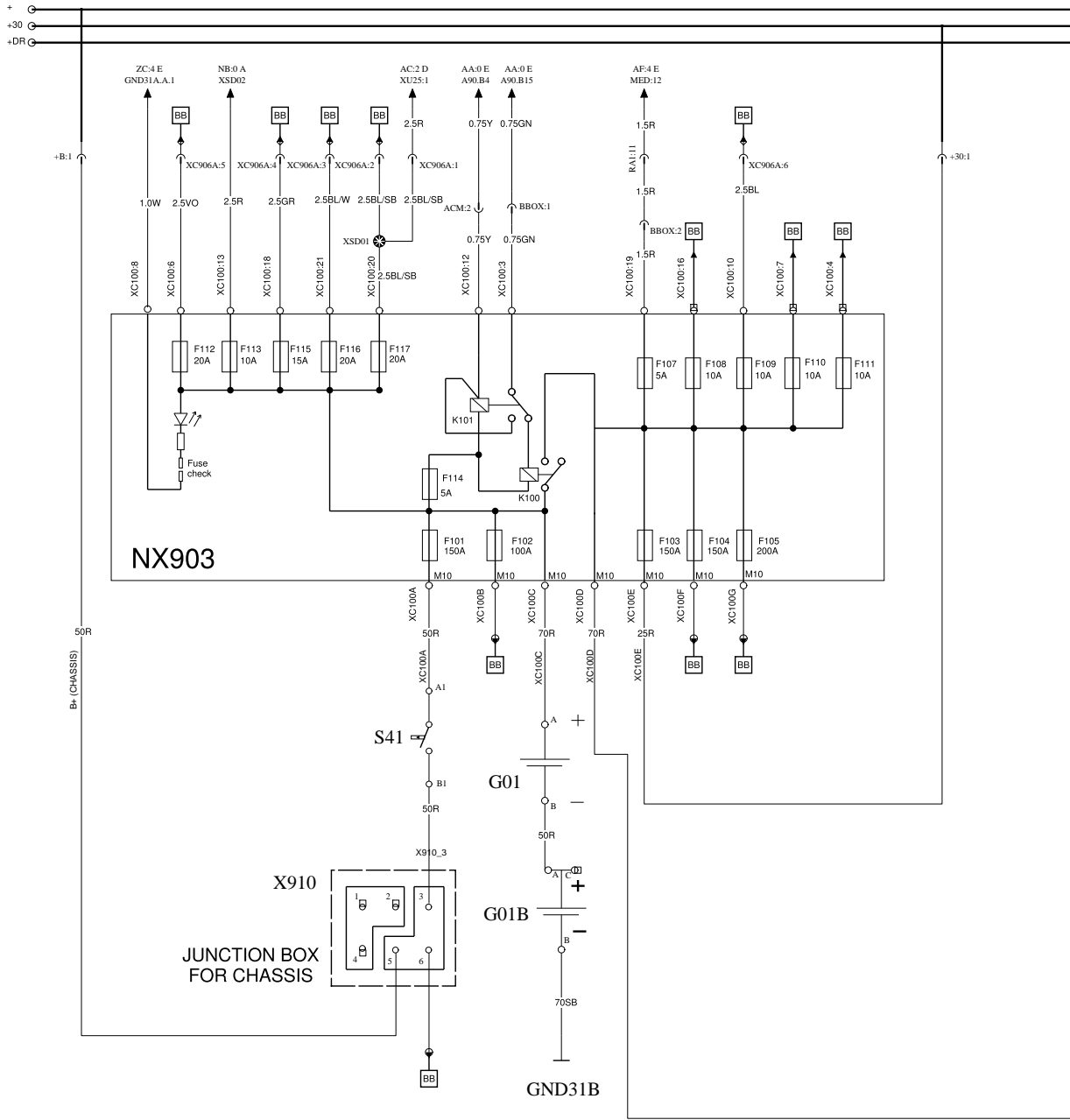
WIRING DIAGRAM AB



NVPDUF & NVPDUR

FOR EURO 5 (MEXICO)

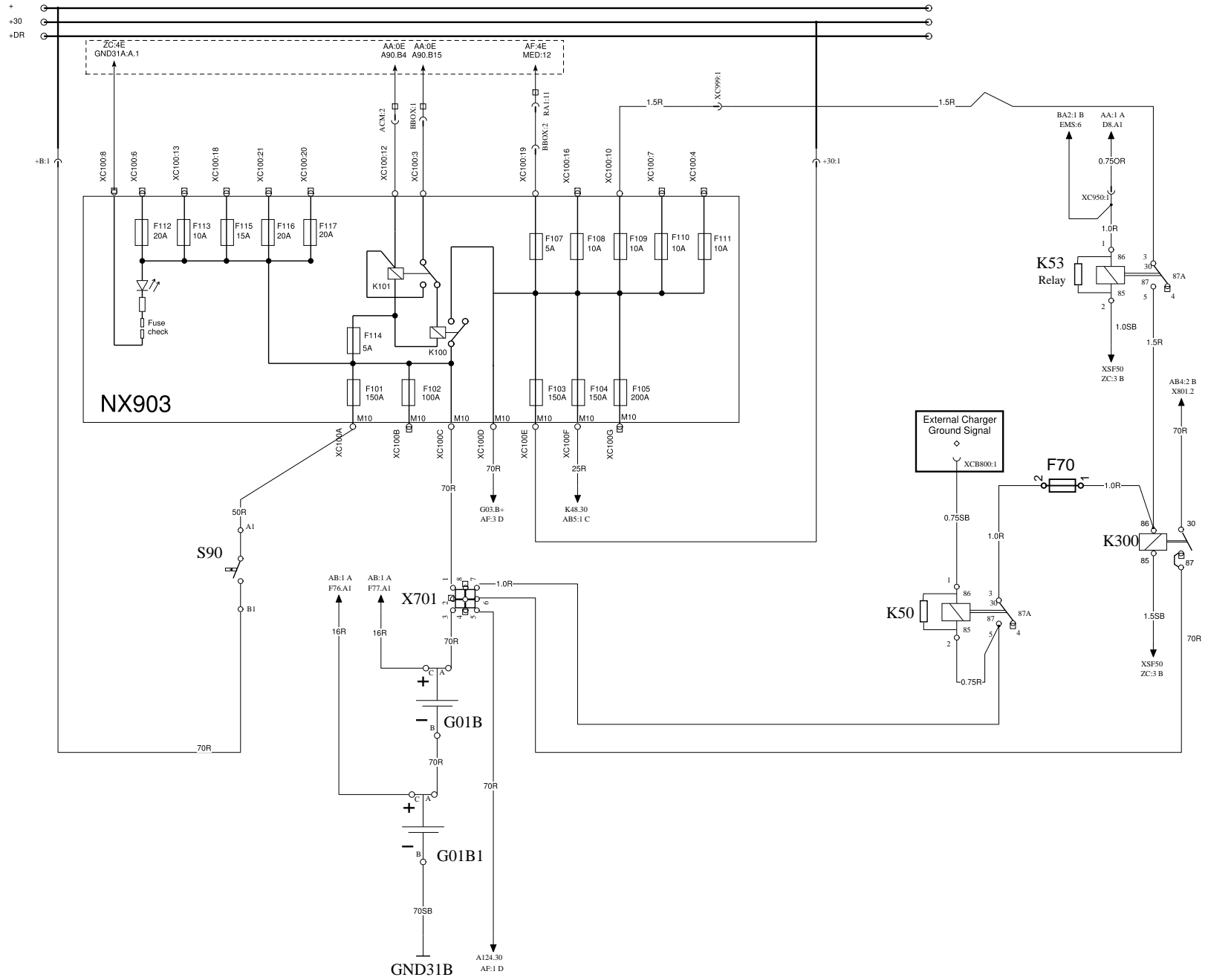
WIRING DIAGRAM AB2

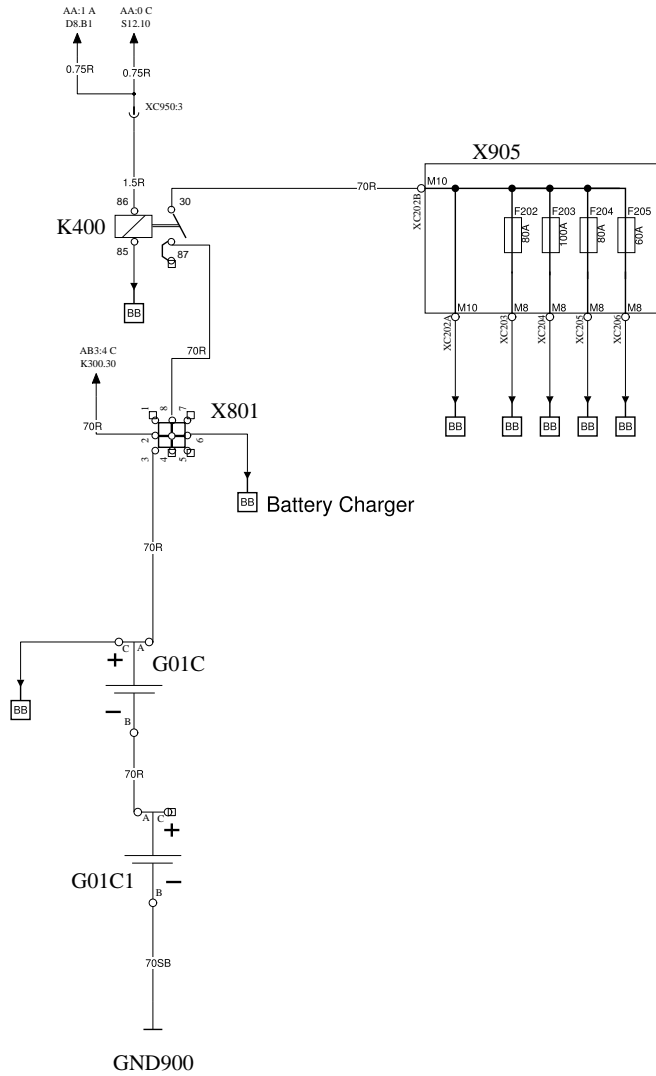


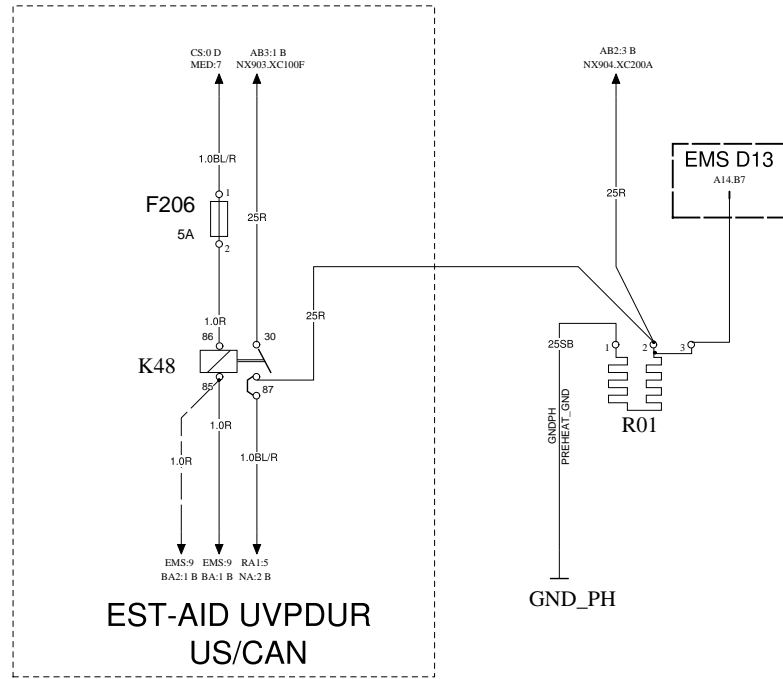
STARTER BATTERY

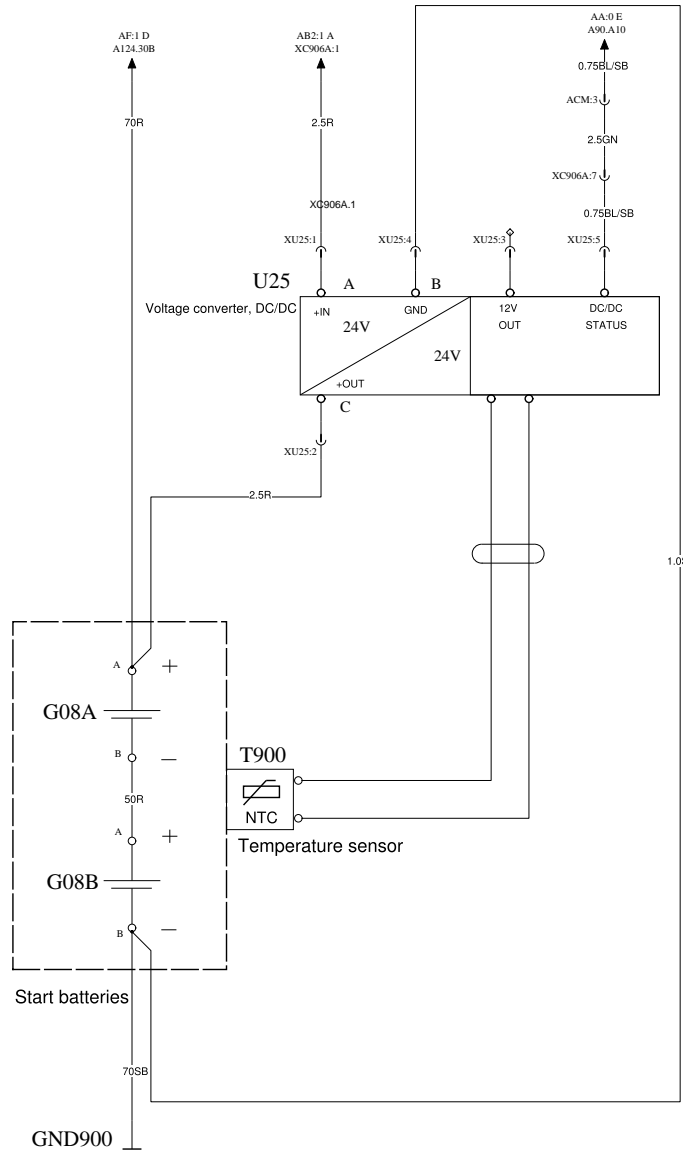
US/CAN

WIRING DIAGRAM AB3



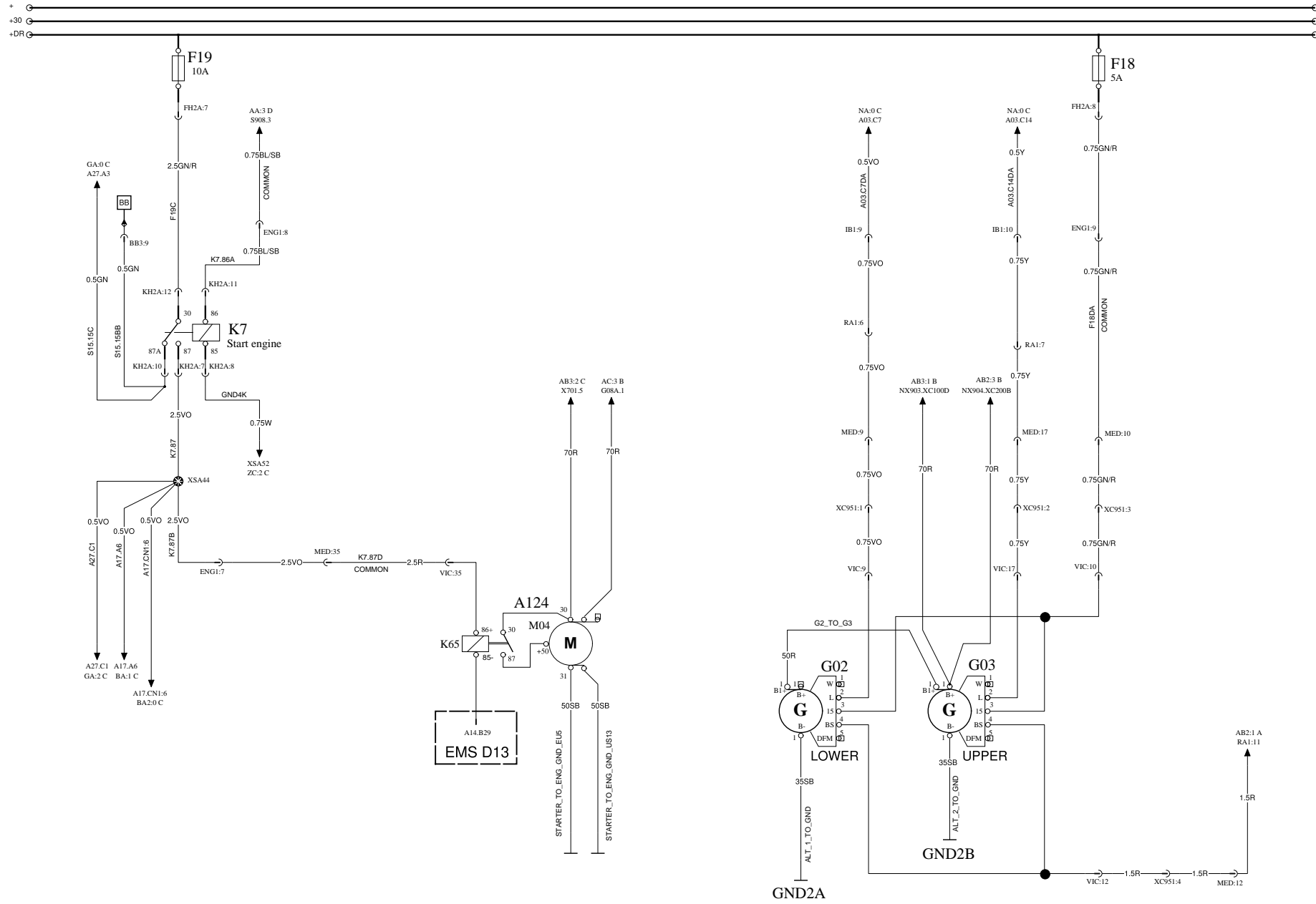






STARTER MOTOR AND ALTERNATORS

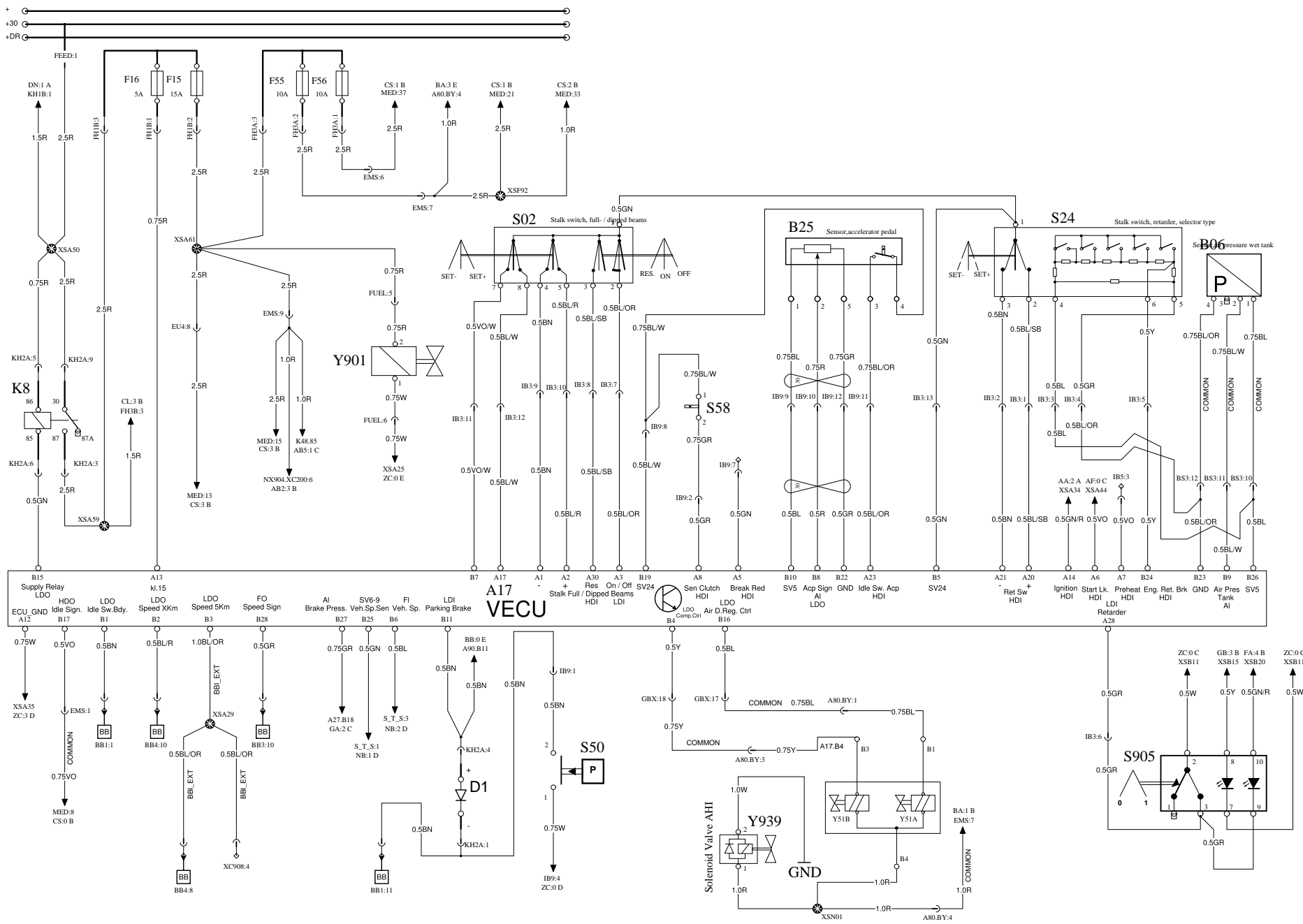
WIRING DIAGRAM AF



VOLVO
Volvo Bus Corporation

Document title WIRING DIAGRAM		Document No	Issue	Volume	Page
Document type PRODUCT SCHEMATIC		22610880	10	02(03)	8(58)

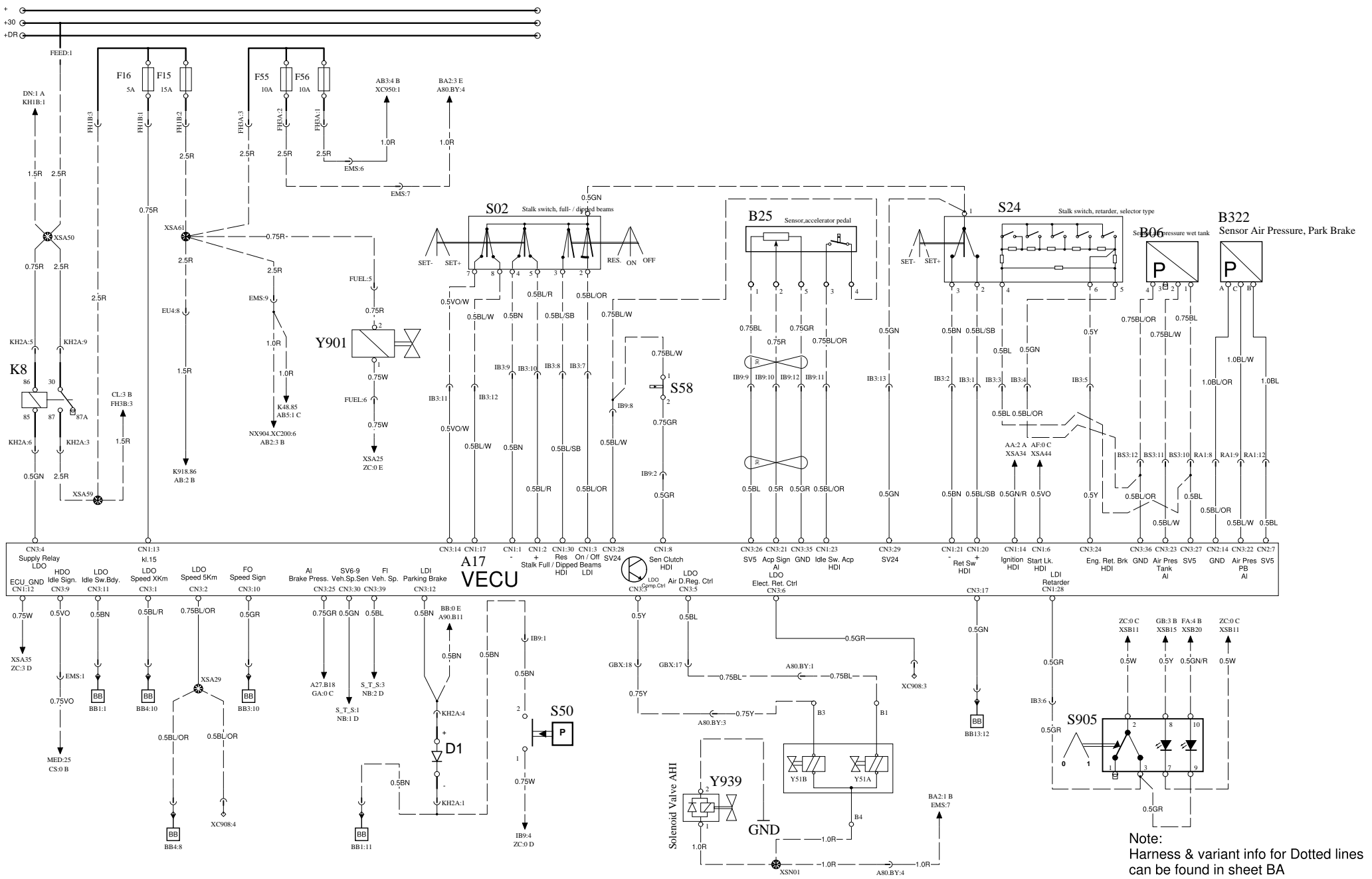
VECU VEHICLE ECU (EU5) WIRING DIAGRAM BA



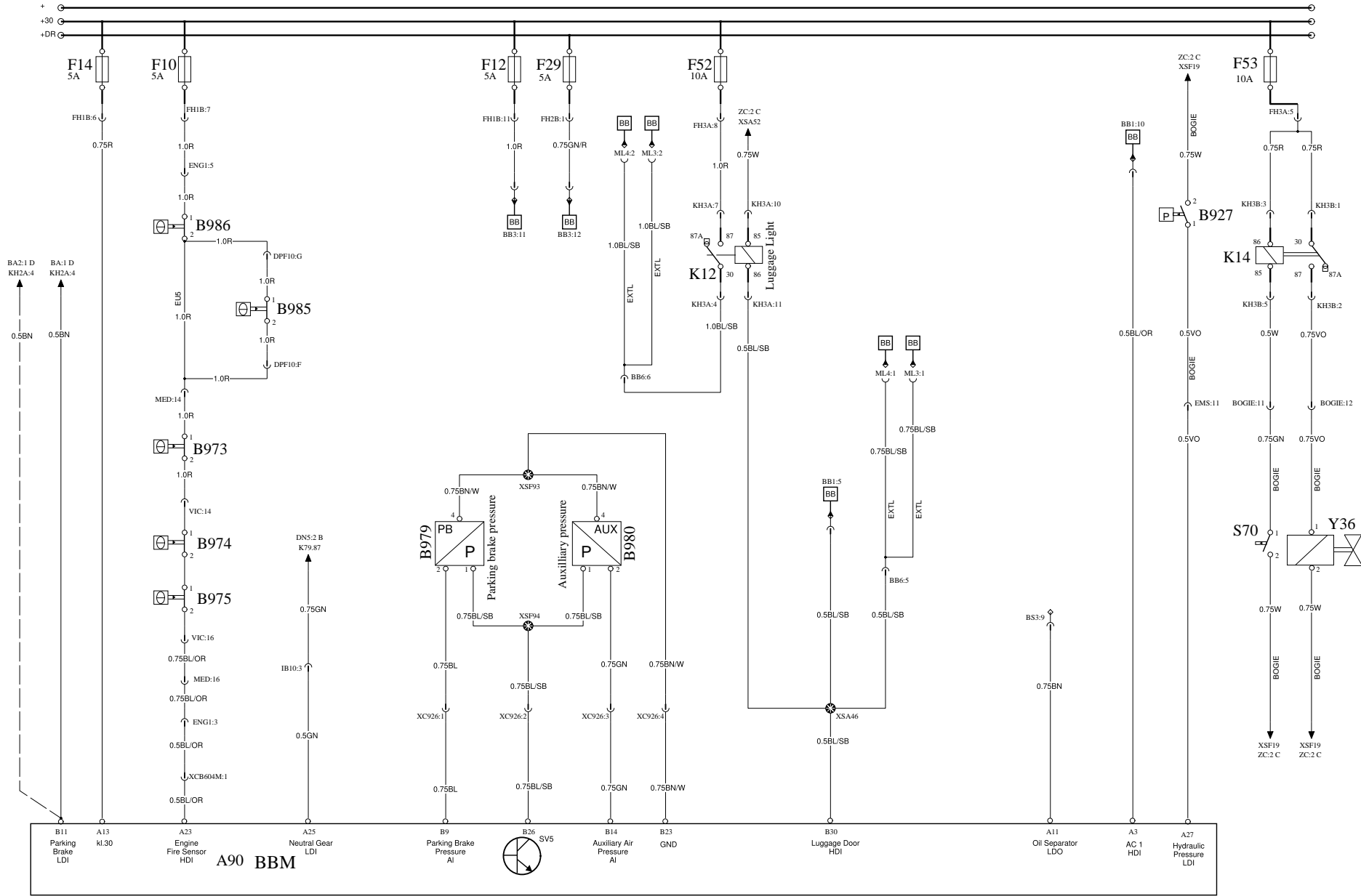
VECU

VEHICLE ECU (US/CAN)

WIRING DIAGRAM BA2

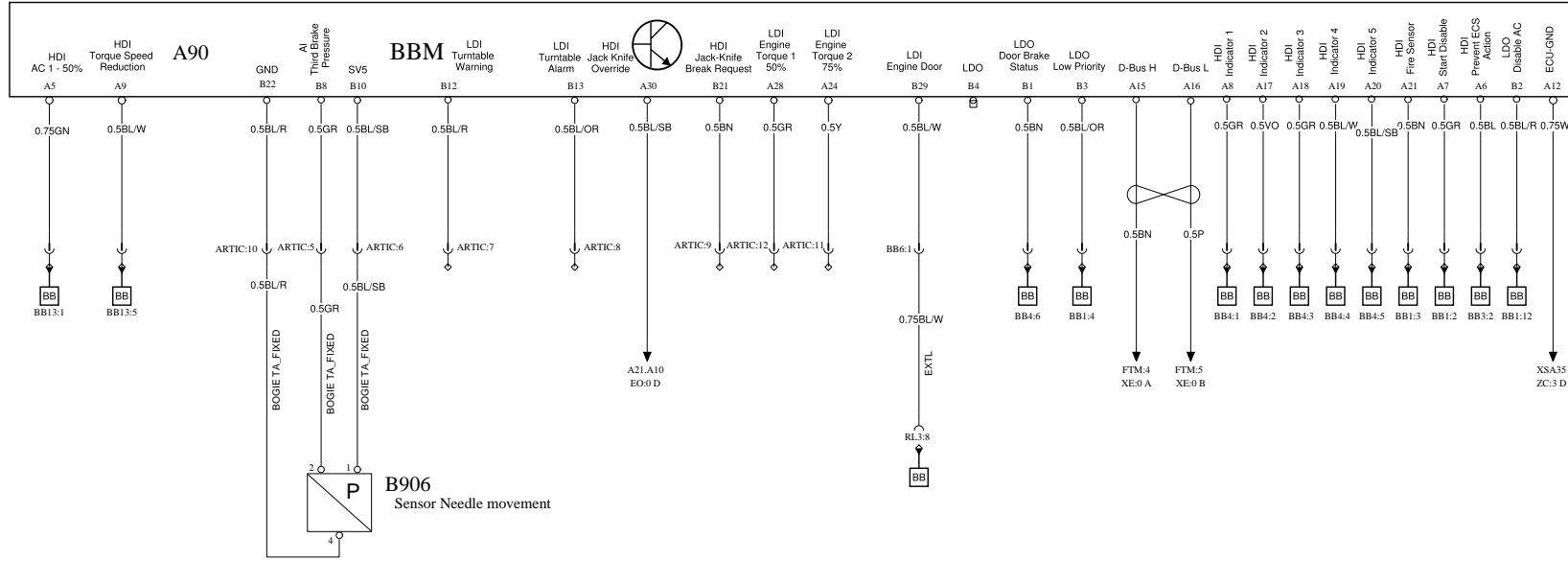


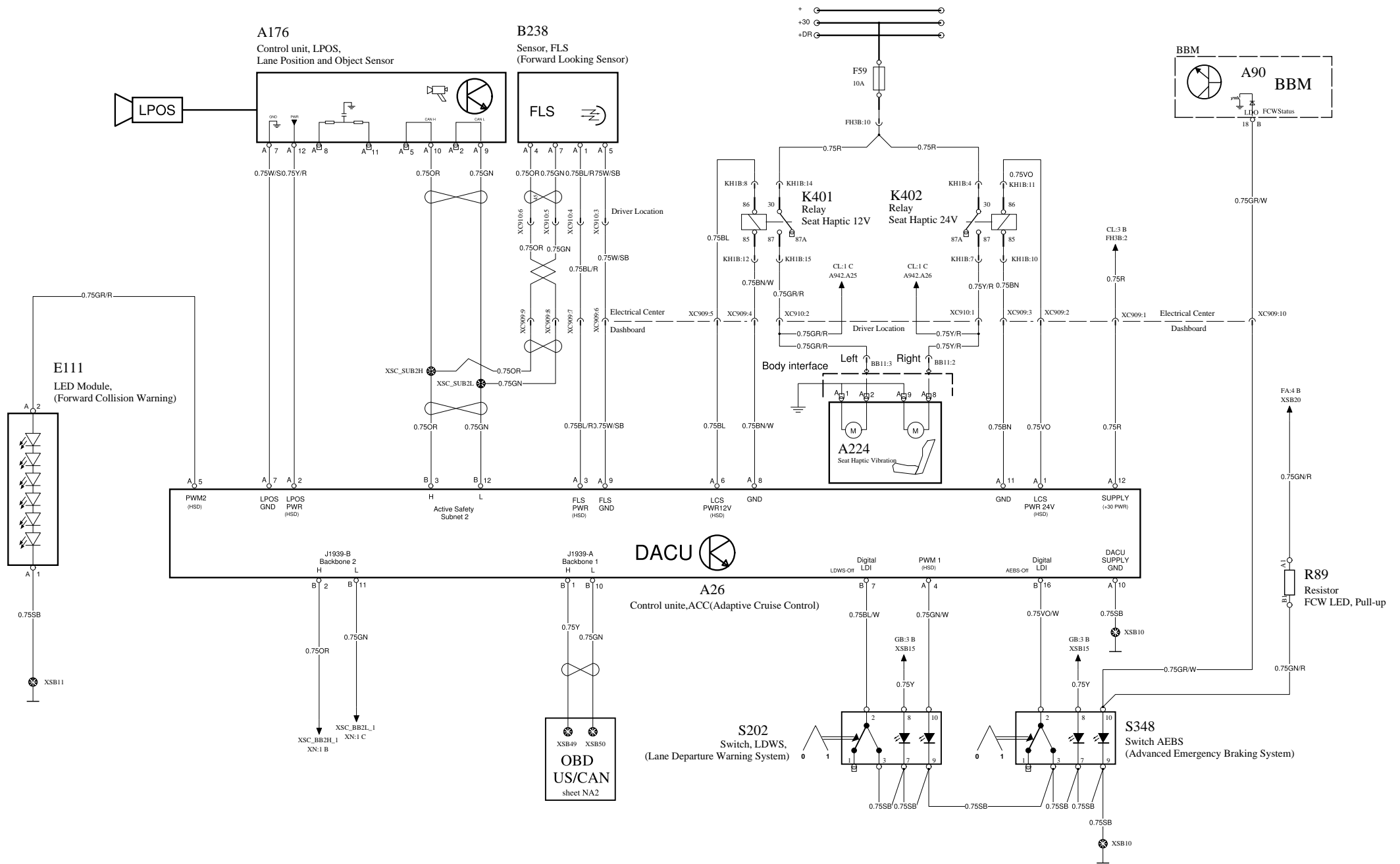
BBM BODY BUILDER MODULE WIRING DIAGRAM BB

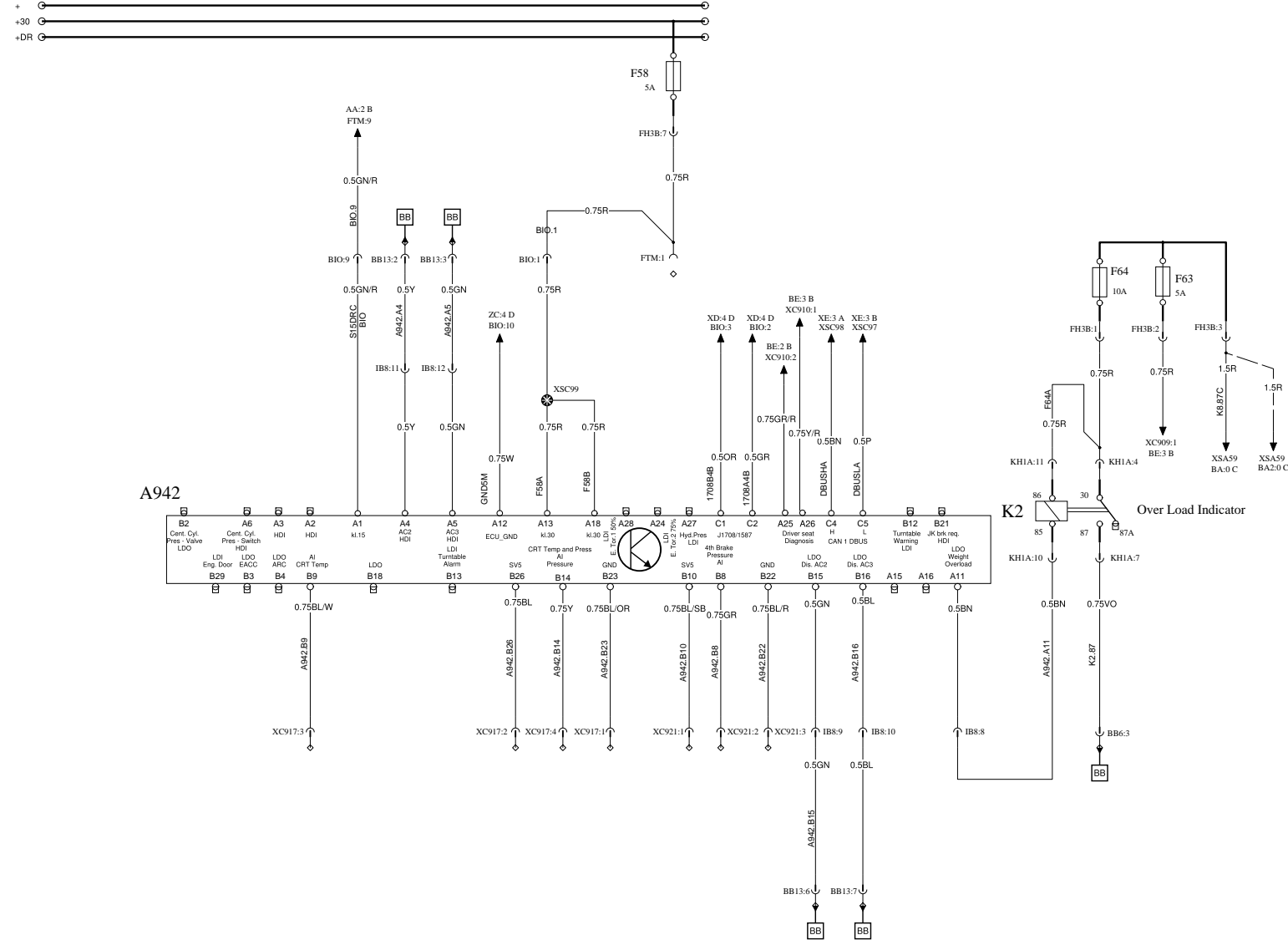


BODY BUILDER MODULE

WIRING DIAGRAM BC

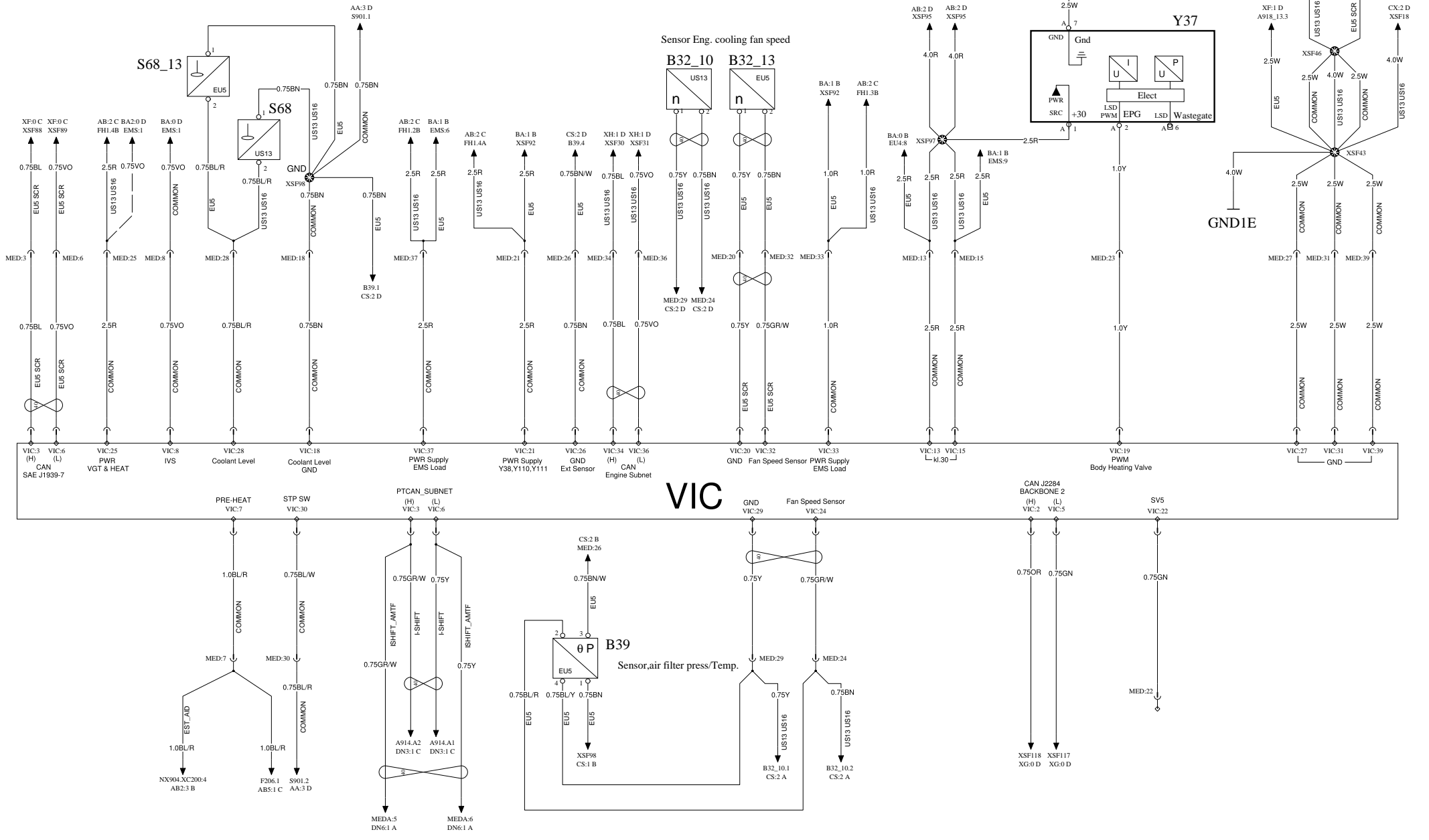






ENGINE INTERFACE D13

WIRING DIAGRAM CS



DNOX2 FOR EURO 5

WIRING DIAGRAM CU

A

B

C

D

E

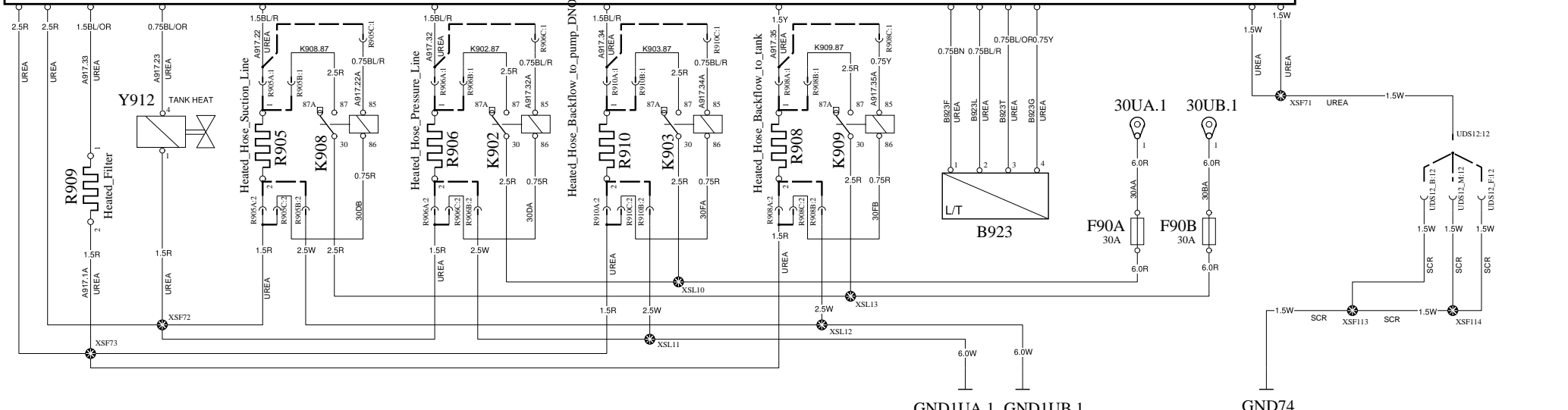
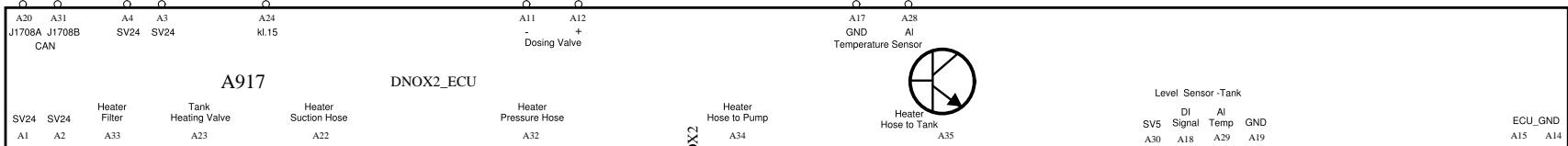
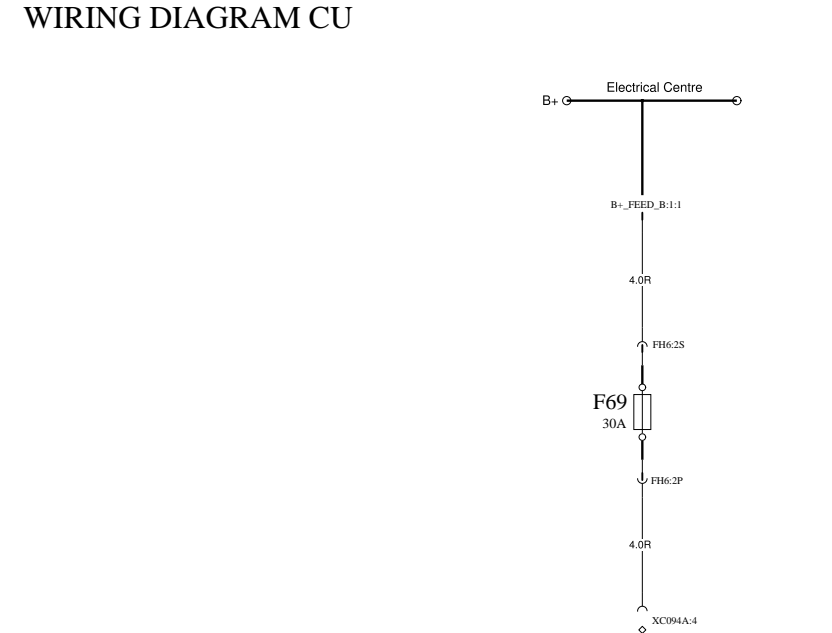
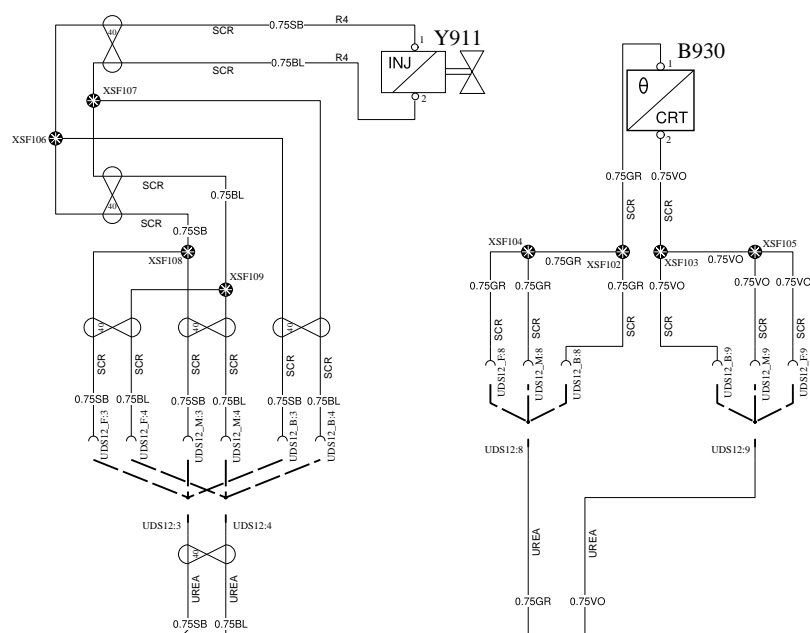
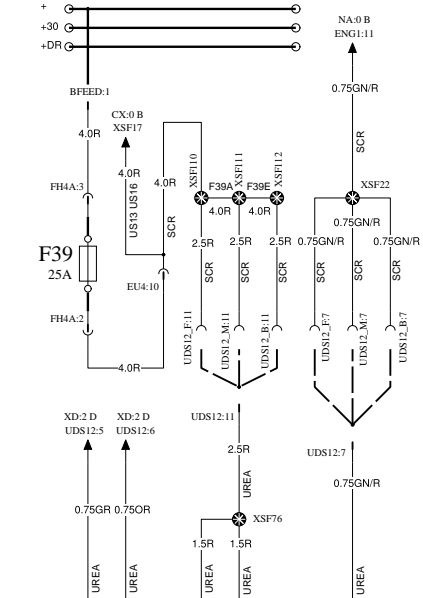
A

B

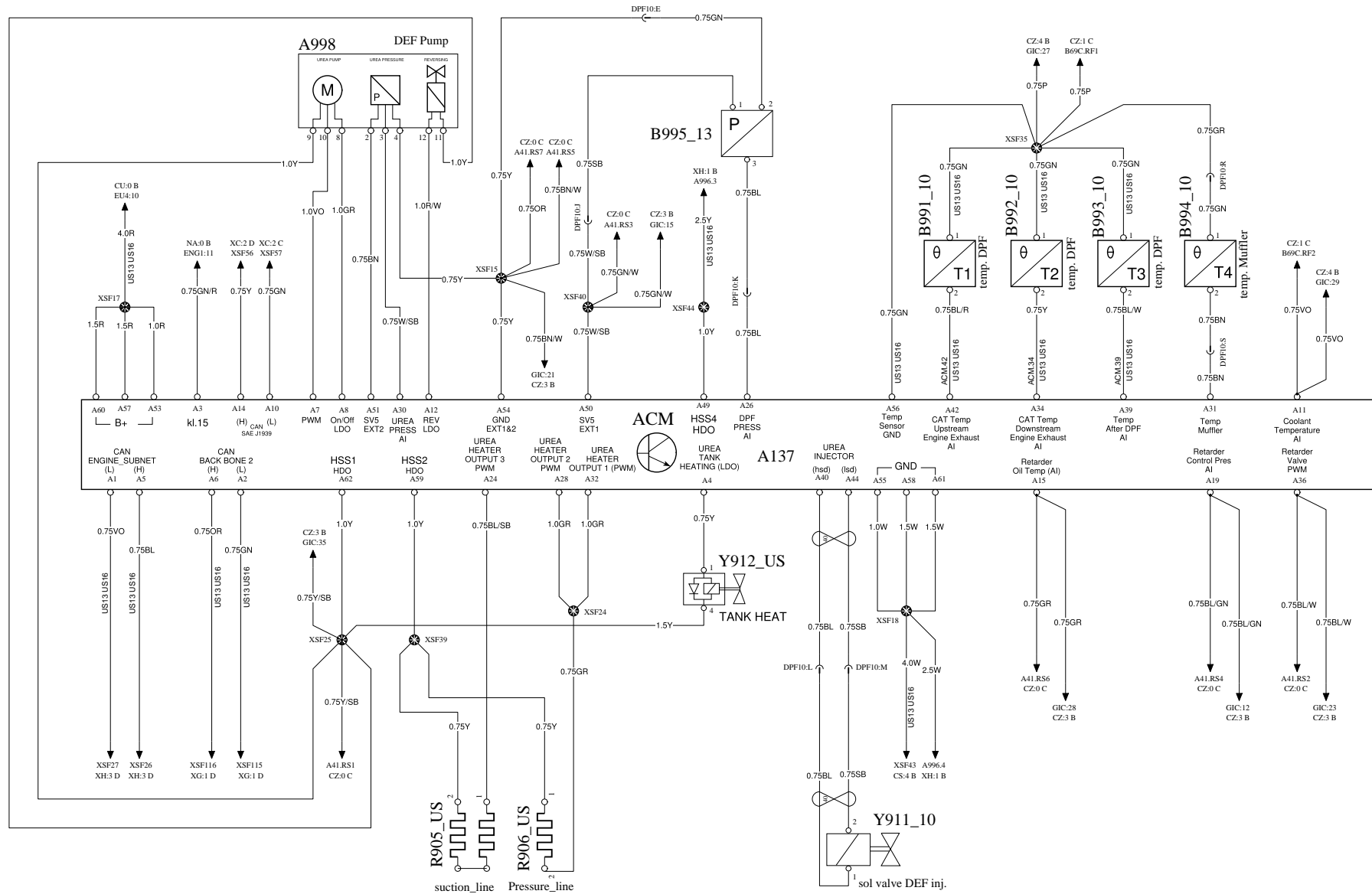
C

D

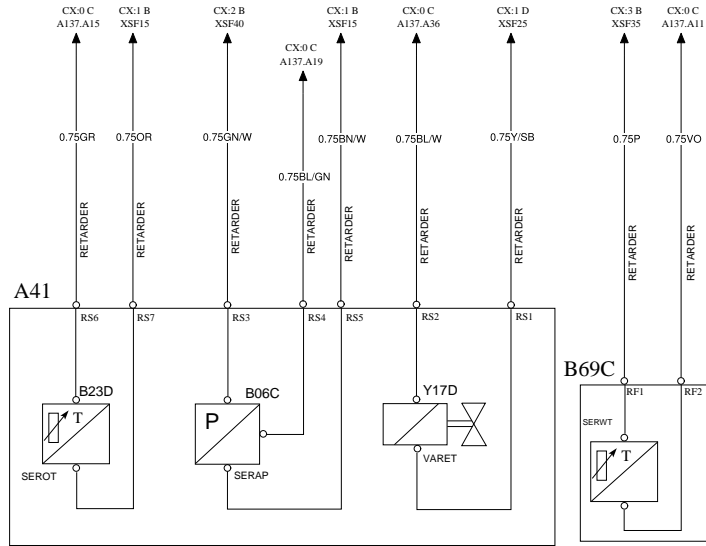
E



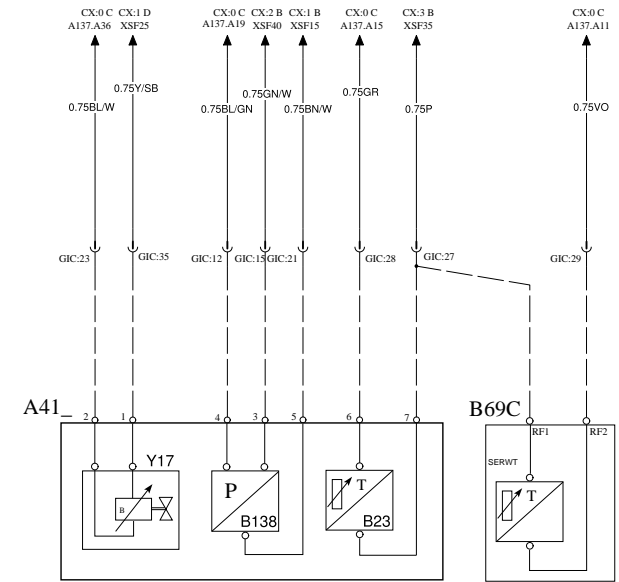
<p>VOLVO Volvo Bus Corporation</p>		Document title	Document No	Issue	Volume	Page
		WIRING DIAGRAM				
		Document type				
		PRODUCT SCHEMATIC				



CONNECTIONS FOR AMT-D



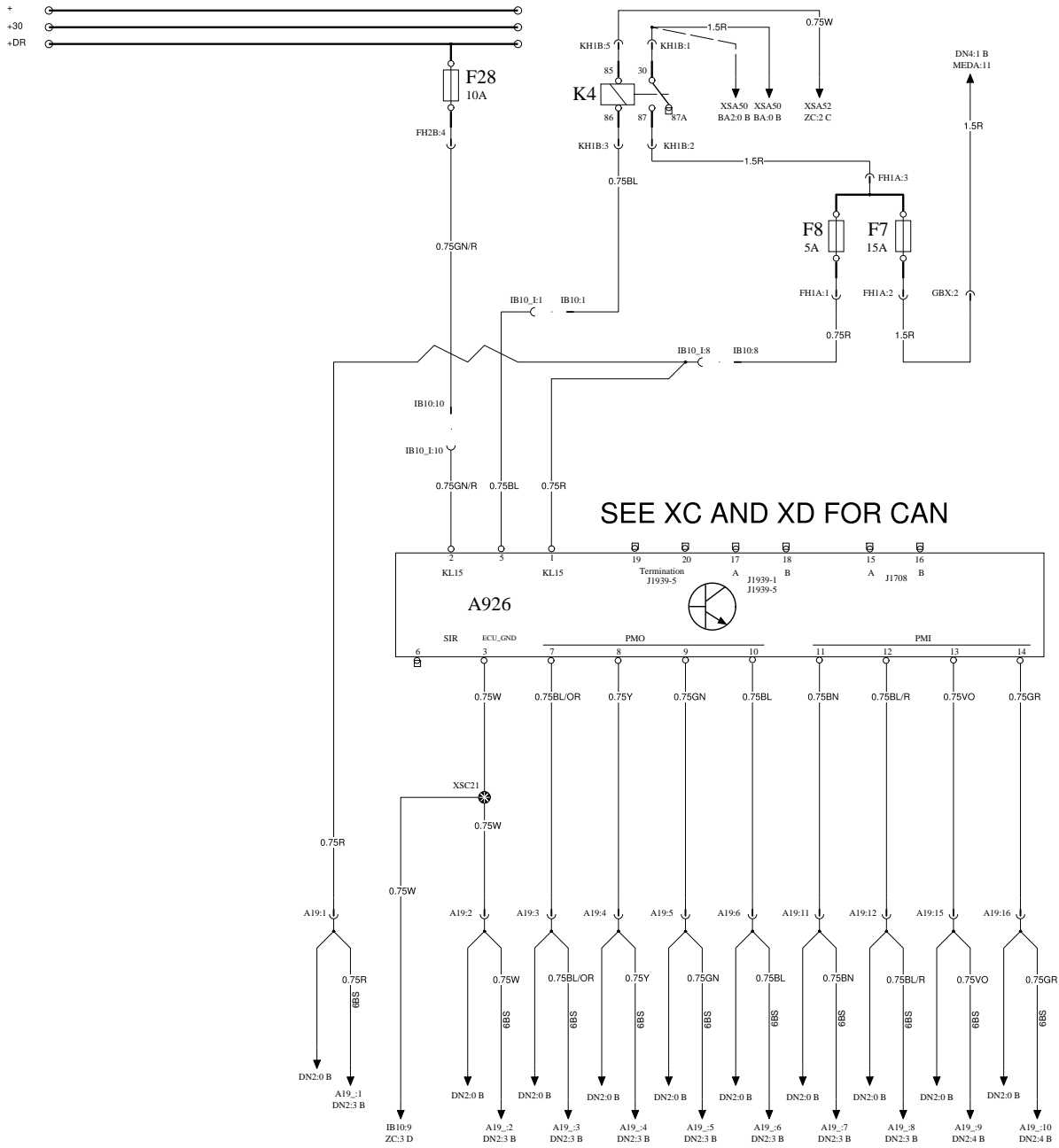
CONNECTIONS FOR AMT-F



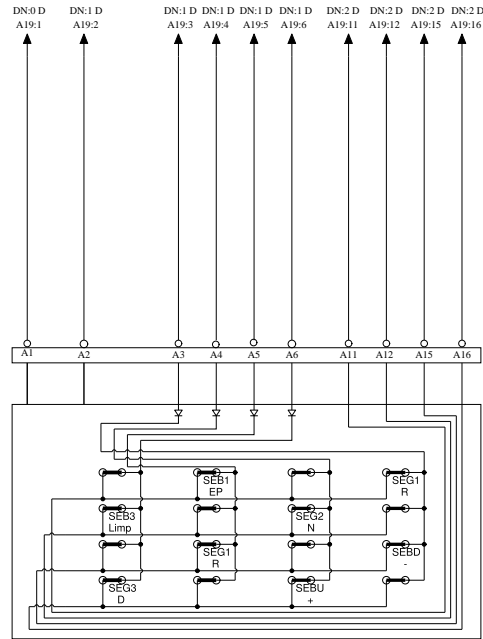
I-SHIFT

GECU

WIRING DIAGRAM DN



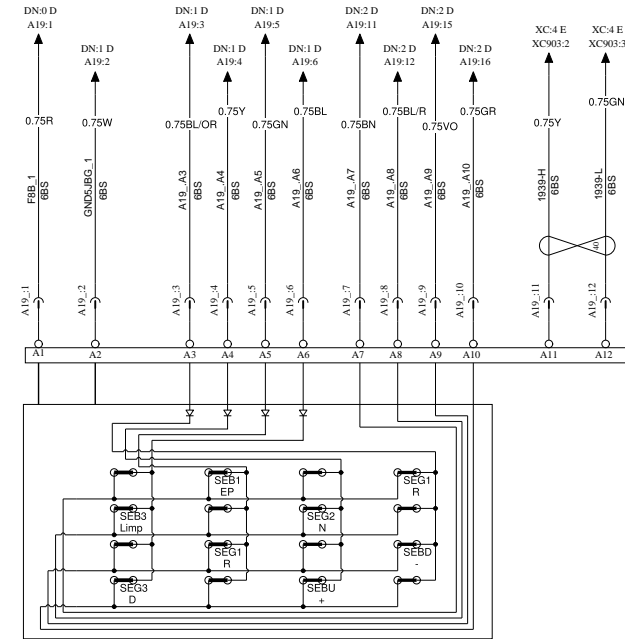
GEAR LEVER GSS-STD, GSS-PRO AND GSS-4BS



CONNECTIONS

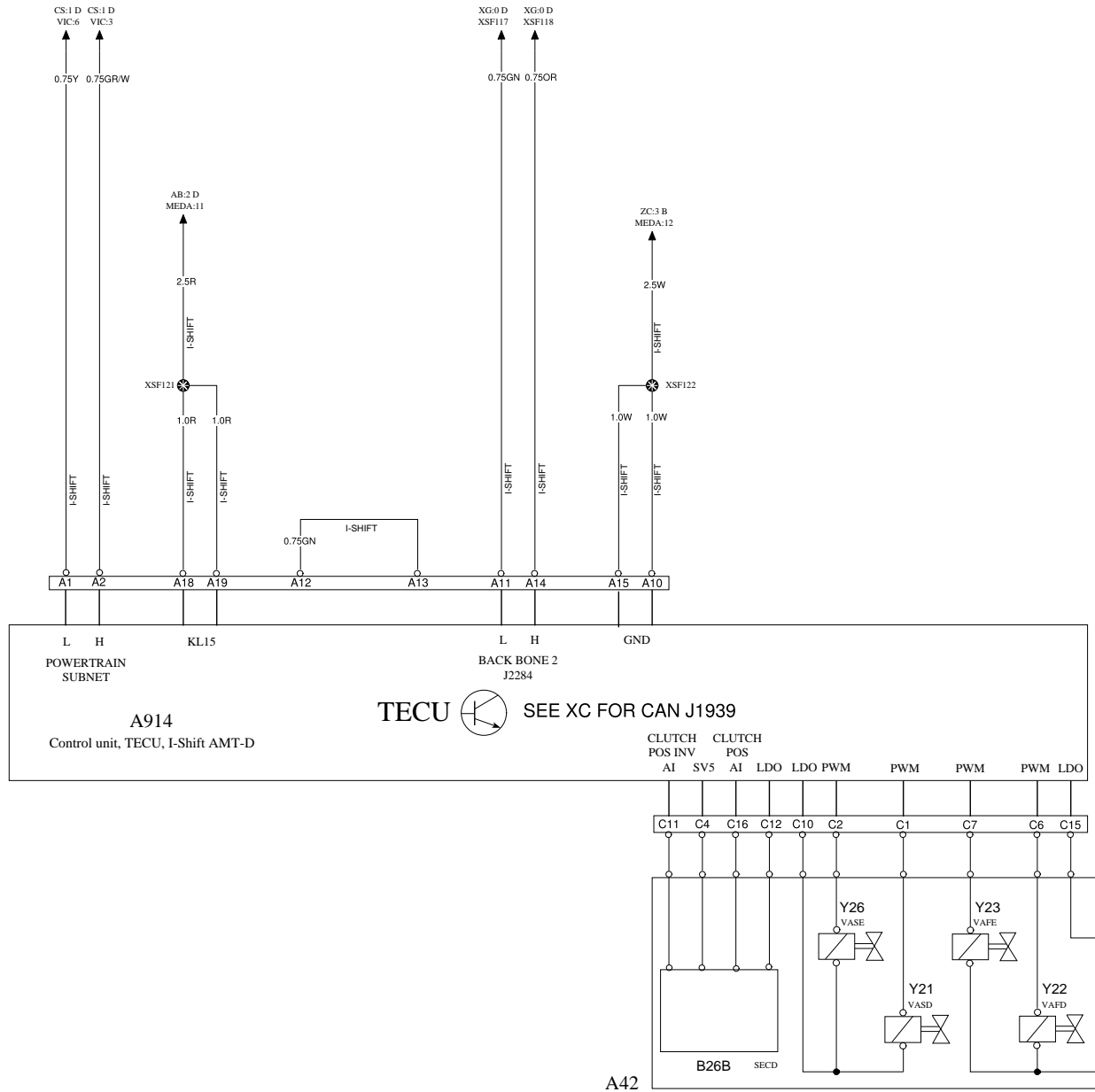
PIN	SIGNAL NAME	ASSIGNMENT
1	UBATT	MAIN SUPPLY
2	GND	MAIN GROUND
3	INP1	MATRIX INPUT 1
4	INP2	MATRIX INPUT 2
5	INP3	MATRIX INPUT 3
6	INP4	MATRIX INPUT 4
11	OUP1	MATRIX OUTPUT 1
12	OUP2	MATRIX OUTPUT 2
15	OUP3	MATRIX OUTPUT 3
16	OUP4	MATRIX OUTPUT 4

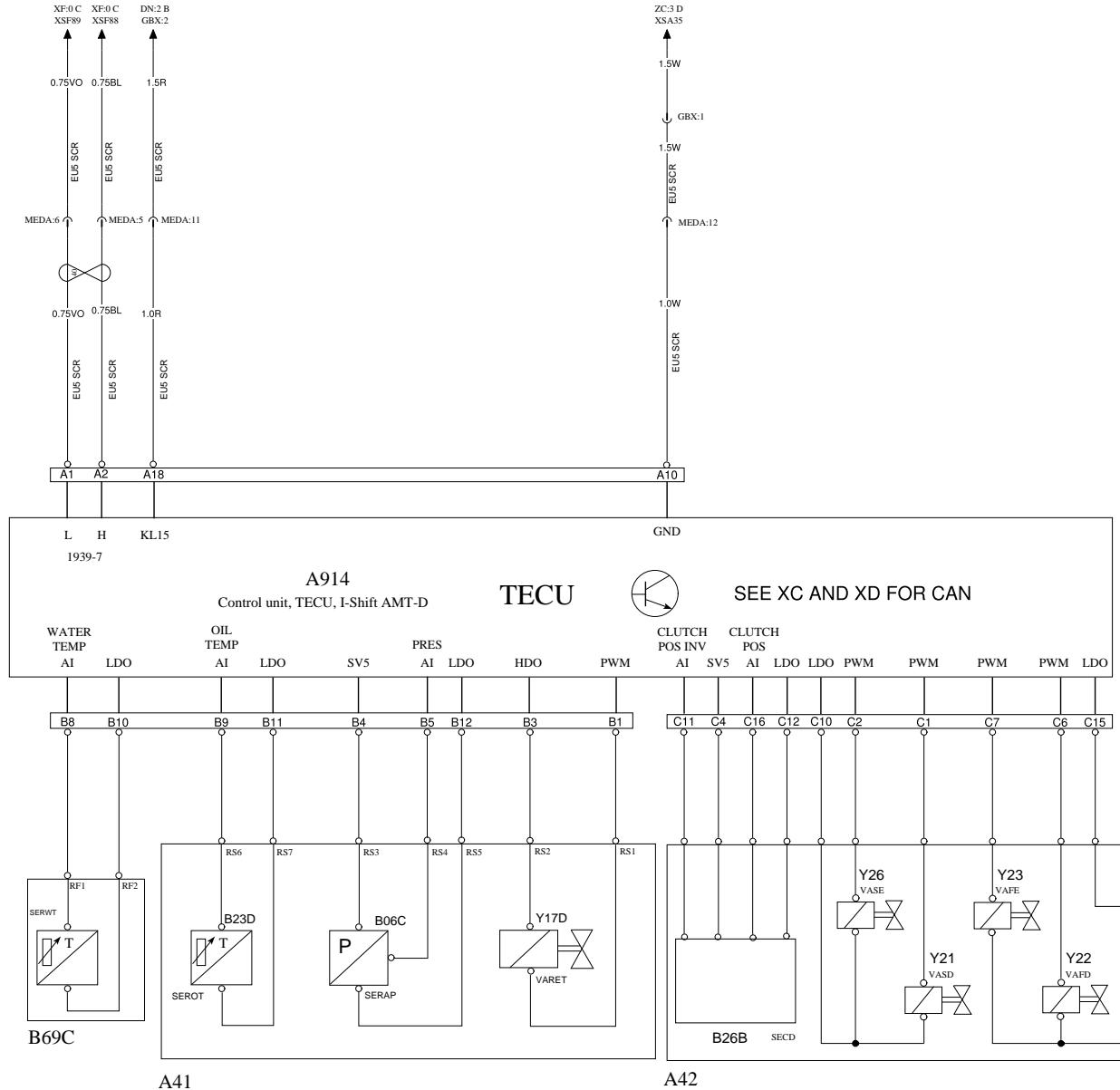
GEAR LEVER GSS-6BS

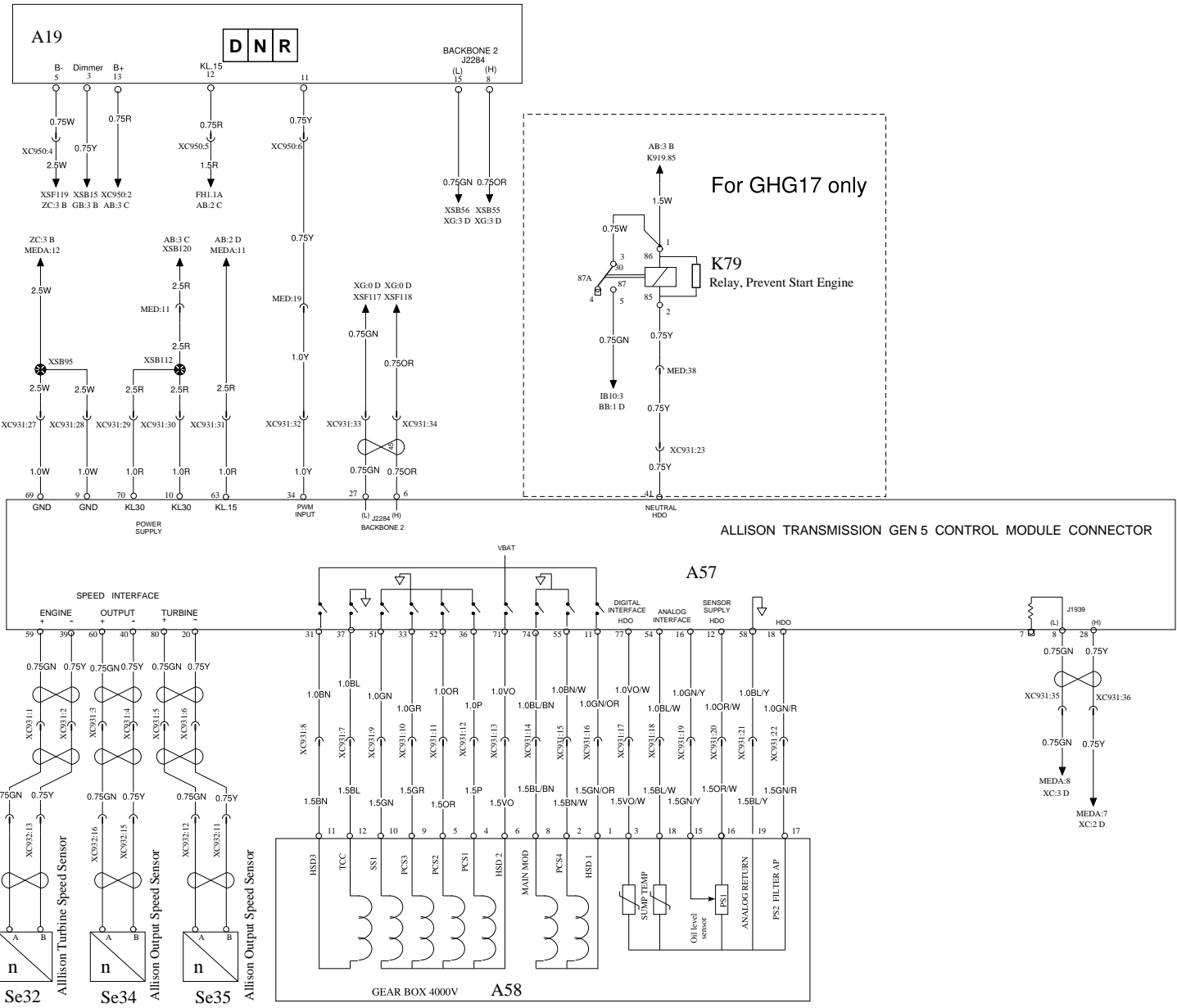


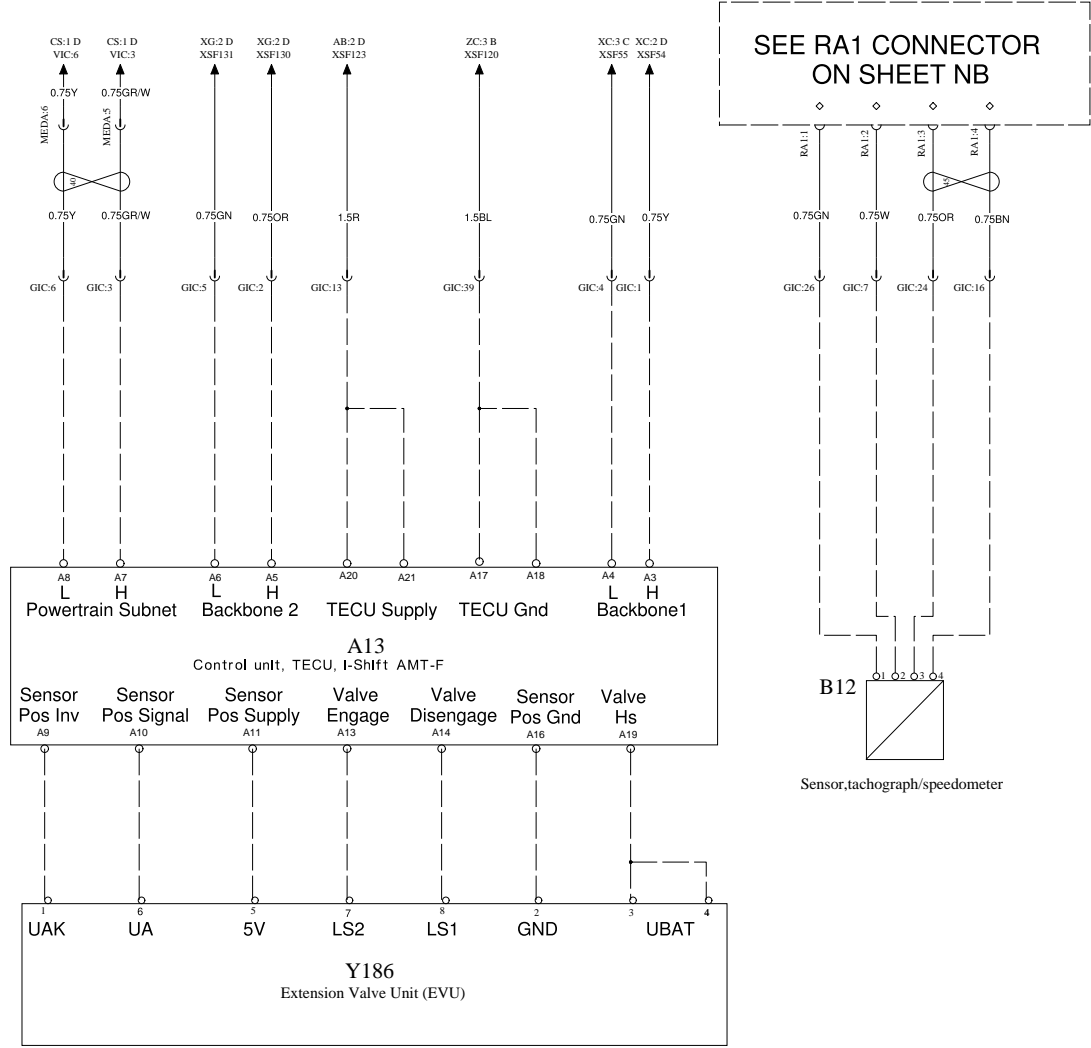
CONNECTIONS

PIN	SIGNAL NAME	ASSIGNMENT	PIN	SIGNAL NAME
1	UBATT	MAIN SUPPLY	11	J1939-H
2	GND	MAIN GROUND	12	J1939-L
3	INP1	MATRIX INPUT 1		
4	INP2	MATRIX INPUT 2		
5	INP3	MATRIX INPUT 3		
6	INP4	MATRIX INPUT 4		
7	OUP1	MATRIX OUTPUT 1		
8	OUP2	MATRIX OUTPUT 2		
9	OUP3	MATRIX OUTPUT 3		
10	OUP4	MATRIX OUTPUT 4		



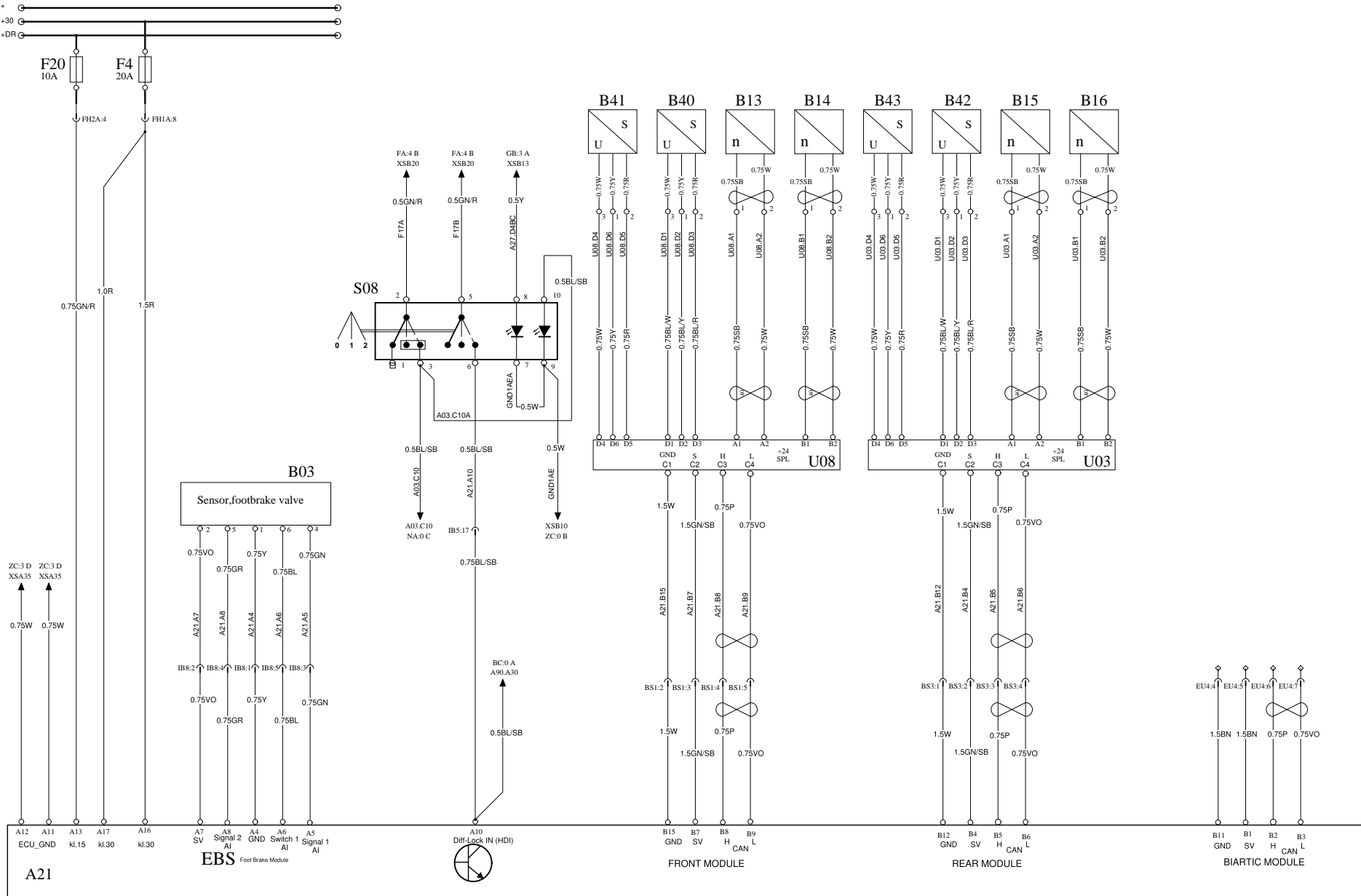


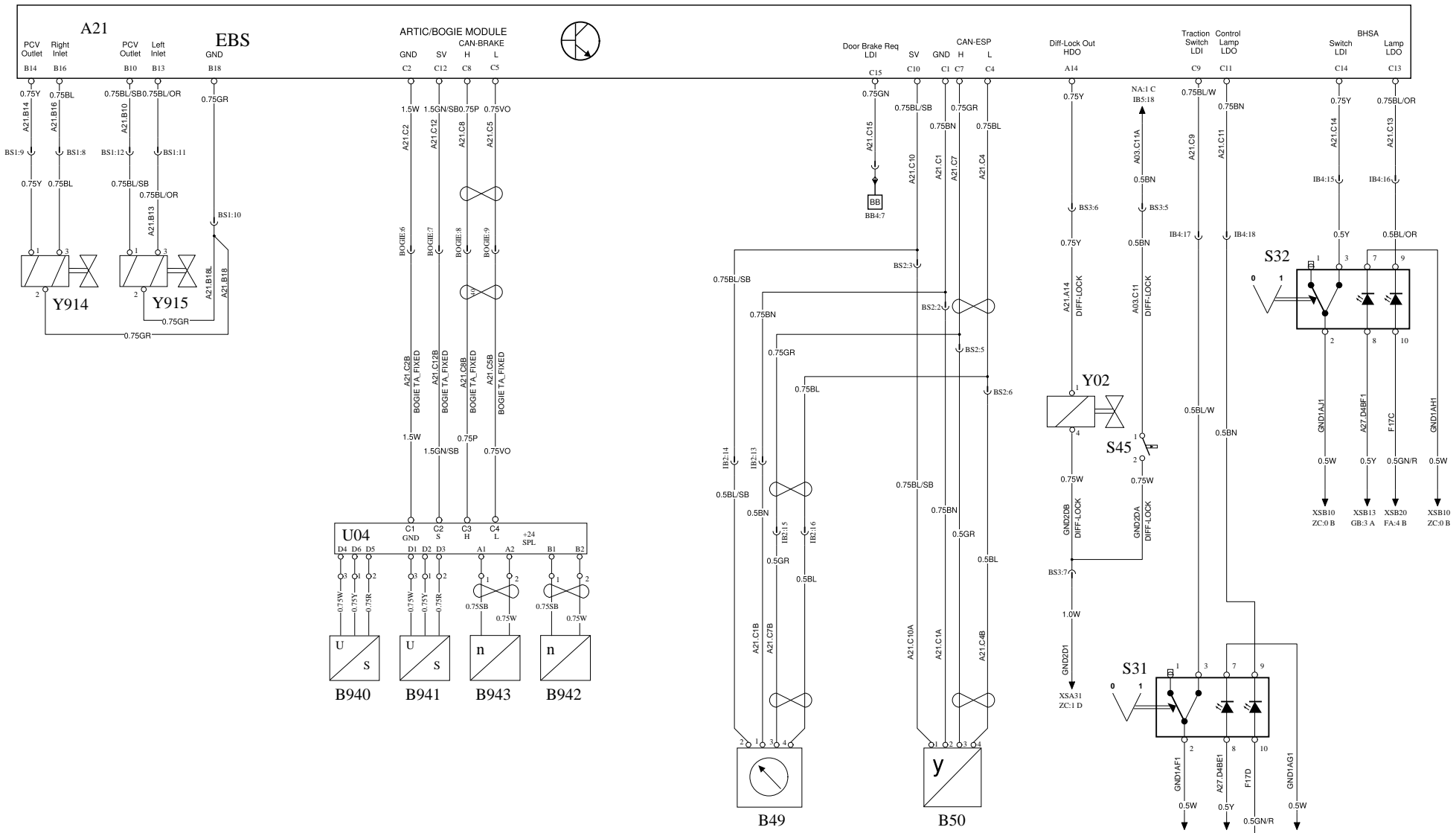




EBS

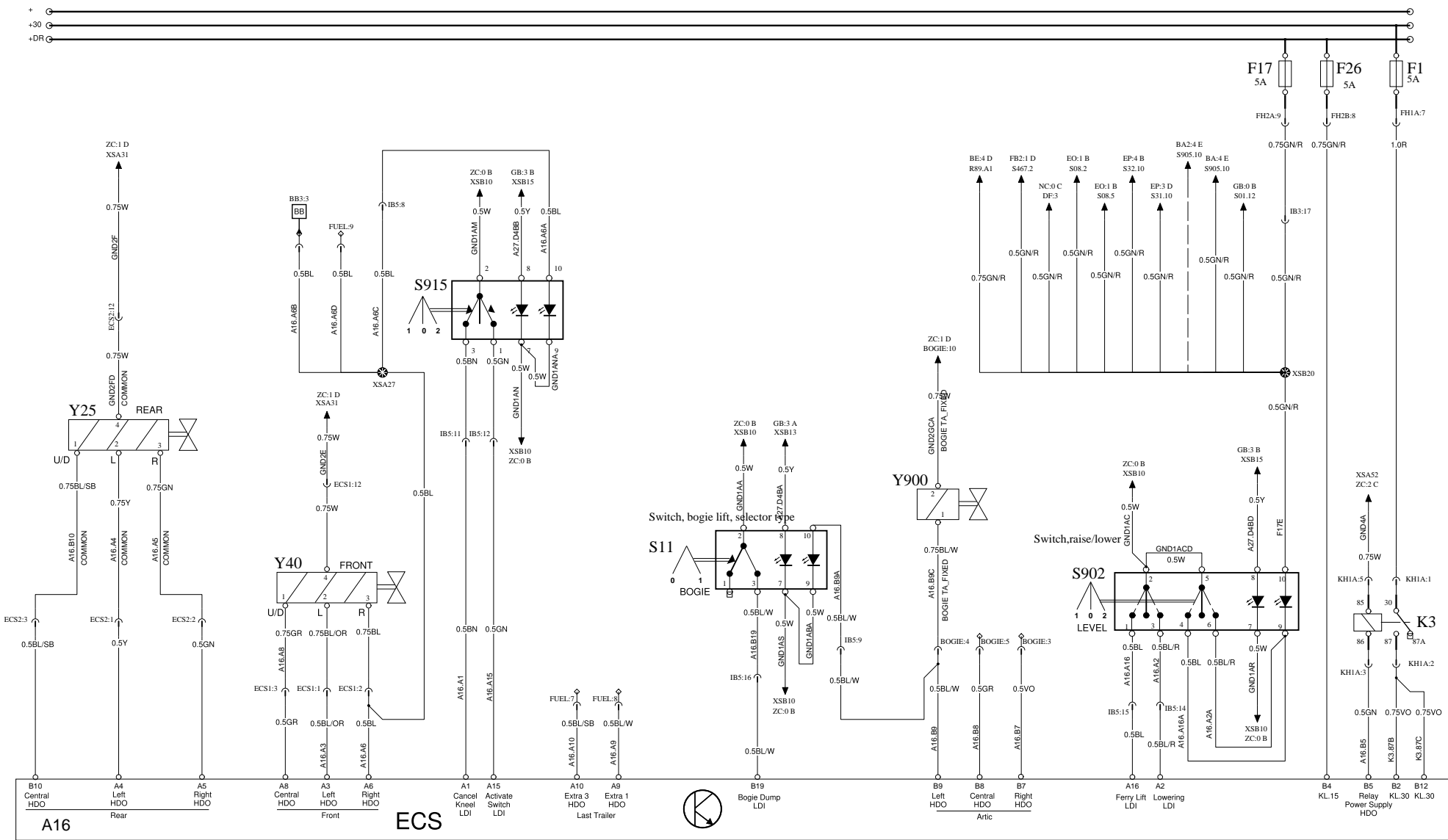
WIRING DIAGRAM EO

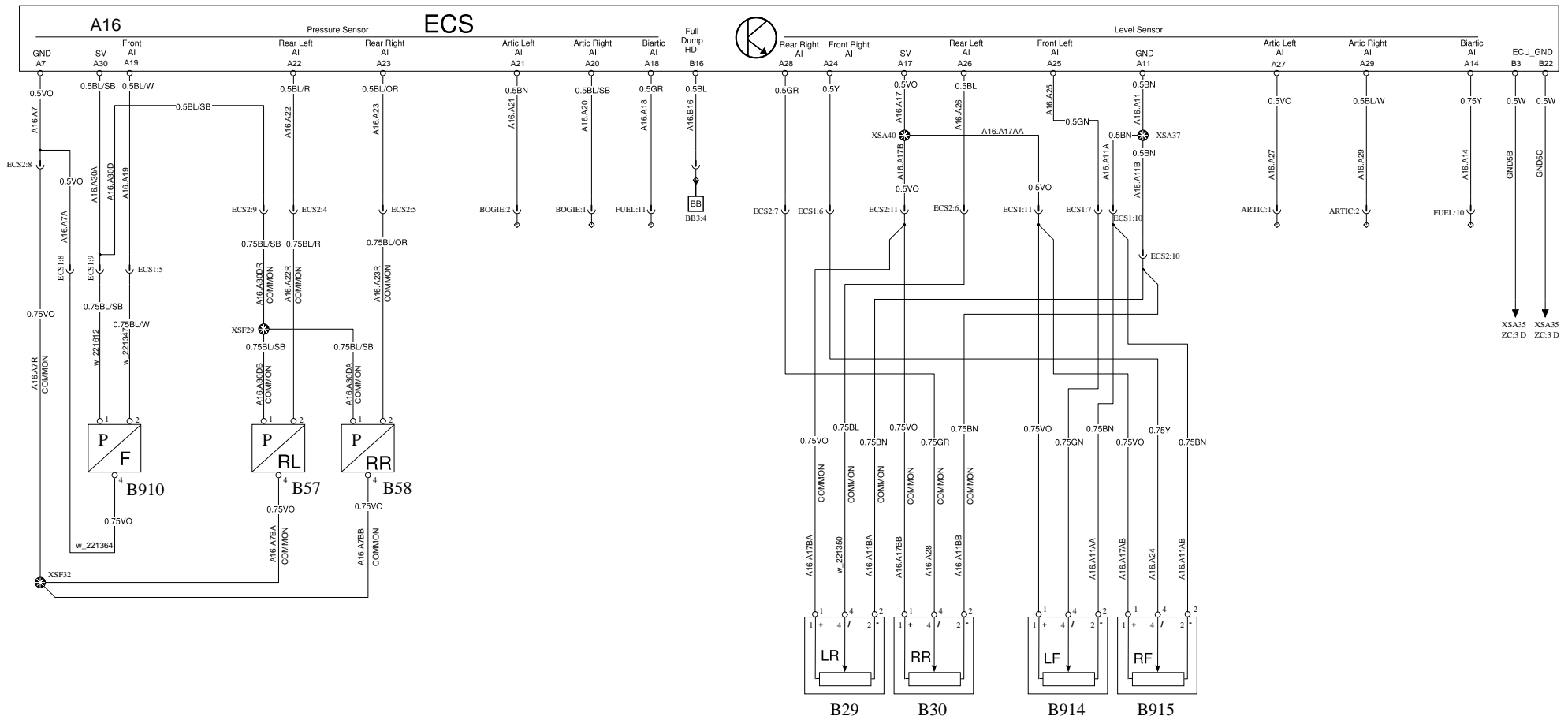




AIR SUSPENSION ECS

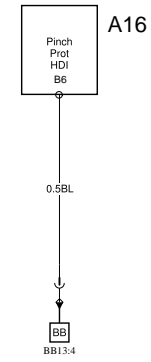
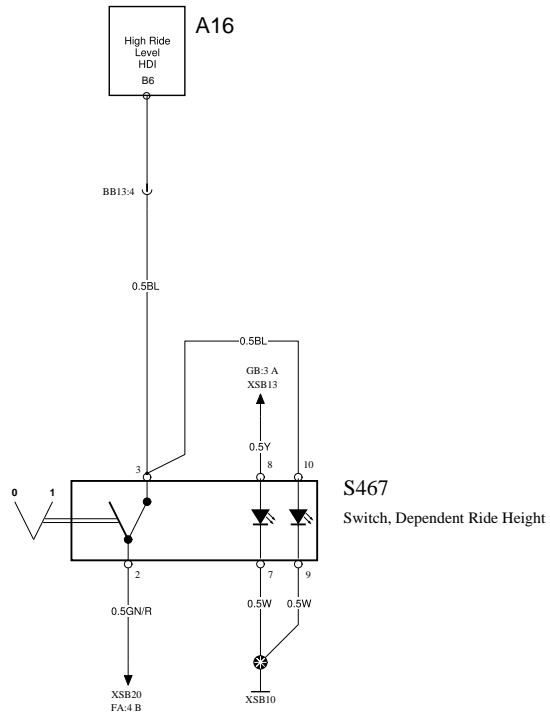
WIRING DIAGRAM FA

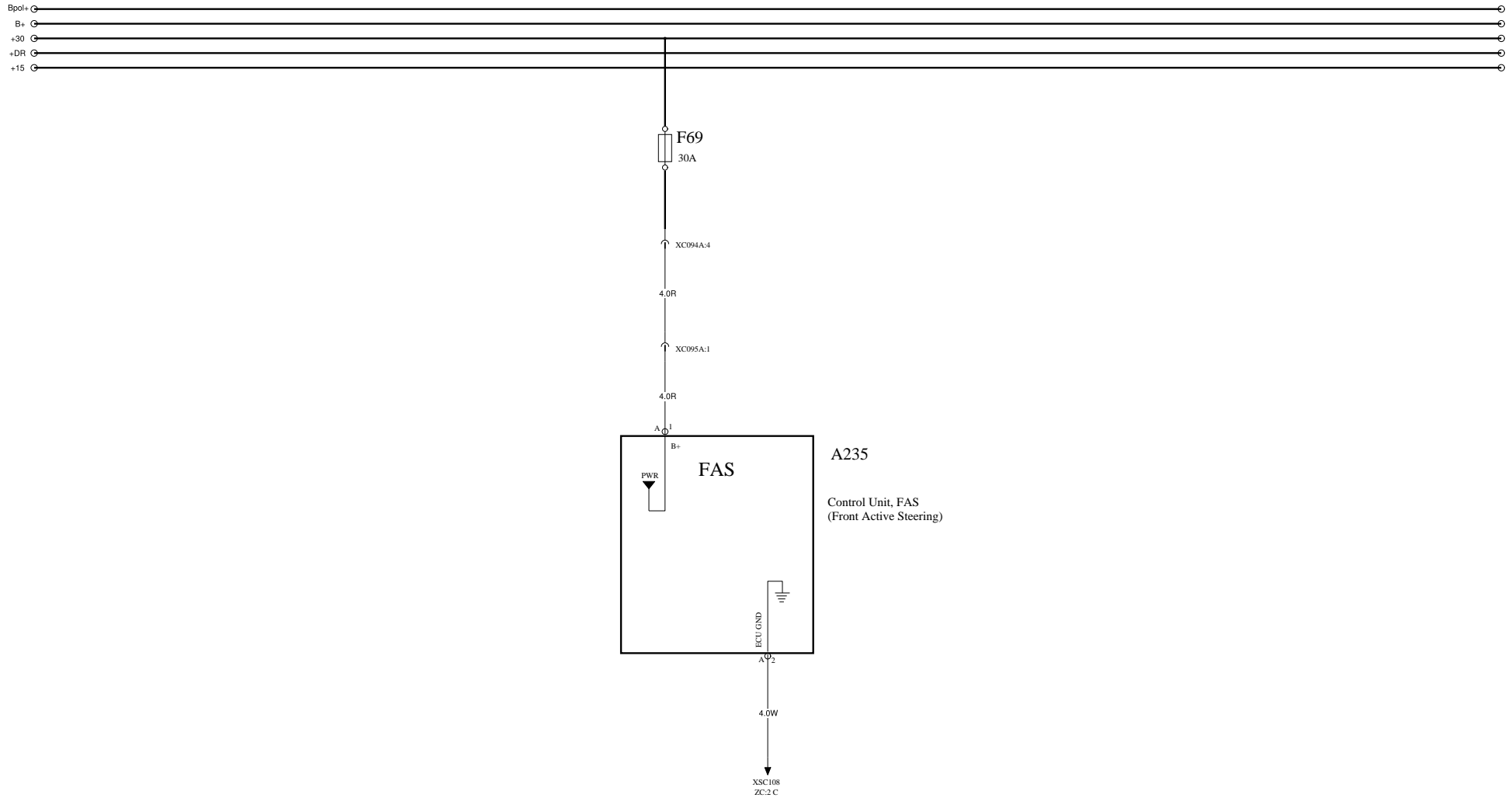


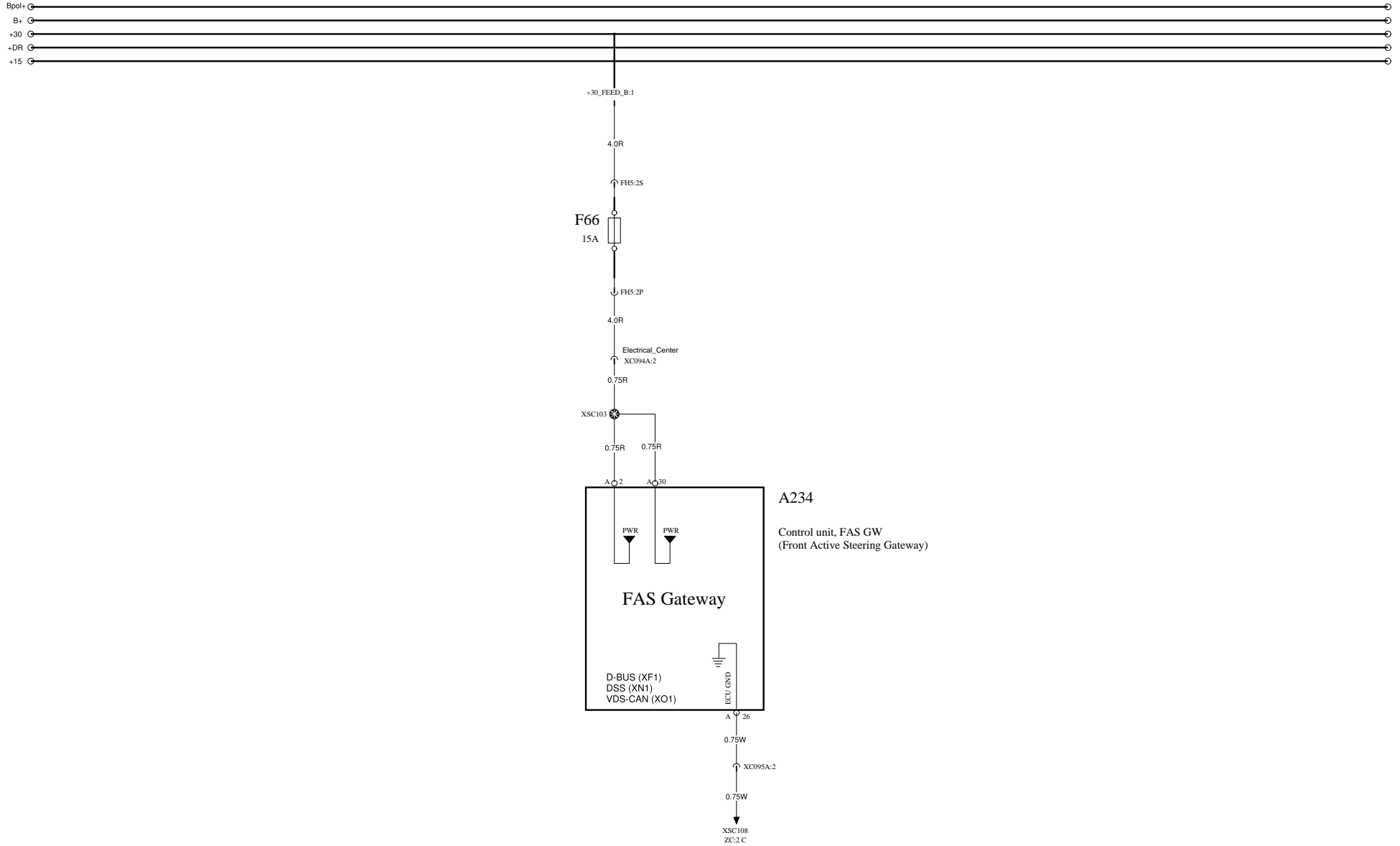


B13R - Switch Speed Dependent Ride Height

B13R - Pinch Protection



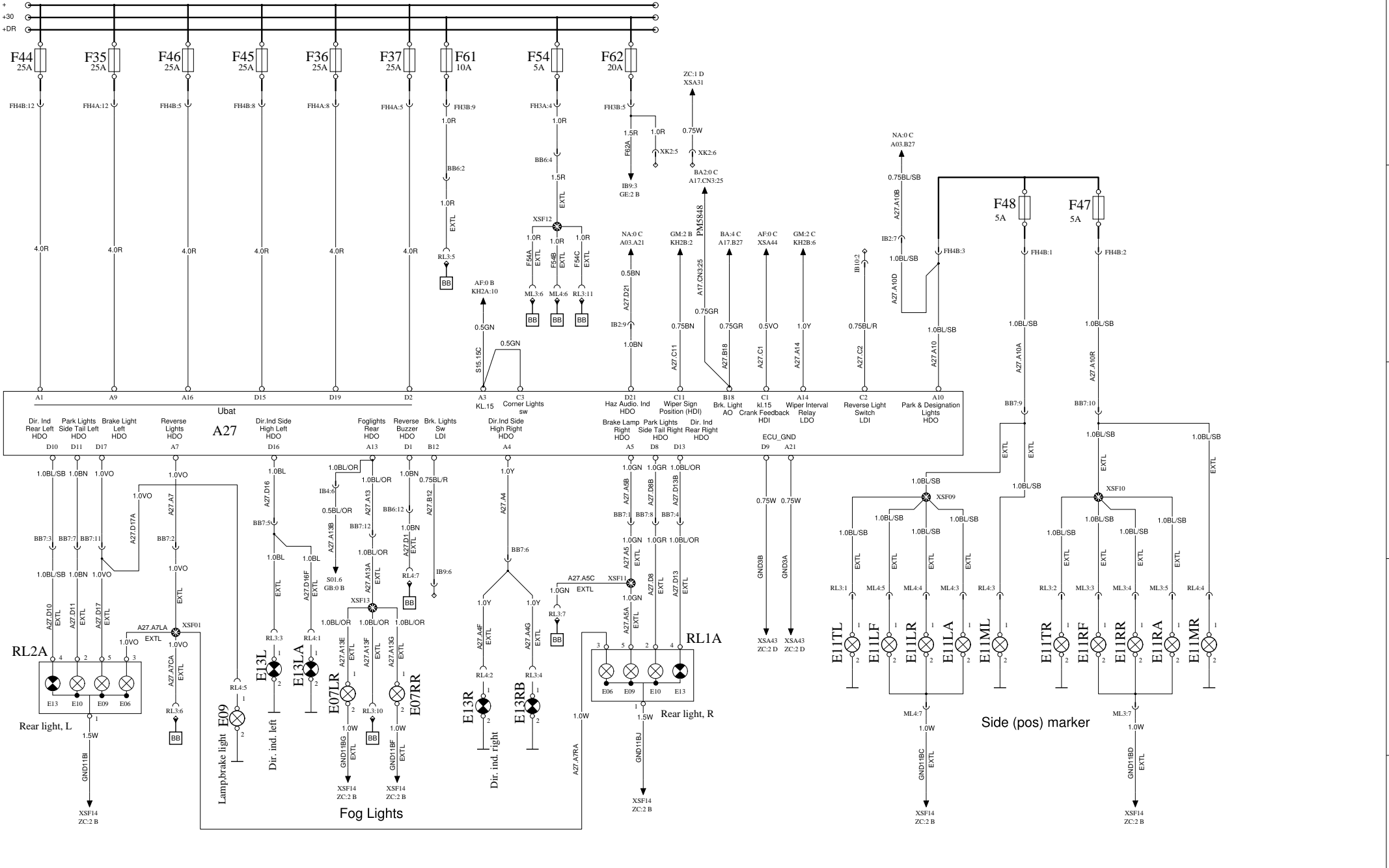


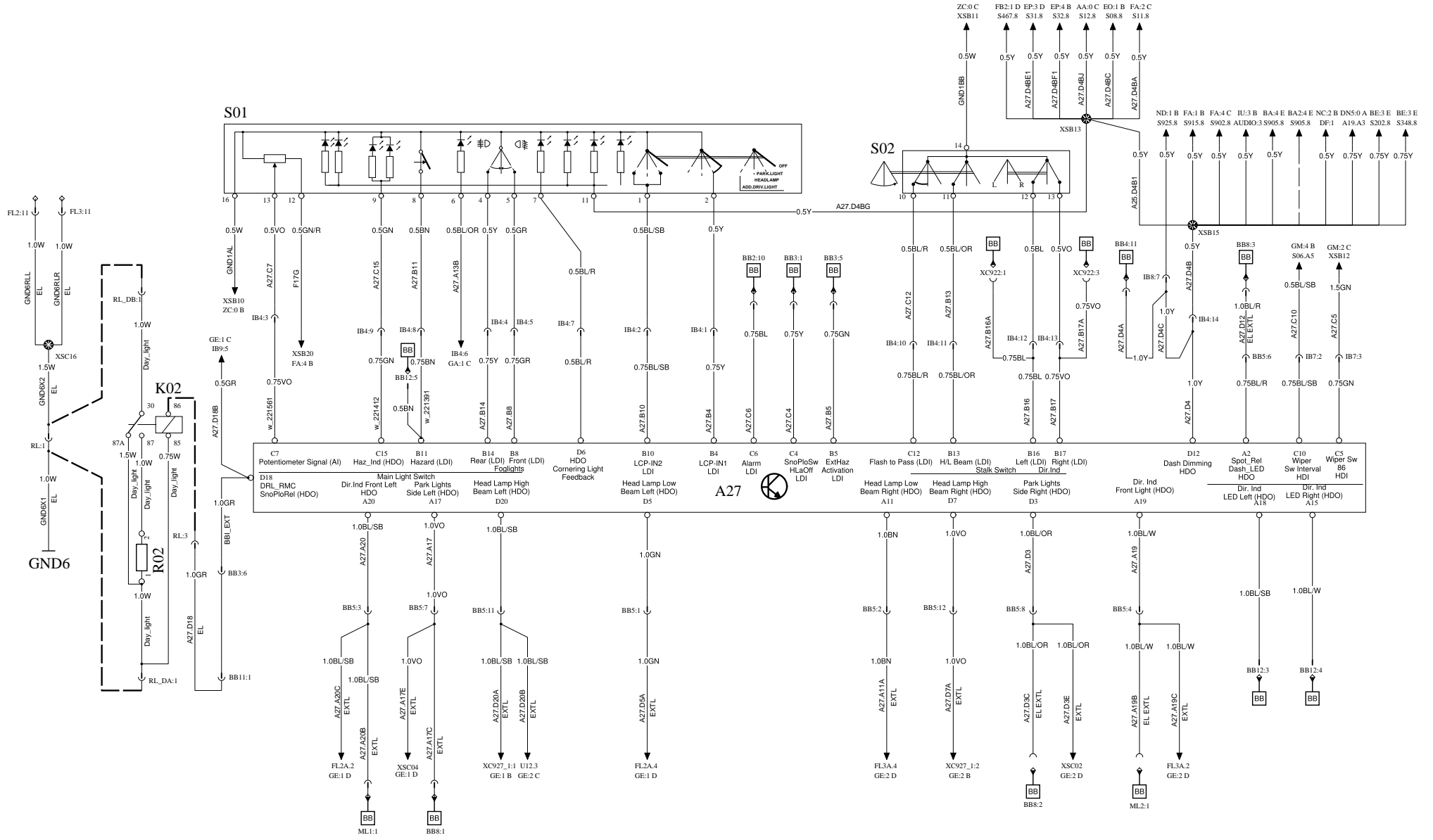


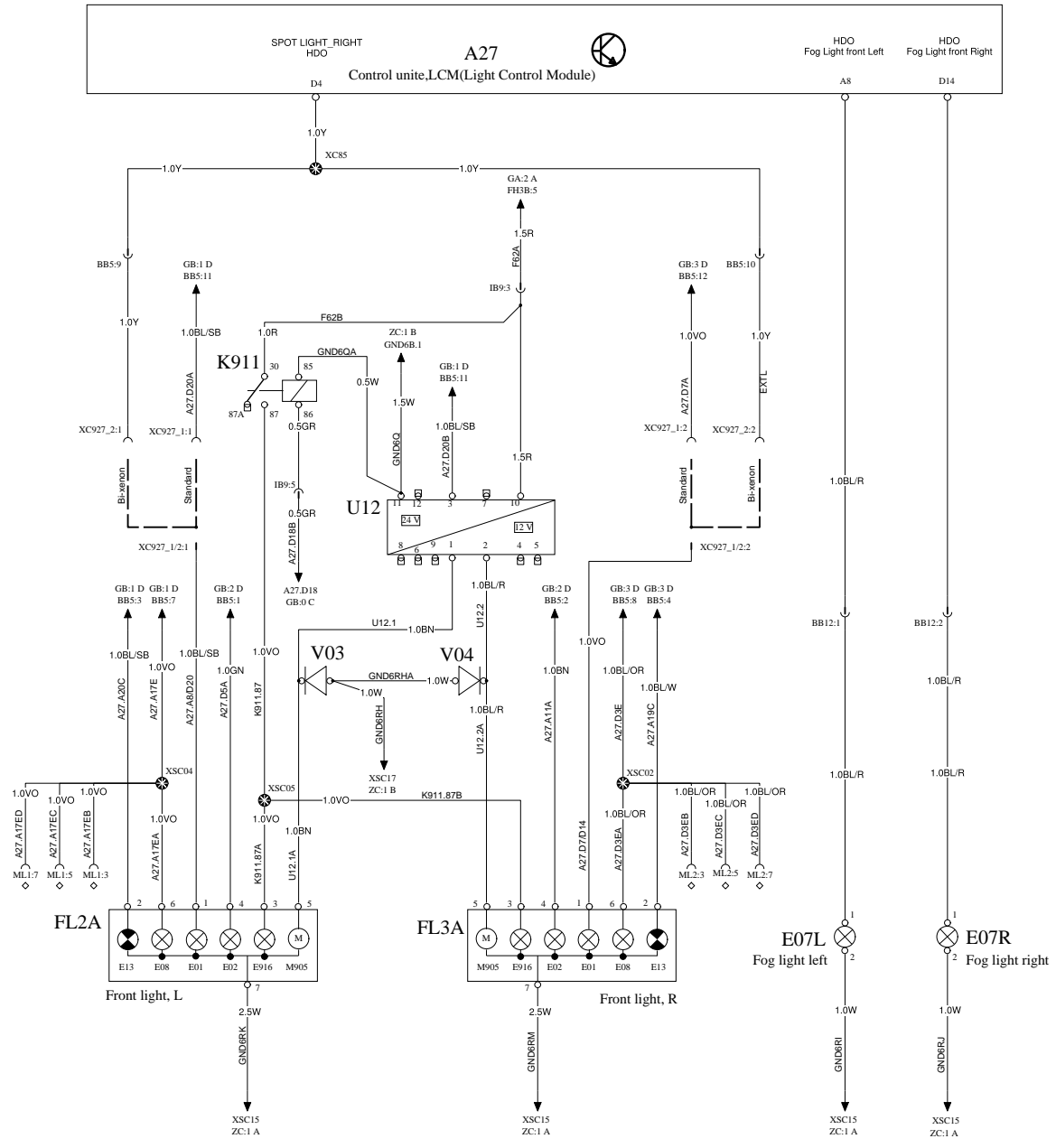
LCM

REAR LIGHTS

WIRING DIAGRAM GA

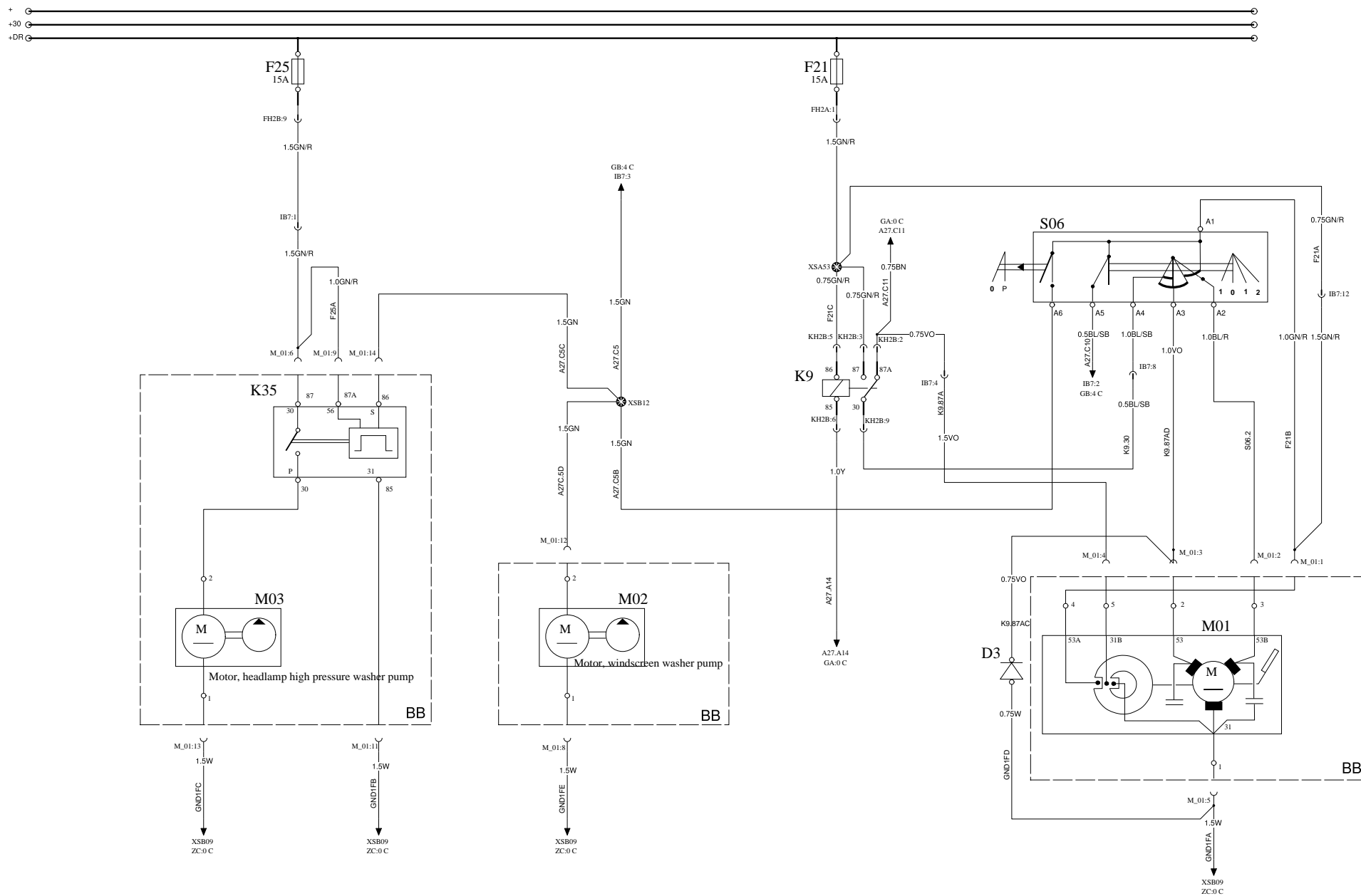


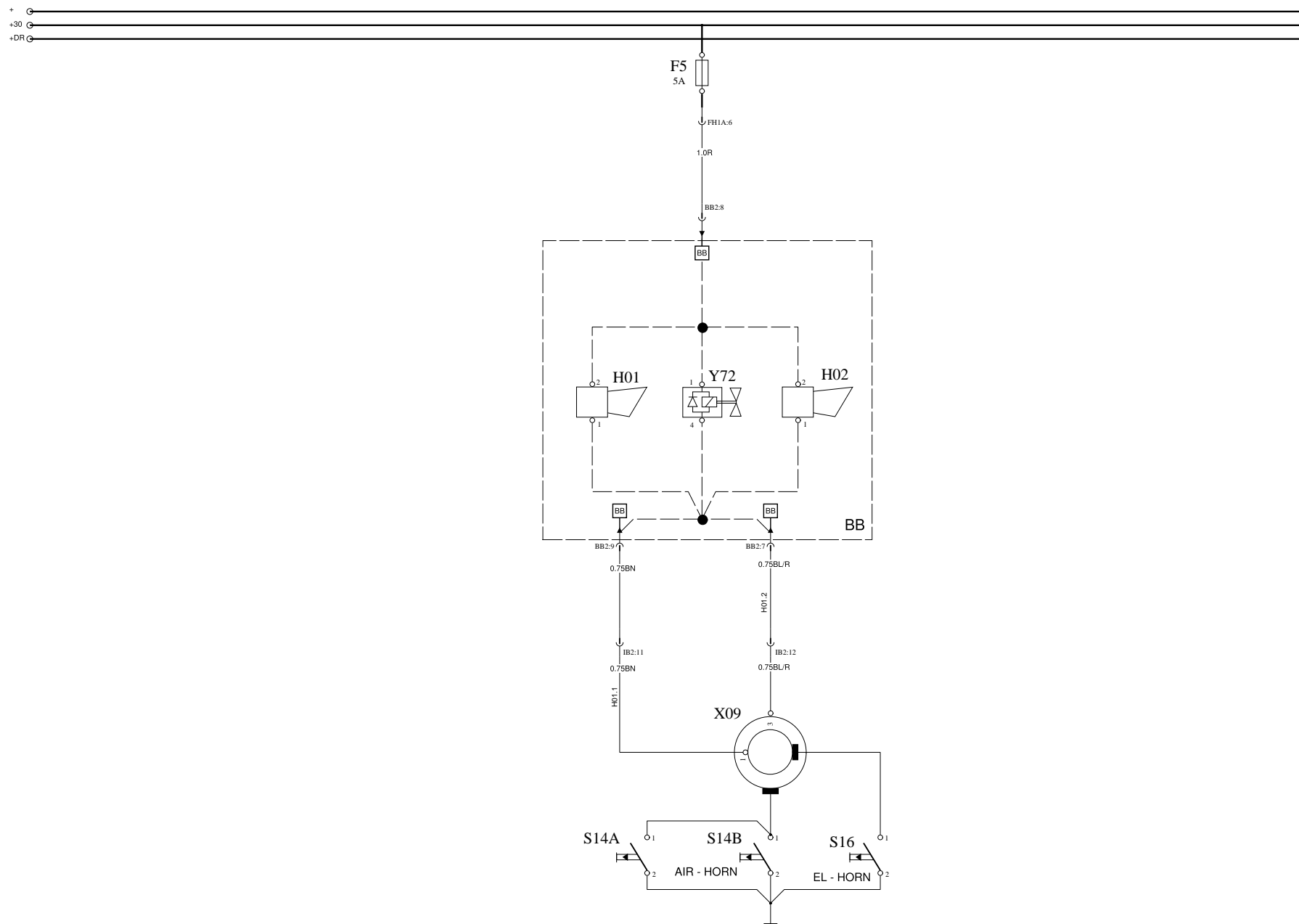




WIPER, WASHER

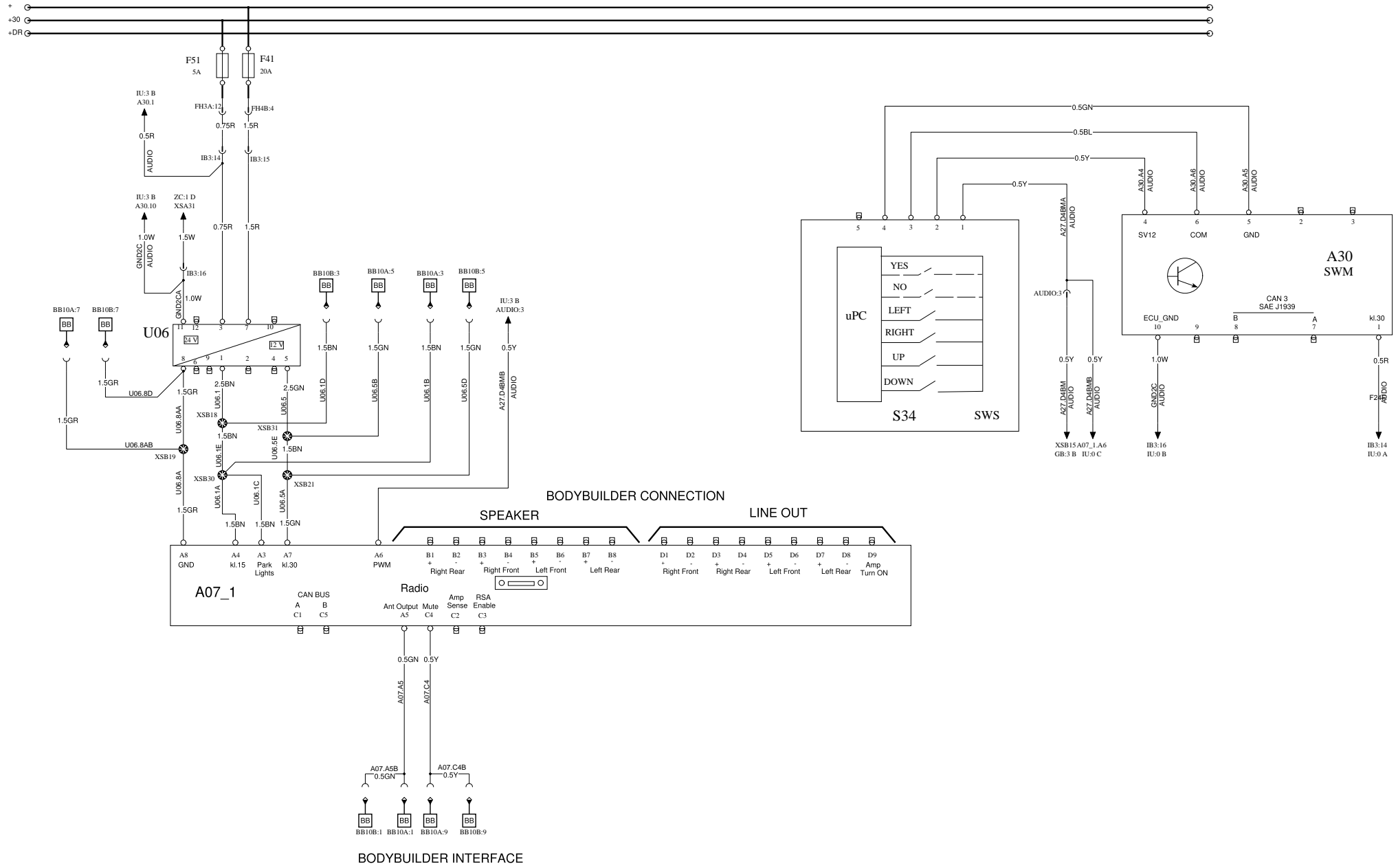
WIRING DIAGRAM GM





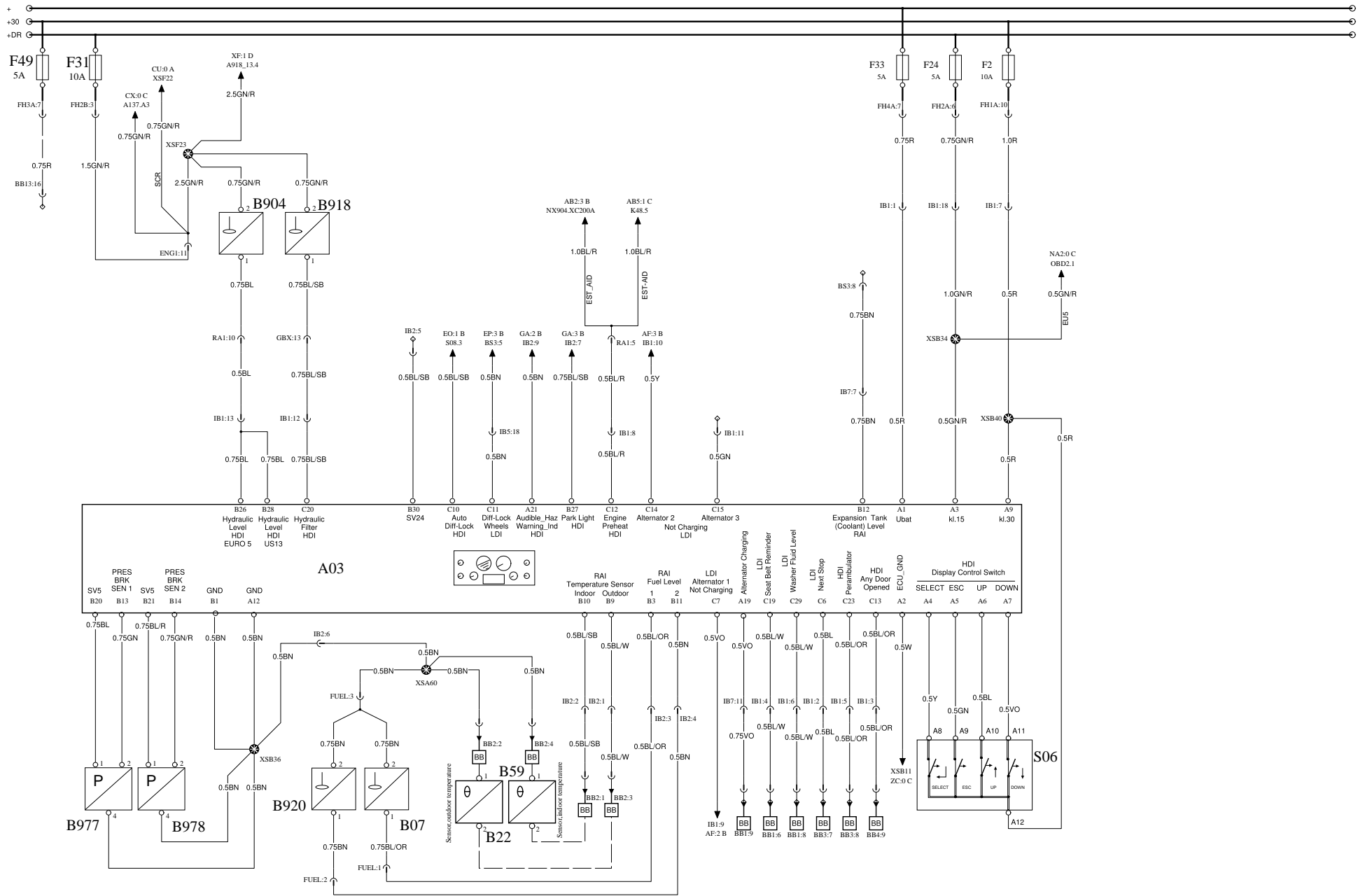
AUDIO

WIRING DIAGRAM IU

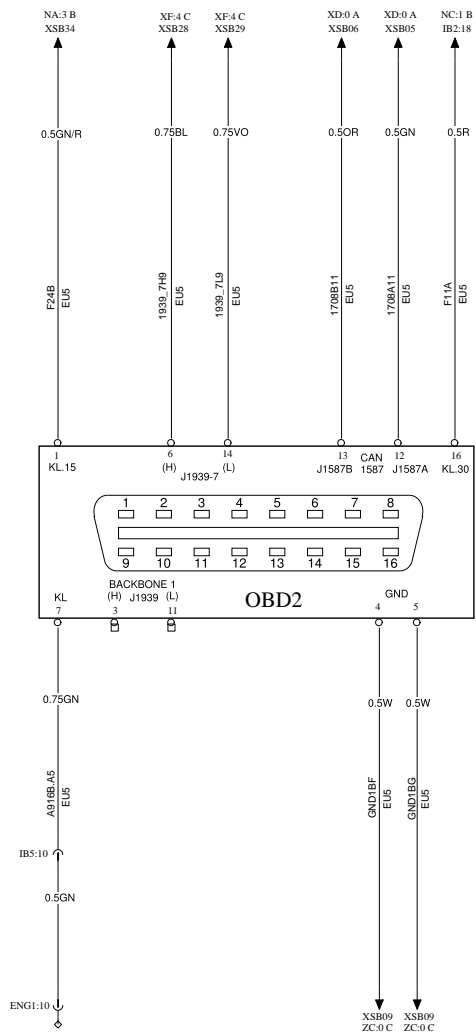


BUS INSTRUMENT CLUSTER BIC2

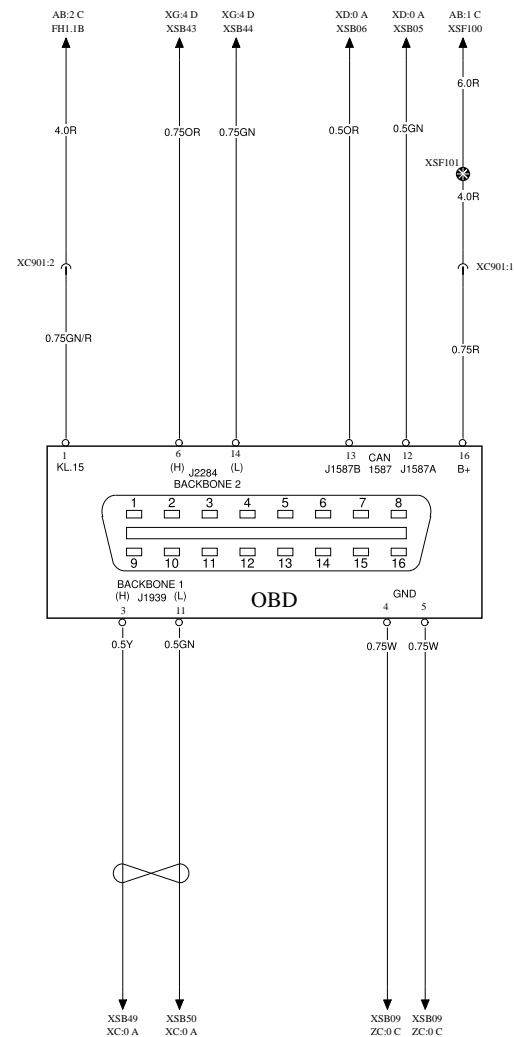
WIRING DIAGRAM NA

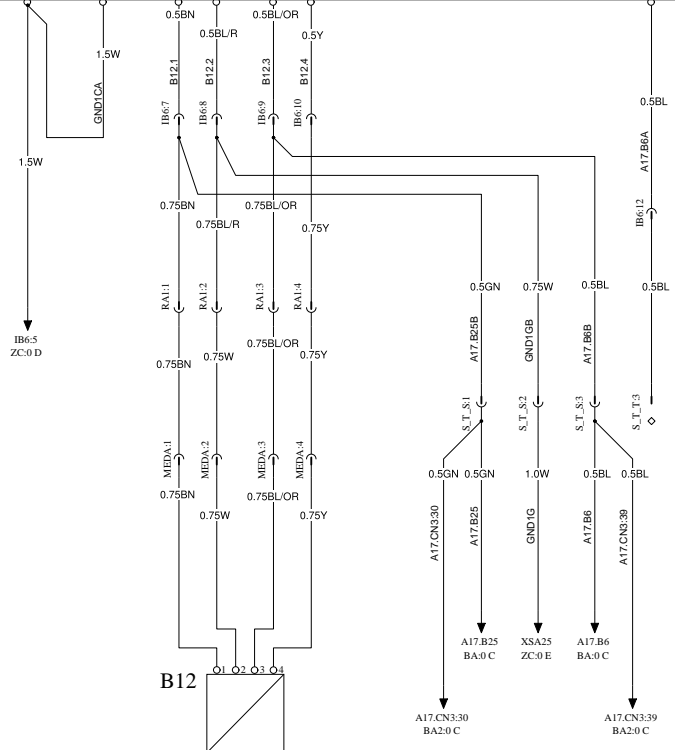
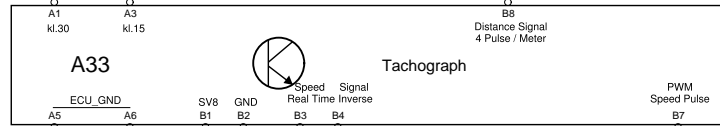
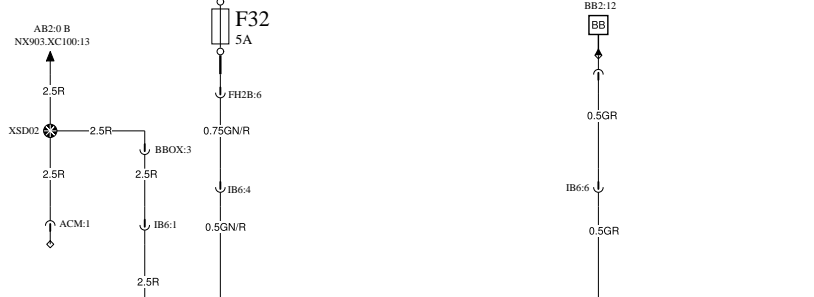
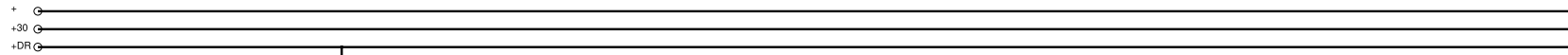


CONNECTIONS FOR EURO 5



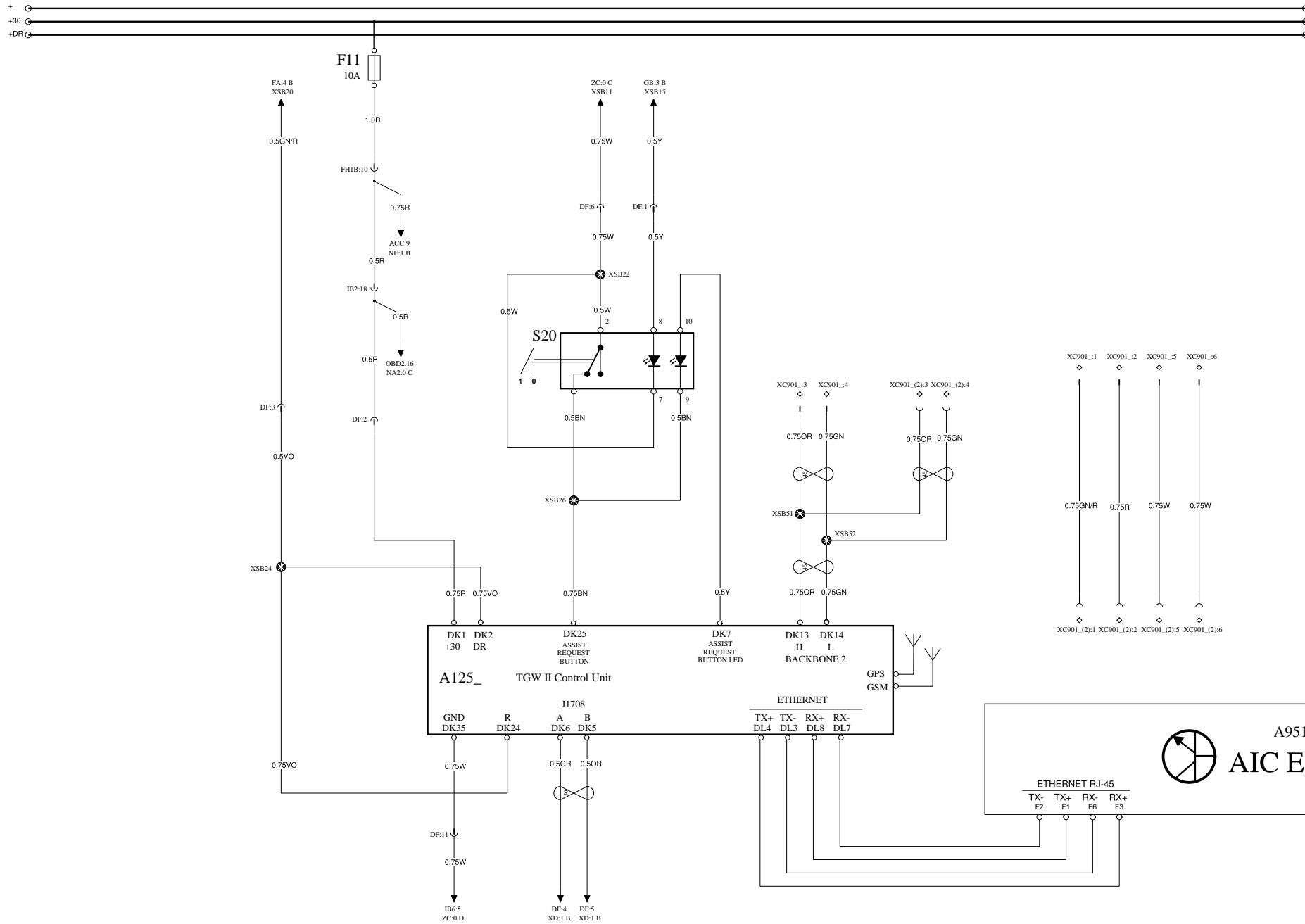
CONNECTIONS FOR US/CAN

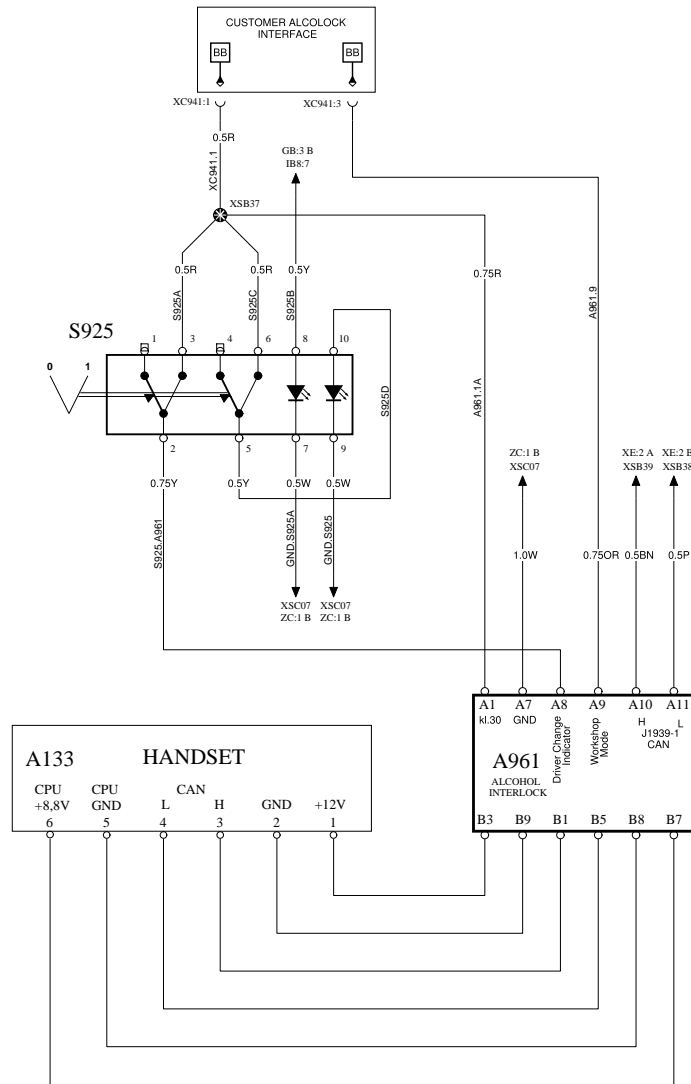




Sensor,tachograph/speedometer

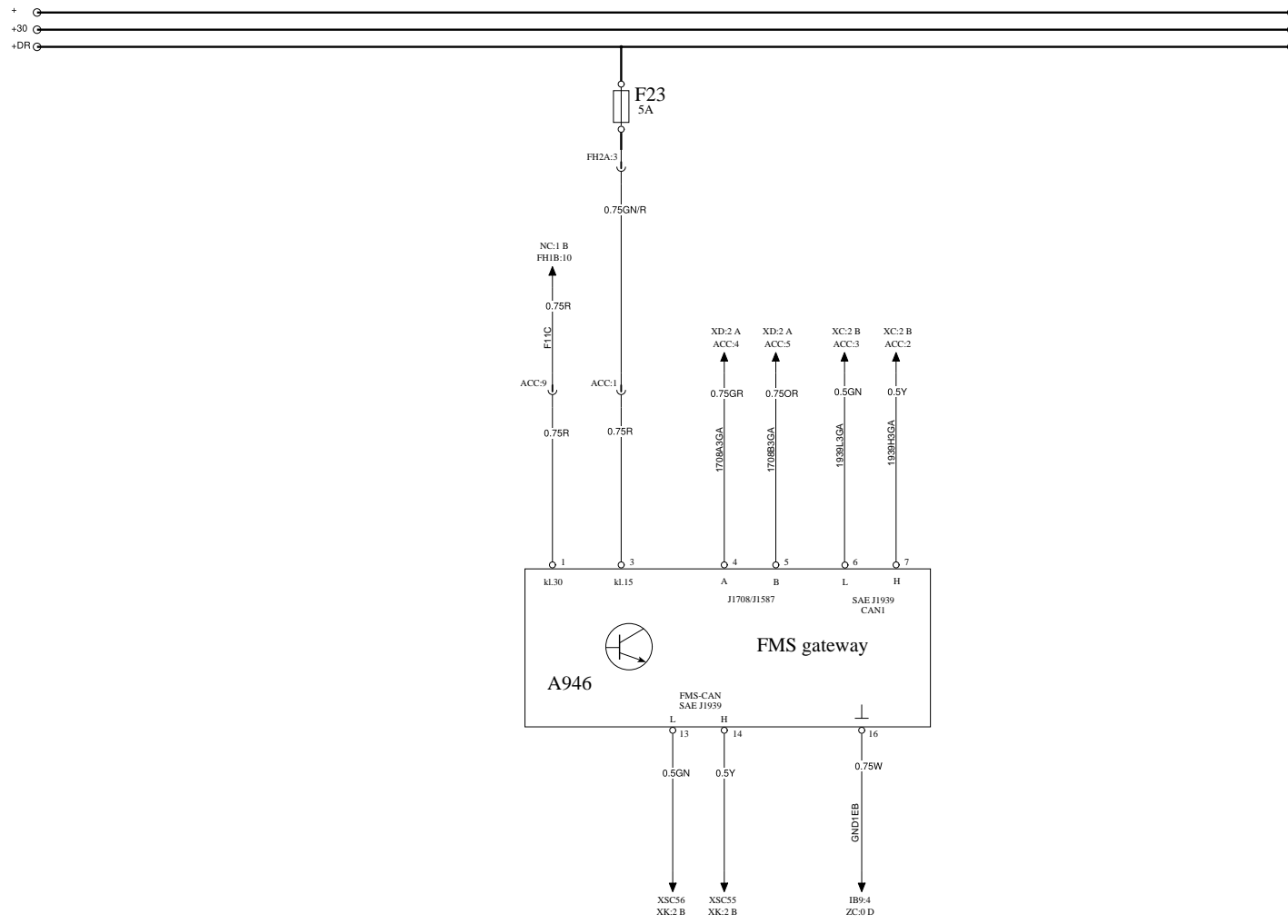
 Volvo Bus Corporation	Document title WIRING DIAGRAM	Document No 22610880	Issue 10	Volume 02(03)	Page 40(58)
	Document type PRODUCT SCHEMATIC				

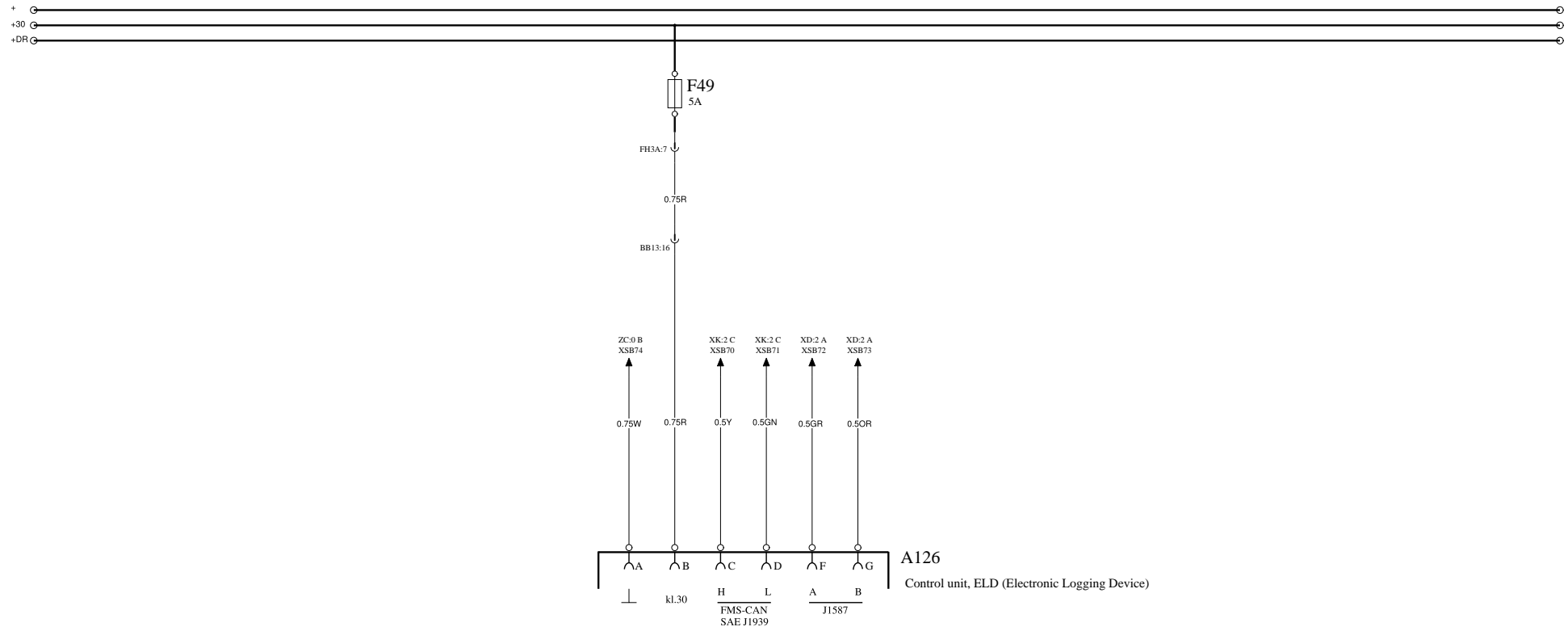


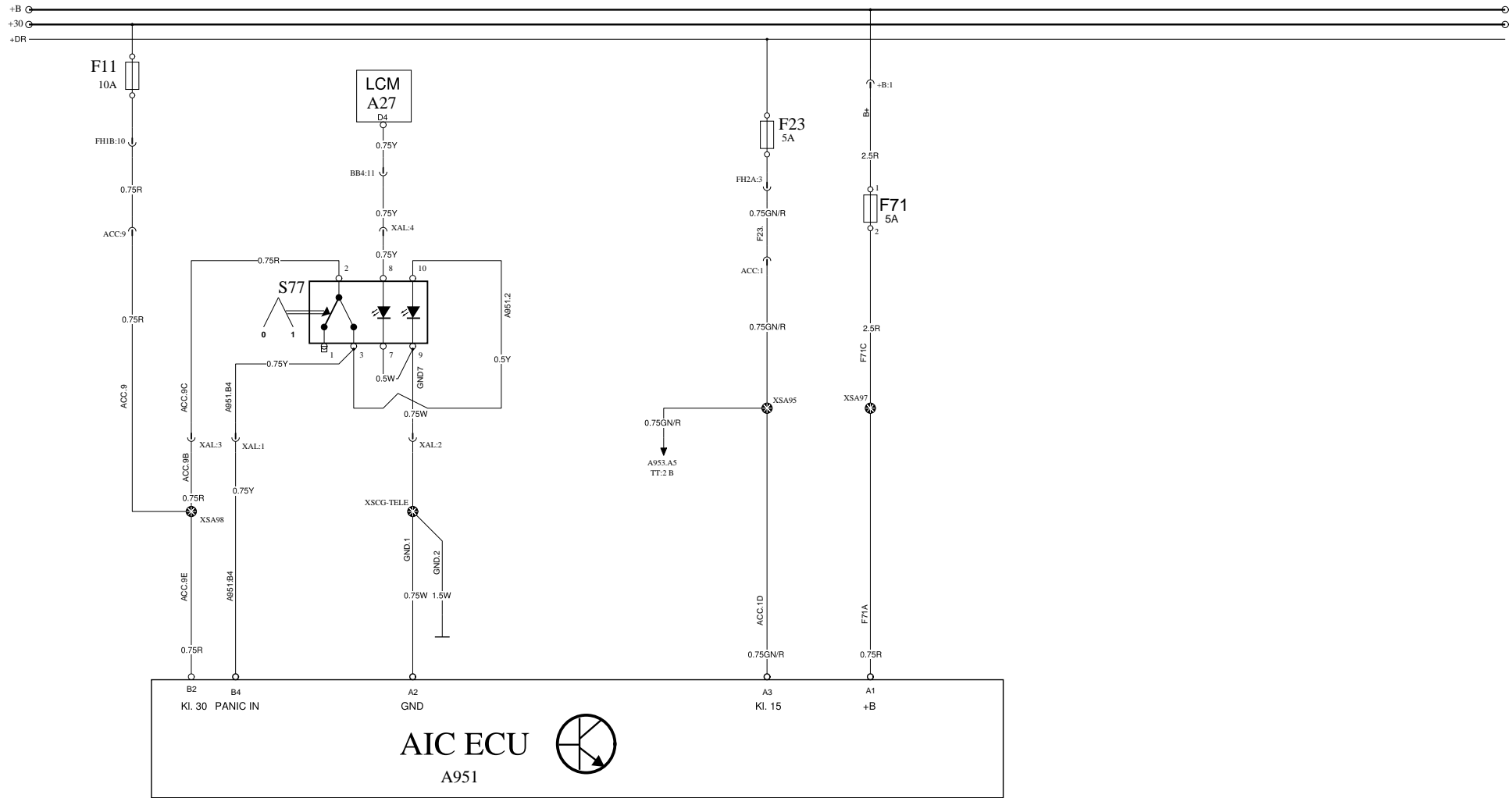


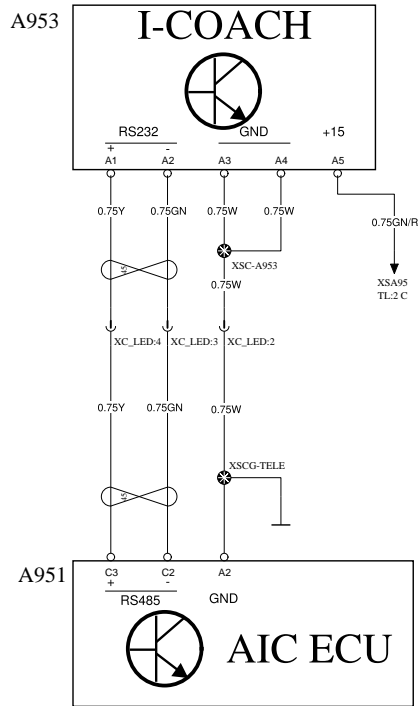
FMS GATEWAY

WIRING DIAGRAM NE





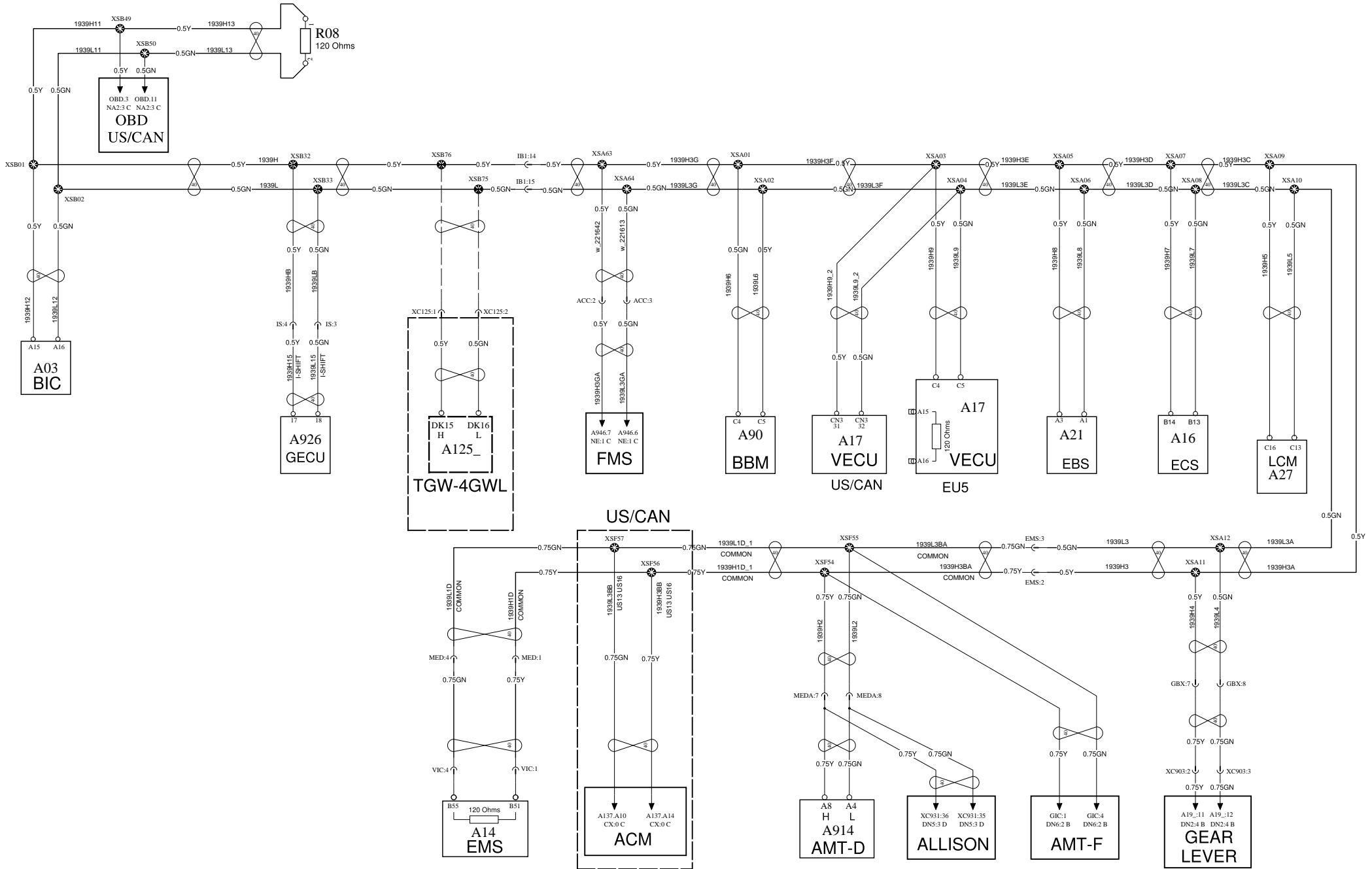




CAN SAE 1939

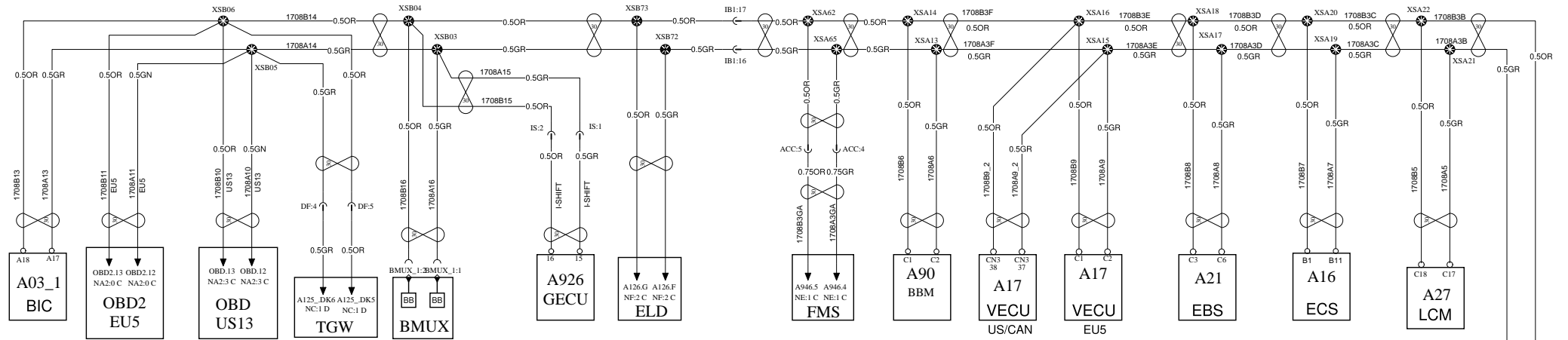
BACKBONE 1

WIRING DIAGRAM XC

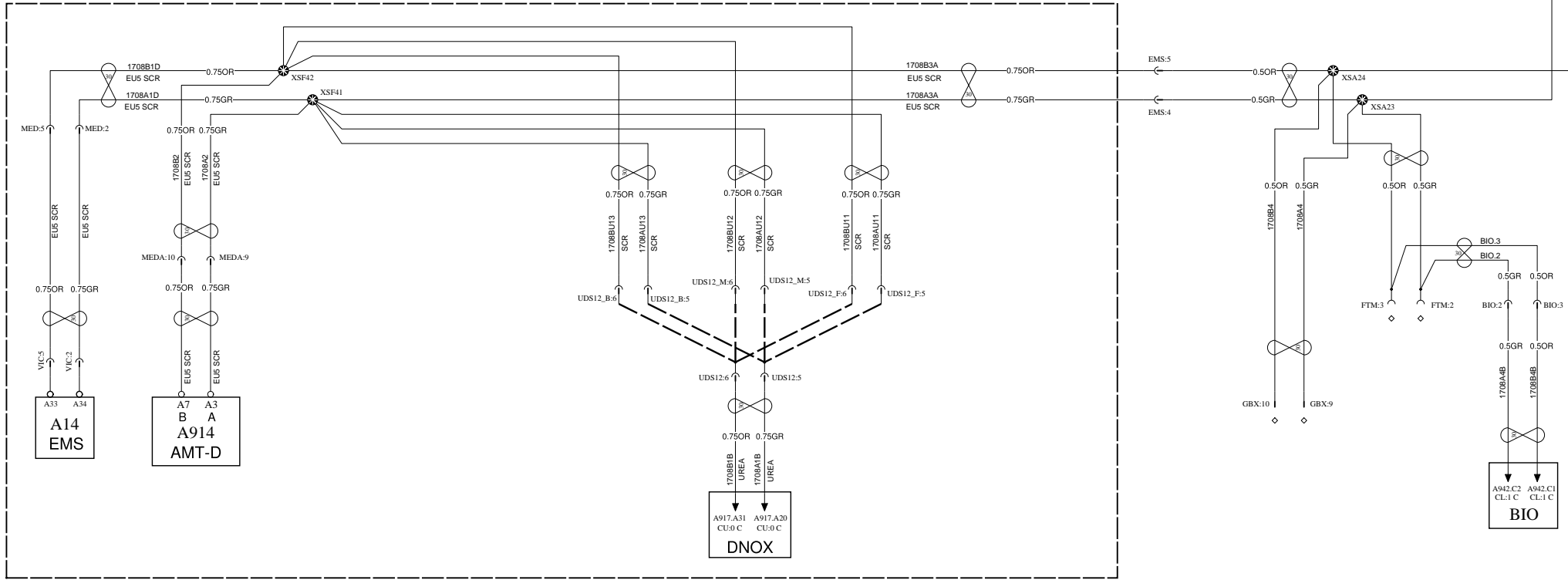


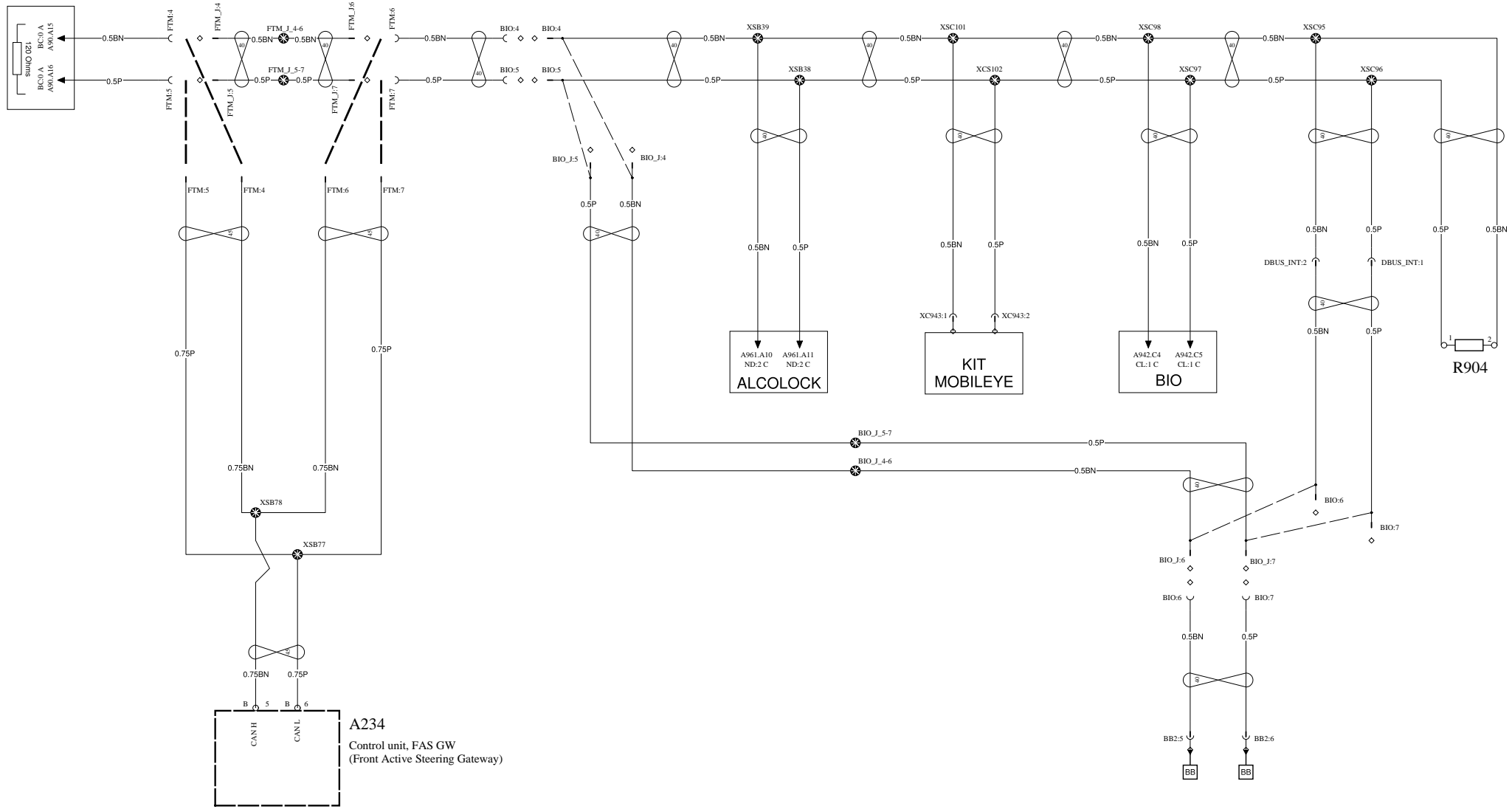
CAN SAE1587

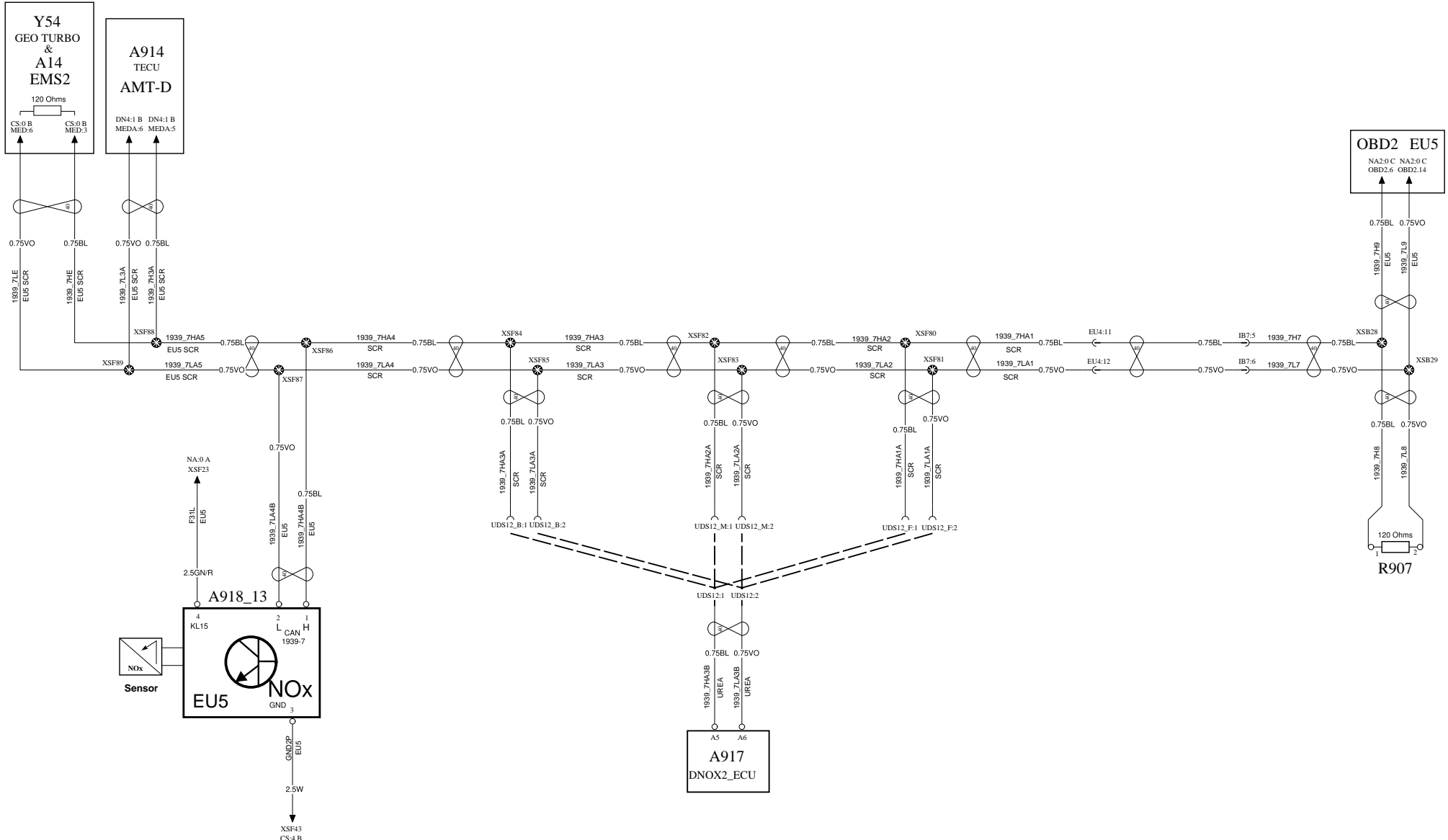
WIRING DIAGRAM XD

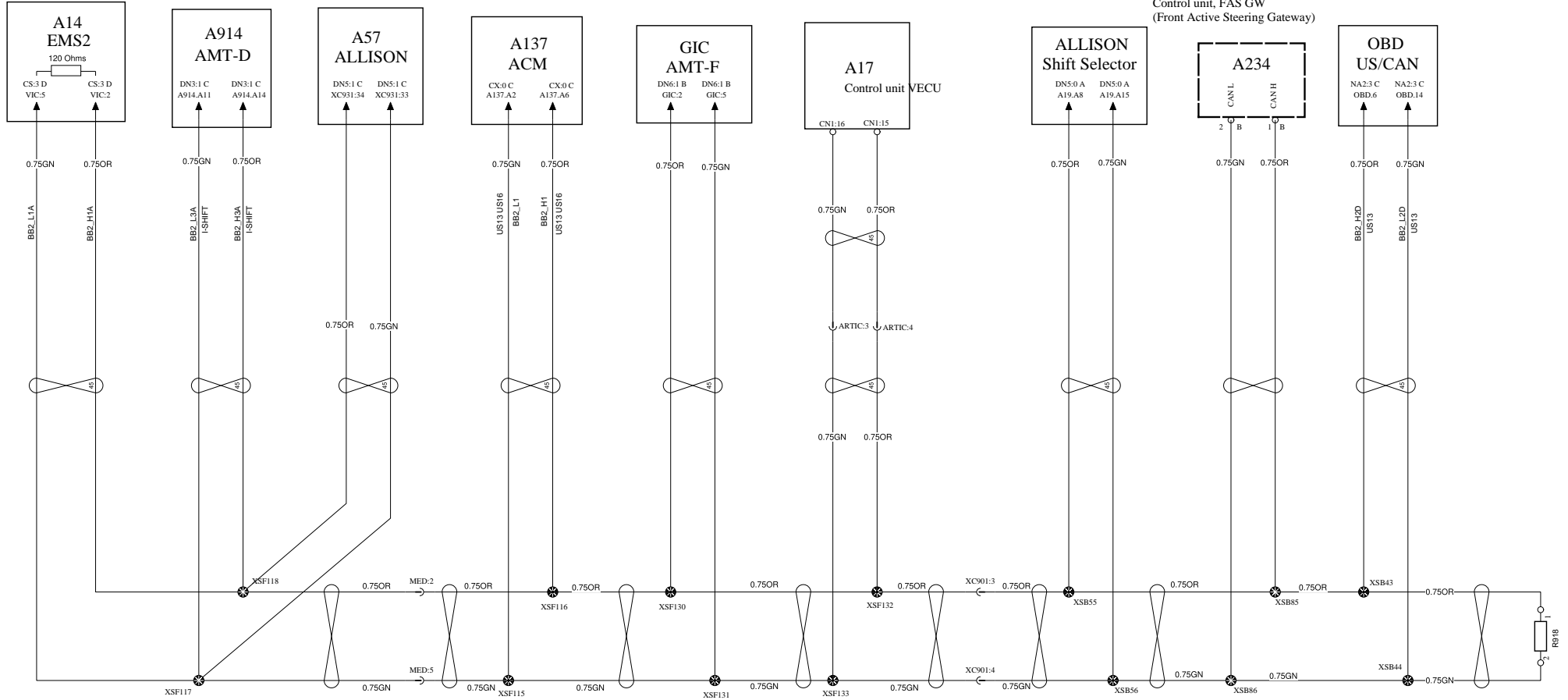


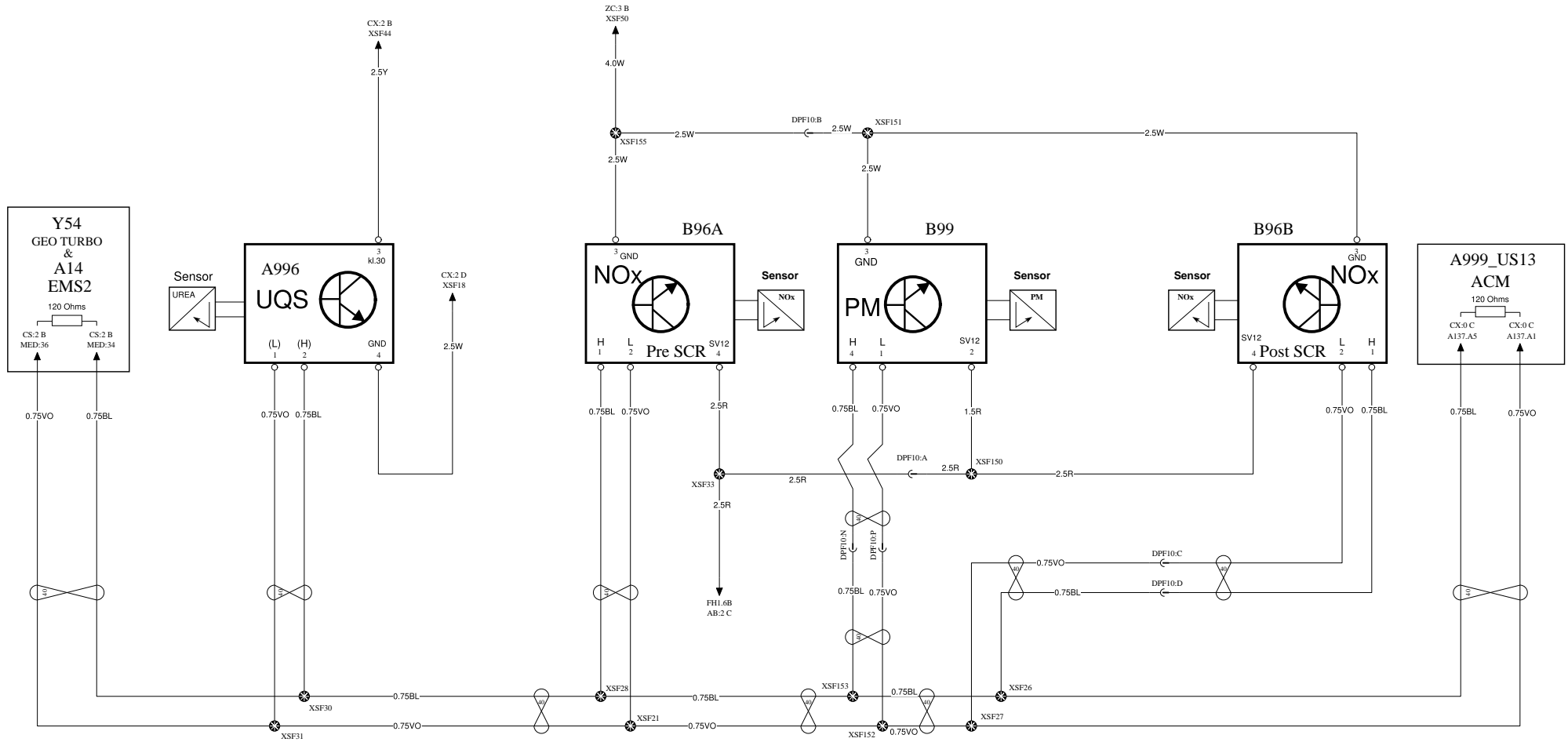
EURO 5

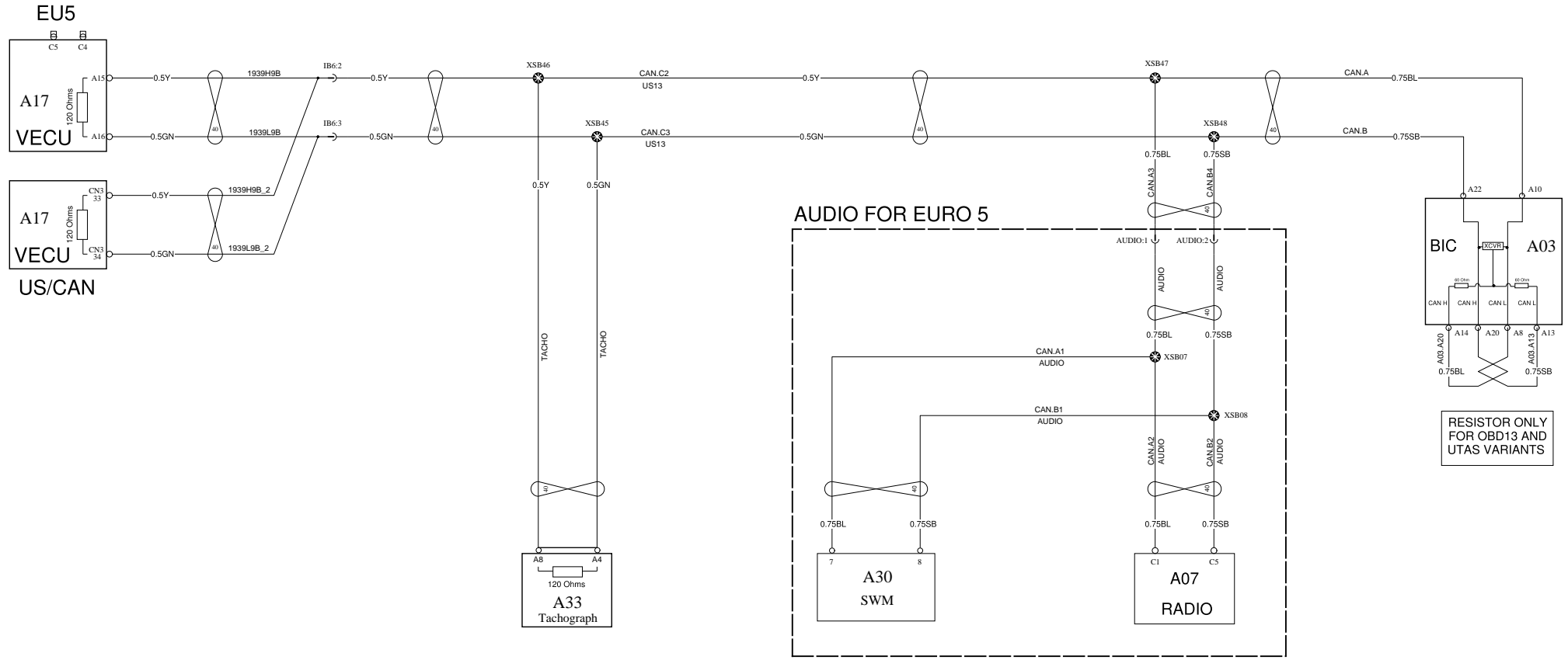




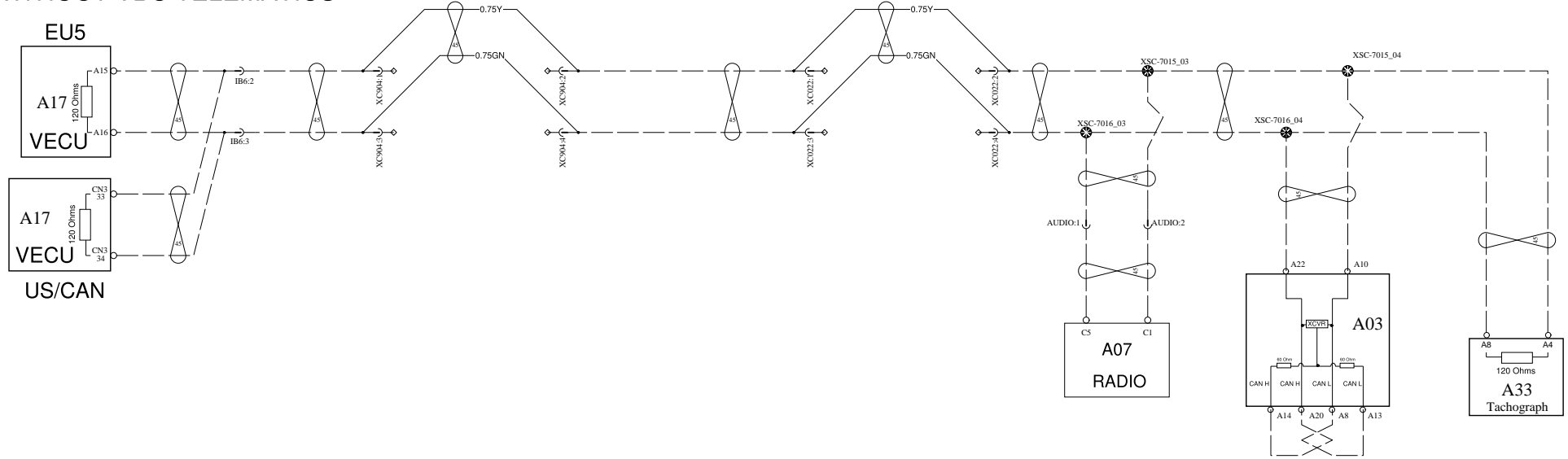




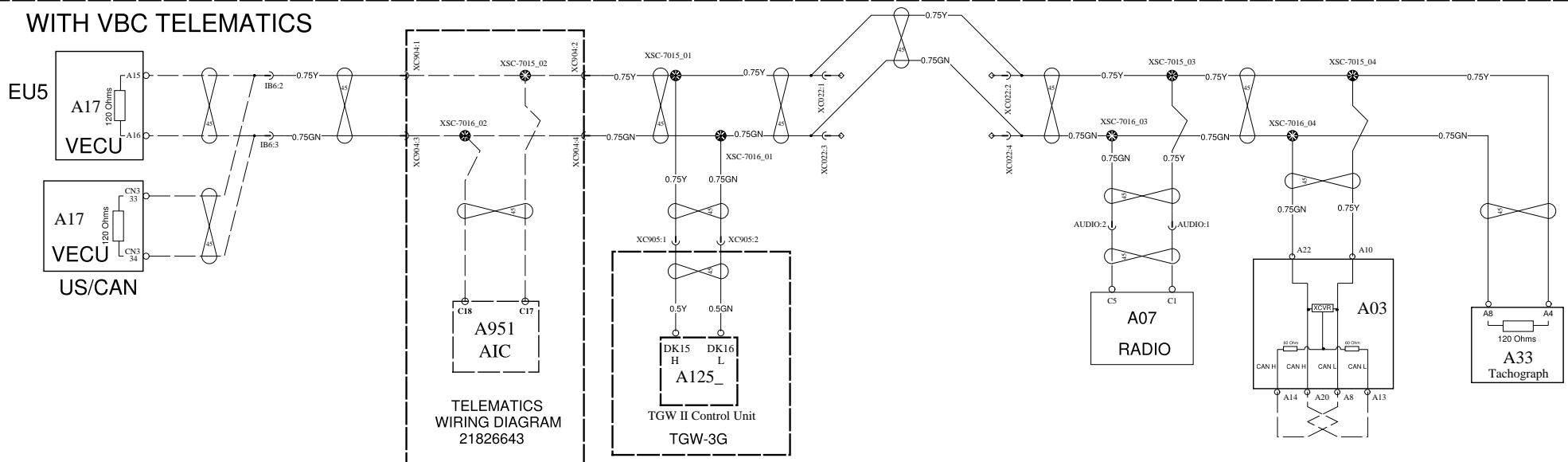


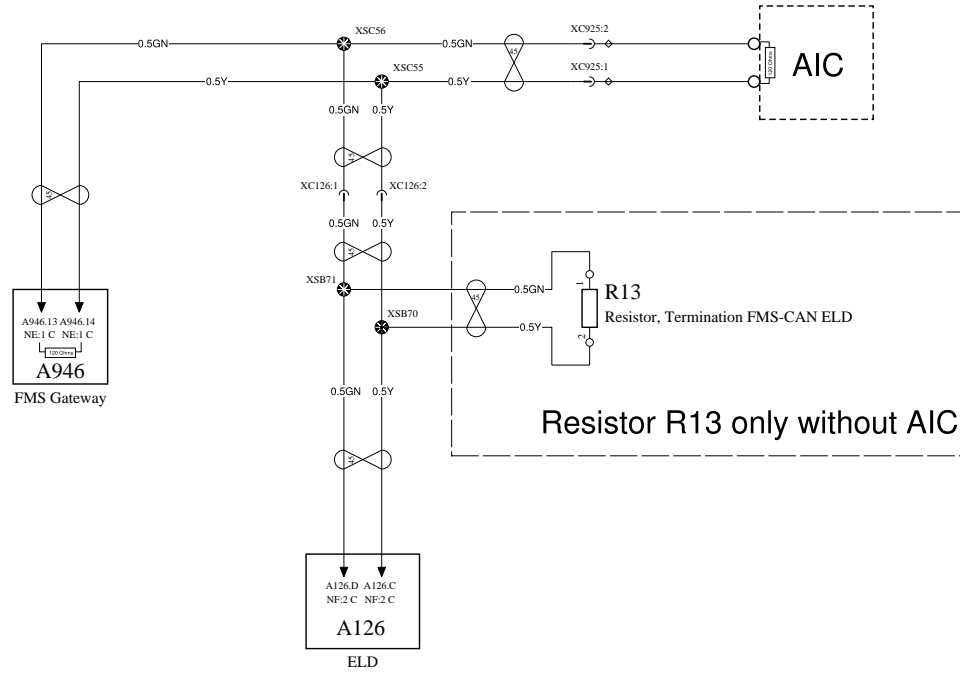


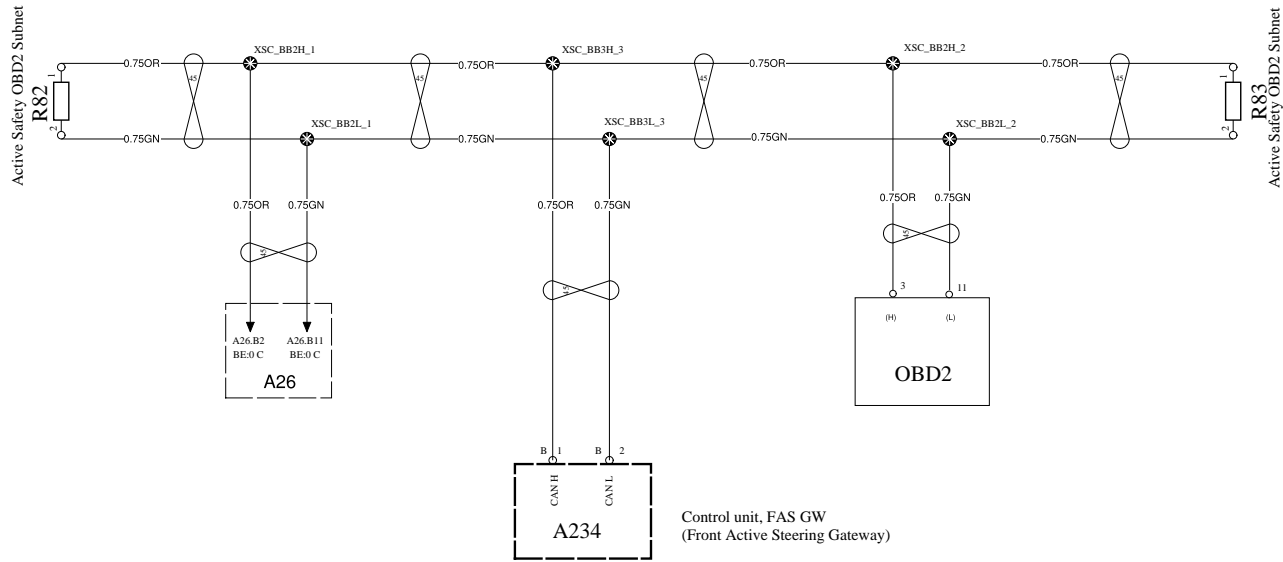
WITHOUT VBC TELEMATICS

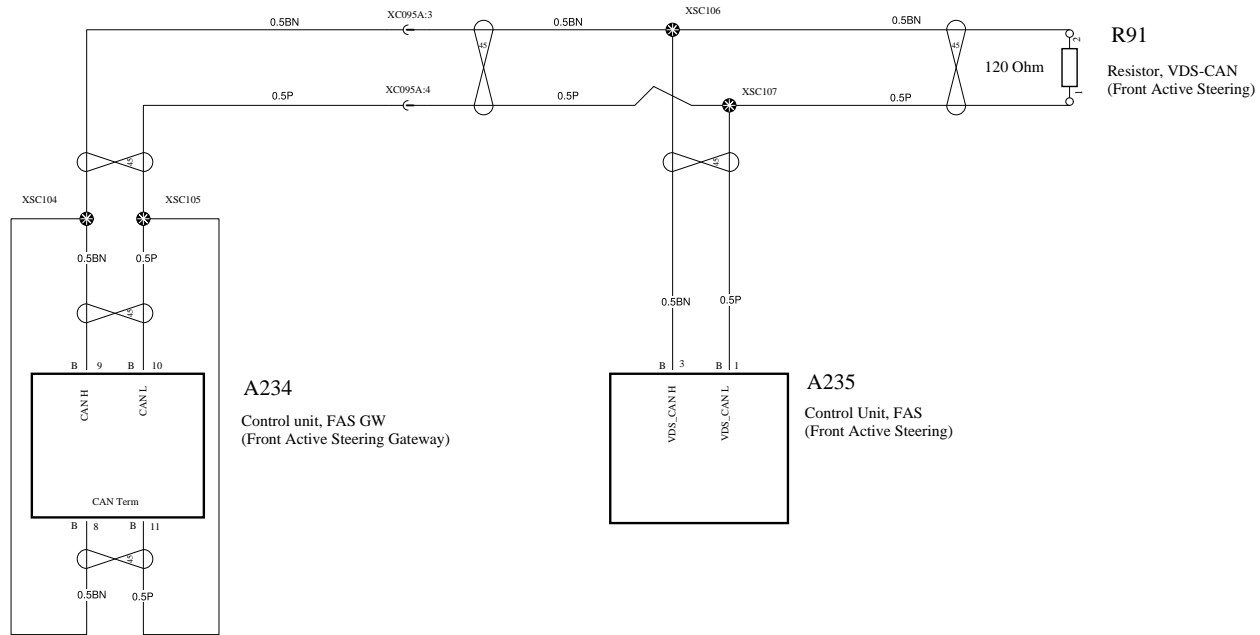


WITH VBC TELEMATICS



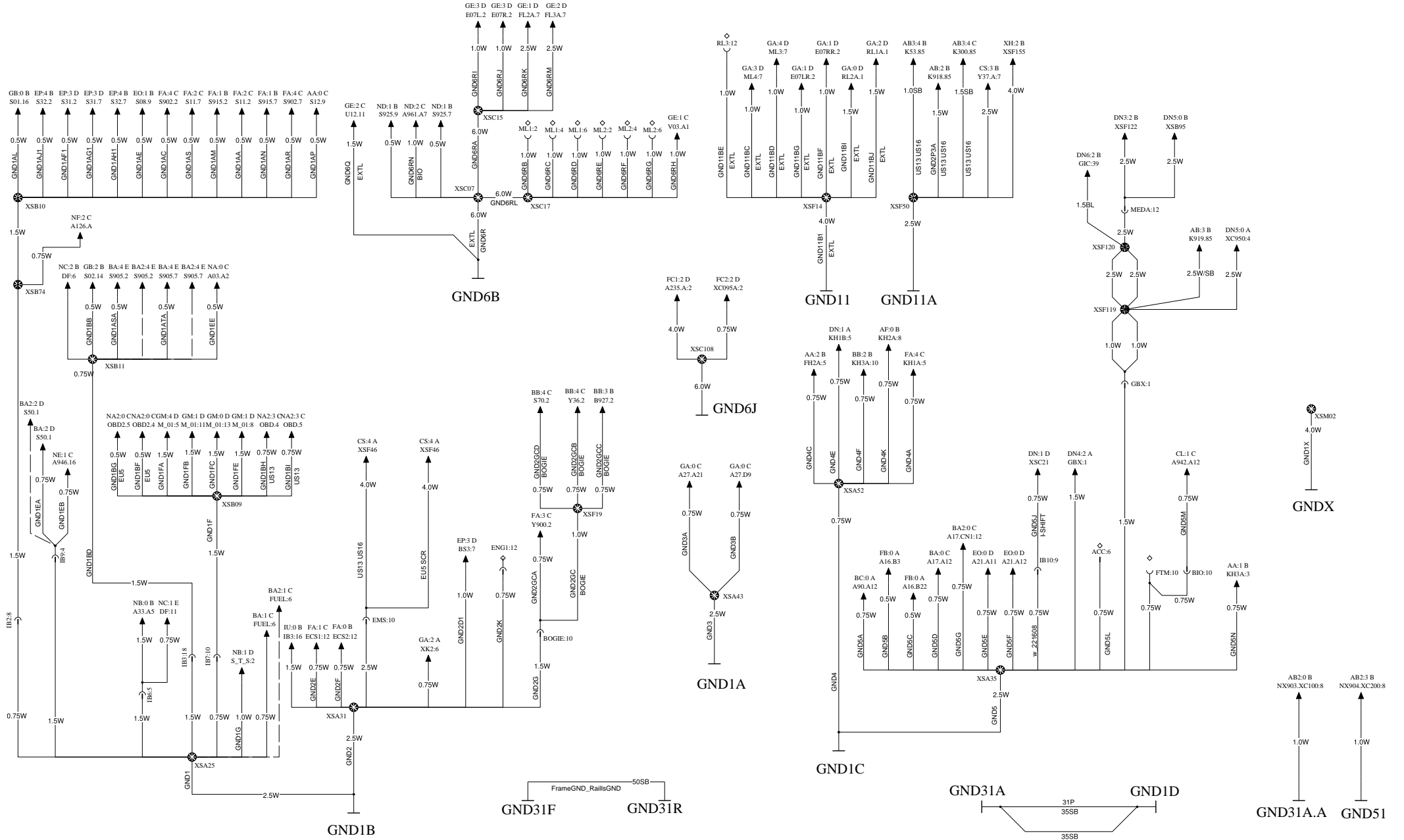






GROUND

WIRING DIAGRAM ZC



REFERENCE INDEX

NAME	PAGE
GROUNDS	2
FUSES AND CIRCUIT BREAKERS	3
COMPONENTS	5
INLINES	13
SPLICES	34

VOLVO

Volvo Bus Corporation

Document title
WIRING DIAGRAM

Document type
PRODUCT SCHEMATICS

Document No
22610880

Issue
10

Volume
03(03)

Sheet No
1(38)

GROUNDS

NAME	PAGE
GND	BA 2 E
GND	BA2 2 E
GND1A	ZC 2 D
GND1B	ZC 1 E
GND1C	ZC 2 D
GND1D	ZC 4 E
GND1E	CS 4 B
GND1UA.1	CU 3 E
GND1UB.1	CU 3 E
GND2A	AF 2 E
GND2B	AF 3 E
GND6	GB 0 C
GND6B	ZC 1 B
GND6J	ZC 2 C
GND11	ZC 2 B
GND11A	ZC 3 B
GND31A	ZC 3 E
GND31A.A	ZC 4 E
GND31A.B	AB 2 A
GND31B	AB2 1 E
GND31B	AB3 2 E
GND31F	ZC 1 E
GND31R	ZC 2 E
GND40	AF 1 E
GND41	AF 2 E
GND51	ZC 4 E
GND74	CU 4 E
GND75	AB 2 A
GND900	AB4 2 D
GND900	AC 3 A
GND_PH	AB5 2 D
GNDX	ZC 4 C

VOLVO

Volvo Bus Corporation

Document title
WIRING DIAGRAM

Document type
PRODUCT SCHEMATICS

Document No
22610880

Issue
10

Volume
03(03)

Sheet No
2(38)

FUSES AND CIRCUIT BREAKERS

FUSE	DESCRIPTION	PAGE
F1 (5A)	ECS, 5A	FA 4 A
F2 (10A)	BIC2, 10A	NA 3 A
F4 (20A)	EBS, 20A	EO 0 A
F5 (5A)	Horn, 5A	IS 2 A
F7 (15A)	Gearbox ECU I-shift, 15A	DN 2 B
F8 (5A)	Gear selector I-shift, 5A	DN 2 B
F9 (5A)	Switchbox start/stop rear, 5A	AA 3 A
F10 (5A)	Fire Alarm, 5A	BB 0 A
F11 (10A)	Dynafleet, 10A	NC 1 A
F11 (10A)	Dynafleet, 10A	TL 0 A
F12 (5A)	Body +30, 5A	BB 1 A
F13 (10A)	Spare	AB 3 A
F14 (5A)	BBM, 5A	BB 0 A
F15 (15A)	+15 signal for K918, K920, Y901, K48 & K5	BA 0 A
F15 (15A)	+15 signal for K918, K920, Y901, K48 & K5	BA2 0 A
F16 (5A)	VECU, 5A	BA 0 A
F16 (5A)	VECU, 5A	BA2 0 A
F17 (5A)	Switch feed, 5A	FA 4 A
F18 (5A)	Alternator, 5A	AF 3 A
F19 (10A)	Hymmer, 10A	AF 0 A
F20 (10A)	EBS, 10A	EO 0 A
F21 (15A)	Wiper washer, 15A	GM 2 A
F23 (5A)	ACC, 5A	NE 1 A
F23 (5A)	ACC, 5A	TL 2 A
F24 (5A)	BIC2, 5A	NA 3 A
F25 (15A)	Washer motor, 15A	GM 1 A
F26 (5A)	ECS, 5A	FA 4 A
F28 (10A)	Retarder, 10A	DN 1 A
F29 (5A)	Body +DR, 5A	BB 1 A
F31 (10A)	Hydraulic oil, DNOX2, 10A	NA 0 A
F32 (5A)	Tachograph, 5A	NB 0 A
F33 (5A)	BIC2, 5A	NA 3 A
F35 (25A)	LCM, 25A	GA 0 A
F36 (25A)	LCM, 25A	GA 1 A
F37 (25A)	LCM, 25A	GA 1 A
F39 (25A)	DNOX2, 25A	CU 0 A
F40 (5A)	Voltage guard, 5A	AA 3 A
F41 (20A)	Radio, 20A	IU 0 A
F42 (5A)	Main switch, 5A	AA 0 A
F44 (25A)	LCM, 25A	GA 0 A
F45 (25A)	LCM, 25A	GA 1 A
F46 (25A)	LCM, 25A	GA 0 A
F47 (5A)	Side marker L, 5A	GA 3 B
F48 (5A)	Side marker R, 5A	GA 3 B
F49 (5A)	Fuel cut off valve, 5A	NA 0 A
F49 (5A)	Fuel cut off valve, 5A	NF 2 A
F51 (5A)	Radio, 5A	IU 0 A
F52 (10A)	Luggage light, 10A	BB 2 A
F53 (10A)	Bogie valve, Heater waterseparator, 10A	BB 4 A
F54 (5A)	Engine/Luggage hatch, 5A	GA 2 A
F55 (10A)	Engine brake valve, Preheat relay, Fan sp	BA 1 A
F55 (10A)	Engine brake valve, Preheat relay, Fan sp	BA2 1 A
F56 (10A)	Engine brake, 10A	BA 1 A
F56 (10A)	Engine brake, 10A	BA2 1 A

VOLVO

Volvo Bus Corporation

Document title
WIRING DIAGRAM

Document type
PRODUCT SCHEMATICS

Document No	Issue	Volume	Sheet No
22610880	10	03(03)	3(38)

FUSE	DESCRIPTION	PAGE
F57 (5A)	Key switch, 5A	AA 0 A
F58 (5A)	FTM, 5A	CL 1 A
F59 (10A)	Fuse, Active Safety Seat Haptic	BE 3 A
F61 (10A)	Light luggage room, 10A	GA 1 A
F62 (20A)	Light sleeping compartment, 20A	GA 2 A
F63 (5A)	Starter motor control, 5A	CL 3 B
F64 (10A)	Spare	CL 3 B
F66 (15A)	Fuse, Extra Fan	FC2 2 B
F69 (30A)	Fuse, VDS (Volvo Dynamic Steering)	CU 4 B
F69 (30A)	Fuse, VDS (Volvo Dynamic Steering)	FC1 2 A
F70 (3A)	Fuse, External Charger Starter Battery	AB3 4 C
F71 (5A)	Telematics extra fuse	TL 2 B
F76 (80A)	FUSE, 12V Equalizer	AB 1 A
F77 (40A)	FUSE, 24V Equalizer	AB 1 A
F90A (30A)	FUSE - DNOX2RA	CU 3 D
F90B (30A)	FUSE - DNOX2RB	CU 3 D
F99 (15A)	Fuse, Allison +30 power supply	AB 3 B
F100 (10A)	10A Fuse, OBD connection to B+	AB 1 B
F206 (5A)	External Pre-Heater, 5A	AB5 1 C
F907 (20A)	Fuse 12V I-shift, Allison and AMT-F power	AB 2 C
F915 (30A)	Fuse 12V EMS power supply	AB 2 C
F955 (20A)	Fuse 12V EMS power supply for Y109, Y110,	AB 2 C
F956 (10A)	Fuse 12V EMS load power supply	AB 2 C
F957 (20A)	Fuse 12V EMS loads power supply	AB 2 C
F958 (10A)	FUSE 12V Allison GBX and OBD connector	AB 2 C

VOLVO

Volvo Bus Corporation

Document title

WIRING DIAGRAM

Document type

PRODUCT SCHEMATICS

Document No

22610880

Issue

10

Volume

03(03)

Sheet No

4(38)

COMPONENTS

COMPONENT	DESCRIPTION	PAGE
30UA.1	Terminal - Power for heated hose	CU 3 D
30UB.1	Terminal - Power for heated hose	CU 3 D
A03	Instrument cluster	NA 0 C
A03	Instrument cluster	XC 0 B
A03	Instrument cluster	XJ 4 B
A03	Instrument cluster	XJ2 3 B
A03_1	Instrument cluster	XD 0 B
A07	Radio	XJ 3 D
A07	Radio	XJ2 2 C
A07_1	Radio	IU 0 C
A13	Control unit, TECU, I-Shift AMT-F	DN6 1 C
A14	Control unit EMS	XC 1 E
A14	Control unit EMS	XD 0 D
A16	Control unit,ECS(Electronic Controlled ai	FA 0 D
A16	Control unit,ECS(Electronic Controlled ai	FB 0 A
A16	Control unit,ECS(Electronic Controlled ai	FB2 3 B
A16	Control unit,ECS(Electronic Controlled ai	XC 4 C
A16	Control unit,ECS(Electronic Controlled ai	XD 4 B
A17	Control unit VECU	BA 0 C
A17	Control unit VECU	BA2 0 C
A17	Control unit VECU	XC 3 C
A17	Control unit VECU	XD 3 B
A17	Control unit VECU	XG 2 B
A17	Control unit VECU	XJ 0 A
A17	Control unit VECU	XJ2 0 A
A19	Control unit,GECU(gear selector ECU)	DN5 0 A
A19_1	Control unit,GECU(gear selector ECU)	DN2 0 B
A19_2	Control unit,GECU(gear selector ECU)	DN2 3 B
A21	Control unit,EBS(Electronic Brake System)	EO 0 D
A21	Control unit,EBS(Electronic Brake System)	EP 0 A
A21	Control unit,EBS(Electronic Brake System)	XC 3 C
A21	Control unit,EBS(Electronic Brake System)	XD 3 B
A26	Control unite,ACC(Adaptive Cruise Control	BE 0 C
A27	Control unite,LCM(Light Control Module)	GA 0 C
A27	Control unite,LCM(Light Control Module)	GB 0 C
A27	Control unite,LCM(Light Control Module)	GE 2 A
A27	Control unite,LCM(Light Control Module)	TL 1 B
A27	Control unite,LCM(Light Control Module)	XC 4 C
A27	Control unite,LCM(Light Control Module)	XD 3 B
A30	Control unite,SWM(Steering Wheel Module)	IU 3 B
A30	Control unite,SWM(Steering Wheel Module)	XJ 3 D
A33	Tachograph	NB 0 B
A33	Tachograph	XJ 1 D
A33	Tachograph	XJ2 4 B
A41	Body I/O Module 41	CZ 0 C
A41	Body I/O Module 41	DN4 1 D
A41_		CZ 3 C
A42	Body I/O Module 42	DN3 2 D
A42	Body I/O Module 42	DN4 2 D
A57	Control unit, Body	DN5 0 C
A58	Control unit, Body	DN5 1 D
A80	Air Dryer	BA 2 E
A80	Air Dryer	BA2 2 E
A90	BBM	AA 0 E

VOLVO

Volvo Bus Corporation

Document title
WIRING DIAGRAM

Document type
PRODUCT SCHEMATICS

Document No	Issue	Volume	Sheet No
22610880	10	03(03)	5(38)

COMPONENT	DESCRIPTION	PAGE
A90	BBM	BB 0 E
A90	BBM	BC 0 A
A90	BBM	BE 4 A
A90	BBM	XC 2 C
A90	BBM	XD 2 B
A124	Starter motor with relay	AF 1 D
A125_	TGW II Control Unit	NC 1 D
A125_	TGW II Control Unit	XC 1 C
A125_	TGW II Control Unit	XJ2 2 D
A126	Control unit, ELD (Electronic Logging Dev	NF 2 C
A133	Handset	ND 1 D
A137	DEF CONTROL MODULE	CX 0 C
A176	Control unit, LPOS, Lane Position and Obj	BE 1 A
A224	Seat Haptic Vibration	BE 3 C
A234	Control unit, FAS GW (Front Active Steeri	FC2 2 D
A234	Control unit, FAS GW (Front Active Steeri	XE 0 E
A234	Control unit, FAS GW (Front Active Steeri	XG 3 B
A234	Control unit, FAS GW (Front Active Steeri	XN 2 D
A234	Control unit, FAS GW (Front Active Steeri	XO 1 D
A235	Control Unit, FAS (Front Active Steering)	FC1 2 D
A235	Control Unit, FAS (Front Active Steering)	XO 2 D
A914	Control unit, TECU, I-Shift AMT-D	DN3 1 C
A914	Control unit, TECU, I-Shift AMT-D	DN4 1 C
A914	Control unit, TECU, I-Shift AMT-D	XC 2 E
A914	Control unit, TECU, I-Shift AMT-D	XD 0 D
A917	DNOX2_ECU	CU 0 C
A917	DNOX2_ECU	XF 2 D
A918_13	NOx-sensor	XF 1 D
A926	GearShift_ECU	DN 1 C
A926	GearShift_ECU	XC 1 C
A926	GearShift_ECU	XD 1 B
A942	BIO - Bus I/O	CL 1 C
A946	FMS GATEWAY	NE 1 C
A951	Control unit, AIC ECU	NC 4 E
A951	Control unit, AIC ECU	TL 0 D
A951	Control unit, AIC ECU	TT 2 D
A953	I-COACH	TT 2 B
A961	Control unit, Alcolock Interlock	ND 2 C
A996	UQS	XH 1 B
A998	DEF Pump	CX 1 B
B03	Sensor,footbrake valve	EO 0 C
B06	Sensor,air pressure wet tank	BA 4 B
B06	Sensor,air pressure wet tank	BA2 4 B
B07	Sensor,fuel level	NA 1 E
B12	Sensor,tachograph/speedometer	DN6 3 C
B12	Sensor,tachograph/speedometer	NB 1 E
B13	Sensor,wheel speed, lhs. 1:st front axle	EO 2 B
B14	Sensor,wheel speed,rhs. 1:st front axle	EO 2 B
B15	Sensor,wheel speed, lhs. 1st rear axle	EO 3 B
B16	Sensor,wheel speed, rhs. 1:st rear axle	EO 3 B
B22	Sensor,outdoor temperature	NA 1 D
B25	Sensor,accelerator pedal	BA 2 B
B25	Sensor,accelerator pedal	BA2 2 B
B29	Sensor,chassis level, lhs.rear axle	FB 2 D

VOLVO

Volvo Bus Corporation

Document title
WIRING DIAGRAM

Document type
PRODUCT SCHEMATICS

Document No
22610880

Issue
10

Volume
03(03)

Sheet No
6(38)

COMPONENT	DESCRIPTION	PAGE
B30	Sensor,chassis level, rhs.rear axle	FB 2 D
B32_10	Sensor Eng. cooling fan Speed	CS 2 A
B32_13	Sensor Eng. cooling fan speed	CS 2 A
B39	Sensor,air filter press/Temp.	CS 2 D
B40	Sensor,brake lining wear indicator, lhs.1	EO 2 B
B41	Seansor,brake lining wear indicator, rhs.	EO 1 B
B42	Sensor,brake lining wear indicator,lhs. 1	EO 3 B
B43	Sensor,brake lining wear indicator,rhs. 1	EO 2 B
B49	Sensor,steering angle	EP 2 D
B50	Sensor,yaw-rate	EP 2 D
B57	Sensor,air pressure,suspension bellows,ih	FB 0 C
B58	Sensor,air pressur,suspension bellows,rhs	FB 1 C
B59	Sensor,indoor temperature	NA 1 D
B69C	Sensor,coolant temperature, retarder	CZ 1 C
B69C	Sensor,coolant temperature, retarder	DN4 1 D
B96A	Pre-Sensor, NOx	XH 2 C
B96B	Pos Sensor, NOx	XH 4 C
B99	Sensor, PM soot sensor	XH 2 C
B238	Sensor, FLS (Forward Looking Sensor)	BE 1 A
B322	Sensor Air Pressure, Park Brake	BA2 4 B
B904	Hydraulic oil level sensor	NA 1 B
B906	Sensor Needle movement	BC 1 C
B910	Sensor airpressure ECS frot LHS	FB 0 C
B914	Sensor chassis level front axle LHS	FB 3 D
B915	Sensor chassis level front axle RHS	FB 3 D
B918	Hydraulic oil level sensor 2	NA 1 B
B920	Sensor fuel level 2,	NA 1 E
B923	Sensor temp/level adblue SCRT	CU 3 D
B927	Sensor Hydr.oil press	BB 3 B
B930	Sensor_temp_uppstream_scrt_DNOX2	CU 2 A
B940	Sensor brake lining wear indicator,A/B R	EP 1 D
B941	Sensor brake lining wear indicator,A/B L	EP 1 D
B942	Sensor wheel speed,A/B R	EP 1 D
B943	Sensor wheel speed,A/B L	EP 1 D
B973	Fire Sensor, 150°C	BB 0 C
B974	Fire sensor	BB 0 C
B975	Fire sensor	BB 0 C
B977	Sensor, brake pressure	NA 0 D
B978	Sensor, brake pressure	NA 0 D
B979	Parking brake pressure	BB 1 C
B980	Auxilliary pressure	BB 1 C
B985	Fire sensor 4, D13	BB 0 B
B986	Fire sensor 5, D13	BB 0 B
B991_10	temp. DPF	CX 3 B
B992_10	temp. DPF	CX 3 B
B993_10	temp. DPF	CX 3 B
B994_10	temp. Muffler	CX 3 B
B995_13	SENSOR, DPF PRESSURE	CX 2 B
BBI	BodyBuilder Interface Connector	AA 0 C
BBI	BodyBuilder Interface Connector	AB2 1 C
BBI	BodyBuilder Interface Connector	AB4 2 B
BBI	BodyBuilder Interface Connector	AF 0 B
BBI	BodyBuilder Interface Connector	BA 0 D
BBI	BodyBuilder Interface Connector	BB 2 C

VOLVO

Volvo Bus Corporation

Document title
WIRING DIAGRAM

Document type
PRODUCT SCHEMATICS

Document No	Issue	Volume	Sheet No
22610880	10	03(03)	7(38)

COMPONENT	DESCRIPTION	PAGE
BBI	BodyBuilder Interface Connector	BC 3 B
BBI	BodyBuilder Interface Connector	CL 1 B
BBI	BodyBuilder Interface Connector	EP 2 B
BBI	BodyBuilder Interface Connector	FA 1 B
BBI	BodyBuilder Interface Connector	FB 2 B
BBI	BodyBuilder Interface Connector	FB2 3 C
BBI	BodyBuilder Interface Connector	GA 1 B
BBI	BodyBuilder Interface Connector	GB 3 B
BBI	BodyBuilder Interface Connector	IS 2 C
BBI	BodyBuilder Interface Connector	IU 1 E
BBI	BodyBuilder Interface Connector	NA 2 D
BBI	BodyBuilder Interface Connector	NB 1 A
BBI	BodyBuilder Interface Connector	ND 1 A
BBI	BodyBuilder Interface Connector	XD 1 B
BBI	BodyBuilder Interface Connector	XE 3 E
D1	Diod	BA 1 E
D1	Diod	BA2 1 E
D2	Diod	AA 2 D
D3	Diode - Wiper motor	GM 3 D
D8	Diode for UMAIN module	AA 1 A
E07L	Fog light left	GE 3 D
E07LR	Fog light left rear	GA 1 D
E07R	Fog light right	GE 3 D
E07RR	Fog light right rear	GA 1 D
E09	Lamp,brake light	GA 0 D
E11LA	Side marker light left	GA 3 D
E11LF	Side marker light left front	GA 3 D
E11LR	Side marker light left rear	GA 3 D
E11ML	Side marker light middle left	GA 3 D
E11MR	Side marker light middle right	GA 4 D
E11RA	Side marker light right	GA 4 D
E11RF	Side marker light right front	GA 3 D
E11RR	Side marker light right rear	GA 4 D
E11TL	Position Light,Left(Trailer)	GA 3 D
E11TR	Position Light,Right(Trailer)	GA 3 D
E13L	Dir. ind. left	GA 1 D
E13LA	Dir.indicator left	GA 1 D
E13R	Dir. ind. right	GA 1 D
E13RB	Dir.indicator right	GA 1 D
E111	LED Module, (Forward Collision Warning)	BE 0 C
FH1	FuseHolder 12V	AB 2 C
FL2A	Front light, L	GE 1 D
FL3A	Front light, R	GE 2 D
G01	Battery	AB2 1 C
G01B	Battery	AB2 1 D
G01B	Battery	AB3 2 D
G01B1	I-Start Starter Battery	AB3 2 D
G01C	I-Start Consumer Battery	AB4 2 C
G01C1	I-Start Consumer Battery	AB4 2 D
G02	Alternator 1	AF 2 D
G03	Alternator 2	AF 3 D
G08A	Battery	AC 3 B
G08B	Battery	AC 3 B
G901	Battery Equalizer	AB 2 A

VOLVO

Volvo Bus Corporation

Document title
WIRING DIAGRAM

Document type
PRODUCT SCHEMATICS

Document No
22610880

Issue
10

Volume
03(03)

Sheet No
8(38)

COMPONENT	DESCRIPTION	PAGE
GND	GDN - Adapter_AHI	BA 2 E
GND	GDN - Adapter_AHI	BA2 2 E
GND1A	GND - Electrical Center	ZC 2 D
GND1B	GND - Electrical Center	ZC 1 E
GND1C	GND4/GND5 - Electrical Center	ZC 2 D
GND1D	GND - Batt_Box_NVPDUF	ZC 4 E
GND1E	GND - US13	CS 4 B
GND1UA.1	GND - DNOX2RA	CU 3 E
GND1UB.1	GND - DNOX2RB	CU 3 E
GND2A	GND - ALT_1	AF 2 E
GND2B	GND - ALT_2	AF 3 E
GND6	GND - Driver Location	GB 0 C
GND6B	GND6Q/GND6R - Driver Location	ZC 1 B
GND6J	GND, VDS	ZC 2 C
GND11	GND - Rear Axle	ZC 2 B
GND11A	GND - Rear Axle	ZC 3 B
GND31A	GND - Batt_Box_NVPDUF	ZC 3 E
GND31A.A	GND - Batt_Boxx_NVPDUF	ZC 4 E
GND31A.B	Ground	AB 2 A
GND31B	GND - Battery	AB2 1 E
GND31B	GND - Battery	AB3 2 E
GND31F	GND - Frame	ZC 1 E
GND31R	GND - Raills	ZC 2 E
GND40	GND - STARTER_ENG	AF 1 E
GND41	GND - STARTER_ENG_US	AF 2 E
GND51	GND - Adapter_NVPDUR	ZC 4 E
GND74	GND - SCR	CU 4 E
GND75	GND - Equalizer	AB 2 A
GND900	GND - Starter Batteries	AB4 2 D
GND900	GND - Starter Batteries	AC 3 A
GND_PH	GND - Pre heater	AB5 2 D
GNDX	GND - Xenon Lights	ZC 4 C
H01	Horn, air-operated	IS 1 B
H02	Diaphragm horn	IS 2 B
K2	Over Load Indicator	CL 3 C
K02	Relay - Day Light	GB 0 C
K3	ECS	FA 4 C
K4	I-Shift/Voith	DN 1 A
K7	Start engine	AF 0 B
K8	VECU,EMS	BA 0 C
K8	VECU,EMS	BA2 0 C
K9	Wiper/Washer	GM 2 C
K11	Prevent start engine	AA 2 C
K12	Luggage Light	BB 2 B
K13	Emergency switch relay	AA 0 B
K14	Bogie	BB 4 B
K17	Ignition +15	AA 2 A
K35	relay_disconn_headlight_wash	GM 1 C
K48	Relay Engine Preheating	AB5 1 C
K50	Relay, External Charger Starter Battery	AB3 4 C
K53	Relay	AB3 4 B
K79	Relay, Prevent Start Engine	DN5 2 B
K300	I-Start Main Relay	AB3 4 C
K400	I-Start +30 Relay (Body)	AB4 2 B

VOLVO

Volvo Bus Corporation

Document title
WIRING DIAGRAM

Document type
PRODUCT SCHEMATICS

Document No	Issue	Volume	Sheet No
22610880	10	03(03)	9(38)

COMPONENT	DESCRIPTION	PAGE
K401	Relay Seat Haptic 12V	BE 2 B
K402	Relay Seat Haptic 24V	BE 3 B
K902	Relay heated hose pressure line	CU 1 D
K903	Relay heated hose backflow to pump line	CU 2 D
K908	Relay heated hose suction line	CU 1 D
K909	Relay heated hose backflow to tank line	CU 2 D
K911	Relay, DRL Light	GE 1 B
K918	Relay, 12V Gearbox, OBD and NOx sensor	AB 2 B
K919	Relay, 12V Allison	AB 3 B
K920	Relay, 12V EMS Main Fuse	AB 2 B
M01	Motor, windscreen wiper	GM 3 D
M02	Motor, windscreen washer pump	GM 1 C
M03	Motor, headlamp high pressure washer pump	GM 0 C
NX903	I-Start Front Fuse Box	AB2 0 B
NX903	I-Start Front Fuse Box	AB3 1 B
NX904	I-Start Rear Fuse BOX	AB2 3 B
OBD	ON BOARD DIAGNOSTIC CONNECTOR	NA2 3 C
OBD2	On Board Diagnostic	NA2 0 C
OBD2	On Board Diagnostic	XN 2 C
R01	Heater, engine preheat	AB5 2 C
R02	Heater, rear view mirror	GB 0 C
R08	Termination resistor, CAN-bus	XC 1 A
R13	Resistor, Termination FMS-CAN ELD	XK 2 C
R82	Active Safety OBD2 Subnet	XN 1 C
R83	Active Safety OBD2 Subnet	XN 3 C
R89	Resistor FCW LED, Pull-up	BE 4 D
R91	Resistor, VDS-CAN (Front Active Steering)	XO 3 B
R904	Resistor_DBUS	XE 4 C
R905	Heated Hose Suction Line	CU 1 D
R905_US	suction_line	CX 1 E
R906	Heated Hose Pressure Line	CU 1 D
R906_US	Pressure_line	CX 1 E
R907	1939-7 resistor	XF 4 D
R908	Heated Hose Backflow to tank	CU 2 D
R909	Heated Filter	CU 0 D
R910	Heated Hose Backflow to pump_DNOX2	CU 2 D
R918	Termination resistor 120ohm	XG 4 D
RL1A	Rear light, R	GA 2 D
RL2A	Rear light, L	GA 0 D
S01	Switch, main lighting, selector type	GB 0 B
S02	Stalk switch, full- / dipped beams	BA 2 B
S02	Stalk switch, full- / dipped beams	BA2 2 B
S02	Stalk switch, full- / dipped beams	GB 2 B
S06	Stalk switch, windscreen wiper, selector	GM 4 B
S06	Stalk switch, windscreen wiper, selector	NA 2 D
S08	Switch, differential gear lock, rear whee	EO 1 B
S11	Switch, bogie lift, selector type	FA 2 C
S12	Switch, battery main switch	AA 0 C
S14A	Switch, push button, horn	IS 2 E
S14B	Switch, push button, horn	IS 2 E
S15A	Switch,Starter Key	AA 1 B
S15B	Switch,Starter Feed	AA 1 D
S16	Switch, push button, air horn	IS 2 E
S20	Dynafleet Switch	NC 1 C

VOLVO

Volvo Bus Corporation

Document title
WIRING DIAGRAM

Document type
PRODUCT SCHEMATICS

Document No	Issue	Volume	Sheet No
22610880	10	03(03)	10(38)

COMPONENT	DESCRIPTION	PAGE
S24	Stalk switch, retarder, selector type	BA 3 B
S24	Stalk switch, retarder, selector type	BA2 3 B
S31	Switch, TCS (Traction Control System)	EP 3 D
S32	Switch, brake hold	EP 4 B
S34	Switch unit, steering wheel push buttons	IU 3 B
S41	Switch, battery main switch control	AB2 1 C
S45	Position switch, differential gear lock i	EP 3 C
S50	Switch, pressure parking brake indicator,	BA 2 D
S50	Switch, pressure parking brake indicator,	BA2 2 D
S58	Position switch, clutch pedal, NO.	BA 2 C
S58	Position switch, clutch pedal, NO.	BA2 2 C
S68	Sensor coolant level	CS 0 A
S68_13	Sensor Coolant level	CS 0 A
S70	Position switch, flow sensor, power-steer	BB 4 C
S77	Switch, emergency call	TL 1 B
S90	Battery Switch	AB3 1 C
S202	Switch, LDWS, (Lane Departure Warning Sy	BE 3 E
S348	Switch AEBS (Advanced Emergency Braking S	BE 3 E
S467	Switch, Dependent Ride Height	FB2 1 D
S901	eng_stop_rear	AA 3 D
S902	Switch,raise/lower	FA 4 C
S904	Switch,emergency cut-out	AA 0 B
S905	Switch,Retarder	BA 4 E
S905	Switch,Retarder	BA2 4 E
S907	eng_start_rear	AA 3 D
S908	eng_start_enable_rear	AA 3 D
S915	Switch,kneeling	FA 1 B
S925	Switch, Alcolock	ND 1 B
Se32	Allison Turbine Speed Sensor	DN5 0 E
Se34	Allison Output Speed Sensor	DN5 1 E
Se35	Allison Output Speed Sensor	DN5 1 E
T900	DC converter temperature sensor	AC 3 B
U03	Modulator, EBS, rear axle	EO 3 C
U04	Modulator, EBS, 3:rd axle	EP 1 C
U06	Voltage converter	IU 0 B
U08	Modulator,EBS,front	EO 2 C
U12	Voltage converter, Bi-xenon	GE 2 C
U25	Voltage converter, DC/DC	AC 2 C
V03	Diod, Light	GE 1 C
V04	Diod, Light	GE 2 C
X701	I-Start Media Bracket (Chassis)	AB3 2 C
X801	I-Start Media Bracket (Body)	AB4 2 B
X901	Connector Battery +	AB2 3 E
X905	VPDU Rear without preheat relay	AB4 2 B
X910	Junction Box for Chassis	AB2 0 D
Y02	Solenoid valve, diff. lock, rear wheels	EP 3 C
Y25	Solenoid valve unit, level control, air s	FA 0 C
Y36	Solenoid valve, steerable axle	BB 4 C
Y37	Solenoid valve AVU, engine brake / EPG (E	CS 3 B
Y40	Solenoid valve unit, front axle, air susp	FA 1 C
Y72	Valve, Horn	IS 2 B
Y186	Extension Valve Unit (EVU)	DN6 1 D
Y900	solenoid valve unit, ECS, Bogie axle	FA 3 C
Y901	Fuel cut off valve front axle	BA 1 C

VOLVO

Volvo Bus Corporation

Document title

WIRING DIAGRAM

Document type

PRODUCT SCHEMATICS

Document No

22610880

Issue

10

Volume

03(03)

Sheet No

11(38)

COMPONENT	DESCRIPTION	PAGE
Y901	Fuel cut off valve front axle	BA2 1 C
Y911	Sol-valve-inj-SCRT	CU 2 A
Y911_10	sol valve DEF inj.	CX 2 E
Y912	Sol-valve-water-heating-SCRT	CU 0 D
Y912_US	Sol_Valve_Heating_Urea Tank	CX 2 D
Y914	Pressure control valve(PCU/R)	EP 0 B
Y915	Pressure control valve(PCU/L)	EP 0 B
Y939	Solenoid Valve AHI	BA 2 E
Y939	Solenoid Valve AHI	BA2 2 E

VOLVO

Volvo Bus Corporation

Document title
WIRING DIAGRAM

Document type
PRODUCT SCHEMATICS

Document No	Issue	Volume	Sheet No
22610880	10	03(03)	12(38)

INLINES

INLINE	PAGE
+30:1	AB2 2 A
+30:1	AB3 3 A
+30_FEED_B:1	FC2 2 A
+B:1	AB2 0 A
+B:1	AB3 1 A
+B:1	TL 2 A
A19:1	DN 0 D
A19:2	DN 1 D
A19:3	DN 1 D
A19:4	DN 1 D
A19:5	DN 1 D
A19:6	DN 1 D
A19:11	DN 2 D
A19:12	DN 2 D
A19:15	DN 2 D
A19:16	DN 2 D
A19_:1	DN2 3 B
A19_:2	DN2 3 B
A19_:3	DN2 3 B
A19_:4	DN2 3 B
A19_:5	DN2 3 B
A19_:6	DN2 3 B
A19_:7	DN2 3 B
A19_:8	DN2 3 B
A19_:9	DN2 4 B
A19_:10	DN2 4 B
A19_:11	DN2 4 B
A19_:12	DN2 4 B
A80.BY:1	BA 2 D
A80.BY:1	BA2 2 D
A80.BY:3	BA 2 D
A80.BY:3	BA2 2 D
A80.BY:4	BA 3 E
A80.BY:4	BA2 3 E
ACC:1	NE 1 B
ACC:1	TL 2 B
ACC:2	XC 2 B
ACC:3	XC 2 B
ACC:4	XD 2 A
ACC:5	XD 2 A
ACC:6	ZC 3 D
ACC:9	NE 1 B
ACC:9	TL 0 B
ACM:1	NB 0 B
ACM:2	AB2 1 B
ACM:3	AC 2 D
ARTIC:1	FB 3 B
ARTIC:2	FB 4 B
ARTIC:3	XG 2 C
ARTIC:4	XG 2 C
ARTIC:5	BC 1 B
ARTIC:6	BC 1 B
ARTIC:7	BC 1 B
ARTIC:8	BC 1 B

VOLVO

Volvo Bus Corporation

Document title
WIRING DIAGRAM

Document type
PRODUCT SCHEMATICS

Document No 22610880	Issue 10	Volume 03(03)	Sheet No 13(38)
--------------------------------	--------------------	-------------------------	---------------------------

INLINE	PAGE
ARTIC:9	BC 2 B
ARTIC:10	BC 0 B
ARTIC:11	BC 2 B
ARTIC:12	BC 2 B
AUDIO:1	XJ 3 B
AUDIO:1	XJ2 3 B
AUDIO:1	XJ2 3 D
AUDIO:2	XJ 3 B
AUDIO:2	XJ2 3 B
AUDIO:2	XJ2 3 D
AUDIO:3	IU 3 B
B+ FEED_B:1:1	CU 4 A
BB1:1	BA 0 D
BB1:1	BA2 0 D
BB1:2	BC 3 B
BB1:3	BC 3 B
BB1:4	BC 2 B
BB1:5	BB 2 C
BB1:6	NA 2 D
BB1:8	NA 2 D
BB1:9	NA 2 D
BB1:10	BB 3 B
BB1:11	BA 1 E
BB1:11	BA2 1 E
BB1:12	BC 3 B
BB2:1	NA 2 D
BB2:2	NA 1 D
BB2:3	NA 2 D
BB2:4	NA 1 D
BB2:5	XE 3 E
BB2:6	XE 4 E
BB2:7	IS 2 C
BB2:8	IS 2 B
BB2:9	IS 2 C
BB2:10	GB 2 B
BB2:11	AA 0 C
BB2:12	NB 1 A
BB3:1	GB 2 B
BB3:2	BC 3 B
BB3:3	FA 1 B
BB3:4	FB 2 B
BB3:5	GB 2 B
BB3:6	GB 0 D
BB3:7	NA 2 D
BB3:8	NA 3 D
BB3:9	AF 0 B
BB3:10	BA 1 D
BB3:10	BA2 1 D
BB3:11	BB 1 B
BB3:12	BB 1 B
BB4:1	BC 3 B
BB4:2	BC 3 B
BB4:3	BC 3 B
BB4:4	BC 3 B

VOLVO

Volvo Bus Corporation

Document title
WIRING DIAGRAM

Document type
PRODUCT SCHEMATICS

Document No	Issue	Volume	Sheet No
22610880	10	03(03)	14(38)

INLINE	PAGE
BB4:5	BC 3 B
BB4:6	BC 2 B
BB4:7	EP 2 B
BB4:8	BA 0 E
BB4:8	BA2 0 E
BB4:9	NA 3 D
BB4:10	BA 0 D
BB4:10	BA2 0 D
BB4:11	GB 3 B
BB4:11	TL 1 B
BB5:1	GB 2 D
BB5:2	GB 2 D
BB5:3	GB 1 D
BB5:4	GB 3 D
BB5:6	GB 4 C
BB5:7	GB 1 D
BB5:8	GB 3 D
BB5:9	GE 1 B
BB5:10	GE 2 B
BB5:11	GB 1 D
BB5:12	GB 3 D
BB6:1	BC 2 B
BB6:2	GA 1 B
BB6:3	CL 3 D
BB6:4	GA 2 A
BB6:5	BB 2 C
BB6:6	BB 2 C
BB6:12	GA 1 C
BB7:1	GA 2 C
BB7:2	GA 0 C
BB7:3	GA 0 C
BB7:4	GA 2 C
BB7:5	GA 1 C
BB7:6	GA 1 D
BB7:7	GA 0 C
BB7:8	GA 2 C
BB7:9	GA 3 C
BB7:10	GA 3 C
BB7:11	GA 0 C
BB7:12	GA 1 C
BB8:1	GB 1 E
BB8:2	GB 3 D
BB8:3	GB 4 B
BB10A:1	IU 1 E
BB10A:3	IU 1 B
BB10A:5	IU 1 B
BB10A:7	IU 0 B
BB10A:9	IU 1 E
BB10B:1	IU 1 E
BB10B:3	IU 1 B
BB10B:5	IU 1 B
BB10B:7	IU 0 B
BB10B:9	IU 1 E
BB11:1	GB 0 D

VOLVO

Volvo Bus Corporation

Document title

WIRING DIAGRAM

Document type

PRODUCT SCHEMATICS

Document No

22610880

Issue

10

Volume

03(03)

Sheet No

15(38)

INLINE	PAGE
BB11:2	BE 3 C
BB11:3	BE 3 C
BB12:1	GE 3 C
BB12:2	GE 3 C
BB12:3	GB 4 D
BB12:4	GB 4 D
BB12:5	GB 1 C
BB13:1	BC 0 B
BB13:2	CL 1 B
BB13:3	CL 1 B
BB13:4	FB2 1 C
BB13:4	FB2 3 C
BB13:5	BC 0 B
BB13:6	CL 2 D
BB13:7	CL 2 D
BB13:12	BA2 3 D
BB13:16	NA 0 B
BB13:16	NF 2 B
BBOX:1	AB2 1 B
BBOX:2	AB2 1 B
BBOX:3	NB 0 A
BFEED:1	CU 0 A
BIO:1	CL 1 B
BIO:2	XD 4 D
BIO:3	XD 4 D
BIO:4	XE 1 A
BIO:4	XE 1 A
BIO:5	XE 1 B
BIO:5	XE 1 B
BIO:6	XE 3 D
BIO:6	XE 4 C
BIO:7	XE 4 D
BIO:7	XE 4 D
BIO:9	CL 1 B
BIO:10	ZC 4 D
BIO_J:4	XE 2 B
BIO_J:5	XE 1 B
BIO_J:6	XE 3 D
BIO_J:7	XE 4 D
BMUX_1:1	XD 1 B
BMUX_1:2	XD 1 B
BMUX_1:3	AA 0 B
BMUX_1:4	AA 0 C
BMUX_1:5	AA 0 B
BOGIE:1	FB 1 B
BOGIE:2	FB 1 B
BOGIE:3	FA 3 D
BOGIE:4	FA 3 D
BOGIE:5	FA 3 D
BOGIE:6	EP 1 B
BOGIE:7	EP 1 B
BOGIE:8	EP 1 B
BOGIE:9	EP 1 B
BOGIE:10	ZC 1 D

VOLVO

Volvo Bus Corporation

Document title
WIRING DIAGRAM

Document type
PRODUCT SCHEMATICS

Document No 22610880	Issue 10	Volume 03(03)	Sheet No 16(38)
--------------------------------	--------------------	-------------------------	---------------------------

INLINE	PAGE
BOGIE:11	BB 4 C
BOGIE:12	BB 4 C
BS1:2	EO 2 D
BS1:3	EO 2 D
BS1:4	EO 2 D
BS1:5	EO 2 D
BS1:8	EP 0 B
BS1:9	EP 0 B
BS1:10	EP 0 B
BS1:11	EP 0 B
BS1:12	EP 0 B
BS2:2	EP 3 B
BS2:3	EP 2 B
BS2:5	EP 3 C
BS2:6	EP 3 C
BS3:1	EO 3 D
BS3:2	EO 3 D
BS3:3	EO 3 D
BS3:4	EO 3 D
BS3:5	EP 3 B
BS3:6	EP 3 B
BS3:7	EP 3 D
BS3:8	NA 3 B
BS3:9	BB 3 D
BS3:10	BA 4 C
BS3:10	BA2 4 C
BS3:11	BA 4 C
BS3:11	BA2 4 C
BS3:12	BA 4 C
BS3:12	BA2 4 C
DBUS_INT:1	XE 4 B
DBUS_INT:2	XE 4 B
DF:1	NC 2 B
DF:2	NC 1 C
DF:3	NC 0 C
DF:4	XD 1 B
DF:5	XD 1 B
DF:6	NC 2 B
DF:11	NC 1 E
DPF10:A	XH 2 C
DPF10:B	XH 2 B
DPF10:C	XH 3 C
DPF10:D	XH 3 D
DPF10:E	CX 2 A
DPF10:F	BB 0 B
DPF10:G	BB 0 B
DPF10:J	CX 2 B
DPF10:K	CX 2 B
DPF10:L	CX 2 D
DPF10:M	CX 2 D
DPF10:N	XH 2 C
DPF10:P	XH 2 C
DPF10:R	CX 3 B
DPF10:S	CX 3 C

VOLVO

Volvo Bus Corporation

Document title
WIRING DIAGRAM

Document type
PRODUCT SCHEMATICS

Document No	Issue	Volume	Sheet No
22610880	10	03(03)	17(38)

INLINE	PAGE
ECS1:1	FA 1 D
ECS1:2	FA 1 D
ECS1:3	FA 0 D
ECS1:5	FB 0 B
ECS1:6	FB 2 B
ECS1:7	FB 3 B
ECS1:8	FB 0 B
ECS1:9	FB 0 B
ECS1:10	FB 3 B
ECS1:11	FB 3 B
ECS1:12	FA 1 C
ECS2:1	FA 0 D
ECS2:2	FA 0 D
ECS2:3	FA 0 D
ECS2:4	FB 0 B
ECS2:5	FB 1 B
ECS2:6	FB 2 B
ECS2:7	FB 2 B
ECS2:8	FB 0 B
ECS2:9	FB 0 B
ECS2:10	FB 3 B
ECS2:11	FB 2 B
ECS2:12	FA 0 B
EMS:1	BA 0 D
EMS:1	BA2 0 D
EMS:2	XC 3 D
EMS:3	XC 3 C
EMS:4	XD 3 C
EMS:5	XD 3 C
EMS:6	BA 1 B
EMS:6	BA2 1 B
EMS:7	BA 1 B
EMS:7	BA2 1 B
EMS:9	BA 1 B
EMS:9	BA2 1 B
EMS:10	ZC 1 D
EMS:11	BB 3 C
ENG1:2	AA 2 D
ENG1:3	BB 0 D
ENG1:4	AA 3 D
ENG1:5	BB 0 B
ENG1:6	AA 3 C
ENG1:7	AF 0 C
ENG1:8	AF 0 B
ENG1:9	AF 3 B
ENG1:10	NA2 0 E
ENG1:11	NA 0 B
ENG1:12	ZC 1 D
EU4:1	AB 3 B
EU4:4	EO 3 D
EU4:5	EO 4 D
EU4:6	EO 4 D
EU4:7	EO 4 D
EU4:8	BA 0 B

VOLVO

Volvo Bus Corporation

Document title
WIRING DIAGRAM

Document type
PRODUCT SCHEMATICS

Document No	Issue	Volume	Sheet No
22610880	10	03(03)	18(38)

INLINE	PAGE
EU4:8	BA2 0 B
EU4:10	CU 0 B
EU4:11	XF 3 C
EU4:12	XF 3 C
FEED:1	BA 0 A
FEED:1	BA2 0 A
FH1A:1	DN 2 B
FH1A:2	DN 2 B
FH1A:3	DN 2 A
FH1A:6	IS 2 A
FH1A:7	FA 4 A
FH1A:8	EO 0 A
FH1A:10	NA 3 A
FH1B:1	BA 0 A
FH1B:1	BA2 0 A
FH1B:2	BA 0 A
FH1B:2	BA2 0 A
FH1B:3	BA 0 A
FH1B:3	BA2 0 A
FH1B:4	AA 3 A
FH1B:6	BB 0 A
FH1B:7	BB 0 A
FH1B:8	AB 3 B
FH1B:10	NC 1 B
FH1B:10	TL 0 B
FH1B:11	BB 1 A
FH2A:1	GM 2 A
FH2A:3	NE 1 A
FH2A:3	TL 2 B
FH2A:4	EO 0 A
FH2A:5	AA 2 B
FH2A:6	NA 3 A
FH2A:7	AF 0 A
FH2A:8	AF 3 A
FH2A:9	FA 4 A
FH2B:1	BB 1 A
FH2B:3	NA 0 A
FH2B:4	DN 1 A
FH2B:5	AA 2 A
FH2B:6	NB 0 A
FH2B:8	FA 4 A
FH2B:9	GM 1 A
FH3A:1	BA 1 A
FH3A:1	BA2 1 A
FH3A:2	BA 1 A
FH3A:2	BA2 1 A
FH3A:3	BA 1 A
FH3A:3	BA2 1 A
FH3A:4	GA 2 A
FH3A:5	BB 4 A
FH3A:7	NA 0 A
FH3A:7	NF 2 B
FH3A:8	BB 2 A
FH3A:12	IU 0 A

VOLVO

Volvo Bus Corporation

Document title
WIRING DIAGRAM

Document type
PRODUCT SCHEMATICS

Document No 22610880	Issue 10	Volume 03(03)	Sheet No 19(38)
--------------------------------	--------------------	-------------------------	---------------------------

INLINE	PAGE
FH3B:1	CL 3 B
FH3B:2	CL 3 B
FH3B:3	CL 3 B
FH3B:4	AA 0 A
FH3B:5	GA 2 A
FH3B:7	CL 1 A
FH3B:9	GA 1 A
FH3B:10	BE 3 A
FH4A:2	CU 0 B
FH4A:3	CU 0 A
FH4A:4	AA 3 A
FH4A:5	GA 1 A
FH4A:7	NA 3 A
FH4A:8	GA 1 A
FH4A:12	GA 0 A
FH4B:1	GA 3 B
FH4B:2	GA 3 B
FH4B:3	GA 3 B
FH4B:4	IU 0 A
FH4B:5	GA 0 A
FH4B:7	AA 0 A
FH4B:8	GA 1 A
FH4B:12	GA 0 A
FH5:2P	FC2 2 B
FH5:2S	FC2 2 B
FH6:2P	CU 4 B
FH6:2S	CU 4 B
FL2:11	GB 0 B
FL3:11	GB 0 B
FTM:1	CL 1 B
FTM:2	XD 4 D
FTM:3	XD 4 D
FTM:4	XE 0 A
FTM:4	XE 0 B
FTM:5	XE 0 B
FTM:5	XE 0 B
FTM:6	XE 1 A
FTM:6	XE 1 B
FTM:7	XE 1 B
FTM:7	XE 1 B
FTM:9	AA 2 B
FTM:10	ZC 4 D
FTM_J:4	XE 0 A
FTM_J:5	XE 0 B
FTM_J:6	XE 1 A
FTM_J:7	XE 1 B
FUEL:1	NA 1 E
FUEL:2	NA 1 E
FUEL:3	NA 1 D
FUEL:5	BA 1 B
FUEL:5	BA2 1 B
FUEL:6	BA 1 C
FUEL:6	BA2 1 C
FUEL:7	FA 1 D

VOLVO

Volvo Bus Corporation

Document title
WIRING DIAGRAM

Document type
PRODUCT SCHEMATICS

Document No	Issue	Volume	Sheet No
22610880	10	03(03)	20(38)

INLINE	PAGE
FUEL:8	FA 2 D
FUEL:9	FA 1 B
FUEL:10	FB 4 B
FUEL:11	FB 2 B
GBX:1	DN4 2 A
GBX:1	ZC 3 C
GBX:2	DN 2 B
GBX:7	XC 4 D
GBX:8	XC 4 D
GBX:9	XD 3 D
GBX:10	XD 3 D
GBX:13	NA 1 B
GBX:17	BA 2 D
GBX:17	BA2 2 D
GBX:18	BA 2 D
GBX:18	BA2 2 D
GIC:1	DN6 2 B
GIC:2	DN6 1 B
GIC:3	DN6 1 B
GIC:4	DN6 2 B
GIC:5	DN6 1 B
GIC:6	DN6 1 B
GIC:7	DN6 3 B
GIC:12	CZ 3 B
GIC:13	DN6 1 B
GIC:15	CZ 3 B
GIC:16	DN6 3 B
GIC:21	CZ 3 B
GIC:23	CZ 3 B
GIC:24	DN6 3 B
GIC:26	DN6 3 B
GIC:27	CZ 4 B
GIC:28	CZ 3 B
GIC:29	CZ 4 B
GIC:35	CZ 3 B
GIC:39	DN6 2 B
IB1:1	NA 3 B
IB1:2	NA 2 D
IB1:3	NA 3 D
IB1:4	NA 2 D
IB1:5	NA 3 D
IB1:6	NA 2 D
IB1:7	NA 3 B
IB1:8	NA 2 C
IB1:9	AF 2 B
IB1:10	AF 3 B
IB1:11	NA 2 C
IB1:12	NA 1 C
IB1:13	NA 1 C
IB1:14	XC 1 B
IB1:15	XC 1 B
IB1:16	XD 2 A
IB1:17	XD 2 A
IB1:18	NA 3 B

VOLVO

Volvo Bus Corporation

Document title
WIRING DIAGRAM

Document type
PRODUCT SCHEMATICS

Document No	Issue	Volume	Sheet No
22610880	10	03(03)	21(38)

INLINE	PAGE
IB2:1	NA 2 D
IB2:2	NA 2 D
IB2:3	NA 2 D
IB2:4	NA 2 D
IB2:5	NA 1 B
IB2:6	NA 1 D
IB2:7	GA 3 B
IB2:8	ZC 0 D
IB2:9	GA 2 B
IB2:11	IS 2 D
IB2:12	IS 2 D
IB2:13	EP 2 C
IB2:14	EP 2 C
IB2:15	EP 2 C
IB2:16	EP 2 C
IB2:17	AA 1 B
IB2:18	NC 1 B
IB3:1	BA 3 C
IB3:1	BA2 3 C
IB3:2	BA 3 C
IB3:2	BA2 3 C
IB3:3	BA 3 C
IB3:3	BA2 3 C
IB3:4	BA 3 C
IB3:4	BA2 3 C
IB3:5	BA 3 C
IB3:5	BA2 3 C
IB3:6	BA 3 D
IB3:6	BA2 3 D
IB3:7	BA 2 C
IB3:7	BA2 2 C
IB3:8	BA 2 C
IB3:8	BA2 2 C
IB3:9	BA 1 C
IB3:9	BA2 1 C
IB3:10	BA 2 C
IB3:10	BA2 2 C
IB3:11	BA 1 C
IB3:11	BA2 1 C
IB3:12	BA 1 C
IB3:12	BA2 1 C
IB3:13	BA 3 C
IB3:13	BA2 3 C
IB3:14	IU 0 A
IB3:15	IU 0 A
IB3:16	IU 0 B
IB3:17	FA 4 B
IB3:18	ZC 0 D
IB4:1	GB 2 B
IB4:2	GB 2 B
IB4:3	GB 0 B
IB4:4	GB 1 B
IB4:5	GB 1 B
IB4:6	GA 1 C

VOLVO

Volvo Bus Corporation

Document title
WIRING DIAGRAM

Document type
PRODUCT SCHEMATICS

Document No 22610880	Issue 10	Volume 03(03)	Sheet No 22(38)
--------------------------------	--------------------	-------------------------	---------------------------

INLINE	PAGE
IB4:7	GB 1 B
IB4:8	GB 1 B
IB4:9	GB 1 B
IB4:10	GB 3 C
IB4:11	GB 3 C
IB4:12	GB 3 C
IB4:13	GB 3 C
IB4:14	GB 3 B
IB4:15	EP 4 B
IB4:16	EP 4 B
IB4:17	EP 3 B
IB4:18	EP 3 B
IB5:2	AA 2 B
IB5:3	BA 3 C
IB5:4	AA 1 C
IB5:5	AA 0 B
IB5:6	AA 0 D
IB5:7	AA 0 C
IB5:8	FA 1 B
IB5:9	FA 2 D
IB5:10	NA2 0 D
IB5:11	FA 1 C
IB5:12	FA 1 C
IB5:13	AA 1 B
IB5:14	FA 3 D
IB5:15	FA 3 D
IB5:16	FA 2 D
IB5:17	EO 1 C
IB5:18	NA 1 C
IB6:1	NB 0 B
IB6:2	XJ 1 B
IB6:2	XJ2 0 A
IB6:2	XJ2 0 C
IB6:3	XJ 1 B
IB6:3	XJ2 0 D
IB6:3	XJ2 0 A
IB6:4	NB 0 B
IB6:5	ZC 0 D
IB6:6	NB 1 B
IB6:7	NB 1 C
IB6:8	NB 1 C
IB6:9	NB 1 C
IB6:10	NB 1 C
IB6:12	NB 2 C
IB7:1	GM 1 B
IB7:2	GB 4 C
IB7:3	GB 4 C
IB7:4	GM 3 B
IB7:5	XF 4 C
IB7:6	XF 4 C
IB7:7	NA 3 C
IB7:8	GM 3 B
IB7:10	ZC 0 D
IB7:11	NA 2 D

VOLVO

Volvo Bus Corporation

Document title

WIRING DIAGRAM

Document type

PRODUCT SCHEMATICS

Document No

22610880

Issue

10

Volume

03(03)

Sheet No

23(38)

INLINE	PAGE
IB7:12	GM 4 B
IB8:1	EO 0 D
IB8:2	EO 0 D
IB8:3	EO 1 D
IB8:4	EO 0 D
IB8:5	EO 0 D
IB8:7	GB 3 B
IB8:8	CL 2 D
IB8:9	CL 2 D
IB8:10	CL 2 D
IB8:11	CL 1 B
IB8:12	CL 1 B
IB9:1	BA 2 D
IB9:1	BA2 2 D
IB9:2	BA 2 C
IB9:2	BA2 2 C
IB9:3	GE 2 B
IB9:4	ZC 0 D
IB9:5	GE 1 C
IB9:6	GA 1 D
IB9:7	BA 2 C
IB9:8	BA 2 C
IB9:8	BA2 2 C
IB9:9	BA 2 C
IB9:9	BA2 2 C
IB9:10	BA 2 C
IB9:10	BA2 2 C
IB9:11	BA 3 C
IB9:11	BA2 3 C
IB9:12	BA 2 C
IB9:12	BA2 2 C
IB10:1	DN 1 B
IB10:2	GA 3 B
IB10:3	BB 1 D
IB10:8	DN 1 B
IB10:9	ZC 3 D
IB10:10	DN 1 B
IB10_I:1	DN 1 B
IB10_I:8	DN 1 B
IB10_I:10	DN 1 B
IS:1	XD 1 A
IS:2	XD 1 A
IS:3	XC 1 B
IS:4	XC 1 B
KH1A:1	FA 4 C
KH1A:2	FA 4 D
KH1A:3	FA 4 D
KH1A:4	CL 3 C
KH1A:5	FA 4 C
KH1A:7	CL 3 C
KH1A:10	CL 2 C
KH1A:11	CL 2 C
KH1B:1	DN 1 A
KH1B:2	DN 1 A

VOLVO

Volvo Bus Corporation

Document title
WIRING DIAGRAM

Document type
PRODUCT SCHEMATICS

Document No 22610880	Issue 10	Volume 03(03)	Sheet No 24(38)
--------------------------------	--------------------	-------------------------	---------------------------

INLINE	PAGE
KH1B:3	DN 1 A
KH1B:4	BE 3 B
KH1B:5	DN 1 A
KH1B:7	BE 3 B
KH1B:8	BE 2 B
KH1B:10	BE 3 B
KH1B:11	BE 3 B
KH1B:12	BE 2 B
KH1B:14	BE 2 B
KH1B:15	BE 2 B
KH2A:1	BA 1 E
KH2A:1	BA2 1 E
KH2A:3	BA 0 C
KH2A:3	BA2 0 C
KH2A:4	BA 1 D
KH2A:4	BA2 1 D
KH2A:5	BA 0 B
KH2A:5	BA2 0 B
KH2A:6	BA 0 C
KH2A:6	BA2 0 C
KH2A:7	AF 0 B
KH2A:8	AF 0 B
KH2A:9	BA 0 B
KH2A:9	BA2 0 B
KH2A:10	AF 0 B
KH2A:11	AF 0 B
KH2A:12	AF 0 B
KH2B:1	AA 2 D
KH2B:2	GM 2 B
KH2B:3	GM 2 B
KH2B:4	AA 2 D
KH2B:5	GM 2 B
KH2B:6	GM 2 C
KH2B:9	GM 2 C
KH3A:1	AA 0 B
KH3A:3	AA 1 B
KH3A:4	BB 2 B
KH3A:5	AA 1 B
KH3A:6	AA 0 B
KH3A:7	BB 2 B
KH3A:8	AA 2 B
KH3A:9	AA 2 B
KH3A:10	BB 2 B
KH3A:11	BB 2 B
KH3A:12	AA 2 C
KH3A:14	AA 2 C
KH3B:1	BB 4 B
KH3B:2	BB 4 B
KH3B:3	BB 4 B
KH3B:5	BB 4 B
M_01:1	GM 4 C
M_01:2	GM 4 C
M_01:3	GM 3 C
M_01:4	GM 3 C

VOLVO

Volvo Bus Corporation

Document title
WIRING DIAGRAM

Document type
PRODUCT SCHEMATICS

Document No	Issue	Volume	Sheet No
22610880	10	03(03)	25(38)

INLINE	PAGE
M_01:5	GM 4 D
M_01:6	GM 1 B
M_01:8	GM 1 D
M_01:9	GM 1 B
M_01:11	GM 1 D
M_01:12	GM 1 C
M_01:13	GM 0 D
M_01:14	GM 1 B
MED:1	XC 1 D
MED:2	XD 0 C
MED:2	XG 1 D
MED:3	CS 0 B
MED:4	XC 1 D
MED:5	XD 0 C
MED:5	XG 1 D
MED:6	CS 0 B
MED:7	CS 0 D
MED:8	CS 0 B
MED:9	AF 2 C
MED:10	AF 3 C
MED:11	DN5 1 B
MED:12	AF 4 E
MED:13	CS 3 B
MED:14	BB 0 C
MED:15	CS 3 B
MED:16	BB 0 D
MED:17	AF 3 C
MED:18	CS 1 B
MED:19	DN5 1 B
MED:20	CS 2 B
MED:21	CS 1 B
MED:22	CS 4 D
MED:23	CS 3 B
MED:24	CS 2 D
MED:25	CS 0 B
MED:26	CS 2 B
MED:27	CS 4 B
MED:28	CS 0 B
MED:29	CS 2 D
MED:30	CS 1 D
MED:31	CS 4 B
MED:32	CS 2 B
MED:33	CS 2 B
MED:34	CS 2 B
MED:35	AF 1 C
MED:36	CS 2 B
MED:37	CS 1 B
MED:38	DN5 2 B
MED:39	CS 4 B
MEDA:1	NB 1 D
MEDA:2	NB 1 D
MEDA:3	NB 1 D
MEDA:4	NB 1 D
MEDA:5	DN4 1 B

VOLVO

Volvo Bus Corporation

Document title

WIRING DIAGRAM

Document type

PRODUCT SCHEMATICS

Document No

22610880

Issue

10

Volume

03(03)

Sheet No

26(38)

INLINE	PAGE
MEDA:5	DN6 1 A
MEDA:6	DN4 1 B
MEDA:6	DN6 1 A
MEDA:7	XC 2 D
MEDA:8	XC 3 D
MEDA:9	XD 0 D
MEDA:10	XD 0 D
MEDA:11	AB 2 D
MEDA:11	DN4 1 B
MEDA:12	DN4 2 B
MEDA:12	ZC 3 B
ML1:1	GB 1 E
ML1:2	ZC 1 A
ML1:3	GE 1 D
ML1:4	ZC 1 A
ML1:5	GE 1 D
ML1:6	ZC 2 A
ML1:7	GE 1 D
ML2:1	GB 3 D
ML2:2	ZC 2 A
ML2:3	GE 2 D
ML2:4	ZC 2 A
ML2:5	GE 2 D
ML2:6	ZC 2 A
ML2:7	GE 2 D
ML3:1	BB 3 C
ML3:2	BB 2 B
ML3:3	GA 3 D
ML3:4	GA 4 D
ML3:5	GA 4 D
ML3:6	GA 1 B
ML3:7	GA 4 D
ML4:1	BB 2 C
ML4:2	BB 2 B
ML4:3	GA 3 D
ML4:4	GA 3 D
ML4:5	GA 3 D
ML4:6	GA 2 B
ML4:7	GA 3 D
R905A:1	CU 1 D
R905A:2	CU 1 D
R905B:1	CU 1 D
R905B:2	CU 1 D
R905C:1	CU 1 C
R905C:2	CU 1 D
R906A:1	CU 1 D
R906A:2	CU 1 D
R906B:1	CU 1 D
R906B:2	CU 1 D
R906C:1	CU 1 C
R906C:2	CU 1 D
R908A:1	CU 2 D
R908A:2	CU 2 D
R908B:1	CU 2 D

VOLVO

Volvo Bus Corporation

Document title
WIRING DIAGRAM

Document type
PRODUCT SCHEMATICS

Document No 22610880	Issue 10	Volume 03(03)	Sheet No 27(38)
--------------------------------	--------------------	-------------------------	---------------------------

INLINE	PAGE
R908B:2	CU 2 D
R908C:1	CU 2 C
R908C:2	CU 2 D
R910A:1	CU 2 D
R910A:2	CU 2 D
R910B:1	CU 2 D
R910B:2	CU 2 D
R910C:1	CU 2 C
R910C:2	CU 2 D
RA1:1	DN6 3 A
RA1:1	NB 1 C
RA1:2	DN6 3 A
RA1:2	NB 1 C
RA1:3	DN6 3 A
RA1:3	NB 1 C
RA1:4	DN6 3 A
RA1:4	NB 1 C
RA1:5	NA 2 B
RA1:6	AF 2 B
RA1:7	AF 3 B
RA1:8	BA2 4 C
RA1:9	BA2 4 C
RA1:10	NA 1 B
RA1:11	AB2 1 A
RA1:12	BA2 4 C
RL3:1	GA 3 D
RL3:2	GA 3 D
RL3:3	GA 1 D
RL3:4	GA 1 D
RL3:5	GA 1 B
RL3:6	GA 0 D
RL3:7	GA 2 D
RL3:8	BC 2 C
RL3:10	GA 1 D
RL3:11	GA 2 B
RL3:12	ZC 2 A
RL4:1	GA 1 D
RL4:2	GA 1 D
RL4:3	GA 3 D
RL4:4	GA 4 D
RL4:5	GA 0 D
RL4:7	GA 1 D
RL:1	GB 0 C
RL:3	GB 0 C
RL DA:1	GB 0 D
RL DB:1	GB 0 B
S T S:1	NB 1 D
S T S:2	NB 1 D
S T S:3	NB 2 D
S T T:3	NB 2 D
UDS12:1	XF 2 D
UDS12:2	XF 2 D
UDS12:3	CU 1 B
UDS12:4	CU 1 B

VOLVO

Volvo Bus Corporation

Document title

WIRING DIAGRAM

Document type

PRODUCT SCHEMATICS

Document No

22610880

Issue

10

Volume

03(03)

Sheet No

28(38)

INLINE	PAGE
UDS12:5	XD 2 D
UDS12:6	XD 2 D
UDS12:7	CU 0 B
UDS12:8	CU 2 B
UDS12:9	CU 2 B
UDS12:11	CU 0 B
UDS12:12	CU 4 D
UDS12_B:1	XF 1 D
UDS12_B:2	XF 1 D
UDS12_B:3	CU 1 B
UDS12_B:4	CU 1 B
UDS12_B:5	XD 1 D
UDS12_B:6	XD 1 D
UDS12_B:7	CU 0 B
UDS12_B:8	CU 2 B
UDS12_B:9	CU 2 B
UDS12_B:11	CU 0 B
UDS12_B:12	CU 4 D
UDS12_F:1	XF 3 D
UDS12_F:2	XF 3 D
UDS12_F:3	CU 1 B
UDS12_F:4	CU 1 B
UDS12_F:5	XD 2 D
UDS12_F:6	XD 2 D
UDS12_F:7	CU 0 B
UDS12_F:8	CU 2 B
UDS12_F:9	CU 2 B
UDS12_F:11	CU 0 B
UDS12_F:12	CU 4 D
UDS12_M:1	XF 2 D
UDS12_M:2	XF 2 D
UDS12_M:3	CU 1 B
UDS12_M:4	CU 1 B
UDS12_M:5	XD 2 D
UDS12_M:6	XD 2 D
UDS12_M:7	CU 0 B
UDS12_M:8	CU 2 B
UDS12_M:9	CU 2 B
UDS12_M:11	CU 0 B
UDS12_M:12	CU 4 D
VIC:1	XC 1 E
VIC:2	CS 3 D
VIC:2	XD 0 D
VIC:3	CS 0 C
VIC:3	CS 1 D
VIC:4	XC 1 E
VIC:5	CS 3 D
VIC:5	XD 0 D
VIC:6	CS 0 C
VIC:6	CS 1 D
VIC:7	CS 0 D
VIC:8	CS 0 C
VIC:9	AF 2 C
VIC:10	AF 3 C

VOLVO

Volvo Bus Corporation

Document title
WIRING DIAGRAM

Document type
PRODUCT SCHEMATICS

Document No 22610880	Issue 10	Volume 03(03)	Sheet No 29(38)
--------------------------------	--------------------	-------------------------	---------------------------

INLINE	PAGE
VIC:12	AF 3 E
VIC:13	CS 3 C
VIC:14	BB 0 C
VIC:15	CS 3 C
VIC:16	BB 0 D
VIC:17	AF 3 C
VIC:18	CS 1 C
VIC:19	CS 3 C
VIC:20	CS 2 C
VIC:21	CS 1 C
VIC:22	CS 4 D
VIC:24	CS 2 D
VIC:25	CS 0 C
VIC:26	CS 2 C
VIC:27	CS 4 C
VIC:28	CS 0 C
VIC:29	CS 2 D
VIC:30	CS 1 D
VIC:31	CS 4 C
VIC:32	CS 2 C
VIC:33	CS 2 C
VIC:34	CS 2 C
VIC:35	AF 1 C
VIC:36	CS 2 C
VIC:37	CS 1 C
VIC:39	CS 4 C
XAL:1	TL 0 C
XAL:2	TL 1 C
XAL:3	TL 0 C
XAL:4	TL 1 B
XC022:1	XJ2 2 A
XC022:1	XJ2 2 C
XC022:2	XJ2 2 C
XC022:2	XJ2 2 A
XC022:3	XJ2 2 A
XC022:3	XJ2 2 D
XC022:4	XJ2 2 A
XC022:4	XJ2 2 D
XC094A:2	FC2 2 C
XC094A:4	CU 4 C
XC094A:4	FC1 2 B
XC095A:1	FC1 2 B
XC095A:2	FC2 2 D
XC095A:3	XO 2 B
XC095A:4	XO 2 B
XC125:1	XC 1 B
XC125:2	XC 1 B
XC126:1	XK 2 C
XC126:2	XK 2 C
XC901:1	NA2 4 B
XC901:2	NA2 3 B
XC901:3	XG 3 D
XC901:4	XG 3 D
XC901_(2):1	NC 3 D

VOLVO

Volvo Bus Corporation

Document title

WIRING DIAGRAM

Document type

PRODUCT SCHEMATICS

Document No

22610880

Issue

10

Volume

03(03)

Sheet No

30(38)

INLINE	PAGE
XC901_(2):2	NC 3 D
XC901_(2):3	NC 3 C
XC901_(2):4	NC 3 C
XC901_(2):5	NC 3 D
XC901_(2):6	NC 3 D
XC901_:1	NC 3 C
XC901_:2	NC 3 C
XC901_:3	NC 2 C
XC901_:4	NC 2 C
XC901_:5	NC 3 C
XC901_:6	NC 3 C
XC903:2	XC 4 E
XC903:3	XC 4 E
XC904:1	XJ2 1 C
XC904:1	XJ2 1 A
XC904:2	XJ2 1 C
XC904:2	XJ2 1 A
XC904:3	XJ2 1 D
XC904:3	XJ2 1 A
XC904:4	XJ2 1 A
XC904:4	XJ2 1 D
XC905:1	XJ2 2 D
XC905:2	XJ2 2 D
XC906A:1	AB2 1 A
XC906A:2	AB2 1 A
XC906A:3	AB2 0 A
XC906A:4	AB2 0 A
XC906A:5	AB2 0 A
XC906A:6	AB2 1 A
XC906A:7	AC 2 D
XC908:3	BA2 3 D
XC908:4	BA 0 E
XC908:4	BA2 0 E
XC909:1	BE 3 B
XC909:2	BE 3 B
XC909:3	BE 3 B
XC909:4	BE 2 B
XC909:5	BE 2 B
XC909:6	BE 2 B
XC909:7	BE 2 B
XC909:8	BE 2 B
XC909:9	BE 1 B
XC909:10	BE 4 B
XC910:1	BE 3 B
XC910:2	BE 2 B
XC910:3	BE 2 B
XC910:4	BE 2 B
XC910:5	BE 2 B
XC910:6	BE 1 B
XC917:1	CL 1 D
XC917:2	CL 1 D
XC917:3	CL 0 D
XC917:4	CL 1 D
XC921:1	CL 1 D

VOLVO

Volvo Bus Corporation

Document title
WIRING DIAGRAM

Document type
PRODUCT SCHEMATICS

Document No	Issue	Volume	Sheet No
22610880	10	03(03)	31(38)

INLINE	PAGE
XC921:2	CL 2 D
XC921:3	CL 2 D
XC922:1	GB 3 B
XC922:3	GB 3 B
XC925:1	XK 2 B
XC925:2	XK 2 B
XC926:1	BB 1 D
XC926:2	BB 1 D
XC926:3	BB 2 D
XC926:4	BB 2 D
XC927_1/2:1	GE 1 C
XC927_1/2:2	GE 2 C
XC927_1:1	GE 1 B
XC927_1:2	GE 2 B
XC927_2:1	GE 1 B
XC927_2:2	GE 2 B
XC931:1	DN5 0 D
XC931:2	DN5 1 D
XC931:3	DN5 1 D
XC931:4	DN5 1 D
XC931:5	DN5 1 D
XC931:6	DN5 1 D
XC931:7	DN5 1 D
XC931:8	DN5 1 D
XC931:9	DN5 1 D
XC931:10	DN5 1 D
XC931:11	DN5 2 D
XC931:12	DN5 2 D
XC931:13	DN5 2 D
XC931:14	DN5 2 D
XC931:15	DN5 2 D
XC931:16	DN5 2 D
XC931:17	DN5 2 D
XC931:18	DN5 2 D
XC931:19	DN5 2 D
XC931:20	DN5 2 D
XC931:21	DN5 2 D
XC931:22	DN5 3 D
XC931:23	DN5 2 C
XC931:27	DN5 0 C
XC931:28	DN5 1 C
XC931:29	DN5 1 C
XC931:30	DN5 1 C
XC931:31	DN5 1 C
XC931:32	DN5 1 C
XC931:33	DN5 1 C
XC931:34	DN5 1 C
XC931:35	DN5 3 D
XC931:36	DN5 3 D
XC932:11	DN5 1 D
XC932:12	DN5 1 D
XC932:13	DN5 0 D
XC932:14	DN5 0 D
XC932:15	DN5 1 D

VOLVO

Volvo Bus Corporation

Document title

WIRING DIAGRAM

Document type

PRODUCT SCHEMATICS

Document No

22610880

Issue

10

Volume

03(03)

Sheet No

32(38)

INLINE	PAGE
XC932:16	DN5 1 D
XC941:1	ND 1 B
XC941:3	ND 2 B
XC943:1	XE 3 C
XC943:2	XE 3 C
XC950:1	AB3 4 B
XC950:2	AB 3 C
XC950:3	AB4 2 A
XC950:4	DN5 0 A
XC950:5	DN5 1 A
XC950:6	DN5 1 A
XC951:1	AF 2 C
XC951:2	AF 3 C
XC951:3	AF 3 C
XC951:4	AF 3 E
XC999:1	AB3 3 A
XC_LED:2	TT 2 C
XC_LED:3	TT 2 C
XC_LED:4	TT 2 C
XCB604M:1	BB 0 D
XCB800:1	AB3 3 C
XK2:5	GA 2 A
XK2:6	GA 2 A
XU25:1	AC 2 D
XU25:2	AC 2 C
XU25:3	AC 2 D
XU25:4	AC 2 D
XU25:5	AC 2 D

VOLVO

Volvo Bus Corporation

Document title
WIRING DIAGRAM

Document type
PRODUCT SCHEMATICS

Document No	Issue	Volume	Sheet No
22610880	10	03(03)	33(38)

SPLICES

SPLICE	PAGE
BIO_J_4-6 ()	XE 2 C
BIO_J_5-7 ()	XE 2 C
FTM_J_4-6 ()	XE 1 A
FTM_J_5-7 ()	XE 1 B
XC85 ()	GE 1 A
XCS102 ()	XE 3 B
XSA01 ()	XC 2 B
XSA02 ()	XC 2 B
XSA03 ()	XC 3 B
XSA04 ()	XC 3 B
XSA05 ()	XC 3 B
XSA06 ()	XC 3 B
XSA07 ()	XC 4 B
XSA08 ()	XC 4 B
XSA09 ()	XC 4 B
XSA10 ()	XC 4 B
XSA11 ()	XC 4 D
XSA12 ()	XC 4 C
XSA13 ()	XD 2 A
XSA14 ()	XD 2 A
XSA15 ()	XD 3 A
XSA16 ()	XD 3 A
XSA17 ()	XD 3 A
XSA18 ()	XD 3 A
XSA19 ()	XD 4 A
XSA20 ()	XD 4 A
XSA21 ()	XD 4 A
XSA22 ()	XD 4 A
XSA23 ()	XD 4 C
XSA24 ()	XD 4 C
XSA25 ()	ZC 0 E
XSA26 ()	AA 0 D
XSA27 ()	FA 1 B
XSA28 ()	AA 2 C
XSA29 ()	BA 0 D
XSA29 ()	BA2 0 D
XSA31 ()	ZC 1 D
XSA34 ()	AA 2 A
XSA35 ()	ZC 3 D
XSA37 ()	FB 3 B
XSA40 ()	FB 2 B
XSA43 ()	ZC 2 D
XSA44 ()	AF 0 C
XSA46 ()	BB 2 D
XSA50 ()	BA 0 B
XSA50 ()	BA2 0 B
XSA52 ()	ZC 2 C
XSA53 ()	GM 2 B
XSA59 ()	BA 0 C
XSA59 ()	BA2 0 C
XSA60 ()	NA 1 D
XSA61 ()	BA 0 B
XSA61 ()	BA2 0 B
XSA62 ()	XD 2 A

VOLVO

Volvo Bus Corporation

Document title
WIRING DIAGRAM

Document type
PRODUCT SCHEMATICS

Document No	Issue	Volume	Sheet No
22610880	10	03(03)	34(38)

SPLICE	PAGE
XSA63 ()	XC 2 B
XSA64 ()	XC 2 B
XSA65 ()	XD 2 A
XSA95 (K115)	TL 2 C
XSA97 (+B)	TL 2 C
XSA98 (K130)	TL 0 C
XSB01 ()	XC 0 B
XSB02 ()	XC 0 B
XSB03 ()	XD 1 A
XSB04 ()	XD 1 A
XSB05 ()	XD 0 A
XSB06 ()	XD 0 A
XSB07 ()	XJ 3 C
XSB08 ()	XJ 3 C
XSB09 ()	ZC 0 C
XSB10 ()	BE 3 D
XSB10 ()	FB2 1 D
XSB10 ()	ZC 0 B
XSB11 ()	BE 0 D
XSB11 ()	ZC 0 C
XSB12 ()	GM 2 C
XSB13 ()	GB 3 A
XSB15 ()	GB 3 B
XSB18 ()	IU 0 C
XSB19 ()	IU 0 C
XSB20 ()	FA 4 B
XSB21 ()	IU 1 C
XSB22 ()	NC 2 B
XSB24 ()	NC 0 C
XSB25 ()	AA 1 C
XSB26 ()	NC 1 C
XSB28 ()	XF 4 C
XSB29 ()	XF 4 C
XSB30 ()	IU 0 C
XSB31 ()	IU 1 C
XSB32 ()	XC 1 B
XSB33 ()	XC 1 B
XSB34 ()	NA 3 B
XSB36 ()	NA 1 D
XSB37 ()	ND 1 B
XSB38 ()	XE 2 B
XSB39 ()	XE 2 A
XSB40 ()	NA 3 C
XSB43 ()	XG 4 D
XSB44 ()	XG 4 D
XSB45 ()	XJ 1 B
XSB46 ()	XJ 1 B
XSB47 ()	XJ 3 B
XSB48 ()	XJ 3 B
XSB49 ()	BE 2 D
XSB49 ()	XC 0 A
XSB50 ()	BE 2 D
XSB50 ()	XC 0 A
XSB51 ()	NC 2 C

VOLVO

Volvo Bus Corporation

Document title

WIRING DIAGRAM

Document type

PRODUCT SCHEMATICS

Document No

22610880

Issue

10

Volume

03(03)

Sheet No

35(38)

SPLICE	PAGE
XSB52 ()	NC 2 C
XSB55 ()	XG 3 D
XSB56 ()	XG 3 D
XSB70 ()	XK 2 C
XSB71 ()	XK 2 C
XSB72 ()	XD 2 A
XSB73 ()	XD 2 A
XSB74 ()	ZC 0 B
XSB75 ()	XC 1 B
XSB76 ()	XC 1 B
XSB77 ()	XE 1 D
XSB78 ()	XE 0 D
XSB85 ()	XG 3 D
XSB86 ()	XG 3 D
XSB95 ()	DN5 0 B
XSB112 ()	DN5 1 B
XSB120 ()	AB 3 C
XSC-7015_01 ()	XJ2 2 C
XSC-7015_02 ()	XJ2 1 C
XSC-7015_03 ()	XJ2 3 C
XSC-7015_04 ()	XJ2 3 C
XSC-7016_01 ()	XJ2 2 D
XSC-7016_02 ()	XJ2 1 D
XSC-7016_03 ()	XJ2 3 A
XSC-7016_04 ()	XJ2 3 A
XSC-A953 (GND)	TT 2 C
XSC02 ()	GE 2 D
XSC04 ()	GE 1 D
XSC05 ()	GE 1 D
XSC07 ()	ZC 1 B
XSC15 ()	ZC 1 A
XSC16 ()	GB 0 C
XSC17 ()	ZC 1 B
XSC21 ()	DN 1 D
XSC55 ()	XK 2 B
XSC56 ()	XK 2 B
XSC95 ()	XE 4 A
XSC96 ()	XE 4 B
XSC97 ()	XE 3 B
XSC98 ()	XE 3 A
XSC99 ()	CL 1 C
XSC101 ()	XE 3 A
XSC103 ()	FC2 2 C
XSC104 ()	XO 1 C
XSC105 ()	XO 1 C
XSC106 ()	XO 2 B
XSC107 ()	XO 2 B
XSC108 ()	ZC 2 C
XSC_BB2H_1 ()	XN 1 B
XSC_BB2H_2 ()	XN 2 B
XSC_BB2L_1 ()	XN 1 C
XSC_BB2L_2 ()	XN 3 C
XSC_BB3H_3 ()	XN 2 B
XSC_BB3L_3 ()	XN 2 C

VOLVO

Volvo Bus Corporation

Document title

WIRING DIAGRAM

Document type

PRODUCT SCHEMATICS

Document No

22610880

Issue

10

Volume

03(03)

Sheet No

36(38)

SPLICE	PAGE
XSC_SUB2H ()	BE 1 C
XSC_SUB2L ()	BE 1 C
XSCG-TELE (GND)	TL 1 C
XSCG-TELE (GND)	TT 2 C
XSD01 ()	AB2 1 B
XSD02 ()	NB 0 A
XSF01 ()	GA 0 D
XSF09 ()	GA 3 C
XSF10 ()	GA 3 C
XSF11 ()	GA 2 D
XSF12 ()	GA 2 B
XSF13 ()	GA 1 D
XSF14 ()	ZC 2 B
XSF15 ()	CX 1 B
XSF17 ()	CX 0 B
XSF18 ()	CX 2 D
XSF19 ()	ZC 2 C
XSF21 ()	XH 2 D
XSF22 ()	CU 0 A
XSF23 ()	NA 0 A
XSF24 ()	CX 1 D
XSF25 ()	CX 1 D
XSF26 ()	XH 3 D
XSF27 ()	XH 3 D
XSF28 ()	XH 2 D
XSF29 ()	FB 0 B
XSF30 ()	XH 1 D
XSF31 ()	XH 1 D
XSF32 ()	FB 0 C
XSF33 ()	XH 2 C
XSF35 ()	CX 3 B
XSF39 ()	CX 1 D
XSF40 ()	CX 2 B
XSF41 ()	XD 0 C
XSF42 ()	XD 0 C
XSF43 ()	CS 4 B
XSF44 ()	CX 2 B
XSF46 ()	CS 4 A
XSF50 ()	ZC 3 B
XSF54 ()	XC 2 D
XSF55 ()	XC 3 C
XSF56 ()	XC 2 D
XSF57 ()	XC 2 C
XSF71 ()	CU 4 D
XSF72 ()	CU 0 E
XSF73 ()	CU 0 E
XSF76 ()	CU 0 B
XSF80 ()	XF 3 C
XSF81 ()	XF 3 C
XSF82 ()	XF 2 C
XSF83 ()	XF 2 C
XSF84 ()	XF 1 C
XSF85 ()	XF 1 C
XSF86 ()	XF 1 C

VOLVO

Volvo Bus Corporation

Document title
WIRING DIAGRAM

Document type
PRODUCT SCHEMATICS

Document No 22610880	Issue 10	Volume 03(03)	Sheet No 37(38)
--------------------------------	--------------------	-------------------------	---------------------------

SPLICE	PAGE
XSF87 ()	XF 1 C
XSF88 ()	XF 0 C
XSF89 ()	XF 0 C
XSF92 ()	BA 1 B
XSF93 ()	BB 1 C
XSF94 ()	BB 1 D
XSF95 ()	AB 2 D
XSF96 ()	AB 2 C
XSF97 ()	CS 3 B
XSF98 ()	CS 1 B
XSF99 ()	AB 2 B
XSF100 ()	AB 1 C
XSF101 ()	NA2 4 B
XSF102 ()	CU 2 A
XSF103 ()	CU 2 A
XSF104 ()	CU 2 A
XSF105 ()	CU 2 A
XSF106 ()	CU 1 A
XSF107 ()	CU 1 A
XSF108 ()	CU 1 A
XSF109 ()	CU 1 B
XSF110 ()	CU 0 A
XSF111 ()	CU 0 A
XSF112 ()	CU 0 A
XSF113 ()	CU 4 E
XSF114 ()	CU 4 E
XSF115 ()	XG 1 D
XSF116 ()	XG 1 D
XSF117 ()	XG 0 D
XSF118 ()	XG 0 D
XSF119 ()	ZC 3 B
XSF120 ()	ZC 3 B
XSF121 ()	DN3 1 B
XSF122 ()	DN3 2 B
XSF123 ()	AB 2 D
XSF130 ()	XG 2 D
XSF131 ()	XG 2 D
XSF132 ()	XG 2 D
XSF133 ()	XG 2 D
XSF150 ()	XH 3 C
XSF151 ()	XH 2 B
XSF152 ()	XH 2 D
XSF153 ()	XH 2 D
XSF155 ()	XH 2 B
XSL10 ()	CU 2 D
XSL11 ()	CU 2 E
XSL12 ()	CU 2 E
XSL13 ()	CU 2 E
XSM02 ()	ZC 4 C
XSN01 ()	BA 2 E
XSN01 ()	BA2 2 E

VOLVO

Volvo Bus Corporation

Document title
WIRING DIAGRAM

Document type
PRODUCT SCHEMATICS

Document No 22610880	Issue 10	Volume 03(03)	Sheet No 38(38)
--------------------------------	--------------------	-------------------------	---------------------------