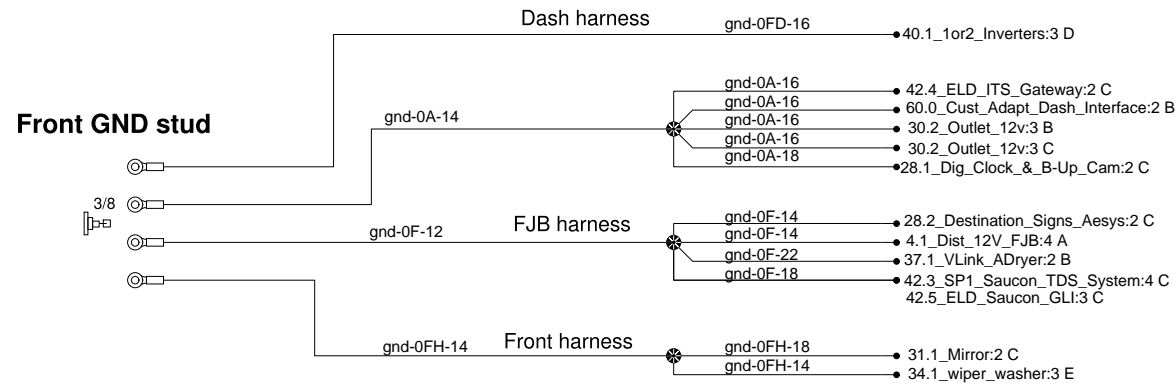


****Ground distribution:****

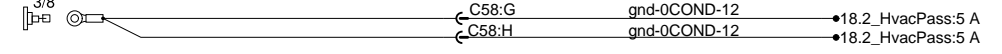
0-Electric gnd
00- Electronic Gnd

A-Dash - Lh console harness
F-Front junction box harness
FH-Front harness
R-Rear junction box harness
FR-Front to rear

Chassis ground distribution



Condensor cmpt. stud



RJB stud



Front radiator stud

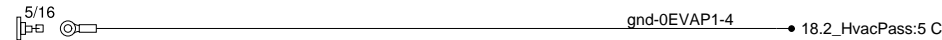


Rear radiator stud

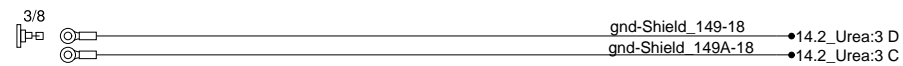


Rad door stud

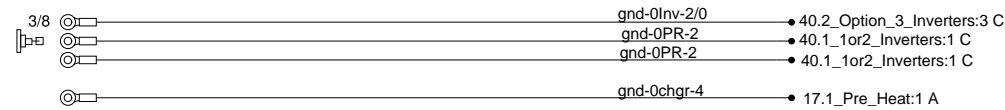
Evaporator cmpt. stud



Urea cmpt. stud



Parcel rack stud #1



Parcel rack stud #2



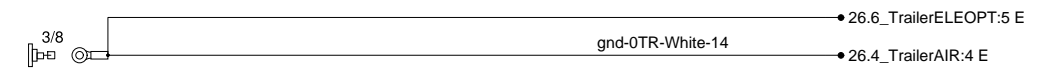
Located on the top of the luggage compartment



Luggage chassis stud



Trailer stud



Engine studs

Engine cmpt. studs

