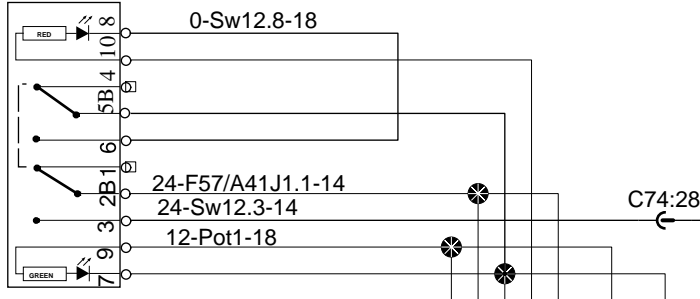
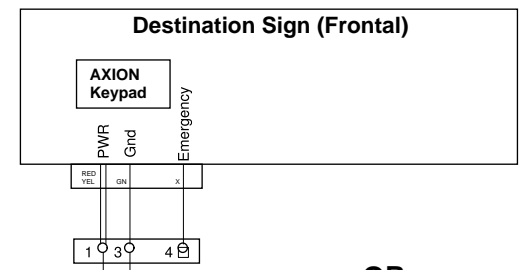
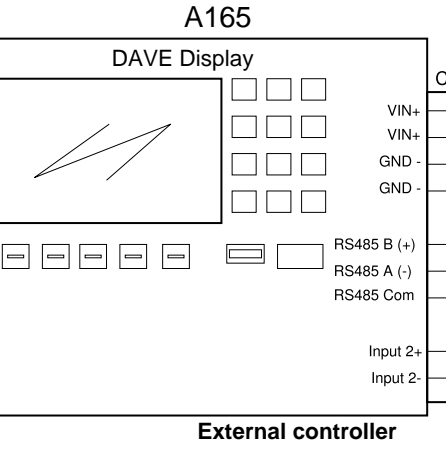
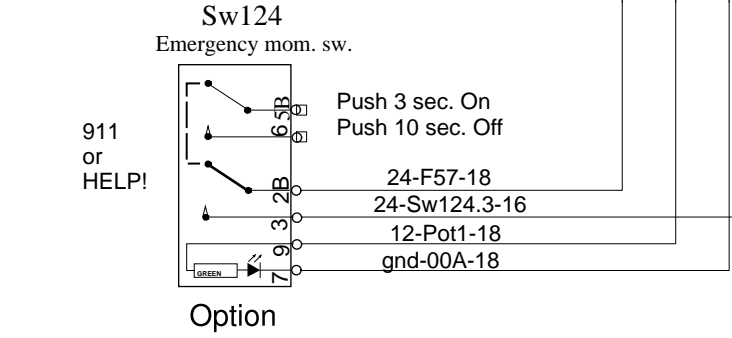


Electronic destination signs

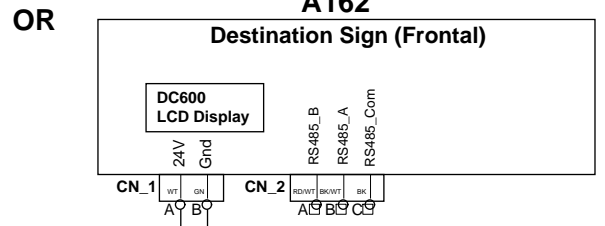
Sw12
Destination sign switch



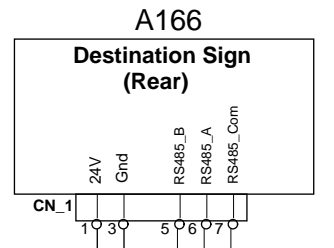
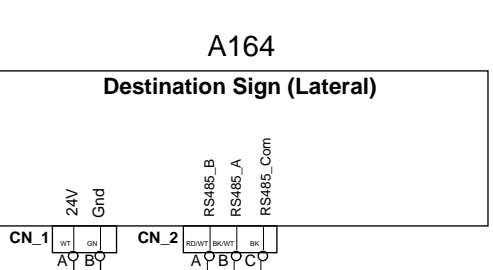
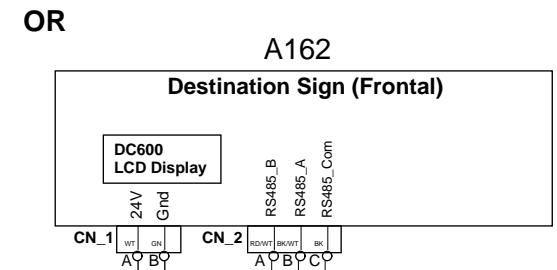
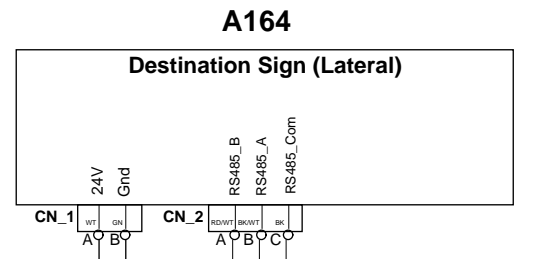
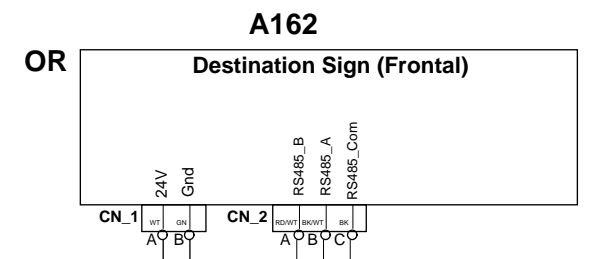
- 19.1_Driver_Lights:3 D ● 12-Pot1-18
- 4.2_Dist_24V_FJB:3 D ● 24-F57/A41J1.1-14
- 2.1_Gnd_Electro:1 B ● gnd-00A-18
- 4.1_Dist_12V_FJB:2 D ● 12-A45J1.7-18
- 2.2_Gnd_Chassis:3 B ● gnd-0F-14



Front sign could be Aesys or Axion

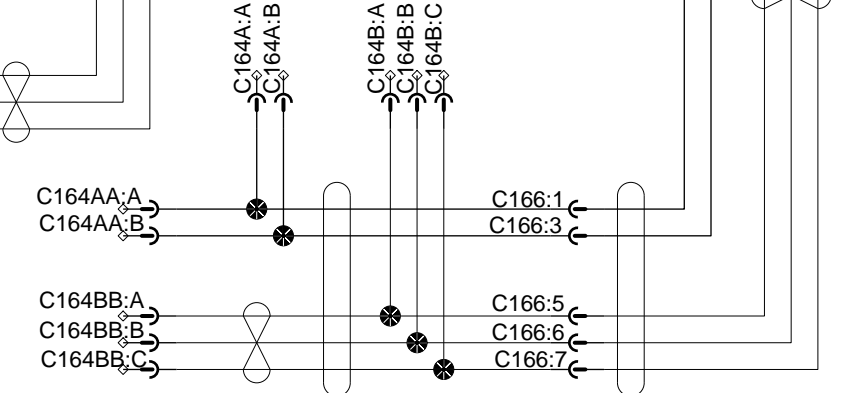


In option, it could be Aesys single lateral sign w/ext. display



DATA CABLE 3x 20 AWG
White
Green
Brown

To A164



With Rear Sign Option