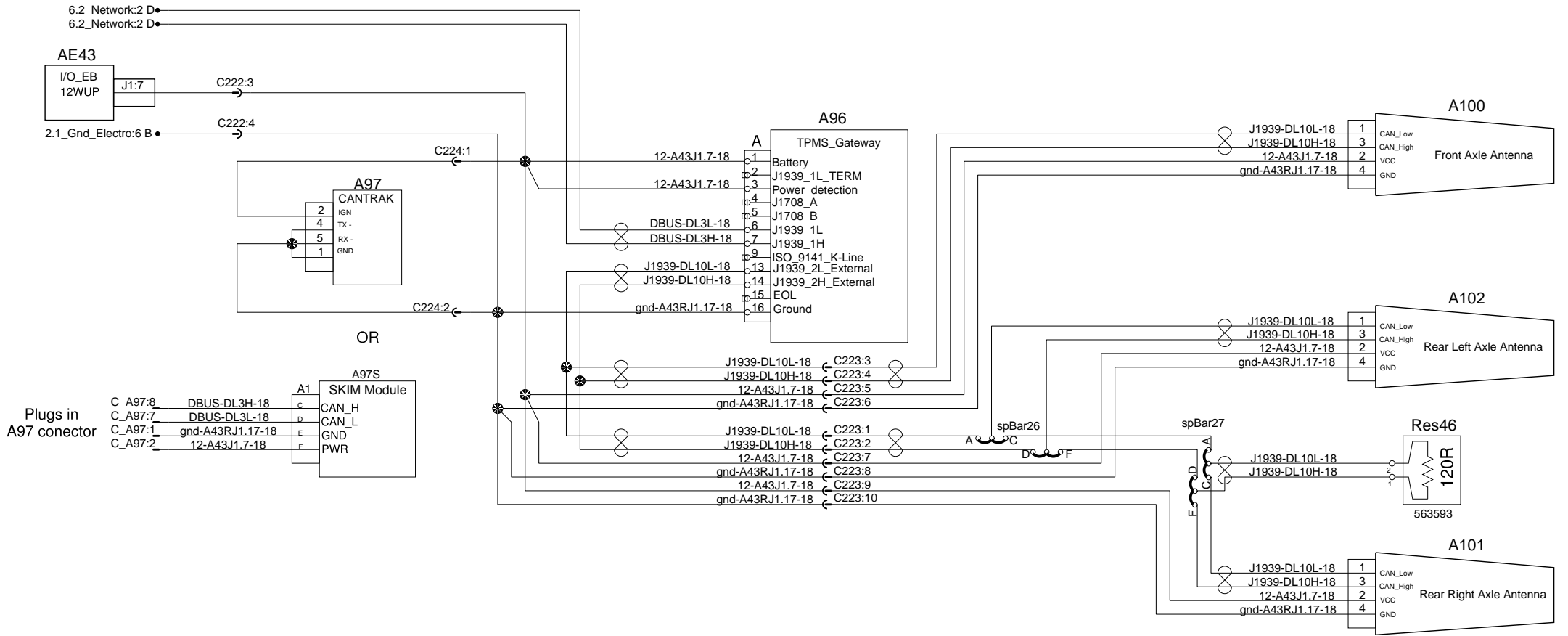


Tire pressure monitoring system



Adaptative cruise control breaking

