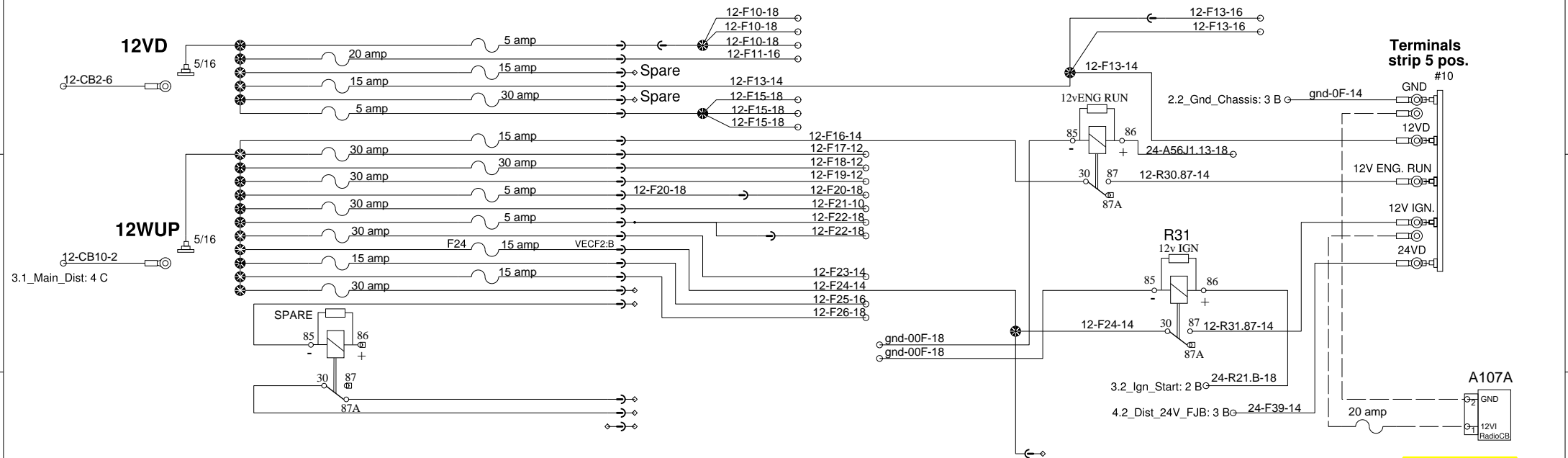


12V Power distribution front junction box



Refer to page 4.1 STD for all details

CB Radio Option