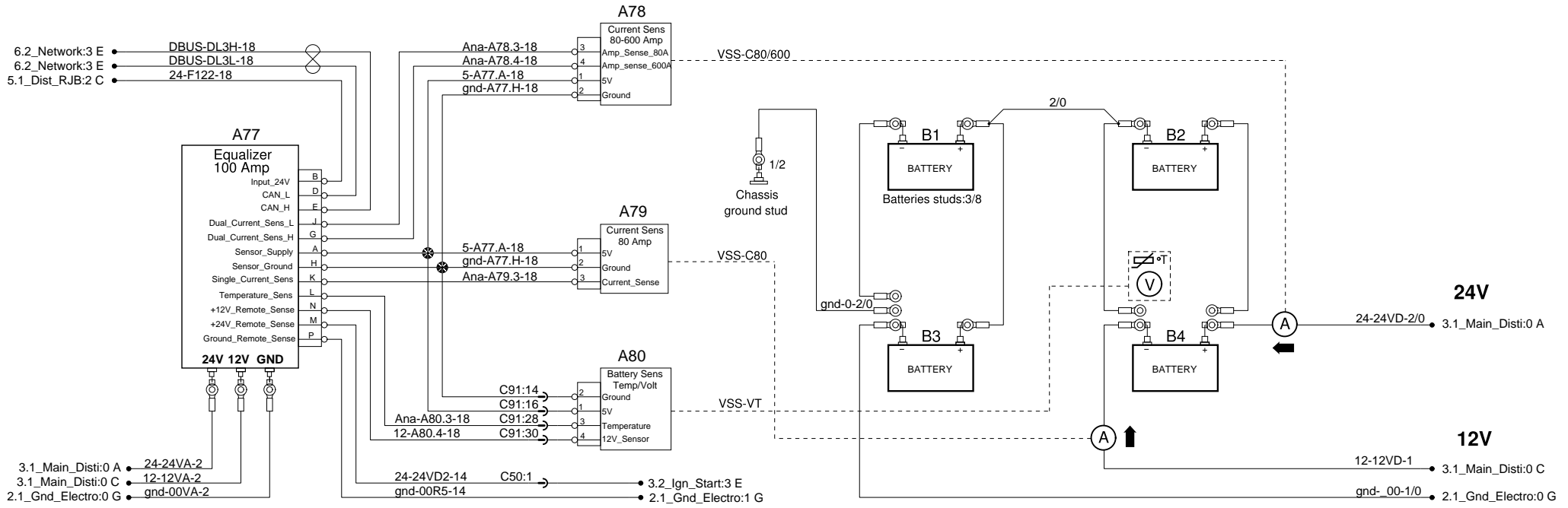


Batteries and alternators



Alternators

