

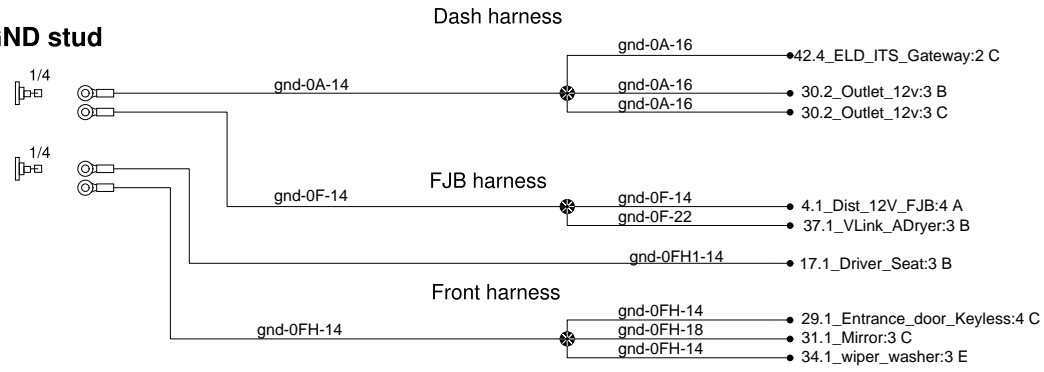
**\*\*Ground distribution:\*\***

0-Electric gnd  
00- Electronic Gnd

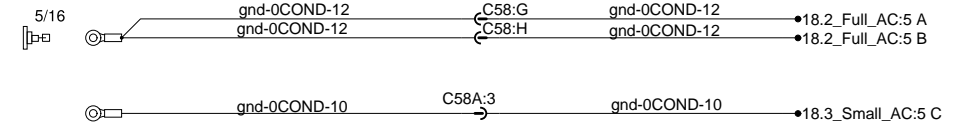
A-Dash - Lh console harness  
F-Front junction box harness  
FH-Front harness  
R-Rear junction box harness  
FR-Front to rear

# Chassis ground distribution

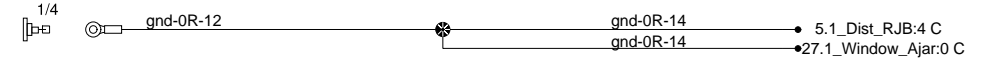
## Front GND stud



## Condensor cmpt. stud



## RJB stud



## Front radiator stud

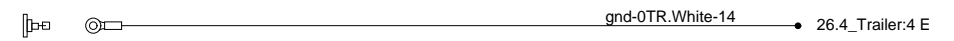


## Rear radiator stud

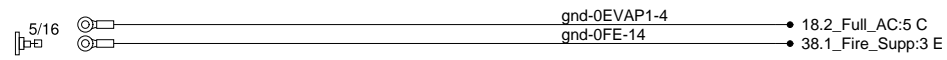


## Radiator on door stud

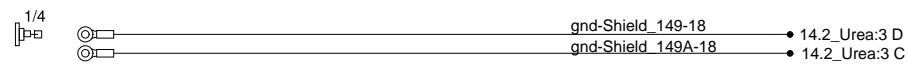
## Trailer stud



## Evaporator cmpt. stud



## Urea cmpt. stud



## Engine studs

### Engine cmpt. studs

