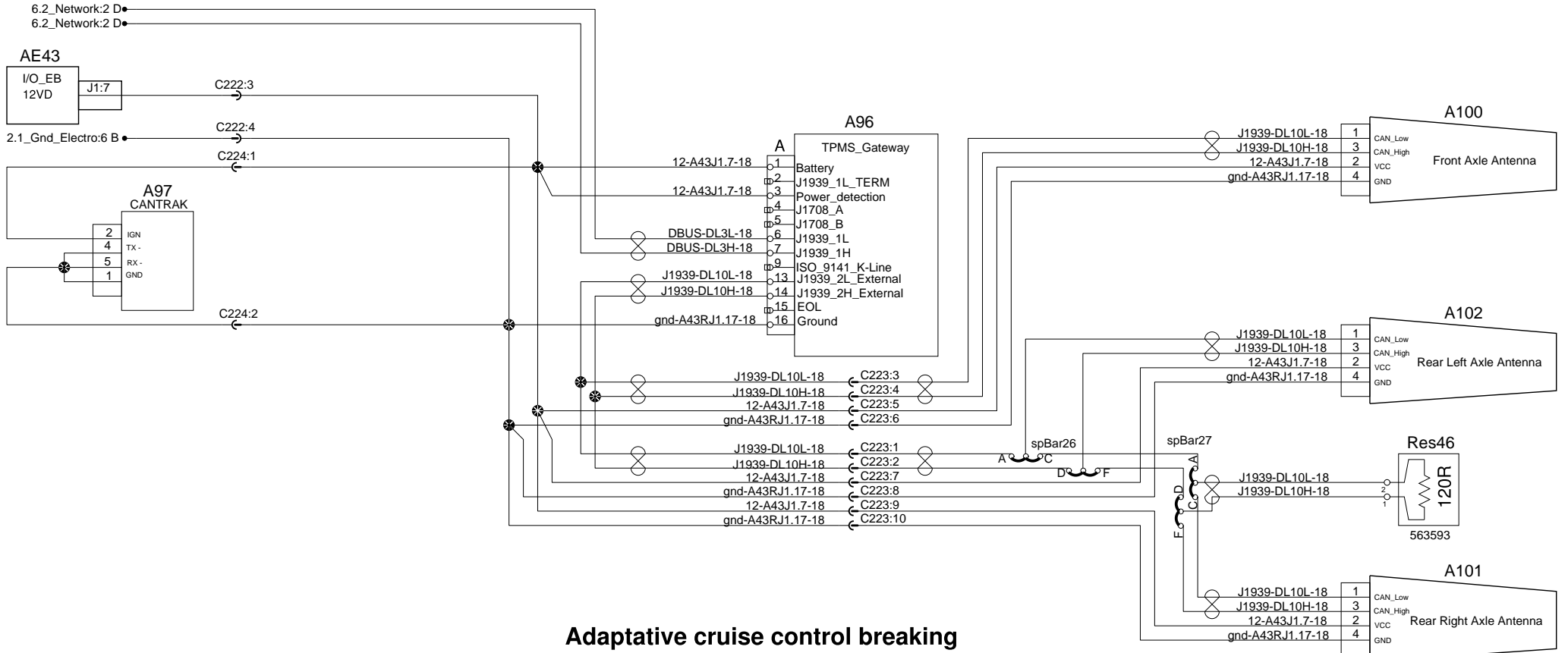


# Tire pressure monitoring system



# Adaptative cruise control breaking

