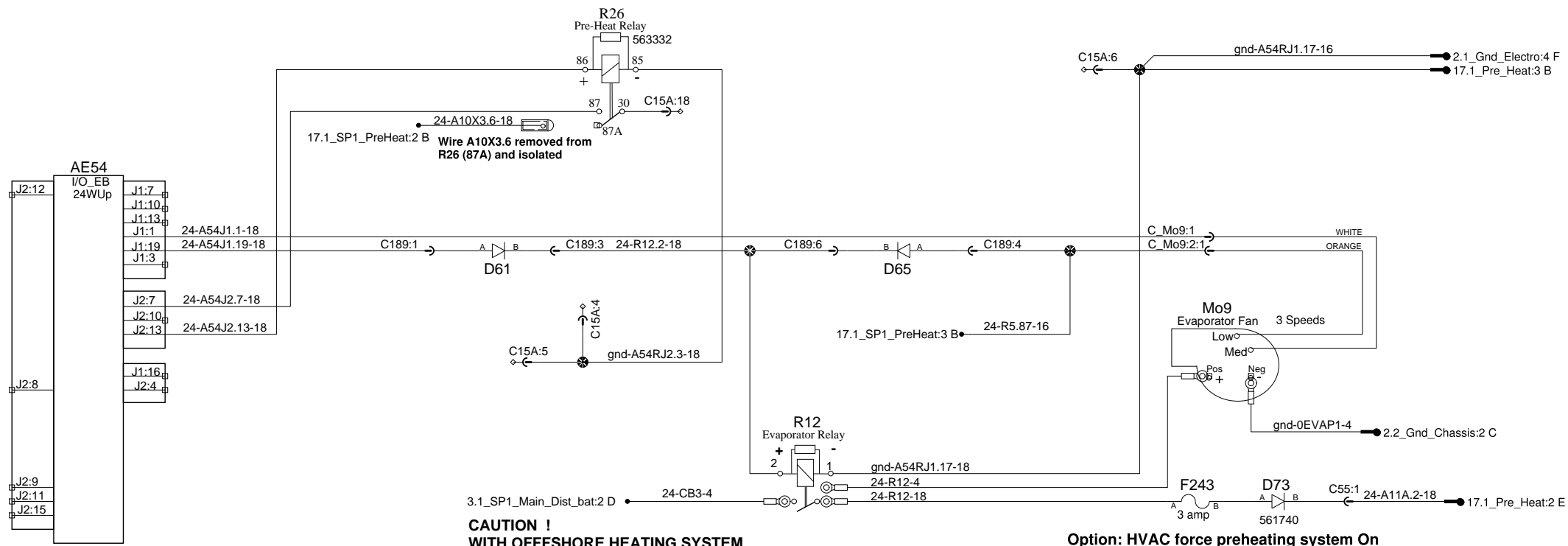


# Hvac passengers

## Customer Adaptation Offshore Heating Sys.

### 3 Speed Motor

REFER TO P18.2(STD) FOR ALL DETAILS



**CAUTION !**  
**WITH OFFSHORE HEATING SYSTEM**  
**MAIN CABLE CB3 ARE ON 24VD**  
**OPEN CB3 BREAKER TO REMOVE THE POWER**

**Option: HVAC force preheating system On**