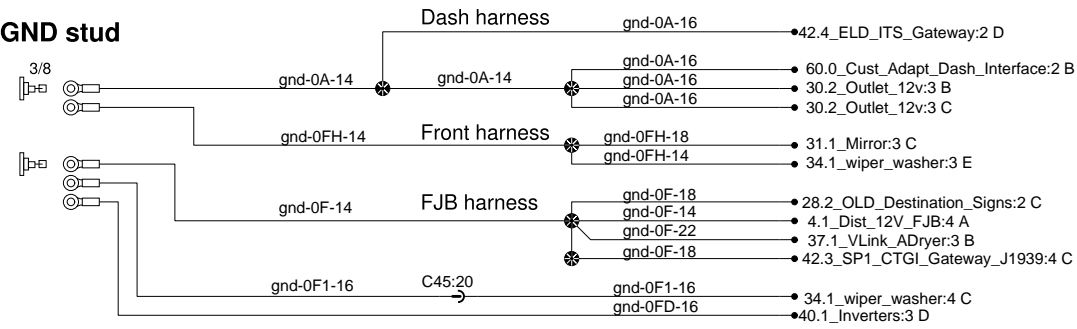


****Ground distribution:****

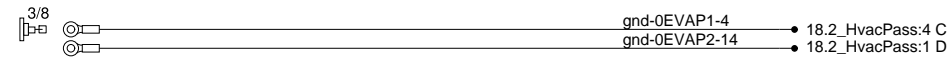
- 0-Electric gnd
- 00- Electronic Gnd
- A-Dash - Lh console harness
- F-Front junction box harness
- FH-Front harness
- FCH-Front clearance harness
- R-Rear junction box harness
- FR-Front to rear

Chassis ground distribution

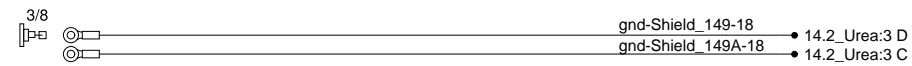
Front GND stud



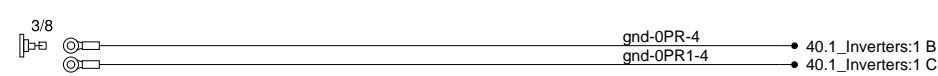
Evaporator cmpt. stud



Urea cmpt. stud



Inverter Luggage stud



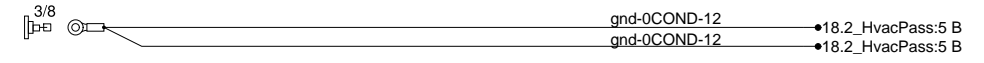
Upper LH drive axle



Battery cmpt. stud



Condensor cmpt. stud



RJB stud



Front radiator stud



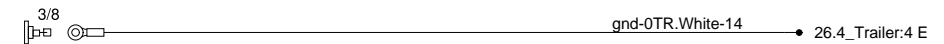
Rear radiator stud



Rad door stud



Trailer stud



Engine studs

Engine cmpt. studs

