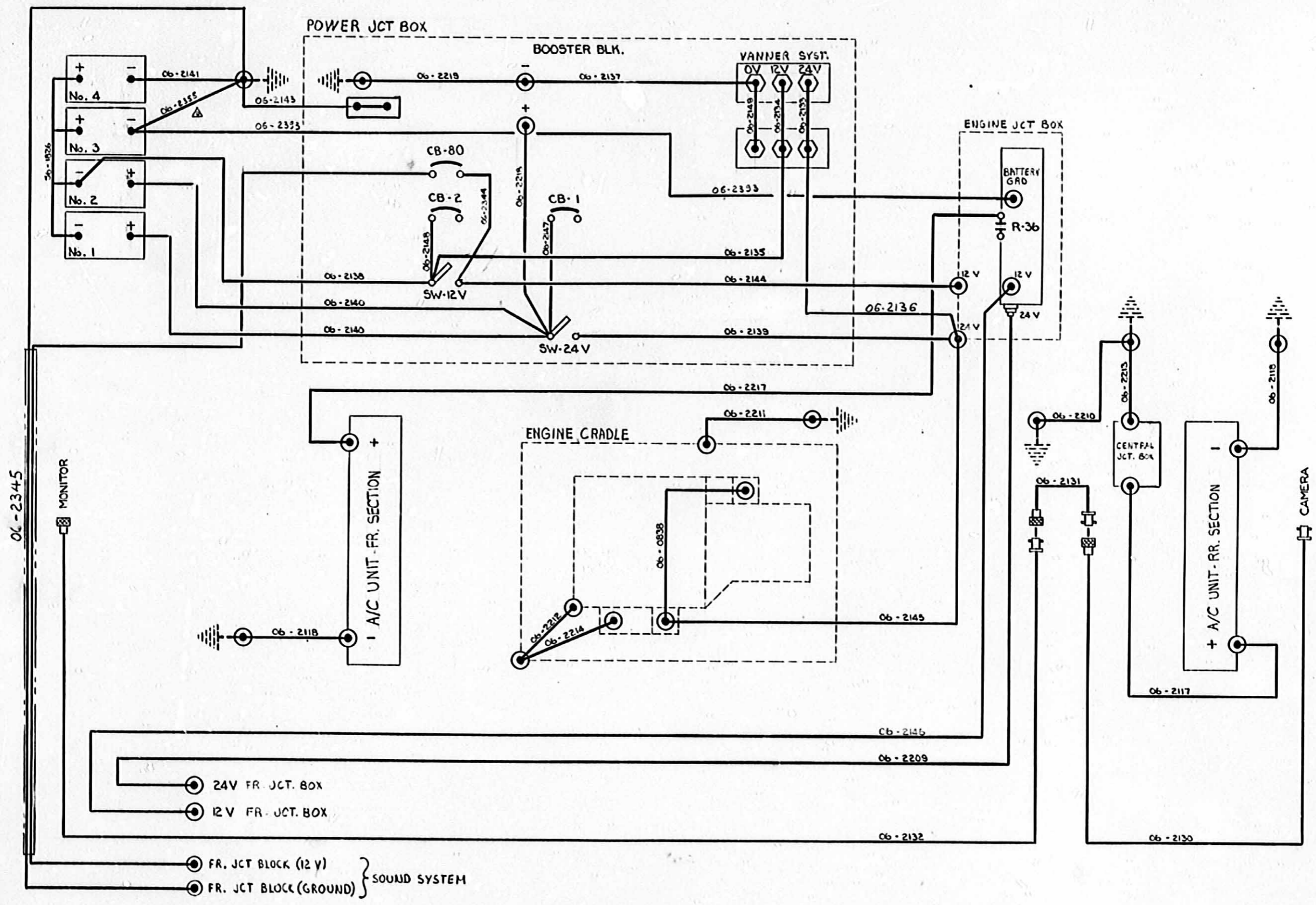


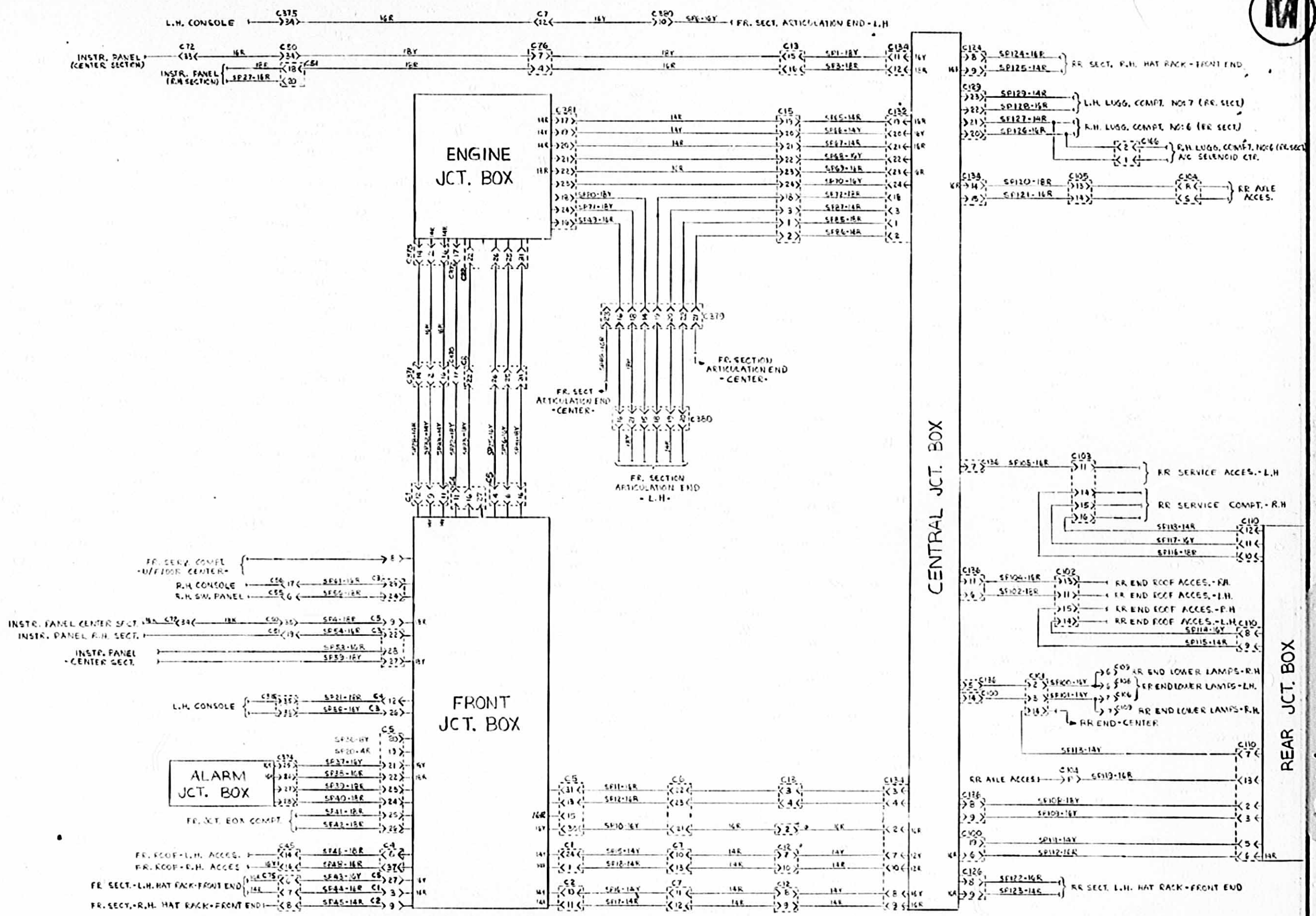
ITEM	DATE	REVISION	PAR	DESC :	APPL: EFF. W/	REF:	NO:	DESS:	DATE-
C	91-02	06-4020A 06-3112 REHRAZE 06-2510	DV	HARNESS ARRANGEMENT	L-027, L-033, L-034, L-035 M-095 & M-104	H5-60 WESTONS	D-060732	MJ	90-06
B	91-01	06-4008E 06-3063 REV. ACC 06-2446	AB					VER.-	APPR.-
A	91-10	06-3077 ETAT 06-2821	MJ						



06-2345

DESC :		DESS:	DATE- 90-01
CABLE ARRANGEMENT		VER.-	APPR.-
APPL: W/ L-027 L-033	REF: HS-60	NO: D-060732 p. B C	

ITEM	DATE	REVISION	PAR
A	91-02	MISE A JOUR	M/A



DESCRIPTION:		DR. - B. C.	DATE - 30-01,
SPARE WIRES		CK. -	APPR. -
APPL: EFF. W/L-027 L-033...		REF: H5-60	NO: D-060732 PC C

ITEM	DATE	REVISION	BY	DESCRIPTION
			B	9/1/01 MISC. & JOUR
			A	9/0/06 MISC. & JOUR

CIRCUIT BREAKER CODE

M

CIRCUIT BREAKER					
CB#	AMP	VOLT.	DIAG. PAGE	LOCATION	FUNCTION
69	6	24H	16	FR. JCT. BOX	TACHOGRAPH CLOCK
70	3	24i	16	"	LOW FUEL SENSOR & TT LT
71	8	24	16	CENT. JCT. BOX	TOILET PUMP
72	8	"	"	"	TOILET LTS
73	"	"	"	"	TOILET FAN
74	10	24i	17	FR. JCT. BOX	UPPER WIND. DEFROST
75	10	24	15	"	L.H. CONSOLE SWITCH
76	10	24i	17	"	UPPER WIND. WIPER & WASHER
77	8	24	18	"	RR & FR DOOR CONTROL
78	3	12i	3	"	RETARDER SW.
79	8	24	18	CENT. JCT. BOX	RR CTR DOOR
80	30	12	24	POWER JCT. BOX	SOUND SYSTEM
81	16	24	19	FR. JCT. BOX	FR E.C.U. ANTI SKID
82	16	"	19	"	" " "
83	6	24i	19	"	" " "
84	70	12	1	ENG. JCT. BOX	CENTRAL JCT BOX
85	8	24i	8	ENG. JCT. BOX	HATRACK COMPT. LT.
86	6	24	21	FR. JCT. BOX	FEED KNEELING SYSTEM
87	6	24i	21	ENG. JCT. BOX	ARTICULATION SW
88	8	24	22	FR. JCT. BOX	ARTICULATION BRAKE
89	8	24i	"	ENG. JCT. BOX	AIR DRYER
90	6	"	22	FR. JCT. BOX	BACK UP MONITOR CONVERTER
91	8	24i	18	FR. JCT. BOX	SPEED LIMITER SW.
92	6	24i	22	FR. JCT. BOX	DRIVER'S SEAT HEATER / DG. THRM
94	10	12	23	FR. JCT. BOX	LUGGAGE DOOR LOCK
95	15	12	24	"	RADIL
97	6	24	16	CENT. JCT. BOX	aisle LTS.
98	10	12	7	"	BACK-UP LIGHT & BACK-UP ALARM
99	"	"	7	"	BACK-UP LT
100	8	24	9	"	GENERAL LT - REAR SECTION
101	6	"	9	"	24V FLUOR LT - REAR SECTION
102	6	12i	22	"	CAMERA HEATER
103	6	12	16	"	LAV. NIGHT LIGHT
105	6	110	9	MARK JCT. BOX	110-V FLUORESCENT - FR L.H.

CIRCUIT BREAKER					
CB#	AMP	VOLT.	DIAG. PAGE	LOCATION	FUNCTION
106	6	110	23	ALPH JCT. BOX	WATER HEATER TANK
107	20	110	23	"	ENGINE BLOCK HEATER
108	3	24	3	ENG. JCT. BOX	RETARDER ATEC CTR
109	10	12	6	FR. JCT. BOX	CORNERING LTS
110	15	12	24	"	AUDIO. AMPLI - FR. SECT.
111	15	12	24	"	" - RR SECT.
112	6	24	15	FR. JCT. BOX	FR. DESTINATION SIGN
113	20	24	23	CENT. JCT. BOX	LH LUGGAGE DOOR LOCK - RR
114	20	24	23	"	RH LUGGAGE DOOR LOCK - RR
115	25	24	23	ENG. JCT. BOX	FR. LUGGAGE DOOR LOCK
116	6	12	2	"	LOW COOLANT MODULE
117	8	24	26	GALLEY	HEATING CONTAINER #1
118	8	24	26	"	" " " " #2
119	8	24	26	"	" " " " #3
120	6	24	26	"	GALLEY LAMPS
121	70	24	26	POWER JCT. BOX	GALLEY (MICROWAVE OVEN)
122	25	24	26	"	GALLEY (HEATING CONT. & LAMPS)
123	6	12	26	"	GALLEY WATER PUMP
124	70	12	28	"	VIDEO SYSTEM

	DESC: CIRCUIT BREAKER CODE	DESS: D.V.	DATE: 90-01																
		VER: <i>lc</i>	APPR: <i>[Signature]</i>																
<table border="1" style="width: 100%; border-collapse: collapse;"> <tr> <th>ITEM</th> <th>DATE</th> <th>REVISION</th> <th>BY</th> </tr> <tr> <td>B</td> <td>91-02</td> <td>MISE A JOUR</td> <td><i>[Signature]</i></td> </tr> <tr> <td>A</td> <td>90-10</td> <td>CB76 ETAT SUR 24V → 24V</td> <td><i>[Signature]</i></td> </tr> <tr> <td></td> <td>90-09</td> <td>BREKVER GA ETAT SA OC 2002</td> <td><i>[Signature]</i></td> </tr> </table>	ITEM	DATE	REVISION	BY	B	91-02	MISE A JOUR	<i>[Signature]</i>	A	90-10	CB76 ETAT SUR 24V → 24V	<i>[Signature]</i>		90-09	BREKVER GA ETAT SA OC 2002	<i>[Signature]</i>	APPL: EFF. W/ L-027 L-035...	REF: H5-60	NO: D-060732 P-D1 C
ITEM	DATE	REVISION	BY																
B	91-02	MISE A JOUR	<i>[Signature]</i>																
A	90-10	CB76 ETAT SUR 24V → 24V	<i>[Signature]</i>																
	90-09	BREKVER GA ETAT SA OC 2002	<i>[Signature]</i>																

CIRCUIT BREAKER CODE



CIRCUIT BREAKER					
CB#	AMP	VOLT.	DIAG. PAGE	LOCATION	FUNCTION
1	30	24	1	FR. JCT. BOX	24 V HOT WIRE
2	30	12	1	"	12 V HOT WIRE
3	90	24	1	ENG. JCT. BOX	24 V FEED FRONT JCT. BOX
4	70	24	1	"	24 V FEED CENTRAL JCT. BOX
5	70	12	1	"	12 V FEED FRONT JCT. BOX
6	8	24	1	FR. JCT. BOX	FEED MASTER SWITCH
7	8	24	1	ENG. JCT. BOX	ENGINE - RR START SW. & SERV. LT.
8	8	24	1	"	RR ENGINE CTR SW
9	8	24	1	FR. JCT. BOX	WEBASTO SW.
10	15	24	1	ENG. JCT. BOX	WEBASTO
11	20	12	2	"	ECM (DDEC II)
12	20	12	2	"	ECM (DDEC II)
13	6	12	3	"	ECU (ATEC)
14	8	12	3	"	ATEC CTR
15	10	12	3	"	BACK-UP ATEC CTR
16	8	24	4	FR. JCT. BOX	ALARM BUZZER & INSTRUMENT
17	10	24	4	"	ELECT. HORI)
18	6	24	4	"	FIRE ALARM
19	6	12	4	"	12V VOLT METER
20	6	24	4	"	FOG LT SW
21	15	12	4	"	FOG LT
22	20	12	4	"	HEADLAMP (HI)
23	15	12	4	"	HEADLAMP (LO)
24	6	24	5	"	HEAD LAMP SW & MULTI-FUNC SW
25	10	24	17	"	MULTI-FUNC SW. (WIPER, WASHER)
26	20	12	6	"	FLASHER & HAZARD UNIT
27	15	24	7	ENG. JCT. BOX	FRONT BAGGAGE LT.
28	15	12	5	CENT. JCT. BOX	REAR ID TAIL & LICENCE LT
29	8	12	5	"	REAR CLEARANCE LT
30	8	12	5	"	REAR TAIL & MARKER LT
31	6	12	5	"	LICENCE PLATE LT
32	15	12	5	"	STOP LT
33	6	24	7	FR. JCT. BOX	STOP LT SW
34	6	24	7	"	PARK BRAKE SW.

CIRCUIT BREAKER					
CB#	AMP	VOLT.	DIAG. PAGE	LOCATION	FUNCTION
35	8	12	7	FR. JCT. BOX	FR. CLEARANCE LT.
36	6	24	8	CENT. JCT. BOX	EXIT LAMP
37	8	12	7	FR. JCT. BOX	FR. SECTION MARKER LT.
38	15	24	7	CENT. JCT. BOX	RR BAG. COMP'T LT.
39	6	24	8	FR. JCT. BOX	FR SERV. COMP'T LT
40	6	110	9	ALARM JCT. BOX	110V. FLUOR - RR
41	6	"	"	"	110V. FLUOR. - FR. RH
42	15	24	"	ENG. JCT. BOX	FRONT FLUORESCENT (24V)
43	8	24	"	FR. JCT. BOX	HAT RACK LTS SW
44	15	"	"	ENG. JCT. BOX	FRONT READING LTS - RH.
45	15	"	"	"	" " " LH.
46	8	"	"	CENT. JCT. BOX	REAR " " - RH.
47	8	"	"	"	" " " LH
48	10	"	9	ENG. JCT. BOX	FRONT GENERAL LTS
50	8	24	10	FR. JCT. BOX	DASH LT REOSTAT
51	10	"	"	"	U/SEAT LT
52	6	"	"	"	PASS & HOSTESS CHIME SW
53	8	24	11	"	A/C & HEAT SW.
54	8	24	11	ENG. JCT. BOX	A/C LOGIC PANEL.
55	6	24	13	FR. JCT. BOX	DRIVER'S HTR FAN SW. IGN CTR
56	15	24	"	ENG. JCT. BOX	REAR WATER PUMP
57	15	"	"	"	FRONT WATER PUMP
58	8	"	"	"	A/C COMP. CLUTCH & COND. FAN SOL.
59	90	"	"	"	FRONT EVAP. FAN MOTOR
60	40	"	"	F.E.F.M.	" " " " RH
61	40	"	"	"	" " " " LH
62	90	"	"	ENG. JCT. BOX	REAR EVAP. FAN MOTOR
63	40	"	"	R.E.F.M.	" " " " RH
64	40	"	"	"	" " " " LH
65	6	"	"	ENG. JCT. BOX	HUMIDISTAT CTR.
66	10	"	"	FR. JCT. BOX	DRIVER'S HTR FAN SW
67	10	24	14	"	REAR VIEW MIRROR
68	15	12	14	"	DRIV. WINDOW LIFTER & CIGAR LIG
69	40	24	12	POWER JCT. BOX	AUX. CONDENSER

	DESC: CIRCUIT BREAKER CODE	CLASS: P.T.	DATE: 90-01
		VER: CC	APPR: [Signature]
REVISION: 90-11 CB25 ETAT SUR LAI -> ZAVI 90-09 CC# R182 LES BREAKERS 90-06 MISE A JOUR	REVISION: MISE A JOUR	REF: H5-60	NO: D-060732 p. D 'C
DATE: 90-06	REVISION: MISE A JOUR	REF: H5-60	NO: D-060732 p. D 'C

RELAYS CODE

RELAYS							
R#	DIAG. PAGE		AMP	CATEGORY	VOLT. COIL	LOCATION	FUNCTION
	COIL	CONT.					
1	1	4	200	MAGNETIC NO	24	FR. JCT. BOX	ENGINE RUN (24V)
2	1	1	20	CUBIC NO	"	ENG. JCT. BOX	" " (24V)
3	1	16	10	" DC	"	ENG. JCT. BOX	" " (24V)
4	1	1	200	MAGNETIC NO	"	ENG. JCT. BOX	STARTING MOTOR
5	1	11	20	CUBIC NO	12	FR. JCT. BOX	BLOWER CUT IN
6	2	2	20	" NO.	24	ENG. JCT. BOX	BRAKE SW CRUISE CTR.
7	2	2	10	" DC	"	"	FAST IDLE DEEC CTR
8	3	3	10	" "	"	"	CUT IN 12V ATEC
9	3	3	20	" NO.	"	"	CHECK TRANSM ATEC
10	3	3	20	" "	"	"	BACK UP ATEC SIGNAL
11	3	3	20	" "	"	"	RETARDER ATEC
12	4	4	20	" "	12	FR. JCT. BOX	ELECTRICAL HORN
13	4	4	20	" "	"	"	FRONT FOG LT
15	5	4	20	CUBIC NO.	24	FR. JCT. BOX	HEADLAMPS (HI)
16	5	4	20	" "	"	"	" (Lo)
17	5	7	20	" "	"	"	FRONT CLEARANCE LT
18	5	10	20	" "	"	"	U/SEAT LT & DASH RHEOSTAT
19	5	6	20	" "	"	"	RH. DIRECTIONAL LT
20	5	6	20	" "	24	"	LH. " "
21	5	5	10	" DC	"	"	NIGHT BLINKER
22	5	5	20	" NO	"	ENG. JCT. BOX	RR CLEAR MARKER & LIC. LT
23	7	5	20	" "	"	"	STOP LT
24	9	9	20	" "	"	ENG. JCT. BOX	FRONT FLUORESCENT (24V)
25	9	9	20	" "	"	"	FRONT READING LTS
26	9	9	20	" "	"	ENG. JCT. BOX	REAR " "
27	9	9	20	" "	"	ENG. JCT. BOX	GENERAL LTS
28	9	9	20	" "	24	"	A/C LOCK PANEL
29	11	13	20	" "	"	"	REAR WATER PUMP
30	13	11	20	" "	"	"	REAR HUMIDISTAT CTR
31	12	13	10	" DC	"	"	FRONT WATER PUMP
32	13	12	20	" NO.	"	"	FRONT HUMIDISTAT CTR
33							
34	12	13	20	CUBIC NO	"	ENG. JCT. BOX	A/C COMPRESSOR CLUTCH
35	12	13	20	" "	"	"	COND. FAN SOL. VALVE
1A	1	22	20	" "	24	FR. JCT. BOX	12V IGNITION - FR.
2A	1	1	20	" "	"	ENG. JCT. BOX	12V IGNITION - ENG.
3A	1	22	20	" "	"	ENG. JCT. BOX	12V IGNITION - CENT

RELAYS							
R#	DIAG. PAGE		AMP	CATEGORY	VOLT. COIL	LOCATION	FUNCTION
	COIL	CONT.					
36	13	13	200	MAGNETIC NO	24	ENG. JCT. BOX	EVAP. FAN MOTOR - FR.
37	13	13	200	" "	"	"	" " " -RR
38	13	13	20	CUBIC NO.	"	FR. JCT. BOX	DEFROSTER CTR
39	8	8	20	" "	"	"	DOOR AJAR
40	18	18	20	" "	"	"	RR & FR DOOR SPEED SW CTR.
41	19	19	20	" "	"	"	ANTI SKID CTR
42	19	19	20	" "	"	"	" " "
43	19	19	20	" "	"	"	" " "
44	19	7	20	" DC	"	"	" " "
45	21	21	20	" NO	"	"	KNEELING CTR
46	21	21	10	" DC	"	"	" " "
47	21	21	20	" NO	12	ENG. JCT. BOX	ARTICULATION SW
48	6	6	20	" "	24	FR. JCT. BOX	DOOR AJAR IGNITION
49	23	23	20	" "	12	"	RADIO & AMPLI.
50	23	23	20	" "	12	"	" " "
51	2	2	20	" "	24	ENG. JCT. BOX	"KILL SW" CRUISE CTR
52							
53	7	7	20	CUBIC NO	12	ENG. JCT. BOX	BACK-UP LT
54	9	9	20	" "	24	"	GENERAL LT (REAR SECTION)
55	9	9	20	" "	24	"	24V FLOOR (REAR SECTION)
56	5	5	20	" "	24	ENG. JCT. BOX	SIDE MARKER, TAIL / LICENSE LT.
57	1	1	20	" "	"	ENG. JCT. BOX	VOLTAGE REGULATOR - IGN
58	16	16	20	" "	"	ENG. JCT. BOX	TOILET FLUORESCENT
59	5	6	20	" "	"	FR. JCT. BOX	CORNERING LT RH
60	5	6	20	" "	"	"	" " LH
61	5	5	20	" "	"	"	" " CUT-OUT
62	5	7	20	" "	"	"	MARKER LT-FR SECTION
63	5	8	20	" "	"	ENG. JCT. BOX	EXIT LT
64	22	22	20	" "	12	ENG. JCT. BOX	CAMERA DOOR SYST. - SERVICE
65	23	23	50	" "	"	ENG. JCT. BOX	LUGGAGE DOOR LOCK - FR
66	23	23	50	" "	"	"	" " " "
67	23	23	20	CUBIC NO	24	ENG. JCT. BOX	LH LUGGAGE DOOR LOCK - RR
68	23	23	20	" "	"	"	" " " " "
69	23	23	20	" "	"	"	RH LUGGAGE DOOR LOCK - RR
70	23	23	20	" "	"	"	" " " " "
71	22	22	20	" "	12	FR. JCT. BOX	BACK-UP MONITOR
72							
73	1	24	20	CUBIC NO.	24	FR. JCT. BOX	RADIO AMPL. CUT-IN

				TITLE: RELAYS CODE				DESS: BC	DATE: 90.01
								VER: /	APPR: /
				APP: W/L-037 L-033...				REF: HS-60	NO: D-060732
				REV DATE: 90/01 (C990184) R12 VOLT. COIL ETAIT 24				SL	
				MISE A JOUR				M/	
				REVISION				PAR	

DIODE CODE

DIODE					
D ^B	AMP.	VOLT	DIFF. PAGE	LOCATION	FUNCTION
1		24	4	FR. JCT. BOX	LO - AIR SEC.
2		24	4	"	LO - AIR PRIM.
4		24	1	ENG. JCT. BOX	NEUTRAL GROUND
5		"	9	ENG. JCT. BOX	RR ELECTRONIC TRANSMITTER
6		"	12	"	A/C CTR MODUL - REAR
7		"	10	"	FR ELECTRONIC TRANSMITTER
8		"	12	"	A/C CTR MODUL - REAR
9		"	12	"	" " " "
10		"	11	"	A/C CTR
11		"	11	FR. JCT. BOX	" "
12		"	11	"	" "
13		"	16	CENT. JCT. BOX	TOILET
14		"	18	FR. JCT. BOX	REAR & FRONT CTR DOOR
15		"	18	"	" " " "
16		"	18	"	" " " "
17		"	21	"	KNEELING CTR
18		"	21	"	" "
19		"	21	"	" "
20		12	21	ENG. JCT. BOX	ARTICULATION SW # 3
21		24	13	"	FAN A/C ONLY
22		24	5	FR. JCT. BOX	HAZARD - FLASHER RH.
23		24	5	"	" " LH
24		24	5	"	(BRAKE TT LT) SW.
25		24	5	"	(FASTIDLE SW) STOP SW
26		24	13	ENG. JCT. BOX	FAN A/C ONLY
29		24	22	CENT. JCT. BOX	ARTICULATION BRAKE SYSTEM
31		24	22	CENT. JCT. BOX	ARTICULATION BRAKE SYSTEM
32	20	24	23	ENG. JCT. BOX	LUGGAGE DOOR LOCK FP.
33	20	24	23	"	" " " "
34	20	24	23	CENT. JCT. BOX	LUGGAGE DOOR LOCK RR
35	20	24	23	"	" " " "
36	20	24	23	"	" " " "
37	20	24	23	"	" " " "
38	3	24	5	FR. JCT. BOX	BACK-UP CORNERING " SPECIAL VOYAGEUR"

DIODE					
D ^B	AMP.	VOLT	DIFF. PAGE	LOCATION	FUNCTION
39	3	12	5	FR. JCT. BOX	BACK-UP CORNERING " SPECIAL VOYAGEUR"
40	3	12	5	"	" " " "
41	3	24	5	"	" " " "
42	3	24	4	FR. JCT. BOX	DAYTIME CUT-IN - PARK BRAK
43	3	24	4	" " "	DAYTIME CUT-IN - TAIL LTS
44	3	24	7	ENG. JCT. BOX	STOP LTS - RETARDER
45	3	24	13	" " "	A/C COMPR CLUTCH - DIODE RECTIFIER
46	3	24	16	CENT. JCT. BOX	TOILET EMERG BUZZER
47					
48	3	24	13	ENG. J. B	A/C COMPRESSOR CLUTCH
49	3	24	18	F. J. B	THROTTLE INHABIT - RR DOOR
50	3	24	18	F. J. B	THROTTLE INHABIT - FR DOOR
51	3	24	18	F. J. B	DAMPER ON - FR & RR DOOR OPEN
52	3	24	11	R.H. SW. PANEL	FRESH AIR CONTROL
53	3	24	11	ENG. J. B	CONSTANT A/C & HEAT
54	3	24	13	ENG. J. B	CONSTANT A/C & HEAT

				DESC: DIODE CODE		DESS: B.C.	DATE: 90-01
				B 92-04 DS3 & DS4 ANTE 002030		VER: [Signature]	APPR: [Signature]
				A 93/06 MISE A JOUR			
				TEM DATE REVISION			
				APPL: W/L-027 L-033...		REF: H5-60	
						NO: D-060732 P.F C	



CONNECTOR CODE

CONNECTOR			
C#	LOCATION	DESIGNATION	NO. CAVITY
C77	FR. SERVICE COMPT.	FEED FR. SERVICE COMPT. ACCESSORIES	16
C78			
C79	DRIVE AXLE	FEED DRIVE AXLE ACCESSORIES	22
C80	ENGINE JCT BOX COMPT.	FROM ARTICULATION TO ENGINE JCT. BOX	14
C81	" " " "	ELECTRONIC CONTROL MODULE ENGINE	30
C82	" " " "	" " " "	30
C83	" " " "	ELECTRONIC CONTROL UNIT (TRANSMISSN)	30
C84	" " " "	" " " "	30
C85	FR. JCT BOX COMPT.	SPEED LIMITE SW.	9
C86	FR. SERVICE COMPT.	SIDE FLASHER RH	2
C87	" " " "	SIDE MARKER	2
C88	" " " "	DRIVER'S LIQUID SOL. VALVE	2
C89	" " " "	DRIVER'S WATER VALVE	2
C90	" " " "	THROTTLE POSITION SENSOR	3
C91	" " " "	INSTRUMENT PANEL RHEOSTAT	2
C92	" " " "	AIR RETURN SENSOR	2
C93	" " " "	SIDE FLASHER LH	2
C94	" " " "	BRAKE INTERLOCK SOL. VALVE	2
C95	" " " "	FRESH AIR DAMPER SOL. VALVE	2
C96	" " " "	ELECTRICAL HORN	2
C97	" " " "	BELLOWS CTR. VALVE	2
C98	" " " "	EXHAUST CTR. SOL. VALVE	2
C99	" " " "	STEERING COMPT. LTS	2
C100	CENTRAL JCT. BOX	CENTRAL JCT BOX TO RR SERVICE COMPT.	22
C101	RR SERVICE COMPT.	FEED RR LOWER LAMP	16
C102	" " " "	FEED RR ROOF ACCESSORIES	22
C103	" " " "	FEED RR SERVICE COMPT. ACCESSORIES	24
C104	RR AXLE ACCESSORIES	FEED RR AXLE ACCESSORIES	22
C105	ARTICULATION	FROM ARTICULATION TO RR SERVICE COMPT.	14
C106	RR END LH SIDE	RR LH LOWER LAMP	9
C107	RR END CENTER	CYCLOP LT.	2
C108	" " " "	LICENCE PLATE LT.	2
C109	RR END RH SIDE	RR RH LOWER LAMP	9
C110	RR SERVICE COMPT.	RR JCT BOX	24
C111	RR SECT. LH HAT RACK -FR.	FEED LH HAT RACK ACCESSORIES	9
C112	RR SECT. RH HAT RACK -FR.	FEED RH HAT RACK ACCESSORIES	9
C113	RR SECT. LH HAT RACK -FR.	FEED LH SPEAKER	4
C114	RR & FR LH HAT RACK	FOR READING LTS	2

CONNECTOR			
C#	LOCATION	DESIGNATION	NO. CAVITY
C115	HAT RACK	FLUORESCENT	4
C116	" "	BALLAST DISTRIBUTION	6
C117	" "	BALLAST FEEDING	4
C118	" "	FEED GENERAL & HAT RACK LTS	3
C119	" "	FLUORESCENT	4
C120	" "	BALLAST DISTRIBUTION	6
C121	RR SECT. RH HAT RACK -FR.	FEED 110-V FLUOR.	2
C122	" " " " " "	FEED SPEAKER	4
C123	RR & FR. RH HAT RACK	READING LTS	2
C124	CENTRAL JCT. BOX	FROM CENTRAL JCT. BOX TO RR RH HAT RACK	24
C125			
C126	CENTRAL JCT. BOX	FROM CENTRAL JCT. BOX TO RR LH HAT RACK	24
C127	ARTICULATION	RR DIGITAL THERMOMETER FEEDING	3
C128			
C129	CENTRAL JCT. BOX	FROM CENTRAL JCT. BOX TO LUGGAGE COMPT.	24
C130			
C131	CENTRAL JCT. BOX	FROM CENTRAL JCT. BOX TO ARTICUL. HARN.	6
C132	" " " "	" " " " " "	24
C133	" " " "	" " " " " "	37
C134	" " " "	" " " " " "	16
C135			
C136	CENTRAL JCT. BOX	FROM CENTRAL JCT. BOX TO RR SERVICE COMPT.	16
C137	RR CONSOLE	RR DIGITAL THERMOMETER	2
C138	AISLE RR STEP WELL	AIR RETURN SENSOR	2
C139	LH & RH ROOF ARTICULATION	FEED EMERGENCY EXIT LTS	2
C140	RR SECT. LH HAT RACK -FR.	FEED 110-V FLUOR.	2
C141	FR. SERVICE COMPT.	KNEELING LT	2
C142	RH CONSOLE	FR. DIGITAL THERMOMETER	2
C143	FR LUGGAGE COMPT.	" " " " SENSOR	2
C144	ARTICULATION -LH	RR DIGITAL THERMOMETER SENSOR	2
C145	RR SECT. LUGGAGE COMPT. -RH	LUGGAGE LTS	2
C146	" " " " " "	" " " " " "	2
C147	" " " " " "	FEED LUGGAGE DOOR LOCK	6
C148	" " " " " "	LUGGAGE LTS	2
C149	" " " " " "	FEED LUGGAGE DOOR LOCK	6
C150	" " " " " "	LUGGAGE LTS	2
C151	" " " " " "	AIR RETURN SENSOR	2
C152	" " " " " "	FEED LUGGAGE DOOR LOCK	6

				DESC:	CONNECTOR CODE		DESS: <i>D.J.</i>	DATE: 90-01
							VER. <i>EC</i>	APPR. <i>10</i>
REV	DATE	REVISION	PAR	APPL: EFF. W/L034	REF: H5-60	NO: D-060732 p. H2		C



CONNECTOR CODE

CONNECTOR			
C #	LOCATION	DESIGNATION	NO. CAVITY
C153	RR SECT. LUGGAGE COMPT. LH	LUGGAGE LTS	2
C154	" " " " " "	AIR AMBIENT SENSOR	2
C155	" " " " " "	LUGGAGE LTS	2
C156	" " " " " "	FEED LUGGAGE DOOR LOCK	6
C157	" " " " " "	LUGGAGE LTS	2
C158	" " " " " "	FEED LUGGAGE DOOR LOCK	6
C159	" " " " " "	LUGGAGE LTS	2
C160	" " " " " "	AIR RETURN SENSOR	2
C161	" " " " " "	LUGGAGE DOOR LOCK	6
C162	RR SECT. LUGGAGE COMPT.	ST1 WATER VALVE	2
C163	" " " " " "	ST2 WATER VALVE	2
C164	" " " " " "	ST3 WATER VALVE	2
C165	" " " " " "	LIQUID SOLENOID VALVE	2
C166	" " " " " "	FEED WATER VALVE	9
C167	RR END ROOF	CLEARANCE LTS	2
C168	" " " " " "	WATCH YOUR STEP	2
C169	" " " " " "	LAVATORY OCCUPIED SW.	2
C170	RR SECT. UNDER LH SEAT	FEED. LH UNDER SEAT ACCESSORIES	4
C171	" " " " " "	ACCELEROMETER	2
C172	" " " " " "	AISLE LTS	2
C173	" " " " " "	RUNNING LTS	2
C174	UNDER DASH - RH	DRIVERS HTR SPEED CTR MODULE	9
C175	" " " " " "	" " " " " "	9
C176	" " " " " "	LOWER WIND. WIPER PULSE GENERATOR	6
C177	" " " " " "	LOWER WINDSHIELD WIPER MOTOR	6
C178	" " " " " "	DRIVER'S HTR & DEFROSTER LH FAN	2
C179	" " " " " "	" " " " " " RH "	2
C180	RR END ROOF - CENTER	CAMERA	4
C181	" " " " - LH	LAVATORY FLUORESCENT	2
C182	" " " " - LH	WATER TANK HEATER	3
C183	RR SERVICE COMPT.	SIDE MARKER	2
C184	" " " " "	SIDE DIRECTIONAL LTS LH	2
C185	" " " " "	FRESH AIR DAMPER SOL. VALVE	2
C186	" " " " "	FRESH AIR SENSOR	2
C187	" " " " "	CAMERA DOOR SOLENOID	2
C188	" " " " "	CAMERA DOOR CTR. SW.	4
C189	" " " " "	LAVATORY PUMP	2
C190	" " " " "	BACK-UP ALARM	2

CONNECTOR			
C #	LOCATION	DESIGNATION	NO. CAVITY
C191	RR SERVICE COMPT	TOILET VENTILATION	2
C192	" " " "	SIDE DIRECTIONAL LTS-RH	2
C193	" " " "	" " " "	
C194	" " " "	" " " "	
C195	ARTICULATION	ANTI-JACK SYSTEM	2
C196	ENGINE JCT BOX	RED LED INDICATOR - FR. SECT. (HTR)	2
C197	" " " "	" " " " - RR. SECT. (HTR)	2
C198	" " " "	GREEN LED INDICATOR - FR. SECT. (A/C)	2
C199	" " " "	" " " " - RR. SECT. (A/C)	2
C200	FR. SECT. HAT RACK	FLUORESCENT	4
C201	" " " " "	" " " " "	4
C202	" " " " "	BALLAST FEEDING	4
C203	" " " " "	BALLAST DISTRIBUTION	6
C204	" " " " "	FEED GENERAL & HAT RACK LTS	3
C205	FR. SECT. RH HAT RACK - FR.	SPEAKER	4
C206	L.H. CONSOLE	GOOSE NECK MICROPHONE	4
C207	L.H. CONSOLE	GOOSE NECK MICRO. SWITCH	8
C208	FR. SECT. LH HAT RACK	BALLAST FEEDING	4
C209	" " " " " "	READING LTS	2
C210	FR. SECT. LH HAT RACK - FR.	SPEAKER	4
C211	FRONT ROOF	DRIVER'S STORE-LH	2
C212	" " " " " "	DRIVER'S STORE-RH	2
C213	" " " " " "	CLEARANCE LTS	2
C214	" " " " " "	AMPLIFIER RH SPEAKER CONNECTION	2
C215	" " " " " "	" LH " " "	2
C216	UNDER DASH - LH CORNER	P.A. DISTRIBUTION	9
C217	" " " " " "	P.A. MICRO OUTLET	3
C218	" " " " " "	P.A. VOLUME	3
C219	" " " " " "	P.A. DRIVER'S SPEAKERS CONNECTION	4
C220	" " " " " "	P.A. AMPLIFIER CONNECTION	7
C221	" " " " " "	P.A. RADIO CONNECTION	7
C222	ALARM JCT BOX COMPT.	MICRO OUTLET	4
C223	" " " " " "	DRIVER'S SPEAKERS FEEDING	4
C224	RH SWITCH PANEL	RADIO	7
C225	" " " " " "	" " " " " "	
C226	FR. ROOF - LH	AMPLIFIER	7
C227	RH SWITCH PANEL	SPEAKER SELECTOR SWL	8
C228	" " " " " "	MICRO OUTLET	4

				DESC: CONNECTOR CODE		DESS: <i>D.V.</i>	DATE: 90-01
						VER: <i>MC</i>	APP: <i>MC</i>
A	91-02	MISE A JOUR		APPL: EFF W/ L-021	REF: H5-60	IND-060732 P.H3 C	
ITEM	DATE	REVISION	PAR	L-033			



CONNECTOR CODE

CONNECTOR			
C #	LOCATION	DESIGNATION	NO. CAVITY
C229	RH SWITCH PANEL	P.A. VOLUME CONTROL	4
C230	" " "	LH DRIVER'S SPEAKER	2
C231	" " "	RADIO FEEDING	4
C232	" " "	RH DRIVER'S SPEAKER	2
C233	FR. SECTION ARTICULATION	ARTICULATION VERTICAL SAFETY SW.	2
C234	" " "	ARTICULATION HORIZONTAL SAFETY SW.	6
C235	" " "	LOW COOLANT SENSOR	3
C236			
C237	FR. SECT. UNDER SEAT - LH	aisle LTS FEEDING	2
C238	" " " " "	aisle LTS	2
C239	FR. AXLE	FUEL TANK LEVEL GAUGE	4
C240	" " "	KNEELING SW.	2
C241	FR. SERVICE COMPT.	FOG RESISTOR BOX	3
C242	" " "	FR. L.H. MARKER & DIRECT. LT.	3
C243	" " "	HEADLAMPS	3
C244	" " "	L.H. FOG LAMP	2
C245	" " "	R.H. FOG LAMP	2
C246	" " "	FR. R.H. MARKER & DIRECT. LT.	3
C247			
C248	ALARM XT. BOX	UPPER WIND. WIPER PULSE GENERATOR	12
C249	" " "	CONVERTER 12V TO 5V (BU MONITOR)	3
C250	" " "	DASH LTS REGULATOR CTR	6
C251	LT SWITCH PANEL	FAST IDLE SW.	8
C252	" " "	SWITCH LTS.	2
C253	" " "	ETHER SW.	8
C254	" " "	WEBASTO SW.	8
C255	" " "	RETARDER SW.	8
C256	RR SECT RH HAT RACK	RR SECT AMPLIFIER CUT OUT SW	4
C257			
C258	LT SWITCH PANEL	MULTI-FUNCTION SW.	8
C259	" " "	MULTI-FUNCTION SW.	6
C260	INSTR. PANEL - CENTER PLATE	TACHOGRAPH HEAD RPM	4
C261	" " " " "	TACHOGRAPH HEAD ANTI-JACK	4
C262	" " " " "	TACHOGRAPH HEAD FEEDING	4
C263	" " " " "	TACHOGRAPH HEAD SPEEDO	4
C264	" " " " "	ENGLER TACHO HEAD	6
C265	" " " " "	ENGLER SPEEDO HEAD	6
C266	ENGINE CRADLE	HANDUAL TRANSMISSION ACCES.	4

CONNECTOR			
C #	LOCATION	DESIGNATION	NO. CAVITY
C267	ENGINE CRADLE	SPEED SENSOR	3
C268	" " "	RPM SENSOR	3
C269	" " "	JACOB L.H. BANK BRAKE	1
C270			
C271	ENGINE CRADLE	JACOB R.H. BANK BRAKE	1
C272			
C273	ENGINE CRADLE	MOTOR BLOCK HEATER	3
C274	RADIO	RADIO FEEDING	9
C275	ENGINE CRADLE	DDEC OPTION	4
C276	" " "	CONDENSER FAN SOL. VALVE	2
C277	ENGINE CRADLE	RACOR FUEL FILTER	2
C278	" " "	WEBASTO	6
C279	" " "	FR. WATER PUMP	2
C280	" " "	FR. ST3 WATER VALVE	2
C281	" " "	FR. ST2 WATER VALVE	2
C282	" " "	FR. ST1 WATER VALVE	2
C283	" " "	ATEC SPEED SENSOR	2
C284	" " "	ATEC THROTTLE SENSOR N/A	3
C285	" " "	ATEC TRANSMISSION	23
C286	RH SWITCH PANEL	A/C & HEAT SW.	1
C287	" " "	A/C FAN ONLY	1
C288	" " "	FRESH AIR SW.	1
C289	" " "	SWITCH LTS	2
C290			
C291	FR. SECTION LUGGAGE COMPT.	LUGGAGE LTS	2
C292	" " "	" " "	2
C293	" " "	" " "	2
C294	" " "	" " "	2
C295	" " "	AIR AMBIENT SENSOR	2
C296	" " "	LUGGAGE LTS	2
C297	FR SECTION LUGGAGE COMPT.	AIR RETURN SENSOR	2
C298	" " " " "	" " "	2
C299	" " " " "	LUGGAGE LTS	2
C300	" " " " "	FRESH AIR SENSOR	2
C301			2
C302	FR. SECTION LUGGAGE COMPT.	LIQUID SOLENOID VALVE	2
C303	" " " " "	LUGGAGE DOOR LOCK FEEDING	6
C304	" " " " "	" " " " "	6

	DESC: CONNECTOR CODE	DESS: D.T.	DATE: 90-01
		VER: <i>lc</i>	APPR: <i>ll</i>
A 90/08	C274 ASSYING CC# 90151	M/	
ITEM DATE	REVISION	PAR	
	APPL: EFF. W/ L-027 L-033...	REF: H5-60	ID: D-060732 P.H4 C

CONNECTOR CODE

CONNECTOR			
C#	LOCATION	DESIGNATION	NO. CAVITY
C 305	FR SECTION LUGGAGE COMPT.	LUGGAGE DOOR LOCK FEEDING	6
C 306	" " " "	" " " "	6
C 307	L.H. CONSOLE	DRIVER'S SEAT HEATER	4
C 308	" "	DASH LT. RHEOSTAT	
C 309	" "	GALLEY SW.	8
C 310	" "	LUGGAGE DOOR LOCK SW.	8
C 311	" "	HOSSTESS & PASS. CHIME SW.	8
C 312	" "	READING LT. SW.	8
C 313	" "	GENERAL LT. & 24V FLUOR. SW.	8
C 314	" "	FR. DESTINATION SIGN SW.	8
C 315	" "	L.H. STORE SW.	8
C 316	" "	ARTICULATION BRAKE SW	8
C 317	" "	R.H. STORE SW.	8
C 318	" "	DRIVER'S WINDOW LIFTER	
C 319	" "	DRIVER'S SEAT HEATER SW.	8
C 320	" "	DRIVER'S LT. SW.	8
C 321	" "	SHIFTER SELECTOR	16
C 322	" "	DRIVER'S WINDOW LIFTER MOTOR	2
C 323	" "	CRUISE CONTROL SW. PANEL	14
C 324	" "	RR ENTRANCE DOOR SW	8
C 325	" "	KNEELING SW.	8
C 326	" "	FR. ENTRANCE DOOR SW.	8
C 327	ENGINE COMPT.	ENGINE CONTROL SWITCHES	9
C 328	" "	WATER PUMP	2
C 329	" "	SERVICE LTS.	2
C 330	ENGINE COMPT. - AT A/C COMPR.	UNDER LOADER SOL. VALVE	2
C 331	" " " "	" " " "	2
C 332	" " " "	A/C COMPR. CLUTCH	2
C 333	" " " "	A/C LO-PRESSURE SW.	2
C 334	" " " "	A/C HI-PRESSURE SW.	2
C 335	ENGINE COMPT.	RETARDER SOL. VALVE	2
C 336	INSTRUMENT PANEL - LH SECT.	INSTRUMENT & SW. LTS	
C 337	" " " "	UPPER WIND. WIPER MOTOR CONTROL SW.	8
C 338	" " " "	UPPER WINDSHIELD DEFROST SW.	8
C 339	" " " "	UPPER WINDSHIELD WASHER CTR. SW.	8
C 340	" " " "	L.H. MIRROR ADJUSTING SW.	8
C 341	" " " "	HEATED MIRROR SW.	8
C 342	" " " "	R.H. MIRROR ADJUSTING SW.	8

CONNECTOR			
C#	LOCATION	DESIGNATION	NO. CAVITY
C 343	INSTRUMENT PANEL - LH. SECT.	HEADLAMP SW.	8
C 344	" " " "	HAZARD WARNING LTS SW.	8
C 345	" " " "	FOG LT. SW.	8
C 346	" " " "	SWITCH LTS.	2
C 347	" " " "	DASH LT. SW.	2
C 348	INSTRUMENT PANEL - CENTER	RACOR FILTER T.T. LT. MODULE	6
C 349	R.H. CONSOLE	RED LED INDICATOR - FR. SECT. (HTR)	2
C 350	" "	DIGITAL THERMOMETER	3
C 351	" "	RED LED INDICATOR - RR. SECT. (HTR)	2
C 352	" "	DRIVER'S TEMP. CONTROL SENSOR	3
C 353	INSTRUMENT PANEL - RH	DRIVER'S HTR. FAN SPEED CTR. RHEOSTAT	6
C 354	" " " "	DRIVER'S TEMP. CONTROL	6
C 355	" " " "	FRONT TEMP. CONTROL	3
C 356	" " " "	REAR TEMP. CONTROL	3
C 357	" " " "	WATER TEMP. GAUGE	3
C 358	" " " "	FUEL LEVEL GAUGE	3
C 359	" " " "	INSTRUMENT PANEL LIGHTING	2
C 360	" " " "	B/U MONITOR	2
C 361	FR. ROOF	UPPER WIPER MOTOR	6
C 362	" "	LAVATORY OCCUPIED SIGN	2
C 363	" "	WATCH YOUR STEP SIGN	2
C 364	" "	FR. DESTINATION SIGN	3
C 365	" "	UPPER WINDSHIELD DEFROST	3
C 366	R.H. CONSOLE	GREEN LED INDICATOR - FR. SECT. (A/C)	2
C 367	" "	GREEN LED INDICATOR - RR. SECT. (A/C)	2
C 368	ENGINE COMPT.	ETHER QUICK START SW	8
C 369	ALARM JCT BOX COMPT	FEED LH SW PANEL	6
C 370	FR. SERVICE COMPT. - UNDERNEATH	FROM ARTICULATION TO INTERFACE HARNESS	37
C 371	FR. SERVICE COMPT.	FROM ENGINE JCT. BOX TO INTERFACE HARNESS	16
C 372	ENGINE JCT. BOX	FROM FR. SERVICE COMPT. TO ENGINE JCT BOX	37
C 373	" " " "	" " " " " "	16
C 374	ALARM JCT. BOX	ALARM JCT. BOX TO INTERFACE HARNESS	37
C 375	ALARM JCT. BOX COMPT.	FEED LH CONSOLE	37
C 376	" " " "	FEED LH SW. PANEL	37
C 377	LT. SWITCH PANEL	STOP ENGINE OVERRIDE SW.	8
C 378	FR. SERVICE COMPT.	FEED FR. SERVICE COMPT. ACCES.	16
C 379	ARTICULATION	FR. COMPT. TO ENGINE COMPT.	24
C 380	"	FEED ARTICULATION ACCES.	22

				DESC:	CONNECTOR CODE		DESS: B.C.	DATE: 90-01	
							VER: <i>MC</i>	APPR: <i>W</i>	
A	90/10	C329	WIND. WIPER MOTOR CONTROL SW.	024	MJ	APPL: W/L-027, L-033...	REF: HS-60	NO: D-060732	pH5 C
REV	DATE		REVISION	90189	PAR				



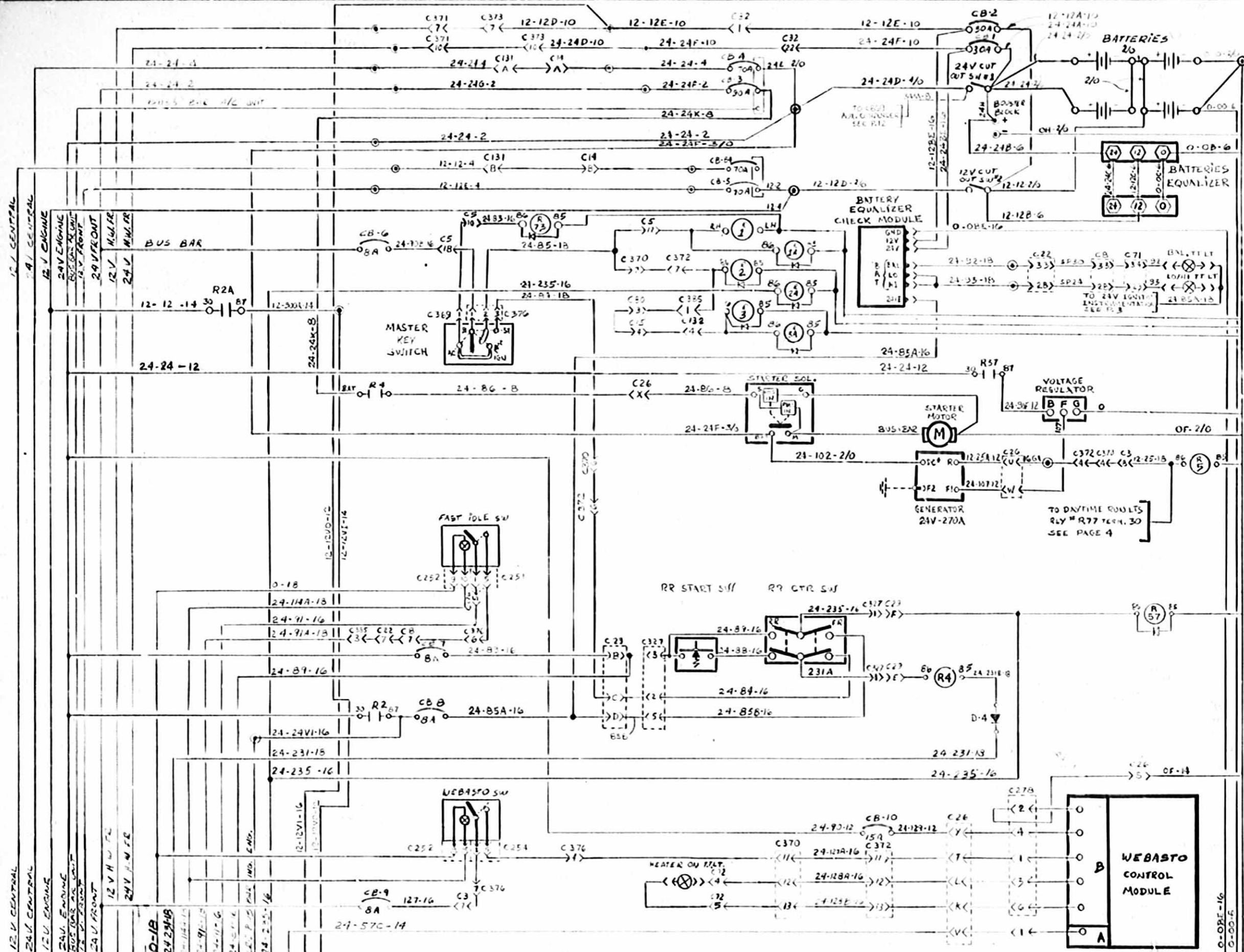
CONNECTOR CODE

CONNECTOR			
C#	LOCATION	DESIGNATION	NO. CAVITY
C1	FR. JCT. BOX COMPT	FR. JCT. BOX TO INTERFACE HARNESS	24
C2	" " " "	" " " "	22
C3	" " " "	" " " "	37
C4	" " " "	" " " "	37
C5	" " " "	" " " "	37
C6	FR. SERVICE COMPT. - UNDERNEATH	FROM ARTICULATION TO INTERFACE HARNESS	37
C7	" " " "	" " " "	24
C8	" " " "	FROM ENGINE JCT BOX TO INTERFACE HARNESS	37
C9	" " " "	" " " "	16
C10			
C11			
C12	ARTICULATION	FROM FR. SERVICE COMPT TO ARTICULATION HARN	24
C13	"	" " " "	37
C14	"	FROM ENG. JCT BOX TO ARTICULATION HARN.	6
C15	"	" " " "	24
C16	FR. SECT. LH HAT RACK - RR	FEED LH HAT RACK ACCESSORIES	9
C17	FR. SECT. RH HAT RACK - RR	FEED RH HAT RACK ACCESSORIES	9
C18			
C19			
C20			
C21			
C22	ENGINE JCT BOX - ENGINE COMPT.	FROM FR. SERVICE COMPT. TO ENGINE JCT. BOX	37
C23			
C24			
C25	ENGINE JCT. BOX - ENGINE COMPT.	ENG. JCT. BOX TO ENGINE CRADLE HARNESS	35
C26	" " " " "	" " " " "	47
C27			
C28	ENGINE JCT. BOX - ENGINE COMPT.	ENG. JCT. BOX TO ENGINE CRADLE HARNESS	26
C29	" " " " "	ENG. JCT. BOX TO ENGINE COMPT. HARNESS	22
C30			
C31	ENGINE JCT. BOX	FROM FR. SERVICE COMPT. TO ENGINE JCT. BOX	16
C32	" " " "	ENG. JCT. BOX TO LUGGAGE COMPT. LTS.	22
C33	ENGINE CRADLE	DDEC POWER COMM. E.C.M.	6
C34	ENGINE CRADLE	DDEC E.C.M.	30
C35			
C36			
C37			
C38			

-CONNECTOR			
C#	LOCATION	DESIGNATION	NO. CAVITY
C39	FR. SECT. LH HAT RACK - RR	FEED LH SPEAKER	2
C40	FR. SECT. RH HAT RACK - RR	FEED RH SPEAKER	2
C41	FR. SECT. RH HAT RACK - RR	FEED RH 110V FLUORESCENT	2
C42	FR. SECT. LH HAT RACK - RR	FEED LH 110V FLUORESCENT	2
C43			
C44	FR. JCT BOX COMPT.	ANTI-SKID E.C.U. MODULE	54
C45	ALARM JCT BOX COMPT.	FEED FR. ROOF ACCESSORIES	24
C46	FR. SERVICE COMPT.	FEED FR. SERVICE COMPT. ACCESSORIES	24
C47	FR. SERVICE COMPT.	FEED HEAD & FOG LAMP	7
C48	FR. AXLE	FEED FR. AXLE ACCESSORIES	22
C49			
C50			
C51			
C52			
C53			
C54	UNDER DASH - LH CORNER	FEED P.A. UNIT	3
C55	UNDER DASH - CENTER	FEED RH SW. PANEL	9
C56	" " " "	FEED RH CONSOLE	24
C57	" " " "	FEED UNDER DASH ACCESSORIES - RH	22
C58	FR. JCT BOX COMPT.	OPTION SLIP DRIVE CONTROL	3
C59	LH CONSOLE	CRUISE ON OFF SW.	8
C60	" "	CRUISE SET SW.	8
C61	" "	CRUISE RESUME SW.	8
C62			
C63			
C64			
C65			
C66			
C67			
C68	ALARM JCT BOX	ALARM JCT. BOX TO INTERFACE HARNESS	16
C69			
C70	ALARM JCT BOX	FEED LH CONSOLE	24
C71	UNDER INSTRUMENT PANEL - LH	FEED INSTRUMENT PANEL - LH	37
C72	UNDER INSTRUMENT PANEL	FEED CENTRAL INSTRUMENT PANEL	37
C73	" " " "	" " " "	16
C74	" " " " RH	FEED INSTRUMENT PANEL RH	24
C75	ALARM JCT BOX COMPT.	FEED FR. ROOF ACCESSORIES	22
C76	FR. SERVICE COMPT.	FROM ENGINE JCT. BOX TO INTERFACE HARNESS	14

DESC:	CONNECTOR CODE		DESS:	D.T.	DATE:	90-01
VER.:	/C		APPR.:	/C		
APPL: EFF. W/L034	REF: H5-60	NO: D-060732 P.H		C		

A	92-04	C44 CAVITY WAS 35 06 92030	K
REV	DATE	REVISION	PAR

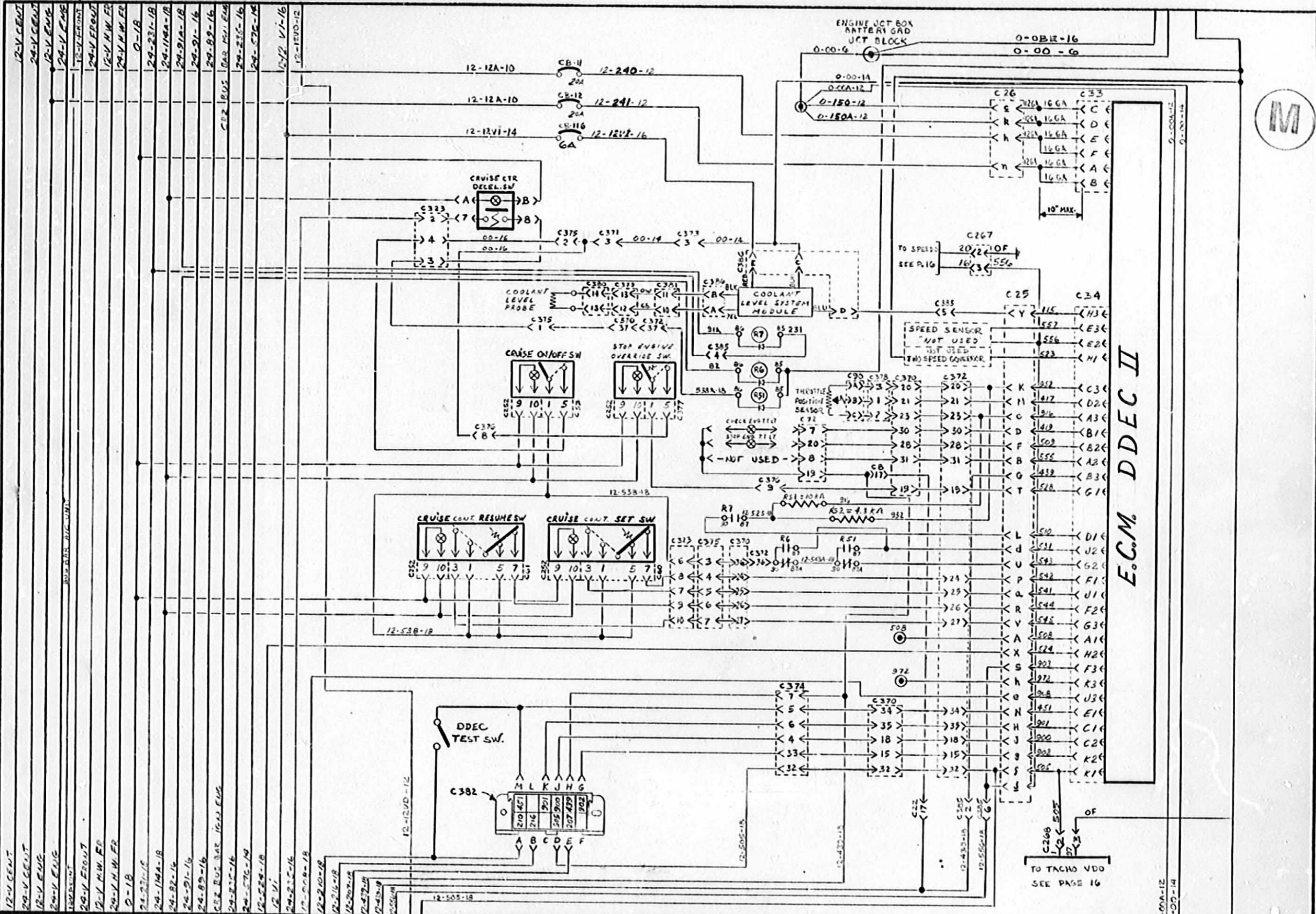


CHARGING SYSTEM

ENGINE CONTROLS

PRE-HEAT WATER HEATER

				DESC:	D.E.S.S. D.V.		DATE: 90-01
				WIRING DIAGRAM		VER.:	APPR.:
ITEM	DATE	REVISION	PAR	APPL: EFF. W/L-021 L-013...	REF: H5-60	NO: D-060732 R1 C	



DDEC II WIRING DIAGRAM

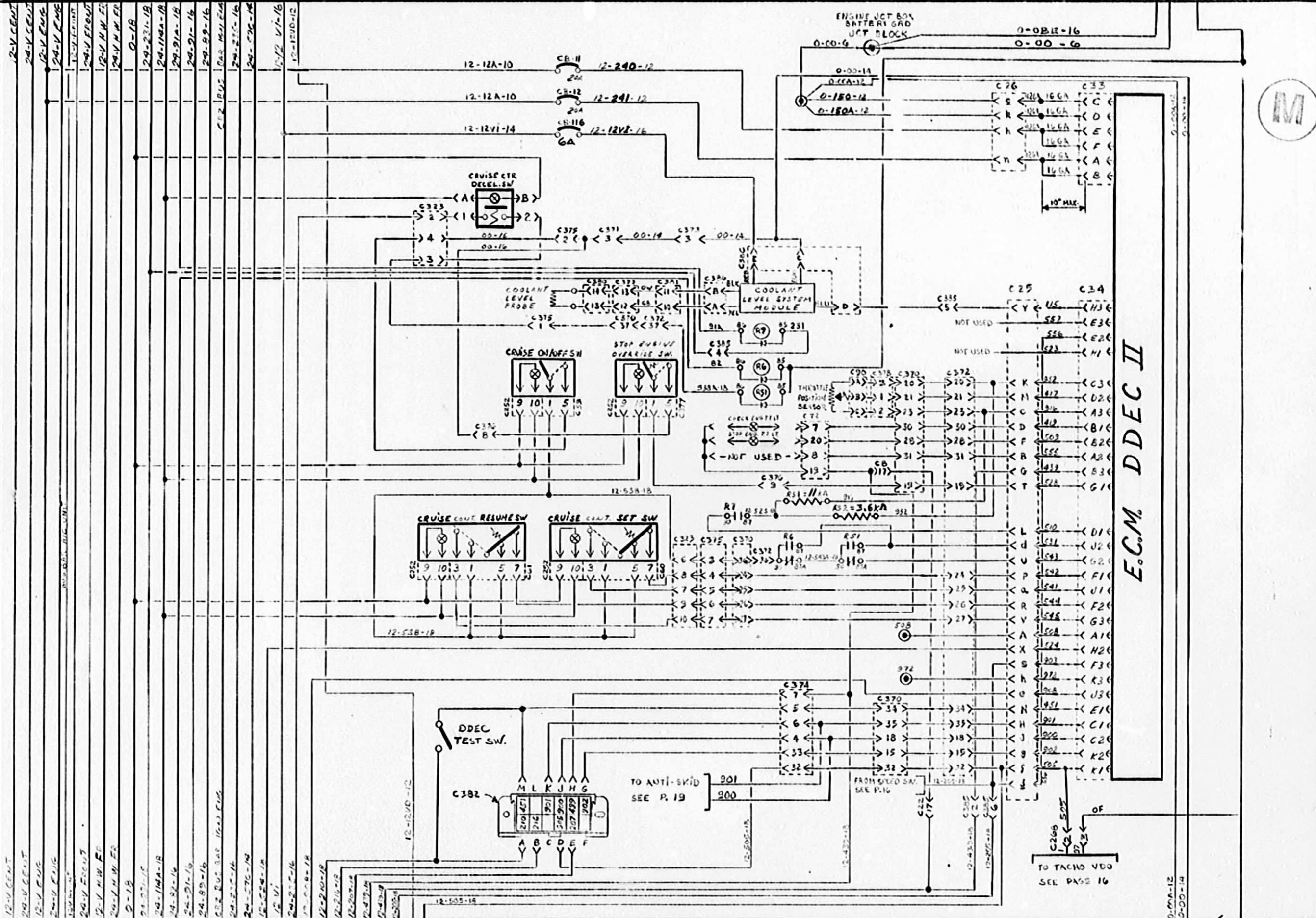
DESS: D.T. DATE: 90-01
 VER: C APPR: [Signature]
 NO: D-060732 2/24

ITEM	DATE	REVISION	PAR
H 70-01	02/90/152	LE GENIER	SL
		CB116 AVAIL SAME	

APPL: VER. EFF. L-027 L-033...

REF: 45-60

C



E.C.M. DDEC II

DDEC II WIRING DIAGRAM

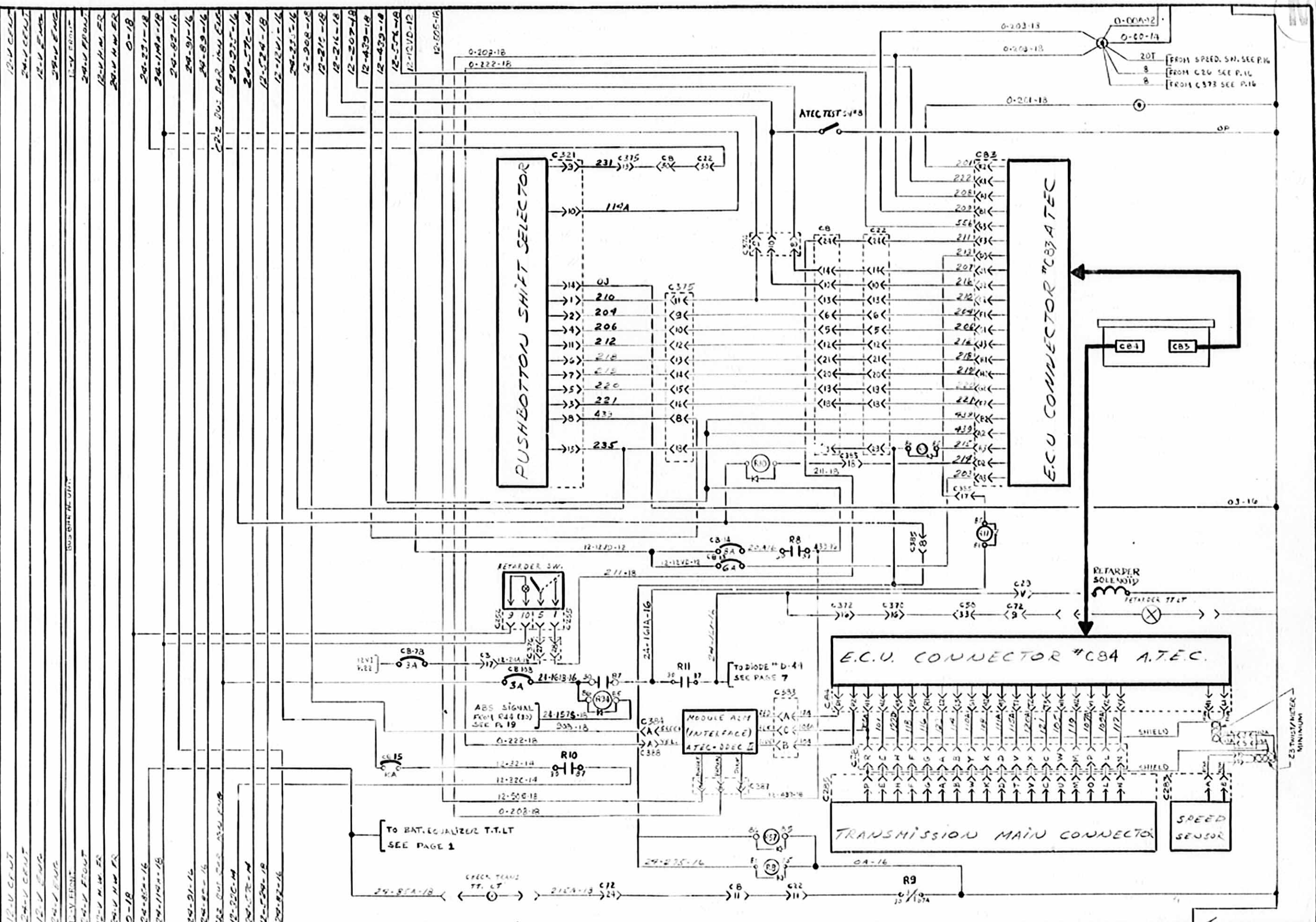
DESS: *[Signature]* DATE: 92-04
 VER: *[Signature]* APPR: *[Signature]*

DATE: 92-04
 REVISION: LAWE DC# 92030

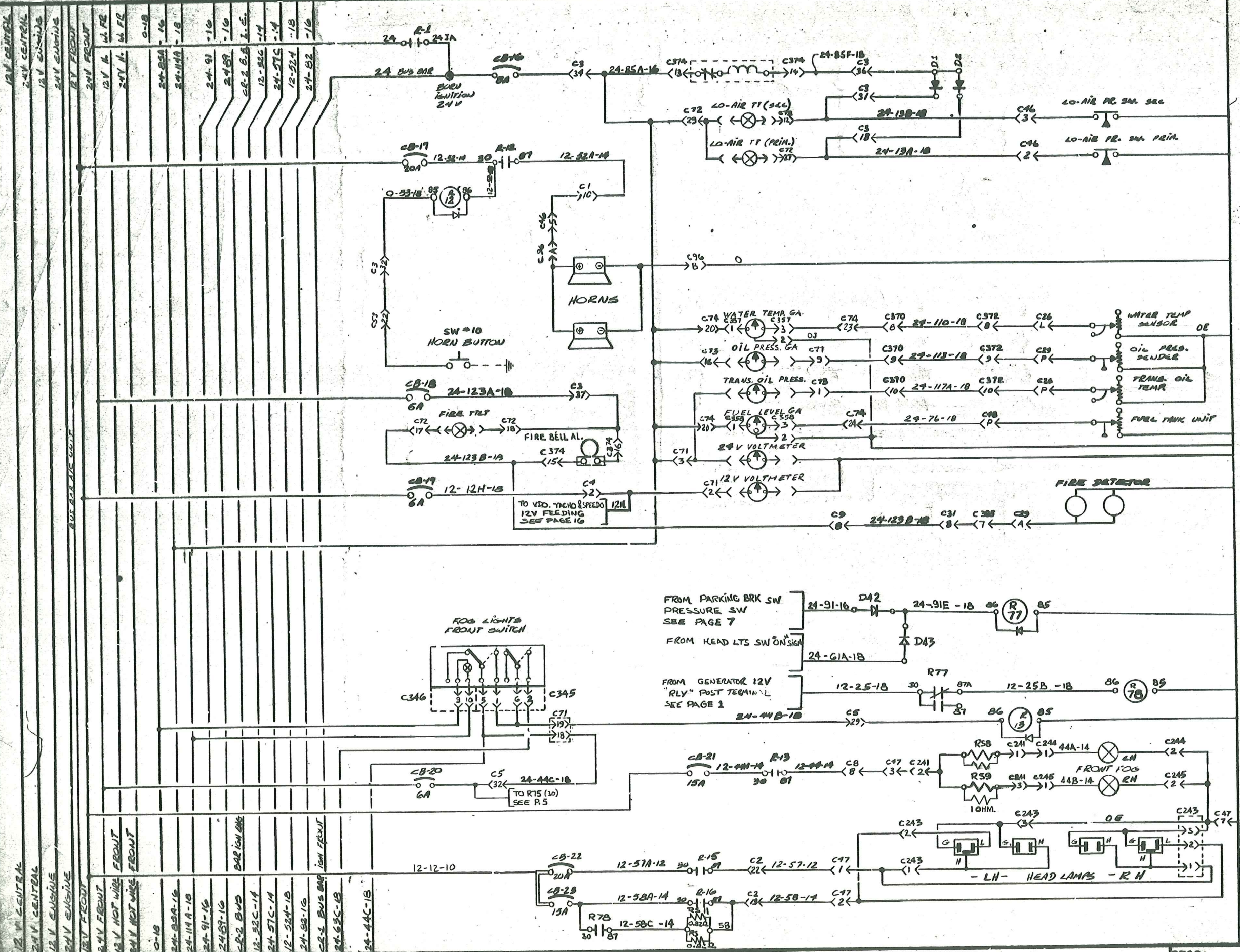
APPL: VEIL. EFF. W/11-208

REF: H5-60

NO: D-060732 2b/24



12-V. CAB	24-V. CAB	12-V. ENG	24-V. ENG	12-V. FRONT	24-V. FRONT	12-V. H.W. FR	24-V. H.W. FR	12-V. H.W. SR	24-V. H.W. SR	0-18	24-231-18	24-199-18	24-82-16	24-91-16	24-89-16	24-201-16	24-210-18	24-216-18	24-207-18	24-439-18	24-439-18	12-576-18	12-105-18	0-203-18	0-222-18	0-203-18	0-00A-12	0-00-14	20T	8	8	FROM SPEED. SW. SEE P.16	FROM C26 SEE P.16	FROM C573 SEE P.16	OP	03-16	03-16	ES TWISTMETER MINIMUM
12-V. CAB	24-V. CAB	12-V. ENG	24-V. ENG	12-V. FRONT	24-V. FRONT	12-V. H.W. FR	24-V. H.W. FR	12-V. H.W. SR	24-V. H.W. SR	0-18	24-231-18	24-199-18	24-82-16	24-91-16	24-89-16	24-201-16	24-210-18	24-216-18	24-207-18	24-439-18	24-439-18	12-576-18	12-105-18	0-203-18	0-222-18	0-203-18	0-00A-12	0-00-14	20T	8	8	FROM SPEED. SW. SEE P.16	FROM C26 SEE P.16	FROM C573 SEE P.16	OP	03-16	03-16	ES TWISTMETER MINIMUM
<p>DESC: ATEC WIRING DIAGRAM</p> <p>DATE: 92-04</p> <p>REVISION: LNICE OC 92030</p> <p>APPL: VEH. EFF N-208</p> <p>REF: 115-60</p> <p>TECH: 92-04</p> <p>DATE: 92-04</p> <p>REVISION: LNICE OC 92030</p> <p>APPR: [Signature]</p> <p>NO: D-060732 3/24</p>																																						



ALARM & SIGNAL

FOG LTS

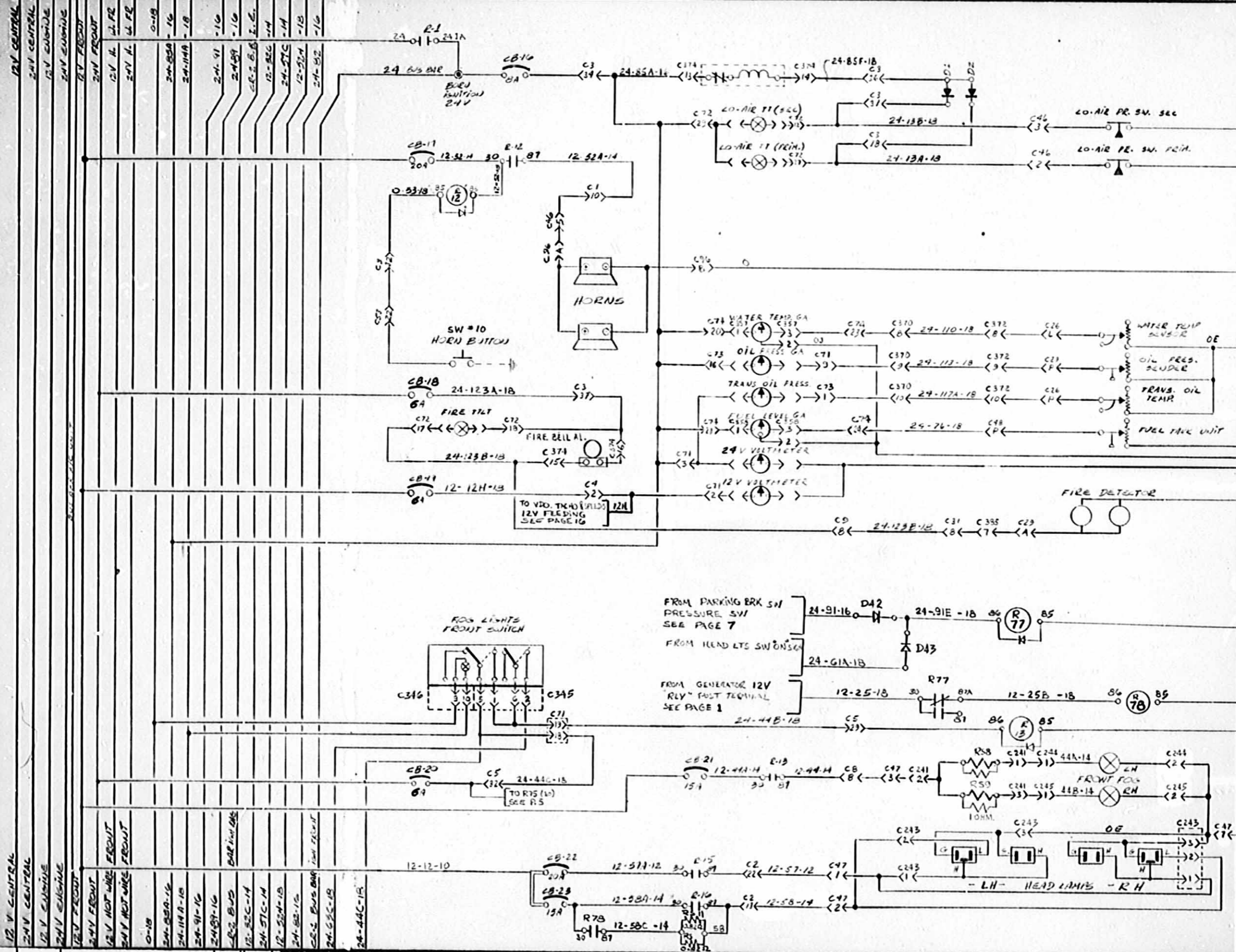
EXTERIOR LIGHTING

HEAD LTS

WIRING DIAGRAM

DESS	S.L.	DATE	90-11
VER	lc	APP	10
NO: D-060732 P.4a		REF: HS-60	

ITEM	DATE	REVISION	PAR	APPL	EFF. W/M-170
A	90-11	LANCE EFF. W/	SL		



ALARM & SIGNAL

FOG LTS

EXTERIOR LIGHTING

HEAD LTS

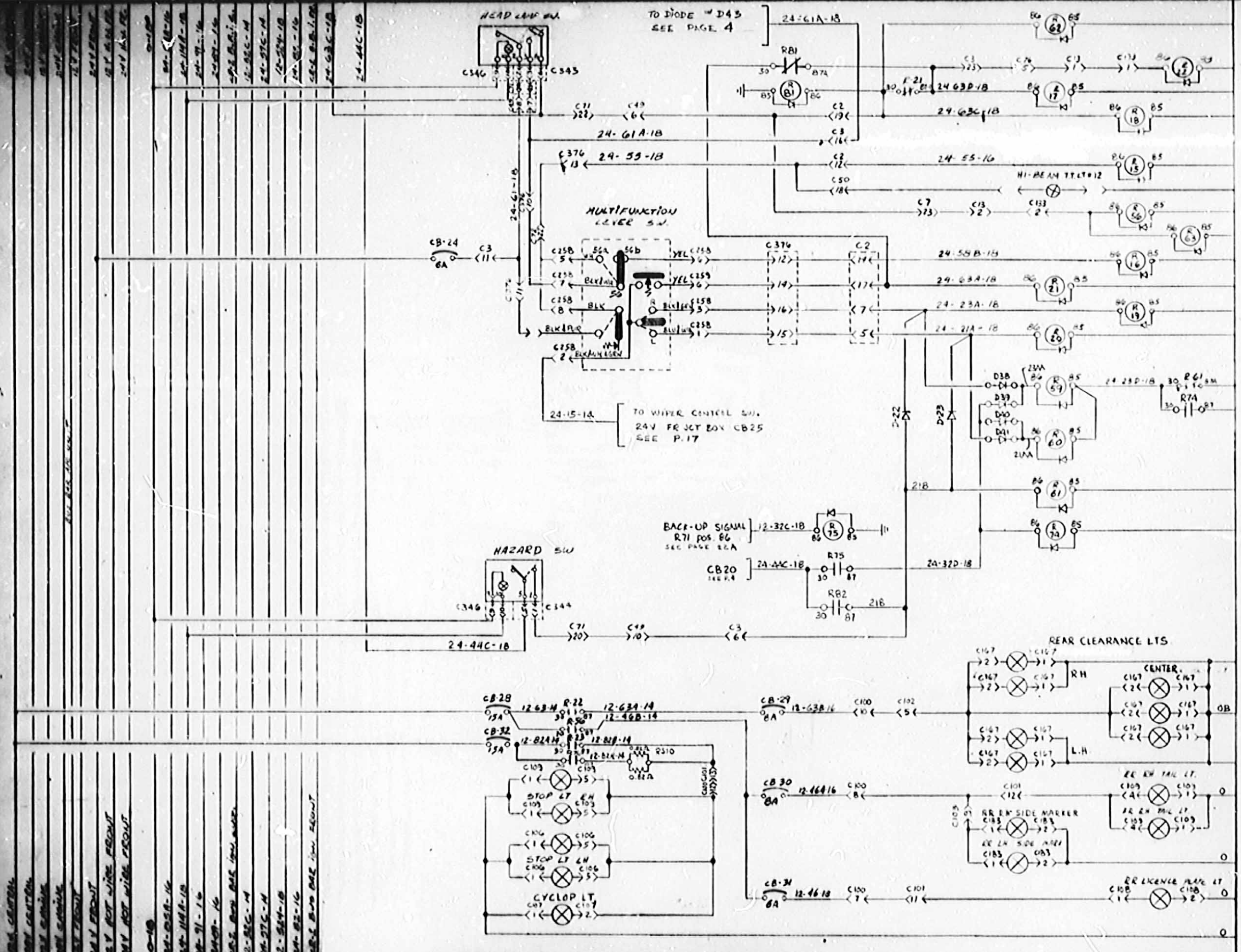
B	90-09	0690152 LES BILAKRES CB10, CB7, CB20 AVAIENT SA	SL
B	90-09	(0690154) LE BREAKER AVAIT 10A & ALIMENT. 24VOLT	SL
A	90/06	MISE A JOUR	M/.
ITEM	DATE	REVISION	PAR

WIRING DIAGRAM

APPL: EFF. W/L 047
L-033..4

REF: H5-60

DESS: D.V.	DATE: 90-01
VER: <i>lc</i>	APPR: <i>lc</i>
NO: D-060732 P.4 C	



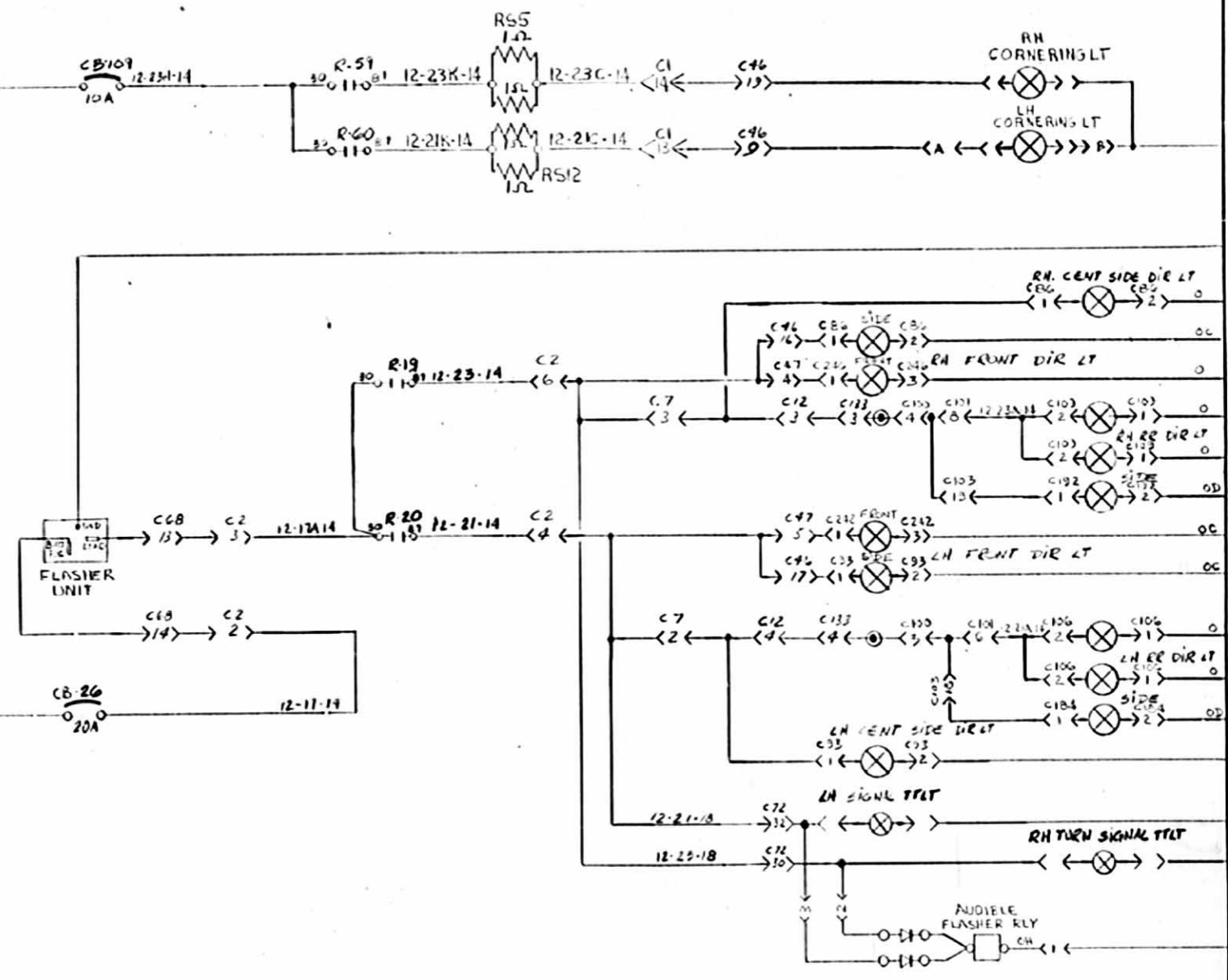
EXTERIOR LIGHTING

- 0-10
- 24-05B-16
- 24-11A-18
- 24-91-16
- 24-09-16
- 24-09-16
- 12-82C-14
- 24-27C-14
- 12-84-18
- 24-82-16
- 24-09-16
- 24-09-16

DESC:	WIRING DIAGRAM		DESS:	M!	DATE:	90-06
VER:	KC		VER:	KC	APPR:	11
APPL/EFF. W/	L-027, L-033, L-034, L-035	REF:	H5-60 "WESTORS"		NOI	D-060732 P.5A C
REVISION						



12V CENTRAL	12V CENTRAL
24V CENTRAL	24V CENTRAL
12V ENGINE	12V ENGINE
24V ENGINE	24V ENGINE
12V FRONT	12V FRONT
24V FRONT	24V FRONT
12V HOT WIRE FRONT	12V HOT WIRE FRONT
24V HOT WIRE FRONT	24V HOT WIRE FRONT
0-18	0-18
24-85A-16	24-85A-16
24-114A-13	24-114A-13
24-91-16	24-91-16
24-89-16	24-89-16
CR2 BUS BAR ION ENG	CR2 BUS BAR ION ENG
12-32C-14	12-32C-14
24-57C-14	24-57C-14
12-224-15	12-224-15
24-52-16	24-52-16
CR1 BUS BAR ION FE	CR1 BUS BAR ION FE



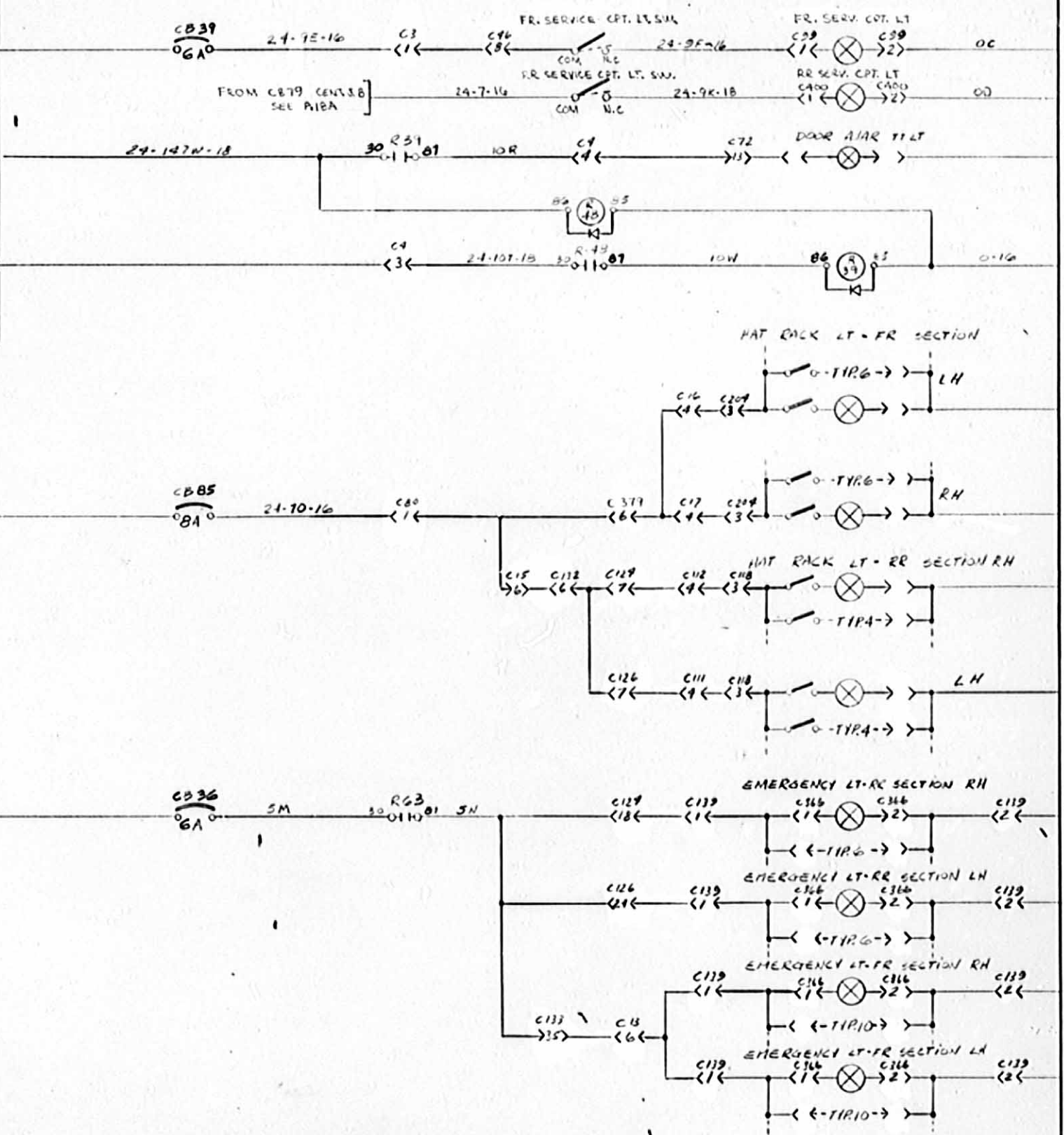
CORNERING LTS
RH FLASHER LTS
LH FLASHER LTS
EXTERIOR LIGHTING

DESC:	WIRING DIAGRAM		DESS:	B.C.	DATE:	90-01
APPL:	W/L027, L033...		VER.:	KC	APPR.:	[Signature]
REF:	H5-60		NO:	D-060732		9/44 C

ITEM	DATE	REVISION	PAR
A	90/09	AUDIBLE FLASHER RLY ADJ	111



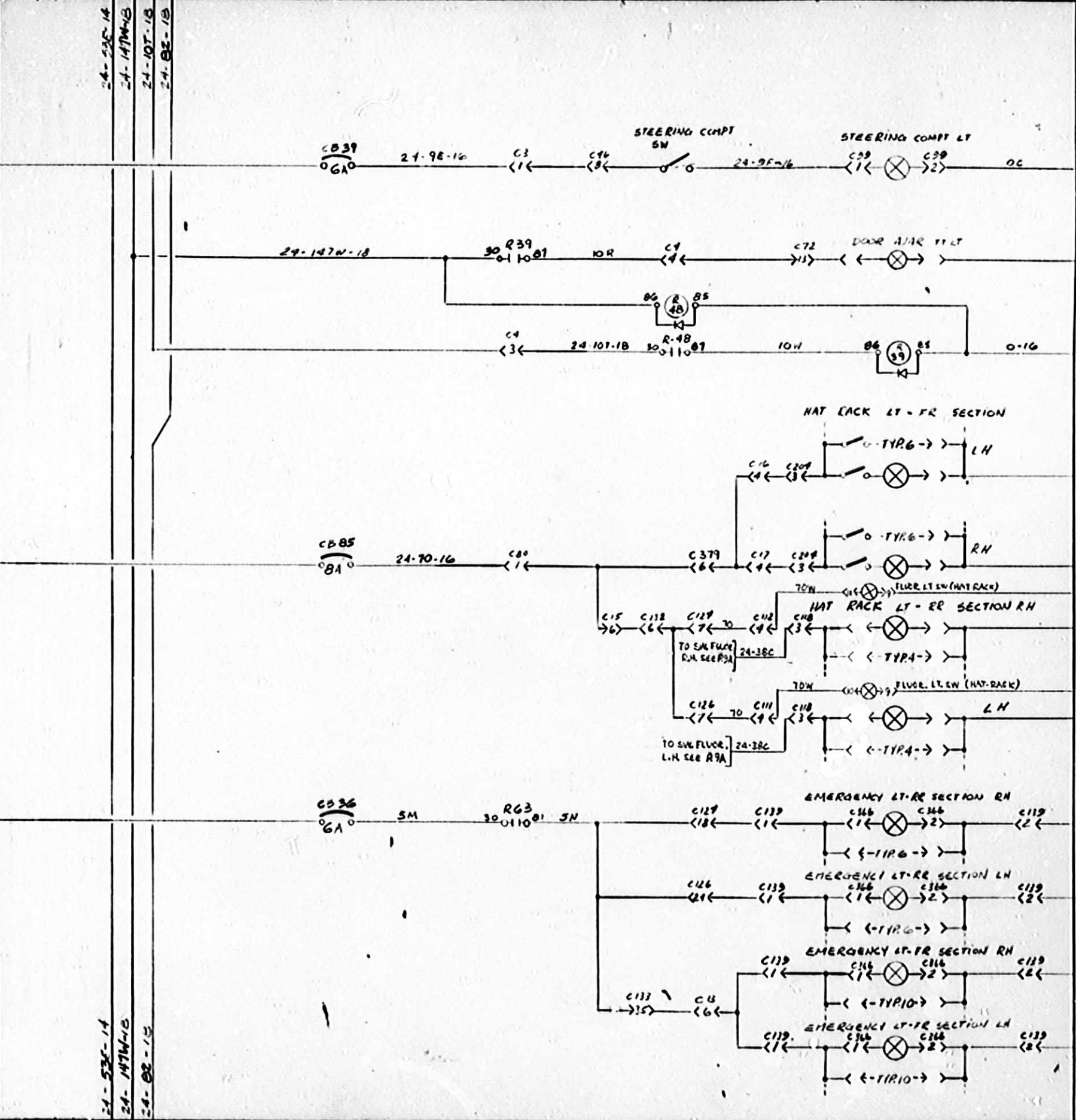
12V CENTRAL	24V CENTRAL	12V ENGINE	24V ENGINE	12V FRONT	24V FRONT	12V HOT WIRE FRONT	24V HOT WIRE FRONT	0-1B	24-85A-16	24-114A-1B	CR-2 BUD BAR ION. EMER.	12-32C-14	24-51G-14	12-524-1B	CR-2 BUD BAR ION. FRONT	24-52E-14	24-147W-1B	24-82-1B
12V CENTRAL	24V CENTRAL	12V ENGINE	24V ENGINE	12V FRONT	24V FRONT	12V HOT WIRE FRONT	24V HOT WIRE FRONT	0-1B	24-85A-16	24-114A-1B	CR-2 BUD BAR ION. EMER.	12-32C-14	24-51G-14	12-524-1B	CR-2 BUD BAR ION. FRONT	24-52E-14	24-147W-1B	24-82-1B



RR & FR SERVICE CPT. LTS
DOOR ALARM
HAT RACK LIGHTING
EMERGENCY LTS

DESC: WIRING DIAGRAM	DESS: S.B.	DATE: 9/01
APPL: EFF. W/ L-027 L-032..	VER.:	APPR.:
REF: H5-60	NO: D-060732	8/14 C
ITEM: A	DATE: 9/01/10	REVISION: RR SERV. CPT. LT. DC# 90159
	7/0/09	CC# 90152 LES BRAYERS
		CS 26 39 RALPH SA

12V CENTRAL	24V CENTRAL	12V ENGINE	24V ENGINE	12V FRONT	24V FRONT	12V HOT WIRE FRONT	24V HOT WIRE FRONT	0-12	24-85A-16	24-14A-13	CR-2 BUBBLE	12-32C-14	24-37C-14	12-32A-15	CR-2 BUBBLE	24-53C-14	24-147W-13	24-107-13	24-82-13
12V CENTRAL	24V CENTRAL	12V ENGINE	24V ENGINE	12V FRONT	24V FRONT	12V HOT WIRE FRONT	24V HOT WIRE FRONT	0-12	24-85A-16	24-14A-13	CR-2 BUBBLE 10W. ENGR.	12-32C-14	24-37C-14	12-32A-15	CR-2 BUBBLE	24-53C-14	24-147W-13	24-107-13	24-82-13



STEERING COMPT. LTS.	DOOR AJAR	HAT RACK LIGHTING	EMERGENCY LTS.
----------------------	-----------	-------------------	----------------

M

DESC: WIRING DIAGRAM

DATE: 9/10/6

VER: M.1

APPR: [Signature]

NO: D-060732 P.8A C

REF: H5-60 "WESTOURS"

APPL: EFF. W/ L-027, L-033, L-034, L-035 M-035 J.M-104

PAR: A 30-09 BREAKER GATEWAY OC90152

ITEM	DATE	REVISION	PAR
A	30-09	BREAKER GATEWAY OC90152	✓



12V CENTRAL
24V CENTRAL
12V ENGINE
24V ENGINE
12V FRONT
24V FRONT
12V HOT WIRE FRONT
24V HOT WIRE FRONT

0-18
24-65A-18
24-11A-18
24-22-18
24-32C-14
24-57C-14
24-52A-18
24-52B-18

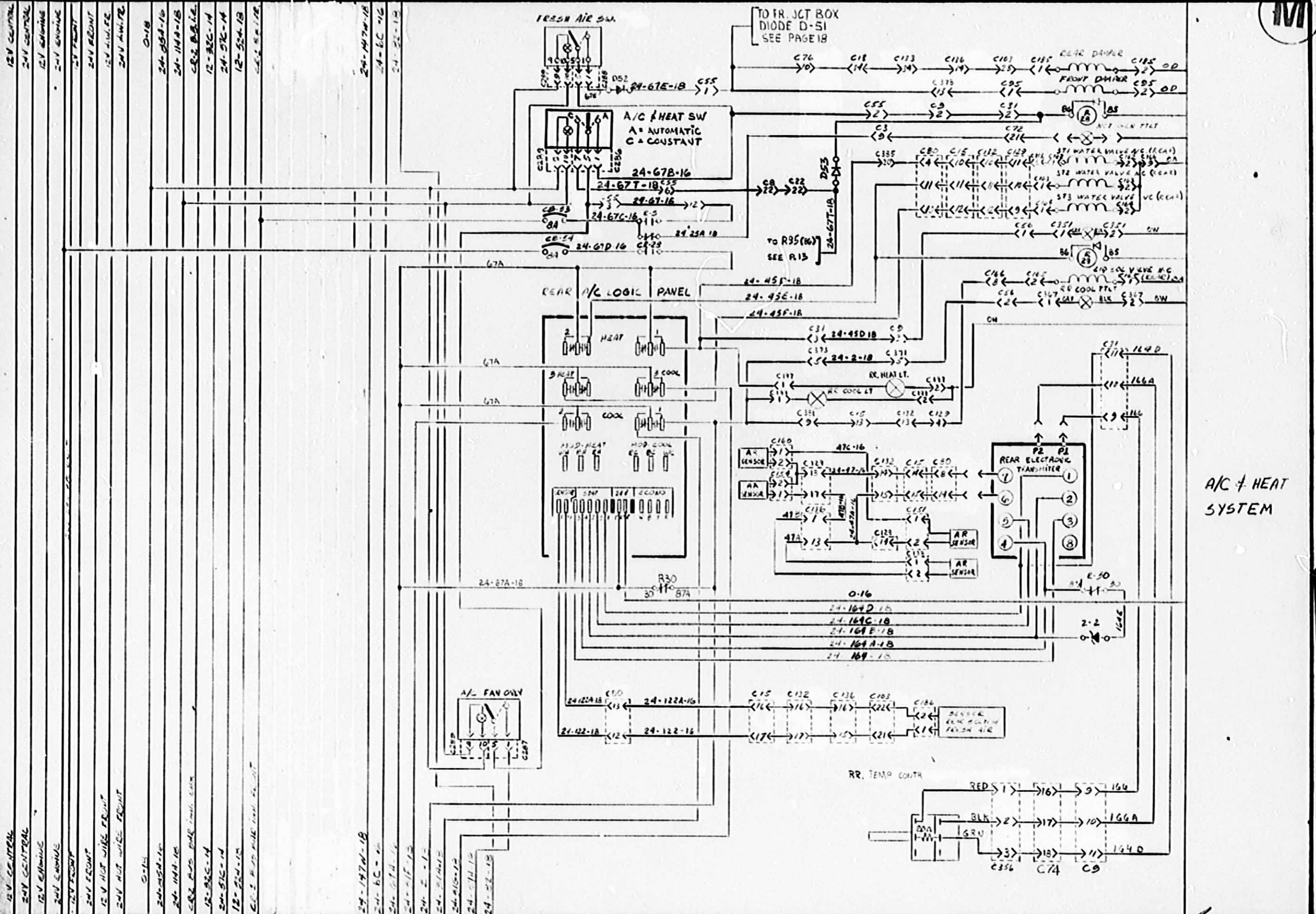
24-147W-18
24-6C-18
24-67E-18
24-67F-18
24-67G-18
24-67H-18
24-67I-18
24-67J-18
24-67K-18
24-67L-18
24-67M-18
24-67N-18
24-67O-18
24-67P-18
24-67Q-18
24-67R-18
24-67S-18
24-67T-18
24-67U-18
24-67V-18
24-67W-18
24-67X-18
24-67Y-18
24-67Z-18

12V CENTRAL
24V CENTRAL
12V ENGINE
24V ENGINE
12V FRONT
24V FRONT
12V HOT WIRE FRONT
24V HOT WIRE FRONT

0-18
24-65A-18
24-11A-18
24-22-18
24-32C-14
24-57C-14
24-52A-18
24-52B-18

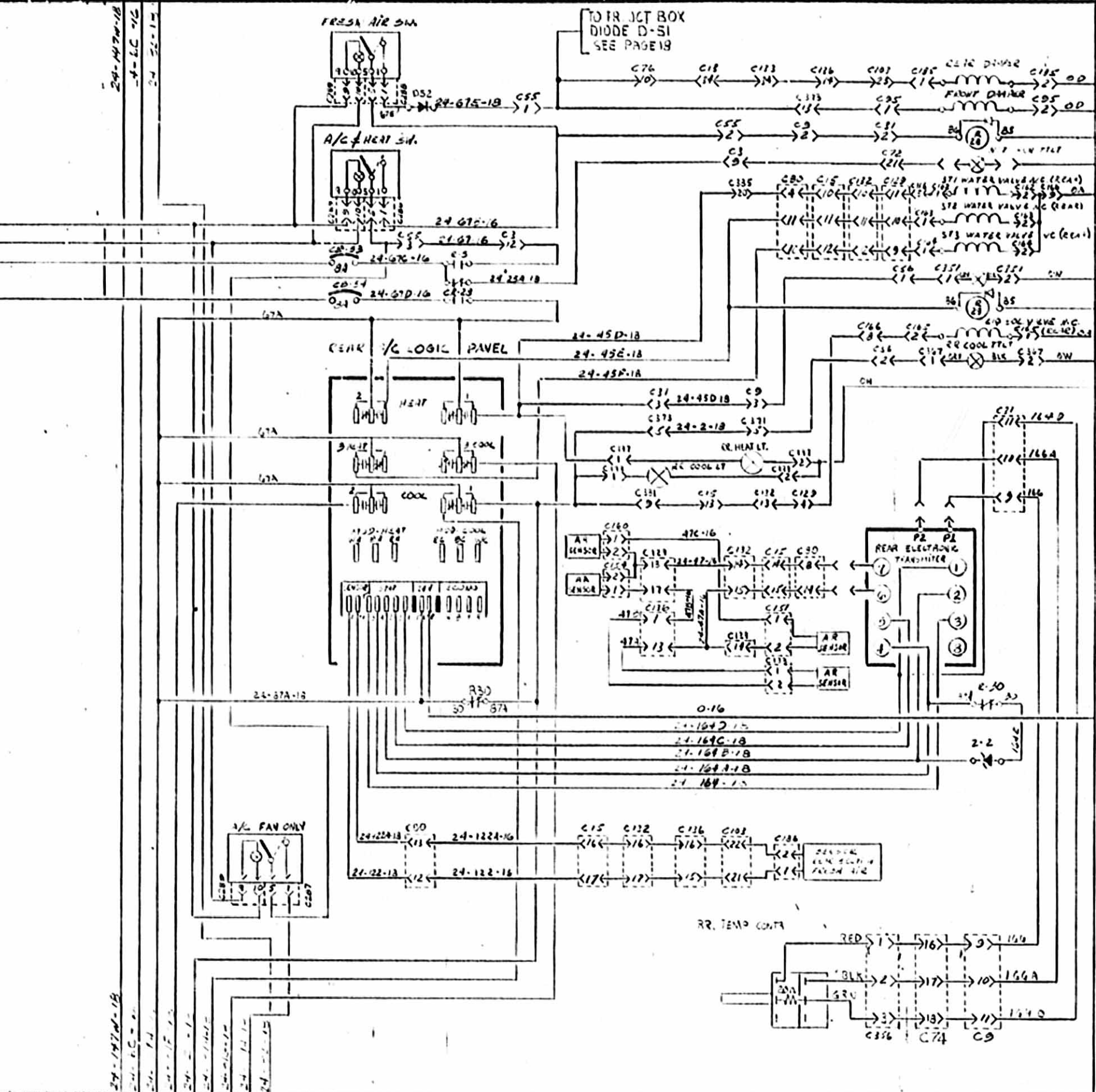
24-147W-18
24-6C-18
24-67E-18
24-67F-18
24-67G-18
24-67H-18
24-67I-18
24-67J-18
24-67K-18
24-67L-18
24-67M-18
24-67N-18
24-67O-18
24-67P-18
24-67Q-18
24-67R-18
24-67S-18
24-67T-18
24-67U-18
24-67V-18
24-67W-18
24-67X-18
24-67Y-18
24-67Z-18

92-04	LANCÉ OC# 92030	DESC: WIRING DIAGRAM	DESS: C	DATE: 92-04
DATE	REVISION	APPL: W/N-208	VER: C	APPR: [Signature]
		REF: H5-60		IN: D-060732 P. 11a C





12V CONTROL
24V CONTROL
12V EXHAUST
24V EXHAUST
12V FRONT
24V FRONT
12V REAR
24V REAR
12V WIRE FRONT
24V WIRE FRONT
12V WIRE REAR
24V WIRE REAR
0-18
24-25A-10
24-114A-13
24-25B-14
12-25C-14
24-25E-14
12-25D-14
24-25F-14
24-147A-18
24-147B-18
24-147C-18
24-147D-18
24-147E-18
24-147F-18
24-147G-18
24-147H-18
24-147I-18
24-147J-18
24-147K-18
24-147L-18
24-147M-18
24-147N-18
24-147O-18
24-147P-18
24-147Q-18
24-147R-18
24-147S-18
24-147T-18
24-147U-18
24-147V-18
24-147W-18
24-147X-18
24-147Y-18
24-147Z-18



A/C & HEAT SYSTEM

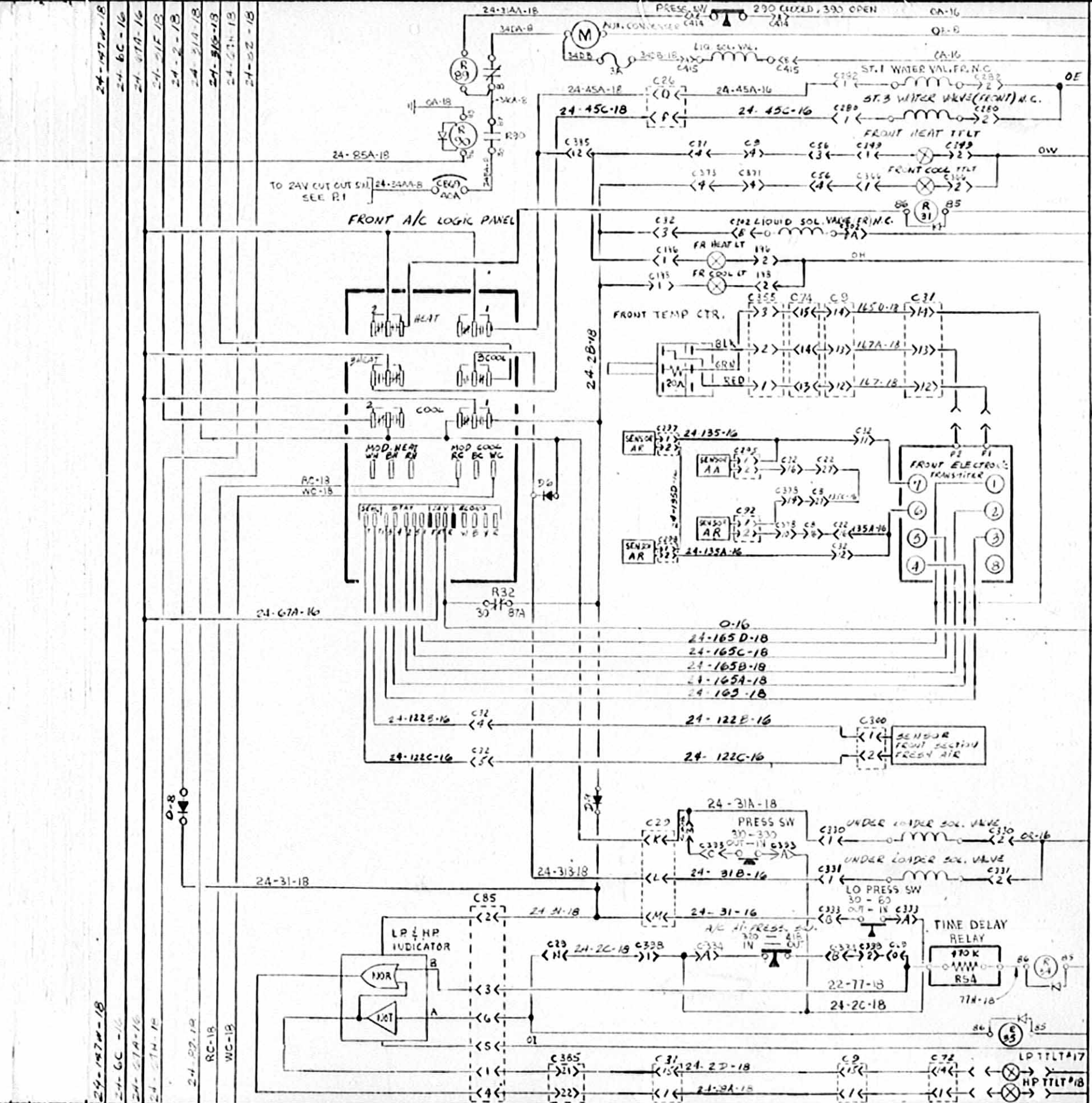
DESC:	WIRING DIAGRAM		DESS: B.C	DATE: 30-01
APPL: N/L-021 L-033...	PRIOR TO N-208	REF: HS-60	VER: 10	APPR: [Signature]
REV: B	DATE: 92-04	BY: N-208	REV: A	DATE: [Blank]
REV: C	DATE: [Blank]	BY: [Blank]	REV: [Blank]	DATE: [Blank]
REV: D	DATE: [Blank]	BY: [Blank]	REV: [Blank]	DATE: [Blank]
REV: E	DATE: [Blank]	BY: [Blank]	REV: [Blank]	DATE: [Blank]
REV: F	DATE: [Blank]	BY: [Blank]	REV: [Blank]	DATE: [Blank]
REV: G	DATE: [Blank]	BY: [Blank]	REV: [Blank]	DATE: [Blank]
REV: H	DATE: [Blank]	BY: [Blank]	REV: [Blank]	DATE: [Blank]
REV: I	DATE: [Blank]	BY: [Blank]	REV: [Blank]	DATE: [Blank]
REV: J	DATE: [Blank]	BY: [Blank]	REV: [Blank]	DATE: [Blank]
REV: K	DATE: [Blank]	BY: [Blank]	REV: [Blank]	DATE: [Blank]
REV: L	DATE: [Blank]	BY: [Blank]	REV: [Blank]	DATE: [Blank]
REV: M	DATE: [Blank]	BY: [Blank]	REV: [Blank]	DATE: [Blank]
REV: N	DATE: [Blank]	BY: [Blank]	REV: [Blank]	DATE: [Blank]
REV: O	DATE: [Blank]	BY: [Blank]	REV: [Blank]	DATE: [Blank]
REV: P	DATE: [Blank]	BY: [Blank]	REV: [Blank]	DATE: [Blank]
REV: Q	DATE: [Blank]	BY: [Blank]	REV: [Blank]	DATE: [Blank]
REV: R	DATE: [Blank]	BY: [Blank]	REV: [Blank]	DATE: [Blank]
REV: S	DATE: [Blank]	BY: [Blank]	REV: [Blank]	DATE: [Blank]
REV: T	DATE: [Blank]	BY: [Blank]	REV: [Blank]	DATE: [Blank]
REV: U	DATE: [Blank]	BY: [Blank]	REV: [Blank]	DATE: [Blank]
REV: V	DATE: [Blank]	BY: [Blank]	REV: [Blank]	DATE: [Blank]
REV: W	DATE: [Blank]	BY: [Blank]	REV: [Blank]	DATE: [Blank]
REV: X	DATE: [Blank]	BY: [Blank]	REV: [Blank]	DATE: [Blank]
REV: Y	DATE: [Blank]	BY: [Blank]	REV: [Blank]	DATE: [Blank]
REV: Z	DATE: [Blank]	BY: [Blank]	REV: [Blank]	DATE: [Blank]



AUX. CONDENSER

A/C & HEAT SYSTEM

- 12 V CENTRAL
- 24 V CENTRAL
- 12 V ENGINE
- 24 V ENGINE
- 12 V FRONT
- 24 V FRONT
- 12 V HOT WIRE FRONT
- 24 V HOT WIRE FRONT
- 0-18
- 24-85A-18
- 24-14A-18
- CR2 BUB BAR (incl. Selen)
- 12-52C-14
- 24-57C-14
- 12-52A-18
- CR2 BUB BAR (incl. FRONT)
- 24-15-14
- 24-147A-18
- 24-6C-16
- 24-87A-16
- 24-87F-18
- 24-2-18
- 24-21A-18
- 24-51B-18
- 24-27A-18
- 24-52-18
- 0-8
- 24-165D-18
- 24-165C-18
- 24-165B-18
- 24-165A-18
- 24-165-18
- 24-122B-16
- 24-122C-16
- 24-31A-18
- 24-31B-16
- 24-31-18
- 24-31-16
- 24-2C-18
- 24-2A-18
- 0-18
- 24-85A-16
- 24-14A-16
- CR2 BUB BAR (incl. Selen)
- 12-52C-14
- 24-57C-14
- 12-52A-18
- CR2 BUB BAR (incl. FRONT)
- 24-15-14
- 24-147A-18
- 24-6C-16
- 24-87A-16
- 24-87F-18
- 24-2-18
- 24-21A-18
- 24-51B-18
- 24-27A-18
- 24-52-18
- 0-8
- 24-165D-18
- 24-165C-18
- 24-165B-18
- 24-165A-18
- 24-165-18
- 24-122B-16
- 24-122C-16
- 24-31A-18
- 24-31B-16
- 24-31-18
- 24-31-16
- 24-2C-18
- 24-2A-18



DESC:

WIRING DIAGRAM

DESS:

BC

DATE:

90-01

VER.:

10

APPR.:

[Signature]

ITEM DATE

REVISION

PAR

APPL: W/L-027
L-053...

REF: HS-60

NO: D-060732

12/24 C



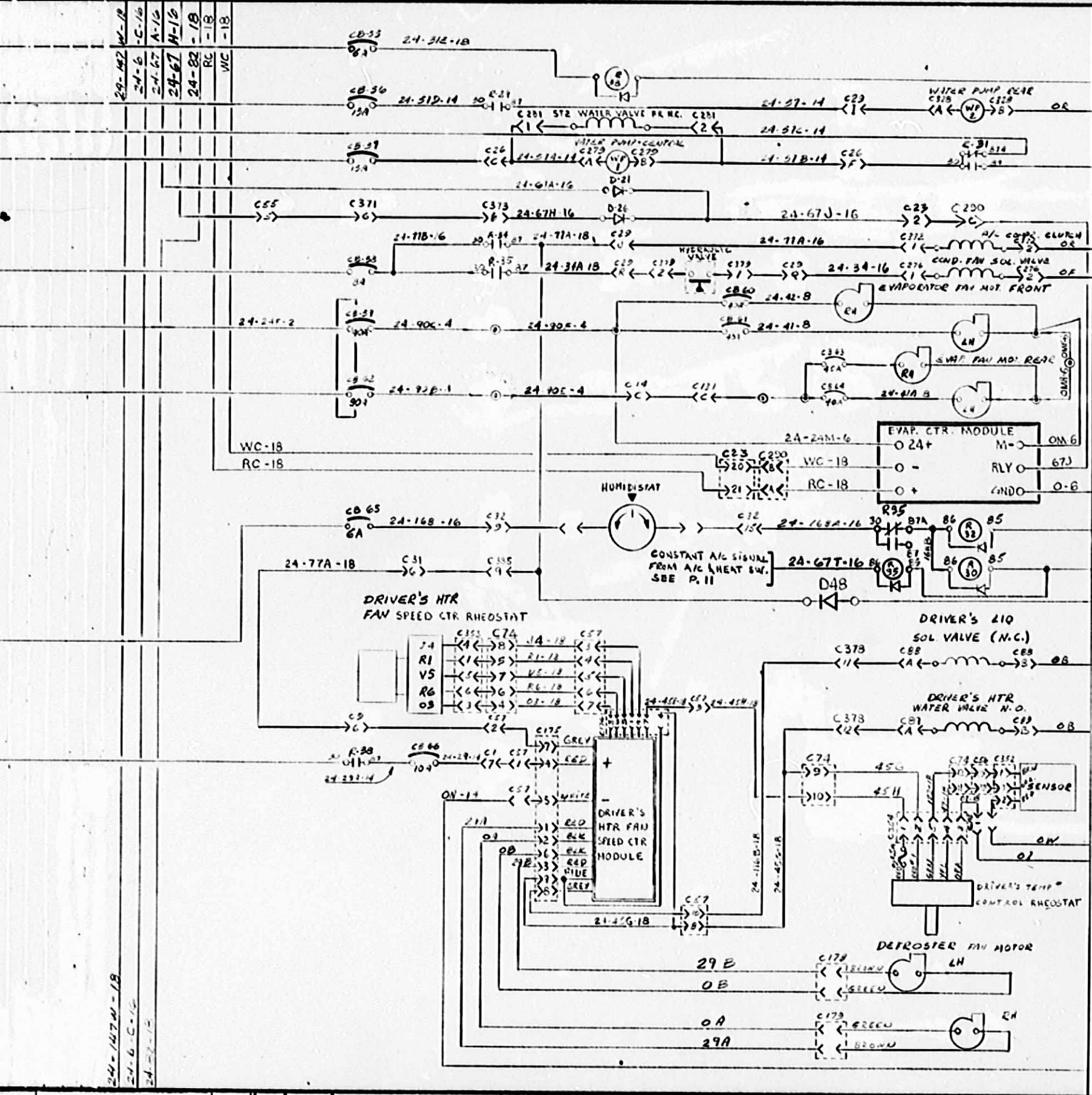
12V CENTRAL
24V CENTRAL
12V ENGINE
24V ENGINE
12V FRONT
24V FRONT
12V NOT WIRE
24V NOT WIRE
O-18
24-55A-16
24-118A-18
24-281A-18
12-32C-14
24-57C-14
12-52A-18
24-58B-18

24-142 W-18
24-6 C-16
24-67 A-18
24-67 H-18
24-82 -18
RC-18
WC-18

24-147N-18
24-6 C-16
24-23-18

12V CENTRAL
24V CENTRAL
12V ENGINE
24V ENGINE
12V FRONT
24V FRONT
12V NOT WIRE
24V NOT WIRE
O-18
24-55A-16
24-118A-18
24-281A-18
12-32C-14
24-57C-14
12-52A-18
24-58B-18

ITEM	DATE	REVISION	PAR	APPL: W/ N-208	REF: HS-60	NO: D-060732 13a/24 C
	92-04	LANCE OC 92030				
DESC: WIRING DIAGRAM				VER: /	DATE: 92-04	APPR: /

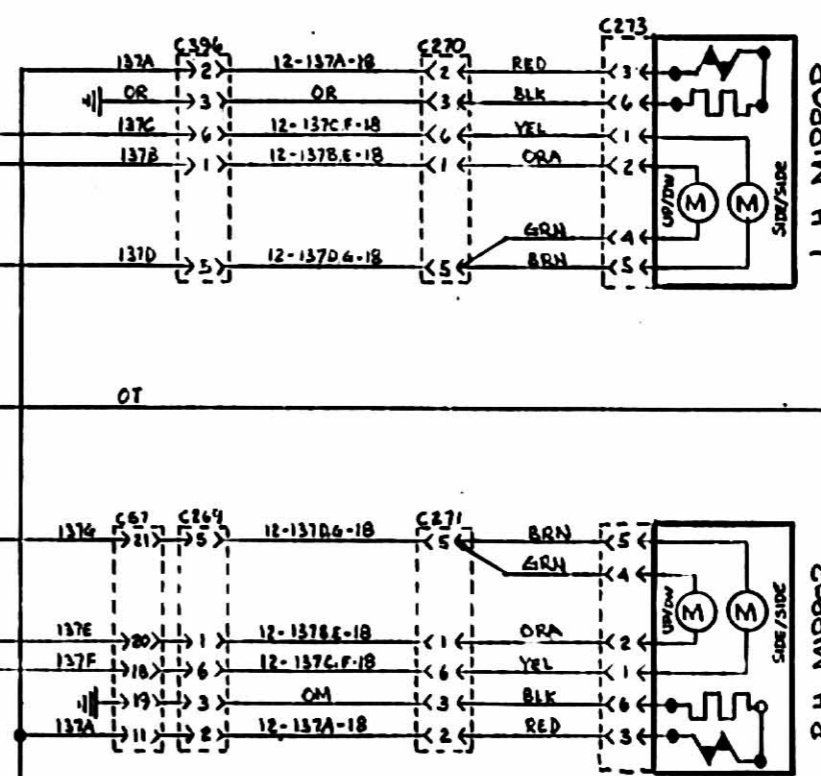
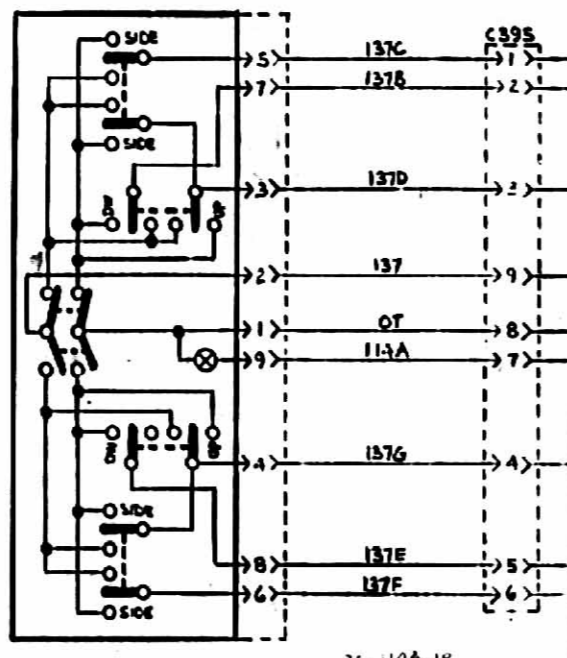


A/C & HEAT SYSTEM



12V CENTRAL	0-18
24V CENTRAL	24-820-16
12V ENGINE	24-111-18
24V ENGINE	24-111-18
12V FRONT	12-926-14
24V FRONT	12-926-14
12V HOT WIRE FRONT	12-324-18
24V HOT WIRE FRONT	24-147N-18
0-48	24-66-16
24-55A-16	24-82-18
24-111-18	
CR2 BUS BAR INST.	
12-926-14	
12-324-18	
CR3 BUS BAR INST.	
24-147N-18	
24-66-16	
24-82-18	

MIRROR SW.

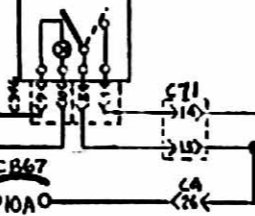


L.H. MIRROR

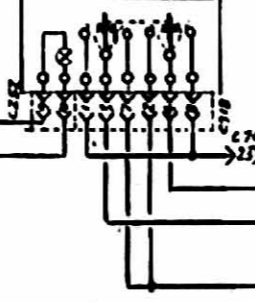
R.H. MIRROR

REAR VIEW ADJUST & HEATED MIRROR

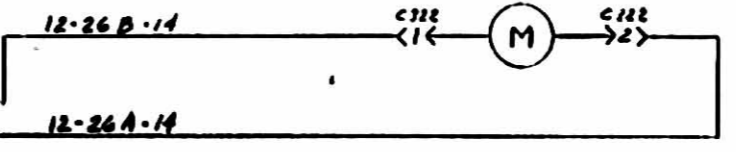
HEATED MIRROR SW.



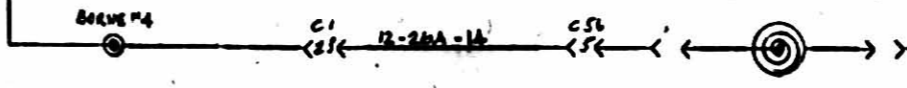
DRIVER'S WINDOW LIFTER SW. #38



DRIVER'S WINDOW LIFTER MOTOR



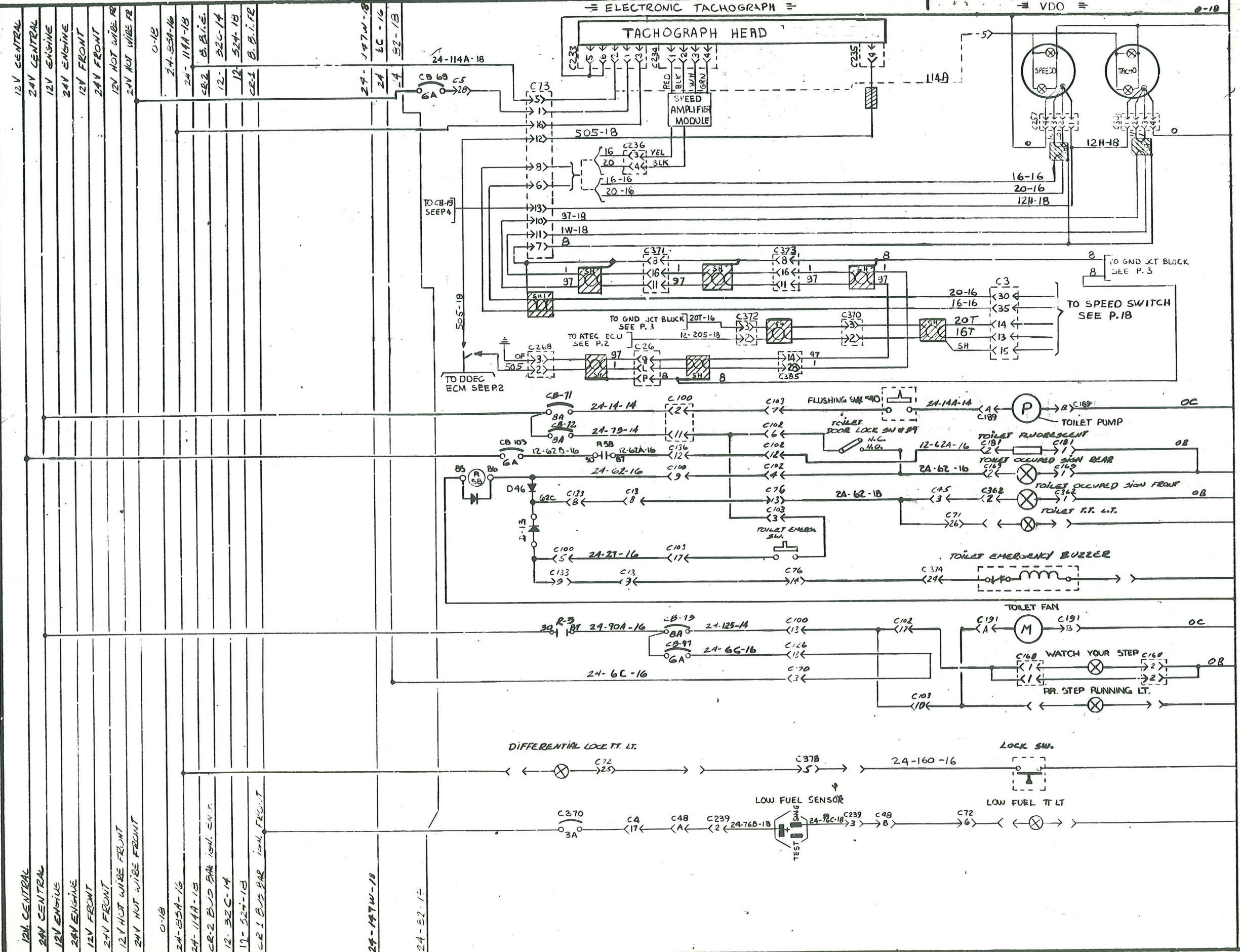
CIGAR LIGHTER



DRIVER'S WINDOW

CIGAR LIGHTER

DESC 1	WIRING DIAGRAM	DESS1 M1	DATE- 90/01
B 91-01	WSE A JOUR MIRROR	VER- KC	APPR- [Signature]
A 90-09	MISE A JOUR		
ITEM DATE	REVISION	APPL EFF. W/ L-027 L-031...	REF: H5-60
			NO: D-060732 1/24 C



VDO
TACHOGRAPH
OR
VDO
SPEEDO/TACHO

TOILET

DIFFERENTIAL
LOCK

LOW FUEL

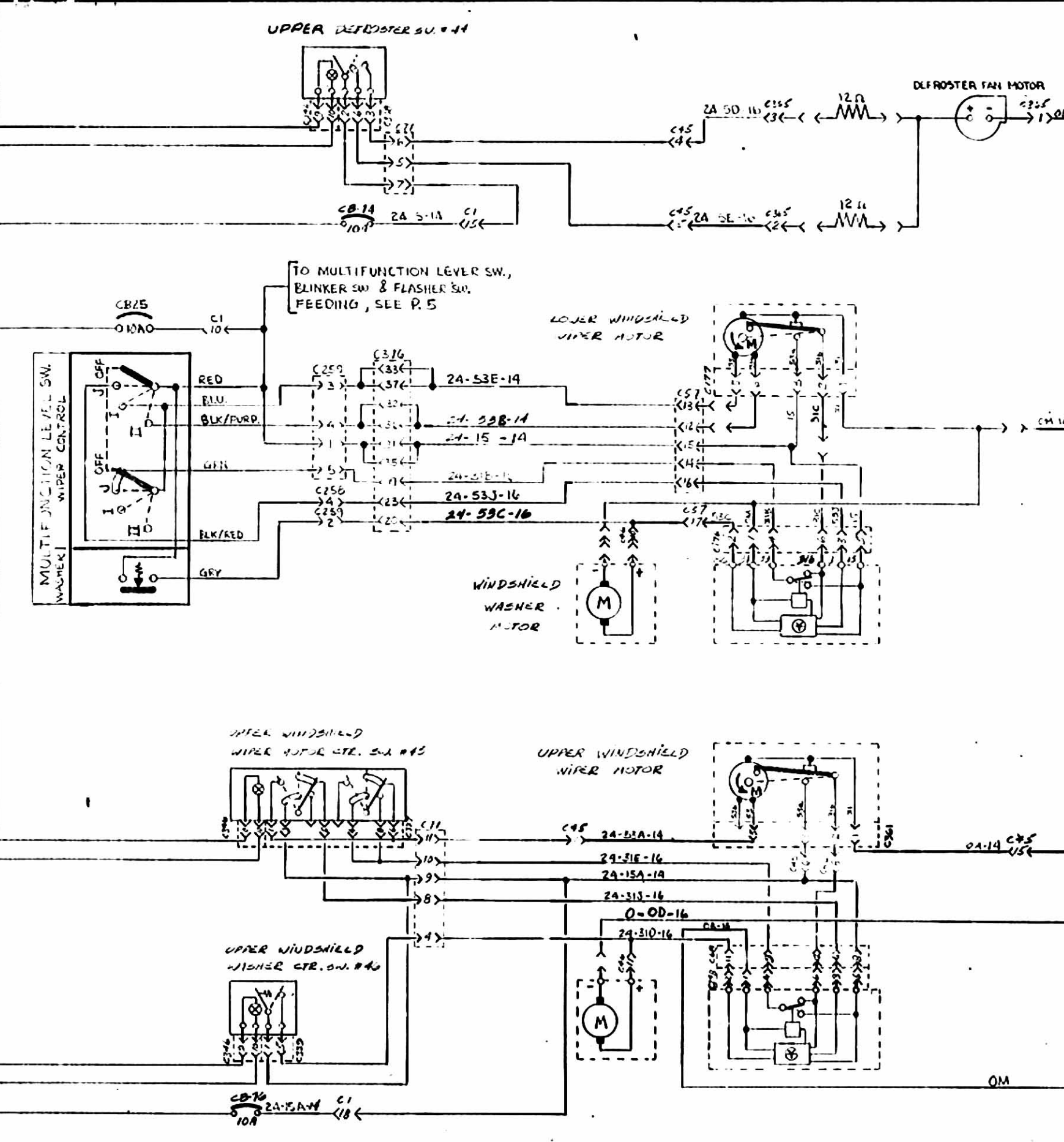
19/11/90
 261090

DESC :		WIRING DIAGRAM		DESS: D.V.	DATE: 90-01
APPL: EFF. W/ L-027		REF: HS-60		VER: <i>lc</i>	APPR: <i>[Signature]</i>
B	90-10	MISE A JOUR O.C. 90201A	DT	NO: D-060732 16/24 C	
A	70-09	06/04/92 LES BREAKERS	SL		
		CB49, 105, 97 AWANT SAMP	DAD		
		REVISION			



- 12V CENTRAL
- 24V CENTRAL
- 12V ENGINE
- 24V ENGINE
- 12V FRONT
- 24V FRONT
- 12V NOT WIRE FE
- 24V NOT WIRE FE

- 0-18
- 24-25A-16
- 24-114A-13
- CR-2 P.A.B.I.E.
- 12-92C-14
- 12-924-13
- CR-1 P.B.I.F.R.
- 24-147W-18
- 24-176-16
- 24-1620-16
- 24-82-13
- 24-176-18

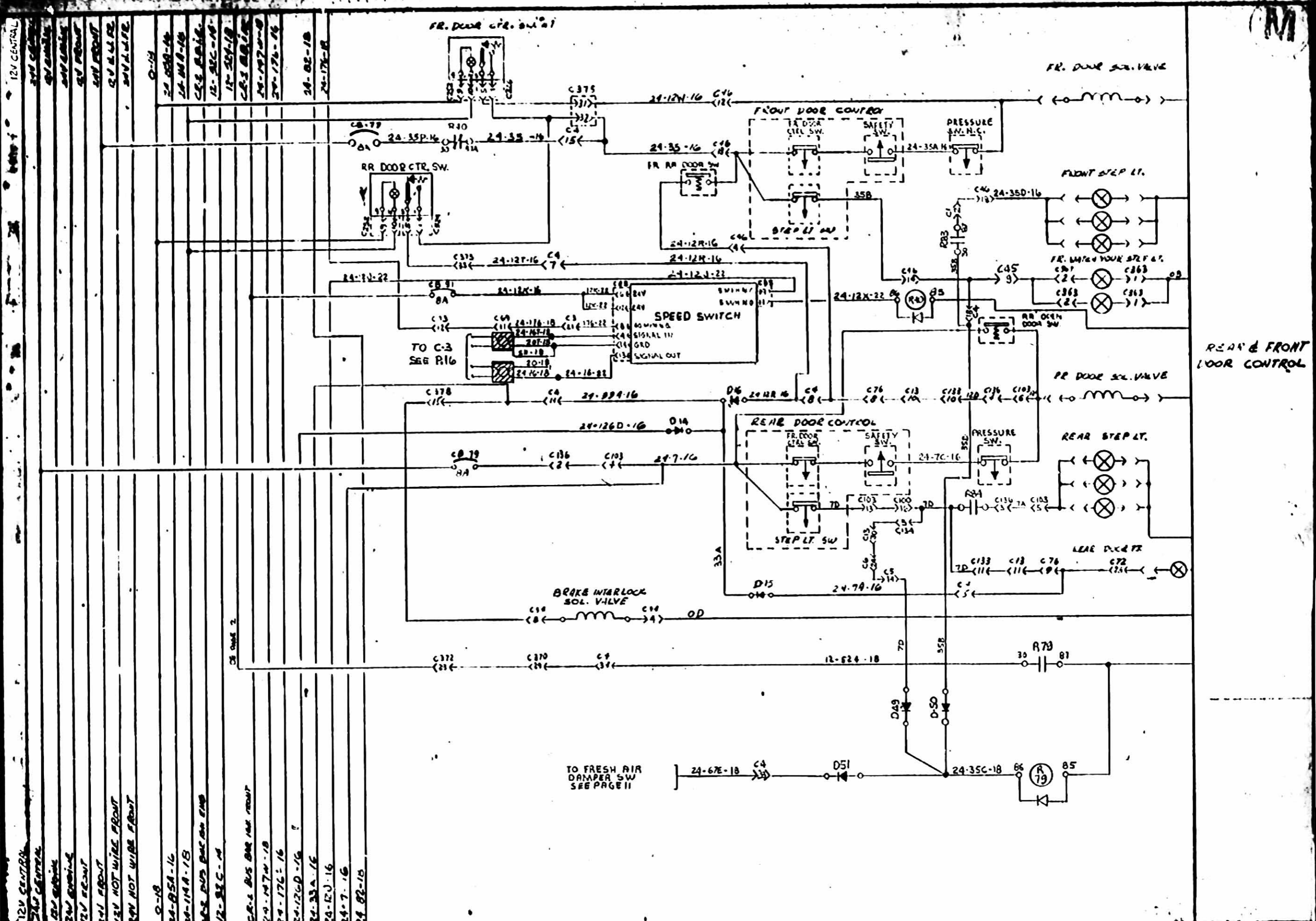


- UPPER WINDSHIELD DEFROST
- LOWER WINDSHIELD WIPER & WASHER
- UPPER WINDSHIELD WIPER & WASHER

REV	DATE	REVISION	PAR
A	90/11	CB76 & CB25 EMT SW 24V - 24V1	M/

DESC 8
WIRING DIAGRAM
 APPL: EFF. W/ L027, L033...

DESS: M/ DATE: 90-01
 VER: K/ REF: H5-60
 NO: D-060732 11/24



- 12V CENTRAL
- 24V CENTRAL
- 12V ENGINE
- 24V ENGINE
- 12V FRONT
- 24V FRONT
- 12V NOT WIRE FRONT
- 24V NOT WIRE FRONT
- Q-14
- 24-12A-16
- 24-12B-16
- 24-12C-16
- 24-12D-16
- 24-12E-16
- 24-12F-16
- 24-12G-16
- 24-12H-16
- 24-12I-16
- 24-12J-16
- 24-12K-16
- 24-12L-16
- 24-12M-16
- 24-12N-16
- 24-12O-16
- 24-12P-16
- 24-12Q-16
- 24-12R-16
- 24-12S-16
- 24-12T-16
- 24-12U-16
- 24-12V-16
- 24-12W-16
- 24-12X-16
- 24-12Y-16
- 24-12Z-16
- 24-13A-16
- 24-13B-16
- 24-13C-16
- 24-13D-16
- 24-13E-16
- 24-13F-16
- 24-13G-16
- 24-13H-16
- 24-13I-16
- 24-13J-16
- 24-13K-16
- 24-13L-16
- 24-13M-16
- 24-13N-16
- 24-13O-16
- 24-13P-16
- 24-13Q-16
- 24-13R-16
- 24-13S-16
- 24-13T-16
- 24-13U-16
- 24-13V-16
- 24-13W-16
- 24-13X-16
- 24-13Y-16
- 24-13Z-16
- 24-14A-16
- 24-14B-16
- 24-14C-16
- 24-14D-16
- 24-14E-16
- 24-14F-16
- 24-14G-16
- 24-14H-16
- 24-14I-16
- 24-14J-16
- 24-14K-16
- 24-14L-16
- 24-14M-16
- 24-14N-16
- 24-14O-16
- 24-14P-16
- 24-14Q-16
- 24-14R-16
- 24-14S-16
- 24-14T-16
- 24-14U-16
- 24-14V-16
- 24-14W-16
- 24-14X-16
- 24-14Y-16
- 24-14Z-16
- 24-15A-16
- 24-15B-16
- 24-15C-16
- 24-15D-16
- 24-15E-16
- 24-15F-16
- 24-15G-16
- 24-15H-16
- 24-15I-16
- 24-15J-16
- 24-15K-16
- 24-15L-16
- 24-15M-16
- 24-15N-16
- 24-15O-16
- 24-15P-16
- 24-15Q-16
- 24-15R-16
- 24-15S-16
- 24-15T-16
- 24-15U-16
- 24-15V-16
- 24-15W-16
- 24-15X-16
- 24-15Y-16
- 24-15Z-16
- 24-16A-16
- 24-16B-16
- 24-16C-16
- 24-16D-16
- 24-16E-16
- 24-16F-16
- 24-16G-16
- 24-16H-16
- 24-16I-16
- 24-16J-16
- 24-16K-16
- 24-16L-16
- 24-16M-16
- 24-16N-16
- 24-16O-16
- 24-16P-16
- 24-16Q-16
- 24-16R-16
- 24-16S-16
- 24-16T-16
- 24-16U-16
- 24-16V-16
- 24-16W-16
- 24-16X-16
- 24-16Y-16
- 24-16Z-16
- 24-17A-16
- 24-17B-16
- 24-17C-16
- 24-17D-16
- 24-17E-16
- 24-17F-16
- 24-17G-16
- 24-17H-16
- 24-17I-16
- 24-17J-16
- 24-17K-16
- 24-17L-16
- 24-17M-16
- 24-17N-16
- 24-17O-16
- 24-17P-16
- 24-17Q-16
- 24-17R-16
- 24-17S-16
- 24-17T-16
- 24-17U-16
- 24-17V-16
- 24-17W-16
- 24-17X-16
- 24-17Y-16
- 24-17Z-16
- 24-18A-16
- 24-18B-16
- 24-18C-16
- 24-18D-16
- 24-18E-16
- 24-18F-16
- 24-18G-16
- 24-18H-16
- 24-18I-16
- 24-18J-16
- 24-18K-16
- 24-18L-16
- 24-18M-16
- 24-18N-16
- 24-18O-16
- 24-18P-16
- 24-18Q-16
- 24-18R-16
- 24-18S-16
- 24-18T-16
- 24-18U-16
- 24-18V-16
- 24-18W-16
- 24-18X-16
- 24-18Y-16
- 24-18Z-16
- 24-19A-16
- 24-19B-16
- 24-19C-16
- 24-19D-16
- 24-19E-16
- 24-19F-16
- 24-19G-16
- 24-19H-16
- 24-19I-16
- 24-19J-16
- 24-19K-16
- 24-19L-16
- 24-19M-16
- 24-19N-16
- 24-19O-16
- 24-19P-16
- 24-19Q-16
- 24-19R-16
- 24-19S-16
- 24-19T-16
- 24-19U-16
- 24-19V-16
- 24-19W-16
- 24-19X-16
- 24-19Y-16
- 24-19Z-16
- 24-20A-16
- 24-20B-16
- 24-20C-16
- 24-20D-16
- 24-20E-16
- 24-20F-16
- 24-20G-16
- 24-20H-16
- 24-20I-16
- 24-20J-16
- 24-20K-16
- 24-20L-16
- 24-20M-16
- 24-20N-16
- 24-20O-16
- 24-20P-16
- 24-20Q-16
- 24-20R-16
- 24-20S-16
- 24-20T-16
- 24-20U-16
- 24-20V-16
- 24-20W-16
- 24-20X-16
- 24-20Y-16
- 24-20Z-16

REV	DATE	REVISION	PAR
C	91/01	MISE A JOUR O.C. 90201A	DT
B	90/08	PRIOR O.C. 90159	DT
A	90/06	MISE A JOUR	MA

DESC: WIRING DIAGRAM

APPLIF.F.F.W/ L027 1.033... PRIOR TO : M109 REF: IIS-60

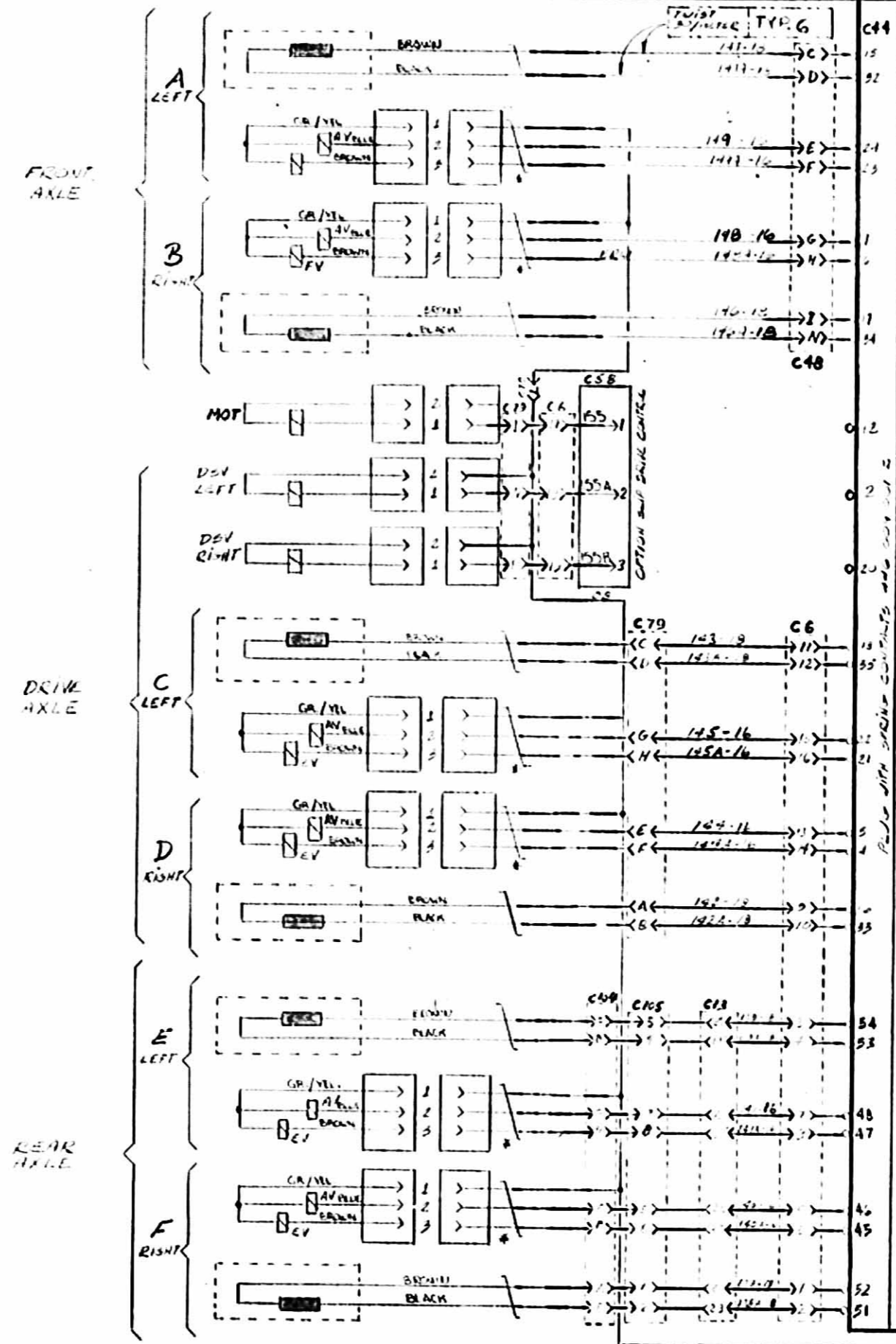
DESSA 3C DATE 90.01

VER- C

NOB-060732 P.18



12V CENTER
24V CENTER
12V FRONT
24V FRONT
12V NOT WIRE FRONT
24V NOT WIRE FRONT
0-12
24-82-1-16
24-114A-12
24-114B-12
24-114C-12
24-114D-12
24-114E-12
24-114F-12
24-114G-12
24-114H-12
24-114I-12
24-114J-12
24-114K-12
24-114L-12
24-114M-12
24-114N-12
24-114O-12
24-114P-12
24-114Q-12
24-114R-12
24-114S-12
24-114T-12
24-114U-12
24-114V-12
24-114W-12
24-114X-12
24-114Y-12
24-114Z-12

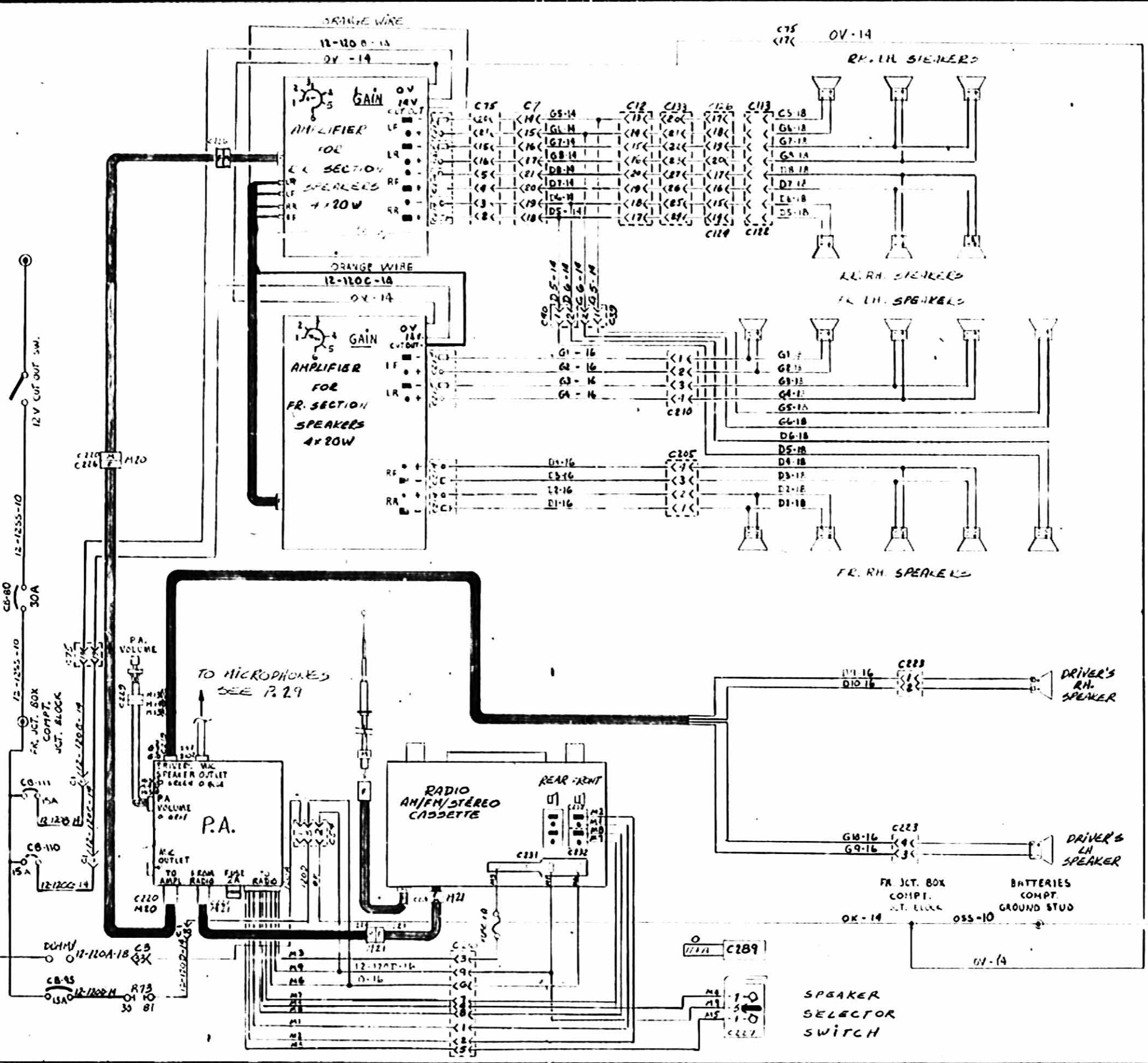


THIS DOES NOT DO IDENTIFICTIONAL FUNCTION WITH THE 142-12 OR 143-12 IF DRIVE SLIP CONTROL IS NOT USED.
 THIS DOES NOT DO IDENTIFICTIONAL FUNCTION WITH THE 142-12 OR 143-12 IF DRIVE SLIP CONTROL IS NOT USED.

ANTI-SKID

DESC :	WIRING DIAGRAM		DESS: D.V.	DATE: 92-04
VER: 16	APPL: EFF. W/ N-208		VER: 16	APPR: [Signature]
92-04	LANGE OC*92030	PAR	REF: HS-60	NO: D-060732 200/24
TEM DATE	REVISION	PAR		

- 12V CENTRAL
- 24V CENTRAL
- 12V ENGINE
- 24V ENGINE
- 12V FRONT
- 24V FRONT
- 12V HOT WIRE FRONT
- 24V HOT WIRE FRONT
- 12V B.A.S.
- 24V B.A.S.

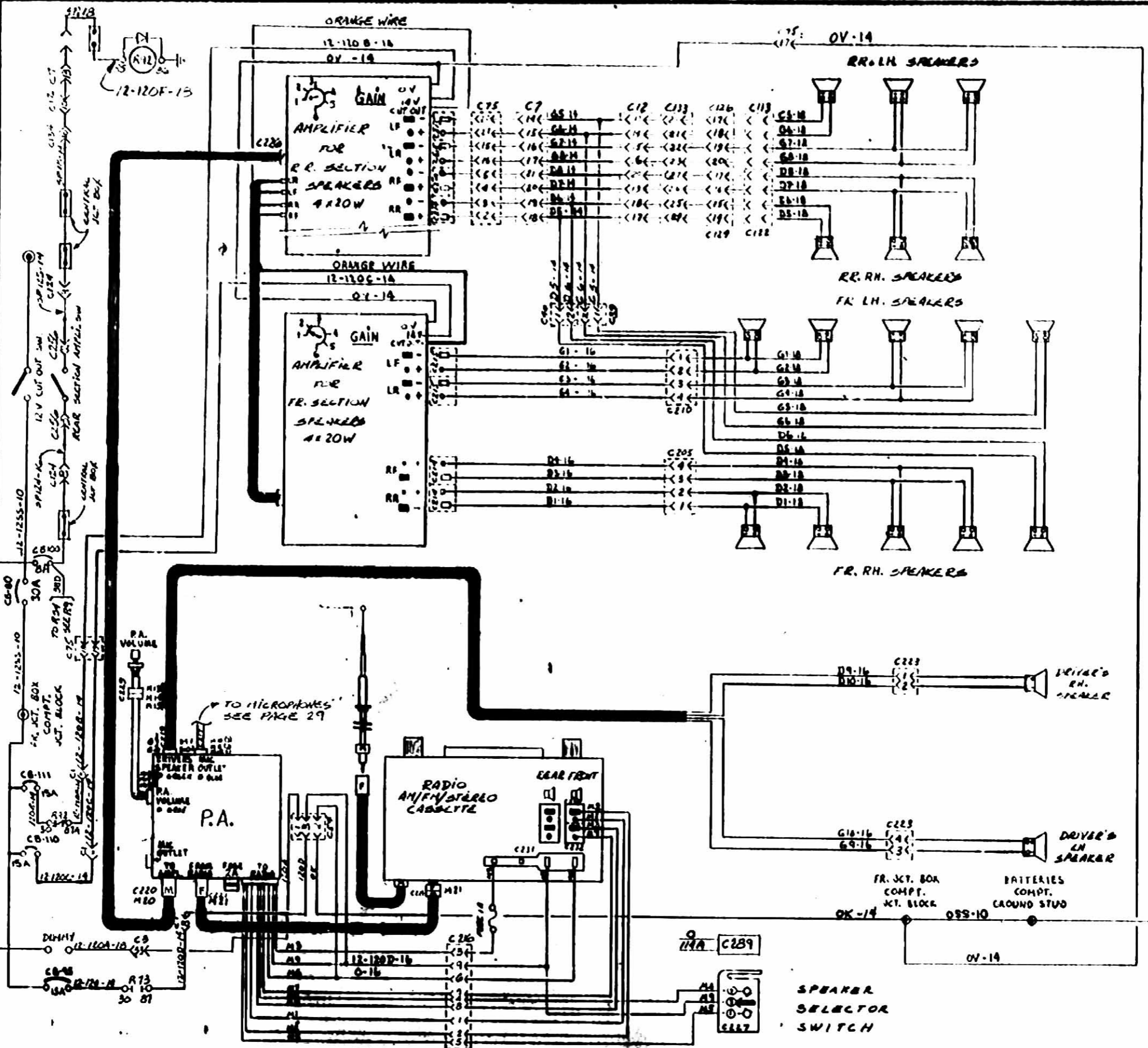


SOUND SYSTEM

DESC :	WIRING DIAGRAM	DESS: AB	DATE - 90-01
VER. -	1/C	APPR. -	[Signature]
APPL: EFF. W/	LO 28 ONLY	NO: D-060732	2/14 C
REF: HS-60			

ITEM	DATE	REVISION	PAR
A	91-02	MICRO ENVELOPE	AB

- 12V CENTRAL
- 24V CENTRAL
- 12V ENGINE
- 24V ENGINE
- 12V FRONT
- 24V FRONT
- 12V HOT WIRE FRONT
- 24V HOT WIRE FRONT
- CR-2 6V DC
- CR-1 6V DC
- CR-3 6V DC
- CR-4 6V DC
- CR-5 6V DC
- CR-6 6V DC
- CR-7 6V DC
- CR-8 6V DC
- CR-9 6V DC
- CR-10 6V DC
- CR-11 6V DC
- CR-12 6V DC
- CR-13 6V DC
- CR-14 6V DC
- CR-15 6V DC
- CR-16 6V DC
- CR-17 6V DC
- CR-18 6V DC
- CR-19 6V DC
- CR-20 6V DC
- CR-21 6V DC
- CR-22 6V DC
- CR-23 6V DC
- CR-24 6V DC
- CR-25 6V DC
- CR-26 6V DC
- CR-27 6V DC
- CR-28 6V DC
- CR-29 6V DC
- CR-30 6V DC
- CR-31 6V DC
- CR-32 6V DC
- CR-33 6V DC
- CR-34 6V DC
- CR-35 6V DC
- CR-36 6V DC
- CR-37 6V DC
- CR-38 6V DC
- CR-39 6V DC
- CR-40 6V DC
- CR-41 6V DC
- CR-42 6V DC
- CR-43 6V DC
- CR-44 6V DC
- CR-45 6V DC
- CR-46 6V DC
- CR-47 6V DC
- CR-48 6V DC
- CR-49 6V DC
- CR-50 6V DC



SOUND SYSTEM

DESC 1

WIRING DIAGRAM

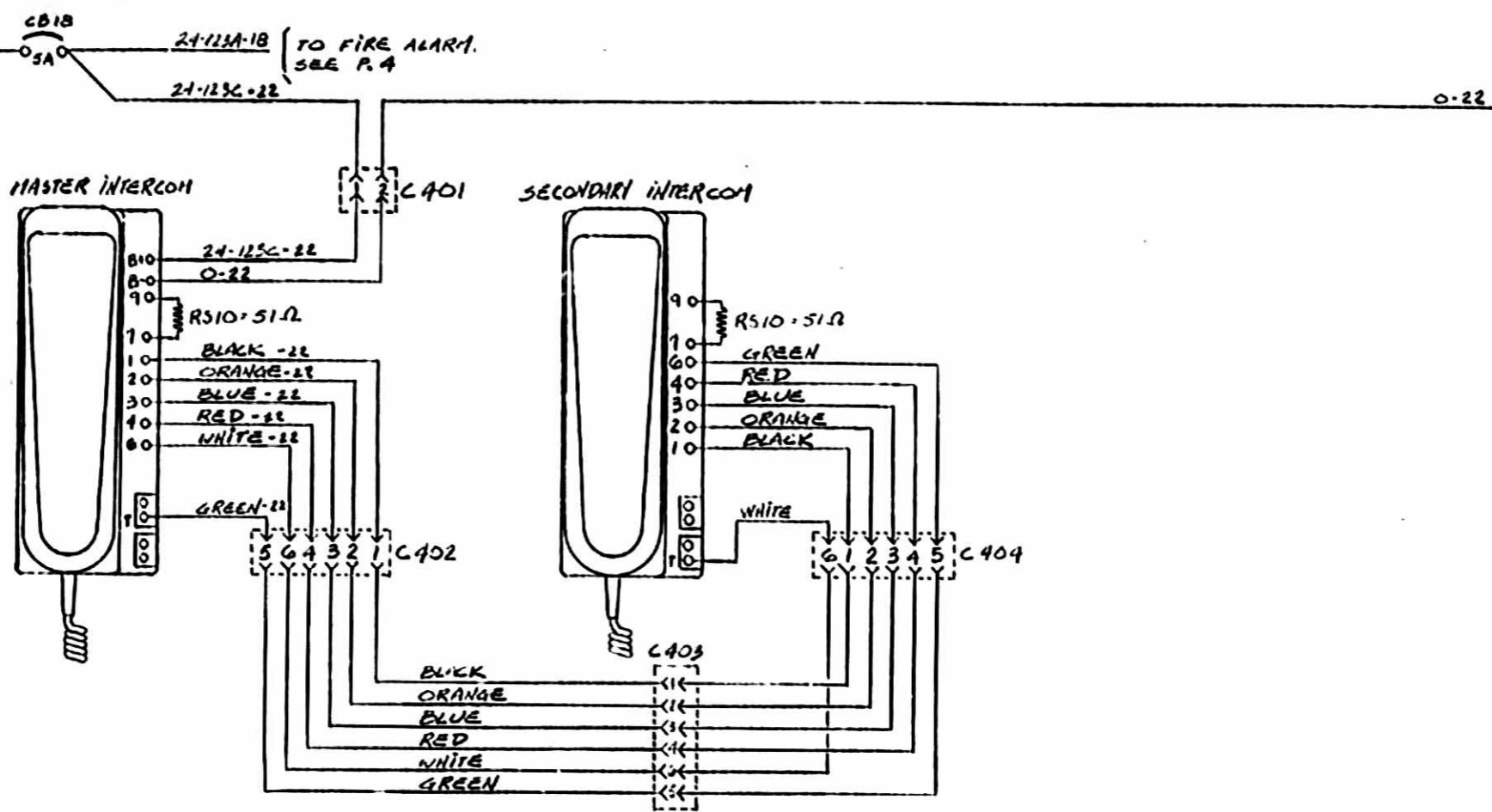
DESS1 A/B DATE 70-01

VER-1/C

A 91-01 11/2 4 JOUR 08

REF. W/L-027, L-033, L-034, L-035 M-015 5M-164 HS-60 WESTOURS WMD-060732 P.24C

12V CENTRAL
 24V CENTRAL
 12V ENGINE
 24V ENGINE
 12V FRONT
 24V FRONT
 12V H.W.FR
 24V H.W.FR
 CR-2 P.O.I.E
 CR-1 P.O.I.FR
 12V CENTRAL
 24V CENTRAL
 12V ENGINE
 24V ENGINE
 12V FRONT
 24V FRONT
 12V HOT WIRE FRONT
 24V HOT WIRE FRONT
 CR-2 BUS BAR ION. ENGINE
 CR-1 BUS BAR ION. FRONT

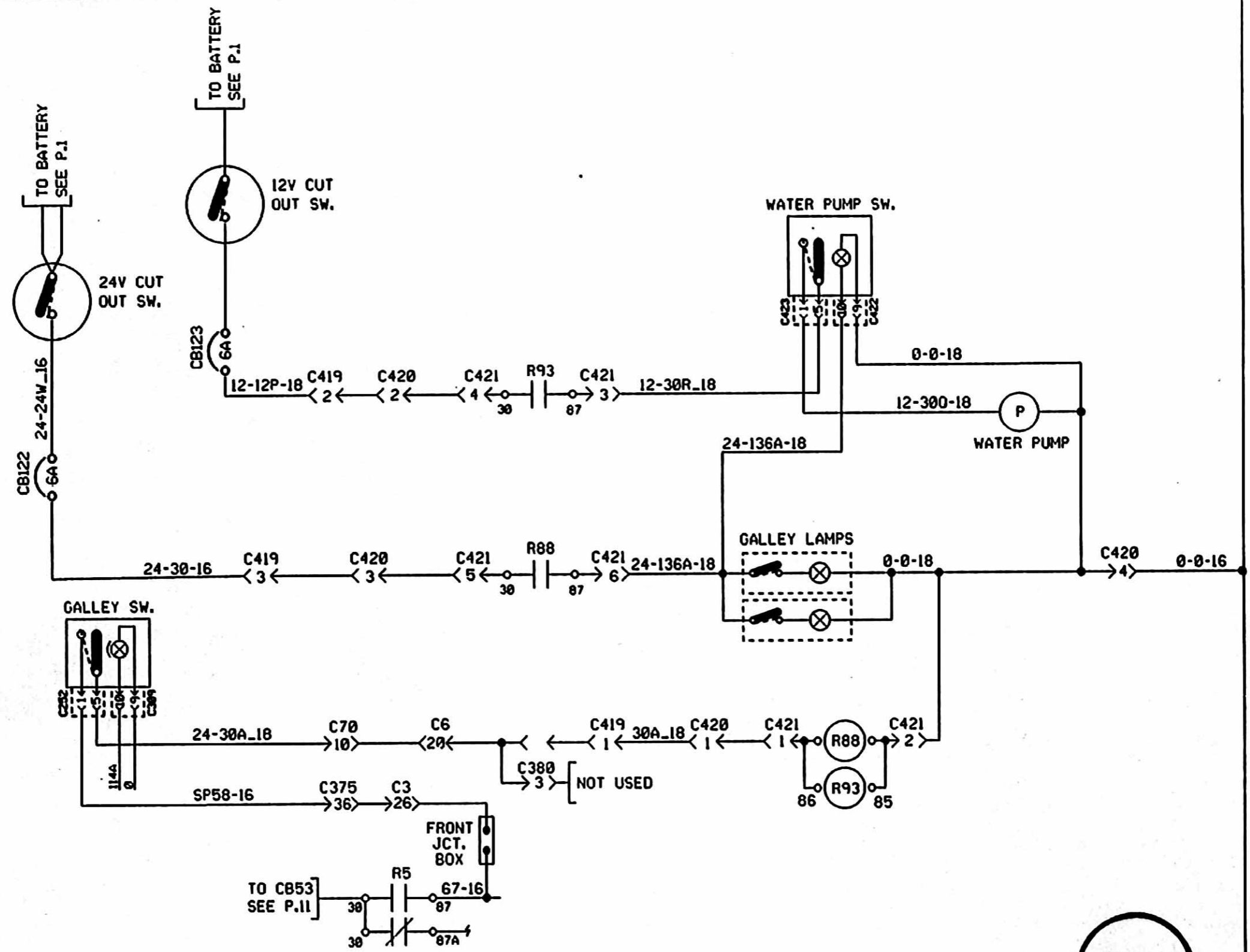


OPTION INTERCOM

						DESCRIPTION:	DR.- AB	DATE- 90-05
						WIRING DIAGRAM	CK - <i>LC</i>	APPR- DR.
						APPL: EFF W/L-027 L-053... PRIOR TO:	REF: H5-60. WESTOURS	NO: D-060732 R25 C
					ITEM DATE	REVISION	BY	

12V CENTRAL
 24V CENTRAL
 12V ENGINE
 24V ENGINE
 12V FRONT
 24V FRONT
 12V HOT WIRE FRONT
 24V HOT WIRE FRONT
 CR-2 BUS BAR IGN. ENGINE
 CR-1 BUS BAR IGN. FRONT

12V CENTRAL
 24V CENTRAL
 12V ENGINE
 24V ENGINE
 12V FRONT
 24V FRONT
 12V HOT WIRE FRONT
 24V HOT WIRE FRONT
 CR-2 BUS BAR IGN. ENGINE
 CR-1 BUS BAR IGN. FRONT

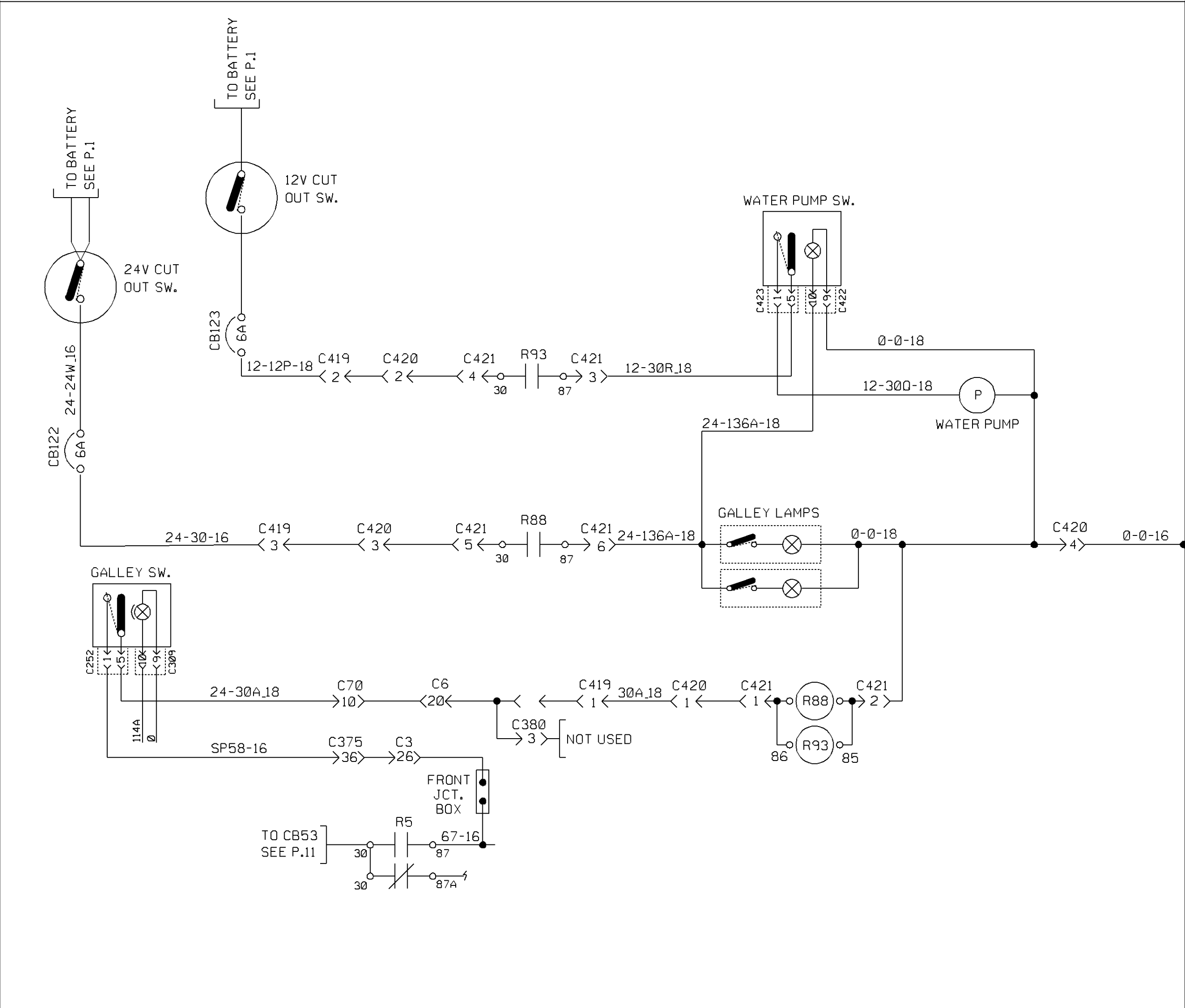


OPTION
 GALLEY
 W/O
 HEAT
 CONTAINER



					description: WIRING DIAGRAM					PREVOST CAR inc.					
					ref: MS-60 WESTOURS					dr. MAF date: 92/01 ck. oppr. <i>[Signature]</i>					
					eff. w/ oc: prior to/ oc:					NO: D060732					
					eff. w/ veh. N200.211.214 prior to/ veh.:					p. 26A					
no	date	revision	par	no	date	revision	par	no	date	revision	par	no	date	revision	par

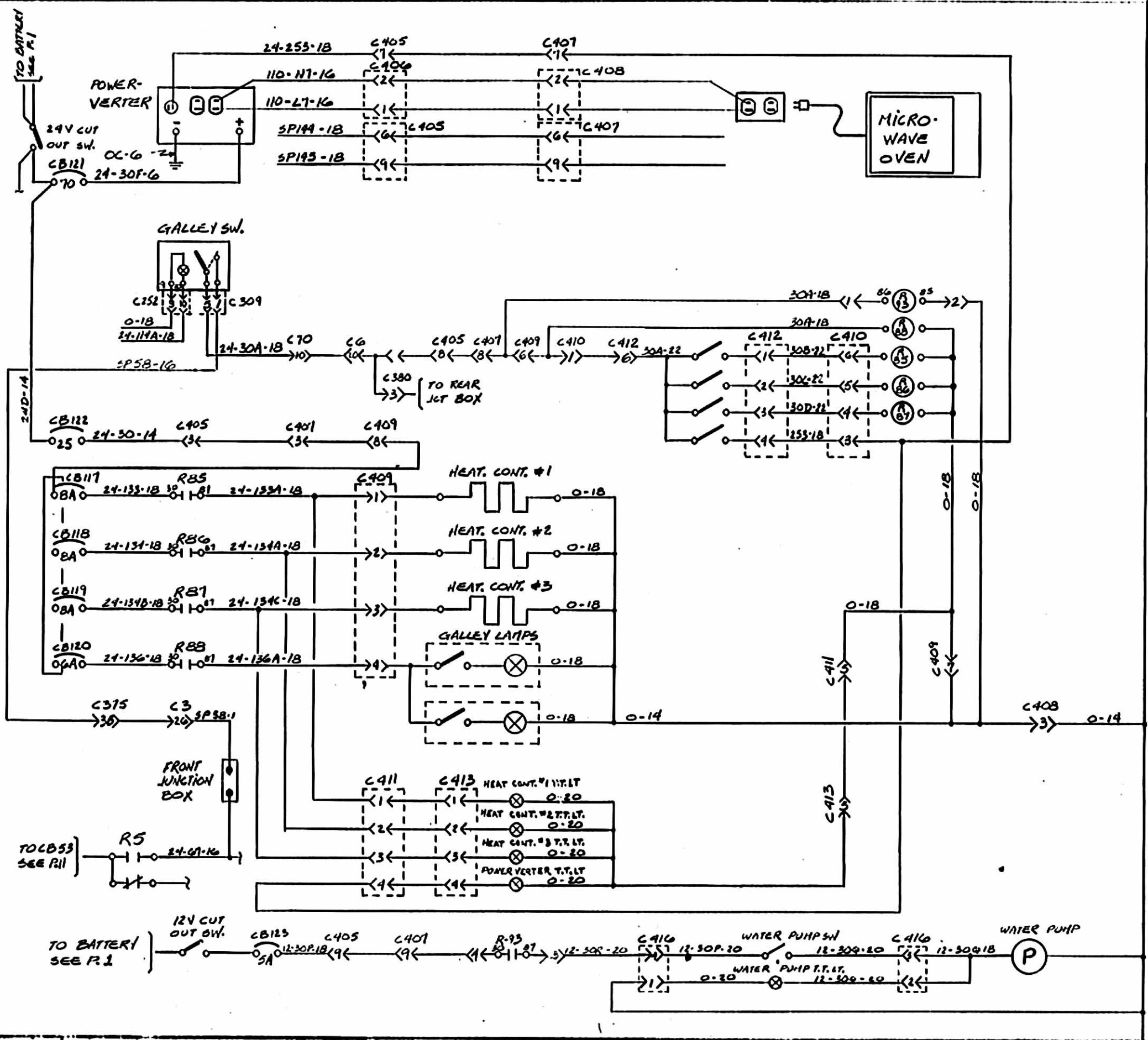
12V CENTRAL	12V CENTRAL
24V CENTRAL	24V CENTRAL
12V ENGINE	12V ENGINE
24V ENGINE	24V ENGINE
12V FRONT	12V FRONT
24V FRONT	24V FRONT
12V HOT WIRE FRONT	12V HOT WIRE FRONT
24V HOT WIRE FRONT	24V HOT WIRE FRONT
CR-2 BUS BAR IGN. ENGINE	CR-2 BUS BAR IGN. ENGINE
CR-1 BUS BAR IGN. FRONT	CR-1 BUS BAR IGN. FRONT



OPTION GALLEY W/O HEAT CONTAINER

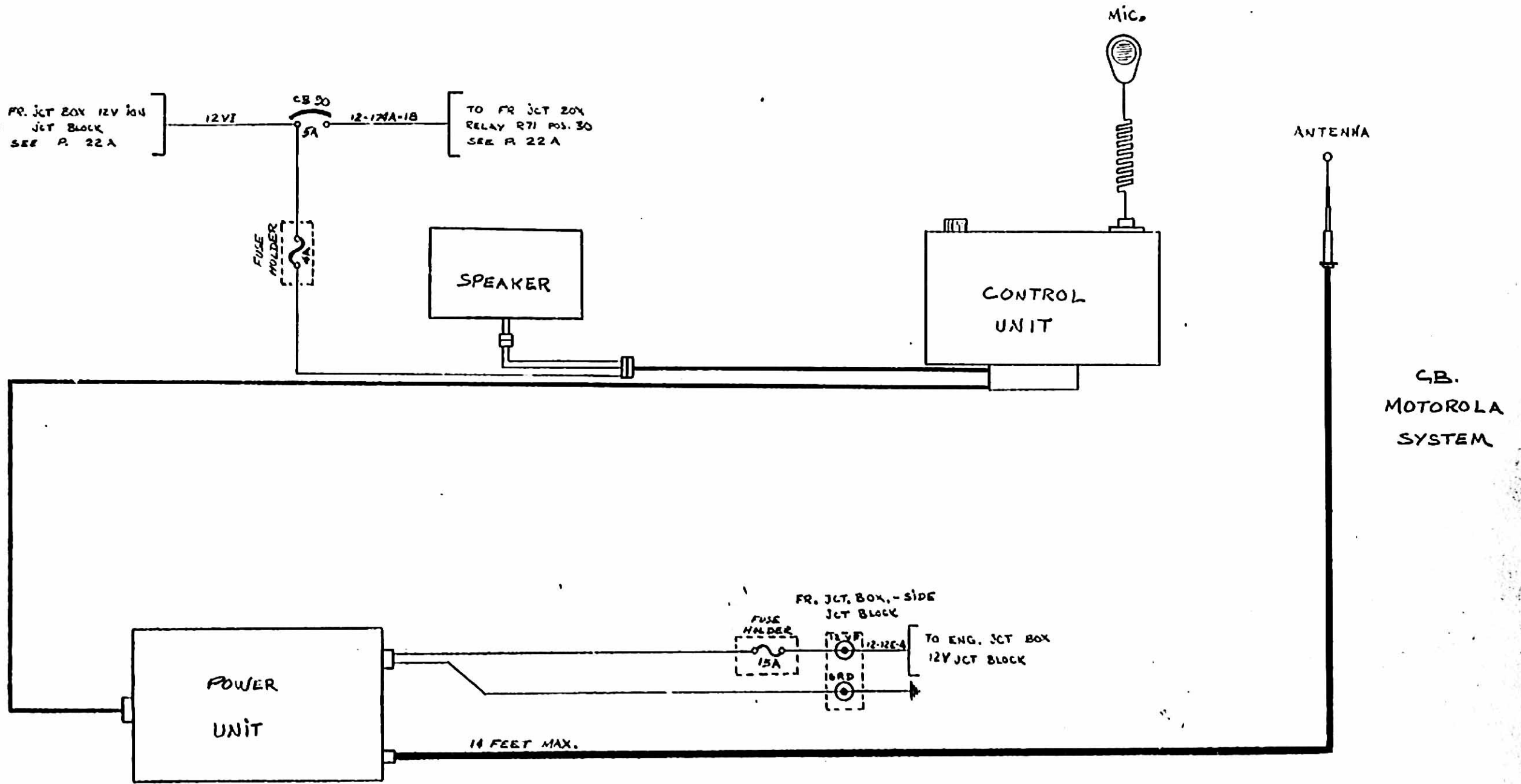
											description: WIRING DIAGRAM		PREVOST CAR inc.	
											ref: H5-60 WESTOURS		dr. MLAF date. 92/01 ck. appr.	
											eff. w/ oc# prior to/ oc#		NO: D060732	
											eff. w/ veh.# N208,211,214 prior to/ veh.#		p. 26A	
no	date	revision	par	no	date	revision	par	no	date	revision	par			

12V CENTRAL
 24V CENTRAL
 12V ENGINE
 24V ENGINE
 12V FRONT
 24V FRONT
 12V H.W.FR
 24V H.W.FR
 CR-2 B.B.I.E.
 CR-1 B.B.I.E.
 12V CENTRAL
 24V CENTRAL
 12V ENGINE
 24V ENGINE
 12V FRONT
 24V FRONT
 12V HOT WIRE FRONT
 24V HOT WIRE FRONT
 CR-2 BUS BAR 12V ENGINE
 CR-1 BUS BAR 12V FRONT



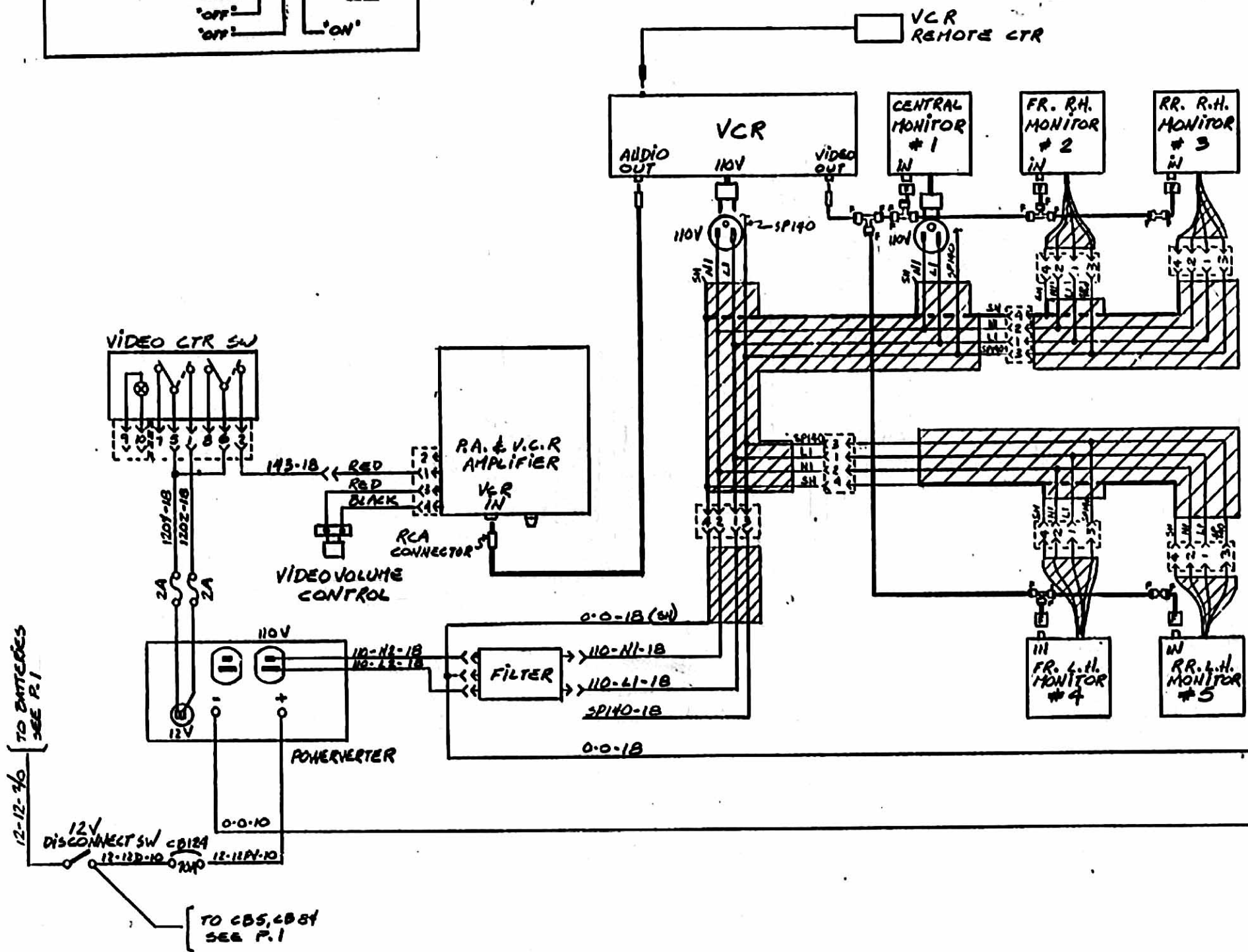
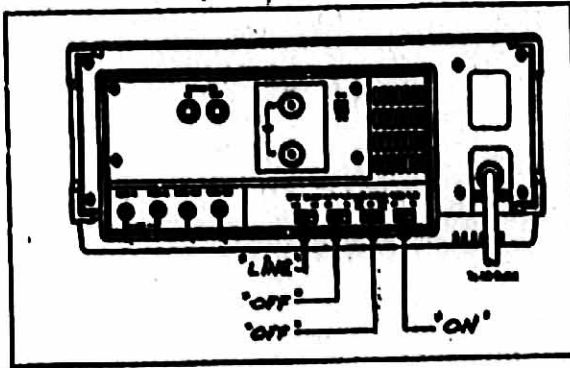
OPTION GALLEY

DESCRIPTION:			DR.- AB	DATE-90.06
WIRING DIAGRAM			CK- <i>EC</i>	APPR- <i>DR</i>
ITEM	DATE	REVISION	BY	APPL: EFF W/L-027 L.033...
C	91-01	MISC A JOUR	AB	REF: H5-60, WESTAIRS
B	90-10	MISC A JOUR	AB	NO: D-060732 R26
A	90-09	MISC A JOUR	AB	C



CB.
MOTOROLA
SYSTEM

DESCRIPTION: WIRING DIAGRAM										DR. <i>EC</i>	DATE- 90108-12
										CR. <i>EC</i>	APP. -
ITEM	DATE	REVISION	BY	APPL: EFR. W/ 4-027 4-033 4-035 4-035 4-104	REF: H5-60 "WESTOURS"	NOI: D-060732 A27					



VIDEO SYSTEM

- 12V CENTRAL
- 24V CENTRAL
- 12V ENGINE
- 24V ENGINE
- 12V FRONT
- 24V FRONT
- 12V HOT WIRE FRONT
- 24V HOT WIRE FRONT
- CR-2 BUS BAR IGN ENGINE
- CR-1 BUS BAR IGN FRONT

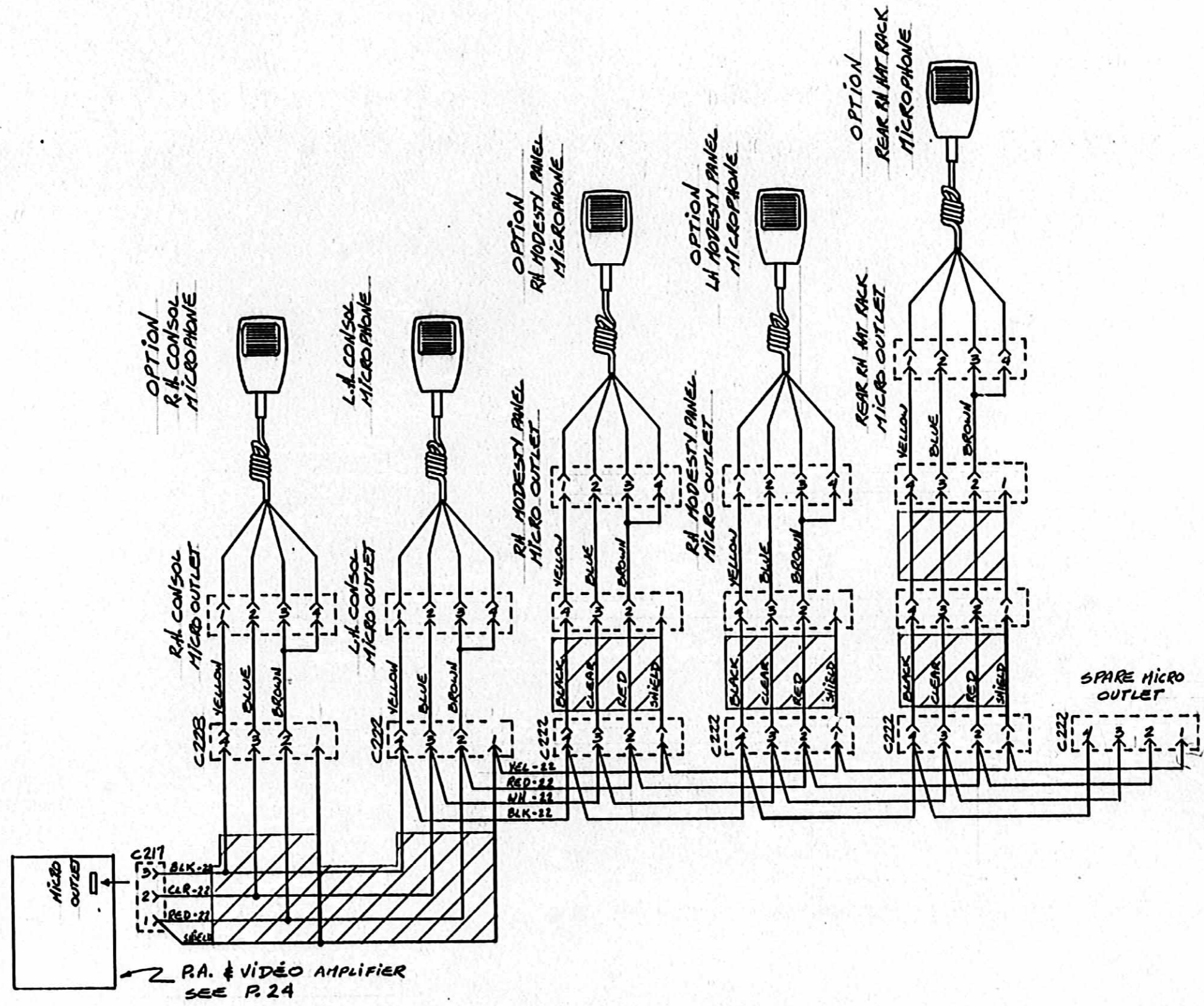
TO BATTERIES
SEE P.1

TO CBS, CBS4
SEE P.1

					TITLE:	WIRING DIAGRAM		CLASS:	M.H	DATE:	92-01
					APPL:	EFF. W/M104	PRIOR TO:	REF:	115-60 WESTOURE	NO:	D-060732 P.28a C
ITEM	DATE	REVISION	PAR					VER.:		APPR.:	<i>[Signature]</i>

12V CENTRAL
 24V CENTRAL
 12V ENGINE
 24V ENGINE
 12V FRONT
 24V FRONT
 12V HOT WIRE FR
 24V HOT WIRE FR
 CR2 BUS BAR I.E.
 CR1 BUS BAR I.EK

12V CENTRAL
 24V CENTRAL
 12V ENGINE
 24V ENGINE
 12V FRONT
 24V FRONT
 12V HOT WIRE FRONT
 24V HOT WIRE FRONT
 CR2 BUS BAR IGN ENGINE
 CR1 BUS BAR IGN FRONT



MICROPHONE
 OUTLET

DESCRIPTION:

WIRING DIAGRAM

DR.- AB

DATE- 91-04

CK.-

APPR.-

A 91-04 EFF. 06 91051
 ITEM DATE REVISION

AB
 BY

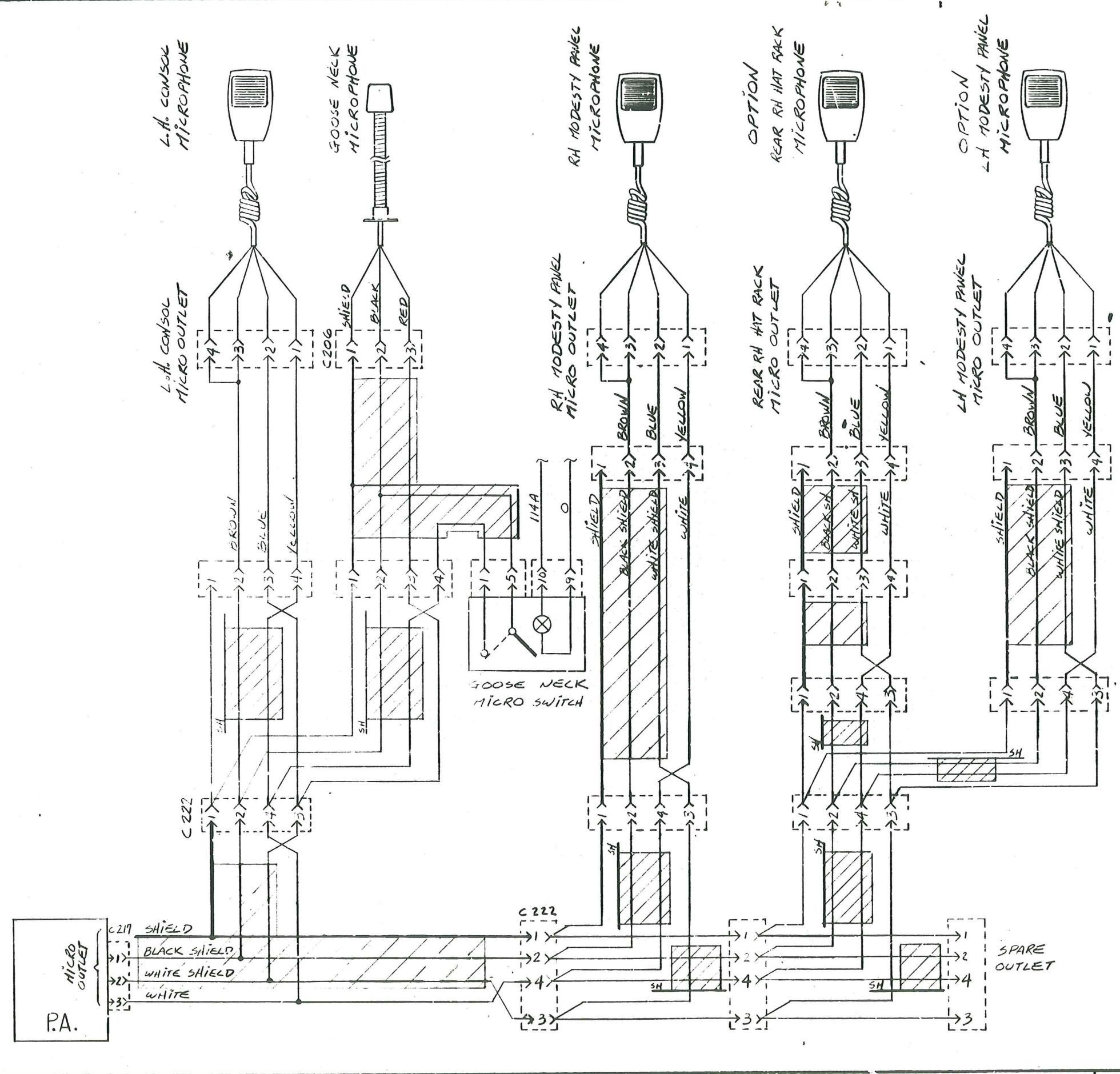
APPL: EFF. W/N-221 PRIOR TO:

REF: H5-60

NO: D-060732 P.29a C

11" 8.5" 11" 8.5" 11" 8.5" 11"

- 12V CENTRAL
- 24V CENTRAL
- 12V ENGINE
- 24V ENGINE
- 12V FRONT
- 24V FRONT
- 12V HOT WIRE FR
- 24V HOT WIRE FR
- CR-2 BUS BAR IGN. ENGINE
- CR-1 BUS BAR IGN. FRONT



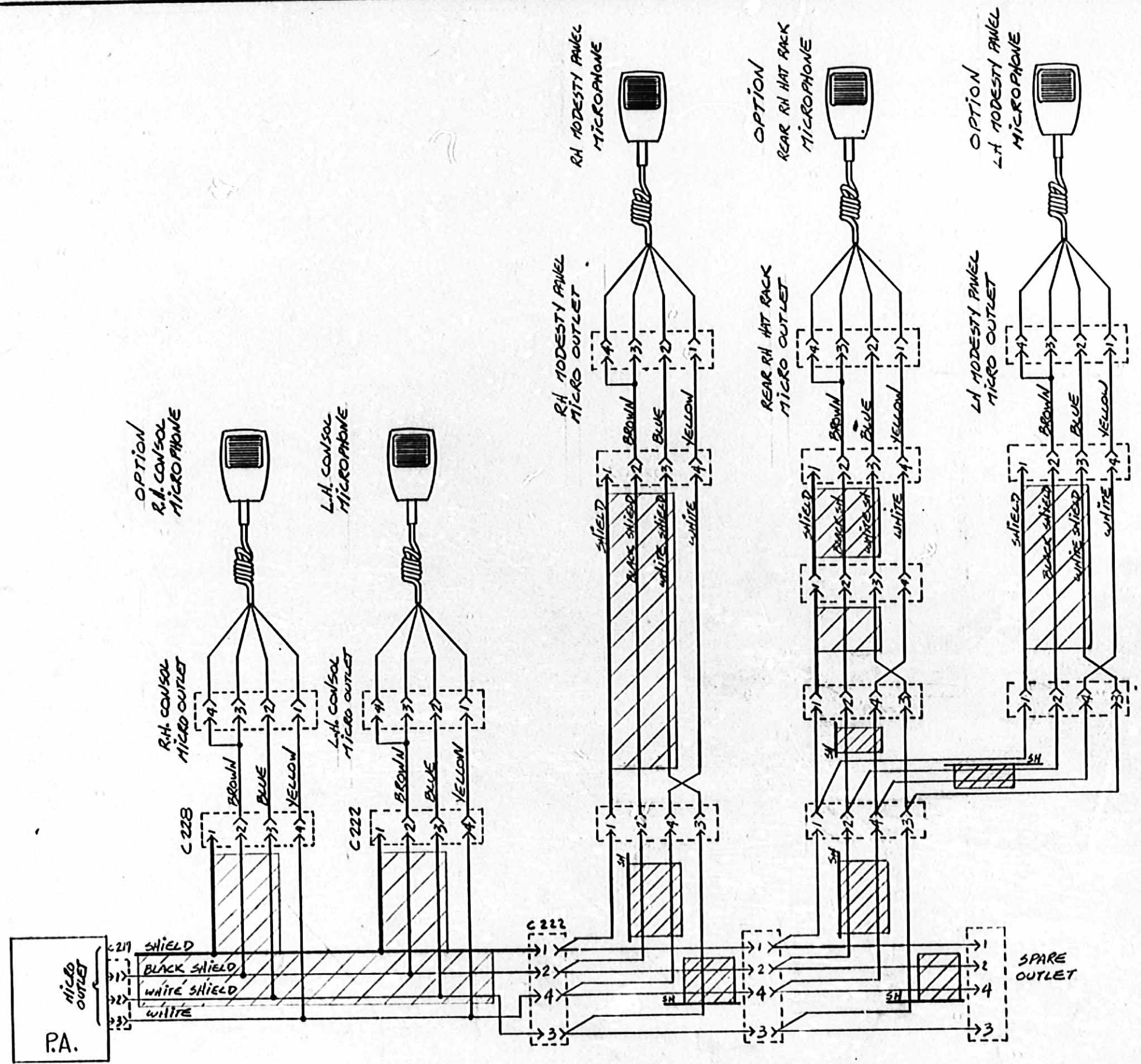
MICROPHONE OUTLET

11" 8.5" 11" 8.5" 11"

				DESCRIPTION:		DR. - AB	DATE - 90-09
				WIRING DIAGRAM		CK. -	APPR. - D.R. 18 dec 90
A	90-09	MISE A JOUR	AB	APPL: EFF. W/L-027	PRIOR TO:	REF: 115-60 WESTOURS NO: D-060132 P.29A C	
REV	DATE	REVISION	REV				

12V CENTRAL
 24V CENTRAL
 24V ENGINE
 24V ENGINE
 24V FRONT
 24V FRONT
 24V HOT WIRE FR
 24V HOT WIRE FR
 CR2 BUS PARL L.S.
 CR1 BUS PARL FR

12V CENTRAL
 24V CENTRAL
 12V ENGINE
 24V ENGINE
 12V FRONT
 24V FRONT
 12V HOT WIRE FRONT
 24V HOT WIRE FRONT
 CR2 BUS PAR 12V ENGINE
 CR2 BUS PAR 12V FRONT



M

MICROPHONE
 OUTLET

DR.	AB	DATE	90-09
CK.		APPR.	AB
			1816680
NO.	D-560732 P.29		C

DESCRIPTION:
WIRING DIAGRAM
 APPL: EFF. W/ L-027 P.035... P.035... P.035... P.035...
 P.035... P.035... P.035... P.035...
 REF: 115-60

DR.	AB	DATE	90-09
CK.		APPR.	AB
			1816680
NO.	D-560732 P.29		C