

Engineering Release Notice (ERN)	Location	Change Description	A = Added U = Deleted	W = Was	Document Release Status RELEASED
					Date Modification Count

WIRING DIAGRAM INDEX, BUS BEA BODY 9700 24V, MEXICO

NAME	DESCRIPTION	PAGE		NAME	DESCRIPTION	PAGE
AA	BODY BUILDERS	02		ID	AUTOMATIC FIRE SUPPRESSION	39
AB	ELECTRIC CENTER	03		IE	NOTEBOOK AC SUPPLY CONNECTION	40
AC	VPDU	04		IF	TIRE PRESSURE MONITORING SYSTEM	41
AD	VPDU ISTART USCAN	05		IG	WIFI	42
AE	I-SHIFT INTERFACE US/CAN	06		IH	A/C NO MULTIPLEX CONTROL	43
BA	CONTROL MODULES	07		II	FOGMAKER	44
BB	CONTROL MODULES	08		IJ	ELECTRIC NETWORK US10	45
BC	CONTROL MODULES	09		JA	FANS, BLINDERS & MIRRORS	46
BD	CONTROL MODULES	10		JB	ELECTRIC WINDOW & ROOF HATCHES	47
BE	CONTROL MODULES	11		JC	EMERGENCY WINDOW	48
BF	CONTROL MODULES	12		KA	CO-DRIVER, VIGIA & MOBITEC CONTROL	49
BG	CONTROL MODULES WCL	13		KB	PARK PILOT US10 & EU5	50
BH	CONTROL MODULES	14		LA	AUDIO & VIDEO SUPPLY, 12 & 24 OUTPUTS	51
CA	LIGHTS UNDER SEATS	15		LB	AUDIO	52
CB	DRIVER LIGHTS	16		LC	MULTIMEDIA & AUDIO	53
CC	READING LIGHTS PASSENGER AND WCL	17		LD	AUDIO & VIDEO ON DEMAND 12V	54
CD	INTERIOR LIGHT AND NIGHT LIGHT PASSENGERS	18		LE	VIDEO SIX SCREENS	55
CE	LUGGAGE LIGHTS	19		LF	VIDEO FIVE SCREENS	56
CF	SENSOR DOOR LOCK & LUGGAGE LIGHTS US10	20		LG	FOUR FIXED SCREEN	57
DA	POSITION LIGHTS	21		LH	AUDIO & VIDEO (ANTENNAS)	58
DB	UPGRADE NEW POSITION LIGHT	22		LI	AUDIO & VIDEO IND ON DEMAND 24V	59
EA	TOILET	23		LJ	AUDIO LUGGAGE RACK CUSTOMER ADAPTATION	60
EB	LEFT TOILET	24		MA	WIPER & WASHER	61
EC	MIDDLE TOILET	25		NA	AIR CONDITIONING, SYSTEM 0	62
ED	TOILET US/CAN	26		NB	AIR CONDITIONING, SYSTEM 1	63
FA	KITCHEN	27		NC	RE-HEATING SYSTEM	64
FB	KITCHEN (COFFEE MACHINE)	28		ND	AUXILIARY HEATER	65
GA	DRC	29		NE	AC WITHOUT MULTIPLEX	66
GB	WHEEL CHAIR LIFT	30		OA	REAR LIGHTS	67
GC	TEMPERATURE SENSOR US10	31		OB	BOTTOM POSITION LIGHTS	68
HA	DOOR CONTROL	32		OC	FRONT LIGHTS	69
HB	FOLDING STEP & TELLTALES	33		OD	DAY RUNNING LIGHT	70
HC	FEED CENTRAL DOOR & TOILET	34		PA	GROUNDS	71
HD	MIDDLE CONTROL DOOR	35		PB	GROUNDS	72
IA	ACCESORIES	36		QA	AUXILIARY LINES	73
IB	ACCESORIES	37		RA	FUSES & RELAYS	74
IC	TD7 TACHOGRAPH	38				

VOLUME NO	CONTENT	PAGES	6-----
01	WIRING DIAGRAM	1-74	-----
02	BILL OF MATERIAL/COMPONENT LIST	1-22	-----

The copying, distribution and utilization of this document as well as the communication of its contents to others without expressed authorization is prohibited. Offenders will be held liable for payment of damages. All rights reserved in the event of the grant of a patent, utility model or ornamental design registration.

Document Title
**WIRING DIAGRAM
BEA-BODY 9700**



Document Type
PRODUCT SCHEMATIC

Owner Domain: Document Prefix

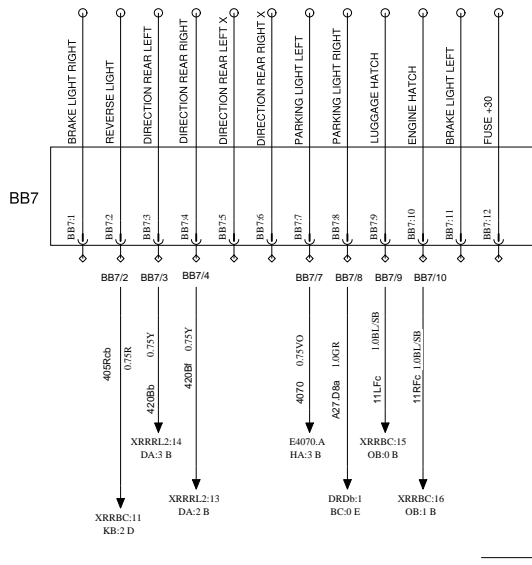
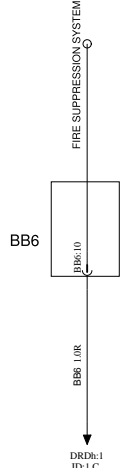
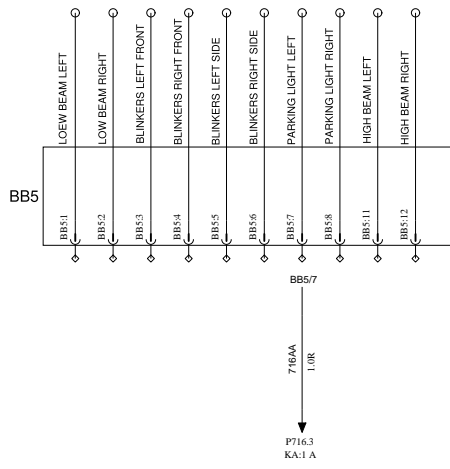
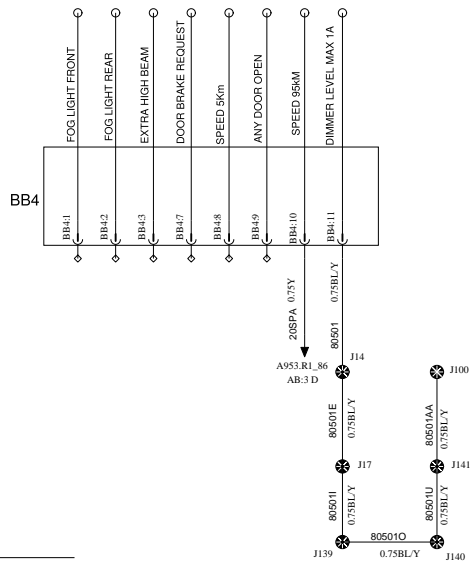
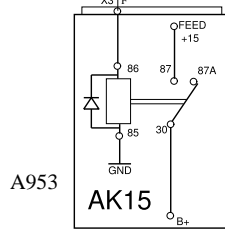
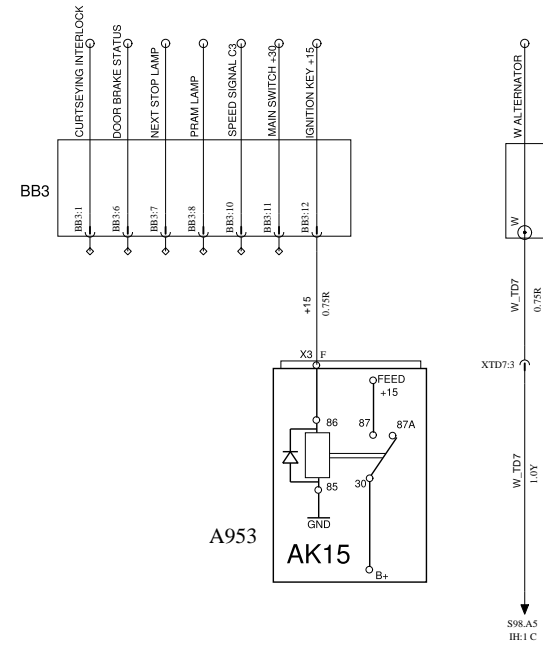
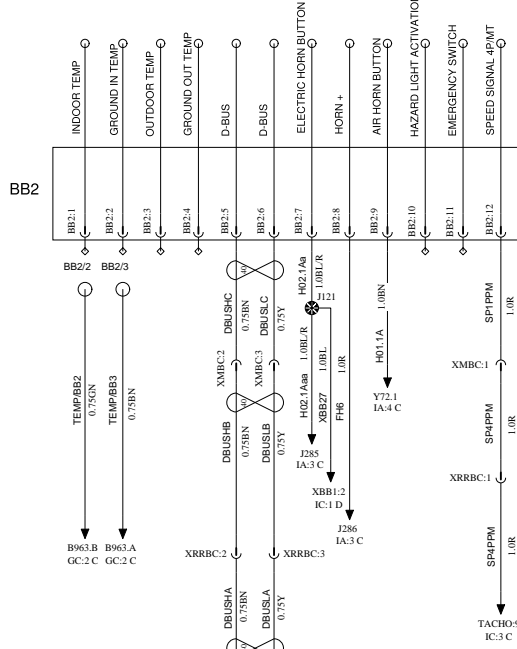
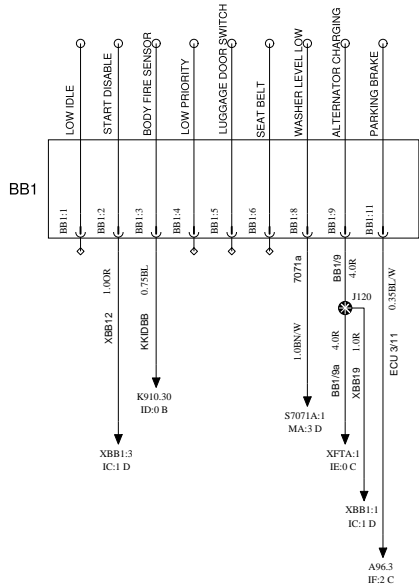
Document No 22490509	Issue Index 01	Volume No 01(02)	Page No 1(73)
--------------------------------	--------------------------	----------------------------	-------------------------

EDM-W 2000-04-01

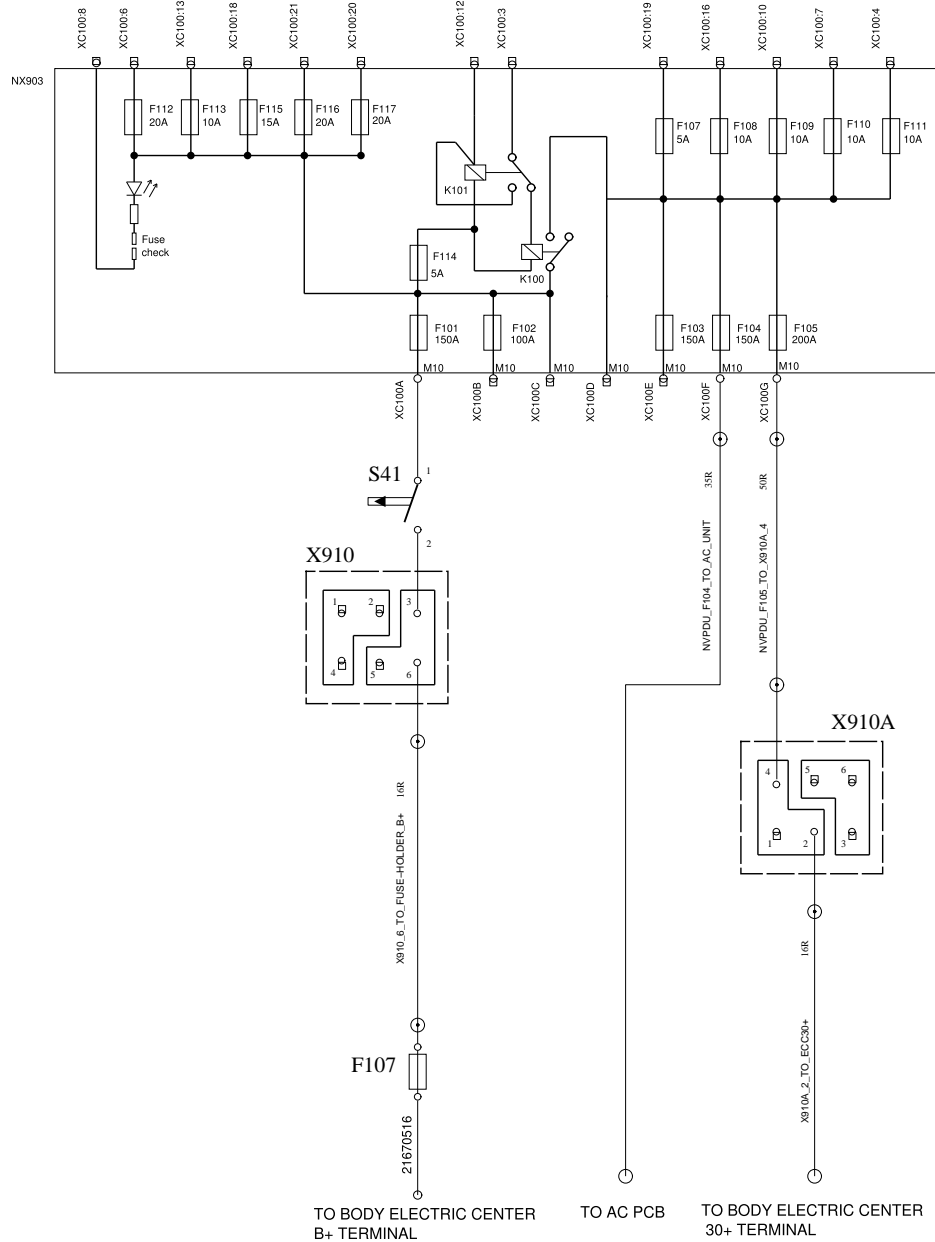
BODY BUILDERS

AA

WIRING DIAGRAM



AC
FRONT NVPDU



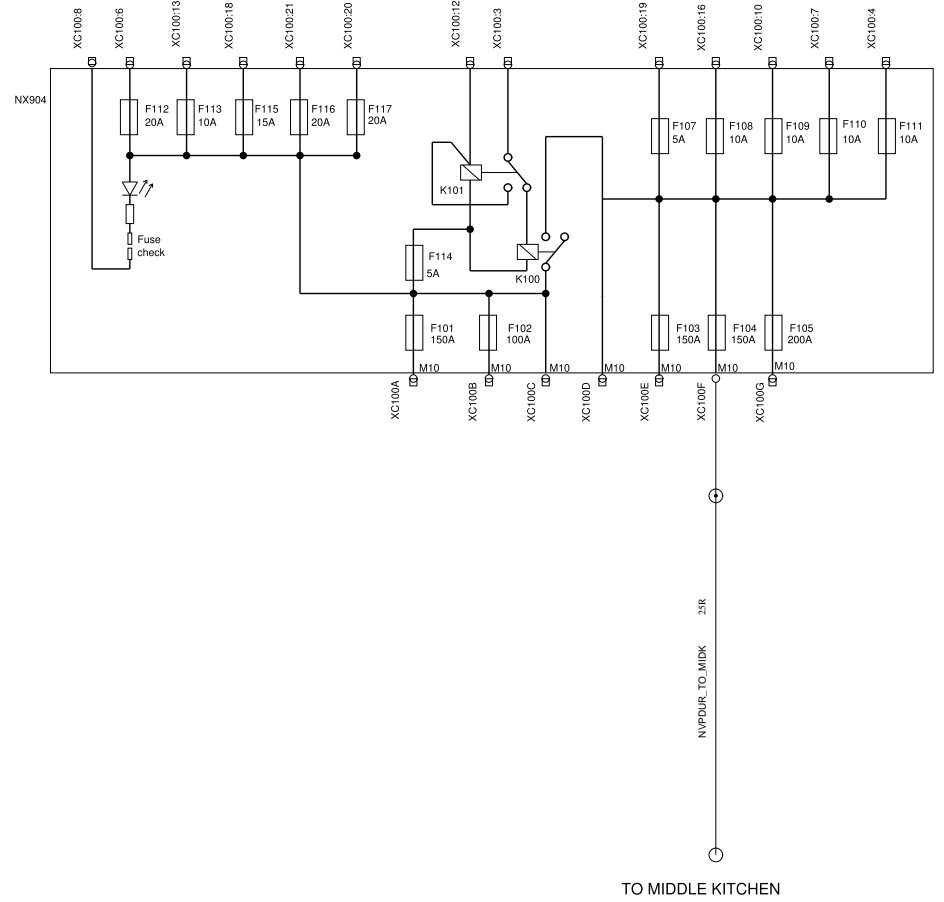
TO BODY ELECTRIC CENTER
B+ TERMINAL

TO AC PCB

TO BODY ELECTRIC CENTER
30+ TERMINAL

WIRING DIAGRAM

REAR NVPDU

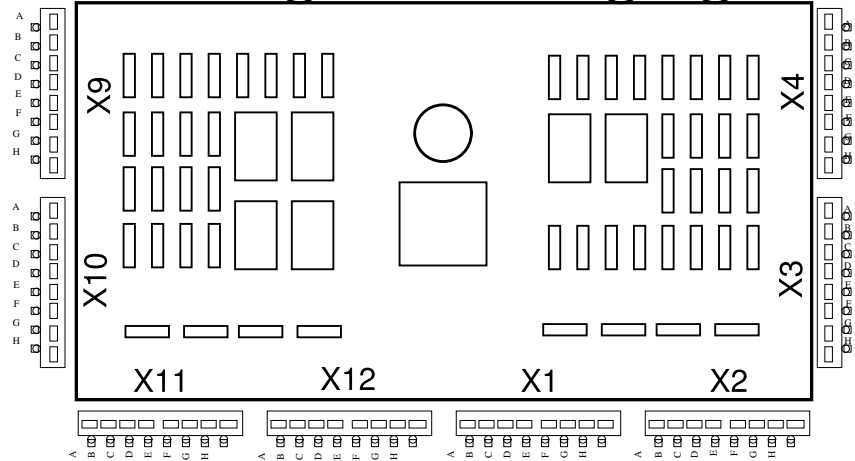
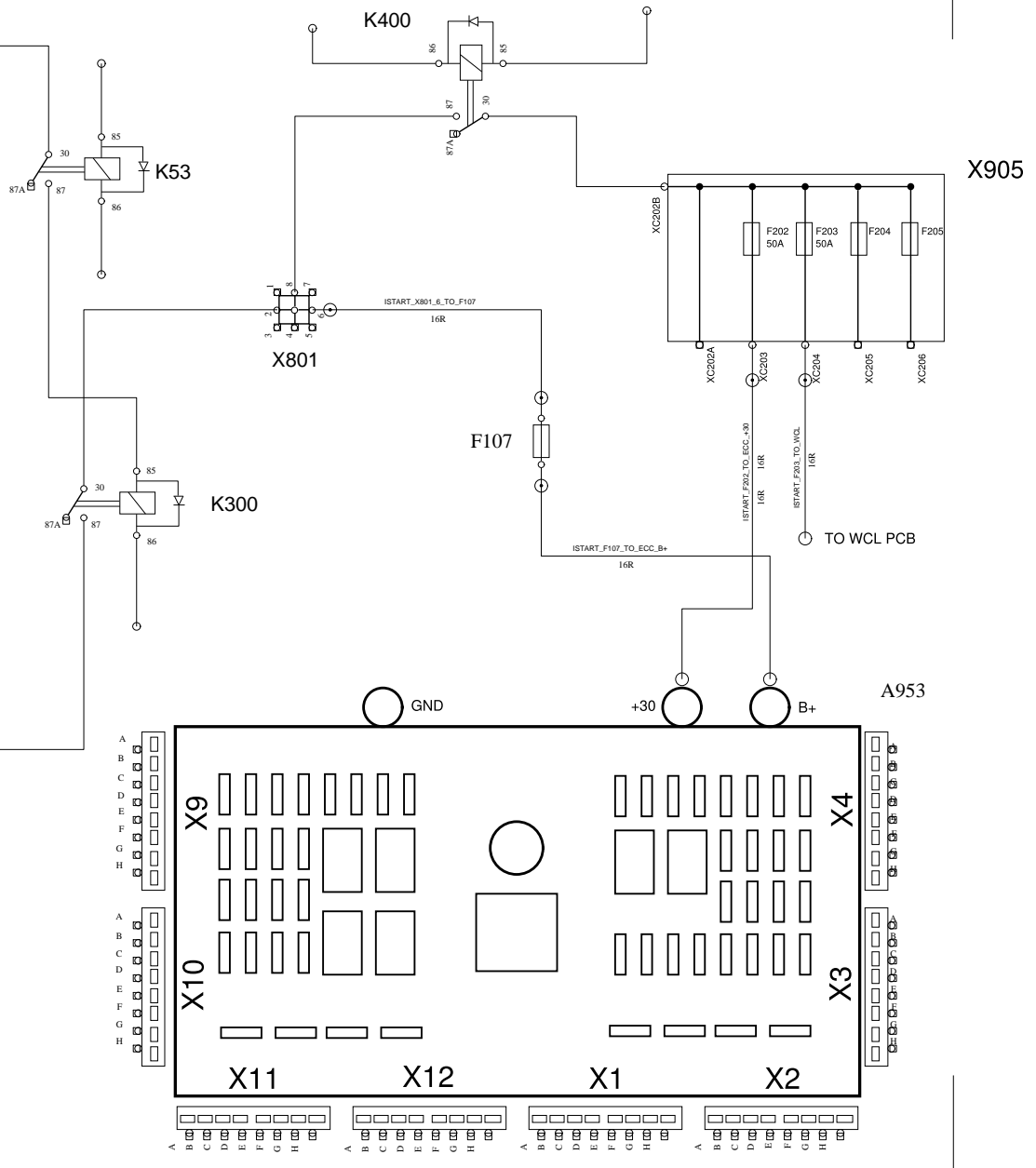
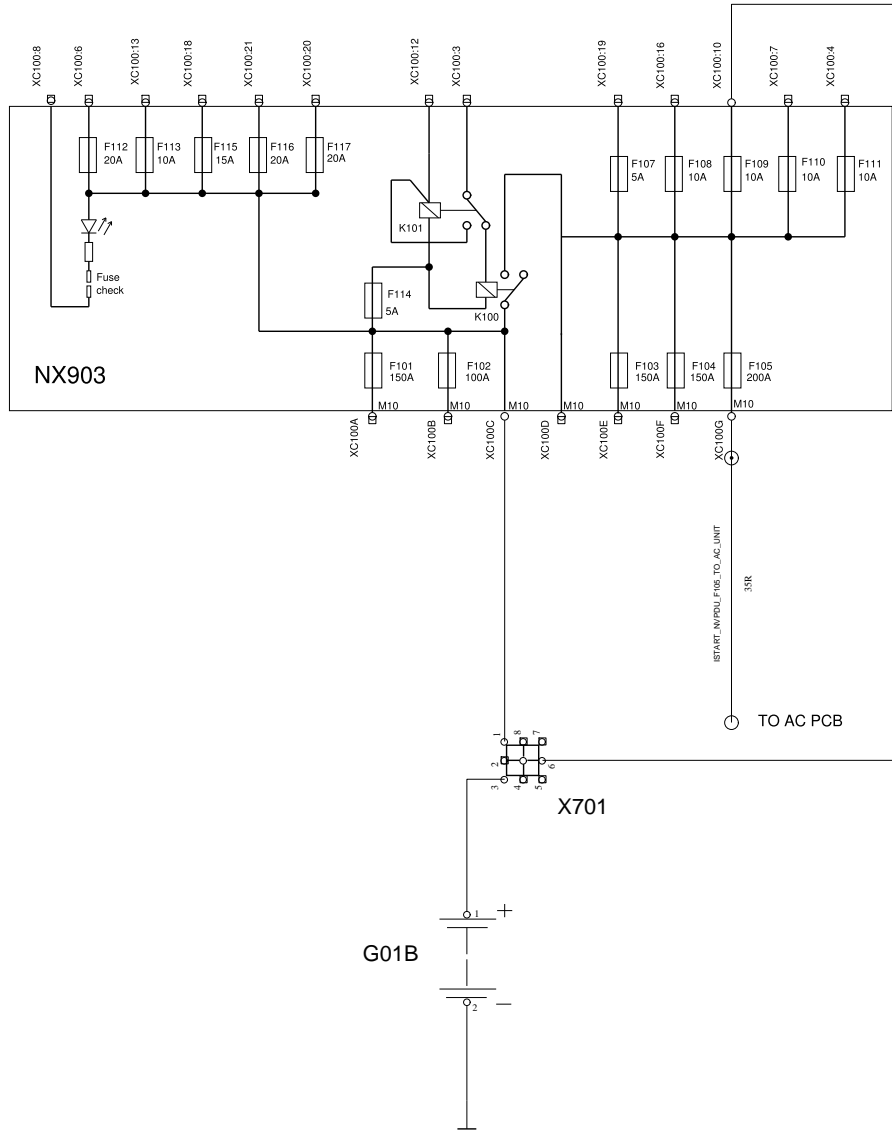


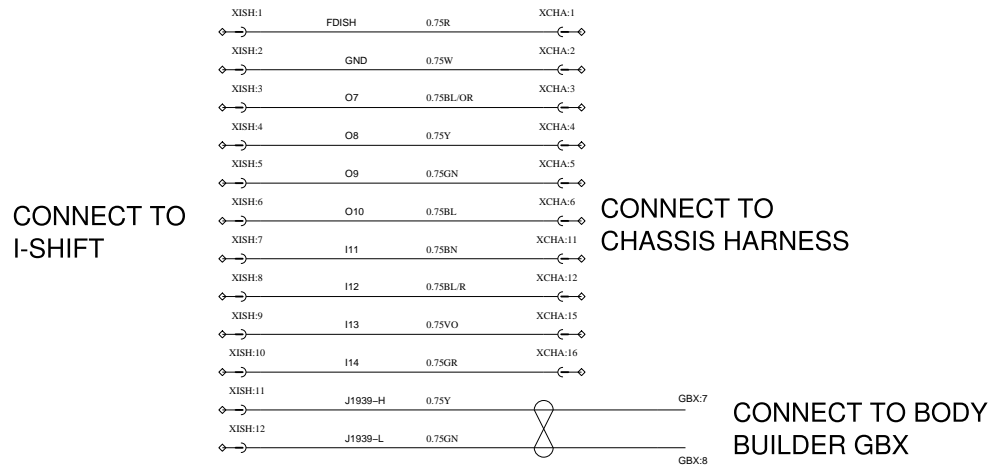
TO MIDDLE KITCHEN

VPDU ISTART USCAN

AD

WIRING DIAGRAM

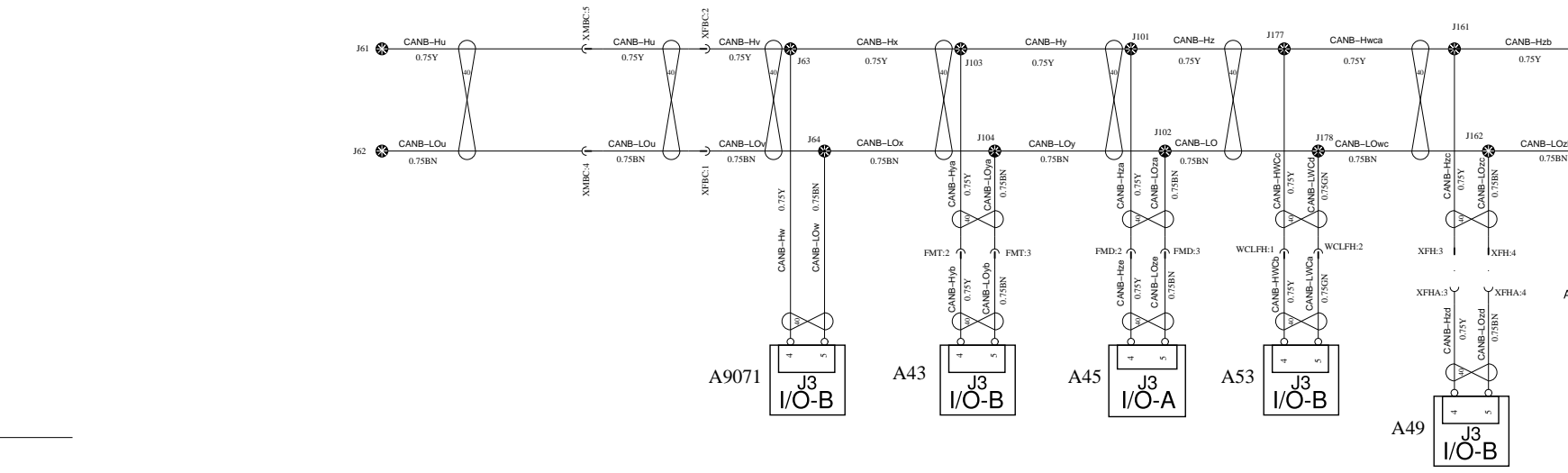
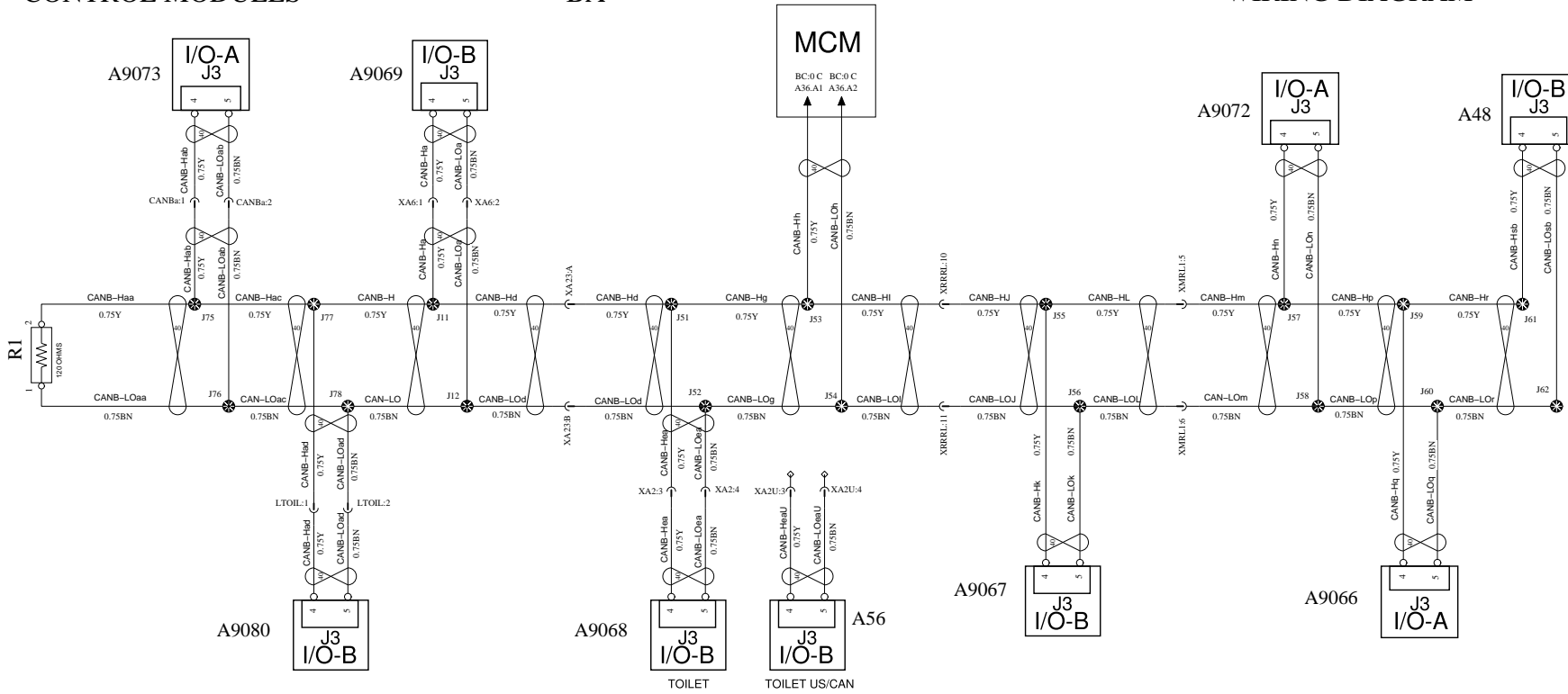




CONTROL MODULES

BA

WIRING DIAGRAM



Volvo Bus Corporation

Document title
WIRING DIAGRAM
Document type
PRODUCT SCHEMATIC

Document No
22490509

Issue
01

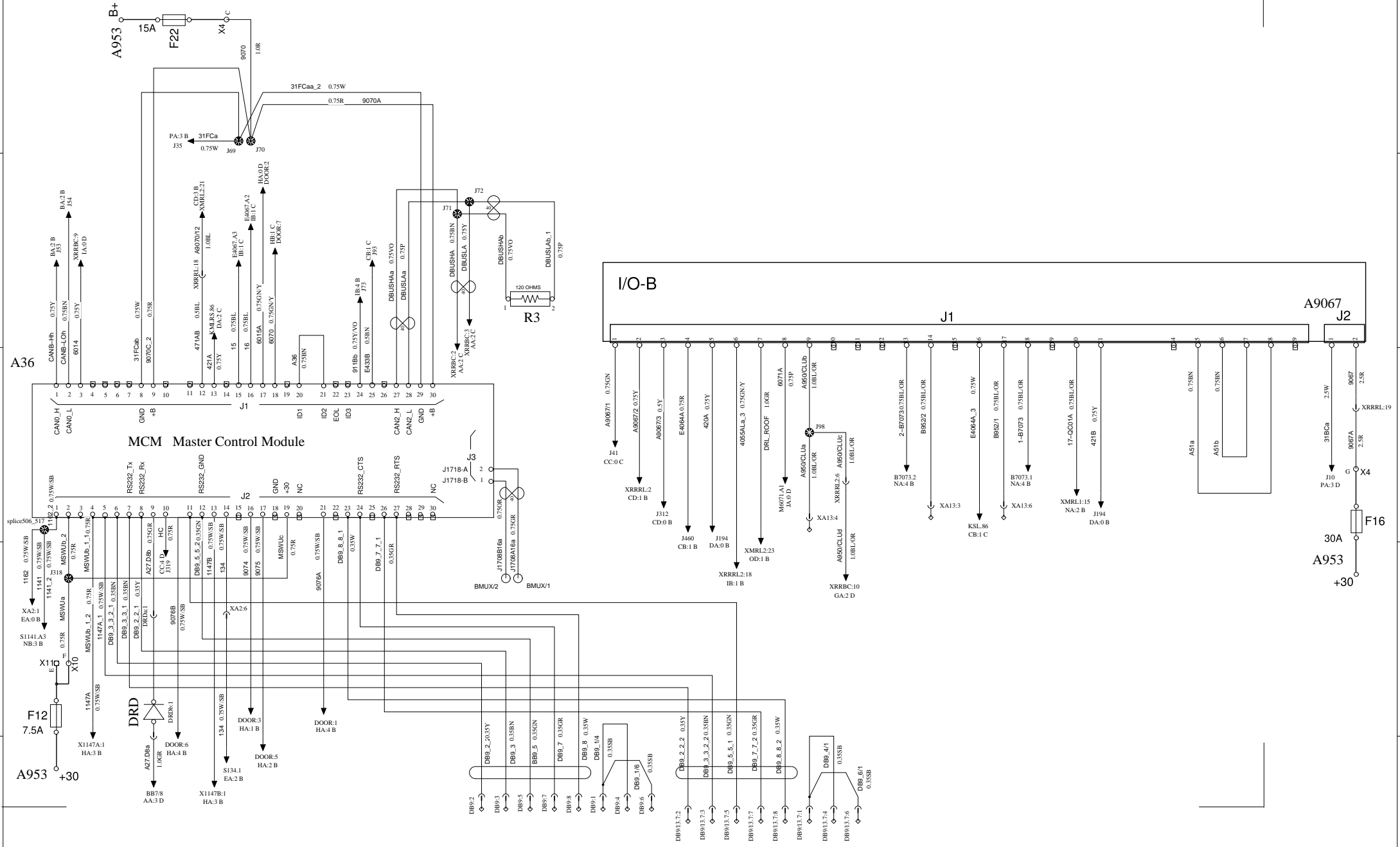
Volume
01

Page
7/74

CONTROL MODULES

BC

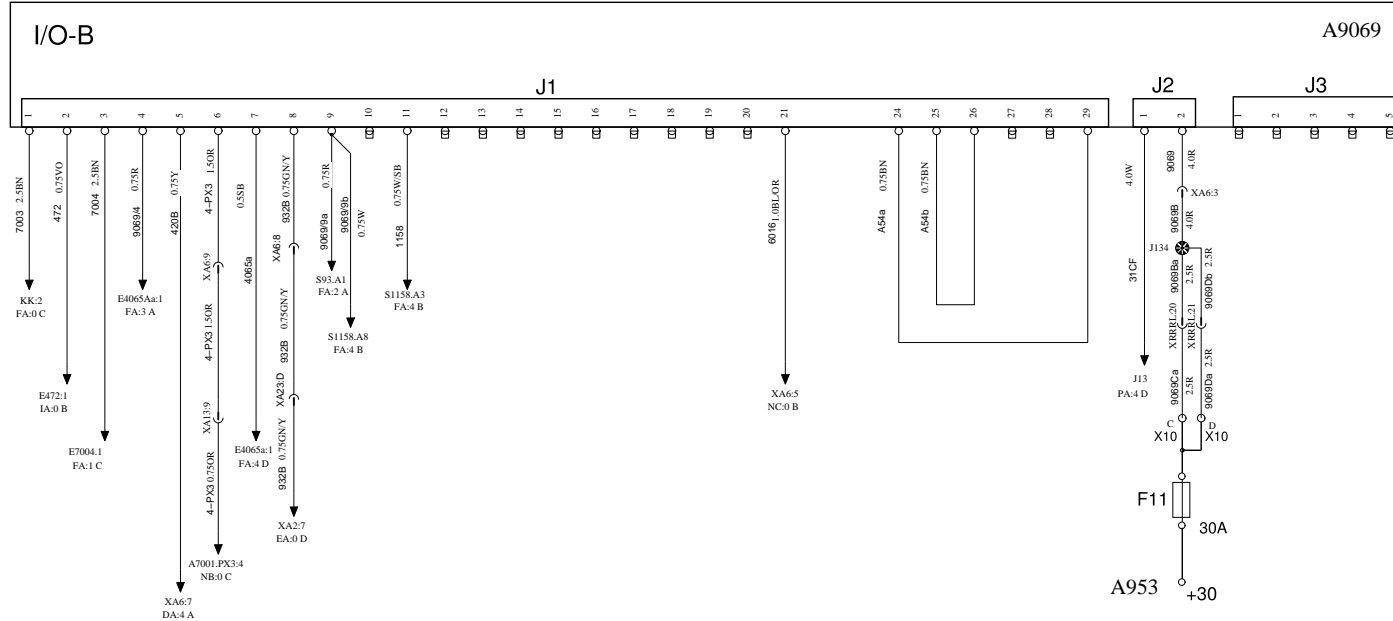
WIRING DIAGRAM



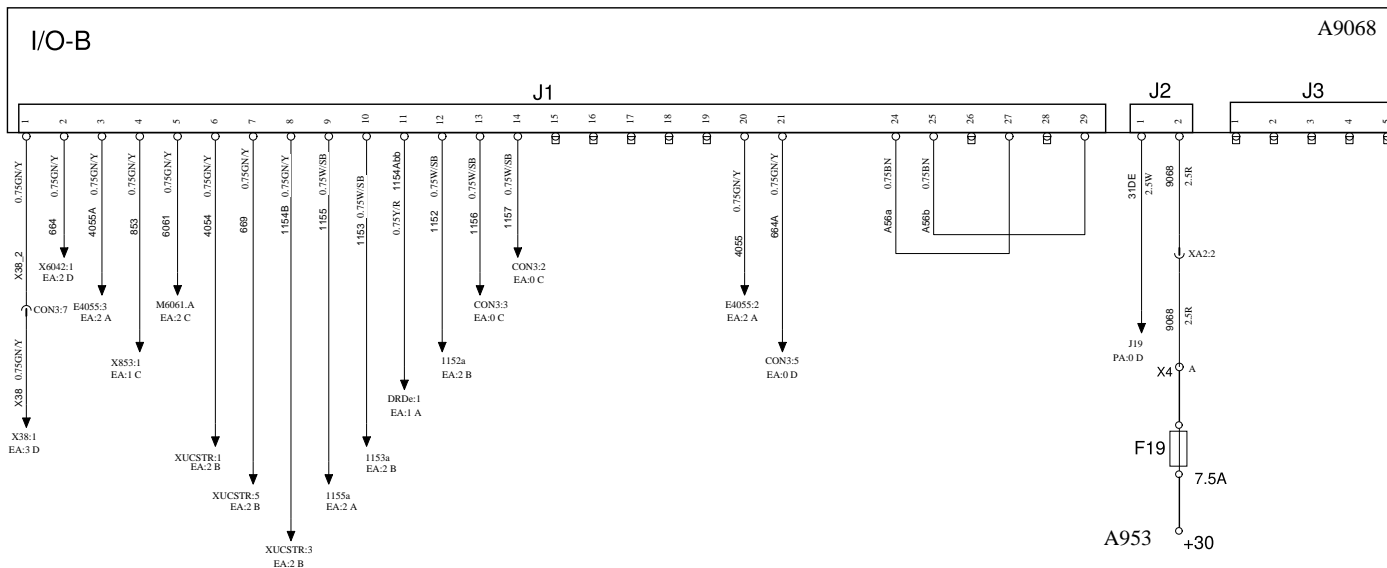
Volvo Bus Corporation

Document title WIRING DIAGRAM	Document No 22490509	Issue 01	Volume 01	Page 9/74
Document type PRODUCT SCHEMATIC				

CONTROL UNIT I/O-B
KITCHEN



CONTROL UNIT I/O-B
TOILET

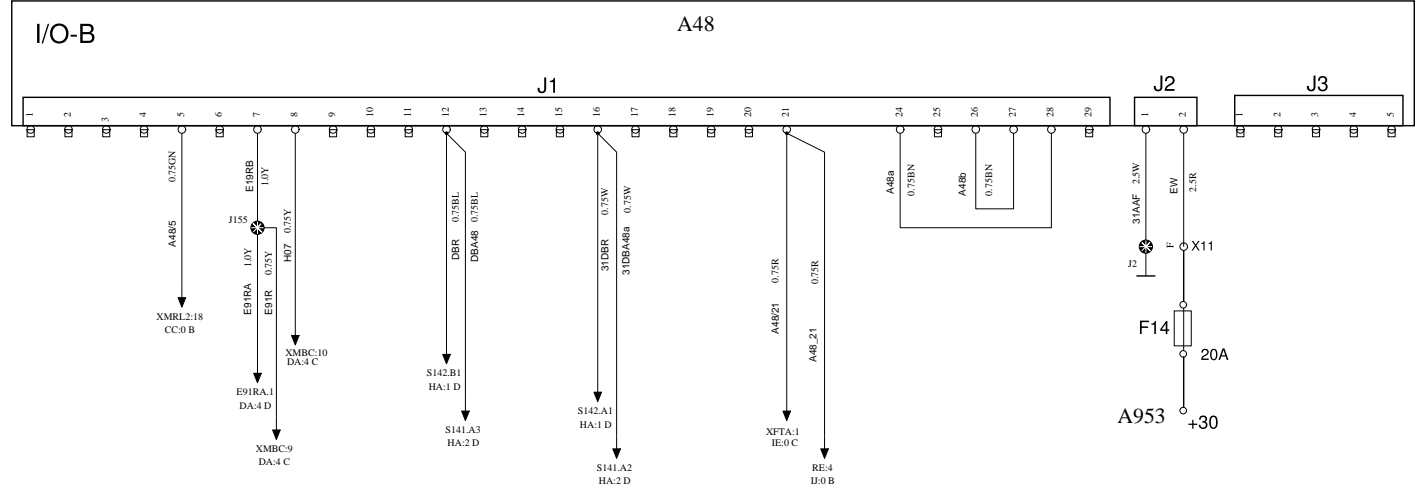
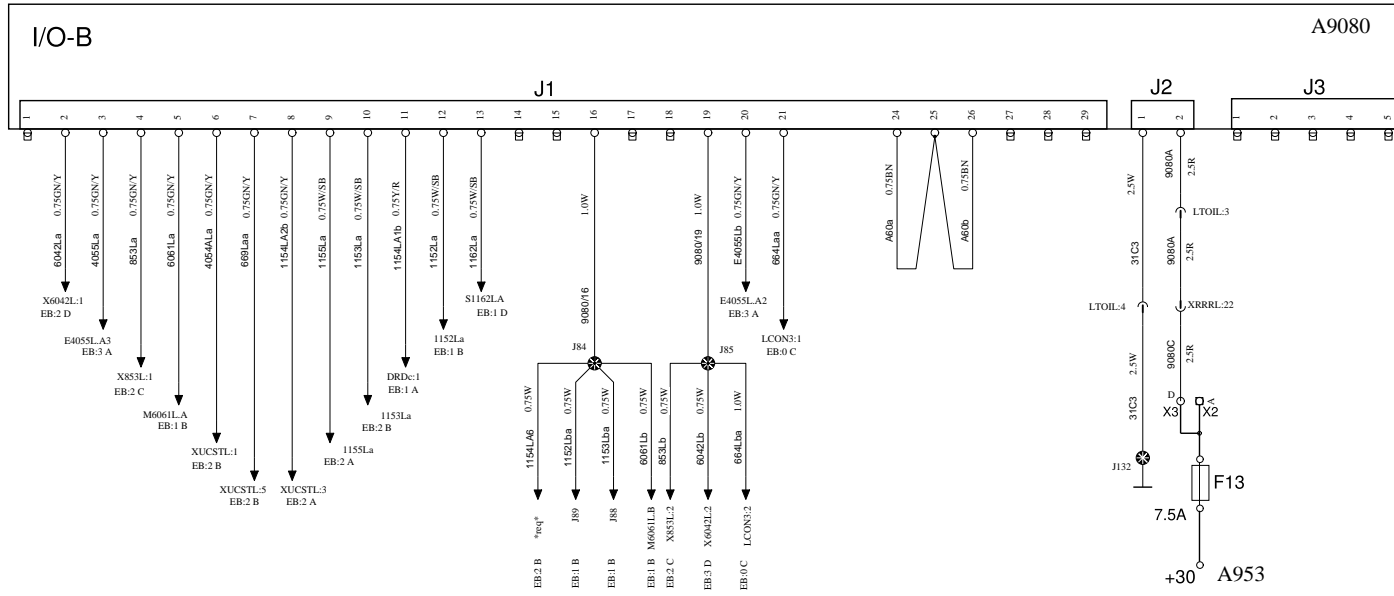


CONTROL MODULES

BF

WIRING DIAGRAM

CONTROL UNIT I/O-B
LEFT TOILET



Volvo Bus Corporation

Document title
WIRING DIAGRAM

Document type
PRODUCT SCHEMATIC

Document No

22490509

Issue

01

Volume

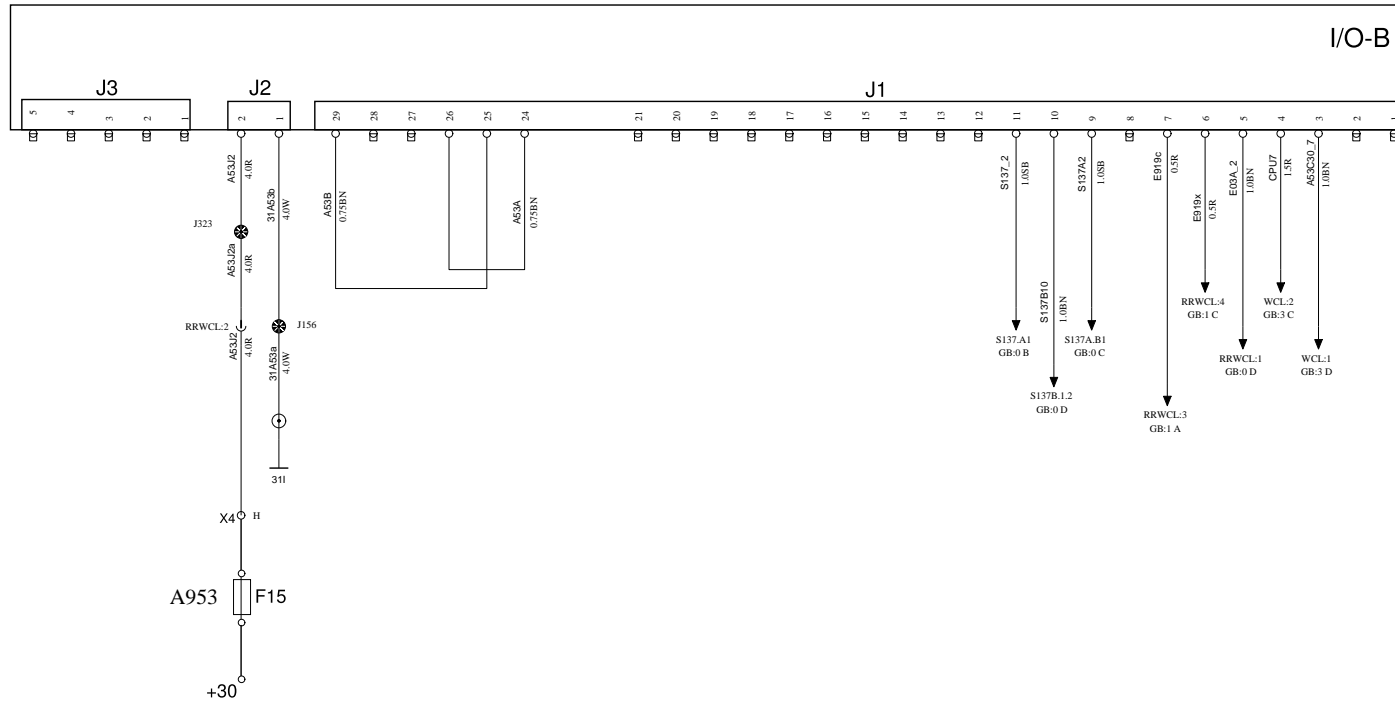
01

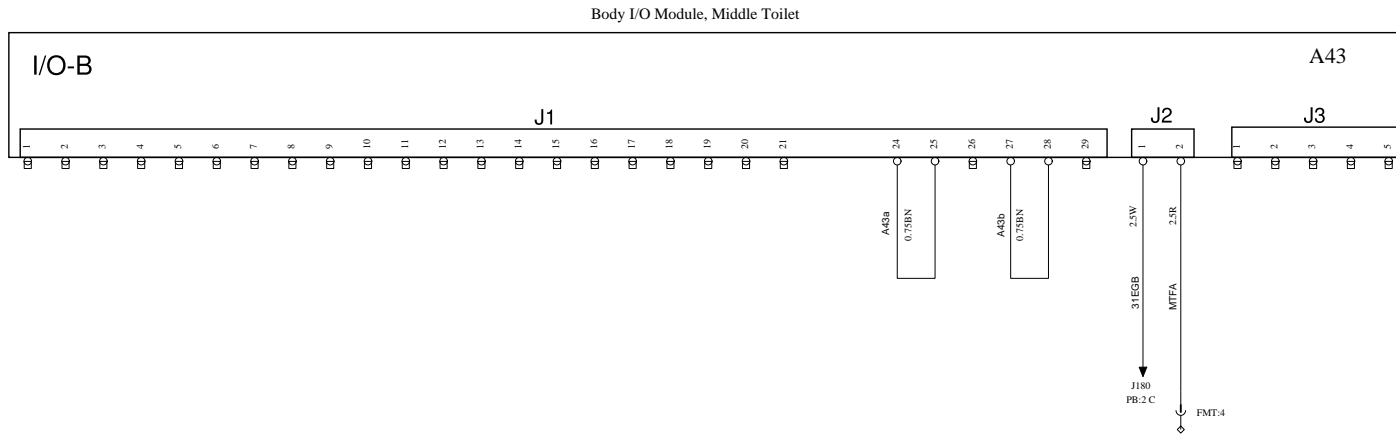
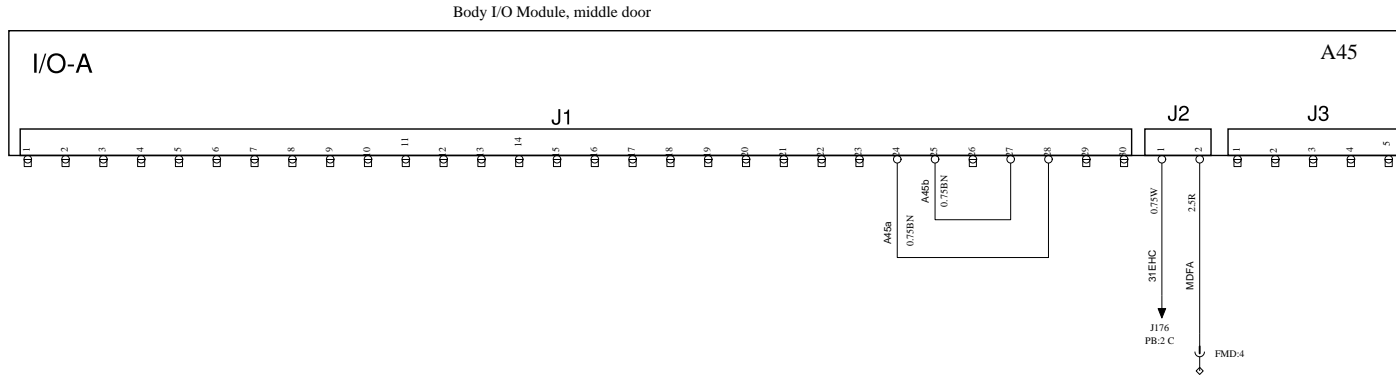
Page

12/74

A53

I/O-B

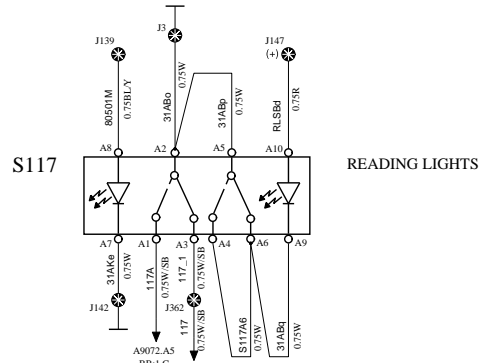




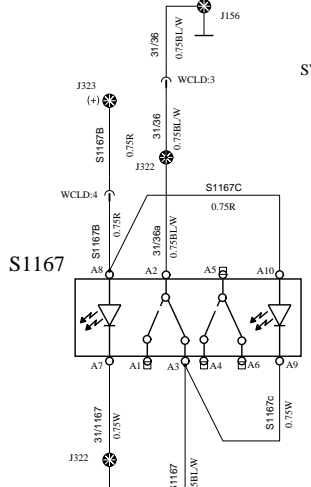
READING LIGHTS PASSENGER AND WCL

CC

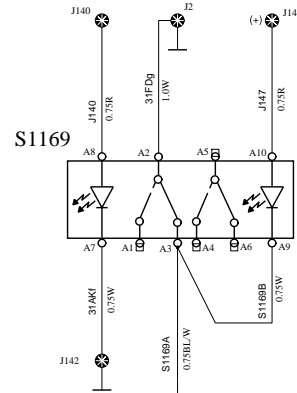
WIRING DIAGRAM



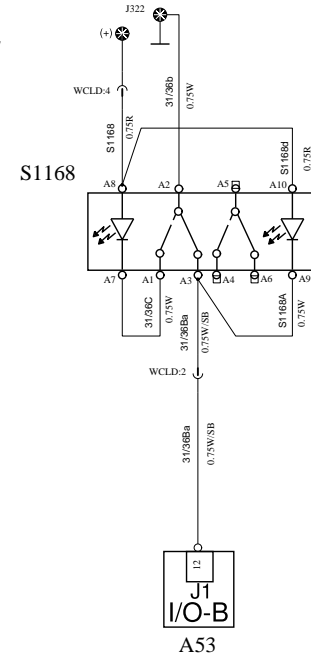
SWITCH, READING LIGHT WCL DOOR



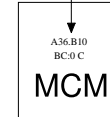
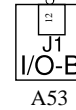
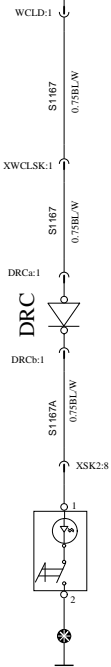
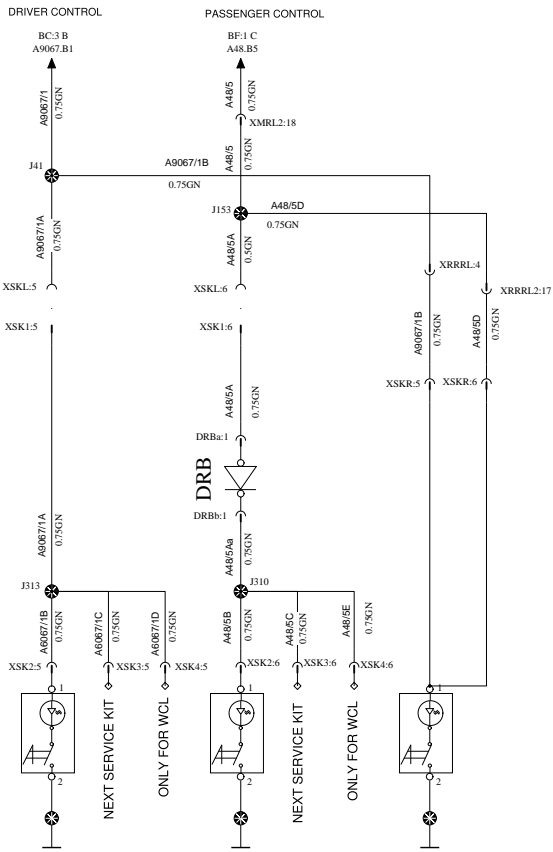
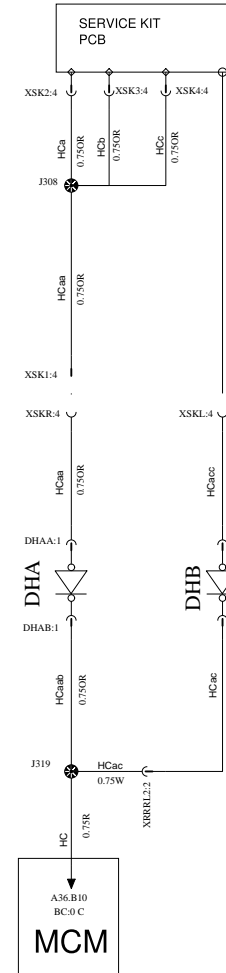
SWITCH, WCL READING LAMPS DASHBOARD



SWITCH, WCL HOST CALL

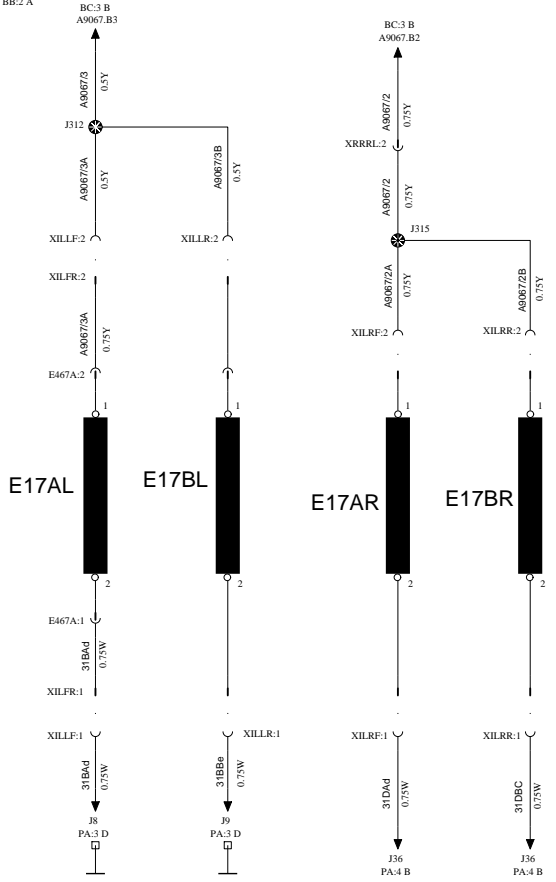
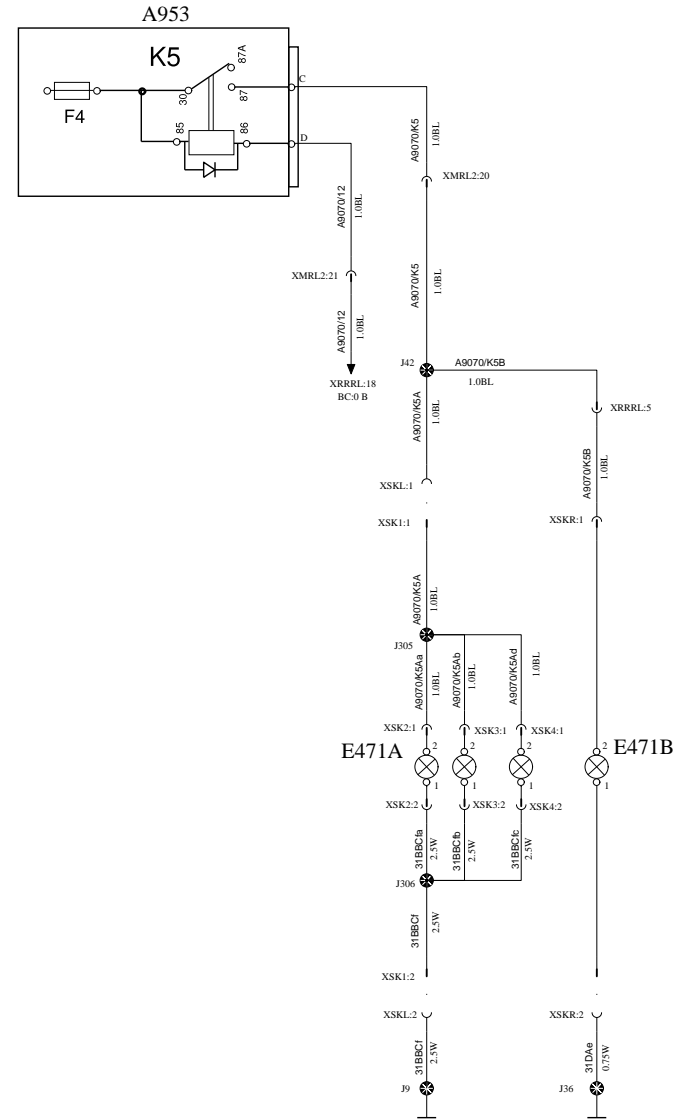
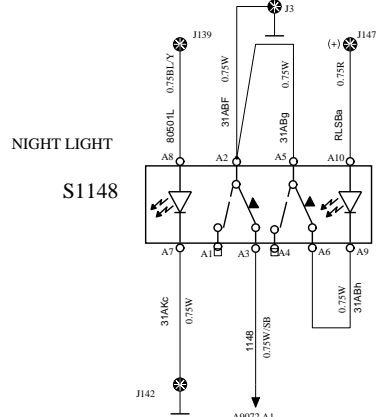
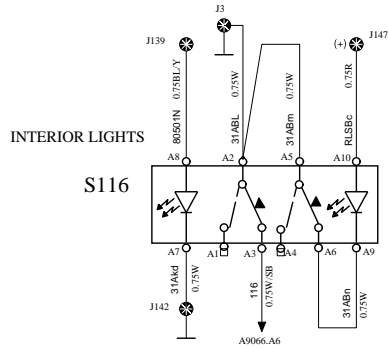


HOST SIGNAL



INTERIOR LIGHT AND NIGHT LIGHT PASSENGERS CD

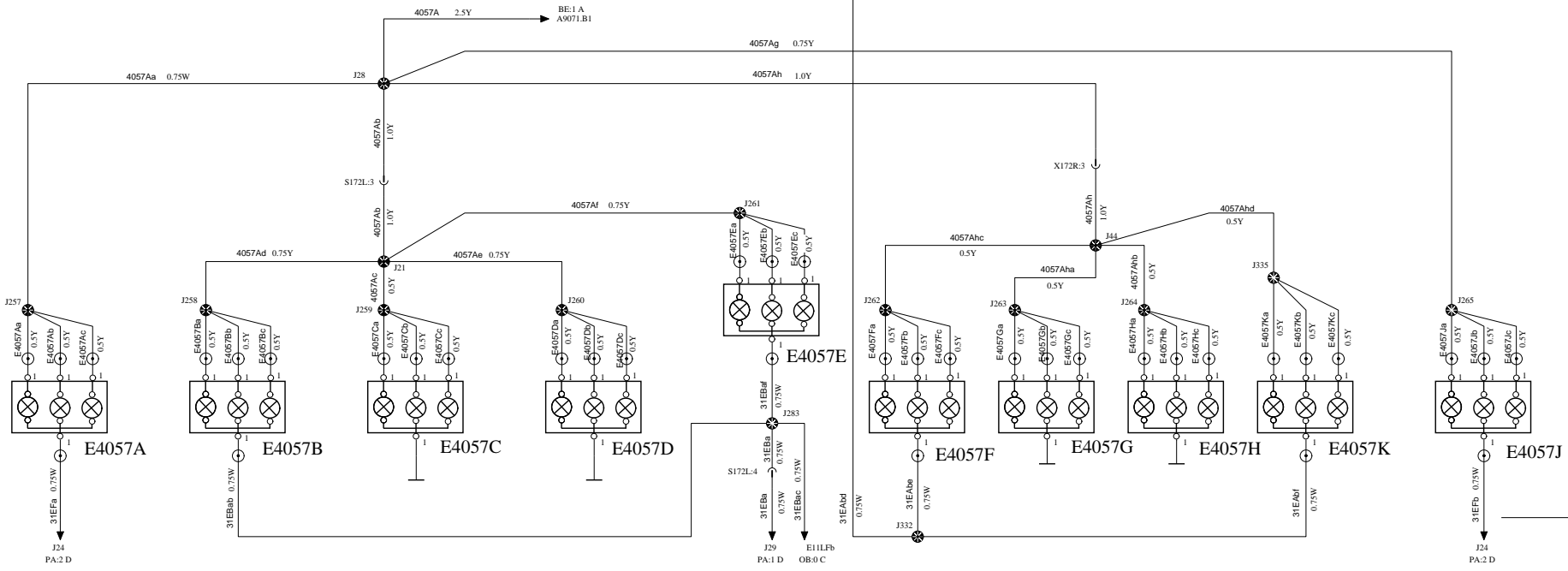
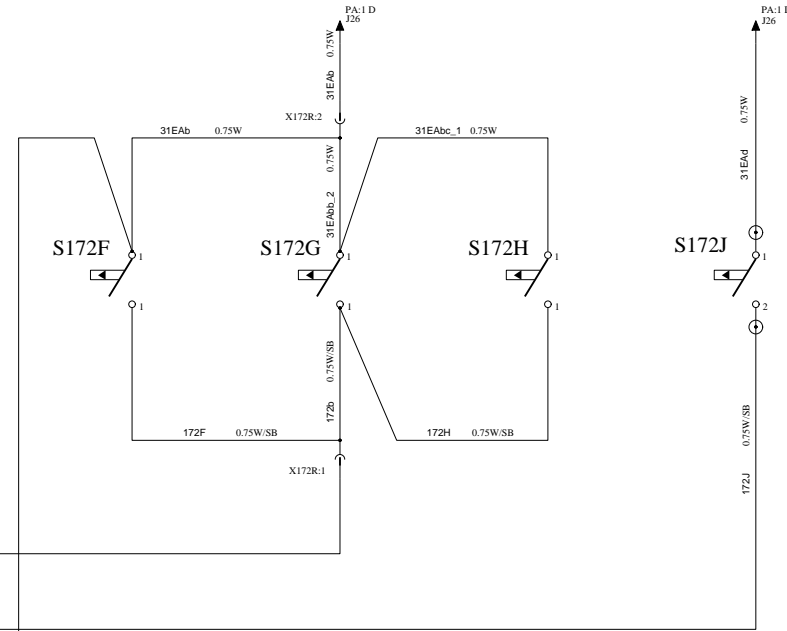
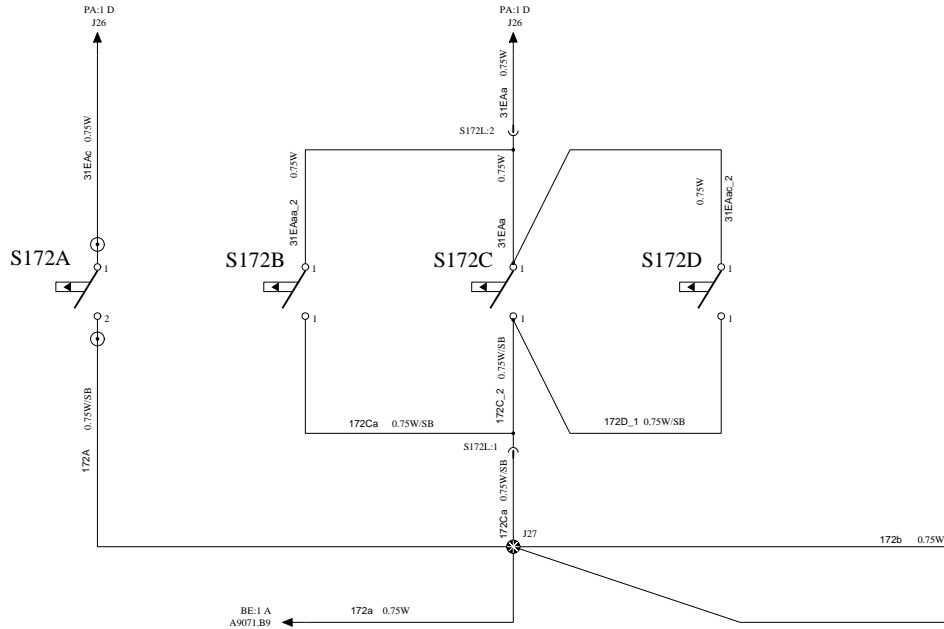
WIRING DIAGRAM



LUGGAGE LIGHTS

CE

WIRING DIAGRAM



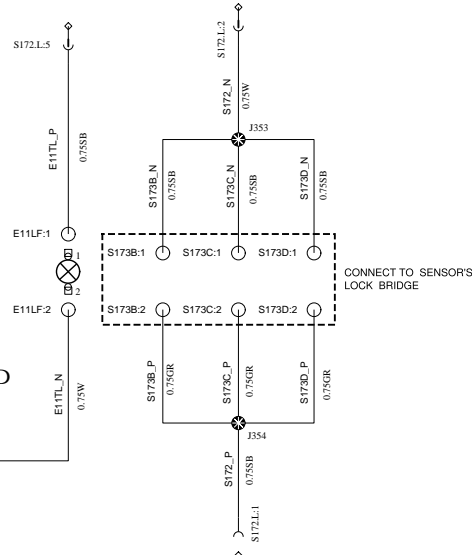
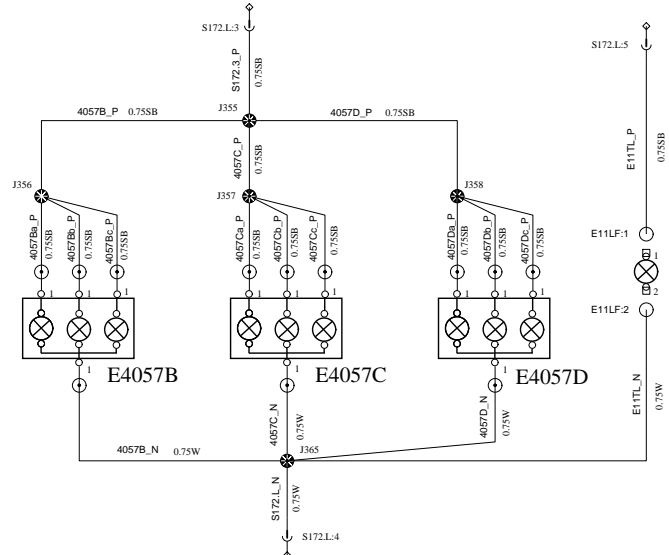
Volvo Bus Corporation

Document title
WIRING DIAGRAM
Document type
PRODUCT SCHEMATIC

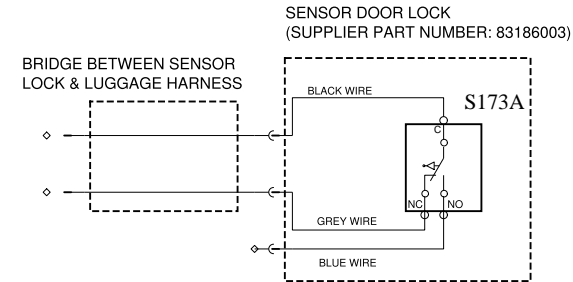
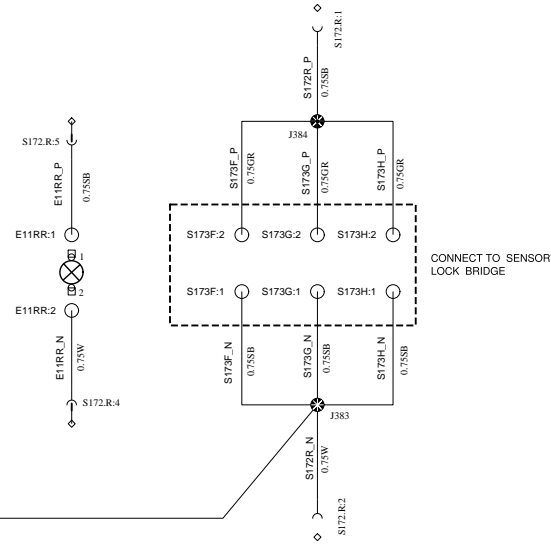
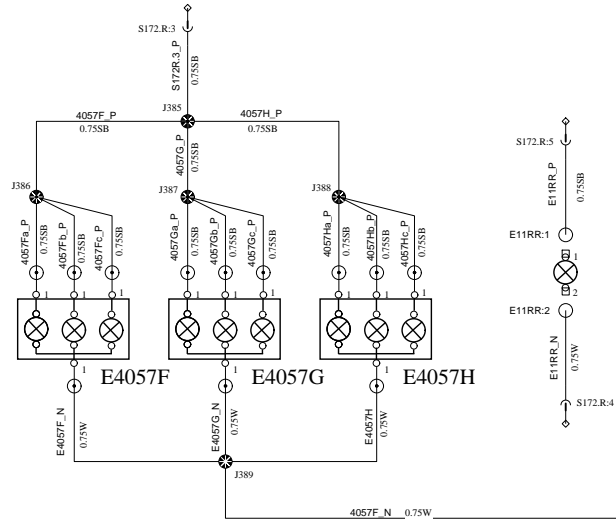
Document No
22490509

Issue	Volume	Page
01	01	19/74

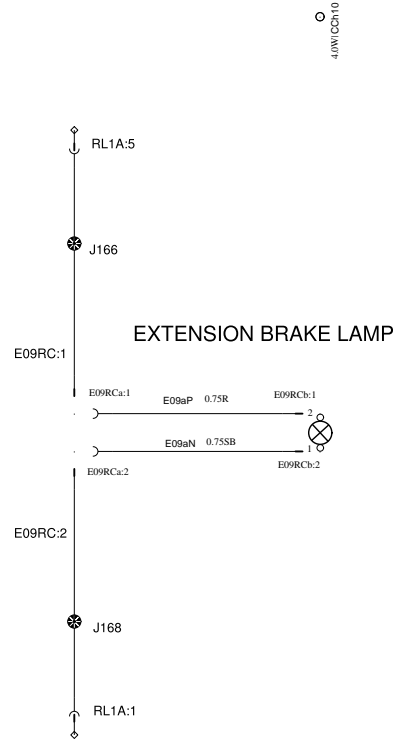
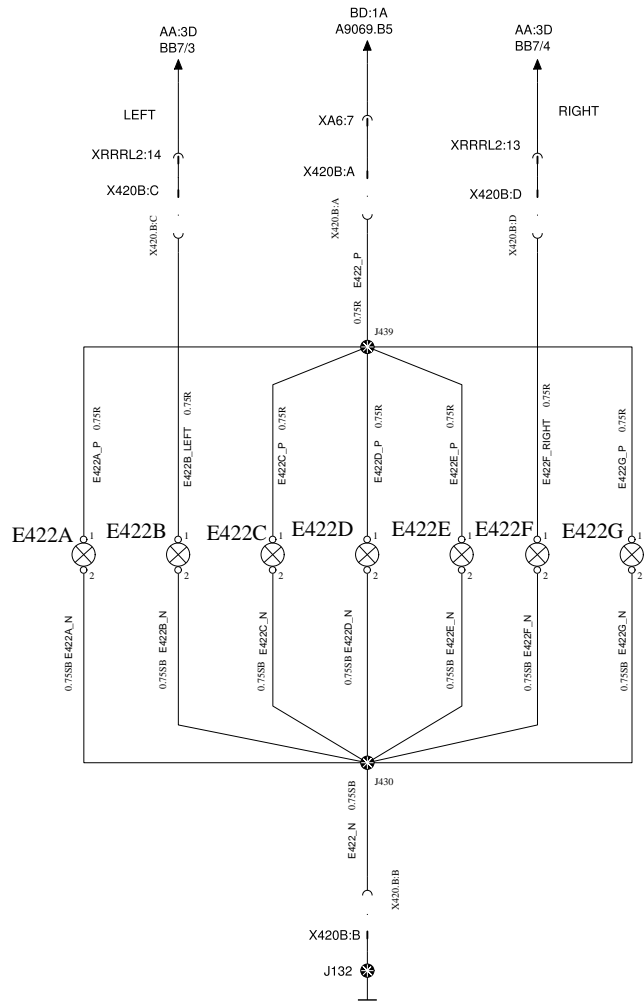
LUGGAGE'S HARNESS LEFT SIDE US10



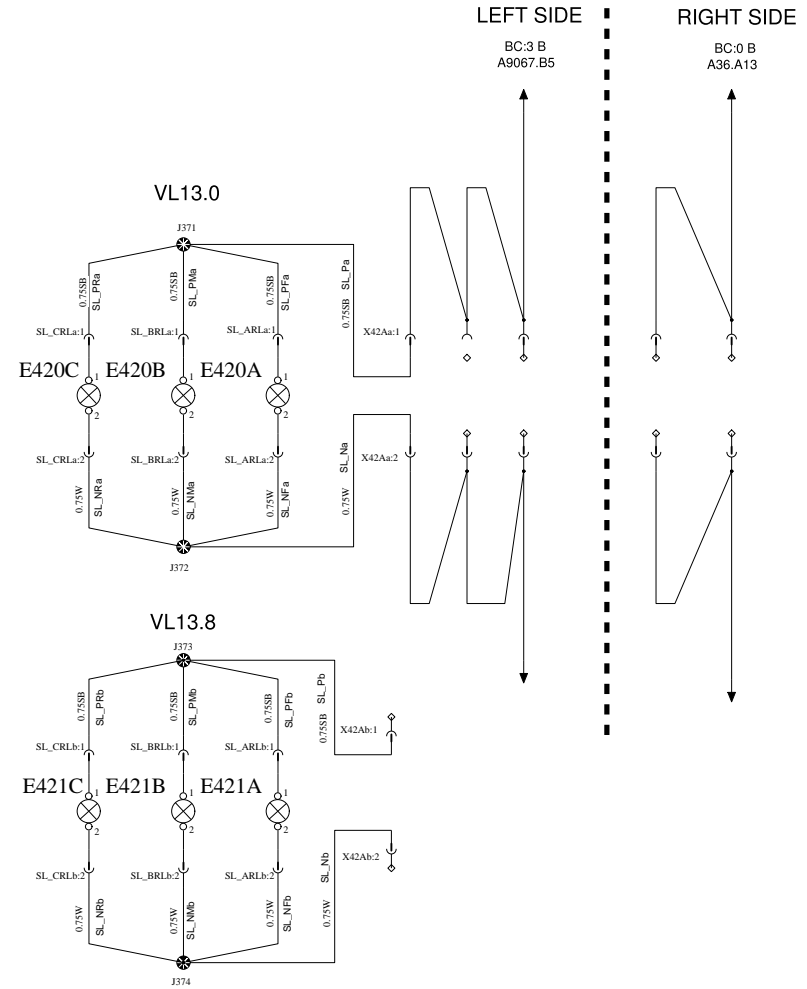
LUGGAGE'S HARNESS RIGHT SIDE US10



REAR POSITION LIGHTS

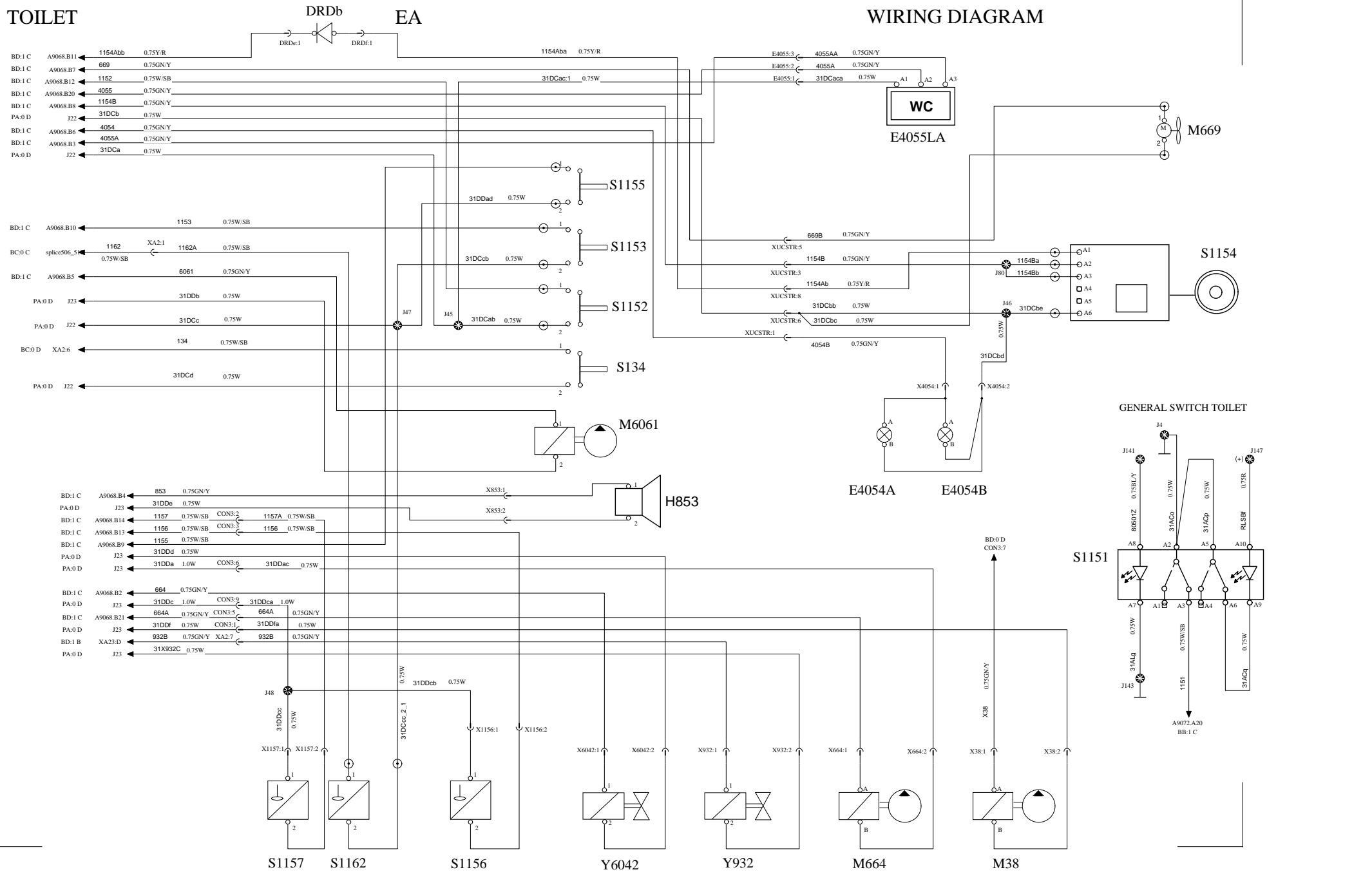


SIDE POSITION LIGHTS



TOILET

WIRING DIAGRAM



Volvo Bus Corporation

Document title
WIRING DIAGRAM

Document type
PRODUCT SCHEMATIC

Document No

22490509

Issue

01

Volume

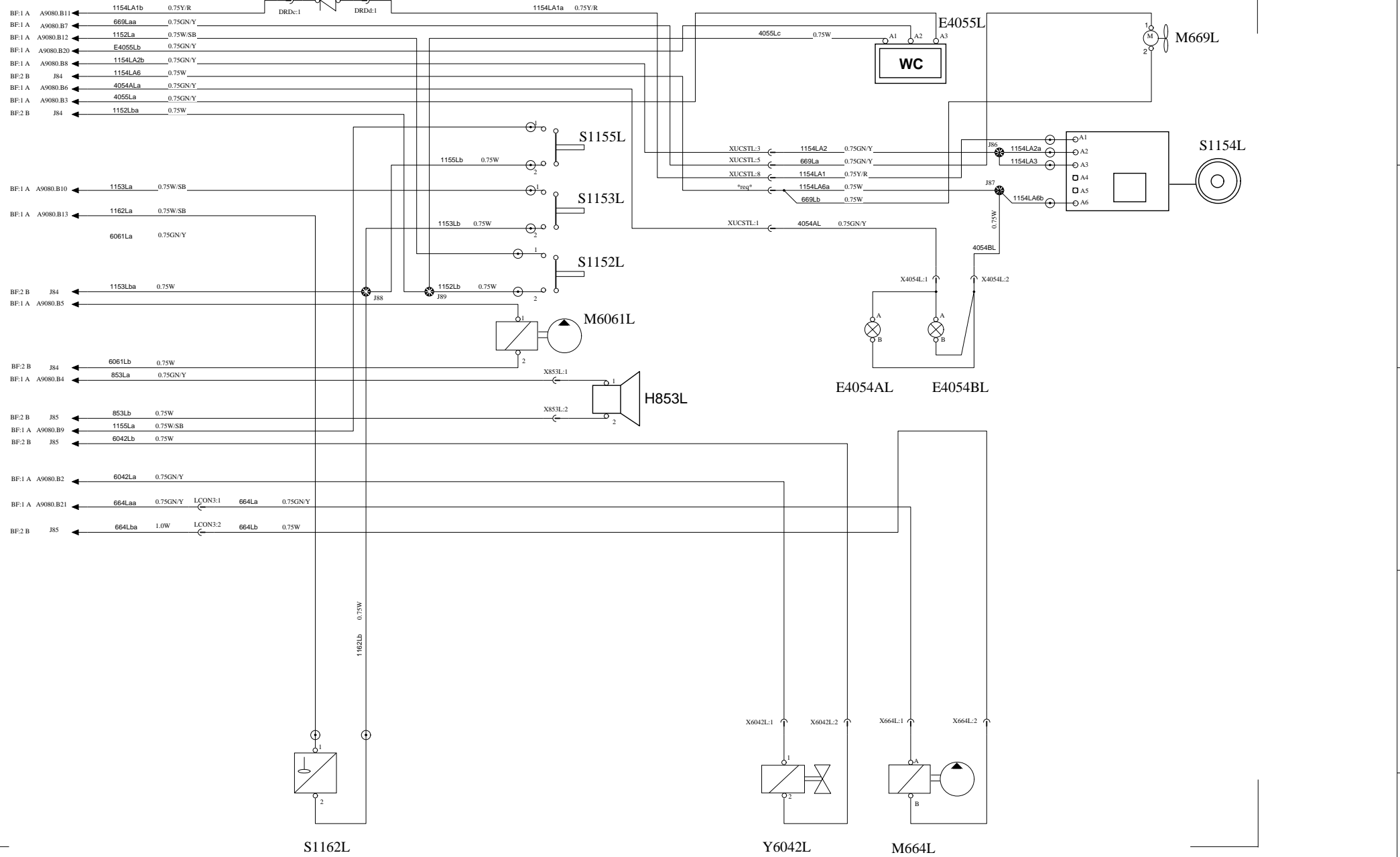
01

Page

23/74

LEFT TOILET

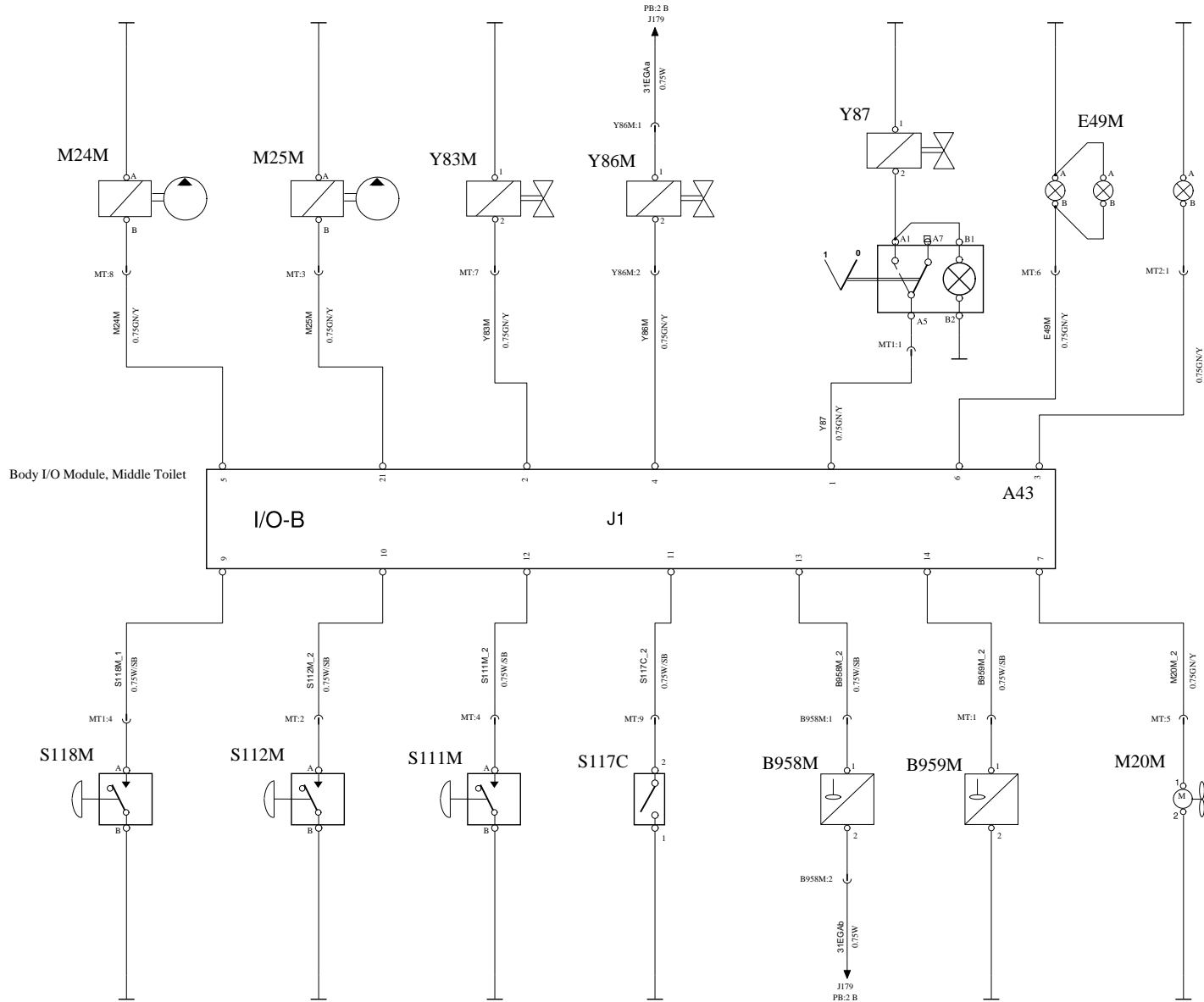
WIRING DIAGRAM



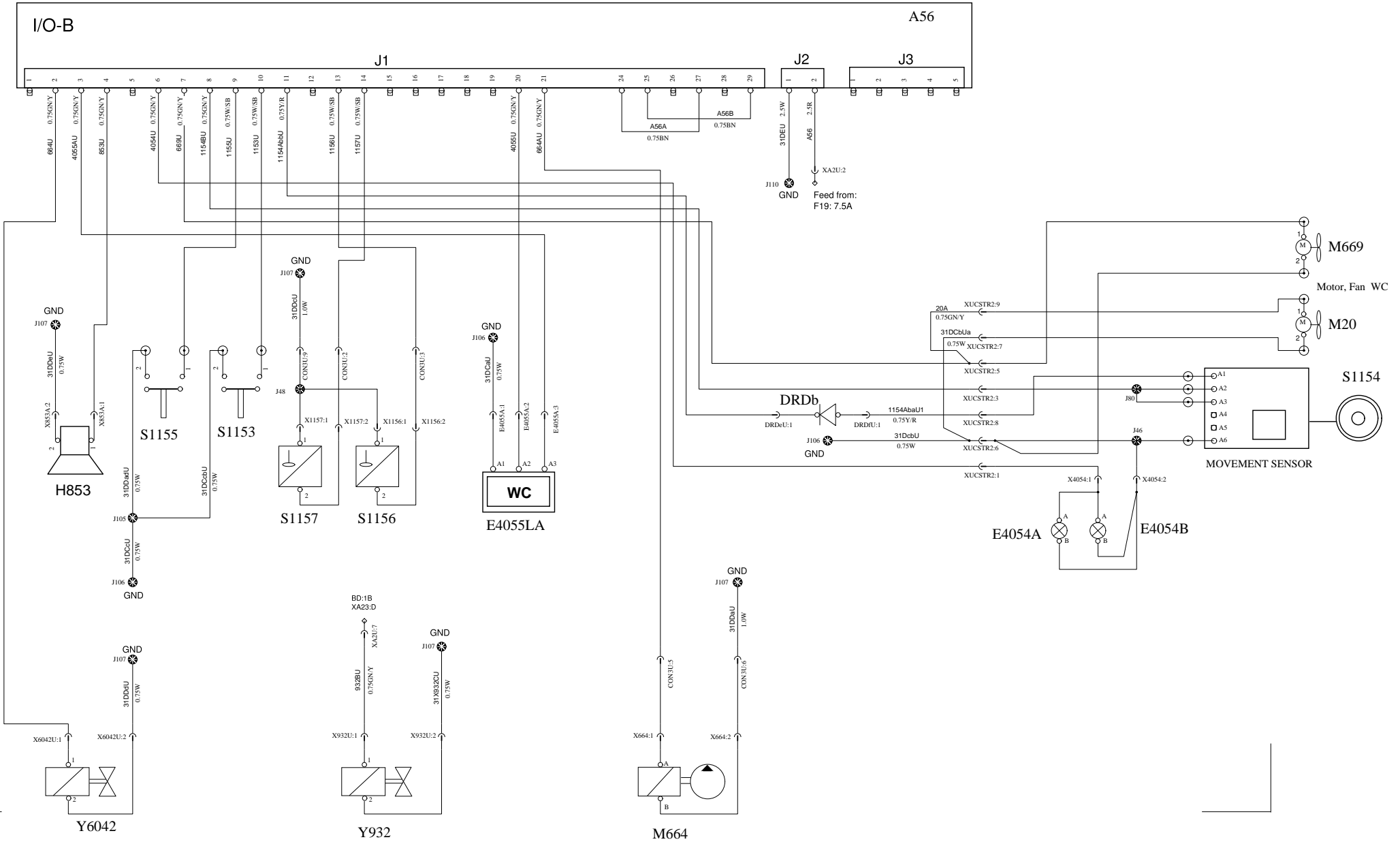
Volvo Bus Corporation

Document title WIRING DIAGRAM
Document type PRODUCT SCHEMATIC

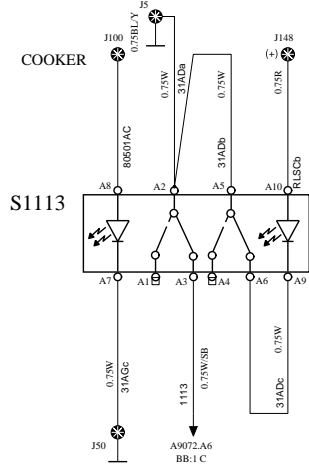
Document No	Issue	Volume	Page
22490509	01	01	24/74



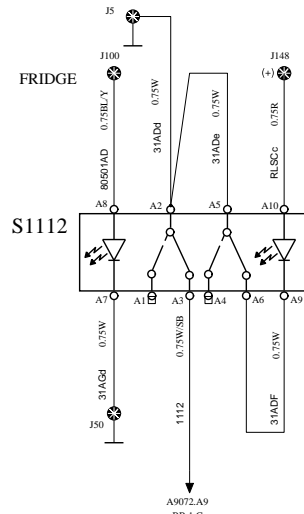
Body I/O Module, Right Toilet



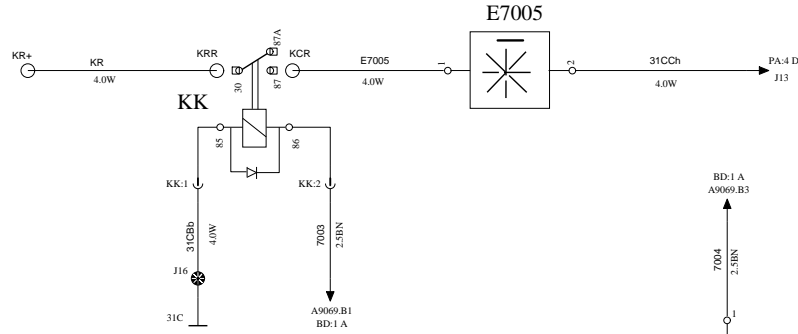
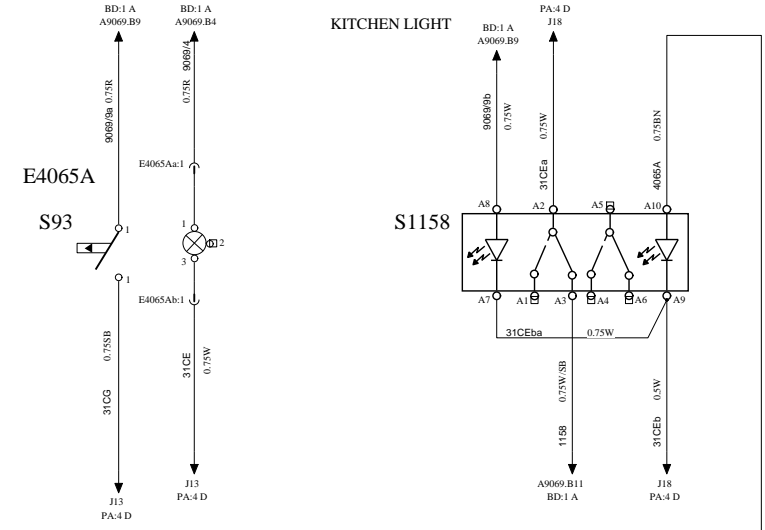
KITCHEN



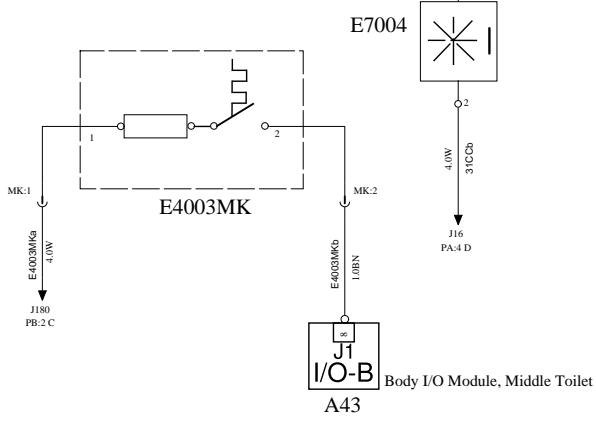
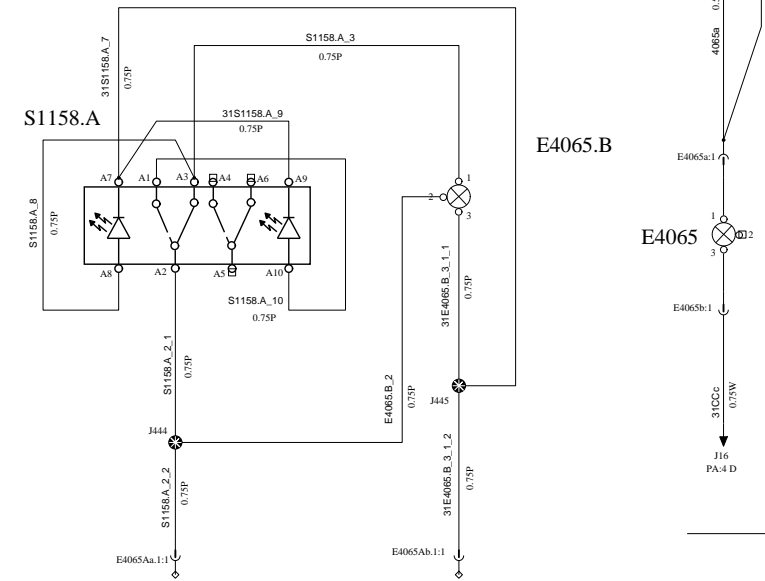
FA



WIRING DIAGRAM



SWITCH, INTERIOR LIGHT IN KITCHEN CA

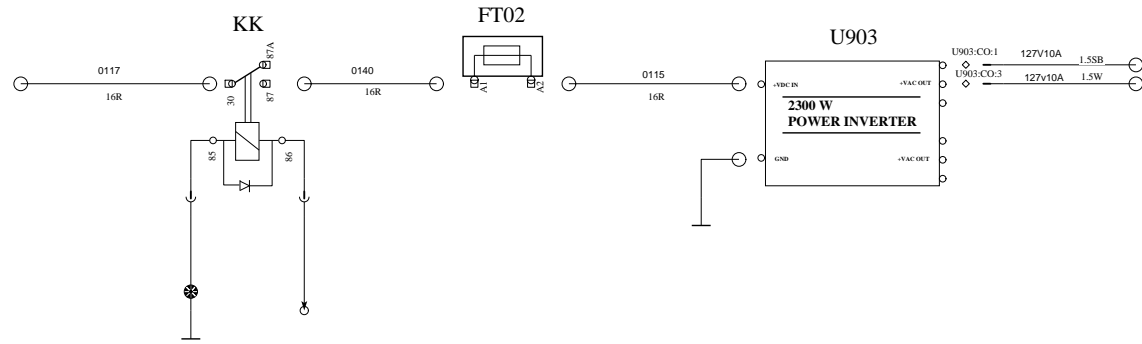


Volvo Bus Corporation

Document title
WIRING DIAGRAM
Document type
PRODUCT SCHEMATIC

Document No
22490509

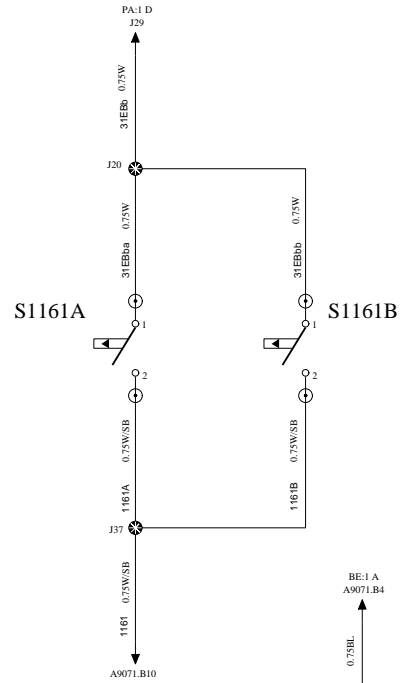
Issue
01
Volume
01
Page
27/74



DRC

GA

WIRING DIAGRAM

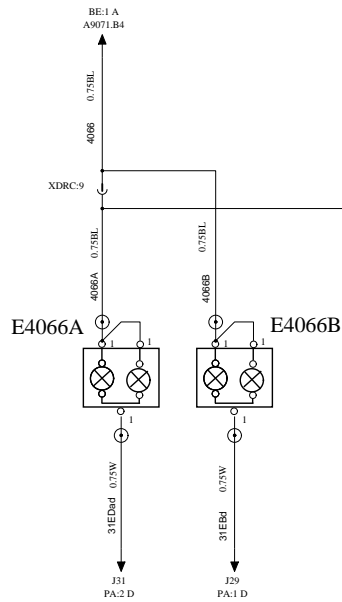


LIGHTING SLEEPER CAB

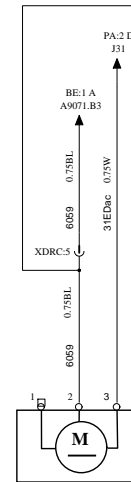
S1108

BERTH FAN

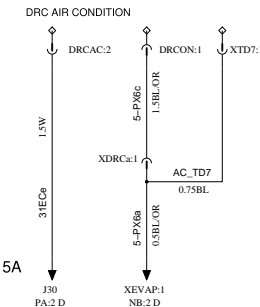
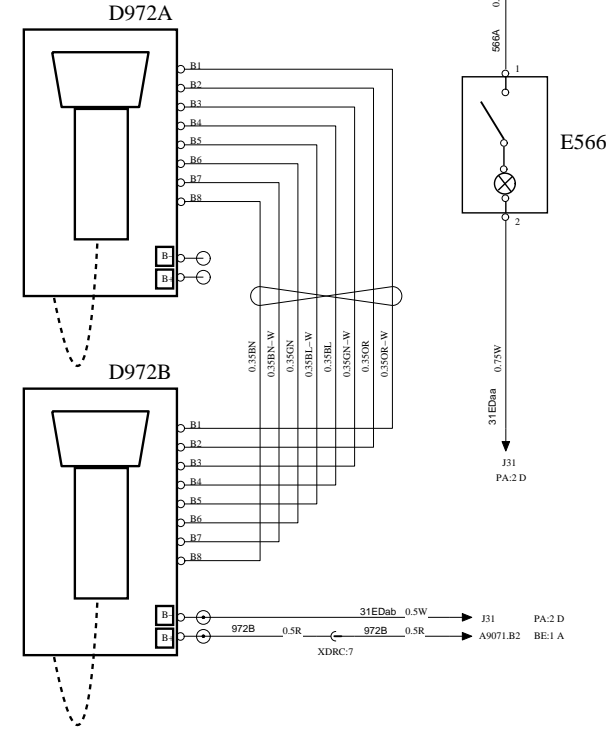
S1160



M6059



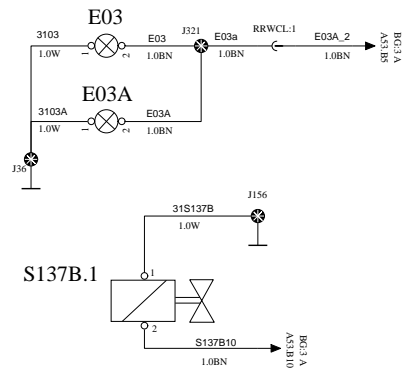
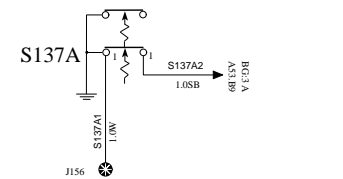
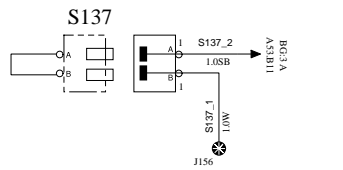
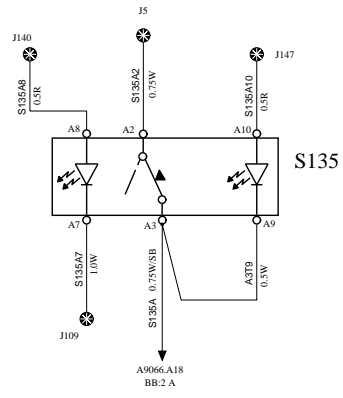
A953 +15



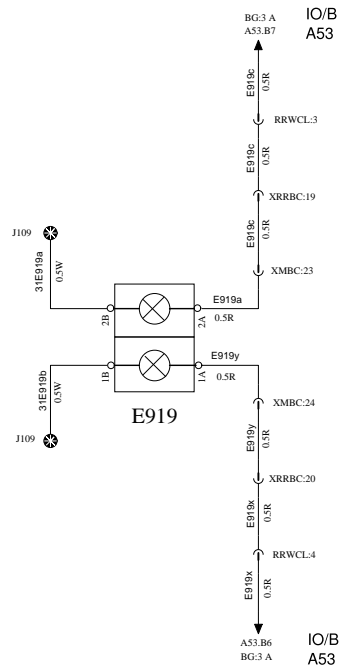
WHEEL CHAIR LIFT

GB

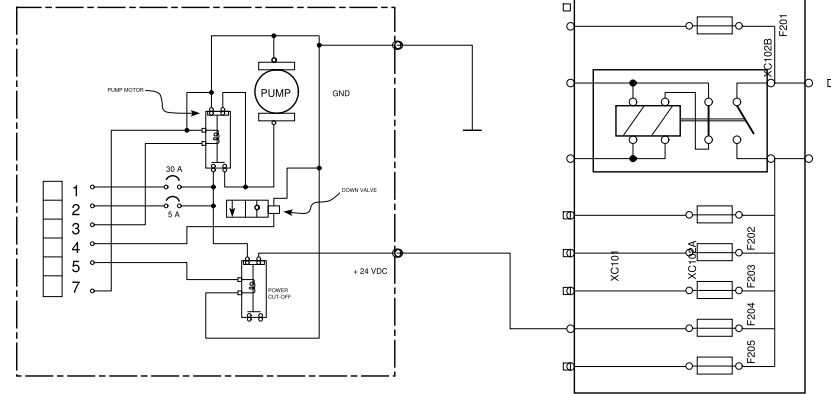
WIRING DIAGRAM



ELECTRICAL HATCH LOCK WHEEL CHAIR LIFT

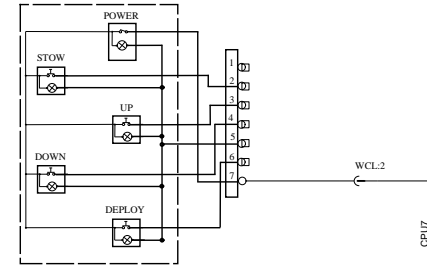


PUMP ENCLOSURE



ENGINE FUSE BOX

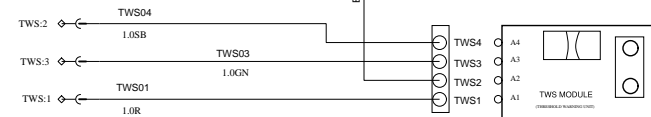
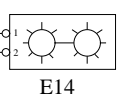
CPU (CONTROL PENDANT UNIT)



IO/B A53

IO/B A53

BEACON



F104



Volvo Bus Corporation

Document title
WIRING DIAGRAM

Document type
PRODUCT SCHEMATIC

Document No

22490509

Issue

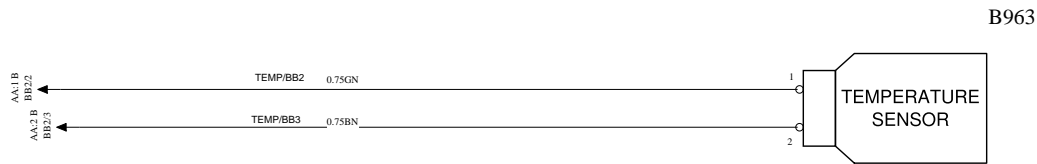
01

Volume

01

Page

30/74

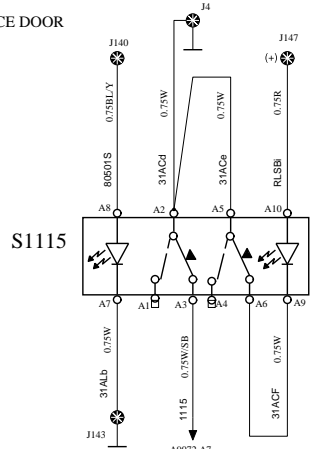


DOOR CONTROL

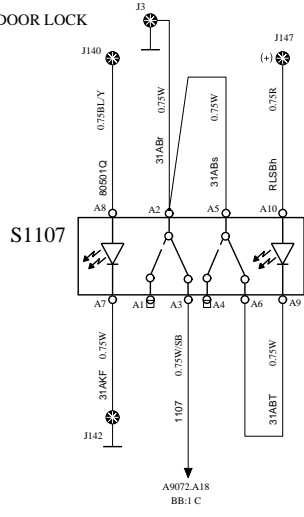
HA

WIRING DIAGRAM

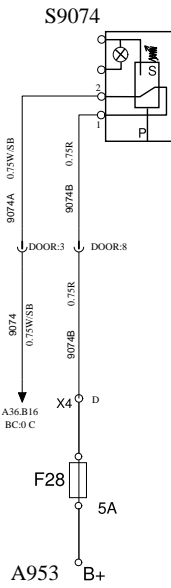
SERVICE DOOR



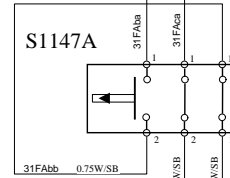
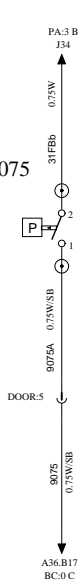
DOOR LOCK



S9074



S9075



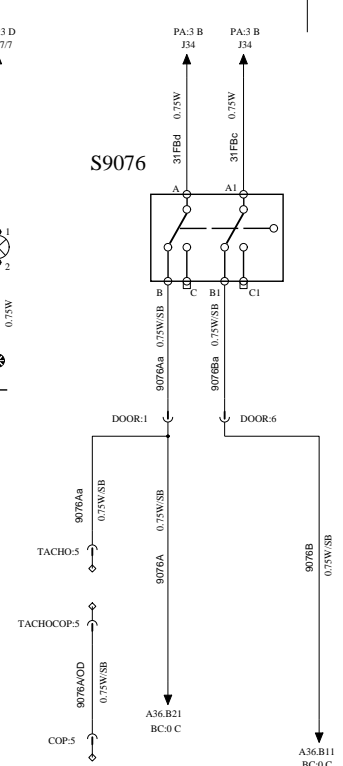
S1147B



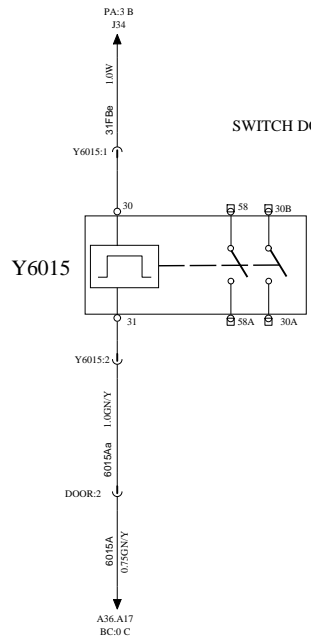
E4070



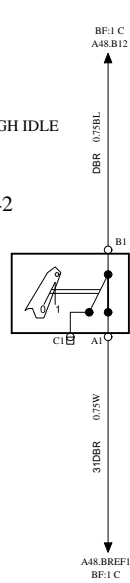
S9076



SWITCH DOOR BRAKE HIGH IDLE

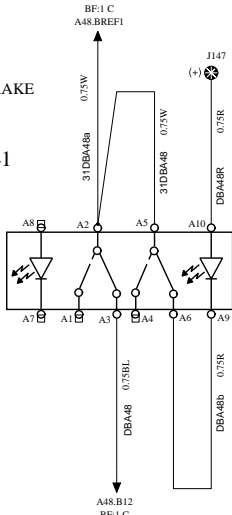


S142

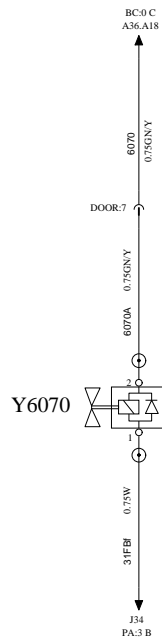
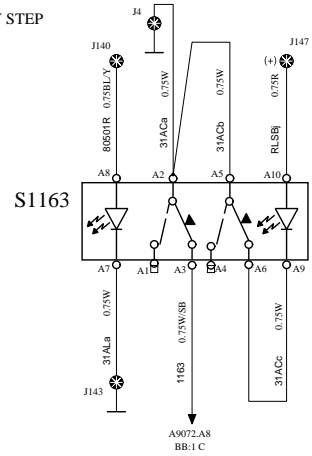


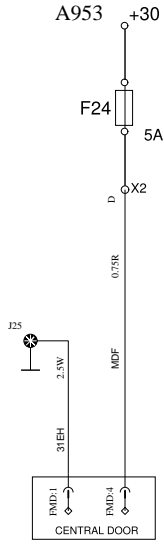
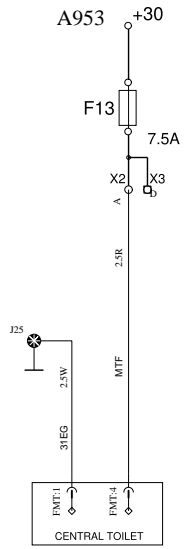
DOOR BRAKE

S141

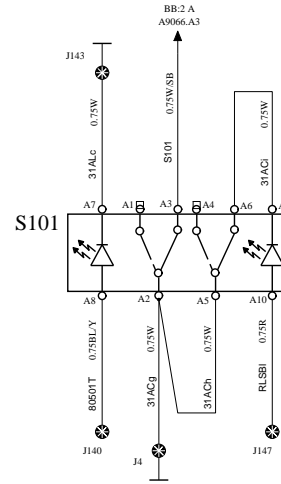


AUXILIARY STEP

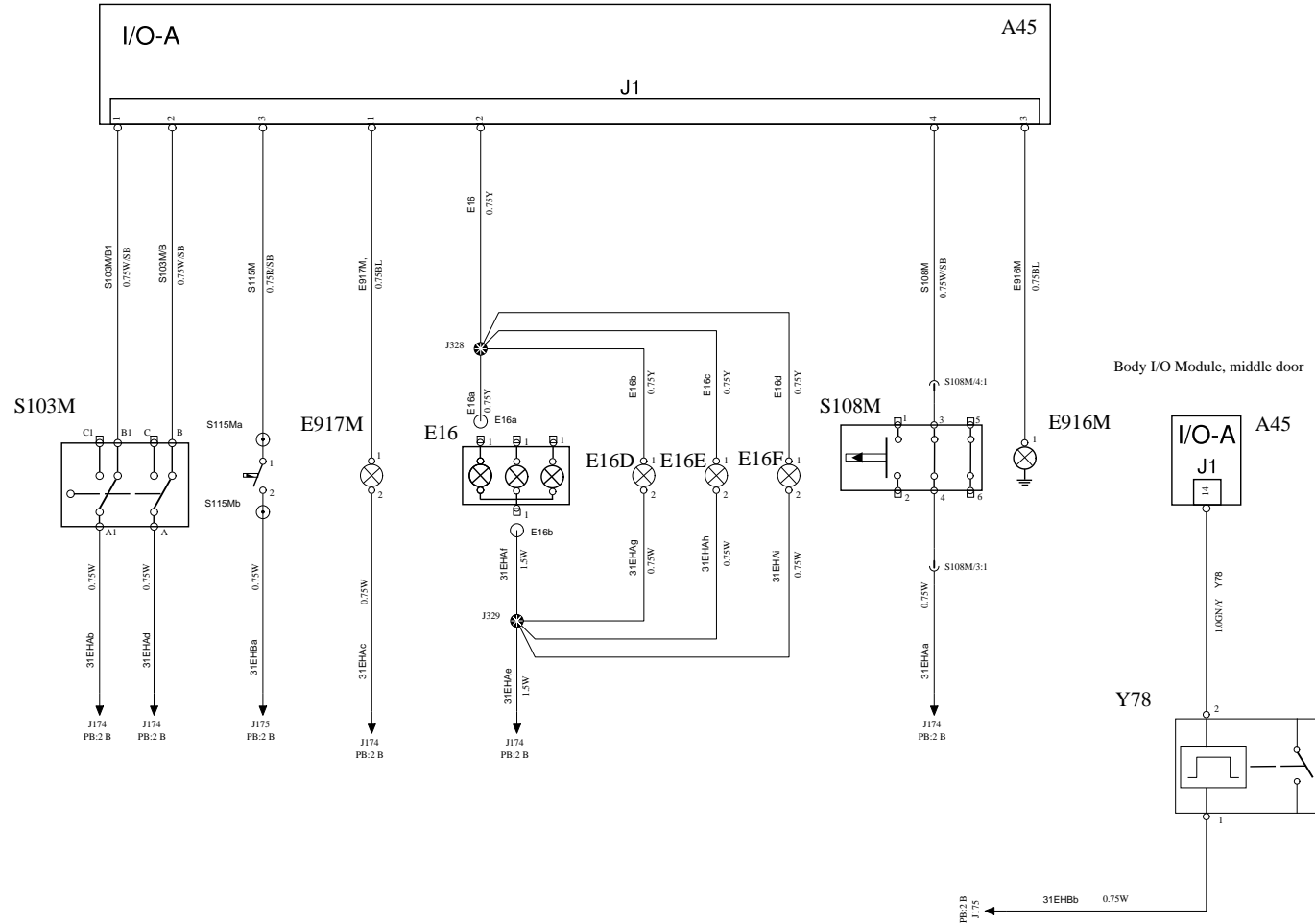




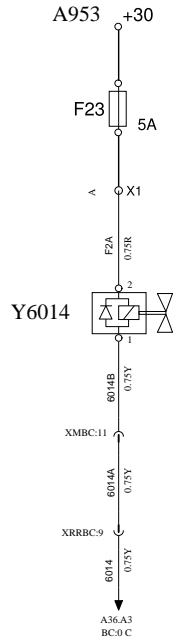
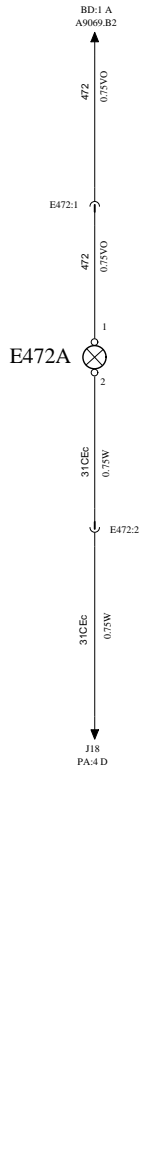
Switch, Middle Door



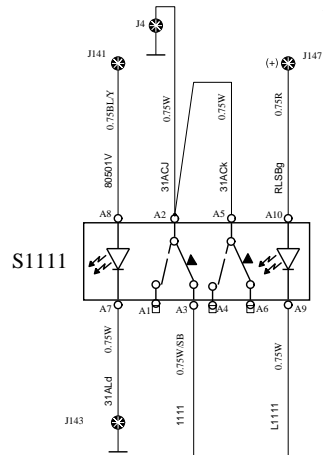
Body I/O Module, middle door



ACCESORIES

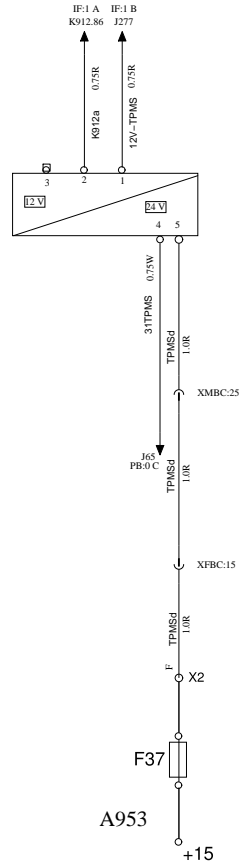


IA

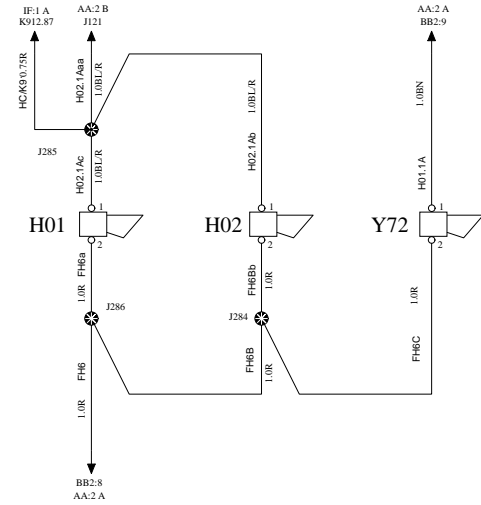
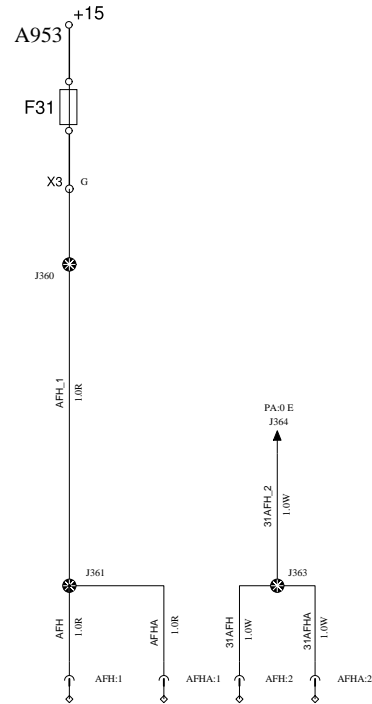


CENTRAL LOCK

T902



WIRING DIAGRAM



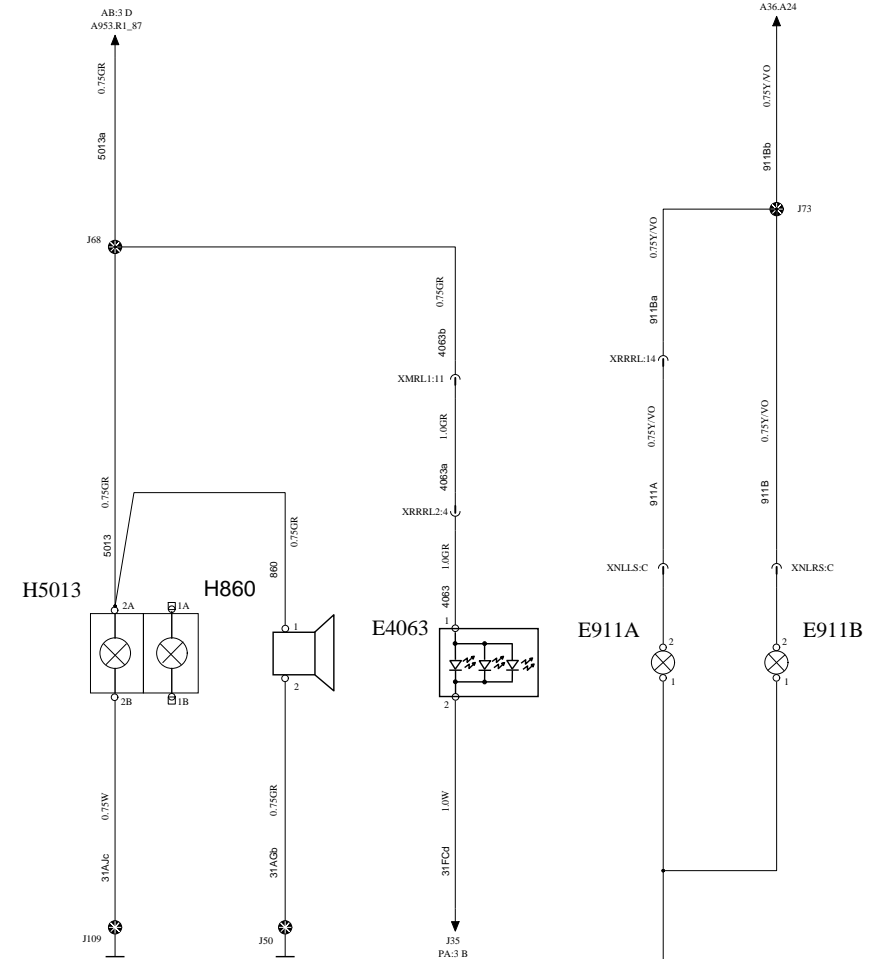
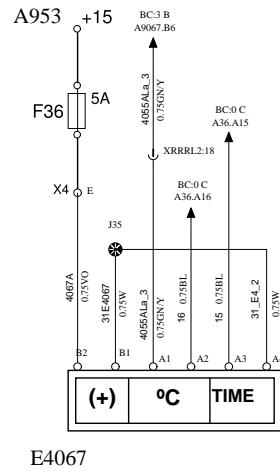
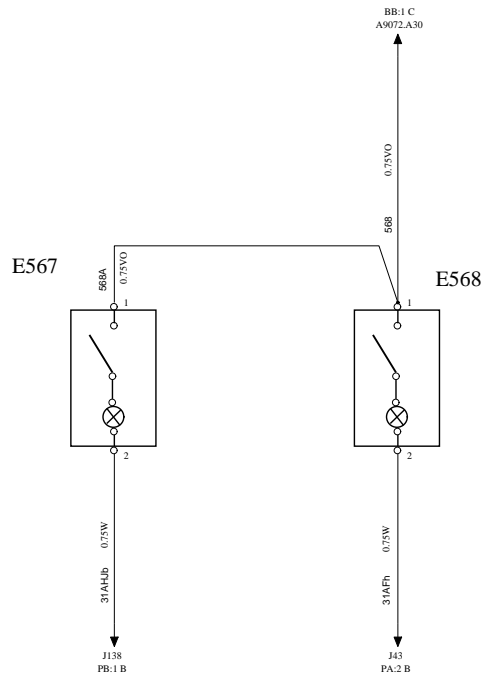
ACCESORIES

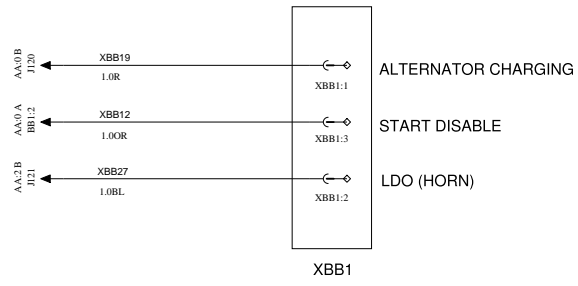
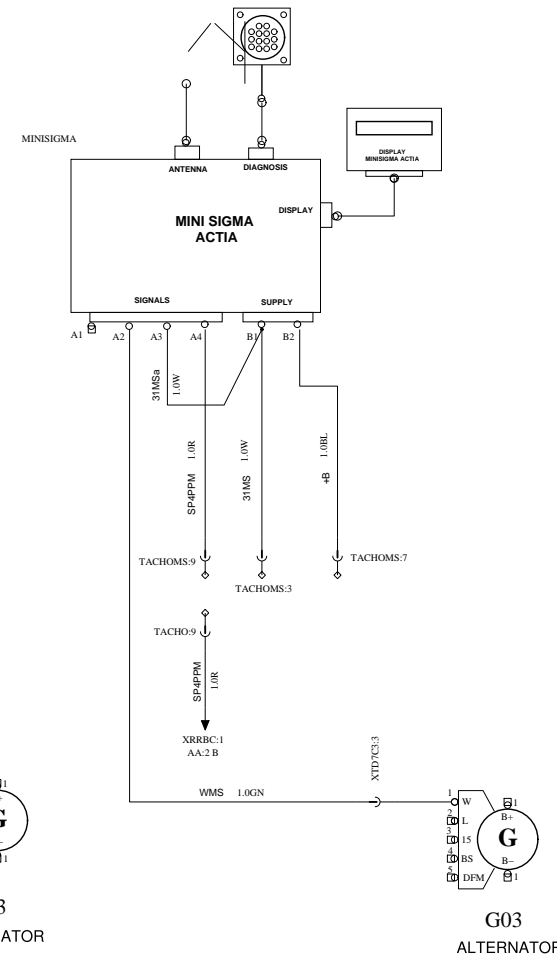
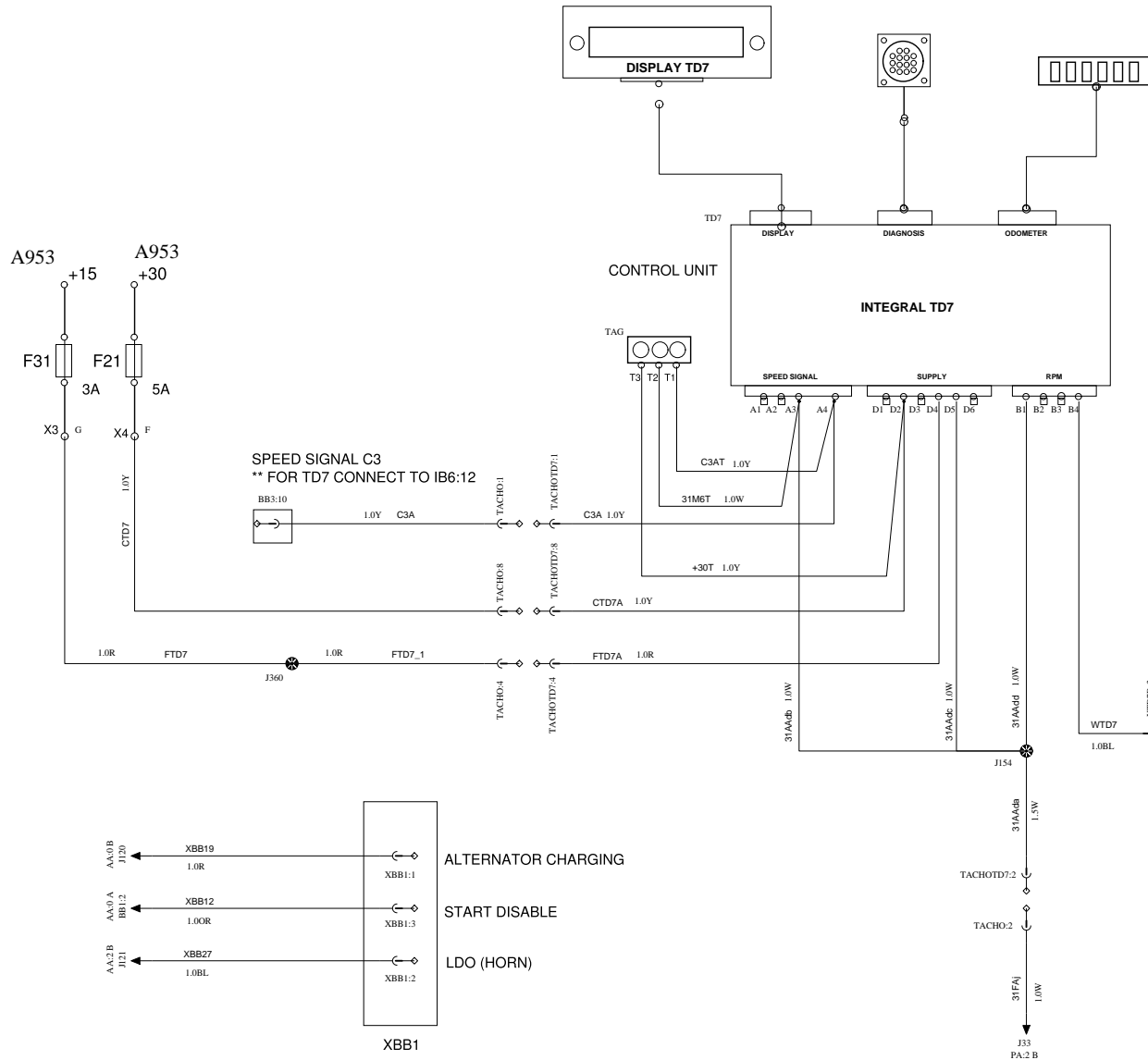
IB

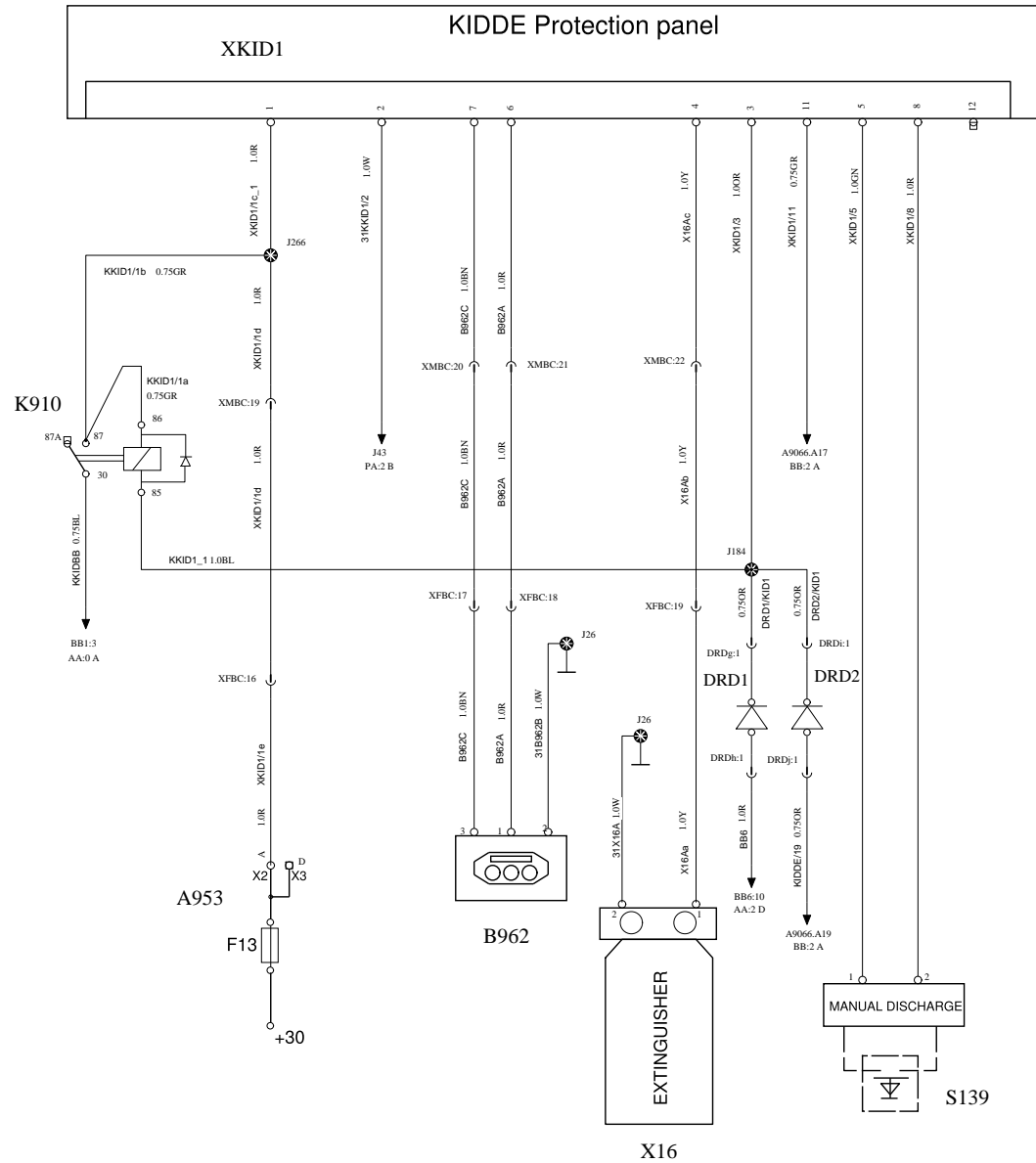
WIRING DIAGRAM

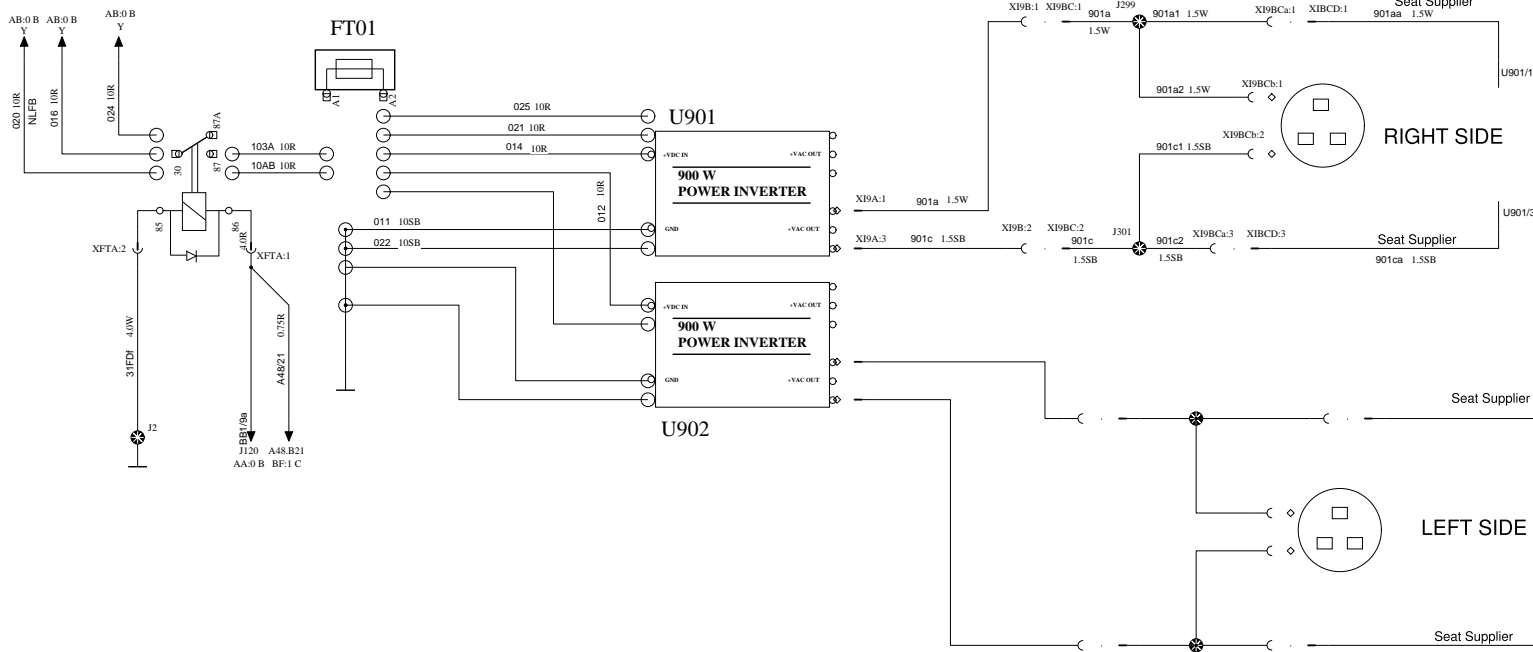
SNAKE LAMP, ELECTRIC CENTRE

SNAKE LAMP, MAP LIGHT





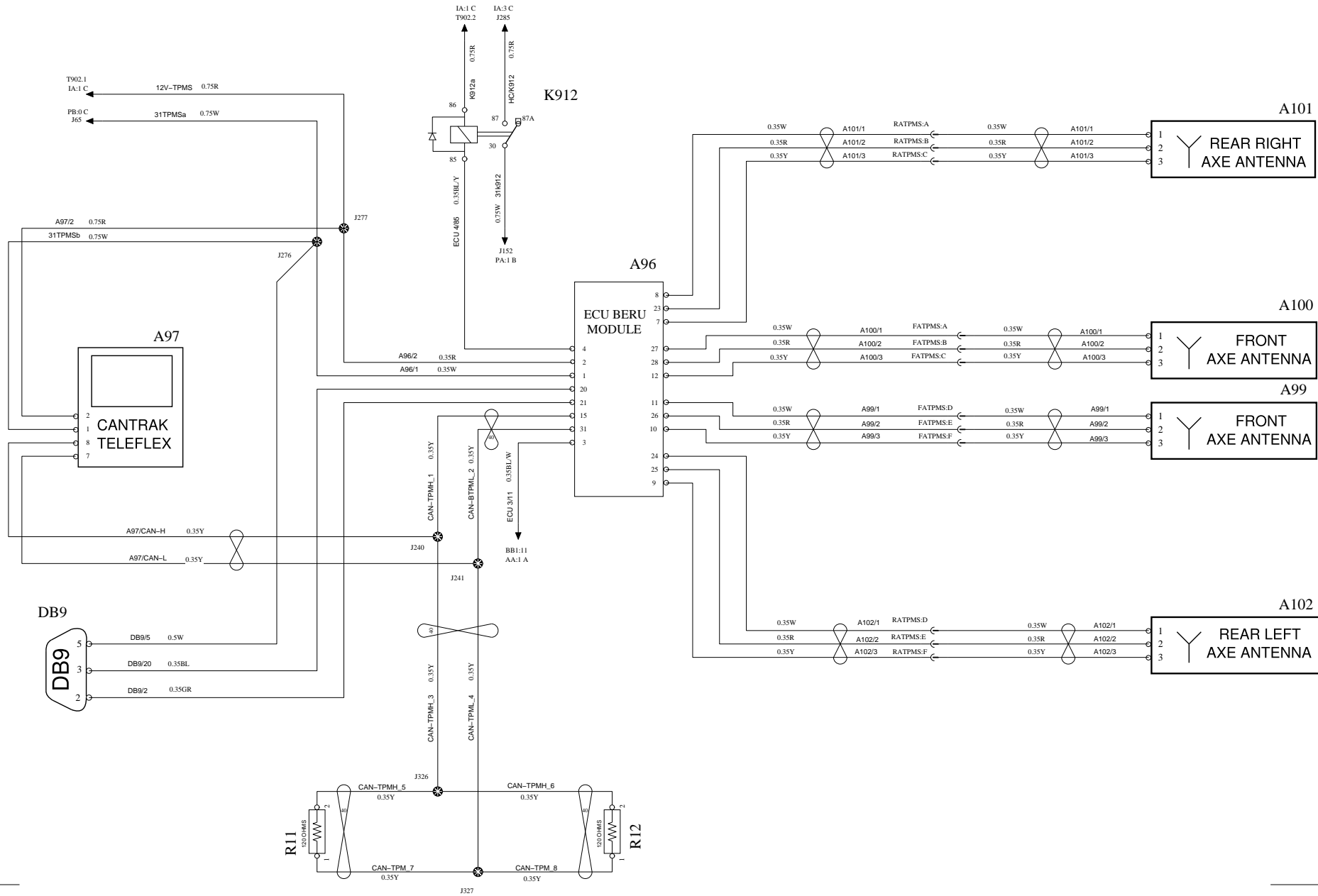




TIRE PRESSURE MONITORING SYSTEM

IF

WIRING DIAGRAM



Volvo Bus Corporation

Document title
WIRING DIAGRAM

Document type
PRODUCT SCHEMATIC

Document No

22490509

Issue

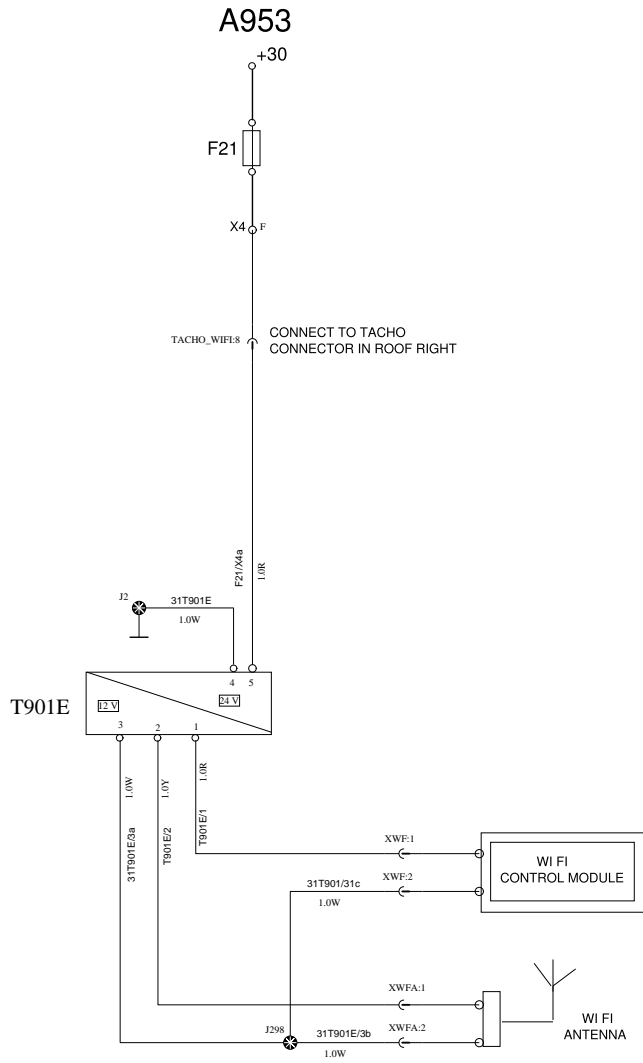
01

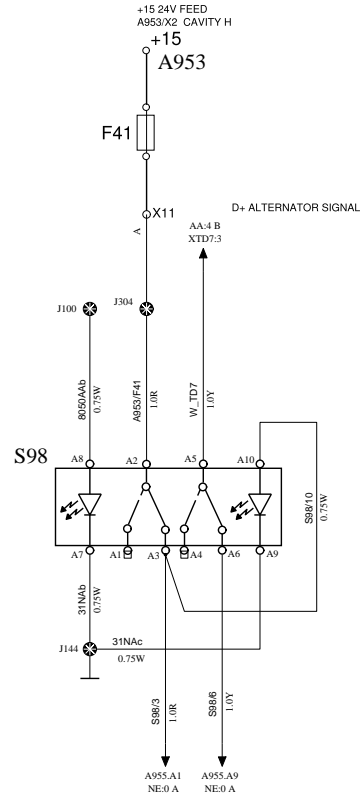
Volume

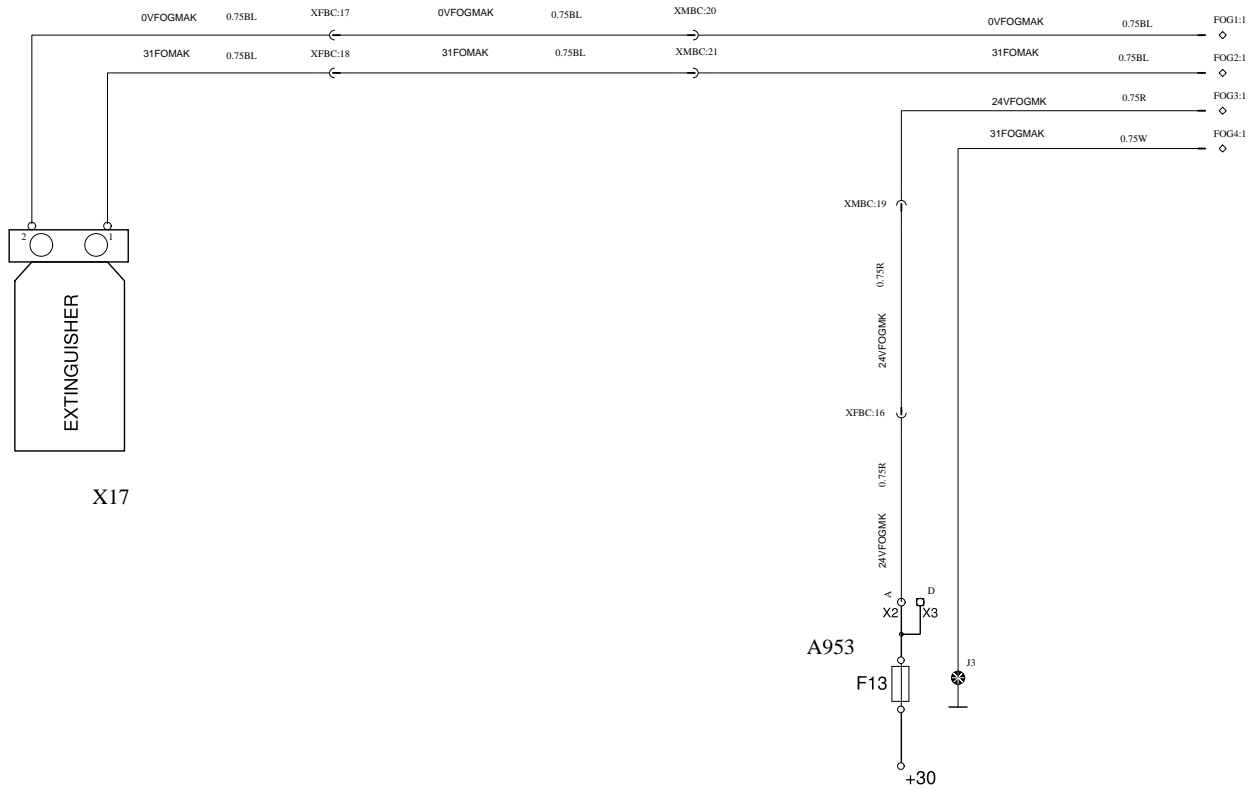
01

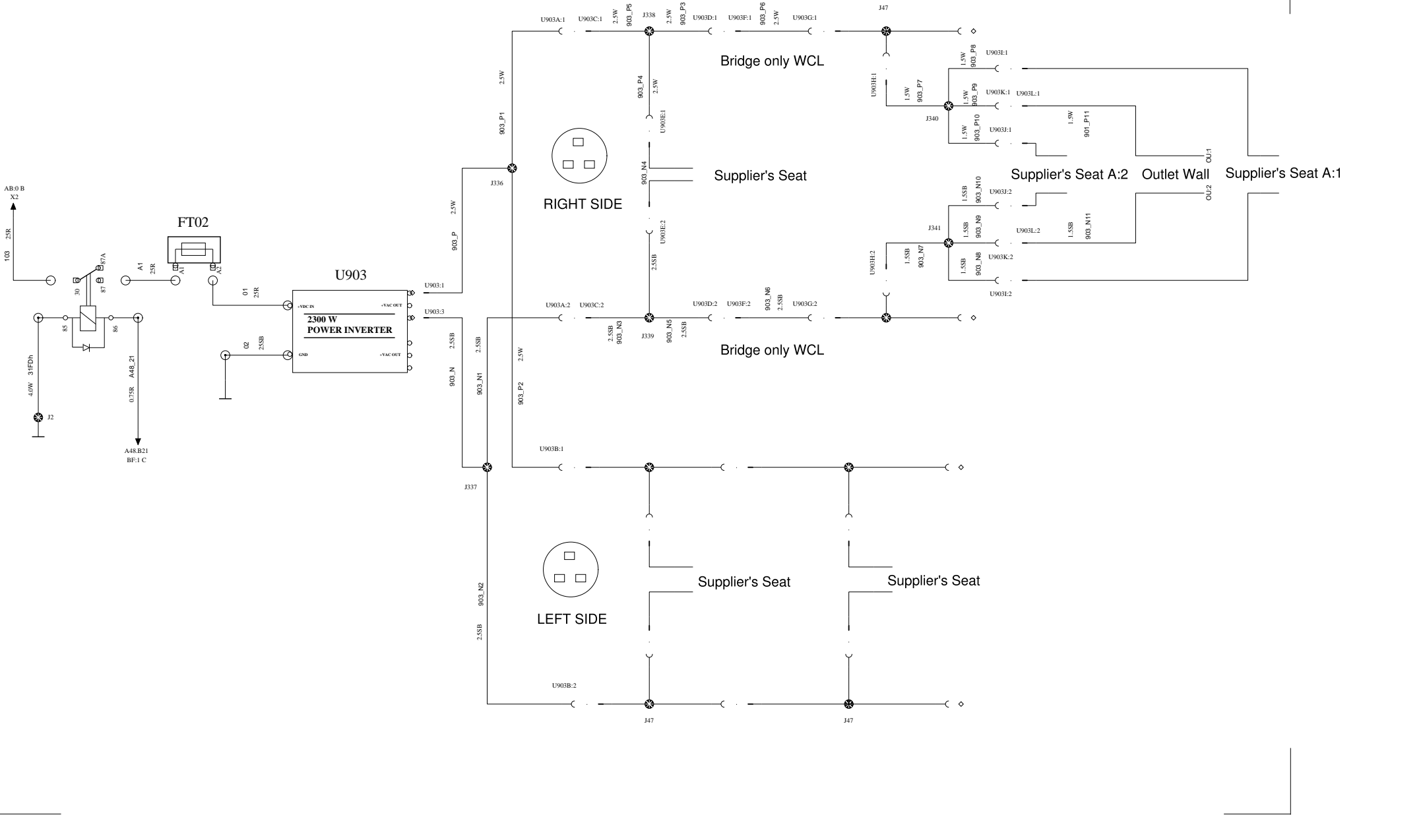
Page

41/74





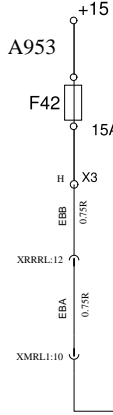
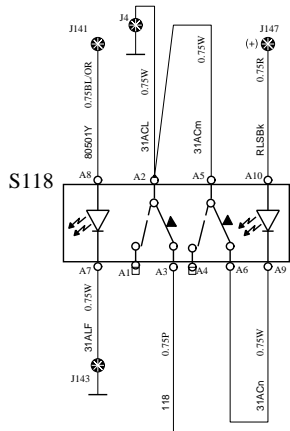




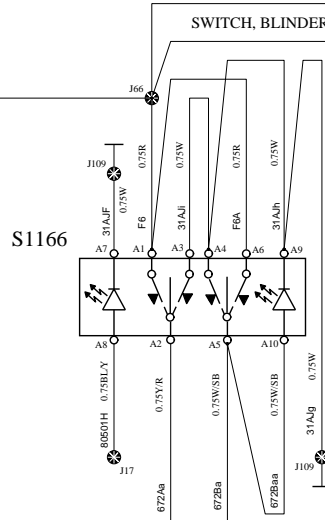
FANS, BLINDERS & MIRRORS

WIRING DIAGRAM

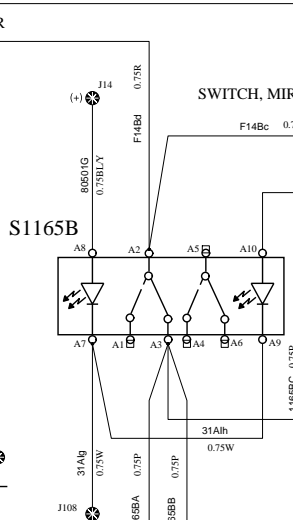
SWITCH, DRIVER AND GUIDE FAN



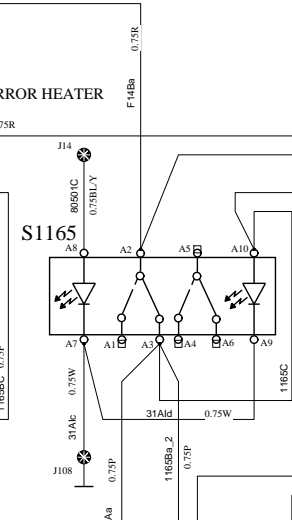
S1166



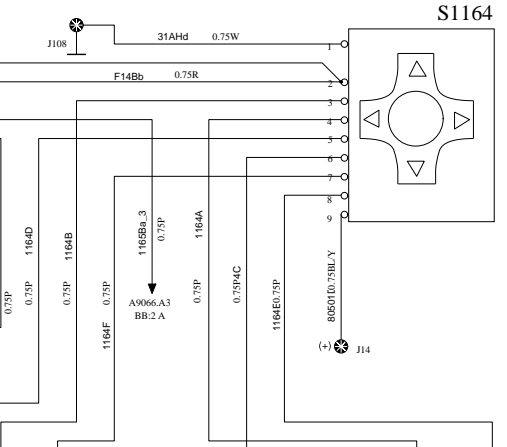
S1165B



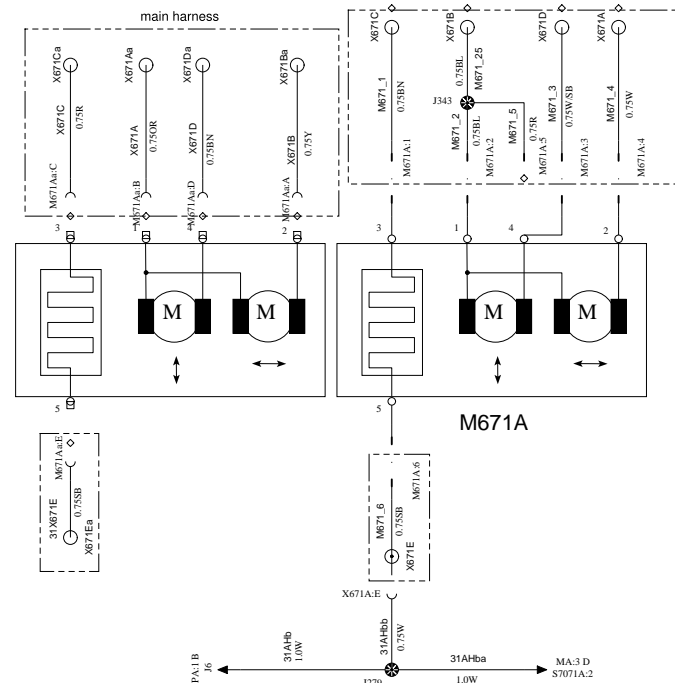
S1165



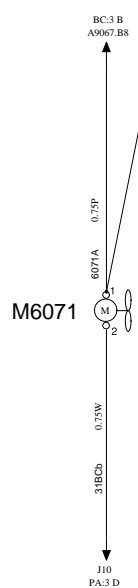
S1164



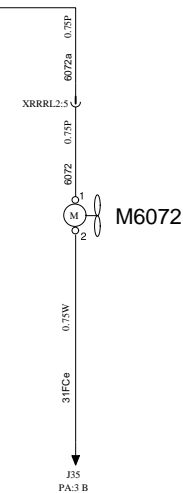
main harness



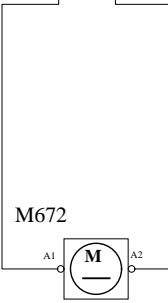
M6071



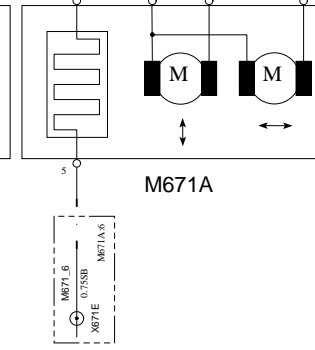
M6072



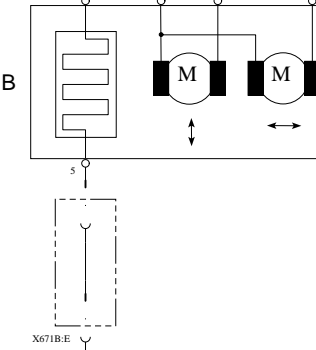
M672



M671A



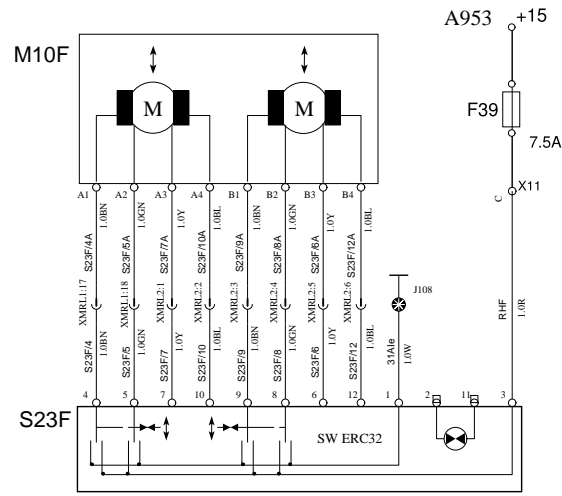
M671B



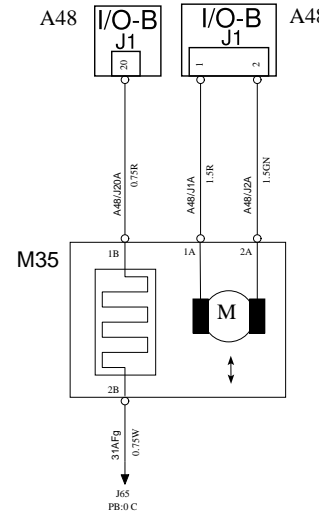
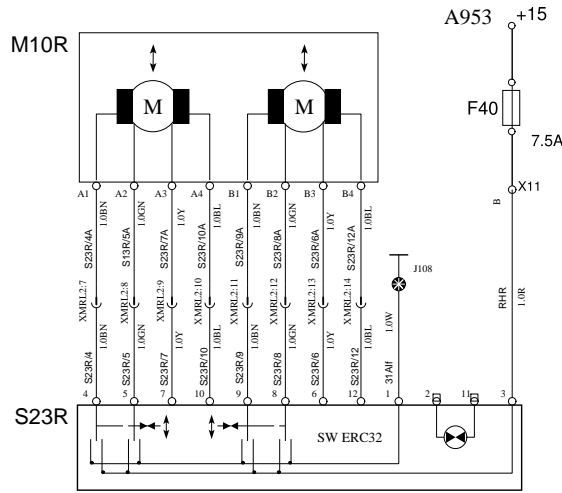
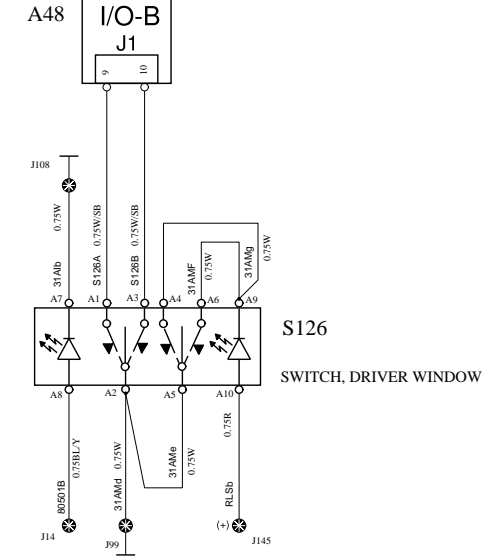
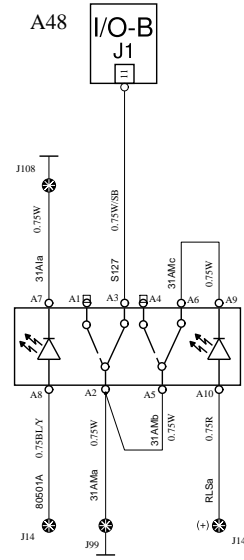
ELECTRIC WINDOW & ROOF HATCHES

JB

WIRING DIAGRAM



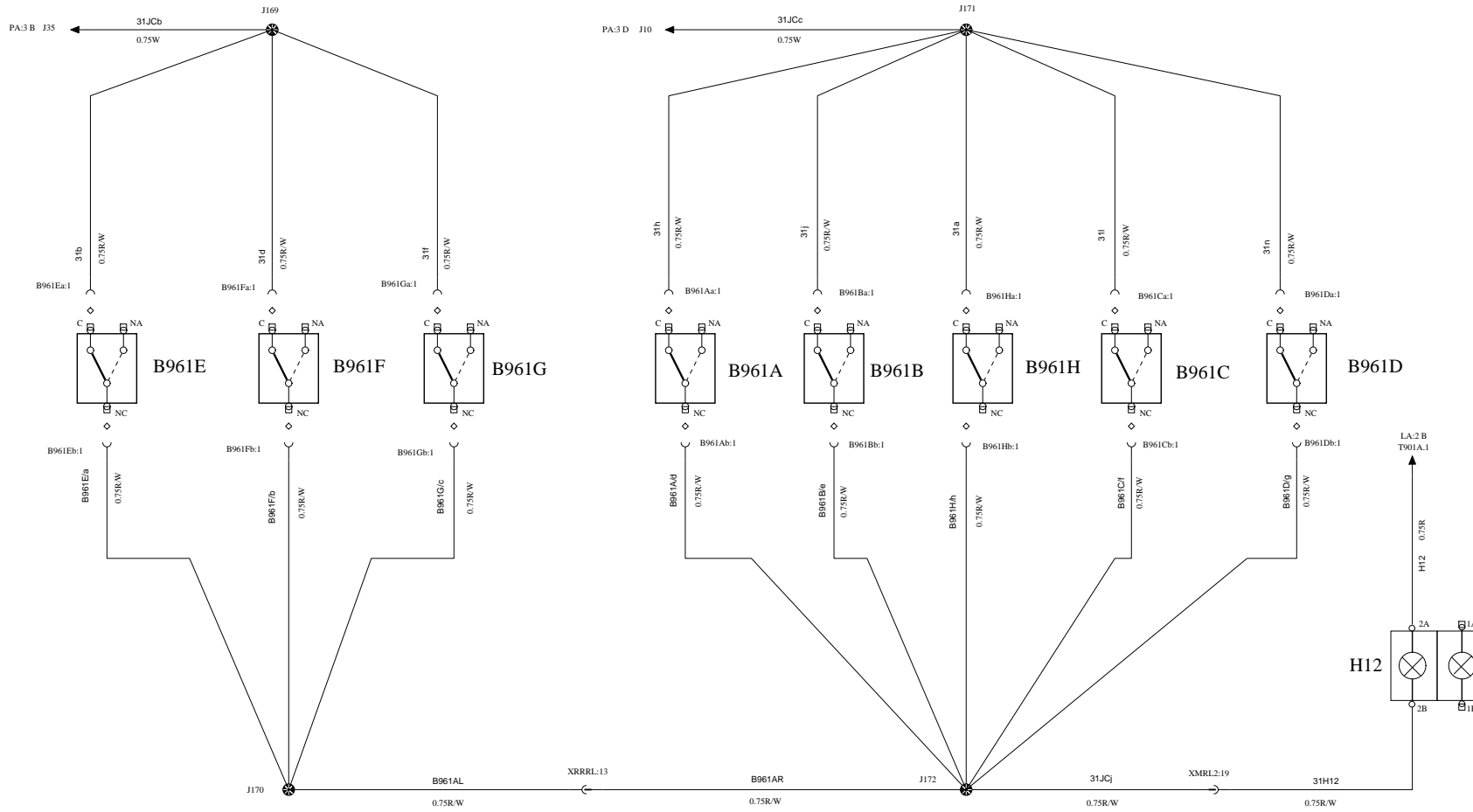
S127 SWITCH, WINDOW HEATER

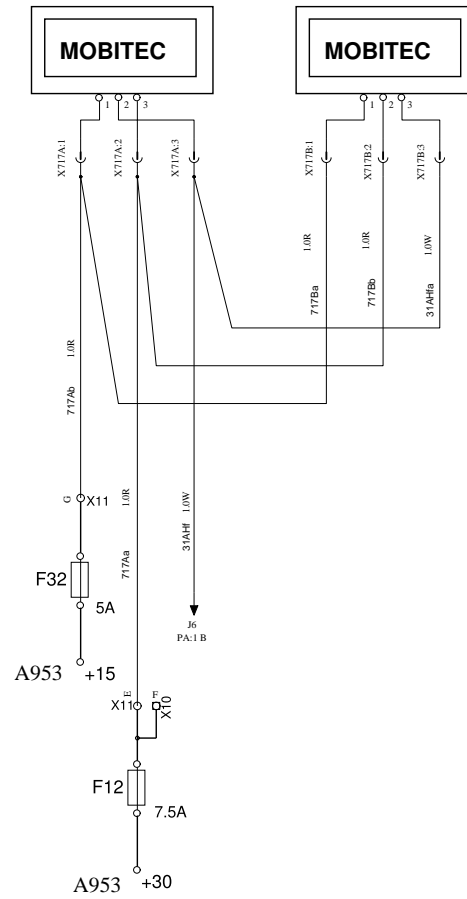
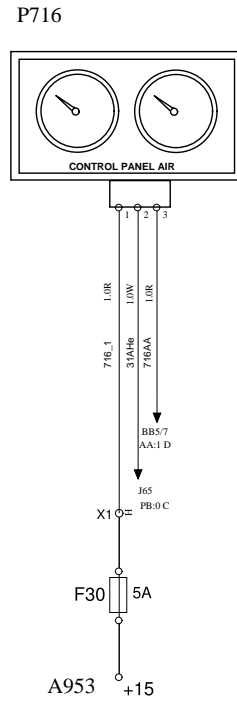
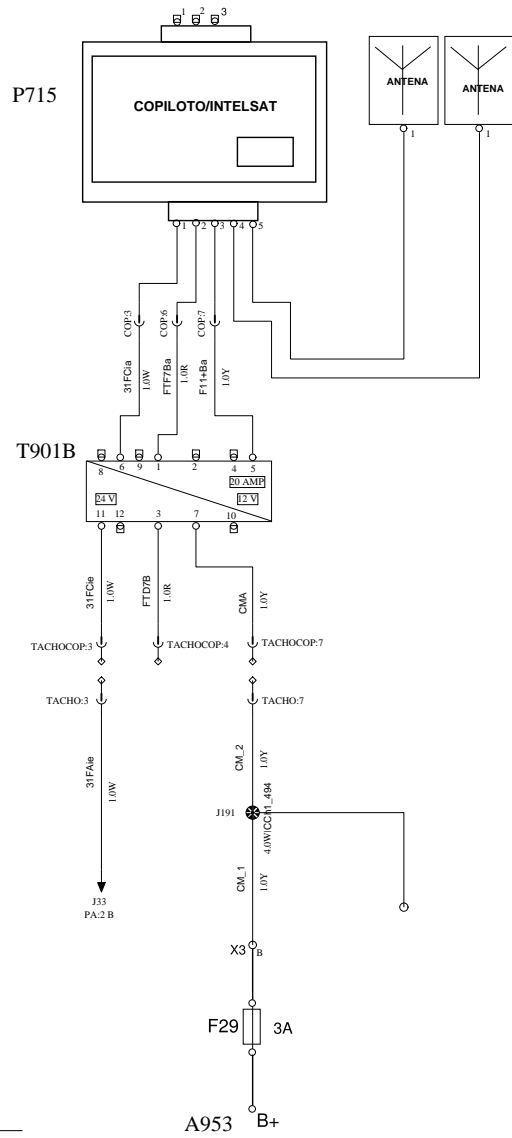


EMERGENCY WINDOW

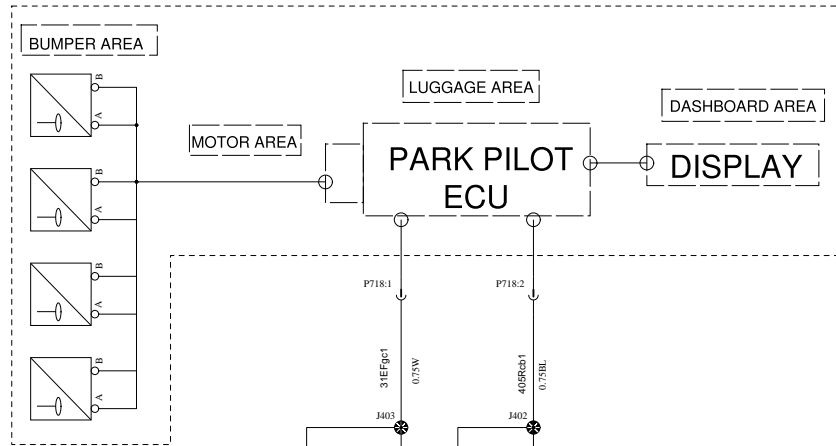
JC

WIRING DIAGRAM

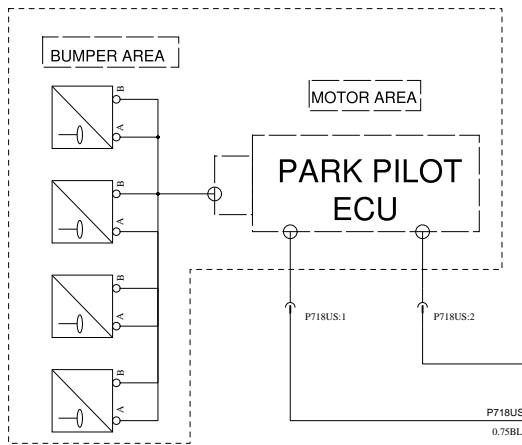




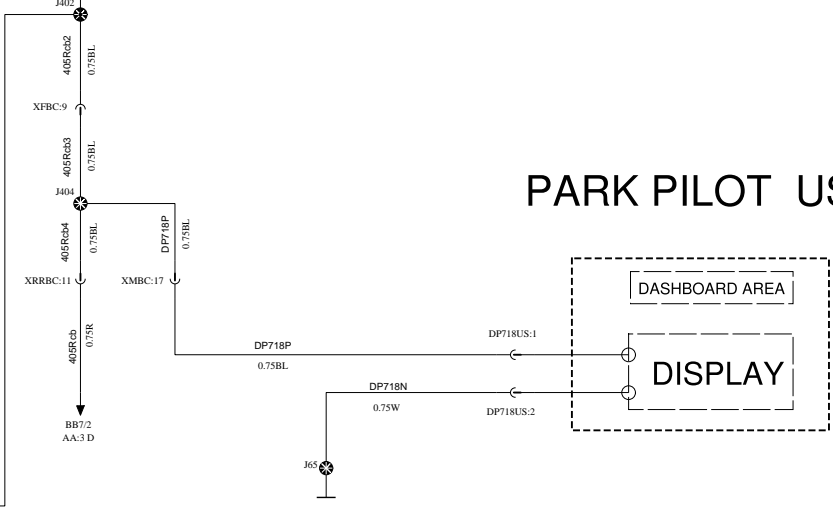
PARK PILOT EU5

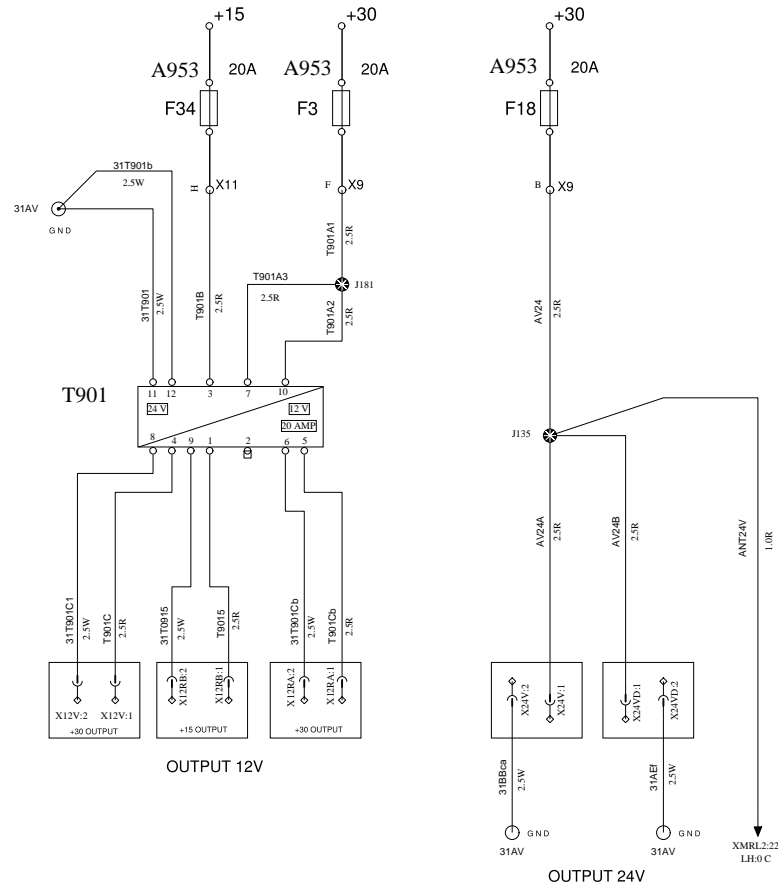


PARK PILOT US10

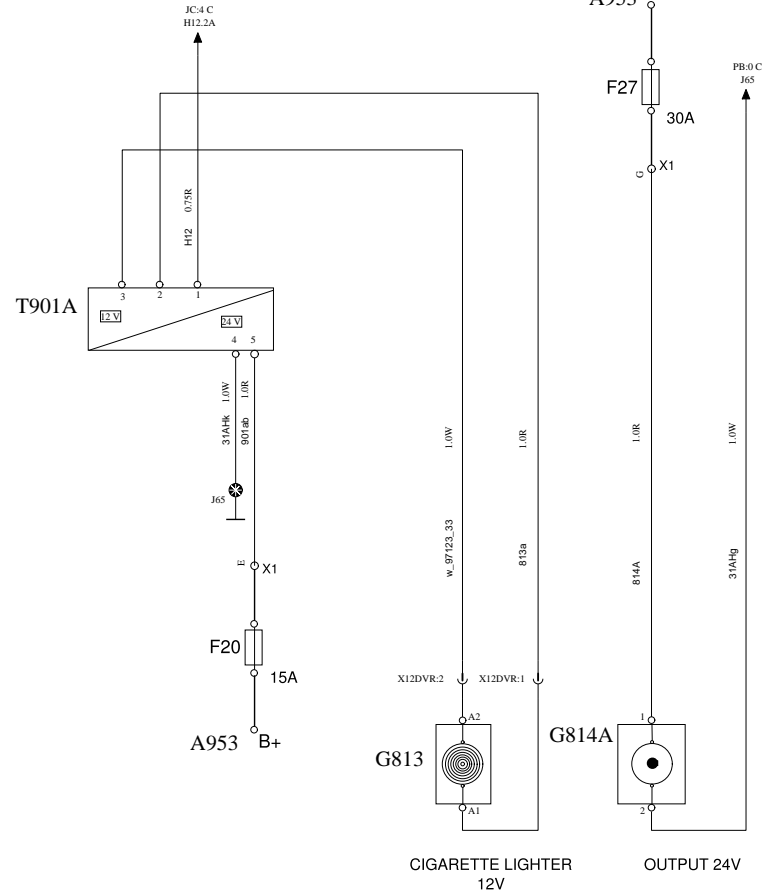


PARK PILOT US10



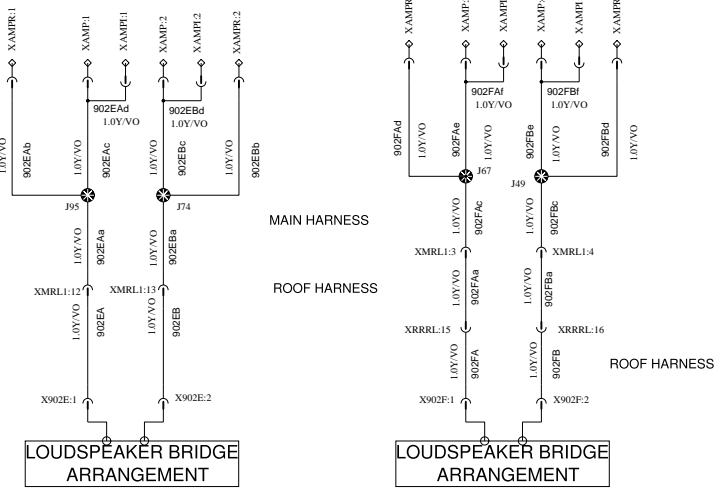


AUDIO AND VIDEO SUPPLY



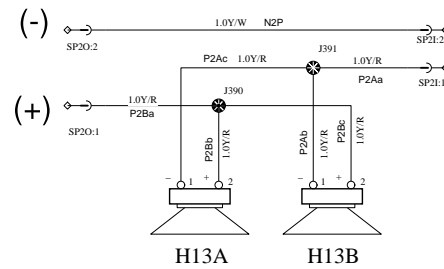
DRIVER SIDE

CABIN AREA

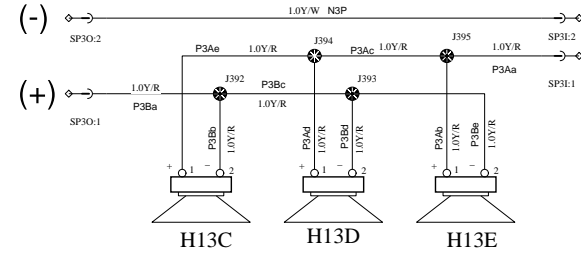


LOUDSPEAKER'S BRIDGES BY ENVIRONMENTAL SOUND

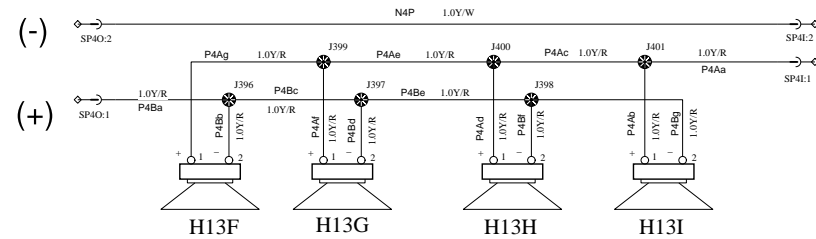
ARRANGEMENT TYPE 1



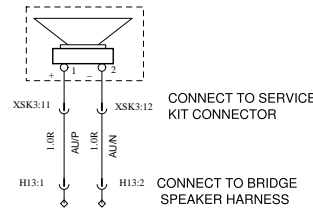
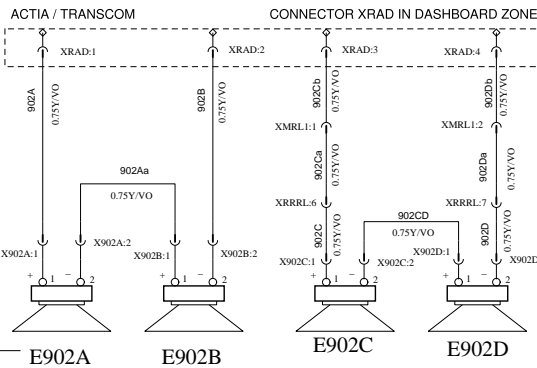
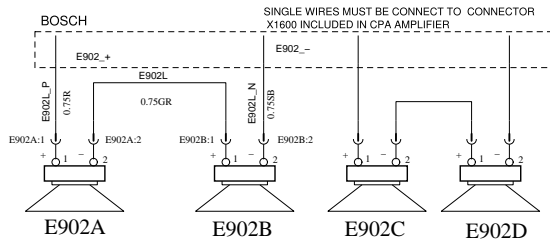
ARRANGEMENT TYPE 2



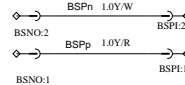
ARRANGEMENT TYPE 3



DRIVER'S SPEAKERS



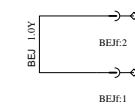
BRIDGE A

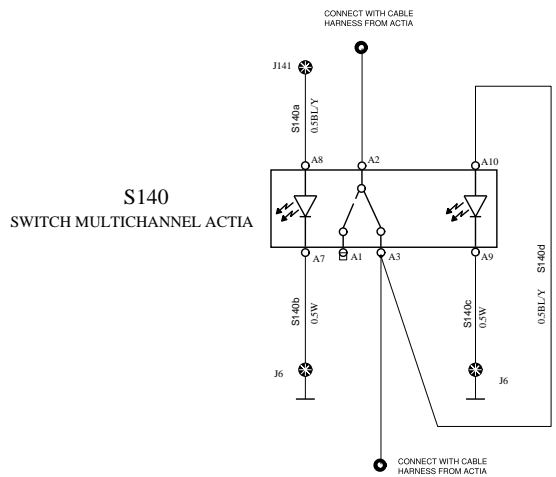
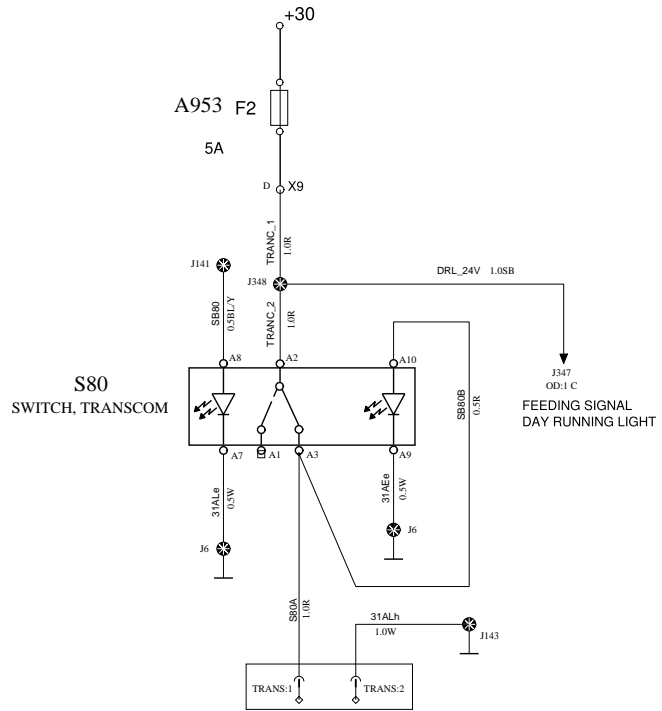


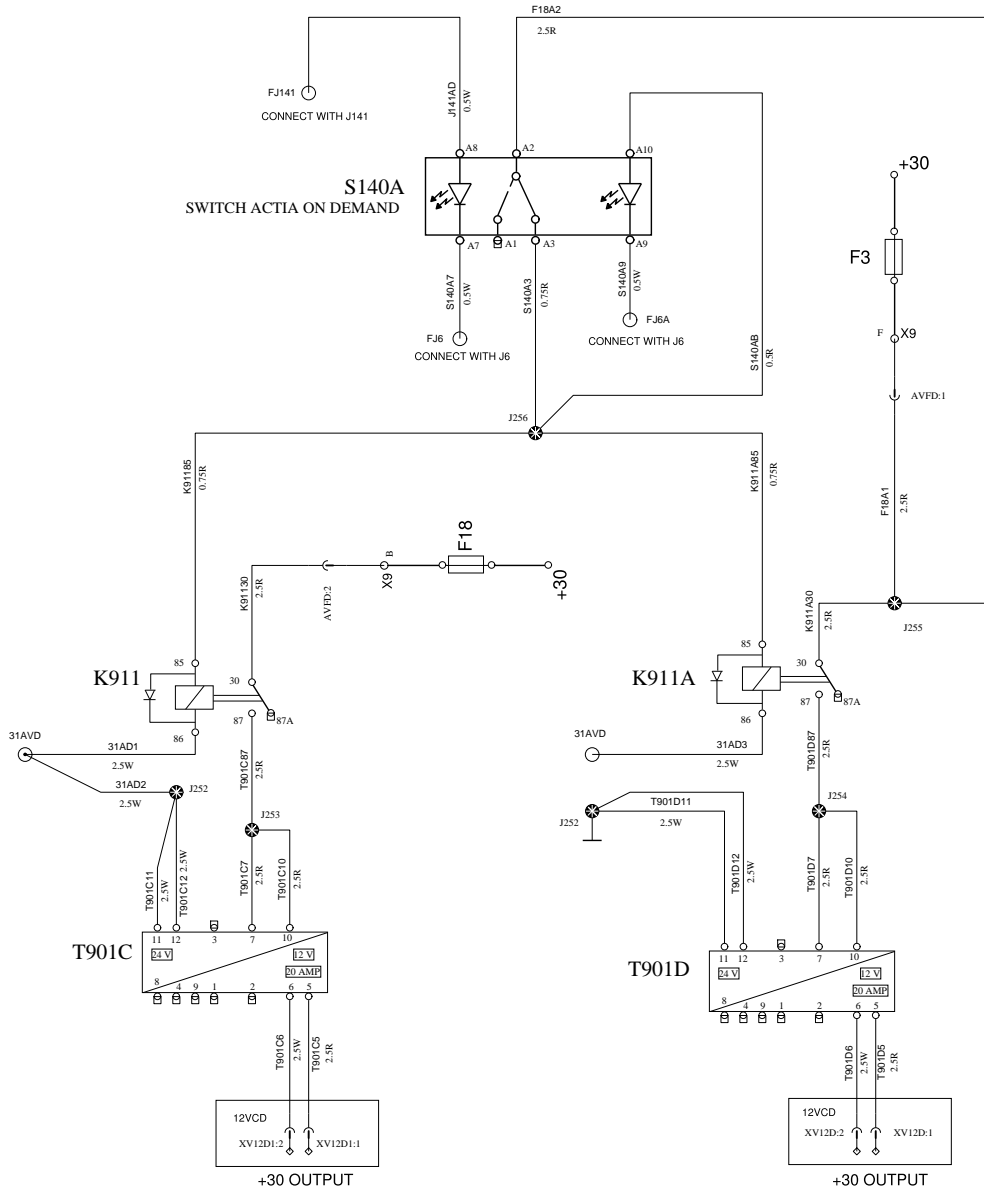
BRIDGE B (WCL & DL-110)

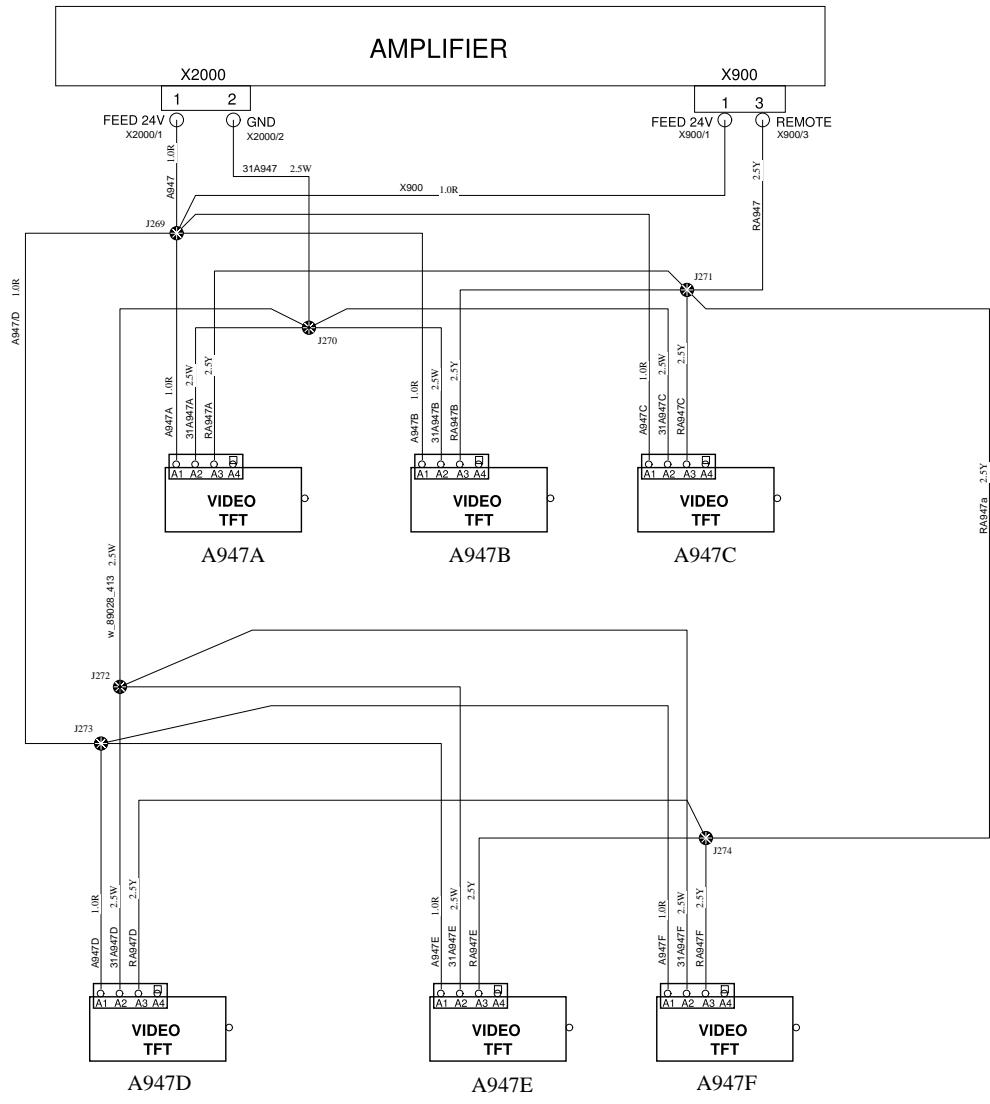


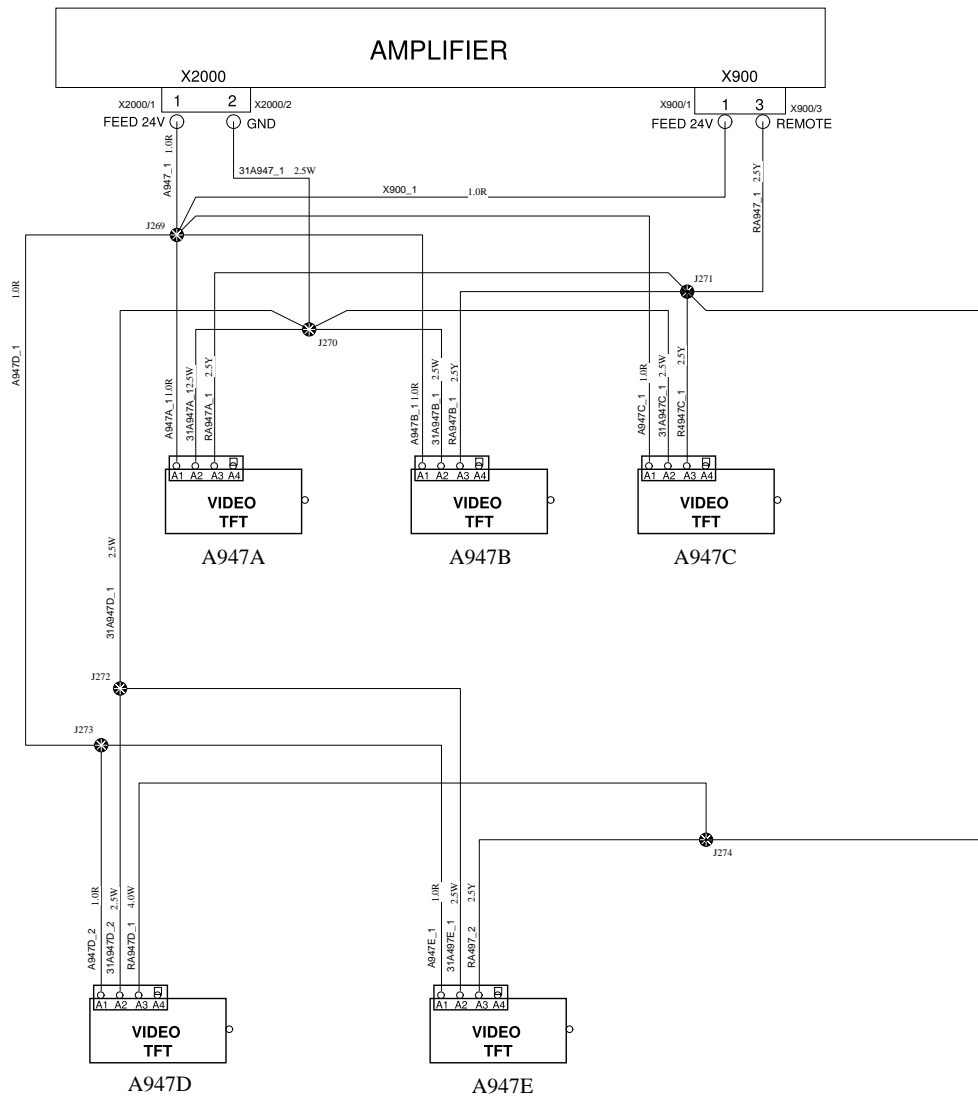
BRIDGE END JOINT

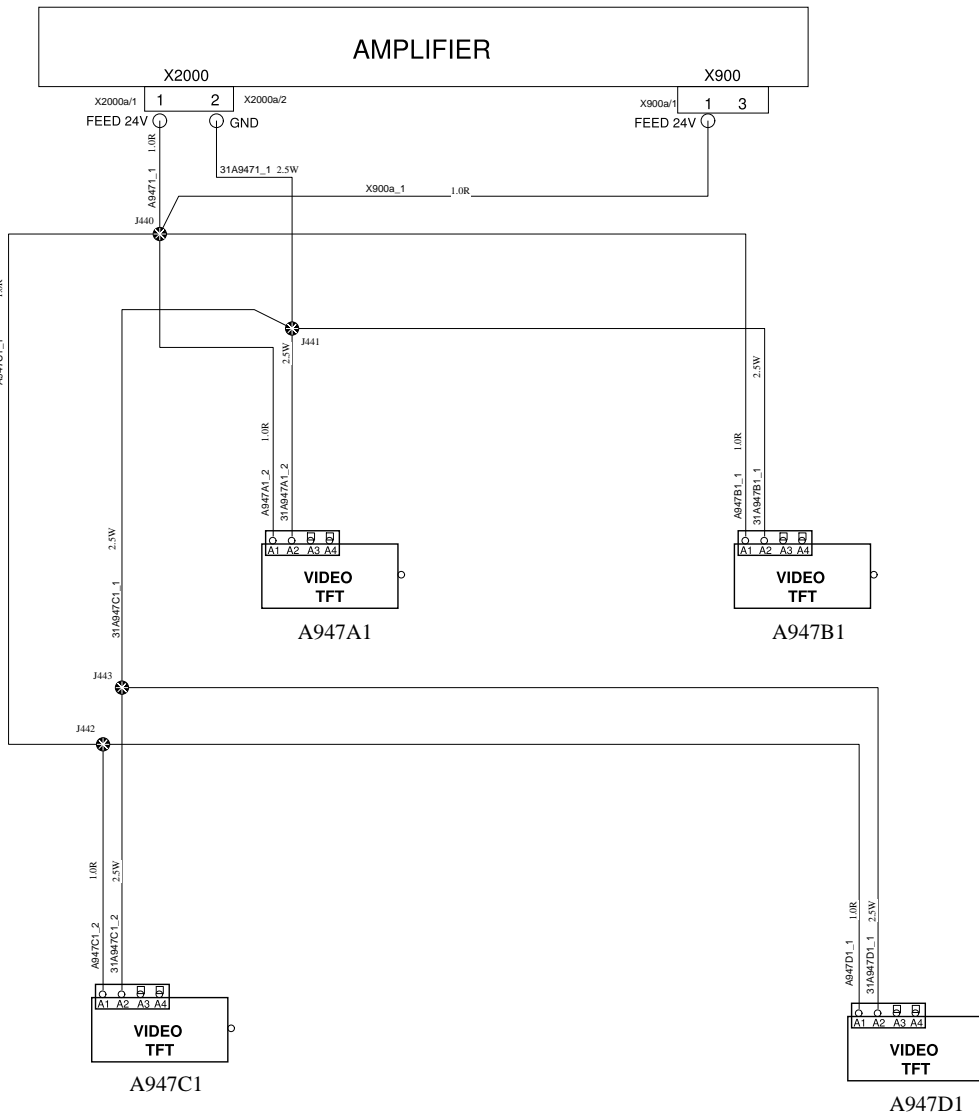




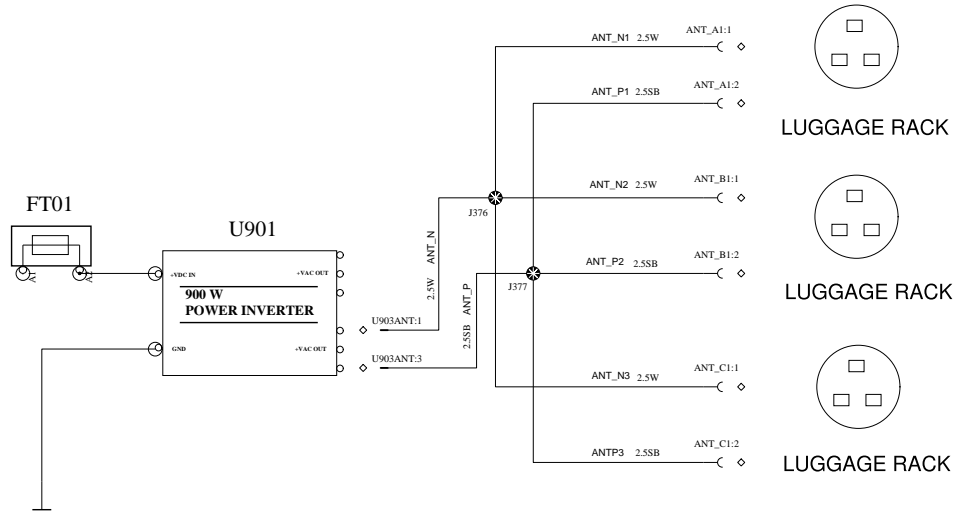
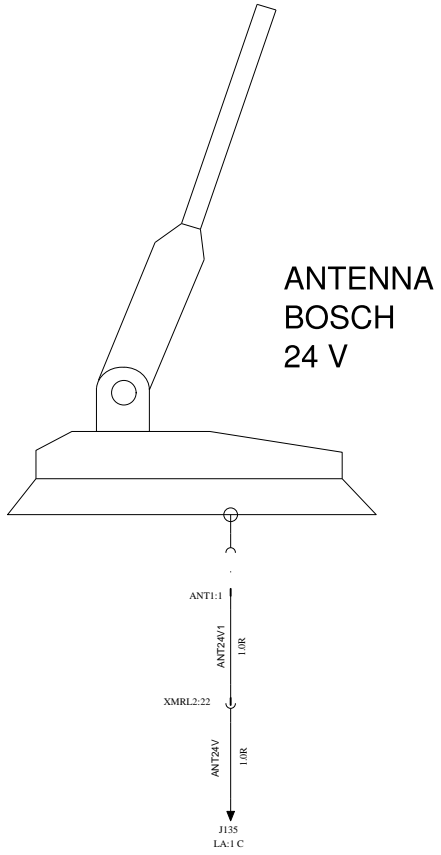


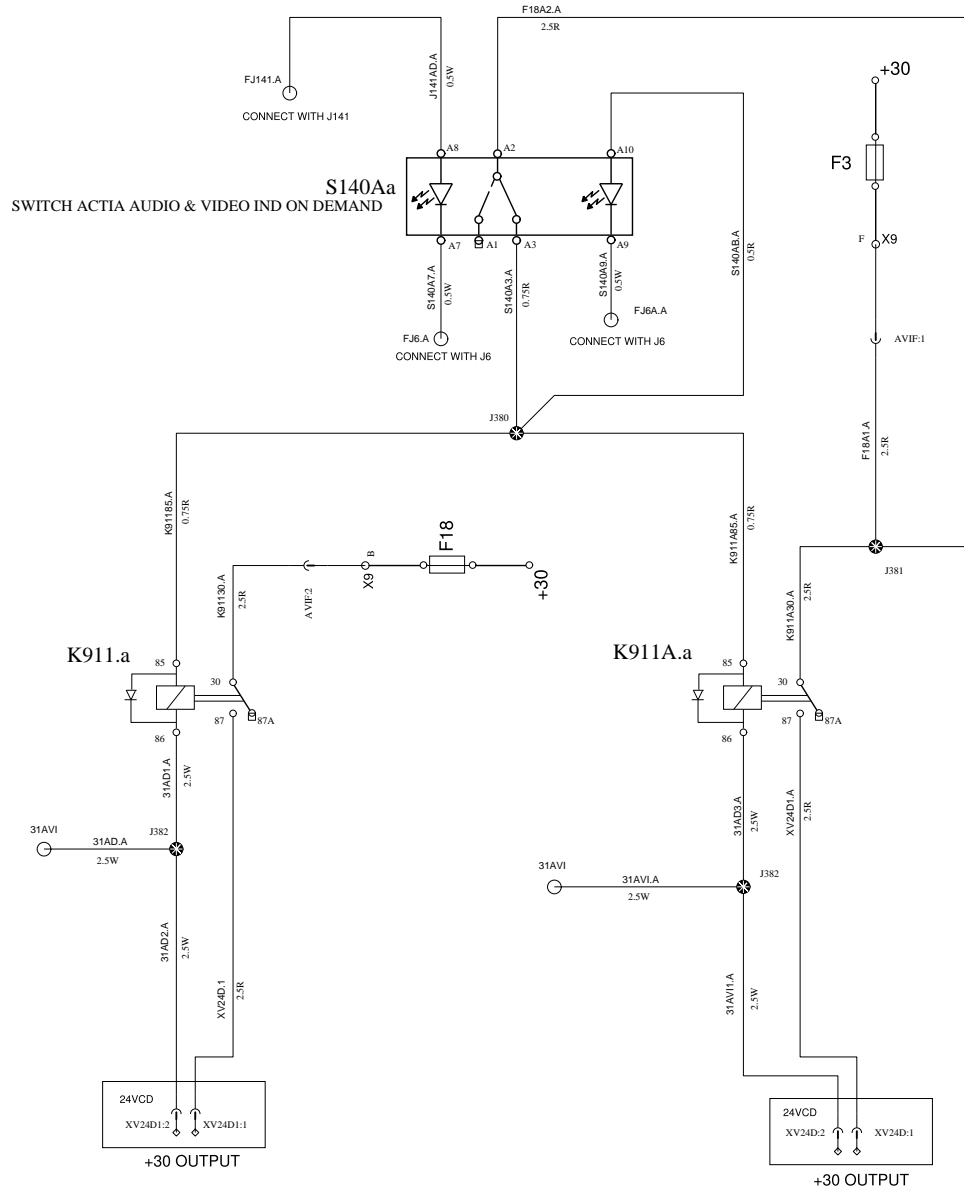




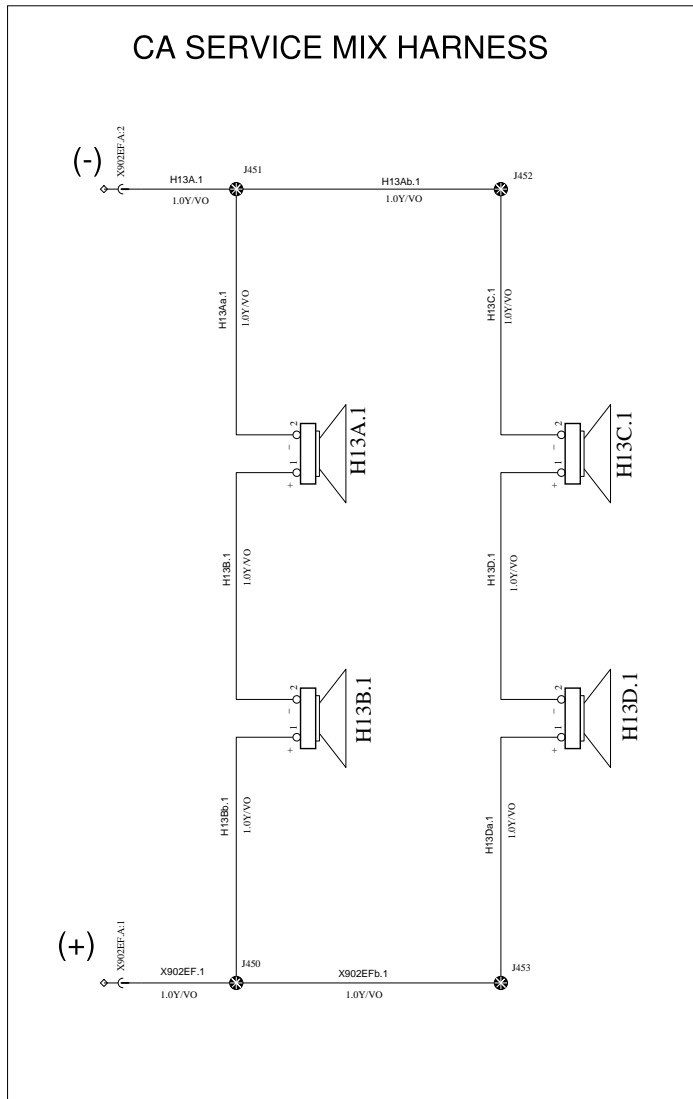


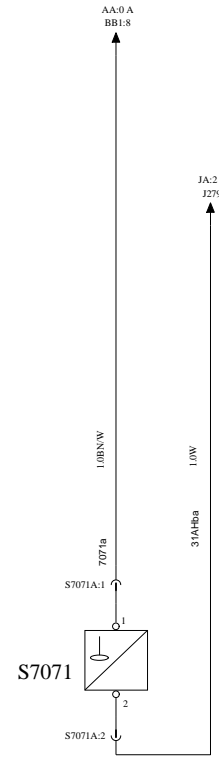
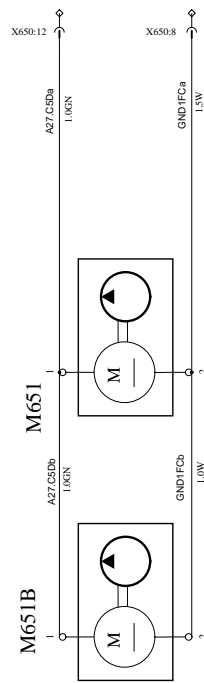
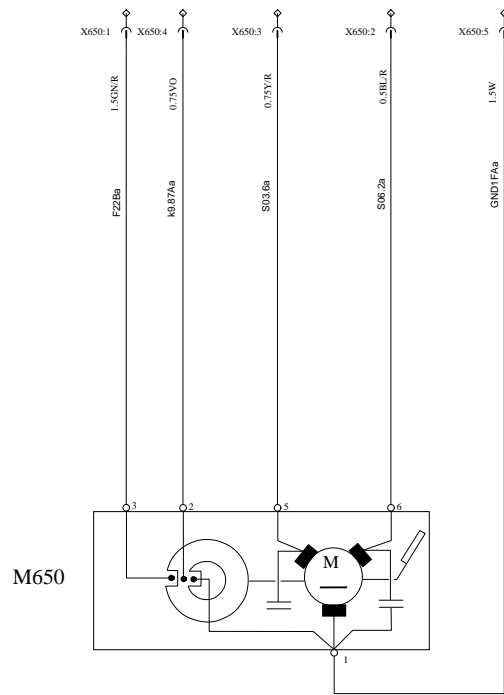
ANTENNA'S SATELLITE MODULES FEEDING 127 v



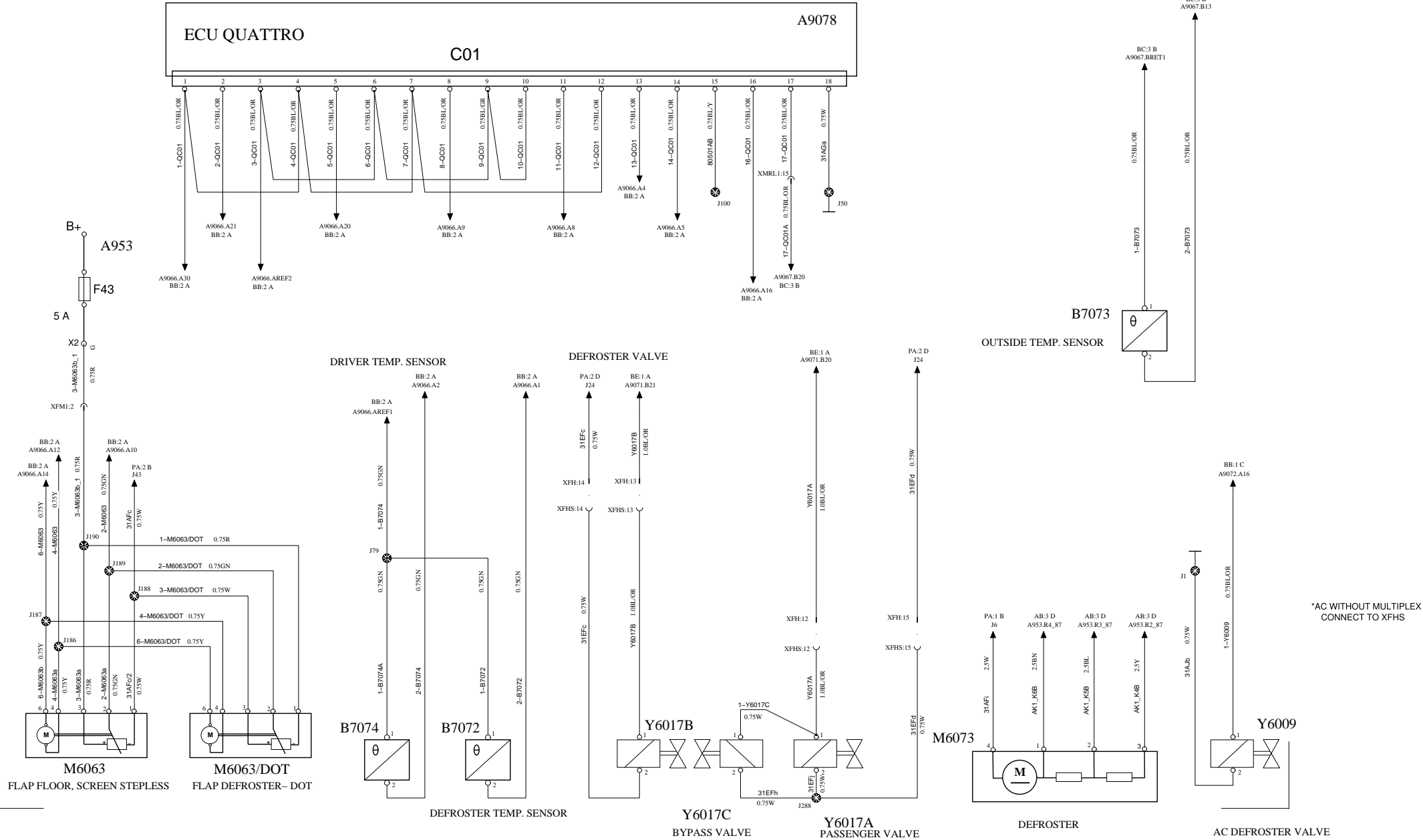


CA SERVICE MIX HARNESS

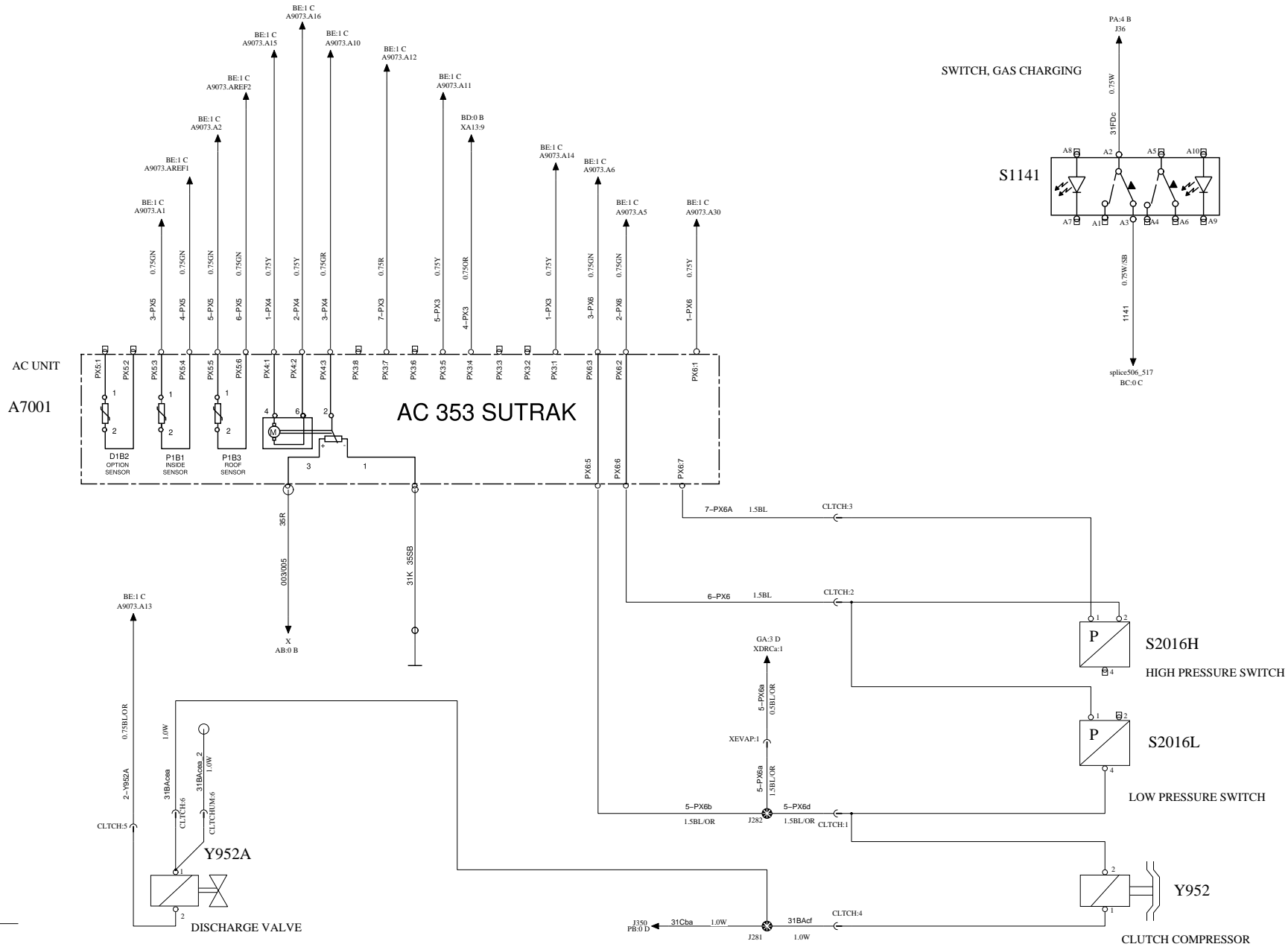




CONTROL UNIT, CLIMATE DISPLAY



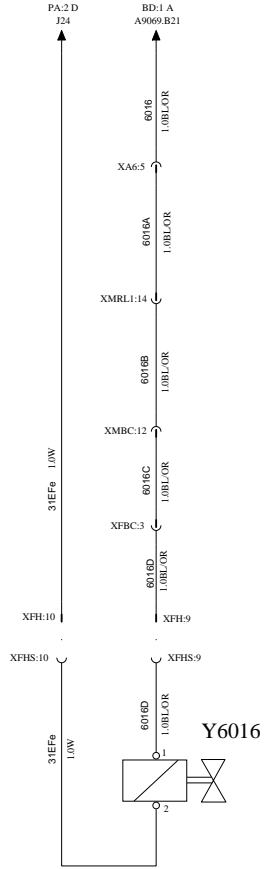
*AC WITHOUT MULTIPLEX CONNECT TO XFHS



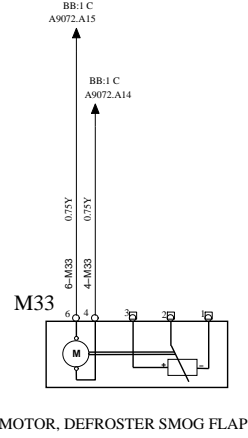
RE-HEATING SYSTEM

NC

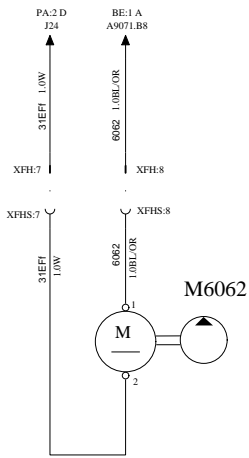
WIRING DIAGRAM



ROOF VALVE, REHEATING SYSTEM

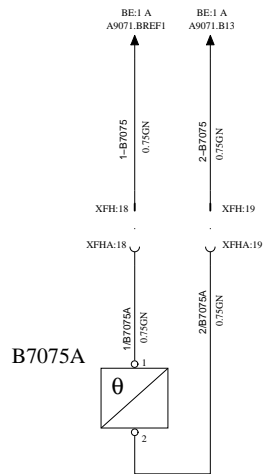


MOTOR, DEFROSTER SMOG FLAP

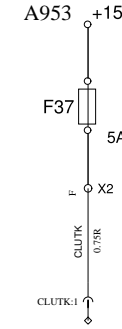


CIRCULATION PUMP, REHEATING SYS

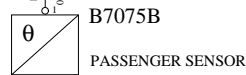
This is included in Webasto



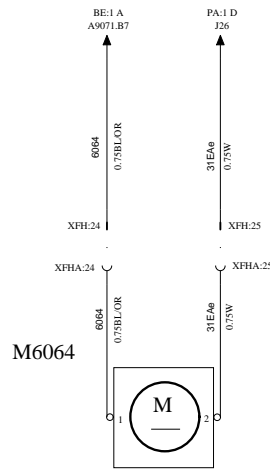
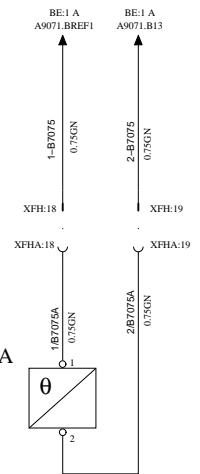
PASSENGER SENSOR, CLIMATE DOT



This is for Thermo King variant



PASSENGER SENSOR

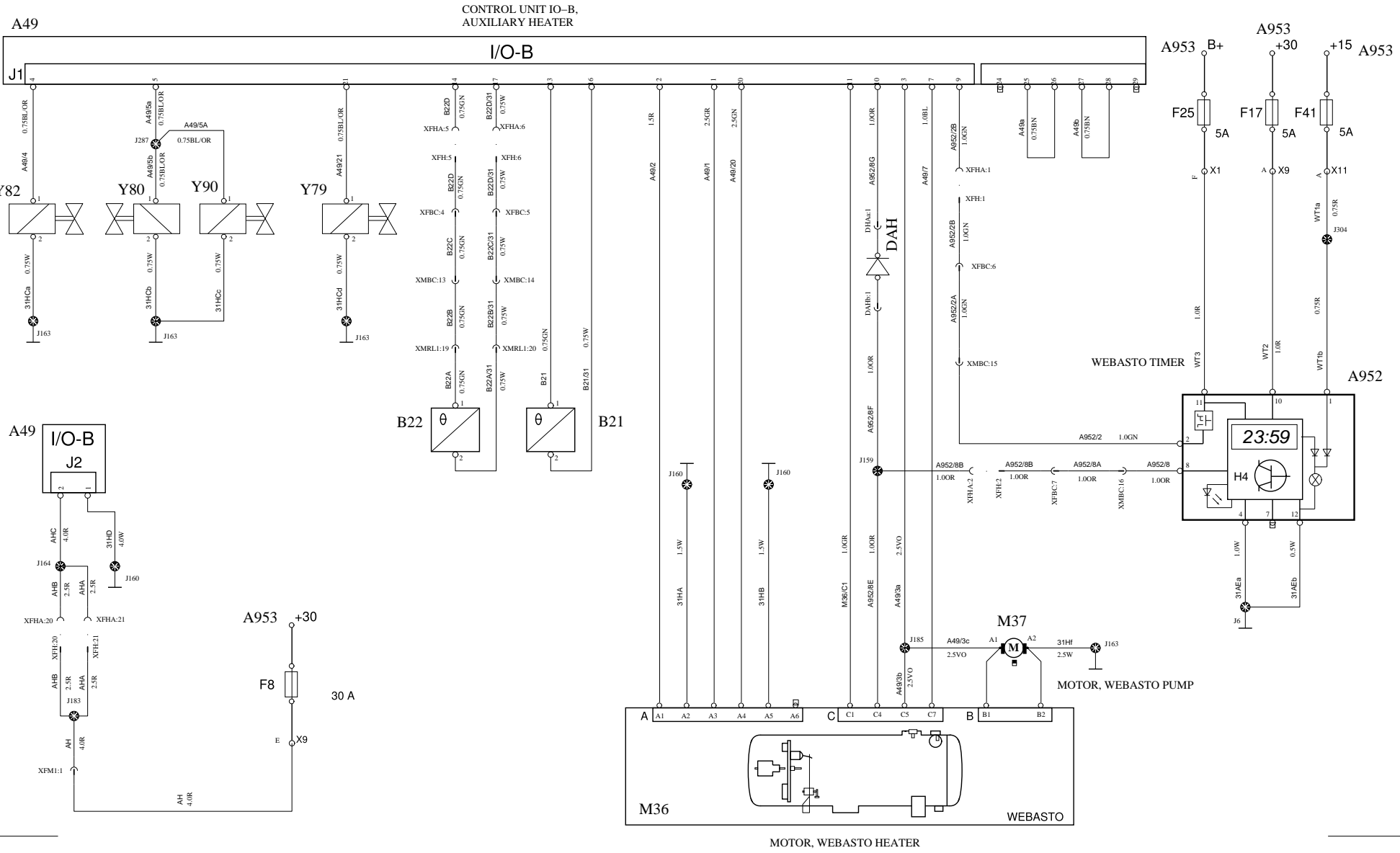


FAN, REHEATING SYSTEM


AUXILIARY HEATER

ND

WIRING DIAGRAM



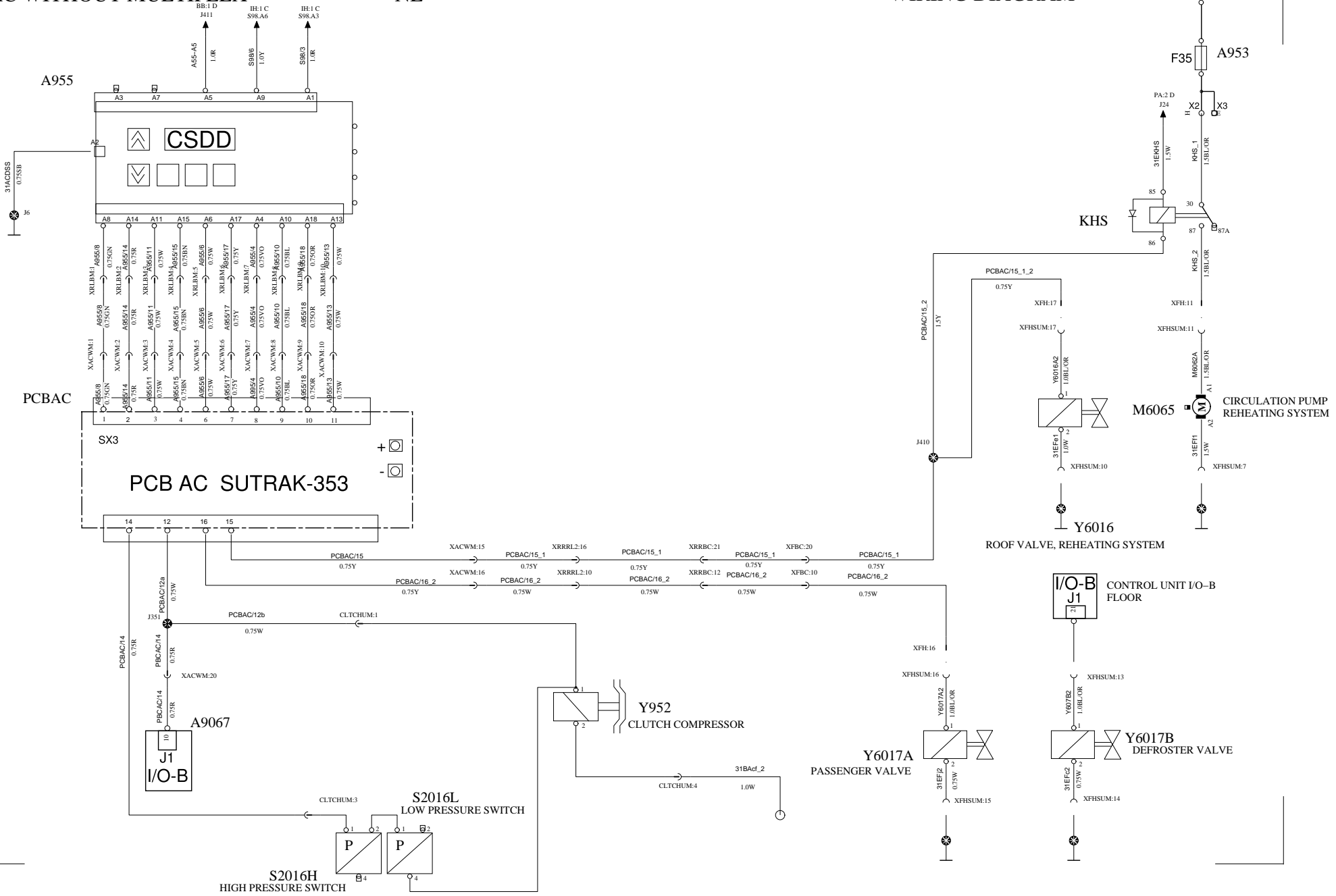
*AC WITHOUT MULTIPLEX CONNECT TO XFHA

 Volvo Bus Corporation	Document title WIRING DIAGRAM	Document No	Issue	Volume	Page
	Document type PRODUCT SCHEMATIC	22490509	01	01	65/74

AC WITHOUT MULTIPLEX

NE

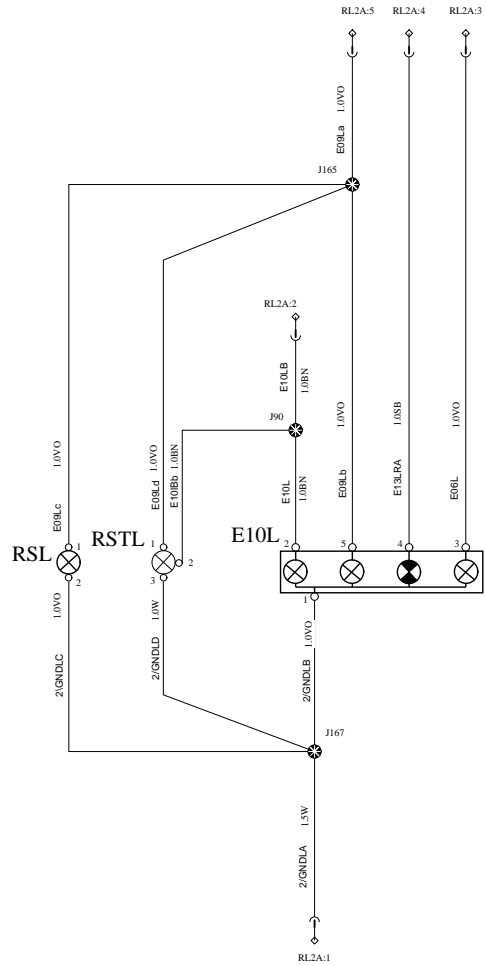
WIRING DIAGRAM



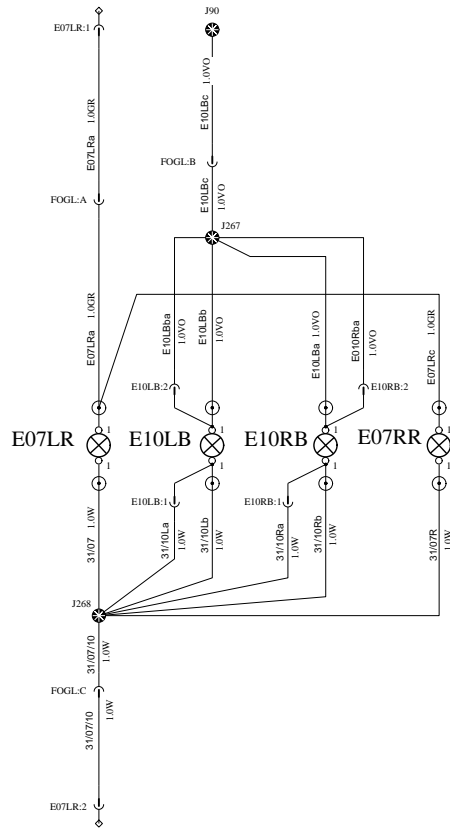
Volvo Bus Corporation

Document title WIRING DIAGRAM	Document No 22490509	Issue 01	Volume 01	Page 66/74
Document type PRODUCT SCHEMATIC				

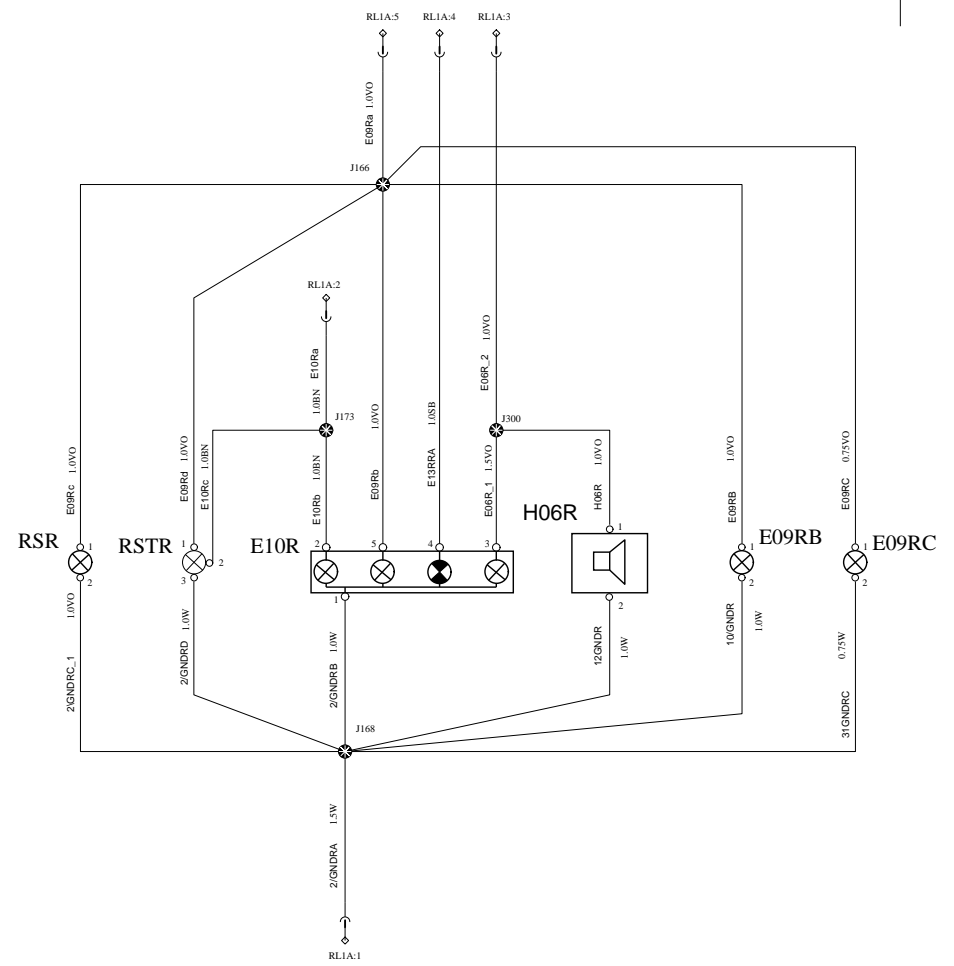
REAR LIGHTS



OA



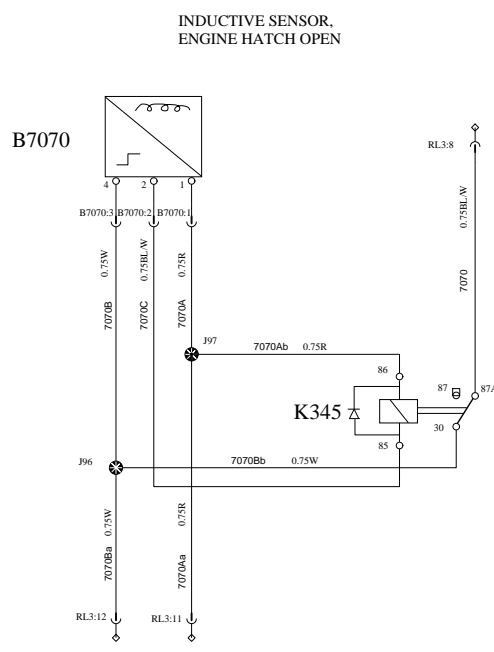
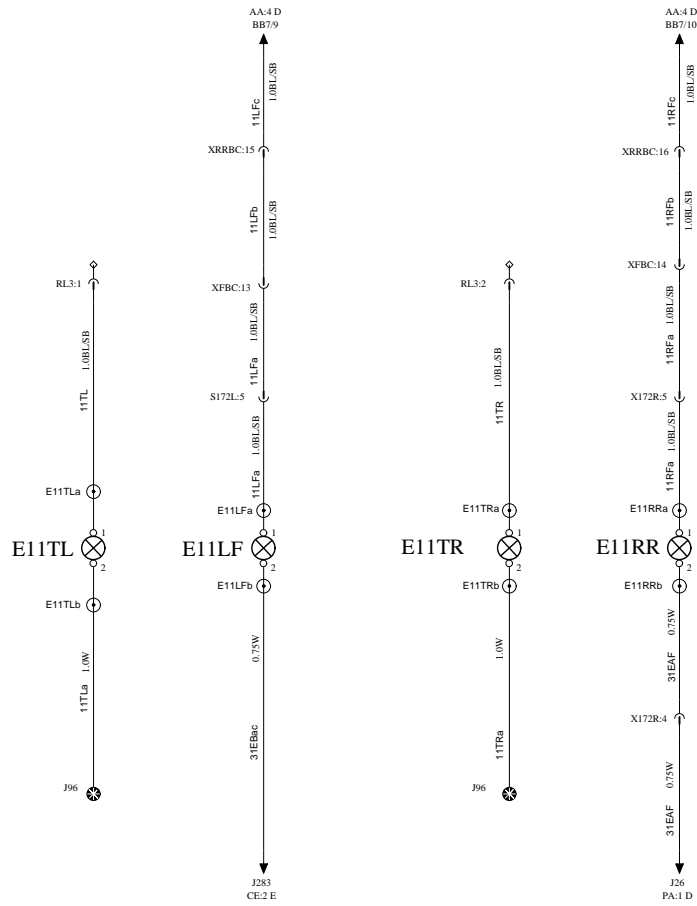
WIRING DIAGRAM



BOTTOM POSITION LIGHTS

OB

WIRING DIAGRAM

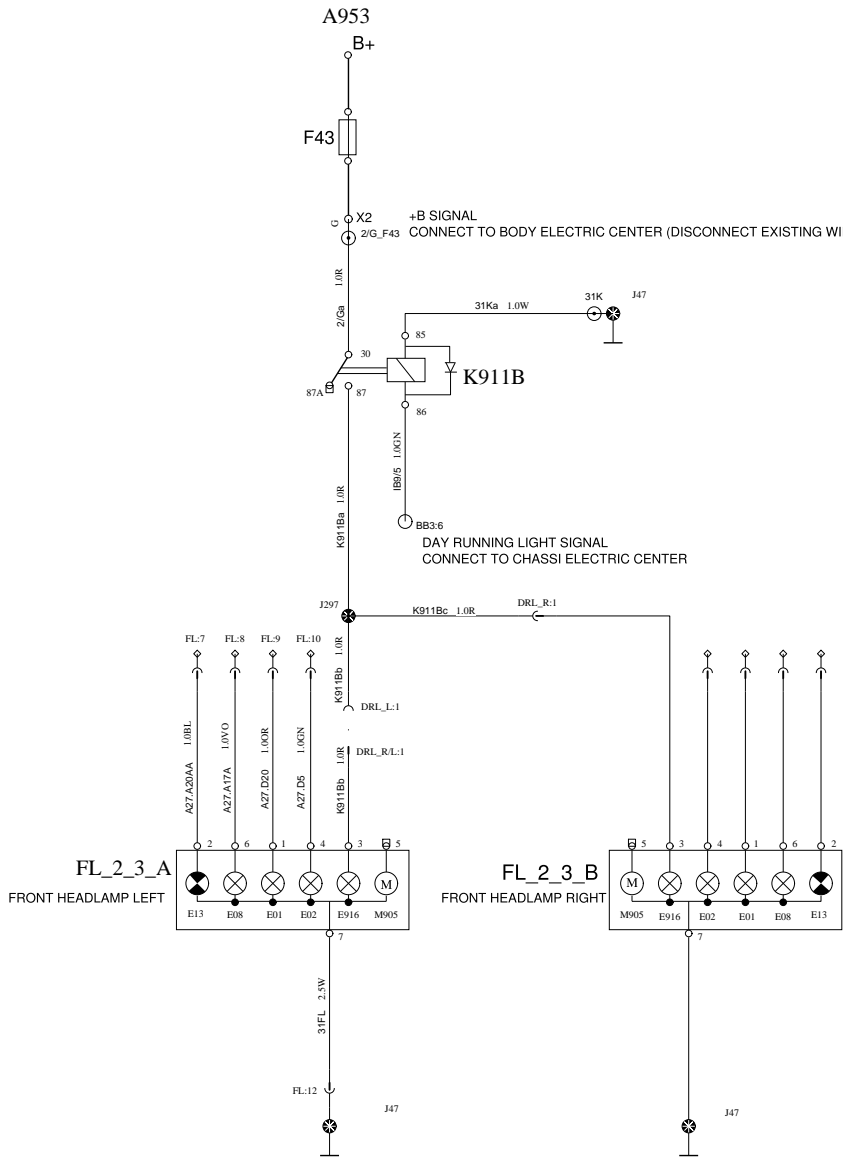


Volvo Bus Corporation

Document title WIRING DIAGRAM
Document type PRODUCT SCHEMATIC

Document No 22490509	Issue 01	Volume 01	Page 68/74
--------------------------------	--------------------	---------------------	----------------------

EXTENSION FOR SELECT VERSION



Volvo Truck Corporation

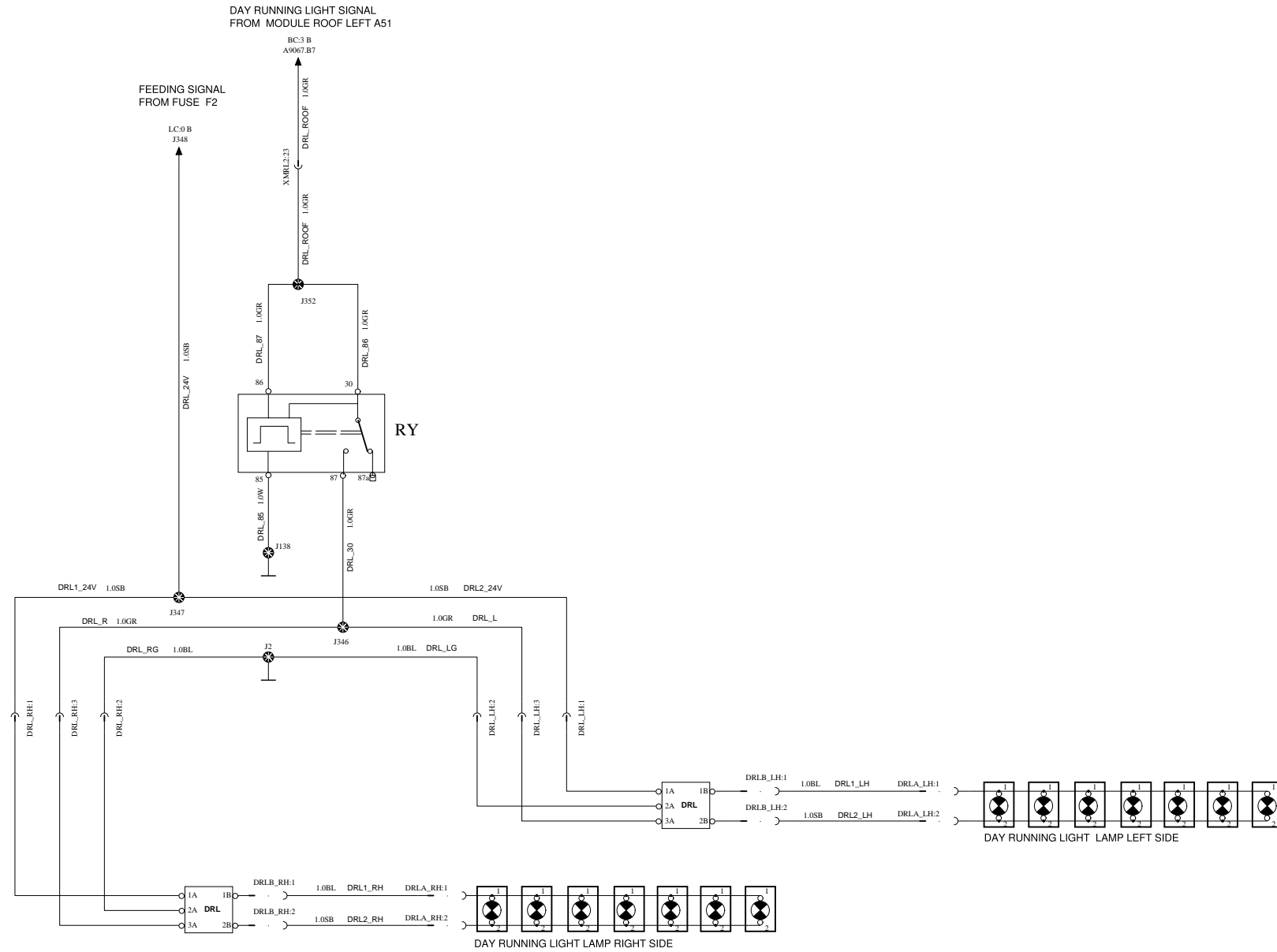
Document title WIRING DIAGRAM
Document type PRODUCT SCHEMATIC

Document No	Issue	Volume	Page
22490509	01	01	69/74

DAY RUNNING LIGHT

OD

WIRING DIAGRAM

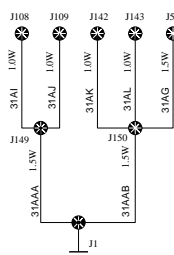


GROUNDS

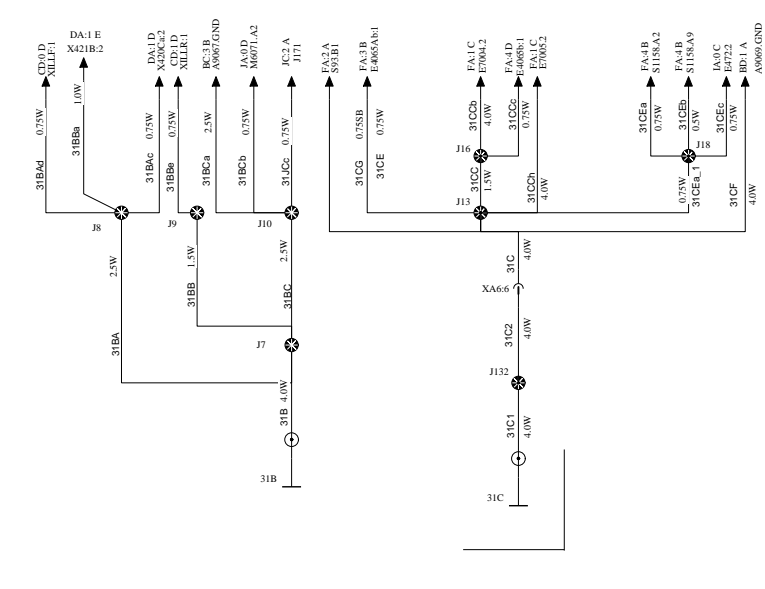
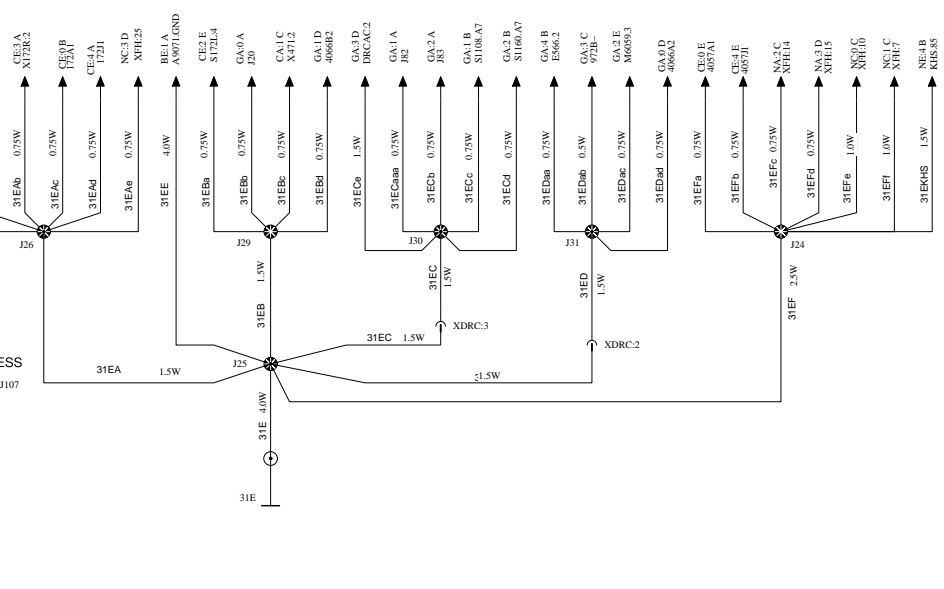
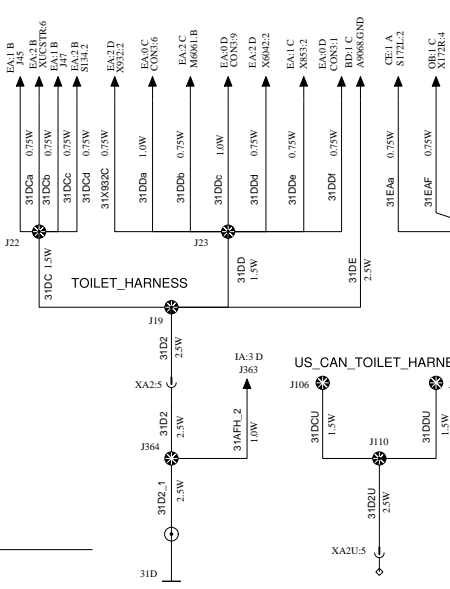
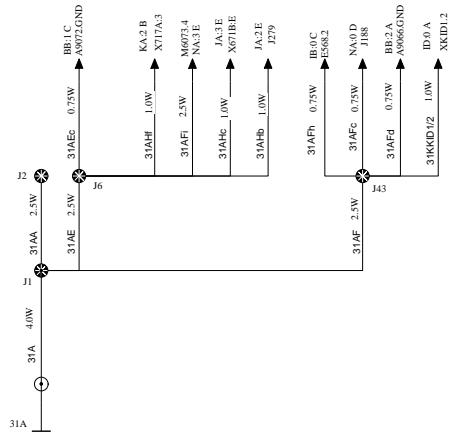
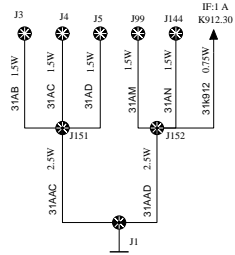
PA

WIRING DIAGRAM

SWITCHES LED_GND



SWITCHES CONTROL_GND



Volvo Bus Corporation

Document title
WIRING DIAGRAM
Document type
PRODUCT SCHEMATIC

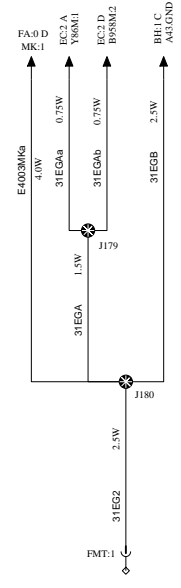
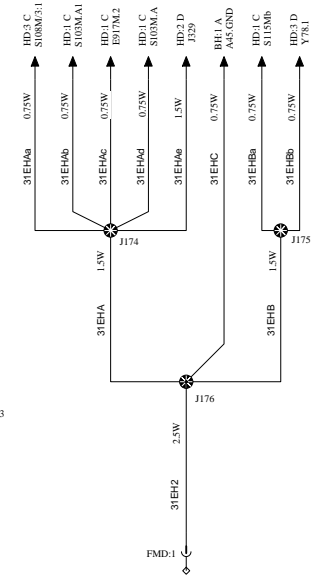
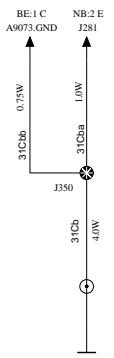
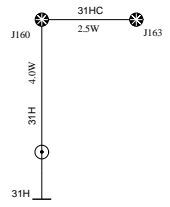
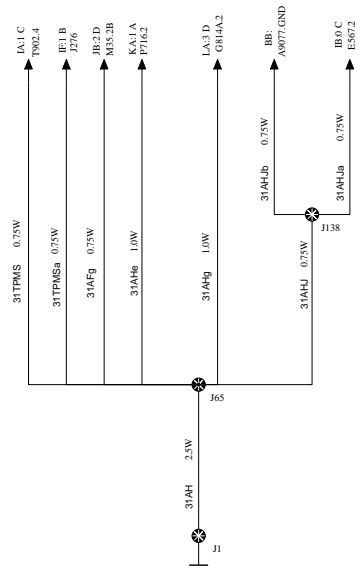
Document No
22490509

Issue
01
Volume
01
Page
71/74

GROUNDS

PB

WIRING DIAGRAM



Volvo Bus Corporation

Document title
WIRING DIAGRAM

Document type
PRODUCT SCHEMATIC

Document No

22490509

Issue

01

Volume

01

Page

72/74

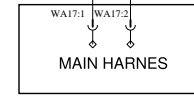
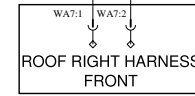
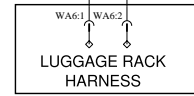
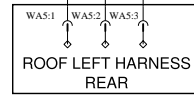
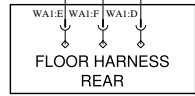
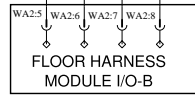
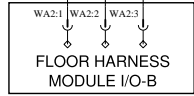
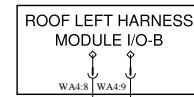
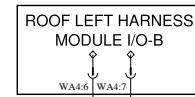
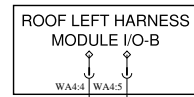
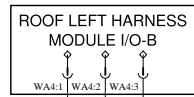
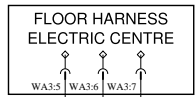
AUXILIARY LINES

QA

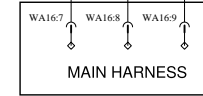
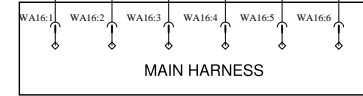
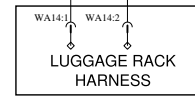
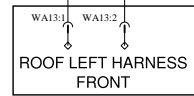
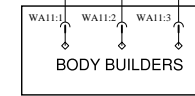
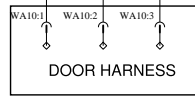
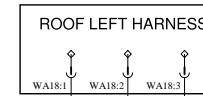
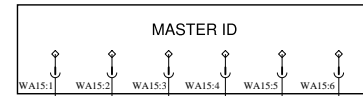
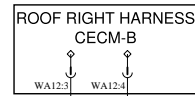
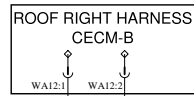
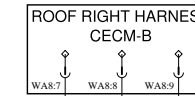
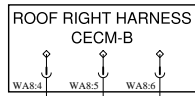
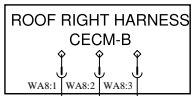
WIRING DIAGRAM

FLOOR HARNESS

ROOF LEFT HARNESS



ROOF RIGHT HARNESS



Volvo Bus Corporation

Document title
WIRING DIAGRAM

Document type
PRODUCT SCHEMATIC

Document No

22490509

Issue

01

Volume

01

Page

73/74

FUSES

FUSE	DESCRIPTION	AMPERS	FUSE	DESCRIPTION	AMPERS
F1	FEED +30 SERVICE KIT	20A	F23	LIGHT UNDER SEATS	5A
F2	TRANSCOM - DRL	5A	F24	MIDDLE DOOR I/O A MODULE	5A
F3	AUDIO & VIDEO 12V	20A	F25	WEBASTO TIMER 3	5A
F4	FEED RELAY K5	30A	F26	DASHBOARD I/O A MODULE	5A
F5	FLOOR I/O B MODULE	30A	F27	24 VCD OUTPUT IN DRIVER SIDE	30A
F6	CLIMATE I/O A MODULE	5A	F28	PRESOSTATO	5A
F7	CLIMATE UNIT I/O A	5A	F29	COPILOTO/ V-LINK	3A
F8	AUXILIAR HEATER/ FRONT LIGHTS SEL	30A	F30	CONTROL PANEL AIR	5A
F9	RED LED SWITCHES	5A	F31	FEED +15 TD7	3A
F10	DEFROSTER	20A	F32	MOBITEC (+15)	5A
F11	ROOF LEFT 2. I/O B MODULE	30A	F33	DRC AIR CONDITIONING	15A
F12	MOBITEC CONTROL & MCM FEED	7.5A	F34	AUDIO & VIDEO (+15)	20A
F13	LEFT & MIDDLE TOILET I/O B MODULE/FSS	7.5A/15A	F35	PARK PILOT	10A
F14	ELECTRIC WINDOW	20A	F36	TIME & TEMPERATURE DISPLAY	5A
F15	WHEEL CHAIR LIFT	30A	F37	TPMS	15A
F16	ROOF LEFT I/O B MODULE	30A	F38	V-LINK	3A
F17	WEBASTO TIMER 2	5A	F39	ROOF HATCH FRONT	7.5A
F18	AUDIO & VIDEO 24V	20A	F40	ROOF HATCH REAR	7.5A
F19	TOILET I/O B MODULE	7.5A	F41	WEBASTO TIMER 1	5A
F20	DASHBOARD CONVERTER, CIGARRETTE OUTPUT	15A	F42	ELECTRICAL BLINDER	15A
F21	COPILOTO, TD7/WI FI	5A	F43	DEFROSTER FLAP	5A
F22	+B FEED MCM	15A	F44	FEED OVER SPEED RELAY	15A

RELAYS

RELAY	DESCRIPTION
AK(15)	LOADS +15
K1	OVER SPEED 95KM CONTROL
K2	DEFROSTER SPEED 1
K3	DEFROSTER SPEED 2
K4	DEFROSTER SPEED 3
K5	NIGHT LIGHT

Engineering Release Notice (ERN)	Location	Change Description	A = Added U = Deleted	W = Was	Document Release Status
					Date
					Modification Count

**REFERENCE NAME INDEX, BUS BEA BODY 9700 24V
MEXICO**

1147a	FREE TERMINAL	HA 3 A
1147b	FREE TERMINAL	HA 3 B
1152a	HANDWASH PUSH BUTTON	EA 2 B
1152b	HANDWASH PUSH BUTTON	EA 2 B
1152La	FREE TERMINAL	EB 1 B
1152Lb	FREE TERMINAL	EB 1 B
1153a	WC FLUSHING BUTTON	EA 2 B
1153a2	WC FLUSHING BUTTON US/CAN	ED 1 C
1153b	WC FLUSHING BUTTON	EA 2 B
1153b2	WC FLUSHING BUTTON US/CAN	ED 0 C
1153La	FREE TERMINAL	EB 2 B
1153Lb	FREE TERMINAL	EB 2 B
1155a	EMERGENCY BUTTON	EA 2 A
1155a2	EMERGENCY BUTTON US/CAN	ED 0 C
1155b	EMERGENCY BUTTON	EA 2 B
1155b2	EMERGENCY BUTTON US/CAN	ED 0 C
1155La	FREE TERMINAL	EB 2 A
1155Lb	FREE TERMINAL	EB 2 B
1161A1	FREE TERMINAL	GA 0 B
1161A2	FREE TERMINAL	GA 0 B
1161B1	FREE TERMINAL	GA 0 B
1161B2	FREE TERMINAL	GA 0 B
172A1	FREE TERMINAL	CE 0 B
172A2	FREE TERMINAL	CE 0 B
172J1	FREE TERMINAL	CE 4 A
172J2	FREE TERMINAL	CE 4 B
2/G_F43	FUSE F43 TERMINAL	OC 0 B
20A	TOILET FAN 2	ED 4 B
20B	TOILET FAN 2	ED 4 C
31A	GROUND DASHBOARD	PA 1 B
31AA	GROUND MAIN	PA 2 B
31Aa	FREE TERMINAL	PA 1 B

The copying, distribution and utilization of this document as well as the communication of its contents to others without expressed authorization is prohibited. Offenders will be held liable for payment of damages. All rights reserved in the event of the grant of a patent, utility model or ornamental design registration.

Document Title
**WIRING DIAGRAM
BEA – BODY 9700**



Document Type
PRODUCT SCHEMATIC

Owner Domain: Document Prefix

Document No 22490509	Issue Index 01	Volume No 01	Page No 1(22)
--------------------------------	--------------------------	------------------------	-------------------------

31AV	GND AUDIO AND VIDEO MAIN	LA 1 D
31AVD	GROUND AUDIO VIDEO ON DEMAND	LD 0 C
31AVI	GROUND AUDIO & VIDEO INDIVIDUAL	LI 1 D
31B	GROUND, ROOF LEFT FRONT	PA 3 E
31Bb	FREE TERMINAL	PA 3 E
31C	GROUND, ROOF LEFT REAR	PA 4 E
31Cb	GROUND, AIR CONDITION HARNESS	PB 0 E
31Cc	FREE TERMINAL	PA 4 E
31D	GROUND, ROOF RIGHT REAR	PA 0 E
31Dd	FREE TERMINAL	PA 0 E
31DVwm	GROUND, DISCHARGE VALVE	NB 0 D
31E	GROUND, FLOOR	PA 1 E
31Ee	FREE TERMINAL	PA 1 E
31F	GROUND, EXTRA	PA 3 C
31Ff	FREE TERMINAL	PA 3 C
31H	GROUND, AUXILIARY HEATER	PB 1 C
31I	LOW CURRENT GROUND FLOOR HARNESS	BG 1 B
31K	GROUND, DRL EXTENSION	OC 1 B
4057A	FREE TERMINAL	CE 0 D
4057A1	FREE TERMINAL	CE 0 E
4057B.A	CABLE TERMINAL, POSITIVE SIGNAL 24V CAVITY 1	CF 0 B
4057B.B	CABLE TERMINAL, POSITIVE SIGNAL 24V CAVITY 2	CF 0 B
4057B.C	CABLE TERMINAL, POSITIVE SIGNAL 24V CAVITY 3	CF 0 B
4057B.N	CABLE TERMINAL, NEGATIVE SIGNAL	CF 0 B
4057C.A	CABLE TERMINAL , 24V CAVITY 1	CF 0 B
4057C.B	CABLE TERMINAL, 24V CAVITY2	CF 0 B
4057C.C	CABLE TERMINAL.24V CAVITY3	CF 1 B
4057C.N	CABLE TERMINAL, GROUND SIGNAL	CF 0 B
4057D.A	CABLE TERMINAL, 24V CAVITY1	CF 1 B
4057D.B	CABLE TERMINAL, 24V CAVITY 2	CF 1 B
4057D.C	CABLE TERMINAL,24V CAVITY3	CF 1 B
4057D.N	CABLE TERMINAL ,GROUN SIGNAL	CF 1 B
4057F.A	CABLE TERMINAL, 24V CAVITY 1	CF 0 D
4057F.B	CABLE TERMINAL, 24V CAVITY2	CF 0 D
4057F.C	CABLE TERMINAL,24V CAVITY3	CF 0 D
4057F.N	CABLE TERMINAL GND	CF 0 D
4057G.A	CABLE TERMINAL,24V CAVITY1	CF 0 D
4057G.B	CABLE TERMINAL, 24V CAVITY2	CF 0 D
4057G.C	CABLE TERMINAL,24V CAVITY3	CF 0 D
4057G.N	CABLE TERMINAL, GROUND SIGNAL	CF 0 D
4057H.A	CABLE TERMINAL, 24V CAVITY1	CF 1 D
4057H.B	CABLE TERMINAL, 24V CAVITY2	CF 1 D
4057H.C	CABLE TERMINAL,24V CAVITY3	CF 1 D

VOLVO

Volvo Bus Corporation

Document Title

WIRING DIAGRAM

Document Type

PRODUCT SCHEMATIC

Document No

22490509

Issue Index

01

Volume No

01

Page No

2(22)

4057H.N	CABLE TERMINAL, GROUND SIGNAL	CF 1 D
4057J	FREE TERMINAL	CE 4 D
4057J1	FREE TERMINAL	CE 4 E
4066A1	FREE TERMINAL	GA 0 D
4066A2	FREE TERMINAL	GA 0 D
4066B1	FREE TERMINAL	GA 1 D
4066B2	FREE TERMINAL	GA 1 D
6070a	FREE TERMINAL	HB 1 D
6070b	FREE TERMINAL	HB 1 D
669A	TOILET FAN	EA 4 A
669B	TOILET FAN	EA 4 A
9075a	FREE TERMINAL	HA 2 A
9075b	FREE TERMINAL	HA 2 B
972B-	FREE TERMINAL	GA 3 C
972B+	FREE TERMINAL	GA 3 C
A1	PIR SENSOR A1	EA 3 B
A100	ANTENNA FRONT	IF 3 B
A101	ANTENNA RR	IF 3 A
A102	ANTENNA RL	IF 3 D
A1L	PIR SENSOR A1, LEFT TOILET	EB 3 A
A2	PIR SENSOR A2	EA 3 B
A2L	PIR SENSOR A2, LEFT TOILET	EB 3 A
A3	PIR SENSOR A3	EA 3 B
A36	MCM, MASTER CONTROL MODULE	BC 0 C
A3L	PIR SENSOR A3, LEFT TOILET	EB 3 B
A43	BODY I/O MODULE, MIDDLE TOILET	FA 2 E
A45	BODY I/O MODULE, MIDDLE DOOR	BA 0 E
A48	BODY I/O MODULE 48	CA 1 A
A49	CONTROL UNIT IO-B, AUXILIARY HEATER	NE 3 A
A53	BODY I/O MODULE 53	BA 1 E
A56	BODY I/O MODULE, RIGHT TOILET	BA 0 C
A6	PIR SENSOR A6	EA 3 B
A6L	PIR SENSOR A6, LEFT TOILET	EB 3 B
A7001	AC UNIT	NB 0 C
A9066	CONTROL UNIT I/O-A, CLIMATE CONTROL	BB 2 A
A9067	CONTROL UNIT I/O-B, ROOF LEFT	BC 3 B
A9069	CONTROL UNIT I/O-B, KITCHEN	BD 1 A
A9071	CONTROL UNIT I/O-B,FLOOR	BE 1 A
A9072	CONTROL UNIT I/O-A,DASHBOARD	BB 1 C
A9073	CONTROL UNIT I/O-A, CLIMATE CONTROL	BE 1 C
A9078	CONTROL UNIT, CLIMATE DISPLAY	NA 0 A
A9080	CONTROL UNIT I/O-B, LEFT TOILET	BF 1 A
A947A	SCREEN TFT	LE 0 B

VOLVO

Volvo Bus Corporation

Document Title

WIRING DIAGRAM

Document Type

PRODUCT SCHEMATIC

Document No

22490509

Issue Index

01


Volume No

01

Page No

3(22)

A947A1	FIXED SCREEN	LG 1 B
A947B	SCREEN TFT	LE 1 B
A947B1	FIXED SCREEN	LG 3 B
A947C	SCREEN TFT	LE 1 B
A947C1	FIXED SCREEN	LG 1 C
A947D	SCREEN TFT	LE 0 D
A947D1	FIXED SCREEN	LG 3 D
A947E	SCREEN TFT	LE 1 D
A947F	SCREEN TFT	LE 2 D
A952	WEBASTO TIMER	NE 4 C
A953	COOPER ELECTRIC CENTER	BD 3 B
A955	CSDD DISPLAY	NF 0 A
A96	ECU BERU	IF 2 C
A97	CANTRAK TELEFLEX	IF 0 B
A99	FRONT ANTENNA	IF 3 C
B21	SENSOR, COOLANT TEMPERATURE	NE 1 C
B22	SENSOR, OUTDOOR TEMPERATURE	NE 1 C
B7070	INDUCTIVE SENSOR, ENGINE HATCH OPEN	OB 3 B
B7072	DEFROSTER TEMP. SENSOR	NA 1 E
B7073	OUTSIDE TEMP. SENSOR	NA 4 B
B7074	DRIVER TEMP. SENSOR	NA 1 E
B7075A	PASSENGER SENSOR, CLIMATE DOT	NC 2 D
B7075B	PASSENGER SENSOR	NC 2 B
B958M	SENSOR, PRINCIPAL TANK MIDDLE TOILET	EC 2 D
B959M	SENSOR, SOIL TANK MIDDLE TOILET	EC 3 D
B961A	SENSOR EMERGENCY WINDOWS	JC 1 B
B961B	SENSOR EMERGENCY WINDOWS	JC 2 B
B961C	SENSOR EMERGENCY WINDOWS	JC 3 B
B961D	SENSOR EMERGENCY WINDOWS	JC 3 B
B961E	SENSOR EMERGENCY WINDOWS	JC 0 B
B961F	SENSOR EMERGENCY WINDOWS	JC 0 B
B961G	SENSOR EMERGENCY WINDOWS	JC 1 B
B962	SENSOR, OPTICAL FIRE DETECTOR	ID 0 D
B963	SENSOR, OUTDOOR TEMPERATURE	GC 2 C
BB2/2	SIGNAL (-) TEMPERATURE SENSOR	AA 1 B
BB2/3	SIGNAL (+) TEMPERATURE SENSOR	AA 2 B
BB3:6	BBI, DRL SIGNAL	OC 0 C
BB5/7	PARKING LIGHT LEFT	AA 1 D
BB7/10	ENGINE HATCH	AA 4 D
BB7/2	REVERSE LIGHT	AA 3 D
BB7/3	DIRECTION REAR LEFT	AA 3 D
BB7/4	DIRECTION REAR RIGHT	AA 3 D
BB7/7	PARKING LIGHT LEFT	AA 3 D

 Volvo Bus Corporation	Document Title			
	WIRING DIAGRAM			
	Document Type			
	PRODUCT SCHEMATIC			
Document No	Issue Index	Volume No	Page No	
22490509	01	01	4(22)	

BB7/8	PARKING LIGHT RIGHT	AA 3 D
BB7/9	LUGGAGE HATCH	AA 4 D
BMUX/1	J1708 CAN BUS CONNECTION	BC 1 D
BMUX/2	J1708 CAN BUS CONNECTION	BC 1 D
D972A	DRIVER INTERPHONE	GA 2 B
D972B	CABIN INTERPHONE	GA 2 C
DAH	DIODE, AUXILIARY HEATER	NE 2 B
DB9	CONNECTOR DB9 SERIAL	IF 0 D
DHA	DIODE, HOST CALL	CC 4 C
DHB	DIODE, HOST CALL	CC 4 C
DRB	DIODE, READING LIGHTS	CC 0 D
DRC	DIODE, READING LIGHTS	CC 1 D
DRD	DIODE	BC 0 D
DRD1	DIODE	ID 1 C
DRD2	DIODE	ID 1 C
DRDa	DIODE	EB 1 A
DRDb	DIODE	EA 1 A
E03	LAMP, SPOT LIGHT	GB 0 D
E03A	LAMP, WCL	GB 0 D
E07LR	FOG LIGHT LEFT REAR	OA 1 C
E07RR	FOG LIGHT RIGHT REAR	OA 2 C
E07RRa	FREE TERMINAL	OA 2 C
E07RRb	FREE TERMINAL	OA 2 C
E09RB	BREAK LIGHT MIDDLE	OA 4 C
E09RC	LAMP, CENTER STOP LAMP CA	OA 4 C
E10L	TAIL AND BREAK LIGHT LEFT	OA 0 C
E10LB	LICENSE PLATE LEFT	OA 1 C
E10R	TAIL AND BREAK LIGHT RIGHT	OA 3 C
E10RB	LICENSE PLATE RIGHT	OA 2 C
E11LF	SIDE-MARKER LAMP, MIDDLE LEFT	OB 0 C
E11LFa	SIDE MARKER TERMINAL- HARNESS TO EXTENSION	OB 0 C
E11LFb	SIDE MARKER TERMINAL-HARNESS TO EXTENSION	OB 0 C
E11RR	SIDE-MARKER, FRONT RIGHT	OB 1 C
E11RR:1	CABLE TERMINAL, LUGGAGE HATCH'S SIDE MARKER , SUPPLY VOLTAGE SIGNAL	CF 1 D
E11RR:2	CABLE TERMINAL, LUGGAGE HATCH'S SIDEMARKER , GROUND	CF 1 D
E11RRa	SIDE MARKERS TERMINAL-HARNESS TO EXTENSION	OB 1 C
E11RRb	SIDE MARKER TERMINAL-HARNESS TO EXTENSION	OB 1 C
E11TL	SIDE-MARKER LAMP, REAR LEFT	OB 0 C
E11TLa	SIDE MARKER TERMINAL-HARNESS TO EXTENSION	OB 0 C
E11TLb	SIDE MARKER TERMINAL- HARNESS TO EXTENSION	OB 0 C
E11TR	SIDE-MARKER LAMP, REAR RIGHT	OB 1 C
E11TRa	SIDE MARKER TERMINAL- HARNESS TO EXTENSION	OB 1 C
E11TRb	SIDE MARKERS TERMINAL-HARNESS TO EXTENSION	OB 1 C

VOLVO

Volvo Bus Corporation

Document Title

WIRING DIAGRAM

Document Type

PRODUCT SCHEMATIC

Document No

22490509

Issue Index

01

Volume No

01

Page No

5(22)

E13	DIRECTION INDICATOR	OB 2 C
E13a	DIRECTION INDICATOR	OB 2 C
E13b	DIRECTION INDICATOR	OB 2 C
E13c	DIRECTION INDICATOR	OB 2 B
E13d	DIRECTION INDICATOR	OB 2 C
E14	LAMP,BEACON WARNING LAMP	GB 4 D
E16	LAMP, INSTEP LIGHT	HD 2 C
E16A	LAMP, STEP	CB 0 D
E16a	LAMP, STEP MIDDLE DOOR	HD 2 C
E16B	LAMP, STEP	CB 0 D
E16b	LAMP, STEP MIDDLE DOOR	HD 2 C
E16C	LAMP, STEP	CB 0 D
E16D	LAMP, STEP MIDDLE DOOR	HD 2 C
E16E	LAMP, STEP MIDDLE DOOR	HD 2 C
E16F	LAMP, STEP MIDDLE DOOR	HD 2 C
E16G	LAMP API LOGO	CB 0 D
E17AL	INTERIOR LIGHT	CD 0 C
E17AR	INTERIOR LIGHT	CD 1 C
E17BL	INTERIOR LIGHT	CD 0 C
E17BR	INTERIOR LIGHT	CD 1 C
E1OLBa	LICENSE PLATE LEFT	OA 1 C
E1OLBb	LICENSE PLATE LEFT	OA 1 C
E1ORBa	LICENSE PLATE RIGHT	OA 2 C
E1ORBb	LICENSE PLATE RIGHT	OA 2 C
E4003MK	MIDDLE KITCHEN	FA 1 D
E4054A	LIGHT INTO THE TOILET	EA 3 C
E4054AL	LIGHT INTO THE LEFT TOILET	EB 3 B
E4054B	LIGHT INTO THE TOILET	EA 3 C
E4054BL	LIGHT INTO THE LEFT TOILET	EB 3 B
E4055L	OCCUPIED & VACCANT DISPLAY, LEFT SIDE	EB 3 A
E4055LA	OCCUPIED & VACANT LAMP WC	EA 3 A
E4057A2	LAMP , REAR HATCH	CE 0 D
E4057A3	LAMP, REAR HATCH	CE 0 D
E4057B	LUGGAGE LAMPS,LEFT SIDE	CE 0 D
E4057B2	LAMP,LUGGAGE	CE 0 D
E4057B3	LAMP, LUGGAGE	CE 0 D
E4057Ba	LAMP, LUGGAGE	CE 0 D
E4057Bb	LAMP, LUGGAGE	CE 0 E
E4057C	LUGGAGE LAMPS,LEFT SIDE	CE 1 D
E4057C2	LAMP, LUGGAGE	CE 1 D
E4057C3	LAMP, LUGGAGE	CE 1 D
E4057Ca	LAMP, LUGGAGE	CE 1 D
E4057D	LUGGAGE LAMPS,LEFT SIDE	CE 1 D

VOLVO

Volvo Bus Corporation

Document Title

WIRING DIAGRAM

Document Type

PRODUCT SCHEMATIC

Document No

22490509

Issue Index

01

Volume No

01

Page No

6(22)

E4057D2	LAMP, LUGGAGE	CE 1 D
E4057D3	LAMP, LUGGAGE	CE 1 D
E4057Da	LAMP, LUGGAGE	CE 1 D
E4057E	EXTRACOMPARTMENT LAMPS,LEFT SIDE	CE 2 D
E4057E2	LAMP,LUGGAGE	CE 2 D
E4057E3	LAMP, LUGGAGE	CE 2 D
E4057Ea	LAMP, EXTRACOMPATMENT	CE 2 D
E4057Eb	LAMP, EXTRACOMPARTMENT	CE 2 D
E4057F	LUGGAGE LAMPS,RIGHT SIDE	CE 2 D
E4057F2	LAMP, LUGGAGE	CE 2 D
E4057F3	LAMP, LUGGAGE	CE 2 D
E4057Fa	LAMP, LUGGAGE	CE 2 D
E4057Fb	LAMP, LUGGAGE	CE 2 E
E4057G	LUGGAGE LAMPS,RIGHT SIDE	CE 2 D
E4057G2	LAMP, LUGGAGE	CE 3 D
E4057G3	LAMP, LUGGAGE	CE 3 D
E4057Ga	LAMP, LUGGAGE	CE 2 D
E4057H	LUGGAGE LAMPS,LEFT SIDE	CE 3 D
E4057H2	LAMP,LUGGAGE	CE 3 D
E4057H3	LAMP, LUGGAGE	CE 3 D
E4057Ha	LAMP, LUGGAGE	CE 3 D
E4057J	LAMP, LUGGAGE	CE 4 D
E4057J2	LAMP, REAR HATCH	CE 4 D
E4057J3	LAMP, REAR HATCH	CE 4 D
E4057K	LAMP,REAR HATCH, CA-LUGD2	CE 3 D
E4057K1	LAMP,LUGGAGE HATCH CALUGD2,TERMINAL1	CE 3 D
E4057K2	LAMP,LUGGAGE HATCH REAR CALUGD2,TERMINAL2	CE 3 D
E4057K3	LAMP,LUGGAGE HATCH REAR CALUGD2,TERMINAL3	CE 3 D
E4057Ke	LAMP, LUGGAGE HATCH REAR, CALUGD2 TERMINAL GROUND	CE 3 E
E4063	OVER SPEED LAMP	IB 3 C
E4064	DRIVER LAMP	CB 1 D
E4065	KITCHEN LIGHT	FA 4 D
E4065.B	LAMP, INTERIOR LAMP IN KITCHEN	FA 3 D
E4065A	LAMP, KITCHEN LIGHT STANDARD	FA 3 A
E4066A	REST COMPARTMENT LEFT LIGHT	GA 0 D
E4066B	REST COMPARTMENT RIGHT LIGHT	GA 1 D
E4067	TIME & TEMPERATURE DISPLAY	IB 1 C
E4070	EMERGENCY LAMP	HA 3 B
E420A	POSITION LIGHTS,UPPER FRONT LEFT SIDE	DA 1 D
E420B	POSITION LIGHTS,UPPER CENTRE LEFT SIDE	DA 1 D
E420C	POSITION LIGHTS,UPPER REAR LEFT SIDE	DA 1 D
E420D	POSITION LIGHTS,UPPER REAR	DA 2 D
E420E	POSITION LIGHTS,UPPER REAR	DA 2 D

VOLVO

Volvo Bus Corporation

Document Title

WIRING DIAGRAM

Document Type

PRODUCT SCHEMATIC

Document No

22490509

Issue Index

01

Volume No

01

Page No

7(22)

E420F	POSITION LIGHTS,UPPER REAR	DA 3 D
E420G	POSITION LIGHTS,UPPER REAR	DA 3 D
E420H	POSITION LIGHTS,UPPER REAR	DA 3 D
E420I	POSITION LIGHTS,UPPER REAR	DA 3 D
E420J	POSITION LIGHTS,UPPER REAR	DA 3 D
E421A	POSITION LIGHTS, UPPER FRONT RIGHT SIDE	DA 1 D
E421B	POSITION LIGHTS,UPPER FRONT RIGHT SIDE	DA 2 D
E421C	POSITION LIGHTS,UPPER FRONT RIGHT SIDE	DA 2 D
E421D	POSITION LIGHTS,UPPER FRONT	DA 0 D
E421E	POSITION LIGHTS,UPPER FRONT	DA 0 D
E421F	POSITION LIGHTS,UPPER FRONT	DA 0 D
E421G	POSITION LIGHTS,UPPER FRONT	DA 0 D
E421H	POSITION LIGHTS,UPPER FRONT	DA 1 D
E422A	POSITION LIGHTS,REAR UPPER MARKER RIGHT	DB 0 C
E422B	POSITION LIGHTS, REAR UPPER RIGHT BLINKER	DB 0 C
E422C	POSITION LIGHT, MIDDLE NAVIGATOR LAMP RIGHT	DB 0 C
E422D	POSITION LIGHT, MIDDLE NAVIGATOR LAMP	DB 0 C
E422E	POSITION LIGHT,MIDDLE NAVIGATOR LAMP LEFT	DB 1 C
E422F	POSITION LIGHT, REAR UPPER LEFT BLINKER	DB 1 C
E422G	POSITION LIGHT,REAR UPPER MARKER LEFT	DB 1 C
E433	GUIDE LAMP	CB 1 D
E433B	LAMP, GUIDE OUTSIDE	CB 1 D
E450	DESTINATION SIGN LAMP	CB 2 D
E450L	DESTINATION SIGN LAMP	CB 3 D
E450RCA	DESTINATION SIGN RIGHT SIDE (CA)	CB 3 D
E471A	NIGHT LIGHT,LEFT SIDE	CD 3 D
E471a	SEAT NIGHT LIGHT	CA 1 C
E471a.1	SEAT BLUE NIGHT LIGHT	CA 2 C
E471B	NIGHT LIGHT ,RIGHT SIDE	CD 4 D
E471b	SEAT NIGHT LIGHT	CA 1 C
E471b.1	SEAT BLUE NIGHT LIGHT	CA 2 D
E471c	SEAT NIGHT LIGHT	CA 1 D
E471c.1	SEAT BLUE NIGHT LIGHT	CA 2 D
E471d	SEAT NIGHT LIGHT	CA 1 D
E471d.1	SEAT BLUE NIGHT LIGHT	CA 2 D
E471e	SEAT NIGHT LIGHT	CA 1 D
E471f	SEAT NIGHT LIGHT	CA 1 D
E471g	LAMP, LIGHT UNDER SEAT	CA 1 D
E472A	LAMP, ENGINE COMPARTMENT	IA 0 B
E49M	LAMP, CABIN TOILET	EC 3 A
E566	REST COMPARTMENT SNAKE LAMP	GA 4 B
E567	SNAKE LAMP, ELECTRIC CENTRE	IB 0 C
E568	SNAKE LAMP, MAP LIGHT	IB 0 C

VOLVO

Volvo Bus Corporation

Document Title

WIRING DIAGRAM

Document Type

PRODUCT SCHEMATIC

Document No

22490509

Issue Index

01

Volume No

01

Page No

8(22)

E60A	AMBIENT LIGHT LEFT	CA 0A}
E60B	AMBIENT LIGHT RIGHT	CA 0 D
E61	LAMP, LED LIGHT HEADLINER DISPLAY	CB 0 E
E7004	FRIDGE	FA 1 C
E7005	WATER DISPENSER ELBER	FA 1 C
E902A	DRIVER LOUDSPEAKER	LB 0 E
E902B	DRIVER LOUDSPEAKER	LB 0 E
E902C	GUIDE LOUDSPEAKER	LB 0 E
E902D	GUIDE LOUDSPEAKER	LB 1 E
E911A	PASSENGER SPEAKERS, LEFT SIDE	IB 4 C
E911B	PASSENGER SPEAKER, RIGHT SIDE	IB 4 C
E916M	LAMP, MIDDLE DOOR EMERGENCY	HD 3 C
E917M	LAMP GUIDE, MIDDLE DOOR	HD 1 C
E919	OPEN DOOR WCL	GB 1 B
E91R	LAMP, KNEELING WARNING	DA 4 D
E91RA	LAMP, KNEELING EXTERIOR	DA 4 D
F107	FUSE 30 AMP, +B	AB 1 B
FJ141	FREE TERMINAL A&V ON DEMAND	LD 0 A
FJ141.A	FREE TERMINAL A&V INDIVIDUAL	LI 0 A
FJ6	FREE TERMINAL A&V ON DEMAND	LD 1 B
FJ6.A	FREE TERMINAL A&V INDIVIDUAL	LI 1 B
FJ6A	FREE TERMINAL A&V ON DEMNAD	LD 1 B
FJ6A.A	FREE TERMINAL A&V INDIVIDUAL	LI 1 B
FL_2_3_A	LAMP, FRONT HEADLAMPS	OC 0 D
FT01	TERMIC FUSE	IE 0 B
FT02	TERMIC FUSE, KLIXON 70 A ,SDLS-70-1	IJ 0 B
G01	BATTERY 12 VCD	AB 0 C
G01.A	BATTERY TERMINAL	AB 0 C
G01B	BATTERY	AB 0 D
G01B.B	BATTERY TERMINAL	AB 0 D
G03	ALTERNATOR	IC 4 D
G813	OUTPUT 12V	LA 3 D
G814A	OUTPUT 24V	LA 3 D
GBX:7	BODY BUILDER GBX	AD 2 C
GBX:8	BODY BUILDER GBX	AD 2 C
GND	GROUND	AB 2 A
GND31B	GROUND TERMINAL	AB 0 E
H01	ELECTRIC HORN A	IA 3 C
H02	ELECTRIC HORN B	IA 3 C
H06R	BUZZER REVERSE	OA 3 C
H07	HORN, KNEELING ALARM	DA 4 D
H12	INDICATOR LAMP, EMERGENCY WINDOWS	JC 4 C
H13A	SPEAKER SERVICE KIT	LB 2 B

VOLVO

Volvo Bus Corporation

Document Title

WIRING DIAGRAM

Document Type

PRODUCT SCHEMATIC

Document No

22490509

Issue Index

01


Volume No

01


Page No

9(22)


H13A.1	SPEAKER SERVICE KIT MIX	LJ 1 C
H13B	SPEAKER, SERVICE KIT	LB 2 B
H13B.1	SPEAKER SERVICE KIT MIX	LJ 1 C
H13C	SPEAKER, SERVICE KIT	LB 3 B
H13C.1	SPEAKER SERVICE KIT MIX	LJ 1 C
H13D	SPEAKER SERVICE KIT	LB 3 B
H13D.1	SPEAKER SERVICE KIT MIX	LJ 1 C
H13E	SPEAKER, SERVICE KIT	LB 4 B
H13F	SPEAKER, SERVICE KIT	LB 2 C
H13G	SPEAKER, SERVICE KIT	LB 3 C
H13H	SPEAKER, SERVICE KIT	LB 3 C
H13I	SPEAKER, SERVICE KIT	LB 3 C
H5013	OVER SPEED TELLTALE	IB 3 C
H853	BUZZER	EA 2 C
H853L	BUZZER, LEFT TOILET	EB 2 C
H860	OVER SPEED BUZZER	IB 3 C
J1	SPLICE	PA 1 B
J10	SPLICE	PA 3 D
J100	SPLICE	AA 1 D
J101	SPLICE	BA 2 C
J102	SPLICE	BA 3 D
J103	SPLICE	BA 2 C
J104	SPLICE	BA 2 D
J105	SPLICE	ED 0 C
J106	SPLICE	PA 0 D
J107	SPLICE	PA 1 D
J108	SPLICE	PA 0 A
J109	SPLICE	CB 0 B
J11	SPLICE	BA 1 B
J110	SPLICE	PA 0 E
J12	SPLICE	BA 1 B
J120	SPLICE	AA 0 B
J121	SPLICE	AA 2 B
J13	SPLICE	PA 4 D
J132	SPLICE	DA 3 E
J133	SPLICE	BE 3 B
J134	SPLICE	BD 3 B
J135	SPLICE	LA 1 C
J136	SPLICE	CA 0 B
J137	SPLICE	CA 0 B
J138	SPLICE	CB 0 E
J139	SPLICE	AA 0 E
J14	SPLICE	AA 0 D

 Volvo Bus Corporation	Document Title			
	WIRING DIAGRAM			
	Document Type			
	PRODUCT SCHEMATIC			
Document No	Issue Index	Volume No	Page No	
22490509	01	01	10(22)	


J140	SPLICE	AA 1 E
J141	SPLICE	AA 1 E
J142	SPLICE	CA 1 B
J143	SPLICE	EA 4 D
J144	SPLICE	CB 0 A
J145	SPLICE	CA 4 B
J146	SPLICE	CA 4 B
J147	SPLICE	CA 2 A
J148	SPLICE	CA 4 C
J149	SPLICE	PA 0 B
J150	SPLICE	PA 0 B
J151	SPLICE	PA 0 B
J152	SPLICE	PA 1 B
J153	SPLICE	CC 0 C
J154	SPLICE	IC 2 D
J155	SPLICE	BF 1 D
J156	SPLICE	BG 1 B
J159	SPLICE	BA 3 C
J16	SPLICE	PA 4 D
J160	SPLICE	BA 3 D
J161	SPLICE	PB 1 C
J162	SPLICE	NE 0 D
J163	SPLICE	OA 0 A
J164	SPLICE	OA 3 A
J165	SPLICE	OA 0 C
J166	SPLICE	OA 3 C
J167	SPLICE	JC 0 A
J168	SPLICE	JC 0 D
J169	SPLICE	JC 2 A
J17	SPLICE	AA 0 E
J170	SPLICE	JC 2 D
J171	SPLICE	OA 3 B
J172	SPLICE	PB 2 B
J173	SPLICE	PB 2 B
J174	SPLICE	PB 2 C
J175	SPLICE	BA 3 C
J176	SPLICE	BA 3 D
J177	SPLICE	PB 2 B
J178	SPLICE	PB 2 C
J179	SPLICE	LA 1 B
J18	SPLICE	PA 4 D
J180	SPLICE	NE 0 D
J181	SPLICE	ID 1 C

 Volvo Bus Corporation	Document Title WIRING DIAGRAM			
	Document Type PRODUCT SCHEMATIC			
	Document No 22490509	Issue Index 01	Volume No 01	Page No 11(22)

J183	SPLICE	NA 0 D
J184	SPLICE	NA 0 D
J185	SPLICE	NA 0 D
J186	SPLICE	NA 0 D
J187	SPLICE	NA 0 D
J19	SPLICE	PA 0 D
J2	SPLICE	PA 1 B
J20	SPLICE	GA 0 A
J21	SPLICE	CE 1 D
J22	SPLICE	PA 0 D
J23	SPLICE	PA 0 D
J24	SPLICE	PA 2 D
J240	SPLICE	IF 1 C
J241	SPLICE	IF 1 C
J25	SPLICE	PA 1 D
J252	SPLICE	LD 0 C
J253	SPLICE	LD 0 D
J254	SPLICE	LD 1 D
J255	SPLICE	LD 2 C
J256	SPLICE	LD 1 B
J257	SPLICE	CE 0 D
J258	SPLICE	CE 0 D
J259	SPLICE	CE 1 D
J26	SPLICE	PA 1 D
J260	SPLICE	CE 1 D
J261	SPLICE	CE 2 D
J262	SPLICE	CE 2 D
J263	SPLICE	CE 2 D
J264	SPLICE	CE 3 D
J265	SPLICE	CE 4 D
J266	SPLICE	ID 0 B
J267	SPLICE	OA 1 B
J268	SPLICE	OA 1 C
J269	SPLICE	LE 0 B
J27	SPLICE	CE 1 C
J270	SPLICE	LE 1 B
J271	SPLICE	LE 1 B
J272	SPLICE	LE 0 C
J273	SPLICE	LE 0 C
J274	SPLICE	LE 1 D
J276	SPLICE	IF 1 B
J277	SPLICE	IF 1 B
J278	SPLICE	JA 2 C

 Volvo Bus Corporation	Document Title			
	WIRING DIAGRAM			
	Document Type			
	PRODUCT SCHEMATIC			
Document No	Issue Index	Volume No	Page No	
22490509	01	01	12(22)	

J279	SPLICE	JA 2 E
J28	SPLICE	CE 1 C
J280	SPLICE	JA 3 C
J281	SPLICE	NB 2 E
J282	SPLICE	NB 2 D
J283	SPLICE	CE 2 E
J284	SPLICE	IA 3 C
J285	SPLICE	IA 3 C
J286	SPLICE	IA 3 C
J287	SPLICE	NE 0 B
J288	SPLICE	NA 2 E
J289	SPLICE	DA 0 C
J29	SPLICE	PA 1 D
J290	SPLICE	DA 0 C
J291	SPLICE	DA 0 C
J292	SPLICE	DA 0 D
J293	SPLICE	DA 0 D
J294	SPLICE	DA 0 D
J295	SPLICE	DA 1 D
J296	SPLICE	DA 1 C
J297	SPLICE	OC 0 C
J298	SPLICE	IG 0 D
J299	SPLICE	IE 2 B
J3	SPLICE	CA 1 A
J30	SPLICE	PA 2 D
J300	SPLICE	OA 3 B
J301	SPLICE	IE 2 C
J304	SPLICE	NE 4 B
J305	SPLICE	CD 3 C
J306	SPLICE	CD 3 D
J307	SPLICE	CA 0 C
J308	SPLICE	CC 4 B
J31	SPLICE	PA 2 D
J310	SPLICE	CC 0 D
J311	SPLICE	CA 3 D
J312	SPLICE	CD 0 B
J313	SPLICE	CC 0 D
J314	SPLICE	CB 0 D
J315	SPLICE	CD 1 C
J316	SPLICE	CB 0 D
J317	SPLICE	CB 0 E
J318	SPLICE	BC 0 D
J319	SPLICE	CC 4 D

 Volvo Bus Corporation	Document Title WIRING DIAGRAM			
	Document Type PRODUCT SCHEMATIC			
	Document No 22490509	Issue Index 01	Volume No 01	Page No 13(22)

J32	SPLICE	PA 3 B
J320	SPLICE	CA 3 C
J321	SPLICE	GB 0 D
J322	SPLICE	CC 1 A
J323	SPLICE	BG 1 B
J326	SPLICE	IF 1 D
J327	SPLICE	IF 1 E
J328	SPLICE	HD 2 C
J329	SPLICE	HD 2 D
J33	SPLICE	PA 2 B
J332	SPLICE	CE 2 E
J335	SPLICE	CE 3 D
J336	SPLICE	IJ 1 B
J337	SPLICE	IJ 1 C
J338	SPLICE	IJ 2 A
J339	SPLICE	IJ 2 B
J34	SPLICE	PA 3 B
J340	SPLICE	IJ 3 A
J341	SPLICE	IJ 3 B
J343	SPLICE	JA 3 C
J346	SPLICE	OE 1 C
J347	SPLICE	OE 1 C
J348	SPLICE	LC 0 B
J35	SPLICE	CB 1 E
J350	SPLICE	PB 0 D
J351	SPLICE	NF 0 D
J352	SPLICE	OE 1 B
J353	SPLICE	CF 2 A
J354	SPLICE	CF 2 B
J355	SPLICE	CF 0 A
J356	SPLICE	CF 0 B
J357	SPLICE	CF 0 B
J358	SPLICE	CF 1 B
J36	SPLICE	PA 4 B
J360	SPLICE	IA 2 C
J361	SPLICE	IA 2 D
J362	SPLICE	CC 0 B
J363	SPLICE	IA 3 D
J364	SPLICE	PA 0 E
J365	SPLICE	CF 0 B
J37	SPLICE	GA 0 B
J371	SPLICE	DB 3 B
J372	SPLICE	DB 3 C

VOLVO

Volvo Bus Corporation

Document Title

WIRING DIAGRAM

Document Type

PRODUCT SCHEMATIC

Document No

22490509

Issue Index

01

Volume No

01

Page No

14(22)

J373	SPLICE	DB 3 C
J374	SPLICE	DB 3 D
J376	SPLICE	LH 3 B
J377	SPLICE	LH 3 C
J380	SPLICE	LI 1 B
J381	SPLICE	LI 2 C
J382	SPLICE	LI 0 D
J383	SPLICE	CF 2 D
J384	SPLICE	CF 2 C
J385	SPLICE	CF 0 C
J386	SPLICE	CF 0 D
J387	SPLICE	CF 0 D
J388	SPLICE	CF 1 D
J389	SPLICE	CF 0 E
J390	SPLICE	LB 2 B
J391	SPLICE	LB 2 B
J392	SPLICE	LB 3 B
J393	SPLICE	LB 4 B
J394	SPLICE	LB 3 B
J395	SPLICE	LB 4 B
J396	SPLICE	LB 2 C
J397	SPLICE	LB 3 C
J398	SPLICE	LB 3 C
J399	SPLICE	LB 3 C
J4	SPLICE	EA 4 C
J400	SPLICE	LB 3 C
J401	SPLICE	LB 3 C
J402	SPLICE	KC 2 C
J403	SPLICE	KC 2 C
J404	SPLICE	KC 2 C
J41	SPLICE	CC 0 C
J410	SPLICE	NF 3 C
J411	SPLICE	BB 1 D
J42	SPLICE	CD 3 B
J43	SPLICE	PA 2 B
J430	SPLICE	DB 0 D
J439	SPLICE	DB 0 B
J44	SPLICE	CE 3 D
J440	SPLICE	LG 1 A
J441	SPLICE	LG 1 B
J442	SPLICE	LG 1 C
J443	SPLICE	LG 1 C
J444	SPLICE	FA 3 E

VOLVO

Volvo Bus Corporation

Document Title

WIRING DIAGRAM

Document Type

PRODUCT SCHEMATIC

Document No

22490509

Issue Index

01

Volume No

01

Page No

15(22)

J445	SPLICE	FA 3 D
J446	SPLICE	CA 2 D
J447	SPLICE	CA 2 D
J45	SPLICE	EA 1 B
J450	SPLICE	LJ 0 D
J451	SPLICE	LJ 0 B
J452	SPLICE	LJ 1 B
J453	SPLICE	LJ 1 D
J46	SPLICE	EA 3 B
J460	SPLICE	CB 1 B
J47	SPLICE	EA 1 B
J48	SPLICE	EA 1 D
J49	SPLICE	LB 1 B
J5	SPLICE	CB 3 A
J50	SPLICE	CB 3 B
J51	SPLICE	BA 1 B
J52	SPLICE	BA 1 B
J53	SPLICE	BA 2 B
J54	SPLICE	BA 2 B
J55	SPLICE	BA 2 B
J56	SPLICE	BA 2 B
J57	SPLICE	BA 3 B
J58	SPLICE	BA 3 B
J59	SPLICE	BA 3 B
J6	SPLICE	PA 1 B
J60	SPLICE	BA 3 B
J61	SPLICE	BA 3 B
J62	SPLICE	BA 4 B
J63	SPLICE	BA 2 C
J64	SPLICE	BA 2 D
J65	SPLICE	PB 0 C
J66	SPLICE	JA 1 A
J67	SPLICE	LB 1 B
J68	SPLICE	IB 2 B
J69	SPLICE	BC 0 A
J7	SPLICE	CB 1 E
J70	SPLICE	BC 0 A
J71	SPLICE	BC 1 B
J72	SPLICE	BC 1 B
J73	SPLICE	IB 4 B
J74	SPLICE	LB 0 B
J75	SPLICE	BA 0 B
J76	SPLICE	BA 0 B

VOLVO

Volvo Bus Corporation

Document Title

WIRING DIAGRAM

Document Type

PRODUCT SCHEMATIC

Document No

22490509

Issue Index

01

Volume No

01

Page No

16(22)

J77	SPLICE	BA 0 B
J78	SPLICE	BA 0 B
J79	SPLICE	NA 1 D
J8	SPLICE	PA 3 D
J80	SPLICE	EA 3 B
J82	SPLICE	GA 1 A
J83	SPLICE	GA 2 A
J84	SPLICE	BF 2 B
J85	SPLICE	BF 2 B
J86	SPLICE	EB 3 A
J87	SPLICE	EB 3 B
J88	SPLICE	EB 1 B
J89	SPLICE	EB 1 B
J9	SPLICE	PA 3 D
J90	SPLICE	OA 0 B
J91	SPLICE	CB 3 C
J92	SPLICE	CB 3 D
J93	SPLICE	CB 1 C
J94	SPLICE	CB 1 D
J95	SPLICE	LB 0 B
J96	SPLICE	OB 3 C
J97	SPLICE	OB 3 C
J98	SPLICE	BC 2 C
J99	SPLICE	PA 1 A
K320	POWER BOX	AB 0 C
K345	RELAY, START INHIBITOR	OB 3 C
K910	RELAY AUTOMATIC FIRE SUPPRESSION SYSTEM	ID 0 B
K911	RELAY AUDIO & VIDEO ON DEMAND	LD 0 C
K911.a	RELAY AUDIO & VIDEO IND ON DEMAND	LI 0 C
K911A	RELAY AUDIO & VIDEO ON DEMAND	LD 1 C
K911A.a	RELAY AUDIO & VIDEO IND ON DEMAND	LI 1 C
K911B	RELAY, DAY RUNNING LIGHT	OC 0 B
K912	RELAY TPMS	IF 1 A
KCR	KITCHEN CONNECTOR RELAY	FA 0 C
KHS	RELAY HEATING PUMP	NF 4 B
KK	KITCHEN RELAY	FA 0 C
KML	RELAY MARKING LIGHTS	DA 0 B
KMLR	RELAY MARKING LIGHTS REAR	DA 4 B
KMLRS	RELAY MARKING LIGHTS RIGHT SIDE	DA 2 C
KRR	KITCHEN REAR RELAY	FA 0 C
KSL	RELAY SPOT LAMP	CB 1 C
M10F	MOTOR, FRONT ROOF HATCH	JB 0 B
M10R	MOTOR, REAR ROOF HATCH	JB 0 D

VOLVO

Volvo Bus Corporation

Document Title

WIRING DIAGRAM

Document Type

PRODUCT SCHEMATIC

Document No

22490509

Issue Index

01

Volume No

01

Page No

17(22)

M20	MOTOR, FAN WC	ED 4 B
M20M	MOTOR, FAN WC MIDDLE TOILET	EC 3 D
M24M	HANDWASH PUMP WC, MIDDLE TOILET	EC 0 A
M25M	MOTOR FLUSHING PUMP WC	EC 1 A
M33	MOTOR, DEFROSTER SMOG FLAP	NC 1 B
M35	MOTOR, DRIVER WINDOW	JB 2 D
M36	MOTOR, WEBASTO HEATER	NE 2 D
M37	MOTOR, WEBASTO PUMP	NE 3 D
M38	MOTOR, URINAL PUMP	EA 3 E
M6059	REST COMPARTMENT FAN	GA 2 E
M6061	HANDWASH WATER PUMP	EA 2 C
M6061L	WATER PUMP, HW, LEFT TOILET	EB 1 B
M6062	CIRCULATION PUMP, REHEATING SYS	NC 1 D
M6063	FLAP FLOOR, SCREEN STEPLESS	NA 0 D
M6063/DOT	FLAP DEFROSTER- DOT	NA 0 D
M6064	FAN, REHEATING SYSTEM	NC 2 D
M6065	CIRCULATION PUMP, REHEATING SYSTEM	NF 4 C
M6071	DRIVER FAN	JA 0 D
M6072	GUIDE FAN	JA 0 D
M6073	DEFROSTER	NA 3 E
M650	WINDSCREEN WIPER MOTOR	MA 0 D
M651	WINDSCREEN WASHER MOTOR	MA 2 C
M651B	MOTOR, WINDSHIELD WHIPER TANK	MA 2 D
M664	WC FLUSHING WATER PUMP	EA 3 E
M664L	WATER PUMP, WC FLUSH, LEFT TOILET	EB 3 D
M669	FAN	EA 4 A
M669L	FAN, TOILET	EB 4 A
M671A	MIRROR MOTOR	JA 2 D
M671B	MIRROR MOTOR	JA 3 D
M672	BLINDER MOTOR	JA 1 D
MINISIGMA	TACHOGRAPH, SUPPLIER ACTIA	IC 3 B
NX903	FRONT NVPDU	AC 0 A
NX904	REAR NVPDU	AC 2 A
P715	CODRIVER/INTELSAT	KA 0 A
P716	CONTROL PANEL AIR/VIGIA	KA 1 A
PCBAC	PCB AC SUTRAK-353	NF OD
R1	RESISTOR 120OHMS, START CANB	BA 0 B
R11	INITIATION RESISTOR CAN-BTPM	IF 1 E
R12	TERMINATION RESISTOR CAN-BTPM	IF 2 E
R2	RESISTOR 120OHMS, START CANB	BA 4 D
R3	RESISTOR 120 OHMS, END CAND	BC 1 B
RE:1	CABLE TERMINAL, TYPE M5, RELAY COLE HERSEE, GROUND WIRE	IJ 0 B
RE:4	CABLE TERMINAL, TYPE M5, FROM RELAY COLE HERSEE. WIRE	IJ 0 B

VOLVO

Volvo Bus Corporation

Document Title

WIRING DIAGRAM

Document Type

PRODUCT SCHEMATIC

Document No

22490509

Issue Index

01

Volume No

01

Page No

18(22)

	FROM MODULE A48 CAVITY 21.	
RSL	REAR STOP LIGHT LEFT	OA 0 C
RSR	REAR STOP LIGHT RIGHT	OA 2 C
RSTL	LAMP, STOP TAIL DOT	OA 0 C
RSTR	LAMP, STOP TAIL DOT	OA 2 C
RY	HOUSING,RECEPTACLE TO DRL'S RELAY FUNCTION	OE 1 B
S101	SWITCH, MIDDLE DOOR	HC 3 B
S103M	MICRO SWITCH, MIDDLE DOOR	HD 1 C
S108M	SWITCH, LOCK MIDDLE DOOR	HD 3 C
S1107	DOOR LOCK	HA 1 B
S1108	LIGHTING SLEEPER CAB	GA 1 B
S1111	CENTRAL LOCK	IA 1 B
S1112	FRIDGE	FA 2 B
S1113	COOKER	FA 0 B
S1115	SERVICE DOOR	HA 0 B
S111M	PUSH BUTTON, HANDWASH WC, MIDDLE TOILET	EC 1 D
S112M	PUSH BUTTON, FLUSHING WC, MIDDLE TOILET	EC 1 D
S1141	SWITCH, GAS CHARGING	NB 3 B
S1144	DRIVER & GUIDE LIGHT	CB 0 B
S1147A	SWITCH, INSIDE FRONT DOOR	HA 2 A
S1147B	SWITCH, OUTSIDE FRONT DOOR	HA 3 B
S1148	NIGHT LIGHT	CD 2 B
S1148a	SEAT NIGHT LIGHT	CA 2 B
S1150	POSITION LIGHTS	DA 2 A
S1151	GENERAL SWITCH TOILET	EA 4 D
S1152	HANDWASH BUTTON	EA 2 B
S1152L	HANDWASH BUTTON, LEFT TOILET	EB 2 B
S1153	WC FLUSHING BUTTON	EA 2 B
S1153L	WC FLUSHING BUTTON, LEFT TOILET	EB 2 B
S1154	MOVEMENT SENSOR	EA 3 B
S1154L	MOVEMENT SENSOR, LEFT TOILET	EB 3 A
S1155	EMERGENCY BUTTON	EA 2 A
S1155L	EMERGENCY BUTTON, LEFT TOILET	EB 2 A
S1156	PRINCIPAL TANK SENSOR	EA 1 E
S1157	SOIL TANK SENSOR	EA 1 E
S1158	KITCHEN LIGHT	FA 4 B
S1158.A	SWITCH, INTERIOR LIGHT IN KITCHEN CA	FA 3 D
S115Ma	SWITCH, MIDDLE DOOR LOW PRESSURE	HD 1 C
S115Mb	SWITCH, MIDDLE DOOR LOW PRESSURE	HD 1 C
S116	INTERIOR LIGHTS	CD 0 B
S1160	BERTH FAN	GA 2 B
S1161A	SLEEPER CAB LEFT	GA 0 B
S1161B	SLEEPER CAB RIGHT	GA 0 B

VOLVO

Volvo Bus Corporation

Document Title

WIRING DIAGRAM

Document Type

PRODUCT SCHEMATIC

Document No

22490509

Issue Index

01

Volume No

01

Page No

19(22)

S1162	HANDWASH TANK SENSOR	EA 1 E
S1162a	HANDWASH TANK SENSOR	EA 1 D
S1162b	HANDWASH TANK SENSOR	EA 1 D
S1162L	HANDWASH TANK SENSOR, LEFT TOILET	EB 1 D
S1163	AUXILIARY STEP	HB 1 B
S1164	SWITCH, MIRRORS	JA 4 A
S1165	SWITCH, MIRROR HEATER	JA 3 B
S1165B	SWITCH, MIRROR HEATER	JA 2 B
S1166	SWITCH, BLINDER	JA 1 B
S1167	SWITCH, READING LIGHT WCL DOOR	CC 1 B
S1168	SWITCH, WCL HOST CALL	CC 3 B
S1169	SWITCH, WCL READING LAMPS DASHBOARD	CC 2 B
S117	READING LIGHTS	CC 0 B
S117C	SWITCH, DOOR WC CARRUS TOILET	EC 2 D
S118	SWITCH, DRIVER AND GUIDE FAN	JA 0 B
S118M	PUSH BUTTON, EMERGENCY WC	EC 0 D
S126	SWITCH, DRIVER WINDOW	JB 3 B
S127	SWITCH, WINDOW HEATER	JB 2 B
S132	DESTINATION SIGN LIGHT	CB 3 B
S134	PUSH BUTTON, URINAL PUMP	EA 2 B
S135	WHEEL CHAIR LIFT	GB 0 A
S137	SWITCH DOOR WHEEL CHAIR	GB 0 B
S137A	SWITCH DOOR WHEEL CHAIR	GB 0 C
S137B.1	ELECTRICAL HATCH LOCK WHEEL CHAIR LIFT	GB 0 D
S139	SWITCH, MANUAL DISCHARGE	ID 1 D
S140	SWITCH MULTICHANNEL ACTIA	LC 1 D
S140A	SWITCH ACTIA ON DEMAND	LD 1 B
S140Aa	SWITCH ACTIA AUDIO & VIDEO IND ON DEMAND	LI 1 B
S141	DOOR BRAKE	HA 2 D
S142	SWITCH DOOR BRAKE HIGH IDLE	HA 1 D
S172A	LUGGAGE LIGHTS LEFT SIDE MSW	CE 0 B
S172B	LUGGAGE LIGHTS LEFT SIDE MSW	CE 0 B
S172C	LUGGAGE LIGHTS LEFT SIDE MSW	CE 1 B
S172D	LUGGAGE LIGHTS LEFT SIDE MSW	CE 1 B
S172F	LUGGAGE LIGHTS RIGHT SIDE MSW	CE 2 B
S172G	LUGGAGE LIGHTS RIGHT SIDE MSW	CE 3 B
S172H	LUGGAGE LIGHTS RIGHT SIDE MSW	CE 3 B
S172J	LUGGAGE LIGHTS RIGHT SIDE MSW	CE 4 B
S173A	SENSOR, DOOR LOCK'S SENSOR (SWITCH NORMALY CLOSE)	CF 3 C
S173B:1	CABLE TERMINAL , SENSOR LOCK'S COMMON WIRE	CF 2 B
S173B:2	CABLE TERMINAL, SENSOR LOCK'S NORMALLY CLOSED SIGNAL	CF 2 B
S173C:1	CABLE TERMINAL, SENSOR LOCK'S COMMON WIRE	CF 2 B
S173C:2	CABLE TERMINAL, SENSOR LOCK'S NORMALLY CLOSED SIGNAL	CF 2 B

VOLVO

Volvo Bus Corporation

Document Title

WIRING DIAGRAM

Document Type

PRODUCT SCHEMATIC

Document No

22490509

Issue Index

01

Volume No

01

Page No

20(22)

S173D:1	CABLE TERMINAL, SENSOR LOCK'S COMMON WIRE	CF 2 B
S173D:2	CABLE TERMINAL, SENSOR LOCK'S NORMALLY CLOSED SIGNAL	CF 2 B
S173F:1	CABLE TERMINAL , SENSOR LOCK'S COMMON WIRE	CF 2 D
S173F:2	CABLE TERMINAL, SENSOR LOCK'S NORMALLY CLOSED SIGNAL	CF 2 D
S173G:1	CABLE TERMINAL, SENSOR LOCK'S COMMON WIRE	CF 2 D
S173G:2	CABLE TERMINAL, SENSOR LOCK'S NORMALLY CLOSED SIGNAL	CF 2 D
S173H:1	CABLE TERMINAL, SENSOR LOCK'S COMMON WIRE	CF 2 D
S173H:2	CABLE TERMINAL, SENSOR LOCK'S NORMALLY CLOSED SIGNAL	CF 2 D
S2016H	HIGH PRESSURE SWITCH	NB 3 D
S2016L	LOW PRESSURE SWITCH	NB 3 D
S23F	SWITCH, FRONT ROOF HATCH	JB 0 B
S23R	SWITCH, REAR ROOF HATCH	JB 0 E
S41	MAIN SWITCH BATTERY BOX I START	AC 1 B
S7071	WINDSHIELD WIPER TANK LEVEL SENSOR	MA 3 D
S80	SWITCH, TRANSCOM	LC 1 B
S9074	PRESOSTATO	HA 2 A
S9075	PRESSURE SENSOR	HA 2 A
S9076	MICRO-SWITCHES BERTH	HA 4 A
S93	SWITCH KITCHEN LIGHT	FA 2 A
S98	SWITCH, CSDD A/C	IH 1 C
T901	VOLTAGE CONVERTER	LA 0 B
T901.A	CA VOLTAGE CONVERTER	CA 2 C
T901A	VOLTAGE CONVERTER	LA 2 B
T901B	VOLTAGE CONVERTER COPILOTO	KA 0 C
T901C	VOLTAGE CONVERTER A&V ON DEMAND	LD 0 D
T901D	VOLTAGE CONVERTER A&V ON DEMAND	LD 1 D
T901E	VOLTAGE CONVERTER 24/12	IG 0 C
T902	VOLTAGE CONVERTER TPMS	IA 1 C
TAG	TACHOGRAPH	IC 1 B
TD7	CONTROL UNIT	IC 2 B
TWS1	WCL TWS MODULE	GB 3 E
TWS2	WCL TWS MODULE	GB 3 E
TWS3	WCL TWS MODULE	GB 3 E
TWS4	WCL TWS MODULE	GB 3 E
U901	VOLTAGE CONVERTER DC/AC	IE 1 B
U902	VOLTAGE CONVERTER DC/AC	IE 1 C
U903	INVERTER, 24 DC TO 110 AC 2300 W	IJ 0 B
W	W ALTERNATOR SIGNAL	AA 4 A
X	FUSE TERMINAL	AB 1 B
X_	FUSE TERMINAL I-START	AB 0 C
X16	FIRE, EXTINGUISHER	ID 1 D
X17	FIRE, EXTINGUISHER (FOGMAKER)	II 0 C
X2	TERMINAL, POWER CABLE	AB 0 B

VOLVO

Volvo Bus Corporation

Document Title

WIRING DIAGRAM

Document Type

PRODUCT SCHEMATIC

Document No

22490509

Issue Index

01

Volume No

01

Page No

21(22)

X2000/1	TERMINAL, FEED 6 SCREEN	LE 0 A
X2000/2	TERMINAL, GROUND 6 SCREENS	LE 0 A
X2000a/1	TERMINAL, FEED 4 SCREENS	LG 1 A
X2000a/2	TERMINAL, GROUND 4 SCREENS	LG 1 A
X671Aa	COMMON MOTOR MIRROR SIGNAL	JA 2 C
X671B	COMMON SIGNAL POSITION CONTROL	JA 3 C
X671Ba	LEFT-RIGHT MIRROR SIGNAL	JA 2 C
X671C	HEATER MIRROR SIGNAL	JA 2 C
X671Ca	HEAT MIRROR SIGNAL	JA 2 C
X671D	UP/DOWN SIGNAL POSITION	JA 3 C
X671Da	UPDOWN MIRROR SIGNAL	JA 2 C
X671E	GROUND SIGNAL	JA 2 E
X671Ea	GROUND MIRROR	JA 2 E
X900/1	TERMINAL, FEED 6 SCREENS	LE 2 A
X900/3	TERMINAL, REMOTE 6 SCREENS	LE 2 A
X900a/1	TERMINAL, FEED 4 SCREENS	LG 2 A
X910	JUNCTION BOX BATTERY BOX I-START	AC 1 C
X910A	JUNCTION BOX ELECTRIC CENTER	AC 2 D
XA	TERMINAL, POWER CABLE	AC 1 C
XC102B	POWER BOX TERMINAL	AB 0 C
XKID1	AUTOMATIC FIRE EXTINGUISHER SYSTEM	ID 0 A
Y	DEVICE TERMINAL	AB 3 A
Y_	FUSE TERMINAL I-START	AB 1 C
Y2	TERMINAL, POWER CABLE	IJ 1 C
Y6009	AC DEFROSTER VALVE	NA 4 E
Y6014	SOLENOID VALVE	IA 0 D
Y6015	SOLENOID VALVE DOOR	HA 0 C
Y6016	ROOF VALVE, REHEATING SYSTEM	NC 0 D
Y6017A	PASSENGER VALVE	NA 2 E
Y6017B	DEFROSTER VALVE	NA 2 E
Y6017C	BYPASS VALVE	NA 2 E
Y6042	ISONIC PNEUMATIC VALVE	EA 2 E
Y6042L	PNEUMATIC VALVE, LEFT TOILET	EB 2 D
Y6070	SOLENOID VALVE AUXILIARY STEP	HB 1 D
Y72	AIR HORN	IA 4 C
Y78	SOLENOID VALVE, MIDDLE DOOR	HD 3 D
Y79	VALVE, ROOF HEATING SYSTEM	NE 1 B
Y80	VALVE, PASSENGER HEATING SYSTEM	NE 0 B
Y82	VALVE, DEFROSTER HEATING SYSTEM	NE 0 B
Y83M	PNEUMATIC VALVE ISONIC WC, MIDDLE TOILET	EC 1 A
Y86M	CENTRAL LOCK WC , MIDDLE TOILET	EC 2 A

VOLVO

Volvo Bus Corporation

Document Title

WIRING DIAGRAM

Document Type

PRODUCT SCHEMATIC

Document No

22490509

Issue Index

01

Volume No

01

Page No

22(22)