



Wiring Schematic Aftermarket Electric Fan Drive kit

EFD H345 US10 to GHG17

EFD with Bosch Alternator KIT # IS19900

EFD with Remy Alternator KIT #IS19910

Apply to all H3 model from B-1721 up to K-0185

Dec 2018

Engine compartment component

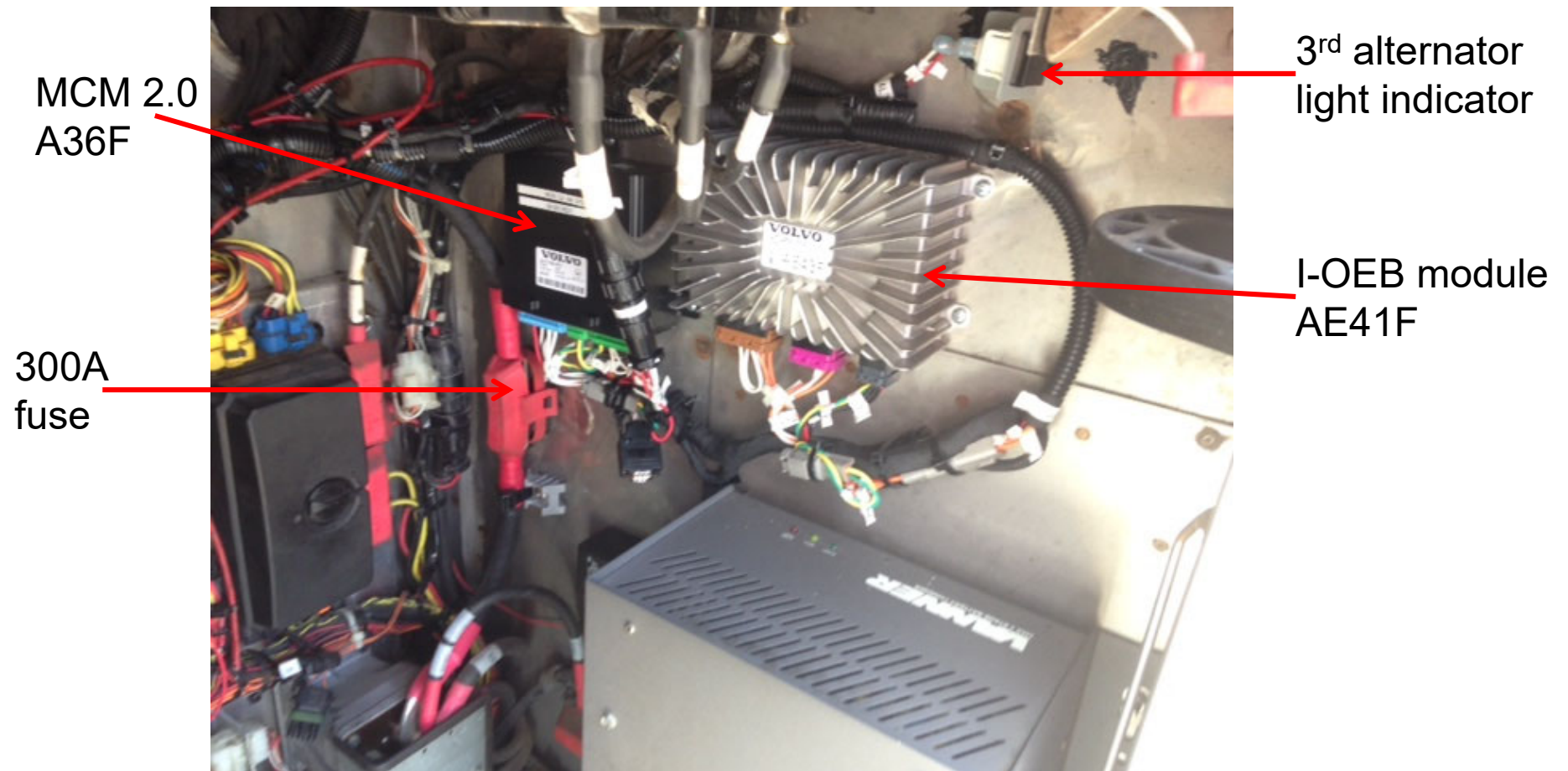
Fan and shroud installation



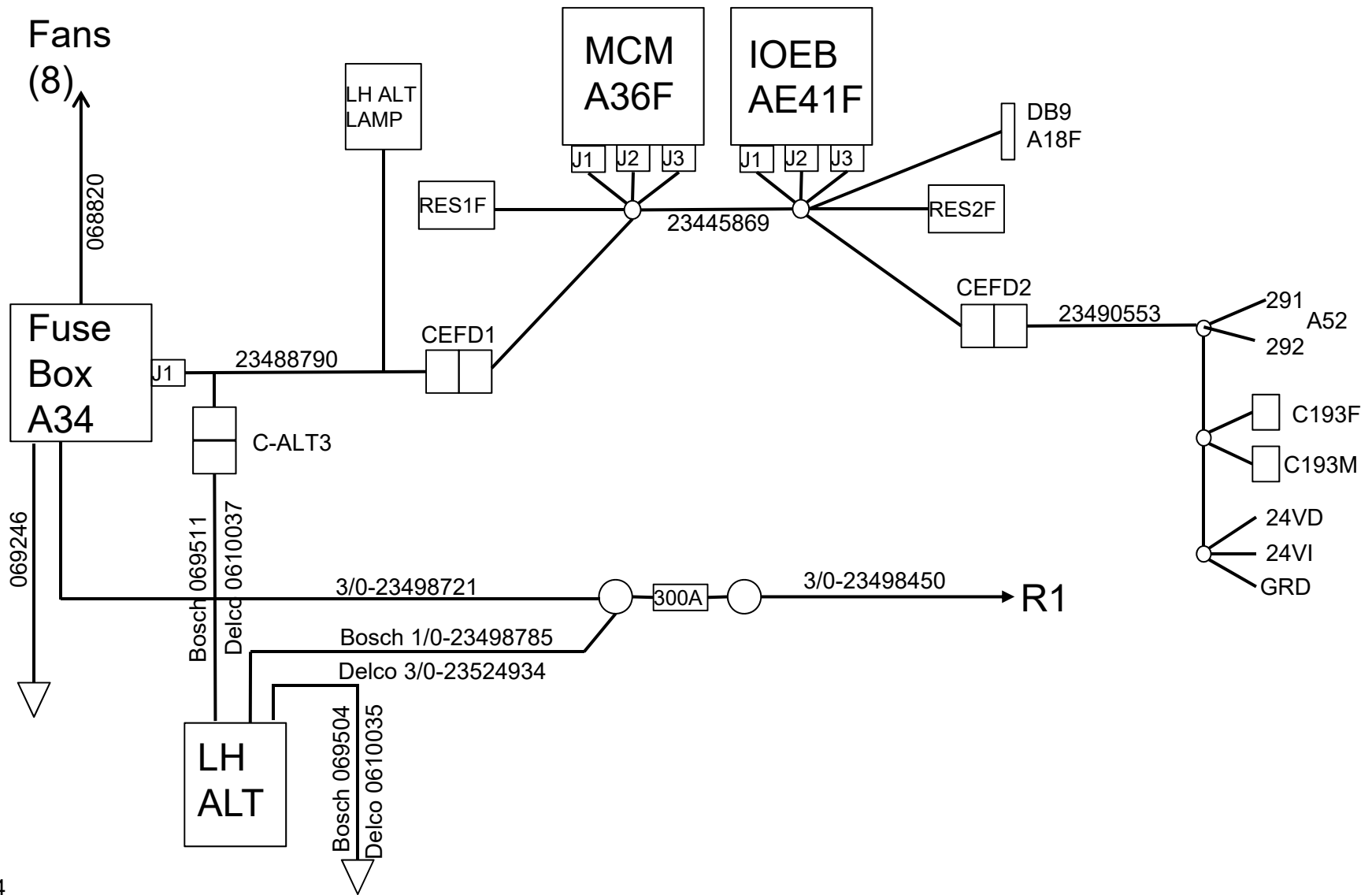
Fan power BOX



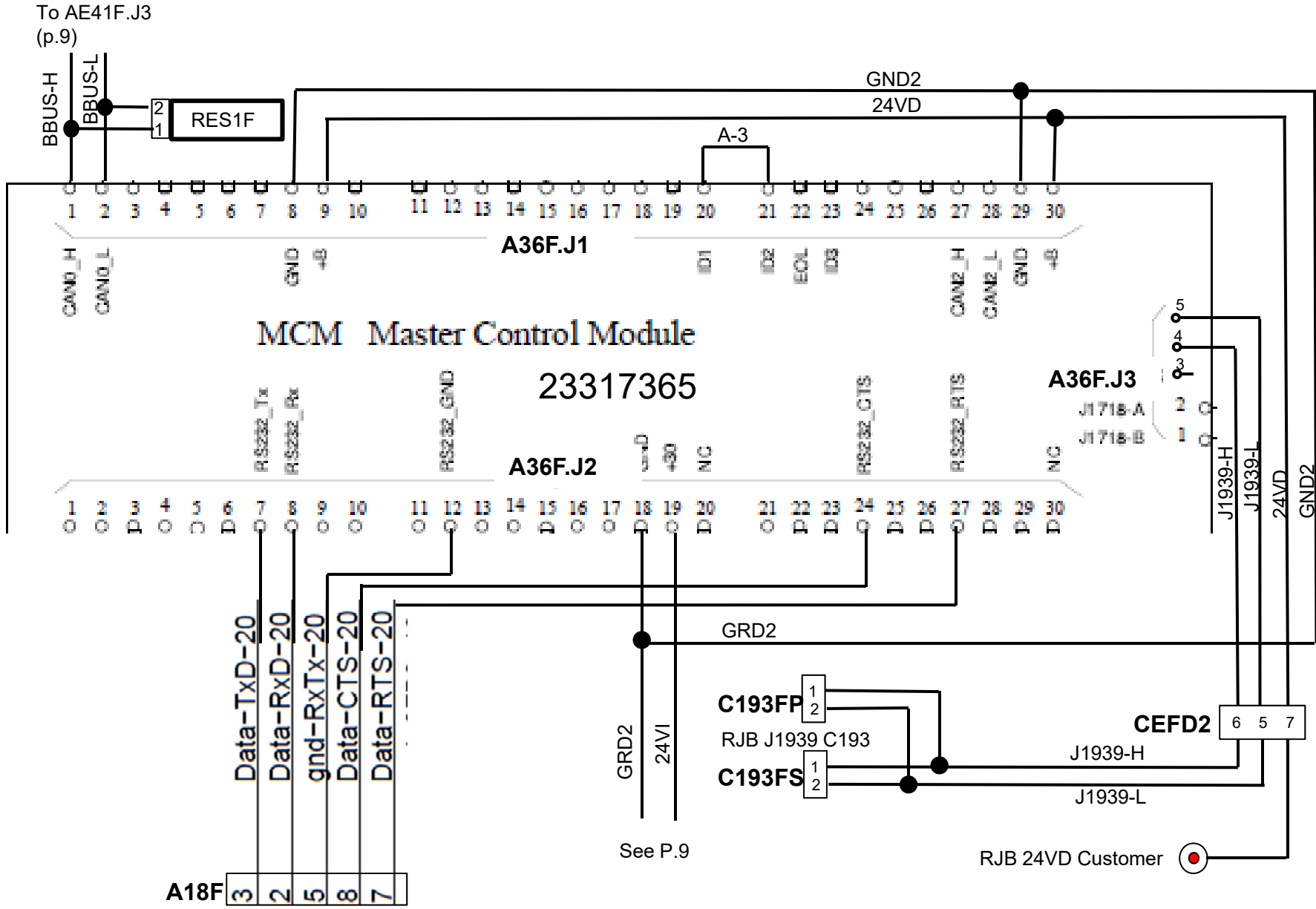
Rear junction box components



WIRING HARNESS AND BATTERY CABLE

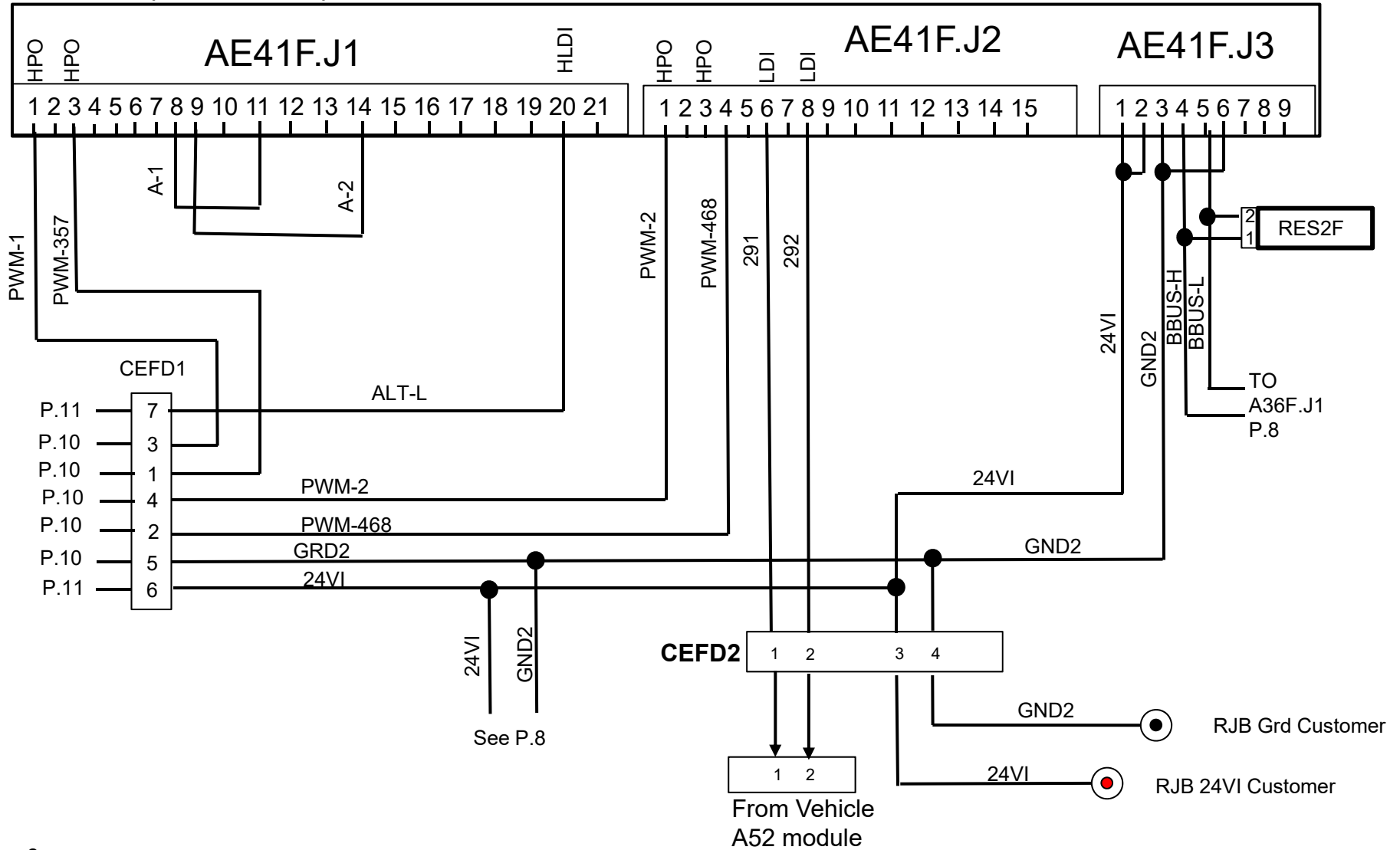


WIRING DIAGRAM MCM

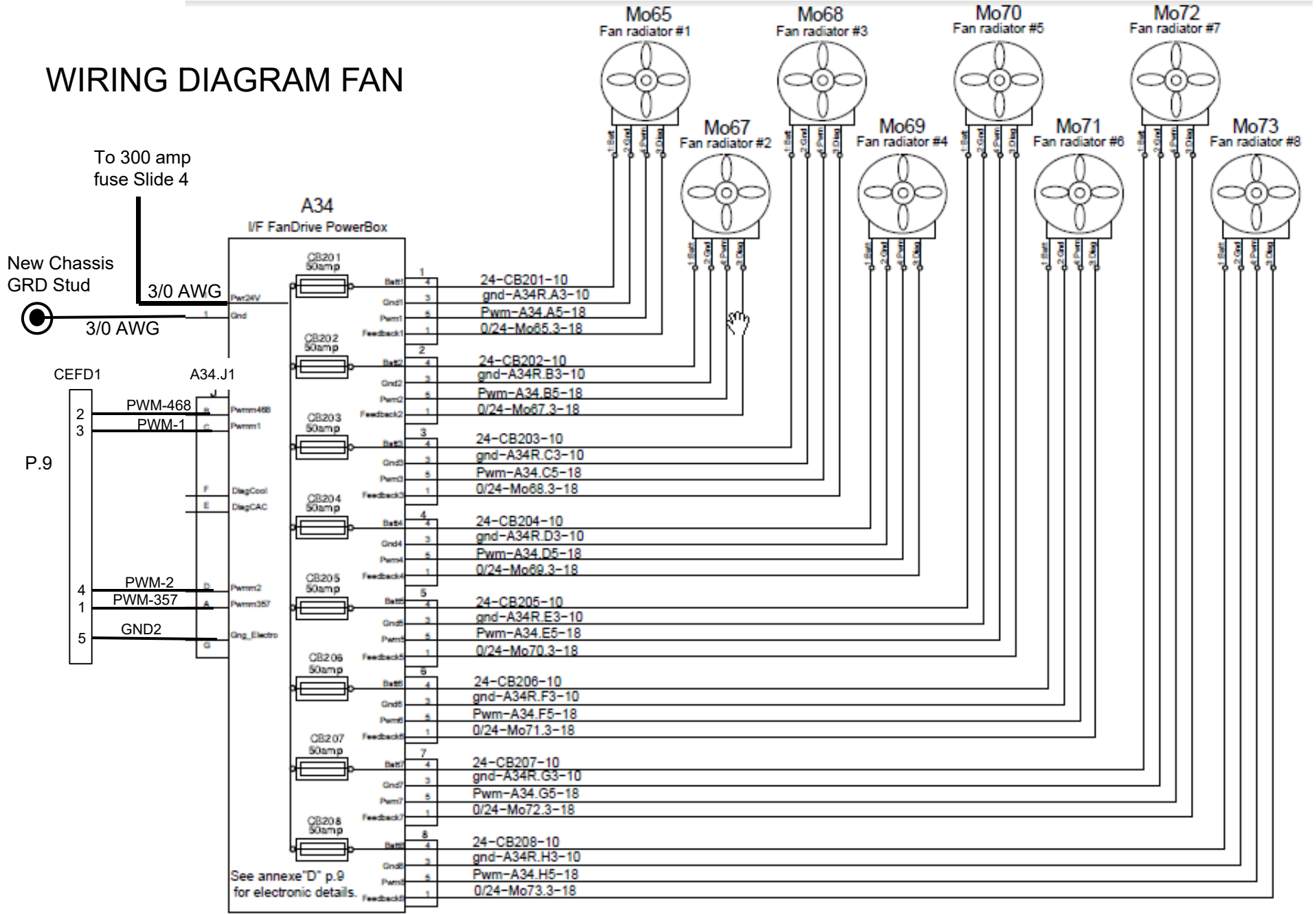


WIRING DIAGRAM I-O module

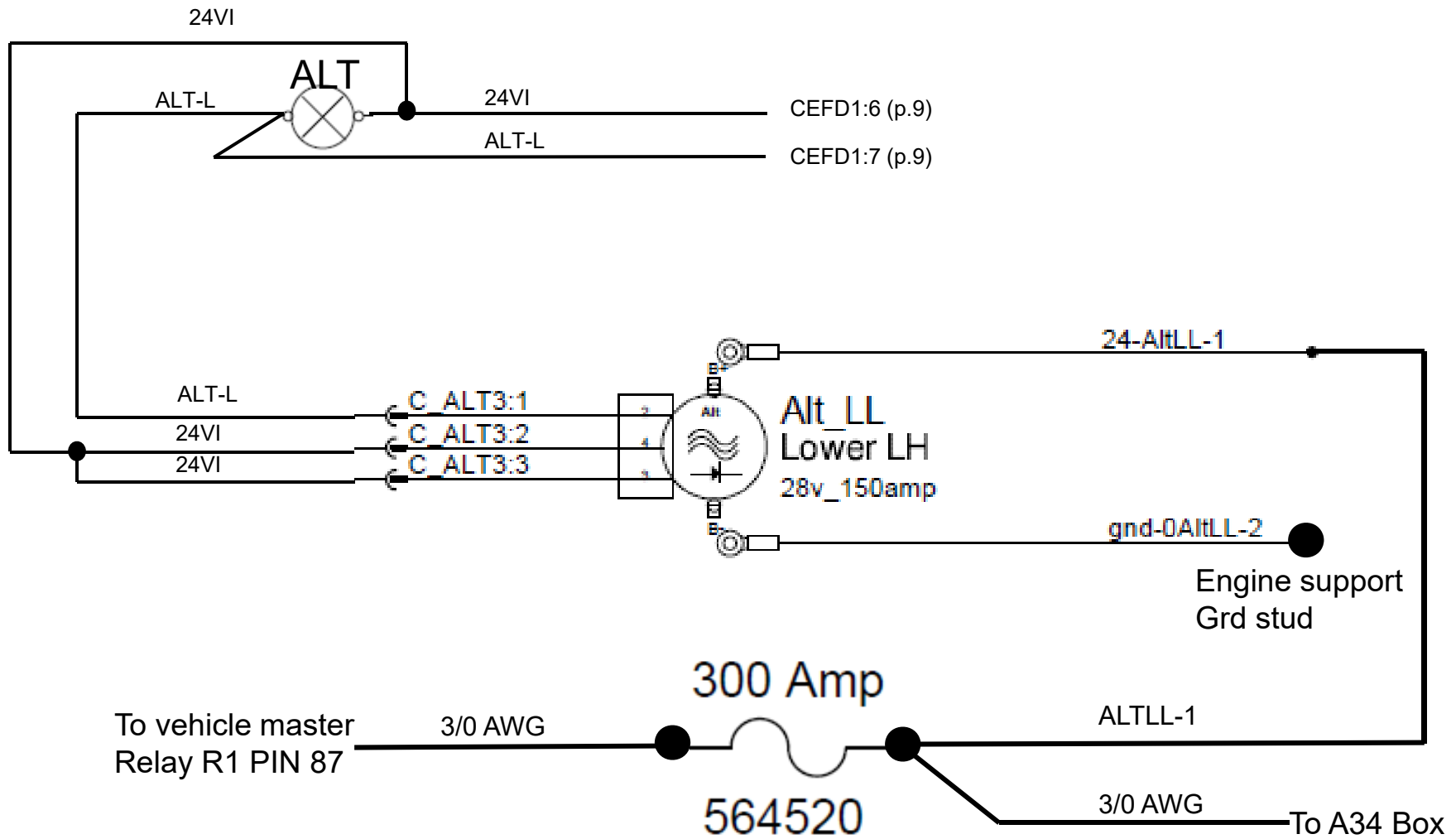
IO-EB (22722850)



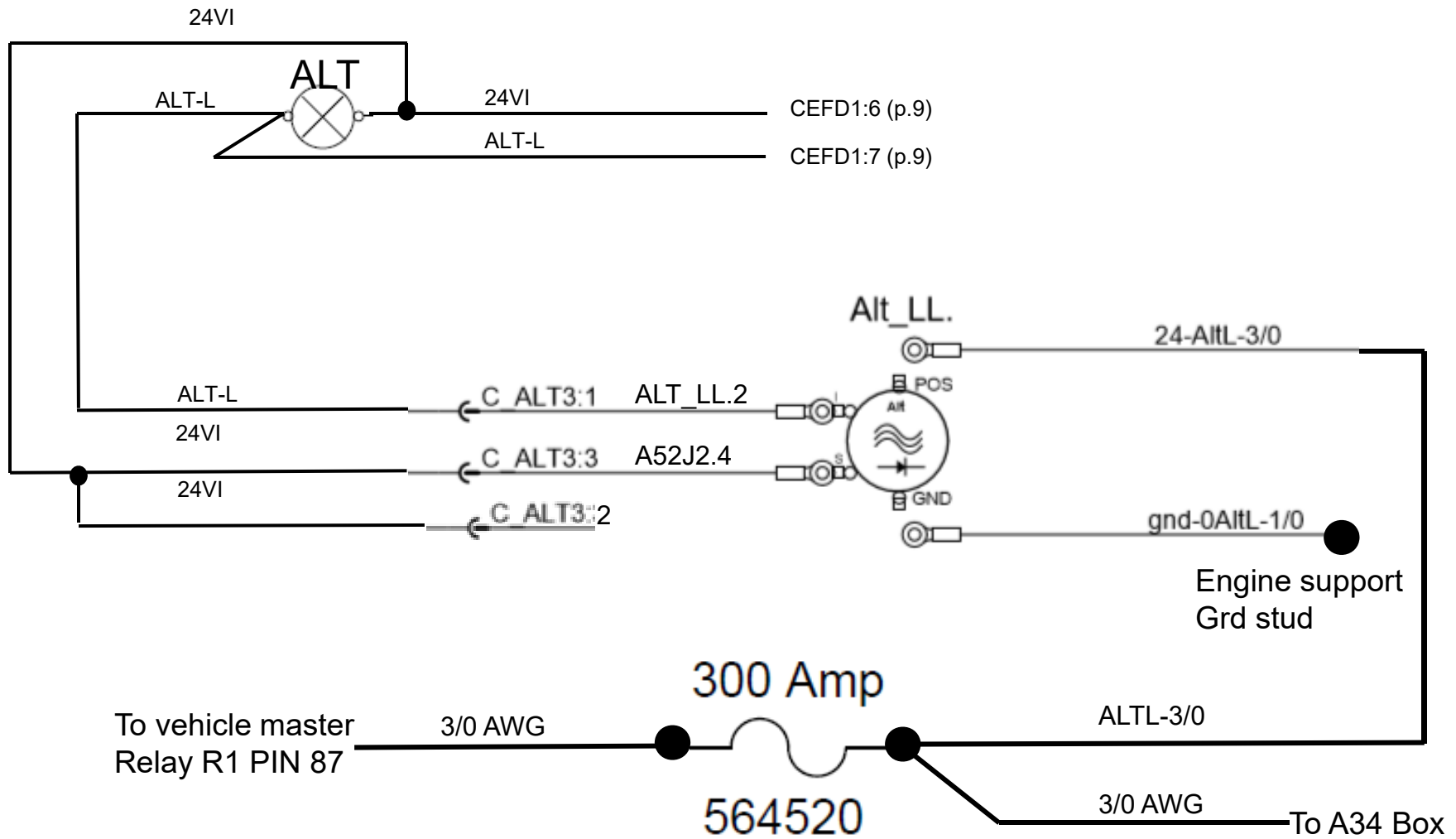
WIRING DIAGRAM FAN



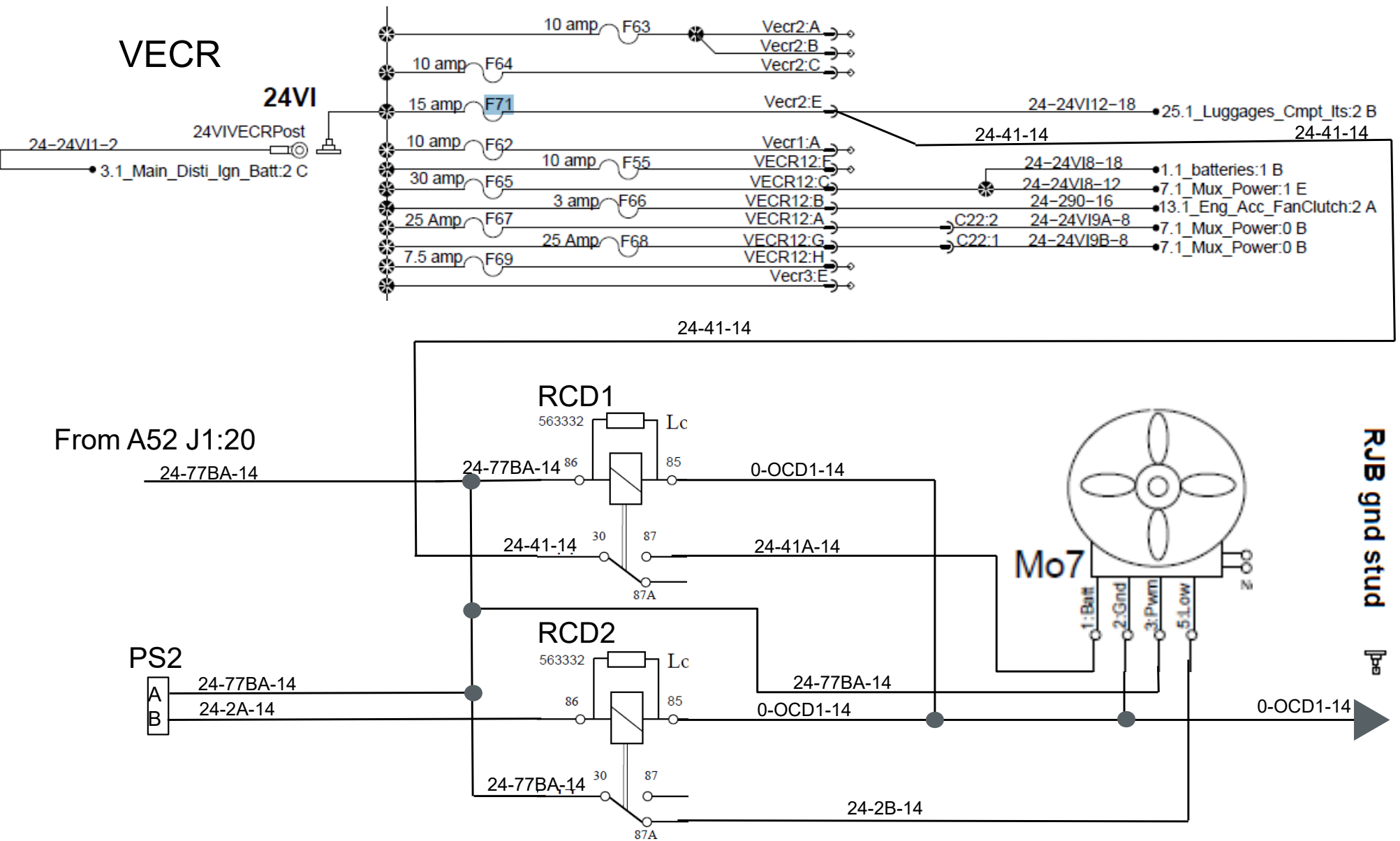
3RD BOSCH ALT WIRING DIAGRAM



2ND REMY ALT WIRING DIAGRAM



H3VIP with driver's air only





**THE ULTIMATE
EXPERIENCE**

PREVOST.