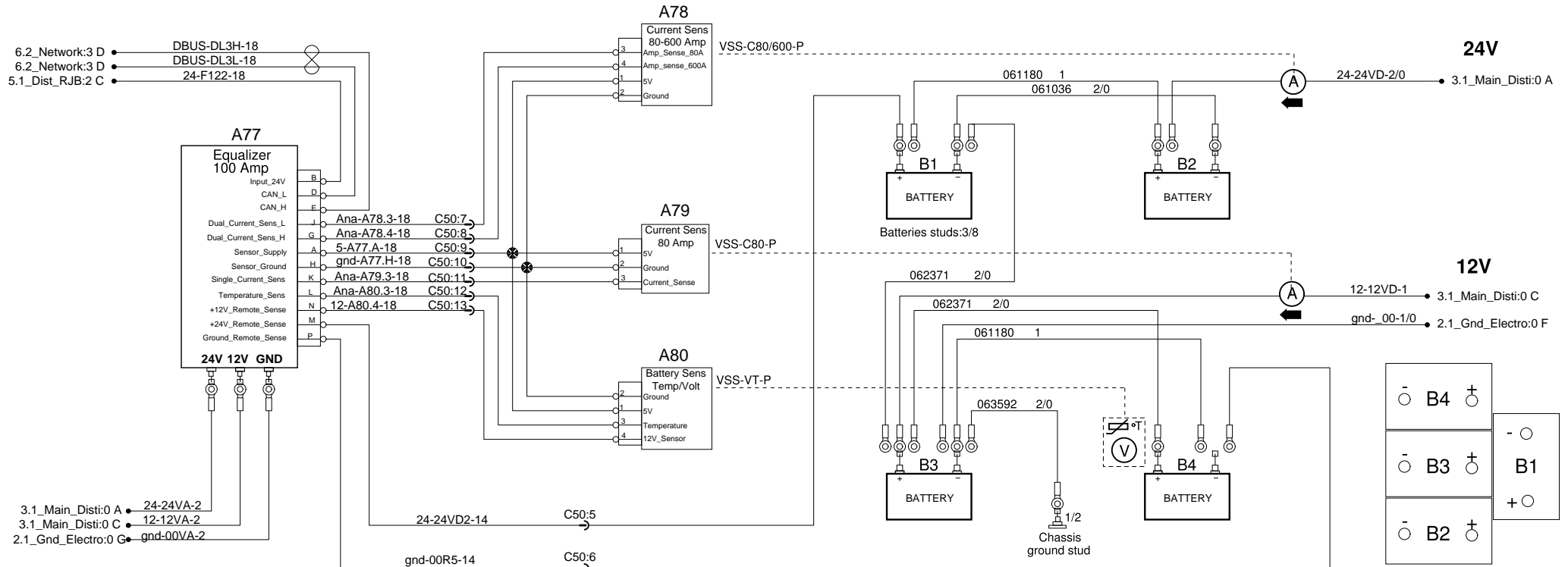


# Batteries and alternators



# Alternators

