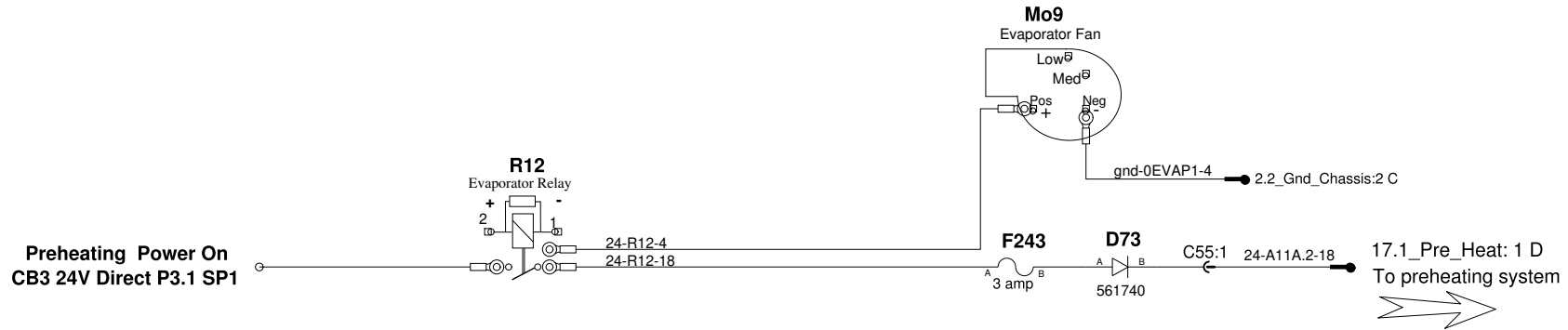
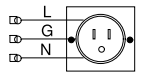


Water PreHeater System Forced Customer Adaptation Offshore Heating Function

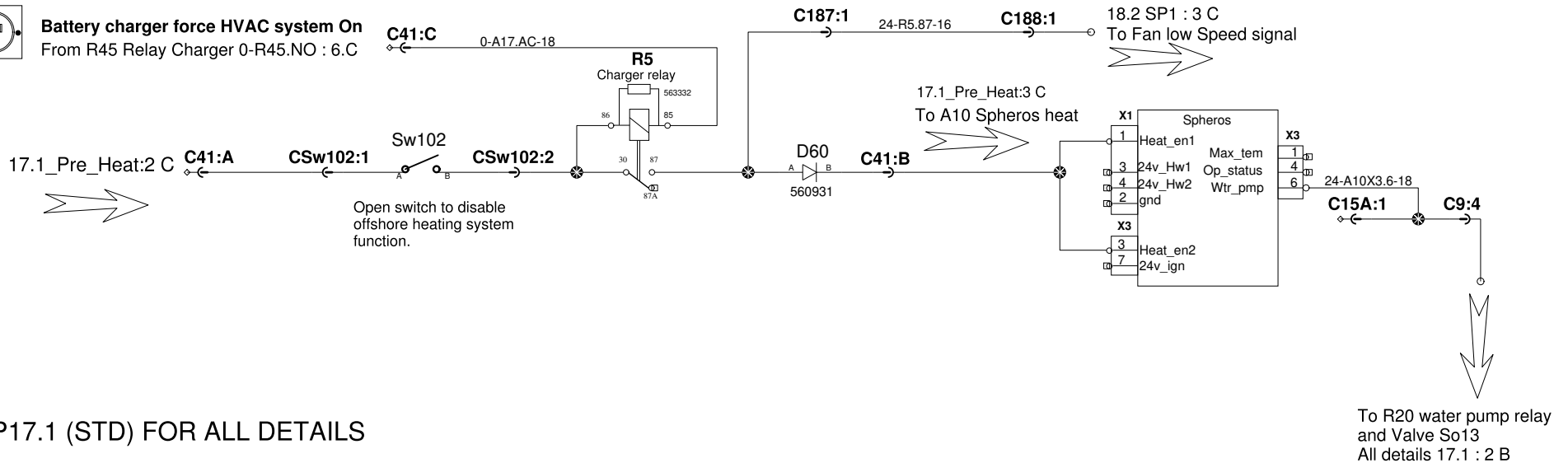
REFER TO P18.2 (STD) FOR ALL DETAILS



Outlet Comp Door



Battery charger force HVAC system On
From R45 Relay Charger 0-R45.NO : 6.C



REFER TO P17.1 (STD) FOR ALL DETAILS