

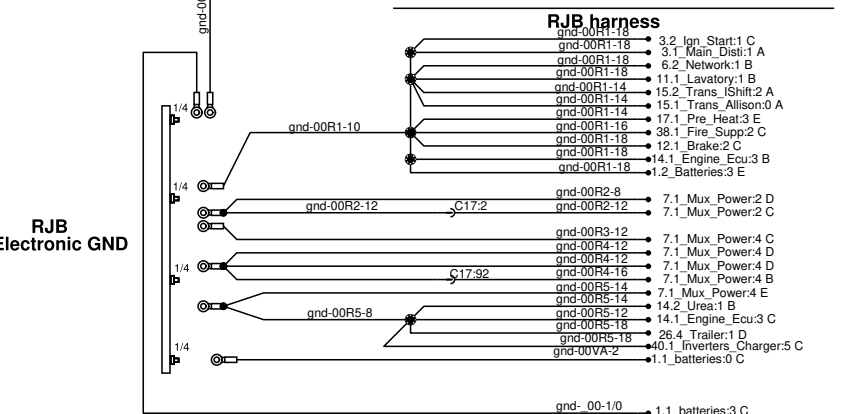
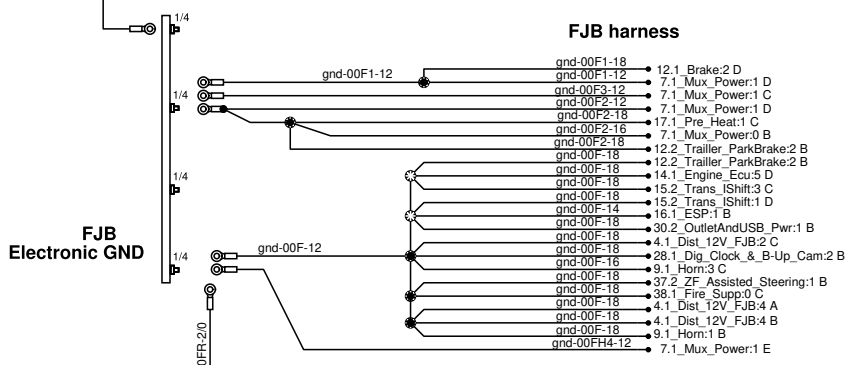
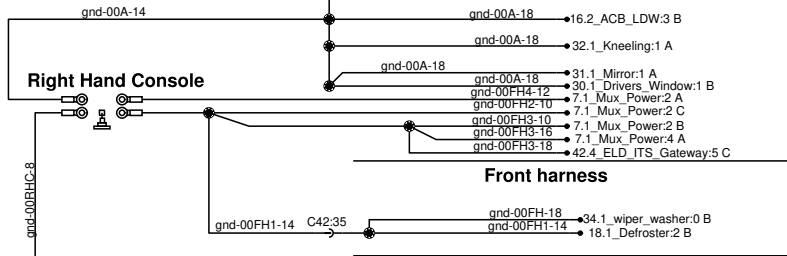
# Electronic ground distribution

\*\*Ground distribution:\*\*

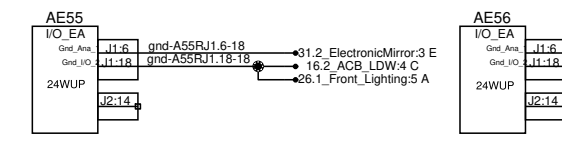
- 0-Electric gnd
- 00- Electronic Gnd

- A-Dash - Lh console harness
- F-Front junction box harness
- HH-Front harness
- R-Rear junction box harness
- FR-Front to rear

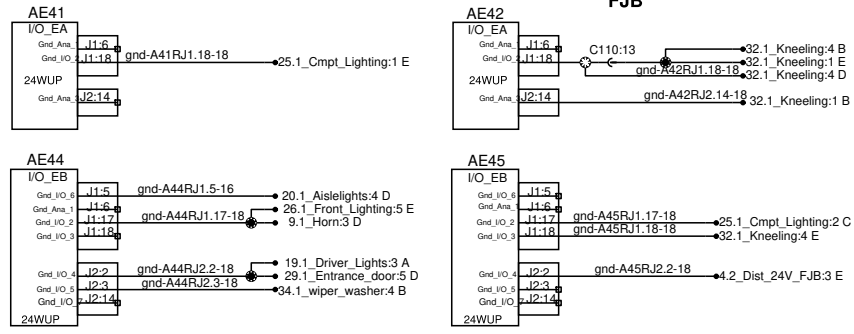
- ### Dash harness
- gnd-00A-16 → 5.2 ISM\_PPack:3 C
  - gnd-00A-16 → 23.1 Indirect\_Lights:0 B
  - gnd-00A-16 → 60.0 Cust\_Adapt\_Dash\_Interface:2 B
  - gnd-00A-18 → 31.2\_ElectronicMirror:2 A
  - gnd-00A-18 → 33.1\_Luggage\_LockUnlock:1 B
  - gnd-00A-18 → 32.1\_Kneeling:0 D
  - gnd-00A-18 → 6.1\_ESP:0 A
  - gnd-00A-18 → 22.1\_Reading\_Lamps:6 F
  - gnd-00A-18 → 29.1\_Entrance\_door:2 A
  - gnd-00A-18 → 22.1\_Reading\_lamps:4 F
  - gnd-00A-18 → 41.1\_SunVisors:1 C
  - gnd-00A-18 → 19.1\_Driver\_Lights:1 E
  - gnd-00A-18 → 22.1\_Reading\_lamps:1 E
  - gnd-00A-18 → 18.3\_Parcel\_Rack\_Vent:1 A
  - gnd-00A-18 → 16.1\_ESP:0 A
  - gnd-00A-18 → 10.1\_Cluster\_ClkSpring\_StalkBase:2 A
  - gnd-00A-18 → 14.1\_Engine\_Ecu:8 E
  - gnd-00A-18 → 32.1\_Kneeling:0 C
  - gnd-00A-18 → 12.1\_Brake:2 B
  - gnd-00A-18 → 36.1\_WCL\_Ricon:3 A
  - gnd-00A-18 → 28.2\_Destination\_Signs:1 B
  - gnd-00A-18 → 26.1\_Front\_Lighting:1 B
  - gnd-00A-18 → 26.5\_Fog\_Dock\_Lts:1 C
  - gnd-00A-18 → 26.1\_Front\_Lighting:1 C
  - gnd-00A-18 → 6.2\_Network:4 C
  - gnd-00A-18 → 3.2\_Ign\_Start:1 A
  - gnd-00A-18 → 18.5\_Roof\_Hatches\_W\_Fan:2 B
  - gnd-00A-18 → 45.0\_Emergency\_Lights:1 C



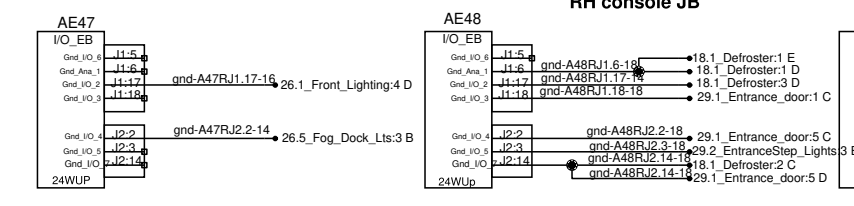
## Dash JB



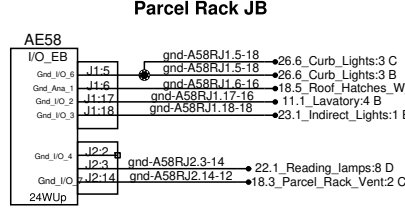
## FJB



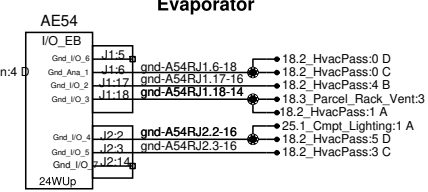
## RH console JB



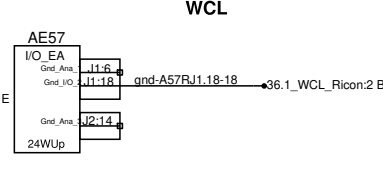
## Parcel Rack JB



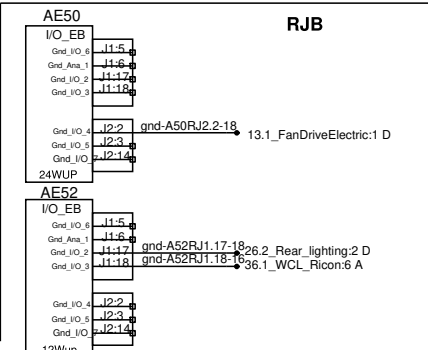
## Evaporator



## WCL



## RJB



## RJB

