

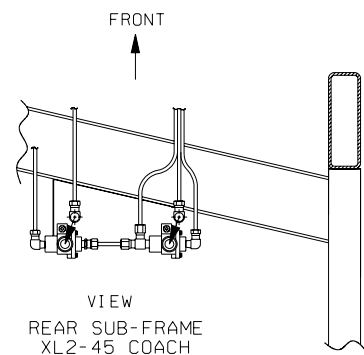
SEE VIEW
REAR SUB-FRAME
XL2-45 COACH

LOW-BUOY
PRESSURE
REGULATOR
90 PSI

NOTE:

CONTROL VALVE OPT. "LOW-BUOY" , "A" OR "B" SETTING:
POSITION "A": VALVE IS OPEN,
 AIR FLOW BETWEEN SUPPLY (S) AND
 DELIVERY (D) , LOW-BUOY IS NOT IN FUNCTION.

POSITION "B": VALVE CLOSED,
 AIR DOESN'T FLOW BETWEEN SUPPLY (S) AND
 DELIVERY (D) , LOW-BUOY IS IN FUNCTION.



TUBE COLOR CODING		
ACTIVE	COLOR	CIRCUIT
->->	RED	SECONDARY
->->	GREEN	PRIMARY & SUPPLY
->->	YELLOW	PARKING BRAKE
->->	BLUE	SUSPENSION
->->	BLACK	ACCESSORIES

BALLOON	PIPE
#1	3/8" O.D. BLUE
#2	1/2" O.D. BLUE
=====	STD PIPING
=====	OPTIONAL PIPING

XL2-45 COACH,
 ENGINE 2002 WITH
 FRONT BEAM AXLE

 WITH OPTION FRONT KNEELING
 & HIGH-BUOY COMBINATION

 D1 40301 P3 REV. B

DATE : 2004/02