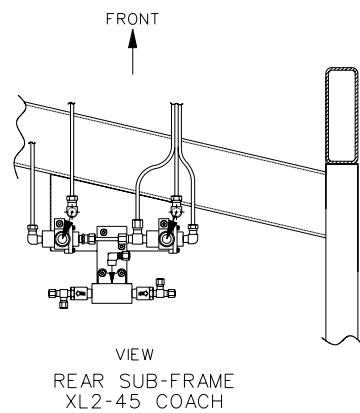


NOTE:

CONTROL VALVE OPT. "LOW-BUOY" , "A" OR "B" SETTING:

POSITION "A": VALVE IS OPEN,
AIR FLOW BETWEEN SUPPLY (S) AND
DELIVERY (D) , LOW-BUOY IS NOT IN FUNCTION.

POSITION "B": VALVE CLOSED,
AIR DOESN'T FLOW BETWEEN SUPPLY (S) AND
DELIVERY (D) , LOW-BUOY IS IN FUNCTION.



TUBE COLOR CODING		
ACTIVE	COLOR	CIRCUIT
→→→	RED	SECONDARY
→→→	GREEN	PRIMARY & SUPPLY
→→→	YELLOW	PARKING BRAKE
→→→	BLUE	SUSPENSION
→→→	BLACK	ACCESSORIES

BALLOON	PIPE
#1	3/8" O.D. BLUE
#2	1/2" O.D. BLUE
#3	1/4" O.D. BLACK
—	STD PIPING
—	OPTIONAL PIPING

XL2-45 COACH,
ENGINE 2002 WITH
FRONT BEAM AXLE

WITH OPTION FRONT
KNEELING, LOW-BUOY
& HIGH-BUOY COMBINATION