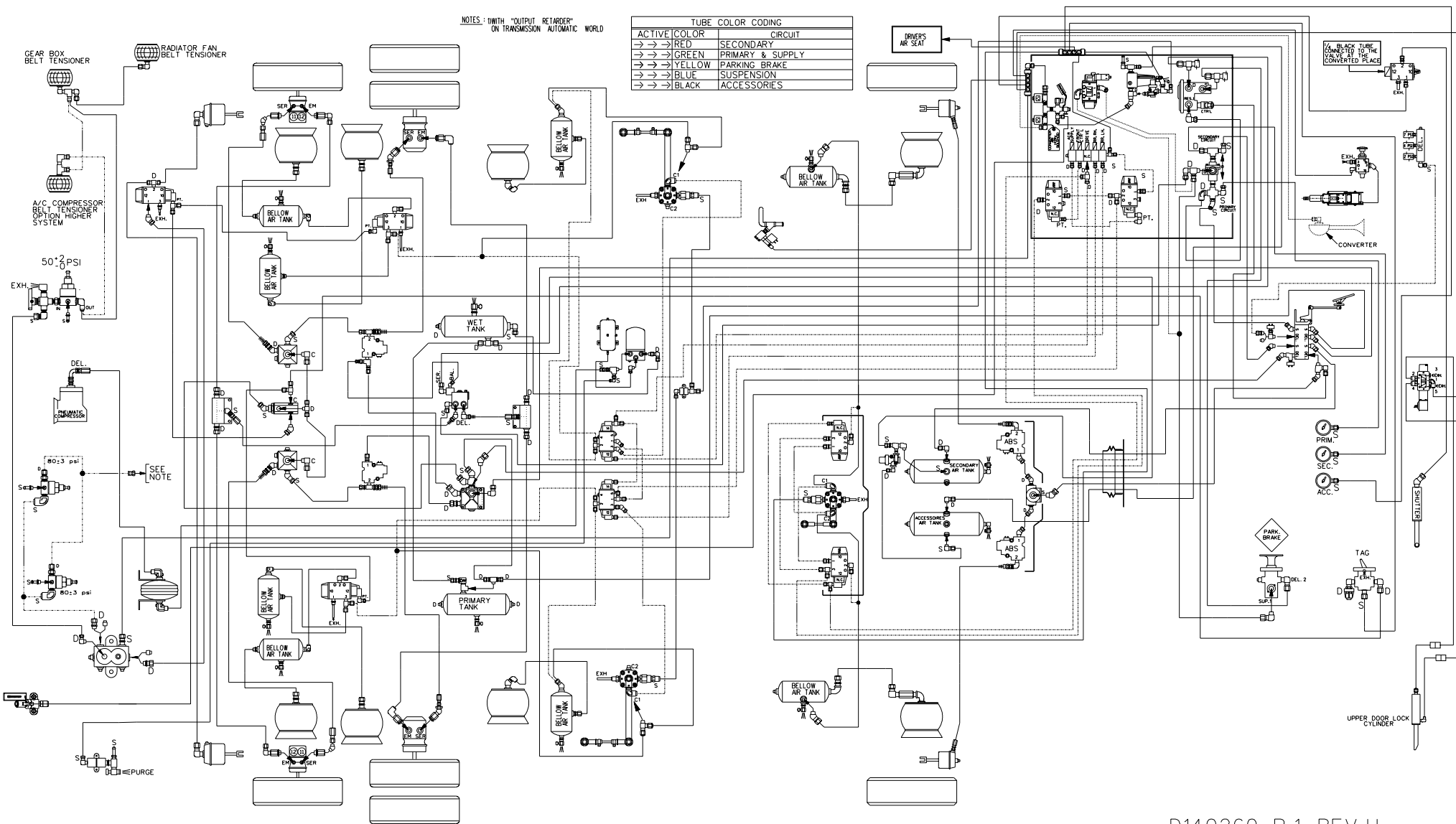


NOTES : D WITH "OUTPUT RETARDER"
ON TRANSMISSION AUTOMATIC WORLD

TUBE COLOR CODING		
ACTIVE COLOR	COLOR	CIRCUIT
→ →	RED	SECONDARY
→ →	GREEN	PRIMARY & SUPPLY
→ →	YELLOW	PARKING BRAKE
→ →	BLUE	SUSPENSION
→ →	BLACK	ACCESSORIES



DATE: 11/2001

D140260 P.1 REV.H
 BUS SHELL XL2 SERIES 60
 INDEPENDENT FRONT SUSPENSION (I.F.S.)