

## CONTENTS

<b>1. VOLVO D13 ENGINE</b> .....	<b>2</b>
1.1 SYSTEM OVERVIEW.....	2
1.2 ENGINE OVERVIEW .....	6
1.3 ENGINE OIL .....	7
1.3.1 <i>General</i> .....	7
1.3.2 <i>Oil Quality</i> .....	7
1.3.3 <i>Oil Change Intervals</i> .....	8
1.3.4 <i>Oil Filters</i> .....	8
1.3.5 <i>Synthetic Lubrication</i> .....	8
1.3.6 <i>Oil Viscosity</i> .....	8
1.3.7 <i>Oil Additives</i> .....	9
1.3.8 <i>Oil Consumption</i> .....	9
1.3.9 <i>Oil Change</i> .....	9
1.3.10 <i>Oil Filters Change</i> .....	10
1.3.11 <i>Checking the Oil Level</i> .....	11
1.4 POWER PLANT ASSEMBLY REMOVAL.....	11
1.5 POWER PLANT ASSY. INSTALLATION .....	14
1.6 ENGINE MOUNTS .....	15
<b>2. ELECTRONIC FOOT PEDAL ASSEMBLY (EFPA) &amp; THROTTLE POSITION SENSOR</b> .....	<b>16</b>
<b>3. SPECIFICATIONS</b> .....	<b>17</b>

## ILLUSTRATIONS

FIGURE 1: ENGINE SENSORS LOCATION.....	5
FIGURE 2: D13F ENGINE, TURBO SIDE (TYPICAL).....	6
FIGURE 3: D13F ENGINE, ALTERNATOR SIDE (TYPICAL).....	7
FIGURE 4: D13F OIL FILTERS .....	8
FIGURE 5: OIL FILTER WRENCH .....	10
FIGURE 6: OIL FILTER REPLACEMENT .....	10
FIGURE 7: ENGINE OIL FILLING TUBE.....	11
FIGURE 8: ENGINE OIL LEVEL DIPSTICK.....	11
FIGURE 9: COOLER POSITION DURING ENGINE CRADLE INSERTION OR REMOVAL .....	12
FIGURE 10: BELT TENSIONER VALVE .....	12
FIGURE 11: ENGINE COMPARTMENT X3 COACHES (TYPICAL).....	14
FIGURE 12: NORMAL OIL COOLER POSITION .....	14
FIGURE 13: VOLVO ENGINE POWER PLANT CRADLE INSTALLATION.....	15
FIGURE 14: ELECTRONIC FOOT PEDAL ASSEMBLY .....	17

## Section 01: ENGINE

---

### 1. VOLVO D13 ENGINE

#### 1.1 SYSTEM OVERVIEW

##### **NOTE**

*The "Premium Tech Tool" (PTT) is the preferred tool for performing diagnostic work. Contact your local dealer for more information.*

The Engine Management System (EMS) controls many engine functions such as: fuel timing and delivery, engine protection functions, engine brake operation, EGR valve function and the turbocharger nozzle function. The Engine Electronic Control Unit (EECU) along with other supporting control units and sensors are responsible for monitoring and controlling these functions. These control units communicate through the J1939 high speed serial data line to share data.

In addition to their control functions, the modules have on-board diagnostic capabilities. The on-board diagnostics are designed to detect faults or abnormal conditions that are not within their operating parameters. When the system detects a fault or abnormal condition, the fault will be logged in one or both of the modules' memory. The vehicle operator will be advised that a fault has occurred by the illumination of a malfunction indicator lamp and a message in the driver information display, if equipped. The module may initiate the engine shutdown procedure if the system determines that the abnormal condition could damage the engine. In some situations, the system will enter the "limp home" mode. Limp home mode allows continued vehicle operation but, the system may substitute a sensor or signal value that may result in reduced engine performance.

Fault codes logged in the system memory, can later be read to aid in diagnosing the fault. These faults can be read via a diagnostic computer or through the instrument cluster display, if equipped. The "Premium Tech Tool" (PTT) is the preferred tool for performing diagnostic work. Using a diagnostic computer (or PTT) connected to the Serial Communication Port, expands the technicians diagnostic capabilities with additional data and tests.

For diagnostic software, contact your local dealer.

The following is a list of engine sensors that provide input to the EMS:

- Ambient Air Temperature Sensor
- Ambient Pressure sensor
- Boost Air Pressure (BAP) Sensor
- Camshaft Position (Engine Position) Sensor
- Crankshaft Position (Engine Speed) Sensor
- Differential Pressure DPF Sensor
- EGR Differential Pressure Sensor
- EGR Temperature Sensor
- Engine Coolant Level (ECL) Sensor
- Engine Coolant Temperature (ECT) Sensor
- Engine Oil Pressure (EOP) Sensor
- Engine Oil Level (EOL) Sensor
- Engine Oil Temperature (EOT) Sensor
- Exhaust Temperature Sensor (DPF Sensors)
- Fuel Pressure Sensor
- Intake Air Temperature And Humidity (IATH) Sensor
- Intake Manifold (Boost) Temperature Sensor
- Throttle Position (TP) Sensor
- Turbo Speed Sensor
- Variable Geometry Turbocharger (VGT) Position Sensor

#### **Sensors**

##### **Ambient Air Temperature Sensor**

The Ambient Air Temperature Sensor is used to detect the outside air temperature. The sensor modifies a voltage signal from the ECM. The modified signal returns to the ECM as the ambient air temperature. The sensor uses a thermistor that is sensitive to the change in temperature. The electrical resistance of the thermistor decreases as temperature increases.

The Ambient Air Temperature Sensor is located in the front of the vehicle.

##### **Ambient (Atmospheric) Pressure Sensor**

The Ambient (Atmospheric) Pressure Sensor contains a pressure sensitive diaphragm and an electrical amplifier. Mechanical pressure applied to the diaphragm causes the diaphragm to deflect and the amplifier to produce an electrical signal proportional to the deflection.

The Ambient (Atmospheric) Pressure Sensor is built into the Engine Management System (EMS) Module.

**Camshaft Position Sensor**

The Camshaft Position (Engine Position) Sensor is located in the rear face of the timing gear cover at the rear of the engine, near the bottom of the valve cover. It uses magnetic induction to generate a pulsed electrical signal. It senses the passage of seven (7) timing bumps on the edge of the camshaft dampener. Six of the holes correspond to the phasing of the electronic unit injectors, while the seventh hole indicates the top dead center position.

**Crankshaft Position (Engine Speed) Sensor**

The Crankshaft Position (Engine Speed) Sensor uses magnetic induction to generate a pulsed electrical signal. Notches are machined into the edge of the flywheel. When one of the notches passes close to the sensor, electric pulses result.

The Crankshaft Position (Engine Speed) Sensor also indicates when the crankshaft is at the top dead center position.

**Differential Pressure DP Sensor**

The differential pressure sensor is used for flow measurement of the Diesel Particulate Filter (DPF). This sensor has two pressure ports and senses the difference in pressure between the two ports. Measurement of the pressure before and after the DPF is used to calculate diesel filter regeneration.

The Differential Pressure DPF Sensor is located on the side of the Diesel Particulate Filter (DPF).

**EGR Differential Pressure Sensor**

The EGR differential pressure sensor is used for flow measurement of the Exhaust Gas Recirculation (EGR) valve. This sensor has two pressure ports and senses the difference in pressure between the two ports. Measurement of the pressure before and after the EGR valve is used to calculate EGR flow.

The EGR Differential Pressure Sensor is located on the left or right side of the engine.

**EGR Temperature Sensor**

The EGR temperature sensor detects exhaust gas temperature for EGR system. The sensor modifies a voltage signal from the control unit. The modified signal returns to the control unit as

the exhaust temperature of the EGR system to confirm EGR operation. The sensor uses a thermistor that is sensitive to the change in temperature.

The EGR Temperature Sensor is located near the EGR valve.

**Engine Coolant Level (ECL) Sensor**

The Engine Coolant Level (ECL) Sensor is a switch. If engine coolant level falls below a calibrated point the contacts open and the driver will be notified of the low coolant level.

The Engine Coolant Level (ECL) Sensor is located in the cooling system reservoir tank.

**Engine Coolant Temperature (ECT) Sensor**

The Engine Coolant Temperature Sensor is located at the front of the engine. The sensor will indicate a high coolant temperature caused by problems like radiator blockage, thermostat failure, heavy load, or high ambient temperatures. This sensor is also used for cold start enhancement and for fan clutch engagement.

**Engine Oil Pressure (EOP) Sensor**

The Engine Oil Pressure Sensor contains a pressure sensitive diaphragm and a electrical amplifier. Mechanical pressure applied to the diaphragm causes the diaphragm to deflect and the amplifier to produce an electrical signal proportional to the deflection.

The Engine Oil Pressure Sensor is located on the oil filter assembly. The sensor monitors engine oil pressure to warn of lubrication system failure.

**Engine Oil Level (EOL) Sensor**

The Engine Oil Level Sensor is located in the oil pan.

**Engine Oil Temperature (EOT) Sensor**

The Engine Oil Temperature Sensor is a thermistor whose resistance varies inversely to temperature. The sensor has a negative temperature coefficient, which means the sensor resistance will decrease as the engine oil temperature increases.

The Engine Oil Temperature Sensor is located in the oil pan.

### **Exhaust Temperature Sensor (DPF Sensors)**

The exhaust gas temperature sensor detects exhaust gas temperature for DPF protection as well as DPF regeneration control. The sensor modifies a voltage signal from the control unit. The modified signal returns to the control unit as the exhaust temperature at that specific location of the exhaust. The sensor uses a thermistor that is sensitive to the change in temperature.

The Exhaust Temperature Sensors are located in the DPF assembly.

### **Fuel Pressure Sensor**

The fuel pressure sensor contains a diaphragm that senses fuel pressure. A pressure change causes the diaphragm to flex, inducing a stress or strain in the diaphragm. The resistor values in the sensor change in proportion to the stress applied to the diaphragm and produces an electrical output.

The Fuel Pressure Sensor is located on top of the fuel filter housing.

### **Intake Air Temperature and Humidity (IATH) Sensor**

The Intake Air Temperature and Humidity (IATH) Sensor contains a thermistor and a capacitive sensor. The resistance of the thermistor varies inversely to temperature. The output of the capacitive sensor increases as the humidity of the surrounding air increases. By monitoring the signals from both portions of the sensor, the Engine Management System (EMS) Module calculates the temperature and humidity of the air passing through the air filter housing.

The Intake Air Temperature and Humidity (IATH) Sensor is located in the air intake tube just downstream from the air filter canister.

### **Intake Manifold (Boost) Temperature Sensor**

The Intake Manifold (Boost) Temperature Sensor is a thermistor whose resistance varies inversely to temperature. The sensor has a negative temperature coefficient, which means the sensor resistance will decrease as the inlet air temperature increases.

The Intake Manifold (Boost) Temperature Sensor is located in the intake manifold.

### **Intake Manifold Pressure Sensor**

The Intake Manifold Pressure Sensor contains a pressure sensitive diaphragm and an electrical amplifier. Mechanical pressure applied to the diaphragm causes the diaphragm to deflect and the amplifier to produce an electrical signal proportional to the deflection.

The Intake Manifold Pressure Sensor is located on the air inlet pipe before the intake manifold.

### **Throttle Position (TP) Sensor**

The Throttle Position Sensor is a potentiometer that is mechanically linked to the accelerator pedal. A potentiometer is a variable resistor whose resistance will change as the pedal is pressed. As the resistance changes, the signal voltage of the sensor changes indicating the accelerator pedal position.

The Throttle Position Sensor is located above the accelerator pedal. The sensor is designed to improve the driver's control by reducing sensitivity to chassis motion. This sensor provides the driver's fuel request input to the VECU.

### **Turbo Speed Sensor**

The Turbo Speed Sensor informs the EMS of the turbo shaft speed. The sensor does not read from the vanes, but reads from the shaft. The Engine Management System (EMS) Module uses this signal in conjunction with the VGT position sensor signal to control the speed of the turbocharger and therefore optimize the intake manifold pressure.

The Turbo Speed Sensor is mounted in the center of the turbocharger.

### **Variable Geometry Turbocharger Smart Remote Actuator (VGT SRA)**

The Variable Geometry Turbocharger Smart Remote Actuator (VGT SRA) takes the position commands from the EMS, moves the nozzle of the turbocharger to the desired position, and performs all of the diagnostics and self checks on the actuator.

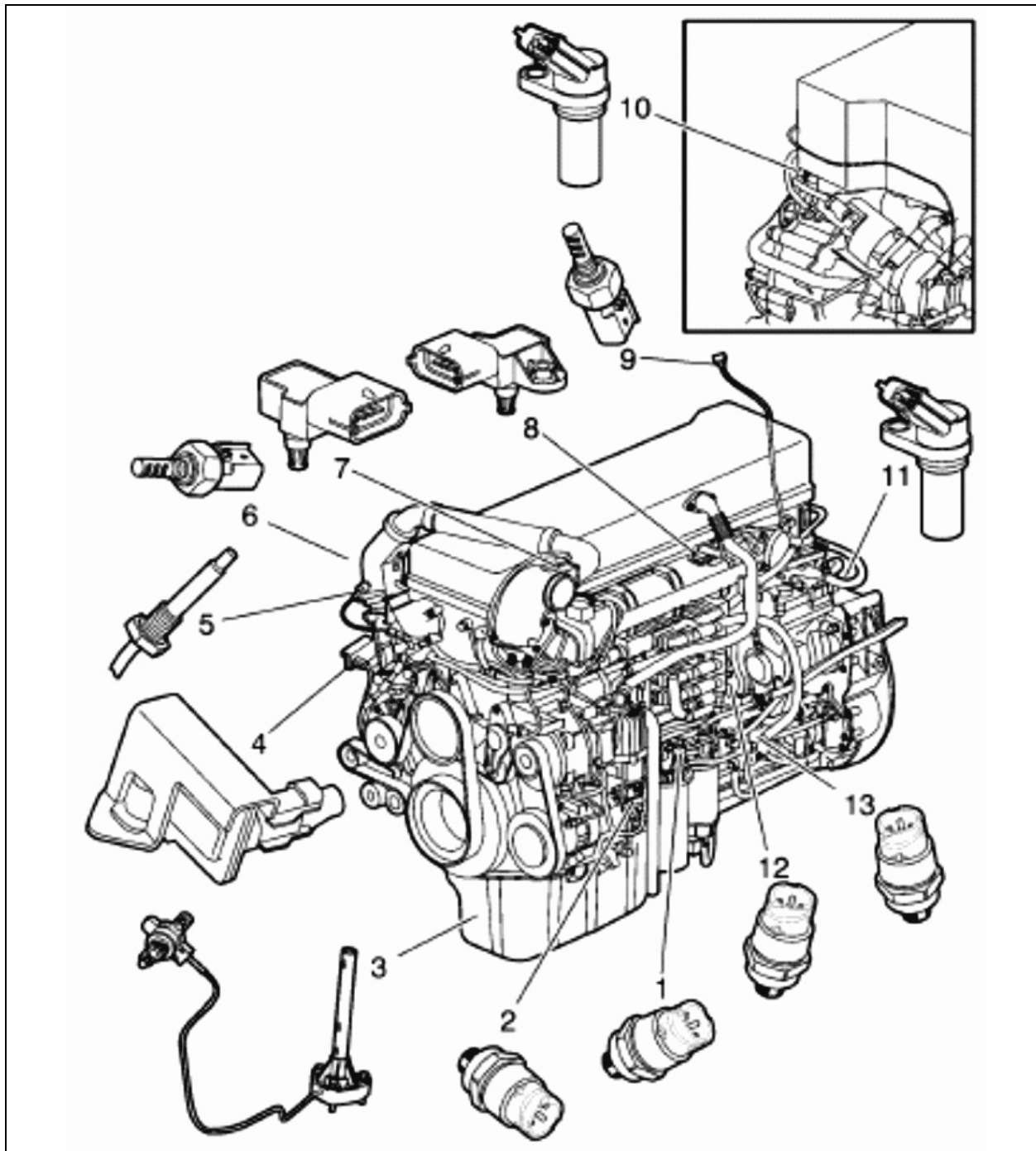


FIGURE 1: ENGINE SENSORS LOCATION

1	Fuel Pressure	8	Air Temperature
2	Crankcase Pressure	9	Humidity/Ambient Air Temperature
3	Oil Level/Temperature	10	Camshaft Speed
4	EGR Differential Pressure	11	Crankshaft Speed
5	EGR Temperature	12	Oil Pressure
6	Coolant Temperature	13	AFI Fuel Pressure
7	Boost Pressure		

## Section 01: ENGINE

### 1.2 ENGINE OVERVIEW

#### **NOTE**

For maintenance on or repair of engine components or engine-related components, please refer to Volvo Trucks Canada or Volvo Trucks North America Web Site under: Parts & Service, purchase engine literature, D13F engine.

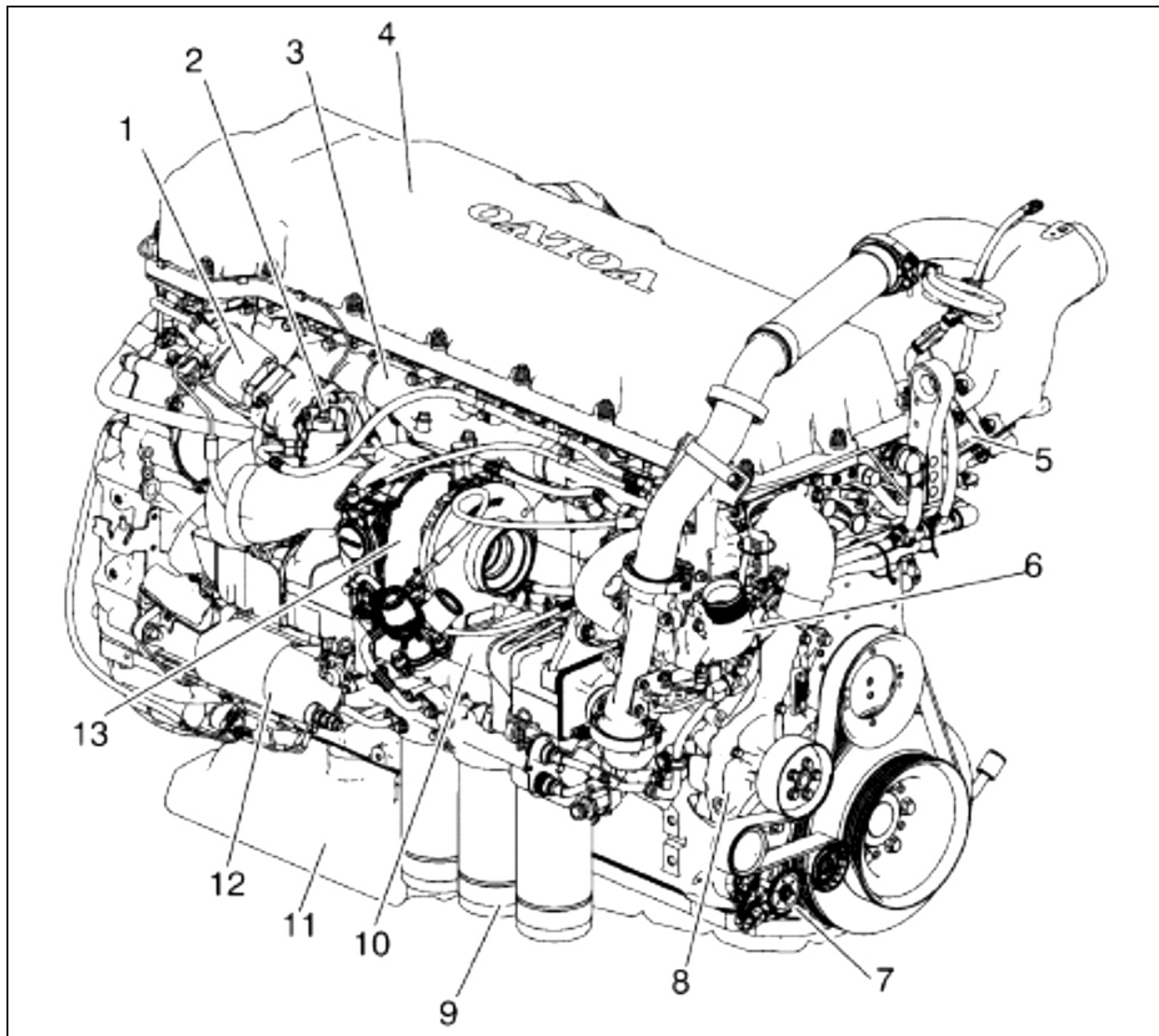


FIGURE 2: D13F ENGINE, TURBO SIDE (TYPICAL)

1. EGR Valve	8. Coolant Pump
2. Aftertreatment Fuel Injector	9. Oil Filters
3. Exhaust Manifold	10. EGR Cooler
4. Valve Cover	11. Oil Pan
5. Engine Preheater Element	12. Starter Motor
6. Thermostat Cover	13. Turbocharger
7. Belt Tensioner	

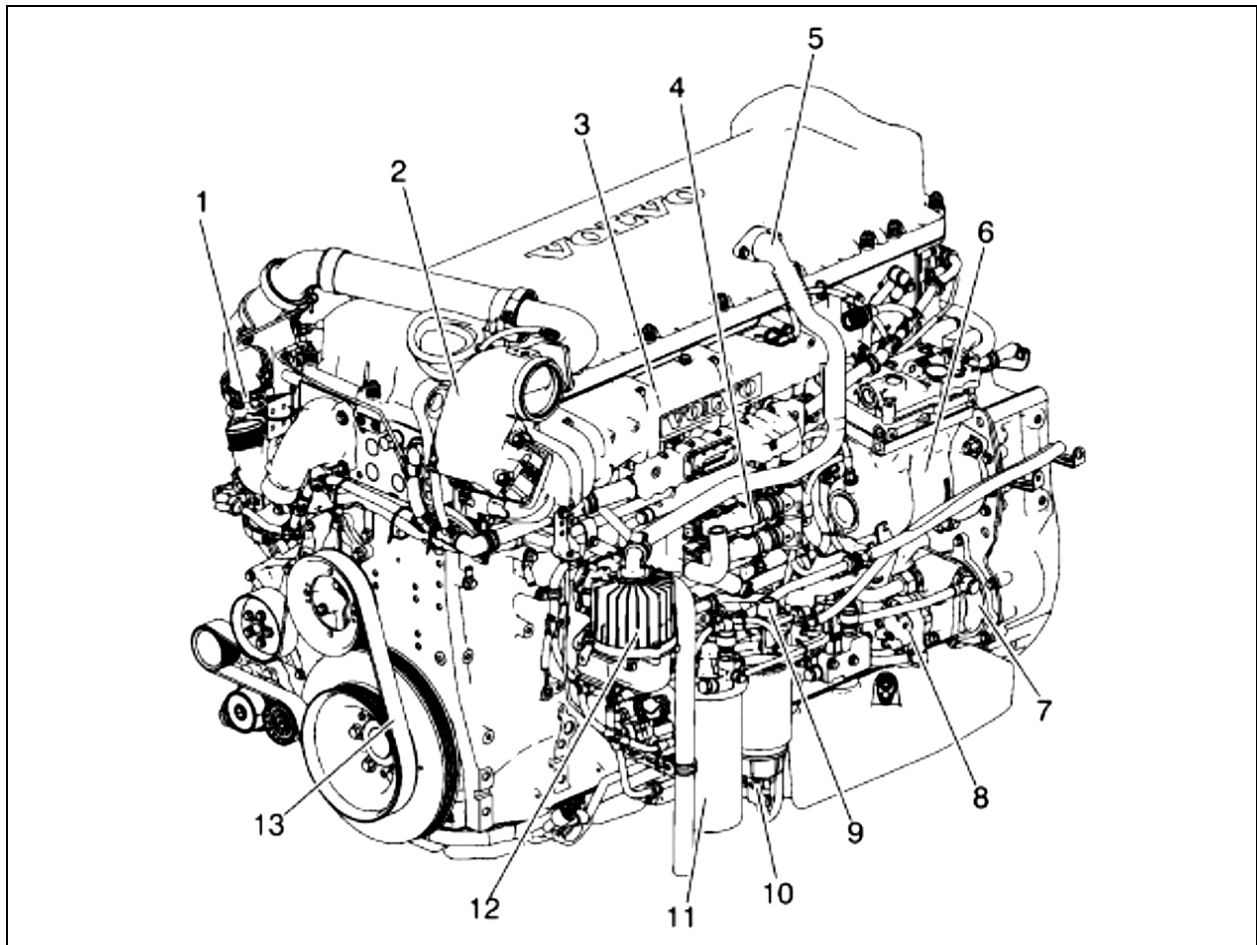


FIGURE 3: D13F ENGINE, ALTERNATOR SIDE (TYPICAL)

<b>1. Venturi Pipe</b>	<b>8. Fuel Pump</b>
<b>2. EGR Mixing Chamber</b>	<b>9. Hand Primer</b>
<b>3. Intake Manifold</b>	<b>10. Fuel/Water Separator</b>
<b>4. Engine Electronic Control Unit (EECU)</b>	<b>11. Fuel Filter</b>
<b>5. Breather Tube</b>	<b>12. Crankcase Ventilator</b>
<b>6. Air Compressor</b>	<b>13. Fan/Coolant Pump Belt</b>
<b>7. Power Steering Pump</b>	

### 1.3 ENGINE OIL

#### 1.3.1 General

Keep the engine oil at the proper level and change it at the recommended intervals. Always replace the oil filters at the same time as when the oil is changed.

#### 1.3.2 Oil Quality

Volvo North America recognizes engine oils that meet or exceed the standards given by American Petroleum Institute (API) for the oil classifications listed in this manual. Only oils licensed to carry the API symbol should be used. Lubricants meeting API standards have provided maximum engine life when used together with the recommended oil and oil filter change intervals.

## Section 01: ENGINE

EO-O Premium Plus (or VDS-4) diesel engine oil is mandatory for use in all 2010 emission compliant Volvo engines. These engines, which can be identified by the presence of an exhaust aftertreatment system using Selective Catalytic Reduction (SCR), also require the use of Ultra Low Sulfur Diesel (ULSD) fuel. EO-O Premium Plus oils exceed the new API service category CJ-4.



### CAUTION

DO NOT add extra oil additives. Additives such as break-in oils, top oils, graphitizers, and friction-reducing liquids are not necessary and can harm the engine.

### 1.3.3 Oil Change Intervals

The length of time an engine can operate before an oil change depends on the quality oil used, the type of fuel used, fuel consumption, engine oil consumption, vehicle application, level of dust in the air, and fuel consumption. The change intervals given in this manual are maximum intervals. If the vehicle is operating in heavy-duty operation, dusty or off-road conditions, etc., reduce the intervals for more frequent oil changes.

#### NOTE

Use the information in the table below to determine the operating condition and usage applicable to your vehicle.

Engine Operating Condition	Medium	Heavy	Severe
Total Fuel Consumption (mpg)	More than 6	More than 4.7	More than 3.7
Total Fuel Consumption (L/100 KM)	Less than 39	Less than 50	Less than 64
Engine Oil and Filter Change Interval, miles (km) – 41 U.S. quarts (39L) Oil capacity	35,000 (55 000)	25,000 (40 000)	15,000 (24 000)
<b>NOTE:</b> If idle time is greater than 25%, use the next lower drain interval.			

#### NOTE

Oil filters should always be changed when changing the oil.

### 1.3.4 Oil Filters

There are three filters on the engine, one of which is a bypass filter. This should be changed at the same time as the full-flow filter(s).



### CAUTION

Volvo branded oil filters are designed to provide the proper level of filtration and protection for Volvo engines. Filters that do not meet the same stringent requirements may void engine warranty.

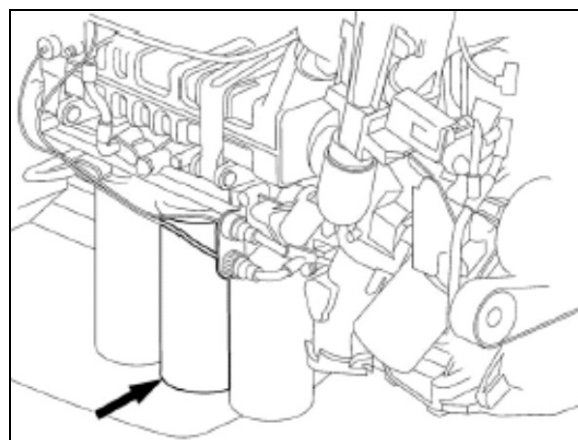


FIGURE 4: D13F OIL FILTERS

### 1.3.5 Synthetic Lubrication

Synthetic oils are offered by some oil suppliers as an alternative to the traditional, petroleum based oils for engines. These oils may be used in Volvo engines, provided they meet the quality levels specified on the previous pages, that is: both VDS-4 and EO-O Premium Plus.

**The use of synthetic oils does not permit the extension of the recommended oil change intervals.**

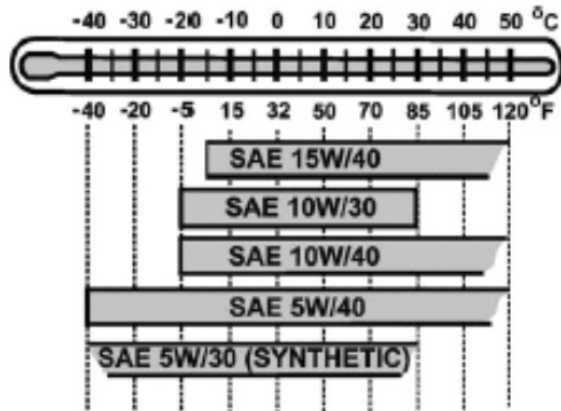
### 1.3.6 Oil Viscosity

The viscosity grade defines the thickness of the oil. The oil must be thin enough at low temperatures for easy cold starts and thick enough to protect at high temperatures. An oil is not fully defined until both the API quality classification and the viscosity grade are specified.




Choose the viscosity grade for the typical ambient temperature for the application. Multigrade oils have a broad range that suit operation in changing temperature.

Volvo North America recommends the viscosities shown in the viscosity/temperature table for Volvo engines.



1.3.7 Oil Additives


 **CAUTION**

Extra oil additives must never be added to any engine oil used. Additives such as break-in oils, top oils, graphitizers, and friction reducing liquids are not necessary and may even harm the engine.

Using oils to the quality standards recommended in this manual makes the use of extra oil additives unnecessary, as these oils already contain a balanced treatment of additives.

1.3.8 Oil Consumption


Once the engine is stopped, check the oil level daily. If the engine has just been stopped and it is warm, wait approximately five minutes to allow the oil to drain back to the oil pan before checking. Add oil as necessary.

 **CAUTION**


DO NOT overfill engine with oil.

All diesel engines are designed to consume some oil, so it is normal to add oil periodically. An engine used in heavy-duty operation will consume more oil than one in normal operation.


1.3.9 Oil Change

 **WARNING**


A hot engine or engine oil can be dangerous. Serious burns can result from contact with a hot engine or oil. Take precautions when draining the oil. Wear gloves or let the engine cool down before draining.

 **WARNING**

When draining the oil, use the proper tools and keep away as far as possible. Raise the elbow so the forearm is parallel to the ground to prevent oil running down the arm, causing burns.

 **CAUTION**

Always dispose of all lubricants (motor oil, coolant, gear box oils, etc) and filters according to Federal or local regulations. Used oil disposed of in nature or waterways contaminates our drinking water and kills wildlife.

 **WARNING**

Prolonged contact with used engine oil may be harmful. Use rubber gloves when handling used oil. Wash skin thoroughly if it comes in contact with used oil.

It is important to drain as much oil as possible. Try to change oil immediately after driving, when the oil is warm. Always replace the oil filters when changing the oil.

Component	Capacity (L)
Oil pan	24 (min) – 32 (max)
Engine block	1
Filters (3)	6
Total oil fill (empty)	39

**NOTE**

Since about 1 liter of oil remains in the engine after draining, approximately 38 liters will be needed for a complete oil change.

## Section 01: ENGINE

### 1.3.10 Oil Filters Change



#### WARNING

Hot oil can cause severe burns. DO NOT allow hot oil to contact the skin. When changing oil, wear protective gloves.



#### CAUTION

Volvo-branded oil filters are designed to provide the proper level of filtration and protection for Volvo engines. Filters that do not meet the same stringent requirements may cause unsatisfactory results.

- Clean around the oil filter housing and remove the filters using the oil filter wrench or the oil filter socket.

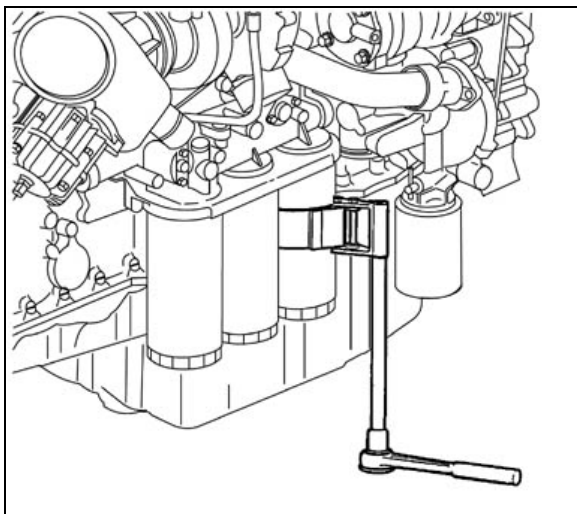


FIGURE 5: OIL FILTER WRENCH

- Prefill the new oil filters with approved engine oil. Also, lubricate the filter gaskets with engine oil (1). Hand tighten the oil filters until they contact the sealing surface of the oil filter housing (2). Manually tighten the oil filters an additional  $\frac{3}{4}$  to 1 full turn (3).

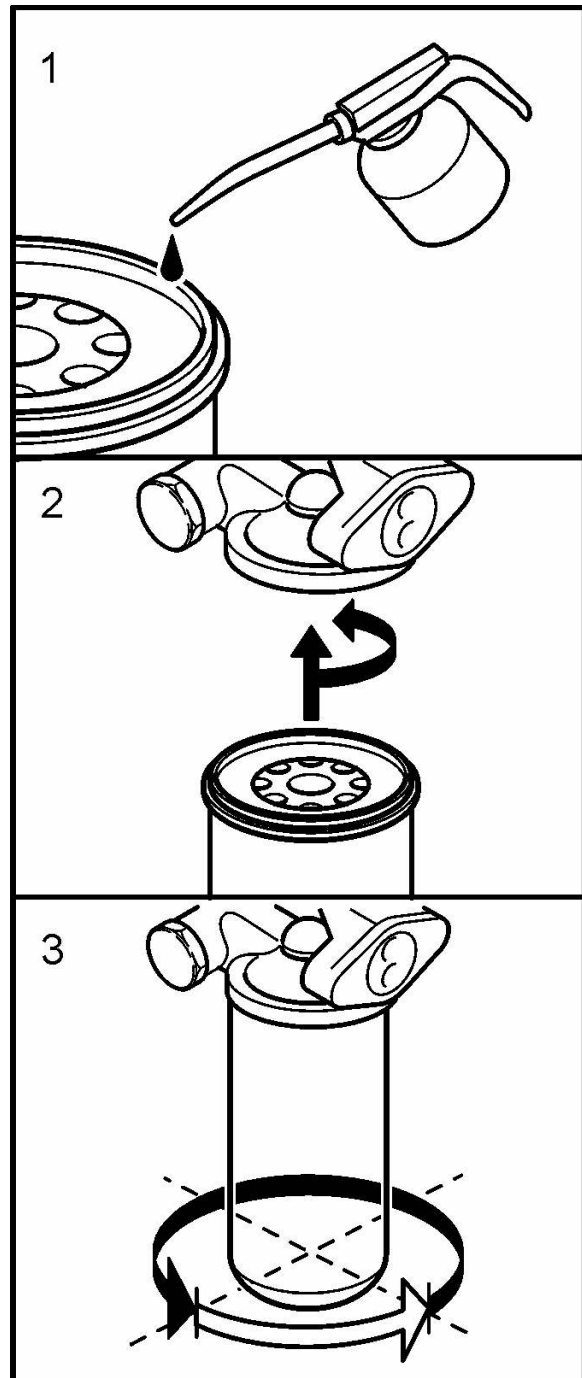


FIGURE 6: OIL FILTER REPLACEMENT

- Start the engine and check for leaks around the oil filter housing and filters.
- Check the oil level. Add approved engine oil to the recommended level, if necessary. Do not overfill.

## 1.3.11 Checking the Oil Level

Ensure that the vehicle is parked on level ground before checking the oil level. Wait five minutes after shutting off the engine and then proceed with checking the oil.

**CAUTION**

**DO NOT** let the oil level fall below the marking on the dipstick. **DO NOT** overfill so the level is above the upper marking on the dipstick. This could lead to excessive oil temperature and/or poor crankcase breather performance. Add oil through the oil filler pipe as required in order to maintain level within the safe range.

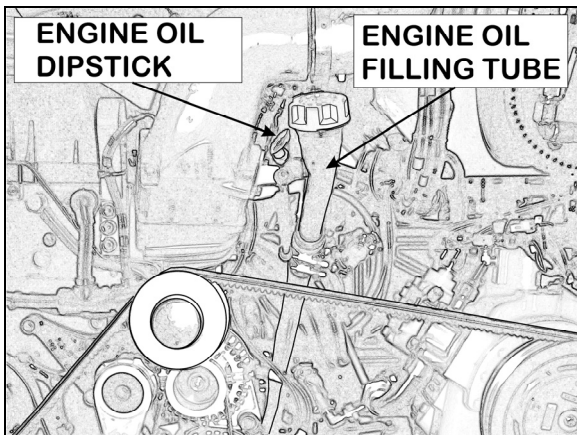


FIGURE 7: ENGINE OIL FILLING TUBE

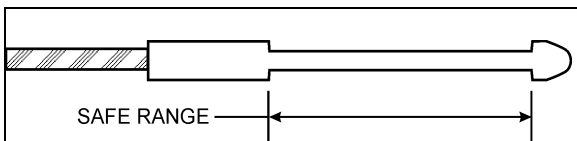


FIGURE 8: ENGINE OIL LEVEL DIPSTICK

## 1.4 POWER PLANT ASSEMBLY REMOVAL

To access the engine or engine-related components, the vehicle power plant assembly must be removed as a whole unit by means of a slide-out cradle. The power plant assembly includes the engine, transmission (including retarder if so equipped), air compressor, alternator and transmission oil cooler.

Remove the power plant assembly as follows:

**CAUTION**

Tag hoses and cables for identification before disconnecting in order to facilitate reinstallation. Plug all openings to prevent dirt from entering the system.

**NOTE**

*No parts within the EECU are serviceable. If found defective, replace the EECU as a unit.*

- **First**

1. Shut off the heater line shut-off valves.
2. Disconnect the battery or batteries from the starting system by removing one or both of the battery cables from each battery system. With the electrical circuit disrupted, accidental contact with the starter button will not produce an engine start.

**WARNING**

Due to the heavy load of the rear bumper assembly, it must be adequately supported before attempting to remove it.

3. Remove the rear bumper assembly complete with hitch if applicable from the vehicle. Refer to Section 18, BODY, under "REAR BUMPER REMOVAL".
  4. Using the quick-connect drain hose, drain the engine cooling system. Refer to Section 05, COOLING under "DRAINING COOLING SYSTEM".
  5. If applicable, disconnect the block heater connector located near the EGR mixing chamber.
- **With Vehicle Raised**
1. Using a vehicle lift or jack, raise vehicle to access transmission fasteners and wire harness.
  2. Disconnect propeller shaft.
  3. Partially remove L.H. side transmission protective panel to access connectors.
  4. On vehicles equipped with an automatic transmission provided with a hydraulic output retarder, disconnect steel-braided airline from pressure regulator output. The pressure regulator is mounted in the upper section of engine compartment backwall and is accessible through the engine compartment R.H. side door.
  5. Untighten bolts A and C. Remove bolts B and D and pivot oil cooler towards transmission. Reinstall bolts B and D.

## Section 01: ENGINE

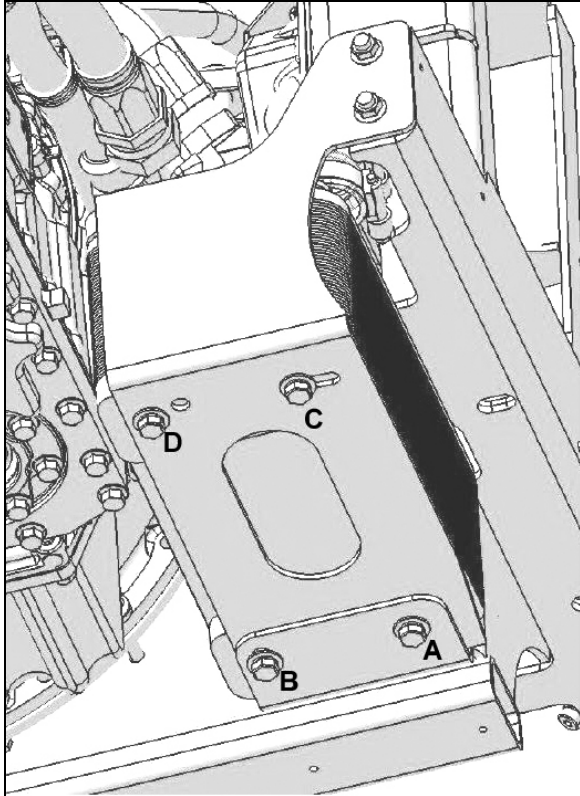


FIGURE 9: COOLER POSITION DURING ENGINE CRADLE INSERTION OR REMOVAL

6. From underneath, unfasten the bolts fixing the engine cradle.
7. Disconnect the engine coolant hose near the starter.
8. Disconnect air compressor suction and discharge hoses.

- **With Vehicle Lowered**

Lower the vehicle enough to access all components.

- Engine Compartment R.H. side
  - Disconnect cables from two chassis grounds located on diagonal member.
  - Inside engine compartment, disconnect starter, alternators and heater cables. Also disconnect AFSS cable if applicable.
  - Disconnect from engine, connector C398 and vehicle interface harness connector located above EECU connectors. Also disconnect DPF cable.
  - Disconnect power steering pump hoses.
  - Shut off fuel line shut-off valve.

- Close engine fuel supply shut-off valve on primary fuel filter. Disconnect the fuel line located above fuel filters and connected to inlet port.
- Disconnect fuel return line located above fuel filters.
- Disconnect alternators cooling duct and put aside.

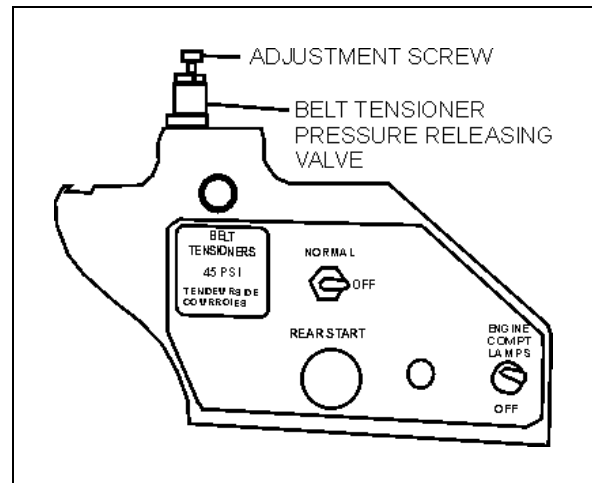


FIGURE 10: BELT TENSIONER VALVE

12200

- Locate the A/C compressor belt tensioner pressure releasing valve (Fig. 10). Turn pressure releasing valve handle counterclockwise in order to release pressure in belt-tensioner air bellows and loosen belts. Remove the belts.
- Disconnect and remove the engine-air intake duct mounted between air cleaner housing and turbocharger inlet.



### CAUTION

To avoid damage to turbocharger, cover the turbocharger inlet opening to prevent foreign material from entering.

- Disconnect and remove the exhaust pipe mounted between the flexible coupling and the pipe going to the Diesel Oxidation Catalyst (DOC) and Diesel Particulate Filter (DPF) assembly. If necessary, refer to Section 4: EXHAUST SYSTEM under "EXHAUST AFTERTREATMENT SYSTEM OVERVIEW".

- Disconnect and remove the air intake duct mounted between the charge air cooler outlet and the engine intake.

➤ Engine Compartment L.H. side

- Disconnect fan driving shaft from radiator fan drive mechanism support.



**CAUTION**

To avoid damage to cooling fan right angle gearbox, make sure the power plant cradle clears the gearbox when pulling the engine out.

- Disconnect and remove section of coolant pipe assembly mounted between the radiator outlet and the water pump inlet.
- Disconnect and remove a section of coolant pipe assembly mounted between the thermostat housing and the radiator inlet.
- Disconnect the electric fan-clutch connector located near the cooling fan right angle gearbox.
- Disconnect and remove the air intake duct mounted between the turbocharger outlet and the air cooler inlet.
- Disconnect and remove surge tank hose connected to pump inlet pipe and hose connected to engine.

- Unfasten and put aside engine compartment lighting fixture and turbocharger fire suppression nozzle if applicable.

- Disconnect Exhaust Aftertreatment System control cable.

• **Last**

1. Inspect the power plant assembly to ensure that nothing will interfere when sliding out the cradle. Check for connections or hoses not mentioned in this list as some vehicles are equipped with special or aftermarket components.
2. Make sure the ten retaining bolts, washers and nuts securing the power plant cradle to the vehicle rear subframe are removed (Fig. 13).

**NOTE**

*Check if any spacer(s) have been installed between power plant cradle and vehicle rear subframe, and if so, note position of each washer for reinstallation purposes.*

3. Using a suitable equipment with a minimum capacity of 4,000 lbs (1 800 kg), slightly raise the power plant cradle.
4. Pull engine out slowly from the engine compartment. Make sure all lines, wiring and accessories are disconnected and are not tangled.

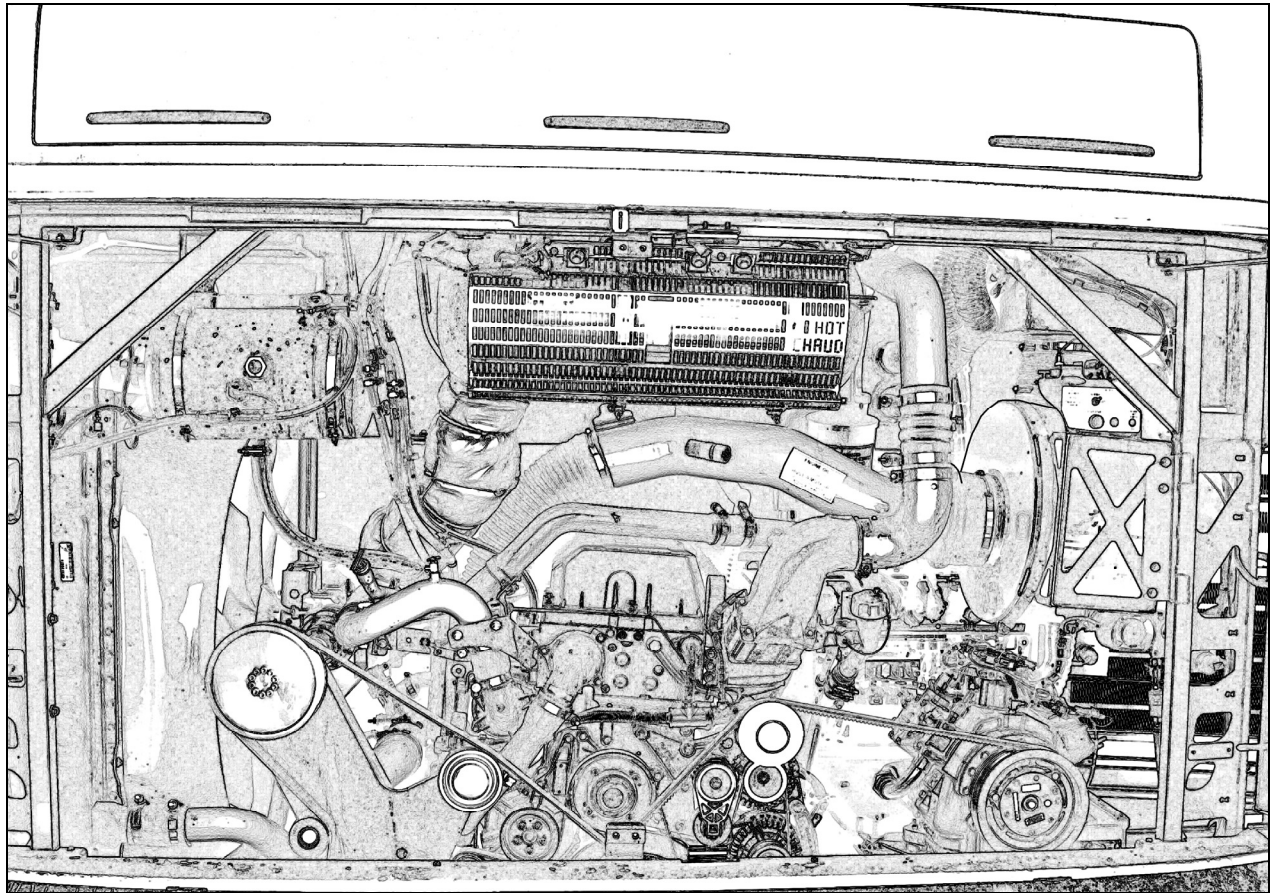


FIGURE 11: ENGINE COMPARTMENT X3 COACHES (TYPICAL)

01184\_A

### 1.5 POWER PLANT ASSY. INSTALLATION

To install a power plant assembly, follow the same procedure as in "Power Plant Assembly Removal" except in reverse order, then proceed with the following:

1. Torque the power plant cradle mounting bolts to 190 lbf-ft (258 Nm).
2. Remove bolts B and D. Untighten bolts A and C then pivot oil cooler as per figure 12. Install bolts B and D and tighten all bolts.
3. Refill cooling system with saved fluid (refer to Section 05, COOLANT SYSTEM).
4. Once engine fuel system has been drained, it will aid restarting if fuel filters are filled with fuel oil (refer to Section 03, FUEL SYSTEM).
5. Start engine for a visual check. Check fuel, oil, cooling, pneumatic and hydraulic system connections for leakage. Test operation of engine controls and accessories.

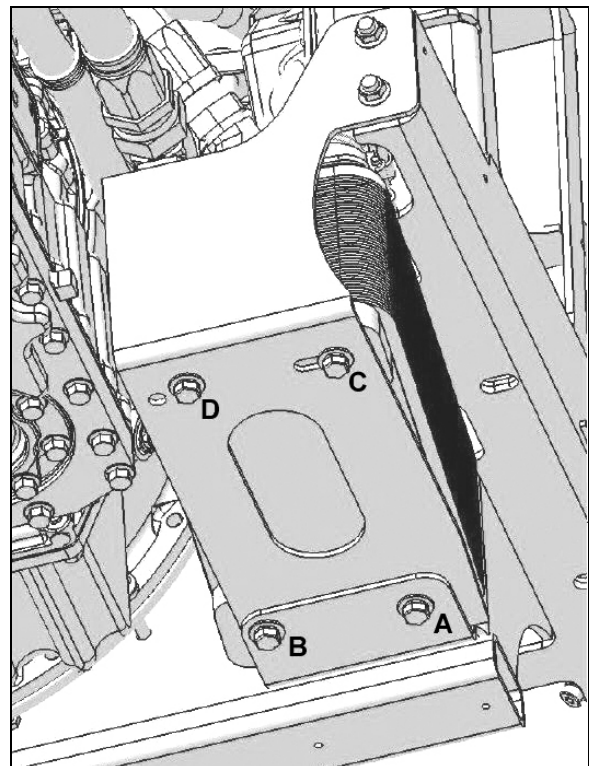


FIGURE 12: NORMAL OIL COOLER POSITION

## 1.6 ENGINE MOUNTS

The power plant assembly is mounted to the cradle by means of rubber mounts and supports.

Two engine support brackets are used at the front of the engine while two rubber mounts are mounted underneath the engine & radiator fan drive mechanism support and the engine & alternator support (Fig. 13).

It is recommended that new rubber mounts be installed at each major overhaul.

**NOTE**

Refer to the table on the following page for engine cradle tightening torques.

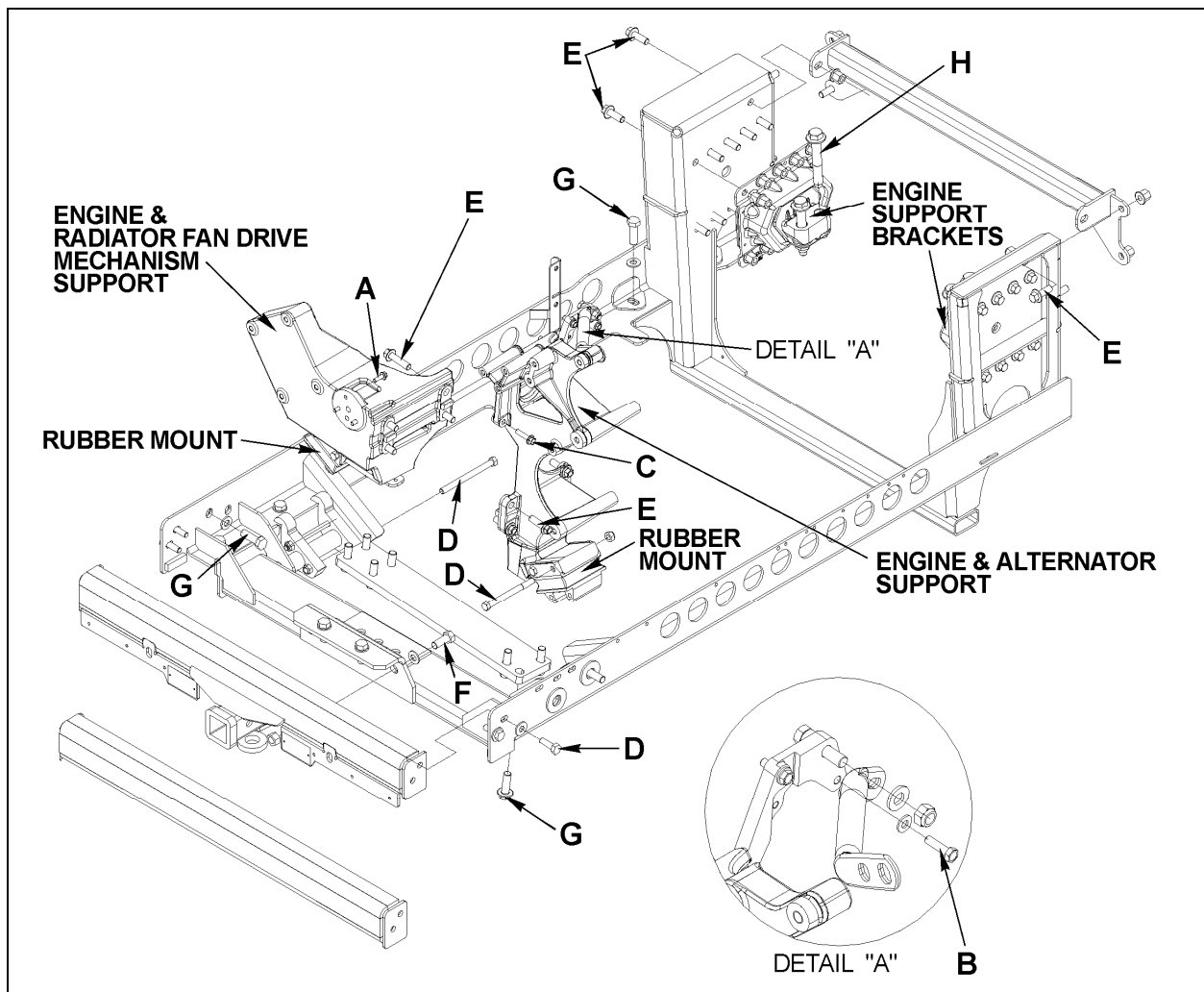


FIGURE 13: VOLVO ENGINE POWER PLANT CRADLE INSTALLATION

## Section 01: ENGINE

DRY TORQUES			
REFERENCE	DESCRIPTION	Lbf-Ft	Nm
A	SCREW, CAP HEXAGONAL HEAD M8 – 1.25 G8.8	16	22
B	SCREW, CAP HEXAGONAL HEAD M8 – 1.25 G10.9	22	30
C	SCREW, CAP HEXAGONAL HEAD M10 – 1.5 G10.9	43	58
D	SCREW, CAP HEXAGONAL HEAD M12 – 1.75 G8.8	60	81
E	SCREW, CAP HEXAGONAL HEAD M14 – 2.0 G8.8	90	122
F	SCREW, CAP HEXAGONAL HEAD M16 – 2.0 G8.8	140	190
G	SCREW, CAP HEXAGONAL HEAD M16 – 2.0 G10.9	190	258
H	SCREW, CAP HEXAGONAL HEAD M20 – 2.5 G10.9	450	610

### 2. ELECTRONIC FOOT PEDAL ASSEMBLY (EFPA) & THROTTLE POSITION SENSOR

The Electronic Foot Pedal Assembly (EFPA) connects the accelerator pedal to a Throttle Position Sensor (TPS). The (TPS) is a device, which sends an electrical signal to the Motor Control Module (MCM). The TPS varies in voltage depending on how far the pedal is depressed. The system is installed in the space normally occupied by a mechanical foot pedal. The (EFPA) has maximum and minimum stops that are built into the unit during manufacturing (Fig. 14). The (TPS) converts the operator's foot pedal input into a signal for the MCM.

When installed by the equipment manufacturer, the TPS should not require adjustment. If the TPS is suspected of being misadjusted, confirm that the sensor is installed in accordance with the manufacturer's specifications. It is recommended that the idle count be at 50 or higher with a full throttle count of up to 200.

The TPS is self-calibrating and therefore has no optimum closed throttle or wide open throttle count value. If the counts are within the 50 to 200 range, the sensor is properly set.

Monitor the (TPS) at the controls as you move it through its full stroke. Be sure there is no misalignment or obstruction preventing the smooth movement of the TPS through the full stroke. Using a diagnostic data reader, check that the idle and full throttle position counts do not fall within the error zones. The error zones occur when the idle position is less than 14 counts, or when the full throttle position is more than 233 counts. Should these conditions occur, the CPC will signal diagnostic codes of 21-12 for idle error and 21-23 for wide-open throttle error.



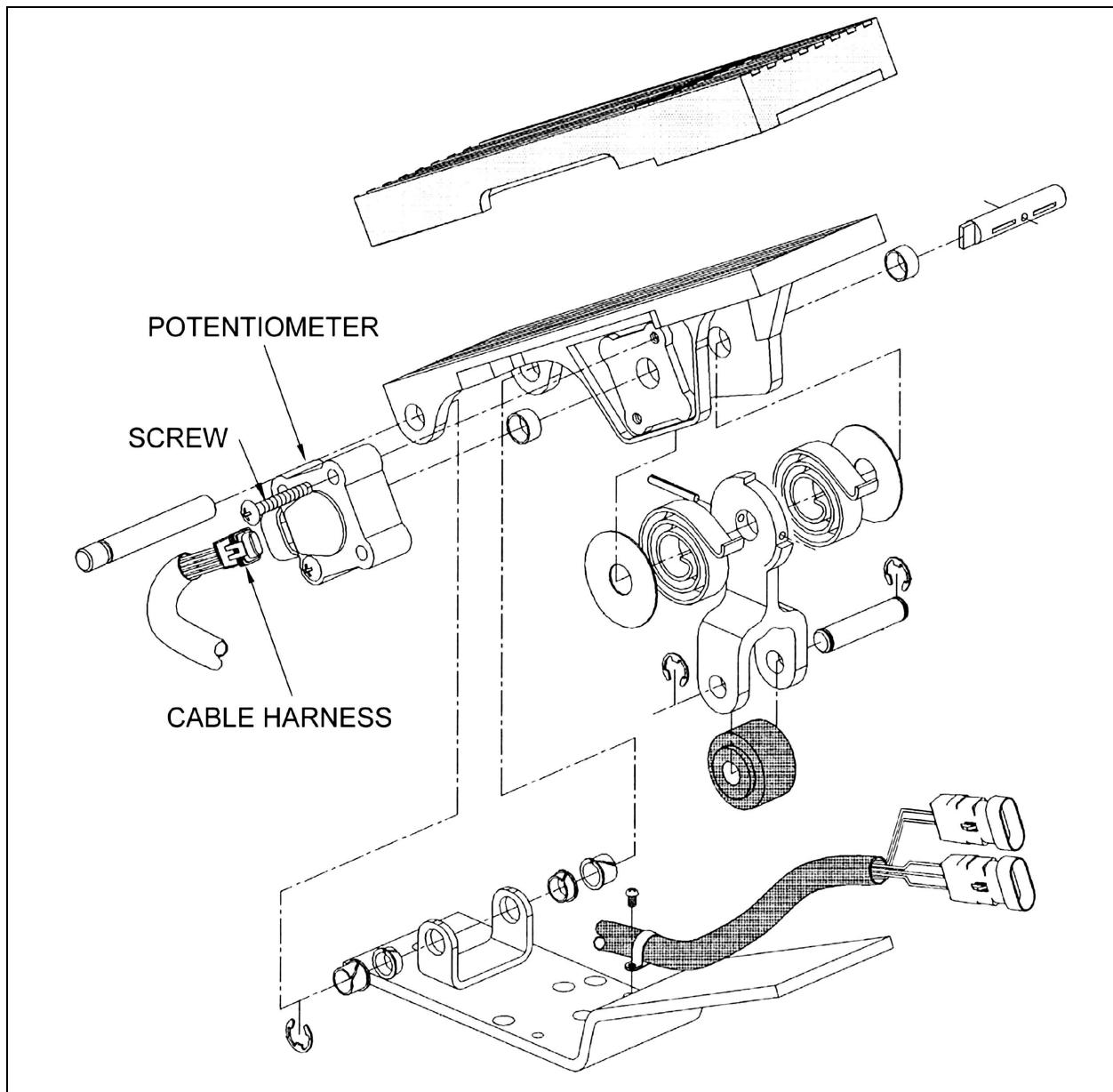


FIGURE 14: ELECTRONIC FOOT PEDAL ASSEMBLY

03035

### 3. SPECIFICATIONS

#### Volvo D13 Engine

Make .....	Volvo
Type .....	Diesel four cycle/in-line direct injection engine
Description .....	Turbo/Air to air charge cooled
No. of cylinders .....	6
Operating range .....	1400-1800 RPM
X3-45 Coaches Peak Power Rating .....	435 HP (324 kW)
X3-45 Coaches Peak Torque Rating .....	1700 Ft-lb (2304 Nm)

## Section 01: ENGINE

---

Low Idle .....	600 rpm
Fast Idle.....	2150 rpm
Maximum full load revolutions.....	1900 rpm

### Engine oil level quantity

Oil Pan Capacity, Low Limit .....	25 quarts/24 liters
Oil Pan Capacity, High Limit .....	34 quarts/32 liters
Total Engine Oil Capacity with Filters .....	41 quarts/39 liters

### Lubricating oil filter elements

Type .....	By-pass
Prévost number .....	510938
Type .....	Full Flow
Prévost number .....	488736

### Torque specification

Engine oil filter.....	Tighten $\frac{3}{4}$ of a turn to 1 full turn after gasket contact
------------------------	---------------------------------------------------------------------

### Filters

Engine Air Cleaner Filter	
Prévost number .....	530197
Engine Coolant Filter/Conditioner	
Prévost number .....	20458771