

ELECTRONIC DESTINATION SIGN 18

STEERING WHEEL ADJUSTMENT 18

AISLE MIRROR 18

ADJUSTABLE HVAC REGISTERS 18

DRIVER'S SEAT – RECARO 18

 ADJUSTMENT 19

 SAFETY BELTS 19

PASSENGER SEATS 20

OVERHEAD CONSOLE 20

 ADJUSTABLE AIR REGISTERS 20

 SERVICE BELL 21

 READING LIGHTS 21

WINDOWS 21

 PANORAMIC WINDOWS 21

 DRIVER'S POWER WINDOW 21

WINDSHIELD 22

VENTILATION HATCH 22

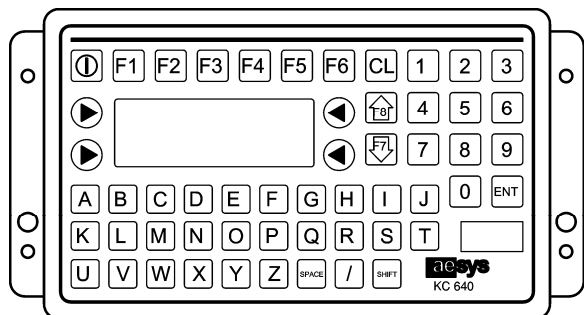
OVERHEAD COMPARTMENTS 22

ELECTRONIC DESTINATION SIGN

The “aesys” destination sign is activated with the ignition switch located on the dashboard. Refer to Controls & Instruments chapter.

Type in the code on the keyboard of the KC640 Central Control Unit to select the desired destination.

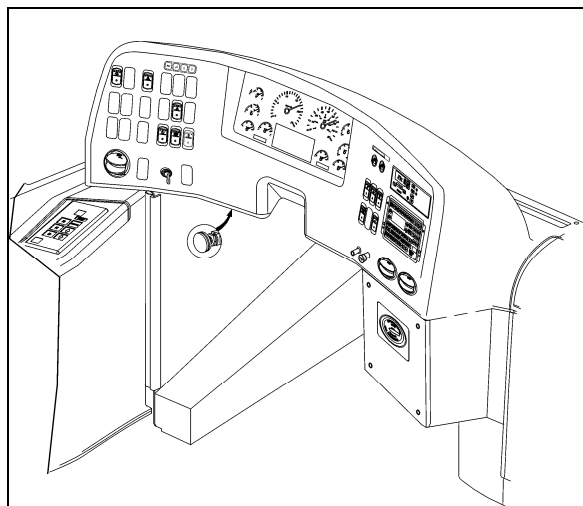
NOTE
 Refer to *aesys Model KC640 CCU Destination Sign Operator’s manual* included at the end of Section 23 in *Maintenance Manual* for more information on programming and downloading data archive.



KC640 CENTRAL CONTROL UNIT

STEERING WHEEL ADJUSTMENT

Push on the valve button located in the foot-operated control housing to unlock the steering wheel for tilt and telescopic adjustment (refer to “Controls and Instruments” chapter).



TILT AND TELESCOPIC ADJUSTMENT

18670



DANGER

Do not adjust the steering wheel while driving. Loss of control could result. Park the vehicle safely and apply parking brakes before adjusting the steering wheel.

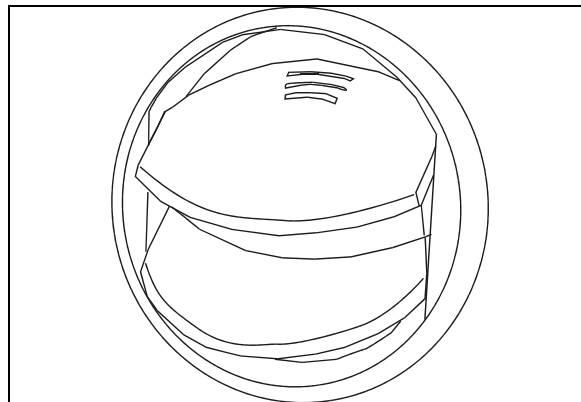
AISLE MIRROR

A central mirror allows the driver to see in the aisle. Adjust mirror manually.

ADJUSTABLE HVAC REGISTERS

The HVAC system has adjustable registers to control air flow around the driver’s area. Three are located on the dashboard; two on the R.H. side and one on the L.H. (refer to Controls & Instruments chapter). Another one is located close to the door, below the modesty panel wall for step de-icing. The direction and volume of air flow are adjustable manually.

Use the HVAC control panel to set air temperature.



AIR REGISTER

22249


DRIVER’S SEAT – RECARO

The coach is equipped with a Recaro Ergo MS seat.



DANGER

The driver’s seat must be adjusted to allow the driver easy access to the coach controls. Never adjust seat while driving vehicle as this could result in loss of vehicle control.

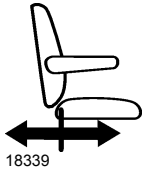
 **DANGER**

Make sure that seat is adjusted and that safety belt is buckled up before diving vehicle.

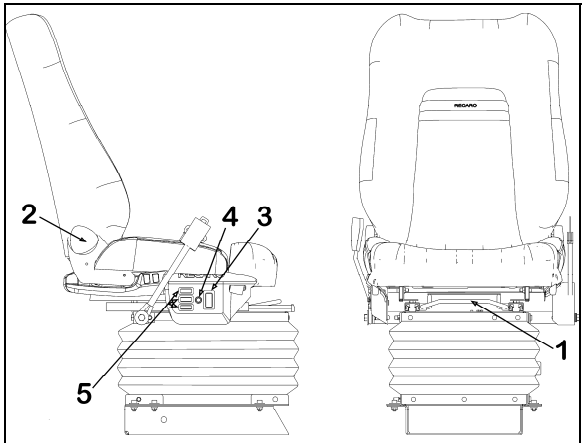
ADJUSTMENT

Seat can be adjusted to the desired driving position by following the instructions listed below:

Fore and Aft

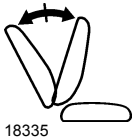


To adjust distance between driver and dashboard, pull handle #1 up and slide the seat forward or backward. Release handle to lock the seat in position.



DRIVER'S SEAT ADJUSTMENT (RECARO) 18333

Backrest



Turn handwhell recline #2 to adjust backrest to the desired angle.

Up and Down



Toggle up/down switch (3) to adjust height of the seat.

Fore and Aft Auto Actuator



To adjust distance between driver and dashboard, push auto actuator #4 and slide the seat forward or backward. Release button to lock the seat in position.

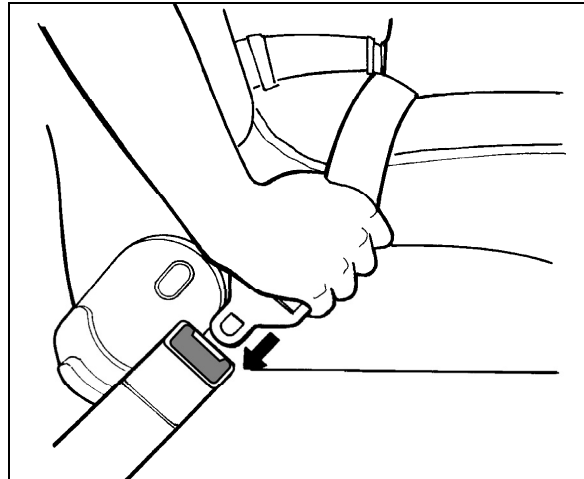
Lumbar Support



Use the 3-cell lumbar switches (5) to adjust lumbar support.

SAFETY BELTS

The driver's seat is equipped with a 2-point retractable safety belt as required by State and Federal regulations. The safety belt is 70-inch long. To fasten, pull seat belt out of the retractor and insert the latch plate into the buckle until it clicks. No special adjustment is required since the reel device is self-adjusting. If seat belt operation becomes defective, report to maintenance personnel immediately.



FASTENING SEATBELT 18028

NOTE

The safety belt must be pulled out slowly and continuously, otherwise it will lock the reel before the latch plate reaches the buckle. If this happens, allow the belt to retract completely and repeat the procedure correctly.

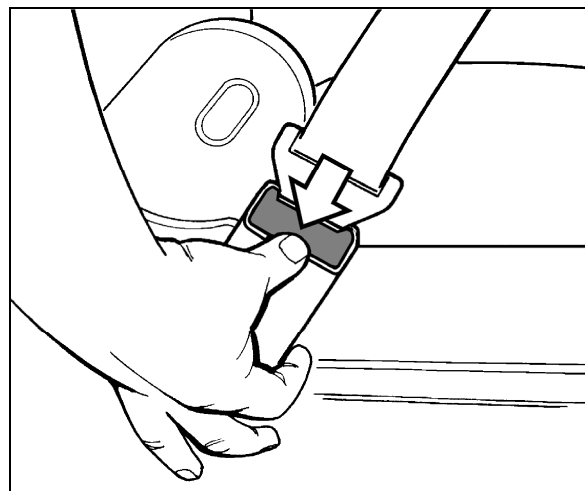
 **WARNING**

A snug fit with the lap belt positioned low on the hips is necessary to maximize driver safety. The belt should not be worn twisted. Avoid pinching belt and/or belt hardware in seat mechanism. Do not wear belt over rigid or breakable objects, such as eyeglasses, pens or keys as these may cause injuries.

CAUTION
 Never bleach or dry clean safety belt.

To unfasten belt, press the red button in center of buckle and allow belt to retract. If the belt does not fully retract, pull it out and check for kinks or twists. Make sure that it remains untwisted as it retracts.

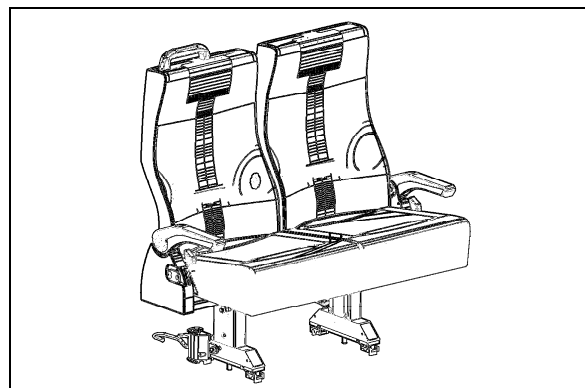
DANGER
 Most State and Provincial laws require that safety belts be worn when they are supplied with the seat.



UNFASTENING SEATBELT

18029

PASSENGER SEATS



PASSENGER SEAT EQUIPMENT

18121A

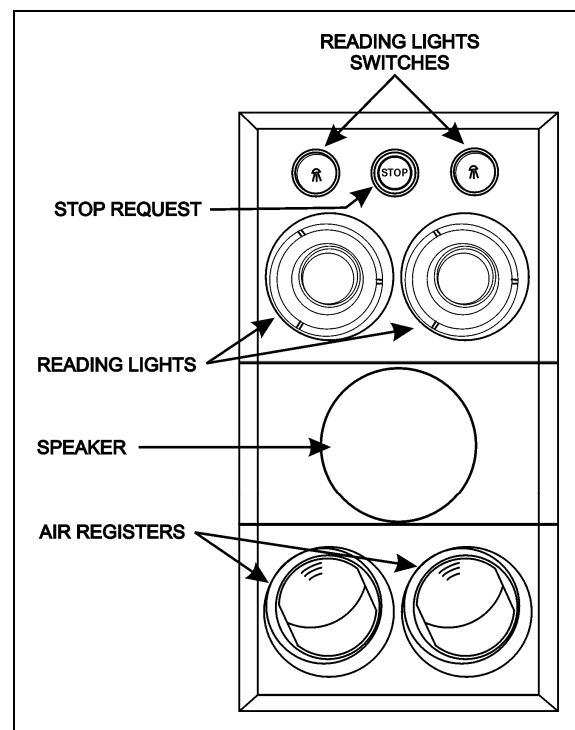
All seats are track-mounted so that the seating configuration can be changed. Each set is mounted on rectangular aluminum bases to make cleaning between the base and side wall easier.

Passenger seat backrests can be tilted by using the lever located on the base of the seat. Pull and hold lever, then adjust backrest to the desired angle. Release lever to lock backrest in position.

A folding armrest is installed on the aisle side of the passenger. Another folding armrest is located between the two seats and can be raised for passenger convenience. A fixed armrest is installed on the window side of the seat.

OVERHEAD CONSOLE

One airplane type overhead console is installed above each row of twin seats to provide a total of 107 ft³ (3.0 m³) of storage capacity. Such amenities as reading lights, air vents and stop request service are controlled from this panel.



OVERHEAD CONSOLE

23137

ADJUSTABLE AIR REGISTERS

Manually adjustable registers located on the overhead console provide air flow to the passengers. Air flow can be directed, passengers can orient individual registers by rotating the nozzle. To adjust air flow, passengers must open or close the flaps. Activation of the fans is done by depressing a rocker switch on the dashboard. Refer to Controls & Instruments chapter.

STOP REQUEST

Pressing the “STOP” request button on the overhead console will illuminate the button providing a visual cue for service personnel and, if activated, will sound a gong in the driver’s area. Passengers may also use the stop request system to request a stop for disembarking. Press the “STOP” request button a second time to cancel the stop request.

A “STOP” request button is provided for the wheelchair occupant on the window sill of the coach, within easy reach. Pressing this “STOP” request button will sound two gongs to identify the wheelchair occupant.

READING LIGHTS

Reading lights are mounted underneath the overhead storage compartments. Depressing a rocker switch located on the dashboard (refer to Controls & Instruments chapter) will activate the reading light circuit and allow passenger control of reading lights.

WINDOWS

The coach is equipped with frameless flush-mounted “Galaxsee” windows all around and a split-window windshield for maximum visibility.

PANORAMIC WINDOWS

Panoramic side windows can come in either single pane or, as an option, double pane (thermopane) glass. Some of these windows are of the fixed type; they are bonded to the structure and cannot be opened. Others can be easily opened to serve as emergency exits.

Fixed Windows

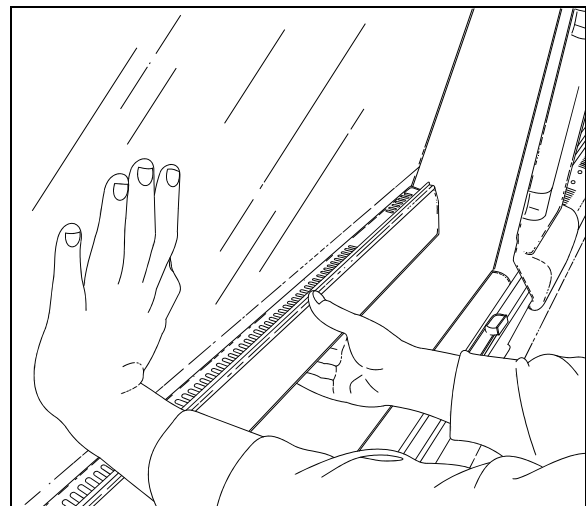
These windows are bonded to the structure and form an integral part of the body of the vehicle, helping reduce vibration and noise. Fixed windows cannot be opened.

Emergency Windows

These windows can be opened from inside the vehicle as emergency exits. A decal on window sills indicates the location of the emergency windows. To open an emergency window, lift the window release bar (sill) and push the window open from the bottom.

To close, lift the release bar and pull the window into position. Push down on release bar to lock the window shut.

For more information on emergency features, refer to “Safety Features and Equipment” chapter.



EMERGENCY WINDOW OPENING

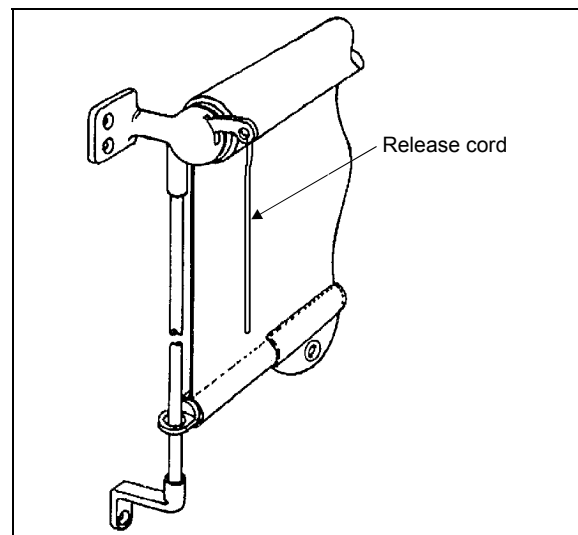
18391

DRIVER’S POWER WINDOW

The driver has a power window on the left side of the coach. The windows are controlled by a rocker switch located on the driver’s control panel. Refer to “Controls and Instruments” chapter.

Driver’s window shades

This vehicle is provided with a spring release type sun shade on the driver’s left side window. To operate, pull down the shade by its hem to the appropriate position and release. It will remain in position. To raise, depress the unlocking lever and guide the shade back up using the other hand.



SPRING RELEASE SUNSHADE

23019

WINDSHIELD

Two manually-operated shades are installed behind the windshield. To operate, pull down the shade by its hem to the appropriate position and release. It will remain in position. To retract, raise the shade back up.

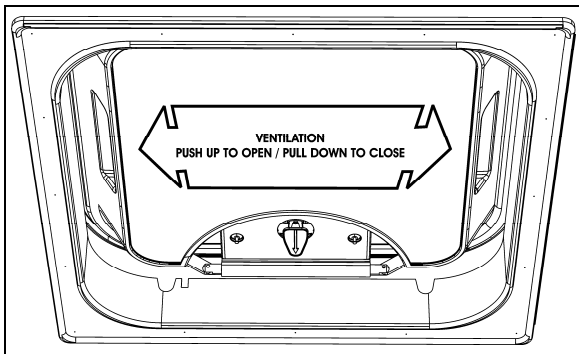
VENTILATION HATCH

A ventilation hatch is installed in the ceiling at the rear of the coach and at the front of the coach. To open the hatch, push up with both hands and pull down to close. The ventilation hatch can be completely opened for emergency egress. Refer to "Safety Features and Equipment" chapter.



OVERHEAD STORAGE COMPARTMENTS

18603



VENTILATION HATCH



WARNING

Be aware of coach overhead clearance when traveling under overpasses with the ventilation hatch(es) open. Check for maximum clearance height.

OVERHEAD COMPARTMENTS

Passenger carry on baggage is stored in overhead compartments on each side of the coach. A first aid kit and a fire extinguisher are located in the first front curb side overhead storage compartment.

To open the closed overhead storage compartments, push the handle in to release the latch, then let go. A pressurized cylinder opens the door.

NOTE

The overhead storage compartments have a minimum amount of separators installed so as to quicken inspection for forgotten objects.