

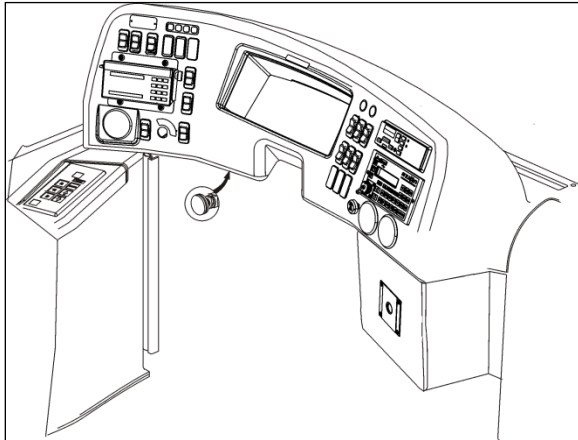
## SECTION 3 COACH INTERIOR

<b>STEERING WHEEL ADJUSTMENT .....</b>	<b>2</b>
<b>AISLE MIRROR.....</b>	<b>2</b>
<b>ADJUSTABLE HVAC REGISTERS.....</b>	<b>2</b>
<b>DRIVER’S SEAT – RECARO .....</b>	<b>2</b>
ADJUSTMENT.....	2
SAFETY BELTS.....	3
<b>PASSENGER SEATS .....</b>	<b>4</b>
SEAT RECONFIGURATION FOR MOBILITY DEVICES .....	4
MOBILITY DEVICE SECUREMENT BELT OPERATION.....	5
WHEELCHAIR OCCUPANT RESTRAINT .....	5
<b>OVERHEAD CONSOLE .....</b>	<b>5</b>
ADJUSTABLE AIR REGISTERS .....	5
STOP REQUEST.....	5
READING LIGHTS .....	5
<b>WINDOWS .....</b>	<b>5</b>
PANORAMIC WINDOWS .....	5
<i>FIXED WINDOWS .....</i>	<i>5</i>
<i>EMERGENCY WINDOWS .....</i>	<i>5</i>
DRIVER’S POWER WINDOW .....	6
<i>DRIVER’S WINDOW SHADES .....</i>	<i>6</i>
<b>WINDSHIELD.....</b>	<b>6</b>
<b>VENTILATION HATCH .....</b>	<b>6</b>
<b>OVERHEAD COMPARTMENTS .....</b>	<b>6</b>

## 3-2 COACH INTERIOR

### STEERING WHEEL ADJUSTMENT

Push on the valve button located in the foot-operated control housing to unlock the steering wheel for tilt and telescopic adjustment (refer to “Controls and Instruments” section).



TILT AND TELESCOPIC ADJUSTMENT

18670\_1



### DANGER

Do not adjust the steering wheel while driving. Loss of control could result. Park the vehicle safely and apply parking brakes before adjusting the steering wheel.

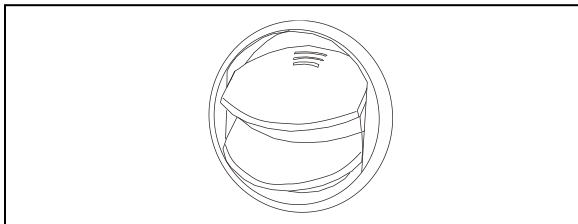
### AISLE MIRROR

A central mirror allows the driver to see in the aisle. Adjust mirror manually.

### ADJUSTABLE HVAC REGISTERS

The HVAC system has adjustable registers to control air flow around the driver’s area. Three are located on the dashboard; two on the R.H. side and one on the L.H. (refer to Controls & Instruments section). Another one is located close to the door, below the modesty panel wall for step de-icing. The direction and volume of air flow are adjustable manually.

Use the HVAC control panel to set air temperature.



AIR REGISTER

22249

### DRIVER’S SEAT – RECARO

The coach is equipped with a Recaro Ergo MS seat.



### DANGER

The driver’s seat must be adjusted to allow the driver easy access to the coach controls. Never adjust seat while driving vehicle as this could result in loss of vehicle control.

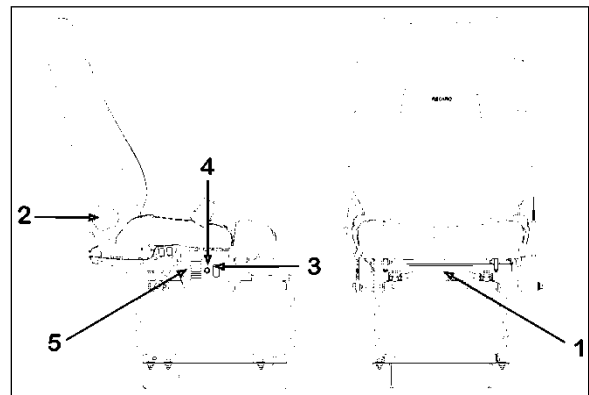


### DANGER

Make sure that seat is adjusted and that safety belt is buckled up before driving vehicle.



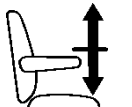
### ADJUSTMENT


Seat can be adjusted to the desired driving position by following the instructions listed below.




DRIVER’S SEAT ADJUSTMENT (RECARO)

18333

ITEM	DESCRIPTION
1	 <p><b>Fore and Aft</b> To adjust distance between driver and dashboard, pull handle (1) up and slide the seat forward or backward. Release handle to lock the seat in position.</p>
2	 <p><b>Backrest</b> Turn hand wheel recline (2) to adjust backrest to the desired angle.</p>
3	 <p><b>Up and Down</b> Toggle up/down switch (3) to adjust height of the seat.</p>

4  **Fore and Aft Auto Actuator**

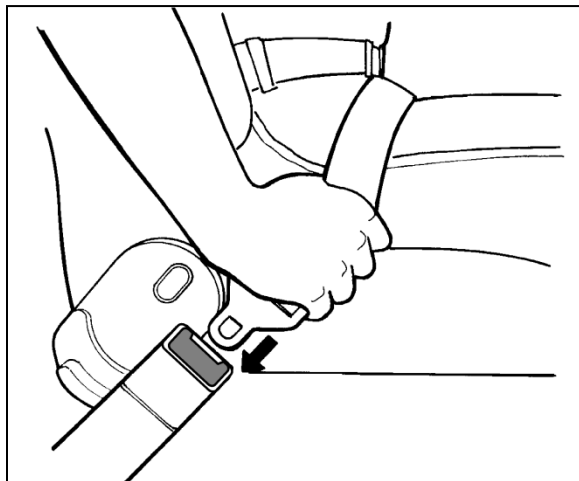
To adjust distance between driver and dashboard, push auto actuator (4) and slide the seat forward or backward. Release button to lock the seat in position.

5  **Lumbar Support**

Use the 3-cell lumbar switches (5) to adjust lumbar support.

**SAFETY BELTS**

The driver's seat is equipped with a 2-point retractable safety belt as required by State and Federal regulations. The safety belt is 70-inch long. To fasten, pull seat belt out of the retractor and insert the latch plate into the buckle until it clicks. No special adjustment is required since the reel device is self-adjusting. If seat belt operation becomes defective, report to maintenance personnel immediately.




FASTENING SEATBELT

18028


**NOTE**

*The safety belt must be pulled out slowly and continuously, otherwise it will lock the reel before the latch plate reaches the buckle. If this happens, allow the belt to retract completely and repeat the procedure correctly.*

 **WARNING**

A snug fit with the lap belt positioned low on the hips is necessary to maximize driver safety. The belt should not be worn twisted. Avoid pinching belt and/or belt hardware in seat mechanism. Do not wear belt over rigid or breakable objects, such as eyeglasses, pens or keys as these may cause injuries.

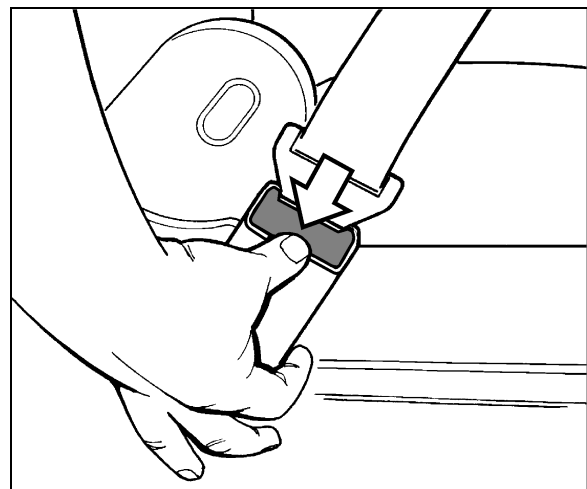
To unfasten belt, press the red button in center of buckle and allow belt to retract. If the belt does not fully retract, pull it out and check for kinks or twists. Make sure that it remains untwisted as it retracts.

 **WARNING**

Most State and Provincial laws require that safety belts be worn when they are supplied with the seat.


**NOTE**

The vehicle is equipped with a belt detection system; a warning alarm will be heard if the vehicle is moving above 3 mph (5 km/h) with the safety belt unfastened.



UNFASTENING SEATBELT

18029

 **CAUTION**

Never bleach or dry clean safety belt.

## 3-4 COACH INTERIOR

### PASSENGER SEATS

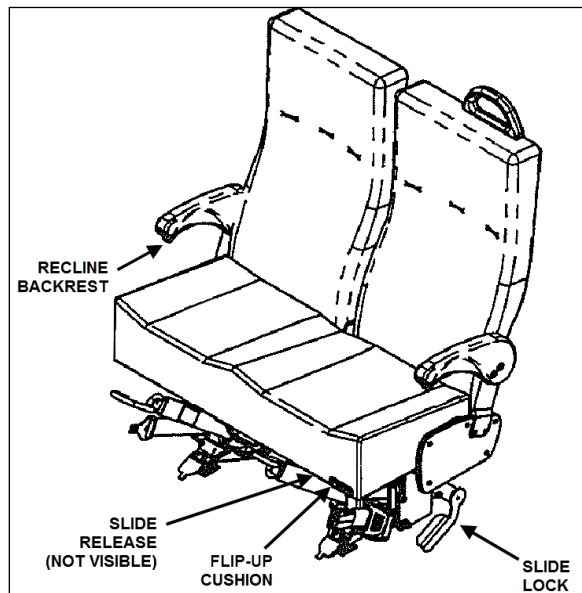
The seat layout accommodates 57 seated passengers.

It features twenty (20) two-passengers fixed seats, six (6) two-passenger reconfigurable seats and five (5) fixed rear cross single seats.

On window side, the two passenger fixed seats are wall mounted to ease floor cleaning between the seat base and wall.

Passenger seat backrests can be reclined by using the button located on the armrest. Push on the button and adjust backrest to the desired angle. Release button to lock backrest in position. The fixed rear cross seats are non-reclining.

A fold-up armrest is installed on the aisle side of the seat. A fixed armrest is installed on the window side.



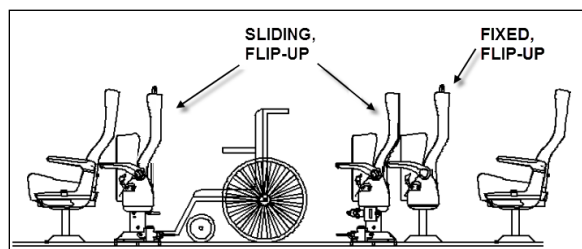
PASSENGER SEAT

18689

### SEAT RECONFIGURATION FOR MOBILITY DEVICES

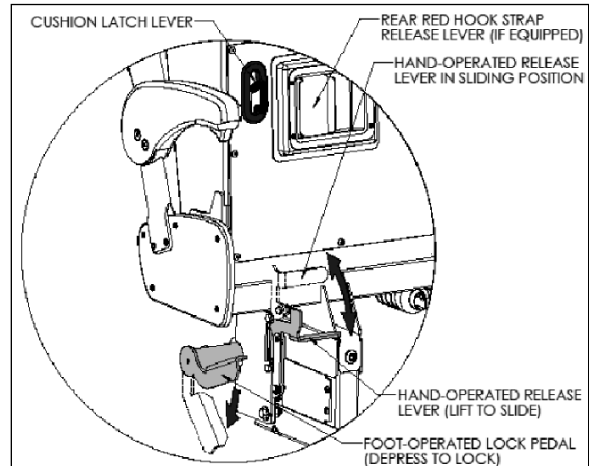
The layout features four (4) sliding, flip-up, and two (2) fixed flip-up, two-passenger seats.

They are placed in the center section for easy reconfiguration to accommodate mobility devices.



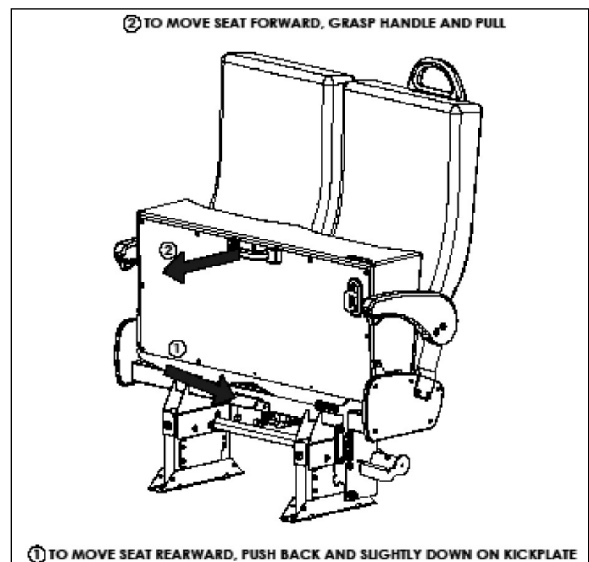
### SEAT RECONFIGURATION

18691



### SLIDING SEAT LEVERS

18699



### MOVING THE SLIDING SEATS

18690

Refer to the specific detailed instructions on the actual seats for safe and proper operation.

### SEATED to STOWED position

- A cushion latch lever is located underneath the aisle cushion to flip the seat cushions up. Pull to release.
- A hand-operated release lever releases the seat for sliding. Fully lift to slide.
- Place the seat to the stowed position using the handle if pulling or kick plate if pushing.
- A foot-operated lock pedal is along the pedestal. Depress pedal until hand-operated lever lowers automatically.
- Rotate aisle-side armrest upward.

**STOWED to SEATED position**

- Fully lift hand-operated release lever
- Place the seat to the seated position using the handle if pulling or kick plate if pushing.
- Depress foot-operated lock pedal until hand-operated lever lowers automatically.
- Pull cushion latch lever upward and rotate cushion down to the seated position.
- Rotate aisle-side armrest downward.

Passengers boarding with scooters will need scooter belts for proper securement. Four (4) 16" belts are included in the bus for this purpose.

**MOBILITY DEVICE SECUREMENT BELT OPERATION**

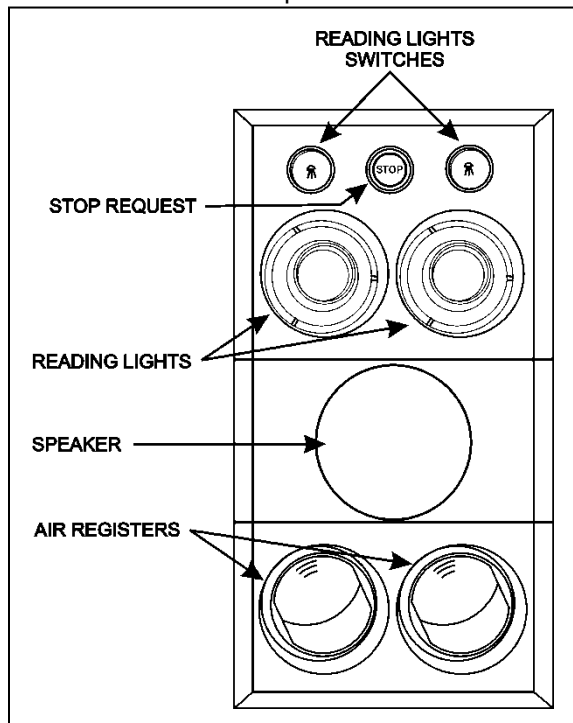
Refer to the information on the actual seats.

**WHEELCHAIR OCCUPANT RESTRAINT**

Refer to the information on the actual seats.

**OVERHEAD CONSOLE**

One airplane type overhead console is installed above each row of twin seats to provide a total of 107 ft<sup>3</sup> of storage capacity. Such amenities as reading lights, air vents and stop request service are controlled from this panel.



**OVERHEAD CONSOLE**

23137

**ADJUSTABLE AIR REGISTERS**

Manually adjustable registers located on the overhead console provide air flow to the passengers. Air flow can be directed, passengers can orient individual registers by rotating the nozzle. To adjust air flow, passengers must open or close the flaps. Activation of the fans is done by depressing a rocker switch on the dashboard. Refer to Controls & Instruments section.

**STOP REQUEST**

Passengers can request a stop for disembarking by pressing the "STOP" request button on the overhead console. This will illuminate the button and activate a warning sound in the driver area, this will also light-up a warning signal on the dashboard. Press the "STOP" request button a second time to cancel the stop request.

A "STOP" request button is provided for the wheelchair occupant on the window sill of the coach, within easy reach. Pressing this "STOP" request button will sound two gongs to identify the wheelchair occupant.

**READING LIGHTS**

Reading lights are mounted underneath the overhead storage compartments. Depressing a rocker switch located on the dashboard (refer to Controls & Instruments section) will activate the reading light circuit and allow passenger control of reading lights.

**WINDOWS**

The coach is equipped with frameless flush-mounted "Galaxsee" windows all around and a split-window windshield for maximum visibility.

**PANORAMIC WINDOWS**

Panoramic side windows come in single pane glass. Some of these windows are of the fixed type; they are bonded to the structure and cannot be opened. Others can be easily opened to serve as emergency exits.

**Fixed Windows**

These windows are bonded to the structure and form an integral part of the body of the vehicle, helping reduce vibration and noise. Fixed windows cannot be opened.

**Emergency Windows**

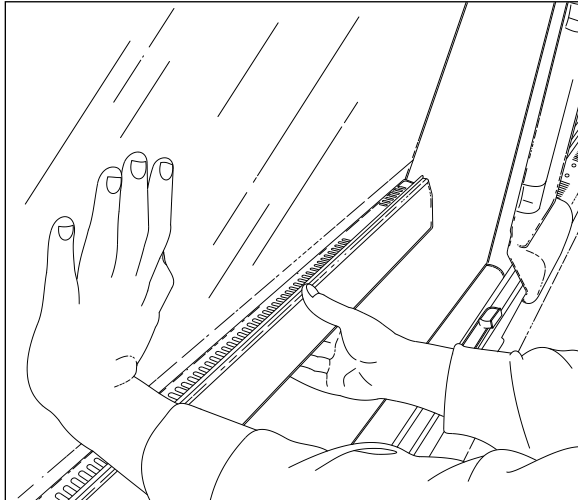
These windows can be opened from inside the vehicle as emergency exits. A riveted tag on

## 3-6 COACH INTERIOR

window sills indicates the location of the emergency windows. To open an emergency window, lift the window release bar (sill) and push the window open from the bottom.

To close, lift the release bar and pull the window into position. Push down on release bar to lock the window shut.

For more information on emergency features, refer to “Safety Features and Equipment” section.



**EMERGENCY WINDOW OPENING**

18391

### DRIVER'S POWER WINDOW

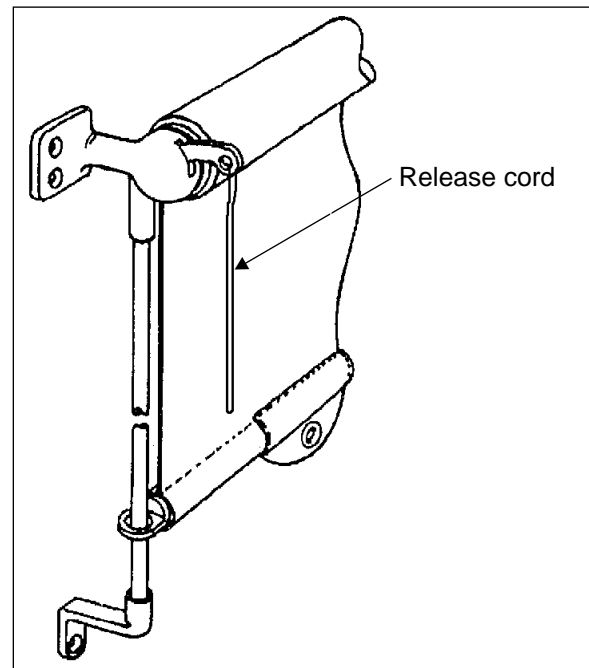
The driver has a power window on the left side of the coach. The windows are controlled by a rocker switch located on the driver's control panel. Refer to “Controls and Instruments” section.

### Driver's window shades

This vehicle is provided with a spring release type sun shade on the driver's left side window. To operate, pull down the shade by its hem to the appropriate position and release. It will remain in position. To raise, depress the unlocking lever and guide the shade back up using the other hand.

### WINDSHIELD

Two manually-operated shades are installed behind the windshield. To operate, pull down the shade by its hem to the appropriate position and release. It will remain in position. To retract, pull the release cord.

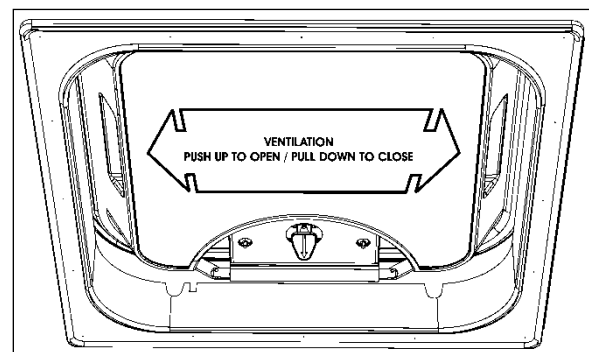


**SPRING RELEASE SUNSHADE**

23019

### VENTILATION HATCH

A ventilation hatch is installed in the ceiling at the rear of the coach and at the front of the coach. To open the hatch, push up with both hands and pull down to close. The ventilation hatch can be completely opened for emergency egress. Refer to “Safety Features and Equipment” section.



**VENTILATION HATCH**



### WARNING

Be aware of coach overhead clearance when traveling under overpasses with the ventilation hatch(es) open. Check for maximum clearance height.

### OVERHEAD COMPARTMENTS

Passenger carry on baggage is stored in overhead compartments on each side of the

coach. A first aid kit and a 5 lbs fire extinguisher are located in the first front curb side overhead storage compartment.

To open the closed overhead storage compartments, push the handle in to release the latch, then let go. A pressurized cylinder opens the door.

***NOTE***

*The overhead storage compartments have a minimum amount of separators installed to facilitate inspection for left behind items.*

**OVERHEAD STORAGE COMPARTMENTS**

18603