

## Section 23: ACCESSORIES

### CONTENTS

<b>1. DESCRIPTION OF AUDIO AND VIDEO SYSTEM INSTALLED ON X3-45 COACHES.....</b>	<b>4</b>
1.1 HOW TO RECEIVE SERVICE FOR YOUR REI AUDIO AND VIDEO PRODUCTS .....	7
1.2 DASHBOARD AM/FM RADIO .....	8
1.3 VSS-05 SOUND SELECTOR .....	8
1.4 VD-404 MOBILE DVD PLAYER.....	8
1.5 MULTICHANNEL POWER AMPLIFIER VA400.8.....	9
1.6 SPEAKERS .....	9
1.7 BOOM-TYPE MICROPHONE.....	10
1.7.1 Removal.....	10
1.7.2 Installation.....	10
1.8 HANDHELD PRIORITY MICROPHONE.....	10
1.9 WIRELESS MICROPHONE.....	10
1.10 TV TUNER.....	11
1.11 KARAOKE.....	11
1.11.1 Karaoke Panasonic Sound System – MOBILE DVD PLAYER DV1500.....	11
1.12 DRIVER’S SPEAKERS .....	11
1.13 MONITOR.....	11
1.14 SCENIC VIEWING SYSTEM .....	11
1.15 ROOF ANTENNA INSTALLATION.....	12
<b>2. BACK-UP CAMERA AND MONITOR.....</b>	<b>12</b>
<b>3. HUBODOMETER.....</b>	<b>14</b>
3.1 DESCRIPTION .....	14
3.2 OPERATION.....	15
3.3 REMOVAL.....	15
3.4 INSTALLATION .....	15
<b>4. ELECTRONIC DESTINATION SIGN INSTALLED ON X3-45 COACHES (OPTIONAL).....</b>	<b>15</b>
<b>5. SUNSHADES .....</b>	<b>15</b>
5.1 WINDSHIELD SUNSHADES .....	15
5.1.1 End of Stroke Adjustment.....	15
5.2 PASSENGER SUNSHADES .....	16
5.2.1 Preload Adjustment .....	16
<b>6. LAVATORY INSTALLED ON X3-45 COACHES.....</b>	<b>17</b>
6.1 DESCRIPTION .....	17
6.2 MAINTENANCE.....	18
6.3 VENTILATION FAN.....	18
6.3.1 Description .....	18
6.3.2 Maintenance .....	18
6.3.3 Removal and Installation.....	18
6.4 DOOR LOCK .....	18
6.5 LAVATORY LIGHT.....	18
6.6 LAVATORY NIGHT-LIGHT .....	19
6.7 EMERGENCY BUZZER .....	19
6.8 FRESH WATER TANK .....	19
6.8.1 Fresh Water Tank Draining.....	19
6.8.2 Fresh Water Tank Filling.....	21

**Section 23: ACCESSORIES**

---

6.9	LIQUID SOAP DISPENSER.....	21
6.10	FLUSH PUSH-BUTTON.....	21
6.10.1	<i>Pneumatic Timer Removal and Installation</i> .....	22
6.10.2	<i>Timer Adjustment</i> .....	22
6.11	FLUSH PUMP.....	22
6.11.1	<i>Flush Pump Removal</i> .....	22
6.12	SUMP TANK.....	22
6.12.1	<i>Sump Tank Draining</i> .....	22
6.12.2	<i>Sump Tank Filling</i> .....	22
<b>7.</b>	<b>HORN INSTALLATION.....</b>	<b>23</b>
7.1	ELECTRIC OR AIR HORN MAINTENANCE.....	23
<b>8.</b>	<b>HEADLIGHTS CLEANING SYSTEM.....</b>	<b>23</b>
8.1	GENERAL DESCRIPTION.....	23
8.2	WASHER FLUID REFILLING.....	23
8.3	WASHER NOZZLES ADJUSTMENT.....	23
<b>9.</b>	<b>WINDSHIELD WIPERS AND WASHERS.....</b>	<b>24</b>
9.1	GENERAL DESCRIPTION.....	24
9.2	WIPER ARM.....	25
9.2.1	<i>Wiper Arms Positioning</i> .....	25
9.3	WINDSHIELD WIPER MOTOR.....	26
9.3.1	<i>Windshield Wiper Motor Replacement</i> .....	26
9.4	TROUBLESHOOTING.....	27
<b>10.</b>	<b>TIRE PRESSURE MONITORING SYSTEM (TPMS).....</b>	<b>28</b>
10.1	TIRE VALVE INSTALLATION.....	28
10.2	BERU SENSORS INSTALLATION.....	29
<b>11.</b>	<b>AUTOMATIC FIRE SUPPRESSION SYSTEM (AFSS) (OPTIONAL).....</b>	<b>32</b>
11.1	STARTING THE VEHICLE AFTER A FIRE ALARM.....	32
11.2	PERIODIC MAINTENANCE.....	32

### ILLUSTRATIONS

FIGURE 1 : AUDIO-VIDEO PANEL.....	4
FIGURE 2: AUDIO & VIDEO CONNECTIONS.....	5
FIGURE 3: AUDIO-VIDEO CONNECTIONS .....	6
FIGURE 4: RACKS ON AUDIO-VIDEO PANEL 23059.....	6
FIGURE 5: DASHBOARD AM/FM RADIO.....	8
FIGURE 6: VSS-05 SOUND SELECTOR.....	8
FIGURE 7: VD-404 MOBILE DVD PLAYER.....	8
FIGURE 8: MULTICHANNEL POWER AMPLIFIER.....	9
FIGURE 9: CROSSOVER ADJUSTMENT .....	9
FIGURE 10: 10CM COAXIAL SPEAKER.....	10
FIGURE 11: BOOM-TYPE MICROPHONE 23083 .....	10
FIGURE 12: HANDHELD PRIORITY MICROPHONE 23216.....	10
FIGURE 13: WIRELESS MICROPHONE .....	11
FIGURE 14: TUNER CONTROLS DESCRIPTION.....	11
FIGURE 15: PANASONIC DV1500 .....	11
FIGURE 16: MONITOR MOUNTING 23221 .....	11
FIGURE 17: SCENIC VIEW CAMERA.....	12
FIGURE 18: HUBODOMETER 23024 .....	15
FIGURE 19: DESTINATION SIGN – ELECTRONIC 23123.....	15
FIGURE 20: DRIVER'S SUNSHADE.....	16
FIGURE 21: L.H. SUNSHADE CONTROL BUTTON.....	16
FIGURE 22: FACTORY ADJUSTMENT OF UPPER AND LOWER END POSITION.....	16
FIGURE 23: LAVATORY 23235.....	17
FIGURE 24: VENTILATION FAN INSTALLATION 23222.....	18
FIGURE 25: DOOR LOCK 23320.....	18
FIGURE 26: FUNCTIONING OF LAVATORY 23051 .....	20
FIGURE 27: SUMP TANK & F/W TANK SERVICE VALVES .....	21
FIGURE 28: LIQUID SOAP DISPENSER 23039 .....	21
FIGURE 29: ELECTRIC & AIR HORN INSTALLATION 23420 .....	23
FIGURE 30: HEADLIGHTS CLEANING SYSTEM 23380.....	24
FIGURE 31: TUBING AND FITTINGS 23381.....	24
FIGURE 32: WASHER NOZZLES ADJUSTMENT 23382.....	24
FIGURE 33: MULTIFUNCTION LEVER 23133.....	25
FIGURE 34: WINDSHIELD WASHER RESERVOIR 23220.....	25
FIGURE 35: WINDSHIELD WIPER INSTALLATION 23287.....	25
FIGURE 36: WINDSHIELD WIPER (MOTOR SIDE).....	25
FIGURE 37: WINDSHIELD WIPER (DRIVER SIDE) 23328 .....	25
FIGURE 38: DRIVING MECHANISM (DRIVER SIDE) 23284.....	26
FIGURE 39: DRIVING MECHANISM (MOTOR SIDE) 23285.....	26
FIGURE 40: WIPER ARMS POSITIONING 23253.....	27

1. DESCRIPTION OF AUDIO AND VIDEO SYSTEM INSTALLED ON X3-45 COACHES

The rack mounted components are gathered on the audio-video panel which is located in the first driver's side overhead compartment (Figure 1). In addition to the power amplifier, options for AM/FM radio, satellite radio, karaoke, wireless microphone, DVD, scenic view and back-up camera system and GPS Navigation System module may be featured.

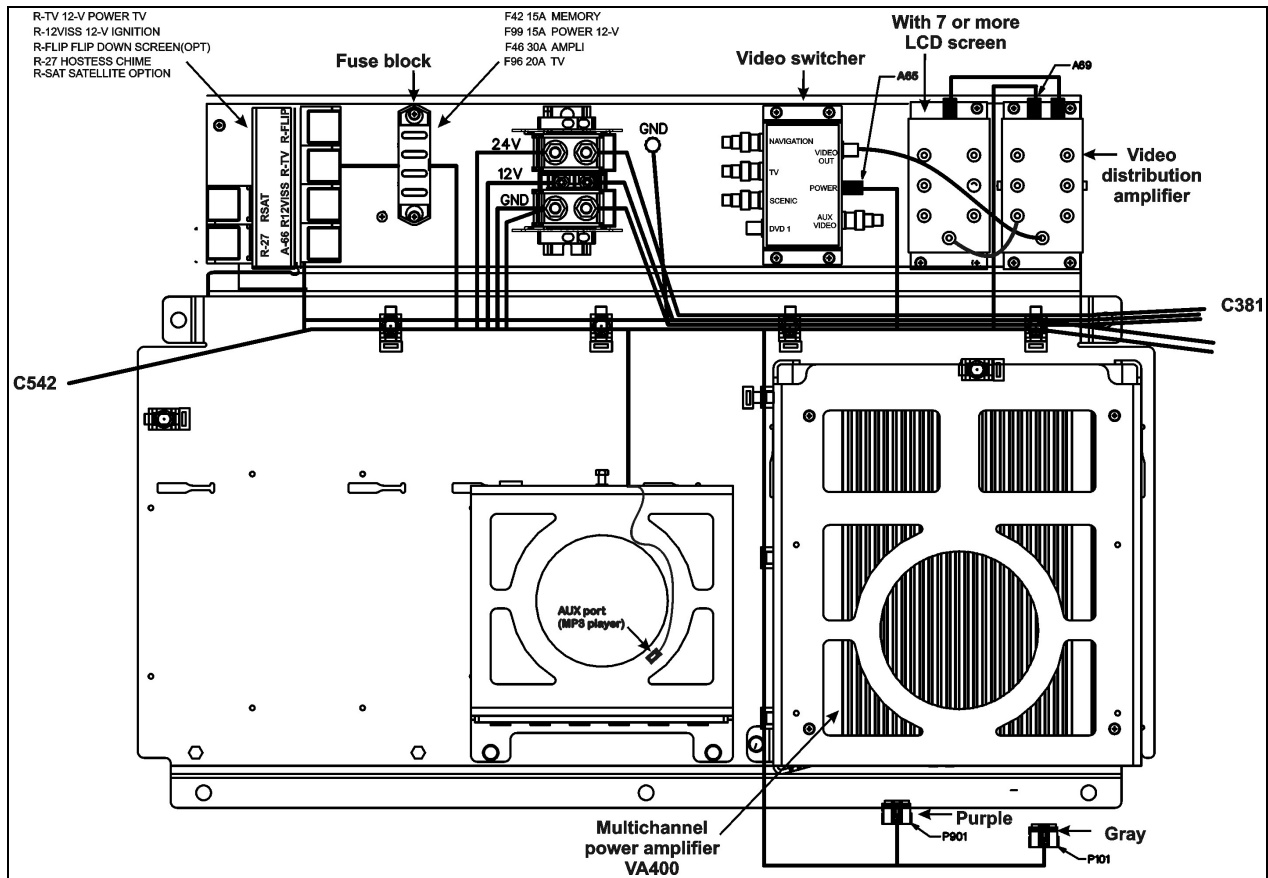


FIGURE 1 : AUDIO-VIDEO PANEL

Each service module mounted to the underside of the parcel racks contains a 40-watt speaker. The speakers in the passenger section are wired in stereo and are powered by the amplifier. A microphone outlet mounted in the driver's area is provided as standard equipment.

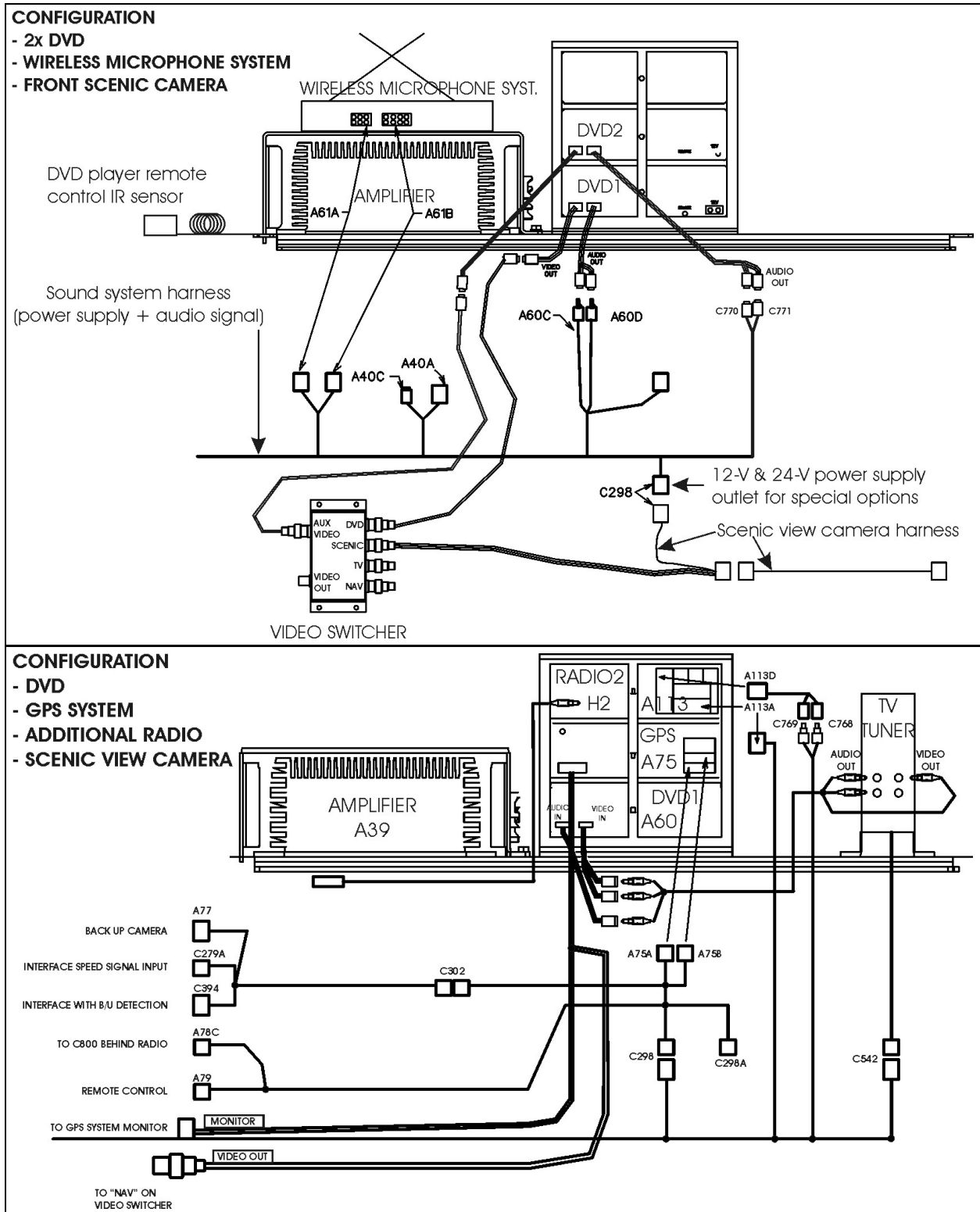


FIGURE 2: AUDIO & VIDEO CONNECTIONS

## Section 23: ACCESSORIES

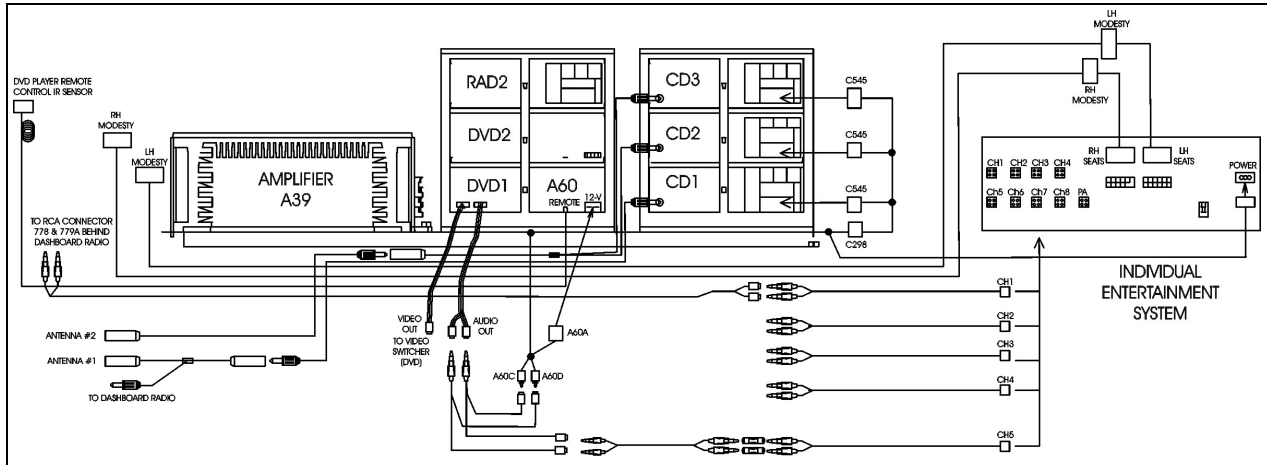


FIGURE 3: AUDIO-VIDEO CONNECTIONS

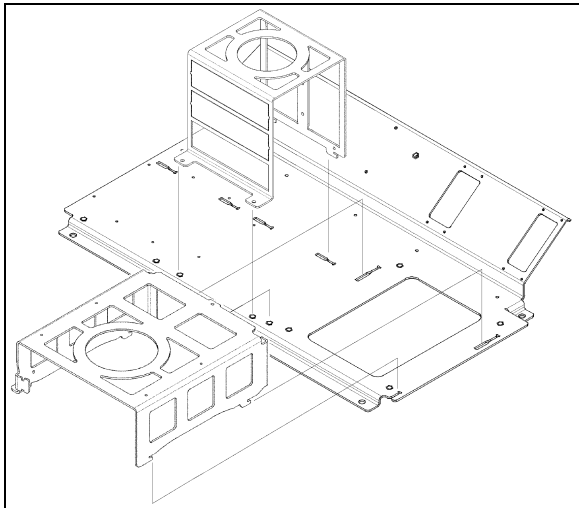


FIGURE 4: RACKS ON AUDIO-VIDEO PANEL 23059

1.1 HOW TO RECEIVE SERVICE FOR YOUR REI AUDIO AND VIDEO PRODUCTS

For assistance in obtaining service for REI products call toll free 877-726-4617 (Continental United States and Canada) between the hours of 7:00 A.M. - 5:00 P.M. CST Monday thru Friday (excluding Holidays).

For assistance in obtaining service for REI products call toll free 877-726-4617 (Continental United States and Canada only) between the hours of 7:00 A.M. - 5:00 P.M. CST Monday thru Friday (excluding Holidays).

Prior to calling REI, please have the part number, serial number, VIN number and detailed description of the problem ready to provide to the REI service representative. After providing information to REI, customers will be issued a return authorization number. When the REI service representative provides the return authorization number, they will also give instructions for returning the item. Any discrepancies in following this procedure may cause delays in the process.

**24/7** Tech Support

**CALL 1-877-726-4617**

E-Mail to [technicalsupport@radioeng.com](mailto:technicalsupport@radioeng.com)

REI Authorized Repair Facilities

REI  
6534 L Street  
Omaha, Nebraska 68117

REI  
1376 Bennett Drive, Unit 126  
Longwood, Florida 32750

TPI Ind. (Canada)  
148, Rue Goodfellow  
Delson, Quebec J5B 1V4

REI products that may be installed in your coach:

MONITOR, LCD 10.4"	DVD PLAYER
MONITOR, COLOR BACK-UP CAMERA	DVD REMOTE CONTROL
MONITOR, LCD 15.4"	CAMERA, COLOR BACK-UP
MONITOR, CENTRAL LCD 15.4"	CAMERA, COLOR PANORAMIC
MONITOR, FLIP19"	MICROPHONE, 10" CB TYPE
MONITOR, 16:9 LCD 15.4"	MICROPHONE, WIRELESS
MONITOR, 16:9 CENTRAL LCD 19"	RECEIVER, WIRELESS MIC 16-CHANNEL
INDIVIDUAL ENTERTAINMENT SYSTEM	
AMPLIFIER, 8-CHANNEL	

- Push the unit through the front dashboard panel.
- Install a new unit by reversing the procedure.

**NOTE**

*Remember that because power has been interrupted during removal, the radio must be unlocked by entering the four-digit security code after reinstallation.*

1.2 DASHBOARD AM/FM RADIO

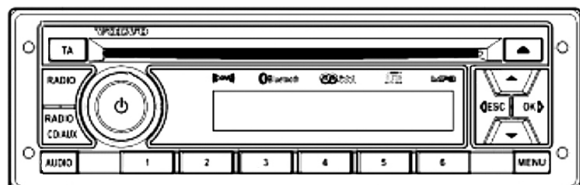


FIGURE 5: DASHBOARD AM/FM RADIO

**NOTE**

*Before attempting to solve an electrical problem on the sound system, refer to the wiring diagrams.*

The radio operating instructions manual is included at the end of this section.

• Removal/Installation

To remove the radio from its location, proceed as follows:

- Place the ignition switch in the "OFF" position.
- Remove the dashboard cover.
- Disconnect the electrical cable connectors from radio and unfasten back plate securing nuts/screws.
- To separate the radio from its support, insert the removal tool #20584494 in the holes found each side of the radio front panel.

1.3 VSS-05 SOUND SELECTOR

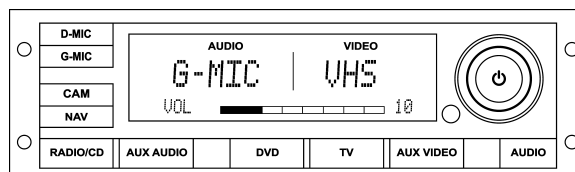


FIGURE 6: VSS-05 SOUND SELECTOR

• Removal/Installation

To remove the Sound Selector from its location, proceed as follows:

- \* Place the ignition switch in the "OFF" position.
- \* Remove the dashboard cover.
- \* Disconnect the electrical connectors from unit and unfasten back plate securing nut/screw.
- \* To separate the Sound Selector from its support, insert the removal tool #20584494 in the holes found each side of the unit front panel.
- \* Push the unit through the front dashboard panel.
- \* Install a new unit by reversing the procedure.

The operating instructions are included in your Operator's Manual.

1.4 VD-404 MOBILE DVD PLAYER



FIGURE 7: VD-404 MOBILE DVD PLAYER



The MOBILE DVD PLAYER is located in the first parcel compartment on the driver's side. Instructions for proper use of this unit are included at the end of this section.

Features:

- POWER
  - Operating voltage: 12-volt DC
- COMPATIBILITY
  - This DVD player can play the following disc formats:  
DVD, CD, VCD, DVCD, MP3, CD-R, CD-RW
- SYSTEM FUNCTIONS
  - Video output system: system MULTI, NTSC or PAL switchable.
  - 1 L/R audio output
  - 1 L/R audio input
  - 1 AUX video output
  - 1 rear camera video input
  - 3 video outputs with one dedicated self switching rear view monitor
- ADDITIONAL VIDEO FEATURES
  - Multi-angle, multi-view, multi-audio function, multi-level forward and backward motion, play position memory, resume stop and repeat function.

### 1.5 MULTICHANNEL POWER AMPLIFIER VA400.8

This 400-watt, 6-channels brings an added dimension to your stereo equipment and increases the total output of the system.

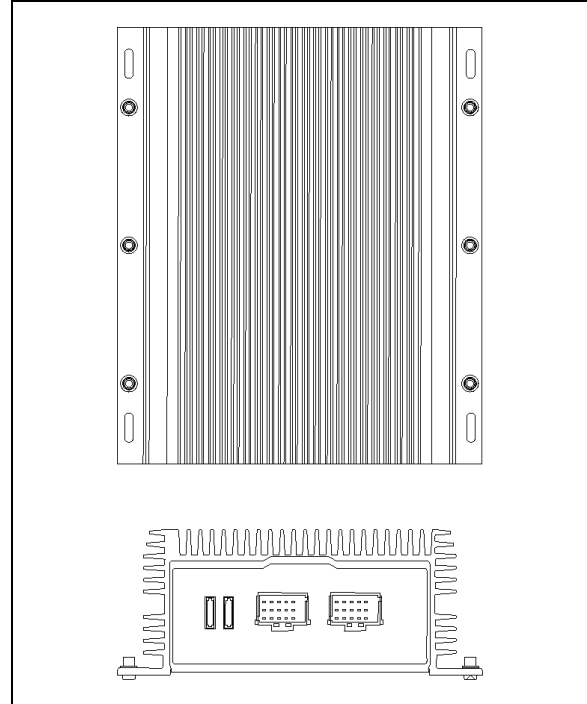


FIGURE 8: MULTICHANNEL POWER AMPLIFIER

For optimum sound quality, adjust the subwoofer crossover filter as shown on figure 9. This adjustment is necessary to balance the subwoofers volume in respect to the other speakers and also to cut high frequencies for a better sound quality.

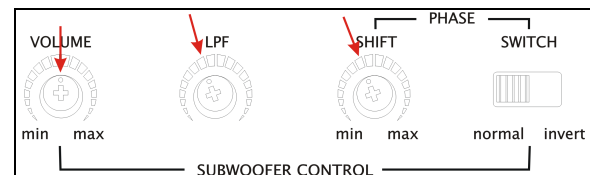


FIGURE 9: CROSSOVER ADJUSTMENT

### 1.6 SPEAKERS

Each passenger's overhead console mounted to the underside of the parcel racks contains a 20-watt Dual cone or coaxial 10cm speaker. The speakers in the passenger's section, wired in stereo and arranged in a delta configuration are powered by the amplifier.

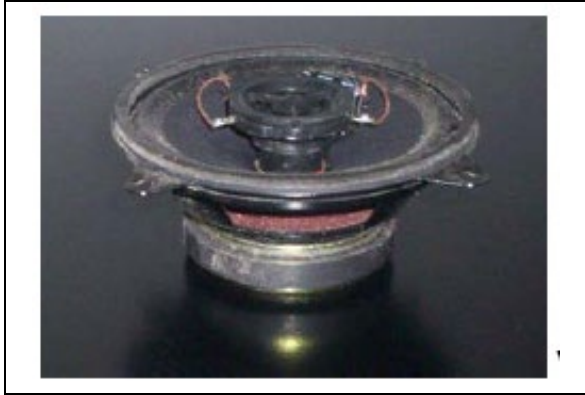


FIGURE 10: 10CM COAXIAL SPEAKER

The vehicle may be equipped with two additional Hi-Fi speakers in the driver's area, mounted one on each side. This arrangement provides the driver with clear stereo sound. Controls for the driver's audio are performed through the dashboard AM/FM radio.

Two specially designed subwoofers may be fixed as an option under a passenger seat with anti-vibration supports.

### 1.7 BOOM-TYPE MICROPHONE

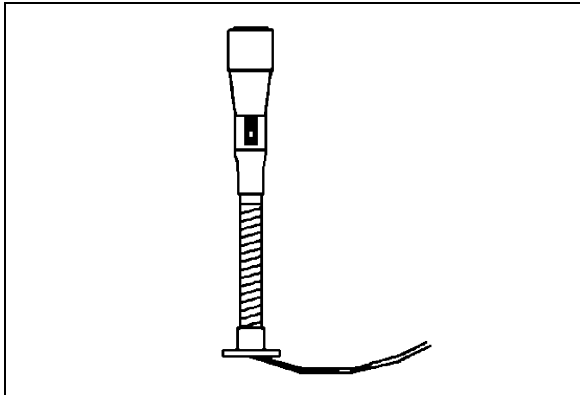


FIGURE 11: BOOM-TYPE MICROPHONE 23083

#### 1.7.1 Removal

1. Place the ignition switch in the "OFF" position.
2. Remove the mounting screws at mounting flange.
3. Disconnect wiring.

#### 1.7.2 Installation

1. Reconnect wiring.

2. Align mounting flange with holes and install screws.
3. Remove spacer block mounting screws.
4. Insert spacer block and install mounting screws.
5. Place the ignition switch in the "ON" position.

### 1.8 HANDHELD PRIORITY MICROPHONE

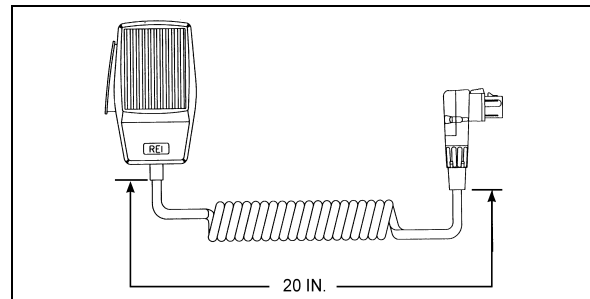


FIGURE 12: HANDHELD PRIORITY MICROPHONE 23216

### 1.9 WIRELESS MICROPHONE

The system 2000 16 channel wireless microphone, Receiver and Charging Cradle are custom designed units that allow for wireless PA communication from anywhere on the coach. The unit consists of a receiver mounted in the parcel area directly behind the driver, and a rechargeable hand-held microphone and charging unit. Instructions for proper use of the microphone are included in the "REI Operating Manual" which is provided in the technical publications box delivered with the vehicle.

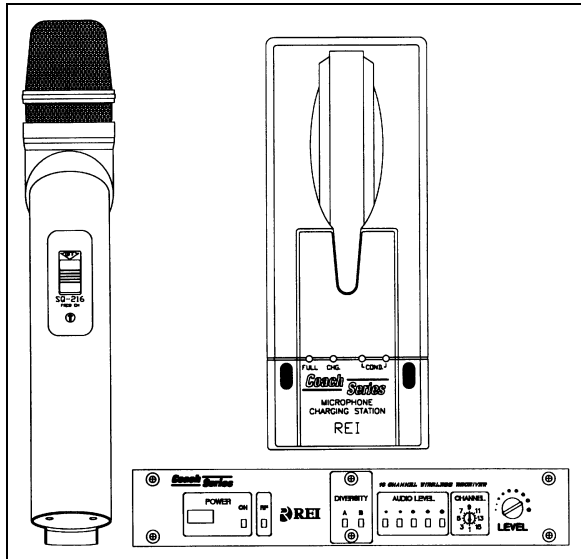


FIGURE 13: WIRELESS MICROPHONE

### 1.10 TV TUNER

For TV tuner control descriptions, refer to Figure 14.

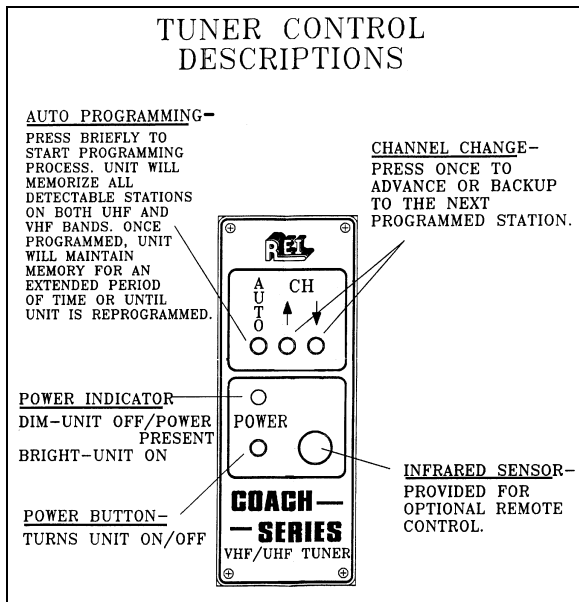


FIGURE 14: TUNER CONTROLS DESCRIPTION

### 1.11 KARAOKE

The modified Panasonic DVD Player powers up automatically when the video system is activated. The unit can be controlled with the plug-in remote control, or the control head, which has access to the PLAY and STOP commands.

If so equipped, instructions for proper use of the Karaoke system are included in the "Operating

Manual" that is provided in the technical publications box delivered with the vehicle.

### 1.11.1 Karaoke Panasonic Sound System – MOBILE DVD PLAYER DV1500

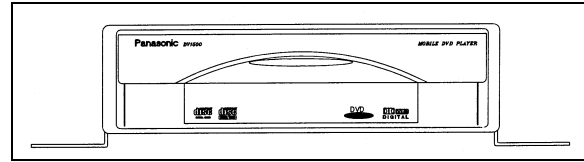


FIGURE 15: PANASONIC DV1500

### 1.12 DRIVER'S SPEAKERS

The driver's speakers are mounted one on each side. This arrangement provides the driver with clear stereo sound. Controls for the driver's audio allow selection between the radio and the auxiliary audio (independent of the passenger's speakers) or muting the speakers.

### 1.13 MONITOR

1. Place the ignition switch in the "OFF" position.
2. Unfasten the retaining screw located on the monitor R.H. side.
3. Slide the monitor to the right to release it from the mounting bracket.

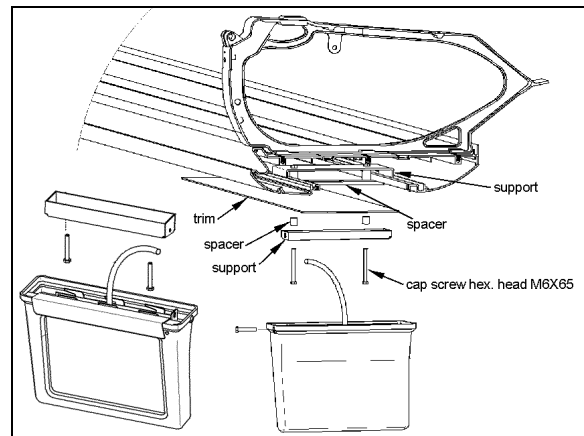


FIGURE 16: MONITOR MOUNTING 23221

### 1.14 SCENIC VIEWING SYSTEM

The scenic viewing system enables the passengers to view the road ahead of the vehicle. This system is composed of a camera, a dashboard mounted ON/OFF switch and the video switcher located on the audio-video panel (Figs. 1 & 17).

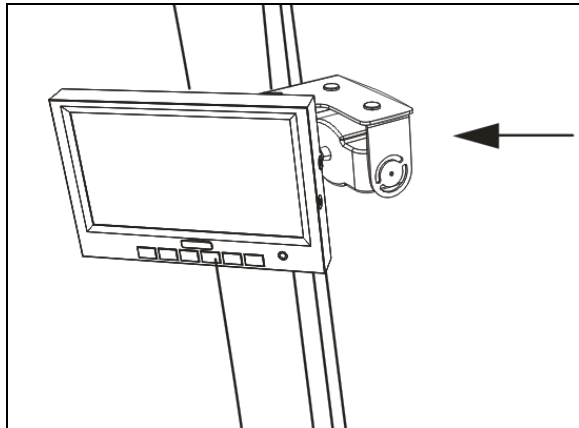


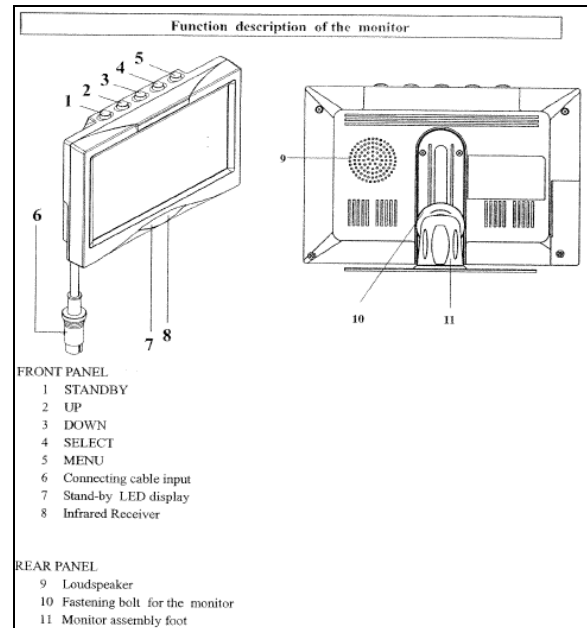
FIGURE 17: SCENIC VIEW CAMERA

### 1.15 ROOF ANTENNA INSTALLATION

1. Find the desired location and drill a hole according to specification.
2. To remove dirt and grease, wash edge of hole with alcohol.
3. If so equipped, remove foam padding ring from antenna to free the metal surface (foam can produce air bulbs in new rubber seal).
4. With SIKA 205, wash the opening edge and the antenna base surface, wait at least two (2) minutes for chemical evaporation.
5. Apply new seal SIKA 221 on both, vehicle hole edge and antenna base.
6. Fix the antenna in place.
7. Remove excess seal and complete a finishing joint all around the antenna base.

### 2. BACK-UP CAMERA AND MONITOR

An optional back-up camera is available which provides the driver with visual assistance when backing-up. The camera is automatically activated when the transmission is put in reverse gear and the ignition switch is "ON".



### BUTTON DESCRIPTION

**1) STANDBY:** On/Off switch

**2) UP:** This key has 3 functions

- Increase of the volume during normal operation;
- Modification of the setting within a function e.g. contrast (after calling up the menu);
- By pressing this key when putting in the reverse gear, the distance markings move upwards;

**3) DOWN:** This key has 3 functions

- Decrease of the volume during normal operation;
- Modification of the setting within a function e.g. contrast (after calling up the menu);
- By pressing this key when putting in the reverse gear, the distance markings move downwards;

**4) SELECT:** This key has 3 functions

- Selection of the video sources (CA1 → CA2 → AV → CA1). Press less than 1.5 seconds;
- Selection of the functions e.g. picture setting (after calling up the menu);
- Deleting and calling OSD letters of title & time (press longer than 1.5 seconds) during normal operation;

**5) MENU:** This key has 2 functions

- Activation of the dimmer function (press less than 1.5 seconds) during normal operation;
- Calling up the menu (press longer than 1.5 seconds, four menus can be called up). Press the key once again to call up the individual menus;
  - a) PICTURE= Functions for the image setting;
  - b) USER= Selection of the system function;
  - c) TIME= Setting time and date;
  - d) INSTALL= Setting the camera function (e.g. mirror function);

**6) BUSH FOR THE MONITOR CABLE OF THE CONNECTION BOX**

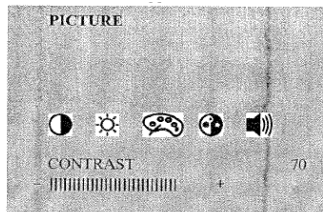
**7) STANDBY DISPLAY**

**8) INFRARED RECEIVER**

**MONITOR MENU DISPLAY**

The monitor (RV59 HD) is equipped with an On-Screen Display (OSD) function which displays date, camera, channel, mirror mode and distance markings. These functions can be selected on MENU. To calling up the menu, press longer than 1.5 seconds. Four menus can be called up. Press the key once again to call up the individual menus.

For calling up the menu PICTURE press the key **MENU** longer than 1.5 seconds. The menu PICTURE appears.



Graphic means the followings.

- CONTRAST
- BRIGHTNESS
- COLOR
- TINT
- VOLUME

Select the function (e.g. contrast) by pressing the key **SELECT** repeatedly. The setting within the function can be modified with the keys **UP** and **DOWN**.

For calling up the menu USER press the key **MENU** once again. The menu USER appears. Select the function (e.g. SELECTION) by pressing the key **SELECT** repeatedly as necessary. The setting within the function can be modified with the keys **UP** and **DOWN**.

USER	
LANGUE	ENG
SCREEN WIDE	
TITLE	ON
TIME	ON

POSSIBLE SETTINGS:  
 LANGUAGE: ENGLISH/GERMAN (ENG/DEUT)  
 SCREEN FORMAT: NOR 4:3, picture format 4:3  
 WIDE, picture format 16:9  
 FULL, picture format 16:9 middle enlarge  
 TITLE: CAMERA TITLE DISPLAY ON/OFF  
 TIME: TIME DISPLAY ON/OFF

For calling up the menu TIME press the key **MENU** once again. The menu TIME appears. Select the function (e.g. DATE) by pressing the key **SELECT** repeatedly as necessary. The setting within the function can be modified with the keys **UP** and **DOWN**.

TIME	
TIME	08:25
DATE	MAY01
YEAR	2005

- Hour-Month adjustable by UP BUTTON  
 - Minute/Date adjustable by DOWN BUTTON  
 - Year adjustable by UP/DOWN BUTTON

For calling up the menu INSTALL press the key **MENU** once again. The menu TIME appears. Select the function (e.g. SELECTION) by pressing the key **SELECT** repeatedly as necessary. The setting within the function can be modified with the keys **UP** and **DOWN**.

INSTALL	
REAR	CAM1
CAM1	MIR
CAM2	NOR

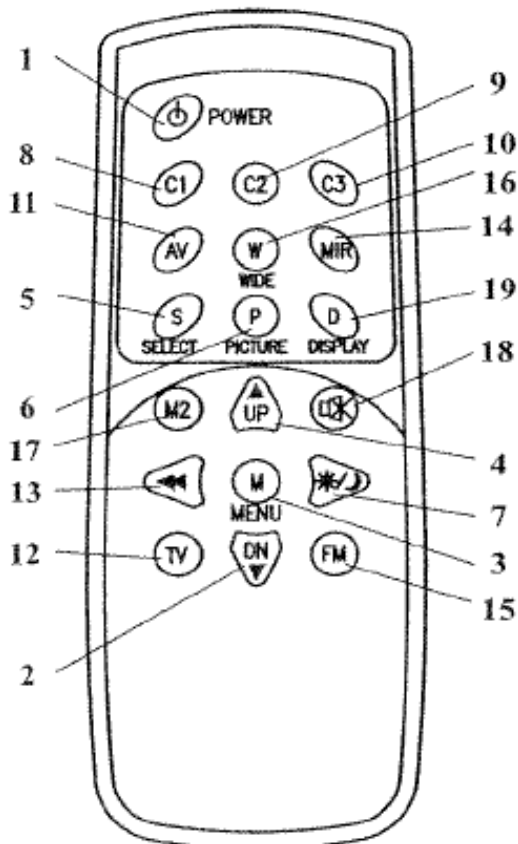
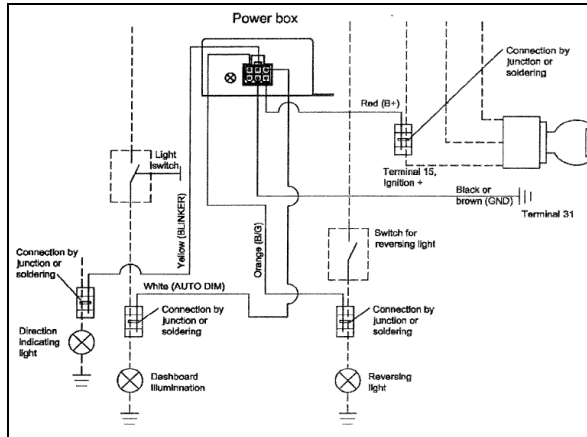
POSSIBLE SETTINGS:  
 REAR: Selection of priority camera (CAM1 or CAM2) which is triggered by rear gear.  
 CAM1: Selection of real picture or mirrored picture for camera 1  
 CAM2: Selection of real picture or mirrored picture for camera 2  
 NOTE1 The distance mark will appear on the picture of camera which set as MIR (mirrored).  
 NOTE2 Engaging the reverse gear, only distance mark will appear on the mirrored camera picture without any OSD. At the moment, no keys are available except UP/DOWN key for moving distance bar.

**BACK-UP CAMERA MODULE (Power box)**

The connection line consists of 6 branch lines as below:

## Section 23: ACCESSORIES

RED	Voltage supply 12-volt to 24-volt (max. 32-volt)
BLACK/BROWN	Earth cable
WHITE	Control wire for switching on the dimmer function (night operation)
YELLOW	Control wire for switching on the side camera. The connection is to be made at the INDICATOR
ORANGE	Control wire for switching on the reversing camera. The connection is to be made at the reversing light



No	Key	Description
1	STANDBY	On/Off switch
2	DOWN ▼	This key has 3 functions. – Decrease of the volume during normal operation. – Modification of the setting within a function e. g. brightness (after calling up the menu). – By pressing this key when putting in the reverse gear the distance markings move downwards.
3	MENU	Calling up the menu on the screen. Three menus can be called up : a: PICTURE = Functions for the image setting b: USER = Selection of the system function c: TIME = Setting time and date d: INSTALL = Setting the camera function (e.g. mirror function)
4	UP ▲	This key has 3 functions. – Increase the volume during normal operation – Modification of the settings within a function e. g. contrast (after calling up the menu) – By pressing this key when putting in the reverse gear the distance markings move upwards.
5	SELECT	This key has 2 functions Selection of the video sources (CA1→CA2→AV) Selection of the functions e.g. picture setting (after calling up the menu)
6	PICTURER	Calls up the functions CONTRAST, BRIGHTNESS etc. directly for the picture setting. Carry out the setting with the key UP or DOWN.
7	DIMMER	Regulates the brightness to night operation temporarily
8	C1	Selection of the camera 1
9	C2	Selection of the camera 2
10	C3	Selection of the camera 3 (camera input 3 is not available))
11	AV	Selection of the video input (RCA)
12	TV	Not available
13	SEARCH	Not available
14	MIRROR	Reversing left and right of picture temporarily
15	FM	Not available
16	WIDE	Setting of the screen format NOR/NOR: 4:3, picture format 4:3 WIDE/WEIT, picture format 16:9 FULL/BREIT, picture format 16:9 middle enlarged
17	MONITOR2	Not available
18	MUTE	Switches off the tone temporarily
19	DISPLAY	This key has 2 functions – Deleting or calling OSD letters of Tile & Time temporarily – Leaving the menu

### 3. HUBODOMETER

#### 3.1 DESCRIPTION

An optional wheel hubodometer (Figure 18) may have been installed on the R.H. side of the drive axle. It indicates the total distance in miles or kilometers covered by the coach since it has left the factory, including road testing.

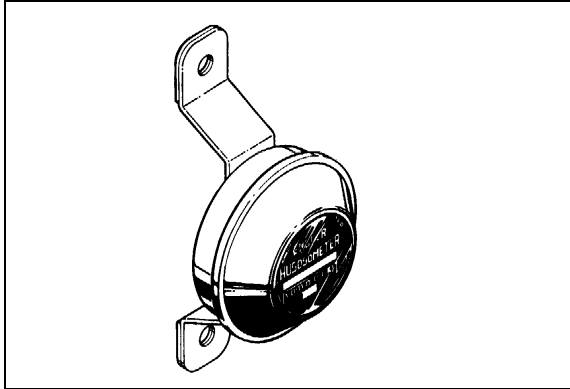


FIGURE 18: HUBODOMETER

23024

### 3.2 OPERATION

The hubodometer is calibrated for a specific wheel size (diameter). Wheel rotation causes a mechanism inside the hubodometer to record distance after a predetermined number of rotations. The unit should be serviced at a competent speedometer repair facility.

#### NOTE

*Do not use paint, solvent or thinner on hubodometer face or on plastic hubcaps. Do not weld on hubodometer.*

### 3.3 REMOVAL

To remove the unit, remove the two lock nuts and washers securing it to the wheel hub, and pull the unit off the studs.

### 3.4 INSTALLATION

Place the hubodometer unit over the wheel hub studs. Replace the lock washers and nuts. Torque stud nuts to 110-165 Lbf-ft (150-225 Nm).

## 4. ELECTRONIC DESTINATION SIGN INSTALLED ON X3-45 COACHES (OPTIONAL)

The optional destination sign is located at upper front of the vehicle. To change the destination, depress the selecting switches until the desired destination appears in the LCD display.

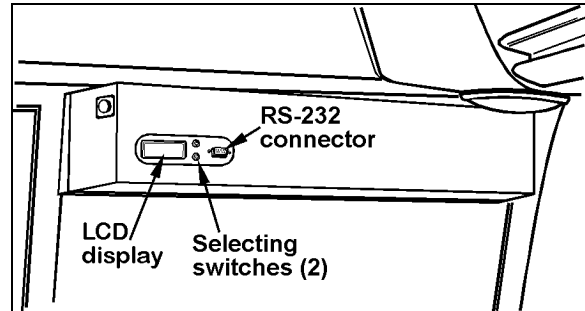


FIGURE 19: DESTINATION SIGN – ELECTRONIC 23123

#### NOTE

*The destination sign must be programmed with a computer connected to the RS-232 connector prior to first use. Follow the instructions on the computer disk to install and run the software.*

#### NOTE

*The destination sign is equipped with lights (bulb light or fluorescent) which illuminates automatically when the headlight or fog light switch is activated.*

## 5. SUNSHADES

### 5.1 WINDSHIELD SUNSHADES

Two electrically-operated sunshades are installed in the driver's area at the top of the windshields. Two control buttons located on the steering wheel and two on the dashboard operate each sunshade individually. Refer to Operator's Manual: "Controls and Instruments" chapter for more information.

**Caution:** *The electric sunshades should only be operated electrically. Pulling down manually may damage the mechanism.*

#### 5.1.1 End of Stroke Adjustment

The sunshades end positions are pre-adjusted at factory. If an adjustment is required, proceed as follows:

1. Place the ignition key to the ON position.
2. Insert a small nail or similar thin object into sunshade adjustment button access hole and press the appropriate sunshade DOWN button **simultaneously** and hold them until a beeping tone sounds. Release both buttons.





FIGURE 20: DRIVER'S SUNSHADE

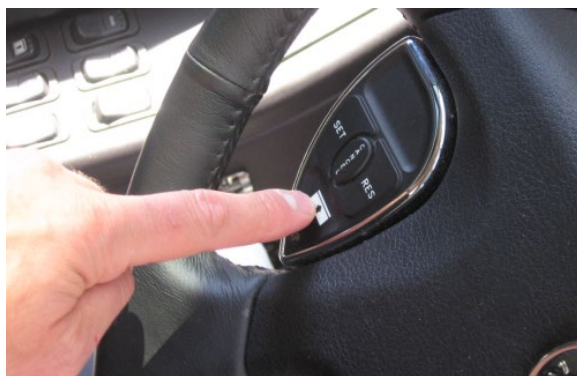


FIGURE 21: L.H. SUNSHADE CONTROL BUTTON

3. Move the sunshade to the desired lower end of stroke position using the control button (never move sunshade by hand) and then release button.
4. Proceed to fine adjustment of lower end position by pressing the DOWN button repeatedly.
5. Press the sunshade UP (opposite direction) button to save #1 end position. The confirmation tone will sound.
6. Move the sunshade to the desired upper end of stroke position using control button (never move sunshade by hand) and then release button.
7. Proceed to fine adjustment of upper end position by pressing the UP button repeatedly.
8. Press the sunshade DOWN (opposite direction) button to save #2 end position. The confirmation tone will sound. The adjustment mode is then deactivated.

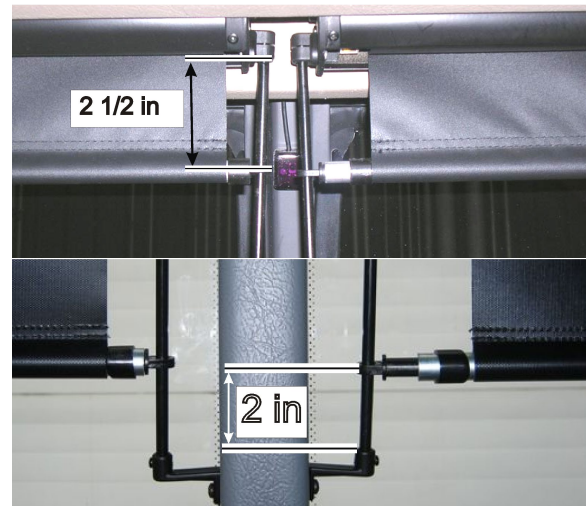


FIGURE 22: FACTORY ADJUSTMENT OF UPPER AND LOWER END POSITION

## 5.2 PASSENGER SUNSHADES

Manually operated passenger sunshades are factory installed on some vehicles. The sunshades are pulled down and can be locked in the window side moldings at half or full close position.

To release, simply disengage the sunshade from the moldings and release. Spring tension will pull back the sunshade to the full open position.

Correct spring tension is set at the factory and should not need further adjustment.

However, if for any reason a sunshade has to be removed from the vehicle, preloading of the recoil mechanism will be required before re-installation to ensure that the sunshade returns to the full open position when released.

### 5.2.1 Preload Adjustment

Using the chart below, preload the sunshade mechanism before installing the sunshade in the window support.

**Note:** When installed, lower the sunshade 6po (15cm) and release. The sunshade should retract freely to the full open position. Re-adjust preload as needed.

Sunshade Type	Req. Preload
Std Sunshade	12 turns
Large WCL Sunshade	12 turns



## 6. LAVATORY INSTALLED ON X3-45 COACHES

### 6.1 DESCRIPTION

The lavatory is located in the rear R.H. corner of the coach. It is equipped with a chemical flush toilet, bathroom tissue dispenser, washbasin, towel dispenser, waste container, mirror, ashtray, and a cleaning cabinet. A liquid soap dispenser and moist towel dispenser are optional.

Locking the lavatory door from the inside will illuminate a fluorescent light in the lavatory and two outside signs to indicate occupation. One sign is located on the outer wall of the lavatory and another sign is located over the windshield. An indicator light on the dashboard will illuminate to inform the driver when the lavatory is occupied. A night-light is permanently lit in the lavatory when the ignition switch is in the ON position.

If emergency assistance is required, the lavatory occupant can actuate a buzzer that will sound in driver's area. The buzzer's push-button (c/w instruction label) is located on the inner curbside wall of lavatory.

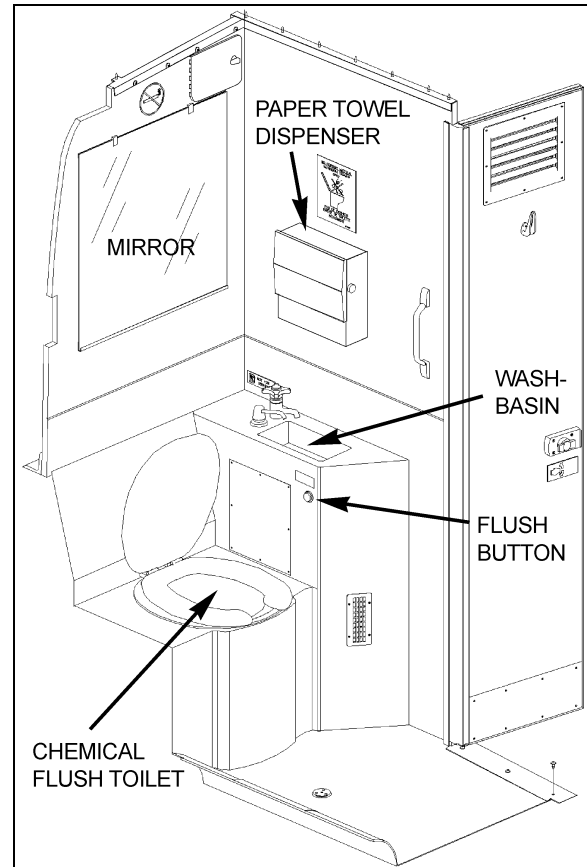


FIGURE 23: LAVATORY

23235

The lavatory has its own ventilation system that operates only when ignition switch is in the "ON" position.

The fresh water tank, located behind compartment mirror (Figure 23), is equipped with a thermal drain valve that will drain the tank when water temperature approaches the freezing point preventing damage to the tank. The fresh water supplies water to the washbasin by gravity (Figure 26). Two tubes are connected on top of the tank. One serves as overflow as well as a vent tube and runs along the curbside wall to the engine compartment R.H. side while the other tube is connected to the fresh water fill connection which is also located in engine compartment R.H (Figure 26). side. A third tube connected in the bottom of the fresh water tank allows fresh water to flow to the washbasin faucet. Water from washbasin drain tube flows to the sump tank.

Also, a drain hole located on lavatory floor drain water splashed on the floor to the engine compartment R.H. side.

## Section 23: ACCESSORIES

### 6.2 MAINTENANCE

The servicing procedure for the lavatory is described in the "Operator's Manual" included in the technical publications box delivered with the vehicle.

### 6.3 VENTILATION FAN

#### 6.3.1 Description

The lavatory ventilation fan (Figure 24), mounted in engine compartment behind the oil reserve tank, serves two purposes. It exhausts objectionable odors and provides a constant air circulation in the lavatory compartment by heating or cooling the lavatory with the vehicle ambient air. Air flows in the lavatory compartment through a vent grill located on the lavatory door and exhausts through a grill located next to the toilet.

#### **NOTE**

*This fan runs constantly when the ignition switch located on the dashboard is in the "ON" position.*

#### 6.3.2 Maintenance

The frequency of preventive maintenance should be determined according to vehicle mileage and operating conditions. However, it is recommended to check this item every 50,000 miles (80 000 km) or once a year, whichever comes first.

Remove fan and motor assembly. Check for fan housing wheel and motor free operation. When defective motor occurs, new motor must be installed.

#### 6.3.3 Removal and Installation

1. With the engine compartment rear doors opened, remove hose clamp securing duct to ventilation fan inlet, and disconnect duct.
2. Disconnect the ventilation motor wiring connector.
3. Remove the support bracket screw. Remove the three bolts fixing the ventilation fan housing support. Remove the ventilation fan assembly from its location.
4. The unit can now be disassembled and motor replaced.
5. Reverse previous steps to reinstall ventilation fan assembly on vehicle.

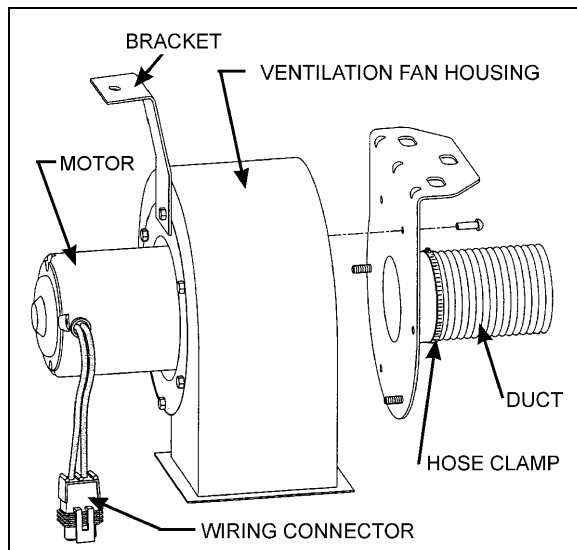


FIGURE 24: VENTILATION FAN INSTALLATION

23222

### 6.4 DOOR LOCK

Lavatory door lock has inside and outside handles, as well as an inside latch to lock door from inside the compartment. If the lock fails to release, the door can be opened from the outside using a special key which is supplied to the driver. Lock assembly can be removed from the door, then readily disassembled and parts replaced, if necessary (Figure 25). A thin coat of lubricant on all moving parts will ensure trouble-free operation.

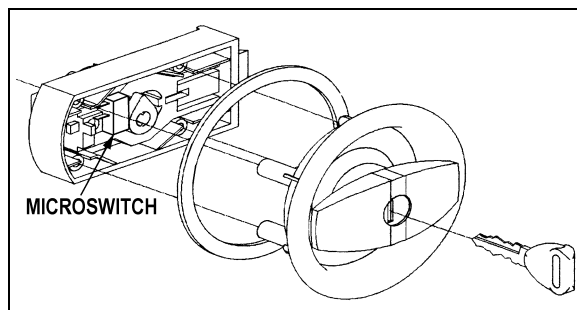


FIGURE 25: DOOR LOCK

23320

### 6.5 LAVATORY LIGHT

The lavatory light is installed on ceiling. A microswitch, which is mounted inside the latch housing, is activated by the door lock mechanism upon locking to energize the circuit. This switch is readily serviced by removing the four Phillips-head screws securing the housing to the door interior frame.

Proceed as Section 06, Electrical System, "Dome, Rear Roof and Lavatory Lights" for lights replacement.

## 6.6 LAVATORY NIGHT-LIGHT

The lavatory night-light is illuminated as soon as the ignition switch is set to the "ON" position. See Section 06, Electrical System, "*Parcel Rack / Lavatory Night Light - Bulb Removal and Replacement*" for lights replacement.

## 6.7 EMERGENCY BUZZER

The lavatory emergency buzzer is mounted on the inner curb side wall of lavatory and sounds when the emergency call push-button switch in the lavatory compartment is activated. For specific wiring information, refer to wiring diagrams. To remove the emergency call push-button switch, proceed as follows:

1. Remove both phillips-head screws retaining pushbutton switch plate to wall.
2. Remove steel plate located on L.H. side of pushbutton switch.
3. Remove switch through this opening, taking care to disconnect electric wires.

## 6.8 FRESH WATER TANK

One panel allows access to the fresh water tank. It is located behind the toilet mirror. Remove the tank as follows:

1. Remove the mirror.
2. Remove the fresh water tank tubing, bolts, and different connectors.
3. Remove the tank from the wall.
4. Reverse previous steps to reinstall fresh water tank assembly on vehicle.

### 6.8.1 Fresh Water Tank Draining

The fresh water tank can be drained by simply opening the fresh water drain cock). Don't forget to close cock when draining is done.

<b><i>NOTE</i></b>
--------------------

<i>The fresh water reservoir is equipped with a thermal valve which is set to open at about 35°F, thereby automatically draining the reservoir in near-freezing temperatures.</i>
---

Routine draining and filling of lavatory tanks should be performed by maintenance personnel only. If engine or heating failure occurs in extreme weather conditions, emergency draining of water tanks should be performed under the most suitable conditions and should at all times be supervised by driver.

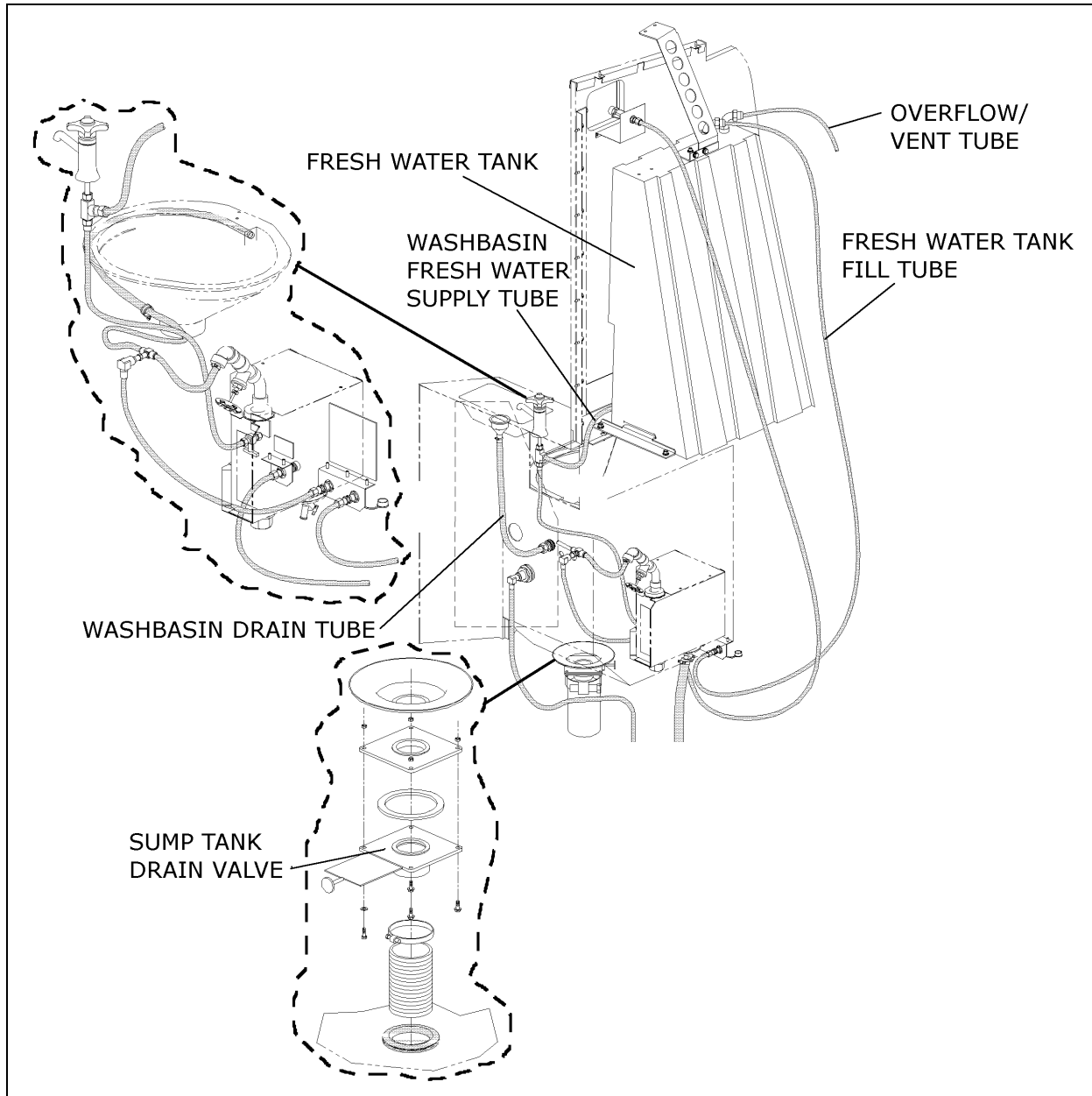


FIGURE 26: FUNCTIONING OF LAVATORY

23051

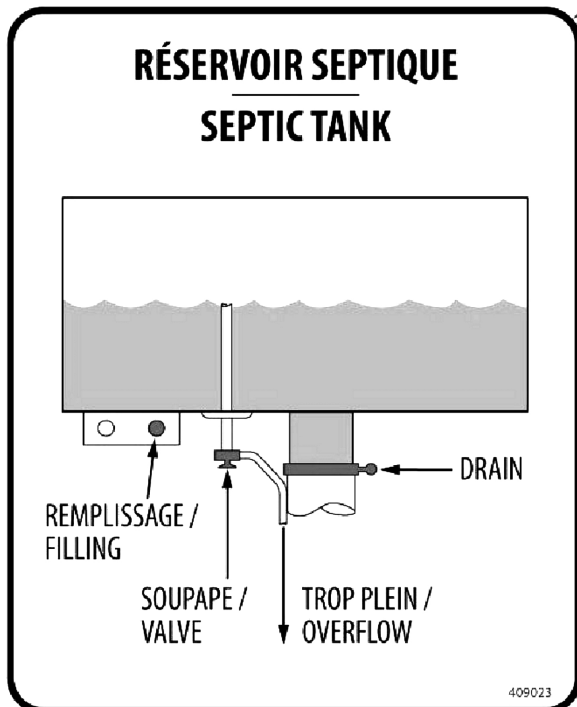


FIGURE 27: SUMP TANK &amp; F/W TANK SERVICE VALVES

### 6.8.2 Fresh Water Tank Filling

Connect the fresh water supply hose to the fresh water reservoir fill connection (Figure 26) located in the curb-side section of engine compartment. Fill the reservoir until the overflow tube leaks, signaling that the reservoir is full.



## DANGER

Never put antifreeze in fresh water tank; antifreeze is toxic.



## WARNING

If tank has not been drained for an extended period of time, draining and filling operations must be repeated three (3) times in order to clean tank and eliminate contaminated water.

### 6.9 LIQUID SOAP DISPENSER

A liquid soap dispenser may have been installed as optional equipment. To refill dispenser, proceed as follows:

1. Turn cover slightly clockwise until it stops.
2. Lift out piston and spout, cover and supply tube.

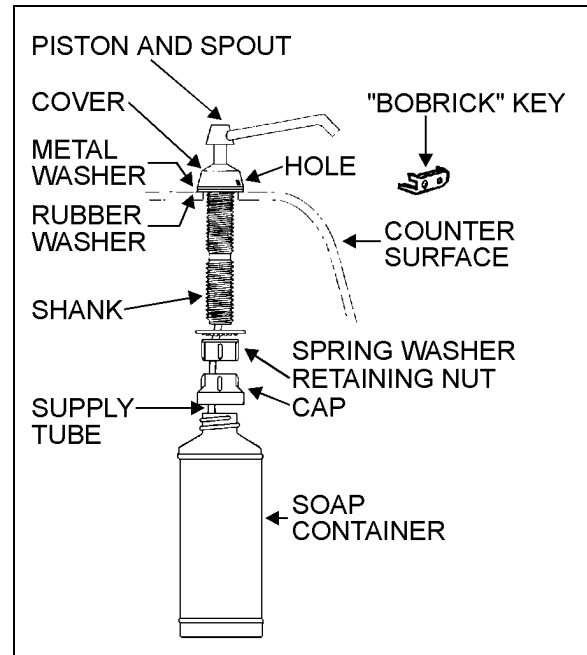


FIGURE 28: LIQUID SOAP DISPENSER

23039

3. Fill dispenser with soap. This model can dispense vegetable oil soaps, synthetic detergents, and lotion soaps.



## CAUTION

Never use abrasive cleaners.

4. Replace supply tube, piston, and spout mechanism reversing the steps above.
5. Secure the cover by turning clockwise until lock snaps into position.

## NOTE

*The dispenser requires priming when extremely viscous lotion soaps are used. Remove piston and spout, cover and supply tube assembly. Pump water into assembly, then replace into dispenser.*

### 6.10 FLUSH PUSH-BUTTON

The green flush push-button is located near the toilet. Press on push-button to actuate a pneumatic timer located on the other side of wall. This timer allows an electric current flow during a preset time to a pump into the sump tank.

## Section 23: ACCESSORIES

### 6.10.1 Pneumatic Timer Removal and Installation

1. Unscrew and remove the flush push-button locking ring.
2. Remove steel plate located on L.H. side of pushbutton switch.
3. Remove pneumatic timer through this opening, taking care to disconnect electric wires.

#### **NOTE**

*Care must be taken to avoid losing the spacers installed on the mounting sleeve.*

4. Reverse the above procedure to reinstall timer. The recommended torque for the lock nut is 15 Lbf-ft (21 Nm).

### 6.10.2 Timer Adjustment

Timer can be adjusted from 0.2 second to 3 minutes by turning the time adjustment screw clockwise to increase time, and counterclockwise to decrease time. To gain access to the time adjustment screw, repeat steps 1, 2 and 3 in the previous paragraph "6.10.1 Pneumatic Timer Removal and Installation".

### 6.11 FLUSH PUMP

The submersible-type flush pump is mounted inside an enclosure in the sump tank. The enclosure is provided with a screened side which, serves as a strainer to prevent solid matters from entering the pump.

The pump requires no periodic maintenance other than cleaning of the strainer side using a water jet introduced through the circular cap opening, once the sump tank is completely drained. The pump can run dry periodically without damage. However, for maximum seal life, the run dry periods should be kept to a minimum.



#### **CAUTION**

If vehicle is stored for an extended period of time, make sure to clean the strainer as solid matter will tend to pack, and will necessitate replacement of strainer.

### 6.11.1 Flush Pump Removal

1. Remove the toilet to gain access to the pump enclosure.

2. Remove the flush pump enclosure cover
3. Unsnap the flush pump.

### 6.12 SUMP TANK

#### 6.12.1 Sump Tank Draining

When recirculating water in the toilet is soiled, drain sump tank then perform the filling procedure of the tank.

#### 6.12.2 Sump Tank Filling

Open the sump tank overflow cock and connect a water supply hose to the toilet sump tank fill connection. The tank is full when water starts flowing through the clear overflow tube. Close sump tank overflow cock when the tank is full.



#### **CAUTION**

In cold weather, add 2 gallons (9 liters) of antifreeze (e.g.: ethylene glycol) in the toilet before filling sump tank.



#### **CAUTION**

Lavatory tank should be serviced only at suitably equipped stations.

#### **NOTE**

*It is unlawful to dump sump tank contents in any location other than those designated as such.*

When a full draining is required, clean sump tank by repeating the draining and filling operations while leaving the drain cock opened. Close cocks and pour a pack of commercial toilet deodorant (Prevost part #900329) in toilet before adding the antifreeze and starting final filling of sump tank.



#### **WARNING**

The toilet deodorant contains products that can be very irritating to skin. Use rubber gloves when handling and then clean toilet seat.



#### **WARNING**

Antifreeze must comply with the effective environmental act.

**CAUTION**

When cold weather is expected and there is no antifreeze in the tank, sump tank must be drained.

**NOTE**

If there is no antifreeze solution in the tank, there is less risk of freezing if engine is operating due to the heat it produces.

**NOTE**

New coaches are delivered with the sump and fresh water tanks empty. Fill with water before putting the coach in service.

**7. HORN INSTALLATION**

The electric and air horns are located in a plastic box under the front stepwell and are accessible from the front body understructure. Refer to Operator's or Owner's Manual for operation.

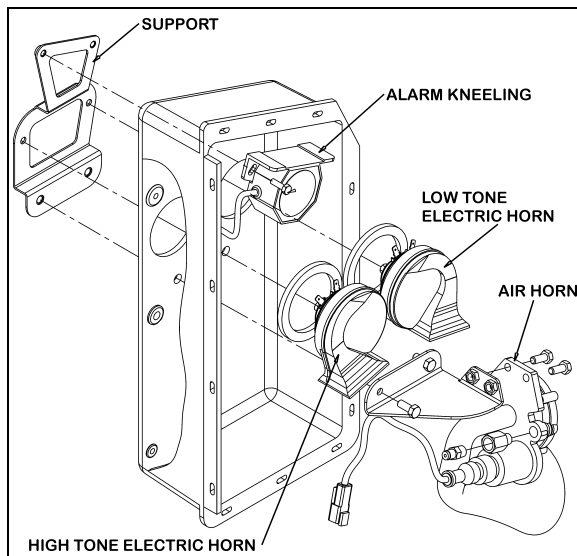


FIGURE 29: ELECTRIC & AIR HORN INSTALLATION 23420

**7.1 ELECTRIC OR AIR HORN MAINTENANCE**

When needed, the electric or air horn can be serviced or replaced using the following procedure:

1. Raise vehicle by the jacking points;
2. Unplug the cable connector;
3. Disconnect the air tube if applicable;
4. Loosen the retaining bolts;

5. Service or replace the defective horn;
6. Reinstall by reversing procedure.

**8. HEADLIGHTS CLEANING SYSTEM****8.1 GENERAL DESCRIPTION****NOTE**

When inspecting the headlights cleaning system, check the washer fluid hoses, fittings and connectors to be sure they are properly connected and seal with no restriction to the flow of washer fluid. Check that the washer nozzles are properly aimed.

The headlights cleaning system is independent from the windshield washer system and has its own washer fluid reservoir located in the front electrical and service compartment. However, this system shares the same telltale light than the windshield washer low level sensor (refer to Operator's manual for operation). Each pressing of this switch produces 2 successive 0.7 seconds jets.

**CAUTION**

Do not operate the headlights washer while the washer fluid reservoir is empty. This may damage the washer fluid pump.

**8.2 WASHER FLUID REFILLING**

Open the filler neck cap and add regular windshield washer fluid as required. The tank has a capacity of 10 liters (2.6 US gallons). You may use water or windshield washer fluid as well but, during cold weather days, use windshield washer fluid suitable for freezing temperature only.

**8.3 WASHER NOZZLES ADJUSTMENT**

To avoid waste of washer fluid, assure the fluid jets are properly aimed. Adjust nozzles so they aim as described in figure 32. Align the jet adjustment tool #800377 with the reference line shown on the front view detail. As seen on the side view, position the end of the adjustment tool to a distance of ½" (high beam) and 1" (low beam) from the top of the headlight for proper aiming.

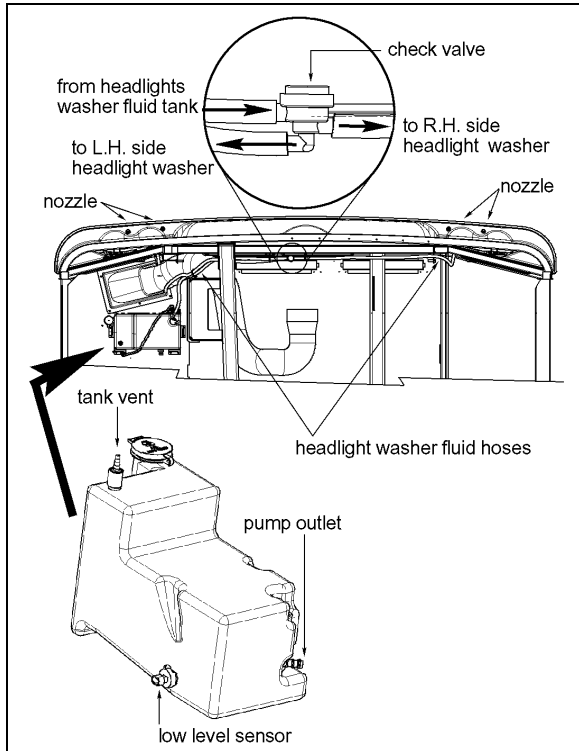


FIGURE 30: HEADLIGHTS CLEANING SYSTEM 23380



**CAUTION**

Because they are made of plastic, firmly tighten nozzle and bulkhead fittings by hand only.

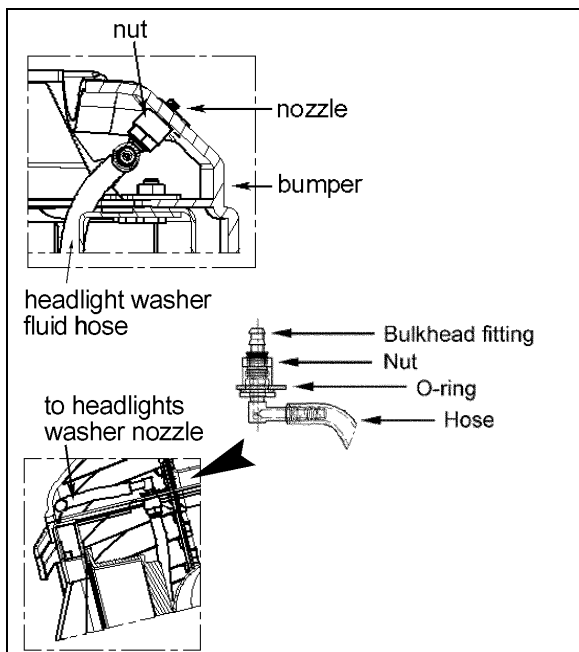


FIGURE 31: TUBING AND FITTINGS 23381

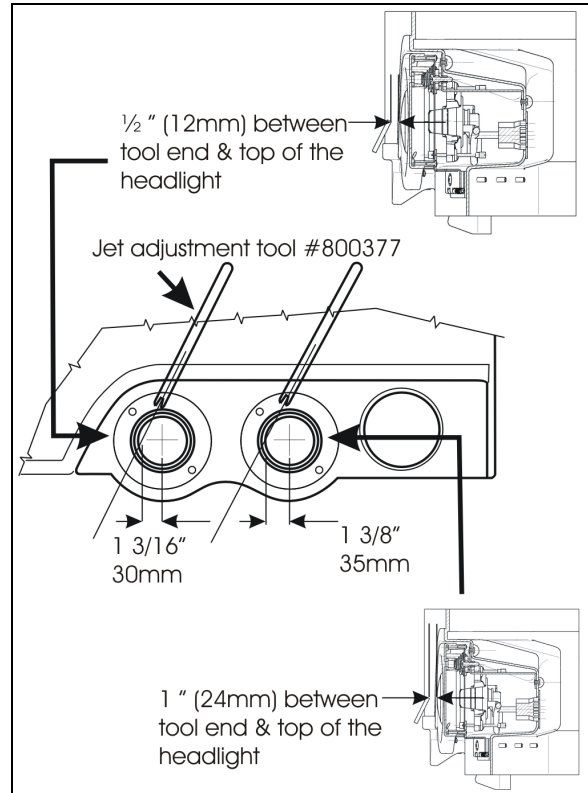


FIGURE 32: WASHER NOZZLES ADJUSTMENT 23382

**9. WINDSHIELD WIPERS AND WASHERS**

**9.1 GENERAL DESCRIPTION**

**NOTE**

When installing a wiper motor, arm or blade, follow recommended procedures to prevent misalignment, binding or malfunction. Check the windshield washer liquid hoses, fittings and connectors to be sure they are properly connected and seal with no restriction to the flow of washer liquid. Check that wiper arms have the proper sweep position and the washer nozzles are aimed so that spray is within the proper wiper pattern.

The windshield wipers are controlled by one electric wiper motor that is accessible for maintenance after removing the appropriate access panel beside the footwell (refer to figure 35).

Turn the multifunction lever forward to activate windshield wipers (item 2, Figure 33). The first position operates the wipers at low speed and the second position operates the wipers at high speed. Turning the lever backwards will operate the wipers in the intermittent mode.



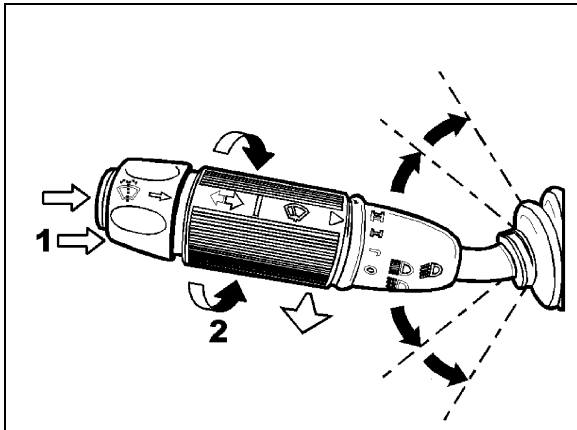


FIGURE 33: MULTIFUNCTION LEVER

23133

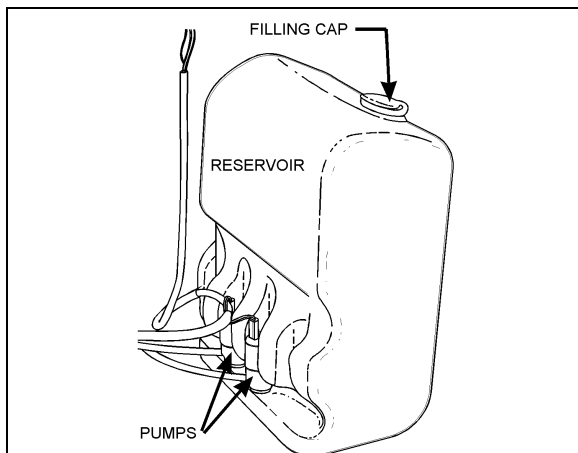


FIGURE 34: WINDSHIELD WASHER RESERVOIR

23220

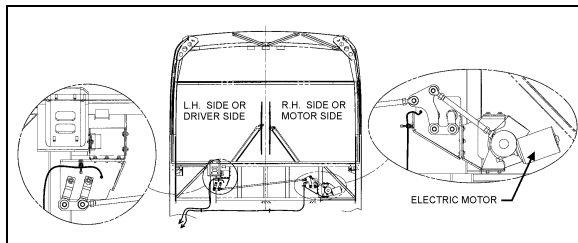


FIGURE 35: WINDSHIELD WIPER INSTALLATION

23287

The windshield washer pumps are electrically operated and are controlled by a washer control ring on the multifunction lever (item 1, Figure 33).

The windshield washer reservoir is located in the front service compartment (Figure 34). This unit pumps the washer liquid to the spray nozzles where it is dispersed across the windshield.

## 9.2 WIPER ARM

Check operation of the wipers for proper blade sweep and angle.

### 9.2.1 Wiper Arms Positioning

1. Reinstall the wiper arms and position as shown in figure 40. Before positioning the wipers at their final position, tighten the nuts to 9 Ft-lbs (12 Nm) at first.
2. To find the final position of the wiper arms, lift then release the wiper arm so it falls back on the windshield.



### CAUTION

Do not attempt to manually move the wiper arms to make wiper blade sweep adjustments as damage to the wiper linkage or motor may occur. If it is necessary to adjust the sweep of blades, remove the arms and make adjustment by positioning the arms using serration on the wiper arm pivot shafts.

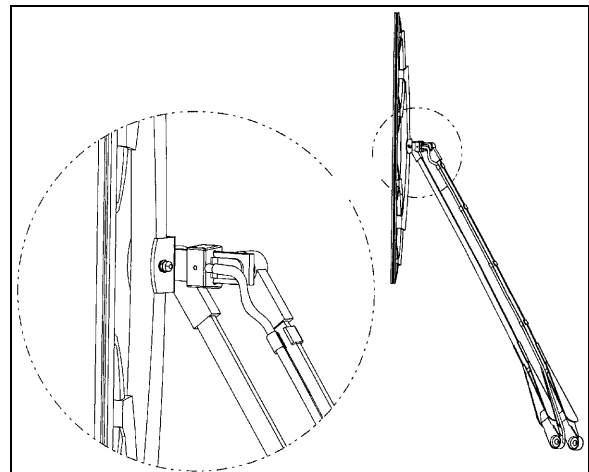


FIGURE 36: WINDSHIELD WIPER (MOTOR SIDE)

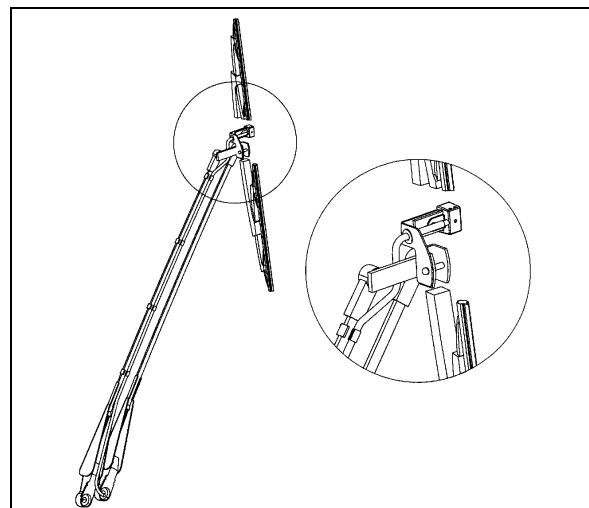


FIGURE 37: WINDSHIELD WIPER (DRIVER SIDE)

23328

## Section 23: ACCESSORIES

3. When the final position is found, tighten the wiper arm nuts to 22 Ft-lbs (30 Nm). Wait 30 minutes and tighten again to 22 Ft-lbs.

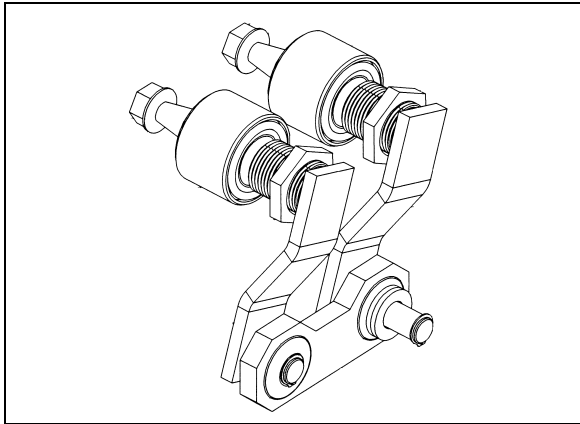


FIGURE 38: DRIVING MECHANISM (DRIVER SIDE) 23284

1. Remove the Phillips-head screws retaining the defroster panels, and remove panels.
2. Disconnect wiring connector from the windshield wiper motor.
3. Loosen clamping screw retaining the lever at the end of the motor driving shaft.
4. Remove the three bolts holding the motor to the steel plate.
5. Remove the windshield wiper motor (Prevost #800328), reverse removal procedure to reinstall.

4. Lower the protective cover.
5. Connect the windshield washer tubing at the base of the wiper arm.
6. Check the adjustment on a wet windshield.

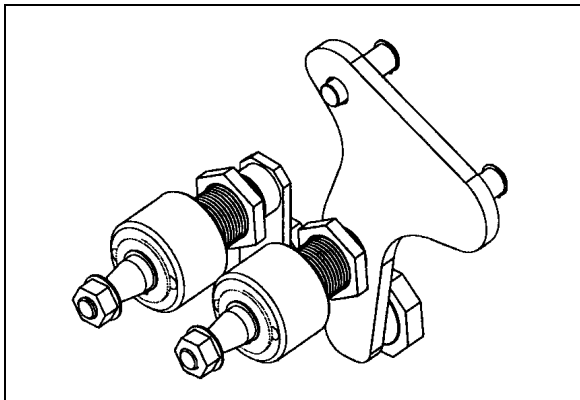


FIGURE 39: DRIVING MECHANISM (MOTOR SIDE) 23285

### 9.3 WINDSHIELD WIPER MOTOR

#### 9.3.1 Windshield Wiper Motor Replacement

The windshield wiper motor is located at lower front of the vehicle, behind the defroster panel. Refer to figure 35 for motor location.



## WARNING

Park vehicle safely, apply parking brake, stop engine and set battery master switch to the "OFF" position prior to working on the vehicle.

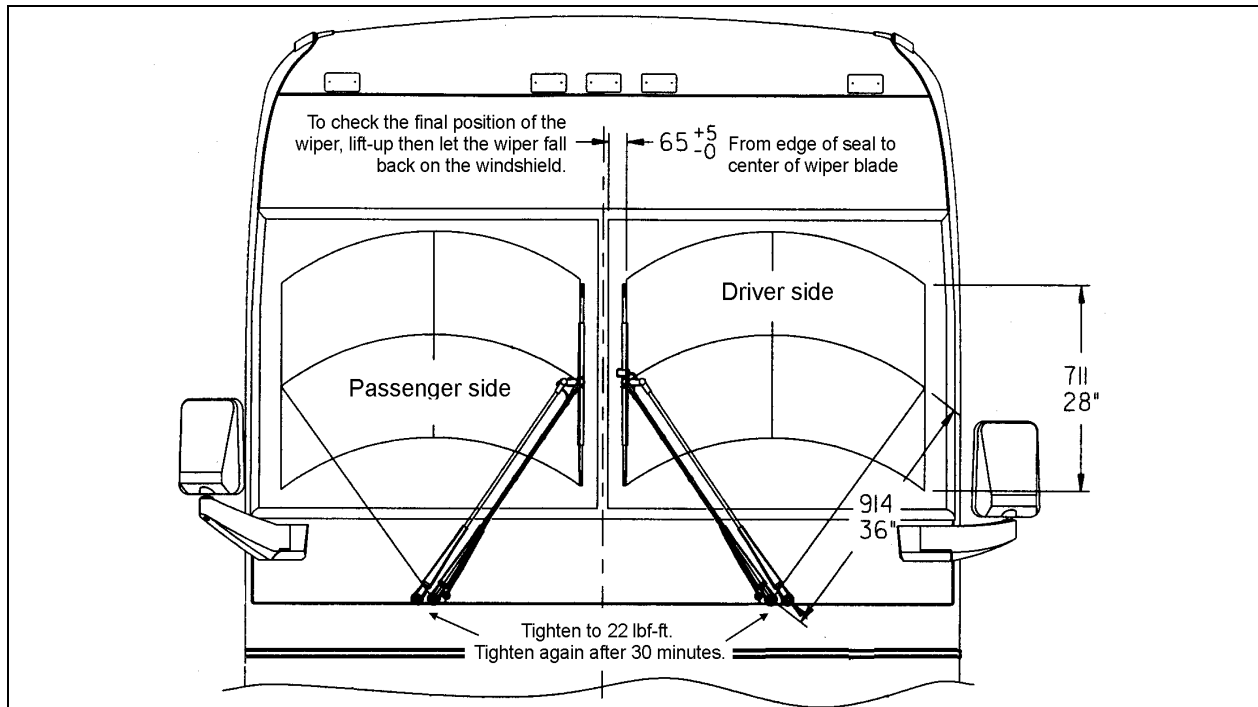


FIGURE 40: WIPER ARMS POSITIONING

23253

## 9.4 TROUBLESHOOTING




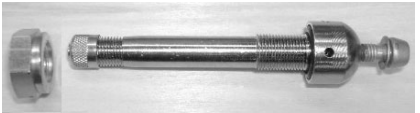
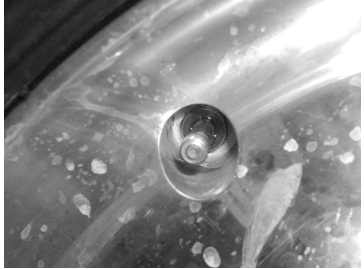
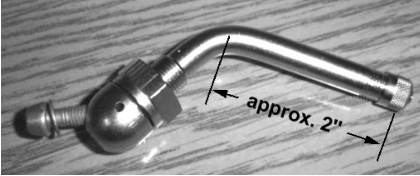
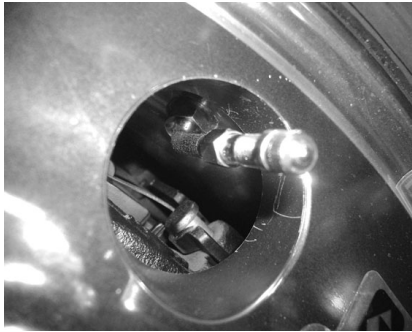
SYMPTOM	PROBABLE CAUSE	REMEDY
FAIL TO SPRAY WASHER FLUID	<ul style="list-style-type: none"> <li>A. Reservoir empty.</li> <li>B. If below 32°F (0°C), improper washer fluid frozen.</li> <li>C. Contamination in tubing or nozzles.</li> <li>D. Tubing damage.</li> <li>E. Tubing bent (kinked) or off one or more connections.</li> </ul>	<ul style="list-style-type: none"> <li>A. Add proper fluid.</li> <li>B. Store coach or parts in heated area, then purge system with low-temperature solution.</li> <li>C. Remove with compressed air, if severely clogged, replace items.</li> <li>D. Replace section.</li> <li>E. Realign tubing and/or refit. Trim end to ensure proper fit or replace.</li> </ul>
INADEQUATE SPRAYING	<ul style="list-style-type: none"> <li>A. Tubing failure.</li> </ul>	<ul style="list-style-type: none"> <li>A. Replace tubing.</li> </ul>
SLOW OPERATION	<ul style="list-style-type: none"> <li>A. Improper solution.</li> <li>B. Jet stream improperly directed.</li> <li>C. Check if valve is stuck in the open position.</li> </ul>	<ul style="list-style-type: none"> <li>A. Replace with proper type solution.</li> <li>B. Reposition nozzles.</li> <li>C. Remove, clean or replace.</li> </ul>

**10. TIRE PRESSURE MONITORING SYSTEM (TPMS)**

The optional active tire pressure and temperature monitoring system is a sensing device designed to identify and display tire operating data and activate an alert or warning when pressure or temperature irregularities are detected.

For more information on the operation and troubleshooting of the system, refer to Prevest X3-45 Coaches Operator's Manual, chapters "Controls and Instruments", "Safety Features and Equipment" and also "Appendix G".

**10.1 TIRE VALVE INSTALLATION**

<p><b>Use as required a small rod to hold the valve in place when tightening.</b></p>			
<p><b>Steel Wheels</b></p>	<p><b><u>All wheels</u></b>                  a) Install Beru valve                  Torque valve to 44.5lb-in +/- 9.5                  b) no extension piece</p>	 <p>#Prevest 681083</p>	
	<p><b><u>Front axle and tag axle wheels with 365 tires-</u></b>                  a) Remove Alcoa valve                  b) Install Beru valve                  Torque valve to 102lb-in +/- 22                  c) No extension piece</p>	 <p>#Prevest 651080</p>	
<p><b><u>Aluminum Wheels (new Hub-Mounted wheels)</u></b>                  a) Remove Alcoa valve                  b) Install Beru valve                  Torque valve to 102lb-po +/- 22                  c) Small extension piece (approx 50mm)</p>	 <p>#Prevest 651081</p>		

Aluminum wheels (new Hub-Mounted wheels)	<p><u><b>Drive axle inner and outer wheels with 315 tires—</b></u></p> <p>a) Remove Alcoa valve b) Install Beru valve Torque valve to 102lb-in +/- 22 c) no extension piece</p>	 <p>#Prevost 651081</p>	
	<p><u><b>“Super Single” Tires</b></u></p> <p>a) Remove Alcoa valve b) Install Beru valve Torque valve to 102lb-in +/- 22 c) no extension piece</p>	 <p>#Prevost 651079</p>	
Aluminum wheels (former Stud-Mounted wheels)	<p><u><b>All wheels</b></u></p> <p>a) Remove Alcoa valve b) Install Beru valve Torque valve to 102lb-in +/- 22 c) no extension piece</p>	 <p>#Prevost 651082</p>	



**CAUTION**

When replacing Alcoa valve stems, it is recommended to lubricate the threads and O-ring with Permatex Dielectric Tune-Up grease.





When valve stem extensions are used, it is recommended that valve stem stabilizers be used.

10.2 BERU SENSORS INSTALLATION

***IMPORTANT NOTE***

*Beru sensors have a limited lifespan (5 years on average)*



<p>Check proper valve positioning before installing sensor onto valve (risk of damaging the sensor or air leaks).</p>	
<p>Beru pressure sensor <b>564078</b> Remove bar code with supplied removable tie-rap. <b>Make sure not to mix bar codes up between wheels (bar code is linked to sensor)</b></p>	
<p>Position sensor onto wheel Install oval wave spring washer</p>	
<p>Torx screw T-20. Torque to 35lb-in (4Nm) (supplier specification for the screw). <b>IMPORTANT</b> Use the screw only once. This screw uses a thread lock. <b>Never use Loctite (incompatibility between Loctite and thread lock)</b> <b>Replacement screw #651084.</b></p>	
<p>Install bar code and tie it up using wheel holes. Use supplied removable tie-rap.</p>	
<p><b>Decal</b> Glue decal facing the valve.</p> 	<p>#651091 ENGLISH #651090 BILINGUAL</p>  <p><b>DRIVE AXLE OUTER WHEEL</b></p>

## 11. AUTOMATIC FIRE SUPPRESSION SYSTEM (AFSS) (OPTIONAL)

This optional system is used to shut down the engine and to extinguish a fire in the engine compartment or in the vicinity of the preheating system if so equipped.

The system operation is fully automatic and does not require assistance from the operator, however if required, the system can be manually activated by the operator at any time.

Refer to Prevost Operator's Manual for system operation and operational sequence (fire).

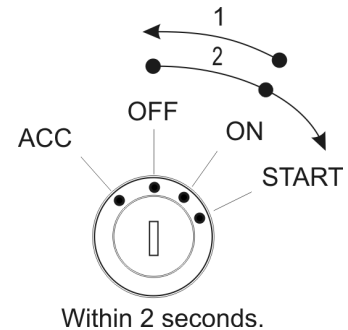
If more information is needed on the system, please refer to Kidde Dual Spectrum "Operation & Maintenance Manual annexed at the end of this section.

### 11.1 STARTING THE VEHICLE AFTER A FIRE ALARM

The vehicle may be started after a fire alarm without resetting the system. Refer to ignition switch sequence below. This will not reset the system, rather it will instruct the vehicle's multiplex system to ignore vehicle interface outputs from the Protection Panel. This feature is intended to be used only in emergency situations that require the vehicle to be restarted and moved a short distance prior to system reset. It should not be performed if the cause of the fire has not been clearly identified and corrected.

To start the vehicle, perform this ignition switch (key) sequence.

- From the **ON** position,
- Turn to **OFF**, return to **ON** and **START** vehicle within 2 seconds.



### 11.2 PERIODIC MAINTENANCE

#### PRE-TRIP

- Verify that the Protection Panel "SYSTEM OK" lamp is on solid green.

#### EVERY 3000 MILES OR MONTHLY (whichever comes first)

##### General

- Verify that neither the protected equipment nor the hazard has changed.
- Verify that no obvious physical damage or condition exists that might prevent system operation.

##### Protection Panel

- Verify that all warning lamps and the audible alarm are operational by pressing the "TEST/RESET" button.

##### Manual Activation Switch

- Verify that the tamper seal is intact and access to the switch is unobstructed.

##### Fire Detectors

- Optical



- Verify that the status lamp on the detector face is on solid green.
- Verify that nothing is blocking the detector's field of view.
- Verify that the windows on the face of the detector are free of excess contamination (dirt, oil, grease, etc.) – if necessary, clean using a water soaked non-abrasive towel.
- Linear Thermal
  - Verify that there is no obvious physical damage and that the unit is free of excess contamination (dirt, oil, grease, etc) – if necessary, clean using a water soaked non-abrasive towel.
  - Verify that mounting is secure and taught.

#### Electrical Harness

- Verify that electrical connectors and electrical wiring have no visible damage and all connectors are securely seated.

#### Extinguisher & Distribution System

- Verify that that the extinguisher pressure gauge pointer is in the green arc at room temperature.
- Verify that distribution piping and nozzles are intact and unobstructed and that nozzle blow-off caps are in place.

#### **EVERY 18000 MILES OR SEMI-ANNUALLY** (whichever comes first)

- Perform a comprehensive fire system test using a Kidde Dual Spectrum System Test Set (Optical Test Kit P/N 420871-2).
- Service the extinguisher in accordance with KDS Document 160296, "KDS Pre-Engineered Fire Suppression System: Installation, Operation and Maintenance Manual".

#### **EVERY SIX YEARS**

- Have the fire extinguisher rebuilt by a qualified fire protection equipment company familiar with Kidde Dual Spectrum equipment and in accordance with KDS Document 160296, "KDS Pre-Engineered Fire Suppression System: Installation, Operation and Maintenance Manual". Re-built shall include actuator, o-ring seals and dry chemical replacement.

#### **EVERY TWELVE YEARS**

- Have the Extinguisher cylinder hydrostatically tested by a qualified fire protection equipment company familiar with Kidde Dual Spectrum equipment and in accordance with KDS Document 160296, "KDS Pre-Engineered Fire Suppression System: Installation, Operation and Maintenance Manual".