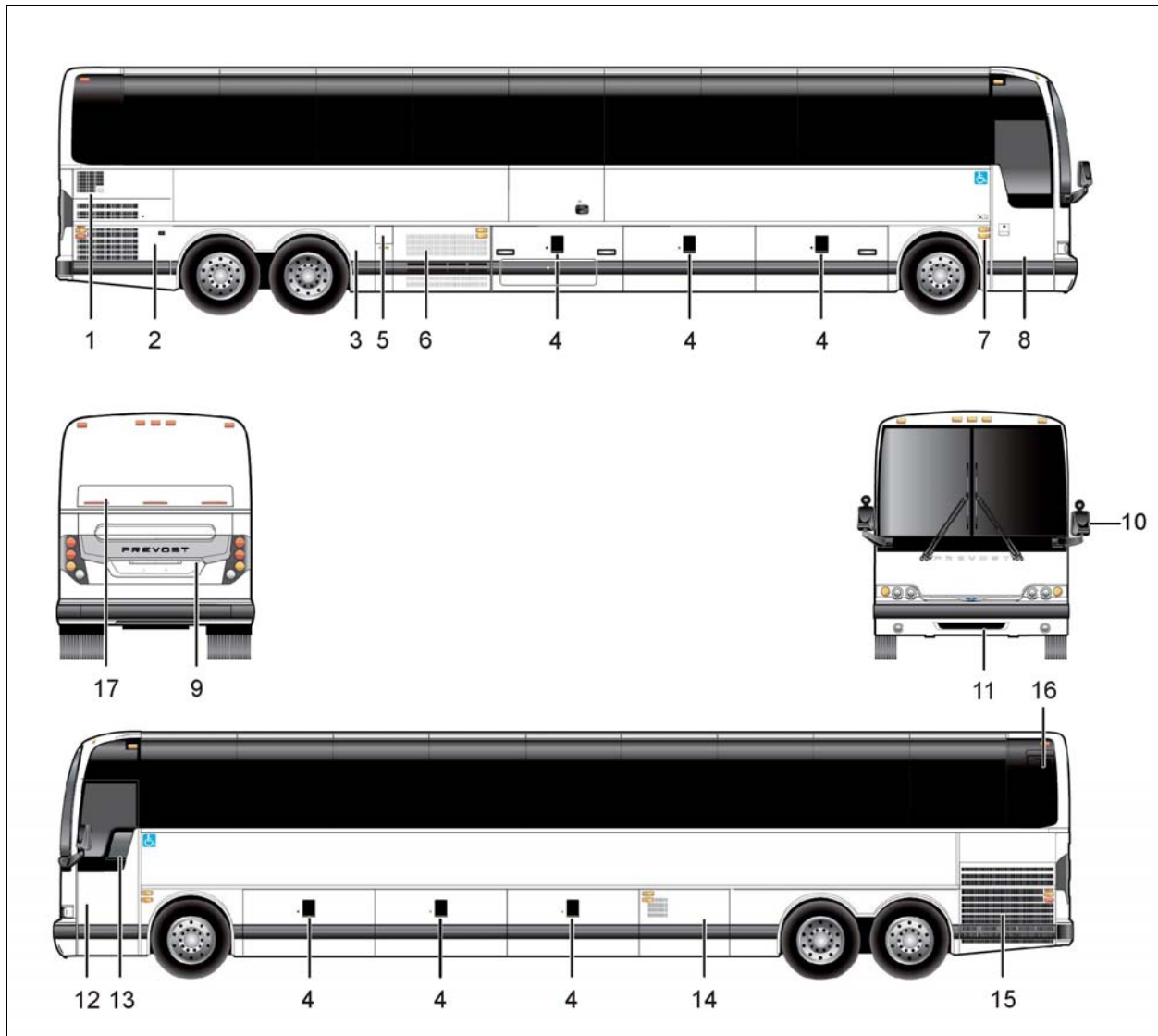


ENGINE COMPARTMENT COMPONENTS.....	3
ENGINE COMPARTMENT CURB-SIDE DOOR	4
ENGINE COMPARTMENT REAR DOOR.....	4
EXHAUST AFTERTREATMENT SYSTEM ACCESS DOOR	5
ENGINE RADIATOR DOOR.....	6
SCR CONVERTER ACCESS DOOR.....	6
CONDENSER COMPARTMENT (A/C).....	7
EVAPORATOR COMPARTMENT	8
COOLANT HEATER.....	8
REAR FENDERS.....	9
FRONT ELECTRICAL AND SERVICE COMPARTMENT	9
BAGGAGE COMPARTMENTS.....	10
SPARE WHEEL COMPARTMENT	10
FUEL AND DIESEL EXHAUST FLUID (DEF) FILLER DOOR	11
ENTRANCE DOOR	11
DOOR OPERATION LOGIC.....	12
EMERGENCY ENTRANCE DOOR OPENING.....	12
WHEELCHAIR LIFT ACCESS DOORS	12
REAR VIEW MIRRORS.....	13
120 VOLT CONNECTORS	13
HUBODOMETER	14
TRAILER HITCH LIMITATIONS.....	14

2-2 Coach Exterior

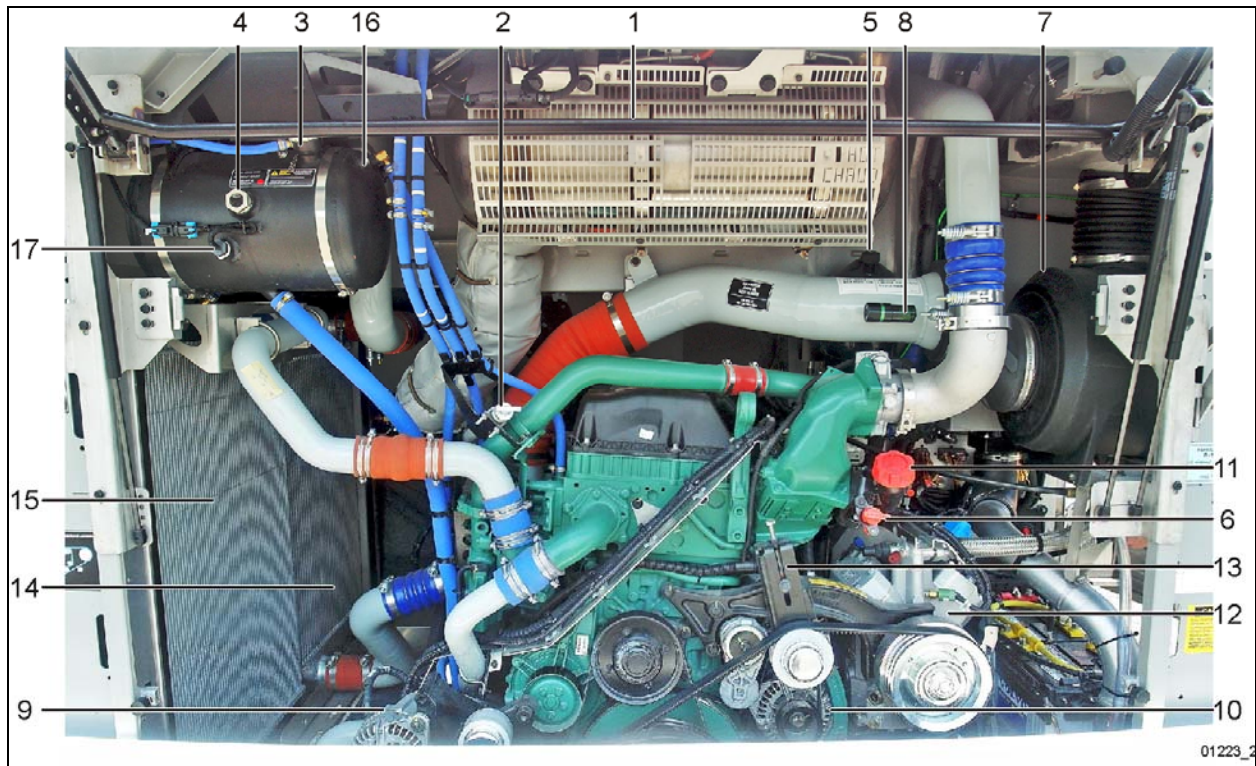


X3-45 EXTERIOR VIEW (TYPICAL)

18707_2

- | | |
|--------------------------------------|---|
| 1. Engine air filter intake grill | 10. Rear view mirror, manually adjustable |
| 2. Engine compartment curb-side door | 11. Spare wheel compartment |
| 3. Hinged rear fender | 12. Front electrical and service compartment |
| 4. Baggage compartment | 13. Driver's power window |
| 5. Fuel & DEF filler door | 14. Evaporator compartment and coolant heater compartment |
| 6. Condenser compartment | 15. Radiator door |
| 7. Entrance door control switch | 16. Catalytic converter access door |
| 8. Entrance door | 17. Exhaust aftertreatment system access door |
| 9. Engine compartment rear door | |

ENGINE COMPARTMENT COMPONENTS



ENGINE COMPARTMENT FEATURING VOLVO D13 ENGINE

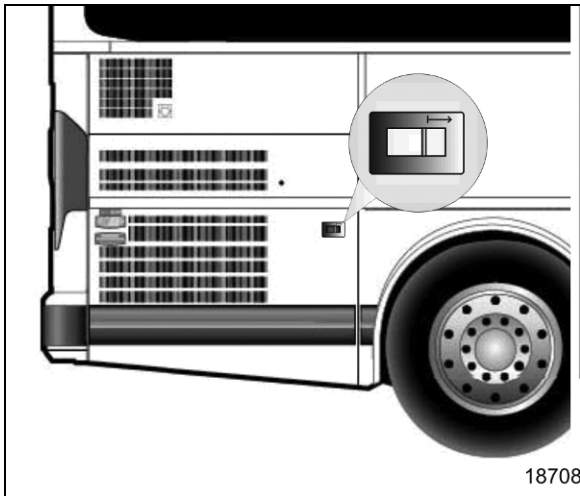
- | | |
|--|--|
| 1. Diesel Oxidation Catalyst (DOC) & Diesel Particulate Filter (DPF) Assembly; | 10. Alternator #1 & #2, Curb side; |
| 2. Transmission fluid dipstick (if equipped with Allison transmission); | 11. Engine oil filler tube; |
| 3. Coolant fluid surge tank filler cap; | 12. Central A/C compressor; |
| 4. Coolant fluid surge tank sight glass; | 13. A/C compressor belt tensioner; |
| 5. Power steering fluid reservoir; | 14. Charge air cooler (CAC); |
| 6. Engine oil dipstick; | 15. Radiator; |
| 7. Air filter; | 16. Cooling system regulated air pressure application, Schrader valve; |
| 8. Engine air restriction indicator; | 17. Coolant surge tank, critically low level sensor. |
| 9. Alternator #3, Road side | |

2-4 Coach Exterior

ENGINE COMPARTMENT CURB-SIDE DOOR

The engine compartment curb-side door provides access to the following (if equipped):

- Engine compartment rear door release handle;
- Booster terminals;
- Rear electrical panel;
- Rear junction panel;
- Battery compartment;
- Fuel filter/water separator (Optional);
- Air circuit fill valve and drain cock;
- Sump tank access cap;
- 110 - 120 volt connector;
- Lavatory maintenance valve and connectors;
- Fresh water reservoir fill connector;



ENGINE COMPARTMENT CURB-SIDE DOOR

This door can be locked or unlocked using the exterior compartment key or, if so equipped, by the central door locking system. To open, pull towards the front on the rod located in the recess to the right of the door.

NOTE

This compartment can be locked/unlocked using the central locking system by pressing the switch located on the L.H. side dashboard panel.



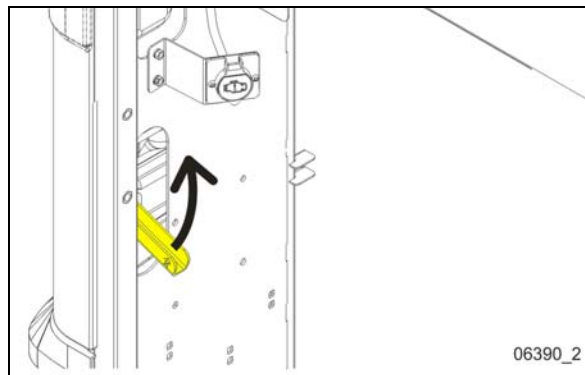
ENGINE COMPARTMENT R.H. SIDE

18607_1

A telltale light illuminates when one or more compartments are unlocked.

ENGINE COMPARTMENT REAR DOOR

To open the engine compartment rear door, open the engine compartment curb-side door and pull the door catch yellow handle located on the left, grab the side of the door in the middle, pull and lift the door.



OPENING ENGINE COMPARTMENT REAR DOOR



WARNING

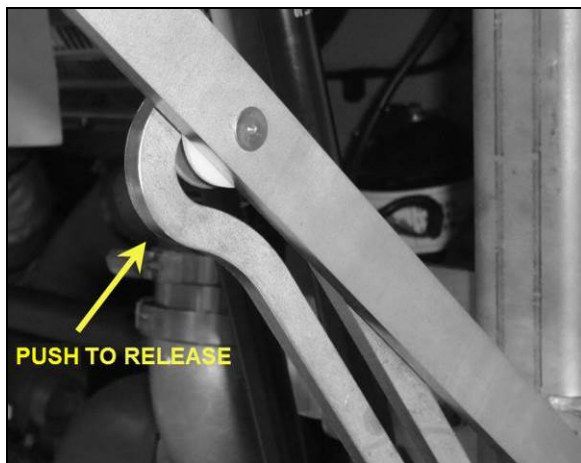
Unless otherwise stated, do not run the engine when the engine compartment is open.

The door swings out to provide access to the following:

- Engine;
- Alternator(s);
- Compressor(s);
- Belt tension control valve (refer to chapter, Care and Maintenance);
- Engine starting selector (refer to chapter, Starting and Stopping Procedures);
- Coolant line shutoff valves;
- Certification plates;
- Engine coolant surge tank and filler cap;
- Air filter restriction indicator;
- Engine oil dipstick;
- Power steering fluid reserve tank;
- Allison automatic transmission fluid dipstick;

NOTE
The engine compartment lights will turn on automatically when the engine door is opened.

A catch engages to maintain the door in the full open position. To close the door, slightly lift up the door and release the catch before firmly shutting down the door.

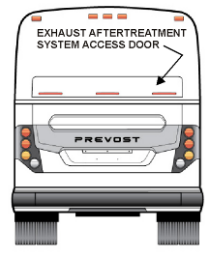


REAR DOOR SAFETY CATCH

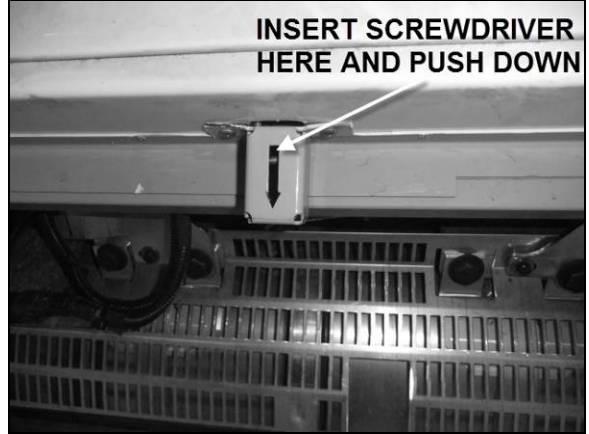
⚠ WARNING

Unless otherwise specified, do not run engine when the engine compartment rear door is open. Close the engine compartment rear door before starting the engine.

EXHAUST AFTERTREATMENT SYSTEM ACCESS DOOR



The engine door must be open before opening the exhaust aftertreatment system access door. To open the access door, lower the latch release lever, using a flat tip screwdriver.



AFTERTREATMENT ACCESS DOOR LATCH

To close the door, lower the door and push against the release lever spring to latch the door shut.

ENGINE RADIATOR DOOR

The engine radiator door gives access to the radiator electrical fans and power distribution box.



RADIATOR DOOR

Open the engine compartment rear door to access the engine radiator door release handle. Pull handle towards you to release radiator door.



RADIATOR DOOR RELEASE HANDLE



RADIATOR DOOR OPENED



WARNING

WHEN THE ENGINE IS RUNNING...

Cooling fans may activate at any moment.

Keep hands away from cooling fans or keep the radiator door closed.



WARNING

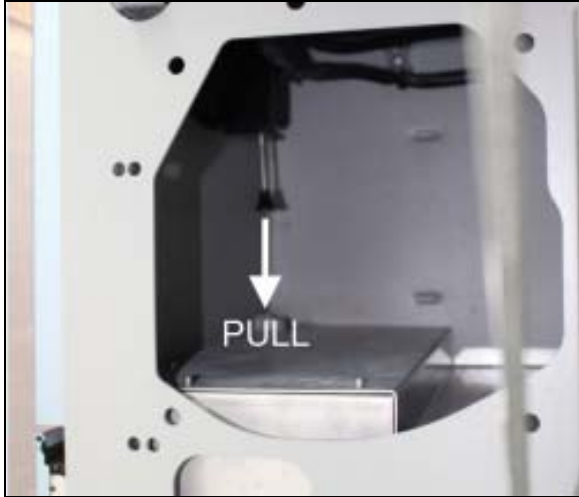
Cooling fans may be running when the engine is shut down in the following conditions:

- If a High Exhaust Temperature condition exists (e.g. following regeneration). The CAC fans will keep running for a maximum of 15 minutes.
- During the electric **Motor Test Sequence**, the cooling fans will start running briefly.

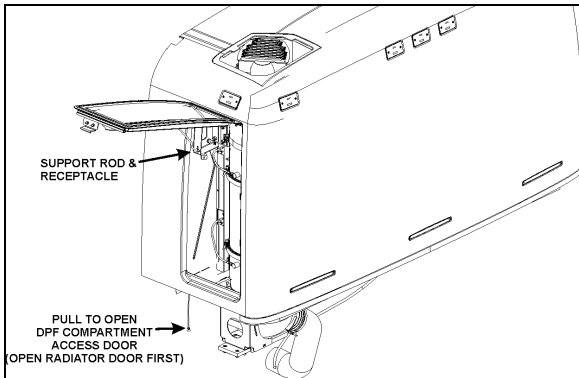
SCR CONVERTER ACCESS DOOR

To gain access to the SCR converter, open the engine compartment door first. Over the cooling assemble, pull the catch connecting rod to unlock the catalytic converter access door and lift the door open.

Hold the door open by inserting the support rod free end into the receptacle located on the left side of the DPF.



UNLOCKING SCR CONVERTER ACCESS DOOR



ACCESS TO THE SCR

04023



WARNING

After inserting the support rod into the receptacle, make sure the rod supports the door securely from falling down on to your head or body.

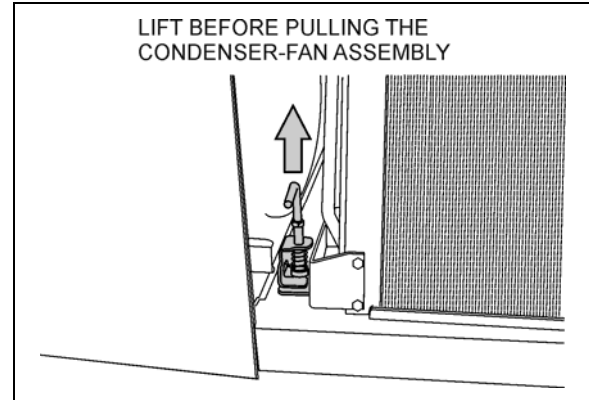


WARNING

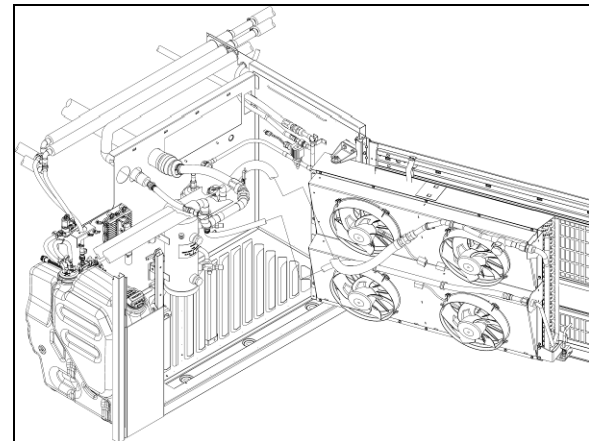
External and internal temperatures remain hot long after engine has been shut down. Allow the Exhaust Aftertreatment System to cool before handling. Wear protective clothing and glove while servicing.

The condenser compartment provides access to the following:

- Diesel Exhaust Fluid (DEF) Tank
- Condenser;
- Condenser fans and motors;
- Filter dryer and moisture indicator;
- Receiver tank;



PULLING THE CONDENSER-FAN ASSEMBLY



CONDENSER COMPARTMENT (A/C)

22299

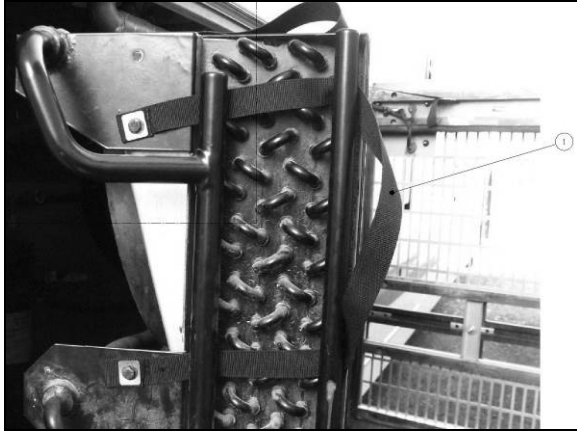


CAUTION

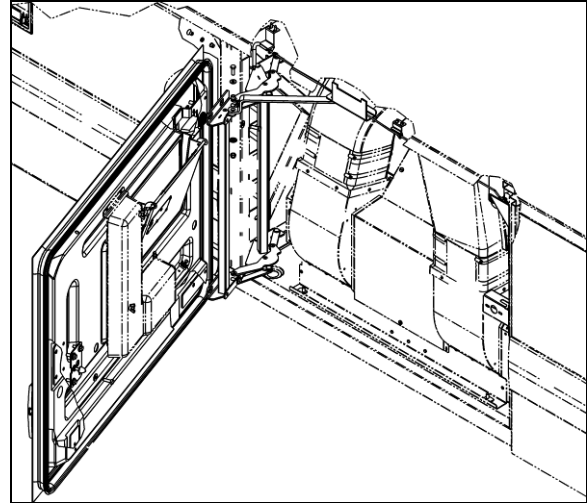
Only the strap should be used to pull the condenser-fan assembly open. Damage to condenser could result if pulling by other means.

CONDENSER COMPARTMENT (A/C)

Pull the release latch located inside the adjacent baggage compartment to open the condenser door.



CONDENSER COMPARTMENT STRAP



EVAPORATOR COMPARTMENT

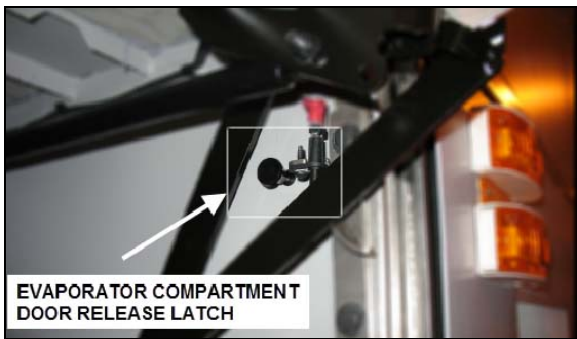
EVAPORATOR COMPARTMENT

The HVAC (Heating, Ventilating and Air-Conditioning) evaporator and heater coils are located in this compartment along with the blowers.

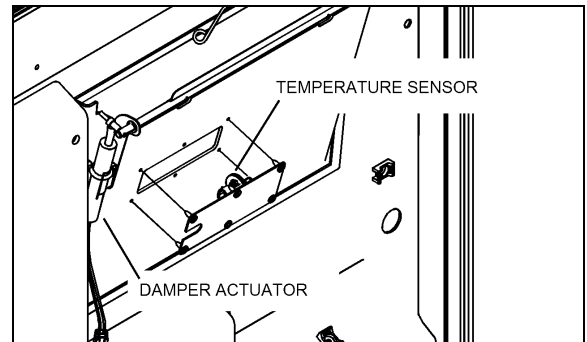
The evaporator compartment door release latch is located on the right wall of the baggage compartment, left of the door. Pull the release latch then slide your hand in the opening to depress the secondary lock and swing open.



SECONDARY LOCK LEVER



OPENING THE EVAPORATOR COMPARTMENT DOOR

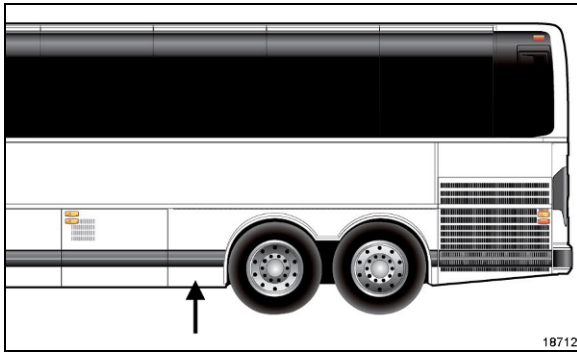


FRESH AIR DAMPER

22302_A

COOLANT HEATER

This vehicle is equipped with a Thermo 300, 104 000 BTU preheater located aft of the evaporator compartment, and accessible under left rear fender.



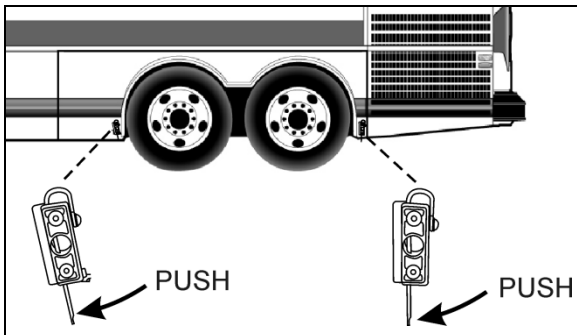
LOCATION OF PREHEATER

18712

The water recirculating pump is also located in this location.

REAR FENDERS

Rear fenders are hinged for maintenance on brakes and suspension. Each rear fender panel has two mechanical spring loaded holding devices fixing it to the vehicle's structure. Push the rod sideways to disengage the lock.



LIFTING REAR FENDERS

FRONT ELECTRICAL AND SERVICE COMPARTMENT

To open the front electrical and service compartment door, pull the rod inside the vehicle, next to the driver's power window or use the key to open from outside the coach.

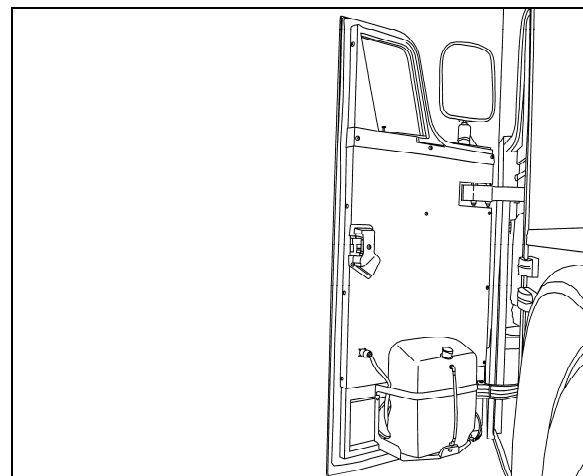
The electrical section of the front compartment provides access to the following:

- Vehicle Electrical Center Front (VECF)
- Relays and diodes;
- MCM;
- Front terminal block;
- IOE-B Multiplex Modules;

- VECU ;
- ABS Electronic Control Unit (ECU);
- IOE-A Multiplex Modules;

The lower section of the front service compartment provides access to the following:

- Emergency door opening unlatch valve;
- Windshield washer reservoir & headlights washer reservoir (optional);
- Accessory system fill valve;
- Accessory air tank drain valve;
- Jack and tools.



FRONT SERVICE COMPARTMENT DOOR

18610

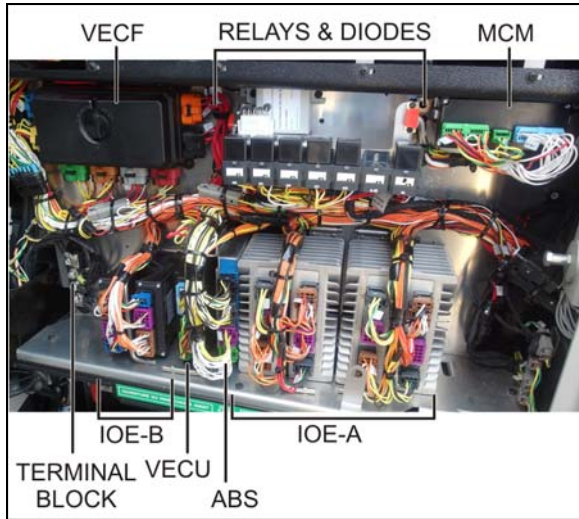
This compartment door can be locked/unlocked using the exterior compartment key.

The light in the front electrical and service compartment turns *ON* automatically when the door is opened.

NOTE

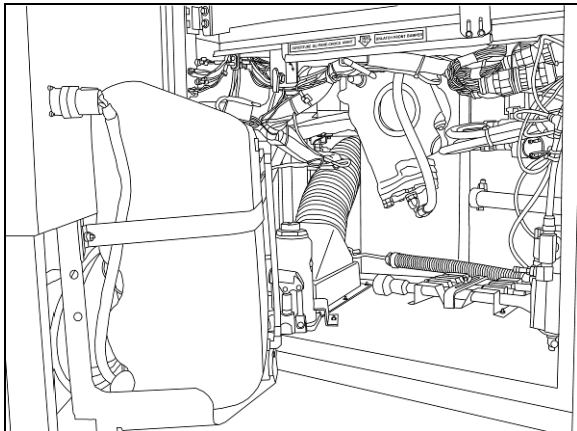
Jack and tools are located inside the front electrical and service compartment.

2-10 Coach Exterior



FRONT ELECTRICAL COMPARTMENT

06779



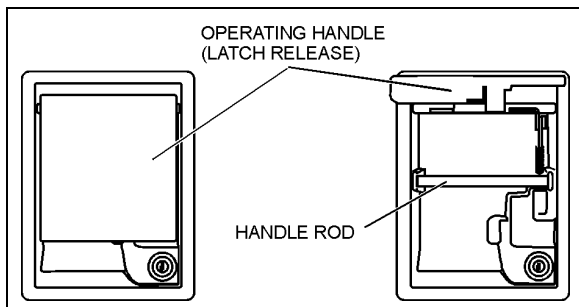
FRONT SERVICE COMPARTMENT

18611

BAGGAGE COMPARTMENTS

The compartments can be locked or unlocked by using the provided "Ford" key.

Lift up operating handle to release the latch, and then pull the door open by the handle rod. Pressurized cylinders assist the opening and closing of the baggage compartment doors and hold the doors open.



BAGGAGE COMPARTMENT DOORS HANDLE

18693



CAUTION

Do not slam shut the baggage compartment doors. Damage to door weather-stripping or locking mechanism could result.

Lights in the baggage compartments turn on automatically when the baggage compartment door is opened.

Electrical power remains available for the baggage compartment lights 10 minutes after the ignition switch has been set to the OFF position.



BAGGAGE DOOR CATCH

18612

NOTE

For added safety, open the door until the catch assist in holding the door in the open position. Lift lever to release door



WARNING

To avoid injury, keep hands clear of baggage compartment door edge and door frame when closing.

NOTE

To prevent theft and vandalism, always lock the baggage compartment doors before leaving the vehicle unattended.

SPARE WHEEL COMPARTMENT

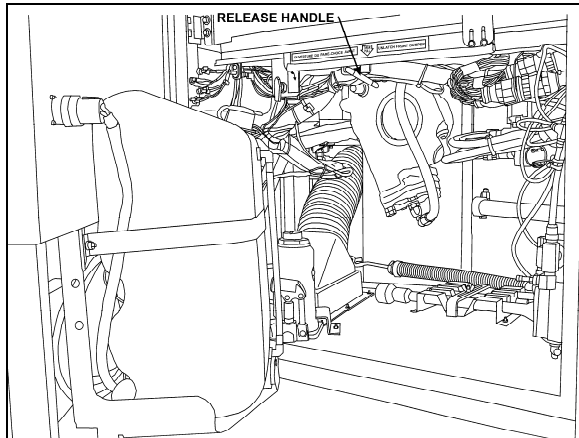
The front bumper can be tilted downward to give access to a spare wheel.



WARNING

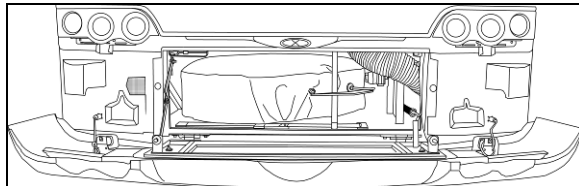
The compartment behind the bumper is not designed for miscellaneous storage. Never store loose objects in this compartment since they can interfere with the steering linkage mechanism.

Pull the release handle located inside front service compartment to tilt down the entire bumper assembly.



RELEASE HANDLE

18613



SPARE WHEEL IN FRONT BUMPER COMPARTMENT 18614



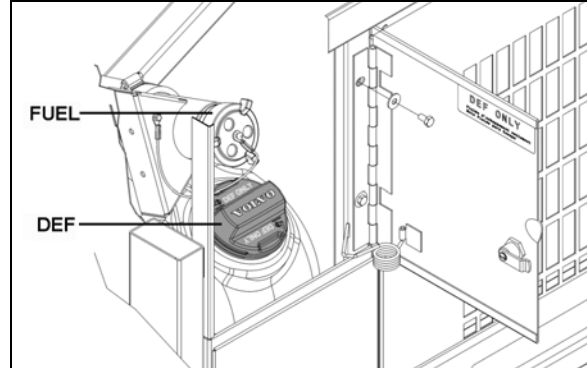
WARNING

Although a powerful spring assists in reclining the bumper, it remains heavy and rests low when open. Caution should be used when reclining.

Check that bumper is securely closed shut before driving.

FUEL AND DIESEL EXHAUST FLUID (DEF) FILLER DOOR

The fuel and Diesel Exhaust Fluid (DEF) filler door is located on the R.H. side of the coach providing easy filling. A spring keeps the door either open or shut. A key is provided for unlocking the door if the option was chosen.



FUEL & DEF FILLER DOOR

03046

NOTE

Provided the vehicle is parked on level ground, an automatic nozzle will automatically shut off when fuel tank is approximately 95% full.

NOTE

The fuel & DEF filler door must be in the unlocked position before closing



CAUTION

Diesel exhaust fluid DEF will begin to crystallize and freeze at 12°F (-11°C) and expand by 7% when frozen. To allow expansion without damaging the DEF tank, do not fill the tank with more than 15.9 gallons (60 liters).



CAUTION

Do not fill to more than 95% of the fuel tank capacity. Do not "top off" the tank, doing so may result in fuel spillage when the fuel expands.

ENTRANCE DOOR

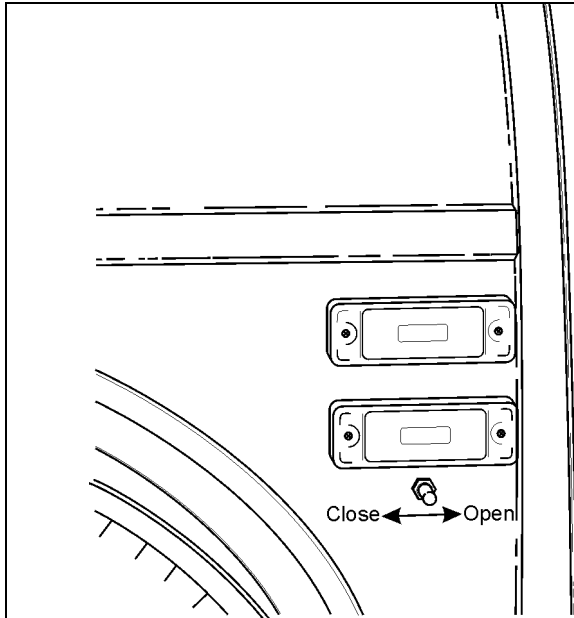
Lock or unlock the entrance door from outside the vehicle by turning the key in the door lock (counterclockwise to lock, clockwise to unlock).

From outside, open the door by pushing the switch forward, close by pushing the switch rearward.

The only way to unlock the entrance door from the inside is by sliding its lock lever to the left. If

2-12 Coach Exterior

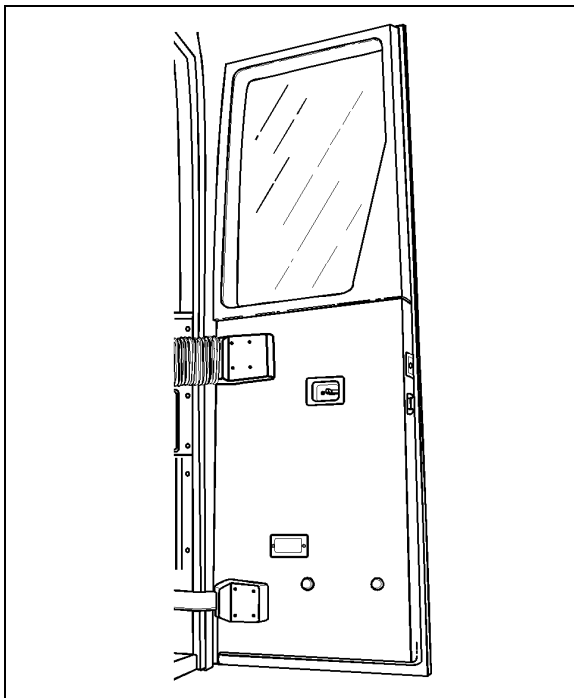
the orange tab on the door-lock lever is visible, the door is unlocked.



ENTRANCE DOOR EXTERIOR SWITCH

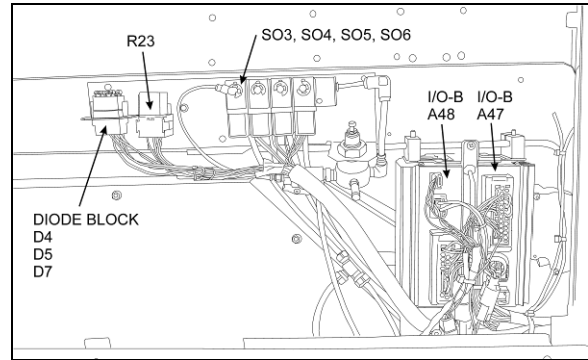
18599

From the inside, open the door by pressing the door opening switch (L.H. button) on the R.H. dashboard panel. Close by pressing the door closing switch (R.H. button) on the dashboard. Refer to "Controls and Instruments" chapter for more information.



ENTRANCE DOOR

18001



ENTRANCE DOOR & WIPER CONTROL PANEL

06614

DOOR OPERATION LOGIC

If the switch is held in position until the door is fully open or closed, the system holds pressure in the door cylinder, locking the door in that position. The door can be opened to any position by releasing the switch (or button, if inside) when the desired position is attained. However, the door is not locked in any position other than fully open or fully closed. The door can then be opened or closed further by pushing or pulling on the door.

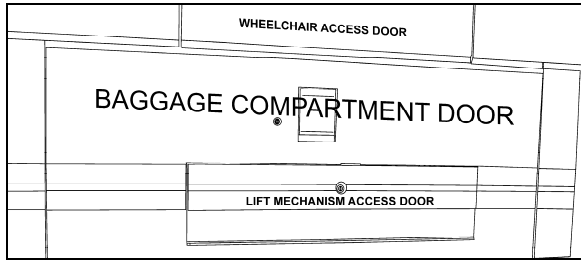
A proximity sensor will finish the closing of the door when it senses the door is almost shut. This works even when the door is shut manually.

EMERGENCY ENTRANCE DOOR OPENING

Refer to "Safety Features and Equipment" chapter.

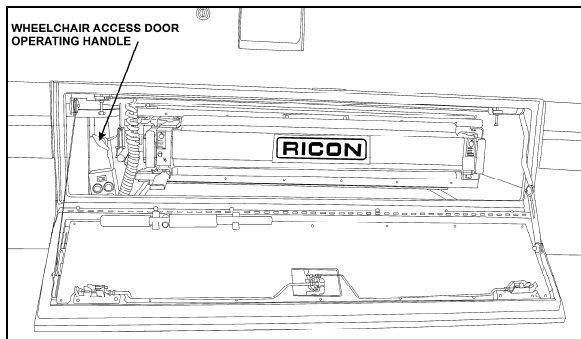
WHEELCHAIR LIFT ACCESS DOORS

To open the optional wheelchair lift access doors, the coach must be parked on a flat and level surface with the parking brake on. Using the exterior compartment doors key, unlock and carefully lower the lift mechanism access door which is part of the baggage compartment door. The lift mechanism access door is located directly below the wheelchair access door. A handle at the left of the lift mechanism unlocks and enables opening of the wheelchair access door. If the parking brake is not activated, a switch in the door will activate the parking brake when it detects the door is open.



WHEELCHAIR LIFT ACCESS DOORS 18615

Open the wheelchair access door completely until it locks in the open position. To close the door, pull on the tab located on the inside of the door and slam the door shut. Refer to “Other Features” for more information on operating the optional wheelchair lift.



WHEELCHAIR ACCESS DOOR OPERATING HANDLE 18616

REAR VIEW MIRRORS

The vehicle is equipped with flat-type and 6-in circular convex-type rear view mirror, manually adjustable. Convex mirrors give a wide angle view. Objects viewed in convex-type rear view mirror, manually adjustable appear smaller and are actually closer than they appear.



REAR VIEW MIRRORS 18668

To provide good visibility in cold weather, the mirrors are equipped with heating elements. The elements are activated automatically.

Thermostats are used to prevent continuous operation of the heating elements.

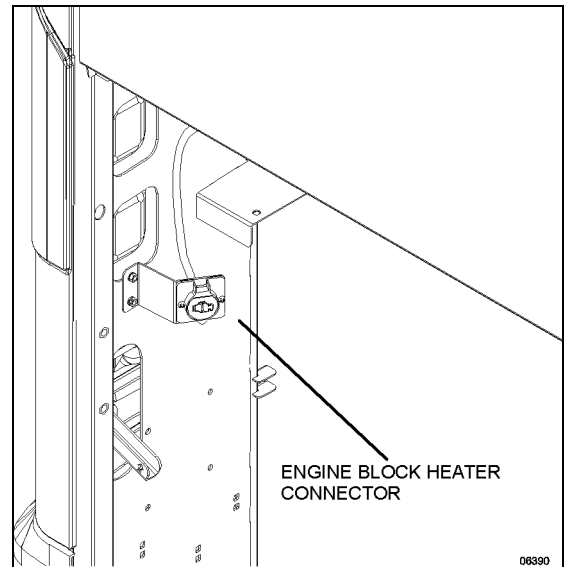


CAUTION

Do not attach stick-on type convex mirror accessories to the heated mirror glass. This could impede uniform heat distribution on the mirror surface and could break the mirror glass.

120 VOLT CONNECTORS

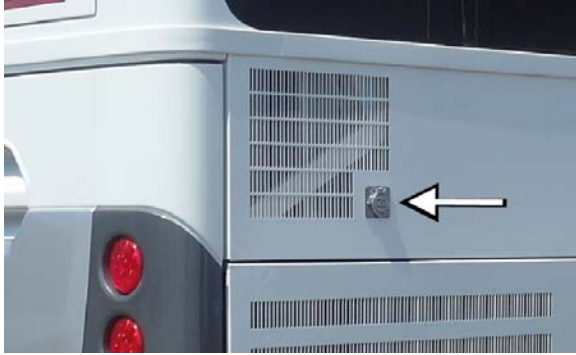
One connector is provided for the electric block heater to connect to a 120 VAC power source. It is located near the engine compartment rear door catch lever (refer to chapter “Starting and Stopping Procedures”).



BLOCK HEATER 120 VOLT CONNECTOR

Another connector is used to connect the battery charger to a 120 VAC power source. It is located above the engine compartment curbside door next to the air filter intake grill.

2-14 Coach Exterior



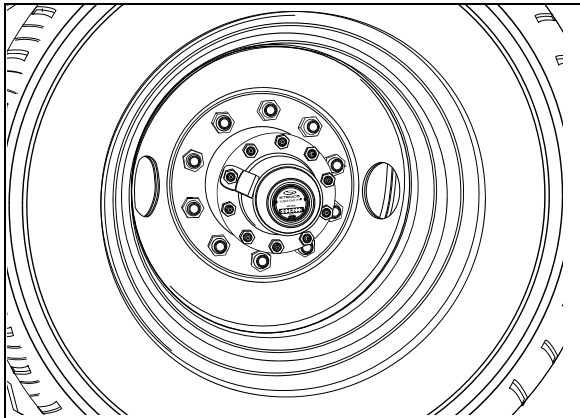
BATTERY CHARGER 120 VOLT CONNECTOR

HUBODOMETER

An odometer is installed on the curb-side drive axle wheel hub. The odometer calculates the total distance in miles or kilometers (depending on model installed) traveled by the coach since manufacture, including factory road testing.

NOTE

It is normal for the hubodometer, the engine ECM and the vehicle odometer to disagree on the total mileage.



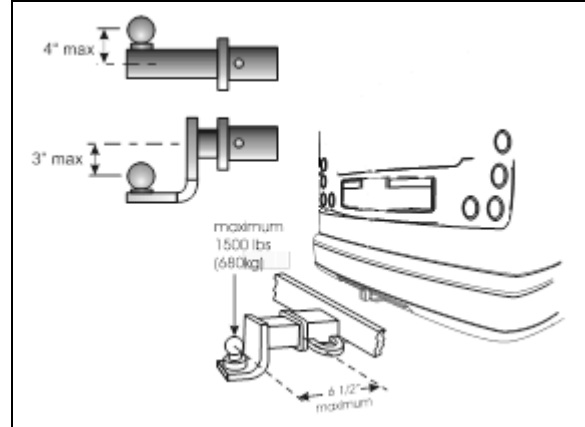
HUBODOMETER

13012

TRAILER HITCH LIMITATIONS

20 000 lbs. max. Gross trailer weight capacity (optional)

Your vehicle may be equipped with a factory installed trailer hitch which has been designed to meet the following rating:



TRAILER HITCH

23337_2

- Maximum gross trailer weight: 20,000 lbs. (9072 kg)
- Maximum tongue weight at 6 1/2 inches (165 mm) or less from coupling receiver: 1,500 lbs. (680 kg)



DANGER

The draw bar and the ball used for towing the trailer should be rated for 20,000 lbs. capacity or more.



WARNING

Pulling a trailer weighing more than the recommended maximum gross weight may cause engine and transmission overheating, and also possible hitch failure.

NOTE

Pulling a trailer over long distances is considered as a "severe operating condition" for the vehicle and therefore, power plant requires more frequent servicing.

NOTE

The minimum requirement for a trailer weighing up to 20,000 lbs. when coupled to a 20,000 lbs. PrevoSt Trailer Hitch is as per the following:

1. Trailer must comply with **Federal Motor Carrier Safety Regulations 393.52** regarding trailer breaking capability.
2. The trailer coupling attachments meet the following minimum static test load requirements :
 - Longitudinal tension and compression: (1.5 x GVWR of trailer)
 - Transverse thrust: (0.5 x GVWR of trailer)
 - Vertical tension and compression: (0.5 x GVWR of trailer)

Loads indicated must be applied without incurring loss of attachments or distortion or failure which could affect the safe towing of trailer.

3. The ball and trailer coupling should meet the following minimum test load requirements without incurring failure:
 - Longitudinal tension and compression: (Gross Trailer Weight of trailer x 3)
 - Transverse thrust: (Gross Trailer Weight of trailer x 1)
 - Vertical tension and compression: (Gross Trailer Weight of trailer x 1.3)

In this case, failure is identified as the point at which the coupling or ball will accept no additional test load without separation of the ball from the coupling ball socket, or the occurrence of a metal fracture of either coupling ball or coupling assembly, which results in separation of the ball from the coupling ball socket.

4. Two lengths of safety chain shall be used. The strength rating (minimum breaking force) of each individual chain and its connecting means shall be equal to, or exceed the trailer GVWR.
5. Towing vehicle must be equipped with engine or transmission retarder. The engine or the transmission retarder on the vehicle must be functional at all time (to be inspected frequently).

