

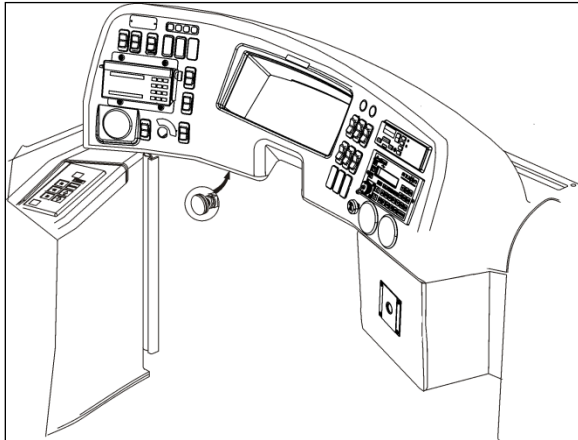
## SECTION 3 COACH INTERIOR

<b>STEERING WHEEL ADJUSTMENT .....</b>	<b>2</b>
<b>AISLE MIRROR.....</b>	<b>2</b>
<b>ADJUSTABLE HVAC REGISTERS.....</b>	<b>2</b>
<b>DRIVER’S SEAT – RECARO .....</b>	<b>2</b>
ADJUSTMENT .....	2
SAFETY BELTS .....	3
<b>PASSENGER SEATS .....</b>	<b>4</b>
PASSENGER SEAT BELTS .....	4
<i>ELR/ALR Retractor Lock Mode .....</i>	<i>4</i>
SEAT RECONFIGURATION FOR MOBILITY DEVICES.....	5
<i>SEATED to STOWED position.....</i>	<i>5</i>
<i>STOWED to SEATED position.....</i>	<i>6</i>
4-POINT SECUREMENT WITH ANCHORAGE TO PASSENGERS SEAT PEDESTALS.....	7
<i>Wheelchair Occupant Restraint .....</i>	<i>7</i>
<b>OVERHEAD CONSOLE .....</b>	<b>8</b>
ADJUSTABLE AIR REGISTERS .....	8
STOP REQUEST .....	8
READING LIGHTS .....	9
<b>WINDOWS .....</b>	<b>9</b>
PANORAMIC WINDOWS .....	9
<i>Fixed Windows.....</i>	<i>9</i>
<i>Emergency Windows .....</i>	<i>9</i>
DRIVER’S POWER WINDOW .....	9
<i>Driver’s window shades .....</i>	<i>9</i>
<b>WINDSHIELD .....</b>	<b>9</b>
<b>VENTILATION HATCH .....</b>	<b>10</b>
<b>OVERHEAD COMPARTMENTS .....</b>	<b>10</b>

## 3-2 COACH INTERIOR

### STEERING WHEEL ADJUSTMENT

Push on the valve button located in the foot-operated control housing to unlock the steering wheel for tilt and telescopic adjustment (refer to “Controls and Instruments” section).



TILT AND TELESCOPIC ADJUSTMENT

18670\_1



### DANGER

Do not adjust the steering wheel while driving. Loss of control could result. Park the vehicle safely and apply parking brakes before adjusting the steering wheel.

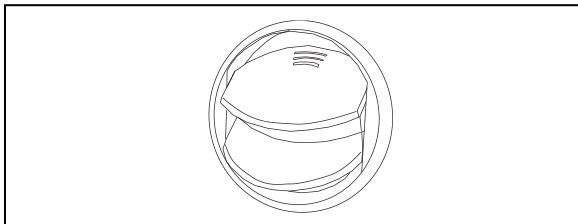
### AISLE MIRROR

A central mirror allows the driver to see in the aisle. Adjust mirror manually.

### ADJUSTABLE HVAC REGISTERS

The HVAC system has adjustable registers to control air flow around the driver's area. Three are located on the dashboard; two on the R.H. side and one on the L.H. (refer to Controls & Instruments section). Another one is located close to the door, below the modesty panel wall for step de-icing. The direction and volume of air flow are adjustable manually.

Use the HVAC control panel to set air temperature.



AIR REGISTER

22249

### DRIVER'S SEAT – RECARO

The vehicle is equipped with a Recaro Ergo MS seat.



### DANGER

The driver's seat must be adjusted to allow the driver easy access to the coach controls. Never adjust seat while driving vehicle as this could result in loss of vehicle control.

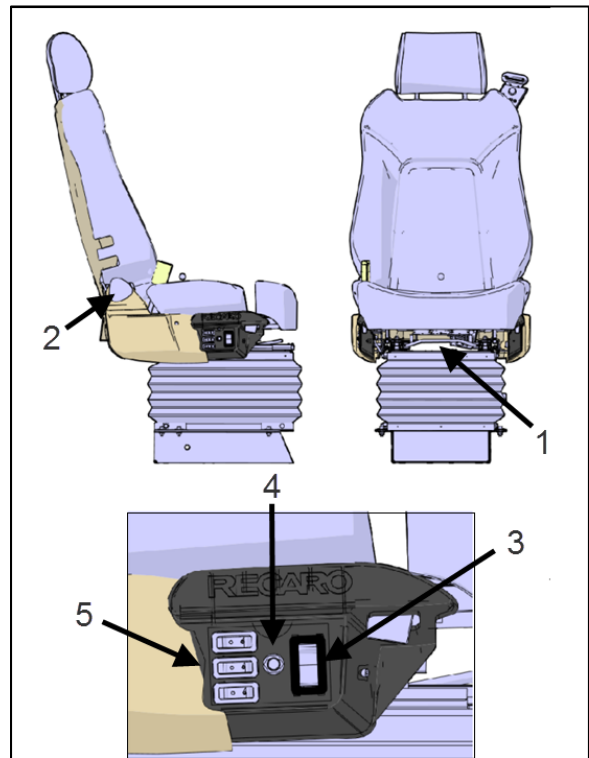


### DANGER



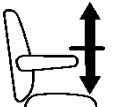


Make sure that seat is adjusted and that safety belt is buckled up before driving vehicle.

### ADJUSTMENT

Seat can be adjusted to the desired driving position by following the instructions listed below.



DRIVER'S SEAT ADJUSTMENT (RECARO)

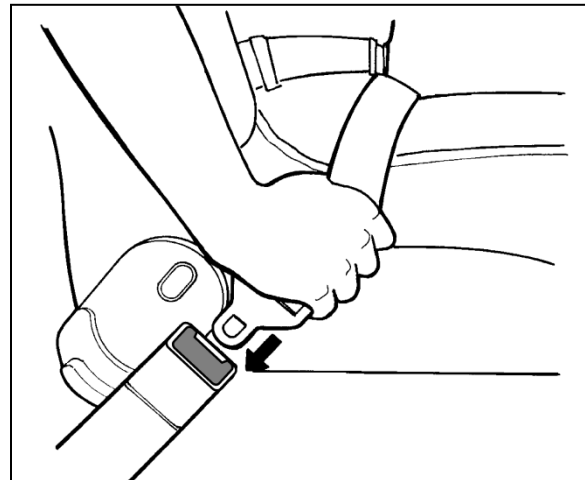
ITEM	DESCRIPTION
1	 <p><b>Fore and Aft</b> To adjust distance between driver and dashboard, pull handle (1) up and slide the seat forward or backward. Release handle to lock the seat in position.</p>
2	 <p><b>Backrest</b> Turn hand wheel recline (2) to adjust backrest to the desired angle.</p>
3	 <p><b>Up and Down</b> Toggle up/down switch (3) to adjust height of the seat.</p>
4	 <p><b>Fore and Aft Auto Actuator</b> To adjust distance between driver and dashboard, push auto actuator (4) and slide the seat forward or backward. Release button to lock the seat in position.</p>
5	 <p><b>Lumbar Support</b> Use the 3-cell lumbar switches (5) to adjust lumbar support.</p>

**SAFETY BELTS**

The driver's seat is equipped with a 3-point retractable orange safety belt.

To fasten, pull seat belt out of the retractor and insert the latch plate into the buckle until it clicks.

No special adjustment is required since the reel device is self-adjusting. If seat belt operation becomes defective, report to maintenance personnel immediately.



FASTENING SEATBELT

18028

**NOTE**

*The safety belt must be pulled out slowly and continuously, otherwise it will lock the reel before the latch plate reaches the buckle. If this happens, allow the belt to retract completely and repeat the procedure correctly.*



**WARNING**

A snug fit with the lap belt positioned low on the hips is necessary to maximize driver safety. The belt should not be worn twisted. Avoid pinching belt and/or belt hardware in seat mechanism. Do not wear belt over rigid or breakable objects, such as eyeglasses, pens or keys as these may cause injuries.

To unfasten belt, press the red button in center of buckle and allow belt to retract. If the belt does not fully retract, pull it out and check for kinks or twists. Make sure that it remains untwisted as it retracts.



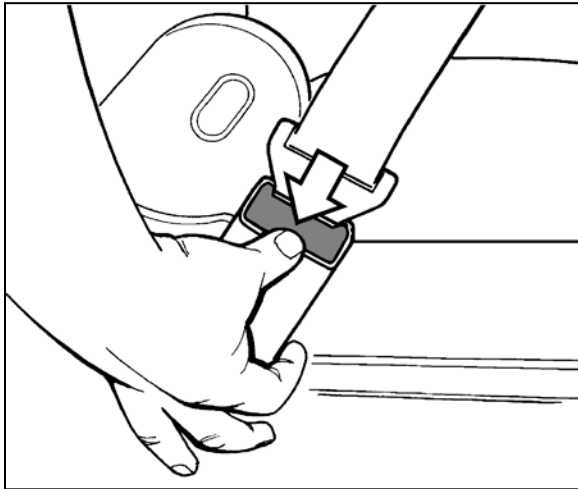
**WARNING**

Most State and Provincial laws require that safety belts be worn when they are supplied with the seat.

**NOTE**

The vehicle is equipped with a belt detection system; a warning alarm will be heard if the vehicle is moving above 3 mph (5 km/h) with the safety belt unfastened.

## 3-4 COACH INTERIOR



UNFASTENING SEATBELT

18029



### CAUTION

Never bleach or dry clean safety belt.

## PASSENGER SEATS

The seat layout accommodates 57 seated passengers.

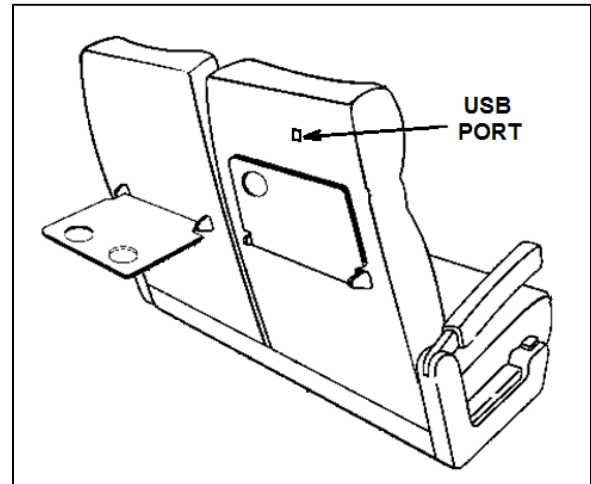
It features twenty (20) two-passengers fixed seats, six (6) two-passenger reconfigurable seats and five (5) fixed rear cross single seats.



PASSENGER SEAT

18729

Passenger seats may be equipped with optional grip handles, newspaper holders, USB port, trays, cup holders, audio control modules, electrical outlets and footrests.



OPTIONAL PASSENGER SEAT EQUIPMENT

18121A

All seats are track-mounted so that the seating configuration can be changed. Each set is mounted on rectangular aluminum bases to make cleaning between the base and side wall easier.

Passenger seat backrests can be reclined by lifting the handle located under the belt receptacle.

Fold-up armrests are installed on the seat.

## PASSENGER SEAT BELTS

Passengers are strongly advised to wear seat belts at all times. Children can use a passenger seat belt as long as they are large enough to properly wear the seat belt. The shoulder belt must be correctly positioned over the child's shoulder and it must not touch the neck or lie below the shoulder.

To fasten, pull seat belt out of the retractor and insert the latch plate into the buckle until it clicks. No special adjustment is required since the retractor device is self-adjusting. If the seat belt operation becomes defective, report to maintenance personnel immediately.

### ELR/ALR Retractor Lock Mode

Amaya passenger seat belts are equipped with switchable ELR/ALR retractor lock mode:

- **Emergency Locking Retractor (ELR) mode:** Allows the seat belt to extend and retract to allow passengers some freedom of movement in the seat. Locks only when the vehicle or occupant slows quickly/abruptly or stops suddenly. **Will not secure a child safety seat.**

- **Automatic Locking Retractor (ALR) mode:** Locks and maintains a fixed seat belt (lap belt) length during use. The belt cannot be extended further. **For use with a child safety seat.**



**CHILD RESTRAINT SYSTEMS**

**Occupants under 40" height must use Child Seat / Booster Seat**

The seat belts are equipped with switchable ELR/ALR retractor lock mode.

Activate the ALR retractor lock mode to hold a child restraint system by pulling the shoulder belt all the way out. Allow it to retract to desired length. Check that the belt straps are fully tightened and the retractor / webbing is locked.

*Note: Unbuckling the belt and allowing it to retract fully deactivates the ALR retractor*

Failure to use the ALR lock mode will result in the child safety seat not being properly secured.

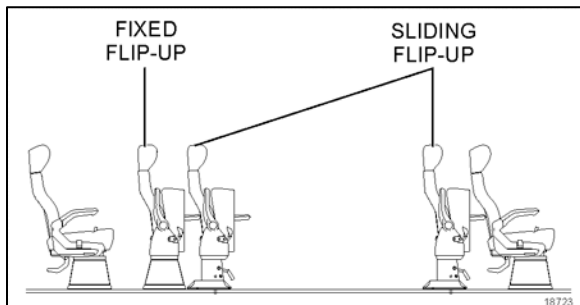
When using a **booster seat**, do not pull the shoulder belt all the way out. Doing so would engage the ALR lock mode which is not recommended with booster seat.

Install the child seat/booster according to the manufacturer's instructions.

**SEAT RECONFIGURATION FOR MOBILITY DEVICES**

The layout features four (4) sliding, flip-up, and two (2) fixed flip-up, two-passenger seats.

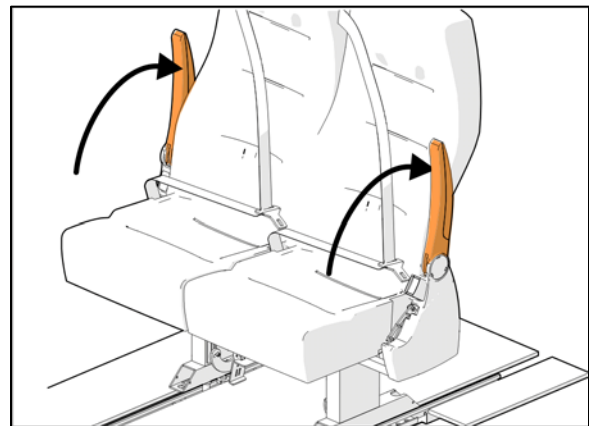
They are placed in the center section for easy reconfiguration to accommodate mobility devices.



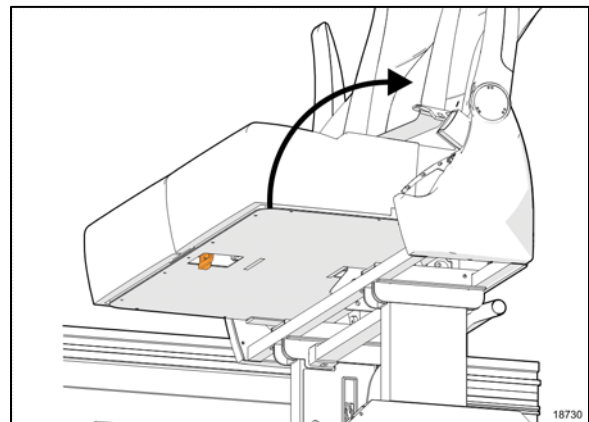
**SEAT RECONFIGURATION**

**SEATED to STOWED position**

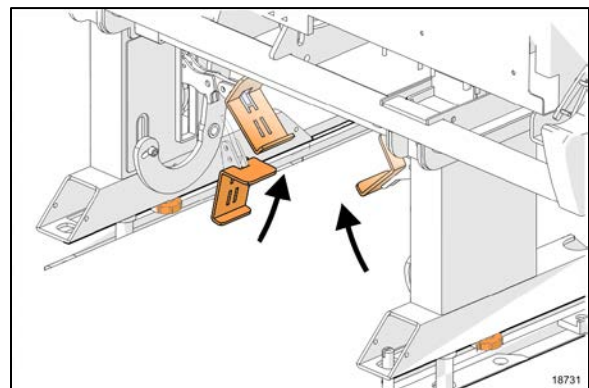
- Fold up the armrests.



- A cushion latch lever is located underneath the cushion. To flip the seat cushions up, pull lever and rotate the cushion up.



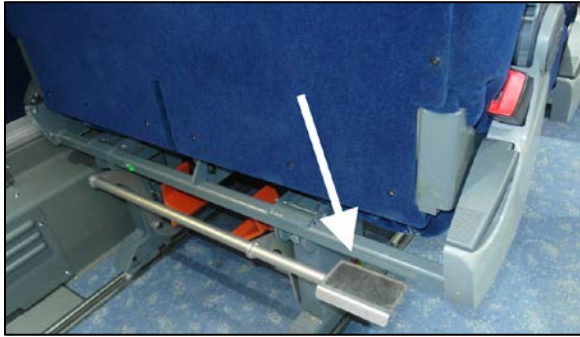
- With your foot, lift both levers located under the seat.



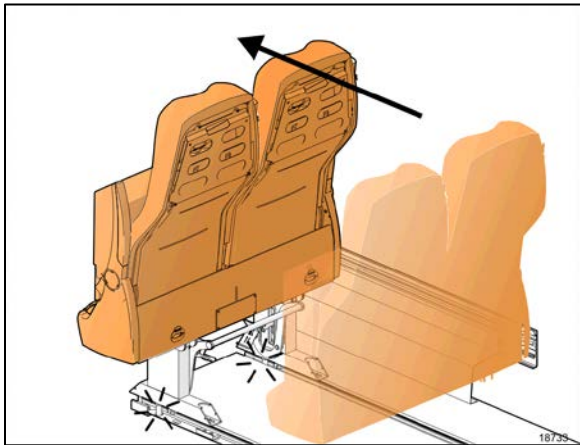
- Proceed to the back of the seat.
- With your foot, depress the pedal in front of the seat to release the lock on the seat rail. Move the seat a few inches away on the rails then release the pedal. This action lifts the

## 3-6 COACH INTERIOR

stowing plunger from the receptacle in the rail and places it in the flat section of the rail.



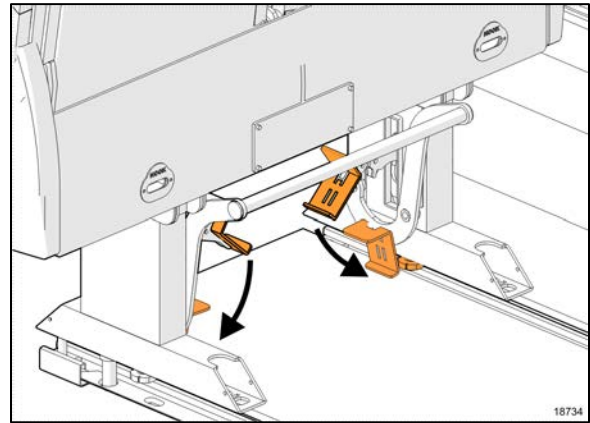
- Move the seat straight along the rails to the stowed position using handle if pulling or lower portion of backrest if pushing. When seat reaches stowed position, plungers will click down and you will feel the seat stop.



- On the seat pedestal, locate the locking indicator and make sure the yellow rod is full down in the green zone.

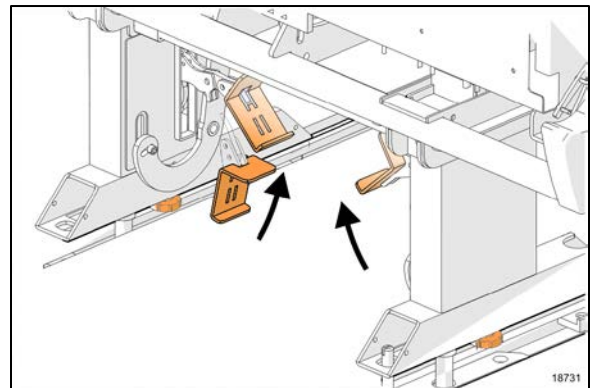


- With your feet, depress both levers located under the seat.

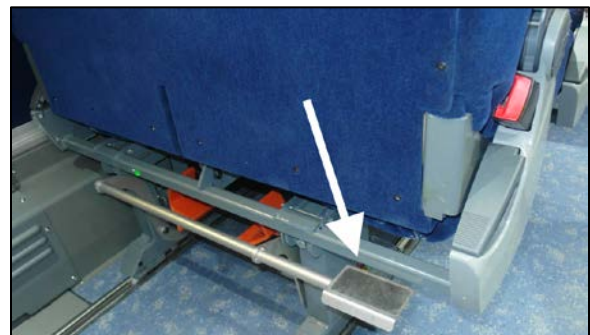


### STOWED to SEATED position

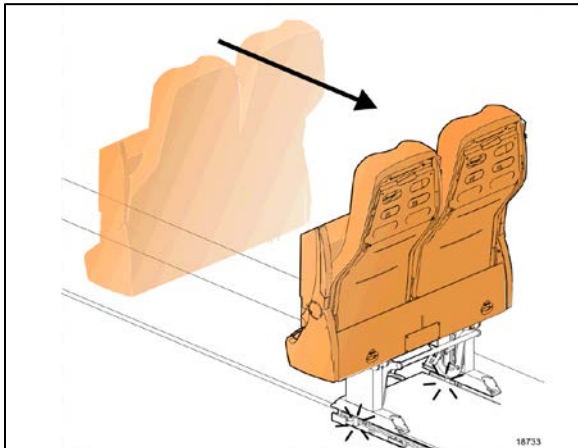
- With your feet, lift both levers located under the seat.



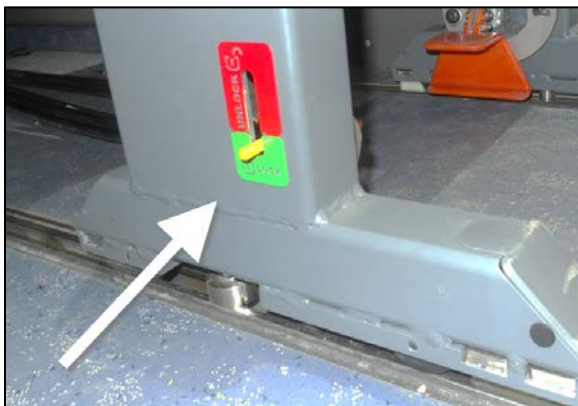
- With your foot, depress the pedal in front of the seat to release the lock on the seat rail. Move the seat a few inches away on the rails then release the pedal. This action lifts the stowing plunger from the receptacle in the rail and places it in the flat section of the rail.



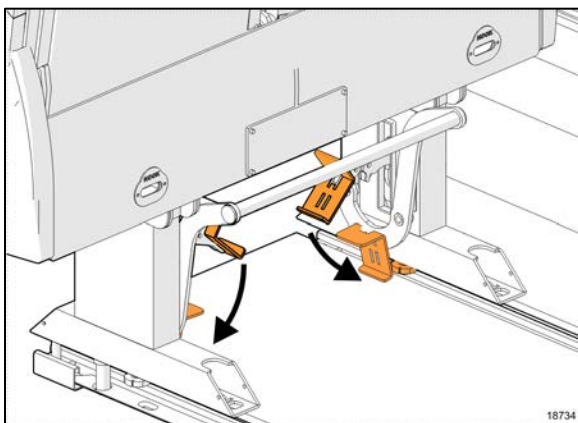
- Move the seat straight along the rails to the stowed position using handle if pulling or lower portion of backrest if pushing. When seat reaches stowed position, plungers will click down and you will feel the seat stop.



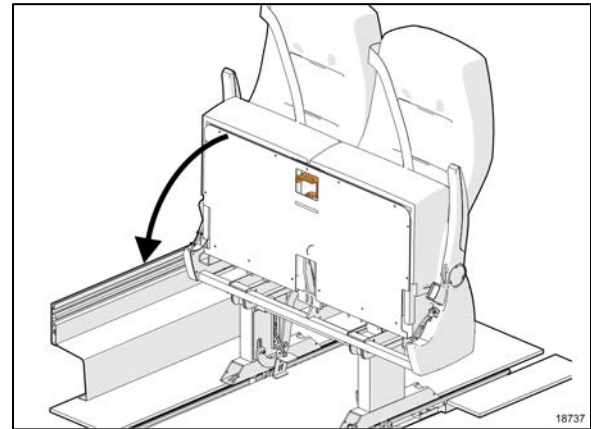
- On the seat pedestal, locate the locking indicator and make sure the yellow rod is full down in the green zone.



- With your feet, depress both levers located under the seat.



- Lower the seat cushions by pulling lever and rotating the cushion down.

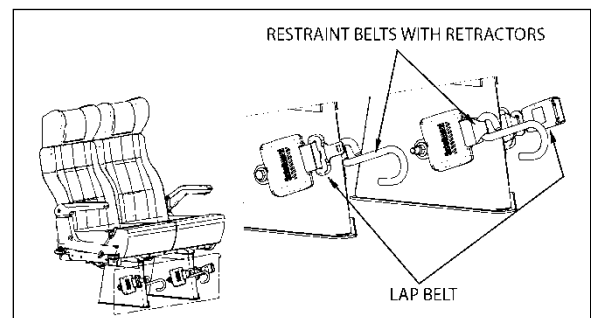


Passengers boarding with mobility devices will need scooter belts for proper securement. Four (4) belts are included in the bus for this purpose.

#### 4-POINT SECUREMENT WITH ANCHORAGE TO PASSENGERS SEAT PEDESTALS

This securement system includes:

- 4 wheelchair restraint belts and retractors with anchorage to passengers seat pedestals.
- Occupant securements: lap and shoulder belt.



#### WHEELCHAIR AND OCCUPANT RESTRAINT SYSTEM

To secure the wheelchair, four restraint belts must be used (at all four corners). Hook one wheelchair restraint belt to each corner of the wheelchair frame (**not the wheels**) and allow the retractors to tension the belts.

To remove the restraint belts, push down on the tension release lever found on the retractor. Unhook the wheelchair and allow the belts to retract. Guide the belts in, making sure they remain untwisted as they retract.

#### Wheelchair Occupant Restraint

Secure the wheelchair occupant in the following manner:

## 3-8 COACH INTERIOR

Fasten and adjust the lap belts so it sits snug across the hips. Make sure that you place the lap belt buckle on the center aisle side. Fasten the shoulder belt by inserting the lap belt tab into the shoulder belt buckle. A retractor adjusts shoulder belt length automatically.



### WARNING

A snug fit with the lap belt positioned low on the hips is necessary to maximize safety. The belt should not be worn or twisted. Avoid pinching the belt and/or hardware. Do not wear over rigid or breakable objects such as eyeglasses, pens or keys as these may cause injuries.

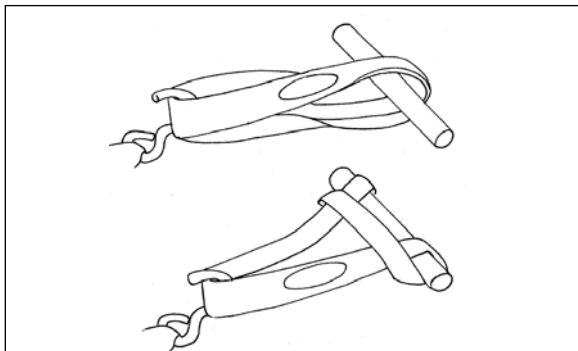


### CAUTION

The safety belt buckle provided with the red release button must always be located on the center aisle side.

To unfasten the belts, press the red release button on the shoulder belt buckle first and then unfasten the lap belt by pressing the red release button on the lap belt buckle.

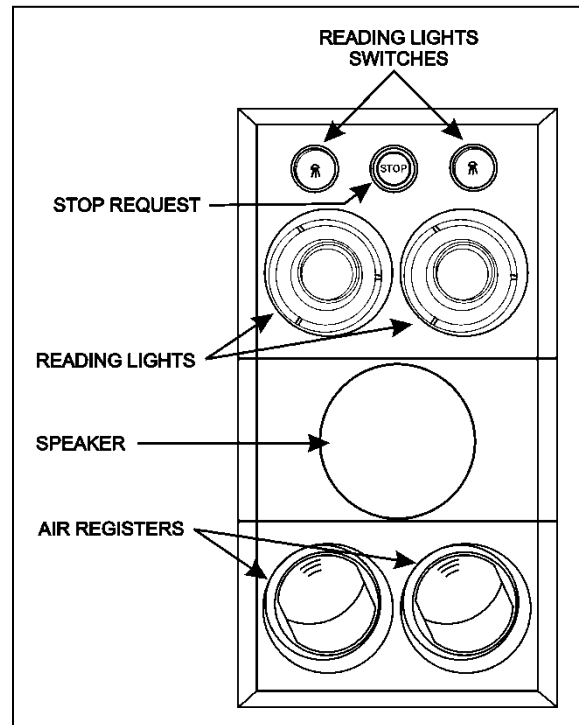
Use the blue webbing loops whenever the wheelchair restraint belt hook cannot reach a stiff member of the wheelchair chassis.



TYPICAL USE OF THE BLUE WEBBING LOOPS

## OVERHEAD CONSOLE

One airplane type overhead console is installed above each row of twin seats. It provides such amenities as reading lights, air registers and stop request service.



OVERHEAD CONSOLE

23137

For passenger with wheel chair, a tape switch is available at the bottom of the window for stop request.



### ADJUSTABLE AIR REGISTERS

Manually adjustable registers located on the overhead console provide air flow to the passengers. Air flow can be directed, passengers can orient individual registers by rotating the nozzle. To adjust air flow, passengers must open or close the flaps. Activation of the fans is done by depressing a rocker switch on the dashboard. Refer to Controls & Instruments section.

### STOP REQUEST

Passengers can request a stop for disembarking by pressing the "STOP" request button on the overhead console or by touching the tape switch. This will illuminate the button and



activate a warning sound in the driver area, this will also light-up a warning signal on the dashboard. Press the “STOP” request button a second time to cancel the stop request.

A “STOP” request button is provided for the wheelchair occupant on the window sill of the coach, within easy reach. Pressing this “STOP” request button will sound two gongs to identify the wheelchair occupant.

**READING LIGHTS**

Reading lights are mounted underneath the overhead storage compartments. Depressing a rocker switch located on the dashboard (refer to Controls & Instruments section) will activate the reading light circuit and allow passenger control of reading lights.

**WINDOWS**

The vehicle is equipped with frameless flush-mounted “Galaxsee” windows all around and a split-window windshield for maximum visibility.

**PANORAMIC WINDOWS**

Panoramic side windows come in single pane glass. Some of these windows are of the fixed type; they are bonded to the structure and cannot be opened. Others can be easily opened to serve as emergency exits.

**Fixed Windows**

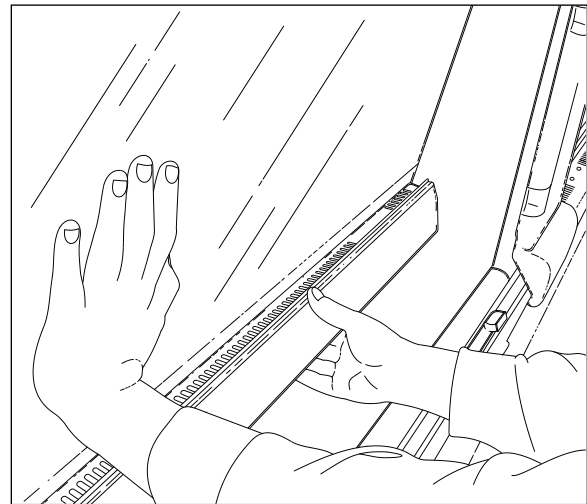
These windows are bonded to the structure and form an integral part of the body of the vehicle, helping reduce vibration and noise. Fixed windows cannot be opened.

**Emergency Windows**

These windows can be opened from inside the vehicle as emergency exits. A riveted tag on window sills indicates the location of the emergency windows. To open an emergency window, lift the window release bar (sill) and push the window open from the bottom.

To close, lift the release bar and pull the window into position. Push down on release bar to lock the window shut.

For more information on emergency features, refer to “Safety Features and Equipment” section.



**EMERGENCY WINDOW OPENING**

18391

**DRIVER’S POWER WINDOW**

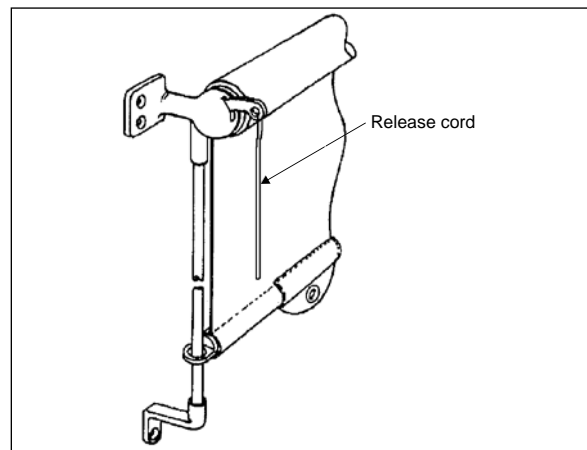
The driver has a power window on the left side of the coach. The windows are controlled by a rocker switch located on the driver’s control panel. Refer to “Controls and Instruments” section.

**Driver’s window shades**

This vehicle is provided with a spring release type sun shade on the driver’s left side window. To operate, pull down the shade by its hem to the appropriate position and release. It will remain in position. To raise, depress the unlocking lever and guide the shade back up using the other hand.

**WINDSHIELD**

Two manually-operated shades are installed behind the windshield. To operate, pull down the shade by its hem to the appropriate position and release. It will remain in position. To retract, pull the release cord.



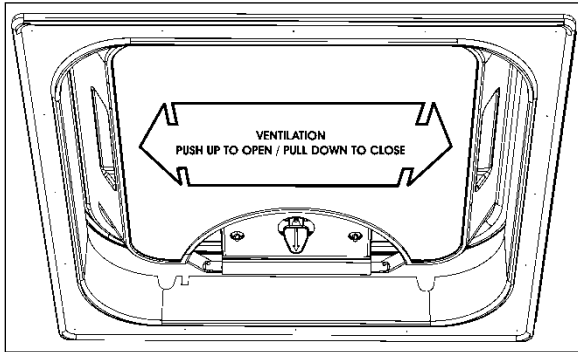
**SPRING RELEASE SUNSHADE**

23019

## 3-10 COACH INTERIOR

### VENTILATION HATCH

A ventilation hatch is installed in the ceiling at the rear of the coach and at the front of the coach. To open the hatch, push up with both hands and pull down to close. The ventilation hatch can be completely opened for emergency egress. Refer to “Safety Features and Equipment” section.

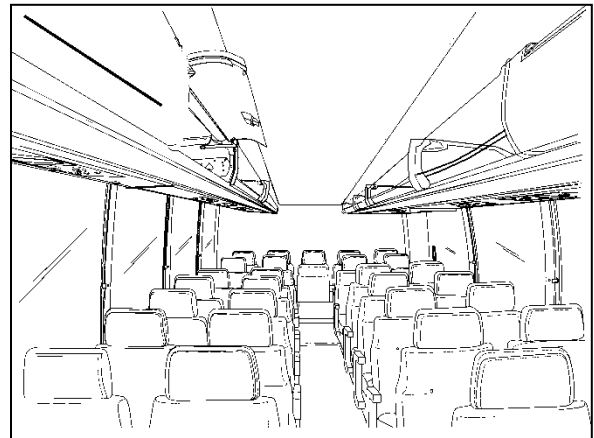


VENTILATION HATCH



### WARNING

Be aware of coach overhead clearance when traveling under overpasses with the ventilation hatch(es) open. Check for maximum clearance height.



OVERHEAD STORAGE COMPARTMENTS

18603

### OVERHEAD COMPARTMENTS

Passenger carry on baggage is stored in overhead compartments on each side of the coach. A first aid kit and a 5 lbs fire extinguisher are located in the first front curb side overhead storage compartment.

To open the closed overhead storage compartments, push the handle in to release the latch, then let go. A pressurized cylinder opens the door.

### NOTE

*The overhead storage compartments have a minimum amount of separators installed to facilitate inspection for left behind items.*