

## CONTENTS

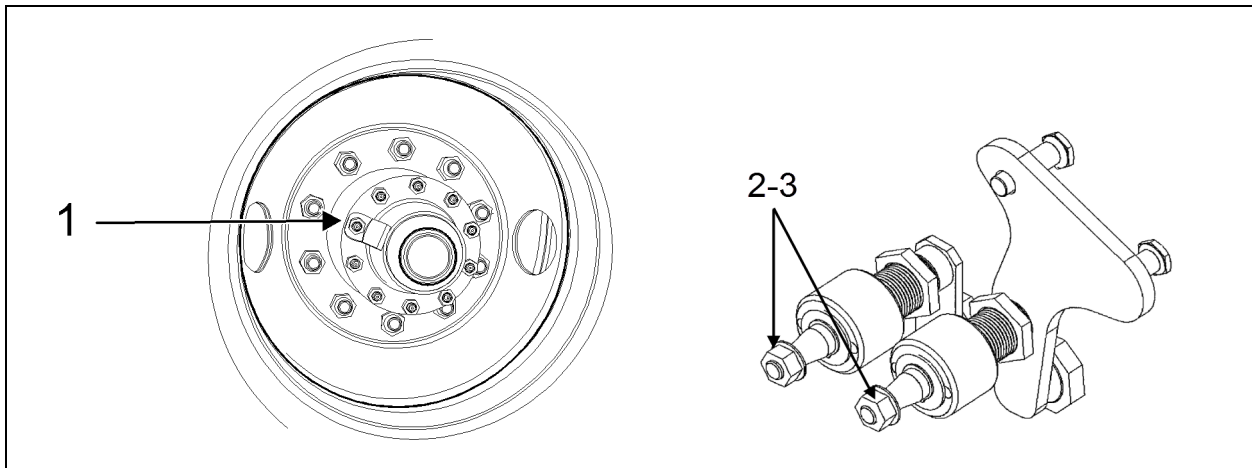
SECTION CHANGE LOG .....	3
<b>1. TORQUE TABLES.....</b>	<b>4</b>
<b>2. DESCRIPTION OF AUDIO AND VIDEO SYSTEM INSTALLED ON X3-45 COACHES .....</b>	<b>5</b>
2.1 HOW TO RECEIVE SERVICE FOR YOUR REI AUDIO AND VIDEO PRODUCTS .....	8
2.2 DASHBOARD AM/FM RADIO .....	9
2.3 VSS-05 SOUND SELECTOR .....	9
2.4 VD-404 MOBILE DVD PLAYER .....	9
2.5 MULTICHANNEL POWER AMPLIFIER VA400.8.....	10
2.6 SPEAKERS.....	10
2.7 BOOM-TYPE MICROPHONE.....	10
2.7.1 Removal .....	11
2.7.2 Installation .....	11
2.8 HANDHELD PRIORITY MICROPHONE .....	11
2.9 WIRELESS MICROPHONE .....	11
2.10 DRIVER'S SPEAKERS.....	11
2.11 MONITOR REMOVAL .....	12
2.12 SCENIC VIEWING SYSTEM .....	12
2.13 ROOF ANTENNA INSTALLATION .....	12
<b>3. BACK-UP CAMERA AND MONITOR.....</b>	<b>13</b>
<b>4. HUB ODOMETER .....</b>	<b>16</b>
4.1 OPERATION.....	16
4.2 REMOVAL.....	16
4.3 INSTALLATION.....	16
<b>5. ELECTRONIC DESTINATION SIGN INSTALLED ON X3-45 COACHES (OPTIONAL) .....</b>	<b>16</b>
<b>6. WINDSHIELD SUNSHADES .....</b>	<b>16</b>
6.1 END OF STROKE ADJUSTMENT .....	17
6.2 END OF STROKE ADJUSTMENT ON SCISSOR TYPE MOTORIZED SUNSHADES.....	17
<b>7. PASSENGER SUNSHADES.....</b>	<b>17</b>
7.1 PRELOAD ADJUSTMENT.....	18
<b>8. LAVATORY INSTALLED ON X3-45 COACHES .....</b>	<b>18</b>
8.1 LAVATORY VENTILATION FAN .....	20
8.1.1 Maintenance .....	20
8.1.2 Removal and Installation .....	20
8.2 DOOR LOCK.....	20
8.3 LAVATORY LIGHT & NIGHT-LIGHT.....	21
8.4 EMERGENCY BUTTON .....	21
8.5 FLUSH PUSH BUTTON .....	21
8.5.1 Flush push button removal and installation.....	21
8.6 FLUSH PUMP.....	21
8.6.1 Flush Pump Removal.....	21
8.7 SUMP TANK.....	22
8.7.1 Sump Tank Filling.....	22

8.7.2	<i>Sump Tank Draining</i> .....	23
<b>9.</b>	<b>HORN INSTALLATION</b> .....	<b>23</b>
9.1	ELECTRIC OR AIR HORN MAINTENANCE.....	23
<b>10.</b>	<b>HEADLIGHT CLEANING SYSTEM</b> .....	<b>24</b>
10.1	WASHER FLUID REFILLING.....	24
10.2	WASHER NOZZLES ADJUSTMENT .....	24
<b>11.</b>	<b>WINDSHIELD WIPERS AND WASHERS</b> .....	<b>25</b>
11.1	GENERAL DESCRIPTION .....	25
11.2	WIPER ARM.....	26
11.2.1	<i>Wiper Arms Positioning</i> .....	26
11.3	WINDSHIELD WIPER MOTOR .....	27
11.3.1	<i>Windshield Wiper Motor Replacement</i> .....	27
11.4	TROUBLESHOOTING .....	28
<b>12.</b>	<b>TIRE PRESSURE MONITORING SYSTEM (TPMS)</b> .....	<b>28</b>
<b>13.</b>	<b>AUTOMATIC FIRE SUPPRESSION SYSTEM (AFSS) (OPTIONAL)</b> .....	<b>28</b>
13.1	STARTING THE VEHICLE AFTER A FIRE ALARM .....	28
13.2	PERIODIC MAINTENANCE .....	29
<b>14.</b>	<b>ELECTRIC BRAKE CONTROL SYSTEM FOR TRAILER</b> .....	<b>30</b>
14.1	A40 CONNECTOR.....	30
14.2	7-BLADE RV/TRAILER CONNECTOR.....	30
14.3	VECT .....	31
<b>15.</b>	<b>WHEELCHAIR LIFT CASSETTE INSTALLATION</b> .....	<b>31</b>
<b>16.</b>	<b>WHEELCHAIR LIFT CASSETTE DISMOUNTING</b> .....	<b>34</b>

SECTION CHANGE LOG

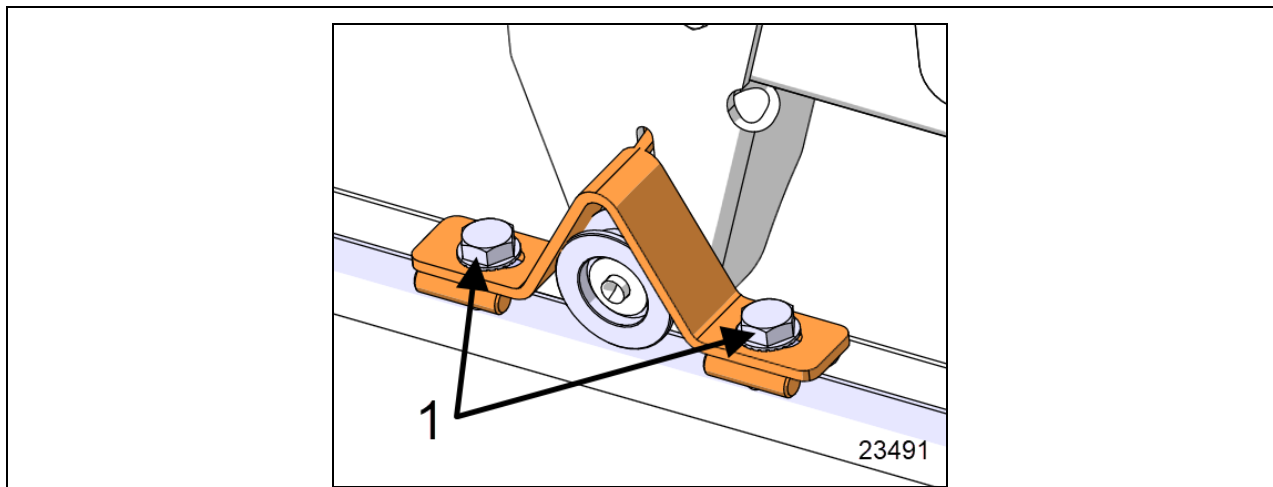
DESCRIPTION		DATE
1		
2		
3		
4		
5		
6		

1. TORQUE TABLES



MISCELLANEOUS

No	DESCRIPTION	TORQUE
1	Hubodometer mounting bolts	110-165 lb-ft (149-224 Nm)
2	Wiper arm mounting bolts (first tightening)	9 lb-ft (12 Nm)
3	Wiper arm mounting bolts (second tightening)	22 lb-ft (30 Nm)



WHEELCHAIR LIFT CASSETTE INSTALLATION

No	DESCRIPTION	TORQUE
1	WCL CASSETTE ANCHOR BOLTS	55-65 lb-ft (75-88 Nm)

## 2. DESCRIPTION OF AUDIO AND VIDEO SYSTEM INSTALLED ON X3-45 COACHES

The rack mounted components are gathered on the audio-video panel which is located in the first driver's side overhead compartment (Figure 1). In addition to the power amplifier, options for AM/FM radio, satellite radio, karaoke, wireless microphone, DVD, scenic view and back-up camera system and GPS Navigation System module may be featured.

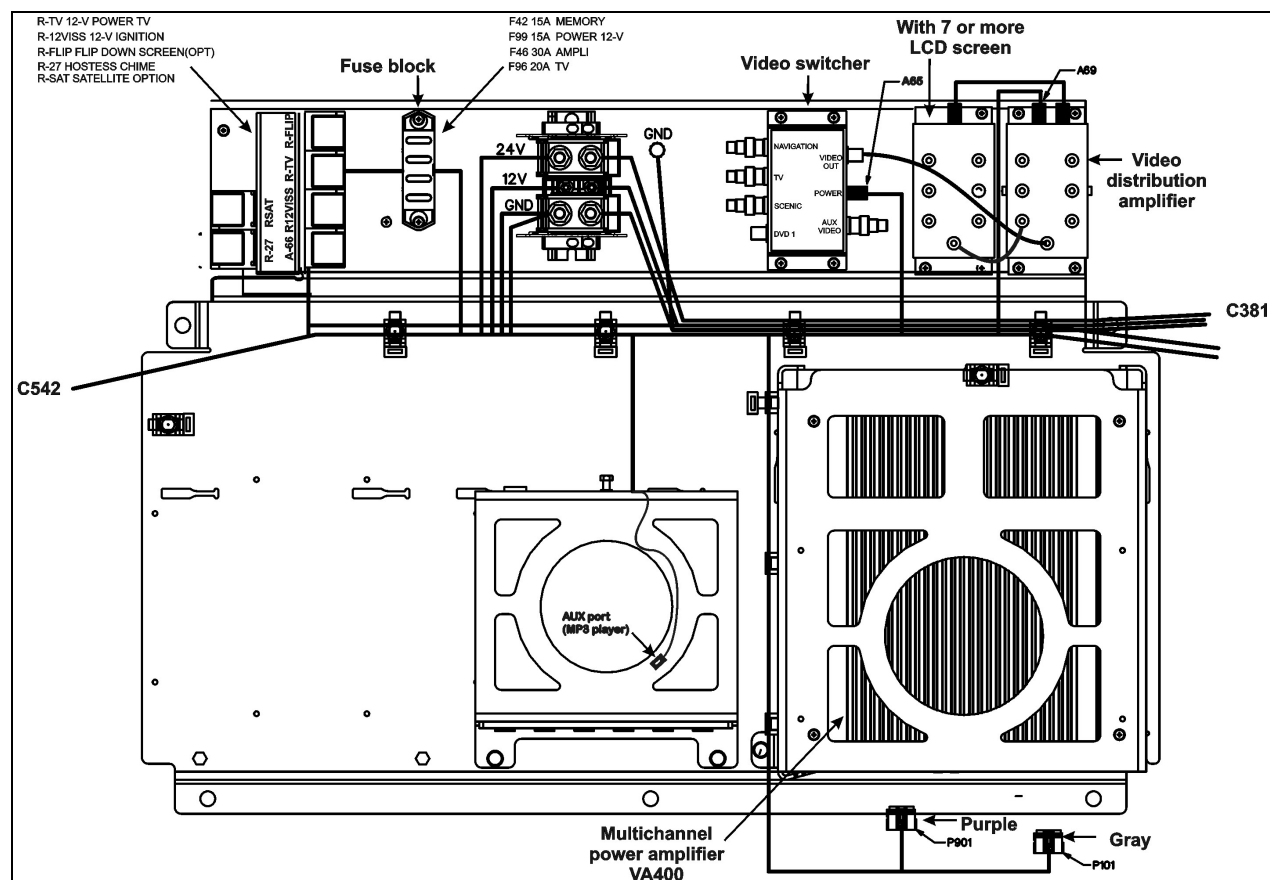


FIGURE 1 : AUDIO-VIDEO PANEL

Each service module mounted to the underside of the overhead compartments contains a 40-watt speaker. The speakers in the passenger section are wired in stereo and are powered by the amplifier. A microphone outlet mounted in the driver's area is provided as standard equipment.

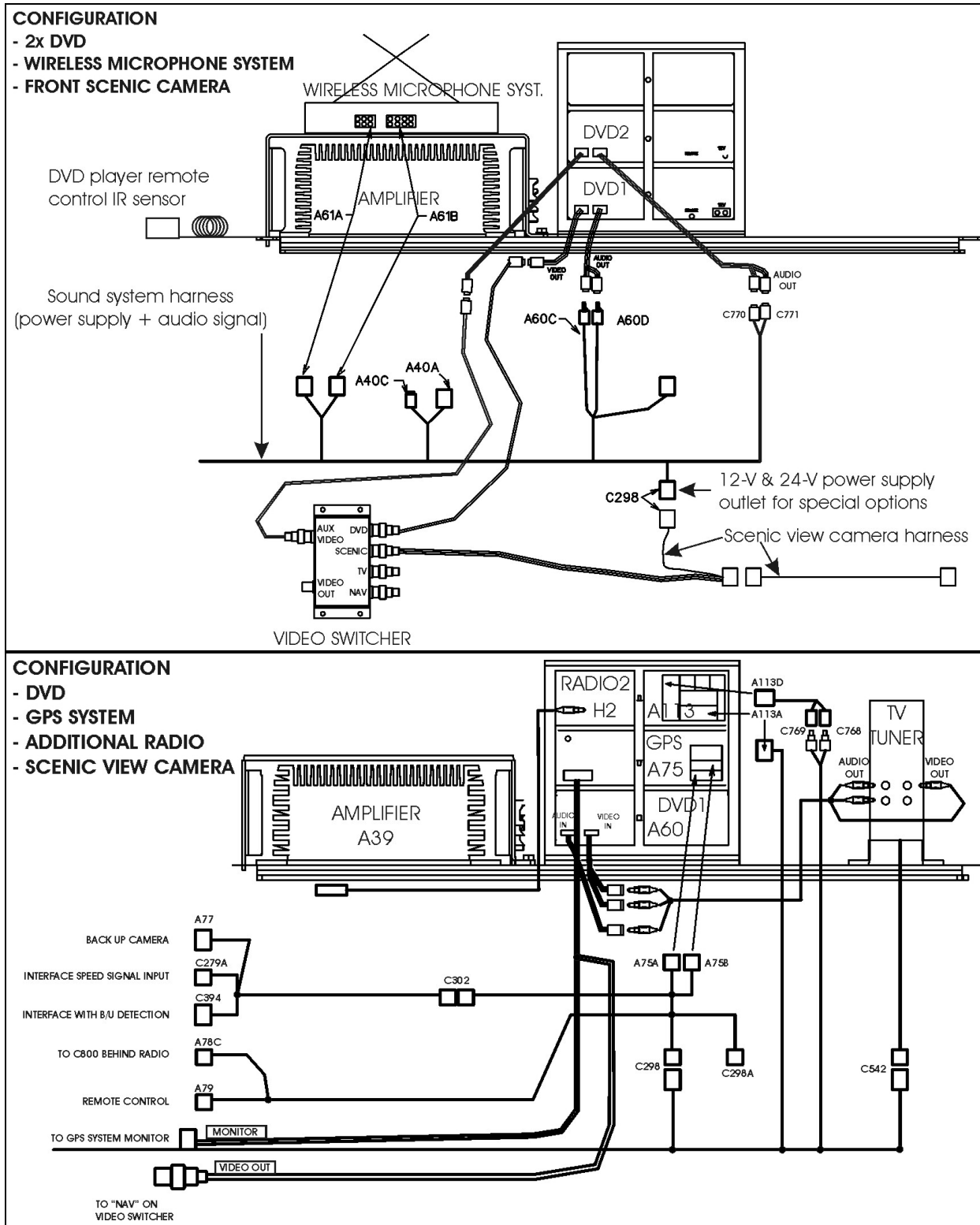


FIGURE 2: AUDIO & VIDEO CONNECTIONS

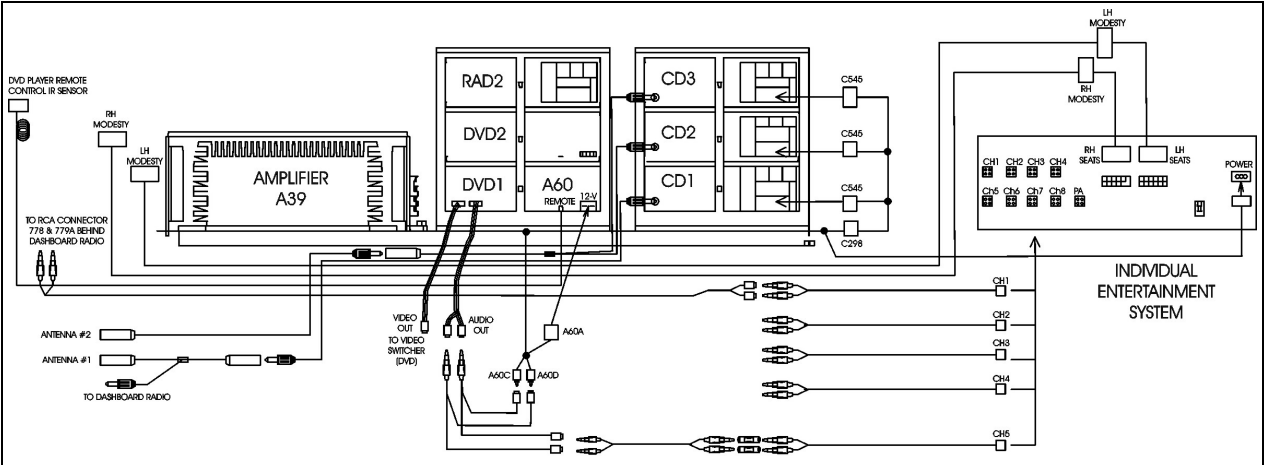


FIGURE 3: AUDIO-VIDEO CONNECTIONS

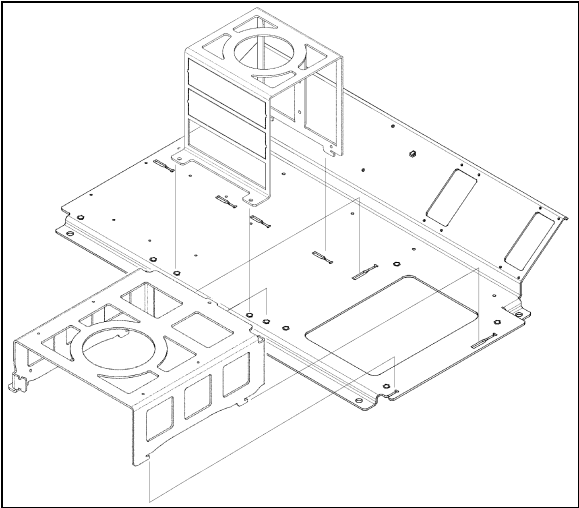


FIGURE 4: RACKS ON AUDIO-VIDEO PANEL 23059

## 2.1 HOW TO RECEIVE SERVICE FOR YOUR REI AUDIO AND VIDEO PRODUCTS

For assistance in obtaining service for REI products call toll free 877-726-4617 (Continental United States and Canada) between the hours of 7:00 A.M. - 5:00 P.M. CST Monday thru Friday (excluding Holidays).

Prior to calling REI, please have the part number, serial number, VIN number and detailed description of the problem ready to provide to the REI service representative. After providing information to REI, customers will be issued a return authorization number. When the REI service representative provides the return authorization number, they will also give instructions for returning the item. Any discrepancies in following this procedure may cause delays in the process.

**24/7** Tech Support

**CALL 1-877-726-4617**

E-Mail to [technicalsupport@radioeng.com](mailto:technicalsupport@radioeng.com)

### **REI Authorized Repair Facilities**

REI  
6534 L Street  
Omaha, Nebraska 68117

REI  
1376 Bennett Drive, Unit 126  
Longwood, Florida 32750

REI products that may be installed in your coach:

MONITOR, LCD 10.4"

MONITOR, COLOR BACK-UP CAMERA

MONITOR, LCD 15.4"

MONITOR, CENTRAL LCD 15.4"

MONITOR, FLIP19"

MONITOR, 16:9 LCD 15.4"

MONITOR, 16:9 CENTRAL LCD 19"

INDIVIDUAL ENTERTAINMENT SYSTEM

AMPLIFIER, 8-CHANNEL

DVD PLAYER

DVD REMOTE CONTROL

CAMERA, COLOR BACK-UP

CAMERA, COLOR PANORAMIC

MICROPHONE, 10" CB TYPE

MICROPHONE, WIRELESS

RECEIVER, WIRELESS MIC 16-CHANNEL



## 2.2 DASHBOARD AM/FM RADIO



FIGURE 5: DASHBOARD AM/FM RADIO

### NOTE

Before attempting to solve an electrical problem on the sound system, refer to the wiring diagrams.

Refer to your vehicle Operator Manual for radio operating instructions.

#### • Removal/Installation

To remove the radio from its location, proceed as follows:

- Place the ignition switch in the “OFF” position.
- Remove the dashboard cover.
- Disconnect the electrical cable connectors from radio and unfasten back plate securing nuts/screws.
- To separate the radio from its support, insert the removal tool #20584494 in the holes found each side of the radio front panel.
- Push the unit through the front dashboard panel.
- Install a new unit by reversing the procedure.

## 2.3 VSS-05 SOUND SELECTOR



FIGURE 6: VSS-05 SOUND SELECTOR

#### • Removal/Installation

To remove the Sound Selector from its location, proceed as follows:

- \* Place the ignition switch in the “OFF” position.
- \* Remove the dashboard cover.
- \* Disconnect the electrical connectors from unit and unfasten back plate securing nut/screw.
- \* To separate the Sound Selector from its support, insert the removal tool #20584494 in the holes found each side of the unit front panel.
- \* Push the unit through the front dashboard panel.
- \* Install a new unit by reversing the procedure.

The operating instructions are included in your vehicle Operator’s Manual.

## 2.4 VD-404 MOBILE DVD PLAYER



FIGURE 7: VD-404 MOBILE DVD PLAYER

The MOBILE DVD PLAYER is located in the first parcel compartment on the driver’s side. Instructions for proper use of this unit are found on your technical publications USB flash drive.

Features:

- POWER  
Operating voltage: 12-volt DC
- COMPATIBILITY  
This DVD player can play the following disc formats:  
DVD, CD, VCD, DVCD, MP3, CD-R, CD-RW
- SYSTEM FUNCTIONS  
Video output system: system MULTI, NTSC or PAL switchable.  
1 L/R audio output  
1 L/R audio input  
1 AUX video output  
1 rear camera video input

3 video outputs with one dedicated self-switching rear view monitor

- ADDITIONAL VIDEO FEATURES

Multi-angle, multi-view, multi-audio function, multi-level forward and backward motion, play position memory, resume stop and repeat function.

### 2.5 MULTICHANNEL POWER AMPLIFIER VA400.8

This 400-watt, 6-channels brings an added dimension to your stereo equipment and increases the total output of the system.

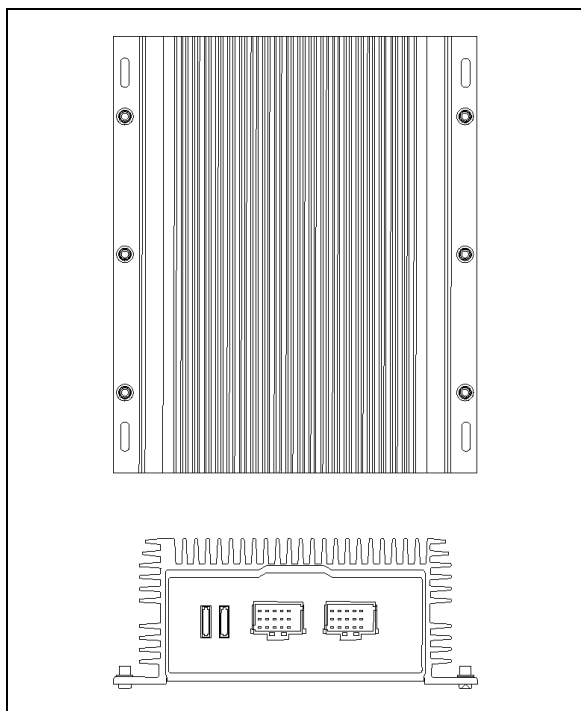


FIGURE 8: MULTICHANNEL POWER AMPLIFIER

For optimum sound quality, adjust the subwoofer crossover filter as shown on figure 9. This adjustment is necessary to balance the subwoofers volume in respect to the other speakers and also to cut high frequencies for a better sound quality.

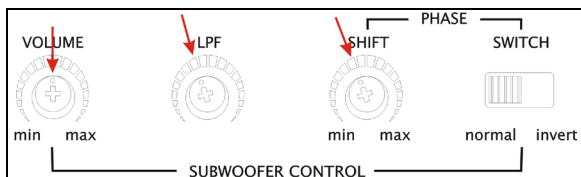


FIGURE 9: CROSSOVER ADJUSTMENT

### 2.6 SPEAKERS

Each passenger's overhead console mounted to the underside of the overhead compartments contains a 20-watt Dual cone or coaxial 10cm speaker. The speakers in the passenger's section, wired in stereo and arranged in a delta configuration are powered by the amplifier.

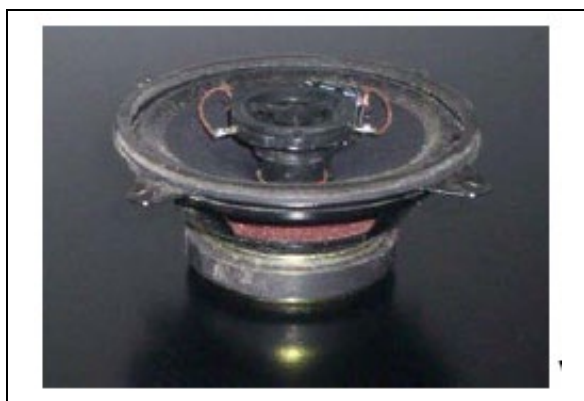


FIGURE 10: 10CM COAXIAL SPEAKER

The vehicle may be equipped with two additional Hi-Fi speakers in the driver's area, mounted one on each side. This arrangement provides the driver with a clear stereo sound. Controls for the driver's audio are performed through the dashboard AM/FM radio.

Two specially designed subwoofers may be fixed as an option under a passenger seat with anti-vibration supports.

### 2.7 BOOM-TYPE MICROPHONE

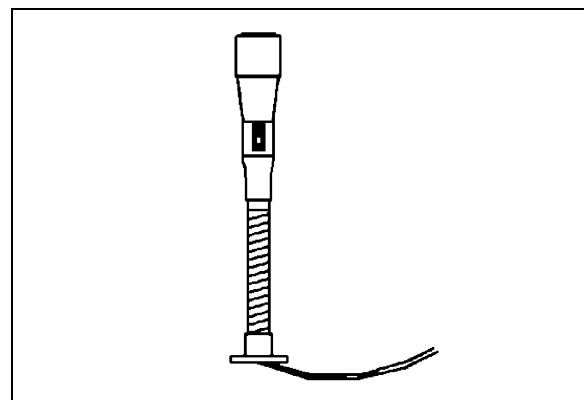


FIGURE 11: BOOM-TYPE MICROPHONE

23083

### 2.7.1 Removal

1. Place the ignition switch in the "OFF" position.
2. Remove the mounting screws at mounting flange.
3. Disconnect wiring.

### 2.7.2 Installation

1. Reconnect wiring.
2. Align mounting flange with holes and install screws.
3. Remove spacer block mounting screws.
4. Insert spacer block and install mounting screws.
5. Place the ignition switch in the "ON" position.

## 2.8 HANDHELD PRIORITY MICROPHONE

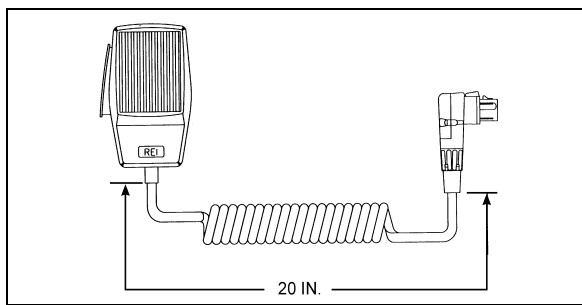


FIGURE 12: HANDHELD PRIORITY MICROPHONE 23216

## 2.9 WIRELESS MICROPHONE

The wireless microphone, receiver and charging cradle are custom designed units that allow for wireless communication from anywhere on the coach. The unit consists of a receiver mounted in the parcel area directly behind the driver, and a rechargeable hand-held microphone and charging unit. Instructions for proper use of the microphone are included in the "REI Operating Manual" which is provided in the technical publications box delivered with the vehicle.

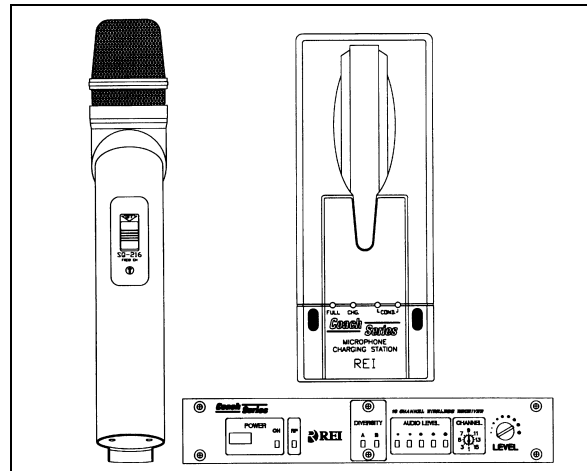


FIGURE 13: WIRELESS MICROPHONE

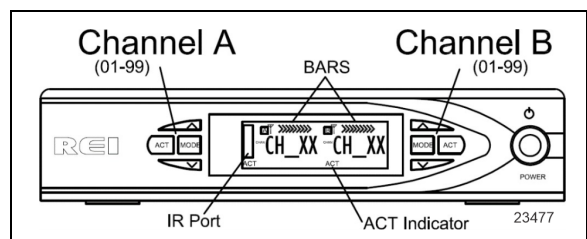


FIGURE 14: WIRELESS MIC RECEIVER

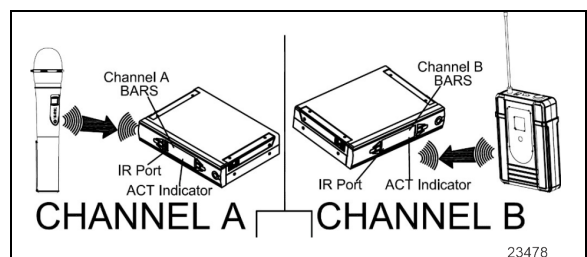


FIGURE 15: MIC DEVICES

Handheld mic always pairs to channel A and belt pack mic always pairs to channel B.

To pair microphone to receiver:

- Press ACT button for appropriate channel. ACT indicator on receiver display will blink to show the receiver is searching for the device to be paired.
- Turn device on and face the IR ports towards the display on the receiver.
- When device has paired, there will be bars across the top edge of the receiver display for the appropriate channel.

## 2.10 DRIVER'S SPEAKERS

The driver's speakers are mounted one on each side. This arrangement provides the driver with

clear stereo sound. Controls for the driver's audio allow selection between the radio and the auxiliary audio (independent of the passenger's speakers) or muting the speakers.

### 2.11 MONITOR REMOVAL

1. Place the ignition switch in the "OFF" position.
2. Unfasten the retaining screw located on the monitor R.H. side.
3. Slide the monitor to the right to release it from the mounting bracket.

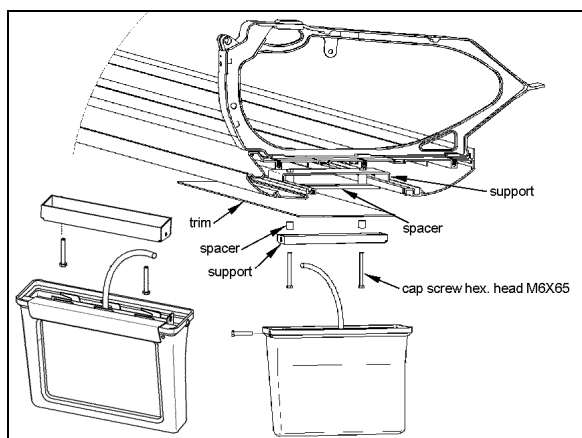


FIGURE 16: MONITOR MOUNTING 23221

### 2.12 SCENIC VIEWING SYSTEM

The scenic viewing system enables the passengers to view the road ahead of the vehicle. This system is composed of a camera, a dashboard mounted ON/OFF switch and the video switcher located on the audio-video panel (Figs. 1 & 17).

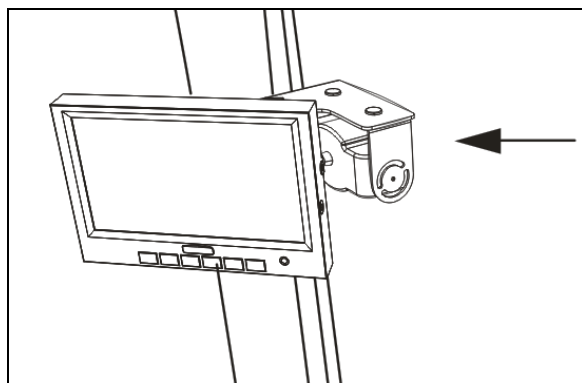


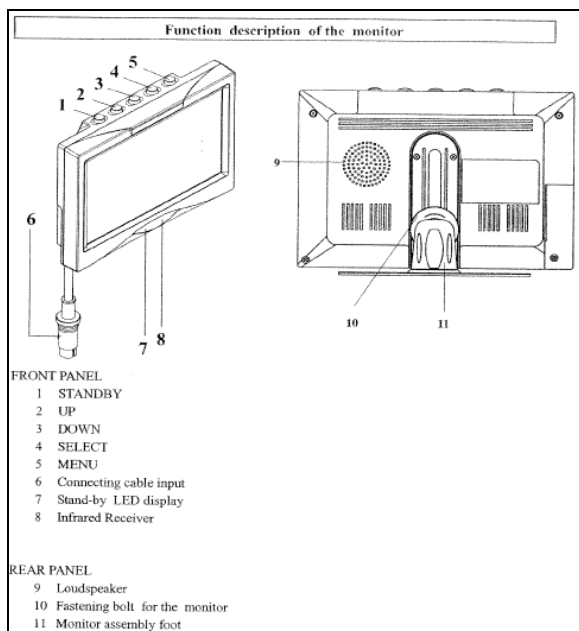
FIGURE 17: SCENIC VIEW CAMERA

### 2.13 ROOF ANTENNA INSTALLATION

1. Find the desired location and drill a hole according to specification.
2. To remove dirt and grease, wash edge of hole with alcohol.
3. If so equipped, remove foam padding ring from antenna to free the metal surface (foam can produce air bulbs in new rubber seal).
4. With SIKKA 205, wash the opening edge and the antenna base surface, wait at least two (2) minutes for chemical evaporation.
5. Apply new seal SIKKA 221 on both, vehicle hole edge and antenna base.
6. Fix the antenna in place.
7. Remove excess seal and complete a finishing joint all around the antenna base.

### 3. BACK-UP CAMERA AND MONITOR

An optional back-up camera is available which provides the driver with visual assistance when backing-up. The camera is automatically activated when the transmission is put in reverse gear and the ignition switch is "ON".



#### BUTTON DESCRIPTION

**1) STANDBY:** On/Off switch

**2) UP:** This key has 3 functions

- Increase of the volume during normal operation;
- Modification of the setting within a function e.g. contrast (after calling up the menu);
- By pressing this key when putting in the reverse gear, the distance markings move upwards;

**3) DOWN:** This key has 3 functions

- Decrease of the volume during normal operation;
- Modification of the setting within a function e.g. contrast (after calling up the menu);
- By pressing this key when putting in the reverse gear, the distance markings move downwards;

**4) SELECT:** This key has 3 functions

- Selection of the video sources (CA1 → CA2 → AV → CA1). Press less than 1.5 seconds;
- Selection of the functions e.g. picture setting (after calling up the menu);
- Deleting and calling OSD letters of title & time (press longer than 1.5 seconds) during normal operation;

**5) MENU:** This key has 2 functions

- Activation of the dimmer function (press less than 1.5 seconds) during normal operation;
- Calling up the menu (press longer than 1.5 seconds, four menus can be called up). Press the key once again to call up the individual menus;
  - a) PICTURE= Functions for the image setting;
  - b) USER= Selection of the system function;
  - c) TIME= Setting time and date;
  - d) INSTALL= Setting the camera function (e.g. mirror function);

#### 6) BUSH FOR THE MONITOR CABLE OF THE CONNECTION BOX

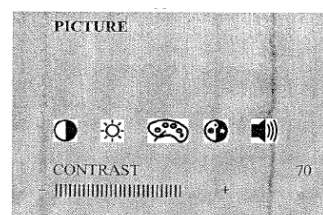
#### 7) STANDBY DISPLAY

#### 8) INFRARED RECEIVER

#### MONITOR MENU DISPLAY

The monitor (RV59 HD) is equipped with an On-Screen Display (OSD) function which displays date, camera, channel, mirror mode and distance markings. These functions can be selected on MENU. To calling up the menu, press longer than 1.5 seconds. Four menus can be called up. Press the key once again to call up the individual menus.

For calling up the menu PICTURE press the key **MENU** longer than 1.5 seconds. The menu PICTURE appears.



Graphic means the followings.

- CONTRAST
- BRIGHTNESS
- COLOR
- TINT
- VOLUME

Select the function (e.g. contrast) by pressing the key **SELECT** repeatedly. The setting within the function can be modified with the keys **UP** and **DOWN**.

For calling up the menu USER press the key **MENU** once again. The menu USER appears. Select the function (e.g. SELECTION) by pressing the key **SELECT** repeatedly as necessary. The setting within the function can be modified with the keys **UP** and **DOWN**.

USER		SETTINGS
LANGUE	ENG	ENGLISH/GERMAN (ENG/DEUT)
SCREEN	WIDE	NOR 4:3, picture format 4:3 WIDE, picture format 16:9 FULL, picture format 16:9 middle enlarge
TITLE	ON	TITLE: CAMERA TITLE DISPLAY ON/OFF
TIME	ON	TIME: TIME DISPLAY ON/OFF

For calling up the menu TIME press the key **MENU** once again. The menu TIME appears. Select the function (e.g. DATE) by pressing the key **SELECT** repeatedly as necessary. The setting within the function can be modified with the keys **UP** and **DOWN**.

TIME		OPERATION
TIME	08:25	Hour-Month adjustable by UP BUTTON
DATE	MAY01	Minute/Date adjustable by DOWN BUTTON
YEAR	2005	Year adjustable by UP/DOWN BUTTON

For calling up the menu INSTALL press the key **MENU** once again. The menu TIME appears. Select the function (e.g. SELECTION) by pressing the key **SELECT** repeatedly as necessary. The setting within the function can be modified with the keys **UP** and **DOWN**.

INSTALL		POSSIBLE SETTINGS:
REAR	CAM1	Selection of priority camera (CAM1 or CAM2) which is triggered by rear gear.
CAM1	MIR	Selection of real picture or mirrored picture for camera 1.
CAM2	NOR	Selection of real picture or mirrored picture for camera 2.

**NOTE 1**

The distance mark will appear on the picture of camera which set as MIR (mirrored).

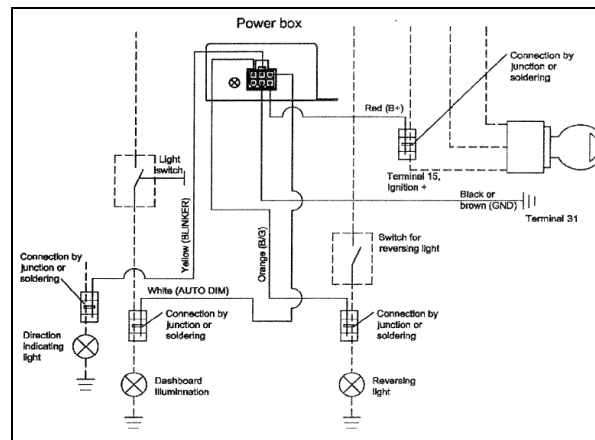
**NOTE 2**

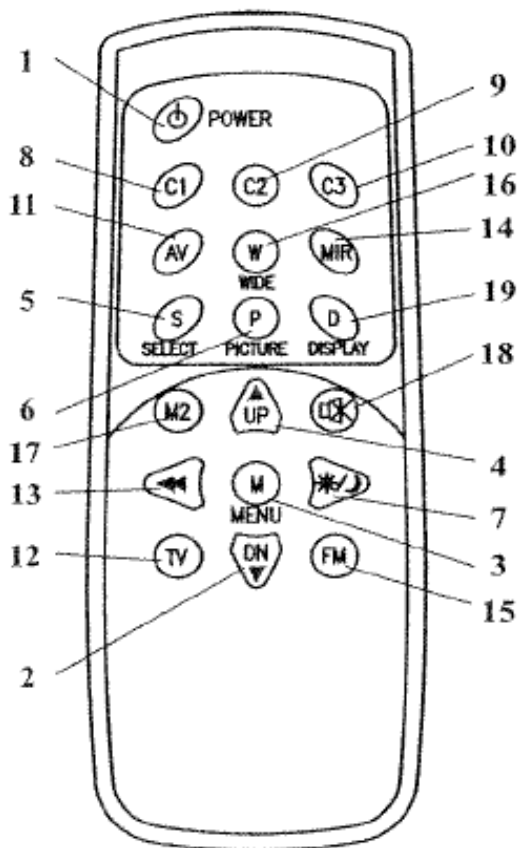
Engaging the reverse gear, only distance mark will appear on the mirrored camera picture without any OSD. At the moment, no keys are available except UP/DOWN key for moving distance bar.

**BACK-UP CAMERA MODULE (Power box)**

The connection line consists of 6 branch lines as below:

RED	Voltage supply 12-volt to 24-volt (max. 32-volt)
BLACK/BROWN	Earth cable
WHITE	Control wire for switching on the dimmer function (night operation)
YELLOW	Control wire for switching on the side camera. The connection is to be made at the INDICATOR
ORANGE	Control wire for switching on the reversing camera. The connection is to be made at the reversing light





No	Key	Description
1	STANDBY	On/Off switch
2	DOWN ▼	This key has 3 functions. – Decrease of the volume during normal operation. – Modification of the setting within a function e. g. brightness (after calling up the menu). – By pressing this key when putting in the reverse gear the distance markings move downwards.
3	MENU	Calling up the menu on the screen. Three menus can be called up : a: PICTURE = Functions for the image setting b: USER = Selection of the system function c: TIME = Setting time and date d: INSTALL = Setting the camera function (e.g. mirror function)
4	UP ▲	This key has 3 functions. – Increase the volume during normal operation – Modification of the settings within a function e. g. contrast (after calling up the menu) – By pressing this key when putting in the reverse gear the distance markings move upwards.
5	SELECT	This key has 2 functions Selection of the video sources (CA1 → CA2 → AV) Selection of the functions e.g. picture setting (after calling up the menu)
6	PICTURER	Calls up the functions CONTRAST, BRIGHTNESS etc. directly for the picture setting. Carry out the setting with the key UP or DOWN.
7	DIMMER	Regulates the brightness to night operation temporarily
8	C1	Selection of the camera 1
9	C2	Selection of the camera 2
10	C3	Selection of the camera 3 (camera input 3 is not available))
11	AV	Selection of the video input (RCA)
12	TV	Not available
13	SEARCH	Not available
14	MIRROR	Reversing left and right of picture temporarily
15	FM	Not available
16	WIDE	Setting of the screen format NOR/NOR: 4:3, picture format 4:3 WIDE/WEIT, picture format 16:9 FULL/BREIT, picture format 16:9 middle enlarged
17	MONITOR2	Not available
18	MUTE	Switches off the tone temporarily
19	DISPLAY	This key has 2 functions – Deleting or calling OSD letters of Tile & Time temporarily – Leaving the menu

#### 4. HUB ODOMETER

An optional wheel hub odometer (Figure 18) may have been installed on the R.H. side of the drive axle. It indicates the total distance in miles or kilometers covered by the coach since it has left the factory, including road testing.

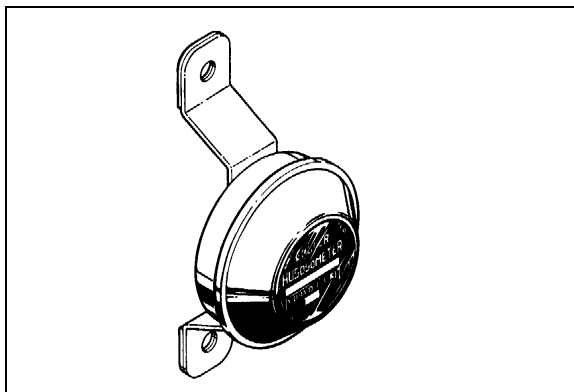


FIGURE 18: HUB ODOMETER

23024

##### 4.1 OPERATION

The hub odometer is calibrated for a specific wheel size (diameter). Wheel rotation causes a mechanism inside the hub odometer to record distance after a predetermined number of rotations. The unit should be serviced at a competent speedometer repair facility.

##### **NOTE**

*Do not use paint, solvent or thinner on hub odometer face or on plastic hubcaps. Do not weld on hub odometer.*

##### 4.2 REMOVAL

To remove the unit, remove the two lock nuts and washers securing it to the wheel hub, and pull the unit off the studs.

##### 4.3 INSTALLATION

Place the hub odometer unit over the wheel hub studs. Replace the lock washers and nuts. Torque stud nuts.

**TORQUE: 110-165 lb-ft (149-224 Nm)**

#### 5. ELECTRONIC DESTINATION SIGN INSTALLED ON X3-45 COACHES (OPTIONAL)

The optional destination sign is located at upper front of the vehicle. To change the destination, depress the selecting switches until the desired destination appears in the LCD display.

##### **NOTE**

*LCD display may be located at the back of the destination sign (series 600) or on the vehicle modesty panel (430 series). Refer to the corresponding supplier's [operating manual](#) for more information regarding operation and maintenance of the destination sign.*

##### **NOTE**

*A data file must be loaded into the destination sign control unit before operating the system on the road. Insert the supplied USB key in the display USB port to automatically start the process.*



FIGURE 19: DESTINATION SIGN LCD DISPLAY (SERIES 600 SHOWN) 23123-1

#### 6. WINDSHIELD SUNSHADES

Two electrically operated sunshades are installed in the driver's area at the top of the windshields.

Control buttons are located on the steering wheel and the dashboard to operate sunshades individually. Refer to Operator's Manual: "Controls and Instruments" chapter for more information.



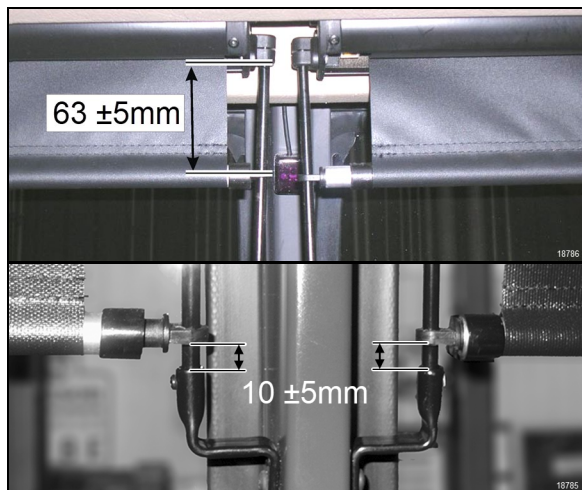
**CAUTION**



*Pulling down manually on the sunshade may damage the mechanism.*

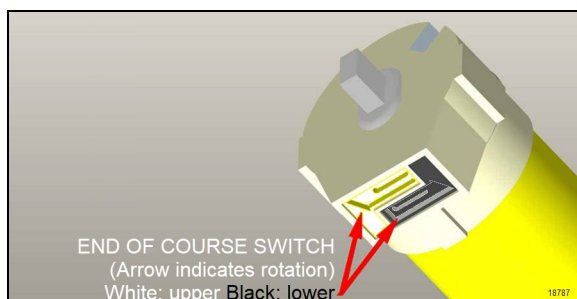
## 6.1 END OF STROKE ADJUSTMENT

The sunshades end positions are factory pre-adjusted. If an adjustment is required, proceed as follows:



**FIGURE 20: FACTORY ADJUSTMENT OF UPPER AND LOWER END POSITION**

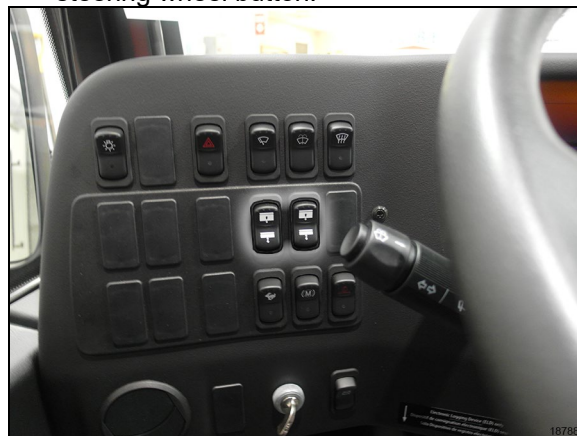
1. Place the ignition key to the ON position.
2. Move sunshade to within 10mm of the upper or lower end position.
3. On the sunshade roller end, there are two end of course setting buttons.
4. *White* button is for setting the *upper* end of course, *black* button is for *lower* end of course.



**FIGURE 21: END OF COURSE SETTING SWITCHES**

5. Insert a small screwdriver and depress the corresponding button. Release when you hear a click.
6. Use the sunshade dash button to adjust to the desired position by small pulses. The

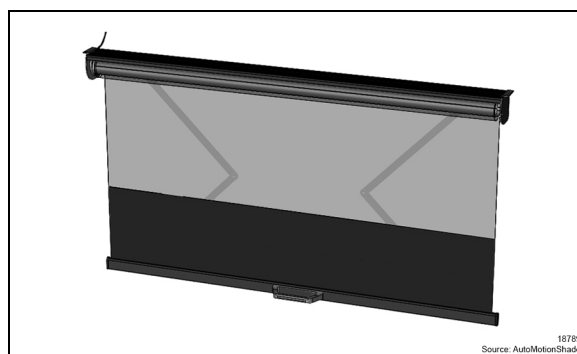
dash buttons provide a finer control than the steering wheel button.



**FIGURE 22: DASH SUNSHADE CONTROL BUTTONS**

7. When satisfied with the position, depress the end of course button on the sunshade. With a screwdriver. Release when you hear a click (Figure 21)
8. Press twice on the steering wheel control button to move the sunshade to the other end of stroke position.
9. Proceed to fine adjustment of the other position by repeating steps above.

## 6.2 END OF STROKE ADJUSTMENT ON SCISSOR TYPE MOTORIZED SUNSHADES



**FIGURE 23: MOTORIZED SCISSOR TYPE SUNSHADE**

Refer to AutoMotionShade [quick reference guide](#) provided on Prevost Technical Publications web site to adjust the motor limits.

## 7. PASSENGER SUNSHADES

Manually operated passenger sunshades are factory installed on some vehicles. The sunshades are pulled down and can be locked in the window side moldings at half or full close position.

To release, simply disengage the sunshade from the moldings and release. Spring tension will pull back the sunshade to the full open position.

Correct spring tension is set at the factory and should not need further adjustment.

However, if for any reason a sunshade has to be removed from the vehicle, preloading of the recoil mechanism will be required before re-installation to ensure that the sunshade returns to the full open position when released.

**7.1 PRELOAD ADJUSTMENT**

Using the chart below, preload the sunshade mechanism before installing the sunshade in the window support.

***NOTE***

*When installed, lower the sunshade 6po (15cm) and release. The sunshade should retract freely to the full open position. Re-adjust preload as needed.*

Sunshade Type	Req. Preload
Std Sunshade	12 turns
Large WCL Sunshade	12 turns

**8. LAVATORY INSTALLED ON X3-45 COACHES**

The lavatory is located in the rear curb side corner of the coach. It is equipped with a chemical flush toilet, bathroom tissue dispenser, mirror and waste container access.

A movement detector will automatically illuminate a fluorescent light inside the lavatory and two outside occupied signs. One sign is located on the outer wall of the lavatory and another sign is located over the windshield. A telltale light on the dashboard will also illuminate to inform the driver when the lavatory is occupied.

If emergency assistance is required, the lavatory occupant can actuate a buzzer that will sound in driver's area. The buzzer push-button is located just below the toilet flush button.

The lavatory has its own ventilation system that operates only when ignition switch is in the "ON" position.

***NOTE***

This fan runs constantly when the ignition switch located on the dashboard is in the "ON" position.

Also, a drain hole located on lavatory floor drain water splashed on the floor to the engine compartment R.H. side.

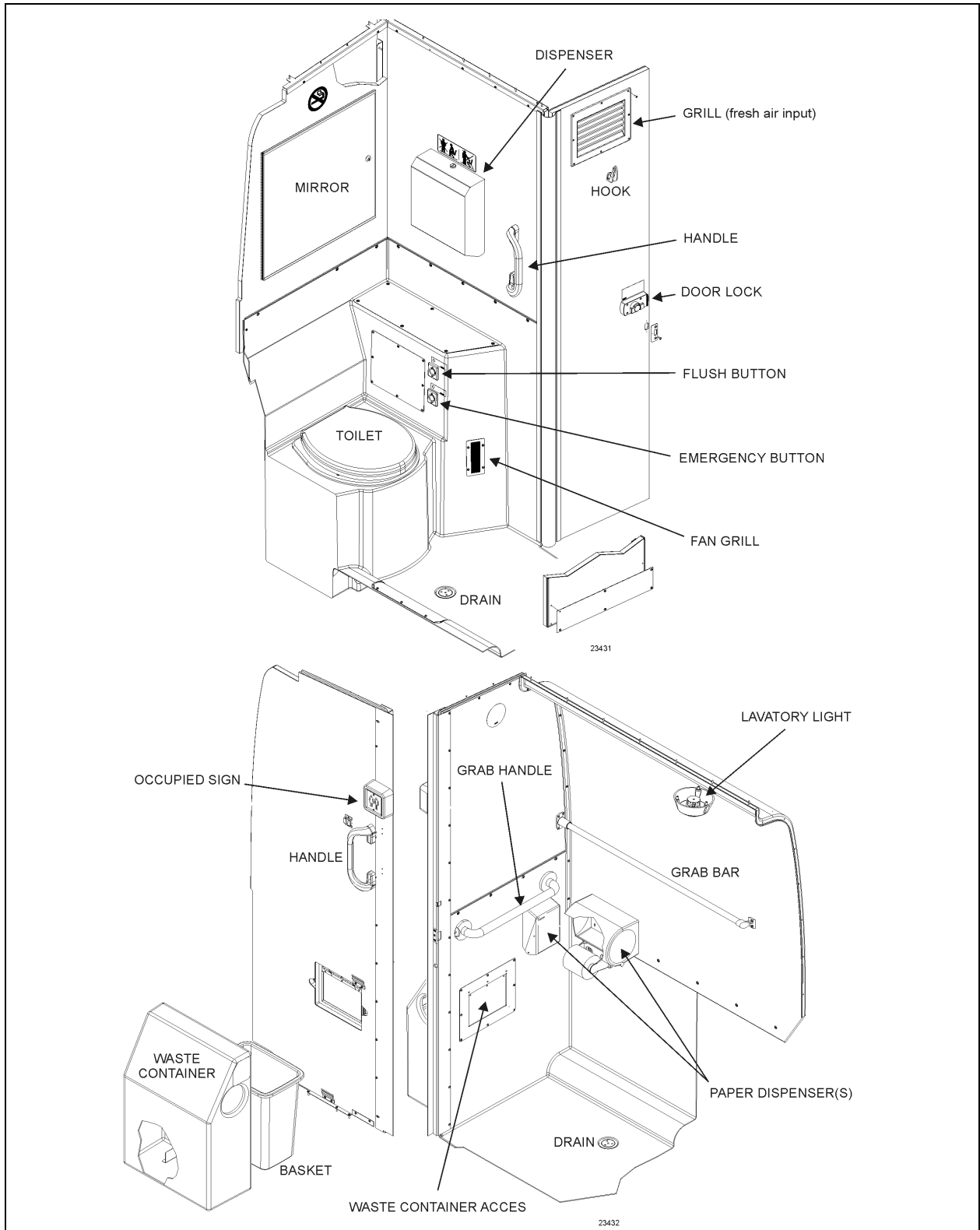


FIGURE 24: LAVATORY

## 8.1 LAVATORY VENTILATION FAN

The lavatory ventilation fan (Figure 25), mounted in engine compartment, serves two purposes. It exhausts objectionable odors and provides a constant air circulation in the lavatory compartment by heating or cooling the lavatory with the vehicle ambient air. Air flows in the lavatory compartment through a vent grill located on the lavatory door and exhausts through a grill located next to the toilet.

**NOTE**

*This fan runs constantly when the ignition switch located on the dashboard is in the "ON" position.*

## 8.1.1 Maintenance

The frequency of preventive maintenance should be determined according to vehicle mileage and operating conditions. However, it is recommended to check this item every 50,000 miles (80 000 km) or once a year, whichever comes first.

Remove fan and motor assembly. Check for fan housing wheel and motor free operation. When defective motor occurs, new motor must be installed.

## 8.1.2 Removal and Installation

1. Open SRC access door (*refer to Section 2 of the Operator's Manual under Exhaust Aftertreatment System Access Door*).
2. Locate fan assembly and disconnect the fan wiring connector.
3. Remove the fan shroud mounting screws and remove the ventilation fan assembly from its location.
4. The unit can now be disassembled and the motor and components replaced as necessary.
5. Reverse previous steps to reinstall fan assembly on vehicle.

**NOTE**

*Make sure fan shroud seal is in good*

*condition prior to installation, replace as necessary*

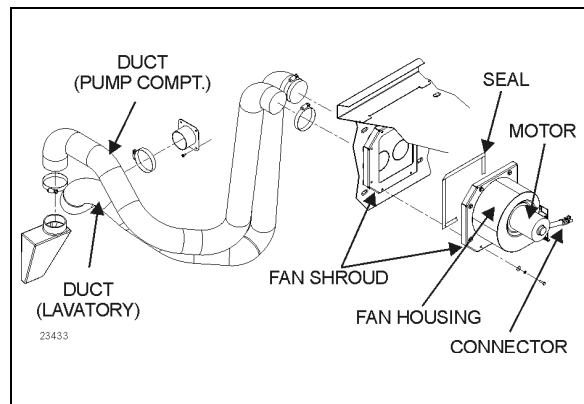


FIGURE 25: VENTILATION FAN INSTALLATION

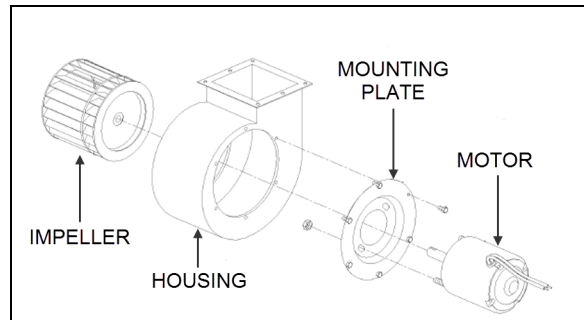


FIGURE 26: FAN ASSEMBLY COMPONENTS

## 8.2 DOOR LOCK

Lavatory door lock has inside and outside handles, as well as an inside latch to lock door from inside the compartment. If the lock fails to release, the door can be opened from the outside using a special key which is supplied to the driver. Lock assembly can be removed from the door; a thin coat of lubricant on all moving parts will ensure trouble-free operation.

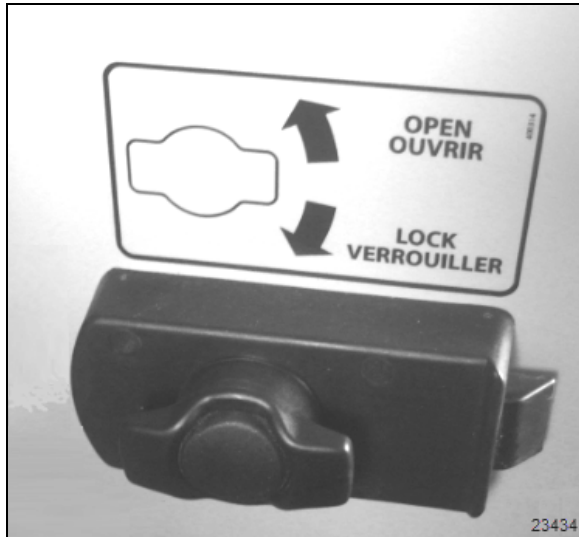


FIGURE 27: DOOR LOCK – FROM INSIDE LAVATORY

### 8.3 LAVATORY LIGHT & NIGHT-LIGHT

A lavatory LED light with built-in motion detector is installed on lavatory ceiling and will illuminate as soon as door (or occupant) movement is detected. At night, when the ignition switch is set to the ON position, the light will provide dimmed illumination inside the lavatory. The light & movement detector can be serviced as a complete assembly by removing the mounting screws holding the unit to the ceiling.

### 8.4 EMERGENCY BUTTON

The lavatory emergency buzzer is mounted on the inner curb side wall of lavatory and sounds when the emergency call push-button switch in the lavatory compartment is activated. For specific wiring information, refer to wiring diagrams. To remove the emergency call push-button switch, proceed as follows:

1. Remove both Phillips-head screws retaining pushbutton switch plate to wall.
2. Remove stainless steel plate located on L.H. side of pushbutton switch.
3. Remove switch through this opening, taking care to disconnect electric wires.

### 8.5 FLUSH PUSH BUTTON

The flush push-button is mounted on the inner curb side wall of lavatory just over the

emergency button. Press on push-button to actuate the pump located in the sump tank.

#### 8.5.1 Flush push button removal and installation

1. Remove both Phillips-head screws retaining pushbutton switch plate to wall.
2. Remove stainless steel plate located on L.H. side of pushbutton switch.
3. Remove pneumatic timer through this opening, taking care to disconnect electric wires.
4. Reverse the above procedure to reinstall timer.

### 8.6 FLUSH PUMP

The submersible-type flush pump is mounted inside an enclosure in the sump tank. The enclosure is provided with a screened side which, serves as a strainer to prevent solid matters from entering the pump.

The pump requires no periodic maintenance other than cleaning of the strainer side using a water jet introduced through the circular cap opening, once the sump tank is completely drained. The pump can run dry periodically without damage. However, for maximum seal life, the run dry periods should be kept to a minimum.



#### CAUTION

If vehicle is stored for an extended period of time, make sure to clean the strainer as solid matter will tend to pack, and will necessitate replacement of strainer.

#### 8.6.1 Flush Pump Removal

1. Drain tank.
2. Remove the toilet seat and cover.
3. Remove the toilet bowl flange.
4. Lift the toilet bowl, disconnect the water hose and remove the bowl & flap.
5. Remove the pump enclosure retaining screw and remove (lift-up) the complete assembly from the tank.

6. Remove the enclosure cover to access and remove the pump.

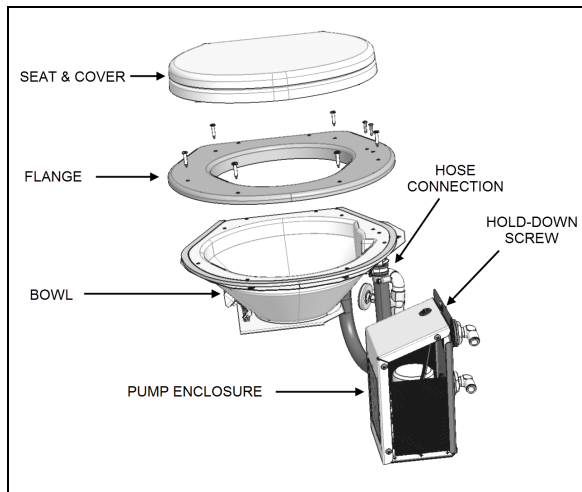


FIGURE 28: SUMP TANK PUMP ACCESS

## 8.7 SUMP TANK

### 8.7.1 Sump Tank Filling

Open the sump tank overflow valve (A) and connect a fresh water supply hose to the toilet sump tank fill connection (D). The sump tank is full when water starts flowing through the clear fill process overflow tube (start water level) (C). Close sump tank overflow valve (A) when the tank is full and drain fresh water fill tube using drain valve (B) to avoid ice damage during cold weather operation.

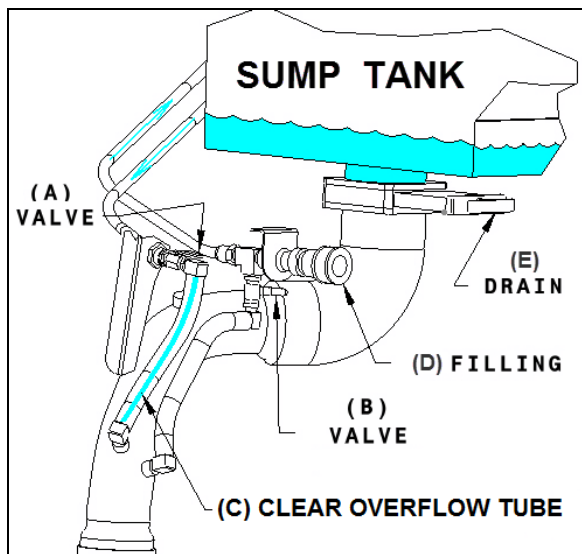
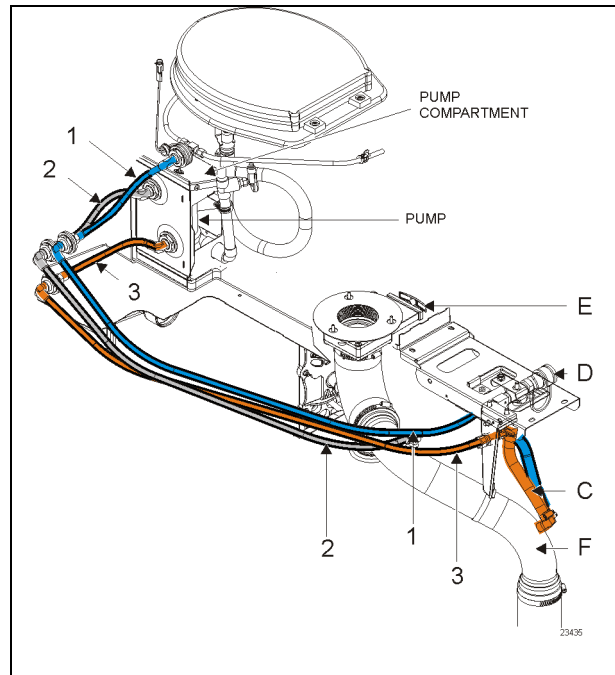


FIGURE 29: SUMP TANK SERVICE VALVES



- 1 – fresh water sump tank filler tube
- 2 – sump tank overflow
- 3 – fill process overflow tube
- C – clear fill overflow tube (“full” indicator)
- D – sump tank fill connection
- E – drain slide valve handle
- F – drain pipe

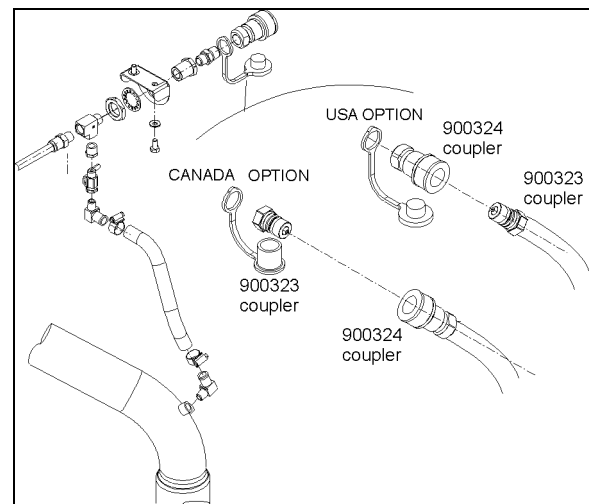


FIGURE 30: SUMP TANK FILL CONNECTION

## 8.7.2 Sump Tank Draining

When recirculating water in the toilet is soiled, drain sump tank. Pull the drain slide valve handle (E) and allow contents to drain. Remove the access cap and flush tank with clean water. To close, push the slide valve (E) back into closed position.

**CAUTION**

In cold weather, add 2 gallons (9 liters) of antifreeze (e.g.: ethylene glycol) in the toilet before filling sump tank.

**CAUTION**

Lavatory tank should be serviced only at suitably equipped stations.

**NOTE**

*It is unlawful to dump sump tank contents in any location other than those designated as such.*

When a full draining is required, clean sump tank by repeating the draining and filling operations while leaving the drain cock opened. Close cocks and pour a pack of commercial toilet deodorant (Prevost part #900329) in toilet before adding the antifreeze and starting final filling of sump tank.

**WARNING**

The toilet deodorant contains products that can be very irritating to skin. Use rubber gloves when handling and then clean toilet seat.

**WARNING**

Antifreeze must comply with the effective environmental act.

**CAUTION**

When cold weather is expected and there is no antifreeze in the tank, sump tank must be drained.

**NOTE**

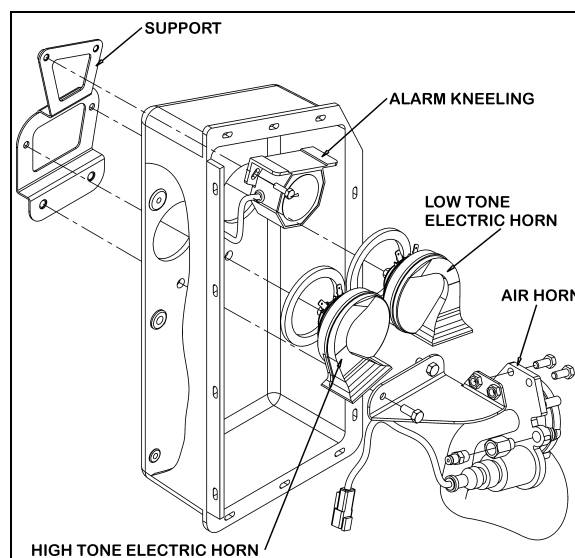
*If there is no antifreeze solution in the tank, there is less risk of freezing if engine is operating due to the heat it produces.*

**NOTE**

*New coaches are delivered with the sump and fresh water tanks empty. Fill with water before putting the coach in service.*

**9. HORN INSTALLATION**

The electric and air horns are located in a plastic box under the front step well and are accessible from the front body understructure. Refer to Operator's or Owner's Manual for operation.



**FIGURE 31: ELECTRIC & AIR HORN INSTALLATION 23420**

**9.1 ELECTRIC OR AIR HORN MAINTENANCE**

When needed, the electric or air horn can be serviced or replaced using the following procedure:

1. Raise vehicle by the jacking points;
2. Unplug the cable connector;
3. Disconnect the air tube if applicable;
4. Loosen the retaining bolts;
5. Service or replace the defective horn;
6. Reinstall by reversing procedure.

## 10. HEADLIGHT CLEANING SYSTEM

**NOTE**

When inspecting the headlights cleaning system, check the washer fluid hoses, fittings and connectors to be sure they are properly connected and seal with no restriction to the flow of washer fluid. Check that the washer nozzles are properly aimed.

The headlights cleaning system is independent from the windshield washer system and has its own washer fluid reservoir located in the front electrical and service compartment. However, this system shares the same telltale light than the windshield washer low level sensor (refer to Operator's manual for operation). Each pressing of this switch produces 2 successive 0.7 seconds jets.

**CAUTION**

Do not operate the headlights washer while the washer fluid reservoir is empty. This may damage the washer fluid pump.

## 10.1 WASHER FLUID REFILLING

Open the filler neck cap and add regular windshield washer fluid as required. The tank has a capacity of 10 liters (2.6 US gallons). You may use water or windshield washer fluid as well but, during cold weather days, use windshield washer fluid suitable for freezing temperature only.

## 10.2 WASHER NOZZLES ADJUSTMENT

To avoid waste of washer fluid, assure the fluid jets are properly aimed. Adjust nozzles so they aim as described in figure 32. Align the jet adjustment tool #800377 with the reference line shown on the front view detail. As seen on the side view, position the end of the adjustment tool to a distance of ½" (high beam) and 1" (low beam) from the top of the headlight for proper aiming.

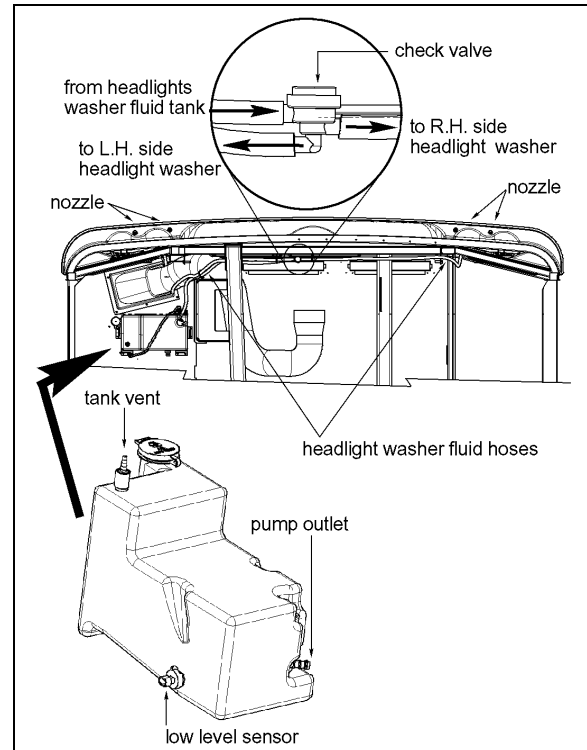


FIGURE 32: HEADLIGHTS CLEANING SYSTEM 23380

**CAUTION**

Because they are made of plastic, firmly tighten nozzle and bulkhead fittings by hand only.

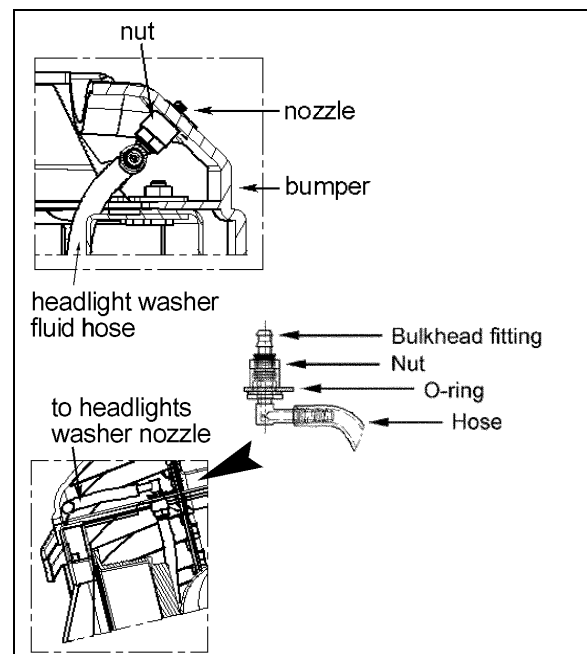


FIGURE 33: TUBING AND FITTINGS

23381



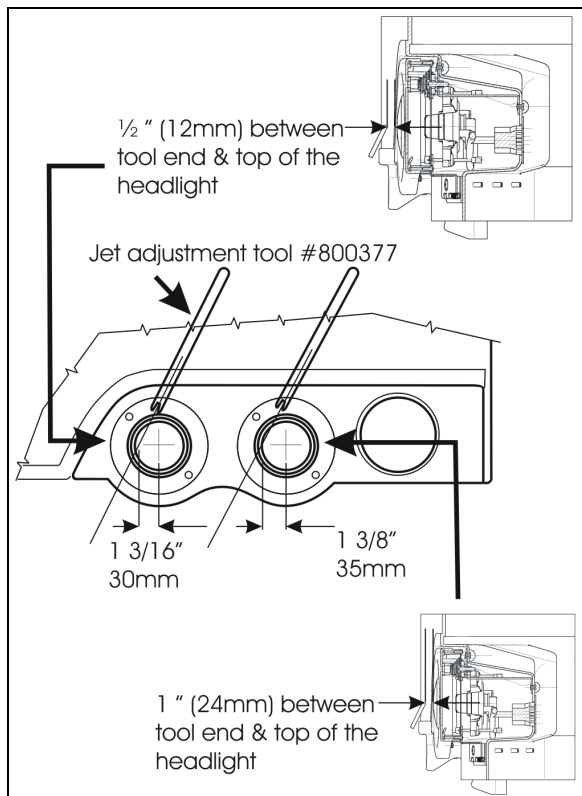


FIGURE 34: WASHER NOZZLES ADJUSTMENT 23382

## 11. WINDSHIELD WIPERS AND WASHERS

### 11.1 GENERAL DESCRIPTION

#### **NOTE**

When installing a wiper motor, arm or blade, follow recommended procedures to prevent misalignment, binding or malfunction. Check the windshield washer liquid hoses, fittings and connectors to be sure they are properly connected and seal with no restriction to the flow of washer liquid. Check that wiper arms have the proper sweep position and the washer nozzles are aimed so that spray is within the proper wiper pattern.

The windshield wipers are controlled by one electric wiper motor that is accessible for maintenance after removing the appropriate access panel beside the footwell (refer to Figure 37).

Turn the multifunction lever forward to activate windshield wipers (item 2, Figure 35). The first position operates the wipers at low speed and the second position operates the wipers at high

speed. Turning the lever backwards will operate the wipers in the intermittent mode.

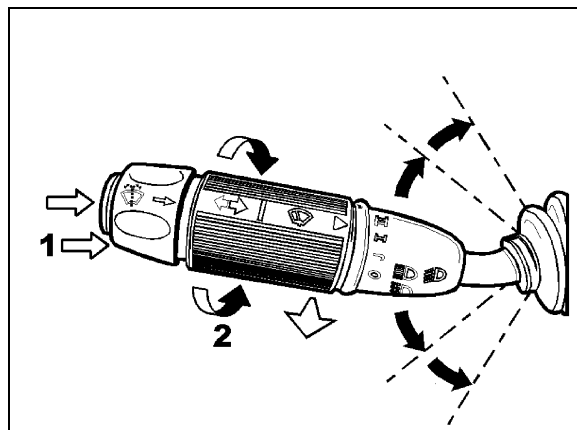


FIGURE 35: MULTIFUNCTION LEVER 23133

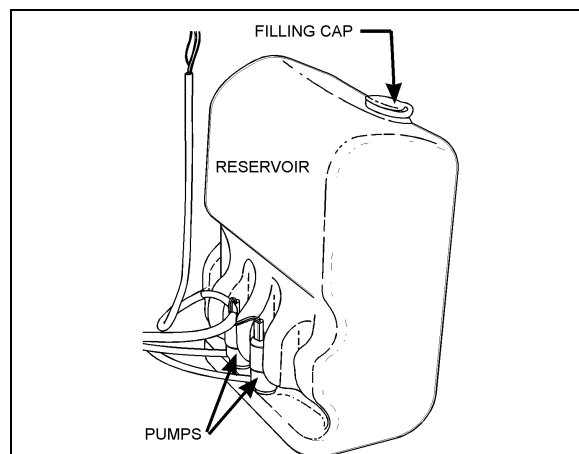


FIGURE 36: WINDSHIELD WASHER RESERVOIR 23220

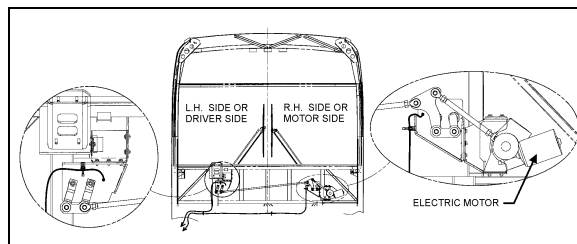


FIGURE 37: WINDSHIELD WIPER INSTALLATION 23287

The windshield washer pumps are electrically operated and are controlled by a washer control ring on the multifunction lever (item 1, Figure 35).

The windshield washer reservoir is located in the front service compartment (Figure 36). This unit pumps the washer liquid to the spray nozzles where it is dispersed across the windshield.

## 11.2 WIPER ARM

Check operation of the wipers for proper blade sweep and angle.

## 11.2.1 Wiper Arms Positioning

1. Reinstall the wiper arms and position as shown in figure 40. Before positioning the wipers at their final position, tighten the nuts at first.

**TORQUE 9 lb-ft (12 Nm)**

2. To find the final position of the wiper arms, lift then release the wiper arm so it falls back on the windshield.

**CAUTION**

Do not attempt to manually move the wiper arms to make wiper blade sweep adjustments as damage to the wiper linkage or motor may occur. If it is necessary to adjust the sweep of blades, remove the arms and make adjustment by positioning the arms using serration on the wiper arm pivot shafts.

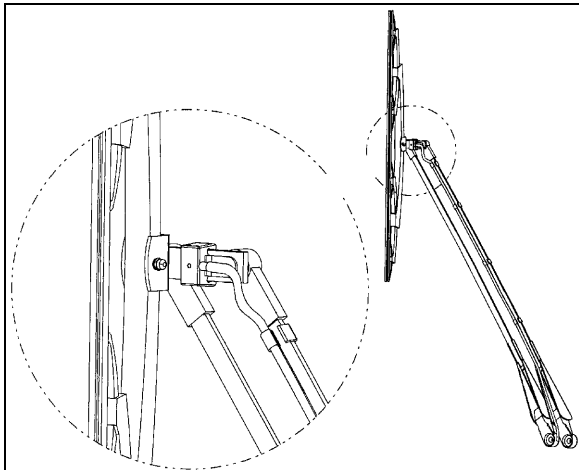


FIGURE 38: WINDSHIELD WIPER (MOTOR SIDE)

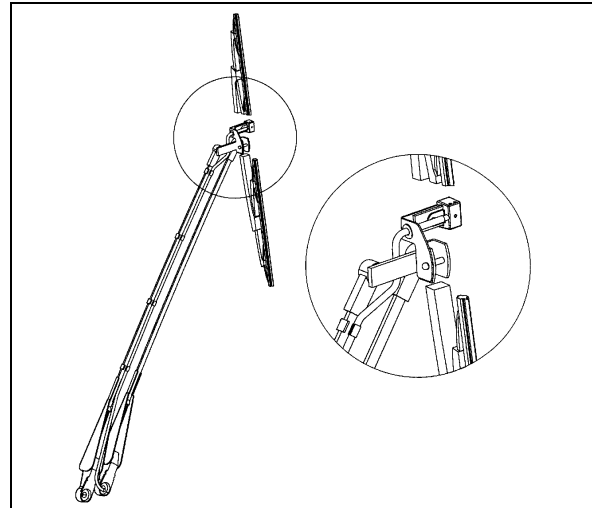


FIGURE 39: WINDSHIELD WIPER (DRIVER SIDE) 23328

3. When the final position is found, tighten wiper arm nuts. Wait 30 minutes and tighten again.

**TORQUE 22 lb-ft (30 Nm)**

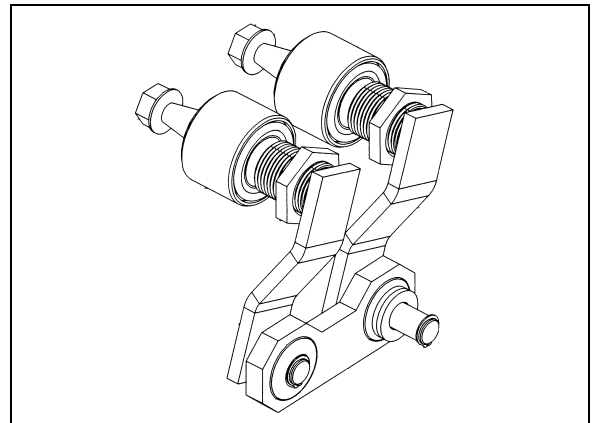


FIGURE 40: DRIVING MECHANISM (DRIVER SIDE) 23284

4. Lower the protective cover.
5. Connect the windshield washer tubing at the base of the wiper arm.
6. Check the adjustment on a wet windshield.

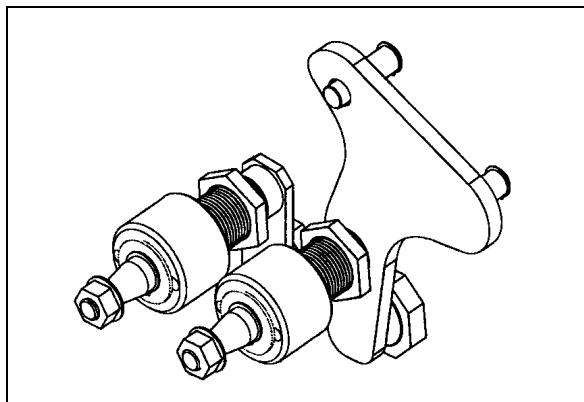


FIGURE 41: DRIVING MECHANISM (MOTOR SIDE) 23285

### 11.3 WINDSHIELD WIPER MOTOR

#### 11.3.1 Windshield Wiper Motor Replacement

The windshield wiper motor is located at lower front of the vehicle, behind the defroster panel. Refer to Figure 37 for motor location.



### WARNING

Park vehicle safely, apply parking brake, stop engine and set battery master switch to the "OFF" position prior to working on the vehicle.

1. Remove the Phillips-head screws retaining the defroster panels, and remove panels.
2. Disconnect wiring connector from the windshield wiper motor.
3. Loosen clamping screw retaining the lever at the end of the motor driving shaft.
4. Remove the three bolts holding the motor to the steel plate.
5. Remove the windshield wiper motor (Prevost #800328), reverse removal procedure to reinstall.

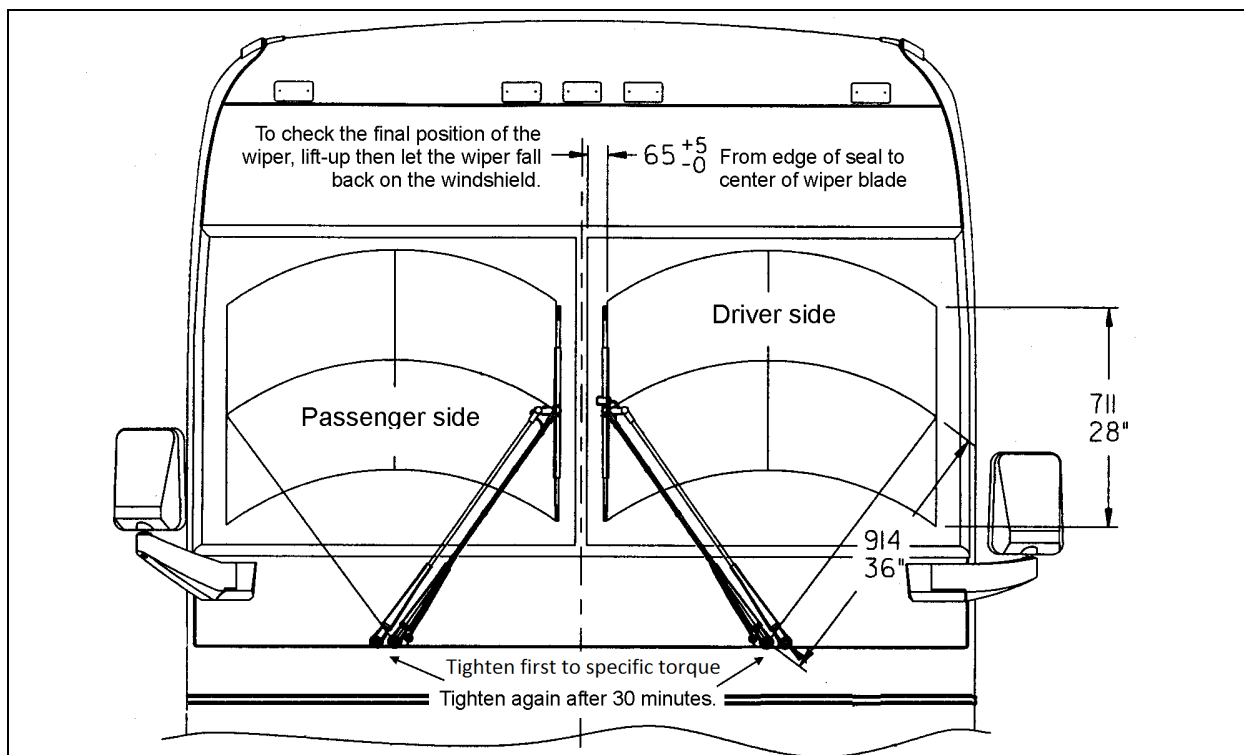


FIGURE 42: WIPER ARMS POSITIONING

23253

## 11.4 TROUBLESHOOTING

SYMPTOM	PROBABLE CAUSE	REMEDY
FAIL TO SPRAY WASHER FLUID	<ul style="list-style-type: none"> <li>A. Reservoir empty.</li> <li>B. If below 32°F (0°C), improper washer fluid frozen.</li> <li>C. Contamination in tubing or nozzles.</li> <li>D. Tubing damage.</li> <li>E. Tubing bent (kinked) or off one or more connections.</li> </ul>	<ul style="list-style-type: none"> <li>A. Add proper fluid.</li> <li>B. Store coach or parts in heated area, then purge system with low-temperature solution.</li> <li>C. Remove with compressed air, if severely clogged, replace items.</li> <li>D. Replace section.</li> <li>E. Realign tubing and/or refit. Trim end to ensure proper fit or replace.</li> </ul>
INADEQUATE SPRAYING	<ul style="list-style-type: none"> <li>A. Tubing failure.</li> </ul>	<ul style="list-style-type: none"> <li>A. Replace tubing.</li> </ul>
SLOW OPERATION	<ul style="list-style-type: none"> <li>A. Improper solution.</li> <li>B. Jet stream improperly directed.</li> <li>C. Check if valve is stuck in the open position.</li> </ul>	<ul style="list-style-type: none"> <li>A. Replace with proper type solution.</li> <li>B. Reposition nozzles.</li> <li>C. Remove, clean or replace.</li> </ul>

## 12. TIRE PRESSURE MONITORING SYSTEM (TPMS)

The optional active tire pressure and temperature monitoring system is a sensing device designed to identify and display tire operating data and activate an alert or warning when pressure or temperature irregularities are detected.

For more information on the operation and troubleshooting of the system, refer to Prevost X3-45 Coaches Operator's Manual, chapters "Controls and Instruments" and "Safety Features and Equipment" sections.

Refer to Prevost Operator's Manual for system operation and operational sequence (fire).

If more information is needed on the system, please refer to Kidde Dual Spectrum "Operation & Maintenance Manual, found on your Technical Publications USB flash drive.



### CAUTION

*The AFSS extinguisher will not function as intended if oriented incorrectly. Refer to labels on the extinguisher bottle or the "Operation & Maintenance Manual".*

## 13. AUTOMATIC FIRE SUPPRESSION SYSTEM (AFSS) (OPTIONAL)

This optional system is used to shut down the engine and to extinguish a fire in the engine compartment or in the vicinity of the preheating system if so equipped.

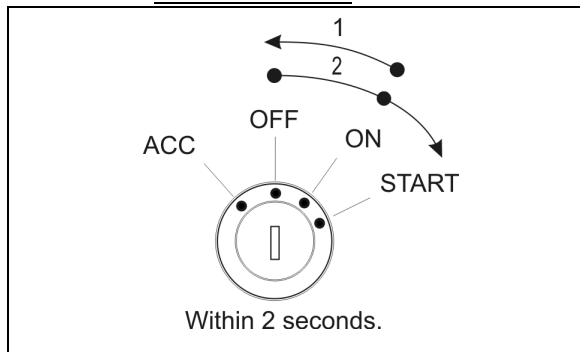
The system operation is fully automatic and does not require assistance from the operator, however if required, the system can be manually activated by the operator at any time.

### 13.1 STARTING THE VEHICLE AFTER A FIRE ALARM

The vehicle may be started after a fire alarm without resetting the system. Refer to ignition switch sequence below. This will not reset the system, rather it will instruct the vehicle's multiplex system to ignore vehicle interface outputs from the Protection Panel. This feature is intended to be used only in emergency situations that require the vehicle to be restarted and moved a short distance prior to system reset. It should not be performed if the cause of the fire has not been clearly identified and corrected.

To start the vehicle, perform this ignition switch (key) sequence.

- From the **ON** position,
- Turn to **OFF**, return to **ON** and **START** vehicle within 2 seconds.



## 13.2 PERIODIC MAINTENANCE

### PRE-TRIP

- Verify that the Protection Panel "SYSTEM OK" lamp is on solid green.

### EVERY 3000 MILES OR MONTHLY (whichever comes first)

#### General

- Verify that neither the protected equipment nor the hazard has changed.
- Verify that no obvious physical damage or condition exists that might prevent system operation.

#### Protection Panel

- Verify that all warning lamps and the audible alarm are operational by pressing the "TEST/RESET" button.

#### Manual Activation Switch

- Verify that the tamper seal is intact and access to the switch is unobstructed.

#### Fire Detectors

- Optical
  - Verify that the status lamp on the detector face is on solid green.
  - Verify that nothing is blocking the detector's field of view.

- Verify that the windows on the face of the detector are free of excess contamination (dirt, oil, grease, etc.) – if necessary, clean using a water soaked non-abrasive towel.

#### ○ Linear Thermal

- Verify that there is no obvious physical damage and that the unit is free of excess contamination (dirt, oil, grease, etc) – if necessary, clean using a water soaked non-abrasive towel.
- Verify that mounting is secure and taught.

#### Electrical Harness

- Verify that electrical connectors and electrical wiring have no visible damage and all connectors are securely seated.

#### Extinguisher & Distribution System

- Verify that the extinguisher pressure gauge pointer is in the green arc at room temperature.
- Verify that distribution piping and nozzles are intact and unobstructed and that nozzle blow-off caps are in place.

### EVERY 18000 MILES OR SEMI-ANNUALLY (whichever comes first)

- Perform a comprehensive fire system test using a Kidde Dual Spectrum System Test Set (Optical Test Kit P/N 420871-2).
- Service the extinguisher in accordance with KDS Document 160296, "KDS Pre-Engineered Fire Suppression System: Installation, Operation and Maintenance Manual".



## MAINTENANCE

### EVERY SIX YEARS

Have the fire extinguisher rebuilt by a qualified fire protection equipment company familiar with Kidde Dual Spectrum equipment and in accordance with KDS Document 160296, "KDS Pre-Engineered Fire Suppression System: Installation, Operation and Maintenance Manual". Rebuilt shall include actuator, O-ring seals and dry chemical replacement.



## MAINTENANCE

### EVERY TWELVE YEARS

Have the Extinguisher cylinder hydrostatically tested by a qualified fire protection equipment company familiar with Kidde Dual Spectrum equipment and in accordance with KDS Document 160296, "KDS Pre-Engineered Fire Suppression System: Installation, Operation and Maintenance Manual".

### 14. ELECTRIC BRAKE CONTROL SYSTEM FOR TRAILER

This optional feature is used to control the braking system of a trailer equipped with electric brakes. This system includes connector A40, a RV type trailer connector already installed on the trailer hitch, the VECT (Vehicle Electric Center Trailer) and the necessary harnesses.

On the vehicles equipped with this feature, the VECR fuses F117 & F119 are replaced by CB117 (20 Amp) & CB119 (30 Amp).

#### 14.1 A40 CONNECTOR

A40 connector is located in the front electrical and service compartment (aka front junction box). This connector is used to connect a brake controller.

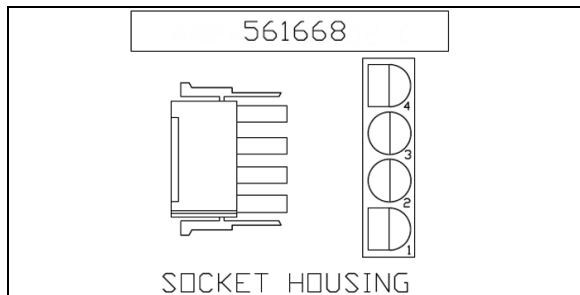


FIGURE 43: A40 CONNECTOR

Four circuits:

- 1) black 12V power (from ignition)
- 2) white ground
- 3) red input: 12V brake application signal from VECT (coach brake lights)
- 4) blue output: brake application signal to the trailer

#### 14.2 7-BLADE RV/TRAILER CONNECTOR

Seven circuits:

- 1) white ground
- 2) blue output: brake application signal to the trailer
- 3) brown taillights
- 4) black 12V supply for trailer accessories
- 5) yellow left turn signal
- 6) green right turn signal
- 7) purple backup lights

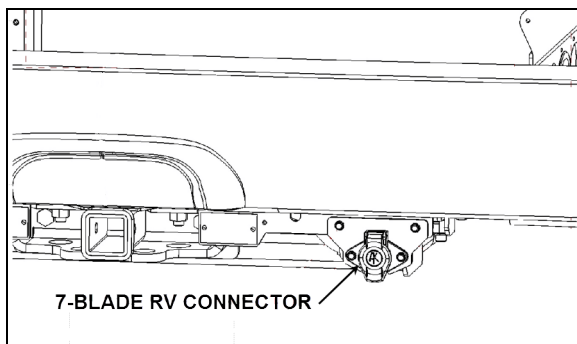


FIGURE 44: 7-BLADE TRAILER/RV CONNECTOR ON TRAILER HITCH

## 14.3 VECT

The VECT includes the following components:

Relay 51

Relay 52

Relay 53

Relay 54

Relay 55

CB301, 20 Amp

Fuse 302, 20 Amp

Fuse 303, 20 Amp

Fuse 304, 20 Amp

Spare fuses: SP1-SP4

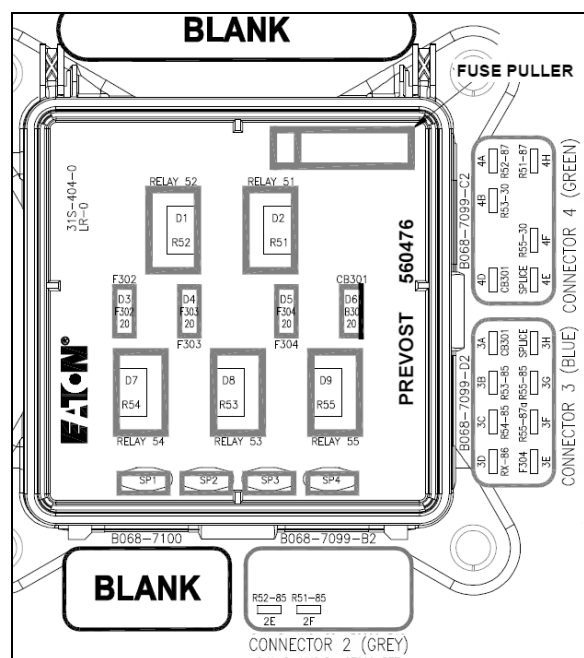


FIGURE 45: VECT



FIGURE 46: VECT (CURB SIDE)

## 15. WHEELCHAIR LIFT CASSETTE INSTALLATION



### WARNING

For better stability, keep the platform at minimum height when moving.



### WARNING

Never deploy the platform from enclosure while standing on the telescopic legs.



### WARNING

Telescopic legs were designed to support and move the platform only, do not use as a work table.



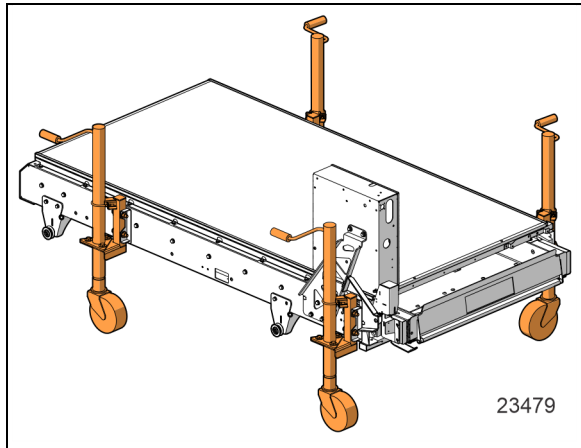
### WARNING

Before moving platform, make sure that floor is level and free of obstacles.

Install four lifting jacks on the wheelchair lift cassette.

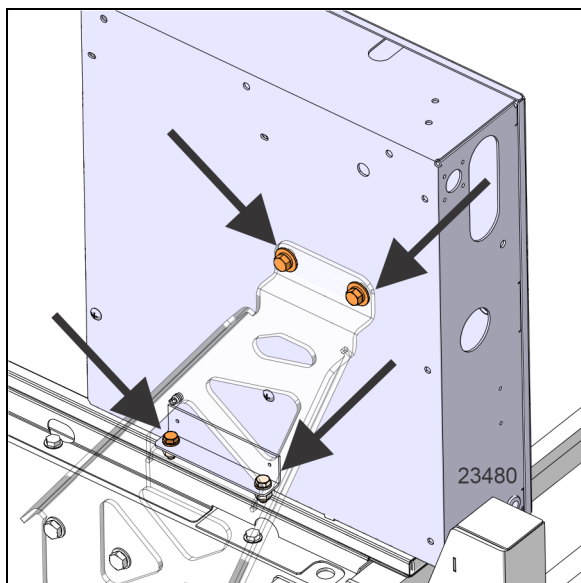
**NOTE**

*There are two telescopic legs for each platform side. The proper side is indicated onto the telescopic leg.*



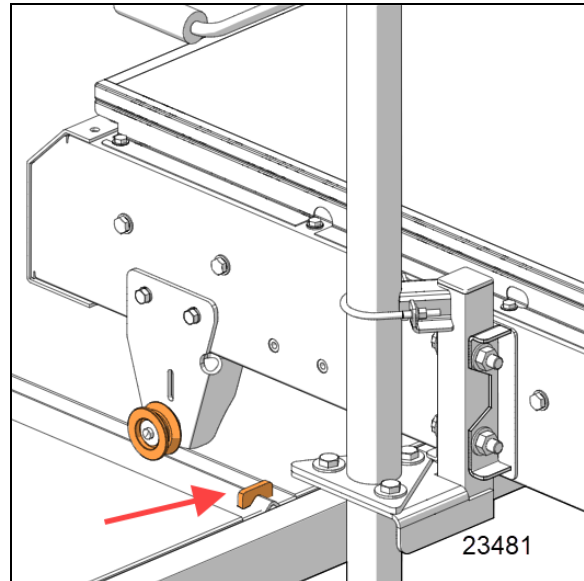
**FIGURE 47: JACK INSTALLATION**

Dismount partially the control box (4 screws) and tilt it slightly to allow the cassette to slide inside the compartment.



**FIGURE 48: CONTROL BOX DISMOUNTING**

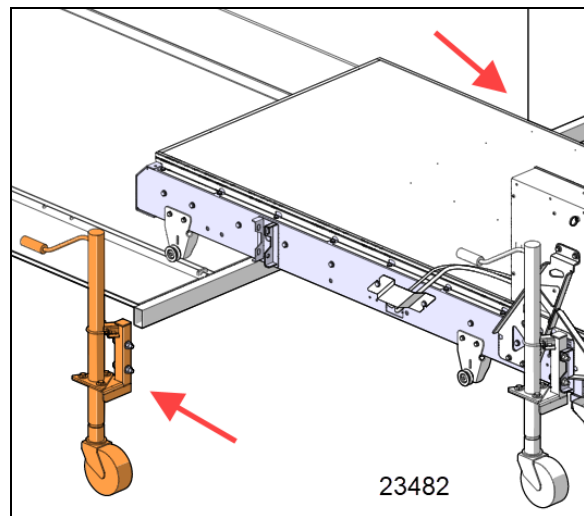
Slide the cassette into the compartment to get the rear rollers backward the rail front stopper.



**FIGURE 49: SLIDE CASSETTE OVER STOPPERS**

Drop down the rear side of the cassette until it gets contact with the rail and make sure the back rollers are aligned with the V-rail.

Remove jacks (2) on the rear side.

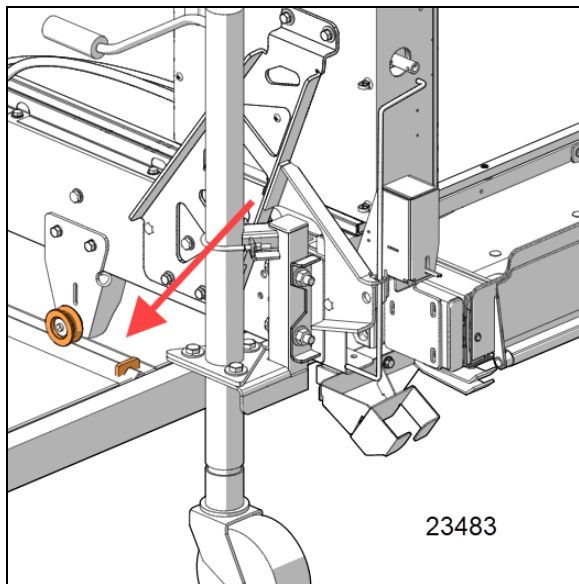


**FIGURE 50: JACKS REMOVAL ON REAR SIDE**

Install the fasteners on the dismantled jacks.



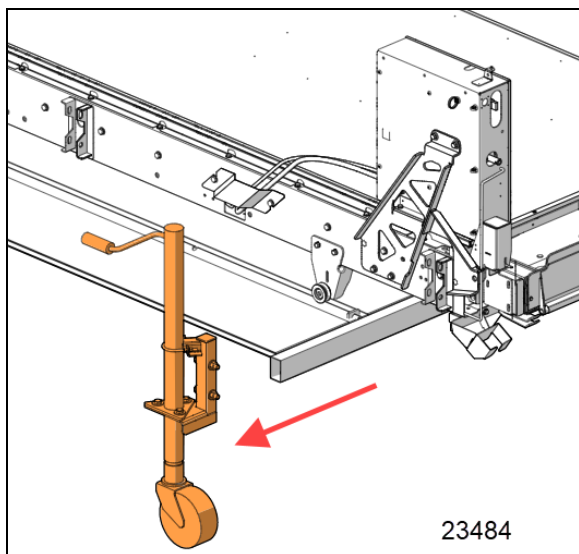
Slide the cassette inside the compartment to get the front rollers backward of the stoppers.



**FIGURE 51: SLIDE THE CASSETTE INSIDE THE COMPARTMENT**

Drop down the front side of the cassette until it gets contact with the rail and make sure the rollers are aligned with the V-rail.

Remove the jacks (2) on the front side of the cassette.

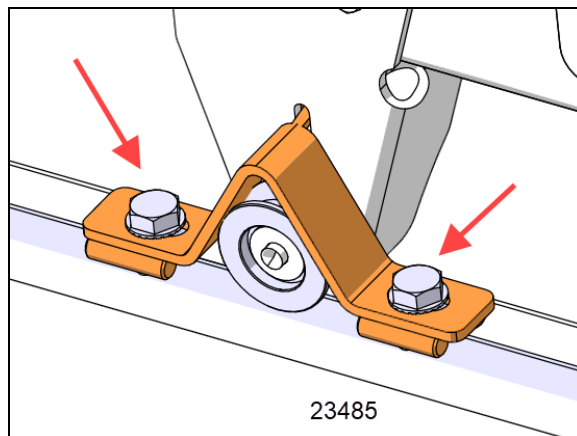


**FIGURE 52: JACKS REMOVAL**

Install the fasteners on the dismantled jacks.

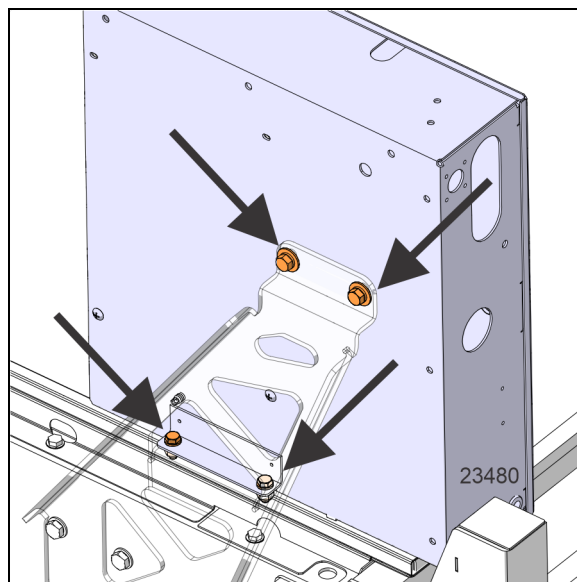
Install locks in four locations and tighten screws to a torque value of:

**55-65 lb-ft (75-88 Nm)**



**FIGURE 53: ANCHOR BOLTS INSTALLATION**

Reinstall the control box with 4 screws.

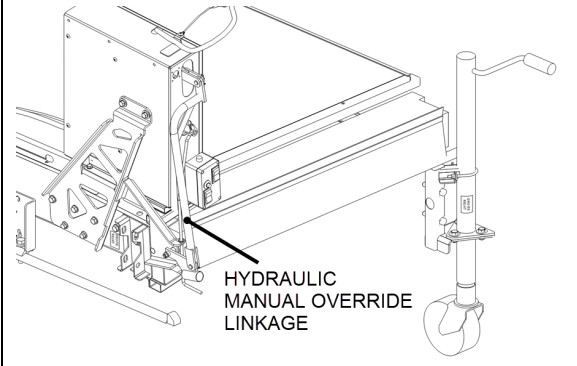


**FIGURE 54: CONTROL BOX DISMOUNTING**

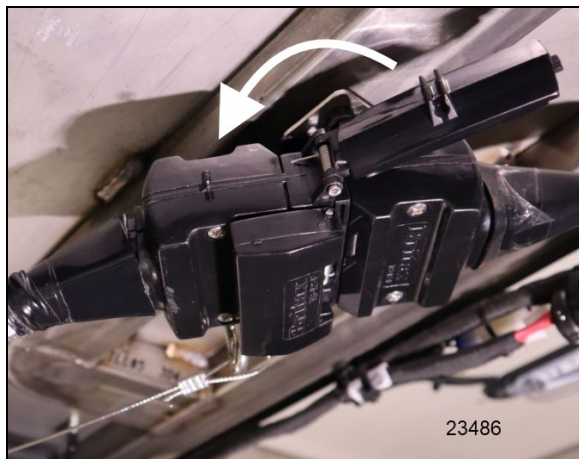
**NOTE**

**HYDRAULIC MANUAL OVERRIDE LINKAGE**

*Due to interference with compartment door arm, when installing a WCL cassette built before 2020 on a X3 Series MY 2020 and later, the hydraulic manual override linkage must be replaced by hydraulic manual override linkage p/n 491693.*

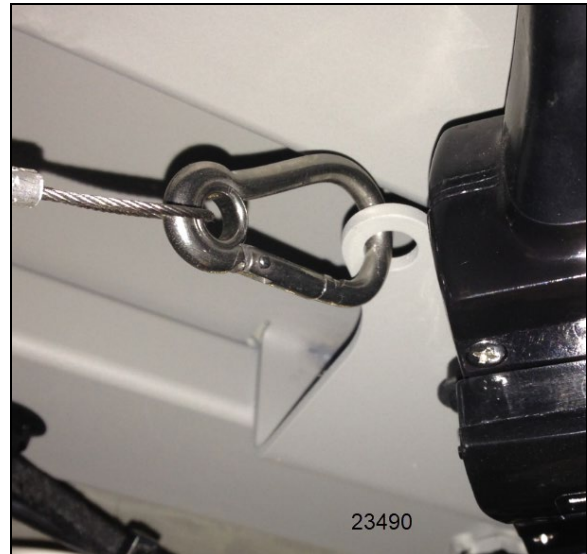


Plug the electrical connectors and lock it with the connector cover.



**FIGURE 55: ELECTRICAL CONNECTION**

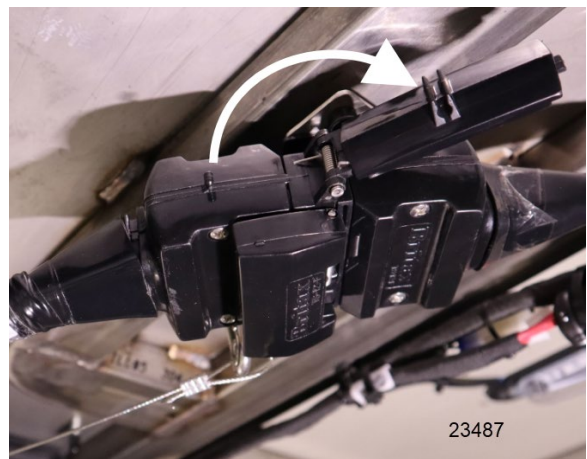
Attach the protective wire.



**FIGURE 56: PROTECTIVE WIRE INSTALLATION**

**16. WHEELCHAIR LIFT CASSETTE DISMOUNTING**

Detach the protective wire. Unlock the connectors. Unplug the electrical connectors.



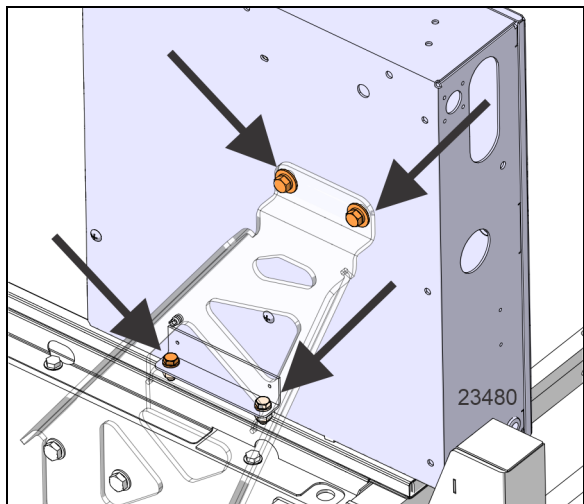
**FIGURE 57: ELECTRICAL DISCONNECTION**

Detach the protective wire.



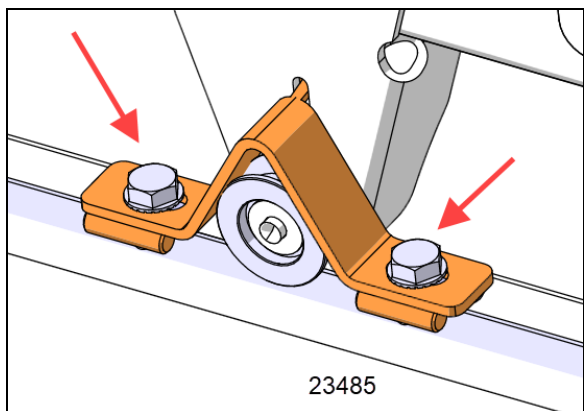
**FIGURE 58: PROTECTIVE WIRE INSTALLATION**

Dismount partially the control box (4 screws) and tilt it slightly to allow the cassette to slide outside the compartment.



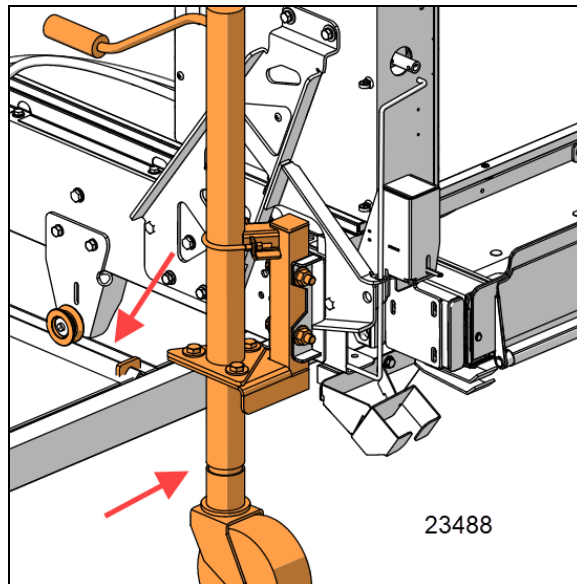
**FIGURE 59: CONTROL BOX DISMOUNTING**

Remove locks in four locations and keep it with the removed cassette.



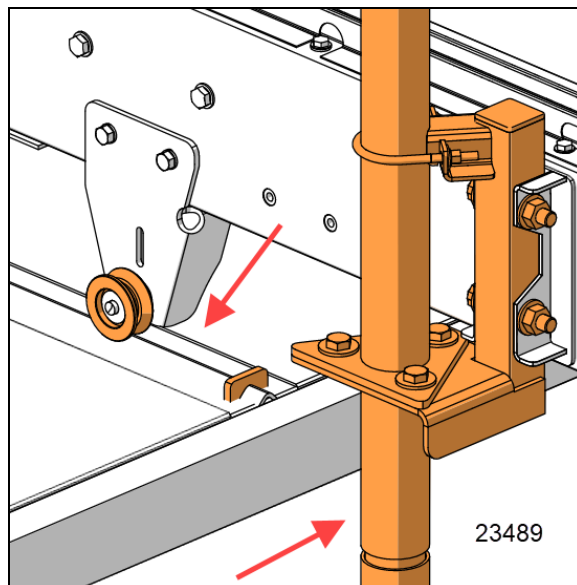
**FIGURE 60: LOCKS REMOVAL**

Slide out the cassette until the front rollers get the stoppers. Install jacks on the front side of the cassette. Lift up the front side of the cassette until the front rollers clear the front stoppers.



**FIGURE 61: LIFT UP THE FRONT SIDE OF THE CASSETTE**

Keep sliding out the cassette until the rear rollers get to stoppers. Install jacks on the rear side of the cassette. Lift up the rear side until the rear rollers clear the stoppers.



**FIGURE 62: DROP THE REAR SIDE ON RAILS**

Reinstall the control box with the screws (4).

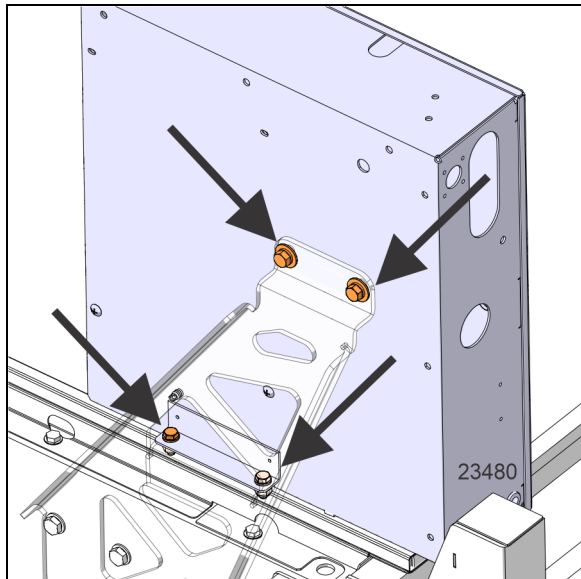


FIGURE 63: CONTROL BOX DISMOUNTING

Slide out completely the wheelchair lift cassette.

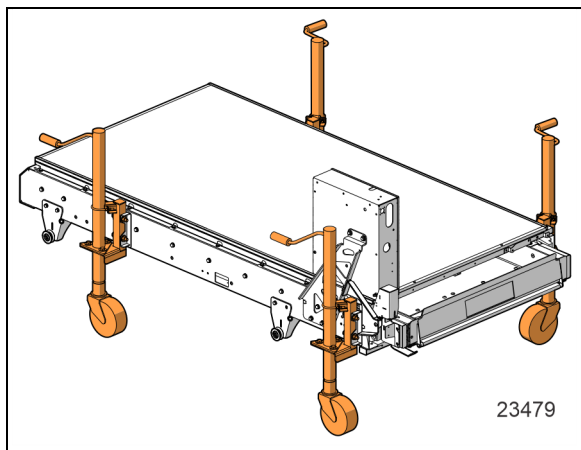









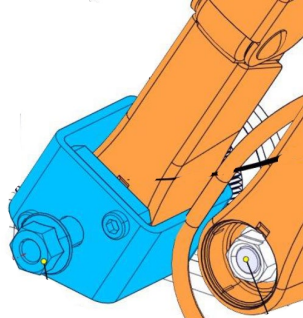
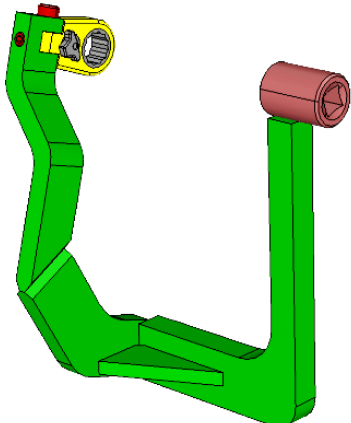
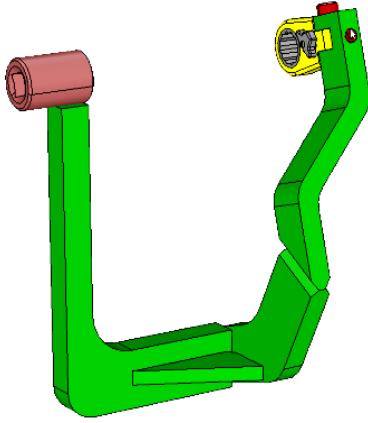
FIGURE 64: MOVE OUT THE CASSETTE



## Table of contents

REQUIRED TOOLS .....	3
SAFETY MEASURES .....	4
PART 1 - DRIVE MOTOR REPLACEMENT .....	5
Drive Motor Bracket Removal .....	5
Linkage Disconnection from The Drive Motor Shaft .....	9
Drive Motor Removal and Replacement.....	9
Park Position Setting.....	11
Linkage Connection to The Drive Motor Shaft.....	12
Drive Motor Bracket Installation .....	13
PART 2 - WIPER PIVOT AND LINKAGE REPLACEMENT .....	15
Preparation .....	15
Wiper Arm and Pivot Hardware Removal.....	16
Wiper Pivot and Linkage Assembly Removal.....	19
Damaged Components Replacement .....	22
Pivot and Linkage Assembly Installation .....	22
Park Position Setting.....	23
Linkage Connection to The Drive Motor Shaft.....	23
Drive Motor Bracket Installation .....	23
Wiper Arm Installation.....	24
PARTS / WASTE DISPOSAL .....	26

# REQUIRED TOOLS

<p>RULER</p> 	<p>SMALL PRY BAR</p> 
<p>TORQUE WRENCH AND METRIC SOCKET SET</p> 	<p>RATCHET AND SOCKET SET – METRIC SET</p> 
<p>CAULKING GUN</p> 	<p>SMALL FLAT SCREWDRIVER</p> 
<p>MASKING TAPE</p> 	<p>WIPER ARM PULLER P/N G37807</p> 
<p>CURB SIDE MOTOR TORQUE TOOL P/N G37274</p> 	<p>STREET SIDE MOTOR TORQUE TOOL P/N G37605</p> 

## SAFETY MEASURES



**DANGER**

The wiper linkage can cut your fingers. Cut off the power supply before working on this system.

## SAFETY PRECAUTIONS

- Eye protection should always be worn when working in a shop.
- Rules for Personal Protection Equipment should always be respected. Wear your PPE including but not limited to the following:



**Safety  
First!**





## PART 1 - DRIVE MOTOR REPLACEMENT



### DANGER

Park vehicle safely, apply parking brake, stop engine. **Prior to working on the vehicle, set the ignition switch to the OFF position, set the battery master switch to the OFF position and trip the main circuit breakers equipped with a trip button.**

Lock out & Tag out (LOTO) must be performed during set-up, maintenance or repair activities. Refer to your local procedure for detailed information regarding the control of hazardous energy.



### DANGER

The wiper linkage can cut your fingers. Cut off the power supply before working on this system.

### Drive Motor Bracket Removal

1. Open the wiper mechanism access hatch.

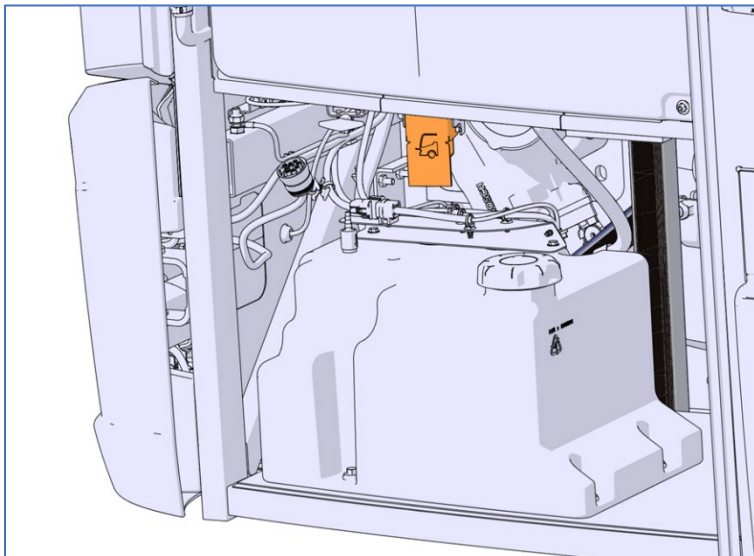


Figure 1

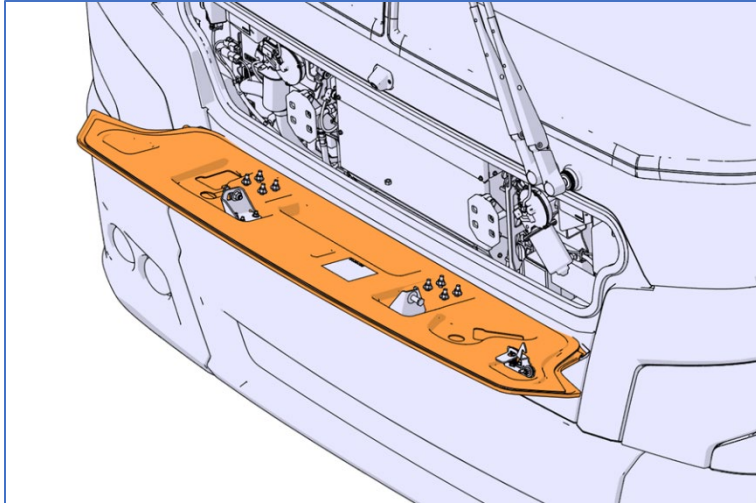


Figure 2

2. Cut the nylon tie securing the drive motor connector. Pry the yellow lock on the connector socket housing and then unplug the connector.

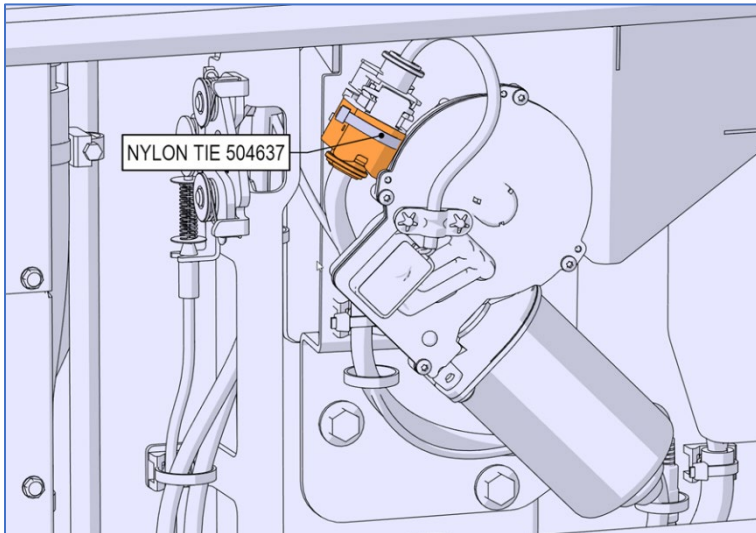


Figure 3: SREET SIDE DRIVE MOTOR SHOWN



Figure 4

3. Remove the four bolts that secure the drive motor bracket (use 13 mm socket).

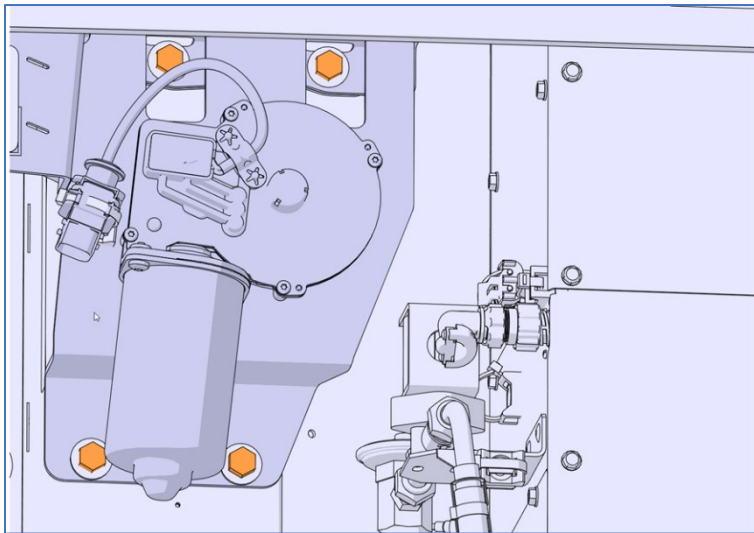


Figure 5: CURB SIDE DRIVE MOTOR

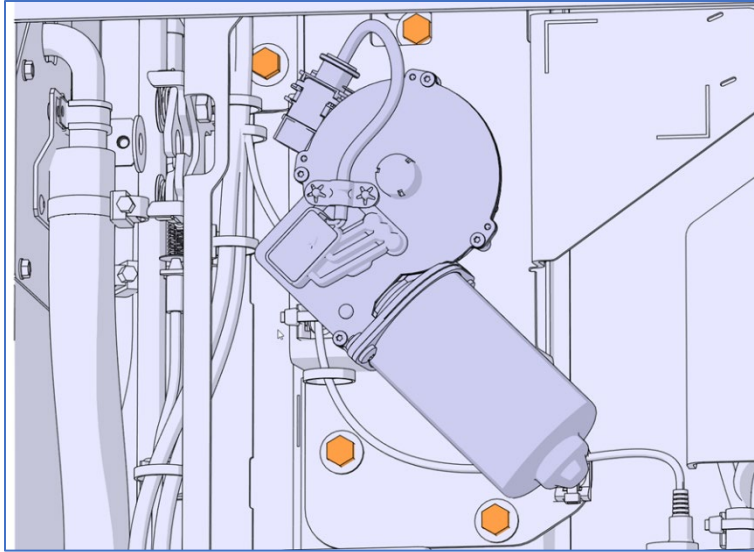


Figure 6 : STREET SIDE DRIVE MOTOR

4. At the back of the drive motor bracket, unscrew the drive motor shaft nut and remove the washer (use 17 mm socket).

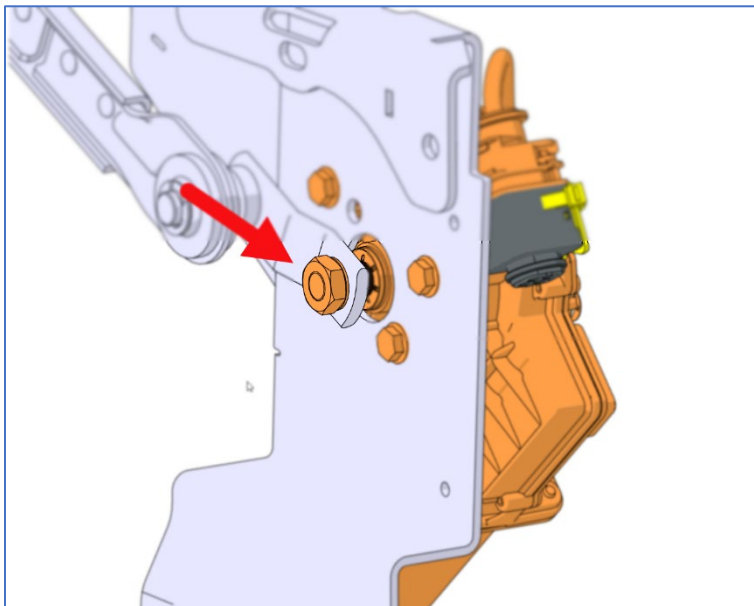


Figure 7

## Linkage Disconnection from The Drive Motor Shaft

5. Using a small pry bar, disconnect the linkage from the drive motor shaft.

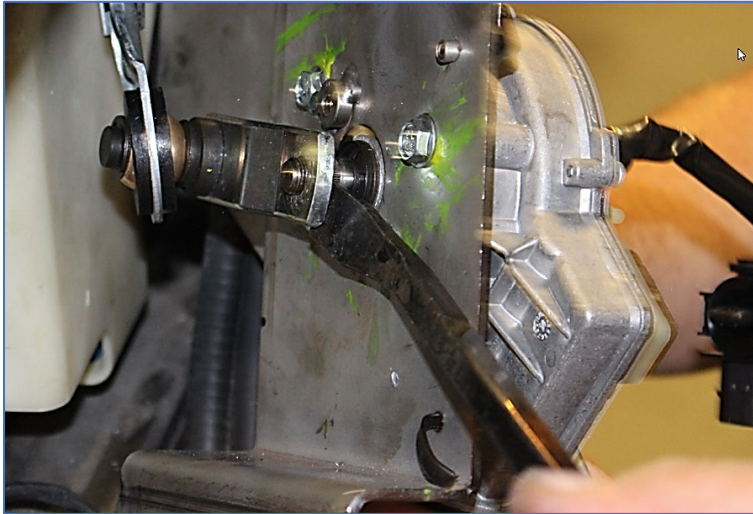


Figure 8

## Drive Motor Removal and Replacement

6. Dismount the drive motor from the bracket. To do so, unscrew the four mounting bolts.

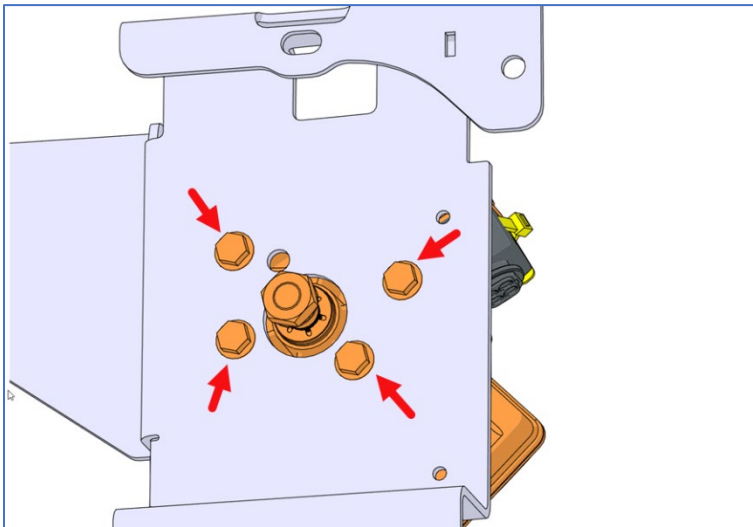


Figure 9

7. Install the new drive motor on the bracket oriented in relation with the bracket (8.5 Nm / 75 lb-in).

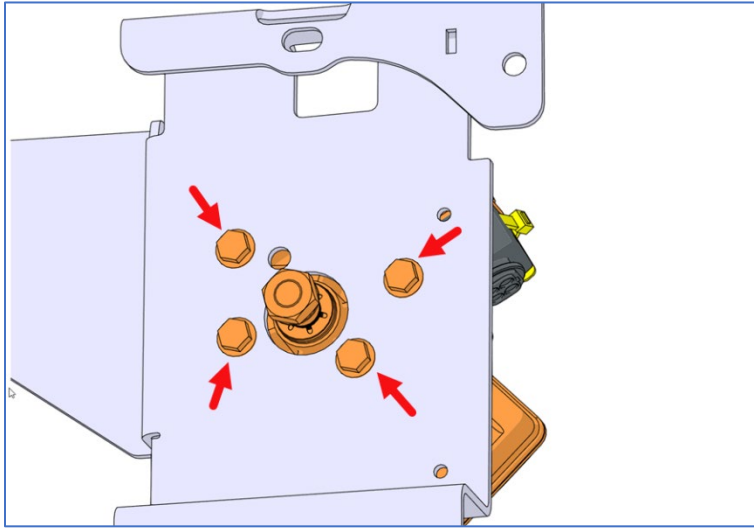


Figure 10

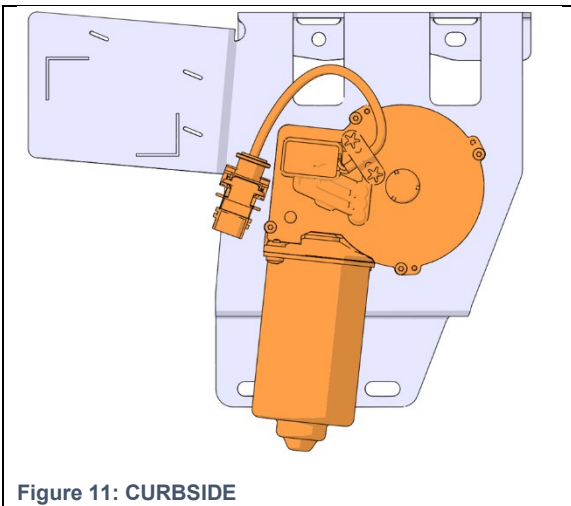


Figure 11: CURBSIDE

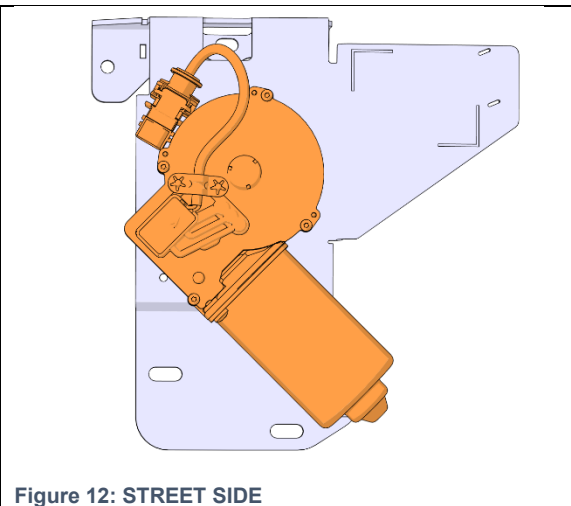


Figure 12: STREET SIDE

## Park Position Setting

NOTE: when setting the park position for the curb side drive motor, the street side drive motor connector must absolutely be connected.

8. **Momentarily**, plug the drive motor connector.
9. **Momentarily**, restore the power supply. Turn the wiper switch to ON then OFF so the new drive motor will be set to park position.



**DANGER**

The wiper linkage can cut your fingers. Cut off the power supply before working on this system.

10. Unplug the drive motor connector. Cut off the power supply.
11. Screw a M6-1.0x30 mm screw in the park position weldnut.
12. Connect the linkage to the drive motor shaft. **Make sure the link rests against the park position screw as shown.**

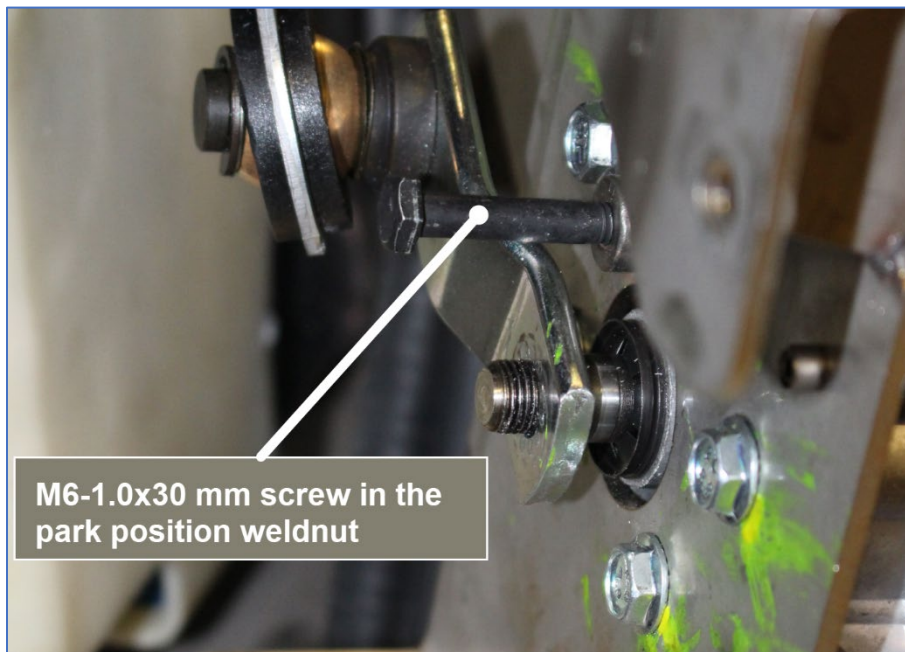


Figure 13

## Linkage Connection to The Drive Motor Shaft

13. Reinstall the washer then the shaft nut. Tighten to a torque of **35 Nm / 26 lb-ft**. Prescribed torque is mandatory. **Make sure the link rests against the park position screw during this operation.**

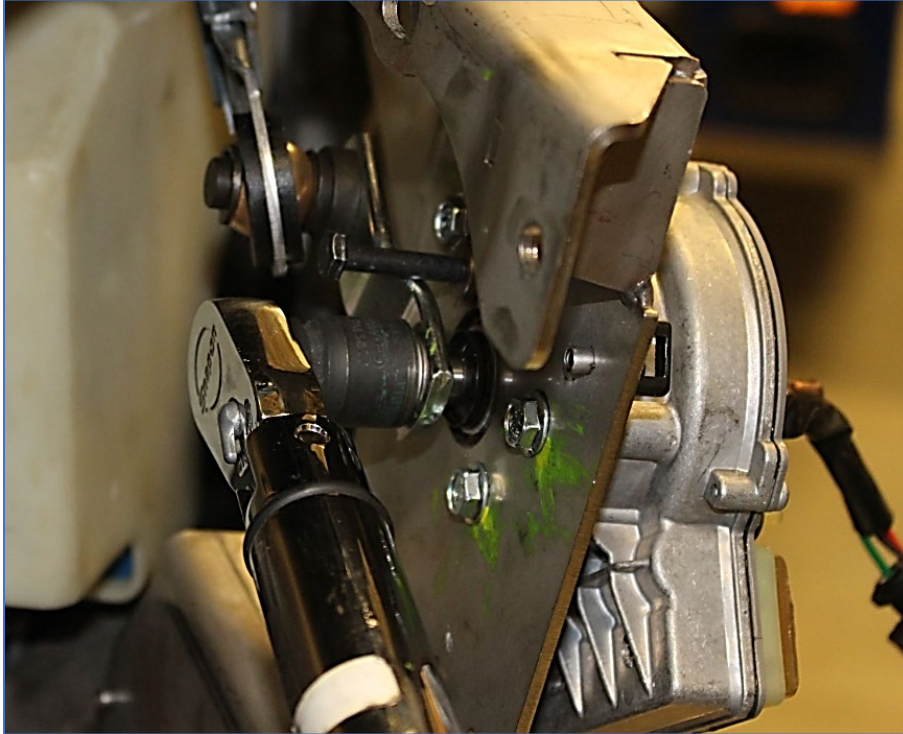


Figure 14



## Drive Motor Bracket Installation

14. Reinstall the drive motor bracket. Tighten bolts to **17 Nm / 13 lb-ft**. Prescribed torque is mandatory.

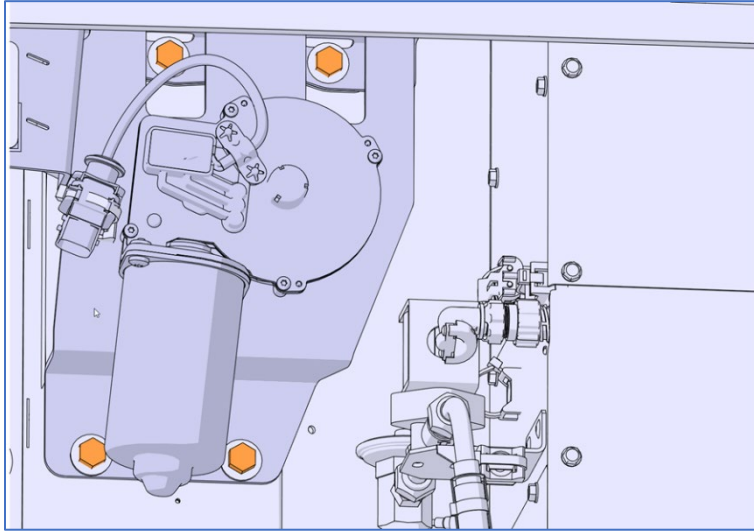


Figure 15: CURBSIDE DRIVE MOTOR

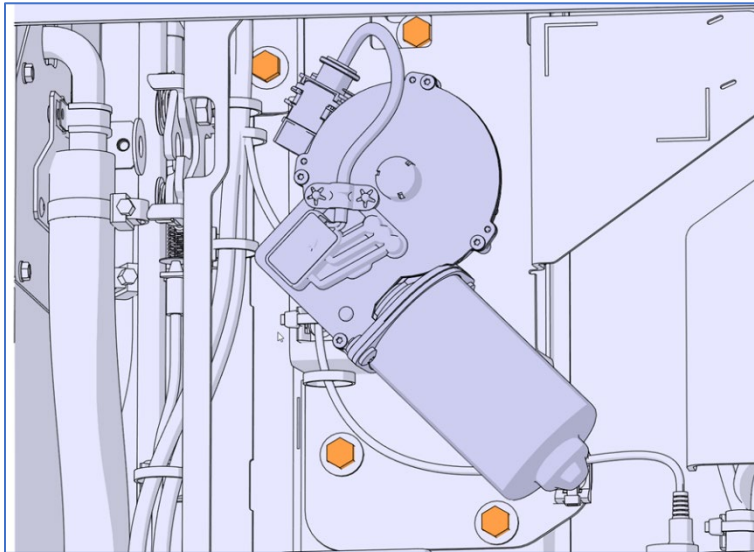


Figure 16 : STREET SIDE DRIVE MOTOR

15. Plug the drive motor connector and secure the connector using nylon tie p/n 504637.

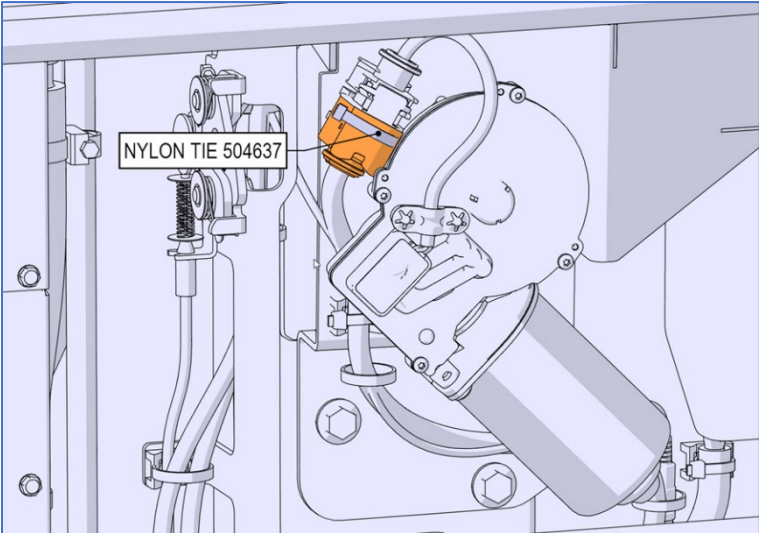


Figure 17

## PART 2 - WIPER PIVOT AND LINKAGE REPLACEMENT



**DANGER**

The wiper linkage can cut your fingers. Cut off the power supply before working on this system.

### Preparation

1. Make sure the wipers are in the park position as shown.
2. Mark wiper blades positions on the windshield.  
*Use masking tape or a pencil or marker that makes temporary markings when used on glass.*

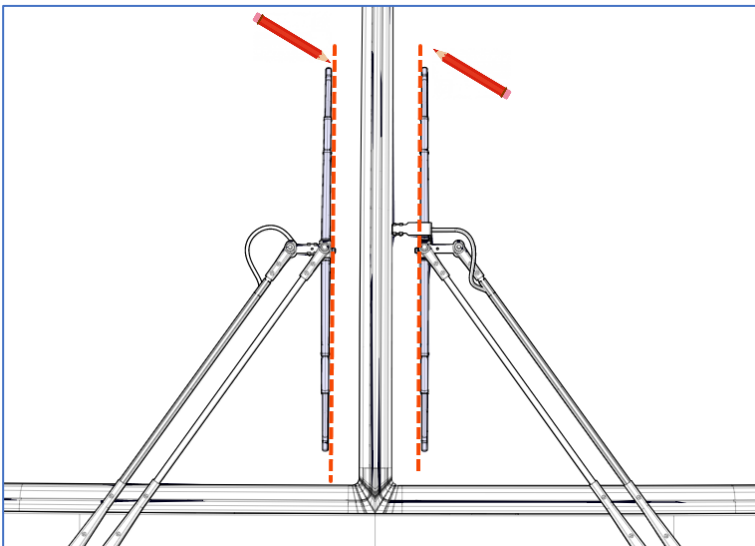


Figure 18

3. Perform Drive Motor Bracket Removal found in PART 1.
4. Perform Linkage Disconnection from The Drive Motor Shaft found in PART 1.

### Wiper Arm and Pivot Hardware Removal

5. Disconnect the windshield washer tube.

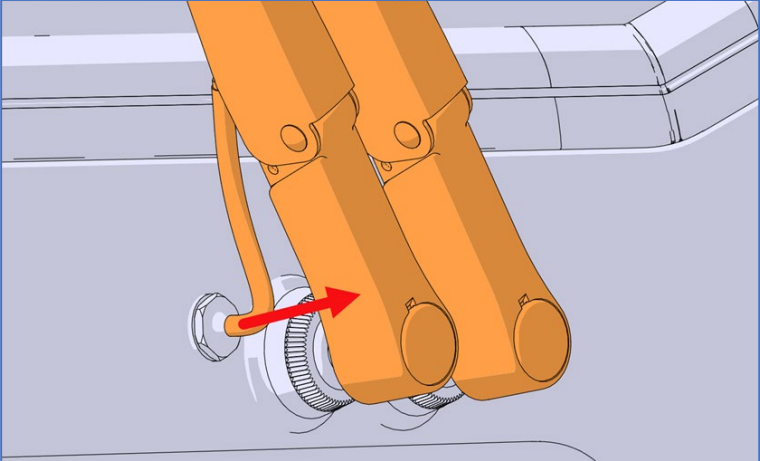


Figure 19

6. Remove the wiper arm nut caps.

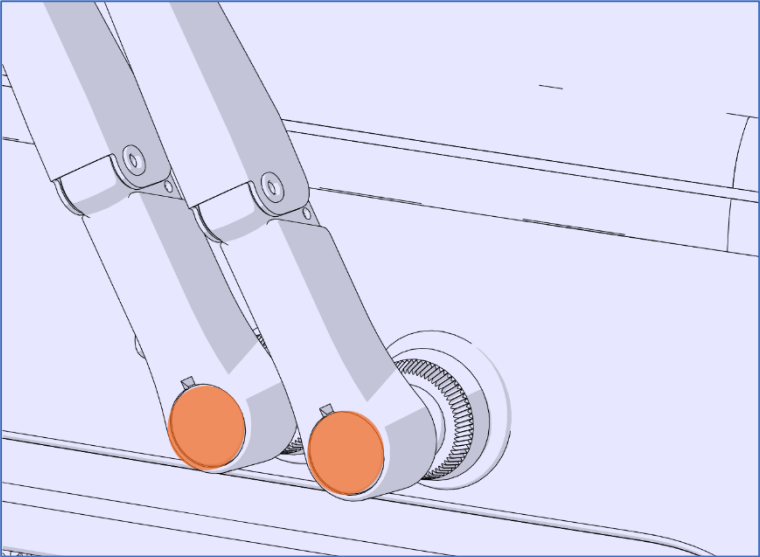


Figure 20

7. Unscrew the wiper arm nuts. Remove the wiper arms. Use of puller no. G37708 is recommended (use 15 mm socket).

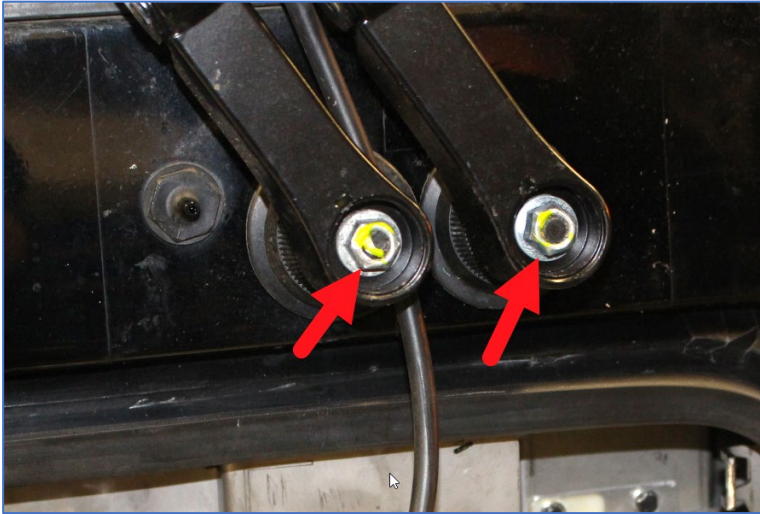


Figure 21

8. Remove the plastic nuts (item 1) and the rubber gaskets (item 2).

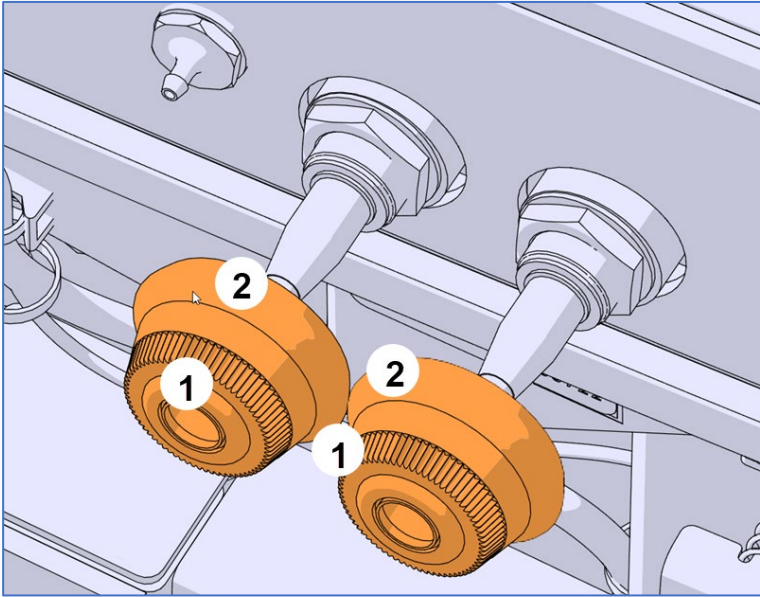


FIGURE 22

9. Remove the butyl sealant applied around the wiper pivots and the fiber panel.



Figure 23

10. Unscrew the two nuts shown on the image below (use 32 mm socket).

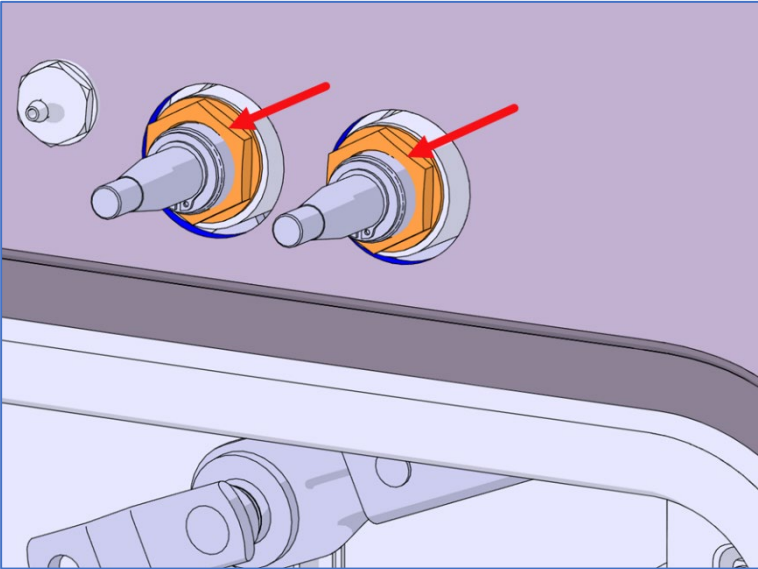


Figure 24

### Wiper Pivot and Linkage Assembly Removal

11. Loosen the four bolts identified on the image below.

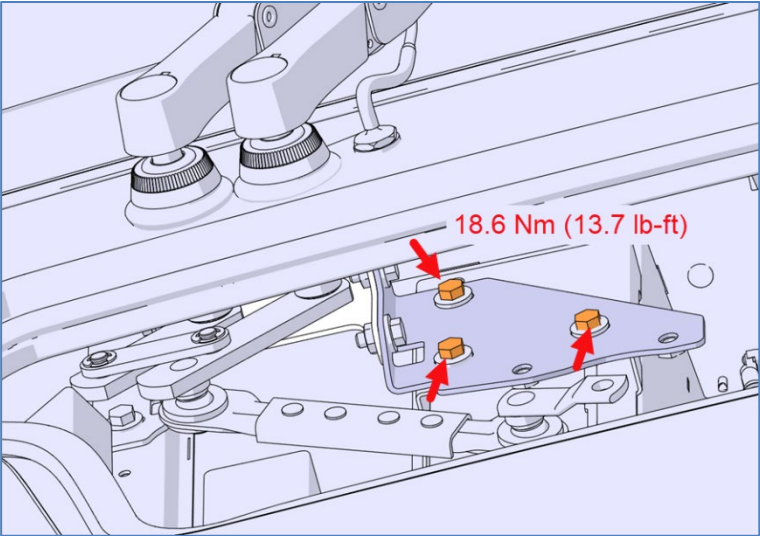


Figure 25: CURB SIDE

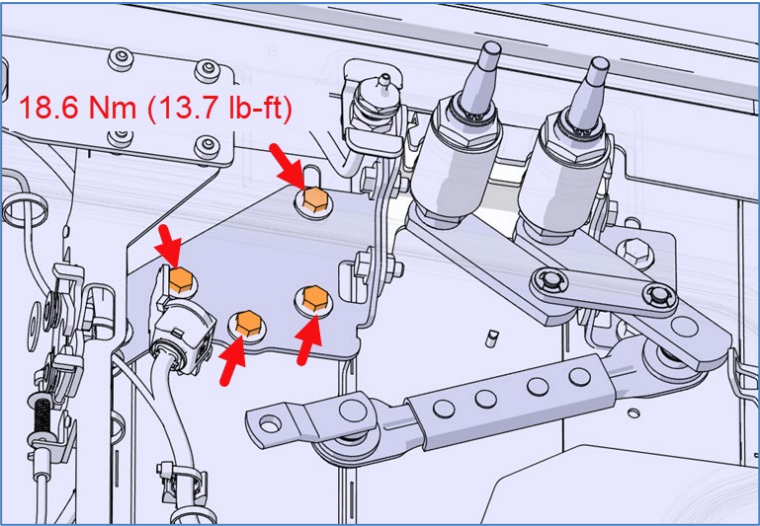


Figure 26 : STREET SIDE

12. Unscrew and remove the two bolts identified on the image below.

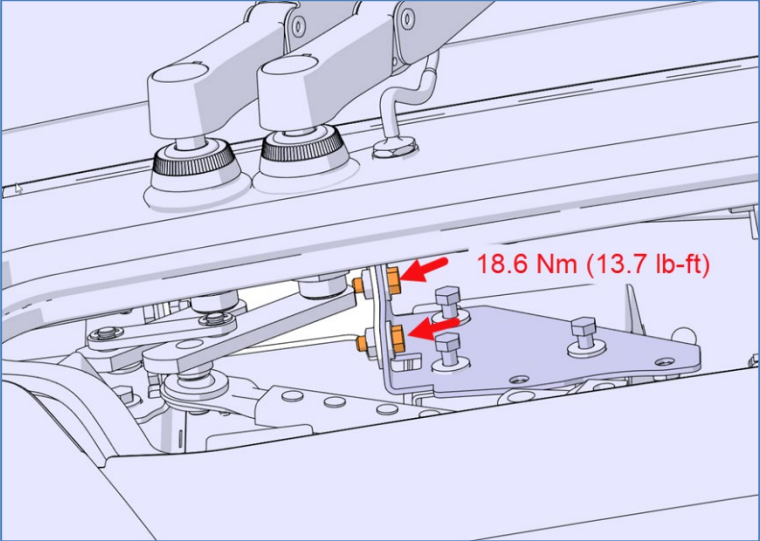


Figure 27: CURBSIDE

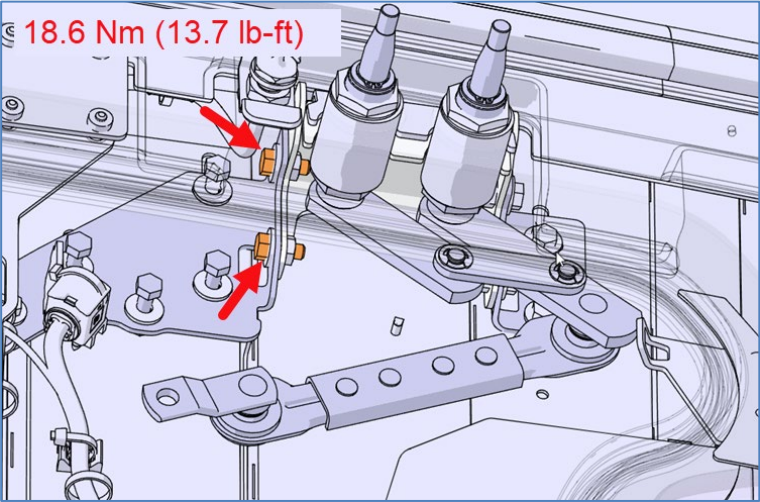


Figure 28 : STREET SIDE



13. Unscrew and remove the two bolts identified on the image below.

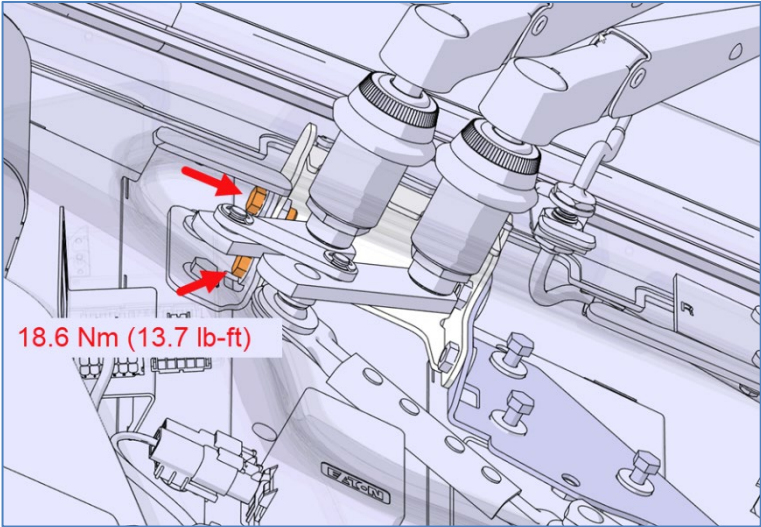
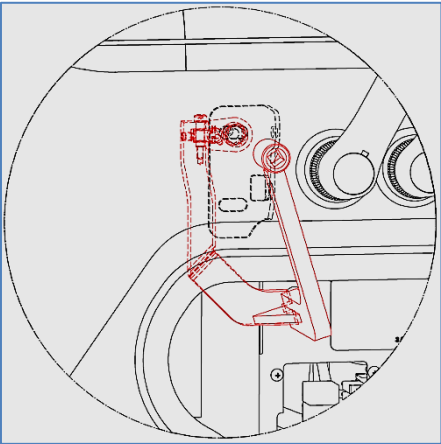


Figure 29: CURB SIDE



USE TORQUE TOOL G37274

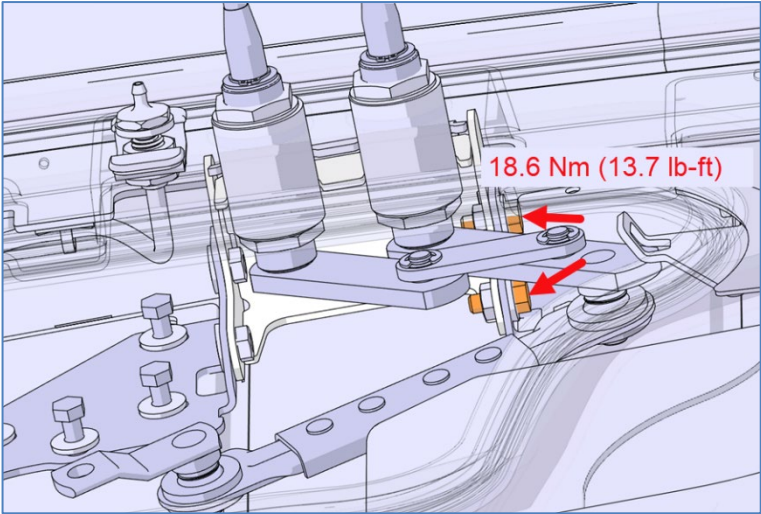
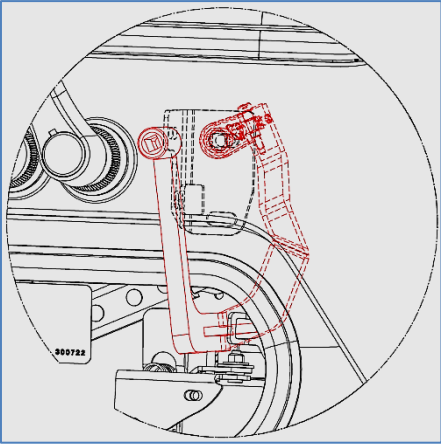


Figure 30 : STREET SIDE



USE TORQUE TOOL G37274

14. Remove the pivot and linkage assembly.

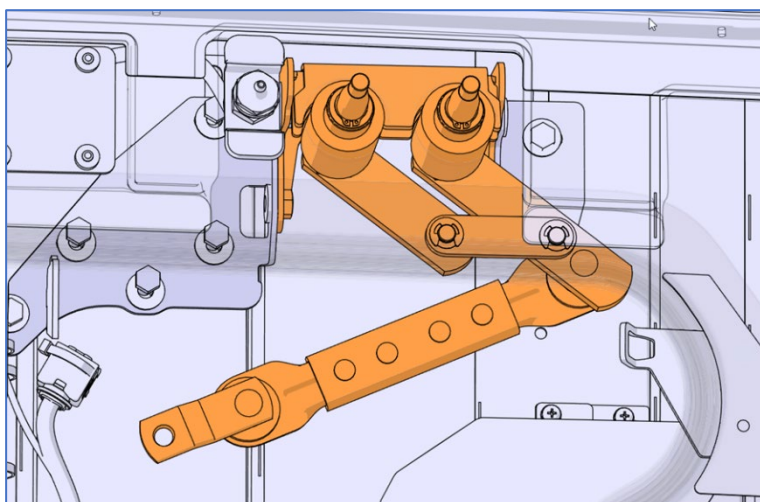


Figure 31

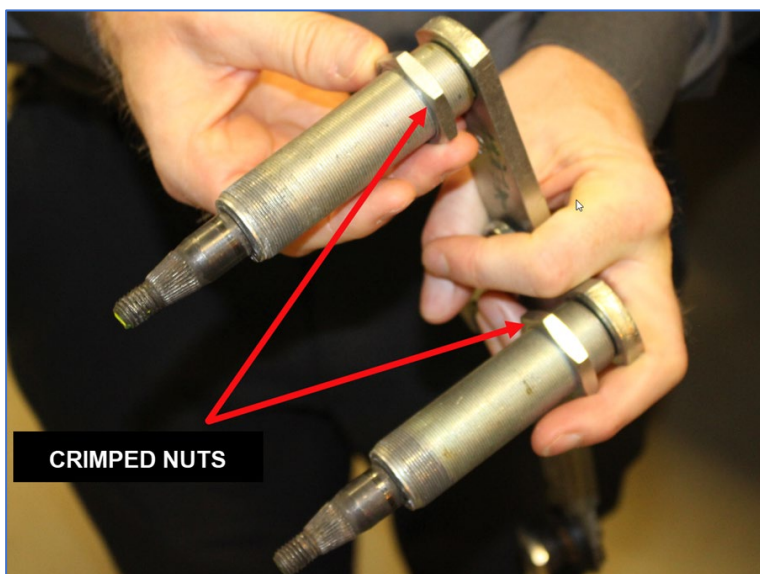


Figure 32

### Damaged Components Replacement

15. Replace the damaged components.

### Pivot and Linkage Assembly Installation

16. Reinstall the pivot and linkage assembly, reversing Wiper Pivot and Linkage Assembly Removal steps. Prescribed torque is mandatory. DO NOT install the wiper arms at this moment.

17. Tighten the pivot nuts.

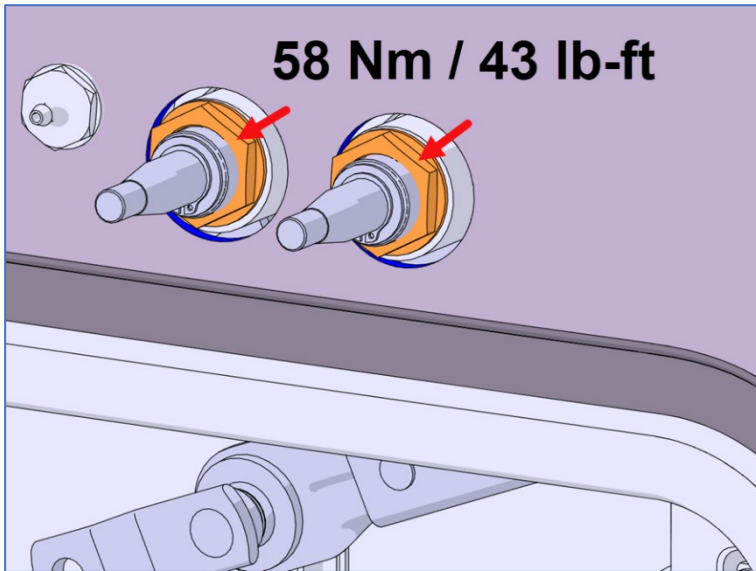


Figure 33

18. Apply butyl or Simson 70-03 sealant between the pivots and the fiber panel and smooth the joint. The sealant joint must be flush with surrounding surface.



Figure 34

### Park Position Setting

19. Perform Park Position Setting found in PART 1 DRIVE MOTOR REPLACEMENT.

### Linkage Connection to The Drive Motor Shaft

20. Perform Linkage Connection to The Drive Motor Shaft found in PART 1 DRIVE MOTOR REPLACEMENT.

### Drive Motor Bracket Installation

21. Perform Drive Motor Bracket Installation found in PART 1 DRIVE MOTOR REPLACEMENT.

## Wiper Arm Installation

22. Reinstall the rubber gaskets (item 2) and the plastic nuts (item 1).

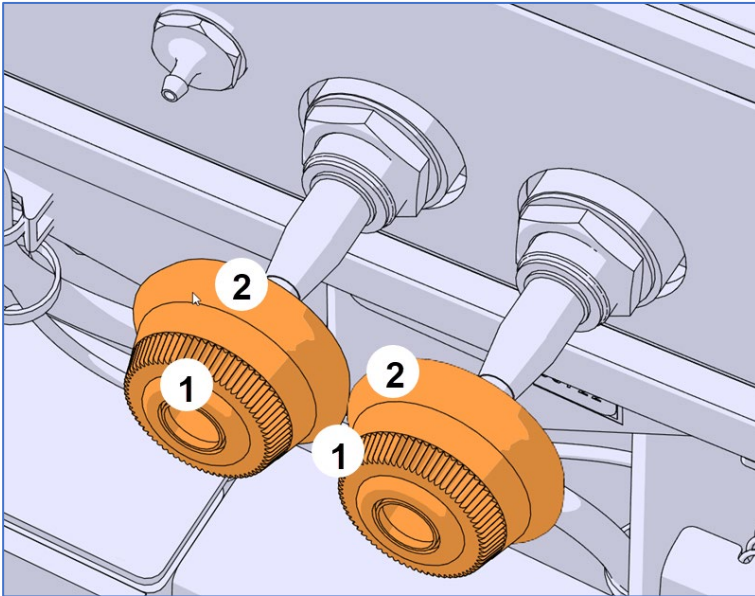


Figure 35

23. Reinstall the wiper arms, making sure the blades align with the marks made previously. Prescribed measurement is  $A=100$  mm (4 in) from the wiper blade to the center of the windshield extrusion.

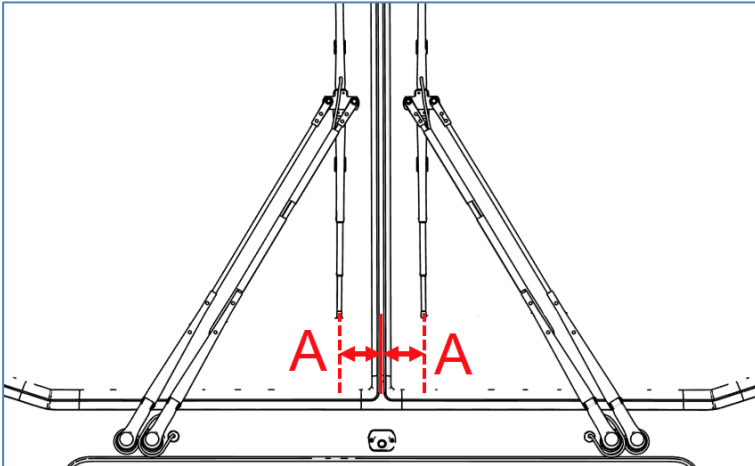


Figure 36

24. Tighten the wiper arms nut to 9 lb-ft. Pull the wiper arm and release. Make sure the blade returns at the proper position. Readjust if necessary.

25. Once proper position is achieved, tighten to 29 lb-ft.

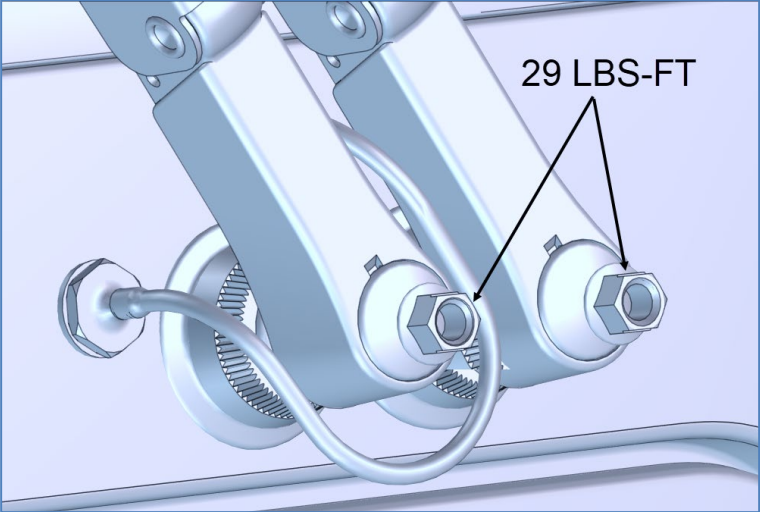


Figure 37

26. Reinstall the wiper arm nuts cap.

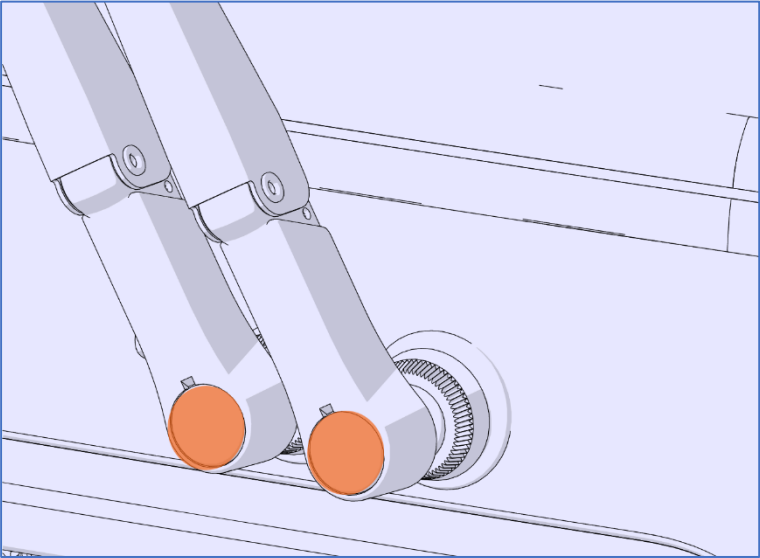


Figure 38

27. Connect the windshield washer tube.

## PARTS / WASTE DISPOSAL

Discard according to applicable environmental regulations (Municipal/State[Prov.]/ Federal)

Access all our Service Bulletins on <http://techpub.prevostcar.com/en/>  
Or scan the QR-Code with your smart phone

**Are you a Vehicle owner?**  
E-mail us at [technicalpublications\\_prev@volvo.com](mailto:technicalpublications_prev@volvo.com) and type "ADD" in the subject to  
receive warranty bulletins applicable to your vehicle(s) by e-mail.

