

INSTALLATION GUIDE FOR STEERING COLUMN MULTI-FUNCTION LEVER

Revision A :

Multi-function lever part number was modified.

MATERIAL

Kit #161150 includes the following parts :

Part No.	Description	Qty
661075	Multi-function lever	1
161149	Support, multi-function lever	1
504669	Rivet, plastic	2
IS-00134	Instruction Sheet	1
FI-00134	Feuille d'instructions	1

PROCEDURE

Warning : Park vehicle safely, apply parking brake, stop engine and set battery master switch(es) to the OFF position prior to working on the vehicle.

1. Remove the steering column covers (items ④ & ⑤ figure 3).
2. Check if the turn signal cancel ring (item ② figure 2) is firmly held in position on the steering wheel. It must not move off center. If the turn signal cancel ring is not properly maintained, perform the following steps :
 - a) Unscrew the steering wheel nut (item ① figure 2) and remove the steering wheel.
 - b) Insert the plastic rivets (figure 1, item ③ figure 2) as shown in figure 2 and hammer down the center pin.

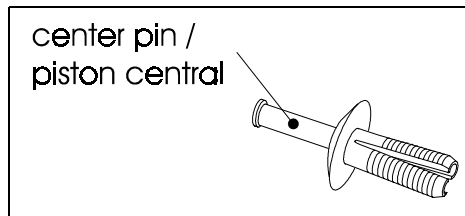


FIGURE 1 : PLASTIC RIVET

3. Remove the present multi-function lever support (item ⑥ figure 3) and unplug connectors C258 and C259.
4. Fix the new multi-function lever on the support supplied in the kit.
5. Plug connectors C258 and C259 of lever harness. Route harness as shown in figure 3.
6. Temporarily fix the lever support on the steering column at 1 1/2" (38mm) from the top (see figure 3).
7. Using steering column covers ④ & ⑤, check the correct positioning of the multi-function lever. Readjust if necessary and tighten the screws.
8. Reinstall the steering column covers.
9. Reinstall the steering wheel, tighten the nut to a torque of 35-40 lbf-ft (47-60 Nm).

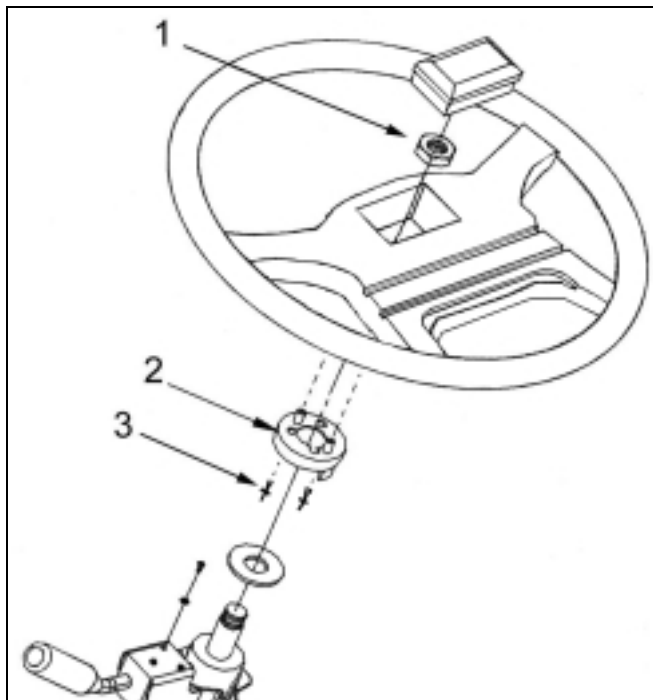


FIGURE 2

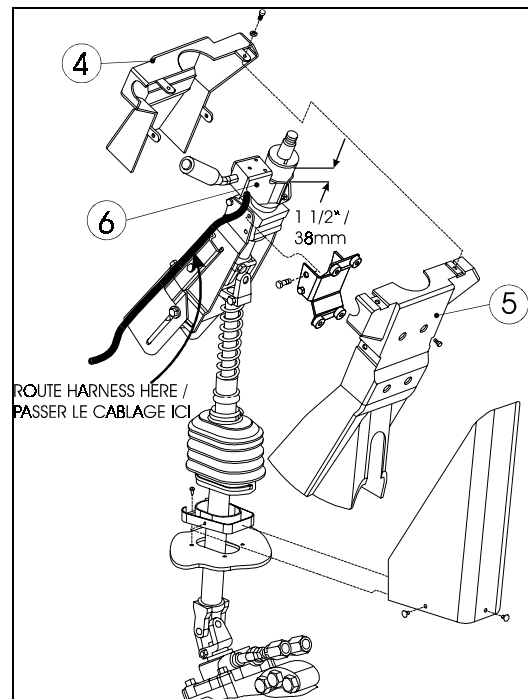


FIGURE 3