

PREVOST

Instruction Sheet

IS-01155

ECCO BACK-UP ALARM INSTALLATION GUIDE FOR XL2 AND H3 SERIES VEHICLES

MATERIAL

XL2 SERIES VEHICLES. Kit #065722 includes the following parts :

Part No.	Description	Qty
563199	Back-up alarm	1
5001527	Screw, hex SS M8x16	2
966171	Nut, hex NYRT SS M8	
IS-01155	Instruction Sheet	1
FI-01155	Feuille d'instructions	1

H3 SERIES VEHICLES. Kit #065721 includes the following parts :

Part No.	Description	Qty
563199	Back-up alarm	1
219916	Support bracket	1
5001527	Screw, hex SS M8x16	2
966171	Nut, hex NYRT SS M8	2
502830	Screw, hex SS M8x16	2
5001182	Nut, hex NYRT SS M8	2
IS-01155	Instruction Sheet	1
FI-01155	Feuille d'instructions	1

PROCEDURE

Warning : Park vehicle safely, apply parking brake, stop engine and set battery master switch(es) to the OFF position prior to working on the vehicle.

1. Locate back-up alarm in the R.H. side engine compartment. Unplug back-up alarm electrical connector then remove back-up alarm assembly.

2. **XL2 series vehicles**, drill two 5/16" diameter holes in the back-up alarm support bracket as shown in figure 1. Install Ecco back-up alarm as per figure 3 and plug back-up alarm electrical connector to harness.
3. **H3 series vehicles**, install #219916 back-up alarm support bracket included in the kit to the existing bracket installed on vehicle frame using holes indicated with letter "D" in figure 2, then install Ecco back-up alarm using holes indicated with letter "E" so that the sound is directed downwards. Plug back-up alarm electrical connector to harness.

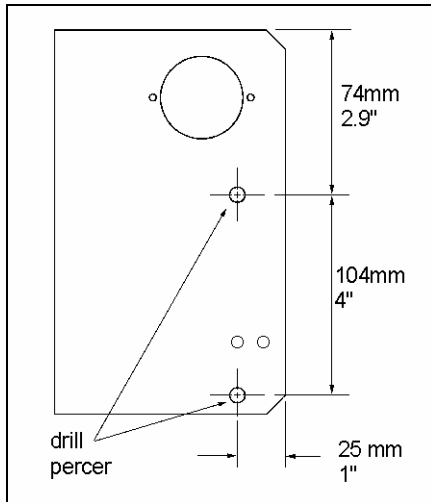


FIGURE 1 : XL2 SERIES VEHICLES, POSITIONING OF HOLES ON SUPPORT BRACKET

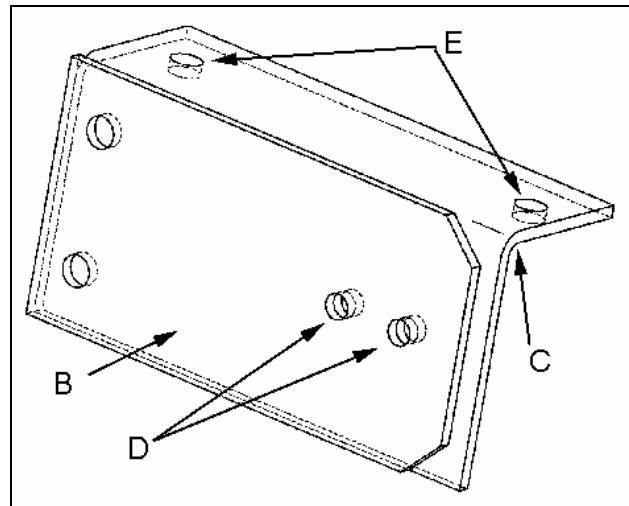


FIGURE 2 : H3 SERIES VEHICLES, B: BRACKET ON VEHICLE FRAME; C: # 219916 SUPPORT BRACKET

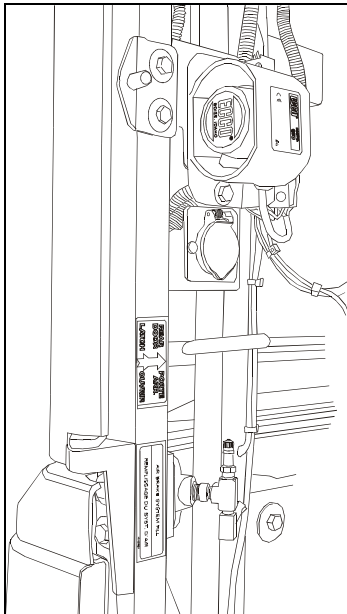


FIGURE 3 : BACK-UP ALARM ON XL2 SERIES VEHICLE