

INSTALLATION OF WHEELCHAIR LIFT ACCESS DOOR OPENING AND CLOSING MECHANISM CABLES

MATERIAL

Kit #287217 **OPENING CABLE** includes the following parts:

Part No.	Description	Qty
287469	Cable, opening	1
502092	Spring	1
IS-03051	Instruction Sheet	1
FI-03051	Feuille d'instructions	1

Kit #287407 **CLOSING CABLE** includes the following parts:

Part No.	Description	Qty
287196	Support	1
287470	Cable, closing	1
5001146	Screw, cap hex SS M5-20	1
5001449	Nut SS M5-0.8	2
502570	Washer, lock	1
IS-03051	Instruction Sheet	1
FI-03051	Feuille d'instructions	1

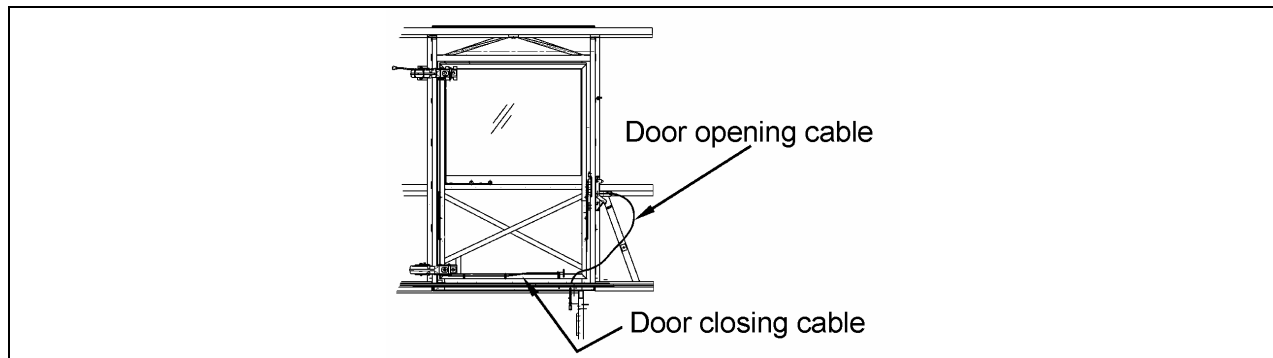


FIGURE 1: WHEELCHAIR LIFT ACCESS DOOR OPENING AND CLOSING CABLES

PROCEDURE – DOOR OPENING CABLE

Warning : Park vehicle safely, apply parking brake, stop engine and set battery master switch(es) to the OFF position prior to working on the vehicle.

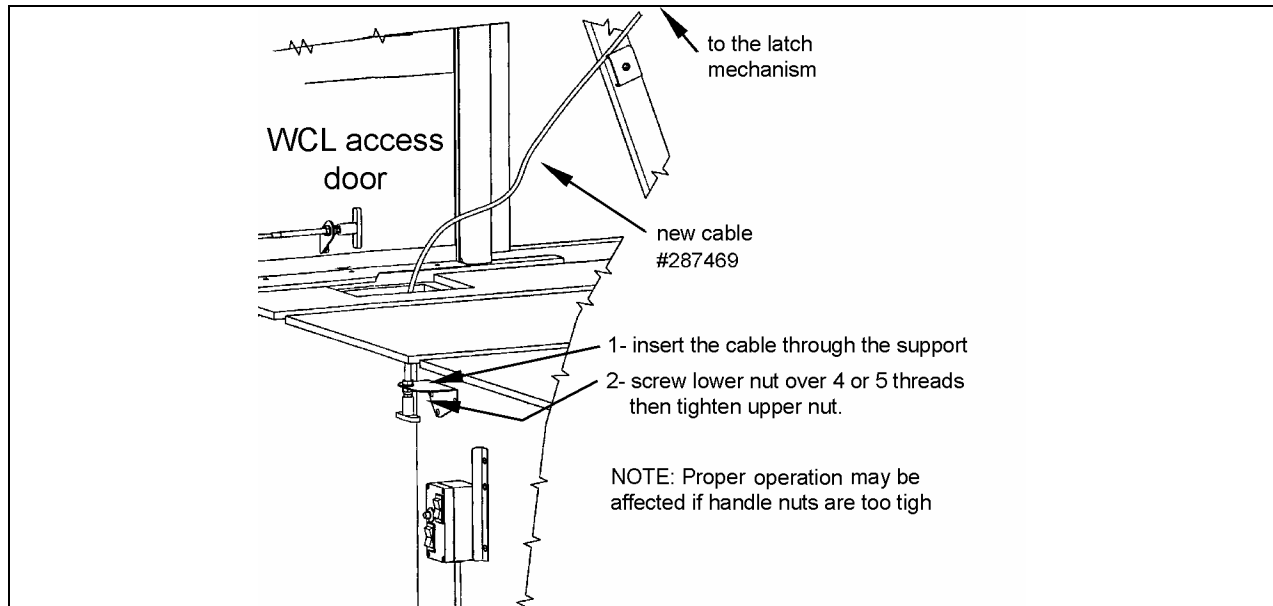


FIGURE 2: CABLE ROUTING

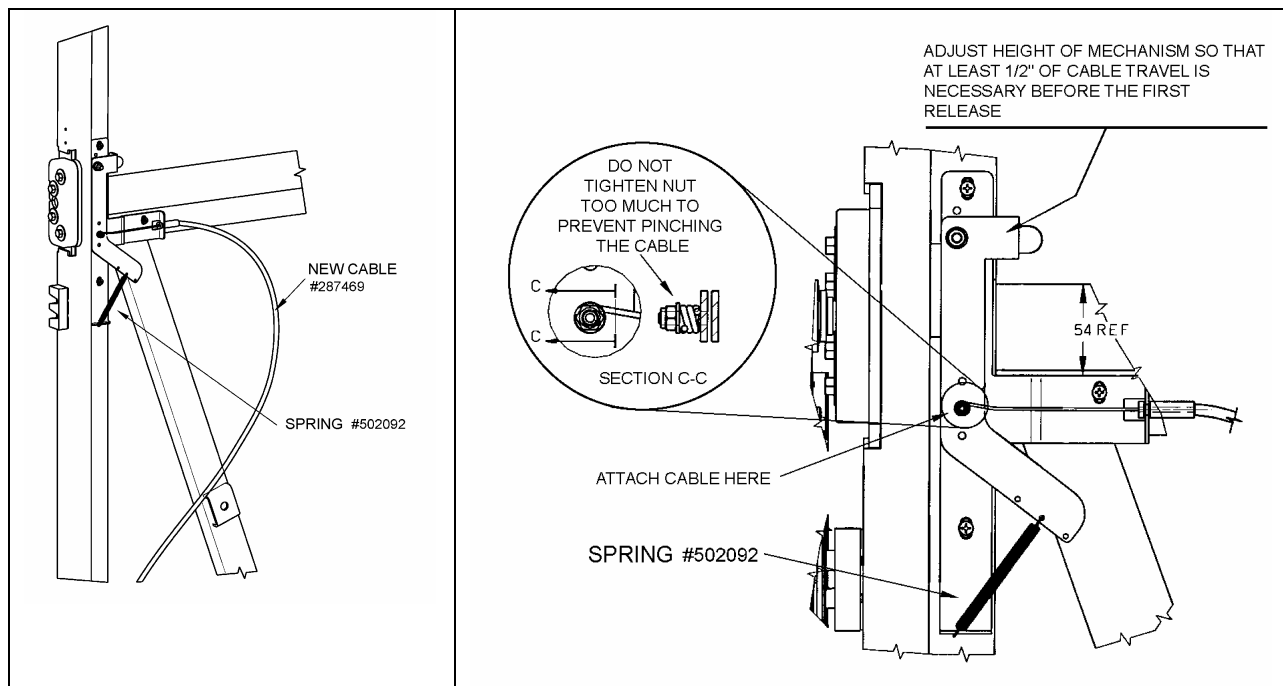


FIGURE 3: CABLE ROUTING

FIGURE 4

1. Open the lift mechanism baggage door and swing open until locked open. Pull the wheelchair access door opening handle in top left corner of the baggage compartment and swing the door until locked open.

2. From inside the vehicle, remove finishing trim in the vicinity of door lock. Remove aluminum molding and lateral panel.
3. Remove existing cable (see routing on figure 1).
4. Route the new cable #287469 from the baggage compartment up to the latch mechanism (see figures 2 and 3). Secure control cable to handle then tighten nuts as indicated in figure 2.

Note: Proper operation may be affected if mechanism nut or handle nuts are too tight (see figures 2 and 4).

Note: Adjust height of mechanism so that at least ½" of cable travel is necessary before the first release (see figure 4).

5. Secure the other end of control cable to latch mechanism as per figure 4.

PROCEDURE – DOOR CLOSING CABLE

Warning : Park vehicle safely, apply parking brake, stop engine and set battery master switch(es) to the OFF position prior to working on the vehicle.

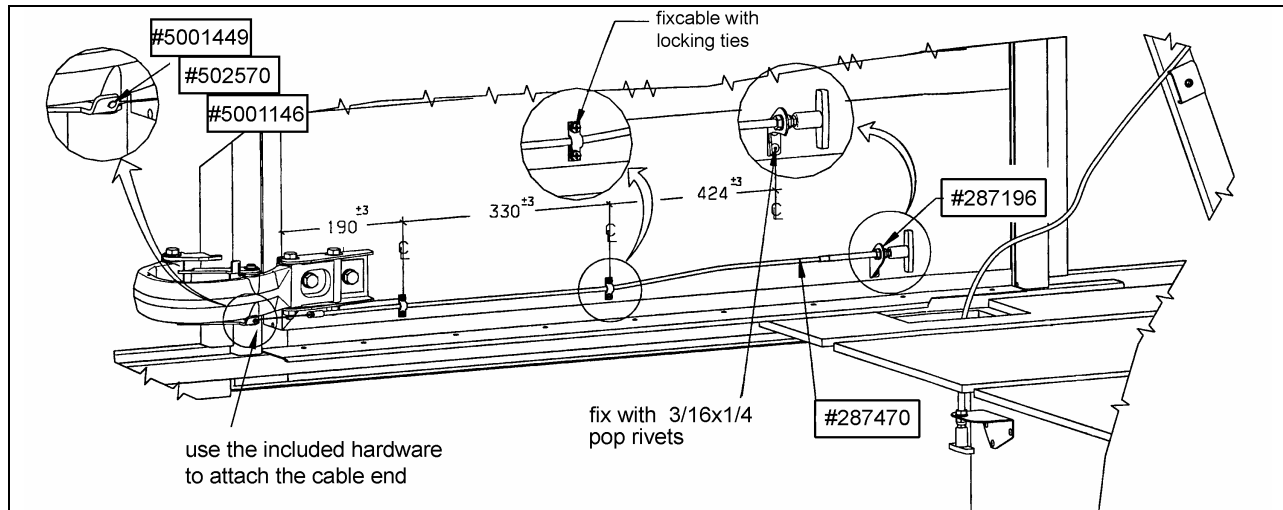


FIGURE 5: DOOR CLOSING CABLE INSTALLATION

1. To gain access to the door opening cable, remove the air duct at the bottom of the access door.
2. Remove the existing cable and handle support.
3. Fix new support #287196 with two Pop rivets 3/16x1/4.
4. Secure control cable to handle. Screw handle side nut over 4 or 5 threads then tighten the other nut.

Note: Proper operation may be affected if mechanism nut or handle nuts are too tight.

5. Attach the cable end to the hinge with the included hardware (figure 5). Use 2 nuts #5001449, one as a jam nut.
6. Fix cable along the door with the locking ties.