

PREVOST

Instruction Sheet

IS-04013A

ENTRANCE FIRST STEP FLOOR COVERING REPLACEMENT

REVISION : A

In reason of the color code, part #328164 is removed from the kit and must be ordered separately.

MATERIAL

Kit #328163 includes the following parts:

Part No.	Description	Qty
509855	Extrusion, aluminum	1
502903	Screw, thread cutting flat head Phillips SS 10-24 x 1 ¼"	3
327765	Finishing cap, left	1
327766	Finishing cap, right	1
506088	White safety strip	1
IS-04013	Instruction Sheet	1
FI-040163	Feuille d'instructions	1

Also, you must order one piece of floor covering for the first step (Prevost #328164) and specify the letter corresponding to the color (see the table below). For the exact floor covering color of your vehicle, refer to your coach "Final Record".

Pièce No	Description	Qté	Pièce No	Description	Qté
328164A	Galaxy blue Aquilia #8423	1	328164L	Galaxy red & grey Aries #8778	1
328164B	Galaxy dark grey Tucuna #8750	1	328164M	Galaxy green Orion #8544	1
328164C	Sirius light grey Griffon #6768	1	328164Q	Galaxy light grey Cygnus #8979	1
328164D	Sirius graphite #6801	1	328164R	Luna brown Sweden #8311	1
328164E	Galaxy dark grey Pegasus #8780	1	328164S	Luna grey Poland #8731	1
328164F	Uranus dune #6782	1	328164T	Luna green China #8525	1
328164G	Sirius dune #6782	1	328164U	Luna blue Egypt #8414	1
328164I	Sirius ruby Red #6132	1	---	-----	---

NOTE

Material can be obtained through regular channels.

NOTE

To ensure the best results and adherence, the following products must be used. Use only the contact adhesive listed below, no other contact adhesive shall be used.

Part No	Description	Qty
682989	Anti-silicone (5 liter)	A/R
683097	Sika 205 (1 liter)	A/R
683916	Sika 215 (1 liter)	A/R
684655	Contact adhesive, 3M #1357-N (3.8 liter)	A/R
684517	Simson glue ISR 70-03, 290ml cartridge	A/R

PROCEDURE

⚠ WARNING ⚠

Park vehicle safely, apply parking brake, stop engine and set battery master switch(es) to the OFF position prior to working on the vehicle.

1. Remove the existing first step covering and both finishing caps.
2. Remove dirt and adhesive residue on step using a scraper.

NOTE

There should be no adhesive residue before applying contact adhesive, otherwise the two surfaces won't stick.

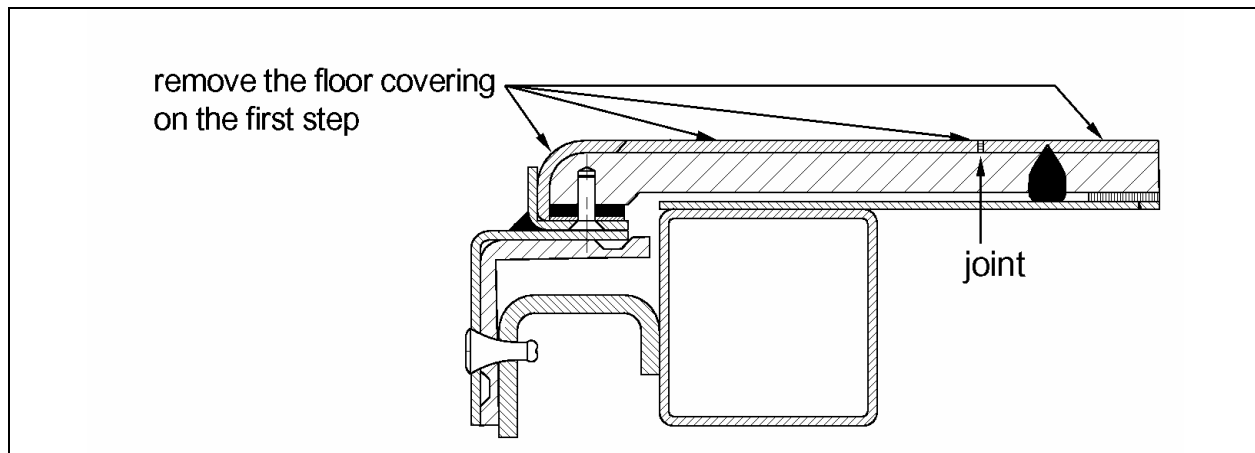


FIGURE 1

NOTE

In wintertime, condensation and cold temperature may greatly influence bonding parameters. Working area must be at a temperature sufficient to prevent reaching condensation point. Mechanically preheat working area (heat lamp or heat gun) or wait until vehicle reaches room temperature.

PREPARATION OF FLOOR COVERING

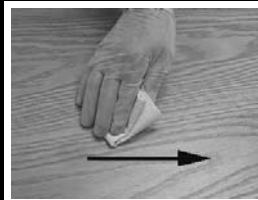
1. Sand under step covering using a Scotchbrite pad (figure 1).
2. Clean using anti-silicone or alcohol (see the instruction below).
3. Apply Sika Primer 215 (see the instruction below).

Alcohol or Anti-silicone



1. Apply

CHIX cloth



2. Dry immediately

Blue cloth

3. Allow drying

Mandatory

Minimum time : Wait for product to evaporate

After 2 hours: Start cleaning operation again

Sika Primer 215



1. Shake bottle to mix product

2. Apply a thin layer

CHIX cloth

3. Allow drying

Mandatory

Minimum time : 20 minutes

After 2 hours : Remove dust using damp cloth (pure water)

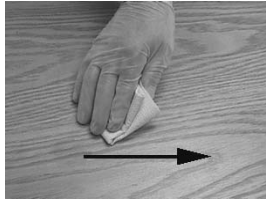
Before applying any other product

If surface seems dusty, dust using damp cloth.

If surface seems greasy or with finger marks, reactivate with Aktivator.

PREPARATION OF THE STEP

1. Clean using anti-silicone or alcohol.
2. Apply Sika 205 (see the instruction below).

Sika 205			
		1. Apply	
		CHIX cloth	
2. Allow drying			
Mandatory	Minimum time	- For a smooth surface (aluminum, stainless, steel, fiberglass (gelcoat side), etc.):	2 minutes
		- For a porous surface (fiberglass (non gelcoat side), etc.):	10 minutes
After 2 hours : Reactivate surface with Sika 205			
Before applying any other product		If surface seems dusty, greasy or with finger marks, start operation again.	

GLUING OF FIRST STEP COVERING

1. Apply a thin and even coat of contact adhesive onto step surface and covering. Allow drying for 5 minutes.

NOTE
<i>Use only the prescribed contact adhesive, <u>no other contact adhesive shall be used.</u></i>

2. Install step covering beginning with the back and finishing with the front. Compress step covering using a roller paying particular attention to corners and edges.
3. Apply a bead of Simson glue all around the edge of the step covering as shown in figure 3. Smooth out the joint.

GLUING THE OTHER COMPONENTS

1. Apply 3 beads of Simson glue under extrusion #509855 (see figure 3). Peel off the self adhesive tape protective strip.
2. Place the extrusion on the step as per in figure 3. Press firmly.
3. Once the glue sufficiently hardened to maintain the extrusion, drill 3 holes of Ø5/32" (4.5mm) using the extrusion holes for positioning.
4. Screw the extrusion in place.

-
5. Proceed to gluing preparation of the white safety strip #506088 and the extrusion. Sand with a Scotchbrite pad and clean with anti-silicone or alcohol as previously done.

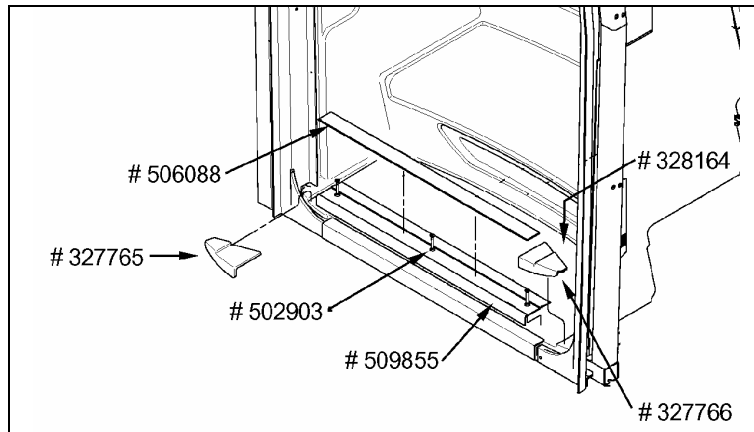


FIGURE 2: COMPONENTS IDENTIFICATION

6. Apply a thin and even coat of contact adhesive onto white safety strip and extrusion surface. Allow drying for 5 minutes.
7. Place the white safety strip on the extrusion. Compress the strip using a roller paying particular attention to corners and edges.
8. Apply a bead of Simson glue at the front of the extrusion and smooth out the joint (figure 3, section A-A)
9. Using anti-silicone or alcohol, clean the right and left finishing caps. Glue in place using Simson glue.

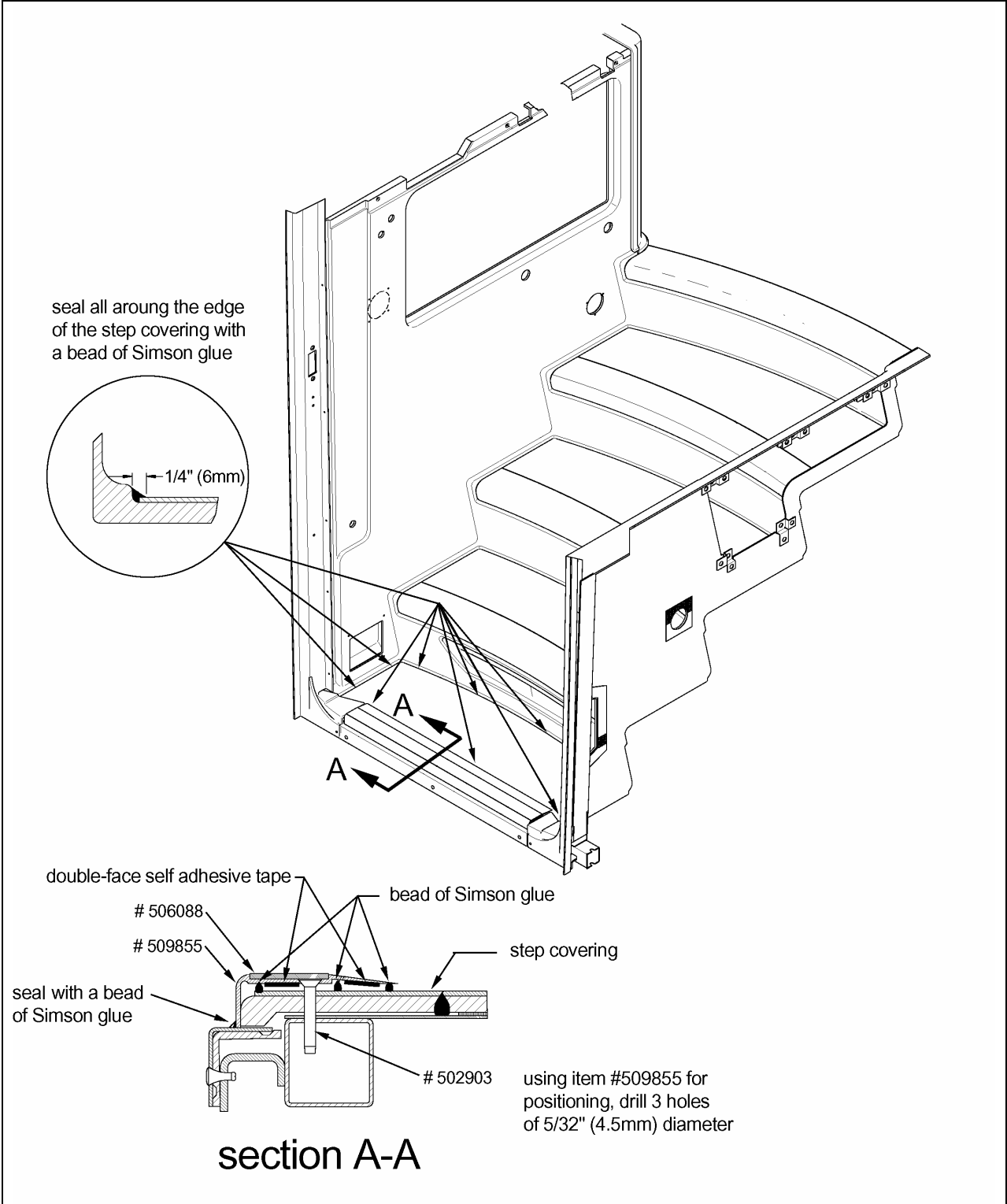


FIGURE 3