

PREVOST

Instruction Sheet

IS-04066A

REPLACEMENT OF THE SOLENOID VALVE FOR THE DOOR LOCK AIR CYLINDER - XLII MTH

REVISION : A

Error corrected in title.

MATERIAL

Kit #142489 includes the following parts:

Part No.	Description	Qty
641385	Connector	1
642023	Valve, solenoid, 5 way, 2 position, 24 VDC	1
IS-04066	Instruction Sheet	1
FI-04066	Feuille d'instructions	1

PROCEDURE

WARNING

Park vehicle safely, apply parking brake, stop engine and set battery master switch(es) to the OFF position prior to working on the vehicle.

1. Remove the panel to gain access to the solenoid valve (Figure 1).
2. Using pliers, cut wires next to the connector gland nut.
3. Unscrew the two bolts and remove the existing solenoid valve and then install the new one.
4. Strip the wires.
5. Remove screw G from connector plug #641385. Using a screwdriver, lever up terminal block at point B (Figure 2).
Wire 48B (black) on terminal 1
Wire 48A (red) on terminal 2
7. Insert terminal block into housing and tighten gland nut.
8. Plug connector to solenoid valve and tighten the connector screw.
9. Test the installation by activating the door opening/closing buttons.

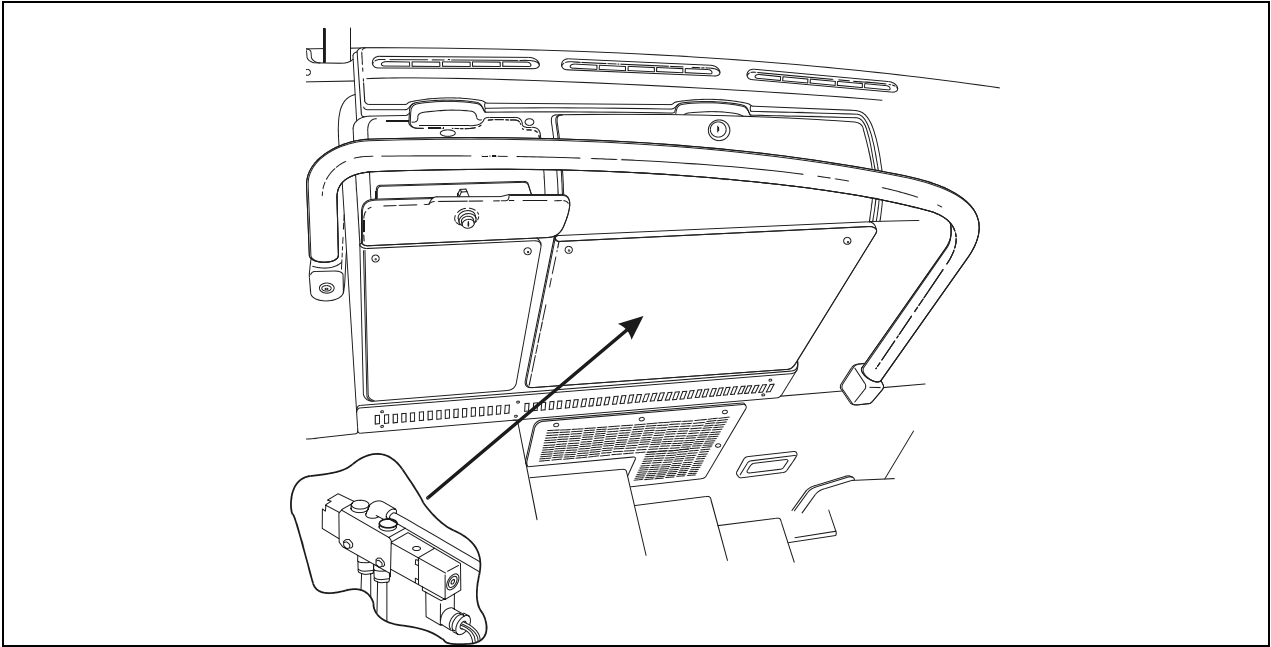


FIGURE 1: LOCATION OF SOLENOID VALVE

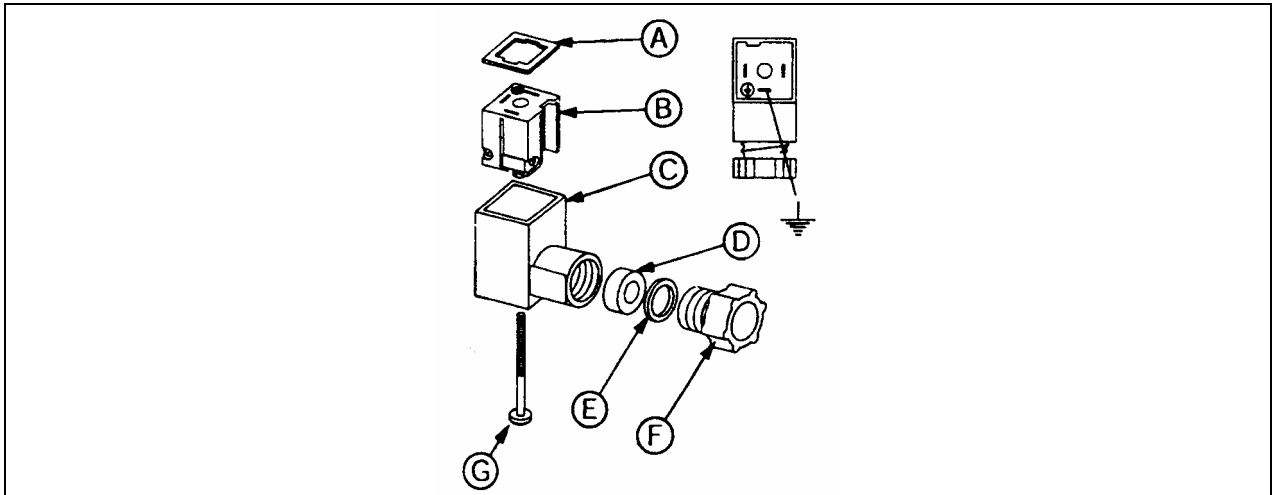


FIGURE 2: CONNECTOR PLUG ASSEMBLY

A:	Gasket	E:	Washer
B:	Lever up here	F:	Gland nut
C:	Housing	G:	Connector screw
D:	Packing		