

PREVOST

Instruction Sheet

IS-05010




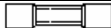

REPLACEMENT OF POWER WINDOW MOTOR

NOTE






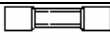



This instruction sheet is applicable for replacement of power window motor #790337.

MATERIAL

H3-41, H3-45 & VIP series vehicles. Kit #293872 includes the following parts:

Part No.	Description	Qty
293855	Motor & support, assembly	1
293902	Support, driver's window	1
5001633	Machine screw, flat Phillips head ZP M6-1x12 	2
500440	Washer, flat ZP .250x.562x.065 	2
502570	Washer, split lock SS 6.1x11.8x1.6 	2
506322	Butyl, strip 0.045" X 1.0" X 13.0" long	1
563623	Butt splice, 16-14 	2
563664	Connecting harness extension	1
685072	Loctite 243, 5ml	1
955269	Cap screw, hex. head M6-1x12 	2
IS-05010	Instruction sheet	1
FI-05010	Feuille d'instructions	1

XLII series vehicles. Kit #293874 (driver's power window) includes the following parts:








Part No.	Description	Qty
500356	Washer, split lock 6.1X16X0.9 	1
500541	Machine screw, flat Phillips head SS 1/4-20x1/2 	8
500877	Washer, flat ZP .250x.562x.065 	4
500923	Screw, thread cutting hex. head ZP 1/4-20x3/4 	1
504273	Nylon locking tie 142mm	3
562679	Self adhesive locking tie mount 	3
563623	Butt splice, 16-14 	2
563664	Connecting harness extension	1
685072	Loctite 243, 5ml	1
790500	Motor & actuator, assembly	1
955271	Cap screw, hex. head M6x16 	2
5001182	Locknut, nylon insert M6-1 	2
5001633	Machine screw, flat Phillips head ZP M6-1x12 	2
IS-05010	Instruction sheet	1
FI-05010	Feuille d'instructions	1

NOTE

In addition to this kit, you must obtain the following parts as the case may be:

- XLII-45 coaches:..... #293852 trapezoidal support (1X) et #293856 motor support (1X)*
- XLII-40, XLII-45 MTH:..... #293852 trapezoidal support (1X) et #293850 motor support (1X)*
- XLII-45 Entertainer:..... #293857 trapezoidal support (1X) et #293850 motor support (1X)*

XLII series vehicles. Kit #293873 (entrance door power window) includes the following parts:

Part No.	Description	Qty
293845	Trapezoidal support attachment bracket	1
293848	Motor support	1
293907	Reinforcement part, aluminum	2
500541	Machine screw, flat Phillips head SS 1/4-20x1/2 	8
502570	Washer, split lock SS 6.1x11.8x1.6 	2
504105	Rivet, pop 	4
504273	Nylon locking tie 142mm	1
562679	Self adhesive locking tie mount 	1
563623	Butt splice, 16-14 	2
563664	Connecting harness extension	1
685072	Loctite 243, 5ml	1
790500	Motor & actuator, assembly	1
5001181	Cap screw, hex. head SS M6x12 	2
5001633	Machine screw, flat Phillips head ZP M6-1x12 	4
IS-05010	Instruction sheet	1
FI-05010	Feuille d'instructions	1

NOTE

In addition to this kit, you must obtain the following parts as the case may be:

XLII-40, XLII-45 MTH:..... #293849 trapezoidal support (1X)

XLII-45 Entertainer:..... #293861 trapezoidal support (1X)

PROCEDURE – H3 & VIP SERIE VEHICLES



Park vehicle safely, apply parking brake, stop engine and set battery master switch(es) to the OFF position prior to working on the vehicle.

1. If not already done, raise the driver's power window.
2. Set the battery master switch to the OFF position.
3. To permit removal of the existing mechanism and installation of the new one, the window must be held in upper position. To do so, use duct tape to hold it in place.
4. In order to gain access to the power window mechanism, dismount the driver's area lateral control panel and left interior trim.
5. Disconnect the existing power window motor.

6. Remove the existing power window mechanism. Follow steps of figure 1.

Note: keep hardware for later use, as indicated.

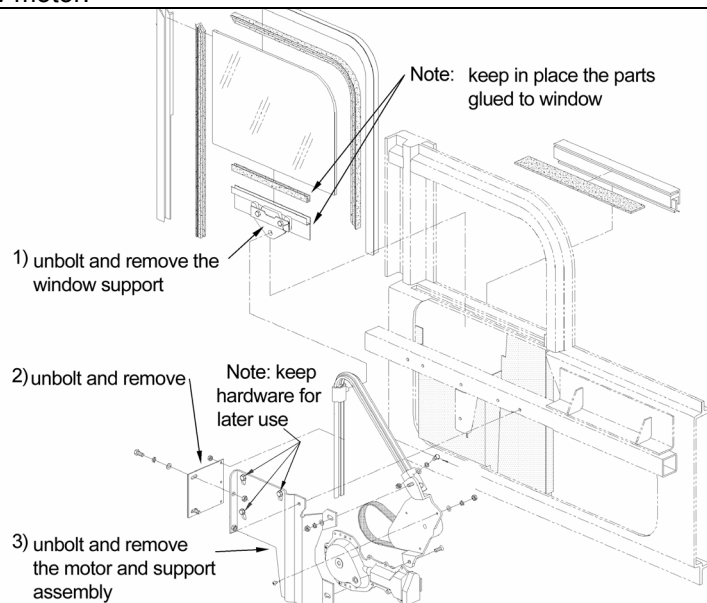


FIGURE 1

7. It is necessary to extend the power window harness. To do so, cut connector C322 at the end of the yellow wires (circuits 26) and remove 1/4" of insulating sheath.

8. Extend the vehicle harness using connecting harness extension #563664 and butt splices #563623 included in kit (see figure 2). Heat the shrinkable ends of the butt splices.

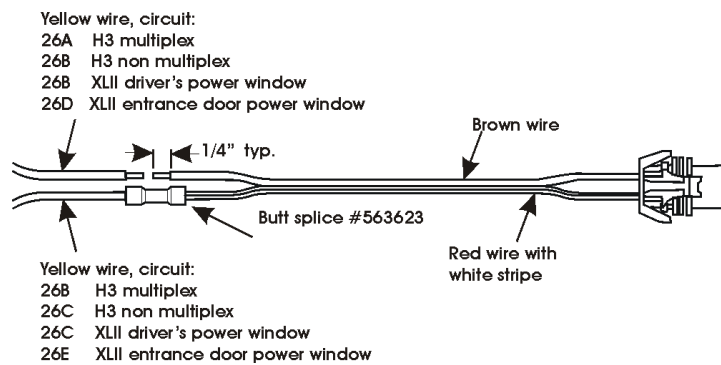
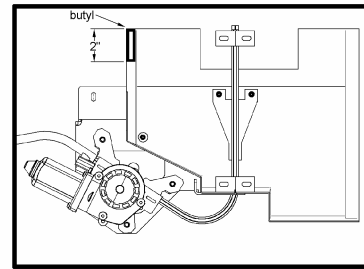
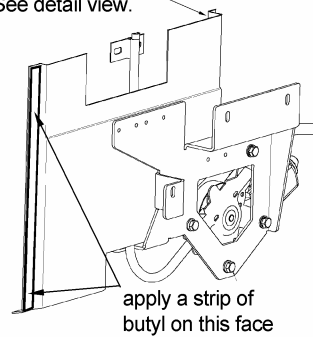


FIGURE 2

9. Apply 2 strips of butyl on the plastic panel of the motor and support assembly as per figure 3.

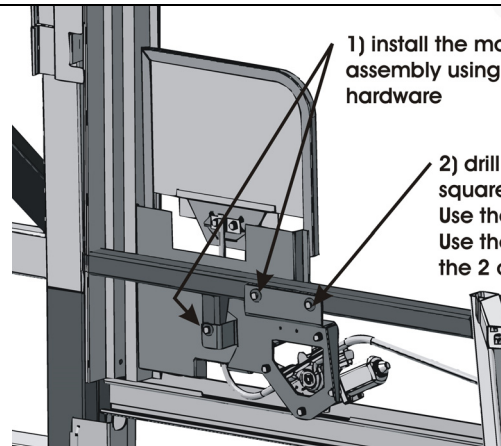
apply a strip of butyl on this surface.
See detail view.



detail

FIGURE 3

10. Position motor and support assembly. Follow steps 1 & 2 of figure 4.

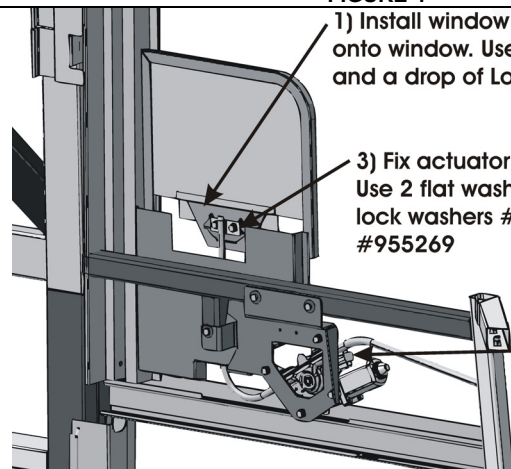


1) install the motor and support assembly using recovered hardware

2) drill a third fixing hole in the square tube, diameter: 7/32". Use the support as a guide. Use the same hardware as the 2 other holes.

FIGURE 4

11. Follow the steps of figure 5. To carry out step 3, you may have to energize motor in order to position the actuator so it can be fixed to window support. Be particularly careful not to pull on the actuator. Only move the actuator using the motor. Momentarily connect the motor and set the battery master switch to the ON position.



1) Install window support #293902 onto window. Use 2 screws #5001633 and a drop of Loctite on threads.

3) Fix actuator onto window support. Use 2 flat washers #500440, 2 split lock washers #502570 and 2 screws #955269

2) Connect power supply harness to motor.

FIGURE 5

12. Connect the motor and test the functioning of the new mechanism.

13. Secure the connecting harness with nylon locking ties.

14. Reinstall the driver's area lateral control panel and interior trim.

PROCEDURE – XLII SERIES VEHICLES, DRIVER'S POWER WINDOW

⚠ WARNING ⚠

Park vehicle safely, apply parking brake, stop engine and set battery master switch(es) to the OFF position prior to working on the vehicle.

1. If not already done, raise the driver's power window.
2. Set the battery master switch to the OFF position.
3. To permit removal of the existing mechanism and installation of the new one, the window must be held in upper position. To do so, use duct tape to hold it in place.
4. In order to gain access to the power window mechanism, open the front electrical compartment service door and remove the interior finishing panel.
5. Disconnect the existing power window motor.

6. Remove the existing power window mechanism. Follow steps of figure 6.

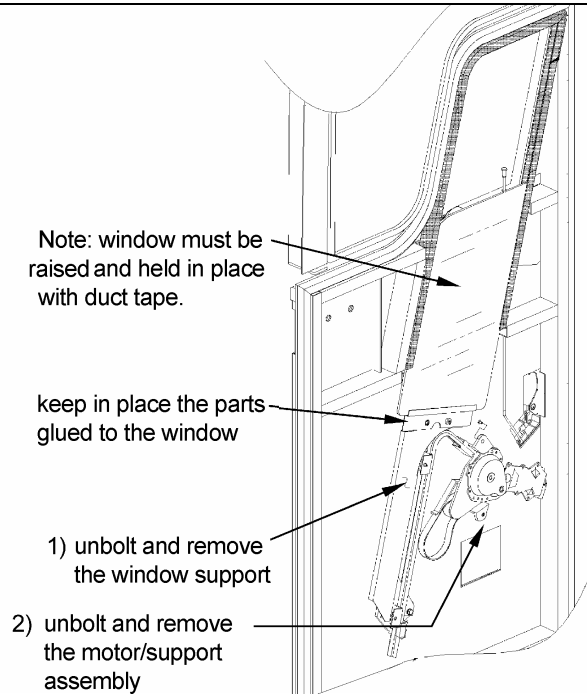


FIGURE 6

7. It is necessary to extend the power window harness. To do so, cut connector at the end of the yellow wires (circuits 26) and remove 1/4" of insulating sheath.

8. Extend the vehicle harness using connecting harness extension #563664 and butt splices #563623 included in kit (see figure 7). Heat the shrinkable ends of the butt splices.

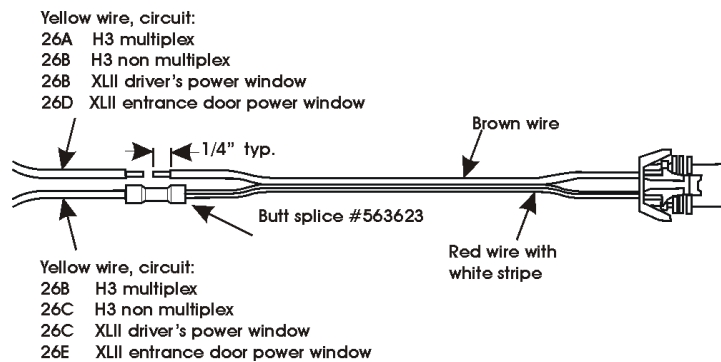


FIGURE 7

9. Assemble motor, support and trapezoidal support. Follow steps 1 up to 3 of figure 8.

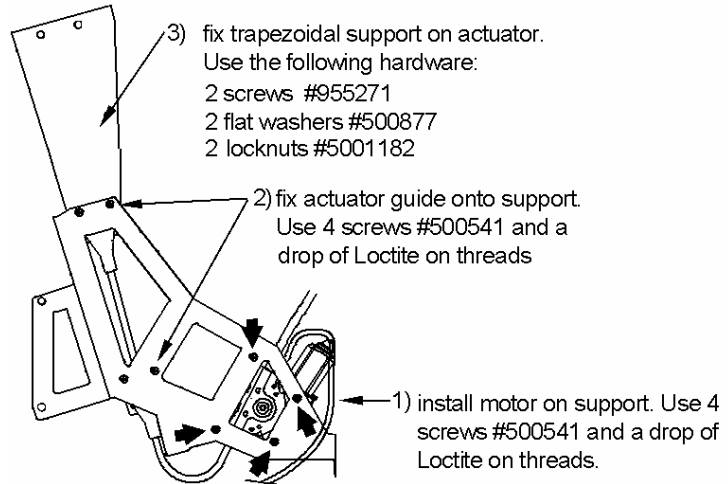


FIGURE 8

10. Install assembly as per steps of figure 9.

To carry out step 4, you may have to energize motor in order to position the trapezoidal support so it can be fixed to window. Be particularly careful not to pull on the actuator. Only move the actuator using the motor. Momentarily connect the motor and set the battery master switch to the ON position.

4) fix trapezoidal support to window.
Use 2 screws #5001363 and a drop of Loctite on threads

3) place a self adhesive nylon locking tie mount #562679 and using a nylon locking tie, attach the flexible section of the actuator guide. Connect the power supply harness to motor

1) position assembly and fix with 2 locknuts recovered from the former installation and 2 flat washers #500877

2) using the support as a guide, drill one 7/32" diameter hole and fix support using one self tapping screw #500923 and a split lock washer #500356

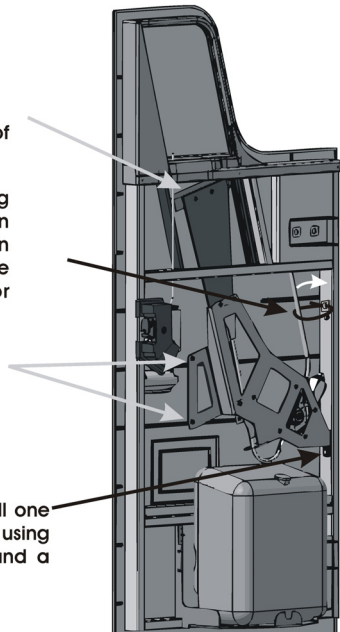
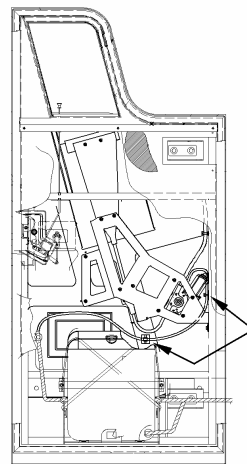


FIGURE 9

11. Connect the motor and test the functioning of the new mechanism.

12. Secure the connecting harness with nylon locking ties.

13. Reinstall the service door interior finishing panel.



Fix power supply harness with self adhesive locking tie mounts #562679 and nylon locking ties #504273

FIGURE 10

PROCEDURE – XLII SERIES VEHICLES, ENTRANCE DOOR POWER WINDOW



Park vehicle safely, apply parking brake, stop engine and set battery master switch(es) to the OFF position prior to working on the vehicle.

1. If not already done, raise the driver's power window.
2. Set the battery master switch to the OFF position.
3. To permit removal of the existing mechanism and installation of the new one, the window must be held in upper position. To do so, use duct tape to hold it in place.
4. In order to gain access to the power window mechanism, open the entrance door and remove the interior finishing panel.
5. Disconnect the existing power window motor.

6. Remove the existing power window mechanism. Follow steps of figure 11.

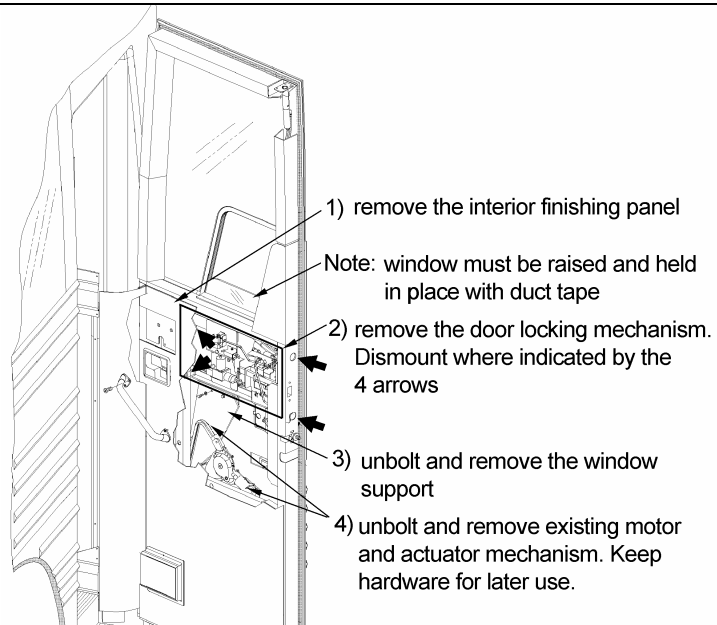
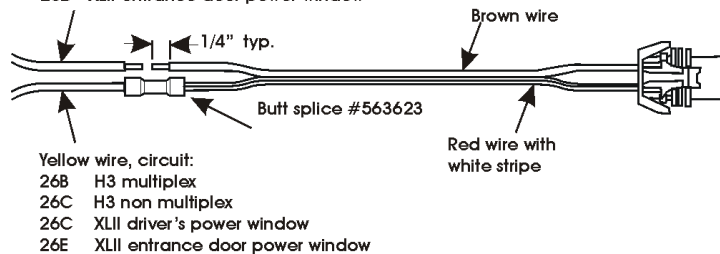


FIGURE 11

7. It is necessary to extend the power window harness. To do so, cut connector at the end of the yellow wires (circuits 26) and remove 1/4" of insulating sheath.

Yellow wire, circuit:
 26A H3 multiplex
 26B H3 non multiplex
 26B XLII driver's power window
 26D XLII entrance door power window

8. Extend the vehicle harness using connecting harness extension #563664 and butt splices #563623 included in kit (see figure 12). Heat the shrinkable ends of the butt splices.



Yellow wire, circuit:
 26B H3 multiplex
 26C H3 non multiplex
 26C XLII driver's power window
 26E XLII entrance door power window

FIGURE 12

9. Assemble trapezoidal support.
Follow steps of figure 13.

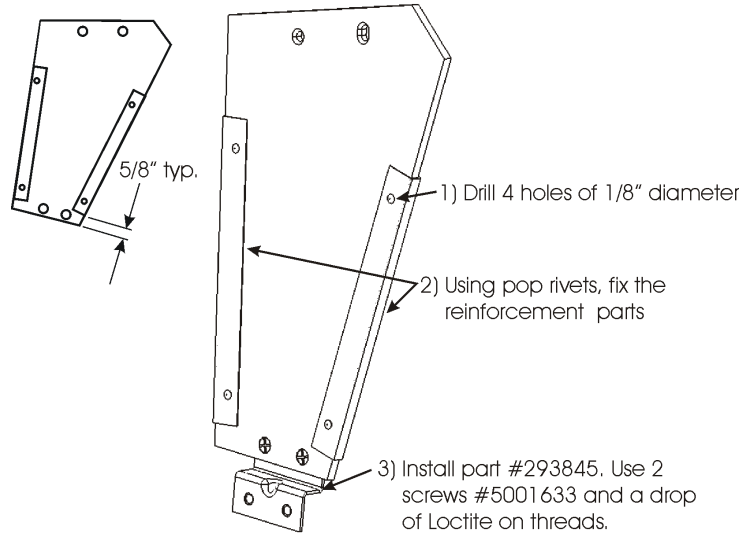


FIGURE 13

10. Assemble motor, support and trapezoidal support. Follow steps 1 up to 3 of figure 14.

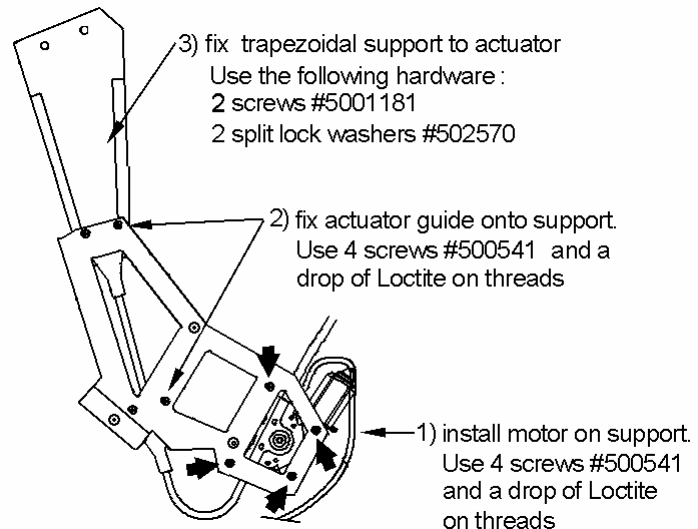


FIGURE 14

11. Install the assembly as per figure 15.

To carry out step 2, you may have to energize motor in order to position the trapezoidal support so it can be fixed to window. Be particularly careful not to pull on the actuator. Only move the actuator using the motor. Momentarily connect the motor and set the battery master switch to the ON position.

2) fix trapezoidal support to window. Use screws #5001633 and a drop of Loctite on threads

3) secure the flexible section of the actuator guide using a self adhesive locking tie mount #562679 and a nylon locking tie

1) position the assembly and fix using 3 screws and flat washers recovered from the previous installation

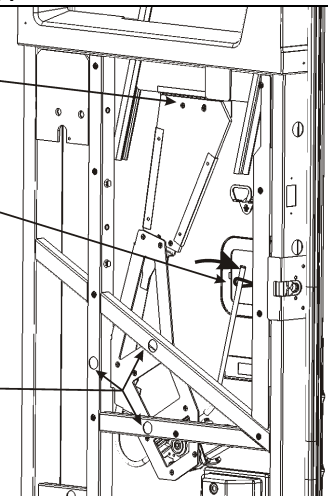


FIGURE 15

12. Reinstall the door locking mechanism. Bolt mechanism where indicated by arrows.
13. Connect the motor and test the functioning of the new mechanism.
14. Secure the connecting harness with nylon locking ties.
15. Reinstall the interior finishing panel.

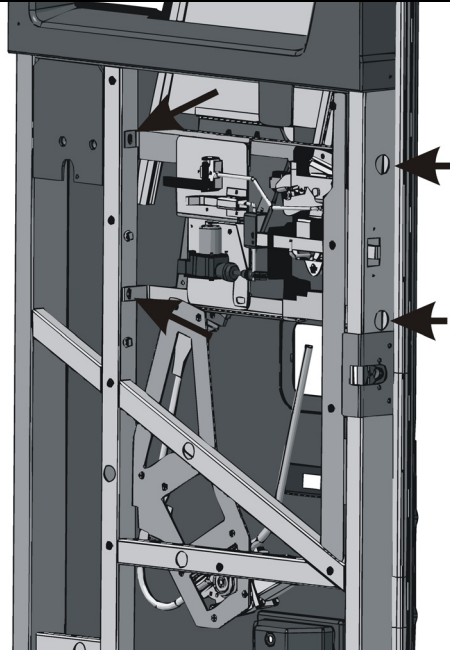


FIGURE 16