

## Instruction Sheet

### INSTALLATION OF A CAP INSIDE THE HOT LIQUID DISPENSER

#### Material

Kit #40-3464 includes the following parts.

Part no	Description	Qty
IS-9034	Instruction sheet	1
FI-9034	Feuille d'instructions	1
40-3462	Cap	1
50-4488	SS rivet 3/16"	4

#### Procedure

1. Park vehicle, apply parking brake, stop engine and set battery main disconnect switch(es) to the "OFF" position.
2. Locate the galley, then remove dispenser from its location.
3. Remove dispenser cover.
4. Clean inside of cover.

5. Locate vent in cover, and from the inner side, position cap on vent as shown in figure. The longest section of cap must be placed lengthwise of cap, and the rounded section toward the bottom of dispenser at 1 1/4" (31 mm) from the side of the inner wall (insulation) of cover and at 5/8" (15 mm) from its extremity.

6. Using a punch, mark location of the cap holes.

7. Remove cap, then using a drill and a 3/16" (5 mm) bit, drill four holes to the location marks on the inner side (insulation) only of cover.

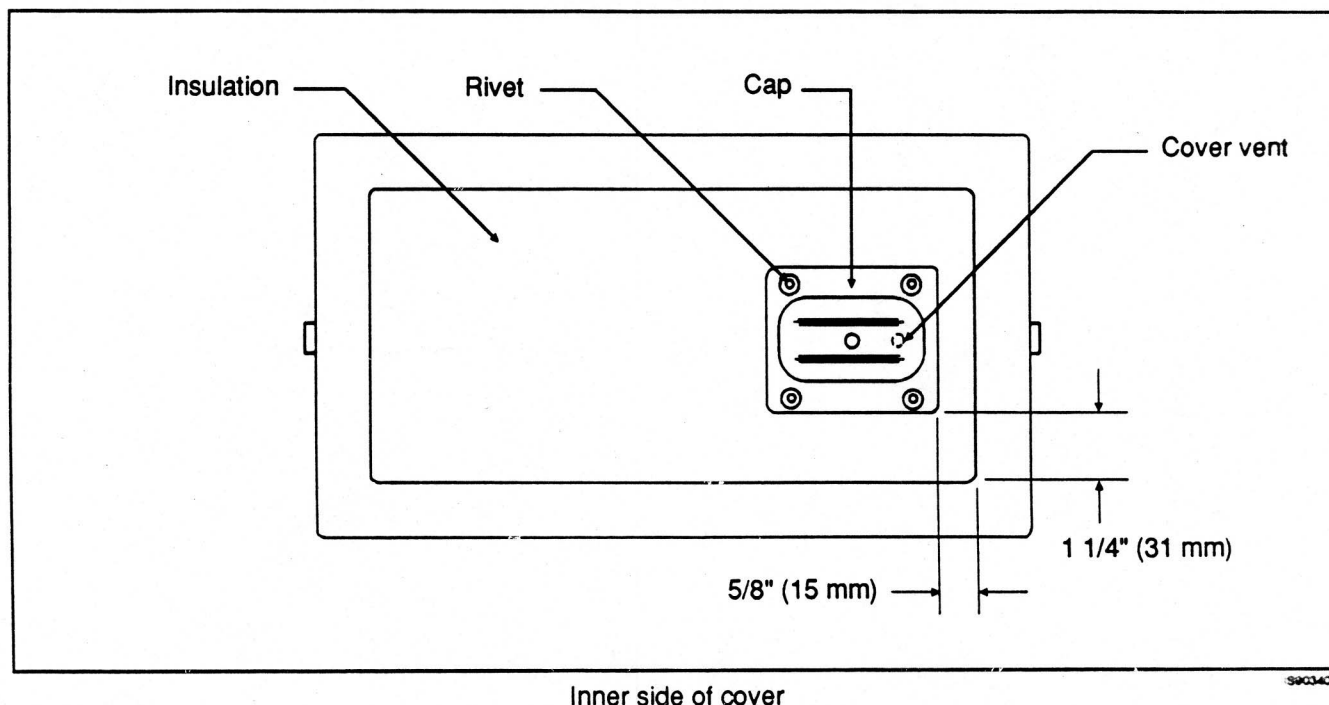
**CAUTION: Only the insulation must be drilled. Do not apply an excessive pressure on bit to avoid damaging the other walls of cover when drilling insulation.**

8. Replace cap and fix it with 3/16" rivets.

9. Clean inside of cover and replace on dispenser.

10. Reinstall dispenser and check that it is connected in its electrical connector.

11. Reset the battery main disconnect switch(es) to the "ON" position.



9803401