

# PREVOST

## Instruction Sheet

## IS-96185

### Replacement of Blaupunkt or Sony amplifier(s) with Pioneer amplifier(s)

#### MATERIAL

Kit #404524 includes the following parts.

Part No.	Description	Qty
900858	Amplifier, Pioneer 4 x 35W	1
404517	Mounting plate, Amplifier	1
500883	Screw tc bdg Ph ZP 8-32x3/8	4
560098	Terminal	5
560697	Terminal, Shurf 156 W16-14	5
561539	Terminal	2
561626	Terminal	1
561904	Terminal	1
561624	Terminal, Receptacle	1
561836	Wire, Electrical TEW 18GA Blu	1
404475	Connecting wire, PA REI	1
900671	Y Adapter, RCA	1
403917	Connector 8 Pin Fem / 4-RCA	1
900735	Y Adapter	4
IS-96185	Instruction Sheet	1
FI-96185	Feuille d'instructions	1

#### **XL-40 COACH: Replacement of a Blaupunkt Amplifier with a Pioneer Amplifier.**

**Warning:** Park vehicle safely, apply parking brake, stop engine and set battery master switch(es) to the OFF position prior to working on the vehicle.

**Note:** Some parts will not be necessary to perform this installation.

1. Set the battery main disconnect switch to the "OFF" position. Refer to Section 6 of Maintenance Manual: "Electrical System" for switch location.
2. Remove the screws securing amplifier protector (Fig. 1). Remove the amplifier protector.

**Note:** Refer to figure 2 for wiring diagram of amplifiers installation.

3. Disconnect wiring connectors from both sides of amplifier (identify wiring for reinstallation).
4. Remove the screws retaining amplifier to the wall.

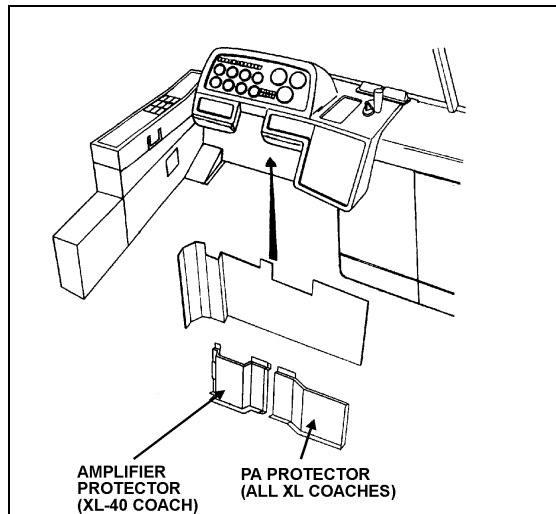


FIGURE 1

23046

5. In amplifiers compartment, locate power supply wires (0 & 120C) and crimp terminal (Prévost #561539) on each wire.
6. Locate 8 pin connector, connect female connector (Prévost #403917) to the 8 pin connector. Connect RCA Y adapter (Prévost #900671) between amplifier and 8 pin connector on one of the channels, connect PA REI connecting wire (Prévost #404475) on one of the terminals of Y adapter and ground connecting lug.
7. Disconnect speaker connectors from old amplifier (B1 & A1, B2 & A2, D1 & C1 et D2 & C2). Cut connectors and crimp specified terminal on each wire: male (Prévost #560098) and female (Prévost #560697). Connect terminals to matching wires of Pioneer amplifier connector.
8. Reinstall amplifier in compartment with existing screws, drill new holes on wall to reinstall amplifier if necessary. Connect wiring and cables on amplifier as shown on figure 2.

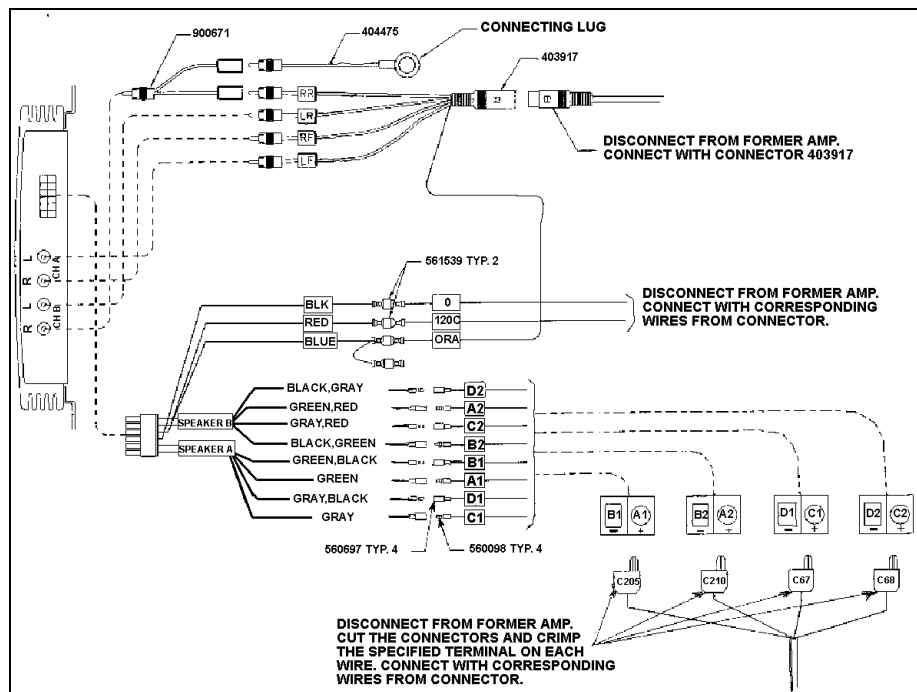


FIGURE 2

23095

9. Reinstall amplifier protector with screws.

### **XL-40 COACH: Replacement of a Sony Amplifier with a Pioneer Amplifier.**

**Warning:** Park vehicle safely, apply parking brake, stop engine and set battery master switch(es) to the OFF position prior to working on the vehicle.

**Note:** Some parts will not be necessary to perform this installation.

1. Set the battery main disconnect switch to the "OFF" position. Refer to Section 6 of Maintenance Manual: "Electrical System" for switch location.
2. Remove the screws securing amplifier protector (Fig. 1). Remove the amplifier protector.

**Note:** Refer to figures 2 and 3 for wiring diagram of amplifiers installation.

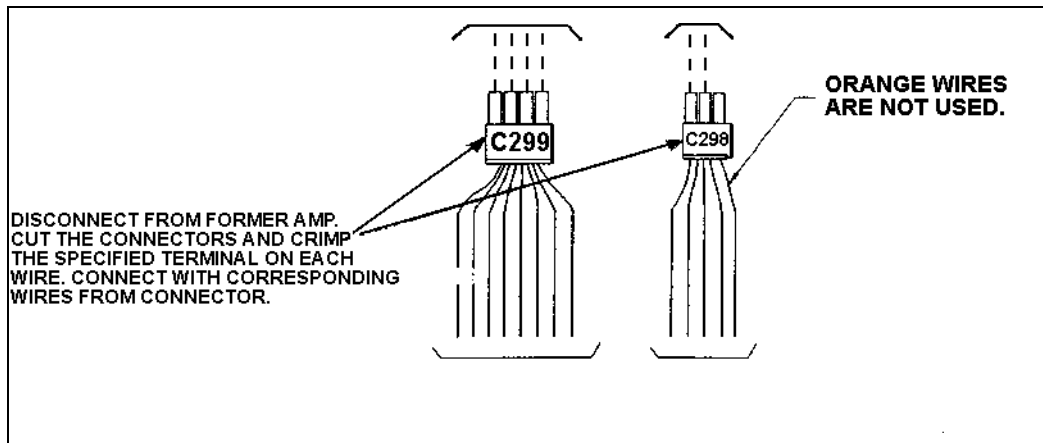


FIGURE 3

23096

3. Disconnect wiring connectors from both sides of amplifier (identify wiring for reinstallation).
4. Remove the screws retaining amplifier to the wall.
5. In amplifiers compartment, locate power supply wires (0 & 12OC) and crimp terminal (Prévost #561539) on each wire.
6. Locate 8 pin connector, connect RCA Y adapter (Prévost #900671) between amplifier and 8 pin connector on one of the channels, connect PA REI connecting wire (Prévost #404475) on one of the terminals of Y adapter and ground connecting lug.
7. Disconnect speaker connectors from old amplifier (C299 & C298). Cut connectors and crimp specified terminal on each wire: male (Prévost #560098) and female (Prévost #560697). Orange wires are not used.. Connect terminals to matching wires of Pioneer amplifier connector.
8. Reinstall amplifier in compartment with existing screws, drill new holes on wall to reinstall amplifier if necessary. Connect wiring and cables on amplifier as shown on figures 2 and 3.
9. Reinstall amplifier protector with screws.

### **XL-45 COACH: Replacement of a Sony Amplifier with a Pioneer Amplifier (# 1 amp.).**

**Warning:** Park vehicle safely, apply parking brake, stop engine and set battery master switch(es) to the OFF position prior to working on the vehicle.

**Note:** Some parts will not be necessary to perform this installation.

1. Set the battery main disconnect switch to the "OFF" position. Refer to Section 6 of Maintenance Manual: "Electrical System" for switch location.
2. Remove the screws securing amplifier protector located in parcel rack behind driver (Fig. 4 and 5). Remove the amplifier protector.

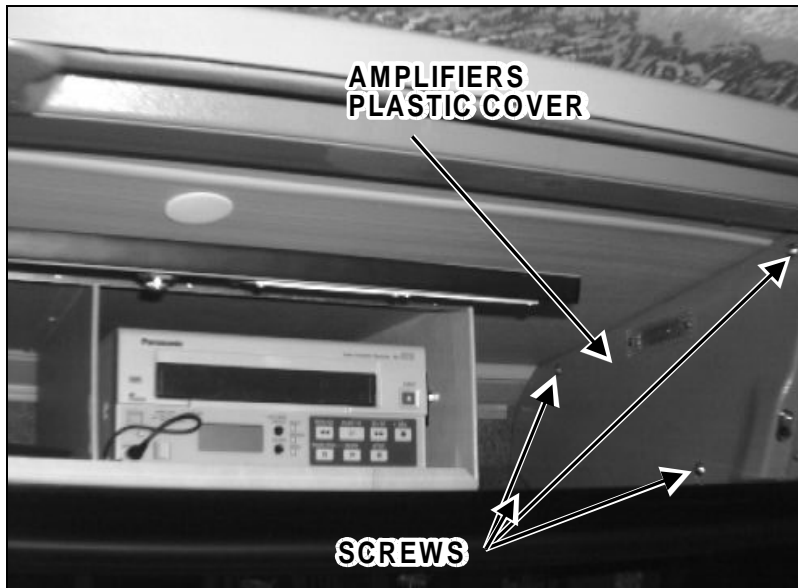


FIGURE 4

23047

**Note:** Refer to figure 6 for wiring diagram of amplifiers installation.

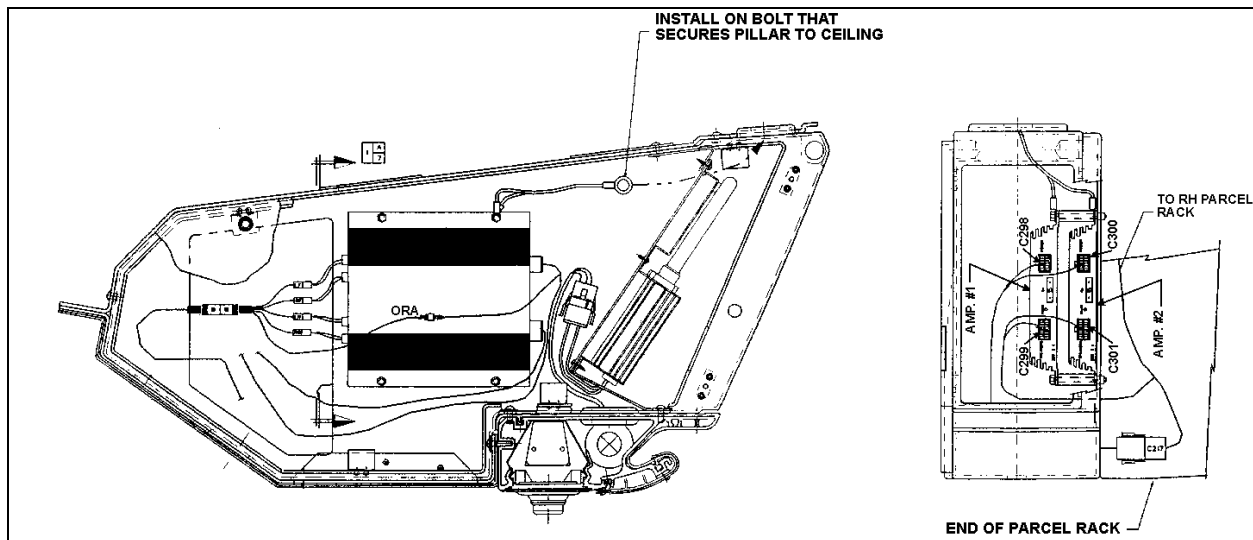


FIGURE 5

23097

3. Disconnect wiring connectors from both sides of amplifier (identify wiring for reinstallation).
4. Remove the screws retaining amplifier to the wall.
5. In amplifiers compartment, locate power supply wires (0SF & 12SF) and crimp terminal (Prévost #561539) on each wire.

6. Locate 8 pin connector, connect RCA Y adapter (Prévost #900671) between amplifier and 8 pin connector on one of the channels, connect PA REI connecting wire (Prévost #404475) on one of the terminals of Y adapter and ground connecting lug.
7. Disconnect speaker connectors from old amplifier (C299 & C298). Cut connectors and crimp specified terminal on each wire: male (Prévost #560098) and female (Prévost #560697). Orange wires are not used..Crimp terminal (Prévost #561626) on orange wire of remaining amplifier. Connect terminals to matching wires of Pioneer amplifier connector.
8. Install amplifier mounting plate (Prévost #404517) in compartment with binding screws, secure amplifier to plate and connect wiring as shown on figure 6.

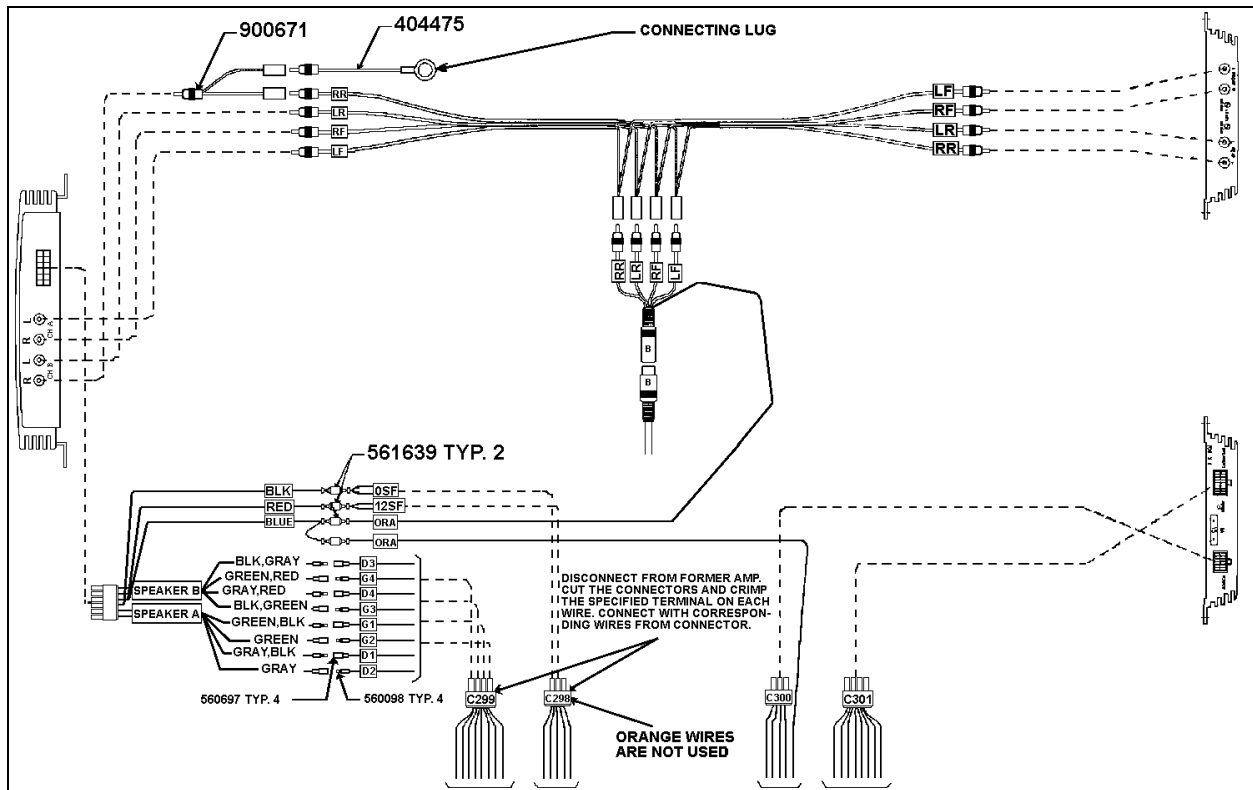


FIGURE 6

9. Reinstall amplifier protector with screws.

## XL-45 COACH: Replacement of a Sony Amplifier with a Pioneer Amplifier (# 2 amp.).

**Warning:** Park vehicle safely, apply parking brake, stop engine and set battery master switch(es) to the OFF position prior to working on the vehicle.

**Note:** Some parts will not be necessary to perform this installation.

1. Set the battery main disconnect switch to the "OFF" position. Refer to Section 6 of Maintenance Manual: "Electrical System" for switch location.
2. Remove the screws securing amplifier protector located in parcel rack behind driver (Fig. 4 and 5). Remove the amplifier protector.

**Note:** Refer to figure 7 for wiring diagram of amplifiers installation.

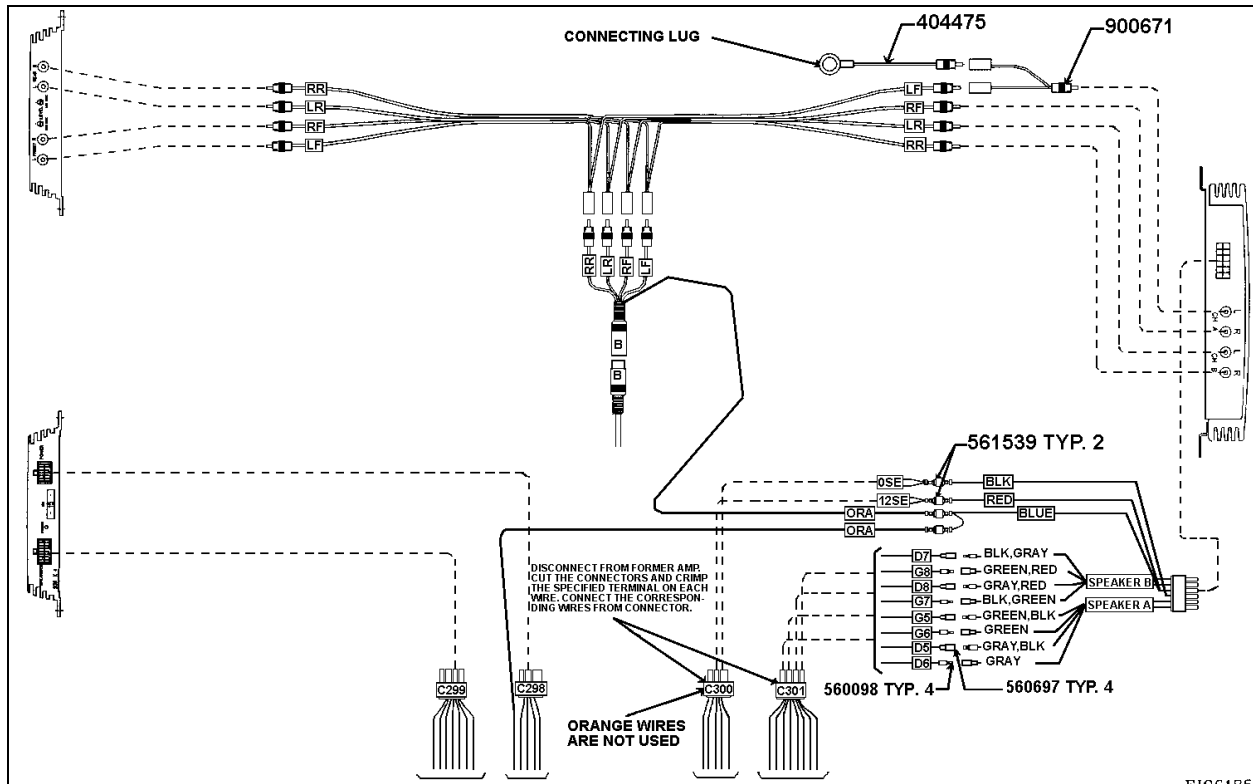


FIGURE 7

3. Disconnect wiring connectors from both sides of first amplifier (identify wiring for reinstallation).
4. Remove the screws retaining amplifier to the wall, set screws and amplifier aside.
5. Disconnect wiring connectors from both sides of second amplifier (identify wiring for reinstallation).
6. In amplifiers compartment, locate power supply wires (0SE & 12SE) and crimp terminal (Prévost #561539) on each wire.
7. Locate 8 pin connector, connect RCA Y adapter (Prévost #900671) between amplifier and 8 pin connector on one of the channels, connect PA REI connecting wire (Prévost #404475) on one of the terminals of Y adapter and ground connecting lug.
8. Disconnect speaker connectors from old amplifier (C300 & C301). Cut connectors and crimp specified terminal on each wire: male (Prévost #560098) and female (Prévost #560697). Orange wires are not used..Crimp terminal (Prévost #561626) on orange wire of first amplifier. Connect terminals to matching wires of Pioneer amplifier connector.
9. Install amplifier mounting plate (Prévost #404517) in compartment with binding screws, secure amplifier to plate and connect wiring as shown on figure 7.
10. Reinstall first amplifier in compartment with existing screws and reconnect wiring.
11. Reinstall amplifier protector with screws.

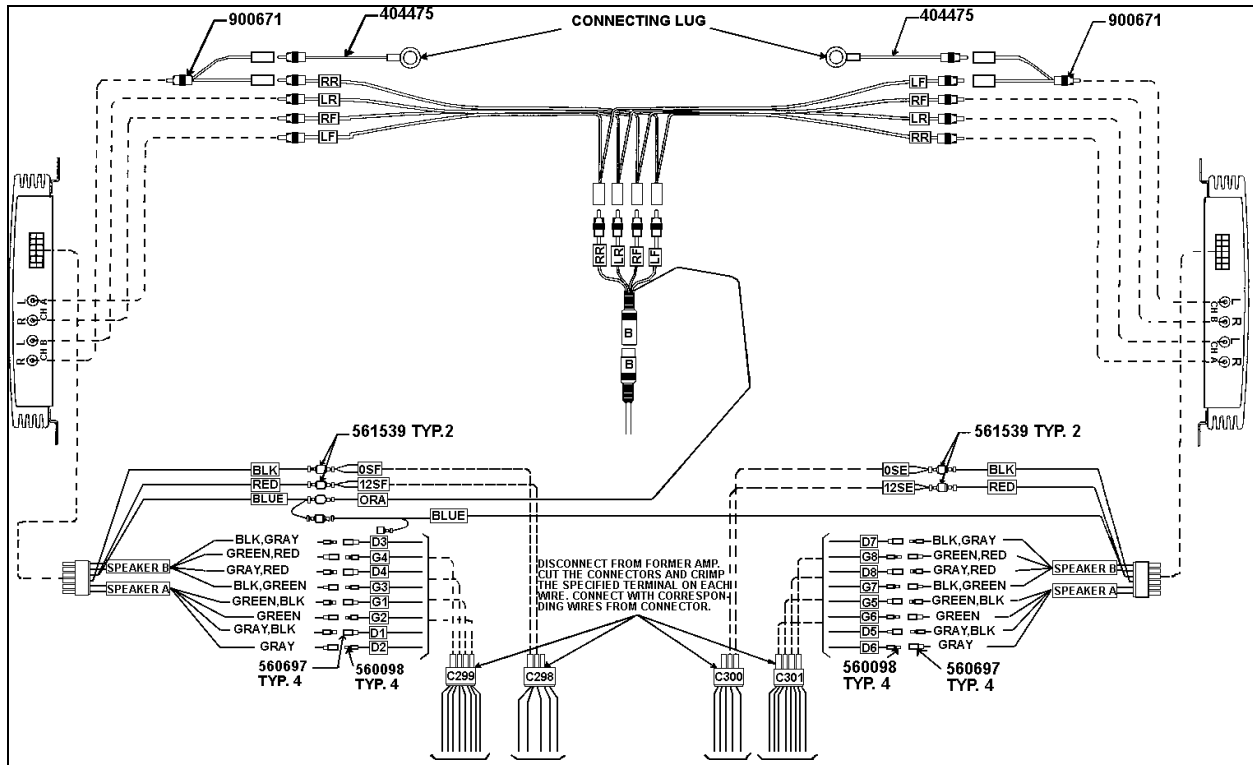
## XL-45 COACH: Replacement of both Sony Amplifiers with Pioneer Amplifiers

**Warning:** Park vehicle safely, apply parking brake, stop engine and set battery master switch(es) to the OFF position prior to working on the vehicle.

**Note:** Some parts will not be necessary to perform this installation.

1. Set the battery main disconnect switch to the "OFF" position. Refer to Section 6 of Maintenance Manual: "Electrical System" for switch location.
2. Remove the screws securing amplifier protector located in parcel rack behind driver (Fig. 4 and 5). Remove the amplifier protector.

**Note:** Refer to figure 8 for wiring diagram of amplifiers installation.



**FIGURE 8**

3. Disconnect wiring connectors from both sides of first amplifier (identify wiring for reinstallation).
4. Remove the screws retaining amplifier to the wall, set screws aside.
5. Disconnect wiring connectors from both sides of second amplifier (identify wiring for reinstallation).
6. In amplifiers compartment, locate power supply wires (0SE & 12SE, 0SF & 12SF) and crimp terminal (Prévost #561539) on each wire.
7. Locate 8 pin connector, connect RCA Y adapter (Prévost #900671) between amplifier and 8 pin connector on one of the channels, connect PA REI connecting wire (Prévost #404475) on one of the terminals of Y adapter and ground connecting lug. Repeat procedure for remaining amplifier.
8. Disconnect speaker connectors from old amplifiers (C299 & C298, C300 & C301). Cut connectors and crimp specified terminal on each wire: male (Prévost #560098) and female (Prévost #560697). Orange wires are not used. Connect terminals to matching wires of specific Pioneer amplifier connector (see fig. 8).
9. Install amplifier mounting plate (Prévost #404517) in compartment with binding screws, secure amplifier to plate and connect wiring as shown on figure 8.
10. Install mounting plate of second kit (Prévost #404517) with binding screws, secure amplifier to plate and connect wiring as shown on figure 8.

11. Reinstall amplifier protector with screws.

## H3-40 OR H3-41 COACH: Replacement of a Blaupunkt Amplifier with a Pioneer Amplifier.

**Warning:** Park vehicle safely, apply parking brake, stop engine and set battery master switch(es) to the OFF position prior to working on the vehicle.

**Note:** Some parts will not be necessary to perform this installation.

1. Remove the snap caps and retaining screws from the driver's dome light panel (fig.9). Remove panel from its location and let it hang by the wires.

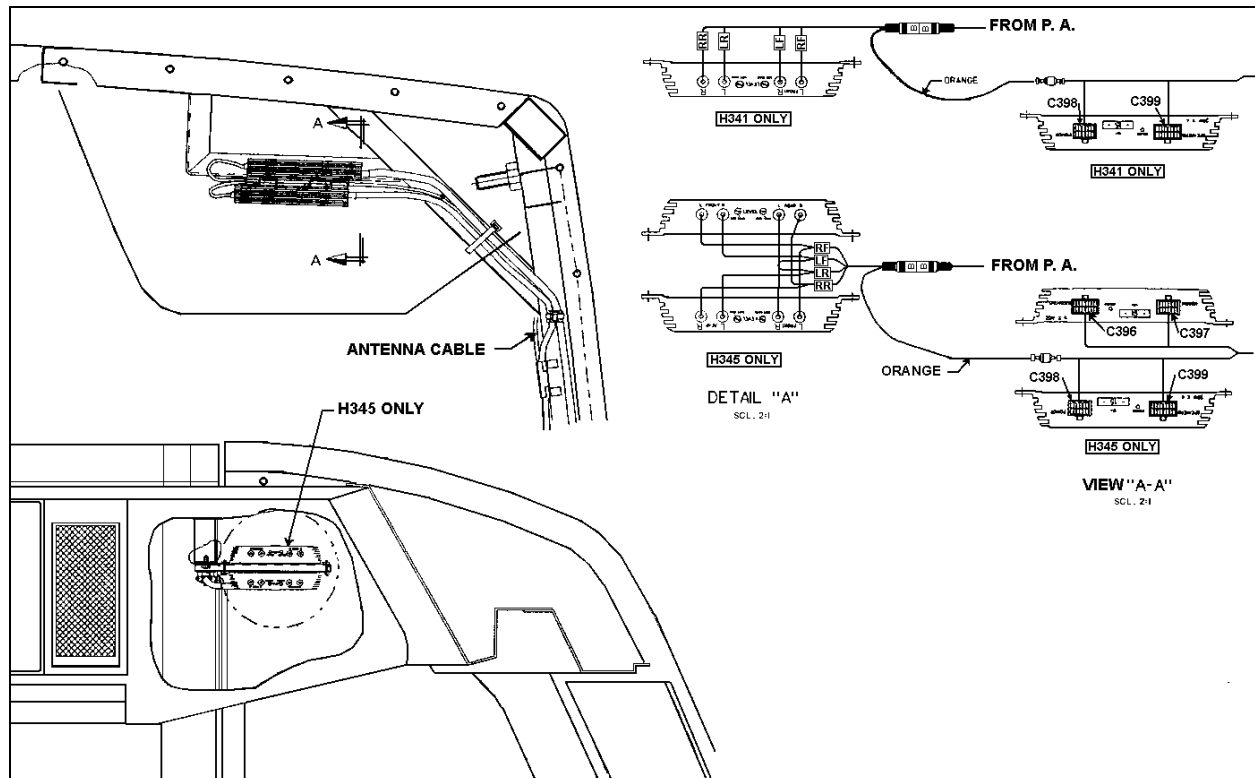


FIGURE 9

23098

**Note:** Refer to figure 10 for wiring diagram of amplifiers installation.

2. Disconnect wiring connectors from both sides of amplifier (identify wiring for reinstallation).
3. Remove the two bolts retaining mounting bracket to the structure. Take out amplifier from its location.
4. Remove the 4 screws retaining amplifier to its mounting bracket.
5. Install new Pioneer amplifier (Prévost #900858) on the mounting brackets. Drill new holes on brackets as necessary to install amplifier.
6. In amplifiers compartment, locate power supply wires (0SA & 12SA) and crimp terminal (Prévost #561539) on each wire.
7. Locate 8 pin connector, connect female connector (Prévost #403917) to the 8 pin connector. Connect RCA Y adapter (Prévost #900671) between amplifier and 8 pin connector on one of the channels, connect PA REI connecting wire (Prévost #404475) on one of the terminals of Y adapter and ground connecting lug.



8. Disconnect speaker connectors from old amplifier (G3 & G1, G6 & G4, D3 & D1 and D6 & D4). Cut connectors and crimp specified terminal on each wire: male (Prévost #560098) and female (Prévost #560697). Connect terminals to matching wires of Pioneer amplifier connector.
9. Reinstall amplifier in compartment with existing bolts, drill new holes on frame support to reinstall mounting brackets if necessary. Connect wiring and cables on amplifier as shown on figure 10.

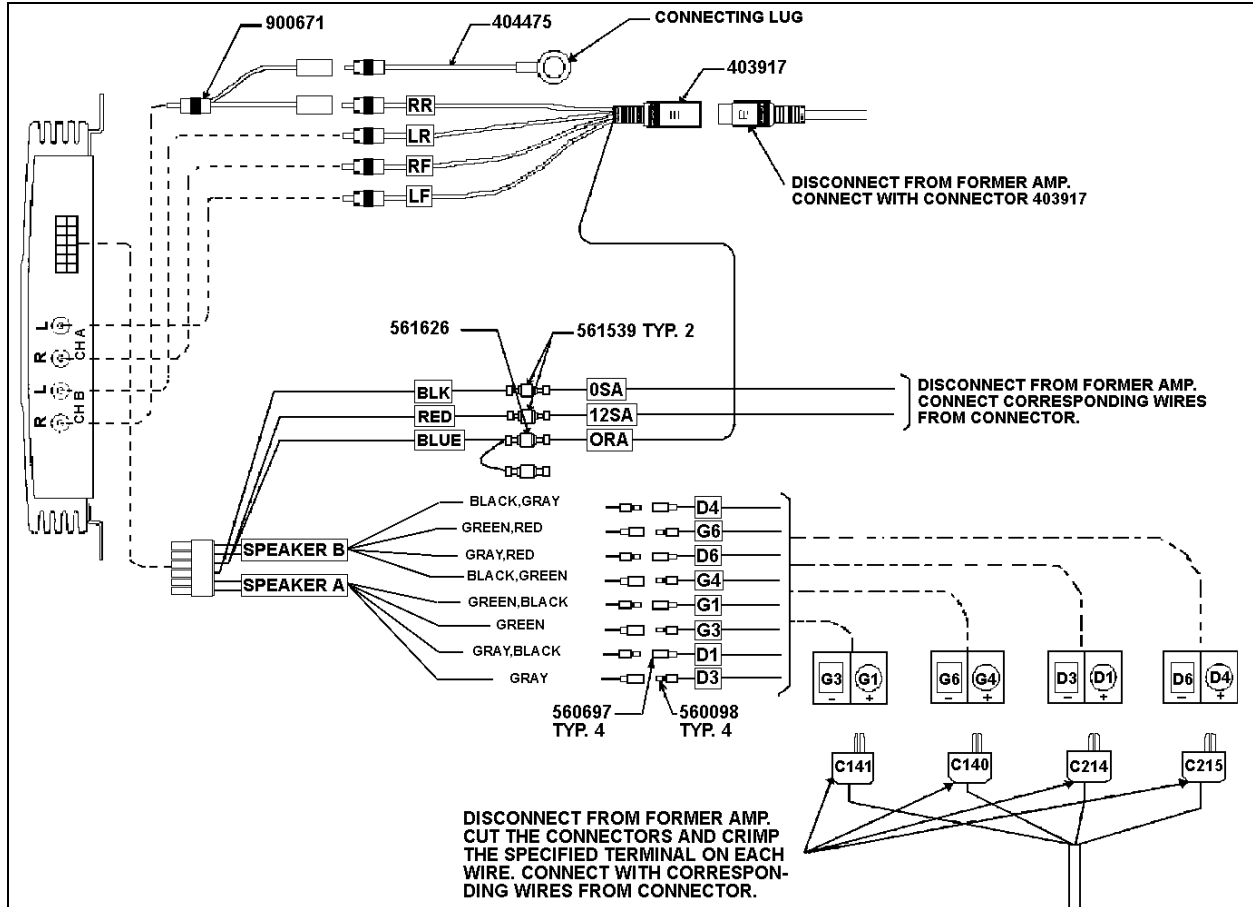


FIGURE 10

10. Reinstall driver's dome light panel with screws and snap caps.

### H3-40 OR H3-41 COACH: Replacement of a Sony Amplifier with a Pioneer Amplifier.

**Warning:** Park vehicle safely, apply parking brake, stop engine and set battery master switch(es) to the OFF position prior to working on the vehicle.

**Note:** Some parts will not be necessary to perform this installation.

1. Remove the snap caps and retaining screws from the driver's dome light panel (fig.9). Remove panel from its location and let it hang by the wires.

**Note:** Refer to figures 10 and 11 for wiring diagram of amplifiers installation.

2. Disconnect wiring connectors from both sides of amplifier (identify wiring for reinstallation).
3. Remove the two bolts retaining mounting bracket to the structure. Take out amplifier from its location.

4. Remove the 4 screws retaining amplifier to its mounting bracket.
5. Install new Pioneer amplifier (Prévost #900858) on the mounting brackets. Drill new holes on brackets as necessary to install amplifier.
6. In amplifiers compartment, locate power supply wires (0SA & 12SA) and crimp terminal (Prévost #561539) on each wire.
7. Locate 8 pin connector, connect RCA Y adapter (Prévost #900671) between amplifier and 8 pin connector on one of the channels, connect PA REI connecting wire (Prévost #404475) on one of the terminals of Y adapter and ground connecting lug.
8. Disconnect speaker connectors from old amplifier (C399 & C398). Cut connectors and crimp specified terminal on each wire: male (Prévost #560098) and female (Prévost #560697). Connect terminals to matching wires of Pioneer amplifier connector.
9. Reinstall amplifier in compartment with existing bolts, drill new holes on frame support to reinstall mounting brackets if necessary. Connect wiring and cables on amplifier as shown on figures 10 and 11.

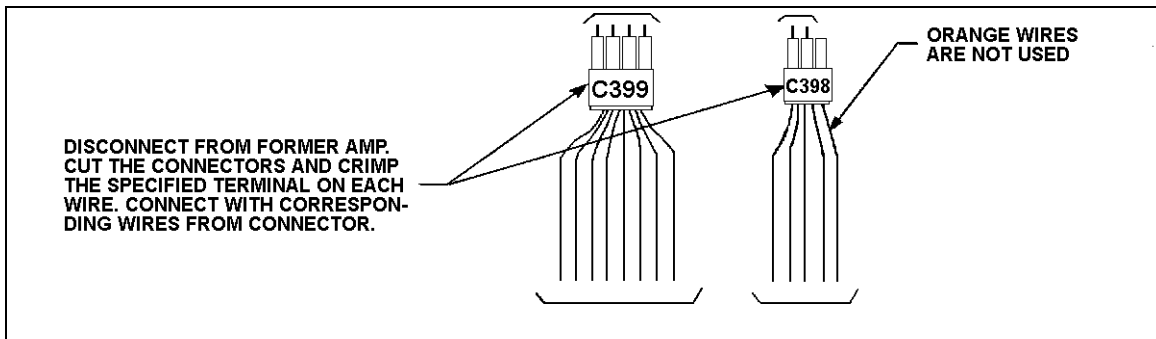


FIGURE 11

10. Reinstall driver's dome light panel with screws and snap caps.

### H3-45 OR H5-60 COACH: Replacement of a Blaupunkt Amplifier with a Pioneer Amplifier (# 1 amp.).

**Warning:** Park vehicle safely, apply parking brake, stop engine and set battery master switch(es) to the OFF position prior to working on the vehicle.

**Note:** Some parts will not be necessary to perform this installation.

1. Remove the snap caps and retaining screws from the driver's dome light panel (fig.9). Remove panel from its location and let it hang by the wires.

**Note:** Refer to figure 12 for wiring diagram of amplifiers installation.

2. Disconnect wiring connectors from both sides of amplifiers (identify wiring for reinstallation).
3. Remove the two bolts retaining mounting bracket to the structure. Take out amplifiers from their location.
4. Remove the 4 screws retaining amplifier to be replaced to its mounting bracket.
5. Install new Pioneer amplifier (Prévost #900858) on the mounting brackets. Drill new holes on brackets as necessary to install amplifier.
6. In amplifiers compartment, locate power supply wires (0SA & 12SA) and crimp terminal (Prévost #561539) on each wire.

7. Locate 8 pin connector, connect female connector (Prévost #403917) to the 8 pin connector. Connect RCA Y adapter (Prévost #900671) between amplifier and 8 pin connector on one of the channels, connect PA REI connecting wire (Prévost #404475) on one of the terminals of Y adapter and ground connecting lug.
8. Disconnect speaker connectors from old amplifier (G2 & G1, G4 & G3, D2 & D1 and D4 & D3). Cut connectors and crimp specified terminal on each wire: male (Prévost #560098) and female (Prévost #560697). Connect terminals to matching wires of Pioneer amplifier connector.
9. Crimp male terminal (Prévost #561904) and receptacle terminal (Prévost #561624) on blue wire (Prévost #561836).
10. Reinstall amplifier in compartment with existing bolts, drill new holes on frame support to reinstall mounting brackets if necessary. Connect wiring and cables on amplifier as shown on figure 12.

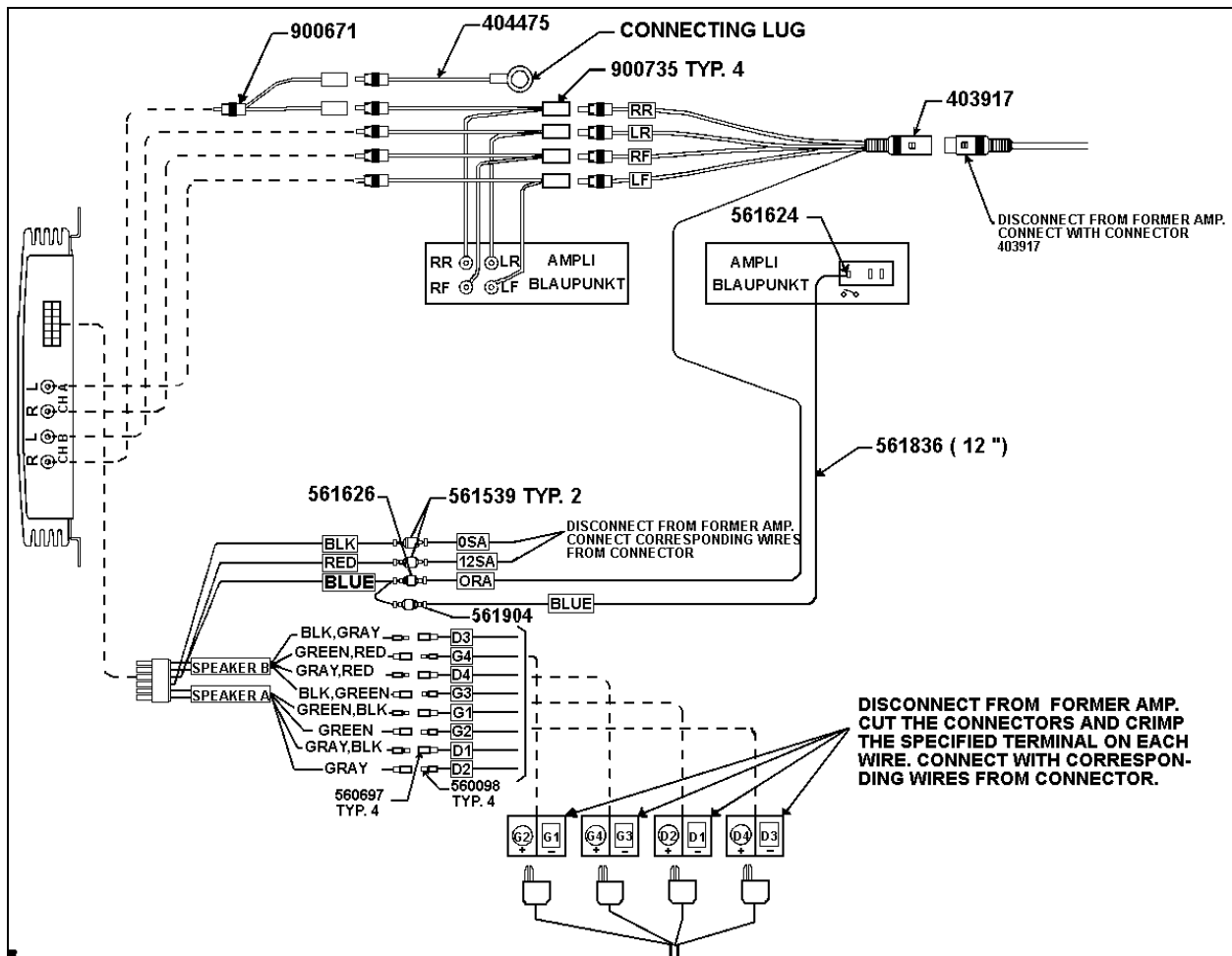


FIGURE 12

11. Reinstall driver's dome light panel with screws and snap caps.

### H3-45 OR H5-60 COACH: Replacement of a Sony Amplifier with a Pioneer Amplifier (# 1 amp.- 1st case).

**Warning:** Park vehicle safely, apply parking brake, stop engine and set battery master switch(es) to the OFF position prior to working on the vehicle.

---

**Note:** Some parts will not be necessary to perform this installation.

1. Remove the snap caps and retaining screws from the driver's dome light panel (fig.9). Remove panel from its location and let it hang by the wires.

**Note:** Refer to figures 12 and 13 for wiring diagram of amplifiers installation.

2. Disconnect wiring connectors from both sides of amplifiers (identify wiring for reinstallation).
3. Remove the two bolts retaining mounting bracket to the structure. Take out amplifiers from their location.
4. Remove the 4 screws retaining amplifier to be replaced to its mounting bracket.
5. Install new Pioneer amplifier (Prévost #900858) on the mounting brackets. Drill new holes on brackets as necessary to install amplifier.
6. In amplifiers compartment, locate power supply wires (0SA & 12SA) and crimp terminal (Prévost #561539) on each wire.
7. Locate 8 pin connector, connect RCA Y adapter (Prévost #900671) between amplifier and 8 pin connector on one of the channels, connect PA REI connecting wire (Prévost #404475) on one of the terminals of Y adapter and ground connecting lug.
8. Disconnect speaker connectors from old amplifier (C399 & C398). Cut connectors and crimp specified terminal on each wire: male (Prévost #560098) and female (Prévost #560697). Orange wires are not used. Connect terminals to matching wires of Pioneer amplifier connector.
9. Crimp male terminal (Prévost #561904) and receptacle terminal (Prévost #561624) on blue wire (Prévost #561836).
10. Reinstall amplifier in compartment with existing bolts, drill new holes on frame support to reinstall mounting brackets if necessary. Connect wiring and cables on amplifier as shown on figures 12 and 13.

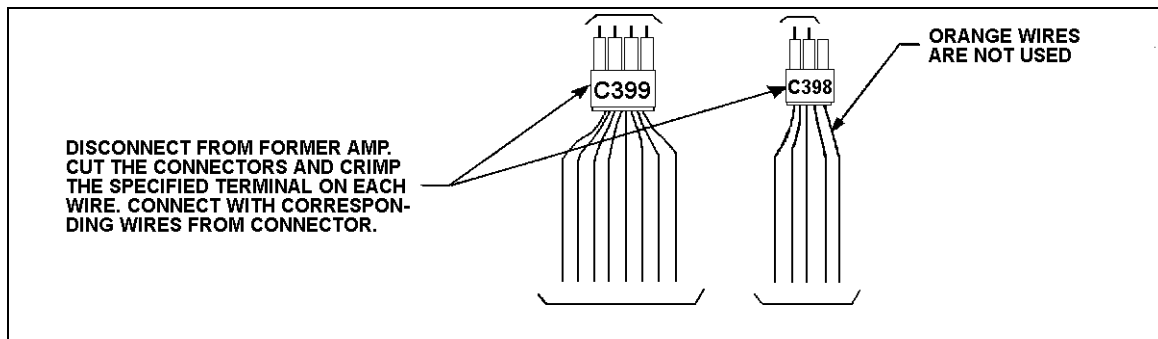


FIGURE 13

11. Reinstall driver's dome light panel with screws and snap caps.

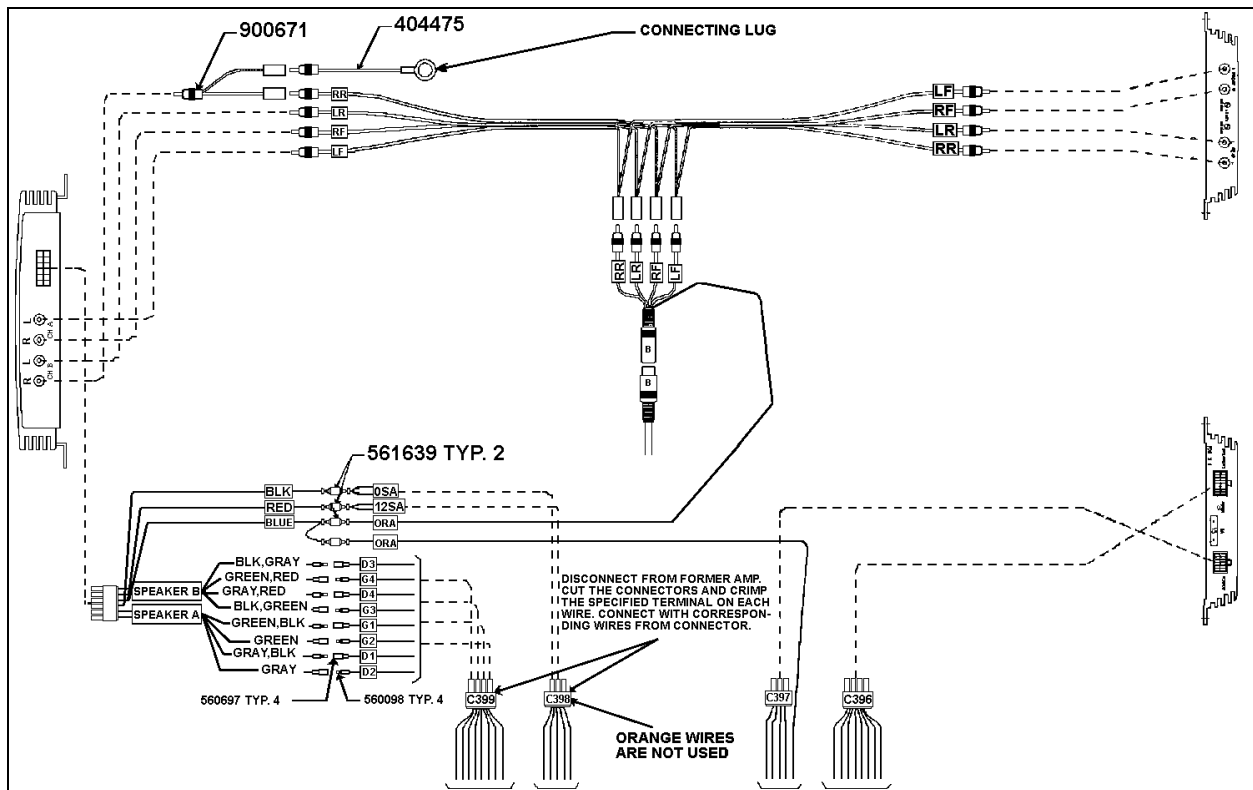
### H3-45 OR H5-60 COACH: Replacement of a Sony Amplifier with a Pioneer Amplifier (# 1 amp.- 2nd case).

**Warning:** Park vehicle safely, apply parking brake, stop engine and set battery master switch(es) to the OFF position prior to working on the vehicle.

**Note:** Some parts will not be necessary to perform this installation.

1. Remove the snap caps and retaining screws from the driver's dome light panel (fig.9). Remove panel from its location and let it hang by the wires.

**Note:** Refer to figure 14 for wiring diagram of amplifiers installation.



**FIGURE 14**

23099

2. Disconnect wiring connectors from both sides of amplifiers (identify wiring for reinstallation).
3. Remove the two bolts retaining mounting bracket to the structure. Take out amplifiers from their location.
4. Remove the 4 screws retaining amplifier to be replaced to its mounting bracket.
5. Install new Pioneer amplifier (Prévost #900858) on the mounting brackets. Drill new holes on brackets as necessary to install amplifier.
6. In amplifiers compartment, locate power supply wires (0SA & 12SA) and crimp terminal (Prévost #561539) on each wire.
7. Locate 8 pin connector, connect RCA Y adapter (Prévost #900671) between amplifier and 8 pin connector on one of the channels, connect PA REI connecting wire (Prévost #404475) on one of the terminals of Y adapter and ground connecting lug.
8. Disconnect speaker connectors from old amplifier (C399 & C398). Cut connectors and crimp specified terminal on each wire: male (Prévost #560098) and female (Prévost #560697). Orange wires are not used. Crimp terminal (Prévost #561626) on orange wire of remaining amplifier. Connect terminals to matching wires of Pioneer amplifier connector.
9. Reinstall amplifier in compartment with existing bolts, drill new holes on frame support to reinstall mounting brackets if necessary. Connect wiring and cables on amplifier as shown on figure 14.
10. Reinstall driver's dome light panel with screws and snap caps.

## H3-45 OR H5-60 COACH: Replacement of a Blaupunkt Amplifier with a Pioneer Amplifier (# 2 amp.).

**Warning:** Park vehicle safely, apply parking brake, stop engine and set battery master switch(es) to the OFF position prior to working on the vehicle.

**Note:** Some parts will not be necessary to perform this installation.

1. Remove the snap caps and retaining screws from the driver's dome light panel (fig.9). Remove panel from its location and let it hang by the wires.

**Note:** Refer to figure 15 for wiring diagram of amplifiers installation.

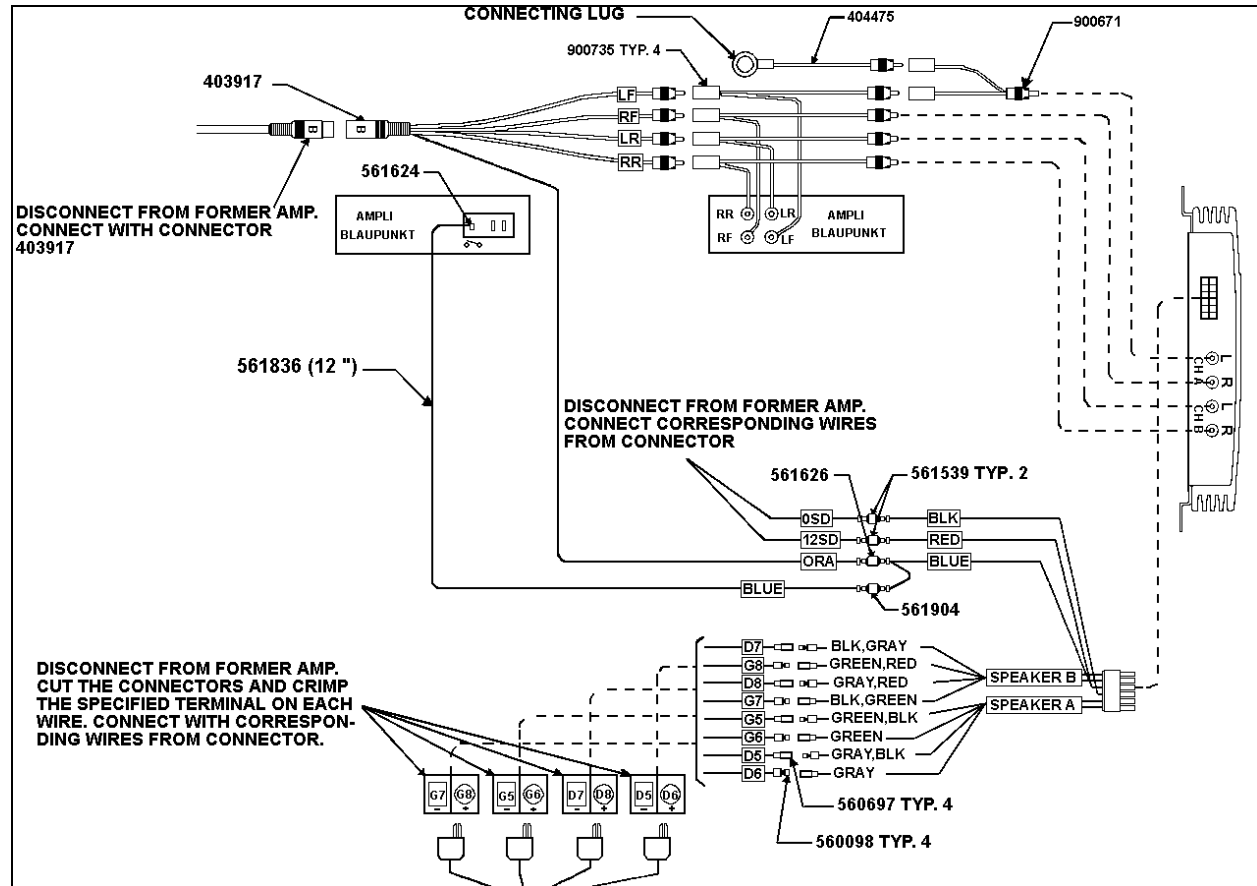


FIGURE 15

2. Disconnect wiring connectors from both sides of amplifiers (identify wiring for reinstallation).
3. Remove the two bolts retaining mounting bracket to the structure. Take out amplifiers from their location.
4. Remove the 4 screws retaining amplifier to be replaced to its mounting bracket.
5. Install new Pioneer amplifier (Prévost #900858) on the mounting brackets. Drill new holes on brackets as necessary to install amplifier.
6. In amplifiers compartment, locate power supply wires (0SD & 12SD) and crimp terminal (Prévost #561539) on each wire.
7. Locate 8 pin connector, connect female connector (Prévost #403917) to the 8 pin connector. Connect RCA Y adapter (Prévost #900671) between amplifier and 8 pin connector on one of the channels,

---

connect PA REI connecting wire (Prévost #404475) on one of the terminals of Y adapter and ground connecting lug.

8. Disconnect speaker connectors from old amplifier (G7 & G8, G5 & G6, D7 & D8 and D5 & D6). Cut connectors and crimp specified terminal on each wire: male (Prévost #560098) and female (Prévost #560697). Connect terminals to matching wires of Pioneer amplifier connector.
9. Crimp male terminal (Prévost #561904) and receptacle terminal (Prévost #561624) on blue wire (Prévost #561836).
10. Reinstall amplifier in compartment with existing bolts, drill new holes on frame support to reinstall mounting brackets if necessary. Connect wiring and cables on amplifier as shown on figure 15.
11. Reinstall driver's dome light panel with screws and snap caps.

### H3-45 OR H5-60 COACH: Replacement of a Sony Amplifier with a Pioneer Amplifier ( # 2 amp.- 1st case).

**Warning:** Park vehicle safely, apply parking brake, stop engine and set battery master switch(es) to the OFF position prior to working on the vehicle.

**Note:** Some parts will not be necessary to perform this installation.

1. Remove the snap caps and retaining screws from the driver's dome light panel (fig.9). Remove panel from its location and let it hang by the wires.

**Note:** Refer to figures 15 and 16 for wiring diagram of amplifiers installation.

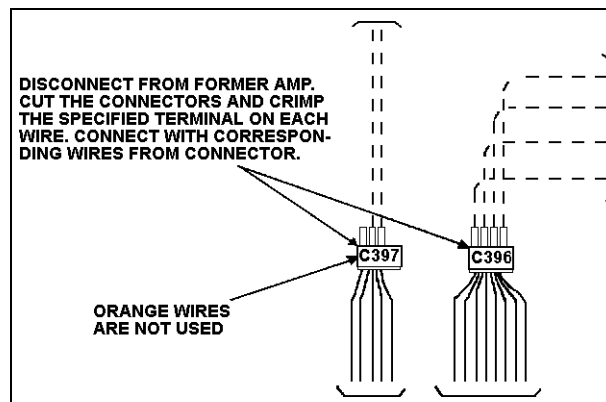


FIGURE 16

2. Disconnect wiring connectors from both sides of amplifiers (identify wiring for reinstallation).
3. Remove the two bolts retaining mounting bracket to the structure. Take out amplifiers from their location.
4. Remove the 4 screws retaining amplifier to be replaced to its mounting bracket.
5. Install new Pioneer amplifier (Prévost #900858) on the mounting brackets. Drill new holes on brackets as necessary to install amplifier.
6. In amplifiers compartment, locate power supply wires (0SD & 12SD) and crimp terminal (Prévost #561539) on each wire.
7. Locate 8 pin connector, connect RCA Y adapter (Prévost #900671) between amplifier and 8 pin connector on one of the channels, connect PA REI connecting wire (Prévost #404475) on one of the terminals of Y adapter and ground connecting lug.

8. Disconnect speaker connectors from old amplifier (C397 & C396). Cut connectors and crimp specified terminal on each wire: male (Prévost #560098) and female (Prévost #560697). Orange wires are not used. Connect terminals to matching wires of Pioneer amplifier connector.
9. Crimp male terminal (Prévost #561904) and receptacle terminal (Prévost #561624) on blue wire (Prévost #561836).
10. Reinstall amplifier in compartment with existing bolts, drill new holes on frame support to reinstall mounting brackets if necessary. Connect wiring and cables on amplifier as shown on figures 15 and 16.
11. Reinstall driver's dome light panel with screws and snap caps.

### H3-45 OR H5-60 COACH: Replacement of a Sony Amplifier with a Pioneer Amplifier (# 2 amp.- 2nd case).

**Warning:** Park vehicle safely, apply parking brake, stop engine and set battery master switch(es) to the OFF position prior to working on the vehicle.

**Note:** Some parts will not be necessary to perform this installation.

1. Remove the snap caps and retaining screws from the driver's dome light panel (fig.9). Remove panel from its location and let it hang by the wires.

**Note:** Refer to figure 17 for wiring diagram of amplifiers installation.

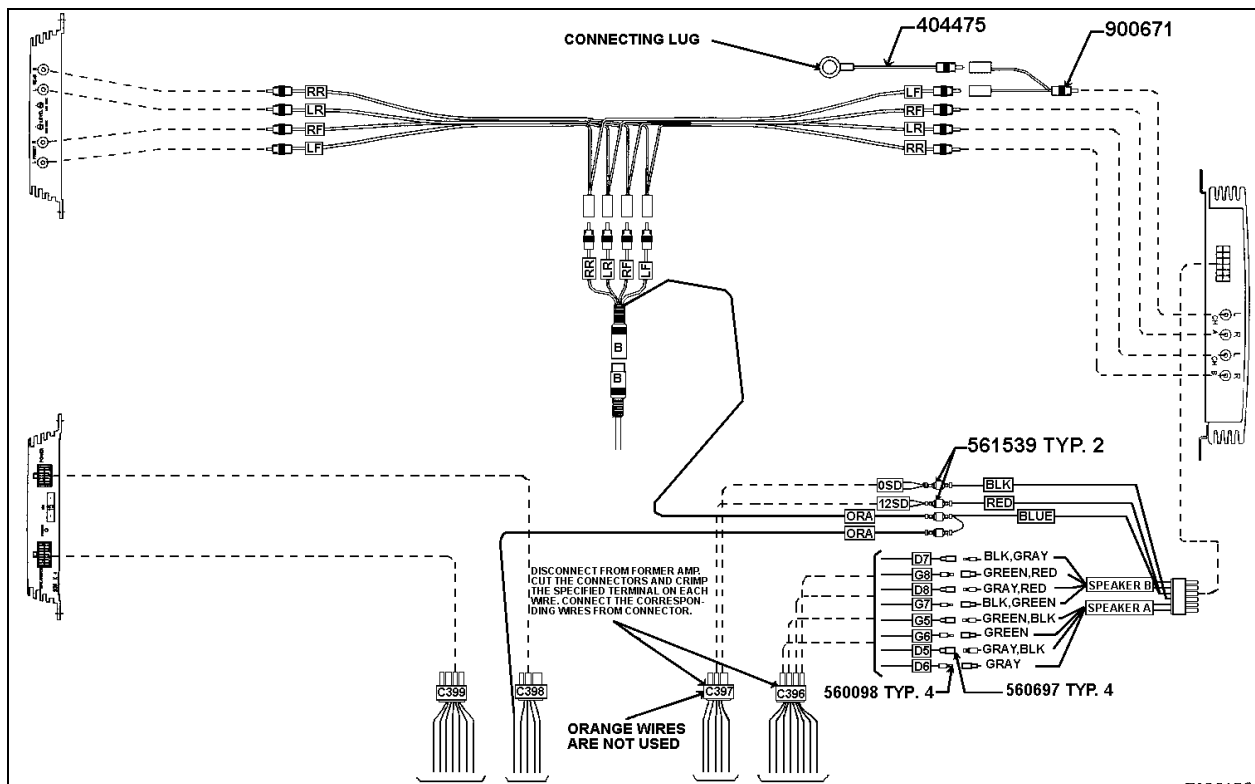


FIGURE 17

23100

2. Disconnect wiring connectors from both sides of amplifiers (identify wiring for reinstallation).
3. Remove the two bolts retaining mounting bracket to the structure. Take out amplifiers from their location.



- 
4. Remove the 4 screws retaining amplifier to be replaced to its mounting bracket.
  5. Install new Pioneer amplifier (Prévost #900858) on the mounting brackets. Drill new holes on brackets as necessary to install amplifier.
  6. In amplifiers compartment, locate power supply wires (0SD & 12SD) and crimp terminal (Prévost #561539) on each wire.
  7. Locate 8 pin connector, connect RCA Y adapter (Prévost #900671) between amplifier and 8 pin connector on one of the channels, connect PA REI connecting wire (Prévost #404475) on one of the terminals of Y adapter and ground connecting lug.
  8. Disconnect speaker connectors from old amplifier (C397 & C396). Cut connectors and crimp specified terminal on each wire: male (Prévost #560098) and female (Prévost #560697). Orange wires are not used. Crimp terminal (Prévost #561626) on orange wire of remaining amplifier. Connect terminals to matching wires of Pioneer amplifier connector.
  9. Reinstall amplifier in compartment with existing bolts, drill new holes on frame support to reinstall mounting brackets if necessary. Connect wiring and cables on amplifier as shown on figure 17.
  10. Reinstall driver's dome light panel with screws and snap caps.

### **H3-45 OR H5-60 COACH: Replacement of both Blaupunkt Amplifiers with Pioneer Amplifiers.**

**Warning:** Park vehicle safely, apply parking brake, stop engine and set battery master switch(es) to the OFF position prior to working on the vehicle.

**Note:** Some parts will not be necessary to perform this installation.

1. Remove the snap caps and retaining screws from the driver's dome light panel (fig.9). Remove panel from its location and let it hang by the wires.

**Note:** Refer to figure 18 for wiring diagram of amplifiers installation.

2. Disconnect wiring connectors from both sides of amplifiers (identify wiring for reinstallation).
3. Remove the two bolts retaining mounting bracket to the structure. Take out amplifiers from their location.
4. Remove the 4 screws retaining each amplifier to its mounting bracket.
5. Install new Pioneer amplifiers (Prévost #900858) on the mounting brackets. Drill new holes on brackets as necessary to install amplifiers.
6. In amplifiers compartment, locate power supply wires (0SA & 12SA, 0SD & 12SD) and crimp terminal (Prévost #561539) on each wire.
7. Locate 8 pin connector, connect female connector (Prévost #403917) to the 8 pin connector. Connect RCA Y adapter (Prévost #900671) between amplifier and 8 pin connector on one of the channels, connect PA REI connecting wire (Prévost #404475) on one of the terminals of Y adapter and ground connecting lug. Repeat procedure for remaining amplifier.
8. Disconnect speaker connectors from old amplifier (G2 & G1, G4 & G3, D2 & D1 and D4 & D3), (G7 & G8, G5 & G6, D7 & D8 and D5 & D6). Cut connectors and crimp specified terminal on each wire: male (Prévost #560098) and female (Prévost #560697). Connect terminals to matching wires of specific Pioneer amplifier connector (see fig. 19).
9. Connect both amplifiers blue wires using terminals.

10. Reinstall amplifier in compartment with existing bolts, drill new holes on frame support to reinstall mounting brackets if necessary. Connect wiring and cables on amplifier as shown on figure 18.

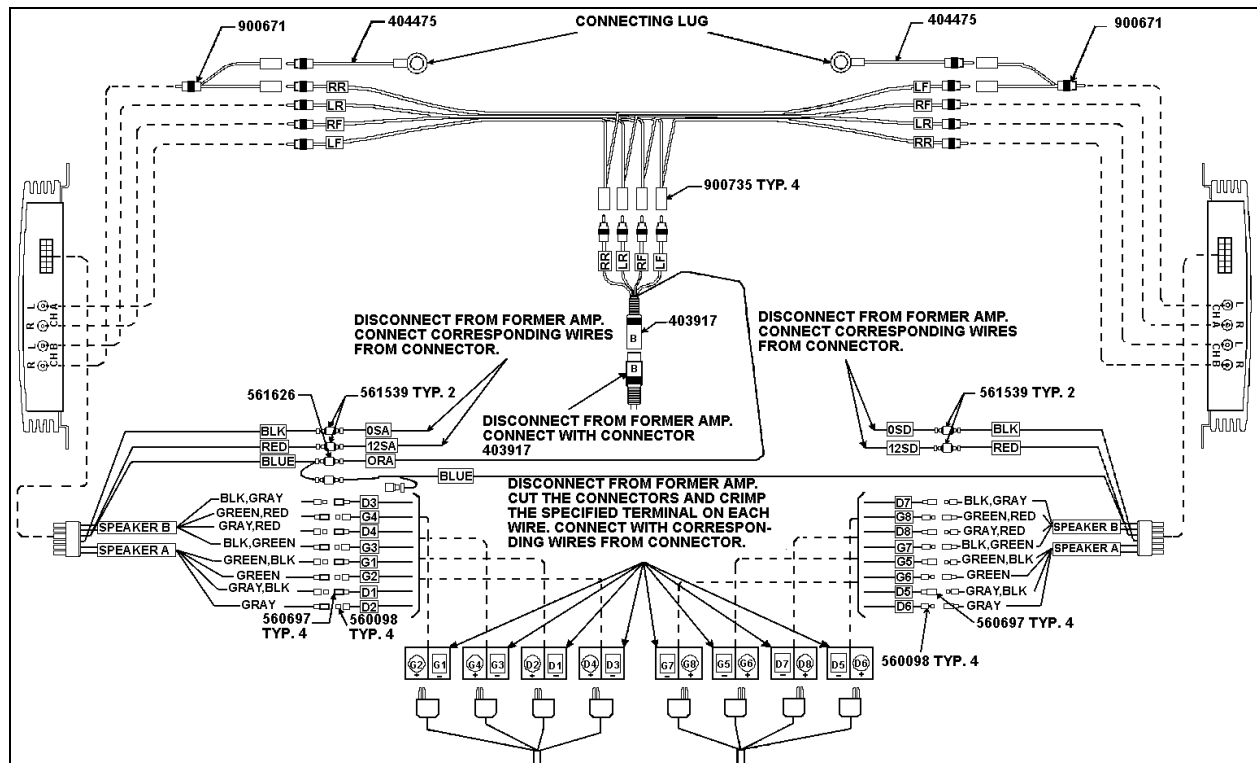


FIGURE 18

11. Reinstall driver's dome light panel with screws and snap caps.

### H3-45 OR H5-60 COACH: Replacement of both Sony Amplifiers with Pioneer Amplifiers.

**Warning:** Park vehicle safely, apply parking brake, stop engine and set battery master switch(es) to the OFF position prior to working on the vehicle.

**Note:** Some parts will not be necessary to perform this installation.

1. Remove the snap caps and retaining screws from the driver's dome light panel (fig.9). Remove panel from its location and let it hang by the wires.

**Note:** Refer to figure 19 for wiring diagram of amplifiers installation.

2. Disconnect wiring connectors from both sides of amplifiers (identify wiring for reinstallation).
3. Remove the two bolts retaining mounting bracket to the structure. Take out amplifiers from their location.
4. Remove the 4 screws retaining each amplifier to its mounting bracket.
5. Install new Pioneer amplifiers (Prévost #900858) on the mounting brackets. Drill new holes on brackets as necessary to install amplifiers.
6. In amplifiers compartment, locate power supply wires (0SA & 12SA, 0SD & 12SD) and crimp terminal (Prévost #561539) on each wire.

7. Locate 8 pin connector, connect RCA Y adapter (Prévost #900671) between amplifier and 8 pin connector on one of the channels, connect PA REI connecting wire (Prévost #404475) on one of the terminals of Y adapter and ground connecting lug. Repeat procedure for remaining amplifier.
8. Disconnect speaker connectors from old amplifier (C399 & C398, C397 & C396). Cut connectors and crimp specified terminal on each wire: male (Prévost #560098) and female (Prévost #560697). Connect terminals to matching wires of specific Pioneer amplifier connector (see fig. 19).
9. Connect both amplifiers blue wires using terminals.
10. Reinstall amplifier in compartment with existing bolts, drill new holes on frame support to reinstall mounting brackets if necessary. Connect wiring and cables on amplifier as shown on figure 19.

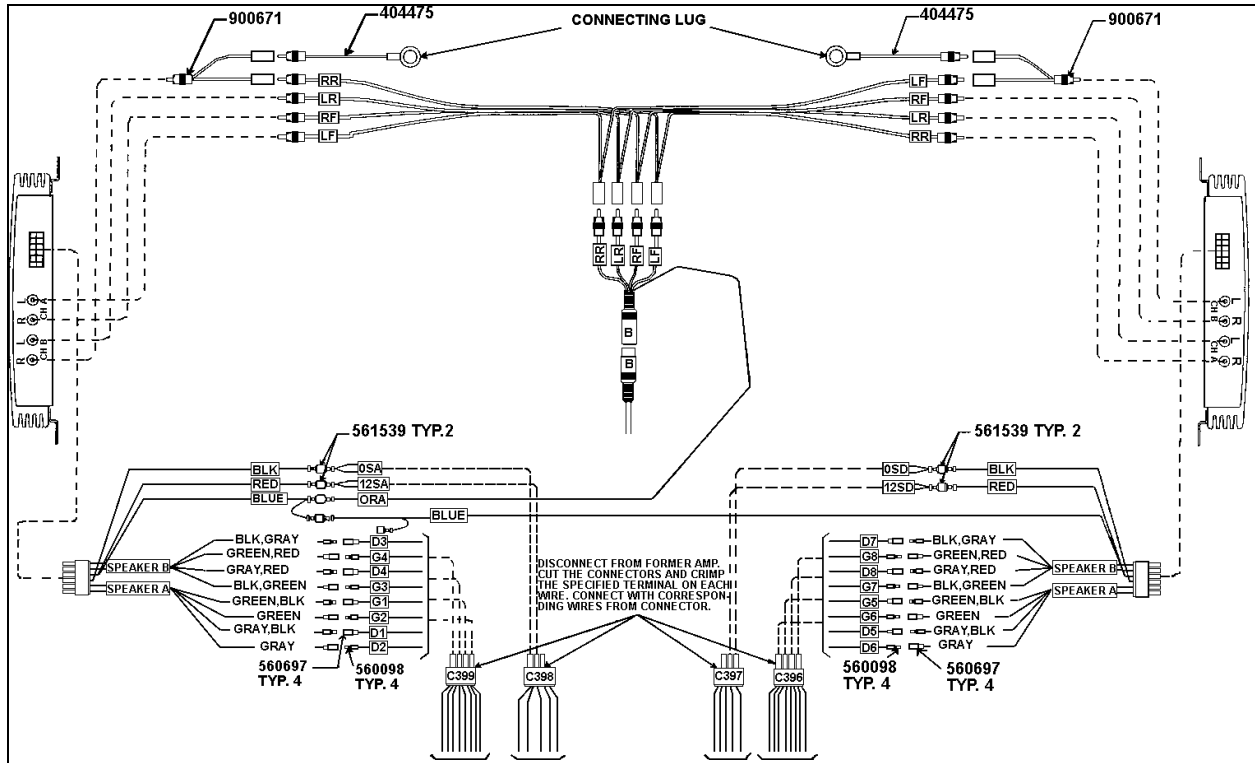


FIGURE 19

23101

11. Reinstall driver's dome light panel with screws and snap caps.