

PREVOST



Instruction Sheet

IS-97064

H3 VEHICLES FRONT BUMPER REMOVAL AND INSTALLATION

MATERIAL

Kit #410671 includes the following parts:

Part No.	Description	Identification	Qty
410708	Tool, Spring dismantling		1
5001059	Screw, Cap Hexagonal Socket 3/8 – 16 X 2.5		1
5001395	Screw, Set Hexagonal Socket, Half-dog point 3/8 – 16 X 1/2		1
IS-97064	Instruction Sheet		1
FI-97064	Feuille d'instructions		1

PROCEDURE

⚠ WARNING ⚠

Park vehicle safely, apply parking brake, stop engine and set battery master switch(es) to the OFF position prior to working on the vehicle.

The front bumper is hinged to give access to the spare wheel compartment. Bumper must first be tilted down before its removal. Two people are required to remove and install the front bumper.

⚠ WARNING ⚠

Front bumper weighs approximately 180 lbs. (80 kg). Use proper lifting equipment to support the bumper during the removal and installation operations to avoid personal injury.

Pull on the release handle located in the front electrical and service compartment to access the spare wheel compartment.

The bumper assembly will lower gradually.

Molded Front Bumper Removal

Loosen 12 attaching bolts from inside the bumper, 6 near the top and 6 in the middle (Fig.1). Let the bumper rest face down on the lifting equipment platform.

To install molded front bumper, reverse the procedure.

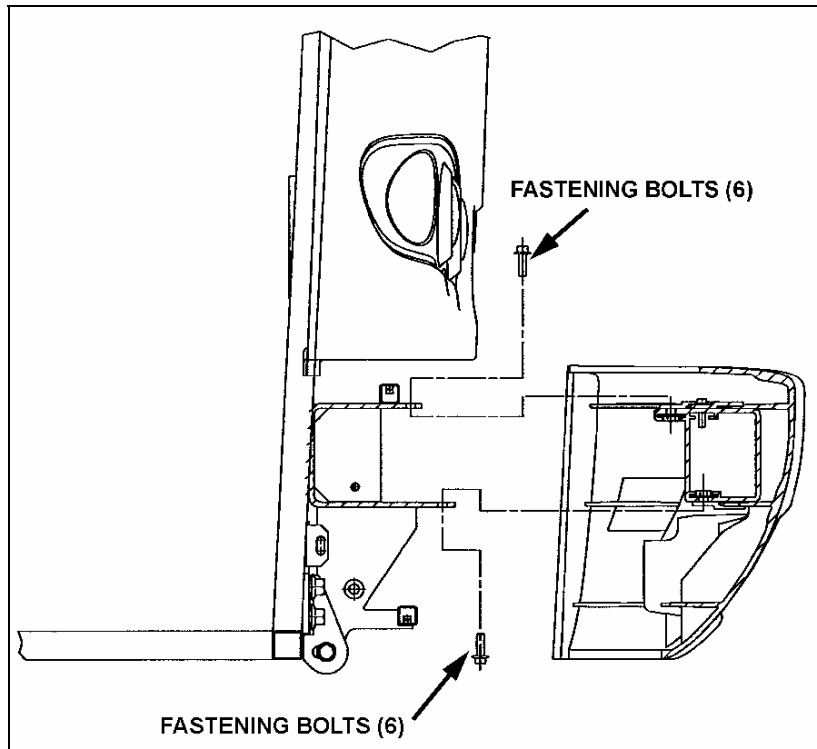


FIGURE 1

Front Bumper Assembly Removal including spare wheel compartment door

NOTE

Fasten set crew (5001395) onto spring dismantling tool.

Relieve the spring tension with dismantling tool (410708) (Refer to figure 2). Relieve spring tension on one locking pin and remove it. Slowly release spring tension and remove the second locking pin. The spring is free. Repeat procedure for the other spring.

NOTE

Use cap screw (5001059) as a puller for tool removal if needed.

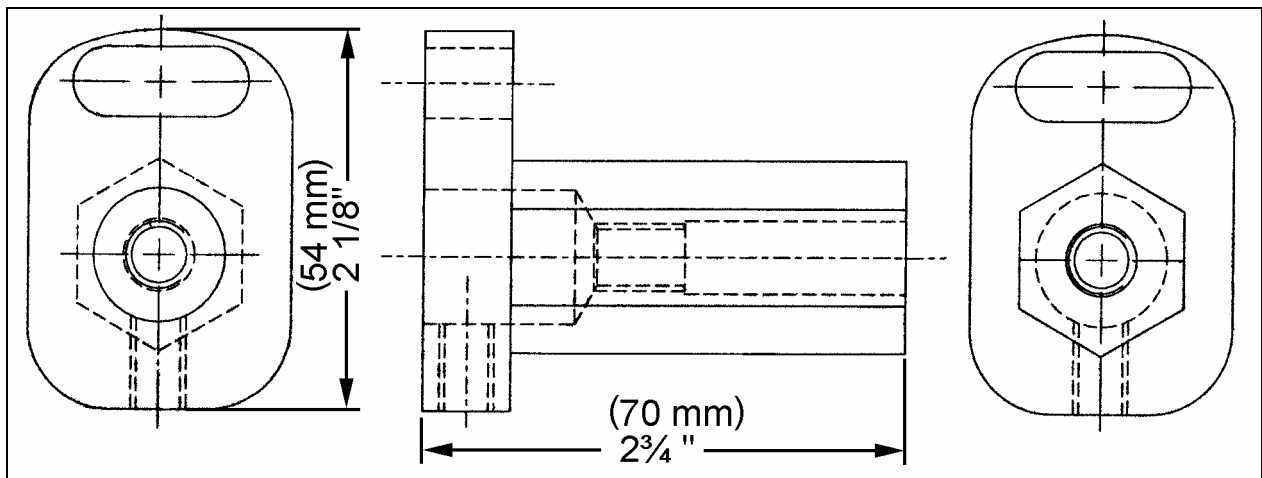


FIGURE 2

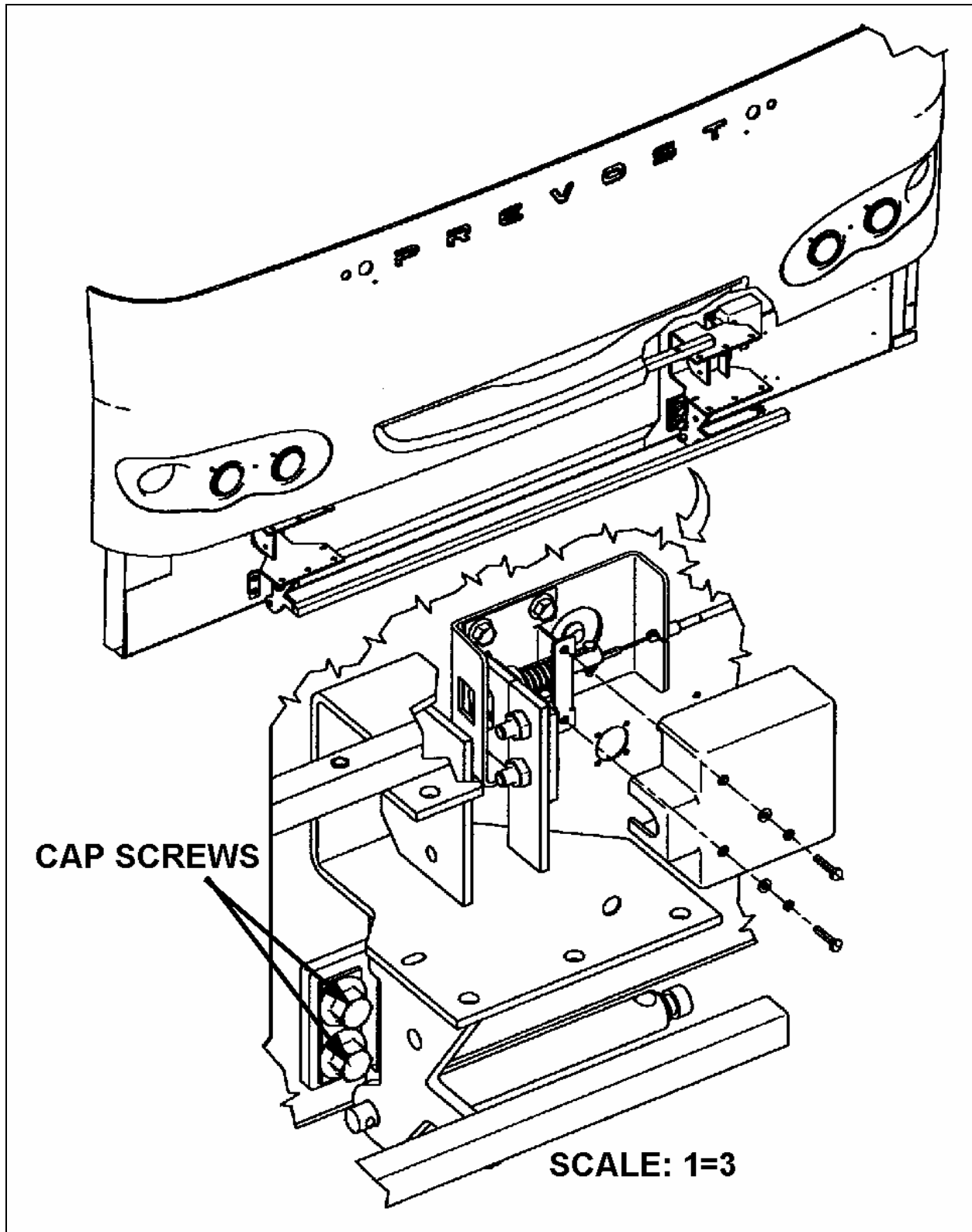


FIGURE 3

Remove 4 cap screws holding bumper to vehicle and remove bumper (Fig. 3).

To install bumper, reverse the removal procedure.