

PREVOST

Instruction Sheet

IS-97154

INSTALLATION OF NEW WEBASTO COOLANT HEATER TIMER

XL SERIES COACHES AND MTH PLUS H3 SERIES VEHICLES EQUIPPED WITH FORMER DASHBOARD

MATERIAL

Kit #065526 includes the following parts :

Part No.	Description	Qty
871160	Timer	1
064701	Cable, Interface	1
IS-97154	Instruction Sheet	1
FI-97154	Feuille d'instructions	1

PROCEDURE

Warning : Park vehicle safely, apply parking brake, stop engine and set battery master switch(es) to the OFF position prior to working on the vehicle.

1. Locate Webasto timer on R.H. lateral console or L.H. lateral console near driver's seat. Refer to figures 4 and 5. Lift timer up from its housing.
2. Remove timer by disconnecting wires from connector C430, C502, C503, C504 and connector 85A.
3. Connect interface cable connector C504 with timer. Connect interface cable rectangular connector (C258) and connector 85A with vehicle cable connectors C430 and 85A. Reconnect ON/OFF switch connectors C502 and C503.
4. Reinstall timer into its housing and check operation.

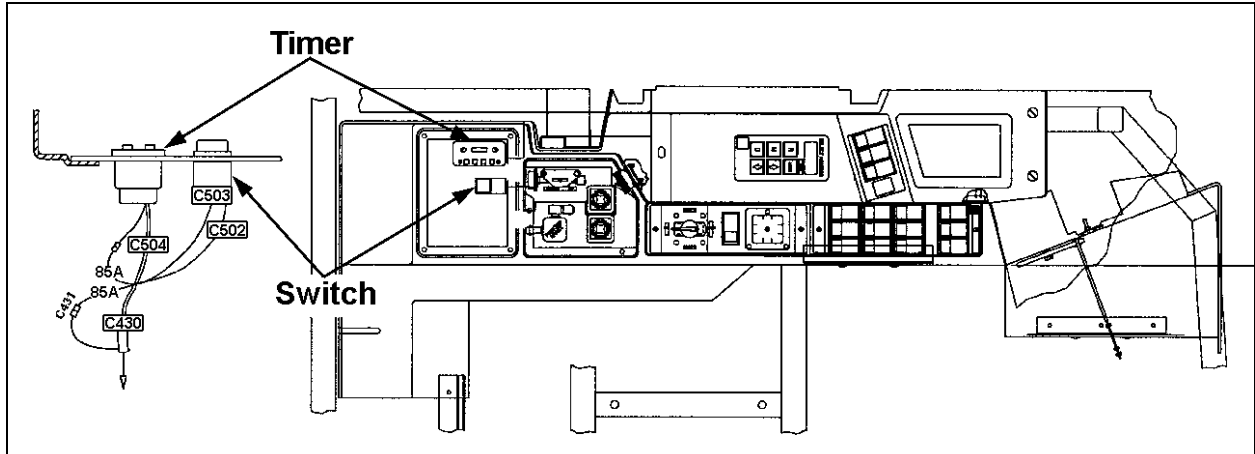


FIGURE 1 : L.H. LATERAL CONSOLE H3 – FORMER DASHBOARD

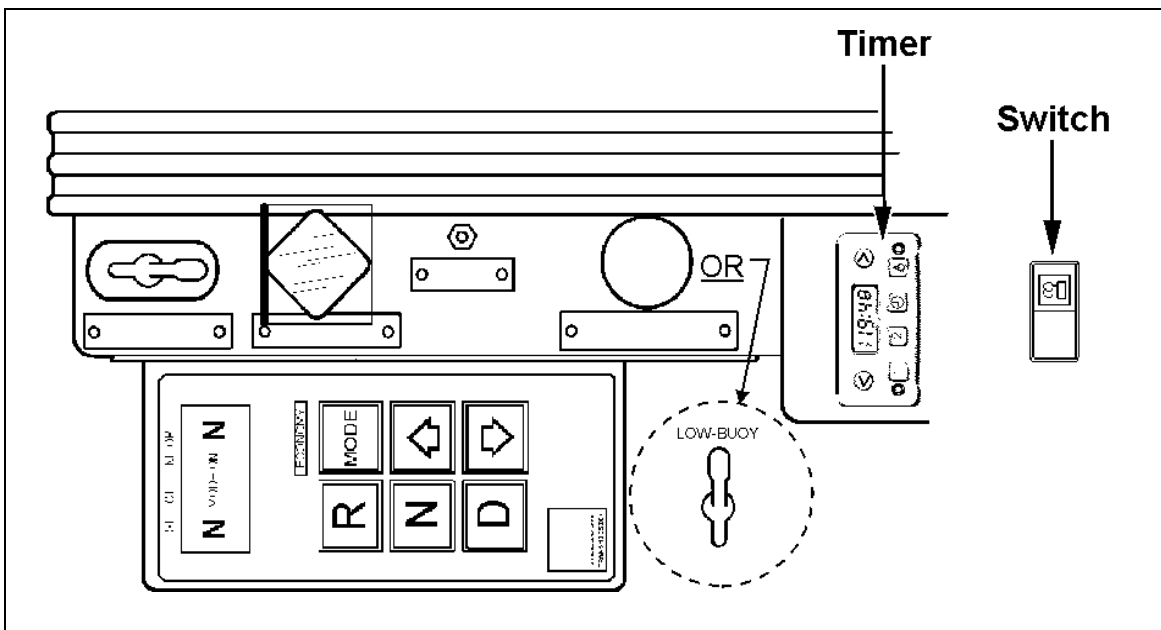


FIGURE 2 : R.H. LATERAL CONSOLE – XL COACHES

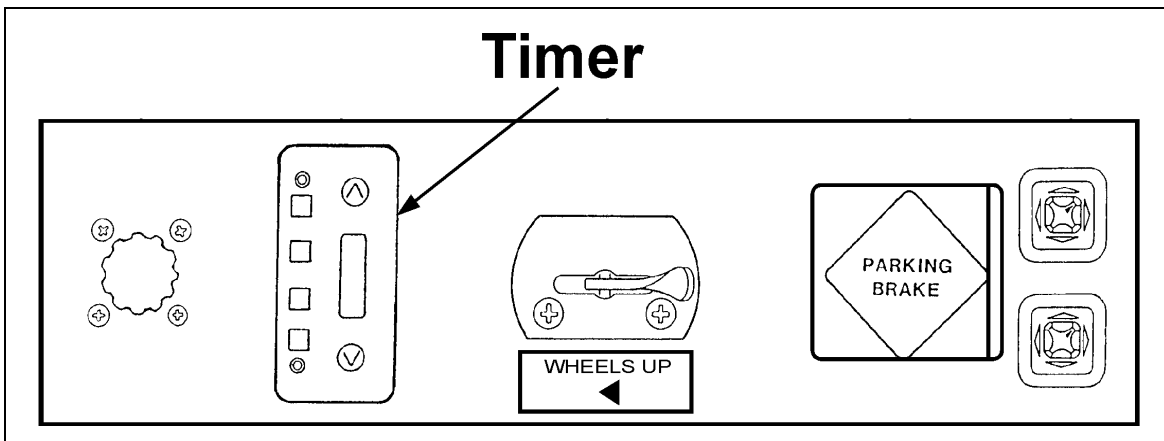


FIGURE 3 : L.H. LATERAL CONSOLE – XL MTH

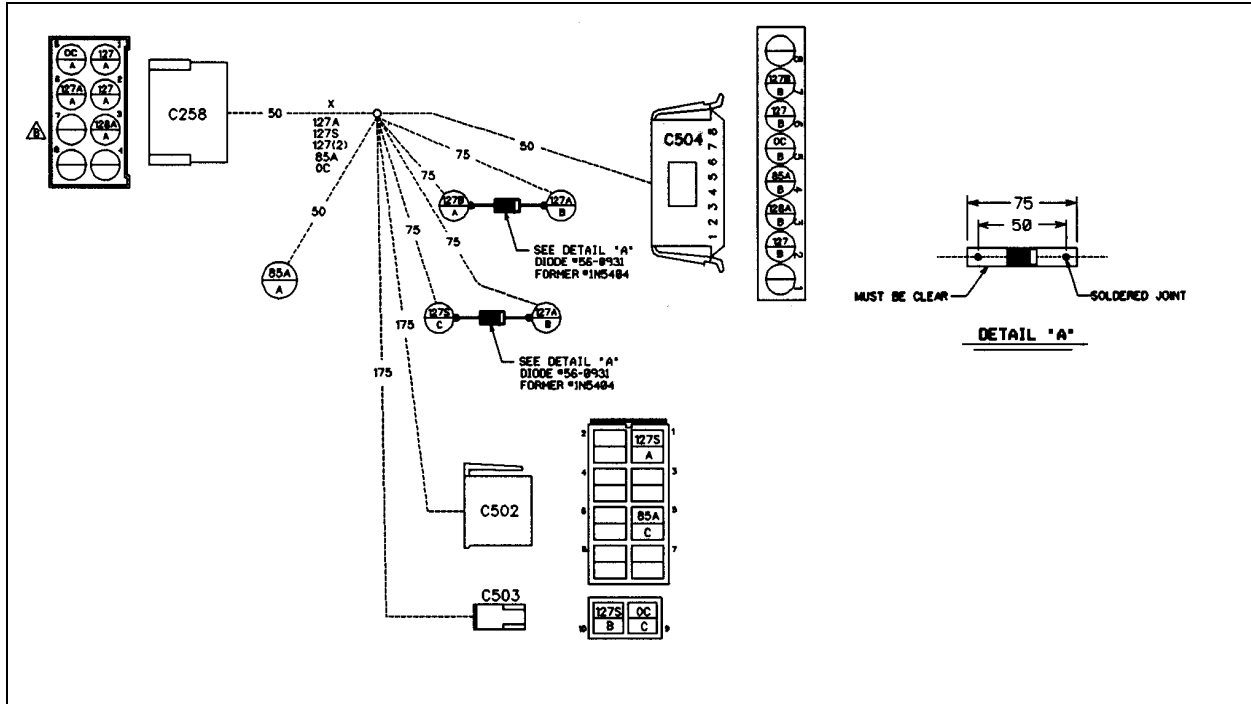


FIGURE 4 : INTERFACE CABLE 064701

H3 SERIES COACHES AND VIP

Note : H3 series vehicles included between S-1128 and W-2284 except W-2234 must use kit #065526.

MATERIAL

Kit #065527 includes the following parts :

Part No.	Description	Qty
871160	Timer	1
064700	Cable, Interface	1
IS-97154	Instruction Sheet	1
FI-97154	Feuille d'instructions	1

PROCEDURE

Warning : Park vehicle safely, apply parking brake, stop engine and set battery master switch(es) to the OFF position prior to working on the vehicle.

1. Locate Webasto timer on L.H. lateral console near driver's seat. Refer to figures 1 and 2. Lift timer up from its housing.
2. Remove timer by disconnecting wires from connector C430 and connector 85A.
3. Connect interface cable connector C504 with timer and interface cable connectors C430 and 85A with vehicle cable connectors C430 and 85A.

4. Reinstall timer into its housing and check operation.

Note : *Timer (871160) comes with a connector which is not used. You can keep it as spare if needed.*

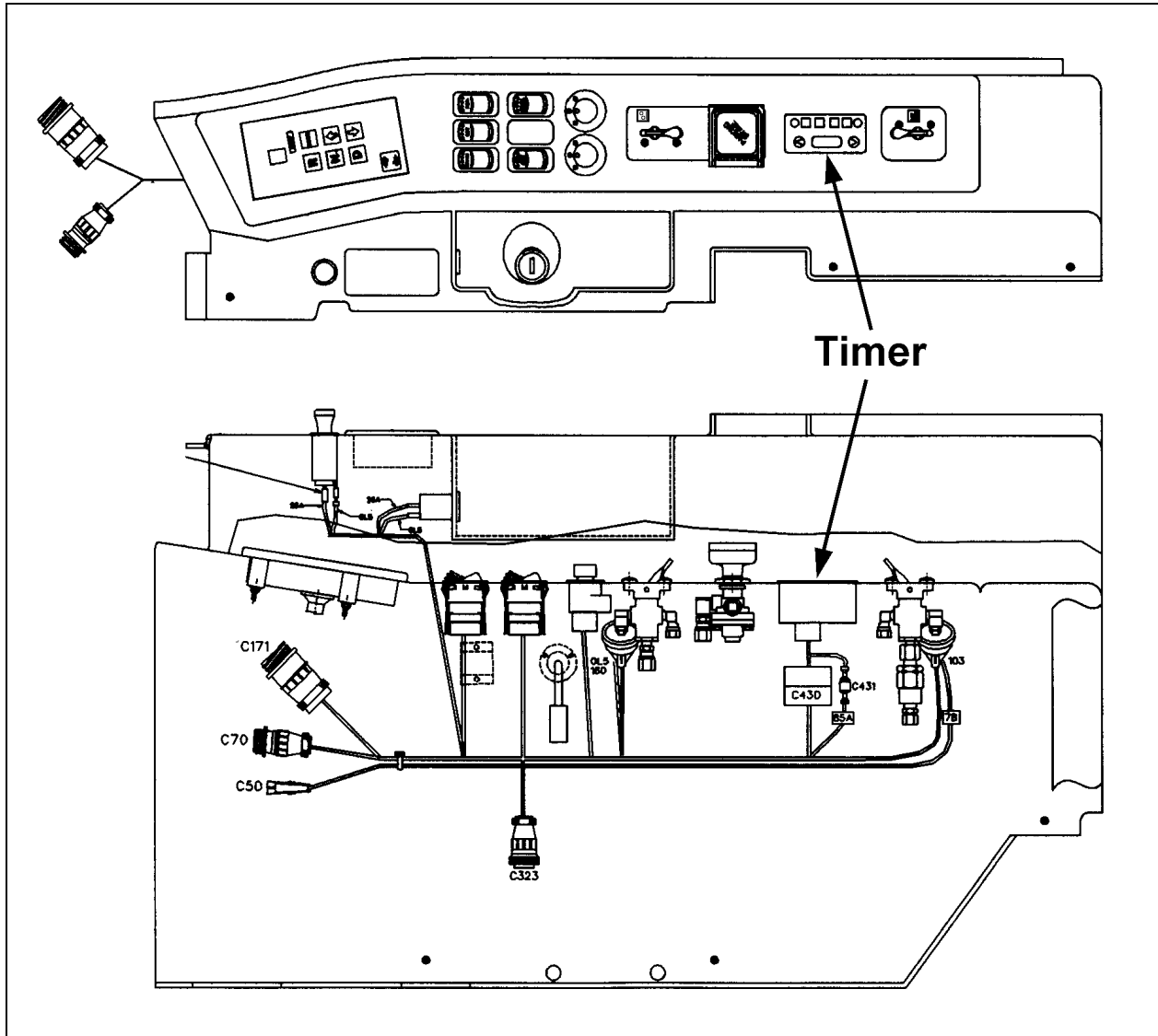


FIGURE 5 : L.H. LATERAL CONSOLE – H3 COACHES

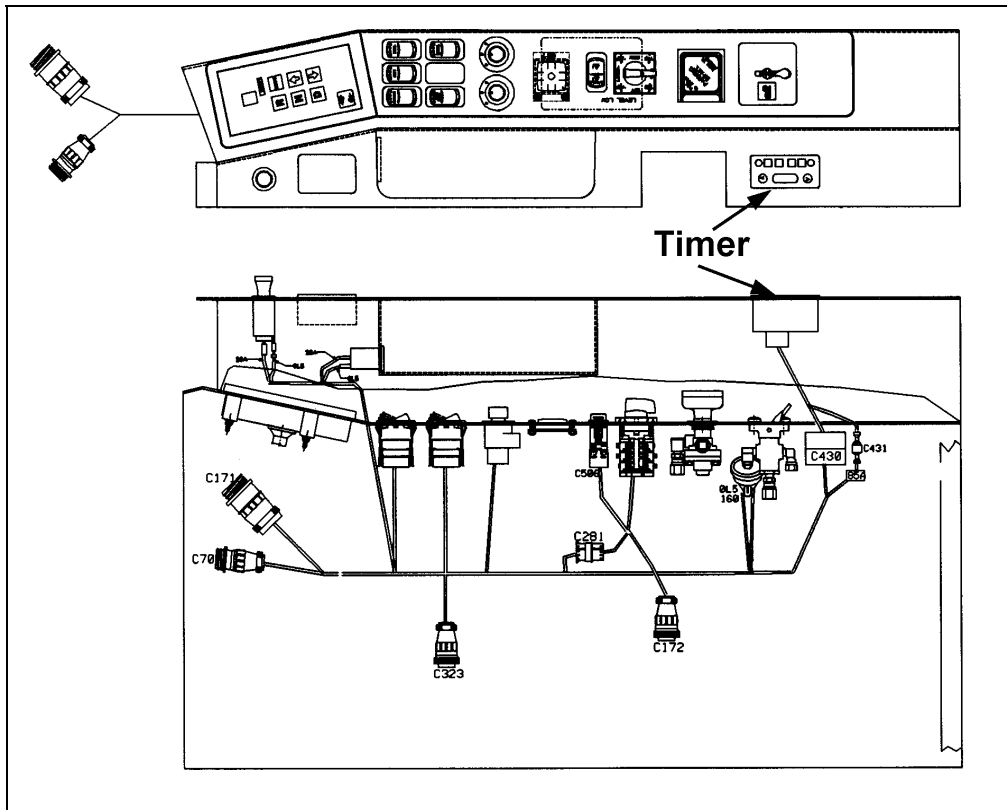


FIGURE 6 : L.H. LATERAL CONSOLE - VIP

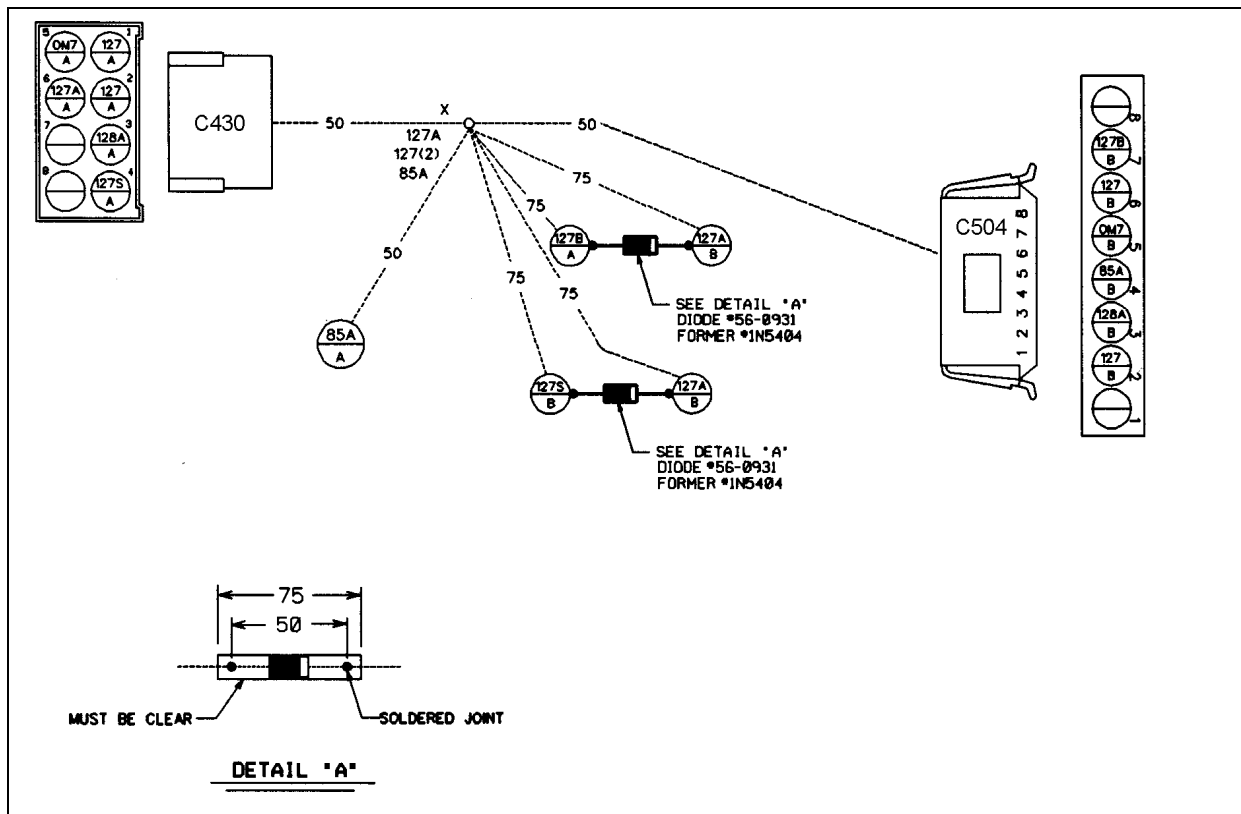


FIGURE 7 : INTERFACE CABLE 064700