

### RELOCATION OF CB5 AND CB9 CIRCUIT BREAKERS WITHIN THE CONDENSER COMPARTMENT

#### MATERIAL

Kit #065014 includes the following parts :

Part No.	Description	Qty
381910	Box, Circuit Breaker	1
065022	Cable 102	1
065023	Cable 130	1
504637	Cable tie	3
504066	Grommet	2
504421	Grommet	2
065028	Label, Self-adhesive	1
560666	Wire, Electrical	5
560086	Terminal, Ring	2
062490	Tube, Heat-Shrink	1
IS-98147	Instruction Sheet	1
FI-98147	Feuille d'instructions	1

#### PROCEDURE

**Warning :** Park vehicle safely, apply parking brake, stop engine and set battery master switch(es) to the OFF position prior to working on the vehicle.

1. Open condenser compartment door (refer to figure 1). Locate A/C junction box inside the compartment (refer to figure 2).
2. Unfasten A/C junction box cover and identify CB5 and CB9 circuit breakers (refer to figure 3). Remove these circuit breakers.
3. Install new circuit breaker box (Prévost #381910) inside the condenser compartment, onto the adjacent front baggage compartment wall located forward of condenser compartment. Fix new circuit breaker box above filter dryer.

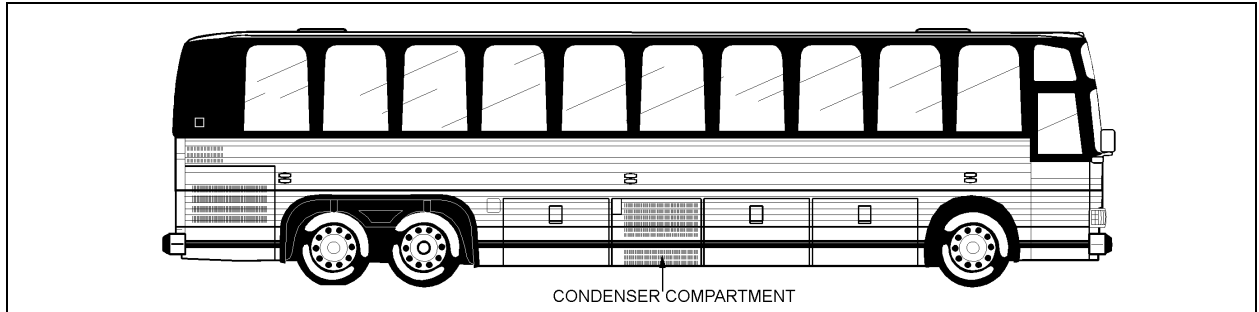


FIGURE 1: CONDENSER COMPARTMENT LOCATION (TYPICAL)

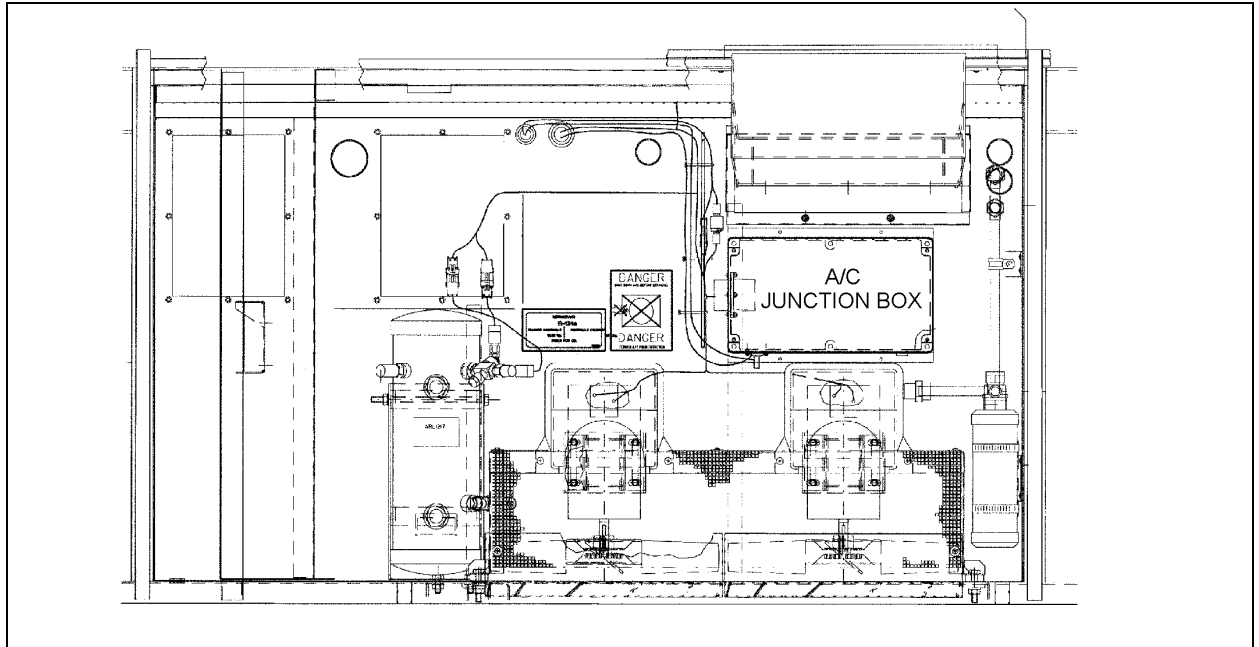
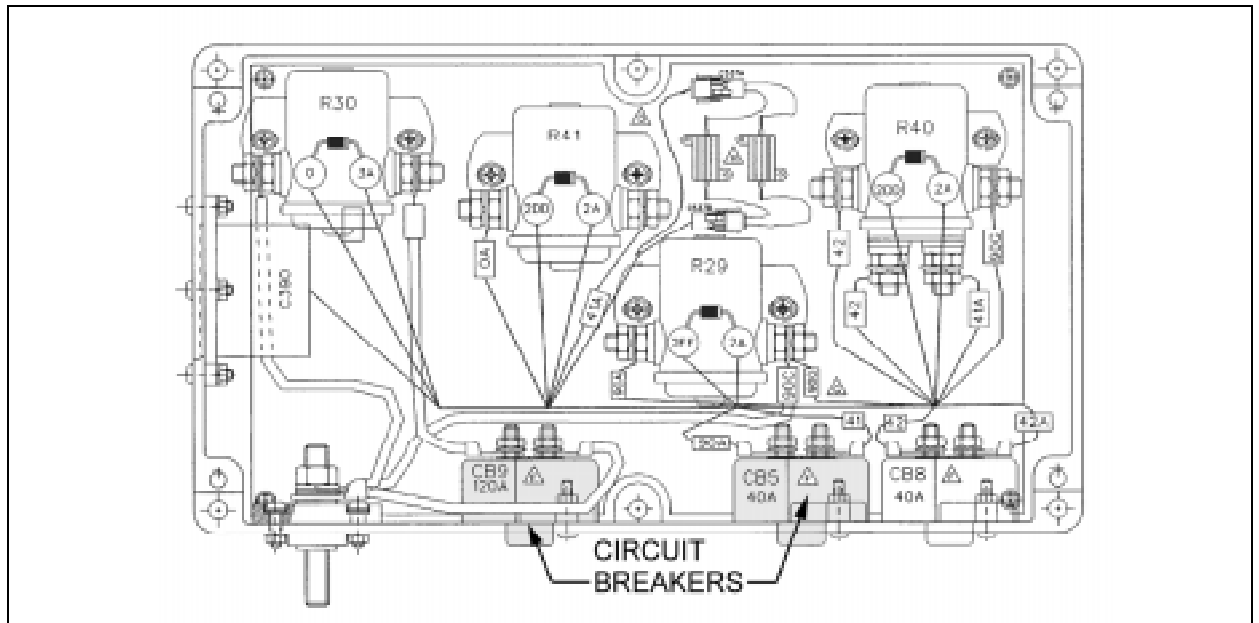
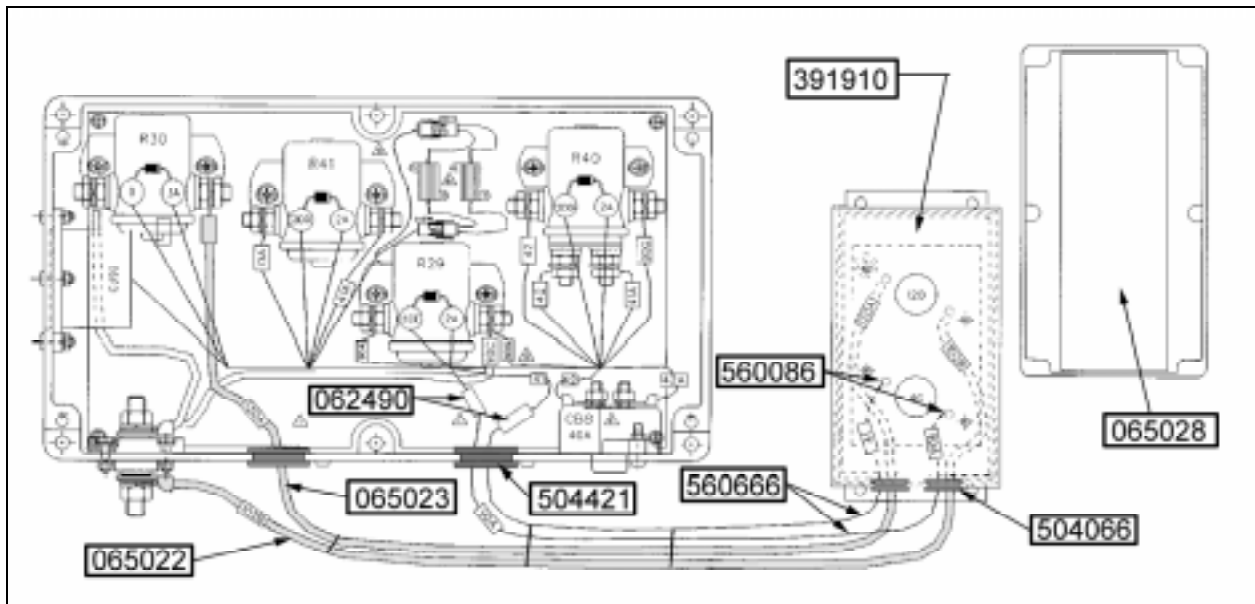


FIGURE 2: LOCATION OF A/C JUNCTION BOX INSIDE CONDENSER COMPARTMENT



**FIGURE 3: CB5 AND CB9 CIRCUIT BREAKERS**

**Caution:** Fuel tank is located behind the A/C junction box, on the other side of condenser compartment wall. Make sure not to install the new circuit breaker box onto this wall to avoid drilling through the tank.



**FIGURE 4: CABLE ROUTING BETWEEN A/C JUNCTION BOX AND CIRCUIT BREAKER BOX**

4. Install two grommets (Prévost #504421) on the A/C junction box and the two remaining grommets (Prévost #504066) on the circuit breaker box. Route cable 102 (Prévost #065022) and cable 130 (Prévost #065023) between A/C junction box and circuit breaker box (refer to figure 4).
5. Remove 1 inch of sheath from electrical wires (Prévost #560666) and from #41 and #90A wires. Cut heat-shrink tube to the desired length then insert wires into heat-shrink tube (Prévost #062490), twist wires together and solder. Slide heat-shrink tube over connection then heat.
6. Insert electrical wires through grommets then route wires from A/C junction box to circuit breaker box. Use cable ties (Prévost #504637) to secure cables and electrical wires.
7. Install a ring terminal (Prévost #560086) on each electrical wire end in order to fix latter to terminals located inside circuit breaker box (refer to figure 4).
8. Affix new self-adhesive label (Prévost #065028) inside A/C junction box cover then fasten box cover.